

PREVOST

COACH MANUFACTURER

PARTS MANUAL



PA-1603

07-2024

PARTS MANUAL



General information

A. Vehicle Identification Number (V.I.N.)

Each time spare parts have to be ordered, you must refer to your vehicle identification number serial number. In order to understand the meaning of this number, please refer to the following:

2 P C B S 3 4 9 5 E C 7 3 5490

C = VEHICLE MODEL
S = WITH PREVOST SLIDE-OUT
9 = VEHICLE LENGTH
E = MODEL YEAR
5490 = SEQUENCE NUMBER

Vehicle Model

This manual covers vehicle model XL coaches and MTH bus shells.

B	X3-45 VIP Motorhome
C	X3-45 VIP Commercial use

Vehicle Length

9	45 feet
----------	---------

Model Year

YEAR	CODE	YEAR	CODE	YEAR	CODE	YEAR	CODE
2014	E	2017	H	2020	L	2023	P
2015	F	2018	J	2021	M	2024	R
2016	G	2019	K	2022	N		

Sequence Number

This number represents the sequence the vehicle has followed on the assembly line.

B. Effectivity

This manual covers information for vehicles from the **E-5490** to present.

The heading of each page in this manual refers to an effectivity serial number and in the parts description, you may find additional information on the effectivity of a specific part to a serial number (refer to FROM:).

In the description, you may also remark the expression UP TO which means that a component is effective to the vehicles manufactured up to the specified serial number (refer to UP TO:).

C. Illustrations

An exploded view is conveniently located at the beginning of each section and is meant to assist the user in identifying parts and components.

The illustrations show the typical construction of the different assemblies and, in all cases, may not reproduce the full detail or exact shape of parts shown, however, they represent parts which have same or similar function.

PARTS MANUAL

C. Illustrations

An exploded view is conveniently located at the beginning of each section and is meant to assist the user in identifying parts and components.

The illustrations show the typical construction of the different assemblies and , in all cases, may not reproduced the full detail or exact shape of parts shown, however, they represent parts which have same or similar function.

D. General

The information, illustrations and components/system descriptions contained in this manual are correct at time of publication. Prévost Car Inc., however, maintains a policy of continuous improvement of its product without imposing upon itself any obligation to install them on products previously manufactured.

Prévost Car Inc., reserves the right at any time to discontinue or change specifications, designs, features, models or equipment without incurring obligation.

PARTS MANUAL

E. Parts and Service Center

CANADA

Canadian Parts Customer Service 2955-A Watt Street Québec, Québec Canada, G1X 3W1	Toll free phone: 1 (800) 463-8876 Tel.: (418) 654-0174 Fax: (800) 939-0133 Fax: (418) 658-1723	Service Center British Columbia 11911 No. 5 Road Richmond, British Columbia Canada, V7A 4E9	Tel.: (604) 940-3306 Fax: (604) 940-3384
Service Center 850 Chemin Olivier Saint-Nicolas, Quebec Canada G7A 2N1	Toll free phone: 1 866 870-2046 Tel.: (418) 831-2046 Fax: (418) 831-7432	Service Ontario 8301-A Keele Street Vaughan, Ontario Canada, L4K 1Z6	Tel.: (905) 738-0881 Fax: (905) 738-0891
Service Center Alberta 292 MacDonald Crescent Fort McMurray, Alberta Canada T9H 4B6	Tel.: (780) 792-9526 Fax: (780) 743-0983		

UNITED STATES

US Parts Customer Service 2250 Point Blvd., Suite 410 Elgin, IL USA, 60123	Toll free phone 1 800 799-9938 Main office (847) 844-7680 Parts 1 800 621-5519	Prevost Parts & Service Center 800 South Cartwright Street Goodlettsville, TN USA, 37072	Toll free phone 1 877 299-8881 Main office (615) 299-8881 Fax: (615) 299-8816 After-Hours (615) 519-1372 Parts Emergency
Prevost Parts & Service Center 3384 De Forest Circle Mira Loma, CA USA, 91752	Toll free phone 1 800 421-9958 Main office (951) 360-2550 Fax: (951) 360-2560 After-Hours (951) 314-0226 Parts Emergency	Prevost Parts & Service Center 201 South Avenue South Plainfield, NJ USA, 07080	Toll free phone 1 800 223-0830 Main office (908) 222-7211 Fax: (908) 222-7304 Fax parts (908) 222-7305 After-Hours (201) 315-4064 Parts Emergency
Prevost Parts & Service Center 6821 Central Avenue, Newark, CA USA, 94560	Main office (310) 283-1852 After-Hours: (951) 314-0226 Parts Emergency	Prevost Parts & Service Center 15200 Frye Road Fort Worth, TX USA, 76155-2702	Service/Parts 1 866 773-8678 Main office (817) 685-0250 Fax : (817) 685-0460 After-Hours (817) 271-8653 Parts Emergency
Prevost Parts & Service Center 6931 Business Park Blvd North Jacksonville, FL USA, 32256	Toll free phone 1 800 874-7740 Main office (904) 886-4555 Fax: (904) 886-0092 After-Hours (904) 412-8023 Parts Emergency	Prevost Parts & Service Center 11851 Cutten Road Houston, TX USA, 77066	Service/Parts 1 877 602-0273 Main office (713) 849-8562 Fax: (281) 315-1571 After-Hours (346) 333-5520 Parts Emergency
Prevost Parts & Service Center 1300 Green Forest Court Winter Garden, FL USA, 34787	Toll free phone 1 866 726-6235 Main office (407) 554-0196 After-Hours: (407) 259-5720 Parts Emergency	Prevost Parts & Service Center 3715 N. Carnation St. Franklin Park, IL USA, 60131	Main office (847) 778-7475 Fax: (847) 737-2242 After-Hours 1 800 463-7738 Parts Emergency

PARTS MANUAL

KEY & ABBREVIATIONS

(XXXX-XX)	SEE PAGE	N/A	NOT AVAILABLE
<>	BETWEEN	NEG.	NEGATIVE
°	DEGREE	N.O.	NORMALLY OPEN
#	NUMBER	N.C.	NORMALLY CLOSE
??	INFORMATION NOT AVAILABLE AT TIME OF PUBLICATION	N.P.N.	NO PARTS NUMBER
ABS	ANTILOCK BRAKING SYSTEM	NPT	NATIONAL PIPE THREAD
AR	AS REQUIRED	NS	NOT SHOWN
ASSY	ASSEMBLY	N.S.P.	NOT SOLD AT PREVOST (SEE MANUFACTURING PART NUMBER AT THE END OF DESCRIPTION LINE)
CCW	COUNTERCLOCKWISE	N.S.S.	NOT SOLD SEPARATELY
C.E.	COMMUTATOR END	O.D.	OUTSIDE DIAMETER
CHR	CHROME	OPT.	OPTION
CW	CLOCKWISE	O.S.	OVERSIZE
CYL.	CYLINDER	PH	PHILLIPS
C/C	CENTER/CENTER	POS.	POSITIVE
D.E.	DRIVE END	RR	REAR
DIA.	DIAMETER	S.C.C.	SPECIFY COLOR CODE
DIFF.	DIFFERENTIAL	SCT	SECTION
D.P.D.T.	DOUBLE POLE DOUBLE THROW	S.D.	SPECIFY DIMENSION
ECU	ELECTRONIC CONTROL UNIT	S.L.	SPECIFY LENGHT
EDU	ELECTRONIC DISTRIBUTOR UNIT	SM	SMALL
EFF	EFFECTIVE	S.P.S.T.	SINGLE POLE SINGLE THROW
ENG.	ENGINE	S.P.D.T.	SINGLE POLE DOUBLE THROW
EXT	EXTERNAL	S.Q.	SPECIFY QUANTITY
FR	FRONT	SS	STAINLESS STEEL
GND	GROUND	STD	STANDARD
HD	HEAD	STO	STOVER
HEX	HEXAGONAL	SW	SWIVEL
H.P.	HIGH PRESSURE	SWL FITT.	SWIVEL FITTING
HVAC	HEATING, VENTILATION & AIR CONDITIONING	TPG	TAPING
HYD	HYDRAULIC	TH	THICKNESS
I.D.	INSIDE DIAMETER	TRANS.	TRANSMISSION
INT	INTERNAL	TXV	THERMAL EXPANSION VALVE
JCT	JUNCTION	U.S.	UNDERSIZE
LED	LIGHT-EMITTING DIODE	W	WITH
L.P.	LOW PRESSURE	W/O	WITHOUT
LUGG.	LUGGAGE	WIND.	WINDOW
M & F	MALE & FEMALE	ZP	ZINC PLATED

PARTS MANUAL

MEASUREMENT EQUIVALENTS

Fraction - Inches (dec.) - Millimeter

25.4mm = 1 inch

1mm = .03937 inch

fraction	decimal	mm	fraction	decimal	mm
1/64	0.0156	0.397	33/64	0.5156	13.097
1/32	0.0313	0.794	17/32	0.5313	13.494
-	0.0394	1	35/64	0.5469	13.891
3/64	0.0469	1.191	-	0.5512	14
1/16	0.0625	1.588	9/16	0.5625	14.288
5/64	0.0781	1.984	37/64	0.5781	14.684
-	0.0787	2	-	0.5906	15
3/32	0.0938	2.381	19/32	0.5938	15.081
7/64	0.1093	2.778	39/64	0.6094	15.478
-	0.1181	3	5/8	0.6250	15.875
1/8	0.1250	3.175	-	0.6299	16
9/64	0.1406	3.572	41/64	0.6406	16.272
5/32	0.1563	3.969	21/32	0.6563	16.669
-	0.1575	4	-	0.6693	17
11/64	0.1719	4.366	43/64	0.6719	17.066
3/16	0.1875	4.762	11/16	0.6875	17.462
-	0.1969	5	45/64	0.7031	17.859
13/64	0.2031	5.159	-	0.7087	18
7/32	0.2188	5.556	23/32	0.7188	18.256
15/64	0.2344	5.953	47/64	0.7344	18.653
-	0.2362	6	-	0.7480	19
1/4	0.2500	6.350	3/4	0.7500	19.050
17/64	0.2656	6.747	49/64	0.7656	19.447
-	0.2756	7	25/32	0.7813	19.844
9/32	0.2813	7.144	-	0.7874	20
19/64	0.2969	7.541	51/64	0.7969	20.241
5/16	0.3125	7.938	13/16	0.8125	20.638
-	0.3150	8	-	0.8268	21
21/64	0.3281	8.334	53/64	0.8281	21.034
11/32	0.3438	8.731	27/32	0.8438	21.431
-	0.3543	9	55/64	0.8594	21.828
23/64	0.3594	9.128	-	0.8661	22
3/8	0.3750	9.525	7/8	0.8750	22.225
25/64	0.3906	9.922	57/64	0.8096	22.622
-	0.3937	10	-	0.9055	23
13/32	0.4063	10.319	29/32	0.9063	23.019
27/64	0.4219	10.716	59/64	0.9219	23.416
-	0.4331	11	15/16	0.9375	23.812
7/16	0.4375	11.112	-	0.9449	24
29/64	0.4531	11.509	61/64	0.9531	24.209
15/32	0.4688	11.906	31/32	0.9688	24.606
-	0.4724	12	-	0.9843	25
31/64	0.4844	12.303	63/64	0.9844	25.003
12	0.5000	12.700	1/1	1	25.400
-	0.5118	13	-	-	-

PARTS MANUAL

TABLE OF CONTENTS

GENERAL	00
ENGINE	01
CLUTCH	02
FUEL	03
EXHAUST	04
COOLING	05
ELECTRICAL	06
TRANSMISSION	07
PROPELLER SHAFT	09
FRONT AXLE	10
REAR AXLE	11
BRAKE	12
WHEEL, HUBS & TIRES	13
STEERING	14
SUSPENSION	16
BODY	18
HEATING & AIR CONDITIONING	22
ACCESSORIES	23
WHEEL CHAIR LIFT	25

PARTS MANUAL

To have more information about fast moving parts, place an order for the book PA-1105 to your nearest parts order desk.

Thank you!

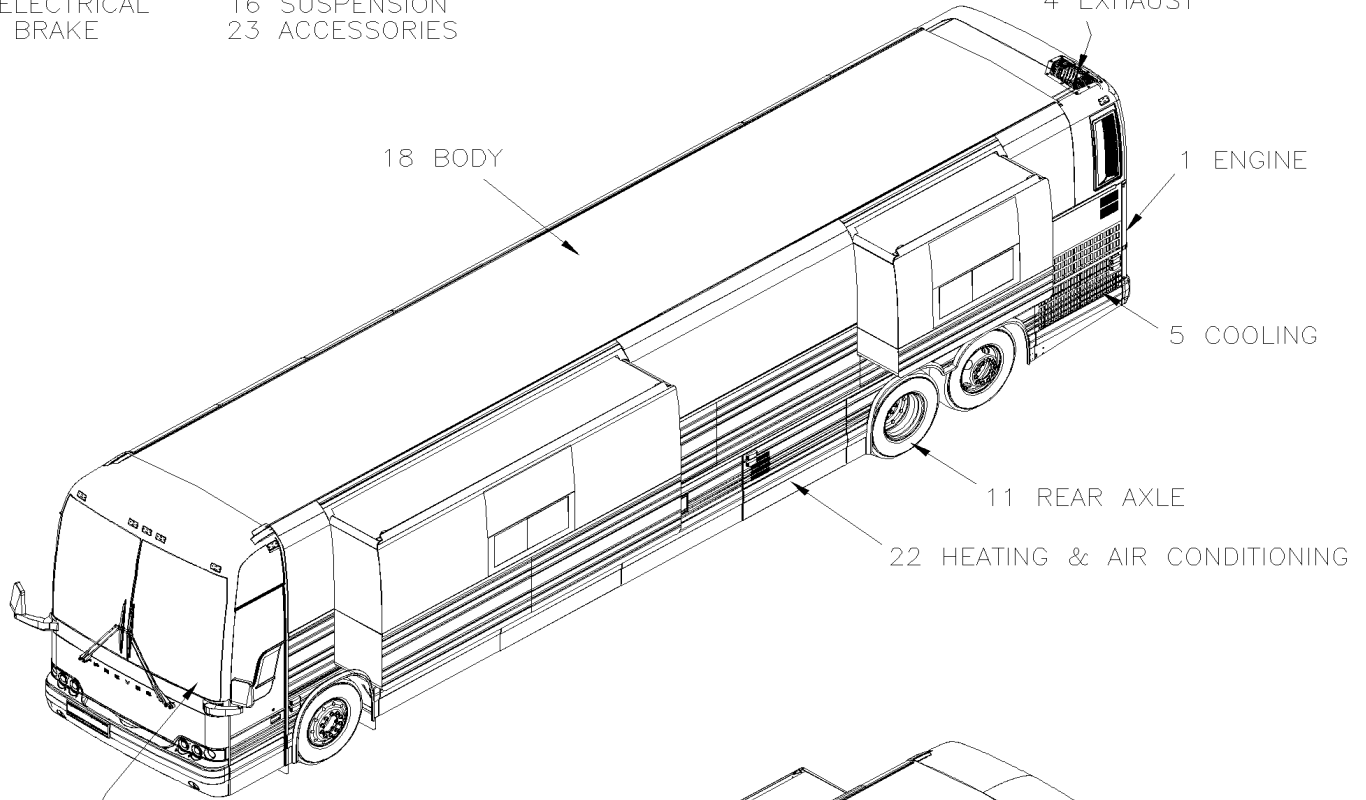


	Date:07/2024	PAGE: X3-45 VIP
X3-45 VIP COMMERCIAL & MOTORHOME / 2014 TO DATE / VIN FROM E-5490 TO		

6 ELECTRICAL
12 BRAKE

16 SUSPENSION
23 ACCESSORIES

4 EXHAUST



18 BODY

1 ENGINE

5 COOLING

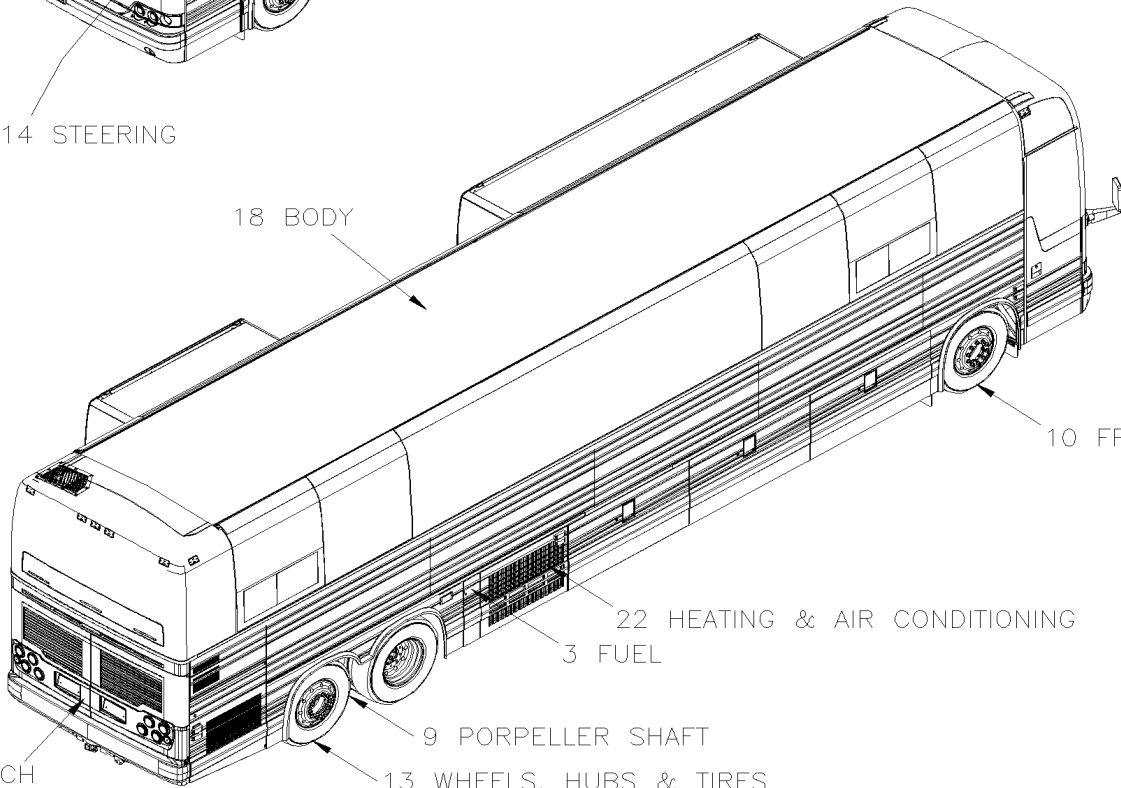
11 REAR AXLE

22 HEATING & AIR CONDITIONING

14 STEERING

18 BODY

10 FRONT AXLE



22 HEATING & AIR CONDITIONING

3 FUEL

9 PORPELLER SHAFT

13 WHEELS, HUBS & TIRES

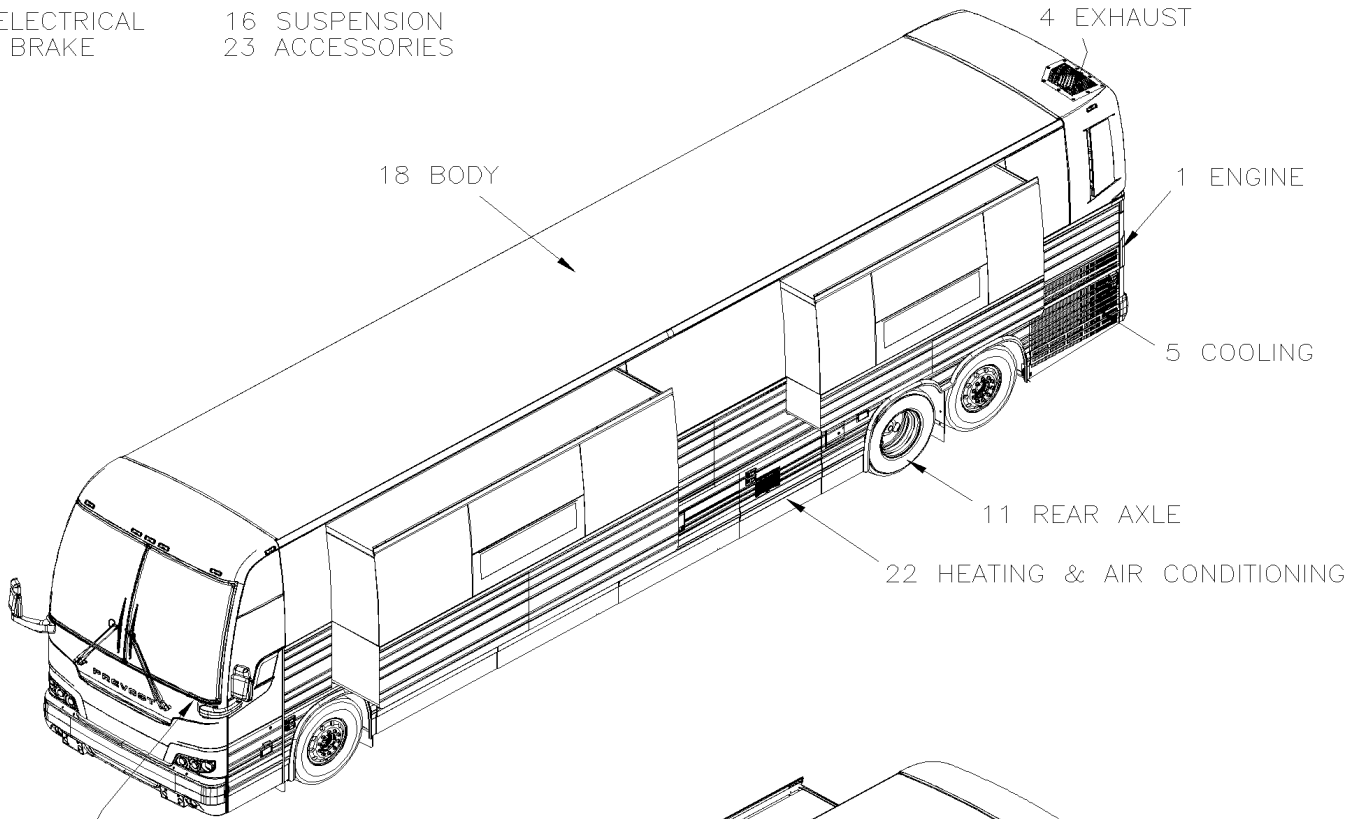
2 CLUTCH
7 TRANSMISSION



	Date:07/2024	PAGE: X3-45 VIP
X3-45 VIP COMMERCIAL & MOTORHOME / 2014 TO DATE / VIN FROM E-5490 TO		

6 ELECTRICAL
12 BRAKE

16 SUSPENSION
23 ACCESSORIES



18 BODY

4 EXHAUST

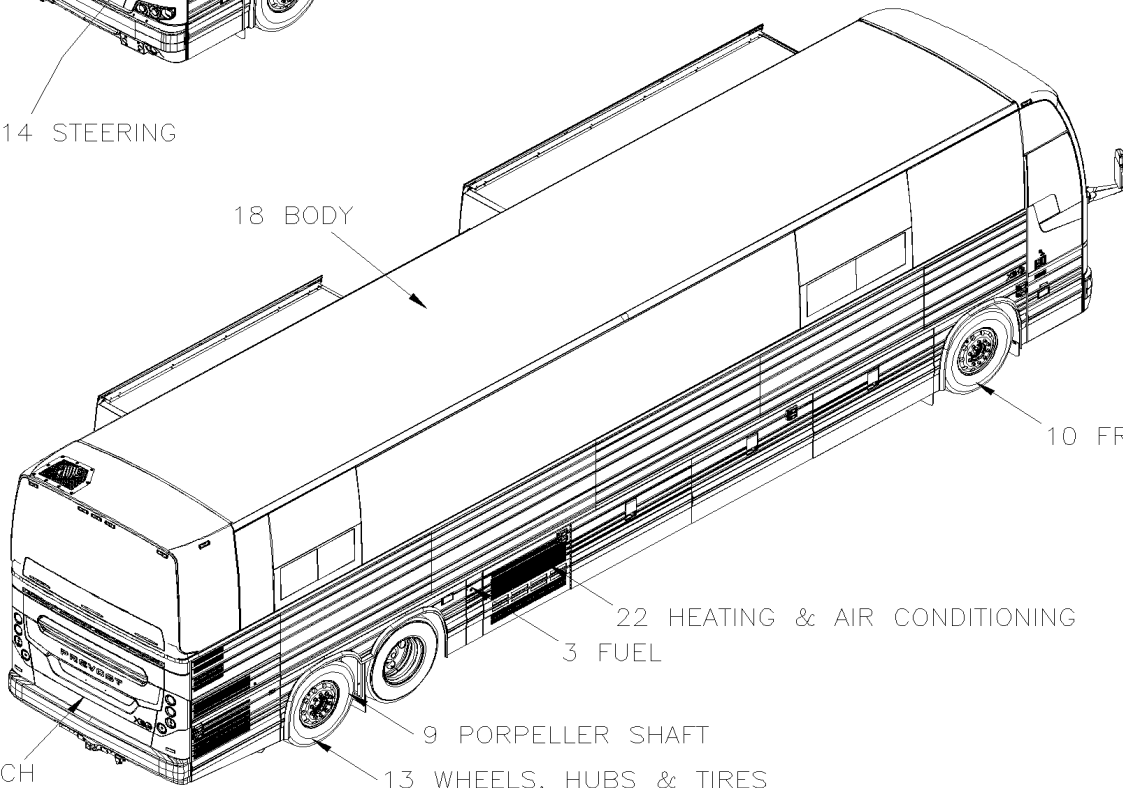
1 ENGINE

5 COOLING

11 REAR AXLE

22 HEATING & AIR CONDITIONING

14 STEERING



18 BODY

10 FRONT AXLE

22 HEATING & AIR CONDITIONING

3 FUEL

9 PORPELLER SHAFT

13 WHEELS, HUBS & TIRES

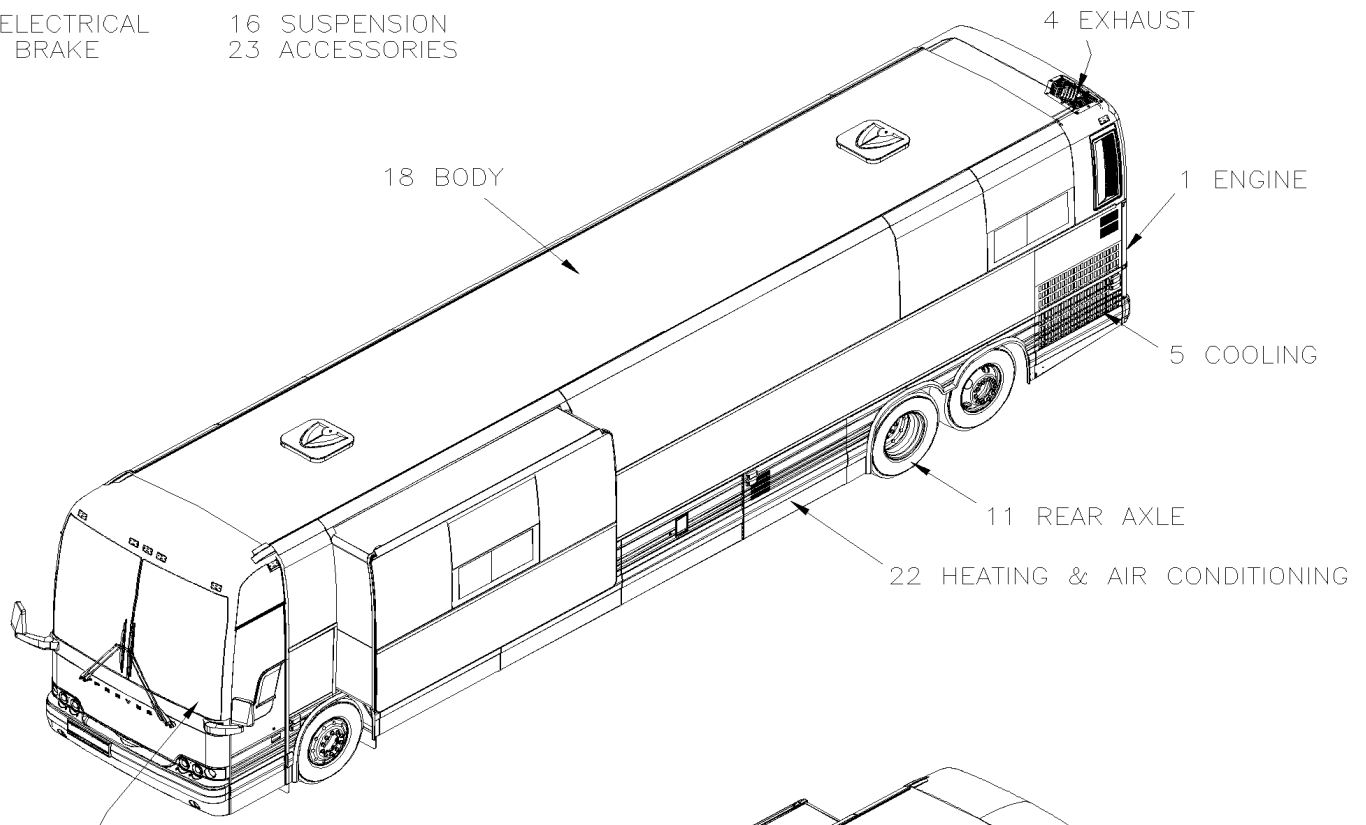
2 CLUTCH
7 TRANSMISSION



	Date:07/2024	PAGE: X3-45 VIP
X3-45 VIP COMMERCIAL & MOTORHOME / 2014 TO DATE / VIN FROM E-5490 TO		

6 ELECTRICAL
12 BRAKE

16 SUSPENSION
23 ACCESSORIES



4 EXHAUST

18 BODY

1 ENGINE

5 COOLING

11 REAR AXLE

22 HEATING & AIR CONDITIONING

14 STEERING

18 BODY

10 FRONT AXLE

22 HEATING & AIR CONDITIONING

3 FUEL

9 PORPELLER SHAFT

13 WHEELS, HUBS & TIRES

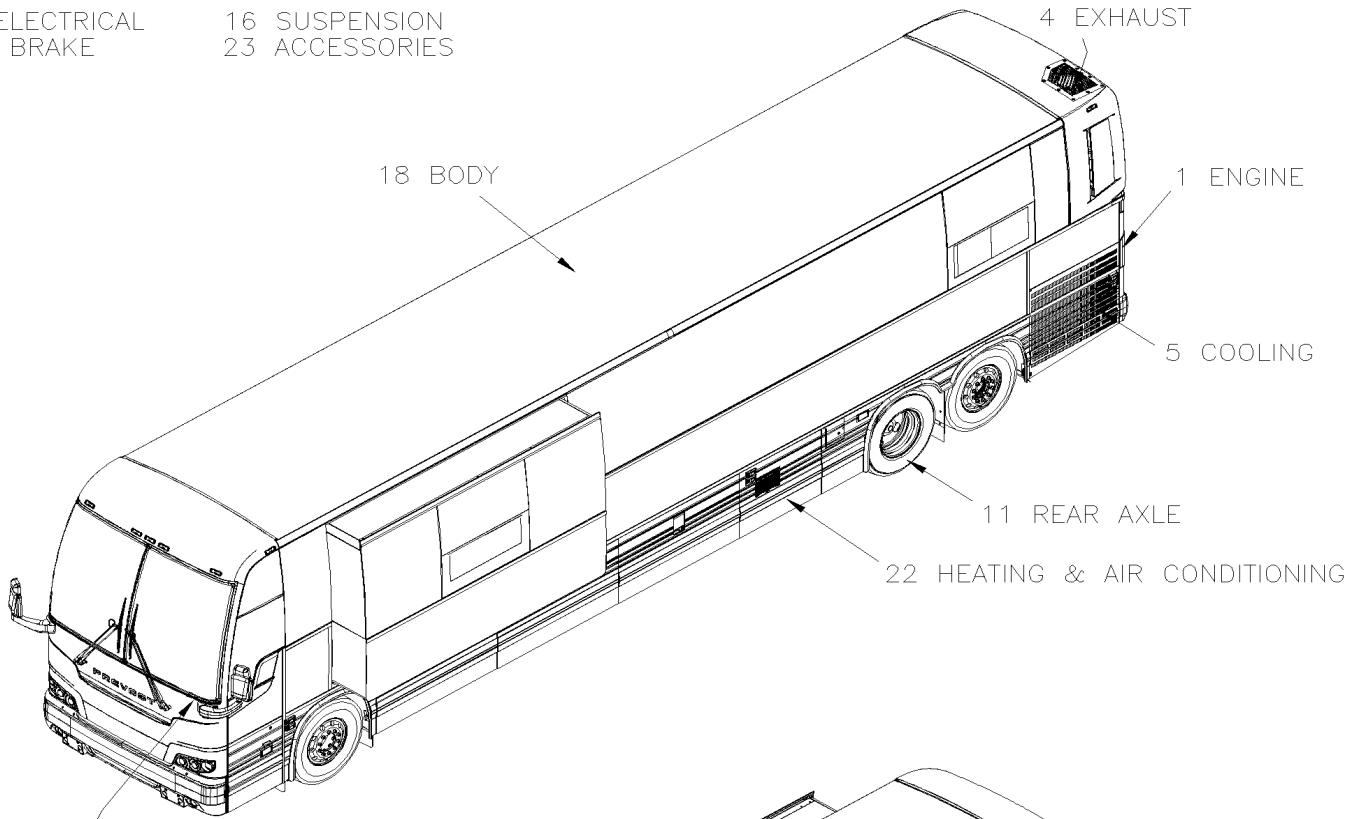
2 CLUTCH
7 TRANSMISSION



	Date:07/2024	PAGE: X3-45 VIP
X3-45 VIP COMMERCIAL & MOTORHOME / 2014 TO DATE / VIN FROM E-5490 TO		

6 ELECTRICAL
12 BRAKE

16 SUSPENSION
23 ACCESSORIES



4 EXHAUST

18 BODY

1 ENGINE

5 COOLING

11 REAR AXLE

22 HEATING & AIR CONDITIONING

14 STEERING

18 BODY

10 FRONT AXLE

22 HEATING & AIR CONDITIONING

3 FUEL

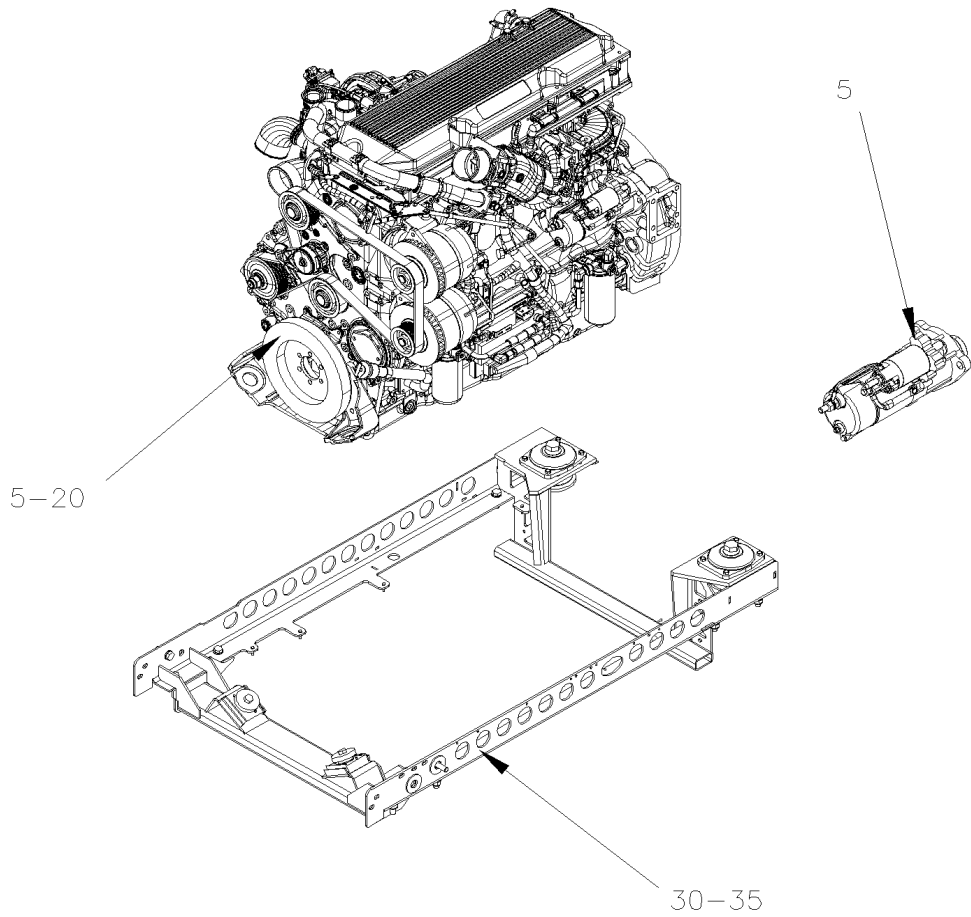
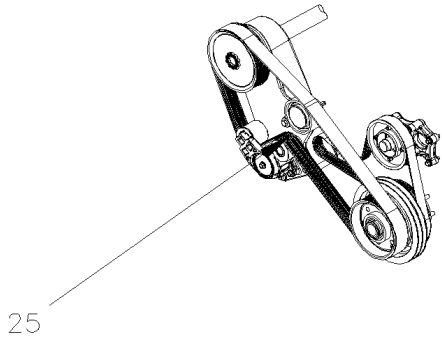
9 PORPELLER SHAFT

2 CLUTCH
7 TRANSMISSION

13 WHEELS, HUBS & TIRES



	Date:07/2024	X3VIP-01
ENGINE		





		Date:07/2024	X3VIP-01		
ENGINE					
Item#	Part	Description	X 3 V I P E N T	X 3 V I P M T H	NOTES
5	X3VIP-0100-05	VOLVO ENGINE CONTROL SYSTEM From E-5490			
5	X3VIP-0100-06	ENGINE WIRING HARNESS - INSTALLATION WITH VOLVO D13 From E-5490 To H-6179			
5	X3VIP-0100-07	ENGINE WIRING HARNESS - INSTALLATION WITH VOLVO D13 - GHG17 From H-6180			
5	X3VIP-0100-10	STARTER - INSTALLATION From E-5490			
20	X3VIP-0105-05	ENGINE OIL FILLER CAP & DIPSTICK WITH VOLVO D13 From E-5490			
25	X3VIP-0120-00	DRIVE PULLEY, BELTS & TENSIONER WITH VOLVO D13 From E-5490 To H-6179			
25	X3VIP-0120-01	DRIVE PULLEY, BELTS & TENSIONER WITH VOLVO D13 - GHG17 From H-6180			
30	X3VIP-0150-00	ENGINE CRADLE - WITH VOLVO D13 From E-5490 To H-6179			
30	X3VIP-0150-01	ENGINE CRADLE - WITH VOLVO D13 - GHG17 From H-6180			
35	X3VIP-0155-10	ENGINE TRANSMISSION GUARD & AIR SHIELD From E-5490 To H-6179			
35	X3VIP-0155-11	ENGINE TRANSMISSION GUARD & AIR SHIELD VOLVO D13 - GHG17 From H-6180			
40	Refer To Volvo	SEE IMPACT OR CALL ORDER DESK From E-5490			V
		V) SEE IMPACT OR CALL ORDER DESK			

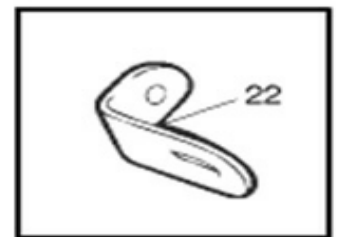
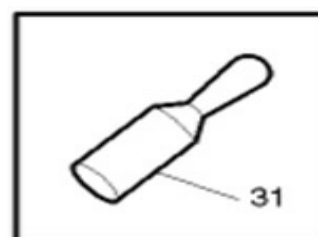
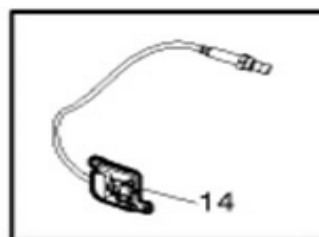
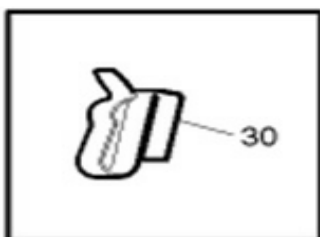
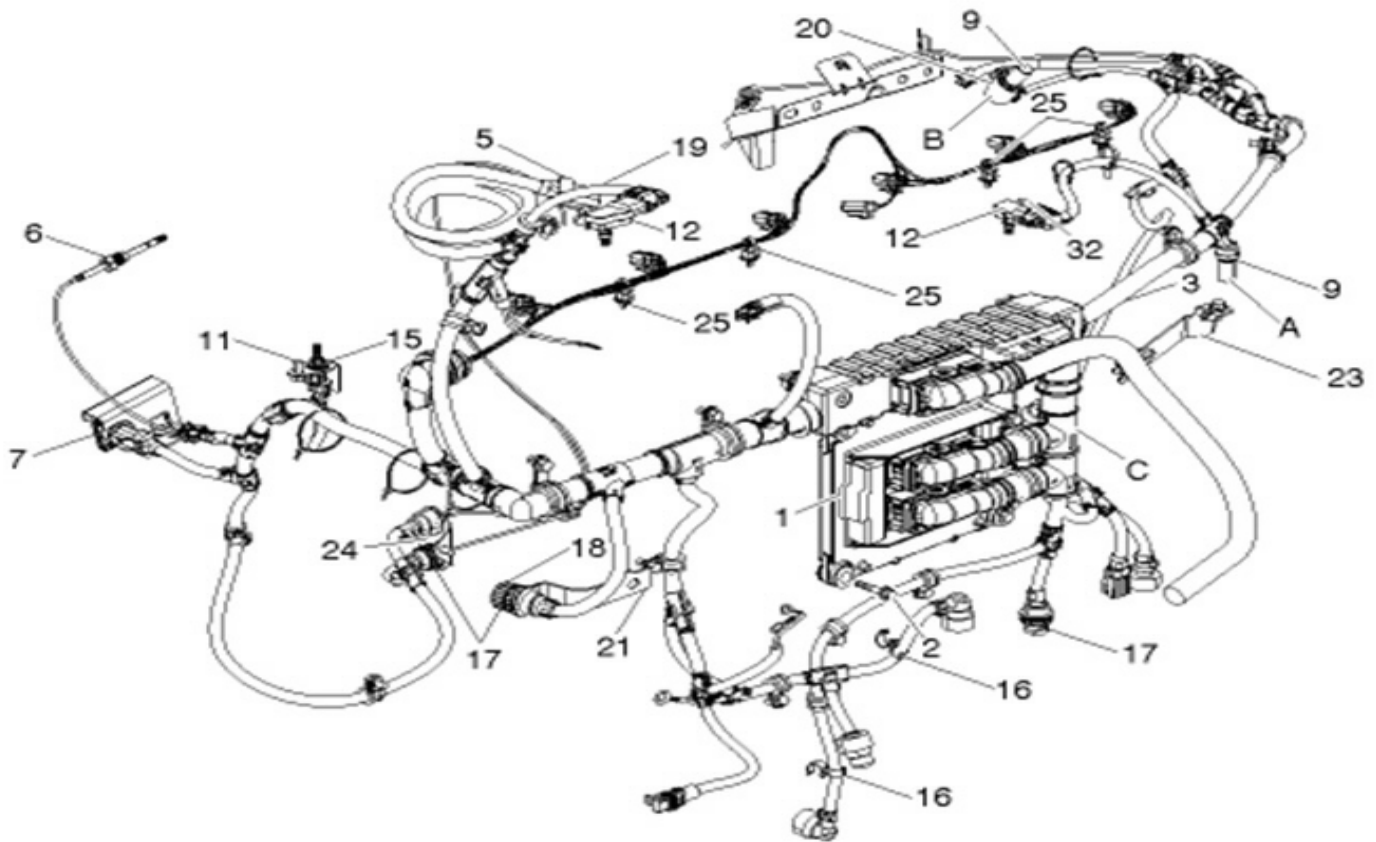
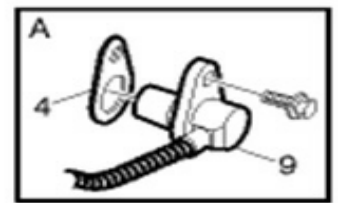
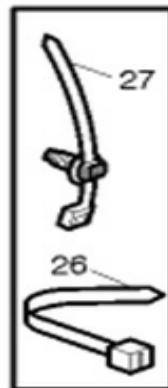
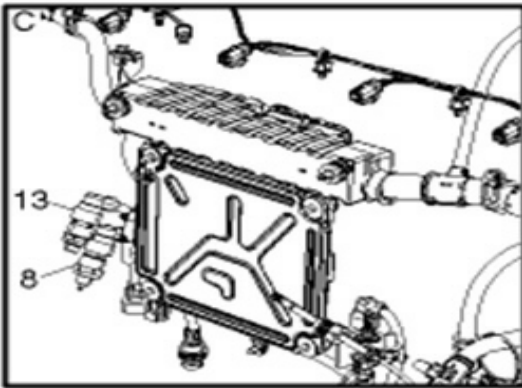


From E-5490

Date:07/2024

PAGE:X3VIP-0100-05

VOLVO ENGINE CONTROL SYSTEM





From E-5490		Date:07/2024	PAGE:X3VIP-0100-05
VOLVO ENGINE CONTROL SYSTEM			

Item#	Part	Description	X 3 V I P E N T	X 3 V I P M T H	N O T E S
1	21107008	CONTROL UNIT 1 / 6	1	1	
1	21300060	CONTROL UNIT 8 +	1	1	
NS	20946783	SHIELD CONTROL UNIT INSTAL	1	1	
2	947760	SCREW CAP HEXF M8-1.25x40 G8.8 ZP	4	4	
3	21033597	CABLE HARNESS ASSY 1 / 3	1	1	
3	21271767	CABLE HARNESS ASSY RXX 4 / 6	1	1	
3	21400265	CABLE HARNESS ASSY RXX 8 +	1	1	
3	21159796	CABLE HARNESS ASSY PH/PX 4 / 6	1	1	
3	21400113	CABLE HARNESS ASSY PH/PX 8 +	1	1	
4	20556179	SHIM	1	1	
5	20738963	HUMIDITY SENSOR 1	1	1	
5	21046544	HUMIDITY SENSOR 3 +	1	1	
6	21010707	TEMPERATURE SENSOR DP MIX CHAMBER TEMP	1	1	
7	20930137	PRESSURE SENSOR EGR DIFF PRESSURE 1 / 4	1	1	
NS	21364040	O-RING SENSOR INSTAL 1 / 4	2	2	
7	21304786	PRESSURE SENSOR EGR DIFF PRESSURE 5 +	1	1	
8	20796744	PRESSURE SENSOR,CRANKCASE TB-130329258-1	1	1	
9	20513343	SENSOR,ENGINE SPEED TB-128951072-1	2	2	
10	20556179	SHIM	AR	AR	
11	20513340	SENSOR COOLANT TEMPERATURE	1	1	
12	20524936	PRESSURE SENSOR BOOST PRESSURE/TEMP	2	2	
13	20886108	PRESSURE SENSOR OIL PRESSURE	1	1	
14	22014032	SENSOR "NOX" / SCR FILTER To G-6028	1	1	
14	22303391	SENSOR "NOX" / SCR FILTER From G-6029	1	1	
15	20771140	HEAT SHIELD 1 / 3	1	1	
15	20857215	HEAT SHIELD 4 +	1	1	
16	21018335	CAP	3	3	
17	3963413	RING LOCK / AMP 964610-1	4	4	
18	20374157	CAP	2	2	
19	20448962	HOUSING	1	1	
20	20749801	HEAT SHIELD	1	1	
21	20577191	BRACKET	1	1	
22	965576	BRACKET	1	1	
23	20590744	BRACKET	1	1	
24	3832422	BRACKET	1	1	
25	8131393	RETAINER	4	4	
26	20885496	RETAINER	AR	AR	
NS	948210	CABLE TIE 190MM	2	2	
26	948211	CABLE TIE 275MM	AR	AR	
26	983472	CABLE TIE HIGHT TEMP	AR	AR	
27	980881	CABLE TIE 200MM W/PUSH-IN RETAINER	AR	AR	
28	945081	CLAMP / 7/8" I.D.	1	1	



From E-5490	Date:07/2024	PAGE:X3VIP-0100-05
VOLVO ENGINE CONTROL SYSTEM		

Item#	Part	Description	X 3 V I P E N T	X 3 V I P M T H	N O T E S
28	946834	CLAMP 11.1MM	1	1	
28	949746	CLAMP 12.7MM	AR	AR	
28	949747	CLAMP / 5/8" I.D.	AR	AR	
28	949786	CLAMP 20.0MM	AR	AR	
28	949997	CLAMP 31.8MM	AR	AR	
28	977743	CLAMP 15.9MM	1	1	
28	981664	CLAMP 15.9MM	1	1	
29	944926	SCREW CAP HEXF M8-1.25x14	1	1	
29	946173	SCREW CAP HEXF M8-1.25x20	2	2	
29	946440	SCREW CAP HEXF M12-1.75x140 G8.8 MAGNI 565	18	18	
29	5001742	SCREW CAP HEXF M8-1.25x30 G8.8 N500	AR	AR	
29	946934	SCREW CAP HEXF M6-1.0x20	1	1	
30	20786586	WIRES JUMPER @ERG VALVE	1	1	
31	3988328	BRACKET PH/PX	1	1	
32	984936	RETAINER 7th INJECTOR HARNESS	4	4	
33	3545508	RETAINER	3	3	
34	21029459	BRACKET	1	1	
35	961613	NUT WD SQ M6-1.0	AR	AR	
37	504637	CABLE TIE / 3/16" x 13"	1	1	

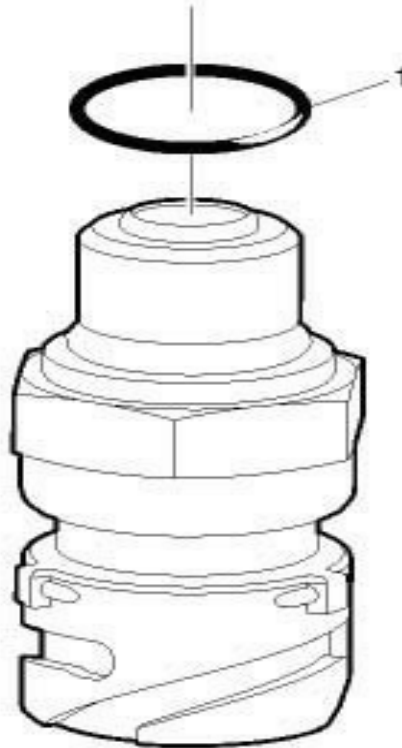
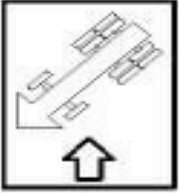


From E-5490

Date:07/2024

PAGE:20796744

PRESSURE SENSOR,CRANKCASE TB-130329258-1





From E-5490		Date:07/2024	PAGE:20796744		
PRESSURE SENSOR,CRANKCASE TB-130329258-1					
Item#	Part	Description	X 3 V I P E N T	X 3 V I P M T H	N O T E S
1	968559	O-RING (PRESSURE SENSOR)	1	1	

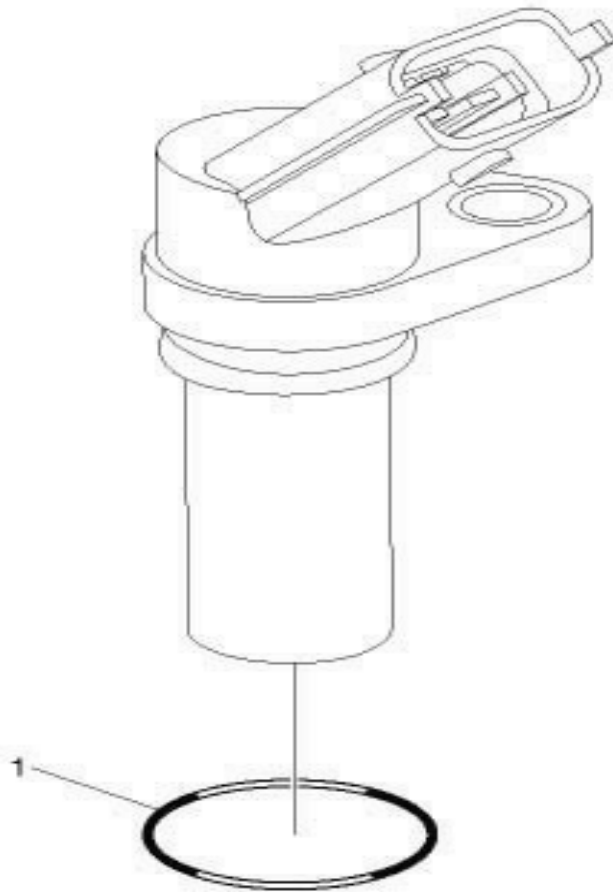


From E-5490

Date:07/2024

PAGE:20513343

SENSOR,ENGINE SPEED TB-128951072-1





From E-5490		Date:07/2024		PAGE:20513343	
SENSOR,ENGINE SPEED TB-128951072-1					
Item#	Part	Description	X 3 V I P E N T	X 3 V I P M T H	NOTES
1	20966752	O-RING	1	1	

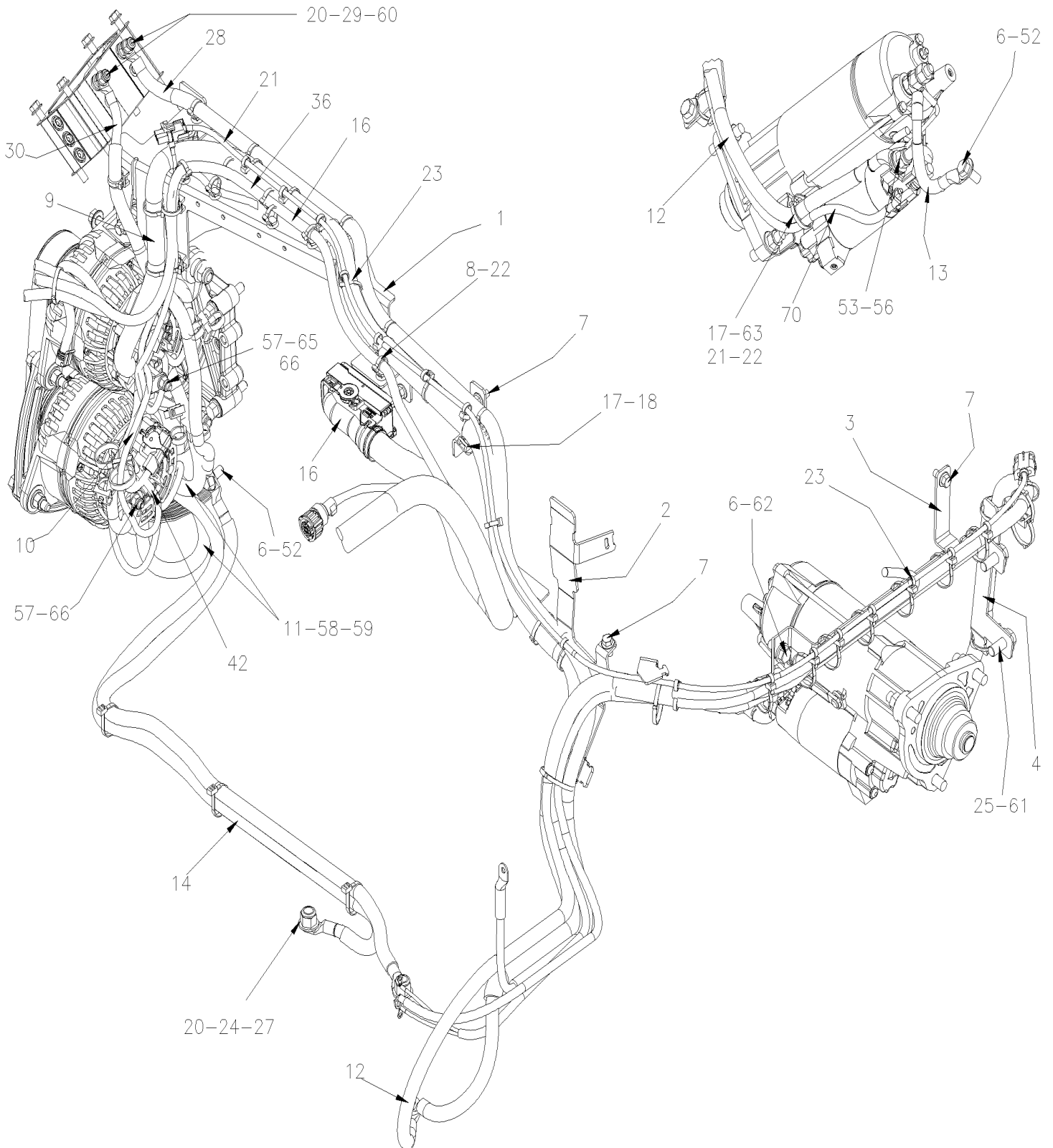


From E-5490 To H-6179

Date:07/2024

PAGE:X3VIP-0100-06

ENGINE WIRING HARNESS - INSTALLATION WITH VOLVO D13





From E-5490 To H-6179	Date:07/2024	PAGE:X3VIP-0100-06
-----------------------	--------------	--------------------

ENGINE WIRING HARNESS - INSTALLATION WITH VOLVO D13

Item#	Part	Description	X 3 V I P E N T	X 3 V I P M T H	N O T E S
1	012798	SUPPORT CABLE To G-5970	1	1	
1	012944	SUPPORT CABLE From G-5971	1	1	
NS	507383	TIE MOUNT HOLE 3/8"	1	1	
NS	502830	SCREW CAP HEX M6-1.0x20 G8.8 N500	1	1	
NS	5001833	WASHER BEL SPR 6.1x18x1.27 SS	1	1	
NS	5001932	NUT HEXF NYRT M6-1.0 G8.8 N500	1	1	
2	012682	SUPPORT CABLE COMPRESSOR	1	1	
3	012689	SUPPORT CABLE REAR ENGINE	1	1	
4	012690	SUPPORT CABLE STARTOR MOTOR To F-5910	1	1	
4	019227	SUPPORT CABLE STARTOR MOTOR From F-5911	1	1	
5	X3VIP-0610-00	ALTERNATOR MOUNTING VOLVO D13	1	1	
6	502804	SCREW CAP HEX M10-1.5x25 G8.8 N500	4	4	
7	5001780	SCREW CAP HEXF M8-1.25x16 G8.8 N500	7	7	
8	509815	TIE MOUNT / ATTACHMENT W/TREE MOUNT	AR	AR	
9	068122	CABLE ASSY W/ALTERNATOR # 102-2/0 To F-5871	1	1	
9	069184	CABLE ASSY W/ALTERNATOR # 102-3/0 From F-5789 To F-5871	1	1	A
9	069222	CABLE ASSY W/ALTERNATOR # 102-3/0 From F-5872	1	1	
10	067835	CABLE ALT POWER HARNESS W/VOLVO	1	1	
11	067796	CABLE ALTERNATOR GROUND BODY To H-6160	2	2	
11	069639	CABLE ALTERNATOR GROUND BODY From H-6161	2	2	
12	067887	CABLE ASSY SW24V TO STARTER	1	1	
13	067086	CABLE ASSY # 0C	1	1	
14	067203	CABLE GROUND MOTOR TO BODY	2	2	
16	068700	CABLE ASSY / RR JCT & ENGINE To E-5563	1	1	
16	068912	CABLE ASSY / RR JCT & ENGINE From E-5564 To E-5717	1	1	
16	067253	CABLE ASSY / RR JCT & ENGINE From E-5718 To E-5759	1	1	
16	069022	CABLE ASSY / RR JCT & ENGINE From F-5760	1	1	
16	068515	EXTENSION / ALTERNATOR & COMPRESSOR To F-5747	1	1	
16	069111	EXTENSION / ALTERNATOR & COMPRESSOR From F-5748	1	1	
17	504013	TIE MOUNT / 1/4" X 1/4" I.D.	AR	AR	
18	504379	RIVET POP DOME OE 3/16x1/4 SS	AR	AR	
20	684013	RUBBER PROTECTOR / COLOR GUARD 14.5oz	AR	AR	
21	069062	CABLE THERMO DETECTOR (LINEAR FIRE CABLE) / 1.6M / 168C/180C // 334F/356F	1	1	
22	504637	CABLE TIE / 3/16" x 13"	AR	AR	
22	504016	CABLE TIE / 5/16" X 14"1/2	AR	AR	
23	507664	CABLE TIE / 3/16" 11" / DOUBLE LOOP HEAD	AR	AR	
24	500958	WASHER FL .531x1.062x.095 SS	2	2	
25	5001866	SCREW CAP HEX M12-1.75x30 G10.9 N500	2	2	
27	502595	NUT HEX NYRT 1/2-13 Z050	2	2	
28	067889	CABLE HEATER ELEMENT RELAY	1	1	
29	502847	NUT HEX NYRT M8-1.25 N500 To F-5759	2	2	
29	5001787	NUT HEX NYRT M8-1.25 SS From F-5760	2	2	



From E-5490 To H-6179 Date:07/2024 PAGE:X3VIP-0100-06

ENGINE WIRING HARNESS - INSTALLATION WITH VOLVO D13

Item#	Part	Description	X 3 V I P E N T	X 3 V I P M T H	N O T E S
30	067102	CABLE NEG HEATER ELEMENT	1	1	
36	068567	CABLE ASSY / ALTERNATOR & CABLE	1	1	
42	068570	CABLE ASSY / GROUND	1	1	
52	500270	WASHER FL .406x1.000x.063 SS	3	3	
53	5001761	NUT HEXF NYRT M12-1.75 G8 N500	1	1	
56	500958	WASHER FL .531x1.062x.095 SS	1	1	
57	5001341	WASHER FL 8.4x17.0x1.6 SS	3	3	
58	5001182	NUT HEX NYRT M6-1.0 SS	1	1	
59	502573	WASHER FL 6.4x12.5x1.6 SS	2	2	
60	5001341	WASHER FL 8.4x17.0x1.6 SS	2	2	
61	500967	WASHER BEL SPR .512x1.142x.098 N500	2	2	
62	5001834	WASHER BEL SPR 10.5X23X2.5 N500	1	1	
63	502817	SCREW MA PAN PH M6-1.0x16 N500	1	1	
65	564590	ADAPTOR STUD M8 Male x M8 Female M8-1.25 x 18MM SS	1	1	
66	5001787	NUT HEX NYRT M8-1.25 SS	2	2	
70	067885	CABLE EXTENTION ASSY / STARTER W/D13	1	1	
		A) USE WITH ALTERNATOR 564491 ONLY			

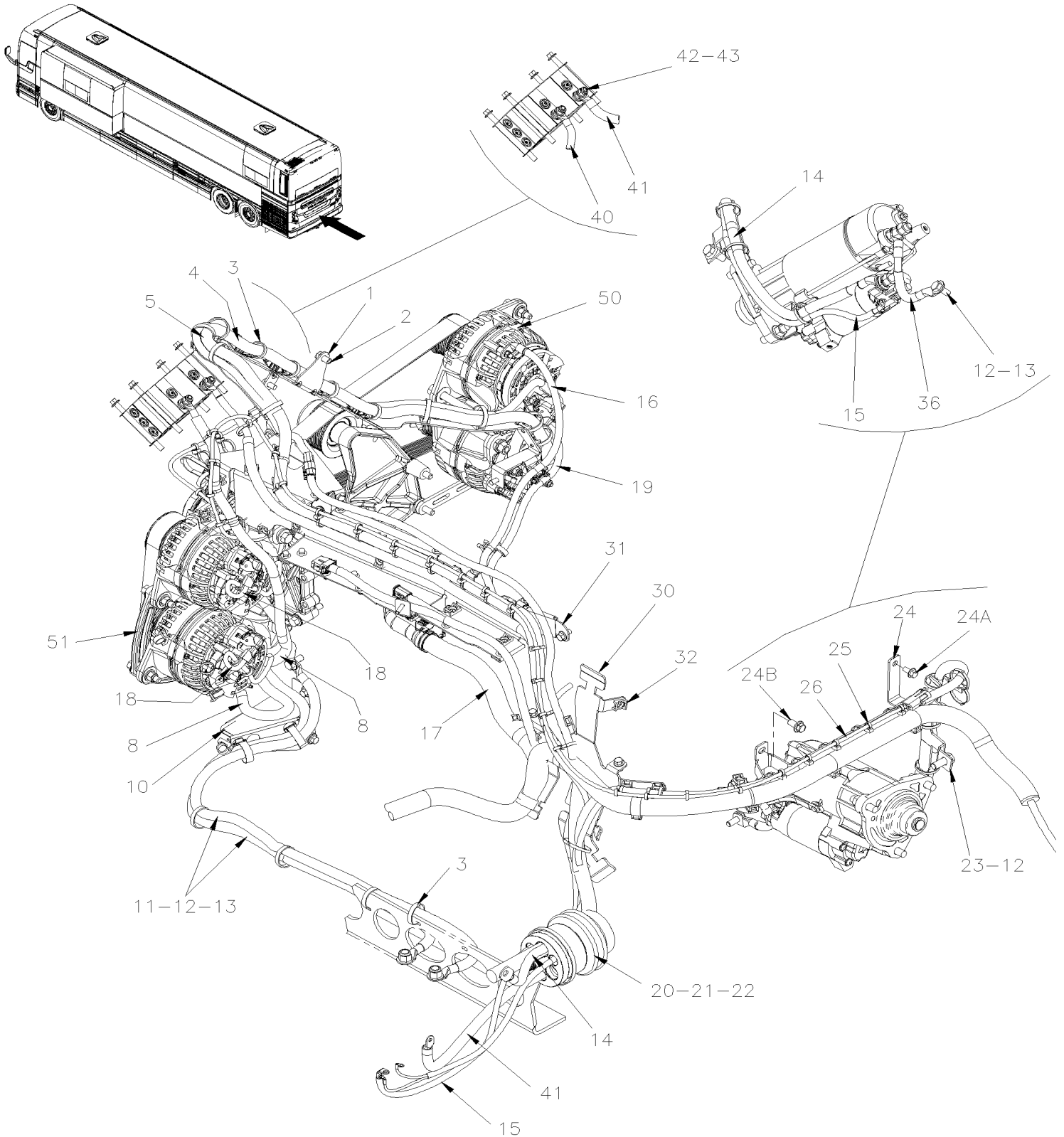


From H-6180

Date:07/2024

PAGE:X3VIP-0100-07

ENGINE WIRING HARNESS - INSTALLATION WITH VOLVO D13 - GHG17





From H-6180		Date:07/2024	PAGE:X3VIP-0100-07
ENGINE WIRING HARNESS - INSTALLATION WITH VOLVO D13 - GHG17			

Item#	Part	Description	X 3 V I P E N T	X 3 V I P M T H	N O T E S
1	012949	SUPPORT, ALTERNATOR HARNESS / LH To K-6439	1	1	
1	010036	SUPPORT, ALTERNATOR HARNESS / LH From K-6440	1	1	
NS	509490	ATTACHMENT DOUBLE USE WITH CABLE TIE	5	5	
NS	504610	RIVET MGLP PRDG 1/4x5/8 SS	5	5	
NS	504013	TIE MOUNT / 1/4" X 1/4" I.D.	AR	AR	
NS	509815	TIE MOUNT / ATTACHMENT W/TREE MOUNT	1	1	
NS	5001780	SCREW CAP HEXF M8-1.25x16 G8.8 N500	3	3	
2	5001729	SCREW CAP HEXF M10-1.5x16 G8.8 N500	1	1	
3	504016	CABLE TIE / 5/16" X 14"1/2 To £-19018	AR	AR	
3	5040100	CABLE TIE /OUTSIDE SERRATED 5/16" X 14"1/2 From £-19018	AR	AR	
4	060406	ALTERNATOR CONTROL LEFT HARNESS MTH	1	1	
5	060415	ALTERNATOR BOTTOM LEFT BATTERY HARNESS	1	1	
NS	5001341	WASHER FL 8.4x17.0x1.6 SS	1	1	
NS	060297	ADAPTOR STUD M8 Male x M8 Female + FLANGE M8-1.25 x 18MM SS	AR	AR	
NS	5001983	NUT HEX NYRT M8-1.25 SS SS BK	AR	AR	
8	060264	HARNESS ALTERNATOR GROUND BODY	2	2	
NS	5001341	WASHER FL 8.4x17.0x1.6 SS To K-6439	2	2	
NS	560811	WASHER, ELECTRICAL CONDUCTOR M8/5/16 From K-6440	2	2	
NS	5001182	NUT HEX NYRT M6-1.0 SS	2	2	
NS	502573	WASHER FL 6.4x12.5x1.6 SS	2	2	
10	068541	SUPPORT CABLE GROUND ALTERNATOR	1	1	
11	060306	CABLE GROUND MOTOR TO BODY	2	2	
NS	500958	WASHER FL .531x1.062x.095 SS	2	2	
NS	5002001	NUT HEX NYRT 1/2-13 SS BK	2	2	
12	502804	SCREW CAP HEX M10-1.5x25 G8.8 N500	AR	AR	
13	500270	WASHER FL .406x1.000x.063 SS	AR	AR	
14	069518	CABLE EXTENTION ASSY/ STARTER 101	1	1	
15	069515	HARNESS STARTER RELAY MELCO	1	1	
NS	502817	SCREW MA PAN PH M6-1.0x16 N500	1	1	
16	060414	GROUND FRAME ALTERNATOR UP LEFT HARNESS	1	1	
17	060386	CABLE ASSY / WITH "ALISSON" TRANSMISSION To L-6494	1	1	
17	061490	CABLE ASSY / WITH "ALISSON" TRANSMISSION From L-6495	1	1	
18	068570	CABLE ASSY / GROUND	2	2	
19	069504	HARNESS LH GROUND ALTERNATOR	1	1	
20	069471	FEED THRU / ENGINE CABLE	1	1	
NS	504637	CABLE TIE / 3/16" x 13"	AR	AR	
21	069472	SEAL RUBBER NITRILE 1/8" 60-70 DURO	1	1	
22	504499	CUFF END BELLOW / 2 7/8" I.D. x 3 5/8" x 4 7/16	1	1	
NS	5001866	SCREW CAP HEX M12-1.75x30 G10.9 N500	2	2	
NS	500967	WASHER BEL SPR .512x1.142x.098 N500	2	2	
23	019227	SUPPORT CABLE STARTOR MOTOR	1	1	
NS	504637	CABLE TIE / 3/16" x 13"	AR	AR	



From H-6180		Date:07/2024	PAGE:X3VIP-0100-07
-------------	--	--------------	--------------------

ENGINE WIRING HARNESS - INSTALLATION WITH VOLVO D13 - GHG17

Item#	Part	Description	X 3 V I P E N T	X 3 V I P M T H	N O T E S
24	012946	SUPPORT, REAR HARNESS	1	1	
24A	5001780	SCREW CAP HEXF M8-1.25x16 G8.8 N500	1	1	
24B	5001307	SCREW CAP HEXF M10-1.5x20 8.8 N500	1	1	
25	507664	CABLE TIE / 3/16" 11" / DOUBLE LOOP HEAD	33	33	
26	069062	CABLE THERMO DETECTOR (LINEAR FIRE CABLE) / 1.6M / 168C/180C // 334F/356F	1	1	
30	012953	BRAKET ENGINE HARNESS	1	1	
NS	504637	CABLE TIE / 3/16" x 13"	AR	AR	
NS	5001780	SCREW CAP HEXF M8-1.25x16 G8.8 N500	2	2	
31	012951	MAIN SUPPORT ENGINE HARNESS	1	1	
NS	509815	TIE MOUNT / ATTACHMENT W/TREE MOUNT	1	1	
NS	5001780	SCREW CAP HEXF M8-1.25x16 G8.8 N500	3	3	
32	504013	TIE MOUNT / 1/4" X 1/4" I.D.	AR	AR	
NS	504379	RIVET POP DOME OE 3/16x1/4 SS	AR	AR	
NS	5001935	WASHER FL 10.5x18.0x1.6 SS	1	1	
NS	502719	SCREW CAP HEX M10-1.5x20 SS EMN	1	1	
NS	5001182	NUT HEX NYRT M6-1.0 SS	1	1	
NS	502573	WASHER FL 6.4x12.5x1.6 SS	1	1	
NS	504013	TIE MOUNT / 1/4" X 1/4" I.D.	1	1	
NS	502817	SCREW MA PAN PH M6-1.0x16 N500	1	1	
36	060307	HARNESS GND STRARTER TO BODY	1	1	
40	060308	CABLE NEG HEATER ELEMENT	1	1	
41	069516	CABLE HEATER ELEMENT RELAY	1	1	
42	5001341	WASHER FL 8.4x17.0x1.6 SS To K-6439	2	2	
42	560811	WASHER, ELECTRICAL CONDUCTOR M8/5/16 From K-6440	2	2	
43	5001787	NUT HEX NYRT M8-1.25 SS	2	2	
NS	504768	CABLE TIE / 3/16" 14.7" / DOUBLE LOOP HEAD	AR	AR	
50	X3VIP-0610-50	ALTERNATOR MOUNTING / STREET SIDE VOLVO D13 - GHG17			
51	X3VIP-0610-01	ALTERNATOR MOUNTING / CURB-SIDE WITH TWO ALTERNATOR VOLVO D13 - GHG17			

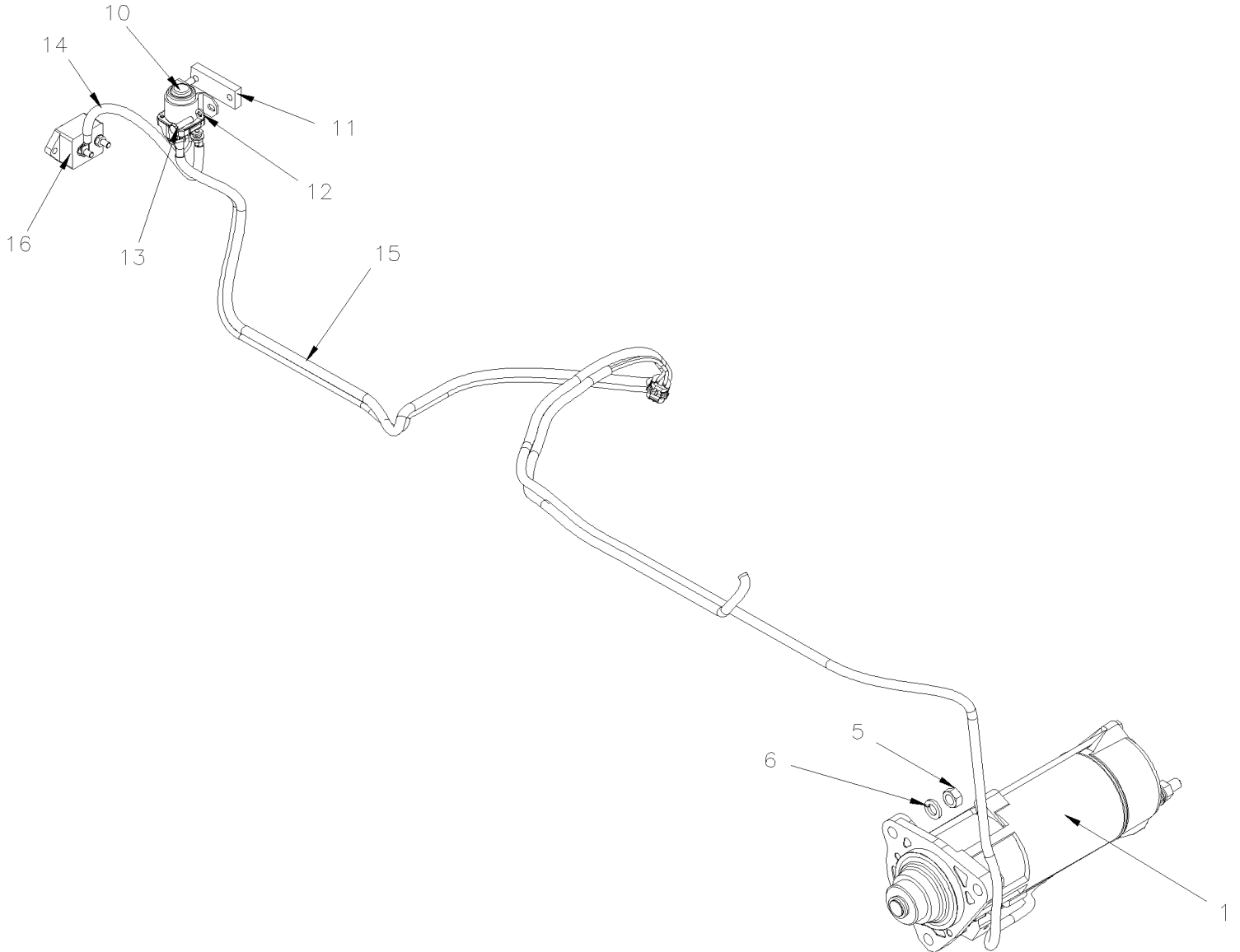


From E-5490

Date:07/2024

PAGE:X3VIP-0100-10

STARTER - INSTALLATION





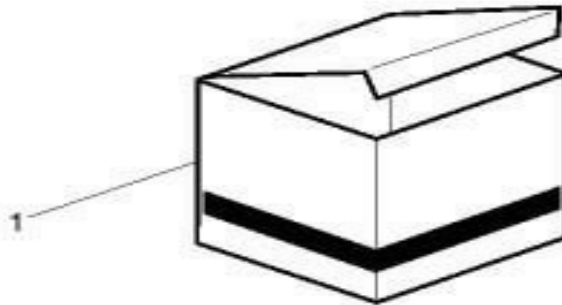
From E-5490		Date:07/2024	PAGE:X3VIP-0100-10
-------------	--	--------------	--------------------

STARTER - INSTALLATION

Item#	Part	Description	X 3 V I P E N T	X 3 V I P M T H	N O T E S
1	21212425	VOLVO STARTER 24V, MELCO WITHOUT RELAY TB-129577391-1 To J-6272	1	1	D13
1	22807202	VOLVO STARTER 24V, MELCO WITHOUT RELAY From J-6273 To P-6899	1	1	D13
1	7775270	VOLVO STARTER 24V, MELCO WITHOUT RELAY From P-6900	1	1	
5	971072	NUT HEX M12-1.75 ZG603	3	3	D13
6	500482	WASHER LO SPT .506x.873x.125 Z050	3	3	D13
10	564095	SMALL STARTOR RELAY To P-6899	1	1	
10	564398	SMALL STARTOR RELAY From P-6900	1	1	
11	067335	SPACER / PLASTIC / RELAY / STARTOR MELCO	1	1	
12	502570	WASHER LO SPT 6.1x11.8x1.6 SS	1	1	
12	5001182	NUT HEX NYRT M6-1.0 SS	1	1	
13	502568	SCREW MA PAN PH M6-1.0x20 EMN	1	1	
14	067390	CABLE ASSY / RELAY & BREAKER	1	1	
15	067885	CABLE EXTENTION ASSY / STARTER W/D13	1	1	D13
15	502817	SCREW MA PAN PH M6-1.0x16 N500	1	1	
15	504013	TIE MOUNT / 1/4" X 1/4" I.D.	1	1	
15	504637	CABLE TIE / 3/16" x 13"	1	1	
16	562683	BREAKER 90AMPS / 24V / To E-5525	1	1	
16	565137	BREAKER 90AMPS / 24V / W/O HARDWARE From E-5526	1	1	
16	5001924	NUT HEX NYRT THN 1/4-28 SS From E-5526	2	2	
16	502573	WASHER FL 6.4x12.5x1.6 SS From E-5526	2	2	
		D13) WITH VOLVO ENGINE D13			



To J-6272	Date:07/2024	PAGE:21212425
VOLVO STARTER 24V, MELCO WITHOUT RELAY TB-129577391-1		





To J-6272	Date:07/2024	PAGE:21212425
-----------	--------------	---------------

VOLVO STARTER 24V, MELCO WITHOUT RELAY TB-129577391-1

Item#	Part	Description	X 3 V I P E N T	X 3 V I P M T H	N O T E S
1	85125992	KIT	1	1	

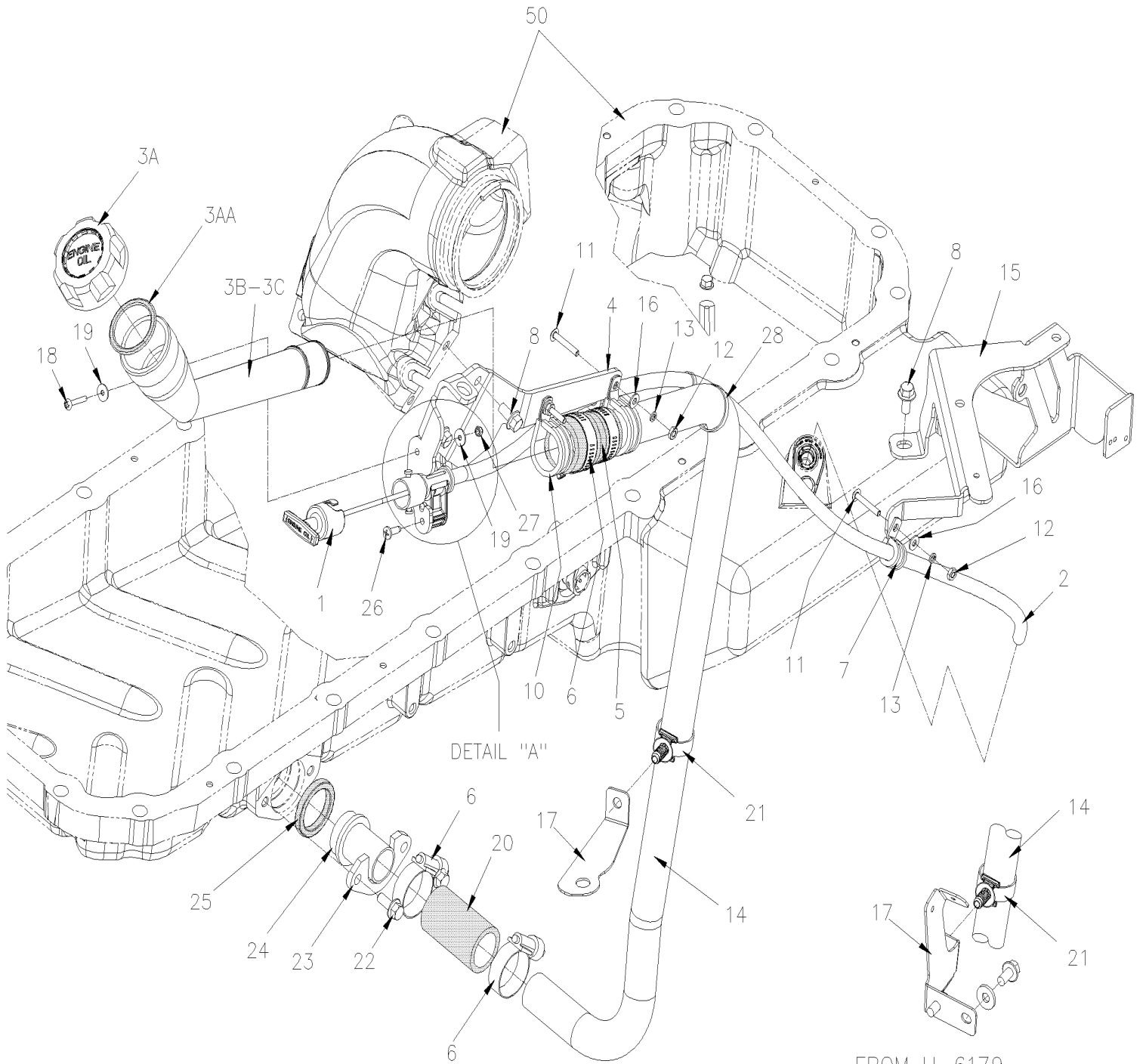


From E-5490

Date:07/2024

PAGE:X3VIP-0105-05

ENGINE OIL FILLER CAP & DIPSTICK WITH VOLVO D13



FROM H-6179



From E-5490		Date:07/2024	PAGE:X3VIP-0105-05
-------------	--	--------------	--------------------

ENGINE OIL FILLER CAP & DIPSTICK WITH VOLVO D13

Item#	Part	Description	X 3 V I P E N T	X 3 V I P M T H	N O T E S
1	015998	DIPSTICK & TUBE ASSY To N-6738	1	1	
1	010348	DIPSTICK & TUBE ASSY From N-6739	1	1	
1	015997	. DIPSTICK ASSY / ENGINE OIL / W/D13 1362MM	1	1	
2	015996	. TUBE OIL DIPSTICK W/D13 1276MM To N-6738	1	1	
2	010347	. TUBE OIL DIPSTICK W/D13 1362MM From N-6739	1	1	
3	20808092	OIL FILLER NECK To F-5832	1	1	
. A	20807510	. OIL CAP / WITH GASKET To F-5832	1	1	
. . A	20365079	. . GASKET OIL CAP To F-5832	1	1	
. B	8149891	. OIL NECK / PIPE FILLER To F-5832	1	1	
. C	943361	. SPACER WASHER 6.5 X 12 X 4 To F-5832	1	1	
3	22281824	OIL FILLER NECK TB-133887958-1 From F-5833 To P-6905	1	1	
. A	20807510	. OIL CAP / WITH GASKET From F-5833 To P-6905	1	1	
. . A	20365079	. . GASKET OIL CAP From F-5833 To P-6905	1	1	
. B	22281825	. OIL NECK / PIPE FILLER From F-5833 To P-6905	1	1	
. C	943361	. SPACER WASHER 6.5 X 12 X 4 From F-5833 To P-6905	1	1	
. NS	8149895	. SUPPORT RING From F-5833 To P-6905	1	1	
3	23512202	OIL FILLER NECK From P-6906	1	1	
. B	23811819	. OIL NECK / PIPE FILLER From P-6906	1	1	
4	015992	SUPPORT DIPSTICK & FILLER NECK To E-5759	1	1	
4	012882	SUPPORT DIPSTICK & FILLER NECK From F-5760	1	1	
5	3034195	RACCORD COUPLING	1	1	
6	504783	HOSE CLAMP / 1"1/16-2" SS / C.T. W.S. To E-5759	4	4	
6	992086	HOSE CLAMP / 32MM/52MM From F-5760	4	4	
7	952627	CLAMP / 1/2" I.D.	2	2	
8	5001780	SCREW CAP HEXF M8-1.25x16 G8.8 N500	2	2	
8	680038	THREAD LOCKER LOCTITE #243 / BLUE / 50ml	AR	AR	
10	952639	CLAMP / 1"1/4 I.D.	4	4	
11	500574	SCREW MA TR PH #10-24x1 1/4 SS To E-5651	5	5	
11	5001815	SCREW CAP HEXF M6-1.0x30 G 8.8 N500 From E-5652	3	3	
12	502882	NUT HEX #10-24 N500 To E-5651	5	5	
12	5001932	NUT HEXF NYRT M6-1.0 G8.8 N500 From E-5652	3	3	
13	500914	WASHER LO SPT .193x.334x.047 N500 To E-5651	5	5	
14	015991	OIL FILLER TUBE To E-5573	1	1	
14	010068	OIL FILLER TUBE STAINLESS STEEL To E-5573	1	1	
14	012835	OIL FILLER TUBE From E-5574 To H-6123	1	1	
14	010064	OIL FILLER TUBE STAINLESS STEEL From H-6124	1	1	
15	033185	SUPPORT FUEL LINE To E-5458	1	1	
15	033946	SUPPORT FUEL LINE From E-5459	1	1	
16	500804	WASHER FL .203x.500x.047 N500 To E-5651	4	4	
17	015993	SUPPORT DIPSTICK To E-5573	1	1	
17	012833	SUPPORT DIPSTICK From E-5574 To H-6179	1	1	
17	010069	SUPPORT DIPSTICK From H-6180	1	1	



From E-5490		Date:07/2024	PAGE:X3VIP-0105-05
-------------	--	--------------	--------------------

ENGINE OIL FILLER CAP & DIPSTICK WITH VOLVO D13

Item#	Part	Description	X 3 V I P E N T	X 3 V I P M T H	N O T E S
17	500321	WASHER BEL SPR .331x.827x.098 N500	AR	AR	
17	5001780	SCREW CAP HEXF M8-1.25x16 G8.8 N500	AR	AR	
17	015999	SUPPORT DIPSTICK To F-5747	1	1	P
17	067854	PROTECTION PLATE ASSY W/"VOLVO" ENGINE To F-5747	1	1	P
17	069144	PROTECTION PLATE ASSY From F-5748 To H-6179	1	1	P
18	502677	SCREW MA RND PH M4-0.7x25 SS To E-5759	1	1	
18	5001815	SCREW CAP HEXF M6-1.0x30 G 8.8 N500 From F-5760	1	1	
19	5001750	WASHER FL 4.3x14.0x1.0 N500 To E-5759	2	2	
20	1136335	HOSE 31.75MM I.D. x 70MM To F-5884	1	1	
20	012933	HOSE 31.75MM I.D. x 70MM From F-5885	1	1	
21	504750	CABLE TIE / 1/2" x 15" / CHRISTMAS TREE	1	1	
22	946173	SCREW CAP HEXF M8-1.25x20 To N-6691	2	2	
22	984734	SCREW CAP HEXF M8x20 From N-6692	2	2	
23	469950	FLANGE	1	1	
24	70329332	INLET PIPE To M-6659	1	1	
24	22676938	INLET PIPE From M-6660	1	1	
25	20555696	SEALING RING	1	1	
26	500414	SCREW TP BDG PH #10x3/4 SS	1	1	
27	500539	NUT HEX NYRT M4-0.7 N500 To E-5759	1	1	
27	5001932	NUT HEXF NYRT M6-1.0 G8.8 N500 From F-5760	1	1	
28	507664	CABLE TIE / 3/16" 11" / DOUBLE LOOP HEAD	1	1	
29	500574	SCREW MA TR PH #10-24x1 1/4 SS To E-5651	1	1	
29	502848	SCREW TC CAP HEXF 1/4-20x3/4 N500 From E-5652	1	1	
		NEXT 5 ITEMS TO FIX OIL CAP			
NS	510973	CABLE SS 3/64" DIA. ASSY W/LOOP 8" LG x W/1" LOOP	1	1	
NS	502861	SCREW SHR HEXS 5/16x3/8 {1/4-20 N500	1	1	
NS	502638	WASHER FL .312x.734x.065 N500	1	1	
NS	5001352	NUT HEX NYRT 1/4-20 SS	1	1	
NS	5001008	WASHER FL .218x.437x.062 RUB BK	1	1	
50	Refer To Volvo	SEE IMPACT OR CALL ORDER DESK			V
		P) SMALL A/C ONLY			
		V) SEE IMPACT OR CALL ORDER DESK			

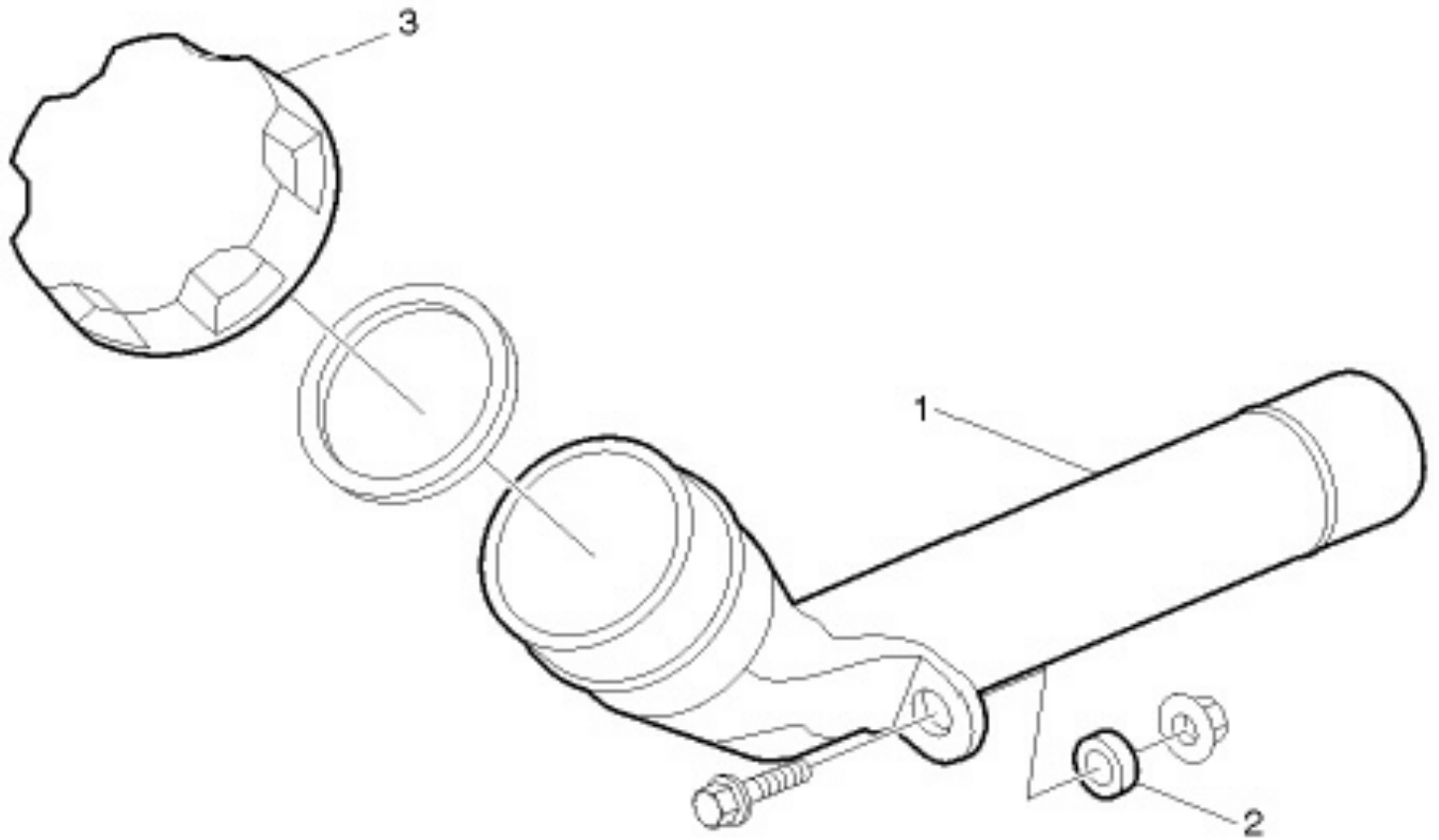


From F-5833 To P-6905

Date:07/2024

PAGE:22281824

OIL FILLER NECK TB-133887958-1





From F-5833 To P-6905	Date:07/2024	PAGE:22281824
OIL FILLER NECK TB-133887958-1		

Item#	Part	Description	X 3 V I P E N T	X 3 V I P M T H	N O T E S
1	22281825	OIL NECK / PIPE FILLER	1	1	
2	60112502	SPACER WASHER	1	1	
3	20807510	OIL CAP / WITH GASKET	1	1	
. A	20365079	. GASKET OIL CAP	1	1	

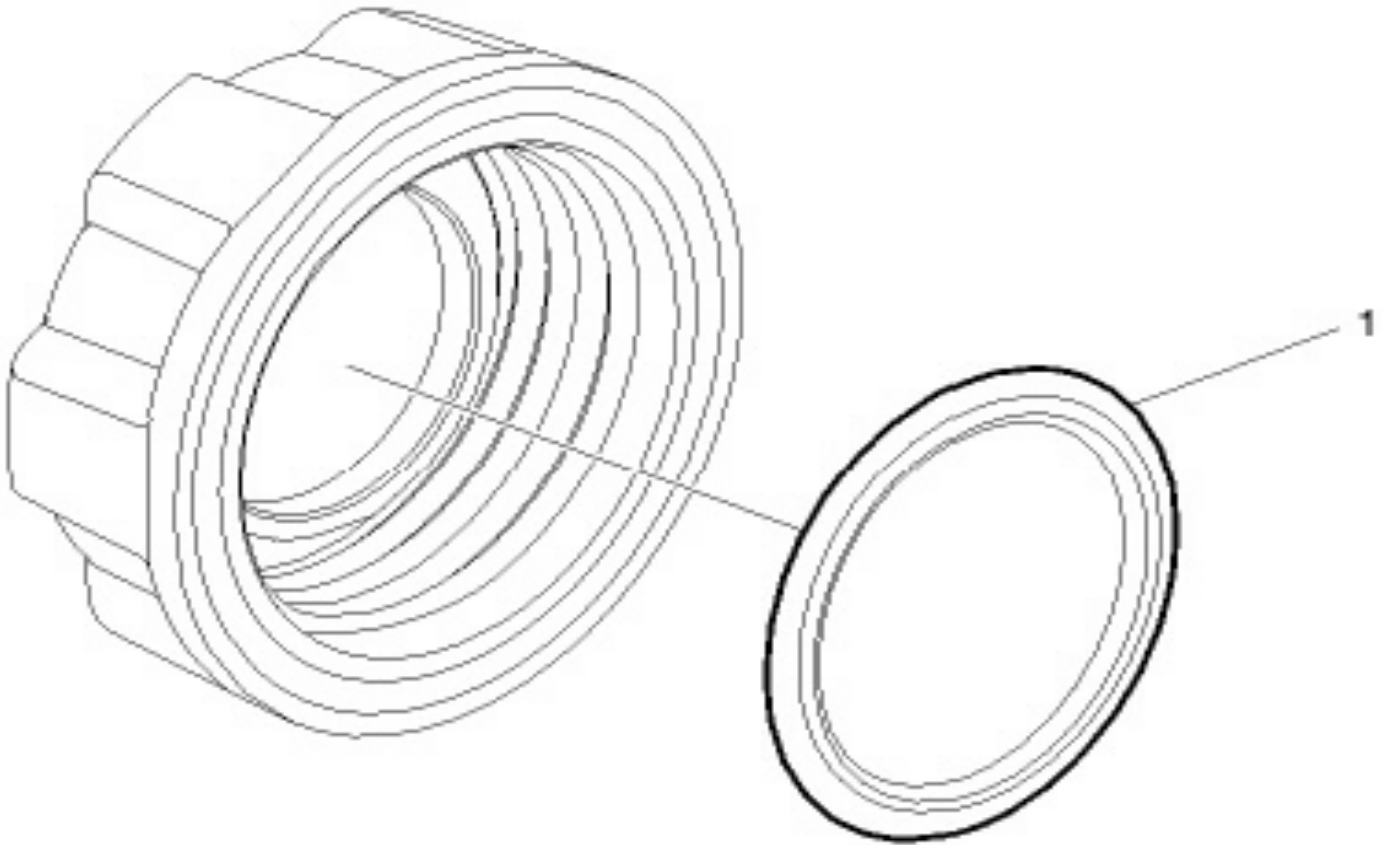


From F-5833 To P-6905

Date:07/2024

PAGE:20807510

OIL CAP / WITH GASKET





From F-5833 To P-6905	Date:07/2024	PAGE:20807510
-----------------------	--------------	---------------

OIL CAP / WITH GASKET

Item#	Part	Description	X 3 V I P E N T	X 3 V I P M T H	N O T E S
1	20365079	GASKET OIL CAP	1	1	

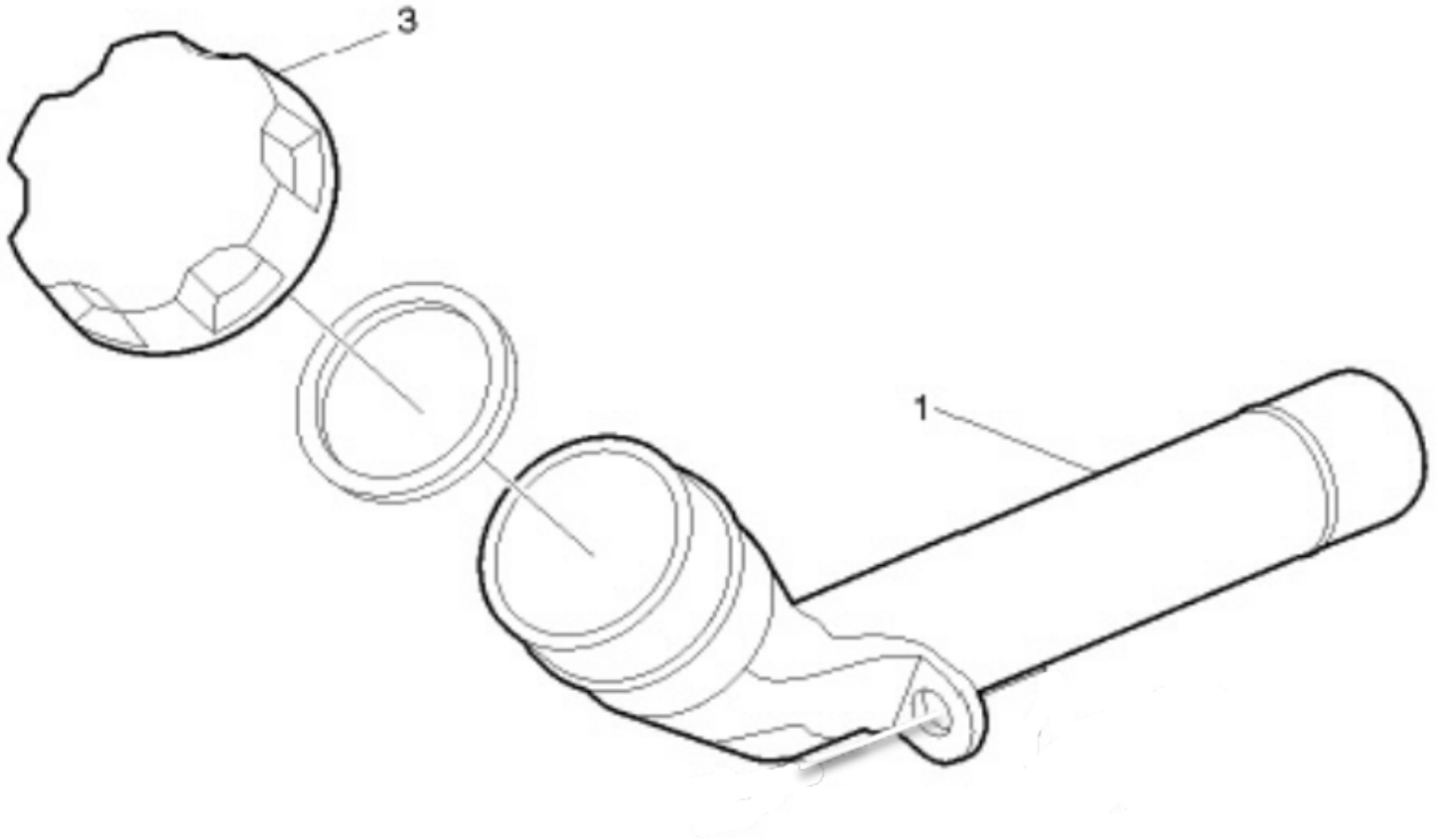


From P-6906

Date:07/2024

PAGE:23512202

OIL FILLER NECK





From P-6906	Date:07/2024	PAGE:23512202
OIL FILLER NECK		

Item#	Part	Description	X 3 V I P E N T	X 3 V I P M T H	N O T E S
1	23811819	OIL NECK / PIPE FILLER	1	1	
3	20807510	OIL CAP / WITH GASKET	1	1	
. A	20365079	. GASKET OIL CAP	1	1	

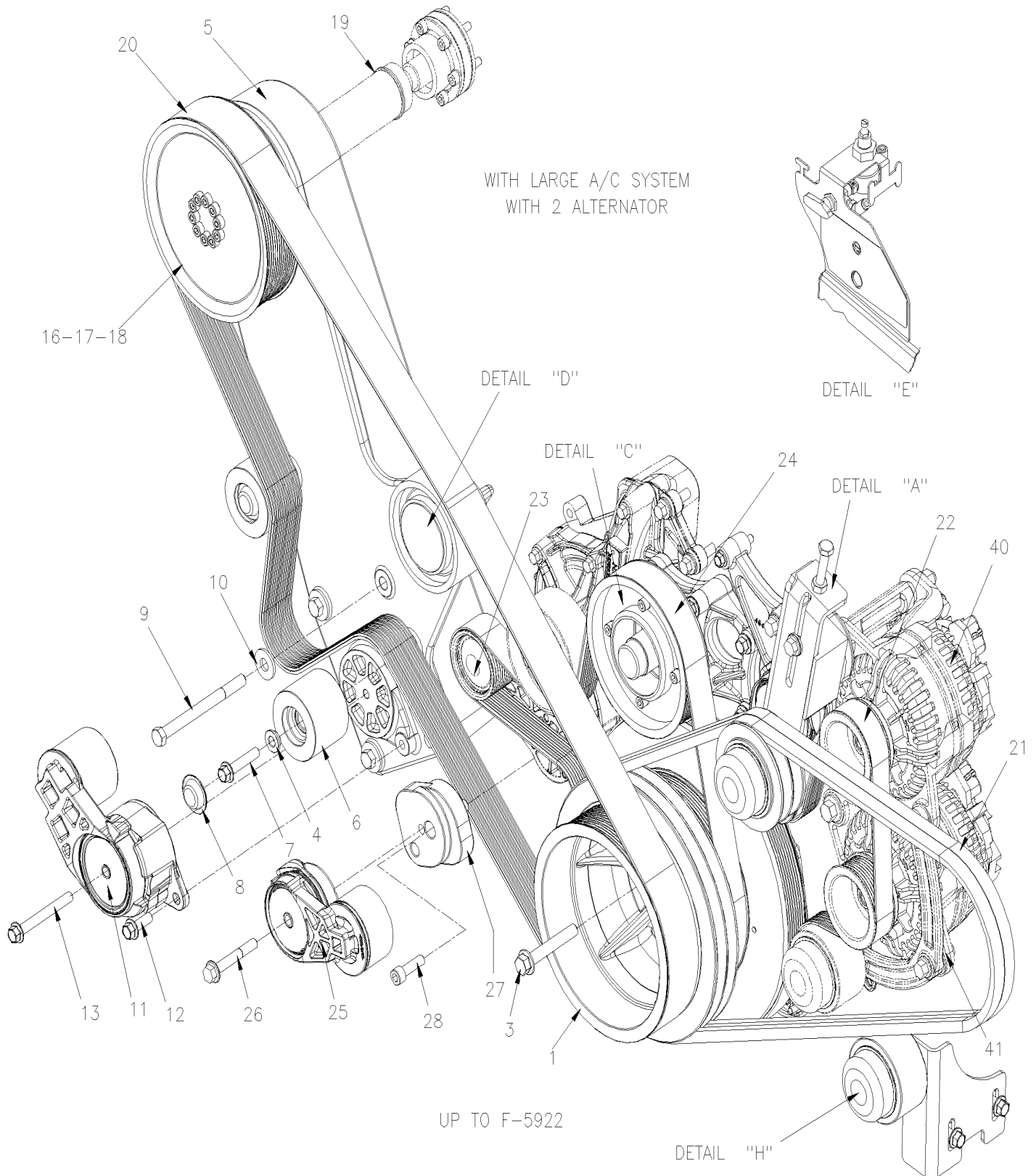


From E-5490 To H-6179

Date:07/2024

PAGE:X3VIP-0120-00

DRIVE PULLEY, BELTS & TENSIONER WITH VOLVO D13



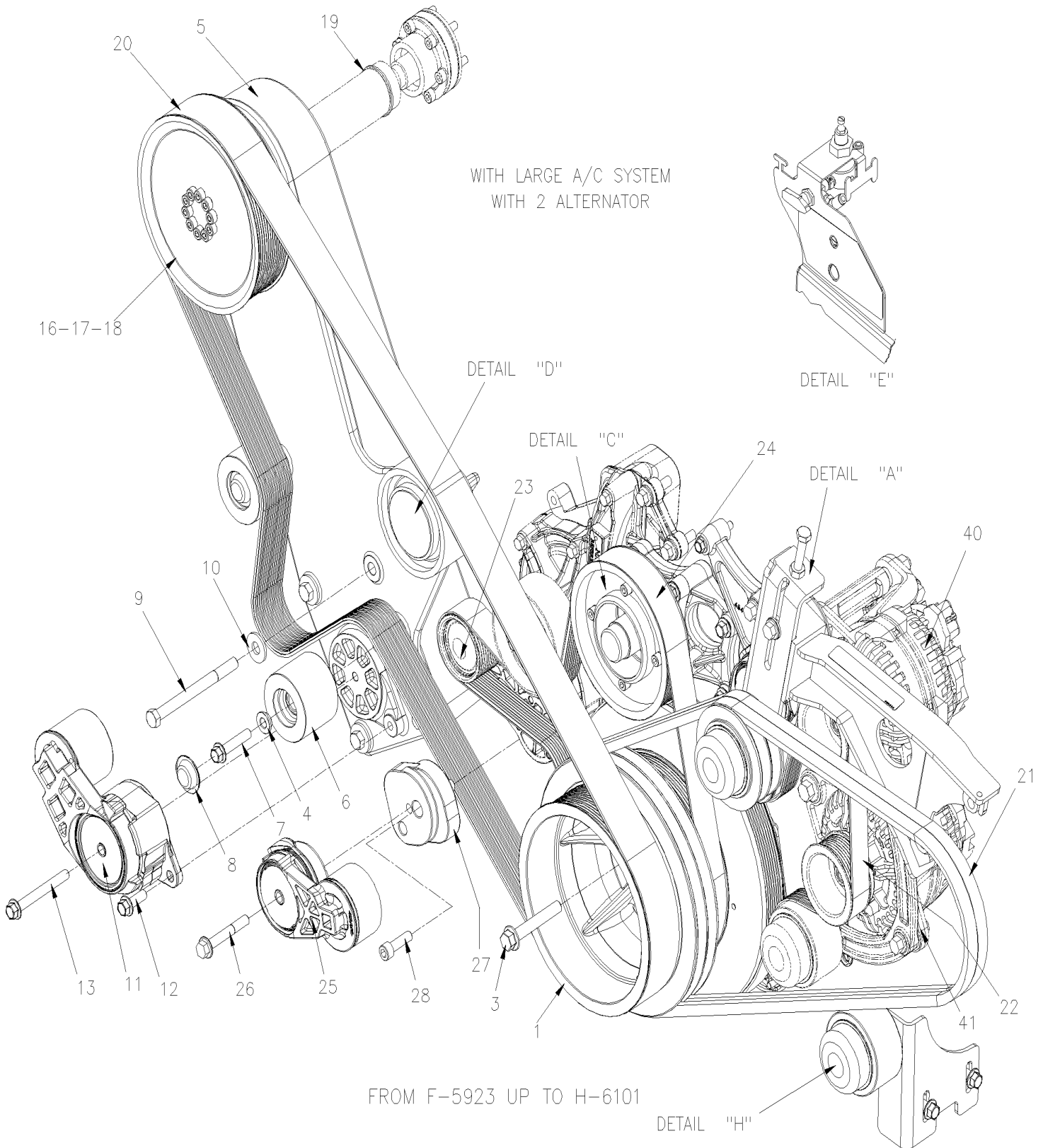


From E-5490 To H-6179

Date:07/2024

PAGE:X3VIP-0120-00

DRIVE PULLEY, BELTS & TENSIONER WITH VOLVO D13



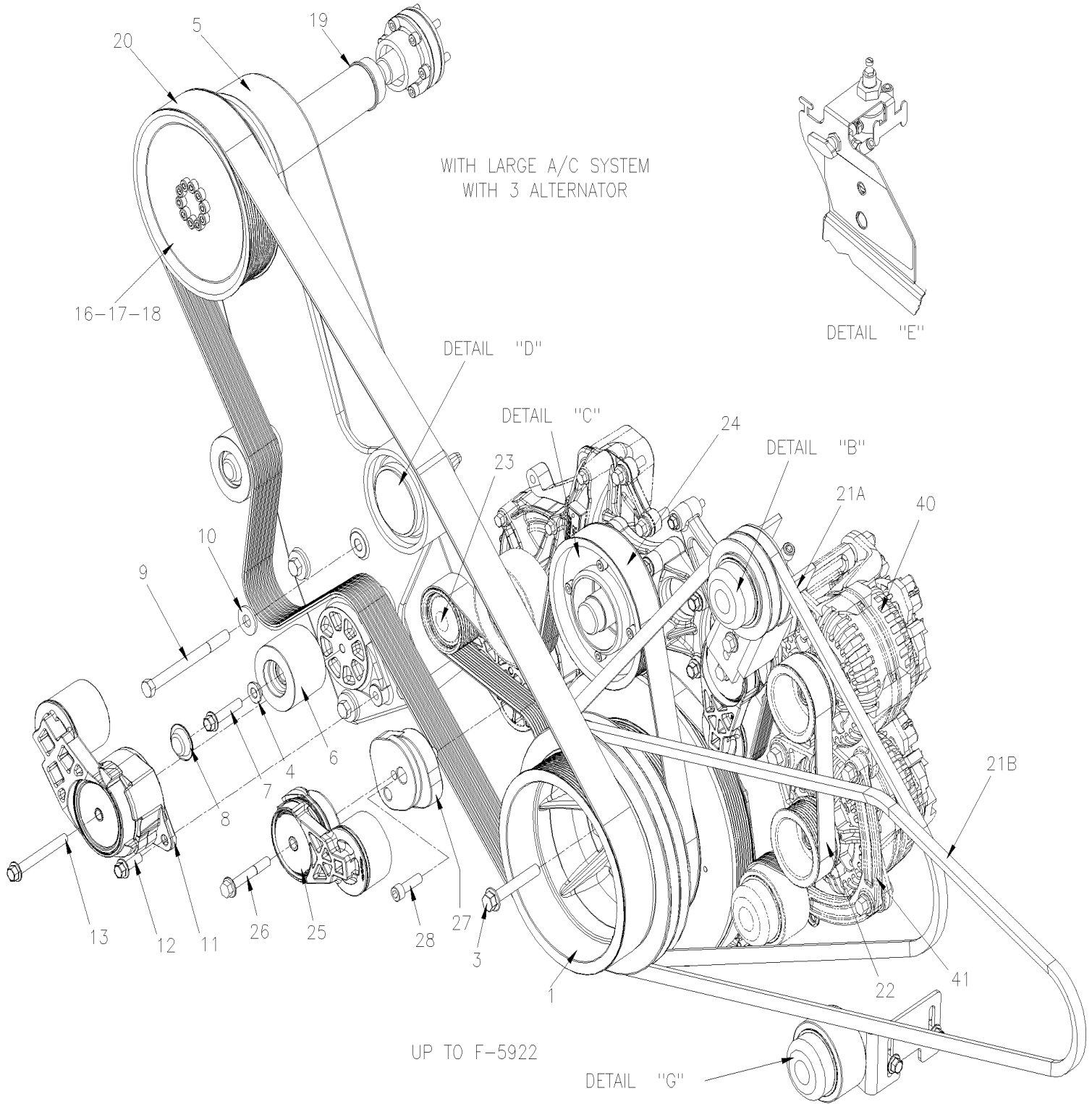


From E-5490 To H-6179

Date:07/2024

PAGE:X3VIP-0120-00

DRIVE PULLEY, BELTS & TENSIONER WITH VOLVO D13



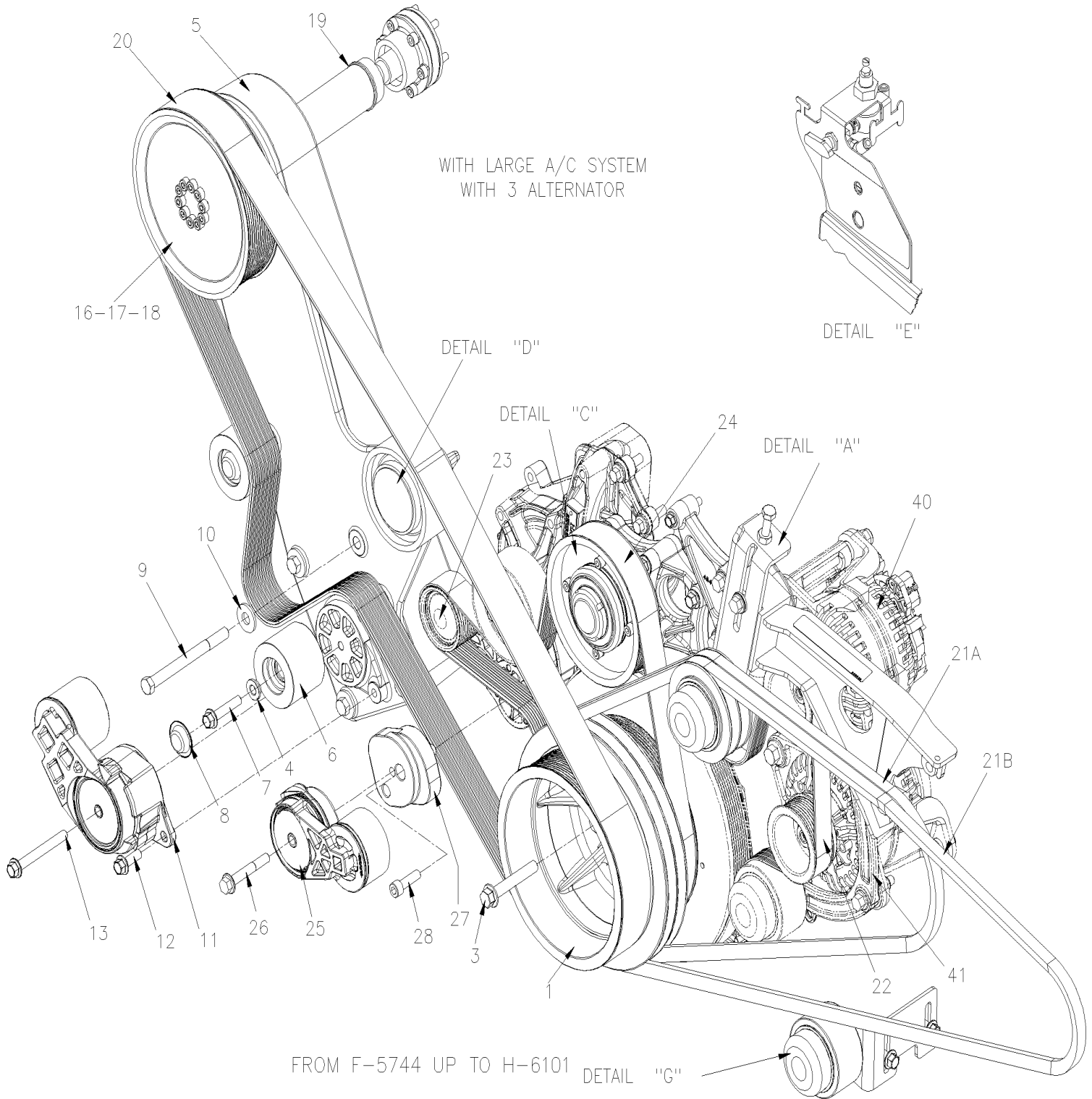


From E-5490 To H-6179

Date:07/2024

PAGE:X3VIP-0120-00

DRIVE PULLEY, BELTS & TENSIONER WITH VOLVO D13



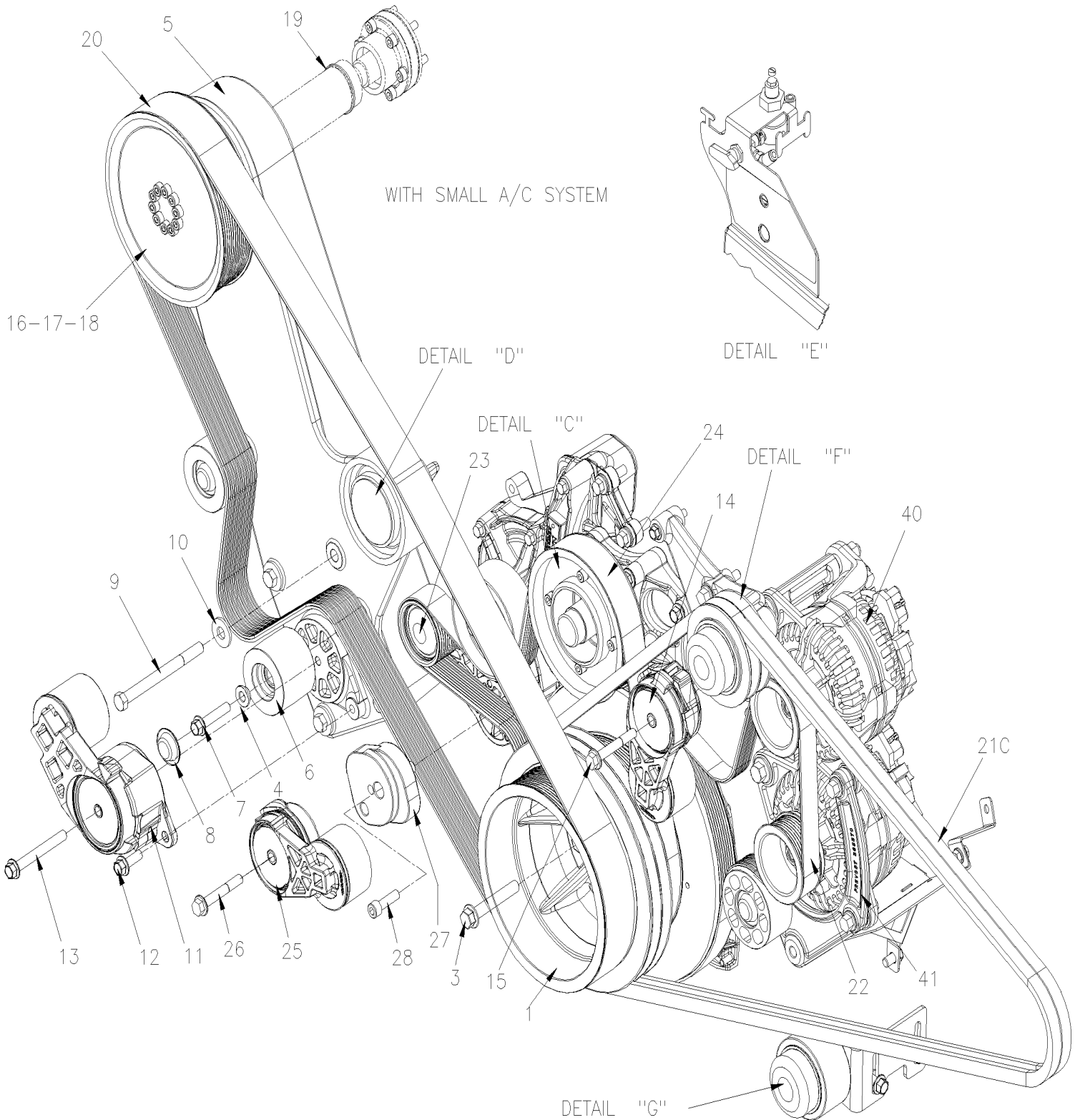


From E-5490 To H-6179

Date:07/2024

PAGE:X3VIP-0120-00

DRIVE PULLEY, BELTS & TENSIONER WITH VOLVO D13



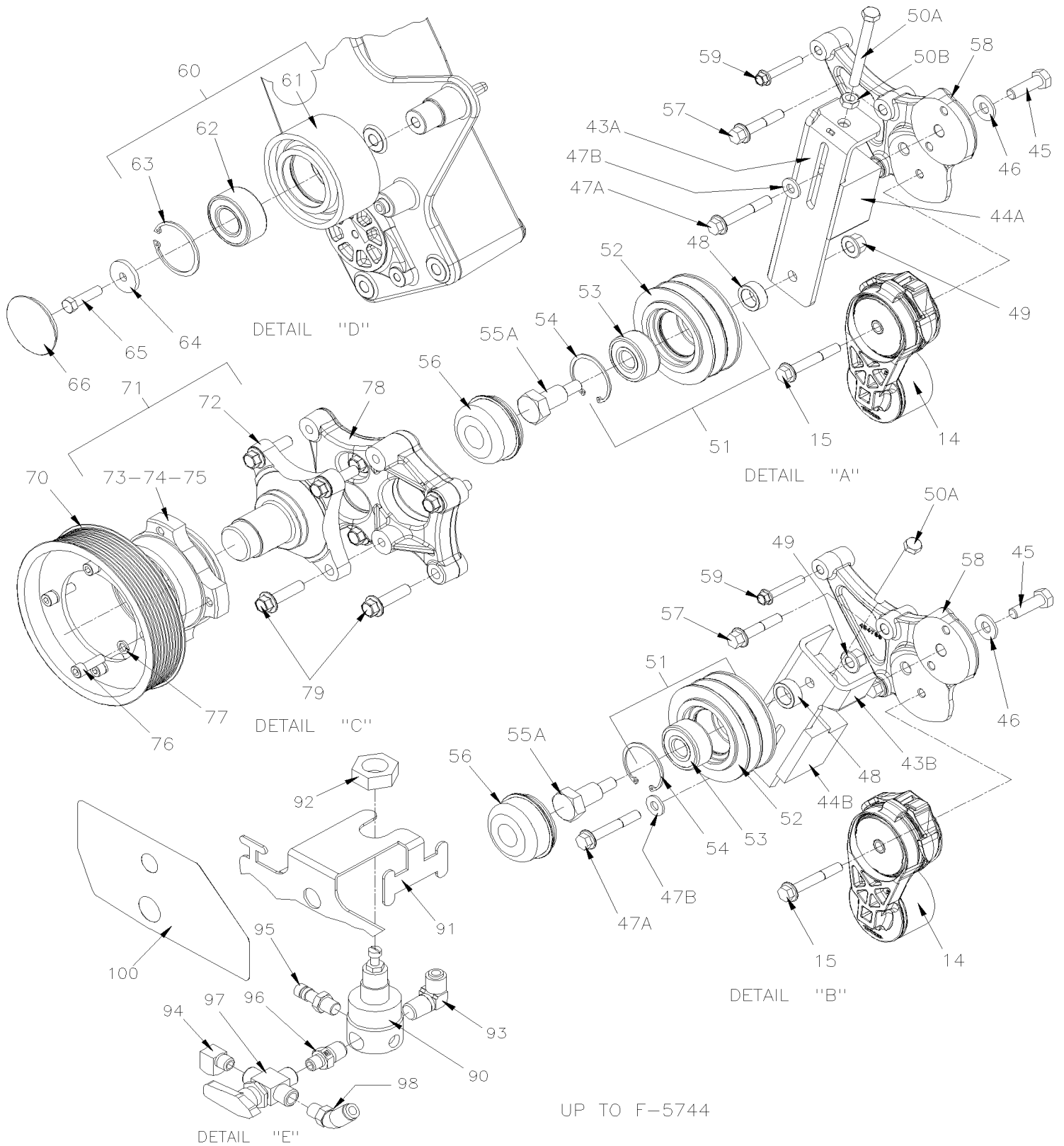


From E-5490 To H-6179

Date:07/2024

PAGE:X3VIP-0120-00

DRIVE PULLEY, BELTS & TENSIONER WITH VOLVO D13



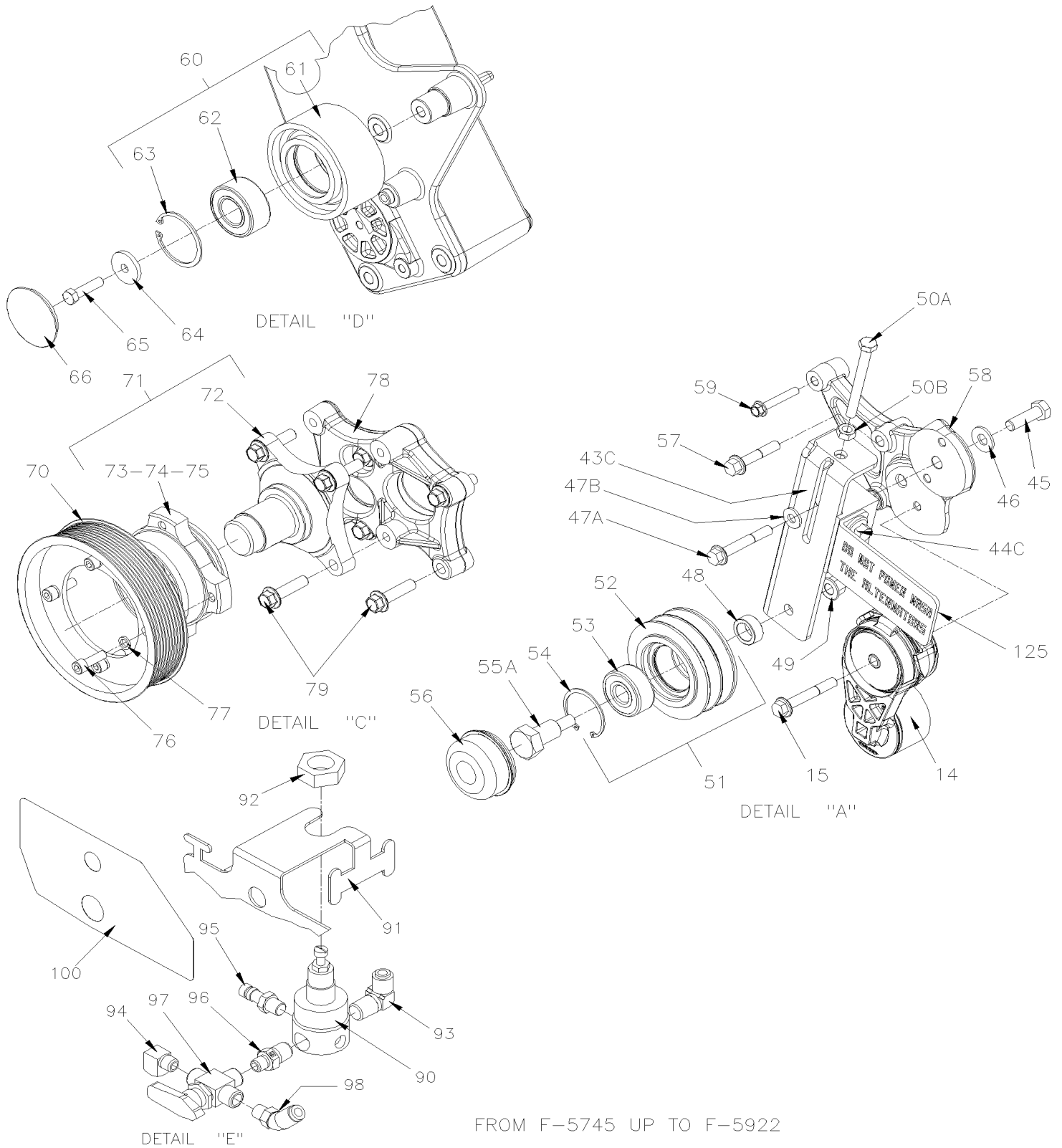


From E-5490 To H-6179

Date:07/2024

PAGE:X3VIP-0120-00

DRIVE PULLEY, BELTS & TENSIONER WITH VOLVO D13



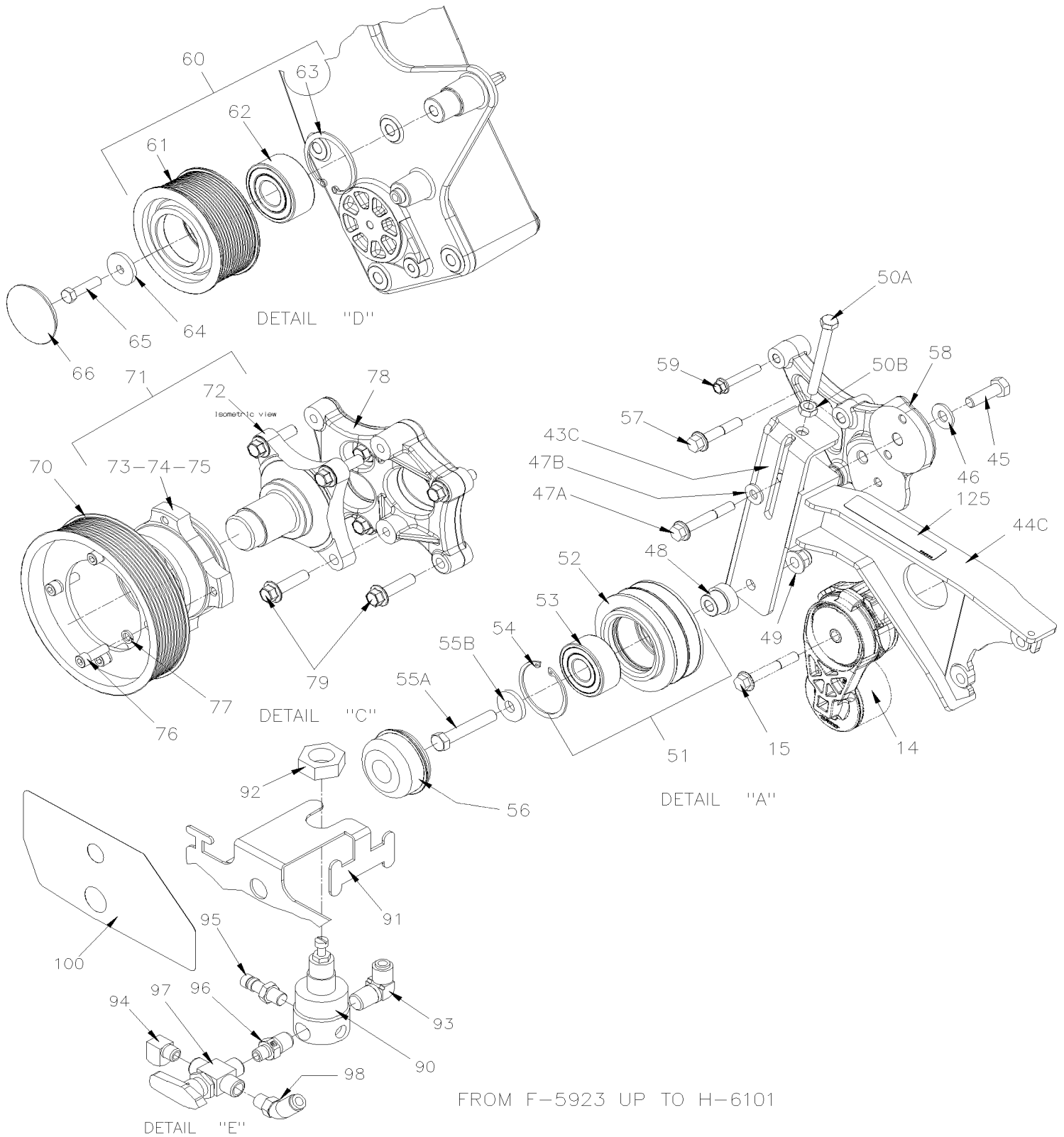


From E-5490 To H-6179

Date:07/2024

PAGE:X3VIP-0120-00

DRIVE PULLEY, BELTS & TENSIONER WITH VOLVO D13



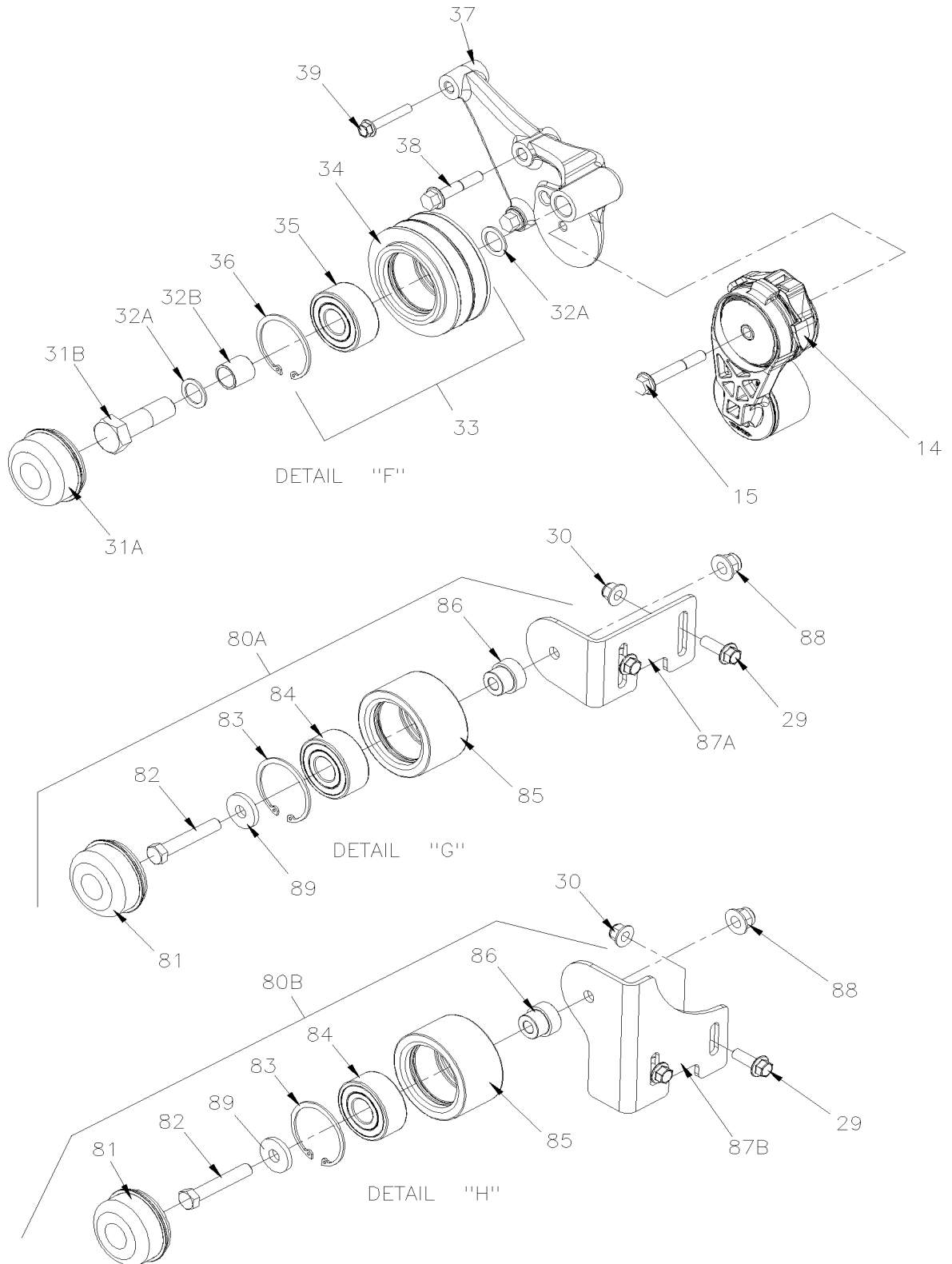


From E-5490 To H-6179

Date:07/2024

PAGE:X3VIP-0120-00

DRIVE PULLEY, BELTS & TENSIONER WITH VOLVO D13





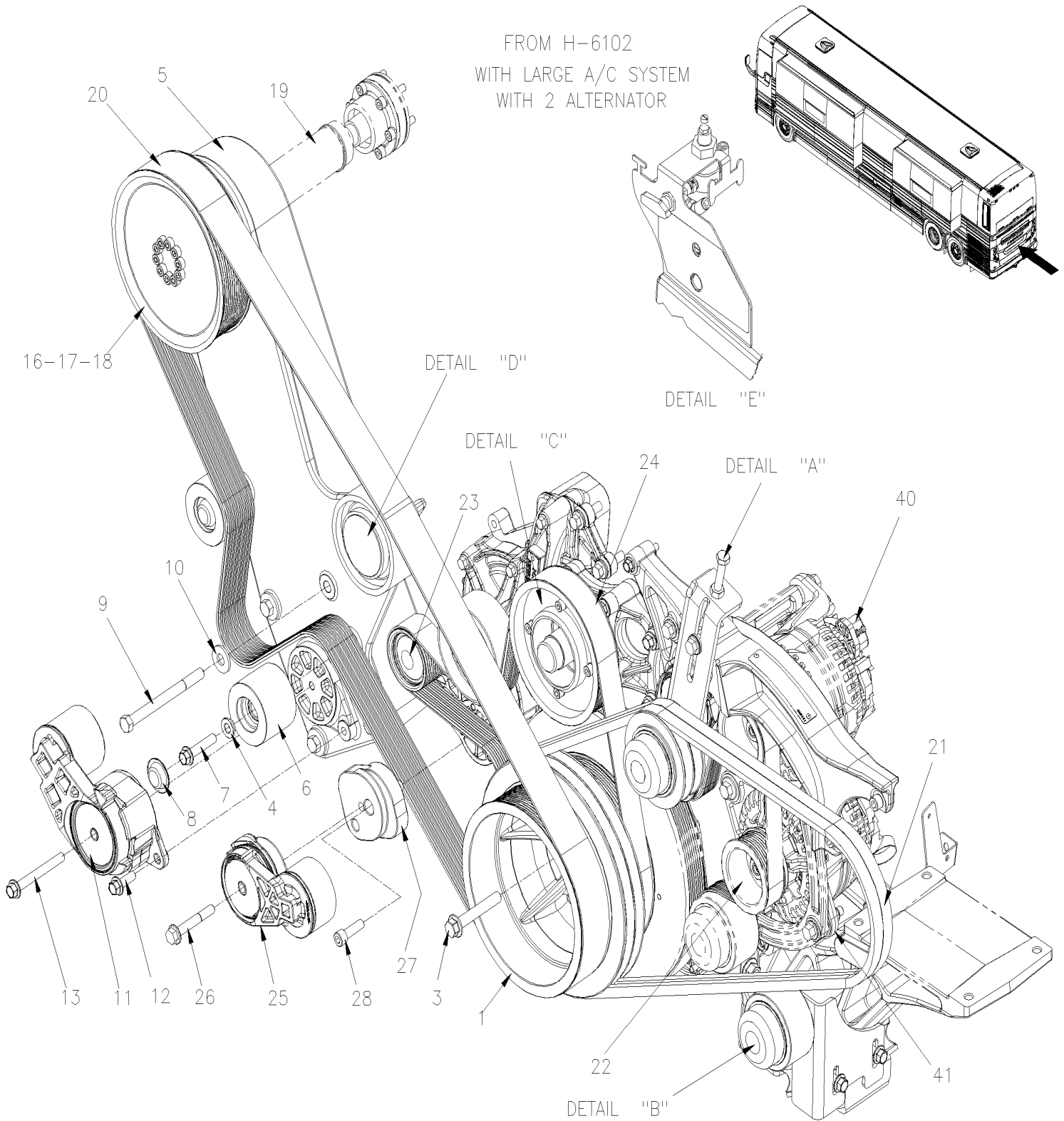
From E-5490 To H-6179

Date:07/2024

PAGE:X3VIP-0120-00

DRIVE PULLEY, BELTS & TENSIONER WITH VOLVO D13

FROM H-6102
WITH LARGE A/C SYSTEM
WITH 2 ALTERNATOR





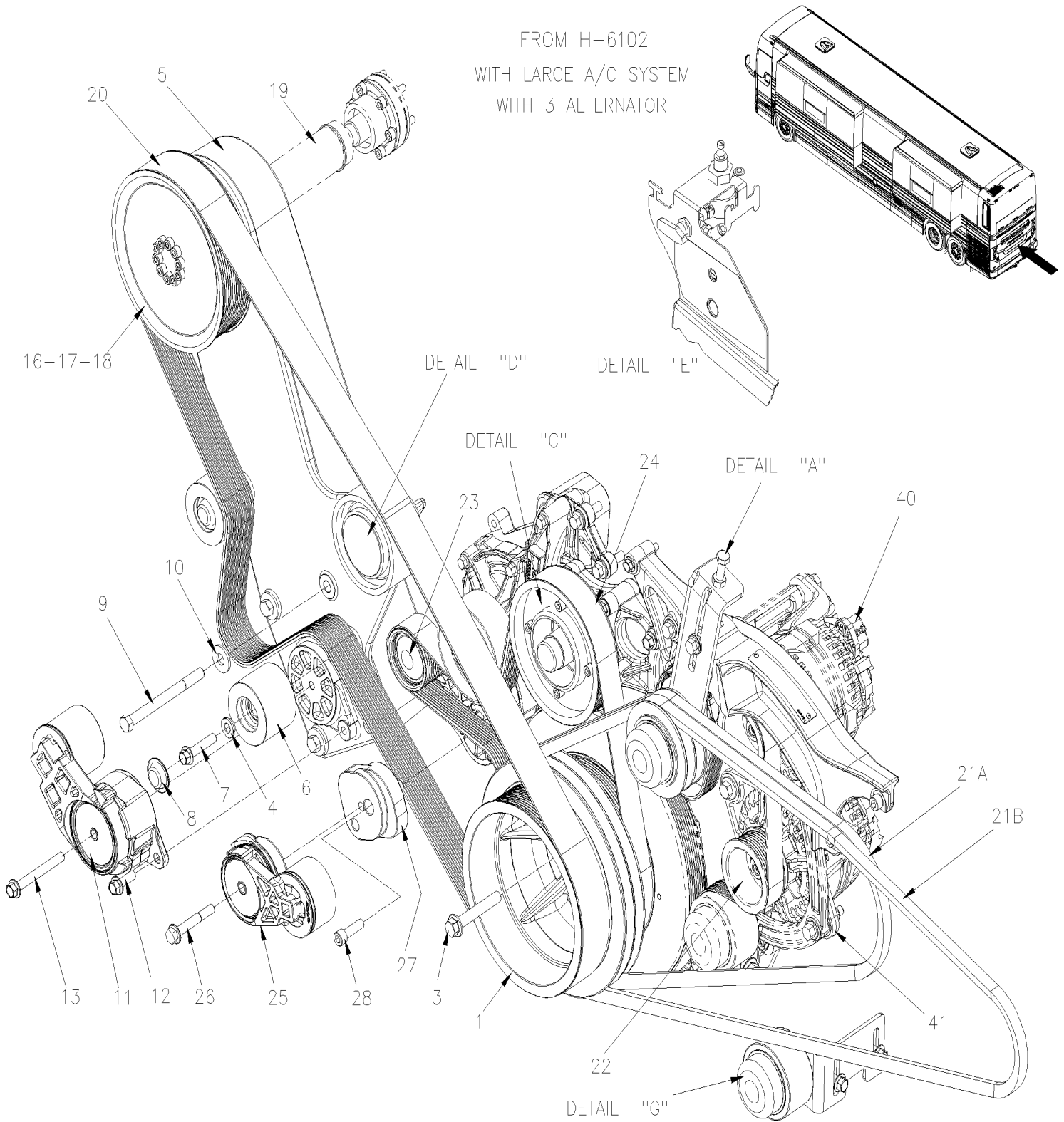
From E-5490 To H-6179

Date:07/2024

PAGE:X3VIP-0120-00

DRIVE PULLEY, BELTS & TENSIONER WITH VOLVO D13

FROM H-6102
WITH LARGE A/C SYSTEM
WITH 3 ALTERNATOR



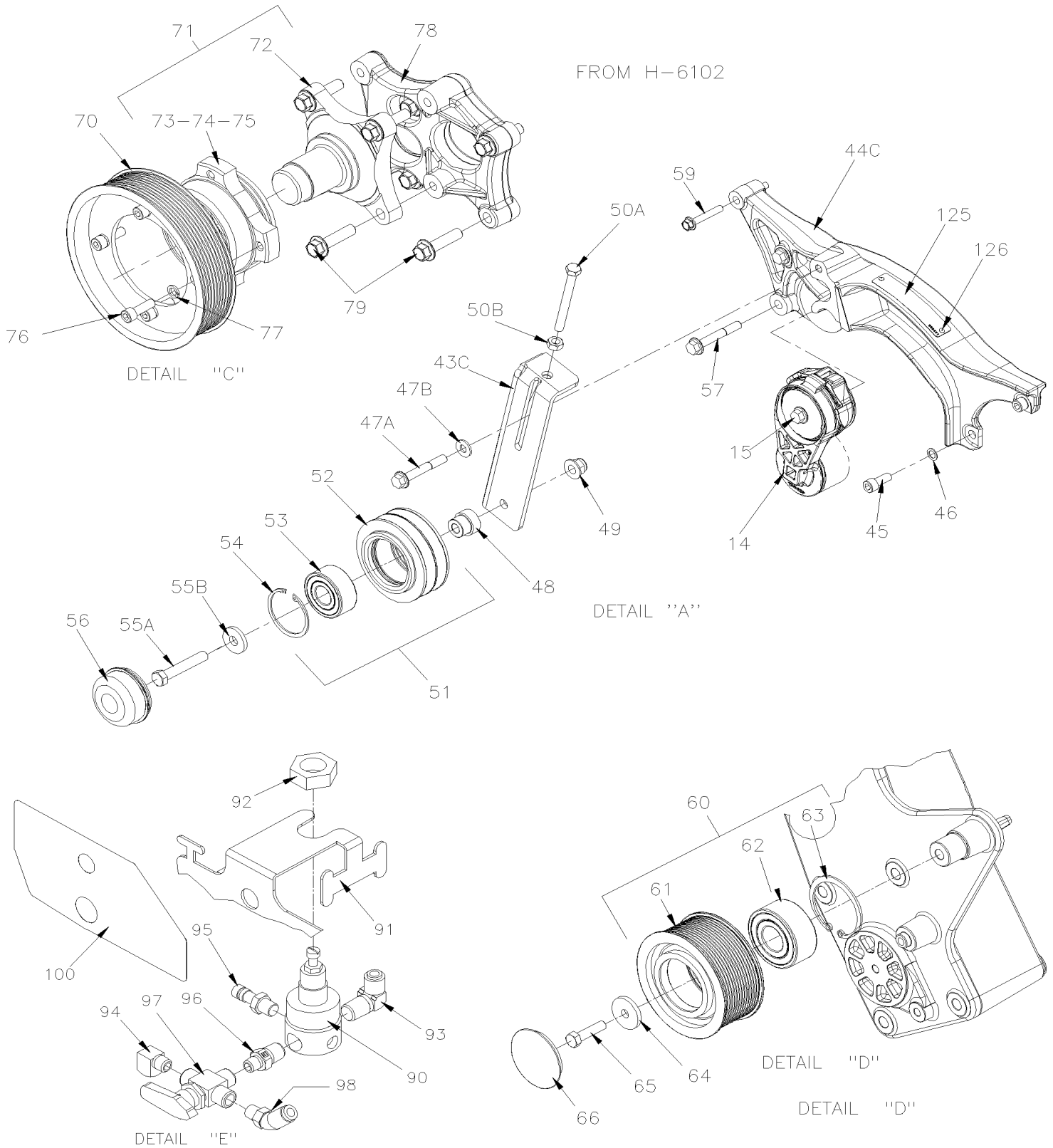


From E-5490 To H-6179

Date:07/2024

PAGE:X3VIP-0120-00

DRIVE PULLEY, BELTS & TENSIONER WITH VOLVO D13





From E-5490 To H-6179	Date:07/2024	PAGE:X3VIP-0120-00
-----------------------	--------------	--------------------

DRIVE PULLEY, BELTS & TENSIONER WITH VOLVO D13

Item#	Part	Description	X 3 V I P E N T	X 3 V I P M T H	N O T E S
1	012802	PULLEY DRIVE 277MM x 2V & 220MM x 10RIB & 223MM x 14 RIB	1	1	
3	5001296	SCREW CAP HEXF M12-1.75x80 G10.9 N500	6	6	
NS	680038	THREAD LOCKER LOCTITE #243 / BLUE / 50ml	AR	AR	
4	053022	GUIDE, BUSHING	2	2	
5	20966630	LONG FAN ARM SUPPORT	1	1	
6	550985	PULLEY ASSY W/BEARING 74MM O.D. x 57MM CROWNED/DOME	2	2	
7	5001843	SCREW CAP HEXF AD M10-1.5x50 G10.9 N500	2	2	
8	557056	PROTECTOR CAP / STEEL 40.7MM O.D. x 11MM	2	2	
9	5001776	SCREW CAP HEX M12-1.75x140 G8.8 G500 To F-5778	4	4	
9	5001940	SCREW CAP HEX M12-1.75x140 G10.9 N500 From F-5779	4	4	
10	500211	WASHER FL .531x1.250x.125 N500	4	4	
11	550925	AUTOMATIC TENSIONER ASSY	1	1	
. NS	010032	. TOOL KEY 1 1/2" / TENSIONER RELEASE	1	1	
12	5001644	SCREW CAP HEXF M10-1.5x30 G8.8 G500	1	1	
13	5001784	SCREW CAP HEXF M10-1.5x90 G8.8 AD N500	1	1	
14	510991	AUTOMATIC TENSIONER ASSY	1	1	
15	5001799	SCREW CAP HEXF M10-1.5x70 G10.9 N500	1	1	
16	550961	PULLEY ASSY / FAN DRIVE 212MM O.D. W/14 RIB	1	1	
. NS	550983	. BEARING	1	1	
. NS	551021	. SCREW CAP HEXS M8-1.25 x 30	10	10	
16	550981	PULLEY ASSY / FAN DRIVE 212MM O.D. W/14 RIB ALTERNATIVE PART	1	1	
. NS	551020	. BEARING	1	1	
. NS	551021	. SCREW CAP HEXS M8-1.25 x 30	10	10	
. NS	551022	. RETAINING RING	1	1	
17	5001738	SCREW CAP HEX M8-1.25x30 G8.8 N500	6	6	
18	500321	WASHER BEL SPR .331x.827x.098 N500	6	6	
19	X3VIP-0520-01	FAN DRIVE - INSTALLATION			
20	5061284	MULTI V-BELT / 14 RIB 100.98" (2565MM) 14PK2565 QT To H-6178	1	1	
20	506030	MULTI V-BELT / 14 RIB 100.98" (2565MM) 14PK2565 QT ARAMIDE From H-6179	1	1	
20	5060119	MULTI V-BELT / 14 RIB 100.98" (2565MM) 14PK2565 QT + SD To H-6178	1	1	H
20	506029	MULTI V-BELT / 14 RIB 100.98" (2565MM) 14PK2565 QT + SD ARAMIDE From H-6179	1	1	H
21	5060134	V-BELT / BX-71 / SET OF 2	1	1	B
21A	5060127	SUPER V-BELT / 5VX810 To F-5743	1	1	D
21A	5060137	SUPER V-BELT / 5VX740 From F-5744	1	1	D
21B	5060125	SUPER V-BELT / 5VX918 To F-5743	1	1	D
21B	5060138	SUPER V-BELT / 5VX940 From F-5744	1	1	D
21C	5060126	SUPER V-BELT / 5VX950 / SET OF 2	1	1	A
22	X3VIP-0610-00	ALTERNATOR MOUNTING VOLVO D13	1	1	
22	012811	DECAL / "BELT ROUTING" To E-5599	1	1	
22	012865	DECAL / "BELT ROUTING" From E-5600 To F-5743	1	1	
22	012880	DECAL / "BELT ROUTING" From F-5744	1	1	
23	Refer To Volvo	PULLEY IDLER	1	1	V



From E-5490 To H-6179 Date:07/2024 PAGE:X3VIP-0120-00

DRIVE PULLEY, BELTS & TENSIONER WITH VOLVO D13

Item#	Part	Description	X 3 V I P E N T	X 3 V I P M T H	N O T E S
24	5060110	MULTI V-BELT / 10 RIB 59.5" (1512MM) 10PK1512 QT (21-2112)	1	1	
24	5060104	MULTI V-BELT / 10 RIB 59.5" (1512MM) 10PK1512 QT + SD (21-2112)	1	1	H
25	510991	AUTOMATIC TENSIONER ASSY	1	1	
26	5001799	SCREW CAP HEXF M10-1.5x70 G10.9 N500	1	1	
27	012695	SUPPORT ADAPTOR AUTOMTIC TENSIONER ASSY W/DOWEL / WATER PUMP	1	1	
. NS	502941	. DOWEL PIN	2	2	
28	5001620	SCREW CAP HEXS M10-1.5X35 G10.9 G500	1	1	
29	5001741	SCREW CAP HEXF M10-1.5x30 G8.8 N500 To H-6132	2	2	
29	5000343	SCREW CAP HEXF M10-1.5x30 G10.9 N500 From H-6133	2	2	
30	5001727	NUT HEXF NYRT M10-1.5 N500 To E-5651	2	2	
30	5001930	NUT HEXF NYRT M10-1.5 N500 G10.9 From E-5652	2	2	
31A	453076	CAP, DUST	1	1	A
31B	453835	SCREW CAP HEX M20-2.5x65	1	1	A
32A	5001894	WASHER FL 21.0x30.0x1.587 SS From H-6099	2	2	A
32B	053725	BUSHING 20.2I.D. x 24.5O.D. x 24.5 From H-6099	1	1	A
33	457505	PULLEY ASSY W/BEARING To H-6098	1	1	A J
33	450333	KIT PULLEY REPLACEMENT / SERVICE SMALL A/C To H-6098	1	1	A J
33	457785	PULLEY ASSY W/BEARING From H-6099 To H-6144	1	1	A
33	450096	PULLEY ASSY W/BEARING From H-6145	1	1	A
34	457504	. PULLEY / 112MM O.D. X 2V To H-6098	1	1	A
34	457786	. PULLEY / 112MM O.D. X 2V From H-6099	1	1	A
35	507340	. BALL BEARING 20 ID x 52 OD x 22.2 W To H-6098	1	1	A E
35	507014	. BALL BEARING 20 ID x 52 OD x 22.2 W To H-6098	1	1	A
35	507006	. BALL BEARING 25 ID x 62 OD x 25.4 W From H-6099 To H-6144	1	1	A
35	509952	. BALL BEARING 25 ID x 62 OD x 25.4 W HI-TEMP From H-6145	1	1	A
36	504095	. RING RETAINER / INT 2.00 x 2.12 x .062 To H-6098	1	1	A
36	504040	. RING RETAINER / INT 2.440 x 1.860 x 0.078 STL BLK From H-6099	1	1	A
37	012656	SUPPORT PULLEY ALT & A/C	1	1	A
38	5001801	SCREW CAP HEXF M10-1.5x55 G10.9 N500	2	2	A
39	500796	SCREW CAP HEXF M8-1.25x50 G10.9 N500	1	1	A
40	X3VIP-0605-00	ALTERNATOR 24V/120 AMPS / "BOSCH" To F-5912			
40	X3VIP-0605-01	ALTERNATOR 24V/150 AMPS / "BOSCH" From F-5913			
41	X3VIP-0610-00	ALTERNATOR MOUNTING VOLVO D13			
42	X3VIP-2245-01	A/C COMPRESSOR "BITZER" - INSTALLATION			
42	X3VIP-2245-50	A/C SMALL COMPRESSOR - INSTALLATION			
43A	457542	TENSIONER To F-5743	1	1	B
43A	457542	TENSIONER To F-5743	1	1	B
43B	457540	TENSIONER To F-5743	1	1	D
43C	457542	TENSIONER From F-5744 To H-6101	1	1	
43C	457542	TENSIONER From F-5744 To H-6101	1	1	
43C	457765	TENSIONER, AC BELT COMPRESSOR From H-6102	1	1	B



From E-5490 To H-6179 Date:07/2024 PAGE:X3VIP-0120-00

DRIVE PULLEY, BELTS & TENSIONER WITH VOLVO D13

Item#	Part	Description	X 3 V I P E N T	X 3 V I P M T H	N O T E S
43C	457766	TENSIONER From H-6102	1	1	D
44A	457543	SUPPORT, TENSIONNER To F-5743	1	1	B
44A	457543	SUPPORT, TENSIONNER To F-5743	1	1	B
44B	457541	SUPPORT, TENSIONNER To F-5743	1	1	D
44C	457543	SUPPORT, TENSIONNER From F-5743 To F-5922	1	1	
44C	457543	SUPPORT, TENSIONNER From F-5743 To F-5922	1	1	
44C	457759	SUPPORT, TENSIONNER From F-5923 To G-6007	1	1	
44C	457675	SUPPORT, TENSIONNER WELDED From G-6008 To H-6101	1	1	
44C	457750	SUPPORT, TENSIONNER CASTING From H-6102	1	1	
45	5001885	SCREW CAP HEX M12-1.75X40 G10.9 N500 To H-6101	1	1	
45	5001616	SCREW CAP HEXS M10-1.5X25 G10.9 DP From H-6102	2	2	
NS	680098	THREAD SEALANT LOCTITE #567 / WHITE / 250ml From H-6102	AR	AR	
46	500967	WASHER BEL SPR .512x1.142x.098 N500 To H-6101	1	1	
46	502867	WASHER FL .406x.625x.040 N500 From H-6102	2	2	
47A	5001799	SCREW CAP HEXF M10-1.5x70 G10.9 N500 To H-6101	1	1	
47A	5000343	SCREW CAP HEXF M10-1.5x30 G10.9 N500 From H-6102	1	1	
47B	5001834	WASHER BEL SPR 10.5X23X2.5 N500	1	1	
48	457501	BUSHING 30MM O.D. x 20MM I.D. x 12MM To H-6098	1	1	
48	053724	BUSHING From H-6099	1	1	
49	5001728	NUT HEXF STO M12-1.75 N500 G10 To E-5651	1	1	
49	5001761	NUT HEXF NYRT M12-1.75 G8 N500 From E-5652	1	1	
50A	5001914	SCREW CAP HEX M10-1.5x100 FT SS	1	1	
50B	500847	NUT HEX M10-1.5 N500	1	1	
51	457505	PULLEY ASSY W/BEARING To H-6098	1	1	K
51	450334	KIT PULLEY REPLACEMENT / SERVICE LARGE A/C To H-6098	1	1	K
51	457785	PULLEY ASSY W/BEARING From H-6099 To H-6144	1	1	
51	450096	PULLEY ASSY W/BEARING From H-6145	1	1	
52	457504	. PULLEY / 112MM O.D. X 2V To H-6098	1	1	
52	457786	. PULLEY / 112MM O.D. X 2V From H-6099	1	1	
53	507340	. BALL BEARING 20 ID x 52 OD x 22.2 W To H-6098	1	1	E
53	507014	. BALL BEARING 20 ID x 52 OD x 22.2 W To H-6098	1	1	
53	507006	. BALL BEARING 25 ID x 62 OD x 25.4 W From H-6099 To H-6144	1	1	
53	509952	. BALL BEARING 25 ID x 62 OD x 25.4 W HI-TEMP From H-6145	1	1	
54	504095	. RING RETAINER / INT 2.00 x 2.12 x .062 To H-6098	1	1	
54	504040	. RING RETAINER / INT 2.440 x 1.860 x 0.078 STL BLK From H-6099	1	1	
55A	457500	ROD, IDLER A/C M12-1.75 x 59 To H-6098	1	1	
55A	5001862	SCREW CAP HEX M12-1.75x70 G10.9 N500 From H-6099	1	1	
55B	5002008	WASHER FL 13.0x35.0x5.0 N500 From H-6099	1	1	
56	453076	CAP, DUST	1	1	
57	5001801	SCREW CAP HEXF M10-1.5x55 G10.9 N500 To H-6101	2	2	
57	5001799	SCREW CAP HEXF M10-1.5x70 G10.9 N500 From H-6102	2	2	
58	454779	SUPPORT PULLEY ALT & A/C WELDED PROTO	1	1	



From E-5490 To H-6179	Date:07/2024	PAGE:X3VIP-0120-00
DRIVE PULLEY, BELTS & TENSIONER WITH VOLVO D13		

Item#	Part	Description	X 3 V I P E N T	X 3 V I P M T H	N O T E S
59	500796	SCREW CAP HEXF M8-1.25x50 G10.9 N500	1	1	
60	052896	PULLEY ASSY W/BEARING / 54MM x 117MM O.D. To H-6098	1	1	L
60	053722	PULLEY ASSY W/BEARING / 54MM x 125MM O.D. / 14V From H-6099 To H-6144	1	1	L
60	050027	PULLEY ASSY W/BEARING / 54MM x 125MM O.D. / 14V From H-6145	1	1	
61	052625	. PULLEY / 54MM x 117MM O.D. To H-6098	1	1	
61	053723	. PULLEY / 54MM x 125MM O.D. / 14V From H-6099	1	1	
62	510618	. BALL BEARING DBL ROW / 30MM x 62MM x 27 W To H-6098	1	1	
62	507008	. BALL BEARING 30MM x 72MM x 30.2 W From H-6099 To H-6144	1	1	
62	509953	. BALL BEARING 30MM x 72MM x 30.2 W HI-TEMP From H-6145	1	1	
63	504040	. RING RETAINER / INT 2.440 x 1.860 x 0.078 STL BLK To H-6098	1	1	
63	504736	. RING RETAINER / INT 72 x 75 x 2.5MM From H-6099	1	1	
64	012062	WASHER FL 10.2 x38.1x5 ST	1	1	
65	500829	SCREW CAP HEX M10-1.5x40 G8.8	1	1	
66	510798	PROTECTOR CAP / "PREVOST"	1	1	
70	8149875	PULLEY 171 MM O.D. W/10RIB	1	1	
71	21146745	HUB ASSY To H-6115	1	1	
71	22719941	HUB ASSY From H-6116	1	1	
72	20459796	. SHAFT MOUNTING	1	1	
73	N.S.S.	. BEARING HOUSING To H-6115	1	1	1
73	N.S.S.	. BEARING HOUSING From H-6116	1	1	1
74	21146660	. BALL BEARING To H-6115	1	1	
74	N.S.S.	. BALL BEARING From H-6116	1	1	1
75	1675790	. NUT M40 x 9MM	1	1	
76	5001775	SCREW CAP HEXS M8-1.25x25 G8.8 G500	4	4	
77	500942	WASHER LO SPT 8.1x14.8x2.0 N500	4	4	
78	21270170	SUPPORT PULLEY TENSIONER WATER PUMP	1	1	
79	5001308	SCREW CAP HEXF M10-1.5x40 G10.9 N500	8	8	
80A	457510	PULLEY, LOOSE ASM To H-6098	1	1	G
80A	457783	PULLEY, LOOSE ASM From H-6099 To H-6144	1	1	G
80A	450095	PULLEY, LOOSE ASM From H-6145	1	1	
80B	457545	PULLEY, LOOSE ASM To H-6098	1	1	F
80B	457781	PULLEY, LOOSE ASM From H-6099 To H-6144	1	1	F
80B	450094	PULLEY, LOOSE ASM From H-6145	1	1	
81	453076	. CAP, DUST	1	1	
82	453835	. SCREW CAP HEX M20-2.5x65 To H-6098	1	1	
82	5001862	. SCREW CAP HEX M12-1.75x70 G10.9 N500 From H-6099	1	1	
83	504095	. RING RETAINER / INT 2.00 x 2.12 x .062 To H-6098	1	1	
83	504040	. RING RETAINER / INT 2.440 x 1.860 x 0.078 STL BLK From H-6099	1	1	
84	507340	. BALL BEARING 20 ID x 52 OD x 22.2 W To H-6098	1	1	E
84	507014	. BALL BEARING 20 ID x 52 OD x 22.2 W To H-6098	1	1	
84	507006	. BALL BEARING 25 ID x 62 OD x 25.4 W From H-6099 To H-6144	1	1	
84	509952	. BALL BEARING 25 ID x 62 OD x 25.4 W HI-TEMP From H-6145	1	1	



From E-5490 To H-6179	Date:07/2024	PAGE:X3VIP-0120-00
DRIVE PULLEY, BELTS & TENSIONER WITH VOLVO D13		

Item#	Part	Description	X 3 V I P E N T	X 3 V I P M T H	N O T E S
85	453834	. PULLEY / 45MM x 90MM O.D. To H-6098	1	1	
85	012958	. PULLEY / 48MM x 90MM O.D. From H-6099	1	1	
86	052205	. SPACER 20MM I.D. X 12.5MM TH To H-6098	1	1	
86	053724	. BUSHING From H-6099	1	1	
87A	457511	. SUPPORT, LOOSE PULLEY To H-6098	1	1	
87A	457784	. SUPPORT, LOOSE PULLEY From H-6099	1	1	
87B	457546	. SUPPORT, LOOSE PULLEY To H-6098	1	1	
87B	457782	. SUPPORT, LOOSE PULLEY From H-6099	1	1	
88	5001252	. NUT HEX STO M20-2.5 DP To H-6098	1	1	
88	5001761	. NUT HEXF NYRT M12-1.75 G8 N500 From H-6099	1	1	
89	5002008	. WASHER FL 13.0x35.0x5.0 N500 From H-6099	1	1	
90	641472	AIR PRESSURE REGULATOR 1/4" NPT / COPPER	1	1	A D
91	032892	SUPPORT FILTER AIR	1	1	A D
92	500734	NUT HEX JAM 3/4-16 Z050	1	1	A D
93	641371	MALE ELBOW 90° NON-SWIVEL / PUSH-IN FITTING / #4x1/4NPT-M BR	1	1	A D
94	501331	STREET ELBOW 90° / PIPE FITTING / 1/8NPT-Mx1/8NPT-F BR	1	1	A D
95	640488	VALVE, AIR FILL 1/8" NPT	1	1	A D
. NS	650164	. CAP VALVE / CHROME	1	1	A D
96	501650	NIPPLE REDUCER HEX / PIPE FITTING / 1/4NPT-Mx1/8NPT-Mx1 3/16 BR	1	1	A D
97	642161	VALVE, 3 WAYS 1/8NPT-Fx1/8NPT-Fx1/8NPT-F BR	1	1	A D
. NS	642014	. HANDLE / RED	1	1	A D
98	641365	MALE ELBOW 45° NON-SWIVEL / PUSH-IN FITTING / #4x1/8NPT-M BR	1	1	A D
100	068307	DECAL REAR ENGINE START.... To F-5743	1	1	A D
100	069130	DECAL REAR ENGINE START.... From F-5744	1	1	A D
NS	685290	TOOL PULLEY RETAINER / FOR TORQ # 550912	1	1	
125	068669	CAUTION PLATE, ALTERNATOR From F-5760 To F-5922	1	1	B D
125	500321	WASHER BEL SPR .331x.827x.098 N500 From F-5760 To F-5922	2	2	B D
125	5001780	SCREW CAP HEXF M8-1.25x16 G8.8 N500 From F-5760 To F-5922	2	2	B D
125	069356	DECAL "DO NOT POWER WASH ALTERNATORS" ENGLISH From F-5923	1	1	
125	069421	DECAL "DO NOT POWER WASH ALTERNATORS" From H-6102	1	1	
126	504339	RIVET POP DOME OE 1/8x3/8 SS From H-6102	2	2	
		A) WITH SMALL A/C			
		B) WITH LARGE A/C WITH 2 ALTERNATORS			
		D) WITH LARGE A/C WITH 3 ALTERNATORS			
		E) REPLACE BY # 507014			
		F) FOR PRODUCT IMPROVMENT ASK FOR # 450094			
		G) FOR PRODUCT IMPROVMENT ASK FOR # 450095			
		H) HEAVY DUTY			
		J) FOR PRODUCT IMPROVMENT ASK FOR # 450333			



From E-5490 To H-6179	Date:07/2024	PAGE:X3VIP-0120-00
-----------------------	--------------	--------------------

DRIVE PULLEY, BELTS & TENSIONER WITH VOLVO D13

Item#	Part	Description	X 3 V I P E N T	X 3 V I P M T H	N O T E S
		K) FOR PRODUCT IMPROVMENT ASK FOR # 450334			
		L) FOR PRODUCT IMPROVMENT ASK FOR # 050027			
		1) NOT SOLD SEPARATELY			
		V) SEE IMPACT OR CALL ORDER DESK			

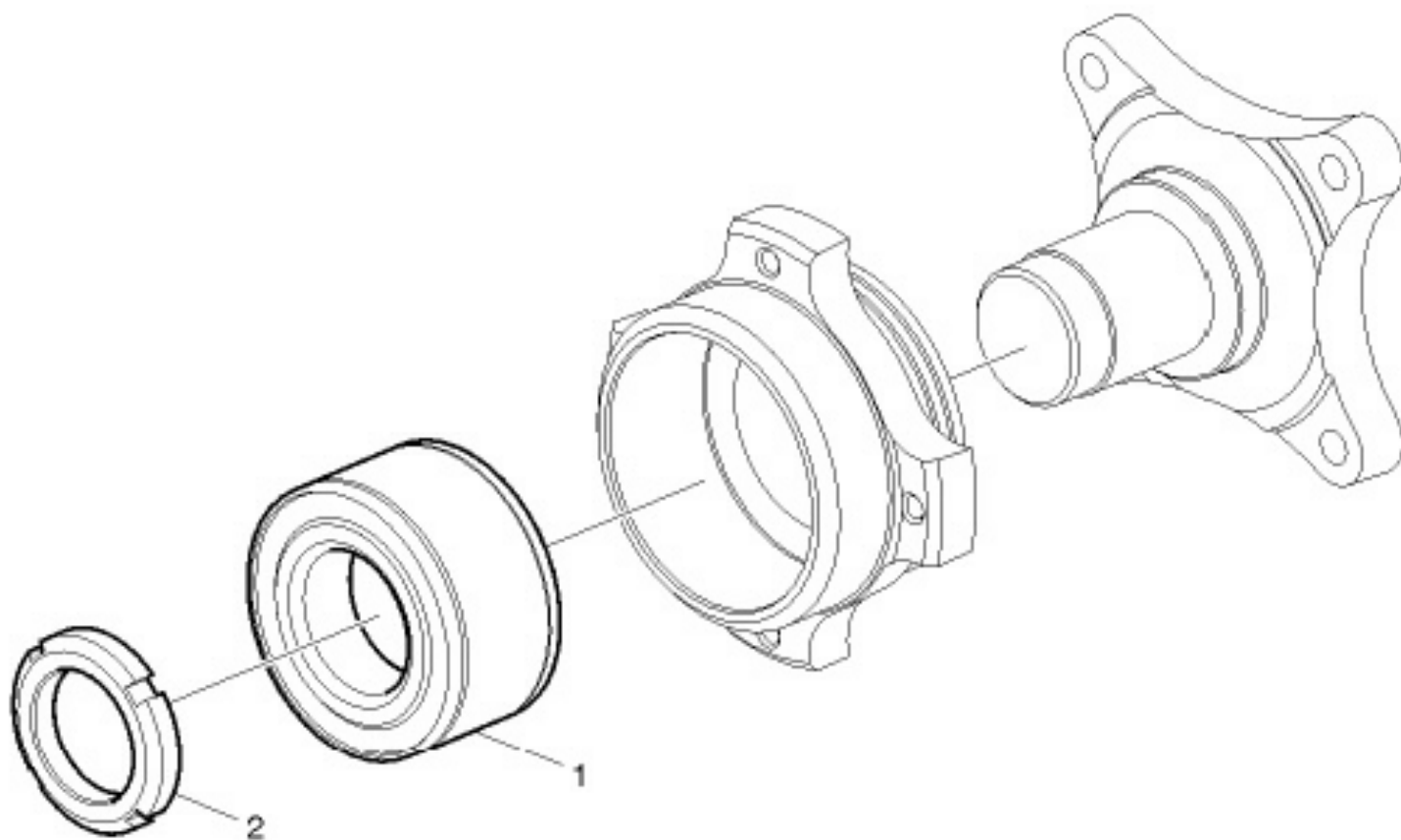


From H-6116

Date:07/2024

PAGE:22719941

HUB ASSY



R1303140



From H-6116	Date:07/2024	PAGE:22719941
-------------	--------------	---------------

HUB ASSY

Item#	Part	Description	X 3 V I P E N T	X 3 V I P M T H	N O T E S
1	21760184	BALL BEARING	1	1	
2	23705970	ROUND NUT	1	1	

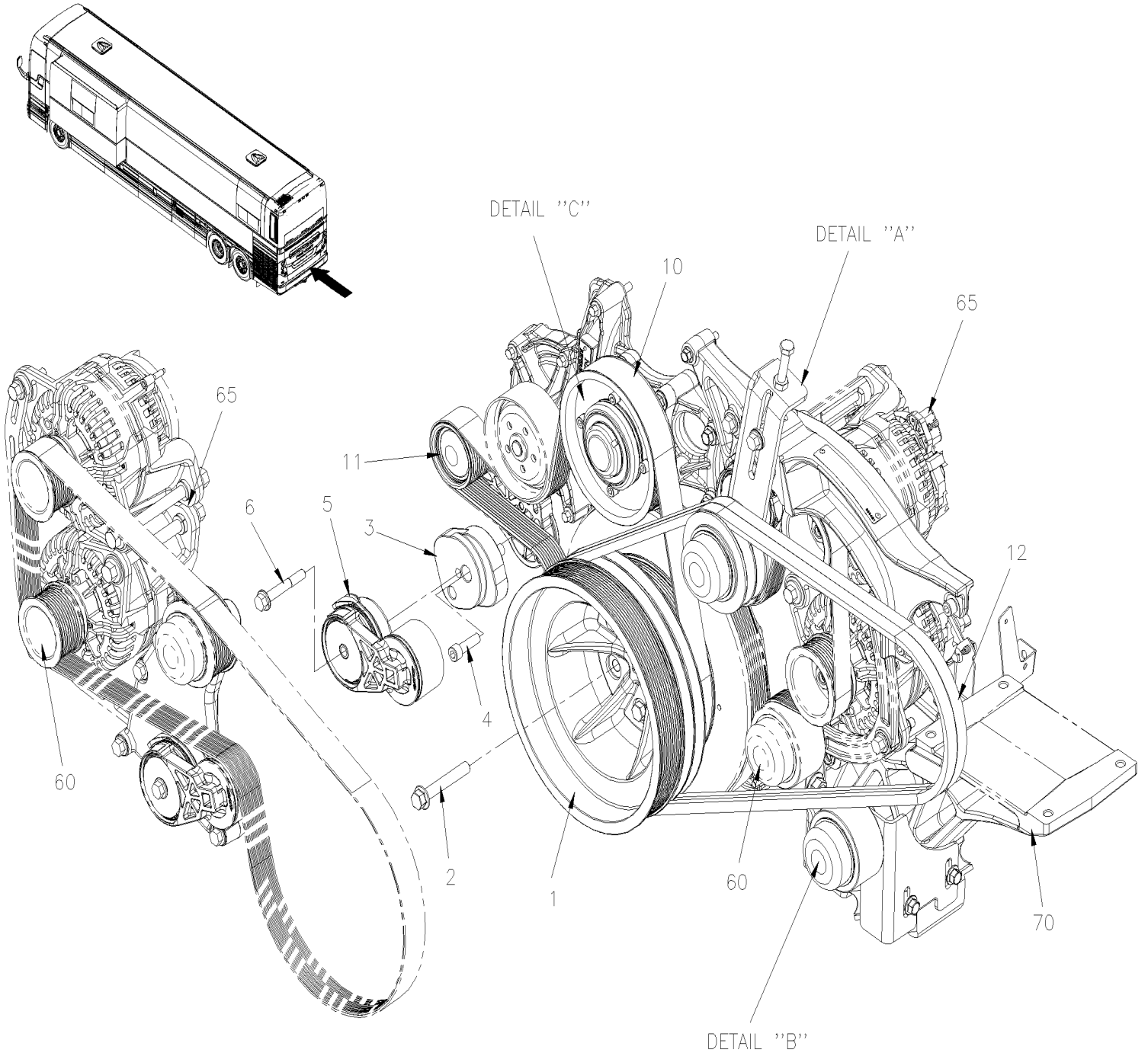


From H-6180

Date:07/2024

PAGE:X3VIP-0120-01

DRIVE PULLEY, BELTS & TENSIONER WITH VOLVO D13 - GHG17



WITH LARGE A/C

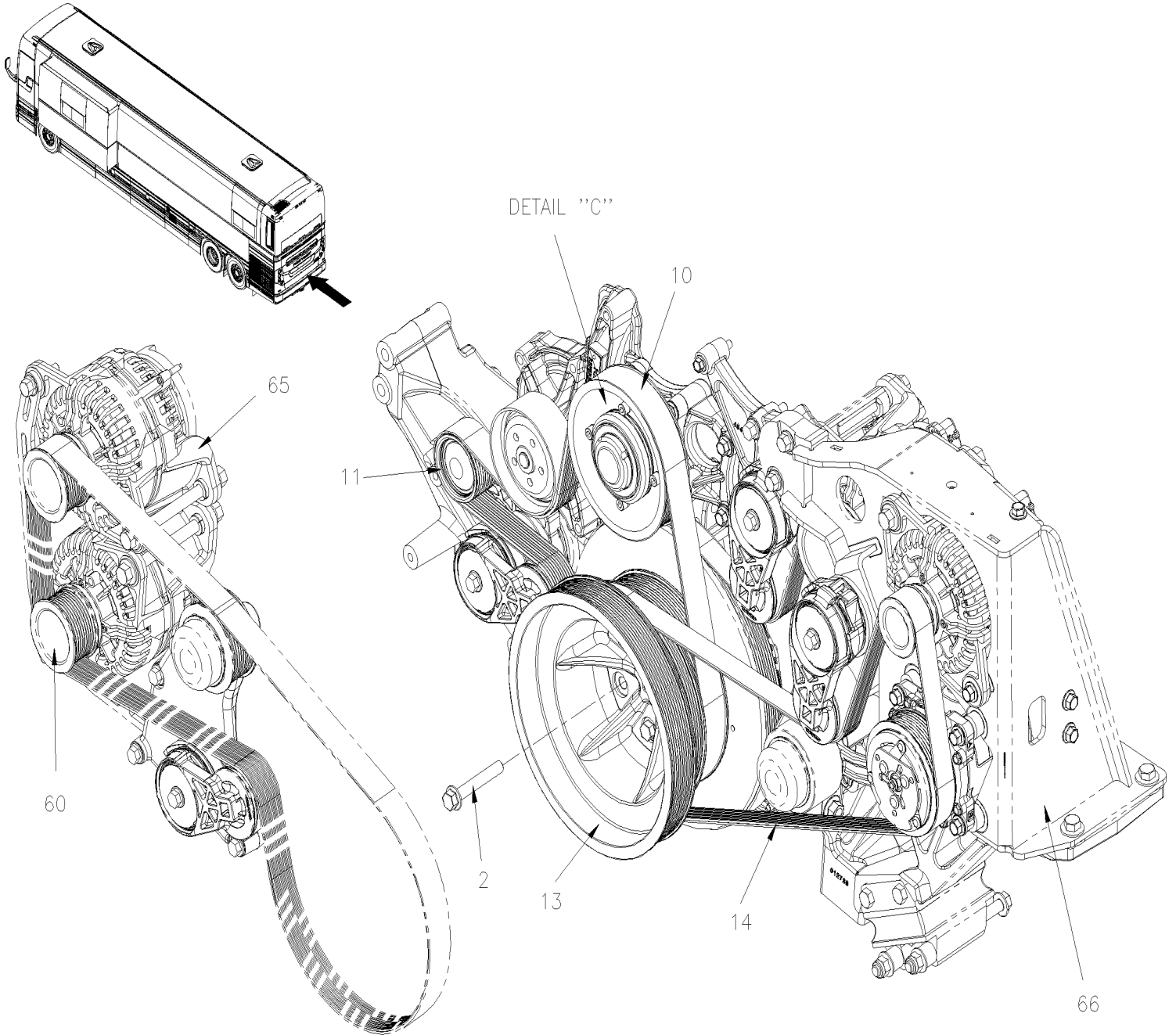


From H-6180

Date:07/2024

PAGE:X3VIP-0120-01

DRIVE PULLEY, BELTS & TENSIONER WITH VOLVO D13 - GHG17



WITH SMALL A/C

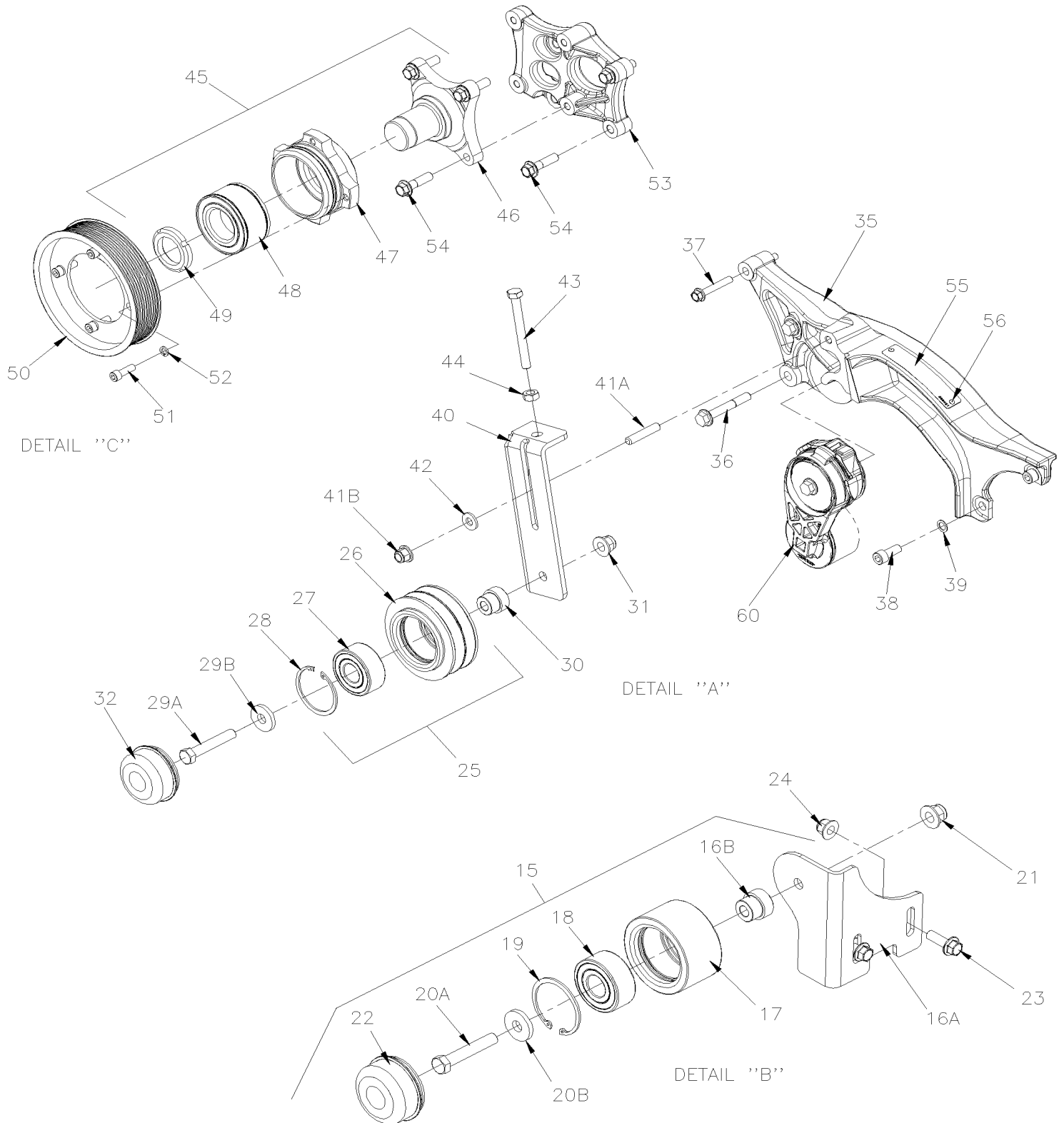


From H-6180

Date:07/2024

PAGE:X3VIP-0120-01

DRIVE PULLEY, BELTS & TENSIONER WITH VOLVO D13 - GHG17





From H-6180		Date:07/2024	PAGE:X3VIP-0120-01
DRIVE PULLEY, BELTS & TENSIONER WITH VOLVO D13 - GHG17			

Item#	Part	Description	X 3 V I P E N T	X 3 V I P M T H	N O T E S
1	012941	DRIVE PULLEY / 280MMx10RIB/ 268.3MMx2V / 220.8MMx10 RIB To M-6657	1	1	B
1	010319	DRIVE PULLEY / 280MMx10RIB/ 268.3MMx2V / 220.8MMx10 RIB From M-6658	1	1	B
2	5001296	SCREW CAP HEXF M12-1.75x80 G10.9 N500	6	6	
3	012695	SUPPORT ADAPTOR AUTOMTIC TENSIONER ASSY W/DOWEL / WATER PUMP	1	1	
. NS	502941	. DOWEL PIN	2	2	
4	5001620	SCREW CAP HEXS M10-1.5X35 G10.9 G500	1	1	
NS	680038	THREAD LOCKER LOCTITE #243 / BLUE / 50ml	AR	AR	
5	510991	AUTOMATIC TENSIONER ASSY	1	1	
6	5001799	SCREW CAP HEXF M10-1.5x70 G10.9 N500	1	1	
10	5060110	MULTI V-BELT / 10 RIB 59.5" (1512MM) 10PK1512 QT (21-2112)	1	1	
10	5060104	MULTI V-BELT / 10 RIB 59.5" (1512MM) 10PK1512 QT + SD (21-2112)	1	1	H
11	Refer To Volvo	PULLEY IDLER	1	1	V
12	5060134	V-BELT / BX-71 / SET OF 2 To K-6409	1	1	B
12	5060142	V-BELT / BX-71 From K-6410 To K-6483	2	2	B
12	5060134	V-BELT / BX-71 / SET OF 2 From K-6484 To M-6657	1	1	B
12	5060137	SUPER V-BELT / 5VX740 From M-6658	2	2	B
13	010061	DRIVE PULLEY / 280MMx10RIB / 236MMx8RIB / 220.8MMx10 RIB	1	1	S
14	5060140	MULTI V-BELT / 8 RIB 72.4" (1840MM) 8PK1840 EPDM QT+ ARAMID	1	1	S
15	457783	PULLEY, LOOSE ASM	1	1	
16A	457782	. SUPPORT, LOOSE PULLEY	1	1	
16B	053724	. BUSHING	1	1	
17	012958	. PULLEY / 48MM x 90MM O.D.	1	1	
18	509952	. BALL BEARING 25 ID x 62 OD x 25.4 W HI-TEMP	1	1	
19	504040	. RING RETAINER / INT 2.440 x 1.860 x 0.078 STL BLK	1	1	
20A	5001862	. SCREW CAP HEX M12-1.75x70 G10.9 N500	1	1	
20B	5002008	. WASHER FL 13.0x35.0x5.0 N500	1	1	
21	5001761	. NUT HEXF NYRT M12-1.75 G8 N500	1	1	
22	453076	. CAP, DUST	1	1	
23	5000343	SCREW CAP HEXF M10-1.5x30 G10.9 N500	2	2	
24	5001930	NUT HEXF NYRT M10-1.5 N500 G10.9	2	2	
25	450044	PULLEY ASSY W/BEARING To M-6657	1	1	
25	450096	PULLEY ASSY W/BEARING From M-6658	1	1	
26	450045	. PULLEY / 112MM O.D. X 2V To M-6657	1	1	
26	457786	. PULLEY / 112MM O.D. X 2V From M-6658	1	1	
27	509952	. BALL BEARING 25 ID x 62 OD x 25.4 W HI-TEMP	1	1	
28	504040	. RING RETAINER / INT 2.440 x 1.860 x 0.078 STL BLK	1	1	
29A	5001862	SCREW CAP HEX M12-1.75x70 G10.9 N500	1	1	
29B	5002008	WASHER FL 13.0x35.0x5.0 N500	1	1	
30	053724	BUSHING	1	1	
31	5001761	NUT HEXF NYRT M12-1.75 G8 N500	1	1	
32	453076	CAP, DUST	1	1	
35	457750	SUPPORT, TENSIONNER CASTING To K-6439	1	1	



From H-6180	Date:07/2024	PAGE:X3VIP-0120-01
DRIVE PULLEY, BELTS & TENSIONER WITH VOLVO D13 - GHG17		

Item#	Part	Description	X 3 V I P E N T	X 3 V I P M T H	N O T E S
		H) HEAVY DUTY			
		S) WITH SMALL A/C			
		1) NOT SOLD SEPARATELY			
		V) SEE IMPACT OR CALL ORDER DESK			

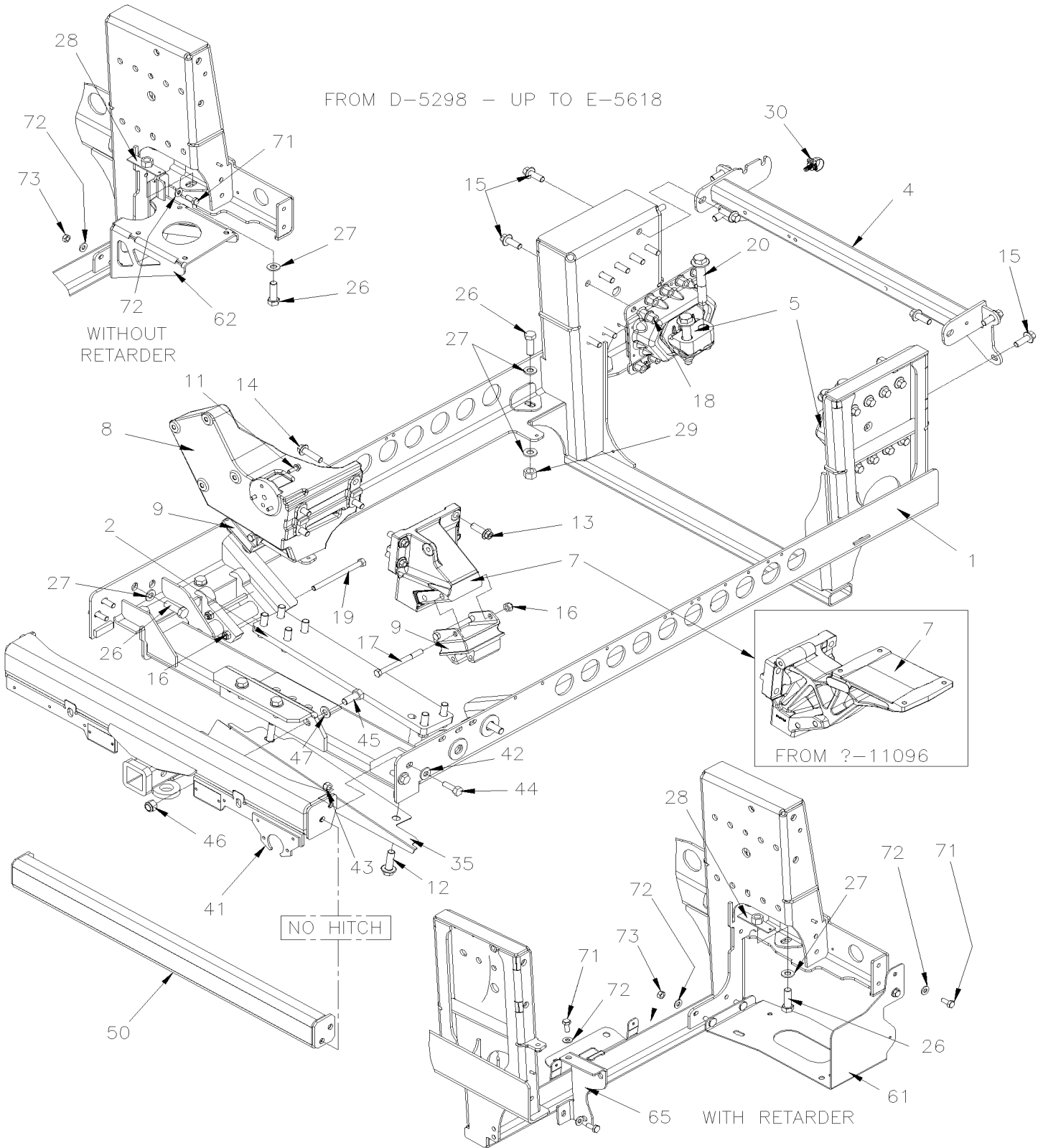


From E-5490 To H-6179

Date:07/2024

PAGE:X3VIP-0150-00

ENGINE CRADLE - WITH VOLVO D13



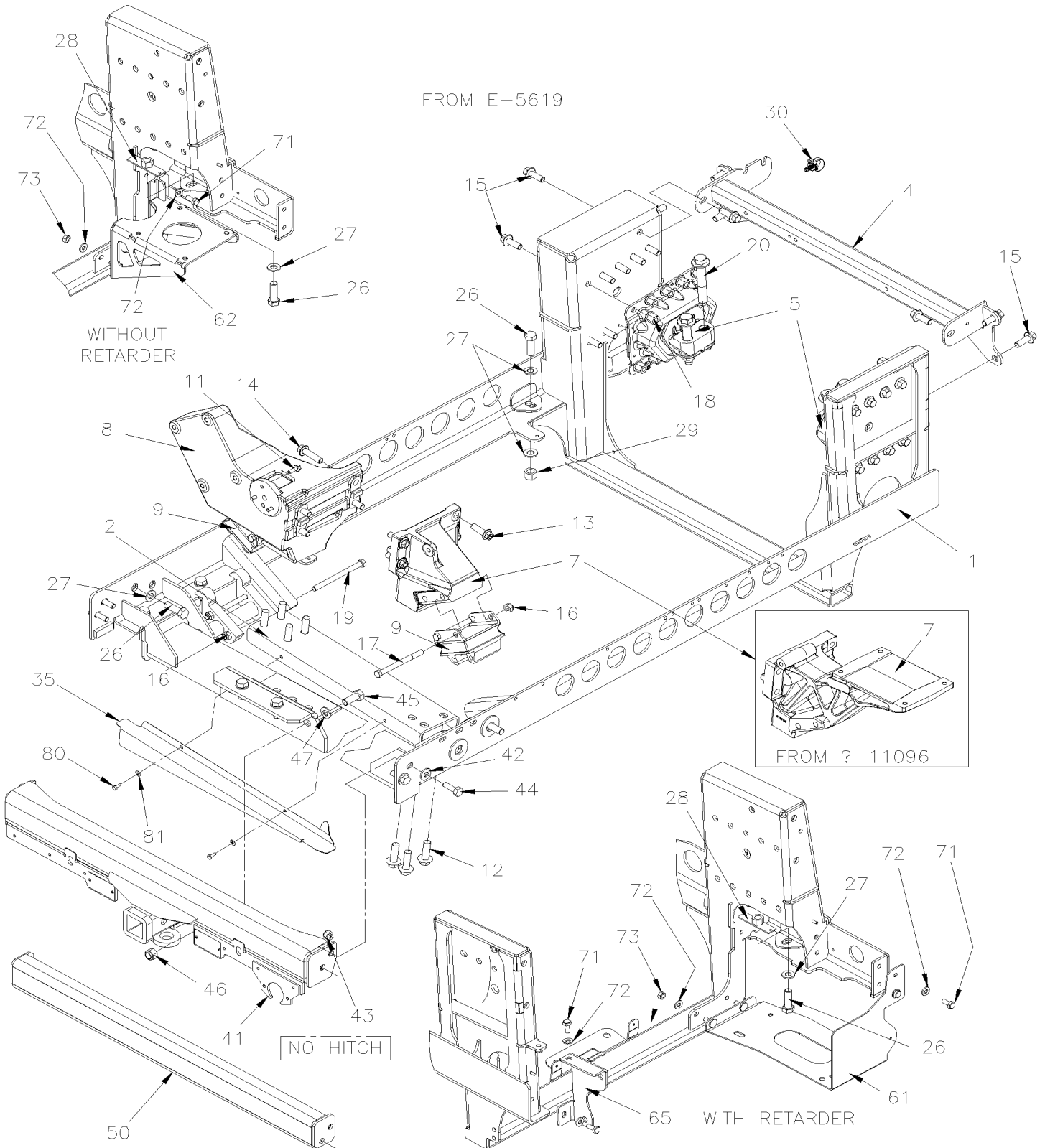


From E-5490 To H-6179

Date:07/2024

PAGE:X3VIP-0150-00

ENGINE CRADLE - WITH VOLVO D13





From E-5490 To H-6179 Date:07/2024 PAGE:X3VIP-0150-00

ENGINE CRADLE - WITH VOLVO D13

Item#	Part	Description	X 3 V I P E N T	X 3 V I P M T H	NOTES
1	012775	ENGINE CRADLE / W/D13 WITH TRAILER HITCH To E-5717	1	1	
1	012886	ENGINE CRADLE / W/D13 WITH TRAILER HITCH From E-5718 To G-5986	1	1	
1	012900	ENGINE CRADLE / W/D13 WITH TRAILER HITCH From G-5987	1	1	
1	012774	ENGINE CRADLE / W/D13 WITHOUT TRAILER HITCH To E-5717	1	1	
1	012885	ENGINE CRADLE / W/D13 WITHOUT TRAILER HITCH From E-5718 To G-5986	1	1	
1	012901	ENGINE CRADLE / W/D13 WITHOUT TRAILER HITCH From G-5987	1	1	
2	012419	BAR PROTECTOR & REINFORCMENT W/D13 To E-5618	1	1	
2	012732	BAR PROTECTOR & REINFORCEMENT W/D13 From E-5619	1	1	
4	012785	REINFORCEMENT ASSY W/D13	1	1	
5	20499474	ENGINE MOUNT FRONT W/D13	2	2	
7	012727	ENGINE MOUNT CURBSIDE WITH "BITZER" COMPRESSOR BITZER W/D13 To E-5600	1	1	C
7	012832	ENGINE MOUNT CURBSIDE WITH "BITZER" COMPRESSOR BITZER W/D13 From E-5601 To E-5710	1	1	C
7	012839	ENGINE MOUNT CURBSIDE WITH "BITZER" W/D13 From E-5711	1	1	C
7	012645	ENGINE MOUNT CURBSIDE W/D13	1	1	D
8	20966683	ENGINE MOUNT STREET SIDE W/D13	1	1	
9	3037072	INSULATOR, RUBBER MOUNT W/D13	2	2	
11	5001643	SCREW CAP HEXF M8-1.25x25 G8.8 G500	3	3	
12	5001656	SCREW CAP HEXF M16-2.0x50 G10.9 G500 To E-5618	AR	AR	
12	5001590	SCREW CAP HEX M16-2.0x40 G10.9 N500 From E-5619	12	12	
NS	5001150	WASHER FL 17.0x30.0x3.0 N500 From E-5619	23	23	
13	5001671	SCREW CAP HEXF M14-2.0x45 G8.8 G500	8	8	
14	5001672	SCREW CAP HEXF M14-2.0x55 G8.8 G500	4	4	
15	5001788	SCREW CAP HEXF M14-2.0x40 G8.8 N500 To F-5809	26	26	
15	5001671	SCREW CAP HEXF M14-2.0x45 G8.8 G500 From F-5810	26	26	
15	680038	THREAD LOCKER LOCTITE #243 / BLUE / 50ml	AR	AR	
16	5001759	NUT HEX STO M12-1.75 N500 To E-5651	8	8	
16	5001761	NUT HEXF NYRT M12-1.75 G8 N500 From E-5652	8	8	
17	5001776	SCREW CAP HEX M12-1.75x140 G8.8 G500 To F-5778	4	4	
17	5001940	SCREW CAP HEX M12-1.75x140 G10.9 N500 From F-5779	4	4	
18	979231	NUT HEXF M14-XXX MAGGI 565	26	26	
19	979935	SCREW CAP HEXF M12-1.75x160 G8.8 ZG603	4	4	
20	991198	SCREW CAP HEXF DOG POINT M20-2.5x120 G10.9	4	4	
26	5001372	SCREW CAP HEX M16-2.0x50 G10.9 N500	AR	AR	
27	5001150	WASHER FL 17.0x30.0x3.0 N500	AR	AR	
28	012546	NUT STO SPECIAL / WELDED ON PLATE M16-2.0 DP	AR	AR	
29	5001662	NUT HEX NYRT M16-2.0 G10 Z050	AR	AR	
30	504750	CABLE TIE / 1/2" x 15" / CHRISTMAS TREE	1	1	
NS	504449	HOLE PLUG BUTTON / .500 O.D. BLACK	3	3	
NS	680042	GLUE LOCTITE 430 BOTTLE 1OZ	AR	AR	
35	015995	PROTECTOR / BELT To E-5618	1	1	
35	012852	PROTECTOR / BELT From E-5619	1	1	



From E-5490 To H-6179	Date:07/2024	PAGE:X3VIP-0150-00
ENGINE CRADLE - WITH VOLVO D13		

Item#	Part	Description	X 3 V I P E N T	X 3 V I P M T H	N O T E S
41	411279	PROTECTOR ASSY / W/TRAILER HITCH To G-5986	1	1	
41	411289	PROTECTOR ASSY / W/TRAILER HITCH From G-5987	1	1	
42	500011	WASHER FL / HARDENED 13.0x24.0x3.0 STL	4	4	
43	500811	NUT HEX STO M12-1.75 G500 To E-5651	4	4	
43	5001728	NUT HEXF STO M12-1.75 N500 G10 From E-5652	4	4	
44	502875	SCREW CAP HEX M12-1.75x40 G8.8 N50 To F-5802	4	4	
44	5001885	SCREW CAP HEX M12-1.75X40 G10.9 N500 From F-5803	4	4	
45	5001372	SCREW CAP HEX M16-2.0x50 G10.9 N500 To E-5671	4	4	
45	5001590	SCREW CAP HEX M16-2.0x40 G10.9 N500 From E-5672 To E-5714	4	4	
45	5001372	SCREW CAP HEX M16-2.0x50 G10.9 N500 From E-5715	4	4	
46	500781	NUT HEX STO M16-2.0 DP	4	4	
47	5001150	WASHER FL 17.0x30.0x3.0 N500 To E-5671	8	8	
47	5001460	WASHER FL .640x1.188x0.073 SS From E-5672 To E-5714	8	8	
47	5001150	WASHER FL 17.0x30.0x3.0 N500 From E-5715	8	8	
50	411372	PULLEY GUARD	1	1	
61	071673	SUPPORT OIL COOLER W/RETARDER To G-5984	1	1	A
61	070040	SUPPORT OIL COOLER W/RETARDER From G-5985	1	1	A
62	071674	SUPPORT OIL COOLER W/O RETARDER	1	1	B
65	071672	SUPPORT ACCUMULATOR	1	1	A
71	502804	SCREW CAP HEX M10-1.5x25 G8.8 N500	4	4	
72	5001834	WASHER BEL SPR 10.5X23X2.5 N500	4	4	
73	500847	NUT HEX M10-1.5 N500	2	2	
80	5001697	SCREW CAP HEX M6-1.0x16 SS BK From E-5619	2	2	
81	5001608	WASHER BEL SPR 6.2x15.0x0.7 G500 From E-5619 To F-5759	2	2	
81	5001833	WASHER BEL SPR 6.1x18x1.27 SS From F-5760	2	2	
		A) WITH RETARDER			
		B) WITHOUT RETARDER			
		C) WITH LARGE A/C SYSTEM			
		D) WITH SMALL A/C			



From H-6180		Date:07/2024	PAGE:X3VIP-0150-01
ENGINE CRADLE - WITH VOLVO D13 - GHG17			

Item#	Part	Description	X 3 V I P E N T	X 3 V I P M T H	N O T E S
1	012956	ENGINE CRADLE / W / D13 WITH TRAILER HITCH To J-6245	1	1	
1	010081	ENGINE CRADLE / W / D13 WITH TRAILER HITCH From J-6245 To K-6431	1	1	
1	010103	ENGINE CRADLE / W / D13 WITH TRAILER HITCH From K-6432 To L-6587	1	1	
1	010311	ENGINE CRADLE / W / D13 WITH TRAILER HITCH From L-6588 To P-6829	1	1	
1	010346	ENGINE CRADLE / W / D13 WITH TRAILER HITCH From P-6830	1	1	
1	012955	ENGINE CRADLE / W / D13 WITHOUT TRAILER HITCH To K-6431	1	1	
1	010202	ENGINE CRADLE / W / D13 WITHOUT TRAILER HITCH From K-6432 To L-6587	1	1	
1	010310	ENGINE CRADLE / W / D13 WITHOUT TRAILER HITCH From L-6588 To P-6829	1	1	
1	010332	ENGINE CRADLE / W / D13 WITHOUT TRAILER HITCH From P-6830	1	1	
2	012732	BAR PROTECTOR & REINFORCEMENT W/D13	1	1	
4	012785	REINFORCEMENT ASSY W/D13 To L-6587	1	1	
4	010305	REINFORCEMENT ASSY W/D13 From L-6588	1	1	
5	20499474	ENGINE MOUNT FRONT W/D13	2	2	
7	012839	ENGINE MOUNT CURBSIDE WITH "BITZER" W/D13 To L-6630	1	1	
7	010318	ENGINE MOUNT CURBSIDE WITH "BITZER" W/D13 From L-6631 To M-6657	1	1	
7	010105	ENGINE MOUNT CURBSIDE WITH "BITZER" W/D13 From M-6658	1	1	
8	012942	ENGINE MOUNT STREET SIDE W/D13	1	1	
9	3037072	INSULATOR, RUBBER MOUNT W/D13	2	2	
10	5001150	WASHER FL 17.0x30.0x3.0 N500	7	7	
11	5001643	SCREW CAP HEXF M8-1.25x25 G8.8 G500	3	3	
12	5001590	SCREW CAP HEX M16-2.0x40 G10.9 N500	7	7	
14	5001672	SCREW CAP HEXF M14-2.0x55 G8.8 G500	7	7	
15	5001671	SCREW CAP HEXF M14-2.0x45 G8.8 G500	26	26	
16	5001761	NUT HEXF NYRT M12-1.75 G8 N500	8	8	
17	5001940	SCREW CAP HEX M12-1.75x140 G10.9 N500	4	4	
18	5001762	NUT HEXF M14-2.0	20	20	
19	5001763	SCREW CAP HEXF M12-1.75x160 G8.8 N500	4	4	
20	5001791	SCREW CAP HEXF DOG POINT M20-2.5x120 G10.9 G500	4	4	
21	012921	GROUND STUD M14 Lg.:88MM	1	1	
22	5001665	NUT HEX NYRT M22-2.5 G8 Z050	1	1	
26	5001372	SCREW CAP HEX M16-2.0x50 G10.9 N500	10	10	
27	5001150	WASHER FL 17.0x30.0x3.0 N500	15	15	
27A	502901	WASHER FL .625x1.469x.109 N500	2	2	
28	012546	NUT STO SPECIAL / WELDED ON PLATE M16-2.0 DP	1	1	
29	5001662	NUT HEX NYRT M16-2.0 G10 Z050	9	9	
30	504750	CABLE TIE / 1/2" x 15" / CHRISTMAS TREE	1	1	
35	012852	PROTECTOR / BELT	1	1	
41	411289	PROTECTOR ASSY / W/TRAILER HITCH To £-23081	1	1	
41	411516	PROTECTOR ASSY / W/TRAILER HITCH From £-23081	1	1	
42	500011	WASHER FL / HARDENED 13.0x24.0x3.0 STL	4	4	
43	5001728	NUT HEXF STO M12-1.75 N500 G10 From H-6213	4	4	
44	5001885	SCREW CAP HEX M12-1.75X40 G10.9 N500	4	4	



From H-6180	Date:07/2024	PAGE:X3VIP-0150-01
ENGINE CRADLE - WITH VOLVO D13 - GHG17		

Item#	Part	Description	X 3 V I P E N T	X 3 V I P M T H	N O T E S
45	5001372	SCREW CAP HEX M16-2.0x50 G10.9 N500	4	4	
46	500781	NUT HEX STO M16-2.0 DP	4	4	
47	5001150	WASHER FL 17.0x30.0x3.0 N500	15	15	
61	070040	SUPPORT OIL COOLER W/RETARDER	1	1	
62	071713	SUPPORT OIL COOLER W/O RETARDER	1	1	
65	071672	SUPPORT ACCUMULATOR	1	1	
71	5001741	SCREW CAP HEXF M10-1.5x30 G8.8 N500	4	4	
72	5001834	WASHER BEL SPR 10.5X23X2.5 N500	6	6	
73	5001930	NUT HEXF NYRT M10-1.5 N500 G10.9	2	2	
80	5001697	SCREW CAP HEX M6-1.0x16 SS BK	2	2	
81	5001833	WASHER BEL SPR 6.1x18x1.27 SS	2	2	
85	504720	GROMMET / 2.375x3.000x.250x.437x3.250	1	1	
86	504449	HOLE PLUG BUTTON / .500 O.D. BLACK	4	4	
87	680066	ADHESIVE / ADBOND #5014 / 23.6ML BOTTLE	AR	AR	
88	012938	BUSHING	4	4	
NS	680038	THREAD LOCKER LOCTITE #243 / BLUE / 50ml	AR	AR	

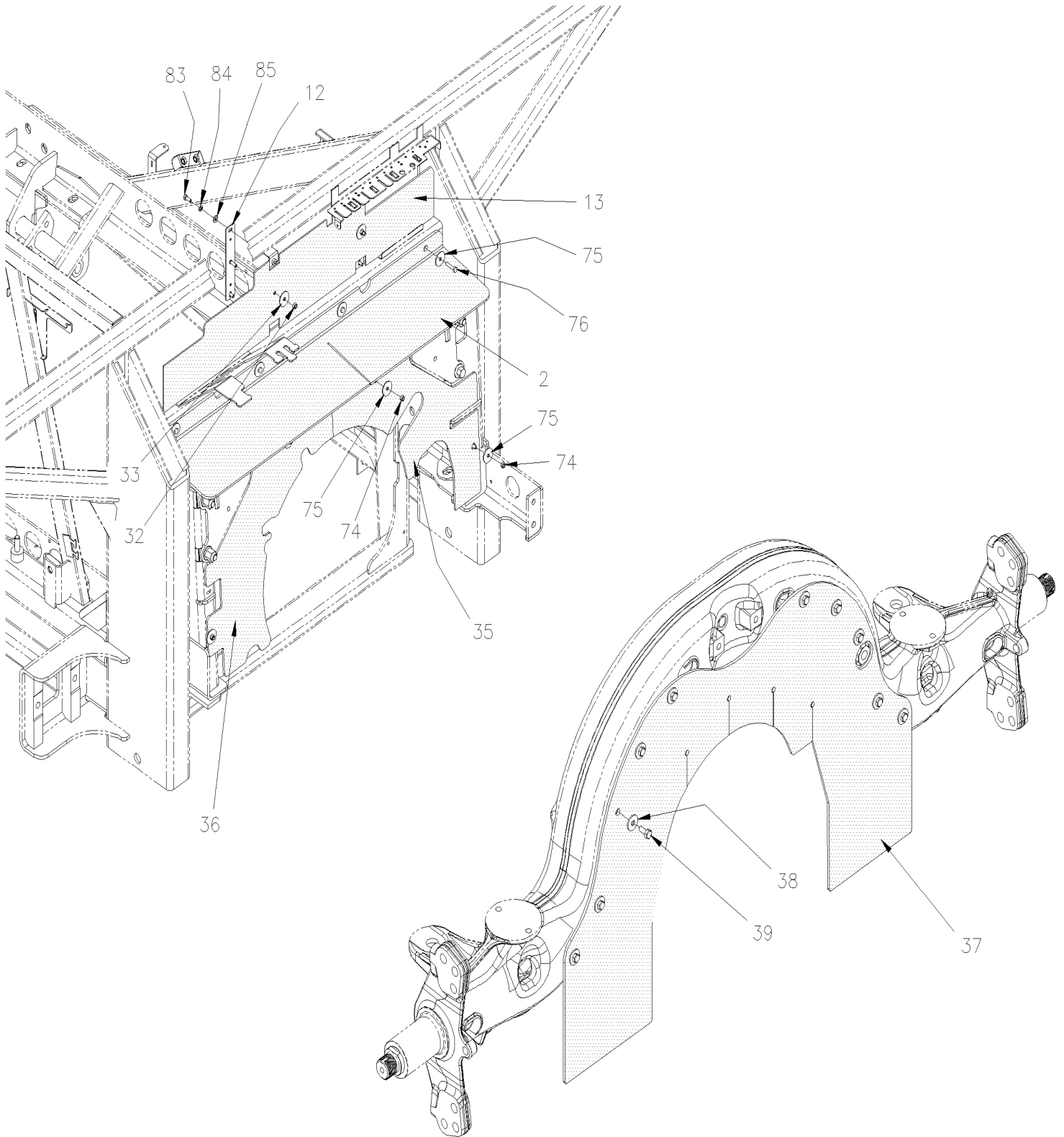


From E-5490 To H-6179

Date:07/2024

PAGE:X3VIP-0155-10

ENGINE TRANSMISSION GUARD & AIR SHIELD



EPA 2010



From E-5490 To H-6179	Date:07/2024	PAGE:X3VIP-0155-10
ENGINE TRANSMISSION GUARD & AIR SHIELD		

Item#	Part	Description	X 3 V I P E N T	X 3 V I P M T H	N O T E S
2	012712	GUARD CENTRAL PART UPPER 189MM x 1000MM	1	1	
12	012575	SUPPORT / GUARD UPPER	2	2	
13	012693	GUARD CENTRAL PART UPPER W/OUT WATER HEATER	1	1	
20	012578P	GUARD ASSY UPPER W/"WEBASTO"	1	1	
32	502860	NUT HEX STO M6-1.0 N500 To E-5651	2	2	
32	5001932	NUT HEXF NYRT M6-1.0 G8.8 N500 From E-5652	2	2	
33	500913	WASHER FL .281x1.250x.065 N500	2	2	
34	012476	GUARD CENTRAL PART UPPER 227MM x 1000MM	1	1	
35	012661	GUARD UPPER L.H. To G-5986	1	1	
35	012936	GUARD UPPER L.H. From G-5987	1	1	
36	012662	GUARD UPPER R.H. W/ "WORLD" TRANS	1	1	
37	071592	PROTECTOR PANEL W/ "WORLD" TRANS To E-5759	1	1	
37	070703	PROTECTOR PANEL W/ "WORLD" TRANS From F-5760	1	1	
38	500211	WASHER FL .531x1.250x.125 N500	10	10	
39	502804	SCREW CAP HEX M10-1.5x25 G8.8 N500	10	10	
74	502621	NUT HEX STO M6-1.0 Z050	6	6	
75	500468	WASHER FL .281x1.250x.065 Z050	9	9	
76	502533	SCREW CAP HEX M6-1.0x30 G8.8 Z050	5	5	
83	955271	SCREW CAP HEX M6-1.0x16 G8.8 ZG603	4	4	
84	502853	WASHER LO SPT 6.1x11.8x1.6 N500	4	4	
85	500877	WASHER FL .250x.562x.065 N500	4	4	

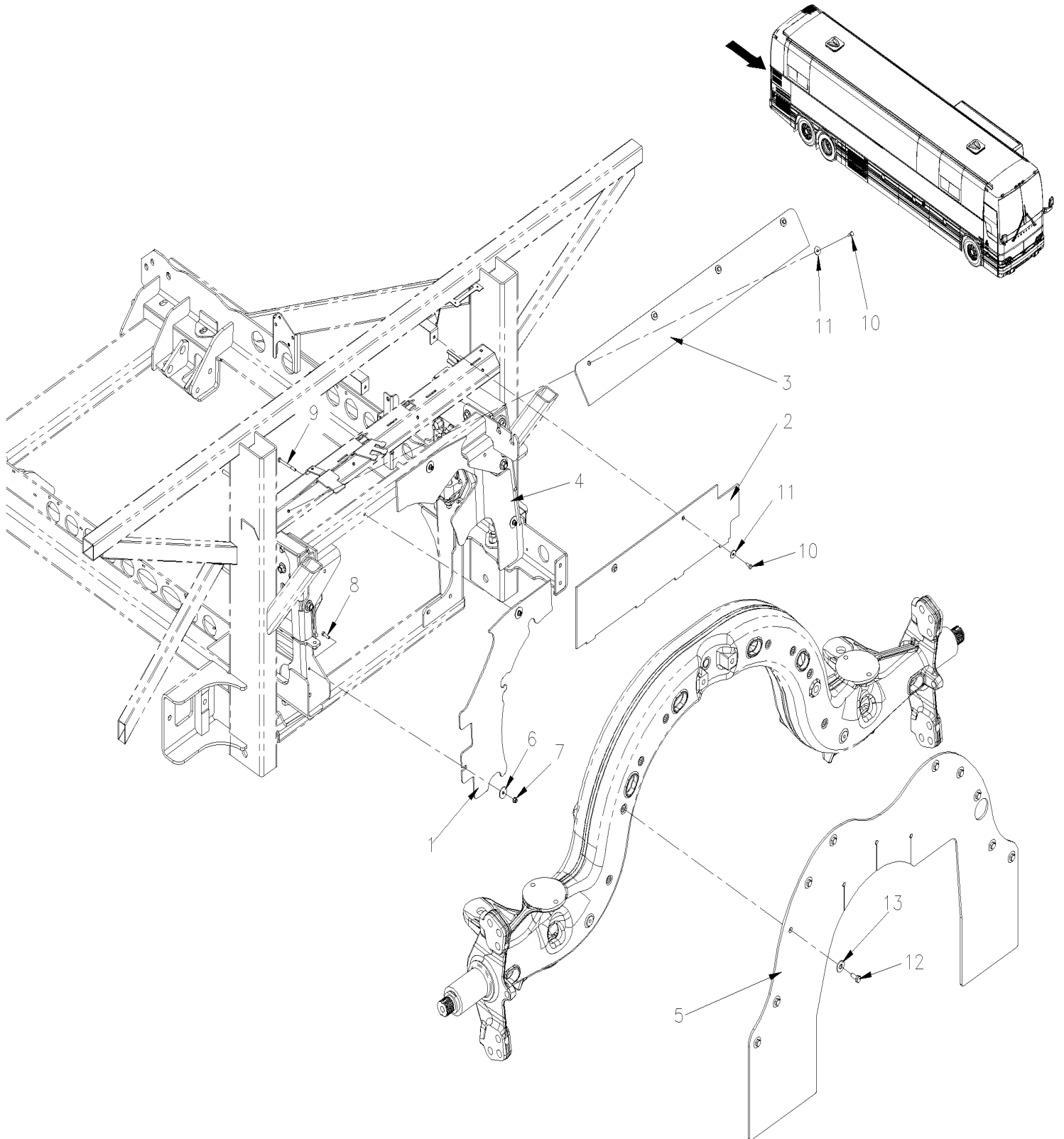


From H-6180

Date:07/2024

PAGE:X3VIP-0155-11

ENGINE TRANSMISSION GUARD & AIR SHIELD VOLVO D13 - GHG17





From H-6180	Date:07/2024	PAGE:X3VIP-0155-11
ENGINE TRANSMISSION GUARD & AIR SHIELD VOLVO D13 - GHG17		

Item#	Part	Description	X 3 V I P E N T	X 3 V I P M T H	N O T E S
1	012662	GUARD UPPER R.H. W/ "WORLD" TRANS	1	1	
2	012934	GUARD TRANSMISSION PROTECTOR W/ "WORLD" TRANS To L-6517	1	1	
2	010292	GUARD TRANSMISSION PROTECTOR W/ "WORLD" TRANS From L-6518 To M-6649	1	1	
2	010299	GUARD TRANSMISSION PROTECTOR W/ "WORLD" TRANS From M-6650	1	1	
3	012937	GUARD UPPER CENTER PROTECTOR W/ "WORLD" TRANS To M-6649	1	1	
3	010298	GUARD UPPER CENTER PROTECTOR W/ "WORLD" TRANS From M-6650	1	1	
4	012948	GUARD UPPER L.H. W/ "WORLD" TRANS	1	1	
5	070703	PROTECTOR PANEL W/ "WORLD" TRANS	1	1	
6	500913	WASHER FL .281x1.250x.065 N500	4	4	
7	5001932	NUT HEXF NYRT M6-1.0 G8.8 N500	4	4	
8	502737	SCREW CAP HEX M6-1.0x25 SS BK	2	2	
9	5001817	SCREW CAP HEX M6-1.0x70 G8.8 N500	2	2	
10	5001697	SCREW CAP HEX M6-1.0x16 SS BK	6	6	
11	500142	WASHER FL 6.6x22.0x2.0 SS	6	6	
12	502804	SCREW CAP HEX M10-1.5x25 G8.8 N500	10	10	
13	500211	WASHER FL .531x1.250x.125 N500	10	10	

PREVOST.



**PARTS
MANUAL**

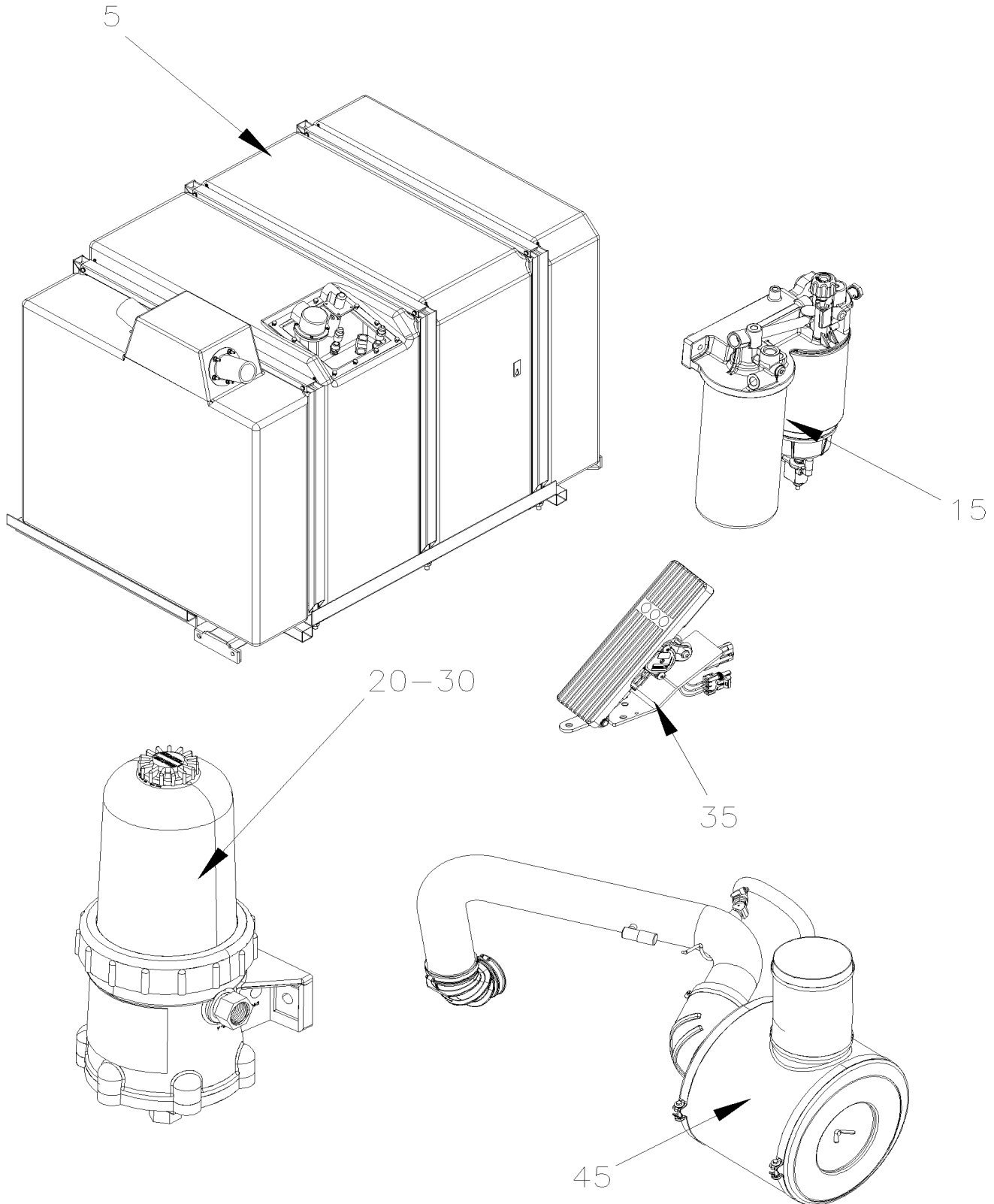
		Date:07/2024	X3VIP-02
CLUTCH			



		Date:07/2024	X3VIP-02		
CLUTCH					
Item#	Part	Description	X 3 V I P E N T	X 3 V I P M T H	N O T E S



	Date:07/2024	X3VIP-03
FUEL		





	Date:07/2024	X3VIP-03
FUEL		

Item#	Part	Description	X 3 V I P E N T	X 3 V I P M T H	N O T E S
5	X3VIP-0305-00	FUEL TANK PLASTIC 208 GALLONS From E-5490 To J-6267			
5	X3VIP-0305-01	FUEL TANK PLASTIC 208 GALLONS From J-6268			
15	X3VIP-0311-00	FUEL FILTER - PRIMARY & SECONDARY WITH VOLVO D13 From E-5490 To H-6179			
15	X3VIP-0311-01	FUEL FILTER - PRIMARY & SECONDARY WITH VOLVO D13 - GHG17 From H-6180			
20	X3VIP-0311-15	FUEL FILTER / "PRO 382" From E-5490 To E-5523			
20	X3VIP-0311-16	FUEL FILTER / "PRO 382" From E-5524 To N-6723			
30	X3VIP-0312-10	FUEL PRO - INSTALLATION WITH VOLVO D13 From E-5490 To H-6179			
30	X3VIP-0312-11	FUEL PRO - INSTALLATION WITH VOLVO D13 - GHG17 From H-6180			
35	X3VIP-0315-10	ACCELERATOR PEDAL - ELECTRONIC From E-5490			
45	X3VIP-0330-00	AIR FILTER & INTAKE - INSTALLATION WITH VOLVO D13 From E-5490 To H-6179			
45	X3VIP-0330-01	AIR FILTER & INTAKE - INSTALLATION WITH VOLVO D13 - GHG17 From H-6180			

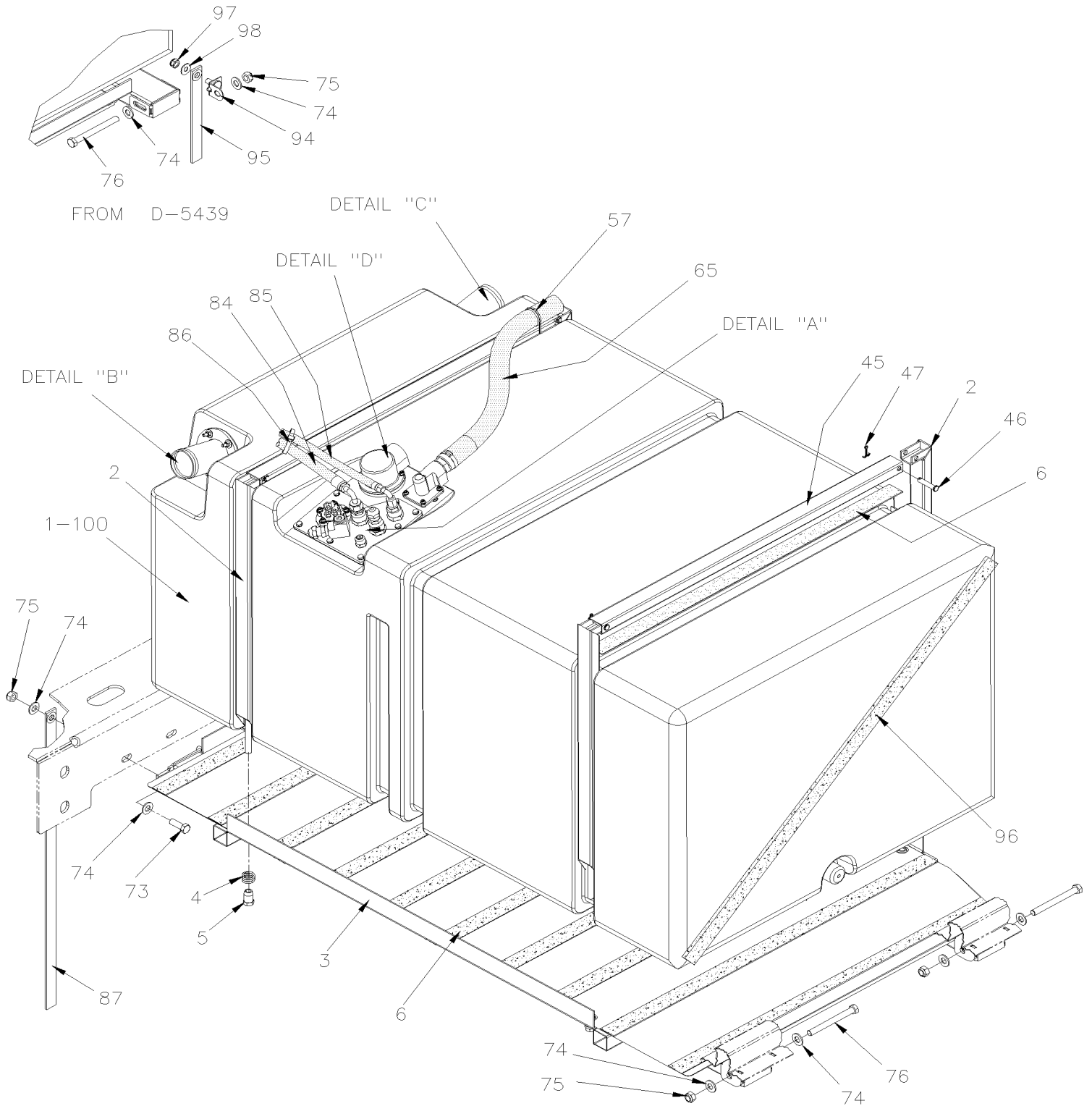


From E-5490 To J-6267

Date:07/2024

PAGE:X3VIP-0305-00

FUEL TANK PLASTIC 208 GALLONS



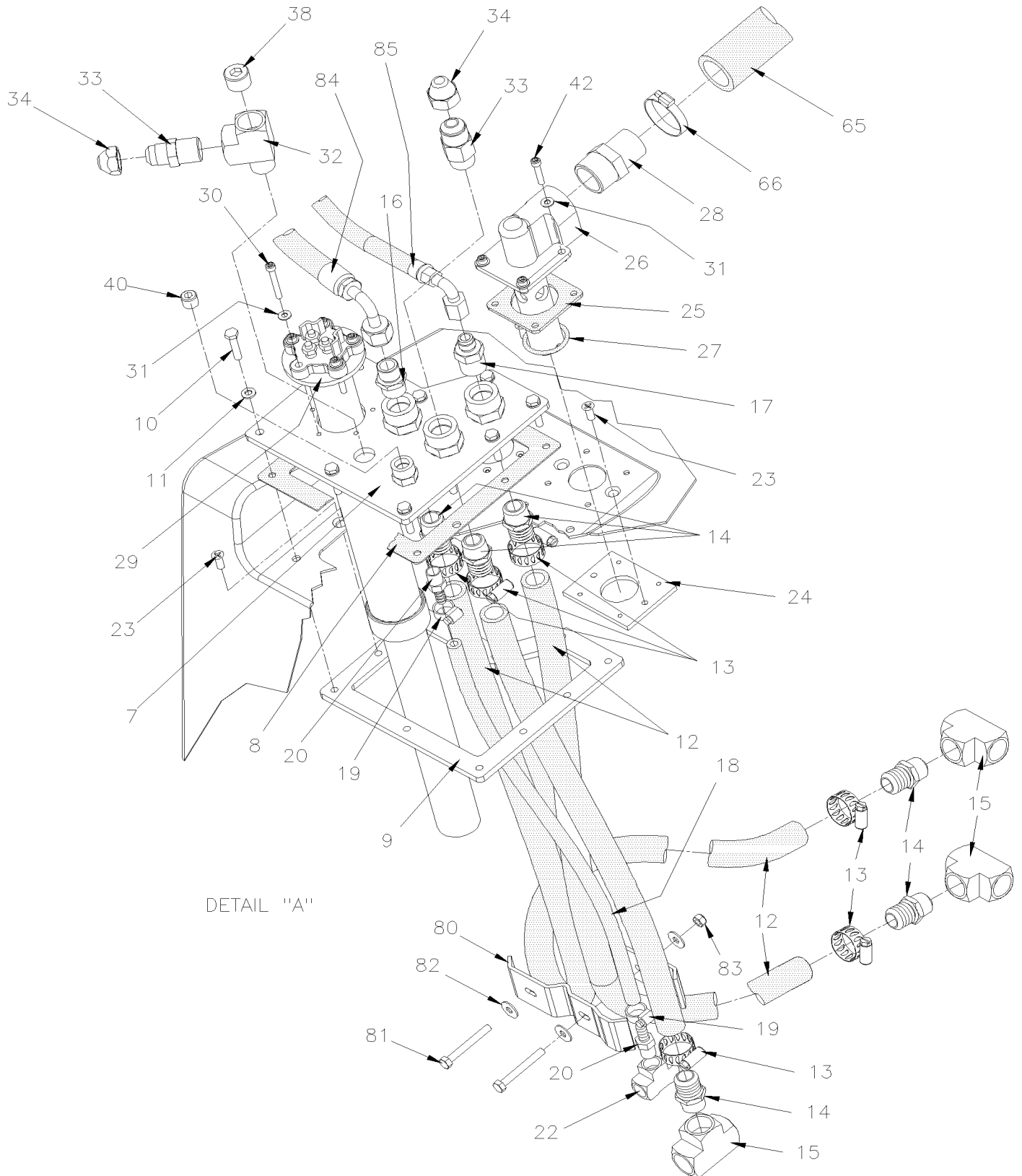


From E-5490 To J-6267

Date:07/2024

PAGE:X3VIP-0305-00

FUEL TANK PLASTIC 208 GALLONS



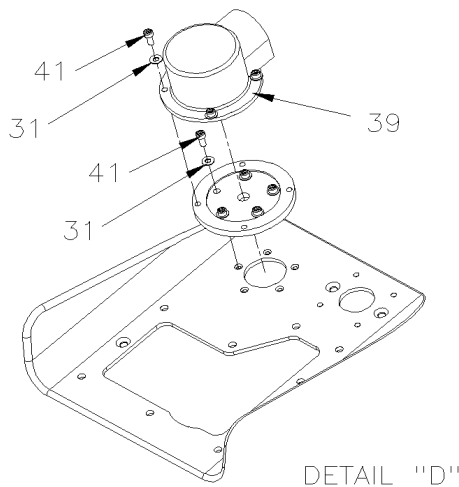
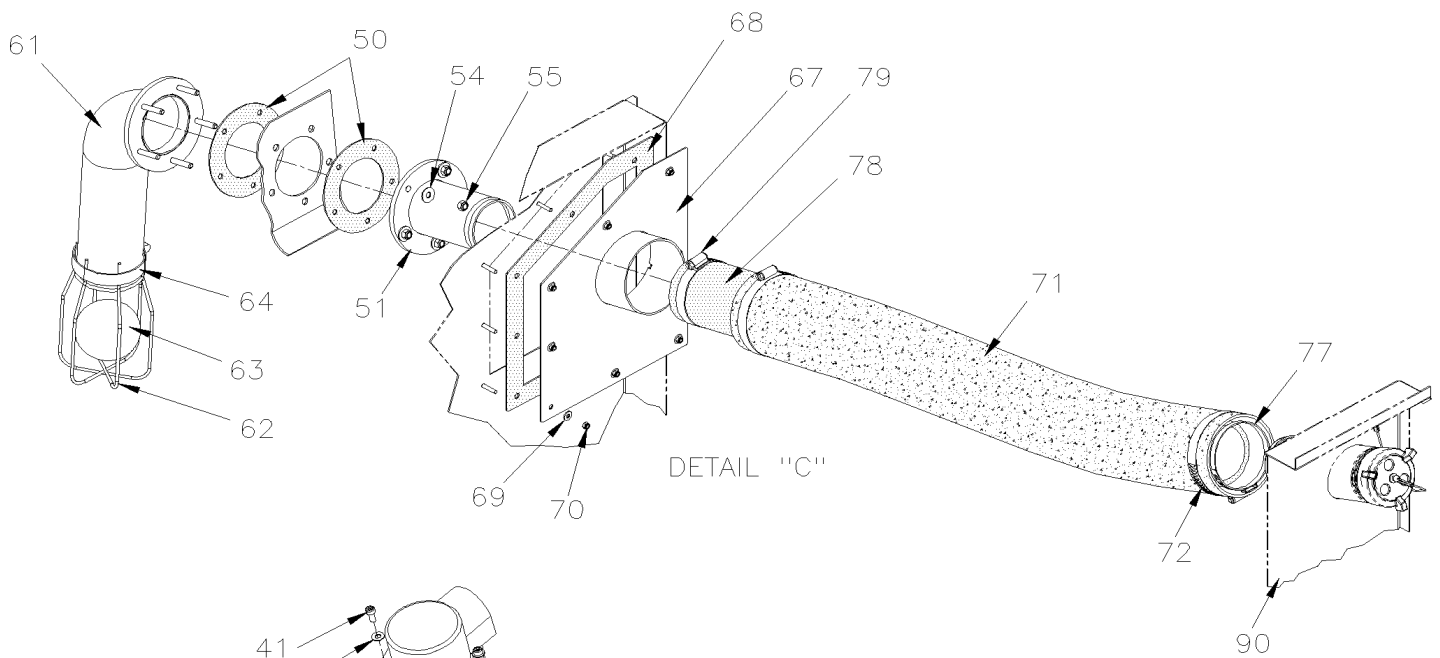
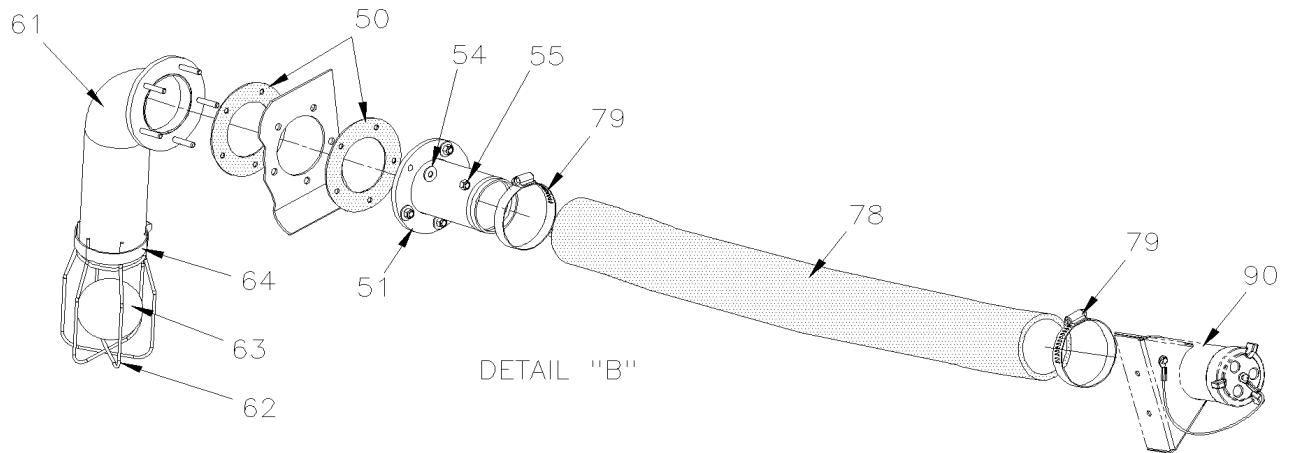


From E-5490 To J-6267

Date:07/2024

PAGE:X3VIP-0305-00

FUEL TANK PLASTIC 208 GALLONS



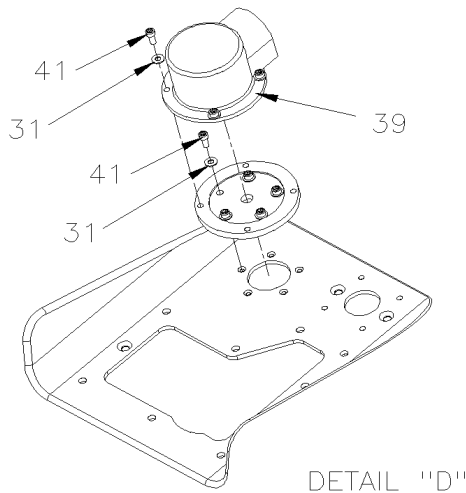
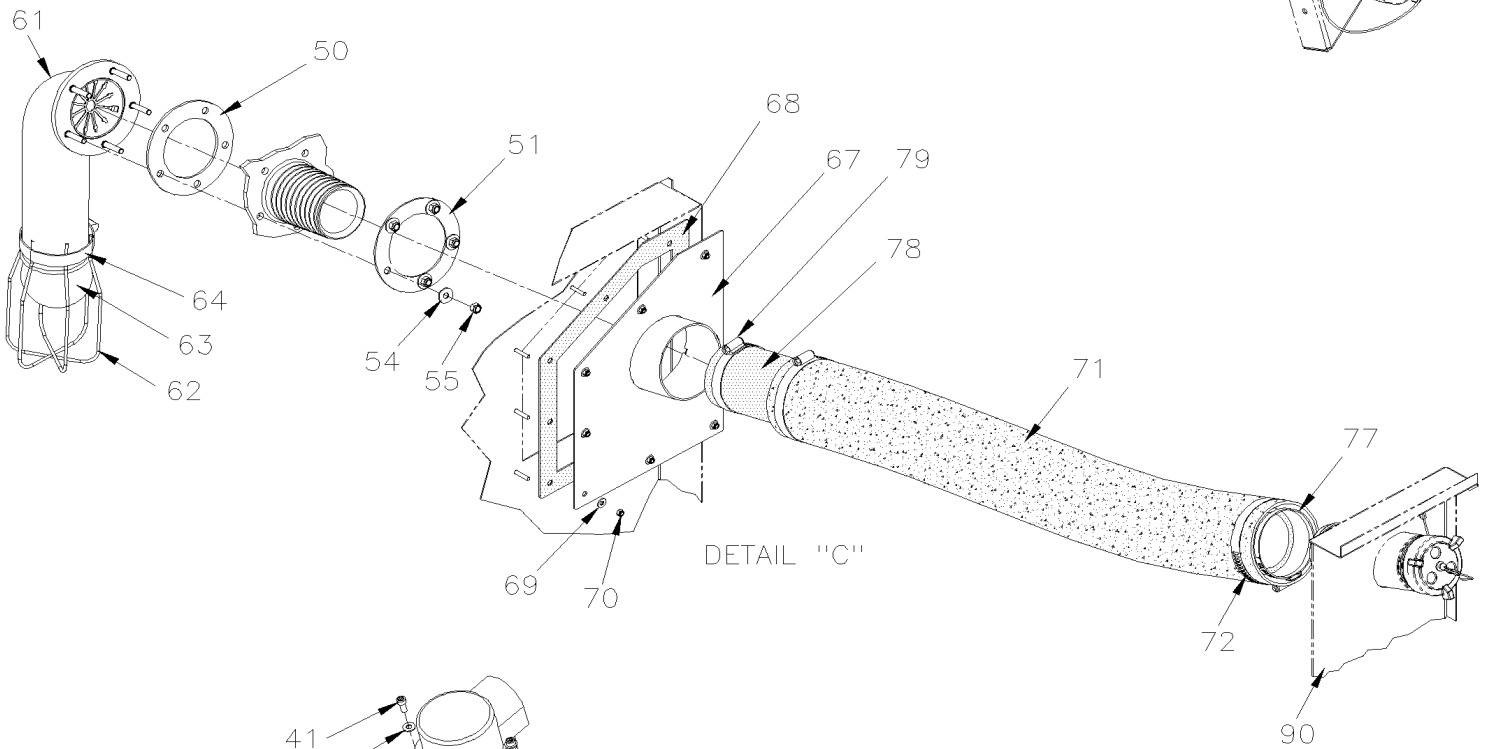
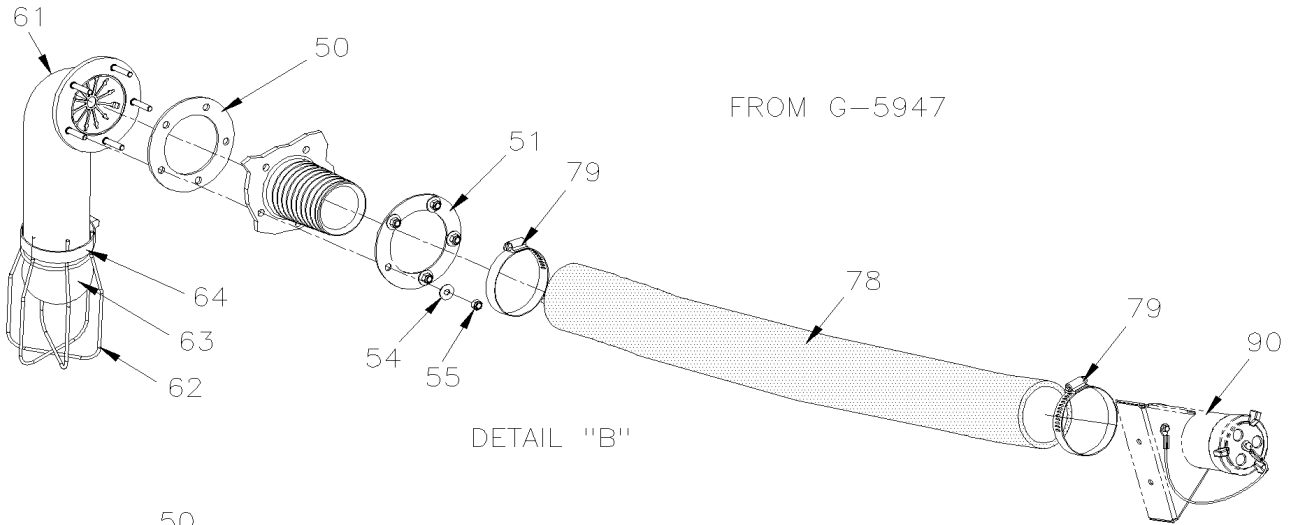


From E-5490 To J-6267

Date:07/2024

PAGE:X3VIP-0305-00

FUEL TANK PLASTIC 208 GALLONS





From E-5490 To J-6267	Date:07/2024	PAGE:X3VIP-0305-00
FUEL TANK PLASTIC 208 GALLONS		

Item#	Part	Description	X 3 V I P E N T	X 3 V I P M T H	N O T E S
	Call order desk	FUEL TANK ASSY	1	1	P
	Call order desk	FUEL TANK ASSY	1	1	P
1	030404	. FUEL TANK / 208 GALLONS US / W/TWO INLET HOLES To E-5739	1	1	
1	033963	. FUEL TANK / 208 GALLONS US / W/TWO INLET HOLES From F-5740 To G-5946	1	1	
1	030012	. FUEL TANK / 203 GALLONS US From G-5947	1	1	
2	032463	. ATTACHMENT POST ASSY / 689MM	4	4	
3	032904	. REMOVABLE FLOOR ASSY To E-5589	1	1	
3	032965	. REMOVABLE FLOOR ASSY From E-5590 To H-6167	1	1	
3	030054	. REMOVABLE FLOOR ASSY From H-6168	1	1	
4	502932	. SPRING COMPRESSION / SS .975 O.D. x 1.250 x .125	4	4	
5	032607	. NUT HEX SPECIAL M12-1.75 SS	4	4	
NS	680038	. THREAD LOCKER LOCTITE #243 / BLUE / 50ml	AR	AR	
6	506758	. TAPE RUB ADH1 NEO 1/16"X 1 1/2"X50'	AR	AR	
NS	506007	. TAPE RUB ADH1 CC NEO 3/4" x 1" x 10' / BLACK 1220	AR	AR	
7	032775	. MAIN PLATE / "L" SHAPE To E-5739	1	1	E
7	033959	. MAIN PLATE / RECTANGULAR SHAPE From F-5740	1	1	E
8	032777	. GASKET / "L" SHAPE To E-5739	1	1	E
8	032956	. GASKET / RECTANGULAR SHAPE 250 x 190 MM From F-5740	1	1	E
9	032776	. INTERIOR FRAME ASSY / "L" SHAPE To E-5739	1	1	E
9	033962	. INTERIOR FRAME ASSY / RECTANGULAR SHAPE From F-5740	1	1	E
10	502686	. SCREW CAP HEX M6-1.0x30 SS BK	AR	AR	
11	5001392	. WASHER FL 6.0x12.0x1.5 COP	AR	AR	
12	531417	. HOSE / 2556 / #10 X 48"	2	2	
13	504019	. HOSE CLAMP / 9/16"-1"1/16 SS / HS-10	6	6	
14	501942	. MALE CONNECTOR / PUSH-LOK FITTING / 1/2NPT-Mx#10 BR	6	6	
15	501472	. FEMALE UNION TEE / PIPE FITTING / 1/2NPT-Fx1/2NPT-Fx1/2NPT-F BR	3	3	
16	5011049	. MALE ELBOW 45° / JIC 37° FITTING / #8JIC-Mx1/2NPT-M STL	1	1	
17	501054	. CAP NUT / SAE 45° FITTING / #10FL-F BR	1	1	
17	501930	. MALE CONNECTOR / JIC 37° FITTING / #6JIC-Mx1/2NPT-M STL	1	1	
18	531444	. HOSE / 2556 / #4 X 18 1/2"	1	1	
19	504014	. HOSE CLAMP / 1/4"-5/8" SS / HM-4	2	2	
20	507602	. MALE CONNECTOR / PUSH-LOK FITTING / 1/4NPT-Mx#4 BR	2	2	
22	501337	. FEMALE UNION TEE / PIPE FITTING / 1/4NPT-Fx1/4NPT-Fx1/4NPT-F BR	1	1	
23	5001198	. SCREW MA FL PH M6-1.0x16 Z050	AR	AR	
24	031899	. INTERIOR FRAME To E-5739	1	1	
25	531443	. GASKET / VALVE CONTROL LEVEL	1	1	
26	504701	. VALVE, FUEL TANK LEVEL CONTROL To J-6236	1	1	
26	531459	. VALVE, FUEL TANK LEVEL CONTROL EMCO From J-6237	1	1	
NS	530212	. GASKET / VALVE CONTROL LEVEL From J-6237	1	1	
27	507356	. O-RING To J-6236	1	1	
28	501205	. ADAPTER / COPPER @ PIPE / 1Mx1NPT-M To J-6236	1	1	
28	5011352	. STREET ELBOW 90° / PIPE FITTING / 1NTP-Mx1NPT-F PVC From J-6237	3	3	



From E-5490 To J-6267	Date:07/2024	PAGE:X3VIP-0305-00
FUEL TANK PLASTIC 208 GALLONS		

Item#	Part	Description	X 3 V I P E N T	X 3 V I P M T H	N O T E S
29	531387	. SENSOR, FUEL LEVEL / 24" To H-6201	1	1	
. NS	531419	. . GASKET, FUEL SENSOR To H-6201	1	1	
29	530003	. SENSOR, FUEL LEVEL / 23.5" From H-6202	1	1	
. NS	531419	. . GASKET, FUEL SENSOR From H-6202	1	1	
NS	066221	. CABLE HARNESS / FUEL TANK / MUX To H-6179	1	1	
NS	060087	. CABLE HARNESS / FUEL TANK / MUX From H-6180	1	1	
30	5011135	. SCREW CAP HEXS #10-24x1 1/2 N500 To E-5535	5	5	
30	5001925	. SCREW CAP HEXS #10-24x1 1/4 N500 From E-5536	AR	AR	
31	500593	. WASHER FL .200x.437x.036 BR	18	18	
32	501473	. MALE RUN TEE / PIPE FITTING / 1/2NPT-Mx1/2NPT-Fx1/2NPT-F BR	1	1	
33	501616	. MALE CONNECTOR / SAE 45° FITTING / #8FL-Mx1/2NPT-M BR	1	1	
34	501053	. CAP NUT / SAE 45° FITTING / #8FL-F BR	1	1	
38	501966	PLUG HEXS / PIPE FITTING / 1/2NPT-M STL	1	1	
39	530156	. VALVE PRESSURE	1	1	
. NS	531427	. . GASKET / (SMALL)	1	1	
. NS	531428	. . GASKET / (LARGE)	1	1	
40	501800	. PLUG HEXS / PIPE FITTING / 1/4NPT-M STL	1	1	
41	500143	. SCREW CAP HEXS #10-24x1/2 N500	9	9	
42	5011135	. SCREW CAP HEXS #10-24x1 1/2 N500 To E-5535	4	4	
42	5001925	. SCREW CAP HEXS #10-24x1 1/4 N500 From E-5536	4	4	
45	032443	. TRANSVERSAL CROSS BAR / 833.5 MM	2	2	
46	502121	. PIN, CLEVIS 3/8 x 1.625 BZC	4	4	
47	502102	. PIN, COTTER 1/8 x 1	4	4	
50	032938	. GASKET To G-5946	4	4	
50	032938	. GASKET From G-5947	2	2	
51	031896	. FILLING HOSE ADAPTOR ASSY / L.H. To G-5946	2	2	
51	032436	. PLATE EXTERIOR From G-5947	2	2	
54	502511	. NUT HEX NYRT M6-1.0 Z050	10	10	
55	500411	. WASHER FL .260x.697x.050 SS	10	10	
57	504637	. CABLE TIE / 3/16" x 13"	2	2	
61	032914	. TUBE BALL RETAINER To G-6083	2	2	
61	030021	. TUBE BALL RETAINER WITH ANTI SYPHON From G-6084	2	2	
62	032438	. BASKET	2	2	
63	032871	. BALL 77MM O.D.	2	2	
64	504293	. HOSE CLAMP / 2"5/16-3"1/4 SS / E.T. 44	2	2	
65	032415	. HOSE #16 X 28" LG	1	1	
. NS	503579	. . HOSE 1" I.D. X 50' / "GREEN STRIPE"	AR	AR	
66	504021	. HOSE CLAMP / 11/16"-1"1/2 SS / HS-16	1	1	
67	032927	CLOSING PLATE / FUEL TANK FILLER HOSE	1	1	
68	032931	GASKET / CLOSING PLATE	1	1	
69	504357	WASHER FL .187x.437x.050 SS	8	8	
70	500539	NUT HEX NYRT M4-0.7 N500	8	8	



From E-5490 To J-6267	Date:07/2024	PAGE:X3VIP-0305-00
FUEL TANK PLASTIC 208 GALLONS		

Item#	Part	Description	X 3 V I P E N T	X 3 V I P M T H	N O T E S
71	503746	HOSE FLEXIBLE / AIR DUCT 3 1/2" I.D. X 12' / PLASTIC	AR	AR	
72	504235	HOSE CLAMP / 3"9/16"-4"1/2 SS / HS-64	2	2	
NS	SR17-28	SAFETY RECALL "FUEL TANK HARDWARE" To J-6267	1	1	
73	500806	SCREW CAP HEX M12-1.75X35 G10.9 G500	4	4	
74	500958	WASHER FL .531x1.062x.095 SS	12	12	
75	500811	NUT HEX STO M12-1.75 G500	6	6	
76	500889	SCREW CAP HEX M12-1.75x120 G8.8 G500 To G-5918	2	2	
76	5001941	SCREW CAP HEX M12-1.75x120 G10.9 N500	2	2	
NS	SR17-28	SAFETY RECALL "FUEL TANK HARDWARE" To J-6267	1	1	
76	030082	SPACER "U" 3.175MM	4	4	
76	030083	SPACER "U" 0.953MM	4	4	
77	504696	HOSE CLAMP EAR / 2.968"-3.090"	1	1	
78	032902	FILLING HOSE / #40 815MM	1	1	
79	504381	HOSE CLAMP / 2"3/4-3"5/8 SS / HT-350	2	2	
80	032779	HOLDING PLATE / TO HOLD TUBE	2	2	
81	502656	SCREW CAP HEX M6-1.0x50 SS	2	2	
82	500411	WASHER FL .260x.697x.050 SS	4	4	
83	502511	NUT HEX NYRT M6-1.0 Z050	4	4	
84	032901	HOSE ASSY / #8 4542MM To E-5759	1	1	
84	033245	HOSE ASSY / #8 4542MM To E-5759	1	1	A
84	033010	HOSE ASSY / #8 4650MM From F-5760	1	1	
85	032900	HOSE ASSY / #6 4617MM To E-5738	1	1	
85	033003	HOSE ASSY / #6 4700MM From E-5739	1	1	
86	504768	CABLE TIE / 3/16" 14.7" / DOUBLE LOOP HEAD To E-5759	1	1	
87	688034	SPRAY PAINT GRAY / TOUCH-UP From H-6161	AR	AR	
87	682175	UNDERCOATING BLACK PROTECTOR (GRAVELGUARD) 567gr From H-6161	AR	AR	
87	680064	OIL ANTICOROSIVE GREY (TECTYL) (20 LITERS) From H-6161	AR	AR	
90	X3VIP-1875-00	. FUEL TANK & UREA FILLING DOOR			
NS	032824	DECAL / ULTRA LOW SULFURE DIESEL / ENGLISH	1	1	
NS	032823	DECAL / ULTRA LOW SULFURE DIESEL (ULSD) / ENGLISH & SPANISH	1	1	
NS	21298228	DECAL / ULTRA LOW SULFURE DIESEL (ULSD) / ENGLISH & SPANISH	1	1	
NS	032822	DECAL / ULTRA LOW SULFURE DIESEL / ENGLISH & FRANCAIS	1	1	
NS	21298562	DECAL / ULTRA LOW SULFURE DIESEL / ENGLISH & FRANCAIS	1	1	
NS	031164	DECAL / CERTIFICATION	1	1	
NS	400137	DECAL / DIESEL FUEL BLACK	1	1	
NS	400001	DECAL / DIESEL FUEL WHITE From E-5659	1	1	
NS	403747	DECAL / INSTRUCTION FOR FILLING TANK /208 GAL BLACK To G-5946	1	1	
91	400051	DECAL / INSTRUCTION FOR FILLING TANK /203 GAL BLACK From G-5947	1	1	
NS	400002	DECAL / INSTRUCTION FOR FILLING TANK /208 GAL WHITE From E-5659 To G-5946	1	1	
91	400050	DECAL / INSTRUCTION FOR FILLING TANK /203 GAL WHITE From G-5947	1	1	



From E-5490 To J-6267	Date:07/2024	PAGE:X3VIP-0305-00
FUEL TANK PLASTIC 208 GALLONS		

Item#	Part	Description	X 3 V I P E N T	X 3 V I P M T H	N O T E S
94	382509	SUPPORT / ANTISTATIC STRAP To E-5585	2	2	
94	5001231	SCREW CAP HEX M10-1.5x25 SS From E-5586	2	2	
95	505056	ANTISTATIC STRAP / UNDER STRUCTURE	2	2	
96	506035	TAPE RUB ADH1 NEO 1/2" x 1" x 15' / BLACK 1220X	AR	AR	
97	502859	NUT HEX NYRT M10-1.5 N500	2	2	
98	500270	WASHER FL .406x1.000x.063 SS	2	2	
100	036365	FUEL TANK / SERVICE KIT To E-5739	1	1	
		A) SERVICE ONLY			
		E) AS SHOWN			
		P) CALL ORDER DESK FOR SPECIFIC APPLICATION (V.I.N.)			

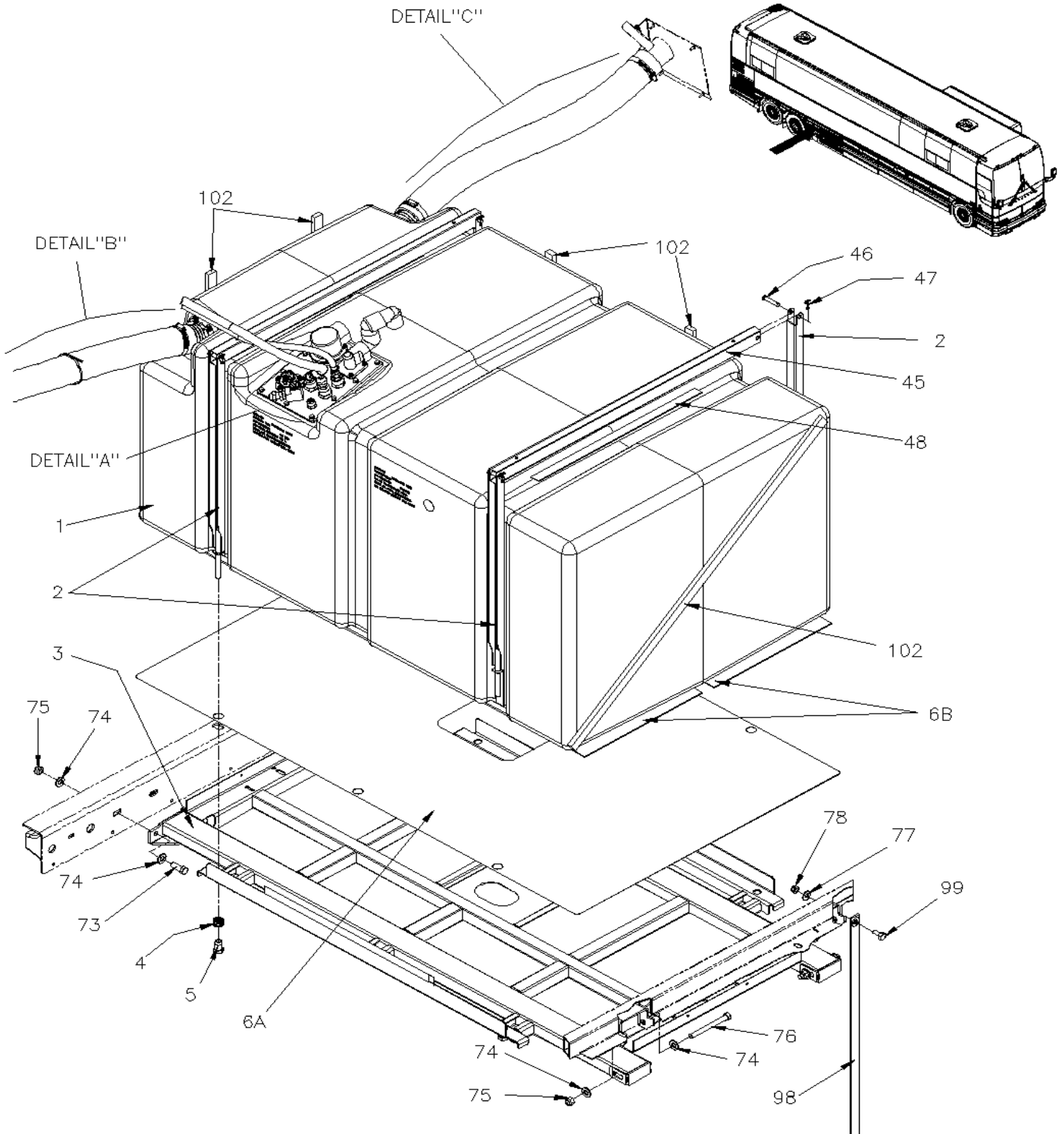


From J-6268

Date:07/2024

PAGE:X3VIP-0305-01

FUEL TANK PLASTIC 208 GALLONS



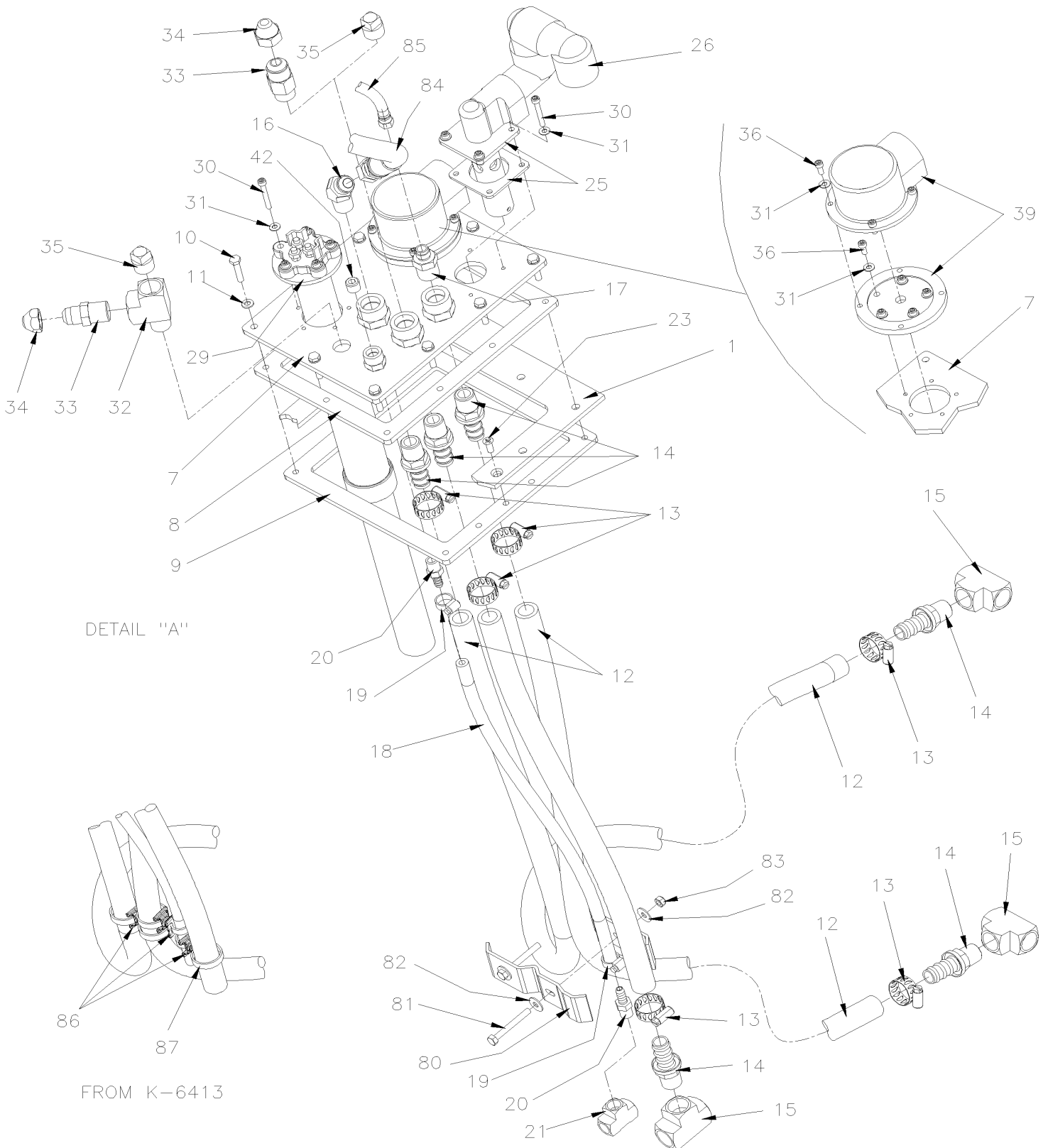


From J-6268

Date:07/2024

PAGE:X3VIP-0305-01

FUEL TANK PLASTIC 208 GALLONS



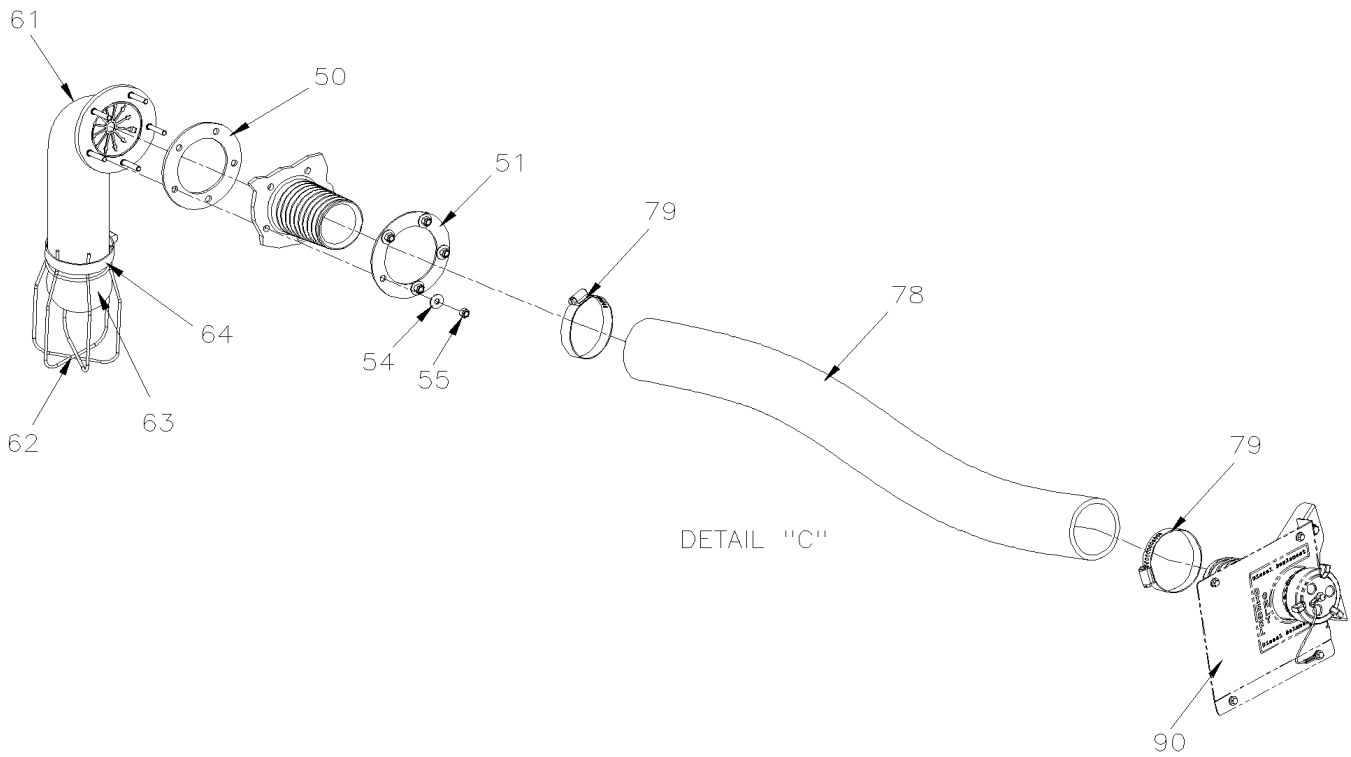
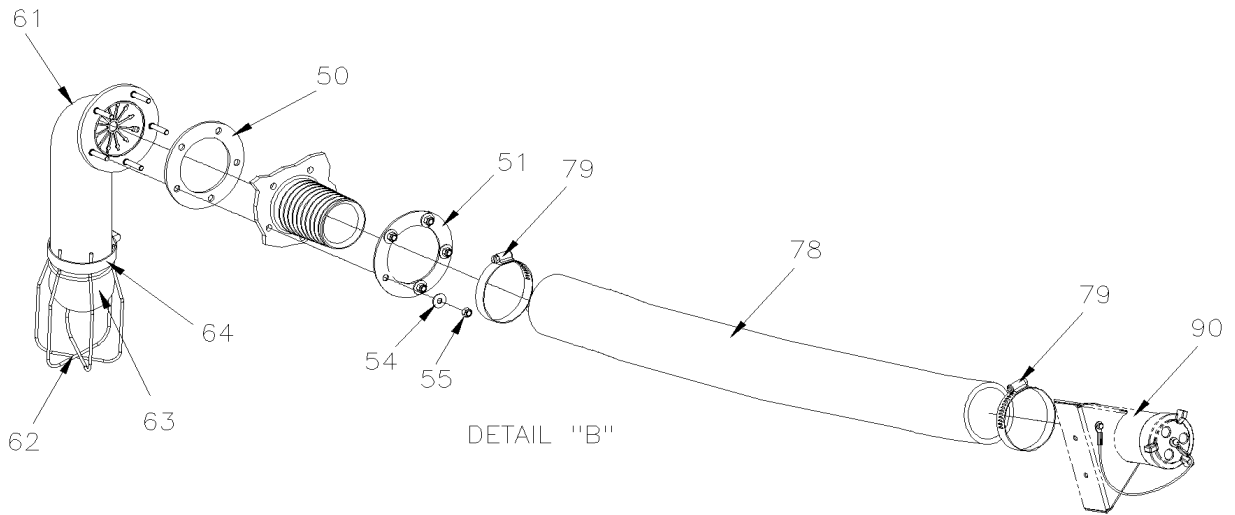


From J-6268

Date:07/2024

PAGE:X3VIP-0305-01

FUEL TANK PLASTIC 208 GALLONS





From J-6268		Date:07/2024	PAGE:X3VIP-0305-01
FUEL TANK PLASTIC 208 GALLONS			

Item#	Part	Description	X 3 V I P E N T	X 3 V I P M T H	N O T E S
1	030012	FUEL TANK / 203 GALLONS US	1	1	
2	030066	VERTICAL POST ASSY	4	4	
3	030054	REMOVABLE FLOOR ASSY To N-6698	1	1	
3	030174	REMOVABLE FLOOR ASSY From N-6699 To N-6713	1	1	
3	030187	REMOVABLE FLOOR ASSY From N-6714	1	1	
4	502932	SPRING COMPRESSION / SS .975 O.D. x 1.250 x .125	4	4	
5	032607	NUT HEX SPECIAL M12-1.75 SS	4	4	
6A	030072	FUEL TANK BOTTOM PANEL 897.7 x 1501.1 MM	1	1	
6B	030074	PLATE NITRILE 1/8" TH. 1495.9 x 398 MM	2	2	
7	033959	MAIN PLATE / RECTANGULAR SHAPE	1	1	
8	032956	GASKET / RECTANGULAR SHAPE 250 x 190 MM	1	1	
9	033962	INTERIOR FRAME ASSY / RECTANGULAR SHAPE	1	1	
10	502686	SCREW CAP HEX M6-1.0x30 SS BK	AR	AR	
11	5001392	WASHER FL 6.0x12.0x1.5 COP	AR	AR	
12	531417	HOSE / 2556 / #10 X 48"	2	2	
13	504019	HOSE CLAMP / 9/16"-1"1/16 SS / HS-10	4	4	
14	501942	MALE CONNECTOR / PUSH-LOK FITTING / 1/2NPT-Mx#10 BR	6	6	
15	501472	FEMALE UNION TEE / PIPE FITTING / 1/2NPT-Fx1/2NPT-Fx1/2NPT-F BR	3	3	
16	5011049	MALE ELBOW 45° / JIC 37° FITTING / #8JIC-Mx1/2NPT-M STL	1	1	
17	501930	MALE CONNECTOR / JIC 37° FITTING / #6JIC-Mx1/2NPT-M STL	1	1	
18	531444	HOSE / 2556 / #4 X 18 1/2"	1	1	
19	504014	HOSE CLAMP / 1/4"-5/8" SS / HM-4	2	2	
20	507602	MALE CONNECTOR / PUSH-LOK FITTING / 1/4NPT-Mx#4 BR	2	2	
21	501337	FEMALE UNION TEE / PIPE FITTING / 1/4NPT-Fx1/4NPT-Fx1/4NPT-F BR	1	1	
23	5001198	SCREW MA FL PH M6-1.0x16 Z050	2	2	
25	531459	VALVE, FUEL TANK LEVEL CONTROL EMCO	1	1	
. NS	530212	. GASKET / VALVE CONTROL LEVEL	1	1	
26	5011352	STREET ELBOW 90° / PIPE FITTING / 1NTP-Mx1NPT-F PVC	3	3	
NS	531410	WHISTLE	1	1	
29	530003	SENSOR, FUEL LEVEL / 23.5" To K-6478	1	1	
. NS	531419	. GASKET, FUEL SENSOR To K-6478	1	1	
29	530005	SENSOR, FUEL LEVEL / 23.5" From K-6479	1	1	
. NS	531419	. GASKET, FUEL SENSOR From K-6479	1	1	
30	5001925	SCREW CAP HEXS #10-24x1 1/4 N500	AR	AR	
31	500593	WASHER FL .200x.437x.036 BR	AR	AR	
32	501473	MALE RUN TEE / PIPE FITTING / 1/2NPT-Mx1/2NPT-Fx1/2NPT-F BR	1	1	
33	501616	MALE CONNECTOR / SAE 45° FITTING / #8FL-Mx1/2NPT-M BR	1	1	
34	501053	CAP NUT / SAE 45° FITTING / #8FL-F BR	AR	AR	
35	501966	PLUG HEXS / PIPE FITTING / 1/2NPT-M STL	AR	AR	
36	500143	SCREW CAP HEXS #10-24x1/2 N500	AR	AR	
39	530156	VALVE PRESSURE	1	1	
. NS	531427	. GASKET / (SMALL)	1	1	



From J-6268		Date:07/2024	PAGE:X3VIP-0305-01
FUEL TANK PLASTIC 208 GALLONS			

Item#	Part	Description	X 3 V I P E N T	X 3 V I P M T H	N O T E S
. NS	531428	. GASKET / (LARGE)	1	1	
42	501800	PLUG HEXS / PIPE FITTING / 1/4NPT-M STL	1	1	
45	030065	PIN, COTTER 1/8 x 1	2	2	
46	502121	PIN, CLEVIS 3/8 x 1.625 BZC	4	4	
47	502102	PIN, COTTER 1/8 x 1	4	4	
48	506758	TAPE RUB ADH1 NEO 1/16"X 1 1/2"X50' To J-6333	AR	AR	
48	506046	TAPE NIT N/A BK 1/16"X1"X50' From J-6334	AR	AR	
48	680108	TAPE RUB ADH2 VHB 1" x .045" x 108' From J-6334	AR	AR	
50	032938	GASKET	2	2	
51	032436	PLATE EXTERIOR	2	2	
54	500411	WASHER FL .260x.697x.050 SS	AR	AR	
55	502681	NUT HEX NYRT M6-1.0 N500 G8	AR	AR	
61	030021	TUBE BALL RETAINER WITH ANTI SYPHON	2	2	
62	032438	BASKET	2	2	
63	032871	BALL 77MM O.D.	2	2	
64	504293	HOSE CLAMP / 2"5/16-3"1/4 SS / E.T. 44	2	2	
NS	SR17-28	SAFETY RECALL "FUEL TANK HARDWARE" To J-6267	1	1	
73	500806	SCREW CAP HEX M12-1.75X35 G10.9 G500	4	4	
74	500958	WASHER FL .531x1.062x.095 SS	12	12	
75	500811	NUT HEX STO M12-1.75 G500	6	6	
76	5001941	SCREW CAP HEX M12-1.75x120 G10.9 N500	2	2	
NS	SR17-28	SAFETY RECALL "FUEL TANK HARDWARE" To J-6267	1	1	
NS	030082	SPACER "U" 3.175MM From J-6268	4	4	
NS	030083	SPACER "U" 0.953MM From J-6268	4	4	
77	500270	WASHER FL .406x1.000x.063 SS	1	1	
78	032902	FILLING HOSE / #40 815MM	2	2	
79	504381	HOSE CLAMP / 2"3/4-3"5/8 SS / HT-350	1	1	
80	032779	HOLDING PLATE / TO HOLD TUBE To K-6412	2	2	
81	502656	SCREW CAP HEX M6-1.0x50 SS To K-6412	2	2	
82	500411	WASHER FL .260x.697x.050 SS To K-6412	AR	AR	
83	502681	NUT HEX NYRT M6-1.0 N500 G8 To K-6412	AR	AR	
84	033028	HOSE ASSY / #8 4650MM	1	1	B
84	030048	HOSE ASSY / #8 4490MM	1	1	A
85	033029	HOSE ASSY / #6 4560MM To £-18003	1	1	
85	030154	HOSE ASSY / #6 4560MM From £-18003	1	1	
. NS	505181	. COIL PROTECTOR / PLASTIC / #8 From £-18003	AR	AR	
86	504751	ROTATIF SPACER DOUBLE / SMALL From K-6413	3	3	
87	504016	CABLE TIE / 5/16" X 14"1/2 From K-6413	AR	AR	
90	X3VIP-1875-00	FUEL TANK & UREA FILLING DOOR			
98	505056	ANTISTATIC STRAP / UNDER STRUCTURE	1	1	
99	5001231	SCREW CAP HEX M10-1.5x25 SS	1	1	
102	506035	TAPE RUB ADH1 NEO 1/2" x 1" x 15' / BLACK 1220X To N-6685	AR	AR	



From J-6268	Date:07/2024	PAGE:X3VIP-0305-01
FUEL TANK PLASTIC 208 GALLONS		

Item#	Part	Description	X 3 V I P E N T	X 3 V I P M T H	N O T E S
102	680397	CONTACT GLUE / AEROSOL 17oz To N-6685	AR	AR	
NS	682175	UNDERCOATING BLACK PROTECTOR (GRAVELGUARD) 567gr To N-6731	AR	AR	
NS	685413	RUBBERIZED UNDERCOAT (GRAVELGUARD) 560gr From N-6732	AR	AR	
		A) WITHOUT FUEL PRO			
		B) WITH FUEL PRO			

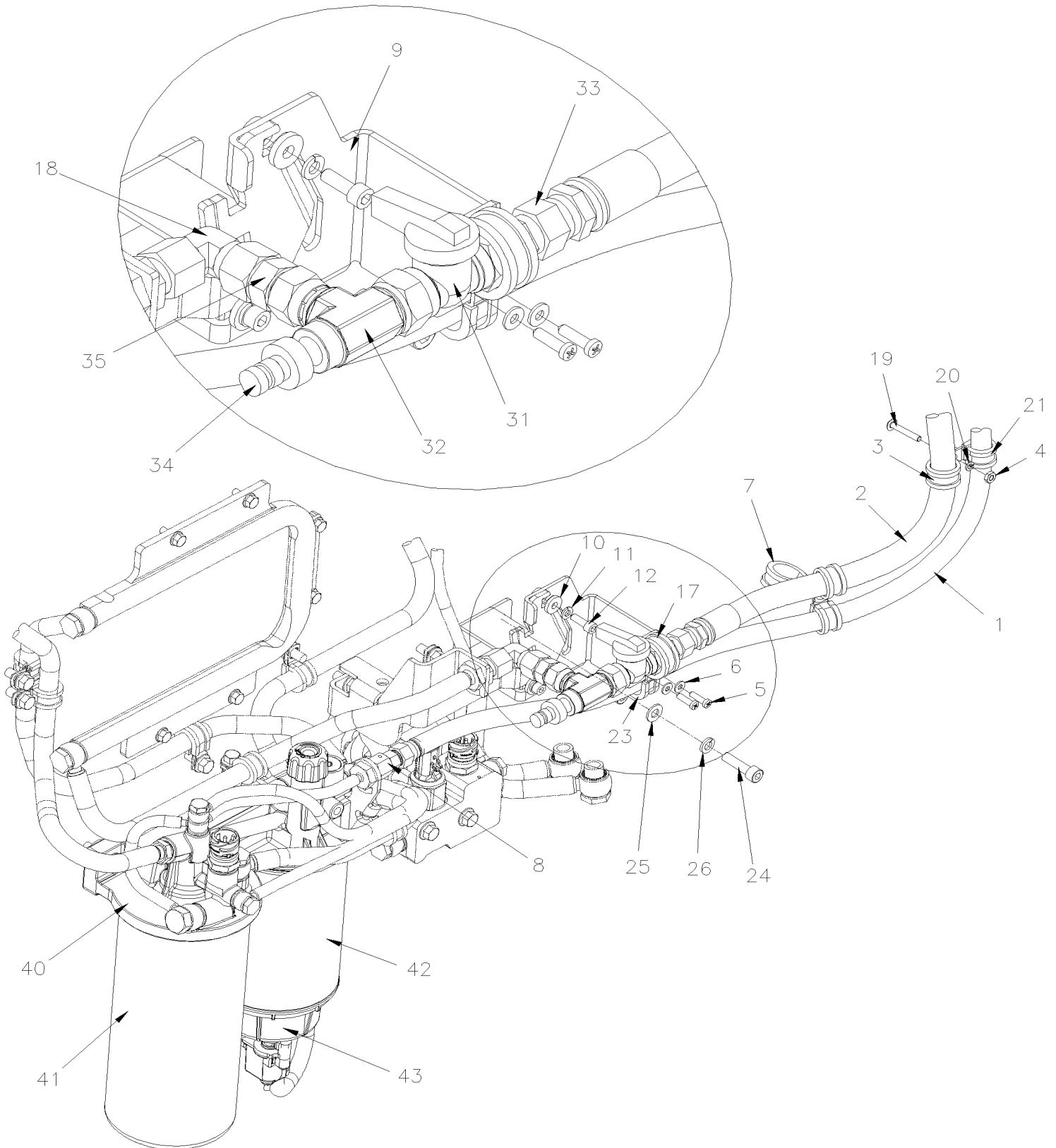


From E-5490 To H-6179

Date:07/2024

PAGE:X3VIP-0311-00

FUEL FILTER - PRIMARY & SECONDARY WITH VOLVO D13





From E-5490 To H-6179 Date:07/2024 PAGE:X3VIP-0311-00

FUEL FILTER - PRIMARY & SECONDARY WITH VOLVO D13

Item#	Part	Description	X 3 V I P E N T	X 3 V I P M T H	NOTES
1	032900	HOSE ASSY / #6 4617MM To E-5738	1	1	
1	033003	HOSE ASSY / #6 4700MM From E-5739	1	1	
2	032901	HOSE ASSY / #8 4542MM To E-5759	1	1	
2	033245	HOSE ASSY / #8 4542MM To E-5759	1	1	A
2	033010	HOSE ASSY / #8 4650MM From F-5760	1	1	
3	952631	CLAMP / 3/4" I.D.	2	2	
4	952629	CLAMP / 5/8" I.D.	3	3	
5	500623	SCREW TC PAN PH #10-24x3/4 N500 To E-5651	2	2	
5	502848	SCREW TC CAP HEXF 1/4-20x3/4 N500 From E-5652	2	2	
6	500855	WASHER FL .188x.438x.049 N500 To E-5651	1	1	
7	952635	CLAMP / 1" I.D.	1	1	
8	507662	MALE CONNECTOR SWIVEL / JIC 37° @ METRIC24° / #6JIC-MxM16-1.5 W/24° O-RING-F	1	1	
9	033185	SUPPORT FUEL LINE To E-5458	1	1	
9	033946	SUPPORT FUEL LINE From E-5459	1	1	
10	5001654	WASHER FL 6.4x17.0x3.0 SS	2	2	
11	502570	WASHER LO SPT 6.1x11.8x1.6 SS	2	2	
12	5001648	SCREW CAP HEXS M6-1.0x18 SS BK	2	2	
17	952637	CLAMP / 1"1/16 I.D.	1	1	
18	964016	ELBOW	1	1	
19	500574	SCREW MA TR PH #10-24x1 1/4 SS	2	2	
20	500914	WASHER LO SPT .193x.334x.047 N500	2	2	
21	502882	NUT HEX #10-24 N500	2	2	
23	952629	CLAMP / 5/8" I.D. To F-5868	1	1	
23	5001986	CLAMP / SS / SILICONE RUBBER / 5/8" I.D. x .281 HOLE From F-5869	1	1	
24	5001598	SCREW CAP HEXS M8-1.25x30 SS	1	1	
25	5001341	WASHER FL 8.4x17.0x1.6 SS	1	1	
26	5001161	WASHER LO SPT 8.1x14.8x2.0 SS-304	1	1	
31	530096	BALL VALVE 1/2" NPT 1/2 NPT F x 1/2 NPT F	1	1	
32	5001677	SWIVEL NUT ADAPTER TEE / JIC 37° FITTING / #8JIC-Fx1/2NPT-Mx1/4NTP-F STL	1	1	
33	501616	MALE CONNECTOR / SAE 45° FITTING / #8FL-Mx1/2NPT-M BR	1	1	
34	504706	NIPPLE / QUICK DISCONNECT "SAE J1502" / #4x1/4NPT-M STL W/DUST CAP	1	1	
NS	195533	. DUST CAP / QUICK DISCONNECT "SAE J1502" / #4	1	1	
35	507659	MALE CONNECTOR SWIVEL / JIC 37° @ METRIC24° / #8JIC-MxM18-1.5 W/24° O-RING-F	1	1	
40	Refer To Volvo	HOUSING FUEL FILTER ASSY W/PRIMER PUMP TB-111262697-1	1	1	V
41	20405160	FUEL FILTER (LONG)	1	1	
41	20972293	FUEL FILTER (LONG) MAIN / PRINCIPAL	1	1	
42	20879806	FUEL FILTER WATER SEPARATOR	1	1	
43	20771580	BOWL / W/WATER DETECTOR IN FUEL UAUXFUEL	1	1	
43	20875050	BOWL / W/WATER DETECTOR & HEATER ELEMENT	1	1	
43	Refer To Volvo	BOWL AF-E	1	1	V



From E-5490 To H-6179	Date:07/2024	PAGE:X3VIP-0311-00
-----------------------	--------------	--------------------

FUEL FILTER - PRIMARY & SECONDARY WITH VOLVO D13

Item#	Part	Description	X 3 V I P E N T	X 3 V I P M T H	N O T E S
		A) SERVICE ONLY			
		V) SEE IMPACT OR CALL ORDER DESK			

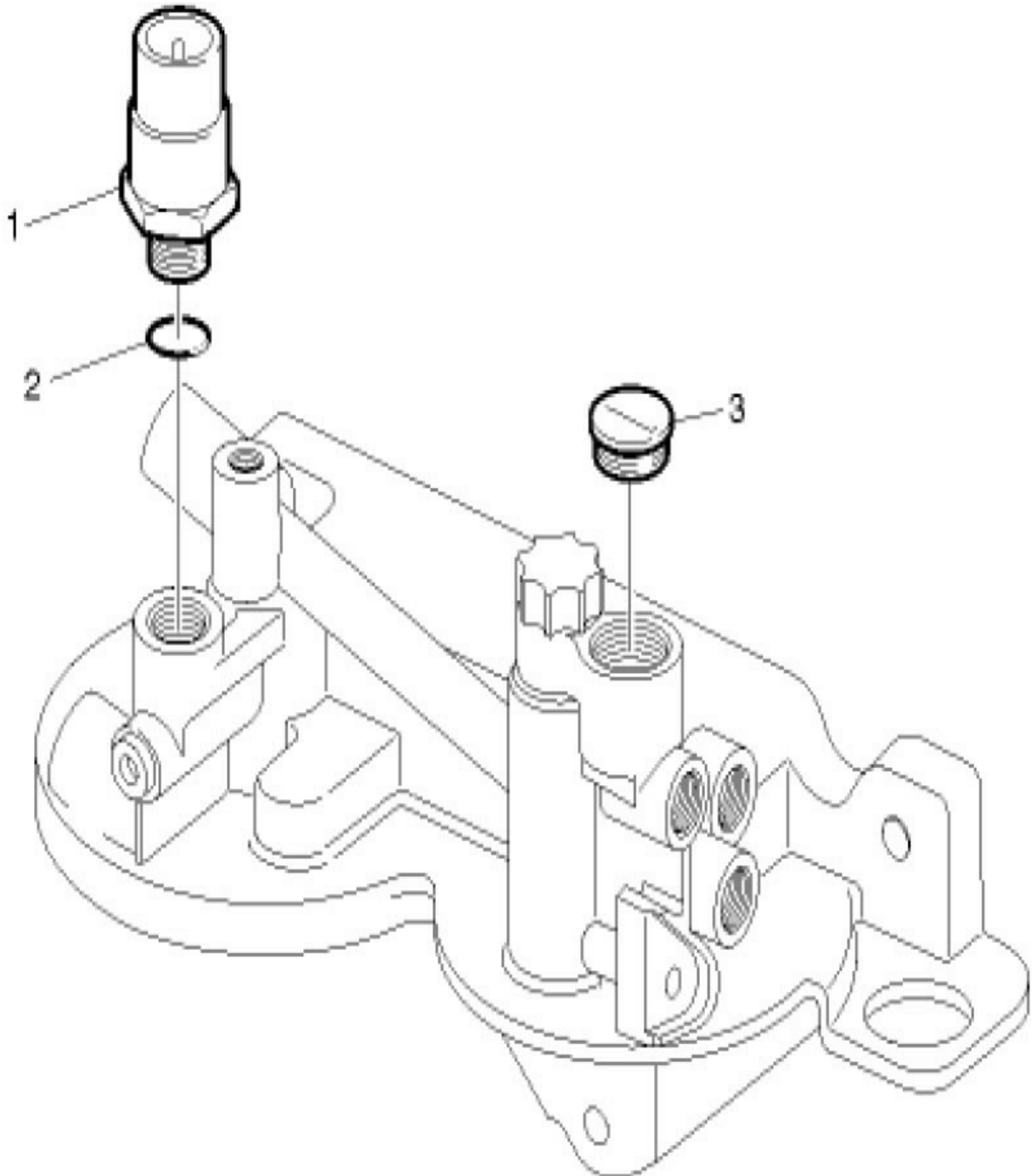


From E-5490 To H-6179

Date:07/2024

PAGE:21023285

HOUSING FUEL FILTER ASSY W/PRIMER PUMP TB-111262697-1





From E-5490 To H-6179	Date:07/2024	PAGE:21023285
HOUSING FUEL FILTER ASSY W/PRIMER PUMP TB-111262697-1		

Item#	Part	Description	X 3 V I P E N T	X 3 V I P M T H	N O T E S
1	21302639	PRESSURE SENSOR,FUEL/OIL TB-130959470-1	1	1	
2	968559	O-RING (PRESSURE SENSOR)	1	1	
3	20744692	CAP	1	1	

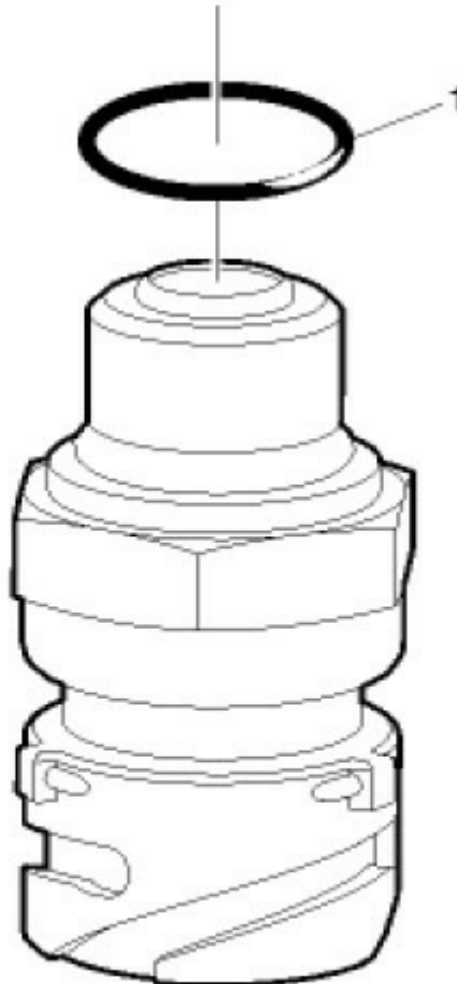
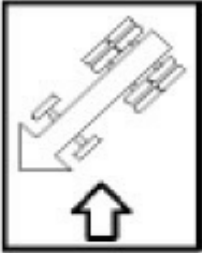


From E-5490 To H-6179

Date:07/2024

PAGE:21302639

PRESSURE SENSOR,FUEL/OIL TB-130959470-1





From E-5490 To H-6179	Date:07/2024	PAGE:21302639
PRESSURE SENSOR,FUEL/OIL TB-130959470-1		

Item#	Part	Description	X 3 V I P E N T	X 3 V I P M T H	N O T E S
1	968559	O-RING (PRESSURE SENSOR)	1	1	

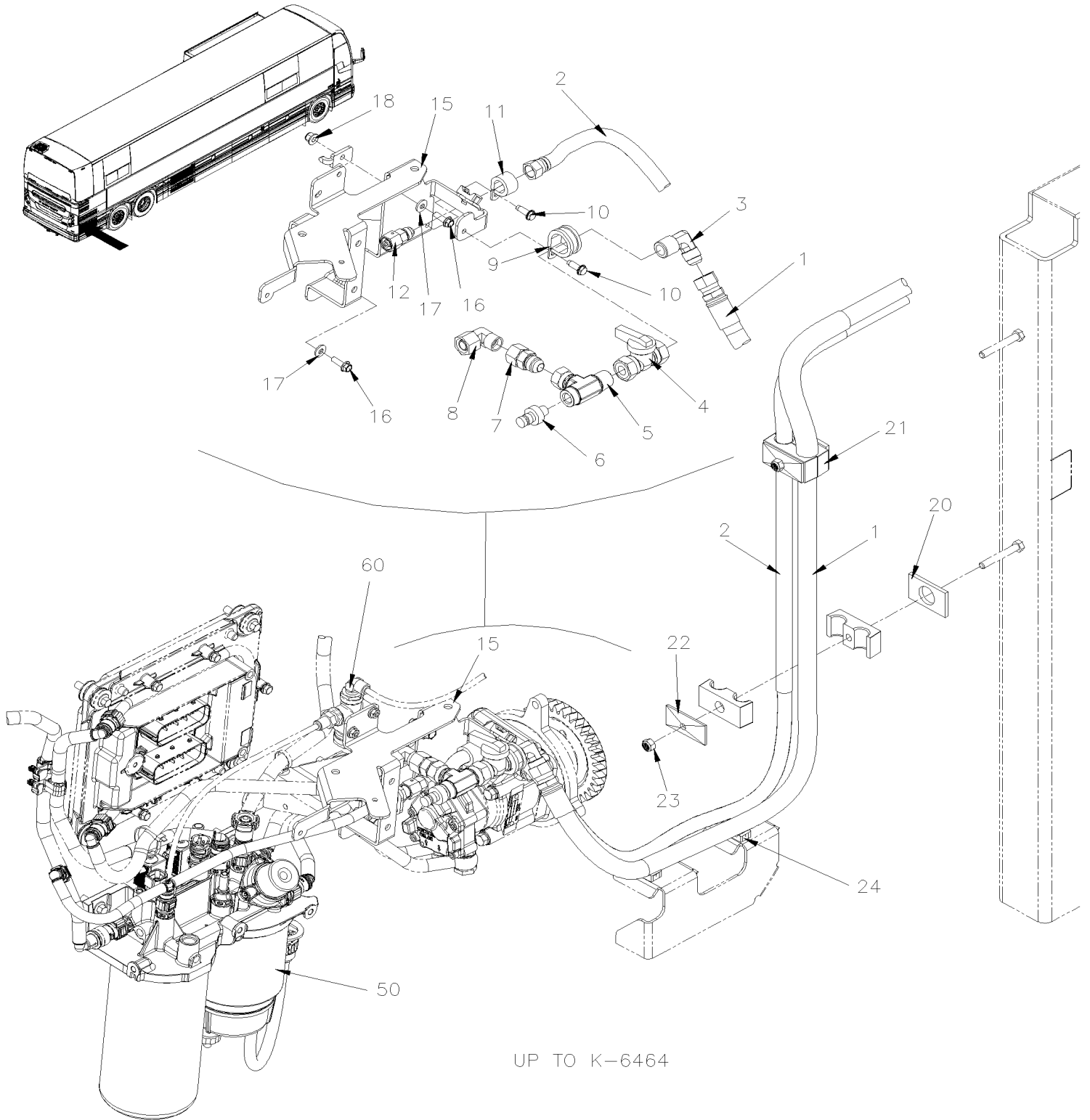


From H-6180

Date:07/2024

PAGE:X3VIP-0311-01

FUEL FILTER - PRIMARY & SECONDARY WITH VOLVO D13 - GHG17



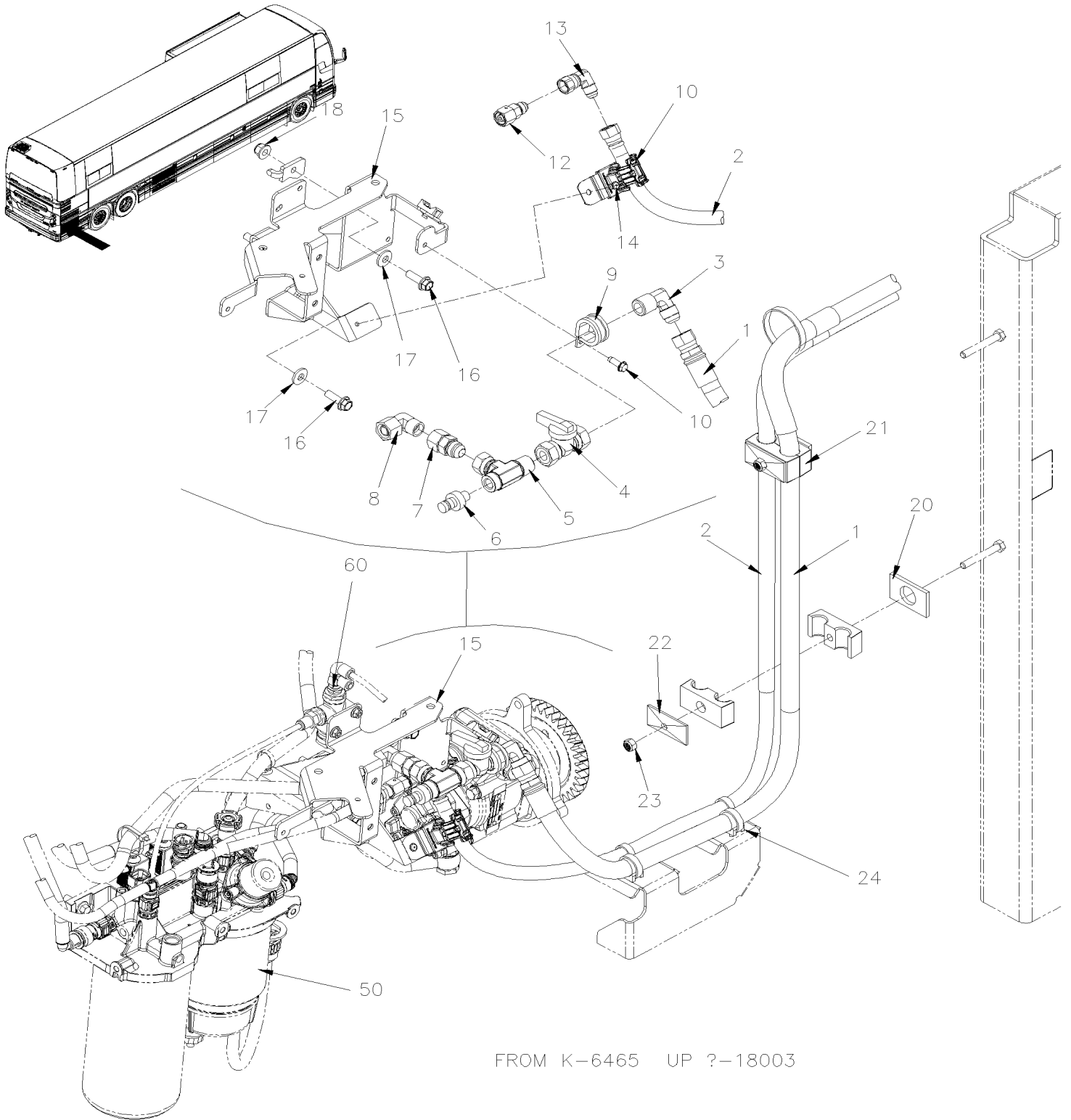


From H-6180

Date:07/2024

PAGE:X3VIP-0311-01

FUEL FILTER - PRIMARY & SECONDARY WITH VOLVO D13 - GHG17



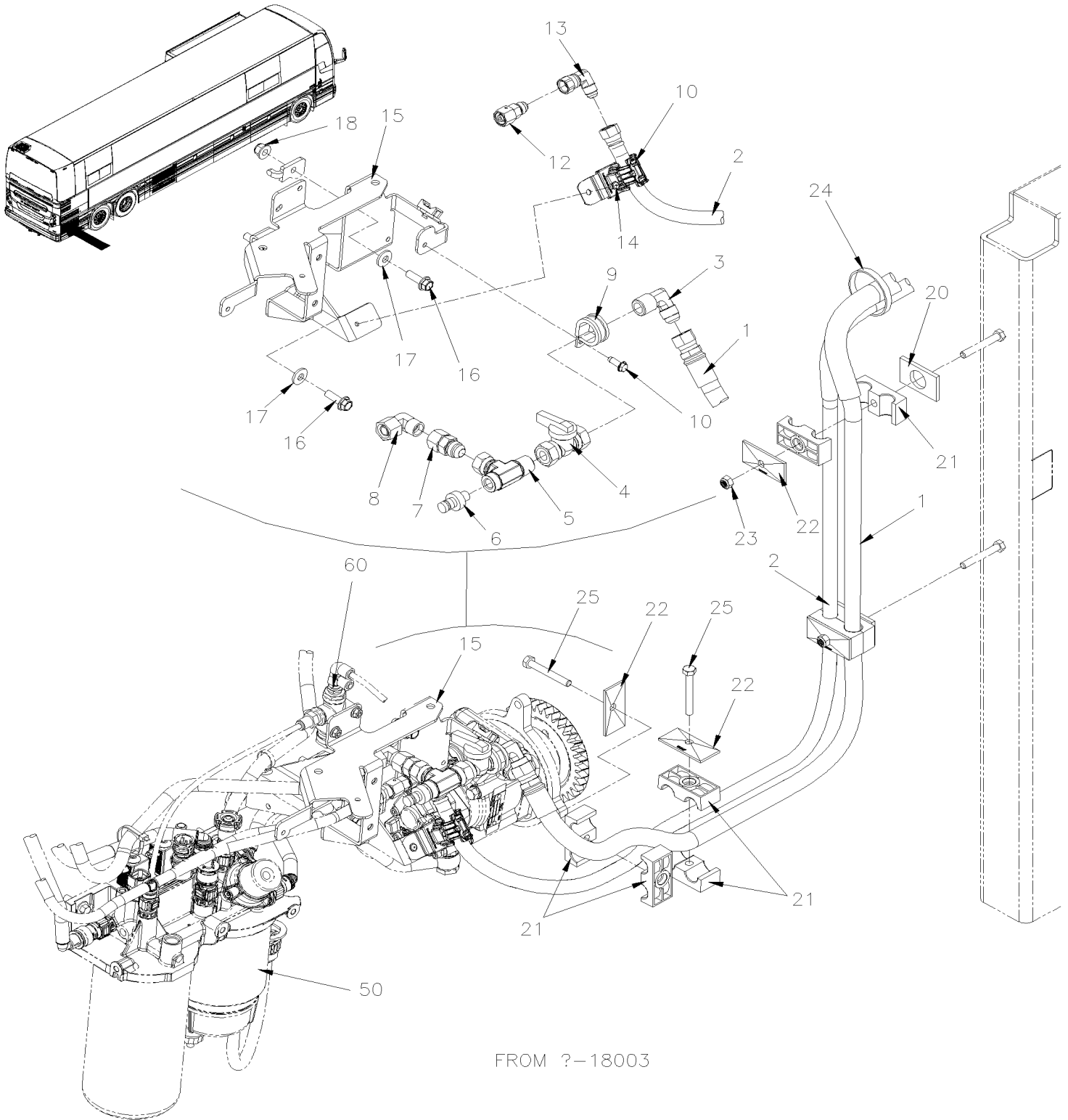


From H-6180

Date:07/2024

PAGE:X3VIP-0311-01

FUEL FILTER - PRIMARY & SECONDARY WITH VOLVO D13 - GHG17





From H-6180		Date:07/2024	PAGE:X3VIP-0311-01
-------------	--	--------------	--------------------

FUEL FILTER - PRIMARY & SECONDARY WITH VOLVO D13 - GHG17

Item#	Part	Description	X 3 V I P E N T	X 3 V I P M T H	N O T E S
1	030048	HOSE ASSY / #8 4490MM	1	1	
2	033029	HOSE ASSY / #6 4560MM To L-6644	1	1	
2	030154	HOSE ASSY / #6 4560MM From M-6645	1	1	
. NS	505181	. COIL PROTECTOR / PLASTIC / #8 From M-6645	AR	AR	
3	501612	MALE ELBOW 90° / SAE 45° FITTING / #8FL-Mx1/2NPT-M BR	1	1	
4	530096	BALL VALVE 1/2" NPT 1/2 NPT F x 1/2 NPT F	1	1	
5	5001677	SWIVEL NUT ADAPTER TEE / JIC 37° FITTING / #8JIC-Fx1/2NPT-Mx1/4NTP-F STL	1	1	
6	504706	NIPPLE / QUICK DISCONNECT "SAE J1502" / #4x1/4NPT-M STL W/DUST CAP	1	1	
. NS	195533	. DUST CAP / QUICK DISCONNECT "SAE J1502" / #4	1	1	
7	507659	MALE CONNECTOR SWIVEL / JIC 37° @ METRIC24° / #8JIC-Mxm18-1.5 W/24° O-RING-F	1	1	
8	964016	ELBOW To R-4032	1	1	
8	940177	ELBOW From R-4033	1	1	
9	952635	CLAMP / 1" I.D.	1	1	
10	502848	SCREW TC CAP HEXF 1/4-20x3/4 N500 To K-6464	2	2	
10	502848	SCREW TC CAP HEXF 1/4-20x3/4 N500 From K-6465	1	1	
NS	680098	THREAD SEALANT LOCTITE #567 / WHITE / 250ml	AR	AR	
11	5001986	CLAMP / SS / SILICONE RUBBER / 5/8" I.D. x .281 HOLE To K-6464	1	1	
11	504193	CLAMP P SS PA 12.7-19.5 ID From K-6465	1	1	
12	507662	MALE CONNECTOR SWIVEL / JIC 37° @ METRIC24° / #6JIC-Mxm16-1.5 W/24° O-RING-F	1	1	
13	5011359	SWIVEL NUT ELBOW 90° / JIC 37° FITTING / #6JIC-Fx#6JIC-M STL From K-6465	1	1	
14	504488	RIVET MGLP PRDG 3/16x17/64 SS From K-6465	1	1	
15	010043	SUPPORT FUEL LINE To K-6464	1	1	
15	010293	SUPPORT FUEL LINE From K-6465	1	1	
16	5001643	SCREW CAP HEXF M8-1.25x25 G8.8 G500	3	3	
17	500321	WASHER BEL SPR .331x.827x.098 N500	3	3	
18	5001931	NUT HEXF NYRT M8-1.25 G8.8 N500	1	1	
NS	680038	THREAD LOCKER LOCTITE #243 / BLUE / 50ml	AR	AR	
20	069465	SHIM FOR CLAMP	2	2	
21	504727	CLAMP DOUBLE ASS / 2 HOSE SIZE 3/8" To L-6644	2	2	
21	504208	CLAMP DOUBLE ASS / SPLIT BLOC / 19MM/15MM x 67MM POLYA From M-6645	4	4	
22	504728	PLATE RETAINER To L-6644	2	2	
22	504177	PLATE RETAINER 79MM SS From M-6645	4	4	
23	5001983	NUT HEX NYRT M8-1.25 SS SS BK	2	2	
24	504013	TIE MOUNT / 1/4" X 1/4" I.D. To L-6644	4	4	
NS	504357	WASHER FL .187x.437x.050 SS To L-6644	4	4	
NS	504488	RIVET MGLP PRDG 3/16x17/64 SS To L-6644	4	4	
NS	504016	CABLE TIE / 5/16" X 14"1/2 To L-6644	4	4	
24	504016	CABLE TIE / 5/16" X 14"1/2 From M-6645	1	1	
25	5001178	SCREW CAP HEX M8-1.25x60 SS BK From M-6645	2	2	
50	Refer To Volvo	HOUSING FUEL FILTER ASSY W/PRIMER PUMP	1	1	V
60	X3VIP-0405-11	7TH INJECTOR / "AHI" / EXHAUST VOLVO D13 - GHG17	1	1	



From H-6180 Date:07/2024 PAGE:X3VIP-0311-01

FUEL FILTER - PRIMARY & SECONDARY WITH VOLVO D13 - GHG17

Item#	Part	Description	X 3 V I P E N T	X 3 V I P M T H	N O T E S
		V) SEE IMPACT OR CALL ORDER DESK			

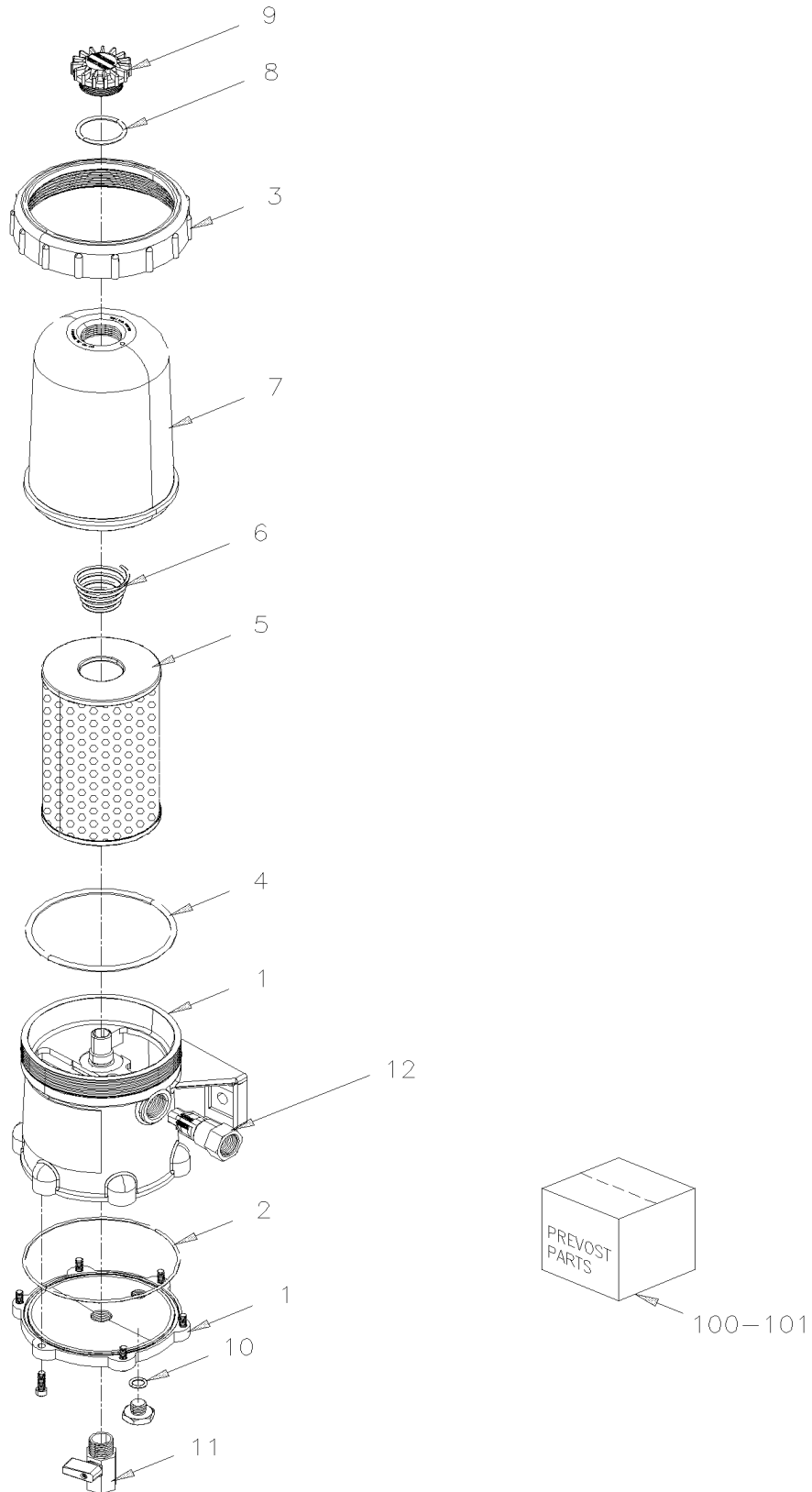


From E-5490 To E-5523

Date:07/2024

PAGE:X3VIP-0311-15

FUEL FILTER / "PRO 382"





From E-5490 To E-5523	Date:07/2024	PAGE:X3VIP-0311-15
FUEL FILTER / "PRO 382"		

Item#	Part	Description	X 3 V I P E N T	X 3 V I P M T H	N O T E S
	21248323	FILTER ASSY "FUEL PRO 382" / WITHOUT HEATER ELEMENT	1	1	
1	N.S.S.	. BODY CASTING	1	1	1
2	85103295	. SEAL BOTTOM COVER	1	1	
3	3948920	. COLLAR, COVER	1	1	
4	3946027	. O-RING	2	2	
5	85120233	. FILTER FUEL, ELEMENT / W/"PRO FILTER"	1	1	
6	3099140	. SPRING	1	1	
7	85116443	. COVER, FILTER ELEMENT	1	1	
8	N.S.S.	. SEAL CAP VENT	1	1	1
9	3948921	. CAP VENT	1	1	
10		. SEAL O-RING	1	1	
11	G1093949	. DRAIN VALVE	1	1	
12	3947686	. CHECK VALVE BODY ONLY	1	1	
100	3946029	O-RING SET	1	1	A
. A	N.S.S.	. ANTI TAMPER SEAL	1	1	1 A
. B	N.S.S.	. O-RING	1	1	1 A
101	1117798	CHECK VALVE REPAIR KIT /	1	1	
103	3093385	COLLAR VENT CAP WRENCH METAL	1	1	
		A) INCLUDES ITEMS #4 & 8			
		1) NOT SOLD SEPARATELY			
		1) NOT SOLD SEPARATELY			

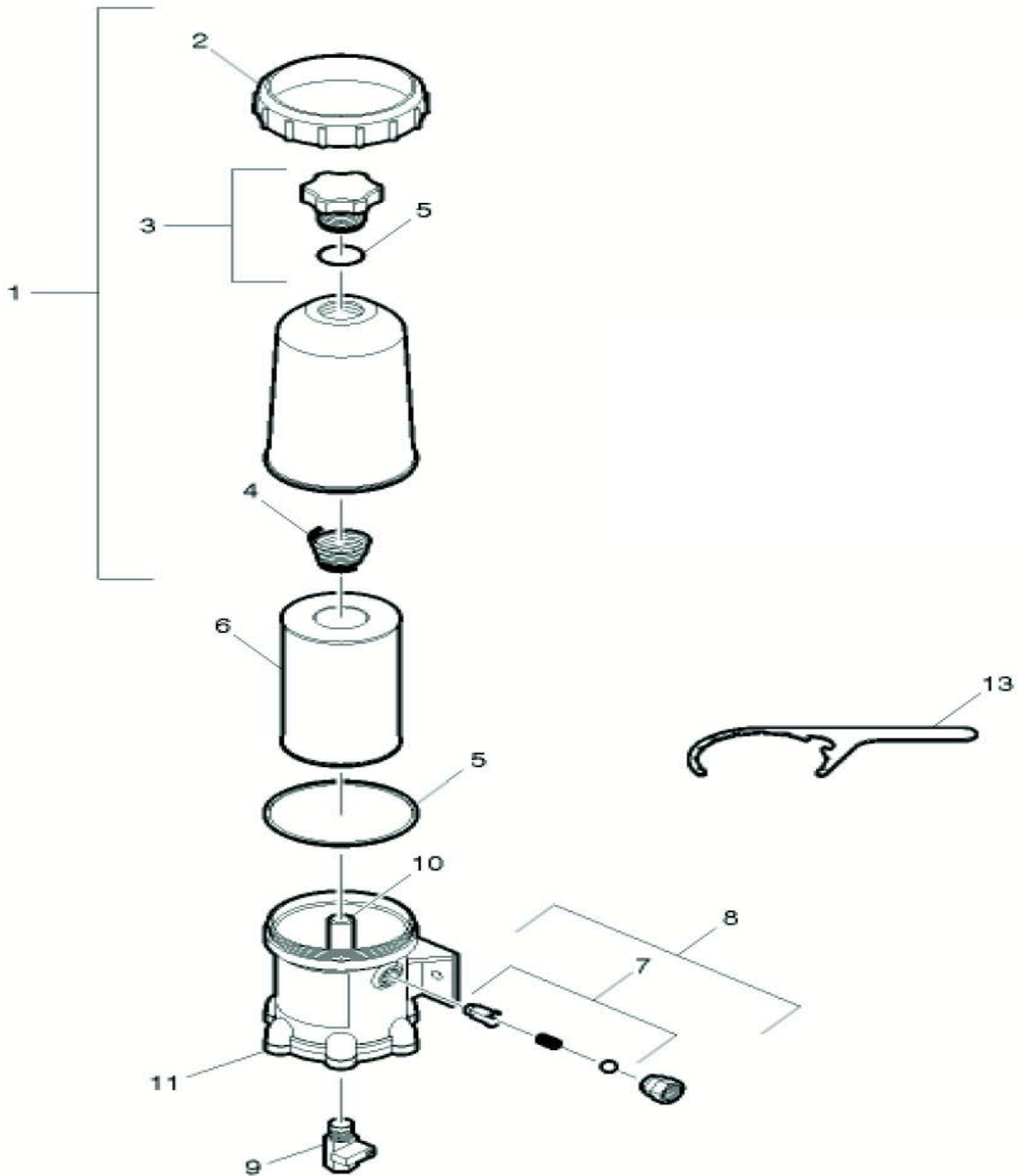


From E-5524 To N-6723

Date:07/2024

PAGE:X3VIP-0311-16

FUEL FILTER / "PRO 382"



R1103003



From E-5524 To N-6723	Date:07/2024	PAGE:X3VIP-0311-16
FUEL FILTER / "PRO 382"		

Item#	Part	Description	X 3 V I P E N T	X 3 V I P M T H	N O T E S
	22188830	FILTER ASSY "FUEL PRO 382" UNHEATED	1	1	
1	530217	. COVER ASSEMBLY INCLUDES ITEMS 1, 2, 3, 4	1	1	
2	531441	. COLLAR, COVER	1	1	
3	530218	. VENT CAP SERVICE KIT	1	1	
4	3099140	. SPRING	1	1	
5	3946029	. O-RING SET	1	1	
. A	N.S.S.	. . ANTI TAMPER SEAL	1	1	1
. B	N.S.S.	. . O-RING	1	1	1
6	530219	. FILTER ELEMENT 25 MICRON	1	1	
7	530220	. CHECK VALVE SERVICE KIT	1	1	
8	530221	. CHECK VALVE ASSEMBLY INCLUDES ITEM 7	1	1	
9	G1093949	. DRAIN VALVE	1	1	
10	19506118	. STUD 13/16-12 X 7/8-14	1	1	
11	530222	. BOTTOM PLATE	1	1	
13	530224	. WRENCH	1	1	
		1) NOT SOLD SEPARATELY			

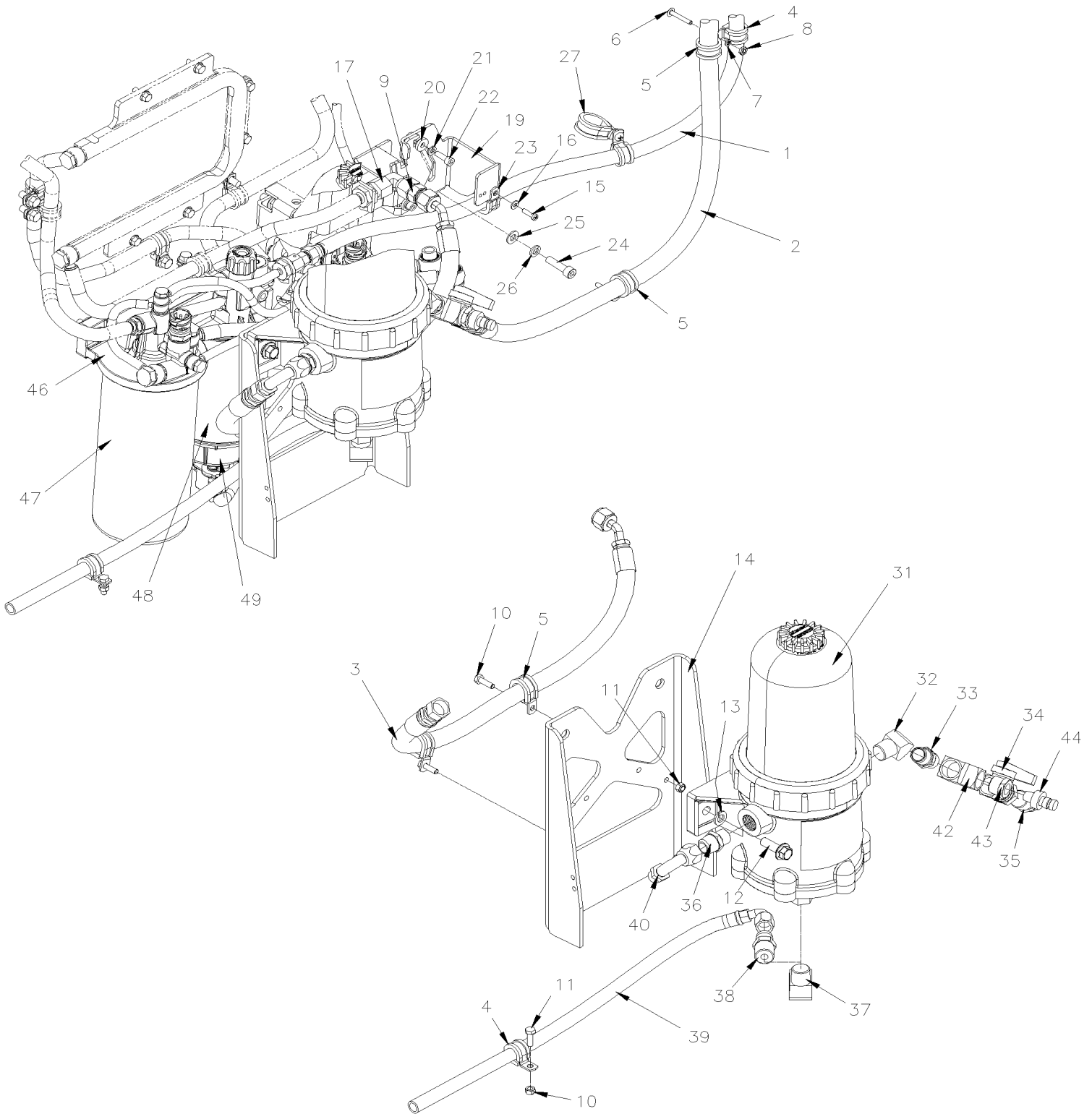


From E-5490 To H-6179

Date:07/2024

PAGE:X3VIP-0312-10

FUEL PRO - INSTALLATION WITH VOLVO D13





From E-5490 To H-6179	Date:07/2024	PAGE:X3VIP-0312-10
FUEL PRO - INSTALLATION WITH VOLVO D13		

Item#	Part	Description	X 3 V I P E N T	X 3 V I P M T H	N O T E S
1	032900	HOSE ASSY / #6 4617MM To E-5738	1	1	
1	033003	HOSE ASSY / #6 4700MM From E-5739	1	1	
2	032901	HOSE ASSY / #8 4542MM To E-5759	1	1	
2	033245	HOSE ASSY / #8 4542MM To E-5759	1	1	A
2	033010	HOSE ASSY / #8 4650MM From F-5760	1	1	
3	032741	HOSE ASSY / #8 700MM	1	1	
3	033250	HOSE ASSY / #8 705MM	1	1	A
4	952629	CLAMP / 5/8" I.D.	3	3	
5	952631	CLAMP / 3/4" I.D.	4	4	
6	500574	SCREW MA TR PH #10-24x1 1/4 SS	3	3	
7	500914	WASHER LO SPT .193x.334x.047 N500	3	3	
8	502882	NUT HEX #10-24 N500	3	3	
9	507659	MALE CONNECTOR SWIVEL / JIC 37° @ METRIC24° / #8JIC-MxM18-1.5 W/24° O-RING-F	1	1	
10	502830	SCREW CAP HEX M6-1.0x20 G8.8 N500	3	3	
11	502681	NUT HEX NYRT M6-1.0 N500 G8	3	3	
12	5000343	SCREW CAP HEXF M10-1.5x30 G10.9 N500	2	2	
13	5001737	WASHER LO SPT 10.2x18.1x2.2 N500	2	2	
14	032679	SUPPORT "FUEL PRO" (WELDED AT STRUCTURE)	1	1	
15	500623	SCREW TC PAN PH #10-24x3/4 N500	1	1	
16	500855	WASHER FL .188x.438x.049 N500	1	1	
17	964016	ELBOW	1	1	
18	507662	MALE CONNECTOR SWIVEL / JIC 37° @ METRIC24° / #6JIC-MxM16-1.5 W/24° O-RING-F	1	1	
19	033185	SUPPORT FUEL LINE To E-5458	1	1	
19	033946	SUPPORT FUEL LINE From E-5459	1	1	
20	5001654	WASHER FL 6.4x17.0x3.0 SS	2	2	
21	502570	WASHER LO SPT 6.1x11.8x1.6 SS	2	2	
22	5001648	SCREW CAP HEXS M6-1.0x18 SS BK	2	2	
23	952629	CLAMP / 5/8" I.D. To F-5868	1	1	
23	5001986	CLAMP / SS / SILICONE RUBBER / 5/8" I.D. x .281 HOLE From F-5869	1	1	
24	5001598	SCREW CAP HEXS M8-1.25x30 SS	1	1	
25	5001341	WASHER FL 8.4x17.0x1.6 SS	1	1	
26	5001161	WASHER LO SPT 8.1x14.8x2.0 SS-304	1	1	
27	952635	CLAMP / 1" I.D.	1	1	
31	X3VIP-0311-15	FUEL FILTER / "PRO 382" To E-5523			
31	X3VIP-0311-16	FUEL FILTER / "PRO 382" From E-5524			
32	501528	STREET ELBOW 45° / PIPE FITTING / 1/2NPT-Mx1/2NPT-F BR	1	1	
33	5011067	NIPPLE HEX / PIPE FITTING / 1/2NPT-Mx1/2NPT-Mx1 13/16 BR	1	1	
34	530096	BALL VALVE 1/2" NPT 1/2 NPT F x 1/2 NPT F	1	1	
35	501616	MALE CONNECTOR / SAE 45° FITTING / #8FL-Mx1/2NPT-M BR	1	1	
36	501739	MALE CONNECTOR / JIC 37° FITTING / #8JIC-Mx1/2NPT-M STL	1	1	
37	507557	STREET ELBOW 90° / PIPE FITTING / 1/2NPT-Mx1/2NPT-F BR	1	1	
38	501618	MALE CONNECTOR / SAE 45° FITTING / #6FL-Mx1/2NPT-M BR	1	1	



From E-5490 To H-6179	Date:07/2024	PAGE:X3VIP-0312-10
FUEL PRO - INSTALLATION WITH VOLVO D13		

Item#	Part	Description	X 3 V I P E N T	X 3 V I P M T H	N O T E S
39	032614	HOSE ASSY / #8 420MM	1	1	
40	501845	SWIVEL NUT ELBOW 90° LONG / JIC 37° FITTING / #8JIC-Fx#8JIC-Mx1.86 STL	1	1	
42	501473	MALE RUN TEE / PIPE FITTING / 1/2NPT-Mx1/2NPT-Fx1/2NPT-F BR	1	1	
43	501316	BUSHING REDUCER / PIPE FITTING / 1/2NPT-Mx1/4NPT-F BR	1	1	
44	504706	NIPPLE / QUICK DISCONNECT "SAE J1502" / #4x1/4NPT-M STL W/DUST CAP	1	1	
. NS	195533	. DUST CAP / QUICK DISCONNECT "SAE J1502" / #4	1	1	
46	Refer To Volvo	HOUSING FUEL FILTER ASSY W/PRIMER PUMP TB-111262697-1	1	1	V
47	20405160	FUEL FILTER (LONG)	1	1	
47	20972293	FUEL FILTER (LONG) MAIN / PRINCIPAL	1	1	
48	20879806	FUEL FILTER WATER SEPARATOR	1	1	
49	20771580	BOWL / W/WATER DETECTOR IN FUEL UAFXUEL	1	1	
49	Refer To Volvo	BOWL AF-E	1	1	V
		A) SERVICE ONLY			
		V) SEE IMPACT OR CALL ORDER DESK			

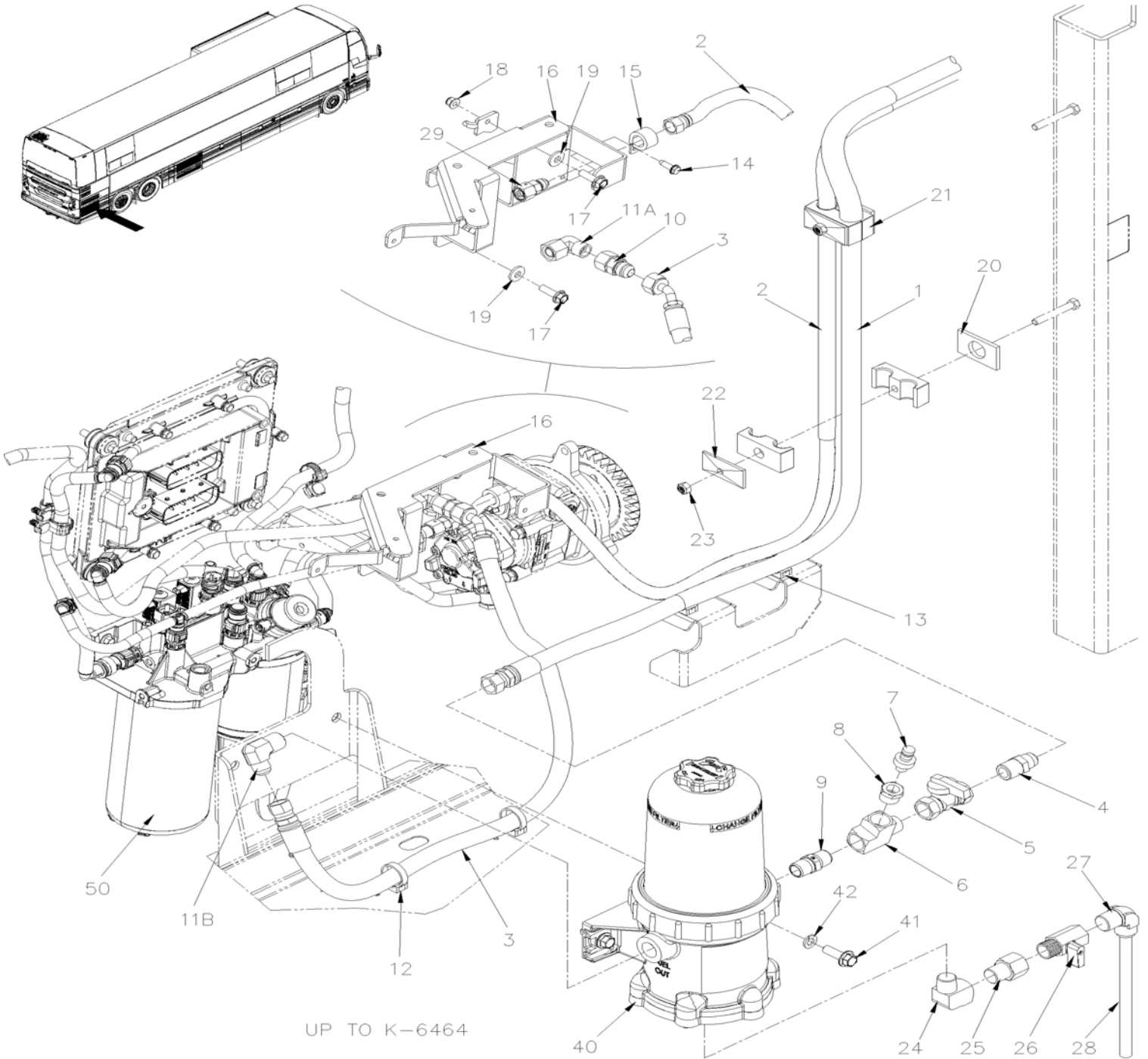


From H-6180

Date:07/2024

PAGE:X3VIP-0312-11

FUEL PRO - INSTALLATION WITH VOLVO D13 - GHG17



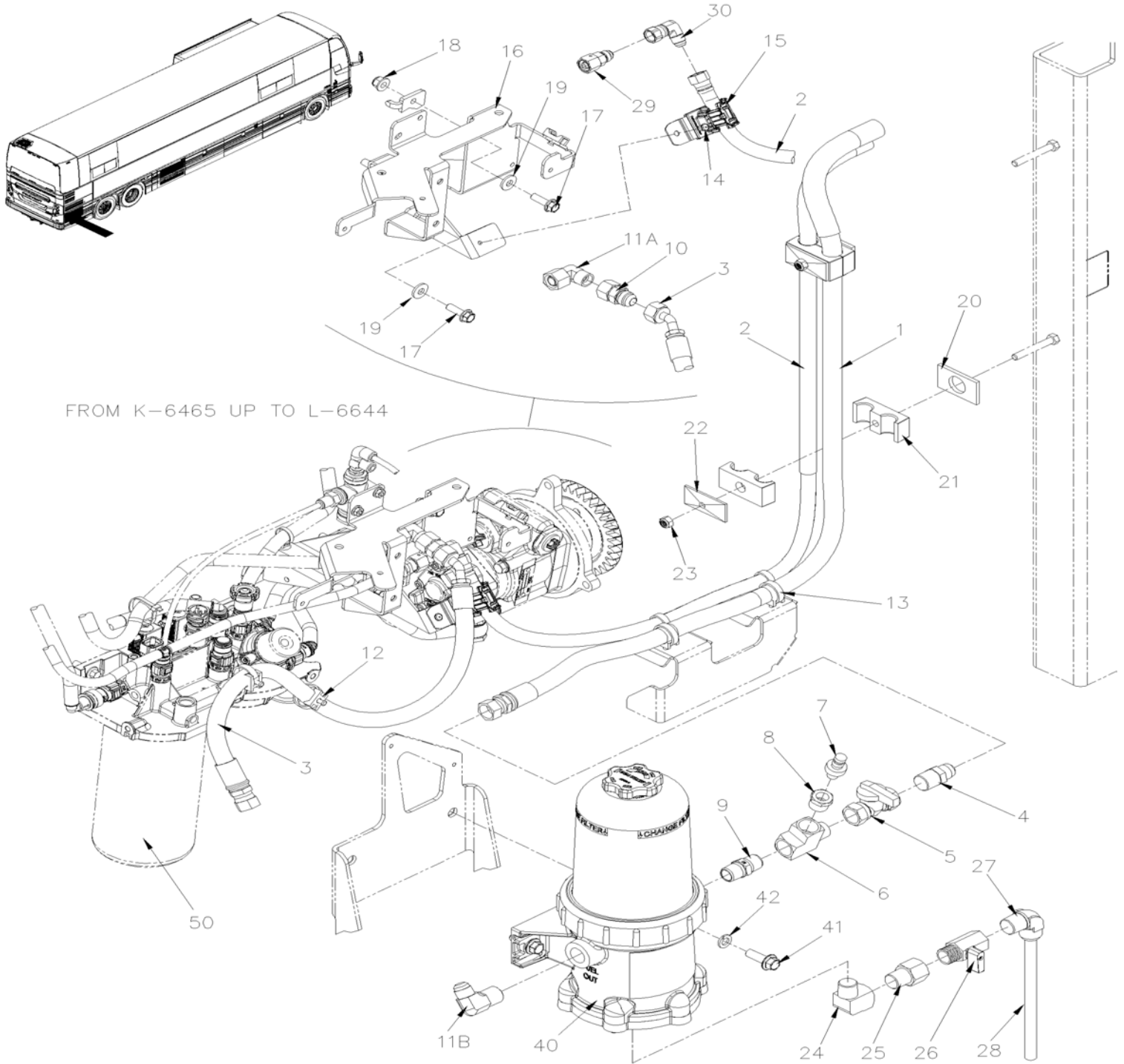


From H-6180

Date:07/2024

PAGE:X3VIP-0312-11

FUEL PRO - INSTALLATION WITH VOLVO D13 - GHG17



FROM K-6465 UP TO L-6644

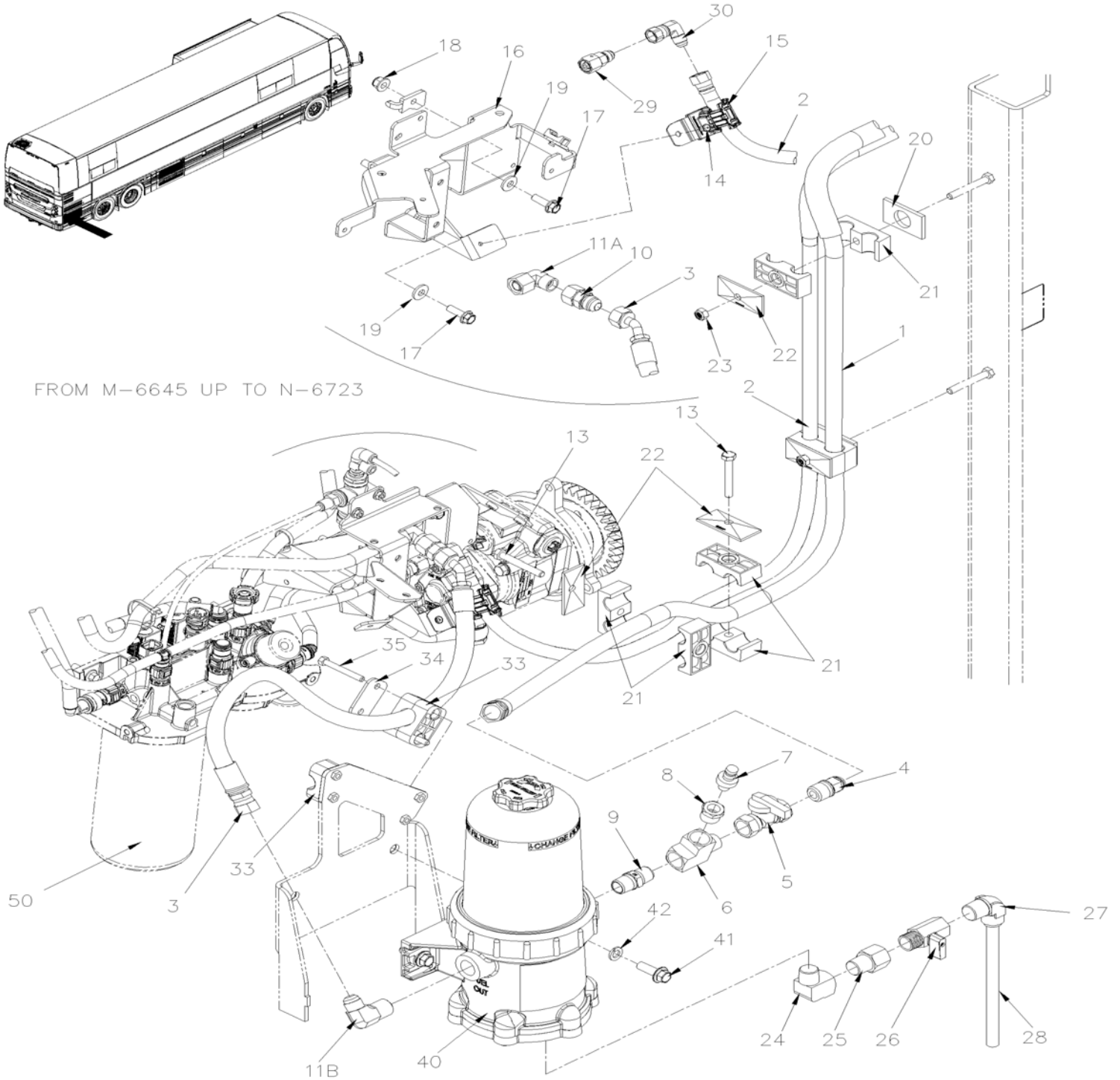


From H-6180

Date:07/2024

PAGE:X3VIP-0312-11

FUEL PRO - INSTALLATION WITH VOLVO D13 - GHG17



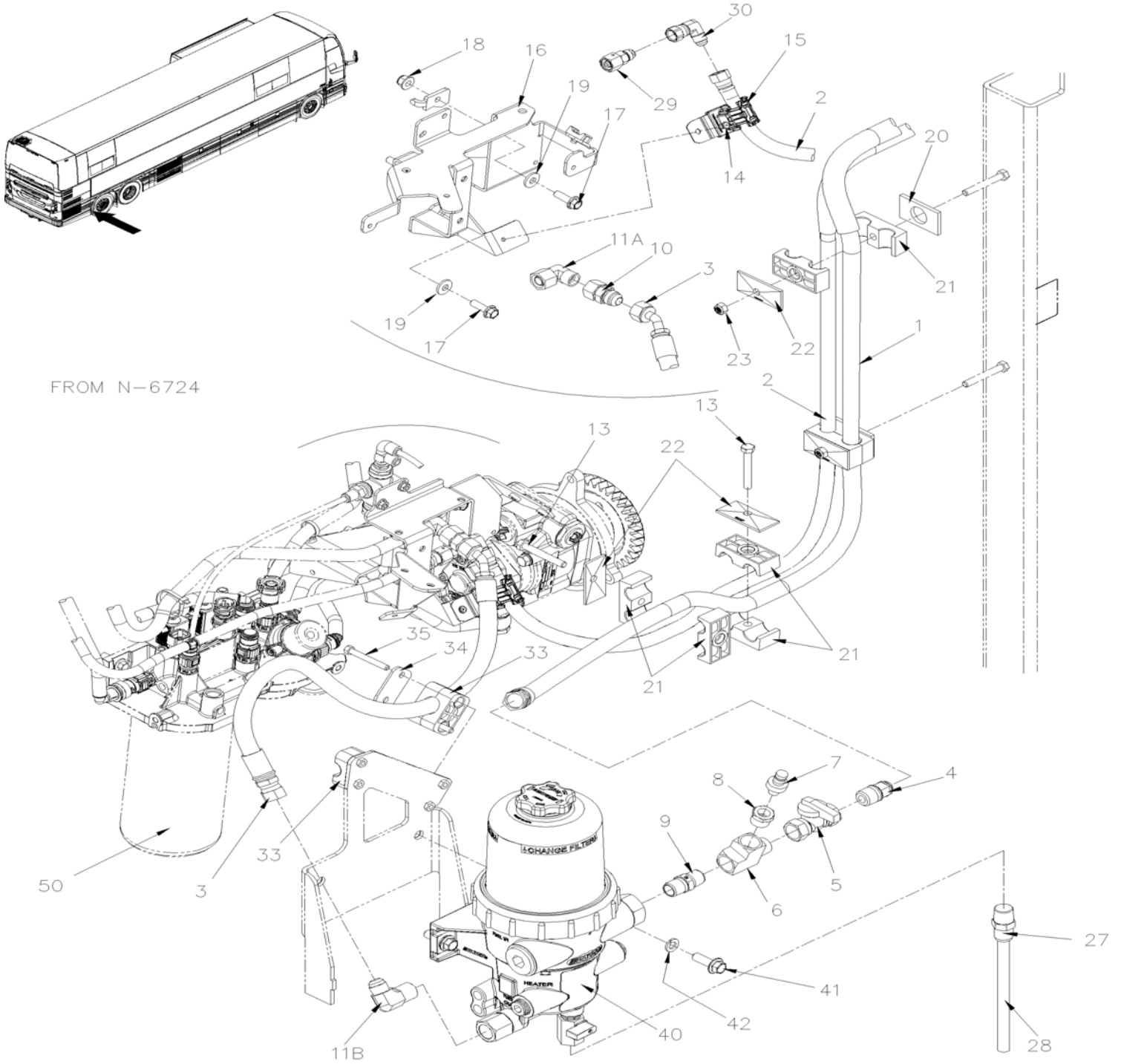


From H-6180

Date:07/2024

PAGE:X3VIP-0312-11

FUEL PRO - INSTALLATION WITH VOLVO D13 - GHG17





From H-6180		Date:07/2024	PAGE:X3VIP-0312-11
FUEL PRO - INSTALLATION WITH VOLVO D13 - GHG17			

Item#	Part	Description	X 3 V I P E N T	X 3 V I P M T H	N O T E S
1	033028	HOSE ASSY / #8 4650MM	1	1	
2	033029	HOSE ASSY / #6 4560MM To L-6644	1	1	
2	030154	HOSE ASSY / #6 4560MM From M-6645	1	1	
. NS	505181	. COIL PROTECTOR / PLASTIC / #8 From M-6645	AR	AR	
3	033212	FUEL HOSE ASSY / #8 755MM To N-6723	1	1	
3	033239	FUEL HOSE ASSY / #8 755MM To N-6723	1	1	B
3	030222	HOSE ASSY / #8 830MM From N-6724 To P-6816	1	1	
3	033251	HOSE ASSY / #8 830MM From P-6817	1	1	
4	501616	MALE CONNECTOR / SAE 45° FITTING / #8FL-Mx1/2NPT-M BR To L-6644	1	1	
4	501145	MALE ELBOW 45° / SAE 45° FITTING / #8FL-Mx1/2NPT-M BR From M-6645	1	1	
5	530096	BALL VALVE 1/2" NPT 1/2 NPT F x 1/2 NPT F	1	1	
6	501473	MALE RUN TEE / PIPE FITTING / 1/2NPT-Mx1/2NPT-Fx1/2NPT-F BR	1	1	
7	504706	NIPPLE / QUICK DISCONNECT "SAE J1502" / #4x1/4NPT-M STL W/DUST CAP	1	1	
. NS	195533	. DUST CAP / QUICK DISCONNECT "SAE J1502" / #4	1	1	
8	501316	BUSHING REDUCER / PIPE FITTING / 1/2NPT-Mx1/4NPT-F BR	1	1	
9	5011067	NIPPLE HEX / PIPE FITTING / 1/2NPT-Mx1/2NPT-Mx1 13/16 BR	1	1	
10	507659	MALE CONNECTOR SWIVEL / JIC 37° @ METRIC24° / #8JIC-Mxm18-1.5 W/24° O-RING-F	1	1	
11A	964016	ELBOW To R-4032	1	1	
11A	940177	ELBOW From R-4033	1	1	
11B	5011061	MALE ELBOW 90° / JIC 37° FITTING / #8JIC-Mx1/2NPT-M STL	1	1	
12	504013	TIE MOUNT / 1/4" X 1/4" I.D. To L-6644	2	2	
NS	504016	CABLE TIE / 5/16" X 14"1/2 To L-6644	2	2	
NS	504379	RIVET POP DOME OE 3/16x1/4 SS To L-6644	2	2	
13	504013	TIE MOUNT / 1/4" X 1/4" I.D. To L-6644	AR	AR	
NS	504357	WASHER FL .187x.437x.050 SS To L-6644	AR	AR	
NS	504488	RIVET MGLP PRDG 3/16x17/64 SS To L-6644	AR	AR	
13	5001178	SCREW CAP HEX M8-1.25x60 SS BK From M-6645	2	2	
14	502848	SCREW TC CAP HEXF 1/4-20x3/4 N500 To K-6464	1	1	
14	504488	RIVET MGLP PRDG 3/16x17/64 SS From K-6465	1	1	
15	5001986	CLAMP / SS / SILICONE RUBBER / 5/8" I.D. x .281 HOLE To K-6464	1	1	
15	504193	CLAMP P SS PA 12.7-19.5 ID From K-6465	1	1	
16	012923	FUEL HOSE HOLDER To K-6464	1	1	
16	010293	SUPPORT FUEL LINE From K-6465	1	1	
17	5001643	SCREW CAP HEXF M8-1.25x25 G8.8 G500	3	3	
18	5001932	NUT HEXF NYRT M6-1.0 G8.8 N500	1	1	
19	500321	WASHER BEL SPR .331x.827x.098 N500	3	3	
20	069465	SHIM FOR CLAMP	2	2	
21	504727	CLAMP DOUBLE ASS / 2 HOSE SIZE 3/8" To L-6644	2	2	
21	504208	CLAMP DOUBLE ASS / SPLIT BLOC / 19MM/15MM x 67MM POLYA From M-6645	4	4	
22	504728	PLATE RETAINER To L-6644	2	2	
22	504177	PLATE RETAINER 79MM SS From M-6645	4	4	
23	5001983	NUT HEX NYRT M8-1.25 SS SS BK	2	2	



From H-6180	Date:07/2024	PAGE:X3VIP-0312-11
FUEL PRO - INSTALLATION WITH VOLVO D13 - GHG17		

Item#	Part	Description	X 3 V I P E N T	X 3 V I P M T H	N O T E S
24	507557	STREET ELBOW 90° / PIPE FITTING / 1/2NPT-Mx1/2NPT-F BR To N-6723	1	1	
25	5011119	ADAPTER / PIPE FITTING / 1/2NPT-Fx1/2NPT-M BR To N-6723	1	1	
26	G1093949	DRAIN VALVE To N-6723	1	1	A
27	641378	MALE ELBOW 90° / PUSH-IN FITTING / #8x1/2NPT-M BRASS To N-6723	1	1	
27	641383	MALE CONNECTOR / PUSH-IN FITTING / #8x1/2NPT-M BR From N-6724 To P-6785	1	1	
27	504018	HOSE CLAMP / 7/16"-1" SS / HS-8 From P-6786	1	1	
28	033214	PNEU. PIPE, NYL. BLACK 1/2 OD #8 200MM To P-6785	1	1	
. NS	503488	. TUBE, NYLON 1/2 O.D. / BLACK S.L. / To P-6785	AR	AR	
28	503523	HOSE SILICONE 1PLY 3/4" I.D. x 100' / S.L. From P-6786	AR	AR	
29	507662	MALE CONNECTOR SWIVEL / JIC 37° @ METRIC24° / #6JIC-Mxm16-1.5 W/24° O-RING-F	2	2	
30	5011359	SWIVEL NUT ELBOW 90° / JIC 37° FITTING / #6JIC-Fx#6JIC-M STL From K-6465	1	1	
33	504164	CLAMP SIMPLE ASS / SPLIT BLOC / 19MM x 50MM x 33MM C/C POLYA From M-6645	2	2	
34	504165	PLATE RETAINER 33MM C/C SS From M-6645	2	2	
35	5002123	SCREW CAP HEX M6-1.0x60 SS NSS From M-6645	4	4	
40	22188830	FILTER ASSY "FUEL PRO 382" UNHEATED To N-6723			
40	530021	FILTER ASSY "FUEL PRO 386" UNHEATED From N-6724 To P-6785	1	1	
40	530069	FILTER ASSY "FUEL PRO 386" UNHEATED From P-6786	1	1	
41	5000343	SCREW CAP HEXF M10-1.5x30 G10.9 N500	2	2	
42	5001737	WASHER LO SPT 10.2x18.1x2.2 N500	2	2	
50	Refer To Volvo	HOUSING FUEL FILTER ASSY W/PRIMER PUMP	1	1	V
		A) AS REFERENCE ONLY, BUY WITH ITEM #40			
		B) SERVICE ONLY			
		V) SEE IMPACT OR CALL ORDER DESK			

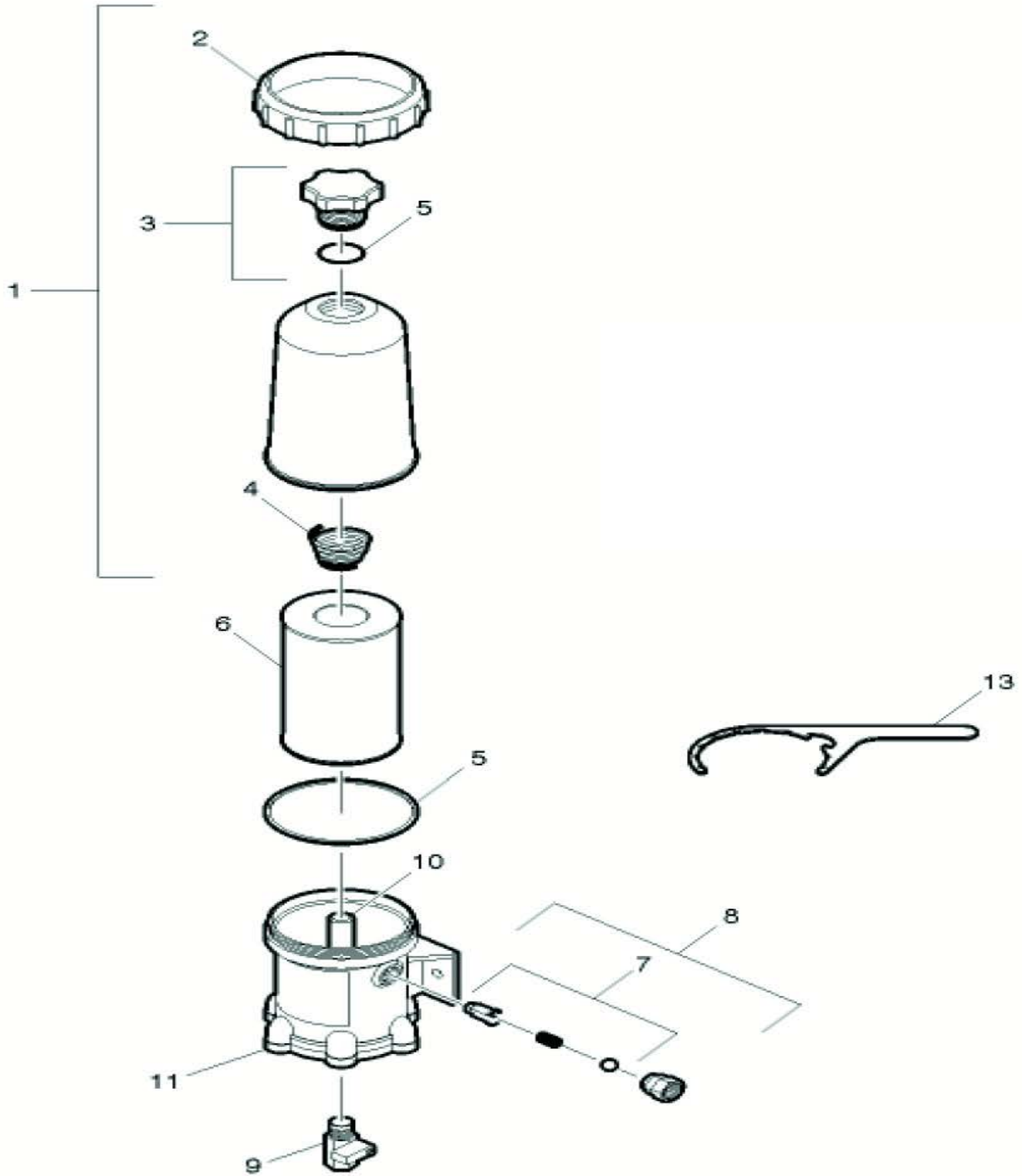


To N-6723

Date:07/2024

PAGE:22188830

FILTER ASSY "FUEL PRO 382" UNHEATED



R1103003



To N-6723	Date:07/2024	PAGE:22188830
-----------	--------------	---------------

FILTER ASSY "FUEL PRO 382" UNHEATED

Item#	Part	Description	X 3 V I P E N T	X 3 V I P M T H	N O T E S
1	530217	COVER ASSEMBLY INCLUDES ITEMS 1, 2, 3, 4	1	1	
2	531441	COLLAR, COVER	1	1	
3	530218	VENT CAP SERVICE KIT	1	1	
4	3099140	SPRING	1	1	
5	3946029	O-RING SET	1	1	
. A	N.S.S.	. ANTI TAMPER SEAL	1	1	1
. B	N.S.S.	. O-RING	1	1	1
6	530219	FILTER ELEMENT 25 MICRON	1	1	
7	530220	CHECK VALVE SERVICE KIT	1	1	
8	530221	CHECK VALVE ASSEMBLY INCLUDES ITEM 7	1	1	
9	G1093949	DRAIN VALVE	1	1	
10	19506118	STUD 13/16-12 X 7/8-14	1	1	
11	530222	BOTTOM PLATE	1	1	
13	530224	WRENCH	1	1	
		1) NOT SOLD SEPARATELY			

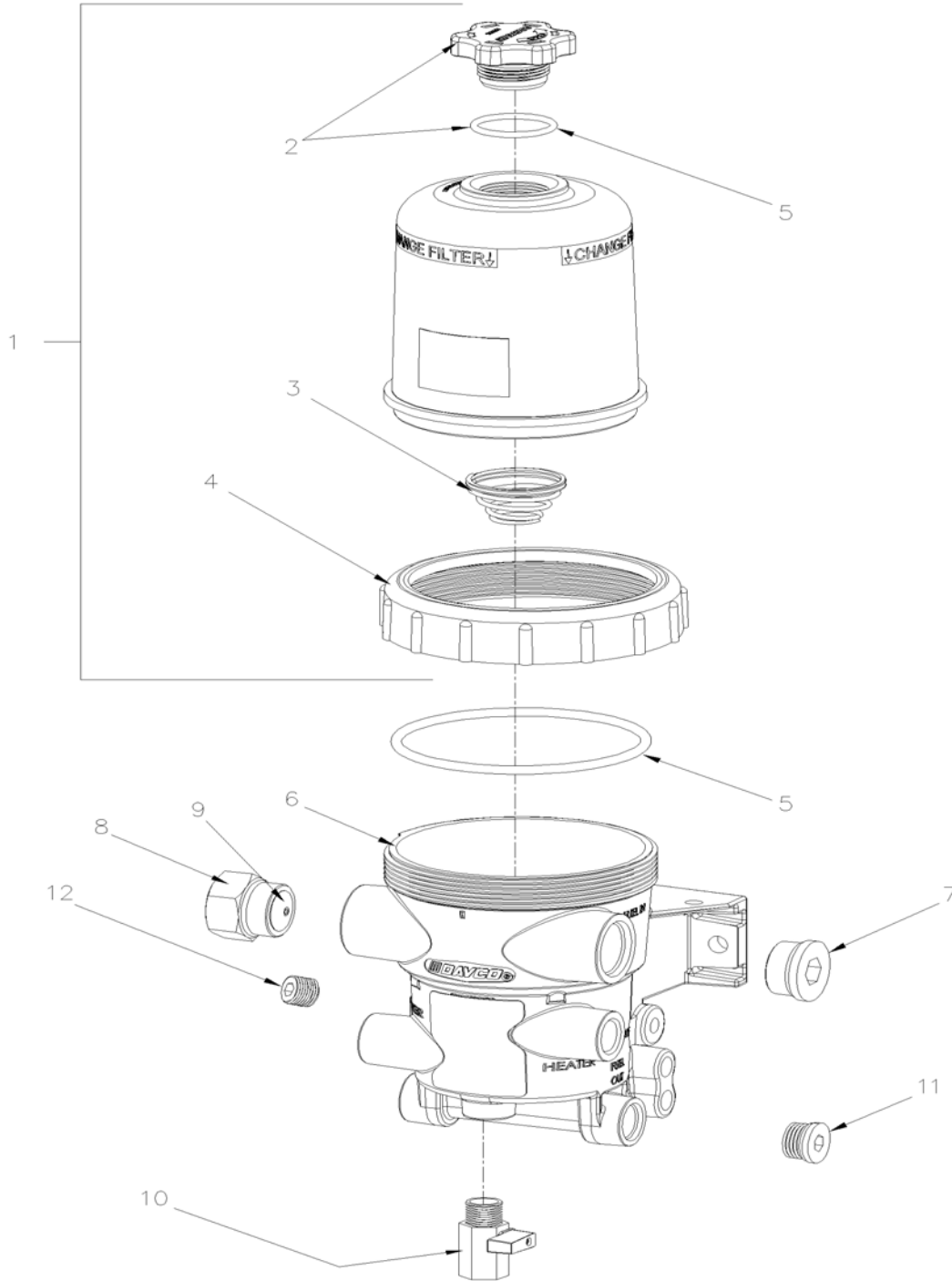


From N-6724 To P-6785

Date:07/2024

PAGE:530021

FILTER ASSY "FUEL PRO 386" UNHEATED





From N-6724 To P-6785	Date:07/2024	PAGE:530021
FILTER ASSY "FUEL PRO 386" UNHEATED		

Item#	Part	Description	X 3 V I P E N T	X 3 V I P M T H	N O T E S
1	530031	COVER SERVICE KIT	1	1	
2	530063	. VENT CAP & O-RING SERVICE KIT	1	1	
3	530062	. SPRING FILTER	1	1	
4	530033	. COLLAR	1	1	
5	530034	O-RING SERVICE KIT	1	1	
6		HOUSING	1	1	
7	530040	PLUG (FUEL-IN)	1	1	
8	530044	CHECK VALVE 1/2NPT	1	1	
9	530045	UMBRELLA VALVE	1	1	
10	530048	DRAIN VALVE 1/2NPT	1	1	
11	530064	PLUG 7/8-14	1	1	
12	530054	PLUG	1	1	
NS	530057	FILTER ELEMENT 10 MICRON	1	1	
NS	530055	COMPOSITE WRENCH	1	1	
NS	530056	METAL WRENCH WITH HANDLE	1	1	
NS	530065	HEAVY DUTY WRENCH	1	1	

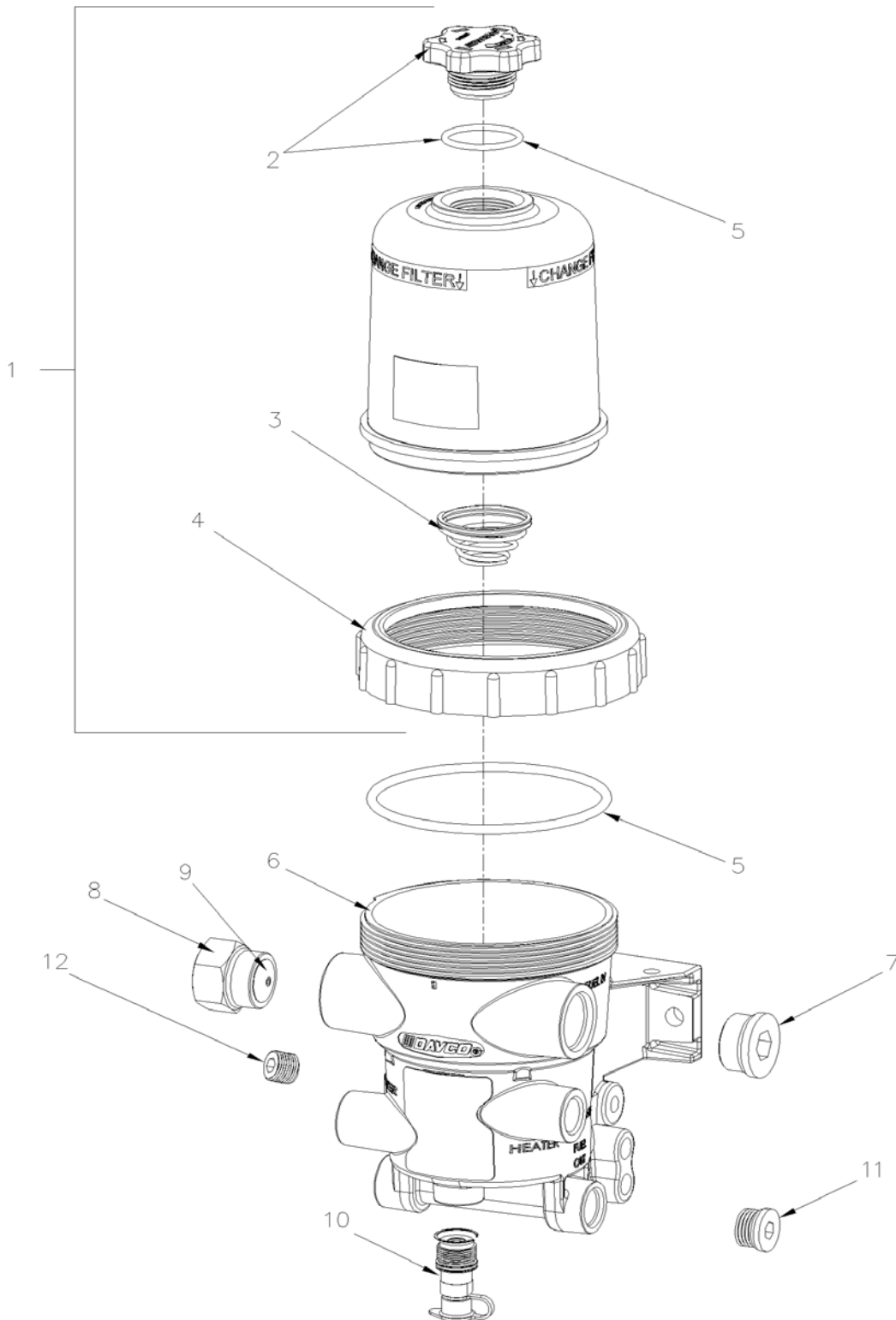


From P-6786

Date:07/2024

PAGE:530069

FILTER ASSY "FUEL PRO 386" UNHEATED





From P-6786	Date:07/2024	PAGE:530069
FILTER ASSY "FUEL PRO 386" UNHEATED		

Item#	Part	Description	X 3 V I P E N T	X 3 V I P M T H	N O T E S
1	530031	COVER SERVICE KIT	1	1	
2	530063	. VENT CAP & O-RING SERVICE KIT	1	1	
3	530062	. SPRING FILTER	1	1	
4	530033	. COLLAR	1	1	
5	530034	O-RING SERVICE KIT	1	1	
6		HOUSING	1	1	
7	530040	PLUG (FUEL-IN)	1	1	
8	530044	CHECK VALVE 1/2NPT	1	1	
9	530045	UMBRELLA VALVE	1	1	
10	530083	KIT, DRAIN SERVICE	1	1	
11	530064	PLUG 7/8-14	1	1	
12	530054	PLUG	1	1	
NS	530057	FILTER ELEMENT 10 MICRON	1	1	
NS	530055	COMPOSITE WRENCH	1	1	
NS	530056	METAL WRENCH WITH HANDLE	1	1	
NS	530065	HEAVY DUTY WRENCH	1	1	

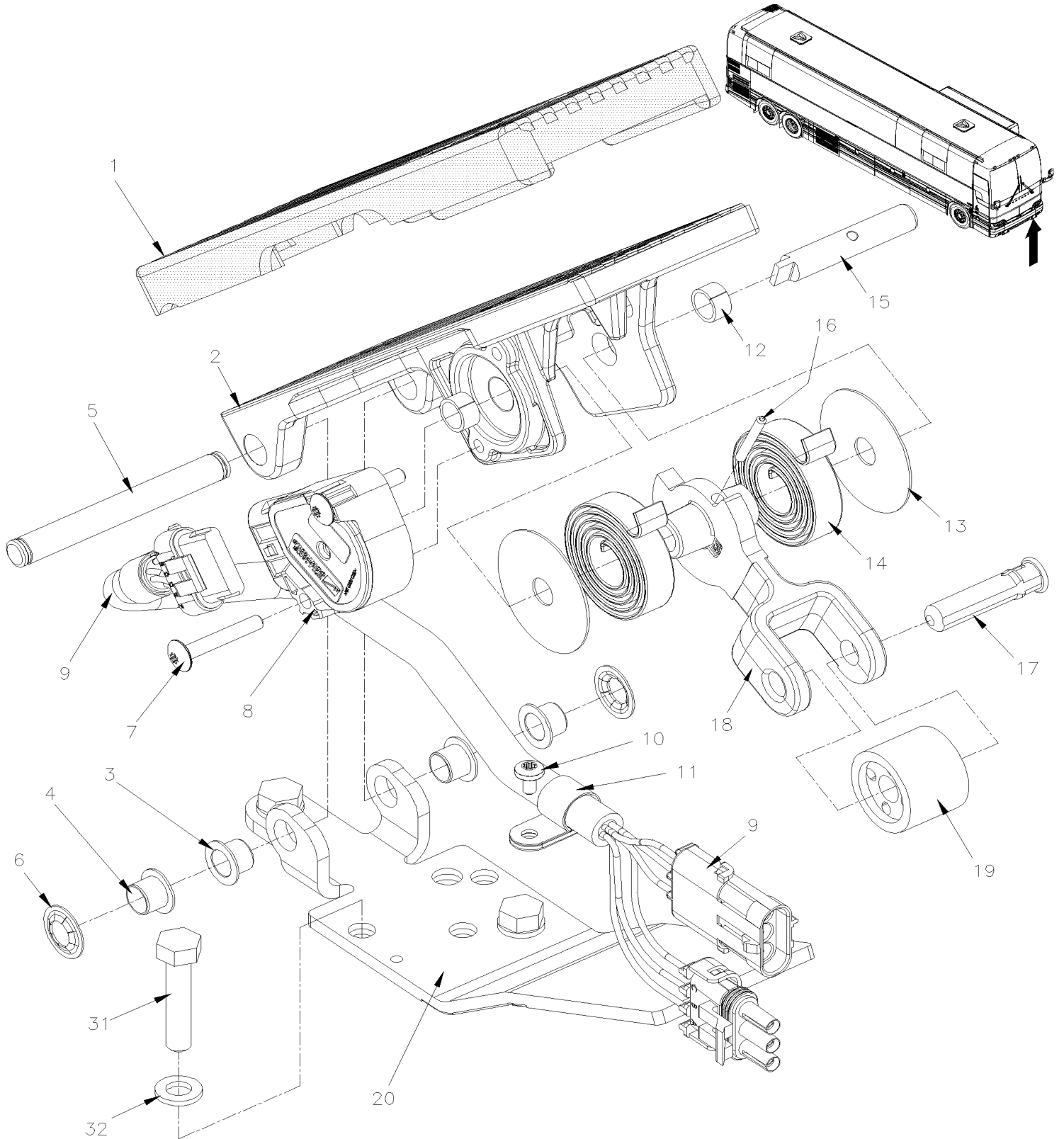


From E-5490

Date:07/2024

PAGE:X3VIP-0315-10

ACCELERATOR PEDAL - ELECTRONIC





From E-5490		Date:07/2024	PAGE:X3VIP-0315-10
ACCELERATOR PEDAL - ELECTRONIC			

Item#	Part	Description	X 3 V I P E N T	X 3 V I P M T H	N O T E S
	531487	ACCELERATOR PEDAL ASSY / W0-32V SENSOR "VOLVO" "VOLVO"	1	1	
1	531401	. THREADLE COVER	1	1	
2	N.S.S.	. THREADLE	1	1	1
3	N.S.S.	. BUSHING, INNER	2	2	1
4	507260	. BUSHING NYLINER W/SHOULDER .375x.437x.375x.594	2	2	
5	N.S.S.	. PIN, THREADLE	1	1	1
6	N.S.S.	. RING, SNAP 5/16" I.D.	3	3	1
7	500427	. SCREW MA RND PH #10-32x1 1/4 ZP	2	2	
8	568084	. POTENTIOMETER PEDAL SENSOR 0-32V	1	1	
9	N8887087	. WIRE HARNESS	1	1	
10	500883	. . SCREW TC PAN PH #8-32x3/8 Z050	2	2	
11	N.S.S.	. . CLIP	2	2	1
12	N.S.S.	. BUSHING, GARLOCK	2	2	1
13	N.S.S.	. THRUST, WASHER-OUTER	2	2	1
13	N.S.S.	. THRUST, WASHER-INNER	2	2	1
14	N.S.S.	. SPRING	2	2	1
15	N.S.S.	. SHAFT SENSOR DRIVE	1	1	1
16	505208	. SPRING, PIN 1/8 X 7/8	1	1	
17	N.S.S.	. ROLLER, PIN	1	1	1
18	N.S.S.	. LEVER, THREADLE	1	1	1
19	N.S.S.	. ROLLER	1	1	1
20	531462	. BASE PLATE / (includes item #5)	1	1	
NS	531393	KIT REPAIR / LOWER THREADLE PIN	1	1	A
NS	531394	KIT REPAIR / ROLLER	1	1	B
31	5001814	SCREW CAP HEX 5/16-18X1 1/2 G5 N500 To J-6230	3	3	
31	5001992	SCREW CAP HEX SLO 5/16-18x1 1/2 SS From J-6231	3	3	
32	500942	WASHER LO SPT 8.1x14.8x2.0 N500 To J-6230	3	3	
32	5001341	WASHER FL 8.4x17.0x1.6 SS From J-6231	3	3	
NS	680067	SEALANT TAPE BUTYL / BLACK / 1/8"x3/4"x25' / 75211E760	AR	AR	
		A) INCLUDES ITEMS #3-4-5-6			
		B) INCLUDES ITEMS 6, 18, 19			
		1) NOT SOLD SEPARATELY			

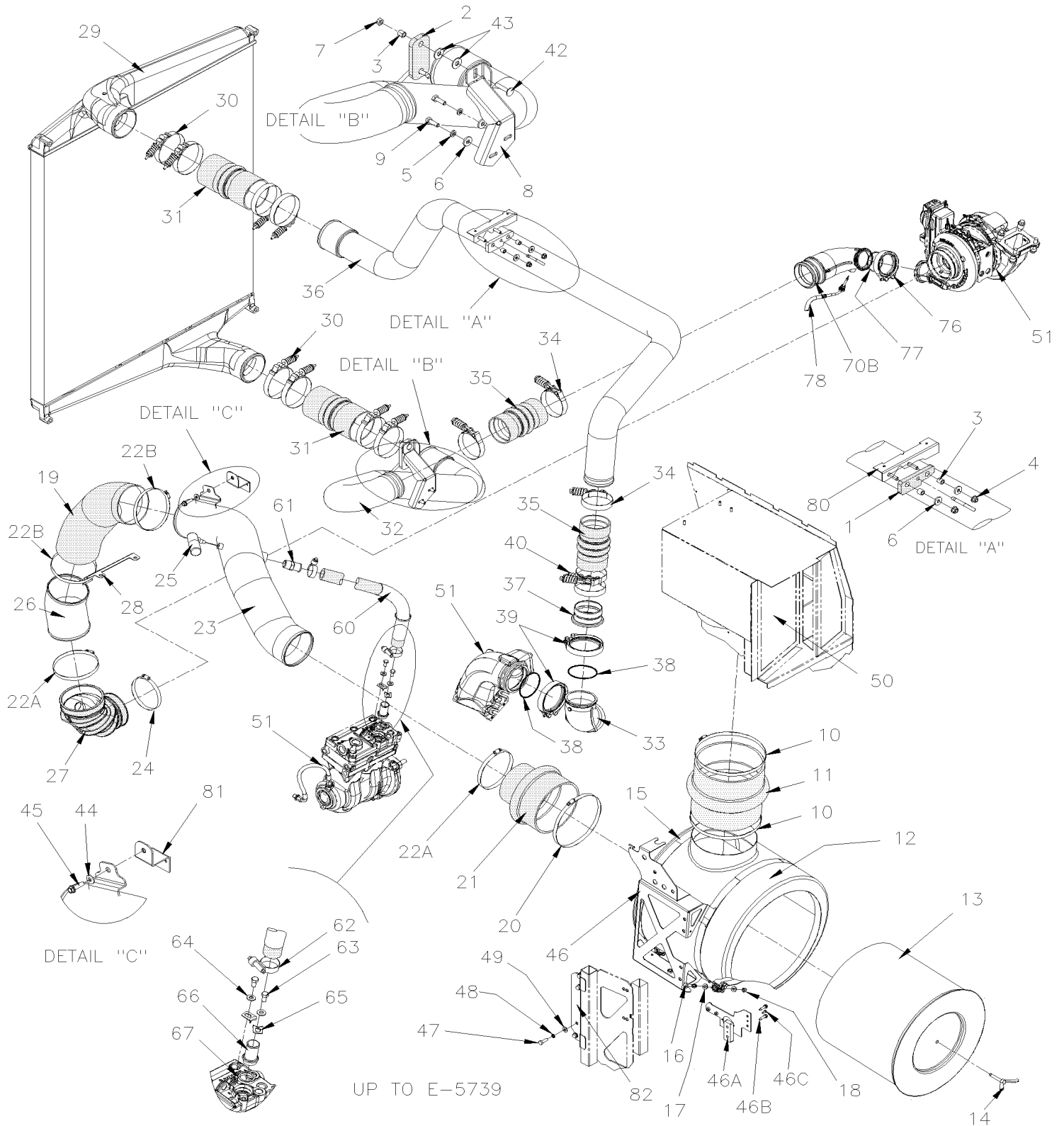


From E-5490 To H-6179

Date:07/2024

PAGE:X3VIP-0330-00

AIR FILTER & INTAKE - INSTALLATION WITH VOLVO D13



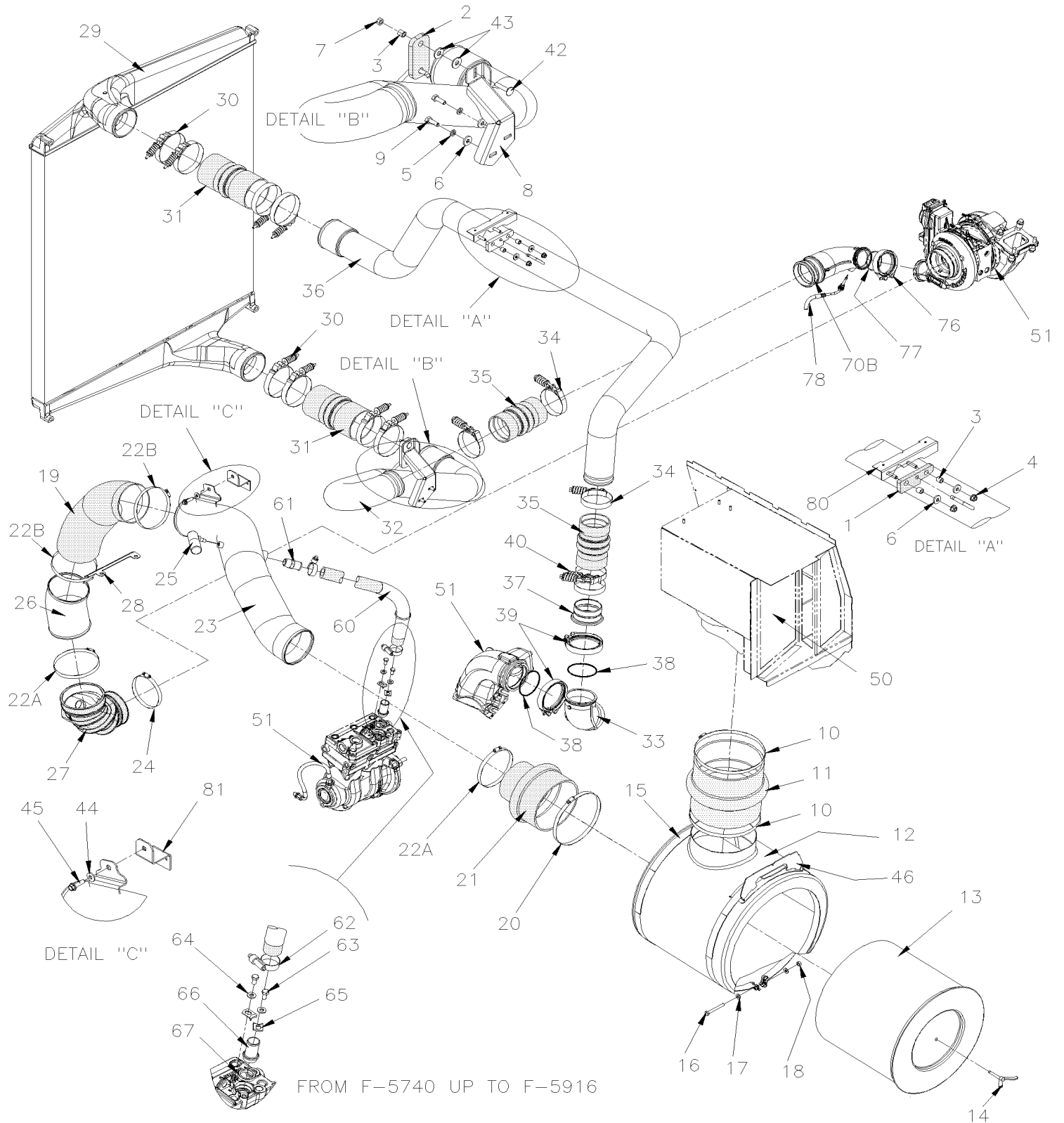


From E-5490 To H-6179

Date:07/2024

PAGE:X3VIP-0330-00

AIR FILTER & INTAKE - INSTALLATION WITH VOLVO D13



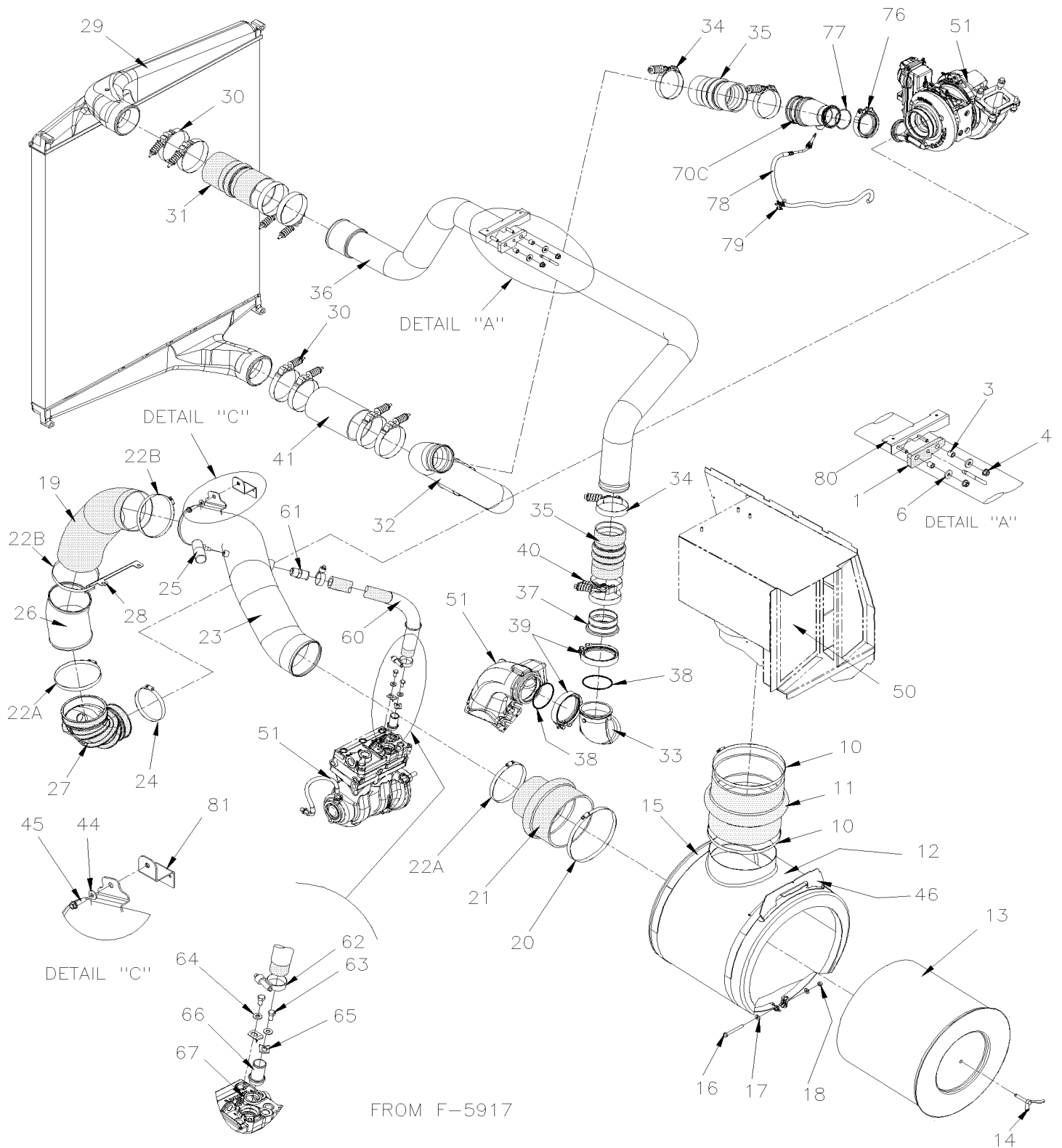


From E-5490 To H-6179

Date:07/2024

PAGE:X3VIP-0330-00

AIR FILTER & INTAKE - INSTALLATION WITH VOLVO D13





From E-5490 To H-6179	Date:07/2024	PAGE:X3VIP-0330-00
-----------------------	--------------	--------------------

AIR FILTER & INTAKE - INSTALLATION WITH VOLVO D13

Item#	Part	Description	X 3 V I P E N T	X 3 V I P M T H	N O T E S
1	053034	RUBBER SUPPORT 37.2MM X 110MM X 11.1MM	1	1	
2	032541	RUBBER SUPPORT 106.5 x 48 / 2 Holes 72MM C/C To G-5939	1	1	
3	032540	SPACER 1/2" O.D.X 12MM SS To G-5939	3	3	
3	032540	SPACER 1/2" O.D.X 12MM SS From G-5940	2	2	
4	502837	NUT HEXF STO M8-1.25 N500	2	2	
5	500942	WASHER LO SPT 8.1x14.8x2.0 N500 To G-5939	2	2	
6	500401	WASHER FL .343x.875x.125 N500 To G-5939	4	4	
6	500401	WASHER FL .343x.875x.125 N500 From G-5940	2	2	
7	502851	NUT HEX M8-1.25 N500 To G-5939	1	1	
8	053500	SUPPORT PIPE AIR COOLER & TURBO To G-5939	1	1	
9	5001745	SCREW CAP HEX M8-1.25x25 G8.8 N500 To G-5939	2	2	
10	504415	HOSE CLAMP / 7"1/4-9"1/4 SS / HS-152	2	2	
11	531488	HUMP HOSE, ENGINE AIR FILTER 8" I.D. X 8" EPDM To E-5739	1	1	
11	032859	HOSE, ENGINE AIR FILTER 20MM From F-5740	1	1	
. NS	503743	. HOSE FLEXIBLE / AIR DUCT 8" I.D. X 25' THERMOPLASTIC From F-5740	AR	AR	
12	531478	FILTER AIR 18"	1	1	
13	530197	. ELEMENT AIR FILTER 18"	1	1	
14	531420	. NUT WING 1/2-13 NY	1	1	
15	031465	STRAP MOUNTING / W/18" AIR FILTER	2	2	
16	502927	SCREW CAP HEX M8-1.25x50 G8.8 N500 To E-5739	2	2	
16	5001178	SCREW CAP HEX M8-1.25x60 SS BK From F-5740 To F-5876	2	2	
16	5001347	SCREW CAP HEX M8-1.25x70 SS From F-5877	2	2	
17	5001736	WASHER FL 8.4x18.0x2.0 N500	4	4	
18	5001740	NUT HEX STO M8-1.25 N500	2	2	
19	033195	HOSE FLEXIBLE / 5" I.D. x 470MM	1	1	
20	504229	HOSE CLAMP / 6"1/2-8"1/2 SS / HS-100	1	1	
21	531486	REDUCER 7" X 5"	1	1	
22A	504324	HOSE CLAMP / 4"1/2-6"1/2 SS / HS-96	2	2	
22B	504786	HOSE CLAMP / 4"3/4-5"5/8 / C.T. 550	2	2	
23	032879	PIPE 5" O.D. / AIR FILTER & TURBO To E-5739	1	1	
23	033953	PIPE 5" O.D. / AIR FILTER & TURBO From F-5740	1	1	
24	504257	HOSE CLAMP / 4"1/16-5" SS / HS-72	1	1	
25	530161	GAUGE AIR RESTRICTION 20" H2O 1/8" NPT	1	1	
26	032880	PIPE 5" O.D. / AIR FILTER & TURBO	1	1	
27	21659720	ELBOW INLET, RUBBER	1	1	
28	032882	ATTACHMENT AIR INTAKE To E-5624	1	1	
28	032988	ATTACHMENT AIR INTAKE From E-5625	1	1	
29	550970	AIR COOLER ASSY TitanX SERVICE To F-5914	1	1	
29	550967	AIR COOLER ASSY Dura-Lite SERVICE	1	1	
29	Call order desk	AIR COOLER ASSY TitanX From F-5915	1	1	P
30	21490616	HOSE CLAMP SPRING LOAD / HEAVY DUTY 4"1/8-4"7/16	8	8	
31	70396486	HOSE / W/2 RING / 4" I.D. 8" / 500°F To F-5907	2	2	



From E-5490 To H-6179	Date:07/2024	PAGE:X3VIP-0330-00
-----------------------	--------------	--------------------

AIR FILTER & INTAKE - INSTALLATION WITH VOLVO D13

Item#	Part	Description	X 3 V I P E N T	X 3 V I P M T H	N O T E S
31	70396486	HOSE / W/2 RING / 4" I.D. 8" / 500°F From F-5908 To H-6169	1	1	
31	531469	HOSE / W/2 RING / 4" I.D. 8" / 500°F From H-6170	1	1	
32	052953	PIPE 4" O.D. / AIR COOLER & TURBO To E-5759	1	1	
32	053069	PIPE 4" O.D. / AIR COOLER & TURBO From F-5760 To G-5939	1	1	
32	053687	PIPE 4" O.D. / AIR COOLER & TURBO From G-5940	1	1	
33	052885	ELBOW AIR INTAKE/ MODIFIED	1	1	
34	21490630	HOSE CLAMP SPRING LOAD / HEAVY DUTY 3"5/8-3"15/16	3	3	
35	20550690	HOSE 86MM I.D. X 162.5MM	2	2	
36	052952	PIPE 4" O.D. / AIR COOLER & MANIFOLD To E-5759	1	1	
36	053068	PIPE 4" O.D. / AIR COOLER & MANIFOLD From F-5760 To F-5911	1	1	
36	053101	PIPE 4" O.D. / AIR COOLER & MANIFOLD From F-5912	1	1	
36	050087	CAC TUBE REPLACEMENT	1	1	
37	1675067	HOSE CONNECTOR	1	1	
38	1675066	GASKET 107.7MM I.D. V-CLAMP	2	2	
39	20592783	V-CLAMP / (USE W GASKET) 107.7MM I.D.	2	2	
40	21490632	HOSE CLAMP SPRING LOAD / HEAVY DUTY 3"9/16-3"7/8	2	2	
41	531471	HOSE SILICONE 4" I.D. 6 1/2" / 500°F From F-5908	1	1	
42	502891	SCREW CRG M8-1.25x40 G8.8 Z050 To F-5907	1	1	
43	5001751	WASHER FL 10.5x26.0x2.0 N500 To F-5907	2	2	
44	500321	WASHER BEL SPR .331x.827x.098 N500	1	1	
45	5001742	SCREW CAP HEXF M8-1.25x30 G8.8 N500	1	1	
46	032892	SUPPORT FILTER AIR To E-5739	1	1	
46	218738	ATTACHMENT / SUPPORT AIR FILTER From F-5740	1	1	
NS	140381	DECAL / "AIR BRAKE SYSTEM FILL" // ENGLISH & FRANCAIS To E-5739	1	1	
NS	142369	DECAL / "AIR BRAKE SYSTEM FILL" // ENGLISH & SPANISH To E-5739	1	1	
46A	032951	SPACER, SUPPORT AIR FILTER To E-5739	1	1	
46B	500266	SCREW TC CAP HEX 1/4-20x1 N500 To E-5739	2	2	
46C	502868	SCREW TC TR PH #10-16x1/2 N500 To E-5739	1	1	
47	5001745	SCREW CAP HEX M8-1.25x25 G8.8 N500 To E-5739	4	4	
48	502889	WASHER LO SPT 8.1x12.7x2.0 N500 To E-5739	4	4	
49	5001736	WASHER FL 8.4x18.0x2.0 N500 To E-5739	4	4	
51	Refer To Volvo	SEE IMPACT OR CALL ORDER DESK	1	1	V
60	503739	HOSE (SUCTION) / 1" I.D. X 250' / C.T.L.	AR	AR	
NS	505182	COIL PROTECTOR / PLASTIC / #16	AR	AR	
NS	504637	CABLE TIE / 3/16" x 13"	1	1	
61	5011240	MALE CONNECTOR / BEADED HOSE BARB / #16x3/4NPT-M BR	1	1	
62	504291	HOSE CLAMP / 1"1/8-1"3/4 SS / E.T. 20	2	2	
63	500820	SCREW CAP HEX M8-1.25x16 G10.9 N500	2	2	
64	5001736	WASHER FL 8.4x18.0x2.0 N500	2	2	
65	1546531	ANGLE RETAINER 13MM I.D.	2	2	
66	032763	PIPE AIR INLET COMPRESSOR 25.5 O.D. x 52MM / W/FLANGE 28MM O.D.	1	1	



From E-5490 To H-6179	Date:07/2024	PAGE:X3VIP-0330-00
-----------------------	--------------	--------------------

AIR FILTER & INTAKE - INSTALLATION WITH VOLVO D13

Item#	Part	Description	X 3 V I P E N T	X 3 V I P M T H	N O T E S
67	504738	RUBBER JOINT	1	1	
70B	21673474	ELBOW TURBO To F-5907	1	1	
70C	053662	COUPLING TURBO From F-5908	1	1	
76	20592787	V-CLAMP / 81.7MM I.D.	1	1	
77	21096684	GASKET 60MM I.D.	1	1	
78	21164792	SENSOR TEMPEARATURE	1	1	
79	504751	ROTATIF SPACER DOUBLE / SMALL From F-5908	1	1	
79	504016	CABLE TIE / 5/16" X 14"1/2 From F-5908	1	1	
80	218242	ATTACHMENT / PIPE AIR COOLER & MANIFOLD	1	1	
81	218496	ATTACHMENT / PIPE AIR FILTER & TURBO	1	1	
82	218497	ATTACHMENT / SUPPORT AIR FILTER To E-5739	1	1	
NS	8081420	DECAL ETHER / ENGLISH & FRANCAIS	1	1	
NS	8081419	DECAL ETHER / ENGLISH & SPANISH	1	1	
		P) CALL ORDER DESK FOR SPECIFIC APPLICATION (V.I.N.)			
		V) SEE IMPACT OR CALL ORDER DESK			

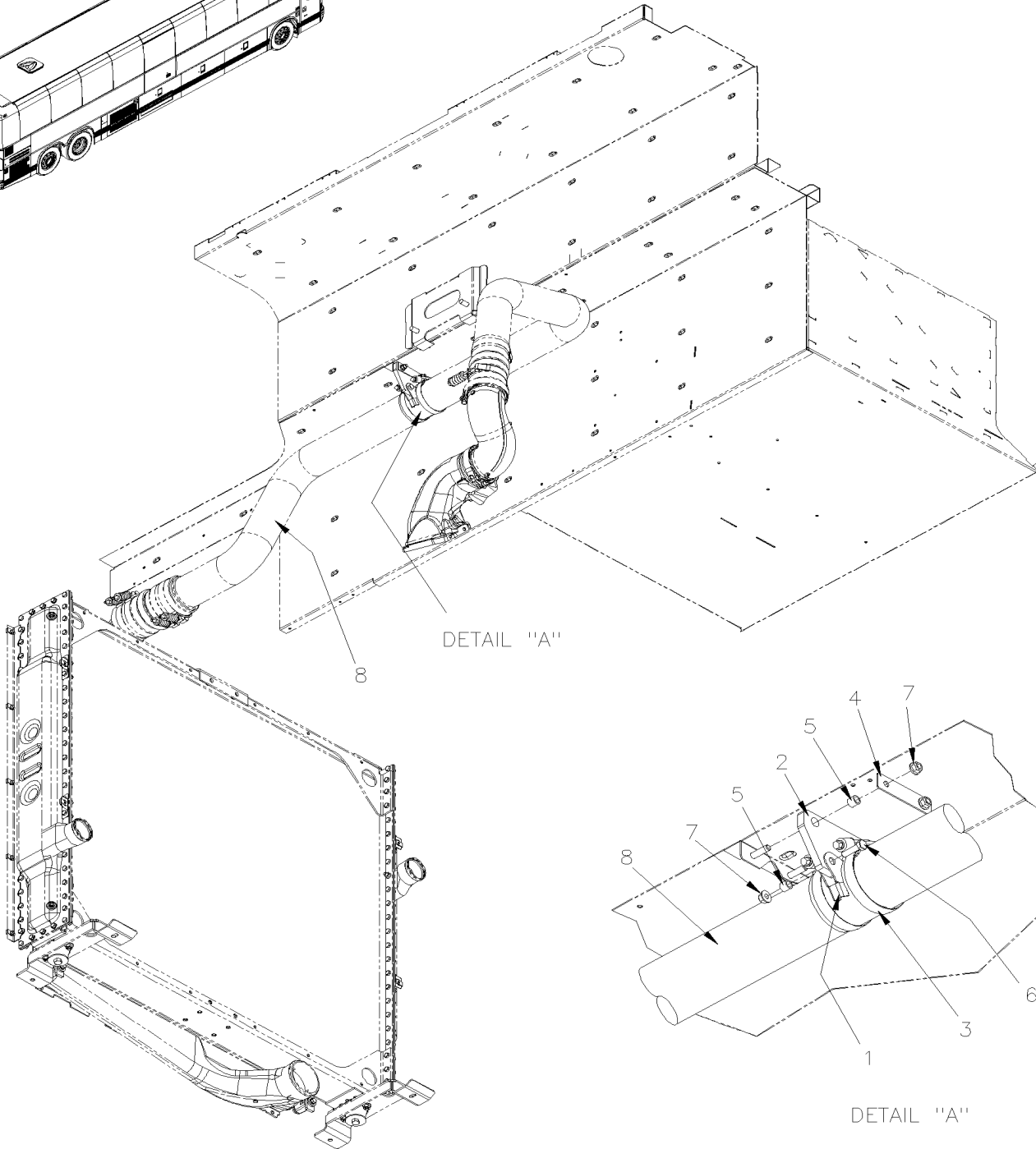
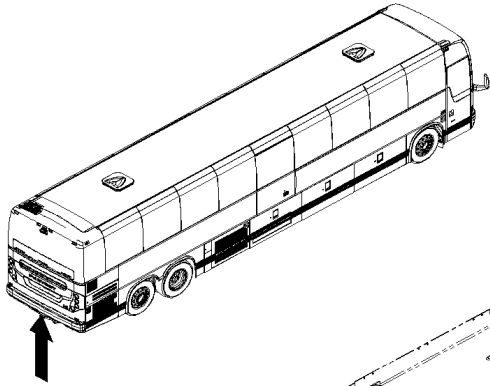


From E-5490 To H-6179

Date:07/2024

PAGE:050087

CAC TUBE REPLACEMENT





From E-5490 To H-6179	Date:07/2024	PAGE:050087
-----------------------	--------------	-------------

CAC TUBE REPLACEMENT

Item#	Part	Description	X 3 V I P E N T	X 3 V I P M T H	N O T E S
1	050012	SUPPORT PIPE	1	1	
2	050009	RUBBER SUPPORT	1	1	
3	504580	HOSE CLAMP / 3"1/4-4"1/8 / C.T. 400	2	2	
4	053026	PLATE 25MM x 96MM	1	1	
5	032540	SPACER 1/2" O.D.X 12MM SS	3	3	
6	5001499	SCREW CAP HEX M8-1.25x30 SS	1	1	
7	502837	NUT HEXF STO M8-1.25 N500	3	3	
8	050008	PIPE 4" O.D. / AIR COOLER & MANIFOLD	1	1	

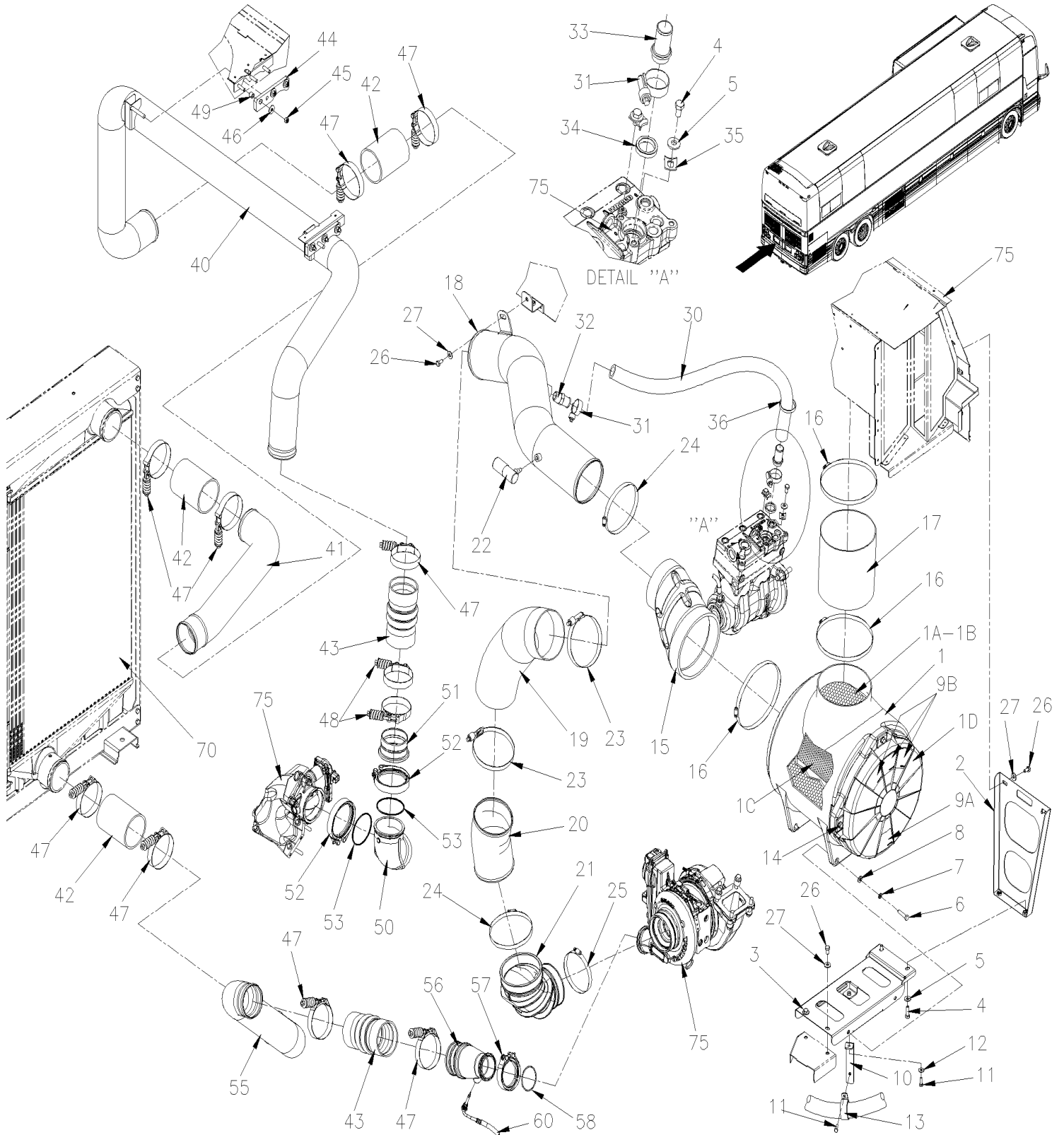


From H-6180

Date:07/2024

PAGE:X3VIP-0330-01

AIR FILTER & INTAKE - INSTALLATION WITH VOLVO D13 - GHG17





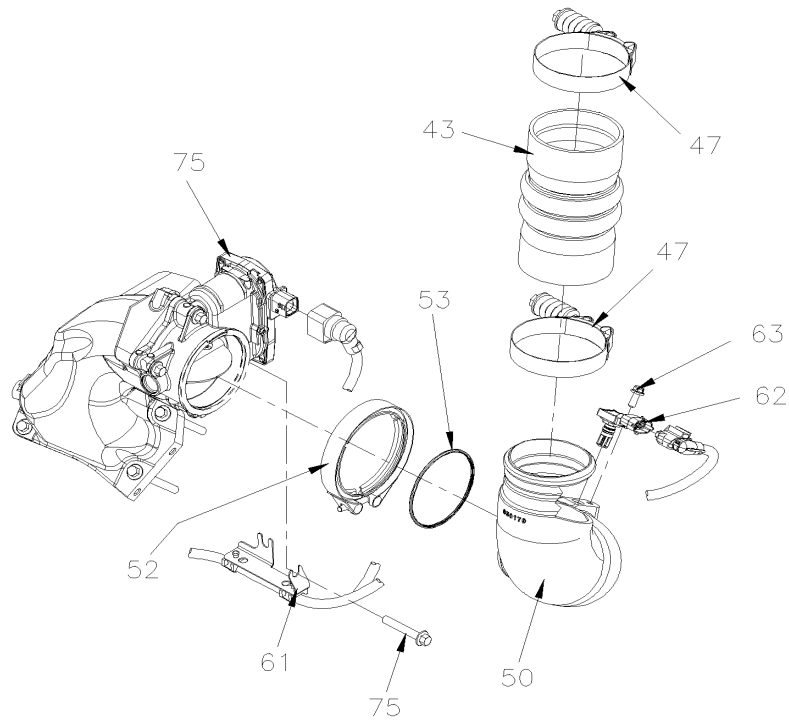
From H-6180

Date:07/2024

PAGE:X3VIP-0330-01

AIR FILTER & INTAKE - INSTALLATION WITH VOLVO D13 - GHG17

FROM K-6440





From H-6180		Date:07/2024	PAGE:X3VIP-0330-01
AIR FILTER & INTAKE - INSTALLATION WITH VOLVO D13 - GHG17			

Item#	Part	Description	X 3 V I P E N T	X 3 V I P M T H	N O T E S
1	531493	AIR FILTER, INTAKE MOTOR	1	1	
. A	531359	. FILTER , AIR STANDARD	1	1	
. B	531360	. FILTER, AIR HEAVY DUTY	1	1	
. C	531361	. FILTER, SAFETY	1	1	
. D	531362	. COVER, ACCES	1	1	
. NS	N24423	. DRAIN BOOT 1 1/4" O.D. X 1" O.D. X .125	1	1	
. NS	N8881935	. SCREW AND FASTENER KIT FOR COVER	1	1	
NS	8081419	DECAL ETHER / ENGLISH & SPANISH	2	2	
NS	8081420	DECAL ETHER / ENGLISH & FRANCAIS	1	1	
2	033210	SUPPORT VERTICAL, AIR FILTER	1	1	
3	033991	SUPPORT BASE, AIR FILTER	1	1	
4	5001527	SCREW CAP HEX M8-1.25x16 SS BK	AR	AR	
5	5001848	WASHER BEL SPR .827 x .331 x .098 th SS	AR	AR	
6	502836	SCREW CAP HEX M8-1.25x35 G8.8 N500	4	4	
7	500942	WASHER LO SPT 8.1x14.8x2.0 N500	4	4	
8	5001736	WASHER FL 8.4x18.0x2.0 N500	4	4	
9A	034005	DECAL "PLASTIC BOLT TORQUE" ENGLISH / FRENCH	1	1	
9B	030045	DECAL "NE PAS UTILISER D'ETHER OU LIQUIDE DE DEMARRAGE" FRENCH / ONLY	1	1	
9B	030046	DECAL "DO NOT USE ETHER OR STARTING FLUID" ENGLISH / ONLY	1	1	
9B	030047	DECAL "NO USE ETER O FLUIDO PARA ARRANCAR" SPANISH / ONLY	1	1	
10	450002	SUPPORT, COMPRESSOR HOSE	1	1	
11	502622	SCREW CAP HEX M6-1.0x20 SS BK	2	2	
NS	680098	THREAD SEALANT LOCTITE #567 / WHITE / 250ml	1	1	
12	5001833	WASHER BEL SPR 6.1x18x1.27 SS	1	1	
13	504785	CLAMP / SS / SILICONE RUBBER / 1 1/2" I.D. x .281 HOLE	1	1	
14	5001990	SCREW CAP HEX M8-1.25x30 NYL BK	4	4	
14	5001736	WASHER FL 8.4x18.0x2.0 N500	4	4	
15	531363	OFFSET REDUCING / 7 TO 5 IN, ENGINE	1	1	
16	504229	HOSE CLAMP / 6"1/2-8"1/2 SS / HS-100	AR	AR	
17	033987	HOSE 7" DIA./ 190MM LG +/-20MM, ENGINE	1	1	
18	030052	PIPE 5" O.D. / AIR FILTER & TURBO	1	1	
18	030134	PIPE 5" O.D. / AIR FILTER & TURBO	1	1	C
NS	160044	DECAL "OIL DEXTRON"	1	1	
NS	012702	DECAL "OIL SPEC" 10W/40 / ENGLISH & FRANCAIS / SPANISH To L-6591	1	1	
NS	010315	DECAL "OIL SPEC" 5W/30 / ENGLISH & FRANCAIS / SPANISH From L-6592 To M-6644	1	1	
18	010329	DECAL "OIL SPEC" 5W/30 / ENGLISH & FRANCAIS / SPANISH From M-6645	1	1	
19	033195	HOSE FLEXIBLE / 5" I.D. x 470MM	1	1	
20	032880	PIPE 5" O.D. / AIR FILTER & TURBO	1	1	
20	030135	PIPE 5" O.D. / AIR FILTER & TURBO	1	1	C
21	21659720	ELBOW INLET, RUBBER	1	1	
22	530161	GAUGE AIR RESTRICTION 20" H2O 1/8" NPT	1	1	
23	504786	HOSE CLAMP / 4"3/4-5"5/8 / C.T. 550	2	2	



From H-6180		Date:07/2024	PAGE:X3VIP-0330-01
AIR FILTER & INTAKE - INSTALLATION WITH VOLVO D13 - GHG17			

Item#	Part	Description	X 3 V I P E N T	X 3 V I P M T H	N O T E S
24	504324	HOSE CLAMP / 4"1/2-6"1/2 SS / HS-96	AR	AR	
25	504257	HOSE CLAMP / 4"1/16-5" SS / HS-72	1	1	
26	502780	SCREW CAP HEX M8-1.25x25 SS BK	AR	AR	
27	5001868	WASHER BEL SPR 8.4x18x2 SS	AR	AR	
30	503739	HOSE (SUCTION) / 1" I.D. X 250' / C.T.L.	3	3	
31	504291	HOSE CLAMP / 1"1/8-1"3/4 SS / E.T. 20	2	2	
32	5011240	MALE CONNECTOR / BEADED HOSE BARB / #16x3/4NPT-M BR	1	1	
33	032763	PIPE AIR INLET COMPRESSOR 25.5 O.D. x 52MM / W/FLANGE 28MM O.D.	1	1	
34	504738	RUBBER JOINT	1	1	
35	1546531	ANGLE RETAINER 13MM I.D.	2	2	
36	504016	CABLE TIE / 5/16" X 14"1/2 To L-6494	1	1	
36	5040100	CABLE TIE /OUTSIDE SERRATED 5/16" X 14"1/2 From L-6495	1	1	
40	053086	PIPE 3 1/2" O.D./ CAC	1	1	
40	050474	PIPE 3 1/2" O.D./ CAC SS304	1	1	C
41	053085	PIPE 3 1/2" O.D./ CAC	1	1	
41	050475	PIPE 3 1/2" O.D./ CAC SS304	1	1	C
42	531490	HOSE 3 1/2" I.D./ CAC	2	2	
43	20550690	HOSE 86MM I.D. X 162.5MM To J-6307	2	2	
43	030096	HOSE 86MM I.D. X 162.5MM From J-6308	2	2	
44	050022	RUBBER SUPPORT	2	2	
45	5001983	NUT HEX NYRT M8-1.25 SS SS BK	6	6	
46	5001849	WASHER FL 8.4x24.0x2.0 SS	6	6	
47	21490630	HOSE CLAMP SPRING LOAD / HEAVY DUTY 3"5/8-3"15/16	AR	AR	
48	21490632	HOSE CLAMP SPRING LOAD / HEAVY DUTY 3"9/16-3"7/8	2	2	
49	032540	SPACER 1/2" O.D.X 12MM SS	6	6	
50	052885	ELBOW AIR INTAKE/ MODIFIED To K-6439	1	1	
50	050182	ELBOW AIR INTAKE / WITH SENSOR INLET From K-6440	1	1	
51	1675067	HOSE CONNECTOR	1	1	
52	20592783	V-CLAMP / (USE W GASKET) 107.7MM I.D.	1	1	
53	1675066	GASKET 107.7MM I.D. V-CLAMP	2	2	
55	053090	PIPE 3 1/2" O.D./ CAC	1	1	
55	050477	PIPE 3 1/2" O.D./ CAC SS304	1	1	C
56	053662	COUPLING TURBO	1	1	
57	20592787	V-CLAMP / 81.7MM I.D.	1	1	
58	21096684	GASKET 60MM I.D.	1	1	
60	21164792	SENSOR TEMPEARATURE	1	1	
61	061497	SUPPORT FOR HARNESS From K-6440	1	1	
NS	504013	TIE MOUNT / 1/4" X 1/4" I.D. From K-6440	2	2	
NS	504379	RIVET POP DOME OE 3/16x1/4 SS From K-6440	2	2	
NS	504637	CABLE TIE / 3/16" x 13" From K-6440	2	2	
62	23182832	SENSOR TEMPERATURE , CAC OUT From K-6440 To P-6905	1	1	
62	23182832	SENSOR TEMPERATURE , CAC OUT From R-6907 To R-6999	1	1	

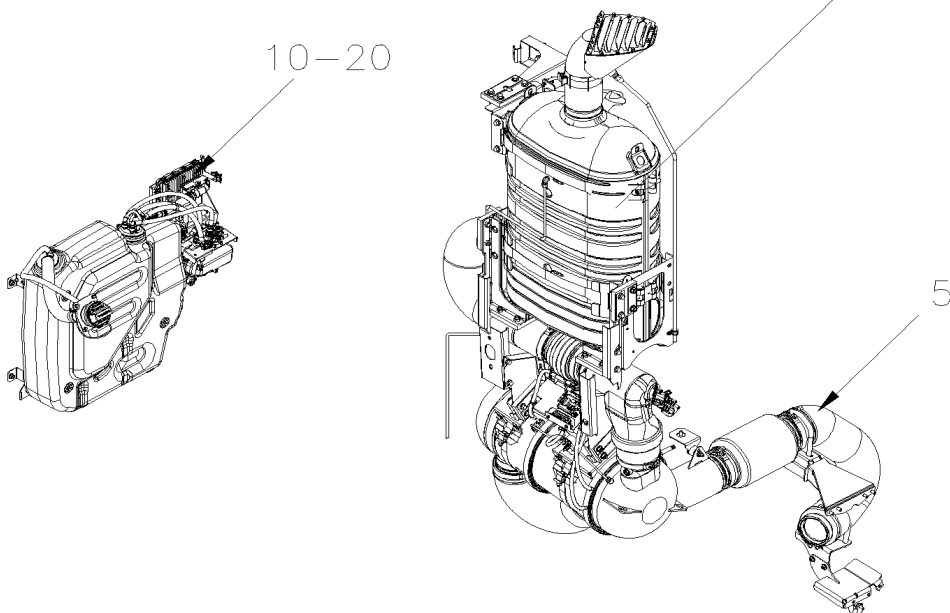
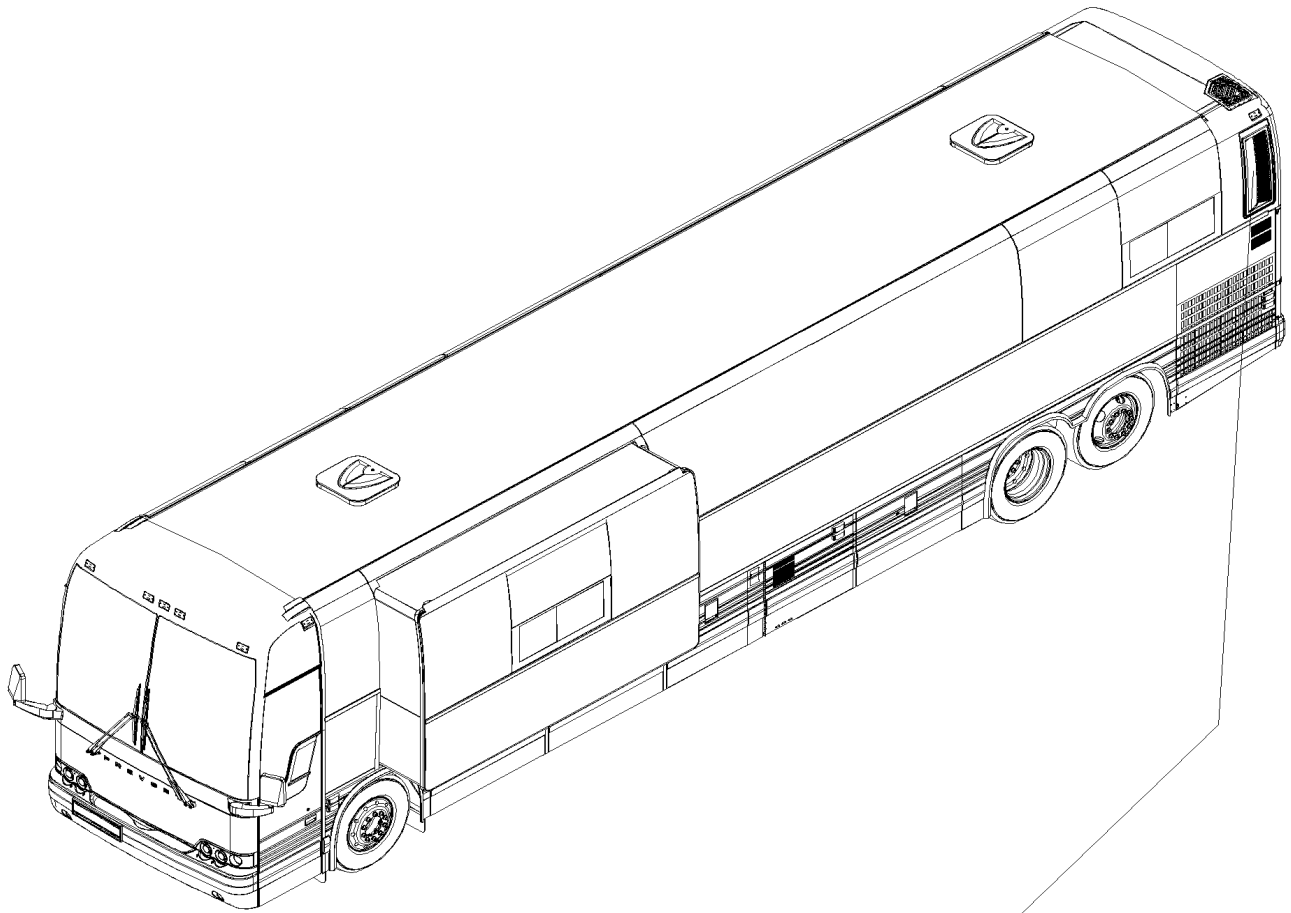


From H-6180	Date:07/2024	PAGE:X3VIP-0330-01
AIR FILTER & INTAKE - INSTALLATION WITH VOLVO D13 - GHG17		

Item#	Part	Description	X 3 V I P E N T	X 3 V I P M T H	N O T E S
62	24275000	SENSOR TEMPERATURE , CAC OUT From R-4000	1	1	
63	5001730	SCREW CAP HEXF M6-1.0x16 G10.9 N500 From K-6440	1	1	
70	X3VIP-0505-51	RADIATOR ASSY VOLVO D13 - GHG17	1	1	
75	Refer To Volvo	SEE IMPACT OR CALL ORDER DESK			V
		C) SPECIAL OPTION SS304			
		V) SEE IMPACT OR CALL ORDER DESK			



	Date:07/2024	X3VIP-04
EXHAUST		





	Date:07/2024	X3VIP-04
EXHAUST		

Item#	Part	Description	X 3 V I P E N T	X 3 V I P M T H	N O T E S
5	X3VIP-0405-00	MUFFLER - INSTALLATION WITH DPF & SCR WITH VOLVO D13 From E-5490 To K-6491			
5	X3VIP-0405-01	MUFFLER - INSTALLATION WITH DPF & SCR WITH VOLVO D13 From L-6492			
10	X3VIP-0405-10	7TH INJECTOR / "AHI" / EXHAUST VOLVO D13 From E-5490 To H-6179			
10	X3VIP-0405-11	7TH INJECTOR / "AHI" / EXHAUST VOLVO D13 - GHG17 From H-6180			
20	X3VIP-0410-00	UREA RESERVOIR ASSY From E-5490 To E-5739			
20	X3VIP-0410-01	UREA RESERVOIR ASSY From F-5740			

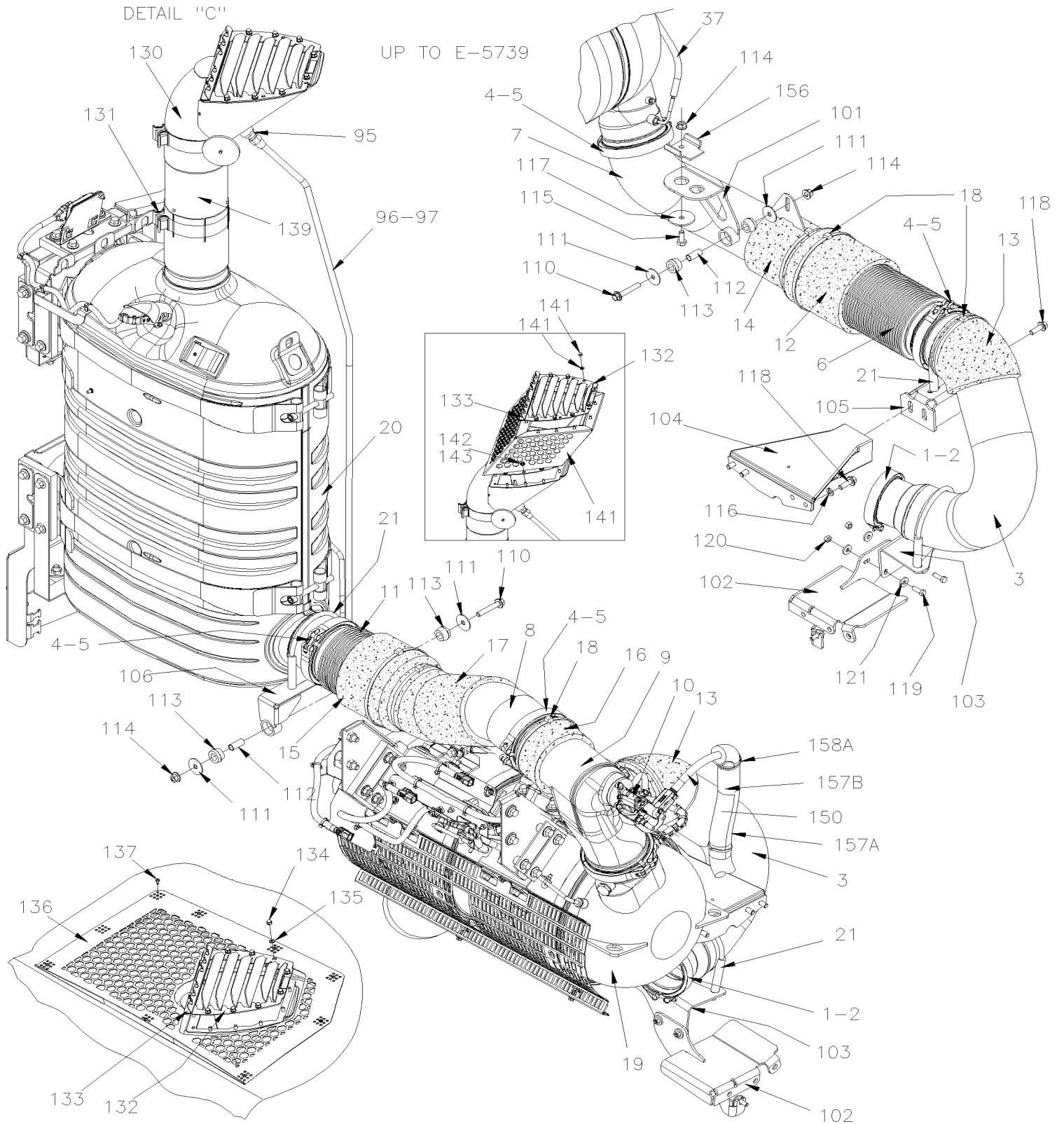


From E-5490 To K-6491

Date:07/2024

PAGE:X3VIP-0405-00

MUFFLER - INSTALLATION WITH DPF & SCR WITH VOLVO D13





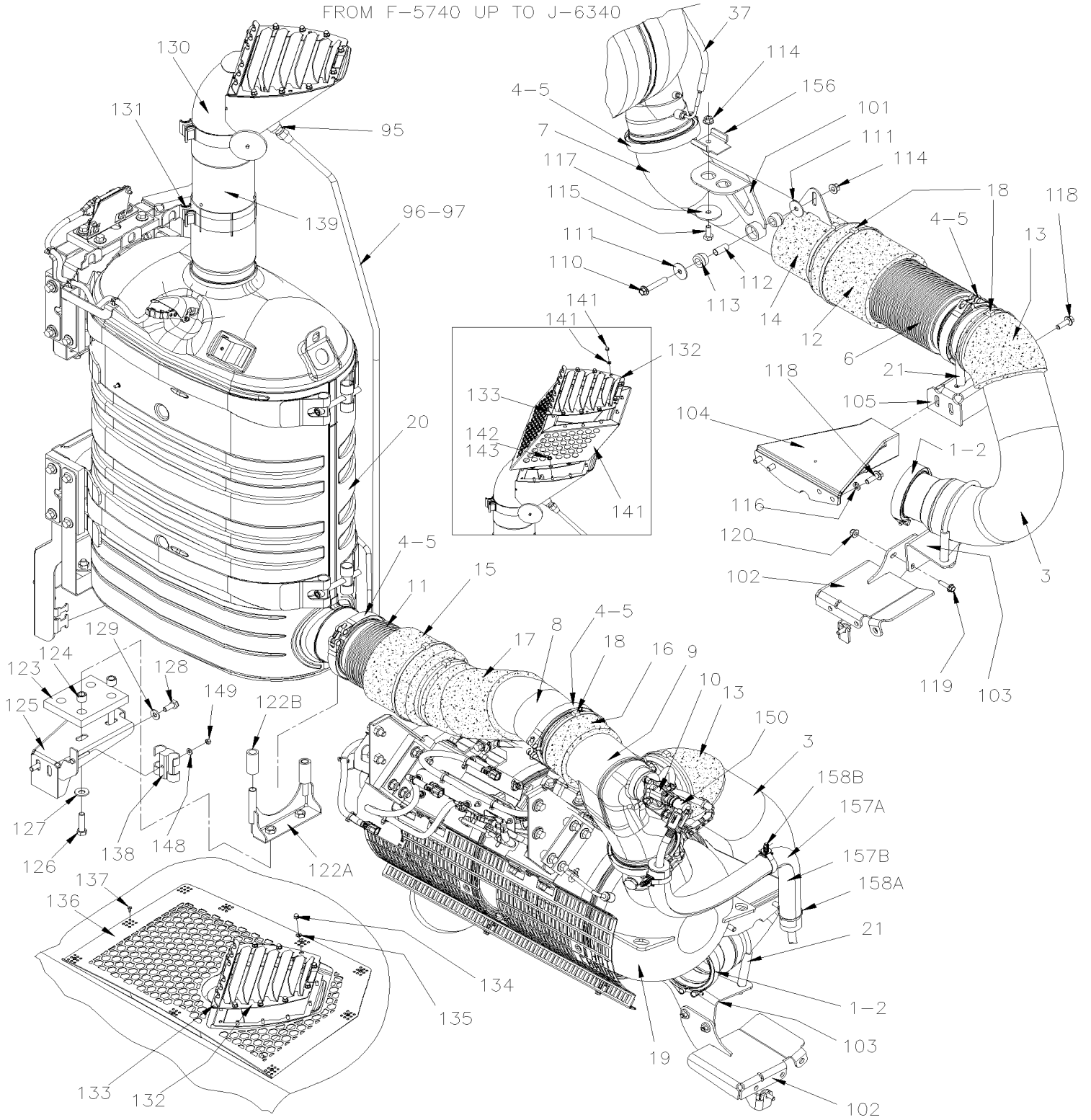
From E-5490 To K-6491

Date:07/2024

PAGE:X3VIP-0405-00

MUFFLER - INSTALLATION WITH DPF & SCR WITH VOLVO D13

FROM F-5740 UP TO J-6340



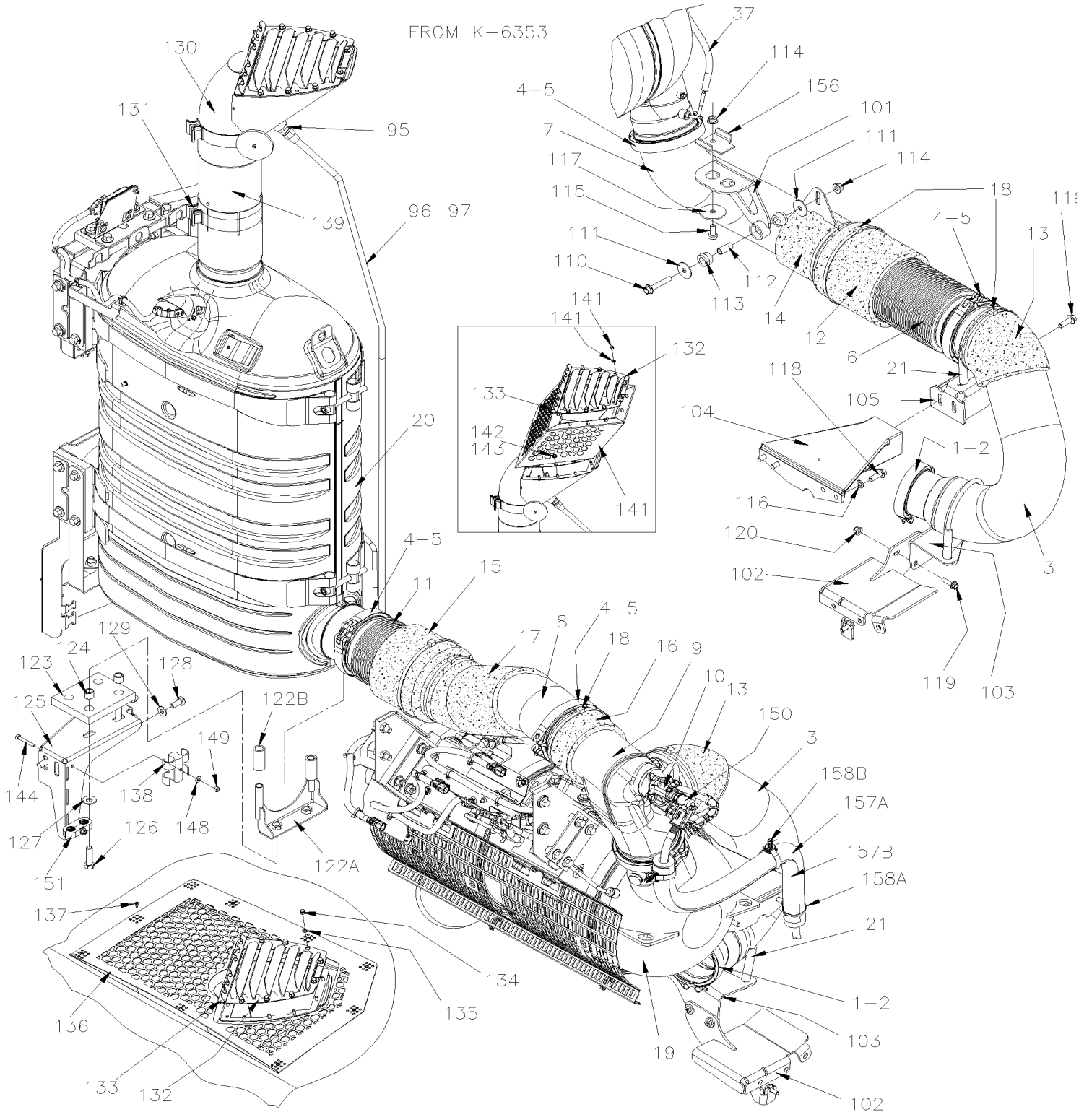


From E-5490 To K-6491

Date:07/2024

PAGE:X3VIP-0405-00

MUFFLER - INSTALLATION WITH DPF & SCR WITH VOLVO D13



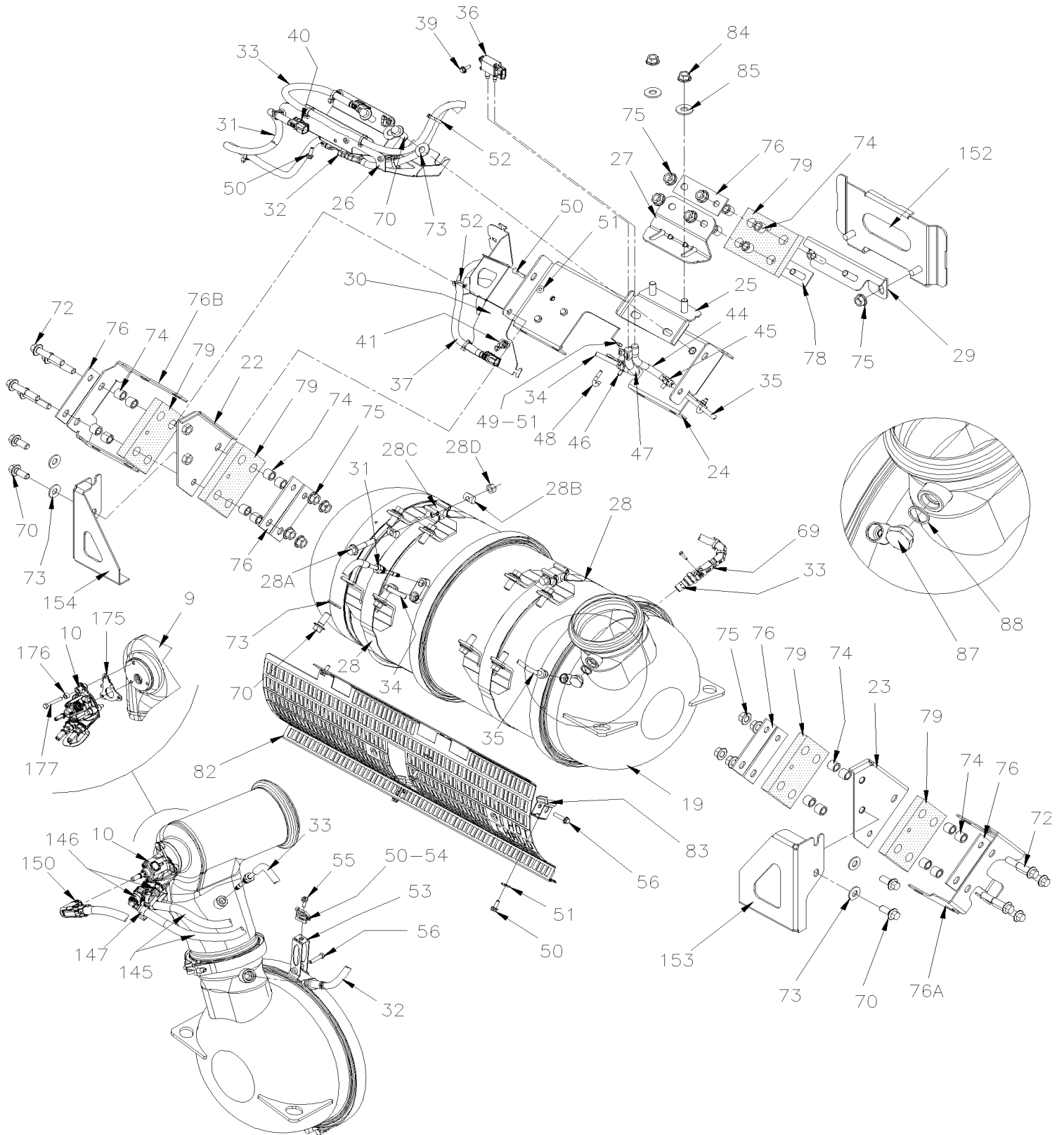


From E-5490 To K-6491

Date:07/2024

PAGE:X3VIP-0405-00

MUFFLER - INSTALLATION WITH DPF & SCR WITH VOLVO D13



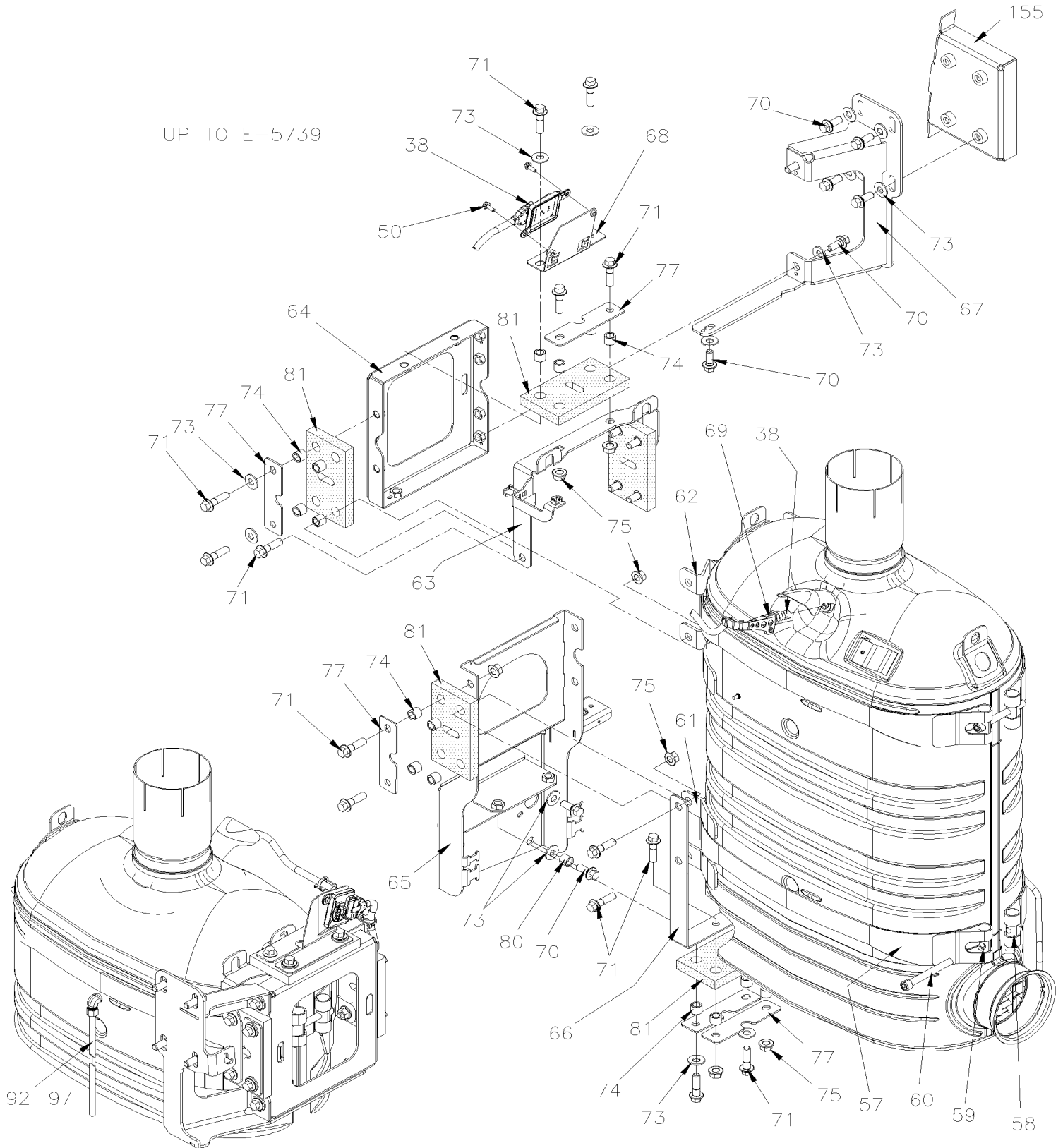


From E-5490 To K-6491

Date:07/2024

PAGE:X3VIP-0405-00

MUFFLER - INSTALLATION WITH DPF & SCR WITH VOLVO D13





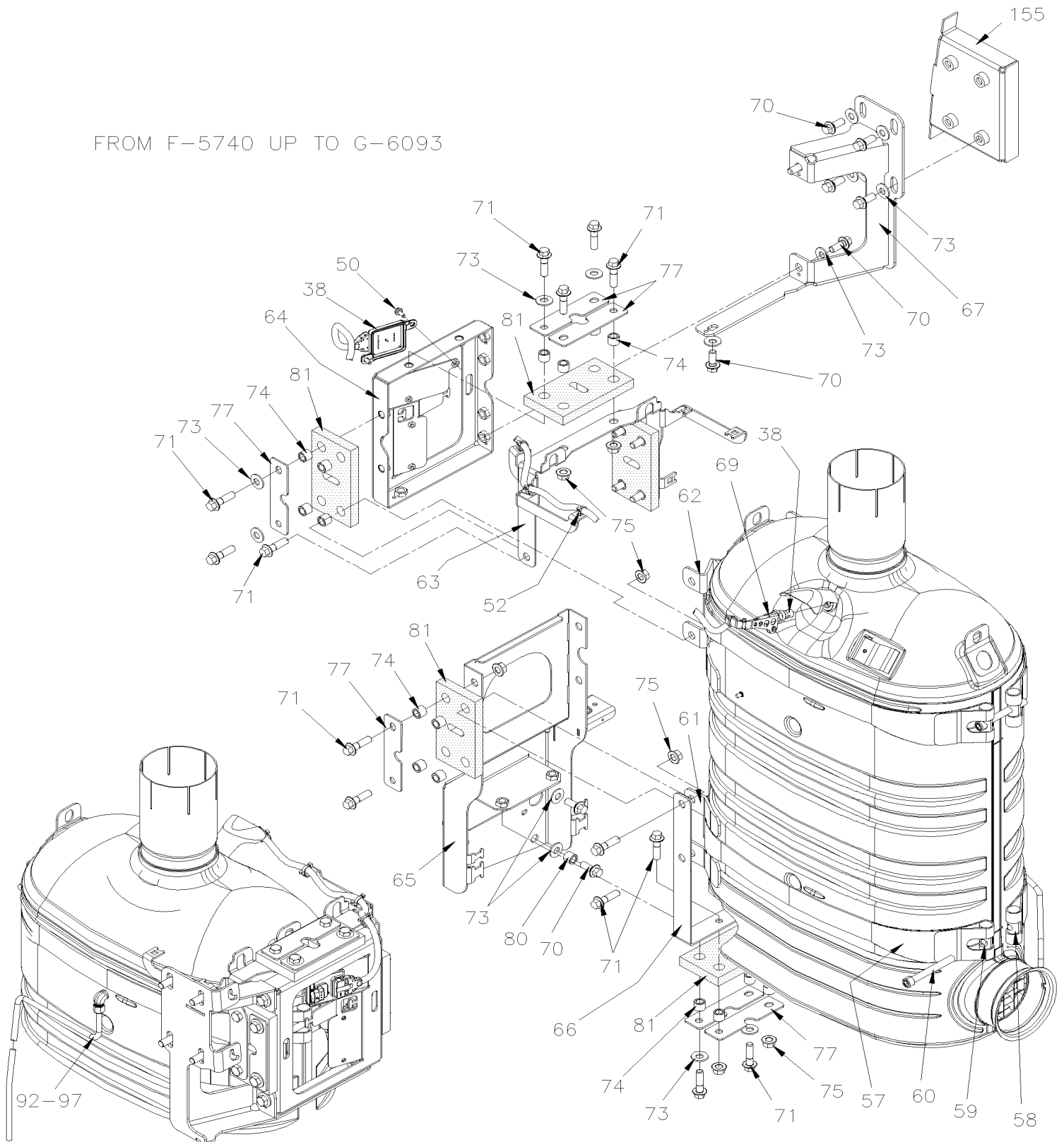
From E-5490 To K-6491

Date:07/2024

PAGE:X3VIP-0405-00

MUFFLER - INSTALLATION WITH DPF & SCR WITH VOLVO D13

FROM F-5740 UP TO G-6093





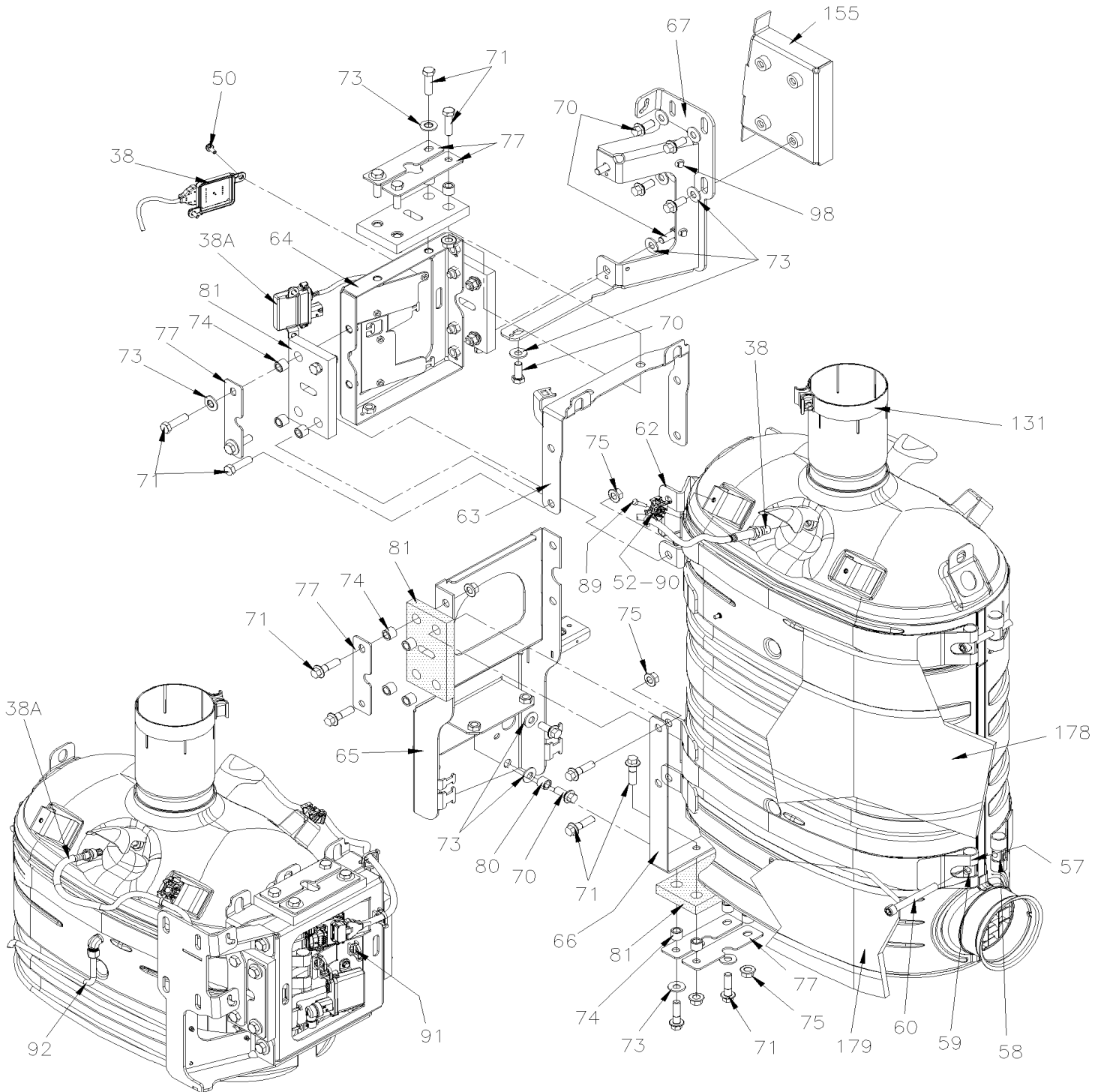
From E-5490 To K-6491

Date:07/2024

PAGE:X3VIP-0405-00

MUFFLER - INSTALLATION WITH DPF & SCR WITH VOLVO D13

FROM G-6094





From E-5490 To K-6491	Date:07/2024	PAGE:X3VIP-0405-00
-----------------------	--------------	--------------------

MUFFLER - INSTALLATION WITH DPF & SCR WITH VOLVO D13

Item#	Part	Description	X 3 V I P E N T	X 3 V I P M T H	N O T E S
1	21060426	V-CLAMP / (USE W GASKET) 4.81" I.D.	1	1	
2	21095721	GASKET	1	1	
3	040651	PIPE, EXHAUST "U"	1	1	
4	21021850	V-CLAMP / (USE W GASKET) 5.91" I.D.	7	7	
5	21095726	GASKET	7	7	
6	540071	BELLOWS - EXHAUST 5" I.D. x 14.49"	1	1	
7	040822	PIPE EXHAUST / INLET	1	1	
8	040823	PIPE EXHAUST / OUTLET	1	1	
9	21403611	SWIRL PIPE To H-6179	1	1	
9	23041035	SWIRL PIPE From H-6180	1	1	
. NS	21209156	. TIE WRAP STAINLESS STEEL From H-6180	4	4	
10	21575532	NOZZLE UREA TB-129663536-1 To F-5772	1	1	
10	046557	NOZZLE UREA PRODUCTION ONLY PRODUCTION ONLY From F-5773 To F-5774	1	1	
10	22391563	NOZZLE UREA TB-134512462-1 From F-5775 To H-6179	1	1	
10	22757225	NOZZLE UREA, 2.5 From H-6180	1	1	
NS	502622	SCREW CAP HEX M6-1.0x20 SS BK To H-6179	3	3	
10	5000310	SCREW CAP HEX M6-1.0x40 BK From H-6180	3	3	
11	540072	BELLOWS - EXHAUST	1	1	
12	040961	INSULATED BLANKET / BELLOW To E-5555	1	1	
12	041015	INSULATED BLANKET / BELLOW From E-5556 To E-5739	1	1	
12	041095	INSULATED BLANKET / BELLOW W/SPRING ATTACHMENT From F-5740	1	1	
13	040654	INSULATED BLANKET / PIPE TURBO To F-5819	1	1	
13	041115	INSULATED BLANKET / PIPE TURBO W/SPRING ATTACHMENT From F-5820	1	1	
14	040877	INSULATED BLANKET / PIPE DPF INLET To F-5819	1	1	
14	041116	INSULATED BLANKET / PIPE DPF INLET W/SPRING ATTACHMENT From F-5820	1	1	
15	040960	INSULATED BLANKET / BELLOW To F-5819	1	1	
15	041119	INSULATED BLANKET / BELLOW W/SPRING ATTACHMENT From F-5820	1	1	
16	21512961	INSULATED BLANKET / PIPE SWIRL To F-5819	1	1	
16	041117	INSULATED BLANKET / PIPE SWIRL W/SPRING ATTACHMENT From F-5820	1	1	
17	040876	INSULATED BLANKET / PIPE EXHAUST To F-5819	1	1	
17	041118	INSULATED BLANKET / PIPE EXHAUST W/SPRING ATTACHMENT From F-5820	1	1	
18	504737	CABLE TIE / .300" X 30"1/2 To F-5819	9	9	
19	Refer To Volvo	MUFFLER DPF EXHAUST FILTER	1	1	V
19	068649	HARNESS DPF "VOLVO" To E-5563	1	1	
19	068908	HARNESS DPF "VOLVO" From E-5564 To F-5739	1	1	
19	068993	HARNESS DPF "VOLVO" From F-5740 To H-6096	1	1	
19	069503	HARNESS DPF "VOLVO" From H-6097 To H-6179	1	1	
19	060089	HARNESS DPF "VOLVO" From H-6180	1	1	
20	21437514	MUFFLER SCR EXHAUST FILTER To H-6093	1	1	
. NS	Refer To Volvo	. FOR SERVICE PARTS SEE IMPACT To H-6093	1	1	V
. NS	Refer To Volvo	. OR CALL ORDER DESK To H-6093	1	1	V
20	22409129	MUFFLER SCR EXHAUST FILTER From H-6094 To H-6179	1	1	



From E-5490 To K-6491 Date:07/2024 PAGE:X3VIP-0405-00

MUFFLER - INSTALLATION WITH DPF & SCR WITH VOLVO D13

Item#	Part	Description	X 3 V I P E N T	X 3 V I P M T H	N O T E S
. NS	Refer To Volvo	. FOR SERVICE PARTS SEE IMPACT From H-6094 To H-6179	1	1	V
. NS	Refer To Volvo	. OR CALL ORDER DESK From H-6094 To H-6179	1	1	V
20	21970125	MUFFLER SCR EXHAUST FILTER From H-6180 To K-6436	1	1	
20	23190006	MUFFLER SCR EXHAUST FILTER From K-6437 To K-6439	1	1	
20	23196231	MUFFLER SCR EXHAUST FILTER From K-6440	1	1	
21	540018	U-CLAMP / (GUILLOTINE TYPE) / 5" I.D. To E-5739	3	3	
21	540018	U-CLAMP / (GUILLOTINE TYPE) / 5" I.D. From F-5740	2	2	
22	040761	ATTACHMENT DPF VOLVO	1	1	
23	040868	ATTACHMENT DPF VOLVO	1	1	
24	040837	SUPPORT DPF VOLVO To E-5739	1	1	A
24	041083	SUPPORT DPF VOLVO From F-5740	1	1	
25	040764	ATTACHMENT SUPPORT DPF VOLVO	1	1	
26	040975	SUPPORT CABLE DPF	1	1	
27	040762	ATTACHMENT DPF VOLVO UPPER MIDDLE	1	1	
28	040986	CLAMP SUPPORT ASSY	2	2	
28A	5001801	SCREW CAP HEXF M10-1.5x55 G10.9 N500	AR	AR	
28B	540085	SPACER / HALF MOON SHAPE	AR	AR	
28C	540086	SPACER / ANVIL SHAPE	AR	AR	
28D	5001758	NUT HEX STO M10-1.5 N500	AR	AR	
29	040763	ATTACHMENT DPF VOLVO UPPER MIDDLE	1	1	
30	040910	SUPPORT CABLE DPF To E-5739	1	1	
30	041082	SUPPORT CABLE DPF From F-5740 To H-6179	1	1	
30	040010	SUPPORT CABLE DPF From H-6180	1	1	
31	21164414	SENSOR TEMPEARATURE "T2" To H-6179	1	1	
31	21673931	SENSOR TEMPEARATURE "T2" From H-6180	1	1	
32	21636091	SENSOR "NOX" / DPF FILTER To G-6028	1	1	
32	22303390	SENSOR "NOX" / DPF FILTER From G-6029	1	1	
33	21126692	SENSOR TEMPEARATURE "T3" To H-6179	1	1	
33	21412472	SENSOR TEMPEARATURE "T3" From H-6180	1	1	
34	040911	PIPE, DP HIGH PRESSURE	1	1	
35	040912	PIPE, DP LOW PRESSURE	1	1	
36	21403962	SENSOR PRESSURE "DELTA"	1	1	
36	040096	KIT SENSOR PRESSURE DPF	1	1	
37	21225020	SENSOR TEMPEARATURE "T1"	1	1	
38	22014032	SENSOR "NOX" / SCR FILTER To G-6028	1	1	
38	22303391	SENSOR "NOX" / SCR FILTER From G-6029	1	1	
38A	060161	SENSOR "PM" / SCR FILTER ASSY From H-6094 To H-6140	1	1	
. NS	22733524	. SENSOR "PM" / SCR FILTER From H-6094 To H-6140	1	1	
. NS	562387	. CONVOLUTED TUBING / SLIT / BLACK / .250" From H-6094 To H-6140	AR	AR	
. NS	564099	. TAPE ADHESIF ELECTRICAL TISSUS / BLACK 838MM From H-6094 To H-6140	AR	AR	
38A	060327	SENSOR "PM" / SCR FILTER ASSY From H-6141	1	1	
38A	22835170	. SENSOR "PM" / SCR FILTER From H-6141 To J-6307	1	1	



From E-5490 To K-6491	Date:07/2024	PAGE:X3VIP-0405-00
-----------------------	--------------	--------------------

MUFFLER - INSTALLATION WITH DPF & SCR WITH VOLVO D13

Item#	Part	Description	X 3 V I P E N T	X 3 V I P M T H	N O T E S
38A	22946032	. SENSOR "PM" / SCR FILTER From J-6308	1	1	
38A	562387	CONVOLUTED TUBING / SLIT / BLACK / .250" From H-6094	AR	AR	
38A	564099	TAPE ADHESIF ELECTRICAL TISSUS / BLACK 838MM From H-6094	AR	AR	
38A	504637	CABLE TIE / 3/16" x 13" From H-6094	AR	AR	
38A	504013	TIE MOUNT / 1/4" X 1/4" I.D. From H-6094	AR	AR	
38A	504379	RIVET POP DOME OE 3/16x1/4 SS From H-6094	AR	AR	
39	5001730	SCREW CAP HEXF M6-1.0x16 G10.9 N500	1	1	
40	564108	SELF MOUNTING STUD // DEUTSCH 1011-310-0205	3	3	
41	8631155	CABLE TIE / 4.6MM x 200 / CHRISTMAS TREE	5	5	
44	040977	HOSE 1/4"	1	1	
44	503776	HOSE SILICONE 1/4" I.D. x 10' / S.L.	AR	AR	
45	21283793	SPRING HOSE CLAMP 5/16"	2	2	
46	040976	HOSE 5/16"	1	1	
46	503775	HOSE SILICONE 5/16" I.D. x 10' / S.L.	AR	AR	
47	21283796	SPRING HOSE CLAMP 1/4"	2	2	
48	040916	J-HOOK / M6-1.0 x 33 SS	2	2	
49	502854	NUT HEX M6-1.0 N500	2	2	
50	5001697	SCREW CAP HEX M6-1.0x16 SS BK	11	11	
51	5001833	WASHER BEL SPR 6.1x18x1.27 SS	9	9	
52	504637	CABLE TIE / 3/16" x 13"	7	7	
53	21468325	CABLE SUPPORT	1	1	
54	504013	TIE MOUNT / 1/4" X 1/4" I.D.	3	3	
55	502817	SCREW MA PAN PH M6-1.0x16 N500	1	1	
56	502686	SCREW CAP HEX M6-1.0x30 SS BK	3	3	
57	21282895	STRAP SCR	4	4	
58	21321221	BAR THREAD SCR	4	4	
59	20974254	BAR ROUND SCR	4	4	
60	509892	SCREW CAP HEXS M12-1.75x100 G8.8 N500	4	4	
61	040786	ATTACHMENT, LOWER, SCR VOLVO	2	2	
62	040855	ATTACHMENT, UPPER, SCR VOLVO	1	1	
63	040782	BRACKET "U" SHAPE, UPPER, SCR VOLVO To E-5739	1	1	
63	041109	BRACKET "U" SHAPE, UPPER, SCR VOLVO From F-5740 To H-6093	1	1	
63	041146	SUPPORT, UPPER, SCR From H-6094	1	1	
64	040818	SUPPORT ASSY, UPPER, SCR VOLVO To E-5739	1	1	
64	041110	SUPPORT ASSY, UPPER, SCR VOLVO From F-5740 To H-6093	1	1	
64	041145	SUPPORT, UPPER, SCR From H-6094 To K-6439	1	1	
64	040065	SUPPORT, UPPER, SCR From K-6440 To K-6449	1	1	
64	040025	SUPPORT, UPPER, SCR From K-6450	1	1	
65	040854	SUPPORT ASSY, LOWER, SCR VOLVO To H-6179	1	1	
65	040009	SUPPORT ASSY, LOWER, SCR VOLVO From H-6180 To J-6312	1	1	
65	040026	SUPPORT ASSY, LOWER, SCR VOLVO From J-6313	1	1	
66	040817	BRACKET "U" SHAPE, LOWER, SCR VOLVO	1	1	



From E-5490 To K-6491 Date:07/2024 PAGE:X3VIP-0405-00

MUFFLER - INSTALLATION WITH DPF & SCR WITH VOLVO D13

Item#	Part	Description	X 3 V I P E N T	X 3 V I P M T H	N O T E S
67	040816	SUPPORT "C" SHAPE ASSY, UPPER, SCR VOLVO To H-6093	1	1	
67	041144	SUPPORT UPPER, SCR From H-6094 To K-6439	1	1	
67	040064	SUPPORT UPPER, SCR From K-6440	1	1	
68	040883	SUPPORT, SENSOR, SCR VOLVO To E-5739	1	1	
69	040959	GUIDE, WIRING	2	2	
NS	502799	SCREW CAP HEX M4-0.7X16 G8.8 N500	2	2	
NS	502556	WASHER FL 4.3x9.0x0.8 SS	2	2	
NS	504637	CABLE TIE / 3/16" x 13"	4	4	
70	5001866	SCREW CAP HEX M12-1.75x30 G10.9 N500	27	27	
71	5001338	SCREW CAP HEX M12-1.75x45 G10.9 N500	24	24	
72	5001861	SCREW CAP HEX M12-1.75x60 G10.9 N500	8	8	
73	500967	WASHER BEL SPR .512x1.142x.098 N500	35	35	
74	040937	SPACER 3/4" O.D. X 16MM ST	46	46	
75	5001774	NUT HEXF STO M12-1.75 MAGNI G500	30	30	
76	21138255	PLATE ATTACHMENT 120MM X 40MM To E-5739	9	9	
76	21138255	PLATE ATTACHMENT 120MM X 40MM From F-5740	7	7	
76A	041021	BRACKET, DPF From F-5740	1	1	
76B	041022	BRACKET, DPF From F-5740	1	1	
77	040783	PLATE ATTACHMENT 120MM X 40MM To E-5739	7	7	
77	040783	PLATE ATTACHMENT 120MM X 40MM From F-5740	8	8	
78	040844	PLATE ATTACHMENT 120MM X 34MM / W/2 M12-1.75x40	1	1	
79	21120785	MUFFLER CONNECTION RUBBER 135MM x 93MM To E-5555	5	5	
79	22227002	MUFFLER CONNECTION RUBBER 135MM x 93MM From E-5556	5	5	
80	040936	SPACER 4MM O.D. X 12MM ST	2	2	
81	040787	MUFFLER CONNECTION RUBBER 170MM x 93MM To E-5555	6	6	
81	041070	MUFFLER CONNECTION RUBBER 170MM x 93MM From E-5556	6	6	
82	040953	GRILLE PROTECTOR OVER DFP To E-5739	1	1	
82	041092	GRILLE PROTECTOR OVER DFP From F-5740	1	1	
83	040861	CABLE SUPPORT	2	2	
84	5001774	NUT HEXF STO M12-1.75 MAGNI G500	2	2	
85	500211	WASHER FL .531x1.250x.125 N500	2	2	
87	20565546	PLUG / DPF	1	1	
88	947625	SEAL COPPER / DPF	1	1	
89	502737	SCREW CAP HEX M6-1.0x25 SS BK	2	2	
90	509490	ATTACHMENT DOUBLE USE WITH CABLE TIE	2	2	
91	504637	CABLE TIE / 3/16" x 13" From H-6094	AR	AR	
91	8631155	CABLE TIE / 4.6MM x 200 / CHRISTMAS TREE From K-6415	AR	AR	
91	504013	TIE MOUNT / 1/4" X 1/4" I.D. From H-6094	AR	AR	
91	504379	RIVET POP DOME OE 3/16x1/4 SS From H-6094	AR	AR	
91	564108	SELF MOUNTING STUD // DEUTSCH 1011-310-0205 From H-6094	1	1	
92	040965	HOSE DRAIN SCR	1	1	
95	640873	MALE CONNECTOR / AB FITTING / #8x1/2NPT-M BR	1	1	



From E-5490 To K-6491 Date:07/2024 PAGE:X3VIP-0405-00

MUFFLER - INSTALLATION WITH DPF & SCR WITH VOLVO D13

Item#	Part	Description	X 3 V I P E N T	X 3 V I P M T H	NOTES
95	680098	THREAD SEALANT LOCTITE #567 / WHITE / 250ml	AR	AR	
96	040863	PIPE DRAIN To E-5739	1	1	
96	041111	PIPE DRAIN From F-5740	1	1	
97	504230	HOSE CLAMP / 3/8"-7/8" SS / HS-6 To F-5811	2	2	
97	504018	HOSE CLAMP / 7/16"-1" SS / HS-8 From F-5812	2	2	
98	509815	TIE MOUNT / ATTACHMENT W/TREE MOUNT From H-6094	AR	AR	
101	040856	ANGLE PIPE SUPPORT To H-6179	1	1	
101	041154	ANGLE PIPE SUPPORT From H-6180	1	1	
102	21589669	SUPPORT EXHAUST PIPE	1	1	
103	040952	SUPPORT PIPE	1	1	
104	040664	SUPPORT PRIMARY / EXHAUST PIPE To E-5624	1	1	
104	041006	SUPPORT PRIMARY / EXHAUST PIPE From E-5625	1	1	
105	040969	SUPPORT SECONDARY / EXHAUST PIPE	1	1	
106	040815	SUPPORT EXHAUST PIPE To E-5739	1	1	
110	5001595	SCREW CAP HEXF M10-1.5x60 G8.8 G500 To E-5739	2	2	
110	5001595	SCREW CAP HEXF M10-1.5x60 G8.8 G500 From F-5740	1	1	
111	500261	WASHER FL .390x1.500x.083 N500 To E-5739	4	4	
111	500261	WASHER FL .390x1.500x.083 N500 From F-5740	2	2	
112	505217	SPACER 7/16" X 1 1/4" To E-5739	2	2	
112	505217	SPACER 7/16" X 1 1/4" From F-5740	1	1	
113	661074	BUSHING / RUBBER 3/4" x 5/8" I.D. To E-5739	4	4	
113	661074	BUSHING / RUBBER 3/4" x 5/8" I.D. From F-5740	2	2	
114	5001727	NUT HEXF NYRT M10-1.5 N500 To E-5739	3	3	
114	5001727	NUT HEXF NYRT M10-1.5 N500 From F-5740	2	2	
115	502804	SCREW CAP HEX M10-1.5x25 G8.8 N500 To H-6179	1	1	
115	5001741	SCREW CAP HEXF M10-1.5x30 G8.8 N500 From H-6180	1	1	
116	5001834	WASHER BEL SPR 10.5X23X2.5 N500	4	4	
117	040627	WASHER FL 10.5x54x11GA SS	1	1	
118	5001644	SCREW CAP HEXF M10-1.5x30 G8.8 G500	6	6	
119	5001745	SCREW CAP HEX M8-1.25x25 G8.8 N500 To E-5651	2	2	
119	5001742	SCREW CAP HEXF M8-1.25x30 G8.8 N500 From E-5652	2	2	
120	5001740	NUT HEX STO M8-1.25 N500 To E-5651	2	2	
120	5001931	NUT HEXF NYRT M8-1.25 G8.8 N500 From E-5652	2	2	
121	500401	WASHER FL .343x.875x.125 N500 To E-5651	4	4	
122A	041093	STABILIZER ASSY From F-5740	1	1	
122B	503802	HOSE SILICONE 1 PLY / NOMEX-ARAMID 5/8" I.D. x 100' / S.L. From F-5740	AR	AR	
123	041069	MUFFLER CONNECTION RUBBER 135MM x 107MM From F-5740	1	1	
124	040937	SPACER 3/4" O.D. X 16MM ST From F-5740	2	2	
125	041098	BRACKET, SCR ASSY From F-5740 To F-5811	1	1	
125	041114	BRACKET, SCR ASSY From F-5812 To K-6552	1	1	
125	040041	BRACKET, SCR ASSY From K-6553	1	1	
126	5001338	SCREW CAP HEX M12-1.75x45 G10.9 N500 From F-5740	2	2	



From E-5490 To K-6491 Date:07/2024 PAGE:X3VIP-0405-00

MUFFLER - INSTALLATION WITH DPF & SCR WITH VOLVO D13

Item#	Part	Description	X 3 V I P E N T	X 3 V I P M T H	NOTES
127	500967	WASHER BEL SPR .512x1.142x.098 N500 From F-5740	2	2	
128	502804	SCREW CAP HEX M10-1.5x25 G8.8 N500 From F-5740 To F-5811	2	2	
128	502705	SCREW CAP HEX M12-1.75X25 G8.8 N500 From F-5812	2	2	
129	5001834	WASHER BEL SPR 10.5X23X2.5 N500 From F-5740 To F-5811	2	2	
129	500967	WASHER BEL SPR .512x1.142x.098 N500 From F-5812	2	2	
130	21603076	DIFFUSOR ASSY	1	1	
NS	041139	KIT, REPLACEMENT SHUTTER OF DIFFUSOR	1	1	
131	540067	CLAMP BAND SEAL / LAP JOINT / 5" I.D.x1.25"	2	2	
132	21139384	GRILL DIFFUSOR	1	1	
133	21139388	PLATE "WARNING" THIS DIFFUSOR MUST BE FLUSH..	1	1	
134	5001684	NUT HEX CAP M6-1.0 SS	10	10	
135	502573	WASHER FL 6.4x12.5x1.6 SS	10	10	
136	479306	GRILL ROOF	1	1	
137	500952	SCREW TP BDG PH #8x1/2 SS	10	10	
138	504634	T-CLIP / 7/8" - 1" From F-5740	1	1	
139	040821	PIPE 5" O.D. X 304MM	1	1	
141	040706	KIT EXTENSION DIFFUSOR / 9"	1	1	
NS	040648	EXTENTION DIFFUSOR / 9"	1	1	
NS	040671	PROTECTOR GRILL EXTENTION / 9"	1	1	
NS	5001684	NUT HEX CAP M6-1.0 SS	10	10	
NS	502573	WASHER FL 6.4x12.5x1.6 SS	10	10	
141	040707	KIT EXTENSION DIFFUSOR / 6 5/8"	1	1	
NS	040677	EXTENTION DIFFUSOR / 6 5/8"	1	1	
NS	040679	PROTECTOR GRILL EXTENTION / 6 5/8"	1	1	
NS	5001684	NUT HEX CAP M6-1.0 SS	10	10	
NS	502573	WASHER FL 6.4x12.5x1.6 SS	10	10	
142	502854	NUT HEX M6-1.0 N500	10	10	
143	500877	WASHER FL .250x.562x.065 N500	10	10	
144	5001923	SCREW CAP HEX M6-1.0x45 SS BK From K-6553	2	2	
145	503702	HOSE / (SAFETY STRIPE) / 3/8" I.D. 50' / S.L. To E-5759	AR	AR	
145	503821	HOSE SILICONE 4 PLY / NOMEX-ARAMID 3/8" x 144" From F-5760	AR	AR	
NS	053008	RESTRICTION / ALU. TUBE 20MM X 9.05MM O.D. W/3.05MM HOLE	1	1	
146	20805110	QUICK CONNECTOR 90° 10MM	2	2	
147	992081	HOSE CLAMP / 12MM/22MM	2	2	
148	500877	WASHER FL .250x.562x.065 N500 From F-5740 To K-6352	1	1	
148	500877	WASHER FL .250x.562x.065 N500 From K-6353	2	2	
149	502681	NUT HEX NYRT M6-1.0 N500 G8 From F-5740 To K-6352	1	1	
149	502681	NUT HEX NYRT M6-1.0 N500 G8 From K-6353	2	2	
150	040949	HOSE HEATER ASSY 5775MM To F-5874	1	1	
NS	N8902118	CONNECTOR CLIP - 5/16" To F-5874	2	2	
150	041123	HOSE HEATER ASSY 6200MM From F-5875	1	1	
NS	N8902118	CONNECTOR CLIP - 5/16" From F-5875	2	2	



From E-5490 To K-6491 Date:07/2024 PAGE:X3VIP-0405-00

MUFFLER - INSTALLATION WITH DPF & SCR WITH VOLVO D13

Item#	Part	Description	X 3 V I P E N T	X 3 V I P M T H	NOTES
150	IS14152	UREA HOSE REPLACEMENT 6MM TO 4MM FIRST REPLACEMENT To G-5924	1	1	
. NS	041123	. HOSE HEATER ASSY 6200MM To G-5924	1	1	
. . NS	N8902118	. . CONNECTOR CLIP - 5/16" To G-5924	2	2	
. NS	502638	. WASHER FL .312x.734x.065 N500 To G-5924	5	5	
. NS	504534	. GROMMET / .875x1.250x.187x.562x1.625 To G-5924	2	2	
. NS	504610	. RIVET MGLP PRDG 1/4x5/8 SS To G-5924	5	5	
. NS	504637	. CABLE TIE / 3/16" x 13" To G-5924	10	10	
. NS	506205	. PIPE INSULATING / 5/8" I.D. X 1/2" TH. X 72 / SPLIT ADHESIVE To G-5924	2	2	
. NS	507383	. TIE MOUNT HOLE 3/8" To G-5924	5	5	
. NS	507664	. CABLE TIE / 3/16" 11" / DOUBLE LOOP HEAD To G-5924	10	10	
. NS	5001113	. NUT HEX JAM NYRT 5/16-18 To G-5924	5	5	
. NS	N32553	. SCREW CAP HEX 5/16-18x3/4 FT SS To G-5924	5	5	
. NS	IS-14152	. SEE INSTRUCTION SHEET To G-5924	1	1	
150	X3VIP-0410-00	UREA RESERVOIR ASSY To E-5739			
150	X3VIP-0410-01	UREA RESERVOIR ASSY From F-5740			
151	504155	CLAMP TWIN DESIGN / 19MM/19MM x 70MM POLYA From K-6353	1	1	
152	218498	ATTACHMENT, MIDDLE, DPF VOLVO	1	1	
153	216753	ATTACHMENT, DPF VOLVO / CURBSIDE	1	1	
154	216752	ATTACHMENT, DPF VOLVO / STREET SIDE	1	1	
155		POST ATTACHMENT, UPPER, SCR VOLVO	1	1	
155	Call order desk	POST ATTACHMENT, UPPER, SCR VOLVO	1	1	P
156	218503	ATTACHMENT, SUPPORT EXHAUST PIPE	1	1	
157A	506205	PIPE INSULATING / 5/8" I.D. X 1/2" TH. X 72 / SPLIT ADHESIVE	AR	AR	
157B	957022	TAPE ELASTOMERIC 1/8" X 2" X 30"	AR	AR	
158A	504637	CABLE TIE / 3/16" x 13"	AR	AR	
158A	504013	TIE MOUNT / 1/4" X 1/4" I.D.	2	2	
158A	504379	RIVET POP DOME OE 3/16x1/4 SS	2	2	
158B	504750	CABLE TIE / 1/2" x 15" / CHRISTMAS TREE From F-5740	2	2	
175	22677399	GASKET NOZZLE UREA From H-6180	1	1	
176	22757141	SPACER From H-6180	1	1	
177	5000310	SCREW CAP HEX M6-1.0x40 BK From H-6180	3	3	
178	22986637	INSULATED BLANKET / SCR UPPER From H-6180 To J-6245	1	1	
. NS	22998036	. TIE WRAP STAINLESS STEEL 1905MM From H-6180 To J-6245	1	1	
178	23090822	INSULATED BLANKET / SCR UPPER From J-6246 To K-6439	1	1	
. NS	22998036	. TIE WRAP STAINLESS STEEL 1905MM From J-6246 To K-6439	1	1	
179	22986640	INSULATED BLANKET / SCR LOWER From H-6180 To J-6245	1	1	
. NS	22998036	. TIE WRAP STAINLESS STEEL 1905MM From H-6180 To J-6245	1	1	
179	23090830	INSULATED BLANKET / SCR LOWER From J-6246 To K-6439	1	1	
. NS	22998036	. TIE WRAP STAINLESS STEEL 1905MM From J-6246 To K-6439	2	2	



From E-5490 To K-6491	Date:07/2024	PAGE:X3VIP-0405-00
-----------------------	--------------	--------------------

MUFFLER - INSTALLATION WITH DPF & SCR WITH VOLVO D13

Item#	Part	Description	X 3 V I P E N T	X 3 V I P M T H	N O T E S
		A) FOR PRODUCT IMPROVMENT ASK FOR KIT 041030			
		P) CALL ORDER DESK FOR SPECIFIC APPLICATION (V.I.N.)			
		V) SEE IMPACT OR CALL ORDER DESK			
		V) SEE IMPACT OR CALL ORDER DESK			

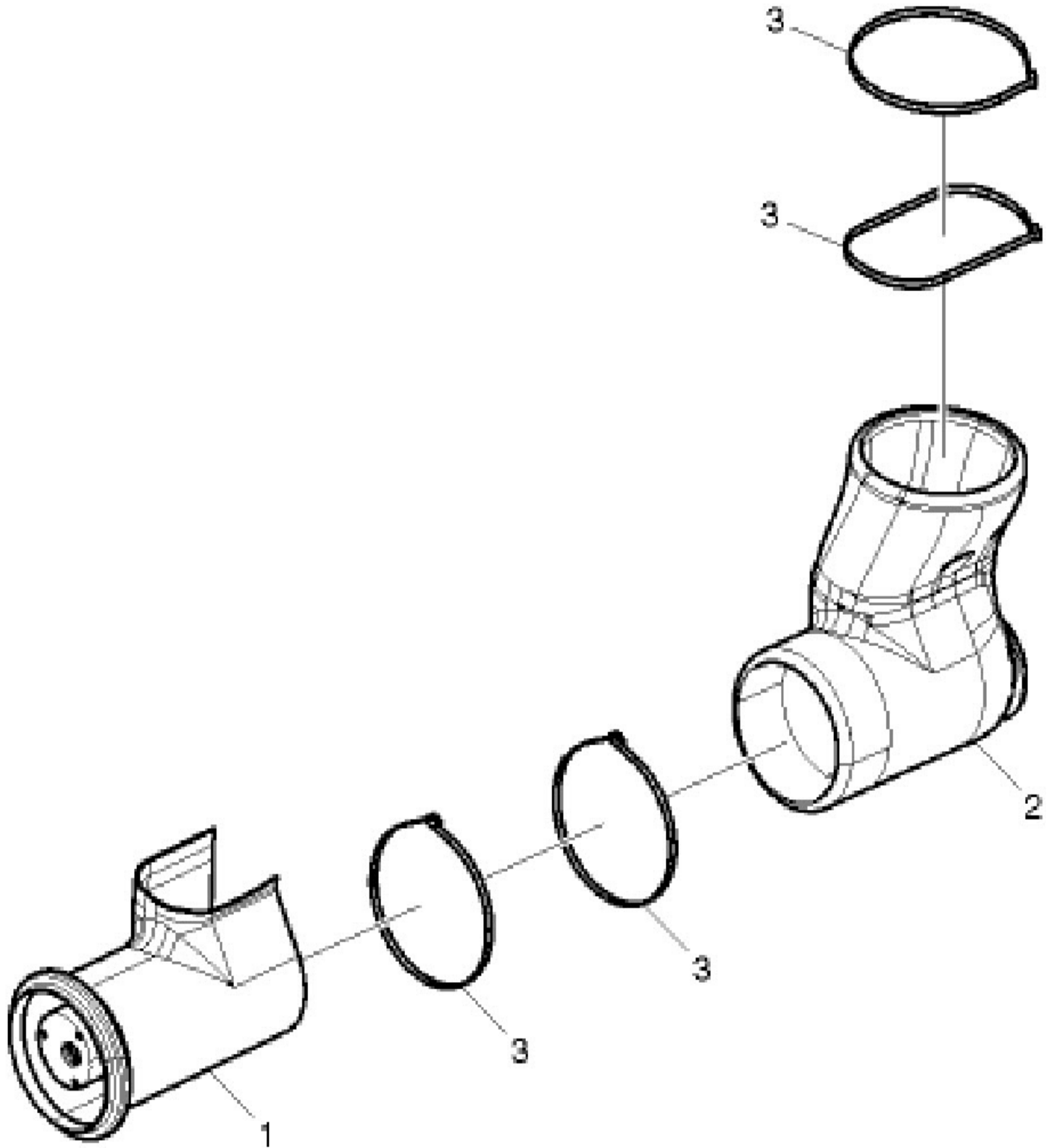


From H-6180

Date:07/2024

PAGE:23041035

SWIRL PIPE



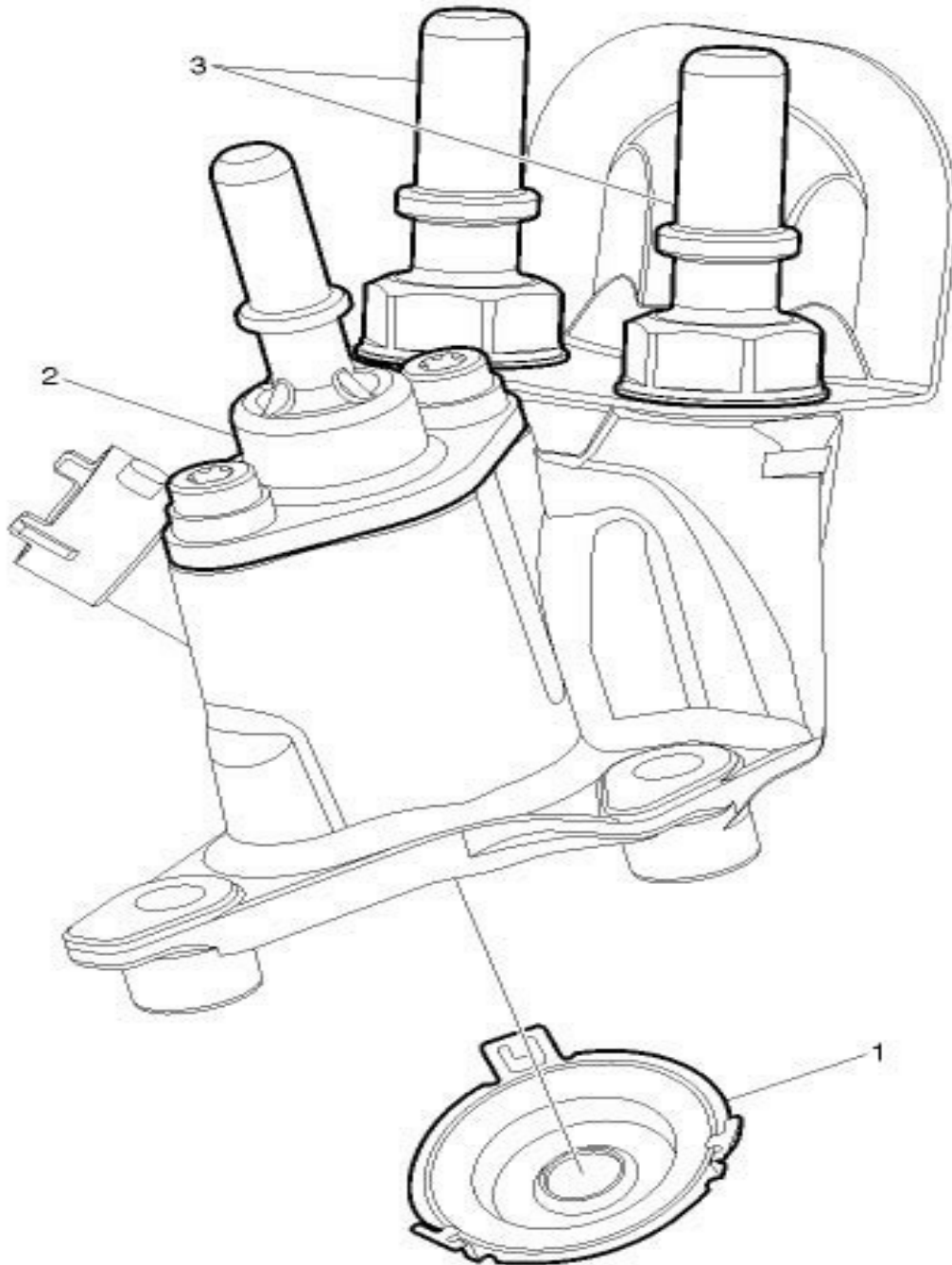


From H-6180	Date:07/2024	PAGE:23041035
SWIRL PIPE		

Item#	Part	Description	X 3 V I P E N T	X 3 V I P M T H	N O T E S
1	21403611	SWIRL PIPE	1	1	
2	23041032	HEAT SHEILD	1	1	
3	21209156	TIE WRAP STAINLESS STEEL	4	4	



To F-5772	Date:07/2024	PAGE:21575532
NOZZLE UREA TB-129663536-1		





To F-5772	Date:07/2024	PAGE:21575532
NOZZLE UREA TB-129663536-1		

Item#	Part	Description	X 3 V I P E N T	X 3 V I P M T H	N O T E S
1	21376801	SEALING PLATE	1	1	
2	21377177	CONNECTOR UREA TB-128633728-1	1	1	
3	21376813	CONNECTOR COOLING	1	1	

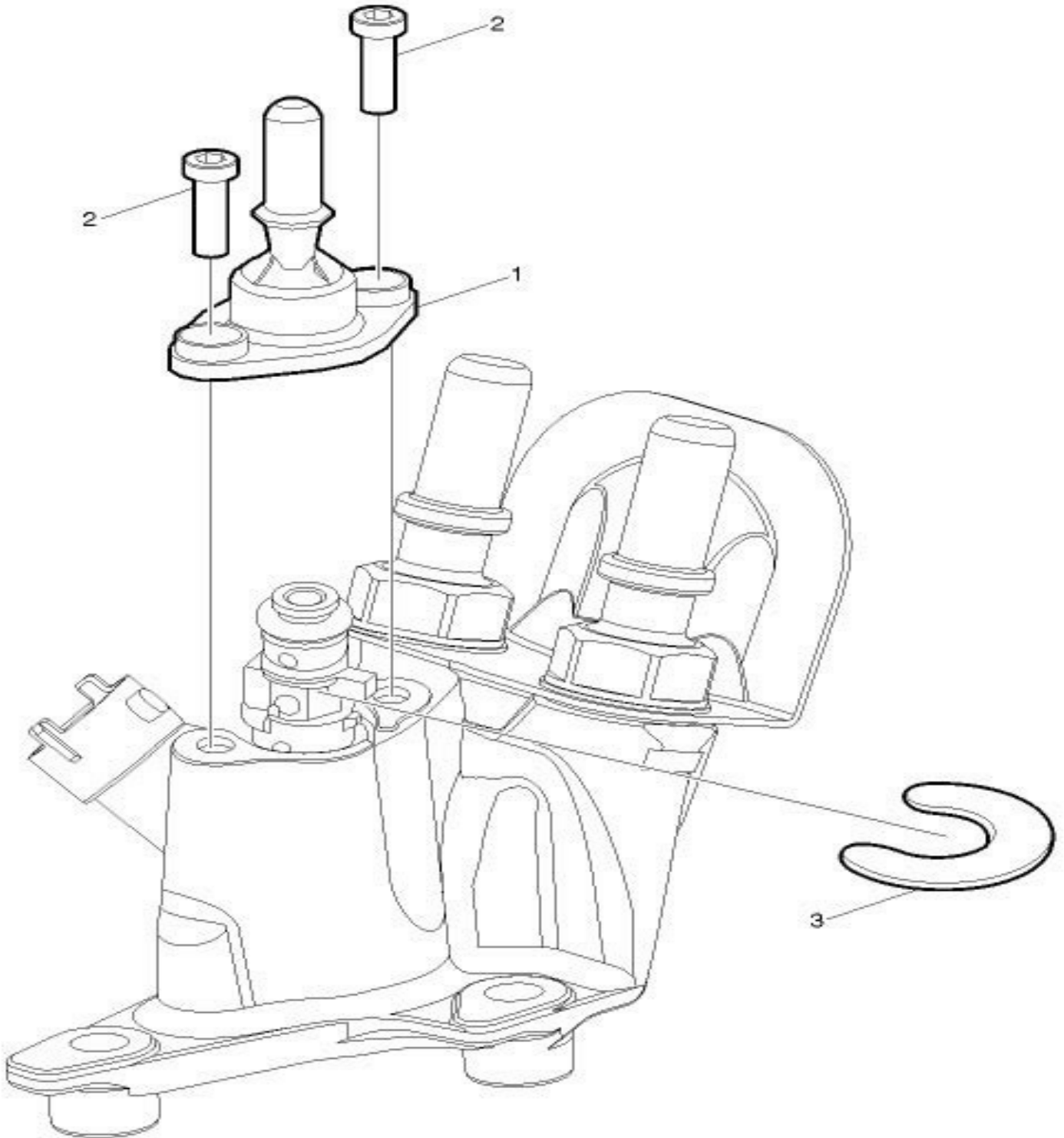


To F-5772

Date:07/2024

PAGE:21377177

CONNECTOR UREA TB-128633728-1



R1045189

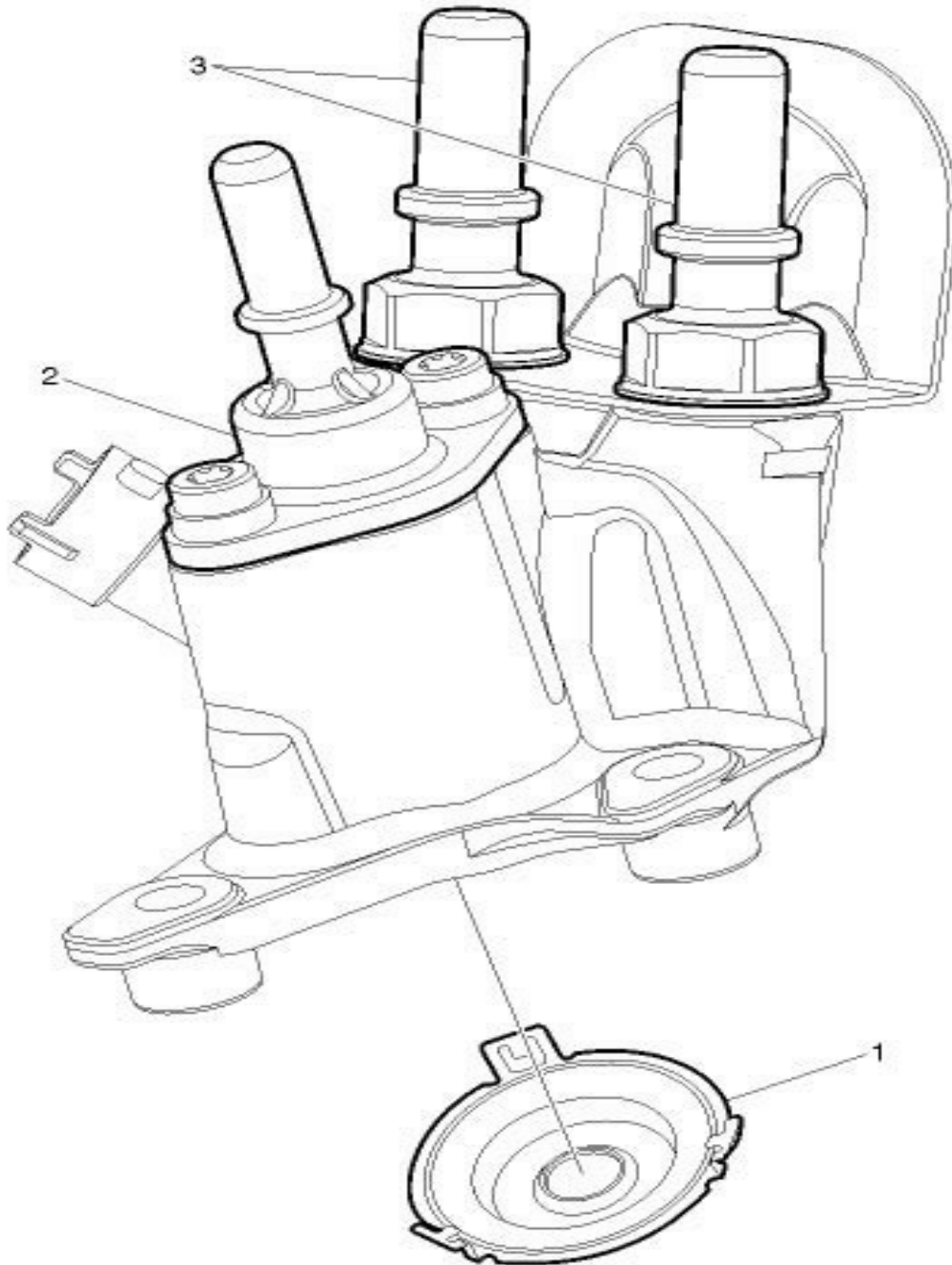


To F-5772	Date:07/2024	PAGE:21377177
CONNECTOR UREA TB-128633728-1		

Item#	Part	Description	X 3 V I P E N T	X 3 V I P M T H	N O T E S
1	N.S.S.	VALVE HOLDER			1
2	N.S.S.	SCREW SOCKET			1
3	N.S.S.	HOLDING PLATE			1
		1) NOT SOLD SEPARATELY			



From F-5775 To H-6179	Date:07/2024	PAGE:22391563
NOZZLE UREA TB-134512462-1		





From F-5775 To H-6179	Date:07/2024	PAGE:22391563
NOZZLE UREA TB-134512462-1		

Item#	Part	Description	X 3 V I P E N T	X 3 V I P M T H	N O T E S
1	21376801	SEALING PLATE	1	1	
2	N.S.S.	CONNECTOR UREA TB-129663345-1	1	1	1
3	21376813	CONNECTOR COOLING	1	1	
		1) NOT SOLD SEPARATELY			

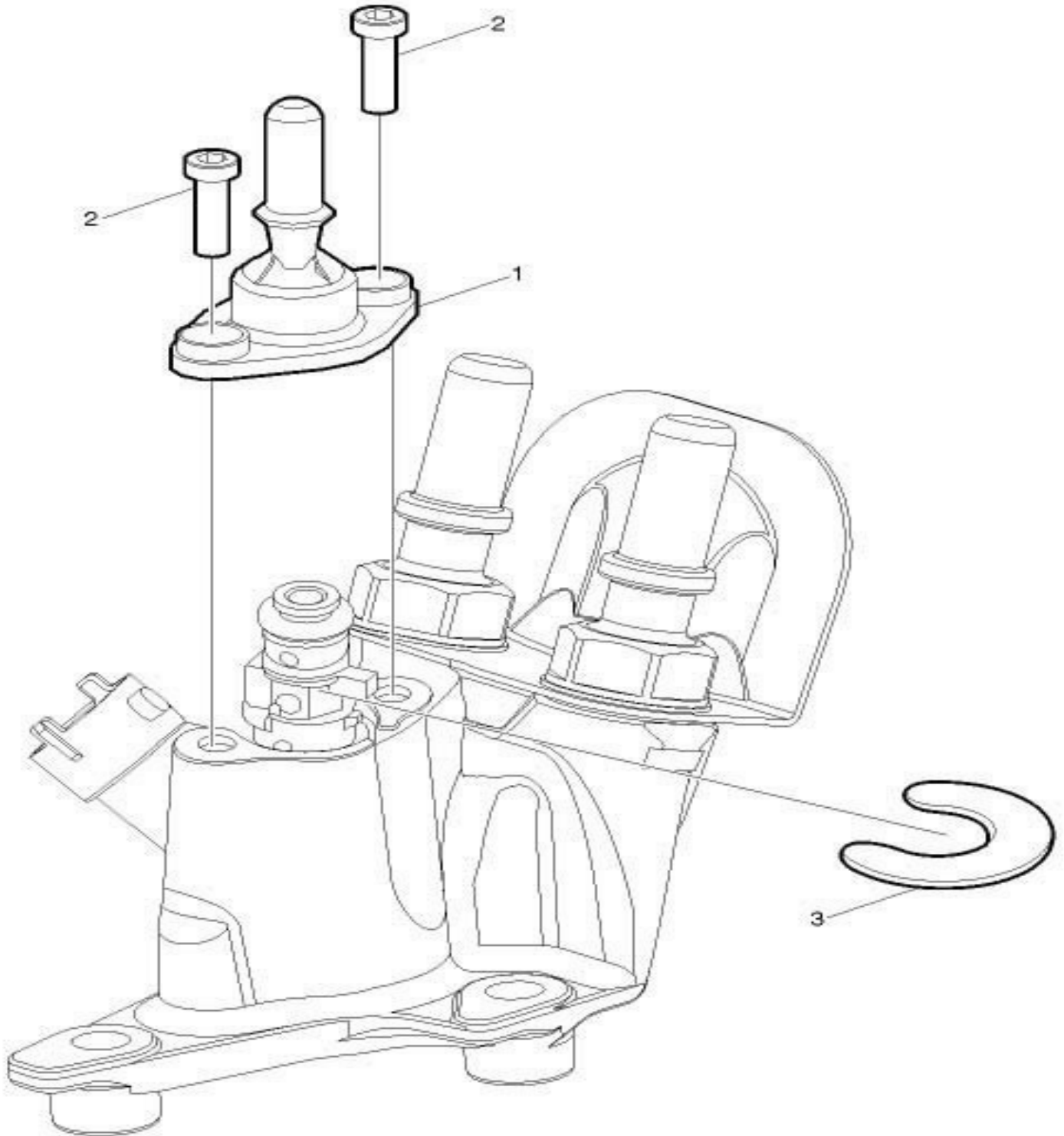


From F-5775 To H-6179

Date:07/2024

PAGE:21579080

CONNECTOR UREA TB-129663345-1



R1045189



From F-5775 To H-6179	Date:07/2024	PAGE:21579080
CONNECTOR UREA TB-129663345-1		

Item#	Part	Description	X 3 V I P E N T	X 3 V I P M T H	N O T E S
	N.S.S.		X	X	1
	N.S.S.		X	X	1
	N.S.S.		X	X	1
		1) NOT SOLD SEPARATELY			

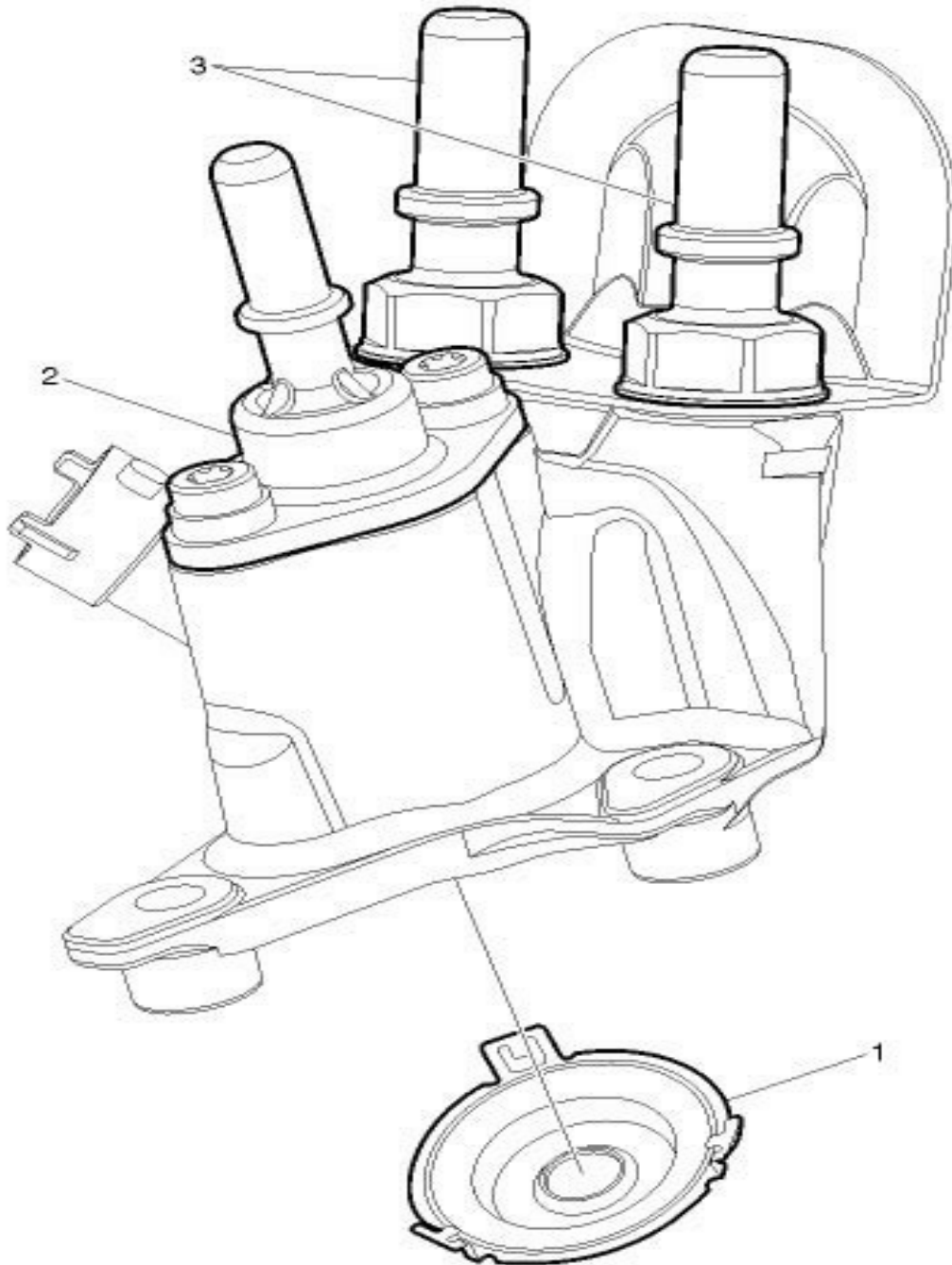


From H-6180

Date:07/2024

PAGE:22757225

NOZZLE UREA, 2.5



R1045156



From H-6180	Date:07/2024	PAGE:22757225
NOZZLE UREA, 2.5		

Item#	Part	Description	X 3 V I P E N T	X 3 V I P M T H	N O T E S
1	21376801	SEALING PLATE	1	1	
2	N.S.S.	CONNECTOR UREA TB-129663345-1	1	1	1
3	21376813	CONNECTOR COOLING	1	1	
		1) NOT SOLD SEPARATELY			

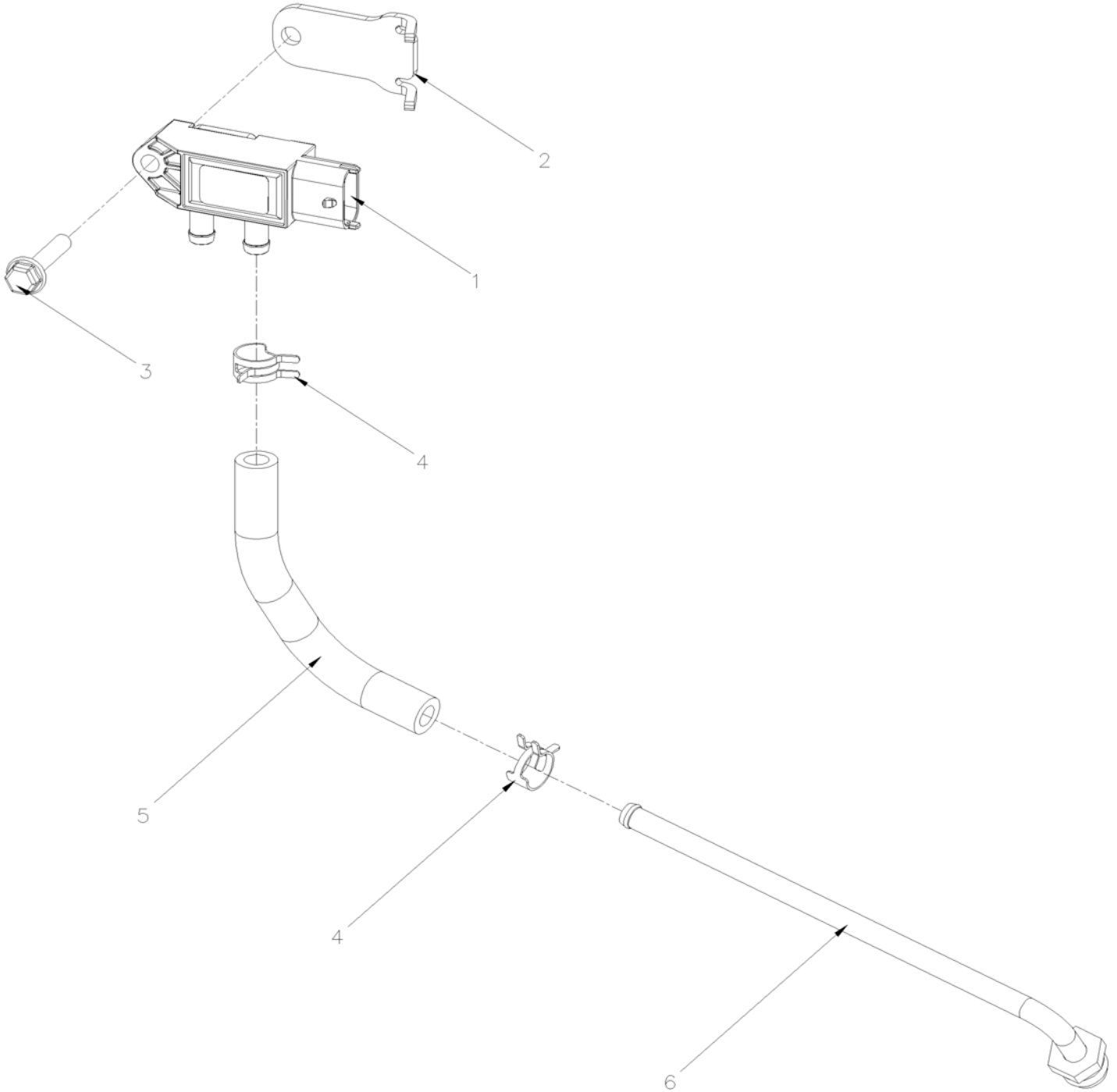


From E-5490 To K-6491

Date:07/2024

PAGE:040096

KIT SENSOR PRESSURE DPF





From E-5490 To K-6491	Date:07/2024	PAGE:040096
-----------------------	--------------	-------------

KIT SENSOR PRESSURE DPF

Item#	Part	Description	X 3 V I P E N T	X 3 V I P M T H	N O T E S
1	23488881	SENSOR PRESSURE "DELTA"	1	1	
2	040097	SPACER, FOR SENSOR OF PRESSURE	1	1	
3	5001815	SCREW CAP HEXF M6-1.0x30 G 8.8 N500	1	1	
4	21283793	SPRING HOSE CLAMP 5/16"	2	2	
5	040914	HOSE	1	1	
6	040093	PIPE, DP LOW PRESSURE	1	1	

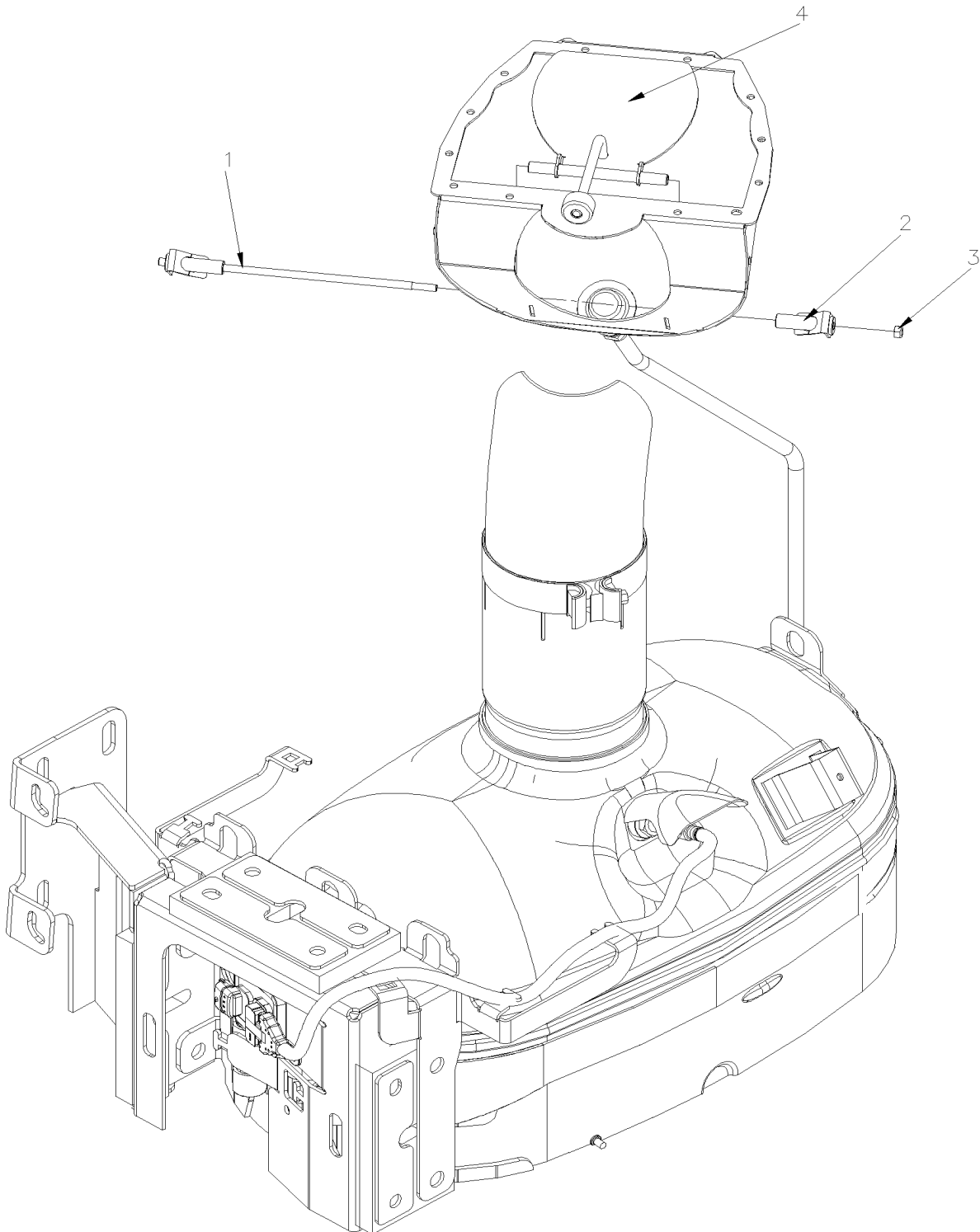


From E-5490 To K-6491

Date:07/2024

PAGE:041139

KIT, REPLACEMENT SHUTTER OF DIFFUSOR





From E-5490 To K-6491	Date:07/2024	PAGE:041139
KIT, REPLACEMENT SHUTTER OF DIFFUSOR		

Item#	Part	Description	X 3 V I P E N T	X 3 V I P M T H	N O T E S
1	041137	PIVOT, LATERAL, ASSY	1	1	
2	041134	PIVOT, LATERAL, ASSY	1	1	
3	502860	NUT HEX STO M6-1.0 N500	1	1	
4	041130	SHUTTER ASSY	1	1	

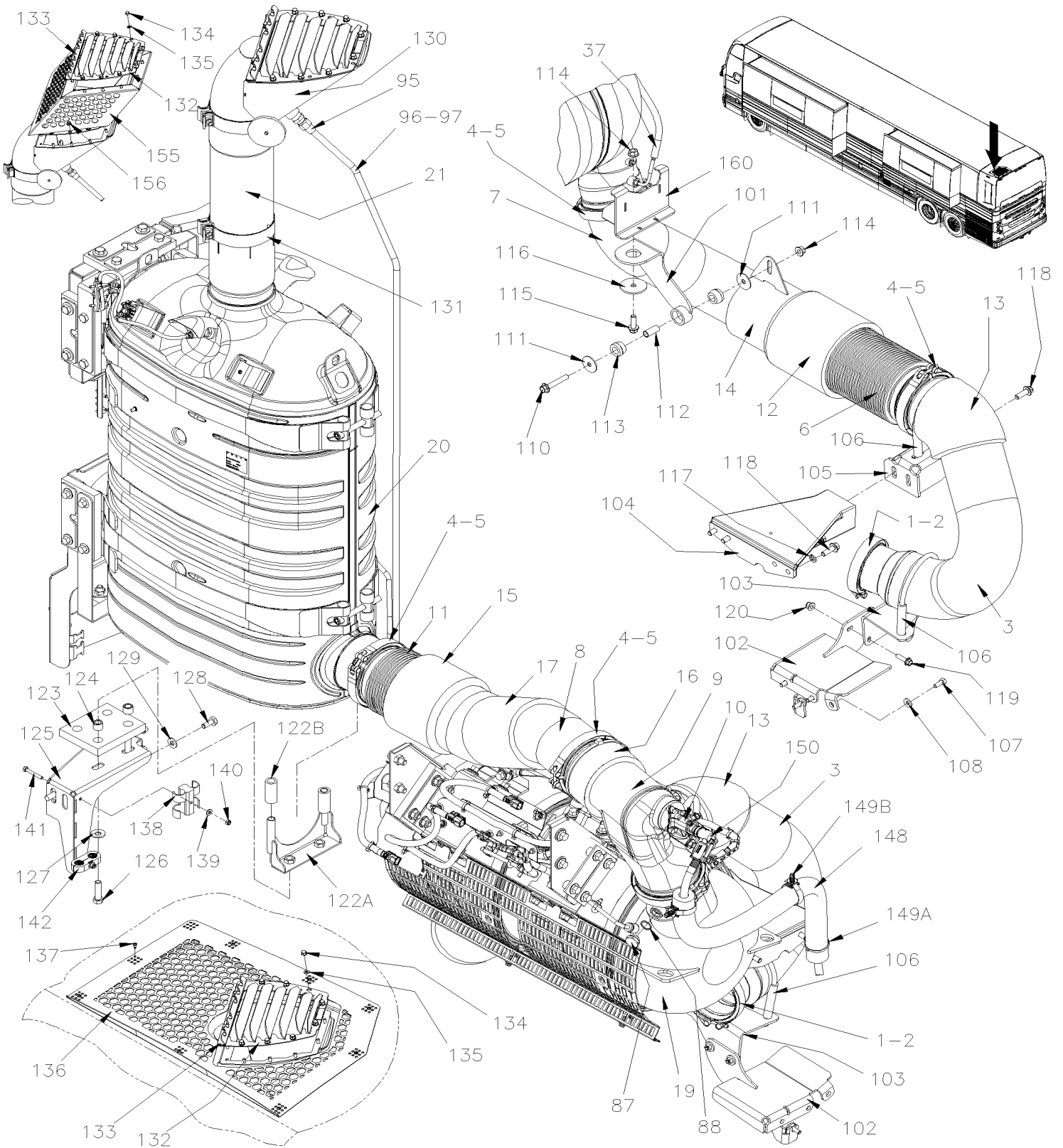


From L-6492

Date:07/2024

PAGE:X3VIP-0405-01

MUFFLER - INSTALLATION WITH DPF & SCR WITH VOLVO D13



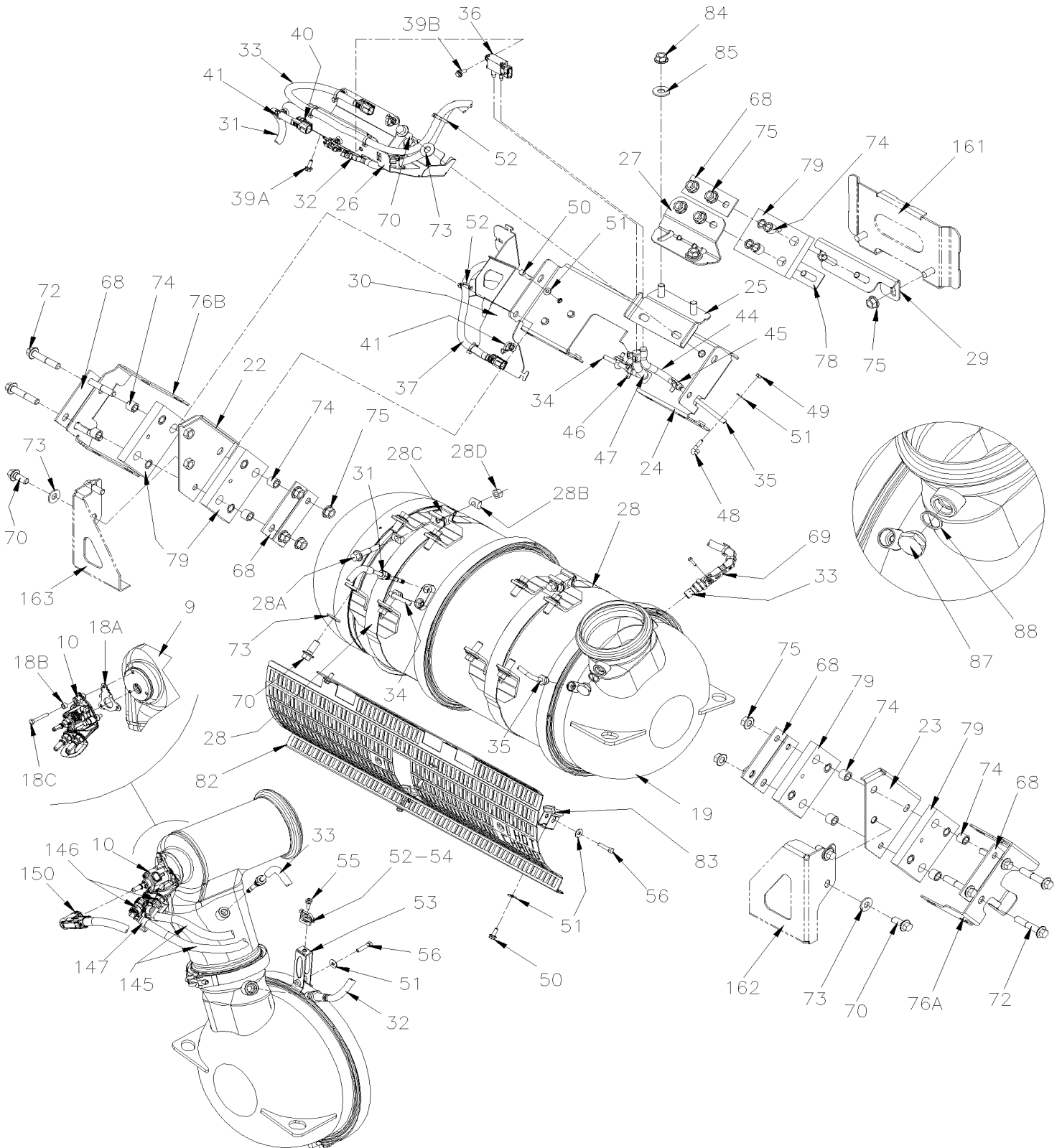


From L-6492

Date:07/2024

PAGE:X3VIP-0405-01

MUFFLER - INSTALLATION WITH DPF & SCR WITH VOLVO D13



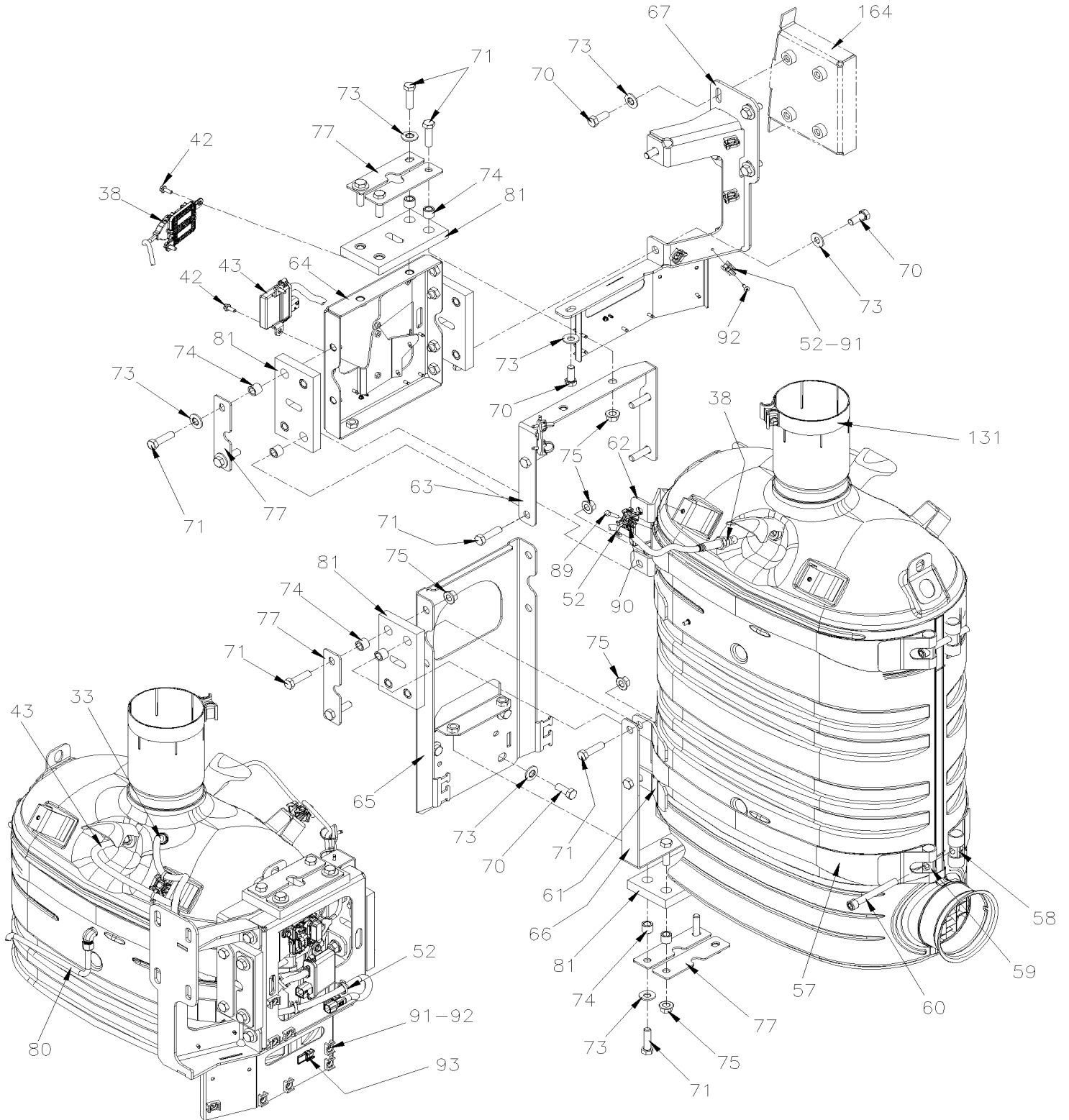


From L-6492

Date:07/2024

PAGE:X3VIP-0405-01

MUFFLER - INSTALLATION WITH DPF & SCR WITH VOLVO D13





From L-6492	Date:07/2024	PAGE:X3VIP-0405-01
-------------	--------------	--------------------

MUFFLER - INSTALLATION WITH DPF & SCR WITH VOLVO D13

Item#	Part	Description	X 3 V I P E N T	X 3 V I P M T H	N O T E S
1	21060426	V-CLAMP / (USE W GASKET) 4.81" I.D.	1	1	
2	21095721	GASKET	1	1	
3	040651	PIPE, EXHAUST "U"	1	1	
4	21021850	V-CLAMP / (USE W GASKET) 5.91" I.D.	7	7	
5	21095726	GASKET	7	7	
6	540071	BELLOWS - EXHAUST 5" I.D. x 14.49"	1	1	
7	040822	PIPE EXHAUST / INLET	1	1	
8	040823	PIPE EXHAUST / OUTLET	1	1	
9	23041035	SWIRL PIPE	1	1	
. NS	21209156	. TIE WRAP STAINLESS STEEL	4	4	
10	22757225	NOZZLE UREA, 2.5	1	1	
11	540072	BELLOWS - EXHAUST	1	1	
12	041095	INSULATED BLANKET / BELLOW W/SPRING ATTACHMENT	1	1	
13	041115	INSULATED BLANKET / PIPE TURBO W/SPRING ATTACHMENT	1	1	
14	041116	INSULATED BLANKET / PIPE DPF INLET W/SPRING ATTACHMENT	1	1	
15	041119	INSULATED BLANKET / BELLOW W/SPRING ATTACHMENT	1	1	
16	23041032	HEAT SHEILD	1	1	
16	21209156	TIE WRAP STAINLESS STEEL	4	4	
17	041118	INSULATED BLANKET / PIPE EXHAUST W/SPRING ATTACHMENT	1	1	
18A	22677399	GASKET NOZZLE UREA	1	1	
18B	22757141	SPACER	1	1	
18C	5000310	SCREW CAP HEX M6-1.0x40 BK	3	3	
19	Refer To Volvo	MUFFLER DPF EXHAUST FILTER	1	1	V
19	060089	HARNESS DPF "VOLVO"	1	1	
20	23196231	MUFFLER SCR EXHAUST FILTER	1	1	
21	040044	PIPE 5" O.D. X 373MM	1	1	
22	040761	ATTACHMENT DPF VOLVO	1	1	
23	040868	ATTACHMENT DPF VOLVO	1	1	
24	041083	SUPPORT DPF VOLVO	1	1	
25	040764	ATTACHMENT SUPPORT DPF VOLVO	1	1	
26	040975	SUPPORT CABLE DPF To N-6734	1	1	
26	040088	SUPPORT CABLE DPF From N-6735	1	1	
27	040762	ATTACHMENT DPF VOLVO UPPER MIDDLE	1	1	
28	040986	CLAMP SUPPORT ASSY	2	2	
28A	5001801	SCREW CAP HEXF M10-1.5x55 G10.9 N500	2	2	
28B	540085	SPACER / HALF MOON SHAPE	4	4	
28C	540086	SPACER / ANVIL SHAPE	2	2	
28D	5001758	NUT HEX STO M10-1.5 N500	AR	AR	
29	040763	ATTACHMENT DPF VOLVO UPPER MIDDLE	1	1	
30	040010	SUPPORT CABLE DPF	1	1	
31	21673931	SENSOR TEMPEARATURE "T2"	1	1	
32	22303390	SENSOR "NOX" / DPF FILTER	1	1	



From L-6492		Date:07/2024	PAGE:X3VIP-0405-01
-------------	--	--------------	--------------------

MUFFLER - INSTALLATION WITH DPF & SCR WITH VOLVO D13

Item#	Part	Description	X 3 V I P E N T	X 3 V I P M T H	N O T E S
33	21412472	SENSOR TEMPEARATURE "T3"	2	2	
34	040911	PIPE, DP HIGH PRESSURE	1	1	
35	040912	PIPE, DP LOW PRESSURE To N-6734	1	1	
35	040093	PIPE, DP LOW PRESSURE From N-6735	1	1	
36	21403962	SENSOR PRESSURE "DELTA" To N-6734	1	1	
36	040096	KIT SENSOR PRESSURE DPF To N-6734	1	1	
36	23488881	SENSOR PRESSURE "DELTA" From N-6735	1	1	
37	21225020	SENSOR TEMPEARATURE "T1"	1	1	
38	22303391	SENSOR "NOX" / SCR FILTER	1	1	
39A	5001730	SCREW CAP HEXF M6-1.0x16 G10.9 N500	2	2	
39A	5001730	SCREW CAP HEXF M6-1.0x16 G10.9 N500	2	2	
39B	5001730	SCREW CAP HEXF M6-1.0x16 G10.9 N500 To N-6734	1	1	
39B	5001730	SCREW CAP HEXF M6-1.0x16 G10.9 N500 To N-6734	1	1	
39B	5001815	SCREW CAP HEXF M6-1.0x30 G 8.8 N500 From N-6735	1	1	
40	564108	SELF MOUNTING STUD // DEUTSCH 1011-310-0205	3	3	
41	8631155	CABLE TIE / 4.6MM x 200 / CHRISTMAS TREE	AR	AR	
42	5001730	SCREW CAP HEXF M6-1.0x16 G10.9 N500	4	4	
43	060327	SENSOR "PM" / SCR FILTER ASSY To L-6591	1	1	
43	0610356	SENSOR "PM" / SCR FILTER ASSY From L-6592 To N-6777	1	1	
43	0600086	SENSOR "PM" / SCR FILTER ASSY From N-6778 To R-4066	1	1	
43	0600228	SENSOR "PM" / SCR FILTER ASSY From R-4067	1	1	
43	22946032	. SENSOR "PM" / SCR FILTER To L-6591	1	1	
43	23320447	. SENSOR "PM" / SCR FILTER From L-6592 To N-6777	1	1	
43	24191736	. SENSOR "PM" / SCR FILTER From N-6778 To R-4066	1	1	
43	24307015	. SENSOR "PM" / SCR FILTER From R-4067	1	1	
44	040977	HOSE 1/4"	1	1	
44	040976	HOSE 5/16" From N-6735	1	1	
44	503776	. HOSE SILICONE 1/4" I.D. x 10' / S.L.	AR	AR	
44	503775	. HOSE SILICONE 5/16" I.D. x 10' / S.L. From N-6735	AR	AR	
45	21283796	SPRING HOSE CLAMP 1/4" To N-6734	2	2	
45	21283793	SPRING HOSE CLAMP 5/16" From N-6735	2	2	
46	040976	HOSE 5/16"	1	1	
46	503775	. HOSE SILICONE 5/16" I.D. x 10' / S.L.	AR	AR	
47	21283793	SPRING HOSE CLAMP 5/16"	2	2	
48	040916	J-HOOK / M6-1.0 x 33 SS	2	2	
49	502854	NUT HEX M6-1.0 N500	2	2	
50	5001697	SCREW CAP HEX M6-1.0x16 SS BK	7	7	
51	5001833	WASHER BEL SPR 6.1x18x1.27 SS	12	12	
52	504637	CABLE TIE / 3/16" x 13"	AR	AR	
53	21468325	CABLE SUPPORT	1	1	
NS	032540	SPACER 1/2" O.D.X 12MM SS From P-6812	1	1	
54	504013	TIE MOUNT / 1/4" X 1/4" I.D.	3	3	



From L-6492	Date:07/2024	PAGE:X3VIP-0405-01
-------------	--------------	--------------------

MUFFLER - INSTALLATION WITH DPF & SCR WITH VOLVO D13

Item#	Part	Description	X 3 V I P E N T	X 3 V I P M T H	N O T E S
55	502817	SCREW MA PAN PH M6-1.0x16 N500	1	1	
56	502686	SCREW CAP HEX M6-1.0x30 SS BK	3	3	
57	21282895	STRAP SCR To N-6766	4	4	
57	041159	STRAP SCR From N-6767	4	4	
58	21321221	BAR THREAD SCR	4	4	
59	20974254	BAR ROUND SCR	4	4	
60	509892	SCREW CAP HEXS M12-1.75x100 G8.8 N500	4	4	
61	040786	ATTACHMENT, LOWER, SCR VOLVO	2	2	
62	040855	ATTACHMENT, UPPER, SCR VOLVO	1	1	
63	040027	SUPPORT, UPPER, SCR	1	1	
64	040065	SUPPORT, UPPER, SCR	1	1	
65	040020	SUPPORT ASSY, LOWER, SCR VOLVO	1	1	
66	040817	BRACKET "U" SHAPE, LOWER, SCR VOLVO	1	1	
67	040029	SUPPORT UPPER, SCR	1	1	
68	21138255	PLATE ATTACHMENT 120MM X 40MM	7	7	
69	040959	GUIDE, WIRING	2	2	
NS	502799	SCREW CAP HEX M4-0.7X16 G8.8 N500	2	2	
NS	502556	WASHER FL 4.3x9.0x0.8 SS	2	2	
NS	504637	CABLE TIE / 3/16" x 13"	AR	AR	
70	5001866	SCREW CAP HEX M12-1.75x30 G10.9 N500	27	27	
71	5001338	SCREW CAP HEX M12-1.75x45 G10.9 N500	22	22	
72	5001861	SCREW CAP HEX M12-1.75x60 G10.9 N500	8	8	
73	500967	WASHER BEL SPR .512x1.142x.098 N500	AR	AR	
74	040937	SPACER 3/4" O.D. X 16MM ST	46	46	
75	5001774	NUT HEXF STO M12-1.75 MAGNI G500	30	30	
76A	041021	BRACKET, DPF	1	1	
76B	041022	BRACKET, DPF	1	1	
77	040783	PLATE ATTACHMENT 120MM X 40MM	8	8	
78	040844	PLATE ATTACHMENT 120MM X 34MM / W/2 M12-1.75x40	1	1	
79	22227002	MUFFLER CONNECTION RUBBER 135MM x 93MM	5	5	
80	040965	HOSE DRAIN SCR	1	1	
81	041070	MUFFLER CONNECTION RUBBER 170MM x 93MM	6	6	
82	041092	GRILLE PROTECTOR OVER DFP	1	1	
83	040861	CABLE SUPPORT	2	2	
84	5001774	NUT HEXF STO M12-1.75 MAGNI G500	2	2	
85	500211	WASHER FL .531x1.250x.125 N500	2	2	
87	20565546	PLUG / DPF To L-6514	1	1	
87	040004	PLUG / DPF / S.STEEL From L-6515	1	1	
88	947625	SEAL COPPER / DPF	1	1	
89	502737	SCREW CAP HEX M6-1.0x25 SS BK	2	2	
90	509490	ATTACHMENT DOUBLE USE WITH CABLE TIE	2	2	
91	504013	TIE MOUNT / 1/4" X 1/4" I.D.	AR	AR	



From L-6492 Date:07/2024 PAGE:X3VIP-0405-01

MUFFLER - INSTALLATION WITH DPF & SCR WITH VOLVO D13

Item#	Part	Description	X 3 V I P E N T	X 3 V I P M T H	NOTES
92	504379	RIVET POP DOME OE 3/16x1/4 SS	AR	AR	
93	564108	SELF MOUNTING STUD // DEUTSCH 1011-310-0205	1	1	
95	640873	MALE CONNECTOR / AB FITTING / #8x1/2NPT-M BR	1	1	
95	680098	THREAD SEALANT LOCTITE #567 / WHITE / 250ml	AR	AR	
96	040045	PIPE DRAIN	1	1	
97	504018	HOSE CLAMP / 7/16"-1" SS / HS-8	2	2	
101	041154	ANGLE PIPE SUPPORT	1	1	
102	21589669	SUPPORT EXHAUST PIPE	1	1	
103	040952	SUPPORT PIPE	1	1	
104	041006	SUPPORT PRIMARY / EXHAUST PIPE	1	1	
105	040969	SUPPORT SECONDARY / EXHAUST PIPE	1	1	
106	540018	U-CLAMP / (GUILLOTINE TYPE) / 5" I.D.	2	2	
107	502862	SCREW CAP HEX M8-1.25x20 G8.8 N500	4	4	
108	500321	WASHER BEL SPR .331x.827x.098 N500	4	4	
110	5001595	SCREW CAP HEXF M10-1.5x60 G8.8 G500	1	1	
111	500261	WASHER FL .390x1.500x.083 N500	2	2	
112	505217	SPACER 7/16" X 1 1/4"	1	1	
113	661074	BUSHING / RUBBER 3/4" x 5/8" I.D.	2	2	
114	5001727	NUT HEXF NYRT M10-1.5 N500	2	2	
115	5001741	SCREW CAP HEXF M10-1.5x30 G8.8 N500	1	1	
116	040627	WASHER FL 10.5x54x11GA SS	1	1	
117	5001834	WASHER BEL SPR 10.5X23X2.5 N500	4	4	
118	5001644	SCREW CAP HEXF M10-1.5x30 G8.8 G500	6	6	
119	5001742	SCREW CAP HEXF M8-1.25x30 G8.8 N500	2	2	
120	5001931	NUT HEXF NYRT M8-1.25 G8.8 N500	2	2	
122A	041093	STABILIZER ASSY	1	1	
122B	041096	HOSE 5/8" I.D. x 52MM	1	1	
122B	503802	. HOSE SILICONE 1 PLY / NOMEX-ARAMID 5/8" I.D. x 100' / S.L.	AR	AR	
123	041069	MUFFLER CONNECTION RUBBER 135MM x 107MM	1	1	
124	040937	SPACER 3/4" O.D. X 16MM ST	2	2	
125	040041	BRACKET, SCR ASSY	1	1	
126	5001338	SCREW CAP HEX M12-1.75x45 G10.9 N500	2	2	
127	500967	WASHER BEL SPR .512x1.142x.098 N500	2	2	
128	502705	SCREW CAP HEX M12-1.75X25 G8.8 N500	2	2	
129	500967	WASHER BEL SPR .512x1.142x.098 N500	2	2	
130	21603076	DIFFUSOR ASSY	1	1	
NS	041139	KIT, REPLACEMENT SHUTTER OF DIFFUSOR	1	1	
131	540067	CLAMP BAND SEAL / LAP JOINT / 5" I.D.x1.25"	2	2	
132	21139384	GRILL DIFFUSOR To R-4031	1	1	
132	040131	DIFFUSER, GRILL From R-4032	1	1	A
133	21139388	PLATE "WARNING" THIS DIFFUSOR MUST BE FLUSH.. To R-4031	1	1	
134	5001684	NUT HEX CAP M6-1.0 SS	10	10	



From L-6492	Date:07/2024	PAGE:X3VIP-0405-01
-------------	--------------	--------------------

MUFFLER - INSTALLATION WITH DPF & SCR WITH VOLVO D13

Item#	Part	Description	X 3 V I P E N T	X 3 V I P M T H	N O T E S
135	502573	WASHER FL 6.4x12.5x1.6 SS	10	10	
136	471132	GRILL ROOF	1	1	
137	500952	SCREW TP BDG PH #8x1/2 SS	10	10	
138	504634	T-CLIP / 7/8" - 1" To L-6644	1	1	
139	500877	WASHER FL .250x.562x.065 N500 To L-6644	2	2	
140	502681	NUT HEX NYRT M6-1.0 N500 G8	2	2	
141	5001923	SCREW CAP HEX M6-1.0x45 SS BK	2	2	
142	504155	CLAMP TWIN DESIGN / 19MM/19MM x 70MM POLYA To L-6644	1	1	
142	504155	CLAMP TWIN DESIGN / 19MM/19MM x 70MM POLYA From M-6645	2	2	
142	504221	COVER TWIN DESIGN / 63.5MM ZP From M-6645	2	2	
145	503790	HOSE SILICONE 1 PLY / NOMEX-ARAMID 3/8" X 25'	AR	AR	
145	053008	RESTRICTION / ALU. TUBE 20MM X 9.05MM O.D. W/3.05MM HOLE	1	1	
146	20805110	QUICK CONNECTOR 90° 10MM	2	2	
147	992081	HOSE CLAMP / 12MM/22MM	2	2	
148	506205	PIPE INSULATING / 5/8" I.D. X 1/2" TH. X 72 / SPLIT ADHESIVE	AR	AR	
149A	504637	CABLE TIE / 3/16" x 13"	AR	AR	
149B	504750	CABLE TIE / 1/2" x 15" / CHRISTMAS TREE	2	2	
150	041123	HOSE HEATER ASSY 6200MM	1	1	
. NS	N8902118	. CONNECTOR CLIP - 5/16"	2	2	
150	X3VIP-0410-01	UREA RESERVOIR ASSY			
155	040706	KIT EXTENSION DIFFUSOR / 9"	1	1	
. NS	040648	. EXTENTION DIFFUSOR / 9"	1	1	
. NS	040671	. PROTECTOR GRILL EXTENTION / 9"	1	1	
. NS	5001684	. NUT HEX CAP M6-1.0 SS	10	10	
. NS	502573	. WASHER FL 6.4x12.5x1.6 SS	10	10	
155	040707	KIT EXTENSION DIFFUSOR / 6 5/8"	1	1	
. NS	040677	. EXTENTION DIFFUSOR / 6 5/8"	1	1	
. NS	040679	. PROTECTOR GRILL EXTENTION / 6 5/8"	1	1	
. NS	5001684	. NUT HEX CAP M6-1.0 SS	10	10	
. NS	502573	. WASHER FL 6.4x12.5x1.6 SS	10	10	
156	502854	NUT HEX M6-1.0 N500	10	10	
156	500877	WASHER FL .250x.562x.065 N500	10	10	
160	041078	ATTACHMENT, SUPPORT EXHAUST PIPE	1	1	
161	218717	ATTACHMENT, MIDDLE, DPF VOLVO	1	1	
162	216753	ATTACHMENT, DPF VOLVO / CURBSIDE	1	1	
163	216752	ATTACHMENT, DPF VOLVO / STREET SIDE	1	1	
164	Call order desk	POST ATTACHMENT, UPPER, SCR VOLVO	1	1	P



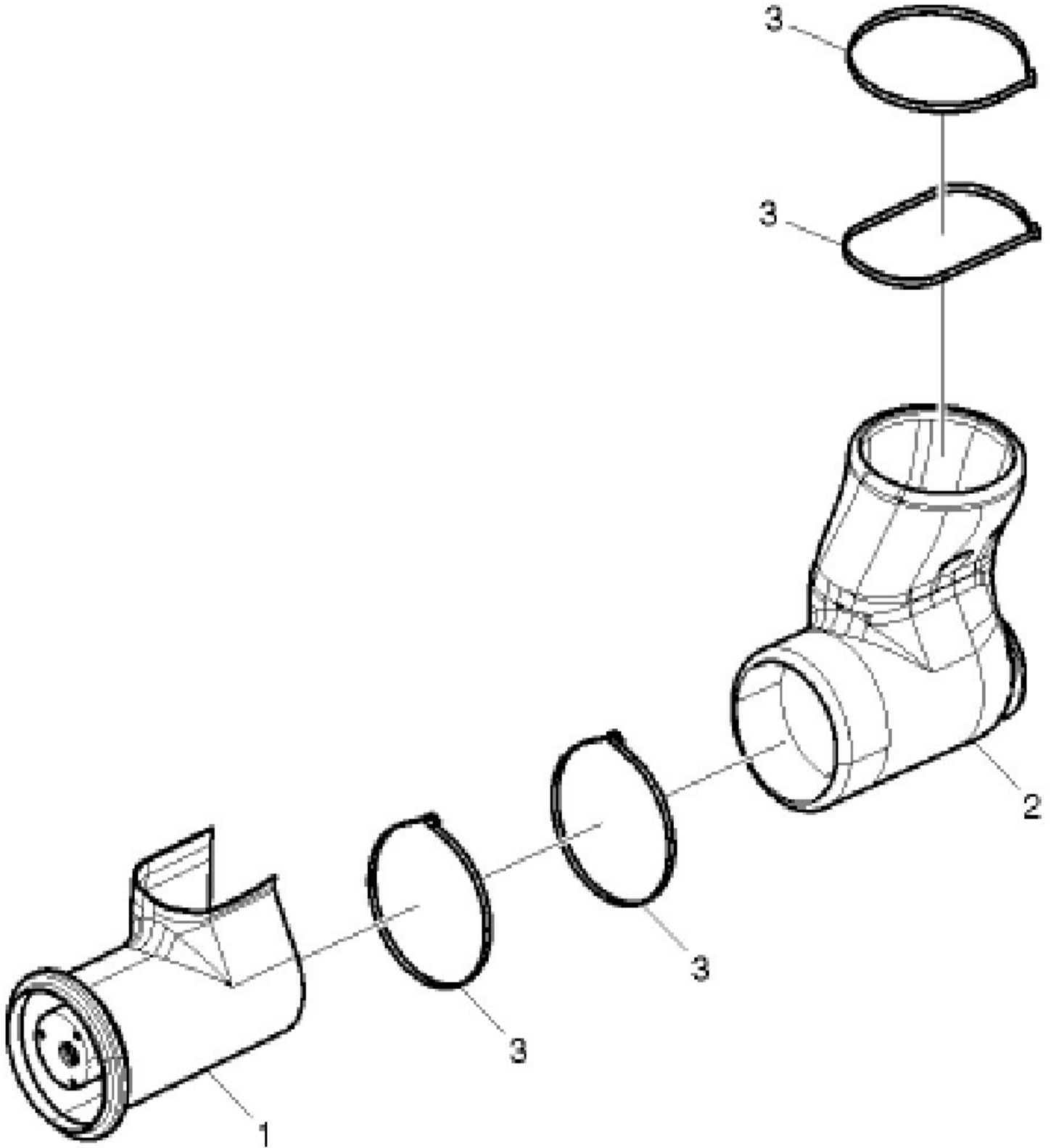
From L-6492	Date:07/2024	PAGE:X3VIP-0405-01
-------------	--------------	--------------------

MUFFLER - INSTALLATION WITH DPF & SCR WITH VOLVO D13

Item#	Part	Description	X 3 V I P E N T	X 3 V I P M T H	N O T E S
		A) INCLUDES WARNING MESSAGE "THIS DIFFUSER MUST BE FLUSH"			
		P) CALL ORDER DESK FOR SPECIFIC APPLICATION (V.I.N.)			
		V) SEE IMPACT OR CALL ORDER DESK			



From L-6492	Date:07/2024	PAGE:23041035
SWIRL PIPE		





From L-6492	Date:07/2024	PAGE:23041035
SWIRL PIPE		

Item#	Part	Description	X 3 V I P E N T	X 3 V I P M T H	N O T E S
1	21403611	SWIRL PIPE	1	1	
2	23041032	HEAT SHEILD	1	1	
3	21209156	TIE WRAP STAINLESS STEEL	4	4	

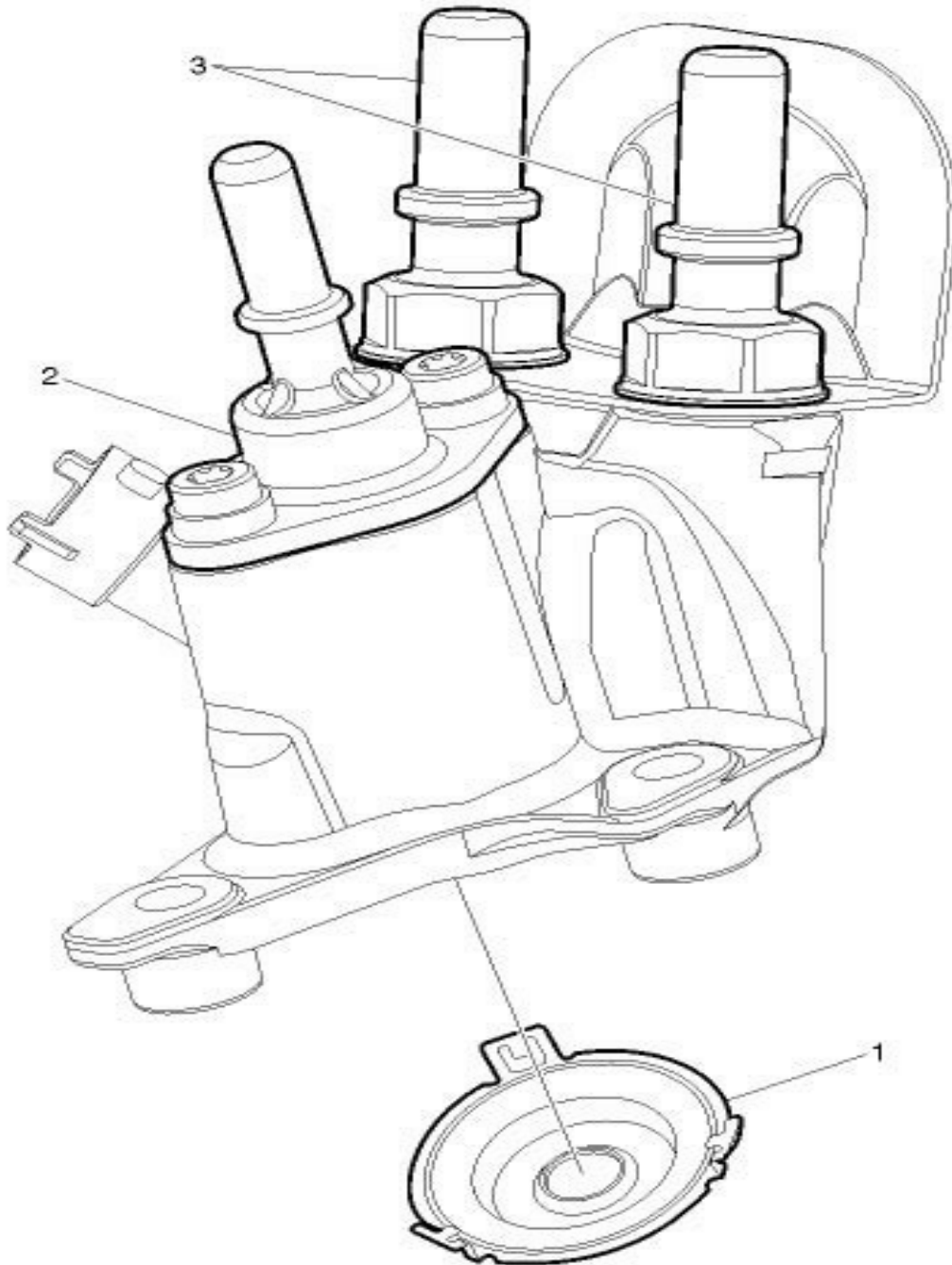


From L-6492

Date:07/2024

PAGE:22757225

NOZZLE UREA, 2.5



R1045156



From L-6492	Date:07/2024	PAGE:22757225
NOZZLE UREA, 2.5		

Item#	Part	Description	X 3 V I P E N T	X 3 V I P M T H	N O T E S
1	21376801	SEALING PLATE	1	1	
2	N.S.S.	CONNECTOR UREA TB-129663345-1	1	1	1
3	21376813	CONNECTOR COOLING	1	1	
		1) NOT SOLD SEPARATELY			

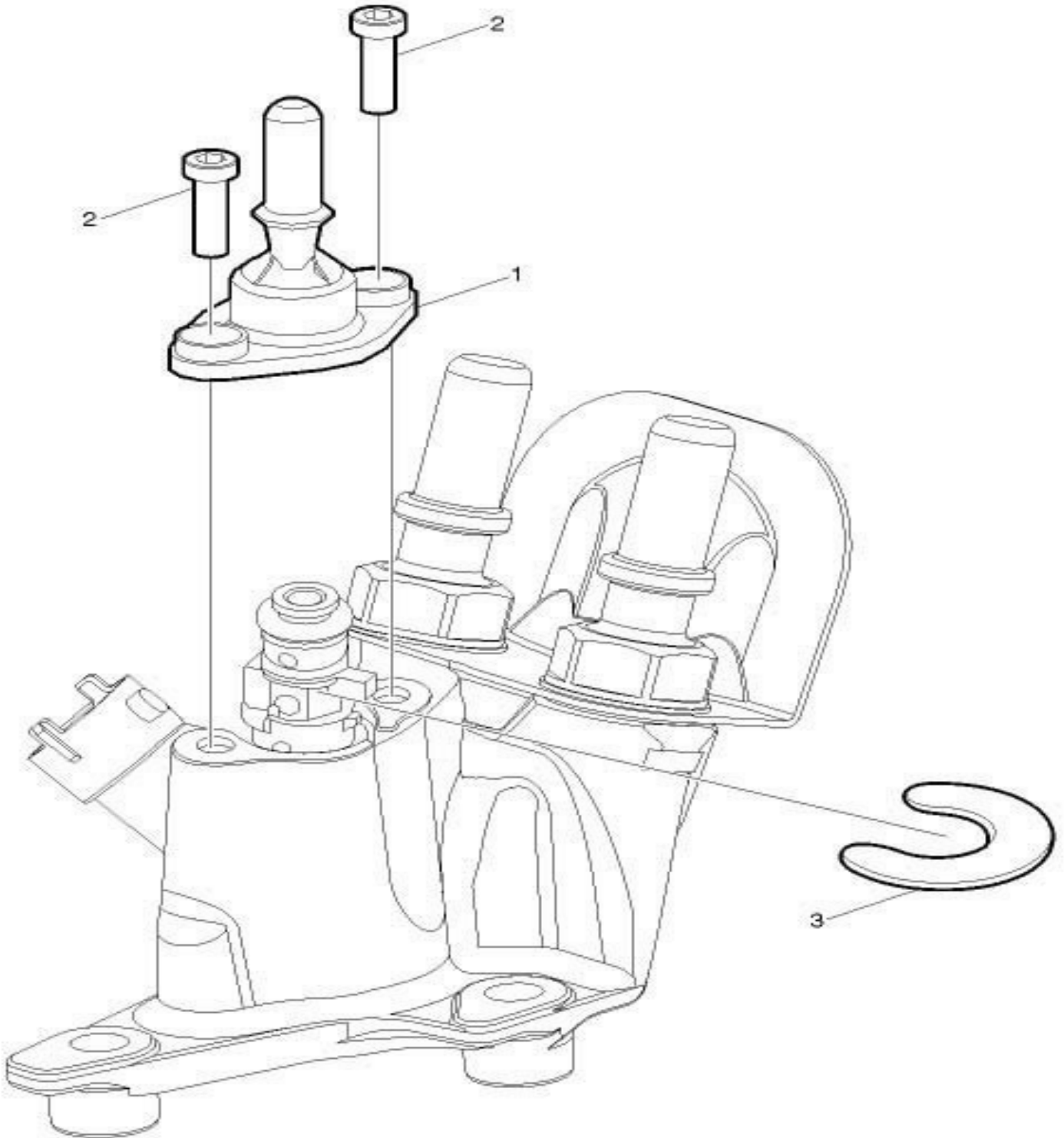


From L-6492

Date:07/2024

PAGE:21579080

CONNECTOR UREA TB-129663345-1



R1045189



From L-6492	Date:07/2024	PAGE:21579080
CONNECTOR UREA TB-129663345-1		

Item#	Part	Description	X 3 V I P E N T	X 3 V I P M T H	N O T E S
	N.S.S.		X	X	1
	N.S.S.		X	X	1
	N.S.S.		X	X	1
		1) NOT SOLD SEPARATELY			

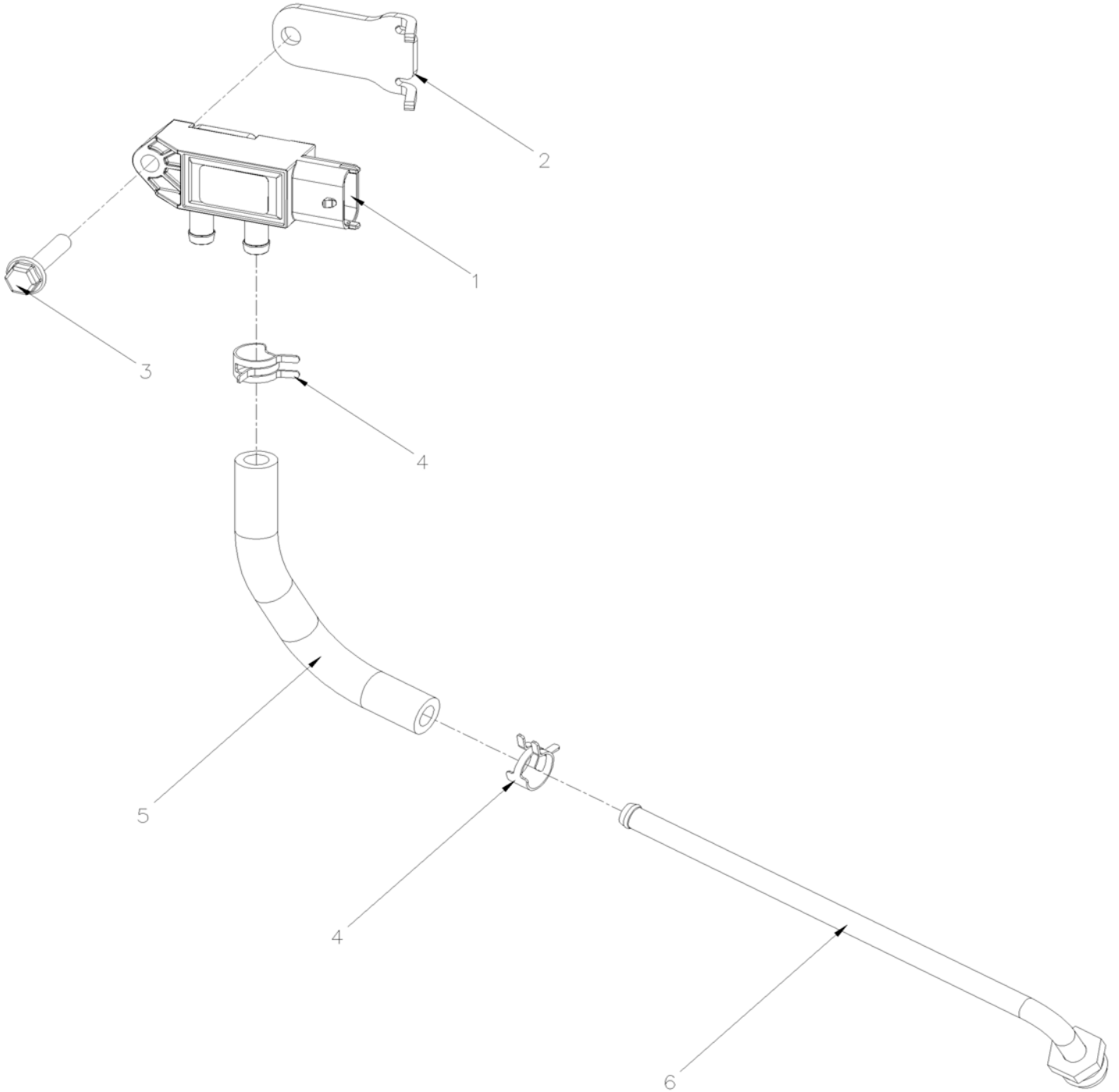


To N-6734

Date:07/2024

PAGE:040096

KIT SENSOR PRESSURE DPF





To N-6734	Date:07/2024	PAGE:040096
-----------	--------------	-------------

KIT SENSOR PRESSURE DPF

Item#	Part	Description	X 3 V I P E N T	X 3 V I P M T H	N O T E S
1	23488881	SENSOR PRESSURE "DELTA"	1	1	
2	040097	SPACER, FOR SENSOR OF PRESSURE	1	1	
3	5001815	SCREW CAP HEXF M6-1.0x30 G 8.8 N500	1	1	
4	21283793	SPRING HOSE CLAMP 5/16"	2	2	
5	040914	HOSE	1	1	
6	040093	PIPE, DP LOW PRESSURE	1	1	

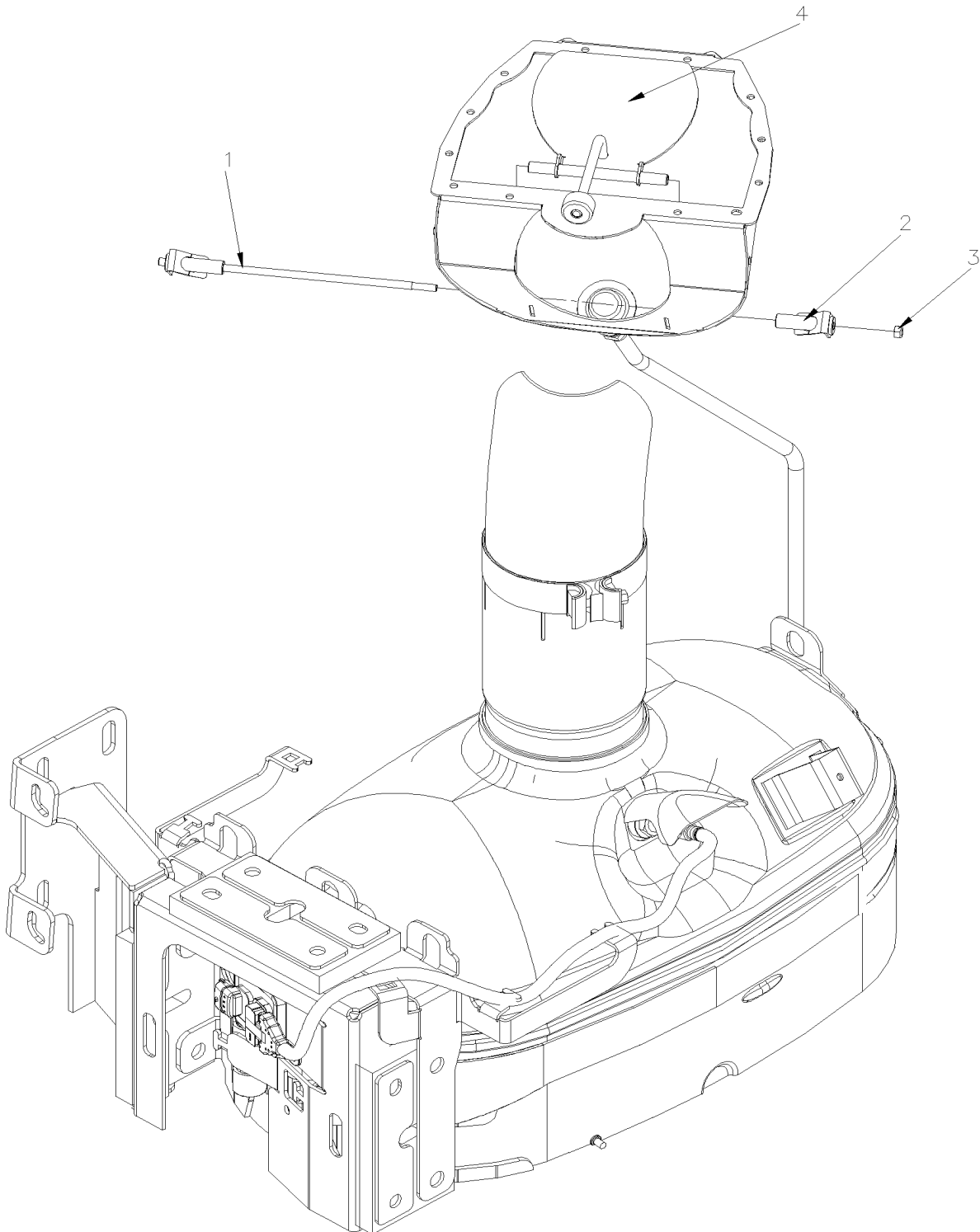


From L-6492

Date:07/2024

PAGE:041139

KIT, REPLACEMENT SHUTTER OF DIFFUSOR





From L-6492	Date:07/2024	PAGE:041139
KIT, REPLACEMENT SHUTTER OF DIFFUSOR		

Item#	Part	Description	X 3 V I P E N T	X 3 V I P M T H	N O T E S
1	041137	PIVOT, LATERAL, ASSY	1	1	
2	041134	PIVOT, LATERAL, ASSY	1	1	
3	502860	NUT HEX STO M6-1.0 N500	1	1	
4	041130	SHUTTER ASSY	1	1	

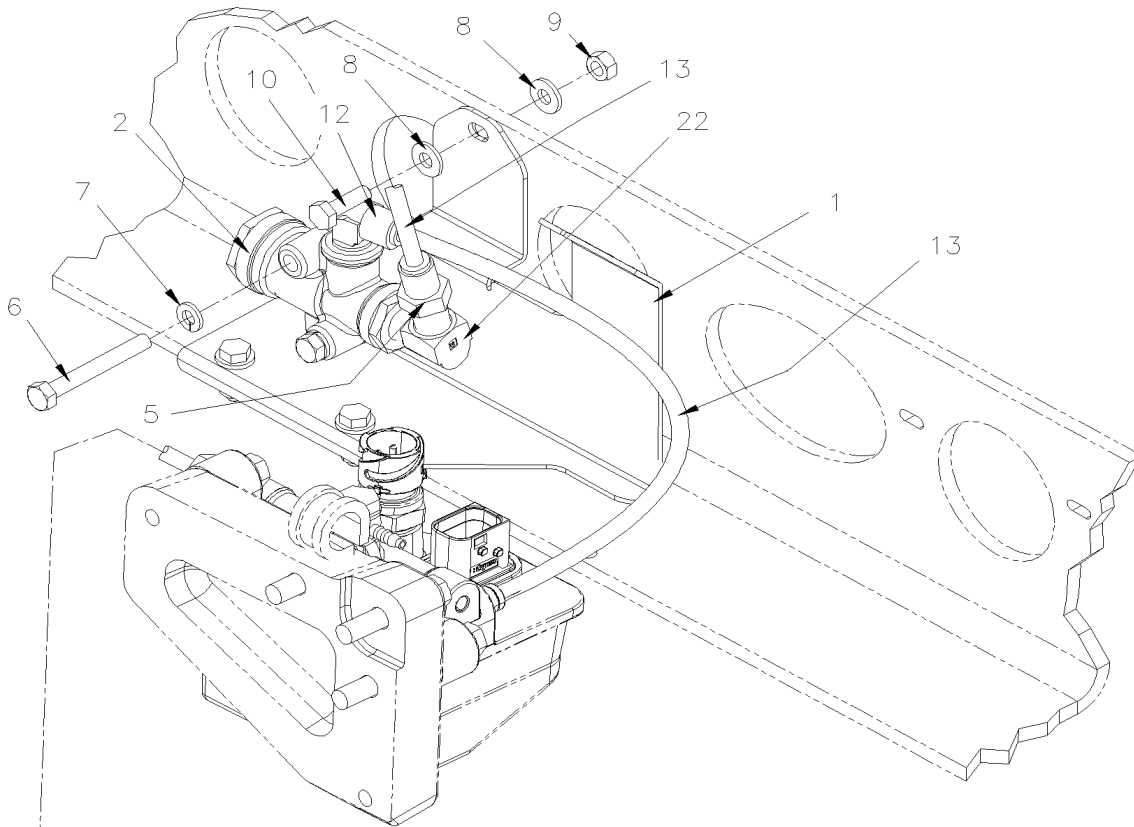


From E-5490 To H-6179

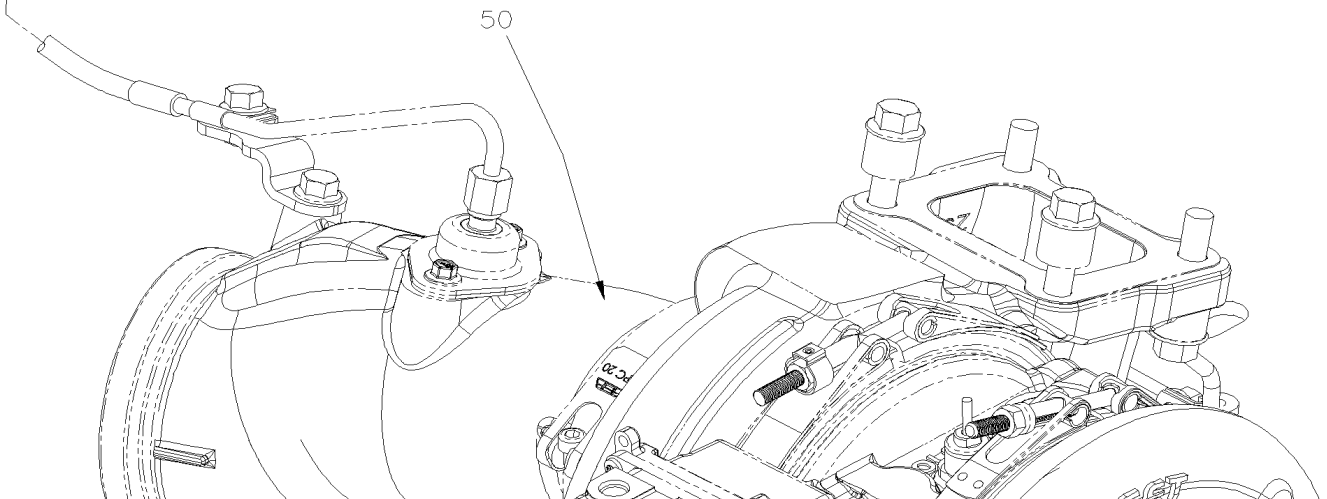
Date:07/2024

PAGE:X3VIP-0405-10

7TH INJECTOR / "AHI" / EXHAUST VOLVO D13



WITH "I-SHIFT" TRANSMISSION
&
WITH "WORLD" TRANSMISSION
WITHOUT RETARDER
FROM C-5233 UP TO E-5770



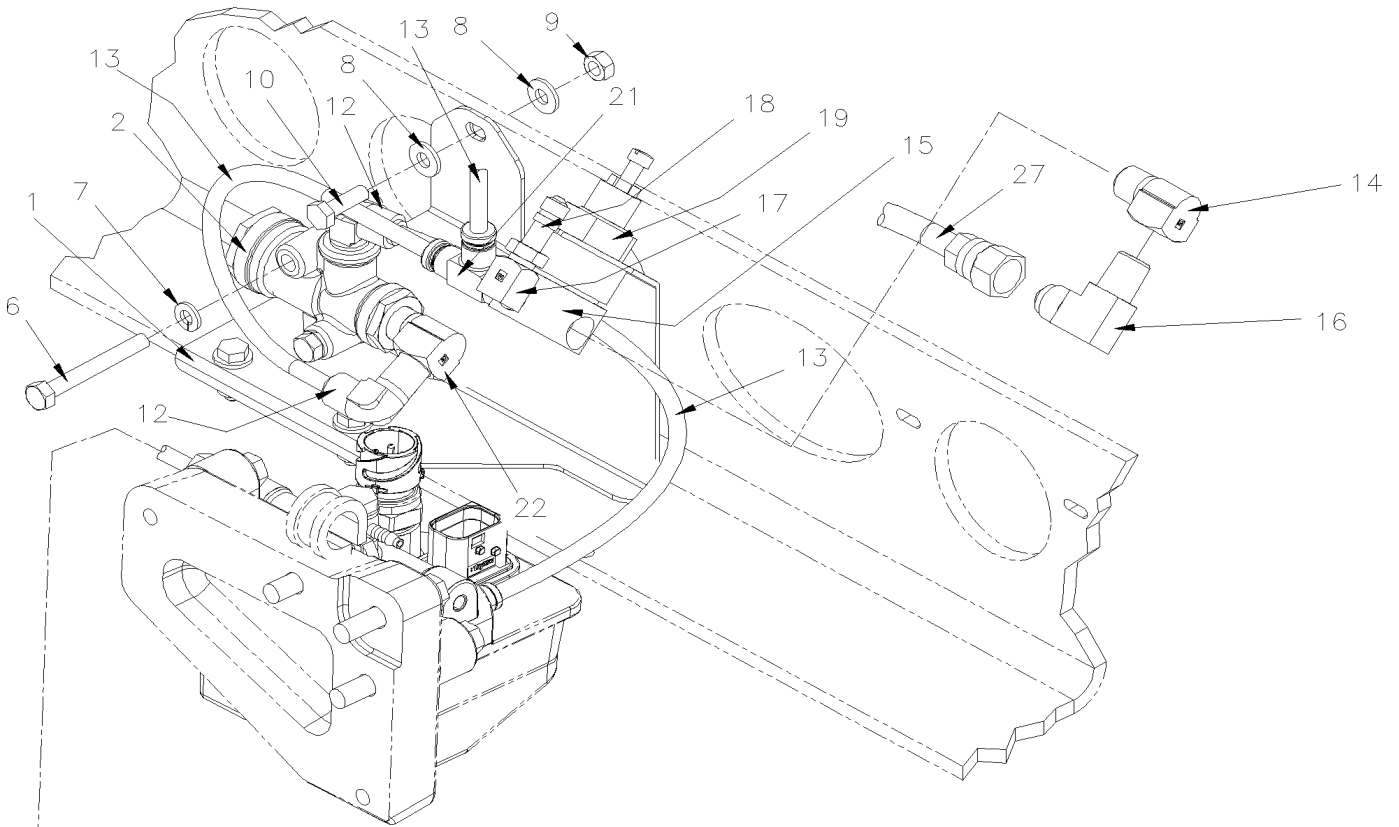


From E-5490 To H-6179

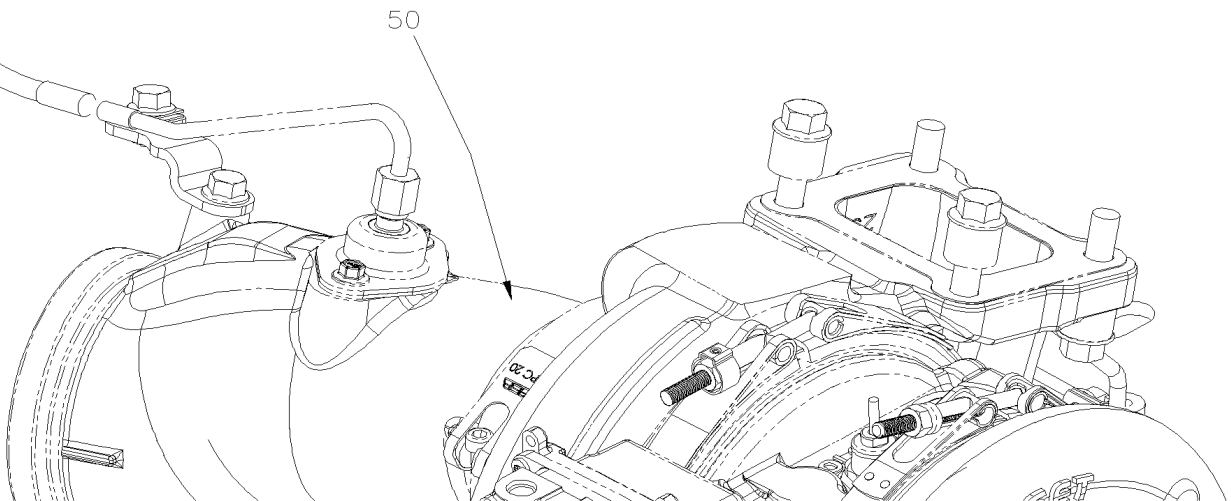
Date:07/2024

PAGE:X3VIP-0405-10

7TH INJECTOR / "AHI" / EXHAUST VOLVO D13



WITH "WORLD" TRANSMISSION
WITH RETARDER
UP TO F-5770



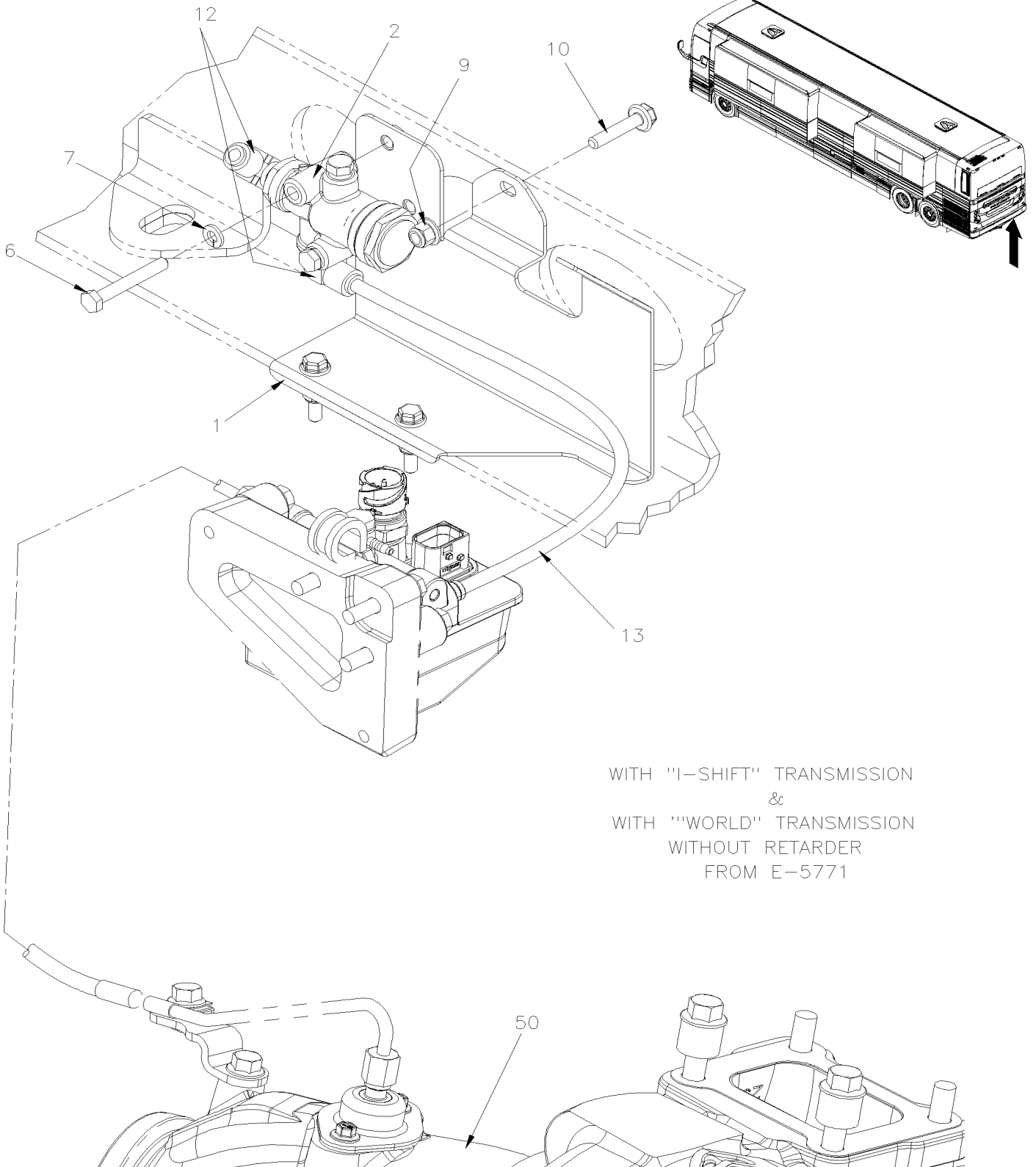


From E-5490 To H-6179

Date:07/2024

PAGE:X3VIP-0405-10

7TH INJECTOR / "AHI" / EXHAUST VOLVO D13



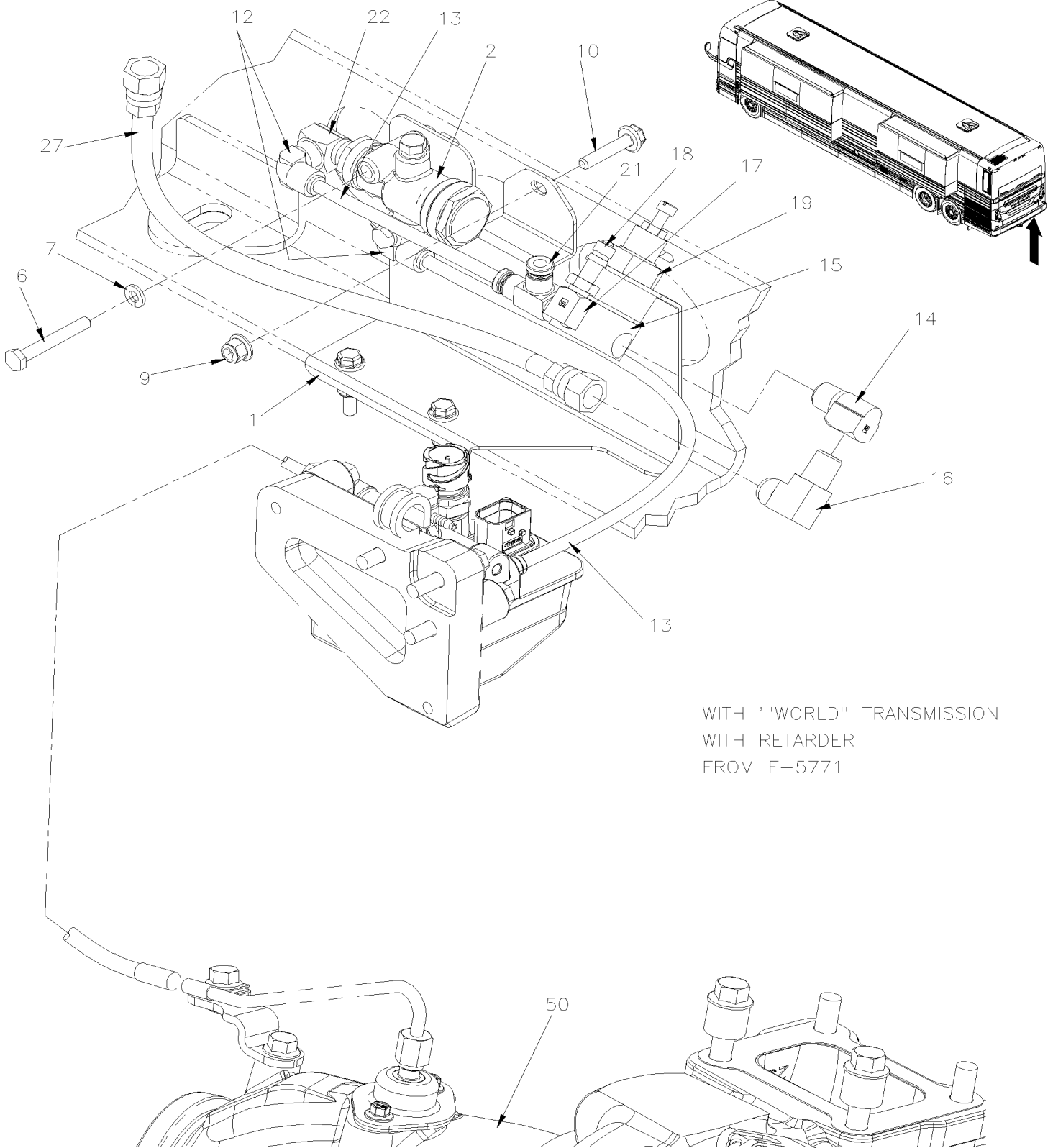


From E-5490 To H-6179

Date:07/2024

PAGE:X3VIP-0405-10

7TH INJECTOR / "AHI" / EXHAUST VOLVO D13





From E-5490 To H-6179	Date:07/2024	PAGE:X3VIP-0405-10
7TH INJECTOR / "AHI" / EXHAUST VOLVO D13		

Item#	Part	Description	X 3 V I P E N T	X 3 V I P M T H	N O T E S
	Call order desk	VALVE ASSY RV-3 W/SUPPORT To E-5770	1	1	PI
	Call order desk	VALVE ASSY RV-3 W/SUPPORT From E-5771	1	1	PI
	Call order desk	VALVE ASSY RV-3 W/SUPPORT To E-5770	1	1	PR
	143280P	VALVE ASSY RV-3 W/SUPPORT From E-5771	1	1	R
1	143243	SUPPORT VALVE To E-5770	1	1	
1	143278	SUPPORT VALVE From E-5771	1	1	
2	21243502	VALVE PRESSURE REDUCER RV-3 / K028993	1	1	
4	501027	MALE CONNECTOR / SAE 45° FITTING / #4FL-Mx1/4NPT-M BR	1	1	
5	641956	MALE RUN TEE SWIVEL / PUSH-IN FITTING / #4x#4x1/4NPT-M BR	1	1	I
6	502656	SCREW CAP HEX M6-1.0x50 SS	2	2	
7	502853	WASHER LO SPT 6.1x11.8x1.6 N500	2	2	
8	500877	WASHER FL .250x.562x.065 N500 To E-5651	6	6	
9	502860	NUT HEX STO M6-1.0 N500 To E-5651	3	3	
9	5001932	NUT HEXF NYRT M6-1.0 G8.8 N500 From E-5652	3	3	
10	502830	SCREW CAP HEX M6-1.0x20 G8.8 N500 To E-5651	3	3	
10	5001815	SCREW CAP HEXF M6-1.0x30 G 8.8 N500 From E-5652	3	3	
11	680098	THREAD SEALANT LOCTITE #567 / WHITE / 250ml	AR	AR	
12	641371	MALE ELBOW 90° NON-SWIVEL / PUSH-IN FITTING / #4x1/4NPT-M BR	1	1	
13	503402	TUBE, NYLON 1/4 O.D. / BLACK S.L.	AR	AR	
14	501332	STREET ELBOW 90° / PIPE FITTING / 1/4NPT-Mx1/4NPT-F BR	1	1	R
15	641472	AIR PRESSURE REGULATOR 1/4" NPT / COPPER	1	1	R
16	501695	MALE ELBOW 90° / JIC 37° FITTING / #6JIC-Mx1/4NPT-M STL	1	1	R
17	501331	STREET ELBOW 90° / PIPE FITTING / 1/8NPT-Mx1/8NPT-F BR	1	1	R
18	640488	VALVE, AIR FILL 1/8" NPT	1	1	R
. NS	650164	. CAP VALVE / CHROME	1	1	R
19	500734	NUT HEX JAM 3/4-16 Z050	1	1	R
21	641956	MALE RUN TEE SWIVEL / PUSH-IN FITTING / #4x#4x1/4NPT-M BR	1	1	R
22	501332	STREET ELBOW 90° / PIPE FITTING / 1/4NPT-Mx1/4NPT-F BR	1	1	
27	071658P	HOSE ASSY TEFLON #6 270MM To G-6069	1	1	
. NS	5011194	. FEMALE CONNECTOR SWIVEL / JIC 37° FITTING / TEFLON / #6JIC-Fx#6 STL To G-6069	2	2	
. NS	503065	. HOSE TEFLON #6 / S.L. To G-6069	AR	AR	
27	070052	HOSE ASSY TEFLON #6 270MM From G-6070	1	1	
. NS	5011194	. FEMALE CONNECTOR SWIVEL / JIC 37° FITTING / TEFLON / #6JIC-Fx#6 STL From G-6070	2	2	
. NS	503065	. HOSE TEFLON #6 / S.L. From G-6070	AR	AR	
28	143023	HOSE ASSY TEFLON #4 820MM	1	1	
29	5011304	FEMALE CONNECTOR / PIPE @ ORB / 1/4NPT-Fxm12-1.5 ORB-M	1	1	
30	501027	MALE CONNECTOR / SAE 45° FITTING / #4FL-Mx1/4NPT-M BR	1	1	
31	500574	SCREW MA TR PH #10-24x1 1/4 SS	3	3	
32	500470	WASHER LO SPT .193x.334x.047 Z050	3	3	
33	500786	NUT HEX #10-24 Z050	3	3	
34	500964	WASHER FL .203x.500x.047 Z050	3	3	
35	952625	CLAMP / 3/8" I.D.	1	1	



From E-5490 To H-6179	Date:07/2024	PAGE:X3VIP-0405-10
7TH INJECTOR / "AHI" / EXHAUST VOLVO D13		

Item#	Part	Description	X 3 V I P E N T	X 3 V I P M T H	N O T E S
NS	Call order desk	KIT RELOCATED VALVE RV-3	1	1	P
50	Refer To Volvo	SEE IMPACT OR CALL ORDER DESK			V
		I) TRANSMISSION WITHOUT RETARDER & TRANSMISSION "I-SHIFT"			
		R) TRANSMISSION WITH RETARDER			
		P) CALL ORDER DESK FOR SPECIFIC APPLICATION (V.I.N.)			
		V) SEE IMPACT OR CALL ORDER DESK			

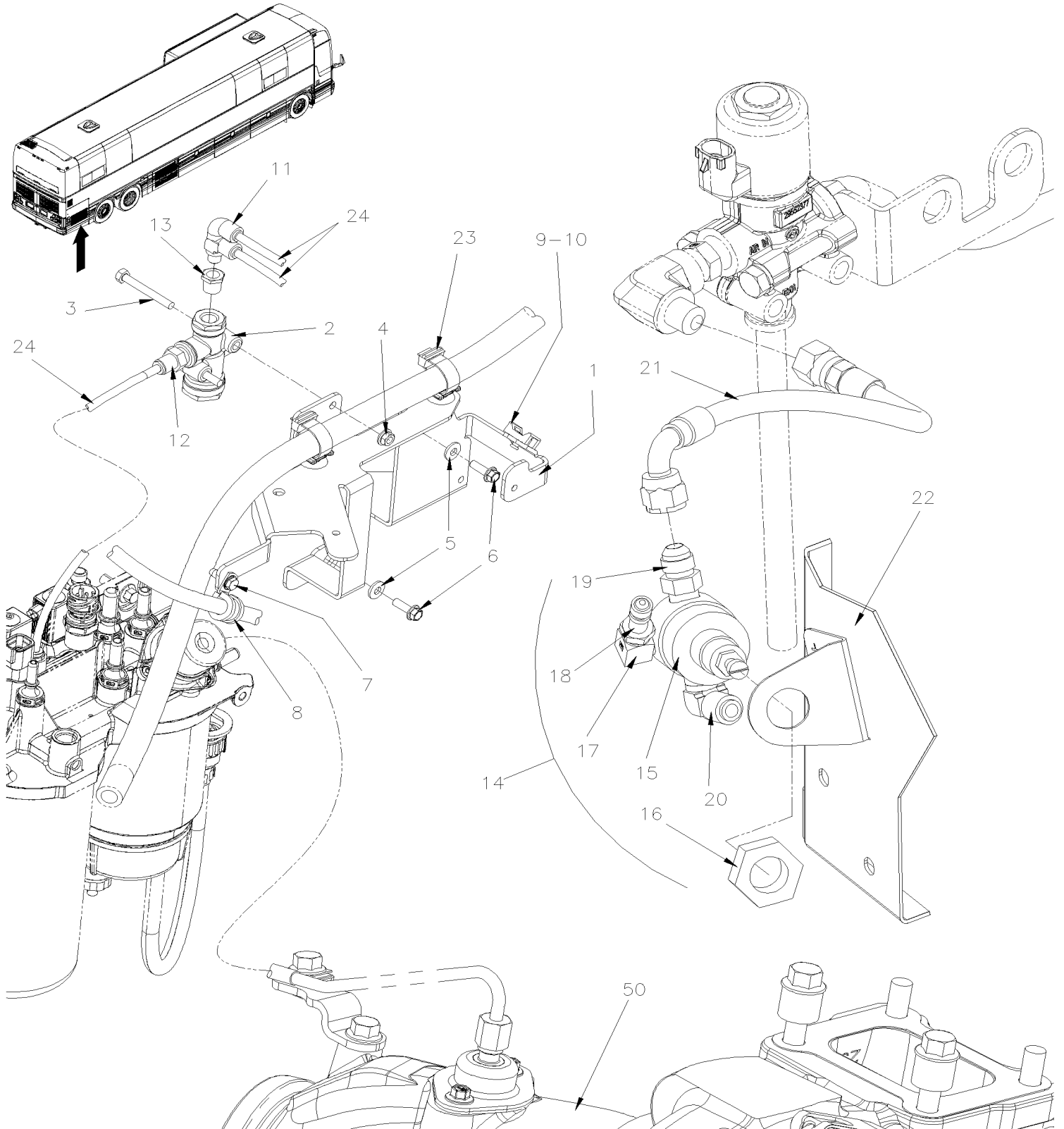


From H-6180

Date:07/2024

PAGE:X3VIP-0405-11

7TH INJECTOR / "AHI" / EXHAUST VOLVO D13 - GHG17



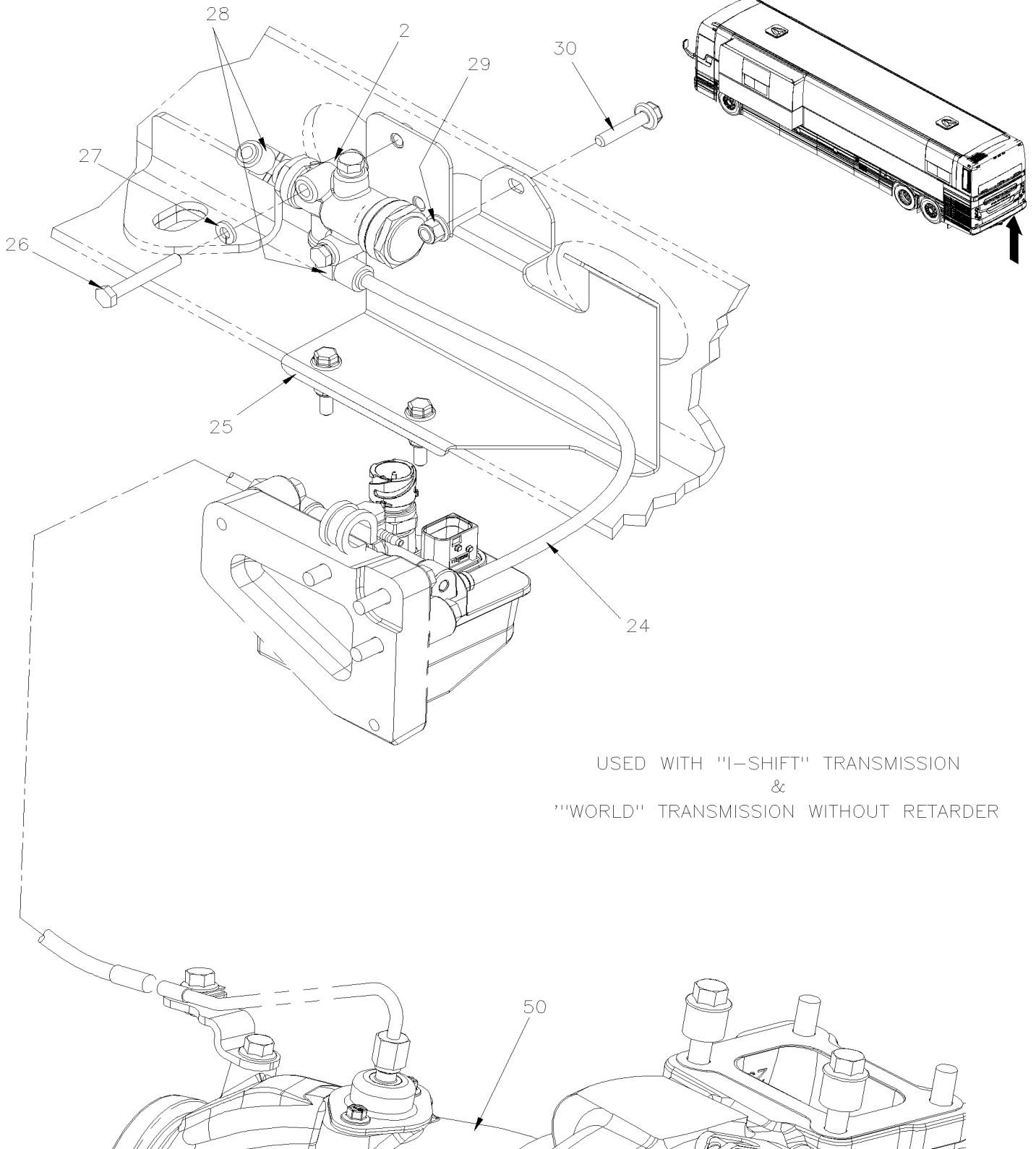


From H-6180

Date:07/2024

PAGE:X3VIP-0405-11

7TH INJECTOR / "AHI" / EXHAUST VOLVO D13 - GHG17





From H-6180		Date:07/2024	PAGE:X3VIP-0405-11
7TH INJECTOR / "AHI" / EXHAUST VOLVO D13 - GHG17			

Item#	Part	Description	X 3 V I P E N T	X 3 V I P M T H	N O T E S
	140047P	VALVE ASSY RV-3 W/SUPPORT	1	1	
1	010043	SUPPORT FUEL LINE	1	1	
2	21243502	VALVE PRESSURE REDUCER RV-3 / K028993	1	1	
3	5001923	SCREW CAP HEX M6-1.0x45 SS BK	2	2	
4	5001857	NUT HEXF M6-1.0 N500	2	2	
NS	680098	THREAD SEALANT LOCTITE #567 / WHITE / 250ml	AR	AR	
5	500321	WASHER BEL SPR .331x.827x.098 N500	3	3	
6	5001643	SCREW CAP HEXF M8-1.25x25 G8.8 G500	3	3	
NS	5001931	NUT HEXF NYRT M8-1.25 G8.8 N500	1	1	
7	502848	SCREW TC CAP HEXF 1/4-20x3/4 N500	1	1	
8	952627	CLAMP / 1/2" I.D.	1	1	
9	504488	RIVET MGLP PRDG 3/16x17/64 SS	1	1	
10	504013	TIE MOUNT / 1/4" X 1/4" I.D.	1	1	
11	642127	MALE ELBOW 90° SWIVEL DUAL PORT / PUSH-IN / #4x#4x1/8NPT-M BR	1	1	
12	641332	MALE CONNECTOR / PUSH-IN FITTING / #4x1/4NPT-M BR	1	1	
13	501312	BUSHING REDUCER / PIPE FITTING / 1/4NTP-Mx1/8NPT-F BR	1	1	
14	Call order desk	AIR REGULATOR TRANS. ALLISON / W / RETARDER	1	1	P W
15	641472	. AIR PRESSURE REGULATOR 1/4" NPT / COPPER	1	1	
16	500734	. NUT HEX JAM 3/4-16 Z050	1	1	
17	501331	. STREET ELBOW 90° / PIPE FITTING / 1/8NPT-Mx1/8NPT-F BR	1	1	
18	640488	. VALVE, AIR FILL 1/8" NPT	1	1	
. NS	650164	. . CAP VALVE / CHROME	1	1	
19	501687	. MALE CONNECTOR / JIC 37° FITTING / #6JIC-Mx1/4NPT-M STL	1	1	
NS	680098	. THREAD SEALANT LOCTITE #567 / WHITE / 250ml	AR	AR	
20	641371	. MALE ELBOW 90° NON-SWIVEL / PUSH-IN FITTING / #4x1/4NPT-M BR	1	1	
21	070059	HOSE ASSY TEFLON #6 364MM	1	1	W
. NS	503065	. HOSE TEFLON #6 / S.L.	AR	AR	W
. NS	5011193	. SLEEVE / #5 STL	2	2	W
. NS	5011194	. FEMALE CONNECTOR SWIVEL / JIC 37° FITTING / TEFLON / #6JIC-Fx#6 STL	1	1	W
. NS	5011195	. FEMALE ELBOW 90° SHORT DROP/ JIC 37° FITTING/ #6JIC-Fx#6 STL	1	1	W
22	060494	PANEL CONTROL, ELECTRIC BOX WELDED	1	1	
23	504750	CABLE TIE / 1/2" x 15" / CHRISTMAS TREE	2	2	
24	503402	TUBE, NYLON 1/4 O.D. / BLACK S.L.	AR	AR	
NS	507664	CABLE TIE / 3/16" 11" / DOUBLE LOOP HEAD	2	2	
25	143278	SUPPORT VALVE	1	1	
26	502843	SCREW CAP HEX M6-1.0x45 G8.8 N500	2	2	
27	502853	WASHER LO SPT 6.1x11.8x1.6 N500	2	2	
28	641371	MALE ELBOW 90° NON-SWIVEL / PUSH-IN FITTING / #4x1/4NPT-M BR	2	2	
29	5001932	NUT HEXF NYRT M6-1.0 G8.8 N500	1	1	
30	5001815	SCREW CAP HEXF M6-1.0x30 G 8.8 N500	1	1	
50	Refer To Volvo	SEE IMPACT OR CALL ORDER DESK	1	1	V
NS	504813	. CABLE TIE / BALL LOCKING / 5/16" x 26.8" SS	1	1	



From H-6180	Date:07/2024	PAGE:X3VIP-0405-11
7TH INJECTOR / "AHI" / EXHAUST VOLVO D13 - GHG17		

Item#	Part	Description	X 3 V I P E N T	X 3 V I P M T H	N O T E S
		W) WITH RETARDER ONLY			
		P) CALL ORDER DESK FOR SPECIFIC APPLICATION (V.I.N.)			
		V) SEE IMPACT OR CALL ORDER DESK			

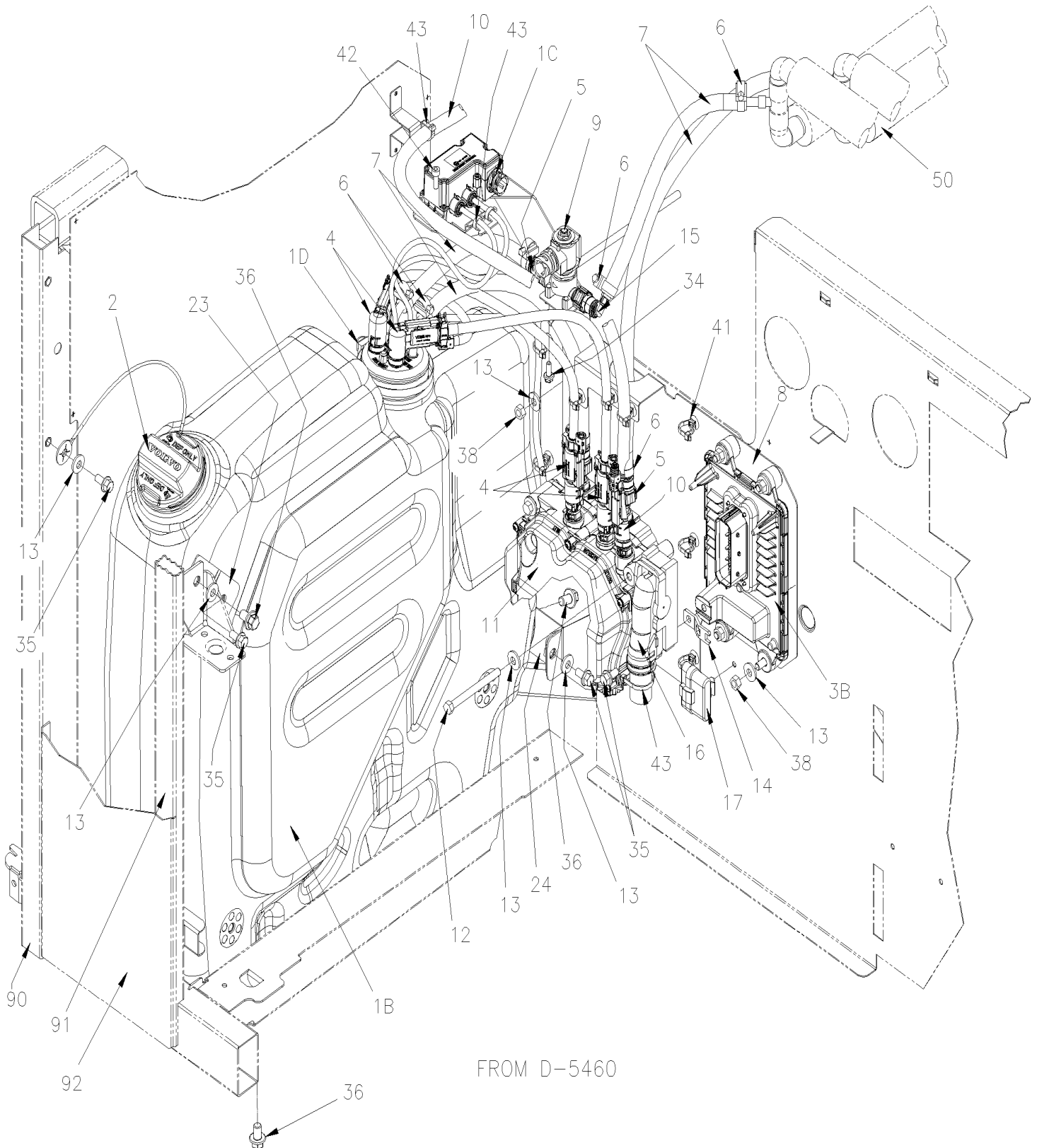


From E-5490 To E-5739

Date:07/2024

PAGE:X3VIP-0410-00

UREA RESERVOIR ASSY



FROM D-5460

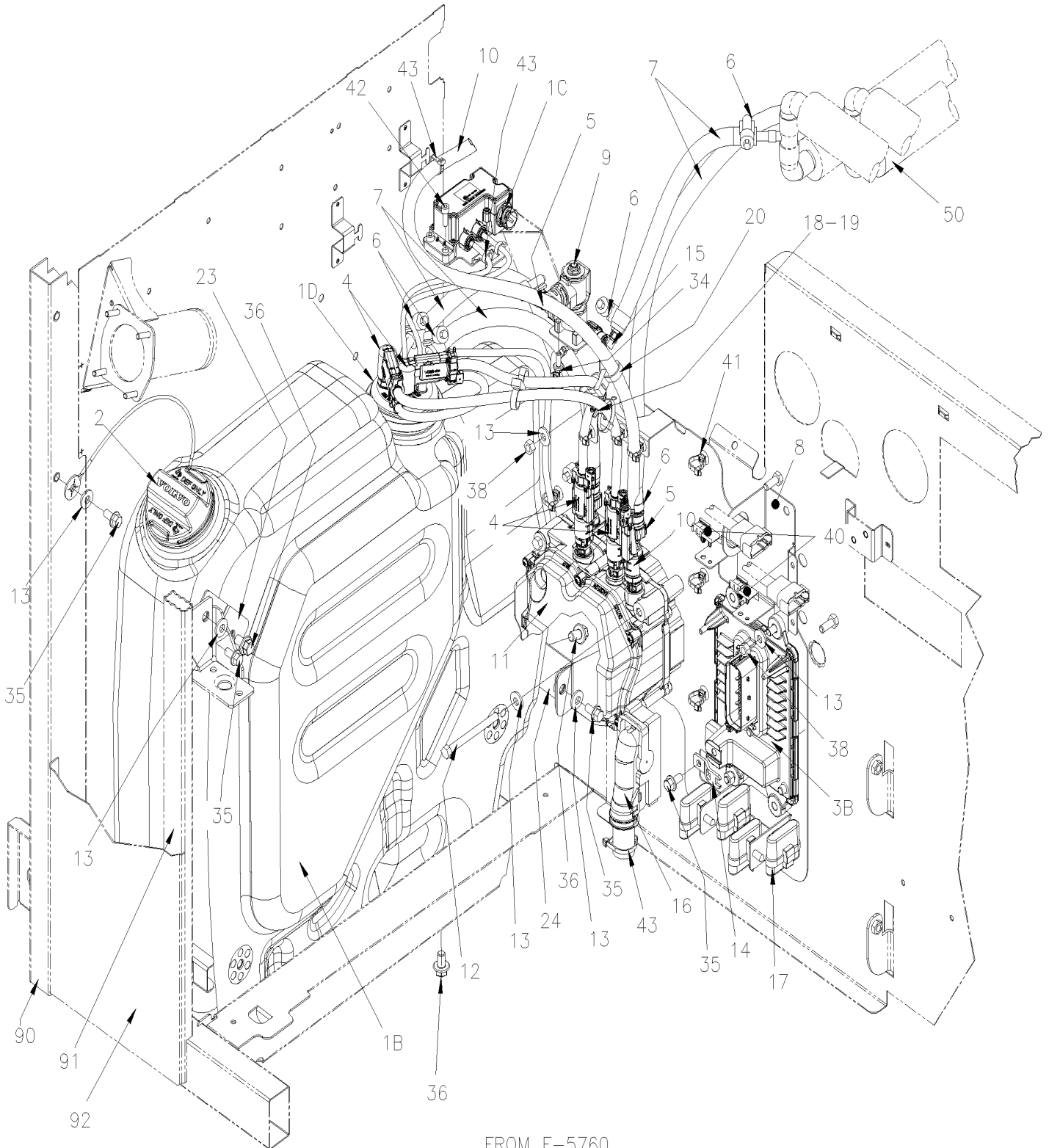


From E-5490 To E-5739

Date:07/2024

PAGE:X3VIP-0410-00

UREA RESERVOIR ASSY



FROM F-5760



From E-5490 To E-5739	Date:07/2024	PAGE:X3VIP-0410-00
------------------------------	---------------------	---------------------------

UREA RESERVOIR ASSY

Item#	Part	Description	X 3 V I P E N T	X 3 V I P M T H	N O T E S
1B	21967924	RESERVOIR UREA 60Liters	1	1	
1C	22073036	HEATER AND SENSOR	1	1	
1D	992091	HOSE CLAMP / 80MM/100MM	1	1	
NS	685328	UREA 2 GALLONS US	AR	AR	
NS	685329	UREA 55 GALLONS US	AR	AR	
NS	680753	UREA 1250 LITER SQ	AR	AR	
2	21148722	CAP FILLER UREA	1	1	
2	21148725	CAP FILLER UREA / WITH LOCK	1	1	
3B	21870087	UNIT CONTROL "ACM"	1	1	
4	040901	HOSE HEATER ASSY "H" STYLE	1	1	
. NS	540089	. CONNECTOR CLIP - 3/8"	3	3	
. NS	N8902118	. CONNECTOR CLIP - 5/16"	1	1	
NS	504751	ROTATIF SPACER DOUBLE / SMALL To E-5759	1	1	
NS	504637	CABLE TIE / 3/16" x 13" To E-5759	AR	AR	
NS	504768	CABLE TIE / 3/16" 14.7" / DOUBLE LOOP HEAD To E-5759	AR	AR	
5	20805109	QUICK CONECTOR 10MM	3	3	
6	992081	HOSE CLAMP / 12MM/22MM	8	8	
7	503806	HOSE SILICONE 1 PLY / NOMEX-ARAMID 3/8" I.D. x 100'	AR	AR	
8	040987	SUPPORT PUMP & UNIT CONTROL To E-5759	1	1	
8	041089	SUPPORT PUMP & UNIT CONTROL From F-5760	1	1	
9	21314741	SOLENOID VALVE	1	1	
10	040949	HOSE HEATER ASSY 5775MM	1	1	
. NS	N8902118	. CONNECTOR CLIP - 5/16"	2	2	
10	IS14152	UREA HOSE REPLACEMENT 6MM TO 4MM FIRST REPLACMENT	1	1	
. NS	041123	. HOSE HEATER ASSY 6200MM	1	1	
. . NS	N8902118	. . CONNECTOR CLIP - 5/16"	2	2	
. NS	502638	. WASHER FL .312x.734x.065 N500	5	5	
. NS	504534	. GROMMET / .875x1.250x.187x.562x1.625	2	2	
. NS	504610	. RIVET MGLP PRDG 1/4x5/8 SS	5	5	
. NS	504637	. CABLE TIE / 3/16" x 13"	10	10	
. NS	506205	. PIPE INSULATING / 5/8" I.D. X 1/2" TH. X 72 / SPLIT ADHESIVE	2	2	
. NS	507383	. TIE MOUNT HOLE 3/8"	5	5	
. NS	507664	. CABLE TIE / 3/16" 11" / DOUBLE LOOP HEAD	10	10	
. NS	5001113	. NUT HEX JAM NYRT 5/16-18	5	5	
. NS	N32553	. SCREW CAP HEX 5/16-18x3/4 FT SS	5	5	
. NS	IS-14152	. SEE INSTRUCTION SHEET	1	1	
NS	506205	PIPE INSULATING / 5/8" I.D. X 1/2" TH. X 72 / SPLIT ADHESIVE	AR	AR	
NS	957022	TAPE ELASTOMERIC 1/8" X 2" X 30"	AR	AR	
NS	504637	CABLE TIE / 3/16" x 13"	AR	AR	
NS	509815	TIE MOUNT / ATTACHMENT W/TREE MOUNT	AR	AR	
11	21576178	PUMP ASSY UREA TB-129684310-1	1	1	
12	5001186	SCREW CAP HEX M8-1.25x90 SS BK	3	3	



From E-5490 To E-5739	Date:07/2024	PAGE:X3VIP-0410-00
UREA RESERVOIR ASSY		

Item#	Part	Description	X 3 V I P E N T	X 3 V I P M T H	N O T E S
13	500321	WASHER BEL SPR .331x.827x.098 N500	11	11	
14	040974	PLATE / ATTACHMENT CABLE	1	1	
15	20805110	QUICK CONNECTOR 90° 10MM	2	2	
16	068466	WIRING HARNESS / UREA SYSTEM To F-5738	1	1	
16	068977	WIRING HARNESS / UREA SYSTEM From F-5739	1	1	
17	564542	TREE MOUNT CLIP FOR PED CONNECTOR	1	1	
18	504751	ROTATIF SPACER DOUBLE / SMALL From F-5760	1	1	
19	504637	CABLE TIE / 3/16" x 13" From F-5760	AR	AR	
20	504768	CABLE TIE / 3/16" 14.7" / DOUBLE LOOP HEAD From F-5760	AR	AR	
23	040934	SUPPORT RESERVOIR UREA / OFFSET	1	1	
24	040933	SUPPORT RESERVOIR UREA	1	1	
34	5001730	SCREW CAP HEXF M6-1.0x16 G10.9 N500	2	2	
35	5001780	SCREW CAP HEXF M8-1.25x16 G8.8 N500	4	4	
36	5001729	SCREW CAP HEXF M10-1.5x16 G8.8 N500	7	7	
38	502851	NUT HEX M8-1.25 N500	5	5	
40	564108	SELF MOUNTING STUD // DEUTSCH 1011-310-0205 From F-5760	2	2	
41	8631155	CABLE TIE / 4.6MM x 200 / CHRISTMAS TREE	AR	AR	
41	504016	CABLE TIE / 5/16" X 14"1/2 From E-5739	AR	AR	
42	5001648	SCREW CAP HEXS M6-1.0x18 SS BK	4	4	
43	504637	CABLE TIE / 3/16" x 13"	AR	AR	
50	X3VIP-2210-10	WATER PUMP - INSTALLATION			
90	221802	POST ASSY FORWARD FENDER To E-5525	1	1	
. NS	217130	. CATCH FENDER LOWER To E-5525	1	1	
. NS	213938	. SHAFT To E-5525	1	1	
. NS	5001692	. NUT INS FL HEX M8-1.25 0.5-3.0 SS To E-5525	1	1	
. NS	5001344	. NUT INS FL HEX M6-1.0 0.5-3.0 SS To E-5525	2	2	
90	221888	POST ASSY FORWARD FENDER From E-5526	1	1	
. NS	217130	. CATCH FENDER LOWER From E-5526	1	1	
. NS	221887	. POST From E-5526	1	1	
. NS	218654	. SHAFT From E-5526	1	1	
91	223954	POST ASSY FORWARD FUEL DOOR ASSY W/REINFORCMENT PANEL	1	1	
. NS	216798	. PANEL REINFORCMENT LOWER FUEL DOOR 249MM x 600MM	1	1	
. NS	223940	. POST ASSY FORWARD FUEL DOOR ASSY	1	1	
. . NS	216797	. . STOPPER CONDENSOR DOOR	2	2	
. . NS	223937	. . BRACKET LATCH COND DOOR	1	1	
. . NS	477296	. . ATTACHMENT SPRING DOOR	1	1	
. . NS	502659	. . NUT WD RND M6-1.0 SS	2	2	
92	216798	. PANEL REINFORCMENT LOWER FUEL DOOR 249MM x 600MM	1	1	

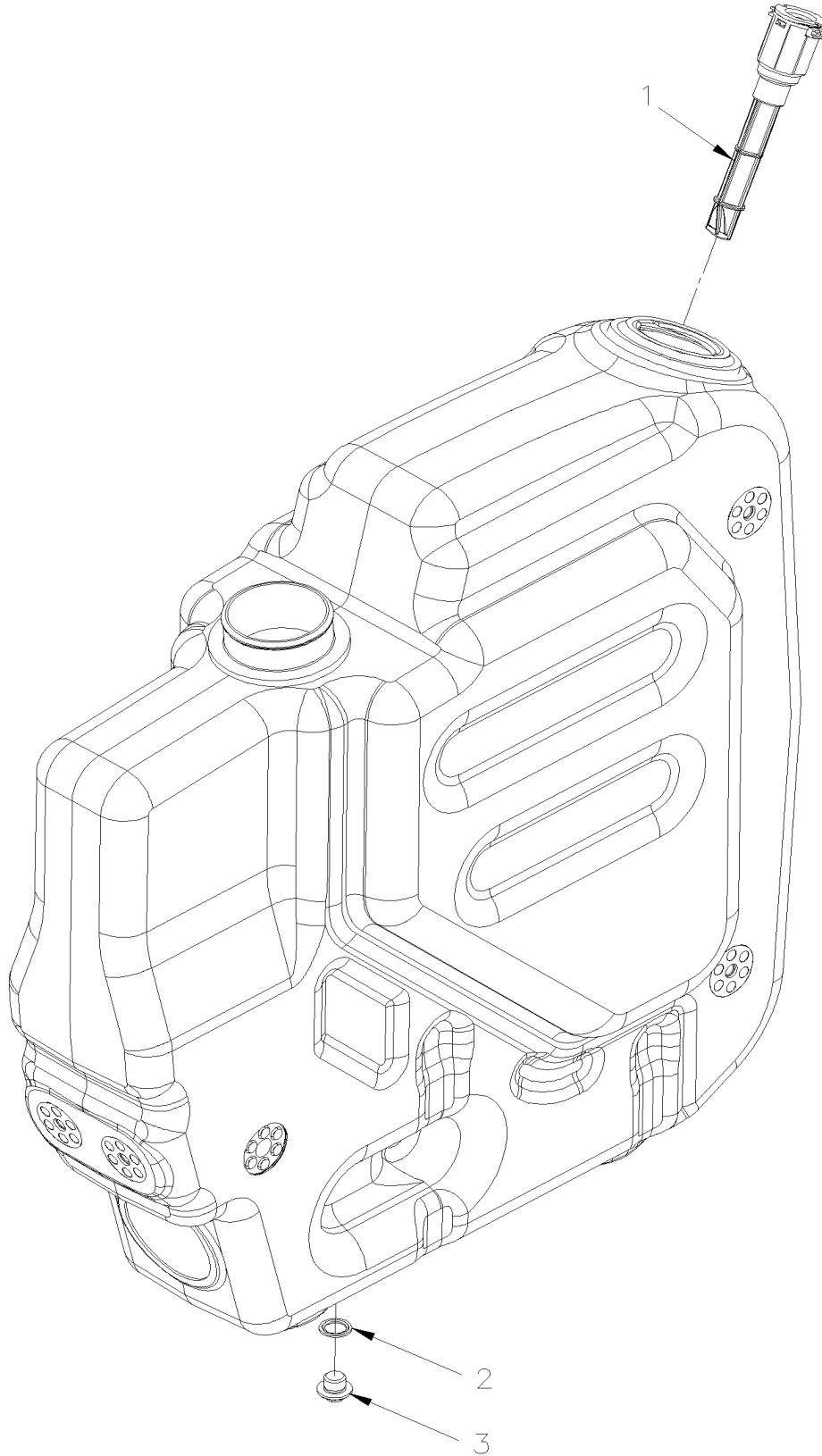


From E-5490 To E-5739

Date:07/2024

PAGE:21967924

RESERVOIR UREA 60Liters





From E-5490 To E-5739	Date:07/2024	PAGE:21967924
RESERVOIR UREA 60Liters		

Item#	Part	Description	X 3 V I P E N T	X 3 V I P M T H	N O T E S
		RESERVOIR UREA	1	1	
1	82269261	. FILTER	1	1	
2	982724	. GASKET M16x6	1	1	
3	20562668	. DRAIN PLUG	1	1	

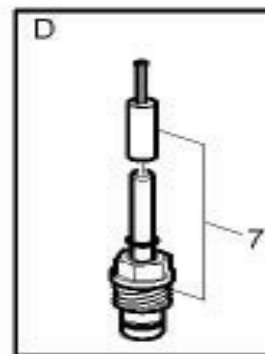
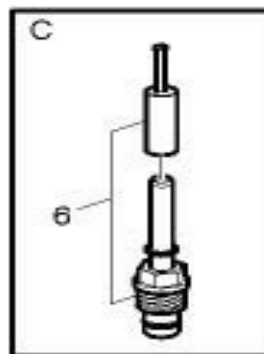
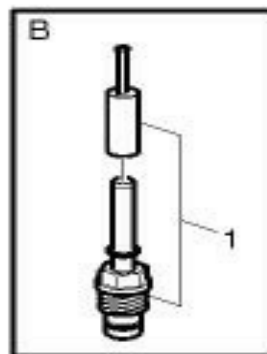
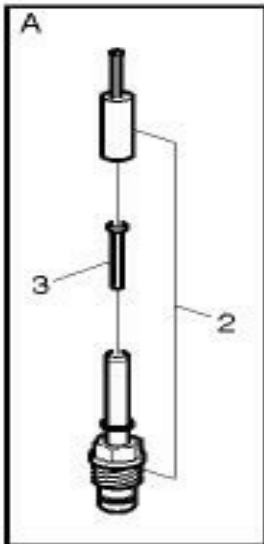
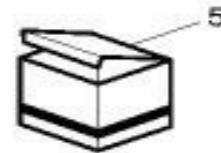
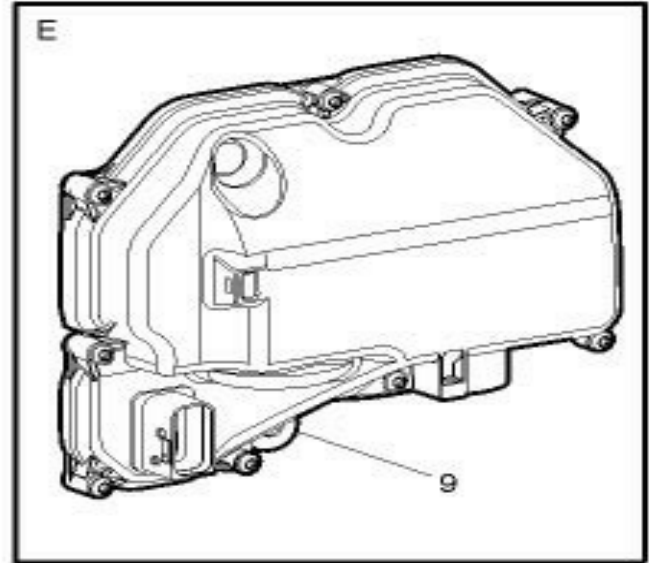
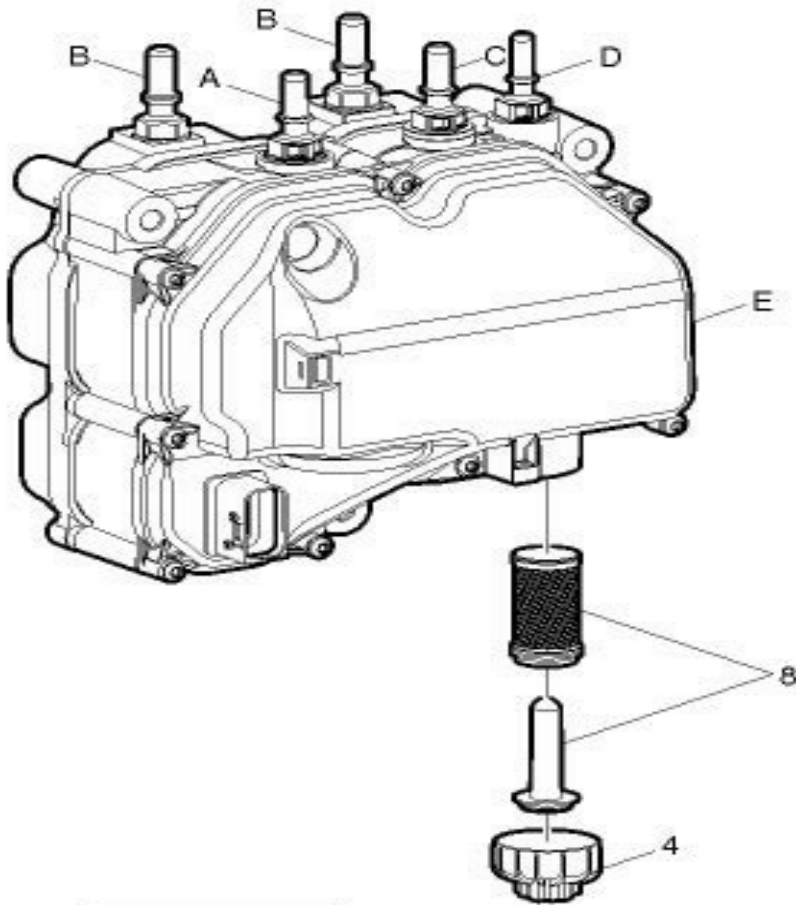


From E-5490 To E-5739

Date:07/2024

PAGE:21576178

PUMP ASSY UREA TB-129684310-1





From E-5490 To E-5739	Date:07/2024	PAGE:21576178
PUMP ASSY UREA TB-129684310-1		

Item#	Part	Description	X 3 V I P E N T	X 3 V I P M T H	N O T E S
1	21376749	CONNECTOR / HEATER	2	2	
2	21376721	CONNECTOR / INLET	1	1	
3	21954674	. STRAINER	1	1	
4	21376707	FILTER CAP	1	1	
5	21376772	CAP PLUG	1	1	
6	21376746	CONNECTEUR / BACKFLOW	1	1	
7	21376731	CONNECTEUR / OUTLET	1	1	
8	21516229	FILTER	1	1	
9	21378032	COVER	1	1	

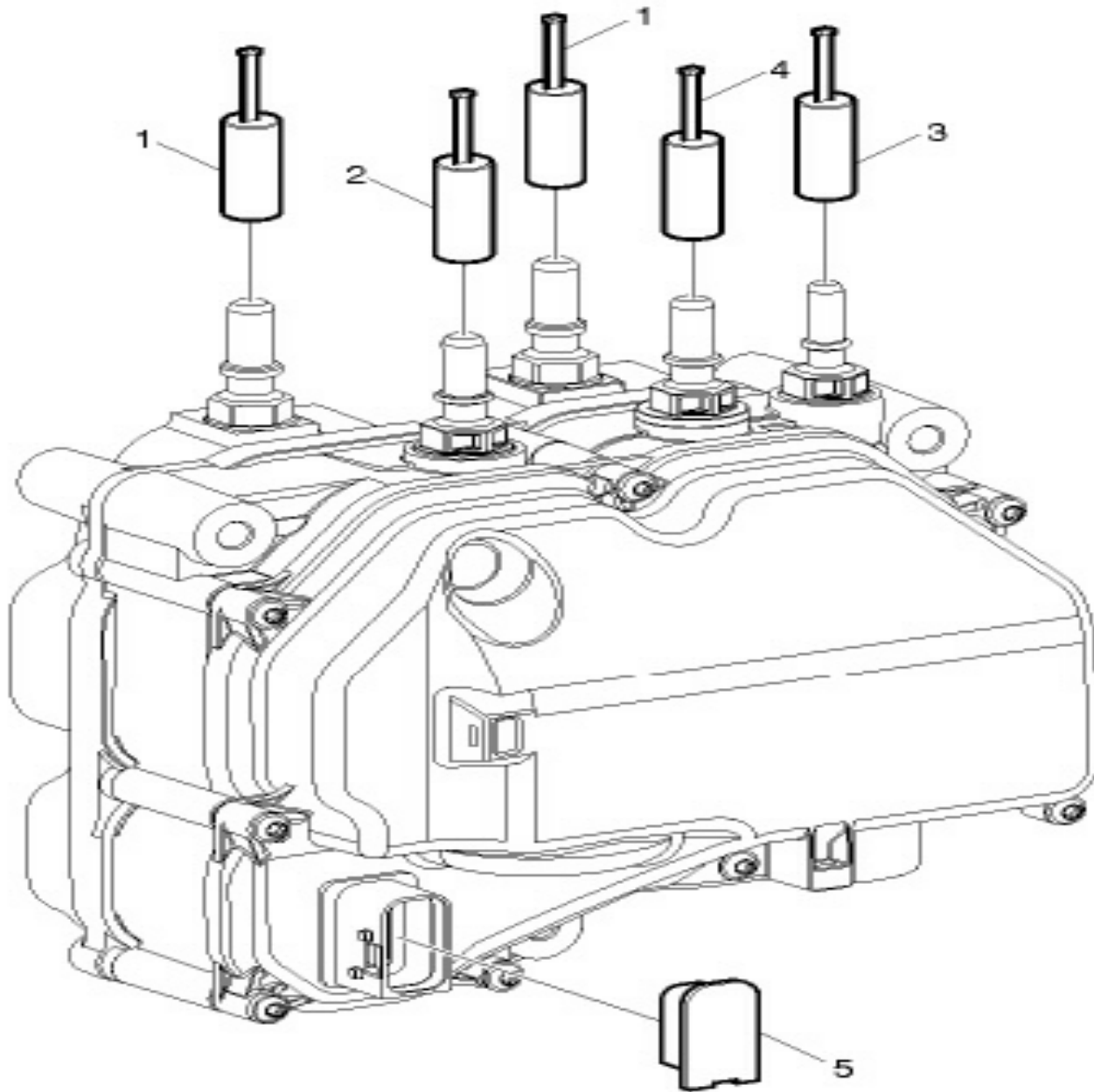


From E-5490 To E-5739

Date:07/2024

PAGE:21376772

CAP PLUG





From E-5490 To E-5739	Date:07/2024	PAGE:21376772
-----------------------	--------------	---------------

CAP PLUG

Item#	Part	Description	X 3 V I P E N T	X 3 V I P M T H	N O T E S
1	N.S.S.	COOLANT	1	1	1
2	N.S.S.	INLET	1	1	1
3	N.S.S.	BACKFLOW	1	1	1
4	N.S.S.	OUTLET	1	1	1
5	N.S.S.	ELECTRICAL	1	1	1
		1) NOT SOLD SEPARATELY			

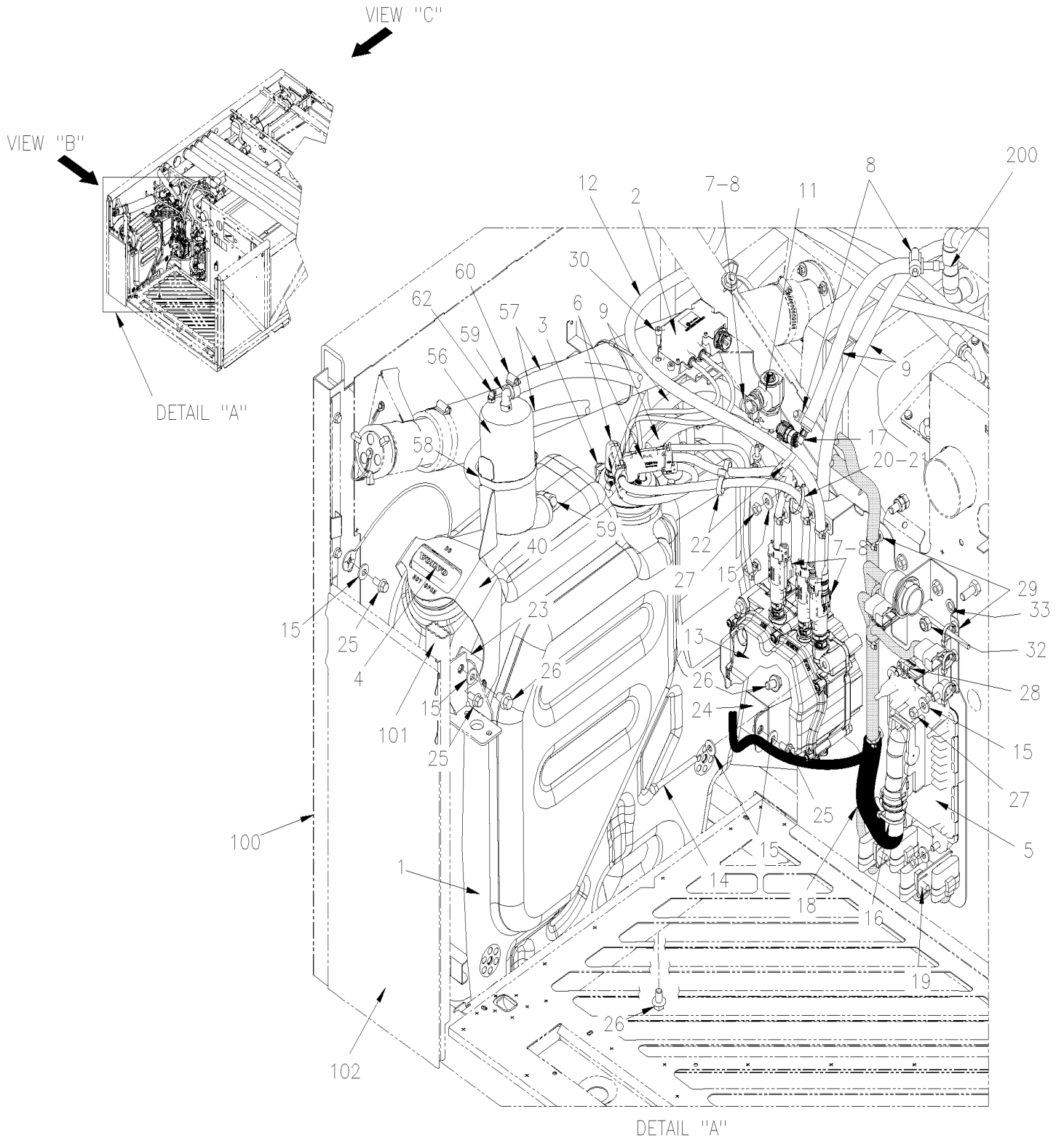


From F-5740

Date:07/2024

PAGE:X3VIP-0410-01

UREA RESERVOIR ASSY



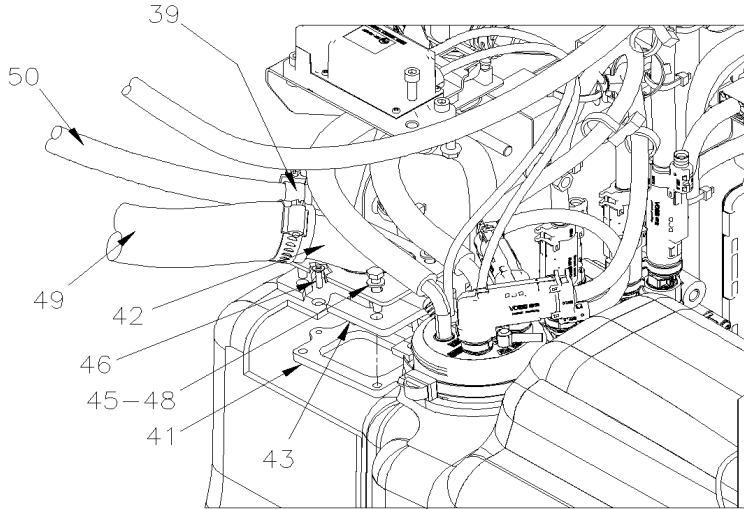


From F-5740

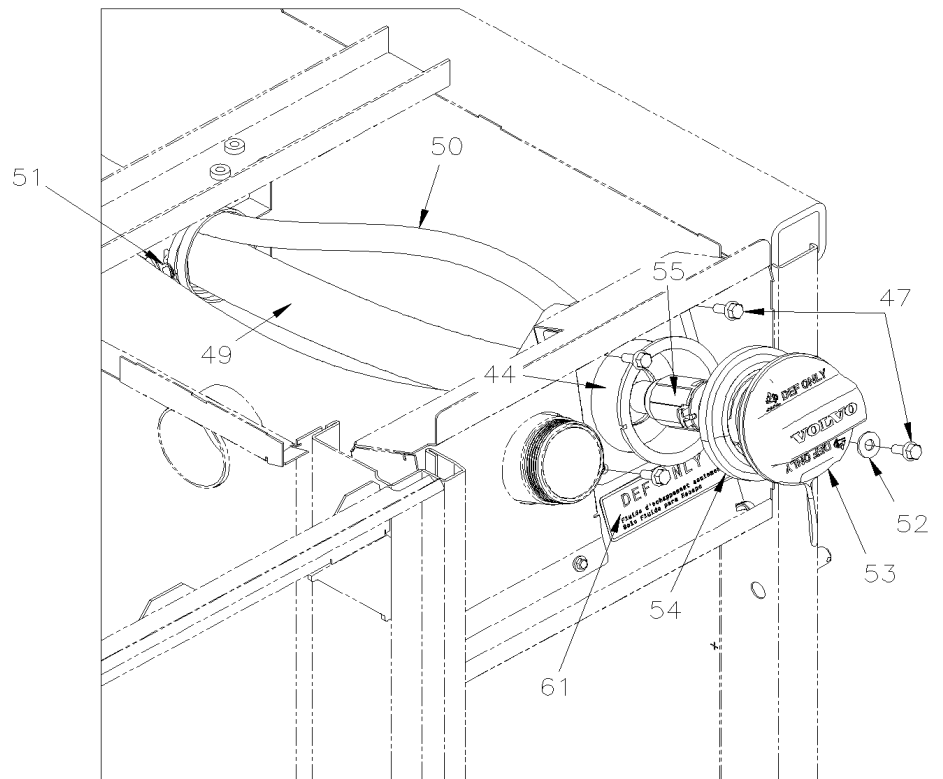
Date:07/2024

PAGE:X3VIP-0410-01

UREA RESERVOIR ASSY



VIEW "B"



VIEW "C"



From F-5740		Date:07/2024	PAGE:X3VIP-0410-01
UREA RESERVOIR ASSY			

Item#	Part	Description	X 3 V I P E N T	X 3 V I P M T H	N O T E S
1	033974	RESERVOIR, UREA 60Liters To M-6663	1	1	
1	030208	RESERVOIR, UREA 60Liters From M-6664 To N-6738	1	1	
1	030295	RESERVOIR, UREA 60Liters From N-6739	1	1	
NS	685328	UREA 2 GALLONS US	AR	AR	
NS	685329	UREA 55 GALLONS US	AR	AR	
NS	680753	UREA 1250 LITER SQ	AR	AR	
2	22073036	HEATER AND SENSOR To F-5910	1	1	
2	22560276	HEATER AND SENSOR From F-5911 To J-6228	1	1	
. NS	22406383	. FILTER KIT From F-5911 To J-6228	1	1	
2	22997058	HEATER AND SENSOR From J-6229 To N-6682	1	1	
. NS	22406383	. FILTER KIT From J-6229 To N-6682	1	1	
2	23635292	HEATER AND SENSOR From N-6683 To N-6738	1	1	
. NS	22406383	. FILTER KIT From N-6683 To N-6738	1	1	
2	24076036	HEATER AND SENSOR From N-6739	1	1	
3	992091	HOSE CLAMP / 80MM/100MM To N-6723	1	1	
3	504145	HOSE CLAMP / 80-100MM C.T. From N-6724	1	1	
4	21148722	CAP FILLER UREA	1	1	
4	21148725	CAP FILLER UREA / WITH LOCK	1	1	
NS	504751	ROTATIF SPACER DOUBLE / SMALL	1	1	
NS	504637	CABLE TIE / 3/16" x 13"	AR	AR	
NS	504768	CABLE TIE / 3/16" 14.7" / DOUBLE LOOP HEAD	AR	AR	
5	21870087	UNIT CONTROL "ACM" To G-5972	1	1	
5	22449432	UNIT CONTROL "ACM" From G-5973 To K-6439	1	1	
5	23252913	UNIT CONTROL "ACM" From K-6440	1	1	
6	040901	HOSE HEATER ASSY "H" STYLE	1	1	
. NS	540089	. CONNECTOR CLIP - 3/8"	3	3	
. NS	N8902118	. CONNECTOR CLIP - 5/16"	1	1	
NS	507664	CABLE TIE / 3/16" 11" / DOUBLE LOOP HEAD From N-6739	4	4	
7	20805109	QUICK CONECTOR 10MM	3	3	
8	992081	HOSE CLAMP / 12MM/22MM	8	8	
9	503806	HOSE SILICONE 1 PLY / NOMEX-ARAMID 3/8" I.D. x 100' To F-5759	AR	AR	
9	503821	HOSE SILICONE 4 PLY / NOMEX-ARAMID 3/8" x 144" From F-5760	AR	AR	
9	8631155	CABLE TIE / 4.6MM x 200 / CHRISTMAS TREE	2	2	
9	504768	CABLE TIE / 3/16" 14.7" / DOUBLE LOOP HEAD	1	1	
10	041089	SUPPORT PUMP & UNIT CONTROL To F-5874	1	1	
10	041140	SUPPORT PUMP & UNIT CONTROL From F-5875 To H-6096	1	1	
10	041032	SUPPORT PUMP & UNIT CONTROL From H-6097	1	1	
11	21314741	SOLENOID VALVE	1	1	
11	5001730	SCREW CAP HEXF M6-1.0x16 G10.9 N500	2	2	
12	040949	HOSE HEATER ASSY 5775MM To F-5874	1	1	
. NS	N8902118	. CONNECTOR CLIP - 5/16" To F-5874	2	2	
12	041123	HOSE HEATER ASSY 6200MM From F-5875	1	1	



From F-5740		Date:07/2024	PAGE:X3VIP-0410-01
UREA RESERVOIR ASSY			

Item#	Part	Description	X 3 V I P E N T	X 3 V I P M T H	N O T E S
. NS	N8902118	. CONNECTOR CLIP - 5/16" From F-5875	2	2	
12	IS14152	UREA HOSE REPLACEMENT 6MM TO 4MM FIRST REPLACEMENT To G-5924	1	1	
. NS	041123	. HOSE HEATER ASSY 6200MM To G-5924	1	1	
. . NS	N8902118	. . CONNECTOR CLIP - 5/16" To G-5924	2	2	
. NS	502638	. WASHER FL .312x.734x.065 N500 To G-5924	5	5	
. NS	504534	. GROMMET / .875x1.250x.187x.562x1.625 To G-5924	2	2	
. NS	504610	. RIVET MGLP PRDG 1/4x5/8 SS To G-5924	5	5	
. NS	504637	. CABLE TIE / 3/16" x 13" To G-5924	10	10	
. NS	506205	. PIPE INSULATING / 5/8" I.D. X 1/2" TH. X 72 / SPLIT ADHESIVE To G-5924	2	2	
. NS	507383	. TIE MOUNT HOLE 3/8" To G-5924	5	5	
. NS	507664	. CABLE TIE / 3/16" 11" / DOUBLE LOOP HEAD To G-5924	10	10	
. NS	5001113	. NUT HEX JAM NYRT 5/16-18 To G-5924	5	5	
. NS	N32553	. SCREW CAP HEX 5/16-18x3/4 FT SS To G-5924	5	5	
. NS	IS-14152	. SEE INSTRUCTION SHEET To G-5924	1	1	
NS	506205	PIPE INSULATING / 5/8" I.D. X 1/2" TH. X 72 / SPLIT ADHESIVE	AR	AR	
NS	957022	TAPE ELASTOMERIC 1/8" X 2" X 30"	AR	AR	
NS	504637	CABLE TIE / 3/16" x 13"	AR	AR	
NS	509815	TIE MOUNT / ATTACHMENT W/TREE MOUNT	AR	AR	
13	21576178	PUMP ASSY UREA TB-129684310-1 To N-6689	1	1	
13	23753841	PUMP ASSY UREA From N-6690 To R-4067	1	1	
13	24169188	PUMP UNIT UREA DOSING SYSTEM From R-4040 To R-4040	1	1	
13	24169188	PUMP UNIT UREA DOSING SYSTEM From R-4068	1	1	
14	5001186	SCREW CAP HEX M8-1.25x90 SS BK	3	3	
15	500321	WASHER BEL SPR .331x.827x.098 N500	11	11	
16	040974	PLATE / ATTACHMENT CABLE	1	1	
16	5001780	SCREW CAP HEXF M8-1.25x16 G8.8 N500	1	1	
16	504637	CABLE TIE / 3/16" x 13"	1	1	
17	20805110	QUICK CONNECTOR 90° 10MM	2	2	
18	068977	WIRING HARNESS / UREA SYSTEM To H-6093	1	1	
18	069201	WIRING HARNESS / UREA SYSTEM From H-6094 To H-6096	1	1	
18	069569	WIRING HARNESS / UREA SYSTEM From H-6097 To H-6179	1	1	
18	069480	WIRING HARNESS / UREA SYSTEM From H-6145 To H-6175	1	1	
18	060568	WIRING HARNESS / UREA SYSTEM From H-6180 To K-6439	1	1	
18	0610026	WIRING HARNESS / UREA SYSTEM From K-6440 To K-6491	1	1	
18	069984	WIRING HARNESS / UREA SYSTEM From L-6492 To L-6610	1	1	
18	0611012	WIRING HARNESS / UREA SYSTEM From L-6611 To N-6738	1	1	
18	0610591	WIRING HARNESS / UREA SYSTEM From N-6739	1	1	
19	564542	TREE MOUNT CLIP FOR PED CONNECTOR	4	4	
20	504751	ROTATIF SPACER DOUBLE / SMALL	1	1	
21	504637	CABLE TIE / 3/16" x 13"	AR	AR	
22	504768	CABLE TIE / 3/16" 14.7" / DOUBLE LOOP HEAD	AR	AR	
23	040934	SUPPORT RESERVOIR UREA / OFFSET	1	1	



From F-5740		Date:07/2024	PAGE:X3VIP-0410-01
UREA RESERVOIR ASSY			

Item#	Part	Description	X 3 V I P E N T	X 3 V I P M T H	N O T E S
24	040933	SUPPORT RESERVOIR UREA	1	1	
25	5001780	SCREW CAP HEXF M8-1.25x16 G8.8 N500	3	3	
26	5001729	SCREW CAP HEXF M10-1.5x16 G8.8 N500	8	8	
27	502851	NUT HEX M8-1.25 N500	5	5	
28	564108	SELF MOUNTING STUD // DEUTSCH 1011-310-0205	2	2	
29	504016	CABLE TIE / 5/16" X 14"1/2	AR	AR	
30	5001648	SCREW CAP HEXS M6-1.0x18 SS BK To N-6738	4	4	
NS	504637	CABLE TIE / 3/16" x 13"	AR	AR	
32	5002028	NUT HEX NYRT M10-1.5 SS From L-6492	2	2	
33	5001935	WASHER FL 10.5x18.0x1.6 SS From L-6492	2	2	
39	504019	HOSE CLAMP / 9/16"-1"1/16 SS / HS-10 To K-6394	1	1	
39	5046100	HOSE CLAMP EAR / 22.4-25.6 / 16700031 From K-6395	1	1	
40	033976	LOCK, UREA FILLER CAP	1	1	
41	033968	RETAINING PLATE To M-6663	1	1	
41	030206	RETAINING PLATE From M-6664	1	1	
42	033969	FILLER NECK To M-6663	1	1	
42	030202	FILLER NECK From M-6664 To P-6849	1	1	
42	030307	FILLER NECK From P-6850	1	1	
43	033973	GASKET To M-6663	1	1	
43	030205	GASKET From M-6664	1	1	
44	041014	FILLER NECK ASSY	1	1	
45	5001392	WASHER FL 6.0x12.0x1.5 COP	4	4	
46	5001414	SCREW MA FL PH M4-0.7x16 BK	2	2	
47	5001730	SCREW CAP HEXF M6-1.0x16 G10.9 N500	4	4	
48	502686	SCREW CAP HEX M6-1.0x30 SS BK To M-6663	4	4	
48	5001697	SCREW CAP HEX M6-1.0x16 SS BK From M-6664	4	4	
49	503811	HOSE / EPDM 1 PLY 1 1/4 I.D.	AR	AR	
NS	504022	HOSE CLAMP / 3/4"-1"3/4 SS / HS-20	2	2	
50	503772	HOSE (GREEN STRIPE) 1/2" I.D. x 50'	AR	AR	
50	504019	HOSE CLAMP / 9/16"-1"1/16 SS / HS-10	2	2	
51	504751	ROTATIF SPACER DOUBLE / SMALL	1	1	
51	504016	CABLE TIE / 5/16" X 14"1/2	5	5	
51	507664	CABLE TIE / 3/16" 11" / DOUBLE LOOP HEAD	1	1	
52	502638	WASHER FL .312x.734x.065 N500	1	1	
53	21148722	CAP FILLER UREA	1	1	
53	21148725	CAP FILLER UREA / WITH LOCK	1	1	
54	540083	RING FILLER NECK	1	1	
55	82269261	FILTER	1	1	
56	040964	TANK, VENT UREA To K-6394	1	1	
56	040077	TANK, VENT UREA From K-6395	1	1	
57	503772	HOSE (GREEN STRIPE) 1/2" I.D. x 50'	AR	AR	
58	504026	HOSE CLAMP / 2"13/16-3"3/4 SS / HS-52	1	1	



From F-5740		Date:07/2024	PAGE:X3VIP-0410-01
UREA RESERVOIR ASSY			

Item#	Part	Description	X 3 V I P E N T	X 3 V I P M T H	N O T E S
59	5011292	MALE ELBOW 90° / HOSE BARB FITTING / #8x3/8NPT-M POLY	2	2	
NS	680110	SEALANT TAPE / TEFLON / 1/2"	AR	AR	
60	504019	HOSE CLAMP / 9/16"-1"1/16 SS / HS-10	2	2	
61	21467930	DECAL, UREA FILLING	1	1	
62	501099	MALE ELBOW 90° / HOSE BARB FITTING / #3x1/8NPT-M NYL From K-6395	1	1	
62	030131	RESTRICTION, VENT UREA From M-6664	1	1	
100	221888	POST ASSY FORWARD FENDER To H-6200	1	1	
. NS	217130	. CATCH FENDER LOWER To H-6200	1	1	
. NS	221887	. POST To H-6200	1	1	
. NS	218654	. SHAFT To H-6200	1	1	
100	220018	POST ASSY FORWARD FENDER From H-6201	1	1	
. NS	217130	. CATCH FENDER LOWER From H-6201	1	1	
. NS	220017	. POST From H-6201	1	1	
. NS	218654	. SHAFT From H-6201	1	1	
101	223954	POST ASSY FORWARD FUEL DOOR ASSY W/REINFORCMENT PANEL To F-5811	1	1	
. NS	216798	. PANEL REINFORCMENT LOWER FUEL DOOR 249MM x 600MM To F-5811	1	1	
. NS	223940	. POST ASSY FORWARD FUEL DOOR ASSY To F-5811	1	1	
. . NS	216797	. . STOPPER CONDENSOR DOOR To F-5811	2	2	
. . NS	223937	. . BRACKET LATCH COND DOOR To F-5811	1	1	
. . NS	477296	. . ATTACHMENT SPRING DOOR To F-5811	1	1	
. . NS	502659	. . NUT WD RND M6-1.0 SS To F-5811	2	2	
101	221916	POST ASSY FORWARD FUEL DOOR ASSY W/REINFORCMENT PANEL From F-5812	1	1	
. NS	221921	. PANEL REINFORCMENT LOWER FUEL DOOR 244.4MM x 508.6MM From F-5812	1	1	
. NS	221896	. ATTACH PIVOT LATCH From F-5812	1	1	
. NS	221917	. TUBE, FUEL DOOR / 895MM LG. From F-5812	1	1	
. NS	221918	. STOPPER, CONDENSOR DOOR, UPPER From F-5812	1	1	
. NS	221919	. SUPPORT, CONDENSOR DOOR, LATCH From F-5812	1	1	
. NS	221920	. STOPPER, CONDENSOR DOOR From F-5812	1	1	
102	216798	. PANEL REINFORCMENT LOWER FUEL DOOR 249MM x 600MM To F-5811	1	1	
102	221921	. PANEL REINFORCMENT LOWER FUEL DOOR 244.4MM x 508.6MM From F-5812	1	1	
NS	680098	THREAD SEALANT LOCTITE #567 / WHITE / 250ml	AR	AR	
200	X3VIP-2210-10	WATER PUMP - INSTALLATION			

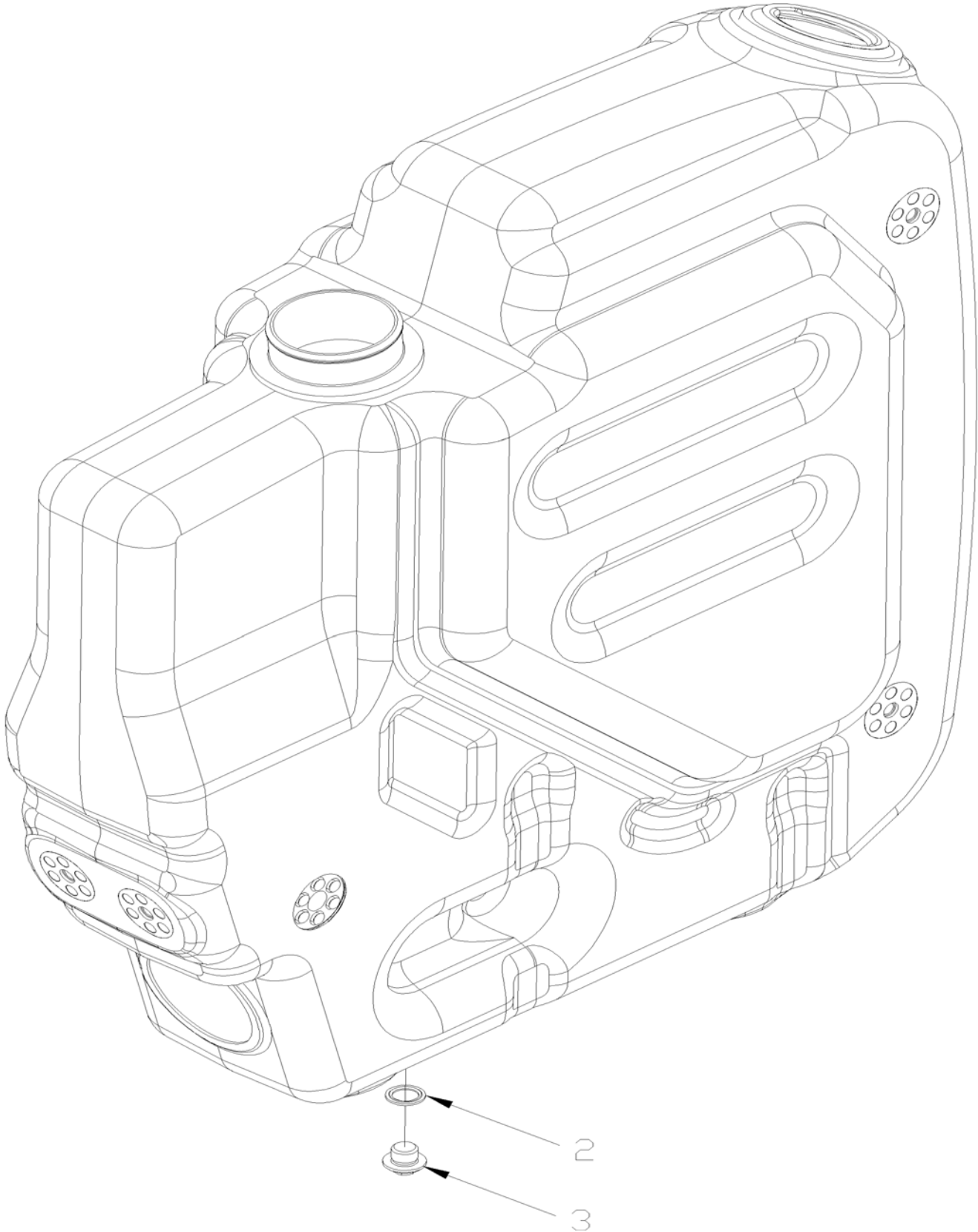


To M-6663

Date:07/2024

PAGE:033974

RESERVOIR, UREA 60Liters





To M-6663		Date:07/2024	PAGE:033974		
RESERVOIR, UREA 60Liters					
Item#	Part	Description	X 3 V I P E N T	X 3 V I P M T H	N O T E S
		RESERVOIR UREA	1	1	
2	982724	. GASKET M16x6	1	1	
3	20562668	. DRAIN PLUG	1	1	

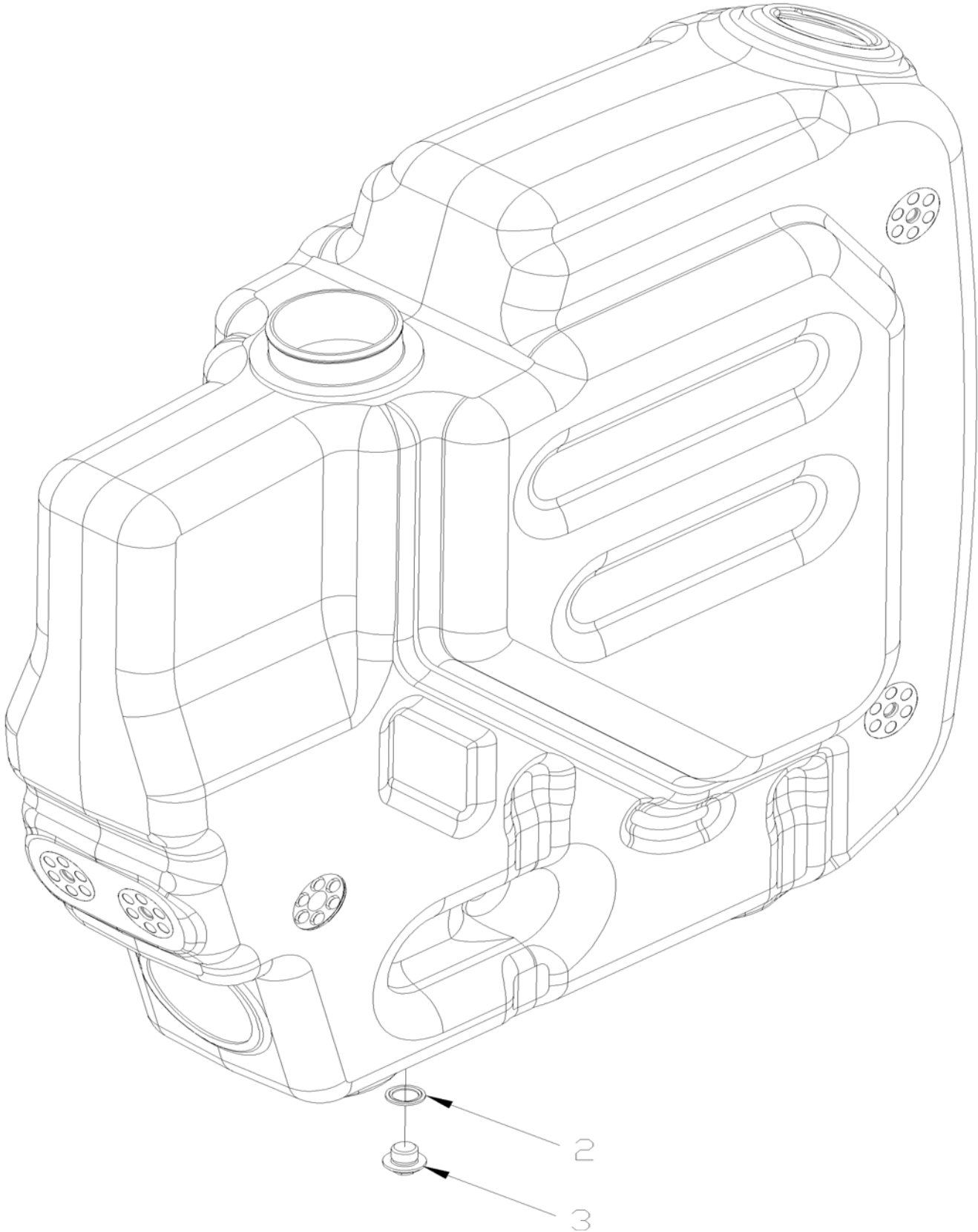


From M-6664 To N-6738

Date:07/2024

PAGE:030208

RESERVOIR, UREA 60Liters





From M-6664 To N-6738		Date:07/2024	PAGE:030208		
RESERVOIR, UREA 60Liters					
Item#	Part	Description	X 3 V I P E N T	X 3 V I P M T H	NOTES
		RESERVOIR UREA	1	1	
2	982724	. GASKET M16x6	1	1	
3	20562668	. DRAIN PLUG	1	1	

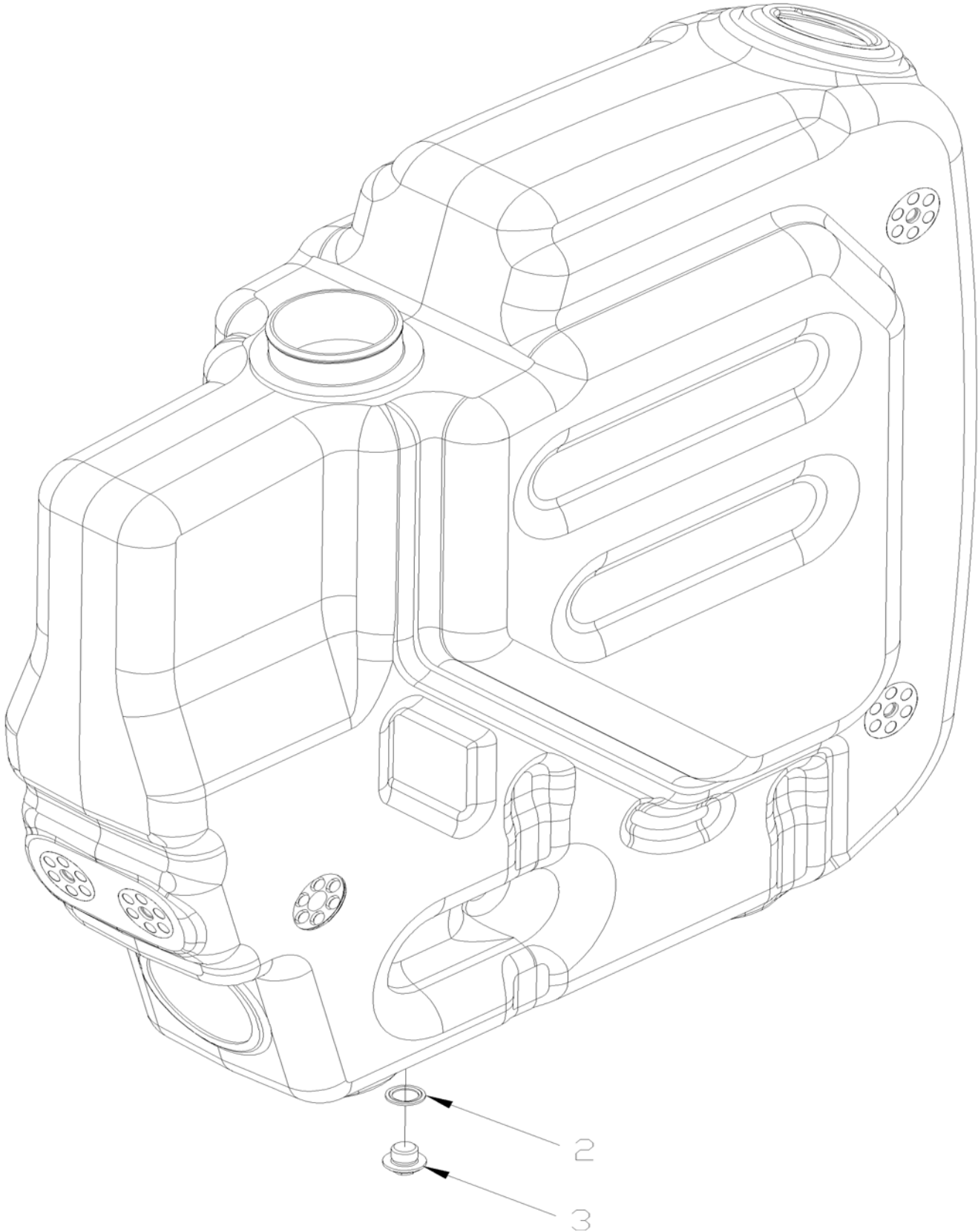


From N-6739

Date:07/2024

PAGE:030295

RESERVOIR, UREA 60Liters





From N-6739	Date:07/2024	PAGE:030295
RESERVOIR, UREA 60Liters		

Item#	Part	Description	X 3 V I P E N T	X 3 V I P M T H	N O T E S
		RESERVOIR UREA	1	1	
2	982724	. GASKET M16x6	1	1	
3	20562668	. DRAIN PLUG	1	1	

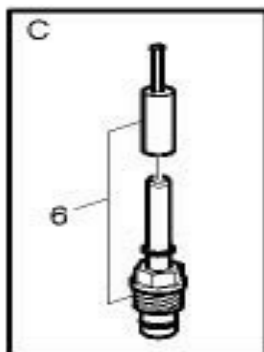
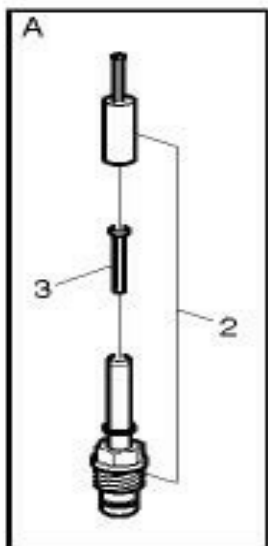
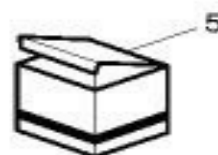
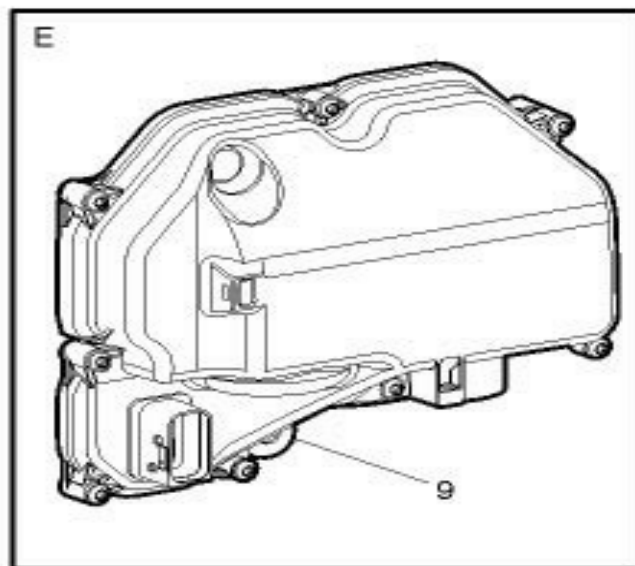
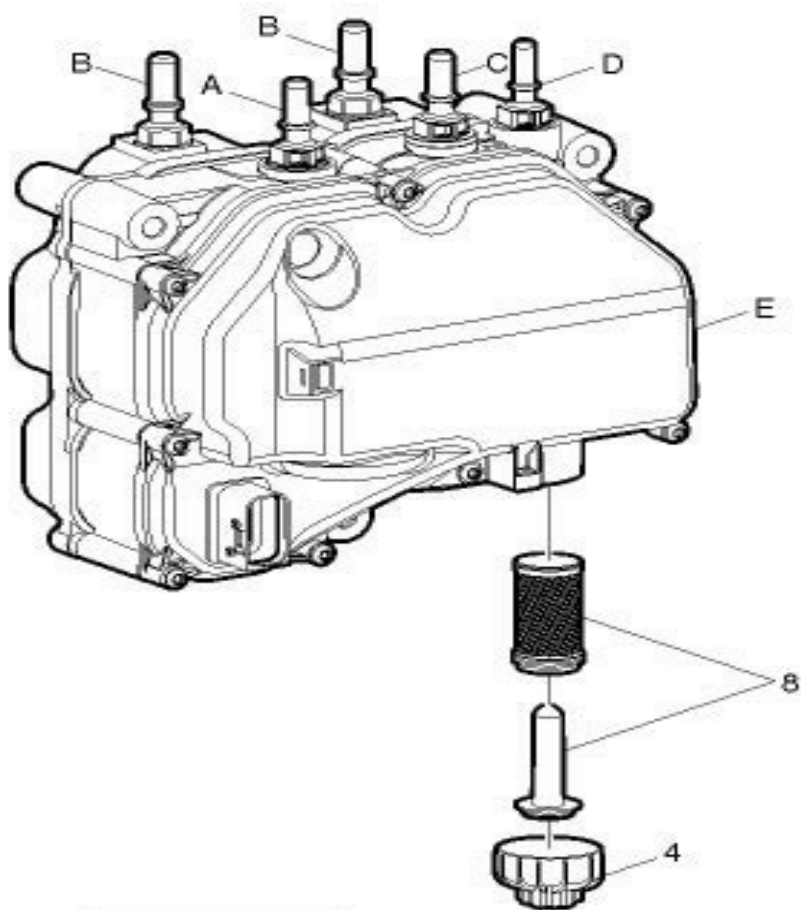


To N-6689

Date:07/2024

PAGE:21576178

PUMP ASSY UREA TB-129684310-1





To N-6689	Date:07/2024	PAGE:21576178
PUMP ASSY UREA TB-129684310-1		

Item#	Part	Description	X 3 V I P E N T	X 3 V I P M T H	N O T E S
1	21376749	CONNECTOR / HEATER	2	2	
2	21376721	CONNECTOR / INLET	1	1	
3	21954674	. STRAINER	1	1	
4	21376707	FILTER CAP	1	1	
5	21376772	CAP PLUG	1	1	
6	21376746	CONNECTEUR / BACKFLOW	1	1	
7	21376731	CONNECTEUR / OUTLET	1	1	
8	21516229	FILTER	1	1	
9	21378032	COVER	1	1	

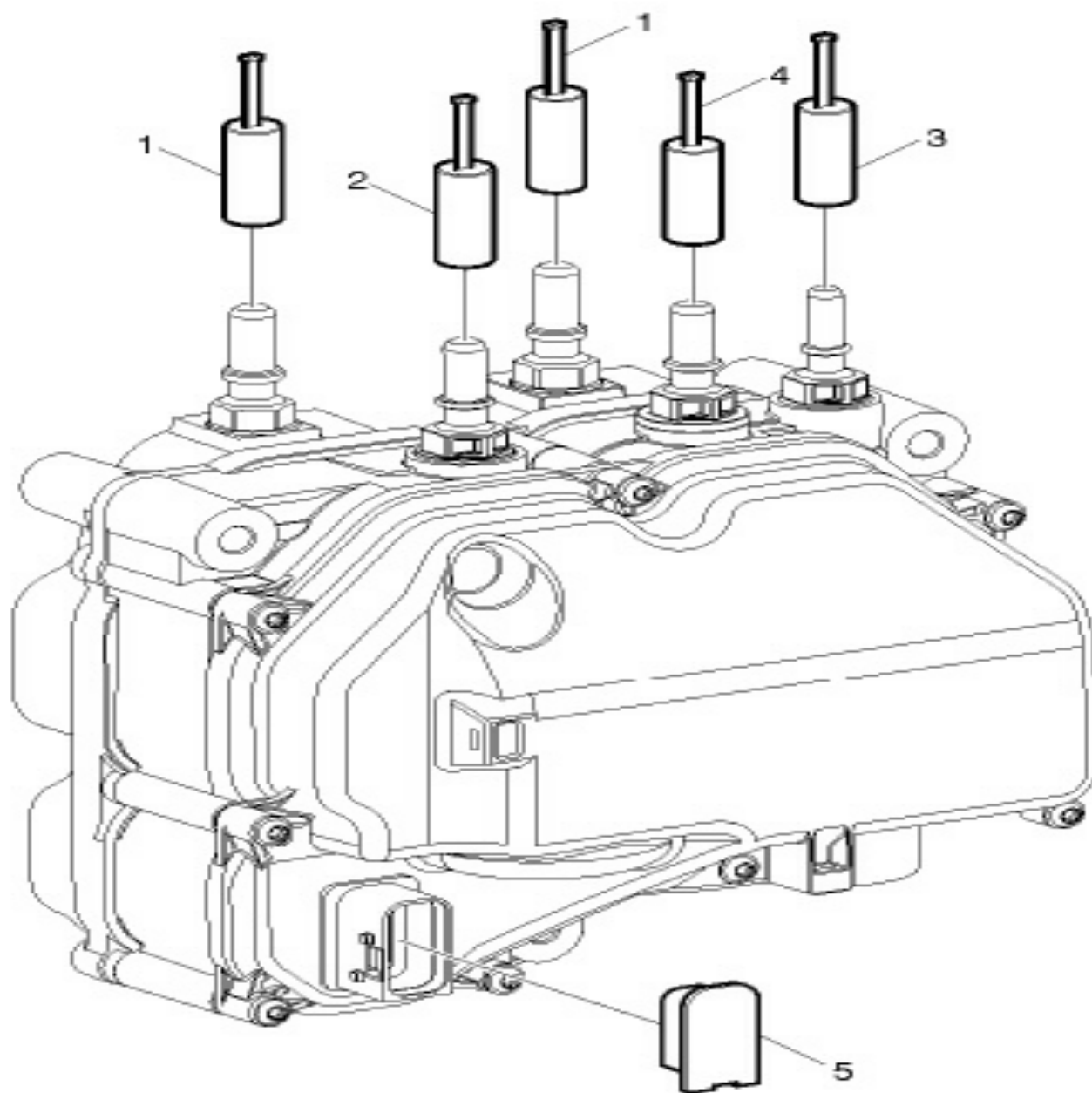


To N-6689

Date:07/2024

PAGE:21376772

CAP PLUG



R132245



To N-6689	Date:07/2024	PAGE:21376772
CAP PLUG		

Item#	Part	Description	X 3 V I P E N T	X 3 V I P M T H	N O T E S
1	N.S.S.	COOLANT	1	1	1
2	N.S.S.	INLET	1	1	1
3	N.S.S.	BACKFLOW	1	1	1
4	N.S.S.	OUTLET	1	1	1
5	N.S.S.	ELECTRICAL	1	1	1
		1) NOT SOLD SEPARATELY			

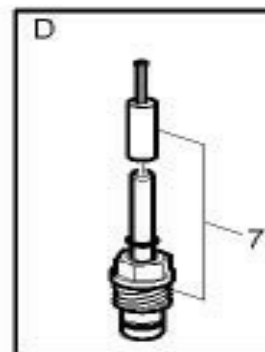
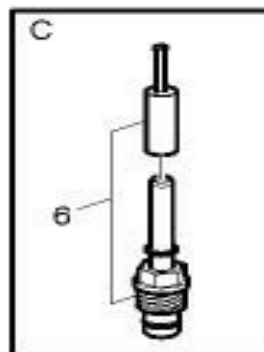
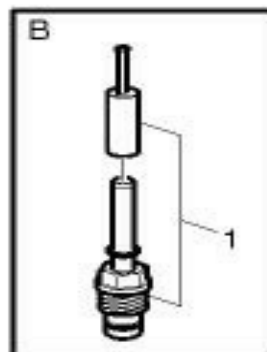
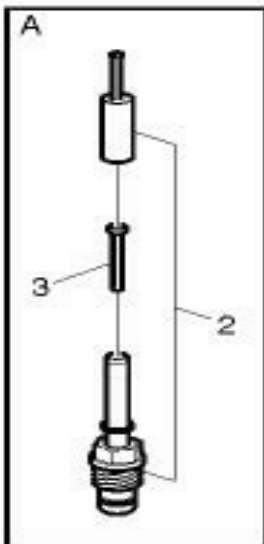
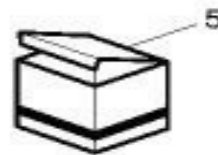
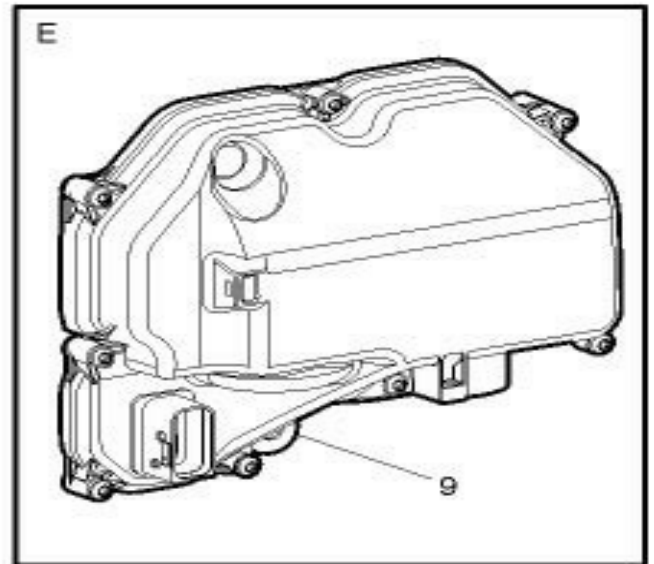
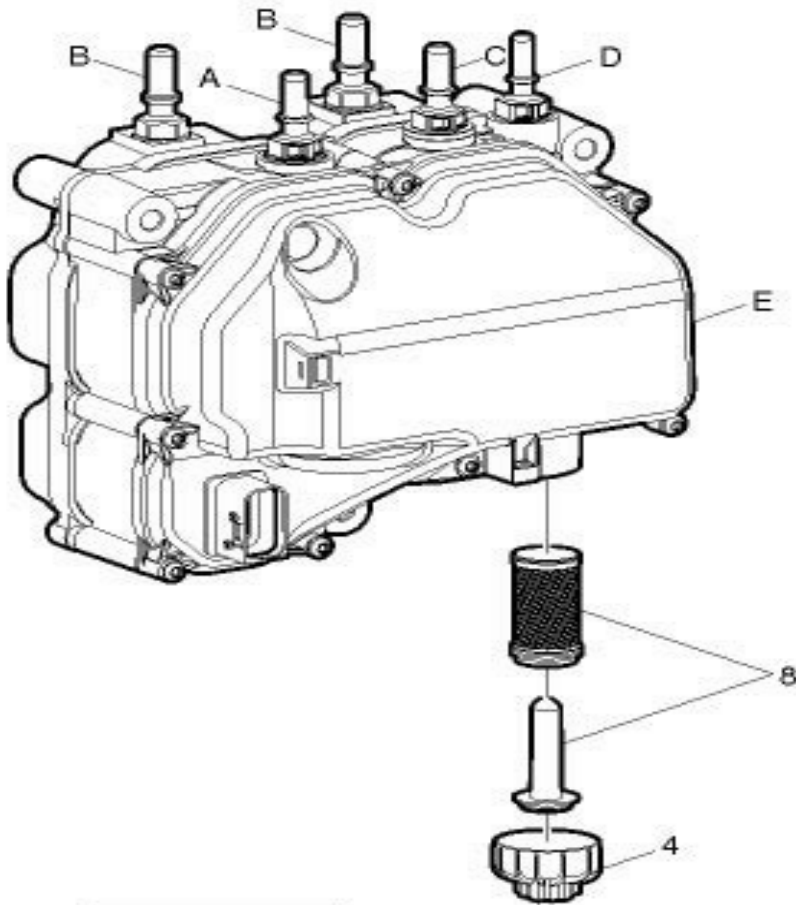


From N-6690 To R-4067

Date:07/2024

PAGE:23753841

PUMP ASSY UREA





From N-6690 To R-4067	Date:07/2024	PAGE:23753841
PUMP ASSY UREA		

Item#	Part	Description	X 3 V I P E N T	X 3 V I P M T H	N O T E S
1	21376749	CONNECTOR / HEATER	2	2	
2	21376721	CONNECTOR / INLET	1	1	
3	21954674	. STRAINER	1	1	
4	21376707	FILTER CAP	1	1	
5	21376772	CAP PLUG	1	1	
6	21376746	CONNECTEUR / BACKFLOW	1	1	
7	21376731	CONNECTEUR / OUTLET	1	1	
8	23381562	FILTER	1	1	
9	21378032	COVER	1	1	

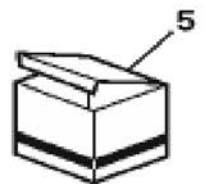
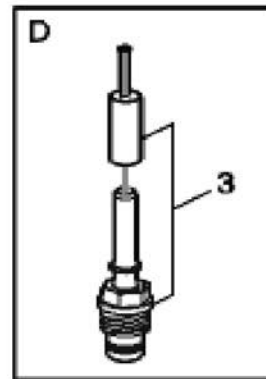
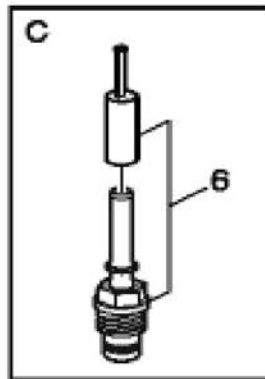
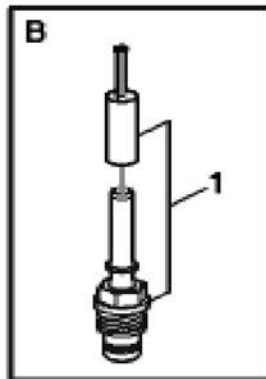
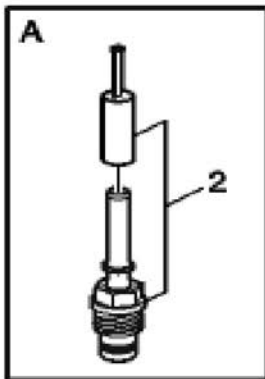
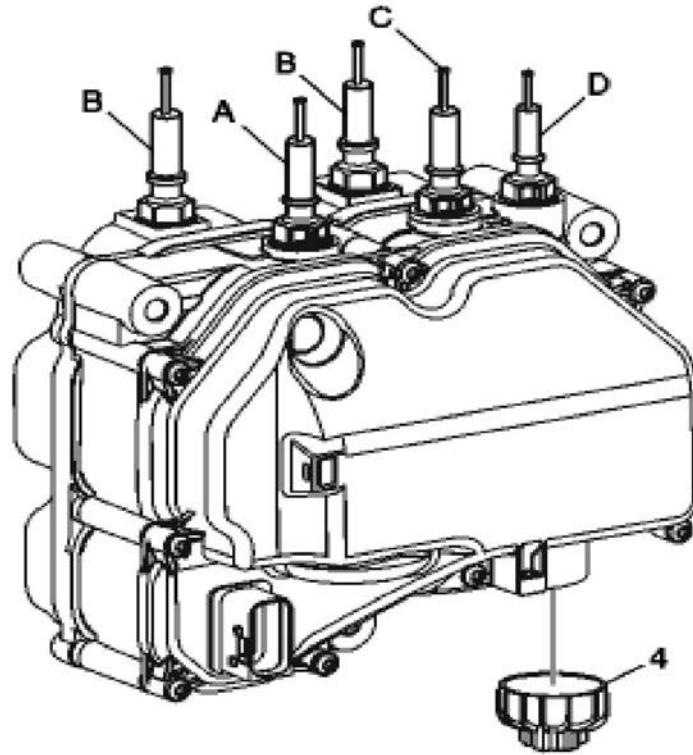


From R-4040 To R-4040

Date:07/2024

PAGE:24169188

PUMP UNIT UREA DOSING SYSTEM



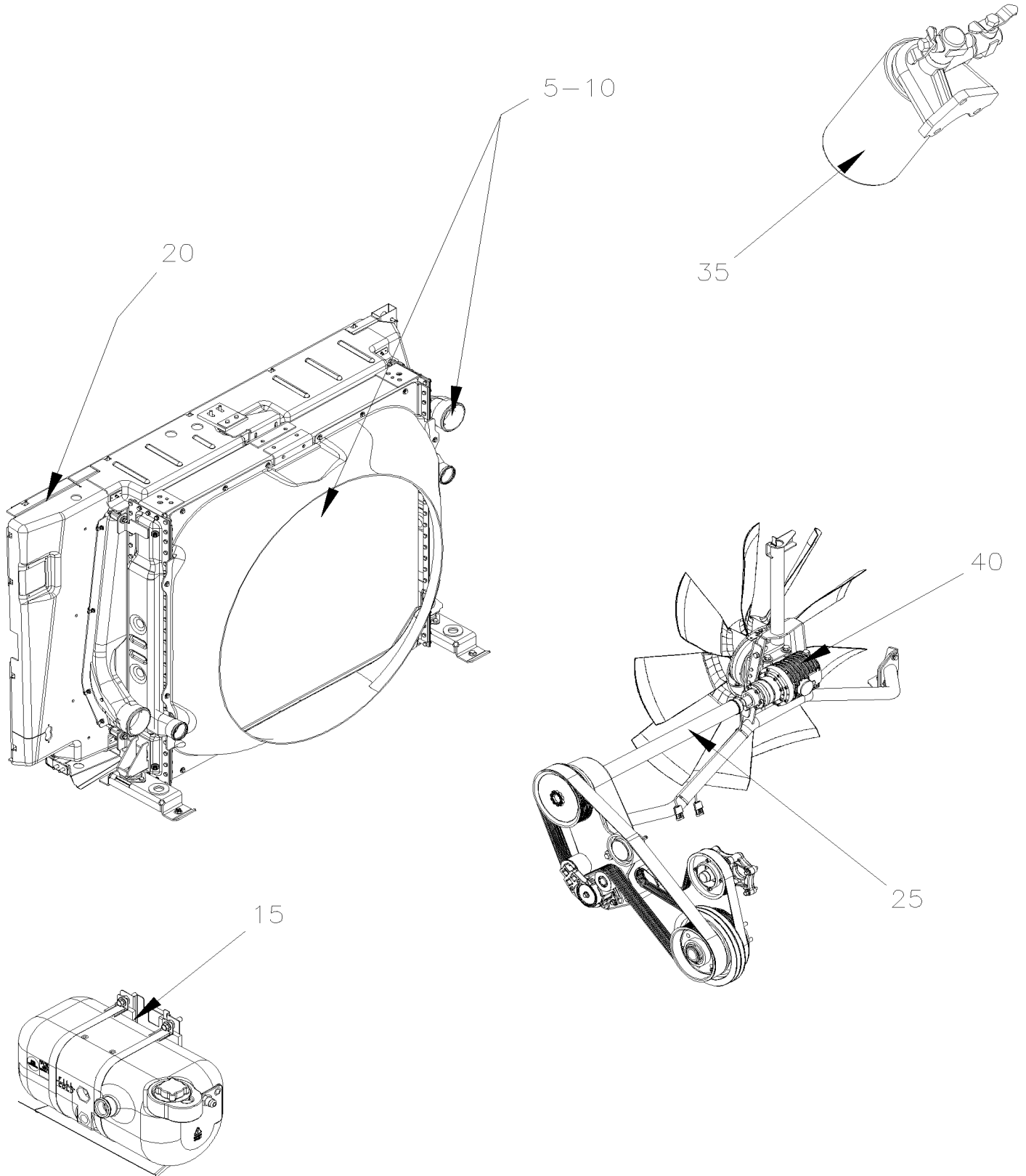


From R-4040 To R-4040		Date:07/2024	PAGE:24169188
PUMP UNIT UREA DOSING SYSTEM			

Item#	Part	Description	X 3 V I P E N T	X 3 V I P M T H	N O T E S
1	21376749	CONNECTOR / HEATER	1	1	
2	21376721	CONNECTOR / INLET	1	1	
3	21376731	CONNECTEUR / OUTLET	1	1	
4	24472550	FILTER CAP, UREA DOSING SYSTEM	1	1	
5	21376772	CAP PLUG	1	1	
6	24204464	CONNECTOR, UREA DOSING SYSTEM BACKFLOW	1	1	



	Date:07/2024	X3VIP-05
COOLING		





		Date:07/2024	X3VIP-05		
COOLING					
Item#	Part	Description	X 3 V I P E N T	X 3 V I P M T H	NOTES
5	X3VIP-0500-00	COOLANT PIPING WITH VOLVO D13 From E-5490 To H-6179			
6	X3VIP-0500-01	COOLANT PIPING WITH VOLVO D13 - GHG17 From H-6180			
10	X3VIP-0505-50	RADIATOR ASSY From E-5490 To H-6179			
10	X3VIP-0505-51	RADIATOR ASSY VOLVO D13 - GHG17 From H-6180			
15	X3VIP-0510-00	SURGE TANK From E-5490 To H-6179			
15	X3VIP-0510-01	SURGE TANK VOLVO D13 - GHG17 From H-6180 To J-6312			
15	X3VIP-0510-02	SURGE TANK From J-6313			
17	X3VIP-0510-10	RECOVERY TANK INSTALLATION From J-6313			
20	X3VIP-0518-60	RADIATOR SEALING FRAME From E-5490 To H-6179			
25	X3VIP-0520-01	FAN DRIVE - INSTALLATION From E-5490 To H-6179			
26	X3VIP-0520-02	ELECTRICAL FANS - INSTALLATION VOLVO D13 - GHG17 From H-6180			
35	X3VIP-0530-00	COOLANT FILTER - INSTALLATION WITH VOLVO D13 From E-5490 To E-5739			
35	X3VIP-0530-01	COOLANT FILTER - INSTALLATION WITH VOLVO D13 From F-5740			
40	X3VIP-0540-01	FAN CLUTCH & ANGLE DRIVE ASSY C.W. From E-5490 To H-6179			
99	X3VIP-0599-00	RETROFIT ELECTRIC FAN DRIVE COOLING SYSTEM CONVERSION From B-5002 To H-6179			

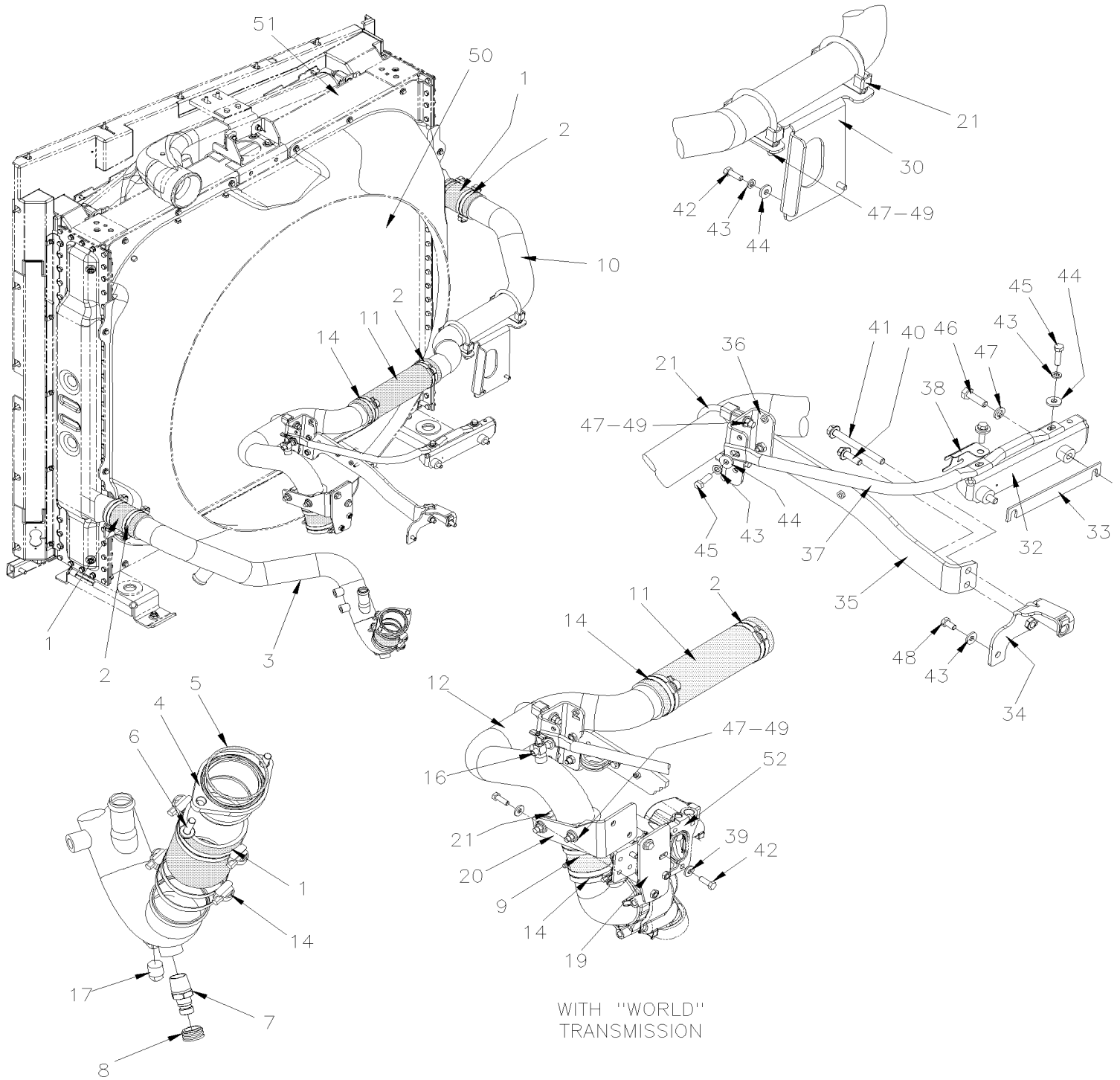


From E-5490 To H-6179

Date:07/2024

PAGE:X3VIP-0500-00

COOLANT PIPING WITH VOLVO D13





From E-5490 To H-6179	Date:07/2024	PAGE:X3VIP-0500-00
-----------------------	--------------	--------------------

COOLANT PIPING WITH VOLVO D13

Item#	Part	Description	X 3 V I P E N T	X 3 V I P M T H	N O T E S
1	053617	HOSE SILICONE / NOMEX 2 1/2" I.D. 105MM	3	3	
. NS	503786	. HOSE SILICONE 4 PLY / NOMEX-ARAMID 2 1/2" I.D. x 6'	1	1	
1	503786	. HOSE SILICONE 4 PLY / NOMEX-ARAMID 2 1/2" I.D. x 6'	AR	AR	
2	504562	HOSE CLAMP / 2"3/4-3"5/8 / C.T. 350 To E-5759	5	5	
2	992089	HOSE CLAMP / 60MM/80MM From F-5760	10	10	
3	053560	PIPE / RADIATOR & ENGINE WATER PUMP To E-5759	1	1	
3	053063	PIPE / RADIATOR & ENGINE WATER PUMP From F-5760	1	1	
4	21264361	PIPE ADAPTOR ENGINE WATER PUMP	1	1	
5	975675	O-RING 64.5 MM X 3MM	1	1	
6	5001742	SCREW CAP HEXF M8-1.25x30 G8.8 N500	2	2	
7	1675641	NIPPLE / QUICK DISCONNECT "VOLVO" / 1/2NPT-M	1	1	
. NS	V476279	. DUST CAP / QUICK DISCONNECT "VOLVO" /	1	1	
. NS	507666	. DUST CAP / QUICK DISCONNECT "VOLVO" /	1	1	
NS	85112740	COOLANT EXTRACTOR	1	1	
. NS	9996049	. Quick coupling adaptor for Volvo # 1675641	1	1	
8	507666	DUST CAP / QUICK DISCONNECT "VOLVO" /	1	1	
9	053466	HOSE 2 3/8" I.D. 105MM	1	1	
9	503785	. HOSE SILICONE 4PLY / NOMEX-ARAMID 2 3/8" I.D. x 6'	AR	AR	
10	059061	PIPE / ELBOW 90° PRELIMINAIRE 9614 / 9992 To E-5759	1	1	
10	053070	PIPE / ELBOW 90° From F-5760	1	1	
11	052889	HOSE SILICONE 2 1/2" I.D. 280MM	1	1	
12	053613	PIPE / ELBOW 90° TO THERMOSTAT HOUSING PRELIMINAIRE 9614 / 9992 To E-5759	1	1	
12	053064	PIPE / ELBOW 90° TO THERMOSTAT HOUSING From F-5760	1	1	
14	504561	HOSE CLAMP / 2"1/4-3"1/8 / C.T. 300 To E-5759	5	5	
14	992089	HOSE CLAMP / 60MM/80MM From F-5760	10	10	
16	501025	DRAIN VALVE 1/4NPTM 3/8TUBE	1	1	
17	501305	PLUG SQUARE HEAD / PIPE FITTING / 3/8NPT-M BR	1	1	
19	053608	PIPE SUPPORT	1	1	
20	053609	PIPE SUPPORT / "WORLD TRANSMISSION	1	1	
21	505535	U BOLT 2 1/2" I.D. SS	4	4	
30	173489	SUPPORT PIPE / ELBOW 90°	1	1	
31	052921	P-CLAMP PIPE / 2 1/2" I.D. / M8-1.25	2	2	
32	053491	ATTACHMENT ENGINE BLOCK To E-5624	1	1	
32	053660	ATTACHMENT ENGINE BLOCK From E-5625	1	1	
33	053501	SPACER To E-5681	1	1	
34	053485	ATTACHMENT ENGINE BLOCK	1	1	
35	053607	BRACE PIPE SUPPORT To G-5932	1	1	
35	053708	BRACE PIPE SUPPORT From G-5933	1	1	
36	053606	PIPE SUPPORT	1	1	
37	053489	BRACE PIPE SUPPORT To E-5624	1	1	
37	053659	BRACE PIPE SUPPORT From E-5625	1	1	
38	032882	ATTACHMENT AIR INTAKE To E-5624	1	1	



From E-5490 To H-6179	Date:07/2024	PAGE:X3VIP-0500-00
COOLANT PIPING WITH VOLVO D13		

Item#	Part	Description	X 3 V I P E N T	X 3 V I P M T H	N O T E S
38	032988	ATTACHMENT AIR INTAKE From E-5625	1	1	
39	500321	WASHER BEL SPR .331x.827x.098 N500	8	8	
40	5001644	SCREW CAP HEXF M10-1.5x30 G8.8 G500	1	1	
41	5001785	SCREW CAP HEXF M10-1.5x100 G10.9 N500	1	1	
42	5001745	SCREW CAP HEX M8-1.25x25 G8.8 N500	8	8	
43	500942	WASHER LO SPT 8.1x14.8x2.0 N500	11	11	
44	500401	WASHER FL .343x.875x.125 N500	8	8	
45	5001738	SCREW CAP HEX M8-1.25x30 G8.8 N500	4	4	
46	500359	SCREW CAP HEX M10-1.5x22 G8.8 N500	2	2	
47	500487	WASHER LO SPT .443x.779x.109 N500	6	6	
48	500820	SCREW CAP HEX M8-1.25x16 G10.9 N500	1	1	
49	5001751	WASHER FL 10.5x26.0x2.0 N500	6	6	
50	X3VIP-0505-50	RADIATOR ASSY			
51	X3VIP-0330-00	AIR FILTER & INTAKE - INSTALLATION WITH VOLVO D13			
52	Refer To Volvo	SEE IMPACT OR CALL ORDER DESK			V
		V) SEE IMPACT OR CALL ORDER DESK			

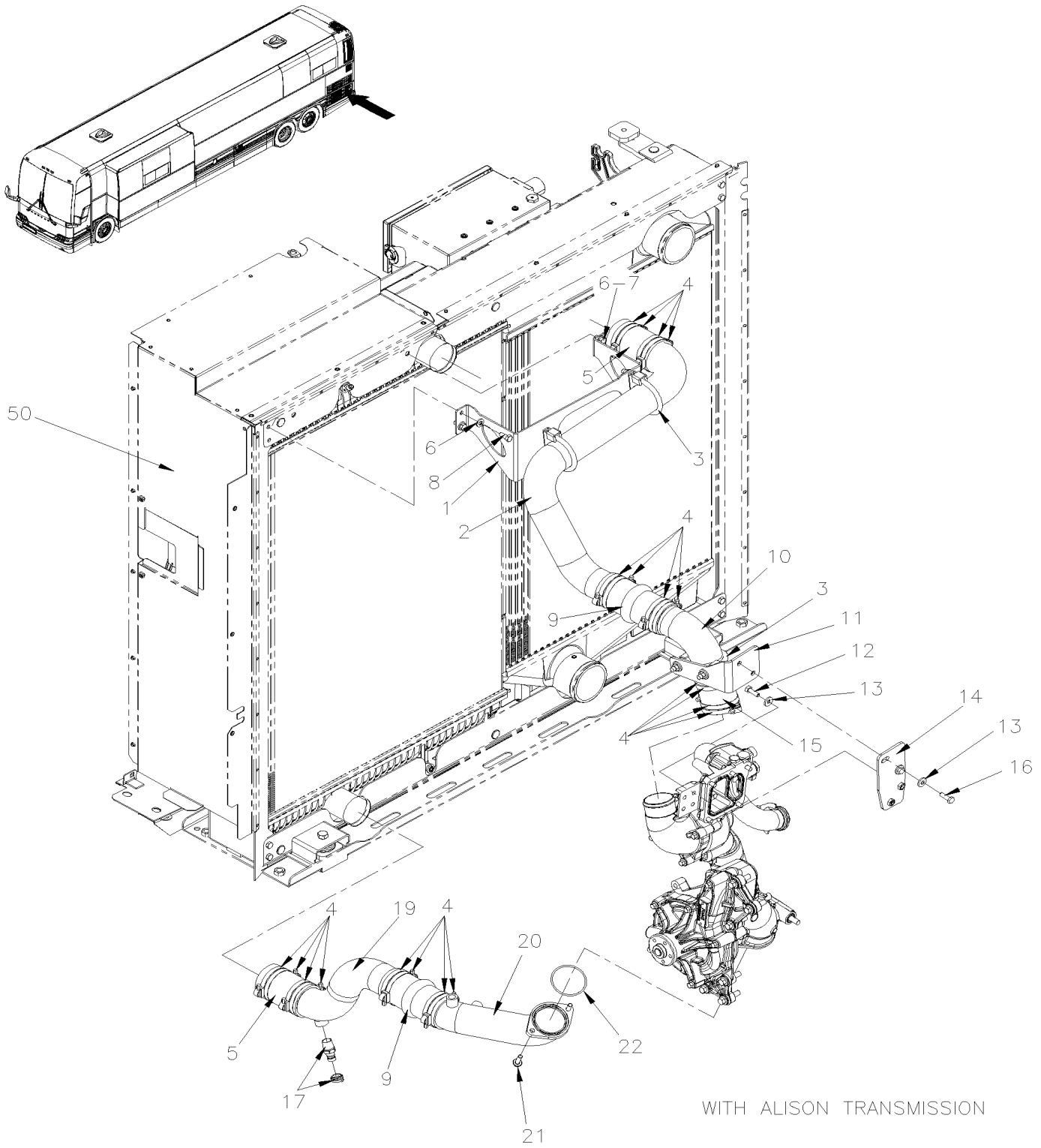


From H-6180

Date:07/2024

PAGE:X3VIP-0500-01

COOLANT PIPING WITH VOLVO D13 - GHG17





From H-6180 Date:07/2024 PAGE:X3VIP-0500-01

COOLANT PIPING WITH VOLVO D13 - GHG17

Item#	Part	Description	X 3 V I P E N T	X 3 V I P M T H	N O T E S
1	053096	PIPE HOLDER To J-6312	1	1	
1	050117	PIPE HOLDER From J-6313 To L-6558	1	1	
1	050435	PIPE HOLDER From L-6559	1	1	
2	053091	WATER PIPE RADIATOR	1	1	
2	050476	WATER PIPE RADIATOR SS304	1	1	C
3	505535	U BOLT 2 1/2" I.D. SS	3	3	
4	992089	HOSE CLAMP / 60MM/80MM	20	20	
5	053617	HOSE SILICONE / NOMEX 2 1/2" I.D. 105MM	2	2	
. NS	503786	. HOSE SILICONE 4 PLY / NOMEX-ARAMID 2 1/2" I.D. x 6'	1	1	
6	5001868	WASHER BEL SPR 8.4x18x2 SS	3	3	
7	5001527	SCREW CAP HEX M8-1.25x16 SS BK	1	1	
8	500119	SCREW CAP HEX M8X1.25X20 BK	2	2	
9	551013	WATER HOSE SILICON WITH HUMP	2	2	
10	053087	WATER PIPE MOTOR /W/ALLISON TRANSMISSION To J-6290	1	1	
10	050107	WATER PIPE MOTOR /W/ALLISON TRANSMISSION From J-6291	1	1	
10	050481	WATER PIPE MOTOR /W/ALLISON TRANSMISSION SS304	1	1	C
11	053609	PIPE SUPPORT / "WORLD TRANSMISSION	1	1	
12	5001745	SCREW CAP HEX M8-1.25x25 G8.8 N500	2	2	
13	500321	WASHER BEL SPR .331x.827x.098 N500	4	4	
14	053608	PIPE SUPPORT	1	1	
15	070039	HOSE SILICONE 4PLY / NOMEX-ARAMID 2 3/8" x 100MM	1	1	
. NS	503785	. HOSE SILICONE 4PLY / NOMEX-ARAMID 2 3/8" I.D. x 6'	AR	AR	
16	5001745	SCREW CAP HEX M8-1.25x25 G8.8 N500	2	2	
17	1675641	NIPPLE / QUICK DISCONNECT "VOLVO" / 1/2NPT-M	1	1	
. NS	V476279	. DUST CAP / QUICK DISCONNECT "VOLVO" /	1	1	
. NS	507666	. DUST CAP / QUICK DISCONNECT "VOLVO" /	1	1	
NS	680098	THREAD SEALANT LOCTITE #567 / WHITE / 250ml	AR	AR	
19	053089	WATER PIPE RADIATOR To P-6878	1	1	
19	050578	WATER PIPE RADIATOR From P-6879	1	1	
19	050478	WATER PIPE RADIATOR SS304 To P-6878	1	1	C
19	050590	WATER PIPE RADIATOR SS304 From P-6879	1	1	C
20	053088	WATER PIPE RADIATOR To P-6878	1	1	
20	050584	WATER PIPE RADIATOR From P-6879	1	1	
20	050384	WATER PIPE RADIATOR SS304 To P-6878	1	1	C
20	050589	WATER PIPE RADIATOR SS304 From P-6879	1	1	C
21	946671	SCREW CAP HEXF M8-1.25x30 G8.8 ZG603	1	1	
22	975675	O-RING 64.5 MM X 3MM	1	1	
50	X3VIP-0505-51	RADIATOR ASSY VOLVO D13 - GHG17	1	1	
152	OC2017020	REFERENCE ONLY NEW SURGE TANK From J-6313			



From H-6180		Date:07/2024	PAGE:X3VIP-0500-01		
COOLANT PIPING WITH VOLVO D13 - GHG17					
Item#	Part	Description	X 3 V I P E N T	X 3 V I P M T H	N O T E S
		C) SPECIAL OPTION SS304			

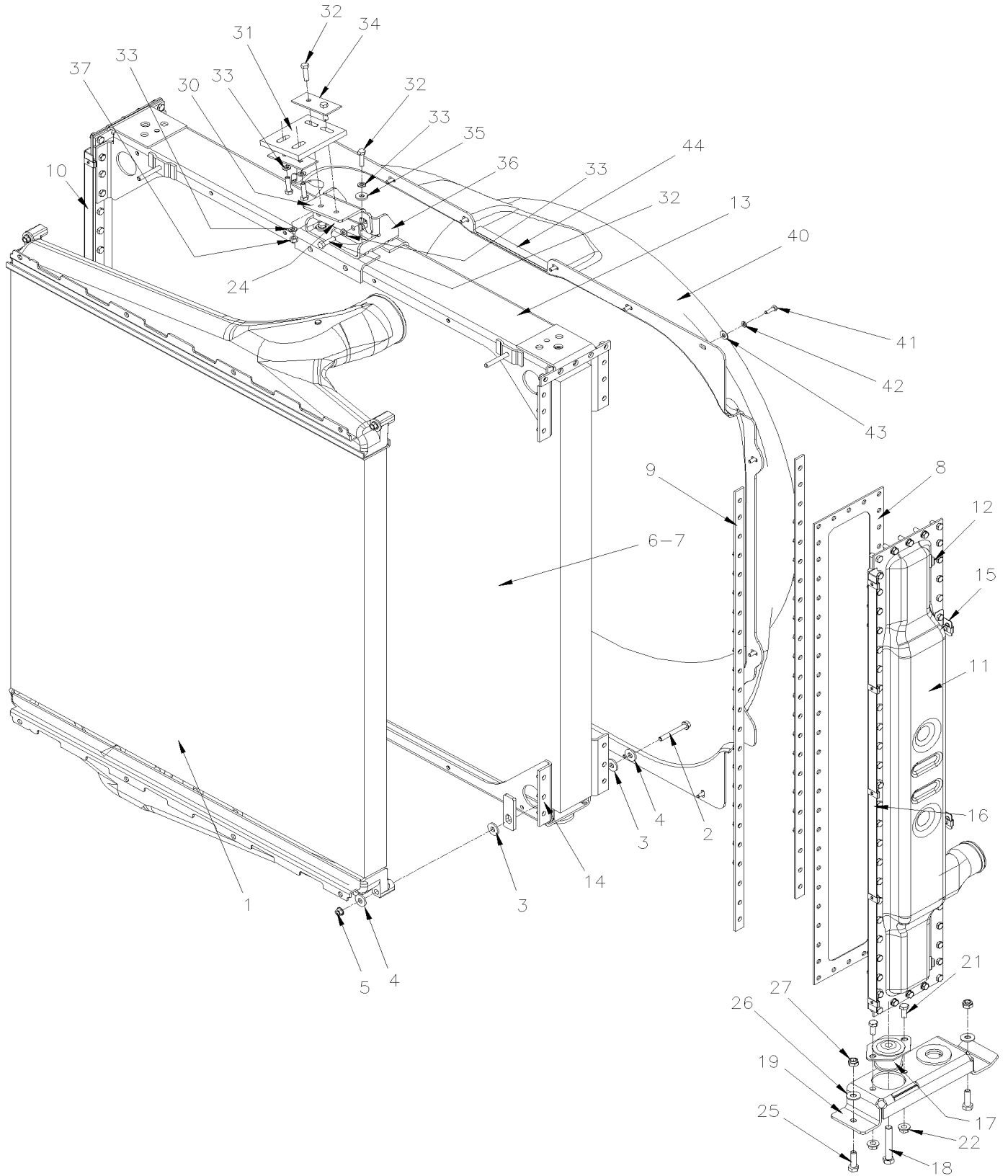


From E-5490 To H-6179

Date:07/2024

PAGE:X3VIP-0505-50

RADIATOR ASSY





From E-5490 To H-6179		Date:07/2024	PAGE:X3VIP-0505-50
RADIATOR ASSY			

Item#	Part	Description	X 3 V I P E N T	X 3 V I P M T H	N O T E S
	N.S.A.	RADIATOR & AIR COOLER ASSY To F-5914	1	1	3
	N.S.A.	RADIATOR & AIR COOLER ASSY From F-5915	1	1	3
1	550970	. AIR COOLER ASSY TitanX SERVICE	1	1	
1	550297	. BOLT KIT / TO FIX AIR COOLER	1	1	
2	N20874	. SCREW CAP HEX M8-1.25x70 G8.8 YP	2	2	
3	502220	. WASHER FL .375x1.000x.125 RUB	4	4	
4	500270	. WASHER FL .406x1.000x.063 SS	6	6	
5	5001082	. NUT HEXF M8-1.25 G500	4	4	
6	550915	. RADIATOR ASSY	1	1	
6	7770005	. RADIATOR ASSY SERVICE	1	1	
6	550296	. . GASKET / COVER / BOLT KIT	1	1	
7	550931	. . CORE ASSY To F-5914	1	1	
7	550058	. . CORE ASSY From F-5915	1	1	
8	550937	. . GASKET To F-5914	2	2	
8	551014	. . GASKET From F-5915	2	2	
9	550940	. . REINFORCMENT BAR	4	4	
10	550933	. . TANK ASSY / FORWARD	1	1	
11	550934	. . TANK ASSY / BACKWARD	1	1	
12	501800	. . PLUG HEXS / PIPE FITTING / 1/4NPT-M STL	2	2	
13	550935	. . SUPPORT ASSY TOP	1	1	
14	550936	. . SUPPORT ASSY BOTTOM	1	1	
15	550938	. . ANGLE BRACKET 16 GA SS	4	4	
16	550939	. . ANGLE BAR 14 GA SS	2	2	
17	550904	. BUSHING RUBBER	2	2	
NS	550905	. WASHER FL 16x52x3 ZP	2	2	
18	N21798	. SCREW CAP HEX M12-1.75x75 G8.8 YP	2	2	
19	550932	. BRACKET ASSY / RUBBER MOUNTING SUPPORT	2	2	
21	500190	. SCREW CAP HEX 3/8-16x3/4 G5 Z050	4	4	
22	500301	. NUT HEXF STO 3/8-16 Z050	4	4	
NS	550995	. U-CLIP	AR	AR	
24	052795	PLATE / UPPER RADIATOR 30MM X 120MM	1	1	
25	970949	SCREW CAP HEX M10-1.5x35 G8.8 ZG603	4	4	
26	960143	WASHER FL 10.5x26.0x2.0 ZP	4	4	
27	502859	NUT HEX NYRT M10-1.5 N500	4	4	
30	052671	ANGLE ATTACHMENT / TO STRUCTURE	1	1	
31	21185073	RUBBER PAD 100MM X 123MM	1	1	
32	940142	SCREW CAP HEX M8-1.25x30 G8.8 ZG603	8	8	
33	500942	WASHER LO SPT 8.1x14.8x2.0 N500	8	8	
34	052473	PLATE / UPPER RADIATOR 40MM X 90MM	2	2	
35	500401	WASHER FL .343x.875x.125 N500	4	4	
36	052669	ATTACHMENT UPPER RADIATOR	1	1	
37	502837	NUT HEXF STO M8-1.25 N500	2	2	



From E-5490 To H-6179	Date:07/2024	PAGE:X3VIP-0505-50
RADIATOR ASSY		

Item#	Part	Description	X 3 V I P E N T	X 3 V I P M T H	N O T E S
40	21120999	SHROUD W/38" FAN BLADE	1	1	
41	502830	SCREW CAP HEX M6-1.0x20 G8.8 N500	AR	AR	
42	502853	WASHER LO SPT 6.1x11.8x1.6 N500	AR	AR	
43	502638	WASHER FL .312x.734x.065 N500	AR	AR	
44	506277	TAPE RUB ADH1 CC POL 1/2" x 3/4" x 15' / GREY 2520X	AR	AR	
		3) NOT SOLD ASSEMBLY			

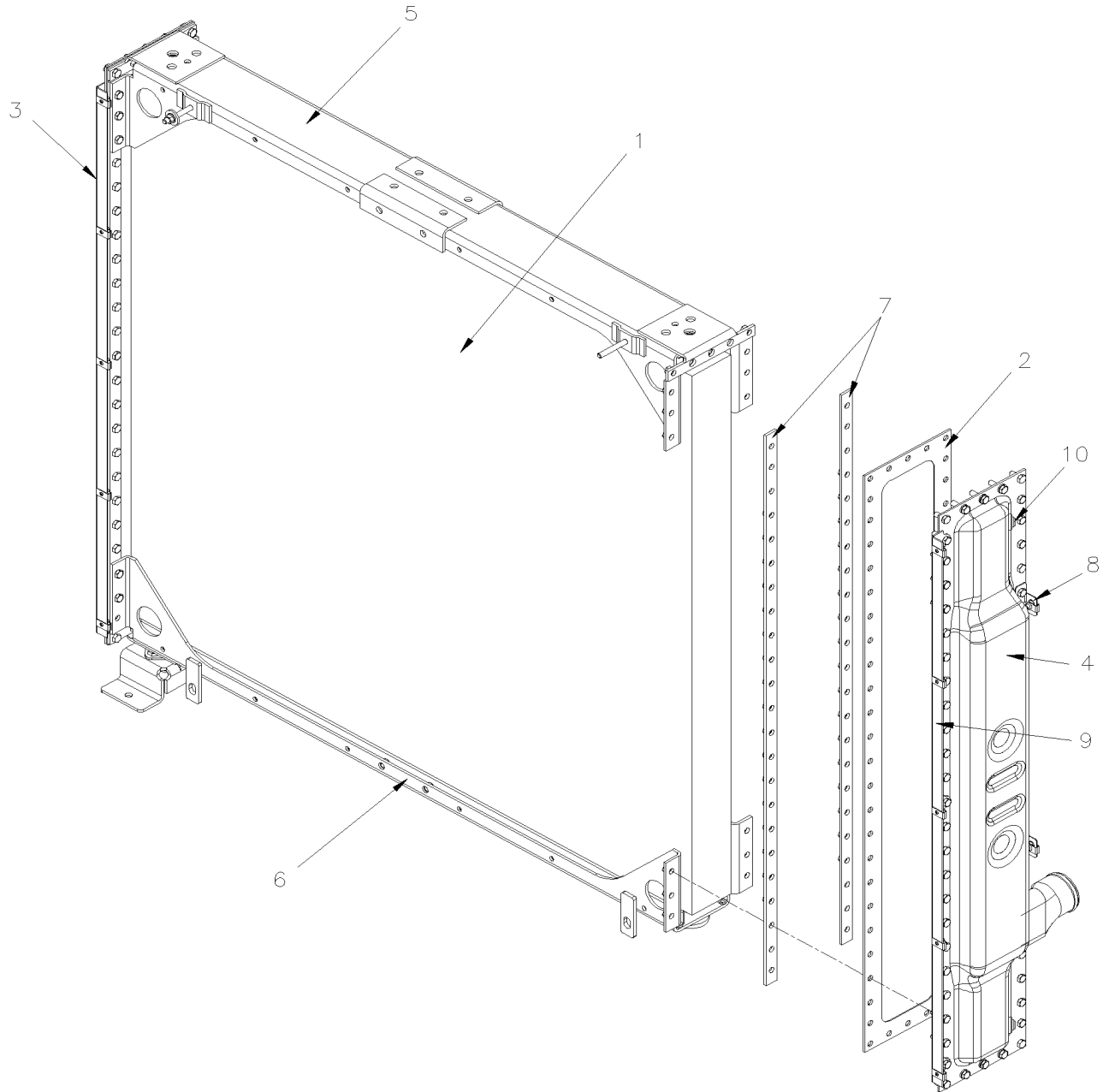


From E-5490 To H-6179

Date:07/2024

PAGE:7770005

RADIATOR ASSY SERVICE





From E-5490 To H-6179	Date:07/2024	PAGE:7770005
-----------------------	--------------	--------------

RADIATOR ASSY SERVICE

Item#	Part	Description	X 3 V I P E N T	X 3 V I P M T H	N O T E S
1	7770990	CORE ASSY	1	1	
2	7770989	GASKET	1	1	
3	7770951	TANK, LEFT	1	1	
4	7770952	TANK, RIGHT	1	1	
5	7770953	BRACKET UPPER	1	1	
6	7770954	BRACKET LOWER	1	1	
7	7770955	CLAMP STRIP	4	4	
8	7775151	ANGULAR SS 3"	4	4	
9	7770956	ANGULAR SS 41"	2	2	
10	501304	PLUG SQUARE HEAD / PIPE FITTING / 1/4NPT-M BR	2	2	

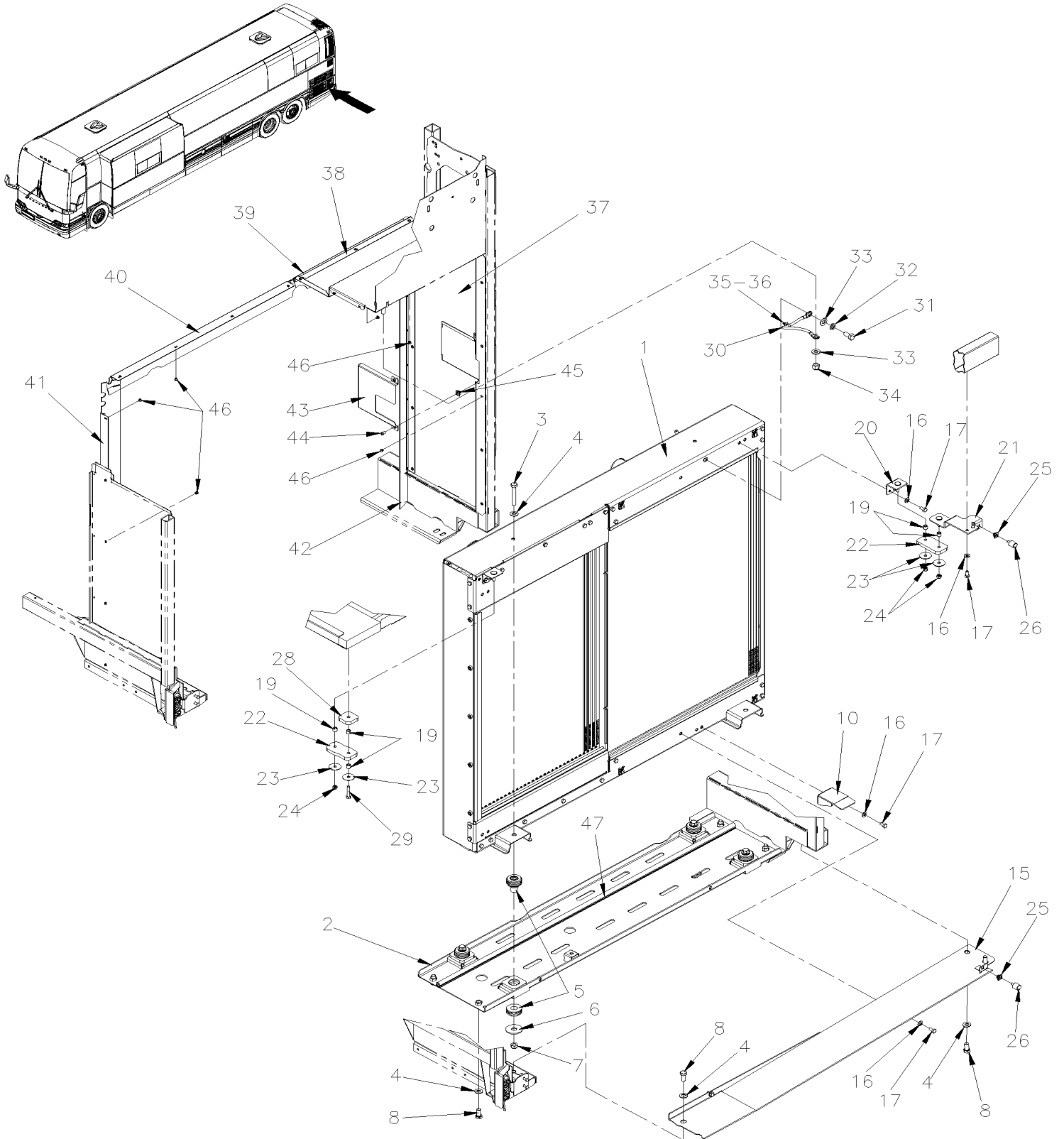


From H-6180

Date:07/2024

PAGE:X3VIP-0505-51

RADIATOR ASSY VOLVO D13 - GHG17



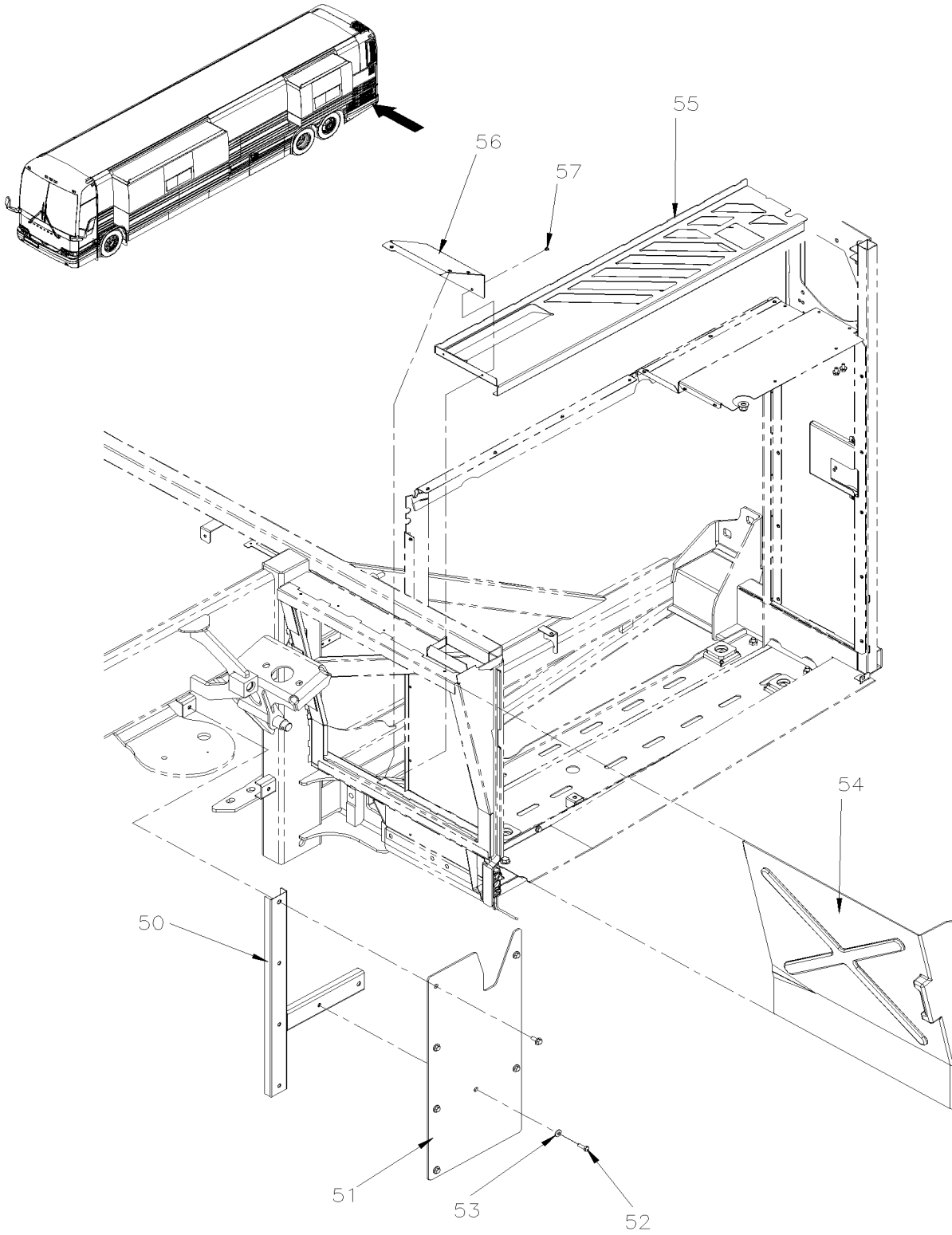


From H-6180

Date:07/2024

PAGE:X3VIP-0505-51

RADIATOR ASSY VOLVO D13 - GHG17





From H-6180		Date:07/2024	PAGE:X3VIP-0505-51
RADIATOR ASSY VOLVO D13 - GHG17			

Item#	Part	Description	X 3 V I P E N T	X 3 V I P M T H	N O T E S
1	550994	RADIATOR & AIR COOLER To J-6316	1	1	
NS	501063	. MALE ELBOW 45° / SAE 45° FITTING / #4FL-Mx1/4NPT-M BR To J-6316	1	1	
1	550048	RADIATOR & AIR COOLER From J-6317 To L-6576	1	1	
1	550081	RADIATOR & AIR COOLER From L-6577 To M-6652	1	1	
1	550091	RADIATOR & AIR COOLER From M-6653	1	1	
NS	501027	. MALE CONNECTOR / SAE 45° FITTING / #4FL-Mx1/4NPT-M BR From J-6317	1	1	
2	261618	FLOOR PLATE FOR RADIATOR	1	1	
3	5001987	SCREW CAP HEX M12-1.75x75 SS BK	4	4	
4	5001877	WASHER BEL SPR .512x1.000x.073 SS	7	7	
5	551010	VIBRATION ISOLATOR TOW PIECES	4	4	
6	052765	WASHER FL 12.5MMx52MMx3MM	4	4	
7	5001988	NUT HEX NYRT M12-1.75 SS BK	4	4	
8	5001979	SCREW CAP HEX M12-1.75x25 SS BK	7	7	
10	053081	GUIDE FOR FAN'S DOOR	1	1	
15	261654	DEFLECTOR FLOOR	1	1	
16	5001868	WASHER BEL SPR 8.4x18x2 SS	10	10	
17	5001527	SCREW CAP HEX M8-1.25x16 SS BK	10	10	
19	032540	SPACER 1/2" O.D.X 12MM SS	AR	AR	
20	053102	CORNER BRACKET	2	2	
21	053084	HOLDER To J-6312	1	1	
21	050097	HOLDER From J-6313	1	1	
NS	509815	. TIE MOUNT / ATTACHMENT W/TREE MOUNT	1	1	
22	053105	VIBRATION ABSORBER RUBBER PLATE	2	2	
23	500462	WASHER FL .343x1.500x.083 SS	5	5	
24	5001983	NUT HEX NYRT M8-1.25 SS SS BK	3	3	
25	5001009	NUT AN 1/4 NYL	2	2	
26	504454	BUMPER RUBBER BOLT / 20MM ODx20MM TH X M6X15MM STUD	2	2	
28	053110	RUBBER SPACER	1	1	
29	5002012	SCREW CAP HEX W/DOG M8-1.25x45 SS	1	1	
30	069279	RADIATOR GROUND HARNESS To J-6312	1	1	
30	062315	RADIATOR GROUND HARNESS From J-6313	1	1	
31	5001565	SCREW CAP HEX 1/2-13x1 G5 N500	1	1	
NS	684013	RUBBER PROTECTOR / COLOR GUARD 14.5oz	AR	AR	
32	5001534	WASHER LO SPT .509x.873x.125 SS	1	1	
33	500958	WASHER FL .531x1.062x.095 SS	2	2	
34	5002001	NUT HEX NYRT 1/2-13 SS BK	1	1	
35	509815	TIE MOUNT / ATTACHMENT W/TREE MOUNT	1	1	
36	504637	CABLE TIE / 3/16" x 13"	1	1	
37	053712	UPPER PANEL To J-6312	1	1	
37	050098	UPPER PANEL From J-6313 To K-6491	1	1	
37	050518	UPPER PANEL From L-6492	1	1	
37	504069	GROMMET / .281x.375x.062x.250x.562 From J-6313 To K-6491	1	1	



From H-6180		Date:07/2024	PAGE:X3VIP-0505-51
RADIATOR ASSY VOLVO D13 - GHG17			

Item#	Part	Description	X 3 V I P E N T	X 3 V I P M T H	N O T E S
38	053713	SIDE PANEL To J-6312	1	1	
38	050096	SIDE PANEL From J-6313	1	1	
39	059068	. ANGLE TOP TIGHT 500 MM	1	1	
NS	059069	. RETAINER 481 MM	1	1	
NS	059070	. RUBBER SEAL 503 MM	1	1	
NS	504717	. RIVET POP DOME OE 1/8x1/4 SS	4	4	
40	059072	. ANGLE TOP LEFT 777 MM	1	1	
NS	059073	. RETAINER 801 MM	1	1	
NS	059074	. RUBBER SEAL 830 MM	1	1	
NS	504717	. RIVET POP DOME OE 1/8x1/4 SS	6	6	
41	059080	. ANGLE SIDE RIGHT 1030 MM	1	1	
NS	059081	. RETAINER 1001MM	1	1	
NS	059082	. RUBBER SEAL 1153 MM	1	1	
NS	504717	. RIVET POP DOME OE 1/8x1/4 SS	8	8	
42	059076	. ANGLE SIDE LEFT 1028 MM	1	1	
NS	059081	. RETAINER 1001MM	1	1	
NS	059078	. RUBBER SEAL 1160 MM	1	1	
NS	504717	. RIVET POP DOME OE 1/8x1/4 SS	8	8	
43	059084	CLOSING PLATE	1	1	
44	5001184	SCREW TP PAN PH #12x1/2 SS	2	2	
44	500142	WASHER FL 6.6x22.0x2.0 SS	2	2	
45	5001009	NUT AN 1/4 NYL	2	2	
46	504488	RIVET MGLP PRDG 3/16x17/64 SS	AR	AR	
47	5060103	RUBBER SEAL 6.56FT LONG 6.56 ft To L-6526	1	1	
47	509042	RUBBER SEAL 51.38"+0-0.25 From L-6527	1	1	
NS	682175	UNDERCOATING BLACK PROTECTOR (GRAVELGUARD) 567gr To N-6731	AR	AR	
NS	685413	RUBBERIZED UNDERCOAT (GRAVELGUARD) 560gr From N-6732	AR	AR	
50	053719	FRAME FOR PANEL WELDED	1	1	
51	053122	AIR DEFLECTOR PANEL PLASTIC	1	1	
52	502780	SCREW CAP HEX M8-1.25x25 SS BK	7	7	
53	5001848	WASHER BEL SPR .827 x .331 x .098 th SS	7	7	
54	053703	FENDER ACCESS PANEL ASSY PLASTIC	1	1	
55	261666	REAR FLOR PANEL FOR RADIATOR	1	1	
56	261644	CLOSING PANIEL	1	1	
57	504488	RIVET MGLP PRDG 3/16x17/64 SS	5	5	

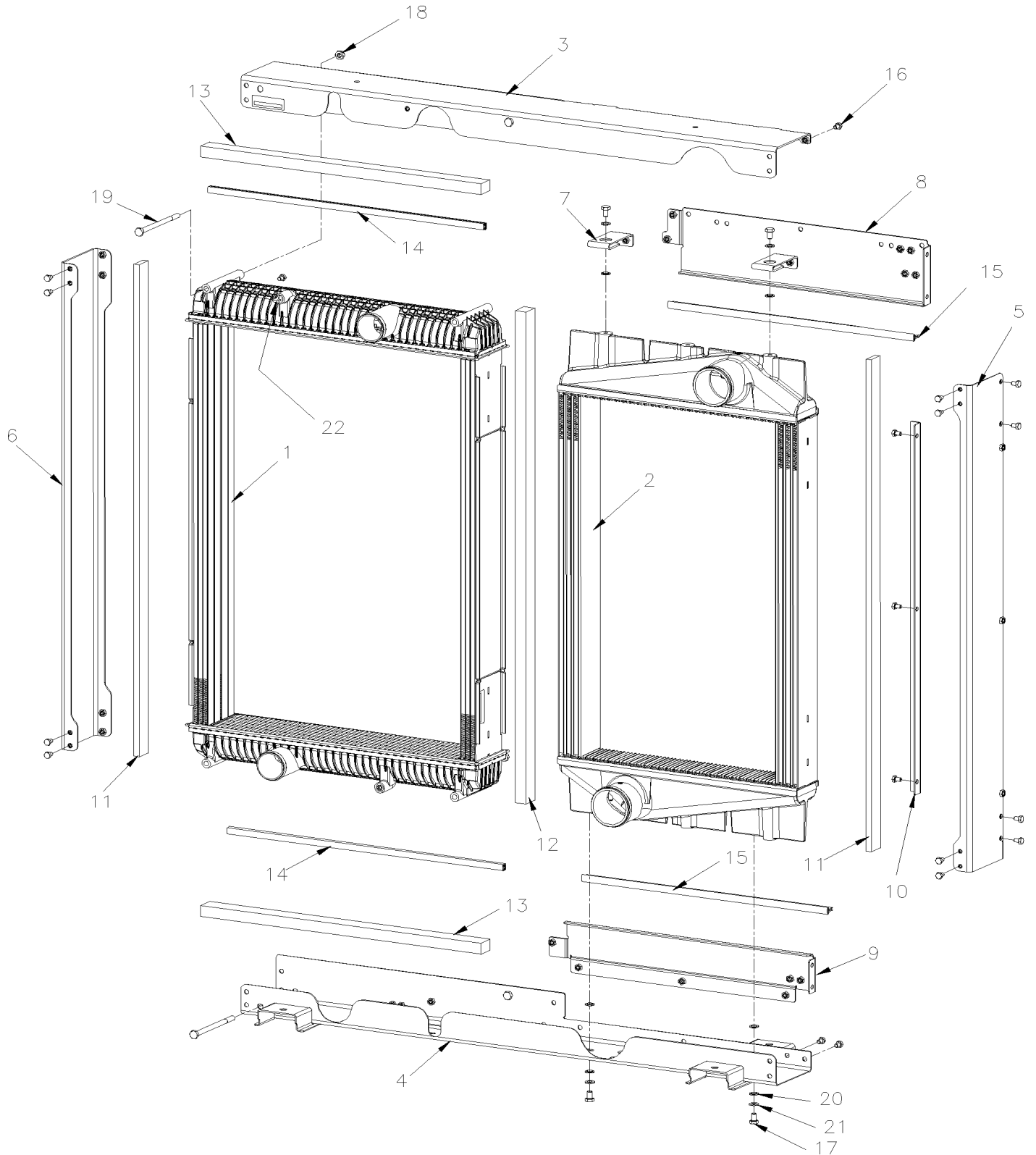


To J-6316

Date:07/2024

PAGE:550994

RADIATOR & AIR COOLER





To J-6316		Date:07/2024	PAGE:550994
------------------	--	---------------------	--------------------

RADIATOR & AIR COOLER

Item#	Part	Description	X 3 V I P E N T	X 3 V I P M T H	N O T E S
1	551011	RADIATOR ALUMINUM	1	1	
2	551012	CHARGE AIR COOLER ALUMINUM	1	1	
3	550006	FRAME, TOP	1	1	
4	550007	FRAME, BOTTOM	1	1	
5	550008	FRAME, LEFT	1	1	
6	550009	FRAME, RIGHT	1	1	
7	550014	BRACKET TOP CAC	1	1	
8	550015	COVER PANEL TOP	1	1	
9	550017	COVER PANEL BOTTOM	1	1	
10	550019	ANGLE	1	1	
11	550021	SEALING STRIP	1	1	
12	550028	SEALING PROFIL	1	1	
13	550029	SEALING PROFIL	2	2	
14	550030	SEALING PROFIL	2	2	
15	550031	SEALING PROFIL	2	2	
16	550053	HEX HEAD SCREW SS M8 X 12	36	36	
17	550054	HEX HEAD SCREW SS M10 X 16	4	4	
18	550050	NUT LOCK SS/NYLON M10	4	4	
19	550051	HEX HEAD SCREW SS M10 X 160	4	4	
20	550032	WASHER, SHOULDER NYLON .45X.620X.75"	8	8	
21	N87290	WASHER SS 10.5MM X 20MM X2.2MM	4	4	
22	501063	MALE ELBOW 45° / SAE 45° FITTING / #4FL-Mx1/4NPT-M BR	1	1	

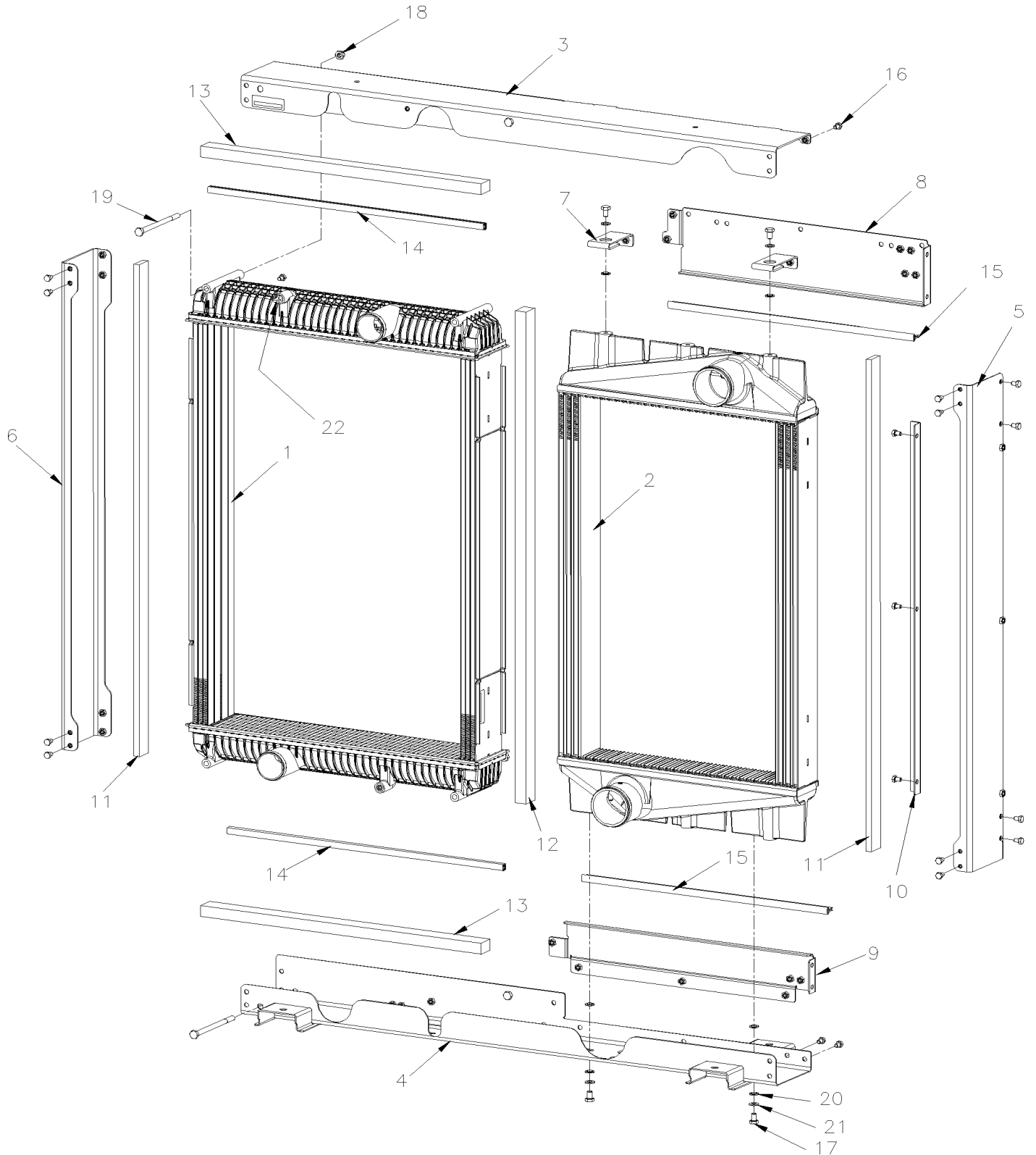


From J-6317 To L-6576

Date:07/2024

PAGE:550048

RADIATOR & AIR COOLER





From J-6317 To L-6576	Date:07/2024	PAGE:550048
------------------------------	---------------------	--------------------

RADIATOR & AIR COOLER

Item#	Part	Description	X 3 V I P E N T	X 3 V I P M T H	N O T E S
1	550049	RADIATOR	1	1	
2	551012	CHARGE AIR COOLER ALUMINUM	1	1	
3	550006	FRAME, TOP	1	1	
4	550007	FRAME, BOTTOM	1	1	
5	550008	FRAME, LEFT	1	1	
6	550009	FRAME, RIGHT	1	1	
7	550014	BRACKET TOP CAC	1	1	
8	550015	COVER PANEL TOP	1	1	
9	550017	COVER PANEL BOTTOM	1	1	
10	550019	ANGLE	1	1	
11	550021	SEALING STRIP	1	1	
12	550028	SEALING PROFIL	1	1	
13	550029	SEALING PROFIL	2	2	
14	550030	SEALING PROFIL	2	2	
15	550031	SEALING PROFIL	2	2	
16	550053	HEX HEAD SCREW SS M8 X 12	36	36	
17	550054	HEX HEAD SCREW SS M10 X 16	4	4	
18	550050	NUT LOCK SS/NYLON M10	4	4	
19	550051	HEX HEAD SCREW SS M10 X 160	4	4	
20	550032	WASHER, SHOULDER NYLON .45X.620X.75"	8	8	
21	N87290	WASHER SS 10.5MM X 20MM X2.2MM	4	4	
22	501027	MALE CONNECTOR / SAE 45° FITTING / #4FL-Mx1/4NPT-M BR	1	1	

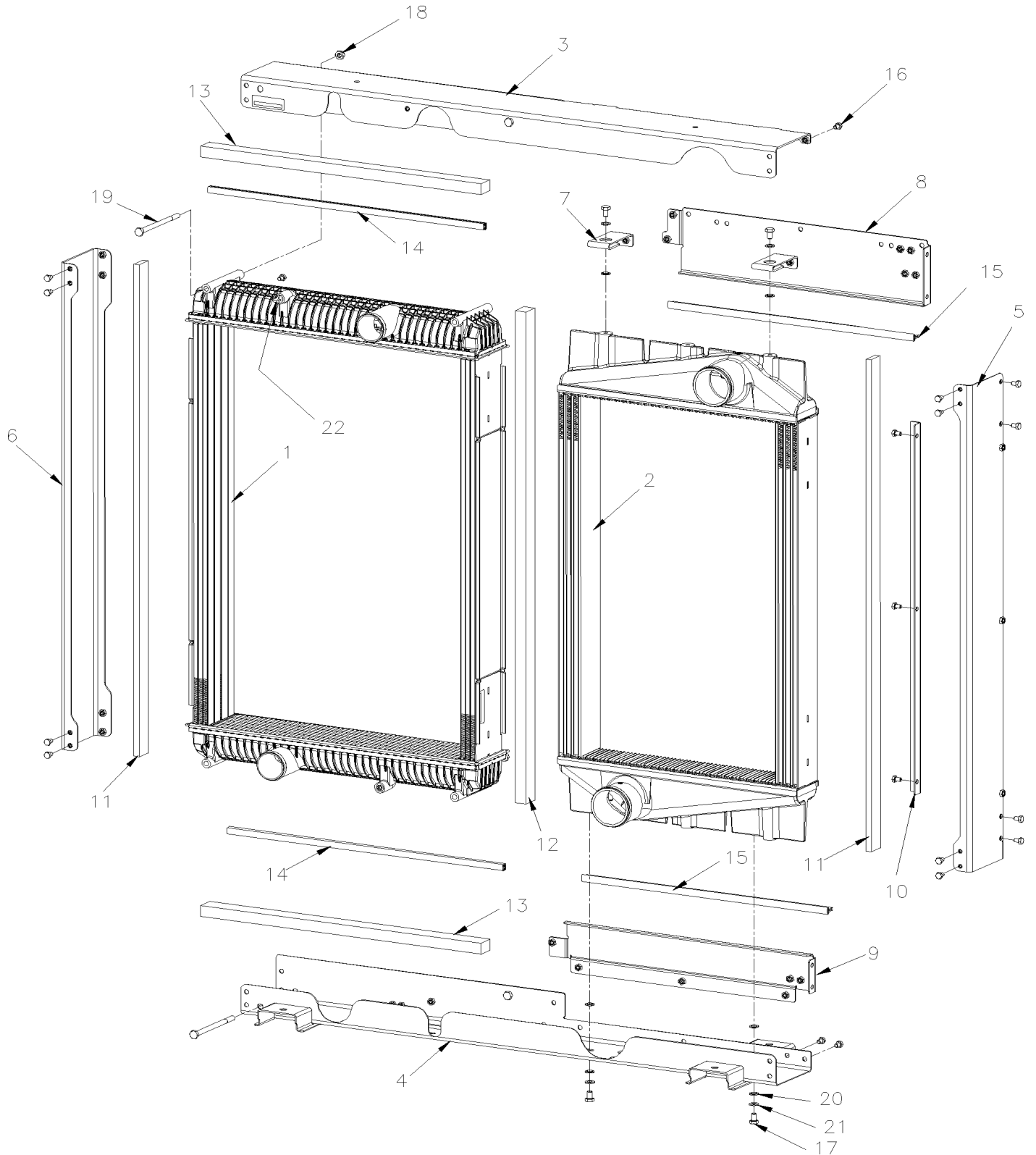


From L-6577 To M-6652

Date:07/2024

PAGE:550081

RADIATOR & AIR COOLER





From L-6577 To M-6652	Date:07/2024	PAGE:550081
-----------------------	--------------	-------------

RADIATOR & AIR COOLER

Item#	Part	Description	X 3 V I P E N T	X 3 V I P M T H	N O T E S
1	550063	RADIATOR	1	1	
2	550060	CHARGE AIR COOLER ALUMINUM	1	1	
3	550006	FRAME, TOP	1	1	
4	550007	FRAME, BOTTOM	1	1	
5	550008	FRAME, LEFT	1	1	
6	550009	FRAME, RIGHT	1	1	
7	550014	BRACKET TOP CAC	1	1	
8	550015	COVER PANEL TOP	1	1	
9	550017	COVER PANEL BOTTOM	1	1	
10	550019	ANGLE	1	1	
11	550021	SEALING STRIP	1	1	
12	550028	SEALING PROFIL	1	1	
13	550029	SEALING PROFIL	2	2	
14	550030	SEALING PROFIL	2	2	
15	550031	SEALING PROFIL	2	2	
16	550053	HEX HEAD SCREW SS M8 X 12	36	36	
17	550054	HEX HEAD SCREW SS M10 X 16	4	4	
18	550050	NUT LOCK SS/NYLON M10	4	4	
19	550051	HEX HEAD SCREW SS M10 X 160	4	4	
20	550032	WASHER, SHOULDER NYLON .45X.620X.75"	8	8	
21	N87290	WASHER SS 10.5MM X 20MM X2.2MM	4	4	
22	501027	MALE CONNECTOR / SAE 45° FITTING / #4FL-Mx1/4NPT-M BR	1	1	

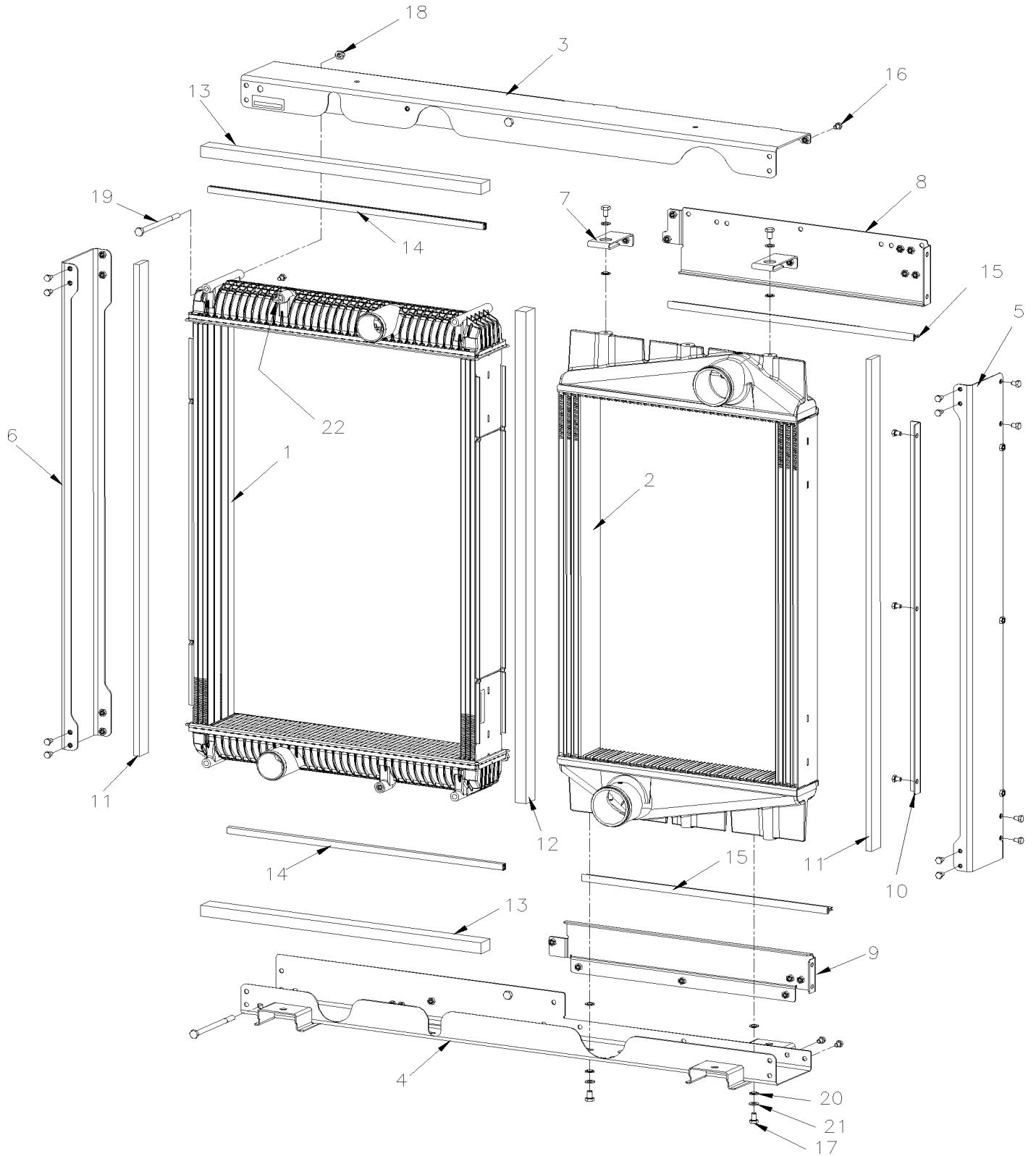


From M-6653

Date:07/2024

PAGE:550091

RADIATOR & AIR COOLER





From M-6653	Date:07/2024	PAGE:550091
RADIATOR & AIR COOLER		

Item#	Part	Description	X 3 V I P E N T	X 3 V I P M T H	N O T E S
1	550084	RADIATOR	1	1	
2	550077	CHARGE AIR COOLER ALUMINUM	1	1	
3	550006	FRAME, TOP	1	1	
4	550007	FRAME, BOTTOM	1	1	
5	550008	FRAME, LEFT	1	1	
6	550009	FRAME, RIGHT	1	1	
7	550014	BRACKET TOP CAC	1	1	
8	550015	COVER PANEL TOP	1	1	
9	550017	COVER PANEL BOTTOM	1	1	
10	550019	ANGLE	1	1	
11	550021	SEALING STRIP	1	1	
12	550028	SEALING PROFIL	1	1	
13	550106	SEALING PROFIL	2	2	
14	Call order desk	SEALING PROFIL	2	2	P
15	550031	SEALING PROFIL	2	2	
16	550053	HEX HEAD SCREW SS M8 X 12	36	36	
17	550054	HEX HEAD SCREW SS M10 X 16	4	4	
18	550050	NUT LOCK SS/NYLON M10	4	4	
19	550051	HEX HEAD SCREW SS M10 X 160	4	4	
20	550032	WASHER, SHOULDER NYLON .45X.620X.75"	8	8	
21	N87290	WASHER SS 10.5MM X 20MM X2.2MM	4	4	
22	501027	MALE CONNECTOR / SAE 45° FITTING / #4FL-Mx1/4NPT-M BR	1	1	
		P) CALL ORDER DESK FOR SPECIFIC APPLICATION (V.I.N.)			

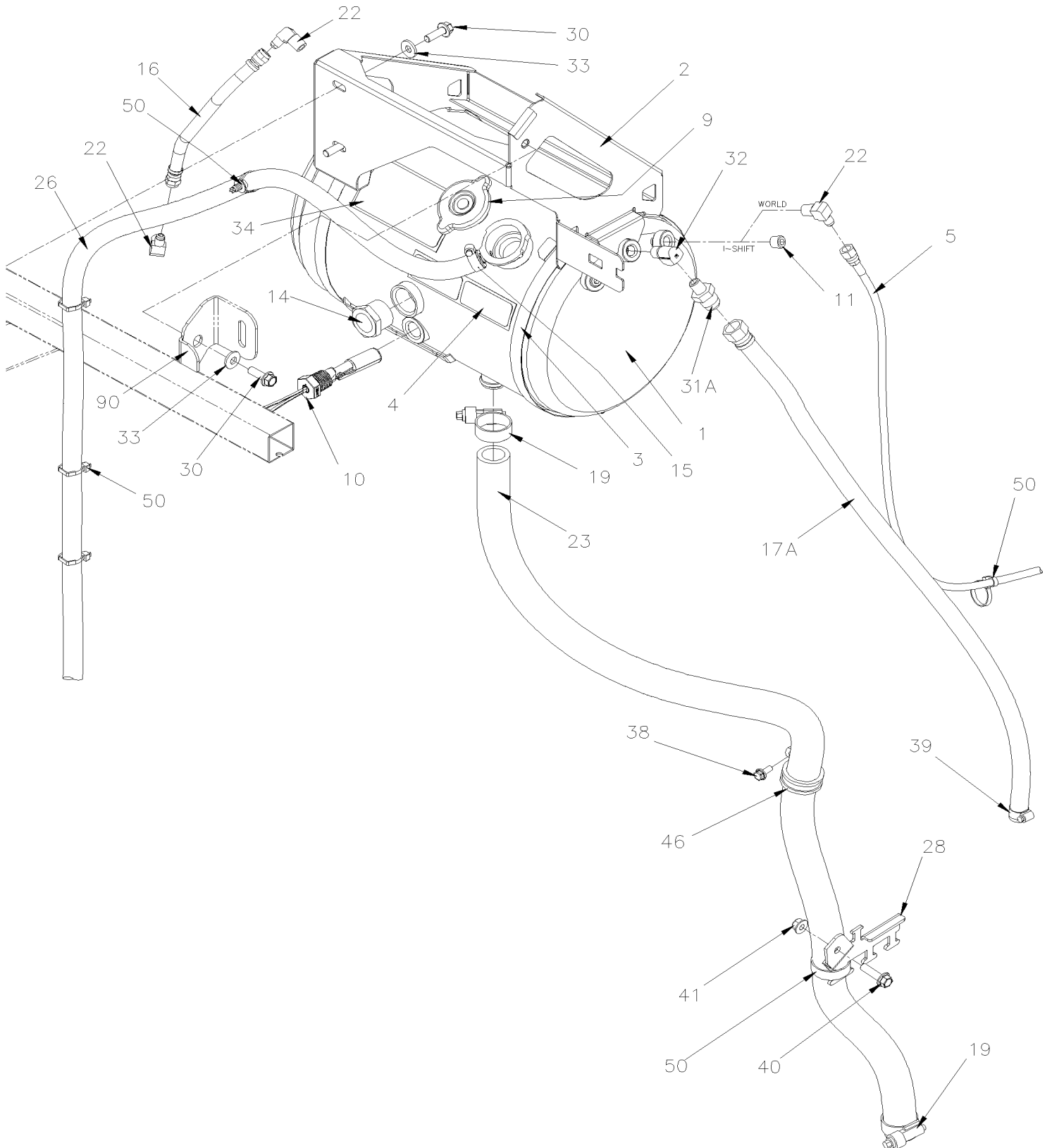


From E-5490 To H-6179

Date:07/2024

PAGE:X3VIP-0510-00

SURGE TANK



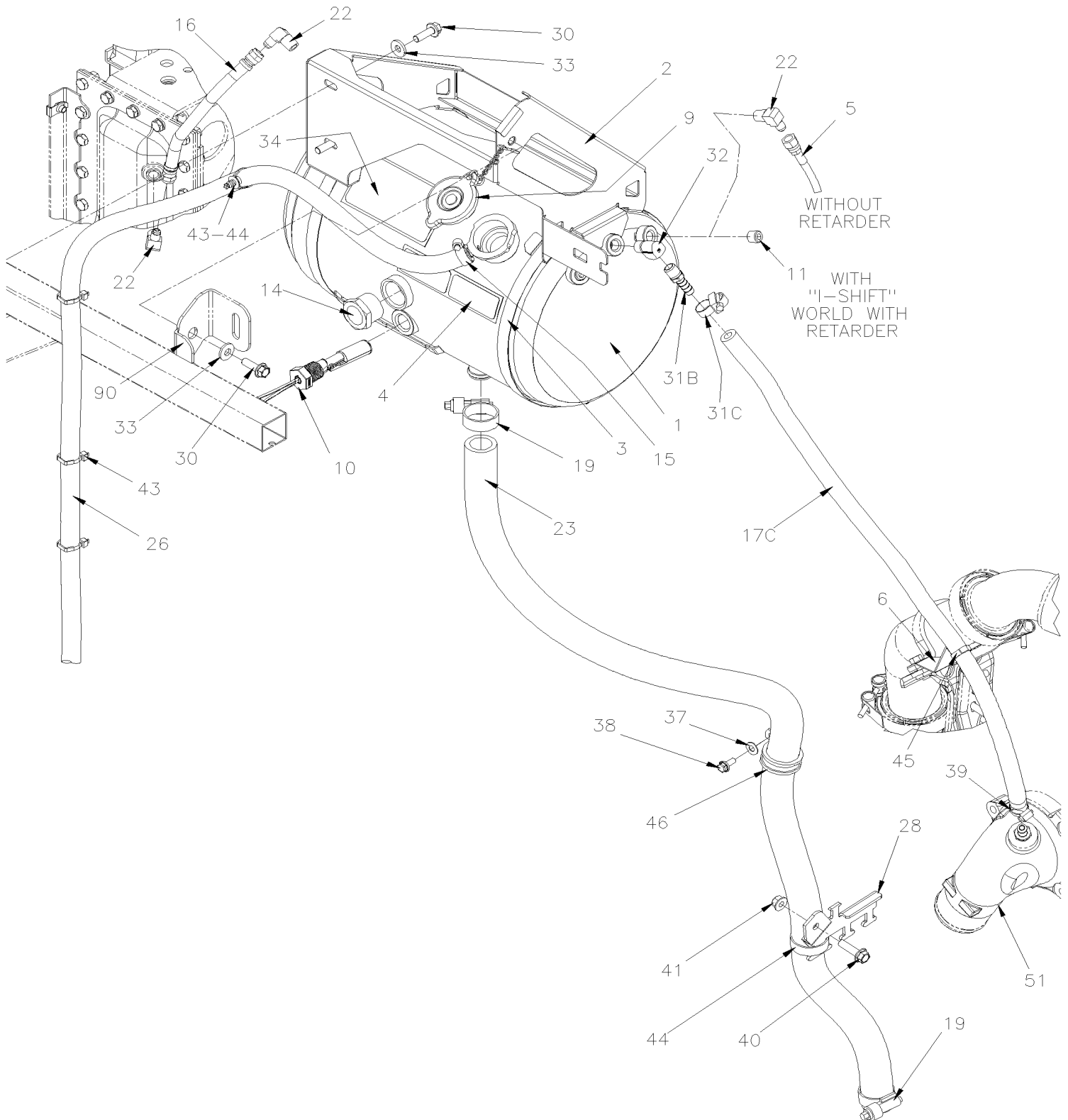


From E-5490 To H-6179

Date:07/2024

PAGE:X3VIP-0510-00

SURGE TANK





From E-5490 To H-6179	Date:07/2024	PAGE:X3VIP-0510-00
SURGE TANK		

Item#	Part	Description	X 3 V I P E N T	X 3 V I P M T H	N O T E S
1	053641	SURGE TANK ALUMINUM To E-5667	1	1	
1	053641	SURGE TANK ALUMINUM REV C From E-5668	1	1	
2	053576	SUPPORT ASSY / SURGE TANK / W/ROUND S-T To E-5572	1	1	
2	053674	SUPPORT ASSY / SURGE TANK From E-5573 To E-5759	1	1	
2	053692	SUPPORT ASSY / SURGE TANK From F-5760	1	1	
2	050164	SURGE TANK SUPPORT REPLACEMENT From F-5760	1	1	
3	504775	T-BOLT BAND CLAMP/ 9.69" ID	2	2	
4	053597	DECAL SPEC / ANTIFREEZE / W/ "VOLVO" ENGINE FRANCAIS / ENGLISH / SPANISH	1	1	
5	053585P	HOSE ASSY TEFLON #4 1850MM To G-6083	1	1	S
. NS	503064	. HOSE TEFLON #4 / S.L. To G-6083	AR	AR	S
. NS	5011182	. FEMALE CONNECTOR SWIVEL / SAE 45° FITTING / #4FL-Fx#4 STL To G-6083	2	2	S
. NS	5011183	. SLEEVE / #4 STL To G-6083	2	2	S
6	053600	SUPPORT HOSE	1	1	
9	21528785	CAP PRESSURE / OVER 13 LBS To E-5667	1	1	
9	550984	CAP PRESSURE / OVER 13 LBS From E-5668	1	1	
10	067304	SENSOR PROBE "LOW LEVEL COOLANT" ASSY / 1/2" NPT To H-6099	1	1	
. NS	564465	. SENSOR PROBE "LOW LEVEL COOLANT" / 1/2" NPT To H-6099	1	1	
. NS	21242838	. SENSOR PROBE "LOW LEVEL COOLANT" / 1/2" NPT To H-6099	1	1	
. NS	563764	. CONNECTOR / CPC SERIES 3 / PH 3C / PED 15300002 To H-6099	1	1	
. NS	563765	. PIN TERMINAL / 18-16 / PED 12048159 To H-6099	2	2	
. NS	563369	. CABLE SEAL / GRAY / PED 12010293 To H-6099	2	2	
. NS	562387	. CONVOLUTED TUBING / SLIT / BLACK / .250" To H-6099	AR	AR	
. NS	562388	. SECONDARY LOCK / METRI-PACK 280 / 2C / BLUE / PED 15300014 To H-6099	1	1	
10	060139	SENSOR PROBE "LOW LEVEL COOLANT" ASSY / 1/2" NPT From H-6100	1	1	
. NS	560058	. SENSOR PROBE "LOW LEVEL COOLANT" / 1/2" NPT From H-6100	1	1	
. NS	563764	. CONNECTOR / CPC SERIES 3 / PH 3C / PED 15300002 From H-6100	1	1	
. NS	563763	. PIN TERMINAL / 14-12 / PED 12129497 From H-6100	2	2	
. NS	561786	. CABLE SEAL / GRAY / PED 15324980 From H-6100	2	2	
. NS	562387	. CONVOLUTED TUBING / SLIT / BLACK / .250" From H-6100	AR	AR	
. NS	562388	. SECONDARY LOCK / METRI-PACK 280 / 2C / BLUE / PED 15300014 From H-6100	1	1	
NS	680098	THREAD SEALANT LOCTITE #567 / WHITE / 250ml	AR	AR	
NS	688914	PRIMER LOCTITE #7649 1.75 oz	AR	AR	
11	501800	PLUG HEXS / PIPE FITTING / 1/4NPT-M STL	1	1	I
13	21247975	MALE CONNECTOR / BEADED HOSE BARB / #16x#16ORB-M STL	1	1	
14	21331481	SIGHT GLASS 1" NPT	1	1	
15	504018	HOSE CLAMP / 7/16"-1" SS / HS-8 To E-5759	1	1	
15	992081	HOSE CLAMP / 12MM/22MM From F-5760	1	1	
16	053582P	HOSE ASSY / #4 205 MM To E-5759	AR	AR	
. NS	503789	. HOSE SILICONE 1 PLY / NOMEX-ARAMID 1/4" X 25' To E-5759	AR	AR	
. NS	501347	. FEMALE CONNECTOR SWIVEL / PUSH-LOK FITTING #4JIC-Fx#4 BR To E-5759	2	2	
. NS	992081	. HOSE CLAMP / 12MM/22MM To E-5759	2	2	



From E-5490 To H-6179	Date:07/2024	PAGE:X3VIP-0510-00
------------------------------	---------------------	---------------------------

SURGE TANK

Item#	Part	Description	X 3 V I P E N T	X 3 V I P M T H	N O T E S
17A	503702	HOSE / (SAFETY STRIPE) / 3/8" I.D. 50' / S.L. To E-5759	AR	AR	
17B	501347	FEMALE CONNECTOR SWIVEL / PUSH-LOK FITTING #4JIC-Fx#4 BR To E-5759	1	1	
17C	053583P	HOSE / #6 700MM	1	1	
. NS	503821	. HOSE SILICONE 4 PLY / NOMEX-ARAMID 3/8" x 144"	AR	AR	
18	501308	ADAPTER / PIPE FITTING / 1/4NPT-Fx1/4NPT-M BR	2	2	
19	504782	HOSE CLAMP / 1 3/16-1 13/16 SS / C.T. W.S. To E-5759	2	2	
19	992084	HOSE CLAMP / 23MM/35MM From F-5760	2	2	
22	501037	MALE ELBOW 90° / SAE 45° FITTING / #4FL-Mx1/4NPT-M BR To G-6083	3	3	
22	501037	MALE ELBOW 90° / SAE 45° FITTING / #4FL-Mx1/4NPT-M BR From G-6084	2	2	
23	N.S.A.	HOSE #12 1204MM	1	1	3
. NS	503579	. HOSE 1" I.D. X 50' / "GREEN STRIPE"	AR	AR	
26	053584P	HOSE ASSY / #6 1750MM	1	1	
. NS	503702	. HOSE / (SAFETY STRIPE) / 3/8" I.D. 50' / S.L.	AR	AR	
27	504019	HOSE CLAMP / 9/16"-1"1/16 SS / HS-10	1	1	
28	053006	SUPPORT HOSE To H-6093	1	1	
28	050007	SUPPORT HOSE From H-6094	1	1	
29	5001800	SCREW CAP HEXF M10-1.5x45 G10.9 N500	2	2	
30	5001643	SCREW CAP HEXF M8-1.25x25 G8.8 G500	3	3	
31A	501033	MALE CONNECTOR / SAE 45° FITTING / #8FL-Mx1/4NPT-M BR To E-5759	1	1	
31B	642196	MALE CONNECTOR / HOSE BARB FITTING / #6x1/4NPT-M BR From F-5760	1	1	
31C	992081	HOSE CLAMP / 12MM/22MM From F-5760	1	1	
32	501332	STREET ELBOW 90° / PIPE FITTING / 1/4NPT-Mx1/4NPT-F BR To E-5759	1	1	
33	500321	WASHER BEL SPR .331x.827x.098 N500	3	3	
34	012702	DECAL "OIL SPEC" 10W/40 / ENGLISH & FRANCAIS / SPANISH	1	1	
35	502848	SCREW TC CAP HEXF 1/4-20x3/4 N500	6	6	
36	502666	SCREW MA FL PH #6-32x3/4 SS BK	1	1	
37	5001833	WASHER BEL SPR 6.1x18x1.27 SS	1	1	
38	5001730	SCREW CAP HEXF M6-1.0x16 G10.9 N500	1	1	
39	504020	HOSE CLAMP / 9/16"-1"1/4 SS / HS-12 To E-5759	1	1	
39	992081	HOSE CLAMP / 12MM/22MM From F-5760	1	1	
40	5001742	SCREW CAP HEXF M8-1.25x30 G8.8 N500 To E-5651	1	1	
40	502836	SCREW CAP HEX M8-1.25x35 G8.8 N500 From E-5652 To H-6093	1	1	
40	502836	SCREW CAP HEX M8-1.25x35 G8.8 N500 From H-6094	2	2	
40	500321	WASHER BEL SPR .331x.827x.098 N500 From H-6094	1	1	
41	502837	NUT HEXF STO M8-1.25 N500 To E-5651	1	1	
41	5001931	NUT HEXF NYRT M8-1.25 G8.8 N500 From E-5652	1	1	
43	504637	CABLE TIE / 3/16" x 13"	AR	AR	
44	509491	CABLE TIE / 13MM x 383MM	AR	AR	
45	504016	CABLE TIE / 5/16" X 14"1/2	AR	AR	
46	952641	CLAMP P STL ZP RUB 34.9 ID	1	1	
50	FM-00CW-01	CLAMPS - WIRE & TUBE			
51	Refer To Volvo	SEE IMPACT OR CALL ORDER DESK			V



From E-5490 To H-6179	Date:07/2024	PAGE:X3VIP-0510-00
SURGE TANK		

Item#	Part	Description	X 3 V I P E N T	X 3 V I P M T H	N O T E S
90	040820	SUPPORT TANK	1	1	
100	685241	. . COOLANT PRESTONE / 208 LITERS 50%/50% PRE-MIXED W/"VOLVO"	AR	AR	
100	685127	. . . COOLANT PRESTONE / 4 LITERS 50%/50% PRE-MIXED W/"VOLVO"	AR	AR	
		I) WITH "I-SHIFT" TRANS			
		S) WORLD TRANSMISSION WITHOUT RETARDER			
		3) NOT SOLD ASSEMBLY			
		V) SEE IMPACT OR CALL ORDER DESK			

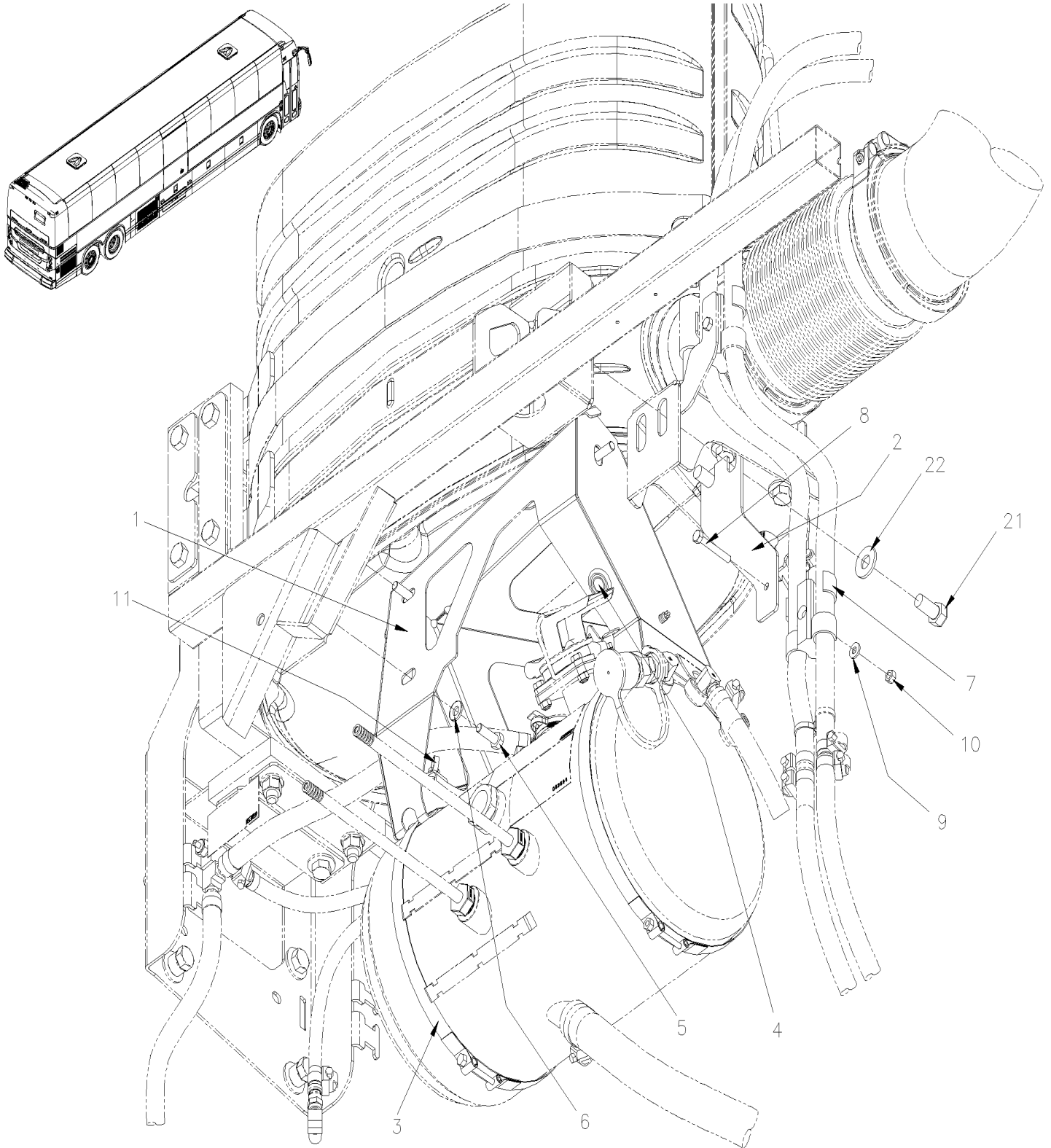


From F-5760

Date:07/2024

PAGE:050164

SURGE TANK SUPPORT REPLACEMENT





From F-5760	Date:07/2024	PAGE:050164
SURGE TANK SUPPORT REPLACEMENT		

Item#	Part	Description	X 3 V I P E N T	X 3 V I P M T H	N O T E S
1	050134	SUPPORT ASSY/ SURGE TANK			
2	050136	BRACKET, COOLING HOSE			
3	504775	T-BOLT BAND CLAMP/ 9.69" ID			
4	382564	LED, ENGINE AIR FILTER ASSY			
5	502780	SCREW CAP HEX M8-1.25x25 SS BK			
6	5001868	WASHER BEL SPR 8.4x18x2 SS			
7	504634	T-CLIP / 7/8" - 1"			
8	5001923	SCREW CAP HEX M6-1.0x45 SS BK			
9	500877	WASHER FL .250x.562x.065 N500			
10	502681	NUT HEX NYRT M6-1.0 N500 G8			
11	509815	TIE MOUNT / ATTACHMENT W/TREE MOUNT			
11	504637	CABLE TIE / 3/16" x 13"			
NS	564108	SELF MOUNTING STUD // DEUTSCH 1011-310-0205			
21	502705	SCREW CAP HEX M12-1.75X25 G8.8 N500			
22	500967	WASHER BEL SPR .512x1.142x.098 N500			

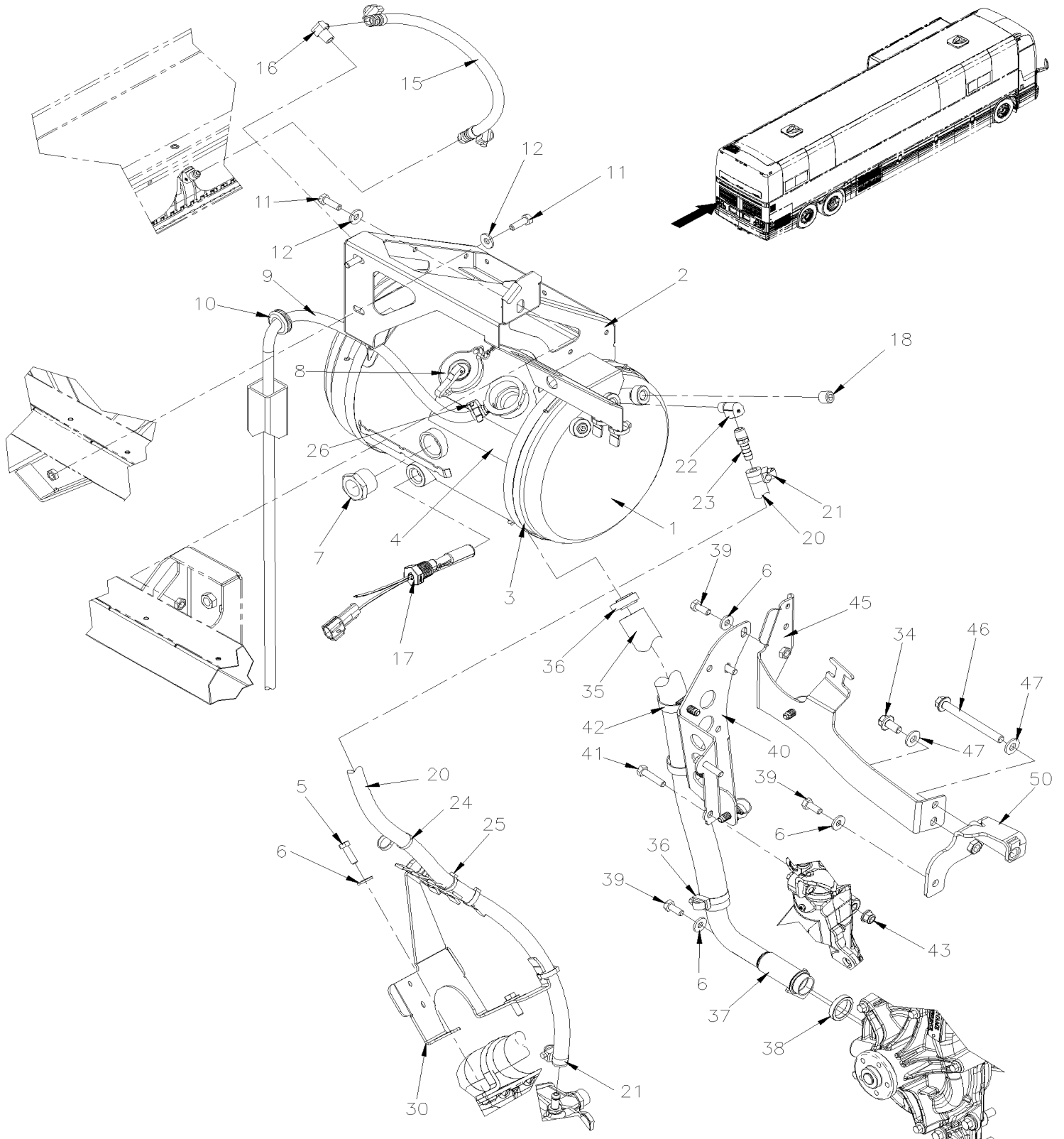


From H-6180 To J-6312

Date:07/2024

PAGE:X3VIP-0510-01

SURGE TANK VOLVO D13 - GHG17





From H-6180 To J-6312	Date:07/2024	PAGE:X3VIP-0510-01
SURGE TANK VOLVO D13 - GHG17		

Item#	Part	Description	X 3 V I P E N T	X 3 V I P M T H	N O T E S
1	050001	SURGE TANK ALUMINUM	1	1	
2	053715	SUPPORT ASSY/ SURGE TANK	1	1	
2	050164	SURGE TANK SUPPORT REPLACEMENT	1	1	
3	504775	T-BOLT BAND CLAMP/ 9.69" ID	2	2	
4	053597	DECAL SPEC / ANTIFREEZE / W/ "VOLVO" ENGINE FRANCAIS / ENGLISH / SPANISH	1	1	
5	5001745	SCREW CAP HEX M8-1.25x25 G8.8 N500	2	2	
6	500321	WASHER BEL SPR .331x.827x.098 N500	7	7	
7	21331481	SIGHT GLASS 1" NPT	1	1	
8	550984	CAP PRESSURE / OVER 13 LBS	1	1	
9	Call order desk	HOSE ASSY / 1700 MM	1	1	P
. NS	503789	. HOSE SILICONE 1 PLY / NOMEX-ARAMID 1/4" X 25'	AR	AR	
NS	992081	HOSE CLAMP / 12MM/22MM	4	4	
NS	504637	CABLE TIE / 3/16" x 13"	4	4	
NS	509815	TIE MOUNT / ATTACHMENT W/TREE MOUNT	1	1	
10	504059	GROMMET / 1.250x1.500x.094x.375x1.875	1	1	
11	502780	SCREW CAP HEX M8-1.25x25 SS BK	3	3	
12	5001868	WASHER BEL SPR 8.4x18x2 SS	3	3	
15	050005P	HOSE ASSY 1/4" 350 MM	1	1	
. NS	501347	. FEMALE CONNECTOR SWIVEL / PUSH-LOK FITTING #4JIC-Fx#4 BR	2	2	
. NS	503706	. HOSE FC-332-4 #4	AR	AR	
. NS	992081	. HOSE CLAMP / 12MM/22MM	2	2	
16	501037	MALE ELBOW 90° / SAE 45° FITTING / #4FL-Mx1/4NPT-M BR	1	1	
17	060139	SENSOR PROBE "LOW LEVEL COOLANT" ASSY / 1/2" NPT To J-6303	1	1	
. NS	560058	. SENSOR PROBE "LOW LEVEL COOLANT" / 1/2" NPT To J-6303	1	1	
. NS	563764	. CONNECTOR / CPC SERIES 3 / PH 3C / PED 15300002 To J-6303	1	1	
. NS	563763	. PIN TERMINAL / 14-12 / PED 12129497 To J-6303	2	2	
. NS	561786	. CABLE SEAL / GRAY / PED 15324980 To J-6303	2	2	
. NS	562387	. CONVOLUTED TUBING / SLIT / BLACK / .250" To J-6303	AR	AR	
. NS	562388	. SECONDARY LOCK / METRI-PACK 280 / 2C / BLUE / PED 15300014 To J-6303	1	1	
17	069812	SENSOR PROBE "LOW LEVEL COOLANT" ASSY / 1/2" NPT From J-6304	1	1	
. NS	560058	. SENSOR PROBE "LOW LEVEL COOLANT" / 1/2" NPT From J-6304	1	1	
. NS	563764	. CONNECTOR / CPC SERIES 3 / PH 3C / PED 15300002 From J-6304	1	1	
. NS	563763	. PIN TERMINAL / 14-12 / PED 12129497 From J-6304	2	2	
. NS	561786	. CABLE SEAL / GRAY / PED 15324980 From J-6304	2	2	
. NS	562387	. CONVOLUTED TUBING / SLIT / BLACK / .250" From J-6304	AR	AR	
. NS	562388	. SECONDARY LOCK / METRI-PACK 280 / 2C / BLUE / PED 15300014 From J-6304	1	1	
18	501800	PLUG HEXS / PIPE FITTING / 1/4NPT-M STL	1	1	
20	Call order desk	HOSE COOLING / 739 MM	1	1	P
. NS	503821	. HOSE SILICONE 4 PLY / NOMEX-ARAMID 3/8" x 144"	AR	AR	
21	992081	HOSE CLAMP / 12MM/22MM	2	2	
22	501332	STREET ELBOW 90° / PIPE FITTING / 1/4NPT-Mx1/4NPT-F BR	1	1	
23	642196	MALE CONNECTOR / HOSE BARB FITTING / #6x1/4NPT-M BR	1	1	



From H-6180 To J-6312	Date:07/2024	PAGE:X3VIP-0510-01
SURGE TANK VOLVO D13 - GHG17		

Item#	Part	Description	X 3 V I P E N T	X 3 V I P M T H	N O T E S
24	507664	CABLE TIE / 3/16" 11" / DOUBLE LOOP HEAD	AR	AR	
25	504016	CABLE TIE / 5/16" X 14"1/2	AR	AR	
26	21283793	SPRING HOSE CLAMP 5/16"	1	1	
30	071715	BRACKET, TRANSMISSION DIPSTICK	1	1	
34	5001307	SCREW CAP HEXF M10-1.5x20 8.8 N500	1	1	
35	503788	HOSE SILICONE 4 PLY / NOMEX-ARAMID 1" I.D. x 54"	1	1	
36	992084	HOSE CLAMP / 23MM/35MM	2	2	
37	053709	PIPE ASSY, WATER PUMP	1	1	
38	504738	RUBBER JOINT	1	1	
39	502862	SCREW CAP HEX M8-1.25x20 G8.8 N500	4	4	
40	053037	HOSE HOLDER BRACKET To J-6305	1	1	
40	050110	HOSE HOLDER BRACKET 284.9x146x94.3 MM From J-6306	1	1	
NS	503821	HOSE SILICONE 4 PLY / NOMEX-ARAMID 3/8" x 144"	AR	AR	
41	502836	SCREW CAP HEX M8-1.25x35 G8.8 N500	2	2	
42	504750	CABLE TIE / 1/2" x 15" / CHRISTMAS TREE	AR	AR	
43	5001931	NUT HEXF NYRT M8-1.25 G8.8 N500	1	1	
45	053038	BRACKET, HOSE & DIPSTICK To J-6305	1	1	
45	050111	BRACKET, HOSE 275.5x165.7x48.5 MM From J-6306	1	1	
46	5001784	SCREW CAP HEXF M10-1.5x90 G8.8 AD N500	1	1	
47	5001834	WASHER BEL SPR 10.5X23X2.5 N500	2	2	
50	053485	ATTACHMENT ENGINE BLOCK	1	1	
NS	685241	. . COOLANT PRESTONE / 208 LITERS 50%/50% PRE-MIXED W/"VOLVO"	1	1	
NS	685127	. . . COOLANT PRESTONE / 4 LITERS 50%/50% PRE-MIXED W/"VOLVO"	1	1	
		P) CALL ORDER DESK FOR SPECIFIC APPLICATION (V.I.N.)			

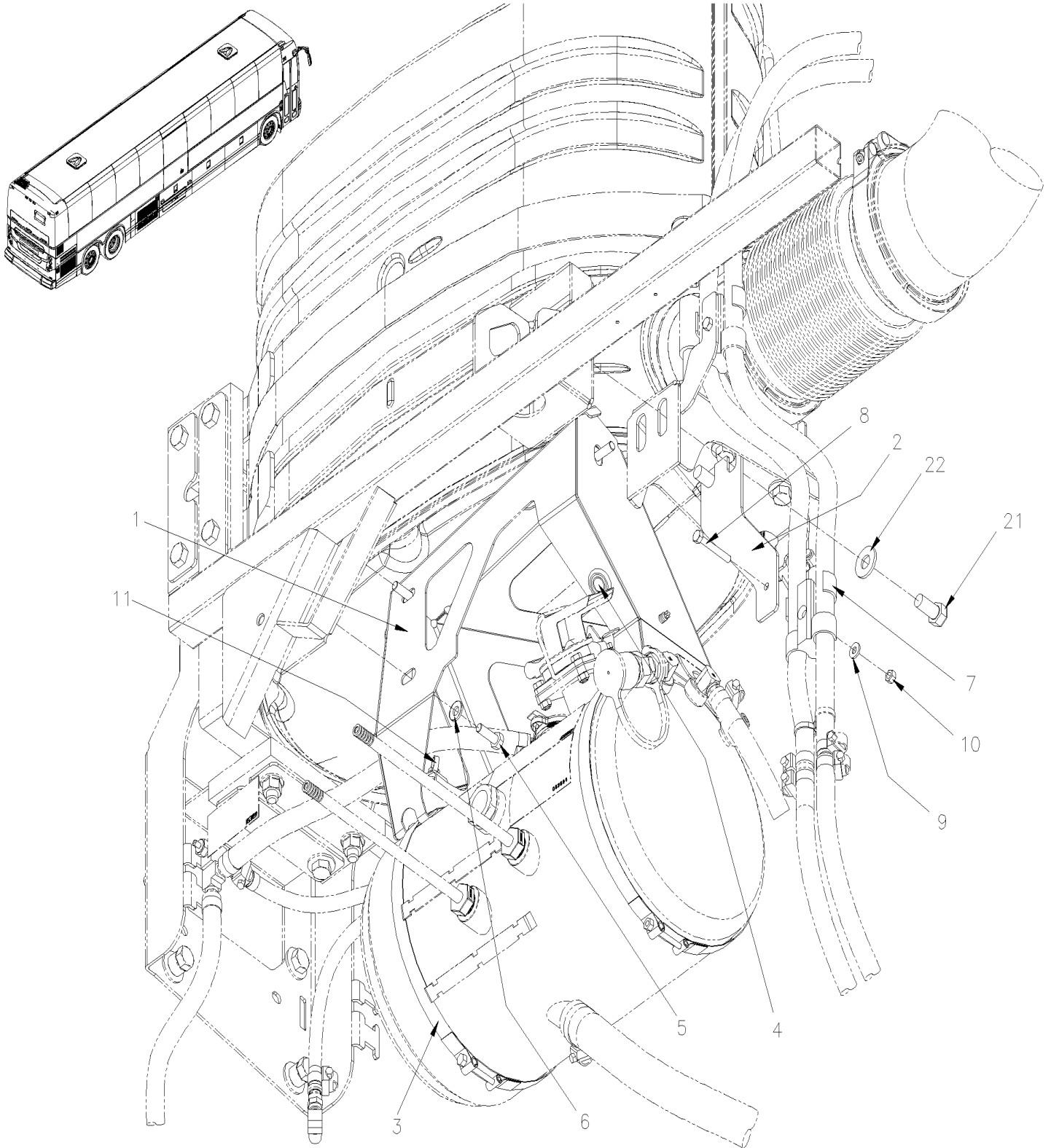


From H-6180 To J-6312

Date:07/2024

PAGE:050164

SURGE TANK SUPPORT REPLACEMENT





From H-6180 To J-6312	Date:07/2024	PAGE:050164
SURGE TANK SUPPORT REPLACEMENT		

Item#	Part	Description	X 3 V I P E N T	X 3 V I P M T H	N O T E S
1	050134	SUPPORT ASSY/ SURGE TANK			
2	050136	BRACKET, COOLING HOSE			
3	504775	T-BOLT BAND CLAMP/ 9.69" ID			
4	382564	LED, ENGINE AIR FILTER ASSY			
5	502780	SCREW CAP HEX M8-1.25x25 SS BK			
6	5001868	WASHER BEL SPR 8.4x18x2 SS			
7	504634	T-CLIP / 7/8" - 1"			
8	5001923	SCREW CAP HEX M6-1.0x45 SS BK			
9	500877	WASHER FL .250x.562x.065 N500			
10	502681	NUT HEX NYRT M6-1.0 N500 G8			
11	509815	TIE MOUNT / ATTACHMENT W/TREE MOUNT			
11	504637	CABLE TIE / 3/16" x 13"			
NS	564108	SELF MOUNTING STUD // DEUTSCH 1011-310-0205			
21	502705	SCREW CAP HEX M12-1.75X25 G8.8 N500			
22	500967	WASHER BEL SPR .512x1.142x.098 N500			

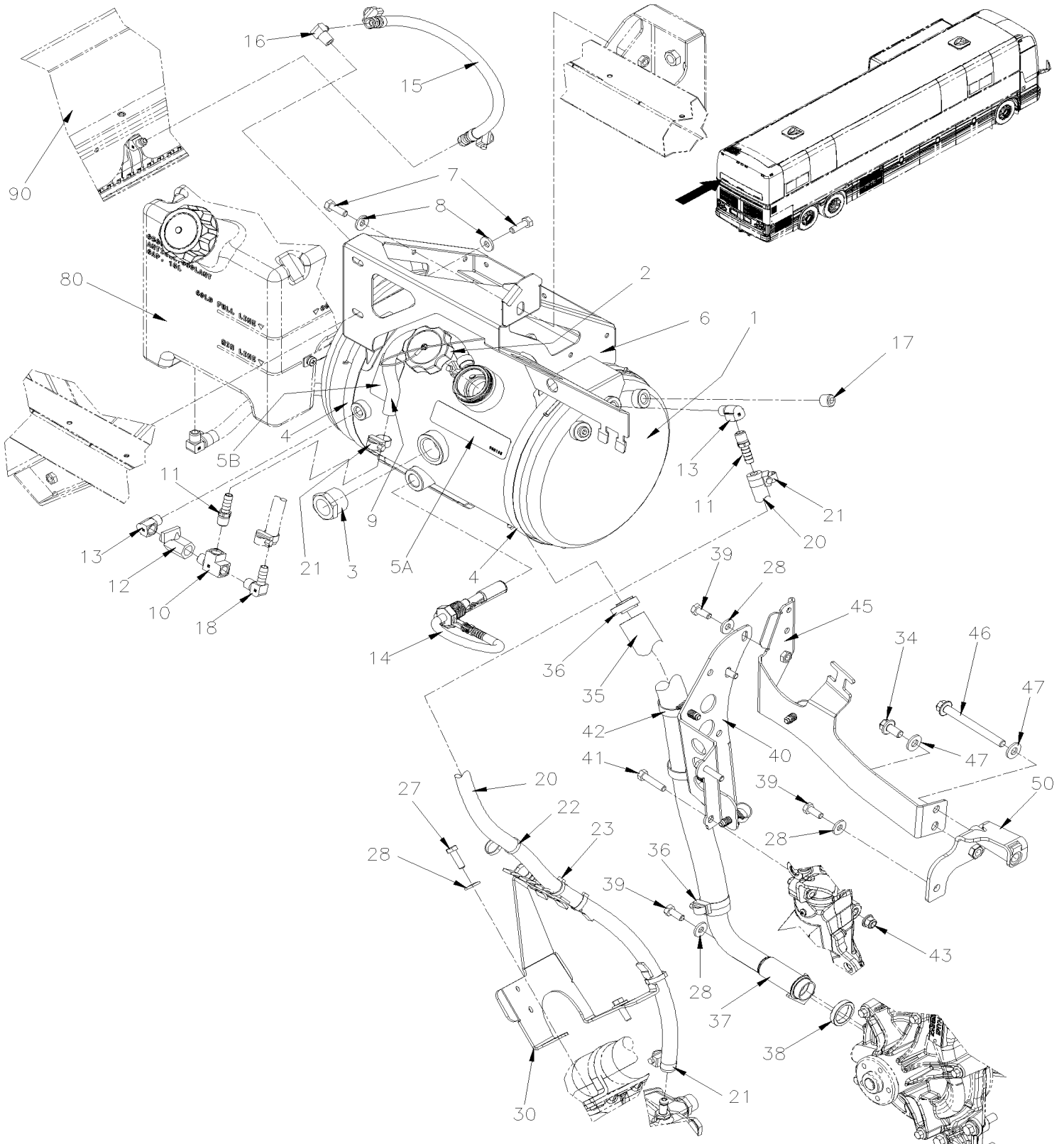


From J-6313

Date:07/2024

PAGE:X3VIP-0510-02

SURGE TANK





From J-6313		Date:07/2024	PAGE:X3VIP-0510-02
SURGE TANK			

Item#	Part	Description	X 3 V I P E N T	X 3 V I P M T H	N O T E S
1	050083	SURGE TANK To N-6677	1	1	
1	050519	SURGE TANK From N-6678	1	1	
2	050130	CAP, ASSY To N-6677	1	1	A
. NS	504133	. CAP, SURGE TANK To N-6677	1	1	A
. NS	5002066	. SCREW TC PAN PH #6-32x1/4 SS To N-6677	1	1	A
. NS	510973	. CABLE SS 3/64" DIA. ASSY W/LOOP 8" LG x W/1" LOOP To N-6677	AR	AR	A
2	050557	KIT, CAP ADAPTATOR, SURGE TANK To N-6677	1	1	
2	21528785	CAP PRESSURE / OVER 13 LBS From N-6678	1	1	
3	21331481	SIGHT GLASS 1" NPT	1	1	
4	504775	T-BOLT BAND CLAMP/ 9.69" ID	2	2	
5A	050138	DECAL "CAUTION NEVER OPEN..." ENGLISH To L-6584	1	1	
5A	050463	DECAL "CAUTION NEVER OPEN..." ENGLISH From L-6585 To R-4067	1	1	
5A	050147	DECAL "CAUTION NEVER OPEN..." ENGLISH / FRANCAIS To L-6584	1	1	
5A	050462	DECAL "CAUTION NEVER OPEN..." ENGLISH / FRANCAIS From L-6585 To R-4067	1	1	
5A	050157	DECAL "CAUTION NEVER OPEN..." ENGLISH / SPANISH To L-6584	1	1	
5A	050464	DECAL "CAUTION NEVER OPEN..." ENGLISH / SPANISH From L-6585 To R-4067	1	1	
5A	050617	DECAL, COOLANT VOLVO VCS-2B "CAUTION NEVER OPEN..." ENGLISH / FRANCAIS / ESPANOL From R-4040 To R-4040	1	1	
5A	050617	DECAL, COOLANT VOLVO VCS-2B "CAUTION NEVER OPEN..." ENGLISH / FRANCAIS / ESPANOL From R-4068	1	1	
5B	050163	DECAL "OPERATIONAL MODE" ENGLISH To L-6584	1	1	
5B	050466	DECAL "OPERATIONAL MODE" ENGLISH From L-6585	1	1	
5B	050158	DECAL "OPERATIONAL MODE" ENGLISH / FRANCAIS To L-6584	1	1	
5B	050465	DECAL "OPERATIONAL MODE" ENGLISH / FRANCAIS From L-6585	1	1	
5B	050161	DECAL "OPERATIONAL MODE" ENGLISH / SPANISH To L-6584	1	1	
5B	050470	DECAL "OPERATIONAL MODE" ENGLISH / SPANISH From L-6585	1	1	
6	053715	SUPPORT ASSY/ SURGE TANK To K-6552	1	1	
6	050164	SURGE TANK SUPPORT REPLACEMENT To K-6552	1	1	
6	050134	SUPPORT ASSY/ SURGE TANK From K-6553 To L-6558	1	1	
6	050338	SUPPORT ASSY/ SURGE TANK From L-6559	1	1	
NS	504013	TIE MOUNT / 1/4" X 1/4" I.D. From L-6559	1	1	
NS	504379	RIVET POP DOME OE 3/16x1/4 SS From L-6559	1	1	
NS	5001137	WASHER FL .203x.438x.050 SS From L-6559	1	1	
7	502780	SCREW CAP HEX M8-1.25x25 SS BK	AR	AR	
8	5001868	WASHER BEL SPR 8.4x18x2 SS	AR	AR	
9	503702	HOSE / (SAFETY STRIPE) / 3/8" I.D. 50' / S.L.	AR	AR	
10	501894	MALE BRANCHE TEE / PIPE FITTING / 1/4NPT-Fx1/4NPT-Fx1/4NPT-M BR To L-6558	1	1	
10	501338	MALE RUN TEE / PIPE FITTING / 1/4NPT-Mx1/4NPT-Fx1/4NPT-F BR From L-6559	1	1	
11	642196	MALE CONNECTOR / HOSE BARB FITTING / #6x1/4NPT-M BR	2	2	
12	641936	BALL VALVE 1/4 NPT M x 1/4 NPT F	1	1	
13	501332	STREET ELBOW 90° / PIPE FITTING / 1/4NPT-Mx1/4NPT-F BR To L-6558	2	2	
13	501332	STREET ELBOW 90° / PIPE FITTING / 1/4NPT-Mx1/4NPT-F BR From L-6559	3	3	
14	060139	SENSOR PROBE "LOW LEVEL COOLANT" ASSY / 1/2" NPT	1	1	
. NS	560058	. SENSOR PROBE "LOW LEVEL COOLANT" / 1/2" NPT	1	1	



From J-6313		Date:07/2024	PAGE:X3VIP-0510-02
SURGE TANK			

Item#	Part	Description	X 3 V I P E N T	X 3 V I P M T H	N O T E S
. NS	563764	. CONNECTOR / CPC SERIES 3 / PH 3C / PED 1530002	1	1	
. NS	563763	. PIN TERMINAL / 14-12 / PED 12129497	2	2	
. NS	561786	. CABLE SEAL / GRAY / PED 15324980	2	2	
. NS	562387	. CONVOLUTED TUBING / SLIT / BLACK / .250"	AR	AR	
. NS	562388	. SECONDARY LOCK / METRI-PACK 280 / 2C / BLUE / PED 15300014	1	1	
15	050005P	HOSE ASSY 1/4" 350 MM To J-6316	1	1	
. NS	501347	. FEMALE CONNECTOR SWIVEL / PUSH-LOK FITTING #4JIC-Fx#4 BR To J-6316	2	2	
. NS	503706	. HOSE FC-332-4 #4 To J-6316	AR	AR	
. NS	992081	. HOSE CLAMP / 12MM/22MM To J-6316	2	2	
15	050145P	HOSE ASSY 1/4" 400 MM From J-6317	1	1	
. NS	501347	. FEMALE CONNECTOR SWIVEL / PUSH-LOK FITTING #4JIC-Fx#4 BR From J-6317	2	2	
. NS	503706	. HOSE FC-332-4 #4 From J-6317	AR	AR	
. NS	992081	. HOSE CLAMP / 12MM/22MM From J-6317	2	2	
16	501037	MALE ELBOW 90° / SAE 45° FITTING / #4FL-Mx1/4NPT-M BR	1	1	
17	501800	PLUG HEXS / PIPE FITTING / 1/4NPT-M STL	AR	AR	
18	642196	MALE CONNECTOR / HOSE BARB FITTING / #6x1/4NPT-M BR To L-6558	1	1	
18	501088	MALE ELBOW 90° / HOSE BARB FITTING / #6x1/4NPT-M BR From L-6559	1	1	
20	503821	HOSE SILICONE 4 PLY / NOMEX-ARAMID 3/8" x 144"	AR	AR	
21	992081	HOSE CLAMP / 12MM/22MM	AR	AR	
22	507664	CABLE TIE / 3/16" 11" / DOUBLE LOOP HEAD	1	1	
23	504016	CABLE TIE / 5/16" X 14"1/2	AR	AR	
27	5001745	SCREW CAP HEX M8-1.25x25 G8.8 N500	AR	AR	
28	500321	WASHER BEL SPR .331x.827x.098 N500	AR	AR	
30	071715	BRACKET, TRANSMISSION DIPSTICK	1	1	
34	5001307	SCREW CAP HEXF M10-1.5x20 8.8 N500	1	1	
35	503788	HOSE SILICONE 4 PLY / NOMEX-ARAMID 1" I.D. x 54"	1	1	
36	992084	HOSE CLAMP / 23MM/35MM	2	2	
37	053709	PIPE ASSY, WATER PUMP	1	1	
38	504738	RUBBER JOINT	1	1	
39	502862	SCREW CAP HEX M8-1.25x20 G8.8 N500	4	4	
40	053037	HOSE HOLDER BRACKET	1	1	
40	050110	HOSE HOLDER BRACKET 284.9x146x94.3 MM	1	1	
40	503821	HOSE SILICONE 4 PLY / NOMEX-ARAMID 3/8" x 144"	AR	AR	
41	502836	SCREW CAP HEX M8-1.25x35 G8.8 N500	2	2	
42	504750	CABLE TIE / 1/2" x 15" / CHRISTMAS TREE	AR	AR	
43	5001931	NUT HEXF NYRT M8-1.25 G8.8 N500	1	1	
45	053038	BRACKET, HOSE & DIPSTICK	1	1	
45	050111	BRACKET, HOSE 275.5x165.7x48.5 MM	1	1	
46	5001784	SCREW CAP HEXF M10-1.5x90 G8.8 AD N500	1	1	
47	5001834	WASHER BEL SPR 10.5X23X2.5 N500	2	2	
50	053485	ATTACHMENT ENGINE BLOCK	1	1	



From J-6313	Date:07/2024	PAGE:X3VIP-0510-02
SURGE TANK		

Item#	Part	Description	X 3 V I P E N T	X 3 V I P M T H	N O T E S
80	X3VIP-0510-10	RECOVERY TANK INSTALLATION	1	1	
90	X3VIP-0505-51	RADIATOR ASSY VOLVO D13 - GHG17			
NS	685241	COOLANT PRESTONE / 208 LITERS 50%/50% PRE-MIXED W/"VOLVO" To R-4067	AR	AR	
NS	685127	COOLANT PRESTONE / 4 LITERS 50%/50% PRE-MIXED W/"VOLVO" To R-4067	AR	AR	
NS	7772034-QT	COOLANT EXT LIFE VCS2B 50/50 1GL/6 CA	AR	AR	
NS	7772035-QT	COOLANT, EXT.LIFE VCS2B 50/50. DRUM 55GL	AR	AR	
		A) FOR PRODUCT IMPROVEMENT ASK FOR 050557			

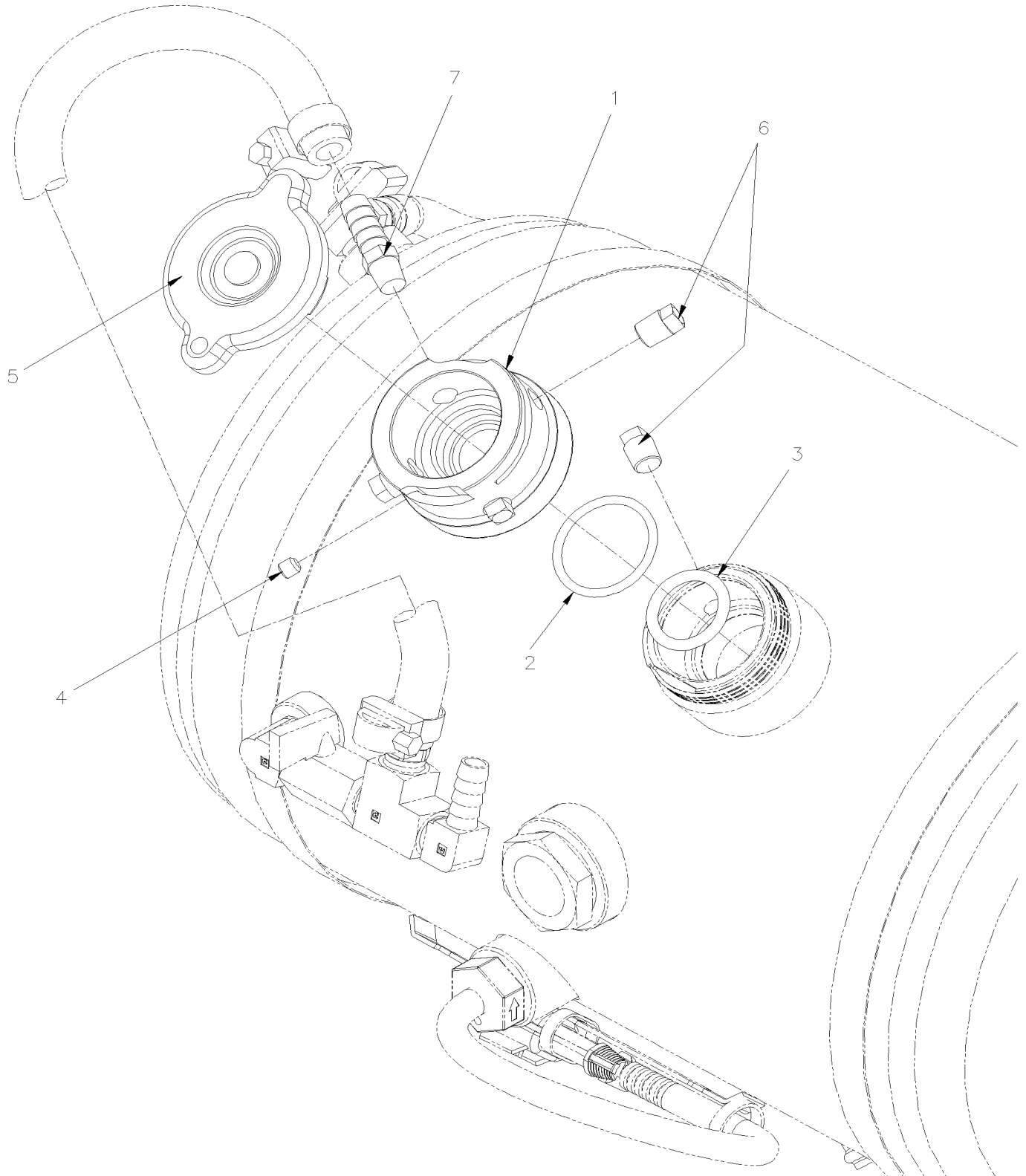


To N-6677

Date:07/2024

PAGE:050557

KIT, CAP ADAPTATOR, SURGE TANK





To N-6677	Date:07/2024	PAGE:050557
KIT, CAP ADAPTATOR, SURGE TANK		

Item#	Part	Description	X 3 V I P E N T	X 3 V I P M T H	N O T E S
1	050556	CAP ADAPTATOR, SURGE TANK	1	1	
2	507036	O-RING 33 X 39 X 3	1	1	
3	507035	O-RING 23 X 31 X 4	1	1	
4	502634	SCREW SET HEXS CUP M6-1.0x6	1	1	
5	21528785	CAP PRESSURE / OVER 13 LBS	1	1	
6	501303	PLUG SQUARE HEAD / PIPE FITTING / 1/8NPT-M BR	4	4	
7	5011366	MALE CONNECTOR / HOSE BARB FITTING / #6x1/8NPT-M BR	1	1	

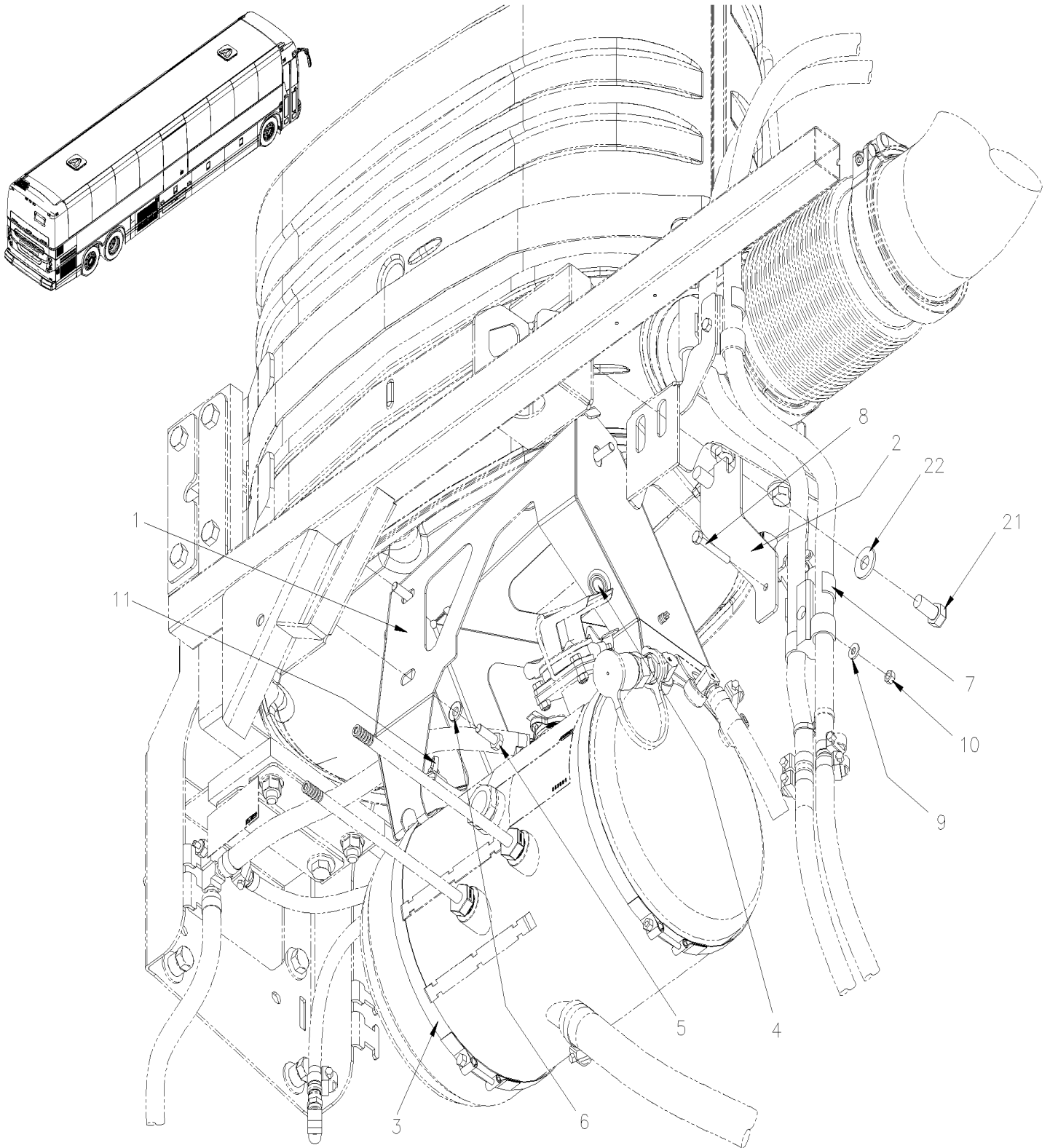


To K-6552

Date:07/2024

PAGE:050164

SURGE TANK SUPPORT REPLACEMENT





To K-6552	Date:07/2024	PAGE:050164
------------------	---------------------	--------------------

SURGE TANK SUPPORT REPLACEMENT

Item#	Part	Description	X 3 V I P E N T	X 3 V I P M T H	N O T E S
1	050134	SUPPORT ASSY/ SURGE TANK			
2	050136	BRACKET, COOLING HOSE			
3	504775	T-BOLT BAND CLAMP/ 9.69" ID			
4	382564	LED, ENGINE AIR FILTER ASSY			
5	502780	SCREW CAP HEX M8-1.25x25 SS BK			
6	5001868	WASHER BEL SPR 8.4x18x2 SS			
7	504634	T-CLIP / 7/8" - 1"			
8	5001923	SCREW CAP HEX M6-1.0x45 SS BK			
9	500877	WASHER FL .250x.562x.065 N500			
10	502681	NUT HEX NYRT M6-1.0 N500 G8			
11	509815	TIE MOUNT / ATTACHMENT W/TREE MOUNT			
11	504637	CABLE TIE / 3/16" x 13"			
NS	564108	SELF MOUNTING STUD // DEUTSCH 1011-310-0205			
21	502705	SCREW CAP HEX M12-1.75X25 G8.8 N500			
22	500967	WASHER BEL SPR .512x1.142x.098 N500			

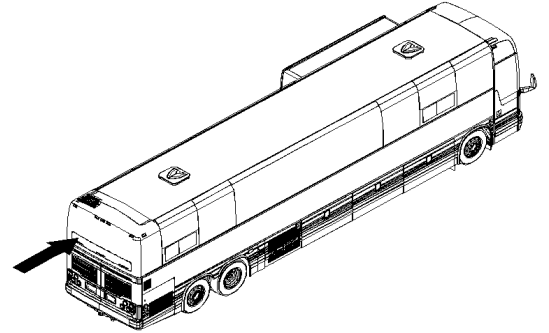


From J-6313

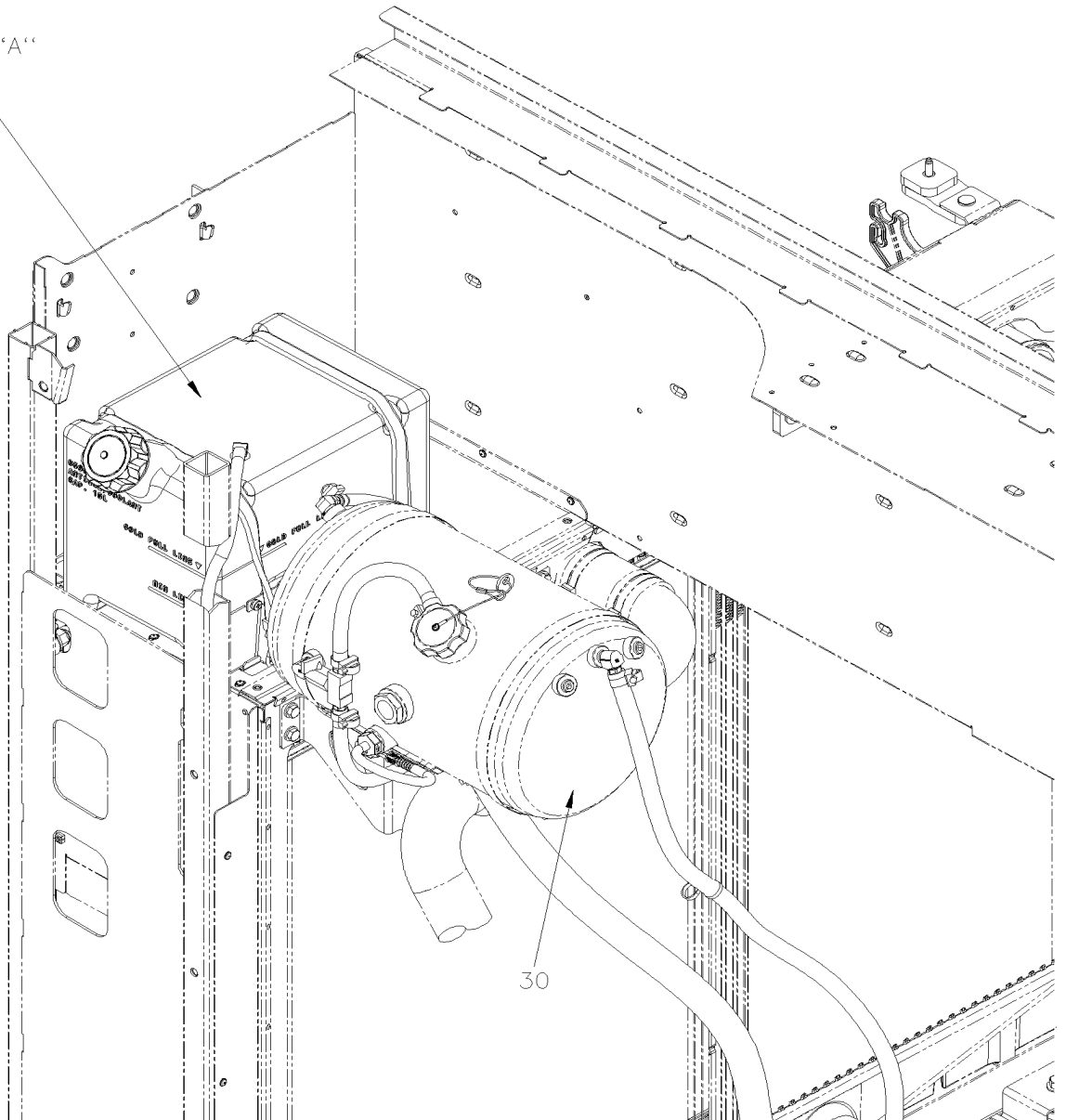
Date:07/2024

PAGE:X3VIP-0510-10

RECOVERY TANK INSTALLATION



DETAIL "A"





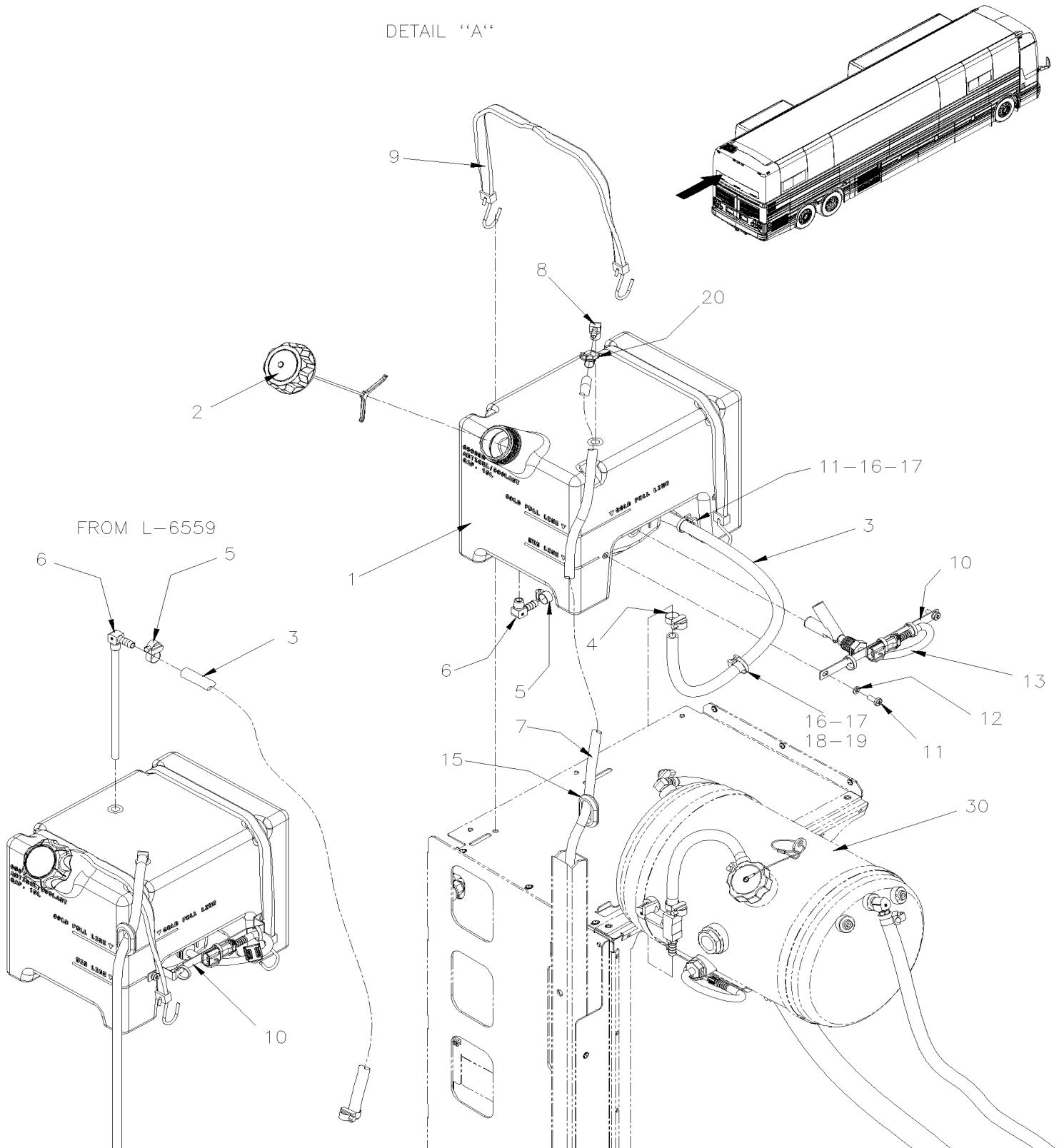
From J-6313

Date:07/2024

PAGE:X3VIP-0510-10

RECOVERY TANK INSTALLATION

DETAIL "A"





From J-6313		Date:07/2024	PAGE:X3VIP-0510-10
-------------	--	--------------	--------------------

RECOVERY TANK INSTALLATION

Item#	Part	Description	X 3 V I P E N T	X 3 V I P M T H	N O T E S
1	050095	RECOVERY TANK To L-6558	1	1	
1	050189	RECOVERY TANK From L-6559 To R-4072	1	1	
1	050615	RECOVERY TANK From R-4073	1	1	
1	050461	RECOVERY TANK REPLACEMENT KIT To L-6558	1	1	
2	5041100	CAP NON VENTED	1	1	
3	503702	HOSE / (SAFETY STRIPE) / 3/8" I.D. 50' / S.L.	AR	AR	
NS	504751	ROTATIF SPACER DOUBLE / SMALL	1	1	
NS	504637	CABLE TIE / 3/16" x 13"	2	2	
4	992081	HOSE CLAMP / 12MM/22MM To L-6558	1	1	
4	992081	HOSE CLAMP / 12MM/22MM From L-6559	2	2	
5	504761	CLAMP "E-Z CLIP" / "TUBE-O" / G134 #8	1	1	
6	501088	MALE ELBOW 90° / HOSE BARB FITTING / #6x1/4NPT-M BR To L-6558	1	1	
6	050340	ANKLE ASSY From L-6559	1	1	
7	503789	HOSE SILICONE 1 PLY / NOMEX-ARAMID 1/4" X 25'	AR	AR	
8	501089	MALE ELBOW 90° / HOSE BARB FITTING / #4x1/4NPT-M BR	1	1	
9	504116	RUBBER TIE DOWN W/HOOK / 25"	2	2	
10	050112	BRACKET, RECOVERY TANK	1	1	
11	502817	SCREW MA PAN PH M6-1.0x16 N500 To L-6558	3	3	
11	502817	SCREW MA PAN PH M6-1.0x16 N500 From L-6559	2	2	
12	502570	WASHER LO SPT 6.1x11.8x1.6 SS	2	2	
13	060139	SENSOR PROBE "LOW LEVEL COOLANT" ASSY / 1/2" NPT	1	1	
. NS	560058	. SENSOR PROBE "LOW LEVEL COOLANT" / 1/2" NPT	1	1	
. NS	563764	. CONNECTOR / CPC SERIES 3 / PH 3C / PED 15300002	1	1	
. NS	563763	. PIN TERMINAL / 14-12 / PED 12129497	2	2	
. NS	561786	. CABLE SEAL / GRAY / PED 15324980	2	2	
. NS	562387	. CONVOLUTED TUBING / SLIT / BLACK / .250"	AR	AR	
. NS	562388	. SECONDARY LOCK / METRI-PACK 280 / 2C / BLUE / PED 15300014	1	1	
15	504059	GROMMET / 1.250x1.500x.094x.375x1.875	1	1	
16	504013	TIE MOUNT / 1/4" X 1/4" I.D.	AR	AR	
17	504637	CABLE TIE / 3/16" x 13"	AR	AR	
18	5001137	WASHER FL .203x.438x.050 SS	AR	AR	
19	504379	RIVET POP DOME OE 3/16x1/4 SS	AR	AR	
20	21283796	SPRING HOSE CLAMP 1/4" From L-6559	1	1	
30	X3VIP-0510-02	SURGE TANK			

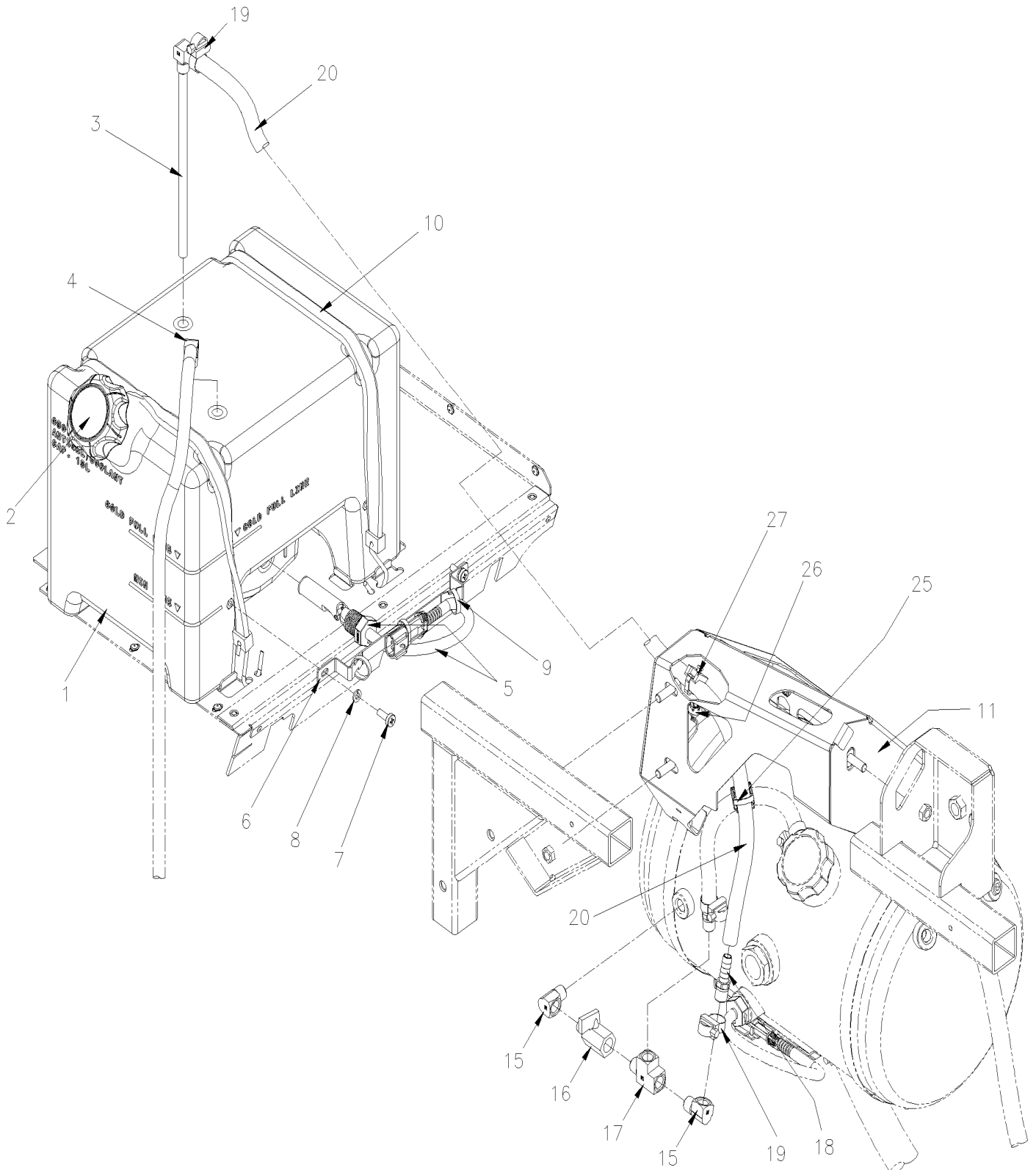


To L-6558

Date:07/2024

PAGE:050461

RECOVERY TANK REPLACEMENT KIT





To L-6558	Date:07/2024	PAGE:050461
------------------	---------------------	--------------------

RECOVERY TANK REPLACEMENT KIT

Item#	Part	Description	X 3 V I P E N T	X 3 V I P M T H	N O T E S
1	050189	RECOVERY TANK	1	1	O
1	050615	RECOVERY TANK	1	1	N
2	5041100	. CAP NON VENTED	1	1	
3	050340	ANKLE ASSY	1	1	
4	501089	MALE ELBOW 90° / HOSE BARB FITTING / #4x1/4NPT-M BR	1	1	
5	069812	SENSOR PROBE "LOW LEVEL COOLANT" ASSY / 1/2" NPT	1	1	
. NS	560058	. SENSOR PROBE "LOW LEVEL COOLANT" / 1/2" NPT	1	1	
. NS	563764	. CONNECTOR / CPC SERIES 3 / PH 3C / PED 15300002	1	1	
. NS	563763	. PIN TERMINAL / 14-12 / PED 12129497	2	2	
. NS	561786	. CABLE SEAL / GRAY / PED 15324980	2	2	
. NS	562387	. CONVOLUTED TUBING / SLIT / BLACK / .250"	AR	AR	
. NS	562388	. SECONDARY LOCK / METRI-PACK 280 / 2C / BLUE / PED 15300014	1	1	
6	050112	BRACKET, RECOVERY TANK	1	1	
7	502817	SCREW MA PAN PH M6-1.0x16 N500	2	2	
8	502570	WASHER LO SPT 6.1x11.8x1.6 SS	2	2	
9	504637	CABLE TIE / 3/16" x 13"	3	3	
10	504116	RUBBER TIE DOWN W/HOOK / 25"	2	2	
11	050338	SUPPORT ASSY/ SURGE TANK	1	1	
NS	564108	SELF MOUNTING STUD // DEUTSCH 1011-310-0205	1	1	
15	501332	STREET ELBOW 90° / PIPE FITTING / 1/4NPT-Mx1/4NPT-F BR	2	2	
16	641936	BALL VALVE 1/4 NPT M x 1/4 NPT F	1	1	
17	501338	MALE RUN TEE / PIPE FITTING / 1/4NPT-Mx1/4NPT-Fx1/4NPT-F BR	1	1	
18	642196	MALE CONNECTOR / HOSE BARB FITTING / #6x1/4NPT-M BR	2	2	
19	992081	HOSE CLAMP / 12MM/22MM	2	2	
20	Call order desk	HOSE / 3/8" x 620MM	1	1	P
20	503702	. HOSE / (SAFETY STRIPE) / 3/8" I.D. 50' / S.L.	AR	AR	
25	504751	ROTATIF SPACER DOUBLE / SMALL	1	1	
25	504637	CABLE TIE / 3/16" x 13"	2	2	
26	509815	TIE MOUNT / ATTACHMENT W/TREE MOUNT	8	8	
26	504637	CABLE TIE / 3/16" x 13"	8	8	
27	504013	TIE MOUNT / 1/4" X 1/4" I.D.	1	1	
27	504637	CABLE TIE / 3/16" x 13"	1	1	
27	504379	RIVET POP DOME OE 3/16x1/4 SS	1	1	
27	5001137	WASHER FL .203x.438x.050 SS	1	1	
NS	680098	THREAD SEALANT LOCTITE #567 / WHITE / 250ml	AR	AR	
NS	680901	SCCELLANT PLASTIQUE LOCTITE MR5438, 473ML	AR	AR	
		N) NEW			
		O) OLD			
		P) CALL ORDER DESK FOR SPECIFIC APPLICATION (V.I.N.)			

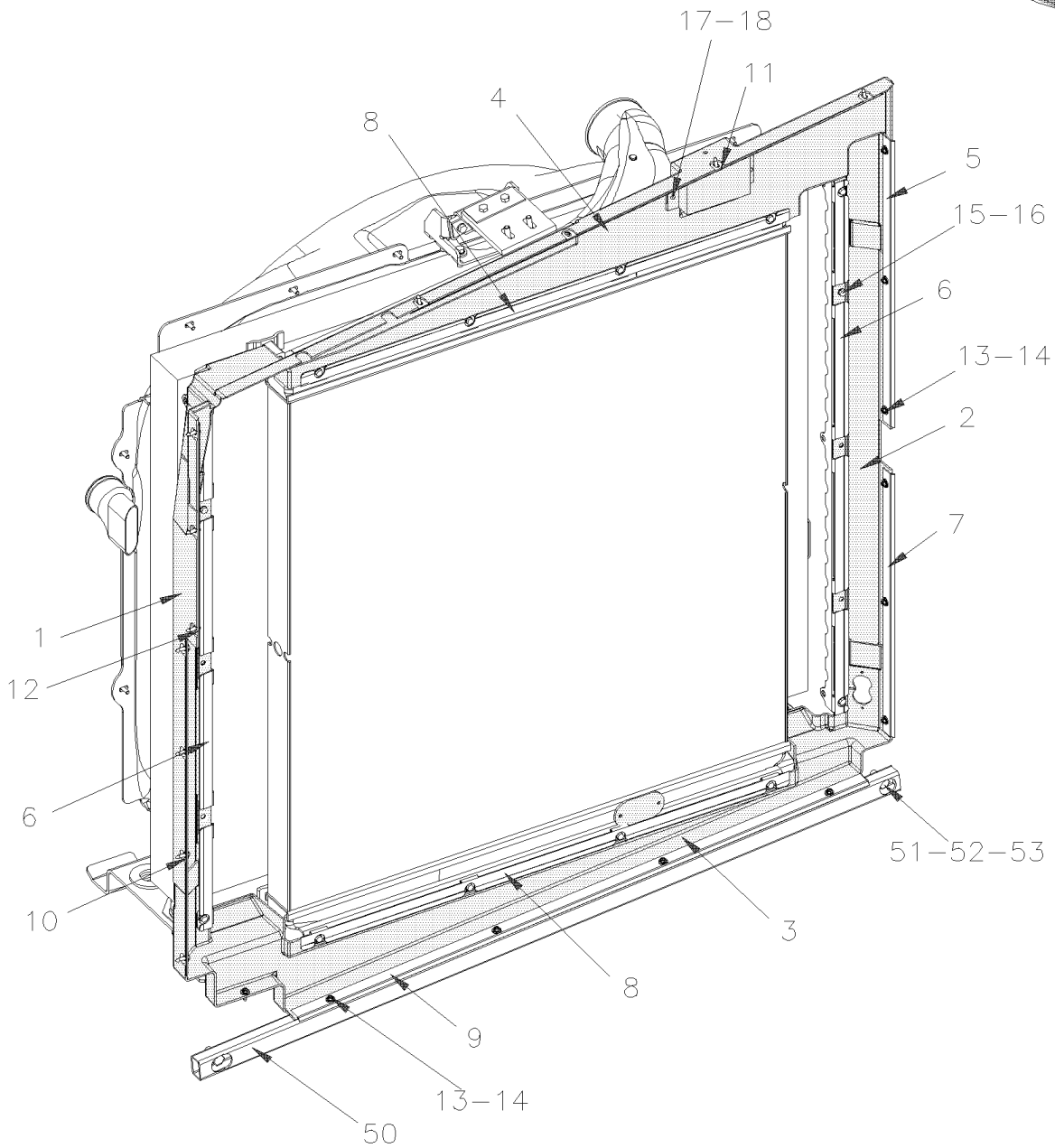
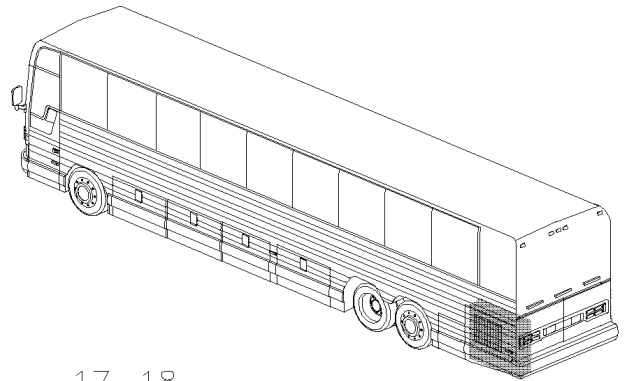


From E-5490 To H-6179

Date:07/2024

PAGE:X3VIP-0518-60

RADIATOR SEALING FRAME



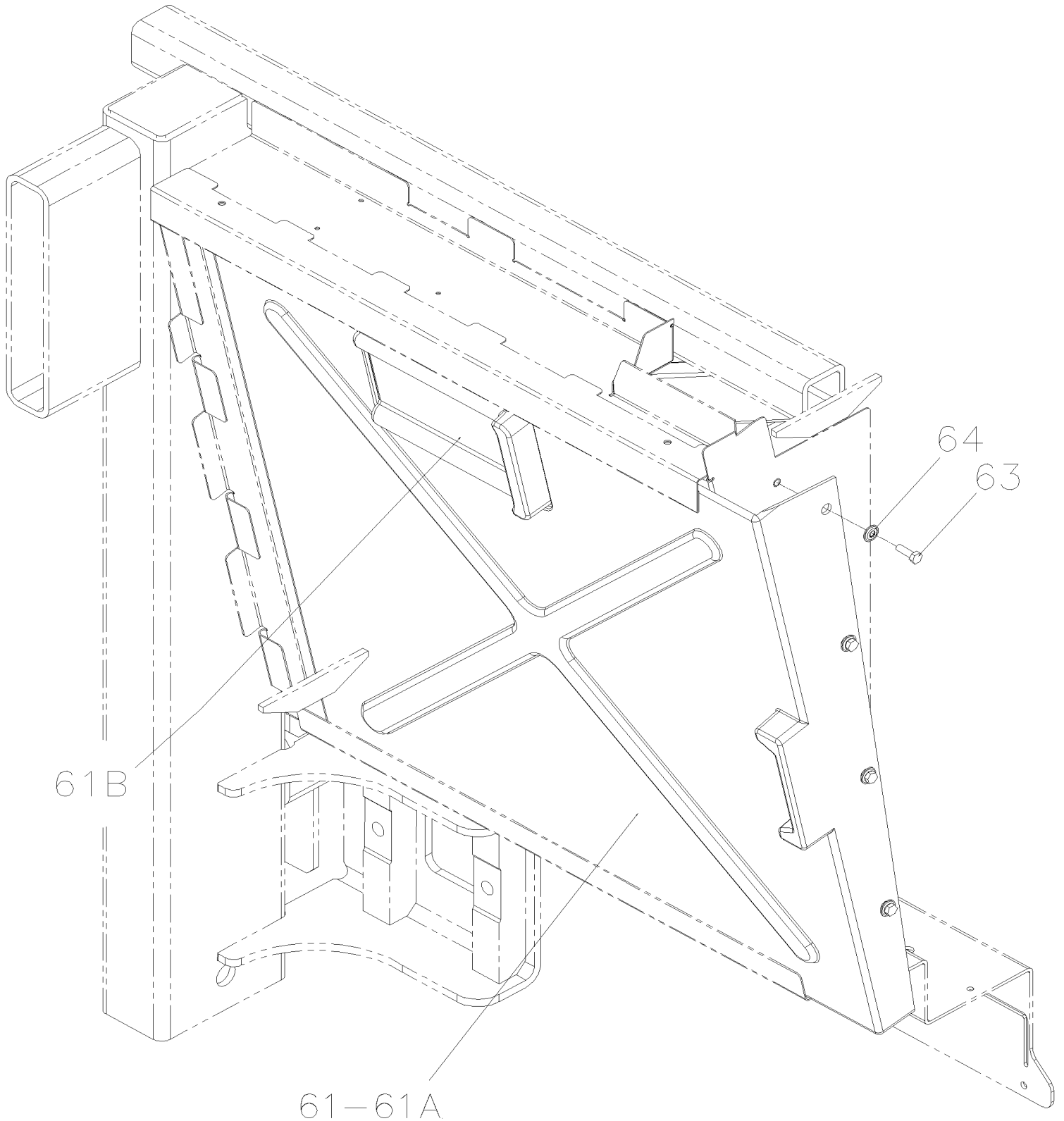


From E-5490 To H-6179

Date:07/2024

PAGE:X3VIP-0518-60

RADIATOR SEALING FRAME





From E-5490 To H-6179	Date:07/2024	PAGE:X3VIP-0518-60
-----------------------	--------------	--------------------

RADIATOR SEALING FRAME

Item#	Part	Description	X 3 V I P E N T	X 3 V I P M T H	NOTES
1	052774	FRAME, SEALING / FORWARD	1	1	
2	052779	FRAME, SEALING / BACKWARD	1	1	
3	052780	FRAME, SEALING / LOWER	1	1	
4	052781	FRAME, SEALING / UPPER	1	1	
5	052804	ANGLE REINFORCEMENT 662MM	1	1	
6	052814	REINFORCMENT "U" 1043MM	2	2	
7	052778	ANGLE REINFORCEMENT 515MM	1	1	
8	052815	REINFORCMENT "U" 893MM	2	2	
9	052817	ANGLE REINFORCEMENT 1045MM	1	1	
10	052793	ANGLE REINFORCEMENT 658MM	AR	AR	
11	052805	ANGLE REINFORCEMENT 871MM	AR	AR	
12	052816	ANGLE REINFORCEMENT 435MM	AR	AR	
13	500526	SCREW TP CAP HEXW #12x3/4 N500	AR	AR	
14	500877	WASHER FL .250x.562x.065 N500	AR	AR	
15	502853	WASHER LO SPT 6.1x11.8x1.6 N500	AR	AR	
16	502830	SCREW CAP HEX M6-1.0x20 G8.8 N500	AR	AR	
16	5001965	NUT SPR U M6-1.0 0.6-4.0 N500	AR	AR	
17	5001067	WASHER FL .128x.312x.032 SS	2	2	
18	504339	RIVET POP DOME OE 1/8x3/8 SS	2	2	
50	289399	TUBE PROTECTOR LOWER RADIATOR 1211MM To E-5739	1	1	
50	288722	TUBE PROTECTOR LOWER RADIATOR 1283MM From F-5740	1	1	
51	502705	SCREW CAP HEX M12-1.75X25 G8.8 N500	2	2	
52	500958	WASHER FL .531x1.062x.095 SS	2	2	
53	500747	WASHER LO SPT 12.2x21.1x2.5 N500	2	2	
61	053455	FENDER ACCESS PANEL ASSY PLASTIC To H-6105	1	1	
. A	053453	. FENDER ACCESS PANEL LARGE PLASTIC To H-6105	1	1	
. B	053454	. FENDER ACCESS PANEL SMALL PLASTIC To H-6105	1	1	
61	050018	FENDER ACCESS PANEL ASSY PLASTIC From H-6106	1	1	
63	502830	SCREW CAP HEX M6-1.0x20 G8.8 N500 To G-5949	4	4	
63	5001743	SCREW CAP HEX M6-1.0x12 G8.8 N500 From G-5950 To H-6105	4	4	
63	5001743	SCREW CAP HEX M6-1.0x12 G8.8 N500 From H-6106	2	2	
64	500356	WASHER LO SERR 6.1x16.0x0.9 N500 To H-6105	4	4	
64	500356	WASHER LO SERR 6.1x16.0x0.9 N500 From H-6106	2	2	

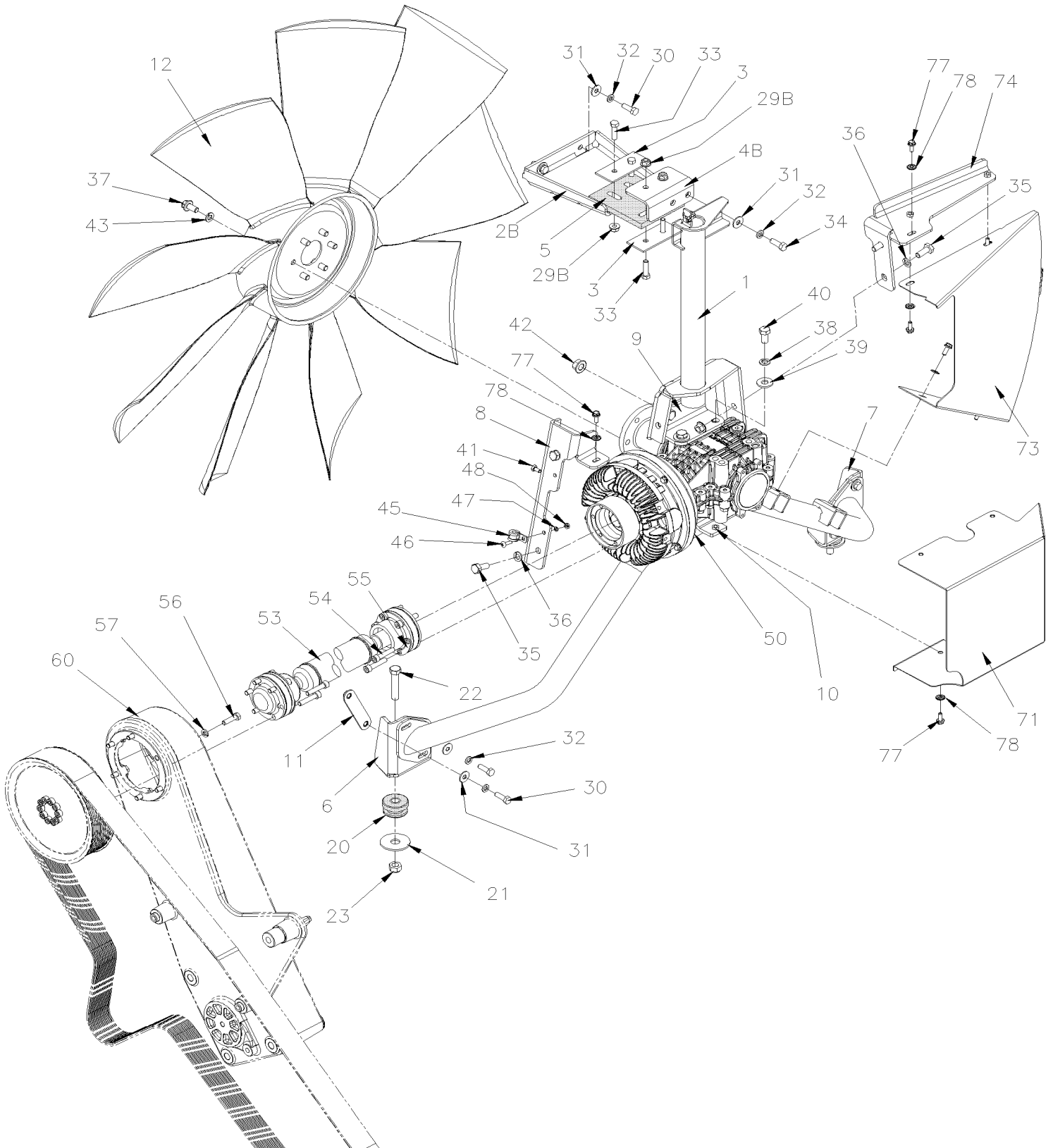


From E-5490 To H-6179

Date:07/2024

PAGE:X3VIP-0520-01

FAN DRIVE - INSTALLATION





From E-5490 To H-6179	Date:07/2024	PAGE:X3VIP-0520-01
-----------------------	--------------	--------------------

FAN DRIVE - INSTALLATION

Item#	Part	Description	X 3 V I P E N T	X 3 V I P M T H	N O T E S
1	052939	TRIPOD SUPPORT SHORT	1	1	
2B	053024	SUPPORT UPPER TRIPOD	1	1	
3	052473	PLATE / UPPER RADIATOR 40MM X 90MM	2	2	
4B	053025	SUPPORT UPPER TRIPOD	1	1	
5	21185073	RUBBER PAD 100MM X 123MM	1	1	
6	052901	SUPPORT LOWER TRIPOD / BACKWARD	1	1	
7	052905	SUPPORT LOWER TRIPOD / FORWARD	1	1	
8	053637	ANGLE CLOSING BACKWARD SUPPORT TRIPOD	1	1	
9	053639	ANGLE RETAINER UP 90° GEARBOX	1	1	
10	053640	ANGLE RETAINER LOWER 90° GEARBOX	1	1	
11	052840	PLATE ATTACHMENT W/2 NUTS M8-1.25	2	2	
12	557064	FAN ASSY / CW 38" / 9 BLADES PLASTIC	1	1	
20	21183424	RUBBER BUSHING	2	2	
21	052765	WASHER FL 12.5MMx52MMx3MM	2	2	
22	5001861	SCREW CAP HEX M12-1.75x60 G10.9 N500	2	2	
23	5001759	NUT HEX STO M12-1.75 N500	2	2	
29B	502837	NUT HEXF STO M8-1.25 N500	4	4	
30	5001745	SCREW CAP HEX M8-1.25x25 G8.8 N500	6	6	
31	500332	WASHER FL .328x.875x.062 N500	8	8	
32	500942	WASHER LO SPT 8.1x14.8x2.0 N500	8	8	
33	5001738	SCREW CAP HEX M8-1.25x30 G8.8 N500	4	4	
34	502862	SCREW CAP HEX M8-1.25x20 G8.8 N500	6	6	
35	502804	SCREW CAP HEX M10-1.5x25 G8.8 N500	4	4	
36	502616	WASHER LO SPT 10.2x18.1x2.2 SS	2	2	
37	5001307	SCREW CAP HEXF M10-1.5x20 8.8 N500	4	4	
38	500747	WASHER LO SPT 12.2x21.1x2.5 N500	8	8	
39	500211	WASHER FL .531x1.250x.125 N500	8	8	
40	5001222	SCREW CAP HEX M12-1.5x30 G10.9 N500	4	4	
41	5001181	SCREW CAP HEX M6-1.0x12 SS	4	4	
41	680038	THREAD LOCKER LOCTITE #243 / BLUE / 50ml	AR	AR	
42	5001774	NUT HEXF STO M12-1.75 MAGNI G500	4	4	
43	5001834	WASHER BEL SPR 10.5X23X2.5 N500	6	6	
45	952624	CLAMP / 1/4" I.D.	1	1	
46	500606	SCREW MA TR PH #10-24x3/4 SS	1	1	
47	500914	WASHER LO SPT .193x.334x.047 N500	1	1	
48	502882	NUT HEX #10-24 N500	1	1	
50	X3VIP-0540-01	FAN CLUTCH & ANGLE DRIVE ASSY C.W.			
50	068185	CABLE ADAPTOR FAN CLUTCH / WITH 4 CONTACTS	1	1	
51	550813	CHECK VALVE To G-5934	1	1	
53	557060	DRIVE SHAFT 335MM To F-5962	1	1	
. NS	550930	. PLATE REINFORCMENT HALF CIRCLE To F-5962	6	6	



From E-5490 To H-6179	Date:07/2024	PAGE:X3VIP-0520-01
FAN DRIVE - INSTALLATION		

Item#	Part	Description	X 3 V I P E N T	X 3 V I P M T H	N O T E S
. NS	502743	. SCREW CAP HEXS M8-1.25x40 G8.8 To F-5962	12	12	
53	557072	DRIVE SHAFT 335MM From F-5963	1	1	
. NS	550930	. PLATE REINFORCMENT HALF CIRCLE From F-5963	6	6	
. NS	5000356	. SCREW CAP HEXS LOW HEAD M8-1.25x40 G8.8 YZP From F-5963	12	12	
53	550990	DRIVE SHAFT 335MM ALTERNATIVE PART	1	1	
. NS	5000356	. SCREW CAP HEXS LOW HEAD M8-1.25x40 G8.8 YZP	12	12	
54	502743	SCREW CAP HEXS M8-1.25x40 G8.8	12	12	B
55	550930	PLATE REINFORCMENT HALF CIRCLE	6	6	B
56	5001738	SCREW CAP HEX M8-1.25x30 G8.8 N500	6	6	
57	5001161	WASHER LO SPT 8.1x14.8x2.0 SS-304 To F-5759	6	6	
57	500321	WASHER BEL SPR .331x.827x.098 N500 From F-5760	6	6	
60	X3VIP-0120-00	DRIVE PULLEY, BELTS & TENSIONER WITH VOLVO D13			
71	053638	AIR DEFLECTOR BACKWARD	1	1	
73	052630	AIR DEFLECTOR FORWARD	1	1	
74	052994	RETAINER UPPER SUPPORT AIR DEFLECTOR	1	1	
77	5001730	SCREW CAP HEXF M6-1.0x16 G10.9 N500	7	7	
78	500356	WASHER LO SERR 6.1x16.0x0.9 N500	7	7	
		B) ONLY USE WITH THE OEM PART			

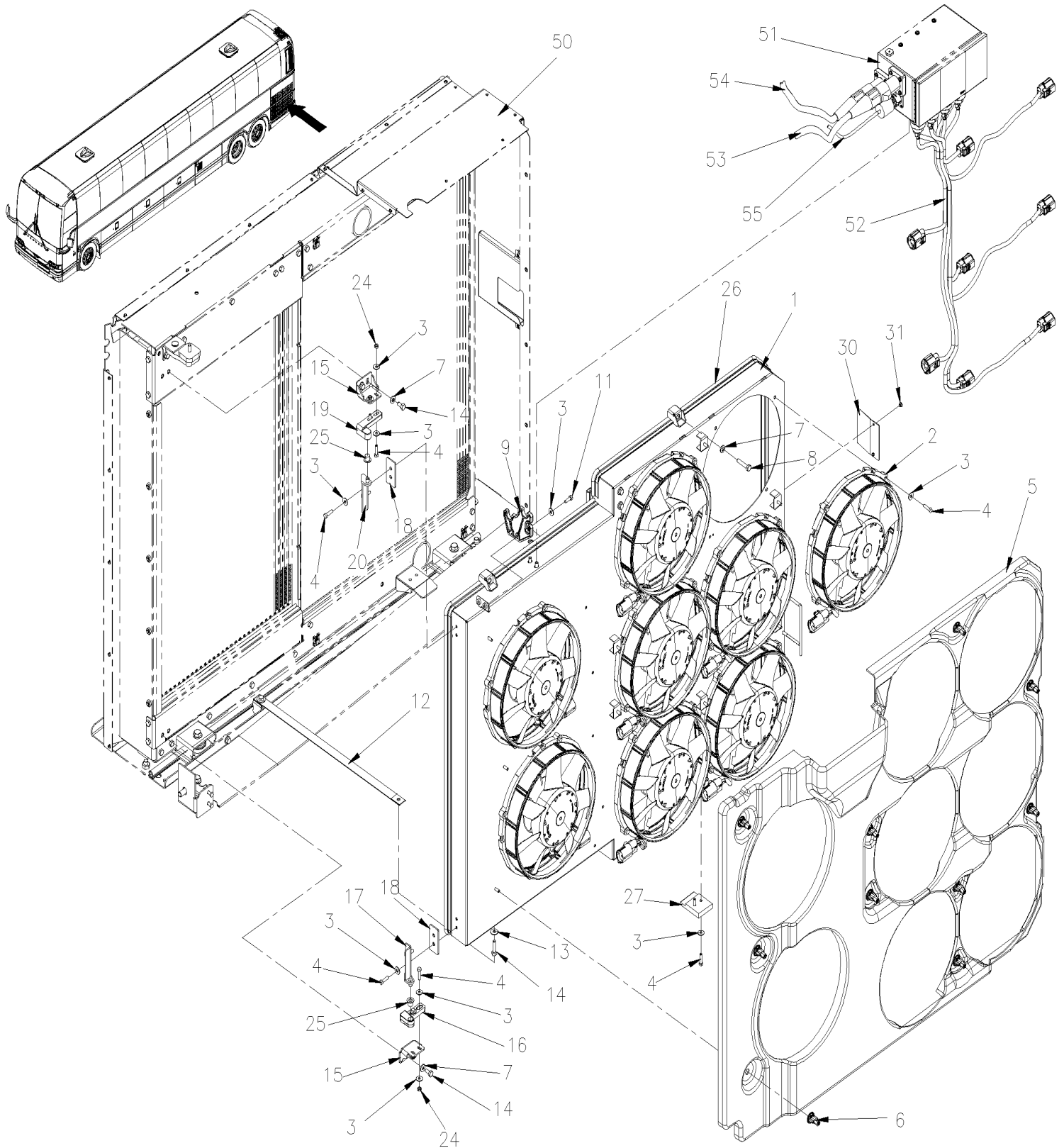


From H-6180

Date:07/2024

PAGE:X3VIP-0520-02

ELECTRICAL FANS - INSTALLATION VOLVO D13 - GHG17





From H-6180		Date:07/2024	PAGE:X3VIP-0520-02
-------------	--	--------------	--------------------

ELECTRICAL FANS - INSTALLATION VOLVO D13 - GHG17

Item#	Part	Description	X 3 V I P E N T	X 3 V I P M T H	N O T E S
1	053075	DOOR / FANS HOLDER FOR RADIATOR & CAC (WELDED)	1	1	
2	565191	ELECTRIC FAN FOR RADIATOR & CAC To M-6650	8	8	
. NS	568092	. CONNECTOR / PH 4C / YAZAKI 7282-8497-90 To M-6650	1	1	
. NS	560009	. CONNECTOR CLIP / HELLERMAN TYTON 155-30702 To M-6650	1	1	
2	564312	ELECTRIC FAN FOR RADIATOR & CAC From M-6651	8	8	
. NS	568092	. CONNECTOR / PH 4C / YAZAKI 7282-8497-90 From M-6651	1	1	
. NS	560009	. CONNECTOR CLIP / HELLERMAN TYTON 155-30702 From M-6651	1	1	
3	5001833	WASHER BEL SPR 6.1x18x1.27 SS	54	54	
4	502737	SCREW CAP HEX M6-1.0x25 SS BK	44	44	
5	053714	FINISH PANEL RADIATORS	1	1	
6	491237	NUT WING / PLASTIC M6-1.0 x 23	10	10	
7	5001868	WASHER BEL SPR 8.4x18x2 SS	6	6	
8	5002012	SCREW CAP HEX W/DOG M8-1.25x45 SS	2	2	
NS	5001983	NUT HEX NYRT M8-1.25 SS SS BK	2	2	
NS	680335	ANTIGRIP MIXTURE	AR	AR	
9	069350	CABLE SUPPORT FOR POWER BOX	1	1	
11	502622	SCREW CAP HEX M6-1.0x20 SS BK	2	2	
12	505507	STRAP NYLON 1" WIDE / S.L.	AR	AR	
13	5001849	WASHER FL 8.4x24.0x2.0 SS	2	2	
14	5001527	SCREW CAP HEX M8-1.25x16 SS BK	6	6	
15	053073	BRACKET FOR HINGE	2	2	
16	286085	HINGE / LOWER	1	1	
17	289149	ARM ASSY	1	1	
18	053080	ATTACHEMENT / HINGE	2	2	
19	286129	HINGE / UPPER	1	1	
20	289150	ARM ASSY	1	1	
24	502565	NUT HEX M6-1.0 SS	4	4	
25	284607	BUSHING, NYLON / (NOT INCLUDE W/HINGE)	2	2	
26	506303	RUBBER SEAL EXTRUSION	AR	AR	
27	053082	SKATE, FANS DOOR RAD. & CAC	1	1	
30	053111	PLATE, PROTECTION FOR RUBBER	1	1	
31	504379	RIVET POP DOME OE 3/16x1/4 SS	2	2	
50	X3VIP-0505-51	RADIATOR ASSY VOLVO D13 - GHG17	1	1	
51	X3VIP-0622-00	POWER BOX FOR RADIATORS FANS GHG17	1	1	
52	068820	HARNESS FAN DRIVE	1	1	
NS	504016	CABLE TIE / 5/16" X 14"1/2	AR	AR	
NS	509492	CABLE TIE MOUNT FOR THREADED STUD 1/4	AR	AR	
52	8631155	CABLE TIE / 4.6MM x 200 / CHRISTMAS TREE	AR	AR	
53	069245	HARNESS PWR FAN DRIVE	1	1	
54	069246	HARNESS GROUND FAN DRIVE	1	1	
55	060379	CABLE HARNESS / ENGINE ACCESSORIES From H-6145 To H-6175	1	1	
55	060573	CABLE HARNESS / ENGINE COMPT & ACCESSORIES To J-6312	1	1	



From H-6180	Date:07/2024	PAGE:X3VIP-0520-02
-------------	--------------	--------------------

ELECTRICAL FANS - INSTALLATION VOLVO D13 - GHG17

Item#	Part	Description	X 3 V I P E N T	X 3 V I P M T H	N O T E S
55	069872	CABLE HARNESS / ENGINE COMPT & ACCESSORIES From J-6313 To K-6439	1	1	
55	0610027	CABLE HARNESS / ENGINE COMPT & ACCESSORIES From K-6440 To K-6491	1	1	
55	0610051	CABLE HARNESS / ENGINE COMPT & ACCESSORIES From L-6492 To L-6610	1	1	
55	0610311	CABLE HARNESS / ENGINE COMPT & ACCESSORIES From L-6611	1	1	

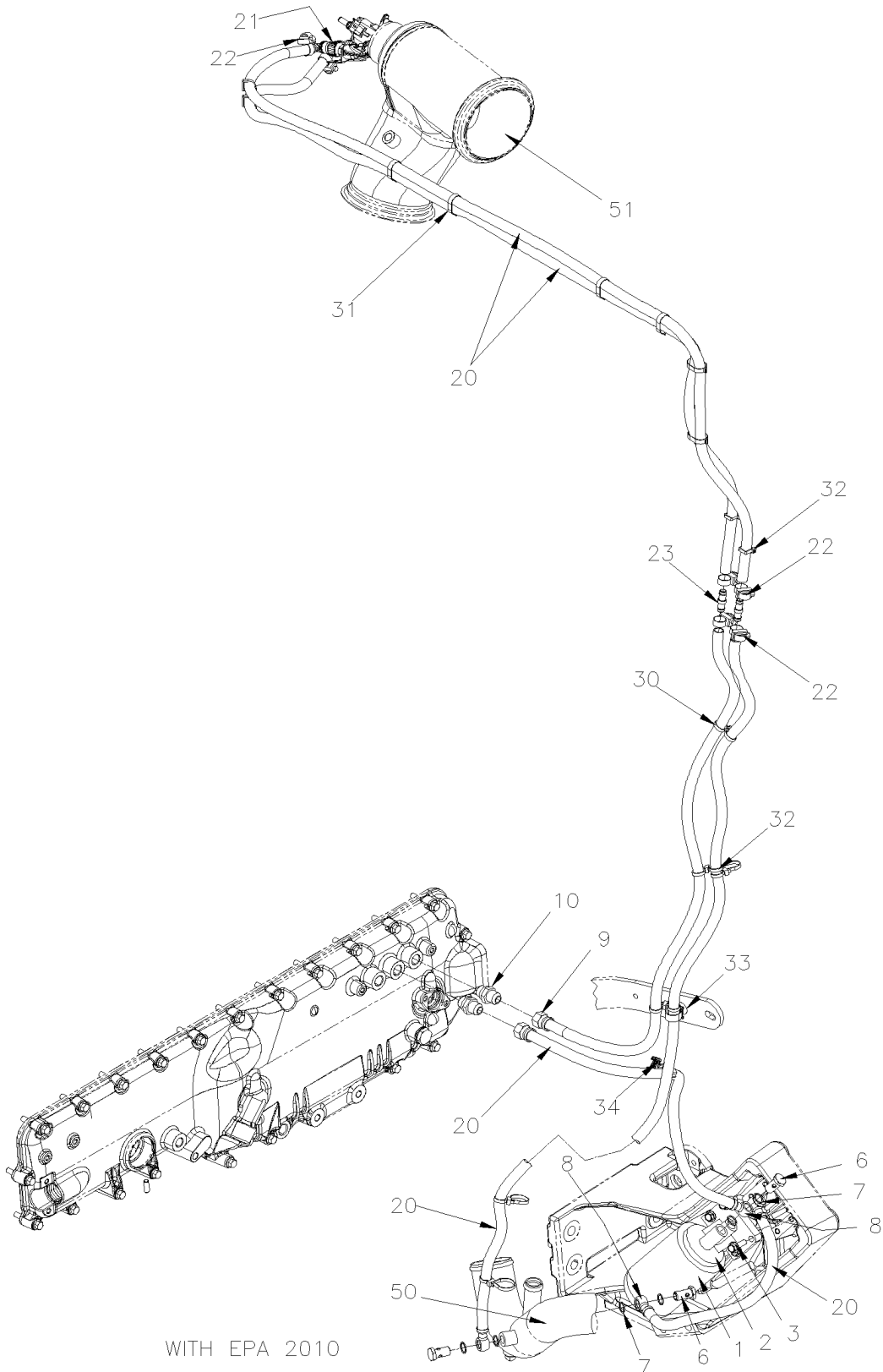


From E-5490 To E-5739

Date:07/2024

PAGE:X3VIP-0530-00

COOLANT FILTER - INSTALLATION WITH VOLVO D13



WITH EPA 2010



From E-5490 To E-5739	Date:07/2024	PAGE:X3VIP-0530-00
-----------------------	--------------	--------------------

COOLANT FILTER - INSTALLATION WITH VOLVO D13

Item#	Part	Description	X 3 V I P E N T	X 3 V I P M T H	NOTES
1	21937327	CARTRIGE "MAINTENANCE" COOLANT LONG LIFE "WITH D13 ENGINE" From D-5405	1	1	
2	3979836	ADAPTOR HEAD, COOLANT FILTER	1	1	
3	5001742	SCREW CAP HEXF M8-1.25x30 G8.8 N500	4	4	
4	503702	HOSE / (SAFETY STRIPE) / 3/8" I.D. 50' / S.L.	AR	AR	
5	503702	HOSE / (SAFETY STRIPE) / 3/8" I.D. 50' / S.L.	AR	AR	
6	507655	BANJO BOLT / M14-1.5	3	3	
7	507657	BANJO WASHER / M14	6	6	
8	507653	BANJO UNION / 14MMx#6HOSE	3	3	
9	5011260	FEMALE CONNECTOR SWIVEL / PUSH-LOK FITTING / #8FL-Fx#6 BR	1	1	
10	5011192	MALE CONNECTOR / JIC 37° FITTING / #8JIC-MxM18-1.5-M STL	1	1	
. NS	N.P.N.	. O-RING	1	1	4
. NS	N.P.N.	. WASHER RET	1	1	4
20	503702	HOSE / (SAFETY STRIPE) / 3/8" I.D. 50' / S.L.	AR	AR	
NS	053008	RESTRICTION / ALU. TUBE 20MM X 9.05MM O.D. W/3.05MM HOLE From B-5002	1	1	
21	20805110	QUICK CONNECTOR 90° 10MM	2	2	
22	992081	HOSE CLAMP / 12MM/22MM	6	6	
23	5011340	UNION / MINI BARB FITTING / #8x#8 BR	2	2	
30	507664	CABLE TIE / 3/16" 11" / DOUBLE LOOP HEAD	AR	AR	
31	504016	CABLE TIE / 5/16" X 14"1/2	AR	AR	
32	504637	CABLE TIE / 3/16" x 13"	AR	AR	
33	504750	CABLE TIE / 1/2" x 15" / CHRISTMAS TREE	AR	AR	
34	504751	ROTATIF SPACER DOUBLE / SMALL	AR	AR	
50	X3VIP-0500-00	COOLANT PIPING WITH VOLVO D13			
51	X3VIP-0405-00	MUFFLER - INSTALLATION WITH DPF & SCR WITH VOLVO D13			
		4) NO PARTS NUMBER			

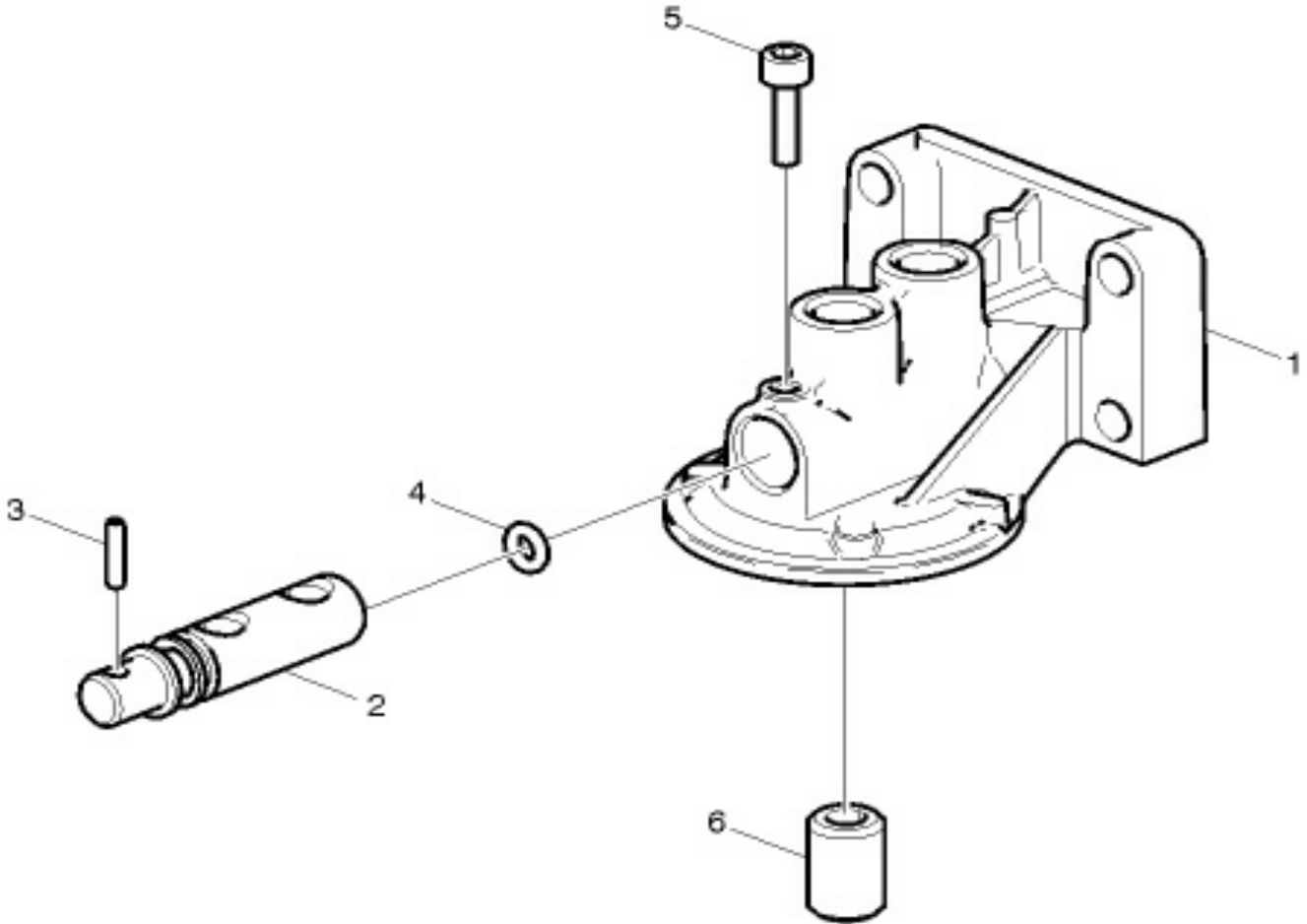


From E-5490 To E-5739

Date:07/2024

PAGE:3979836

ADAPTOR HEAD, COOLANT FILTER





From E-5490 To E-5739	Date:07/2024	PAGE:3979836
-----------------------	--------------	--------------

ADAPTOR HEAD, COOLANT FILTER

Item#	Part	Description	X 3 V I P E N T	X 3 V I P M T H	N O T E S
1	1661683	HOUSING	1	1	
2	1661686	SPINDLE	1	1	
3	951972	SPRING PIN	1	1	
4	968725	O-RING 11.3X2.4	1	1	
5	963692	HEX. SOCKET SCREW	1	1	
6	1676554	NIPPLE COOLANT FILTER	1	1	

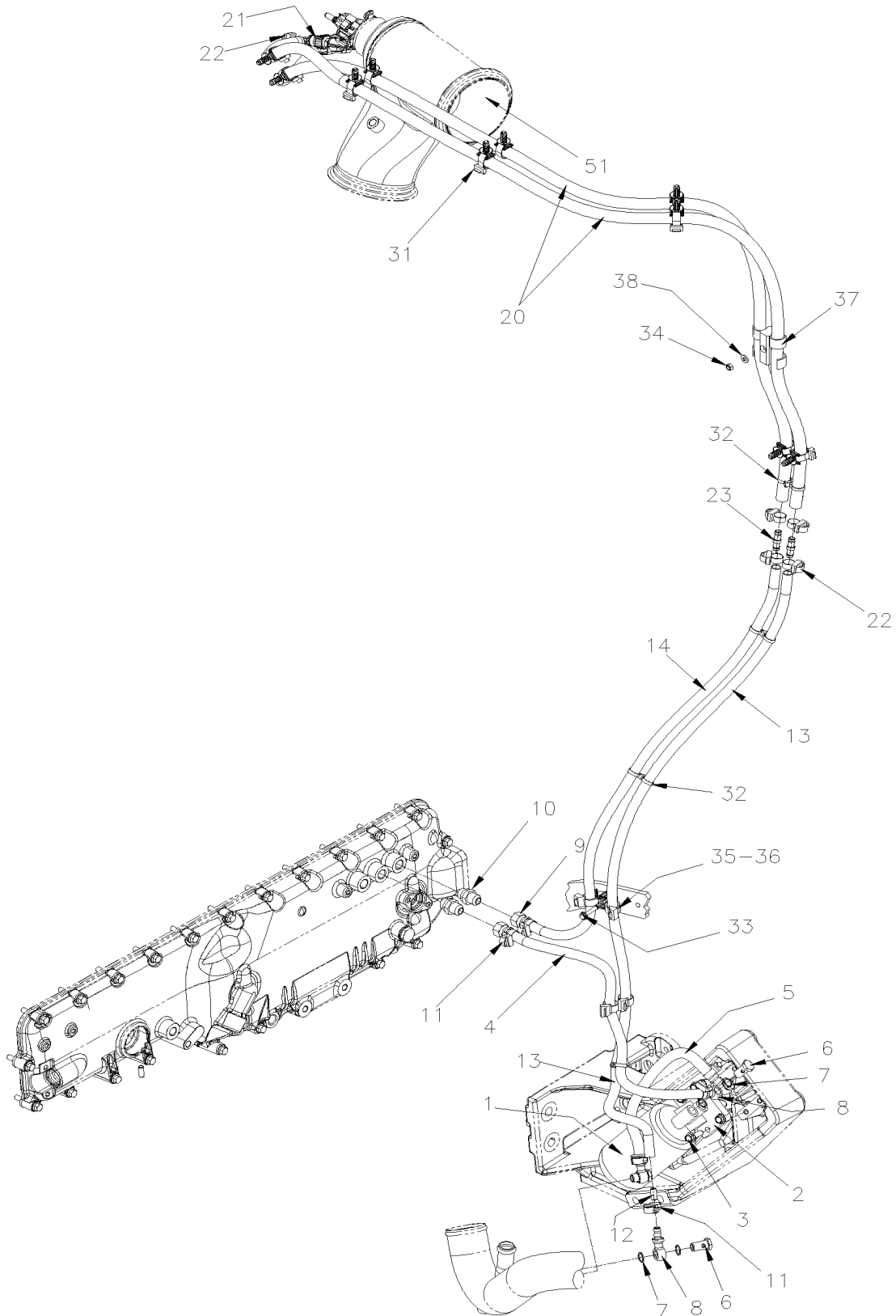


From F-5740

Date:07/2024

PAGE:X3VIP-0530-01

COOLANT FILTER - INSTALLATION WITH VOLVO D13





From F-5740	Date:07/2024	PAGE:X3VIP-0530-01
-------------	--------------	--------------------

COOLANT FILTER - INSTALLATION WITH VOLVO D13

Item#	Part	Description	X 3 V I P E N T	X 3 V I P M T H	N O T E S
1	21937327	CARTRIGE "MAINTENANCE" COOLANT LONG LIFE "WITH D13 ENGINE"	1	1	
2	3979836	ADAPTOR HEAD, COOLANT FILTER	1	1	
3	5001742	SCREW CAP HEXF M8-1.25x30 G8.8 N500	4	4	
4	503821	HOSE SILICONE 4 PLY / NOMEX-ARAMID 3/8" x 144"	AR	AR	
5	503821	HOSE SILICONE 4 PLY / NOMEX-ARAMID 3/8" x 144"	AR	AR	
6	507655	BANJO BOLT / M14-1.5	4	4	
7	507657	BANJO WASHER / M14	8	8	
8	507653	BANJO UNION / 14MMx#6HOSE	4	4	
9	5011260	FEMALE CONNECTOR SWIVEL / PUSH-LOK FITTING / #8FL-Fx#6 BR	2	2	
10	5011192	MALE CONNECTOR / JIC 37° FITTING / #8JIC-MxM18-1.5-M STL	2	2	
. NS	N.P.N.	. O-RING	1	1	4
. NS	N.P.N.	. WASHER RET	1	1	4
11	992081	HOSE CLAMP / 12MM/22MM	6	6	
12	053008	RESTRICTION / ALU. TUBE 20MM X 9.05MM O.D. W/3.05MM HOLE	1	1	
13	503821	HOSE SILICONE 4 PLY / NOMEX-ARAMID 3/8" x 144"	AR	AR	
14	503821	HOSE SILICONE 4 PLY / NOMEX-ARAMID 3/8" x 144"	AR	AR	
20	503821	HOSE SILICONE 4 PLY / NOMEX-ARAMID 3/8" x 144"	AR	AR	
21	20805110	QUICK CONNECTOR 90° 10MM	2	2	
22	992081	HOSE CLAMP / 12MM/22MM	4	4	
23	5011340	UNION / MINI BARB FITTING / #8x#8 BR	2	2	
31	504750	CABLE TIE / 1/2" x 15" / CHRISTMAS TREE	AR	AR	
32	507664	CABLE TIE / 3/16" 11" / DOUBLE LOOP HEAD	AR	AR	
33	5001815	SCREW CAP HEXF M6-1.0x30 G 8.8 N500	1	1	
34	502681	NUT HEX NYRT M6-1.0 N500 G8	1	1	
35	509490	ATTACHMENT DOUBLE USE WITH CABLE TIE	1	1	
36	509491	CABLE TIE / 13MM x 383MM	4	4	
37	504634	T-CLIP / 7/8" - 1"	1	1	
38	500877	WASHER FL .250x.562x.065 N500	1	1	
50	X3VIP-0500-00	COOLANT PIPING WITH VOLVO D13			
51	X3VIP-0405-00	MUFFLER - INSTALLATION WITH DPF & SCR WITH VOLVO D13 To K-6491			
51	X3VIP-0405-01	MUFFLER - INSTALLATION WITH DPF & SCR WITH VOLVO D13 From L-6492			
52	052988P	HOSE SILICONE #6 575MM	1	1	
. NS	503821	. HOSE SILICONE 4 PLY / NOMEX-ARAMID 3/8" x 144"	AR	AR	
		4) NO PARTS NUMBER			

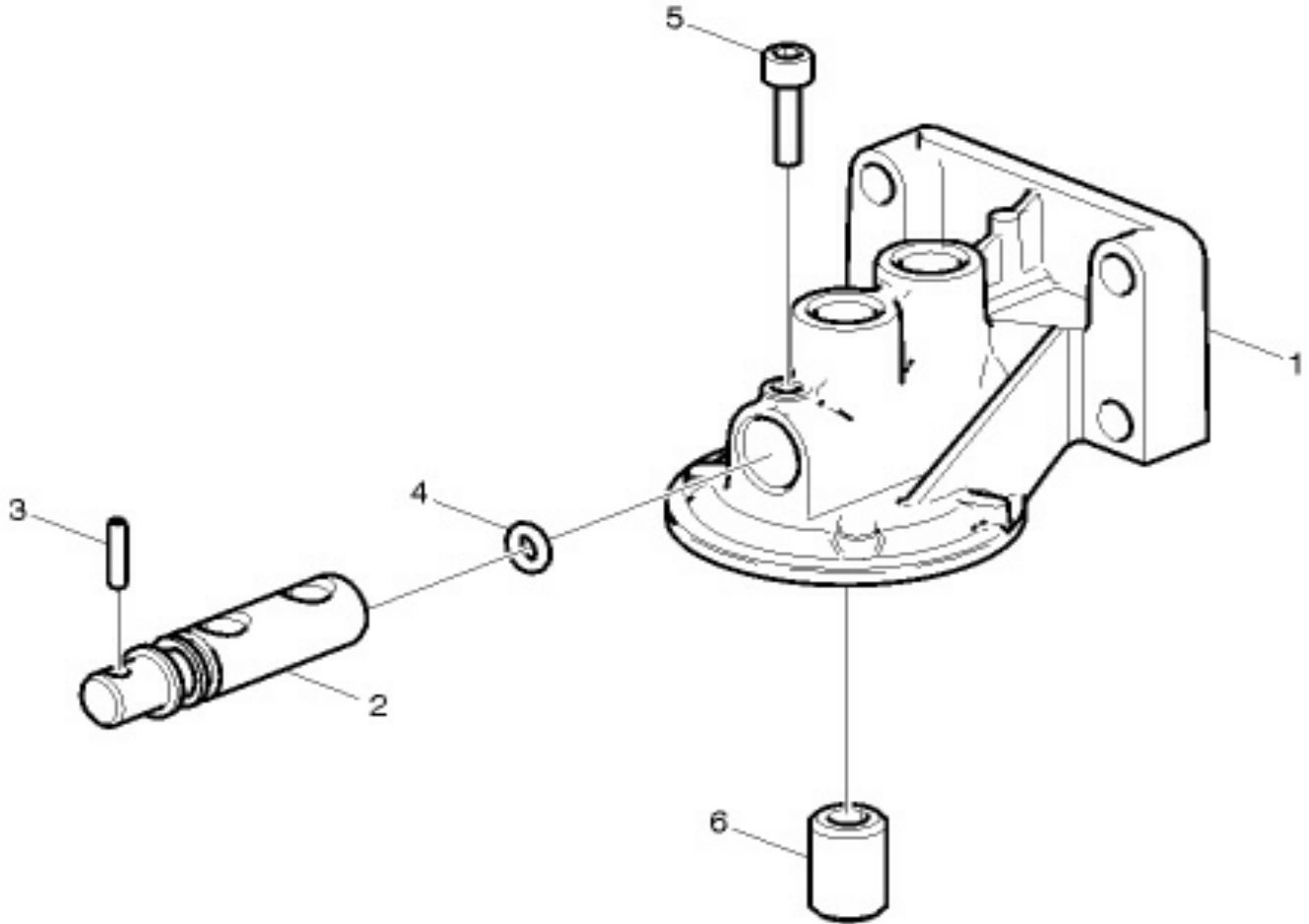


From F-5740

Date:07/2024

PAGE:3979836

ADAPTOR HEAD, COOLANT FILTER





From F-5740	Date:07/2024	PAGE:3979836
-------------	--------------	--------------

ADAPTOR HEAD, COOLANT FILTER

Item#	Part	Description	X 3 V I P E N T	X 3 V I P M T H	N O T E S
1	1661683	HOUSING	1	1	
2	1661686	SPINDLE	1	1	
3	951972	SPRING PIN	1	1	
4	968725	O-RING 11.3X2.4	1	1	
5	963692	HEX. SOCKET SCREW	1	1	
6	1676554	NIPPLE COOLANT FILTER	1	1	

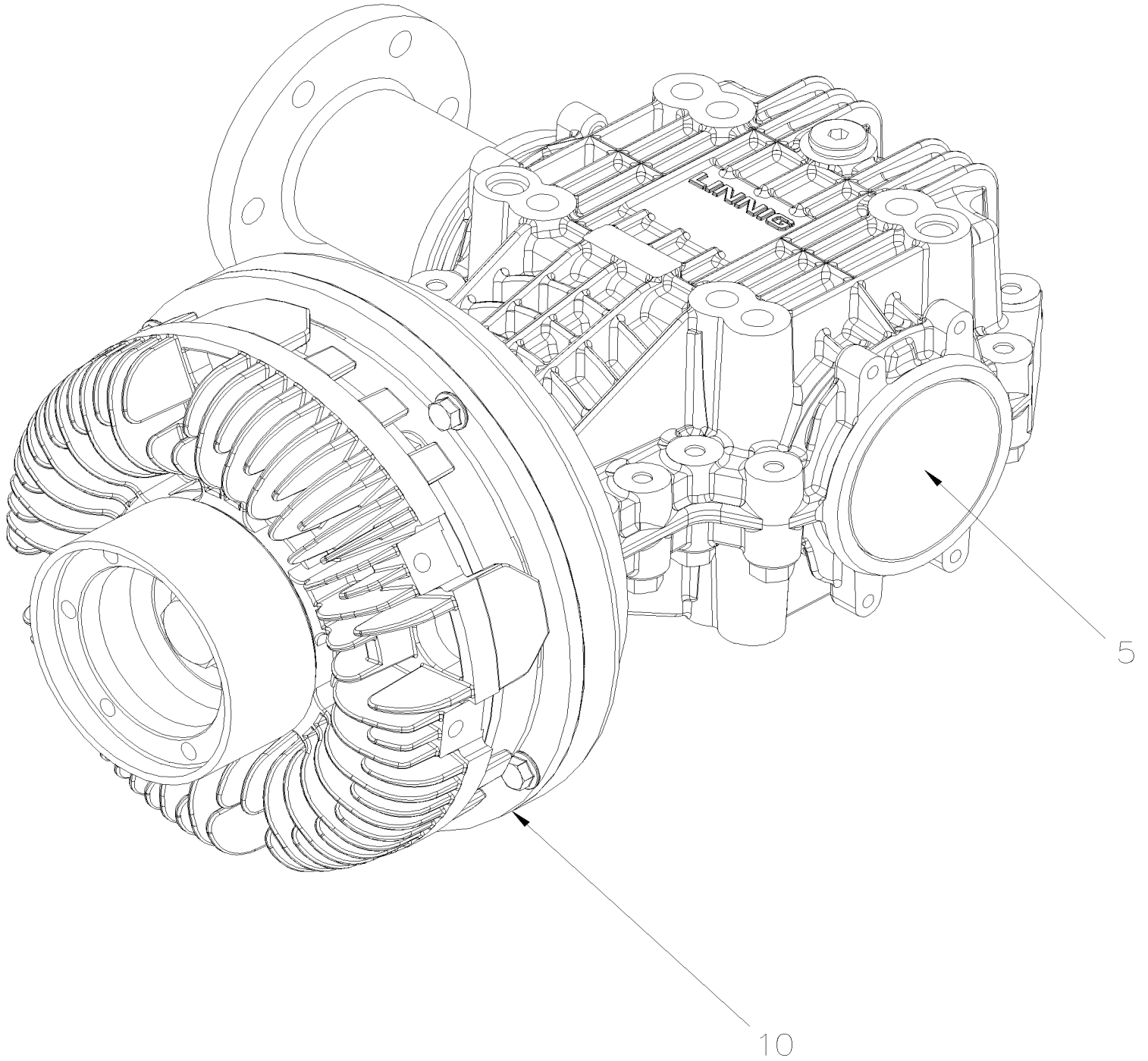


From E-5490 To H-6179

Date:07/2024

PAGE:X3VIP-0540-01

FAN CLUTCH & ANGLE DRIVE ASSY C.W.





From E-5490 To H-6179	Date:07/2024	PAGE:X3VIP-0540-01
FAN CLUTCH & ANGLE DRIVE ASSY C.W.		

Item#	Part	Description	X 3 V I P E N T	X 3 V I P M T H	N O T E S
	550987	GEARBOX ASSY WITH FAN CLUTCH To G-5934	1	1	
. NS	550294	. DRAIN PLUG WITH MAGNET To G-5934	1	1	
. NS	550295	. DRAIN PLUG To G-5934	1	1	
. NS	551001	. MAGNET To G-5934	1	1	
. NS	5002257	. SEALING CRUSH WASHER 14.0x20.0x1.5 COP To G-5934	1	1	
	550130	GEARBOX ASSY WITH FAN CLUTCH From G-5935	1	1	
. NS	550294	. DRAIN PLUG WITH MAGNET From G-5935	1	1	
. NS	550295	. DRAIN PLUG From G-5935	1	1	
. NS	551001	. MAGNET From G-5935	1	1	
. NS	5002257	. SEALING CRUSH WASHER 14.0x20.0x1.5 COP From G-5935	1	1	
. NS	550265	. CHECK VALVE From G-5935	1	1	
	680719	. OIL SYNTHETIC GEAR BOX TITAN SAE 75W90 W/O-RING WASHER	1	1	
5	N.P.N.	. GEARBOX	1	1	4
10	N.P.N.	. FAN CLUTCH	1	1	4
NS	551017	REPAIR KIT CLUTCH	1	1	
NS	551016	REPAIR KIT RADIAL SHAFT SEAL	1	1	
NS	551015	TOOL KIT FOR GEARBOX WITH FAN CLUTCH	1	1	
		4) NO PARTS NUMBER			

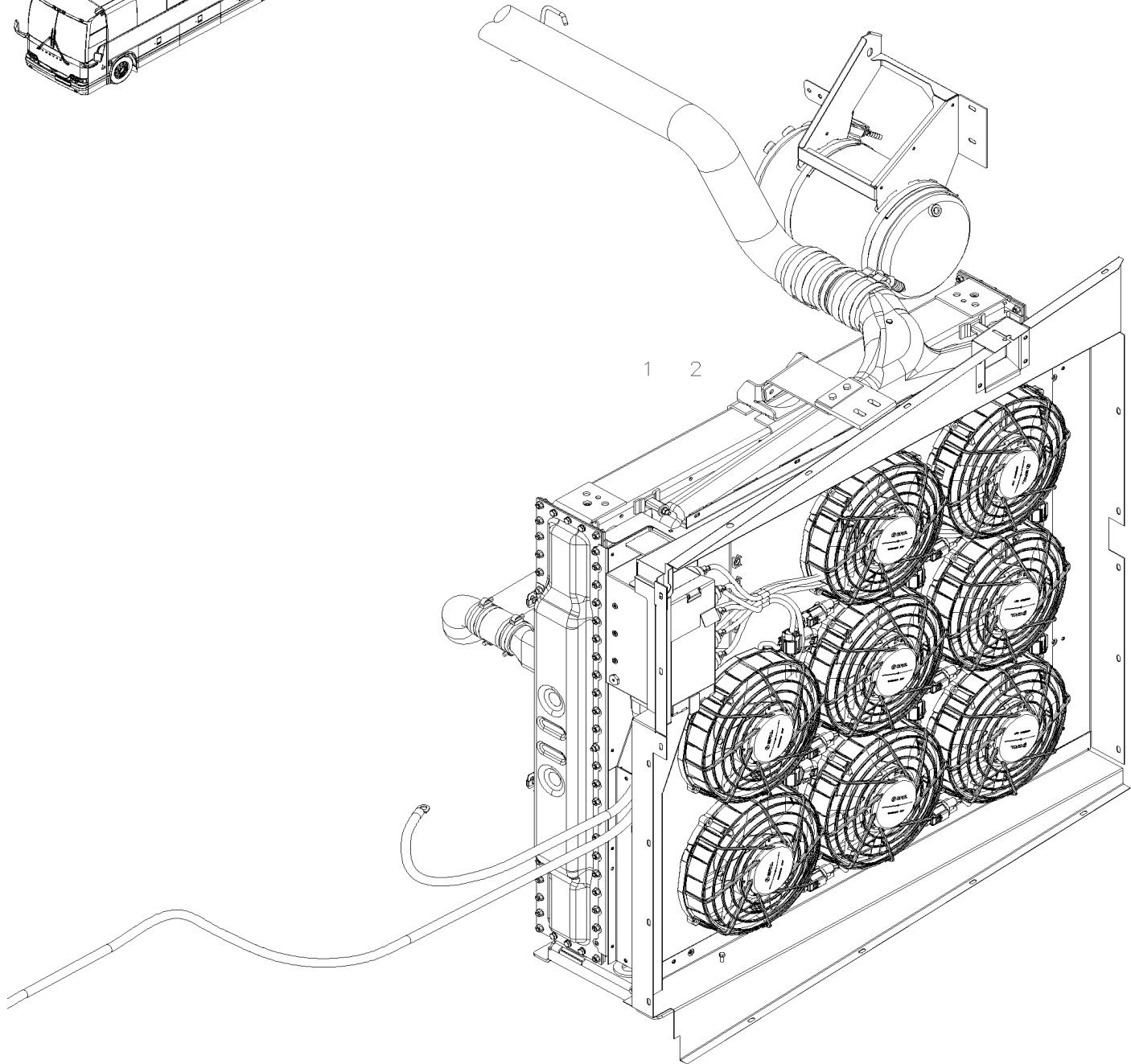
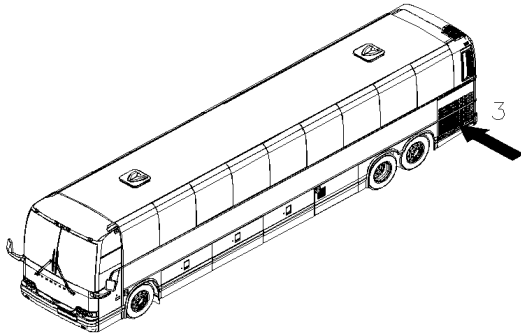


From B-5002 To H-6179

Date:07/2024

PAGE:X3VIP-0599-00

RETROFIT ELECTRIC FAN DRIVE COOLING SYSTEM CONVERSION



ALWAYS REFER TO INSTRUCTION SHEET FOR ALL INFORMATION NOT SHOWN



From B-5002 To H-6179	Date:07/2024	PAGE:X3VIP-0599-00
------------------------------	---------------------	---------------------------

RETROFIT ELECTRIC FAN DRIVE COOLING SYSTEM CONVERSION

Item#	Part	Description	X 3 V I P E N T	X 3 V I P M T H	N O T E S
		ALWAYS REFER TO INSTRUCTION SHEET FOR ALL INFORMATION NOT SHOWN			
1	IS19901	ELECTRIC FAN DRIVE COOL. SYS. CONVERSION-BOSCH ALT. US10 UP TO GHG17 From B-5002 To H-6179	1	1	
2	IS19912	ELECTRIC FAN DRIVE COOL. SYS CONVERSION-REMY ALT. US10 UP TO GHG17 From B-5002 To H-6179	1	1	
3	IS19913	BOSCH TO DELCO REMY ALTERNATOR INSTALLATION, US10 From B-5002 To E-5458	1	1	
3	IS19909	BOSCH TO DELCO REMY ALTERNATOR INSTALLATION X3-45 From E-5459 To H-6179	1	1	
5	IS20007	DRIVER'S AIR CONDENSER REPLACEMENT AND RELOCATION	1	1	A
		A) WITH SMALL A/C SYSTEM YOU HAVE TO MOVE CONDENSOR SEE KIT IS20007			

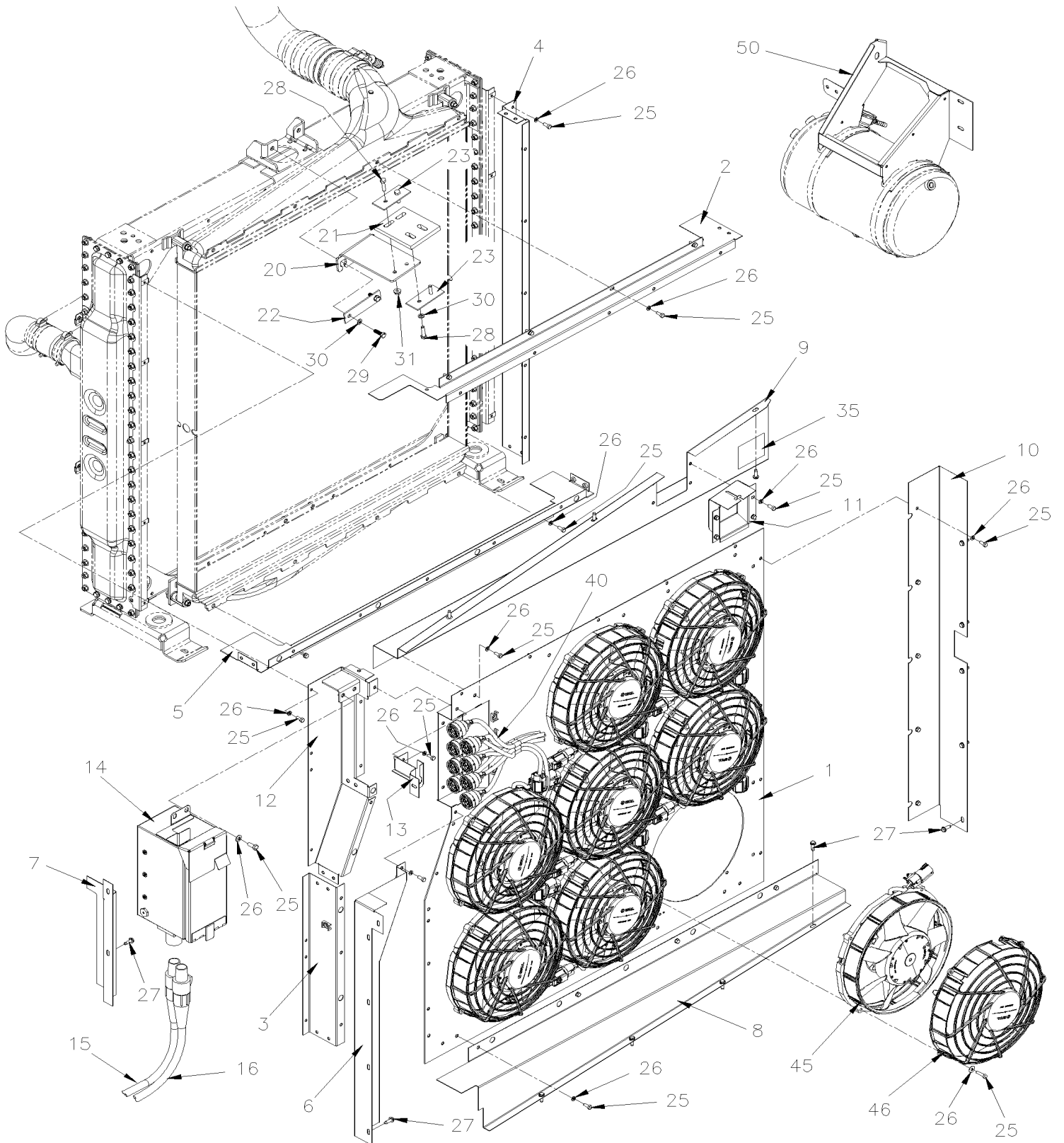


From B-5002 To H-6179

Date:07/2024

PAGE:IS19901

ELECTRIC FAN DRIVE COOL. SYS. CONVERSION-BOSCH ALT. US10 UP TO GHG17



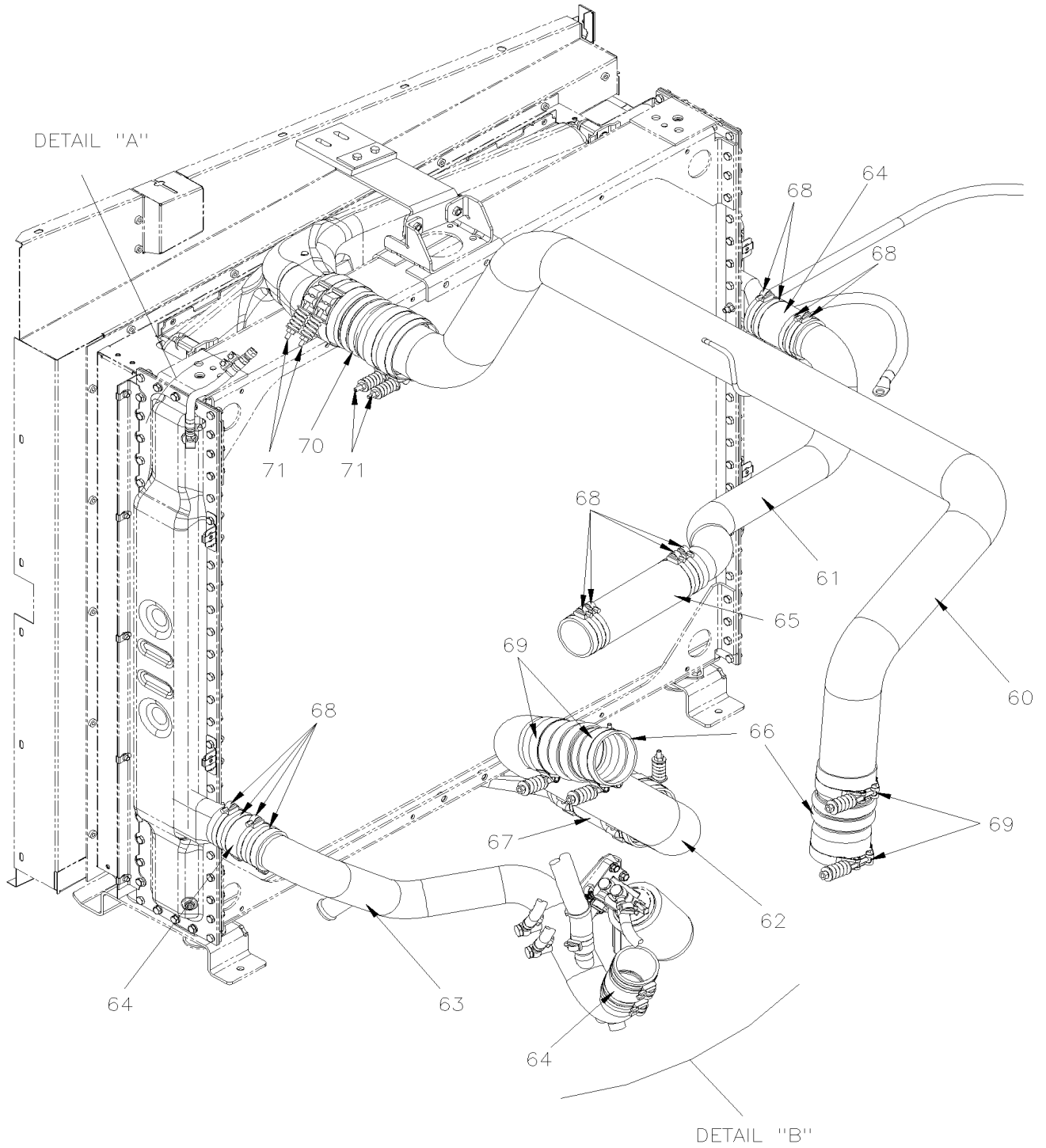


From B-5002 To H-6179

Date:07/2024

PAGE:IS19901

ELECTRIC FAN DRIVE COOL. SYS. CONVERSION-BOSCH ALT. US10 UP TO GHG17



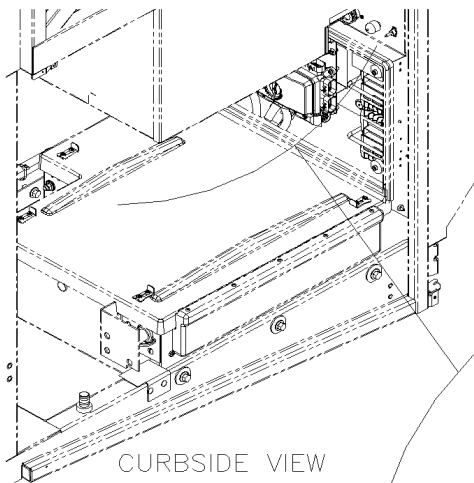


From B-5002 To H-6179

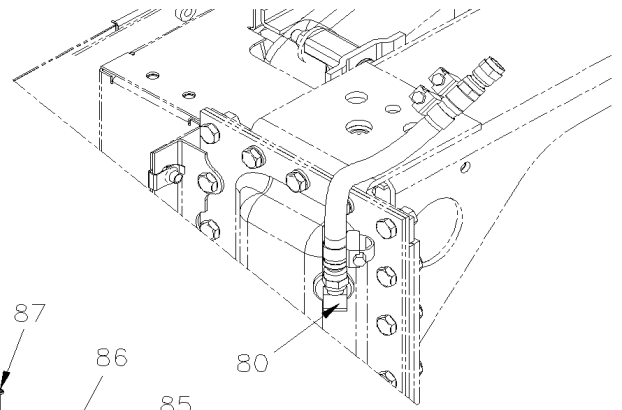
Date:07/2024

PAGE:IS19901

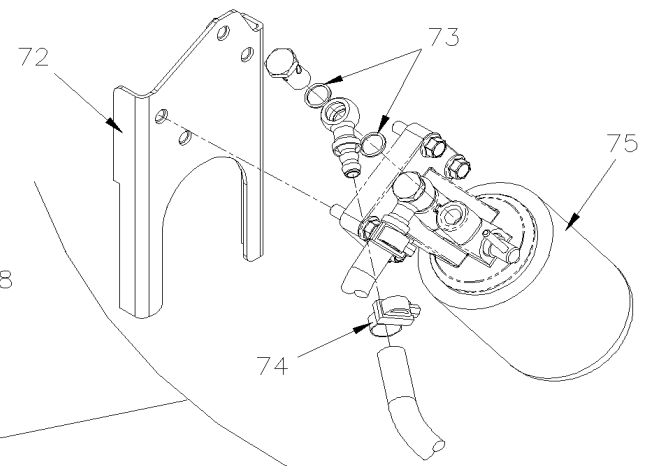
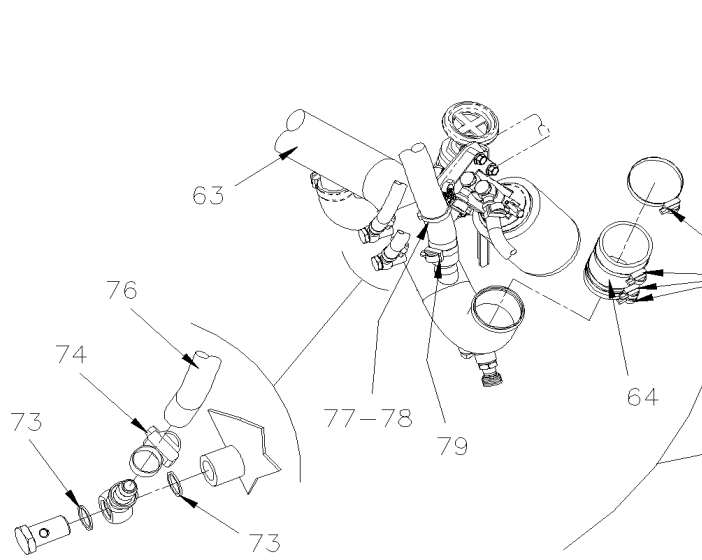
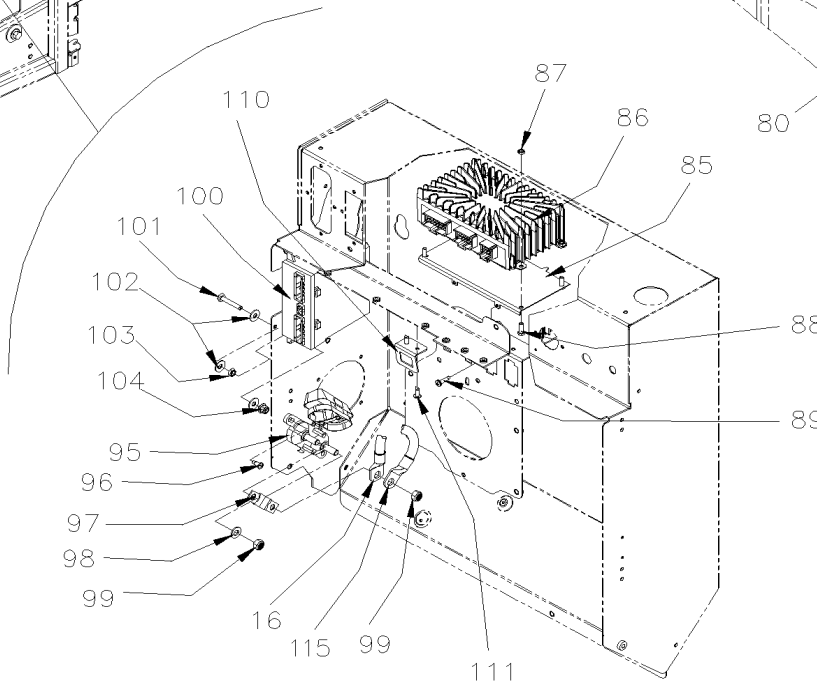
ELECTRIC FAN DRIVE COOL. SYS. CONVERSION-BOSCH ALT. US10 UP TO GHG17



CURBSIDE VIEW
MAIN POWER
COMPARTMENT



DETAIL "A"



DETAIL "B"



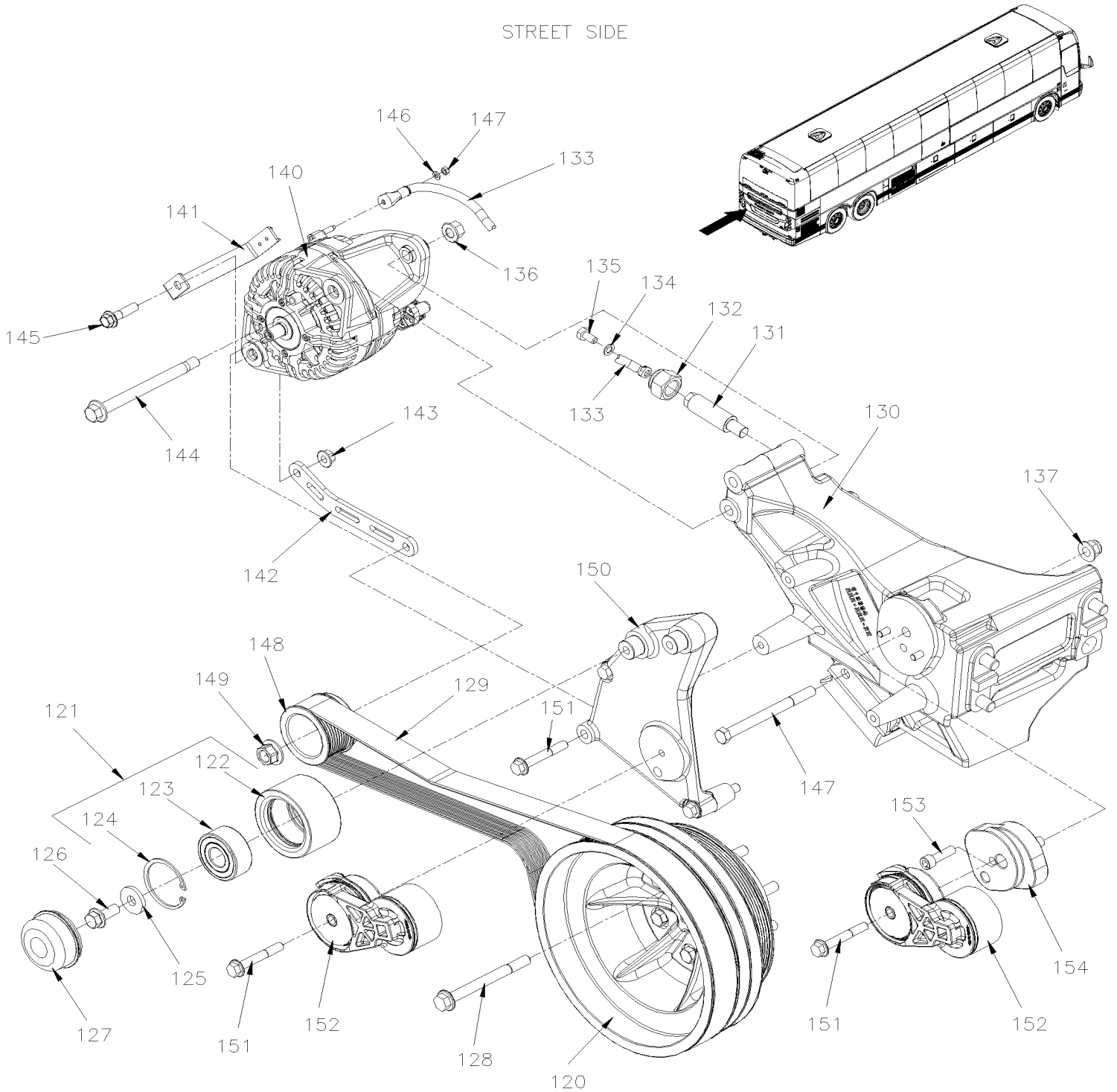
From B-5002 To H-6179

Date:07/2024

PAGE:IS19901

ELECTRIC FAN DRIVE COOL. SYS. CONVERSION-BOSCH ALT. US10 UP TO GHG17

STREET SIDE





From B-5002 To H-6179	Date:07/2024	PAGE:IS19901
ELECTRIC FAN DRIVE COOL. SYS. CONVERSION-BOSCH ALT. US10 UP TO GHG17		

Item#	Part	Description	X 3 V I P E N T	X 3 V I P M T H	N O T E S
1	050343	FAN SUPPORT PANEL, WELDED	1	1	
NS	506025	RUBBER CHANNEL / 1/18" x 5/16" INT "U" SHAPE / SQUARE C.T.L.	AR	AR	
2	050355	UPPER SHROUD TRANSITION	1	1	
NS	506040	TAPE RUB ADH1 CC EPDM 5/16" x 3/4" x 25' / BLACK OR GREY 144X	AR	AR	
3	050359	LOWER LEFT SHROUD TRANSITION	1	1	
4	050360	RIGHT SHROUD TRANSITIO	1	1	
5	050362	LOWER SHROUD TRANSITION	1	1	
6	050363	LOWER LH SIDE SHROUD PANEL	1	1	
7	050364	UPPER LH SIDE SHROUD PANEL	1	1	
8	050365	LOWER SHROUD PANE	1	1	
9	050366	UPPER SHROUD PANEL	1	1	
10	050367	RH SIDE SHROUD PANEL	1	1	
11	050369	BOX, DOOR PUSH-ROD	1	1	
12	050380	UPPER LEFT SHROUD TRANSITION WELDED	1	1	
13	050415	UPPER LEFT SHROUD PANEL	1	1	
14	564612	POWER BOX, FAN DRIVE	1	1	
15	069246	HARNESS GROUND FAN DRIVE	1	1	
16	069245	HARNESS PWR FAN DRIVE	1	1	
20	050351	UPPER RADIATOR SUPPORT X	1	1	
21	21185073	RUBBER PAD 100MM X 123MM	1	1	
22	052795	PLATE / UPPER RADIATOR 30MM X 120MM	1	1	
23	052473	PLATE / UPPER RADIATOR 40MM X 90MM	2	2	
25	5001697	SCREW CAP HEX M6-1.0x16 SS BK	AR	AR	
26	502570	WASHER LO SPT 6.1x11.8x1.6 SS	AR	AR	
27	502848	SCREW TC CAP HEXF 1/4-20x3/4 N500	AR	AR	
28	5001738	SCREW CAP HEX M8-1.25x30 G8.8 N500	4	4	
29	5001745	SCREW CAP HEX M8-1.25x25 G8.8 N500	2	2	
30	500942	WASHER LO SPT 8.1x14.8x2.0 N500	4	4	
31	502837	NUT HEXF STO M8-1.25 N500	2	2	
35	069205	DECAL "WARNING FAN"	1	1	
40	068820	HARNESS FAN DRIVE	1	1	
45	564312	ELECTRIC FAN FOR RADIATOR & CAC	8	8	
. NS	568092	. CONNECTOR / PH 4C / YAZAKI 7282-8497-90	1	1	
. NS	560009	. CONNECTOR CLIP / HELLERMAN TYTON 155-30702	1	1	
46	563533	HAND GUARD, FAN	8	8	
50	053040	BRACKET, SURGE TANK X3	1	1	
NS	500321	WASHER BEL SPR .331x.827x.098 N500	1	1	
NS	5001983	NUT HEX NYRT M8-1.25 SS SS BK	1	1	
60	050308	CAC PIPE OUTLET	1	1	
61	050309	WATER PIPE INLET RADIATOR	1	1	
62	050328	CAC PIPE	1	1	
63	050331	WATER PIPE ENGINE RETURN	1	1	



From B-5002 To H-6179	Date:07/2024	PAGE:IS19901
ELECTRIC FAN DRIVE COOL. SYS. CONVERSION-BOSCH ALT. US10 UP TO GHG17		

Item#	Part	Description	X 3 V I P E N T	X 3 V I P M T H	N O T E S
64	053617	HOSE SILICONE / NOMEX 2 1/2" I.D. 105MM	3	3	
. NS	503786	. HOSE SILICONE 4 PLY / NOMEX-ARAMID 2 1/2" I.D. x 6'	1	1	
65	052889	HOSE SILICONE 2 1/2" I.D. 280MM	1	1	
66	030096	HOSE 86MM I.D. X 162.5MM	2	2	
NS	053662	COUPLING TURBO	1	1	
NS	21096684	GASKET 60MM I.D.	1	1	
NS	20592787	V-CLAMP / 81.7MM I.D.	1	1	
67	531471	HOSE SILICONE 4" I.D. 6 1/2" / 500F°	1	1	
68	992089	HOSE CLAMP / 60MM/80MM	AR	AR	
69	21490630	HOSE CLAMP SPRING LOAD / HEAVY DUTY 3"5/8-3"15/16	4	4	
70	531469	HOSE / W/2 RING / 4" I.D. 8" / 500°F	1	1	
71	21490616	HOSE CLAMP SPRING LOAD / HEAVY DUTY 4"1/8-4"7/16	8	8	
72	050265	COOLANT FILTER SUPPORT	1	1	
73	507657	BANJO WASHER / M14	8	8	
74	992081	HOSE CLAMP / 12MM/22MM	4	4	
75	21937327	CARTRIGE "MAINTENANCE" COOLANT LONG LIFE "WITH D13 ENGINE"	1	1	
76	052366	HOSE / LOWER / #6 1550MM	1	1	
. NS	503702	. HOSE / (SAFETY STRIPE) / 3/8" I.D. 50' / S.L.	AR	AR	
77	504016	CABLE TIE / 5/16" X 14"1/2	AR	AR	
78	504751	ROTATIF SPACER DOUBLE / SMALL	4	4	
79	992086	HOSE CLAMP / 32MM/52MM	2	2	
80	501037	MALE ELBOW 90° / SAE 45° FITTING / #4FL-Mx1/4NPT-M BR	1	1	
85	053043	SUPPORT MODULE	1	1	
86	22722850	I/O B E-MODULE VOLVO MULTIPLEX / ALUMINUM	1	1	
87	5001180	NUT HEX NYRT #10-24 SS	4	4	
88	5001447	SCREW CAP HEX #10-24x5/8 PT SS BK	4	4	
89	500623	SCREW TC PAN PH #10-24x3/4 N500	2	2	
95	563750	FUSEHOLDER W/RED COVER / MEGA FUSE /	1	1	
96	500658	SCREW TC PAN PH #10-24x3/4 Z050	AR	AR	
97	5001341	WASHER FL 8.4x17.0x1.6 SS	AR	AR	
98	564520	FUSE / MEGA FUSE / 300 AMPS / GREY	1	1	
99	5001983	NUT HEX NYRT M8-1.25 SS SS BK	2	2	
100	23499009-EFD	MCM PROGRAMME - SERVICE KIT EFD	1	1	
NS	563593	CONNECTOR W/END OF LINE RESISTOR 120R / DTM SERIES / SH 2C / GRAY / DEUTSCH DTM06-2S-P006	AR	AR	
101	502888	SCREW CAP HEX M6-1.0x35 G8.8 N500	3	3	
102	502709	WASHER FL .260x.687x.050 XLN BK	9	9	
103	502854	NUT HEX M6-1.0 N500	3	3	
104	5001932	NUT HEXF NYRT M6-1.0 G8.8 N500	3	3	
110	050303	ALTERNATOR TELLTALE BRACKET	1	1	
111	504379	RIVET POP DOME OE 3/16x1/4 SS	AR	AR	
NS	391028	INSERT / RED / GENERATOR	1	1	
NS	562113	TELLTALE ASSY / 24V SHORT	1	1	



From B-5002 To H-6179	Date:07/2024	PAGE:IS19901
ELECTRIC FAN DRIVE COOL. SYS. CONVERSION-BOSCH ALT. US10 UP TO GHG17		

Item#	Part	Description	X 3 V I P E N T	X 3 V I P M T H	N O T E S
115	060682	HARNESS BATTERY TO ALTERNATOR LH	1	1	
120	012941	DRIVE PULLEY / 280MMx10RIB/ 268.3MMx2V / 220.8MMx10 RIB	1	1	
NS	5060130	MULTI V-BELT / 8 RIB 62" (1575MM) 8PK1575 SEVERE DUTY	1	1	
121	012349	PULLEY ASSY W/BEARING / 48MM x 90MM O.D.	1	1	
122	012958	PULLEY / 48MM x 90MM O.D.	1	1	
123	509952	BALL BEARING 25 ID x 62 OD x 25.4 W HI-TEMP	1	1	
124	504040	RING RETAINER / INT 2.440 x 1.860 x 0.078 STL BLK	1	1	
125	5002008	WASHER FL 13.0x35.0x5.0 N500	1	1	
126	5001786	SCREW CAP HEXF M12-1.75x30 G8.8 N500	1	1	
127	453076	CAP, DUST	1	1	
128	5001296	SCREW CAP HEXF M12-1.75x80 G10.9 N500	AR	AR	
129	505606	MULTI V-BELT / 10 RIB (1695MM) 10PK1695 STANDARD DUTY	1	1	
130	012942	ENGINE MOUNT STREET SIDE W/D13	1	1	
131	012921	GROUND STUD M14 Lg.:88MM	1	1	
132	5001665	NUT HEX NYRT M22-2.5 G8 Z050	1	1	
133	069504	HARNESS LH GROUND ALTERNATOR	1	1	
134	5001935	WASHER FL 10.5x18.0x1.6 SS	1	1	
135	502719	SCREW CAP HEX M10-1.5x20 SS EMN	1	1	
136	5001728	NUT HEXF STO M12-1.75 N500 G10	1	1	
137	5001761	NUT HEXF NYRT M12-1.75 G8 N500	AR	AR	
140	564593	ALTERNATOR ASSY 24V/150 AMPS / W/OUT PULLEY	1	1	
NS	060297	ADAPTOR STUD M8 Male x M8 Female + FLANGE M8-1.25 x 18MM SS	1	1	
NS	069511	HARNESS ALT. BOSCH LEFT HAND SIDE	1	1	
141	050266	ALTERNATOR BATTERY CABLE SUPPORT	1	1	
142	060102	ALTERNATOR, LOWER BRACKET	1	1	
143	5001930	NUT HEXF NYRT M10-1.5 N500 G10.9	2	2	
144	502950	SCREW SHR CAP HEXF 13x135 (M12x1.75 G10.9 N500	1	1	
145	5001800	SCREW CAP HEXF M10-1.5x45 G10.9 N500	1	1	
146	502573	WASHER FL 6.4x12.5x1.6 SS	1	1	
147	5001182	NUT HEX NYRT M6-1.0 SS	1	1	
148	0600265	PULLEY ALTERNATOR / "BOSCH" / 73MM DOB x 10 RIB	1	1	
149	21429955	FLANGE NUT	1	1	
150	011213	IDLER SUPPORT	1	1	
151	5001799	SCREW CAP HEXF M10-1.5x70 G10.9 N500	AR	AR	
152	510991	AUTOMATIC TENSIONER ASSY	1	1	
153	5001620	SCREW CAP HEXS M10-1.5X35 G10.9 G500	1	1	
154	012695	SUPPORT ADAPTOR AUTOMTIC TENSIONER ASSY W/DOWEL / WATER PUMP	1	1	
NS	502941	DOWEL PIN	2	2	
NS	010060	DECAL / "BELT ROUTING"	1	1	
NS	561610	CONNECTOR / WEATHER PACK / PH 4C / BLACK / PED 12015024	1	1	
NS	561783	SEAL PLUG CAVITY / GREEN / PED 12010300	AR	AR	
NS	23445869	HARNESS	1	1	



From B-5002 To H-6179	Date:07/2024	PAGE:IS19901
ELECTRIC FAN DRIVE COOL. SYS. CONVERSION-BOSCH ALT. US10 UP TO GHG17		

Item#	Part	Description	X 3 V I P E N T	X 3 V I P M T H	N O T E S
NS	23488790	FAN TO RJB INTERFACE HARNESS H345	1	1	
NS	561608	SOCKET TERMINAL / 18-16 / DEUTSCH 0462-201-16141	AR	AR	
NS	23490553	VEHICLE INTERFACE HARNESS H345	1	1	
NS	23498450	BATTERY CABLE MASTER SW TO FUSE	1	1	
NS	N37749	CABLE TIE DUAL .250-2.300	AR	AR	
NS	509490	ATTACHMENT DOUBLE USE WITH CABLE TIE	AR	AR	
NS	509491	CABLE TIE / 13MM x 383MM	AR	AR	
NS	562679	4 WAY ADH. BACKED MOUNTS 1.000 x 1.000 x .160	4	4	
500	IS-19901	INSTRUCTION SHEET	1	1	
NS	FI-19901	VOIR FEUILLE D'INSTRUCTION	1	1	

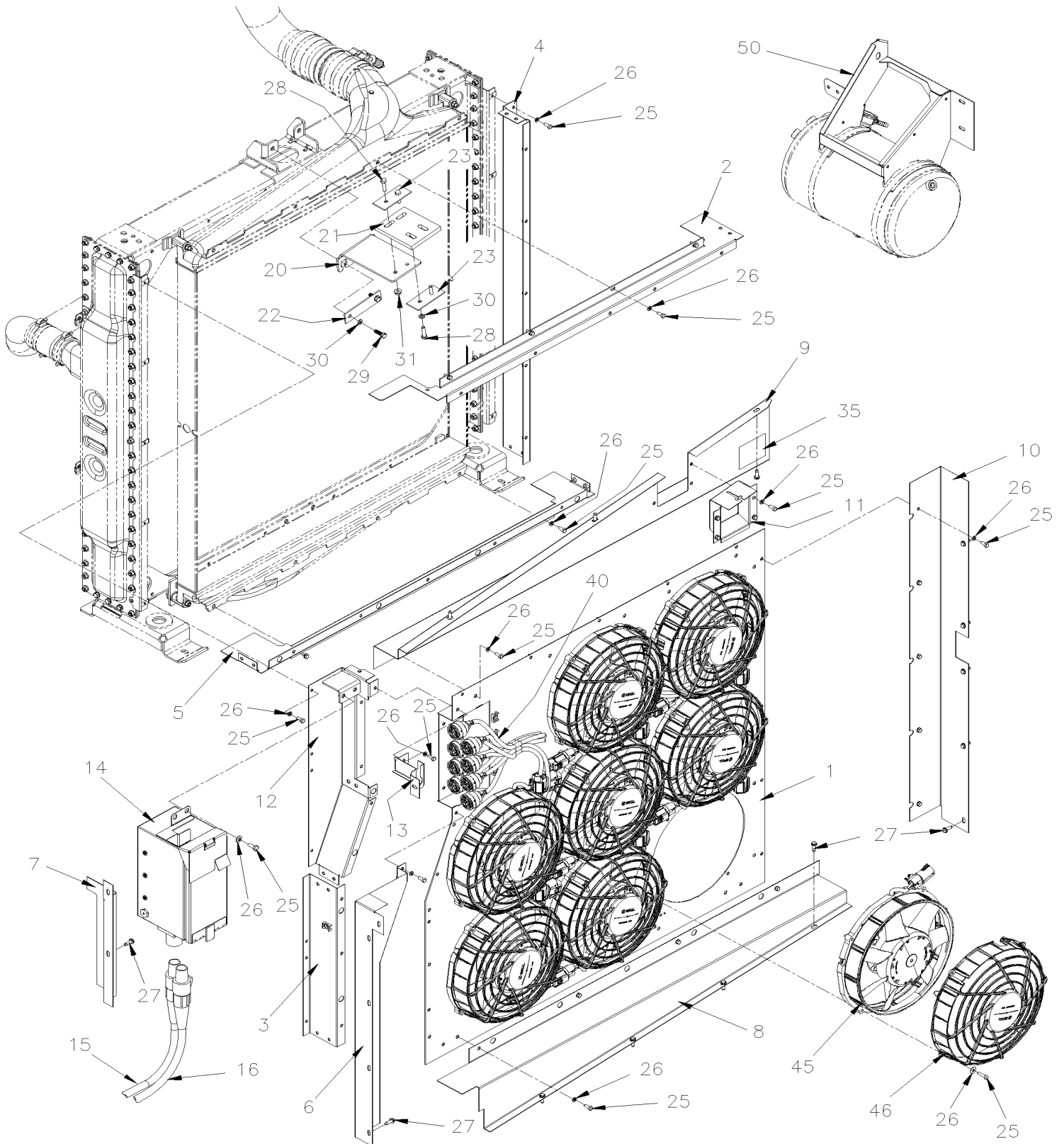


From B-5002 To H-6179

Date:07/2024

PAGE:IS19912

ELECTRIC FAN DRIVE COOL. SYS CONVERSION-REMY ALT. US10 UP TO GHG17



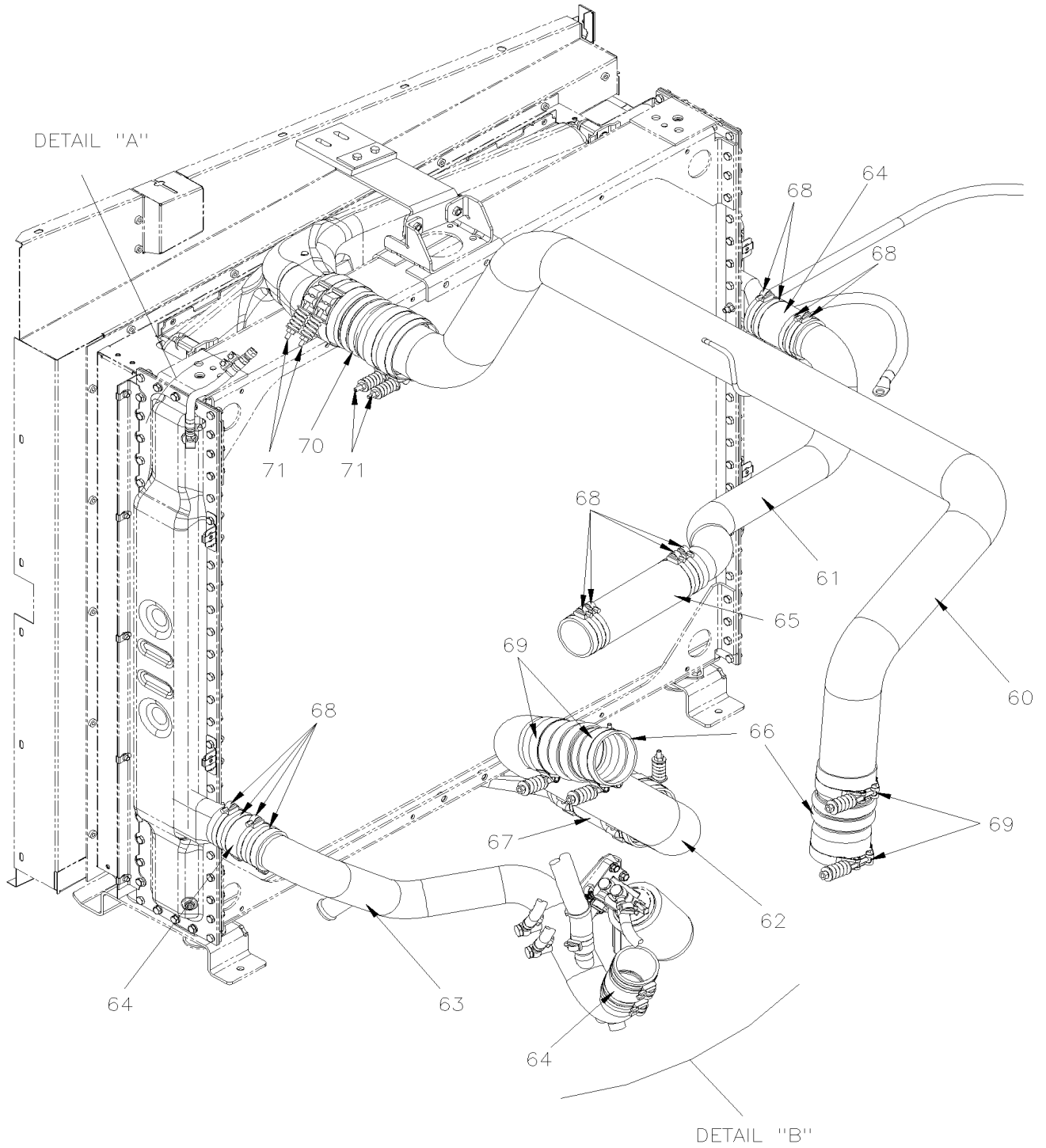


From B-5002 To H-6179

Date:07/2024

PAGE:IS19912

ELECTRIC FAN DRIVE COOL. SYS CONVERSION-REMY ALT. US10 UP TO GHG17



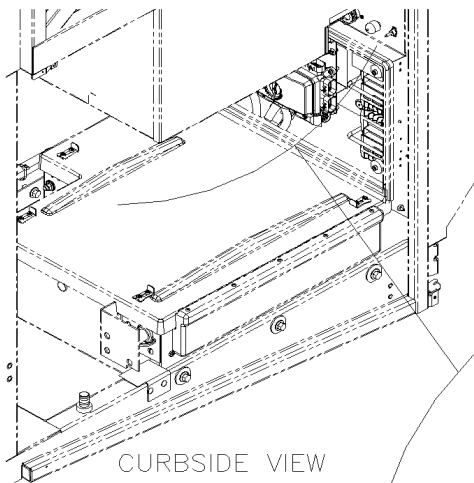


From B-5002 To H-6179

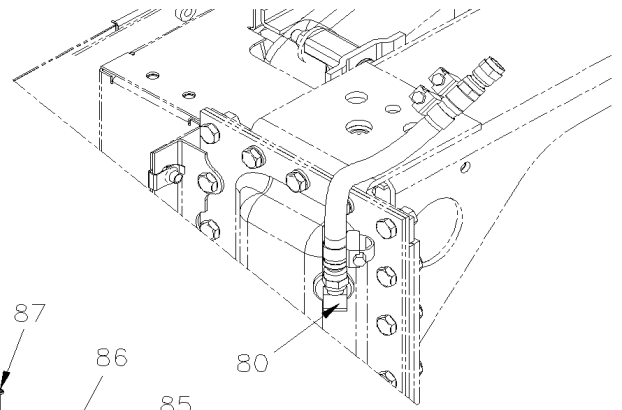
Date:07/2024

PAGE:IS19912

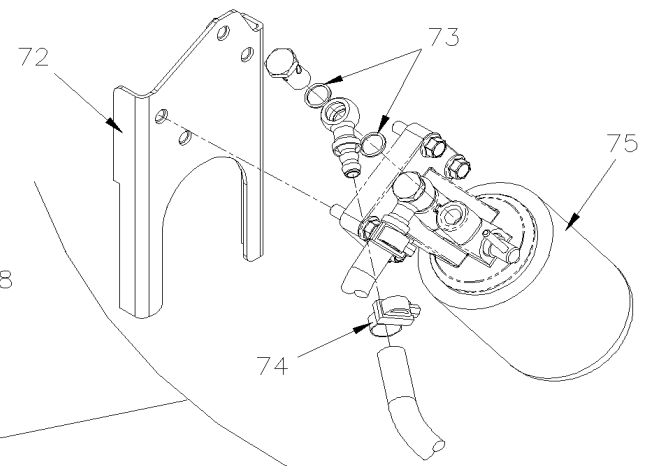
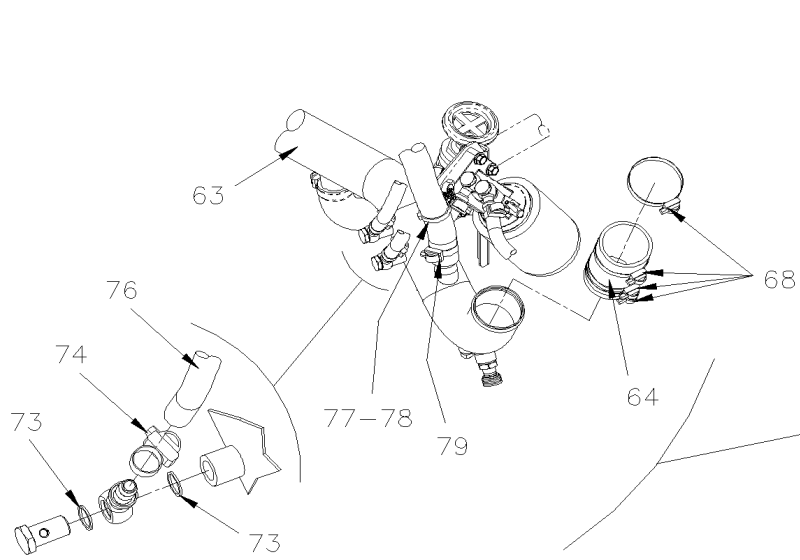
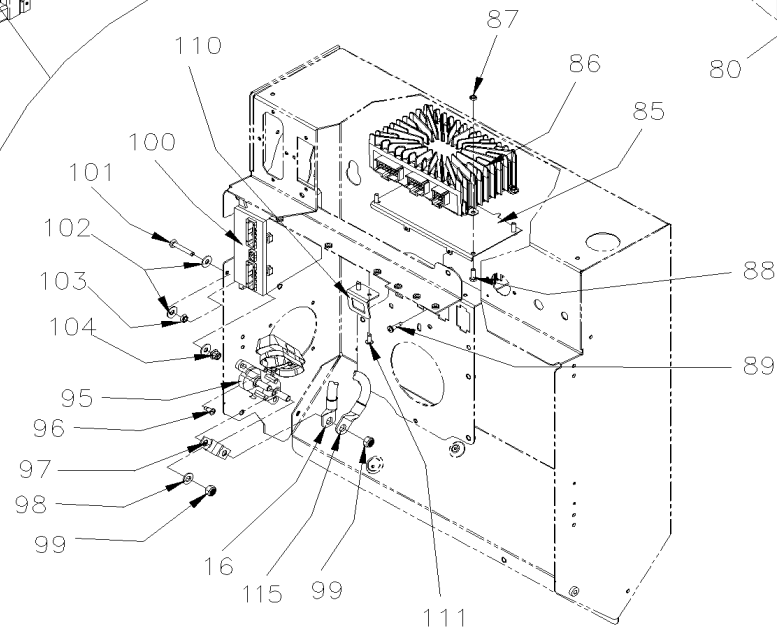
ELECTRIC FAN DRIVE COOL. SYS CONVERSION-REMY ALT. US10 UP TO GHG17



CURBSIDE VIEW
MAIN POWER
COMPARTMENT



DETAIL "A"



DETAIL "B"



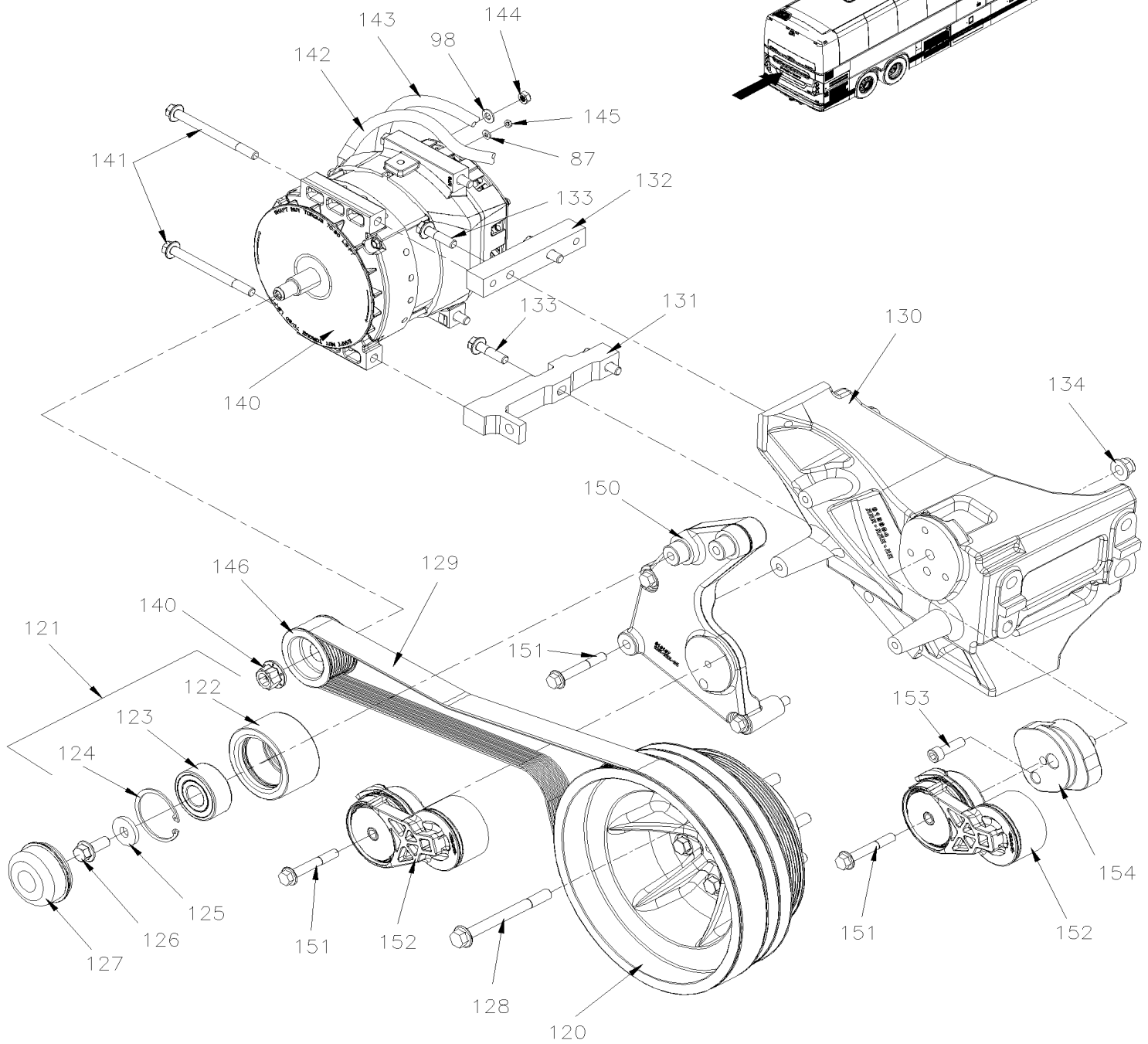
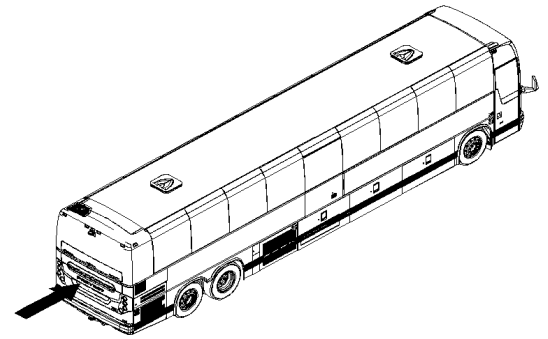
From B-5002 To H-6179

Date:07/2024

PAGE:IS19912

ELECTRIC FAN DRIVE COOL. SYS CONVERSION-REMY ALT. US10 UP TO GHG17

STREET SIDE





From B-5002 To H-6179	Date:07/2024	PAGE:IS19912
ELECTRIC FAN DRIVE COOL. SYS CONVERSION-REMY ALT. US10 UP TO GHG17		

Item#	Part	Description	X 3 V I P E N T	X 3 V I P M T H	N O T E S
1	050343	FAN SUPPORT PANEL, WELDED	1	1	
NS	506025	RUBBER CHANNEL / 1/18" x 5/16" INT "U" SHAPE / SQUARE C.T.L.	AR	AR	
2	050355	UPPER SHROUD TRANSITION	1	1	
NS	506040	TAPE RUB ADH1 CC EPDM 5/16" x 3/4" x 25' / BLACK OR GREY 144X	AR	AR	
3	050359	LOWER LEFT SHROUD TRANSITION	1	1	
4	050360	RIGHT SHROUD TRANSITIO	1	1	
5	050362	LOWER SHROUD TRANSITION	1	1	
6	050363	LOWER LH SIDE SHROUD PANEL	1	1	
7	050364	UPPER LH SIDE SHROUD PANEL	1	1	
8	050365	LOWER SHROUD PANE	1	1	
9	050366	UPPER SHROUD PANEL	1	1	
10	050367	RH SIDE SHROUD PANEL	1	1	
11	050369	BOX, DOOR PUSH-ROD	1	1	
12	050380	UPPER LEFT SHROUD TRANSITION WELDED	1	1	
13	050415	UPPER LEFT SHROUD PANEL	1	1	
14	564612	POWER BOX, FAN DRIVE	1	1	
15	069246	HARNESS GROUND FAN DRIVE	1	1	
16	069245	HARNESS PWR FAN DRIVE	1	1	
20	050351	UPPER RADIATOR SUPPORT X	1	1	
21	21185073	RUBBER PAD 100MM X 123MM	1	1	
22	052795	PLATE / UPPER RADIATOR 30MM X 120MM	1	1	
23	052473	PLATE / UPPER RADIATOR 40MM X 90MM	2	2	
25	5001697	SCREW CAP HEX M6-1.0x16 SS BK	AR	AR	
26	502570	WASHER LO SPT 6.1x11.8x1.6 SS	AR	AR	
27	502848	SCREW TC CAP HEXF 1/4-20x3/4 N500	AR	AR	
28	5001738	SCREW CAP HEX M8-1.25x30 G8.8 N500	4	4	
29	5001745	SCREW CAP HEX M8-1.25x25 G8.8 N500	2	2	
30	500942	WASHER LO SPT 8.1x14.8x2.0 N500	4	4	
31	502837	NUT HEXF STO M8-1.25 N500	2	2	
35	069205	DECAL "WARNING FAN"	1	1	
40	068820	HARNESS FAN DRIVE	1	1	
45	564312	ELECTRIC FAN FOR RADIATOR & CAC	8	8	
. NS	568092	. CONNECTOR / PH 4C / YAZAKI 7282-8497-90	1	1	
. NS	560009	. CONNECTOR CLIP / HELLERMAN TYTON 155-30702	1	1	
46	563533	HAND GUARD, FAN	8	8	
50	053040	BRACKET, SURGE TANK X3	1	1	
NS	500321	WASHER BEL SPR .331x.827x.098 N500	1	1	
NS	5001983	NUT HEX NYRT M8-1.25 SS SS BK	1	1	
60	050308	CAC PIPE OUTLET	1	1	
61	050309	WATER PIPE INLET RADIATOR	1	1	
62	050328	CAC PIPE	1	1	
63	050331	WATER PIPE ENGINE RETURN	1	1	



From B-5002 To H-6179	Date:07/2024	PAGE:IS19912
ELECTRIC FAN DRIVE COOL. SYS CONVERSION-REMY ALT. US10 UP TO GHG17		

Item#	Part	Description	X 3 V I P E N T	X 3 V I P M T H	N O T E S
64	053617	HOSE SILICONE / NOMEX 2 1/2" I.D. 105MM	3	3	
. NS	503786	. HOSE SILICONE 4 PLY / NOMEX-ARAMID 2 1/2" I.D. x 6'	1	1	
65	052889	HOSE SILICONE 2 1/2" I.D. 280MM	1	1	
66	030096	HOSE 86MM I.D. X 162.5MM	2	2	
NS	053662	COUPLING TURBO	1	1	
NS	21096684	GASKET 60MM I.D.	1	1	
NS	20592787	V-CLAMP / 81.7MM I.D.	1	1	
67	531471	HOSE SILICONE 4" I.D. 6 1/2" / 500F°	1	1	
68	992089	HOSE CLAMP / 60MM/80MM	AR	AR	
69	21490630	HOSE CLAMP SPRING LOAD / HEAVY DUTY 3"5/8-3"15/16	4	4	
70	531469	HOSE / W/2 RING / 4" I.D. 8" / 500°F	1	1	
71	21490616	HOSE CLAMP SPRING LOAD / HEAVY DUTY 4"1/8-4"7/16	8	8	
72	050265	COOLANT FILTER SUPPORT	1	1	
73	507657	BANJO WASHER / M14	8	8	
74	992081	HOSE CLAMP / 12MM/22MM	4	4	
75	21937327	CARTRIGE "MAINTENANCE" COOLANT LONG LIFE "WITH D13 ENGINE"	1	1	
76	052366	HOSE / LOWER / #6 1550MM	1	1	
. NS	503702	. HOSE / (SAFETY STRIPE) / 3/8" I.D. 50' / S.L.	AR	AR	
77	504016	CABLE TIE / 5/16" X 14"1/2	AR	AR	
78	504751	ROTATIF SPACER DOUBLE / SMALL	4	4	
79	992086	HOSE CLAMP / 32MM/52MM	2	2	
80	501037	MALE ELBOW 90° / SAE 45° FITTING / #4FL-Mx1/4NPT-M BR	1	1	
85	053043	SUPPORT MODULE	1	1	
86	22722850	I/O B E-MODULE VOLVO MULTIPLEX / ALUMINUM	1	1	
87	5001180	NUT HEX NYRT #10-24 SS	4	4	
88	5001447	SCREW CAP HEX #10-24x5/8 PT SS BK	4	4	
89	500623	SCREW TC PAN PH #10-24x3/4 N500	2	2	
95	563750	FUSEHOLDER W/RED COVER / MEGA FUSE /	1	1	
96	500658	SCREW TC PAN PH #10-24x3/4 Z050	AR	AR	
97	5001341	WASHER FL 8.4x17.0x1.6 SS	AR	AR	
98	564520	FUSE / MEGA FUSE / 300 AMPS / GREY	1	1	
99	5001983	NUT HEX NYRT M8-1.25 SS SS BK	2	2	
100	23499009-EFD	MCM PROGRAMME - SERVICE KIT EFD	1	1	
NS	563593	CONNECTOR W/END OF LINE RESISTOR 120R / DTM SERIES / SH 2C / GRAY / DEUTSCH DTM06-2S-P006	AR	AR	
101	502888	SCREW CAP HEX M6-1.0x35 G8.8 N500	3	3	
102	502709	WASHER FL .260x.687x.050 XLN BK	9	9	
103	502854	NUT HEX M6-1.0 N500	3	3	
104	5001932	NUT HEXF NYRT M6-1.0 G8.8 N500	3	3	
110	050303	ALTERNATOR TELLTALE BRACKET	1	1	
111	504379	RIVET POP DOME OE 3/16x1/4 SS	AR	AR	
NS	391028	INSERT / RED / GENERATOR	1	1	
NS	562113	TELLTALE ASSY / 24V SHORT	1	1	



From B-5002 To H-6179	Date:07/2024	PAGE:IS19912
ELECTRIC FAN DRIVE COOL. SYS CONVERSION-REMY ALT. US10 UP TO GHG17		

Item#	Part	Description	X 3 V I P E N T	X 3 V I P M T H	N O T E S
115	060682	HARNESS BATTERY TO ALTERNATOR LH	1	1	
120	012941	DRIVE PULLEY / 280MMx10RIB/ 268.3MMx2V / 220.8MMx10 RIB	1	1	
NS	506080	MULTI V-BELT / 8 RIB 62" (1575MM) 8PK1575 QT + SD ARAMIDE	1	1	
121	012349	PULLEY ASSY W/BEARING / 48MM x 90MM O.D.	1	1	
122	012958	PULLEY / 48MM x 90MM O.D.	1	1	
123	509952	BALL BEARING 25 ID x 62 OD x 25.4 W HI-TEMP	1	1	
124	504040	RING RETAINER / INT 2.440 x 1.860 x 0.078 STL BLK	1	1	
125	5002008	WASHER FL 13.0x35.0x5.0 N500	1	1	
126	5001786	SCREW CAP HEXF M12-1.75x30 G8.8 N500	1	1	
127	453076	CAP, DUST	1	1	
128	5001296	SCREW CAP HEXF M12-1.75x80 G10.9 N500	6	6	
129	506067	MULTI V-BELT / 10 RIB 67.1" (1705MM) 10PK1705 QT ARAMIDE	2	2	
130	010090	ENGINE MOUNT STREET SIDE W/D13 W/REMY	1	1	
131	069890	BRACKET, ALTERNATOR REMY LOWER	1	1	
132	069891	BRACKET, ALTERNATOR REMY UPPER	1	1	
133	5001308	SCREW CAP HEXF M10-1.5x40 G10.9 N500	4	4	
134	5001761	NUT HEXF NYRT M12-1.75 G8 N500	AR	AR	
140	560720	ALTERNATOR ASSY 24V/250 AMPS / "REMY"	1	1	
141	5002091	SCREW CAP HEXF M10-1.5x120 G10.9 N500	4	4	
142	0610035	HARNESS, ALTERNATOR CHASSIS GROUND / STREET SIDE	1	1	
143	0610037	HARNESS, ALTERNATOR CONTROL / STREET SIDE	1	1	
144	500685	NUT HEX NYRT 5/16-18 SS	1	1	
145	5001137	WASHER FL .203x.438x.050 SS	2	2	
146	069893	PULLEY ALTERNATOR / "REMY" / 69MM DOB x 10 PK	1	1	
150	011213	IDLER SUPPORT	1	1	
151	5001799	SCREW CAP HEXF M10-1.5x70 G10.9 N500	AR	AR	
152	510991	AUTOMATIC TENSIONER ASSY	1	1	
153	5001940	SCREW CAP HEX M12-1.75x140 G10.9 N500	4	4	
154	012695	SUPPORT ADAPTOR AUTOMTIC TENSIONER ASSY W/DOWEL / WATER PUMP			
. NS	502941	. DOWEL PIN	2	2	
NS	561610	CONNECTOR / WEATHER PACK / PH 4C / BLACK / PED 12015024	1	1	
NS	561783	SEAL PLUG CAVITY / GREEN / PED 12010300	AR	AR	
NS	23445869	HARNESS	1	1	
NS	23488790	FAN TO RJB INTERFACE HARNESS H345	1	1	
NS	561608	SOCKET TERMINAL / 18-16 / DEUTSCH 0462-201-16141	AR	AR	
NS	23490553	VEHICLE INTERFACE HARNESS H345	1	1	
NS	23498450	BATTERY CABLE MASTER SW TO FUSE	1	1	
NS	N37749	CABLE TIE DUAL .250-2.300	AR	AR	
NS	509490	ATTACHMENT DOUBLE USE WITH CABLE TIE	AR	AR	
NS	509491	CABLE TIE / 13MM x 383MM	AR	AR	
NS	562679	4 WAY ADH. BACKED MOUNTS 1.000 x 1.000 x .160	4	4	
500	IS-19901	INSTRUCTION SHEET	1	1	



From B-5002 To H-6179	Date:07/2024	PAGE:IS19912
ELECTRIC FAN DRIVE COOL. SYS CONVERSION-REMY ALT. US10 UP TO GHG17		

Item#	Part	Description	X 3 V I P E N T	X 3 V I P M T H	N O T E S
500	FI-19901	VOIR FEUILLE D'INSTRUCTION	1	1	



From B-5002 To H-6179	Date:07/2024	PAGE:IS19913
-----------------------	--------------	--------------

BOSCH TO DELCO REMY ALTERNATOR INSTALLATION, US10

Item#	Part	Description	X 3 V I P E N T	X 3 V I P M T H	N O T E S
1	0610086	KIT INSTALLATION, ALTERNATOR REMY CURB SIDE	1	1	
2	0610088	KIT ALTERNATOR REMY ADAPTATION FROM US10 ENGINE	1	1	
3	IS-19913	SEE INSTRUCTION SHEET	1	1	

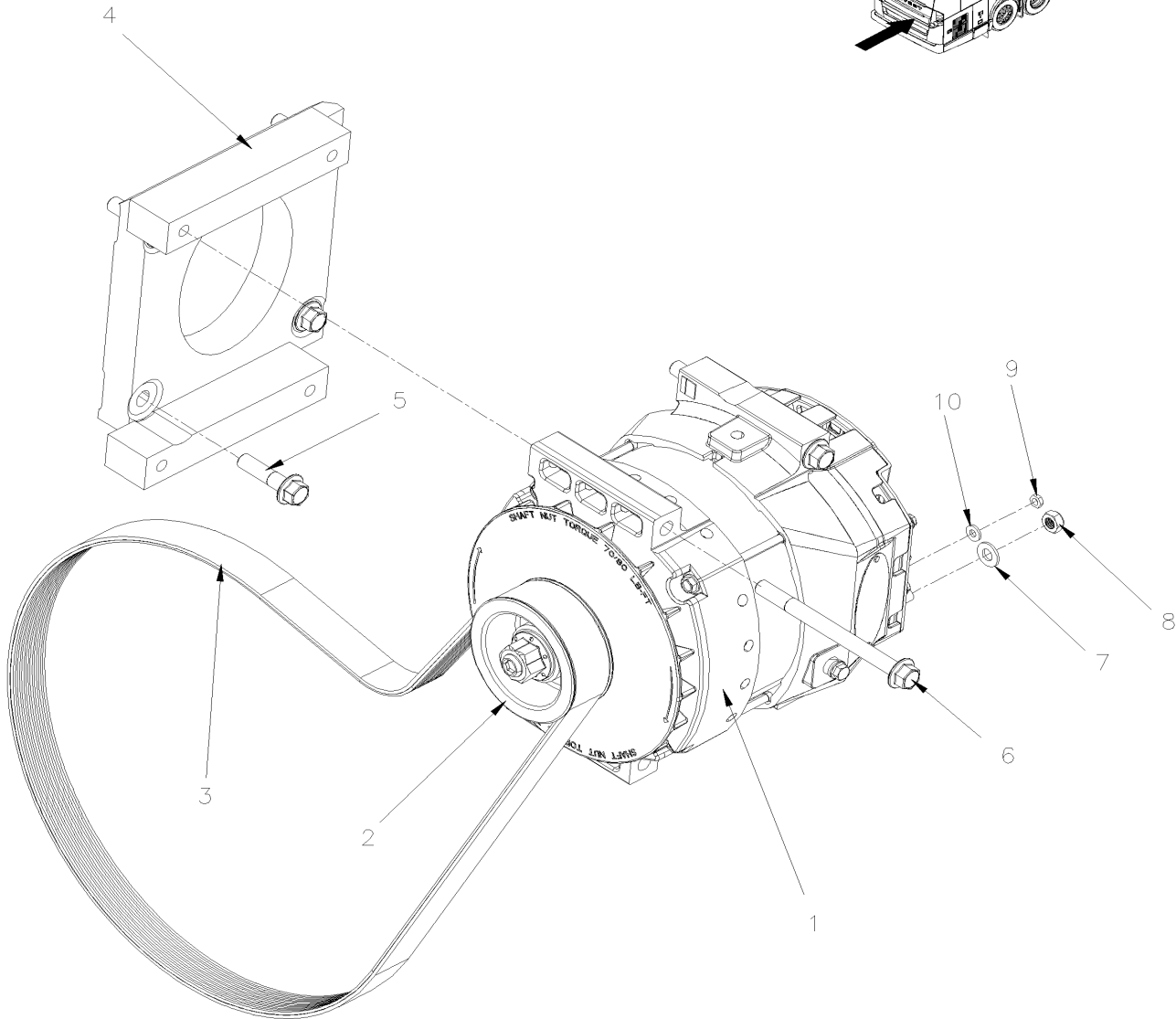
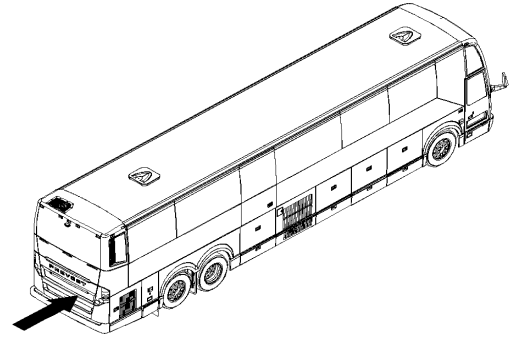


From B-5002 To E-5458

Date:07/2024

PAGE:0610086

KIT INSTALLATION, ALTERNATOR REMY CURB SIDE





From B-5002 To E-5458	Date:07/2024	PAGE:0610086
KIT INSTALLATION, ALTERNATOR REMY CURB SIDE		

Item#	Part	Description	X 3 V I P E N T	X 3 V I P M T H	N O T E S
1	560720	ALTERNATOR ASSY 24V/250 AMPS / "REMY"	1	1	
2	069892	PULLEY ALTERNATOR / "REMY" / 83MM DOB. x 8 PK	1	1	
3	506065	MULTI V-BELT / 8 RIB 56.5" (1435MM) 8PK1435 QT EPDM	2	2	
4	069894	BRACKET, ALTERNATOR REMY	1	1	
5	5001308	SCREW CAP HEXF M10-1.5x40 G10.9 N500	4	4	
6	5002091	SCREW CAP HEXF M10-1.5X120 G10.9 N500	4	4	
7	5001341	WASHER FL 8.4x17.0x1.6 SS	1	1	
8	500685	NUT HEX NYRT 5/16-18 SS	1	1	
9	5001180	NUT HEX NYRT #10-24 SS	2	2	
10	5001137	WASHER FL .203x.438x.050 SS	2	2	
NS	500411	WASHER FL .260x.697x.050 SS	1	1	
NS	IS-19905	SEE INSTRUCTION SHEET	1	1	

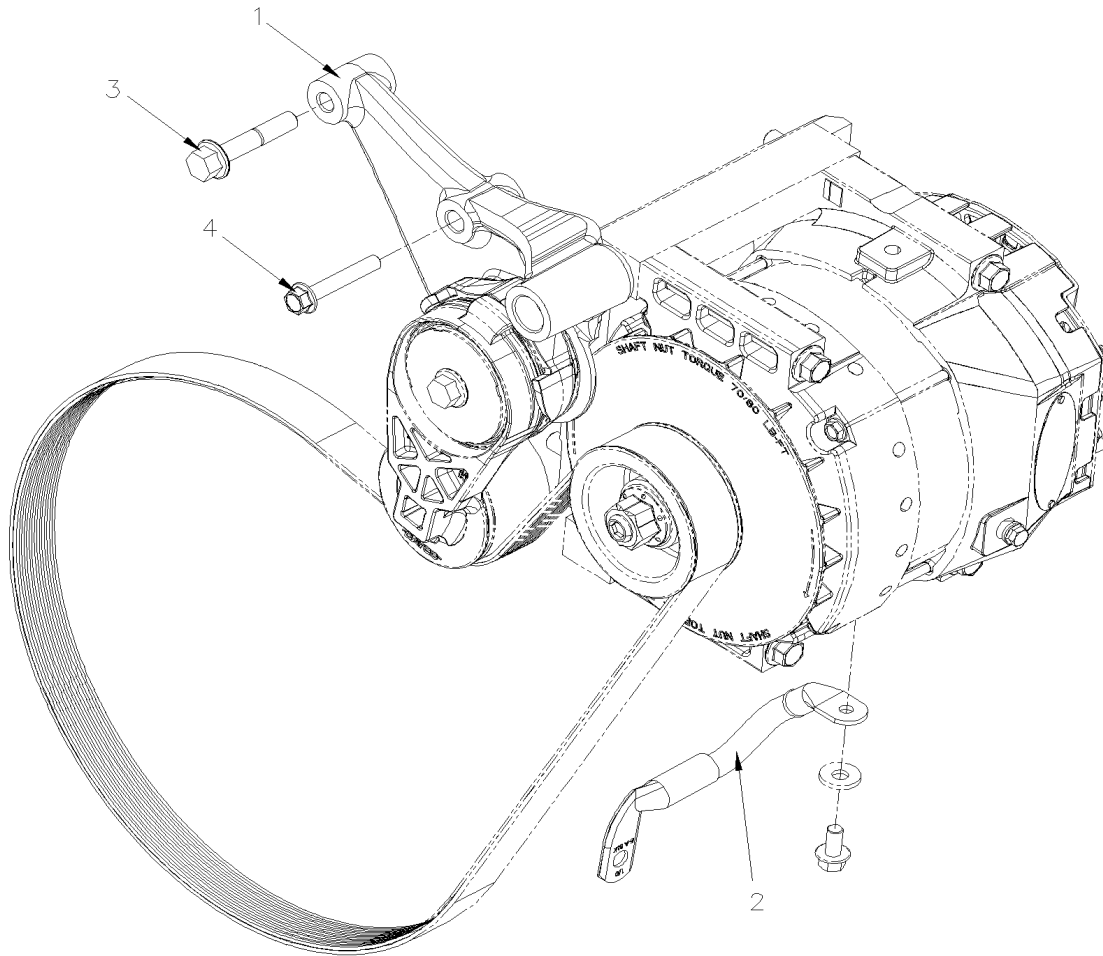


From B-5002 To E-5458

Date:07/2024

PAGE:0610088

KIT ALTERNATOR REMY ADAPTATION FROM US10 ENGINE



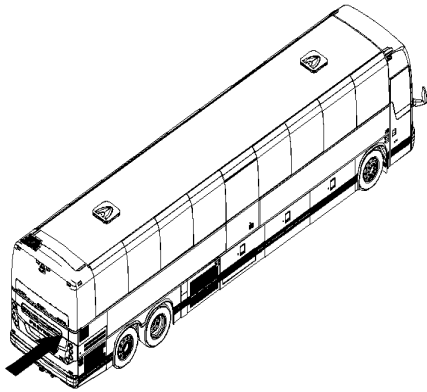


From B-5002 To E-5458	Date:07/2024	PAGE:0610088
KIT ALTERNATOR REMY ADAPTATION FROM US10 ENGINE		

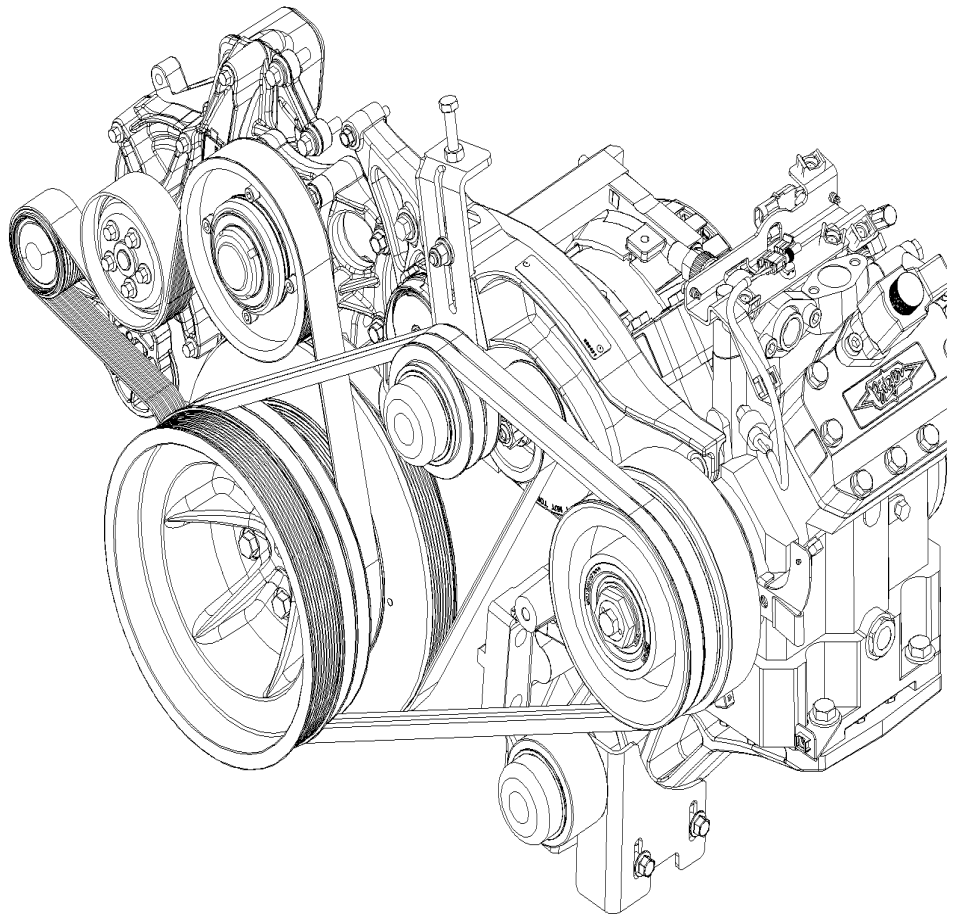
Item#	Part	Description	X 3 V I P E N T	X 3 V I P M T H	N O T E S
1	010116	SUPPORT PULLEY ALT & A/C	1	1	
2	0610034	HARNESS, ALTERNATOR CHASSIS GROUND / CURBSIDE	1	1	
3	5001801	SCREW CAP HEXF M10-1.5x55 G10.9 N500	2	2	
4	500796	SCREW CAP HEXF M8-1.25x50 G10.9 N500	1	1	
5	563548	SHRINK TUBING / .187" - .093" / BLACK / ALPHA FIT-221-3/16-4-B	1	1	
6	563870	RING TERMINAL #5 / 16-14 / DURASEAL / AMP B-106-1502	3	3	
7	994445	FLANGE SCREW M8x16	1	1	



From B-5002 To H-6179	Date:07/2024	PAGE:IS19909
BOSCH TO DELCO REMY ALTERNATOR INSTALLATION X3-45		



WITH REMY ALTERNATOR





From B-5002 To H-6179	Date:07/2024	PAGE:IS19909
BOSCH TO DELCO REMY ALTERNATOR INSTALLATION X3-45		

Item#	Part	Description	X 3 V I P E N T	X 3 V I P M T H	N O T E S
1	0610086	KIT INSTALLATION, ALTERNATOR REMY CURB SIDE			
2	0610091	ALTERNATOR REMY ADAPTATION X3 CURB SIDE			
3	IS-19909	INSTRUCTION SHEET			



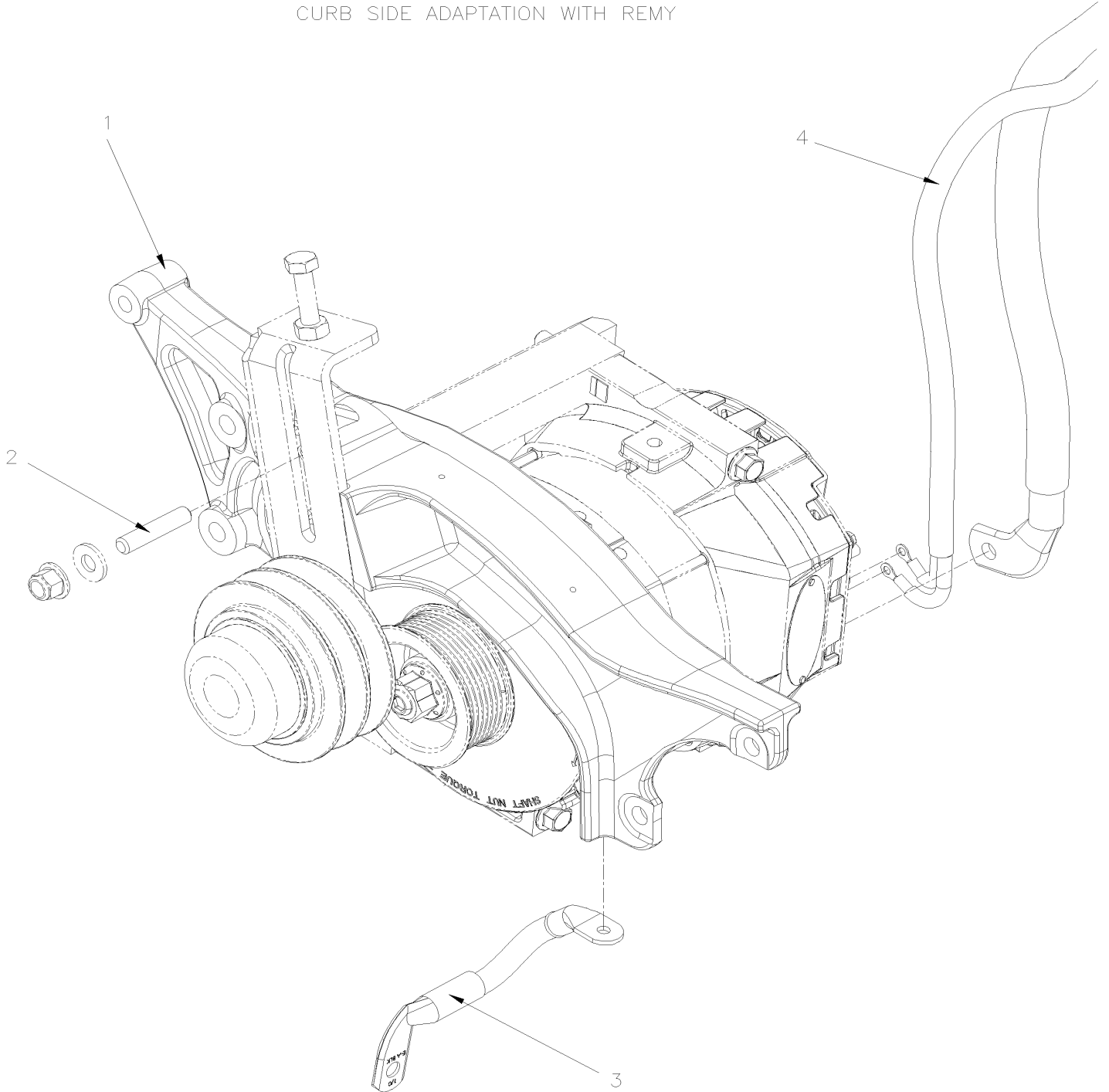
From E-5459 To H-6179

Date:07/2024

PAGE:0610091

ALTERNATOR REMY ADAPTATION X3 CURB SIDE

CURB SIDE ADAPTATION WITH REMY





From E-5459 To H-6179	Date:07/2024	PAGE:0610091
-----------------------	--------------	--------------

ALTERNATOR REMY ADAPTATION X3 CURB SIDE

Item#	Part	Description	X 3 V I P E N T	X 3 V I P M T H	N O T E S
1	450580	SUPPORT, TENSIONNER CASTING			
2	5000360	ROD M10-1.5x52 N500			
3	0610034	HARNESS, ALTERNATOR CHASSIS GROUND / CURBSIDE			
4	0610030	HARNESS, ALTERNATOR BATTERY / CURBSIDE			
NS	N55439-02	RING TERMINAL #5 / 16-14 / DURASEAL / AMP B-106-1502			
NS	N33509-06	SHRINK TUBING / .187" - .060" / BLACK / RAYCHEM SCL 3/16-0			
NS	5001834	WASHER BEL SPR 10.5X23X2.5 N500			
NS	5001930	NUT HEXF NYRT M10-1.5 N500 G10.9			
NS	5001799	SCREW CAP HEXF M10-1.5x70 G10.9 N500			
NS	563870	RING TERMINAL #5 / 16-14 / DURASEAL / AMP B-106-1502			
NS	563158	SHRINK TUBING / .300" - .060" / BLACK / 3M EPS-400.300			

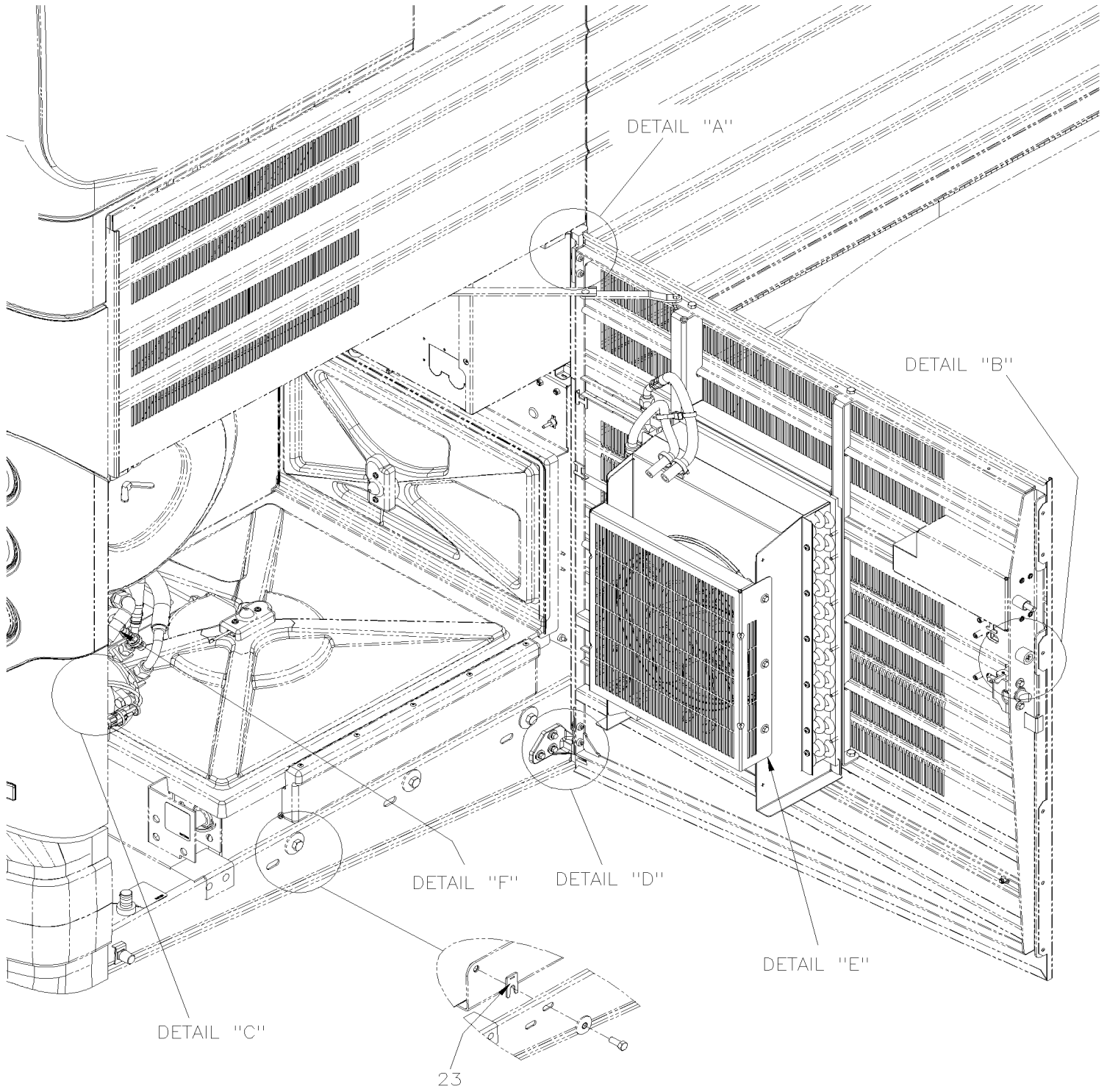


From B-5002 To H-6179

Date:07/2024

PAGE:IS20007

DRIVER'S AIR CONDENSER REPLACEMENT AND RELOCATION



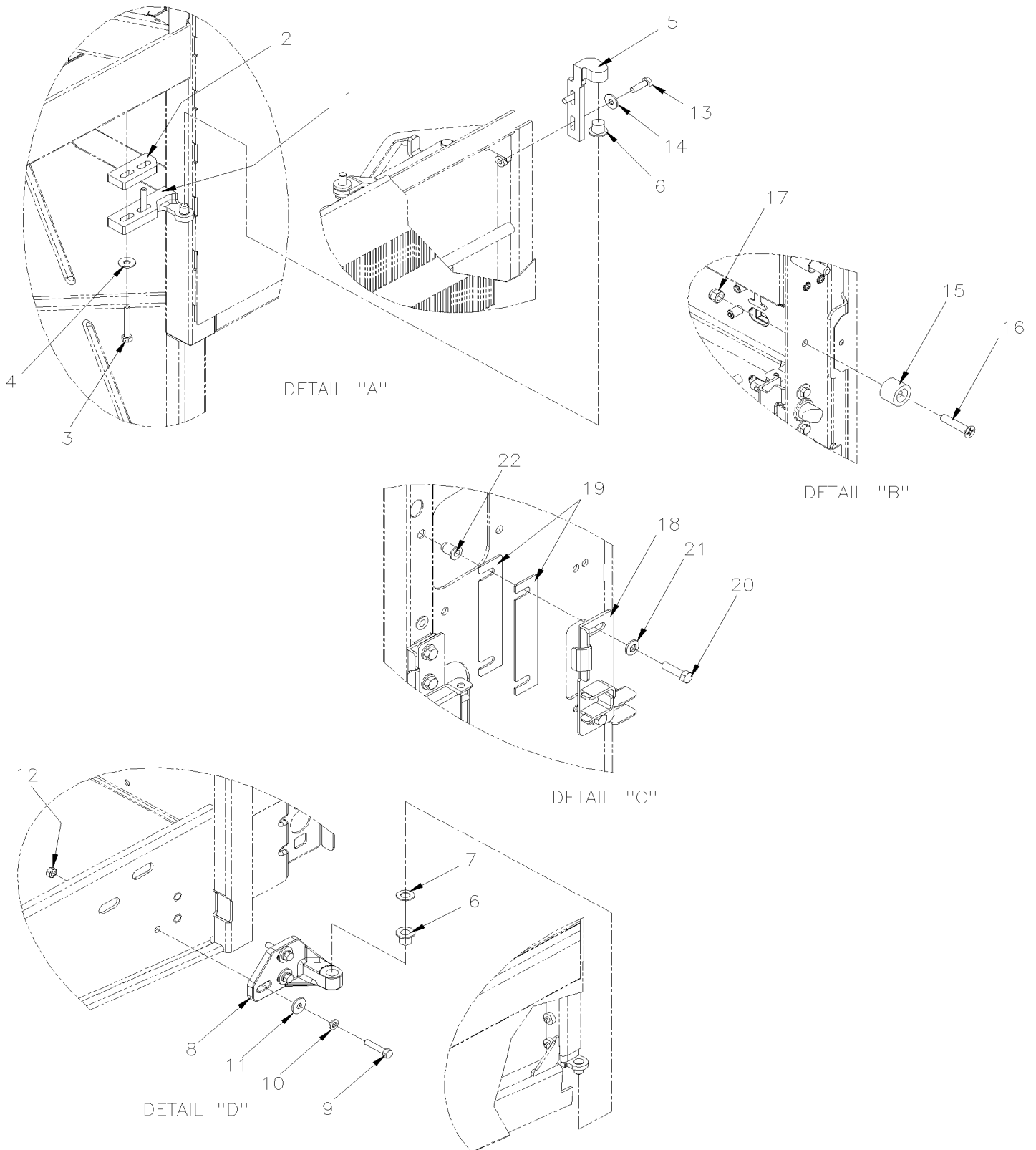


From B-5002 To H-6179

Date:07/2024

PAGE:IS20007

DRIVER'S AIR CONDENSER REPLACEMENT AND RELOCATION



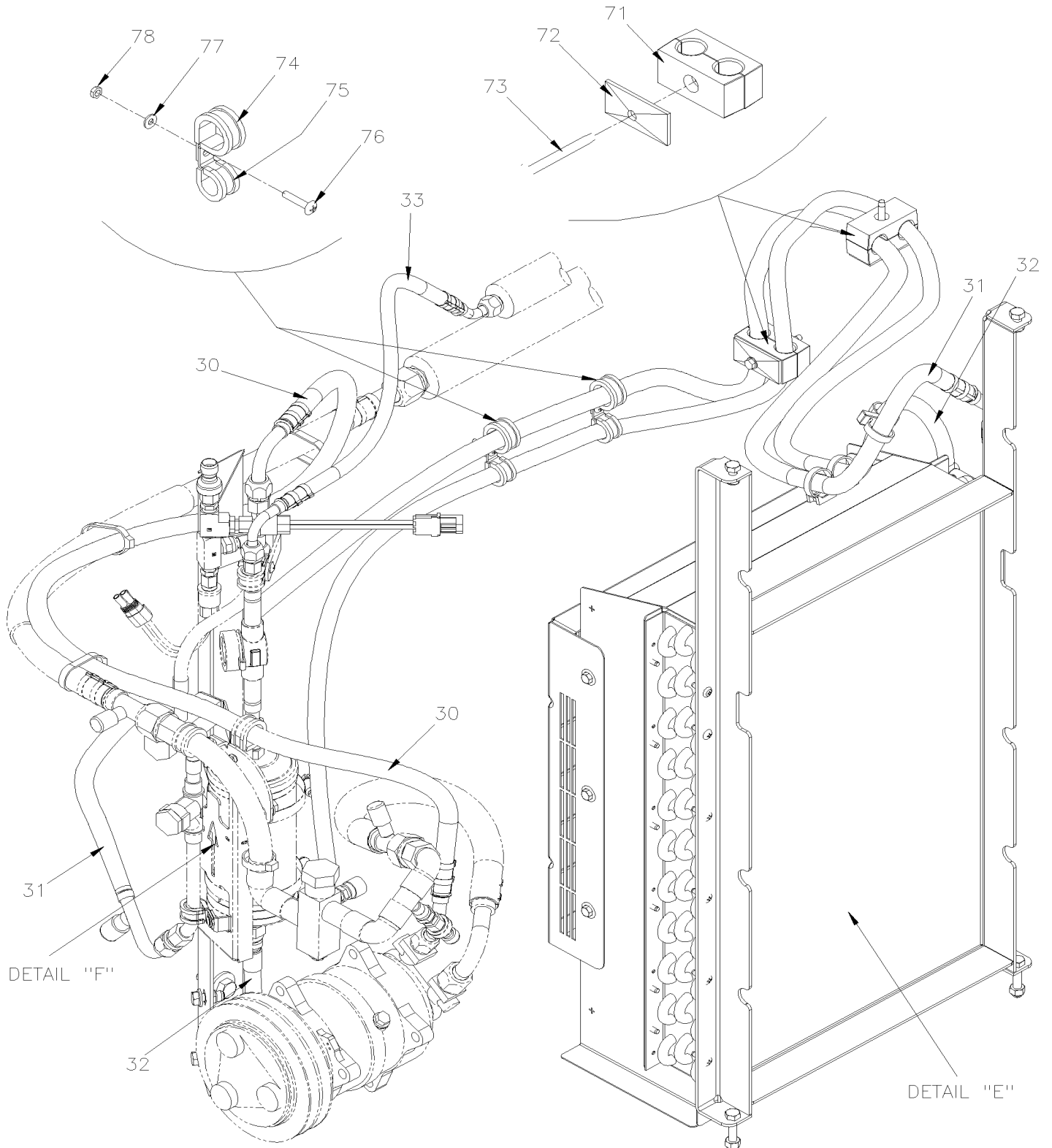


From B-5002 To H-6179

Date:07/2024

PAGE:IS20007

DRIVER'S AIR CONDENSER REPLACEMENT AND RELOCATION



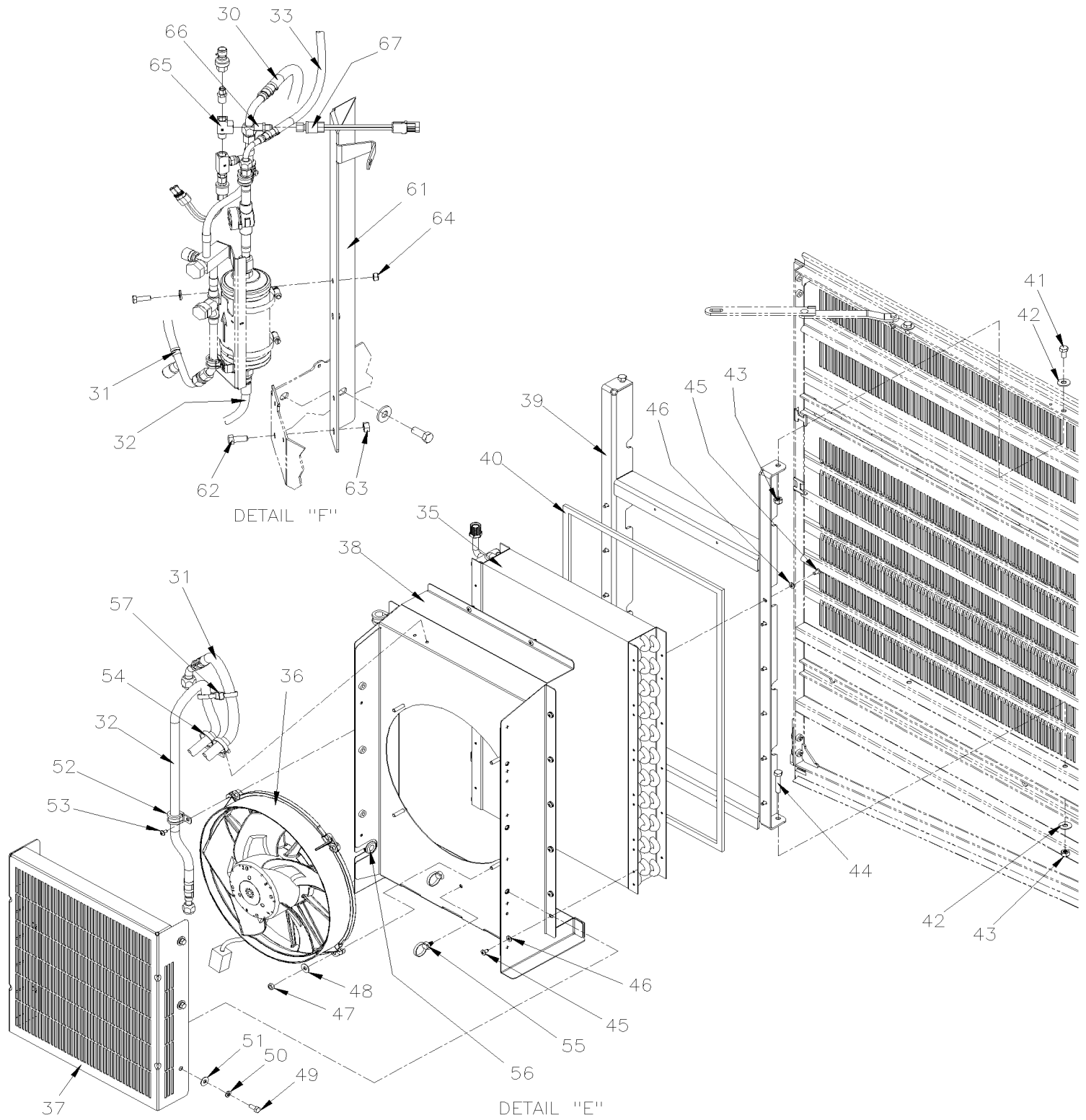


From B-5002 To H-6179

Date:07/2024

PAGE:IS20007

DRIVER'S AIR CONDENSER REPLACEMENT AND RELOCATION





From B-5002 To H-6179	Date:07/2024	PAGE:IS20007
-----------------------	--------------	--------------

DRIVER'S AIR CONDENSER REPLACEMENT AND RELOCATION

Item#	Part	Description	X 3 V I P E N T	X 3 V I P M T H	N O T E S
1	280549	HNGE / UPPER	1	1	
2	280610	SHIM 9.5MM	1	1	
3	5000310	SCREW CAP HEX M6-1.0x40 BK	2	2	
4	5001833	WASHER BEL SPR 6.1x18x1.27 SS	2	2	
5	280504	ARM ASSY	1	1	
6	284607	BUSHING, NYLON / (NOT INCLUDE W/HINGE)	2	2	
7	502723	WASHER FL .386x.750x.050 NYL	1	1	
8	2810294	LOWER HINGE	1	1	
9	5001815	SCREW CAP HEXF M6-1.0x30 G 8.8 N500	3	3	
10	502570	WASHER LO SPT 6.1x11.8x1.6 SS	3	3	
11	430406	WASHER FLAT	3	3	
12	502854	NUT HEX M6-1.0 N500	1	1	
13	502622	SCREW CAP HEX M6-1.0x20 SS BK	2	2	
14	5001833	WASHER BEL SPR 6.1x18x1.27 SS	2	2	
15	280589	ROLLER	1	1	
16	5001461	SCREW MA FL PH M8-1.25x40 SS	1	1	
17	5001983	NUT HEX NYRT M8-1.25 SS SS BK	1	1	
18	280567	CATCH PIN / RETAINER	1	1	
19	280599	SHIM SPACER / 150MM X 32 X 14GA	2	2	
20	5001912	SCREW CAP HEX M8-1.25x30 SS BK	2	2	
21	5001868	WASHER BEL SPR 8.4x18x2 SS	2	2	
22	5001063	RIVET NUT FL OKS M8-1.25 11.0-1.5	2	2	
23	030082	SPACER "U" 3.175MM	3	3	
30	454030	HOSE ASSY / #8 1550MM	1	1	
31	454031	HOSE ASSY / #8 2570MM	1	1	
32	454032	HOSE ASSY / #6 3180MM	1	1	
33	454033	HOSE ASSY / #6 800MM	1	1	
35	950552	CONDENSOR	1	1	
36	565881	CONDENSOR FAN ASSY 24V	1	1	
. NS	563691	. CONNECTOR / JUNIOR POWER TIMER / SH 6C / AMP 1-963212-1	1	1	
37	454036	PROTECTIVE PANEL	1	1	
38	454037	SHROUD ASSY	1	1	
39	454156	CONDENSER BRACKET ASSY.	1	1	
40	506228	TAPE RUB ADH1 CC POL 1/4" x 1/2" x 37.5' / GREY 2520X	AR	AR	
41	502780	SCREW CAP HEX M8-1.25x25 SS BK	2	2	
42	5001448	WASHER FL .343x.875x.062 SS18-8	4	4	
43	5001983	NUT HEX NYRT M8-1.25 SS SS BK	4	4	
44	5001981	SCREW CAP HEX M8-1.25x50 SS BK	2	2	
45	5001975	SCREW TC BDG PH #10-24x3/8 SS410 ZINC	24	24	
46	5001137	WASHER FL .203x.438x.050 SS	24	24	



From B-5002 To H-6179	Date:07/2024	PAGE:IS20007
-----------------------	--------------	--------------

DRIVER'S AIR CONDENSER REPLACEMENT AND RELOCATION

Item#	Part	Description	X 3 V I P E N T	X 3 V I P M T H	N O T E S
47	5001851	NUT HEX M6-1.0 SS BK	4	4	
48	5001833	WASHER BEL SPR 6.1x18x1.27 SS	4	4	
49	5001697	SCREW CAP HEX M6-1.0x16 SS BK	6	6	
50	502853	WASHER LO SPT 6.1x11.8x1.6 N500	6	6	
51	500411	WASHER FL .260x.697x.050 SS	6	6	
52	952629	CLAMP / 5/8" I.D.	3	3	
53	5001241	SCREW MA TR PH #10-24x1/2 SS	3	3	
53	5001180	NUT HEX NYRT #10-24 SS	3	3	
54	504013	TIE MOUNT / 1/4" X 1/4" I.D.	2	2	
54	504016	CABLE TIE / 5/16" X 14"1/2	2	2	
54	504379	RIVET POP DOME OE 3/16x1/4 SS	2	2	
55	509815	TIE MOUNT / ATTACHMENT W/TREE MOUNT	2	2	
55	504637	CABLE TIE / 3/16" x 13"	2	2	
56	504061	GROMMET / .4375x.687x.062x.312x.937	1	1	
57	8079360	CABLE TIE	3	3	
57	N37749	CABLE TIE DUAL .250-2.300	8	8	
57	504751	ROTATIF SPACER DOUBLE / SMALL	1	1	
57	504016	CABLE TIE / 5/16" X 14"1/2	2	2	
61	454035	SUPPORT, AIR DRYER	1	1	
62	502655	SCREW CAP HEX M10-1.5x25 SS BK	1	1	
63	5001758	NUT HEX STO M10-1.5 N500	1	1	
64	5001983	NUT HEX NYRT M8-1.25 SS SS BK	2	2	
65	501338	MALE RUN TEE / PIPE FITTING / 1/4NPT-Mx1/4NPT-Fx1/4NPT-F BR	1	1	
66	950249	SCHRADER VALVE 1/4NPT-M	1	1	
67	950270	PRESSURE SWITCH N.O. 170-130	1	1	
67	561566	CONNECTOR / WEATHER PACK / PH 2C / BLACK / PED 12010973	1	1	
67	561565	CABLE SEAL / GREEN / PED 15324982	2	2	
67	561567	PIN TERMINAL / 20-18 / PED 12089040	2	2	
NS	0610379	HARNESS, DRIVER AIR CONDENSER X3	1	1	
NS	563332	RELAY 24V S.P.D.T. W/RESISTOR / "VOLVO" (20374662)	2	2	
NS	504637	CABLE TIE / 3/16" x 13"	30	30	
71	504727	CLAMP DOUBLE ASS / 2 HOSE SIZE 3/8"	2	2	
72	504728	PLATE RETAINER	2	2	
73	500107	SCREW TC CAP HEXW 1/4-20x2 1/2 Z050	2	2	
74	952634	CLAMP / 15/16" I.D.	3	3	
75	952629	CLAMP / 5/8" I.D.	3	3	
76	500607	SCREW MA TR PH #10-24x1 SS	3	3	
77	504357	WASHER FL .187x.437x.050 SS	3	3	
78	5001180	NUT HEX NYRT #10-24 SS	3	3	



From B-5002 To H-6179	Date:07/2024	PAGE:IS20007
-----------------------	--------------	--------------

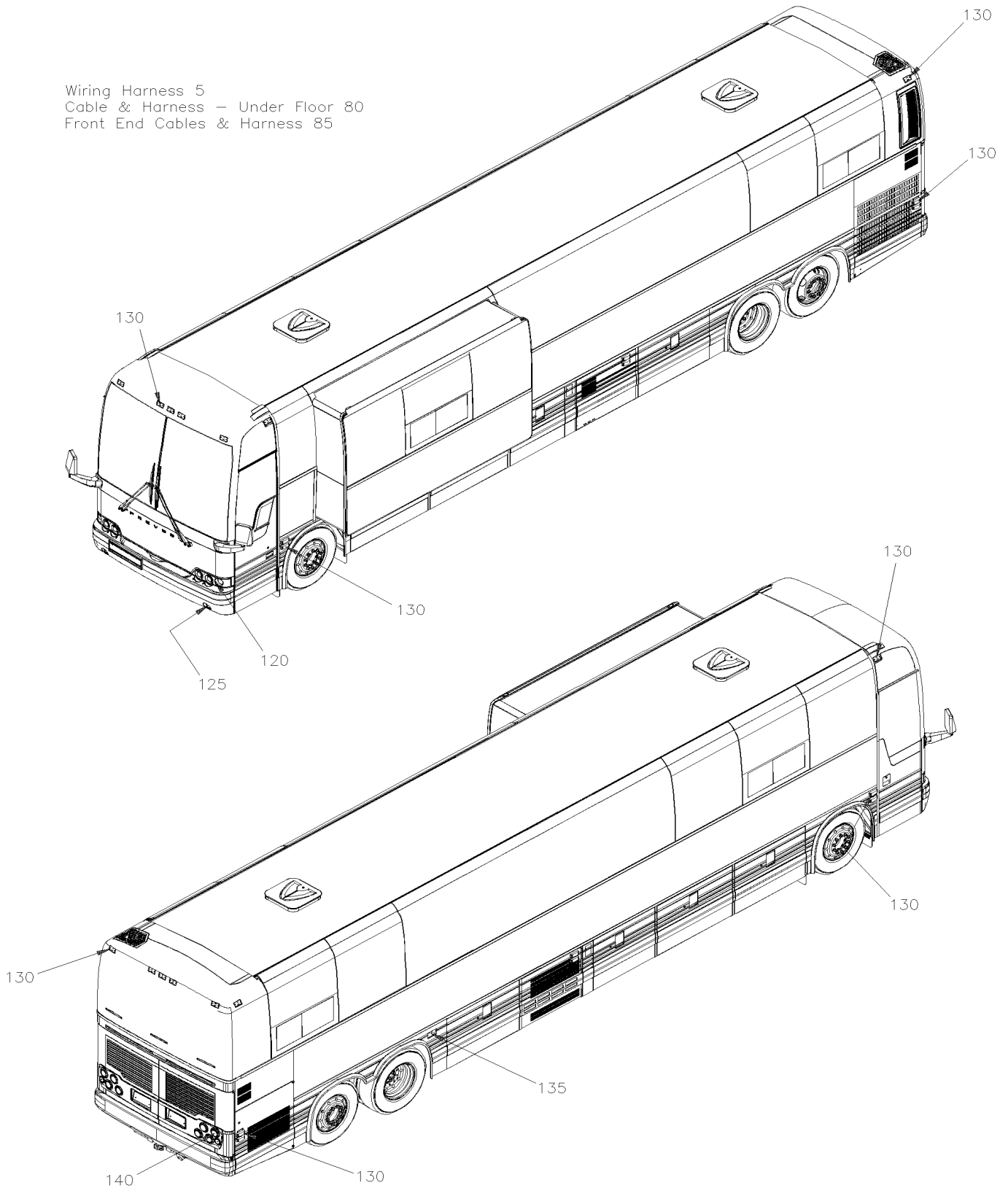
DRIVER'S AIR CONDENSER REPLACEMENT AND RELOCATION

Item#	Part	Description	X 3 V I P E N T	X 3 V I P M T H	N O T E S
80	IS-20007	SEE INSTRUCTION SHEET	1	1	
80	FI-20007	SEE INSTRUCTION SHEET	1	1	



	Date:07/2024	X3VIP-06
ELECTRICAL		

Wiring Harness 5
Cable & Harness – Under Floor 80
Front End Cables & Harness 85





	Date:07/2024	X3VIP-06
ELECTRICAL		

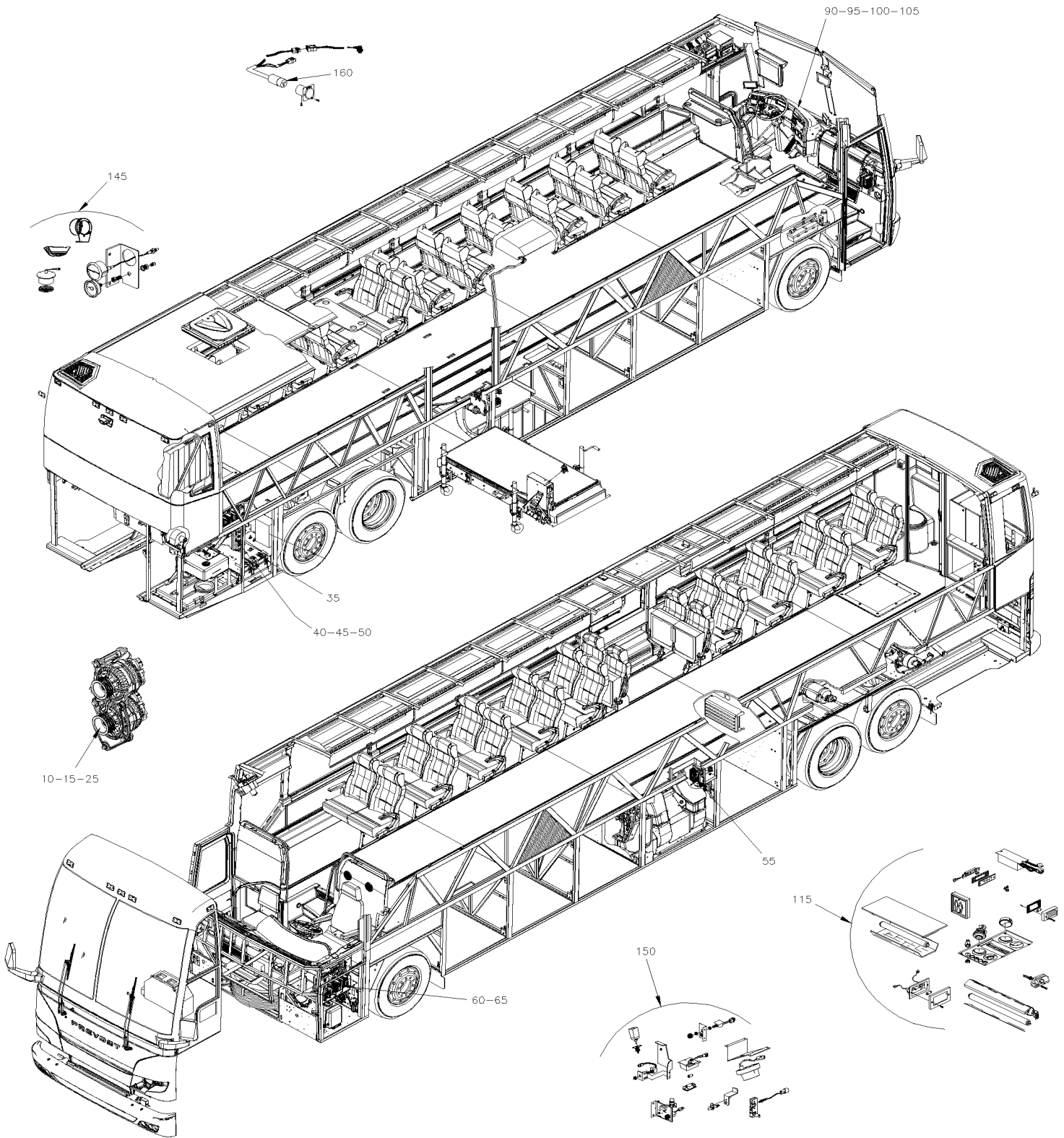


ILLUSTRATION REFERENCE ONLY



	Date:07/2024	X3VIP-06
ELECTRICAL		

Item#	Part	Description	X 3 V I P E N T	X 3 V I P M T H	N O T E S
10	X3VIP-0605-00	ALTERNATOR 24V/120 AMPS / "BOSCH" From E-5490 To F-5912			
10	X3VIP-0605-01	ALTERNATOR 24V/150 AMPS / "BOSCH" From F-5913			
10	X3VIP-0605-50	ALTERNATOR 12V/200 AMPS / "BOSCH" From E-5490			
10	X3VIP-0605-90	ALTERNATOR 24V/150 AMPS / "BOSCH" OPTIONAL From F-5789 To F-5912			
15	X3VIP-0610-00	ALTERNATOR MOUNTING VOLVO D13 From E-5490 To H-6179			
15	X3VIP-0610-01	ALTERNATOR MOUNTING / CURB-SIDE WITH TWO ALTERNATOR VOLVO D13 - GHG17 From H-6180			
20	X3VIP-0610-50	ALTERNATOR MOUNTING / STREET SIDE VOLVO D13 - GHG17 From H-6180			
21	X3VIP-0610-55	ALTERNATOR MOUNTING / CURB-SIDE WITH ONE ALTERNATOR / W /SMALL A/C VOLVO D13 - GHG17 From H-6180			
25	X3VIP-0610-60	ALTERNATOR MOUNTING / A/C COMPRESSOR SUPPORT / W/SMALL A/C From E-5490 To H-6179			
25	X3VIP-0610-61	ALTERNATOR MOUNTING / A/C COMPRESSOR SUPPORT / W/SMALL A/C VOLVO D13 - GHG17 From H-6180			
25	X3VIP-0610-65	ALTERNATOR MOUNTING / WITH LARGE A/C SYSTEM From E-5490 To H-6179			
35	X3VIP-0615-50	BATTERIES INSTALLATION From E-5490 To H-6179			
35	X3VIP-0615-51	BATTERIES INSTALLATION VOLVO D13 - GHG17 From H-6180			
40	X3VIP-0616-00	JUNCTION BOX COMPONENTS / MUX From E-5490			
40	X3VIP-0616-50	BREAKERS PANEL From E-5490 To H-6179			
40	X3VIP-0616-51	BREAKERS PANEL GHG17 From H-6180			
45	X3VIP-0620-05	REAR JUNCTION BOX FAN - INSTALLATION From E-5490 To H-6179			
48	X3VIP-0620-10	REAR JUNCTION BOX INSTALLATION GHG17 From H-6180			
50	X3VIP-0620-50	REAR JUNCTION BOX ASSY From E-5490 To H-6179			
50	X3VIP-0620-51	REAR JUNCTION BOX ASSY VOLVO D13 - GHG17 From H-6180			
55	X3VIP-0621-50	A/C ELECTRICAL PANEL ASSY / EVAPORATOR DOOR From E-5490 To F-5747			
55	X3VIP-0621-51	A/C ELECTRICAL PANEL ASSY / EVAPORATOR DOOR From F-5748 To H-6179			
55	X3VIP-0621-52	A/C ELECTRICAL PANEL ASSY / EVAPORATOR COMPARTMENT GHG17 From H-6180			
56	X3VIP-0621-80	MODULE WCL ASSY / GHG17 From J-6223			
58	X3VIP-0622-00	POWER BOX FOR RADIATORS FANS GHG17 From H-6180			
60	X3VIP-0625-00	FRONT JUNCTION PANEL From E-5490 To H-6179			
61	X3VIP-0625-01	FRONT JUNCTION PANEL GHG17 From H-6180			
65	X3VIP-0625-10	FRONT JUNCTION BOX - INSTALLATION From E-5490 To H-6179			
66	X3VIP-0625-11	FRONT JUNCTION BOX - INSTALLATION GHG17 From H-6180			
85	X3VIP-0640-50	CABLE & HARNESS - FRONT END INSTALLATION From E-5490			
87	X3VIP-0641-00	CABLE & HARNESS - REAR END INSTALLATION From E-5490			
90	X3VIP-0645-05	SWITCHES L.H. CONSOLE - MTH From E-5490			
95	X3VIP-0645-10	L.H. DASHBOARD PANEL From E-5490			
100	X3VIP-0645-21	CENTER DASHBOARD PANEL WITH "EPA 2010" From E-5490			
105	X3VIP-0645-30	R.H. DASHBOARD PANEL From E-5490			
115	X3VIP-0655-00	INTERIOR LIGHTING From E-5490			
120	X3VIP-0660-00	HEADLAMP & FRONT DIRECTIONAL LAMPS From E-5490 To K-6491			
120	X3VIP-0660-01	HEADLAMP & FRONT DIRECTIONAL LAMPS From L-6492			
125	X3VIP-0661-00	FOG LAMP From E-5490 To K-6442			
125	X3VIP-0661-01	FOG LAMP / LED From K-6443			
130	X3VIP-0662-00	CLEARANCE & MARKER LIGHT From E-5490 To K-6491			
130	X3VIP-0662-01	CLEARANCE & MARKER LIGHT From L-6492			



		Date:07/2024	X3VIP-06		
ELECTRICAL					
Item#	Part	Description	X 3 V I P E N T	X 3 V I P M T H	NOTES
135	X3VIP-0663-00	DOCK & CORNERING LIGHT From E-5490			
135	X3VIP-0663-30	PERIMETER LIGHTS ON ROOF From R-6909			
140	X3VIP-0664-00	REAR EXTERIOR LIGHTS & PLATE HOLDER From E-5490 To E-5739			
140	X3VIP-0664-01	REAR EXTERIOR LIGHTS & PLATE HOLDER From F-5740			
145	X3VIP-0665-00	ENGINE COMPARTMENT - ELECTRIC COMPONENTS From E-5490 To E-5739			
145	X3VIP-0665-01	ENGINE COMPARTMENT - ELECTRIC COMPONENTS From F-5740 To H-6179			
145	X3VIP-0665-02	ENGINE COMPARTMENT - ELECTRIC COMPONENTS VOLVO D13 - GHG17 From H-6180			
150	X3VIP-0665-10	SWITCHES, LIGHTS, AJAR - UNDER FLOOR From E-5490 To E-5739			
150	X3VIP-0665-11	SWITCHES, LIGHTS, AJAR - UNDER FLOOR From F-5740			
150	X3VIP-0665-21	CABLE TRAILER W/ELEC. BRAKE - INSTALLATION - VIP From J-6279			
160	X3VIP-0666-00	BLOCK HEATER RECEPTACLE From E-5490			
165	X3VIP-0675-05	SYSTEM - ADAPTIVE CRUISE CONTROL ACB - "BENDIX" FLR10 From E-5490 To E-5693			
170	X3VIP-0675-06	SYSTEM - ADAPTIVE CRUISE CONTROL ACB - "BENDIX FLR20 & FLR21 From E-5694			
175	X3VIP-0675-20	SYSTEM CAMERA & HUD - "PREVOST DRIVER ASSIT" From M-6662			

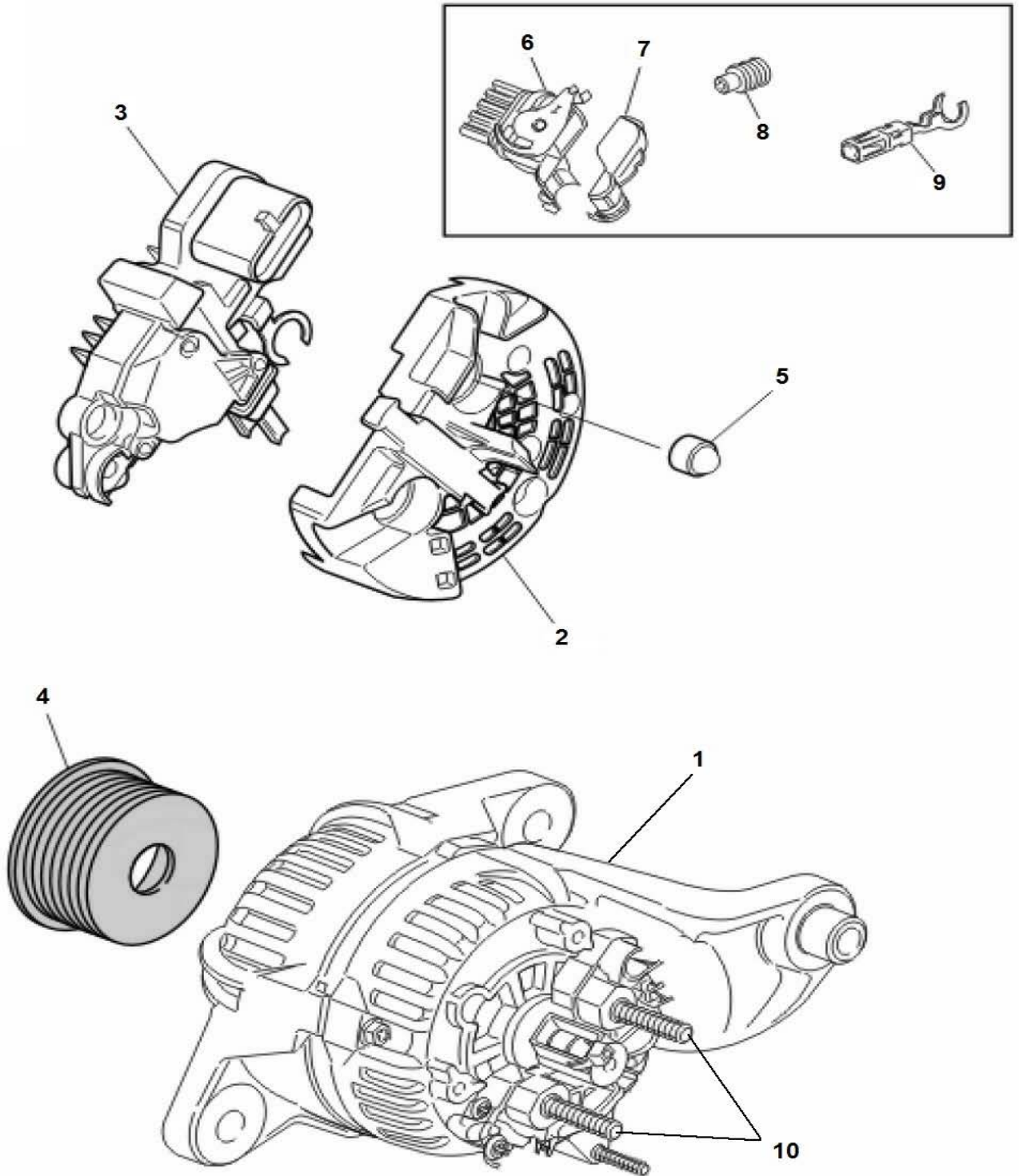


From E-5490 To F-5912

Date:07/2024

PAGE:X3VIP-0605-00

ALTERNATOR 24V/120 AMPS / "BOSCH"





From E-5490 To F-5912	Date:07/2024	PAGE:X3VIP-0605-00
ALTERNATOR 24V/120 AMPS / "BOSCH"		

Item#	Part	Description	X 3 V I P E N T	X 3 V I P M T H	N O T E S
1	564119	ALTERNATOR ASSY 24V/120 AMPS / W/OUT PULLEY	1	1	
NS	564469	. CONNECTOR / MKR-PLUS / SH 5C / G&H 18241 000 000	1	1	
1	21429787	ALTERNATOR ASSY 24V/120 AMPS ASSY /	1	1	
2	20523388	. COVER	1	1	
3	20523391	. BRUSH ASSY W/CHARGE REGULATOR / 24VOLT	1	1	
4	565869	PULLEY ALTERNATOR / "BOSCH" / 83MM DOB x 8 RIB	1	1	
NS	21034254	FLANGE NUT	1	1	
5	20576874	NUT, CAP PROTECTOR	1	1	
6	564469	CONNECTOR / MKR-PLUS / SH 5C / G&H 18241 000 000	1	1	
6	20429872	CONNECTOR / MKR-PLUS / SH 5C	1	1	
7	564470	COVER / MKR-PLUS	1	1	
7	20429873	COVER / MKR-PLUS	1	1	
8	564473	CABLE SEAL / BLUE // G&H 16695 627 642	1	1	
8	3944654	CABLE SEAL / BLUE /	1	1	
8	564474	CABLE SEAL / RED // G&H 16694 627 626	1	1	
9	564471	SOCKET TERMINAL / 18-16 / G&H 26780	1	1	
10	564159	ADAPTOR STUD M8 Male x M8 Female M8-1.25 x 18MM SS To E-5605	2	2	
10	564590	ADAPTOR STUD M8 Male x M8 Female M8-1.25 x 18MM SS From E-5606	2	2	
NS	068013	PROTECTION PLATE ASSY W/"VOLVO" ENGINE	1	1	
50	X3VIP-0100-06	ENGINE WIRING HARNESS - INSTALLATION WITH VOLVO D13			
90	061230	KIT TWIN ALTERNATOR 150AMP CONVERSION X3	1	1	

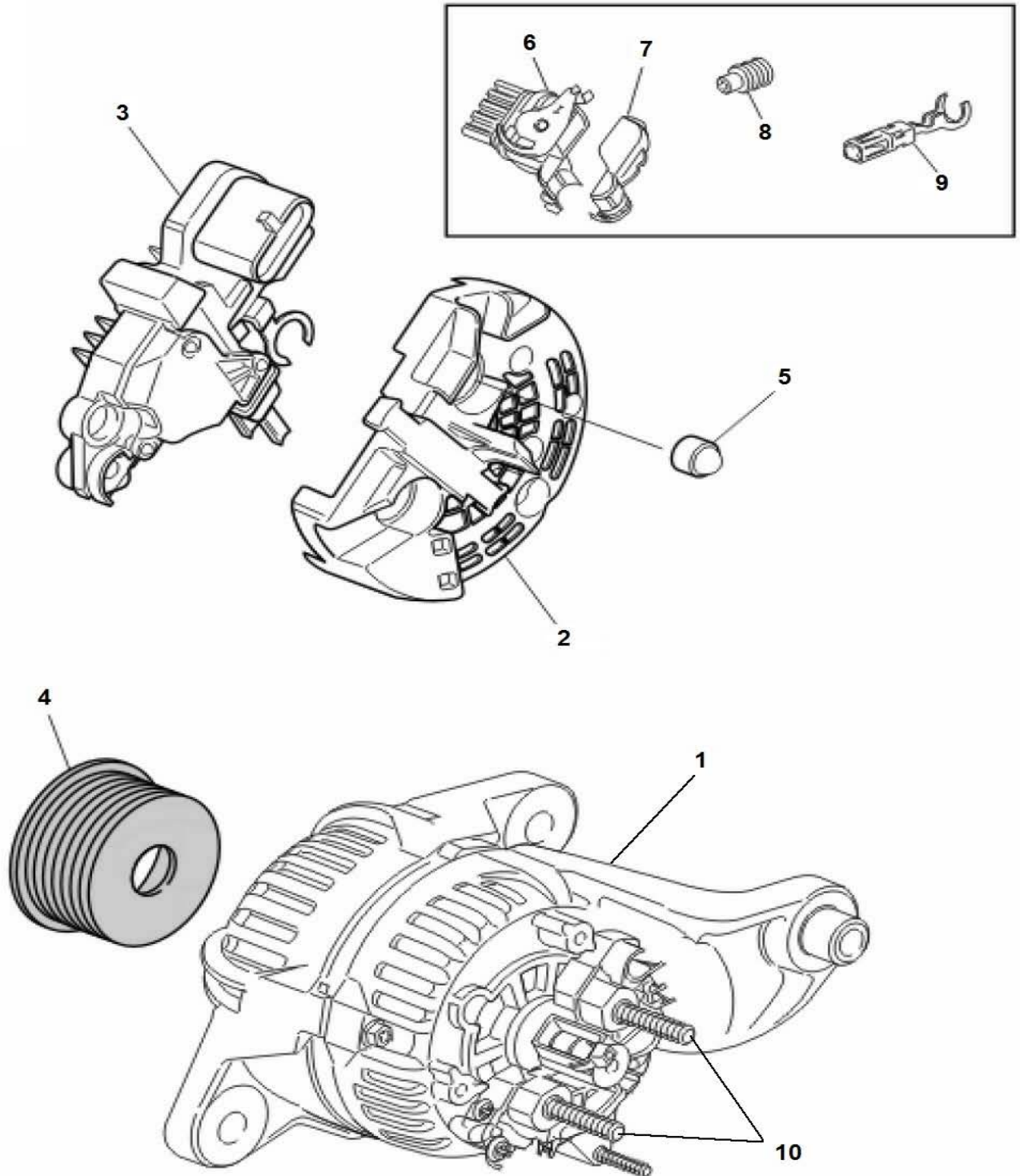


From F-5913

Date:07/2024

PAGE:X3VIP-0605-01

ALTERNATOR 24V/150 AMPS / "BOSCH"





From F-5913		Date:07/2024	PAGE:X3VIP-0605-01
ALTERNATOR 24V/150 AMPS / "BOSCH"			

Item#	Part	Description	X 3 V I P E N T	X 3 V I P M T H	N O T E S
1	564593	ALTERNATOR ASSY 24V/150 AMPS / W/OUT PULLEY To K-6469	1	1	
1	560748	ALTERNATOR ASSY 24V/150 AMPS / W/OUT PULLEY From K-6470 To R-4026	1	1	
1	564683	ALTERNATOR ASSY 24V/150 AMPS / W/OUT PULLEY From R-4027	1	1	
2	20523388	. COVER	1	1	
3	20523391	. BRUSH ASSY W/CHARGE REGULATOR / 24VOLT	1	1	
4	565869	PULLEY ALTERNATOR / "BOSCH" / 83MM DOB x 8 RIB To H-6179	1	1	
4	565869	PULLEY ALTERNATOR / "BOSCH" / 83MM DOB x 8 RIB From H-6180 To J-6273	1	1	C
4	0600264	PULLEY ALTERNATOR / "BOSCH" / 83MM DOB x 8 RIB From J-6274	1	1	C
4	069556	PULLEY ALTERNATOR / "BOSCH" / 73MM DOB x 10 RIB From H-6180 To J-6289	1	1	S
4	0600265	PULLEY ALTERNATOR / "BOSCH" / 73MM DOB x 10 RIB From J-6290	1	1	S
4	564493	PULLEY ALTERNATOR / "BOSCH" / 59MM O.D. x 8 RIB To J-6273	1	1	T
4	0600262	PULLEY ALTERNATOR / "BOSCH" / 59MM O.D. x 8 RIB From J-6274	1	1	T
NS	068346	SHIM 20GA	AR	AR	
NS	068347	SHIM 26GA	AR	AR	
NS	21429955	FLANGE NUT	1	1	
NS	500449	WASHER FL .625x1.500 SS To J-6273	1	1	C
NS	500449	WASHER FL .625x1.500 SS To J-6289	1	1	S
NS	500449	WASHER FL .625x1.500 SS To J-6273	1	1	T
5	20576874	NUT, CAP PROTECTOR	1	1	
6	564469	CONNECTOR / MKR-PLUS / SH 5C / G&H 18241 000 000	1	1	
6	20429872	CONNECTOR / MKR-PLUS / SH 5C	1	1	
7	564470	COVER / MKR-PLUS	1	1	
7	20429873	COVER / MKR-PLUS	1	1	
8	564473	CABLE SEAL / BLUE // G&H 16695 627 642	1	1	
8	3944654	CABLE SEAL / BLUE /	1	1	
8	564474	CABLE SEAL / RED // G&H 16694 627 626	1	1	
9	564471	SOCKET TERMINAL / 18-16 / G&H 26780	1	1	
10	564590	ADAPTOR STUD M8 Male x M8 Female M8-1.25 x 18MM SS To H-6179	2	2	
10	060297	ADAPTOR STUD M8 Male x M8 Female + FLANGE M8-1.25 x 18MM SS From H-6180	2	2	
50	X3VIP-0100-06	ENGINE WIRING HARNESS - INSTALLATION WITH VOLVO D13 To H-6179			
51	X3VIP-0100-07	ENGINE WIRING HARNESS - INSTALLATION WITH VOLVO D13 - GHG17 From H-6180			
		C) CURBSIDE			
		S) STREET SIDE			
		T) WITH THREE ALTERNATORS			



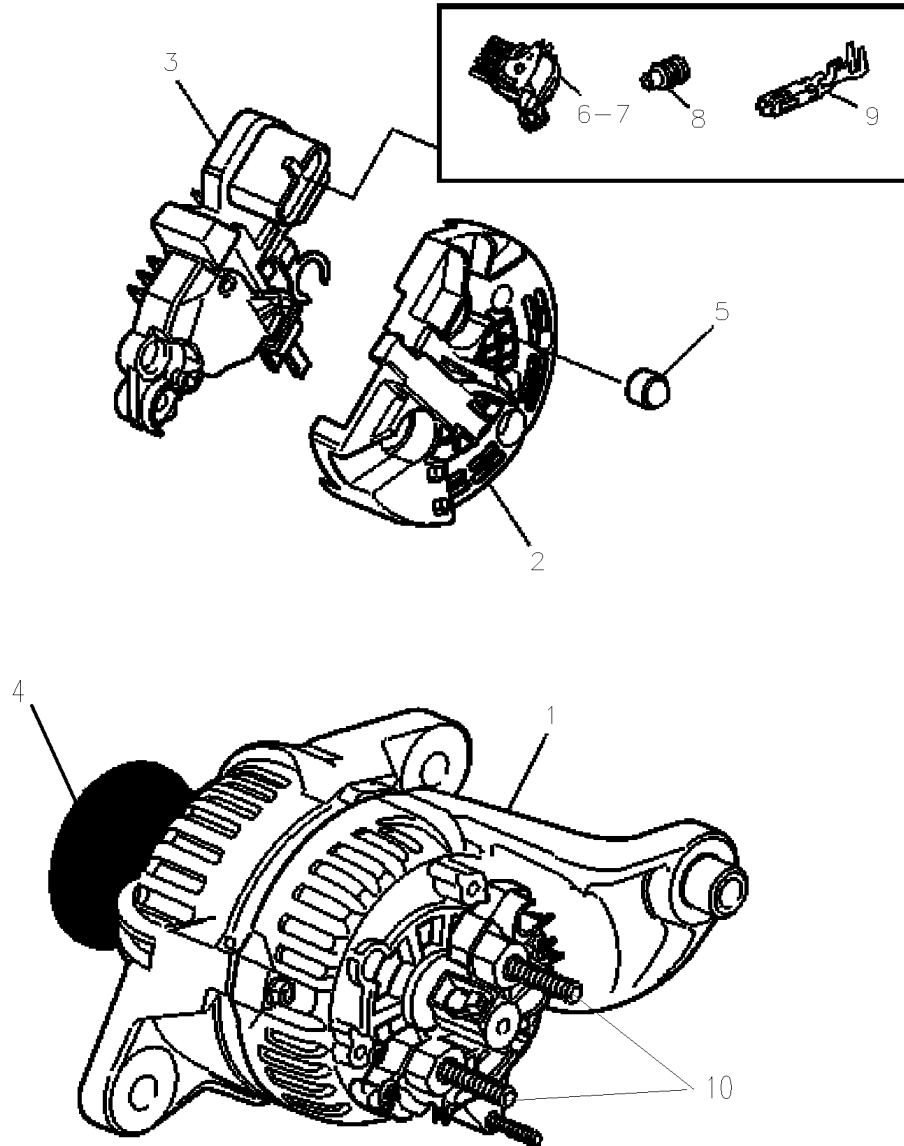
From E-5490

Date:07/2024

PAGE:X3VIP-0605-50

ALTERNATOR 12V/200 AMPS / "BOSCH"

HARNESS INSTALLATION 50





From E-5490	Date:07/2024	PAGE:X3VIP-0605-50
ALTERNATOR 12V/200 AMPS / "BOSCH"		

Item#	Part	Description	X 3 V I P E N T	X 3 V I P M T H	N O T E S
1	564492	ALTERNATOR ASSY 12V/200 AMPS / W/OUT PULLEY To R-4023	1	1	
1	564684	ALTERNATOR ASSY 12V/200 AMPS / W/OUT PULLEY From R-4024	1	1	
2	N.P.N.	. COVER	1	1	4
3	N.P.N.	. CHARGE REGULATOR / 12VOLT	1	1	4
4	X3VIP-0610-01	ALTERNATOR MOUNTING / CURB-SIDE WITH TWO ALTERNATOR VOLVO D13 - GHG17 From H-6180	1	1	
4	X3VIP-0610-55	ALTERNATOR MOUNTING / CURB-SIDE WITH ONE ALTERNATOR / W /SMALL A/C VOLVO D13 - GHG17 From H-6180	1	1	
4	X3VIP-0610-60	ALTERNATOR MOUNTING / A/C COMPRESSOR SUPPORT / W/SMALL A/C To H-6179	1	1	
4	X3VIP-0610-61	ALTERNATOR MOUNTING / A/C COMPRESSOR SUPPORT / W/SMALL A/C VOLVO D13 - GHG17 From H-6180	1	1	
4	X3VIP-0610-65	ALTERNATOR MOUNTING / WITH LARGE A/C SYSTEM To H-6179	1	1	
5	20576874	NUT, CAP PROTECTOR	1	1	
6	564469	CONNECTOR / MKR-PLUS / SH 5C / G&H 18241 000 000	1	1	
6	20429872	CONNECTOR / MKR-PLUS / SH 5C	1	1	
7	564470	COVER / MKR-PLUS	1	1	
7	20429873	COVER / MKR-PLUS	1	1	
8	564473	CABLE SEAL / BLUE // G&H 16695 627 642	1	1	
8	3944654	CABLE SEAL / BLUE /	1	1	
8	564474	CABLE SEAL / RED // G&H 16694 627 626	1	1	
9	564471	SOCKET TERMINAL / 18-16 / G&H 26780	1	1	
10	060297	ADAPTOR STUD M8 Male x M8 Female + FLANGE M8-1.25 x 18MM SS	2	2	
NS	068013	PROTECTION PLATE ASSY W/"VOLVO" ENGINE	1	1	
50	X3VIP-0100-07	ENGINE WIRING HARNESS - INSTALLATION WITH VOLVO D13 - GHG17			
		4) NO PARTS NUMBER			

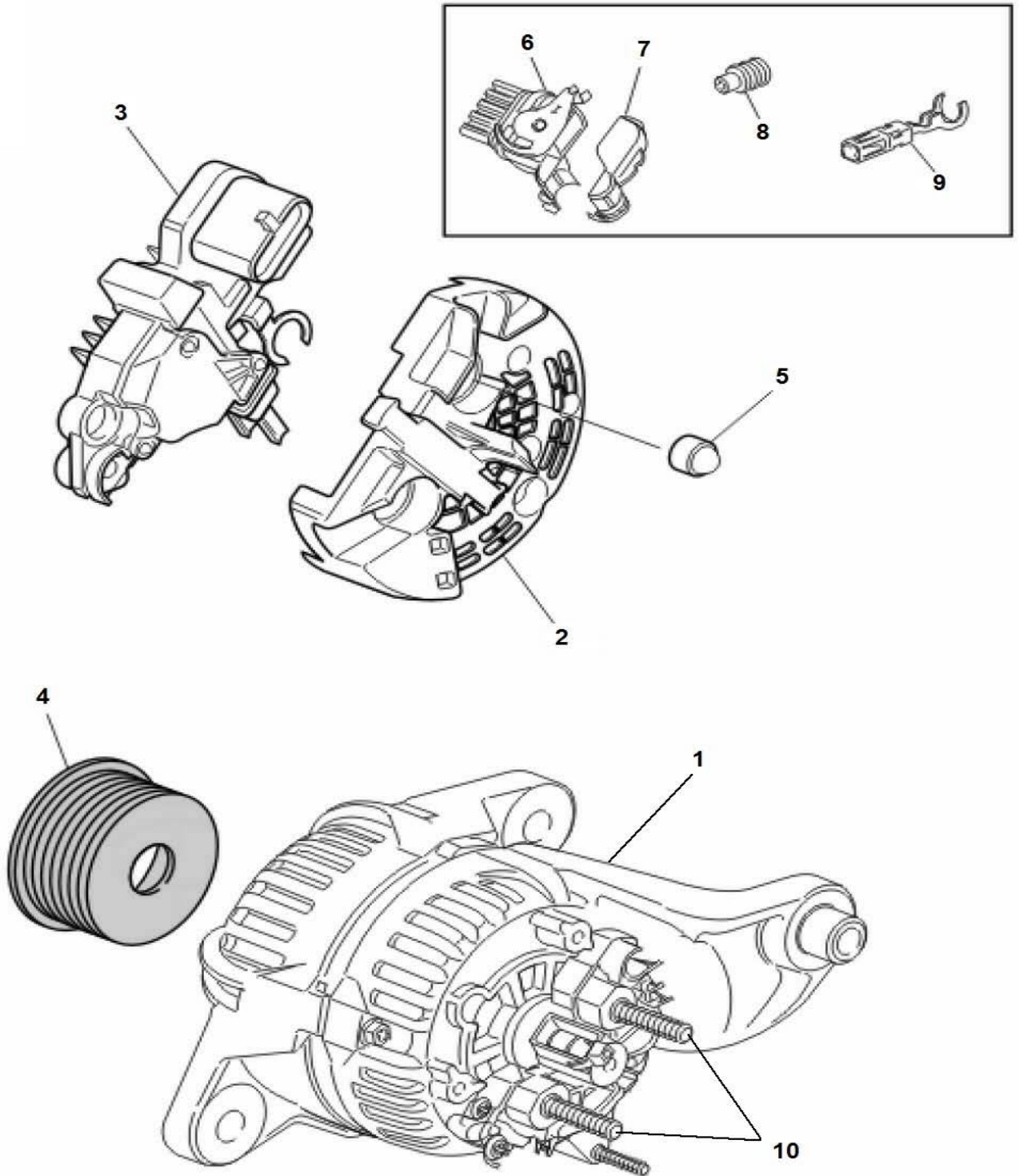


From F-5789 To F-5912

Date:07/2024

PAGE:X3VIP-0605-90

ALTERNATOR 24V/150 AMPS / "BOSCH" OPTIONAL





From F-5789 To F-5912	Date:07/2024	PAGE:X3VIP-0605-90
-----------------------	--------------	--------------------

ALTERNATOR 24V/150 AMPS / "BOSCH" OPTIONAL

Item#	Part	Description	X 3 V I P E N T	X 3 V I P M T H	N O T E S
1	564491	ALTERNATOR ASSY 24V/150 AMPS / W/OUT PULLEY	1	1	
2	20523388	. COVER	1	1	
3	20523391	. BRUSH ASSY W/CHARGE REGULATOR / 24VOLT	1	1	
4	565869	PULLEY ALTERNATOR / "BOSCH" / 83MM DOB x 8 RIB To K-6313	1	1	
4	0600264	PULLEY ALTERNATOR / "BOSCH" / 83MM DOB x 8 RIB From K-6314	1	1	
4	21429955	FLANGE NUT	1	1	
4	500449	WASHER FL .625x1.500 SS To K-6313	1	1	
5	20576874	NUT, CAP PROTECTOR	1	1	
6	564469	CONNECTOR / MKR-PLUS / SH 5C / G&H 18241 000 000	1	1	
6	20429872	CONNECTOR / MKR-PLUS / SH 5C	1	1	
7	564470	COVER / MKR-PLUS	1	1	
7	20429873	COVER / MKR-PLUS	1	1	
8	564473	CABLE SEAL / BLUE // G&H 16695 627 642	1	1	
8	3944654	CABLE SEAL / BLUE /	1	1	
8	564474	CABLE SEAL / RED // G&H 16694 627 626	1	1	
9	564471	SOCKET TERMINAL / 18-16 / G&H 26780	1	1	
10	564590	ADAPTOR STUD M8 Male x M8 Female M8-1.25 x 18MM SS To H-6179	2	2	
10	060297	ADAPTOR STUD M8 Male x M8 Female + FLANGE M8-1.25 x 18MM SS From H-6180	2	2	
50	X3VIP-0100-06	ENGINE WIRING HARNESS - INSTALLATION WITH VOLVO D13			

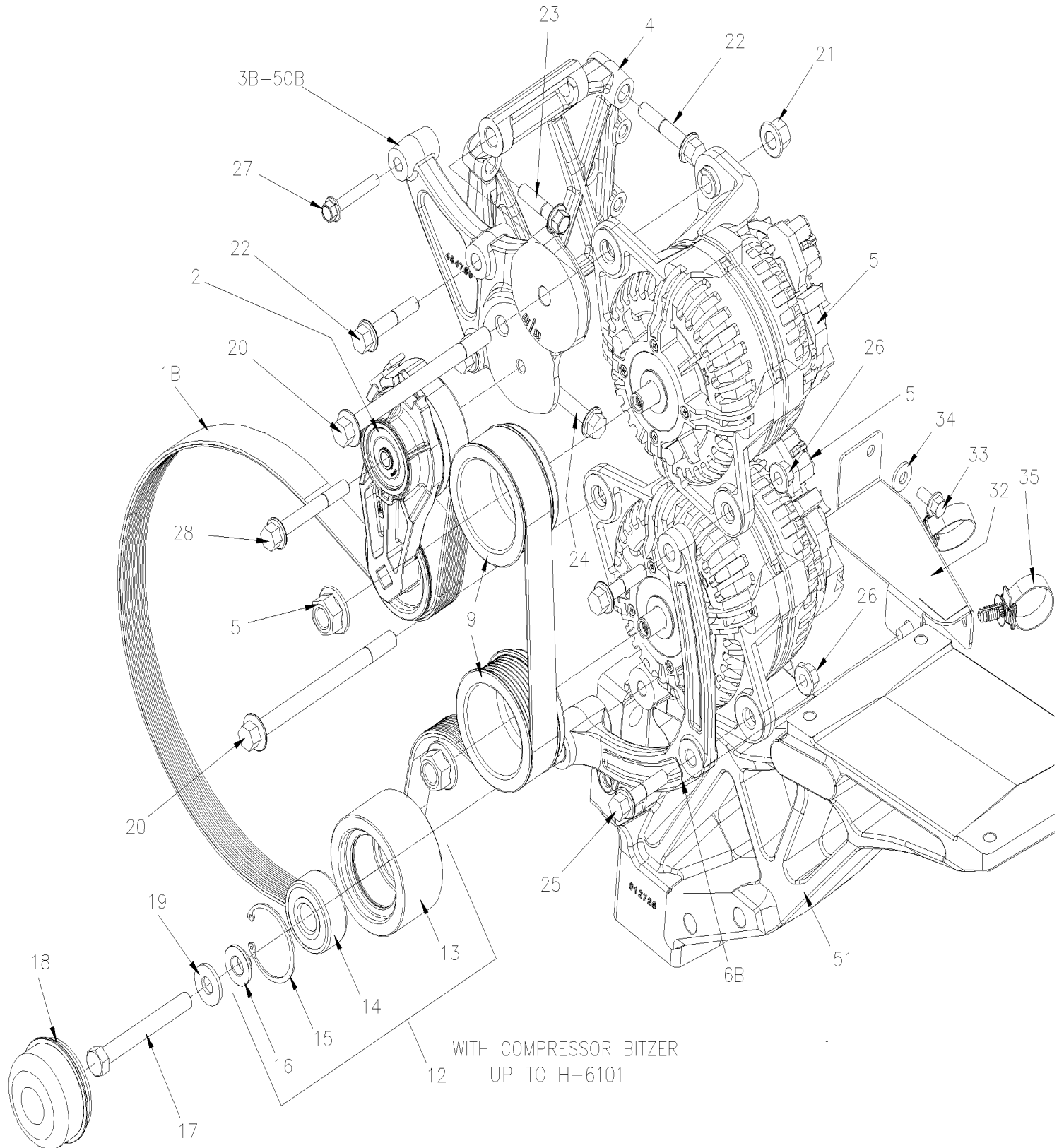


From E-5490 To H-6179

Date:07/2024

PAGE:X3VIP-0610-00

ALTERNATOR MOUNTING VOLVO D13



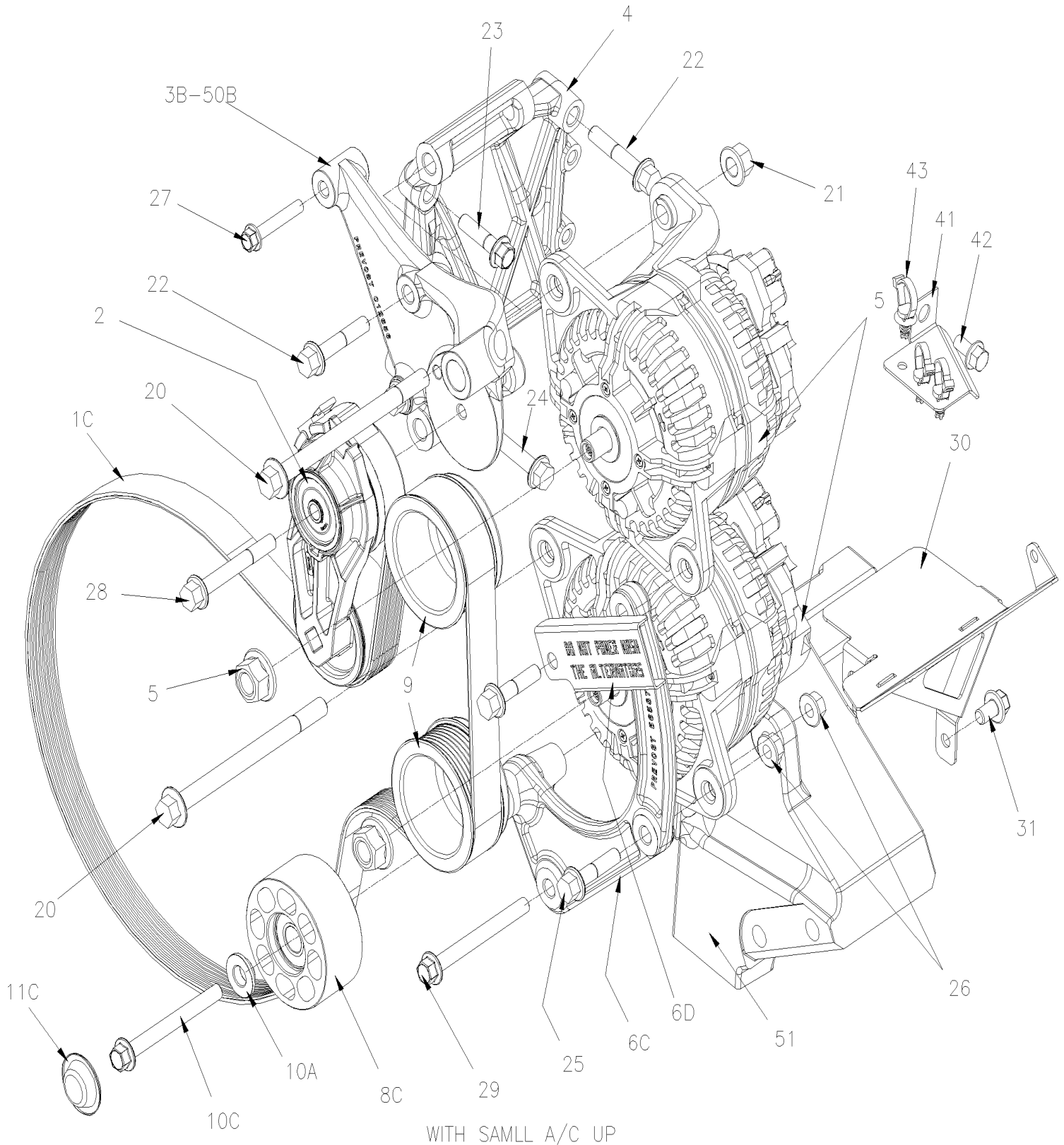


From E-5490 To H-6179

Date:07/2024

PAGE:X3VIP-0610-00

ALTERNATOR MOUNTING VOLVO D13



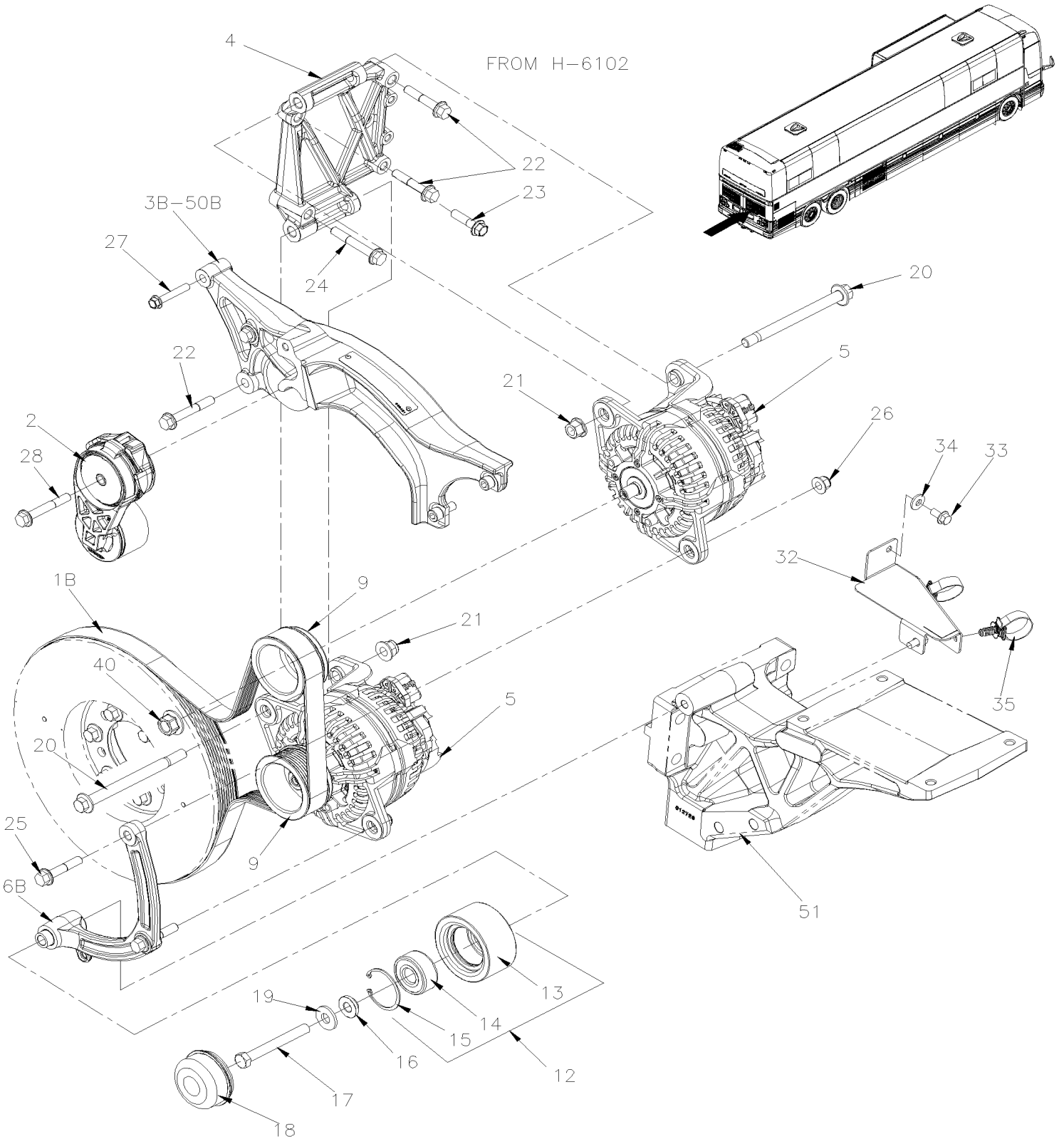


From E-5490 To H-6179

Date:07/2024

PAGE:X3VIP-0610-00

ALTERNATOR MOUNTING VOLVO D13





From E-5490 To H-6179 Date:07/2024 PAGE:X3VIP-0610-00

ALTERNATOR MOUNTING VOLVO D13

Item#	Part	Description	X 3 V I P E N T	X 3 V I P M T H	N O T E S
1B	5060129	MULTI V-BELT / 8 RIB 62" (1575MM) 8PK1575 QT	1	1	
1B	5060130	MULTI V-BELT / 8 RIB 62" (1575MM) 8PK1575 SEVERE DUTY	1	1	H
1B	5060131	MULTI V-BELT / 8 RIB 59.5" (1512MM) 8PK1512 QT	1	1	E
1B	5060145	BELT, POLY V 8PK 1539 ORION QT +	1	1	B
1C	505608	MULTI V-BELT / 8 RIB 62.48" (1587) 8PK1587 STANDARD DUTY	1	1	A
1C	5060113	MULTI V-BELT / 8 RIB 60" (1524) 8PK1524 QT (21-2116)	1	1	A E
1C	5060145	BELT, POLY V 8PK 1539 ORION QT +	1	1	B
2	510991	AUTOMATIC TENSIONER ASSY	1	1	
3B	454779	SUPPORT PULLEY ALT & A/C WELDED To H-6101	1	1	
3C	457750	SUPPORT, TENSIONNER CASTING From H-6102	1	1	
4	20995657	ALTERNATOR MOUNT UPPER	1	1	
5	X3VIP-0605-00	ALTERNATOR 24V/120 AMPS / "BOSCH" To F-5912			
5	X3VIP-0605-01	ALTERNATOR 24V/150 AMPS / "BOSCH" From F-5913			
6B	21134692	SUPPORT ASSY IDLER PULLEY & ALTERNATOR	1	1	
6C	565870	SUPPORT ASSY IDLER PULLEY & ALTERNATOR	1	1	
6D	068689	PLATE "DO NOT POWER WASH THE ALTERNATORS"	1	1	A
7	012670	ENGINE MOUNT CURBSIDE W/D13 PROTO	1	1	U
NS	565874	SPACER MOUNTING W/D13 PROTO	1	1	U
8C	510970	PULLEY ASSY	1	1	A
. NS	560974	. BALL BEARING	2	2	A
9	565869	PULLEY ALTERNATOR / "BOSCH" / 83MM DOB x 8 RIB To K-6313	2	2	
9	0600264	PULLEY ALTERNATOR / "BOSCH" / 83MM DOB x 8 RIB From K-6314	1	1	
NS	068346	SHIM 20GA	AR	AR	
NS	068347	SHIM 26GA	AR	AR	
9	500449	WASHER FL .625x1.500 SS To K-6313	1	1	
10A	053022	GUIDE, BUSHING	1	1	
10C	5001901	SCREW CAP HEX M10-1.5x100 G10.9 N500	1	1	A
11C	557056	PROTECTOR CAP / STEEL 40.7MM O.D. x 11MM	1	1	A
12	457503	PULLEY ASSY W/BEARING / 46MM x 86.5MM O.D. To E-5759	1	1	G
12	457705	PULLEY ASSY W/BEARING / 45MM x 90MM O.D. From E-5760 To H-6098	1	1	G
12	010074	KIT PULLEY REPLACEMENT / SERVICE To H-6098	1	1	G
12	012961	PULLEY ASSY W/BEARING / 48MM x 90MM O.D. From H-6099 To H-6144	1	1	
12	012349	PULLEY ASSY W/BEARING / 48MM x 90MM O.D. From H-6145	1	1	
12	012349	PULLEY ASSY W/BEARING / 48MM x 90MM O.D. INCLUDE INSIDE KIT 010074 To H-6098	1	1	G
13	457502	. PULLEY / 46MM x 86.5MM O.D. To E-5759	1	1	
13	453834	. PULLEY / 45MM x 90MM O.D. From E-5760 To H-6098	1	1	
13	012958	. PULLEY / 48MM x 90MM O.D. From H-6099	1	1	
13	012958	. PULLEY / 48MM x 90MM O.D. INCLUDE INSIDE KIT 010074 To H-6098	1	1	G
14	507340	. BALL BEARING 20 ID x 52 OD x 22.2 W To H-6098	1	1	F
14	507014	. BALL BEARING 20 ID x 52 OD x 22.2 W To H-6098	1	1	
14	507006	. BALL BEARING 25 ID x 62 OD x 25.4 W From H-6099 To H-6144	1	1	
14	509952	. BALL BEARING 25 ID x 62 OD x 25.4 W HI-TEMP From H-6145	1	1	



From E-5490 To H-6179		Date:07/2024	PAGE:X3VIP-0610-00
-----------------------	--	--------------	--------------------

ALTERNATOR MOUNTING VOLVO D13

Item#	Part	Description	X 3 V I P E N T	X 3 V I P M T H	N O T E S
14	509952	. BALL BEARING 25 ID x 62 OD x 25.4 W HI-TEMP INCLUDE INSIDE KIT 010074 To H-6098	1	1	G
15	504095	. RING RETAINER / INT 2.00 x 2.12 x .062 To H-6098	1	1	
15	504040	. RING RETAINER / INT 2.440 x 1.860 x 0.078 STL BLK From H-6099	1	1	
15	504040	. RING RETAINER / INT 2.440 x 1.860 x 0.078 STL BLK INCLUDE INSIDE KIT 010074 To H-6098	1	1	G
16	053033	GUIDE, BUSHING To E-5649	1	1	
16	053690	GUIDE, BUSHING From E-5650 To H-6098	1	1	
16	060137	GUIDE, BUSHING From H-6099	1	1	
17	5001688	SCREW CAP HEX M12-1.75x100 G10.9 G500	1	1	
18	453076	CAP, DUST	1	1	
19	500211	WASHER FL .531x1.250x.125 N500 From E-5760 To H-6098	1	1	
20	5001853	SCREW SHR CAP HEXF 13x130 {M12x1.75 G10.9 N500 To H-6101	2	2	
20	502950	SCREW SHR CAP HEXF 13x135 {M12x1.75 G10.9 N500 From H-6102	2	2	
21	5001728	NUT HEXF STO M12-1.75 N500 G10 To E-5651	2	2	
21	5001761	NUT HEXF NYRT M12-1.75 G8 N500 From E-5652	2	2	
22	5001801	SCREW CAP HEXF M10-1.5x55 G10.9 N500	4	4	
23	5001308	SCREW CAP HEXF M10-1.5x40 G10.9 N500	1	1	
24	5001799	SCREW CAP HEXF M10-1.5x70 G10.9 N500	1	1	
25	5001800	SCREW CAP HEXF M10-1.5x45 G10.9 N500 To E-5651	2	2	
25	5001801	SCREW CAP HEXF M10-1.5x55 G10.9 N500 From E-5652	2	2	
26	5001727	NUT HEXF NYRT M10-1.5 N500 To E-5651	2	2	
26	5001930	NUT HEXF NYRT M10-1.5 N500 G10.9 From E-5652	2	2	
27	500796	SCREW CAP HEXF M8-1.25x50 G10.9 N500	1	1	
28	5001799	SCREW CAP HEXF M10-1.5x70 G10.9 N500	1	1	
29	5001785	SCREW CAP HEXF M10-1.5x100 G10.9 N500	2	2	
30	069144	PROTECTION PLATE ASSY	1	1	
31	5001729	SCREW CAP HEXF M10-1.5x16 G8.8 N500	1	1	
32	068541	SUPPORT CABLE GROUND ALTERNATOR	1	1	
33	5001780	SCREW CAP HEXF M8-1.25x16 G8.8 N500	3	3	
34	500321	WASHER BEL SPR .331x.827x.098 N500	3	3	
35	504750	CABLE TIE / 1/2" x 15" / CHRISTMAS TREE	2	2	
40	21429955	FLANGE NUT From H-6102	1	1	
41	067206	SUPPORT CABLE GROUND ALTERNATOR	1	1	A
42	5001780	SCREW CAP HEXF M8-1.25x16 G8.8 N500	1	1	A
43	509815	TIE MOUNT / ATTACHMENT W/TREE MOUNT	3	3	A
43	504637	CABLE TIE / 3/16" x 13"	3	3	A
50B	X3VIP-0120-00	DRIVE PULLEY, BELTS & TENSIONER WITH VOLVO D13 COMPRESSOR BITZER			
51	X3VIP-0150-00	ENGINE CRADLE - WITH VOLVO D13			
		A) USE WITH SMALL A/C SYSTEM			



From E-5490 To H-6179	Date:07/2024	PAGE:X3VIP-0610-00
-----------------------	--------------	--------------------

ALTERNATOR MOUNTING VOLVO D13

Item#	Part	Description	X 3 V I P E N T	X 3 V I P M T H	N O T E S
		B) W DUAL ALT. & W/O IDLER PULLEY			
		E) USE ON EMERGENCY WITH ONE ALTERNATOR			
		F) REPLACE BY # 507014			
		G) FOR PRODUCT IMPROVMENT ASK FOR # 010074			
		H) SEVERE DUTY			



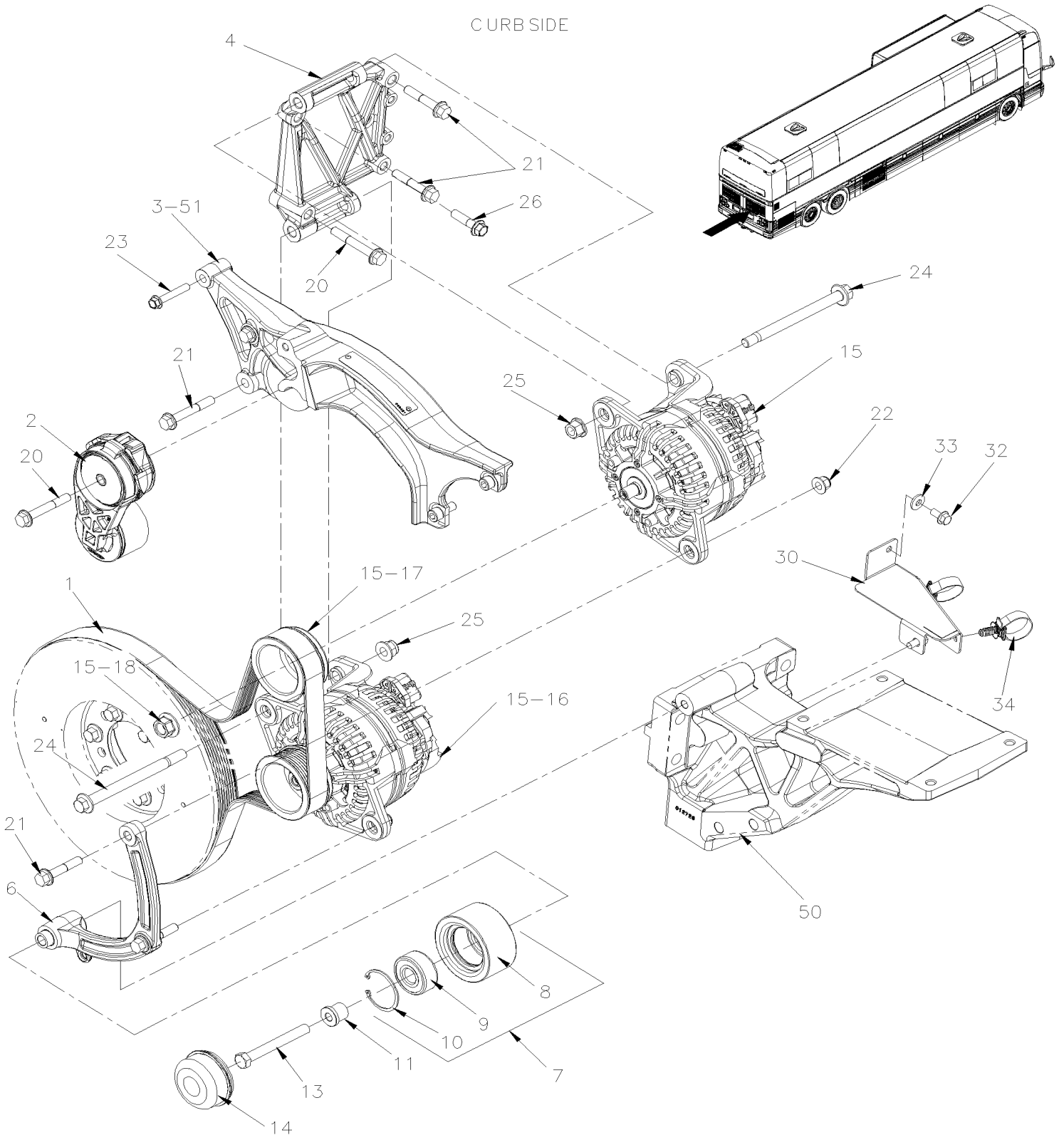
From H-6180

Date:07/2024

PAGE:X3VIP-0610-01

ALTERNATOR MOUNTING / CURB-SIDE WITH TWO ALTERNATOR VOLVO D13 - GHG17

CURB SIDE





From H-6180		Date:07/2024	PAGE:X3VIP-0610-01
-------------	--	--------------	--------------------

ALTERNATOR MOUNTING / CURB-SIDE WITH TWO ALTERNATOR VOLVO D13 - GHG17

Item#	Part	Description	X 3 V I P E N T	X 3 V I P M T H	N O T E S
1	5060129	. MULTI V-BELT / 8 RIB 62" (1575MM) 8PK1575 QT	1	1	
1	5060130	. MULTI V-BELT / 8 RIB 62" (1575MM) 8PK1575 SEVERE DUTY	1	1	H
1	5060131	MULTI V-BELT / 8 RIB 59.5" (1512MM) 8PK1512 QT	1	1	E
2	510991	AUTOMATIC TENSIONER ASSY	1	1	
3	457750	SUPPORT, TENSIONNER CASTING To K-6439	1	1	
3	450580	SUPPORT, TENSIONNER CASTING From K-6440 To N-6738	1	1	
3	454767	SUPPORT, TENSIONNER CASTING From N-6739	1	1	
4	20995657	ALTERNATOR MOUNT UPPER	1	1	
NS	060416	HARNESS, BATTERY TO ALTERNATOR UP RIGHT	1	1	
6	21134692	SUPPORT ASSY IDLER PULLEY & ALTERNATOR	1	1	
7	012349	PULLEY ASSY W/BEARING / 48MM x 90MM O.D.	1	1	
8	012958	. PULLEY / 48MM x 90MM O.D.	1	1	
9	509952	. BALL BEARING 25 ID x 62 OD x 25.4 W HI-TEMP	1	1	
10	504040	. RING RETAINER / INT 2.440 x 1.860 x 0.078 STL BLK	1	1	
11	060137	GUIDE, BUSHING	1	1	
11	680038	THREAD LOCKER LOCTITE #243 / BLUE / 50ml	AR	AR	
13	5001688	SCREW CAP HEX M12-1.75x100 G10.9 G500	1	1	
14	453076	CAP, DUST	1	1	
15	X3VIP-0605-01	ALTERNATOR 24V/150 AMPS / "BOSCH"	AR	AR	
15	X3VIP-0605-50	ALTERNATOR 12V/200 AMPS / "BOSCH"	AR	AR	
16	068347	SHIM 26GA	AR	AR	
16	068346	SHIM 20GA	AR	AR	
17	060249	PULLEY ALTERNATOR / "BOSCH" / 65MM O.D. x 8 PK	AR	AR	12V
17	565869	PULLEY ALTERNATOR / "BOSCH" / 83MM DOB x 8 RIB To K-6313	AR	AR	24V
17	0600264	PULLEY ALTERNATOR / "BOSCH" / 83MM DOB x 8 RIB From K-6314	AR	AR	24V
17	500449	WASHER FL .625x1.500 SS To K-6313	1	1	
NS	060264	HARNESS ALTERNATOR GROUND BODY	1	1	
NS	068570	CABLE ASSY / GROUND	2	2	
18	21429955	FLANGE NUT	AR	AR	
18	500449	WASHER FL .625x1.500 SS To K-6313	1	1	24V
20	5001799	SCREW CAP HEXF M10-1.5x70 G10.9 N500	2	2	
21	5001801	SCREW CAP HEXF M10-1.5x55 G10.9 N500	4	4	
22	5001930	NUT HEXF NYRT M10-1.5 N500 G10.9	2	2	
23	500796	SCREW CAP HEXF M8-1.25x50 G10.9 N500	1	1	
24	502950	SCREW SHR CAP HEXF 13x135 (M12x1.75 G10.9 N500	2	2	
25	5001774	NUT HEXF STO M12-1.75 MAGNI G500	2	2	
26	5001308	SCREW CAP HEXF M10-1.5x40 G10.9 N500	1	1	
30	068541	SUPPORT CABLE GROUND ALTERNATOR	1	1	
32	5001780	SCREW CAP HEXF M8-1.25x16 G8.8 N500	3	3	
33	500321	WASHER BEL SPR .331x.827x.098 N500	3	3	
34	504750	CABLE TIE / 1/2" x 15" / CHRISTMAS TREE	2	2	



From H-6180	Date:07/2024	PAGE:X3VIP-0610-01
-------------	--------------	--------------------

ALTERNATOR MOUNTING / CURB-SIDE WITH TWO ALTERNATOR VOLVO D13 - GHG17

Item#	Part	Description	X 3 V I P E N T	X 3 V I P M T H	N O T E S
50	X3VIP-0150-01	ENGINE CRADLE - WITH VOLVO D13 - GHG17			
51	X3VIP-0120-01	DRIVE PULLEY, BELTS & TENSIONER WITH VOLVO D13 - GHG17			
		12V) 12V			
		24V) 24V			
		E) USE ON EMERGENCY WITH ONE ALTERNATOR			
		H) SEVERE DUTY			

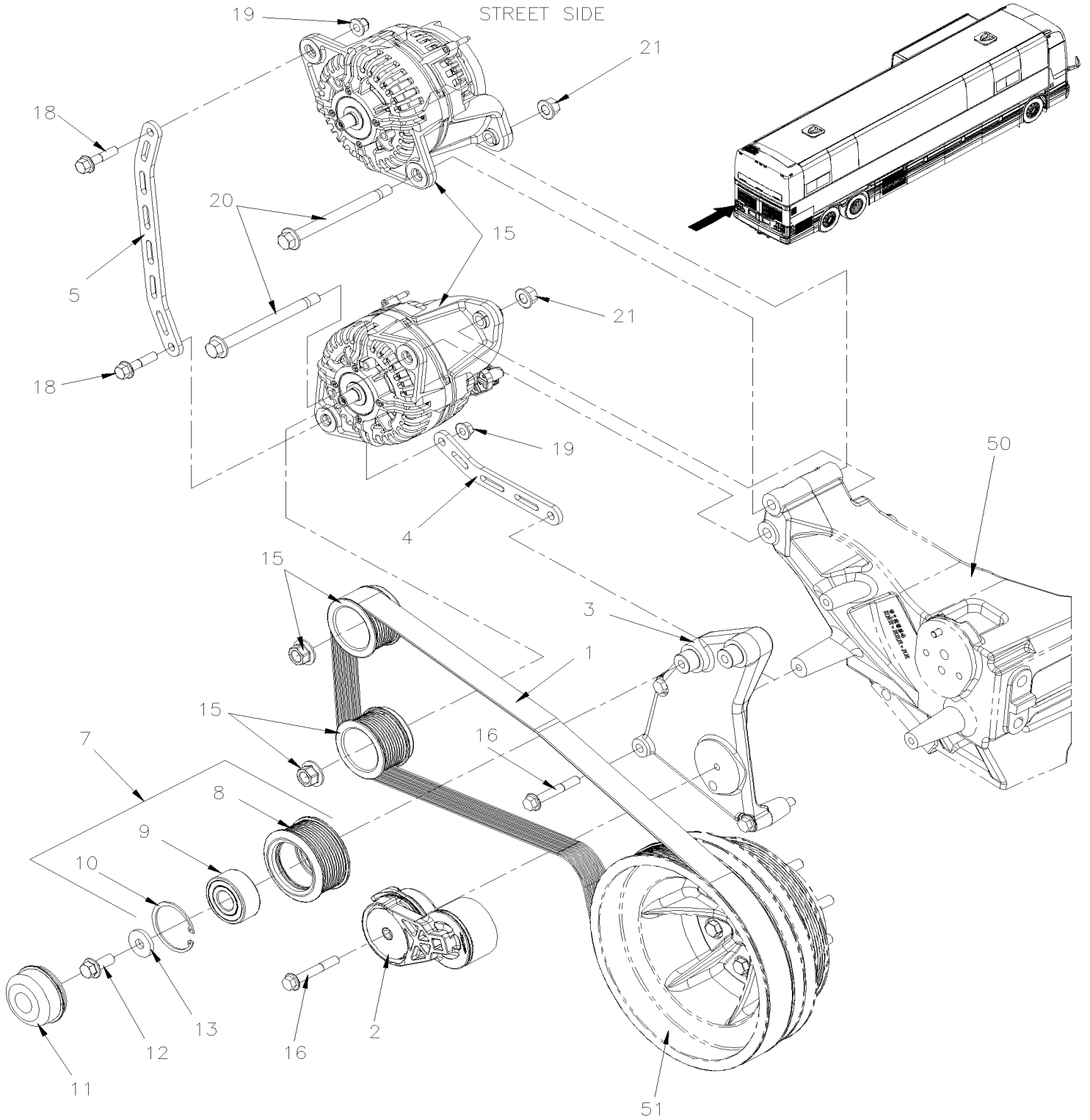


From H-6180

Date:07/2024

PAGE:X3VIP-0610-50

ALTERNATOR MOUNTING / STREET SIDE VOLVO D13 - GHG17





From H-6180	Date:07/2024	PAGE:X3VIP-0610-50
ALTERNATOR MOUNTING / STREET SIDE VOLVO D13 - GHG17		

Item#	Part	Description	X 3 V I P E N T	X 3 V I P M T H	N O T E S
1	505605	MULTI V-BELT / 10 RIB (1892MM) 10PK1892 STANDARD DUTY	1	1	
2	510991	AUTOMATIC TENSIONER ASSY	1	1	
3	012943	IDLER SUPPORT To K-6464	1	1	
3	011213	IDLER SUPPORT From K-6465	1	1	
4	060102	ALTERNATOR, LOWER BRACKET	1	1	
5	060891	ALTERNATOR, SIDE BRACKET	1	1	
7	012344	PULLEY ASSY W/BEARING / 10 RIB	1	1	
8	012959	. PULLEY / 10 RIB 48MM x 90MM O.D.	1	1	
9	509952	. BALL BEARING 25 ID x 62 OD x 25.4 W HI-TEMP	1	1	
10	504040	. RING RETAINER / INT 2.440 x 1.860 x 0.078 STL BLK	1	1	
11	453076	CAP, DUST	1	1	
12	5001786	SCREW CAP HEXF M12-1.75x30 G8.8 N500	1	1	
NS	680038	THREAD LOCKER LOCTITE #243 / BLUE / 50ml	AR	AR	
13	5002008	WASHER FL 13.0x35.0x5.0 N500	2	2	
15	X3VIP-0605-01	ALTERNATOR 24V/150 AMPS / "BOSCH"	2	2	
NS	060406	ALTERNATOR CONTROL LEFT HARNESS MTH	1	1	
NS	060413	ALTERNATORS JUMPER POWER HARNESS	1	1	
NS	060414	GROUND FRAME ALTERNATOR UP LEFT HARNESS	1	1	
NS	060415	ALTERNATOR BOTTOM LEFT BATTERY HARNESS	1	1	
16	5001799	SCREW CAP HEXF M10-1.5x70 G10.9 N500	4	4	
18	5001308	SCREW CAP HEXF M10-1.5x40 G10.9 N500	2	2	
19	5001930	NUT HEXF NYRT M10-1.5 N500 G10.9	2	2	
20	502950	SCREW SHR CAP HEXF 13x135 (M12x1.75 G10.9 N500	2	2	
21	5001774	NUT HEXF STO M12-1.75 MAGNI G500	2	2	
50	X3VIP-0150-01	ENGINE CRADLE - WITH VOLVO D13 - GHG17			
51	X3VIP-0120-01	DRIVE PULLEY, BELTS & TENSIONER WITH VOLVO D13 - GHG17			

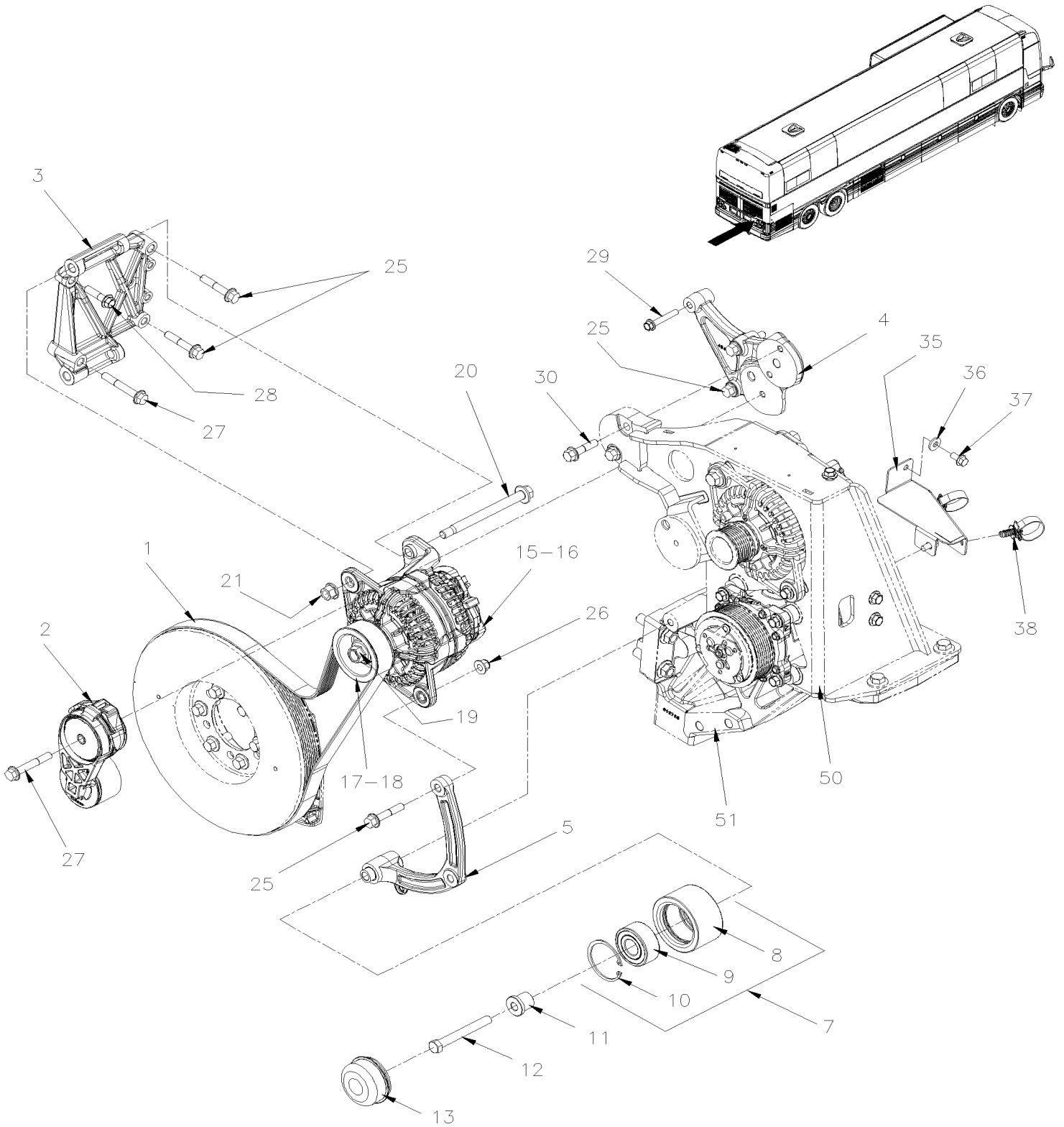


From H-6180

Date:07/2024

PAGE:X3VIP-0610-55

ALTERNATOR MOUNTING / CURB-SIDE WITH ONE ALTERNATOR / W /SMALL A/C VOLVO D13 - GHG17





From H-6180 Date:07/2024 PAGE:X3VIP-0610-55

ALTERNATOR MOUNTING / CURB-SIDE WITH ONE ALTERNATOR / W /SMALL A/C VOLVO D13 - GHG17

Item#	Part	Description	X 3 V I P E N T	X 3 V I P M T H	N O T E S
1	5060131	MULTI V-BELT / 8 RIB 59.5" (1512MM) 8PK1512 QT	1	1	
2	510991	AUTOMATIC TENSIONER ASSY	1	1	
3	20995657	ALTERNATOR MOUNT UPPER	1	1	
4	454779	SUPPORT PULLEY ALT & A/C WELDED	1	1	
5	21134692	SUPPORT ASSY IDLER PULLEY & ALTERNATOR	1	1	
7	012349	PULLEY ASSY W/BEARING / 48MM x 90MM O.D.	1	1	
8	012958	. PULLEY / 48MM x 90MM O.D.	1	1	
9	509952	. BALL BEARING 25 ID x 62 OD x 25.4 W HI-TEMP	1	1	
10	504040	. RING RETAINER / INT 2.440 x 1.860 x 0.078 STL BLK	1	1	
11	060137	GUIDE, BUSHING	1	1	
12	5001688	SCREW CAP HEX M12-1.75x100 G10.9 G500	1	1	
13	453076	CAP, DUST	1	1	
15	X3VIP-0605-50	ALTERNATOR 12V/200 AMPS / "BOSCH"	1	1	12 V
15	X3VIP-0605-01	ALTERNATOR 24V/150 AMPS / "BOSCH"	1	1	24 V
16	068347	SHIM 26GA	1	1	
16	068346	SHIM 20GA	1	1	
17	564511	PULLEY ALTERNATOR / "BOSCH" / 83MM O.D. x 8 RIB	1	1	12 V
18	565869	PULLEY ALTERNATOR / "BOSCH" / 83MM DOB x 8 RIB To J-6222	1	1	24 V
18	0600264	PULLEY ALTERNATOR / "BOSCH" / 83MM DOB x 8 RIB From J-6223	1	1	24 V
19	21429955	FLANGE NUT	AR	AR	
19	500449	WASHER FL .625x1.500 SS To J-6222	1	1	24 V
20	502950	SCREW SHR CAP HEXF 13x135 (M12x1.75 G10.9 N500	1	1	
21	5001774	NUT HEXF STO M12-1.75 MAGNI G500	1	1	
25	5001801	SCREW CAP HEXF M10-1.5x55 G10.9 N500	5	5	
26	5001930	NUT HEXF NYRT M10-1.5 N500 G10.9	1	1	
27	5001799	SCREW CAP HEXF M10-1.5x70 G10.9 N500	2	2	
28	5001308	SCREW CAP HEXF M10-1.5x40 G10.9 N500	1	1	
29	500796	SCREW CAP HEXF M8-1.25x50 G10.9 N500	1	1	
30	5001800	SCREW CAP HEXF M10-1.5x45 G10.9 N500	2	2	
35	068541	SUPPORT CABLE GROUND ALTERNATOR To K-6439	1	1	
36	500321	WASHER BEL SPR .331x.827x.098 N500 To K-6439	3	3	
37	5001780	SCREW CAP HEXF M8-1.25x16 G8.8 N500 To K-6439	3	3	
38	504750	CABLE TIE / 1/2" x 15" / CHRISTMAS TREE To K-6439	2	2	
50	X3VIP-0610-61	ALTERNATOR MOUNTING / A/C COMPRESSOR SUPPORT / W/SMALL A/C VOLVO D13 - GHG17	1	1	
51	X3VIP-0150-01	ENGINE CRADLE - WITH VOLVO D13 - GHG17	1	1	
		12 V) USE WITH 12 VOLT ALTERNATOR			
		24 V) USE WITH 24 VOLT ALTERNATOR			

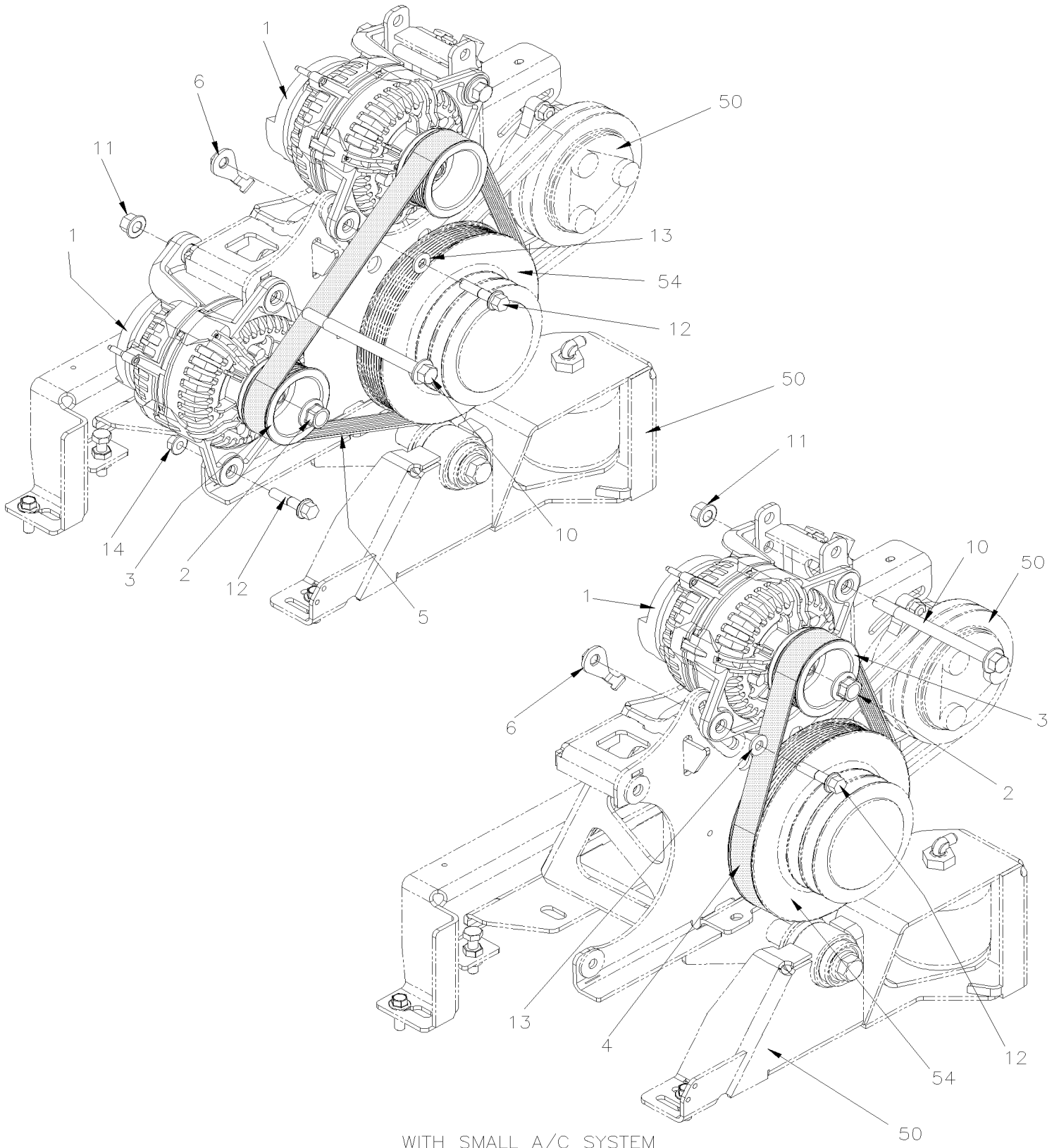


From E-5490 To H-6179

Date:07/2024

PAGE:X3VIP-0610-60

ALTERNATOR MOUNTING / A/C COMPRESSOR SUPPORT / W/SMALL A/C



WITH SMALL A/C SYSTEM



From E-5490 To H-6179 Date:07/2024 PAGE:X3VIP-0610-60

ALTERNATOR MOUNTING / A/C COMPRESSOR SUPPORT / W/SMALL A/C

Item#	Part	Description	X 3 V I P E N T	X 3 V I P M T H	N O T E S
1	564119	ALTERNATOR ASSY 24V/120 AMPS / W/OUT PULLEY To F-5912	AR	AR	
NS	564469	. CONNECTOR / MKR-PLUS / SH 5C / G&H 18241 000 000 To F-5912	1	1	
1	564593	ALTERNATOR ASSY 24V/150 AMPS / W/OUT PULLEY From F-5913	AR	AR	
1	564492	ALTERNATOR ASSY 12V/200 AMPS / W/OUT PULLEY	AR	AR	
1	067836	CABLE ALTERNATOR MOUNT ON 1 SMALL COMPRESSOR	1	1	A
1	069111	EXTENSION / ALTERNATOR & COMPRESSOR	1	1	B
2	21034254	FLANGE NUT To F-5912	1	1	
2	21429955	FLANGE NUT From F-5913	1	1	
2	500449	WASHER FL .625x1.500 SS To K-6313	1	1	24V
3	565869	PULLEY ALTERNATOR / "BOSCH" / 83MM DOB x 8 RIB To K-6313	AR	AR	24V
3	0600264	PULLEY ALTERNATOR / "BOSCH" / 83MM DOB x 8 RIB From K-6314	1	1	24V
3	564511	PULLEY ALTERNATOR / "BOSCH" / 83MM O.D. x 8 RIB	AR	AR	12V
4	978218	MULTI V-BELT / 8 RIB 33.66" (855) 8PK855	1	1	
4	5060117	MULTI V-BELT / 8 RIB 33.66" (855) 8PK855 QT (21-2186)	1	1	
5	5061281	MULTI V-BELT / 8 RIB 42.52" (1080) 8PK1080	1	1	
5	5060116	MULTI V-BELT / 8 RIB 42.52" (1080) 8PK1080 QT (21-2115)	1	1	
6	457491	ATTACHMENT ALTERNATOR	1	1	
10	5001853	SCREW SHR CAP HEXF 13x130 {M12x1.75 G10.9 N500 To H-6101	2	2	
10	502950	SCREW SHR CAP HEXF 13x135 {M12x1.75 G10.9 N500 From H-6102	2	2	
11	5001728	NUT HEXF STO M12-1.75 N500 G10	2	2	
12	5001308	SCREW CAP HEXF M10-1.5x40 G10.9 N500	2	2	
13	5001834	WASHER BEL SPR 10.5X23X2.5 N500	1	1	
14	5001727	NUT HEXF NYRT M10-1.5 N500	1	1	
NS	680038	THREAD LOCKER LOCTITE #243 / BLUE / 50ml			
NS	068568	EXTENSION / ALTERNATOR & COMPRESSOR	1	1	
NS	504379	RIVET POP DOME OE 3/16x1/4 SS	1	1	
NS	5001137	WASHER FL .203x.438x.050 SS	1	1	
NS	504016	CABLE TIE / 5/16" X 14"1/2	3	3	
NS	504013	TIE MOUNT / 1/4" X 1/4" I.D.	1	1	
NS	067320	CABLE GROUND ALT "BOSCH"	1	1	
NS	5001182	NUT HEX NYRT M6-1.0 SS	1	1	
NS	502573	WASHER FL 6.4x12.5x1.6 SS	1	1	
NS	068771	CABLE ALTERNATEUR 3-BATTERY	1	1	
NS	684013	RUBBER PROTECTOR / COLOR GUARD 14.5oz	1	1	
NS	5001341	WASHER FL 8.4x17.0x1.6 SS	1	1	
50	X3VIP-2245-50	A/C SMALL COMPRESSOR - INSTALLATION			
54	X3VIP-2245-50	A/C SMALL COMPRESSOR - INSTALLATION			
		12V) USE WITH 12VOLTS ALTERNATOR			



From E-5490 To H-6179		Date:07/2024	PAGE:X3VIP-0610-60		
ALTERNATOR MOUNTING / A/C COMPRESSOR SUPPORT / W/SMALL A/C					
Item#	Part	Description	X 3 V I P E N T	X 3 V I P M T H	N O T E S
		24V) USE WITH 24VOLTS ALTERNATOR			
		A) WITH 1 ALT MOUNT ON SMALL A/C COMPRESSOR			
		B) USE WITH 3RD ALTERNATOR			

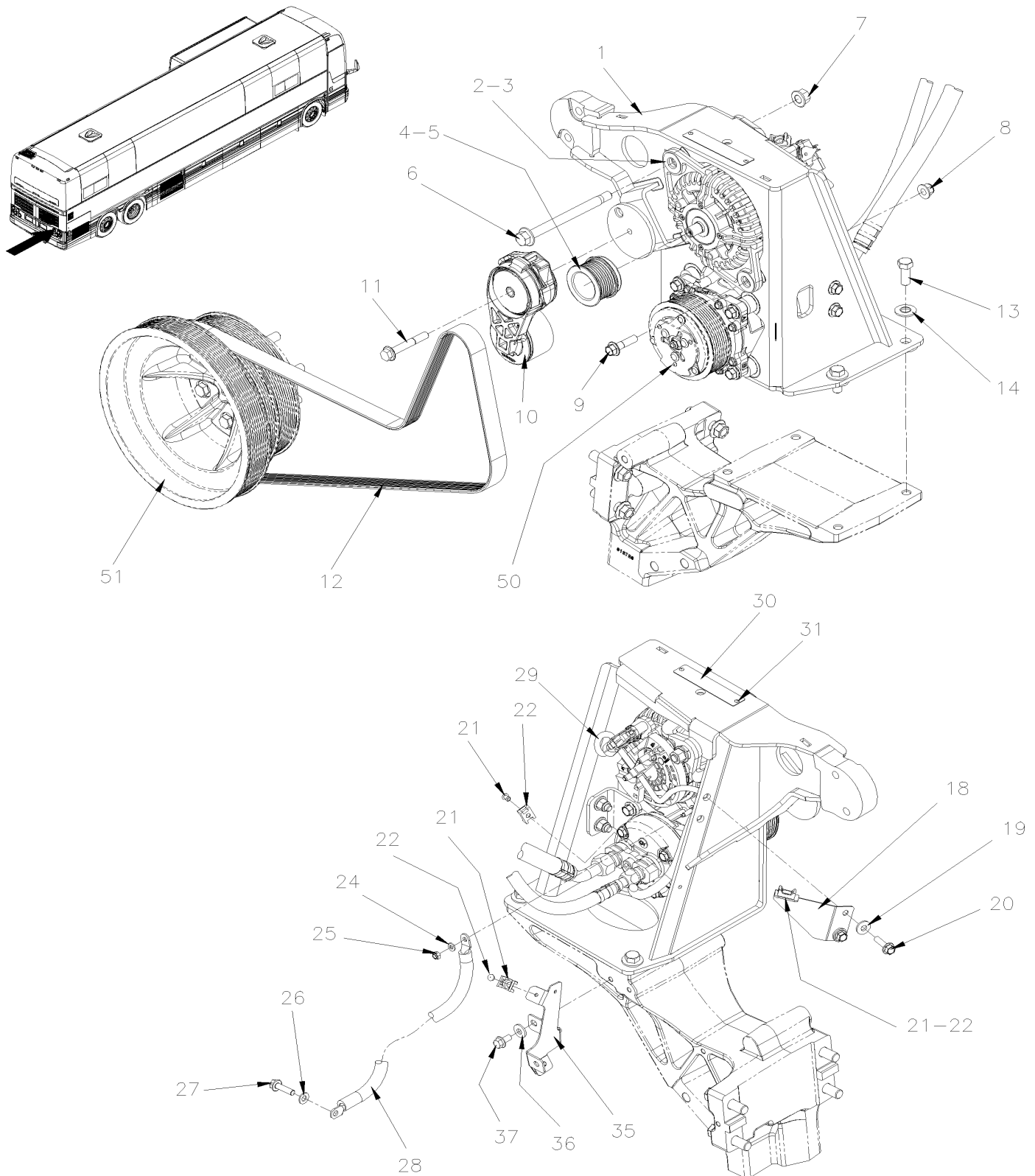


From H-6180

Date:07/2024

PAGE:X3VIP-0610-61

ALTERNATOR MOUNTING / A/C COMPRESSOR SUPPORT / W/SMALL A/C VOLVO D13 - GHG17





From H-6180		Date:07/2024	PAGE:X3VIP-0610-61
-------------	--	--------------	--------------------

ALTERNATOR MOUNTING / A/C COMPRESSOR SUPPORT / W/SMALL A/C VOLVO D13 - GHG17

Item#	Part	Description	X 3 V I P E N T	X 3 V I P M T H	N O T E S
1	450332	COMPRESSOR SUPPORT	1	1	
2	X3VIP-0605-01	ALTERNATOR 24V/150 AMPS / "BOSCH"	1	1	24V
2	X3VIP-0605-50	ALTERNATOR 12V/200 AMPS / "BOSCH"	1	1	12V
3	068347	SHIM 26GA	1	1	
3	068346	SHIM 20GA	1	1	
4	564493	PULLEY ALTERNATOR / "BOSCH" / 59MM O.D. x 8 RIB To J-6273	1	1	24V
4	0600262	PULLEY ALTERNATOR / "BOSCH" / 59MM O.D. x 8 RIB From J-6274	1	1	24V
5	564510	PULLEY ALTERNATOR / "BOSCH" / 59MM O.D. x 8 RIB	1	1	12V
NS	060269	SHIM 26GA (0.476 MM)	1	1	
NS	060278	SHIM 20GA (0.953 MM)	1	1	
NS	500449	WASHER FL .625x1.500 SS To J-6273	1	1	24V
6	502950	SCREW SHR CAP HEXF 13x135 (M12x1.75 G10.9 N500	1	1	
7	5001774	NUT HEXF STO M12-1.75 MAGNI G500	1	1	
8	5001930	NUT HEXF NYRT M10-1.5 N500 G10.9	1	1	
9	5001308	SCREW CAP HEXF M10-1.5x40 G10.9 N500	1	1	
10	510991	AUTOMATIC TENSIONER ASSY	1	1	
11	5001799	SCREW CAP HEXF M10-1.5x70 G10.9 N500	1	1	
12	505602	MULTI V-BELT / 8 RIB 72.4" (1840MM) 8PK1840 STANDARD DUTY	1	1	
13	5001866	SCREW CAP HEX M12-1.75x30 G10.9 N500	4	4	
14	500967	WASHER BEL SPR .512x1.142x.098 N500	4	4	
18	060581	BRACKET, ALTERNATOR CABLE	1	1	
19	500321	WASHER BEL SPR .331x.827x.098 N500	AR	AR	
20	5001742	SCREW CAP HEXF M8-1.25x30 G8.8 N500	AR	AR	
21	504379	RIVET POP DOME OE 3/16x1/4 SS	AR	AR	
22	504013	TIE MOUNT / 1/4" X 1/4" I.D.	AR	AR	
NS	504016	CABLE TIE / 5/16" X 14"1/2	AR	AR	
24	502573	WASHER FL 6.4x12.5x1.6 SS	1	1	
25	5001182	NUT HEX NYRT M6-1.0 SS	1	1	
26	5001341	WASHER FL 8.4x17.0x1.6 SS To K-6439	1	1	
26	560811	WASHER, ELECTRICAL CONDUCTOR M8/5/16 From K-6440	1	1	
27	5001527	SCREW CAP HEX M8-1.25x16 SS BK	1	1	
28	060417	CABLE GROUND MOTOR TO BODY /ALT. EXTREME RIGHT	1	1	
NS	504016	CABLE TIE / 5/16" X 14"1/2	AR	AR	
NS	5040100	CABLE TIE /OUTSIDE SERRATED 5/16" X 14"1/2 From L-6495	AR	AR	
NS	504013	TIE MOUNT / 1/4" X 1/4" I.D.	AR	AR	
NS	504379	RIVET POP DOME OE 3/16x1/4 SS	AR	AR	
NS	504637	CABLE TIE / 3/16" x 13"	AR	AR	
29	068570	CABLE ASSY / GROUND	1	1	
30	069421	DECAL "DO NOT POWER WASH ALTERNATORS"	1	1	
31	504339	RIVET POP DOME OE 1/8x3/8 SS	2	2	
35	010069	SUPPORT DIPSTICK From K-6440	1	1	
36	500321	WASHER BEL SPR .331x.827x.098 N500 From K-6440	2	2	



From H-6180	Date:07/2024	PAGE:X3VIP-0610-61
-------------	--------------	--------------------

ALTERNATOR MOUNTING / A/C COMPRESSOR SUPPORT / W/SMALL A/C VOLVO D13 - GHG17

Item#	Part	Description	X 3 V I P E N T	X 3 V I P M T H	N O T E S
37	5001780	SCREW CAP HEXF M8-1.25x16 G8.8 N500 From K-6440	2	2	
50	X3VIP-2245-51	A/C SMALL COMPRESSOR - INSTALLATION / "GHG17"			
51	X3VIP-0120-01	DRIVE PULLEY, BELTS & TENSIONER WITH VOLVO D13 - GHG17			
		12V) 12 VOLTS			
		24V) 24V VOLTS			

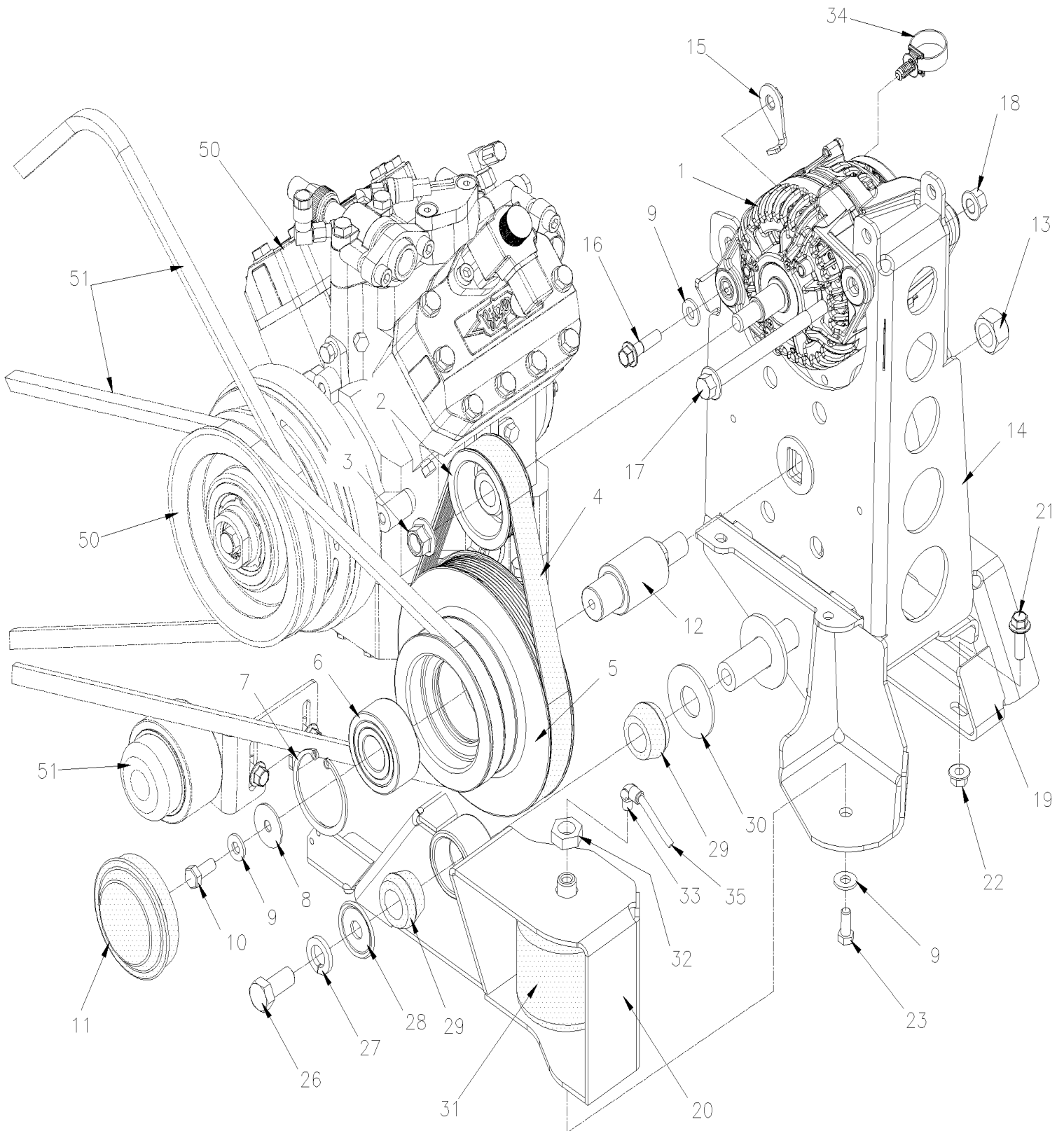


From E-5490 To H-6179

Date:07/2024

PAGE:X3VIP-0610-65

ALTERNATOR MOUNTING / WITH LARGE A/C SYSTEM





From E-5490 To H-6179 Date:07/2024 PAGE:X3VIP-0610-65

ALTERNATOR MOUNTING / WITH LARGE A/C SYSTEM

Item#	Part	Description	X 3 V I P E N T	X 3 V I P M T H	NOTES
1	564119	ALTERNATOR ASSY 24V/120 AMPS / W/OUT PULLEY To F-5912	1	1	
NS	564469	. CONNECTOR / MKR-PLUS / SH 5C / G&H 18241 000 000 To F-5912	1	1	
1	564593	ALTERNATOR ASSY 24V/150 AMPS / W/OUT PULLEY From F-5913	1	1	
1	564492	ALTERNATOR ASSY 12V/200 AMPS / W/OUT PULLEY	1	1	
1	069111	EXTENSION / ALTERNATOR & COMPRESSOR	1	1	A
2	565869	PULLEY ALTERNATOR / "BOSCH" / 83MM DOB x 8 RIB	1	1	24V
2	564511	PULLEY ALTERNATOR / "BOSCH" / 83MM O.D. x 8 RIB	1	1	12V
3	21034254	FLANGE NUT To F-5912	1	1	
3	21429955	FLANGE NUT From F-5913	1	1	
4	5060117	MULTI V-BELT / 8 RIB 33.66" (855) 8PK855 QT (21-2186)	1	1	
5	457530	PULLEY / W/4 GROOVE & 8 RIB 2/B + 8 RIB + 2/A	1	1	
6	507675	BALL BEARING To H-6098	1	1	
6	507008	BALL BEARING 30MM x 72MM x 30.2 W From H-6099 To H-6144	1	1	
6	509953	BALL BEARING 30MM x 72MM x 30.2 W HI-TEMP From H-6145	1	1	
7	504736	RING RETAINER / INT 72 x 75 x 2.5MM	1	1	
8	500261	WASHER FL .390x1.500x.083 N500	1	1	
9	5001834	WASHER BEL SPR 10.5X23X2.5 N500	3	3	
10	502804	SCREW CAP HEX M10-1.5x25 G8.8 N500	1	1	
11	950471	CAP, DUST	1	1	
12	457474	SHAFT PULLEY	1	1	
13	5001252	NUT HEX STO M20-2.5 DP	1	1	
14	068612	SUPPORT ASSY / ALTERNATOR	1	1	
15	457491	ATTACHMENT ALTERNATOR	1	1	
16	5001308	SCREW CAP HEXF M10-1.5x40 G10.9 N500	1	1	
17	5001853	SCREW SHR CAP HEXF 13x130 {M12x1.75 G10.9 N500 To H-6101	1	1	
17	502950	SCREW SHR CAP HEXF 13x135 {M12x1.75 G10.9 N500 From H-6102	1	1	
18	5001774	NUT HEXF STO M12-1.75 MAGNI G500	1	1	
19	457528	SUPPORT OPPOSITE PULLEY SIDE	1	1	
20	457529	SUPPORT ASSY	1	1	
21	5001741	SCREW CAP HEXF M10-1.5x30 G8.8 N500 To H-6132	4	4	
21	5000343	SCREW CAP HEXF M10-1.5x30 G10.9 N500 From H-6133	4	4	
22	5001727	NUT HEXF NYRT M10-1.5 N500 To E-5651	4	4	
22	5001930	NUT HEXF NYRT M10-1.5 N500 G10.9 From E-5652	4	4	
23	502926	SCREW CAP HEX 3/8-16x7/8 G5 N500	1	1	
26	500813	SCREW CAP HEX M16-2.0x35 G8.8 ZP To G-6000	2	2	
26	5001896	SCREW CAP HEX M16-2.0x35 G10.9 N500 From G-6001	2	2	
27	502884	WASHER LO SPT 16.2x27.4x3.5 N500	2	2	
28	5001151	WASHER CON 16.5x50.0x4.5 ZP	2	2	
29	630002	BUSHING / RUBBER / (TWO PIECES) 1" x 1.005" I.D.	4	4	
30	500997	WASHER FL 1.062x2.500x.125 SS	2	2	
31	550840	BELLOW ASSY / BELT TENSIONER / 4" O.D.	1	1	
32	502917	NUT HEX JAM 3/4-16 G2 N500	1	1	



From E-5490 To H-6179	Date:07/2024	PAGE:X3VIP-0610-65
-----------------------	--------------	--------------------

ALTERNATOR MOUNTING / WITH LARGE A/C SYSTEM

Item#	Part	Description	X 3 V I P E N T	X 3 V I P M T H	N O T E S
NS	680038	THREAD LOCKER LOCTITE #243 / BLUE / 50ml	AR	AR	
33	641369	MALE ELBOW 90° NON-SWIVEL / PUSH-IN FITTING / #4x1/8NPT-M BR	1	1	
NS	680098	THREAD SEALANT LOCTITE #567 / WHITE / 250ml	AR	AR	
34	504750	CABLE TIE / 1/2" x 15" / CHRISTMAS TREE	1	1	
35	503402	TUBE, NYLON 1/4 O.D. / BLACK S.L.	AR	AR	
50	X3VIP-2245-01	A/C COMPRESSOR "BITZER" - INSTALLATION			
51	X3VIP-0120-00	DRIVE PULLEY, BELTS & TENSIONER WITH VOLVO D13			
		12V) USE WITH 12VOLTS ALTERNATOR			
		24V) USE WITH 24VOLTS ALTERNATOR			
		A) USE WITH 3RD ALTERNATOR			



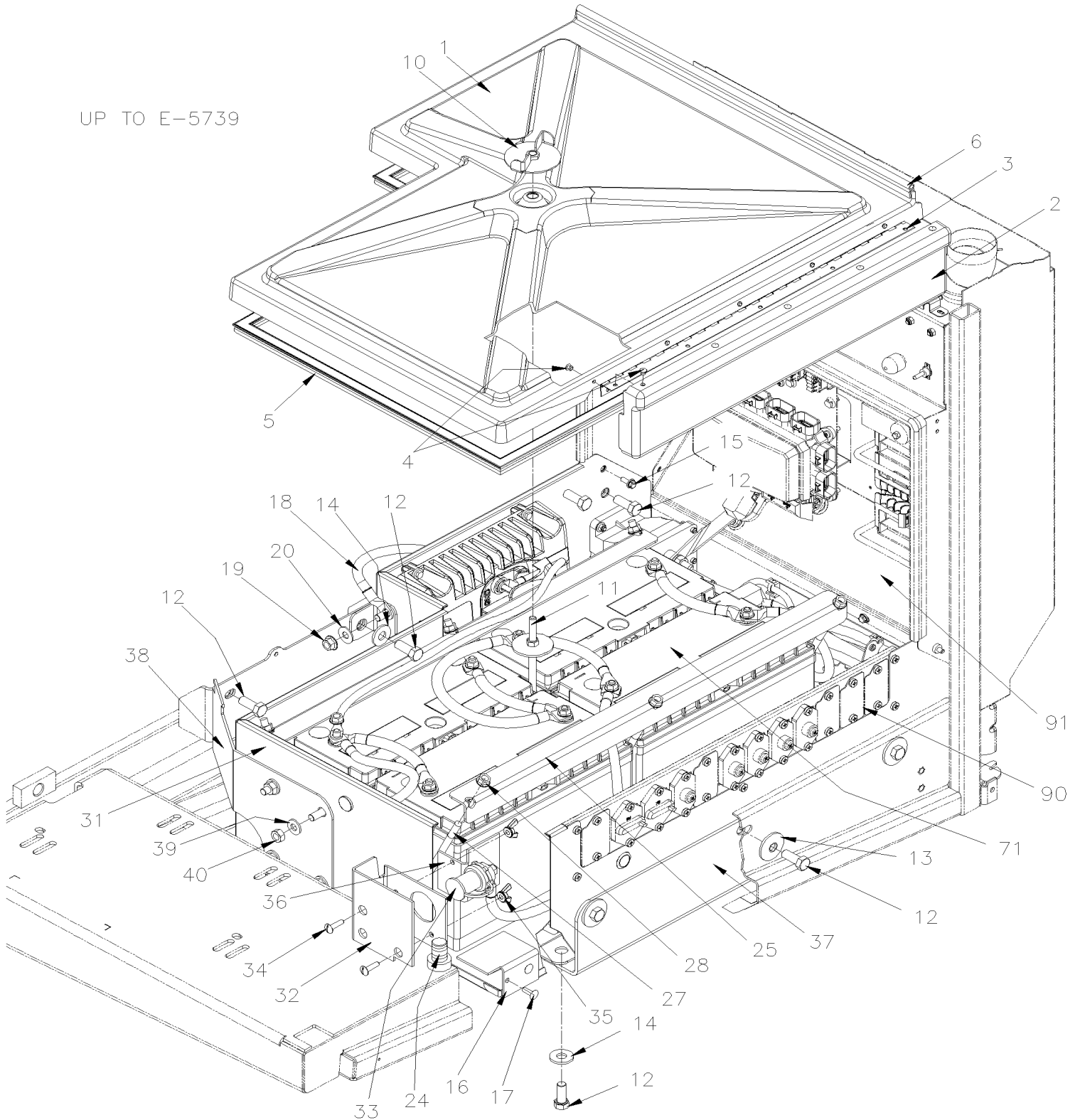
From E-5490 To H-6179

Date:07/2024

PAGE:X3VIP-0615-50

BATTERIES INSTALLATION

UP TO E-5739





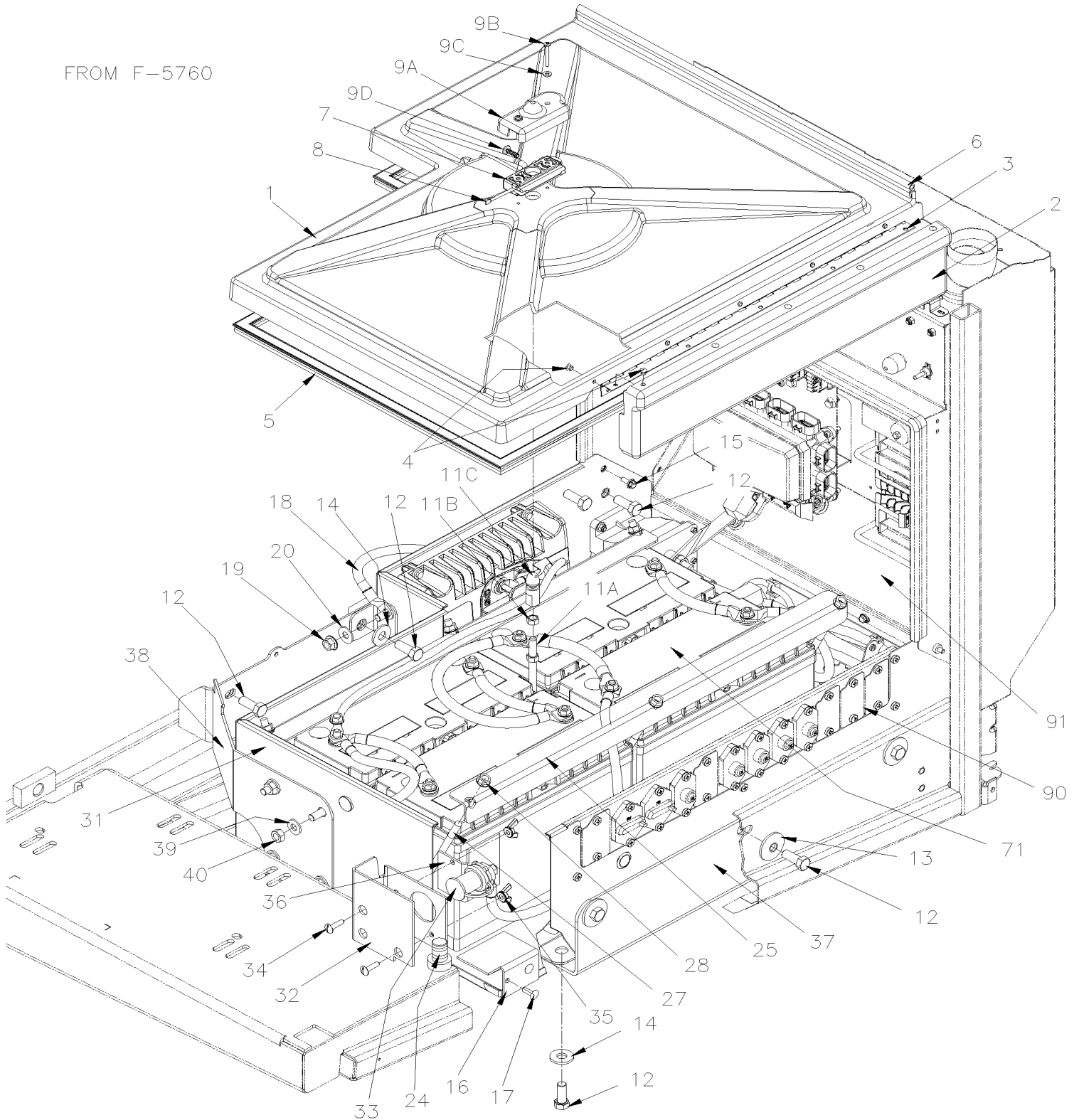
From E-5490 To H-6179

Date:07/2024

PAGE:X3VIP-0615-50

BATTERIES INSTALLATION

FROM F-5760



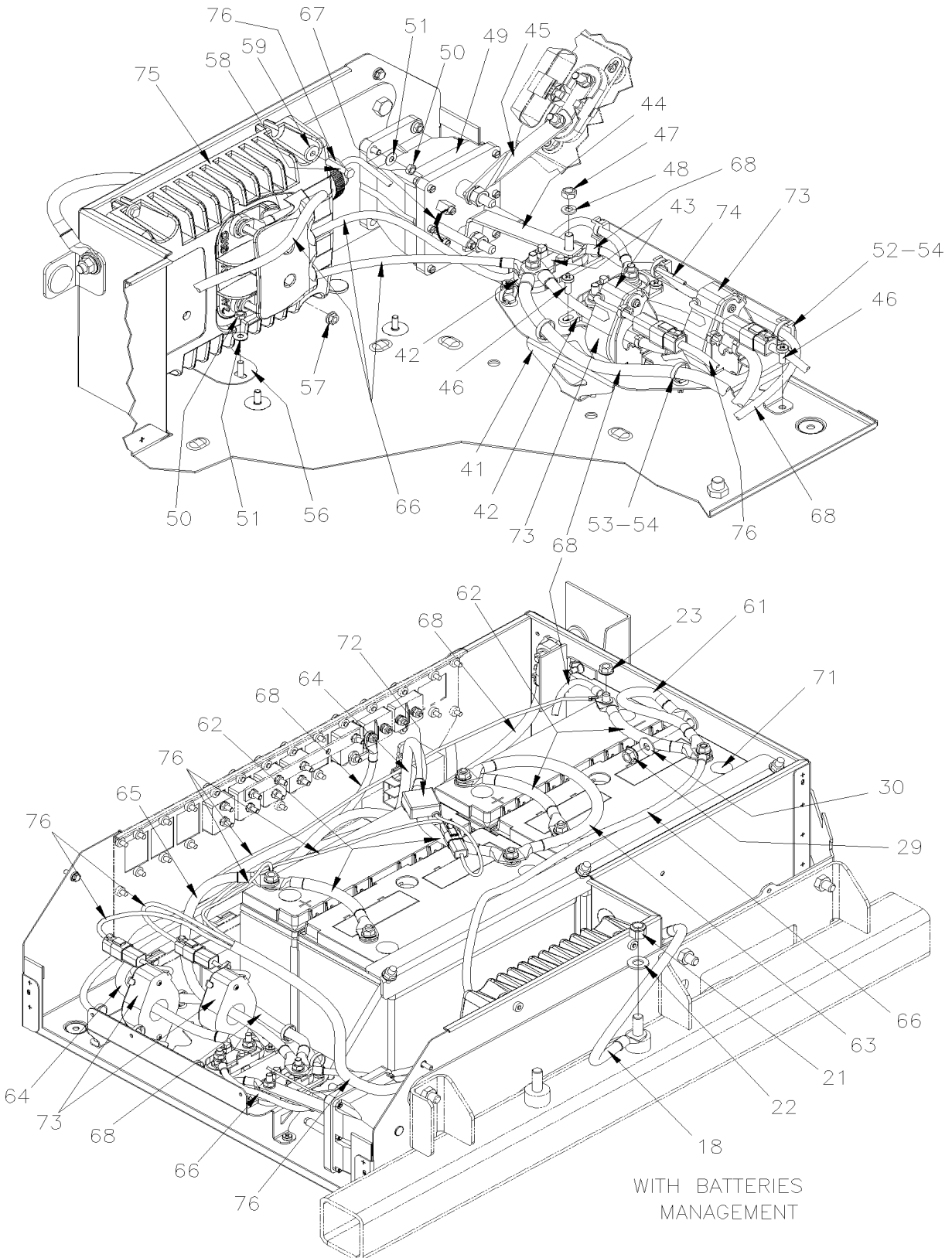


From E-5490 To H-6179

Date:07/2024

PAGE:X3VIP-0615-50

BATTERIES INSTALLATION





From E-5490 To H-6179	Date:07/2024	PAGE:X3VIP-0615-50
------------------------------	---------------------	---------------------------

BATTERIES INSTALLATION

Item#	Part	Description	X 3 V I P E N T	X 3 V I P M T H	N O T E S
	Call order desk	COVER ASSY W/SIDE BREAKER COVER PROTECTOR To E-5739	1	1	P
	068701P	COVER ASSY W/SIDE BREAKER COVER PROTECTOR From F-5740	1	1	
1	068575	. COVER To E-5739	1	1	
1	069075	. COVER From F-5740	1	1	
2	067757	. COVER SIDE BREAKERS	1	1	
3	067756	. HINGE 622MM	1	1	
4	504379	. RIVET POP DOME OE 3/16x1/4 SS	10	10	
5	5060103	. RUBBER SEAL 6.56FT LONG	AR	AR	
6	506302	. RUBBER EXTRUSION TRIM SEAL / GRIP .024 / 7/16" HOLLOW BULB C.T.L. To F-5775	AR	AR	
6	069094	. RUBBER EXTRUSION / BATTERY COVER 620MM From F-5776	1	1	
6	504339	. RIVET POP DOME OE 1/8x3/8 SS From F-5776	3	3	
6	5001067	. WASHER FL .128x.312x.032 SS From F-5776	3	3	
7	477399	. RECEPTACLE From F-5740	1	1	
8	472830	. SPRING GUIDE HOLDER From F-5740	1	1	
9A	069054	. COVER / RECEPTACLE From F-5740	1	1	
9B	5001452	. SCREW TP PAN PH #8x1 1/2 SS From F-5740	2	2	
9C	5001137	. WASHER FL .203x.438x.050 SS From F-5740	2	2	
9D	5001630	. SCREW TP BUTF TORX M6x20 SS From F-5740	1	1	
10	068765	NUT WING 3/8-16 To E-5739	1	1	
11	068902	ROD, COVER BATTERY BOX To E-5739	1	1	
11A	069076	ROD, COVER BATTERY BOX From F-5740	1	1	
11B	500102	NUT HEX 3/8-16 SS From F-5740	1	1	
11C	069049	STOPPER From F-5740	1	1	
12	5001866	SCREW CAP HEX M12-1.75x30 G10.9 N500	9	9	
13	500494	WASHER BEL SPR .470x1.680x.125 N500	3	3	
14	500211	WASHER FL .531x1.250x.125 N500	4	4	
15	5001730	SCREW CAP HEXF M6-1.0x16 G10.9 N500	3	3	
16	067785	GUARD BOX	1	1	
17	5001438	RIVET DRV TR 1/4x3/4 NYL	2	2	
18	067888	CABLE ASSY / BATTERIES GND TO BODY	1	1	
19	502216	NUT HEXF M10-1.5 SS	1	1	
20	500270	WASHER FL .406x1.000x.063 SS	1	1	
21	502595	NUT HEX NYRT 1/2-13 Z050	1	1	
22	500958	WASHER FL .531x1.062x.095 SS	1	1	
23	5001522	NUT HEXF LO 3/8-16 SS	8	8	
24	382101	STUD, GROUND (WELDED TO STRUCTURE)	1	1	
25	068580	ANGLE BAR / BATTERIES RETAINER 710MM	2	2	
27	067753	J-HOOK / 270.8MM / 3/8-16 SS	6	6	
28	5001522	NUT HEXF LO 3/8-16 SS	6	6	
29	502216	NUT HEXF M10-1.5 SS	1	1	
30	500270	WASHER FL .406x1.000x.063 SS	1	1	
31	068573	BOX ASSY / BATERIES COMPARTMENT	1	1	



From E-5490 To H-6179	Date:07/2024	PAGE:X3VIP-0615-50
-----------------------	--------------	--------------------

BATTERIES INSTALLATION

Item#	Part	Description	X 3 V I P E N T	X 3 V I P M T H	N O T E S
31	506338	RUBBER CHANNEL / 1/16" x 1/4" INT "U" SHAPE / ROUND C.T.L.	AR	AR	
31	680066	ADHESIVE / ADBOND #5014 / 23.6ML BOTTLE	AR	AR	
32	067759	GUARD BOX	1	1	
32	067968	DECAL / "BOOSTER BLOCK" + 24 PICTOGRAM From D-5460	1	1	
33	561856	BOOSTER BLOCK, REMOTE / RED	1	1	
33	509945	WASHER FL 10.5x18.0x1.6 SS From E-5655	1	1	
33	509946	NUT HEX NYRT 3/8-16 SS From E-5655	1	1	
34	500515	SCREW MA BDG SLT 1/4-20x1 NYL	3	3	
35	5001348	NUT WING 1/4-20 NYL	3	3	
36	067785	GUARD BOX	1	1	
37	068209	SUPPORT BOX ASSY / BATERIES COMPARTMENT	1	1	
38	068574	SUPPORT, BOX BATTERY	1	1	
NS	509492	CABLE TIE MOUNT FOR THREADED STUD 1/4	2	2	
NS	504016	CABLE TIE / 5/16" X 14"1/2	1	1	
NS	509815	TIE MOUNT / ATTACHMENT W/TREE MOUNT	6	6	
39	5001834	WASHER BEL SPR 10.5X23X2.5 N500	6	6	
40	500847	NUT HEX M10-1.5 N500	5	5	
41	068599	SUPPORT, ELECTRIC SENSOR	1	1	
42	563750	FUSEHOLDER W/RED COVER / MEGA FUSE /	2	2	
43	068169	BUS BAR / W/2 HOLES	2	2	
43	561756	SHRINK TUBING / 1.000" - .500" / RED / ALPHA FIT-221-1	AR	AR	
44	068705	BUS BAR / W/2 HOLES	1	1	
45	068706	BUS BAR / W/2 HOLES	1	1	
46	502817	SCREW MA PAN PH M6-1.0x16 N500	7	7	
47	500615	NUT HEX M8-1.25 BR To E-5525	4	4	
47	966171	NUT HEX NYRT M8x1.25 SS From E-5526	4	4	
48	500035	WASHER LO SPT .317x.586x.078 SS To E-5525	4	4	
48	5001341	WASHER FL 8.4x17.0x1.6 SS From E-5526	4	4	
49	562364	RELAY 24V S.P.S.T. / 300 AMPS N.O. // BATTERY DISCONNECT	1	1	
50	502854	NUT HEX M6-1.0 N500	4	4	
51	5001608	WASHER BEL SPR 6.2x15.0x0.7 G500	4	4	
52	504013	TIE MOUNT / 1/4" X 1/4" I.D.	4	4	
52	504379	RIVET POP DOME OE 3/16x1/4 SS	4	4	
53	509815	TIE MOUNT / ATTACHMENT W/TREE MOUNT	4	4	
54	504637	CABLE TIE / 3/16" x 13"	AR	AR	
56	068578	SUPPORT INTERMEDIARY, EQUALIZER	1	1	
57	5001857	NUT HEXF M6-1.0 N500	2	2	
58	502686	SCREW CAP HEX M6-1.0x30 SS BK	2	2	
59	5001654	WASHER FL 6.4x17.0x3.0 SS	2	2	
61	067888	CABLE ASSY / BATTERIES GND TO BODY	1	1	
62	062371	CABLE ASSY / B + TO B +	4	4	
63	066296	CABLE ASSY / B + TO B -	1	1	



From E-5490 To H-6179	Date:07/2024	PAGE:X3VIP-0615-50
-----------------------	--------------	--------------------

BATTERIES INSTALLATION

Item#	Part	Description	X 3 V I P E N T	X 3 V I P M T H	N O T E S
64	067974	CABLE 12VD	1	1	
65	067972	CABLE 24VD	1	1	
66	067970	CABLE EQUALIZER To H-6146	1	1	
66	069670	CABLE EQUALIZER From H-6147	1	1	
67	068134	DIODE ASSY	1	1	
68	068165	CABLE ASSY REAR JCT BREAKER ASSY	1	1	
		NEXT FOLLOWING ITEM ARE USE ONLY WITH BATTERIES MANAGEMENT			
71	21258363	BATTERY AGM - 12V GR31 800 CCA	4	4	
71	068735	DECAL BATTERIES MANAGEMENT	1	1	
72	067952	SENSOR VOLT AND TEMP - VANNER	1	1	
73	067954	SENSOR 80/600AMP - VANNER	2	2	
74	5001694	SCREW MA PAN PH M4-0.7x40 SS BK	4	4	
75	067951	EQUALIZER "VANNER" 100AMPS	1	1	A
75	560705	EQUALIZER "VANNER" 100AMPS	1	1	
76	067965	HARNESS EQUALIZER CONTROL	1	1	
90	X3VIP-0616-50	BREAKERS PANEL			
91	X3VIP-0620-50	REAR JUNCTION BOX ASSY	1	1	
		A) FOR PRODUCT IMPROVMENT ASK FOR #560705			
		P) CALL ORDER DESK FOR SPECIFIC APPLICATION (V.I.N.)			

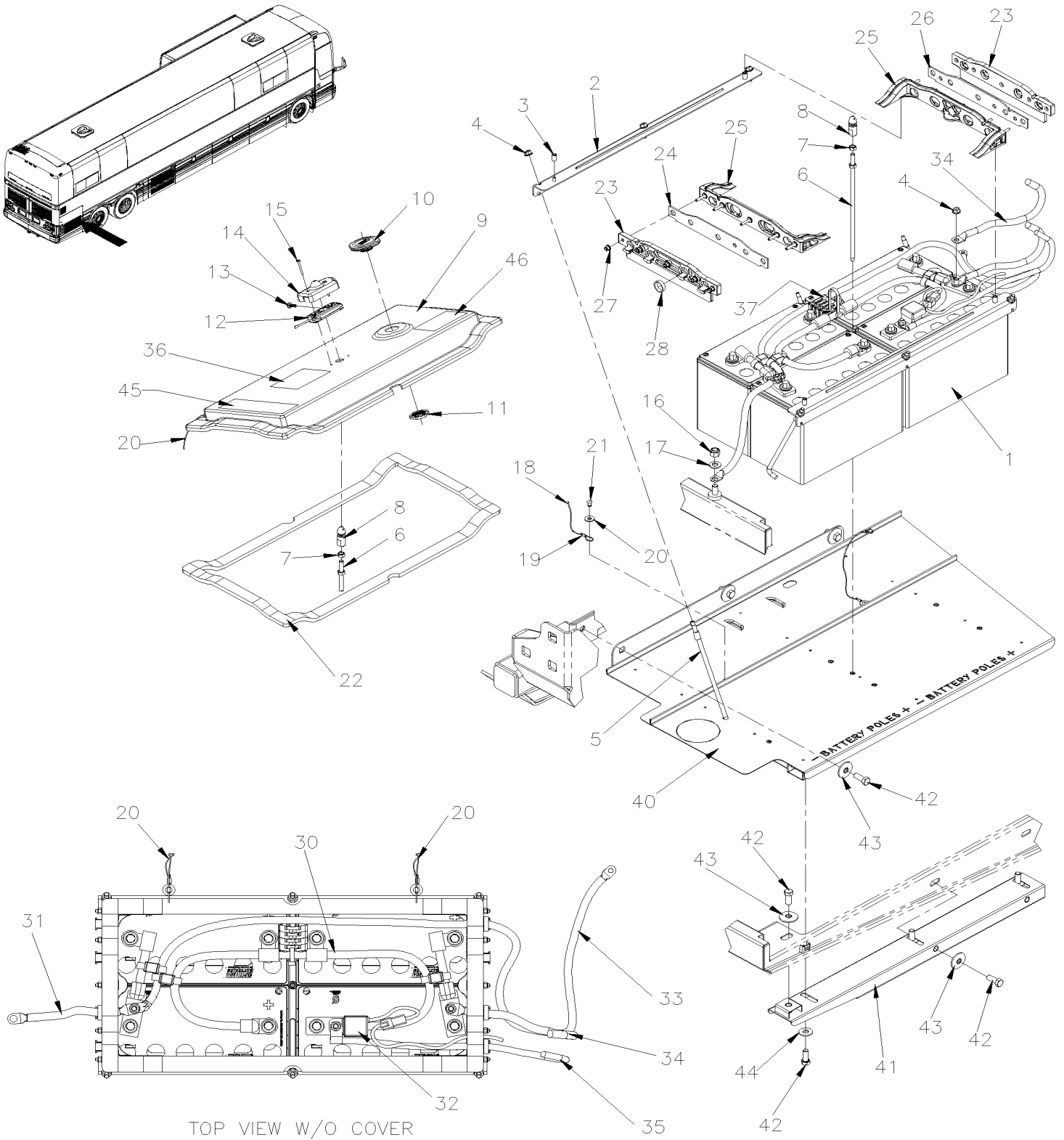


From H-6180

Date:07/2024

PAGE:X3VIP-0615-51

BATTERIES INSTALLATION VOLVO D13 - GHG17





From H-6180		Date:07/2024	PAGE:X3VIP-0615-51
BATTERIES INSTALLATION VOLVO D13 - GHG17			

Item#	Part	Description	X 3 V I P E N T	X 3 V I P M T H	N O T E S
1	21258363	BATTERY AGM - 12V GR31 800 CCA To R-6986	4	4	
1	23825207	BATTERY AGM - 12V 925 CCA 190 RC From R-6987	4	4	
1	565904	BATTERY AGM - 12V - ODYSSEY (HEAVY-DUTY)	4	4	
2	069380	ANCHOR, BATTERY	2	2	
3	060160	SLEEVE, THREADED PLASTIC	4	4	
4	5001522	NUT HEXF LO 3/8-16 SS	AR	AR	
5	060145	HOOK, BATTERY	6	6	
NS	060227	SPACER BETWEEN BATTERY	2	2	
. NS	503523	. HOSE SILICONE 1PLY 3/4" I.D. x 100' / S.L.	AR	AR	
6	060153	ROD	1	1	
7	500102	NUT HEX 3/8-16 SS	1	1	
8	060198	STOPPER	1	1	
9	069365	COVER BATTERY	1	1	
NS	060428	DECAL BATTERY CONNECTION To J-6308	1	1	
9	069886	DECAL BATTERY CONNECTION From J-6309	1	1	
10	507690	VENT, GORE	1	1	
11	507689	NUT, VENT GORE	1	1	
12	477399	RECEPTACLE	1	1	
12	472830	SPRING GUIDE HOLDER	1	1	
13	5001630	SCREW TP BUTF TORX M6x20 SS	1	1	
14	069054	COVER / RECEPTACLE	1	1	
15	5001452	SCREW TP PAN PH #8x1 1/2 SS	2	2	
16	5002001	NUT HEX NYRT 1/2-13 SS BK	1	1	
17	500958	WASHER FL .531x1.062x.095 SS	1	1	
18	504814	CABLE 0.063" (1/16") DIA, 18-8 SS To P-6904	AR	AR	
18	504294	CABLE 1/16" WITH COATING 3/32 From P-6905	2	2	
19	780341	SLEEVE / TO HOLDING CABLE 1/16OD SS To P-6904	4	4	
19	780072	SLEEVE / TO HOLDING CABLE 3/32" OD From P-6905	4	4	
20	5001448	WASHER FL .343x.875x.062 SS18-8	2	2	
21	504459	RIVET MGLP PRDG 1/4x3/8 SS	2	2	
22	060159	GASKET SILICONE 3/8"	2	2	
23	060073	CABLE THROUGH	2	2	
24	060075	GASKET RUBBER 1/8"	1	1	
25	060072	CABLE THROUGH	2	2	
. NS	5000307	. SCREW CAP HEX M6-1.0x35 SS	5	5	
26	069366	GASKET RUBBER 1/8"	1	1	
27	5001932	NUT HEXF NYRT M6-1.0 G8.8 N500	10	10	
28	504016	CABLE TIE / 5/16" X 14"1/2	4	4	
30	060152	HARNESS MAIN JUMPER BATTERY	1	1	
. NS	0610565	. CABLE GROUND BLACK	1	1	
. NS	0610566	. CABLE 24V RED	1	1	
. NS	0610567	. CABLE 12V YELLOW	1	1	



From H-6180	Date:07/2024	PAGE:X3VIP-0615-51
BATTERIES INSTALLATION VOLVO D13 - GHG17		

Item#	Part	Description	X 3 V I P E N T	X 3 V I P M T H	N O T E S
. NS	0610564	. TIE-STRAP, 2 HOSES	4	4	
. NS	560278	. NUT 3/8	8	8	
31	069525	CABLE GND STRAP	1	1	
32	067952	SENSOR VOLT AND TEMP - VANNER	1	1	
33	069534	HARNESS BATTERY ELECTRONIC GND	1	1	
34	069561	HARNESS BATTERY 24VD	1	1	
NS	060254	PROTECTION COVERING	1	1	
. NS	503748	. HOSE PROTECTOR / YELLOW / .838 I.D.	AR	AR	
35	069523	HARNESS BATTERY 12 VD	1	1	
NS	060254	PROTECTION COVERING	1	1	
. NS	503748	. HOSE PROTECTOR / YELLOW / .838 I.D.	AR	AR	
36	060252	DECAL COVER LOCK	1	1	
37	504037	SPACER	1	1	
NS	504016	CABLE TIE / 5/16" X 14"1/2	1	1	
40	069372	FLOOR, BATTERY To J-6285	1	1	
40	069805	FLOOR, BATTERY From J-6286 To K-6359	1	1	
40	069889	FLOOR, BATTERY From K-6360 To N-6723	1	1	
40	0610560	FLOOR, BATTERY From N-6724 To P-6785	1	1	
40	0610624	FLOOR, BATTERY From P-6786	1	1	
41	069512	TUBE ASSY,	1	1	
42	5001866	SCREW CAP HEX M12-1.75x30 G10.9 N500	6	6	
43	500494	WASHER BEL SPR .470x1.680x.125 N500	6	6	
44	500211	WASHER FL .531x1.250x.125 N500	3	3	
45	060771	DECAL / WELDING PROCEDURE	1	1	
46	061325	DECAL "CAUTION" ALWAYS FIRST.... / ENGLISH & FRANCAIS	1	1	

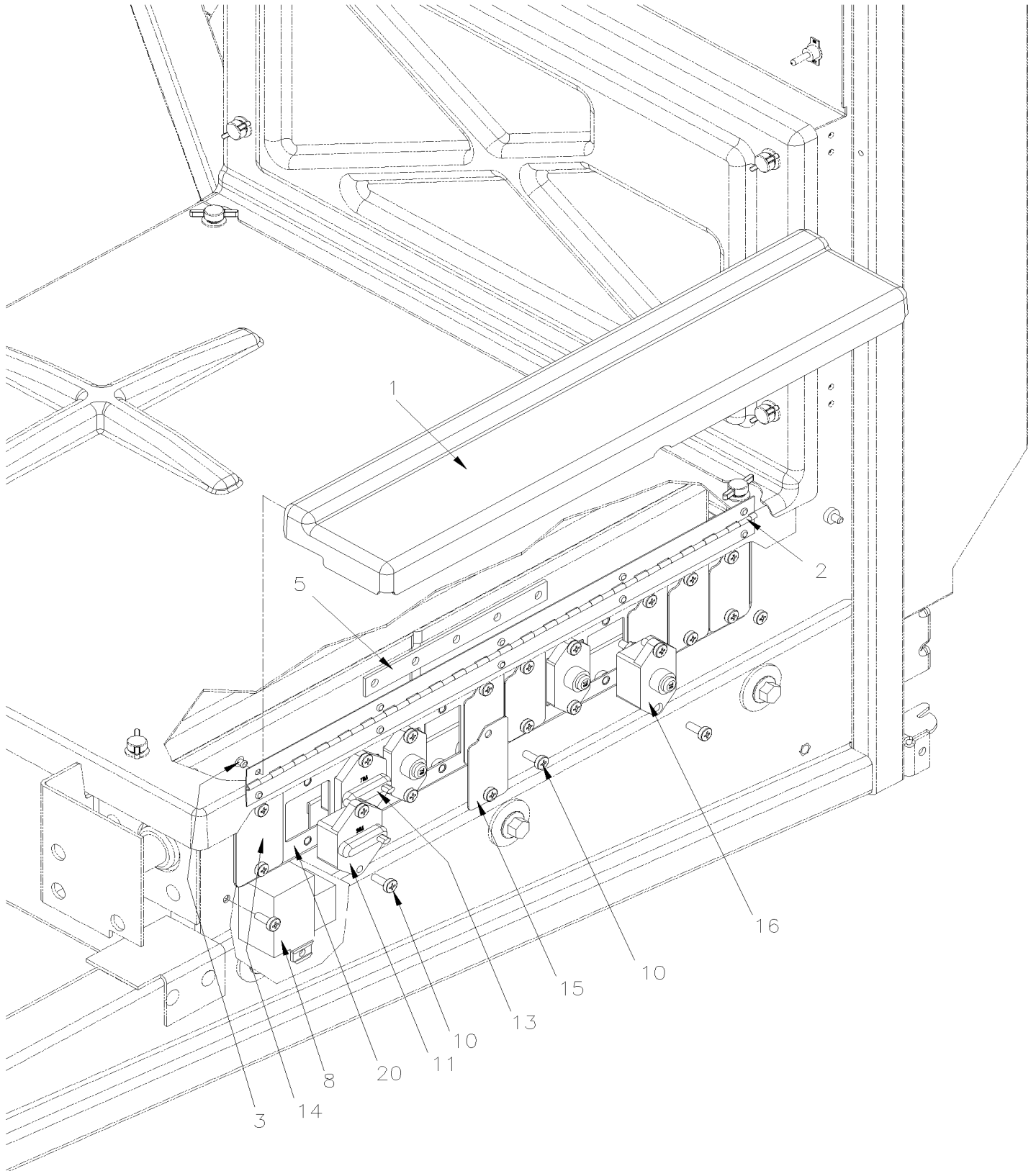


From E-5490 To H-6179

Date:07/2024

PAGE:X3VIP-0616-50

BREAKERS PANEL





From E-5490 To H-6179		Date:07/2024	PAGE:X3VIP-0616-50
-----------------------	--	--------------	--------------------

BREAKERS PANEL

Item#	Part	Description	X 3 V I P E N T	X 3 V I P M T H	N O T E S
	Call order desk	SUPPORT BREAKERS ASSY W/CABLE	1	1	P
1	067757	COVER SIDE BREAKERS	1	1	
2	067756	HINGE 622MM	1	1	
3	504379	RIVET POP DOME OE 3/16x1/4 SS	10	10	
5	068059	BUS BAR / W/5 HOLES / 45.5MM C/C	1	1	
8	563348	RELAY POWER 24V 200 AMPS / S.P.S.T. N.O.	1	1	
. NS	5001182	. NUT HEX NYRT M6-1.0 SS	1	1	
. NS	502573	. WASHER FL 6.4x12.5x1.6 SS	1	1	
. NS	563409	. CONNECTOR / SUPERSEAL 1.5 SERIES / SH 2C / AMP 282080-1	1	1	
. NS	562607	. SOCKET TERMINAL / 20-16 / AMP 183025-1	1	1	
NS	5001182	NUT HEX NYRT M6-1.0 SS	1	1	
10	502817	SCREW MA PAN PH M6-1.0x16 N500	24	24	
11	563425	BREAKER 90AMPS / 24V / To E-5525	1	1	
11	565147	BREAKER 90AMPS / 24V / W/O HARDWARE From E-5526	1	1	
13	563424	BREAKER 70AMPS / 24V / To E-5525	1	1	
13	565146	BREAKER 70AMPS / 24V / W/O HARDWARE From E-5526	1	1	
NS	5001924	NUT HEX NYRT THN 1/4-28 SS From E-5526	AR	AR	
NS	502573	WASHER FL 6.4x12.5x1.6 SS From E-5526	AR	AR	
14	382450	CLOSING PLATE BREAKER HOLE	1	1	
15	382450	CLOSING PLATE BREAKER HOLE	6	6	
16	562687	BREAKER 70AMPS / 24V / To E-5525	3	3	
16	565136	BREAKER 70AMPS / 24V / W/O HARDWARE From E-5526	1	1	
20	068124	SUPPORT BREAKER	1	1	
		P) CALL ORDER DESK FOR SPECIFIC APPLICATION (V.I.N.)			



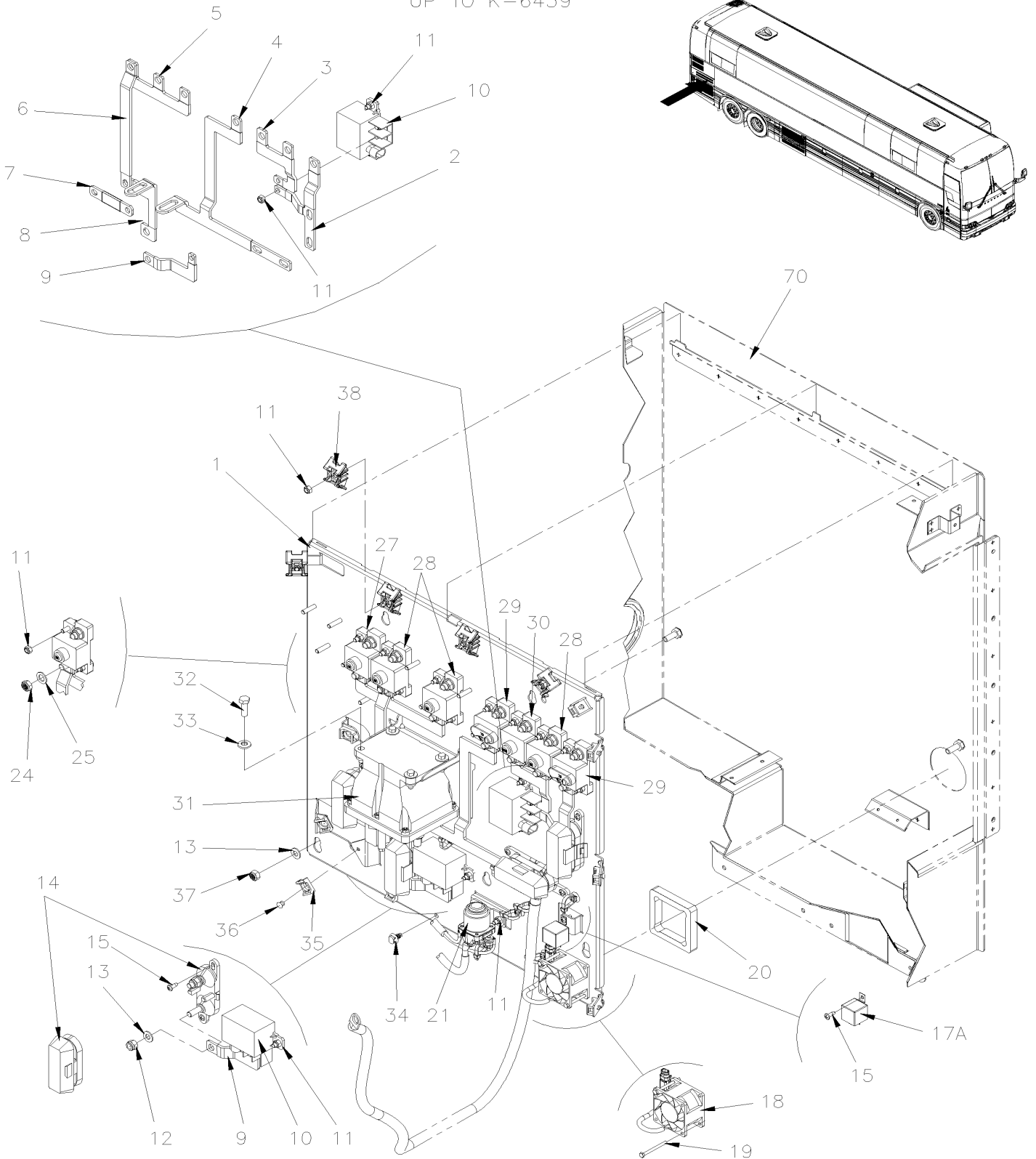
From H-6180

Date:07/2024

PAGE:X3VIP-0616-51

BREAKERS PANEL GHG17

UP TO K-6439



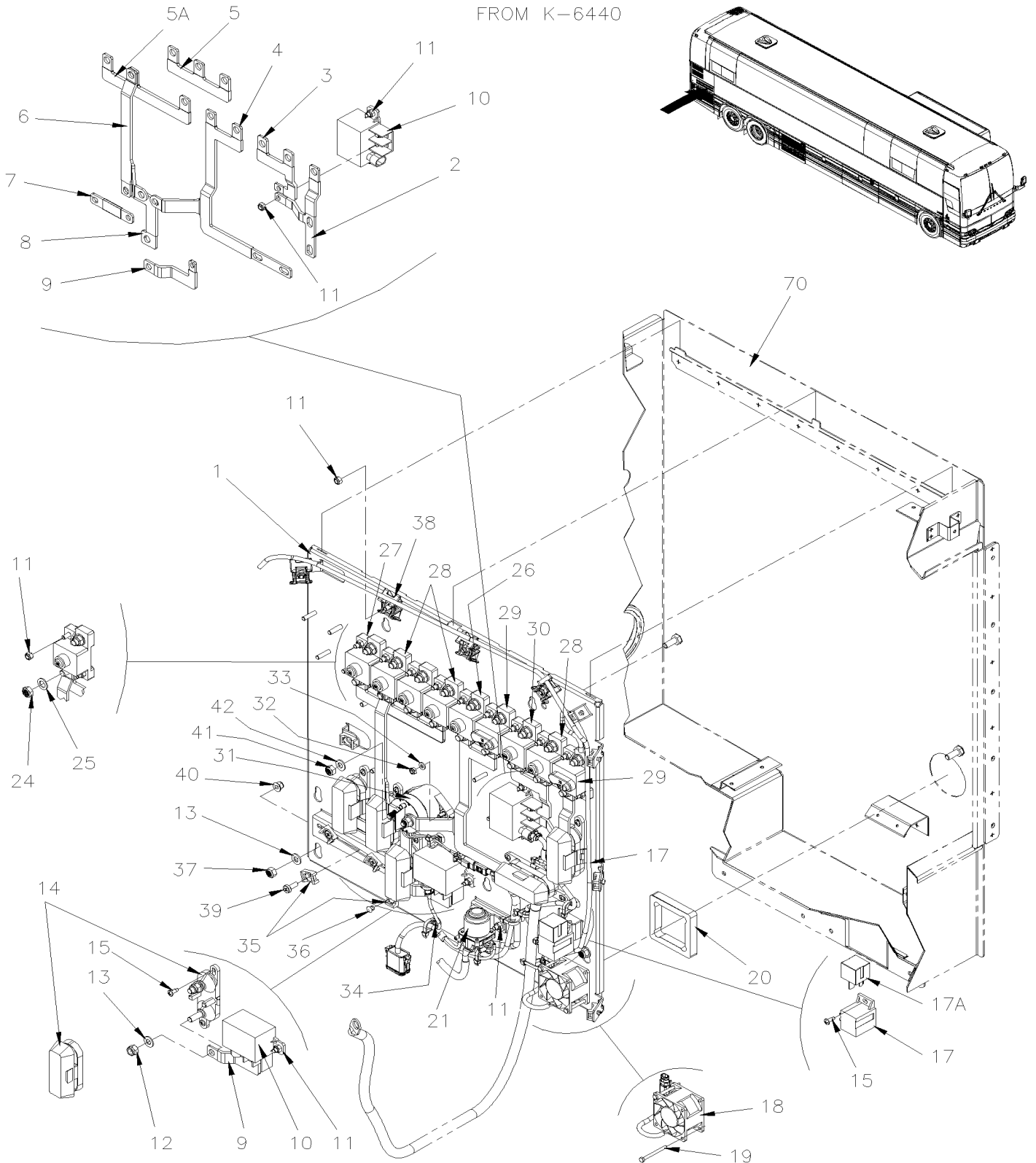


From H-6180

Date:07/2024

PAGE:X3VIP-0616-51

BREAKERS PANEL GHG17





From H-6180		Date:07/2024	PAGE:X3VIP-0616-51
BREAKERS PANEL GHG17			

Item#	Part	Description	X 3 V I P E N T	X 3 V I P M T H	N O T E S
1	067471	SUPPORT PLATE POWER RJB To J-6286	1	1	
1	061431	SUPPORT PLATE POWER RJB To K-6439	1	1	
1	0610063	SUPPORT PLATE POWER RJB From K-6440 To M-6657	1	1	
1	0610451	SUPPORT PLATE POWER RJB From M-6658	1	1	
2	067461	BUS BAR 156 x 88MM, 2 HOLES 2 SLOTS	1	1	
3	060203	BUS BAR 86,5 x 6MM, 3 HOLES	1	1	
4	060479	BUS BAR To K-6439	1	1	
4	0610072	BUS BAR 213.9x172.4x47.7MM,1 HOL,3 SLO From K-6440 To L-6610	1	1	
4	0610061	BUS BAR 213x 172MM, 2 HOLES 3 SLOTS From L-6611	1	1	
5	060477	BUS BAR 117.2 x 44.2MM, 3 HOLES	1	1	L
5A	0600268	BUS BAR 166.5 MM X 45MM, 3 HOLES	1	1	S
6	067467	BUS BAR 214MM LG., 2 HOLES To K-6439	1	1	
6	0610059	BUS BAR 219 x 70.2MM, 3 HOLES From K-6440	1	1	
7	060205	BUS BAR 81MM, 2 HOLES	1	1	
8	067466	BUS BAR 109 x 52 x 63MM,2 HOLES 1 SLOT To K-6439	1	1	
8	0610060	BUS BAR 89 x 63MM,2 HOLES From K-6440	1	1	
9	060204	BUS BAR 86 x 47MM, 2HOLES	1	1	
10	563348	RELAY POWER 24V 200 AMPS / S.P.S.T. N.O.	2	2	
. NS	5001182	. NUT HEX NYRT M6-1.0 SS	1	1	
. NS	502573	. WASHER FL 6.4x12.5x1.6 SS	1	1	
. NS	563409	. CONNECTOR / SUPERSEAL 1.5 SERIES / SH 2C / AMP 282080-1	1	1	
. NS	562607	. SOCKET TERMINAL / 20-16 / AMP 183025-1	1	1	
11	502681	NUT HEX NYRT M6-1.0 N500 G8	AR	AR	
12	5001787	NUT HEX NYRT M8-1.25 SS	10	10	
13	5001341	WASHER FL 8.4x17.0x1.6 SS	20	20	
14	563750	FUSEHOLDER W/RED COVER / MEGA FUSE /	5	5	
14	564174	FUSE / MEGA FUSE / 150 AMPS / ORANGE	AR	AR	
14	564520	FUSE / MEGA FUSE / 300 AMPS / GREY	AR	AR	
15	502868	SCREW TC TR PH #10-16x1/2 N500	AR	AR	
NS	060547	HARNESS / REAR JUNCTION BOX CONTROL To K-6439	1	1	
17	0610097	HARNESS / REAR JUNCTION BOX CONTROL From K-6440 To L-6610	1	1	
17	0611010	HARNESS / REAR JUNCTION BOX CONTROL From L-6611 To M-6657	1	1	
17	0610457	CONTROL HARNESS, REAR JUNCTION BOX From M-6658	1	1	
17	564210	. RELAY BASE / TAB TERMINAL / COLE HERSEE 99025 To M-6657	1	1	
17	564210	. RELAY BASE / TAB TERMINAL / COLE HERSEE 99025 From M-6658	2	2	
17A	564218	RELAY 24V S.P.S.T. / 40 AMPS N.O. To M-6657	1	1	
17A	564218	RELAY 24V S.P.S.T. / 40 AMPS N.O. From M-6658	2	2	
18	565899	AXIAL FAN 60 x 38MM	1	1	
18	565907	SOCKET TERMINAL / 18-16 / DEUTSCH 0462-005-20141	2	2	
18	563605	SECONDARY LOCK / DTM SERIES / SH 2C / DEUTSCH WM-2S	1	1	
19	70314700	SCREW CAP HEX M4-0.7X45 SS	2	2	
20	287809	SEAL SQUARE 78MMX12MM TH	1	1	



From H-6180		Date:07/2024	PAGE:X3VIP-0616-51
BREAKERS PANEL GHG17			

Item#	Part	Description	X 3 V I P E N T	X 3 V I P M T H	N O T E S
21	564095	SMALL STARTOR RELAY To P-6899	1	1	
21	564398	SMALL STARTOR RELAY From P-6900	1	1	
22	502573	WASHER FL 6.4x12.5x1.6 SS	4	4	
22	5001182	NUT HEX NYRT M6-1.0 SS	4	4	
24	5001936	NUT HEX NYRT 3/8-16 SS	AR	AR	
25	5001935	WASHER FL 10.5x18.0x1.6 SS	AR	AR	
26	563707	BREAKER 70AMPS / 24V / From L-6611	1	1	
27	568127	BREAKER 50AMPS / 24V /	1	1	
28	563708	BREAKER 90AMPS / 24V / To R-4000	3	3	
28	563708	BREAKER 90AMPS / 24V / From R-4001	2	2	
28	564902	BREAKER 120A 3/8 SURFACE MOUNT From R-4001	1	1	
29	568113	BREAKER 70AMPS / 24V /	2	2	
30	568114	BREAKER 150AMPS / 24V /	1	1	
31	562364	RELAY 24V S.P.S.T. / 300 AMPS N.O. // BATTERY DISCONNECT To K-6439	1	1	
31	5001628	NUT HEX NYRT M10-1.5 SS To K-6439	2	2	
31	560843	RELAY 24V S.P.S.T. / 300 AMPS N.O. // BATTERY DISCONNECT From K-6440	1	1	
32	502737	SCREW CAP HEX M6-1.0x25 SS BK To K-6439	4	4	
32	502841	NUT HEX NYRT M5-0.8 N500 From K-6440	2	2	
33	5001833	WASHER BEL SPR 6.1x18x1.27 SS To K-6439	4	4	
33	5001137	WASHER FL .203x.438x.050 SS From K-6440	2	2	
34	8631155	CABLE TIE / 4.6MM x 200 / CHRISTMAS TREE	AR	AR	
35	504013	TIE MOUNT / 1/4" X 1/4" I.D.	8	8	
36	504379	RIVET POP DOME OE 3/16x1/4 SS	8	8	
37	5001983	NUT HEX NYRT M8-1.25 SS SS BK	2	2	
38	509490	ATTACHMENT DOUBLE USE WITH CABLE TIE	4	4	
39	502817	SCREW MA PAN PH M6-1.0x16 N500 From K-6440	AR	AR	
40	5001932	NUT HEXF NYRT M6-1.0 G8.8 N500 From K-6440	AR	AR	
41	5001789	NUT HEX NYRT M8-1.25 SS From K-6440	2	2	
42	5001341	WASHER FL 8.4x17.0x1.6 SS From K-6440	2	2	
NS	564108	SELF MOUNTING STUD // DEUTSCH 1011-310-0205	AR	AR	
70	X3VIP-0620-10	REAR JUNCTION BOX INSTALLATION GHG17			
		L) WITH LARGE A/C			
		S) WITH SMALL A/C			

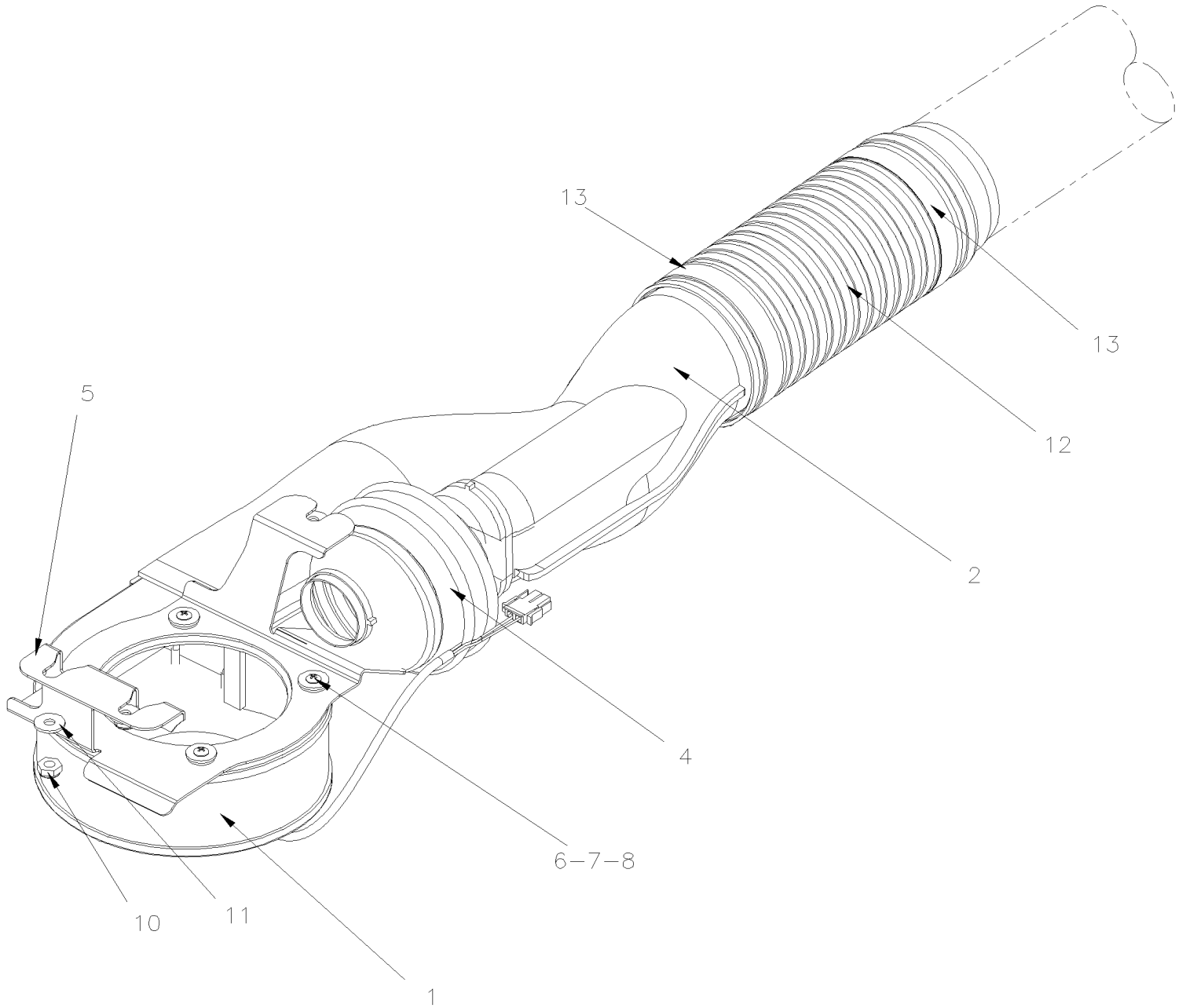


From E-5490 To H-6179

Date:07/2024

PAGE:X3VIP-0620-05

REAR JUNCTION BOX FAN - INSTALLATION





From E-5490 To H-6179	Date:07/2024	PAGE:X3VIP-0620-05
-----------------------	--------------	--------------------

REAR JUNCTION BOX FAN - INSTALLATION

Item#	Part	Description	X 3 V I P E N T	X 3 V I P M T H	N O T E S
	Call order desk	FAN ASSY / REAR JUNCTION BOX, W/MUX	1	1	P
	Call order desk	FAN ASSY / REAR JUNCTION BOX, W/MUX	1	1	P
1	454539	. FAN ASSY 24V W/CONNECTOR	1	1	
1	950439	. . FAN ASSY 24V	1	1	
1	561247	. . CONNECTOR / UNIVERSAL MATE-N-LOK / SH 2C / AMP 1-480698-0	1	1	
NS	562131	. . SOCKET TERMINAL / 20-14 / AMP 350550-1	2	2	
1	563158	. . SHRINK TUBING / .300" - .060" / BLACK / 3M EPS-400.300	AR	AR	
2	950438	. ADAPTOR "Y" FAN & CABLE TUBE	1	1	
3	504024	. HOSE CLAMP / 1"13/16"-2"3/4 SS / HS-36	1	1	
4	504499	. CUFF END BELLOW / 2 7/8" I.D. x 3 5/8" x 4 7/16	1	1	
5	457475	. SUPPORT	1	1	
6	500642	. SCREW TP PAN PH #10x3/4 Z050	8	8	
7	5001462	. WASHER FL 6.4x18.0x1.6 Z050	4	4	
8	500950	. WASHER FL .187x.625x.094 RUB	8	8	
10	502716	NUT HEX NYRT 1/4-20	4	4	
11	5001462	WASHER FL 6.4x18.0x1.6 Z050	4	4	
12	454522	HOSE FLEXIBLE 3 1/2 I.D X 200MM	1	1	
12	457482	HOSE FLEXIBLE 3 1/2 I.D X 342MM	1	1	
NS	503746	. HOSE FLEXIBLE / AIR DUCT 3 1/2" I.D. X 12' / PLASTIC	AR	AR	
13	504026	HOSE CLAMP / 2"13/16-3"3/4 SS / HS-52	2	2	
		P) CALL ORDER DESK FOR SPECIFIC APPLICATION (V.I.N.)			

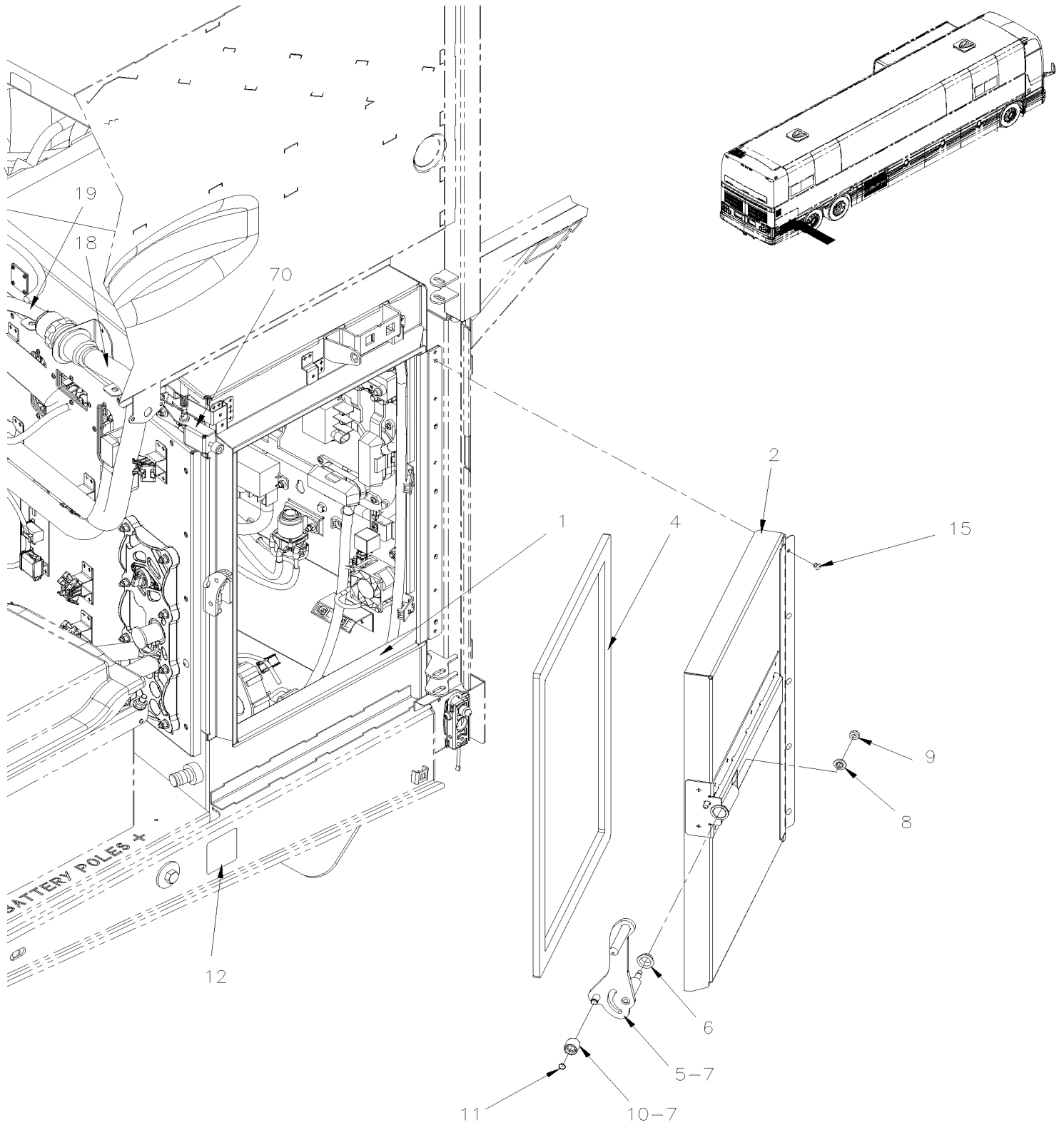


From H-6180

Date:07/2024

PAGE:X3VIP-0620-10

REAR JUNCTION BOX INSTALLATION GHG17



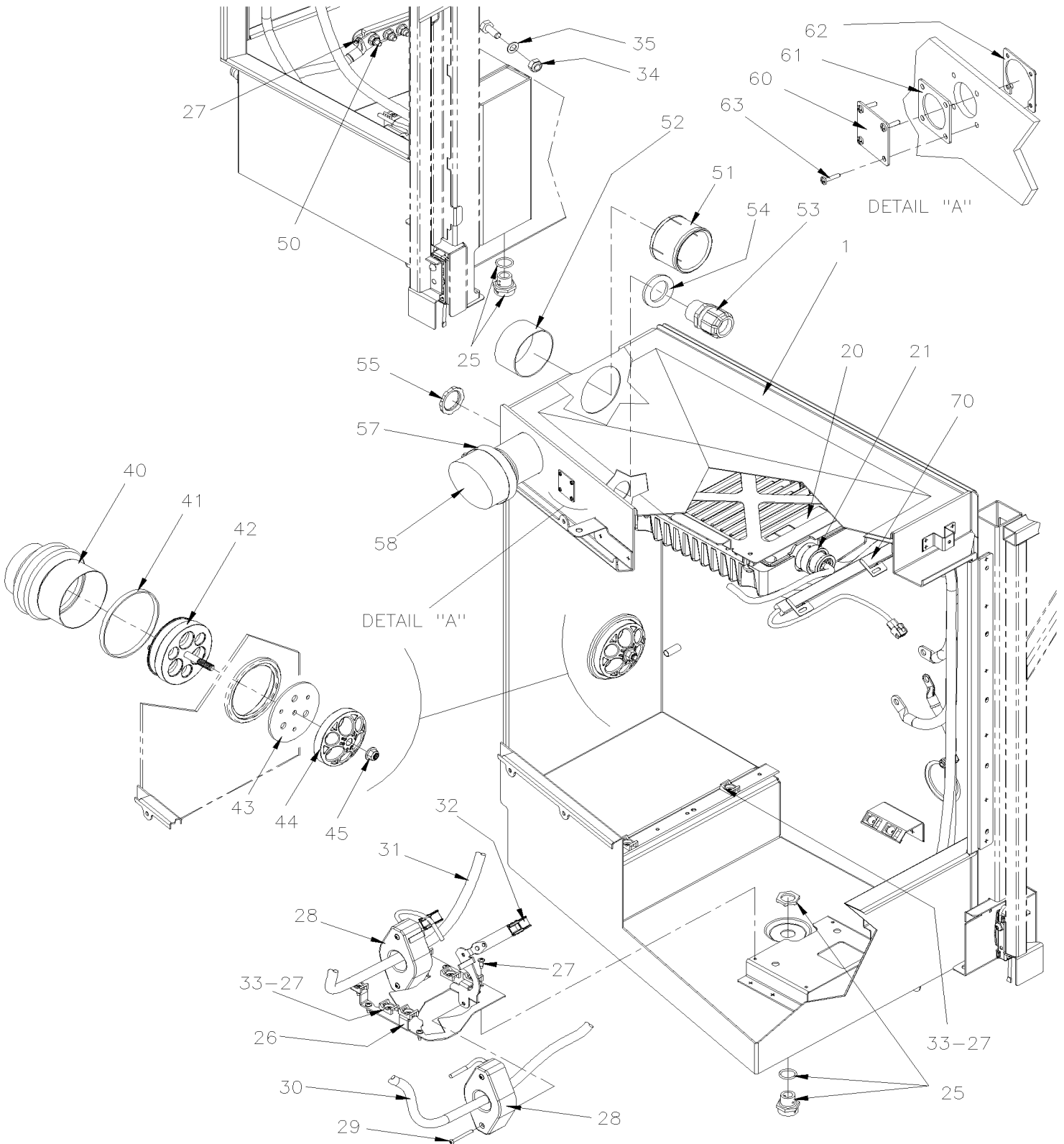


From H-6180

Date:07/2024

PAGE:X3VIP-0620-10

REAR JUNCTION BOX INSTALLATION GHG17





From H-6180		Date:07/2024	PAGE:X3VIP-0620-10
REAR JUNCTION BOX INSTALLATION GHG17			

Item#	Part	Description	X 3 V I P E N T	X 3 V I P M T H	N O T E S
1	261674	REAR JUNCTION BOX / WELDED	1	1	
2	Call order desk	. DOOR ASSY	1	1	P
2	2801063	. DOOR WELDED	1	1	
2	060923	. DECAL REAR JUNCTION BOX / COMPONENTS To J-6280	1	1	
2	062436	. DECAL REAR JUNCTION BOX / COMPONENTS From J-6281 To K-6439	1	1	
2	0610122	. DECAL REAR JUNCTION BOX / COMPONENTS From K-6440 To L-6610	1	1	
2	0610297	. DECAL REAR JUNCTION BOX / COMPONENTS From L-6611 To M-6657	1	1	
2	0610519	. DECAL REAR JUNCTION BOX / COMPONENTS From M-6658 To R-4000	1	1	
2	0610656	DECAL M4, EL, RJB MTH From R-4001	1	1	
4	287808	. SEAL	1	1	
5	280055	. HANDLE ASSY WELDED	1	1	
6	507386	. BUSHING 16MM x 18MM x 9MM	1	1	
7	683652	. GREASE SYNTHETIC / RED BOX 50 TUBE	AR	AR	
8	504503	. BUSHING, NYLON 5/16 DIA.	1	1	
9	5001251	. NUT HEX NYRT 1/4-20 SS	1	1	
10	280054	. ROLLER	1	1	
11	504318	. RING RETAINER / EXT .375 x .352 x .025	1	1	
12	067969	DECAL / "BOOSTER BLOCK" - GRD PICTOGRAM	1	1	
15	504379	RIVET POP DOME OE 3/16x1/4 SS	AR	AR	
18	060330	CABLE ASSY / POWER TO FRONT ACCESSORIES From H-6145 To H-6175	1	1	
18	060571	HARNESS / FRONT TO REAR To H-6211	1	1	
18	061016	HARNESS / FRONT TO REAR From H-6212 To J-6278	1	1	
18	061285	HARNESS / FRONT TO REAR To J-6278	1	1	
18	061701	HARNESS / FRONT TO REAR From J-6279 To K-6359	1	1	
18	069914	HARNESS / FRONT TO REAR From K-6360 To K-6439	1	1	
18	0610028	HARNESS / FRONT TO REAR From K-6440 To K-6491	1	1	
18	0610048	HARNESS / FRONT TO REAR From L-6492 To L-6610	1	1	
18	0610278	HARNESS / FRONT TO REAR From L-6611 To M-6657	1	1	
18	0610498	HARNESS / FRONT TO REAR From M-6658	1	1	
19	060379	CABLE HARNESS / ENGINE ACCESSORIES From H-6145 To H-6175	1	1	
19	060573	CABLE HARNESS / ENGINE COMPT & ACCESSORIES To J-6312	1	1	
19	069872	CABLE HARNESS / ENGINE COMPT & ACCESSORIES From J-6313 To K-6439	1	1	
19	0610027	CABLE HARNESS / ENGINE COMPT & ACCESSORIES From K-6440	1	1	
20	067951	EQUALIZER "VANNER" 100AMPS To J-6278	1	1	
20	560492	EQUALIZER "VANNER" 100AMPS WITH ISM FUNCTION From J-6279 To K-6372	1	1	
20	560758	EQUALIZER "VANNER" 100AMPS WITH ISM FUNCTION From K-6373 To M-6665	1	1	
20	564363	EQUALIZER "VANNER" 100AMPS WITH ISM FUNCTION WITH EWD From M-6666	1	1	
20	060028	HARNESS POSITIVE BOOSTER	1	1	
21	069539	HARNESS EQUALIZER CONTROL	1	1	
24	069540	HARNESS POWER VECR	1	1	
24	502681	NUT HEX NYRT M6-1.0 N500 G8	4	4	
24	5001654	WASHER FL 6.4x17.0x3.0 SS	4	4	



From H-6180		Date:07/2024	PAGE:X3VIP-0620-10
REAR JUNCTION BOX INSTALLATION GHG17			

Item#	Part	Description	X 3 V I P E N T	X 3 V I P M T H	N O T E S
24	069542	HARNESS RELAY MELCO BATTERY	1	1	
25	491985	BREATHER DRAIN M20 NYLON	2	2	
26	067481	SUPPORT SENSOR VANNER	1	1	
27	502868	SCREW TC TR PH #10-16x1/2 N500	AR	AR	
28	067954	SENSOR 80/600AMP - VANNER	2	2	
29	5001694	SCREW MA PAN PH M4-0.7x40 SS BK	4	4	
30	069560	HARNESS BATTERY 12VD	1	1	
31	069561	HARNESS BATTERY 24VD	1	1	
32	564108	SELF MOUNTING STUD // DEUTSCH 1011-310-0205	1	1	
33	504013	TIE MOUNT / 1/4" X 1/4" I.D.	AR	AR	
34	5001182	NUT HEX NYRT M6-1.0 SS To K-6491	1	1	
34	5002028	NUT HEX NYRT M10-1.5 SS From L-6492 To L-6549	1	1	
34	502681	NUT HEX NYRT M6-1.0 N500 G8 From L-6550	1	1	
35	5001654	WASHER FL 6.4x17.0x3.0 SS To K-6491	1	1	
35	5001935	WASHER FL 10.5x18.0x1.6 SS From L-6492 To L-6549	1	1	
35	502573	WASHER FL 6.4x12.5x1.6 SS From L-6550	1	1	
40	504499	CUFF END BELLOW / 2 7/8" I.D. x 3 5/8" x 4 7/16	1	1	
41	504016	CABLE TIE / 5/16" X 14"1/2	1	1	
42	069471	FEED THRU / ENGINE CABLE	1	1	
42	504637	CABLE TIE / 3/16" x 13"	3	3	
42	504016	CABLE TIE / 5/16" X 14"1/2	3	3	
43	069472	SEAL RUBBER NITRILE 1/8" 60-70 DURO	1	1	
43	060783	SEAL RUBBER NITRILE 1/8" 60-70 DURO	1	1	
44	069473	FEED THRU / REAR PLATE	1	1	
45	5000314	NUT HEXF NYRT 3/8-16 GR F NX500	1	1	
50	560224	JUNCTION BLOCK W/4 STUDS	1	1	
50	5001251	NUT HEX NYRT 1/4-20 SS	4	4	
50	502573	WASHER FL 6.4x12.5x1.6 SS	4	4	
50	069534	HARNESS BATTERY ELECTRONIC GND	1	1	
51	069464	PROTECTION FOR CABLE FEED THRU	1	1	
52	261714	SLEVE FOR CABLE FEED THRU	1	1	
53	069468	TIGHT STRAIN RELIEF FITTING 0.7"-0.95"	1	1	
531	069245	HARNESS PWR FAN DRIVE	1	1	
54	069470	SEAL 32MMX42X3.3 NITRILE 60-70 DURO	1	1	
55	069469	LOCK NUT 1" STAINLESS STEEL	1	1	
56	069245	HARNESS PWR FAN DRIVE	1	1	
57	504025	HOSE CLAMP / 2"5/16-3"1/4 SS / HS-44	1	1	
58	560461	CAP	1	1	
60	380056	CLOSING PLATE	1	1	
61	560037	GASKET / CPC SEAL / AMP 81665-2	1	1	
62	380085	HOLDING PLATE	1	1	
63	502825	SCREW MA PAN PH M3-0.5x16 N500	4	4	



From H-6180	Date:07/2024	PAGE:X3VIP-0620-10
REAR JUNCTION BOX INSTALLATION GHG17		

Item#	Part	Description	X 3 V I P E N T	X 3 V I P M T H	N O T E S
70	X3VIP-0665-11	SWITCHES, LIGHTS, AJAR - UNDER FLOOR			
		P) CALL ORDER DESK FOR SPECIFIC APPLICATION (V.I.N.)			

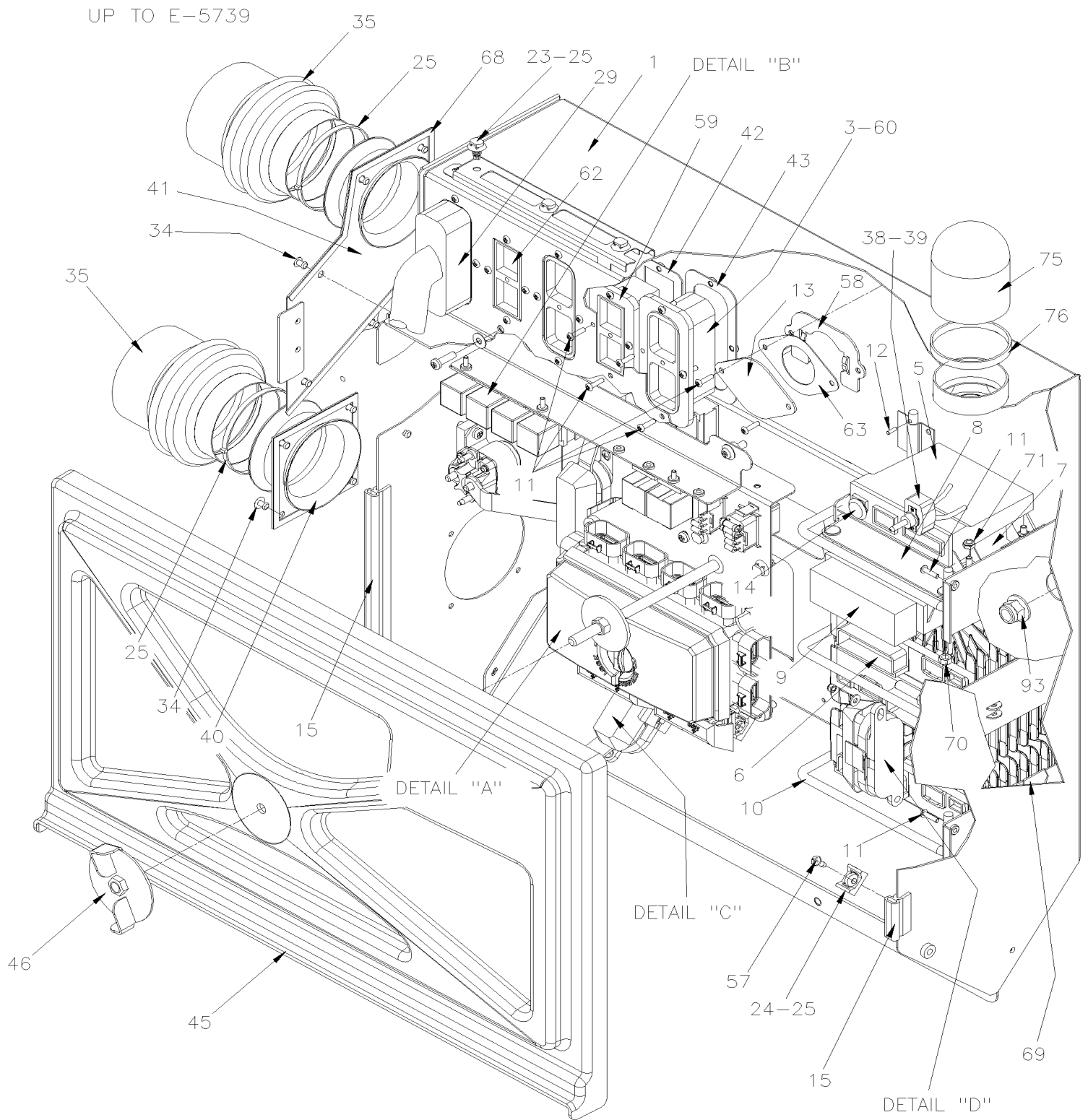


From E-5490 To H-6179

Date:07/2024

PAGE:X3VIP-0620-50

REAR JUNCTION BOX ASSY





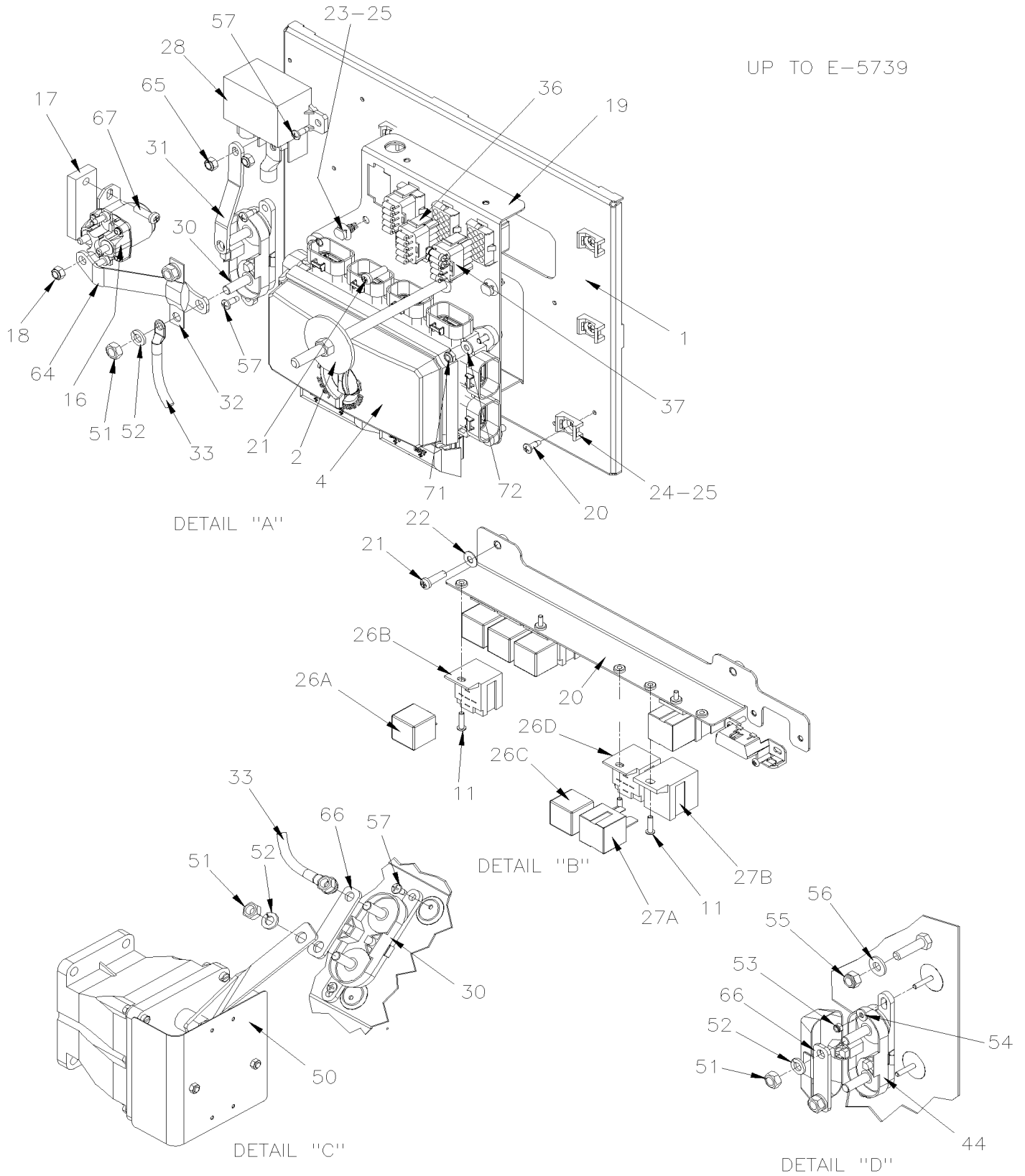
From E-5490 To H-6179

Date:07/2024

PAGE:X3VIP-0620-50

REAR JUNCTION BOX ASSY

UP TO E-5739



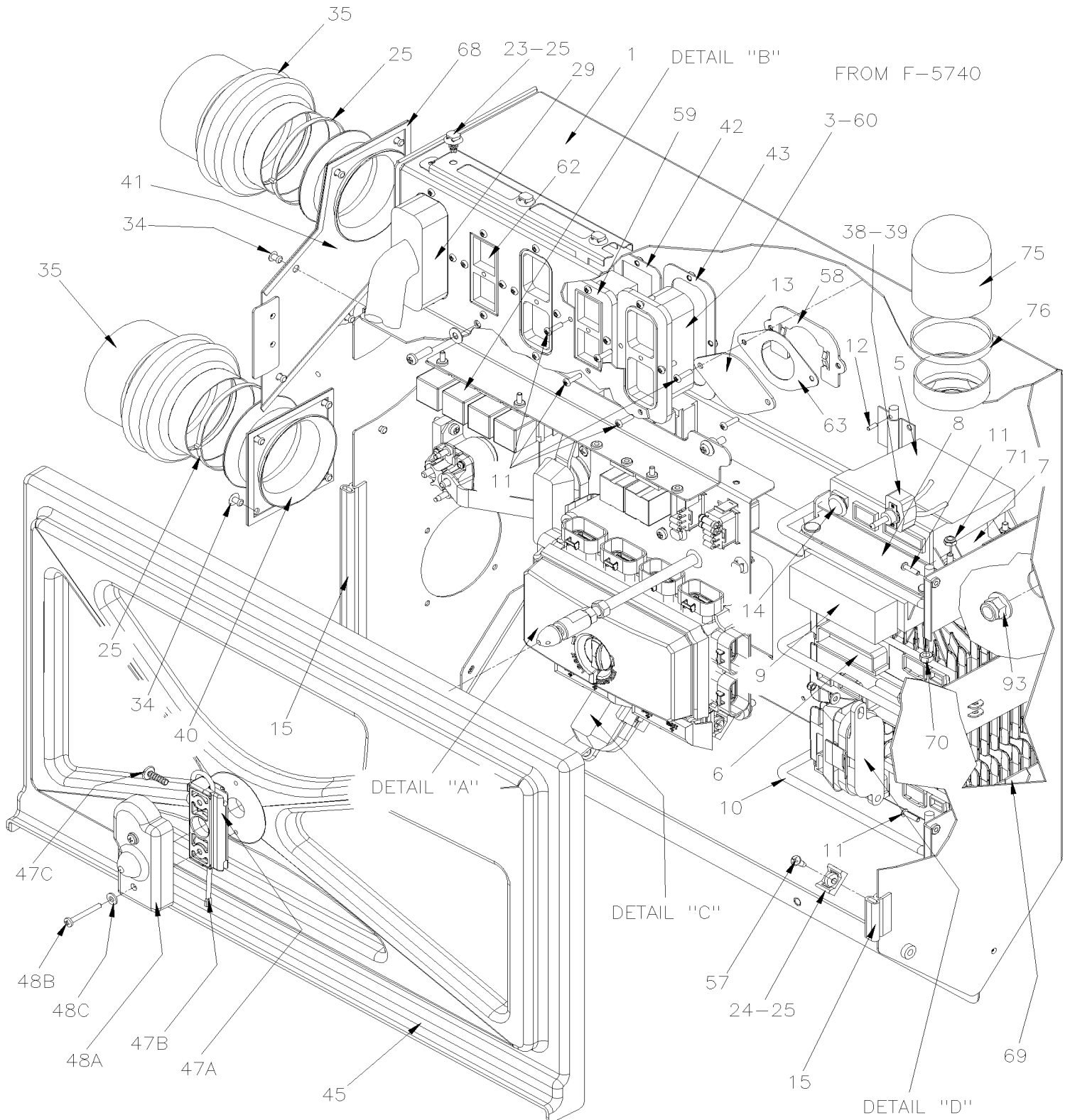


From E-5490 To H-6179

Date:07/2024

PAGE:X3VIP-0620-50

REAR JUNCTION BOX ASSY



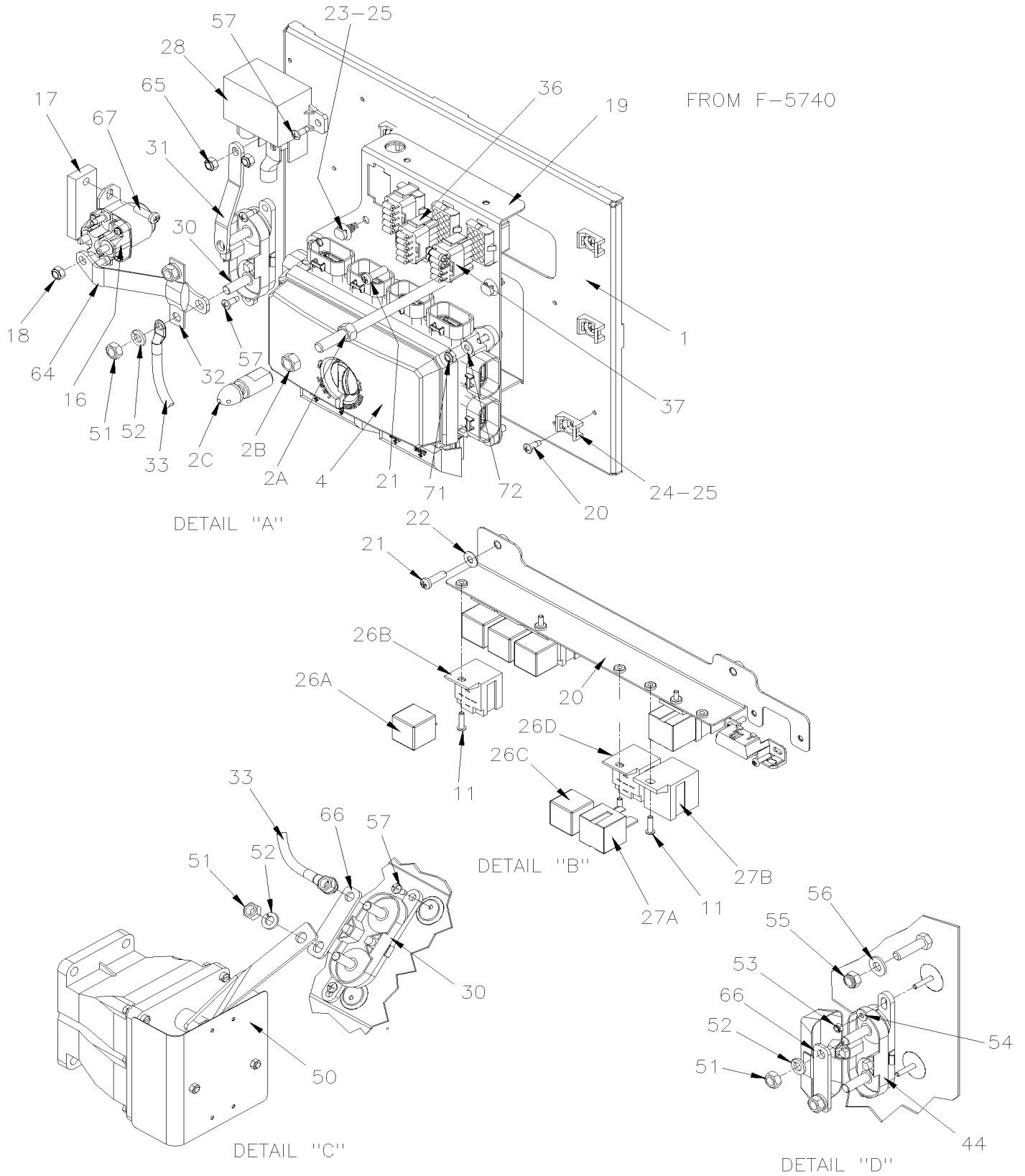


From E-5490 To H-6179

Date:07/2024

PAGE:X3VIP-0620-50

REAR JUNCTION BOX ASSY





From E-5490 To H-6179	Date:07/2024	PAGE:X3VIP-0620-50
------------------------------	---------------------	---------------------------

REAR JUNCTION BOX ASSY

Item#	Part	Description	X 3 V I P E N T	X 3 V I P M T H	N O T E S
	Call order desk	REAR JCT BOX ASSY	1	1	P
1	068814	PANEL BOX SUPPORT ASSY REAR	1	1	
1	680093	SEALANT TAPE BUTYL / GREY / 1/16"x1 1/2"x50' /71079B11760	AR	AR	
2	068781	ROD, COVER REAR JCT BOX To E-5739	1	1	
2A	069052	ROD, COVER REAR JCT BOX From F-5740	1	1	
2B	500102	NUT HEX 3/8-16 SS From F-5740	1	1	
2C	069049	STOPPER From F-5740	1	1	
3	068887	CABLE HARNESS / REAR JUNCTION BOX To E-5717	1	1	
3	069060	CABLE HARNESS / REAR JUNCTION BOX From E-5718 To E-5739	1	1	
3	068883	CABLE HARNESS / REAR JUNCTION BOX From F-5740 To F-5812	1	1	
3	069227	CABLE HARNESS / REAR JUNCTION BOX From F-5813 To G-6077	1	1	
3	069577	CABLE HARNESS / REAR JUNCTION BOX From G-6078	1	1	
4	563239	VEC DISTRIBUTION MODULE / REAR JCT BOX	1	1	
. NS	564104	. COVER / VEC BOX	1	1	
. NS	563269	. RELAY 24V S.P.D.T. W/RESISTOR /	4	4	
. NS	563004	. FUSE / ATM 2 AMPS GREY	2	2	
. NS	563279	. FUSE / ATM 3 AMPS VIOLET	3	3	
. NS	563005	. FUSE / ATM 7.5 AMPS BROWN	2	2	
. NS	563283	. FUSE / ATM 10 AMPS RED	13	13	
. NS	563284	. FUSE / ATM 15 AMPS BLUE	9	9	
. NS	563282	. FUSE / ATM 20 AMPS YELLOW	12	12	
. NS	563153	. FUSE / ATM 25 AMPS NATURAL	6	6	
. NS	563165	. FUSE / ATM 30 AMPS GREEN	3	3	
. NS	563181	. CONNECTOR / SH 8C / YELLOW / BUSSMANN 32006-E21	1	1	
. NS	563182	. CONNECTOR / SH 8C / ORANGE / BUSSMANN 32006-G21	1	1	
. NS	563183	. CONNECTOR / SH 8C / RED / BUSSMANN 32006-F21	1	1	
. NS	563184	. CONNECTOR / SH 8C / GREEN / BUSSMANN 32006-C21	1	1	
. NS	563185	. CONNECTOR / SH 8C / BLACK / BUSSMANN 32006-A21	1	1	
. NS	563186	. CONNECTOR / SH 8C / GREY / BUSSMANN 32006-B21	1	1	
. NS	563187	. CONNECTOR / SH 8C / BROWN / BUSSMANN 32006-H21	1	1	
. NS	563448	. CONNECTOR / SH 8C / BLUE / BUSSMANN 32006-D21	1	1	
. NS	19518268	. COVER RUBBER RED	2	2	
5	564194	I/O A-MODULE VOLVO MULTIPLEX / BLACK To F-5874	1	1	
. NS	562767	. CONNECTOR / SH 30C / GREEN / JAE IL-AG5-30S-D3C1 To F-5874	1	1	
. NS	562957	. CONNECTOR / SH 5C / GREEN / JAE IL-AG5-5S-S3C1 To F-5874	1	1	
. NS	563132	. CONNECTOR / SH 2C / YAZAKI 7283-6458-40 To F-5874	1	1	
5	22561320	I/O A-MODULE VOLVO MULTIPLEX / BLACK From F-5875 To G-6088	1	1	
. NS	562767	. CONNECTOR / SH 30C / GREEN / JAE IL-AG5-30S-D3C1 From F-5875 To G-6088	1	1	
. NS	562957	. CONNECTOR / SH 5C / GREEN / JAE IL-AG5-5S-S3C1 From F-5875 To G-6088	1	1	
. NS	563132	. CONNECTOR / SH 2C / YAZAKI 7283-6458-40 From F-5875 To G-6088	1	1	
5	22722832	I/O A-MODULE VOLVO MULTIPLEX / BLACK From G-6089	1	1	
. NS	562767	. CONNECTOR / SH 30C / GREEN / JAE IL-AG5-30S-D3C1 From G-6089	1	1	



From E-5490 To H-6179	Date:07/2024	PAGE:X3VIP-0620-50
REAR JUNCTION BOX ASSY		

Item#	Part	Description	X 3 V I P E N T	X 3 V I P M T H	N O T E S
. NS	562957	. CONNECTOR / SH 5C / GREEN / JAE IL-AG5-5S-S3C1 From G-6089	1	1	
. NS	563132	. CONNECTOR / SH 2C / YAZAKI 7283-6458-40 From G-6089	1	1	
6	564193	I/O B-MODULE VOLVO MULTIPLEX / ALUMINUM To G-6088	3	3	
. NS	563132	. CONNECTOR / SH 2C / YAZAKI 7283-6458-40 To G-6088	1	1	
. NS	563133	. CONNECTOR / JUNIOR POWER TIMER / SH 29C / AMP 1-963449-2 To G-6088	1	1	
. NS	562957	. CONNECTOR / SH 5C / GREEN / JAE IL-AG5-5S-S3C1 To G-6088	1	1	
6	22722842	I/O B-MODULE VOLVO MULTIPLEX / ALUMINUM From G-6089	3	3	
. NS	563132	. CONNECTOR / SH 2C / YAZAKI 7283-6458-40 From G-6089	1	1	
. NS	563133	. CONNECTOR / JUNIOR POWER TIMER / SH 29C / AMP 1-963449-2 From G-6089	1	1	
. NS	562957	. CONNECTOR / SH 5C / GREEN / JAE IL-AG5-5S-S3C1 From G-6089	1	1	
7	067773	PLATE SUPPORT / I/O A-MODULE	1	1	
8	067772	PLATE SUPPORT TRANS ECU WORLD	1	1	
9	572161	INTERFACE TCM / 400MH / WITH 4.10 RATIO To E-5624	1	1	
9	572168	INTERFACE TCM 4000MH 2014 / 500HP WITH 3.91 / 4.10 RATIO From E-5625 To H-6107	1	1	
9	570009	INTERFACE TCM 4000MH 2014 / 500HP WITH ALL RATIOS W/O VAC From H-6108	1	1	
9	572169	INTERFACE TCM B500 2014 / 435HP OR 500HP WITH ALL RATIOS W/O VAC From E-5625 To F-5787	1	1	
9	572178	INTERFACE TCM B500 2014 / 435HP OR 500HP WITH ALL RATIOS W/O VAC From F-5788 To H-6107	1	1	
9	570012	INTERFACE TCM B500 / 435HP WITH ALL RATIOS W/O VAC From H-6108	1	1	
9	572172	INTERFACE TCM B500 2014 / 435HP OR 500HP WITH ALL RATIOS W/VAC From E-5625 To F-5787	1	1	
9	572179	INTERFACE TCM B500 2014 / 435HP OR 500HP WITH ALL RATIOS W/VAC From F-5788 To H-6107	1	1	
9	570013	INTERFACE TCM B500 / 435HP WITH ALL RATIOS W/VAC From H-6108	1	1	
10	382166	ROD ATTACHMENT / I/O B MODULE	3	3	
11	502698	SCREW MA PAN PH M4-0.7x16 SS BK	AR	AR	
12	505221	SPRING, PIN 1/8 X 3/8	3	3	
13	068594	CLOSING PLATE	1	1	
14	5001719	SNAP-IN PLUG / .6875 O.D	1	1	
15	506303	RUBBER SEAL EXTRUSION	AR	AR	
16	564095	SMALL STARTOR RELAY To P-6899	1	1	
16	564398	SMALL STARTOR RELAY From P-6900	1	1	
17	067335	SPACER / PLASTIC / RELAY / STARTOR MELCO	1	1	
18	500539	NUT HEX NYRT M4-0.7 N500	1	1	
19	068783	PLATE SUPPORT "VEC"	1	1	
20	068456	PLATE SUPPORT UPPER RELAY	1	1	
21	502626	SCREW MA PAN PH M6-1.0x20 N500	AR	AR	
22	5001608	WASHER BEL SPR 6.2x15.0x0.7 G500	2	2	
23	509815	TIE MOUNT / ATTACHMENT W/TREE MOUNT	10	10	
24	504013	TIE MOUNT / 1/4" X 1/4" I.D.	8	8	
25	504637	CABLE TIE / 3/16" x 13"	AR	AR	
25	504016	CABLE TIE / 5/16" X 14"1/2	AR	AR	
26A	563332	RELAY 24V S.P.D.T. W/RESISTOR / "VOLVO" (20374662)	4	4	
26B	564496	CONNECTOR / METRI-PACK 630 / SH 5C / PED 12033871	4	4	
26C	563337	RELAY 12V S.P.D.T. W/RESISTOR /	1	1	



From E-5490 To H-6179	Date:07/2024	PAGE:X3VIP-0620-50
REAR JUNCTION BOX ASSY		

Item#	Part	Description	X 3 V I P E N T	X 3 V I P M T H	N O T E S
26D	561183	RELAY BASE / TAB TERMINAL / BOSCH 3334485008	1	1	
27A	564218	RELAY 24V S.P.S.T. / 40 AMPS N.O.	2	2	
27B	564210	RELAY BASE / TAB TERMINAL / COLE HERSEE 99025	2	2	
28	563348	RELAY POWER 24V 200 AMPS / S.P.S.T. N.O.	1	1	
. NS	5001182	. NUT HEX NYRT M6-1.0 SS	1	1	
. NS	502573	. WASHER FL 6.4x12.5x1.6 SS	1	1	
. NS	563409	. CONNECTOR / SUPERSEAL 1.5 SERIES / SH 2C / AMP 282080-1	1	1	
. NS	562607	. SOCKET TERMINAL / 20-16 / AMP 183025-1	1	1	
29	068700	CABLE ASSY / RR JCT & ENGINE To E-5563	1	1	
29	068912	CABLE ASSY / RR JCT & ENGINE From E-5564 To E-5717	1	1	
29	067253	CABLE ASSY / RR JCT & ENGINE From E-5718 To E-5736	1	1	
29	069022	CABLE ASSY / RR JCT & ENGINE From E-5737	1	1	
30	563750	FUSEHOLDER W/RED COVER / MEGA FUSE /	2	2	
31	068072	BUS BAR / W/2 HOLES / 96.4MM C/C 14MM / OFFSET	1	1	
31	561754	SHRINK TUBING / .500" - .250" / RED / ALPHA FIT-221-1/2	AR	AR	
32	564174	FUSE / MEGA FUSE / 150 AMPS / ORANGE	1	1	
33	067669	CABLE ASSY / BATTERIES & FUSE HOLDER	1	1	
34	504379	RIVET POP DOME OE 3/16x1/4 SS	AR	AR	
35	504499	CUFF END BELLOW / 2 7/8" I.D. x 3 5/8" x 4 7/16	2	2	
36	381145	DIODE ASSY / W/5 3AMPS	2	2	
37	382175	DIODE ASSY / W/3 3AMPS & 2 RESISTORS 100 OHMS	1	1	
38	562394	PLATE, INDICATING (ON/OFF)	1	1	
39	563609	SWITCH / OFF-ON / S.P.S.T. / SEALED W/WIRES ASSY	1	1	
39	562477	CONNECTOR / DT SERIES / SH 4C / GRAY / DEUTSCH DT06-4S	1	1	
39	562478	SECONDARY LOCK / DT SERIES / SH 4C / DEUTSCH W4S	1	1	
39	562482	SOCKET TERMINAL / 16-14 / DEUTSCH 0462-209-16141	2	2	
40	068050	PANEL ASSY / PASS CABLE LOWER SIDE BOX	1	1	
41	067818	PANEL ASSY / PASS CABLE UPPER SIDE BOX	1	1	
42	067775	PLATE RETAINER CONECTORS 40 PINS "J" FORM 55MMx99.7MM	2	2	
43	067774	PLATE RETAINER CONECTORS 70 PINS "J" FORM 60.6MM x 128.5MM	3	3	
44	563238	FUSEHOLDER W/BLACK COVER / MEGA FUSE /	1	1	
45	068780	COVER REAR JCT BOX To E-5739	1	1	
45	069069	COVER REAR JCT BOX From F-5740	1	1	
NS	066155	DECAL PIN OUT / JCT BOX W/MUX	1	1	
46	068765	NUT WING 3/8-16 To E-5739	1	1	
47A	477399	RECEPTACLE From F-5740	1	1	
47B	472830	SPRING GUIDE HOLDER From F-5740	1	1	
47C	5001630	SCREW TP BUTF TORX M6x20 SS From F-5740	1	1	
48A	069054	COVER / RECEPTACLE From F-5740	1	1	
48B	5001452	SCREW TP PAN PH #8x1 1/2 SS From F-5740	2	2	
48C	5001137	WASHER FL .203x.438x.050 SS From F-5740	2	2	
50	X3VIP-0615-50	BATTERIES INSTALLATION			



From E-5490 To H-6179		Date:07/2024	PAGE:X3VIP-0620-50
REAR JUNCTION BOX ASSY			

Item#	Part	Description	X 3 V I P E N T	X 3 V I P M T H	N O T E S
51	500615	NUT HEX M8-1.25 BR To E-5525	6	6	
51	966171	NUT HEX NYRT M8x1.25 SS From E-5526	6	6	
52	500035	WASHER LO SPT .317x.586x.078 SS To E-5525	6	6	
52	5001341	WASHER FL 8.4x17.0x1.6 SS	6	6	
53	500379	NUT HEX 3/8-16 BR	2	2	
54	500855	WASHER FL .188x.438x.049 N500	2	2	
55	502847	NUT HEX NYRT M8-1.25 N500	1	1	
56	5001341	WASHER FL 8.4x17.0x1.6 SS	1	1	
57	502868	SCREW TC TR PH #10-16x1/2 N500	AR	AR	
58	382505	PLATE, FIXATION	1	1	
59	564197	GASKET / DRC SERIES / 40C / DEUTSCH DRC40-GKT AD	2	2	
60	564198	GASKET / DRC SERIES / 70C, ADHESIVE BACK / DEUTSCH DRC70-GKT AD	3	3	
NS	068639	DECAL REAR JUNCTION BOX / COMPONENTS To G-6077	1	1	
. NS	060134	. DECAL / "R34 24V 12VI ENGINE ECU" To G-6077	1	1	
NS	069582	DECAL REAR JUNCTION BOX / COMPONENTS From G-6078	1	1	
62	068462	CABLE / JUNCTION BOX TRANSMISSION To E-5624	1	1	
62	068805	CABLE / JUNCTION BOX TRANSMISSION From E-5625 To F-5812	1	1	
62	069225	CABLE / JUNCTION BOX TRANSMISSION From F-5813	1	1	
63	068713	GASKET, CONNECTOR 16POS CPC	1	1	
64	068727	BUS BAR / W/2 HOLES	1	1	
65	5001182	NUT HEX NYRT M6-1.0 SS	2	2	
66	068169	BUS BAR / W/2 HOLES	2	2	
67	502626	SCREW MA PAN PH M6-1.0x20 N500	2	2	
68	506191	TAPE RUB ADH1 CC POL 1/8" x 1/4" x 50' / GREY 2520X	AR	AR	
68	684685	ADHESIVE SIMSON #ISR 70-03 / 310ml CARTRIDGE	AR	AR	
69	506339	TAPE RUB ADH1 NIT 1/4" x 1" x 35' / BLACK 1220	AR	AR	
70	502681	NUT HEX NYRT M6-1.0 N500 G8	3	3	
71	502841	NUT HEX NYRT M5-0.8 N500	7	7	
72	500804	WASHER FL .203x.500x.047 N500	4	4	
NS	561756	SHRINK TUBING / 1.000" - .500" / RED / ALPHA FIT-221-1	AR	AR	
75	504071	PROTECTOR CAP / SIICONE 1.750 I.D. x 2" O.D. x .062 TH	1	1	
75	504791	PROTECTOR CAP / PLASTIC 2.500 I.D.	1	1	
76	504016	CABLE TIE / 5/16" X 14"1/2	1	1	
93	5001761	NUT HEXF NYRT M12-1.75 G8 N500	4	4	
		P) CALL ORDER DESK FOR SPECIFIC APPLICATION (V.I.N.)			

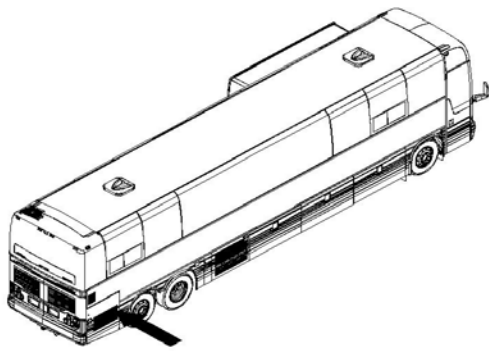


From H-6180

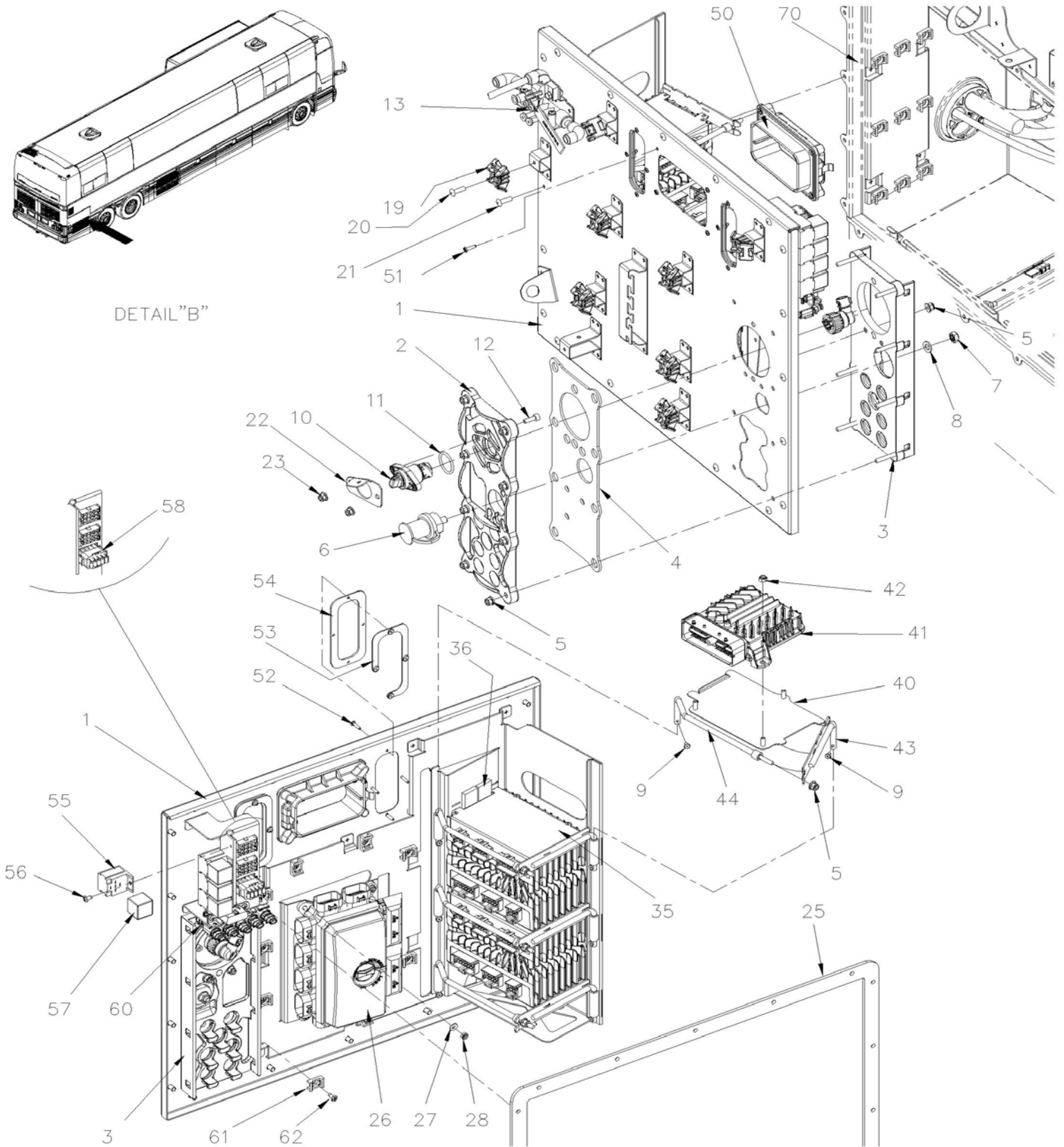
Date:07/2024

PAGE:X3VIP-0620-51

REAR JUNCTION BOX ASSY VOLVO D13 - GHG17



DETAIL "B"





From H-6180	Date:07/2024	PAGE:X3VIP-0620-51
REAR JUNCTION BOX ASSY VOLVO D13 - GHG17		

Item#	Part	Description	X 3 V I P E N T	X 3 V I P M T H	N O T E S
1	060494	PANEL CONTROL, ELECTRIC BOX WELDED To J-6286	1	1	
1	061447	PANEL CONTROL, ELECTRIC BOX WELDED From J-6287 To M-6649	1	1	
1	0610221	PANEL CONTROL, ELECTRIC BOX WELDED From M-6650	1	1	
2	060177	FEED THRU PANEL / EXTERNAL	1	1	
3	067483	FEED THRU PANEL / INTERNAL	1	1	
4	069476	SEAL FEED TRU	1	1	
5	5001932	NUT HEXF NYRT M6-1.0 G8.8 N500	10	10	
6	561856	BOOSTER BLOCK, REMOTE / RED	1	1	
6	060596	WASHER, PROTECTION	1	1	
7	5001936	NUT HEX NYRT 3/8-16 SS	1	1	
8	5001935	WASHER FL 10.5x18.0x1.6 SS	1	1	
9	500653	SCREW TC PAN PH #8-32x1/4 Z050	AR	AR	
10	560012	ROTARY SWITCH DS SERIES	1	1	
11	5000313	SEAL / 1 1/8 X 1 1/4 X 1/8	1	1	
12	5001648	SCREW CAP HEXS M6-1.0x18 SS BK To £-24004	2	2	
12	5001611	SCREW CAP HEXS M6-1.0x30 SS BK From £-24004	2	2	
13	X3VIP-2300-52	ACCESSORIES AIR SYSTEM - MTH / GHG17			
19	509490	ATTACHMENT DOUBLE USE WITH CABLE TIE	8	8	
20	504610	RIVET MGLP PRDG 1/4x5/8 SS	8	8	
21	504459	RIVET MGLP PRDG 1/4x3/8 SS	20	20	
22	0600350	LOCKING PLATE From £-24004	1	1	
23	5001932	NUT HEXF NYRT M6-1.0 G8.8 N500 From £-24004	2	2	
25	287807	SEAL FOAM AD1 3/8 TH, 631 X 551	1	1	
26	565992	DVEC DISTRIBUTION MODULE / REAR JCT BOX To J-6278	1	1	
. NS	563280	. FUSE / ATM 5 AMPS AMBER To J-6278	8	8	
. NS	563283	. FUSE / ATM 10 AMPS RED To J-6278	14	14	
. NS	563284	. FUSE / ATM 15 AMPS BLUE To J-6278	18	18	
. NS	563282	. FUSE / ATM 20 AMPS YELLOW To J-6278	6	6	
. NS	563153	. FUSE / ATM 25 AMPS NATURAL To J-6278	3	3	
. NS	563165	. FUSE / ATM 30 AMPS GREEN To J-6278	10	10	
. NS	564342	. MINI BREAKER / 30 AMPS / SERIES 233 To J-6278	1	1	
. NS	563185	. CONNECTOR / SH 8C / BLACK / BUSSMANN 32006-A21 To J-6278	1	1	
. NS	563186	. CONNECTOR / SH 8C / GREY / BUSSMANN 32006-B21 To J-6278	1	1	
. NS	563184	. CONNECTOR / SH 8C / GREEN / BUSSMANN 32006-C21 To J-6278	1	1	
. NS	563181	. CONNECTOR / SH 8C / YELLOW / BUSSMANN 32006-E21 To J-6278	1	1	
. NS	563183	. CONNECTOR / SH 8C / RED / BUSSMANN 32006-F21 To J-6278	1	1	
. NS	563182	. CONNECTOR / SH 8C / ORANGE / BUSSMANN 32006-G21 To J-6278	1	1	
. NS	563187	. CONNECTOR / SH 8C / BROWN / BUSSMANN 32006-H21 To J-6278	1	1	
. NS	563448	. CONNECTOR / SH 8C / BLUE / BUSSMANN 32006-D21 To J-6278	1	1	
. NS	564132	. LOCK CONNECTOR POSITION ASSURANCE / BUSSMANN 32004-CP To J-6278	AR	AR	
. NS	564104	. COVER / VEC BOX To J-6278	1	1	
. NS	19518268	. COVER RUBBER RED To J-6278	2	2	



From H-6180	Date:07/2024	PAGE:X3VIP-0620-51
--------------------	---------------------	---------------------------

REAR JUNCTION BOX ASSY VOLVO D13 - GHG17

Item#	Part	Description	X 3 V I P E N T	X 3 V I P M T H	N O T E S
26	560471	DVEC DISTRIBUTION MODULE / REAR JCT BOX From J-6279 To L-6610	1	1	
. NS	563280	. FUSE / ATM 5 AMPS AMBER From J-6279 To L-6610	8	8	
. NS	563283	. FUSE / ATM 10 AMPS RED From J-6279 To L-6610	11	11	
. NS	563284	. FUSE / ATM 15 AMPS BLUE From J-6279 To L-6610	18	18	
. NS	563282	. FUSE / ATM 20 AMPS YELLOW From J-6279 To L-6610	8	8	
. NS	563153	. FUSE / ATM 25 AMPS NATURAL From J-6279 To L-6610	3	3	
. NS	563165	. FUSE / ATM 30 AMPS GREEN From J-6279 To L-6610	11	11	
. NS	564342	. MINI BREAKER / 30 AMPS / SERIES 233 From J-6279 To L-6610	1	1	
. NS	563185	. CONNECTOR / SH 8C / BLACK / BUSSMANN 32006-A21 From J-6279 To L-6610	1	1	
. NS	563186	. CONNECTOR / SH 8C / GREY / BUSSMANN 32006-B21 From J-6279 To L-6610	1	1	
. NS	563184	. CONNECTOR / SH 8C / GREEN / BUSSMANN 32006-C21 From J-6279 To L-6610	1	1	
. NS	563181	. CONNECTOR / SH 8C / YELLOW / BUSSMANN 32006-E21 From J-6279 To L-6610	1	1	
. NS	563183	. CONNECTOR / SH 8C / RED / BUSSMANN 32006-F21 From J-6279 To L-6610	1	1	
. NS	563182	. CONNECTOR / SH 8C / ORANGE / BUSSMANN 32006-G21 From J-6279 To L-6610	1	1	
. NS	563187	. CONNECTOR / SH 8C / BROWN / BUSSMANN 32006-H21 From J-6279 To L-6610	1	1	
. NS	563448	. CONNECTOR / SH 8C / BLUE / BUSSMANN 32006-D21 From J-6279 To L-6610	1	1	
. NS	564132	. LOCK CONNECTOR POSITION ASSURANCE / BUSSMANN 32004-CP From J-6279 To L-6610	AR	AR	
. NS	564104	. COVER / VEC BOX From J-6279 To L-6610	1	1	
. NS	19518268	. COVER RUBBER RED From J-6279 To L-6610	2	2	
26	564709	DVEC DISTRIBUTION MODULE / REAR JCT BOX From L-6611 To M-6657	1	1	
. NS	563280	. FUSE / ATM 5 AMPS AMBER From L-6611 To M-6657	8	8	
. NS	563283	. FUSE / ATM 10 AMPS RED From L-6611 To M-6657	11	11	
. NS	563284	. FUSE / ATM 15 AMPS BLUE From L-6611 To M-6657	18	18	
. NS	563282	. FUSE / ATM 20 AMPS YELLOW From L-6611 To M-6657	8	8	
. NS	563153	. FUSE / ATM 25 AMPS NATURAL From L-6611 To M-6657	3	3	
. NS	563165	. FUSE / ATM 30 AMPS GREEN From L-6611 To M-6657	11	11	
. NS	564342	. MINI BREAKER / 30 AMPS / SERIES 233 From L-6611 To M-6657	1	1	
. NS	563185	. CONNECTOR / SH 8C / BLACK / BUSSMANN 32006-A21 From L-6611 To M-6657	1	1	
. NS	563186	. CONNECTOR / SH 8C / GREY / BUSSMANN 32006-B21 From L-6611 To M-6657	1	1	
. NS	563184	. CONNECTOR / SH 8C / GREEN / BUSSMANN 32006-C21 From L-6611 To M-6657	1	1	
. NS	563181	. CONNECTOR / SH 8C / YELLOW / BUSSMANN 32006-E21 From L-6611 To M-6657	1	1	
. NS	563183	. CONNECTOR / SH 8C / RED / BUSSMANN 32006-F21 From L-6611 To M-6657	1	1	
. NS	563182	. CONNECTOR / SH 8C / ORANGE / BUSSMANN 32006-G21 From L-6611 To M-6657	1	1	
. NS	563187	. CONNECTOR / SH 8C / BROWN / BUSSMANN 32006-H21 From L-6611 To M-6657	1	1	
. NS	563448	. CONNECTOR / SH 8C / BLUE / BUSSMANN 32006-D21 From L-6611 To M-6657	1	1	
. NS	564132	. LOCK CONNECTOR POSITION ASSURANCE / BUSSMANN 32004-CP From L-6611 To M-6657	AR	AR	
. NS	564104	. COVER / VEC BOX From L-6611 To M-6657	1	1	
. NS	19518268	. COVER RUBBER RED From L-6611 To M-6657	2	2	
26	564360	DVEC DISTRIBUTION MODULE / REAR JCT BOX From M-6658 To R-4000	1	1	
. NS	563280	. FUSE / ATM 5 AMPS AMBER From M-6658 To R-4000	8	8	
. NS	563283	. FUSE / ATM 10 AMPS RED From M-6658 To R-4000	9	9	
. NS	563284	. FUSE / ATM 15 AMPS BLUE From M-6658 To R-4000	10	10	



From H-6180	Date:07/2024	PAGE:X3VIP-0620-51
REAR JUNCTION BOX ASSY VOLVO D13 - GHG17		

Item#	Part	Description	X 3 V I P E N T	X 3 V I P M T H	N O T E S
. NS	563282	. FUSE / ATM 20 AMPS YELLOW From M-6658 To R-4000	11	11	
. NS	563153	. FUSE / ATM 25 AMPS NATURAL From M-6658 To R-4000	3	3	
. NS	563165	. FUSE / ATM 30 AMPS GREEN From M-6658 To R-4000	10	10	
. NS	564342	. MINI BREAKER / 30 AMPS / SERIES 233 From M-6658 To R-4000	1	1	
. NS	563185	. CONNECTOR / SH 8C / BLACK / BUSSMANN 32006-A21 From M-6658 To R-4000	1	1	
. NS	563186	. CONNECTOR / SH 8C / GREY / BUSSMANN 32006-B21 From M-6658 To R-4000	1	1	
. NS	563184	. CONNECTOR / SH 8C / GREEN / BUSSMANN 32006-C21 From M-6658 To R-4000	1	1	
. NS	563181	. CONNECTOR / SH 8C / YELLOW / BUSSMANN 32006-E21 From M-6658 To R-4000	1	1	
. NS	563183	. CONNECTOR / SH 8C / RED / BUSSMANN 32006-F21 From M-6658 To R-4000	1	1	
. NS	563182	. CONNECTOR / SH 8C / ORANGE / BUSSMANN 32006-G21 From M-6658 To R-4000	1	1	
. NS	563187	. CONNECTOR / SH 8C / BROWN / BUSSMANN 32006-H21 From M-6658 To R-4000	1	1	
. NS	563448	. CONNECTOR / SH 8C / BLUE / BUSSMANN 32006-D21 From M-6658 To R-4000	1	1	
. NS	564132	. LOCK CONNECTOR POSITION ASSURANCE / BUSSMANN 32004-CP From M-6658 To R-4000	AR	AR	
. NS	564104	. COVER / VEC BOX From M-6658 To R-4000	1	1	
. NS	19518268	. COVER RUBBER RED From M-6658 To R-4000	2	2	
26	564784	DVEC DISTRIBUTION MODULE / REAR JCT BOX From R-4001	1	1	
26	060329	REAR JUNCTION BOX HARNESS / TRANS. ALLISON From H-6145 To H-6175	1	1	
26	060570	REAR JUNCTION BOX HARNESS / TRANS. ALLISON To J-6278	1	1	
26	061279	REAR JUNCTION BOX HARNESS / TRANS. ALLISON From J-6279 To J-6280	1	1	
26	069783	REAR JUNCTION BOX HARNESS / TRANS. ALLISON From J-6279 To J-6280	1	1	
26	061845	REAR JUNCTION BOX HARNESS / TRANS. ALLISON From J-6281 To J-6312	1	1	
26	069871	REAR JUNCTION BOX HARNESS / TRANS. ALLISON From J-6313 To K-6359	1	1	
26	069916	REAR JUNCTION BOX HARNESS / TRANS. ALLISON From K-6360 To K-6439	1	1	
26	0610149	REAR JUNCTION BOX HARNESS / TRANS. ALLISON From K-6440 To K-6491	1	1	
26	0610047	REAR JUNCTION BOX HARNESS / TRANS. ALLISON From L-6492 To L-6610	1	1	
26	0610279	REAR JUNCTION BOX HARNESS / TRANS. ALLISON From L-6611 To M-6657	1	1	
26	0610497	REAR JUNCTION BOX HARNESS / TRANS. ALLISON From M-6658	1	1	
26	564399	MINI BREAKER / 20 AMPS / SERIES 233	1	1	EB
26	564342	MINI BREAKER / 30 AMPS / SERIES 233	1	1	EB
27	500804	WASHER FL .203x.500x.047 N500	4	4	
28	502841	NUT HEX NYRT M5-0.8 N500	4	4	
35	22722850	I/O B E-MODULE VOLVO MULTIPLEX / ALUMINUM To M-6650	4	4	
35	23824204	I/O B E-MODULE VOLVO MULTIPLEX / ALUMINUM From M-6651	4	4	
36	506339	TAPE RUB ADH1 NIT 1/4" x 1" x 35' / BLACK 1220	AR	AR	
40	067772	PLATE SUPPORT TRANS ECU WORLD	1	1	
41	570009	INTERFACE TCM 4000MH 2014 / 500HP WITH ALL RATIOS W/O VAC To K-6359	1	1	
41	570042	INTERFACE TCM From K-6360 To N-6738	1	1	
41	570181	INTERFACE TCM From N-6739	1	1	
42	502681	NUT HEX NYRT M6-1.0 N500 G8	1	1	
43	384270	ROD, I/O B MODULE LH ASSY	AR	AR	
44	380061	ROD, I/O B MODULE	AR	AR	
50	560208	FLANGE CONNECTOR / DRB SERIES / 102C / DEUTSCH DRBF-1A	1	1	



From H-6180		Date:07/2024	PAGE:X3VIP-0620-51		
REAR JUNCTION BOX ASSY VOLVO D13 - GHG17					
Item#	Part	Description	X 3 V I P E N T	X 3 V I P M T H	NOTES
51	502653	SCREW MA PAN PH M5-0.8x16 SS	4	4	
52	502698	SCREW MA PAN PH M4-0.7x16 SS BK	AR	AR	
53	067774	PLATE RETAINER CONECTORS 70 PINS "J" FORM 60.6MM x 128.5MM	2	2	
54	564198	GASKET / DRC SERIES / 70C, ADHESIVE BACK / DEUTSCH DRC70-GKT AD	2	2	
55	561183	RELAY BASE / TAB TERMINAL / BOSCH 3334485008	AR	AR	
56	500209	SCREW TC BDG PH #10-24x3/8 N500	AR	AR	
57	563332	RELAY 24V S.P.D.T. W/RESISTOR / "VOLVO" (20374662)	4	4	
58	381145	DIODE ASSY / W/5 3AMPS	1	1	
60	564108	SELF MOUNTING STUD // DEUTSCH 1011-310-0205	5	5	
61	504013	TIE MOUNT / 1/4" X 1/4" I.D.	AR	AR	
62	500209	SCREW TC BDG PH #10-24x3/8 N500	AR	AR	
70	X3VIP-0620-10	REAR JUNCTION BOX INSTALLATION GHG17			
		EB) WITH ELECTRICAL BRAKE ON TRAILER			

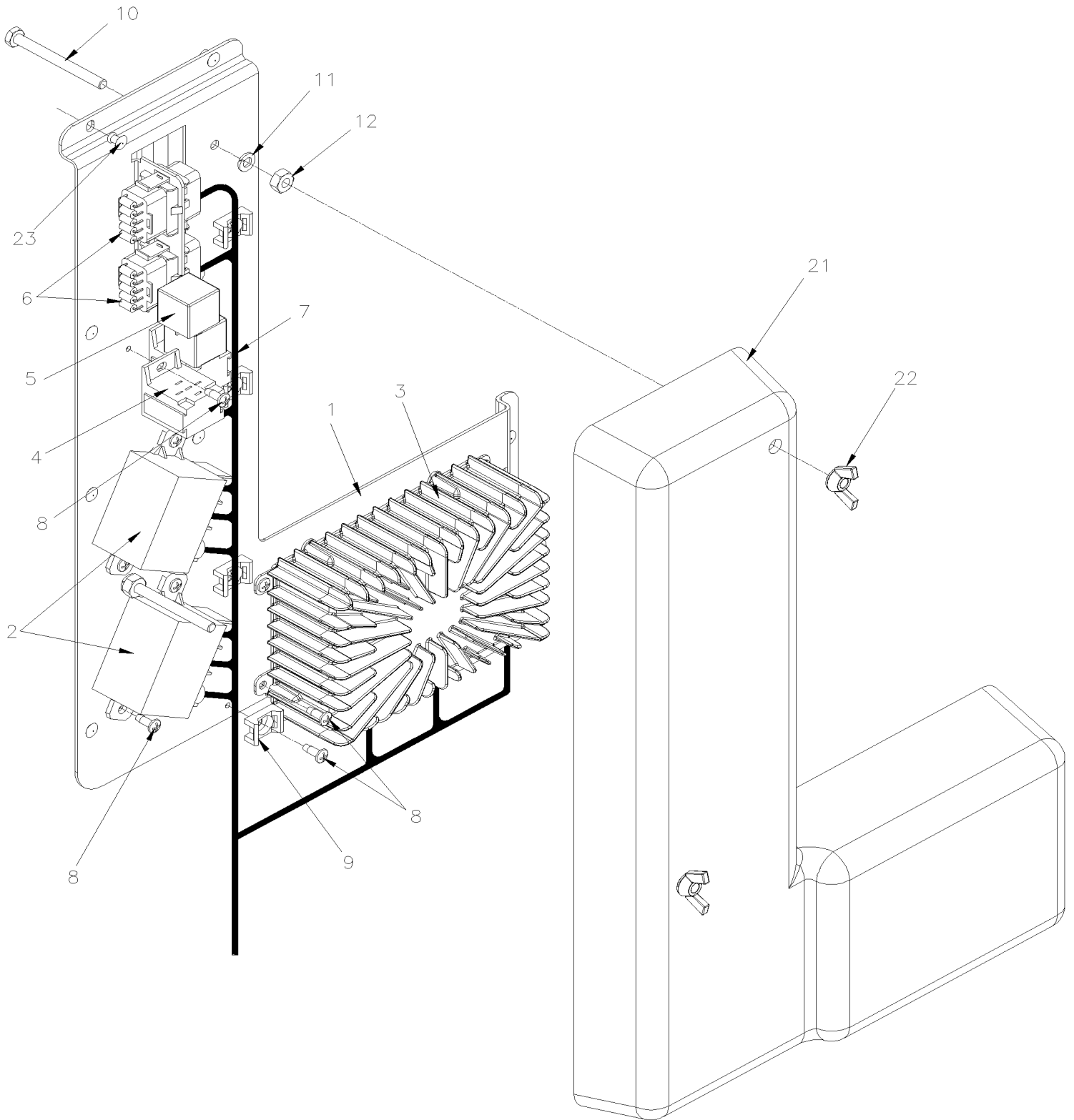


From E-5490 To F-5747

Date:07/2024

PAGE:X3VIP-0621-50

A/C ELECTRICAL PANEL ASSY / EVAPORATOR DOOR





From E-5490 To F-5747 Date:07/2024 PAGE:X3VIP-0621-50

A/C ELECTRICAL PANEL ASSY / EVAPORATOR DOOR

Item#	Part	Description	X 3 V I P E N T	X 3 V I P M T H	N O T E S
1	382501	PANEL MOUNTING EVAPORATOR DOOR To E-5563	1	1	
1	382565	PANEL MOUNTING EVAPORATOR DOOR From E-5564	1	1	
NS	506236	TAPE RUB ADH1 CC POL 1/16" x 1/2" x 100' / GREY 2520	AR	AR	
2	563348	RELAY POWER 24V 200 AMPS / S.P.S.T. N.O.	2	2	
. NS	5001182	. NUT HEX NYRT M6-1.0 SS	1	1	
. NS	502573	. WASHER FL 6.4x12.5x1.6 SS	1	1	
. NS	563409	. CONNECTOR / SUPERSEAL 1.5 SERIES / SH 2C / AMP 282080-1	1	1	
. NS	562607	. SOCKET TERMINAL / 20-16 / AMP 183025-1	1	1	
NS	5001182	NUT HEX NYRT M6-1.0 SS	2	2	
3	564193	I/O B-MODULE VOLVO MULTIPLEX / ALUMINUM	1	1	
. NS	563132	. CONNECTOR / SH 2C / YAZAKI 7283-6458-40	1	1	
. NS	563133	. CONNECTOR / JUNIOR POWER TIMER / SH 29C / AMP 1-963449-2	1	1	
. NS	562957	. CONNECTOR / SH 5C / GREEN / JAE IL-AG5-5S-S3C1	1	1	
4	564496	CONNECTOR / METRI-PACK 630 / SH 5C / PED 12033871	2	2	
5	563332	RELAY 24V S.P.D.T. W/RESISTOR / "VOLVO" (20374662)	2	2	
6	381145	DIODE ASSY / W/5 3AMPS	2	2	
7	068616	CABLE HARNESS / EVAPORATOR DOOR To E-5563	1	1	
7	068935	CABLE HARNESS / EVAPORATOR DOOR From E-5564	1	1	
NS	068625	CABLE ASSY / HVAC CONTROL	1	1	
8	502868	SCREW TC TR PH #10-16x1/2 N500	14	14	
9	504013	TIE MOUNT / 1/4" X 1/4" I.D.	4	4	
NS	504637	CABLE TIE / 3/16" x 13"	4	4	
10	5001593	SCREW MA RND SLT 1/4-20x2 3/4 SS	2	2	
11	500477	WASHER LO SPT .262x.489x.062 SS	2	2	
12	500771	NUT HEX 1/4-20 SS	2	2	
21	382500	COVER PROTECTOR	1	1	
22	5001348	NUT WING 1/4-20 NYL	2	2	
23	504114	RIVET POP DOME OE 3/16x1/4 AL	10	10	
NS	068733	DECAL EVAPORATOR PANEL	1	1	

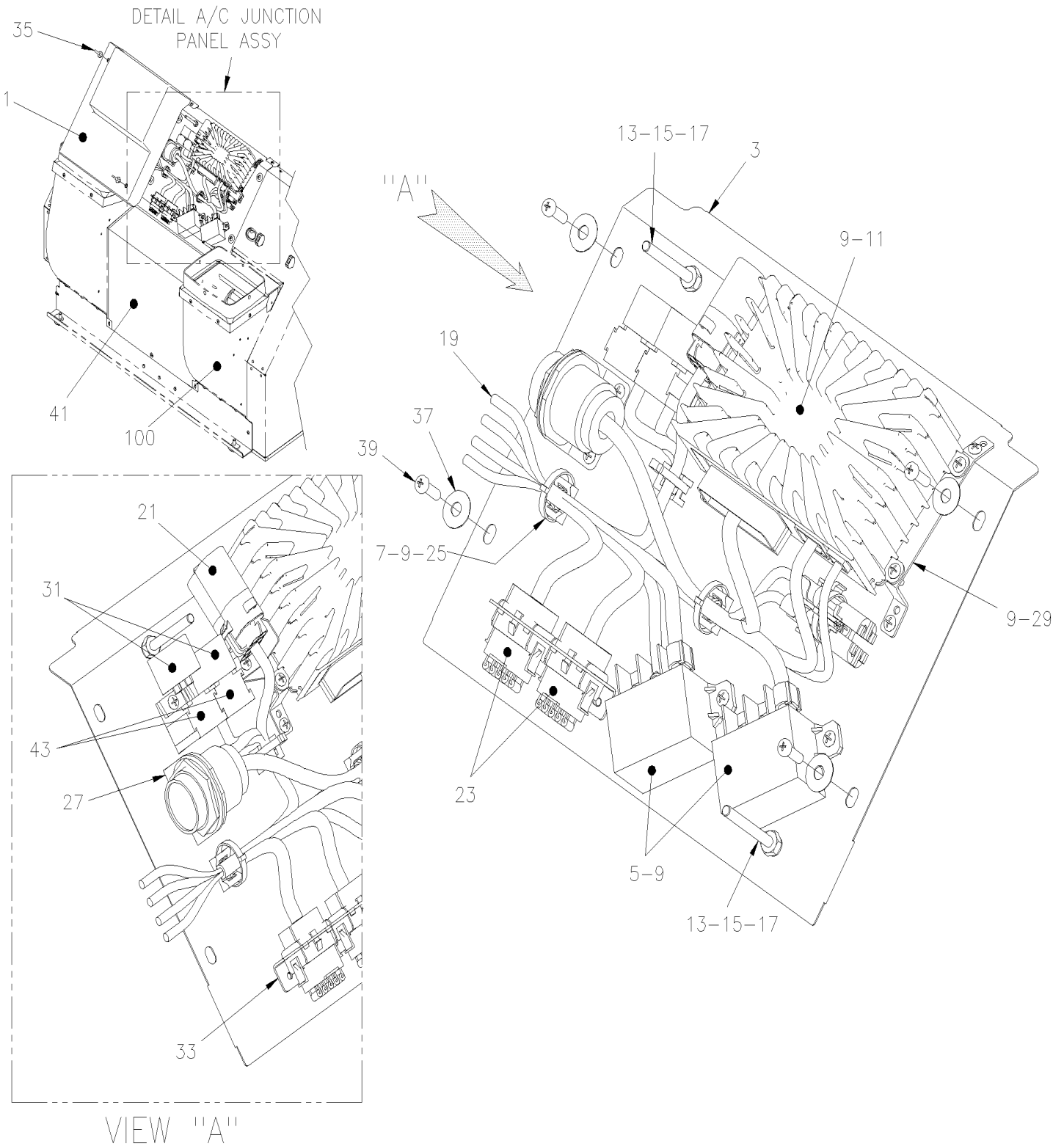


From F-5748 To H-6179

Date:07/2024

PAGE:X3VIP-0621-51

A/C ELECTRICAL PANEL ASSY / EVAPORATOR DOOR





From F-5748 To H-6179 Date:07/2024 PAGE:X3VIP-0621-51

A/C ELECTRICAL PANEL ASSY / EVAPORATOR DOOR

Item#	Part	Description	X 3 V I P E N T	X 3 V I P M T H	N O T E S
1	382514	A/C JUNCTION BOX PANEL-COVER	1	1	
1	069160	DECAL EVAPORATOR PANEL	1	1	
3	457559	CENTRAL UPPER PANEL PLENUM	1	1	
5	563348	RELAY POWER 24V 200 AMPS / S.P.S.T. N.O.	2	2	
. NS	5001182	. NUT HEX NYRT M6-1.0 SS	1	1	
. NS	502573	. WASHER FL 6.4x12.5x1.6 SS	1	1	
. NS	563409	. CONNECTOR / SUPERSEAL 1.5 SERIES / SH 2C / AMP 282080-1	1	1	
. NS	562607	. SOCKET TERMINAL / 20-16 / AMP 183025-1	1	1	
5	5001182	NUT HEX NYRT M6-1.0 SS	2	2	
5	502573	WASHER FL 6.4x12.5x1.6 SS	2	2	
7	504013	TIE MOUNT / 1/4" X 1/4" I.D.	3	3	
9	502868	SCREW TC TR PH #10-16x1/2 N500	AR	AR	
11	564193	I/O B-MODULE VOLVO MULTIPLEX / ALUMINUM To G-6088	1	1	
. NS	563132	. CONNECTOR / SH 2C / YAZAKI 7283-6458-40 To G-6088	1	1	
. NS	563133	. CONNECTOR / JUNIOR POWER TIMER / SH 29C / AMP 1-963449-2 To G-6088	1	1	
. NS	562957	. CONNECTOR / SH 5C / GREEN / JAE IL-AG5-5S-S3C1 To G-6088	1	1	
11	22722842	I/O B-MODULE VOLVO MULTIPLEX / ALUMINUM From G-6089	1	1	
. NS	563132	. CONNECTOR / SH 2C / YAZAKI 7283-6458-40 From G-6089	1	1	
. NS	563133	. CONNECTOR / JUNIOR POWER TIMER / SH 29C / AMP 1-963449-2 From G-6089	1	1	
. NS	562957	. CONNECTOR / SH 5C / GREEN / JAE IL-AG5-5S-S3C1 From G-6089	1	1	
13	5001593	SCREW MA RND SLT 1/4-20x2 3/4 SS	2	2	
15	500477	WASHER LO SPT .262x.489x.062 SS	2	2	
17	500771	NUT HEX 1/4-20 SS	2	2	
19	069149	CABLE POWER / BREAKERS & HVAC To H-6096	1	1	
19	069595	CABLE POWER / BREAKERS & HVAC From H-6097	1	1	
19	068976	HVAC POWER HARNESS To E-5759	1	1	
NS	069148	HVAC POWER HARNESS From F-5760 To F-5812	1	1	
NS	069226	HVAC POWER HARNESS From F-5813 To H-6096	1	1	
NS	069588	HVAC POWER HARNESS From H-6097	1	1	
21	564238	FUSE HOLDER / LONG / BUSSMANN CFH-ALE	1	1	
23	381145	DIODE ASSY / W/5 3AMPS	1	1	
25	504637	CABLE TIE / 3/16" x 13"	4	4	
27	457567	SUPPORT, DEUTSCH CONN. To H-6096	1	1	
27	457574	SUPPORT, DEUTSCH CONN. From H-6097	1	1	
29	457566	SUPPORT IO/B	2	2	
31	563332	RELAY 24V S.P.D.T. W/RESISTOR / "VOLVO" (20374662)	2	2	
33	457565	SUPPORT, DIODE CONN.	1	1	
35	5001348	NUT WING 1/4-20 NYL	2	2	
37	5001699	WASHER BEL SPR 8.2x22x1.4 N500	4	4	
39	502626	SCREW MA PAN PH M6-1.0x20 N500	4	4	
41	457562P	PLENUM CENTRAL SECTION	1	1	
43	561183	RELAY BASE / TAB TERMINAL / BOSCH 3334485008	2	2	



From F-5748 To H-6179		Date:07/2024	PAGE:X3VIP-0621-51
-----------------------	--	--------------	--------------------

A/C ELECTRICAL PANEL ASSY / EVAPORATOR DOOR

Item#	Part	Description	X 3 V I P E N T	X 3 V I P M T H	N O T E S
100	X3VIP-2220-00	UNDER FLOOR AIR DUCTING			

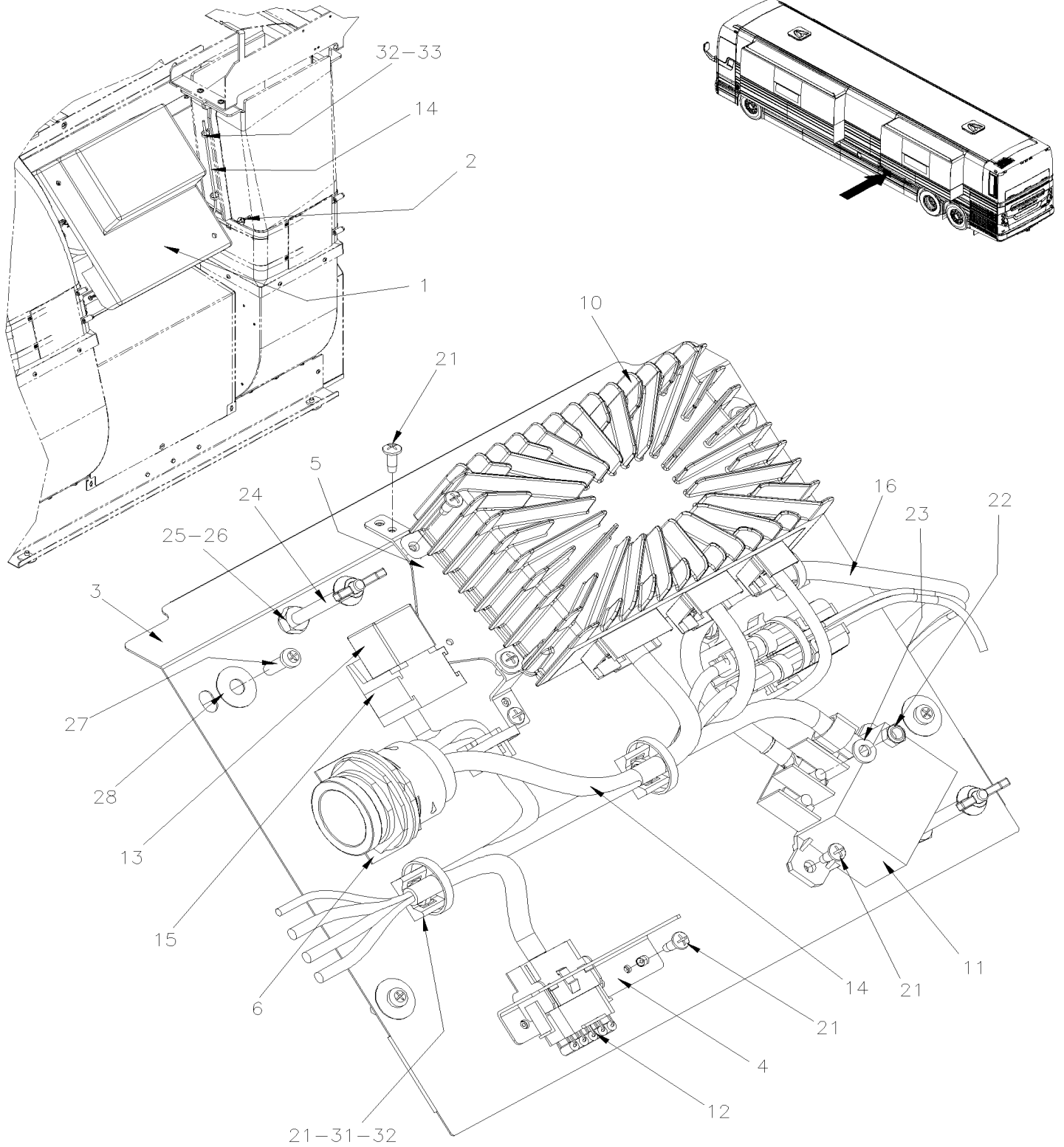


From H-6180

Date:07/2024

PAGE:X3VIP-0621-52

A/C ELECTRICAL PANEL ASSY / EVAPORATOR COMPARTMENT GHG17





From H-6180		Date:07/2024	PAGE:X3VIP-0621-52
A/C ELECTRICAL PANEL ASSY / EVAPORATOR COMPARTMENT GHG17			

Item#	Part	Description	X 3 V I P E N T	X 3 V I P M T H	N O T E S
1	380067	A/C JUNCTION BOX PANEL-COVER	1	1	
NS	069754	DECAL EVAPORATOR PANEL	1	1	
2	5001348	NUT WING 1/4-20 NYL	2	2	
3	450198	CENTRAL UPPER PANEL PLENUM	1	1	
4	457565	SUPPORT, DIODE CONN.	1	1	
5	457566	SUPPORT IO/B	2	2	
6	457574	SUPPORT, DEUTSCH CONN.	1	1	
10	22722850	I/O B E-MODULE VOLVO MULTIPLEX / ALUMINUM To M-6650	1	1	
10	23824204	I/O B E-MODULE VOLVO MULTIPLEX / ALUMINUM From M-6651	1	1	
11	563348	RELAY POWER 24V 200 AMPS / S.P.S.T. N.O.	1	1	
. NS	5001182	. NUT HEX NYRT M6-1.0 SS	1	1	
. NS	502573	. WASHER FL 6.4x12.5x1.6 SS	1	1	
. NS	563409	. CONNECTOR / SUPERSEAL 1.5 SERIES / SH 2C / AMP 282080-1	1	1	
. NS	562607	. SOCKET TERMINAL / 20-16 / AMP 183025-1	1	1	
12	060324	DIODE/ RESISTOR BLOCK "1"	1	1	
13	563332	RELAY 24V S.P.D.T. W/RESISTOR / "VOLVO" (20374662)	2	2	
14	060373	HVAC CONTROL HARNESS To J-6278	1	1	
14	060017	HVAC CONTROL HARNESS From J-6279	1	1	
15	561183	. RELAY BASE / TAB TERMINAL / BOSCH 3334485008	1	1	
16	060175	EVAPORATOR POWER HARNESS From H-6145 To H-6145	1	1	
16	060529	EVAPORATOR POWER HARNESS From H-6146	1	1	
21	502868	SCREW TC TR PH #10-16x1/2 N500	AR	AR	
22	5001182	NUT HEX NYRT M6-1.0 SS	1	1	
23	502573	WASHER FL 6.4x12.5x1.6 SS	1	1	
24	5001593	SCREW MA RND SLT 1/4-20x2 3/4 SS	2	2	
25	500477	WASHER LO SPT .262x.489x.062 SS	2	2	
26	500771	NUT HEX 1/4-20 SS	2	2	
27	502626	SCREW MA PAN PH M6-1.0x20 N500	4	4	
28	5001699	WASHER BEL SPR 8.2x22x1.4 N500	4	4	
31	504013	TIE MOUNT / 1/4" X 1/4" I.D.	4	4	
32	504637	CABLE TIE / 3/16" x 13"	AR	AR	
33	509815	TIE MOUNT / ATTACHMENT W/TREE MOUNT	2	2	
50	X3VIP-2220-00	UNDER FLOOR AIR DUCTING			

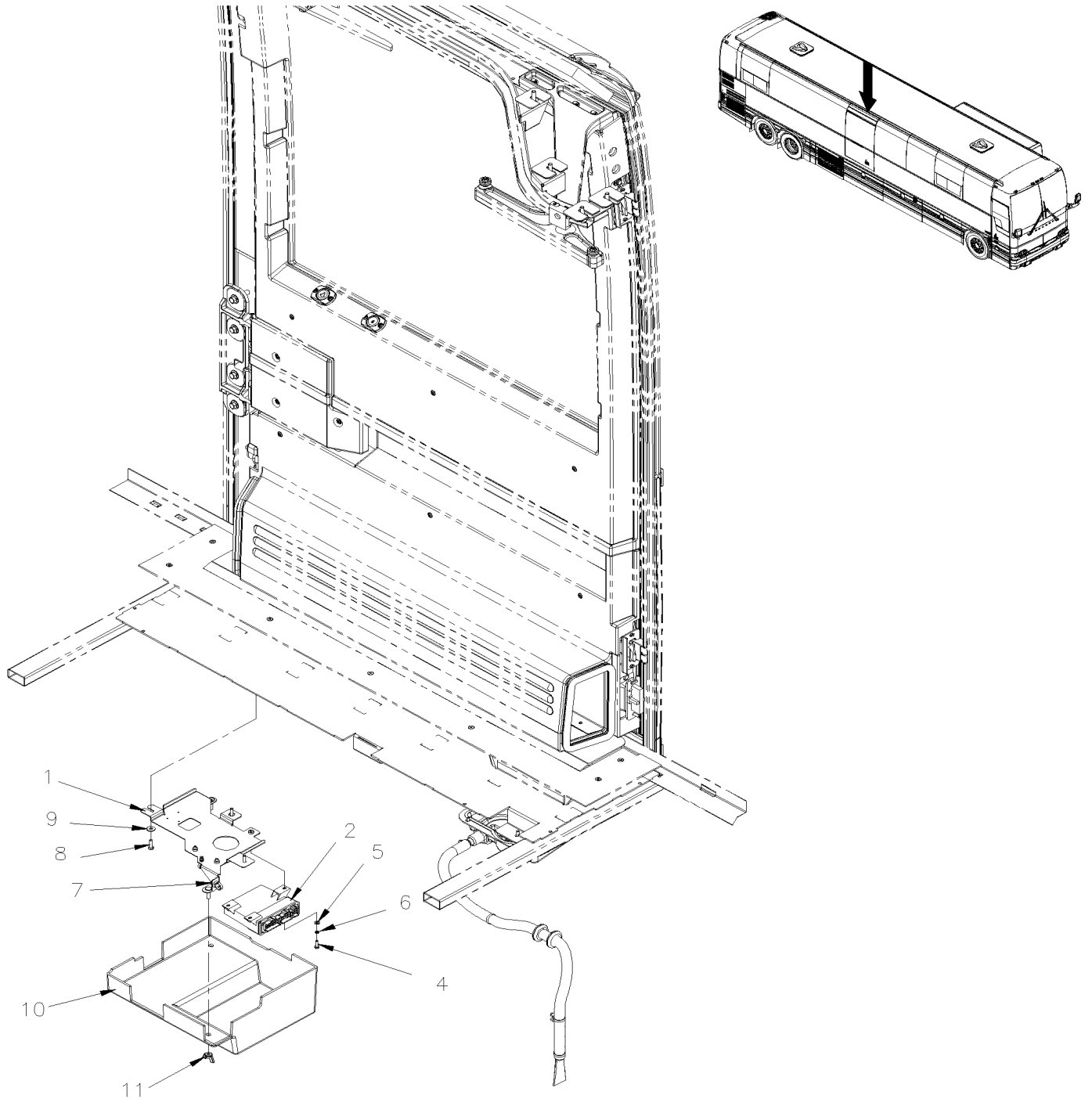


From J-6223

Date:07/2024

PAGE:X3VIP-0621-80

MODULE WCL ASSY / GHG17





From J-6223	Date:07/2024	PAGE:X3VIP-0621-80
MODULE WCL ASSY / GHG17		

Item#	Part	Description	X 3 V I P E N T	X 3 V I P M T H	N O T E S
1	060624	PLATE ASSY To £-17113	1	1	
1	0601004	PLATE ASSY From £-17113	1	1	
2	22722846	I/O A E-MODULE VOLVO MULTIPLEX	1	1	
NS	061267	HARNESS WCL IOE CONTROL To J-6314	1	1	
3	069832	HARNESS WCL IOE CONTROL From J-6315	1	1	
4	502653	SCREW MA PAN PH M5-0.8x16 SS	3	3	
5	5001137	WASHER FL .203x.438x.050 SS	3	3	
6	500914	WASHER LO SPT .193x.334x.047 N500	3	3	
7	509815	TIE MOUNT / ATTACHMENT W/TREE MOUNT	AR	AR	
NS	504637	CABLE TIE / 3/16" x 13"	AR	AR	
8	502830	SCREW CAP HEX M6-1.0x20 G8.8 N500	3	3	
9	5001833	WASHER BEL SPR 6.1x18x1.27 SS	3	3	
10	060169	LID MODULE WCL	1	1	
10	069194	DECAL "IOB"	1	1	
11	5001348	NUT WING 1/4-20 NYL	2	2	

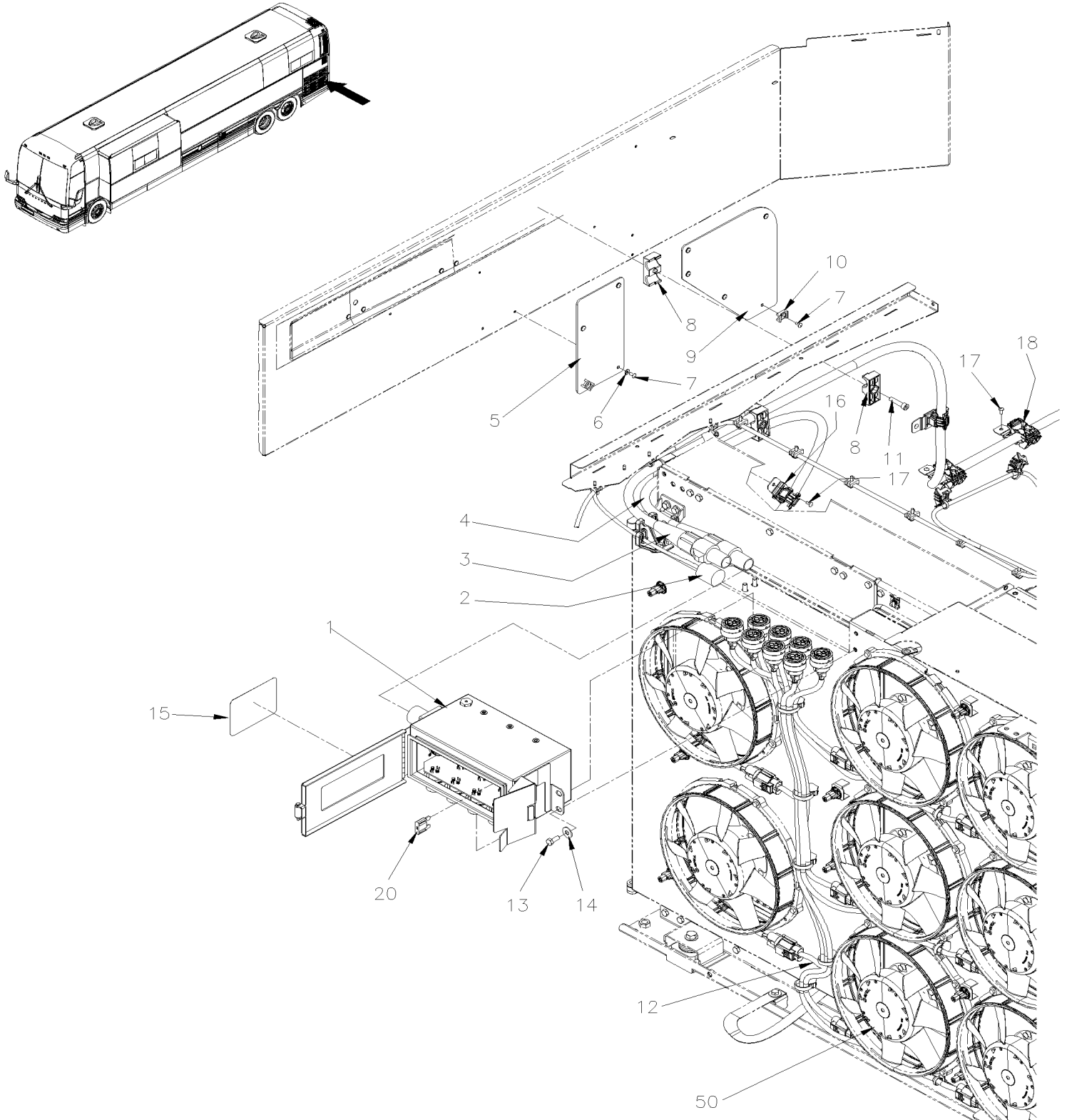


From H-6180

Date:07/2024

PAGE:X3VIP-0622-00

POWER BOX FOR RADIATORS FANS GHG17





From H-6180		Date:07/2024	PAGE:X3VIP-0622-00
POWER BOX FOR RADIATORS FANS GHG17			

Item#	Part	Description	X 3 V I P E N T	X 3 V I P M T H	N O T E S
1	564603	POWER BOX, FAN DRIVE To J-6244	1	1	
1	564612	POWER BOX, FAN DRIVE From J-6245	1	1	
2	060379	CABLE HARNESS / ENGINE ACCESSORIES From H-6145 To H-6175	1	1	
2	060573	CABLE HARNESS / ENGINE COMPT & ACCESSORIES To J-6312	1	1	
2	069872	CABLE HARNESS / ENGINE COMPT & ACCESSORIES From J-6313 To K-6439	1	1	
2	0610027	CABLE HARNESS / ENGINE COMPT & ACCESSORIES From K-6440 To L-6610	1	1	
2	0610311	CABLE HARNESS / ENGINE COMPT & ACCESSORIES From L-6611	1	1	
3	069245	HARNESS PWR FAN DRIVE	1	1	
NS	560791	SHRINK TUBING / .940" - .406" / BLACK / ALPHA FIT-321-1-4B	AR	AR	
NS	564542	TREE MOUNT CLIP FOR PED CONNECTOR	2	2	
4	069246	HARNESS GROUND FAN DRIVE	1	1	
5	069460	GUARD FOR POWER CABLE	1	1	
6	504357	WASHER FL .187x.437x.050 SS	AR	AR	
7	504488	RIVET MGLP PRDG 3/16x17/64 SS	AR	AR	
8	069351	CLAMP, POWER CABLE	AR	AR	
NS	504016	CABLE TIE / 5/16" X 14"1/2	AR	AR	
9	069459	GUARD FOR POWER CABLE	1	1	
10	504013	TIE MOUNT / 1/4" X 1/4" I.D.	AR	AR	
11	5001661	SCREW CAP HEXS M8-1.25x35 G10.9 AD MAGNI 565	3	3	
12	068820	HARNESS FAN DRIVE	1	1	
13	500119	SCREW CAP HEX M8X1.25X20 BK	AR	AR	
14	5001868	WASHER BEL SPR 8.4x18x2 SS	AR	AR	
15	069205	DECAL "WARNING FAN"	1	1	
16	504193	CLAMP P SS PA 12.7-19.5 ID From M-6650	2	2	
17	504488	RIVET MGLP PRDG 3/16x17/64 SS From M-6650	4	4	
18	504187	CLAMP P SS PA 19.4-36 ID From M-6650	2	2	
20	564604	BREAKER 50A / 24V / AUTO WURTH To J-6244	8	8	
20	564613	BREAKER 50A / 24V / MANUAL WURTH From J-6245	8	8	
50	X3VIP-0520-02	ELECTRICAL FANS - INSTALLATION VOLVO D13 - GHG17	1	1	

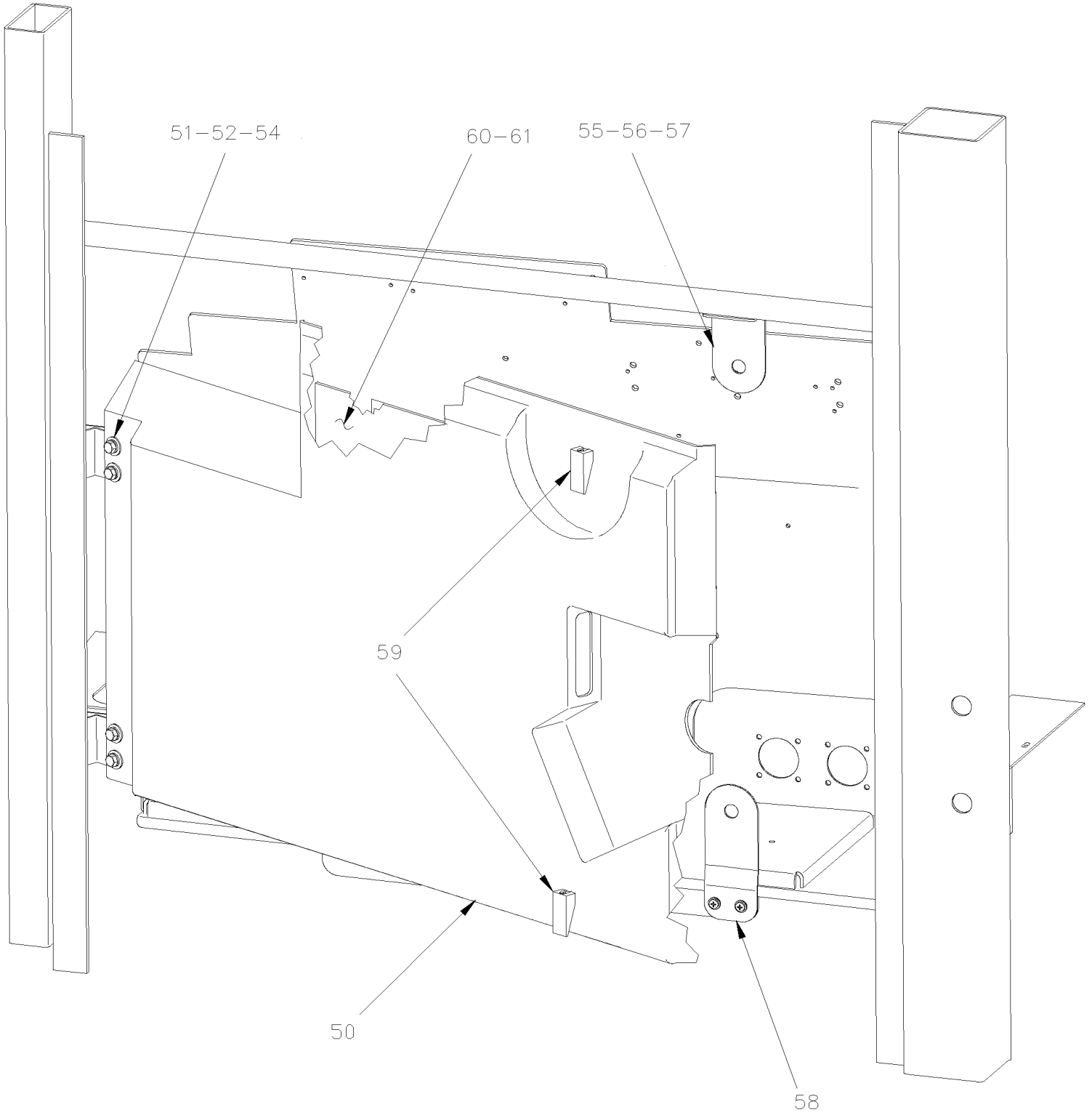


From E-5490 To H-6179

Date:07/2024

PAGE:X3VIP-0625-00

FRONT JUNCTION PANEL



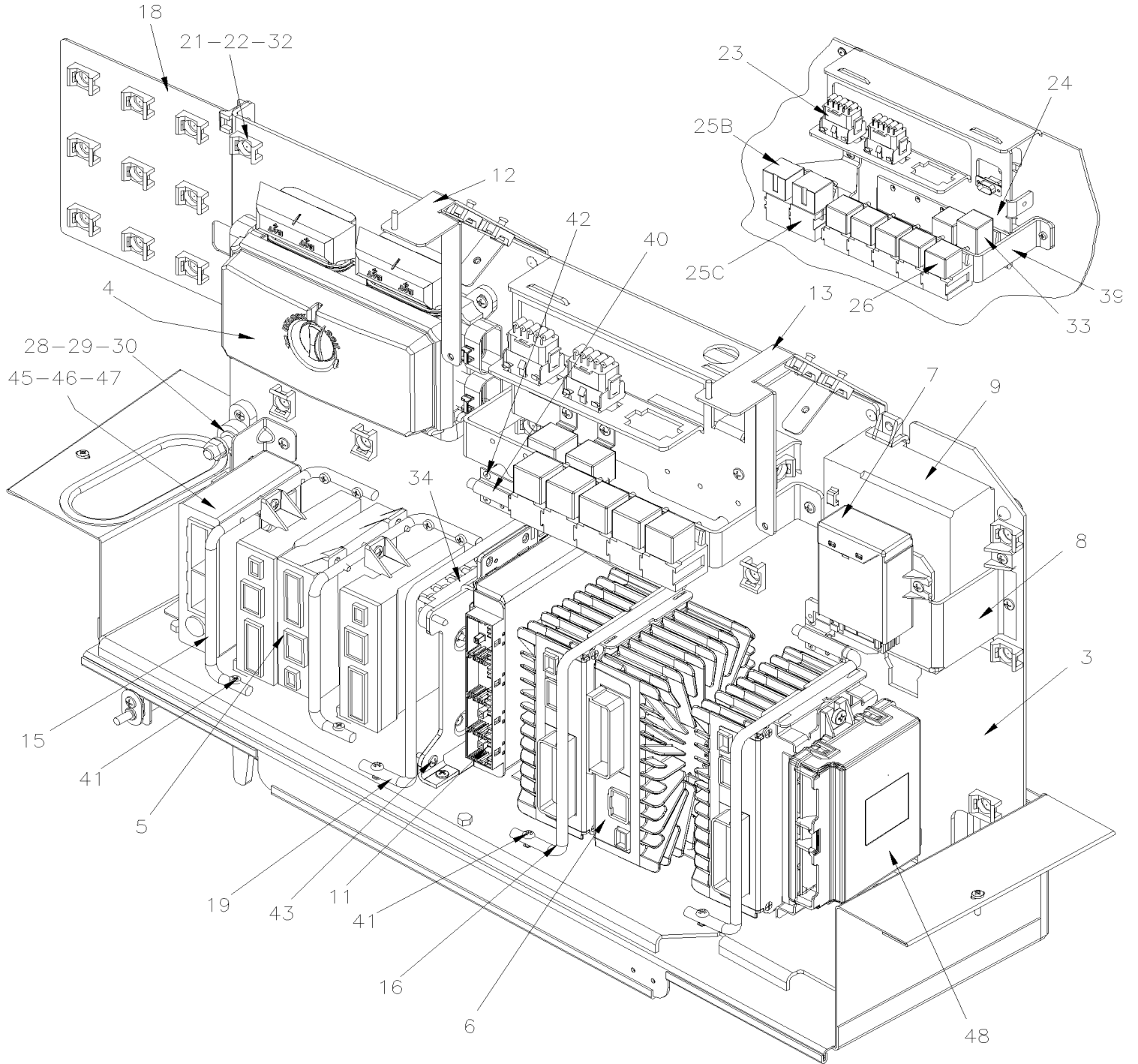


From E-5490 To H-6179

Date:07/2024

PAGE:X3VIP-0625-00

FRONT JUNCTION PANEL





From E-5490 To H-6179	Date:07/2024	PAGE:X3VIP-0625-00
------------------------------	---------------------	---------------------------

FRONT JUNCTION PANEL

Item#	Part	Description	X 3 V I P E N T	X 3 V I P M T H	N O T E S
1	068505	WIRING HARNESS FRONT JUNCTION BOX / W/MUX To E-5666	1	1	
1	069137	WIRING HARNESS FRONT JUNCTION BOX / W/MUX From E-5667 To F-5872	1	1	
1	069253	WIRING HARNESS FRONT JUNCTION BOX / W/MUX From F-5873 To G-5985	1	1	
1	069410	WIRING HARNESS FRONT JUNCTION BOX / W/MUX From G-5986	1	1	
NS	068073	UNIVERSAL CAN HARNESS / FRT JCT BOX	1	1	
3	382502	FRONT PANEL BOX	1	1	
. NS	504784	. NUT INS FL HEX M4-0.7 0.5-3.0 ZP	3	3	
4	563674	VEC DISTRIBUTION MODULE / FRONT JCT BOX	1	1	
. NS	564104	. COVER / VEC BOX	1	1	
. NS	563004	. FUSE / ATM 2 AMPS GREY	1	1	
. NS	563279	. FUSE / ATM 3 AMPS VIOLET	14	14	
. NS	563280	. FUSE / ATM 5 AMPS AMBER	2	2	
. NS	563005	. FUSE / ATM 7.5 AMPS BROWN	3	3	
. NS	563283	. FUSE / ATM 10 AMPS RED	6	6	
. NS	563284	. FUSE / ATM 15 AMPS BLUE	9	9	
. NS	563282	. FUSE / ATM 20 AMPS YELLOW	6	6	
. NS	563153	. FUSE / ATM 25 AMPS NATURAL	1	1	
. NS	563165	. FUSE / ATM 30 AMPS GREEN	3	3	
. NS	564464	. MINI BREAKER / 20 AMPS / SERIES 223	1	1	
. NS	563181	. CONNECTOR / SH 8C / YELLOW / BUSSMANN 32006-E21	1	1	
. NS	563182	. CONNECTOR / SH 8C / ORANGE / BUSSMANN 32006-G21	1	1	
. NS	563183	. CONNECTOR / SH 8C / RED / BUSSMANN 32006-F21	1	1	
. NS	563184	. CONNECTOR / SH 8C / GREEN / BUSSMANN 32006-C21	1	1	
. NS	563185	. CONNECTOR / SH 8C / BLACK / BUSSMANN 32006-A21	1	1	
. NS	563186	. CONNECTOR / SH 8C / GREY / BUSSMANN 32006-B21	1	1	
. NS	563187	. CONNECTOR / SH 8C / BROWN / BUSSMANN 32006-H21	1	1	
. NS	563448	. CONNECTOR / SH 8C / BLUE / BUSSMANN 32006-D21	1	1	
. NS	19518268	. COVER RUBBER RED	2	2	
5	564194	I/O A-MODULE VOLVO MULTIPLEX / BLACK To F-5874	1	1	
. NS	562767	. CONNECTOR / SH 30C / GREEN / JAE IL-AG5-30S-D3C1 To F-5874	1	1	
. NS	562957	. CONNECTOR / SH 5C / GREEN / JAE IL-AG5-5S-S3C1 To F-5874	1	1	
. NS	563132	. CONNECTOR / SH 2C / YAZAKI 7283-6458-40 To F-5874	1	1	
5	22561320	I/O A-MODULE VOLVO MULTIPLEX / BLACK From F-5875 To G-6088	1	1	
. NS	562767	. CONNECTOR / SH 30C / GREEN / JAE IL-AG5-30S-D3C1 From F-5875 To G-6088	1	1	
. NS	562957	. CONNECTOR / SH 5C / GREEN / JAE IL-AG5-5S-S3C1 From F-5875 To G-6088	1	1	
. NS	563132	. CONNECTOR / SH 2C / YAZAKI 7283-6458-40 From F-5875 To G-6088	1	1	
5	22722832	I/O A-MODULE VOLVO MULTIPLEX / BLACK From G-6089	1	1	
. NS	562767	. CONNECTOR / SH 30C / GREEN / JAE IL-AG5-30S-D3C1 From G-6089	1	1	
. NS	562957	. CONNECTOR / SH 5C / GREEN / JAE IL-AG5-5S-S3C1 From G-6089	1	1	
. NS	563132	. CONNECTOR / SH 2C / YAZAKI 7283-6458-40 From G-6089	1	1	
6	564193	I/O B-MODULE VOLVO MULTIPLEX / ALUMINUM To G-6088	1	1	
. NS	563132	. CONNECTOR / SH 2C / YAZAKI 7283-6458-40 To G-6088	1	1	



From E-5490 To H-6179	Date:07/2024	PAGE:X3VIP-0625-00
------------------------------	---------------------	---------------------------

FRONT JUNCTION PANEL

Item#	Part	Description	X 3 V I P E N T	X 3 V I P M T H	N O T E S
. NS	563133	. CONNECTOR / JUNIOR POWER TIMER / SH 29C / AMP 1-963449-2 To G-6088	1	1	
. NS	562957	. CONNECTOR / SH 5C / GREEN / JAE IL-AG5-5S-S3C1 To G-6088	1	1	
6	22722842	I/O B-MODULE VOLVO MULTIPLEX / ALUMINUM From G-6089	1	1	
. NS	563132	. CONNECTOR / SH 2C / YAZAKI 7283-6458-40 From G-6089	1	1	
. NS	563133	. CONNECTOR / JUNIOR POWER TIMER / SH 29C / AMP 1-963449-2 From G-6089	1	1	
. NS	562957	. CONNECTOR / SH 5C / GREEN / JAE IL-AG5-5S-S3C1 From G-6089	1	1	
7	564076	ECU TIRE PRESSURE To G-6064	1	1	
. NS	564073	. CONNECTOR TANDEM SPRING/ AMPMODU / SH 32C / AMP 1394010-1 To G-6064	1	1	
7	560056	ECU TIRE PRESSURE From G-6065	1	1	
8	382406	SUPPORT TIRE ECU PRESSURE	1	1	
9	563851	MCM - VOLVO MULTIPLEX MODULE	1	1	E
9	23317365	MCM - VOLVO MULTIPLEX MODULE	1	1	E
11	642146	ECU ABS / W/6 CHANNELS / ADVANCED ESP UNPROGRAMMED / NON-PROGRAMME	1	1	
12	382465	SUPPORT FRONT PANEL UPPER FORWARD	1	1	
13	382466	SUPPORT FRONT PANEL UPPER BACKWARD	1	1	
15	382179	ROD ATTACHMENT / I/O A MODULE	2	2	
16	382417	ROD ATTACHMENT / I/O B MODULE	2	2	
18	386652	SUPPORT	1	1	
19	382418	ROD ATTACHMENT CABLE	1	1	
21	504013	TIE MOUNT / 1/4" X 1/4" I.D.	AR	AR	
22	504347	RIVET POP DOME OE 3/16x1/4 AL	AR	AR	
23	381145	DIODE ASSY / W/5 3AMPS	2	2	
23	382244	RESISTANCE ASSY / W/5 RESISTORS 1.2k OHMS	1	1	
24	382470	DIODE SUPPORT PLATE	1	1	D13
25B	564218	RELAY 24V S.P.S.T. / 40 AMPS N.O.	2	2	
25C	564210	RELAY BASE / TAB TERMINAL / COLE HERSEE 99025	2	2	
26	563332	RELAY 24V S.P.D.T. W/RESISTOR / "VOLVO" (20374662)	AR	AR	
27	952627	CLAMP / 1/2" I.D.	2	2	
28	560422	BLOCK, TERMINAL / 1 STUD 3/8-16 / BLACK	1	1	
29	500478	WASHER LO SPT .380x.683x.094 Z050	1	1	
30	500379	NUT HEX 3/8-16 BR	1	1	
31	500623	SCREW TC PAN PH #10-24x3/4 N500	1	1	
32	504637	CABLE TIE / 3/16" x 13"	AR	AR	
33	563033	E.C.U. / W/STEERING ASSIST (STP 272 or 330) ((77//125))	1	1	
33	661170	E.C.U. / W/STEERING ASSIST (STP 338) ((60//95))	1	1	C
34	563218	JUNCTION BLOCK W/5 STUDS	1	1	
NS	500765	NUT HEX #10-32 BR	AR	AR	
39	382557	SUPPORT / RELAY	1	1	
40	382169	HINGE ROD ATTACHMENT	5	5	
41	509827	SCREW MA RND PH M4-0.7x20 SS	9	9	
42	504340	RIVET POP DOME OE 1/8x3/16 SS	12	12	
43	502868	SCREW TC TR PH #10-16x1/2 N500	AR	AR	



From E-5490 To H-6179	Date:07/2024	PAGE:X3VIP-0625-00
------------------------------	---------------------	---------------------------

FRONT JUNCTION PANEL

Item#	Part	Description	X 3 V I P E N T	X 3 V I P M T H	N O T E S
44	500965	SCREW TC BDG PH #8-32x1/2 N500	AR	AR	
45	563541	KEYLESS MODULE / 350' RANGE To F-5874	1	1	
46	382162	SUPPORT UPPER KEYLESS MODULE To F-5874	1	1	
47	382163	SUPPORT LOWER KEYLESS MODULE To F-5874	1	1	
48	21720495	VECU4 MODULE / VOLVO	1	1	
48	068592	CABLE ASSY FRT JCT BOX WORLD TRANSMISSION	1	1	
50	287562	PROTECTOR FRONT ELECTRIC COMPARTMENT	1	1	
51	5001744	SCREW CAP HEX M6-1.0x16 G8.8 N500 To F-5762	4	4	
51	5001743	SCREW CAP HEX M6-1.0x12 G8.8 N500 From F-5763	4	4	
52	5001833	WASHER BEL SPR 6.1x18x1.27 SS	10	10	
54	287210	ATTACHMENT PLATE W/NUT	2	2	
55	502868	SCREW TC TR PH #10-16x1/2 N500	4	4	
56	500855	WASHER FL .188x.438x.049 N500	4	4	
57	384286	RETAINER UPPER	1	1	
58	382360	RETAINER LOWER	1	1	
59	901052	LATCH RUBBER	2	2	
60	068664	DECAL "FRT JCT BOX" COMPONENTS To F-5874	1	1	
60	069344	DECAL "FRT JCT BOX" COMPONENTS From F-5875 To G-6069	1	1	
60	069603	DECAL "FRT JCT BOX" COMPONENTS From G-6070	1	1	
61	066155	DECAL PIN OUT / JCT BOX W/MUX	1	1	
NS	068380	SERVICE KIT TO REPLACE 70 AMP RELAY	AR	AR	
. NS	564210	. RELAY BASE / TAB TERMINAL / COLE HERSEE 99025	1	1	
. NS	564218	. RELAY 24V S.P.S.T. / 40 AMPS N.O.	1	1	
. NS	FI11015	. SEE INSTRUCTION SHEET ENS. REMPLACEMENT RELAIS 70A	1	1	
. NS	IS11015	. SEE INSTRUCTION SHEET	1	1	
		C) THIS E.C.U. GIVE LESS ASSISTANCE AT LOW SPEED			
		D13) WITH "VOLVO" ENGINE			
		E) WHEN YOU MUST REPLACE 563851, YOU MUST ORDER 23317365, BUT YOU MUST GIVE THE SERIAL NUMBER OF YOUR VEHICLE FOR IT TO BE PROGRAM			

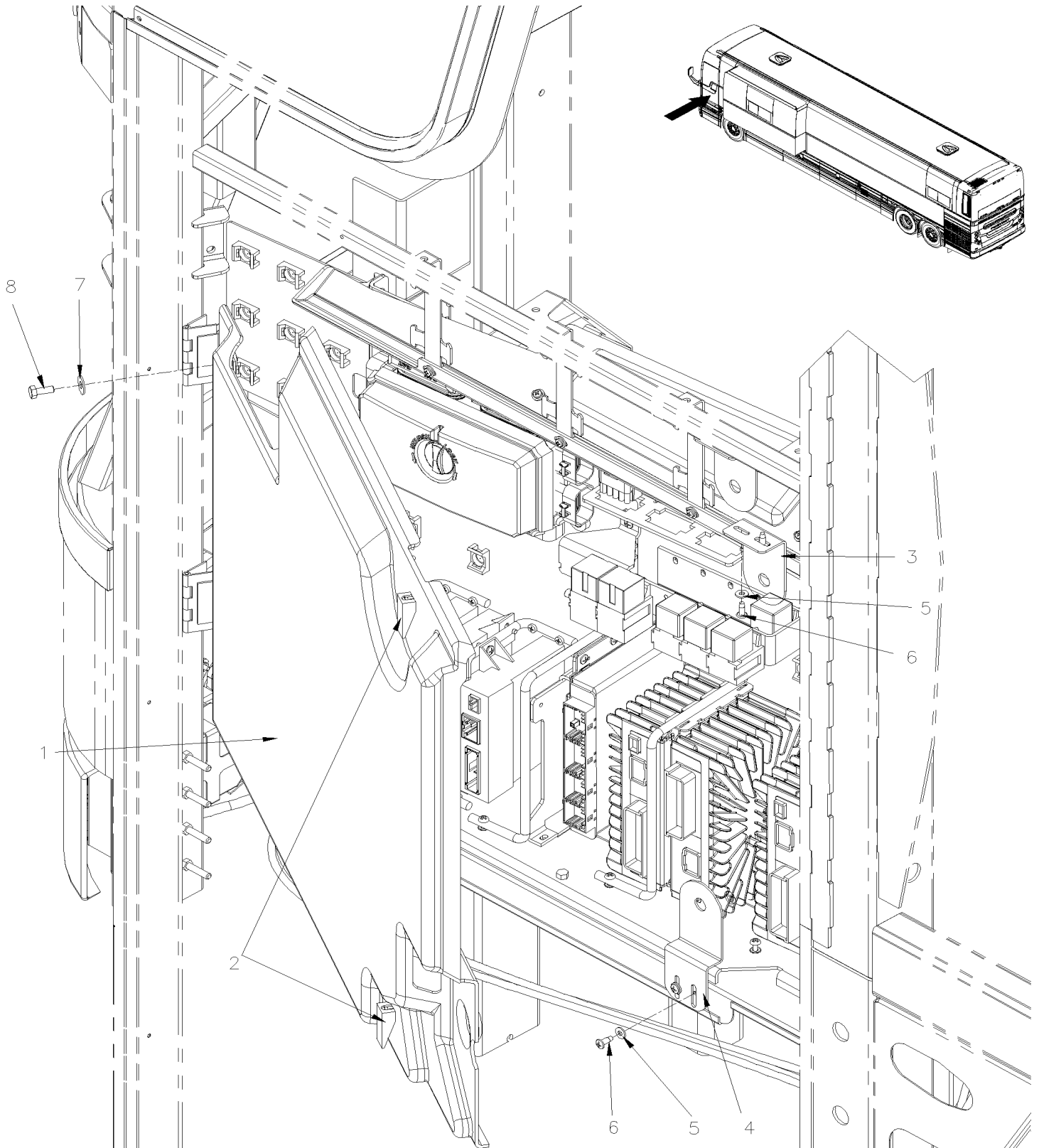


From H-6180

Date:07/2024

PAGE:X3VIP-0625-01

FRONT JUNCTION PANEL GHG17



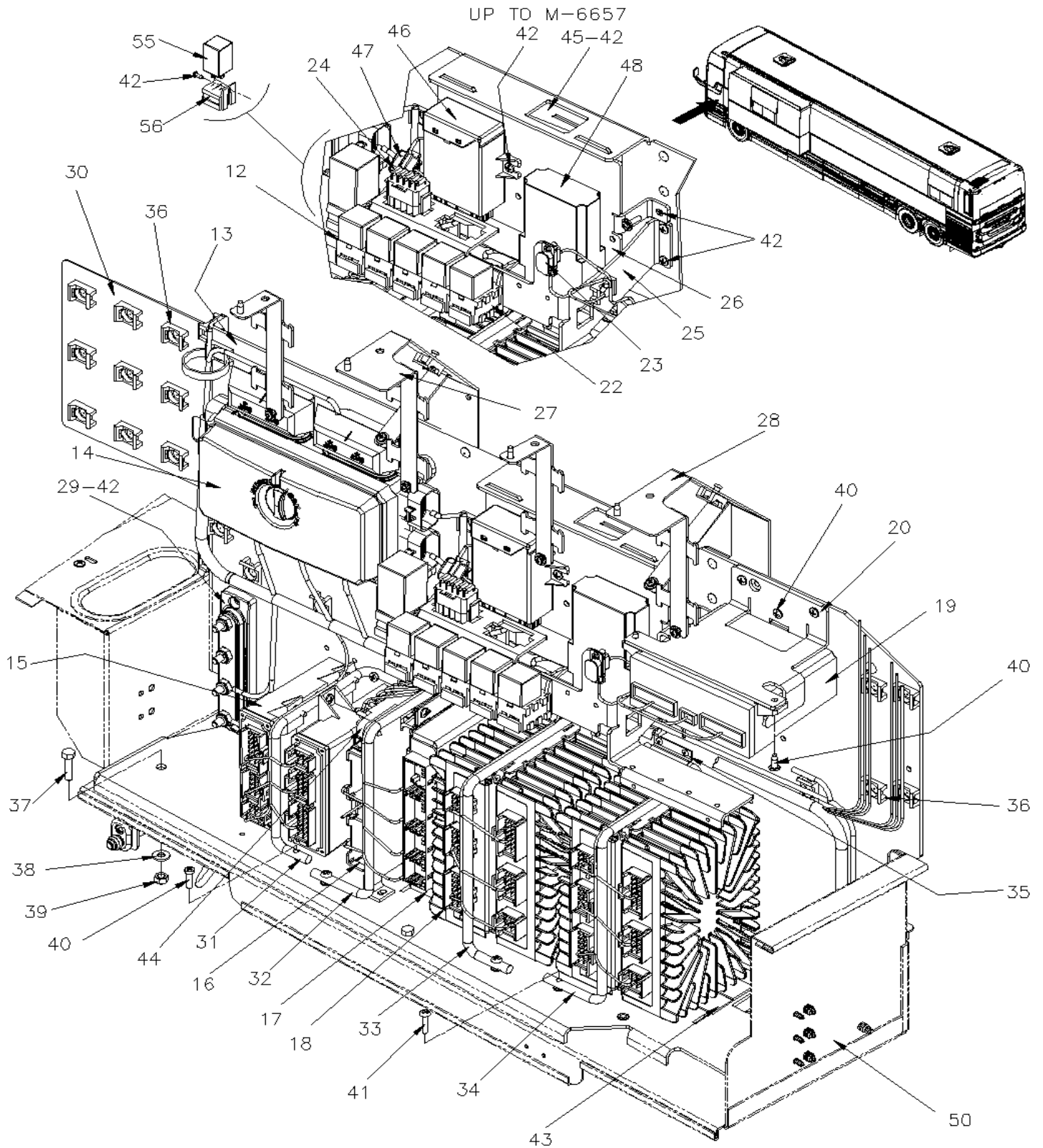


From H-6180

Date:07/2024

PAGE:X3VIP-0625-01

FRONT JUNCTION PANEL GHG17



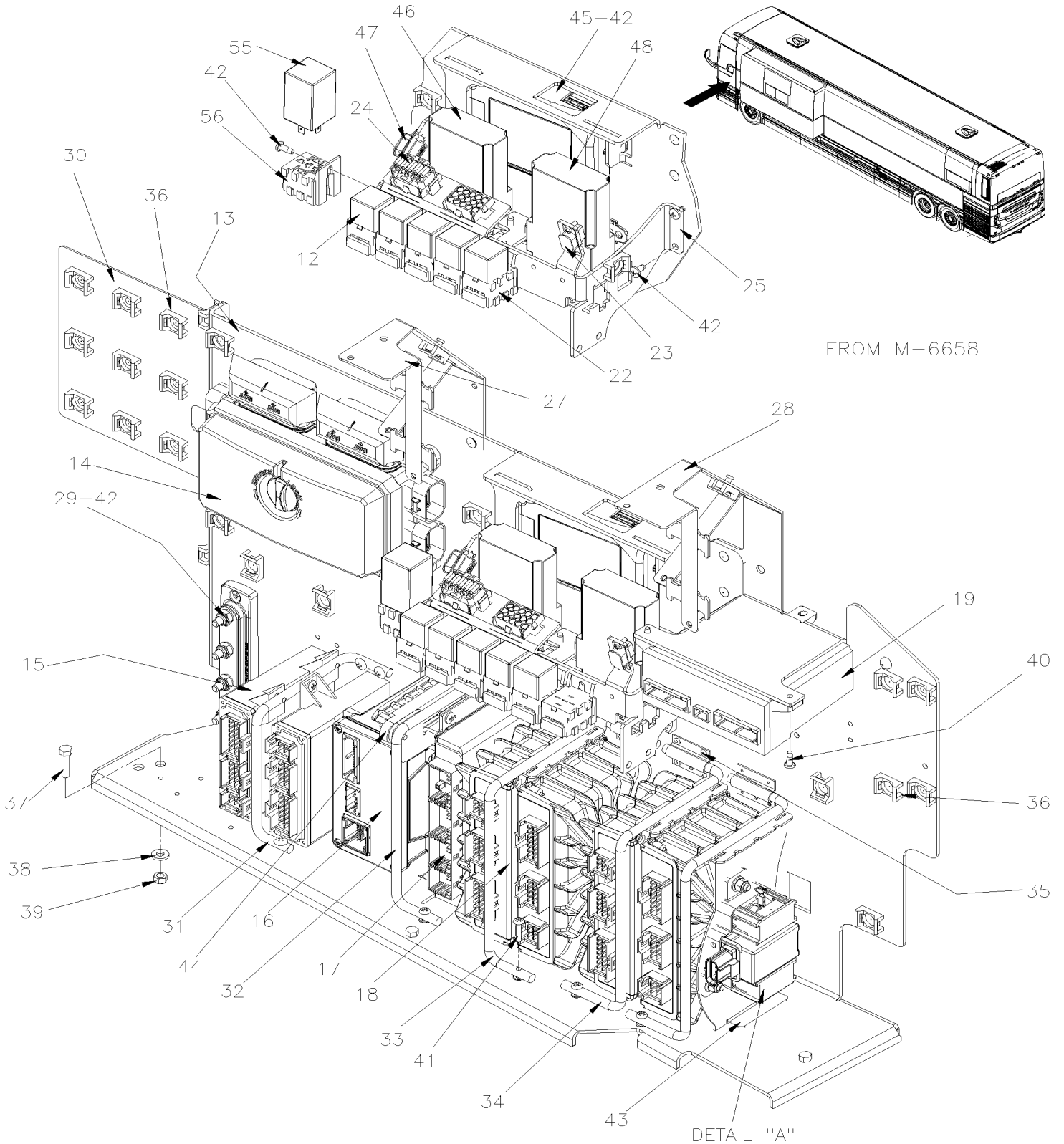


From H-6180

Date:07/2024

PAGE:X3VIP-0625-01

FRONT JUNCTION PANEL GHG17





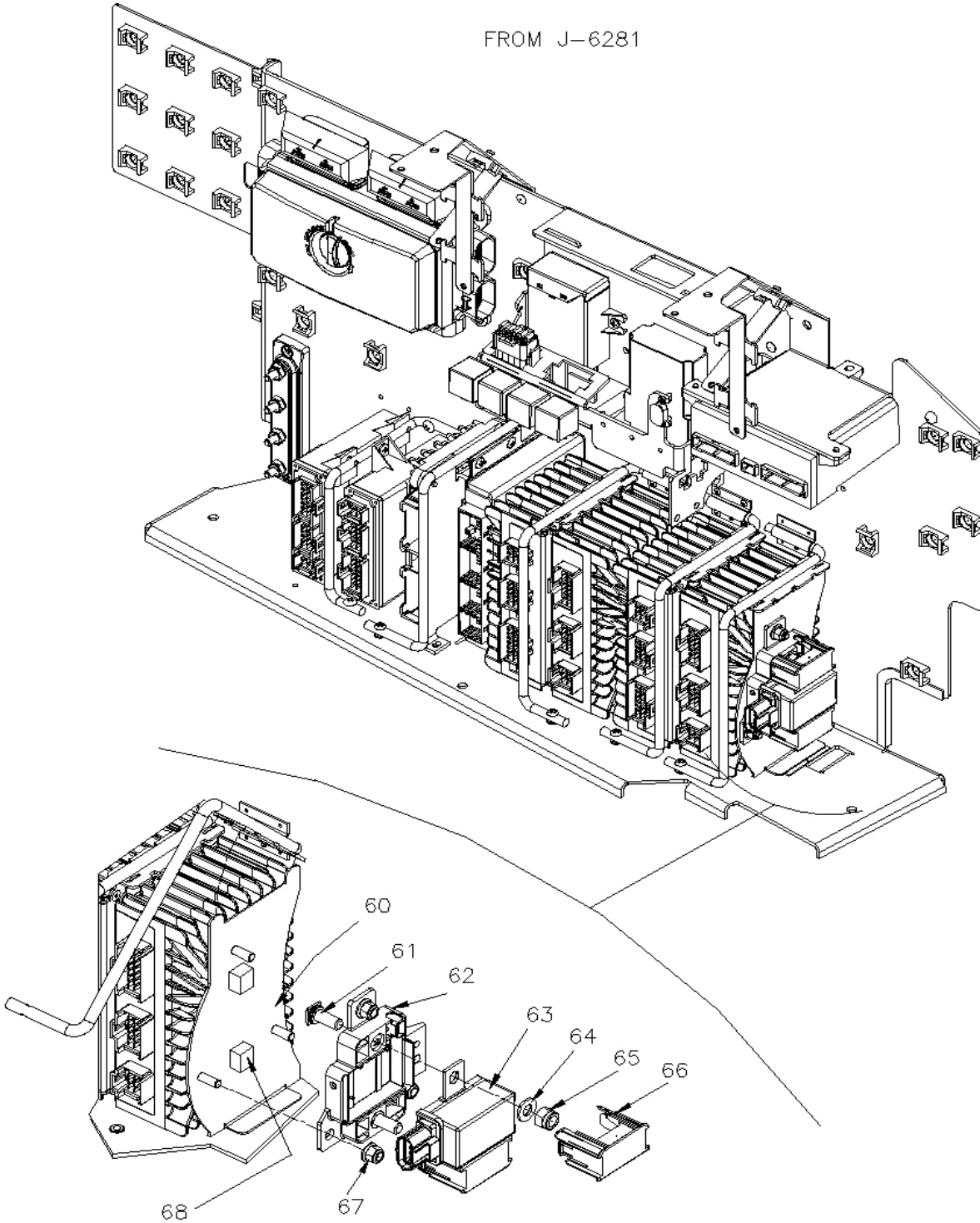
From H-6180

Date:07/2024

PAGE:X3VIP-0625-01

FRONT JUNCTION PANEL GHG17

FROM J-6281





From H-6180		Date:07/2024	PAGE:X3VIP-0625-01
FRONT JUNCTION PANEL GHG17			

Item#	Part	Description	X 3 V I P E N T	X 3 V I P M T H	N O T E S
NS	060147	WIRING HARNESS FRONT JUNCTION BOX To J-6278	1	1	
NS	061426	WIRING HARNESS FRONT JUNCTION BOX From J-6279 To J-6280	1	1	
NS	061425	WIRING HARNESS FRONT JUNCTION BOX From J-6281 To J-6294	1	1	
NS	061856	WIRING HARNESS FRONT JUNCTION BOX From J-6295 To K-6359	1	1	
NS	069913	WIRING HARNESS FRONT JUNCTION BOX From K-6360 To K-6491	1	1	
NS	0610044	WIRING HARNESS FRONT JUNCTION BOX From L-6492 To M-6646	1	1	
	0610362	WIRING HARNESS FRONT JUNCTION BOX From M-6647 To M-6657	1	1	
	0610466	WIRING HARNESS FRONT JUNCTION BOX From M-6658 To N-6723	1	1	
	0610592	WIRING HARNESS FRONT JUNCTION BOX From N-6724	1	1	
NS	060542	CABLE ASSY FRT JCT BOX WORLD TRANSMISSION To K-6359	1	1	
NS	069901	CABLE ASSY FRT JCT BOX WORLD TRANSMISSION From K-6360 To K-6439	1	1	
NS	0610096	CABLE ASSY FRT JCT BOX WORLD TRANSMISSION From K-6440	1	1	
1	280624	PROTECTOR FRONT ELECTRIC COMPARTMENT	1	1	
NS	066155	DECAL PIN OUT / JCT BOX W/MUX	1	1	
NS	060921	DECAL "FRT JCT BOX" COMPONENTS To J-6280	1	1	
1	062435	DECAL "FRT JCT BOX" COMPONENTS From J-6281 To M-6657	1	1	
1	0610517	DECAL "FRT JCT BOX" COMPONENTS From M-6658 To P-6786	1	1	
1	0610634	DECAL "FRT JCT BOX" COMPONENTS From P-6787	1	1	
NS	069794	DECAL, SPEC. M1 EL BTE JCT.AV. MTH/V5 From K-6418	1	1	F
2	901052	LATCH RUBBER	2	2	
3	384286	RETAINER UPPER	1	1	
4	380086	RETAINER LOWER	1	1	
5	500855	WASHER FL .188x.438x.049 N500	4	4	
6	502868	SCREW TC TR PH #10-16x1/2 N500	4	4	
7	5001833	WASHER BEL SPR 6.1x18x1.27 SS	4	4	
8	5001743	SCREW CAP HEX M6-1.0x12 G8.8 N500	4	4	
12	563332	RELAY 24V S.P.D.T. W/RESISTOR / "VOLVO" (20374662)	AR	AR	
13	382594	FRONT PANEL BOX To J-6280	1	1	
13	380108	FRONT PANEL BOX From J-6281 To M-6657	1	1	
13	380452	FRONT PANEL BOX From M-6658	1	1	
NS	506025	RUBBER CHANNEL / 1/18" x 5/16" INT "U" SHAPE / SQUARE C.T.L.	AR	AR	
14	565991	DVEC DISTRIBUTION MODULE / FRONT JCT BOX To J-6244	1	1	
NS	563280	FUSE / ATM 5 AMPS AMBER To J-6244	20	20	
NS	563283	FUSE / ATM 10 AMPS RED To J-6244	7	7	
NS	563284	FUSE / ATM 15 AMPS BLUE To J-6244	12	12	
NS	563282	FUSE / ATM 20 AMPS YELLOW To J-6244	3	3	
NS	563165	FUSE / ATM 30 AMPS GREEN To J-6244	11	11	
NS	564464	MINI BREAKER / 20 AMPS / SERIES 223 To J-6244	1	1	
NS	563269	RELAY 24V S.P.D.T. W/RESISTOR / To J-6244	5	5	
NS	563185	CONNECTOR / SH 8C / BLACK / BUSSMANN 32006-A21 To J-6244	1	1	
NS	563186	CONNECTOR / SH 8C / GREY / BUSSMANN 32006-B21 To J-6244	1	1	
NS	563184	CONNECTOR / SH 8C / GREEN / BUSSMANN 32006-C21 To J-6244	1	1	



From H-6180		Date:07/2024	PAGE:X3VIP-0625-01
FRONT JUNCTION PANEL GHG17			

Item#	Part	Description	X 3 V I P E N T	X 3 V I P M T H	N O T E S
. NS	563448	. CONNECTOR / SH 8C / BLUE / BUSSMANN 32006-D21 To J-6244	1	1	
. NS	563181	. CONNECTOR / SH 8C / YELLOW / BUSSMANN 32006-E21 To J-6244	1	1	
. NS	563183	. CONNECTOR / SH 8C / RED / BUSSMANN 32006-F21 To J-6244	1	1	
. NS	563182	. CONNECTOR / SH 8C / ORANGE / BUSSMANN 32006-G21 To J-6244	1	1	
. NS	563187	. CONNECTOR / SH 8C / BROWN / BUSSMANN 32006-H21 To J-6244	1	1	
. NS	564132	. LOCK CONNECTOR POSITION ASSURANCE / BUSSMANN 32004-CP To J-6244	AR	AR	
. NS	564104	. COVER / VEC BOX To J-6244	1	1	
. NS	19518268	. COVER RUBBER RED To J-6244	2	2	
14	560470	DVEC DISTRIBUTION MODULE / FRONT JCT BOX From J-6281	1	1	
. NS	563280	. FUSE / ATM 5 AMPS AMBER From J-6281	20	20	
. NS	563283	. FUSE / ATM 10 AMPS RED From J-6281	7	7	
. NS	563284	. FUSE / ATM 15 AMPS BLUE From J-6281	12	12	
. NS	563282	. FUSE / ATM 20 AMPS YELLOW From J-6281	3	3	
. NS	563165	. FUSE / ATM 30 AMPS GREEN From J-6281	11	11	
. NS	564464	. MINI BREAKER / 20 AMPS / SERIES 223 From J-6281	1	1	
. NS	563269	. RELAY 24V S.P.D.T. W/RESISTOR / From J-6281	5	5	
. NS	563185	. CONNECTOR / SH 8C / BLACK / BUSSMANN 32006-A21 From J-6281	1	1	
. NS	563186	. CONNECTOR / SH 8C / GREY / BUSSMANN 32006-B21 From J-6281	1	1	
. NS	563184	. CONNECTOR / SH 8C / GREEN / BUSSMANN 32006-C21 From J-6281	1	1	
. NS	563448	. CONNECTOR / SH 8C / BLUE / BUSSMANN 32006-D21 From J-6281	1	1	
. NS	563181	. CONNECTOR / SH 8C / YELLOW / BUSSMANN 32006-E21 From J-6281	1	1	
. NS	563183	. CONNECTOR / SH 8C / RED / BUSSMANN 32006-F21 From J-6281	1	1	
. NS	563182	. CONNECTOR / SH 8C / ORANGE / BUSSMANN 32006-G21 From J-6281	1	1	
. NS	563187	. CONNECTOR / SH 8C / BROWN / BUSSMANN 32006-H21 From J-6281	1	1	
. NS	564132	. LOCK CONNECTOR POSITION ASSURANCE / BUSSMANN 32004-CP From J-6281	AR	AR	
. NS	564104	. COVER / VEC BOX From J-6281	1	1	
. NS	19518268	. COVER RUBBER RED From J-6281	2	2	
14	564132	LOCK CONNECTOR POSITION ASSURANCE / BUSSMANN 32004-CP	8	8	
15	22722846	I/O A E-MODULE VOLVO MULTIPLEX	2	2	
16	21720495	VECU4 MODULE / VOLVO To M-6657	1	1	
16	24066689	VECU5 MODULE / VOLVO From M-6658	1	1	
NS	564756	CONNECTOR / MX34 / SH 20C / JAE MX34020SF1 From M-6658	1	1	
NS	500623	SCREW TC PAN PH #10-24x3/4 N500 To M-6657	AR	AR	
16	502508	SCREW MA PAN PH M6-1.0x40 N050 From M-6658	3	3	
17	642146	ECU ABS / W/6 CHANNELS / ADVANCED ESP UNPROGRAMMED / NON-PROGRAMME To J-6294	1	1	
17	640022	ECU ABS / W/8 CHANNELS / ADVANCED ESP AFTERMARKET From J-6295	1	1	
18	22722850	I/O B E-MODULE VOLVO MULTIPLEX / ALUMINUM To M-6650	4	4	
18	23824204	I/O B E-MODULE VOLVO MULTIPLEX / ALUMINUM From M-6651	1	1	
19	563851	MCM - VOLVO MULTIPLEX MODULE To K-6384	1	1	A
19	23317365	MCM - VOLVO MULTIPLEX MODULE From K-6385 To K-6461	1	1	
19	23499009	MCM - VOLVO MULTIPLEX MODULE From K-6462	1	1	B
20	380062	SUPPORT, MCM To J-6280	1	1	



From H-6180		Date:07/2024	PAGE:X3VIP-0625-01
FRONT JUNCTION PANEL GHG17			

Item#	Part	Description	X 3 V I P E N T	X 3 V I P M T H	N O T E S
21	060147	. WIRING HARNESS FRONT JUNCTION BOX	1	1	
22	564496	. CONNECTOR / METRI-PACK 630 / SH 5C / PED 12033871	AR	AR	
23	562649	. CONNECTOR / HDP-20 / PH 9C / AMP 205204-1	1	1	
NS	500601	SCREW TC PAN PH #6-32x3/8 N500	2	2	
NS	564090	PIN DUST CAP / MALE DB / FCI 70518CLF	1	1	
24	380047	DIODE 3 AND 10 AMP CONNECTOR ASSY	1	1	
25	382595	SUPPORT / RELAY To K-6439	1	1	
25	380110	SUPPORT / RELAY From J-6281 To L-6515	1	1	
25	380236	SUPPORT / RELAY From L-6516 To P-6786	1	1	
25	380252	SUPPORT / RELAY From P-6787	1	1	
26	382596	SUPPORT, DIODE To J-6280	1	1	
26	380109	SUPPORT TIRE ECU PRESSURE From J-6281 To L-6515	1	1	
27	382465	SUPPORT FRONT PANEL UPPER FORWARD	1	1	
NS	504347	RIVET POP DOME OE 3/16x1/4 AL	AR	AR	
28	380091	SUPPORT FRONT PANEL UPPER BACKWARD	1	1	
NS	504347	RIVET POP DOME OE 3/16x1/4 AL	AR	AR	
29	560224	JUNCTION BLOCK W/4 STUDS	1	1	
NS	502573	WASHER FL 6.4x12.5x1.6 SS	4	4	
NS	5001251	NUT HEX NYRT 1/4-20 SS	4	4	
30	386652	SUPPORT	1	1	
31	382179	ROD ATTACHMENT / I/O A MODULE To M-6657	1	1	
31	380482	ROD ATTACHMENT / I/O A MODULE From M-6658	1	1	
32	382418	ROD ATTACHMENT CABLE To M-6657	1	1	
32	380454	ROD ATTACHMENT CABLE From M-6658	1	1	
33	382166	ROD ATTACHMENT / I/O B MODULE	1	1	
34	382417	ROD ATTACHMENT / I/O B MODULE	1	1	
35	382169	HINGE ROD ATTACHMENT	3	3	
NS	504340	RIVET POP DOME OE 1/8x3/16 SS	12	12	
36	504013	TIE MOUNT / 1/4" X 1/4" I.D.	AR	AR	
36	504637	CABLE TIE / 3/16" x 13"	AR	AR	
NS	504347	RIVET POP DOME OE 3/16x1/4 AL	AR	AR	
NS	507664	CABLE TIE / 3/16" 11" / DOUBLE LOOP HEAD	AR	AR	
37	502737	SCREW CAP HEX M6-1.0x25 SS BK	3	3	
38	500877	WASHER FL .250x.562x.065 N500	3	3	
39	502681	NUT HEX NYRT M6-1.0 N500 G8	3	3	
40	500623	SCREW TC PAN PH #10-24x3/4 N500	AR	AR	
41	509827	SCREW MA RND PH M4-0.7x20 SS	3	3	
42	502868	SCREW TC TR PH #10-16x1/2 N500 To J-6280	AR	AR	
42	5001975	SCREW TC BDG PH #10-24x3/8 SS410 ZINC From J-6281 To M-6657	AR	AR	
42	500209	SCREW TC BDG PH #10-24x3/8 N500 From M-6658	AR	AR	
43	506339	TAPE RUB ADH1 NIT 1/4" x 1" x 35' / BLACK 1220	AR	AR	
44	563218	JUNCTION BLOCK W/5 STUDS	1	1	



From H-6180	Date:07/2024	PAGE:X3VIP-0625-01
FRONT JUNCTION PANEL GHG17		

Item#	Part	Description	X 3 V I P E N T	X 3 V I P M T H	NOTES
NS	500623	SCREW TC PAN PH #10-24x3/4 N500	2	2	
NS	500765	NUT HEX #10-32 BR	10	10	
45	22357675	ECU VOLVO LINK MODULE To J-6230	1	1	
45	22861158	ECU VOLVO LINK MODULE From J-6231 To K-6479	1	1	
45	23359380	ECU VOLVO LINK MODULE From K-6480 To L-6618	1	1	
45	23593814	ECU VOLVO LINK MODULE From L-6619 To R-6924	1	1	
45	23163299	ECU VOLVO LINK MODULE From R-6925	1	1	
45	22990242	SIM CARD VOLVO LINK MODULE FOR SERVICE From H-6213 To R-6924	1	1	
45	23004613	SIM CARD VOLVO LINK MODULE From R-6925	1	1	
46	564076	ECU TIRE PRESSURE To G-6064	1	1	
NS	564073	CONNECTOR TANDEM SPRING/ AMPMODU / SH 32C / AMP 1394010-1 To G-6064	1	1	
46	560056	ECU TIRE PRESSURE To L-6515	1	1	
46	563631	ECU TIRE PRESSURE From L-6516 To N-6763	1	1	
46	564326	ECU TIRE PRESSURE From N-6764 To P-6786	1	1	
46	564413	TPMS, SENSATA ECU From P-6787	1	1	
46	562795	CONNECTOR / JUNIOR POWER TIMER / SH 15C / AMP 964561-2 From P-6787	1	1	
46	502686	SCREW CAP HEX M6-1.0x30 SS BK To L-6515	2	2	
46	5001975	SCREW TC BDG PH #10-24x3/8 SS410 ZINC From L-6516 To P-6786	2	2	
46	500804	WASHER FL .203x.500x.047 N500 From L-6516 To P-6786	2	2	
47	060045	WIRING HARNESS / ECU FRT JCT BOX & ACCES.. To L-6515	1	1	
47	0610142	WIRING HARNESS / ECU FRT JCT BOX & ACCES.. From L-6516 To P-6786	1	1	
47	0610632	WIRING HARNESS / ECU FRT JCT BOX & ACCES.. From P-6787	1	1	
47	500601	SCREW TC PAN PH #6-32x3/8 N500 To P-6786	2	2	
48	20890176	CONTROL UNIT FMS GATEWAY From J-6281 To N-6763	1	1	
48	23888708	CONTROL UNIT FMS GATEWAY From N-6764	1	1	
50	X3VIP-0625-11	FRONT JUNCTION BOX - INSTALLATION GHG17			
55	563033	E.C.U. / W/STEERING ASSIST (STP 272 or 330) ((77//125))	1	1	
55	661170	E.C.U. / W/STEERING ASSIST (STP 338) ((60//95))	1	1	C
56	066570	CABLE ASSY TO STEERING SPEED SIGNAL ECU	1	1	
60	062382	BRACKET LACTHING RELAY BDS-A 24V	1	1	
61	560539	SCREW FOR LACTHING RELAY BDS-A 24V / M8	2	2	
62	560529	BASE FOR LACTHING RELAY BDS-A 24V	1	1	
63	560493	LACTHING RELAY BDS-A 24V	1	1	
64	5001341	WASHER FL 8.4x17.0x1.6 SS	2	2	
65	5001787	NUT HEX NYRT M8-1.25 SS	2	2	
66	560538	COVER RELAY	2	2	
67	5001932	NUT HEXF NYRT M6-1.0 G8.8 N500	3	3	
68	506004	TAPE RUB ADH1 CC POL 3/8" x 1/2" x 20' / GREY 2520X	AR	AR	
70	IS17102	ISM-INTELLIGENT SLEEP MODE- INSTALI.W/PRIME INSTALLED ONLY From H-6182 To J-6279	1	1	



From H-6180	Date:07/2024	PAGE:X3VIP-0625-01
FRONT JUNCTION PANEL GHG17		

Item#	Part	Description	X 3 V I P E N T	X 3 V I P M T H	N O T E S
		A) WHEN YOU MUST REPLACE 563851, YOU MUST ORDER 23317365, BUT YOU MUST GIVE THE SERIAL NUMBER OF YOUR VEHICLE FOR IT TO BE PROGRAM			
		B) WHEN YOU HAVE TO ORDER 23499009, YOU MUST GIVE THE SERIAL NUMBER OF YOUR VEHICLE FOR IT TO BE PROGRAMED			
		C) THIS E.C.U. GIVE LESS ASSISTANCE AT LOW SPEED			
		F) USE WITH SWITCH FOR LUGGAGE LIGHT & LUGGAGE LOCK			

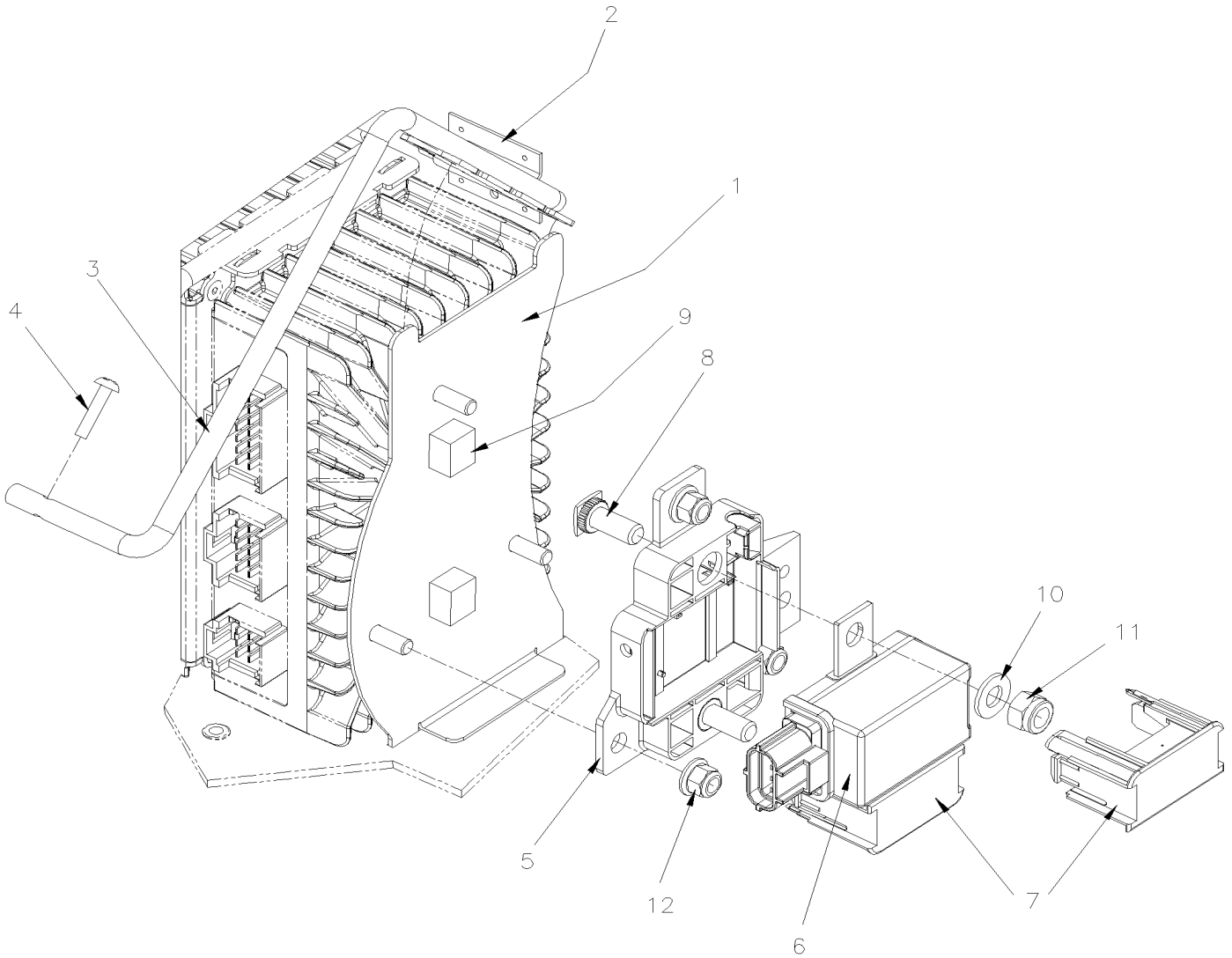


From H-6182 To J-6279

Date:07/2024

PAGE:IS17102

ISM-INTELLIGENT SLEEP MODE- INSTALI.W/PRIME INSTALLED ONLY





From H-6182 To J-6279	Date:07/2024	PAGE:IS17102
-----------------------	--------------	--------------

ISM-INTELLIGENT SLEEP MODE- INSTALI.W/PRIME INSTALLED ONLY

Item#	Part	Description	X 3 V I P E N T	X 3 V I P M T H	N O T E S
1	062382	BRACKET LACTHING RELAY BDS-A 24V	1	1	
NS	506339	TAPE RUB ADH1 NIT 1/4" x 1" x 35' / BLACK 1220	AR	AR	
2	382169	HINGE ROD ATTACHMENT	1	1	
NS	504340	RIVET POP DOME OE 1/8x3/16 SS	5	5	
3	382417	ROD ATTACHMENT / I/O B MODULE	1	1	
4	509827	SCREW MA RND PH M4-0.7x20 SS	1	1	
5	560529	BASE FOR LACTHING RELAY BDS-A 24V	1	1	
6	560493	LACTHING RELAY BDS-A 24V	1	1	
7	560538	COVER RELAY	2	2	
8	560539	SCREW FOR LACTHING RELAY BDS-A 24V / M8	2	2	
9	506004	TAPE RUB ADH1 CC POL 3/8" x 1/2" x 20' / GREY 2520X	AR	AR	
10	5001341	WASHER FL 8.4x17.0x1.6 SS	2	2	
11	5001787	NUT HEX NYRT M8-1.25 SS	2	2	
12	5001932	NUT HEXF NYRT M6-1.0 G8.8 N500	3	3	
NS	562935	BUTT SPLICE / 22-18 / RED / AMP 55824-1	2	2	
NS	563158	SHRINK TUBING / .300" - .060" / BLACK / 3M EPS-400.300	AR	AR	
NS	062746	HARNAIS ISM SAV	1	1	
200	IS-17102	SEE INSTRUCTION SHEET	1	1	

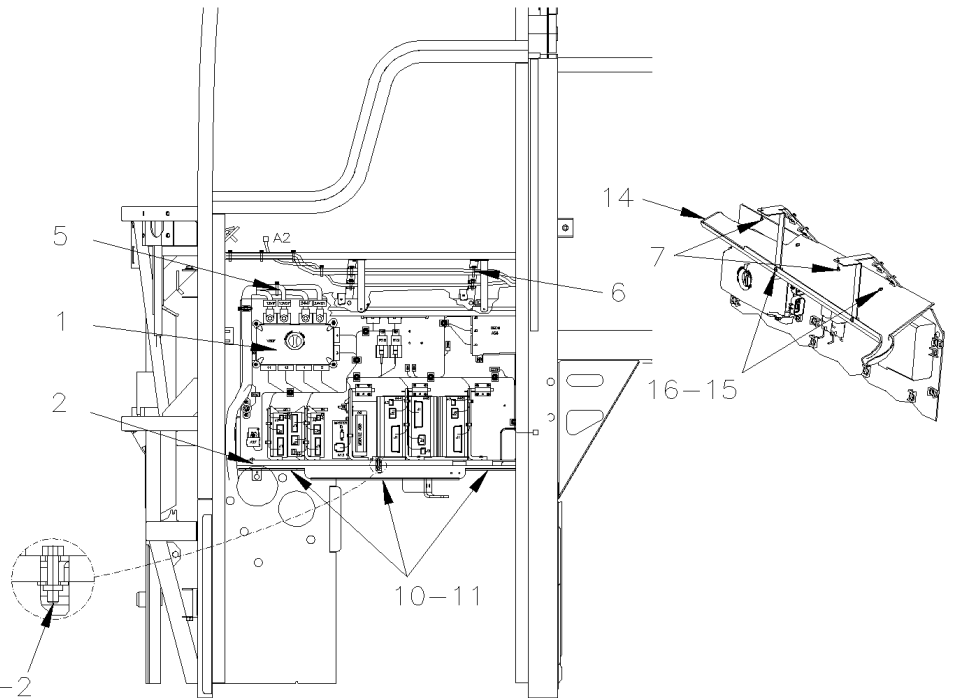
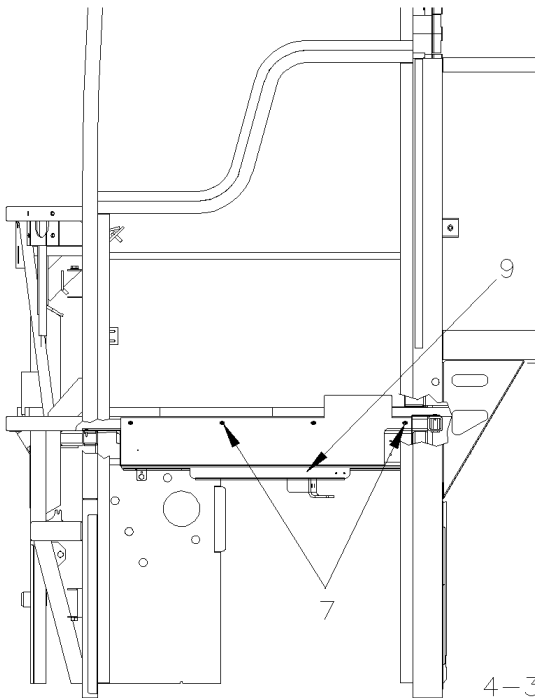
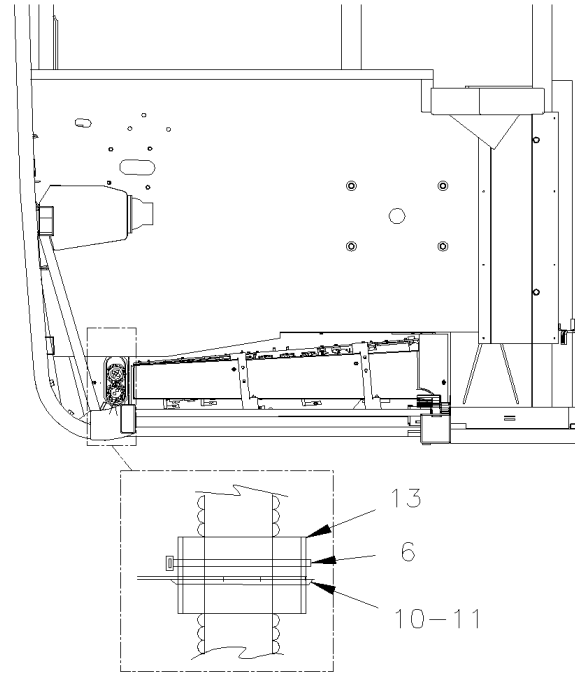
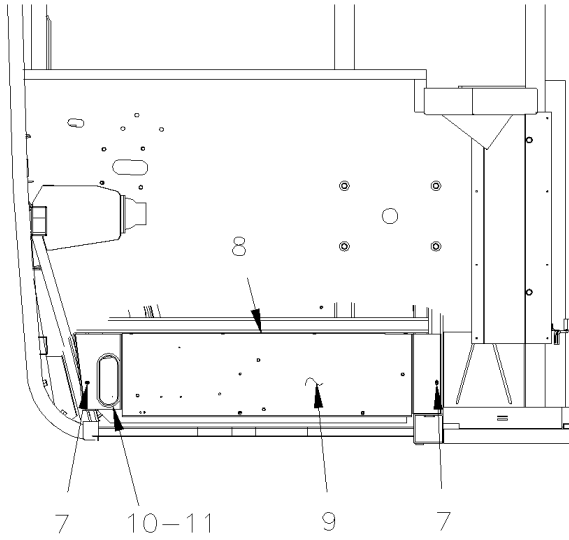


From E-5490 To H-6179

Date:07/2024

PAGE:X3VIP-0625-10

FRONT JUNCTION BOX - INSTALLATION



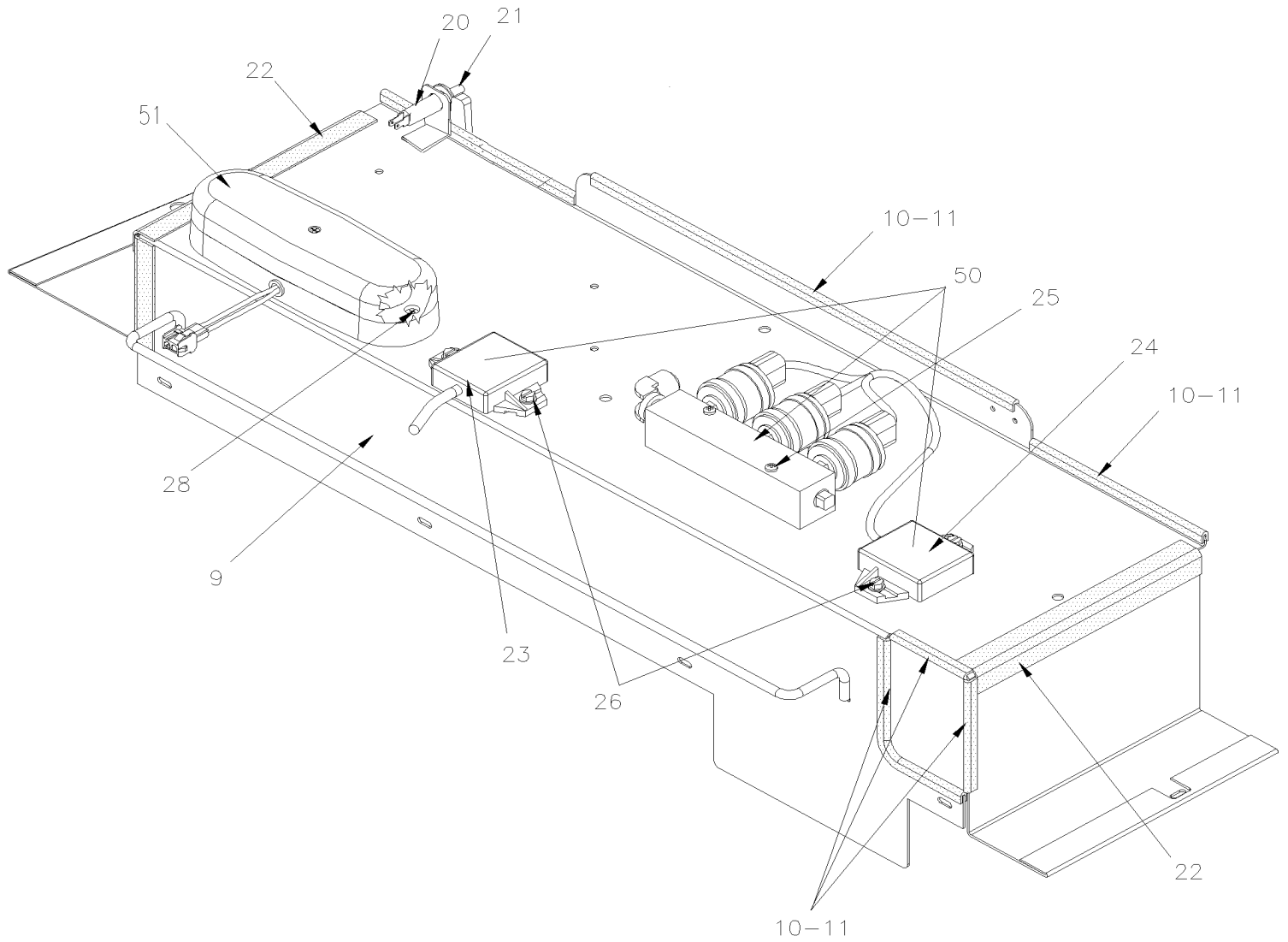


From E-5490 To H-6179

Date:07/2024

PAGE:X3VIP-0625-10

FRONT JUNCTION BOX - INSTALLATION





From E-5490 To H-6179		Date:07/2024	PAGE:X3VIP-0625-10
-----------------------	--	--------------	--------------------

FRONT JUNCTION BOX - INSTALLATION

Item#	Part	Description	X 3 V I P E N T	X 3 V I P M T H	N O T E S
1	X3VIP-0625-00	FRONT JUNCTION PANEL			
2	502565	NUT HEX M6-1.0 SS	4	4	
3	502564	WASHER LO SPT 6.1x11.8x1.6 Z050	4	4	
4	502737	SCREW CAP HEX M6-1.0x25 SS BK	1	1	
5	504016	CABLE TIE / 5/16" X 14"1/2	AR	AR	
6	504637	CABLE TIE / 3/16" x 13"	AR	AR	
7	500641	SCREW TP PAN PH #8x3/4 Z050	6	6	
8	680532	SEALANT SIKA #221 / GREY / 310ml CARTRIDGE	AR	AR	
9	382455	SUPPORT FRONT JCT BOX To E-5739	1	1	
9	382578	SUPPORT FRONT JCT BOX From F-5740 To H-6161	1	1	
9	380066	SUPPORT FRONT JCT BOX From H-6162	1	1	
NS	564108	SELF MOUNTING STUD // DEUTSCH 1011-310-0205	3	3	
NS	509815	TIE MOUNT / ATTACHMENT W/TREE MOUNT	1	1	
NS	504637	CABLE TIE / 3/16" x 13"	1	1	
9	504750	CABLE TIE / 1/2" x 15" / CHRISTMAS TREE From H-6162	AR	AR	
10	506338	RUBBER CHANNEL / 1/16" x 1/4" INT "U" SHAPE / ROUND C.T.L.	AR	AR	
11	680066	ADHESIVE / ADBOND #5014 / 23.6ML BOTTLE	AR	AR	
12	500615	NUT HEX M8-1.25 BR	12	12	
13	371600	INSULATING PAD 76.2MM x 374.7MM	1	1	
14	382467	DRIP PAN FRONT JCT BOX	1	1	
NS	382464	SUPPORT FRONT JCT BOX	2	2	
15	502556	WASHER FL 4.3x9.0x0.8 SS	4	4	
16	502698	SCREW MA PAN PH M4-0.7x16 SS BK	4	4	
NS	5001182	NUT HEX NYRT M6-1.0 SS	1	1	
NS	500964	WASHER FL .203x.500x.047 Z050	1	1	
NS	064993	CABLE ASSY / 12Volt "CB" DELIVERY	1	1	
20	066638	SWITCH SUPPORT	1	1	
21	563464	SWITCH / S.P.S.T. / N.C. / W/RUBBER BOOT	1	1	
22	382404	RUBBER PROTECTOR, CORNER	2	2	
23	562357	RESISTANCE MODULE	1	1	
24	562381	RESISTANCE MODULE	1	1	
25	500508	SCREW TC PAN PH #10-32x1 1/2 Z050	2	2	
26	5001245	SCREW TC CAP HEXW SLT #12-24x1/2 Z050	AR	AR	
27	500473	WASHER LO SPT .262x.489x.062 Z050	AR	AR	
28	500430	SCREW TC PAN PH #8-32x1 1/4 SS BK	2	2	
50	X3VIP-0750-00	AUTOMATIC TRANSMISSION - "WORLD" WITH VOLVO D13			
51	X3VIP-0665-10	SWITCHES, LIGHTS, AJAR - UNDER FLOOR			

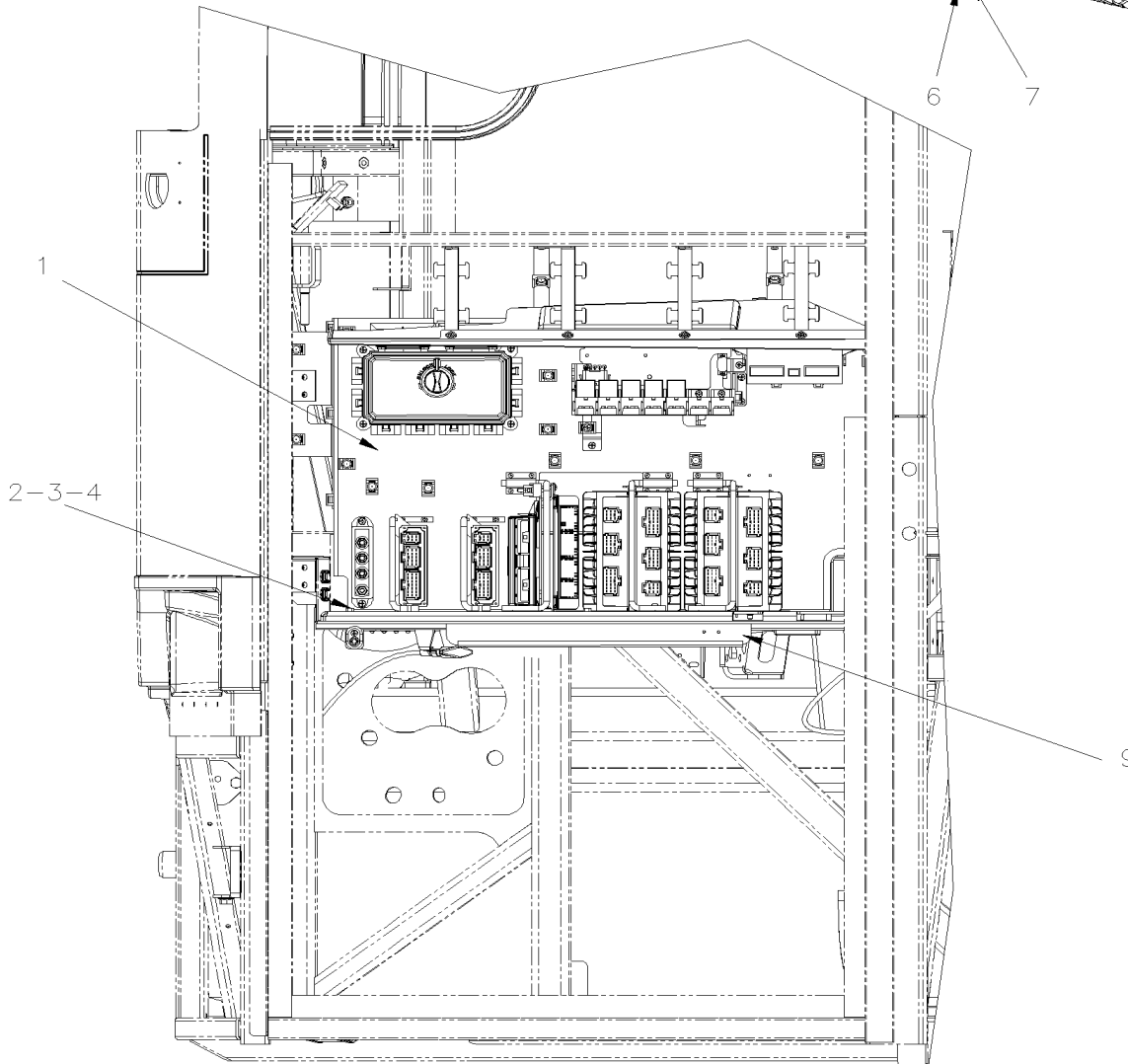
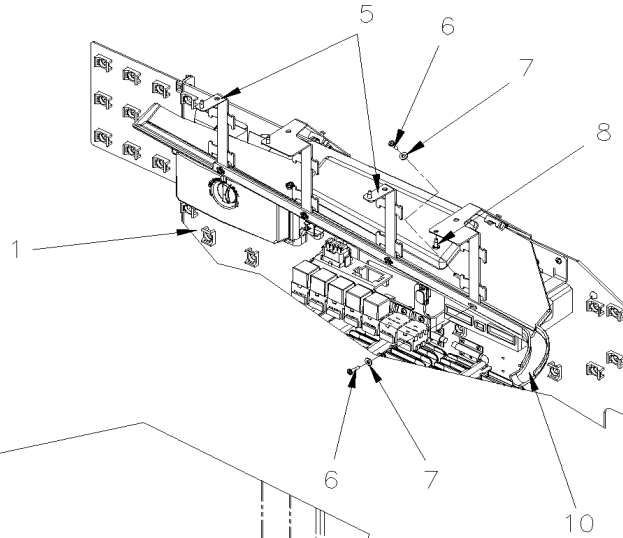
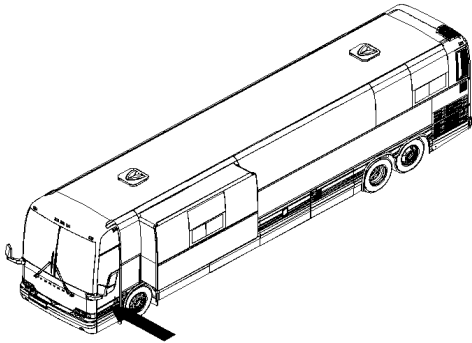


From H-6180

Date:07/2024

PAGE:X3VIP-0625-11

FRONT JUNCTION BOX - INSTALLATION GHG17



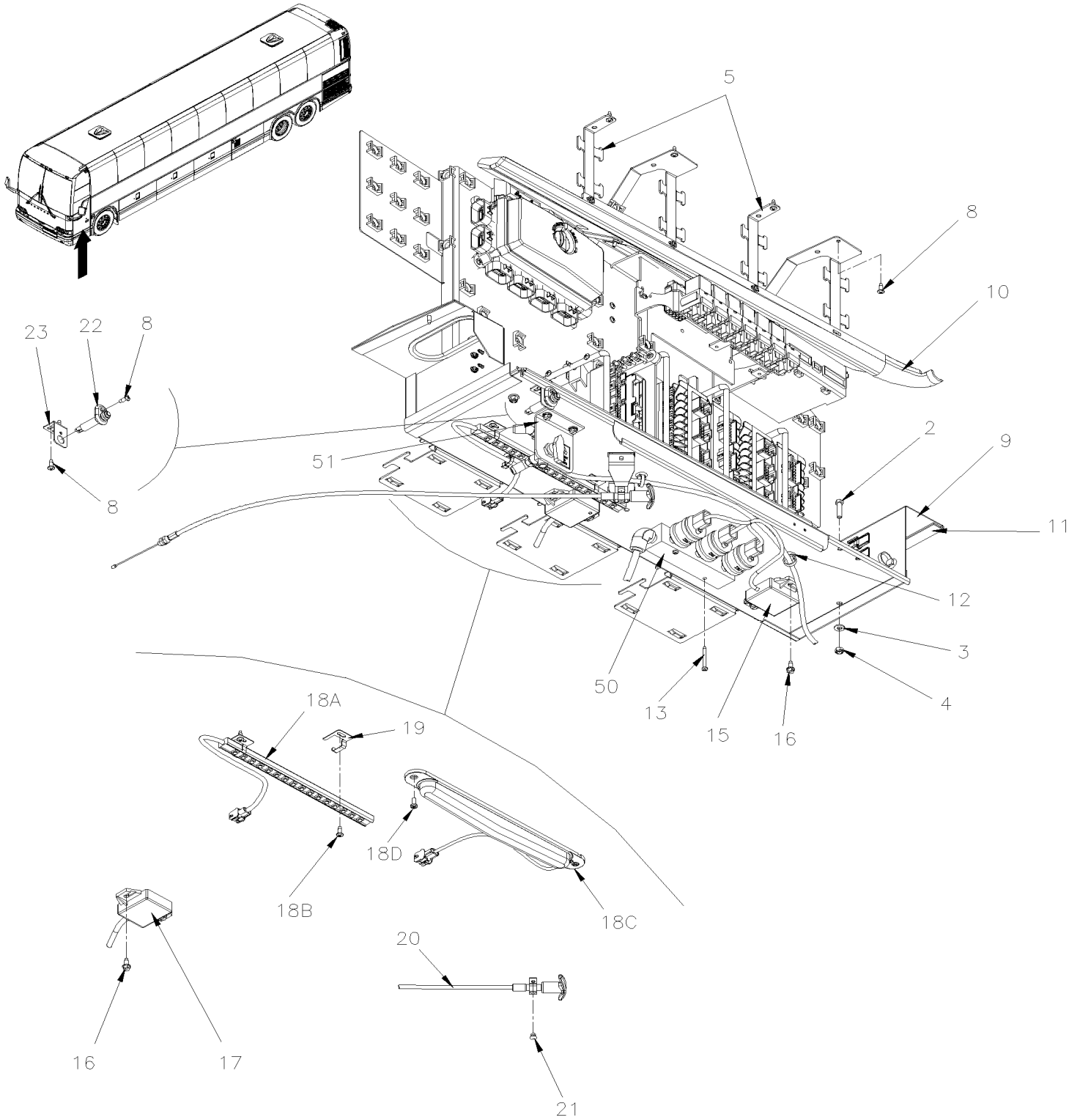


From H-6180

Date:07/2024

PAGE:X3VIP-0625-11

FRONT JUNCTION BOX - INSTALLATION GHG17





From H-6180		Date:07/2024	PAGE:X3VIP-0625-11
FRONT JUNCTION BOX - INSTALLATION GHG17			

Item#	Part	Description	X 3 V I P E N T	X 3 V I P M T H	N O T E S
1	X3VIP-0625-01	FRONT JUNCTION PANEL GHG17			
2	502737	SCREW CAP HEX M6-1.0x25 SS BK	3	3	
3	502681	NUT HEX NYRT M6-1.0 N500 G8	3	3	
4	500877	WASHER FL .250x.562x.065 N500	3	3	
5	382464	SUPPORT FRONT JCT BOX	2	2	
6	502698	SCREW MA PAN PH M4-0.7x16 SS BK	6	6	
7	500855	WASHER FL .188x.438x.049 N500	6	6	
8	502868	SCREW TC TR PH #10-16x1/2 N500	AR	AR	
9	380066	SUPPORT FRONT JCT BOX To H-6193	1	1	
9	380098	SUPPORT FRONT JCT BOX From H-6194 To K-6359	1	1	
9	380162	SUPPORT FRONT JCT BOX From K-6360 To K-6491	1	1	
9	380206	SUPPORT FRONT JCT BOX From L-6492	1	1	
NS	506227	TAPE RUB ADH1 CC POL 1/16" x 3/4" x 100' / GREY 2520	AR	AR	
NS	506338	RUBBER CHANNEL / 1/16" x 1/4" INT "U" SHAPE / ROUND C.T.L.	AR	AR	
NS	680066	ADHESIVE / ADBOND #5014 / 23.6ML BOTTLE	AR	AR	
NS	504750	CABLE TIE / 1/2" x 15" / CHRISTMAS TREE	AR	AR	
NS	564108	SELF MOUNTING STUD // DEUTSCH 1011-310-0205	AR	AR	
10	382467	DRIP PAN FRONT JCT BOX	1	1	
11	382404	RUBBER PROTECTOR, CORNER	2	2	
12	509815	TIE MOUNT / ATTACHMENT W/TREE MOUNT	AR	AR	
NS	504637	CABLE TIE / 3/16" x 13"	AR	AR	
13	500508	SCREW TC PAN PH #10-32x1 1/2 Z050	2	2	
15	562381	RESISTANCE MODULE	1	1	
16	5001245	SCREW TC CAP HEXW SLT #12-24x1/2 Z050	4	4	
17	562357	RESISTANCE MODULE	1	1	
18A	330299	LAMP ASSY 24V / BAGGAGE COMPARTMENT LAMP / LED To H-6193	1	1	
NS	561248	CONNECTOR / UNIVERSAL MATE-N-LOK / PH 2C / AMP 1-480699-0 To H-6193	1	1	
18B	502868	SCREW TC TR PH #10-16x1/2 N500 To H-6193	1	1	
18C	830008	LAMP ASSY 24V / LED From H-6194	1	1	
NS	561248	CONNECTOR / UNIVERSAL MATE-N-LOK / PH 2C / AMP 1-480699-0 From H-6194	1	1	
18D	500965	SCREW TC BDG PH #8-32x1/2 N500 From H-6194	1	1	
NS	8631155	CABLE TIE / 4.6MM x 200 / CHRISTMAS TREE	AR	AR	
19	330411	SUPPORT, LIGHT	2	2	
20	289495	CABLE HANDLE ASSY	1	1	
21	504379	RIVET POP DOME OE 3/16x1/4 SS	2	2	
22	563464	SWITCH / S.P.S.T. / N.C. / W/RUBBER BOOT	1	1	
23	066638	SWITCH SUPPORT	1	1	
NS	560493	LACTHING RELAY BDS-A 24V From J-6281	1	1	
NS	560529	BASE FOR LACTHING RELAY BDS-A 24V From J-6281	1	1	
50		AUTOMATIC TRANSMISSION - "WORLD" WITH VOLVO D13 - GHG17			
51	X3VIP-0665-11	SWITCHES, LIGHTS, AJAR - UNDER FLOOR			

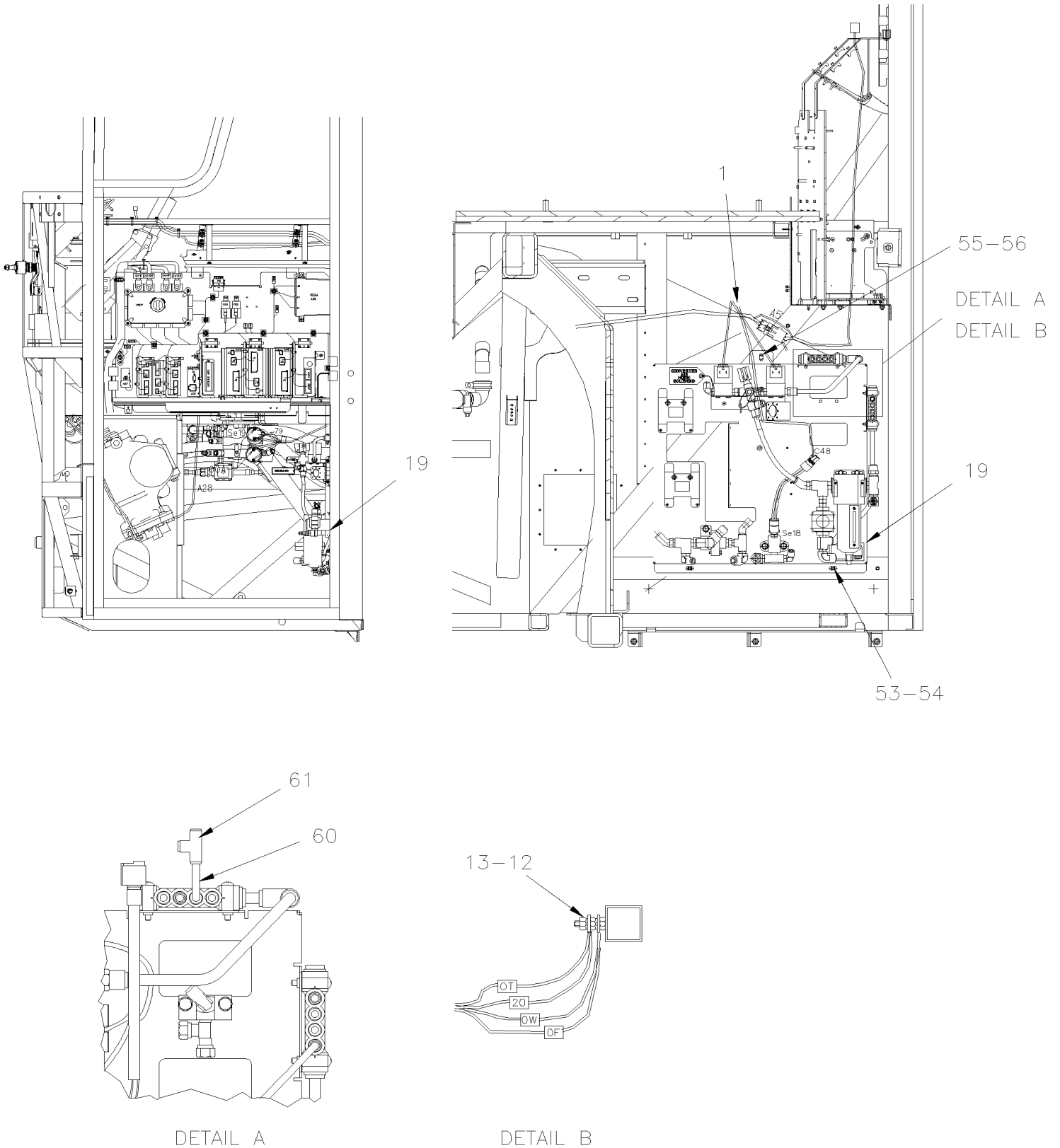


From E-5490

Date:07/2024

PAGE:X3VIP-0640-50

CABLE & HARNESS - FRONT END INSTALLATION



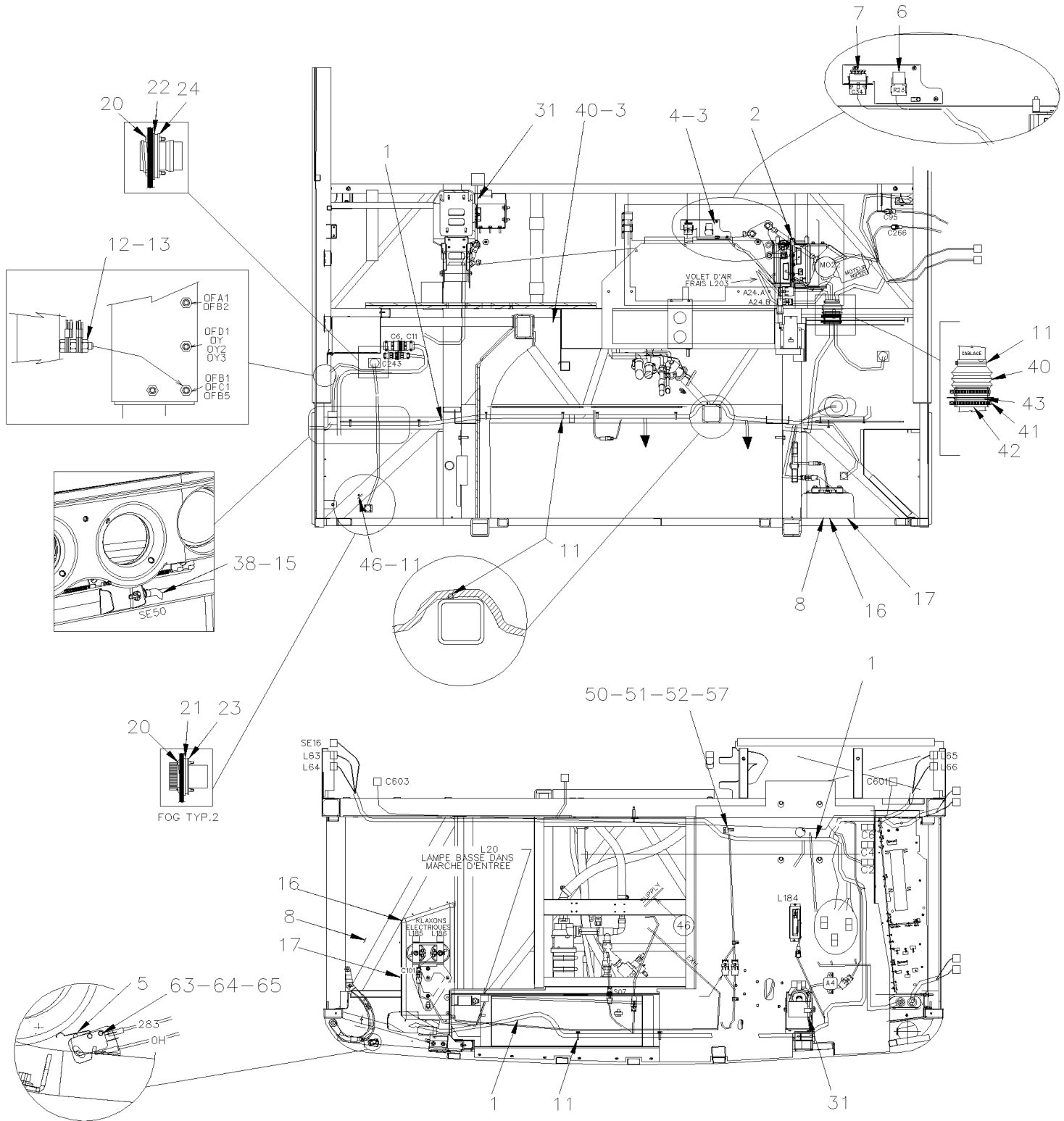


From E-5490

Date:07/2024

PAGE:X3VIP-0640-50

CABLE & HARNESS - FRONT END INSTALLATION





From E-5490		Date:07/2024	PAGE:X3VIP-0640-50
-------------	--	--------------	--------------------

CABLE & HARNESS - FRONT END INSTALLATION

Item#	Part	Description	X 3 V I P E N T	X 3 V I P M T H	N O T E S
1	068707	CABLE ASSY / FRONT LOWER END To E-5666	1	1	
1	069138	CABLE ASSY / FRONT LOWER END From E-5667 To F-5815	1	1	
1	069266	CABLE ASSY / FRONT LOWER END From F-5816 To F-5874	1	1	
1	069252	CABLE ASSY / FRONT LOWER END From F-5875 To G-5985	1	1	
1	069409	CABLE ASSY / FRONT LOWER END From G-5986 To H-6096	1	1	
1	069587	CABLE ASSY / FRONT LOWER END From H-6097 To H-6179	1	1	
1	060366	CABLE ASSY / FRONT LOWER END From H-6180 To J-6294	1	1	
1	069807	CABLE ASSY / FRONT LOWER END From J-6295 To K-6491	1	1	
1	0610046	CABLE ASSY / FRONT LOWER END From L-6492 To M-6646	1	1	
1	0610363	CABLE ASSY / FRONT LOWER END From M-6647 To M-6657	1	1	
1	0610495	CABLE ASSY / FRONT LOWER END From M-6658 To N-6723	1	1	
1	0610593	CABLE ASSY / FRONT LOWER END From N-6724	1	1	
2	Call order desk	I/O B-MODULE VOLVO MULTIPLEX ASSY	1	1	P
2	Call order desk	I/O B-MODULE VOLVO MULTIPLEX ASSY	1	1	P
3	500638	SCREW TP PAN PH #8x1/2 Z050	3	3	
4	289652	SUPPORT & RELAY ASSY	1	1	
5	562096	MICRO SWITCH	1	1	
6	563332	RELAY 24V S.P.D.T. W/RESISTOR / "VOLVO" (20374662) To M-6657	3	3	
6	563332	RELAY 24V S.P.D.T. W/RESISTOR / "VOLVO" (20374662) From M-6658	2	2	
7	381145	DIODE ASSY / W/5 3AMPS	1	1	
8	5001407	WASHER LO EXT 3.2x6.0x0.4 SS	2	2	
NS	060392	HARNESS SMALL AIR CONDITIONNING FRONT From H-6180	1	1	A
11	504637	CABLE TIE / 3/16" x 13"	AR	AR	
12	502565	NUT HEX M6-1.0 SS To K-6491	15	15	
12	5002028	NUT HEX NYRT M10-1.5 SS From L-6492	2	2	
13	502570	WASHER LO SPT 6.1x11.8x1.6 SS To K-6491	8	8	
13	5001935	WASHER FL 10.5x18.0x1.6 SS From L-6492	2	2	
14	500167	SCREW CAP HEX 1/4-20x1 1/4 G5 PT Z050	3	3	
15	502716	NUT HEX NYRT 1/4-20	3	3	
16	562387	CONVOLUTED TUBING / SLIT / BLACK / .250"	AR	AR	
17	X3VIP-2310-00	HORN - INSTALLATION			
18	500658	SCREW TC PAN PH #10-24x3/4 Z050	10	10	
19	X3VIP-1640-50	LEVEL-LOW - CONTROL PANEL & VALVES			
20	5001454	SCREW MA BDG PH #4-40x1/2 SS	16	16	
21	562945	GASKET MOUNTING / HD10 SERIES / 3C / DEUTSCH HD10-3-GKT	2	2	
22	563096	GASKET MOUNTING / HD10 SERIES / 6C / DEUTSCH HD10-6-GKT	2	2	
23	562381	RESISTANCE MODULE	1	1	
24	062268	NUT, RING #11 / .940" I.D. W/4 4-40	2	2	
NS	380135	PLATE CONNECTOR FIXATION From M-6647	1	1	
NS	5000339	SCREW MA PAN PH M3-0.5x20 SS From M-6647	4	4	
25	500642	SCREW TP PAN PH #10x3/4 Z050	4	4	
26	561821	NUT, RING #17 & 20 / 1.500" I.D W/4 4-40	2	2	



From E-5490		Date:07/2024	PAGE:X3VIP-0640-50
-------------	--	--------------	--------------------

CABLE & HARNESS - FRONT END INSTALLATION

Item#	Part	Description	X 3 V I P E N T	X 3 V I P M T H	N O T E S
NS	069820	CONNECTOR JUMPER SE51, SEAT BELT ALARM From J-6281 To K-6446	1	1	
30	562357	RESISTANCE MODULE	1	1	
31	063782	CABLE ASSY / RESISTANCE MODULE & SWITCH To H-6179	1	1	
31	060083	CABLE ASSY / RESISTANCE MODULE & SWITCH / MUX From H-6180	1	1	
34	500411	WASHER FL .260x.697x.050 SS	6	6	
38	563335	SENSOR THERMISTOR ASSY / OUTSIDE // PED 15416387	1	1	
40	504499	CUFF END BELLOW / 2 7/8" I.D. x 3 5/8" x 4 7/16	1	1	
41	504026	HOSE CLAMP / 2"13/16-3"3/4 SS / HS-52	2	2	
42	065035	TUBE PVC / 3" X 50MM	1	1	
43	680067	SEALANT TAPE BUTYL / BLACK / 1/8"x3/4"x25' / 75211E760	1	1	
46	562679	4 WAY ADH. BACKED MOUNTS 1.000 x 1.000 x .160	1	1	
50	500102	NUT HEX 3/8-16 SS	1	1	
51	502616	WASHER LO SPT 10.2x18.1x2.2 SS	1	1	
52	500641	SCREW TP PAN PH #8x3/4 Z050	2	2	
53	502573	WASHER FL 6.4x12.5x1.6 SS	1	1	
54	502854	NUT HEX M6-1.0 N500	2	2	
55	500942	WASHER LO SPT 8.1x14.8x2.0 N500	1	1	
56	502862	SCREW CAP HEX M8-1.25x20 G8.8 N500	1	1	
57	560422	BLOCK, TERMINAL / 1 STUD 3/8-16 / BLACK	1	1	
58	952624	CLAMP / 1/4" I.D.	1	1	
59	684685	ADHESIVE SIMSON #ISR 70-03 / 310ml CARTRIDGE	AR	AR	
60	503402	TUBE, NYLON 1/4 O.D. / BLACK S.L.	AR	AR	
61	641955	UNION TEE / PUSH-IN FITTING / #4x#4x#4 BR	1	1	
62	502526	SCREW TC BDG PH #12-24x3/4 Z050	10	10	
63	502577	SCREW MA PAN PH M3-0.5x16 ZP	2	2	
64	5001407	WASHER LO EXT 3.2x6.0x0.4 SS	2	2	
65	502826	NUT HEX M3-0.5 N500	2	2	
		A) WITH SMALL A/C SYSTEM			
		P) CALL ORDER DESK FOR SPECIFIC APPLICATION (V.I.N.)			

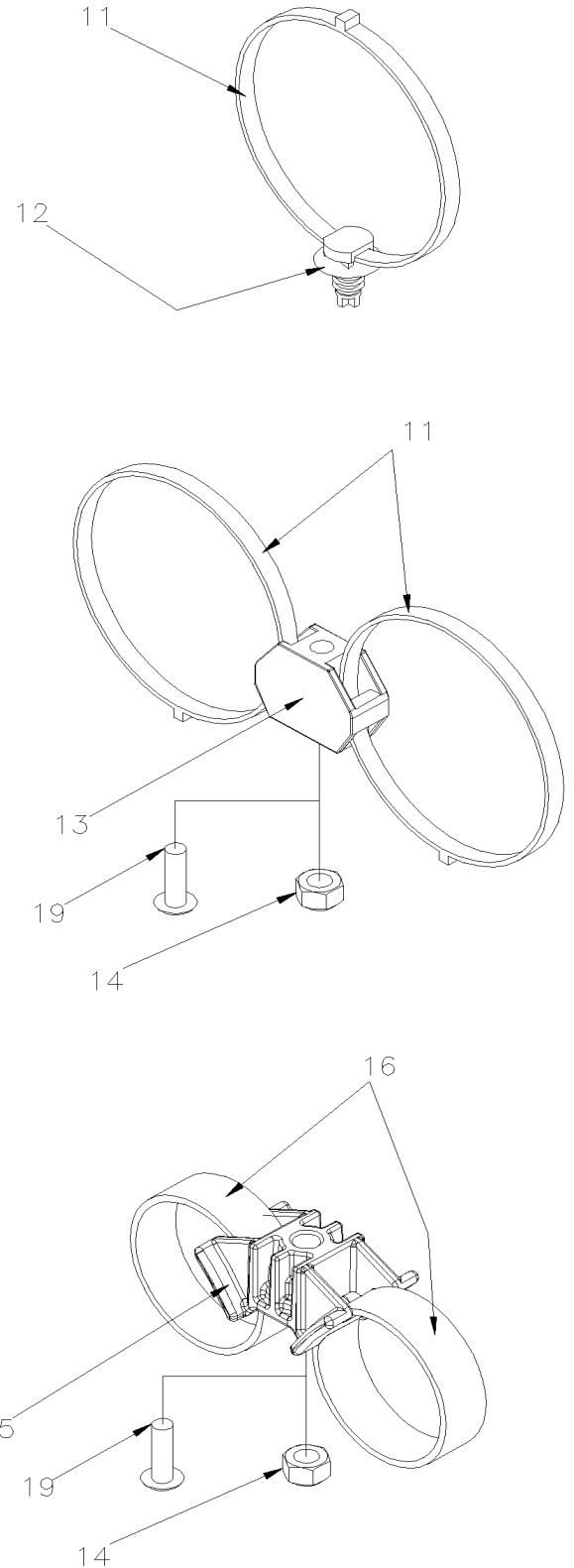
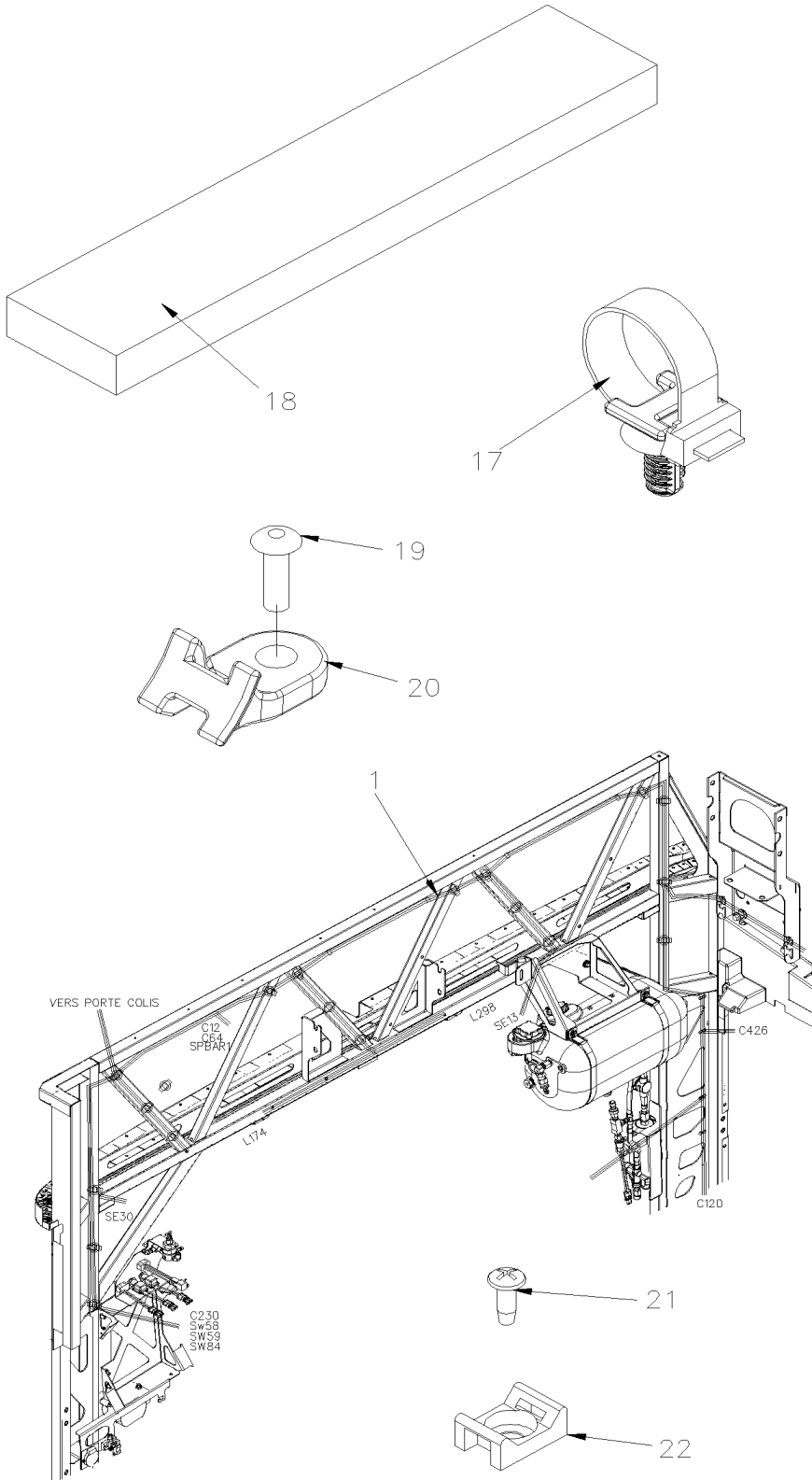


From E-5490

Date:07/2024

PAGE:X3VIP-0641-00

CABLE & HARNESS - REAR END INSTALLATION





From E-5490	Date:07/2024	PAGE:X3VIP-0641-00
-------------	--------------	--------------------

CABLE & HARNESS - REAR END INSTALLATION

Item#	Part	Description	X 3 V I P E N T	X 3 V I P M T H	N O T E S
1	068510	CABLE HARNESS / ENGINE ACCESSORIES To E-5563	1	1	
1	068911	CABLE HARNESS / ENGINE ACCESSORIES From E-5564 To E-5717	1	1	
1	069061	CABLE HARNESS / ENGINE ACCESSORIES From E-5718 To E-5739	1	1	
1	068882	CABLE HARNESS / ENGINE ACCESSORIES From F-5740 To H-6093	1	1	
1	069590	CABLE HARNESS / ENGINE ACCESSORIES From H-6094	1	1	
11	504637	CABLE TIE / 3/16" x 13"	AR	AR	
11	504016	CABLE TIE / 5/16" X 14"1/2	AR	AR	
NS	564542	TREE MOUNT CLIP FOR PED CONNECTOR From H-6094	2	2	
12	509815	TIE MOUNT / ATTACHMENT W/TREE MOUNT	AR	AR	
13	509492	CABLE TIE MOUNT FOR THREADED STUD 1/4	AR	AR	
14	502681	NUT HEX NYRT M6-1.0 N500 G8	AR	AR	
15	509490	ATTACHMENT DOUBLE USE WITH CABLE TIE	AR	AR	
15	504610	RIVET MGLP PRDG 1/4x5/8 SS	AR	AR	
16	509491	CABLE TIE / 13MM x 383MM	AR	AR	
17	504750	CABLE TIE / 1/2" x 15" / CHRISTMAS TREE	AR	AR	
18	371600	INSULATING PAD 76.2MM x 374.7MM	AR	AR	
19	504610	RIVET MGLP PRDG 1/4x5/8 SS	AR	AR	
20	507383	TIE MOUNT HOLE 3/8"	AR	AR	
21	502868	SCREW TC TR PH #10-16x1/2 N500	AR	AR	
22	504013	TIE MOUNT / 1/4" X 1/4" I.D.	AR	AR	
NS	067969	DECAL / "BOOSTER BLOCK" - GRD PICTOGRAM	1	1	
25	504398	GROMMET / 1.000x1.375x.062x.437x1.750	1	1	

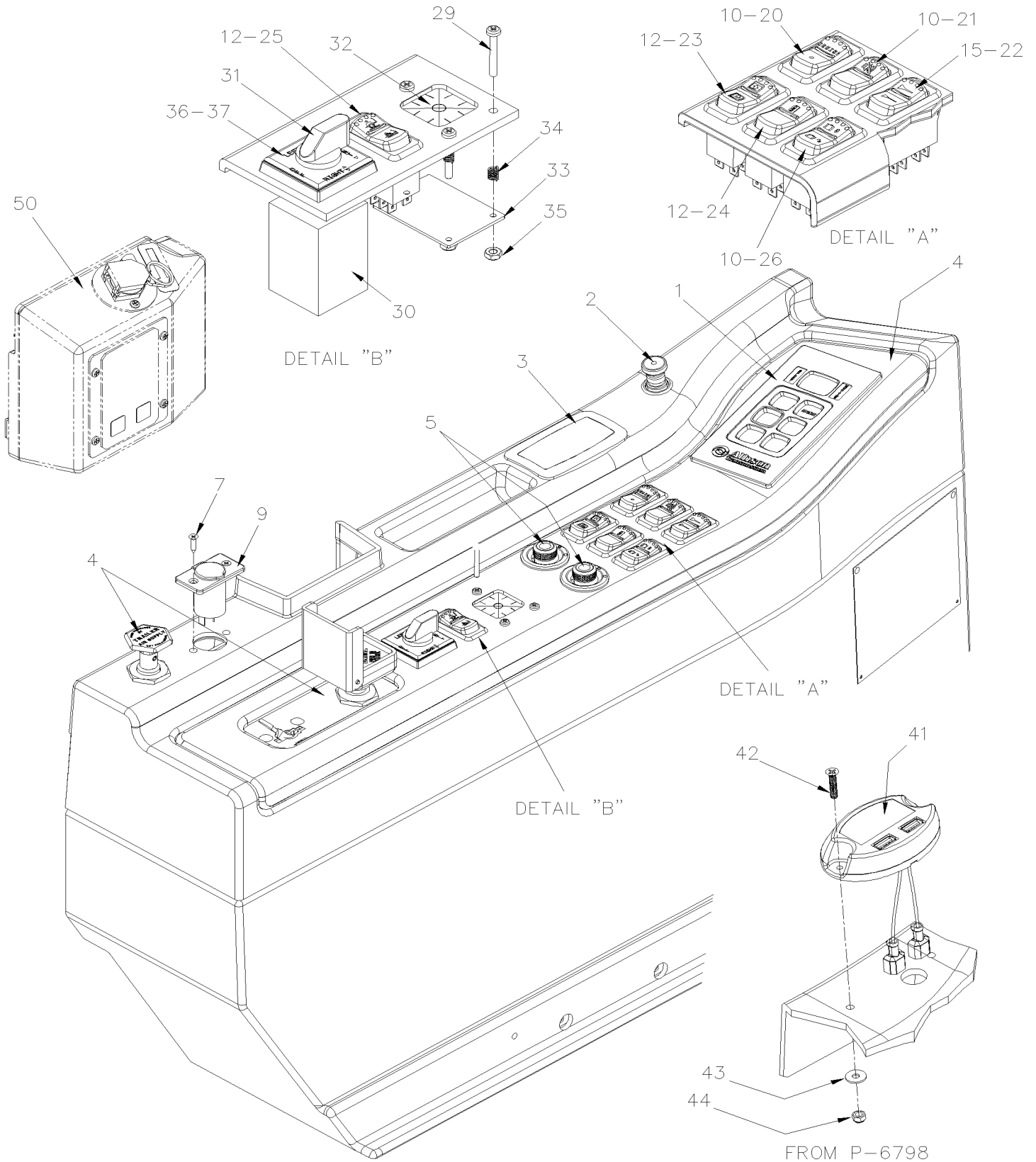


From E-5490

Date:07/2024

PAGE:X3VIP-0645-05

SWITCHES L.H. CONSOLE - MTH





From E-5490		Date:07/2024	PAGE:X3VIP-0645-05
SWITCHES L.H. CONSOLE - MTH			

Item#	Part	Description	X 3 V I P E N T	X 3 V I P M T H	N O T E S
1	572124	SHIFTER, SELECTOR "WORLD" / GEN IV To E-5624	1	1	
1	572155	SHIFTER, SELECTOR "WORLD" / GEN V From E-5625 To J-6335	1	1	
1	570052	SHIFTER, SELECTOR "WORLD" / GEN V From J-6336 To N-6738	1	1	
1	570134	SHIFTER, SELECTOR "WORLD" / GEN VI From N-6739	1	1	
NS	067278	WIRING HARNESS DASHBOARD LEFT MODULE To F-5874	1	1	
NS	069255	WIRING HARNESS DASHBOARD LEFT MODULE From F-5875 To H-6179	1	1	
NS	060355	WIRING HARNESS DASHBOARD LEFT MODULE From H-6180 To M-6657	1	1	
NS	0610496	WIRING HARNESS DASHBOARD LEFT MODULE From M-6658	1	1	
2	561491	LIGHTER ASSY / 12V To P-6787	1	1	
2	561492	. POP OUT 12V To P-6787	1	1	
2	562944	. BASE LIGHTER To P-6787	1	1	
NS	392043	DUMMY PLUG LIGHTER	AR	AR	
3	890006	ASHTRAY	1	1	
4	X3VIP-1806-50	L.H. CONSOLE - MTH			
5	562748	SWITCH, MIRROR / ROUND	AR	AR	
5		CLIP RETAINER / MIRROR SWITCH (R2000-1372P)	2	2	
NS	562749	CONNECTOR / SH 8C / EURAMTEC W-RT8-200	2	2	
NS	507295	HOLE PLUG BUTTON / 1.375 O.D. BLACK	AR	AR	
NS	562799	DUMMY PLUG MIRROR	AR	AR	
7	500353	SCREW TP FL PH #8x3/4 BK	2	2	
9	562796	12 VOLTS POWER OUTLET	1	1	
9	562773	SWITCH / "DUMMY" / PLUG	AR	AR	
10	562697	SWITCH / ON-ON / D.P.D.T. / CH-OVER / W/RED & GREEN LED	AR	AR	
11	562698	SWITCH / OFF-M/ON / D.P.S.T. / W/GREEN LED	AR	AR	
12	562699	SWITCH / M/ON-OFF-M/ON / D.P.D.T. / W/GREEN LED	AR	AR	
15	563012	SWITCH / ON-ON / D.P.D.T. / CH-OVER / W/GREEN LED	1	1	
20	562724	CAP / CRUISE CONTROL	1	1	
21	562731	CAP / BACK-UP ALARM	1	1	
22	564081	CAP / HORN SELECTOR - ELEC / AIR	1	1	
23	562740	CAP / WINDOW DRIVER'S	1	1	
24	562736	CAP / LUGGAGE DOOR LOCK	1	1	
25	562738	CAP / UP-DOWN	1	1	
26	562713	CAP / MIRROR HEATER	1	1	
29	502643	SCREW MA PAN PH #8-32x1 1/4 Z050	3	3	
30	563086	SWITCH / 10 AMPS 4 POSITIONS 90°	1	1	
31		. KNOB	1	1	
NS	066510	CABLE ASSY / W/"LEVEL LOW" / MUX	1	1	
32	630075	LEVEL 5 WAYS	1	1	
33	391827	BRACKET / TO FIX LEVEL	1	1	
34	502162	SPRING COMPRESSION / .240 O.D. x .312 x .026	3	3	



From E-5490	Date:07/2024	PAGE:X3VIP-0645-05
SWITCHES L.H. CONSOLE - MTH		

Item#	Part	Description	X 3 V I P E N T	X 3 V I P M T H	N O T E S
35	500670	NUT HEX NYRT #8-32 Z050	3	3	
36	392317	PLATE PLASTIC "LEVEL LOW"	1	1	
37	391994	DECAL "LEVEL LOW"	1	1	
41	0600156	MODULE USB DUAL PORT ASS. From P-6798	1	1	
42	5001411	SCREW MA FL PH M4-0.7x20 BK From P-6798	2	2	
43	5002031	WASHER FL 4.3X12X1 SS From P-6798	2	2	
44	500539	NUT HEX NYRT M4-0.7 N500 From P-6798	2	2	
50	X3VIP-2320-51	FIRE PROTECTION SYSTEM / HEATER & EVAPORATOR COMPARTMENT			



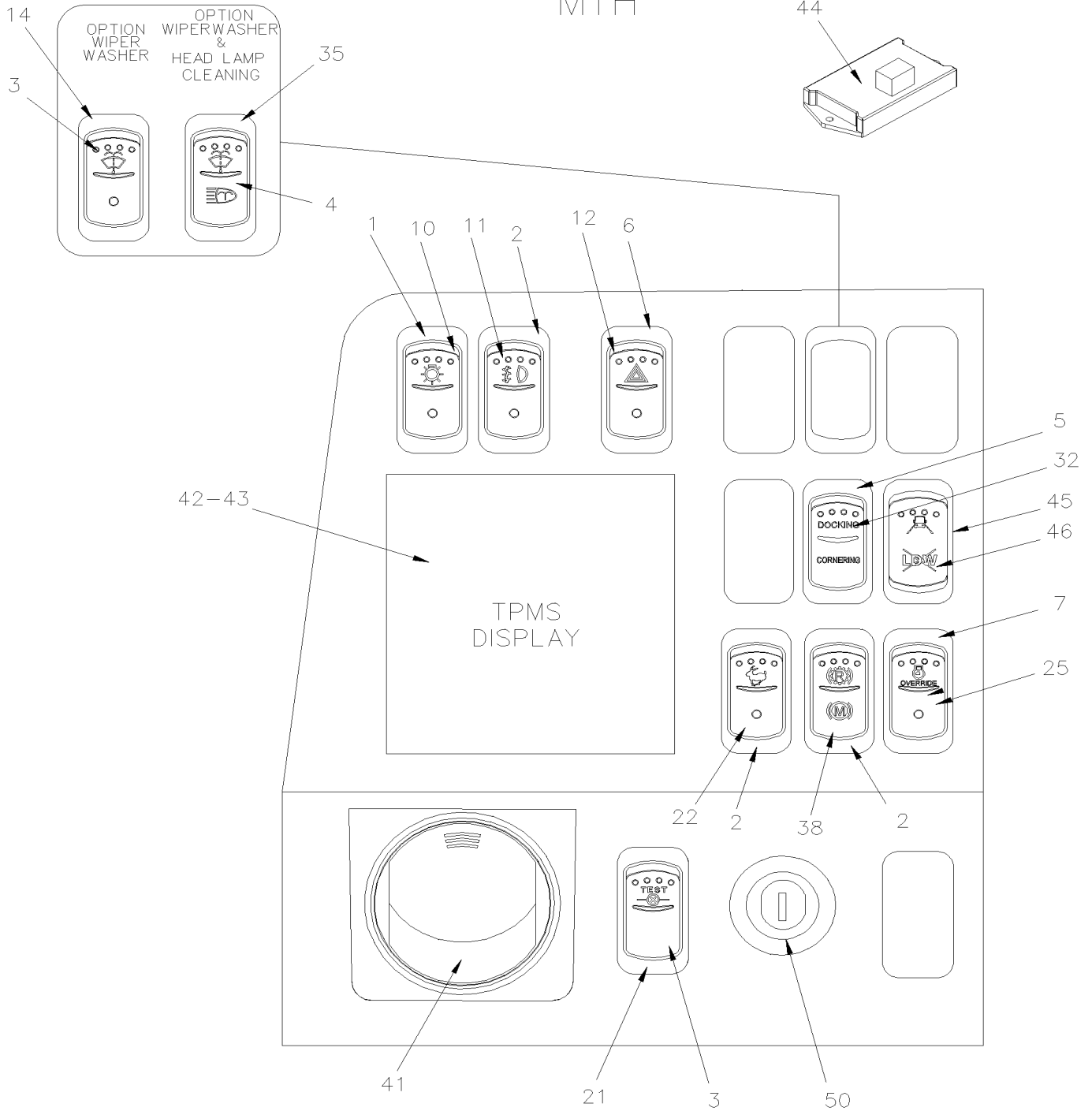
From E-5490

Date:07/2024

PAGE:X3VIP-0645-10

L.H. DASHBOARD PANEL

MTH



UP TO F-5818

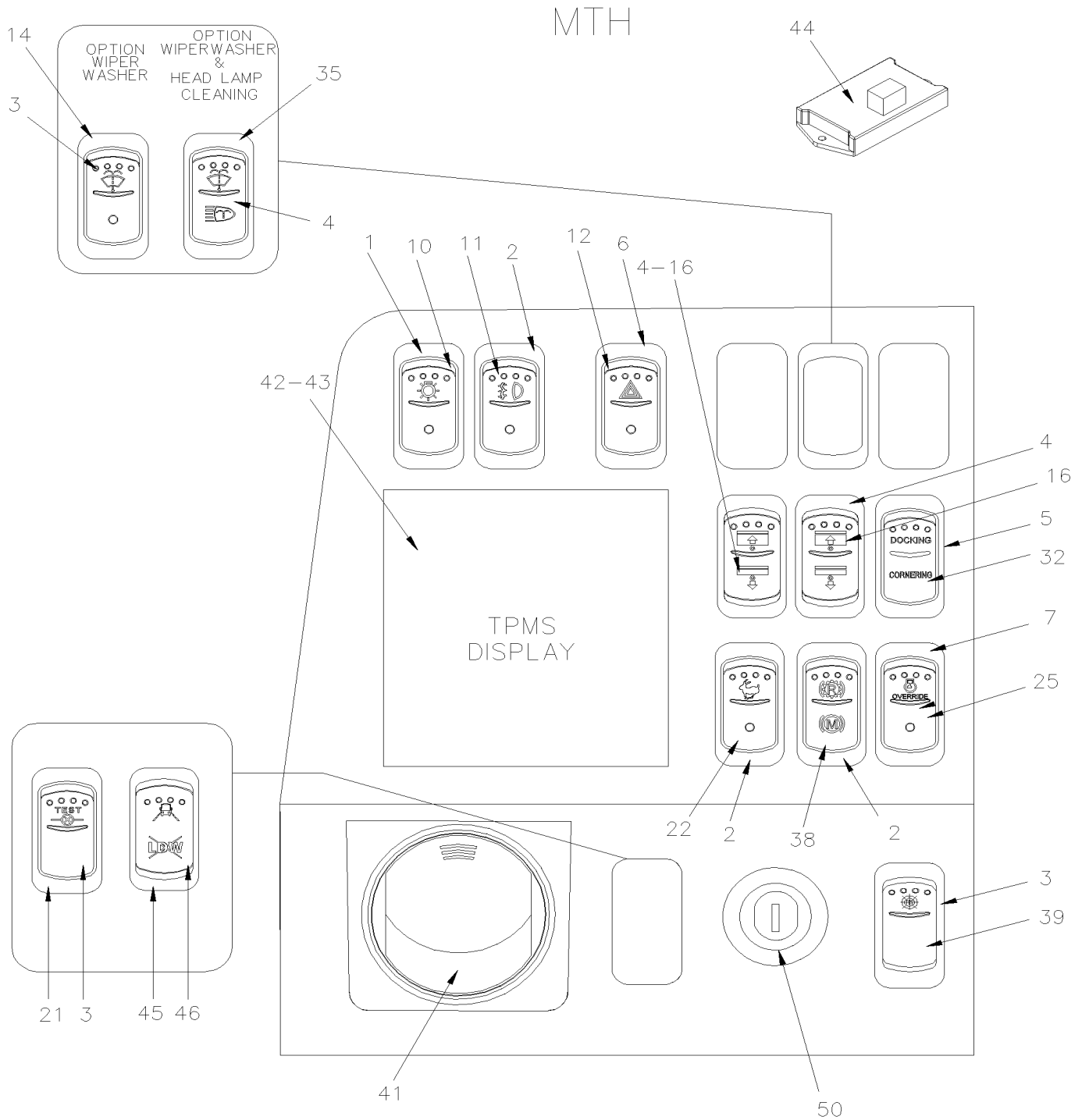


From E-5490

Date:07/2024

PAGE:X3VIP-0645-10

L.H. DASHBOARD PANEL



FROM F-5819



From E-5490		Date:07/2024	PAGE:X3VIP-0645-10
L.H. DASHBOARD PANEL			

Item#	Part	Description	X 3 V I P E N T	X 3 V I P M T H	N O T E S
1	562696	SWITCH / OFF-ON-ON SERIES S.P.D.T. / W/RED & GREEN LED	4	4	
2	562697	SWITCH / ON-ON / D.P.D.T. / CH-OVER / W/RED & GREEN LED	AR	AR	
3	562698	SWITCH / OFF-M/ON / D.P.S.T. / W/GREEN LED	1	1	
4	562699	SWITCH / M/ON-OFF-M/ON / D.P.D.T. / W/GREEN LED	3	3	
5	562700	SWITCH / ON-OFF-ON / D.P.D.T. / W/GREEN LED	1	1	
6	562854	SWITCH / ON-ON / D.P.D.T. / CH-OVER / W/RED LED	1	1	
7	562855	SWITCH / OFF-M/ON / D.P.S.T. / W/RED LED	1	1	
NS	562763	CONNECTOR RH 10C / SWITCH / NGR 28-5637-2	AR	AR	
NS	562768	SOCKET TERMINAL / 16-14 / PED 12015870	AR	AR	
NS	562773	SWITCH / "DUMMY" / PLUG	AR	AR	
10	562708	CAP / HEADLIGHT	1	1	
11	562709	CAP / FOG	1	1	
12	562710	CAP / WARNING LIGHT HAZARD	1	1	
14	562715	CAP / WINDSHIELD WASHER (UPPER)	1	1	
16	562739	CAP / ROLLER BLIND From F-5819	2	2	
16	IS-14145	SUNVISOR SWITCHES ON DASHBOARD To F-5818	1	1	
. NS	069234	. SUN VISOR SWITCH HARNESS To F-5818	1	1	
. NS	562699	. SWITCH / M/ON-OFF-M/ON / D.P.D.T. / W/GREEN LED To F-5818	2	2	
. NS	562739	. CAP / ROLLER BLIND To F-5818	2	2	
. NS	562769	. SOCKET TERMINAL / 20-18 / PED 12015869 To F-5818	3	3	
. NS	IS14145	. SEE INSTRUCTION SHEET To F-5818	1	1	
21	562741	CAP / TELL TALE TEST	1	1	
NS	562697	SWITCH / ON-ON / D.P.D.T. / CH-OVER / W/RED & GREEN LED	1	1	A
22	562723	CAP / FAST IDLE	1	1	
25	562727	CAP / ENGINE OVERRIDE	1	1	
32	562733	CAP / DOCKING & CORNERING	1	1	
35	564007	CAP / WASHER WIDSHIELD & HEADLAMP	1	1	
38	564082	CAP / "JACOB'S" & RETARDER"	1	1	
38	562698	SWITCH / OFF-M/ON / D.P.S.T. / W/GREEN LED From G-6017	1	1	G
38	564146	CAP / "JACOB'S" From G-6017	1	1	G
39	564147	CAP / TCS	1	1	
41	871314	LOUVER, ADJUSTABLE / ROUND 2 5/8" O.D.	1	1	
42	564094	SCREEN MONITOR TIRE To E-5569	1	1	
42	565912	SCREEN MONITOR TIRE From E-5570 To J-6301	1	1	
42	560561	SCREEN MONITOR TIRE From J-6302	1	1	
43	564084	PLATE TPMS / FIXED AT CENTRAL BOARD	1	1	
43	564086	PLATE REAR TPMS ON CENTRAL BOARD	1	1	
43	564085	PLATE W/OUT TPMS ON CENTRAL BOARD	1	1	
NS	5001690	SCREW TC M5 to fix plate	5	5	
44	382562	GATEWAY LIN BUS INTERFACE To E-5595	1	1	E
44	565917	GATEWAY LIN BUS INTERFACE From E-5596 To E-5682	1	1	E
44	565921	GATEWAY LIN BUS INTERFACE From E-5683 To G-6022	1	1	E



From E-5490		Date:07/2024	PAGE:X3VIP-0645-10
-------------	--	--------------	--------------------

L.H. DASHBOARD PANEL

Item#	Part	Description	X 3 V I P E N T	X 3 V I P M T H	N O T E S
44	560008	GATEWAY LIN BUS INTERFACE From G-6023	1	1	E
45	562698	SWITCH / OFF-M/ON / D.P.S.T. / W/GREEN LED From M-6647	1	1	H
46	563883	CAP / LDW From M-6647	1	1	H
50	562147	SWITCH, IGNITION / CODE 801	1	1	
. NS	780003	. KEY, IGNITION SWITCH CODE 801	1	1	
50	562148	SWITCH, IGNITION / CODE 802	1	1	
. NS	780004	. KEY, IGNITION SWITCH CODE 802	1	1	
50	562151	SWITCH, IGNITION / CODE 803	1	1	
. NS	780006	. KEY, IGNITION SWITCH CODE 803	1	1	
50	562150	SWITCH, IGNITION / CODE 804	1	1	
. NS	780007	. KEY, IGNITION SWITCH CODE 804	1	1	
50	562152	SWITCH, IGNITION / CODE 805	1	1	
. NS	780008	. KEY, IGNITION SWITCH CODE 805	1	1	
50	562149	SWITCH, IGNITION / CODE 806	1	1	
. NS	780009	. KEY, IGNITION SWITCH CODE 806	1	1	
NS	562296	KEY / IGNITION BLANCK UN CUT	AR	AR	
50	562146	SWITCH, IGNITION / KEYLESS (ACC-OFF-IGN-START)	1	1	
NS	563542	KEYLESS / TRANSMITTER KEY RING / W/PICTOGRA To F-5874	1	1	
NS	565987	KEYLESS, FOBS WITH MEDALLIONS From F-5875	1	1	
NS	565985	KEYLESS MODULE From F-5875 To H-6194	1	1	
50	560454	KEYLESS MODULE From H-6195	1	1	
		A) THIS INTERFACE IS LOCATED INSIDE OF DASH			
		E) VEHICLE EQUIPPED WITH "JACOB" & "RETARDER"			
		G) WITH ENGINE BRAKE WITH AUTOMATIQUE TRANSMISSION WITHOUT RETARDER			
		H) USE WITH "PREVOST DRIVER ASSIST"			

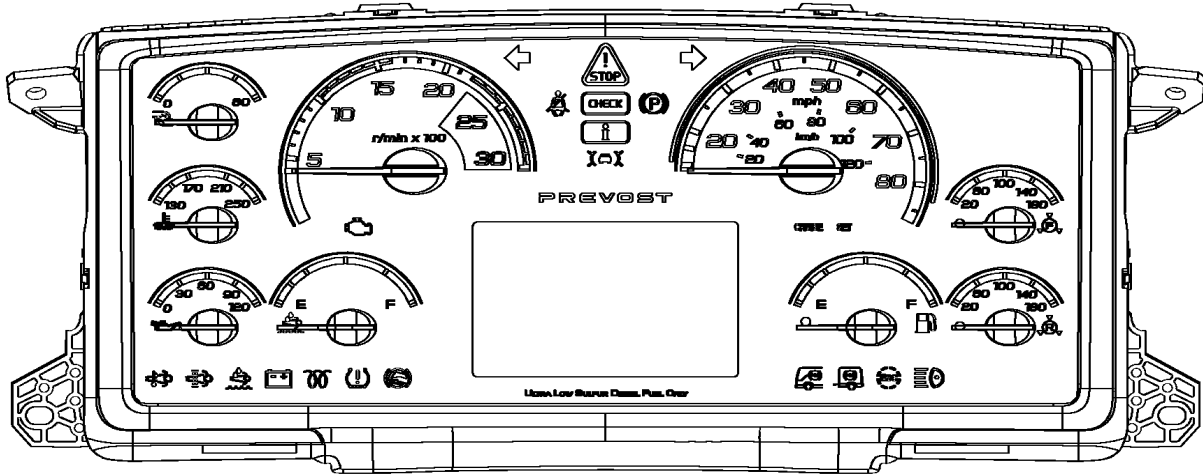


From E-5490

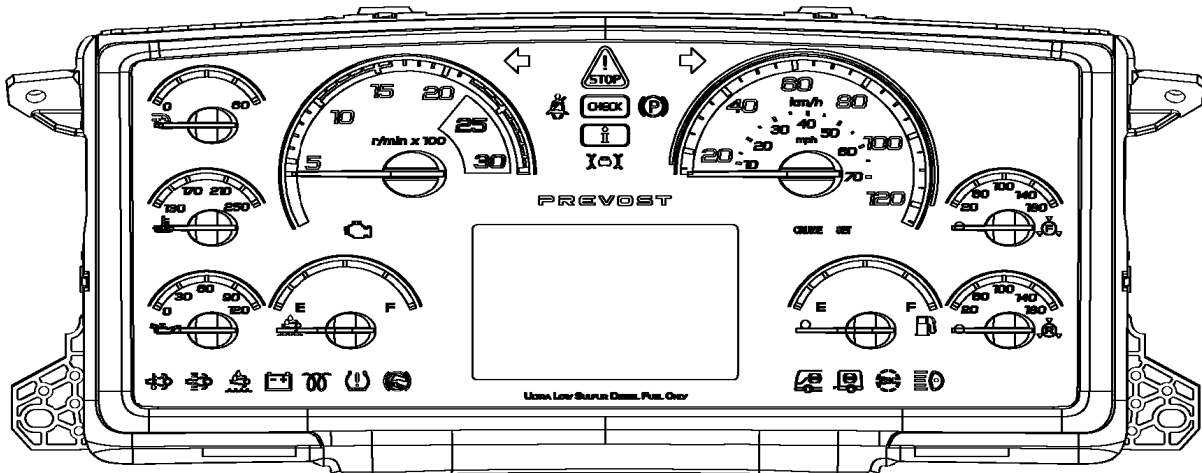
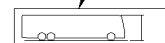
Date:07/2024

PAGE:X3VIP-0645-21

CENTER DASHBOARD PANEL WITH "EPA 2010"



21





From E-5490	Date:07/2024	PAGE:X3VIP-0645-21
CENTER DASHBOARD PANEL WITH "EPA 2010"		

Item#	Part	Description	X 3 V I P E N T	X 3 V I P M T H	N O T E S
1	21874708	CLUSTER, MPH To F-5871	1	1	
1	22261894	CLUSTER, MPH From F-5872 To K-6439	1	1	
1	23413703	CLUSTER, MPH From K-6440	1	1	
1	21874711	CLUSTER, KPH To F-5871	1	1	
1	22261896	CLUSTER, KPH From F-5872 To K-6439	1	1	
1	23413708	CLUSTER, KPH From K-6440	1	1	
1	N.P.N.	. . GAUGE WATER TEMPERATURE	1	1	4
1	N.P.N.	. . GAUGE OIL TEMPERATURE	1	1	4
1	N.P.N.	. . GAUGE OIL PRESSURE	1	1	4
1	N.P.N.	. . GAUGE VOLTAGE	1	1	4
1	N.P.N.	. . GAUGE FUEL LEVEL	1	1	4
1	N.P.N.	. . TACHOMETER	1	1	4
1	N.P.N.	. . SPEEDOMETER MILES	1	1	4
1	N.P.N.	. . SPEEDOMETER KM	1	1	4
1	N.P.N.	. . ODO LCD	1	1	4
1	N.P.N.	. GAUGE AIR APPLICATION	1	1	4
1	N.P.N.	. GAUGE AIR REAR	1	1	4
1	N.P.N.	. GAUGE AIR FRONT	1	1	4
NS	20476992	TRANSDUCER PRESSURE (0-12Bar / 0-174PSI)	3	3	B
21	405108	DECAL / VEHICLE HEIGHT 12' 2" / MTH 89"	1	1	
21	408275	DECAL / VEHICLE HEIGHT 13' 3" W/SATELITE R6DX	AR	AR	
NS	144995	DECAL / "DO NOT OPERATE BELOW 100 PSI"	1	1	
31	X3VIP-1806-00	CENTRAL DASHBOARD PANEL			
		B) THIS TRANSDUCER USE ON ALLS AIR GAUGE APPLICATION			
		4) NO PARTS NUMBER			

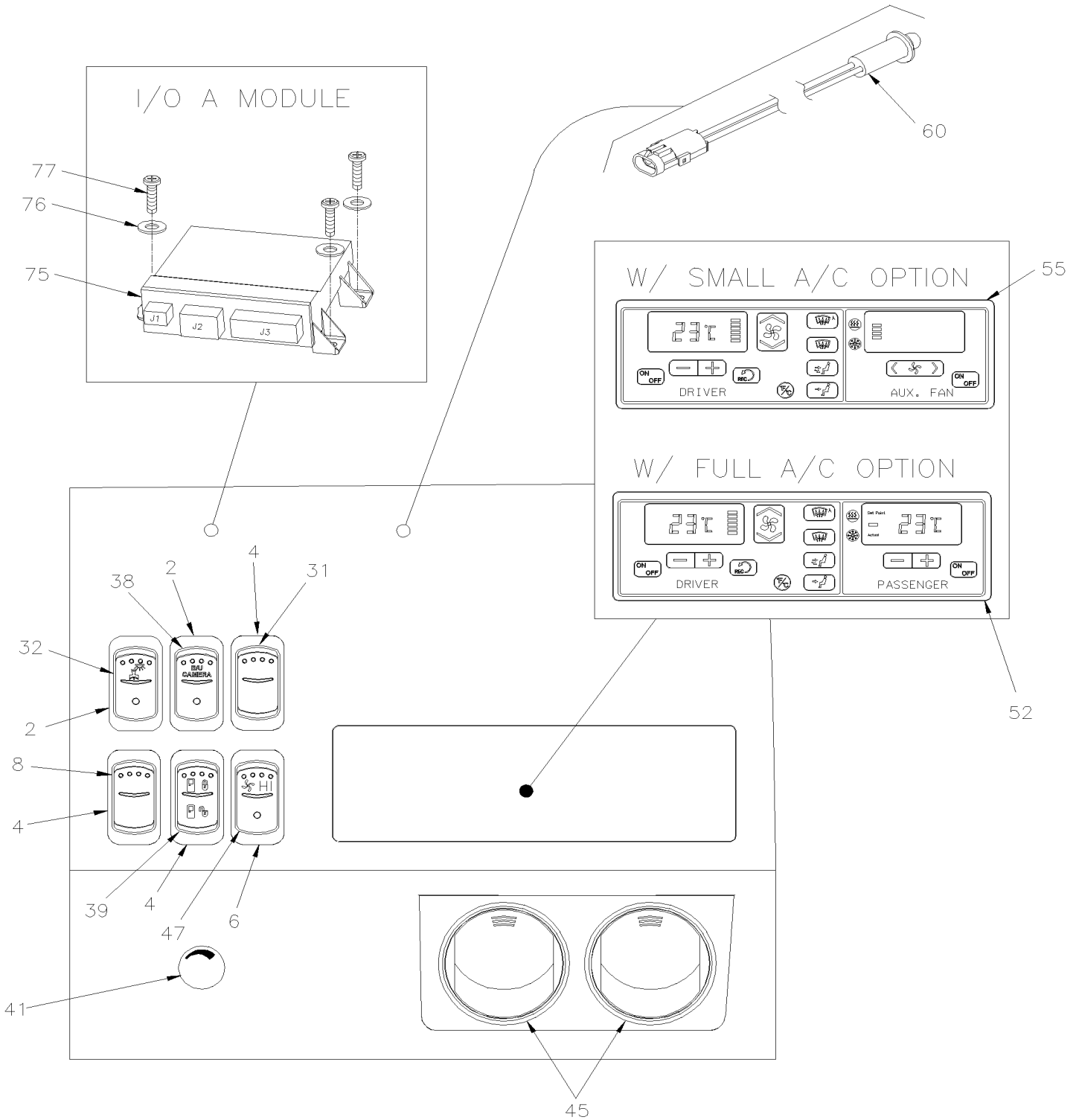


From E-5490

Date:07/2024

PAGE:X3VIP-0645-30

R.H. DASHBOARD PANEL



M.T.H.



From E-5490		Date:07/2024	PAGE:X3VIP-0645-30
R.H. DASHBOARD PANEL			

Item#	Part	Description	X 3 V I P E N T	X 3 V I P M T H	N O T E S
2	562697	SWITCH / ON-ON / D.P.D.T. / CH-OVER / W/RED & GREEN LED	AR	AR	
4	562699	SWITCH / M/ON-OFF-M/ON / D.P.D.T. / W/GREEN LED	1	1	
4	562717	CAP / INTERIOR LIGHT From H-6198	1	1	
NS	562763	CONNECTOR RH 10C / SWITCH / NGR 28-5637-2	AR	AR	
NS	562768	SOCKET TERMINAL / 16-14 / PED 12015870	AR	AR	
4	566038	CAP NGR, LUGGAGES LIGHT	1	1	S
6	562854	SWITCH / ON-ON / D.P.D.T. / CH-OVER / W/RED LED	AR	AR	
8	565926	CAP / "A/C ON"	AR	AR	
NS	562773	SWITCH / "DUMMY" / PLUG	AR	AR	
31	562740	CAP / WINDOW DRIVER'S	1	1	
32	562716	CAP / DRIVER'S LAMP	1	1	
39	562831	CAP / DOOR LOCK	1	1	
41	562846	KNOB / DASH ILLUMINATION To L-6552	1	1	
41	563915	KNOB / DASH ILLUMINATION From L-6553 To M-6646	1	1	
41	563911	CAP EATON NGR DIMER From M-6647	1	1	
NS	562845	RHEOSTAT / DASH ILLUMINATION To L-6552	1	1	
41	563881	RHEOSTAT / DASH ILLUMINATION From L-6553 To M-6646	1	1	
41	562699	SWITCH / M/ON-OFF-M/ON / D.P.D.T. / W/GREEN LED From M-6647	1	1	
NS	1212770	. NUT RND SLT BK M8-.75 To L-6552	1	1	
41	0610318	SERVICE KIT RHEOSTAT To L-6552	1	1	
. NS	563881	. RHEOSTAT / DASH ILLUMINATION To L-6552	1	1	
. NS	563915	. KNOB / DASH ILLUMINATION To L-6552	1	1	
45	871314	LOUVER, ADJUSTABLE / ROUND 2 5/8" O.D.	2	2	
47	563278	CAP / HI SPEED MAIN VENTILATION	AR	AR	
52	871350	A/C CONTROL MODULE / W/MUX To J-6279	1	1	
52	870008	A/C CONTROL MODULE From J-6280 To M-6675	1	1	
52	870128	A/C CONTROL MODULE From N-6676 To R-6987	1	1	
52	870236	HVAC, CONTROL MODULE, FULL From R-6988	1	1	
55	871417	A/C CONTROL MODULE / W/SMALL A/C SYSTEM To J-6279	1	1	
55	870009	A/C CONTROL MODULE / W/SMALL A/C SYSTEM From J-6280 To M-6675	1	1	
55	870129	A/C CONTROL MODULE / BASIC From N-6676 To R-6987	1	1	
55	870237	HVAC, CONTROL MODULE, BASIC From R-6988	1	1	
NS	563063	SENSOR THERMISTOR ASSY / TEMPERATURE / ("DELPHI")	2	2	B
60	330238	TELLTALE ASSY / RED	1	1	
75	564194	I/O A-MODULE VOLVO MULTIPLEX / BLACK To F-5874	1	1	
. NS	562767	. CONNECTOR / SH 30C / GREEN / JAE IL-AG5-30S-D3C1 To F-5874	1	1	
. NS	562957	. CONNECTOR / SH 5C / GREEN / JAE IL-AG5-5S-S3C1 To F-5874	1	1	
. NS	563132	. CONNECTOR / SH 2C / YAZAKI 7283-6458-40 To F-5874	1	1	
75	22561320	I/O A-MODULE VOLVO MULTIPLEX / BLACK From F-5875 To G-6088	1	1	
. NS	562767	. CONNECTOR / SH 30C / GREEN / JAE IL-AG5-30S-D3C1 From F-5875 To G-6088	1	1	
. NS	562957	. CONNECTOR / SH 5C / GREEN / JAE IL-AG5-5S-S3C1 From F-5875 To G-6088	1	1	
. NS	563132	. CONNECTOR / SH 2C / YAZAKI 7283-6458-40 From F-5875 To G-6088	1	1	



From E-5490	Date:07/2024	PAGE:X3VIP-0645-30
-------------	--------------	--------------------

R.H. DASHBOARD PANEL

Item#	Part	Description	X 3 V I P E N T	X 3 V I P M T H	N O T E S
75	22722832	I/O A-MODULE VOLVO MULTIPLEX / BLACK From G-6089	1	1	
. NS	562767	. CONNECTOR / SH 30C / GREEN / JAE IL-AG5-30S-D3C1 From G-6089	1	1	
. NS	562957	. CONNECTOR / SH 5C / GREEN / JAE IL-AG5-5S-S3C1 From G-6089	1	1	
. NS	563132	. CONNECTOR / SH 2C / YAZAKI 7283-6458-40 From G-6089	1	1	
76	502690	WASHER FL 4.3x9.0x0.8 Z050 From 8-9422	3	3	
77	502698	SCREW MA PAN PH M4-0.7x16 SS BK From 8-9422	3	3	
		B) USE IN FLOOR RETURN AIR BOX & AT DRIVER'S KNEE			
		S) SPECIAL			

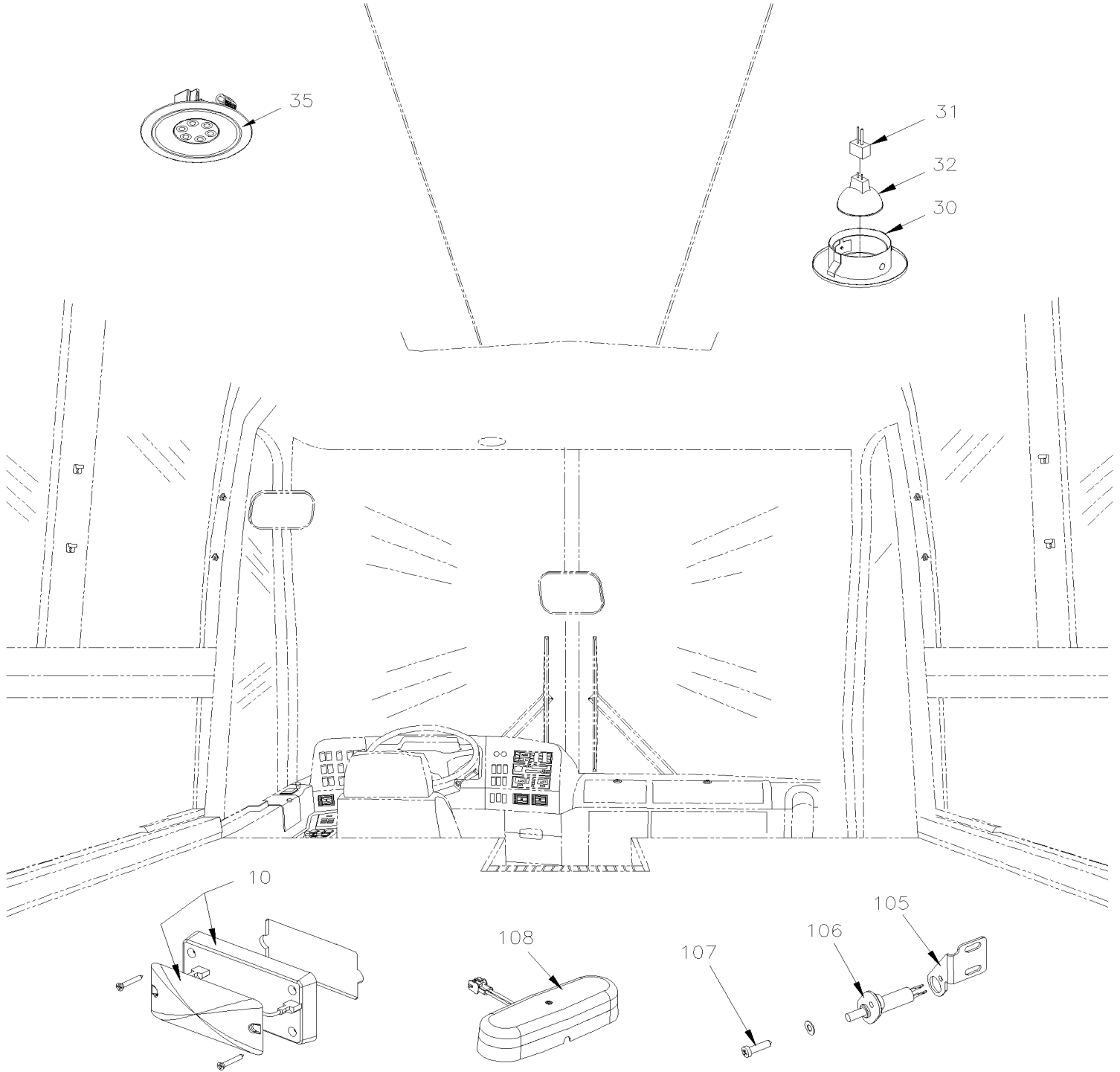


From E-5490

Date:07/2024

PAGE:X3VIP-0655-00

INTERIOR LIGHTING





From E-5490	Date:07/2024	PAGE:X3VIP-0655-00
INTERIOR LIGHTING		

Item#	Part	Description	X 3 V I P E N T	X 3 V I P M T H	N O T E S
		STEPWELL LAMP			
10	830197	LAMP ASSY 24V LEDS	1	1	
NS	500148	SCREW MA RND PH #6-32x1/2 SS	AR	AR	
NS	500422	NUT SPR U #6-32 .110-.120 SS	AR	AR	
		DRIVER'S LAMP			
30	830179	LAMP BASE To H-6179	2	2	
31	562803	CONNECTOR / SOCKET HOUSING ASSY / LEECRAFT QBL-12 To H-6179	2	2	
32	830176	BULB / 20 WATTS-12V/SAE#Q20MR16/FL40D To H-6179	2	2	
35	830218	LAMP LED From H-6180 To M-6665	2	2	
35	830012	LAMP LED / NORMAL & EMERGENCY 24V From M-6666	2	2	
		BAGGAGE & SERVICE DOOR			
105	064278	CABLE ASSY / TO ADD MORE LAMP IN BAGGAGE COMPARTMENT	AR	AR	
105	Call order desk	SWITCH ASSY / BAGGAGE COMPARTMENT	8	8	P
105	068756	. SWITCH SUPPORT / W/BAGGAGE DOORS	1	1	
106	563464	. SWITCH / S.P.S.T. / N.C. / W/RUBBER BOOT	1	1	
107	500623	SCREW TC PAN PH #10-24x3/4 N500	1	1	
NS	5001544	WASHER LO EXT .195x.410x.025 SS	1	1	
108	330299	LAMP ASSY 24V / BAGGAGE COMPARTMENT LAMP / LED To H-6193	AR	AR	A
. NS	561248	. CONNECTOR / UNIVERSAL MATE-N-LOK / PH 2C / AMP 1-480699-0 To H-6193	1	1	A
108	830008	LAMP ASSY 24V / LED From H-6194	AR	AR	
. NS	561248	. CONNECTOR / UNIVERSAL MATE-N-LOK / PH 2C / AMP 1-480699-0 From H-6194	1	1	
		A) WHEN YOU REPLACE LAMP #330299 BY THE NEW LAMP #830008 YOU HAVE TO DRILL HOLE TO INSTALL IT WITH TWO SCREWS #500443 OR #500965			
		P) CALL ORDER DESK FOR SPECIFIC APPLICATION (V.I.N.)			

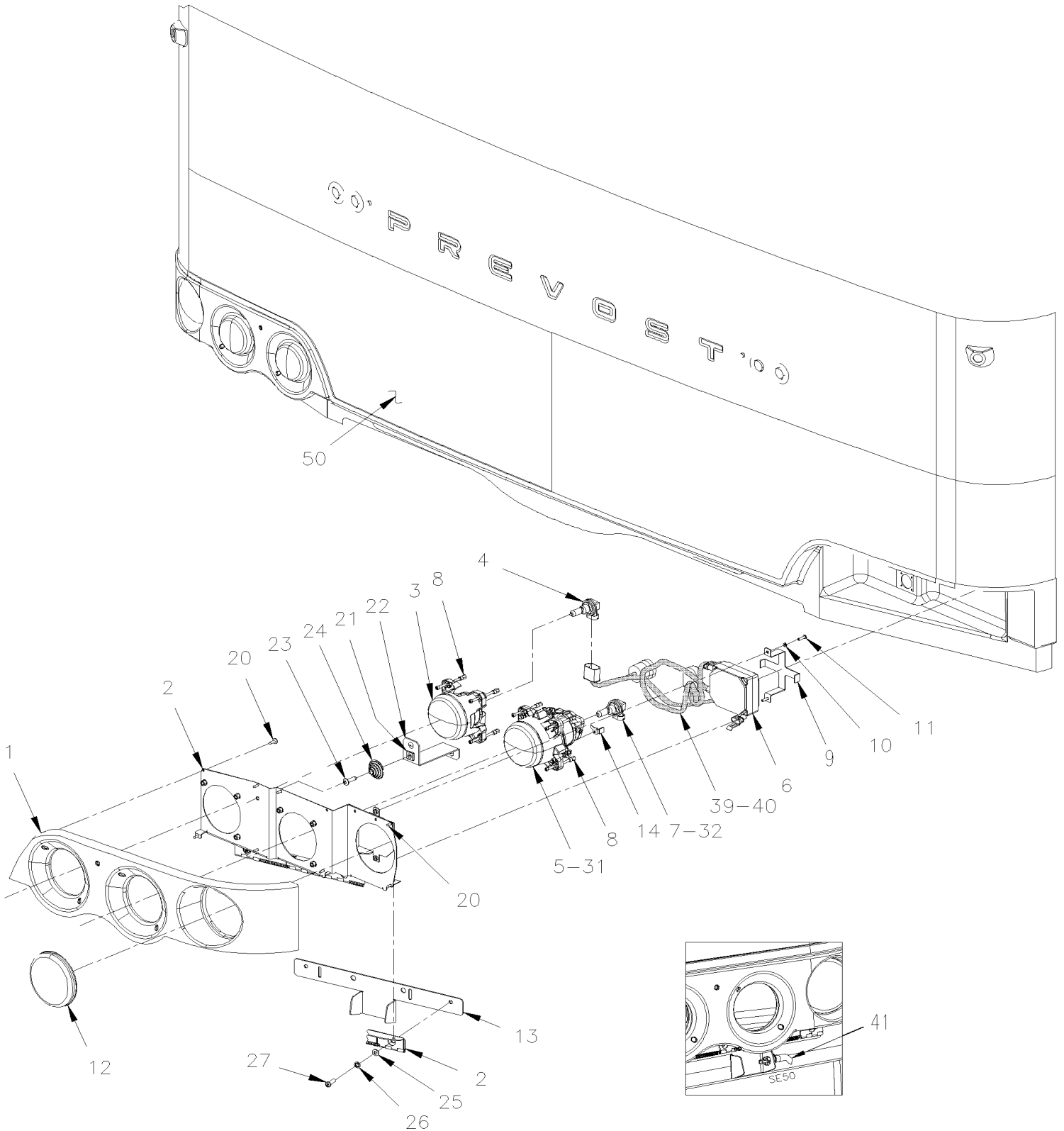


From E-5490 To K-6491

Date:07/2024

PAGE:X3VIP-0660-00

HEADLAMP & FRONT DIRECTIONAL LAMPS





From E-5490 To K-6491	Date:07/2024	PAGE:X3VIP-0660-00
-----------------------	--------------	--------------------

HEADLAMP & FRONT DIRECTIONAL LAMPS

Item#	Part	Description	X 3 V I P E N T	X 3 V I P M T H	N O T E S
	430615	LAMP ASSY L.H. "XENON" W/BEZEL XL-II W/O CABLE ASSY	1	1	
	430619	LAMP ASSY L.H. "HALOGENE" W/BEZEL XL-II W/O CABLE ASSY	1	1	
	430616	LAMP ASSY R.H. "XENON" W/BEZEL XL-II W/O CABLE ASSY	1	1	
	430620	LAMP ASSY R.H. "HALOGENE" W/BEZEL XL-II W/O CABLE ASSY	1	1	
1	476210	. HEADLAMP BEZEL, R.H. / CURBE SIDE	1	1	
1	476211	. HEADLAMP BEZEL, L.H. / STREET SIDE	1	1	
2	430575	. SUPPORT R.H.	1	1	
2	430587	. SUPPORT L.H.	1	1	
3	930359	. LAMP ASSY / HIGH	1	1	
4	563092	. BULB / 65WATT-12VOLTS / SAE# H9	1	1	
5	930388	. LAMP ASSY "XENON" / W/BALLAST	1	1	
5	930389	. LAMP ASSY "XENON" / W/OUT BALLAST & W/OUT BULB	1	1	
6	930390	. BALLAST "XENON" LOW BEAM 12Volt Power	1	1	
7	563365	. BULB / 35WATT / SAE D2S / 85122	1	1	
8	930373	. KIT, BOLTS ADJUSTMENT (3 BOLTS)	1	1	
9	930434	. SUPPORT "XENON" BALLAST BLACK	1	1	
10	502698	. SCREW MA PAN PH M4-0.7x16 SS BK	4	4	
11	502834	. WASHER LO SPT 4.1x7.6x0.9 N500	4	4	
12	930364	. LED AMBER 4" / DIRECTIONAL / FRONT 12Volt / 60L (PREVOST)	1	1	
13	430576	. HOLDER LAMP	1	1	
14	430604	. BULB STOPPER / "SAFETY FAILURE STRESS" / SS	2	2	
20	5001536	. SCREW PTR BDG PH M4x12 SS	8	8	
21	5001009	. NUT AN 1/4 NYL	1	1	
22	430572	. SUPPORT CENTRAL	1	1	
23	504249	. RIVET CHY Q PRDG 3/16x3/8 SS	AR	AR	
24	930369	. SPRING CONICAL	1	1	
25	502573	. WASHER FL 6.4x12.5x1.6 SS	4	4	
26	5001432	. WASHER LO INT .256x.478x.028 SS 410	4	4	
27	5001507	. SCREW MA PAN PH M6-1.0x20 SS	4	4	
31	930360	. LAMP ASSY / LOW	1	1	H A C
32	563092	. BULB / 65WATT-12VOLTS / SAE# H9	1	1	H
NS	430259	SERVICE KIT LED HEAD LAMP OPP1	1	1	
. NS	930040	. LAMP ASSY / LOW / WITH LEDS LED PREMIUM	2	2	
. NS	430242	. BOTTOM, HEAD LAMP	2	2	
. NS	430252	. BACK GUARD, HEAD LAMP	2	2	
. NS	930373	. KIT, BOLTS ADJUSTMENT (3 BOLTS)	2	2	
. NS	0610603	. WIRING HARNESS, TYP. HEAD LAMPS GLI	2	2	
39	066990	CABLE ASSY / W/"HALOGENE" LAMPS / MUX To H-6179	1	1	H
39	060078	CABLE ASSY / W/"HALOGENE" LAMPS / LH / MUX From H-6180	1	1	
39	060380	CABLE ASSY / W/"HALOGENE" LAMPS / RH / MUX From H-6180	1	1	
40	066991	CABLE ASSY / W/"XENON" LAMPS / MUX To H-6179	1	1	
40	060079	CABLE ASSY / "XENON" / LH / MUX From H-6180	1	1	



From E-5490 To K-6491	Date:07/2024	PAGE:X3VIP-0660-00
-----------------------	--------------	--------------------

HEADLAMP & FRONT DIRECTIONAL LAMPS

Item#	Part	Description	X 3 V I P E N T	X 3 V I P M T H	N O T E S
40	060390	CABLE ASSY / "XENON" / RH / MUX From H-6180	1	1	
41	563335	SENSOR THERMISTOR ASSY / OUTSIDE // PED 15416387	1	1	
50	X3VIP-1851-00	FRONT CAP - INSTALLATION			
NS	430602	KIT RETROFIT "XENON" FROM HALOGENE "XL-II"	1	1	
		A) TO CONVERT HALOGENE TO XENON, ASK KIT #430603			
		C) TO CONVERT HALOGENE TO LED ASK KIT 430259			
		H) USE WITH HALOGENE ONLY			

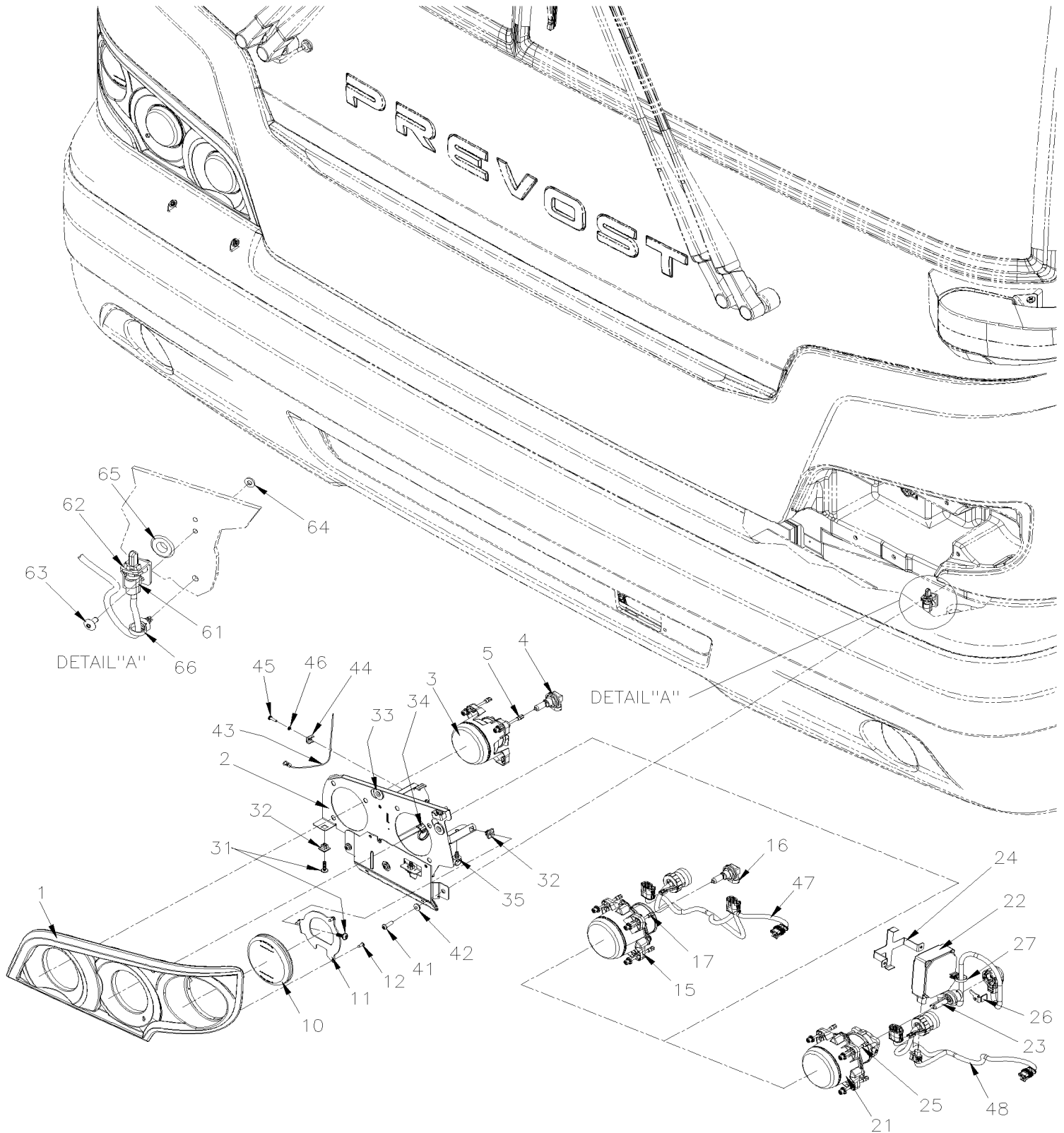


From L-6492

Date:07/2024

PAGE:X3VIP-0660-01

HEADLAMP & FRONT DIRECTIONAL LAMPS





From L-6492		Date:07/2024	PAGE:X3VIP-0660-01
-------------	--	--------------	--------------------

HEADLAMP & FRONT DIRECTIONAL LAMPS

Item#	Part	Description	X 3 V I P E N T	X 3 V I P M T H	N O T E S
	430174	LAMP ASSY L.H. "XENON" W/BEZEL ASSY	1	1	
	430179	LAMP ASSY L.H. "HALOGENE" W/BEZEL ASSY	1	1	
	430192	LAMP ASSY R.H. "XENON" W/BEZEL ASSY	1	1	
	430196	LAMP ASSY R.H. "HALOGENE" W/BEZEL ASSY	1	1	
1	471183	. HEADLAMP BEZEL, L.H. / STREET SIDE	1	1	
1	471188	. HEADLAMP BEZEL, R.H. / CURBE SIDE	1	1	
2	430001	. SUPPORT ASSY L.H.	1	1	
2	430005	. SUPPORT ASSY R.H.	1	1	
3	930359	. LAMP ASSY / HIGH	1	1	
4	563092	. . BULB / 65WATT-12VOLTS / SAE# H9	1	1	
5	930373	. . KIT, BOLTS ADJUSTMENT (3 BOLTS)	1	1	
10	930364	. LED AMBER 4" / DIRECTIONAL / FRONT 12Volt / 60L (PREVOST)	1	1	
11	430077	. FLASHER SUPPORT LEFT	1	1	
11	430078	. FLASHER SUPPORT RIGHT	1	1	
12	5001536	. SCREW PTR BDG PH M4x12 SS	3	3	
15	930360	. LAMP ASSY / LOW	1	1	HA
15	564199	. LAMP ASSY / LOW / WITH LEDS	1	1	B
NS	069850	. CABLE ASSY / W/"LEDS" LAMPS / LH	1	1	B
NS	069849	. CABLE ASSY / W/"LEDS" LAMPS / RH	1	1	B
NS	564108	SELF MOUNTING STUD // DEUTSCH 1011-310-0205	2	2	B
NS	504637	. CABLE TIE / 3/16" x 13"	2	2	B
16	563092	. . BULB / 65WATT-12VOLTS / SAE# H9	1	1	H
17	930373	. . KIT, BOLTS ADJUSTMENT (3 BOLTS)	1	1	
NS	430284	SERVICE KIT LED HEAD LAMP OPP2	1	1	
. NS	930040	. LAMP ASSY / LOW / WITH LEDS LED PREMIUM	2	2	
. NS	930373	. KIT, BOLTS ADJUSTMENT (3 BOLTS)	2	2	
. NS	0610603	. WIRING HARNESS, TYP. HEAD LAMPS GLI	2	2	
21	930388	. LAMP ASSY "XENON" / W/BALLAST	1	1	
21	930389	. . LAMP ASSY "XENON" / W/OUT BALLAST & W/OUT BULB	1	1	
22	930390	. . BALLAST "XENON" LOW BEAM 12Volt Power	1	1	
23	563365	. . BULB / 35WATT / SAE D2S / 85122	1	1	
24	930434	. . SUPPORT "XENON" BALLAST BLACK	1	1	
25	930373	. . KIT, BOLTS ADJUSTMENT (3 BOLTS)	1	1	
26	430604	. BULB STOPPER / "SAFETY FAILURE STRESS" / SS	1	1	
27	564204	. CABLE TIE / WITH EDGE CLIP / T50REC4A 10MMx200MM	1	1	
31	5001630	. SCREW TP BUTF TORX M6x20 SS	3	3	
32	5001009	. NUT AN 1/4 NYL	3	3	
33	504094	. GROMMET / .322x1.000x.079x.276x.984	2	2	
34	564534	. CABLE TIE / WITH EDGE CLIP / T50REC5A 10 MM x 200 MM	1	1	
35	509815	. TIE MOUNT / ATTACHMENT W/TREE MOUNT	1	1	
35	504637	. CABLE TIE / 3/16" x 13"	1	1	



From L-6492	Date:07/2024	PAGE:X3VIP-0660-01
-------------	--------------	--------------------

HEADLAMP & FRONT DIRECTIONAL LAMPS

Item#	Part	Description	X 3 V I P E N T	X 3 V I P M T H	N O T E S
41	5001507	SCREW MA PAN PH M6-1.0x20 SS	8	8	
42	5001836	WASHER FL .250x1.250x.062	8	8	
43	504814	CABLE 0.063" (1/16") DIA, 18-8 SS	AR	AR	
43	561918	SHRINK TUBING / .125" - .062" / BLACK / ALPHA FIT-221-1/8-4-B	AR	AR	
43	780341	SLEEVE / TO HOLDING CABLE 1/16OD SS	2	2	
44	430079	STOPPER	2	2	
45	502698	SCREW MA PAN PH M4-0.7x16 SS BK	2	2	
46	502834	WASHER LO SPT 4.1x7.6x0.9 N500	2	2	
47	069864	CABLE ASSY / W/"HALOGENE"	2	2	
48	069977	CABLE ASSY / "XENON" / LH	1	1	
48	069865	CABLE ASSY / "XENON" / RH	1	1	
50	X3VIP-1851-01	FRONT CAP - INSTALLATION			
61	563335	SENSOR THERMISTOR ASSY / OUTSIDE // PED 15416387	1	1	
62	069866	TEMP SENSOR SUPPORT	1	1	
63	504793	RIVET MNB OE LARGE HEAD 3/16x7/16 SS	2	2	
64	5001137	WASHER FL .203x.438x.050 SS	2	2	
65	504068	GROMMET / .500x.750x.062x.312x1.062	1	1	
66	509815	TIE MOUNT / ATTACHMENT W/TREE MOUNT	1	1	
66	504637	CABLE TIE / 3/16" x 13"	1	1	
		A) TO CONVERT HALOGENE TO LED ASK KIT 430284			
		B) WITH LED LAMP			
		H) USE WITH HALOGENE ONLY			

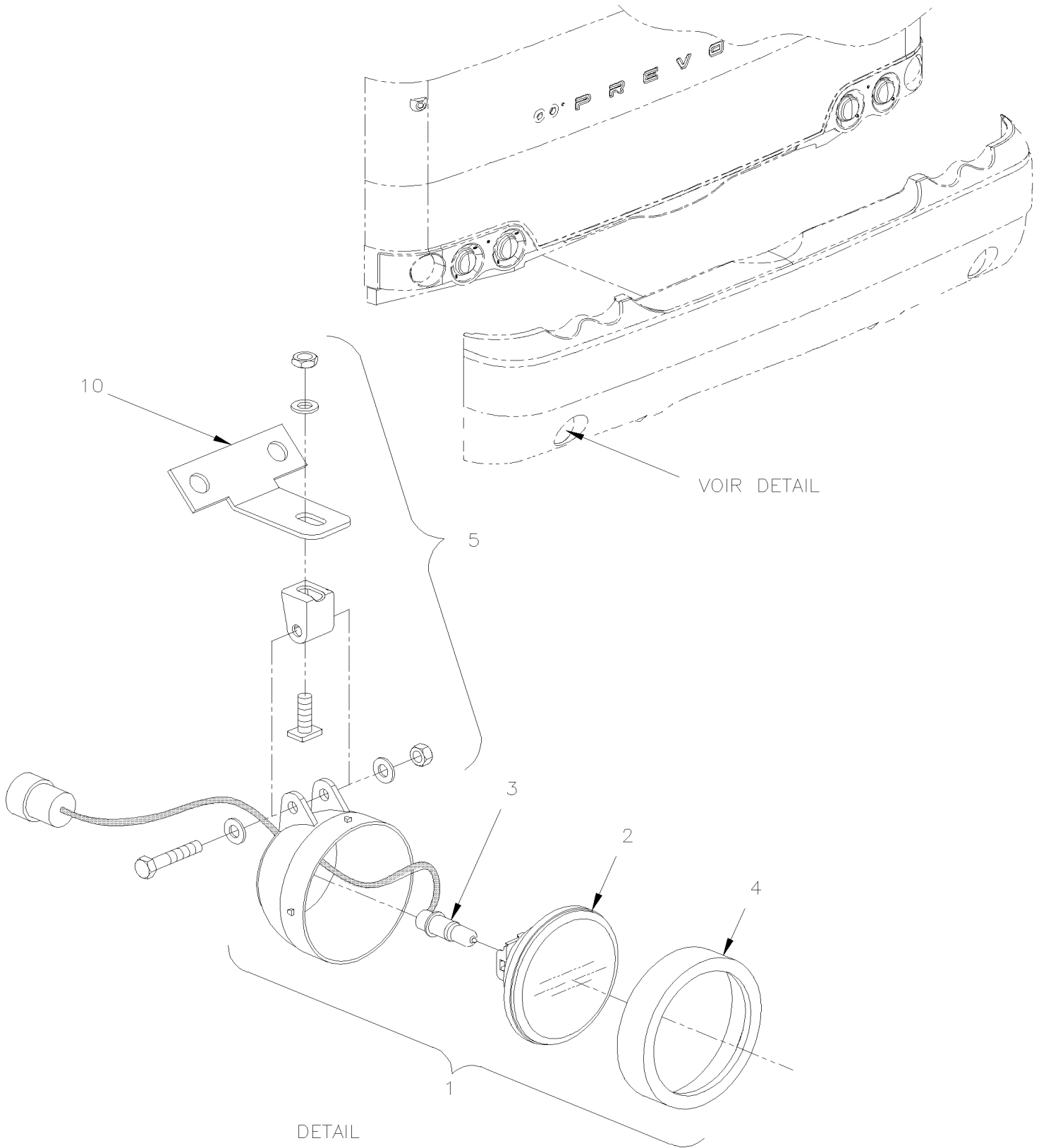


From E-5490 To K-6442

Date:07/2024

PAGE:X3VIP-0661-00

FOG LAMP





From E-5490 To K-6442	Date:07/2024	PAGE:X3VIP-0661-00
------------------------------	---------------------	---------------------------

FOG LAMP

Item#	Part	Description	X 3 V I P E N T	X 3 V I P M T H	N O T E S
	430553	FOG LAMP 12 V / "BOSCH" COMPACT 100 / W/CONNECTOR "DEUTSCH" To H-6101	2	2	
	430706	FOG LAMP 12 V / "BOSCH" COMPACT 100 / W/CONNECTOR "DEUTSCH" From H-6102	2	2	
1	930361	. FOG LAMP ASSY To H-6101	1	1	
1	564475	. FOG LAMP ASSY From H-6102	1	1	
2	930370	. GLASS	1	1	
3	561882	. BULB / 55WATT-12VOLTS / SAE# H3 / 64151	1	1	
3	069636	. WIRING HARNESS, FOG LAMP From H-6102	1	1	
4	930371	. HOLDER RING	1	1	
5	930372	. KIT HARDWARE	1	1	
10	X3VIP-1850-00	BUMPER FRONT			
20	430029	FOG LAMP / REPLACEMENT KIT 2 LAMPS LED / "XL-II" & "X3-VIP" / ADVANCED KIT	1	1	A
20	430220	FOG LAMP / REPLACEMENT KIT 2 LAMPS / "XL-II" & "X3" & "H3" & "VIP" / BASIC KIT	1	1	B
		A) ADVANCED KIT WITH ADJUSTMENT			
		B) BASIC KIT WITHOUT ADJUSTMENT			

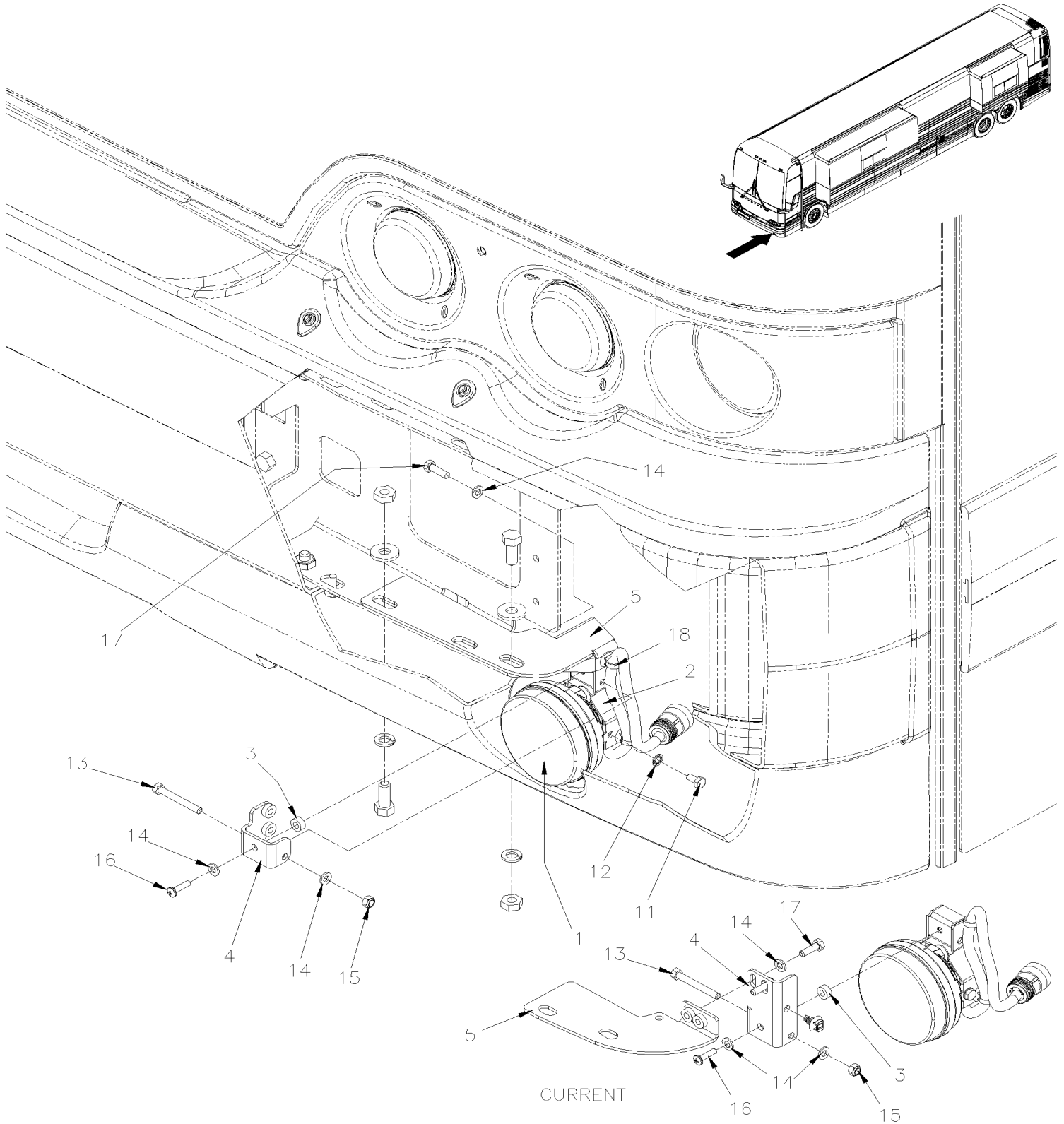


From E-5490 To K-6442

Date:07/2024

PAGE:430029

FOG LAMP / REPLACEMENT KIT 2 LAMPS LED / "XL-II" & "X3-VIP" / ADVANCED KIT





From E-5490 To K-6442	Date:07/2024	PAGE:430029
FOG LAMP / REPLACEMENT KIT 2 LAMPS LED / "XL-II" & "X3-VIP" / ADVANCED KIT		

Item#	Part	Description	X 3 V I P E N T	X 3 V I P M T H	N O T E S
1	560636	FOG LAMP LED	2	2	
2	430011	SUPPORT, FOG LIGHT	2	2	
3	430015	SPACER	2	2	
4	430023	ATTACH, LH FOG LIGHT To FORMER	1	1	
4	430106	ATTACH, LH FOG LIGHT From CURRENT	1	1	
4	430022	ATTACH, RH FOG LIGHT To FORMER	1	1	
4	430105	ATTACH, RH FOG LIGHT From CURRENT	1	1	
5	430021	ATTACH, LH FOG LIGHT To FORMER	1	1	
5	430110	ATTACH, LH FOG LIGHT From CURRENT	1	1	
5	430020	ATTACH, RH FOG LIGHT To FORMER	1	1	
5	430109	ATTACH, RH FOG LIGHT From CURRENT	1	1	
11	5001982	SCREW CAP HEX M6-1.0x12 SS BK	4	4	
12	5001432	WASHER LO INT .256x.478x.028 SS 410	4	4	
13	5001636	SCREW CAP HEX M6-1.0x50 SS BK	2	2	
14	502573	WASHER FL 6.4x12.5x1.6 SS	8	8	
15	5001182	NUT HEX NYRT M6-1.0 SS	2	2	
16	502746	SCREW MA PAN PH M5-0.8x20 SS BK	2	2	
17	502622	SCREW CAP HEX M6-1.0x20 SS BK	4	4	
18	509815	TIE MOUNT / ATTACHMENT W/TREE MOUNT	4	4	
18	504637	CABLE TIE / 3/16" x 13"	4	4	

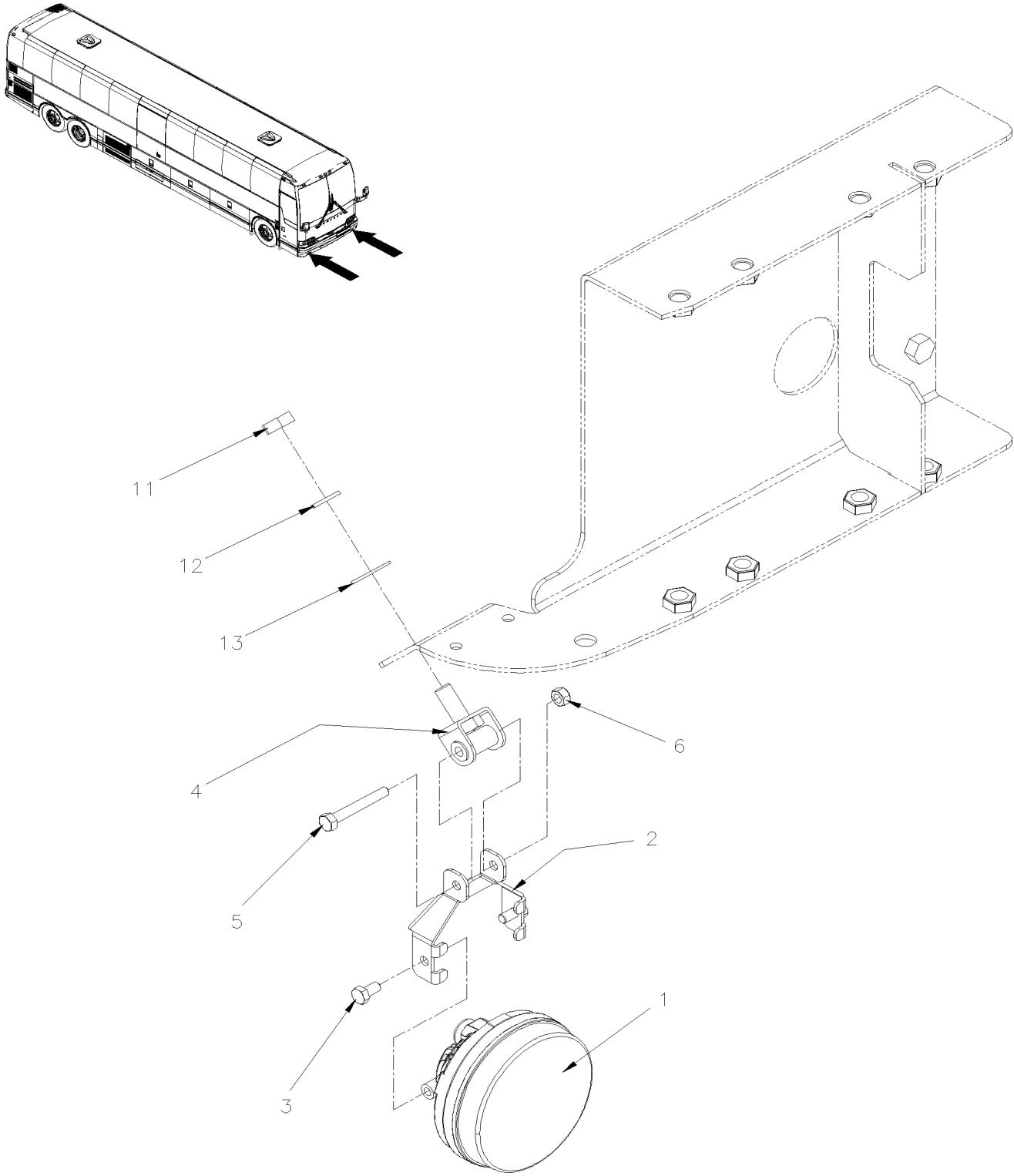


From E-5490 To K-6442

Date:07/2024

PAGE:430220

FOG LAMP / REPLACEMENT KIT 2 LAMPS / "XL-II" & "X3" & "H3" & "VIP" / BASIC KIT





From E-5490 To K-6442	Date:07/2024	PAGE:430220
FOG LAMP / REPLACEMENT KIT 2 LAMPS / "XL-II" & "X3" & "H3" & "VIP" / BASIC KIT		

Item#	Part	Description	X 3 V I P E N T	X 3 V I P M T H	N O T E S
1	560636	FOG LAMP LED	2	2	
2	430200	SUPPORT, FOG LIGHT	2	2	
3	5001982	SCREW CAP HEX M6-1.0x12 SS BK	4	4	
4	430208	SUPPORT, FOG LIGHT	2	2	
5	5001923	SCREW CAP HEX M6-1.0x45 SS BK	2	2	
6	5001182	NUT HEX NYRT M6-1.0 SS	2	2	
11	502567	NUT HEX M10-1.5 SS	2	2	
12	502616	WASHER LO SPT 10.2x18.1x2.2 SS	2	2	
13	500270	WASHER FL .406x1.000x.063 SS	2	2	
NS	IS-17151	SEE INSTRUCTION SHEET	1	1	
NS	FI-17151	VOIR FEUILLE D'INSTRUCTION	1	1	

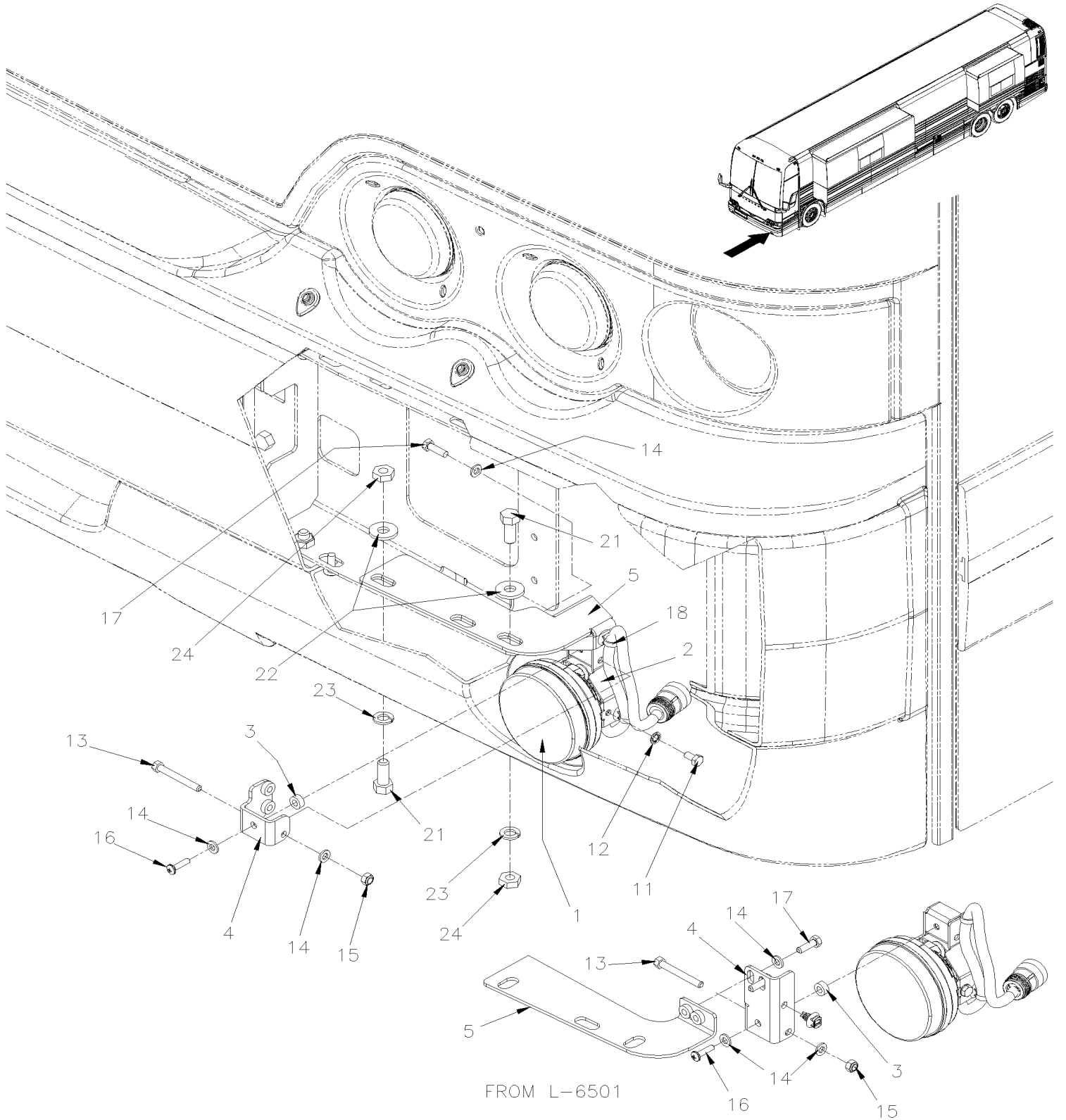


From K-6443

Date:07/2024

PAGE:X3VIP-0661-01

FOG LAMP / LED





From K-6443		Date:07/2024	PAGE:X3VIP-0661-01
FOG LAMP / LED			

Item#	Part	Description	X 3 V I P E N T	X 3 V I P M T H	N O T E S
1	560636	FOG LAMP LED	2	2	
2	430011	SUPPORT, FOG LIGHT	2	2	
3	430015	SPACER	2	2	
4	430023	ATTACH, LH FOG LIGHT To L-6500	1	1	
4	430106	ATTACH, LH FOG LIGHT From L-6501	1	1	
4	430022	ATTACH, RH FOG LIGHT To L-6500	1	1	
4	430105	ATTACH, RH FOG LIGHT From L-6501	1	1	
5	430021	ATTACH, LH FOG LIGHT To L-6500	1	1	
5	430110	ATTACH, LH FOG LIGHT From L-6501	1	1	
5	430020	ATTACH, RH FOG LIGHT To L-6500	1	1	
5	430109	ATTACH, RH FOG LIGHT From L-6501	1	1	
11	5001982	SCREW CAP HEX M6-1.0x12 SS BK	4	4	
12	5001432	WASHER LO INT .256x.478x.028 SS 410	4	4	
13	5001636	SCREW CAP HEX M6-1.0x50 SS BK	2	2	
14	502573	WASHER FL 6.4x12.5x1.6 SS	8	8	
15	5001182	NUT HEX NYRT M6-1.0 SS	2	2	
16	502746	SCREW MA PAN PH M5-0.8x20 SS BK	2	2	
17	502622	SCREW CAP HEX M6-1.0x20 SS BK	4	4	
18	509815	TIE MOUNT / ATTACHMENT W/TREE MOUNT	4	4	
18	504273	CABLE TIE / 1/8" X 3"1/2	4	4	
21	502655	SCREW CAP HEX M10-1.5x25 SS BK	4	4	
22	5001443	WASHER FL 10.3x38.0x3.0 SS	4	4	
23	5001737	WASHER LO SPT 10.2x18.1x2.2 N500	4	4	
24	502567	NUT HEX M10-1.5 SS	4	4	
50	X3VIP-1850-00	BUMPER FRONT To K-6491			
50	X3VIP-1850-01	BUMPER FRONT From L-6492			

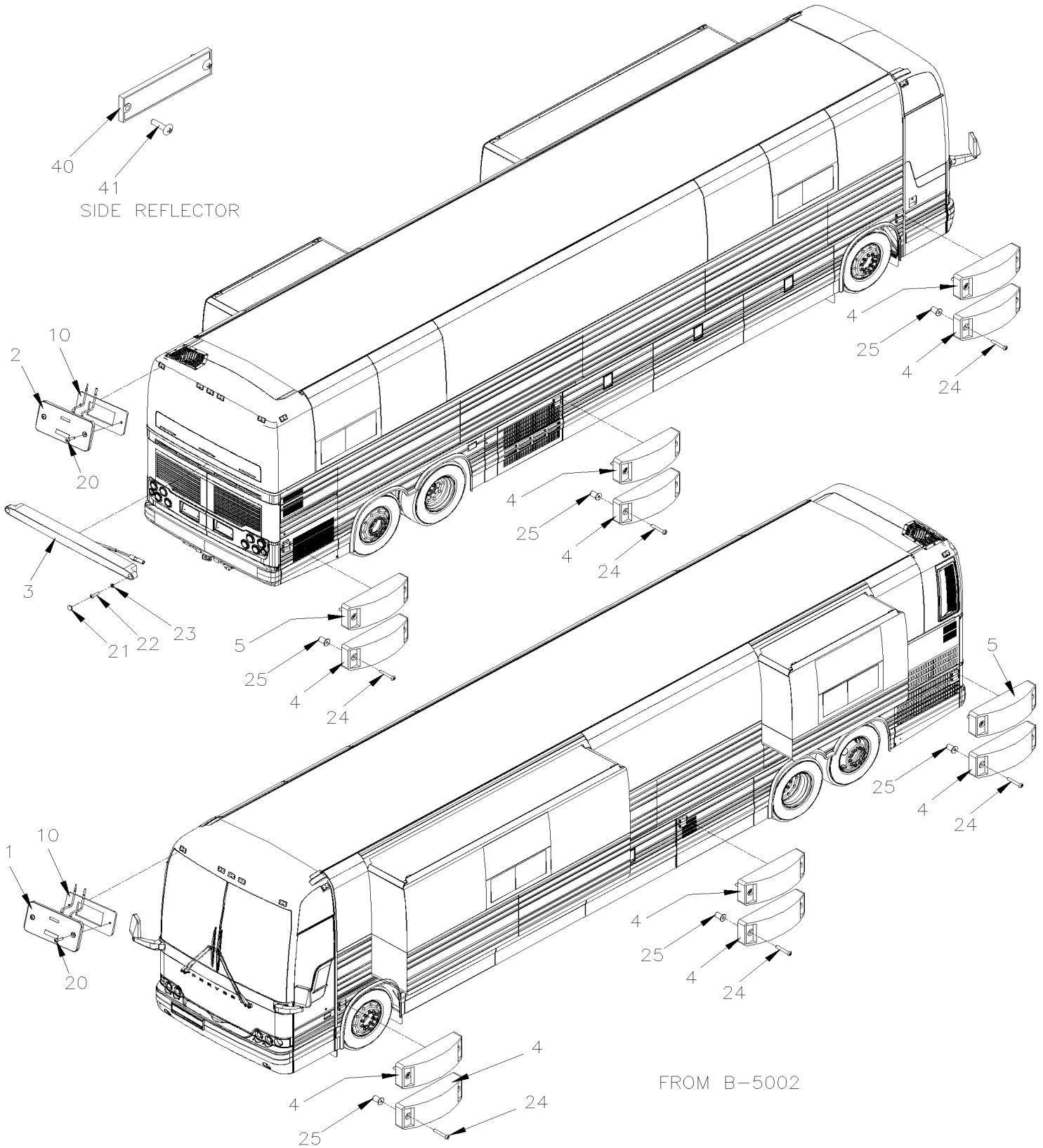


From E-5490 To K-6491

Date:07/2024

PAGE:X3VIP-0662-00

CLEARANCE & MARKER LIGHT





From E-5490 To K-6491	Date:07/2024	PAGE:X3VIP-0662-00
-----------------------	--------------	--------------------

CLEARANCE & MARKER LIGHT

Item#	Part	Description	X 3 V I P E N T	X 3 V I P M T H	N O T E S
1	066527	LAMP ID & CLEAR -3 LED AMBER / "JIFFI SPLICE" To H-6179	7	7	M
. NS	930416	. LAMP ID & CLEAR -LED AMBER / 3 LEDS To H-6179	1	1	M
. NS	430630	. SEAL LAMP BLACK 1/8" THICK To H-6179	1	1	M
. NS	562286	. PIN TERMINAL / 18-16 / DEUTSCH 0460-202-16141 To H-6179	1	1	M
. NS	561608	. SOCKET TERMINAL / 18-16 / DEUTSCH 0462-201-16141 To H-6179	1	1	M
1	930422	LAMP ID & CLEAR -3 LED AMBER From H-6180	7	7	
NS	563545	SPLICE / JIFFI SPLICE / 16G / DEUTSCH JS16-00 To H-6179	AR	AR	
2	066526	LAMP ID & CLEAR -3 LED RED / "JIFFI SPLICE" To H-6179	7	7	N
. NS	930415	. LAMP ID & CLEAR -LED RED / 3 LEDS To H-6179	1	1	N
. NS	430630	. SEAL LAMP BLACK 1/8" THICK To H-6179	1	1	N
. NS	562286	. PIN TERMINAL / 18-16 / DEUTSCH 0460-202-16141 To H-6179	1	1	N
. NS	561608	. SOCKET TERMINAL / 18-16 / DEUTSCH 0462-201-16141 To H-6179	1	1	N
2	930421	LAMP ID & CLEAR -3 LED RED From H-6180	7	7	
NS	563545	SPLICE / JIFFI SPLICE / 16G / DEUTSCH JS16-00 To H-6179	AR	AR	
3	930330	CYCLOP LAMP	3	3	
. NS	930353	. CAP PLUG SCREW	2	2	
NS	506191	TAPE RUB ADH1 CC POL 1/8" x 1/4" x 50' / GREY 2520X	AR	AR	
4	930441	SIDE MARKER ASSY / AMBER / W/6 LED W/O REFLECTOR	10	10	
NS	478900	GROMMET, MARKER LIGHT	10	10	
NS	562155	CONNECTOR ASSY SEALED 2C / GROTE 6618-G8	10	10	
5	930440	SIDE MARKER ASSY / RED / W/6 LED W/O REFLECTOR	2	2	
NS	478900	GROMMET, MARKER LIGHT	2	2	
NS	562155	CONNECTOR ASSY SEALED 2C / GROTE 6618-G8	2	2	
10	430630	SEAL LAMP BLACK 1/8" THICK To H-6179	14	14	
10	430048	SEAL LAMP BLACK 1/8" THICK From H-6180	14	14	
20	5001547	SCREW PTR TR PH M4x20 G500	2	2	
21	930353	CAP PLUG SCREW	2	2	
22	502698	SCREW MA PAN PH M4-0.7x16 SS BK	2	2	
23	502834	WASHER LO SPT 4.1x7.6x0.9 N500	2	2	
24	5001042	SCREW MA RND PH #10-32x1 1/4 SS To J-6243	2	2	
24	5002021	SCREW MA TR PH #10-32x1 1/4 SS From J-6244	2	2	
25	502774	NUT WELL #10-32x.625	2	2	
30	066116	CABLE HARNESS / FRONT ROOF	1	1	
31	068322	CABLE HARNESS / REAR ROOF / CURBSIDE To H-6179	1	1	
31	060389	CABLE HARNESS / REAR ROOF / CURBSIDE From H-6180	1	1	
31	067667	CABLE HARNESS / REAR ROOF / STREETSIDE To H-6179	1	1	
31	060033	CABLE HARNESS / REAR ROOF / STREETSIDE From H-6180	1	1	
40	930212	REFLECTOR AMBER 1 1/8" x 4 3/8"	4	4	A B
40	930320	REFLECTOR RED 1 3/16" x 4 7/16"	2	2	C
41	500124	SCREW TP TR PH #8x1/2 SS	6	6	A
41	5001305	SCREW MA RND PH #8-32X3/4 SS	2	2	B
41	500678	NUT WELL #8-32x.450	2	2	B



From E-5490 To K-6491	Date:07/2024	PAGE:X3VIP-0662-00
CLEARANCE & MARKER LIGHT		

Item#	Part	Description	X 3 V I P E N T	X 3 V I P M T H	N O T E S
41	5001299	SCREW MA PAN PH #10-32x3/4 SS	AR	AR	C
41	500423	NUT HEX NYRT #10-32 SS To H-6121	AR	AR	C
41	500519	NUT WELL #10-32x.518 From H-6122	AR	AR	C
		A) USE WITH FRONT ENTRANCE DOOR / FRONT SERVICE DOOR / CONDENSOR DOO			
		B) USE WITH EVAPORATOR DOOR			
		C) USE WITH RADIATOR DOOR / COMPRESSOR DOOR			
		M) 066527 CAN'T BE SOLD / BUY COMPONENTS SEPARATELY			
		N) 066526 CAN'T BE SOLD / BUY COMPONENTS SEPARATELY			

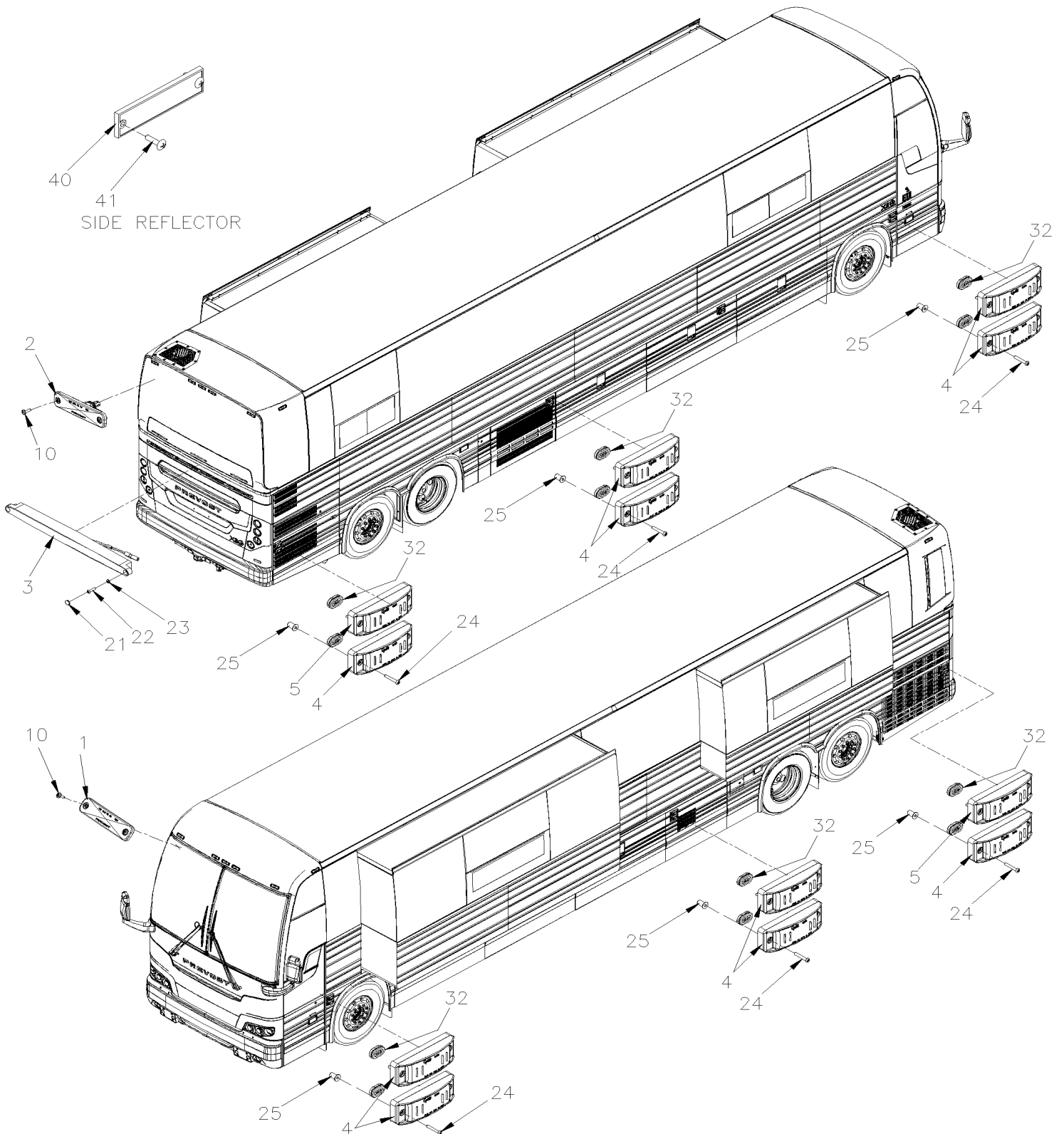


From L-6492

Date:07/2024

PAGE:X3VIP-0662-01

CLEARANCE & MARKER LIGHT





From L-6492		Date:07/2024	PAGE:X3VIP-0662-01
CLEARANCE & MARKER LIGHT			

Item#	Part	Description	X 3 V I P E N T	X 3 V I P M T H	N O T E S
1	930005	LAMP ID & CLEARANCE - 4 LED AMBER	7	7	
2	930009	LAMP ID & CLEARANCE - 4 LED RED	7	7	
3	930330	CYCLOP LAMP	3	3	
. NS	930353	. CAP PLUG SCREW	2	2	
NS	506191	TAPE RUB ADH1 CC POL 1/8" x 1/4" x 50' / GREY 2520X	AR	AR	
4	930441	SIDE MARKER ASSY / AMBER / W/6 LED W/O REFLECTOR	10	10	
5	930440	SIDE MARKER ASSY / RED / W/6 LED W/O REFLECTOR	2	2	
10	901589	SCREW FOR LAMP ID & CLEARANCE	2	2	
21	930353	CAP PLUG SCREW	2	2	
22	502698	SCREW MA PAN PH M4-0.7x16 SS BK	2	2	
23	502834	WASHER LO SPT 4.1x7.6x0.9 N500	2	2	
24	5002021	SCREW MA TR PH #10-32x1 1/4 SS	2	2	
25	502774	NUT WELL #10-32x.625	2	2	
NS	069974	CABLE HARNESS / FRONT ROOF W/FROnt	1	1	
NS	069829	CABLE HARNESS / REAR ROOF / CURBSIDE	1	1	
NS	069833	CABLE HARNESS / REAR ROOF / STREETSIDE	1	1	
32	478900	GROMMET, MARKER LIGHT	AR	AR	
NS	562155	CONNECTOR ASSY SEALED 2C / GROTE 6618-G8	AR	AR	
40	930212	REFLECTOR AMBER 1 1/8" x 4 3/8"	4	4	A E
40	930320	REFLECTOR RED 1 3/16" x 4 7/16"	2	2	C
41	500124	SCREW TP TR PH #8x1/2 SS	6	6	A
41	5001305	SCREW MA RND PH #8-32X3/4 SS	2	2	E
41	500678	NUT WELL #8-32x.450	2	2	E
41	5001299	SCREW MA PAN PH #10-32x3/4 SS	4	4	C
41	500519	NUT WELL #10-32x.518	4	4	C
		A) USE WITH FRONT ENTRANCE DOOR / FRONT SERVICE DOOR / CONDENSOR DOOR			
		C) USE WITH RADIATOR DOOR / COMPRESSOR DOOR			
		E) USE WITH EVAPORATOR DOOR ONLY			

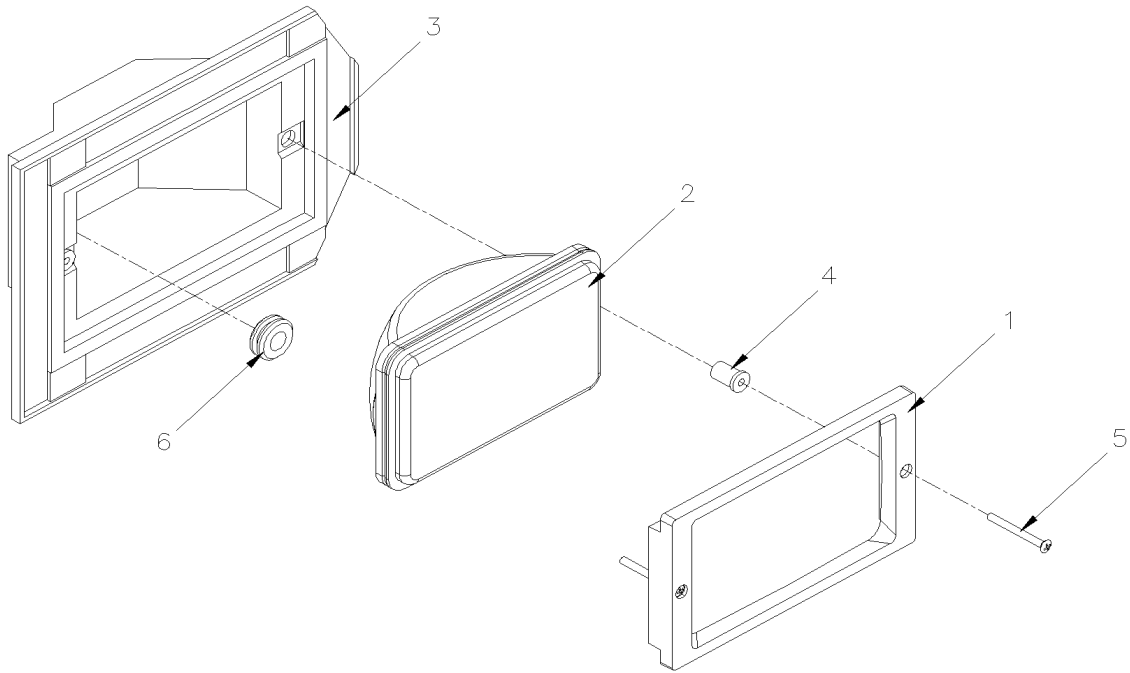
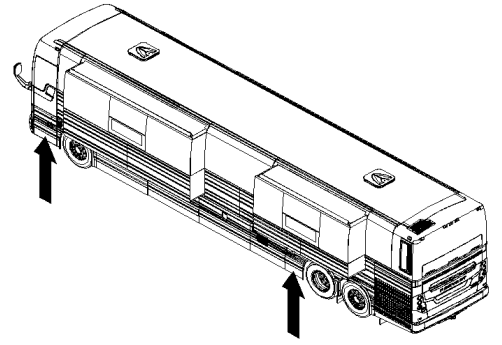
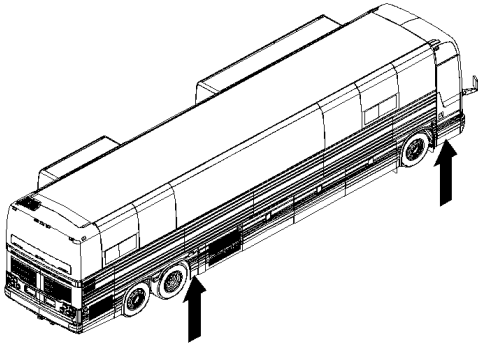


From E-5490

Date:07/2024

PAGE:X3VIP-0663-00

DOCK & CORNERING LIGHT





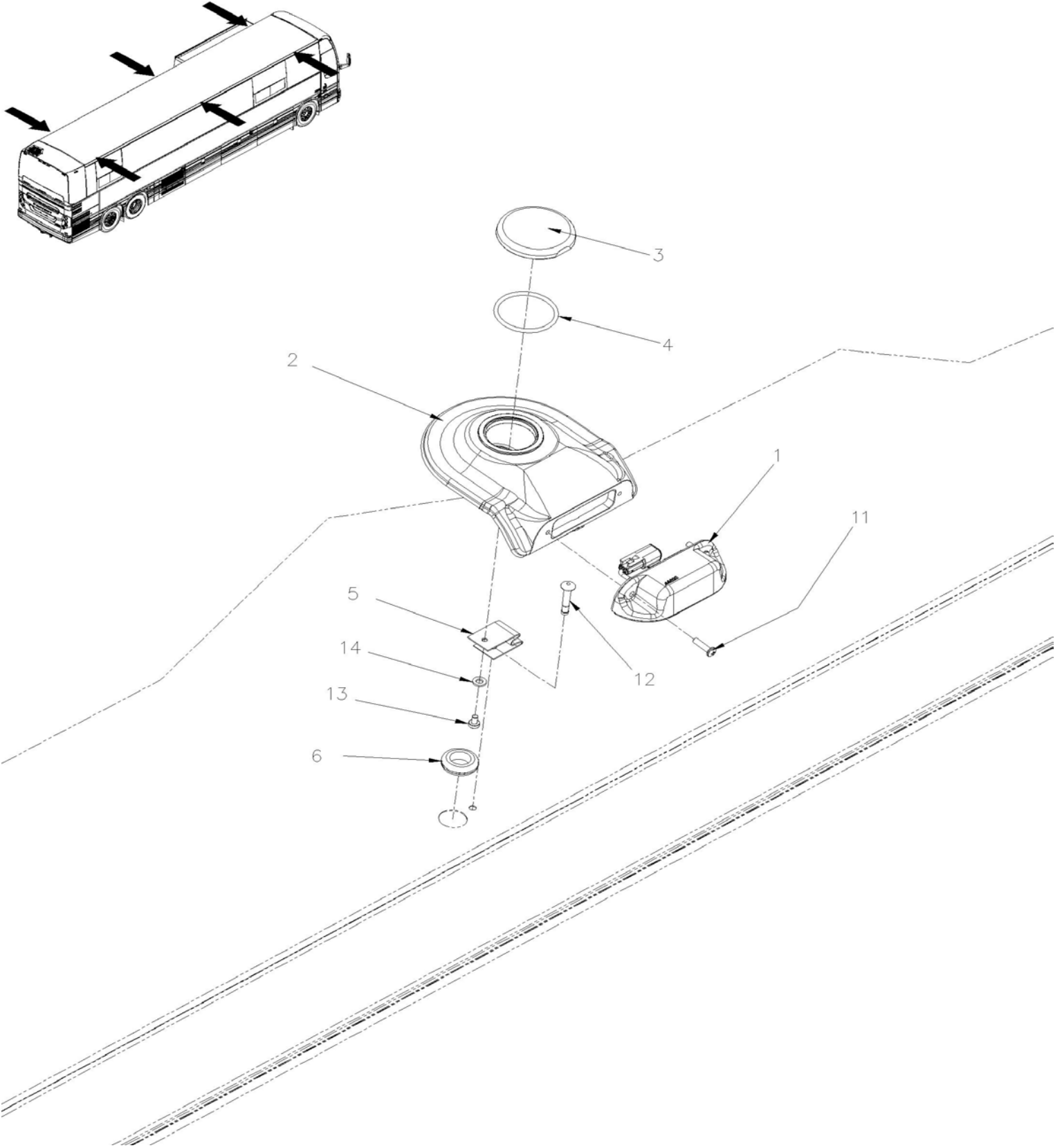
From E-5490		Date:07/2024	PAGE:X3VIP-0663-00
-------------	--	--------------	--------------------

DOCK & CORNERING LIGHT

Item#	Part	Description	X 3 V I P E N T	X 3 V I P M T H	N O T E S
1	286400	BEZEL	4	4	
1	479044	BEZEL	4	4	O
2	930319	SEAL BEAM / 37.5WATT-12V / SAE# H9415 To K-6379	4	4	
2	930429	SEAL BEAM / 37.5WATT-12V / SAE# H9415 From K-6380	4	4	
2	19515870	LAMPE RECTANGLE LED 38WATT	4	4	O
3	490879	BOX / FIXED ON REAR FENDER	1	1	
NS	687957	GLUE MS POLYMER TEROSON MS 9399 / 400ml CARTRIDGE To M-6660	AR	AR	
NS	685387	GLUE MS POLYMER TEROSON MS 9399 / 400ml CARTRIDGE From M-6661	AR	AR	
NS	506790	TAPE RUB ADH2 CC POL 1/16" x 1/2" x 200' / BLACK I1C-N-A	AR	AR	
4	500589	NUT WELL M4-0.7x13.5	8	8	
5	502530	SCREW MA OV PH M4-0.7x40 SS To L-6634	8	8	
5	5001712	SCREW MA FL PH M4-0.7x30 SS From L-6635	8	8	
6	504062	GROMMET / .4375x.687x.125x.375x.937	4	4	
		O) OPTION LED			



	Date:07/2024	PAGE:X3VIP-0663-30
PERIMETER LIGHTS ON ROOF		





	Date:07/2024	PAGE:X3VIP-0663-30
PERIMETER LIGHTS ON ROOF		

Item#	Part	Description	X 3 V I P E N T	X 3 V I P M T H	N O T E S
1	930051	SEALED LAMP LED / 8-32V	1	1	
NS	0600160	POWER HARNESS PERIMETER LIGHTS	1	1	
NS	0600161	PERIMETER LIGHTS HARNESS	2	2	
NS	509815	TIE MOUNT / ATTACHMENT W/TREE MOUNT	6	6	
NS	504273	CABLE TIE / 1/8" X 3"1/2	6	6	
2	430101	PERIMETER LIGHT HOLDER	6	6	
NS	685387	GLUE MS POLYMER TEROSON MS 9399 / 400ml CARTRIDGE	AR	AR	
NS	684685	ADHESIVE SIMSON #ISR 70-03 / 310ml CARTRIDGE	AR	AR	
NS	506785	TAPE RUB ADH2 CC POL 1/16" X 1/4" X 200' / BLACK I1C-N-A	AR	AR	
3	491549	PLUG, SUPPORT ACCESS " BRIGADE"	6	6	
4	507022	O-RING 1.984 ID x 2.262 OD x 0.139 W	6	6	
5	491848	RETAINING STRAP	6	6	
6	504066	GROMMET / .687x1.000x.062x.375x1.312	6	6	
11	502746	SCREW MA PAN PH M5-0.8x20 SS BK	12	12	
12	504787	RIVET CHY MONOLOK PRDG 1/4x5/8 ZP	6	6	
13	5001377	SCREW MA PAN PH M5-0.8x8 SS	6	6	
14	502573	WASHER FL 6.4x12.5x1.6 SS	6	6	

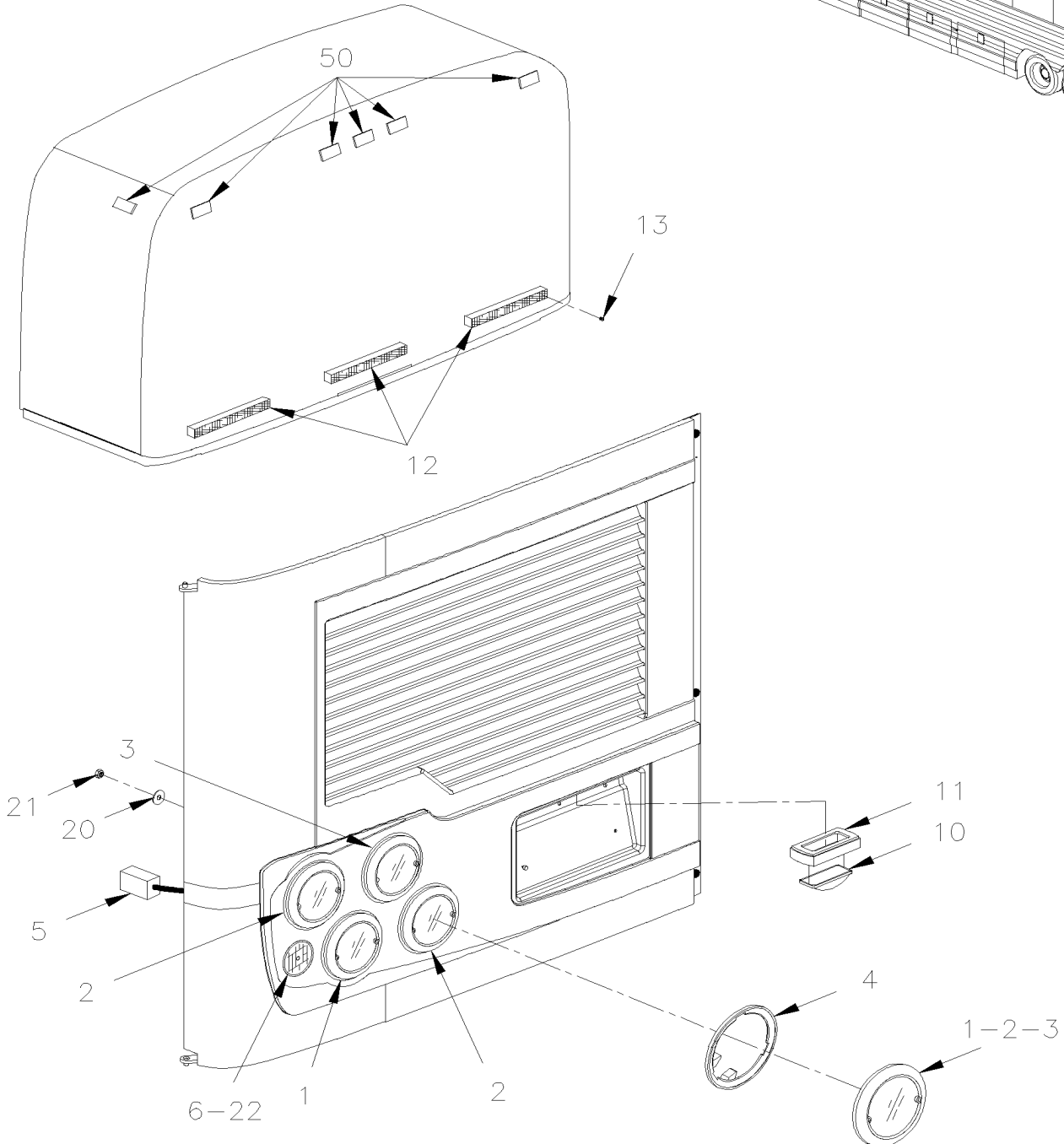
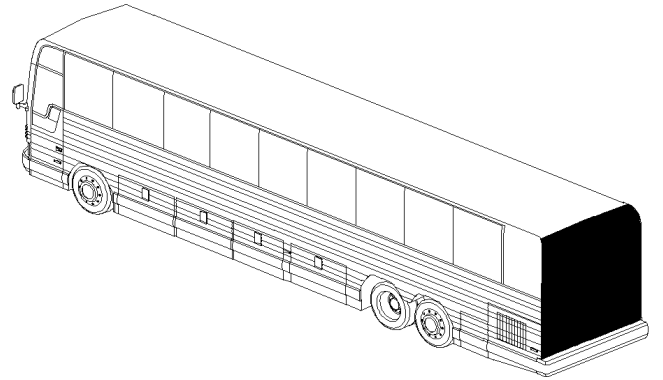


From E-5490 To E-5739

Date:07/2024

PAGE:X3VIP-0664-00

REAR EXTERIOR LIGHTS & PLATE HOLDER





From E-5490 To E-5739	Date:07/2024	PAGE:X3VIP-0664-00
-----------------------	--------------	--------------------

REAR EXTERIOR LIGHTS & PLATE HOLDER

Item#	Part	Description	X 3 V I P E N T	X 3 V I P M T H	N O T E S
1	930365	LED AMBER 4" / DIRECTIONAL / REAR 12Volt / 42L (PREVOST)	1	1	
2	930366	LED STOP & TAIL 4" 12Volt / 6L (PREVOST)	2	2	
3	930367	LAMP BACK-UP 4" 12Volt / Sealed	1	1	A
4	430554	SUPPORT LAMP	4	4	
5	066491	CABLE / ENGINE DOOR REAR LAMP W/LEDS	1	1	
5	066003	CABLE ADAPTOR / N.J. D.O.T / TAIL & STOP / SEPARATED TAIL & STOP	2	2	N
6	930391	REFLECTOR RED 3 3/16" O.D. / W/ADH	1	1	
10	930368	SEAL LEDS / W/CONNECTOR LEDS - 12VOLTS	1	1	
. NS	12015378	. CONNECTOR / WEATHER PACK / SH 2C / GRAY / PED 12015378	1	1	
. NS	N.P.N.	. SEAL LEDS / W/CONNECTOR			4
. NS	562348	. CONNECTOR / WEATHER PACK / PH 2C / GRAY / PED 12034074	1	1	
. NS	561786	. CABLE SEAL / GRAY / PED 15324980	2	2	
. NS	561568	. PIN TERMINAL / 16-14 / PED 12089305	2	2	
11	930408	GROMMET RUBBER RETAINER / LICENCE LAMP TL 150702	1	1	
12	930330	CYCLOP LAMP	3	3	
. NS	930353	. CAP PLUG SCREW	2	2	
13	502665	SCREW TP OV PH #6x3/4 SS EMN	6	6	
20	5001547	SCREW PTR TR PH M4x20 G500	8	8	
21	504357	WASHER FL .187x.437x.050 SS	8	8	
22	192215	LED BACK-UP 4" / W/CABLE ADAPTOR & GROMMET 12Volt / 27L	1	1	
. A	194114	. LED BACK-UP 4" 12Volt / 27L	1	1	
. B	G1076517	. GROMMET 4" I.D, BLACK TL 40700	1	1	
. C	N.P.N.	. LED BACK-UP 4" / W/CABLE ADAPTOR & GROMMET	1	1	4
22	G1093246	ADAPTOR HARNESS ASSY / 2 WIRES / TRUCK-LITE 94789	1	1	
. NS	562601	. CONNECTOR / SUPERSEAL 1.5 SERIES / SH 3C / AMP 282087-1	1	1	
50	X3VIP-0662-00	CLEARANCE & MARKER LIGHT			
		A) FOR REPLACE BULB LAMP TO "LEDS" ASK FOR 1 x 192215 + 1 x G1093246			
		N) USE WITH "NEW JERSEY" DOT REGULATION			
		4) NO PARTS NUMBER			

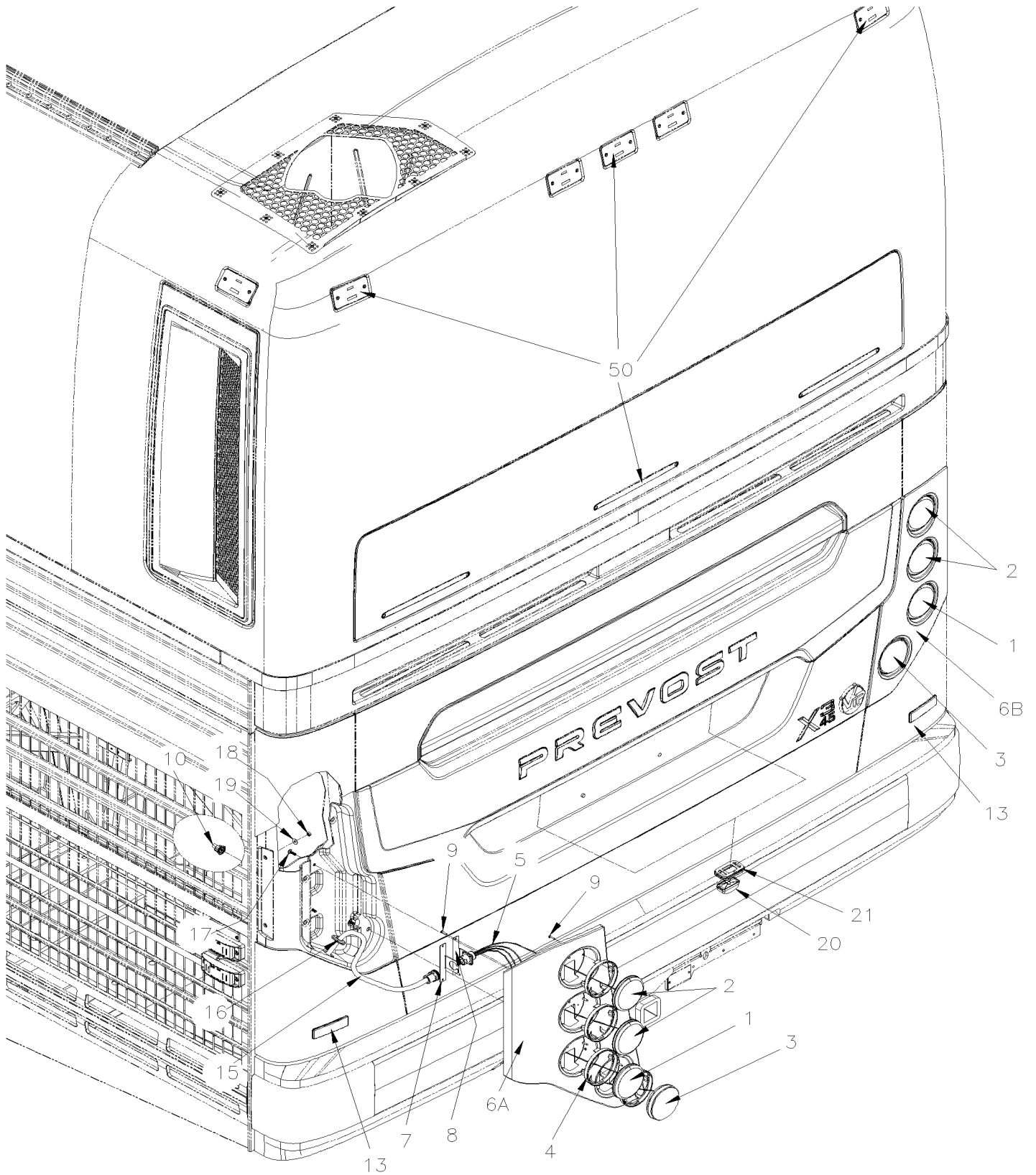


From F-5740

Date:07/2024

PAGE:X3VIP-0664-01

REAR EXTERIOR LIGHTS & PLATE HOLDER





From F-5740		Date:07/2024	PAGE:X3VIP-0664-01
-------------	--	--------------	--------------------

REAR EXTERIOR LIGHTS & PLATE HOLDER

Item#	Part	Description	X 3 V I P E N T	X 3 V I P M T H	N O T E S
1	930446	LED AMBER 4" / DIRECTIONAL / REAR 12Volt / 6L (PREVOST)	2	2	
2	930366	LED STOP & TAIL 4" 12Volt / 6L (PREVOST)	4	4	
3	930420	LAMP BACK-UP 4" 12Volt / 6L	2	2	
4	430554	SUPPORT LAMP	8	8	
5	068878	HARNESS REAR LAMPS To H-6179	2	2	
5	069552	HARNESS REAR LAMPS From H-6180	2	2	
6A	2800347	SUPPORT LIGHT LEFT To K-6491	1	1	
6A	2800187	SUPPORT LIGHT LEFT BLACK From L-6492	1	1	
6B	2800346	SUPPORT LIGHT RIGHT To K-6491	1	1	
6B	2800186	SUPPORT LIGHT RIGHT BLACK From L-6492	1	1	
7	2800420	SUPPORT CONNECTOR	2	2	
8	2800418	SUPPORT CONNECTOR	2	2	
9	5001547	SCREW PTR TR PH M4x20 G500	20	20	
10	491237	NUT WING / PLASTIC M6-1.0 x 23	2	2	
13	430692	REFLECTOR RED 117MMx33MM	2	2	
15	068876	HARNESS ENGINE DOOR To H-6096	1	1	
15	069586	HARNESS ENGINE DOOR From H-6097 To H-6179	1	1	
15	060039	HARNESS ENGINE DOOR From H-6180	1	1	
NS	509815	TIE MOUNT / ATTACHMENT W/TREE MOUNT	2	2	
NS	504637	CABLE TIE / 3/16" x 13"	3	3	
16	504530	GROMMET / .750x1.250x.125x.312x1.625	2	2	
16	680066	ADHESIVE / ADBOND #5014 / 23.6ML BOTTLE	AR	AR	
17	5001630	SCREW TP BUTF TORX M6x20 SS	8	8	
18	5001182	NUT HEX NYRT M6-1.0 SS	4	4	
19	500411	WASHER FL .260x.697x.050 SS	4	4	
20	930368	SEAL LEDS / W/CONNECTOR LEDS - 12VOLTS	2	2	
. NS	12015378	. CONNECTOR / WEATHER PACK / SH 2C / GRAY / PED 12015378	1	1	
. NS	N.P.N.	. SEAL LEDS / W/CONNECTOR			4
. NS	562348	. CONNECTOR / WEATHER PACK / PH 2C / GRAY / PED 12034074	1	1	
. NS	561786	. CABLE SEAL / GRAY / PED 15324980	2	2	
. NS	561568	. PIN TERMINAL / 16-14 / PED 12089305	2	2	
21	930408	GROMMET RUBBER RETAINER / LICENCE LAMP TL 150702	2	2	
50	X3VIP-0662-00	CLEARANCE & MARKER LIGHT To K-6491			
50	X3VIP-0662-01	CLEARANCE & MARKER LIGHT From L-6492			
		4) NO PARTS NUMBER			

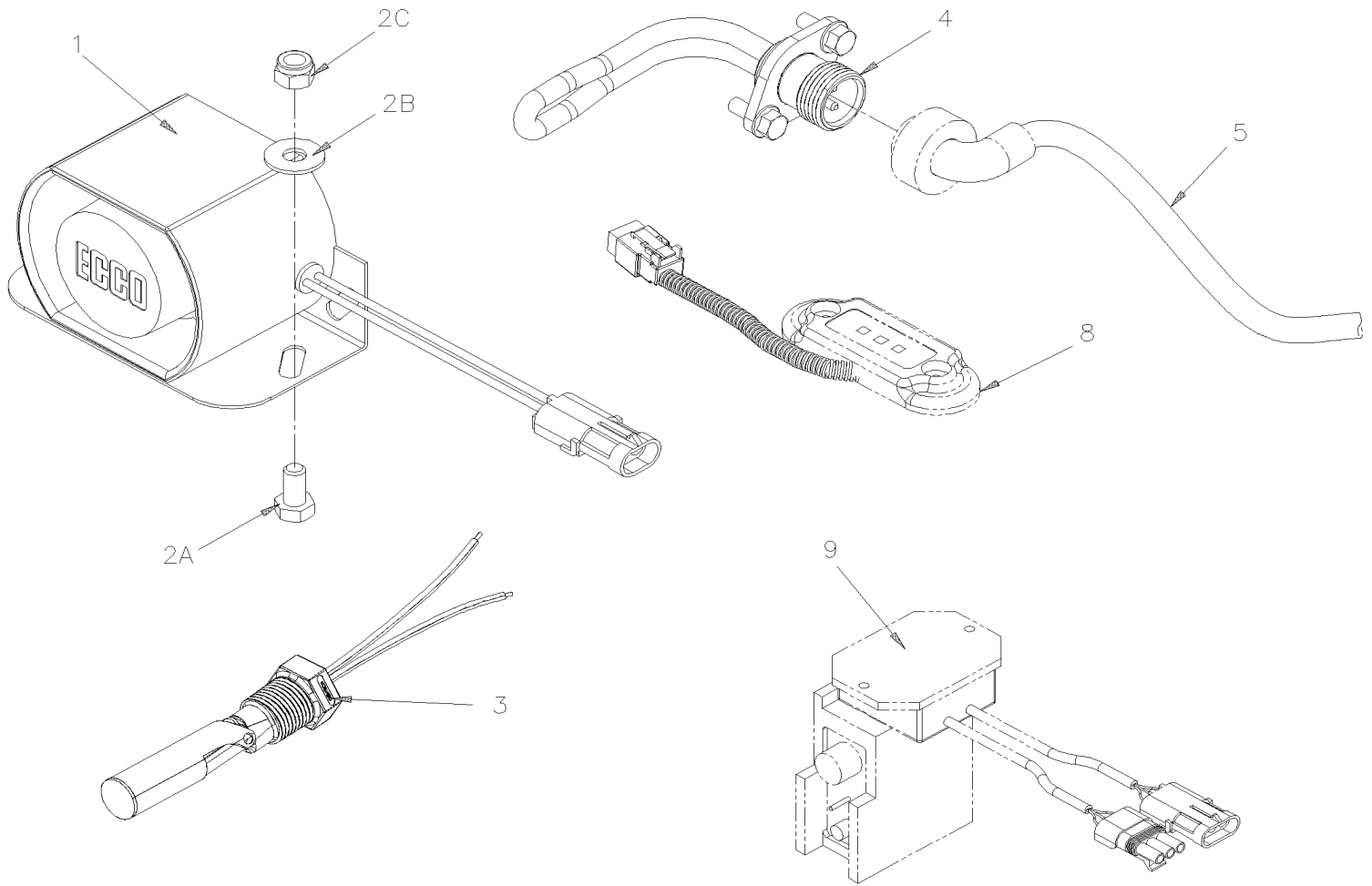


From E-5490 To E-5739

Date:07/2024

PAGE:X3VIP-0665-00

ENGINE COMPARTMENT - ELECTRIC COMPONENTS





From E-5490 To E-5739 Date:07/2024 PAGE:X3VIP-0665-00

ENGINE COMPARTMENT - ELECTRIC COMPONENTS

Item#	Part	Description	X 3 V I P E N T	X 3 V I P M T H	N O T E S
1	563199	BACK-UP ALARM "ECCO" / 12-36vdc / 107db	1	1	
2A	5001527	SCREW CAP HEX M8-1.25x16 SS BK	2	2	
2B	5001448	WASHER FL .343x.875x.062 SS18-8	2	2	
2C	5001787	NUT HEX NYRT M8-1.25 SS	2	2	
3	067304	SENSOR PROBE "LOW LEVEL COOLANT" ASSY / 1/2" NPT	1	1	D13
. NS	564465	. SENSOR PROBE "LOW LEVEL COOLANT" / 1/2" NPT	1	1	D13
. NS	21242838	. SENSOR PROBE "LOW LEVEL COOLANT" / 1/2" NPT	1	1	D13
. NS	563764	. CONNECTOR / CPC SERIES 3 / PH 3C / PED 15300002	1	1	D13
. NS	563765	. PIN TERMINAL / 18-16 / PED 12048159	2	2	D13
. NS	563369	. CABLE SEAL / GRAY / PED 12010293	2	2	D13
. NS	562387	. CONVOLUTED TUBING / SLIT / BLACK / .250"	AR	AR	D13
. NS	562388	. SECONDARY LOCK / METRI-PACK 280 / 2C / BLUE / PED 15300014	1	1	D13
4	Refer To Volvo	BLOCK HEATER	1	1	V D13
5	X3VIP-0666-00	BLOCK HEATER RECEPTACLE			
8	X3VIP-0665-10	SWITCHES, LIGHTS, AJAR - UNDER FLOOR			
9	X3VIP-2320-51	FIRE PROTECTION SYSTEM / HEATER & EVAPORATOR COMPARTMENT			
		D13) WITH VOLVO ENGINE D-13			
		V) SEE IMPACT OR CALL ORDER DESK			

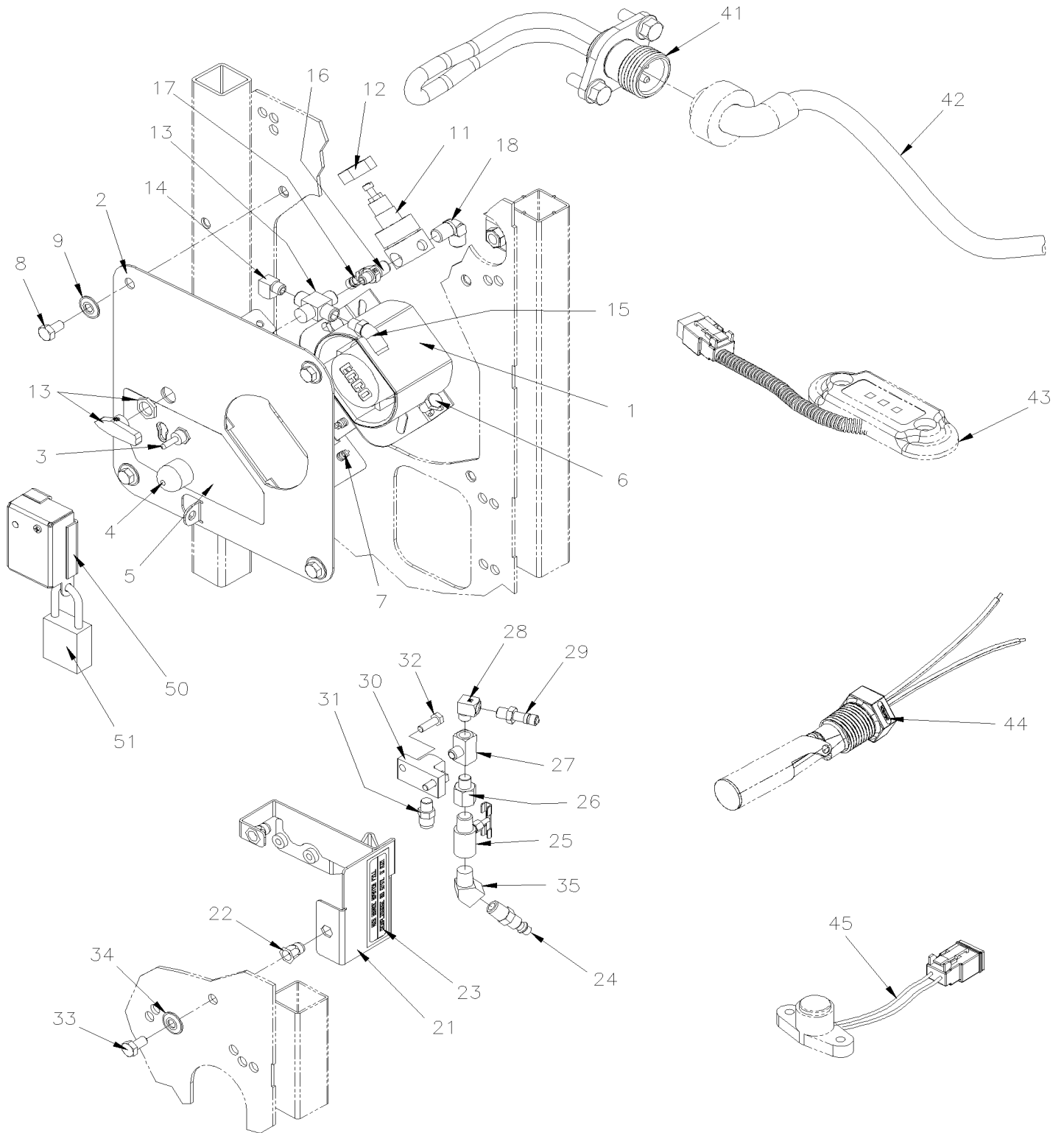


From F-5740 To H-6179

Date:07/2024

PAGE:X3VIP-0665-01

ENGINE COMPARTMENT - ELECTRIC COMPONENTS





From F-5740 To H-6179 Date:07/2024 PAGE:X3VIP-0665-01

ENGINE COMPARTMENT - ELECTRIC COMPONENTS

Item#	Part	Description	X 3 V I P E N T	X 3 V I P M T H	N O T E S
1	563199	BACK-UP ALARM "ECCO" / 12-36vdc / 107db	1	1	
2	068931	BRACKET ASSY	1	1	
3	064362	SWITCH ASSY / WATERPROOF	1	1	
4	562484	SWITCH S.P.S.T. / N.C.	1	1	
4	562471	CONNECTOR / WEATHER PACK / SH 2C / BLACK / PED 12103784	1	1	
4	563158	SHRINK TUBING / .300" - .060" / BLACK / 3M EPS-400.300	AR	AR	
4	561578	SOCKET TERMINAL / 16-14 / PED 12010182	2	2	
4	561786	CABLE SEAL / GRAY / PED 15324980	2	2	
5	068307	DECAL REAR ENGINE START.... To F-5743	1	1	A D
5	069130	DECAL REAR ENGINE START.... From F-5744	1	1	A D
5	068808	DECAL REAR ENGINE START NO TENSIONER...	1	1	
6	5001527	SCREW CAP HEX M8-1.25x16 SS BK	2	2	
6	5001699	WASHER BEL SPR 8.2x22x1.4 N500	2	2	
7	509815	TIE MOUNT / ATTACHMENT W/TREE MOUNT	6	6	
7	564108	SELF MOUNTING STUD // DEUTSCH 1011-310-0205	1	1	
8	5001527	SCREW CAP HEX M8-1.25x16 SS BK	4	4	
9	5001868	WASHER BEL SPR 8.4x18x2 SS	4	4	
11	641472	AIR PRESSURE REGULATOR 1/4" NPT / COPPER	1	1	A D
12	500734	NUT HEX JAM 3/4-16 Z050	1	1	A D
13	642161	VALVE, 3 WAYS 1/8NPT-Fx1/8NPT-Fx1/8NPT-F BR	1	1	A D
. NS	642014	. HANDLE / RED	1	1	A D
14	501331	STREET ELBOW 90° / PIPE FITTING / 1/8NPT-Mx1/8NPT-F BR	1	1	A D
15	641365	MALE ELBOW 45° NON-SWIVEL / PUSH-IN FITTING / #4x1/8NPT-M BR	1	1	A D
16	501650	NIPPLE REDUCER HEX / PIPE FITTING / 1/4NPT-Mx1/8NPT-Mx1 3/16 BR	1	1	A D
17	640488	VALVE, AIR FILL 1/8" NPT	1	1	A D
. NS	650164	. CAP VALVE / CHROME	1	1	A D
18	641371	MALE ELBOW 90° NON-SWIVEL / PUSH-IN FITTING / #4x1/4NPT-M BR	1	1	A D
21	068538	BRACKET ASSY	1	1	
22	5001692	. NUT INS FL HEX M8-1.25 0.5-3.0 SS	2	2	
23	140381	DECAL / "AIR BRAKE SYSTEM FILL" // ENGLISH & FRANCAIS	1	1	
24	684613	NIPPLE / QUICK DISCONNECT "INDUSTRIAL" / #4x1/4NPT-M STL	1	1	
25	5011129	NEEDLE VALVE 1/4 NPT M x 1/4 NPT F	1	1	
26	501310	ADAPTER / PIPE FITTING / 1/4NPT-Fx1/8NPT-M BR	1	1	
NS	680098	THREAD SEALANT LOCTITE #567 / WHITE / 250ml	AR	AR	
27	507589	MALE BRANCHE TEE / PIPE FITTING / 1/8NPT-Fx1/8NPT-Fx1/8NPT-M BR	1	1	
28	501331	STREET ELBOW 90° / PIPE FITTING / 1/8NPT-Mx1/8NPT-F BR	1	1	
29	640488	VALVE, AIR FILL 1/8" NPT	1	1	
. NS	650164	. CAP VALVE / CHROME	1	1	
30	642021	DROP-EAR ELBOW 90° / PIPE FITTING / 1/8NPT-F BR	1	1	
31	641242	MALE CONNECTOR / PUSH-IN FITTING / #4x1/8NPT-M BR	1	1	



From F-5740 To H-6179 Date:07/2024 PAGE:X3VIP-0665-01

ENGINE COMPARTMENT - ELECTRIC COMPONENTS

Item#	Part	Description	X 3 V I P E N T	X 3 V I P M T H	N O T E S
32	502622	SCREW CAP HEX M6-1.0x20 SS BK	2	2	
33	5001527	SCREW CAP HEX M8-1.25x16 SS BK	2	2	
34	5001868	WASHER BEL SPR 8.4x18x2 SS	2	2	
35	501329	STREET ELBOW 45° / PIPE FITTING / 1/4NPT-Mx1/4NPT-F BR From F-5783	1	1	
41	Refer To Volvo	BLOCK HEATER	1	1	V D13
42	X3VIP-0666-00	BLOCK HEATER RECEPTACLE			
43	X3VIP-0665-11	SWITCHES, LIGHTS, AJAR - UNDER FLOOR			
44	X3VIP-0510-00	SURGE TANK			
45	X3VIP-2320-51	FIRE PROTECTION SYSTEM / HEATER & EVAPORATOR COMPARTMENT			
50	G35064	LOCKING BOX ASSEMBLY From F-5911	1	1	
51	N.S.P.	PADLOCK From F-5911	1	1	2
		A) WITH SMALL A/C			
		D) WITH LARGE A/C WITH 3 ALTERNATORS			
		D13) WITH VOLVO ENGINE D-13			
		2) NOT SOLD BY PREVOST (SEE MANUFACTURING PART NUMBER AT END OF DESCRIPTION LINE)			
		V) SEE IMPACT OR CALL ORDER DESK			

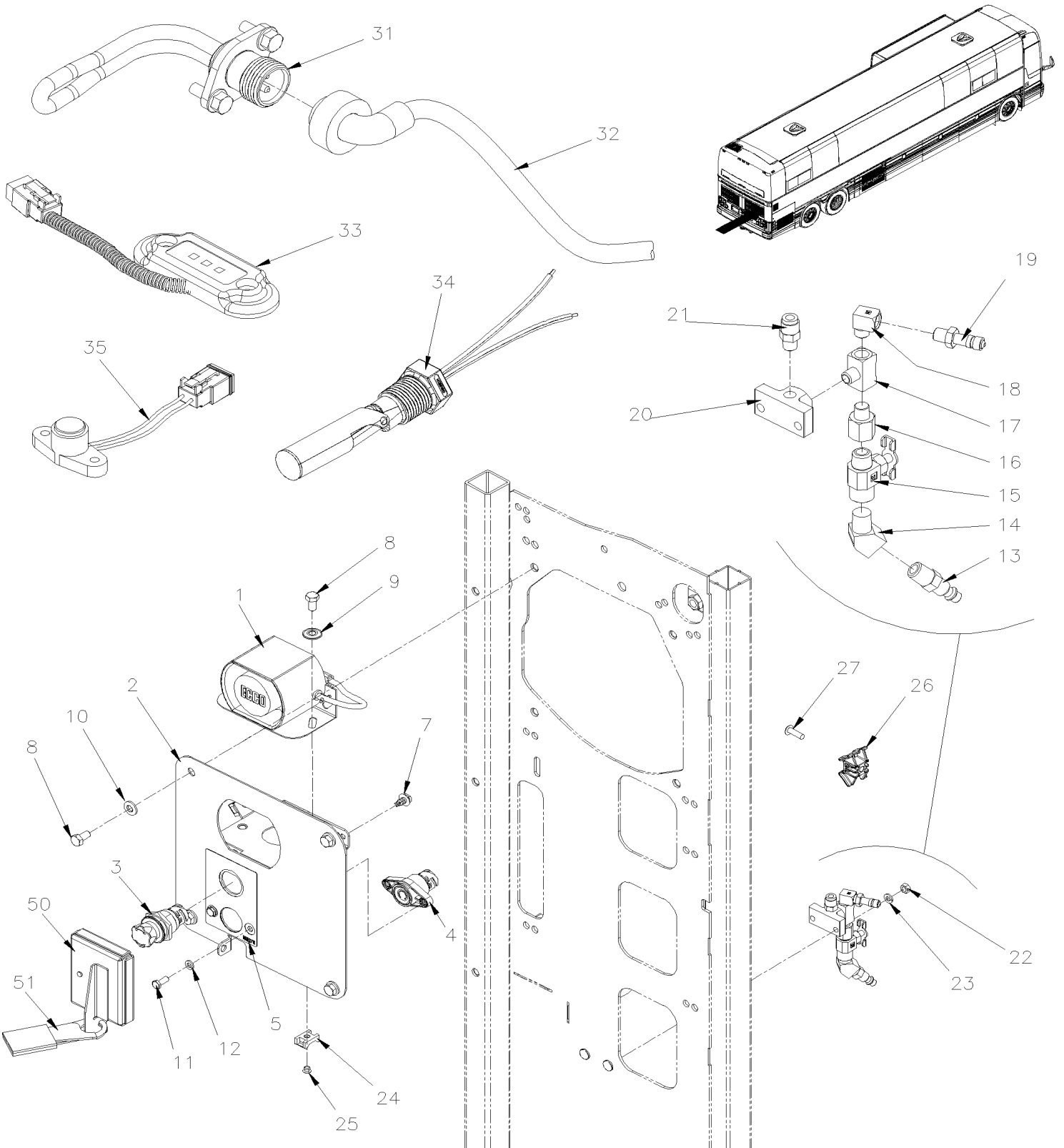


From H-6180

Date:07/2024

PAGE:X3VIP-0665-02

ENGINE COMPARTMENT - ELECTRIC COMPONENTS VOLVO D13 - GHG17





From H-6180 Date:07/2024 PAGE:X3VIP-0665-02

ENGINE COMPARTMENT - ELECTRIC COMPONENTS VOLVO D13 - GHG17

Item#	Part	Description	X 3 V I P E N T	X 3 V I P M T H	N O T E S
1	563199	BACK-UP ALARM "ECCO" / 12-36vdc / 107db	1	1	
2	060171	BRACKET ASSY	1	1	
3	560259	ENGINE SHUT DOWN SWITCH	1	1	
4	560013	PUSH BUTTON / GREEN WHITH LED, TS SERIES	1	1	
5	060170	DECAL REAR ENGINE START	1	1	
7	509815	TIE MOUNT / ATTACHMENT W/TREE MOUNT	2	2	
7	504637	CABLE TIE / 3/16" x 13"	2	2	
8	5001527	SCREW CAP HEX M8-1.25x16 SS BK	4	4	
9	5001699	WASHER BEL SPR 8.2x22x1.4 N500	2	2	
10	5001868	WASHER BEL SPR 8.4x18x2 SS	4	4	
11	5001530	SCREW CAP HEX M6-1.0x16 SS	4	4	
12	502570	WASHER LO SPT 6.1x11.8x1.6 SS	4	4	
13	684613	NIPPLE / QUICK DISCONNECT "INDUSTRIAL" / #4x1/4NPT-M STL	1	1	
14	501329	STREET ELBOW 45° / PIPE FITTING / 1/4NPT-Mx1/4NPT-F BR	1	1	
15	5011129	NEEDLE VALVE 1/4 NPT M x 1/4 NPT F	1	1	
16	501310	ADAPTER / PIPE FITTING / 1/4NPT-Fx1/8NPT-M BR	1	1	
17	507589	MALE BRANCHE TEE / PIPE FITTING / 1/8NPT-Fx1/8NPT-Fx1/8NPT-M BR	1	1	
18	501331	STREET ELBOW 90° / PIPE FITTING / 1/8NPT-Mx1/8NPT-F BR	1	1	
19	640488	VALVE, AIR FILL 1/8" NPT	1	1	
NS	650164	. CAP VALVE / CHROME	1	1	
20	642021	DROP-EAR ELBOW 90° / PIPE FITTING / 1/8NPT-F BR	1	1	
21	641242	MALE CONNECTOR / PUSH-IN FITTING / #4x1/8NPT-M BR	1	1	
NS	680098	THREAD SEALANT LOCTITE #567 / WHITE / 250ml	AR	AR	
22	5001851	NUT HEX M6-1.0 SS BK	2	2	
23	502570	WASHER LO SPT 6.1x11.8x1.6 SS	2	2	
24	504013	TIE MOUNT / 1/4" X 1/4" I.D.	2	2	
25	504379	RIVET POP DOME OE 3/16x1/4 SS	2	2	
26	509490	ATTACHMENT DOUBLE USE WITH CABLE TIE	2	2	
27	504610	RIVET MGLP PRDG 1/4x5/8 SS	2	2	
31	Refer To Volvo	BLOCK HEATER			V
32	X3VIP-0666-00	BLOCK HEATER RECEPTACLE	1	1	
33	X3VIP-0665-11	SWITCHES, LIGHTS, AJAR - UNDER FLOOR	1	1	
34	X3VIP-0510-01	SURGE TANK VOLVO D13 - GHG17	1	1	
35	X3VIP-2320-00	JACK & FLARE KIT - INSTALLATION	1	1	
50	G35890	LOCKING BOX ASSEMBLY	1	1	
51	N.S.P.	PADLOCK	1	1	2
		2) NOT SOLD BY PREVOST (SEE MANUFACTURING PART NUMBER AT END OF DESCRIPTION LINE)			
		V) SEE IMPACT OR CALL ORDER DESK			

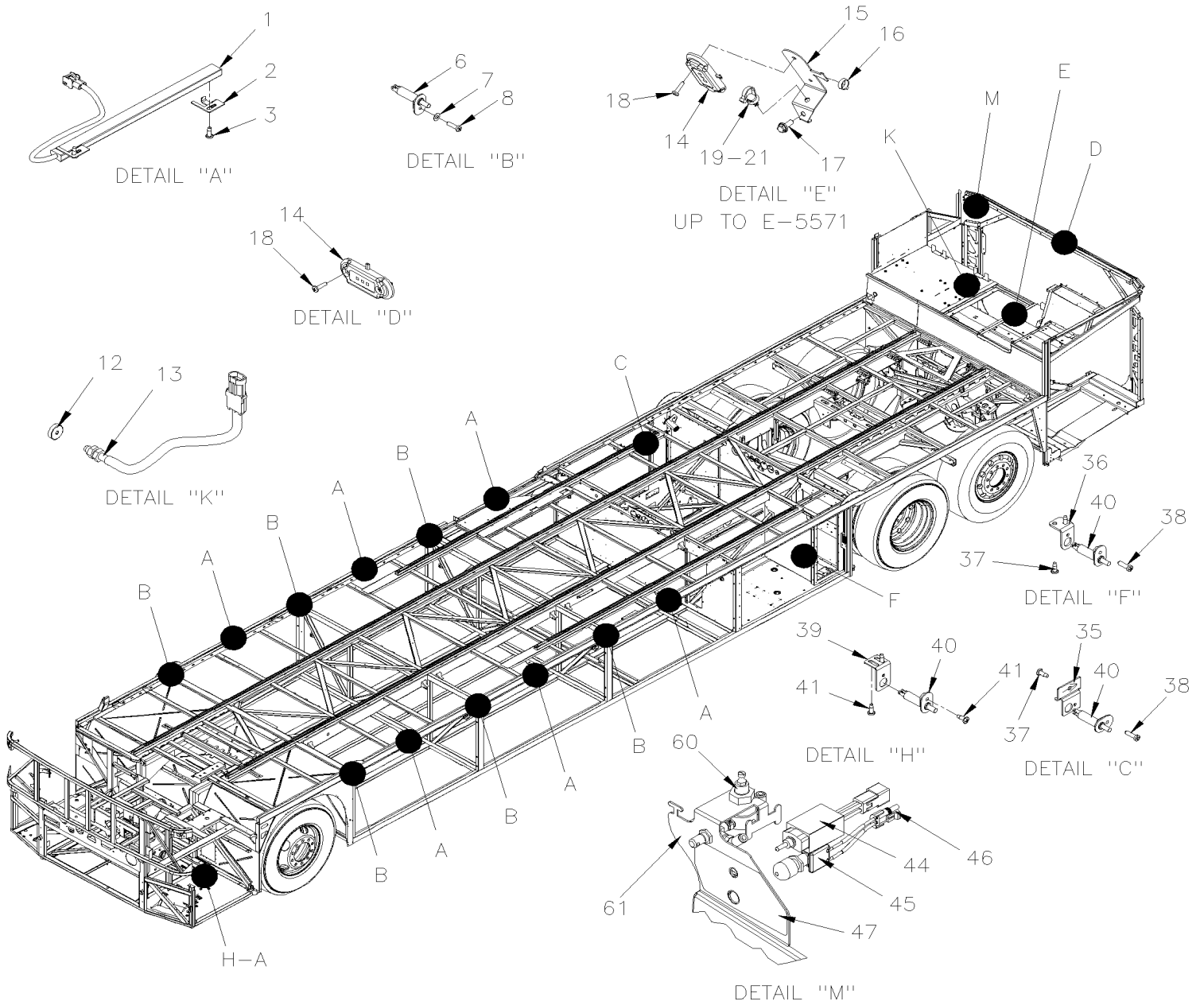


From E-5490 To E-5739

Date:07/2024

PAGE:X3VIP-0665-10

SWITCHES, LIGHTS, AJAR - UNDER FLOOR





From E-5490 To E-5739 Date:07/2024 PAGE:X3VIP-0665-10

SWITCHES, LIGHTS, AJAR - UNDER FLOOR

Item#	Part	Description	X 3 V I P E N T	X 3 V I P M T H	N O T E S
1	330299	LAMP ASSY 24V / BAGGAGE COMPARTMENT LAMP / LED	6	6	
. NS	561248	. CONNECTOR / UNIVERSAL MATE-N-LOK / PH 2C / AMP 1-480699-0	1	1	
1	830008	LAMP ASSY 24V / LED	6	6	B
. NS	561248	. CONNECTOR / UNIVERSAL MATE-N-LOK / PH 2C / AMP 1-480699-0	1	1	B
2	330411	SUPPORT, LIGHT	12	12	
3	502868	SCREW TC TR PH #10-16x1/2 N500	12	12	
4	287150	LOCKING GUIDE R.H. ASSY	6	6	
5	288526	LOCKING GUIDE L.H. ASSY	6	6	
6	563464	SWITCH / S.P.S.T. / N.C. / W/RUBBER BOOT	6	6	
7	500840	WASHER LO EXT .195x.410x.025 N500	5	5	
8	500623	SCREW TC PAN PH #10-24x3/4 N500	5	5	
12	562949	MAGNET ROUND .200x.700 DIA	1	1	
13	068076	SWITCH PROXIMITY WITH LED ASSY	1	1	
. NS	564176	. SWITCH PROXIMITY / S.P.D.T. / W/3 WIRES W/LED	1	1	
14	563845	LAMP ASSY 24V / W/LEDS	5	5	
. NS	563589	. CONNECTOR / DTM SERIES / SH 2C / GRAY / DEUTSCH DTM06-2S-E007	1	1	
15	068170	SUPPORT LAMP To E-5517	1	1	
16	504637	CABLE TIE / 3/16" x 13" To E-5717	1	1	
17	5001730	SCREW CAP HEXF M6-1.0x16 G10.9 N500 To E-5717	1	1	
18	500244	SCREW TP BDG PH #8x3/4 N500	AR	AR	
19	509815	TIE MOUNT / ATTACHMENT W/TREE MOUNT To E-5717	AR	AR	
21	504637	CABLE TIE / 3/16" x 13" To E-5717	AR	AR	
35	068756	SWITCH SUPPORT / W/BAGGAGE DOORS	1	1	A
36	068668	SWITCH SUPPORT / W/BAGGAGE DOORS	1	1	A
37	502868	SCREW TC TR PH #10-16x1/2 N500	2	2	A
38	500623	SCREW TC PAN PH #10-24x3/4 N500	2	2	A
39	066638	SWITCH SUPPORT	1	1	
40	563464	SWITCH / S.P.S.T. / N.C. / W/RUBBER BOOT	1	1	
41	502868	SCREW TC TR PH #10-16x1/2 N500	3	3	
44	064362	SWITCH ASSY / WATERPROOF	1	1	
45	562484	SWITCH S.P.S.T. / N.C.	1	1	
46	562471	CONNECTOR / WEATHER PACK / SH 2C / BLACK / PED 12103784	1	1	
46	561578	SOCKET TERMINAL / 16-14 / PED 12010182	2	2	
46	561786	CABLE SEAL / GRAY / PED 15324980	2	2	
47	068307	DECAL REAR ENGINE START.... To F-5743	1	1	A
47	069130	DECAL REAR ENGINE START.... From F-5744	1	1	A
47	068808	DECAL REAR ENGINE START NO TENSIONER...	1	1	
60	X3VIP-0120-00	DRIVE PULLEY, BELTS & TENSIONER WITH VOLVO D13			
61	X3VIP-0330-00	AIR FILTER & INTAKE - INSTALLATION WITH VOLVO D13			



From E-5490 To E-5739	Date:07/2024	PAGE:X3VIP-0665-10
-----------------------	--------------	--------------------

SWITCHES, LIGHTS, AJAR - UNDER FLOOR

Item#	Part	Description	X 3 V I P E N T	X 3 V I P M T H	N O T E S
		A) WITH SMALL A/C SYSTEM			
		B) WHEN YOU REPLACE LAMP #330299 BY THE NEW LAMP #830008 YOU HAVE TO DRILL HOLE TO INSTALL IT WITH TWO SCREWS #500443			

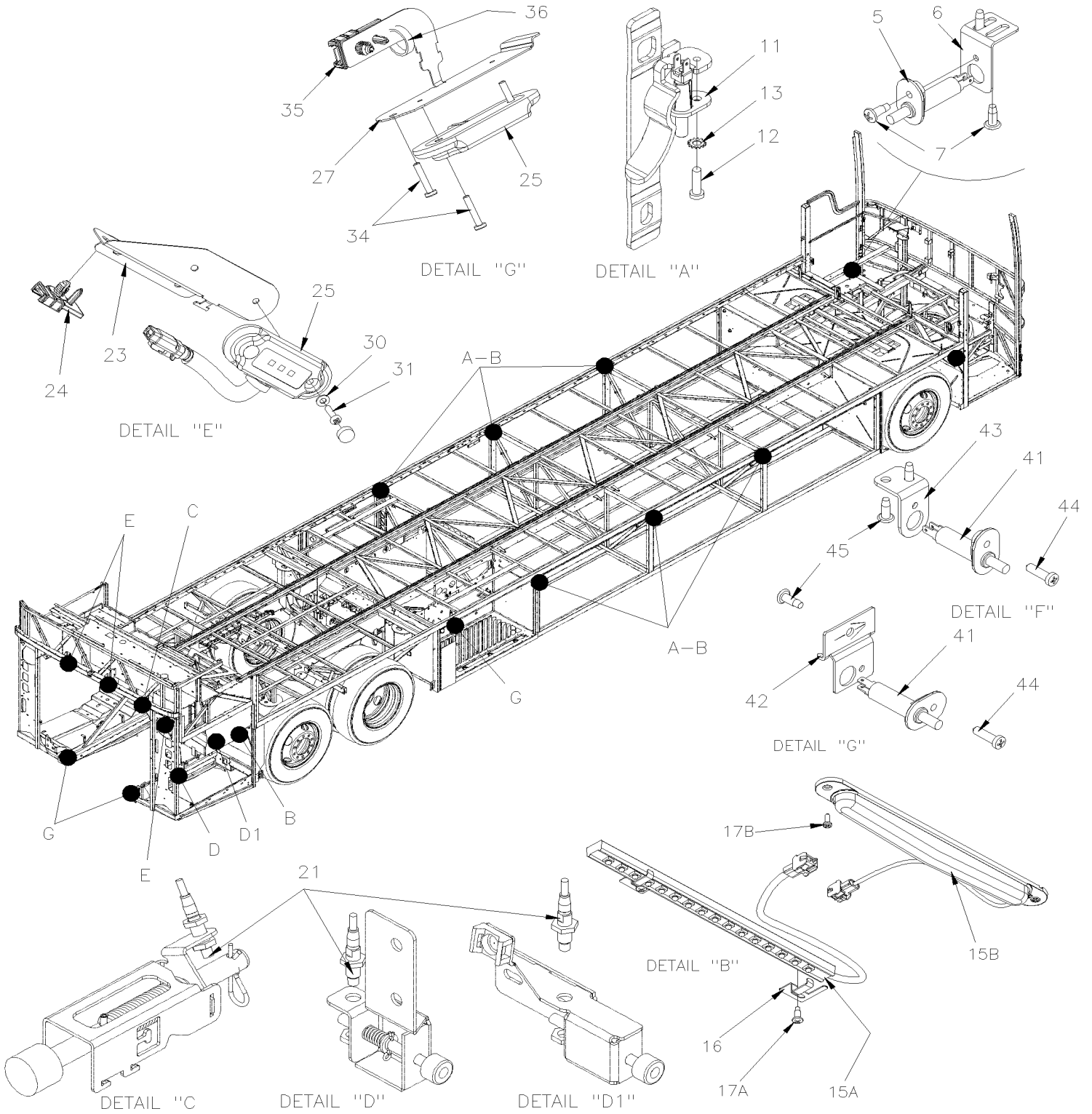


From F-5740

Date:07/2024

PAGE:X3VIP-0665-11

SWITCHES, LIGHTS, AJAR - UNDER FLOOR





From F-5740		Date:07/2024	PAGE:X3VIP-0665-11
SWITCHES, LIGHTS, AJAR - UNDER FLOOR			

Item#	Part	Description	X 3 V I P E N T	X 3 V I P M T H	N O T E S
5	563464	SWITCH / S.P.S.T. / N.C. / W/RUBBER BOOT	1	1	
6	066638	SWITCH SUPPORT	1	1	
7	502868	SCREW TC TR PH #10-16x1/2 N500	3	3	
11	562303	SWITCH / S.P.S.T. / N.C. To E-5759	6	6	
11	563464	SWITCH / S.P.S.T. / N.C. / W/RUBBER BOOT From F-5760	6	6	
12	500623	SCREW TC PAN PH #10-24x3/4 N500 To E-5759	6	6	
12	5001332	SCREW MA PAN PH M4-0.7x16 SS From F-5760	6	6	
13	5001544	WASHER LO EXT .195x.410x.025 SS To E-5759	6	6	
13	502557	NUT HEX NYRT M4-0.7 SS From F-5760	6	6	
15A	330299	LAMP ASSY 24V / BAGGAGE COMPARTMENT LAMP / LED To H-6193	7	7	D
. NS	561248	. CONNECTOR / UNIVERSAL MATE-N-LOK / PH 2C / AMP 1-480699-0 To H-6193	1	1	D
15B	830008	LAMP ASSY 24V / LED From H-6180 To H-6193	1	1	B
. NS	561248	. CONNECTOR / UNIVERSAL MATE-N-LOK / PH 2C / AMP 1-480699-0 From H-6180 To H-6193	1	1	B
15B	830008	LAMP ASSY 24V / LED From H-6194	8	8	
. NS	561248	. CONNECTOR / UNIVERSAL MATE-N-LOK / PH 2C / AMP 1-480699-0 From H-6194	1	1	
16	330411	SUPPORT, LIGHT To H-6193	14	14	
17A	500957	SCREW TP BDG PH #10x3/4 N500 To H-6193	12	12	
17A	502868	SCREW TC TR PH #10-16x1/2 N500 To H-6193	2	2	B
17B	500799	SCREW TC PAN PH #8-32x3/8 N500 From H-6180	2	2	C
17B	500443	SCREW TP PAN PH #8x1/2 N500 From H-6194	12	12	
17B	500965	SCREW TC BDG PH #8-32x1/2 N500 From H-6194	2	2	B
21	068076	SWITCH PROXIMITY WITH LED ASSY To H-6179	2	2	
. NS	564176	. SWITCH PROXIMITY / S.P.D.T. / W/3 WIRES W/LED To H-6179	1	1	
21	068076	SWITCH PROXIMITY WITH LED ASSY From H-6180	2	2	
. NS	564176	. SWITCH PROXIMITY / S.P.D.T. / W/3 WIRES W/LED From H-6180	1	1	
23	060232	SUPPORT LAMP From H-6180	1	1	
NS	504488	RIVET MGLP PRDG 3/16x17/64 SS	2	2	
24	564108	SELF MOUNTING STUD // DEUTSCH 1011-310-0205 From H-6180	1	1	
25	563845	LAMP ASSY 24V / W/LEDS	1	1	
. NS	563589	. CONNECTOR / DTM SERIES / SH 2C / GRAY / DEUTSCH DTM06-2S-E007	1	1	
27	287678	SUPPORT LAMP	2	2	
30	502556	WASHER FL 4.3x9.0x0.8 SS From H-6180	AR	AR	
31	500244	SCREW TP BDG PH #8x3/4 N500	2	2	
34	5001040	SCREW TC PAN PH #6-32x3/4 SS	6	6	
35	564108	SELF MOUNTING STUD // DEUTSCH 1011-310-0205	2	2	
36	504637	CABLE TIE / 3/16" x 13"	AR	AR	
36	504273	CABLE TIE / 1/8" X 3"1/2	AR	AR	
41	563464	SWITCH / S.P.S.T. / N.C. / W/RUBBER BOOT	2	2	A
42	068756	SWITCH SUPPORT / W/BAGGAGE DOORS	1	1	
43	068668	SWITCH SUPPORT / W/BAGGAGE DOORS	1	1	
44	500623	SCREW TC PAN PH #10-24x3/4 N500	2	2	
45	502868	SCREW TC TR PH #10-16x1/2 N500	3	3	



From F-5740	Date:07/2024	PAGE:X3VIP-0665-11
-------------	--------------	--------------------

SWITCHES, LIGHTS, AJAR - UNDER FLOOR

Item#	Part	Description	X 3 V I P E N T	X 3 V I P M T H	N O T E S
NS	685353	TORQUE SEAL	AR	AR	
		A) USE IN FRONT JUNCTION BOX			
		B) WITH BIG A/C			
		C) NO ENGLISH DESCRIPTION			
		D) WHEN YOU REPLACE LAMP #330299 BY THE NEW LAMP #830008 YOU HAVE TO DRILL HOLE TO INSTALL IT WITH TWO SCREWS #500443 OR #500965			

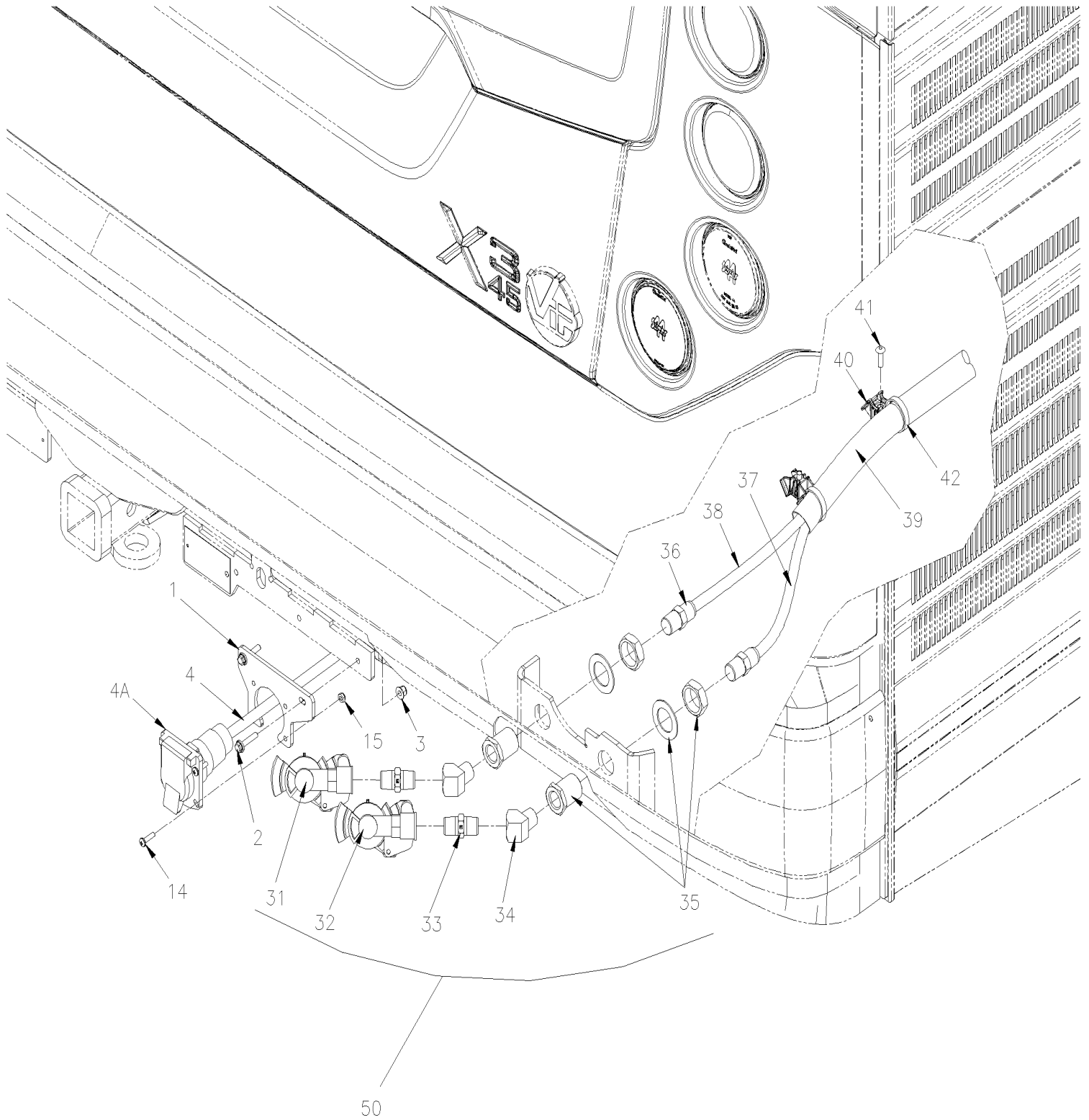


From J-6279

Date:07/2024

PAGE:X3VIP-0665-21

CABLE TRAILER W/ELEC. BRAKE - INSTALLATION - VIP



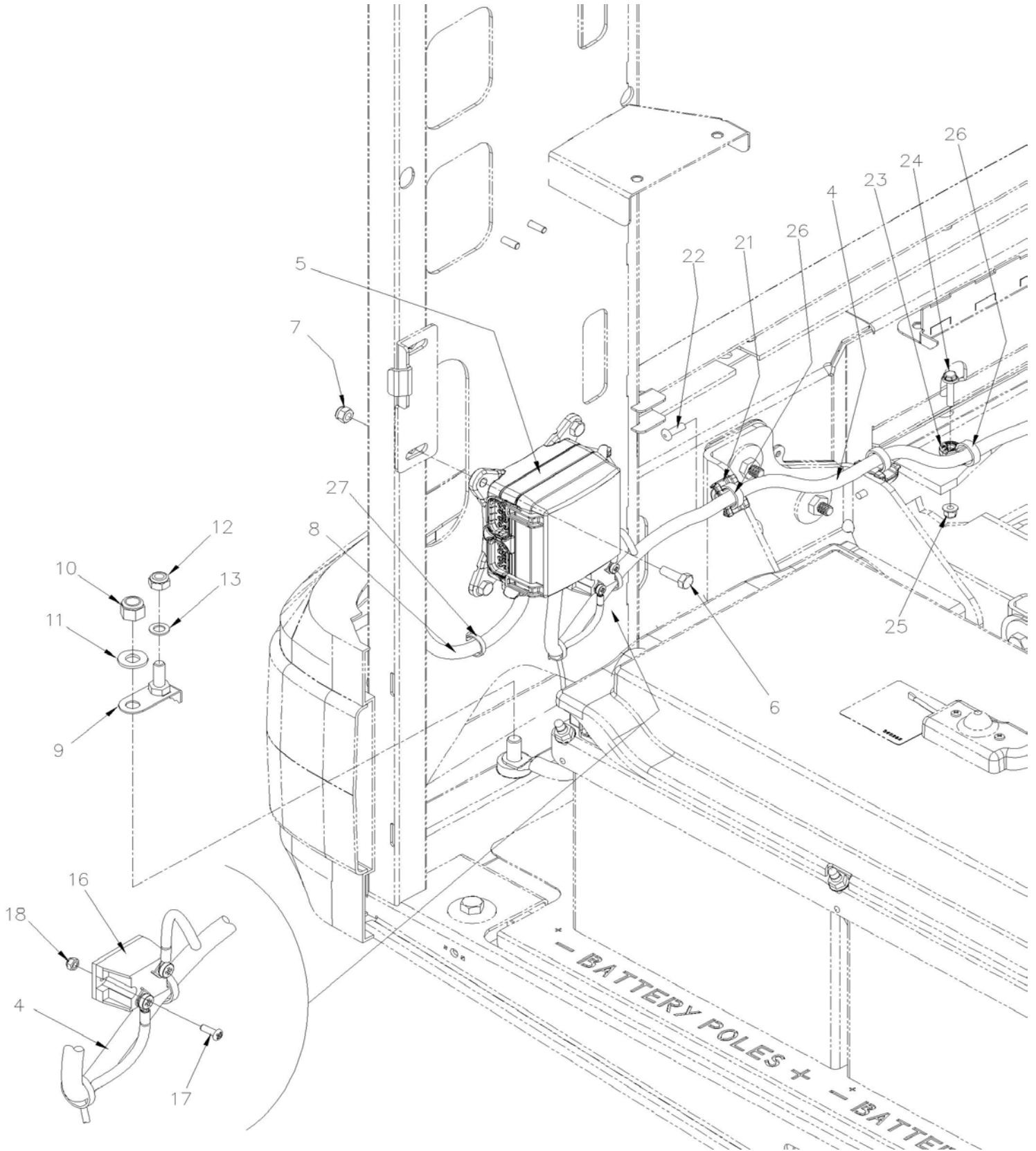


From J-6279

Date:07/2024

PAGE:X3VIP-0665-21

CABLE TRAILER W/ELEC. BRAKE - INSTALLATION - VIP





From J-6279		Date:07/2024	PAGE:X3VIP-0665-21
-------------	--	--------------	--------------------

CABLE TRAILER W/ELEC. BRAKE - INSTALLATION - VIP

Item#	Part	Description	X 3 V I P E N T	X 3 V I P M T H	N O T E S
1	410076	SUPPORT ELECTRICAL CONECTOR	1	1	
2	5001815	SCREW CAP HEXF M6-1.0x30 G 8.8 N500	AR	AR	
3	5001932	NUT HEXF NYRT M6-1.0 G8.8 N500	AR	AR	
4	069772	CABLE ASSY / TRAILER W/ELECTRICAL BRAKE CONNECTOR To R-4003	1	1	
. A	560478	. TRAILER CONNECTOR 7PINS(BLADES) / RV STYLE To R-4003	1	1	
4	0600204	CABLE ASSY / TRAILER W/ELECTRICAL BRAKE CONNECTOR From R-4004	1	1	
. A	560478	. TRAILER CONNECTOR 7PINS(BLADES) / RV STYLE From R-4004	1	1	
5	560476	DVEC DISTRIBUTION MODULE FOR TRAILER W/ELECTRICAL BRAKE	1	1	
. NS	563284	. FUSE / ATM 15 AMPS BLUE	1	1	
. NS	560490	. MICRO RELAY 12 VOLTS	1	1	
. NS	564399	. MINI BREAKER / 20 AMPS / SERIES 233	1	1	
6	502780	SCREW CAP HEX M8-1.25x25 SS BK	4	4	
7	5001787	NUT HEX NYRT M8-1.25 SS	4	4	
8	069771	CABLE ASSY / TRAILER W/ELECTRICAL BRAKE	1	1	
9	061253	OFFSET GROUND STUD	1	1	
10	5002001	NUT HEX NYRT 1/2-13 SS BK	1	1	
11	500958	WASHER FL .531x1.062x.095 SS	1	1	
12	5001628	NUT HEX NYRT M10-1.5 SS	1	1	
13	5001935	WASHER FL 10.5x18.0x1.6 SS	1	1	
14	502746	SCREW MA PAN PH M5-0.8x20 SS BK	4	4	
15	5001587	NUT HEX NYRT M5-0.8 SS	4	4	
16	564383	DIODE SHOTTKY 100V 40AMP From R-4004	1	1	
. NS	Call order desk	. SCREW MA CHE PH M5-0.8 X10 W/WASHER From R-4004	1	1	P
17	5001996	SCREW MA PAN PH M4-0.7x12 N500 From R-4004	2	2	
18	500539	NUT HEX NYRT M4-0.7 N500 From R-4004	2	2	
21	504772	ATTACHMENT USE WITH CABLE TIE 5/16 BOLT	2	2	
22	504610	RIVET MGLP PRDG 1/4x5/8 SS	2	2	
23	509894	TIE MOUNT HOLE 7.8MM	3	3	
24	5001815	SCREW CAP HEXF M6-1.0x30 G 8.8 N500	3	3	
25	5001932	NUT HEXF NYRT M6-1.0 G8.8 N500	3	3	
26	504016	CABLE TIE / 5/16" X 14"1/2 To L-6494	5	5	
26	5040100	CABLE TIE /OUTSIDE SERRATED 5/16" X 14"1/2 From L-6495	5	5	
27	504637	CABLE TIE / 3/16" x 13"	AR	AR	
31	641938	GLANDHAND W/DUST COVER "RED"	1	1	
32	641939	GLANDHAND W/DUST COVER "BLUE"	1	1	
33	5011067	NIPPLE HEX / PIPE FITTING / 1/2NPT-Mx1/2NPT-Mx1 13/16 BR	2	2	
34	501528	STREET ELBOW 45° / PIPE FITTING / 1/2NPT-Mx1/2NPT-F BR	2	2	
35	501796	BULKHEAD COUPLING / PIPE FITTING / 1/2NPT-Fx1/2NPT-Fx1 1/2 BR	2	2	
36	641383	MALE CONNECTOR / PUSH-IN FITTING / #8x1/2NPT-M BR	2	2	
37	503406	TUBE, NYLON 1/2 O.D. / GREEN S.L.	AR	AR	



From J-6279		Date:07/2024	PAGE:X3VIP-0665-21
-------------	--	--------------	--------------------

CABLE TRAILER W/ELEC. BRAKE - INSTALLATION - VIP

Item#	Part	Description	X 3 V I P E N T	X 3 V I P M T H	N O T E S
38	503638	TUBE, NYLON 1/2 O.D. / BROWN S.L.	AR	AR	
39	562218	CONVOLUTED TUBING / UNSLIT / BLACK & GRAY / 1.000"	AR	AR	
40	509490	ATTACHMENT DOUBLE USE WITH CABLE TIE	4	4	
41	504610	RIVET MGLP PRDG 1/4x5/8 SS	4	4	
42	504016	CABLE TIE / 5/16" X 14"1/2	4	4	
50	X3VIP-1220-51	TRAILER VALVE INSTALLATION			
		P) CALL ORDER DESK FOR SPECIFIC APPLICATION (V.I.N.)			

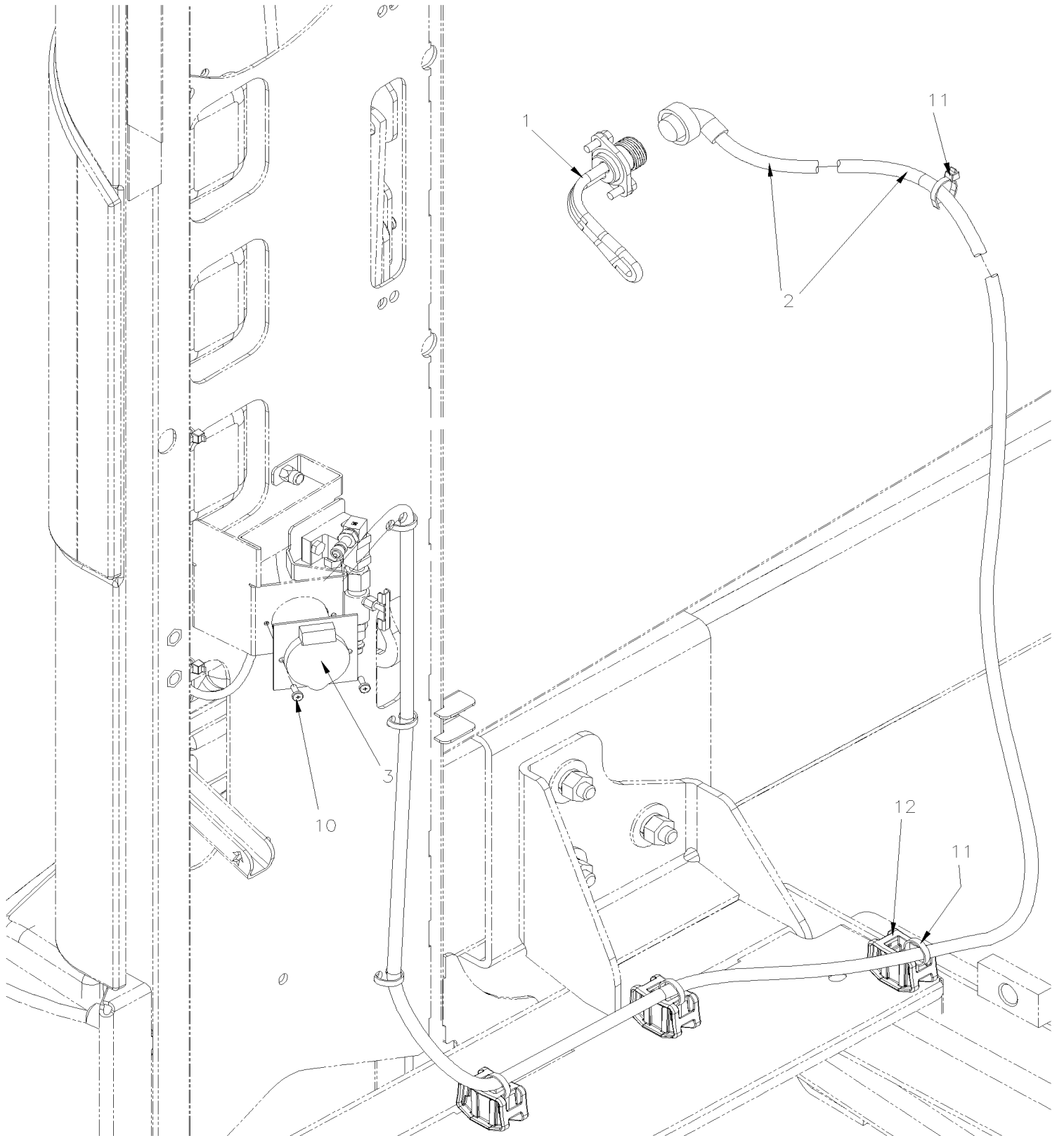


From E-5490

Date:07/2024

PAGE:X3VIP-0666-00

BLOCK HEATER RECEPTACLE



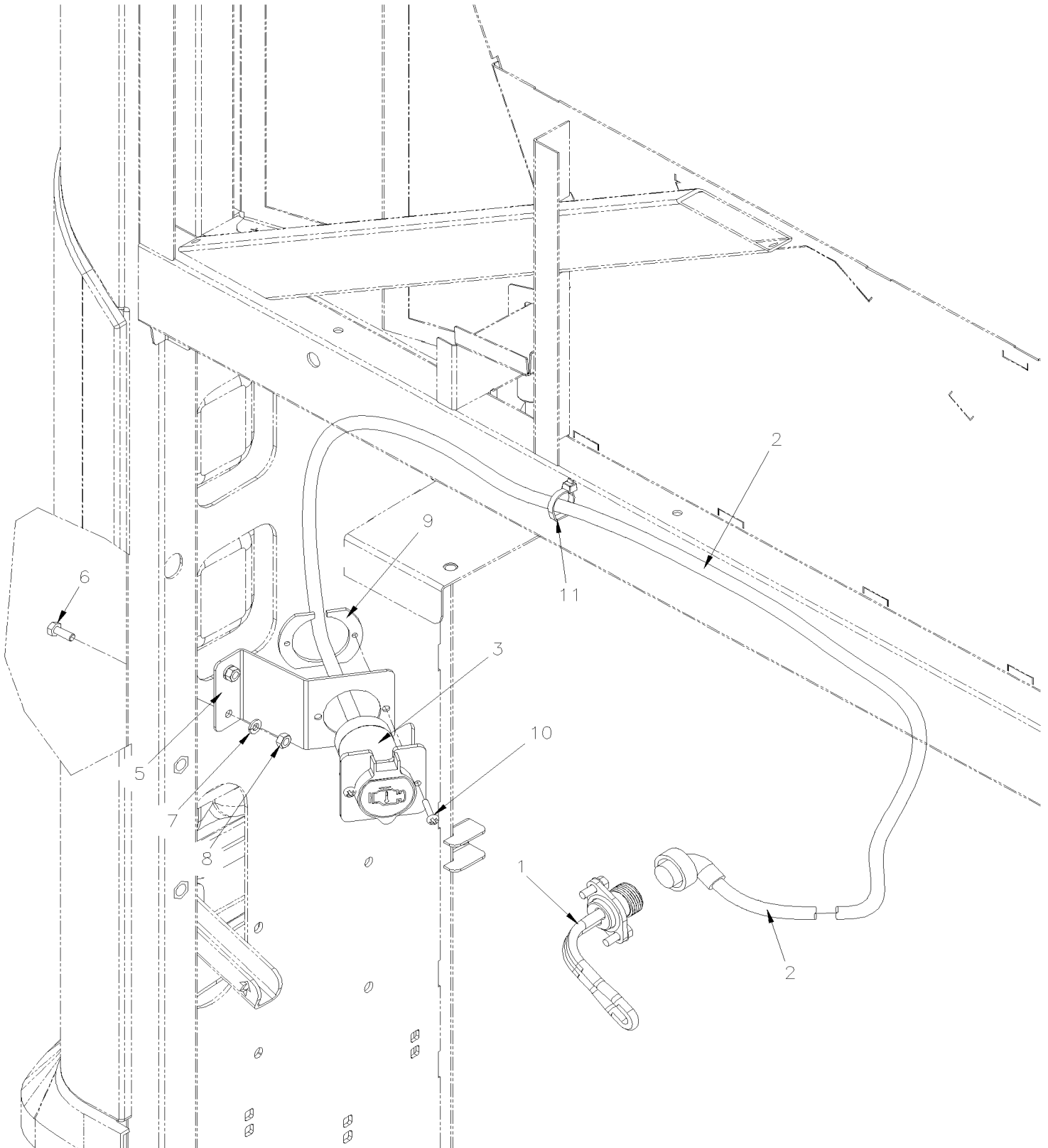


From E-5490

Date:07/2024

PAGE:X3VIP-0666-00

BLOCK HEATER RECEPTACLE



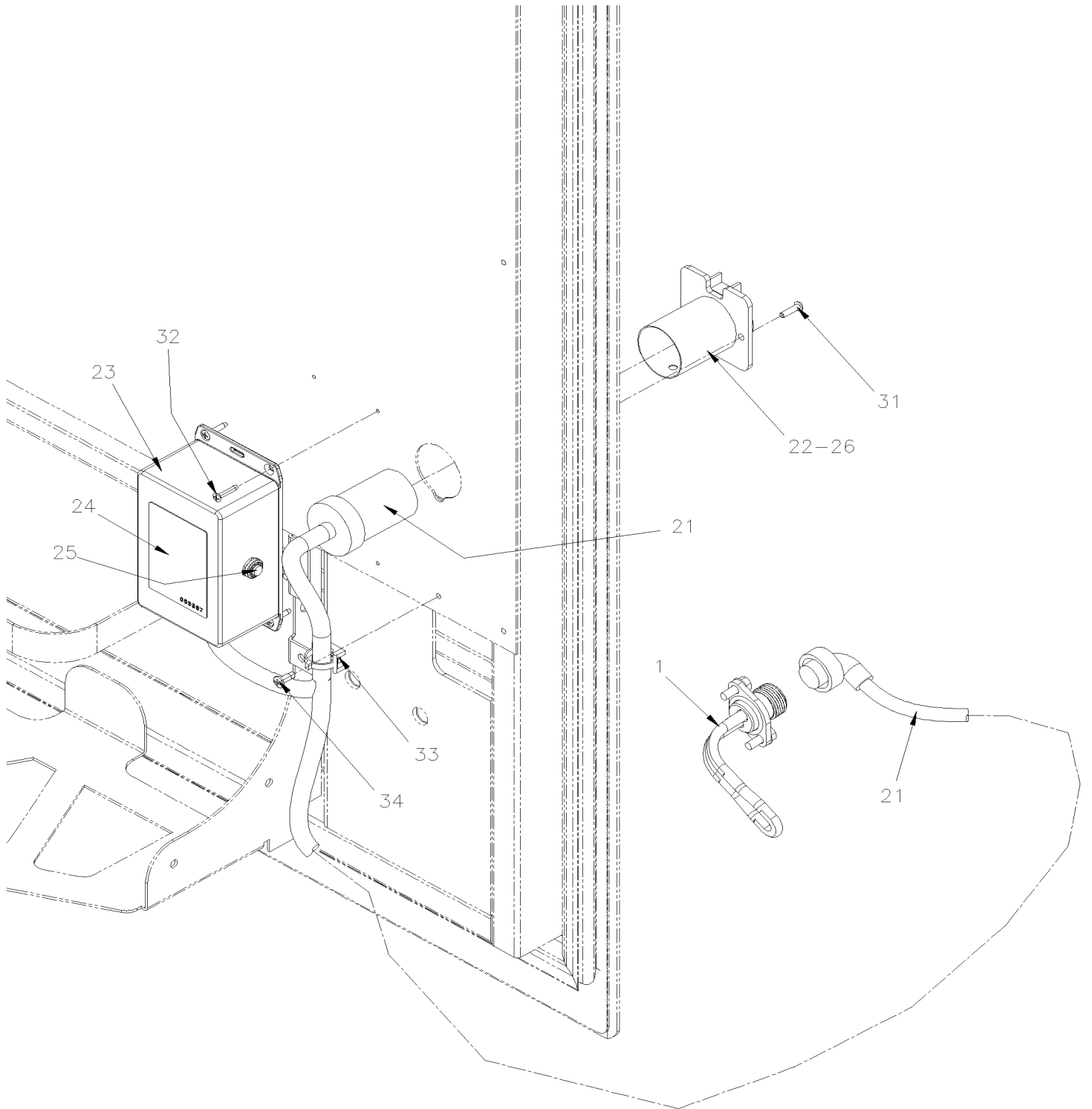


From E-5490

Date:07/2024

PAGE:X3VIP-0666-00

BLOCK HEATER RECEPTACLE





From E-5490		Date:07/2024	PAGE:X3VIP-0666-00
BLOCK HEATER RECEPTACLE			

Item#	Part	Description	X 3 V I P E N T	X 3 V I P M T H	N O T E S
1	Refer To Volvo	BLOCK HEATER	1	1	V
2	068723	CABLE ASSY / 110V BLOCK HEATER To K-6481	1	1	
2	0610126	CABLE ASSY / 110V BLOCK HEATER From K-6482	1	1	
2	019224	. DECAL / BLOCK HEATER	1	1	
3	564103	. RECEPTACLE ASSY W/CORD	1	1	
5	061003	SUPPORT / BLOCK HEATER HARNESS From H-6180	1	1	
6	5001744	SCREW CAP HEX M6-1.0x16 G8.8 N500 From H-6180	2	2	
7	502570	WASHER LO SPT 6.1x11.8x1.6 SS From H-6180	2	2	
8	5001851	NUT HEX M6-1.0 SS BK From H-6180	2	2	
9	064388	FIXATION RING From H-6180	1	1	
10	500623	SCREW TC PAN PH #10-24x3/4 N500 To H-6179	2	2	
10	502677	SCREW MA RND PH M4-0.7x25 SS From H-6180	2	2	
11	504637	CABLE TIE / 3/16" x 13"	AR	AR	
11	507664	CABLE TIE / 3/16" 11" / DOUBLE LOOP HEAD To H-6179	AR	AR	
12	509493	ATTACHMENT DOUBLE USE WITH CABLE TIE CHRISTMAS TREE To H-6179	3	3	
NS	504751	ROTATIF SPACER DOUBLE / SMALL From J-6223		1	
21	069352	CABLE ASSY / 110V BLOCK HEATER From G-5935	1	1	T
22	564103	. RECEPTACLE ASSY W/CORD From G-5935	1	1	T
23	Call order desk	BOX, ABS W/FLANGED LID WIHTOUT BREAKER From G-5935	1	1	P T
24	069367	DECAL, 120VAC ENG. BLOCK HEATER PROT. From G-5935	1	1	T
25	565184	BREAKER 20AMPS / 250V / From G-5935	1	1	T
26	019224	DECAL / BLOCK HEATER From G-5935	1	1	T
31	5001332	SCREW MA PAN PH M4-0.7x16 SS From G-5935	2	2	T
32	500289	SCREW TC OV PH #6-32x3/4 SS410 From G-5935	4	4	T
33	504013	TIE MOUNT / 1/4" X 1/4" I.D. From G-5935	1	1	T
33	504637	CABLE TIE / 3/16" x 13" From G-5935	1	1	T
34	502868	SCREW TC TR PH #10-16x1/2 N500 From G-5935	1	1	T
		T) TRANSDEV OPTION WITH FRONT BLOCK HEATER PLUG			
		P) CALL ORDER DESK FOR SPECIFIC APPLICATION (V.I.N.)			
		V) SEE IMPACT OR CALL ORDER DESK			

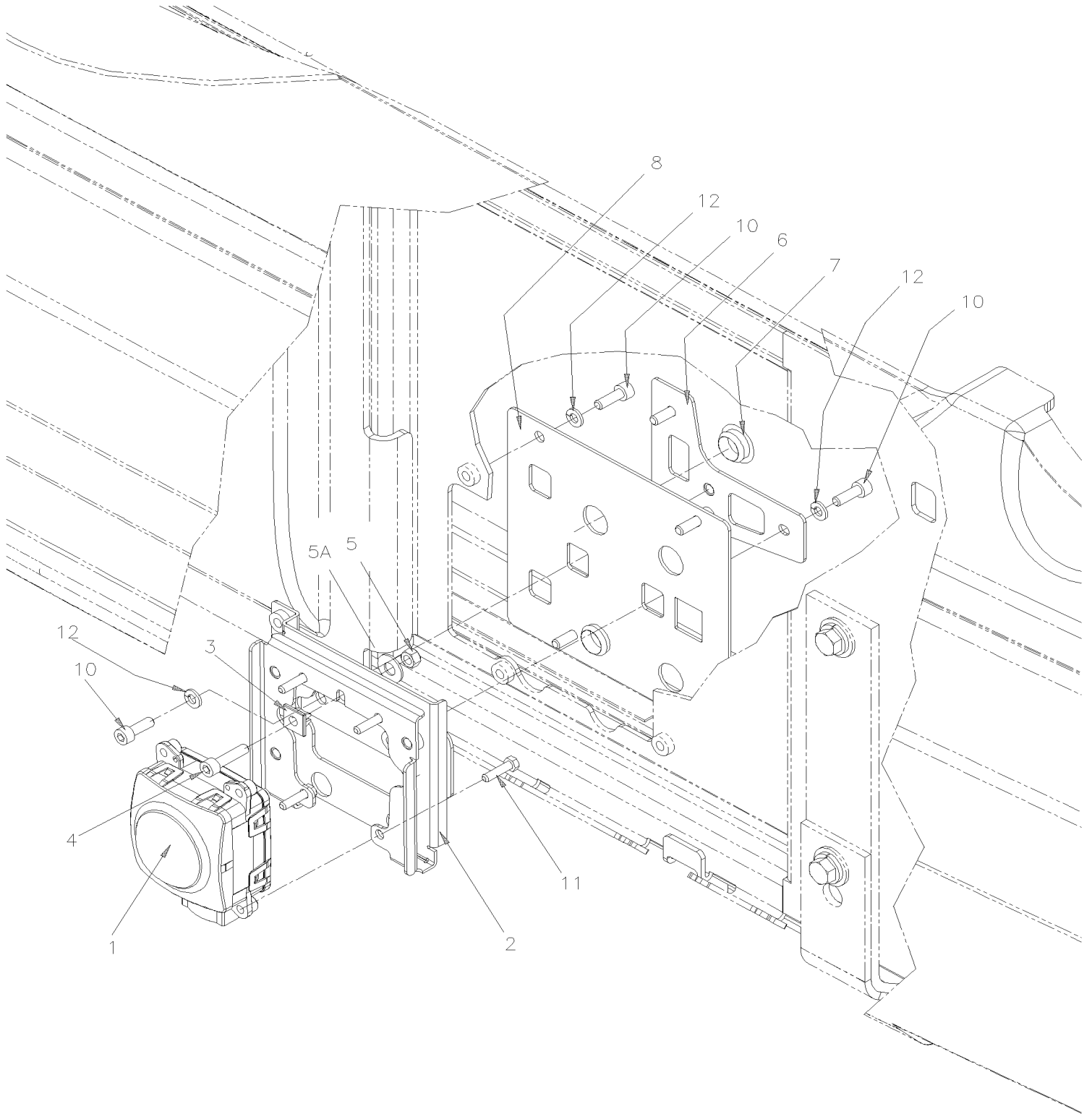


From E-5490 To E-5693

Date:07/2024

PAGE:X3VIP-0675-05

SYSTEM - ADAPTIVE CRUISE CONTROL ACB - "BENDIX" FLR10





From E-5490 To E-5693	Date:07/2024	PAGE:X3VIP-0675-05
-----------------------	--------------	--------------------

SYSTEM - ADAPTIVE CRUISE CONTROL ACB - "BENDIX" FLR10

Item#	Part	Description	X 3 V I P E N T	X 3 V I P M T H	N O T E S
1	564209	RADAR ACB "BENDIX"	1	1	
NS	068247	CABLE ADAPTIVE CRUISE CONTROL 1500MM	1	1	
2	Call order desk	SUPPORT ASSY	1	1	P
2	Call order desk	SUPPORT ASSY	1	1	P
2	143204	. SUPPORT	1	1	
3	502939	. NUT AN 1/4 NYL	2	2	
4	5001610	. SCREW CAP HEXS M6-1.0x25 SS EMN	2	2	
5	5001182	. NUT HEX NYRT M6-1.0 SS	2	2	
5A	502573	. WASHER FL 6.4x12.5x1.6 SS	2	2	
6	143207	ATTACHMENT	1	1	
7	504690	SNAP-IN PLUG / .750 O.D.	1	1	
8	280251	PLATE CLOSING W"ACB"	1	1	
10	5001648	SCREW CAP HEXS M6-1.0x18 SS BK	4	4	
11	500032	SCREW CAP HEX M5-0.8x16 BK	4	4	
12	502570	WASHER LO SPT 6.1x11.8x1.6 SS	4	4	
13	IS19922	PREVOST AWARE ADAPTIVE CRUISE BRAKING (ACB) – FLR10 TO FLR21 RADAR SENSOR UPGRADE	1	1	
. NS	069043	. CABLE ADAPTIVE CRUISE CONTROL	1	1	
. NS	145206	. MAIN SUPPORT, RADAR	1	1	
. NS	145207	. PLATE, RADAR MOUNTING	1	1	
. NS	560468	. FLR21 RADAR (NEW)	1	1	
. NS	564257	. FLR20 AJUSTER KIT SET OF 3	1	1	
. NS	504637	. CABLE TIE / 3/16" x 13"	6	6	
. NS	5001648	. SCREW CAP HEXS M6-1.0x18 SS BK	4	4	
. NS	5001833	. WASHER BEL SPR 6.1x18x1.27 SS	4	4	
. NS	IS-19922	. SEE INSTRUCTION SHEET	1	1	
. NS	FI-19922	. VOIR FEUILLE D'INSTRUCTION	1	1	
		P) CALL ORDER DESK FOR SPECIFIC APPLICATION (V.I.N.)			

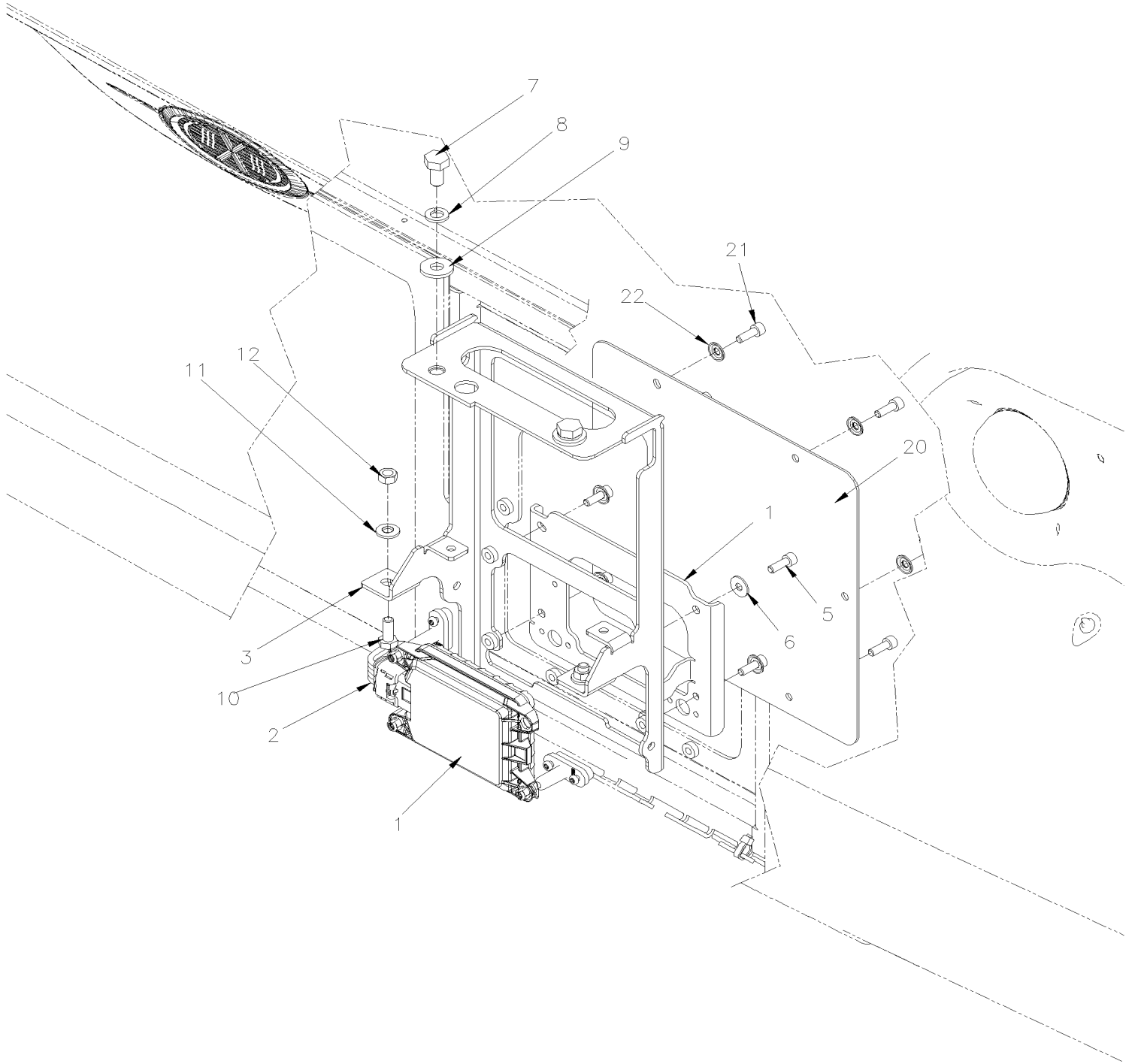


From E-5694

Date:07/2024

PAGE:X3VIP-0675-06

SYSTEM - ADAPTIVE CRUISE CONTROL ACB - "BENDIX FLR20 & FLR21





From E-5694	Date:07/2024	PAGE:X3VIP-0675-06
-------------	--------------	--------------------

SYSTEM - ADAPTIVE CRUISE CONTROL ACB - "BENDIX FLR20 & FLR21"

Item#	Part	Description	X 3 V I P E N T	X 3 V I P M T H	N O T E S
1	145372	RADAR ACB ASSY / SAV To M-6646	1	1	
. NS	564257	. FLR20 AJUSTER KIT SET OF 3 To M-6646	1	1	
1	880018	RADAR From M-6647	1	1	
2	069043	CABLE ADAPTIVE CRUISE CONTROL To H-6179	1	1	
2	060035	CABLE ADAPTIVE CRUISE CONTROL From H-6180 To M-6646	1	1	
2	0610271	CABLE ADAPTIVE CRUISE CONTROL From M-6647	1	1	
3	145208	MAIN SUPPORT, RADAR	1	1	
5	5001648	SCREW CAP HEXS M6-1.0x18 SS BK	4	4	
6	5001833	WASHER BEL SPR 6.1x18x1.27 SS	4	4	
7	502719	SCREW CAP HEX M10-1.5x20 SS EMN	2	2	
8	502616	WASHER LO SPT 10.2x18.1x2.2 SS	2	2	
9	5001443	WASHER FL 10.3x38.0x3.0 SS	2	2	
10	5001594	SCREW CAP HEX M8-1.25x20 SS	2	2	
11	5001868	WASHER BEL SPR 8.4x18x2 SS	2	2	
12	5001852	NUT HEX M8-1.25 SS BK	2	2	
20	2800893	PLATE CLOSING W/"ACB" OR W/OUT "ACB"	1	1	
20	2800901	PLATE CLOSING W/OUT "ACB" / WITH SPARE WHEEL	1	1	
21	5001648	SCREW CAP HEXS M6-1.0x18 SS BK	6	6	
22	5001833	WASHER BEL SPR 6.1x18x1.27 SS	6	6	

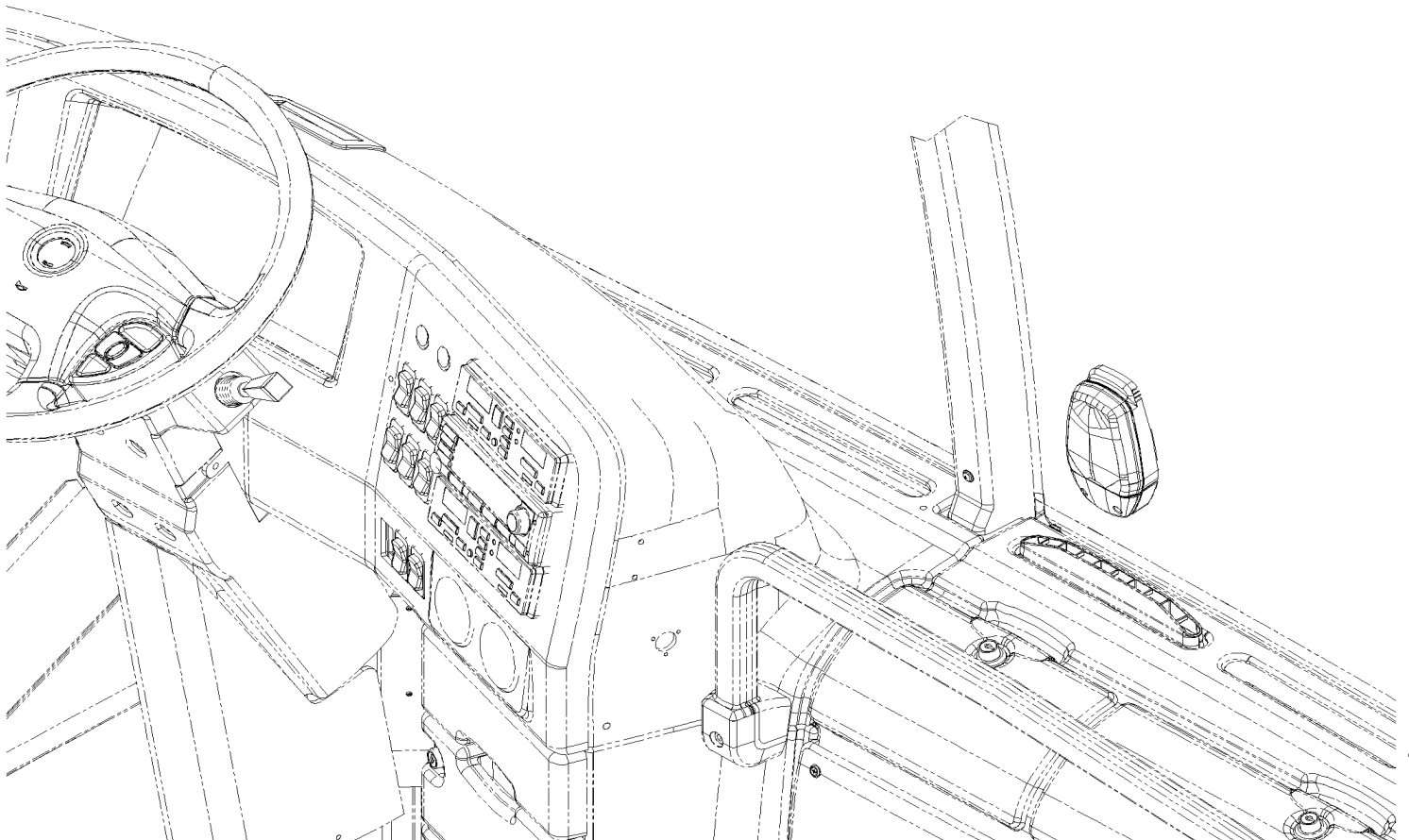
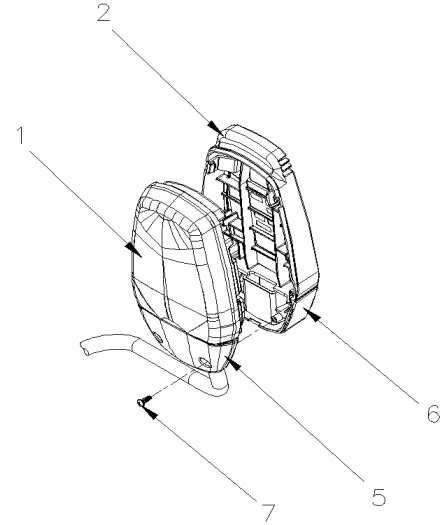
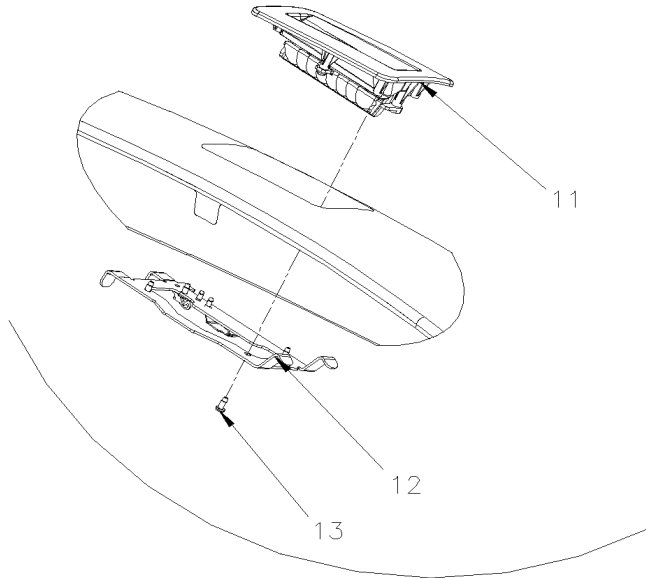


From M-6662

Date:07/2024

PAGE:X3VIP-0675-20

SYSTEM CAMERA & HUD - "PREVOST DRIVER ASSIST"



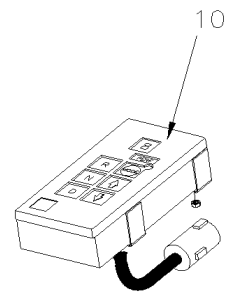
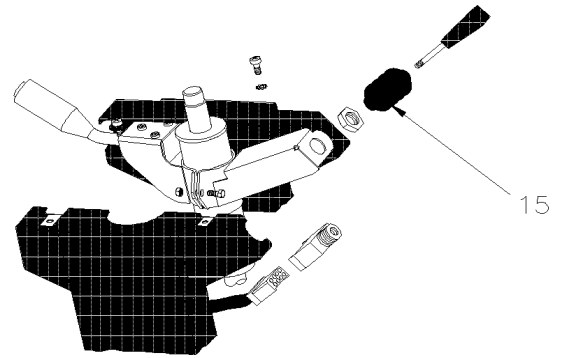
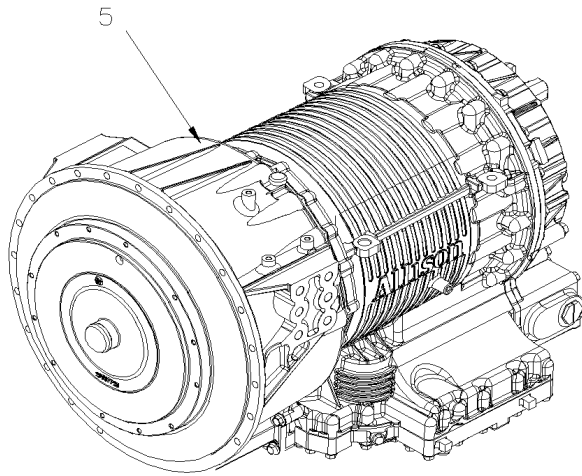


From M-6662	Date:07/2024	PAGE:X3VIP-0675-20
SYSTEM CAMERA & HUD - "PREVOST DRIVER ASSIT"		

Item#	Part	Description	X 3 V I P E N T	X 3 V I P M T H	N O T E S
1	880015	CAMERA "PREVOST DRIVER ASSIT"	1	1	
2	880011	BRACKET WINDSHEILD / CAMERA "PREVOST DRIVER ASSIT" To M-6652	1	1	
2	880060	BRACKET WINDSHEILD / CAMERA "PREVOST DRIVER ASSIT" From M-6653	1	1	
2	G37276	TEMPLATE, CAMERA POSITION MARKINGS X3	1	1	C
5	3211136	CABLE COVER "PREVOST DRIVER ASSIT"	1	1	
6	3211135	CABLE COVER "PREVOST DRIVER ASSIT"	1	1	
7	5002198	SCREW TP PAN PH #4-20 X 5/16 Z050	2	2	
11	380362	DISPLAY MODULE ASSY "HUD"	1	1	
12	380367	HOLDER ASSY "HUD"	1	1	
13	5002199	SCREW TP PAN PH #4-20 X 5/16 Z050	4	4	
NS	640048	CALIBRATION TEMPLATE	1	1	
50	X3VIP-0675-06	SYSTEM - ADAPTIVE CRUISE CONTROL ACB - "BENDIX FLR20 & FLR21	1	1	
51	X3VIP-0645-10	L.H. DASHBOARD PANEL	1	1	
		C) USE IF WINDSHIELD DOESN'T ALREADY HAVE POSITION MARKINGS			



	Date:07/2024	X3VIP-07
TRANSMISSION		





	Date:07/2024	X3VIP-07
TRANSMISSION		

Item#	Part	Description	X 3 V I P E N T	X 3 V I P M T H	N O T E S
5	X3VIP-0750-00	AUTOMATIC TRANSMISSION - "WORLD" WITH VOLVO D13 From E-5490 To H-6179			
5		AUTOMATIC TRANSMISSION - "WORLD" WITH VOLVO D13 - GHG17 From H-6180			
10	X3VIP-0755-15	SHIFTER ELECTRONIC - "WORLD" TRANSMISSION From E-5490			
15	X3VIP-0760-00	RETARDER SELECTOR SWITCH - "WORLD" From E-5490			

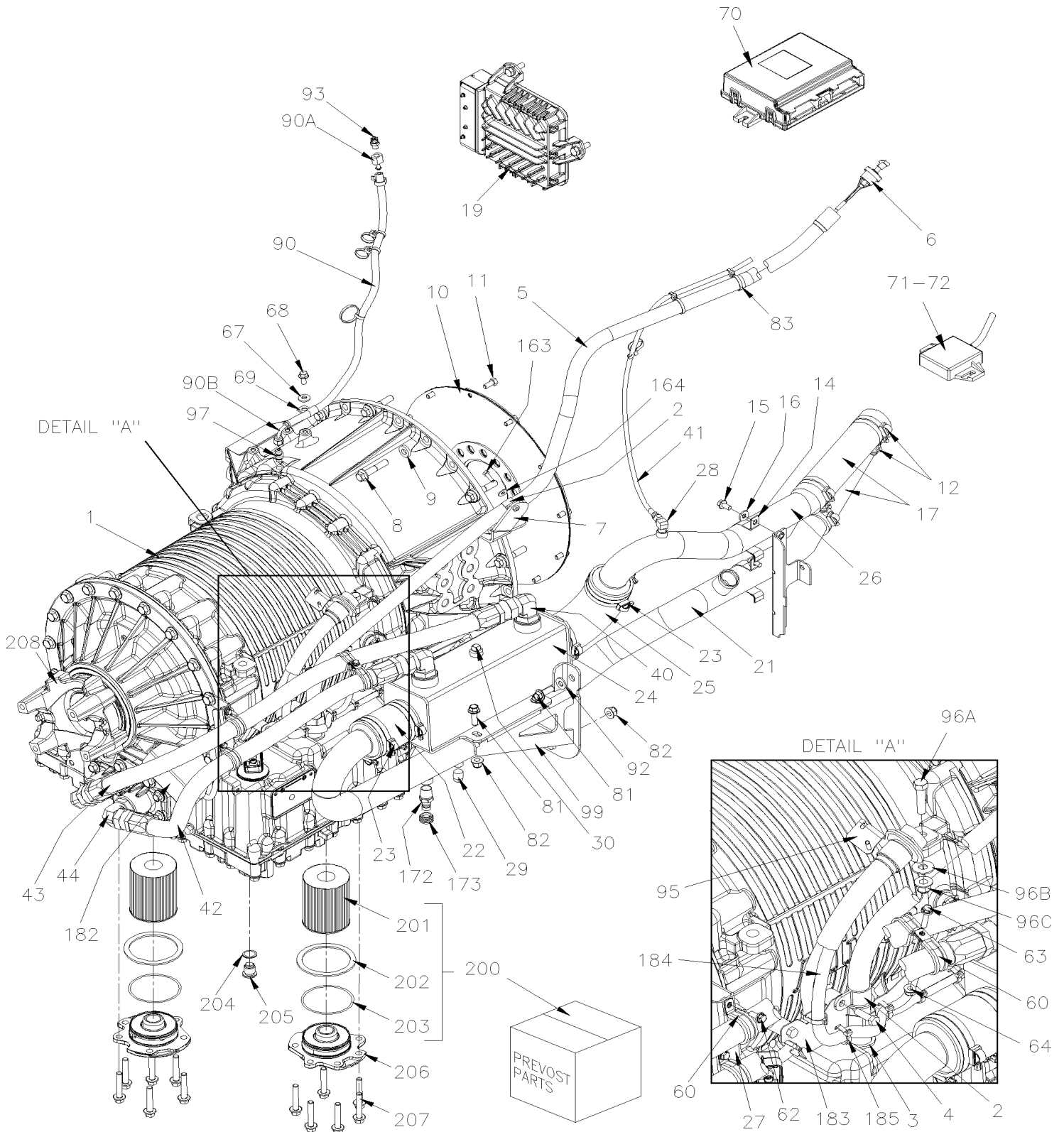


From E-5490 To H-6179

Date:07/2024

PAGE:X3VIP-0750-00

AUTOMATIC TRANSMISSION - "WORLD" WITH VOLVO D13



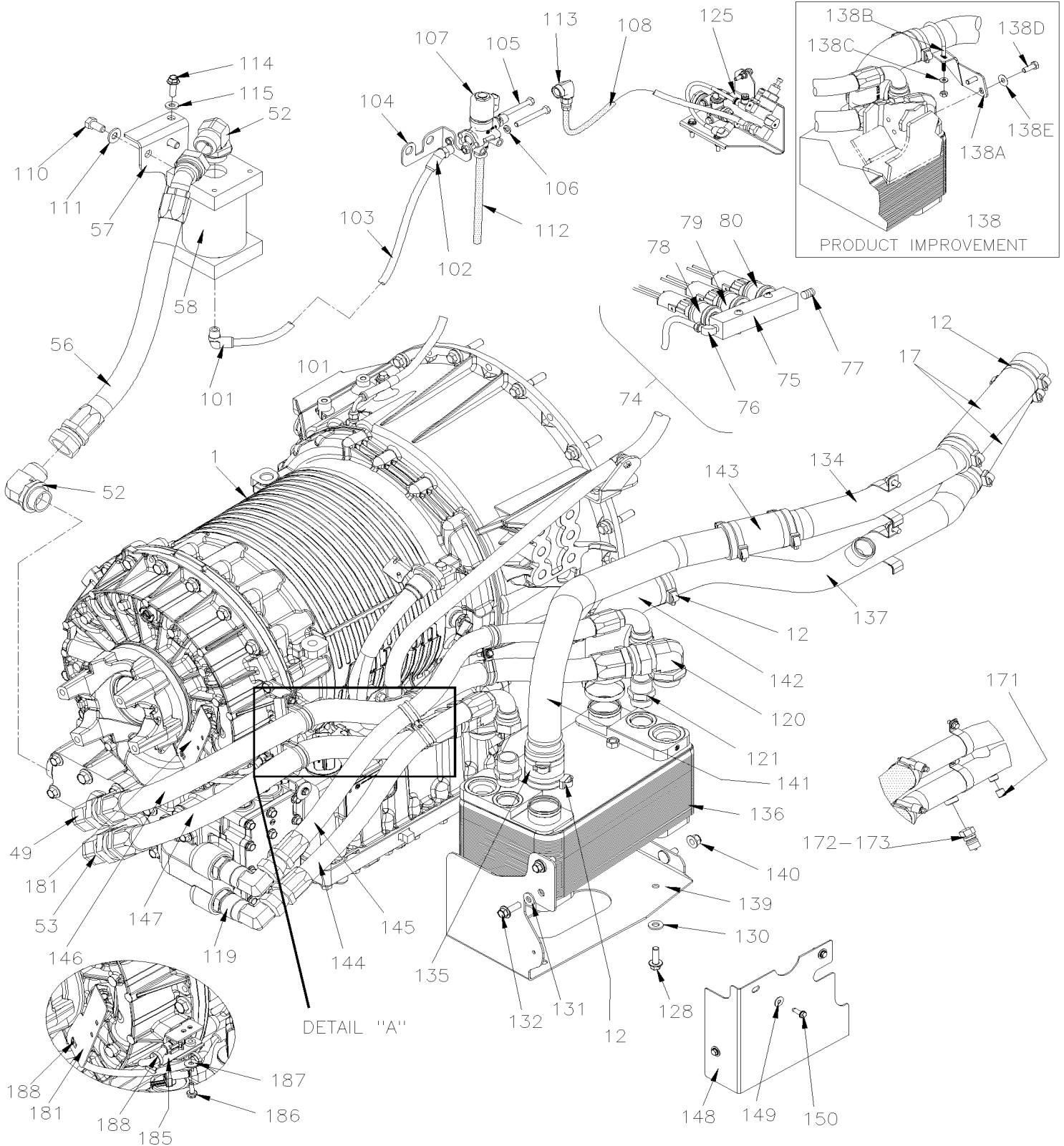


From E-5490 To H-6179

Date:07/2024

PAGE:X3VIP-0750-00

AUTOMATIC TRANSMISSION - "WORLD" WITH VOLVO D13



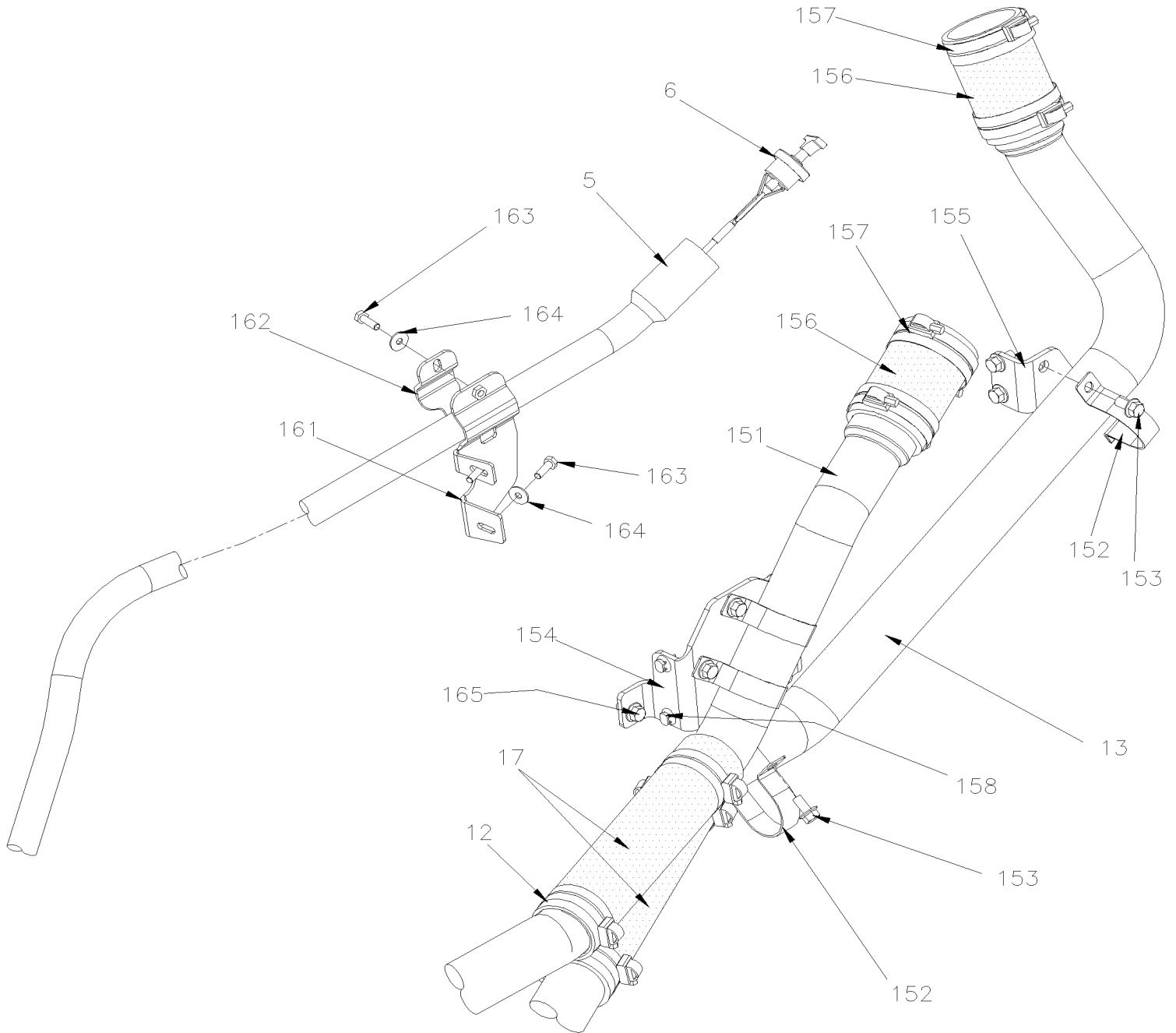


From E-5490 To H-6179

Date:07/2024

PAGE:X3VIP-0750-00

AUTOMATIC TRANSMISSION - "WORLD" WITH VOLVO D13



WITH EPA 2010
FROM B-5002



From E-5490 To H-6179 Date:07/2024 PAGE:X3VIP-0750-00

AUTOMATIC TRANSMISSION - "WORLD" WITH VOLVO D13

Item#	Part	Description	X 3 V I P E N T	X 3 V I P M T H	NOTES
		THE NEXT FOLLOWING TRANSMISSION W/O RETARDER			
	572138	TRANSMISSION ASSY B500 / GEN V	1		
	572136	TRANSMISSION ASSY4000MH / GEN V		1	
		THE NEXT FOLLOWING TRANSMISSION W/RETARDER			
	572139	TRANSMISSION ASSY B500R / GEN V	1		
	572137	TRANSMISSION ASSY4000MH R / GEN V		1	
		TRANSMISSION ASSY SEE ABOVE			
NS	683276	GREASE LOW TEMPERATURE 450GR To G-5950	AR	AR	
NS	685371	GREASE / GREY BLACK MOBIL XHP 222 SPECIAL 400 g From G-5951	AR	AR	
NS	20788933	SPACER FLY WHEEL HOUSING 21MM	1	1	
NS	684016	OIL TRANSYND TRANSMISSION "WORLD"	AR	AR	
2	504602	CLAMP / 1" I.D. X .375 HOLE	2	2	
3	571662	GROMMET RUBBER / TUBE & TRANS	1	1	
4	502513	SCREW TP CAP HEX 5/16x1 Z050	1	1	
5	071656	TUBE DIPSTICK ASSY	1	1	
6	572147	TRANS DIPSTICK 2385.7MM	1	1	
NS	071249	DECAL "TranSynd OIL ONLY" / ENGLISH & FRANCAIS To E-5759	1	1	
6	071687	DECAL "TranSynd OIL ONLY" / ENGLISH & FRANCAIS From F-5760	1	1	
NS	071364	DECAL "TranSynd OIL ONLY" / ENGLISH & SPANISH To E-5759	1	1	
6	071688	DECAL "TranSynd OIL ONLY" / ENGLISH & SPANISH From F-5760	1	1	
7	071641	SUPPORT / TUBE DIPSTICK To E-5626	1	1	
7	071685	SUPPORT / TUBE DIPSTICK From E-5627	1	1	
8	20953751	SCREW CAP HEXF 7/16-14x2 1/4 G8 MAGNI 565	12	12	
9	8397499	WASHER FL HARD .468x.937x.187 ZP	12	12	
10	Refer To Volvo	FLEXPLATE	1	1	V
11	5001217	SCREW CAP HEX M8-1.25x20 G10.9	12	12	
12	504754	HOSE CLAMP / 1"3/4-2"5/8 / C.T. 250 To F-5812	AR	AR	
12	992088	HOSE CLAMP / 50MM/70MM From F-5813	AR	AR	
13	019225	PIPE / THERMOSTAT HOUSING & OIL COOLER To E-5759	1	1	
13	071696	PIPE / THERMOSTAT HOUSING & OIL COOLER From F-5760	1	1	
14	012551	"U" CLAMP OFFSET 51MM I.D.	2	2	
15	5001780	SCREW CAP HEXF M8-1.25x16 G8.8 N500	2	2	
16	500321	WASHER BEL SPR .331x.827x.098 N500	2	2	
17	071429	HOSE SILICONE 4PLY 2" I.D. x 254 MM	2	2	
17	503784	. HOSE SILICONE 4 PLY / NOMEX-ARAMID 2" I.D. x 12'	AR	AR	
19	X3VIP-0620-50	REAR JUNCTION BOX ASSY			
21	071517	PIPE 2" O.D. INLET x 2 3/4" O.D. OUTLET	1	1	
22	071268	HOSE SILICONE 4 PLY 2 3/4" I.D X 84MM	1	1	



From E-5490 To H-6179	Date:07/2024	PAGE:X3VIP-0750-00
AUTOMATIC TRANSMISSION - "WORLD" WITH VOLVO D13		

Item#	Part	Description	X 3 V I P E N T	X 3 V I P M T H	N O T E S
22	503787	. HOSE SILICONE 4 PLY / NOMEX-ARAMID 2 3/4" I.D. x 6'	AR	AR	
23	504562	HOSE CLAMP / 2"3/4-3"5/8 / C.T. 350 To F-5809	4	4	
23	992090	HOSE CLAMP / 70MM/90MM From F-5810	8	8	
24	571769	OIL COOLER "MODINE" / SINGLE To G-6080	1	1	
24	570014	OIL COOLER "MODINE" / SINGLE / SS From G-6080	1	1	
25	052898	ELBOW 90° X 2 3/4" I.D. / 110MM x 110MM C/C / SILICONE To F-5809	1	1	
25	053696	ELBOW 90° X 2 3/4" I.D. / 110MM x 110MM C/C / SILICONE ARAMID From F-5810	1	1	
26	071516	PIPE 2 3/4" I.D. INLET x 2" O.D. OUTLET To E-5759	1	1	
26	071693	PIPE 2 3/4" I.D. INLET x 2" O.D. OUTLET From F-5760 To G-6083	1	1	
27	071407	SUPPORT HOSE	1	1	
28	501037	MALE ELBOW 90° / SAE 45° FITTING / #4FL-Mx1/4NPT-M BR To G-6083	1	1	
29	501305	PLUG SQUARE HEAD / PIPE FITTING / 3/8NPT-M BR	1	1	
30	5001304	SCREW TC CAP HEXW SLT #12-24x5/8 ZP	1	1	
40	5001917	MALE ELBOW 90° / JIC 37° FITTING / #16JIC-Mx#16ORB-M STL VITON	1	1	
41	053585P	HOSE ASSY TEFLON #4 1850MM To G-6083	1	1	
. NS	503064	. HOSE TEFLON #4 / S.L. To G-6083	AR	AR	
. NS	5011182	. FEMALE CONNECTOR SWIVEL / SAE 45° FITTING / #4FL-Fx#4 STL To G-6083	2	2	
. NS	5011183	. SLEEVE / #4 STL To G-6083	2	2	
42	071566	HOSE ASSY / #16 725MM	1	1	
43	071567	HOSE ASSY / #16 1045MM	1	1	
NS	071511	PROTECTOR RUBBER CABLE HARNESS & HOSES	1	1	
NS	071702	PROTECTOR RUBBER CABLE HARNESS & HOSES WITH SHORT DIPSTICK From E-5718	1	1	S
44	5001917	MALE ELBOW 90° / JIC 37° FITTING / #16JIC-Mx#16ORB-M STL VITON	2	2	
49	5011065	MALE ELBOW 90° / JIC 37° FITTING / #20JIC-Mx#20ORB-M STL VITON	1	1	
52	5011065	MALE ELBOW 90° / JIC 37° FITTING / #20JIC-Mx#20ORB-M STL VITON	4	4	
53	5001918	MALE ELBOW 90° LONG / JIC 37° FITTING / #20JIC-Mx#20ORB-Mx4.41 STL VIT	1	1	
56	071595	HOSE ASSY / #20 493MM	1	1	
57	071672	SUPPORT ACCUMULATOR			
58	572030	ACCUMULATOR & SOLENOID / GEN IV	1	1	
60	952637	CLAMP / 1"1/16 I.D.	AR	AR	
60	952641	CLAMP P STL ZP RUB 34.9 ID	AR	AR	
62	500574	SCREW MA TR PH #10-24x1 1/4 SS To E-5651	2	2	
62	500964	WASHER FL .203x.500x.047 Z050 To E-5651	2	2	
62	500470	WASHER LO SPT .193x.334x.047 Z050 To E-5651	2	2	
62	5001730	SCREW CAP HEXF M6-1.0x16 G10.9 N500 From E-5652	2	2	
63	500574	SCREW MA TR PH #10-24x1 1/4 SS To E-5651	1	1	
63	500964	WASHER FL .203x.500x.047 Z050 To E-5651	1	1	
63	500470	WASHER LO SPT .193x.334x.047 Z050 To E-5651	1	1	
63	500786	NUT HEX #10-24 Z050 To E-5651	1	1	
63	5001815	SCREW CAP HEXF M6-1.0x30 G 8.8 N500 From E-5652	2	2	
64	500786	NUT HEX #10-24 Z050 To E-5651	1	1	



From E-5490 To H-6179	Date:07/2024	PAGE:X3VIP-0750-00
AUTOMATIC TRANSMISSION - "WORLD" WITH VOLVO D13		

Item#	Part	Description	X 3 V I P E N T	X 3 V I P M T H	N O T E S
64	5001932	NUT HEXF NYRT M6-1.0 G8.8 N500 From E-5652	1	1	
67	500942	WASHER LO SPT 8.1x14.8x2.0 N500	1	1	
68	502862	SCREW CAP HEX M8-1.25x20 G8.8 N500	1	1	
69	504601	CLAMP / 5/16" I.D. x .375 HOLE	1	1	
70	X3VIP-0625-00	FRONT JUNCTION PANEL			
71	562357	RESISTANCE MODULE	1	1	
72	562381	RESISTANCE MODULE	1	1	
74	070902	PRESSURES SWITCH ASSY W/MANIFOLD To F-5812	1	1	
74	071709	PRESSURES SWITCH ASSY W/MANIFOLD From F-5813	1	1	
75	070903	. MANIFOLD	1	1	
76	640999	. MALE ELBOW 90° / NTA FITTING / #6x1/4NPT-M BR	1	1	
77	501800	. PLUG HEXS / PIPE FITTING / 1/4NPT-M STL	1	1	
78	562358	. PRESSURE SWITCH N.O. 2PSI / 1/8NPT	1	1	
79	562384	. PRESSURE SWITCH N.O. 4PSI / 1/8NPT	1	1	
80	562385	. PRESSURE SWITCH N.O. 7PSI / 1/8NPT	1	1	
81	5001741	SCREW CAP HEXF M10-1.5x30 G8.8 N500	5	5	
82	5001727	NUT HEXF NYRT M10-1.5 N500 To E-5651	6	6	
82	5001930	NUT HEXF NYRT M10-1.5 N500 G10.9 From E-5652	6	6	
83	507664	CABLE TIE / 3/16" 11" / DOUBLE LOOP HEAD	AR	AR	
90	071500	HOSE ASSY / #4 610MM	1	1	
. A	071167	. FEMALE CONNECTOR / HOSE BARB @ METRIC / #4x M10-1.5-F BR	1	1	
. B	5011303	. FEMALE ELBOW 90° SWIVEL / PUSH-LOK FITTING / #4FL-Fx#4 BR	1	1	
. C	503706	. HOSE FC-332-4 #4	AR	AR	
92	5001834	WASHER BEL SPR 10.5X23X2.5 N500	3	3	
93	571763	BREATHER	1	1	
95	071403	SUPPORT CABLE HARNESS / W/1 HOLE & 1 STUD / GEN IV To H-6096	1	1	
95	071733	SUPPORT CABLE HARNESS / W/1 HOLE & 1 STUD From H-6097	1	1	
96A	500829	SCREW CAP HEX M10-1.5x40 G8.8	1	1	
96B	5001834	WASHER BEL SPR 10.5X23X2.5 N500	1	1	
96C	5001930	NUT HEXF NYRT M10-1.5 N500 G10.9	1	1	
97	071497	MALE CONNECTOR / SAE 45° @ METRIC / #4FL-Mx M10-1.5 M BR	1	1	
99	071674	SUPPORT OIL COOLER W/O RETARDER To G-5986	1	1	
99	071713	SUPPORT OIL COOLER W/O RETARDER From G-5987	1	1	
101	641376	MALE ELBOW 90° NON-SWIVEL / PUSH-IN FITTING / #8x3/8NPT-M BR	1	1	
102	641376	MALE ELBOW 90° NON-SWIVEL / PUSH-IN FITTING / #8x3/8NPT-M BR To E-5624	1	1	
102	641368	MALE ELBOW 45° NON-SWIVEL / PUSH-IN FITTING / #8x3/8NPT-M BR From E-5625	1	1	
103	503488	TUBE, NYLON 1/2 O.D. / BLACK S.L./	AR	AR	
104	071484	SUPPORT SOLENOID To E-5624	1	1	
104	071690	SUPPORT SOLENOID From E-5625	1	1	
105	5001347	SCREW CAP HEX M8-1.25x70 SS	2	2	
106	500942	WASHER LO SPT 8.1x14.8x2.0 N500	2	2	
107	571708	VALVE SOLENOID 12V	1	1	



From E-5490 To H-6179 Date:07/2024 PAGE:X3VIP-0750-00

AUTOMATIC TRANSMISSION - "WORLD" WITH VOLVO D13

Item#	Part	Description	X 3 V I P E N T	X 3 V I P M T H	NOTES
108	071658P	HOSE ASSY TEFLON #6 270MM To G-6069	1	1	
. NS	5011194	. FEMALE CONNECTOR SWIVEL / JIC 37° FITTING / TEFLON / #6JIC-Fx#6 STL To G-6069	2	2	
. NS	503065	. HOSE TEFLON #6 / S.L. To G-6069	AR	AR	
108	070052	HOSE ASSY TEFLON #6 270MM From G-6070	1	1	
. NS	5011194	. FEMALE CONNECTOR SWIVEL / JIC 37° FITTING / TEFLON / #6JIC-Fx#6 STL From G-6070	2	2	
. NS	503065	. HOSE TEFLON #6 / S.L. From G-6070	AR	AR	
110	500213	SCREW CAP HEX 1/2-13x1 G5 Z050	4	4	
111	500482	WASHER LO SPT .506x.873x.125 Z050	4	4	
112	560384	PLASTIC TUBING / 3/8" / CLEAR	AR	AR	
113	5011112	FEMALE ELBOW 90° / JIC 37° FITTING / #6JIC-Mx3/8NPT-F STL	1	1	
114	5001741	SCREW CAP HEXF M10-1.5x30 G8.8 N500	2	2	
115	5001834	WASHER BEL SPR 10.5X23X2.5 N500	2	2	
119	5001919	MALE ELBOW 90° LONG / JIC 37° FITTING / #16JIC-M x#16ORB-Mx3.72 STL VITON	2	2	
120	5011065	MALE ELBOW 90° / JIC 37° FITTING / #20JIC-Mx#20ORB-M STL VITON	2	2	
121	5001920	MALE CONNECTOR / JIC 37° FITTING / #16JIC-Mx#16ORB-M STL VITON	2	2	
125	X3VIP-0405-10	7TH INJECTOR / "AHI" / EXHAUST VOLVO D13			
128	5001741	SCREW CAP HEXF M10-1.5x30 G8.8 N500 To G-5925	4	4	
128	5001307	SCREW CAP HEXF M10-1.5x20 8.8 N500 From G-5926	4	4	
130	5001834	WASHER BEL SPR 10.5X23X2.5 N500	4	4	
131	5001834	WASHER BEL SPR 10.5X23X2.5 N500	2	2	
132	5001741	SCREW CAP HEXF M10-1.5x30 G8.8 N500	2	2	
134	071532	PIPE OIL COOLER 2" O.D. To E-5759	1	1	
134	071695	PIPE OIL COOLER 2" O.D. From F-5760	1	1	
135	071494	HOSE SILICONE 4PLY 2" I.D. 60MM	1	1	
135	503784	. HOSE SILICONE 4 PLY / NOMEX-ARAMID 2" I.D. x 12'	AR	AR	
136	572043	COOLER, OIL, DOUBLE CIRCUIT	1	1	
137	071530	PIPE OIL COOLER 2" O.D. To E-5759	1	1	
137	071694	PIPE OIL COOLER 2" O.D. From F-5760	1	1	
138	070070	KIT,ELBOW SUPPORT COOLING SYSTEM	1	1	A
. A	070069	. SUPPORT PIPE, TRANSMISSION OIL COOLER	1	1	A
. B	504050	. U-BOLT 2" I.D. x 3 1/4 x 1/4-20 GLV	1	1	A
. C	500877	. WASHER FL .250x.562x.065 N500	2	2	A
. D	502780	. SCREW CAP HEX M8-1.25x25 SS BK	2	2	A
. E	5001699	. WASHER BEL SPR 8.2x22x1.4 N500	2	2	A
139	071673	SUPPORT OIL COOLER W/RETARDER To G-5984	1	1	
139	070040	SUPPORT OIL COOLER W/RETARDER From G-5985	1	1	
140	500847	NUT HEX M10-1.5 N500 To E-5651	2	2	
140	5001834	WASHER BEL SPR 10.5X23X2.5 N500 To E-5651	2	2	
140	5001930	NUT HEXF NYRT M10-1.5 N500 G10.9 From E-5652	2	2	
141	071591	PIPE OIL COOLER 2" O.D.	1	1	
142	071533	ELBOW 90° X 2" I.D. / 114.3MM x 101.2MM C/C / SILICONE	1	1	
143	071493	HOSE SILICONE 4PLY 2" I.D. 110MM	1	1	



From E-5490 To H-6179	Date:07/2024	PAGE:X3VIP-0750-00
AUTOMATIC TRANSMISSION - "WORLD" WITH VOLVO D13		

Item#	Part	Description	X 3 V I P E N T	X 3 V I P M T H	N O T E S
143	503784	. HOSE SILICONE 4 PLY / NOMEX-ARAMID 2" I.D. x 12'	AR	AR	
144	071649P	HOSE ASSY / #16 466MM To G-6069	1	1	
144	070049	HOSE ASSY / #16 466MM From G-6070	1	1	
145	071648P	HOSE ASSY / #16 766MM To G-6069	1	1	
145	070048	HOSE ASSY / #16 766MM From G-6070	1	1	
146	071650P	HOSE ASSY / #20 1083MM To G-6069	1	1	
146	070050	HOSE ASSY / #20 1083MM From G-6070	1	1	
147	071651P	HOSE ASSY / #20 649MM To G-6069	1	1	
147	070051	HOSE ASSY / #20 649MM From G-6070	1	1	
NS	071510	PROTECTOR RUBBER CABLE HARNESS & HOSES	1	1	
148	071589	PROTECTOR OIL COOLER \	1	1	
149	500411	WASHER FL .260x.697x.050 SS	3	3	
150	502848	SCREW TC CAP HEXF 1/4-20x3/4 N500	3	3	
151	019226	PIPE / OIL COOLER TO HOSE REDUCER To E-5759	1	1	
151	071697	PIPE / OIL COOLER TO HOSE REDUCER From F-5760	1	1	
152	012551	"U" CLAMP OFFSET 51MM I.D.	4	4	
153	5001780	SCREW CAP HEXF M8-1.25x16 G8.8 N500	AR	AR	
154	012668	SUPPORT OIL COOLER PIPE	1	1	
155	012358	SUPPORT OIL COOLER PIPE	1	1	
156	071660	HOSE / SILICONE W/NOMEX 2 3/8" I.D. 98MM	1	1	
157	504561	HOSE CLAMP / 2"1/4-3"1/8 / C.T. 300 To E-5759	AR	AR	
157	992089	HOSE CLAMP / 60MM/80MM From F-5760	AR	AR	
158	509815	TIE MOUNT / ATTACHMENT W/TREE MOUNT	2	2	
158	504637	CABLE TIE / 3/16" x 13"	2	2	
161	071640	SUPPORT / TUBE DIPSTICK	1	1	
162	071487	ATTACHMENT DIPSTICK TUBE W1 HOLE & HOCK	1	1	
163	502830	SCREW CAP HEX M6-1.0x20 G8.8 N500	3	3	
164	5001833	WASHER BEL SPR 6.1x18x1.27 SS	3	3	
165	5001745	SCREW CAP HEX M8-1.25x25 G8.8 N500	3	3	
166	500321	WASHER BEL SPR .331x.827x.098 N500	3	3	
171	501305	PLUG SQUARE HEAD / PIPE FITTING / 3/8NPT-M BR	1	1	
172	1675641	NIPPLE / QUICK DISCONNECT "VOLVO" / 1/2NPT-M	1	1	
. NS	V476279	. DUST CAP / QUICK DISCONNECT "VOLVO" /	1	1	
. NS	507666	. DUST CAP / QUICK DISCONNECT "VOLVO" /	1	1	
173	507666	DUST CAP / QUICK DISCONNECT "VOLVO" /	1	1	
181	071097	PROTECTOR SUPPORT SS 102MM X 90MM	1	1	
182	079022	PROTECTOR SUPPORT SS "V" SHAPE 74MM HIGH	1	1	
183	071581	SUPPORT CABLE HARNESS	1	1	
184	066209	CABLE HARNESS / SENSOR WTEC W/OUT RETARDER / MUX To H-6096	1	1	
184	069508	CABLE HARNESS / SENSOR WTEC W/OUT RETARDER From H-6097	1	1	
184	066797	CABLE HARNESS / SENSOR WTEC W/RETARDER / MUX To H-6096	1	1	



From E-5490 To H-6179 Date:07/2024 PAGE:X3VIP-0750-00

AUTOMATIC TRANSMISSION - "WORLD" WITH VOLVO D13

Item#	Part	Description	X 3 V I P E N T	X 3 V I P M T H	NOTES
184	069509	CABLE HARNESS / SENSOR WTEC W/RETARDER From H-6097	1	1	
185	065398	SUPPORT RETARDER TEMPERATURE SENSOR	1	1	
186	500344	SCREW MA RND PH M4-0.7x12 Z050 To E-5651	1	1	
186	502524	NUT HEX M4-0.7 Z050 To E-5651	1	1	
186	5001730	SCREW CAP HEXF M6-1.0x16 G10.9 N500 From E-5652	1	1	
187	502636	WASHER LO SPT 4.1x7.6x0.9 Z050 To E-5651	1	1	
187	5001833	WASHER BEL SPR 6.1x18x1.27 SS From E-5652	1	1	
188	504637	CABLE TIE / 3/16" x 13"	AR	AR	
200	572050	TRANSMISSION FILTER / MAINTENANCE KIT	1	1	
. NS	571692	. O-RING / (LARGE SQUARE CUT)	2	2	
. NS	571693	. O-RING / (SMALL)	2	2	
. NS	571694	. O-RING / DRAIN PLUG	2	2	
. NS	571695	. DRAIN PLUG ASSY W/O-RING	1	1	
201	N.S.S.	. FILTER	1	1	1
202	571692	. O-RING / (LARGE SQUARE CUT)	2	2	
203	571693	. O-RING / (SMALL)	2	2	
204	571694	. O-RING / DRAIN PLUG	2	2	
205	571695	. DRAIN PLUG ASSY W/O-RING	1	1	
205	684016	OIL TRANSYND TRANSMISSION "WORLD"	AR	AR	
206	N.S.P.	COVER FILTER / (29507434)	2	2	2
207	N.S.P.	BOLT M10-1.5 x 55M / (2954186)	AR	AR	2
208	N.S.P.	YOKE (1810) HALF ROUND (29511516/6.5-4-4521-1)	1	1	2
208	N.S.P.	STRAP LOCK PLATE	1	1	2
208	N.S.P.	BOLT M10-1.5 X 30MM GR 10.9	2	2	2
208	N.S.P.	SEAL OUTPUT / (29515621)	1	1	2
		A) FOR PROCUCT IMPROVMENT			
		S) USE WITH SHORT DIPSTICK			
		1) NOT SOLD SEPARATELY			
		2) NOT SOLD BY PREVOST (SEE MANUFACTURING PART NUMBER AT END OF DESCRIPTION LINE)			
		V) SEE IMPACT OR CALL ORDER DESK			

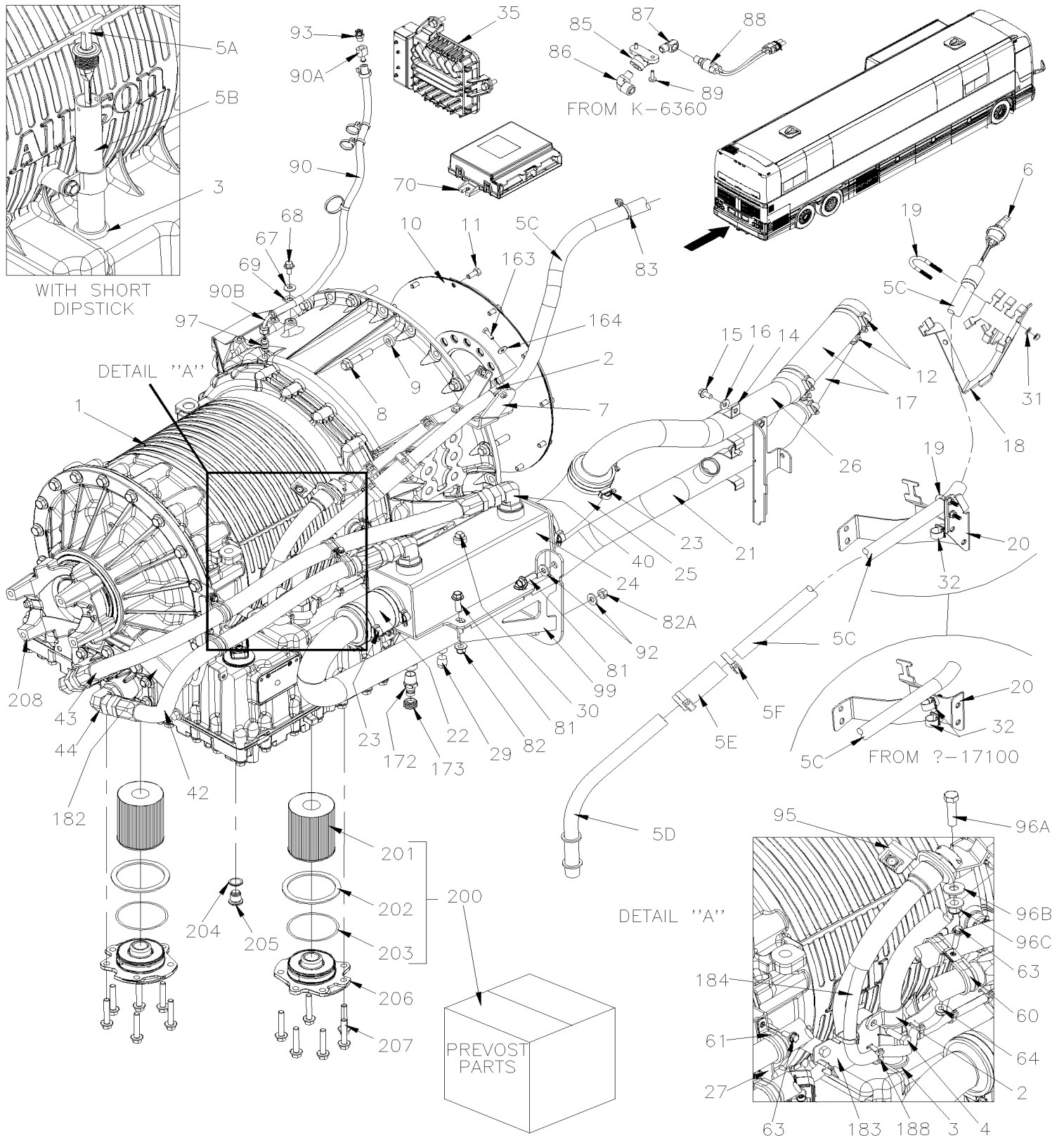


From H-6180

Date:07/2024

PAGE:X3VIP-0750-01

AUTOMATIC TRANSMISSION - "WORLD" WITH VOLVO D13 - GHG17



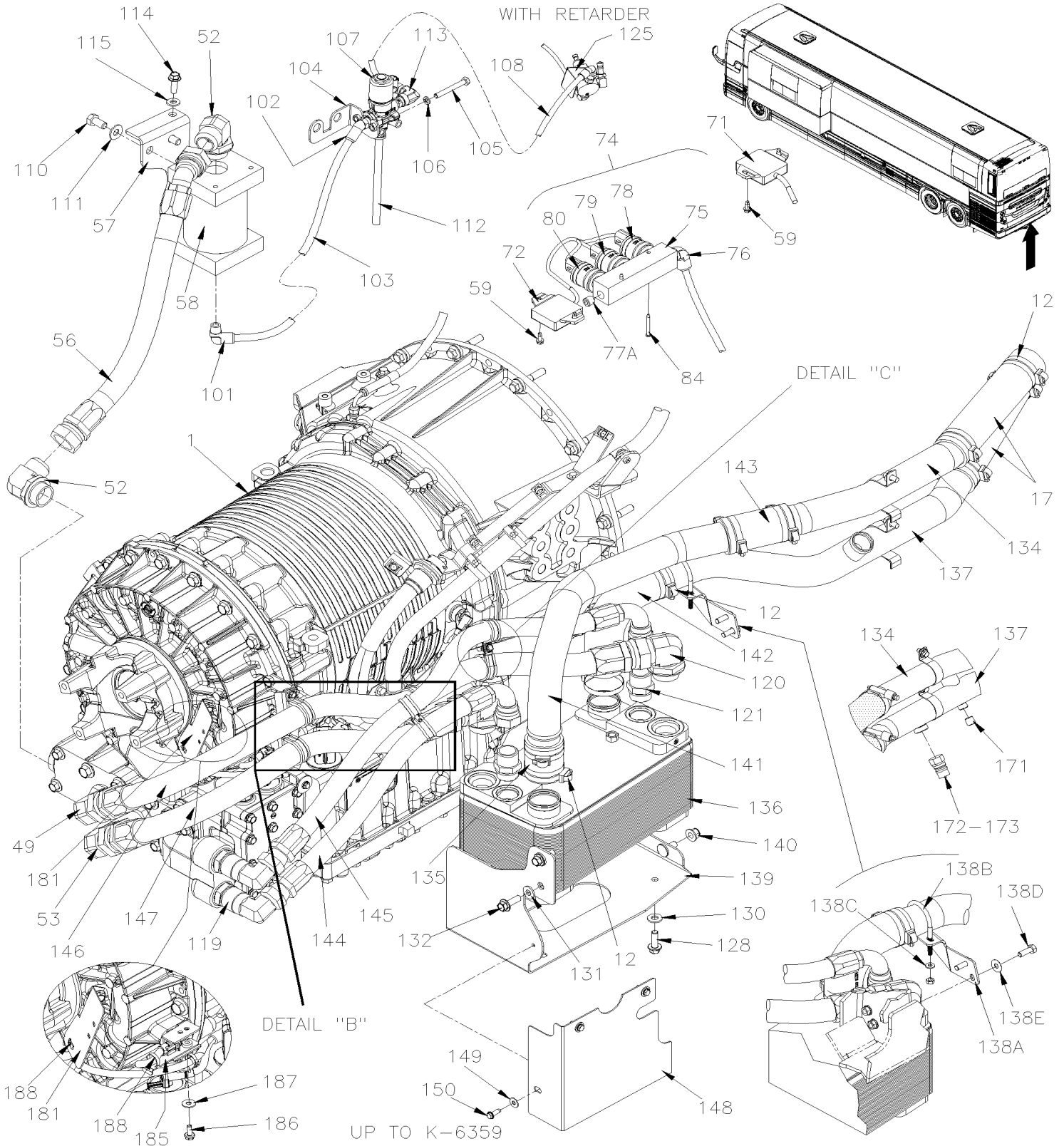


From H-6180

Date:07/2024

PAGE:X3VIP-0750-01

AUTOMATIC TRANSMISSION - "WORLD" WITH VOLVO D13 - GHG17



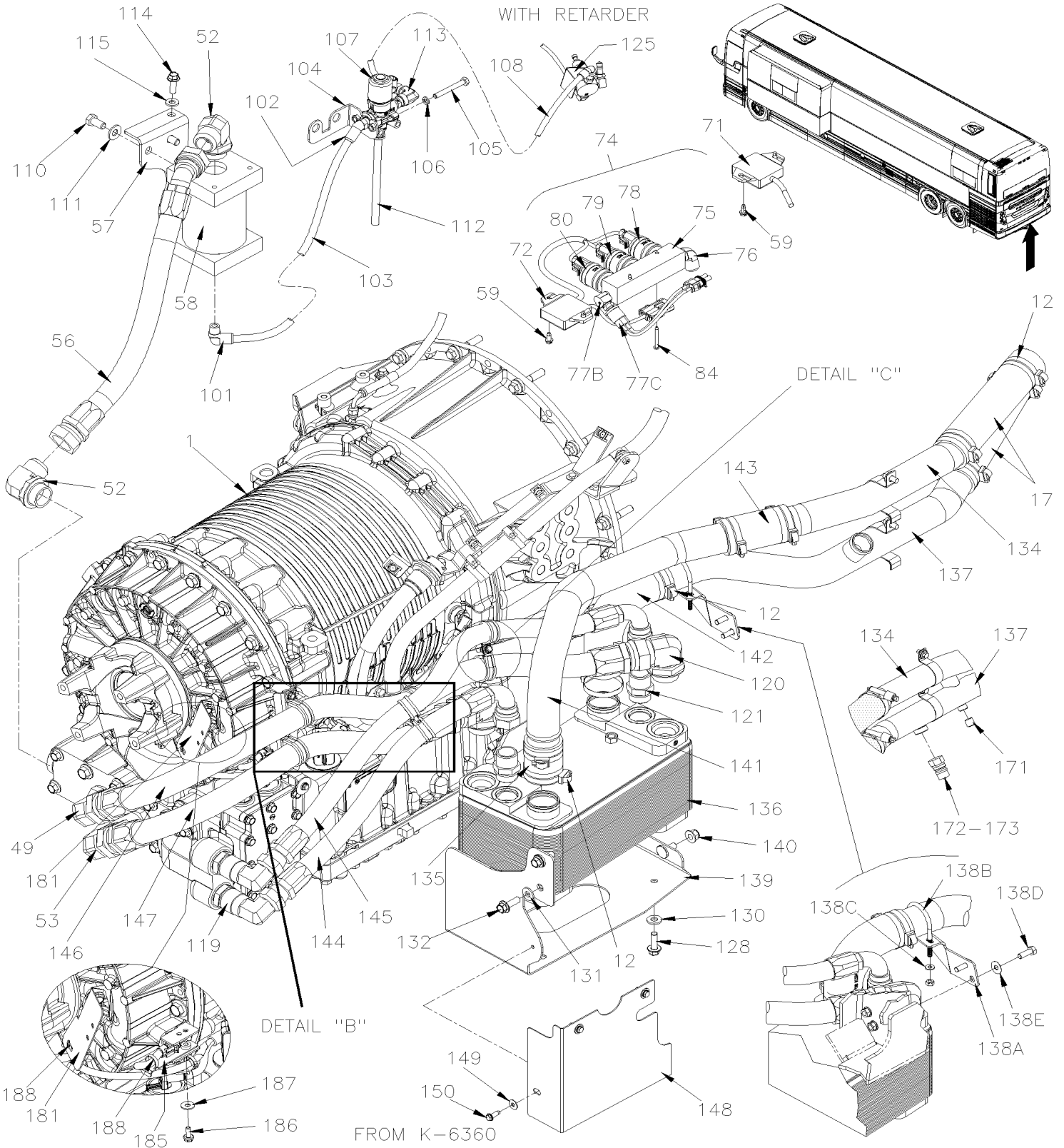


From H-6180

Date:07/2024

PAGE:X3VIP-0750-01

AUTOMATIC TRANSMISSION - "WORLD" WITH VOLVO D13 - GHG17



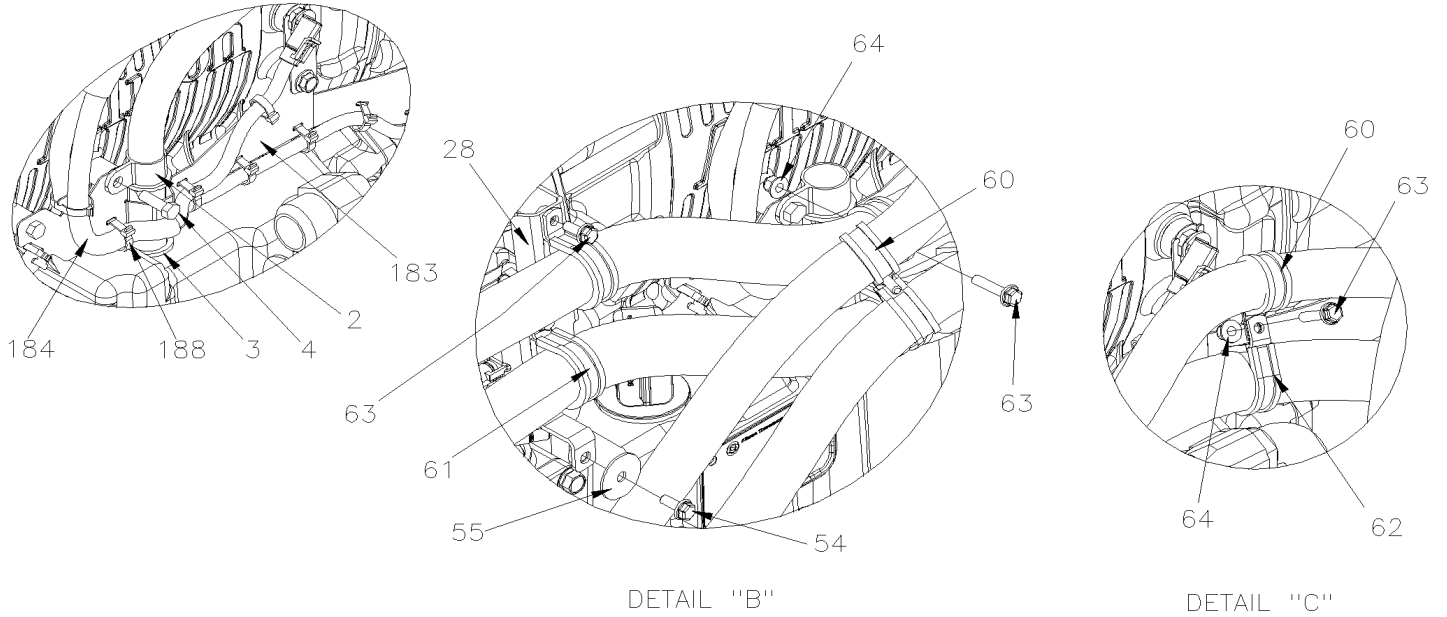


From H-6180

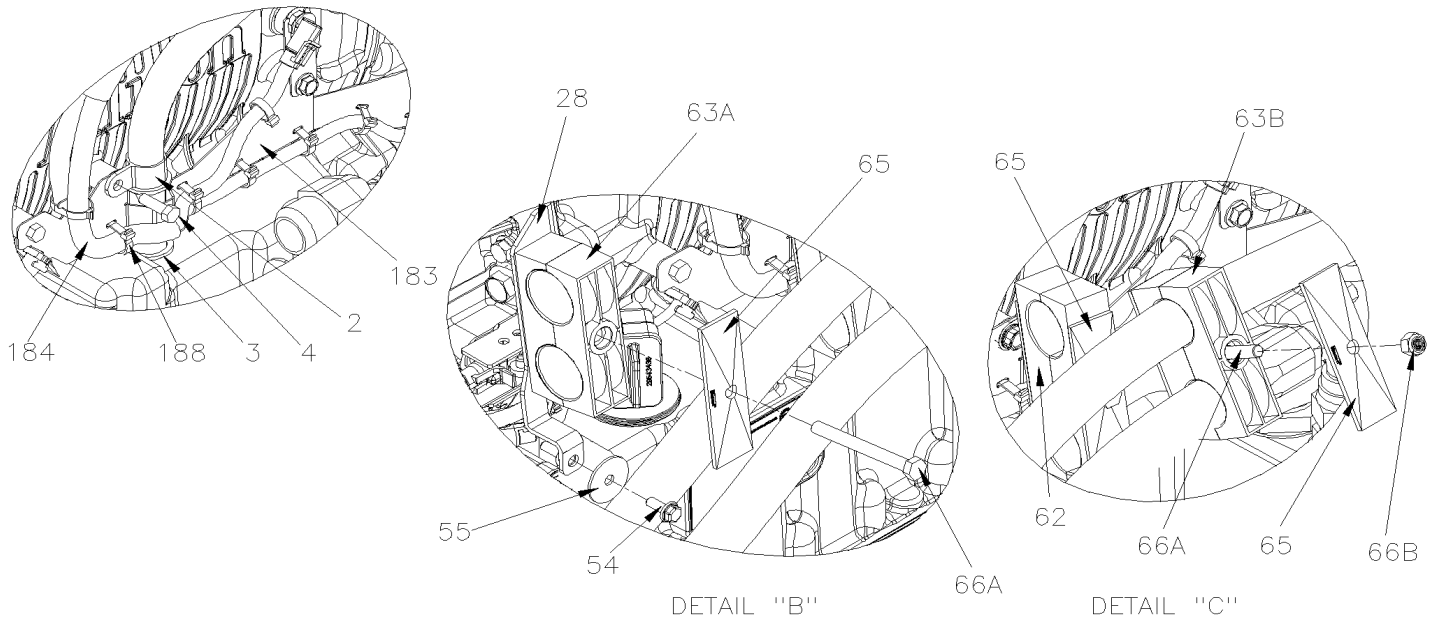
Date:07/2024

PAGE:X3VIP-0750-01

AUTOMATIC TRANSMISSION - "WORLD" WITH VOLVO D13 - GHG17



UP TO ?-18003



FROM ?-18003

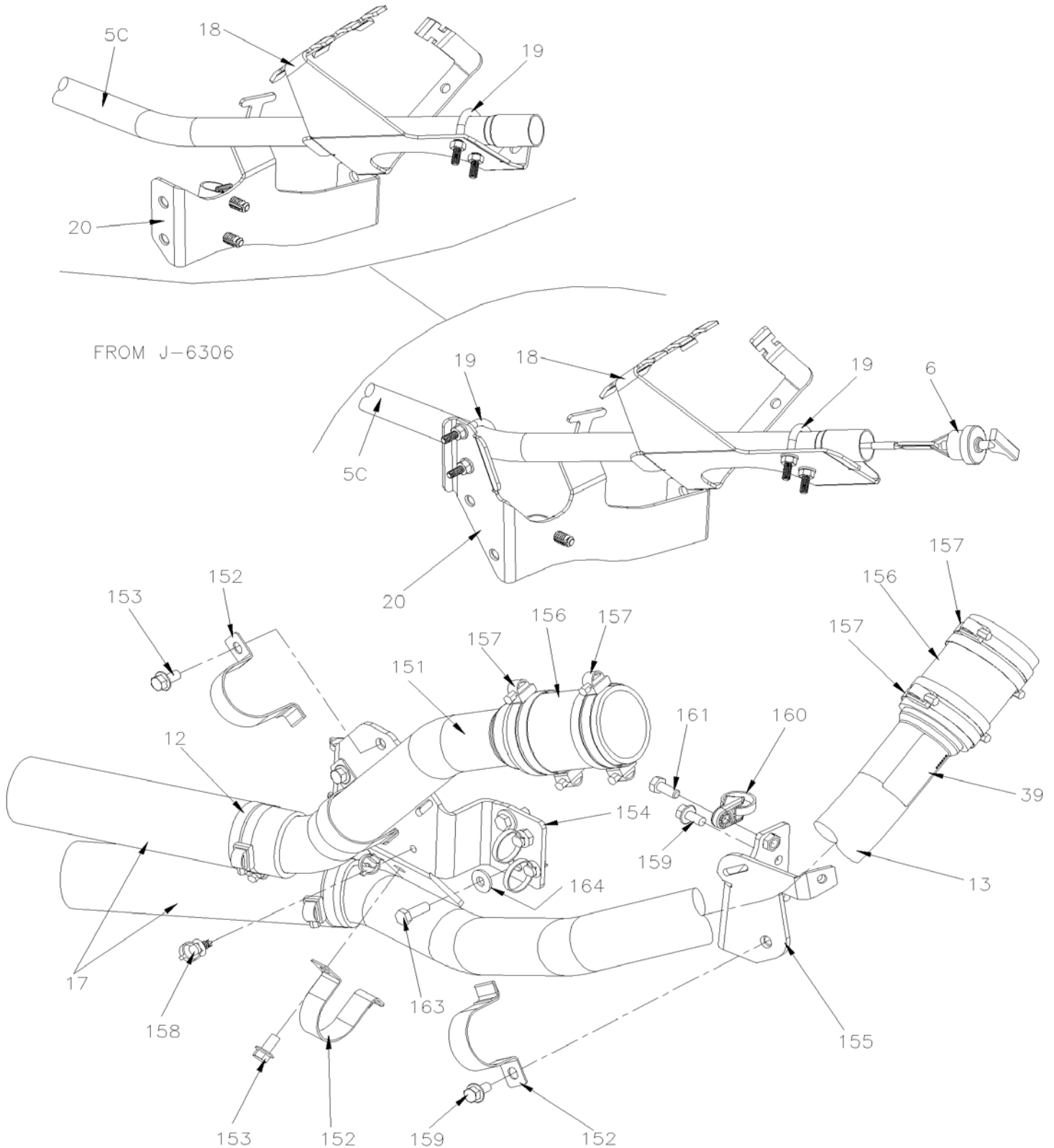


From H-6180

Date:07/2024

PAGE:X3VIP-0750-01

AUTOMATIC TRANSMISSION - "WORLD" WITH VOLVO D13 - GHG17





From H-6180		Date:07/2024	PAGE:X3VIP-0750-01
AUTOMATIC TRANSMISSION - "WORLD" WITH VOLVO D13 - GHG17			

Item#	Part	Description	X 3 V I P E N T	X 3 V I P M T H	N O T E S
		THE NEXT FOLLOWING TRANSMISSION W/O RETARDER			
	572138	TRANSMISSION ASSY B500 / GEN V To N-6738	1		
	570107	TRANSMISSION ASSY B500 / GEN VI From N-6739	1		
	570188	TRANSMISSION ASSY B500 / GEN VI / W/EXTENDED WARRANTY From P-6895	1		
	572136	TRANSMISSION ASSY4000MH / GEN V To N-6738		1	
	570099	TRANSMISSION ASSY4000MH / GEN VI From N-6739		1	
		THE NEXT FOLLOWING TRANSMISSION W/RETARDER			
	572139	TRANSMISSION ASSY B500R / GEN V To N-6738	1		
	570108	TRANSMISSION ASSY B500 / GEN VI From N-6739	1		
	570187	TRANSMISSION ASSY B500 / GEN VI / W/EXTENDED WARRANTY From P-6895	1		
	572137	TRANSMISSION ASSY4000MH R / GEN V To N-6738		1	
	570106	TRANSMISSION ASSY4000MH R / GEN VI From N-6739		1	
		TRANSMISSION ASSY SEE ABOVE			
NS	685371	GREASE / GREY BLACK MOBIL XHP 222 SPECIAL 400 g	AR	AR	
NS	20788933	SPACER FLY WHEEL HOUSING 21MM	1	1	
NS	684016	OIL TRANSYND TRANSMISSION "WORLD" To N-6677	AR	AR	
NS	685391	OIL TRANSYND TRANSMISSION "WORLD" From N-6678	AR	AR	
2	504602	CLAMP / 1" I.D. X .375 HOLE	2	2	
3	571662	GROMMET RUBBER / TUBE & TRANS	1	1	
4	502513	SCREW TP CAP HEX 5/16x1 Z050	1	1	
5A	572158	TRANS DIPSTICK SHORT	1	1	S
5B	572159	TUBE DIPSTICK SHORT	1	1	S
. NS	7770111	. FILL TUBE KIT	1	1	S
5C	070053	PIPE, TRANSMISSION DIPSTICK 1729MM To L-6631	1	1	
5C	070028	PIPE, TRANSMISSION DIPSTICK 1729MM From L-6632 To R-6907	1	1	
5C	070001	PIPE, TRANSMISSION DIPSTICK 1729MM SS304 From R-6908	1	1	
5C	070001	PIPE, TRANSMISSION DIPSTICK 1729MM SS304 To R-6907	1	1	C
5D	071714	PIPE, TRANSMISSION DIPSTICK	1	1	
5E	503788	HOSE SILICONE 4 PLY / NOMEX-ARAMID 1" I.D. x 54"	AR	AR	
5F	992084	HOSE CLAMP / 23MM/35MM	2	2	
6	070055	TRANS DIPSTICK 2328.5 MM	1	1	
6	071687	DECAL "TranSynd OIL ONLY" / ENGLISH & FRANCAIS	1	1	
6	071688	DECAL "TranSynd OIL ONLY" / ENGLISH & SPANISH	1	1	
7	071722	SUPPORT / TUBE DIPSTICK	1	1	
8	5001764	SCREW CAP HEXF 7/16-14x2 1/4 G8 N500	12	12	
9	5001792	WASHER FL HARD .468x.937x.187 Z050	12	12	
10	Refer To Volvo	FLEXPLATE	1	1	V
11	5001217	SCREW CAP HEX M8-1.25x20 G10.9	12	12	



From H-6180		Date:07/2024	PAGE:X3VIP-0750-01
AUTOMATIC TRANSMISSION - "WORLD" WITH VOLVO D13 - GHG17			

Item#	Part	Description	X 3 V I P E N T	X 3 V I P M T H	N O T E S
12	992088	HOSE CLAMP / 50MM/70MM	AR	AR	
13	071712	PIPE / THERMOSTAT HOUSING & OIL COOLER	1	1	
13	071735	PIPE / THERMOSTAT HOUSING & OIL COOLER SS304	1	1	C
14	012551	"U" CLAMP OFFSET 51MM I.D.	2	2	
15	5001780	SCREW CAP HEXF M8-1.25x16 G8.8 N500	2	2	
16	500321	WASHER BEL SPR .331x.827x.098 N500	2	2	
17	071429	HOSE SILICONE 4PLY 2" I.D. x 254 MM	2	2	
17	503784	. HOSE SILICONE 4 PLY / NOMEX-ARAMID 2" I.D. x 12'	AR	AR	
18	071715	BRACKET, TRANSMISSION DIPSTICK	1	1	
18	X3VIP-0510-01	SURGE TANK VOLVO D13 - GHG17			
19	504809	U-BOLT 1" I.D. x 2 x 1/4-20 GLV To J-6305	2	2	
19	504809	U-BOLT 1" I.D. x 2 x 1/4-20 GLV From J-6306	1	1	
20	053038	BRACKET, HOSE & DIPSTICK To J-6305	1	1	
20	050111	BRACKET, HOSE 275.5x165.7x48.5 MM From J-6306	1	1	
20	X3VIP-0510-01	SURGE TANK VOLVO D13 - GHG17			
21	071517	PIPE 2" O.D. INLET x 2 3/4" O.D. OUTLET	1	1	
22	071268	HOSE SILICONE 4 PLY 2 3/4" I.D X 84MM	1	1	
22	503787	. HOSE SILICONE 4 PLY / NOMEX-ARAMID 2 3/4" I.D. x 6'	AR	AR	
23	992090	HOSE CLAMP / 70MM/90MM	8	8	
24	570014	OIL COOLER "MODINE" / SINGLE / SS	1	1	
25	053696	ELBOW 90° X 2 3/4" I.D. / 110MM x 110MM C/C / SILICONE ARAMID	1	1	
26	070056	PIPE 2 3/4" I.D. INLET x 2" O.D. OUTLET	1	1	
26	071740	PIPE 2 3/4" I.D. INLET x 2" O.D. OUTLET SS304	1	1	C
27	071407	SUPPORT HOSE	1	1	A
28	071407	SUPPORT HOSE To M-6647	1	1	B
28	070022	SUPPORT HOSE From M-6648	1	1	B
29	501305	PLUG SQUARE HEAD / PIPE FITTING / 3/8NPT-M BR	1	1	
30	5001304	SCREW TC CAP HEXW SLT #12-24x5/8 ZP	1	1	
31	500877	WASHER FL .250x.562x.065 N500	4	4	
32	504750	CABLE TIE / 1/2" x 15" / CHRISTMAS TREE	1	1	
35	X3VIP-0620-51	REAR JUNCTION BOX ASSY VOLVO D13 - GHG17			
39	069356	DECAL "DO NOT POWER WASH ALTERNATORS" ENGLISH To L-6584	1	1	
39	0610176	DECAL "DO NOT POWER WASH ALTERNATORS" ENGLISH From L-6585	1	1	
39	0610181	DECAL "DO NOT POWER WASH ALTERNATORS" ENGLISH / FRANCAIS From L-6585	1	1	
40	5001917	MALE ELBOW 90° / JIC 37° FITTING / #16JIC-Mx#16ORB-M STL VITON	1	1	
42	071566	HOSE ASSY / #16 725MM	1	1	
43	071567	HOSE ASSY / #16 1045MM	1	1	
NS	071511	PROTECTOR RUBBER CABLE HARNESS & HOSES	1	1	
NS	071702	PROTECTOR RUBBER CABLE HARNESS & HOSES WITH SHORT DIPSTICK	1	1	S
44	5001917	MALE ELBOW 90° / JIC 37° FITTING / #16JIC-Mx#16ORB-M STL VITON	2	2	
49	5011065	MALE ELBOW 90° / JIC 37° FITTING / #20JIC-Mx#20ORB-M STL VITON	1	1	
52	5011065	MALE ELBOW 90° / JIC 37° FITTING / #20JIC-Mx#20ORB-M STL VITON	4	4	



From H-6180		Date:07/2024	PAGE:X3VIP-0750-01
AUTOMATIC TRANSMISSION - "WORLD" WITH VOLVO D13 - GHG17			

Item#	Part	Description	X 3 V I P E N T	X 3 V I P M T H	N O T E S
53	5001918	MALE ELBOW 90° LONG / JIC 37° FITTING / #20JIC-Mx#20ORB-Mx4.41 STL VIT To H-6197	1	1	
53	501074	MALE ELBOW 90° LONG / JIC 37° FITTING / #20JIC-M x#20ORB-Mx4.41 STL VITON From H-6198	1	1	
54	5001815	SCREW CAP HEXF M6-1.0x30 G 8.8 N500	1	1	
55	500913	WASHER FL .281x1.250x.065 N500	1	1	
56	071595	HOSE ASSY / #20 493MM	1	1	
57	071672	SUPPORT ACCUMULATOR			
58	572030	ACCUMULATOR & SOLENOID / GEN IV To M-6657	1	1	
58	570058	ACCUMULATOR & SOLENOID / GEN IV From M-6658	1	1	
59	5001245	SCREW TC CAP HEXW SLT #12-24x1/2 Z050	4	4	B
60	504778	CLAMP / SS / SILICONE RUBBER / 1 1/8" I.D. x .281 HOLE	AR	AR	
61	504004	CLAMP / SS / SILICONE RUBBER / 1 1/4" I.D. x .281 HOLE	AR	AR	
62	504785	CLAMP / SS / SILICONE RUBBER / 1 1/2" I.D. x .281 HOLE To M-6647	AR	AR	
62	070023	CLAMP DOUBLE / SPLIT BLOC / 37.2MMx37.2MM x 131MM POLYA From M-6648	2	2	
63	5001815	SCREW CAP HEXF M6-1.0x30 G 8.8 N500	4	4	
63A	504157	CLAMP DOUBLE ASS / SPLIT BLOC / 37.2MM/37.2MM x 106MM POLYA From M-6648	1	1	
63B	504163	CLAMP DOUBLE ASS / SPLIT BLOC / 32MM/32MM x 106MM POLYA From M-6648	1	1	
64	5001932	NUT HEXF NYRT M6-1.0 G8.8 N500	1	1	
65	504160	PLATE RETAINER 102MM SS From M-6648	5	5	
66A	5001185	SCREW CAP HEX M8-1.25x80 SS BK From M-6648	3	3	
66B	5001983	NUT HEX NYRT M8-1.25 SS SS BK From M-6648	2	2	
67	500321	WASHER BEL SPR .331x.827x.098 N500	1	1	
68	5001730	SCREW CAP HEXF M6-1.0x16 G10.9 N500	1	1	
69	504601	CLAMP / 5/16" I.D. x .375 HOLE To K-6367	1	1	
69	504072	CLAMP / 5/8" I.D. x .375 HOLE From K-6368	1	1	
70	X3VIP-0625-01	FRONT JUNCTION PANEL GHG17			
71	562357	RESISTANCE MODULE	1	1	
72	562381	RESISTANCE MODULE	1	1	
74	071709	PRESSURES SWITCH ASSY W/MANIFOLD To K-6359	1	1	B
74	070017	PRESSURES SWITCH ASSY W/MANIFOLD From K-6360	1	1	B
75	070903	. MANIFOLD	1	1	B
76	641372	. MALE ELBOW 90° NON-SWIVEL / PUSH-IN FITTING / #6x1/4NPT-M BR	1	1	B
77A	501800	. PLUG HEXS / PIPE FITTING / 1/4NPT-M STL To K-6359	1	1	B
77B	070013	. PRESSURE SWITCH ASSY From K-6360	1	1	B
. NS	950590	. . PRESSURE SWITCH N.O. 30-15 From K-6360	1	1	B
. NS	561690	. . CONNECTOR / WEATHER PACK / SH 2C / BLACK / PED 12015792 From K-6360	1	1	B
. NS	561578	. . SOCKET TERMINAL / 16-14 / PED 12010182 From K-6360	2	2	B
. NS	561840	. . CABLE SEAL / BLUE / PED 15324981 From K-6360	2	2	B
77C	501332	. STREET ELBOW 90° / PIPE FITTING / 1/4NPT-Mx1/4NPT-F BR From K-6360	1	1	B
78	562358	. PRESSURE SWITCH N.O. 2PSI / 1/8NPT	1	1	B
79	562384	. PRESSURE SWITCH N.O. 4PSI / 1/8NPT	1	1	B
80	562385	. PRESSURE SWITCH N.O. 7PSI / 1/8NPT	1	1	B
NS	680098	. THREAD SEALANT LOCTITE #567 / WHITE / 250ml	AR	AR	B



From H-6180		Date:07/2024	PAGE:X3VIP-0750-01
AUTOMATIC TRANSMISSION - "WORLD" WITH VOLVO D13 - GHG17			

Item#	Part	Description	X 3 V I P E N T	X 3 V I P M T H	N O T E S
81	5001741	SCREW CAP HEXF M10-1.5x30 G8.8 N500	5	5	
82	5001930	NUT HEXF NYRT M10-1.5 N500 G10.9	6	6	
82A	500847	NUT HEX M10-1.5 N500	1	1	
83	507664	CABLE TIE / 3/16" 11" / DOUBLE LOOP HEAD	AR	AR	
84	500508	SCREW TC PAN PH #10-32x1 1/2 Z050	2	2	
85	070015	PRESSURES SWITCH ASSY From K-6360	1	1	A
85	640643	. ANCHOR ELBOW / PIPE FITTING / 1/4NPT-Fx1/4NPT-F STL From K-6360	1	1	A
86	641372	. MALE ELBOW 90° NON-SWIVEL / PUSH-IN FITTING / #6x1/4NPT-M BR From K-6360	1	1	A
87	501332	. STREET ELBOW 90° / PIPE FITTING / 1/4NPT-Mx1/4NPT-F BR From K-6360	1	1	A
88	070013	. PRESSURE SWITCH ASSY From K-6360	1	1	A
. NS	950590	. . PRESSURE SWITCH N.O. 30-15 From K-6360	1	1	A
. NS	561690	. . CONNECTOR / WEATHER PACK / SH 2C / BLACK / PED 12015792 From K-6360	1	1	A
. NS	561578	. . SOCKET TERMINAL / 16-14 / PED 12010182 From K-6360	2	2	A
. NS	561840	. . CABLE SEAL / BLUE / PED 15324981 From K-6360	2	2	A
89	502526	SCREW TC BDG PH #12-24x3/4 Z050 From K-6360	2	2	A
90	071500	HOSE ASSY / #4 610MM To K-6367	1	1	
. A	071167	. FEMALE CONNECTOR / HOSE BARB @ METRIC / #4x M10-1.5-F BR To K-6367	1	1	
. B	5011303	. FEMALE ELBOW 90° SWIVEL / PUSH-LOK FITTING / #4FL-Fx#4 BR To K-6367	1	1	
. C	503706	. HOSE FC-332-4 #4 To K-6367	AR	AR	
90	070075	HOSE ASSY / #6 640 MM From K-6368	1	1	
. A	501085	. FEMALE CONNECTOR / HOSE BARB @ METRIC / #6x M10-1.5-F BR From K-6368	1	1	
. B	501118	. FEMALE ELBOW 90° SWIVEL / PUSH-LOK FITTING / #4FL-Fx#6 BR From K-6368	1	1	
. C	503728	. HOSE FC-332-6 #6 From K-6368	1	1	
92	5001834	WASHER BEL SPR 10.5X23X2.5 N500	5	5	
93	571763	BREATHER	1	1	
95	071721	SUPPORT, TRANSMISSION WIRING	1	1	
NS	504013	TIE MOUNT / 1/4" X 1/4" I.D.	AR	AR	
NS	504379	RIVET POP DOME OE 3/16x1/4 SS	AR	AR	
96A	500829	SCREW CAP HEX M10-1.5x40 G8.8	1	1	
96B	5001751	WASHER FL 10.5x26.0x2.0 N500	1	1	
96C	5001930	NUT HEXF NYRT M10-1.5 N500 G10.9	1	1	
97	071497	MALE CONNECTOR / SAE 45° @ METRIC / #4FL-Mx M10-1.5 M BR	1	1	
99	071713	SUPPORT OIL COOLER W/O RETARDER	1	1	
101	641376	MALE ELBOW 90° NON-SWIVEL / PUSH-IN FITTING / #8x3/8NPT-M BR	1	1	
102	641368	MALE ELBOW 45° NON-SWIVEL / PUSH-IN FITTING / #8x3/8NPT-M BR	1	1	
103	503488	TUBE, NYLON 1/2 O.D. / BLACK S.L./	AR	AR	
104	071690	SUPPORT SOLENOID	1	1	
105	5001347	SCREW CAP HEX M8-1.25x70 SS	2	2	
106	500942	WASHER LO SPT 8.1x14.8x2.0 N500	2	2	
107	571708	VALVE SOLENOID 12V	1	1	
108	070059	HOSE ASSY TEFLON #6 364MM	1	1	
. NS	503065	. HOSE TEFLON #6 / S.L.	AR	AR	



From H-6180		Date:07/2024	PAGE:X3VIP-0750-01
AUTOMATIC TRANSMISSION - "WORLD" WITH VOLVO D13 - GHG17			

Item#	Part	Description	X 3 V I P E N T	X 3 V I P M T H	N O T E S
. NS	5011193	. SLEEVE / #5 STL	2	2	
. NS	5011194	. FEMALE CONNECTOR SWIVEL / JIC 37° FITTING / TEFLON / #6JIC-Fx#6 STL	1	1	
. NS	5011195	. FEMALE ELBOW 90° SHORT DROP/ JIC 37° FITTING/ #6JIC-Fx#6 STL	1	1	
110	5001565	SCREW CAP HEX 1/2-13x1 G5 N500	4	4	
111	500967	WASHER BEL SPR .512x1.142x.098 N500	4	4	
112	560384	PLASTIC TUBING / 3/8" / CLEAR	AR	AR	
113	5011112	FEMALE ELBOW 90° / JIC 37° FITTING / #6JIC-Mx3/8NPT-F STL	1	1	
114	5001741	SCREW CAP HEXF M10-1.5x30 G8.8 N500	2	2	
115	5001834	WASHER BEL SPR 10.5X23X2.5 N500	2	2	
119	5001919	MALE ELBOW 90° LONG / JIC 37° FITTING / #16JIC-M x#16ORB-Mx3.72 STL VITON	2	2	
120	5011065	MALE ELBOW 90° / JIC 37° FITTING / #20JIC-Mx#20ORB-M STL VITON	2	2	
121	5001920	MALE CONNECTOR / JIC 37° FITTING / #16JIC-Mx#16ORB-M STL VITON	2	2	
125	X3VIP-0405-11	7TH INJECTOR / "AHI" / EXHAUST VOLVO D13 - GHG17			
128	5001307	SCREW CAP HEXF M10-1.5x20 8.8 N500	4	4	
130	5001834	WASHER BEL SPR 10.5X23X2.5 N500	4	4	
131	5001834	WASHER BEL SPR 10.5X23X2.5 N500	2	2	
132	5001741	SCREW CAP HEXF M10-1.5x30 G8.8 N500	2	2	
134	071695	PIPE OIL COOLER 2" O.D.	1	1	
134	071737	PIPE OIL COOLER 2" O.D.SS304	1	1	C
135	071494	HOSE SILICONE 4PLY 2" I.D. 60MM	1	1	
135	503784	. HOSE SILICONE 4 PLY / NOMEX-ARAMID 2" I.D. x 12'	AR	AR	
136	572043	COOLER, OIL, DOUBLE CIRCUIT	1	1	
137	071694	PIPE OIL COOLER 2" O.D.	1	1	
137	071739	PIPE OIL COOLER 2" O.D.SS304	1	1	C
138	070070	KIT,ELBOW SUPPORT COOLING SYSTEM From H-6202	1	1	
. A	070069	. SUPPORT PIPE, TRANSMISSION OIL COOLER From H-6202	1	1	
. B	504050	. U-BOLT 2" I.D. x 3 1/4 x 1/4-20 GLV From H-6202	1	1	
. C	500877	. WASHER FL .250x.562x.065 N500 From H-6202	2	2	
. D	502780	. SCREW CAP HEX M8-1.25x25 SS BK From H-6202	2	2	
. E	5001699	. WASHER BEL SPR 8.2x22x1.4 N500 From H-6202	2	2	
139	070040	SUPPORT OIL COOLER W/RETARDER	1	1	
140	5001930	NUT HEXF NYRT M10-1.5 N500 G10.9	2	2	
141	071591	PIPE OIL COOLER 2" O.D.	1	1	
141	071738	PIPE OIL COOLER 2" O.D.	1	1	C
142	071533	ELBOW 90° X 2" I.D. / 114.3MM x 101.2MM C/C / SILICONE	1	1	
143	071493	HOSE SILICONE 4PLY 2" I.D. 110MM	1	1	
143	503784	. HOSE SILICONE 4 PLY / NOMEX-ARAMID 2" I.D. x 12'	AR	AR	
144	070049	HOSE ASSY / #16 466MM	1	1	
145	070048	HOSE ASSY / #16 766MM	1	1	
146	070050	HOSE ASSY / #20 1083MM To M-6647	1	1	
146	070021	HOSE ASSY / #20 1148MM From M-6648	1	1	
147	070051	HOSE ASSY / #20 649MM	1	1	



From H-6180		Date:07/2024	PAGE:X3VIP-0750-01
AUTOMATIC TRANSMISSION - "WORLD" WITH VOLVO D13 - GHG17			

Item#	Part	Description	X 3 V I P E N T	X 3 V I P M T H	N O T E S
NS	071510	PROTECTOR RUBBER CABLE HARNESS & HOSES To M-6647	1	1	
NS	070030	PROTECTOR RUBBER CABLE HARNESS & HOSES From M-6648	1	1	
148	071589	PROTECTOR OIL COOLER \	1	1	
149	500411	WASHER FL .260x.697x.050 SS	3	3	
150	502848	SCREW TC CAP HEXF 1/4-20x3/4 N500	3	3	
151	071697	PIPE / OIL COOLER TO HOSE REDUCER	1	1	
151	071736	PIPE / OIL COOLER TO HOSE REDUCER SS304	1	1	C
152	012551	"U" CLAMP OFFSET 51MM I.D.	4	4	
153	5001780	SCREW CAP HEXF M8-1.25x16 G8.8 N500	AR	AR	
154	010070	SUPPORT OIL COOLER PIPE	1	1	
155	071708	SUPPORT OIL COOLER PIPE	1	1	
156	070039	HOSE SILICONE 4PLY / NOMEX-ARAMID 2 3/8" x 100MM	2	2	
NS	503785	HOSE SILICONE 4PLY / NOMEX-ARAMID 2 3/8" I.D. x 6'	AR	AR	
157	992089	HOSE CLAMP / 60MM/80MM	AR	AR	
158	509815	TIE MOUNT / ATTACHMENT W/TREE MOUNT	2	2	
158	504637	CABLE TIE / 3/16" x 13"	2	2	
159	5001780	SCREW CAP HEXF M8-1.25x16 G8.8 N500 To P-6849	2	2	
159	502862	SCREW CAP HEX M8-1.25x20 G8.8 N500 From P-6850			
160	509894	TIE MOUNT HOLE 7.8MM	1	1	
160	504016	CABLE TIE / 5/16" X 14"1/2 To L-6494	1	1	
160	5040100	CABLE TIE /OUTSIDE SERRATED 5/16" X 14"1/2 From L-6495	1	1	
161	502862	SCREW CAP HEX M8-1.25x20 G8.8 N500	1	1	
163	5001745	SCREW CAP HEX M8-1.25x25 G8.8 N500	3	3	
164	500321	WASHER BEL SPR .331x.827x.098 N500	3	3	
171	501305	PLUG SQUARE HEAD / PIPE FITTING / 3/8NPT-M BR	1	1	
172	1675641	NIPPLE / QUICK DISCONNECT "VOLVO" / 1/2NPT-M	1	1	
NS	V476279	DUST CAP / QUICK DISCONNECT "VOLVO" /	1	1	
NS	507666	DUST CAP / QUICK DISCONNECT "VOLVO" /	1	1	
173	507666	DUST CAP / QUICK DISCONNECT "VOLVO" /	1	1	
NS	507664	CABLE TIE / 3/16" 11" / DOUBLE LOOP HEAD	2	2	
181	071097	PROTECTOR SUPPORT SS 102MM X 90MM	1	1	
182	079022	PROTECTOR SUPPORT SS "V" SHAPE 74MM HIGH	1	1	
183	071581	SUPPORT CABLE HARNESS	1	1	
184	060082	CABLE HARNESS / SENSOR WTEC W/OUT RETARDER To J-6278	1	1	
184	069778	CABLE HARNESS / SENSOR WTEC W/OUT RETARDER From J-6279 To N-6738	1	1	
184	0610588	CABLE HARNESS / SENSOR WTEC W/OUT RETARDER From N-6739	1	1	
184	060081	CABLE HARNESS / SENSOR WTEC W/RETARDER To J-6278	1	1	
184	069777	CABLE HARNESS / SENSOR WTEC W/RETARDER From J-6279 To N-6738	1	1	
184	0610586	CABLE HARNESS / SENSOR WTEC W/RETARDER From N-6739	1	1	
185	065398	SUPPORT RETARDER TEMPERATURE SENSOR			
186	5001730	SCREW CAP HEXF M6-1.0x16 G10.9 N500	1	1	
187	5001833	WASHER BEL SPR 6.1x18x1.27 SS	1	1	



From H-6180		Date:07/2024	PAGE:X3VIP-0750-01
AUTOMATIC TRANSMISSION - "WORLD" WITH VOLVO D13 - GHG17			

Item#	Part	Description	X 3 V I P E N T	X 3 V I P M T H	N O T E S
188	504637	CABLE TIE / 3/16" x 13"	AR	AR	
199	680343	GREASE CLEAR SPRAY BOTTLE 283GR	AR	AR	
199	680098	THREAD SEALANT LOCTITE #567 / WHITE / 250ml	AR	AR	
199	680038	THREAD LOCKER LOCTITE #243 / BLUE / 50ml	AR	AR	
199	685371	GREASE / GREY BLACK MOBIL XHP 222 SPECIAL 400 g	AR	AR	
200	572050	TRANSMISSION FILTER / MAINTENANCE KIT	1	1	
. NS	571692	. O-RING / (LARGE SQUARE CUT)	2	2	
. NS	571693	. O-RING / (SMALL)	2	2	
. NS	571694	. O-RING / DRAIN PLUG	2	2	
. NS	571695	. DRAIN PLUG ASSY W/O-RING	1	1	
201	N.S.S.	. FILTER	1	1	1
202	571692	. O-RING / (LARGE SQUARE CUT)	2	2	
203	571693	. O-RING / (SMALL)	2	2	
204	571694	. O-RING / DRAIN PLUG	2	2	
205	571695	. DRAIN PLUG ASSY W/O-RING	1	1	
NS	684016	OIL TRANSYND TRANSMISSION "WORLD" To N-6677	AR	AR	
NS	685391	OIL TRANSYND TRANSMISSION "WORLD" From N-6678	AR	AR	
206	N.S.P.	COVER FILTER / (29507434)	2	2	2
207	N.S.P.	BOLT M10-1.5 x 55M / (2954186)	AR	AR	2
208	N.S.P.	YOKE (1810) HALF ROUND (29511516/6.5-4-4521-1)	1	1	2
208	N.S.P.	STRAP LOCK PLATE	1	1	2
208	N.S.P.	BOLT M10-1.5 X 30MM GR 10.9	2	2	2
208	N.S.P.	SEAL OUTPUT / (29515621)	1	1	2
223		REFERENCE ONLY From P-6850			
		A) WITHOUT RETARDER			
		B) WITH RETARDER			
		C) SPECIAL OPTION SS304			
		S) USE WITH SHORT DIPSTICK			
		1) NOT SOLD SEPARATELY			
		2) NOT SOLD BY PREVOST (SEE MANUFACTURING PART NUMBER AT END OF DESCRIPTION LINE)			
		V) SEE IMPACT OR CALL ORDER DESK			

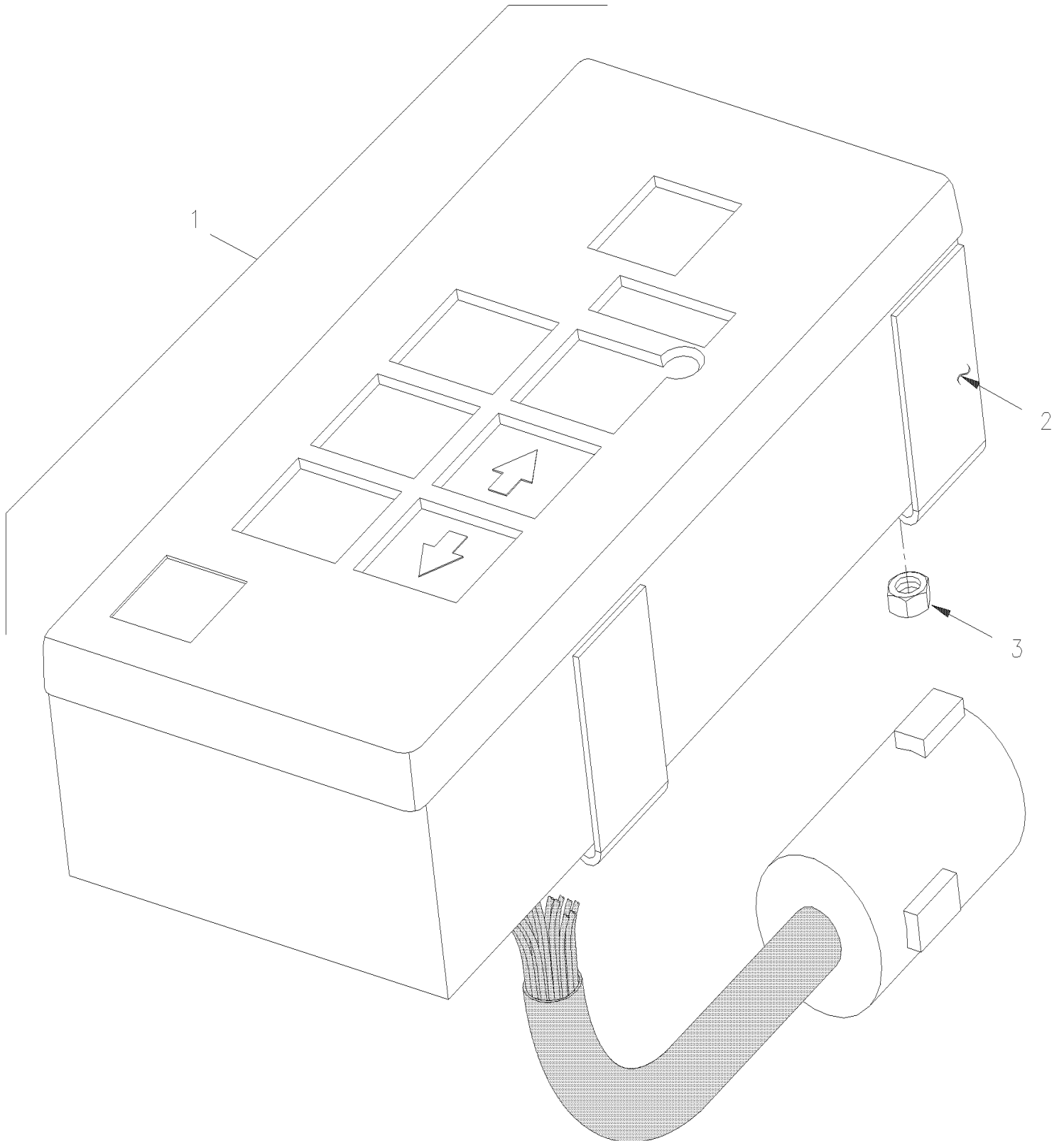


From E-5490

Date:07/2024

PAGE:X3VIP-0755-15

SHIFTER ELECTRONIC - "WORLD" TRANSMISSION





From E-5490		Date:07/2024	PAGE:X3VIP-0755-15
-------------	--	--------------	--------------------

SHIFTER ELECTRONIC - "WORLD" TRANSMISSION

Item#	Part	Description	X 3 V I P E N T	X 3 V I P M T H	N O T E S
1	572124	SHIFTER, SELECTOR "WORLD" / GEN IV To E-5624	1	1	
1	572155	SHIFTER, SELECTOR "WORLD" / GEN V From E-5625 To J-6335	1	1	
1	570052	SHIFTER, SELECTOR "WORLD" / GEN V From J-6336 To N-6738	1	1	
1	570134	SHIFTER, SELECTOR "WORLD" / GEN VI From N-6739	1	1	
2	N.S.P.	. BRACKET	2	2	2
3	500423	. NUT HEX NYRT #10-32 SS	4	4	
		2) NOT SOLD BY PREVOST (SEE MANUFACTURING PART NUMBER AT END OF DESCRIPTION LINE)			

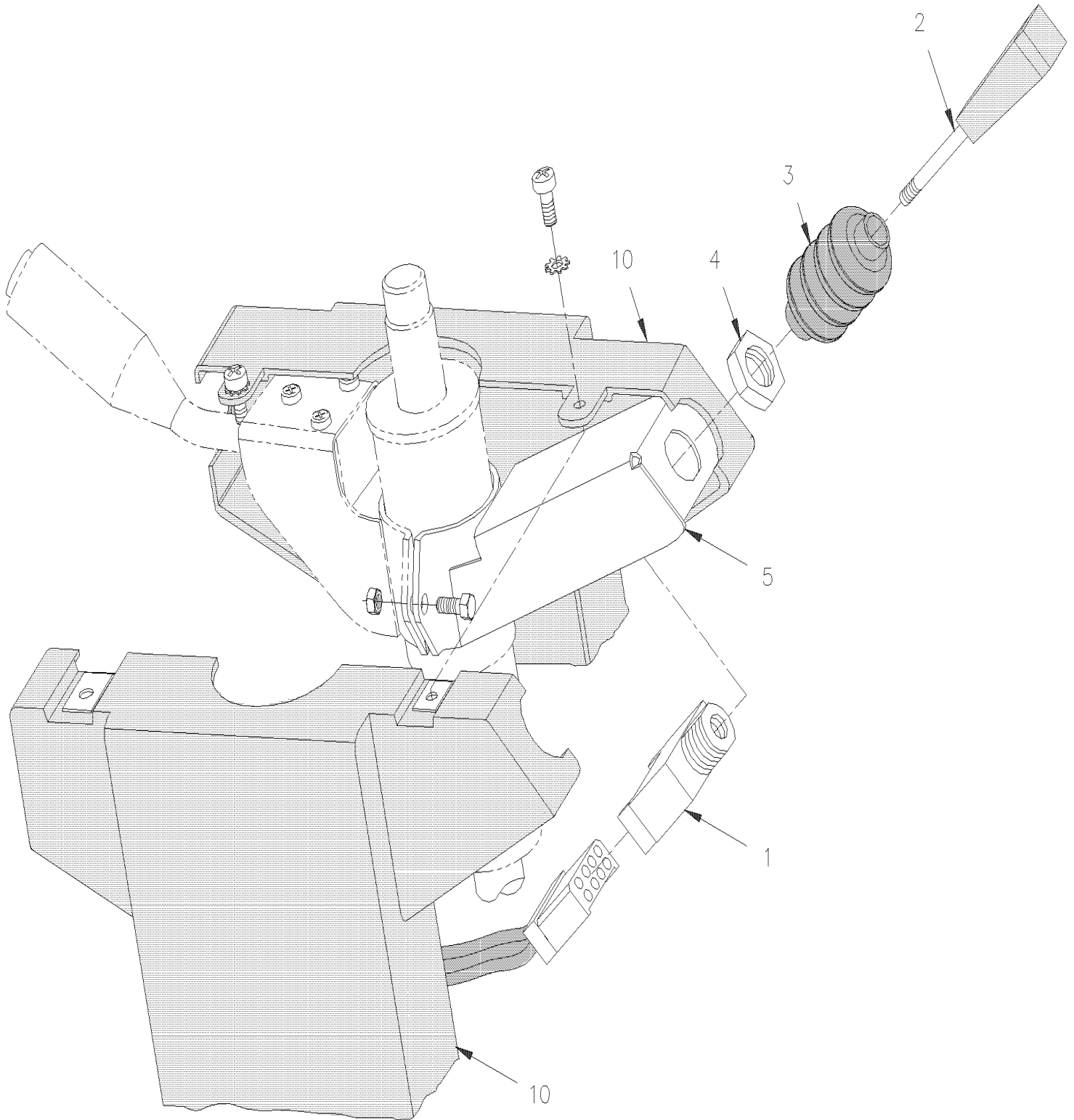


From E-5490

Date:07/2024

PAGE:X3VIP-0760-00

RETARDER SELECTOR SWITCH - "WORLD"





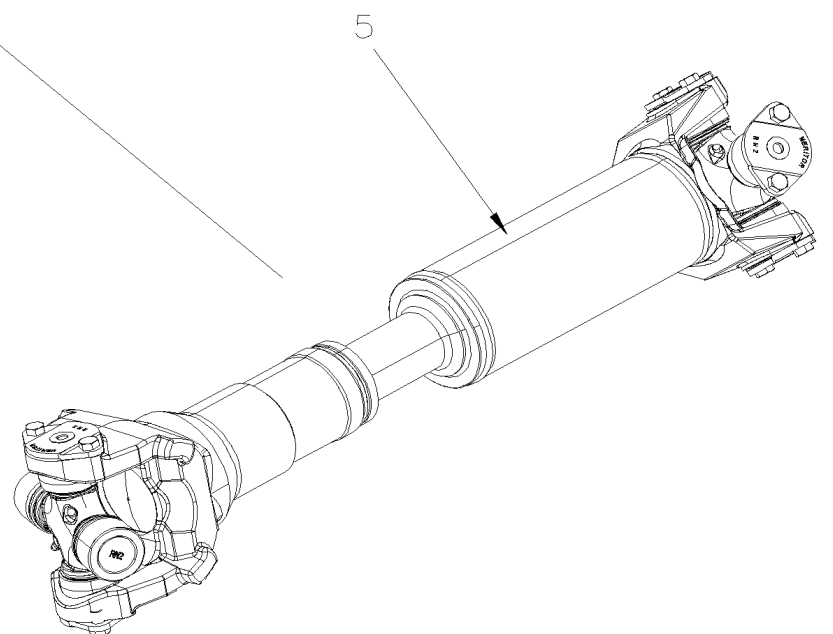
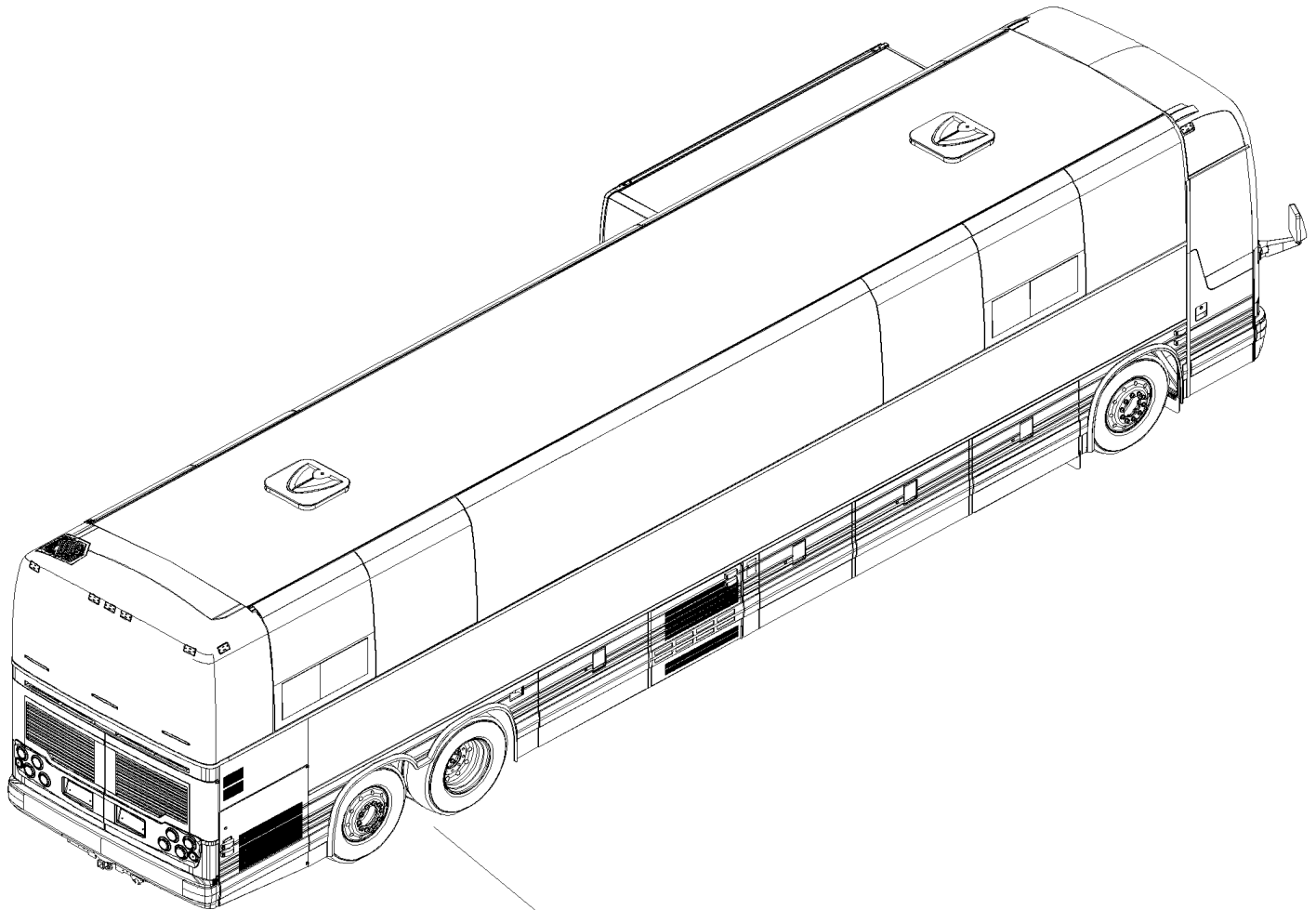
From E-5490	Date:07/2024	PAGE:X3VIP-0760-00
-------------	--------------	--------------------

RETARDER SELECTOR SWITCH - "WORLD"

Item#	Part	Description	X 3 V I P E N T	X 3 V I P M T H	N O T E S
1	562356	SWITCH ASSY / W/LEVER & BOOT / 6 POSITIONS To R-4029	1	1	
1	564801	LEVER HAND-RETARDER From R-4030	1	1	
2	N.S.S.	. LEVER	1	1	1
3	N.S.S.	. BOOT	1	1	1
4	N.S.S.	. NUT JAM	1	1	1
5	N.P.N.	SUPPORT CONTROL SWITCH	1	1	4
10	X3VIP-1407-00	STEERING COLUMN & COVER - INSTALLATION			
		1) NOT SOLD SEPARATELY			
		4) NO PARTS NUMBER			



	Date:07/2024	X3VIP-09
PROPELLER SHAFT		





		Date:07/2024	X3VIP-09		
PROPELLER SHAFT					
Item#	Part	Description	X 3 V I P E N T	X 3 V I P M T H	N O T E S
5	X3VIP-0905-00	PROPELLER SHAFT WITH "EPA 2010" From E-5490			

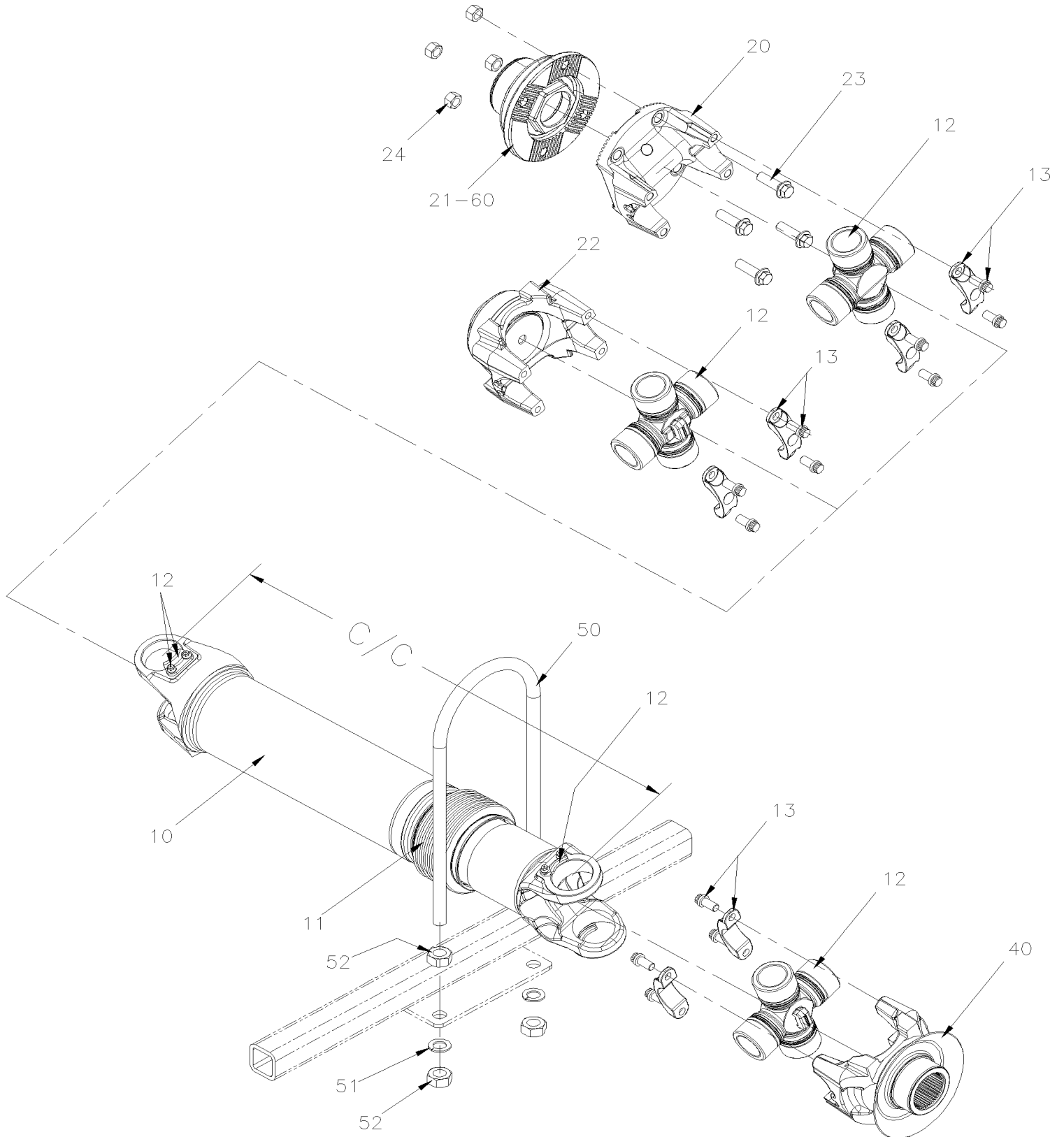


From E-5490

Date:07/2024

PAGE:X3VIP-0905-00

PROPELLER SHAFT WITH "EPA 2010"



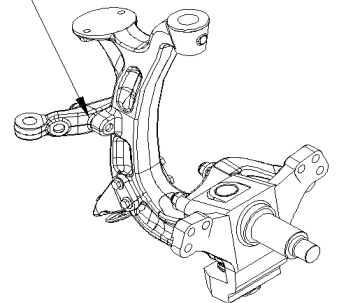
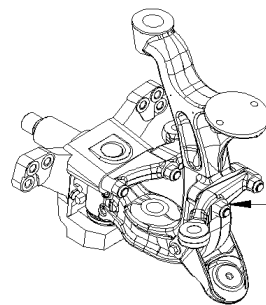
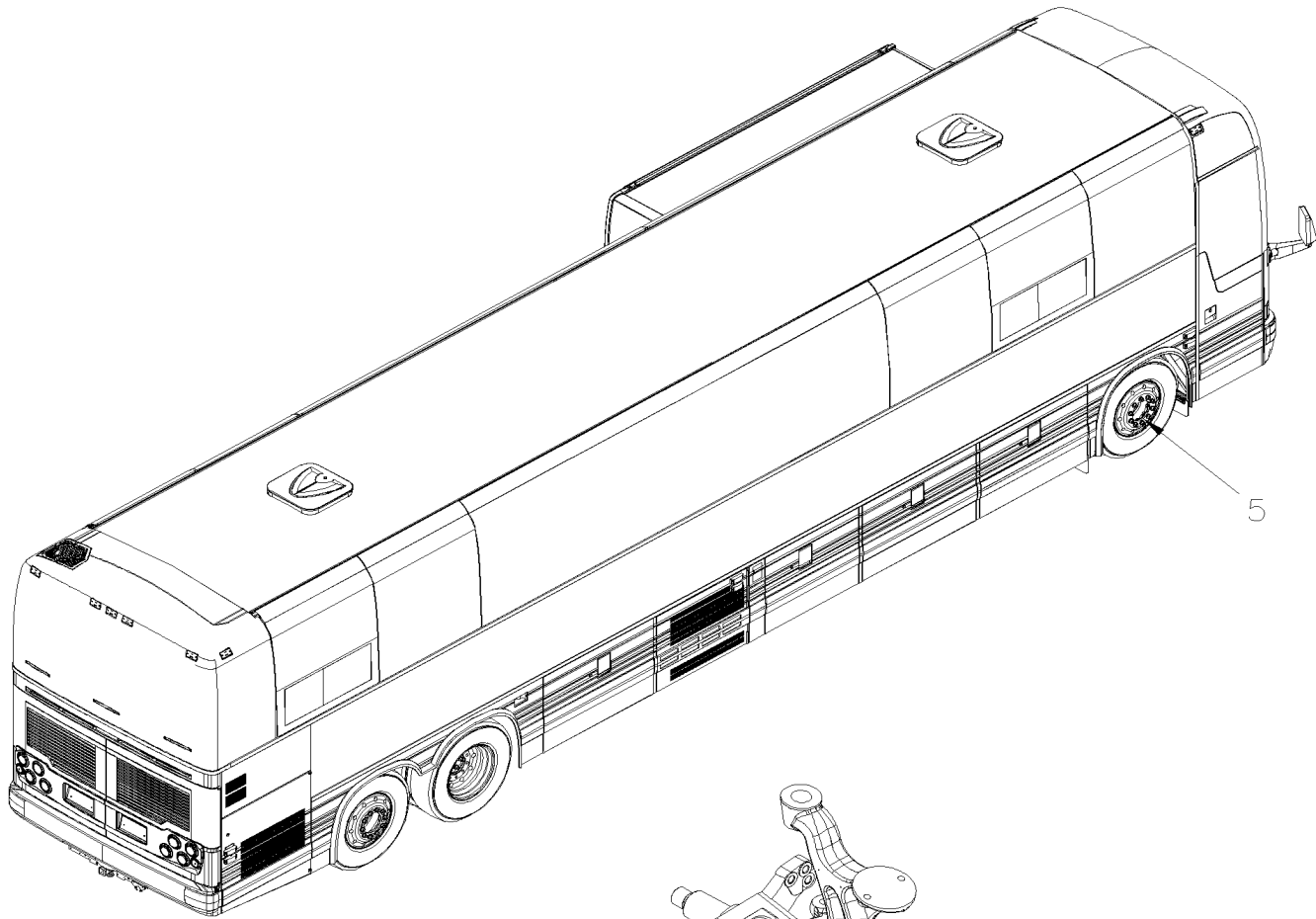


From E-5490		Date:07/2024	PAGE:X3VIP-0905-00
PROPELLER SHAFT WITH "EPA 2010"			

Item#	Part	Description	X 3 V I P E N T	X 3 V I P M T H	N O T E S
		PROPELLER SHAFT SERIES SPL250			
10	580090	DRIVE SHAFT ASSY 451MM C/C WORLD TRANS	1	1	
11	3947801	. KIT BOOT & CLIPS SPL250X	1	1	
12	19511258	. KIT, CROSS & BEARING SPL250-3X	2	2	
. NS	3095735	. . GREASE FITTING	1	1	
13	3947800	. KIT STRAP & BOLT SPL250-70-18X To £-20012	2	2	
13	85133971	. KIT STRAP & BOLT From £-20012	2	2	
		NEXT FOLLOWING YOKE ARE PART OF TRANSMISSION			
20	580089	FLANGE YOKE "I"-SHIFT SPL250	1	1	
20	20828302	FLANGE YOKE "I"-SHIFT OR "ZF DRIVE AXLE" SPL250	1	1	
21	20773853	COMPANION FLANGE "I" -SHIFT TRANS	1	1	
22	N.P.N.	YOKE SERIES 250 HALF ROUND / W/"WORLD" TRANS	1	1	4
23	5001715	SCREW CAP HEXF M14-2.0x47 G10.9 MAGNI 565	4	4	
24	5001716	NUT HEX M14-2.0 MAG565 G10.9	4	4	
		NEXT FOLLOWING YOKE ARE PART OF DIFERENTIAL			
40	621833	YOKE SERIES 250 HALF ROUND	1	1	
. NS	621501	. DEFLECTOR, OIL	1	1	
. NS	621492	. SPEEDY SLEEVE 3.250" I.D. / TO REPAIR OIL LEAK ON YOKE	1	1	
50	121909	PROTECTOR GUARD PROPELLER SHAFT 433.5MM x 169MM	1	1	
51	500488	WASHER LO SPT .760x1.271x.188 Z050	2	2	
52	500733	NUT HEX 3/4-16 Z050	4	4	
NS	682175	UNDERCOATING BLACK PROTECTOR (GRAVELGUARD) 567gr To N-6731	1	1	
NS	685413	RUBBERIZED UNDERCOAT (GRAVELGUARD) 560gr From N-6732	1	1	
60	SEE IMPACT	SEE IMPACT OR CALL ORDER DESK			
		4) NO PARTS NUMBER			



	Date:07/2024	X3VIP-10
FRONT AXLE		





		Date:07/2024	X3VIP-10		
FRONT AXLE					
Item#	Part	Description	X 3 V I P E N T	X 3 V I P M T H	N O T E S
5	X3VIP-1005-51	FRONT AXLE - INDEPENDENT MODEL "NDIFS80P" / 19000LBS From E-5490			
5	X3VIP-1005-61	FRONT AXLE - INDEPENDENT MODEL "NDIFS80P" / 19000LBS From E-5490			

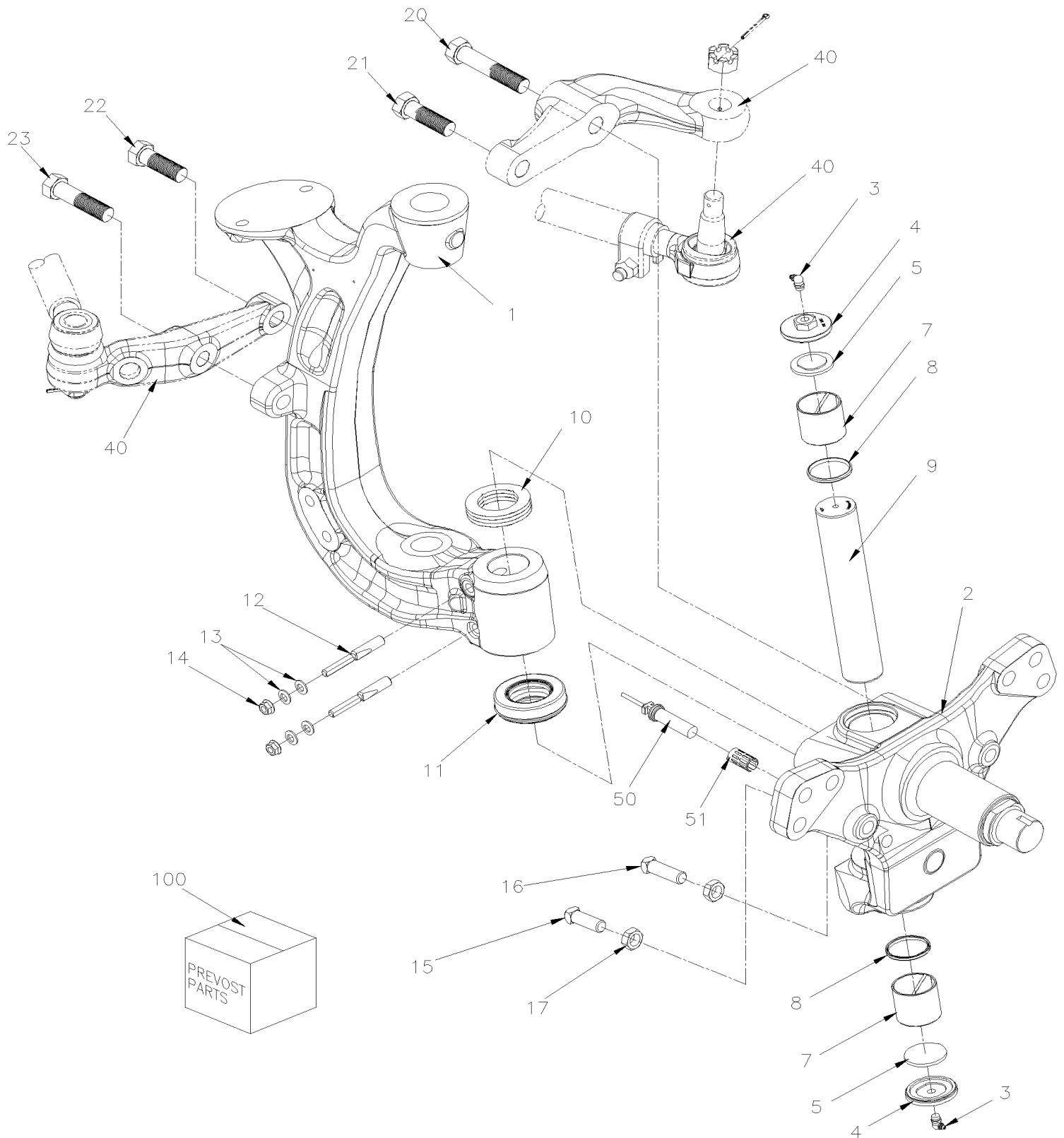


From E-5490

Date:07/2024

PAGE:X3VIP-1005-51

FRONT AXLE - INDEPENDENT MODEL "NDIFS80P" / 19000LBS





From E-5490		Date:07/2024	PAGE:X3VIP-1005-51
FRONT AXLE - INDEPENDENT MODEL "NDIFS80P" / 19000LBS			

Item#	Part	Description	X 3 V I P E N T	X 3 V I P M T H	N O T E S
	612375	AXLE ASSY L.H. & R.H. / NDIFS80P / 19K To E-5527	1		
	612387	AXLE ASSY L.H. & R.H. / NDIFS80P / 19K From E-5528 To G-6007	1		
	612391	AXLE ASSY L.H. & R.H. / NDIFS80P / 19K From G-6008 To H-6203	1		
	610020	AXLE ASSY L.H. & R.H. / NDIFS80P / 19K From H-6204 To M-6657	1		
	610063	AXLE ASSY L.H. & R.H. / NDIFS80P / 19K From M-6658	1		
1	612377	. AXLE L.H. / W/DOUBLE LOCK ON KING PIN / 19K	1		
1	612376	. AXLE R.H. / W/DOUBLE LOCK ON KING PIN / 19K	1		
2	612361	. KNUCKEL L.H. & R.H.	2		
3	501490	. GREASE FITTING / 1/8 NPT	2		
4	611283	. CAP UPPER & LOWER	2		
5	611939	. FOAM INSERT	2		
7	N.S.S.	. BUSHING (STD)	2		1
8	611936	. OIL SEAL	2		
9	N.S.S.	. KING PIN	2		1
10	611956	. SHIM 0.013	AR		
10	611957	. SHIM 0.025	AR		
11	N.S.S.	. THRUST BEARING	2		1
12	N.S.S.	. DRAW KEY	4		1
13	N.S.S.	. WASHER - DRAW KEY	8		1
14	N.S.S.	. NUT - DRAW KEY	4		1
15	611287	. LOCKSTOP SCREW FRONT To G-6007	2		
15	611288	. LOCKSTOP SCREW FRONT From G-6008	2		
16	611288	. LOCKSTOP SCREW BACK To G-6007	2		
16	611288	. LOCKSTOP SCREW BACK From G-6008	2		
17	612392	. NUT - LOCKSTOP To G-6007	4		
17	612393	. NUT - LOCKSTOP From G-6008	4		
20	612359	. SCREW CAP HEX M22-2.5x100 G12.9	1		
21	612360	. SCREW CAP HEX M22-2.5x65 G12.9	1		
22	611305	. SCREW CAP HEX M20-2.5x60 G12.9	1		
23	611307	. SCREW CAP HEX M20-2.5x80 G12.9	1		
40	X3VIP-1410-51	STEERING RODS - INSTALLATION W/INDEPENDENT "NDIFS80P" / 19000LBS			
50	642085	SENSOR ABS - OEM	2		
50	642184	SENSOR ABS - AFTER MARKET	2		
51	641096	CLIP, SPRING / TO FIX SENSOR	2		
100	611132	KIT REPAIR / STEERING KNUCKLE BUSHING (STD) / (REQUIRE 2 KITS)	1		A
. NS	SB07_03	. NSDIFS80P - KINGPIN KITS	1		A
		A) THIS KIT INCLUDES ITEMS 3, 4, 5, 7, 8, 9, 10, 11, 12, 13, 14			
		1) NOT SOLD SEPARATELY			

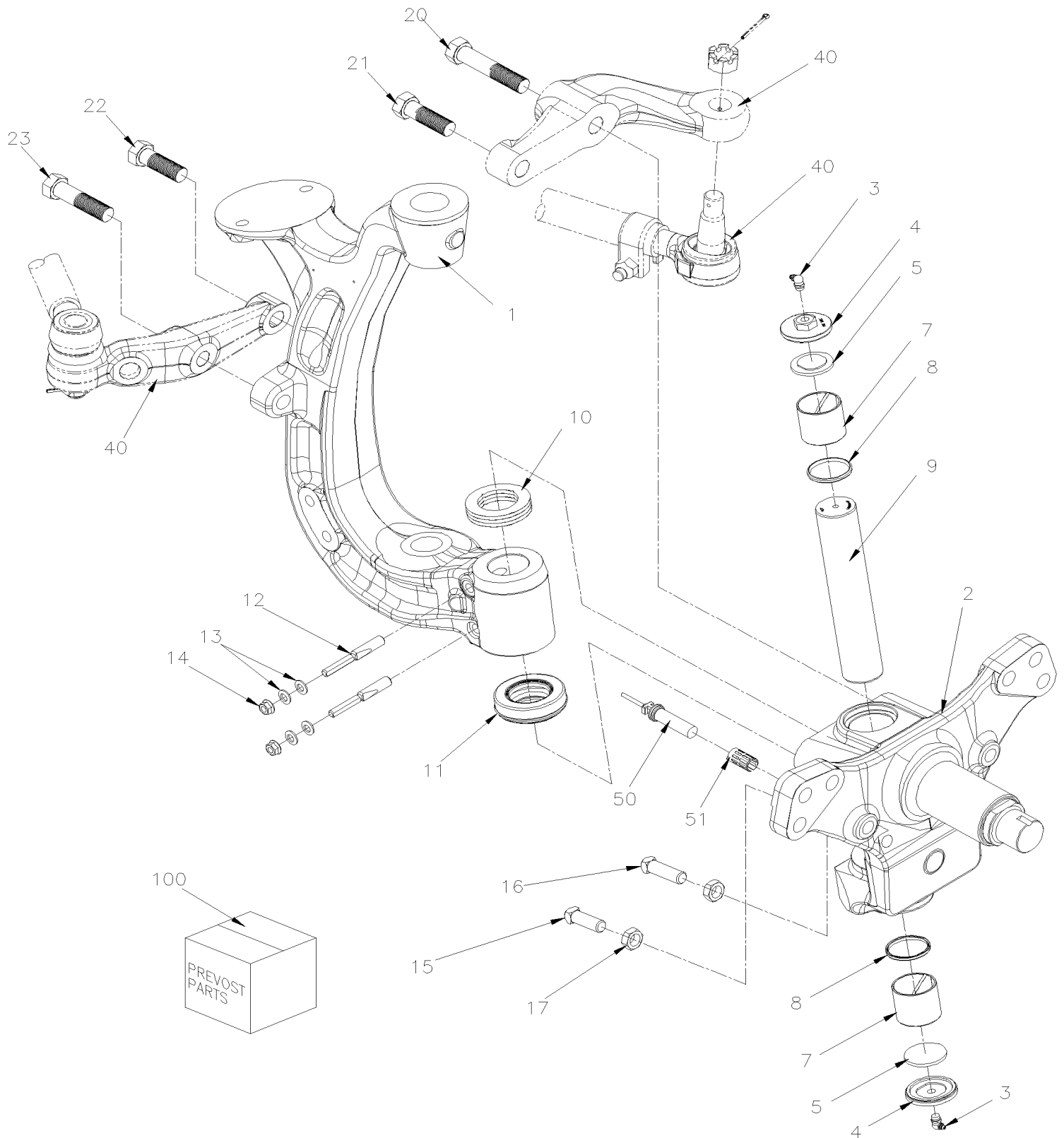


From E-5490

Date:07/2024

PAGE:X3VIP-1005-61

FRONT AXLE - INDEPENDENT MODEL "NDIFS80P" / 19000LBS



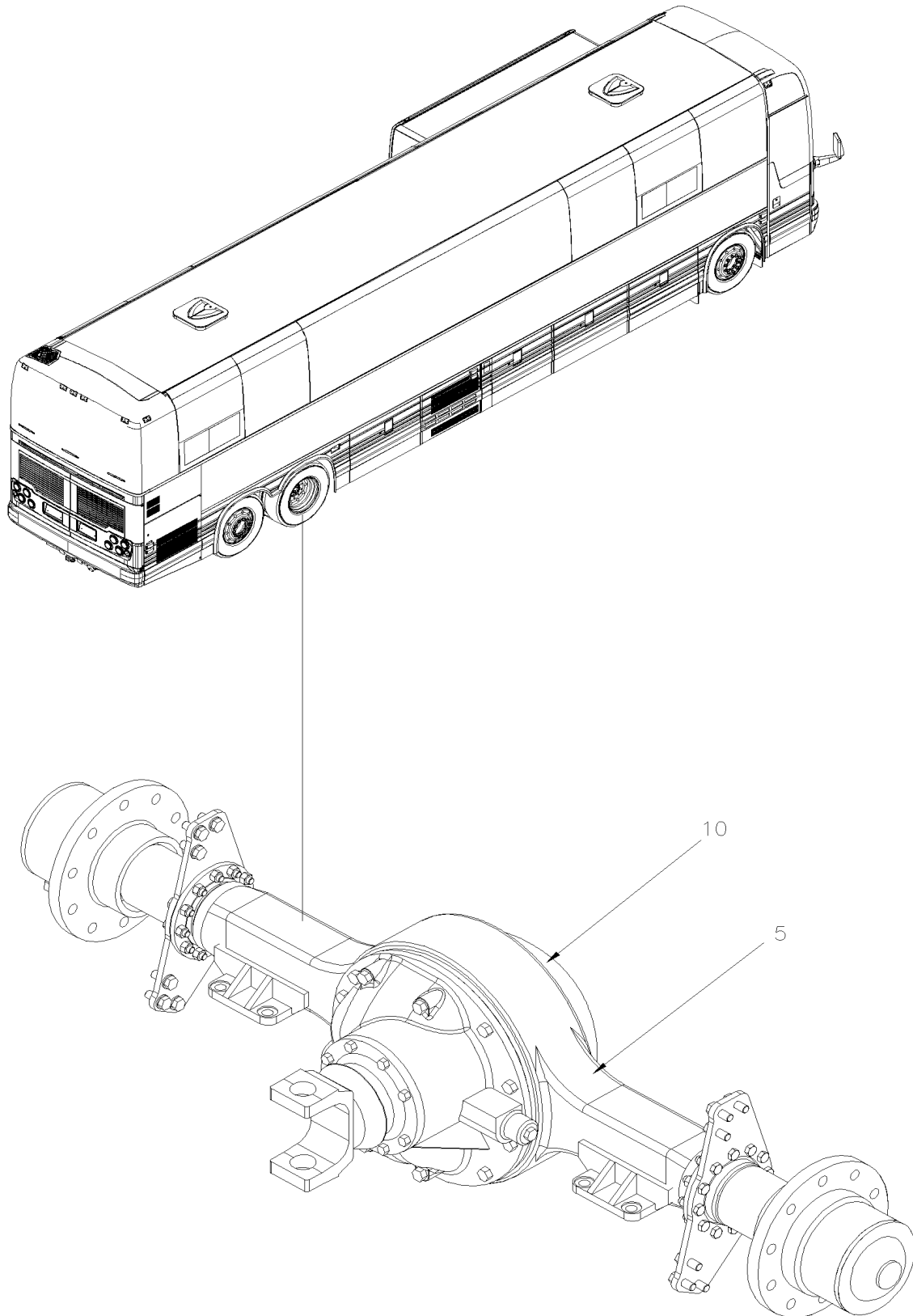


From E-5490	Date:07/2024	PAGE:X3VIP-1005-61
FRONT AXLE - INDEPENDENT MODEL "NDIFS80P" / 19000LBS		

Item#	Part	Description	X 3 V I P E N T	X 3 V I P M T H	N O T E S
	612375	AXLE ASSY L.H. & R.H. / NDIFS80P / 19K To E-5527		1	
	612387	AXLE ASSY L.H. & R.H. / NDIFS80P / 19K From E-5528 To G-6007		1	
	612391	AXLE ASSY L.H. & R.H. / NDIFS80P / 19K From G-6008 To H-6203		1	
	610020	AXLE ASSY L.H. & R.H. / NDIFS80P / 19K From H-6204 To M-6657		1	
	610063	AXLE ASSY L.H. & R.H. / NDIFS80P / 19K From M-6658		1	
1	612377	. AXLE L.H. / W/DOUBLE LOCK ON KING PIN / 19K		1	
1	612376	. AXLE R.H. / W/DOUBLE LOCK ON KING PIN / 19K		1	
2	612361	. KNUCKEL L.H. & R.H.		2	
3	501490	. GREASE FITTING / 1/8 NPT		2	
4	611283	. CAP UPPER & LOWER		2	
5	611939	. FOAM INSERT		2	
7	N.S.S.	. BUSHING (STD)		2	1
8	611936	. OIL SEAL		2	
9	N.S.S.	. KING PIN		2	1
10	611956	. SHIM 0.013		AR	
10	611957	. SHIM 0.025		AR	
11	N.S.S.	. THRUST BEARING		2	1
12	N.S.S.	. DRAW KEY		4	1
13	N.S.S.	. WASHER - DRAW KEY		8	1
14	N.S.S.	. NUT - DRAW KEY		4	1
15	611287	. LOCKSTOP SCREW FRONT To G-6007		2	
15	611288	. LOCKSTOP SCREW FRONT From G-6008		2	
16	611288	. LOCKSTOP SCREW BACK To G-6007		2	
16	611288	. LOCKSTOP SCREW BACK From G-6008		2	
17	612392	. NUT - LOCKSTOP To G-6007		4	
17	612393	. NUT - LOCKSTOP From G-6008		4	
20	612359	. SCREW CAP HEX M22-2.5x100 G12.9		1	
21	612360	. SCREW CAP HEX M22-2.5x65 G12.9		1	
22	611305	. SCREW CAP HEX M20-2.5x60 G12.9		1	
23	611307	. SCREW CAP HEX M20-2.5x80 G12.9		1	
40	X3VIP-1410-61	STEERING RODS - INSTALLATION W/INDEPENDENT "NDIFS80P" / 19000LBS			
50	642085	SENSOR ABS - OEM		2	
50	642184	SENSOR ABS - AFTER MARKET		2	
51	641096	CLIP, SPRING / TO FIX SENSOR		2	
100	611132	KIT REPAIR / STEERING KNUCKLE BUSHING (STD) / (REQUIRE 2 KITS)		1	A
. NS	SB07_03	. NSDIFS80P - KINGPIN KITS		1	A
		A) THIS KIT INCLUDES ITEMS 3, 4, 5, 7, 8, 9, 10, 11, 12, 13, 14			
		1) NOT SOLD SEPARATELY			



	Date:07/2024	X3VIP-11
REAR AXLE		





		Date:07/2024	X3VIP-11		
REAR AXLE					
Item#	Part	Description	X 3 V I P E N T	X 3 V I P M T H	NOTES
5	X3VIP-1105-00	REAR AXLE - MODEL "RC23165" From E-5490			
10	X3VIP-1110-00	CARRIER ASSY From E-5490			

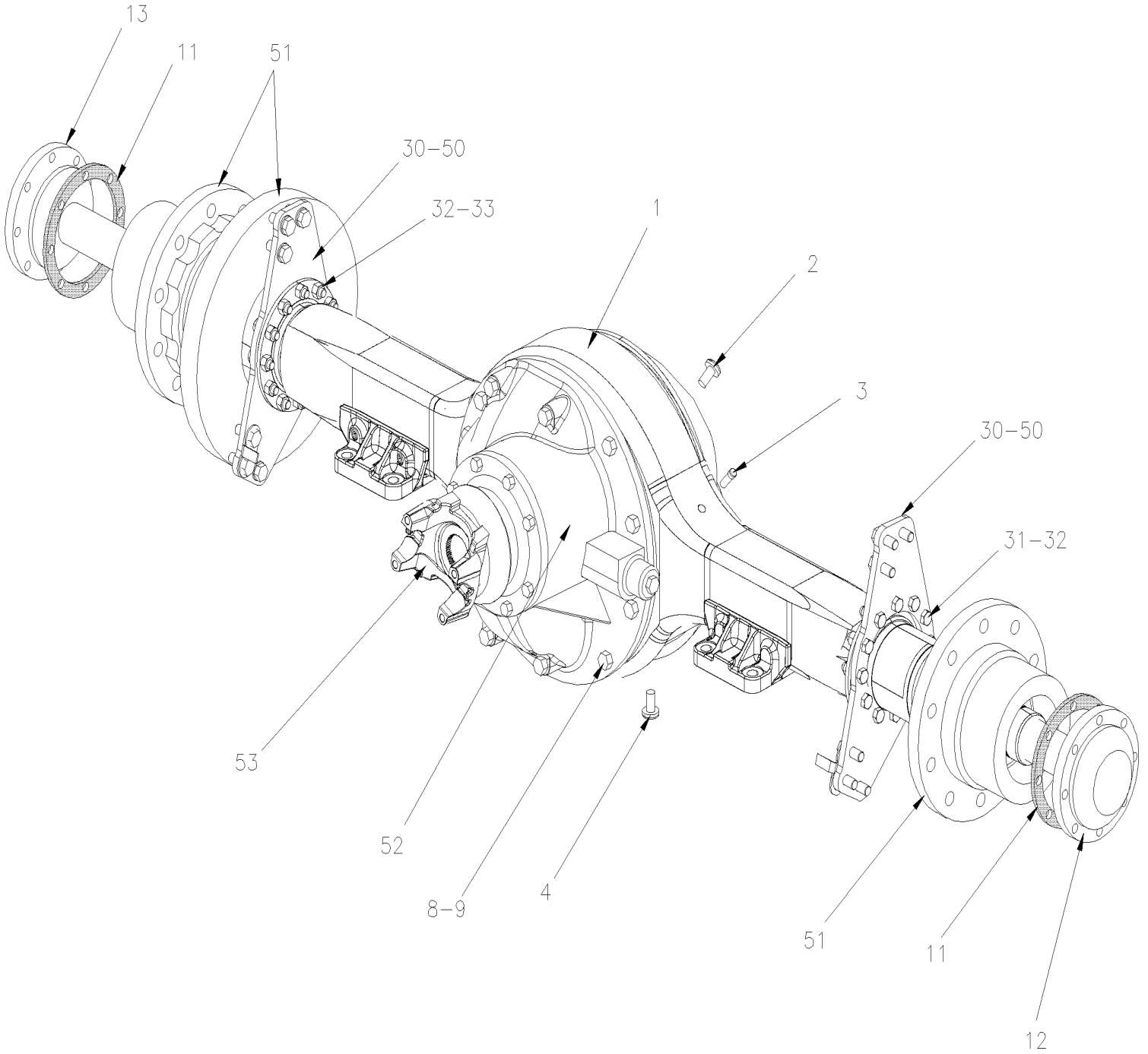


From E-5490

Date:07/2024

PAGE:X3VIP-1105-00

REAR AXLE - MODEL "RC23165"





From E-5490		Date:07/2024	PAGE:X3VIP-1105-00
REAR AXLE - MODEL "RC23165"			

Item#	Part	Description	X 3 V I P E N T	X 3 V I P M T H	N O T E S
		AXLE ASSY WITHOUT WHEELS STUD			
	621882	REAR AXLE ASSY / 3.91 RATIO To E-5541	1	1	E
	621895	REAR AXLE ASSY / 3.91 RATIO From E-5542 To E-5605	1	1	E
	621907	REAR AXLE ASSY / 3.91 RATIO From E-5606 To M-6657	1	1	E
	620080	REAR AXLE ASSY / 3.91 RATIO From M-6658	1	1	E
	621887	REAR AXLE ASSY / 3.91 RATIO / SUPER SINGLE To E-5605	1	1	F
	621904	REAR AXLE ASSY / 3.91 RATIO / SUPER SINGLE From E-5606 To M-6657	1	1	F
	620078	REAR AXLE ASSY / 3.91 RATIO / SUPER SINGLE From M-6658	1	1	F
	621883	REAR AXLE ASSY / 4.10 RATIO To E-5541	1	1	E
	621898	REAR AXLE ASSY / 4.10 RATIO From E-5542 To E-5605	1	1	E
	621910	REAR AXLE ASSY / 4.10 RATIO From E-5606 To M-6657	1	1	E
	620085	REAR AXLE ASSY / 4.10 RATIO From M-6658	1	1	E
	621888	REAR AXLE ASSY / 4.10 RATIO / SUPER SINGLE To E-5605	1	1	F
	621905	REAR AXLE ASSY / 4.10 RATIO / SUPER SINGLE From E-5606 To M-6657	1	1	F
	620079	REAR AXLE ASSY / 4.10 RATIO / SUPER SINGLE From M-6658	1	1	F
1	620047	HOUSING ASSY W/BRACKET WELDED	1	1	E
1	621752	HOUSING ASSY W/BRACKET WELDED / SUPER SINGLE	1	1	F
NS	680053	. SILICONE TUBE RTV103 / BLACK / 3 oz	2	2	
2	621142	. PLUG FILLER	1	1	
3	620442	. BREATHER / (CURRENT 1 PIECE) To F-5816	2	2	
3	621871	. BREATHER AND TUBE From F-5817	1	1	
4	621615	. PLUG MAGNETIC	1	1	
6	X3VIP-1110-00	. CARRIER ASSY			
8	5001422	. SCREW CAP HEX 5/8-11x2 1/2 G8 ZP	12	12	
8	5001423	. SCREW CAP HEX 5/8-11x4 G8 ZP	4	4	
8	621221	. SCREW CAP HEX 5/8-11x1 3/4 G8 ZP	AR	AR	
9	620474	. WASHER HARDENED / 5/8" I.D.	18	18	
10	500742	. NUT HEX STO 7/8-14 ZP	18	18	
11	621640	. GASKET / AXLE SHAFT W/8 STUDS	2	2	
12	620022	. SHAFT, AXLE / 41.41" (STP 2394) (INSTALL RH CURBSIDE)	1	1	E
12	621755	. SHAFT, AXLE / 46.30" (stp 1998) / SUPER SINGLE (INSTALL RH CURBSIDE)	1	1	F
13	620020	. SHAFT, AXLE / 39.41" (STP 2393) (INSTALL LH STREET SIDE)	1	1	E
13	621756	. SHAFT, AXLE / 44.37"(stp 1999) / SUPER SINGLE (INSTALL LH STREET SIDE)	1	1	F
NS	686082	OIL DIFERENTIAL S.A.E. 140 GL5 85-140W (VRAC)	AR	AR	
		NEXT FOLLOWING ITEMS ARE RELATED			
		WITH "OPTION" DIFFERENTIAL LOCK			
NS	624216	DECAL "CAUTION" DIFFERENTIAL LOCK..."	1	1	



From E-5490		Date:07/2024	PAGE:X3VIP-1105-00		
REAR AXLE - MODEL "RC23165"					
Item#	Part	Description	X 3 V I P E N T	X 3 V I P M T H	NOTES
NS	562697	SWITCH / ON-ON / D.P.D.T. / CH-OVER / W/RED & GREEN LED	1	1	
NS	564013	CAP / DIFFERENTIAL LOCK	1	1	
NS	142198	HOSE ASSY / DIFF & STRUCTURE / #6 875MM	1	1	
NS	172589	SUPPORT HOSE / (WELDED TO STRUCTURE)	1	1	
NS	641937	VALVE, 3 WAYS, 2 POSITIONS N.C. / W/MAN OVERRIDE	1	1	
. NS	641929	. COIL 24V	1	1	
. NS	641385	. CONNECTOR / SOCKET HOUSING ASSY 3C / PNEUMAC 54934-01	1	1	
NS	641934	SILENCER / MUFFLER / 3/8NPT-M	1	1	
NS	260862	PANEL TO FIX VALVE AT REAR COMPARTMENT	1	1	
30	621868	CALIPER MOUNTING BRACKET L.H. & R.H. W/OUT BUSHING	2	2	
30	621869	BUSHING - ABS SENSOR	2	2	
31	621636	SCREW CAP HEX / TO FIX BRACKET TO AXLE 9/16-18 X 2 GR 8	12	12	
32	621365	WASHER (HARD) .59IDX.97ODX.09	24	24	
33	621638	NUT HEX 9/16-18 GR8	12	12	
50	X3VIP-1235-00	BRAKE PARTS - DRIVE AXLE "KNORR-BREMSE" SN7 SERIES To E-5541			
50	X3VIP-1235-02	BRAKE PARTS - DRIVE AXLE "KNORR-BREMSE" SN7 SERIES W/N2G ADJUSTER From E-5542			
51	X3VIP-1305-00	HUB & ROTOR - DRIVE AXLE			
52	X3VIP-1110-00	CARRIER ASSY			
53	X3VIP-0905-00	PROPELLER SHAFT WITH "EPA 2010"			
		E) WITH DOUBLE WHEEL ONLY			
		F) WITH SUPER SINGLE ONLY			

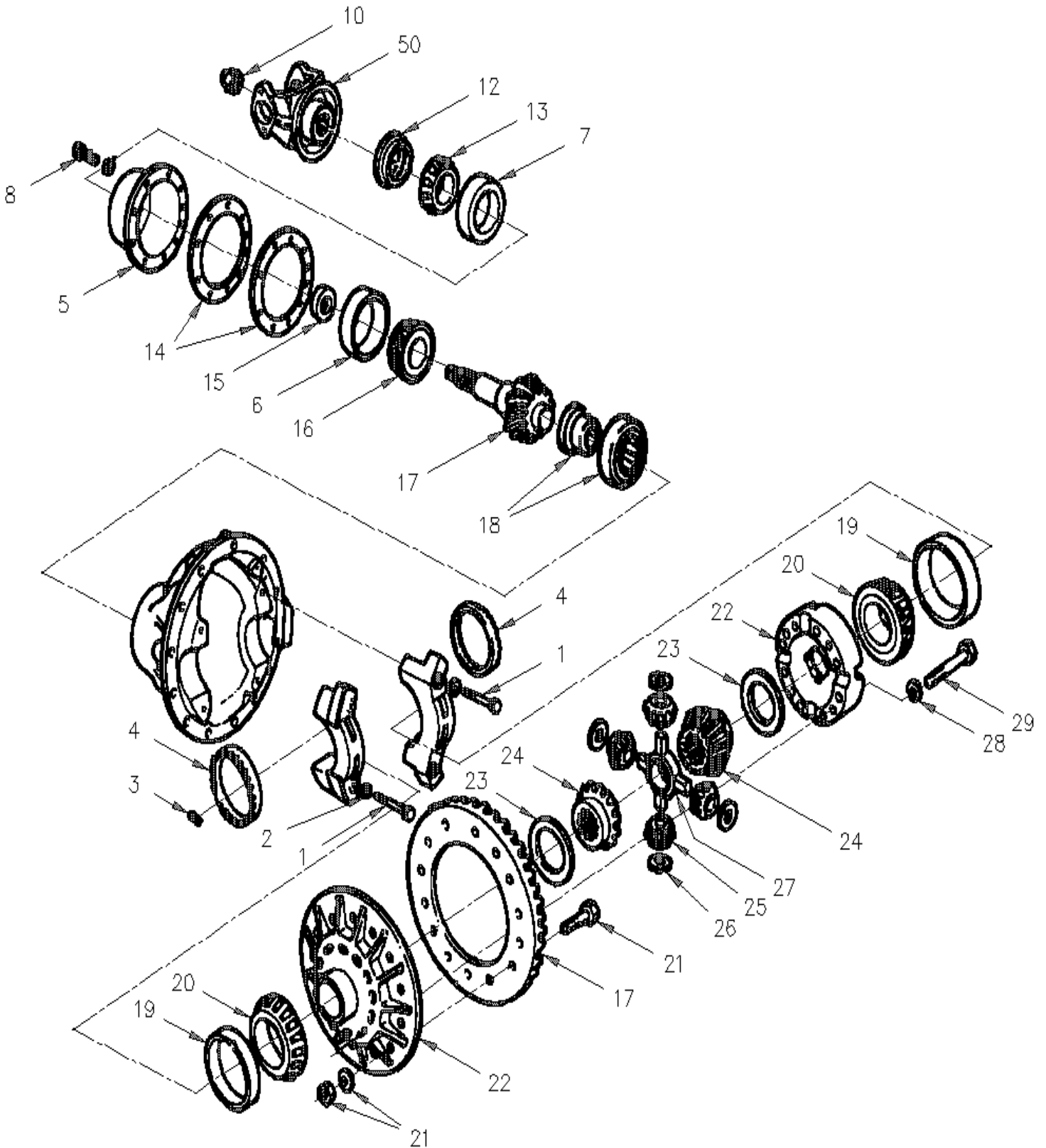


From E-5490

Date:07/2024

PAGE:X3VIP-1110-00

CARRIER ASSY





From E-5490		Date:07/2024	PAGE:X3VIP-1110-00
CARRIER ASSY			

Item#	Part	Description	X 3 V I P E N T	X 3 V I P M T H	N O T E S
	621866	CARRIER ASSY / 3.91 RATIO	1	1	
	621249	CARRIER ASSY / 4.10 RATIO	1	1	
	N.S.S.	. CASE CARRIER	1	1	1
1	621418	. . SCREW, CAP	2	2	
2	621417	. . WASHER	4	4	
3	505128	. SPRING, PIN 1/4 X 2	2	2	
4	621479	. RING, ADJUSTING / W/MODEL 3200-P-1706	2	2	
5	621419	. CASE & CUP ASSY / PINION BEARING	1	1	
6	621420	. . CUP BEARING / INNER BEARING	1	1	
7	621421	. . CUP BEARING / OUTER BEARING	1	1	
8	621439	. SCREW, CAP	8	8	
10	621418	. SCREW, CAP	4	4	
NS	621445	. NUT / DRIVE PINION	1	1	
12	621424	. SEAL, OIL	1	1	
NS	195671	SEAL INSTALLER TOOL / CARRIER DRIVE PINION (2731T1)	1	1	I
13	621423	. CONE BEARING / OUTER	1	1	
14	621438	. SHIM 0.020	AR	AR	
14	621437	. SHIM 0.008	AR	AR	
14	621436	. SHIM 0.005	AR	AR	
14	621435	. SHIM 0.003	AR	AR	
15	621434	. SPACER .263	AR	AR	
15	621433	. SPACER .262	AR	AR	
15	621432	. SPACER .261	AR	AR	
15	621431	. SPACER .260	AR	AR	
15	621430	. SPACER .256	AR	AR	
15	621429	. SPACER .254	AR	AR	
15	621428	. SPACER .253	AR	AR	
15	621427	. SPACER .252	AR	AR	
15	621426	. SPACER .251	AR	AR	
15	621425	. SPACER .250	AR	AR	
16	621422	. CONE BEARING / INNER	1	1	
17	621716	. SET, GEAR DRIVE & PINION / 4.56 RATIO	1	1	
17	621719	. SET, GEAR DRIVE & PINION / 4.89 RATIO	1	1	
18	621481	. BEARING SPIGOT / INNER & OUTER / W/3200-P-1706	1	1	
NS	621482	. RING, SNAP / TO FIX SPIGOT BEARING	1	1	
19	621210	. CUP BEARING	2	2	A
20	621209	. CONE BEARING	2	2	A
21	621444	. BOLT, NUT & WASHER / (KIT OF 12)	1	1	
22	621488	. CASE ASSY / W/RATIO 3.91, 4.10, 4.30 & 4.56	1	1	
22	621539	. CASE ASSY / W/RATIO 4.89	1	1	
23	621449	. . WASHER, THRUST / SIDE GEAR	2	2	
24	621450	. . GEAR, SIDE	2	2	

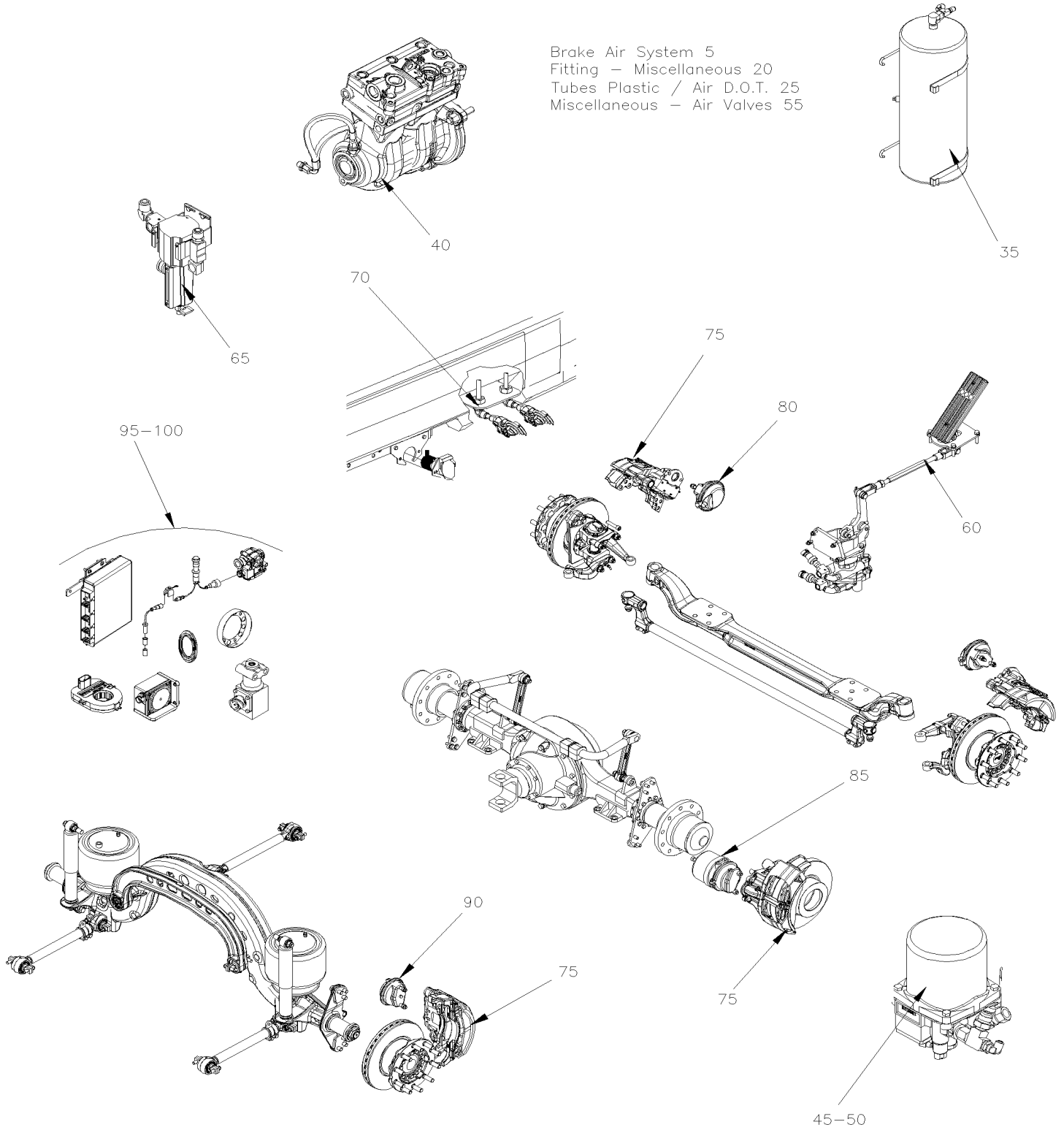


From E-5490	Date:07/2024	PAGE:X3VIP-1110-00
CARRIER ASSY		

Item#	Part	Description	X 3 V I P E N T	X 3 V I P M T H	N O T E S
25	621452	. . GEAR, PINION	4	4	
26	621453	. . WASHER, GEAR PINION	4	4	
27	621451	. . SPIDER	1	1	
28	621447	. . WASHER	12	12	
29	621448	. . SCREW, CAP	12	12	
NS	621653	KIT, CUP & CONE	1	1	A
50	621833	YOKE SERIES 250 HALF ROUND	1	1	
. NS	621501	. DEFLECTOR, OIL	1	1	
. NS	621492	. SPEEDY SLEEVE 3.250" I.D. / TO REPAIR OIL LEAK ON YOKE	1	1	
		A) ALSO SOLD IN KIT #621653			
		I) THIS TOOL INSTALLER ARE USE WITH NEW SEAL STAMPED A1205A2731			
		1) NOT SOLD SEPARATELY			



	Date:07/2024	X3VIP-12
BRAKE		





		Date:07/2024	X3VIP-12		
BRAKE					
Item#	Part	Description	X 3 V I P E N T	X 3 V I P M T H	NOTES
20	X3VIP-1201-00	FITTING - MISCELLANEOUS From E-5490			
25	X3VIP-1202-00	TUBES PLASTIC / AIR D.O.T. From E-5490			
35	X3VIP-1203-50	AIR TANK - INSTALLATION From E-5490			
40	X3VIP-1205-10	AIR COMPRESSOR - "WABCO" 636CC - WITH VOLVO D13 From E-5490			
45	X3VIP-1215-01	AIR DRYER - "WABCO" From E-5490 To H-6179			
45	X3VIP-1215-02	AIR DRYER - "WABCO" VOLVO D13 - GHG17 From H-6180			
50	X3VIP-1215-10	AIR DRYER - INSTALLATION From E-5490			
55	X3VIP-1220-00	MISCELLANEOUS AIR VALVE From E-5490			
60	X3VIP-1220-10	BRAKE PEDAL VALVE - "BENDIX" E-10P From E-5490 To F-5759			
60	X3VIP-1220-11	BRAKE PEDAL VALVE - "BENDIX" E-10P From F-5760 To F-5850			
60	X3VIP-1220-12	BRAKE PEDAL VALVE - "BENDIX" E-8P From F-5851			
65	X3VIP-1220-15	AIR FILTER - ACCESSORIES From E-5490 To E-5589			
70	X3VIP-1220-50	TRAILER VALVE INSTALLATION From E-5490 To F-5891			
70	X3VIP-1220-51	TRAILER VALVE INSTALLATION From F-5892			
75	X3VIP-1225-01	BRAKE PARTS - FRONT & TAG AXLE "KNORR-BREMSE" SN7 SERIES From E-5490			
80	X3VIP-1225-10	BRAKE CHAMBER - FRONT AXLE From E-5490			
85	X3VIP-1235-00	BRAKE PARTS - DRIVE AXLE "KNORR-BREMSE" SN7 SERIES From E-5490 To E-5541			
85	X3VIP-1235-02	BRAKE PARTS - DRIVE AXLE "KNORR-BREMSE" SN7 SERIES W/N2G ADJUSTER From E-5542			
85	X3VIP-1235-10	BRAKE CHAMBER - DRIVE AXLE From E-5490			
90	X3VIP-1245-10	BRAKE CHAMBER - TAG AXLE From E-5490			
95	X3VIP-1250-00	ABS & ESP CONTROL From E-5490			
100	X3VIP-1250-10	ABS/ESP BRAKE VALVE - INSTALLATION From E-5490 To R-4066			
100	X3VIP-1250-11	ABS/ESP BRAKE VALVE - INSTALLATION From R-4067			

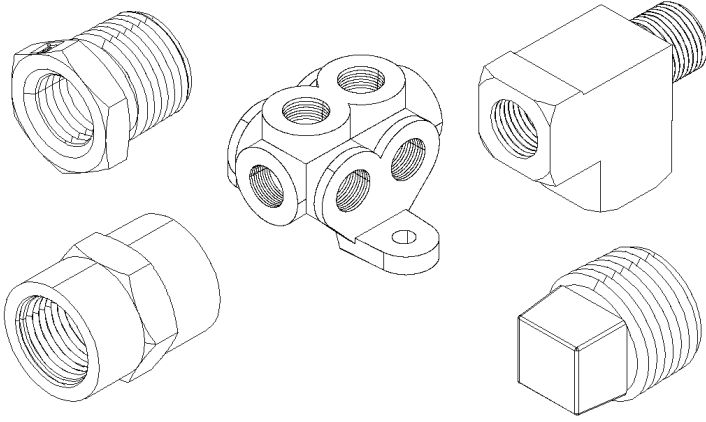


From E-5490

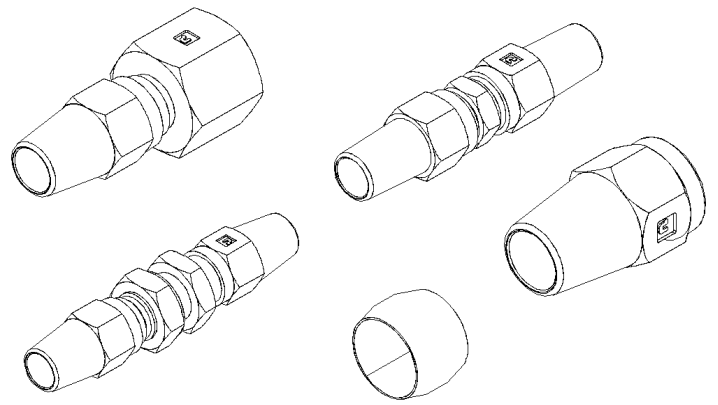
Date:07/2024

PAGE:X3VIP-1201-00

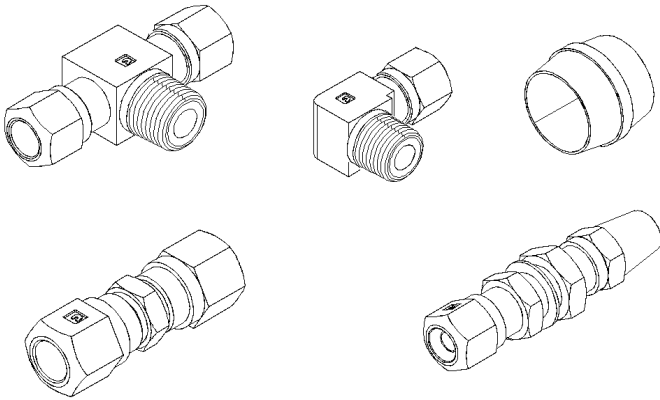
FITTING - MISCELLANEOUS



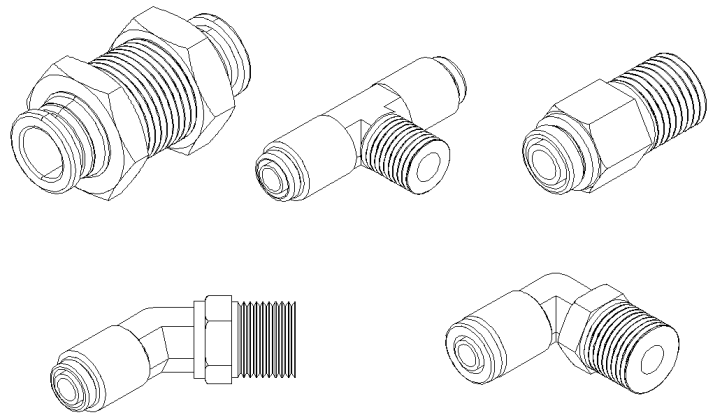
FITTING PIPE "NPT"
1



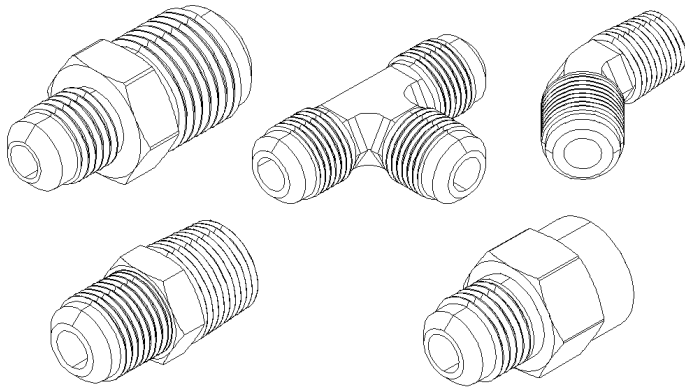
FITTING BRAKE "AB"
2



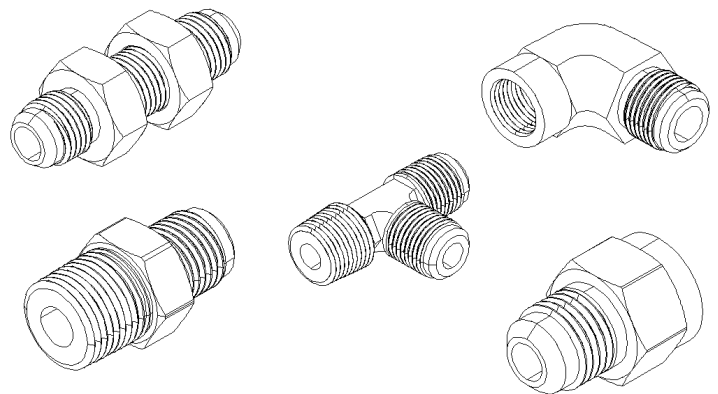
FITTING BRAKE "NTA"
3



FITTING BRAKE "PUSH-IN"
4



FITTING "SAE 45°"
5



FITTING "JIC 37°"
6

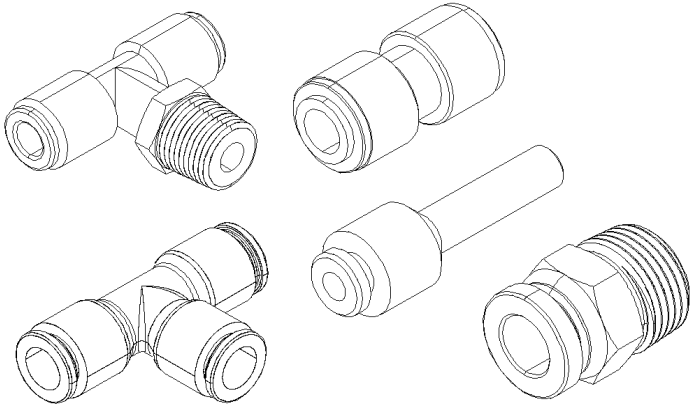


From E-5490

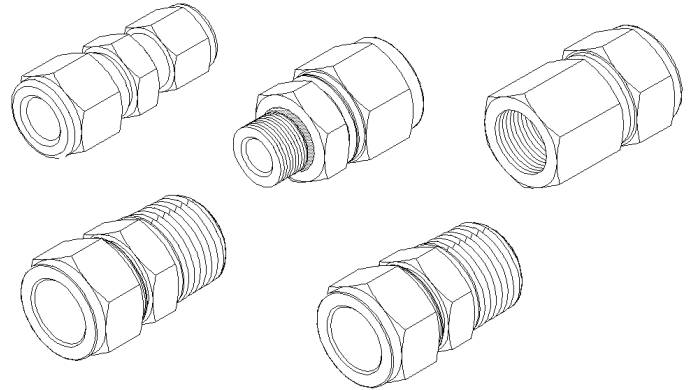
Date:07/2024

PAGE:X3VIP-1201-00

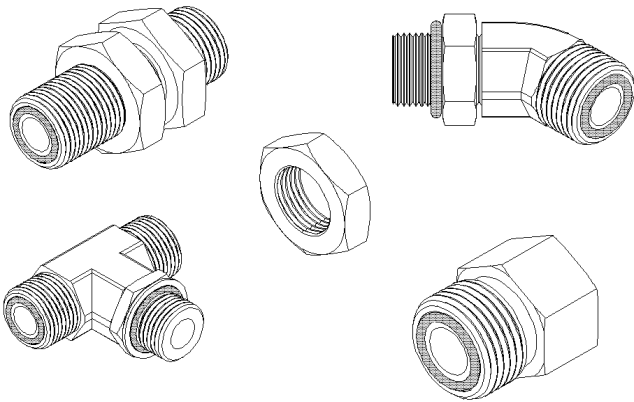
FITTING - MISCELLANEOUS



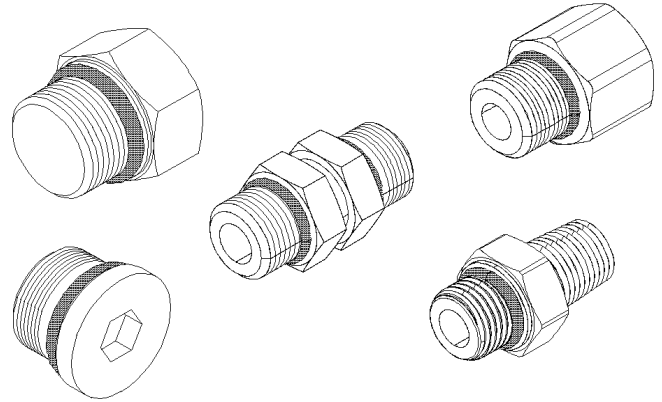
FITTING "PUSH-IN"
7



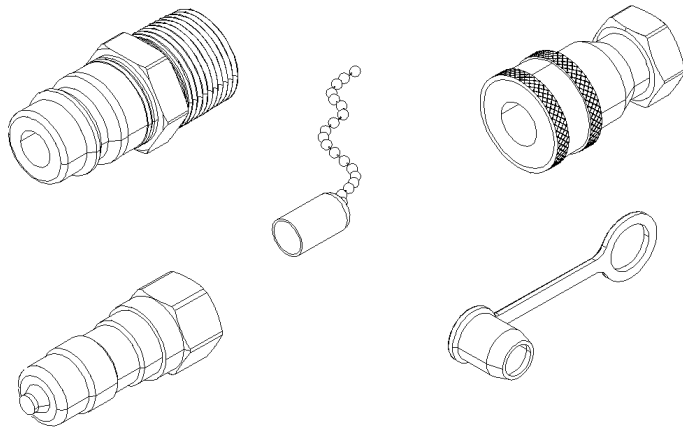
FITTING "A-LOK"
8



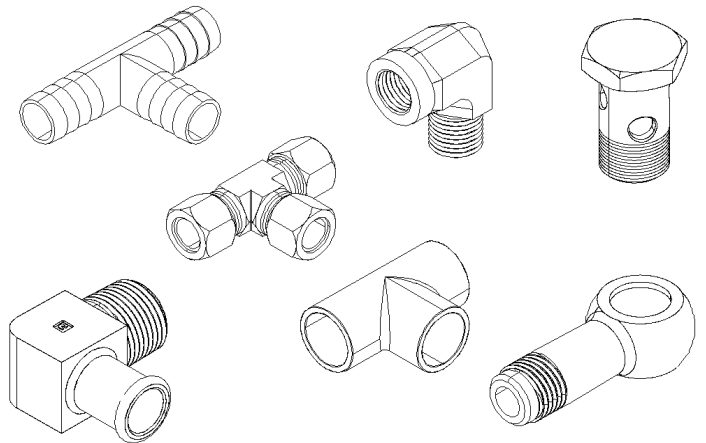
FITTING "ORS"
9



FITTING "ORB"
10



FITTING "QUICK DISCONNECT"
11



FITTING "MISCELANOUS"
12

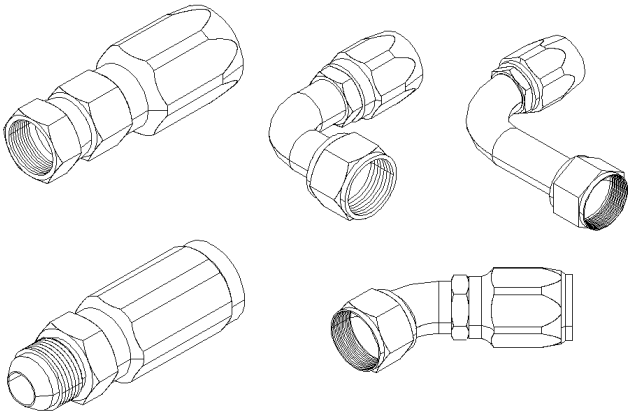


From E-5490

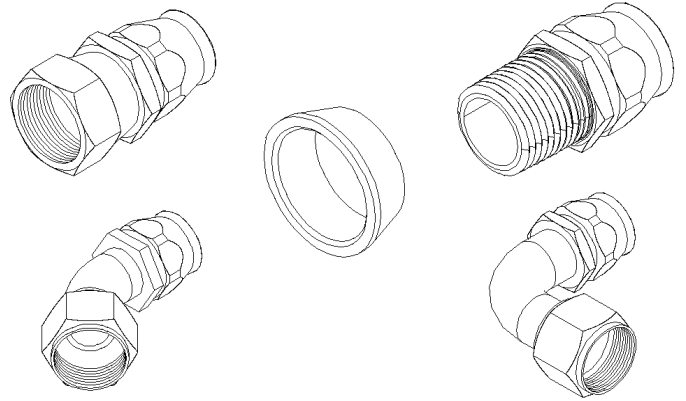
Date:07/2024

PAGE:X3VIP-1201-00

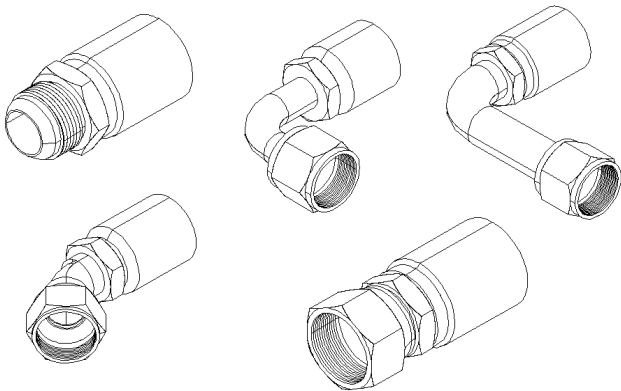
FITTING - MISCELLANEOUS



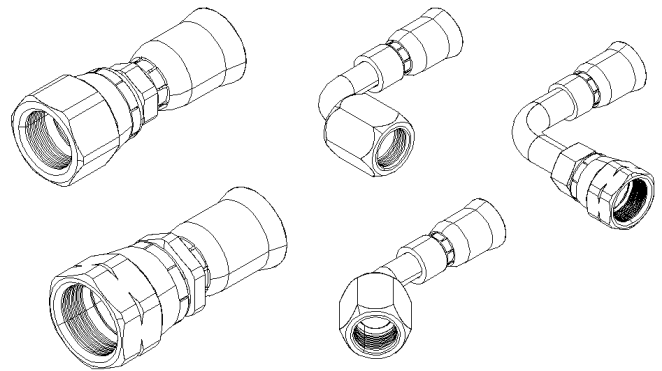
FITTING "HOSE END REUSABLE"
13



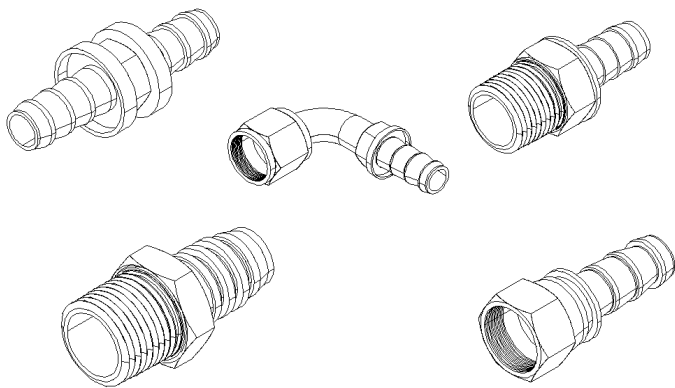
FITTING "HOSE END REUSABLE"
TEFLON
14



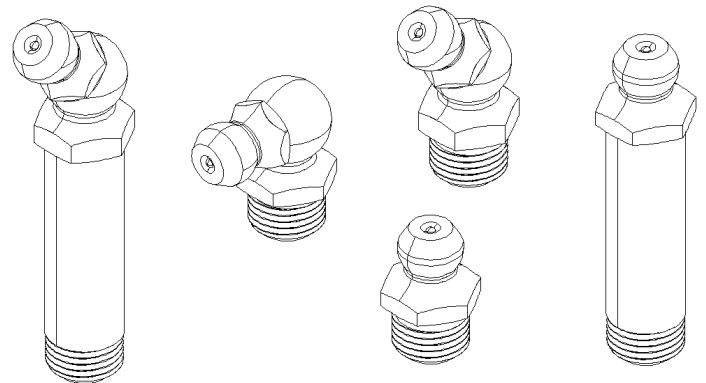
FITTING "HOSE END CRIMP"
15



FITTING "HOSE END CRIMP"
TEFLON
16



FITTING "HOSE END"
"PUSH-LOK & COLLAR"
17



FITTING "GREASE"
30



From E-5490	Date:07/2024	PAGE:X3VIP-1201-00
FITTING - MISCELLANEOUS		

Item#	Part	Description	X 3 V I P E N T	X 3 V I P M T H	N O T E S
	 BRAKE			
1	FM-00FM-00	FITTING NPT PIPE - MISCELANOUS			
2	FM-00FM-01	FITTING BRAKE "AB" - MISCELANOUS (D.O.T.)			
3	FM-00FM-02	FITTING BRAKE "NTA" - MISCELANOUS (D.O.T.)			
4	FM-00FM-03	FITTING BRAKE "PUSH-IN" - MISCELANOUS (D.O.T.)			
	 SAE & JIC			
5	FM-00FM-04	FITTING "SAE 45°" - MISCELANOUS			
6	FM-00FM-05	FITTING "JIC 37°" - MISCELANOUS			
7	FM-00FM-06	FITTING "PUSH-IN" - MISCELANOUS			
8	FM-00FM-07	FITTING "A-LOK" - MISCELANOUS (SWAGLELOK)			
	 ORS & ORB			
9	FM-00FM-08	FITTING "ORS" - MISCELANOUS			
10	FM-00FM-09	FITTING "ORB" - MISCELANOUS			
	 QUICK DISCONNECT			
11	FM-00FM-10	FITTING "QUICK DISCONNECT" - MISCELANOUS			
12	FM-00FM-11	FITTING "MISCELANOUS"			
	 HOSE END FITTING			
13	FM-00FM-12	FITTING "HOSE END REUSABLE" - MISCELANOUS			
14	FM-00FM-13	FITTING "HOSE END REUSABLE TEFLON" - MISCELANOUS			
15	FM-00FM-14	FITTING "HOSE END CRIMP" - MISCELANOUS			
16	FM-00FM-15	FITTING "HOSE END CRIMP TEFLON" - MISCELANOUS			
17	FM-00FM-16	FITTING "HOSE END" - "PUSH-LOK & COLLAR"			
30	FM-00GF-00	GREASE FITTING			



From E-5490

Date:07/2024

PAGE:X3VIP-1202-00

TUBES PLASTIC / AIR D.O.T.

ILLUSTRATION NOT
AVAILABLE AT TIME OF
PRINTING



From E-5490		Date:07/2024	PAGE:X3VIP-1202-00
TUBES PLASTIC / AIR D.O.T.			

Item#	Part	Description	X 3 V I P E N T	X 3 V I P M T H	N O T E S
		ADAPTER, 90HT, MALE (PUSH IN TUBE FITTINGS)			
	503747	TUBE, NYLON 6MM O.D. / BLACK S.L.			
	503529	TUBE, NYLON 8MM O.D. / BLACK S.L.			
	503563	TUBE, NYLON 6MM O.D. / WHITE S.L.			
	503566	TUBE, NYLON 1/4 O.D. / BLUE S.L.			
	503471	TUBE, NYLON 3/8 O.D. / BLUE S.L.			
	503517	TUBE, NYLON 1/2 O.D. / BLUE S.L.			
	503536	TUBE, NYLON 1/8 O.D. / BLACK S.L.			
	503402	TUBE, NYLON 1/4 O.D. / BLACK S.L.			
	503404	TUBE, NYLON 3/8 O.D. / BLACK S.L.			
	503488	TUBE, NYLON 1/2 O.D. / BLACK S.L./			
	503540	TUBE, NYLON 5/8 O.D. / BLACK S.L.			
	503541	TUBE, NYLON 3/4" O.D. / BLACK S.L			
	503548	TUBE, NYLON 1/4 O.D. / YELLOW S.L.			
	503470	TUBE, NYLON 3/8 O.D. / YELLOW S.L.			
	503533	TUBE, NYLON 1/2 O.D. / YELLOW S.L.			
NS	19514092	TUBE, NYLON 1/2 O.D. / YELLOW / 100FT ROLL			
	503466	TUBE, NYLON 1/4 O.D. / RED S.L.			
	503467	TUBE, NYLON 3/8 O.D. / RED S.L.			
	503468	TUBE, NYLON 1/2 O.D. / RED S.L.			
	503469	TUBE, NYLON 5/8 O.D. / RED S.L.			
	503464	TUBE, NYLON 1/4 O.D. / GREEN S.L.			
	503463	TUBE, NYLON 3/8 O.D. / GREEN S.L.			
	503406	TUBE, NYLON 1/2 O.D. / GREEN S.L.			
	503408	TUBE, NYLON 5/8 O.D. / GREEN S.L.			
	503465	TUBE, NYLON 3/4 O.D. / GREEN S.L.			
	503472	TUBE, NYLON 3/8 O.D. / GREY S.L.			
	503822	TUBE, NYLON 1/4 O.D. / BROWN S.L.			
	503639	TUBE, NYLON 3/8 O.D. / BROWN S.L.			
	503638	TUBE, NYLON 1/2 O.D. / BROWN S.L.			
NS	683355	TOOL PLASTIC TUBE CUTTER / PLASTIC	1	1	
NS	681625	TOOL PLASTIC TUBE CUTTER / METAL	1	1	

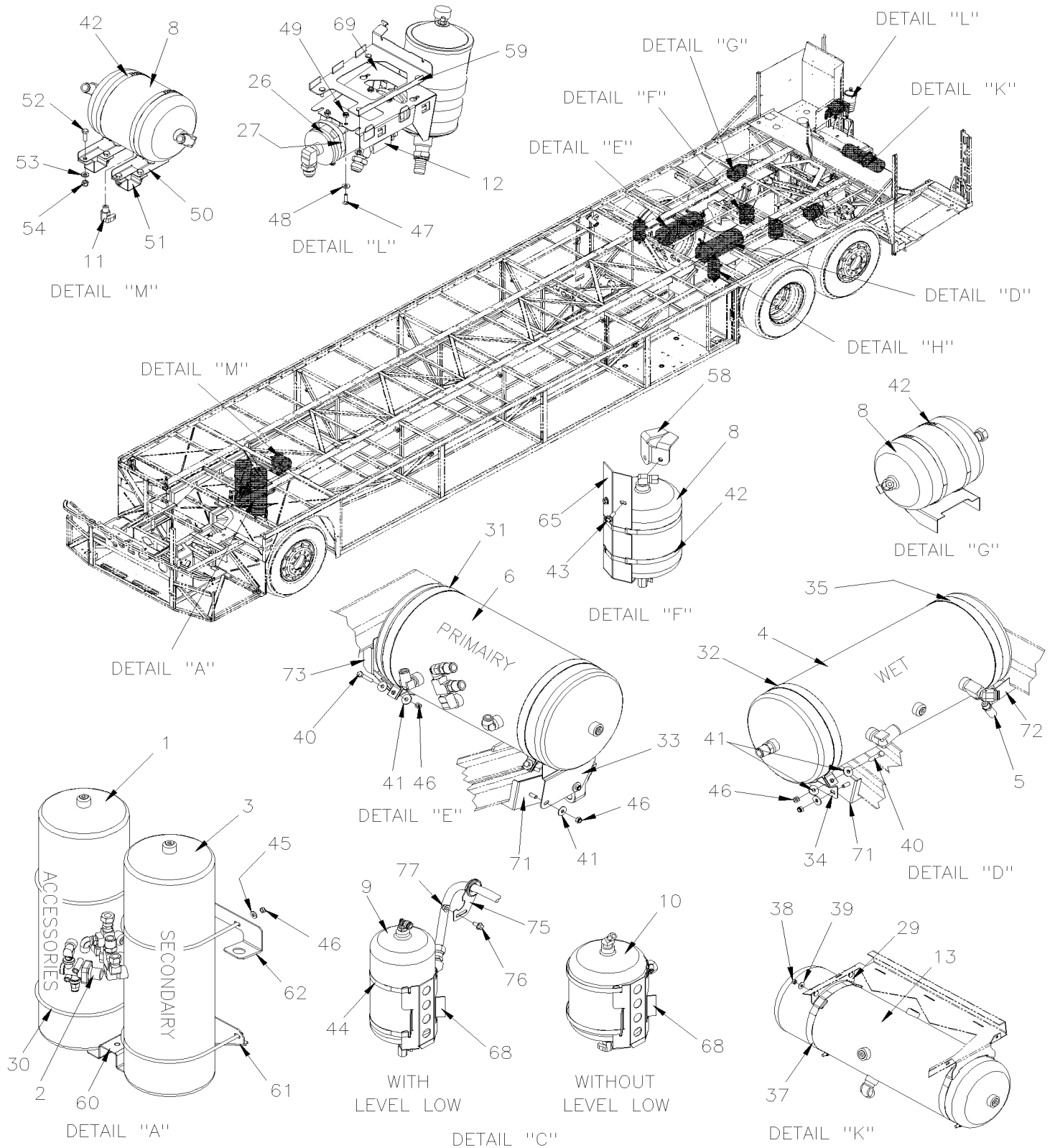


From E-5490

Date:07/2024

PAGE:X3VIP-1203-50

AIR TANK - INSTALLATION





From E-5490		Date:07/2024	PAGE:X3VIP-1203-50
-------------	--	--------------	--------------------

AIR TANK - INSTALLATION

Item#	Part	Description	X 3 V I P E N T	X 3 V I P M T H	N O T E S
		ACCESSORIES AIR TANK			
1	141834	AIR TANK / 1303 IN° / 8" O.D. X 27"1/2	1	1	
2	641137	VALVE, PRESSURE PROTECTION TYPE PR-4 70PSI	1	1	
		SECONDARY AIR TANK			
3	141834	AIR TANK / 1303 IN° / 8" O.D. X 27"1/2	1	1	
		WET AIR TANK			
4	642000	AIR TANK / 1791 IN° / 9 1/2" O.D. X 27"	1	1	
5	642022	SAFETY VALVE 150 PSI X 3/8 NPT / ST-3 To F-5812	1	1	
5	642210	SAFETY VALVE 153 PSI X 1/4 NPT OEM From F-5813	1	1	
5	19511125	SAFETY VALVE 153 PSI X 1/4 NPT AFTER-MARKET From F-5813	1	1	
NS	501316	BUSHING REDUCER / PIPE FITTING / 1/2NPT-Mx1/4NPT-F BR From F-5813	1	1	
		PRIMARY AIR TANK			
6	642026	AIR TANK / 1954 IN° / 10 1/2" OD X24 1/2" To F-5811	1	1	
6	642209	AIR TANK / 1954 IN° / 10 1/2" OD X24 1/2" From F-5812	1	1	
		AIR BELLOW EXPANSION TANK			
8	641424	AIR TANK / 288 IN° / 7" O.D. X 9 1/4" / W/(3) 1/2" NPT To J-6294	4	4	
8	641424	AIR TANK / 288 IN° / 7" O.D. X 9 1/4" / W/(3) 1/2" NPT From J-6295	5	5	
9	642110	AIR TANK / 290 IN° / 6" O.D. X 12" / W/(3) 1/2" NPT	2	2	L
10	641424	AIR TANK / 288 IN° / 7" O.D. X 9 1/4" / W/(3) 1/2" NPT	2	2	W
11	641043	DRAIN VALVE 1/4 NPT M From J-6295	1	1	
NS	501316	BUSHING REDUCER / PIPE FITTING / 1/2NPT-Mx1/4NPT-F BR From J-6295	1	1	
		PING AIR TANK			
12	641982	AIR TANK / 96 IN° / 3 1/2" O.D. X 10"	1	1	
		PRIMARY AIR TANK			
13	641456	AIR TANK / 976 IN° / 7" O.D. X 25.5"	1	1	
25	141835	ROD / TO USE W/8" O.D. TANK / "U" SHAPE	4	4	
26	161337	SUPPORT / PING AIR TANK	2	2	
27	504235	HOSE CLAMP / 3"9/16"-4"1/2 SS / HS-64	2	2	



From E-5490		Date:07/2024	PAGE:X3VIP-1203-50
-------------	--	--------------	--------------------

AIR TANK - INSTALLATION

Item#	Part	Description	X 3 V I P E N T	X 3 V I P M T H	N O T E S
29	144991	SUPPORT AIR TANK	1	1	
30	141835	ROD / TO USE W/8" O.D. TANK / "U" SHAPE	4	4	
31	145052	BAND CLAMPS 270MM I.D.	2	2	
31	145027	SUPPORT / PRIMARY AIR TANK / BACKWARD To F-5761	1	1	
31	145047	SUPPORT / PRIMARY AIR TANK / BACKWARD From F-5762	1	1	
32	145051	BAND CLAMPS 245MM I.D.	1	1	
33	145008	SUPPORT / PRIMARY AIR TANK / FOWARD To F-5761	1	1	
33	145046	SUPPORT / PRIMARY AIR TANK / FOWARD From F-5762	1	1	
34	145007	SUPPORT / WET AIR TANK / FORWAD	1	1	
35	145051	BAND CLAMPS 245MM I.D. To F-5912	1	1	
35	145280	BAND CLAMPS 245MM I.D. From F-5913 To G-6072	1	1	
35	145592	BAND CLAMPS 245MM I.D. From G-6073	1	1	
37	504041	T-BOLT BAND CLAMP/ 6.75" ID	2	2	
38	5001851	NUT HEX M6-1.0 SS BK	2	2	
39	5001833	WASHER BEL SPR 6.1x18x1.27 SS	2	2	
40	502927	SCREW CAP HEX M8-1.25x50 G8.8 N500	4	4	
41	500381	WASHER FL 8.4x25.0x2.0 N500	AR	AR	
42	504649	HOSE CLAMP / 4"5/8-7"1/2 SS	AR	AR	
43	5001643	SCREW CAP HEXF M8-1.25x25 G8.8 G500	4	4	
44	504324	HOSE CLAMP / 4"1/2-6"1/2 SS / HS-96	6	6	
45	5001736	WASHER FL 8.4x18.0x2.0 N500	8	8	
46	502847	NUT HEX NYRT M8-1.25 N500	AR	AR	
47	500558	SCREW MA TR PH 1/4-20x1 SS	4	4	
48	500411	WASHER FL .260x.697x.050 SS	4	4	
49	502874	NUT HEX NYRT 1/4-20 N500	4	4	
50	140016	SUPPORT, AIR TANK From J-6295	2	2	
51	140017	CLAMP, AIR TANK SUPPORT From J-6295	2	2	
52	502780	SCREW CAP HEX M8-1.25x25 SS BK From J-6295	AR	AR	
53	5001868	WASHER BEL SPR 8.4x18x2 SS From J-6295	AR	AR	
54	5001787	NUT HEX NYRT M8-1.25 SS From J-6295	AR	AR	
55	X3VIP-1215-10	AIR DRYER - INSTALLATION			
58	175073	SUPPORT / AIR TANK (WELDED AT STRUCTURE)	2	2	
59	218493	SUPPORT / AIR TANK & POWER STEERING RESERVOIR / (WELDED TO FRAME)	1	1	
60	172705	SUPPORT AIR TANK / LOWER	1	1	
61	172704	SUPPORT AIR TANK / LOWER	1	1	
62	173724	SUPPORT AIR TANK / UPPER From C-5133	1	1	
64	171974	SUPPORT / (WELDED TO FRAME)	2	2	
65	173481	SUPPORT / AIR TANK	1	1	
68	173506	SUPPORT / AIR TANK W/6" TANK	3	3	
69	161332	SUPPORT / AIR TANK & POWER STEERING RESERVOIR To K-6464	1	1	
69	160030	SUPPORT / AIR TANK & POWER STEERING RESERVOIR From K-6465	1	1	
71	Call order desk	SUPPORT / AIR TANK	1	1	P



From E-5490	Date:07/2024	PAGE:X3VIP-1203-50
AIR TANK - INSTALLATION		

Item#	Part	Description	X 3 V I P E N T	X 3 V I P M T H	N O T E S
72	175124	SUPPORT / AIR TANK / BACKWARD / (WELDED TO FRAME) From D-5460	2	2	
73	175125	SUPPORT / WET AIR TANK / FORWAD / (WELDED TO FRAME) From D-5460	1	1	
74	175126	SUPPORT, AIR TANK From D-5460 To E-5525	1	1	
74	175147	SUPPORT / PRIMARY AIR TANK / FOWARD / (WELDED TO FRAME) From E-5526	1	1	
75	138639	SUPPORT, SUSPENSION TUBE ASSY From F-5810	2	2	
. NS	504398	. GROMMET / 1.000x1.375x.062x.437x1.750 From F-5810	1	1	
76	5001780	SCREW CAP HEXF M8-1.25x16 G8.8 N500 From F-5810	2	2	
77	5001931	NUT HEXF NYRT M8-1.25 G8.8 N500 From F-5810	2	2	
		L) WITH LEVEL LOW			
		W) WITHOUT LEVEL LOW			
		P) CALL ORDER DESK FOR SPECIFIC APPLICATION (V.I.N.)			

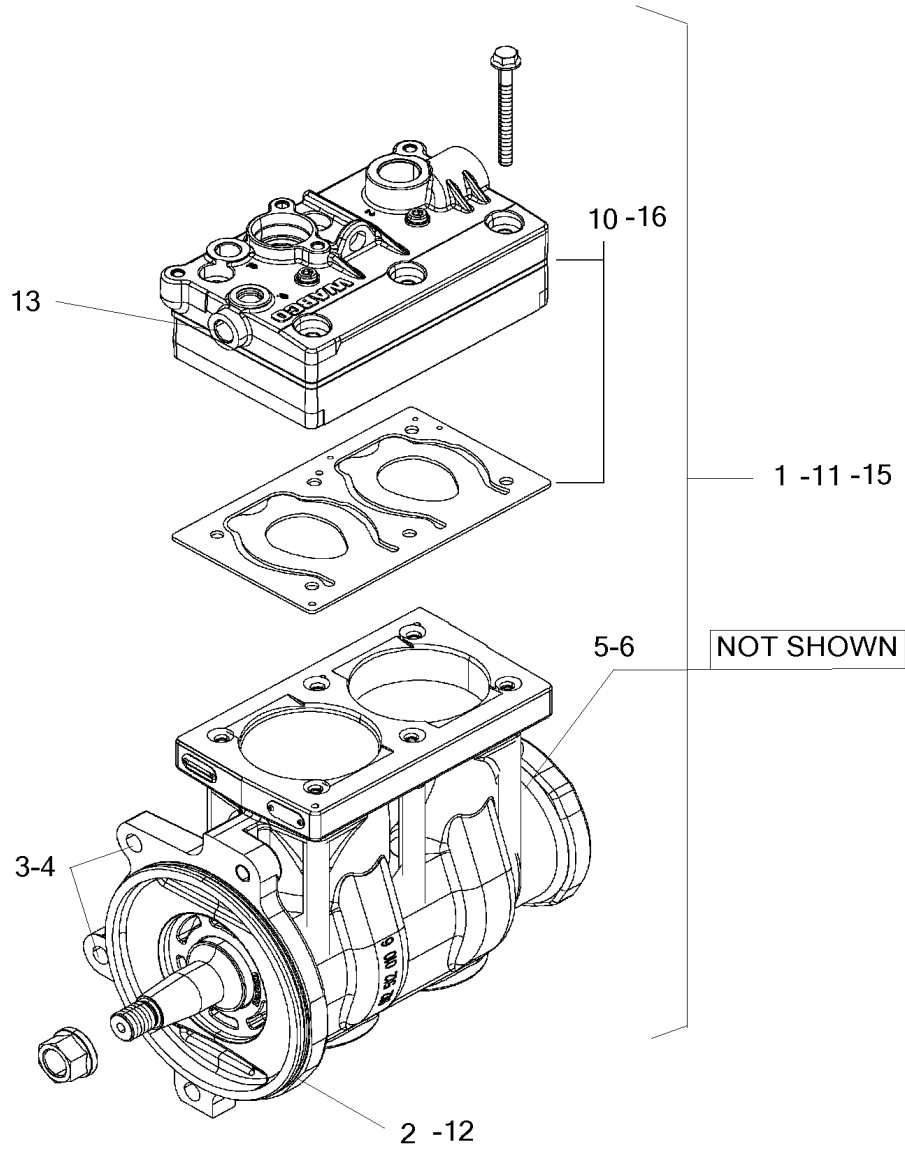


From E-5490

Date:07/2024

PAGE:X3VIP-1205-10

AIR COMPRESSOR - "WABCO" 636CC - WITH VOLVO D13





From E-5490 Date:07/2024 PAGE:X3VIP-1205-10

AIR COMPRESSOR - "WABCO" 636CC - WITH VOLVO D13

Item#	Part	Description	X 3 V I P E N T	X 3 V I P M T H	N O T E S
1	Refer To Volvo	AIR COMPRESSOR 636CC ASSY	1	1	V
2	Refer To Volvo	O-RING 164.3	1	1	V
3	Refer To Volvo	STUD TO FIX COMPRESSOR M12x65x43	2	2	V
4	Refer To Volvo	FLANGE NUT M12x19.8	3	3	V
5	Refer To Volvo	NIPPLE (OIL HOSE)	2	2	V
6	Refer To Volvo	HOSE ASSEMBLY M12-1.5x340MM	1	1	V
10	Refer To Volvo	KIT COMPRESSOR EXCHANGE WABCO	1	1	V
11	Refer To Volvo	. AIR COMPRESSOR 636CC ASSY / EXCHANGE	1	1	V
12	Refer To Volvo	. O-RING 164.3	1	1	V
13	Refer To Volvo	. O-RING	1	1	V
NS	Refer To Volvo	. HOSE CLAMP	1	1	V
15	Refer To Volvo	. COMPRESSOR WABCO	1	1	V
16	Refer To Volvo	. KIT REPAIR WABCO	1	1	V
		V) SEE IMPACT OR CALL ORDER DESK			

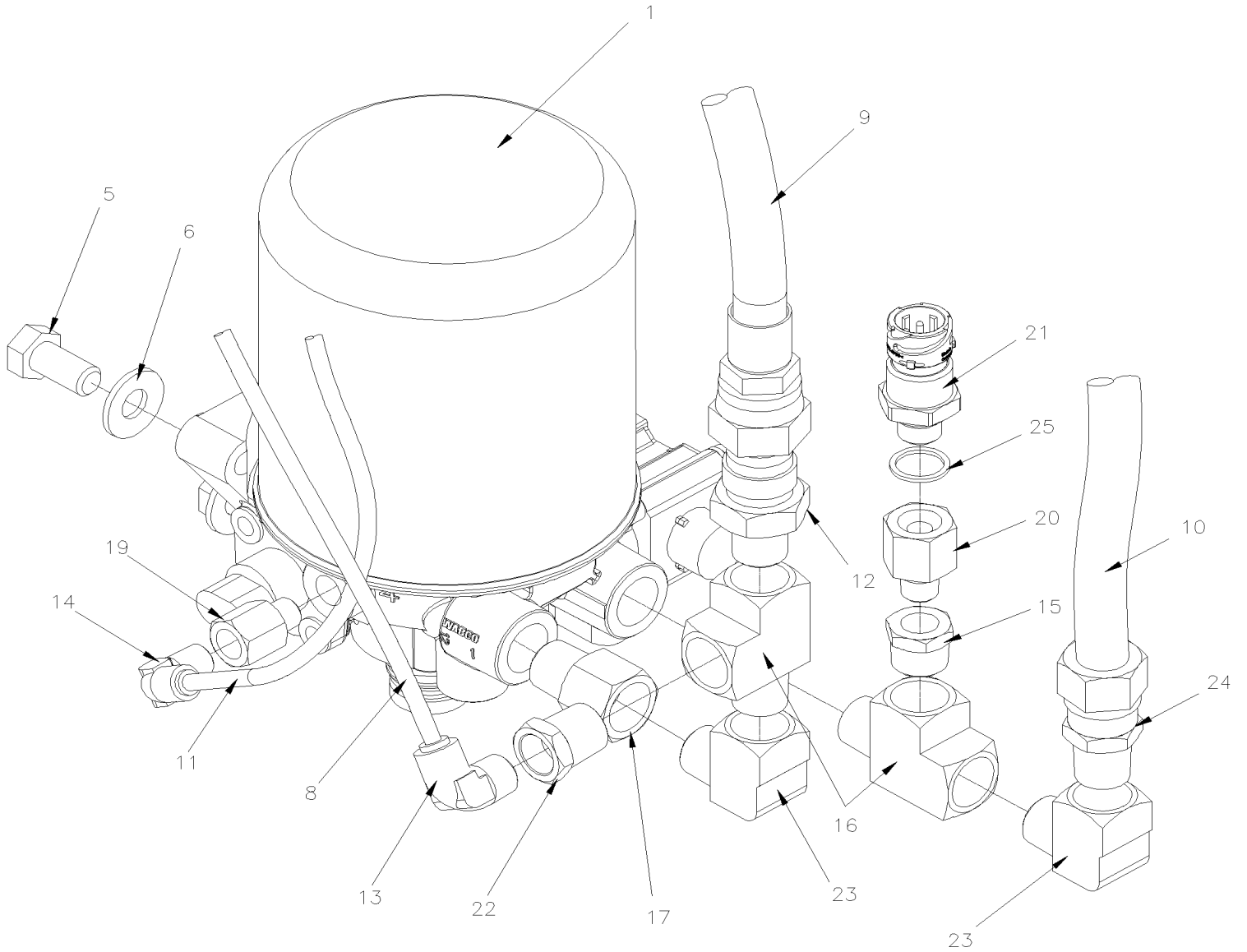


From E-5490 To H-6179

Date:07/2024

PAGE:X3VIP-1215-01

AIR DRYER - "WABCO"





From E-5490 To H-6179	Date:07/2024	PAGE:X3VIP-1215-01
AIR DRYER - "WABCO"		

Item#	Part	Description	X 3 V I P E N T	X 3 V I P M T H	N O T E S
1	21440978	AIR DRYER "WABCO" 12 VOLTS	1	1	
1	067966	HARNESS / AIR DRYER CONTROL	1	1	A
NS	680098	THREAD SEALANT LOCTITE #567 / WHITE / 250ml	AR	AR	
5	5001565	SCREW CAP HEX 1/2-13x1 G5 N500	3	3	
6	500967	WASHER BEL SPR .512x1.142x.098 N500	3	3	
NS	682175	UNDERCOATING BLACK PROTECTOR (GRAVELGUARD) 567gr	AR	AR	
8	503464	TUBE, NYLON 1/4 O.D. / GREEN S.L.	AR	AR	
9	145061	HOSE ASSY TEFLON / #12 3510MM	1	1	
10	503465	TUBE, NYLON 3/4 O.D. / GREEN S.L.	AR	AR	
11	503464	TUBE, NYLON 1/4 O.D. / GREEN S.L. To F-5874	AR	AR	
11	503548	TUBE, NYLON 1/4 O.D. / YELLOW S.L. From F-5875	AR	AR	
12	501600	MALE CONNECTOR / JIC 37° FITTING / #12JIC-Mx1/2NPT-M STL	1	1	
13	641374	MALE ELBOW 90° NON-SWIVEL / PUSH-IN FITTING / #4x3/8NPT-M BR	1	1	
14	641371	MALE ELBOW 90° NON-SWIVEL / PUSH-IN FITTING / #4x1/4NPT-M BR	1	1	
15	501316	BUSHING REDUCER / PIPE FITTING / 1/2NPT-Mx1/4NPT-F BR	1	1	
16	501473	MALE RUN TEE / PIPE FITTING / 1/2NPT-Mx1/2NPT-Fx1/2NPT-F BR	2	2	
17	5011119	ADAPTER / PIPE FITTING / 1/2NPT-Fx1/2NPT-M BR	1	1	
19	501308	ADAPTER / PIPE FITTING / 1/4NPT-Fx1/4NPT-M BR	1	1	
20	647893	ADAPTER / PIPE FITTING / 1/4NPT-MxM16-F STL	1	1	
21	20829689	SENSOR PRESSURE / 0-15bar	1	1	
22	501534	BUSHING REDUCER / PIPE FITTING / 1/2NPT-Mx3/8NPT-F BR	1	1	
23	507557	STREET ELBOW 90° / PIPE FITTING / 1/2NPT-Mx1/2NPT-F BR	2	2	
24	640995	MALE CONNECTOR / NTA FITTING / #12x1/2NPT-M BR	1	1	
25	501528	STREET ELBOW 45° / PIPE FITTING / 1/2NPT-Mx1/2NPT-F BR	1	1	
		A) WITH PRIME - "POWER RECOVERY BY INTELLIGENT MANAGEMENT OF ENERGY"			

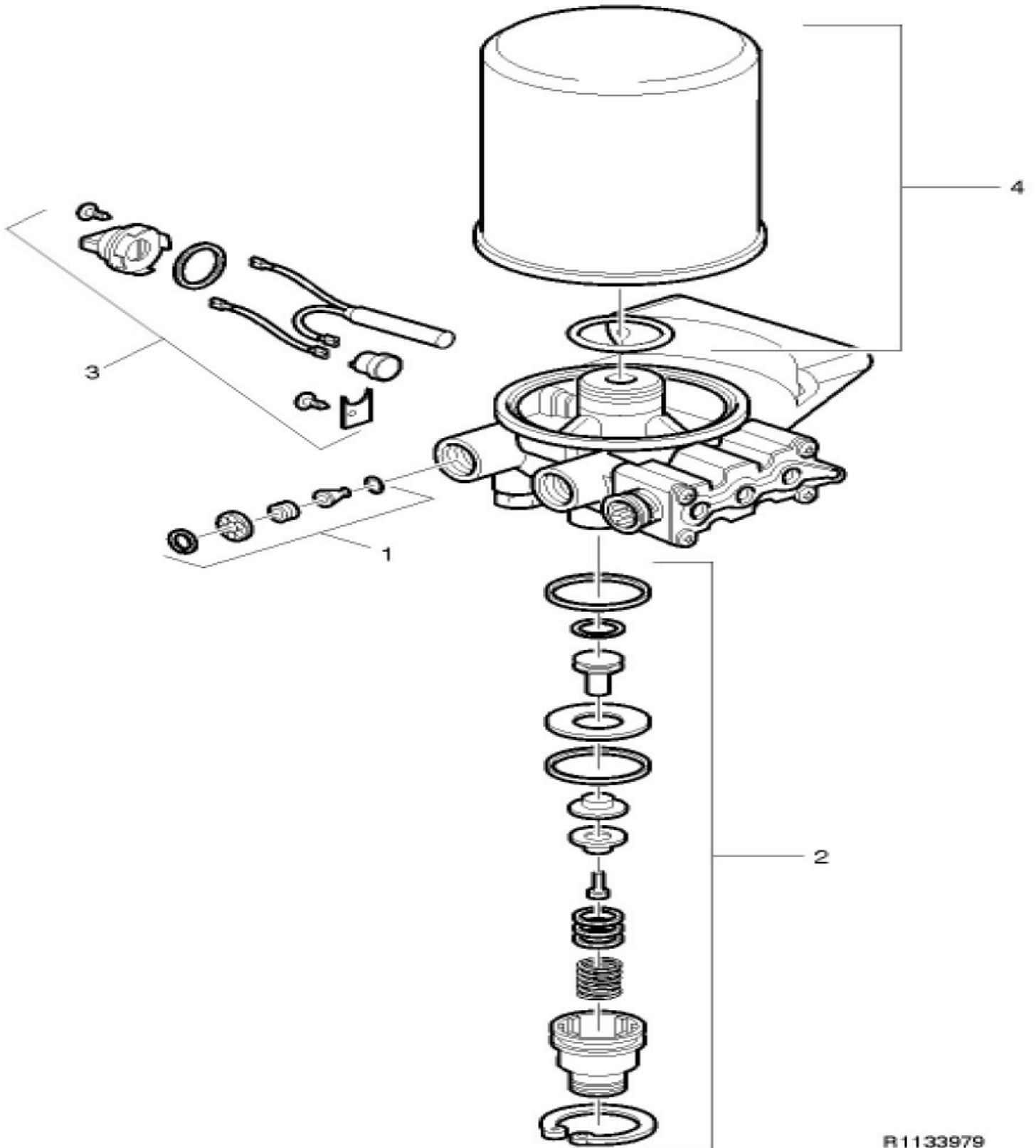


From E-5490 To H-6179

Date:07/2024

PAGE:21440978

AIR DRYER "WABCO" 12 VOLTS



R1133979



From E-5490 To H-6179	Date:07/2024	PAGE:21440978
AIR DRYER "WABCO" 12 VOLTS		

Item#	Part	Description	X 3 V I P E N T	X 3 V I P M T H	N O T E S
1	641281	OUTLET CHECK VALVE KIT	1	1	
2	641283	PURGE VALVE KIT	1	1	
3	3918354	HEATER ASSY KIT 12 VOLTS	1	1	
. NS	562251	. CONNECTOR / METRI-PACK 280 / SH 2C / PED 12020599	1	1	
. NS	562101	. SOCKET TERMINAL / 14-12 / PED 12129493	2	2	
4	642123	DESICANT CARTRIDGE / "WABCO" / SS-1200UP	1	1	
4	640045	DESICANT CARTRIDGE / "WABCO"	1	1	

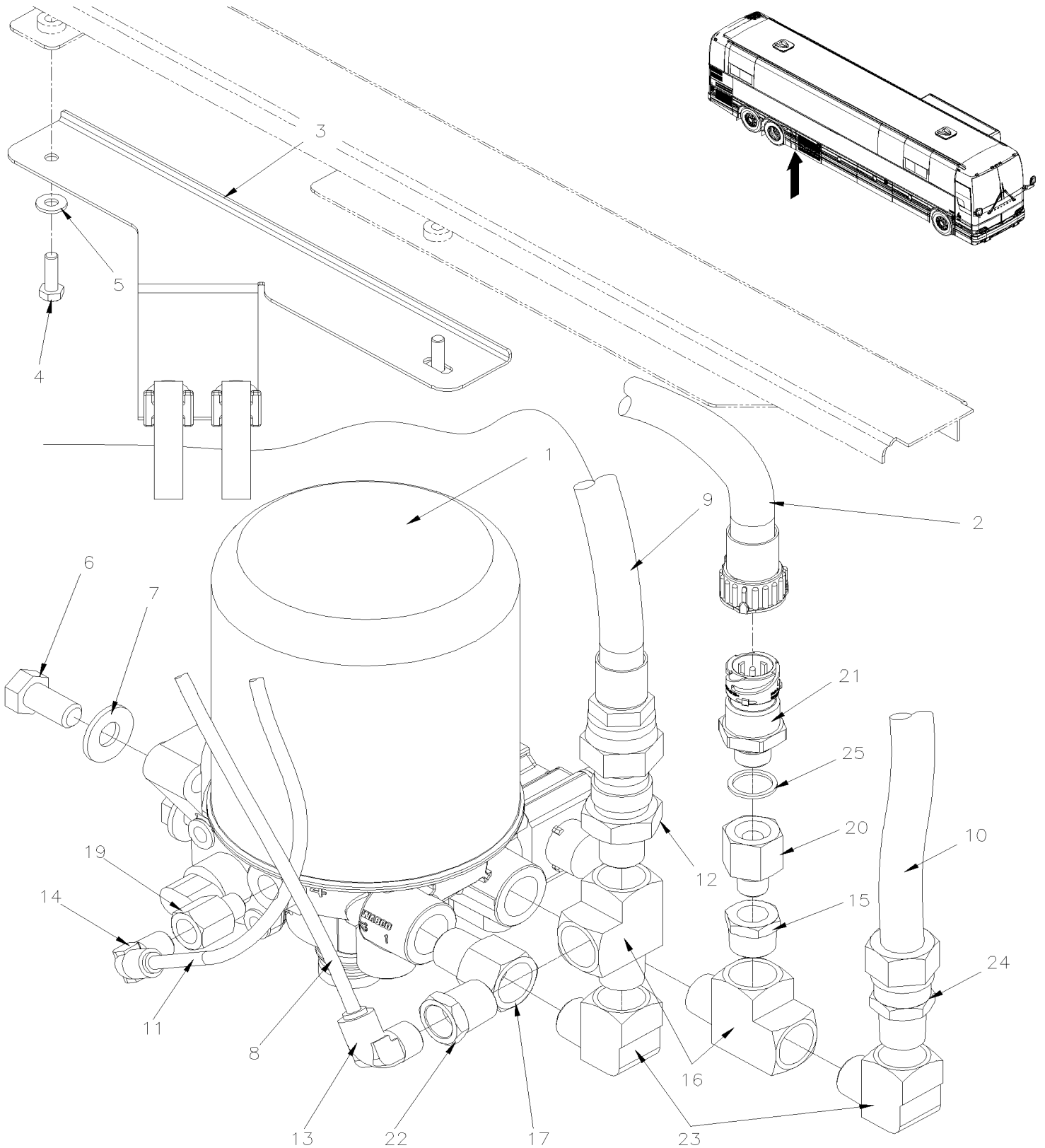


From H-6180

Date:07/2024

PAGE:X3VIP-1215-02

AIR DRYER - "WABCO" VOLVO D13 - GHG17





From H-6180		Date:07/2024	PAGE:X3VIP-1215-02
AIR DRYER - "WABCO" VOLVO D13 - GHG17			

Item#	Part	Description	X 3 V I P E N T	X 3 V I P M T H	N O T E S
1	21440978	AIR DRYER "WABCO" 12 VOLTS	1	1	
NS	680098	THREAD SEALANT LOCTITE #567 / WHITE / 250ml	AR	AR	
2	060095	HARNESS / AIR DRYER CONTROL	1	1	A
NS	504637	CABLE TIE / 3/16" x 13"	AR	AR	
3	175232	SUPPORT PIPE	1	1	
NS	504750	CABLE TIE / 1/2" x 15" / CHRISTMAS TREE	AR	AR	
4	502830	SCREW CAP HEX M6-1.0x20 G8.8 N500	2	2	
5	500877	WASHER FL .250x.562x.065 N500	2	2	
6	5001565	SCREW CAP HEX 1/2-13x1 G5 N500	3	3	
7	500967	WASHER BEL SPR .512x1.142x.098 N500	3	3	
NS	682175	UNDERCOATING BLACK PROTECTOR (GRAVELGUARD) 567gr To N-6731	1	1	
NS	685413	RUBBERIZED UNDERCOAT (GRAVELGUARD) 560gr From N-6732	AR	AR	
8	503464	TUBE, NYLON 1/4 O.D. / GREEN S.L.	AR	AR	
9	145061	HOSE ASSY TEFLON / #12 3510MM	1	1	
NS	504751	ROTATIF SPACER DOUBLE / SMALL	1	1	
10	503465	TUBE, NYLON 3/4 O.D. / GREEN S.L.	AR	AR	
11	503548	TUBE, NYLON 1/4 O.D. / YELLOW S.L.	AR	AR	
12	501600	MALE CONNECTOR / JIC 37° FITTING / #12JIC-Mx1/2NPT-M STL	1	1	
13	641374	MALE ELBOW 90° NON-SWIVEL / PUSH-IN FITTING / #4x3/8NPT-M BR	1	1	
14	641371	MALE ELBOW 90° NON-SWIVEL / PUSH-IN FITTING / #4x1/4NPT-M BR	1	1	
15	501316	BUSHING REDUCER / PIPE FITTING / 1/2NPT-Mx1/4NPT-F BR	1	1	
16	501473	MALE RUN TEE / PIPE FITTING / 1/2NPT-Mx1/2NPT-Fx1/2NPT-F BR	2	2	
17	5011119	ADAPTER / PIPE FITTING / 1/2NPT-Fx1/2NPT-M BR	1	1	
19	501308	ADAPTER / PIPE FITTING / 1/4NPT-Fx1/4NPT-M BR	1	1	
20	647893	ADAPTER / PIPE FITTING / 1/4NPT-MxM16-F STL	1	1	
21	20829689	SENSOR PRESSURE / 0-15bar	1	1	
22	501534	BUSHING REDUCER / PIPE FITTING / 1/2NPT-Mx3/8NPT-F BR	1	1	
23	507557	STREET ELBOW 90° / PIPE FITTING / 1/2NPT-Mx1/2NPT-F BR	2	2	
24	640995	MALE CONNECTOR / NTA FITTING / #12x1/2NPT-M BR	1	1	
25	504789	RETAINING RING	1	1	
NS	680064	OIL ANTICOROSIVE GREY (TECTYL) (20 LITERS)	AR	AR	
NS	682175	UNDERCOATING BLACK PROTECTOR (GRAVELGUARD) 567gr To N-6731	AR	AR	
NS	685413	RUBBERIZED UNDERCOAT (GRAVELGUARD) 560gr From N-6732	AR	AR	
		A) WITH PRIME - "POWER RECOVERY BY INTELLIGENT MANAGEMENT OF ENERGY"			

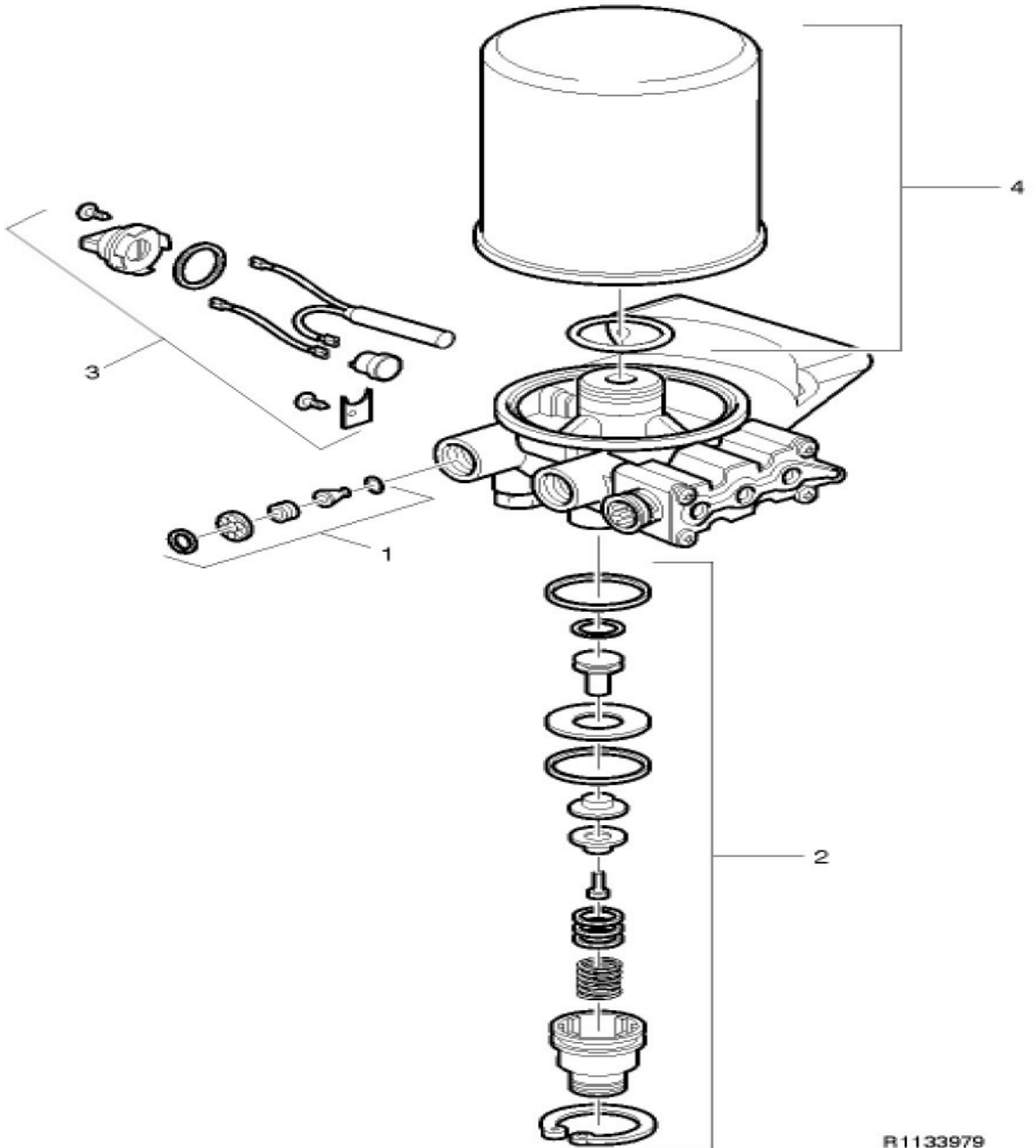


From H-6180

Date:07/2024

PAGE:21440978

AIR DRYER "WABCO" 12 VOLTS



R1133979



From H-6180	Date:07/2024	PAGE:21440978
AIR DRYER "WABCO" 12 VOLTS		

Item#	Part	Description	X 3 V I P E N T	X 3 V I P M T H	N O T E S
1	641281	OUTLET CHECK VALVE KIT	1	1	
2	641283	PURGE VALVE KIT	1	1	
3	3918354	HEATER ASSY KIT 12 VOLTS	1	1	
. NS	562251	. CONNECTOR / METRI-PACK 280 / SH 2C / PED 12020599	1	1	
. NS	562101	. SOCKET TERMINAL / 14-12 / PED 12129493	2	2	
4	642123	DESICANT CARTRIDGE / "WABCO" / SS-1200UP	1	1	
4	640045	DESICANT CARTRIDGE / "WABCO"	1	1	



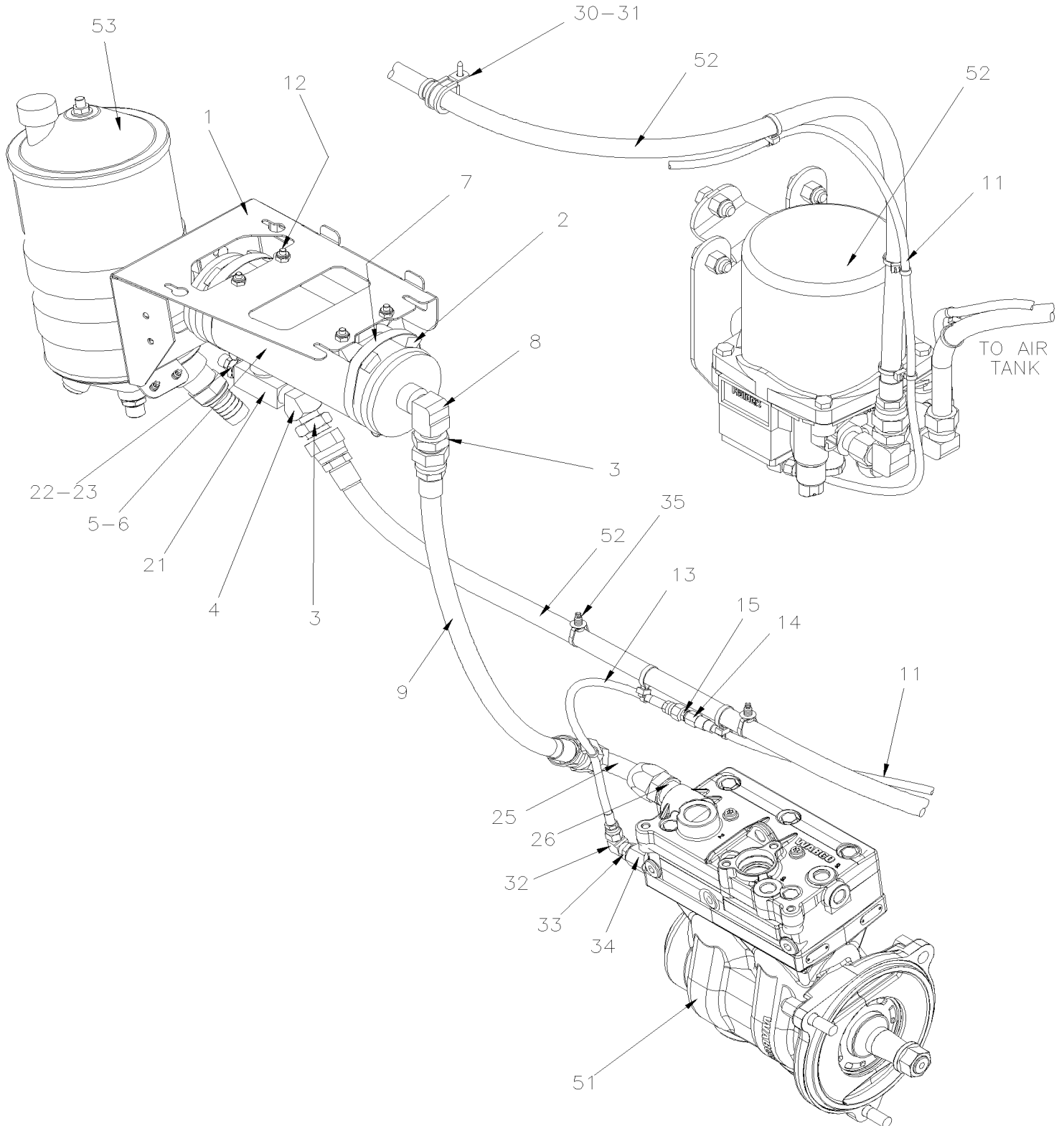
From E-5490

Date:07/2024

PAGE:X3VIP-1215-10

AIR DRYER - INSTALLATION

WITH VOLVO D13 ENGINE EPA 2010





From E-5490		Date:07/2024	PAGE:X3VIP-1215-10		
AIR DRYER - INSTALLATION					
Item#	Part	Description	X 3 V I P E N T	X 3 V I P M T H	NOTES
1	161332	SUPPORT / AIR TANK & POWER STEERING RESERVOIR To K-6464	1	1	
1	160030	SUPPORT / AIR TANK & POWER STEERING RESERVOIR From K-6465	1	1	
2	161337	SUPPORT / PING AIR TANK	1	1	
3	501600	MALE CONNECTOR / JIC 37° FITTING / #12JIC-Mx1/2NPT-M STL	2	2	
4	501528	STREET ELBOW 45° / PIPE FITTING / 1/2NPT-Mx1/2NPT-F BR	1	1	
5	501966	PLUG HEXS / PIPE FITTING / 1/2NPT-M STL	1	1	
6	641982	AIR TANK / 96 IN° / 3 1/2" O.D. X 10"	1	1	
7	504235	HOSE CLAMP / 3"9/16"-4"1/2 SS / HS-64	2	2	
8	507557	STREET ELBOW 90° / PIPE FITTING / 1/2NPT-Mx1/2NPT-F BR	1	1	
9	143198	HOSE ASSY TEFLON #12 410MM	1	1	B
9	140073	HOSE ASSY TEFLON #12 775MM From H-6180	1	1	S
11	503464	TUBE, NYLON 1/4 O.D. / GREEN S.L.	AR	AR	
12	500558	SCREW MA TR PH 1/4-20x1 SS	4	4	
NS	500411	WASHER FL .260x.697x.050 SS	4	4	
NS	502874	NUT HEX NYRT 1/4-20 N500	4	4	
13	140657	HOSE ASSY TEFLON #4 364MM	1	1	
14	642080	FEMALE CONNECTOR / PUSH-IN FITTING / #4x1/8NPT-F NP	1	1	
15	501026	MALE CONNECTOR / SAE 45° FITTING / #4FL-Mx1/8NPT-M BR	1	1	
21	507556	MALE BRANCHE TEE / PIPE FITTING / 1/2NPT-Fx1/2NPT-Fx1/2NPT-M BR	1	1	
22	501316	BUSHING REDUCER / PIPE FITTING / 1/2NPT-Mx1/4NPT-F BR	1	1	
23	642109	SAFETY VALVE 200 PSI x 1/4 NPT / ST-4	1	1	
25	507544	SWIVEL NUT ELBOW 90° SHORT / JIC 37° FITTING/ #12JIC-Fx#12JIC-Mx1.82 STL	1	1	
26	507647	MALE CONNECTOR W/ED SEAL / JIC 37° FITTING / #12JIC-MxM26-1.5-M STL	1	1	
30	952631	CLAMP / 3/4" I.D. To F-5850	AR	AR	
30	952633	CLAMP / 7/8" I.D. From F-5851	AR	AR	
31	500957	SCREW TP BDG PH #10x3/4 N500 From F-5851	AR	AR	
32	501873	MALE ELBOW 90° / JIC 37° FITTING / #4JIC-Mx1/4NPT-M STL	1	1	
33	501314	BUSHING REDUCER / PIPE FITTING / 3/8NTP-Mx1/4NPT-F BR	1	1	
34	5011205	FEMALE CONNECTOR / PIPE @ METRIC / 3/8NPT-FxM16-1.5-M ZP	1	1	
. NS	641297	. O-RING 13.1MM I.D. X 2.6 TH	1	1	
. NS	641298	. WASHER FL 17MM I.D x 22MM O.D. x 1.5MM	1	1	
35	509815	TIE MOUNT / ATTACHMENT W/TREE MOUNT	2	2	
35	504013	TIE MOUNT / 1/4" X 1/4" I.D.	2	2	
35	504379	RIVET POP DOME OE 3/16x1/4 SS	2	2	
51	X3VIP-1205-10	AIR COMPRESSOR - "WABCO" 636CC - WITH VOLVO D13			
52	X3VIP-1215-01	AIR DRYER - "WABCO"			
53	X3VIP-1420-00	POWER STEERING TANK - 4 QT U.S. To K-6464			
NS	X3VIP-1420-10	POWER STEERING TANK - ZF From K-6465			



From E-5490	Date:07/2024	PAGE:X3VIP-1215-10
-------------	--------------	--------------------

AIR DRYER - INSTALLATION

Item#	Part	Description	X 3 V I P E N T	X 3 V I P M T H	N O T E S
		B) WITH BIG A/C			
		S) WITH SMALL A/C			

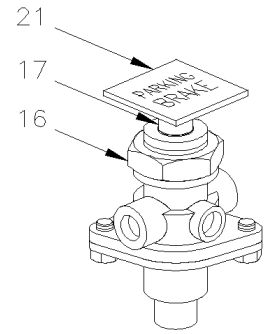


From E-5490

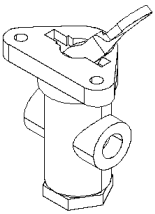
Date:07/2024

PAGE:X3VIP-1220-00

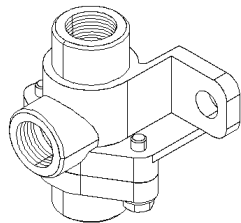
MISCELLANEOUS AIR VALVE



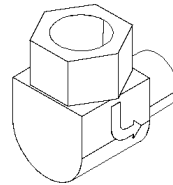
20



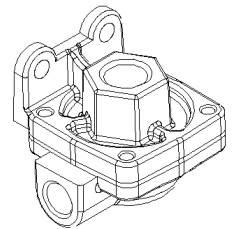
25



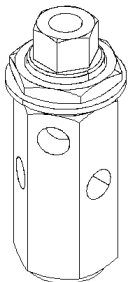
30



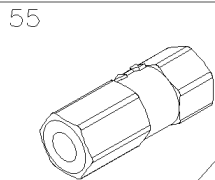
35



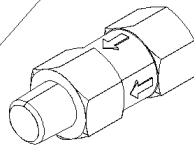
40



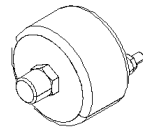
45



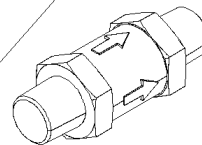
55



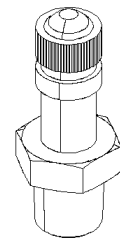
50



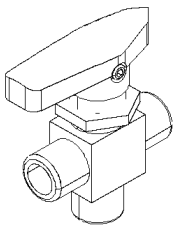
110



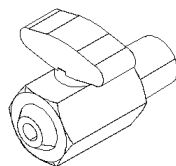
60



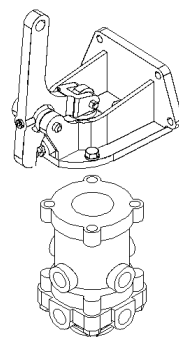
70



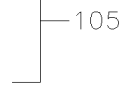
75



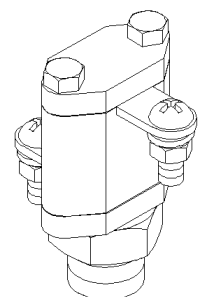
90



100



105



85

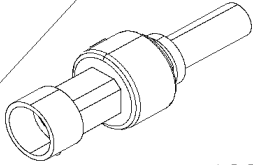


From E-5490

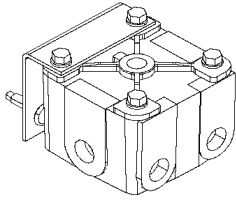
Date:07/2024

PAGE:X3VIP-1220-00

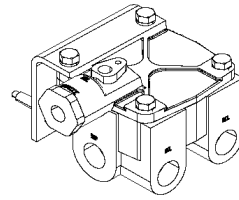
MISCELLANEOUS AIR VALVE



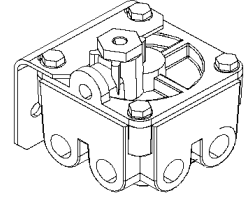
120



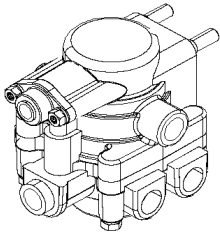
125



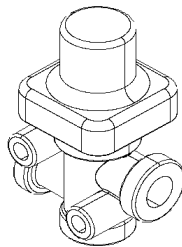
130



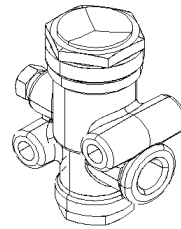
135



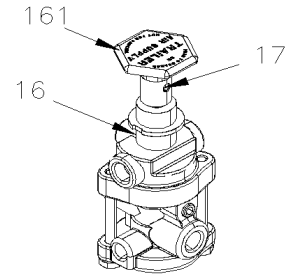
145



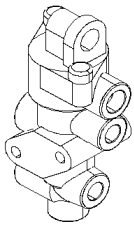
150



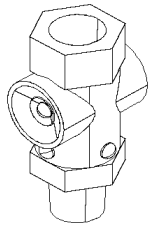
155



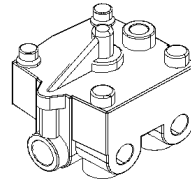
160



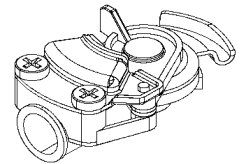
170



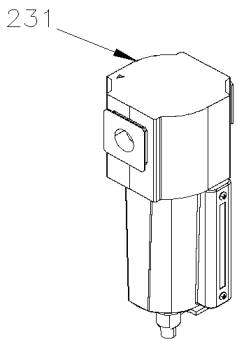
175



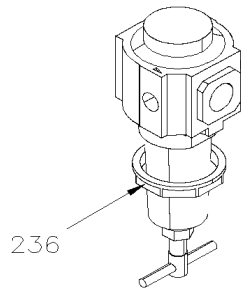
180



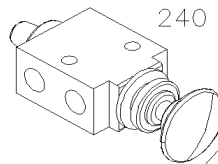
185



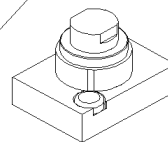
230



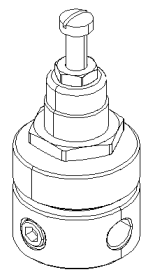
235



240



241



245

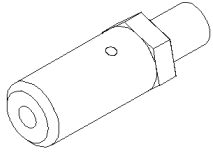


From E-5490

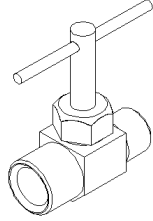
Date:07/2024

PAGE:X3VIP-1220-00

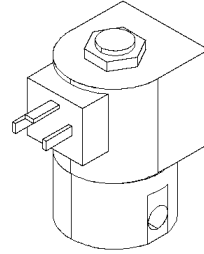
MISCELLANEOUS AIR VALVE



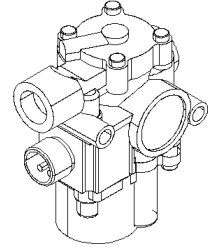
250



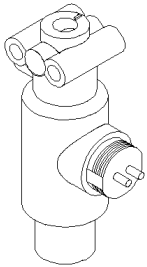
260



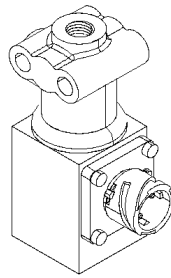
275



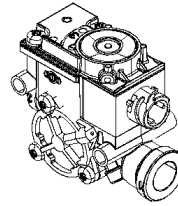
300



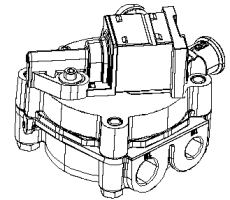
305



310



322



323

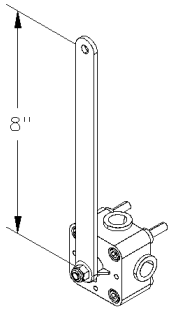


From E-5490

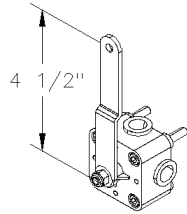
Date:07/2024

PAGE:X3VIP-1220-00

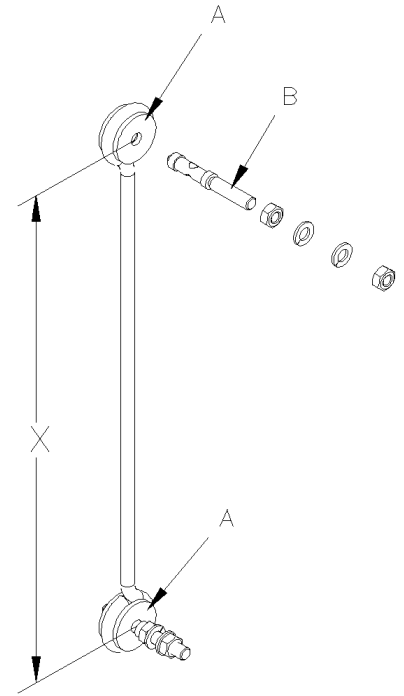
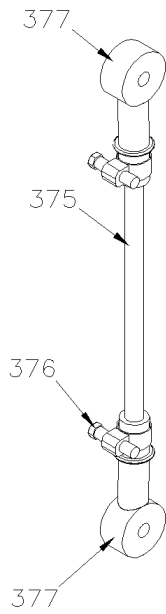
MISCELLANEOUS AIR VALVE



350



355



385

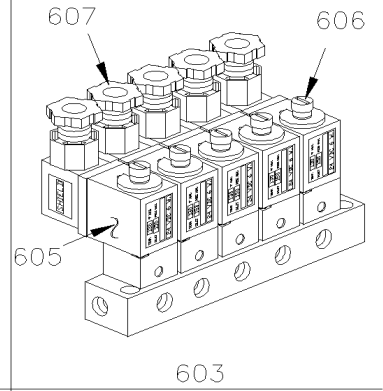


From E-5490

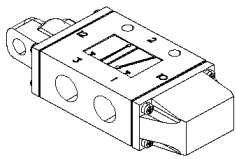
Date:07/2024

PAGE:X3VIP-1220-00

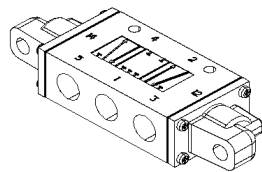
MISCELLANEOUS AIR VALVE



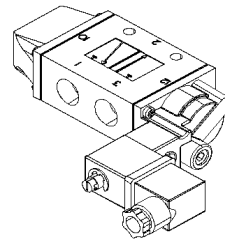
603



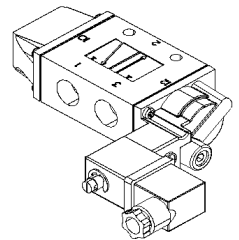
610



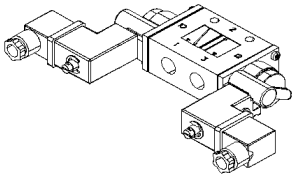
615



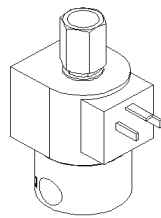
620



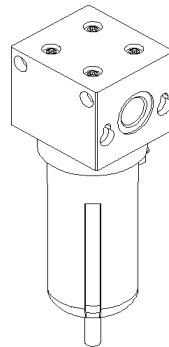
625



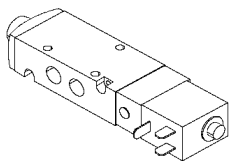
630



635



640



650



From E-5490		Date:07/2024	PAGE:X3VIP-1220-00
MISCELLANEOUS AIR VALVE			

Item#	Part	Description	X 3 V I P E N T	X 3 V I P M T H	N O T E S
16	640297	NUT	1	1	
17	640286	PIN ROLLER	1	1	
18	641155	BUTTON, OVERRULE ROUND BLACK	1	1	
NS	640394	BUTTON, PARKING BRAKE ROUND BLACK / 1"	1	1	
20	642169	VALVE, CONTROL VALVE PP-1 / 60PSI	1	1	
. NS	641154	. REPAIR KIT / PP-1 & RD-3	1	1	
. NS	641149	. BUTTON, PARKING BRAKE DIAMOND YELLOW / 1"	1	1	
21	641149	BUTTON, PARKING BRAKE DIAMOND YELLOW / 1"	1	1	
25	640136	VALVE, CONTROL TW-1	1	1	
. NS	641156	. REPAIR KIT / TW-1	1	1	
30	641564	VALVE, DOUBLE CHECK DC-4	1	1	
35	641172	VALVE, CHECK ELBOW 90° 1/2 NPT	1	1	
40	641429	VALVE, QUICK RELEASE QR-1 / 3/8NPTx3/8NPTx3/8NPT	1	1	
. NS	640924	. REPAIR KIT / QR-1	1	1	
45	640442	VALVE, INVERSION TR-2	1	1	
50	640135	VALVE, CHECK 1/4 NPT	1	1	
55	640123	VALVE, CHECK 1/2 NPT SC-1	1	1	
. NS	641401	. VALVE, CHECK 1/2 NPT SC-1	1	1	
55	641401	VALVE, CHECK 1/2 NPT SC-1	1	1	
60	530175	VALVE, CHECK 1/8 NPT	1	1	
70	640488	VALVE, AIR FILL 1/8" NPT	1	1	
. NS	650164	. CAP VALVE / CHROME	1	1	
75	642161	VALVE, 3 WAYS 1/8NPT-Fx1/8NPT-Fx1/8NPT-F BR	1	1	
. NS	642014	. HANDLE / RED	1	1	
85	640975	PRESSURE SWITCH N.C. 66PSI / 1/4NPT LP-3	1	1	
85	641174	PRESSURE SWITCH N.C. 30PSI / 1/4NPT LP-2	1	1	
90	641043	DRAIN VALVE 1/4 NPT M	1	1	
100	641856	BRAKE VALVE ASSY W/BACKET / MODEL E-10P	1	1	
. NS	19507993	. BOOT PLUNGER	1	1	
. NS	19510779	. PLUNGER	1	1	
. NS	2222120	. MOUNTING BRACKET COUPLING D-1	1	1	
105	641925	. VALVE SUB ASSY / MODEL E-10P	1	1	
110	641462	PRESSURE SWITCH N.O. 4PSI / 1/4NPT W/10-32 / SL-5 BRAKE	1	1	
120	642075	TRANSDUCER PRESSURE	1	1	
. NS	563159	. CONNECTOR / METRI-PACK 150 / SH 3C / PED 12065287	1	1	
125	641088	VALVE, RELAY R-12 HORIZONTAL PORT	1	1	
125	642068	VALVE, RELAY R-12 HORIZONTAL PORT / W/OUT SUPPORT	1	1	
130	641120	VALVE, RELAY R-14 HORIZONTAL PORT 4psi Crack	1	1	
. NS	10508267	. KIT, REPAIR	1	1	
135	641991	VALVE, RELAY R-14 "WABCO"	1	1	
145	643384	VALVE / SPRING BRAKE SR-7	1	1	
. NS	642119	. VALVE / SPRING BRAKE SR-7	1	1	



From E-5490		Date:07/2024	PAGE:X3VIP-1220-00
-------------	--	--------------	--------------------

MISCELLANEOUS AIR VALVE

Item#	Part	Description	X 3 V I P E N T	X 3 V I P M T H	N O T E S
150	641137	VALVE, PRESSURE PROTECTION TYPE PR-4 70PSI	1	1	
155	640471	VALVE, INVERSION TR-3 25-40LBS	1	1	
155	21243502	VALVE PRESSURE REDUCER RV-3 / K028993	1	1	
160	641397	TRAILER SUPPLY VALVE PP-7	1	1	
161	641935	BUTTON RED / FOR TRAILER VALVE PP-7	1	1	
170	641495	TRACTOR PROTECTION VALVE TP-3 DC	1	1	
175	642088	VALVE, QUICK RELEASE QR-L / IN LINE	1	1	
180	641399	VALVE, RELAY R-12 P SUPPERSEDED 642097	1	1	
185	641939	GLANDHAND W/DUST COVER "BLUE"	1	1	
185	641938	GLANDHAND W/DUST COVER "RED"	1	1	
230	641338	AIR FILTER ASSY	1	1	
231	641339	SUPPORT / AIR FILTER	1	1	
235	641352	AIR PRESSURE REGULATOR 1/2" NPT	1	1	
236	641506	NUT RING / AIR REGULATOR RETAINING	1	1	
241	642173	VALVE, 3 WAYS, 2 POSITIONS MECHANICAL	1	1	
245	641472	AIR PRESSURE REGULATOR 1/4" NPT / COPPER	1	1	
250	642022	SAFETY VALVE 150 PSI X 3/8 NPT / ST-3	1	1	
260	501354	NEEDLE VALVE 1/8 NPT M x 1/8 NPT F	1	1	
275	562804	VALVE, 2 WAYS N.C.	1	1	
. NS	562848	. CONNECTOR / SOCKET HOUSING ASSY 3C / PNEUMAC 54933-05	1	1	
300	641951	VALVE, "ABS" 12VOLT	1	1	
305	641460	VALVE, "ATC" 24VOLT	1	1	
305	641950	VALVE, "ATC" 12VOLT	1	1	
310	642079	VALVE, "ATC" 12VOLT	1	1	
322	642077	VALVE, "ABS" 12VOLT / M-32QR To G-6051	1	1	A
322	640228	VALVE, "ABS" 12VOLT / M-40QR From G-6052	1	1	
350	630156	VALVE, HEIGHT CONTROL "BARKSDALE" 8"	1	1	
355	630237	VALVE, HEIGHT CONTROL "BARKSDALE" / FRONT 4½"	1	1	
375	131351	ROD LINK / 140MM	1	1	
375	131308	ROD LINK / 305MM x .250"	1	1	
376	504014	. HOSE CLAMP / 1/4"-5/8" SS / HM-4	AR	AR	
377	630133	. ROD END / BLACK RUBBER 1/4" I.D.			
385	630231	LINK ASSY 185MM C/C 7 1/4"	1	1	
. A	N8889244	. GROMMET / LINK	2	2	
. B	630250	. STUD RETAINER 1/4-20 X 1"	2	2	
. C	500247	. NUT HEX 1/4-20 N500	4	4	
. D	500473	. WASHER LO SPT .262x.489x.062 Z050	4	4	
385	630263	LINK ASSY 317MM C/C 11 1/2"	1	1	
. A	N8889244	. GROMMET / LINK	2	2	
. B	630250	. STUD RETAINER 1/4-20 X 1"	2	2	
. NS	500769	. NUT HEX 1/4-20 Z050	4	4	
. NS	500473	. WASHER LO SPT .262x.489x.062 Z050	4	4	



From E-5490		Date:07/2024	PAGE:X3VIP-1220-00
MISCELLANEOUS AIR VALVE			

Item#	Part	Description	X 3 V I P E N T	X 3 V I P M T H	N O T E S
603	641205	MANIFOLD VALVE / W/5 SOLENOID	1	1	
. NS	641928	. KIT, MANIFOLD REPAIR / N.C.	5	5	
. NS	641107	. COIL 24V	5	5	
610	641274	VALVE, 3 WAYS, 2 POSITIONS N.C.	1	1	
615	641531	VALVE, 5 WAYS, 3 POSITIONS	1	1	
. NS	641186	. SPOOL	1	1	
620	641937	VALVE, 3 WAYS, 2 POSITIONS N.C. / W/MAN OVERRIDE	1	1	
. NS	641929	. COIL 24V	1	1	
. NS	641385	. CONNECTOR / SOCKET HOUSING ASSY 3C / PNEUMAC 54934-01	1	1	
625	641528	VALVE, 3 WAYS, 2 POSITIONS N.O.	1	1	
. NS	641929	. COIL 24V	1	1	
. NS	641169	. SPOOL	1	1	
. NS	641385	. CONNECTOR / SOCKET HOUSING ASSY 3C / PNEUMAC 54934-01	1	1	
630	641530	VALVE, 3 WAYS, 2 POSITIONS / 2 SOLONIDS	1	1	
. NS	641929	. COIL 24V	1	1	
. NS	641169	. SPOOL	1	1	
. NS	641385	. CONNECTOR / SOCKET HOUSING ASSY 3C / PNEUMAC 54934-01	1	1	
635	642191	VALVE, 3 WAYS, 2 POSITIONS N.C.	1	1	
. NS	195765	. SOLENOIDE 24 VOLTS	1	1	
640	642192	AIR FILTER	1	1	
650	642023	VALVE, 5 WAYS, 2 POSITIONS 24V / MODEL V19	1	1	
. NS	641385	. CONNECTOR / SOCKET HOUSING ASSY 3C / PNEUMAC 54934-01	1	1	
		A) WHEN YOU REPLACE THE VALVE #642077 BY THE VALVE #640228 YOU HAVE REPLACE BOTH SIDE LEFT AND RIGHT			

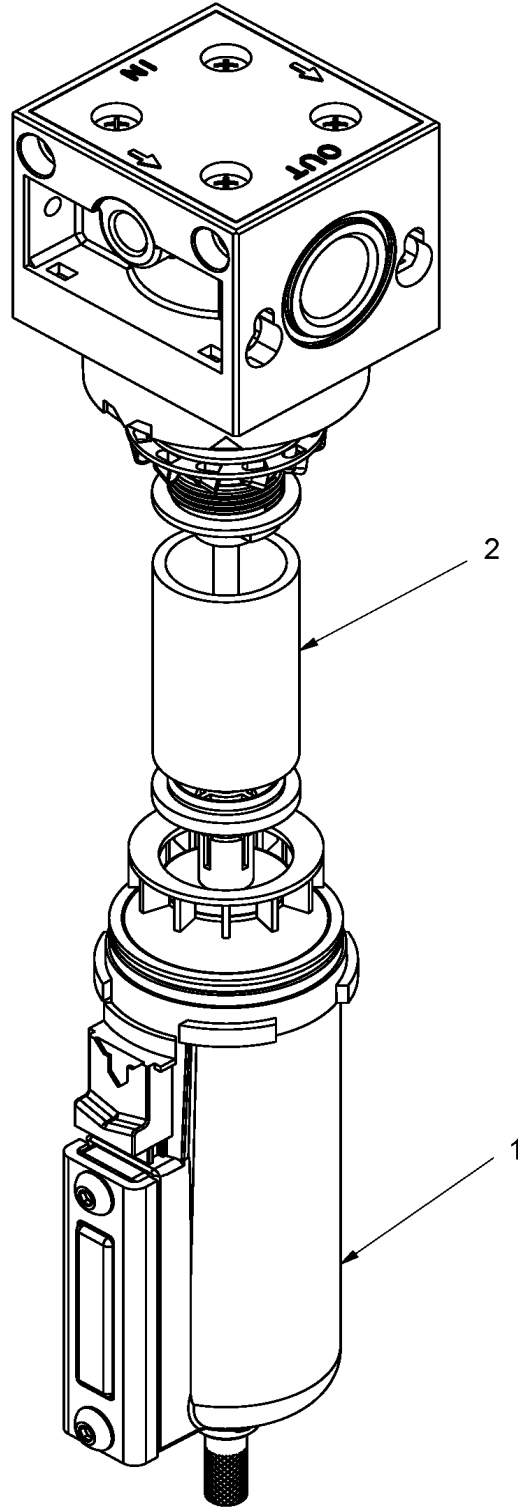


From E-5490

Date:07/2024

PAGE:642192

AIR FILTER





From E-5490	Date:07/2024	PAGE:642192
AIR FILTER		

Item#	Part	Description	X 3 V I P E N T	X 3 V I P M T H	N O T E S
1	642219	METAL BOWL MANUAL DRAIN	1	1	
2	642220	FILTER ELEMENT	1	1	
NS	642221	SERVICE KIT AIR FILTER	1	1	A
. NS	N.S.S.	. FILTER SIDE PLATE	2	2	1 A
. NS	N.S.S.	. SCREW CAP BUT	2	2	1 A
. NS	N.S.S.	. PLUG	1	1	1 A
. NS	N.S.S.	. O-RING	1	1	1 A
. NS	N.S.S.	. GREASE PACKET	1	1	1 A
		A) CONTAIN SIDE COVER 2X / SCREW X2 / PLUG 1X / O-RING 1X / GREASE PACKAGE 1X			
		1) NOT SOLD SEPARATELY			

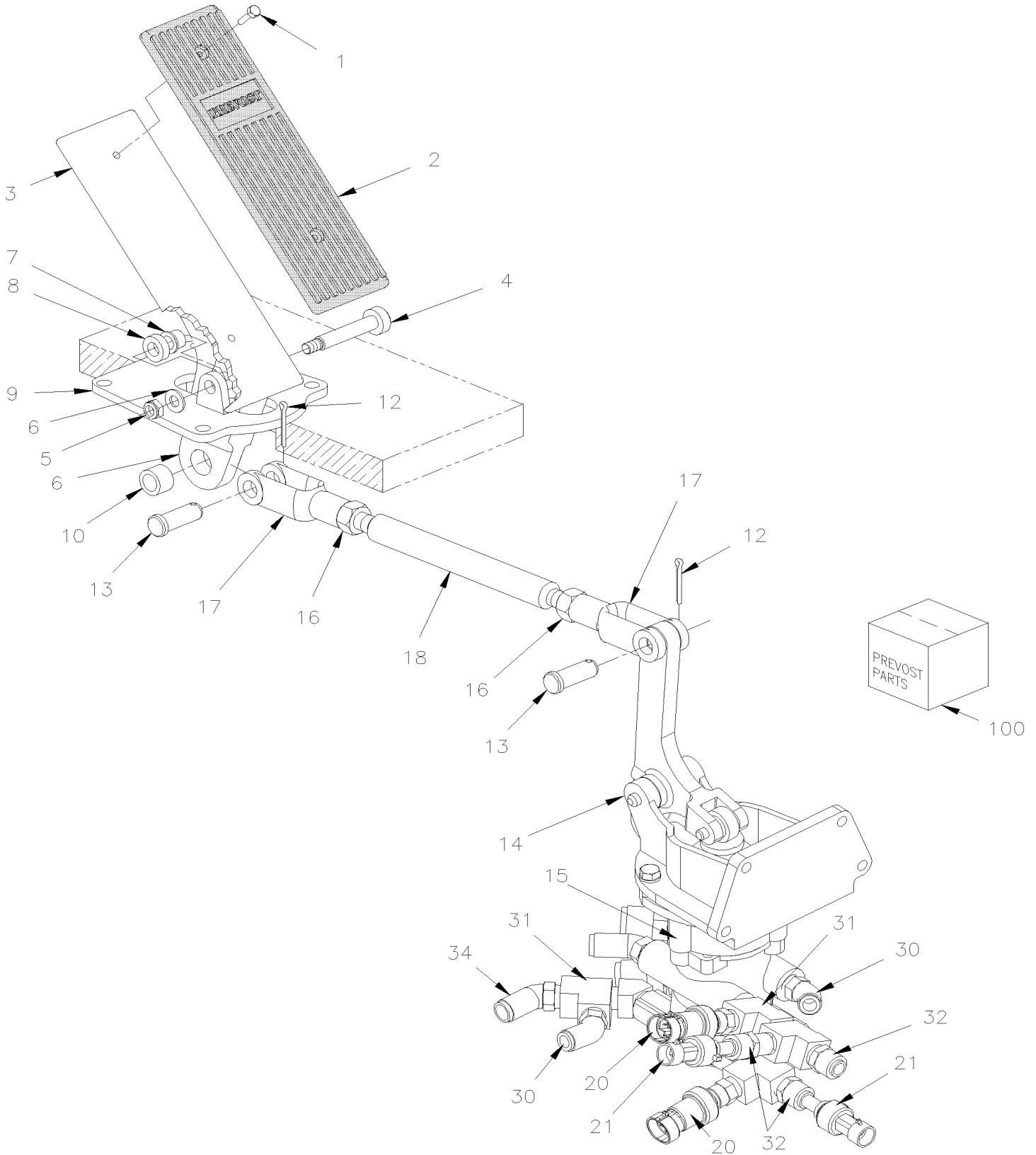


From E-5490 To F-5759

Date:07/2024

PAGE:X3VIP-1220-10

BRAKE PEDAL VALVE - "BENDIX" E-10P





From E-5490 To F-5759 Date:07/2024 PAGE:X3VIP-1220-10

BRAKE PEDAL VALVE - "BENDIX" E-10P

Item#	Part	Description	X 3 V I P E N T	X 3 V I P M T H	N O T E S
	141206	PEDAL ASSY	1	1	
1	500416	. SCREW MA PAN PH #10-32x1/2 BK	2	2	
2	142842	. THREADLE COVER / W/STEEL BACKING	1	1	
3	141207	. PEDAL BRAKE	1	1	
4	502575	. SCREW SHR HEXS 10x50 {M8-1.25	1	1	
5	500868	. NUT HEX NYRT M8-1.25 Z050	1	1	
6	500874	. WASHER FL 8.4x17.0x1.6 Z050	1	1	
7	507297	. FLANGE BUSHING	2	2	
8	141211	. SPACER	1	1	
9	141996	. SUPPORT ASSY / TO FIX BRAKE PEDAL	1	1	
10	507307	. BUSHING OIL 1/2 I.D. X 3/4 O.D. X 1/2	1	1	
12	502102	PIN, COTTER 1/8 x 1	1	1	
13	502035	PIN, CLEVIS 1/2 x 1 3/8 Z050	1	1	
14	641856	BRAKE VALVE ASSY W/BACKET / MODEL E-10P	1	1	
. NS	19507993	. BOOT PLUNGER	1	1	
. NS	19510779	. PLUNGER	1	1	
. NS	2222120	. MOUNTING BRACKET COUPLING D-1	1	1	
15	641925	. VALVE SUB ASSY / MODEL E-10P	1	1	
16	500716	NUT HEX 1/2-20 Z050	1	1	
17	142830	YOKE 1/2-20x1 15/16 C/Lx9/16Wx1/2	1	1	
17	142831	YOKE L.H. 1/2-20x1 15/16 C/Lx9/16Wx1/2	1	1	
18	142849	SHAFT THREADED W/R.H. & L.H. THREAD 275MM	1	1	
20	642072	PRESSURE SWITCH N.C. 2-6 PSI / 1/4" TUBE	2	2	
. NS	563677	. CONNECTOR / METRI-PACK 150 / SH 4C / PED 12065402	1	1	
21	642075	TRANSDUCER PRESSURE	AR	AR	
. NS	563159	. CONNECTOR / METRI-PACK 150 / SH 3C / PED 12065287	1	1	
30	641367	MALE ELBOW 45° NON-SWIVEL / PUSH-IN FITTING / #6x3/8NPT-M BR	AR	AR	
31	501699	MALE RUN TEE / PIPE FITTING / 3/8NPT-Mx3/8NPT-Fx3/8NPT-F BR	AR	AR	
32	641330	MALE CONNECTOR / PUSH-IN FITTING / #6x3/8NPT-M BR	AR	AR	
33	641375	MALE ELBOW 90° NON-SWIVEL / PUSH-IN FITTING / #6x3/8NPT-M BR	AR	AR	
34	641368	MALE ELBOW 45° NON-SWIVEL / PUSH-IN FITTING / #8x3/8NPT-M BR	AR	AR	
35	641602	MALE CONNECTOR / PUSH-IN FITTING / #10x3/8NPT-M BR	AR	AR	
36	501330	STREET ELBOW 45° / PIPE FITTING / 3/8NPT-Mx3/8NPT-F BR	AR	AR	
37	501449	PLUG HEXS / PIPE FITTING / 3/8NPT-M STL	1	1	
100	640949	KIT, REPAIR / BRAKE VALVE E-10	1	1	

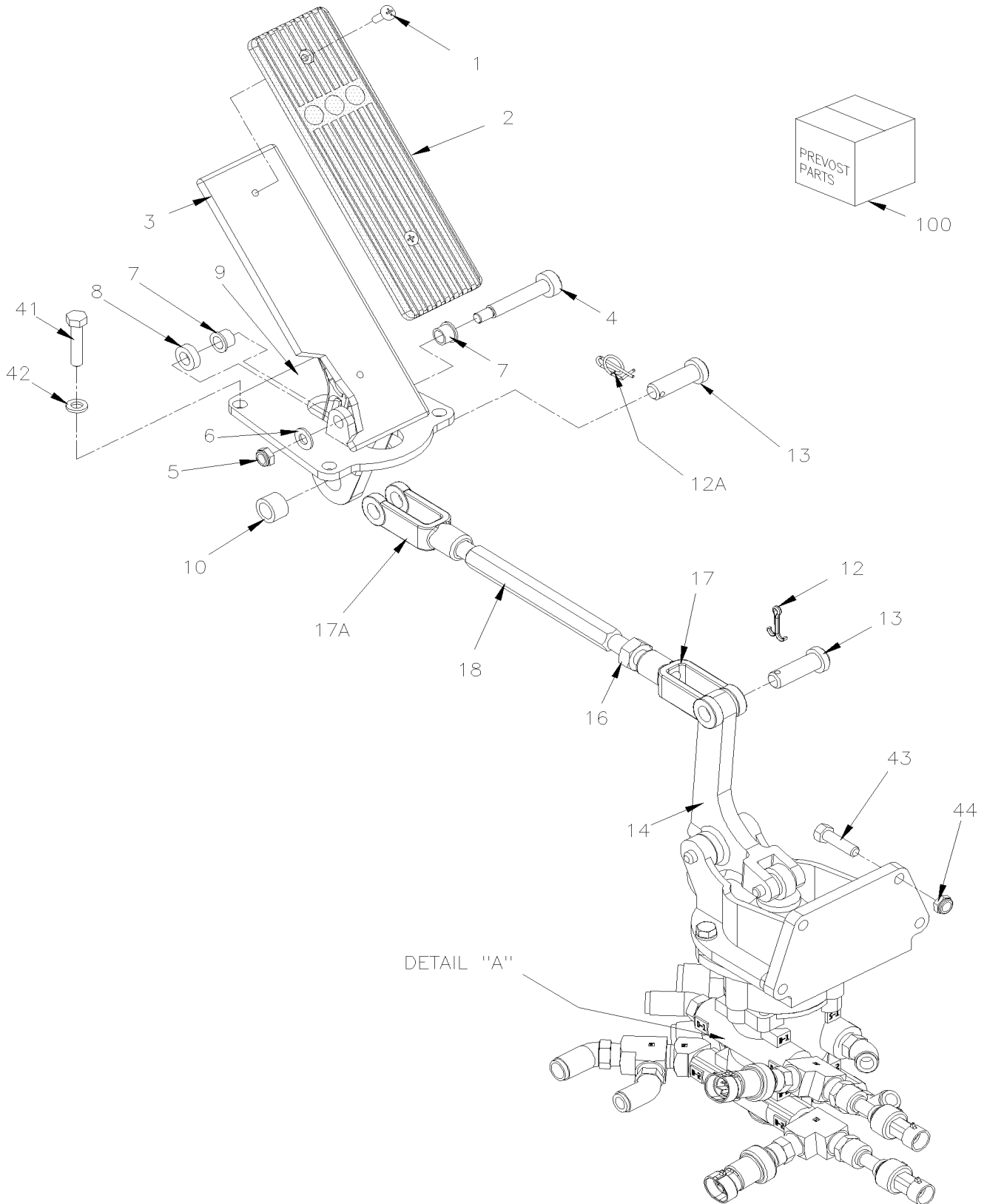


From F-5760 To F-5850

Date:07/2024

PAGE:X3VIP-1220-11

BRAKE PEDAL VALVE - "BENDIX" E-10P





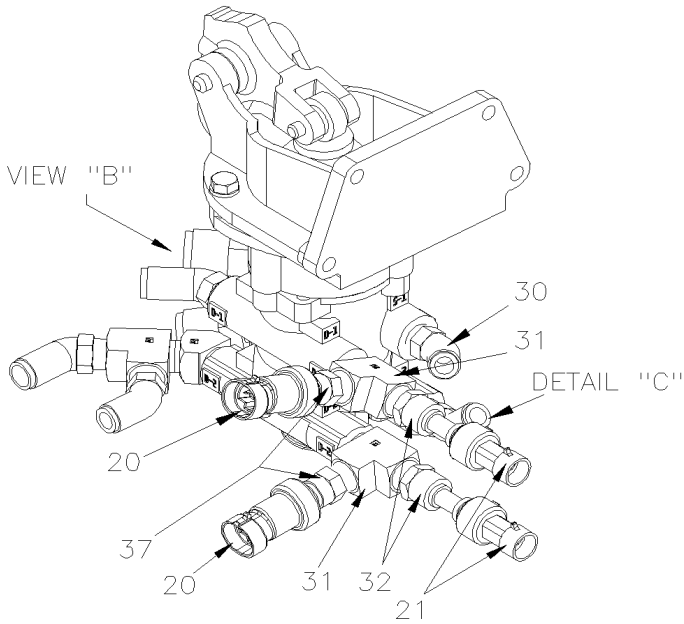
From F-5760 To F-5850

Date:07/2024

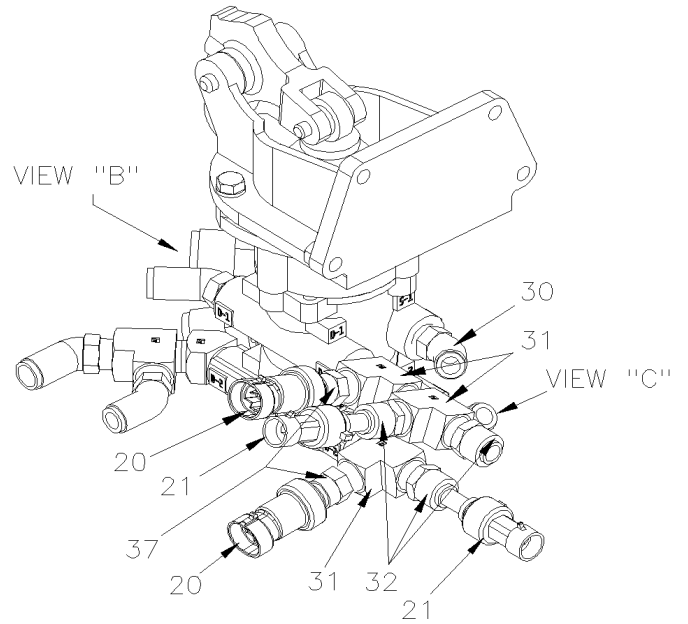
PAGE:X3VIP-1220-11

BRAKE PEDAL VALVE - "BENDIX" E-10P

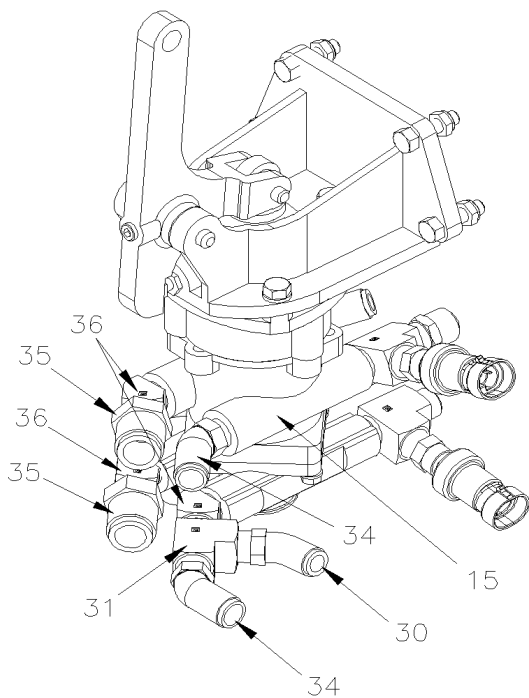
DETAIL "A"
WITHOUT RETARDER



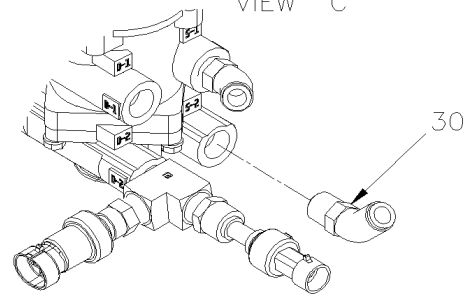
DETAIL "A"
WITH RETARDER



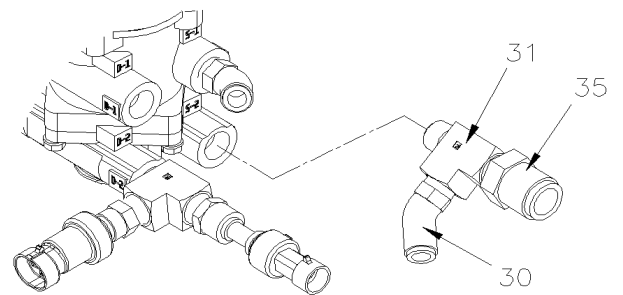
VIEW "B"



VIEW "C"



WITHOUT TRAILER
AIR BRAKE



WITH TRAILER
AIR BRAKE



From F-5760 To F-5850		Date:07/2024	PAGE:X3VIP-1220-11
-----------------------	--	--------------	--------------------

BRAKE PEDAL VALVE - "BENDIX" E-10P

Item#	Part	Description	X 3 V I P E N T	X 3 V I P M T H	N O T E S
	141206	PEDAL ASSY	1	1	
1	500416	. SCREW MA PAN PH #10-32x1/2 BK	2	2	
2	142842	. THREADLE COVER / W/STEEL BACKING	1	1	
3	141207	. PEDAL BRAKE	1	1	
4	502575	. SCREW SHR HEXS 10x50 {M8-1.25	1	1	
5	500868	. NUT HEX NYRT M8-1.25 Z050	1	1	
6	500874	. WASHER FL 8.4x17.0x1.6 Z050	1	1	
7	507297	. FLANGE BUSHING	2	2	
8	141211	. SPACER	1	1	
9	141996	. SUPPORT ASSY / TO FIX BRAKE PEDAL	1	1	
10	507307	. BUSHING OIL 1/2 I.D. X 3/4 O.D. X 1/2	1	1	
12	502102	PIN, COTTER 1/8 x 1	1	1	
12A	502107	PIN, WRAP-AROUND LOCKING	1	1	
13	502035	PIN, CLEVIS 1/2 x 1 3/8 Z050	1	1	
14	641856	BRAKE VALVE ASSY W/BACKET / MODEL E-10P	1	1	
. NS	19507993	. BOOT PLUNGER	1	1	
. NS	19510779	. PLUNGER	1	1	
. NS	2222120	. MOUNTING BRACKET COUPLING D-1	1	1	
15	641925	. VALVE SUB ASSY / MODEL E-10P	1	1	
16	500716	NUT HEX 1/2-20 Z050	1	1	
17	142830	YOKE 1/2-20x1 15/16 C/Lx9/16Wx1/2	1	1	
17A	142831	YOKE L.H. 1/2-20x1 15/16 C/Lx9/16Wx1/2	1	1	
18	142849	SHAFT THREADED W/R.H. & L.H. THREAD 275MM	1	1	
20	642072	PRESSURE SWITCH N.C. 2-6 PSI / 1/4" TUBE	2	2	
. NS	563677	. CONNECTOR / METRI-PACK 150 / SH 4C / PED 12065402	1	1	
21	642075	TRANSDUCER PRESSURE	2	2	
. NS	563159	. CONNECTOR / METRI-PACK 150 / SH 3C / PED 12065287	1	1	
30	641367	MALE ELBOW 45° NON-SWIVEL / PUSH-IN FITTING / #6x3/8NPT-M BR	AR	AR	
31	501699	MALE RUN TEE / PIPE FITTING / 3/8NPT-Mx3/8NPT-Fx3/8NPT-F BR	AR	AR	
32	641330	MALE CONNECTOR / PUSH-IN FITTING / #6x3/8NPT-M BR	AR	AR	
33	501449	PLUG HEXS / PIPE FITTING / 3/8NPT-M STL	AR	AR	
34	641368	MALE ELBOW 45° NON-SWIVEL / PUSH-IN FITTING / #8x3/8NPT-M BR	AR	AR	
35	641602	MALE CONNECTOR / PUSH-IN FITTING / #10x3/8NPT-M BR	AR	AR	
36	501330	STREET ELBOW 45° / PIPE FITTING / 3/8NPT-Mx3/8NPT-F BR	AR	AR	
37	641347	MALE CONNECTOR / PUSH-IN FITTING / #4x3/8NPT-M BR	AR	AR	
41	5001814	SCREW CAP HEX 5/16-18X1 1/2 G5 N500	4	4	
42	500942	WASHER LO SPT 8.1x14.8x2.0 N500	4	4	
43	500544	SCREW CAP HEX M8-1.25x30 G8.8 Z050	4	4	
44	502692	NUT HEXF STO M8-1.25 Z050	4	4	
100	640949	KIT, REPAIR / BRAKE VALVE E-10	1	1	

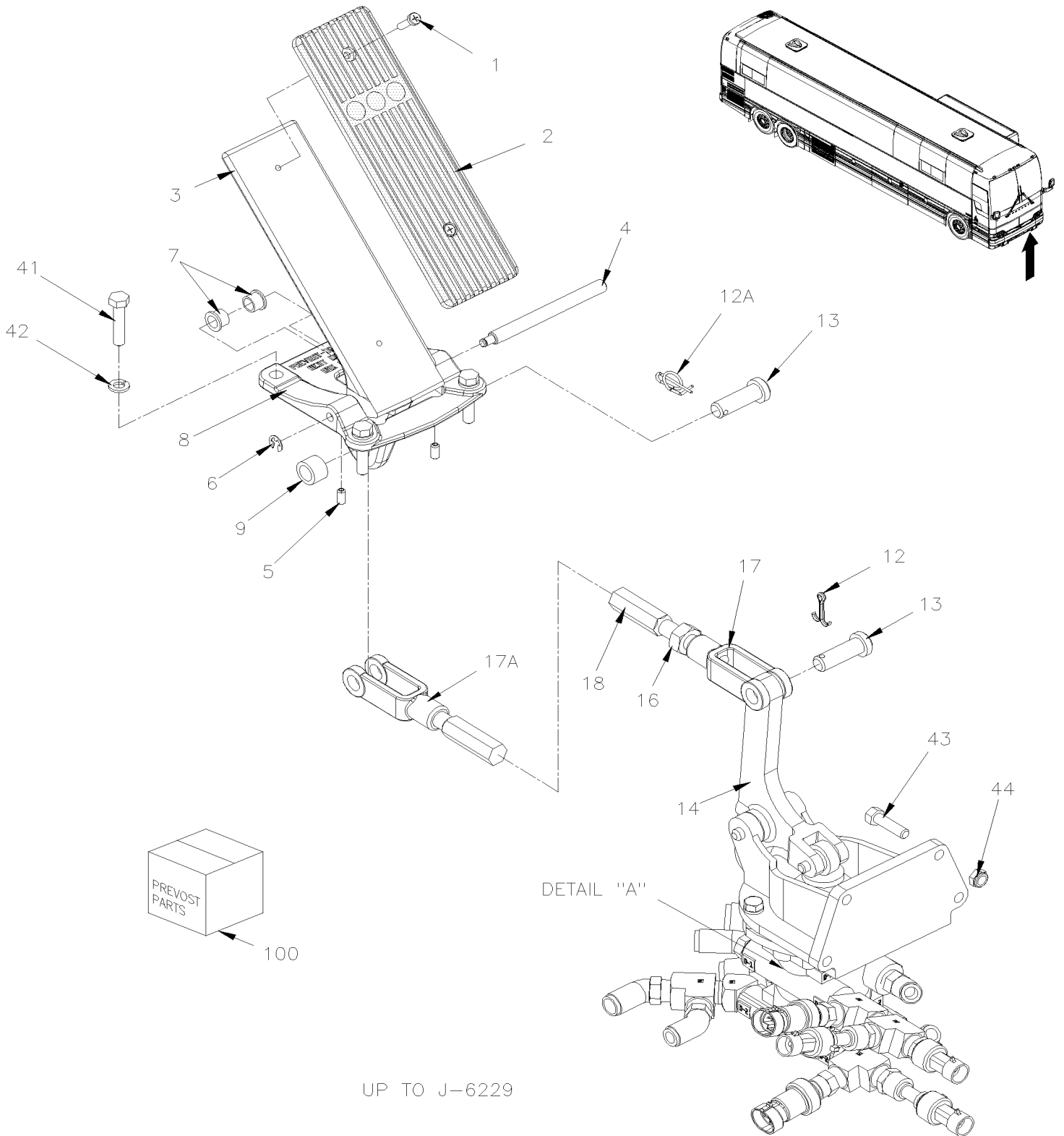


From F-5851

Date:07/2024

PAGE:X3VIP-1220-12

BRAKE PEDAL VALVE - "BENDIX" E-8P



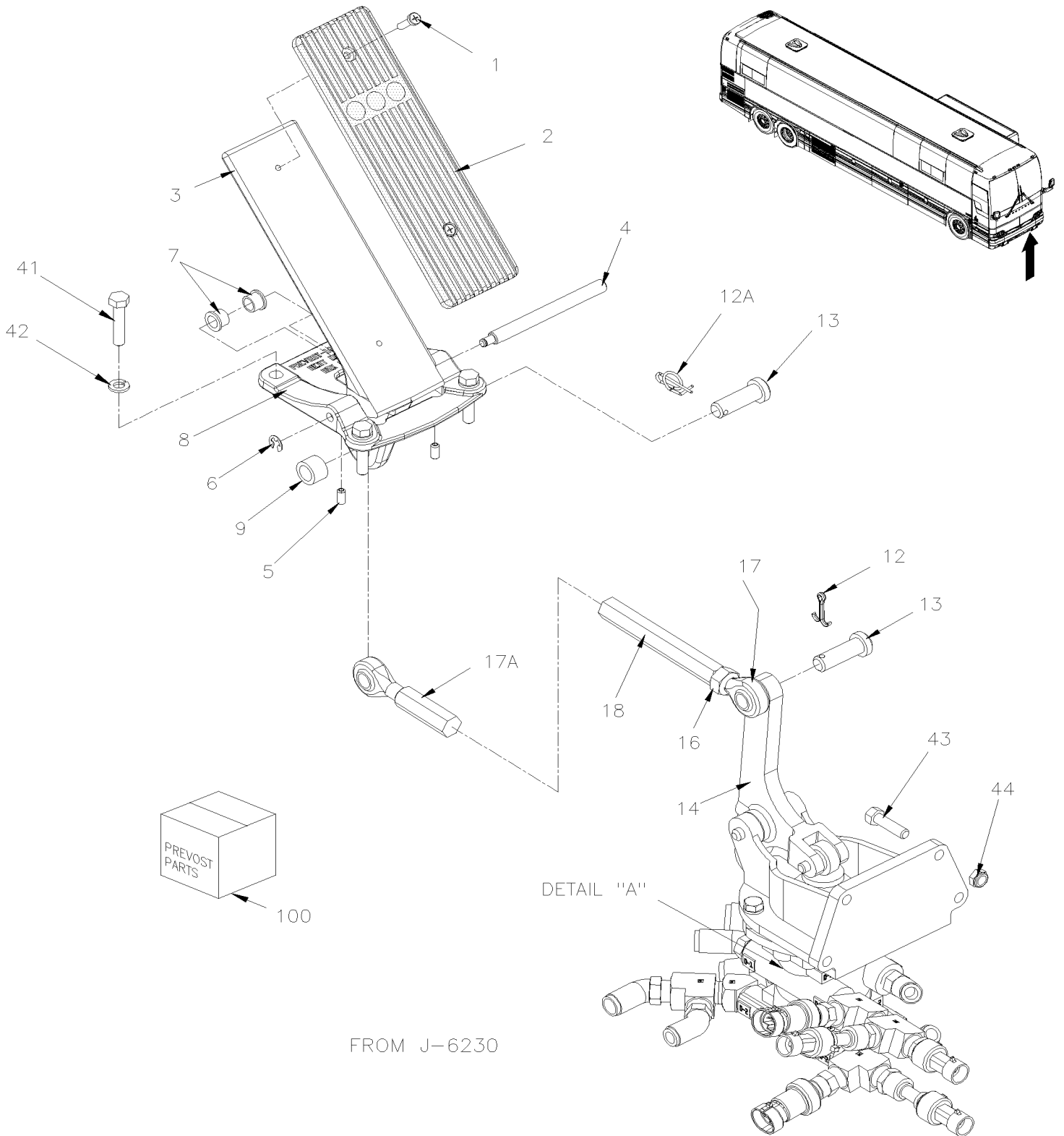


From F-5851

Date:07/2024

PAGE:X3VIP-1220-12

BRAKE PEDAL VALVE - "BENDIX" E-8P





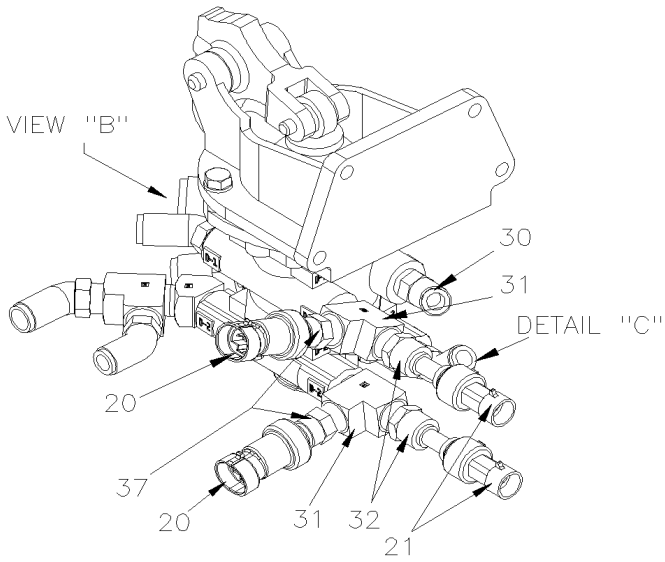
From F-5851

Date:07/2024

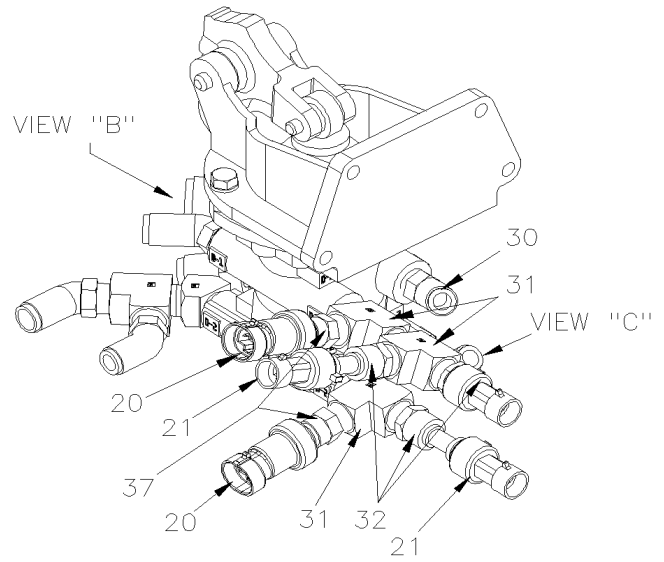
PAGE:X3VIP-1220-12

BRAKE PEDAL VALVE - "BENDIX" E-8P

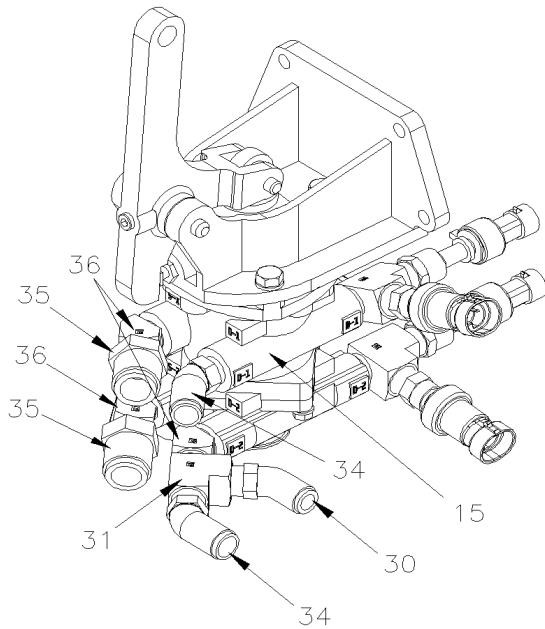
DETAIL "A"
WITHOUT RETARDER



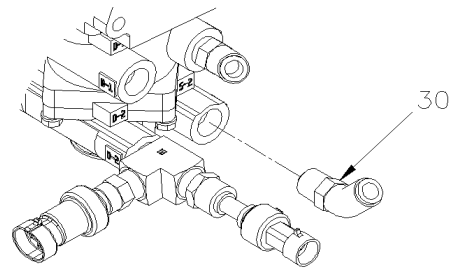
DETAIL "A"
WITH RETARDER



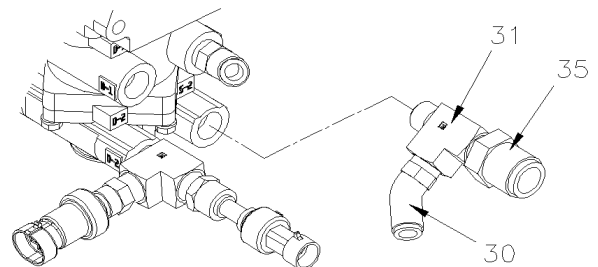
VIEW "B"



VIEW "C"



WITHOUT TRAILER
AIR BRAKE



WITH TRAILER
AIR BRAKE

UP TO K-6359



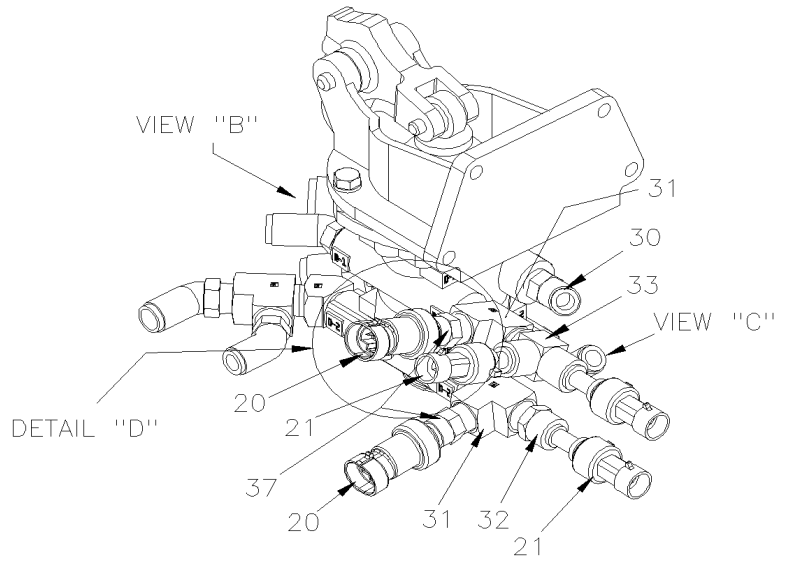
From F-5851

Date:07/2024

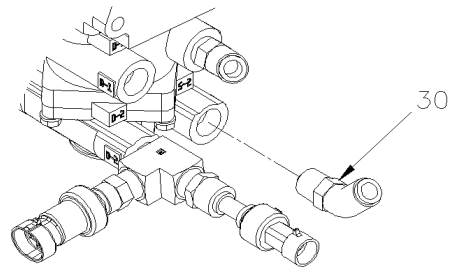
PAGE:X3VIP-1220-12

BRAKE PEDAL VALVE - "BENDIX" E-8P

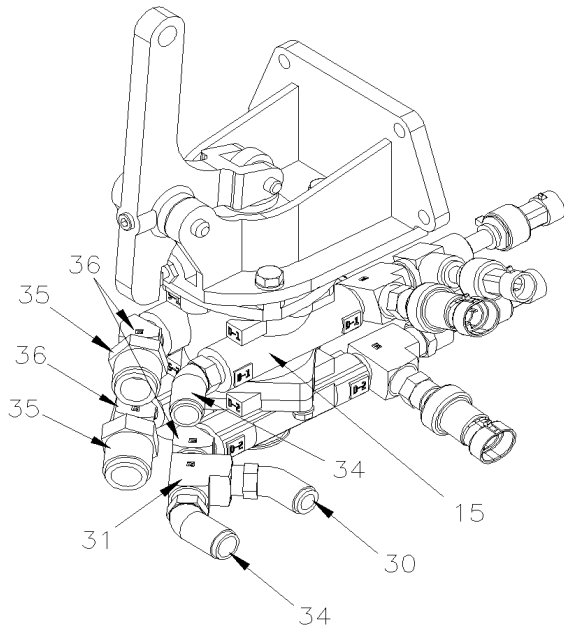
DETAIL "A"



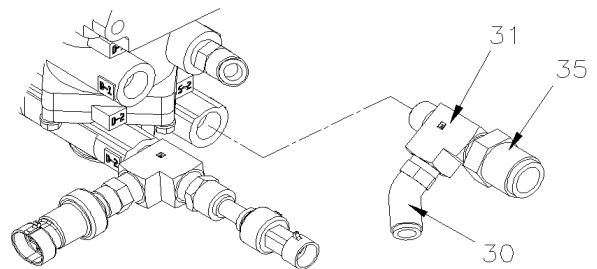
VIEW "C"



WITHOUT TRAILER
AIR BRAKE



FROM K-6360



WITH TRAILER
AIR BRAKE



From F-5851		Date:07/2024	PAGE:X3VIP-1220-12
-------------	--	--------------	--------------------

BRAKE PEDAL VALVE - "BENDIX" E-8P

Item#	Part	Description	X 3 V I P E N T	X 3 V I P M T H	N O T E S
	145262	PEDAL ASSY	1	1	
1	502746	. SCREW MA PAN PH M5-0.8x20 SS BK	2	2	
2	142842	. THREADLE COVER / W/STEEL BACKING	1	1	
3	145309	. PEDAL BRAKE	1	1	
4	145311	. SHAFT, BRAKE PEDAL	1	1	
5	5001634	. SCREW SET HEXS CUP M6-1.0X12MM Z050	2	2	
6	504699	. RING RETAINER / EXT .250 x .207 x .025" / SS	1	1	
7	507297	. FLANGE BUSHING	2	2	
8	145310	. SUPPORT ASSY / TO FIX BRAKE PEDAL	1	1	
9	507307	. BUSHING OIL 1/2 I.D. X 3/4 O.D. X 1/2	1	1	
12	502102	PIN, COTTER 1/8 x 1 To N-6758	1	1	
12	502111	PIN, COTTER 1/8 x 1 1/2 SS From N-6759	1	1	
12A	502107	PIN, WRAP-AROUND LOCKING To L-6558	1	1	
12A	502018	LOCK PIN 3/32 X 1 5/8 SS From L-6559	1	1	
13	502035	PIN, CLEVIS 1/2 x 1 3/8 Z050 To J-6230	2	2	
13	140050	PIN, CLEVIS 4 x 40 SS From J-6231	2	2	
14	642211	BRAKE VALVE ASSY W/BACKET / MODEL E-8P	1	1	
15	642212	. VALVE SUB ASSY / MODEL E-8P	1	1	
. NS	640943	. . REPAIR KIT / MINOR / VALVE MODEL E-8P	1	1	
. NS	6987220	. . REPAIR KIT / MAJOR / VALVE MODEL E-8P	1	1	
16	500716	NUT HEX 1/2-20 Z050 To J-6230	1	1	
16	5001757	NUT HEX M12-1.75 N500 From J-6231	1	1	
17	142830	YOKE 1/2-20x1 15/16 C/Lx9/16Wx1/2 To J-6230	1	1	
17	502252	ROD END MALE M12-1.75 / 12MM I.D. From J-6231	1	1	
17A	142831	YOKE L.H. 1/2-20x1 15/16 C/Lx9/16Wx1/2 To J-6230	1	1	
17A	502253	ROD END MALE L.H. M12-1.75-L.HH / 12MM I.D. From J-6231	1	1	
18	142829	SHAFT THREADED W/R.H. & L.H. THREAD 260MM To J-6230	1	1	
18	140048	SHAFT THREADED W/R.H. & L.H. THREAD 280MM From J-6231 To P-6792	1	1	
18	140513	SHAFT THREADED W/R.H. & L.H. THREAD 271MM From P-6793	1	1	
20	642072	PRESSURE SWITCH N.C. 2-6 PSI / 1/4" TUBE	2	2	
. NS	563677	. CONNECTOR / METRI-PACK 150 / SH 4C / PED 12065402	1	1	
21	642075	TRANSDUCER PRESSURE	2	2	
. NS	563159	. CONNECTOR / METRI-PACK 150 / SH 3C / PED 12065287	1	1	
30	641367	MALE ELBOW 45° NON-SWIVEL / PUSH-IN FITTING / #6x3/8NPT-M BR	AR	AR	
31	501699	MALE RUN TEE / PIPE FITTING / 3/8NPT-Mx3/8NPT-Fx3/8NPT-F BR	AR	AR	
32	641330	MALE CONNECTOR / PUSH-IN FITTING / #6x3/8NPT-M BR	AR	AR	
33	641388	MALE RUN TEE NON-SWIVEL / PUSH-IN FITTING / #6x#6x3/8NPT-M BR From K-6360	AR	AR	
34	641368	MALE ELBOW 45° NON-SWIVEL / PUSH-IN FITTING / #8x3/8NPT-M BR	AR	AR	
35	641602	MALE CONNECTOR / PUSH-IN FITTING / #10x3/8NPT-M BR	AR	AR	
36	501330	STREET ELBOW 45° / PIPE FITTING / 3/8NPT-Mx3/8NPT-F BR	AR	AR	
37	641347	MALE CONNECTOR / PUSH-IN FITTING / #4x3/8NPT-M BR	AR	AR	
41	5001814	SCREW CAP HEX 5/16-18X1 1/2 G5 N500 To J-6230	4	4	



From F-5851	Date:07/2024	PAGE:X3VIP-1220-12
BRAKE PEDAL VALVE - "BENDIX" E-8P		

Item#	Part	Description	X 3 V I P E N T	X 3 V I P M T H	N O T E S
41	5001992	SCREW CAP HEX SLO 5/16-18x1 1/2 SS From J-6231	4	4	
42	500942	WASHER LO SPT 8.1x14.8x2.0 N500 To J-6230	4	4	
42	5001341	WASHER FL 8.4x17.0x1.6 SS From J-6231	4	4	
43	5001738	SCREW CAP HEX M8-1.25x30 G8.8 N500 To J-6243	4	4	
43	502836	SCREW CAP HEX M8-1.25x35 G8.8 N500 From J-6244	4	4	
44	502692	NUT HEXF STO M8-1.25 Z050	4	4	
100	640943	REPAIR KIT / MINOR / VALVE MODEL E-8P	1	1	
100	6987220	REPAIR KIT / MAJOR / VALVE MODEL E-8P	1	1	

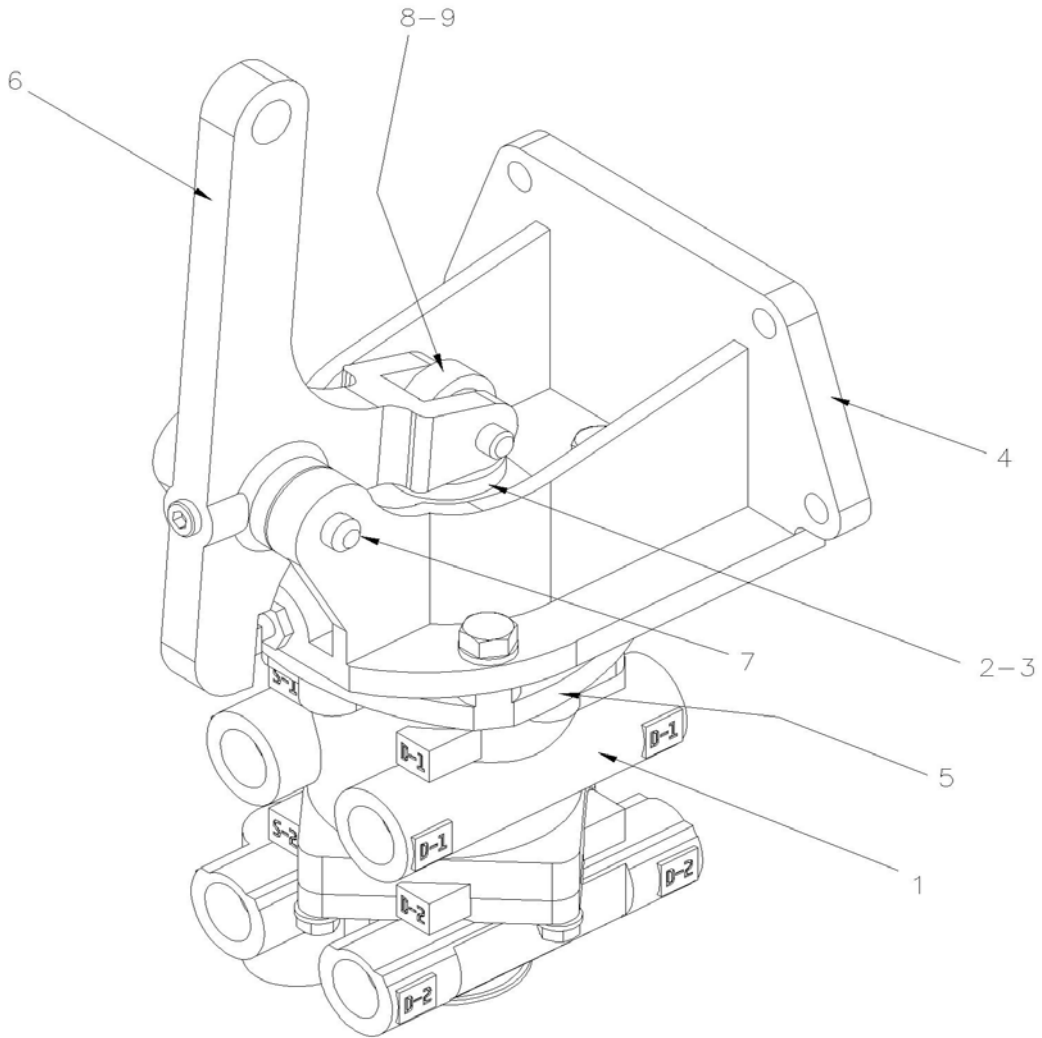


From F-5851

Date:07/2024

PAGE:642211

BRAKE VALVE ASSY W/BRACKET / MODEL E-8P





From F-5851	Date:07/2024	PAGE:642211
BRAKE VALVE ASSY W/BRACKET / MODEL E-8P		

Item#	Part	Description	X 3 V I P E N T	X 3 V I P M T H	N O T E S
1	642212	VALVE SUB ASSY / MODEL E-8P	1	1	
. NS	640943	. REPAIR KIT / MINOR / VALVE MODEL E-8P	1	1	
. NS	6987220	. REPAIR KIT / MAJOR / VALVE MODEL E-8P	1	1	
2	19507993	BOOT PLUNGER	1	1	
3	19510779	PLUNGER	1	1	
4	2222120	MOUNTING BRACKET COUPLING D-1	1	1	
5	19512957	PLATE, TOP ADAPTER	1	1	
6	195554	LEVER	1	1	
7	19510780	PIN	1	1	
8	2054524	ROLLER	1	1	
9	640027	CLEVIS PIN	1	1	

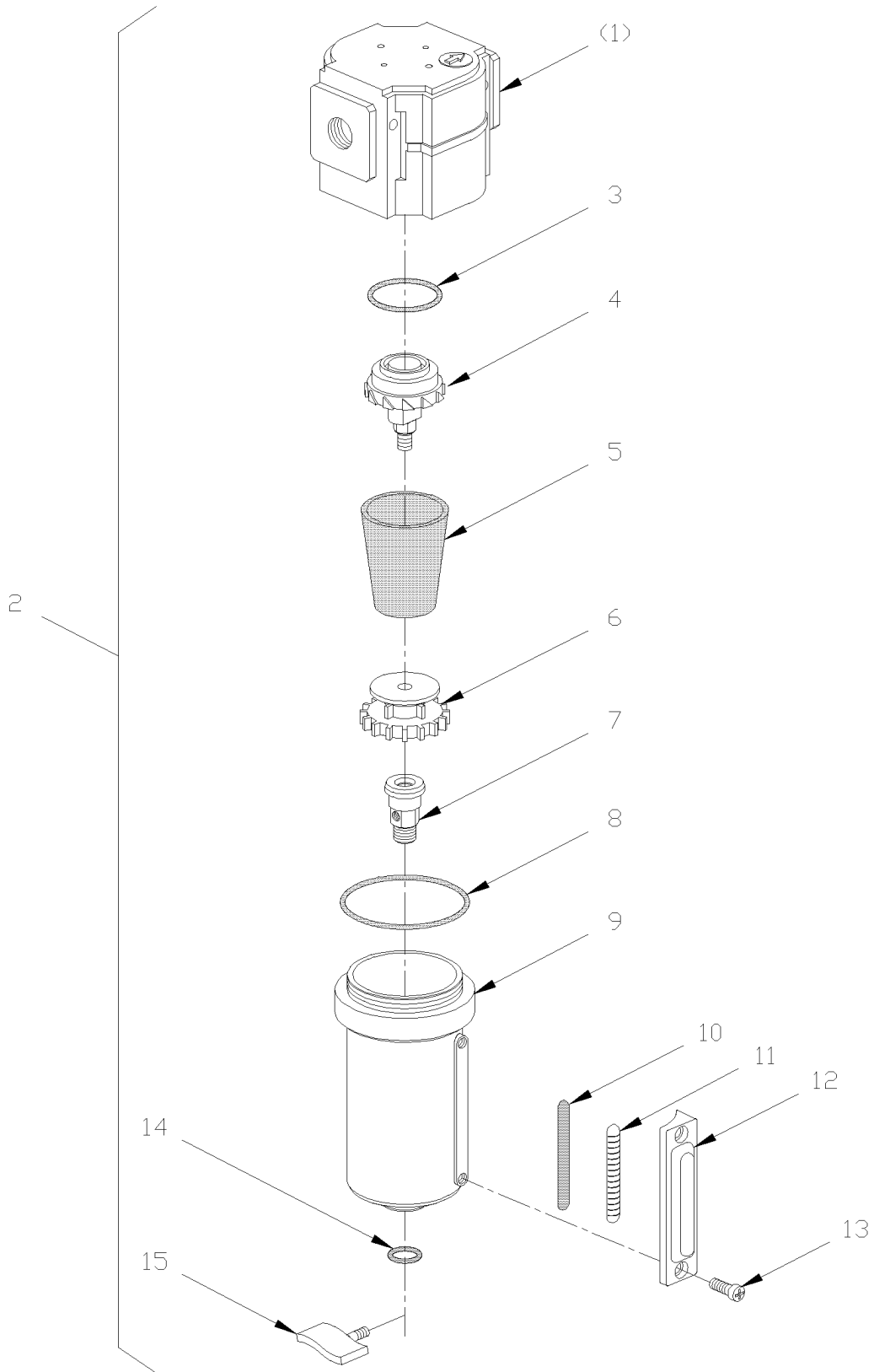


From E-5490 To E-5589

Date:07/2024

PAGE:X3VIP-1220-15

AIR FILTER - ACCESSORIES





From E-5490 To E-5589	Date:07/2024	PAGE:X3VIP-1220-15
AIR FILTER - ACCESSORIES		

Item#	Part	Description	X 3 V I P E N T	X 3 V I P M T H	N O T E S
1	641339	SUPPORT / AIR FILTER	1	1	
2	641338	AIR FILTER ASSY	1	1	
3	N.S.S.	. O-RING / UPPER CENTER POST	1	1	1
4	641969	. CENTER POST	1	1	
5	641340	. FILTER ELEMENT	1	1	
6	641970	. SCREW BAFFLE	1	1	
7	641971	. DRAIN VALVE BODY	1	1	
8	N.S.S.	. O-RING / UPPER BOWL	1	1	1
9	N.S.S.	. BOWL METAL	1	1	1
10	N.S.S.	. INDICATOR FILTER	1	1	1
11	N.S.S.	. GLASS / INDICATOR	1	1	1
12	N.S.S.	. RETAINER / GLASS	1	1	1
13	N.S.S.	. SCREW / TO FIX RETAINER	2	2	1
14	N.S.S.	. O-RING / LOWER BOWL	1	1	1
15	641972	. DRAIN VALVE	1	1	
16	N.S.S.	. NUT RETAINER / DRAIN VALVE	1	1	1
NS	641354	KIT, O-RING	AR	AR	A
NS	641355	KIT, LEVEL INDICATOR	AR	AR	B
NS	7770058	KIT, DRAIN VALVE	AR	AR	C
		A) INCLUDE ITEMS #3,8 & 14			
		B) INCLUDE ITEMS #8,10,11 & 13			
		C) INCLUDE ITEMS #7,14 & 15			
		1) NOT SOLD SEPARATELY			

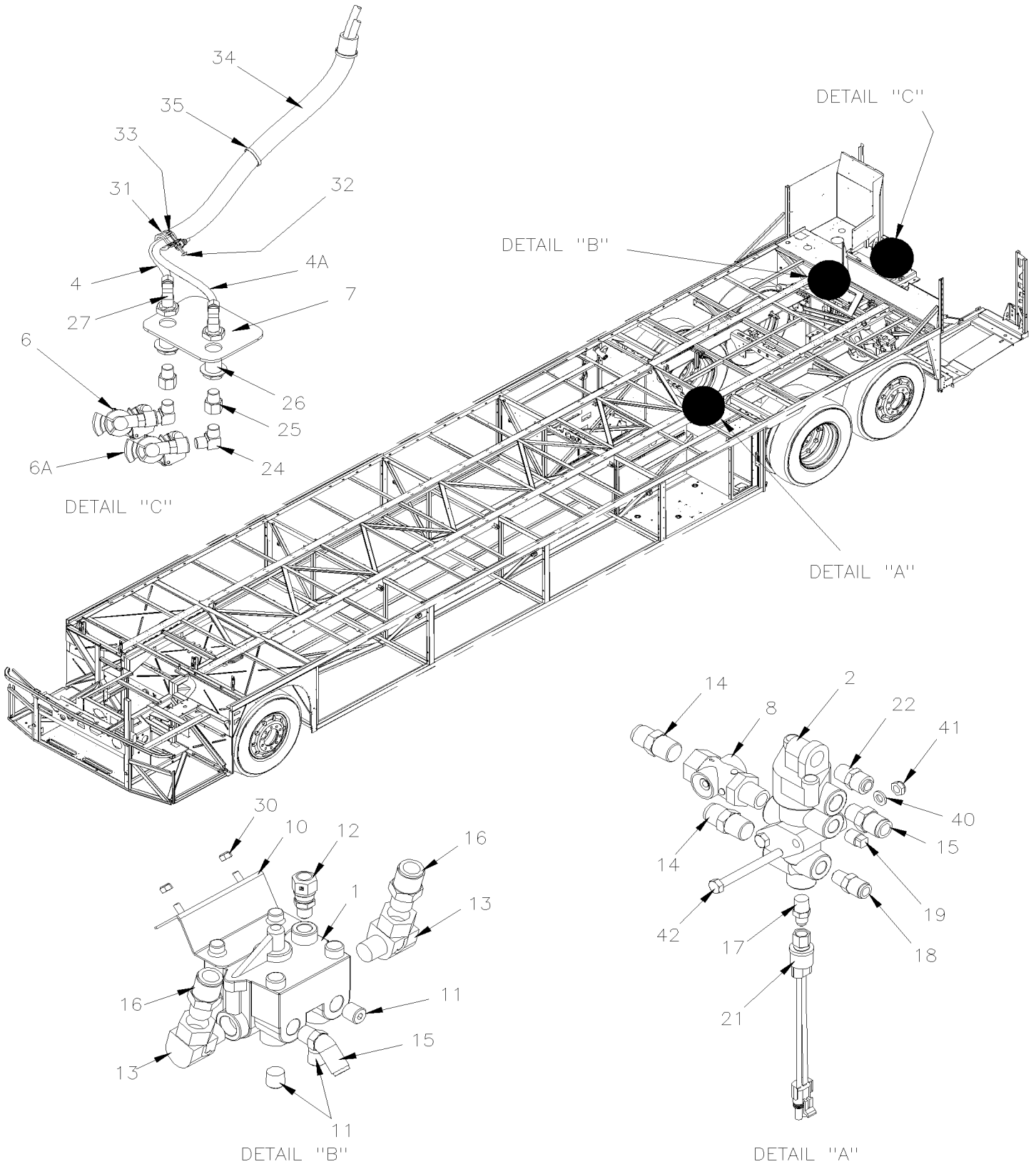


From E-5490 To F-5891

Date:07/2024

PAGE:X3VIP-1220-50

TRAILER VALVE INSTALLATION



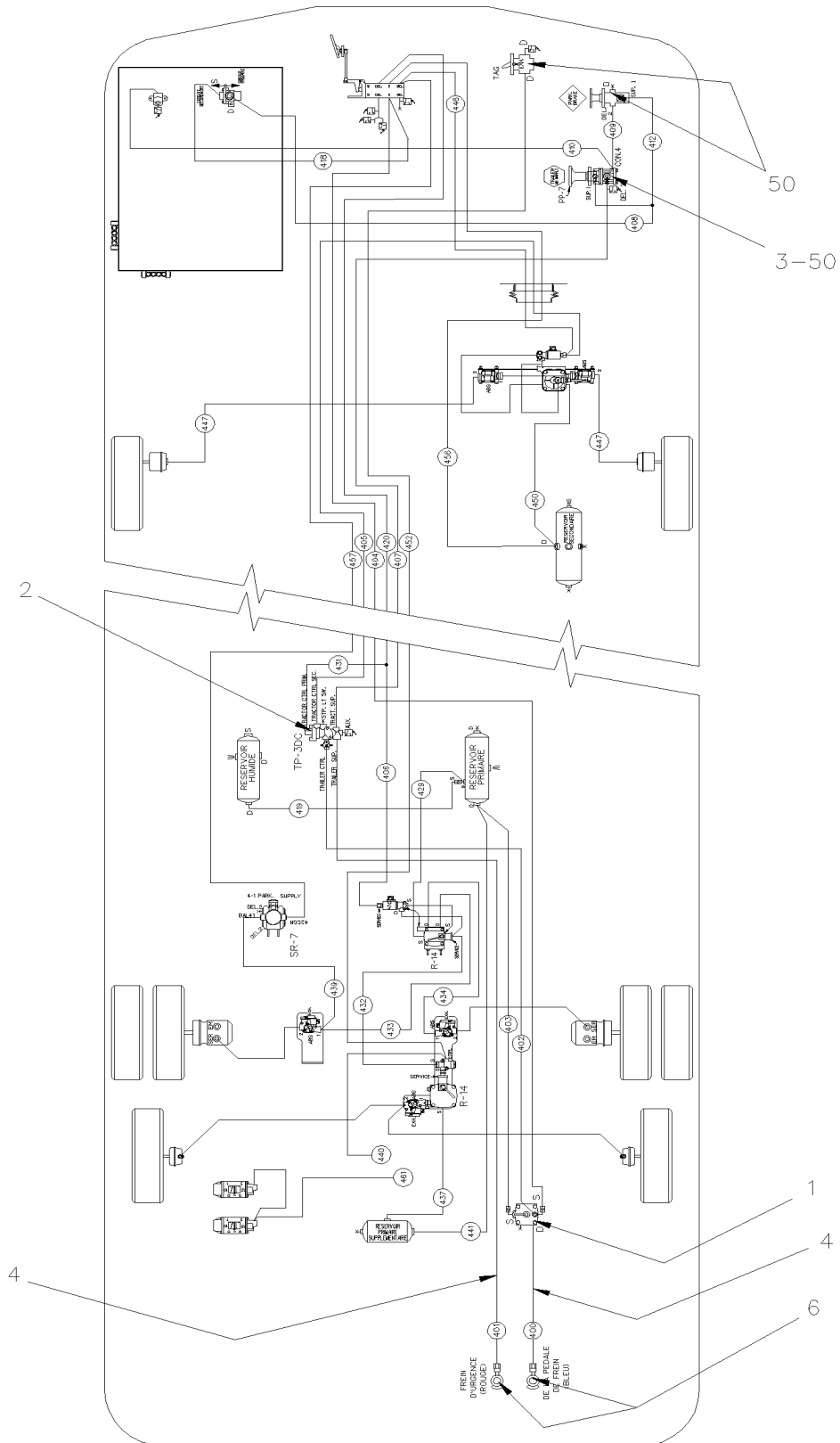


From E-5490 To F-5891

Date:07/2024

PAGE:X3VIP-1220-50

TRAILER VALVE INSTALLATION





From E-5490 To F-5891 Date:07/2024 PAGE:X3VIP-1220-50

TRAILER VALVE INSTALLATION

Item#	Part	Description	X 3 V I P E N T	X 3 V I P M T H	NOTES
1	641399	VALVE, RELAY R-12 P SUPPERSEDED 642097	1	1	
2	641495	TRACTOR PROTECTION VALVE TP-3 DC	1	1	
3	641397	TRAILER SUPPLY VALVE PP-7	1	1	
4	503638	TUBE, NYLON 1/2 O.D. / BROWN S.L.	AR	AR	
4A	503406	TUBE, NYLON 1/2 O.D. / GREEN S.L.	AR	AR	
5	640992	MALE CONNECTOR / NTA FITTING / #8x1/2NPT-M BR	AR	AR	
6	641938	GLANDHAND W/DUST COVER "RED"	1	1	
6A	641939	GLANDHAND W/DUST COVER "BLUE"	1	1	
7	410997	SUPPORT QUICK CONNECT HOSE CONNECTOR	1	1	
8	642088	VALVE, QUICK RELEASE QR-L / IN LINE	1	1	
9	643384	VALVE / SPRING BRAKE SR-7	1	1	
. NS	642119	. VALVE / SPRING BRAKE SR-7	1	1	
10	142850	SUPPORT VALVE R-12P	1	1	
11	501449	PLUG HEXS / PIPE FITTING / 3/8NPT-M STL	3	3	
12	641173	MALE CONNECTOR / NTA FITTING / #8x1/4NPT-M BR	1	1	
13	641172	VALVE, CHECK ELBOW 90° 1/2 NPT	2	2	
14	641383	MALE CONNECTOR / PUSH-IN FITTING / #8x1/2NPT-M BR	AR	AR	
15	641381	MALE CONNECTOR / PUSH-IN FITTING / #8x3/8NPT-M BR	AR	AR	
16	641384	MALE CONNECTOR / PUSH-IN FITTING / #10x1/2NPT-M BR	AR	AR	
17	641027	MALE ELBOW 45° / NTA FITTING / #10x1/2NPT-M BR	AR	AR	
18	641331	MALE CONNECTOR / PUSH-IN FITTING / #6x1/4NPT-M BR	AR	AR	
19	501800	PLUG HEXS / PIPE FITTING / 1/4NPT-M STL	AR	AR	
21	950245	PRESSURE SWITCH N.C. 20-30 LO-UNLOAD W/WIRE BLACK	1	1	
22	641330	MALE CONNECTOR / PUSH-IN FITTING / #6x3/8NPT-M BR	AR	AR	
23	452043	PRESSURE SWITCH N.O. 60-35 20SP001AA060E035E	1	1	
24	501713	MALE ELBOW 90° / PIPE FITTING / 1/2NPT-Mx1/2NPT-M BR	2	2	
25	5011119	ADAPTER / PIPE FITTING / 1/2NPT-Fx1/2NPT-M BR	2	2	
26	501796	BULKHEAD COUPLING / PIPE FITTING / 1/2NPT-Fx1/2NPT-Fx1 1/2 BR	2	2	
27	641076	MALE ELBOW 90° / NTA FITTING / #8x1/2NPT-M BR	2	2	
30	502681	NUT HEX NYRT M6-1.0 N500 G8	2	2	
31	562036	CLAMP / 7/8" I.D. X 90°	1	1	
32	500606	SCREW MA TR PH #10-24x3/4 SS	3	3	
33	500767	NUT HEX #10-24 Z050	3	3	
34	562218	CONVOLUTED TUBING / UNSLIT / BLACK & GRAY / 1.000"	AR	AR	
35	504637	CABLE TIE / 3/16" x 13"	AR	AR	
40	502507	WASHER LO SPT 8.1x14.8x2.0 Z050	2	2	
41	500868	NUT HEX NYRT M8-1.25 Z050	2	2	
42	502650	SCREW CAP HEX M8-1.25x80 G8.8 Z050	2	2	
50	X3VIP-1806-50	L.H. CONSOLE - MTH			
51	X3VIP-1220-10	BRAKE PEDAL VALVE - "BENDIX" E-10P			



From E-5490 To F-5891	Date:07/2024	PAGE:X3VIP-1220-50
-----------------------	--------------	--------------------

TRAILER VALVE INSTALLATION

Item#	Part	Description	X 3 V I P E N T	X 3 V I P M T H	N O T E S
NS	143039	DECAL / TRAILER FRENCH	1	1	
NS	143040	DECAL / TRAILER ENGLISH	1	1	
NS	143065	DECAL / TRAILER SPANISH	1	1	

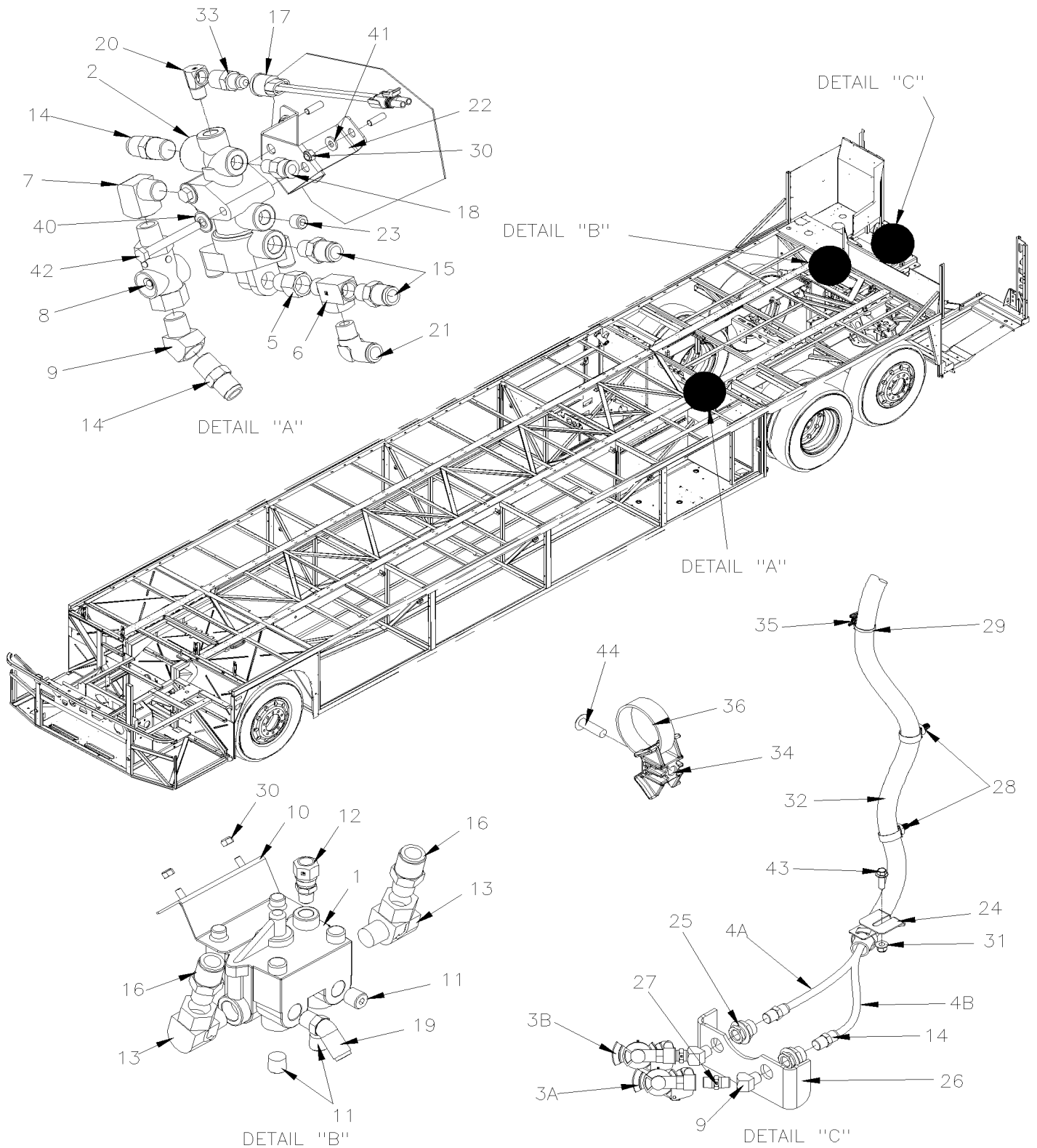


From F-5892

Date:07/2024

PAGE:X3VIP-1220-51

TRAILER VALVE INSTALLATION





From F-5892		Date:07/2024	PAGE:X3VIP-1220-51
-------------	--	--------------	--------------------

TRAILER VALVE INSTALLATION

Item#	Part	Description	X 3 V I P E N T	X 3 V I P M T H	N O T E S
1	641399	VALVE, RELAY R-12 P SUPPERSEDED 642097	1	1	
2	641495	TRACTOR PROTECTION VALVE TP-3 DC	1	1	
3A	641938	GLANDHAND W/DUST COVER "RED"	1	1	
3B	641939	GLANDHAND W/DUST COVER "BLUE"	1	1	
4A	503406	TUBE, NYLON 1/2 O.D. / GREEN S.L.	AR	AR	
4B	503638	TUBE, NYLON 1/2 O.D. / BROWN S.L.	AR	AR	
5	501309	ADAPTER / PIPE FITTING / 3/8NPT-Fx3/8NPT-M BR	1	1	
6	501699	MALE RUN TEE / PIPE FITTING / 3/8NPT-Mx3/8NPT-Fx3/8NPT-F BR	1	1	
7	507557	STREET ELBOW 90° / PIPE FITTING / 1/2NPT-Mx1/2NPT-F BR	1	1	
8	642088	VALVE, QUICK RELEASE QR-L / IN LINE	1	1	
9	501528	STREET ELBOW 45° / PIPE FITTING / 1/2NPT-Mx1/2NPT-F BR	1	1	
10	142850	SUPPORT VALVE R-12P	1	1	
11	501449	PLUG HEXS / PIPE FITTING / 3/8NPT-M STL	3	3	
12	641173	MALE CONNECTOR / NTA FITTING / #8x1/4NPT-M BR To G-5997	1	1	
12	641380	MALE CONNECTOR / PUSH-IN FITTING / #8x1/4NPT-M BR From G-5998	1	1	
13	641172	VALVE, CHECK ELBOW 90° 1/2 NPT To J-6303	2	2	
13	640123	VALVE, CHECK 1/2 NPT SC-1 From J-6304	2	2	
. NS	641401	. VALVE, CHECK 1/2 NPT SC-1 From J-6304	1	1	
13	507557	STREET ELBOW 90° / PIPE FITTING / 1/2NPT-Mx1/2NPT-F BR From J-6304	2	2	
14	641383	MALE CONNECTOR / PUSH-IN FITTING / #8x1/2NPT-M BR	2	2	
15	641381	MALE CONNECTOR / PUSH-IN FITTING / #8x3/8NPT-M BR	2	2	
16	641384	MALE CONNECTOR / PUSH-IN FITTING / #10x1/2NPT-M BR	2	2	
17	950245	PRESSURE SWITCH N.C. 20-30 LO-UNLOAD W/WIRE BLACK	1	1	
18	641331	MALE CONNECTOR / PUSH-IN FITTING / #6x1/4NPT-M BR	1	1	
19	641368	MALE ELBOW 45° NON-SWIVEL / PUSH-IN FITTING / #8x3/8NPT-M BR	1	1	
20	501332	STREET ELBOW 90° / PIPE FITTING / 1/4NPT-Mx1/4NPT-F BR	1	1	
21	641376	MALE ELBOW 90° NON-SWIVEL / PUSH-IN FITTING / #8x3/8NPT-M BR	1	1	
NS	680098	THREAD SEALANT LOCTITE #567 / WHITE / 250ml	AR	AR	
22	175275	SUPPORT VALVE TP-3	1	1	
23	501800	PLUG HEXS / PIPE FITTING / 1/4NPT-M STL	1	1	
24	145467	SUPPORT, AIR BRAKE HOSE	1	1	
25	501796	BULKHEAD COUPLING / PIPE FITTING / 1/2NPT-Fx1/2NPT-Fx1 1/2 BR	1	1	
26	261341	GLAD HANDS CONNECTORS SUPPORT	1	1	
27	5011067	NIPPLE HEX / PIPE FITTING / 1/2NPT-Mx1/2NPT-Mx1 13/16 BR	1	1	
28	504750	CABLE TIE / 1/2" x 15" / CHRISTMAS TREE	5	5	
29	504637	CABLE TIE / 3/16" x 13"	4	4	
30	502681	NUT HEX NYRT M6-1.0 N500 G8	5	5	
31	5001930	NUT HEXF NYRT M10-1.5 N500 G10.9	1	1	
32	562218	CONVOLUTED TUBING / UNSLIT / BLACK & GRAY / 1.000"	AR	AR	
33	501027	MALE CONNECTOR / SAE 45° FITTING / #4FL-Mx1/4NPT-M BR	1	1	
34	509490	ATTACHMENT DOUBLE USE WITH CABLE TIE	5	5	
35	504751	ROTATIF SPACER DOUBLE / SMALL	1	1	



From F-5892	Date:07/2024	PAGE:X3VIP-1220-51
-------------	--------------	--------------------

TRAILER VALVE INSTALLATION

Item#	Part	Description	X 3 V I P E N T	X 3 V I P M T H	N O T E S
36	509491	CABLE TIE / 13MM x 383MM	1	1	
40	5001699	WASHER BEL SPR 8.2x22x1.4 N500	2	2	
41	500877	WASHER FL .250x.562x.065 N500	3	3	
42	502797	SCREW CAP HEX M8-1.25x70 G10.9 G500	2	2	
43	5001741	SCREW CAP HEXF M10-1.5x30 G8.8 N500	1	1	
44	504610	RIVET MGLP PRDG 1/4x5/8 SS	5	5	
50	X3VIP-1202-00	TUBES PLASTIC / AIR D.O.T.			
51	X3VIP-1806-00	CENTRAL DASHBOARD PANEL			

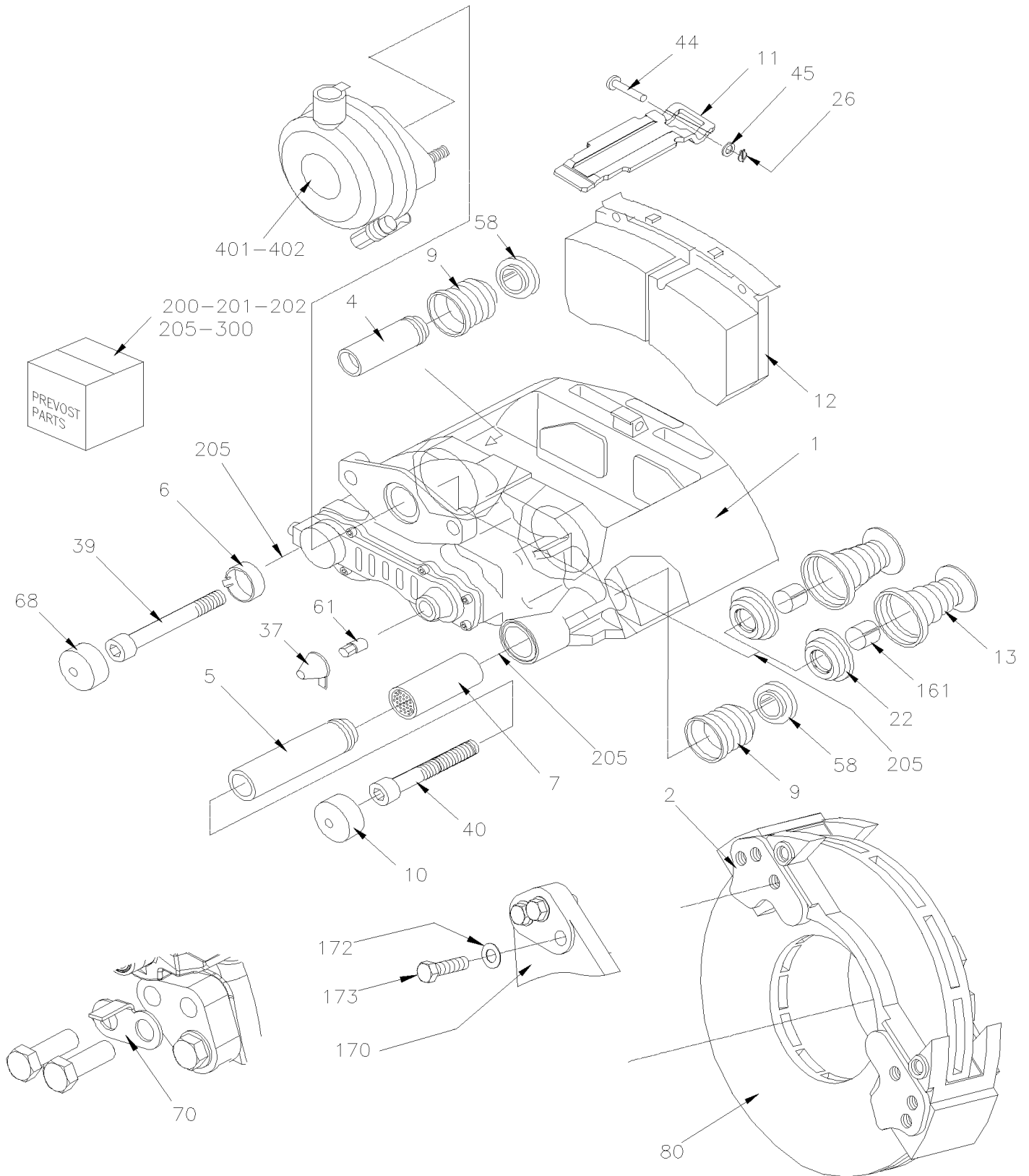


From E-5490

Date:07/2024

PAGE:X3VIP-1225-01

BRAKE PARTS - FRONT & TAG AXLE "KNORR-BREMSE" SN7 SERIES





From E-5490		Date:07/2024	PAGE:X3VIP-1225-01
-------------	--	--------------	--------------------

BRAKE PARTS - FRONT & TAG AXLE "KNORR-BREMSE" SN7 SERIES

Item#	Part	Description	X 3 V I P E N T	X 3 V I P M T H	N O T E S
	642186	CALIPER ASSY R.H. FRONT & TAG OR L.H. DRIVE AXLE / W/O POTENTIOMETER SN7 To M-6657	1	1	
	640071	CALIPER ASSY R.H. FRONT & TAG OR L.H. DRIVE AXLE / W/O POTENTIOMETER SN7 From M-6658	1	1	
	642187	CALIPER ASSY L.H. FRONT & TAG OR R.H. DRIVE AXLE / W/O POTENTIOMETER SN7 To M-6657	1	1	
	640076	CALIPER ASSY L.H. FRONT & TAG OR R.H. DRIVE AXLE / W/O POTENTIOMETER SN7 From M-6658	1	1	
1	N.S.S.	. CALIPER HOUSING	1	1	1
2	611960	. BRAKE CARRIER / W/6 HOLES BOLT RETAINERS M20-1.5	1	1	
4	N.S.S.	. . GUIDE BUSHING / SHORT	1	1	1
5	N.S.S.	. . GUIDE BUSHING / LONG	1	1	1
6	N.S.S.	. . GUIDE BUSHING / DU	1	1	1
7		. . BUSHING / BRASS	1	1	
8	N.S.S.	. . BOOT RUBBER / WHITE	2	2	1
9	N.S.S.	. . BELLOW GUIDE BUSHING / RED	2	2	1
10	N.S.S.	. . STEEL CAP	1	1	1
11	N.S.S.	. . BRAKE PAD BRACKET	1	1	1
12	642188	. . LINING SET STD / To M-6657	1	1	B
. 11	N.S.S.	. . . BRAKE PAD BRACKET To M-6657	1	1	1 B
. 26	N.S.S.	. . . SPRING SPLIT PIN To M-6657	1	1	1 B
. 37	642034	. . . KIT, PLUG CAP W/AJUSTING DEVICE (PACK of 10x #37, #37a & 61) To M-6657	1	1	B
. 44	N.S.S.	. . . CLEVIS PIN To M-6657	1	1	1 B
. 45	N.S.S.	. . . WASHER To M-6657	1	1	1 B
. 61	N.S.S.	. . . SHEAR ADAPTER To M-6657	1	1	1 B
12	610072	. . LINING SET STD / TX3054 From M-6658	1	1	
13	N.S.S.	. . TAPPET WITH BOOT ASSY	2	2	1
22	N.S.S.	. . BOOT	2	2	1
26	N.S.S.	. . SPRING SPLINT PIN	1	1	1
37	N.S.S.	. . PLUG CAP / ADJUSTING DEVICE	1	1	1
39	N.S.S.	. . SCREW CAP HEXS ZP M16-1.5 GR10.9	1	1	1
40	N.S.S.	. . SCREW CAP HEXS ZP M16-1.5 GR10.9	1	1	1
44	N.S.S.	. . CLEVIS PIN	1	1	1
45	N.S.S.	. . WASHER	1	1	1
58	N.S.S.	. . RING	2	2	1
61	N.S.S.	. . SHEAR ADAPTER	1	1	1
68	N.S.S.	. . CAP	1	1	1
70	110786	BRAKE WEAR INDICATOR MECHANICAL / 44MM	AR	AR	
70	142907	BRAKE WEAR INDICATOR WITH HOLE MECHANICAL	AR	AR	TG
80	X3VIP-1300-00	HUB & ROTOR - FRONT AXLE MODEL "NDIFS80P"			
80	X3VIP-1310-00	HUB & ROTOR - TAG AXLE TYPE TS8U			
161	N.S.S.	. RING RETAINING	2	2	1
170	X3VIP-1005-51	FRONT AXLE - INDEPENDENT MODEL "NDIFS80P" / 19000LBS			
170	X3VIP-1005-61	FRONT AXLE - INDEPENDENT MODEL "NDIFS80P" / 19000LBS			
170	X3VIP-1615-00	TAG AXLE - INSTALL SUSPENSION ONE PIECE			
172	502558	WASHER FL 21.0x37.0x3.0 G500	6	6	



From E-5490 Date:07/2024 PAGE:X3VIP-1225-01

BRAKE PARTS - FRONT & TAG AXLE "KNORR-BREMSE" SN7 SERIES

Item#	Part	Description	X 3 V I P E N T	X 3 V I P M T H	N O T E S
173	5001529	SCREW CAP HEX M20-1.5x60 G10.9 G500	6	6	
200	19509429	KIT, TAPPET W/BOOT	AR	AR	C
201	642141	KIT, GUIDANCE PINS & BELLOW / SN W/ GUIDE SLEEVE BUSHING END To F-5840	AR	AR	E
201	640019	KIT, GUIDANCE PINS & BELLOW / SN W/ GUIDE SLEEVE BUSHING END From F-5841	AR	AR	E
202	642034	KIT, PLUG CAP W/AJUSTING DEVICE (PACK of 10x #37, #37a & 61)	AR	AR	S
205	683345	GREASE WHITE / 5GR	AR	AR	K
205	641930	GREASE WHITE / 500GR	AR	AR	K
300	642214	KIT TOOL TO REPAIR BRAKE N2G	1	1	
401	X3VIP-1225-10	BRAKE CHAMBER - FRONT AXLE			
402	X3VIP-1245-10	BRAKE CHAMBER - TAG AXLE			
		B) INCLUDES ITEMS #11, 26, 37, 44, 45 & 61			
		C) INCLUDES 2 OF ITEMS #13, 22 & 161			
		E) INCLUDES ITEMS #4, 5, 6, 7, 9, 10, 39, 40, 58 & 68			
		K) FOR ITEMS #5 & 7			
		S) INCLUDES 10 ITEMS #37 AND 61			
		TG) TAG AXLE ONLY			
		1) NOT SOLD SEPARATELY			
		1) NOT SOLD SEPARATELY			

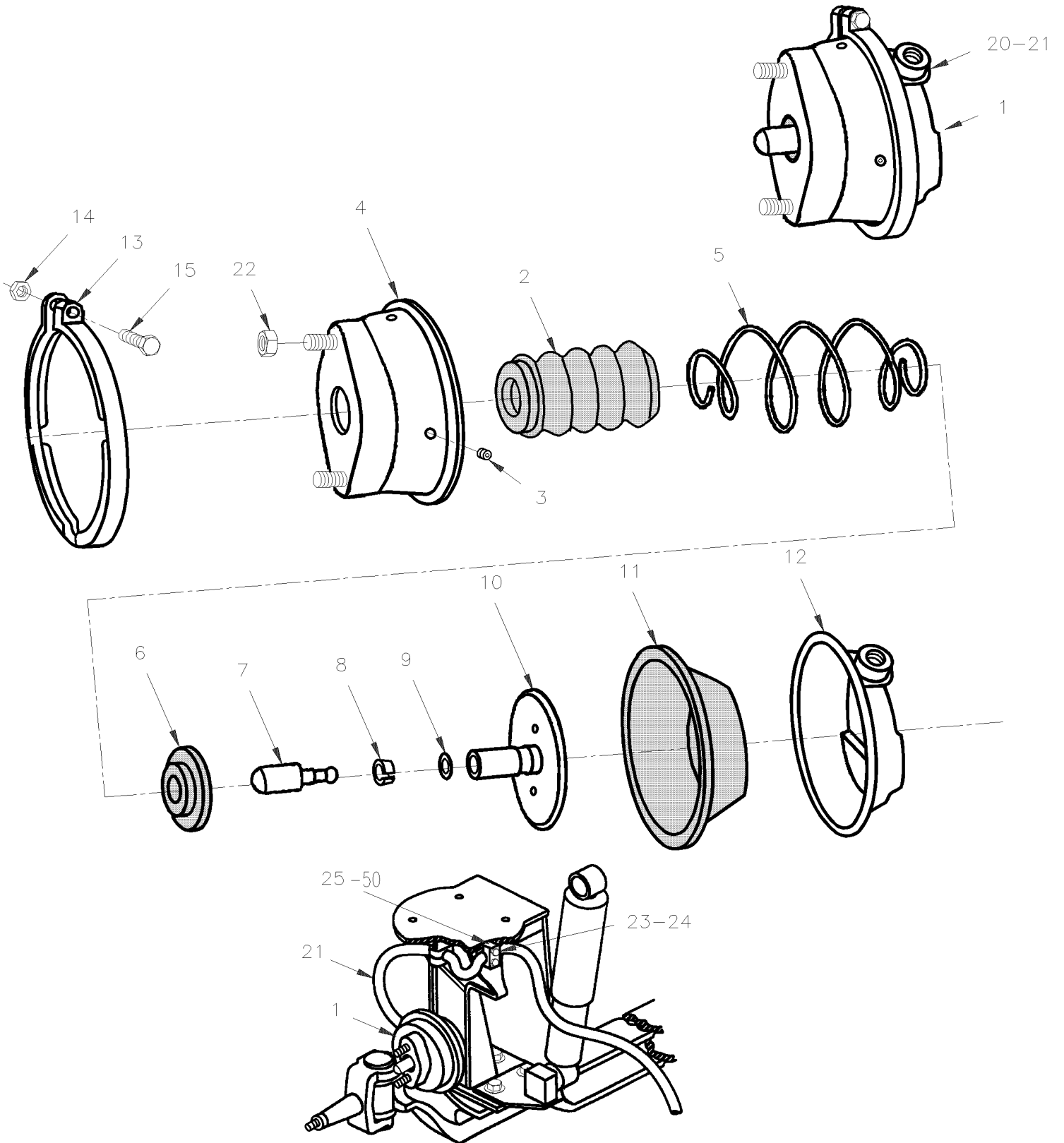


From E-5490

Date:07/2024

PAGE:X3VIP-1225-10

BRAKE CHAMBER - FRONT AXLE





From E-5490		Date:07/2024	PAGE:X3VIP-1225-10
BRAKE CHAMBER - FRONT AXLE			

Item#	Part	Description	X 3 V I P E N T	X 3 V I P M T H	N O T E S
1	611276	BRAKE CHAMBER ASSY R.H. / TYPE 27	1	1	
NS	611277	BRAKE CHAMBER ASSY L.H. / TYPE 27	1	1	
2	N.S.S.	. BOOT	1	1	1
3	N.S.S.	. HOLE PLUG	1	1	1
4	N.S.S.	. CHAMBER , NO-PRESSURE	1	1	1
5	N.S.S.	. SPRING	1	1	1
6	N.S.S.	. SPRING SEAT	1	1	1
7	N.S.S.	. PUSH ROD END	1	1	1
8	N.S.S.	. RETAINER	1	1	1
9	N.S.S.	. RING	1	1	1
10	N.S.S.	. PUSH ROD	1	1	1
11	N.S.S.	. DIAPHRAMG / TYPE 27	1	1	1
12	N.S.S.	. CHAMBER PRESSURE PLATE	1	1	1
13	N.S.S.	. CLAMP W/BOLT & NUT	1	1	1
14	502543	. . NUT HEX M8-1.25 Z050	1	1	
15	5001021	. . SCREW CAP HEXS M8-1.25x60 G8.8 PT	1	1	
20	660914	MALE ELBOW 90° / JIC 37° FITTING / #8JIC-MxM16-1.5-M STL	AR	AR	
. NS	641297	. O-RING 13.1MM I.D. X 2.6 TH	1	1	
. NS	641298	. WASHER FL 17MM I.D x 22MM O.D. x 1.5MM	1	1	
21	641903	HOSE BRAKE #8 1090MM (43")	2	2	
22	5001253	NUT HEX STO M16-1.5 G500	1	1	
23	504612	COLLAR 13/16" I.D. / TO FIX HOSE To H-6201	2	2	
23	140079	HALF COLLAR 44MM I.D. / TO FIX HOSE From H-6202	4	4	
24	504614	PLATE RETAINING / COLLAR	2	2	
25	142352	HOSE SUPPORT R.H. To L-6515	1	1	
25	140152	HOSE SUPPORT L.H. From L-6516	1	1	
25	142353	HOSE SUPPORT L.H. To L-6515	1	1	
25	140151	HOSE SUPPORT R.H. From L-6516	1	1	
50	X3VIP-1250-10	ABS/ESP BRAKE VALVE - INSTALLATION			
100	641422	KIT REPAIR / TYPE 24	1	1	
		1) NOT SOLD SEPARATELY			

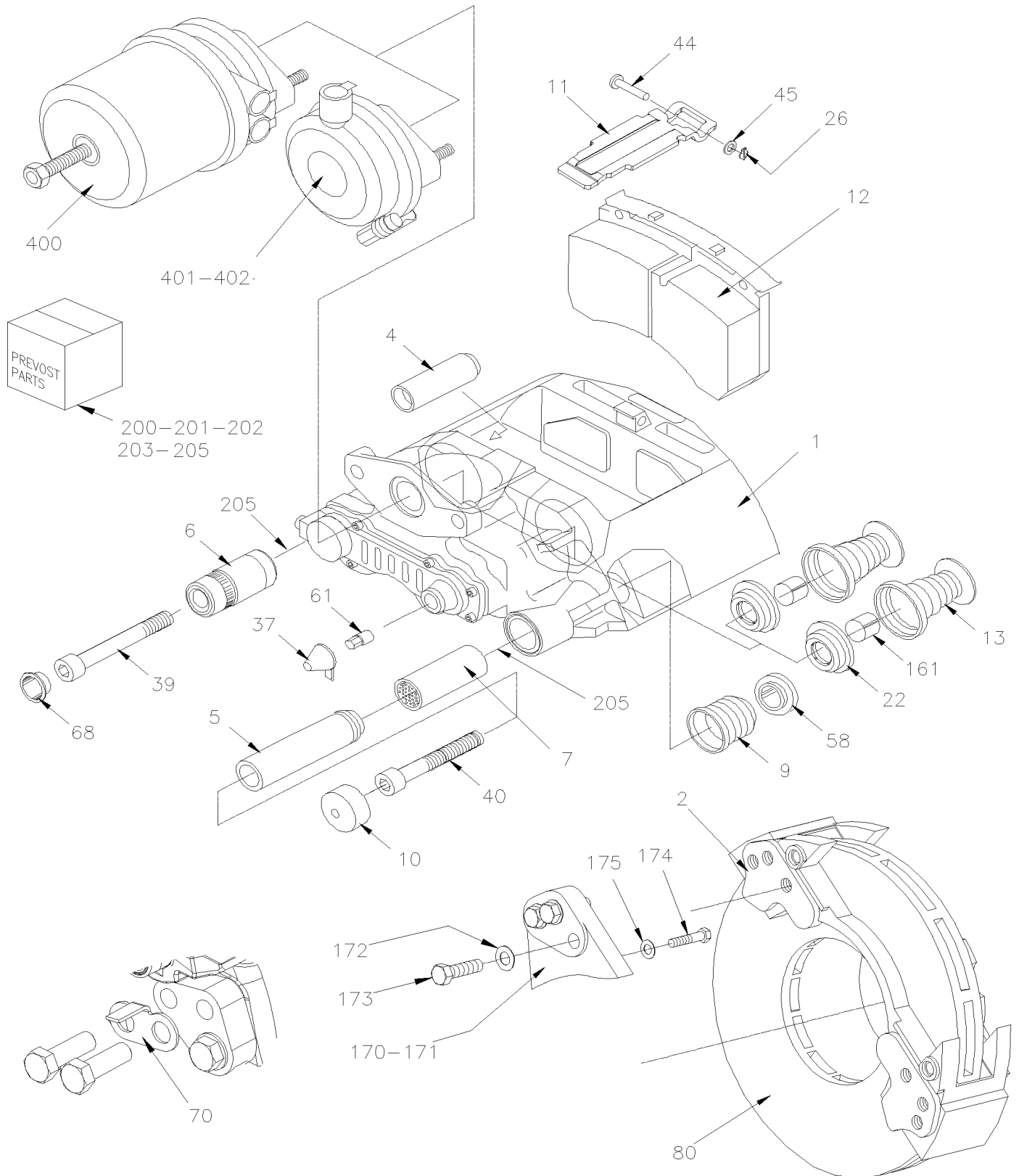


From E-5490 To E-5541

Date:07/2024

PAGE:X3VIP-1235-00

BRAKE PARTS - DRIVE AXLE "KNORR-BREMSE" SN7 SERIES





From E-5490 To E-5541 Date:07/2024 PAGE:X3VIP-1235-00

BRAKE PARTS - DRIVE AXLE "KNORR-BREMSE" SN7 SERIES

Item#	Part	Description	X 3 V I P E N T	X 3 V I P M T H	N O T E S
	611341	CALIPER ASSY R.H. / W/O BOOSTER / SN7	1	1	A
	611342	CALIPER ASSY L.H. / W/O BOOSTER / SN7	1	1	A
1	N.S.S.	. CALIPER HOUSING	1	1	1
2	611960	. BRAKE CARRIER / W/6 HOLES BOLT RETAINERS M20-1.5	1	1	
4	N.S.S.	. . GUIDE BUSHING / SHORT	1	1	1
5	N.S.S.	. . GUIDE BUSHING / LONG	1	1	1
6	N.S.S.	. . GUIDE SLEEVE	1	1	1
7	611107	. . BUSHING / BRASS	1	1	
8	N.S.S.	. . BOOT RUBBER / WHITE	2	2	1
9	N.S.S.	. . BELLOW GUIDE BUSHING / RED	1	1	1
10	N.S.S.	. . STEEL CAP	1	1	1
11	N.S.S.	. . BRAKE PAD BRACKET	1	1	1
12	611049	. . LINING SET STD /	1	1	B
. 11	N.S.S.	. . . BRAKE PAD BRACKET	1	1	1B
. 26	N.S.S.	. . . SPRING SPLIT PIN	1	1	1B
. 37	641313	. . . PLUG CAP / ADJUSTING DEVICE / PLASTIC INTERIOR GRIP	1	1	B
. 44	N.S.S.	. . . CLEVIS PIN	1	1	1B
. 45	N.S.S.	. . . WASHER	1	1	1B
. 61	N.S.S.	. . . SHEAR ADAPTER	1	1	1B
13	N.S.S.	. . TAPPET WITH BOOT ASSY	2	2	1
22	N.S.S.	. . BOOT	2	2	1
26	N.S.S.	. . SPRING SPLINT PIN	1	1	1
37	N.S.S.	. . PLUG CAP / ADJUSTING DEVICE	1	1	1
39	N.S.S.	. . SCREW CAP HEXS ZP M16-1.5 GR10.9	1	1	1
40	N.S.S.	. . SCREW CAP HEXS ZP M16-1.5 GR10.9	1	1	1
44	N.S.S.	. . CLEVIS PIN	1	1	1
45	N.S.S.	. . WASHER	1	1	1
58	N.S.S.	. . RING	1	1	1
61	N.S.S.	. . SHEAR ADAPTER	1	1	1
68	N.S.S.	. . CAP	1	1	1
70	110786	BRAKE WEAR INDICATOR MECHANICAL / 44MM	2	2	
80	X3VIP-1305-00	HUB & ROTOR - DRIVE AXLE			
161	N.S.S.	. RING RETAINING	2	2	1
170	X3VIP-1105-00	REAR AXLE - MODEL "RC23165"			
171	621868	CALIPER MOUNTING BRACKET L.H. & R.H. W/OUT BUSHING	1	1	D
172	N8889049	WASHER	6	6	
173	5001529	SCREW CAP HEX M20-1.5x60 G10.9 G500	6	6	
174	621636	SCREW CAP HEX / TO FIX BRACKET TO AXLE 9/16-18 X 2 GR 8	24	24	D
175	621365	WASHER (HARD) .59IDX.97ODX.09	24	24	D
200	642032	KIT, TAPPET W/BOOT	AR	AR	C
201	642031	KIT, GUIDANCE PINS & BELLOW / SN W/39MM BUSHING END	AR	AR	E
202	642034	KIT, PLUG CAP W/AJUSTING DEVICE (PACK of 10x #37, #37a & 61)	AR	AR	S



From E-5490 To E-5541	Date:07/2024	PAGE:X3VIP-1235-00
-----------------------	--------------	--------------------

BRAKE PARTS - DRIVE AXLE "KNORR-BREMSE" SN7 SERIES

Item#	Part	Description	X 3 V I P E N T	X 3 V I P M T H	N O T E S
203	641402	KIT, PAD HOLDER	AR	AR	H
.26	N.S.S.	. SPRING SPLIT PIN	1	1	1 H
.44	N.S.S.	. CLEVIS PIN	1	1	1 H
.45	N.S.S.	. WASHER	1	1	1 H
205	683345	GREASE WHITE / 5GR	AR	AR	K
205	641930	GREASE WHITE / 500GR	AR	AR	K
NS	641321	TOOL / THRUST MEMBER W/BELLOW	AR	AR	L
NS	641322	TOOL / CALIPER INNER BELLOW	AR	AR	M
NS	642074	TOOL / BUSHING INSTALLER / SERIES SN	AR	AR	N
NS	641435	TOOL / FORK (FOR BELLOW CAP)	AR	AR	L
NS	641993	TOOL / PRESS IN COVER	AR	AR	X
NS	641994	TOOL / BUSHING - INSTALLER	AR	AR	Y
NS	641998	TOOL / RUBBER BUSHING - INSTALLER	AR	AR	Z
NS	642035	KIT TOOL BOX "KNORR BREMSE" SERIE SN7	AR	AR	
400	X3VIP-1235-10	BRAKE CHAMBER - DRIVE AXLE			
401	X3VIP-1225-10	BRAKE CHAMBER - FRONT AXLE			
402	X3VIP-1245-10	BRAKE CHAMBER - TAG AXLE			
500	Y006471_000_EN	MAINTENANCE MANUAL / ENGLISH KNORR-BREMSE			
NS	Y006471_000_FR	MANUEL D'ENTRETIEN / FRANÇAIS KNORR-BREMSE			
		A) DO NOT INCLUDE ITEM #2 & 12			
		B) INCLUDES ITEMS #11, 26, 37, 44, 45 & 61			
		C) INCLUDES 2 OF ITEMS #13, 22 & 161			
		D) ON DRIVE AXLE ONLY			
		E) INCLUDES ITEMS #4, 5, 6, 7, 9, 10, 39, 40, 58 & 68			
		H) INCLUDES ITEMS #11,26,44 & 45			
		K) FOR ITEMS #5 & 7			
		L) TO USE W/ITEMS #13			
		M) TO USE W/ITEM #9			
		N) TO USE W/ITEM #7			
		S) INCLUDES 10 ITEMS #37 AND 61			
		X) TO USE WITH ITEM #10			
		Y) TO USE WITH ITEM 6			
		Z) TO USE WITH ITEM #68			
		1) NOT SOLD SEPARATELY			
		1) NOT SOLD SEPARATELY			

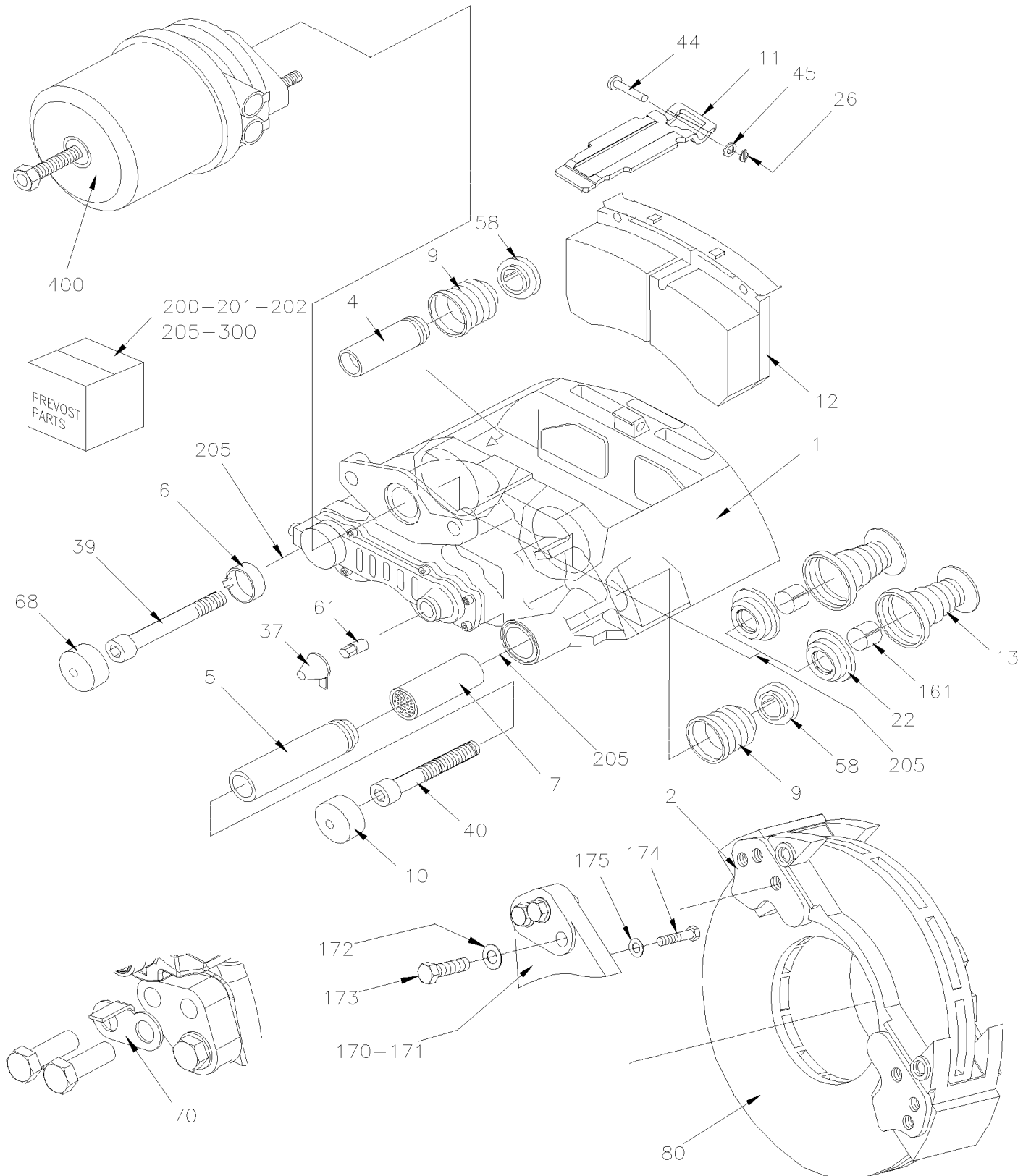


From E-5542

Date:07/2024

PAGE:X3VIP-1235-02

BRAKE PARTS - DRIVE AXLE "KNORR-BREMSE" SN7 SERIES W/N2G ADJUSTER





From E-5542 Date:07/2024 PAGE:X3VIP-1235-02

BRAKE PARTS - DRIVE AXLE "KNORR-BREMSE" SN7 SERIES W/N2G ADJUSTER

Item#	Part	Description	X 3 V I P E N T	X 3 V I P M T H	N O T E S
	642186	CALIPER ASSY R.H. FRONT & TAG OR L.H. DRIVE AXLE / W/O POTENTIOMETER SN7 To M-6657	1	1	
	640071	CALIPER ASSY R.H. FRONT & TAG OR L.H. DRIVE AXLE / W/O POTENTIOMETER SN7 From M-6658	1	1	
	642187	CALIPER ASSY L.H. FRONT & TAG OR R.H. DRIVE AXLE / W/O POTENTIOMETER SN7 To M-6657	1	1	
	640076	CALIPER ASSY L.H. FRONT & TAG OR R.H. DRIVE AXLE / W/O POTENTIOMETER SN7 From M-6658	1	1	
1	N.S.S.	. CALIPER HOUSING	1	1	1
2	611960	. BRAKE CARRIER / W/6 HOLES BOLT RETAINERS M20-1.5	1	1	
4	N.S.S.	. . GUIDE BUSHING / SHORT	1	1	1
5	N.S.S.	. . GUIDE BUSHING / LONG	1	1	1
6	N.S.S.	. . GUIDE BUSHING / DU	1	1	1
7		. . BUSHING / BRASS	1	1	
8	N.S.S.	. . BOOT RUBBER / WHITE	2	2	1
9	N.S.S.	. . BELLOW GUIDE BUSHING / RED	2	2	1
10	N.S.S.	. . STEEL CAP	1	1	1
11	N.S.S.	. . BRAKE PAD BRACKET	1	1	1
12	642188	. . LINING SET STD / To M-6657	1	1	B
. 11	N.S.S.	. . . BRAKE PAD BRACKET To M-6657	1	1	1 B
. 26	N.S.S.	. . . SPRING SPLIT PIN To M-6657	1	1	1 B
. 37	642034	. . . KIT, PLUG CAP W/AJUSTING DEVICE (PACK of 10x #37, #37a & 61) To M-6657	1	1	B
. 44	N.S.S.	. . . CLEVIS PIN To M-6657	1	1	1 B
. 45	N.S.S.	. . . WASHER To M-6657	1	1	1 B
. 61	N.S.S.	. . . SHEAR ADAPTER To M-6657	1	1	1 B
12	610072	. . LINING SET STD / TX3054 From M-6658	1	1	
13	N.S.S.	. . TAPPET WITH BOOT ASSY	2	2	1
22	N.S.S.	. . BOOT	2	2	1
26	N.S.S.	. . SPRING SPLINT PIN	1	1	1
37	N.S.S.	. . PLUG CAP / ADJUSTING DEVICE	1	1	1
39	N.S.S.	. . SCREW CAP HEXS ZP M16-1.5 GR10.9	1	1	1
40	N.S.S.	. . SCREW CAP HEXS ZP M16-1.5 GR10.9	1	1	1
44	N.S.S.	. . CLEVIS PIN	1	1	1
45	N.S.S.	. . WASHER	1	1	1
58	N.S.S.	. . RING	2	2	1
61	N.S.S.	. . SHEAR ADAPTER	1	1	1
68	N.S.S.	. . CAP	1	1	1
70	110786	BRAKE WEAR INDICATOR MECHANICAL / 44MM	AR	AR	
80	X3VIP-1305-00	HUB & ROTOR - DRIVE AXLE			
80	X3VIP-1305-99	ROTOR (SPLINED DISC) PRODUCT IMPROVMENT			
161	N.S.S.	. RING RETAINING	2	2	1
170	X3VIP-1105-00	REAR AXLE - MODEL "RC23165"			
171	621868	CALIPER MOUNTING BRACKET L.H. & R.H. W/OUT BUSHING	1	1	D
172	N8889049	WASHER	6	6	
173	5001529	SCREW CAP HEX M20-1.5x60 G10.9 G500	6	6	
174	621636	SCREW CAP HEX / TO FIX BRACKET TO AXLE 9/16-18 X 2 GR 8	24	24	D



From E-5542 Date:07/2024 PAGE:X3VIP-1235-02

BRAKE PARTS - DRIVE AXLE "KNORR-BREMSE" SN7 SERIES W/N2G ADJUSTER

Item#	Part	Description	X 3 V I P E N T	X 3 V I P M T H	N O T E S
175	621365	WASHER (HARD) .59IDX.97ODX.09	24	24	D
200	19509429	KIT, TAPPET W/BOOT	AR	AR	C
201	642141	KIT, GUIDANCE PINS & BELLOW / SN W/ GUIDE SLEEVE BUSHING END To F-5840	AR	AR	E
201	640019	KIT, GUIDANCE PINS & BELLOW / SN W/ GUIDE SLEEVE BUSHING END From F-5841	1	1	E
202	642034	KIT, PLUG CAP W/AJUSTING DEVICE (PACK of 10x #37, #37a & 61)	AR	AR	S
203	641402	KIT, PAD HOLDER	AR	AR	H
. 26	N.S.S.	. SPRING SPLIT PIN	1	1	1 H
. 44	N.S.S.	. CLEVIS PIN	1	1	1 H
. 45	N.S.S.	. WASHER	1	1	1 H
205	683345	GREASE WHITE / 5GR	AR	AR	K
205	641930	GREASE WHITE / 500GR	AR	AR	K
300	642214	KIT TOOL TO REPAIR BRAKE N2G	1	1	
400	X3VIP-1235-10	BRAKE CHAMBER - DRIVE AXLE			
		B) INCLUDES ITEMS #11, 26, 37, 44, 45 & 61			
		C) INCLUDES 2 OF ITEMS #13, 22 & 161			
		D) ON DRIVE AXLE ONLY			
		E) INCLUDES ITEMS #4, 5, 6, 7, 9, 10, 39, 40, 58 & 68			
		H) INCLUDES ITEMS #11,26,44 & 45			
		K) FOR ITEMS #5 & 7			
		S) INCLUDES 10 ITEMS #37 AND 61			
		1) NOT SOLD SEPARATELY			
		1) NOT SOLD SEPARATELY			

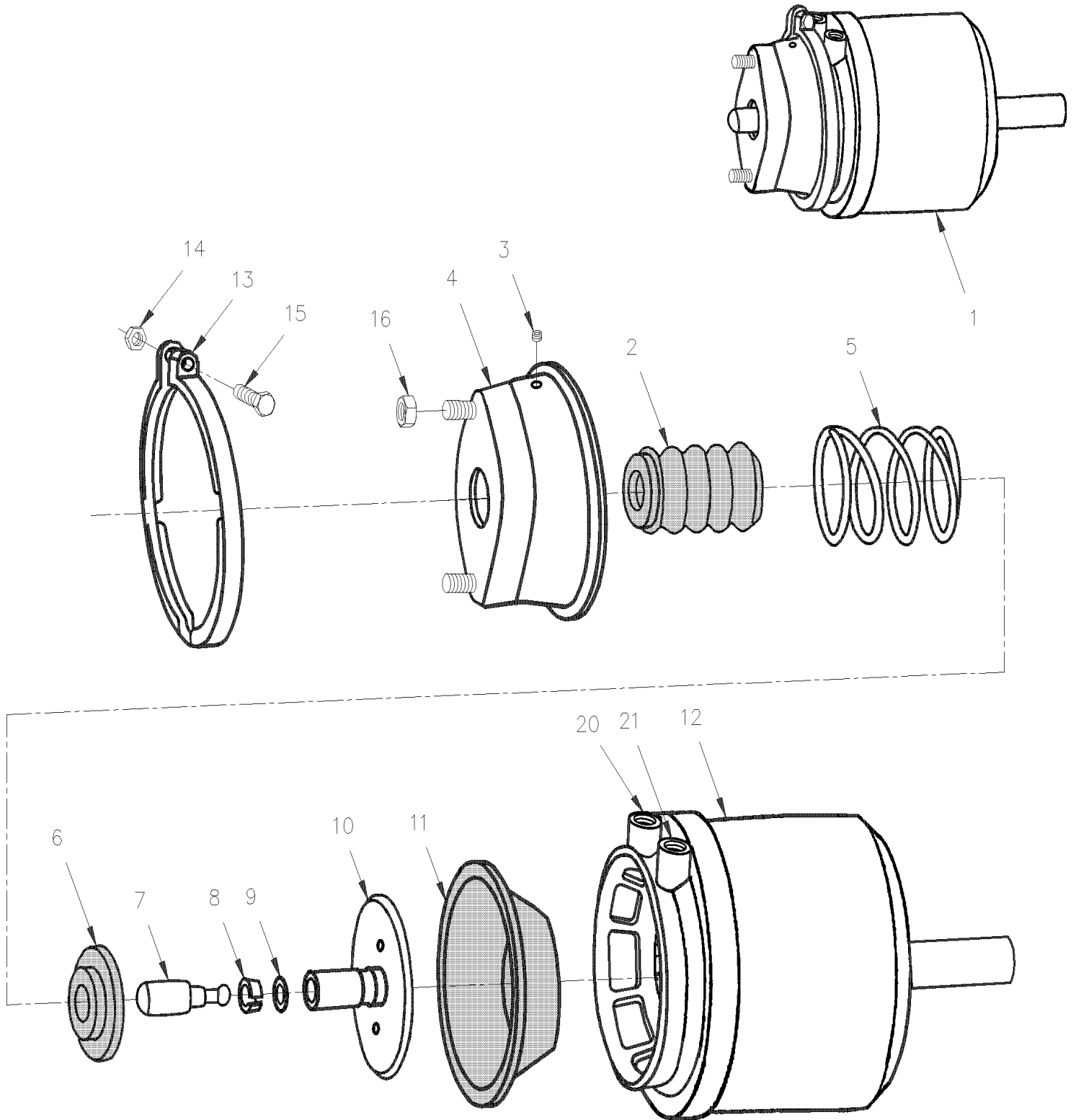


From E-5490

Date:07/2024

PAGE:X3VIP-1235-10

BRAKE CHAMBER - DRIVE AXLE



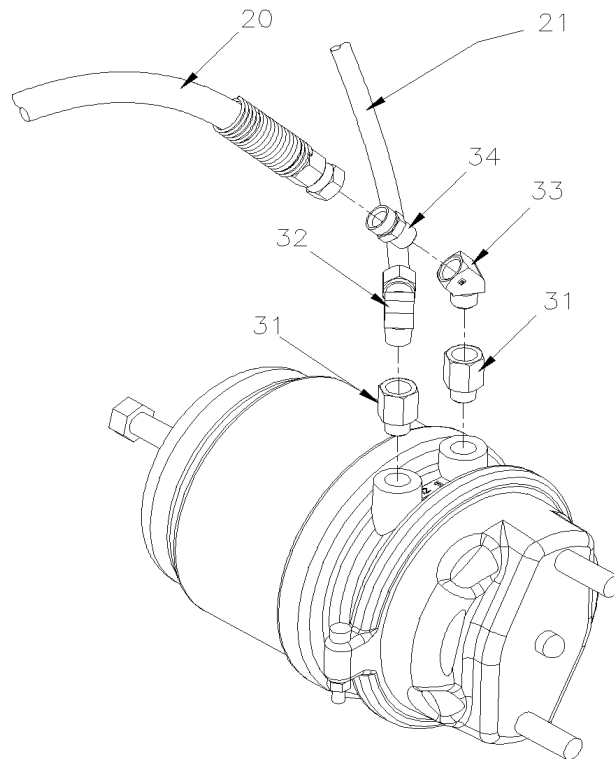


From E-5490

Date:07/2024

PAGE:X3VIP-1235-10

BRAKE CHAMBER - DRIVE AXLE





From E-5490		Date:07/2024	PAGE:X3VIP-1235-10
BRAKE CHAMBER - DRIVE AXLE			

Item#	Part	Description	X 3 V I P E N T	X 3 V I P M T H	N O T E S
1	642057	BRAKE CHAMBER ASSY L.H. / TYPE 24/24 (SEALED)	1	1	
1	642058	BRAKE CHAMBER ASSY R.H. / TYPE 24/24 (SEALED)	1	1	
2	N.S.S.	. BOOT	1	1	1
3	N.S.S.	. HOLE PLUG	1	1	1
4	N.S.S.	. CHAMBER , NO-PRESSURE	1	1	1
5	N.S.S.	. SPRING	1	1	1
6	N.S.S.	. SPRING SEAT	1	1	1
7	N.S.S.	. PUSH ROD END	1	1	1
8	N.S.S.	. RETAINER	1	1	1
9	N.S.S.	. RING	1	1	1
10	N.S.S.	. PUSH ROD	1	1	1
16	5001253	NUT HEX STO M16-1.5 G500	2	2	
		HOSE SERVICE BRAKE			
20	641303	HOSE BRAKE #8 914MM (36")	2	2	A
		HOSE EMERGENCY BRAKE			
21	503488	TUBE, NYLON 1/2 O.D. / BLACK S.L./	AR	AR	
31	5011205	FEMALE CONNECTOR / PIPE @ METRIC / 3/8NPT-FxM16-1.5-M ZP	4	4	
. NS	641297	. O-RING 13.1MM I.D. X 2.6 TH	1	1	
. NS	641298	. WASHER FL 17MM I.D x 22MM O.D. x 1.5MM	1	1	
32	641040	MALE ELBOW 90° / NTA FITTING / #8x3/8NPT-M BR	2	2	
33	501330	STREET ELBOW 45° / PIPE FITTING / 3/8NPT-Mx3/8NPT-F BR	2	2	
34	501842	ADAPTER / AIR BRAKE HOSE FITTING / 3/4-20-Mx3/8NPT-M STL	2	2	
		A) L.H. & R.H.			
		1) NOT SOLD SEPARATELY			



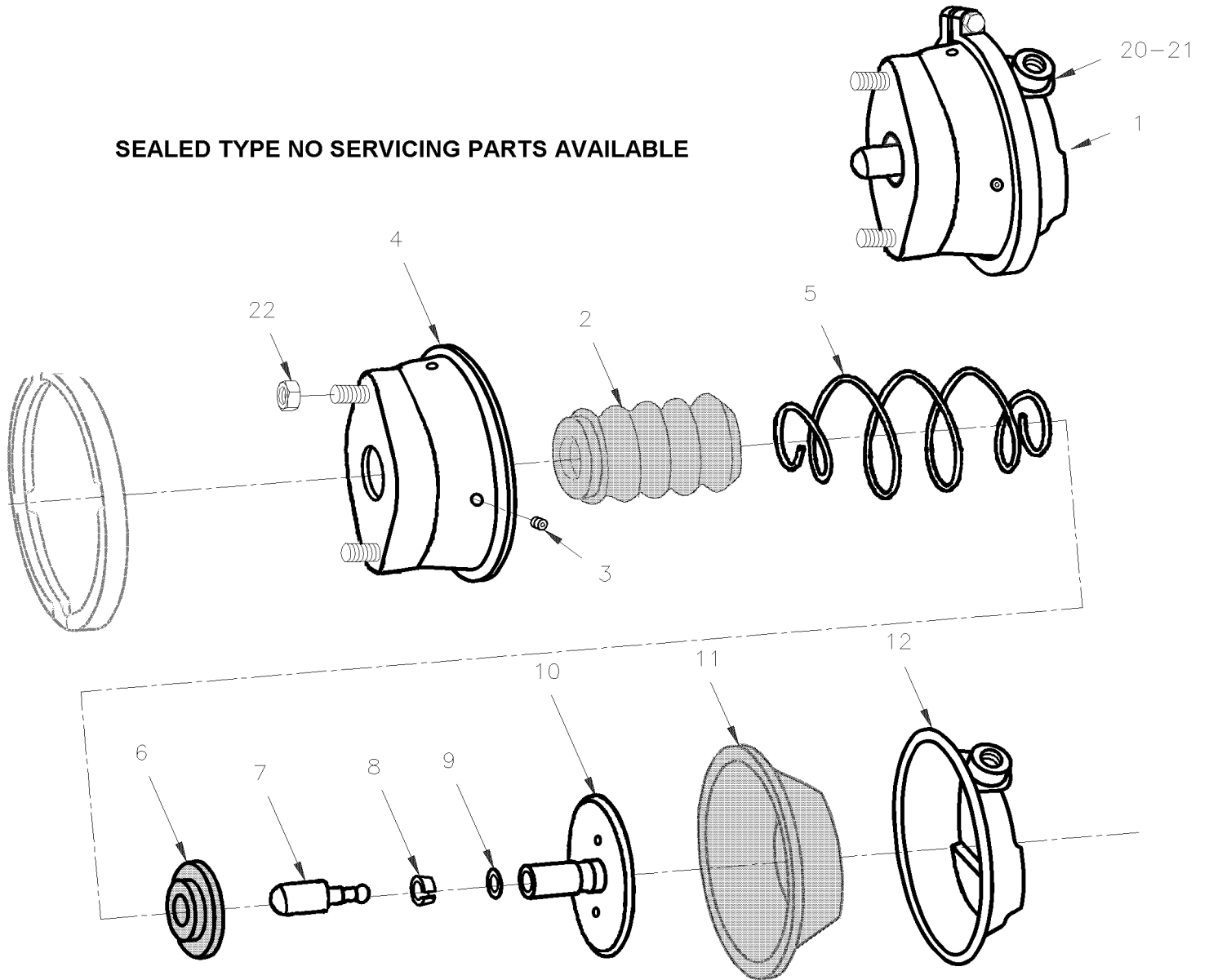
From E-5490

Date:07/2024

PAGE:X3VIP-1245-10

BRAKE CHAMBER - TAG AXLE

SEALED TYPE NO SERVICING PARTS AVAILABLE





From E-5490		Date:07/2024	PAGE:X3VIP-1245-10
-------------	--	--------------	--------------------

BRAKE CHAMBER - TAG AXLE

Item#	Part	Description	X 3 V I P E N T	X 3 V I P M T H	N O T E S
1	642086	BRAKE CHAMBER ASSY / TYPE 16 / SEALED	2	2	ESP
2	N.S.S.	. BOOT	1	1	1
3	N.S.S.	. HOLE PLUG	1	1	1
4	N.S.S.	. CHAMBER , NO-PRESSURE	1	1	1
5	N.S.S.	. SPRING, COMP.	1	1	1
6	N.S.S.	. SPRING SEAT	1	1	1
7	N.S.S.	. PUSH ROD END	1	1	1
8	N.S.S.	. RETAINER	1	1	1
9	N.S.S.	. RING	1	1	1
10	N.S.S.	. PUSH ROD	1	1	1
11	N.S.S.	. DIAPHRAGM / TYPE 16	1	1	1 ESP
12	N.S.S.	. CHAMBER PRESSURE PLATE	1	1	1
13	N.S.S.	. CLAMP W/BOLT & NUT	1	1	1
20	660914	MALE ELBOW 90° / JIC 37° FITTING / #8JIC-MxM16-1.5-M STL	1	1	
. NS	641297	. O-RING 13.1MM I.D. X 2.6 TH	1	1	
. NS	641298	. WASHER FL 17MM I.D x 22MM O.D. x 1.5MM	1	1	
21	641905	HOSE BRAKE #8 952MM (37 1/2")	2	2	ESP
22	5001253	NUT HEX STO M16-1.5 G500	2	2	
		ESP) WITH "ESP"			
		1) NOT SOLD SEPARATELY			

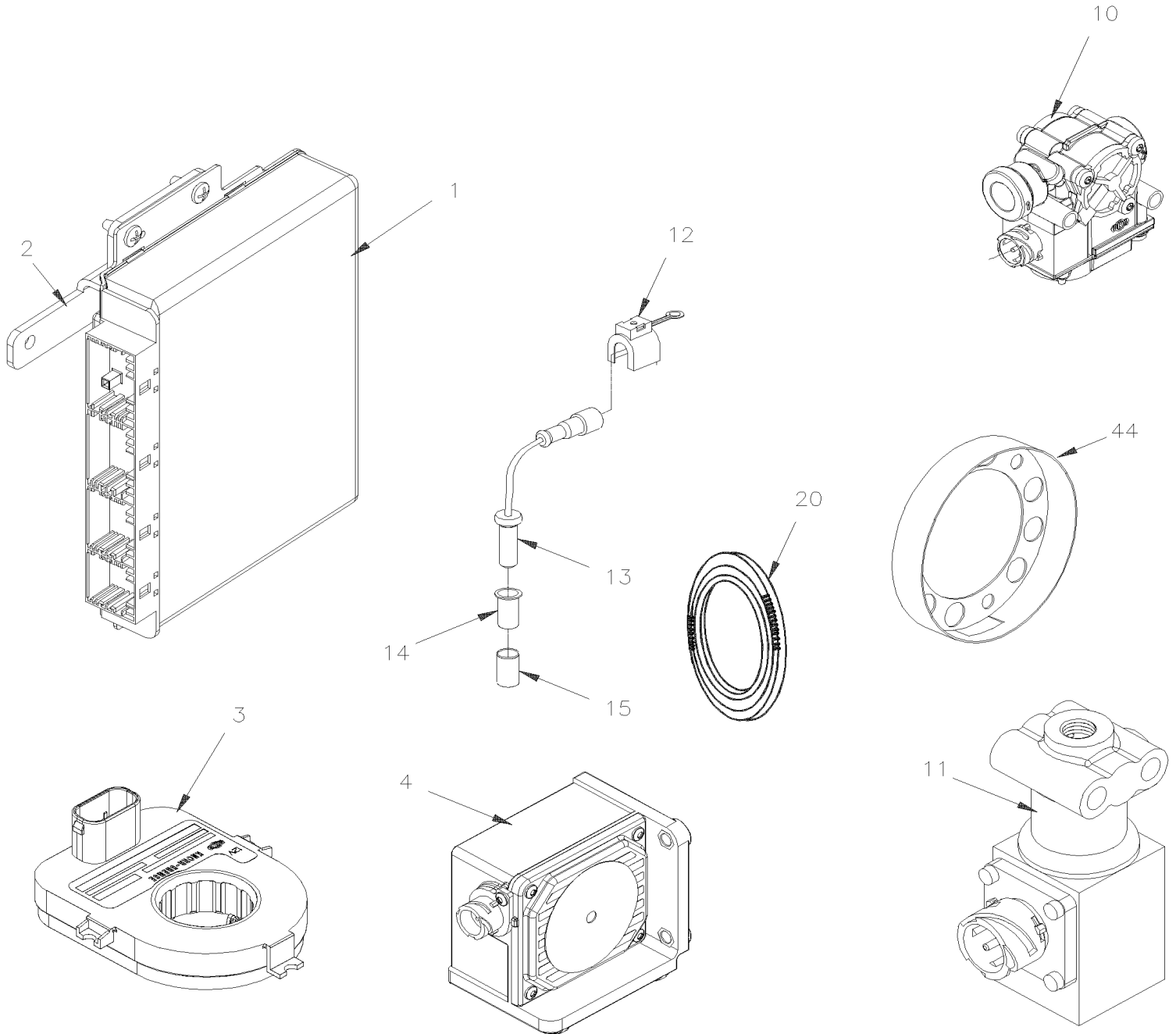


From E-5490

Date:07/2024

PAGE:X3VIP-1250-00

ABS & ESP CONTROL





From E-5490	Date:07/2024	PAGE:X3VIP-1250-00
ABS & ESP CONTROL		

Item#	Part	Description	X 3 V I P E N T	X 3 V I P M T H	N O T E S
1	642146	ECU ABS / W/6 CHANNELS / ADVANCED ESP UNPROGRAMMED / NON-PROGRAMME To J-6294	1	1	
1	640022	ECU ABS / W/8 CHANNELS / ADVANCED ESP AFTERMARKET From J-6295	1	1	
2	382468	SUPPORT ECU	1	1	
3	661120	SENSOR ANGLE POSITION DETECTOR	1	1	
. NS	564042	. CONNECTOR / BOSCH 1 928 404 025	1	1	
3	661148	SENSOR ANGLE POSITION DETECTOR	1	1	
. NS	564042	. CONNECTOR / BOSCH 1 928 404 025	1	1	
4	642151	SENSOR "YAW" To R-6967	1	1	
4	640150	SENSOR, YAW From R-6968	1	1	
4	640151	SENSOR, YAW / SERVICE	1	1	
5	642075	TRANSDUCER PRESSURE	1	1	
. NS	563159	. CONNECTOR / METRI-PACK 150 / SH 3C / PED 12065287	1	1	
10	642077	VALVE, "ABS" 12VOLT / M-32QR To G-6051	AR	AR	B
10	640228	VALVE, "ABS" 12VOLT / M-40QR From G-6052	AR	AR	
11	640018	VALVE, RELAY & ATC / ATR-6	1	1	
12	561115	CLAMP W/ 3 & 4 / ITT CANNON 029-0262-000	AR	AR	
13	642085	SENSOR ABS - OEM	2	2	I
13	642184	SENSOR ABS - AFTER MARKET	2	2	I
13	642085	SENSOR ABS - OEM	2	2	T
13	642184	SENSOR ABS - AFTER MARKET	2	2	T
13	642085	SENSOR ABS - OEM	2	2	A
13	642184	SENSOR ABS - AFTER MARKET	2	2	A
14	641096	CLIP, SPRING / TO FIX SENSOR	AR	AR	
15	621869	BUSHING - ABS SENSOR	2	2	A
15	610641	BUSHING ABS SENSOR MOUNTING TAG AXLE	2	2	T
15	121912	BUSHING ABS SENSOR MOUNTING TAG AXLE ONE PIECE	2	2	T
20	611473	TOOTH WHEEL / FRONT AXLE & TAG W/ "FAG" 143.90MM I.D.	2	2	I F
20	611457	ROTOR VENTED (W/TOOTH WHEEL / DRIVE AXLE)	2	2	A
20	621801	TOOTH WHEEL / TAG AXLE W/CAST TAG	2	2	T
44	621870	ABS SHIELD PROTECTOR	2	2	
		A) ON DRIVE AXLE ONLY			
		B) WHEN YOU REPLACE THE VALVE #642077 BY THE VALVE #640228 YOU HAVE REPLACE BOTH SIDE LEFT AND RIGHT			
		F) WITH HUB "FAG" ONLY			
		I) WITH INDEPENDENT SUSPENSION			
		T) ON TAG AXLE ONLY			

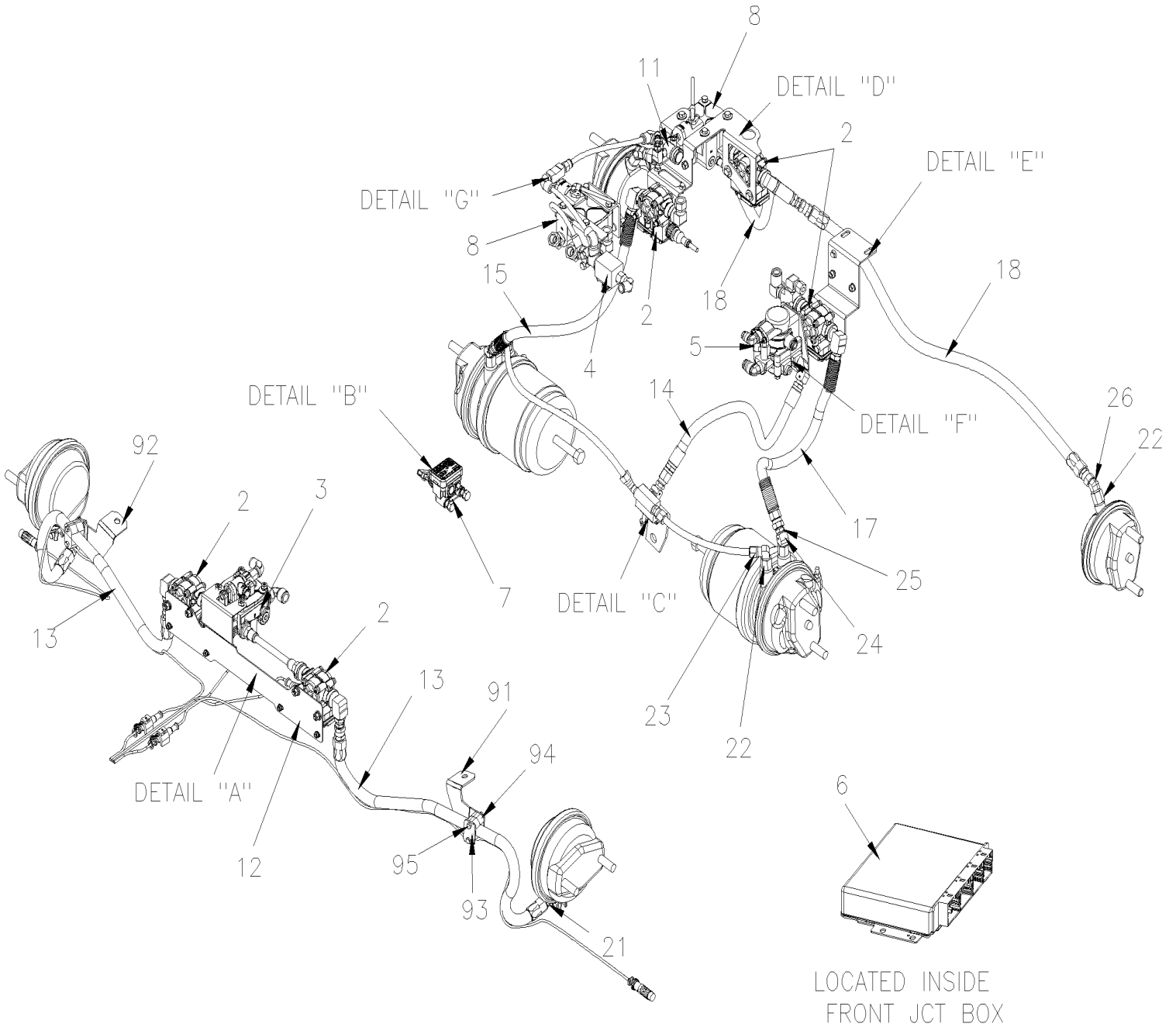


From E-5490 To R-4066

Date:07/2024

PAGE:X3VIP-1250-10

ABS/ESP BRAKE VALVE - INSTALLATION



ADVANCE "OPTION"

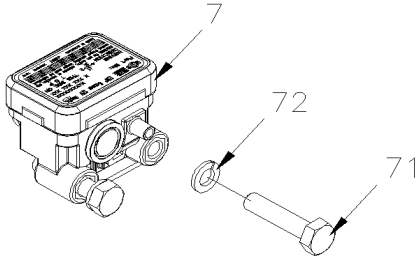


From E-5490 To R-4066

Date:07/2024

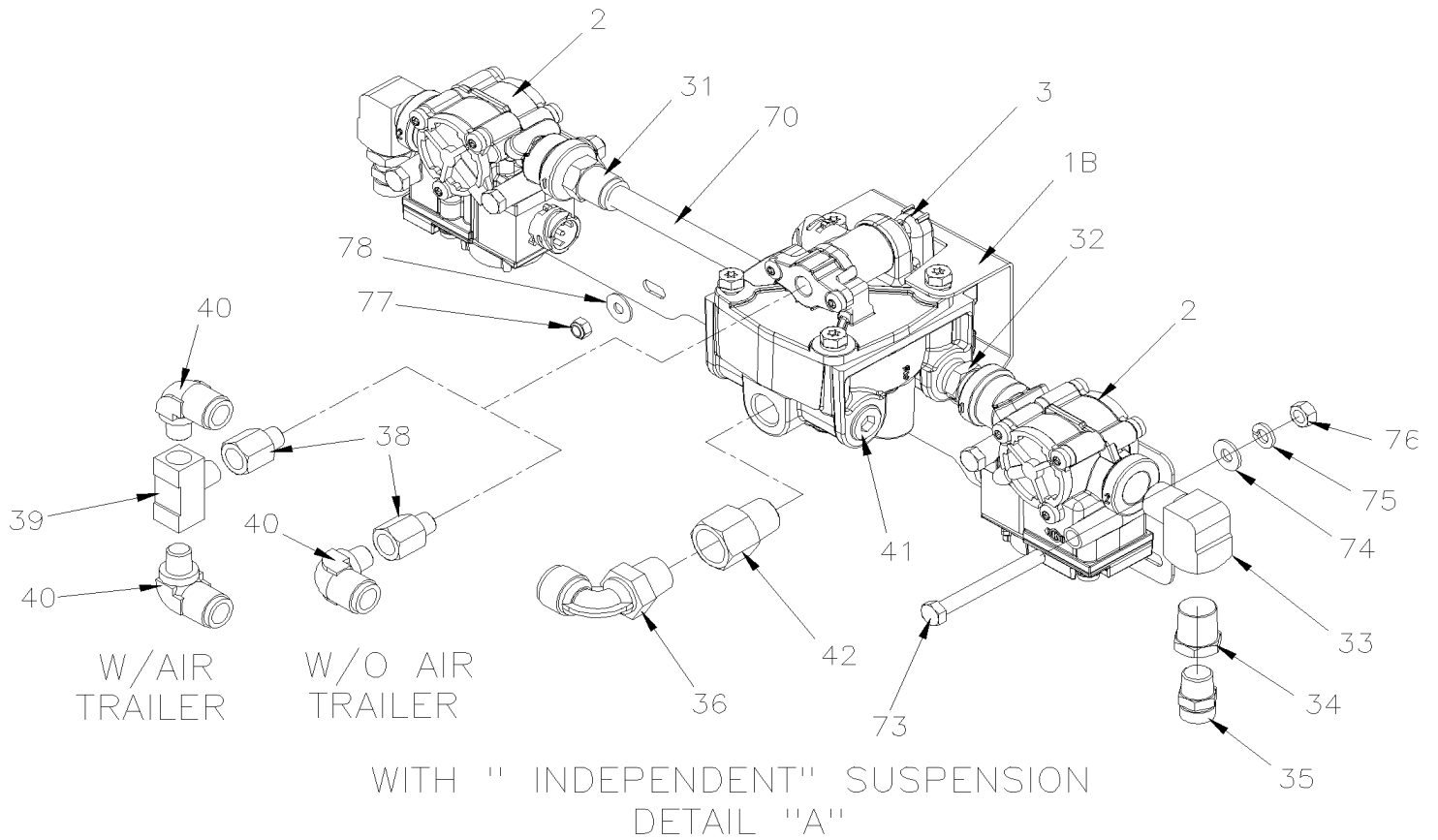
PAGE:X3VIP-1250-10

ABS/ESP BRAKE VALVE - INSTALLATION



DETAIL "B"

DETAIL "A"



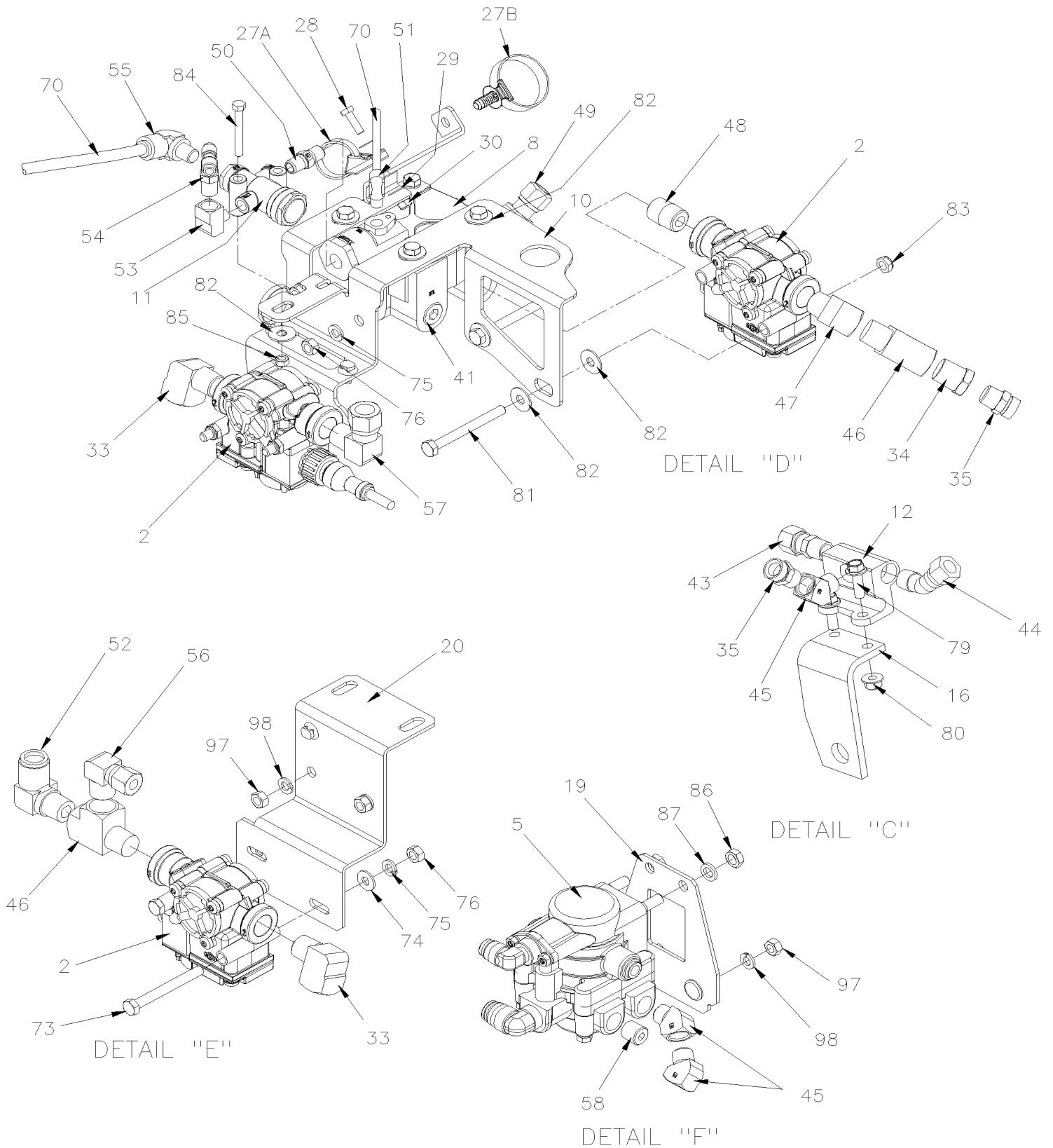


From E-5490 To R-4066

Date:07/2024

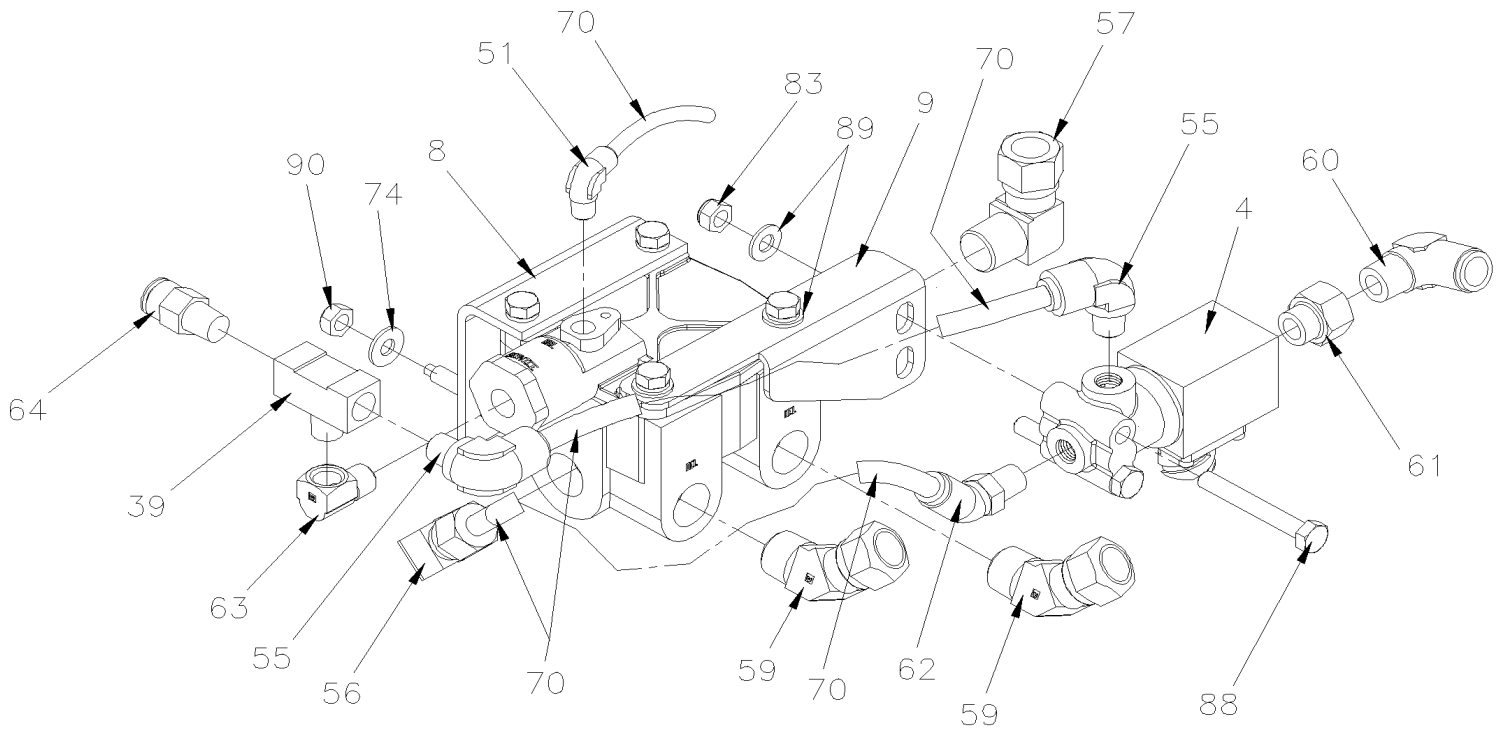
PAGE:X3VIP-1250-10

ABS/ESP BRAKE VALVE - INSTALLATION





From E-5490 To R-4066	Date:07/2024	PAGE:X3VIP-1250-10
ABS/ESP BRAKE VALVE - INSTALLATION		



DETAIL "G"
WITH WORLD TRANSMISSION
WITH "ESP"



From E-5490 To R-4066	Date:07/2024	PAGE:X3VIP-1250-10
-----------------------	--------------	--------------------

ABS/ESP BRAKE VALVE - INSTALLATION

Item#	Part	Description	X 3 V I P E N T	X 3 V I P M T H	N O T E S
1B	145056	SUPPORT VALVE FRONT To J-6242	1	1	I
1B	140083	SUPPORT VALVE FRONT From J-6243	1	1	I
2	642077	VALVE, "ABS" 12VOLT / M-32QR To G-6051	AR	AR	A
2	640228	VALVE, "ABS" 12VOLT / M-40QR From G-6052	AR	AR	
3	640018	VALVE, RELAY & ATC / ATR-6	1	1	
4	642079	VALVE, "ATC" 12VOLT	1	1	
5	643384	VALVE / SPRING BRAKE SR-7	1	1	
. NS	642119	. VALVE / SPRING BRAKE SR-7	1	1	
6	642146	ECU ABS / W/6 CHANNELS / ADVANCED ESP UNPROGRAMMED / NON-PROGRAMME To J-6294	1	1	
6	640022	ECU ABS / W/8 CHANNELS / ADVANCED ESP AFTERMARKET From J-6295	1	1	
7	642151	SENSOR "YAW" To R-6967	1	1	
7	640150	SENSOR, YAW From R-6968	1	1	
7	640151	SENSOR, YAW / SERVICE	1	1	
8	641120	VALVE, RELAY R-14 HORIZONTAL PORT To J-6294	2	2	
. NS	10508267	. KIT, REPAIR To J-6294	1	1	
8	640013	VALVE, RELAY R-14 HORIZONTAL PORT From J-6295	1	1	
10	142682	SUPPORT BRAKE VALVE REAR / CURBSIDE To F-5908	1	1	
10	145272	SUPPORT BRAKE VALVE REAR / CURBSIDE From F-5909 To L-6644	1	1	
10	140264	SUPPORT BRAKE VALVE REAR / CURBSIDE From M-6645	1	1	
10	504165	PLATE RETAINER 33MM C/C SS From M-6645	1	1	
10	504227	CLAMP SIMPLE ASS / SPLIT BLOC / 22MM x 50MM x 33MM C/C POLYA From M-6645	1	1	
10	5001636	SCREW CAP HEX M6-1.0x50 SS BK From M-6645	2	2	
NS	509815	TIE MOUNT / ATTACHMENT W/TREE MOUNT	AR	AR	
NS	504637	CABLE TIE / 3/16" x 13"	AR	AR	
11	640471	VALVE, INVERSION TR-3 25-40LBS	1	1	
12	641136	ANCHOR TEE / PIPE FITTING / 3/8NPT-Fx3/8NPT-Fx3/8NPT-F ZP	1	1	
13	641903	HOSE BRAKE #8 1090MM (43")	2	2	I
14	642143	HOSE BRAKE #8 560MM (22")	1	1	
15	641305	HOSE BRAKE #8 718MM (28 1/4")	1	1	
16	121444	SUPPORT / ANCHOR TEE / WITH MERITOR DRIVE AXLE	1	1	
17	641302	HOSE BRAKE #8 610MM (24")	1	1	
18	641905	HOSE BRAKE #8 952MM (37 1/2")	2	2	
19	142475	SUPPORT SPRING BRAKE VALVE	1	1	
20	144862	SUPPORT L.H. / VALVE ABS & RELAY VALVE To F-5908	1	1	
20	145500	SUPPORT L.H. / VALVE ABS & RELAY VALVE From F-5909	1	1	
21	660914	MALE ELBOW 90° / JIC 37° FITTING / #8JIC-MxM16-1.5-M STL	2	2	I
. NS	641297	. O-RING 13.1MM I.D. X 2.6 TH	1	1	I
. NS	641298	. WASHER FL 17MM I.D x 22MM O.D. x 1.5MM	1	1	I
22	5011205	FEMALE CONNECTOR / PIPE @ METRIC / 3/8NPT-FxM16-1.5-M ZP	6	6	
. NS	641297	. O-RING 13.1MM I.D. X 2.6 TH	1	1	
. NS	641298	. WASHER FL 17MM I.D x 22MM O.D. x 1.5MM	1	1	



From E-5490 To R-4066 Date:07/2024 PAGE:X3VIP-1250-10

ABS/ESP BRAKE VALVE - INSTALLATION

Item#	Part	Description	X 3 V I P E N T	X 3 V I P M T H	N O T E S
23	641040	MALE ELBOW 90° / NTA FITTING / #8x3/8NPT-M BR	2	2	
24	501330	STREET ELBOW 45° / PIPE FITTING / 3/8NPT-Mx3/8NPT-F BR	2	2	
25	501842	ADAPTER / AIR BRAKE HOSE FITTING / 3/4-20-Mx3/8NPT-M STL	2	2	
26	501291	MALE ELBOW 45° / JIC 37° FITTING / #8JIC-Mx3/8NPT-M STL	2	2	
27A	509894	TIE MOUNT HOLE 7.8MM From F-5909	1	1	
27A	509491	CABLE TIE / 13MM x 383MM From F-5909	1	1	
27B	504750	CABLE TIE / 1/2" x 15" / CHRISTMAS TREE From F-5909	1	1	
28	502830	SCREW CAP HEX M6-1.0x20 G8.8 N500 From F-5909	1	1	
29	5001608	WASHER BEL SPR 6.2x15.0x0.7 G500 From F-5909	2	2	
30	502681	NUT HEX NYRT M6-1.0 N500 G8 From F-5909	1	1	
31	641383	MALE CONNECTOR / PUSH-IN FITTING / #8x1/2NPT-M BR	AR	AR	
32	5011067	NIPPLE HEX / PIPE FITTING / 1/2NPT-Mx1/2NPT-Mx1 13/16 BR	AR	AR	
33	507557	STREET ELBOW 90° / PIPE FITTING / 1/2NPT-Mx1/2NPT-F BR	AR	AR	
34	501534	BUSHING REDUCER / PIPE FITTING / 1/2NPT-Mx3/8NPT-F BR	AR	AR	
35	501842	ADAPTER / AIR BRAKE HOSE FITTING / 3/4-20-Mx3/8NPT-M STL	AR	AR	
36	642098	MALE ELBOW 90° NON-SWIVEL / PUSH-IN FITTING / #10x1/2NPT-M COMPOSITE	AR	AR	
38	501308	ADAPTER / PIPE FITTING / 1/4NPT-Fx1/4NPT-M BR	AR	AR	
39	501894	MALE BRANCHE TEE / PIPE FITTING / 1/4NPT-Fx1/4NPT-Fx1/4NPT-M BR	AR	AR	
40	641373	MALE ELBOW 90° NON-SWIVEL / PUSH-IN FITTING / #8x1/4NPT-M BR	AR	AR	
41	501966	PLUG HEXS / PIPE FITTING / 1/2NPT-M STL	AR	AR	
42	5011119	ADAPTER / PIPE FITTING / 1/2NPT-Fx1/2NPT-M BR	AR	AR	
43	640991	MALE CONNECTOR / NTA FITTING / #8x3/8NPT-M BR	AR	AR	
44	641010	MALE ELBOW 45° / NTA FITTING / #8x3/8NPT-M BR	AR	AR	
45	501330	STREET ELBOW 45° / PIPE FITTING / 3/8NPT-Mx3/8NPT-F BR	AR	AR	
46	501473	MALE RUN TEE / PIPE FITTING / 1/2NPT-Mx1/2NPT-Fx1/2NPT-F BR	AR	AR	
47	501528	STREET ELBOW 45° / PIPE FITTING / 1/2NPT-Mx1/2NPT-F BR	AR	AR	
48	501424	NIPPLE / PIPE FITTING / 1/2NPT-Mx1/2NPT-Mx1 1/8 BR	AR	AR	
49	641089	MALE ELBOW 45° / NTA FITTING / #8x1/2NPT-M BR	AR	AR	
50	501321	NIPPLE HEX / PIPE FITTING / 1/4NPT-Mx1/4NPT-Mx1 3/8 BR	AR	AR	
51	641369	MALE ELBOW 90° NON-SWIVEL / PUSH-IN FITTING / #4x1/8NPT-M BR	AR	AR	
52	641379	MALE ELBOW 90° NON-SWIVEL / PUSH-IN FITTING / #10x1/2NPT-M BR	AR	AR	
53	501787	STREET ELBOW 90° / PIPE FITTING / 1/8NPT-Mx1/4NPT-F BR	AR	AR	
54	642094	MALE BRANCH TEE / PUSH-IN FITTING / #4x#4x1/4NPT-M COMPOSITE	AR	AR	
55	641372	MALE ELBOW 90° NON-SWIVEL / PUSH-IN FITTING / #6x1/4NPT-M BR	AR	AR	
56	641175	MALE ELBOW 90° / NTA FITTING / #6x1/2NPT-M BR	AR	AR	
57	641001	MALE ELBOW 90° / NTA FITTING / #10x1/2NPT-M BR	AR	AR	
58	501449	PLUG HEXS / PIPE FITTING / 3/8NPT-M STL	AR	AR	
59	641027	MALE ELBOW 45° / NTA FITTING / #10x1/2NPT-M BR	AR	AR	
60	641376	MALE ELBOW 90° NON-SWIVEL / PUSH-IN FITTING / #8x3/8NPT-M BR	AR	AR	
61	5001660	REDUCER COUPLING / PIPE FITTING / 3/8NPT-Fx1/8NPT-F BR	AR	AR	
62	641366	MALE ELBOW 45° NON-SWIVEL / PUSH-IN FITTING / #6x1/4NPT-M BR	AR	AR	
63	501332	STREET ELBOW 90° / PIPE FITTING / 1/4NPT-Mx1/4NPT-F BR	AR	AR	



From E-5490 To R-4066	Date:07/2024	PAGE:X3VIP-1250-10
-----------------------	--------------	--------------------

ABS/ESP BRAKE VALVE - INSTALLATION

Item#	Part	Description	X 3 V I P E N T	X 3 V I P M T H	N O T E S
64	641331	MALE CONNECTOR / PUSH-IN FITTING / #6x1/4NPT-M BR	AR	AR	
65	501338	MALE RUN TEE / PIPE FITTING / 1/4NPT-Mx1/4NPT-Fx1/4NPT-F BR	AR	AR	
70	X3VIP-1202-00	TUBES PLASTIC / AIR D.O.T.			
71	5001316	SCREW CAP HEX M10-1.5x45 SS	2	2	
72	502616	WASHER LO SPT 10.2x18.1x2.2 SS	2	2	
73	500187	SCREW CAP HEX 5/16-18x3 G5 Z050 To L-6607	AR	AR	
73	502650	SCREW CAP HEX M8-1.25x80 G8.8 Z050 From L-6608	AR	AR	
74	502638	WASHER FL .312x.734x.065 N500 To L-6607	AR	AR	
74	5001341	WASHER FL 8.4x17.0x1.6 SS From L-6608	AR	AR	
75	500942	WASHER LO SPT 8.1x14.8x2.0 N500 To L-6607	AR	AR	
76	500778	NUT HEX 5/16-18 N500 To L-6607	AR	AR	
76	502847	NUT HEX NYRT M8-1.25 N500 From L-6608	AR	AR	
77	502681	NUT HEX NYRT M6-1.0 N500 G8	AR	AR	
78	500411	WASHER FL .260x.697x.050 SS	AR	AR	
79	5001643	SCREW CAP HEXF M8-1.25x25 G8.8 G500	2	2	
80	502837	NUT HEXF STO M8-1.25 N500	2	2	
81	502650	SCREW CAP HEX M8-1.25x80 G8.8 Z050	AR	AR	
82	500332	WASHER FL .328x.875x.062 N500	AR	AR	
83	502847	NUT HEX NYRT M8-1.25 N500	AR	AR	
84	5001636	SCREW CAP HEX M6-1.0x50 SS BK	1	1	
85	502681	NUT HEX NYRT M6-1.0 N500 G8	1	1	
86	500783	NUT HEX 3/8-16 Z050	2	2	
87	500478	WASHER LO SPT .380x.683x.094 Z050	2	2	
88	5001178	SCREW CAP HEX M8-1.25x60 SS BK	2	2	
89	5001341	WASHER FL 8.4x17.0x1.6 SS	2	2	
90	500248	NUT HEX STO 5/16-18 N500	2	2	
91	142353	HOSE SUPPORT L.H. To L-6515	1	1	I
91	140152	HOSE SUPPORT L.H. From L-6516	1	1	I
92	142352	HOSE SUPPORT R.H. To L-6515	1	1	I
92	140151	HOSE SUPPORT R.H. From L-6516	1	1	I
93	504614	PLATE RETAINING / COLLAR	2	2	
94	504612	COLLAR 13/16" I.D. / TO FIX HOSE To H-6201	2	2	
94	140079	HALF COLLAR 44MM I.D. / TO FIX HOSE From H-6202	2	2	
95	502656	SCREW CAP HEX M6-1.0x50 SS	2	2	
95	502565	NUT HEX M6-1.0 SS	2	2	
97	500778	NUT HEX 5/16-18 N500	AR	AR	
98	500942	WASHER LO SPT 8.1x14.8x2.0 N500	AR	AR	



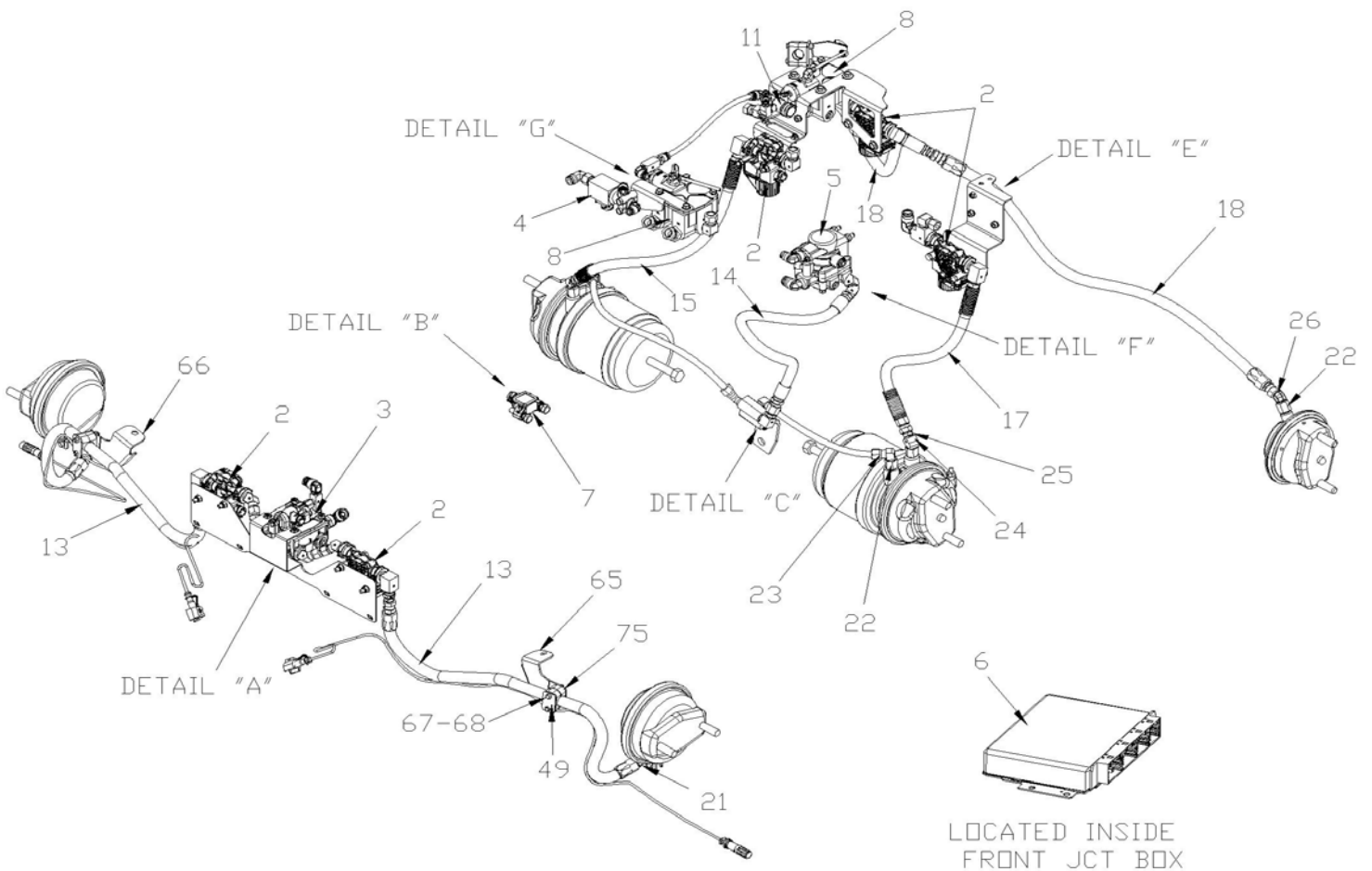
From E-5490 To R-4066	Date:07/2024	PAGE:X3VIP-1250-10
-----------------------	--------------	--------------------

ABS/ESP BRAKE VALVE - INSTALLATION

Item#	Part	Description	X 3 V I P E N T	X 3 V I P M T H	N O T E S
		A) WHEN YOU REPLACE THE VALVE #642077 BY THE VALVE #640228 YOU HAVE REPLACE BOTH SIDE LEFT AND RIGHT			
		I) WITH INDEPENDENT SUSPENSION			

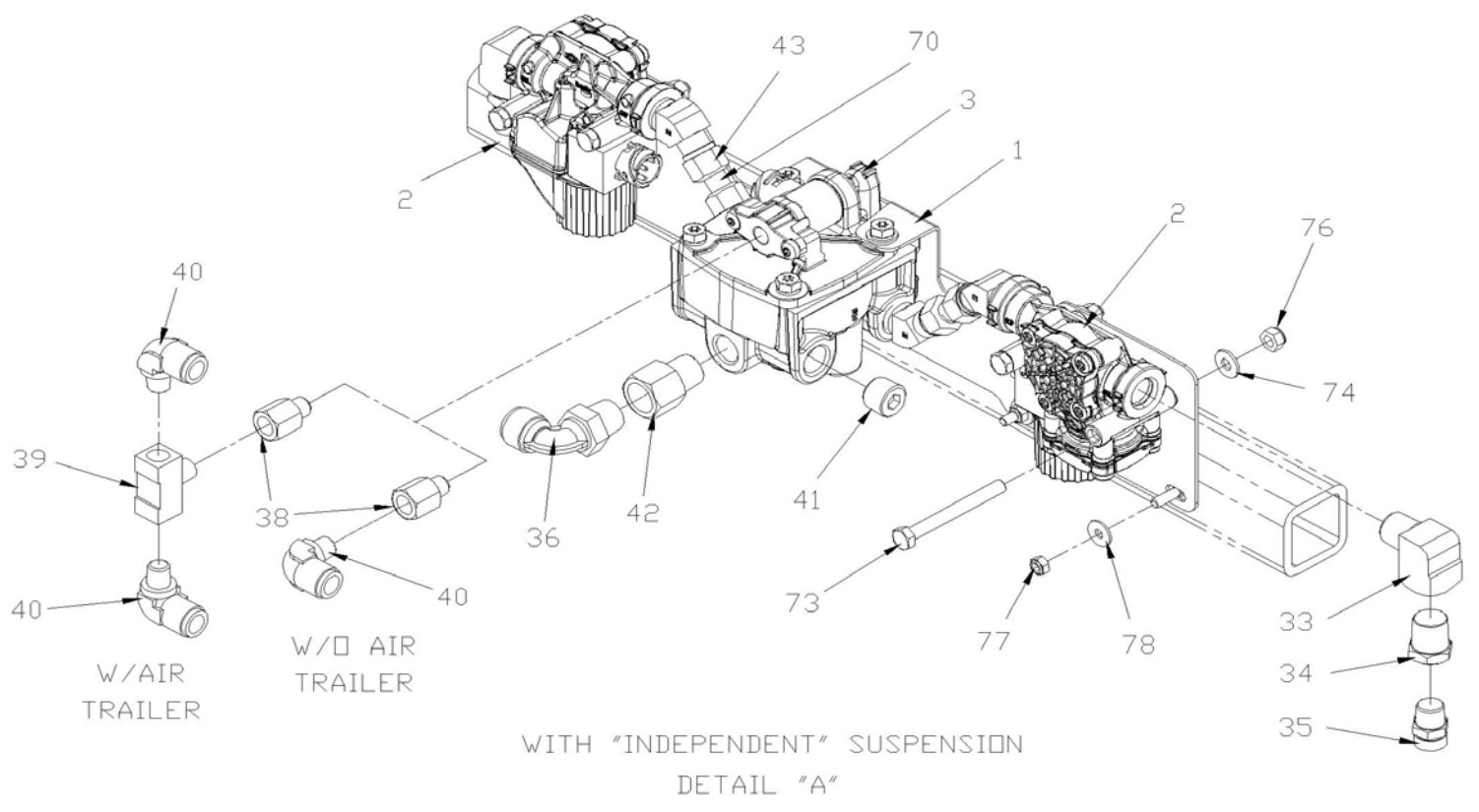
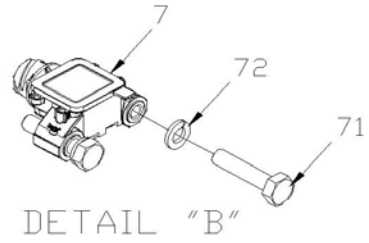


	Date:07/2024	PAGE:X3VIP-1250-11
ABS/ESP BRAKE VALVE - INSTALLATION		





	Date:07/2024	PAGE:X3VIP-1250-11
ABS/ESP BRAKE VALVE - INSTALLATION		



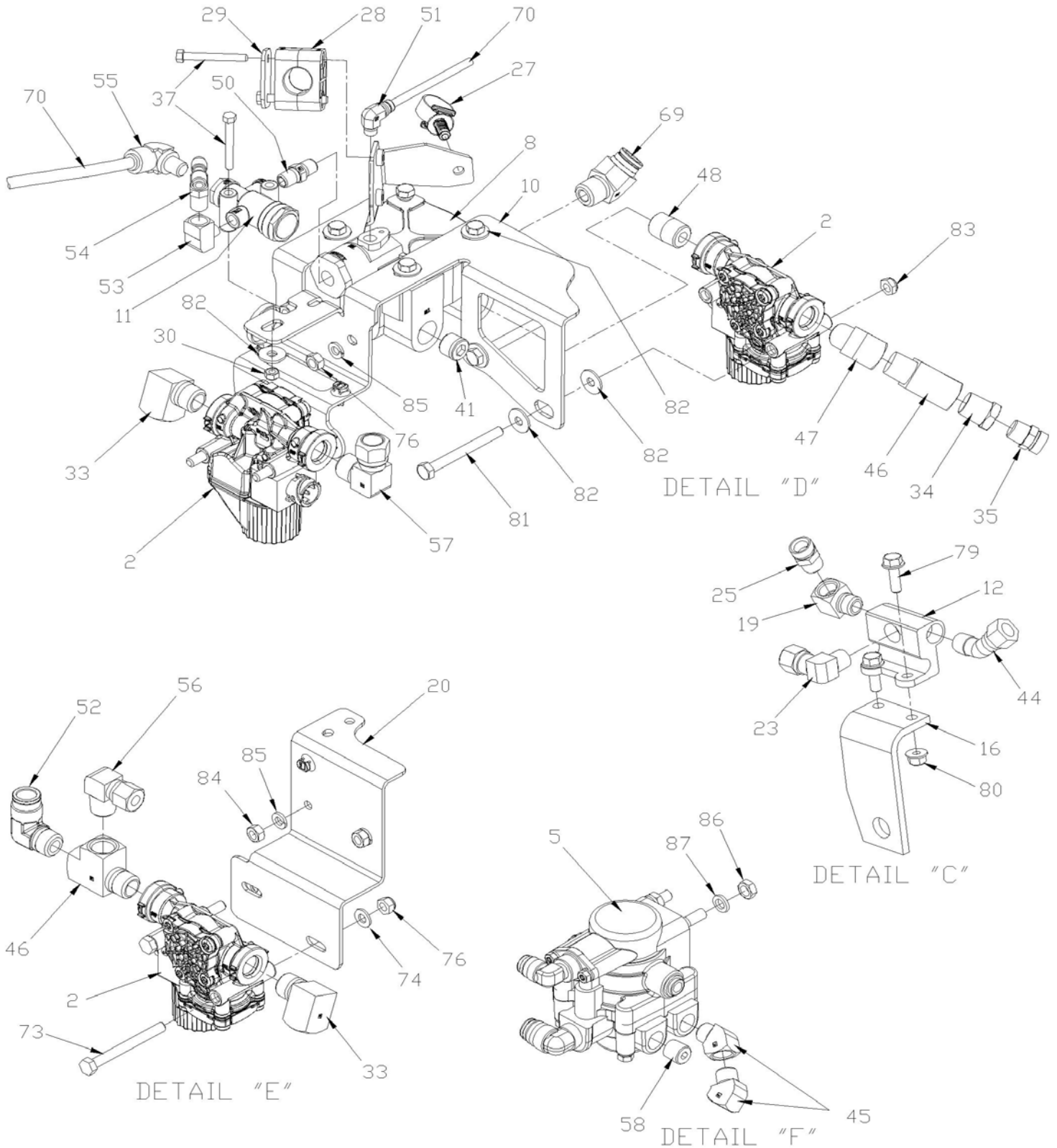
WITH "INDEPENDENT" SUSPENSION
DETAIL "A"



Date:07/2024

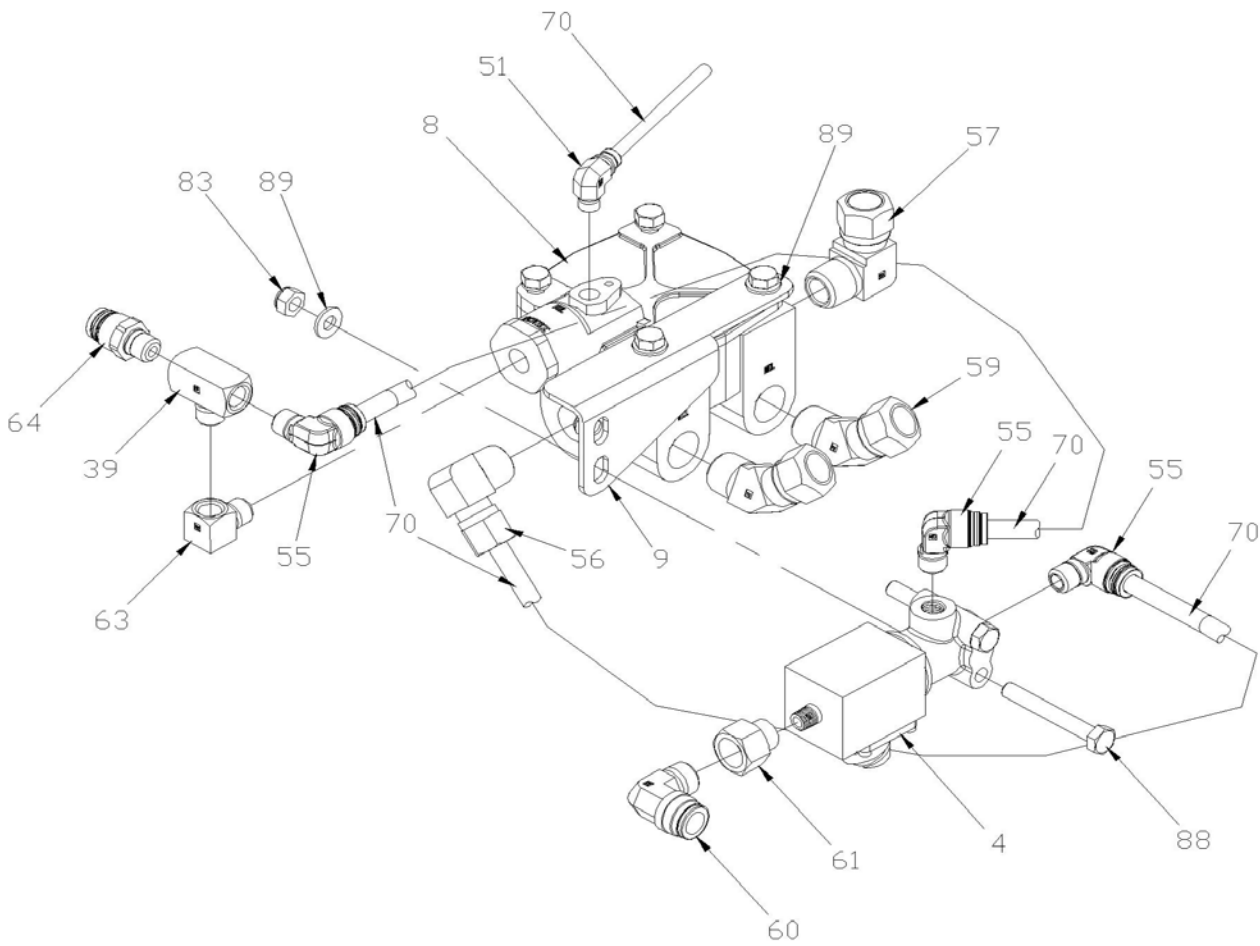
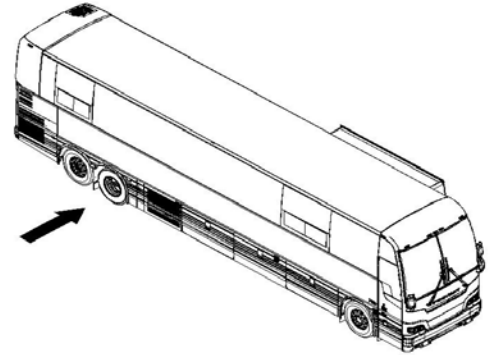
PAGE:X3VIP-1250-11

ABS/ESP BRAKE VALVE - INSTALLATION





	Date:07/2024	PAGE:X3VIP-1250-11
ABS/ESP BRAKE VALVE - INSTALLATION		



DETAIL "G"



Date:07/2024

PAGE:X3VIP-1250-11

ABS/ESP BRAKE VALVE - INSTALLATION

Item#	Part	Description	X 3 V I P E N T	X 3 V I P M T H	N O T E S
1	140083	SUPPORT VALVE FRONT	1	1	
2	640228	VALVE, "ABS" 12VOLT / M-40QR	AR	AR	
3	640018	VALVE, RELAY & ATC / ATR-6	1	1	
4	642079	VALVE, "ATC" 12VOLT	1	1	
5	643384	VALVE / SPRING BRAKE SR-7	1	1	
. NS	642119	. VALVE / SPRING BRAKE SR-7	1	1	
6	640022	ECU ABS / W/8 CHANNELS / ADVANCED ESP AFTERMARKET	1	1	
7	640150	SENSOR, YAW	1	1	
7	640151	SENSOR, YAW / SERVICE	1	1	
8	640013	VALVE, RELAY R-14 HORIZONTAL PORT	2	2	
9	140597	ATC SUPPORT ESP XL	1	1	
10	140264	SUPPORT BRAKE VALVE REAR / CURBSIDE	1	1	
11	640471	VALVE, INVERSION TR-3 25-40LBS	1	1	
12	641136	ANCHOR TEE / PIPE FITTING / 3/8NPT-Fx3/8NPT-Fx3/8NPT-F ZP	1	1	
13	641903	HOSE BRAKE #8 1090MM (43")	2	2	
14	642143	HOSE BRAKE #8 560MM (22")	1	1	
15	641305	HOSE BRAKE #8 718MM (28 1/4")	1	1	
16	121444	SUPPORT / ANCHOR TEE / WITH MERITOR DRIVE AXLE	1	1	
17	641302	HOSE BRAKE #8 610MM (24")	1	1	
18	641905	HOSE BRAKE #8 952MM (37 1/2")	2	2	
19	501333	STREET ELBOW 90° / PIPE FITTING / 3/8NPT-Mx3/8NPT-F BR	1	1	
20	145500	SUPPORT L.H. / VALVE ABS & RELAY VALVE	1	1	
21	660914	MALE ELBOW 90° / JIC 37° FITTING / #8JIC-MxM16-1.5-M STL	2	2	
. NS	641297	. O-RING 13.1MM I.D. X 2.6 TH	1	1	
. NS	641298	. WASHER FL 17MM I.D x 22MM O.D. x 1.5MM	1	1	
22	5011205	FEMALE CONNECTOR / PIPE @ METRIC / 3/8NPT-FxM16-1.5-M ZP	6	6	
. NS	641297	. O-RING 13.1MM I.D. X 2.6 TH	1	1	
. NS	641298	. WASHER FL 17MM I.D x 22MM O.D. x 1.5MM	1	1	
23	641040	MALE ELBOW 90° / NTA FITTING / #8x3/8NPT-M BR	3	3	
24	501330	STREET ELBOW 45° / PIPE FITTING / 3/8NPT-Mx3/8NPT-F BR	2	2	
25	501842	ADAPTER / AIR BRAKE HOSE FITTING / 3/4-20-Mx3/8NPT-M STL	AR	AR	
26	501291	MALE ELBOW 45° / JIC 37° FITTING / #8JIC-Mx3/8NPT-M STL	2	2	
27	504750	CABLE TIE / 1/2" x 15" / CHRISTMAS TREE	1	1	
28	504227	CLAMP SIMPLE ASS / SPLIT BLOC / 22MM x 50MM x 33MM C/C POLYA	1	1	
29	504165	PLATE RETAINER 33MM C/C SS	1	1	
30	502681	NUT HEX NYRT M6-1.0 N500 G8	1	1	
33	507557	STREET ELBOW 90° / PIPE FITTING / 1/2NPT-Mx1/2NPT-F BR	AR	AR	
34	501534	BUSHING REDUCER / PIPE FITTING / 1/2NPT-Mx3/8NPT-F BR	AR	AR	
35	501842	ADAPTER / AIR BRAKE HOSE FITTING / 3/4-20-Mx3/8NPT-M STL	AR	AR	
36	642098	MALE ELBOW 90° NON-SWIVEL / PUSH-IN FITTING / #10x1/2NPT-M COMPOSITE	AR	AR	
37	5001636	SCREW CAP HEX M6-1.0x50 SS BK	3	3	
38	501308	ADAPTER / PIPE FITTING / 1/4NPT-Fx1/4NPT-M BR	AR	AR	



Date:07/2024

PAGE:X3VIP-1250-11

ABS/ESP BRAKE VALVE - INSTALLATION

Item#	Part	Description	X 3 V I P E N T	X 3 V I P M T H	N O T E S
39	501894	MALE BRANCHE TEE / PIPE FITTING / 1/4NPT-Fx1/4NPT-Fx1/4NPT-M BR	AR	AR	
40	641373	MALE ELBOW 90° NON-SWIVEL / PUSH-IN FITTING / #8x1/4NPT-M BR	AR	AR	
41	501966	PLUG HEXS / PIPE FITTING / 1/2NPT-M STL	AR	AR	
42	5011119	ADAPTER / PIPE FITTING / 1/2NPT-Fx1/2NPT-M BR	AR	AR	
43	641089	MALE ELBOW 45° / NTA FITTING / #8x1/2NPT-M BR	4	4	
44	641010	MALE ELBOW 45° / NTA FITTING / #8x3/8NPT-M BR	AR	AR	
45	501330	STREET ELBOW 45° / PIPE FITTING / 3/8NPT-Mx3/8NPT-F BR	AR	AR	
NS	680098	THREAD SEALANT LOCTITE #567 / WHITE / 250ml	AR	AR	
46	501473	MALE RUN TEE / PIPE FITTING / 1/2NPT-Mx1/2NPT-Fx1/2NPT-F BR	AR	AR	
47	501528	STREET ELBOW 45° / PIPE FITTING / 1/2NPT-Mx1/2NPT-F BR	AR	AR	
48	501424	NIPPLE / PIPE FITTING / 1/2NPT-Mx1/2NPT-Mx1 1/8 BR	AR	AR	
49	504614	PLATE RETAINING / COLLAR	2	2	
50	501321	NIPPLE HEX / PIPE FITTING / 1/4NPT-Mx1/4NPT-Mx1 3/8 BR	AR	AR	
51	641369	MALE ELBOW 90° NON-SWIVEL / PUSH-IN FITTING / #4x1/8NPT-M BR	AR	AR	
52	641379	MALE ELBOW 90° NON-SWIVEL / PUSH-IN FITTING / #10x1/2NPT-M BR	AR	AR	
53	501787	STREET ELBOW 90° / PIPE FITTING / 1/8NPT-Mx1/4NPT-F BR	AR	AR	
54	642094	MALE BRANCH TEE / PUSH-IN FITTING / #4x#4x1/4NPT-M COMPOSITE	AR	AR	
55	641372	MALE ELBOW 90° NON-SWIVEL / PUSH-IN FITTING / #6x1/4NPT-M BR	AR	AR	
56	641175	MALE ELBOW 90° / NTA FITTING / #6x1/2NPT-M BR	AR	AR	
57	641001	MALE ELBOW 90° / NTA FITTING / #10x1/2NPT-M BR	AR	AR	
58	501449	PLUG HEXS / PIPE FITTING / 3/8NPT-M STL	AR	AR	
59	641027	MALE ELBOW 45° / NTA FITTING / #10x1/2NPT-M BR	AR	AR	
60	641376	MALE ELBOW 90° NON-SWIVEL / PUSH-IN FITTING / #8x3/8NPT-M BR	AR	AR	
61	5001660	REDUCER COUPLING / PIPE FITTING / 3/8NPT-Fx1/8NPT-F BR	AR	AR	
63	501332	STREET ELBOW 90° / PIPE FITTING / 1/4NPT-Mx1/4NPT-F BR	AR	AR	
64	641331	MALE CONNECTOR / PUSH-IN FITTING / #6x1/4NPT-M BR	AR	AR	
65	140152	HOSE SUPPORT L.H.	1	1	
66	140151	HOSE SUPPORT R.H.	1	1	
67	502656	SCREW CAP HEX M6-1.0x50 SS	2	2	
68	502565	NUT HEX M6-1.0 SS	2	2	
69	642069	MALE ELBOW 45° NON-SWIVEL / PUSH-IN FITTING / #10x1/2NPT-M BR	AR	AR	
70	X3VIP-1202-00	TUBES PLASTIC / AIR D.O.T.			
71	5001316	SCREW CAP HEX M10-1.5x45 SS	2	2	
72	502616	WASHER LO SPT 10.2x18.1x2.2 SS	2	2	
73	502650	SCREW CAP HEX M8-1.25x80 G8.8 Z050	AR	AR	
74	5001341	WASHER FL 8.4x17.0x1.6 SS	AR	AR	
75	140079	HALF COLLAR 44MM I.D. / TO FIX HOSE	4	4	
76	502847	NUT HEX NYRT M8-1.25 N500	AR	AR	
77	502681	NUT HEX NYRT M6-1.0 N500 G8	AR	AR	
78	500411	WASHER FL .260x.697x.050 SS	AR	AR	

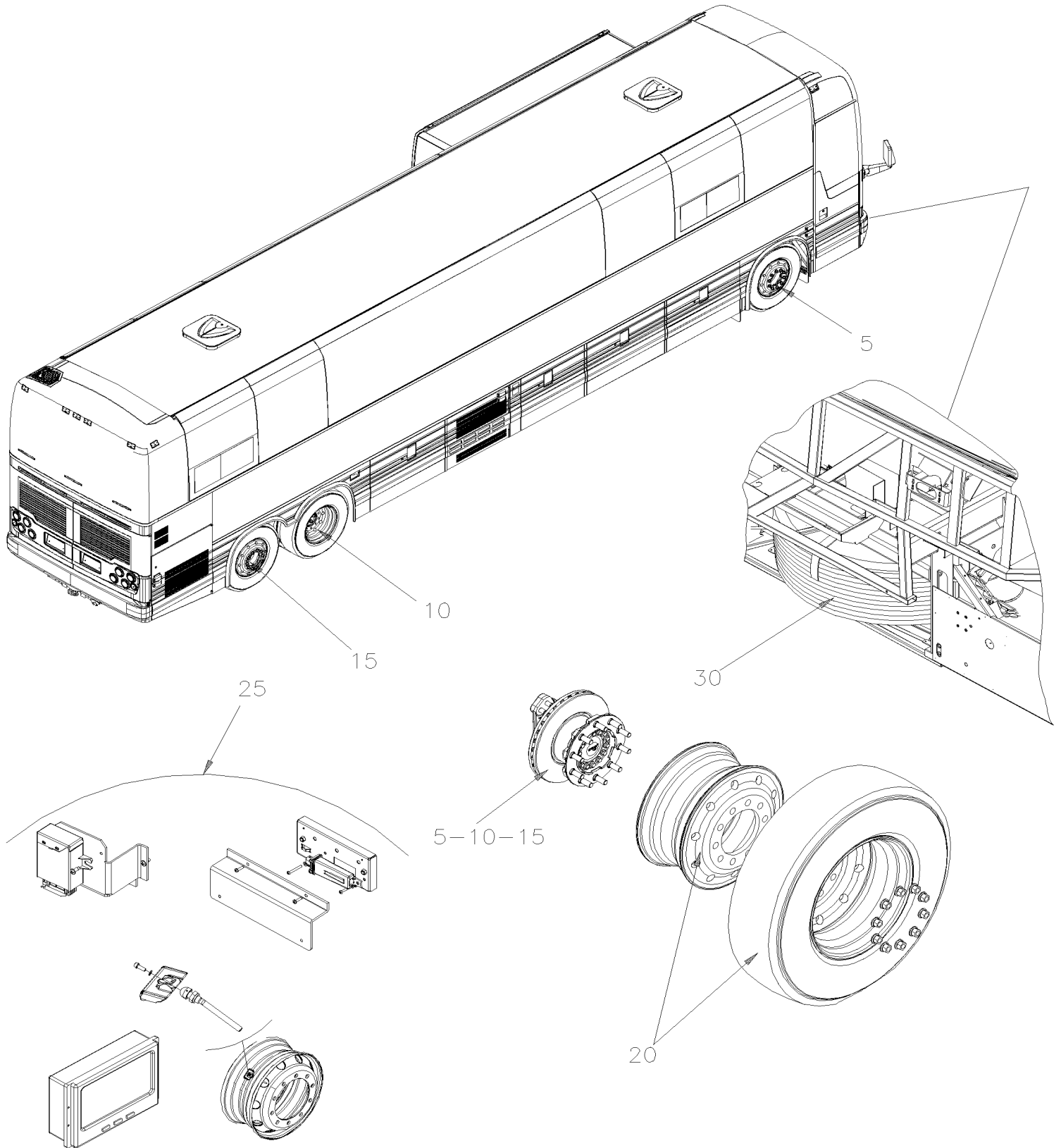


		Date:07/2024	PAGE:X3VIP-1250-11
ABS/ESP BRAKE VALVE - INSTALLATION			

Item#	Part	Description	X 3 V I P E N T	X 3 V I P M T H	N O T E S
79	5001643	SCREW CAP HEXF M8-1.25x25 G8.8 G500	2	2	
80	502837	NUT HEXF STO M8-1.25 N500	2	2	
81	502650	SCREW CAP HEX M8-1.25x80 G8.8 Z050	AR	AR	
82	500332	WASHER FL .328x.875x.062 N500	AR	AR	
83	502847	NUT HEX NYRT M8-1.25 N500	AR	AR	
84	500778	NUT HEX 5/16-18 N500	AR	AR	
85	500942	WASHER LO SPT 8.1x14.8x2.0 N500	AR	AR	
86	500783	NUT HEX 3/8-16 Z050	2	2	
87	500478	WASHER LO SPT .380x.683x.094 Z050	2	2	
88	5001178	SCREW CAP HEX M8-1.25x60 SS BK	2	2	
89	5001341	WASHER FL 8.4x17.0x1.6 SS	4	4	



	Date:07/2024	X3VIP-13
WHEELS, HUBS & TIRES		





		Date:07/2024	X3VIP-13		
WHEELS, HUBS & TIRES					
Item#	Part	Description	X 3 V I P E N T	X 3 V I P M T H	NOTES
5	X3VIP-1300-00	HUB & ROTOR - FRONT AXLE MODEL "NDIFS80P" From E-5490			
10	X3VIP-1305-00	HUB & ROTOR - DRIVE AXLE From E-5490			
10	X3VIP-1305-99	ROTOR (SPLINED DISC) PRODUCT IMPROVMENT From E-5490			
15	X3VIP-1310-00	HUB & ROTOR - TAG AXLE TYPE TS8U From E-5490			
20	X3VIP-1318-00	WHEELS & COMPONENTS - TRUCK MOUNT (METRIC) From E-5490			
25	X3VIP-1318-10	TIRE MONITOR PRESSURE - "BERU" From E-5490 To P-6786			
25	X3VIP-1318-11	TIRE MONITOR PRESSURE - "SENSATA" From P-6787	1	1	
30	X3VIP-1325-00	SPARE WHEEL - INSTALLATION From E-5490 To E-5589			
31	X3VIP-1325-01	SPARE WHEEL - INSTALLATION From E-5590			

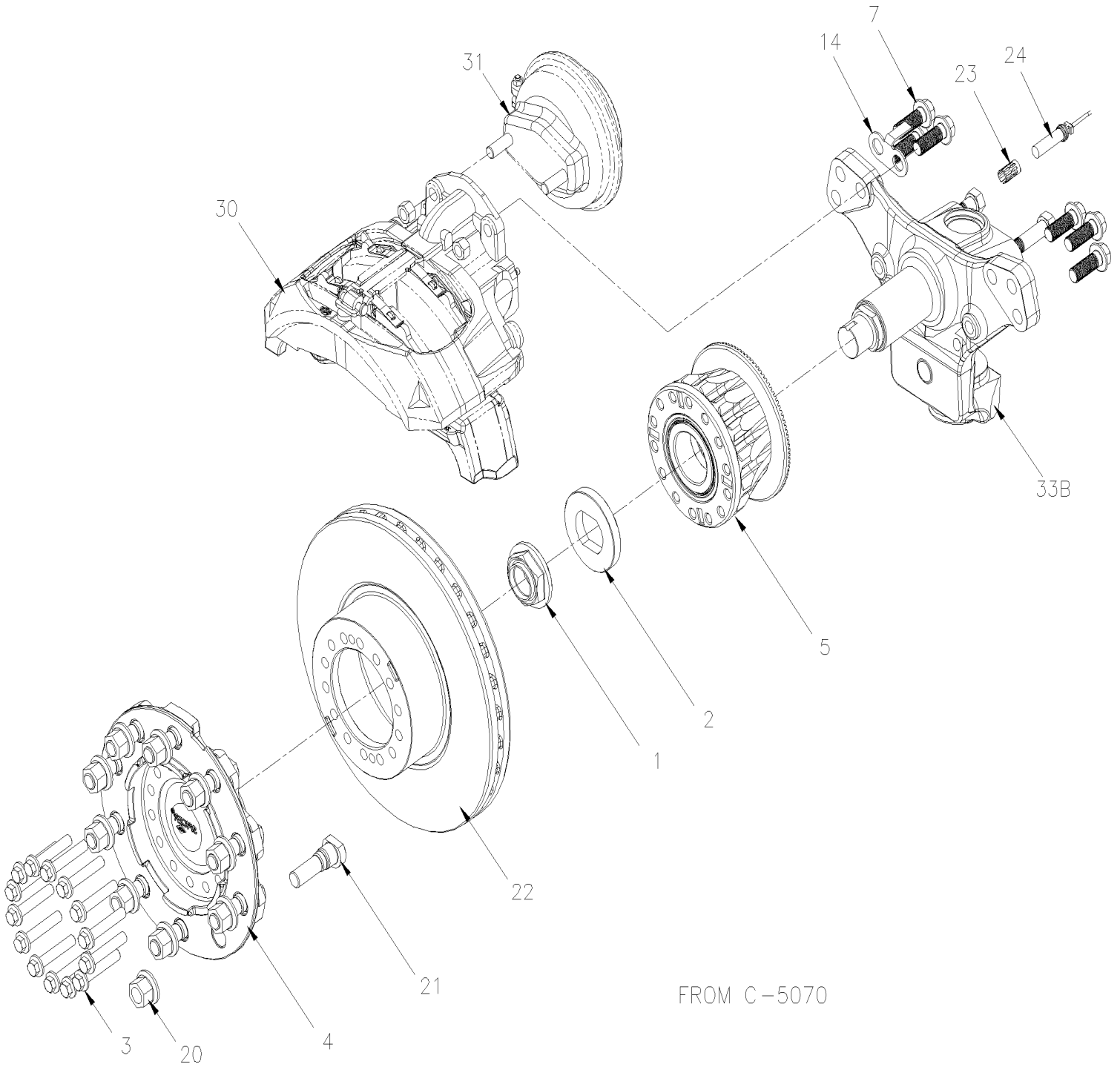


From E-5490

Date:07/2024

PAGE:X3VIP-1300-00

HUB & ROTOR - FRONT AXLE MODEL "NDIFS80P"



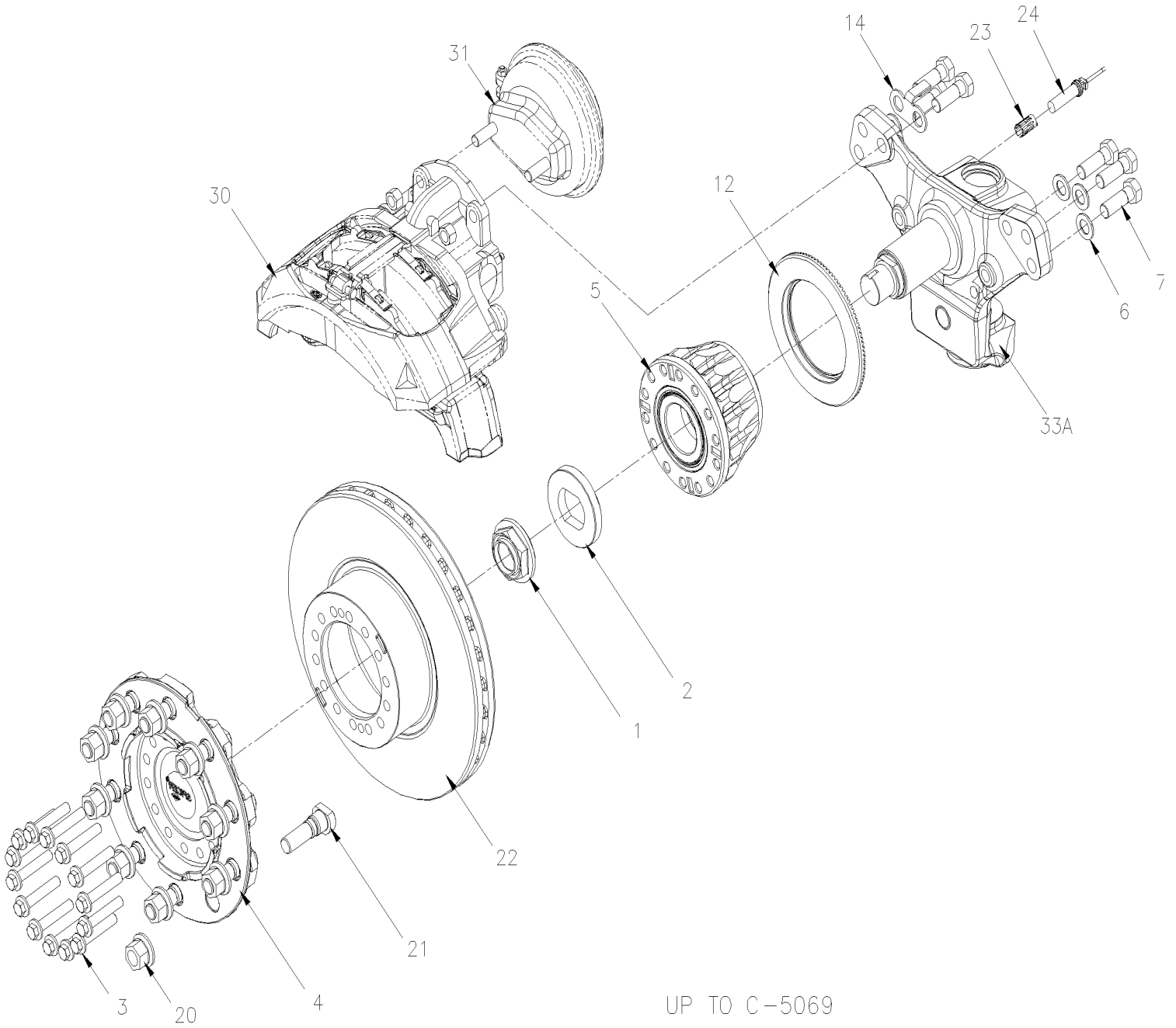


From E-5490

Date:07/2024

PAGE:X3VIP-1300-00

HUB & ROTOR - FRONT AXLE MODEL "NDIFS80P"





From E-5490		Date:07/2024	PAGE:X3VIP-1300-00
HUB & ROTOR - FRONT AXLE MODEL "NDIFS80P"			

Item#	Part	Description	X 3 V I P E N T	X 3 V I P M T H	N O T E S
1	612357	HUB NUT M42-2.0	1	1	B
2	612358	THRUST WASHER	1	1	B
3	611955	SCREW CAP HEXF M14-1.5x78 G12.9 N500	14	14	S
4	611301	HUB FLANGE	1	1	
5	611471	HUB ASSY / UNITISED L.H. & R.H. "FAG" ASSY W/"ABS" RING To H-6203	1	1	B S
. NS	N.S.S.	. TOOTH WHEEL To H-6203	1	1	1 B S
. NS	509939	. SCREW DRV RND #4x1/4 SS To H-6203	3	3	B S
5	611360	BEARING HOUSING ASSY / UNITISED L.H. & R.H. "FAG" ASSY W/"ABS" RING From H-6204	1	1	B S
. NS	N.S.S.	. HUB ASSY / UNITISED L.H. & R.H. "FAG" From H-6204	1	1	1 B S
. NS	N.S.S.	. TOOTH WHEEL From H-6204	1	1	1 B S
NS	491115	TOOL, HUB INSTALLER W/UNITISED BEARING / 70MM	1	1	
. NS	NDS8	. MAINTENANCE INSTRUCTION	1	1	
6	611044	WASHER FL HARD 21.0x37.0x3.0 N500	4	4	
7	612362	SCREW CAP HEXF M20-1.5x55 G10.9	6	6	B
14	110786	BRAKE WEAR INDICATOR MECHANICAL / 44MM	1	1	
20	20434082	NUT R.H. / W/HUB-MOUNT WHEEL M22-1.5 / 27 MM TH	10	10	
21	611207	STUD / R.H. / W/HUB-MOUNT WHEEL M22-1.5 x 81MM	10	10	
22	611300	ROTOR VENTED To M-6657	1	1	
22	611359	ROTOR VENTED From M-6658	1	1	
23	641096	CLIP, SPRING / TO FIX SENSOR	1	1	
24	642085	SENSOR ABS - OEM	1	1	
24	642184	SENSOR ABS - AFTER MARKET	1	1	
30	X3VIP-1225-01	BRAKE PARTS - FRONT & TAG AXLE "KNORR-BREMSE" SN7 SERIES			
31	X3VIP-1225-10	BRAKE CHAMBER - FRONT AXLE			
33B	X3VIP-1005-51	FRONT AXLE - INDEPENDENT MODEL "NDIFS80P" / 19000LBS			
33B	X3VIP-1005-61	FRONT AXLE - INDEPENDENT MODEL "NDIFS80P" / 19000LBS			
		B) WITH 19,000LBS INDEPENDANTE SUSPENSION			
		S) INSPECTED ALL BOLTS FOR DAMAGE TO THE THREAD AND ON THE SURFACE BELOW THE HEAD WHEN YOU DISASSEMBLED OR UNSCREWED THE HUB AND REPLACE IF NECESSARY			
		1) NOT SOLD SEPARATELY			

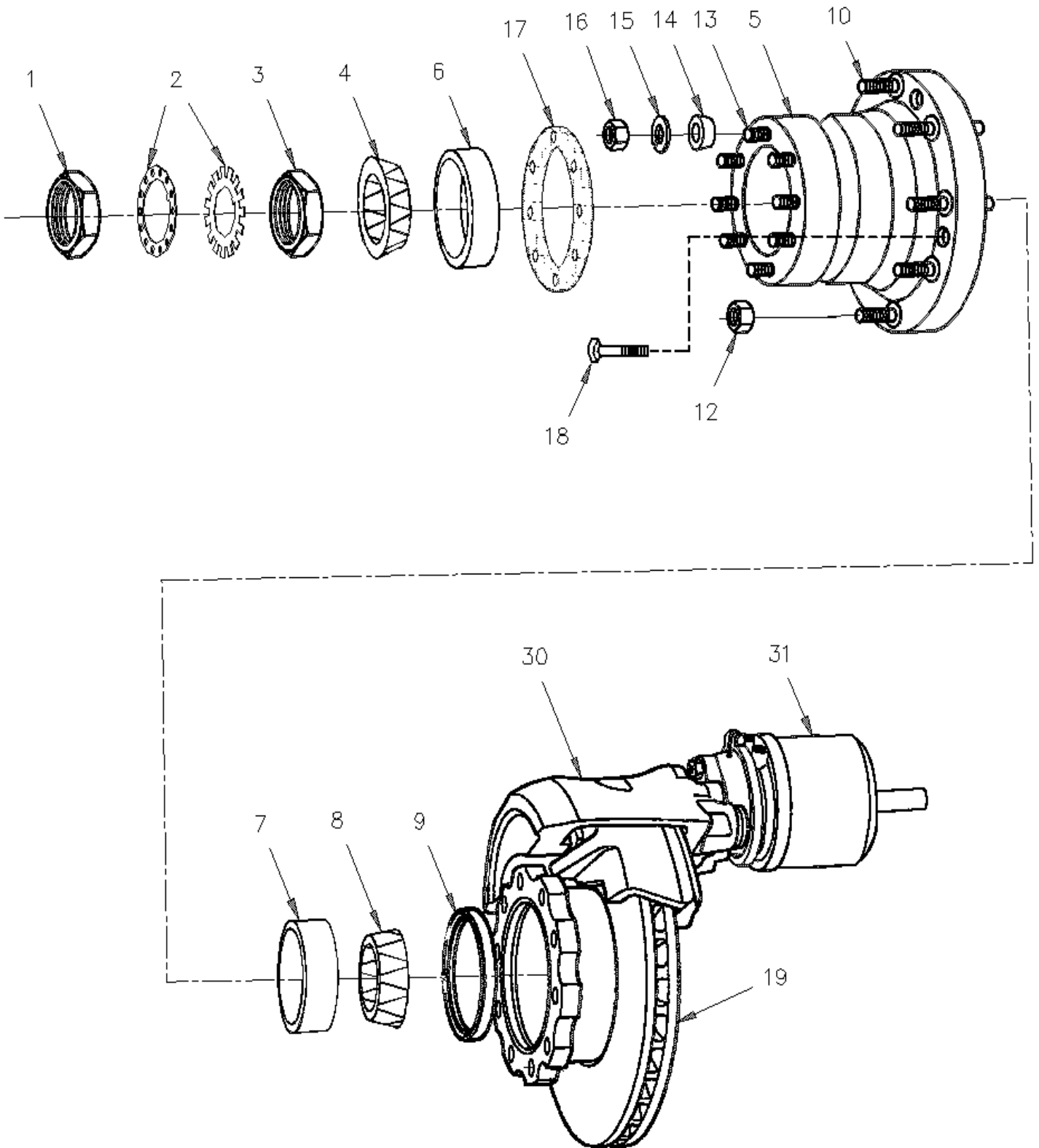


From E-5490

Date:07/2024

PAGE:X3VIP-1305-00

HUB & ROTOR - DRIVE AXLE





From E-5490		Date:07/2024	PAGE:X3VIP-1305-00
HUB & ROTOR - DRIVE AXLE			

Item#	Part	Description	X 3 V I P E N T	X 3 V I P M T H	N O T E S
1	620275	NUT OUTER / WHEEL BEARING	1	1	
2	621624	WASHER LOCK / KIT	1	1	
3	620279	NUT INNER / WHEEL BEARING	1	1	
4	620034	CONE BEARING / OUTER WHEEL BEARING	1	1	A
5	621617	HUB & CUPS ASSY	2	2	
6	620032	. CUP BEARING	1	1	A
7	621210	. CUP BEARING	1	1	B
8	621209	CONE BEARING	1	1	B
9	621623	SEAL OIL To E-5605	1	1	
9	621916	SEAL OIL From E-5606	1	1	
10	621645	STUD / R.H. / W/HUB-MOUNT WHEEL M22-1.5 x 100 MM To G-5984	10	10	
10	620002	STUD / R.H. / W/HUB-MOUNT WHEEL M22-1.5 x 100 MM From G-5985 To J-6293	10	10	
10	620027	STUD / R.H. / W/HUB-MOUNT WHEEL M22-1.5 x 98.5 MM From J-6294	1	1	
10	621686	STUD / R.H. / W/HUB-MOUNT WHEEL M22-1.5 x 110 MM To G-5984	AR	AR	D
10	620004	STUD / R.H. / W/HUB-MOUNT WHEEL M22-1.5 x 110 MM From G-5985 To J-6293	AR	AR	D
101	620028	STUD / R.H. / W/HUB-MOUNT WHEEL M22-1.5 x 109.5 MM From J-6294	AR	AR	D
12	20434082	NUT R.H. / W/HUB-MOUNT WHEEL M22-1.5 / 27 MM TH	10	10	
13	621730	STUD / 5/8-11x 5/8-18 x 2 7/8"	8	8	
14	621627	DOWEL 5/8" I.D.	8	8	
15	5001518	WASHER LO EXT .625x1.070x.055 ZP	8	8	
16	500723	NUT HEX 5/8-18 ZP	8	8	
17	621640	GASKET / AXLE SHAFT W/8 STUDS	AR	AR	
18	621628	SCREW CAP HEXS 5/8-18x1 3/4 GR8	10	10	
19	621672	ROTOR SOLID (W/TOOTH WHEEL / DRIVE AXLE)	1	1	
19	611457	ROTOR VENTED (W/TOOTH WHEEL / DRIVE AXLE)	1	1	
30	X3VIP-1235-00	BRAKE PARTS - DRIVE AXLE "KNORR-BREMSE" SN7 SERIES To E-5541			
30	X3VIP-1235-02	BRAKE PARTS - DRIVE AXLE "KNORR-BREMSE" SN7 SERIES W/N2G ADJUSTER From E-5542			
31	X3VIP-1235-10	BRAKE CHAMBER - DRIVE AXLE			
NS	621652	KIT, CUP & CONE	1	1	
NS	621653	KIT, CUP & CONE	1	1	
NS	684646	SEAL INSTALLER TOOL / DRIVE W/DISC	1	1	
NS	X3VIP-1305-99	ROTOR (SPLINED DISC) PRODUCT IMPROVMENT			
		A) ALSO AVAILABLE IN KIT #621652			
		B) ALSO AVAILABLE IN KIT #621653			
		D) WITH 2 ALUMINUM WHEELS			

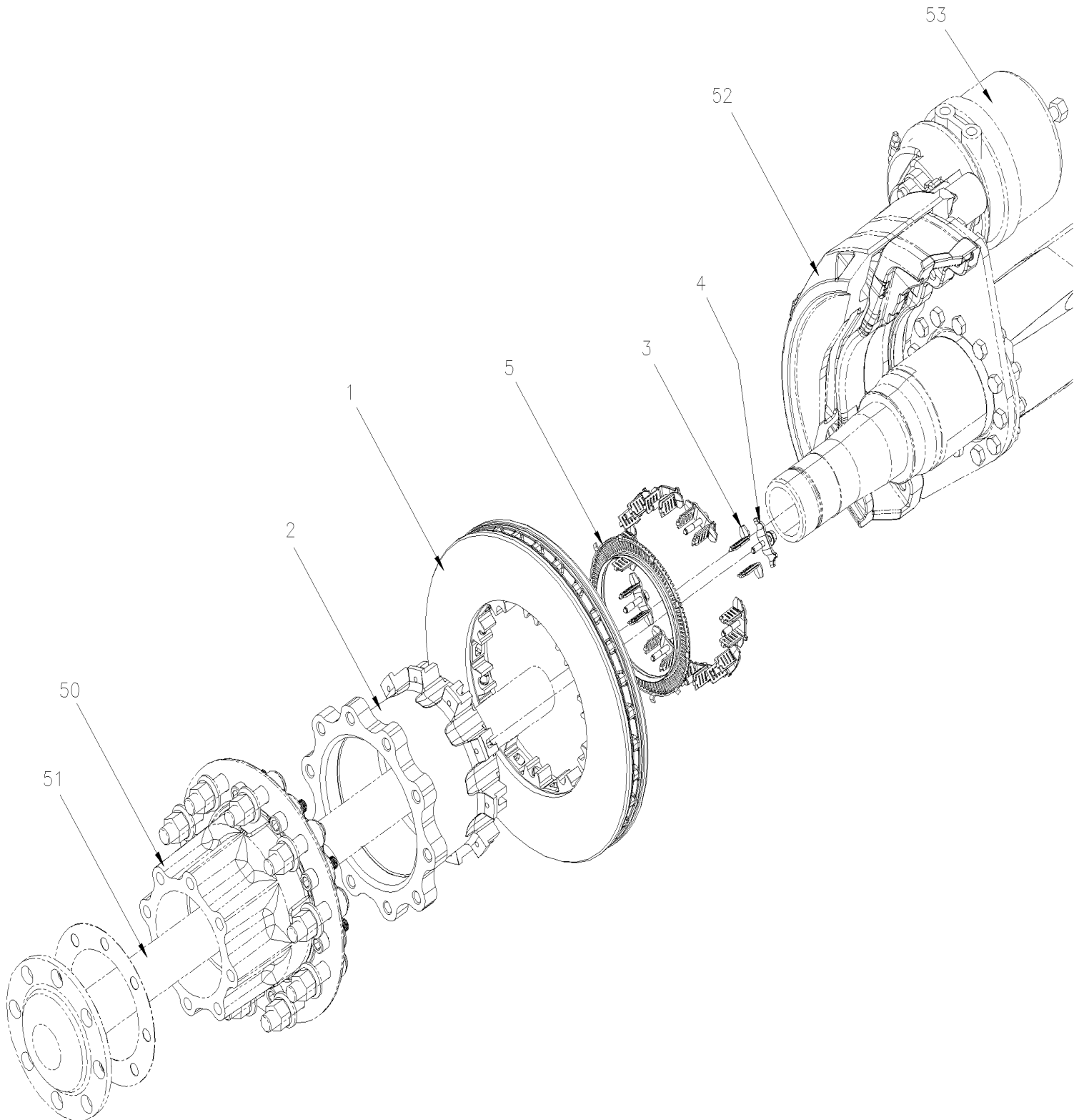


From E-5490

Date:07/2024

PAGE:X3VIP-1305-99

ROTOR (SPLINED DISC) PRODUCT IMPROVMENT





From E-5490		Date:07/2024	PAGE:X3VIP-1305-99		
ROTOR (SPLINED DISC) PRODUCT IMPROVMENT					
Item#	Part	Description	X 3 V I P E N T	X 3 V I P M T H	NOTES
	144982	KIT SPLINED BRAKE DISC ON DRIVE AXLE	1	1	
NS	IS-09085	. SEE INSTRUCTION SHEET	1	1	
1	144984	. ROTOR / "SPLINED DISC"	1	1	
2	144983	. ROTOR ADAPTOR / "SPLINED DISC"	1	1	
3	144986	. PIECE INTERMEDIATE / "SPLINED DISC"	20	20	
4	144985	. SPRING ELEMENT / "SPLINED DISC"	10	10	
5	124921	. TOOTH WHEEL / DRIVE AXLE / "SPLINED DISC"	1	1	
NS	680754	GREASE, ANTI-SEIZE PERMATEX COPPER (454GR)	AR	AR	
50	X3VIP-1305-00	HUB & ROTOR - DRIVE AXLE			
51	X3VIP-1105-00	REAR AXLE - MODEL "RC23165"			
52	X3VIP-1235-00	BRAKE PARTS - DRIVE AXLE "KNORR-BREMSE" SN7 SERIES To E-5541			
52	X3VIP-1235-02	BRAKE PARTS - DRIVE AXLE "KNORR-BREMSE" SN7 SERIES W/N2G ADJUSTER From E-5542			
53	X3VIP-1235-10	BRAKE CHAMBER - DRIVE AXLE			

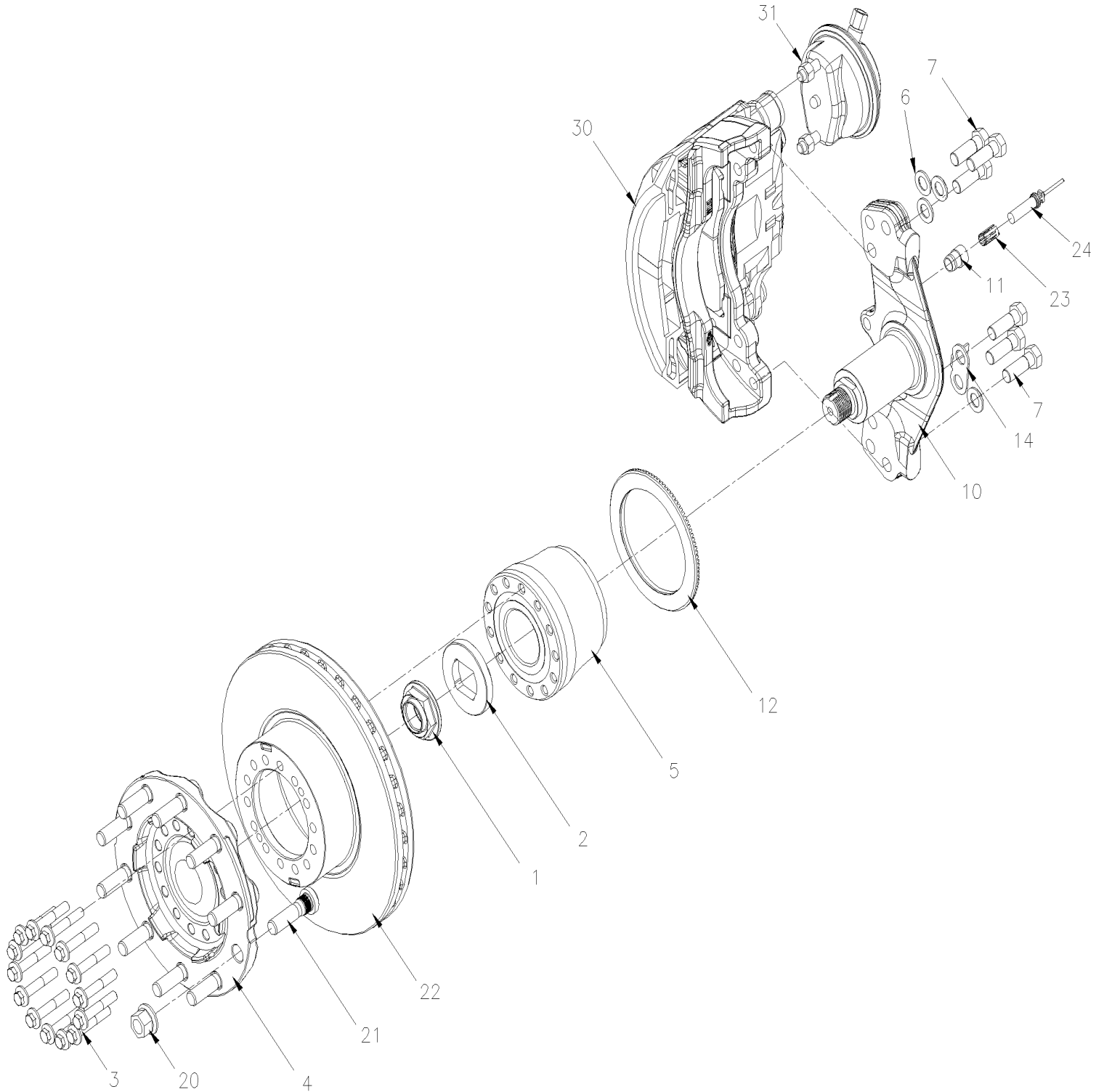


From E-5490

Date:07/2024

PAGE:X3VIP-1310-00

HUB & ROTOR - TAG AXLE TYPE TS8U





From E-5490		Date:07/2024	PAGE:X3VIP-1310-00
HUB & ROTOR - TAG AXLE TYPE TS8U			

Item#	Part	Description	X 3 V I P E N T	X 3 V I P M T H	N O T E S
1	621811	HUB NUT 1 3/4-8 To G-5941	1	1	
1	621967	HUB NUT 1 3/4-8 From G-5942	1	1	
2	621810	THRUST WASHER	1	1	
3	5001842	SCREW CAP HEXF M14-1.5x75 G10.9 SERR G500	14	14	S
4	621809	HUB FLANGE	1	1	
5	621816P	HUB ASSY / UNITISED L.H. & R.H. "FAG" WITH TOOTH WHEEL	1	1	S
. NS	621807	. HUB ASSY / UNITISED L.H. & R.H. "FAG"	1	1	S
. . NS	621894	. . O-RING	1	1	S
. NS	621801	. TOOTH WHEEL / TAG AXLE W/CAST TAG	1	1	S
NS	G32950	TOOL, HUB INSTALLER W/UNITISED BEARING / 82MM	1	1	
6	611044	WASHER FL HARD 21.0x37.0x3.0 N500	6	6	
7	5001529	SCREW CAP HEX M20-1.5x60 G10.9 G500	6	6	
10	621808	TAG AXLE / FORGE	1	1	
11	121912	BUSHING ABS SENSOR MOUNTING TAG AXLE ONE PIECE	1	1	
12	621801	TOOTH WHEEL / TAG AXLE W/CAST TAG	1	1	
14	110786	BRAKE WEAR INDICATOR MECHANICAL / 44MM To F-5787	1	1	
14	142907	BRAKE WEAR INDICATOR WITH HOLE MECHANICAL From F-5788	1	1	
20	20434082	NUT R.H. / W/HUB-MOUNT WHEEL M22-1.5 / 27 MM TH	10	10	
21	20515515	STUD / R.H. / W/HUB-MOUNT WHEEL M22-1.5 x 88MM To R-4017	10	10	
21	24075971	WHEEL STUD M22X1.5X88 From R-4018	10	10	
22	611300	ROTOR VENTED To M-6657	1	1	
22	611359	ROTOR VENTED From M-6658	1	1	
23	641096	CLIP, SPRING / TO FIX SENSOR	1	1	
24	642085	SENSOR ABS - OEM	1	1	
24	642184	SENSOR ABS - AFTER MARKET	1	1	
30	X3VIP-1225-01	BRAKE PARTS - FRONT & TAG AXLE "KNORR-BREMSE" SN7 SERIES			
31	X3VIP-1245-10	BRAKE CHAMBER - TAG AXLE			
NS	MI08-04	SEE MAINTENANCE INFORMATION	1	1	
		S) REPLACED ALL BOLTS EACH TIME WHEN YOU DISASSEMBLED OR UNSCREWED THE HUB			

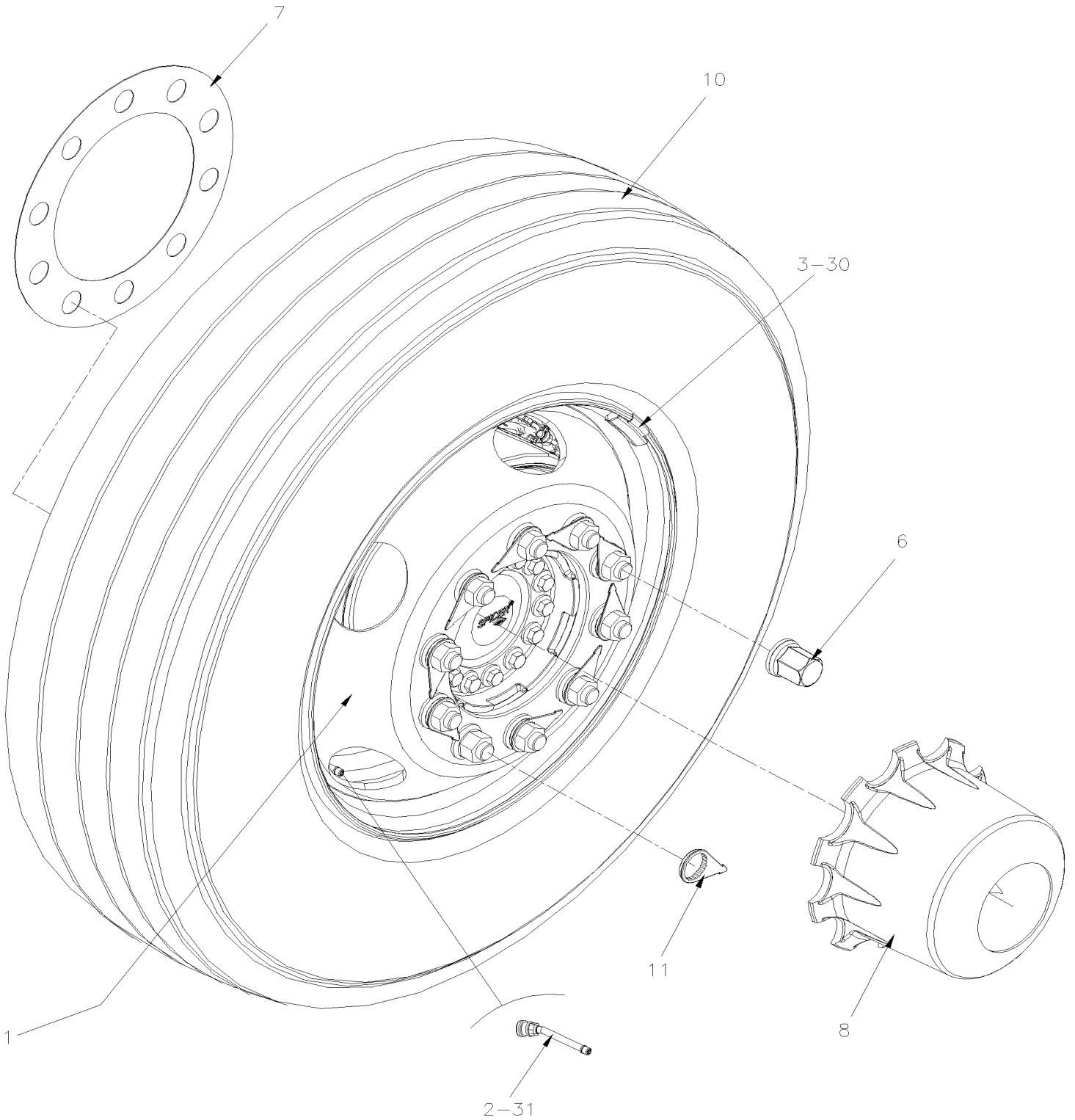


From E-5490

Date:07/2024

PAGE:X3VIP-1318-00

WHEELS & COMPONENTS - TRUCK MOUNT (METRIC)





From E-5490		Date:07/2024	PAGE:X3VIP-1318-00
--------------------	--	---------------------	---------------------------

WHEELS & COMPONENTS - TRUCK MOUNT (METRIC)

Item#	Part	Description	X 3 V I P E N T	X 3 V I P M T H	N O T E S
		ALUMINUM WHEELS / HUB-MOUNTED			
1	650662	WHEEL, ALU. HUB 22.5 X 10.5 / BOTH SIDE DURA-BRIGHT XBR To H-6109	AR	AR	C
1	650047	WHEEL, ALU. HUB 22.5 X 10.5 / BOTH SIDE DURA-BRIGHT EVO From H-6110	AR	AR	C
1	650443	WHEEL, ALU. HUB 22.5 X 10.5 / OUTSIDE POLISH	AR	AR	C
1	650989	WHEEL, ALU. HUB 22.5 X 9.00 / INSIDE POLISH To E-5675	AR	AR	H
1	651143	WHEEL, ALU. HUB 22.5 X 9.00 / INSIDE POLISH From E-5676 To H-6109	AR	AR	H
1	650039	WHEEL, ALU. HUB 22.5 X 9.00 / INSIDE POLISH From H-6110	AR	AR	H
1	651007	WHEEL, ALU. HUB 22.5 X 9.00 / INSIDE DURA BRIGHT To E-5675	AR	AR	H
1	651141	WHEEL, ALU. HUB 22.5 X 9.00 / INSIDE DURA BRIGHT XBR From E-5676 To H-6109	AR	AR	H
1	650045	WHEEL, ALU. HUB 22.5 X 9.00 / INSIDE DURA BRIGHT EVO From H-6110	AR	AR	H
1	651021	WHEEL, ALU. HUB 22.5 X 9.00 / BOTH SIDE POLISH To E-5675	AR	AR	H
1	651144	WHEEL, ALU. HUB 22.5 X 9.00 / BOTH SIDE POLISH From E-5676 To H-6109	AR	AR	H
1	650043	WHEEL, ALU. HUB 22.5 X 9.00 / BOTH SIDE POLISH From H-6110	AR	AR	H
1	651038	WHEEL, ALU. HUB 22.5 X 9.00 / BOTH SIDE DURA-BRIGHT To E-5675	AR	AR	H
1	651142	WHEEL, ALU. HUB 22.5 X 9.00 / BOTH SIDE DURA-BRIGHT XBR From E-5676 To H-6109	AR	AR	H
1	650046	WHEEL, ALU. HUB 22.5 X 9.00 / BOTH SIDE DURA-BRIGHT EVO From H-6110	AR	AR	H
1	651548	WHEEL, ALU. HUB 22.5 X 14.00 / INSIDE POLISH To E-5675	2	2	S
1	659199	WHEEL, ALU. HUB 22.5 X 14.00 / INSIDE POLISH From E-5676 To H-6109	2	2	S
1	650048	WHEEL, ALU. HUB 22.5 X 14.00 / INSIDE POLISH From H-6110 To P-6869	2	2	S
1	651264	WHEEL, ALU. HUB 22.5 X 14.00 / INSIDE POLISH From P-6870	2	2	S
1	651549	WHEEL, ALU. HUB 22.5 X 14.00 / INSIDE DURA BRIGHT To E-5675	2	2	S
1	651159	WHEEL, ALU. HUB 22.5 X 14.00 / INSIDE DURA BRIGHT XBR From E-5676 To H-6109	2	2	S
1	650049	WHEEL, ALU. HUB 22.5 X 14.00 / INSIDE DURA BRIGHT EVO From H-6110 To P-6869	2	2	S
1	651263	WHEEL, ALU. HUB 22.5 X 14.00 / INSIDE DURA BRIGHT EVO From P-6870	2	2	S
NS	683529	CLEANER "ALUMINUM WHEEL" / SPRAY 22 OZ.	AR	AR	
NS	683527	SEALANT "ALLUMINUM WHEEL" / SPRAY 13 OZ.	AR	AR	
NS	683528	POLISH "ALLUMINUM WHEEL" / WAX 16 OZ.	AR	AR	
		VALVES - VALVE EXTENTION & HOLDER			
2	651078	VALVE / W/ALUMINUM WHEEL / 2.31" LG	AR	AR	
NS	650164	. CAP VALVE / CHROME	AR	AR	
NS	650151	. CAP VALVE / STD	AR	AR	
NS	650151	. CAP VALVE / STD	AR	AR	
NS	650008	. SPRING VALVE	AR	AR	
NS	650745	EXTENSION VALVE 3/4" LG	AR	AR	
NS	650201	EXTENSION VALVE 1 3/8" LG	AR	AR	
NS	650188	EXTENSION VALVE / 7" LG	AR	AR	



From E-5490		Date:07/2024	PAGE:X3VIP-1318-00
-------------	--	--------------	--------------------

WHEELS & COMPONENTS - TRUCK MOUNT (METRIC)

Item#	Part	Description	X 3 V I P E N T	X 3 V I P M T H	N O T E S
NS	650178	RUBBER HOLDER / 1.5" O.D. / EXTENSION VALVE	AR	AR	
NS	651064	RUBBER HOLDER / 2" O.D. / EXTENSION VALVE To N-6722	AR	AR	
NS	651181	RUBBER HOLDER / 2" O.D. / EXTENSION VALVE From N-6723	AR	AR	
NS	650205	SPRING VALVE 21116	AR	AR	B
		WEIGHTS			
3	650030	WEIGHT BALANCING / 0.5 OZ / WEIGHT FREE LEAD	AR	AR	
3	650175	WEIGHT BALANCING / W/ALUMINUM WHEEL / INT. & EXT. / 2 OZ	AR	AR	
3	650025	WEIGHT BALANCING / W/ALUMINUM WHEEL / 2 OZ / WEIGHT FREE LEAD	AR	AR	
3	650109	WEIGHT BALANCING / W/ALUMINUM WHEEL / INT. & EXT. / 3 OZ	AR	AR	
3	650026	WEIGHT BALANCING / W/ALUMINUM WHEEL / 3 OZ / WEIGHT FREE LEAD	AR	AR	
3	650110	WEIGHT BALANCING / W/ALUMINUM WHEEL / EXT. ON 4 OZ	AR	AR	
3	650114	WEIGHT BALANCING / W/ALUMINUM WHEEL / INT. ON 4 OZ	AR	AR	
3	650027	WEIGHT BALANCING / W/ALUMINUM WHEEL / 4 OZ / WEIGHT FREE LEAD	AR	AR	
3	650060	WEIGHT BALANCING / W/ALUMINUM WHEEL / 5 OZ / WEIGHT FREE LEAD	AR	AR	
3	650111	WEIGHT BALANCING / W/ALUMINUM WHEEL / EXT. ON 6 OZ	AR	AR	
3	650115	WEIGHT BALANCING / W/ALUMINUM WHEEL / INT. ON 6 OZ	AR	AR	
3	650192	WEIGHT BALANCING / W/ALUMINUM WHEEL / W/ADHES 6 OZ	AR	AR	
3	650028	WEIGHT BALANCING / W/ALUMINUM WHEEL / 6 OZ / WEIGHT FREE LEAD	AR	AR	
3	650112	WEIGHT BALANCING / W/ALUMINUM WHEEL / EXT. ON 8 OZ	AR	AR	
3	650116	WEIGHT BALANCING / W/ALUMINUM WHEEL / INT. ON 8 OZ	AR	AR	
3	650029	WEIGHT BALANCING / W/ALUMINUM WHEEL / 8 OZ / WEIGHT FREE LEAD	AR	AR	
3	650206	WEIGHT BALANCING / POWDER (12 OZ BAG)	AR	AR	
		OTHERS			
6	5001339	CAP, PLASTIC CHROME / WHEEL NUT / HUB MOUNT / PUSH-ON TYPE	60	60	E
7	650134	WHEEL GUARD MYLAR / WHEEL & HUB To H-6176	AR	AR	
8	621753	HUB CAP PLASTIC CHROME W/NUT / HUB MOUNT / METRIC	2	2	G
. NS	624215	. CAP NUT COVER WRENCH	1	1	G
8	652236	HUB CAP PLASTIC CHROME / HUB MOUNT / METRIC ONE SET OF 2	1	1	G
. NS	652238	. RETENTION NUT, PACK OF 10	1	1	G
. NS	652237	. RETENTION NUT, PACK OF 50	1	1	G
NS	611470	HUB CAP PLASTIC CHROME W/NUT / HUB MOUNT / METRIC	2	2	F
. NS	624215	. CAP NUT COVER WRENCH	1	1	F
8	652235	HUB CAP PLASTIC CHROME W/NUT / HUB MOUNT / METRIC ONE SET OF 2	2	2	F
10	650447	TIRE MICHELIN 455/55 R22.5 X-ONE-XTE SUMMER TIRE	1	1	
10	651099	TIRE MICHELIN 455/55 R22.5 XD-N2 WINTER TIRE To K-6390	1	1	
10	651166	TIRE MICHELIN 455/55 R22.5 X-ONE LINE GRIP D WINTER TIRE From K-6391 To N-6736	1	1	
10	651203	TIRE MICHELIN 455/55 R22.5 X-ONE LINE GRIP D WINTER TIRE From N-6737	1	1	
11	652066	WHEEL NUT FLAG, ORANGE	AR	AR	



From E-5490	Date:07/2024	PAGE:X3VIP-1318-00
-------------	--------------	--------------------

WHEELS & COMPONENTS - TRUCK MOUNT (METRIC)

Item#	Part	Description	X 3 V I P E N T	X 3 V I P M T H	N O T E S
11	651163	WHEEL NUT FLAG, WHITE	AR	AR	
		VALVES - WITH TIRE PRESSURE SENSOR			
30	066446	DECAL / "WARNING DETECTOR INSIDE" / ENGLISH & FRANCAIS To L-6537	AR	AR	
30	066445	DECAL / "WARNING DETECTOR INSIDE" / ENGLISH To L-6537	AR	AR	
31	X3VIP-1318-10	TIRE MONITOR PRESSURE - "BERU" To P-6786			
31	X3VIP-1318-11	TIRE MONITOR PRESSURE - "SENSATA" From P-6787			
NS	MI02-17	SEE MAINTENANCE INFORMATION	1	1	
NS	MI03-26A	SEE MAINTENANCE INFORMATION	1	1	
		B) USE THIS EXTENSION WITH POWDER BALANCING WEIGHT			
		C) USE WITH 650178 RUBBER HOLDER			
		E) TO USE WITH NUT 22MM X 33MM THICK (611189)			
		F) TO USE WITH FRONT AND TAG WHEEL			
		G) TO USE WITH DRIVE AXLE WHEEL			
		H) USE WITH 651064 RUBBER HOLDER			
		S) USE ONLY WITH SUPER SINGLE TIRE (650447)			



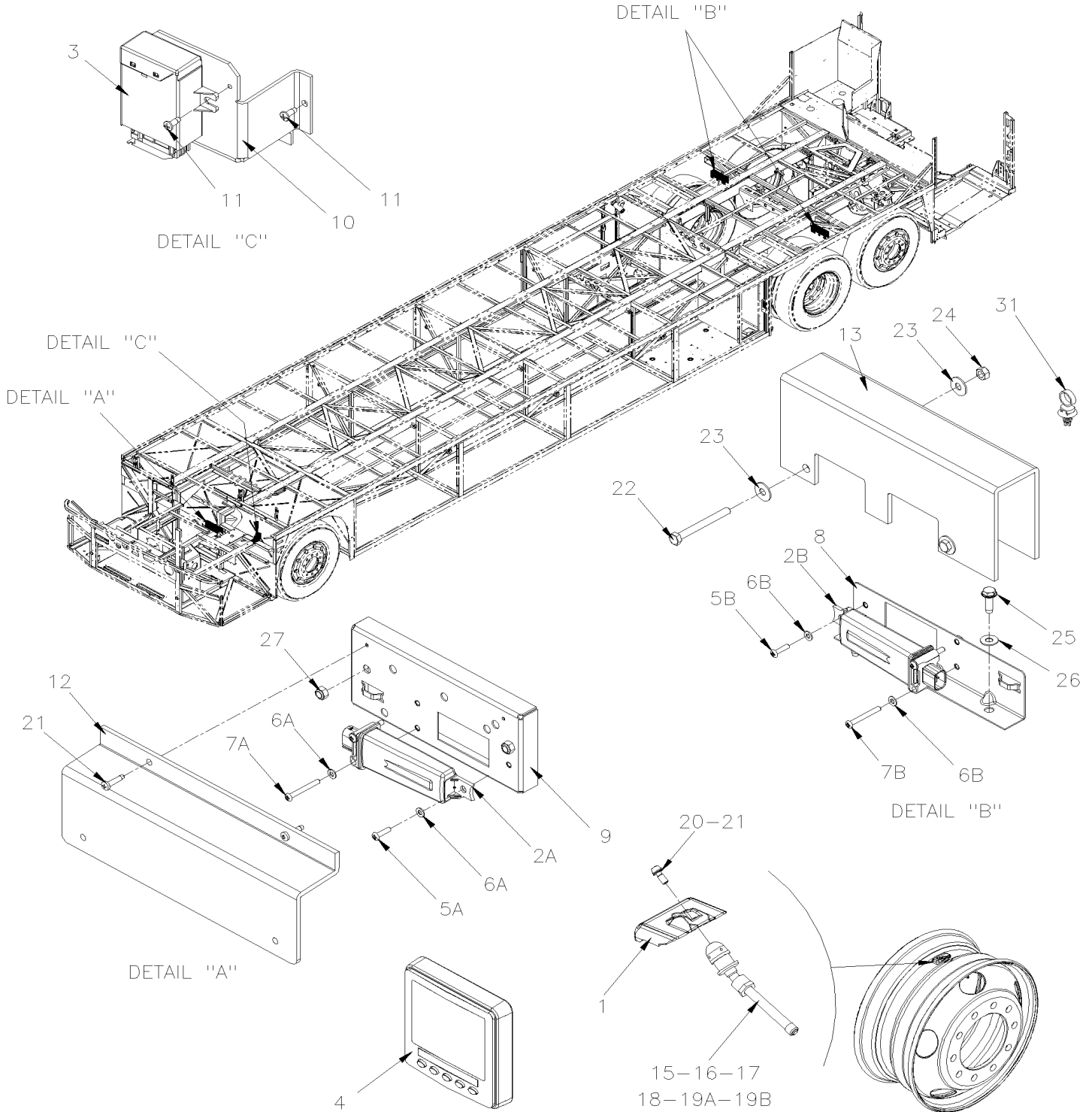
From E-5490 To P-6786

Date:07/2024

PAGE:X3VIP-1318-10

TIRE MONITOR PRESSURE - "BERU"

UP TO G-6064



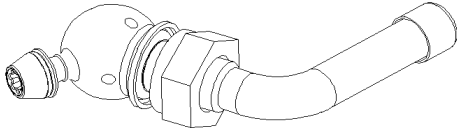


From E-5490 To P-6786

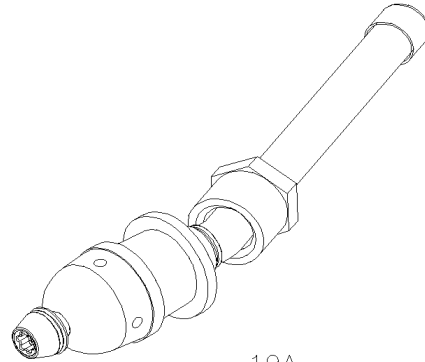
Date:07/2024

PAGE:X3VIP-1318-10

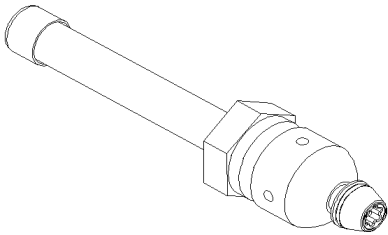
TIRE MONITOR PRESSURE - "BERU"



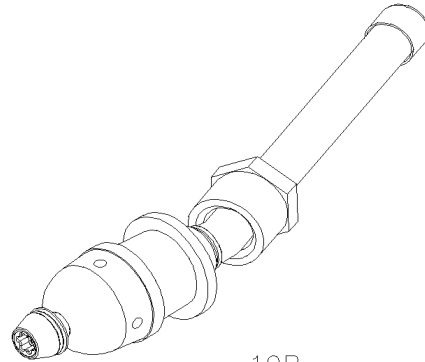
15



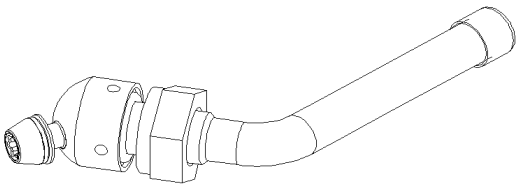
19A



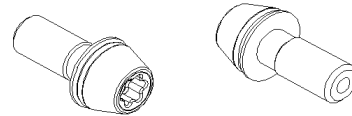
16



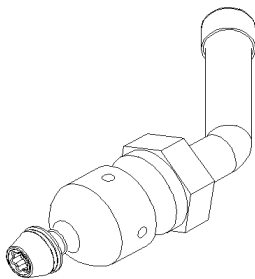
19B



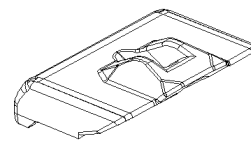
17



20



18



1



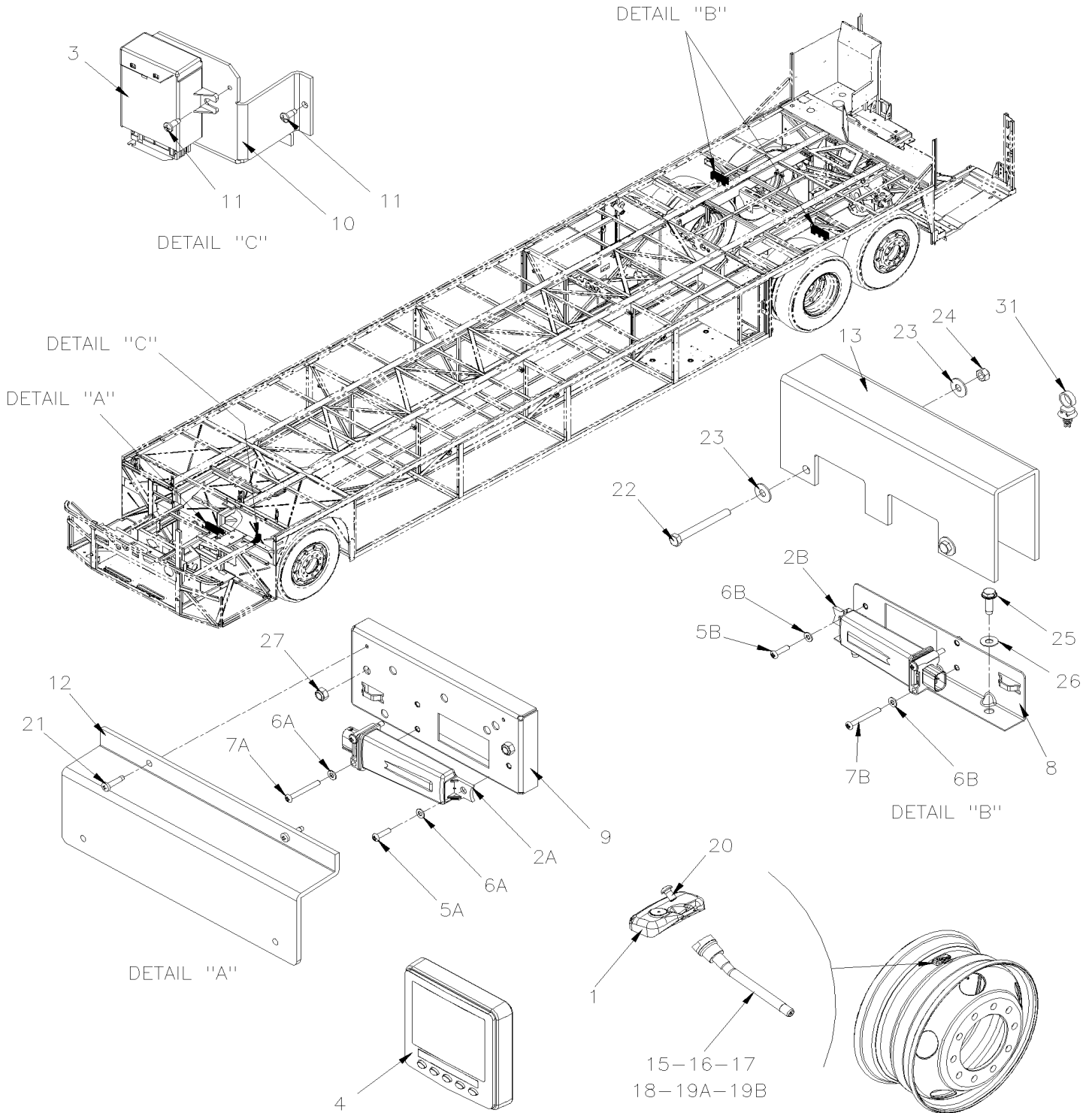
From E-5490 To P-6786

Date:07/2024

PAGE:X3VIP-1318-10

TIRE MONITOR PRESSURE - "BERU"

FROM G-6065



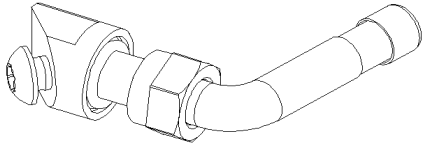


From E-5490 To P-6786

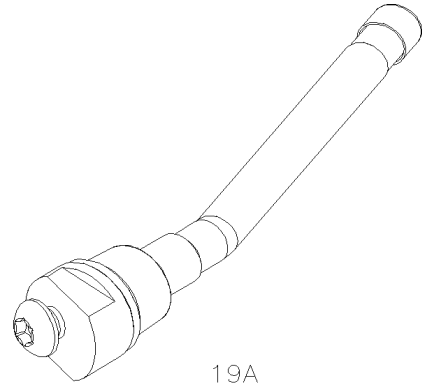
Date:07/2024

PAGE:X3VIP-1318-10

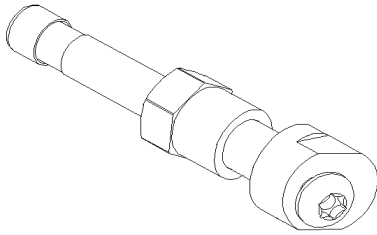
TIRE MONITOR PRESSURE - "BERU"



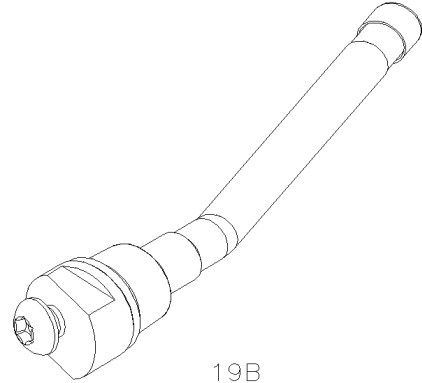
15



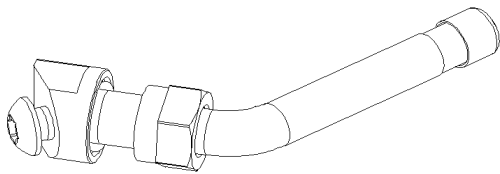
19A



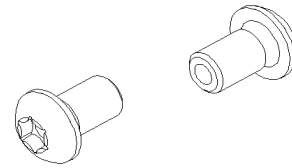
16



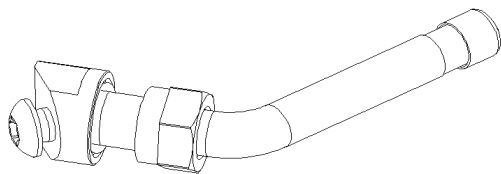
19B



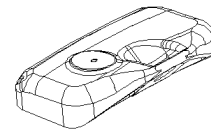
17



20



18



1



From E-5490 To P-6786	Date:07/2024	PAGE:X3VIP-1318-10
TIRE MONITOR PRESSURE - "BERU"		

Item#	Part	Description	X 3 V I P E N T	X 3 V I P M T H	N O T E S
1	564078	SENSOR TIRE PRESSURE - "BERU" To G-6064	9	9	A
. NS	651118	. WASHER REINFORCMENT SENSOR TIRE MODULE OBLONG / SS To G-6064	1	1	A
1	560032	SENSOR TIRE PRESSURE - "BERU" From G-6065 To H-6164	9	9	
1	560279	SENSOR TIRE PRESSURE - "BERU" From H-6165 To K-6392	9	9	
1	560749	SENSOR TIRE PRESSURE - "BERU" From K-6393 To N-6692	9	9	
1	564327	SENSOR TIRE PRESSURE - "BERU" From N-6693	9	9	
NS	066445	DECAL / "WARNING DETECTOR INSIDE" / ENGLISH To L-6537	AR	AR	
NS	066446	DECAL / "WARNING DETECTOR INSIDE" / ENGLISH & FRANCAIS To L-6537	AR	AR	
2	564077	ANTENNA - TIRE PRESSURE To L-6515	1	1	
. NS	563758	. CONNECTOR / MICRO-QUADLOK-SYSTEM / SH 4C / AMP 1-967640-1 To L-6515	1	1	
. NS	564074	. CONNECTOR CAP 90° / MICRO-QUADLOK-SYSTEM / SCH 7806880-K To L-6515	1	1	
. NS	563759	. SOCKET TERMINAL / 24-20 / AMP 963727-1 To L-6515	1	1	
. NS	563761	. SEAL PLUG CAVITY / BLUE / AMP 967056-1 To L-6515	1	1	
2A	563520	FRONT ANTENNA - TIRE PRESSURE From L-6516	1	1	
2B	564077	ANTENNA - TIRE PRESSURE To L-6515	2	2	
. NS	563758	. CONNECTOR / MICRO-QUADLOK-SYSTEM / SH 4C / AMP 1-967640-1 To L-6515	1	1	
. NS	564074	. CONNECTOR CAP 90° / MICRO-QUADLOK-SYSTEM / SCH 7806880-K To L-6515	1	1	
. NS	563759	. SOCKET TERMINAL / 24-20 / AMP 963727-1 To L-6515	1	1	
. NS	563761	. SEAL PLUG CAVITY / BLUE / AMP 967056-1 To L-6515	1	1	
2B	563521	REAR RIGHT ANTENNA - TIRE PRESSURE From L-6516	1	1	
2B	563522	REAR LEFT ANTENNA - TIRE PRESSURE From L-6516	1	1	
3	564076	ECU TIRE PRESSURE To G-6064	1	1	
. NS	564073	. CONNECTOR TANDEM SPRING/ AMPMODU / SH 32C / AMP 1394010-1 To G-6064	1	1	
3	560056	ECU TIRE PRESSURE From G-6065 To L-6515	1	1	
3	563631	ECU TIRE PRESSURE From L-6516 To N-6763	1	1	
3	564326	ECU TIRE PRESSURE From N-6764	1	1	
4	564094	SCREEN MONITOR TIRE To E-5569	1	1	
4	565912	SCREEN MONITOR TIRE From E-5570 To J-6301	1	1	
4	560561	SCREEN MONITOR TIRE From J-6302	1	1	
NS	564084	PLATE TPMS / FIXED AT CENTRAL BOARD	1	1	
NS	564086	PLATE REAR TPMS ON CENTRAL BOARD	1	1	
NS	5001690	SCREW TC M5	3	3	
NS	564085	PLATE W/OUT TPMS ON CENTRAL BOARD	1	1	
NS	067286	CABLE ASSY / FRT JCT BOX & REAR JCT BOX	1	1	
4	067586	WIRING HARNESS / FRT JCT BOX & ANTENNA To H-6179	1	1	
4	060495	WIRING HARNESS / FRT JCT BOX & ANTENNA From H-6180 To J-6249	1	1	
4	060143	WIRING HARNESS / FRT JCT BOX & ANTENNA From J-6250 To L-6515	1	1	
4	0610143	WIRING HARNESS / FRT JCT BOX & ANTENNA From L-6516 To P-6786	1	1	
4	0610631	WIRING HARNESS / FRT JCT BOX & ANTENNA From P-6787	1	1	
NS	067204	WIRING HARNESS / ECU FRT JCT BOX & ACCES.. To H-6179	1	1	
4	060045	WIRING HARNESS / ECU FRT JCT BOX & ACCES.. From H-6180 To L-6515	1	1	
4	0610142	WIRING HARNESS / ECU FRT JCT BOX & ACCES.. From L-6516 To P-6786	1	1	



From E-5490 To P-6786	Date:07/2024	PAGE:X3VIP-1318-10
-----------------------	--------------	--------------------

TIRE MONITOR PRESSURE - "BERU"

Item#	Part	Description	X 3 V I P E N T	X 3 V I P M T H	N O T E S
4	0610632	WIRING HARNESS / ECU FRT JCT BOX & ACCES.. From P-6787	1	1	
NS	5001694	SCREW MA PAN PH M4-0.7x40 SS BK	6	6	
5A	502698	SCREW MA PAN PH M4-0.7x16 SS BK	1	1	
5B	5001332	SCREW MA PAN PH M4-0.7x16 SS To L-6515	2	2	
5B	500032	SCREW CAP HEX M5-0.8x16 BK From L-6516	2	2	
6A	502556	WASHER FL 4.3x9.0x0.8 SS	3	3	
6A	502556	WASHER FL 4.3x9.0x0.8 SS	3	3	
6B	502556	WASHER FL 4.3x9.0x0.8 SS To L-6515	6	6	
6B	502556	WASHER FL 4.3x9.0x0.8 SS To L-6515	6	6	
6B	5001137	WASHER FL .203x.438x.050 SS From L-6516	6	6	
7A	5001694	SCREW MA PAN PH M4-0.7x40 SS BK	2	2	
7B	5001696	SCREW MA PAN PH M4-0.7x35 SS To L-6515	4	4	
7B	502708	SCREW CAP HEX M5-0.8x35 SS From L-6516	4	4	
8	406121	SUPPORT ANTENNA TIRE PRESSURE	2	2	
8	401257	SUPPORT ANTENNA TIRE PRESSURE From L-6516	1	1	
8	509815	TIE MOUNT / ATTACHMENT W/TREE MOUNT From L-6516	6	6	
83	564108	SELF MOUNTING STUD // DEUTSCH 1011-310-0205 From L-6516	1	1	
9	406085	SUPPORT ANTENNA TIRE PRESSURE	1	1	
10	382406	SUPPORT TIRE ECU PRESSURE To H-6179	1	1	
11	502868	SCREW TC TR PH #10-16x1/2 N500 To H-6179	5	5	
11	502868	SCREW TC TR PH #10-16x1/2 N500 From H-6180 To L-6515	2	2	
11	5001975	SCREW TC BDG PH #10-24x3/8 SS410 ZINC From L-6516	2	2	
11	500804	WASHER FL .203x.500x.047 N500 From L-6516	2	2	
12	406119	PROTECTOR ANTENNA / AL "Z" SHAPE	1	1	
13	406122	PROTECTOR ANTENNA / AL "U" SHAPE To L-6515	2	2	
13	401364	PROTECTOR ANTENNA / AL "U" SHAPE From L-6516	1	1	
15	651126	KIT VALVE TR543E 60DEG 17.1 HD / W/AL / 14" To G-6064	1	1	
. NS	651084	. SCREW MA BUT TORX W/HOLE M5-0.8x17 To G-6064	1	1	
. . NS	651118	. . WASHER REINFORCMENT SENSOR TIRE MODULE OBLONG / SS To G-6064	1	1	
. NS	651117	. O-RING 9.5MM I.D. x 2.0MM "VITON" To G-6064	1	1	
15	650013	KIT VALVE 60DEG / W/AL / 14" From G-6065 To J-6274	1	1	
. NS	651116	. O-RING 8.9MM I.D. x 1.9MM "VITON" From G-6065 To J-6274	1	1	
. NS	650019	. SCREW MA BUT TORX W/HOLE M5 From G-6065 To J-6274	1	1	
15	650635	KIT VALVE 60DEG / W/AL / 14" From J-6275	1	1	
15	150030	KIT VALVE 60DEG / W/AL / 14" W/SENSOR From G-6065 To K-6392	1	1	
. NS	650635	. KIT VALVE 60DEG / W/AL / 14" From G-6065 To K-6392	1	1	
. NS	560279	. SENSOR TIRE PRESSURE - "BERU" From G-6065 To K-6392	1	1	
15	150009	KIT VALVE 60DEG / W/AL / 14" W/SENSOR From K-6393 To N-6692	1	1	
. NS	650635	. KIT VALVE 60DEG / W/AL / 14" From K-6393 To N-6692	1	1	
. NS	560749	. SENSOR TIRE PRESSURE - "BERU" From K-6393 To N-6692	1	1	
15	150001	KIT VALVE 60DEG / W/AL / 14" W/SENSOR From N-6693	1	1	
. NS	650635	. KIT VALVE 60DEG / W/AL / 14" From N-6693	1	1	



From E-5490 To P-6786 Date:07/2024 PAGE:X3VIP-1318-10

TIRE MONITOR PRESSURE - "BERU"

Item#	Part	Description	X 3 V I P E N T	X 3 V I P M T H	N O T E S
. NS	564327	. SENSOR TIRE PRESSURE - "BERU" From N-6693	1	1	
16	651128	KIT VALVE TR543 13HD / W/AL / 10.5" To G-6064	1	1	
. NS	651084	. SCREW MA BUT TORX W/HOLE M5-0.8x17 To G-6064	1	1	
. . NS	651118	. . WASHER REINFORCMENT SENSOR TIRE MODULE OBLONG / SS To G-6064	1	1	
. NS	651117	. O-RING 9.5MM I.D. x 2.0MM "VITON" To G-6064	1	1	
16	650014	KIT VALVE / W/AL / 10.5" From G-6065 To J-6274	1	1	
. NS	651116	. O-RING 8.9MM I.D. x 1.9MM "VITON" From G-6065 To J-6274	1	1	
. NS	650019	. SCREW MA BUT TORX W/HOLE M5 From G-6065 To J-6274	1	1	
16	650636	KIT VALVE / W/AL / 10.5" From J-6275	1	1	
16	150031	KIT VALVE / W/AL / 10.5" / W/SENSOR From G-6065 To K-6392	1	1	
. NS	650636	. KIT VALVE / W/AL / 10.5" From G-6065 To K-6392	1	1	
. NS	560279	. SENSOR TIRE PRESSURE - "BERU" From G-6065 To K-6392	1	1	
16	150110	KIT VALVE / W/AL / 10.5" / W/SENSOR From K-6393 To N-6692	1	1	
. NS	650636	. KIT VALVE / W/AL / 10.5" From K-6393 To N-6692	1	1	
. NS	560749	. SENSOR TIRE PRESSURE - "BERU" From K-6393 To N-6692	1	1	
16	150002	KIT VALVE / W/AL / 10.5" / W/SENSOR From N-6693	1	1	
. NS	650636	. KIT VALVE / W/AL / 10.5" From N-6693	1	1	
. NS	564327	. SENSOR TIRE PRESSURE - "BERU" From N-6693	1	1	
17	651122	KIT VALVE TR544D 40DEG 13HD / W/AL HUB MOUNT / 9" To G-6064	1	1	
. NS	651084	. SCREW MA BUT TORX W/HOLE M5-0.8x17 To G-6064	1	1	
. . NS	651118	. . WASHER REINFORCMENT SENSOR TIRE MODULE OBLONG / SS To G-6064	1	1	
. NS	651117	. O-RING 9.5MM I.D. x 2.0MM "VITON" To G-6064	1	1	
17	650015	KIT VALVE 40DEG / W/AL / 9" From G-6065 To J-6274	1	1	
. NS	651116	. O-RING 8.9MM I.D. x 1.9MM "VITON" From G-6065 To J-6274	1	1	
. NS	650019	. SCREW MA BUT TORX W/HOLE M5 From G-6065 To J-6274	1	1	
17	650634	KIT VALVE 40DEG / W/AL / 9" From J-6275	1	1	
. NS	650019	. SCREW MA BUT TORX W/HOLE M5 From J-6275	1	1	
. NS	651191	. NUT From J-6275	1	1	
. NS	651267	. GROMMET V9-10-6 BLACK, TPMS VALVE From J-6275	1	1	
17	150032	KIT VALVE 40DEG / W/AL / 9" /W/SENSOR From G-6065 To K-6392	1	1	
. NS	650634	. KIT VALVE 40DEG / W/AL / 9" From G-6065 To K-6392	1	1	
. . NS	650019	. . SCREW MA BUT TORX W/HOLE M5 From G-6065 To K-6392	1	1	
. . NS	651191	. . NUT From G-6065 To K-6392	1	1	
. . NS	651267	. . GROMMET V9-10-6 BLACK, TPMS VALVE From G-6065 To K-6392	1	1	
. NS	560279	. SENSOR TIRE PRESSURE - "BERU" From G-6065 To K-6392	1	1	
17	150111	KIT VALVE 40DEG / W/AL / 9" /W/SENSOR From K-6393 To N-6692	1	1	
. NS	650634	. KIT VALVE 40DEG / W/AL / 9" From K-6393 To N-6692	1	1	
. . NS	650019	. . SCREW MA BUT TORX W/HOLE M5 From K-6393 To N-6692	1	1	
. . NS	651191	. . NUT From K-6393 To N-6692	1	1	
. . NS	651267	. . GROMMET V9-10-6 BLACK, TPMS VALVE From K-6393 To N-6692	1	1	
. NS	560279	. SENSOR TIRE PRESSURE - "BERU" From K-6393 To N-6692	1	1	
17	150003	KIT VALVE 40DEG / W/AL / 9" /W/SENSOR From N-6693	1	1	



From E-5490 To P-6786	Date:07/2024	PAGE:X3VIP-1318-10
------------------------------	---------------------	---------------------------

TIRE MONITOR PRESSURE - "BERU"

Item#	Part	Description	X 3 V I P E N T	X 3 V I P M T H	N O T E S
. NS	650634	. KIT VALVE 40DEG / W/AL / 9" From N-6693	1	1	
. . NS	650019	. . SCREW MA BUT TORX W/HOLE M5 From N-6693	1	1	
. . NS	651191	. . NUT From N-6693	1	1	
. . NS	651267	. . GROMMET V9-10-6 BLACK, TPMS VALVE From N-6693	1	1	
. NS	564327	. SENSOR TIRE PRESSURE - "BERU" From N-6693	1	1	
18	651082	KIT VALVE TR543C 9.5HD / W/AL STUD MOUNT / 9" To G-6064	1	1	
. NS	651084	. SCREW MA BUT TORX W/HOLE M5-0.8x17 To G-6064	1	1	
. . NS	651118	. . WASHER REINFORCMENT SENSOR TIRE MODULE OBLONG / SS To G-6064	1	1	
. NS	651117	. O-RING 9.5MM I.D. x 2.0MM "VITON" To G-6064	1	1	
18	650015	KIT VALVE 40DEG / W/AL / 9" From G-6065 To J-6274	1	1	
. NS	651116	. O-RING 8.9MM I.D. x 1.9MM "VITON" From G-6065 To J-6274	1	1	
. NS	650019	. SCREW MA BUT TORX W/HOLE M5 From G-6065 To J-6274	1	1	
18	650634	KIT VALVE 40DEG / W/AL / 9" From J-6275	1	1	
. NS	650019	. SCREW MA BUT TORX W/HOLE M5 From J-6275	1	1	
. NS	651191	. NUT From J-6275	1	1	
. NS	651267	. GROMMET V9-10-6 BLACK, TPMS VALVE From J-6275	1	1	
18	150032	KIT VALVE 40DEG / W/AL / 9" /W/SENSOR From G-6065 To K-6392	1	1	
. NS	650634	. KIT VALVE 40DEG / W/AL / 9" From G-6065 To K-6392	1	1	
. . NS	650019	. . SCREW MA BUT TORX W/HOLE M5 From G-6065 To K-6392	1	1	
. . NS	651191	. . NUT From G-6065 To K-6392	1	1	
. . NS	651267	. . GROMMET V9-10-6 BLACK, TPMS VALVE From G-6065 To K-6392	1	1	
. NS	560279	. SENSOR TIRE PRESSURE - "BERU" From G-6065 To K-6392	1	1	
18	150111	KIT VALVE 40DEG / W/AL / 9" /W/SENSOR From K-6393 To N-6692	1	1	
. NS	650634	. KIT VALVE 40DEG / W/AL / 9" From K-6393 To N-6692	1	1	
. . NS	650019	. . SCREW MA BUT TORX W/HOLE M5 From K-6393 To N-6692	1	1	
. . NS	651191	. . NUT From K-6393 To N-6692	1	1	
. . NS	651267	. . GROMMET V9-10-6 BLACK, TPMS VALVE From K-6393 To N-6692	1	1	
. NS	560279	. SENSOR TIRE PRESSURE - "BERU" From K-6393 To N-6692	1	1	
18	150003	KIT VALVE 40DEG / W/AL / 9" /W/SENSOR From N-6693	1	1	
. NS	650634	. KIT VALVE 40DEG / W/AL / 9" From N-6693	1	1	
. . NS	650019	. . SCREW MA BUT TORX W/HOLE M5 From N-6693	1	1	
. . NS	651191	. . NUT From N-6693	1	1	
. . NS	651267	. . GROMMET V9-10-6 BLACK, TPMS VALVE From N-6693	1	1	
. NS	564327	. SENSOR TIRE PRESSURE - "BERU" From N-6693	1	1	
19A	651083	KIT VALVE TR572 20DEG 13HD / W/STEEL WHEELS 8.25" & 9" To G-6064	1	1	9.0
19A	651083	KIT VALVE TR572 20DEG 13HD / W/STEEL WHEELS 8.25" & 9" To G-6064	1	1	9.0
. NS	651084	. SCREW MA BUT TORX W/HOLE M5-0.8x17 To G-6064	1	1	9.0
. . NS	651118	. . WASHER REINFORCMENT SENSOR TIRE MODULE OBLONG / SS To G-6064	1	1	9.0
. NS	651119	. SEAL VALVE / STEEL "VITON" GREEN To G-6064	1	1	9.0
19A	650018	KIT VALVE 20DEG / W/STEEL WHEELS 9" From G-6065 To K-6426	1	1	9.0
. NS	650019	. SCREW MA BUT TORX W/HOLE M5 From G-6065 To K-6426	1	1	9.0
. NS	651119	. SEAL VALVE / STEEL "VITON" GREEN From G-6065 To K-6426	1	1	9.0



From E-5490 To P-6786 Date:07/2024 PAGE:X3VIP-1318-10

TIRE MONITOR PRESSURE - "BERU"

Item#	Part	Description	X 3 V I P E N T	X 3 V I P M T H	N O T E S
19A	650016	KIT VALVE 20DEG / W/STEEL WHEELS 9" From K-6427	1	1	9.0
. NS	650019	. SCREW MA BUT TORX W/HOLE M5 From K-6427	1	1	9.0
. NS	651119	. SEAL VALVE / STEEL "VITON" GREEN From K-6427	1	1	9.0
19A	150034	KIT VALVE 20DEG / W/STEEL WHEELS 9" / W/SENSOR From G-6065 To K-6392	1	1	9.0
. NS	650018	. KIT VALVE 20DEG / W/STEEL WHEELS 9" From G-6065 To K-6392	1	1	9.0
. . NS	650019	. . SCREW MA BUT TORX W/HOLE M5 From G-6065 To K-6392	1	1	9.0
. . NS	651119	. . SEAL VALVE / STEEL "VITON" GREEN From G-6065 To K-6392	1	1	9.0
. NS	560279	. SENSOR TIRE PRESSURE - "BERU" From G-6065 To K-6392	1	1	9.0
19A	150114	KIT VALVE 20DEG / W/STEEL WHEELS 9" / W/SENSOR From K-6393 To N-6692	1	1	9.0
. NS	650016	. KIT VALVE 20DEG / W/STEEL WHEELS 9" From K-6393 To N-6692	1	1	9.0
. . NS	650019	. . SCREW MA BUT TORX W/HOLE M5 From K-6393 To N-6692	1	1	9.0
. . NS	651119	. . SEAL VALVE / STEEL "VITON" GREEN From K-6393 To N-6692	1	1	9.0
. NS	560749	. SENSOR TIRE PRESSURE - "BERU" From K-6393 To N-6692	1	1	9.0
19A	150005	KIT VALVE 20DEG / W/STEEL WHEELS 9" / W/SENSOR From N-6693	1	1	9.0
. NS	650016	. KIT VALVE 20DEG / W/STEEL WHEELS 9" From N-6693	1	1	9.0
. . NS	650019	. . SCREW MA BUT TORX W/HOLE M5 From N-6693	1	1	9.0
. . NS	651119	. . SEAL VALVE / STEEL "VITON" GREEN From N-6693	1	1	9.0
. NS	564327	. SENSOR TIRE PRESSURE - "BERU" From N-6693	1	1	9.0
19B	651083	KIT VALVE TR572 20DEG 13HD / W/STEEL WHEELS 8.25" & 9" To G-6064	1	1	8.25
19B	651083	KIT VALVE TR572 20DEG 13HD / W/STEEL WHEELS 8.25" & 9" To G-6064	1	1	8.25
. NS	651084	. SCREW MA BUT TORX W/HOLE M5-0.8x17 To G-6064	1	1	8.25
. . NS	651118	. . WASHER REINFORCMENT SENSOR TIRE MODULE OBLONG / SS To G-6064	1	1	8.25
. NS	651119	. SEAL VALVE / STEEL "VITON" GREEN To G-6064	1	1	8.25
19B	650017	KIT VALVE 20DEG / W/STEEL WHEELS 8.25" From G-6065	1	1	8.25
. NS	650019	. SCREW MA BUT TORX W/HOLE M5 From G-6065	1	1	8.25
. NS	651119	. SEAL VALVE / STEEL "VITON" GREEN From G-6065	1	1	8.25
19B	150033	KIT VALVE 20DEG /W/STEEL WHEELS 8.25"/W/SENSOR From G-6065 To K-6392	1	1	8.25
. NS	650017	. KIT VALVE 20DEG / W/STEEL WHEELS 8.25" From G-6065 To K-6392	1	1	8.25
. . NS	650019	. . SCREW MA BUT TORX W/HOLE M5 From G-6065 To K-6392	1	1	8.25
. . NS	651119	. . SEAL VALVE / STEEL "VITON" GREEN From G-6065 To K-6392	1	1	8.25
. NS	560279	. SENSOR TIRE PRESSURE - "BERU" From G-6065 To K-6392	1	1	8.25
19B	150112	KIT VALVE 20DEG /W/STEEL WHEELS 8.25"/W/SENSOR From K-6393 To N-6692	1	1	8.25
. NS	650017	. KIT VALVE 20DEG / W/STEEL WHEELS 8.25" From K-6393 To N-6692	1	1	8.25
. . NS	650019	. . SCREW MA BUT TORX W/HOLE M5 From K-6393 To N-6692	1	1	8.25
. . NS	651119	. . SEAL VALVE / STEEL "VITON" GREEN From K-6393 To N-6692	1	1	8.25
. NS	560749	. SENSOR TIRE PRESSURE - "BERU" From K-6393 To N-6692	1	1	8.25
19B	150004	KIT VALVE 20DEG /W/STEEL WHEELS 8.25"/W/SENSOR From N-6693	1	1	8.25
. NS	650017	. KIT VALVE 20DEG / W/STEEL WHEELS 8.25" From N-6693	1	1	8.25
. . NS	650019	. . SCREW MA BUT TORX W/HOLE M5 From N-6693	1	1	8.25
. . NS	651119	. . SEAL VALVE / STEEL "VITON" GREEN From N-6693	1	1	8.25
. NS	564327	. SENSOR TIRE PRESSURE - "BERU" From N-6693	1	1	8.25
20	651084	. SCREW MA BUT TORX W/HOLE M5-0.8x17 To G-6064	1	1	



From E-5490 To P-6786	Date:07/2024	PAGE:X3VIP-1318-10
TIRE MONITOR PRESSURE - "BERU"		

Item#	Part	Description	X 3 V I P E N T	X 3 V I P M T H	N O T E S
. NS	651118	. . WASHER REINFORCMENT SENSOR TIRE MODULE OBLONG / SS To G-6064	1	1	
20	650019	. SCREW MA BUT TORX W/HOLE M5 From G-6065	1	1	
NS	685324	GREASE "PERMATEX" DIELECTRIC TUBE 3 OZ	AR	AR	S
NS	680038	THREAD LOCKER LOCTITE #243 / BLUE / 50ml	AR	AR	
21	500952	SCREW TP BDG PH #8x1/2 SS	2	2	
22	5001681	SCREW CAP HEX M6-1.0x60 SS	2	2	
23	500411	WASHER FL .260x.697x.050 SS	8	8	
24	502681	NUT HEX NYRT M6-1.0 N500 G8	AR	AR	
25	502848	SCREW TC CAP HEXF 1/4-20x3/4 N500	2	2	
26	5001608	WASHER BEL SPR 6.2x15.0x0.7 G500	4	4	
27	5001182	NUT HEX NYRT M6-1.0 SS	2	2	
31	509815	TIE MOUNT / ATTACHMENT W/TREE MOUNT	AR	AR	
31	504637	CABLE TIE / 3/16" x 13"	AR	AR	
NS	IS21070	KIT TPMS ANTENNAS REPLACEMENT			
		8.25) USE WITH STEEL WHEEL 8.25"			
		9.0) USE WITH STEEL WHEEL 9.0"			
		A) WHEN YOU REPLACE SENSOR 564078 YOU NEED TO REPLACE IT WITH SENSOR 560032 AND CHOOSE KIT VALVE 650013 / 650014 / 650015 / 650018 / 650017 FOR YOUR WHEEL MODEL			
		S) USE TO PREVENT CORROSION WITH ALUMINUM WHEELS			



From E-5490 To P-6786		Date:07/2024	PAGE:IS21070
KIT TPMS ANTENNAS REPLACEMENT			

PREVOST

Feuille d'instructions

FI-21070

REPLACEMENT ANTENNES TPMS OBSOLÈTE

PREVOST

Instruction Sheet

IS-21070

OBSOLETE TPMS ANTENNAS REPLACEMENT



From E-5490 To P-6786	Date:07/2024	PAGE:IS21070
KIT TPMS ANTENNAS REPLACEMENT		

Item#	Part	Description	X 3 V I P E N T	X 3 V I P M T H	N O T E S
NS	564305	ANTENNA, TPMS "SENSATA"	3	3	
NS	564413	TPMS, SENSATA ECU	1	1	
NS	380252	SUPPORT / RELAY	1	1	
NS	406762	SUPPORT, ANTENNA	1	1	
NS	406119	PROTECTOR ANTENNA / AL "Z" SHAPE	1	1	
NS	401333	SUPPORT, ANTENNA	2	2	
NS	406764	PROTECTOR, ANTENNA	2	2	
NS	0610632	WIRING HARNESS / ECU FRT JCT BOX & ACCES..	1	1	
NS	504622	GROMMET / 1.500x1.750x.062x.437x2.125	1	1	
NS	0610631	WIRING HARNESS / FRT JCT BOX & ANTENNA	1	1	
NS	562795	CONNECTOR / JUNIOR POWER TIMER / SH 15C / AMP 964561-2	1	1	
NS	5001182	NUT HEX NYRT M6-1.0 SS	2	2	
NS	502708	SCREW CAP HEX M5-0.8x35 SS	3	3	
NS	5001137	WASHER FL .203x.438x.050 SS	3	3	
NS	502848	SCREW TC CAP HEXF 1/4-20x3/4 N500	4	4	
NS	5001608	WASHER BEL SPR 6.2x15.0x0.7 G500	4	4	
NS	5001681	SCREW CAP HEX M6-1.0x60 SS	4	4	
NS	500411	WASHER FL .260x.697x.050 SS	8	8	
NS	502681	NUT HEX NYRT M6-1.0 N500 G8	4	4	
NS	502868	SCREW TC TR PH #10-16x1/2 N500	2	2	
NS	500804	WASHER FL .203x.500x.047 N500	2	2	
NS	509815	TIE MOUNT / ATTACHMENT W/TREE MOUNT	17	17	
NS	504637	CABLE TIE / 3/16" x 13"	20	20	
NS	8631155	CABLE TIE / 4.6MM x 200 / CHRISTMAS TREE	2	2	
NS	504013	TIE MOUNT / 1/4" X 1/4" I.D.	2	2	
NS	504347	RIVET POP DOME OE 3/16x1/4 AL	2	2	
NS	IS-21070	SEE ENGLISH INSTRUCTION SHEET	1	1	
NS	FI-21070	SEE FRENCH INSTRUCTION SHEET	1	1	
NS		PARTS BELOW NOT INCLUDED IN KIT IS21070			
NS		STEEL WHEEL 9"			
NS	150006	KIT VALVE & SENSOR / FOR WHEEL STEEL 9"	1	1	
NS		ALUMINIUM WHEEL 9"			
NS	150201	KIT VALVE & SENSOR / FOR WHEEL AL 9"	1	1	
NS		ALUMINIUM WHEEL 10.5"			
NS	150149	KIT VALVE & SENSOR / FOR WHEEL AL 10.5"	1	1	
NS		ALUMINIUM WHEEL 14"			
NS	150177	KIT VALVE & SENSOR / FOR WHEEL AL 14"	1	1	



From E-5490 To P-6786	Date:07/2024	PAGE:IS21070
KIT TPMS ANTENNAS REPLACEMENT		

Item#	Part	Description	X 3 V I P E N T	X 3 V I P M T H	N O T E S
NS	684517	ADHESIVE SIMSON #ISR 70-03 / GREY / 310ml CARTRIDGE	1	1	
NS	680038	THREAD LOCKER LOCTITE #243 / BLUE / 50ml	1	1	
NS	685324	GREASE "PERMATEX" DIELECTRIC TUBE 3 OZ	1	1	

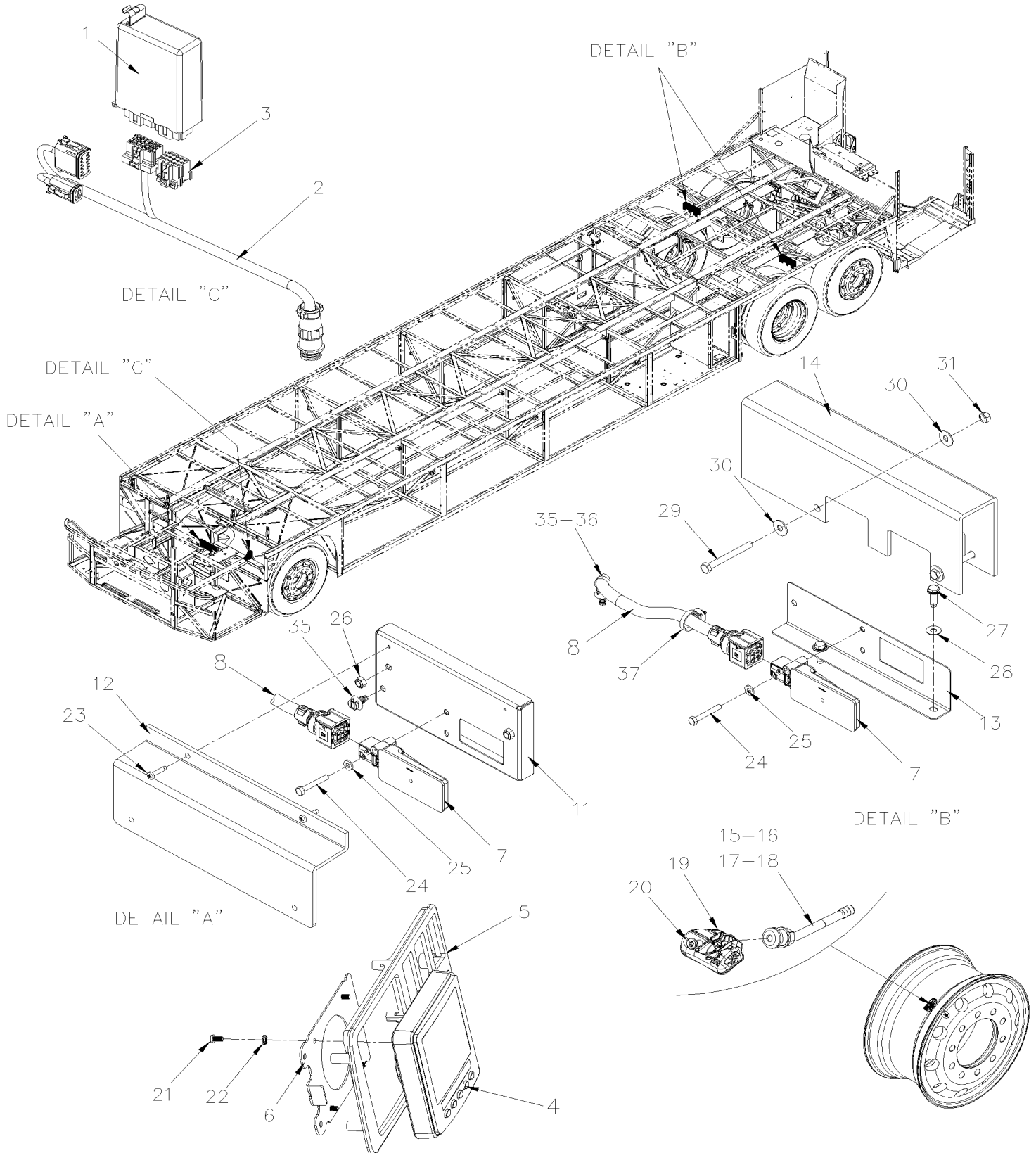


From P-6787

Date:07/2024

PAGE:X3VIP-1318-11

TIRE MONITOR PRESSURE - "SENSATA"



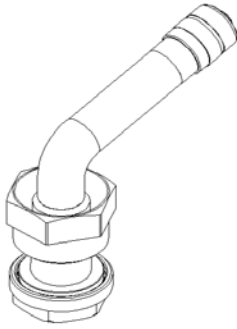


From P-6787

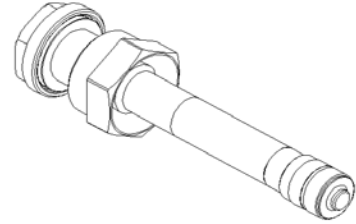
Date:07/2024

PAGE:X3VIP-1318-11

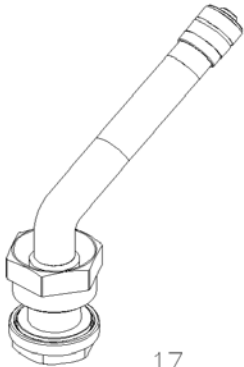
TIRE MONITOR PRESSURE - "SENSATA"



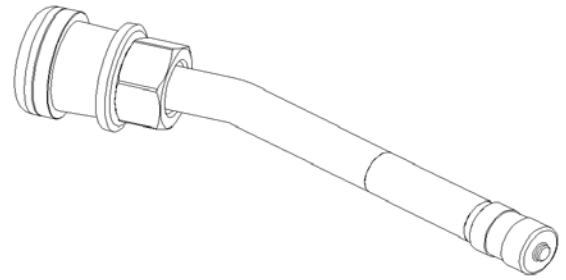
15



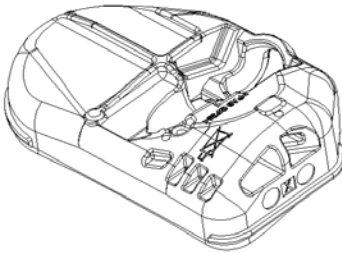
16



17



18



19



20



From P-6787		Date:07/2024	PAGE:X3VIP-1318-11
TIRE MONITOR PRESSURE - "SENSATA"			

Item#	Part	Description	X 3 V I P E N T	X 3 V I P M T H	N O T E S
1	564413	TPMS, SENSATA ECU	1	1	
2	0610632	WIRING HARNESS / ECU FRT JCT BOX & ACCES..	1	1	
3	562795	CONNECTOR / JUNIOR POWER TIMER / SH 15C / AMP 964561-2	1	1	
4	560561	SCREEN MONITOR TIRE	1	1	
5	390088	LOCK FOR TPMS PLATE	1	1	
5	564084	PLATE TPMS / FIXED AT CENTRAL BOARD	1	1	
5	5001690	SCREW TC M5	6	6	
6	564086	PLATE REAR TPMS ON CENTRAL BOARD	1	1	
7	564305	ANTENNA, TPMS "SENSATA"	3	3	
8	0610631	WIRING HARNESS / FRT JCT BOX & ANTENNA	1	1	
11	406762	SUPPORT, ANTENNA	1	1	
12	406119	PROTECTOR ANTENNA / AL "Z" SHAPE	1	1	
13	401333	SUPPORT, ANTENNA	2	2	
14	406764	PROTECTOR, ANTENNA	2	2	
15	651194	VALVE, ALUMINIUM WHEEL 14"	AR	AR	
15	150177	KIT VALVE & SENSOR / FOR WHEEL AL 14"	AR	AR	
16	651195	VALVE, ALUMINIUM WHEEL 10.5"	AR	AR	
16	150149	KIT VALVE & SENSOR / FOR WHEEL AL 10.5"	AR	AR	
17	651196	VALVE, ALUMINIUM WHEEL 9"	AR	AR	
17	150201	KIT VALVE & SENSOR / FOR WHEEL AL 9"	AR	AR	
18	651198	VALVE, STEEL WHEEL 9"	AR	AR	
18	150006	KIT VALVE & SENSOR / FOR WHEEL STEEL 9"	AR	AR	
19	564307	SENSOR TPMS "SENSATA"	AR	AR	
20	651200	SCREW MA TORX AD M6-1.0x10 "SENSATA"	AR	AR	
21	5001401	SCREW MA CHE PH M4-0.7x8 ZP	4	4	
22	5002032	WASHER LO EXT 4.3x8.0x0.5 Z050	4	4	
23	502868	SCREW TC TR PH #10-16x1/2 N500	2	2	
24	502708	SCREW CAP HEX M5-0.8x35 SS	3	3	
25	5001137	WASHER FL .203x.438x.050 SS	3	3	
26	5001182	NUT HEX NYRT M6-1.0 SS	2	2	
27	502848	SCREW TC CAP HEXF 1/4-20x3/4 N500	4	4	
28	5001608	WASHER BEL SPR 6.2x15.0x0.7 G500	4	4	
29	5001681	SCREW CAP HEX M6-1.0x60 SS	4	4	
30	500411	WASHER FL .260x.697x.050 SS	8	8	
31	502681	NUT HEX NYRT M6-1.0 N500 G8	4	4	
35	509815	TIE MOUNT / ATTACHMENT W/TREE MOUNT	AR	AR	
36	504637	CABLE TIE / 3/16" x 13"	AR	AR	
37	8631155	CABLE TIE / 4.6MM x 200 / CHRISTMAS TREE	2	2	

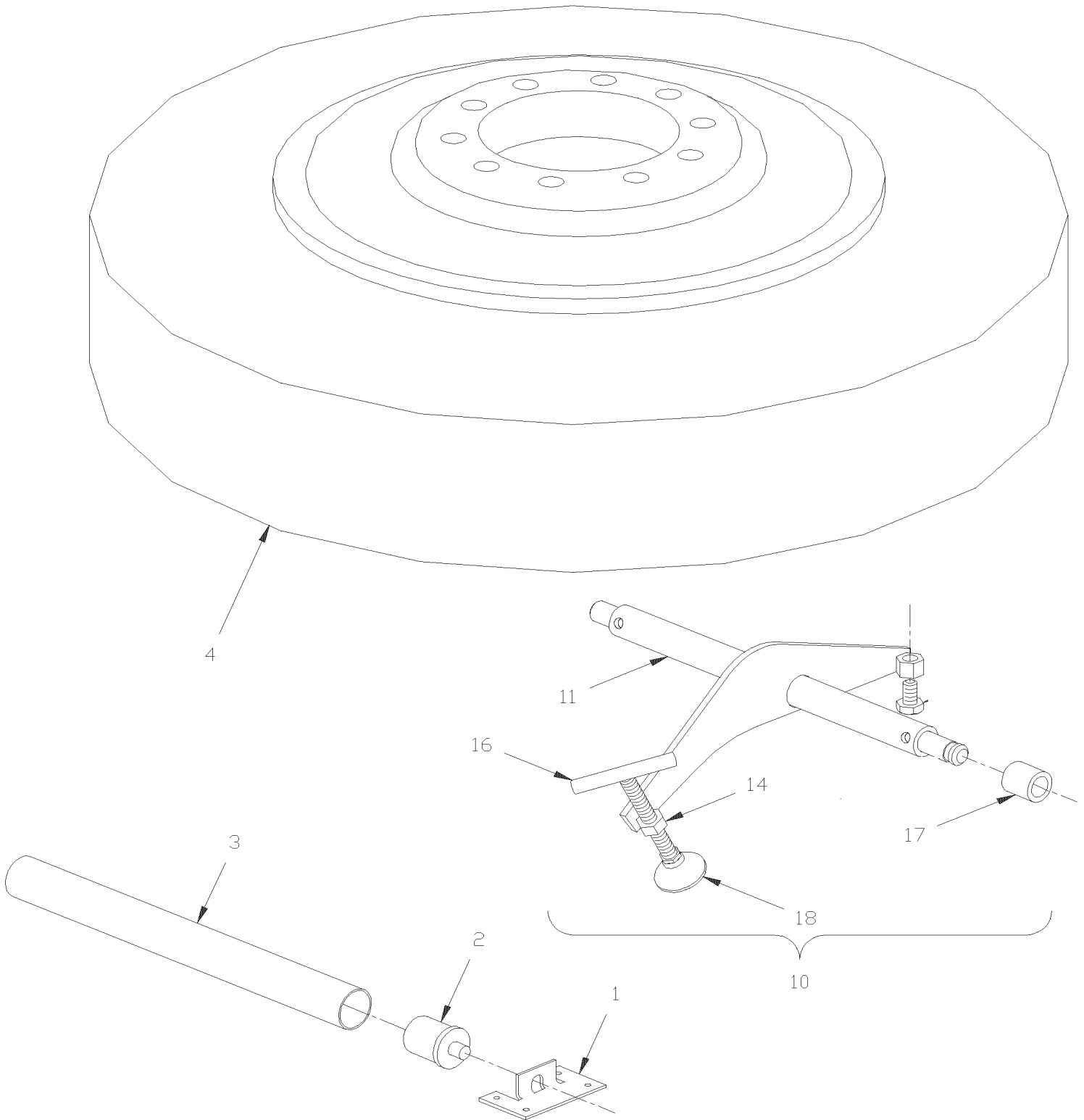


From E-5490 To E-5589

Date:07/2024

PAGE:X3VIP-1325-00

SPARE WHEEL - INSTALLATION





From E-5490 To E-5589	Date:07/2024	PAGE:X3VIP-1325-00
-----------------------	--------------	--------------------

SPARE WHEEL - INSTALLATION

Item#	Part	Description	X 3 V I P E N T	X 3 V I P M T H	N O T E S
1	150313	ANGLE SUPPORT	4		
2	150314	AXLE SHAFT	4		
3	150318	TUBE	2		
4	150128	COVER SPARE WHEEL	1		
10	150788	ATTACHMENT SPARE TIRE RETAINER ASSY / COMPLETE	1		
11	150669	. ATTACHMENT ASSY	1		
14	500789	. . NUT HEX 1/2-13 Z050	1		
16	150223	. HANDLE ASSY	1		
17	150767	SPACER	1		
18	5001001	NUT SW 1/2-13	1		

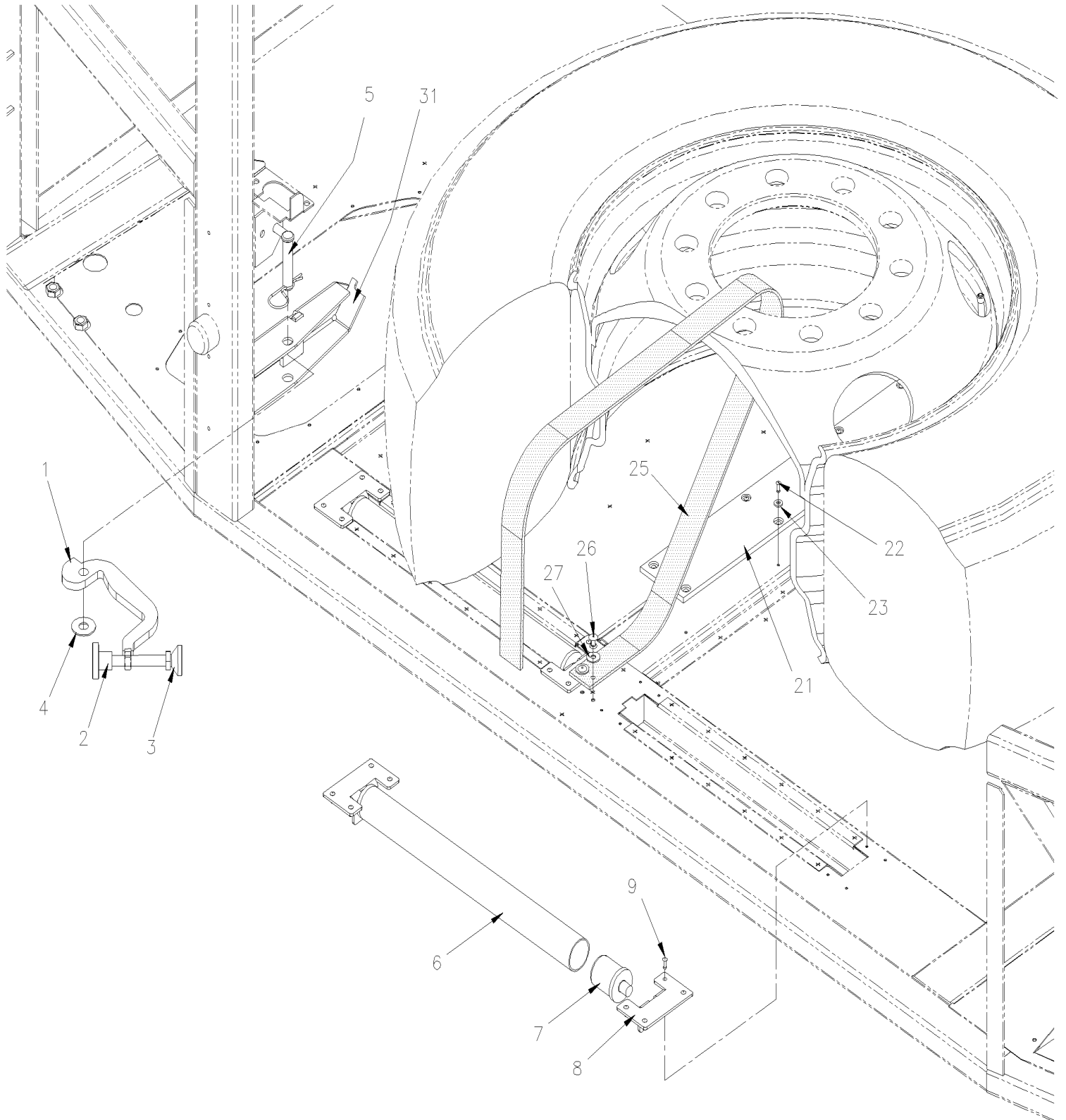


From E-5590

Date:07/2024

PAGE:X3VIP-1325-01

SPARE WHEEL - INSTALLATION



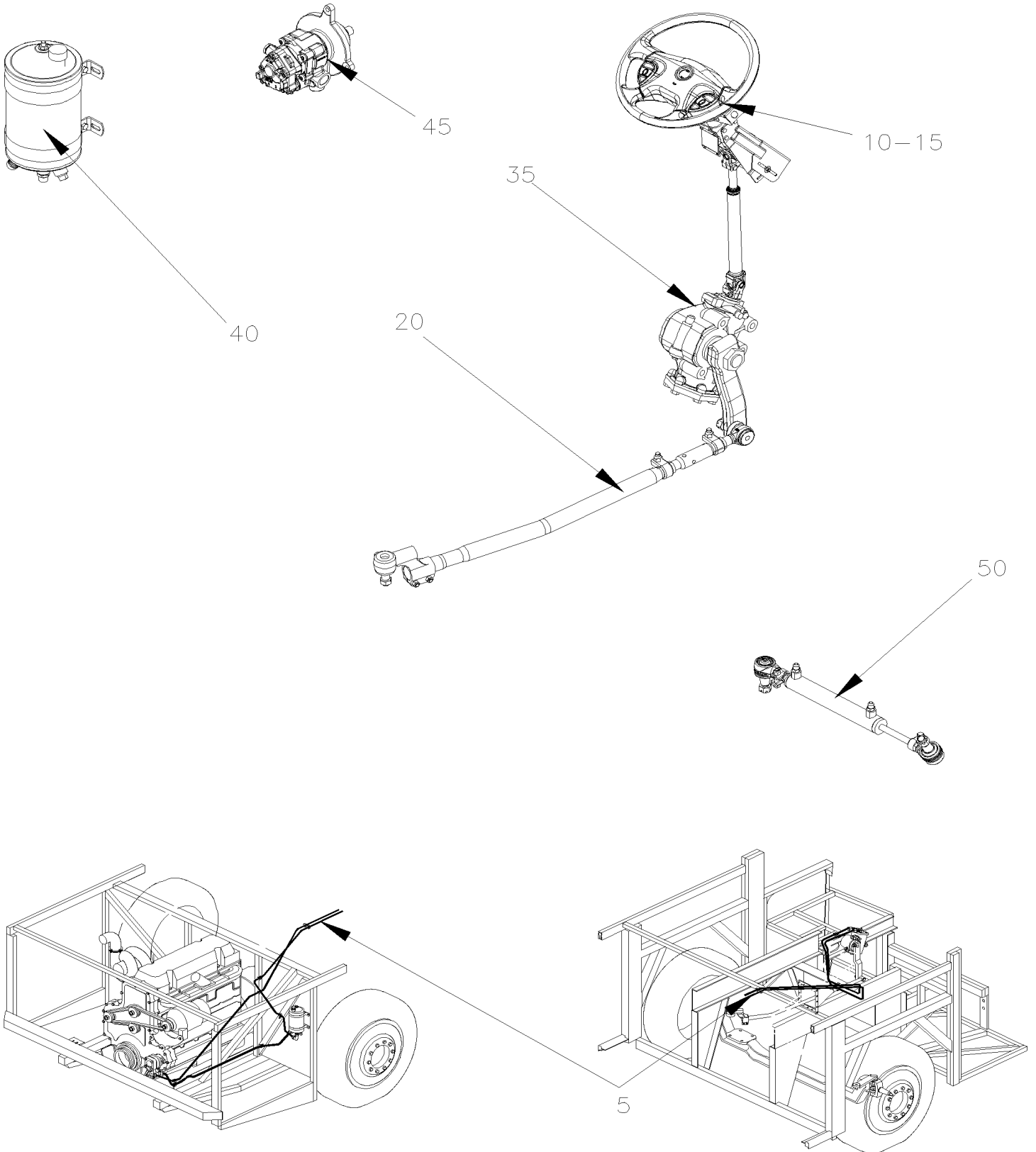


From E-5590	Date:07/2024	PAGE:X3VIP-1325-01
SPARE WHEEL - INSTALLATION		

Item#	Part	Description	X 3 V I P E N T	X 3 V I P M T H	NOTES
1	411302	STOPPER ASSY	1		
2	5001701	BUTTON SS M10-1.5 SS	1		
3	5001702	NUT SW M10-1.5 SS	1		
4	5001233	WASHER FL .500x1.250x.062 NYL	1		
5	5001703	PIN, CLEVIS 1/2 x 2 1/2 SS	1		
6	150318	TUBE	2		
7	150314	AXLE SHAFT	4		
8	150797	ANGLE SUPPORT	4		
9	504339	RIVET POP DOME OE 1/8x3/8 SS	16		
NS	680343	GREASE CLEAR SPRAY BOTTLE 283GR	1		
NS	150128	COVER SPARE WHEEL	1		
21	150798	SLIDE TRACK	1		
22	504339	RIVET POP DOME OE 1/8x3/8 SS	9		
23	5001137	WASHER FL .203x.438x.050 SS	9		
25	157734	STRAP	1		
26	504747	RIVET HKL MMS 3/16x3/8 SS To E-5606	2		
26	504793	RIVET MNB OE LARGE HEAD 3/16x7/16 SS From E-5607	2		
27	500411	WASHER FL .260x.697x.050 SS	2		
NS	682175	UNDERCOATING BLACK PROTECTOR (GRAVELGUARD) 567gr To N-6731	AR		
NS	685413	RUBBERIZED UNDERCOAT (GRAVELGUARD) 560gr From N-6732	1		
31	Call order desk	SUPPORT, STOPPER (WELDED)	1		P
		P) CALL ORDER DESK FOR SPECIFIC APPLICATION (V.I.N.)			



	Date:07/2024	X3VIP-14
STEERING		





		Date:07/2024	X3VIP-14		
STEERING					
Item#	Part	Description	X 3 V I P E N T	X 3 V I P M T H	NOTES
5	X3VIP-1400-00	POWER STEERING HOSE - INSTALLATION From E-5490 To H-6179			
5	X3VIP-1400-01	POWER STEERING HOSE - INSTALLATION VOLVO D13 - GHG17 From H-6180			
10	X3VIP-1405-00	STEERING WHEEL & COLUMN ASSY WITH CONTROL SWITCHES From E-5490			
15	X3VIP-1407-00	STEERING COLUMN & COVER - INSTALLATION From E-5490			
20	X3VIP-1410-00	STEERING GEAR BOX & DRAG LINK - INSTALLATION From E-5490			
20	X3VIP-1410-51	STEERING RODS - INSTALLATION W/INDEPENDENT "NDIFS80P" / 19000LBS From E-5490			
20	X3VIP-1410-61	STEERING RODS - INSTALLATION W/INDEPENDENT "NDIFS80P" / 19000LBS From E-5490			
35	X3VIP-1415-00	STEERING GEARBOX - "ZF" From E-5490			
40	X3VIP-1420-00	POWER STEERING TANK - 4 QT U.S. From E-5490 To K-6464			
40	X3VIP-1420-10	POWER STEERING TANK - ZF From K-6465			
45	Refer To Volvo	POWER STEERING PUMP - "VOLVO" D13 From E-5490			V
45	X3VIP-1427-01	POWER STEERING PUMP - "VOLVO" D13 From E-5490			
50	X3VIP-1430-50	CYLINDER POWER STEERING From E-5490			
		V) SEE IMPACT OR CALL ORDER DESK			

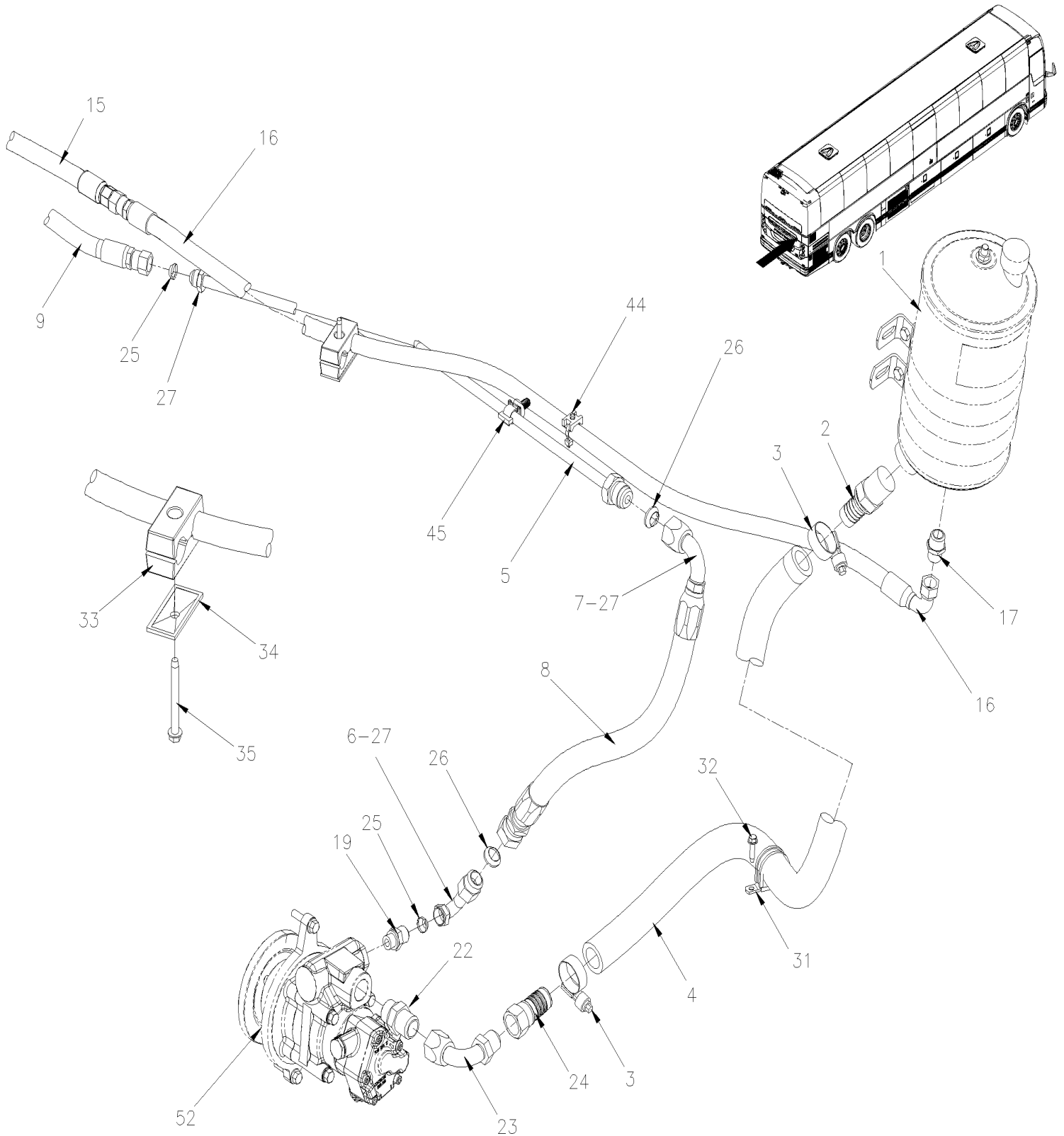


From E-5490 To H-6179

Date:07/2024

PAGE:X3VIP-1400-00

POWER STEERING HOSE - INSTALLATION



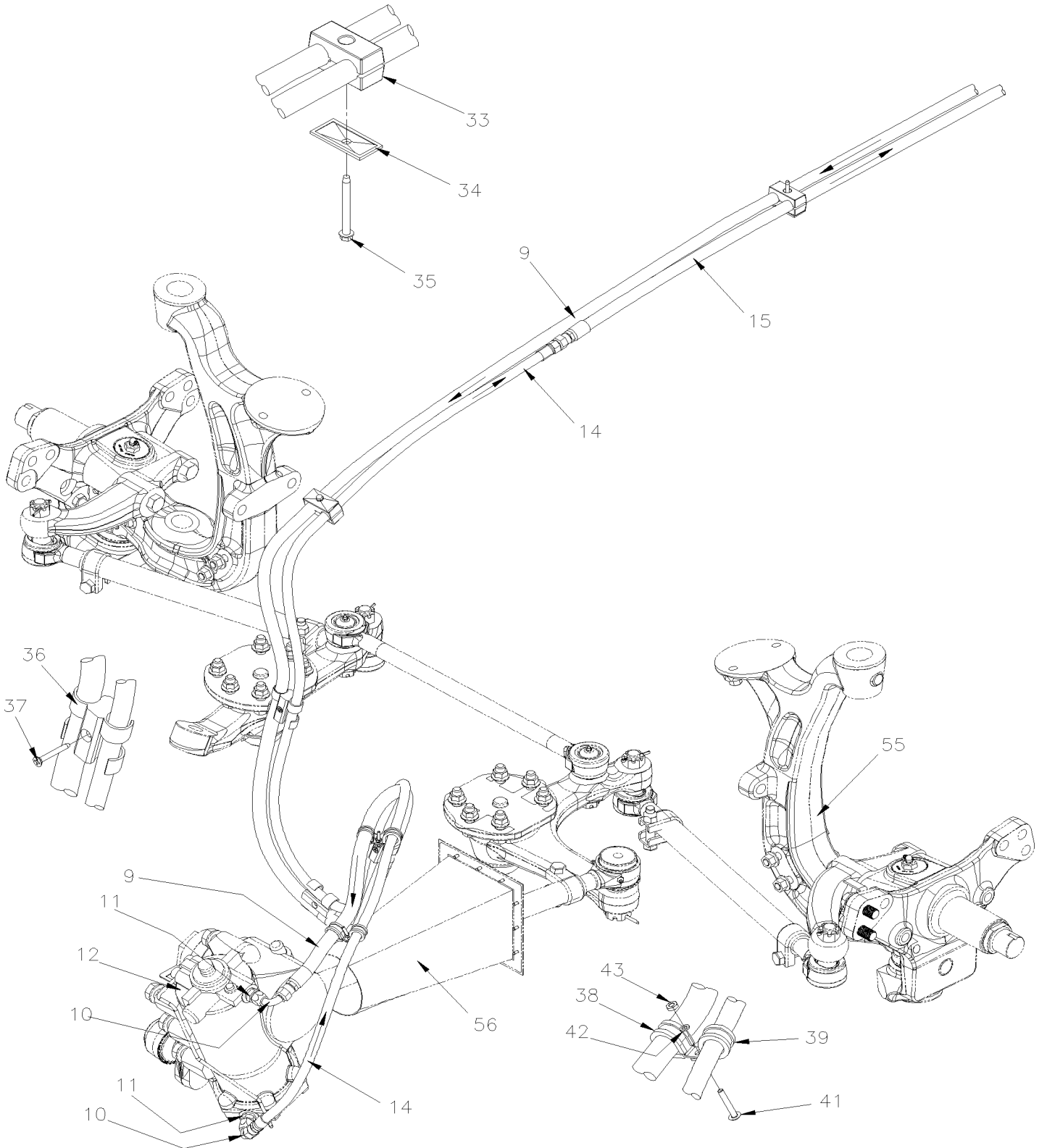


From E-5490 To H-6179

Date:07/2024

PAGE:X3VIP-1400-00

POWER STEERING HOSE - INSTALLATION





From E-5490 To H-6179	Date:07/2024	PAGE:X3VIP-1400-00
-----------------------	--------------	--------------------

POWER STEERING HOSE - INSTALLATION

Item#	Part	Description	X 3 V I P E N T	X 3 V I P M T H	N O T E S
1	X3VIP-1420-00	POWER STEERING TANK - 4 QT U.S.			
2	5011086	MALE CONNECTOR / PUSH-LOK FITTING / 1NPT-Mx#16 STL	1	1	
3	504291	HOSE CLAMP / 1"1/8-1"3/4 SS / E.T. 20 To F-5811	AR	AR	
3	992086	HOSE CLAMP / 32MM/52MM From F-5812	AR	AR	
4	161334P	HOSE #16 1040MM	1	1	D13
5	163597	HOSE ASSY WITH NOISE ATENUATOR TUBE To F-5779	1	1	D13
. NS	163603	. HOSE ASSY / #12 593MM To F-5779	1	1	D13
5	169070	HOSE ASSY WITH NOISE ATENUATOR TUBE From F-5780			D13
5	501739	. MALE CONNECTOR / JIC 37° FITTING / #8JIC-Mx1/2NPT-M STL To F-5779	1	1	D13
6	5011342	. SWIVEL NUT ELBOW 90° LONG / JIC 37° FITTING / #12JIC-Mx#8JIC-F STL To F-5779	1	1	D13
6	5011342	. SWIVEL NUT ELBOW 90° LONG / JIC 37° FITTING / #12JIC-Mx#8JIC-F STL From F-5780	1	1	D13
7	501594	. FEMALE ELBOW 90° SHORT DROP/ JIC 37° FITTING/ #8JIC-Fx#8 STL To F-5779	1	1	D13
8	163603	. HOSE ASSY / #12 593MM To F-5779	1	1	D13
8	169072	. HOSE ASSY / #12 570MM From F-5780	1	1	D13
9	161335P	HOSE ASSY / #8 11620MM To G-6072	1	1	D13
9	160039	HOSE ASSY / #8 11620MM From G-6073	1	1	D13
9	503748	. HOSE PROTECTOR / YELLOW / .838 I.D.	AR	AR	
NS	160127	KIT, POWER STEERING PUMP DISCHARGE HOSE (PRESSURE) X	1	1	
. NS	160006	. HOSE PRESSURE, POWER STEERING #8 11690MM	1	1	
. NS	500107	. SCREW TC CAP HEXW 1/4-20x2 1/2 Z050	3	3	
. NS		. FLARETITE SEAL ARE NO LONGER USED IN PRODUCTION AND SERVICE	1	1	
. NS	504189	. CLAMP DOUBLE ASS / SPLIT BLOC / 22MM/19MM x 67MM POLYA	13	13	
. NS	504728	. PLATE RETAINER	3	3	
. NS	IS-19040	. INSTRUCTION SHEET	1	1	
. NS	FI-19040	. VOIR FEUILLE D'INSTRUCTION	1	1	
10	501845	SWIVEL NUT ELBOW 90° LONG / JIC 37° FITTING / #8JIC-Fx#8JIC-Mx1.86 STL	2	2	
11	5011192	MALE CONNECTOR / JIC 37° FITTING / #8JIC-MxM18-1.5-M STL	2	2	
. NS	N.P.N.	. O-RING	1	1	4
. NS	N.P.N.	. WASHER RET	1	1	4
NS	688910	THREAD LOCKER LOCTITE #262 / RED / 250ml	AR	AR	
12	X3VIP-1415-00	STEERING GEARBOX - "ZF"	1	1	
13	161336P	HOSE ASSY / PHANTOM To G-6072	1	1	A
. NS	163250	. HOSE ASSY / #8 1860MM To G-6072	1	1	A
. NS	163248	. HOSE ASSY / #8 8850MM To G-6072	1	1	A
. NS	163249	. HOSE ASSY / #6 3000MM To G-6072	1	1	A
13	160040	HOSE ASSY / From G-6073	1	1	
14	163249	. HOSE ASSY / #6 3000MM	1	1	
15	163248	. HOSE ASSY / #8 8850MM	1	1	
15	503748	HOSE PROTECTOR / YELLOW / .838 I.D.	AR	AR	
16	163250	HOSE ASSY / #8 1860MM	1	1	
17	501739	MALE CONNECTOR / JIC 37° FITTING / #8JIC-Mx1/2NPT-M STL	1	1	
19	641294	MALE CONNECTOR / JIC 37° FITTING / #8JIC-MxM16-1.5-M STL	1	1	D13



From E-5490 To H-6179 Date:07/2024 PAGE:X3VIP-1400-00

POWER STEERING HOSE - INSTALLATION

Item#	Part	Description	X 3 V I P E N T	X 3 V I P M T H	N O T E S
. NS	641297	. O-RING 13.1MM I.D. X 2.6 TH	1	1	D13
. NS	641298	. WASHER FL 17MM I.D x 22MM O.D. x 1.5MM	1	1	D13
22	507647	MALE CONNECTOR W/ED SEAL / JIC 37° FITTING / #12JIC-MxM26-1.5-M STL	1	1	D13
23	507544	SWIVEL NUT ELBOW 90° SHORT / JIC 37° FITTING/ #12JIC-Fx#12JIC-Mx1.82 STL	1	1	D13
24	507646	FEMALE CONNECTOR SWIVEL / COLLAR FITTING / #12JIC-Fx#16 STL	1	1	D13
25	501031	SEAL / JIC 37° FITTING / #8 From H-6100	2	2	
26	501059	SEAL / JIC 37° FITTING / #12 From H-6100	2	2	
27	688910	THREAD LOCKER LOCTITE #262 / RED / 250ml From H-6100	AR	AR	
31	952641	CLAMP P STL ZP RUB 34.9 ID	1	1	
32	500266	SCREW TC CAP HEX 1/4-20x1 N500	1	1	
33	504727	CLAMP DOUBLE ASS / 2 HOSE SIZE 3/8"	AR	AR	
34	504728	PLATE RETAINER	AR	AR	
35	500107	SCREW TC CAP HEXW 1/4-20x2 1/2 Z050	AR	AR	
36	504634	T-CLIP / 7/8" - 1"	3	3	
37	500267	SCREW TC FL PH #10-32x1 1/2 Z050	2	2	
38	952633	CLAMP / 7/8" I.D.	2	2	
39	952631	CLAMP / 3/4" I.D.	2	2	
NS	504016	CABLE TIE / 5/16" X 14"1/2	AR	AR	
41	500574	SCREW MA TR PH #10-24x1 1/4 SS	2	2	
42	500470	WASHER LO SPT .193x.334x.047 Z050	2	2	
43	502882	NUT HEX #10-24 N500	2	2	
44	504013	TIE MOUNT / 1/4" X 1/4" I.D.	AR	AR	
44	504379	RIVET POP DOME OE 3/16x1/4 SS	AR	AR	
44	504637	CABLE TIE / 3/16" x 13"	AR	AR	
45	504750	CABLE TIE / 1/2" x 15" / CHRISTMAS TREE	AR	AR	
52	X3VIP-1427-01	POWER STEERING PUMP - "VOLVO" D13			
55	X3VIP-1005-51	FRONT AXLE - INDEPENDENT MODEL "NDIFS80P" / 19000LBS			
55	X3VIP-1005-61	FRONT AXLE - INDEPENDENT MODEL "NDIFS80P" / 19000LBS			
56	X3VIP-1410-00	STEERING GEAR BOX & DRAG LINK - INSTALLATION			
		A) FOR SERVICE, IT'S POSSIBLE TO REPAIR THIS HOSE IN FRONT SERVICE COMPARTMENT WITH KIT #161197			
		D13) WITH "VOLVO" ENGINE D13			
		4) NO PARTS NUMBER			



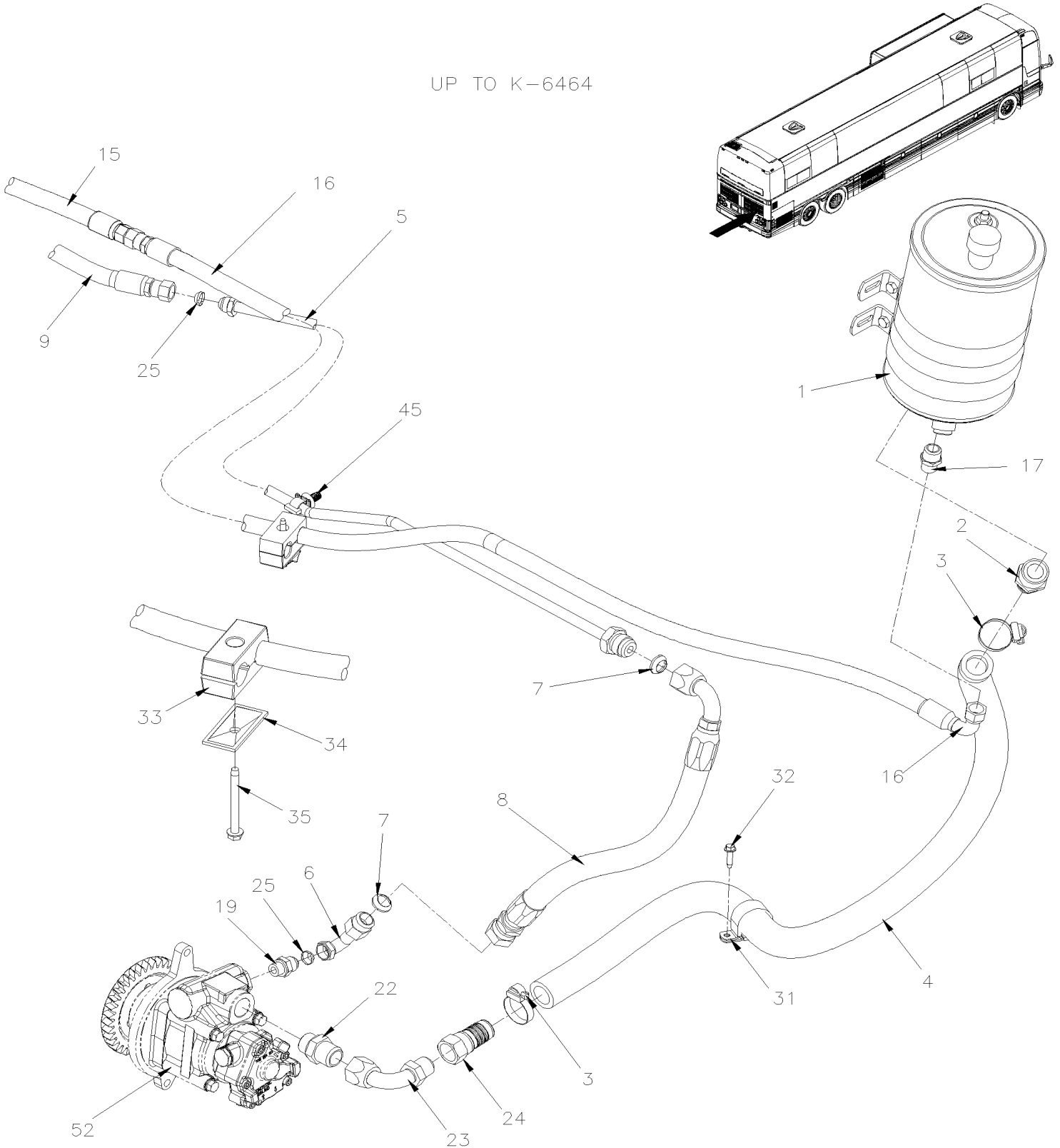
From H-6180

Date:07/2024

PAGE:X3VIP-1400-01

POWER STEERING HOSE - INSTALLATION VOLVO D13 - GHG17

UP TO K-6464





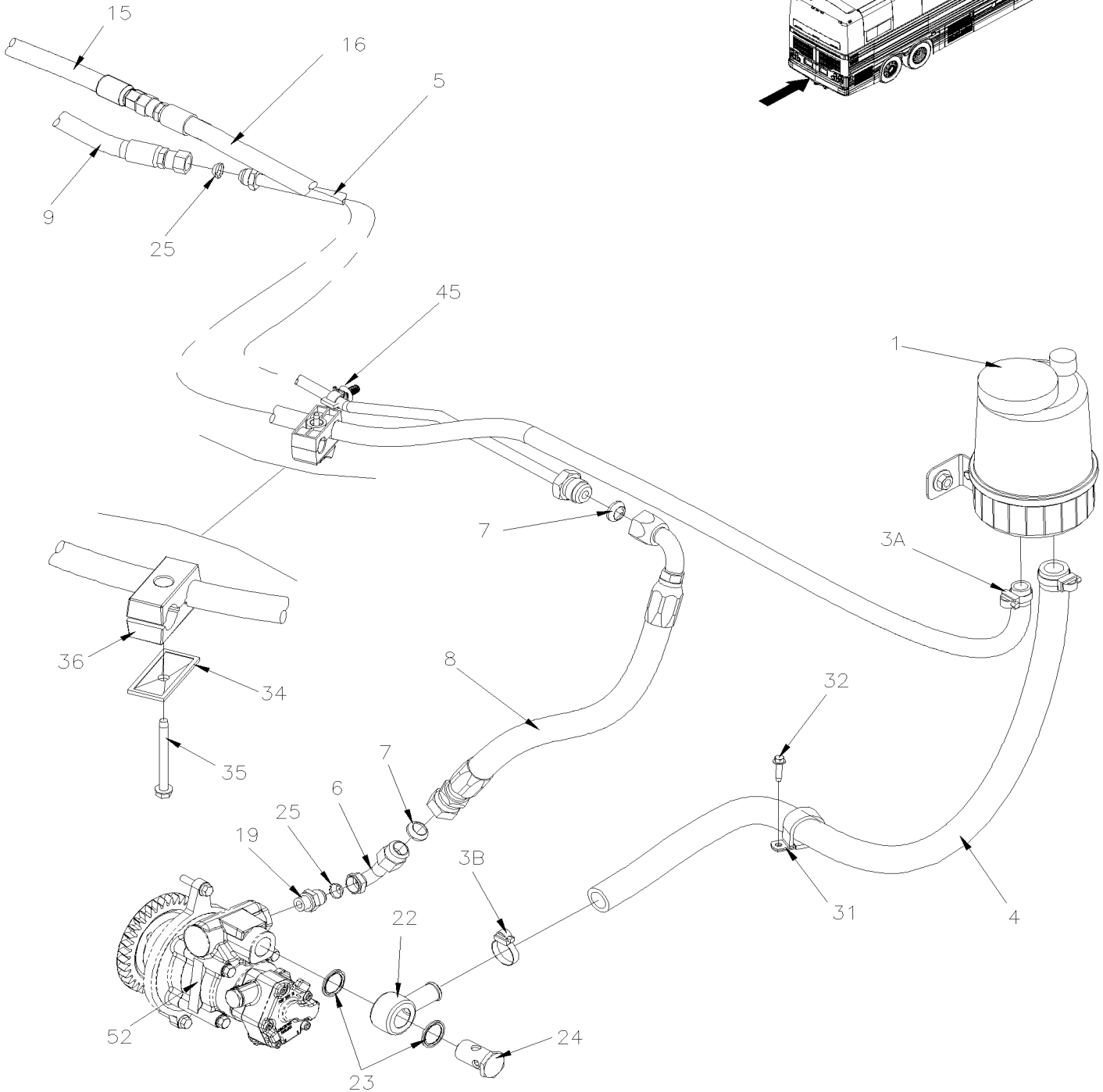
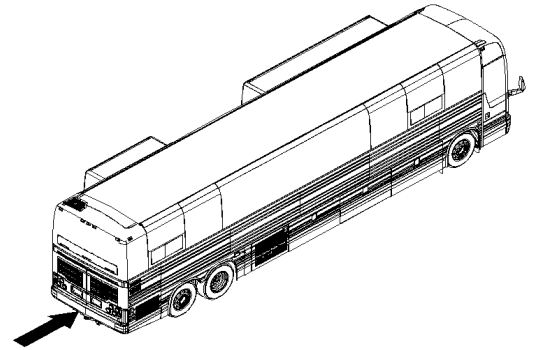
From H-6180

Date:07/2024

PAGE:X3VIP-1400-01

POWER STEERING HOSE - INSTALLATION VOLVO D13 - GHG17

FROM K-6465



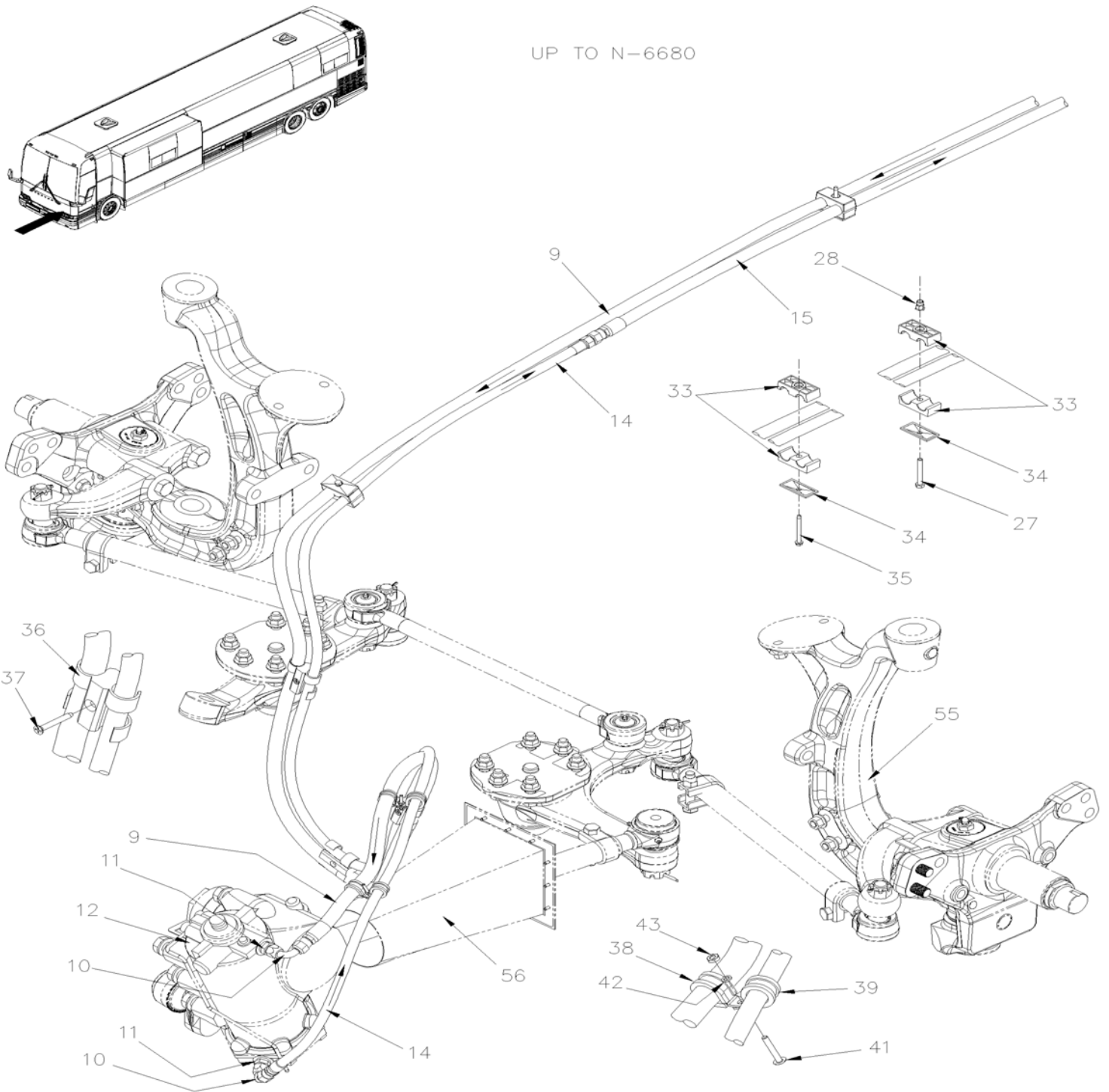


From H-6180

Date:07/2024

PAGE:X3VIP-1400-01

POWER STEERING HOSE - INSTALLATION VOLVO D13 - GHG17



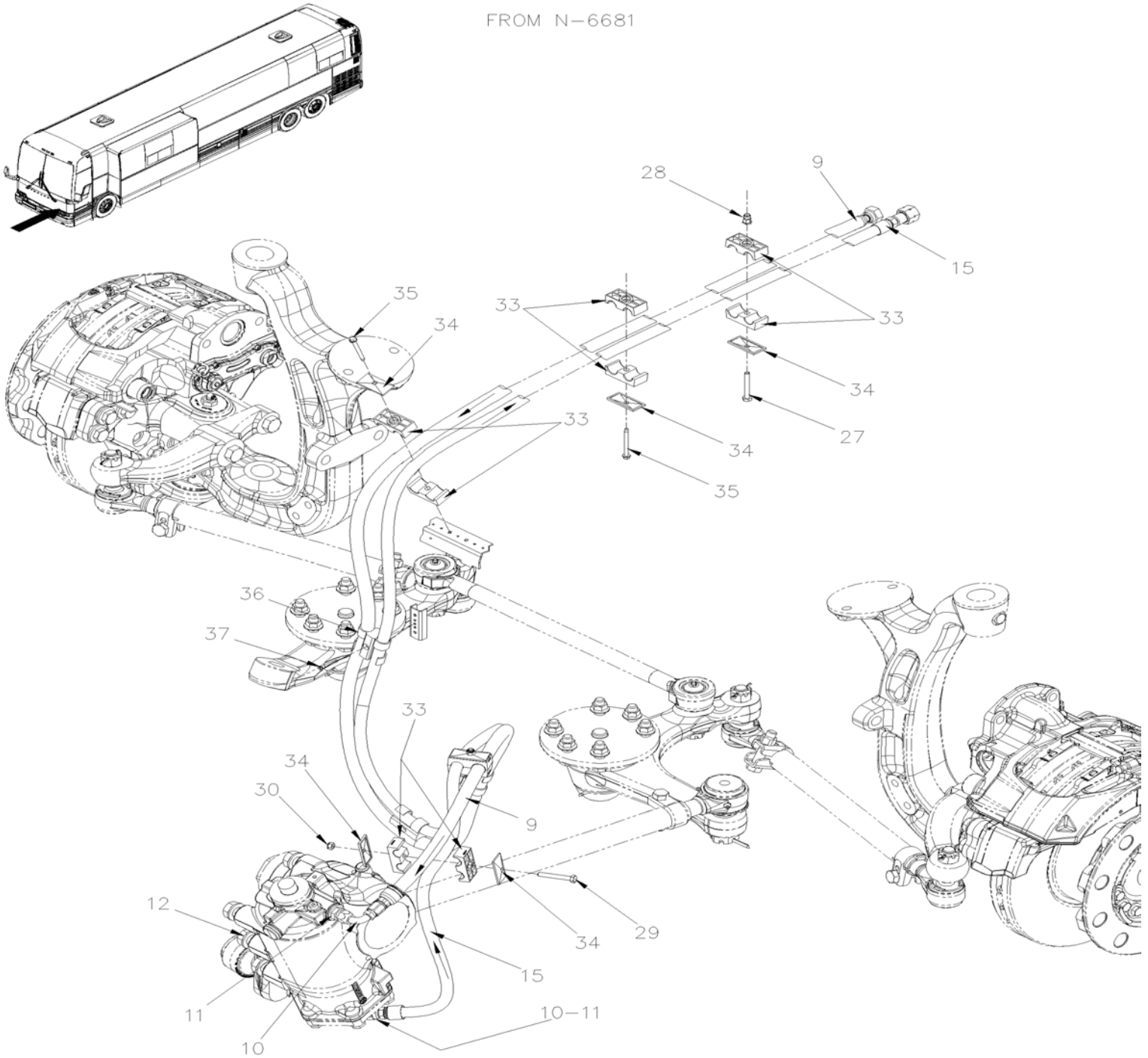


From H-6180

Date:07/2024

PAGE:X3VIP-1400-01

POWER STEERING HOSE - INSTALLATION VOLVO D13 - GHG17





From H-6180		Date:07/2024	PAGE:X3VIP-1400-01
POWER STEERING HOSE - INSTALLATION VOLVO D13 - GHG17			

Item#	Part	Description	X 3 V I P E N T	X 3 V I P M T H	N O T E S
1	X3VIP-1420-00	POWER STEERING TANK - 4 QT U.S. To K-6465	1	1	
1	5011086	. MALE CONNECTOR / PUSH-LOK FITTING / 1NPT-Mx#16 STL To K-6465	1	1	
1	X3VIP-1420-10	POWER STEERING TANK - ZF From K-6465	1	1	
2	5011086	MALE CONNECTOR / PUSH-LOK FITTING / 1NPT-Mx#16 STL To K-6465	1	1	
3	992086	HOSE CLAMP / 32MM/52MM To K-6465	AR	AR	
3A	992082	HOSE CLAMP / 16MM/27MM From K-6465	AR	AR	
3B	992084	HOSE CLAMP / 23MM/35MM From K-6465	AR	AR	
4	161334P	HOSE #16 1040MM To K-6465	1	1	
4	503809	HOSE, LOW PRESSURE 22 I.D. From K-6465	1	1	
5	169074	HOSE ASSY WITH NOISE ATENUATOR TUBE To N-6685	1	1	
5	163605	HOSE ASSY WITH NOISE ATENUATOR TUBE From N-6686	1	1	
5	169073	. NOISE ATENUATOR TUBE To N-6685	1	1	
5	163604	. NOISE ATENUATOR TUBE From N-6686	1	1	
6	5011342	. SWIVEL NUT ELBOW 90° LONG / JIC 37° FITTING / #12JIC-Mx#8JIC-F STL	1	1	
7	501059	. SEAL / JIC 37° FITTING / #12 To R-4104	2	2	
7		FLARETITES SEALS ARE NO LONGER USED. From R-4105			
8	169072	. HOSE ASSY / #12 570MM	1	1	
8	688910	THREAD LOCKER LOCTITE #262 / RED / 250ml	AR	AR	
9	160039	HOSE ASSY / #8 11620MM To L-6558	1	1	
9	160006	HOSE PRESSURE, POWER STEERING #8 11690MM From L-6559	1	1	
9	503748	HOSE PROTECTOR / YELLOW / .838 I.D.	AR	AR	
9	160127	KIT, POWER STEERING PUMP DISCHARGE HOSE (PRESSURE) X To L-6558	1	1	
. NS	160006	. HOSE PRESSURE, POWER STEERING #8 11690MM To L-6558	1	1	
. NS	500107	. SCREW TC CAP HEXW 1/4-20x2 1/2 Z050 To L-6558	3	3	
. NS		. FLARETITE SEAL ARE NO LONGER USED IN PRODUCTION AND SERVICE To L-6558	1	1	
. NS	504189	. CLAMP DOUBLE ASS / SPLIT BLOC / 22MM/19MM x 67MM POLYA To L-6558	13	13	
. NS	504728	. PLATE RETAINER To L-6558	3	3	
. NS	IS-19040	. INSTRUCTION SHEET To L-6558	1	1	
. NS	FI-19040	. VOIR FEUILLE D'INSTRUCTION To L-6558	1	1	
10	501845	SWIVEL NUT ELBOW 90° LONG / JIC 37° FITTING / #8JIC-Fx#8JIC-Mx1.86 STL	2	2	
11	5011192	MALE CONNECTOR / JIC 37° FITTING / #8JIC-MxM18-1.5-M STL	2	2	
. NS	N.P.N.	. O-RING	1	1	4
. NS	N.P.N.	. WASHER RET	1	1	4
11	688910	THREAD LOCKER LOCTITE #262 / RED / 250ml	AR	AR	
12	X3VIP-1415-00	STEERING GEARBOX - "ZF"			
13	160040	HOSE ASSY / To L-6558	1	1	
14	163249	HOSE ASSY / #6 3000MM To L-6558	1	1	
15	163248	HOSE ASSY / #8 8850MM To L-6558	1	1	
15	160128	HOSE RETURN, POWER STEERING From L-6559	1	1	
16	163250	HOSE ASSY / #8 1860MM To L-6558	1	1	
16	160009	HOSE RETURN, POWER STEERING #10 2059MM From L-6559	1	1	
17	501739	MALE CONNECTOR / JIC 37° FITTING / #8JIC-Mx1/2NPT-M STL	1	1	



From H-6180		Date:07/2024	PAGE:X3VIP-1400-01
-------------	--	--------------	--------------------

POWER STEERING HOSE - INSTALLATION VOLVO D13 - GHG17

Item#	Part	Description	X 3 V I P E N T	X 3 V I P M T H	N O T E S
19	641294	MALE CONNECTOR / JIC 37° FITTING / #8JIC-MxM16-1.5-M STL	1	1	
NS	641297	O-RING 13.1MM I.D. X 2.6 TH	1	1	
NS	641298	WASHER FL 17MM I.D x 22MM O.D. x 1.5MM	1	1	
22	507647	MALE CONNECTOR W/ED SEAL / JIC 37° FITTING / #12JIC-MxM26-1.5-M STL To K-6464	1	1	
22	507680	BANJO UNION / 26MMx22MMHOSE From K-6465	1	1	
23	507544	SWIVEL NUT ELBOW 90° SHORT / JIC 37° FITTING/ #12JIC-Fx#12JIC-Mx1.82 STL To K-6464	1	1	
23	507682	BANJO WASHER / M26 From K-6465 To N-6680	2	2	
23	507037	BANJO WASHER / M26 From N-6681	2	2	
24	507646	FEMALE CONNECTOR SWIVEL / COLLAR FITTING / #12JIC-Fx#16 STL To K-6464	1	1	
24	507681	BANJO BOLT / M26-1.5 From K-6465	1	1	
25	501031	SEAL / JIC 37° FITTING / #8 To R-4104	2	2	
25		FLARETITES SEALS ARE NO LONGER USED. From R-4105			
26	501059	SEAL / JIC 37° FITTING / #12 To R-4104	2	2	
26		FLARETITES SEALS ARE NO LONGER USED. From R-4105			
27	5001178	SCREW CAP HEX M8-1.25x60 SS BK	AR	AR	
28	5001337	NUT INS FL HEX M8-1.25 0.5-3.0 Z050	AR	AR	
29	5001178	SCREW CAP HEX M8-1.25x60 SS BK From N-6681	1	1	
30	502847	NUT HEX NYRT M8-1.25 N500 From N-6681	2	2	
31	504779	CLAMP / SS / SILICONE RUBBER / 1 3/8" I.D. x .281 HOLE To K-6464	1	1	
31	504004	CLAMP / SS / SILICONE RUBBER / 1 1/4" I.D. x .281 HOLE From K-6465	1	1	
32	500107	SCREW TC CAP HEXW 1/4-20x2 1/2 Z050	AR	AR	
32	5001178	SCREW CAP HEX M8-1.25x60 SS BK	AR	AR	
33	504727	CLAMP DOUBLE ASS / 2 HOSE SIZE 3/8" To L-6558	AR	AR	
33	504189	CLAMP DOUBLE ASS / SPLIT BLOC / 22MM/19MM x 67MM POLYA From L-6559	AR	AR	
34	504728	PLATE RETAINER	AR	AR	
35	500107	SCREW TC CAP HEXW 1/4-20x2 1/2 Z050	AR	AR	
36	504634	T-CLIP / 7/8" - 1"	AR	AR	
37	500267	SCREW TC FL PH #10-32x1 1/2 Z050	2	2	
38	952633	CLAMP / 7/8" I.D. To N-6680	2	2	
39	952631	CLAMP / 3/4" I.D. To N-6680	2	2	
40	504016	CABLE TIE / 5/16" X 14"1/2	AR	AR	
41	500574	SCREW MA TR PH #10-24x1 1/4 SS To N-6680	2	2	
42	500470	WASHER LO SPT .193x.334x.047 Z050 To N-6680	2	2	
43	502882	NUT HEX #10-24 N500 To N-6680	AR	AR	
44	504013	TIE MOUNT / 1/4" X 1/4" I.D.	AR	AR	
NS	504379	RIVET POP DOME OE 3/16x1/4 SS	AR	AR	
NS	504637	CABLE TIE / 3/16" x 13"	AR	AR	
45	504750	CABLE TIE / 1/2" x 15" / CHRISTMAS TREE	AR	AR	
52	X3VIP-1427-01	POWER STEERING PUMP - "VOLVO" D13			
55	X3VIP-1005-51	FRONT AXLE - INDEPENDENT MODEL "NDIFS80P" / 19000LBS			
55	X3VIP-1005-61	FRONT AXLE - INDEPENDENT MODEL "NDIFS80P" / 19000LBS			
56	X3VIP-1410-00	STEERING GEAR BOX & DRAG LINK - INSTALLATION			



From H-6180	Date:07/2024	PAGE:X3VIP-1400-01
POWER STEERING HOSE - INSTALLATION VOLVO D13 - GHG17		

Item#	Part	Description	X 3 V I P E N T	X 3 V I P M T H	N O T E S
		4) NO PARTS NUMBER			

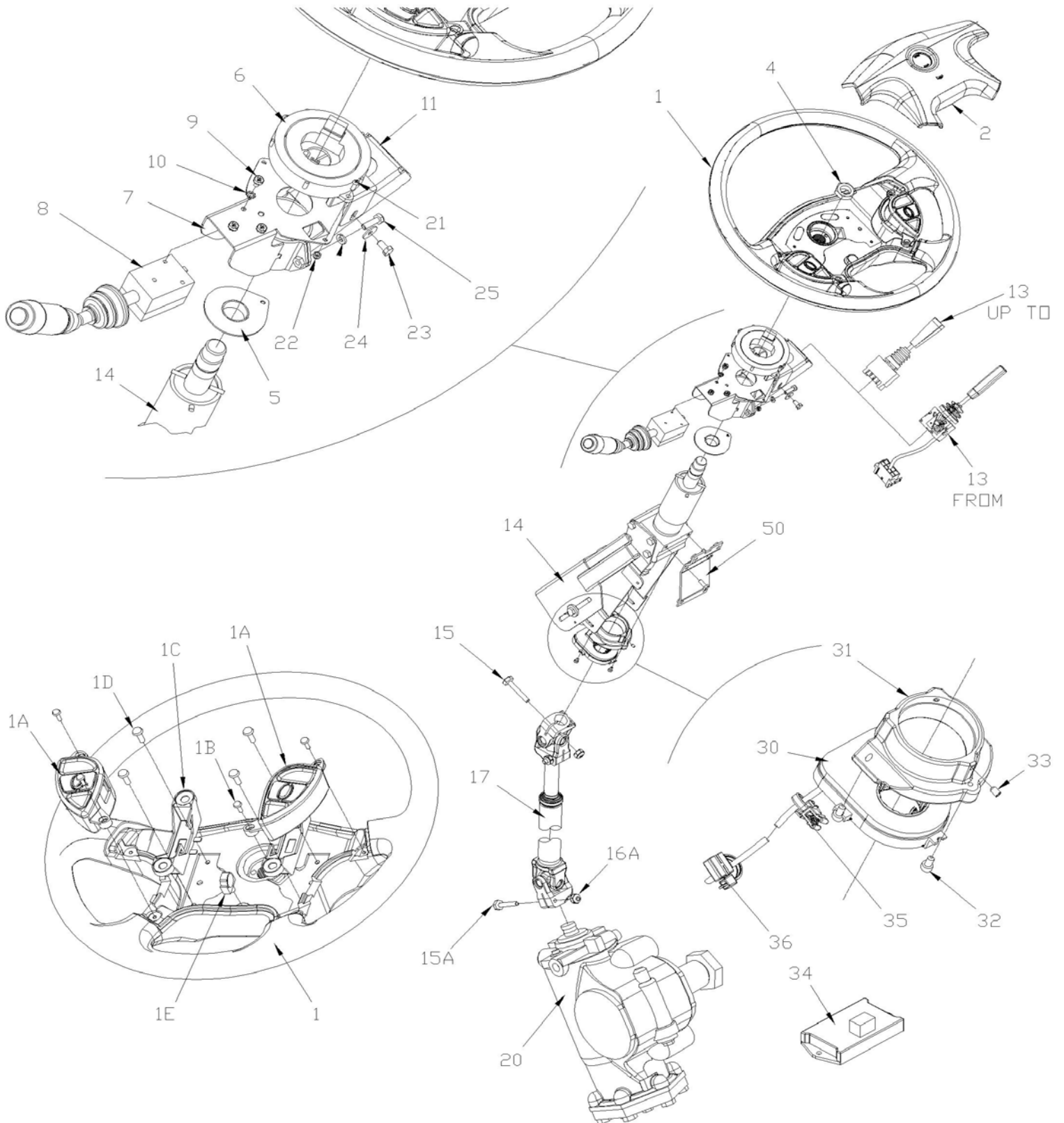


From E-5490

Date:07/2024

PAGE:X3VIP-1405-00

STEERING WHEEL & COLUMN ASSY WITH CONTROL SWITCHES





STEERING WHEEL & COLUMN ASSY WITH CONTROL SWITCHES

Item#	Part	Description	X 3 V I P E N T	X 3 V I P M T H	N O T E S
1	661172	STEERING WHEEL URHETHANE	1	1	
. A	661204	. SWITCH ASSY / W/OUT TRANS SHIFTER	1	1	
. B	661159	. SCREW MA BUT M4-0.7x8	4	4	
. C	661157	. HORN PAD BASE	2	2	
. D	661160	. SCREW MA M5-0.8x8	4	4	
. E	661158	. CLIP WIRE RETAINER	1	1	
1	661174	STEERING WHEEL LEATHER	1	1	
. A	661204	. SWITCH ASSY / W/OUT TRANS SHIFTER	1	1	
. B	661159	. SCREW MA BUT M4-0.7x8	4	4	
. C	661157	. HORN PAD BASE	2	2	
. D	661160	. SCREW MA M5-0.8x8	4	4	
. E	661158	. CLIP WIRE RETAINER	1	1	
1	661176	STEERING WHEEL LEATHER & WOOD	1	1	
. A	661204	. SWITCH ASSY / W/OUT TRANS SHIFTER	1	1	
. B	661159	. SCREW MA BUT M4-0.7x8	4	4	
. C	661157	. HORN PAD BASE	2	2	
. D	661160	. SCREW MA M5-0.8x8	4	4	
. E	661158	. CLIP WIRE RETAINER	1	1	
2	661149	HORN BUTTON CUSHION PAD W PROVOST EMBLEM	1	1	
. NS	N.S.S.	. SPRING HORN	4	4	1
. NS	661162	. SPRING RETAINER / HORN SPRING	4	4	
. NS	661163	. HORN CONTACT	1	1	
4	661051	NUT	1	1	
5	161273	RING TURN SIGNAL CANCELING	1	1	
NS	502506	SCREW SET HEXS CUP M4-0.7x16	2	2	
6	661119	ROTATING CONTACT / CLOCK SPRING To H-6096	1	1	
6	660012	ROTATING CONTACT / CLOCK SPRING From H-6097 To N-6756	1	1	
6	661224	ROTATING CONTACT / CLOCK SPRING From N-6757	1	1	
NS	067214	EXTENSION, CLOCK SPRING	1	1	
NS	161249	GUIDE ROTATING CONTACT	1	1	
NS	504742	RING RETAINER / EXT 1.562 x 1.446 x 0.62	1	1	
7	161212	SUPPORT, DIRECTIONAL SWITCH	1	1	
8	661075	LEVER ASSY / MULTIFONCTINAL	1	1	
. NS	660781	. CAP PLEATED RUBBER	1	1	
8	504804	RING RETAINER / EXT 1 3/4 From F-5798	1	1	
9	5001377	SCREW MA PAN PH M5-0.8x8 SS	3	3	
10	5001378	WASHER LO EXT 5.3x10x0.6 Z050	3	3	
11	161211	COLLAR W/SWITCH SUPPORT	1	1	
13	562356	SWITCH ASSY / W/LEVER & BOOT / 6 POSITIONS To R-4029	1	1	
13	564801	LEVER HAND-RETARDER From R-4030	1	1	
NS		UP TO £-23062			
NS		FROM £-23062			



STEERING WHEEL & COLUMN ASSY WITH CONTROL SWITCHES

Item#	Part	Description	X 3 V I P E N T	X 3 V I P M T H	N O T E S
14	661147	STEERING COLUMN ASSY W/E.C.S. 36SPL / 66SPL LOWER	1	1	
NS	509558	WEATHERSEAL SNAP-ON 1/8" / SINGLE LIP / WH / C.T.L.	AR	AR	
NS	161220	DECAL "WARNING" STREERING SYSTEM CALIBRA.."	2	2	
NS	641242	MALE CONNECTOR / PUSH-IN FITTING / #4x1/8NPT-M BR	1	1	
15	661195	SCREW "SPECIAL" STEERING SHAFT "ZF"	1	1	
15	661195	SCREW "SPECIAL" STEERING SHAFT "ZF"	1	1	
15A	661195	SCREW "SPECIAL" STEERING SHAFT "ZF" To F-5807	1	1	
15A	661195	SCREW "SPECIAL" STEERING SHAFT "ZF" To F-5807	1	1	
15A	502946	SCREW CAP HEX M10-1.5x50 G10.9 N500 From F-5808	1	1	
16A	502859	NUT HEX NYRT M10-1.5 N500 From F-5808	1	1	
17	661179	SHAFT ASSY STEERING W/E.C.S. 66SPL / 79SPL LOWER To F-5807	1	1	
. NS	661195	. SCREW "SPECIAL" STEERING SHAFT "ZF" To F-5807	2	2	
17	660770	SHAFT ASSY STEERING W/E.C.S. 66SPL / 79SPL LOWER From F-5808	1	1	
. NS	661195	. SCREW "SPECIAL" STEERING SHAFT "ZF" From F-5808	1	1	
20	X3VIP-1415-00	STEERING GEARBOX - "ZF"			
21	500344	SCREW MA RND PH M4-0.7x12 Z050	2	2	
22	500590	NUT HEX NYRT M4-0.7 Z050	2	2	
23	502563	SCREW CAP HEX M6-1.0x12 G8.8 Z050	2	2	
24	5001462	WASHER FL 6.4x18.0x1.6 Z050	2	2	
25	502631	SCREW CAP HEX M6-1.0x20 G8.8 Z050	2	2	
26	500356	WASHER LO SERR 6.1x16.0x0.9 N500	2	2	
30	661148	SENSOR ANGLE POSITION DETECTOR	1	1	
. NS	564042	. CONNECTOR / BOSCH 1 928 404 025	1	1	
31	161265	SUPPORT SENSOR ANGLE POSITION STEERING	1	1	
32	5001670	SCREW CAP HEXS M4-0.7x8 G8.8 Z050	3	3	
33	500587	SCREW SET HEXS CUP M4-0.7x6	3	3	
34	382562	GATEWAY LIN BUS INTERFACE To E-5595	1	1	A
34	565917	GATEWAY LIN BUS INTERFACE From E-5596 To E-5682	1	1	A
34	565921	GATEWAY LIN BUS INTERFACE From E-5683 To G-6022	1	1	A
34	560008	GATEWAY LIN BUS INTERFACE From G-6023	1	1	A
35	564204	CABLE TIE / WITH EDGE CLIP / T50REC4A 10MMx200MM	1	1	
36	564534	CABLE TIE / WITH EDGE CLIP / T50REC5A 10 MM x 200 MM	1	1	
50	X3VIP-1407-00	STEERING COLUMN & COVER - INSTALLATION			
		A) THIS INTERFACE BOX ARE LOCATED INSIDE OF DASH ON L.H. SIDE			
		1) NOT SOLD SEPARATELY			

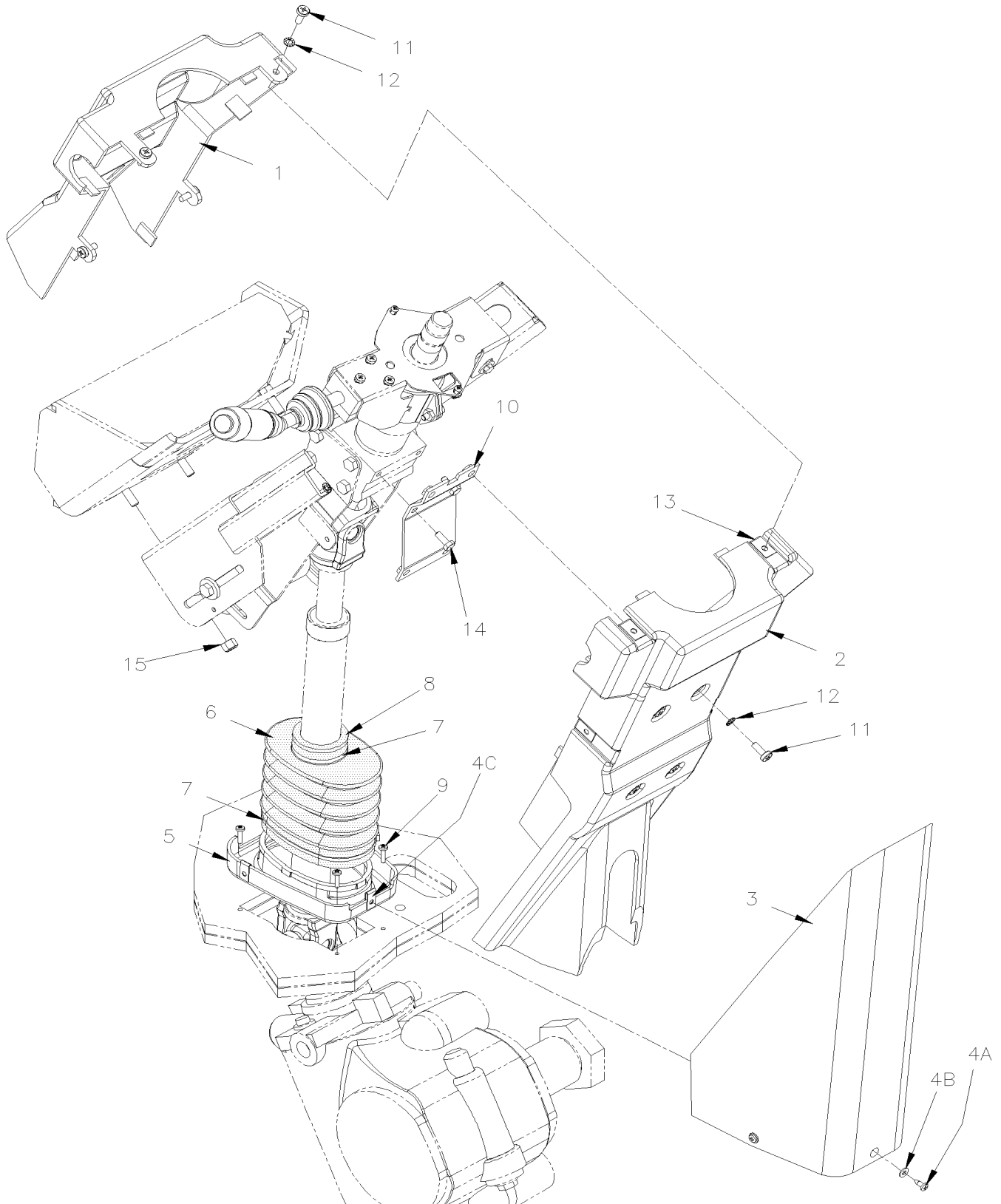


From E-5490

Date:07/2024

PAGE:X3VIP-1407-00

STEERING COLUMN & COVER - INSTALLATION





From E-5490	Date:07/2024	PAGE:X3VIP-1407-00
STEERING COLUMN & COVER - INSTALLATION		

Item#	Part	Description	X 3 V I P E N T	X 3 V I P M T H	N O T E S
1	161268	COVER / W/RETARDER / BLACK To F-5803	1	1	
1	161358	COVER / W/RETARDER / BLACK From F-5804 To R-4029	1	1	
1	160253	UPPER COVER, STEERING COLUMN W/RET From R-4030	1	1	
1	161270	COVER / W/O RETARDER / BLACK To F-5770	1	1	
1	161356	COVER / W/O RETARDER / BLACK From F-5771	1	1	
2	161271	COVER / W/RETARDER / BLACK	1	1	
2	161357	COVER / W/RETARDER / BLACK From F-5804 To R-4029	1	1	
2	160254	LOWER COVER, STEERING COLUMN W/RET From R-4030	1	1	
2	161269	COVER / W/O RETARDER / BLACK To F-5770	1	1	
2	161355	COVER / W/O RETARDER / BLACK From F-5771	1	1	
3	161152	COVER, LOWER / BLACK To F-5807	1	1	
3	160881	COVER, LOWER / BLACK From F-5808	1	1	
4A	504619	CLIP CHRISTMAS TREE / BLACK 7/32"O.D.x1/2" HOLE 3/16 To E-5570	3	3	
4A	500443	SCREW TP PAN PH #8x1/2 N500 From E-5571 To K-6444	3	3	
4A	500957	SCREW TP BDG PH #10x3/4 N500 From K-6445	3	3	
4B	500855	WASHER FL .188x.438x.049 N500 From E-5571	3	3	
4C	500684	NUT SPR U #8A .025-.064 From E-5571	3	3	
5	391974	PLATE SUPPORT	1	1	
6	660981	BELLOW	1	1	
7	504637	CABLE TIE / 3/16" x 13"	2	2	
8	391930	COLLAR	1	1	
9	500641	SCREW TP PAN PH #8x3/4 Z050	4	4	
10	161068	ATTACHMENT	1	1	
11	502569	SCREW MA PAN PH M6-1.0x16 BK	8	8	
12	500472	WASHER LO INT .256x.478x.028 Z050	8	8	
13	502738	NUT SPR U M6-1.0 0.6-4.0 To G-5931	2	2	
13	5001965	NUT SPR U M6-1.0 0.6-4.0 N500 From G-5932	2	2	
13	504669	RIVET DRV BDG .187x.609 NYL	2	2	
14	502531	SCREW CAP HEX M6-1.0x16 G8.8 Z050	2	2	
15	502600	NUT HEX NYRT 5/16-18 Z050	4	4	

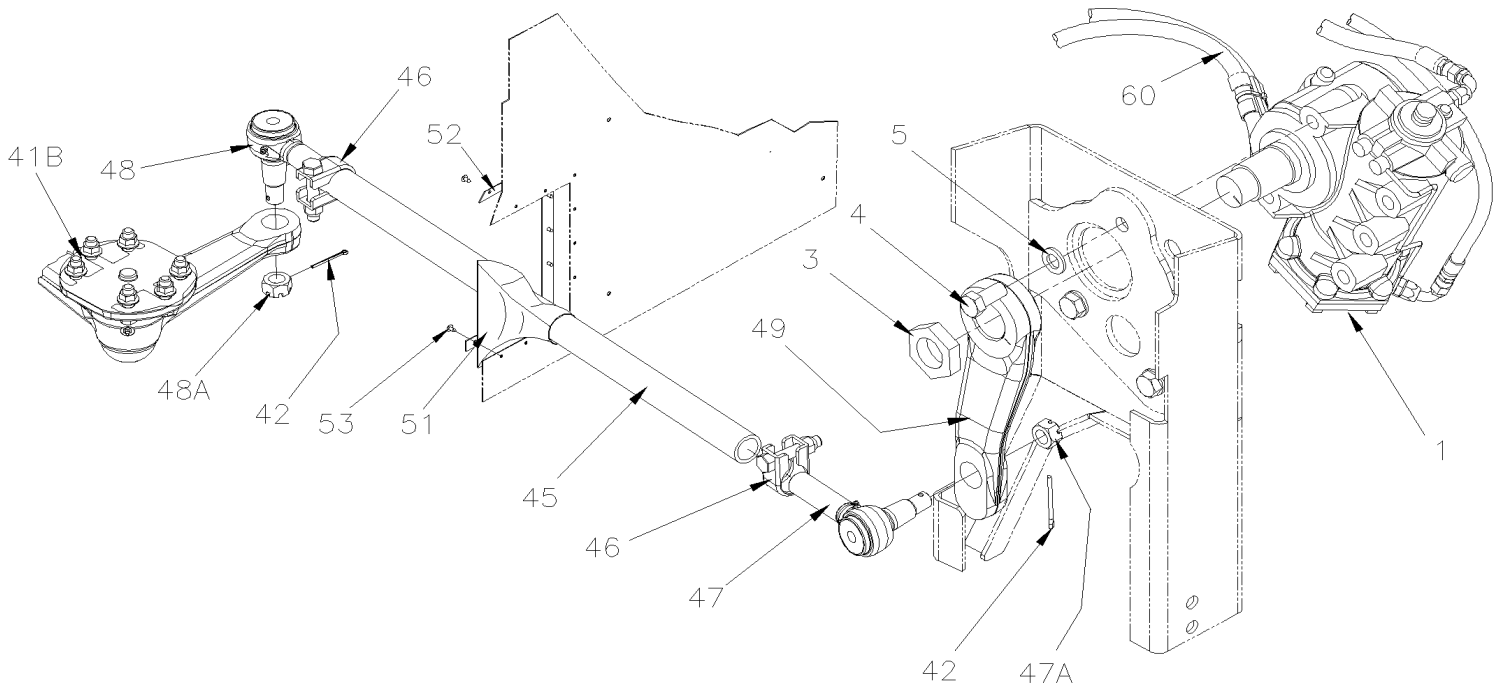


From E-5490

Date:07/2024

PAGE:X3VIP-1410-00

STEERING GEAR BOX & DRAG LINK - INSTALLATION





From E-5490		Date:07/2024	PAGE:X3VIP-1410-00
-------------	--	--------------	--------------------

STEERING GEAR BOX & DRAG LINK - INSTALLATION

Item#	Part	Description	X 3 V I P E N T	X 3 V I P M T H	N O T E S
1	X3VIP-1415-00	STEERING GEARBOX - "ZF"			
3	661050	LOCKNUT M45X1.5 GEARBOX ZF	1	1	
4	5001442	SCREW CAP HEX M20-1.5x40 G10.9 N500	5	5	
5	611044	WASHER FL HARD 21.0x37.0x3.0 N500	5	5	
NS	682175	UNDERCOATING BLACK PROTECTOR (GRAVELGUARD) 567gr To N-6731	1	1	
NS	685413	RUBBERIZED UNDERCOAT (GRAVELGUARD) 560gr From N-6732	AR	AR	
39A	X3VIP-1005-51	FRONT AXLE - INDEPENDENT MODEL "NDIFS80P" / 19000LBS			
39A	X3VIP-1005-61	FRONT AXLE - INDEPENDENT MODEL "NDIFS80P" / 19000LBS		1	
		WITH INDEPENDENT FRONT SUSPENSION			
41B	X3VIP-1410-51	STEERING RODS - INSTALLATION W/INDEPENDENT "NDIFS80P" / 19000LBS			
41B	X3VIP-1410-61	STEERING RODS - INSTALLATION W/INDEPENDENT "NDIFS80P" / 19000LBS			
42	502109	PIN, COTTER 6.3MM x 71MM Z50	2	2	
NS	684420	SCREW MARKER LOCK 90ml	AR	AR	
45	661188	DRAG LINK ASSY / 970 MM C/C / 19000LBS / LARGE TIE ROD END	1	1	
45	N.P.N.	. ROD	1	1	4
46	661133	. COLLAR ASSY / W/BOLT & NUT & STOPPER 1 5/8" I.D.	2	2	
. NS	500231	. . SCREW CAP HEX 5/8-11x3 G5 ZP	1	1	
. NS	500683	. . NUT HEX STO 5/8-11 ZP	1	1	
47	661200	. TIE ROD END R.H. THREAD 1 1/4-12 / 19000LBS	1	1	
47A		. . NUT HEX CSL THN	1	1	
48	661202	. TIE ROD END L.H. THREAD 1 1/4-12 / 19000LBS	1	1	
48A	661207	. . NUT HEX CSL THN 1 1/8-12	1	1	
49	661187	ARM, PITMAN 9" / (PAINTED BLACK) / 19000LBS To F-5807	1	1	
49	660674	ARM, PITMAN 9" / (PAINTED BLACK) / 19000LBS From F-5808	1	1	
51	161009	SHIELD RUBBER To H-6120	1	1	I
51	160112	SHIELD RUBBER From H-6121	1	1	
51	680066	ADHESIVE / ADBOND #5014 / 23.6ML BOTTLE From H-6121	AR	AR	
52	160994	COLLAR SHIELD RETAINER / "O" FORM CLOSED To H-6120	1	1	I
52	161993	COLLAR SHIELD RETAINER From H-6121	1	1	
53	5001966	SCREW TC BDG PH #10-24x1/2 SS410 ZINC	AR	AR	
NS	504089	BLACK NYLON RETAINER 13 x 5 16 mm Lg From H-6121	2	2	
NS	500855	WASHER FL .188x.438x.049 N500 From H-6121	2	2	
NS	500805	WASHER FL .218x.875x.062 N500 From H-6121	4	4	
60	X3VIP-1400-00	POWER STEERING HOSE - INSTALLATION			
		I) WITH INDEPENDENT SUSPENSION			



From E-5490		Date:07/2024		PAGE:X3VIP-1410-00	
STEERING GEAR BOX & DRAG LINK - INSTALLATION					
Item#	Part	Description	X 3 V I P E N T	X 3 V I P M T H	N O T E S
		4) NO PARTS NUMBER			

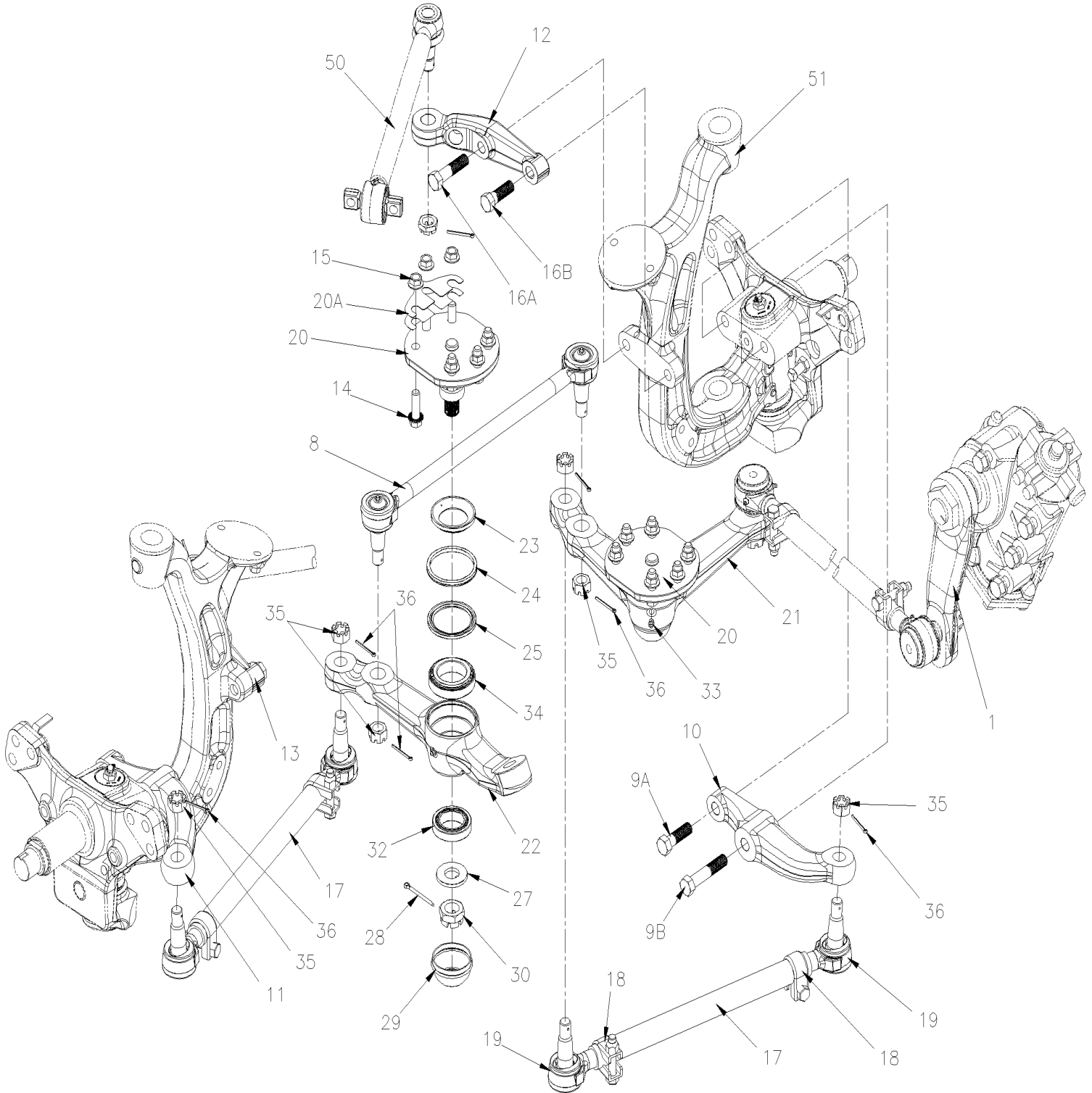


From E-5490

Date:07/2024

PAGE:X3VIP-1410-51

STEERING RODS - INSTALLATION W/INDEPENDENT "NDIFS80P" / 19000LBS





From E-5490 Date:07/2024 PAGE:X3VIP-1410-51

STEERING RODS - INSTALLATION W/INDEPENDENT "NDIFS80P" / 19000LBS

Item#	Part	Description	X 3 V I P E N T	X 3 V I P M T H	N O T E S
1	X3VIP-1410-00	STEERING GEAR BOX & DRAG LINK - INSTALLATION			
8	661183	ROD ASSY / 591.8MM C/C CENTER	1		
9A	612360	SCREW CAP HEX M22-2.5x65 G12.9	1		
9B	612359	SCREW CAP HEX M22-2.5x100 G12.9	1		
10	612378	STEERING ARM L.H. / 19000LBS To G-6007	1		
10	612389	STEERING ARM L.H. / 19000LBS From G-6008	1		
11	612379	STEERING ARM R.H. / 19000LBS To G-6007	1		
11	612390	STEERING ARM R.H. / 19000LBS From G-6008	1		
12	612380	UPRIGHT ARM L.H	1		
13	612381	UPRIGHT ARM R.H	1		
14	5001859	SCREW CAP HEXF SERR M16-2.0x50 G10.9	12		
15	5001844	NUT HEXF SERR M16-2.0 G500	12		
16A	611307	SCREW CAP HEX M20-2.5x80 G12.9	1		
16B	611305	SCREW CAP HEX M20-2.5x60 G12.9	1		
17	661182	ROD ASSY / 657MM C/C	2		
17	N.P.N.	. ROD	1		4
18	661133	. COLLAR ASSY / W/BOLT & NUT & STOPPER 1 5/8" I.D.	2		
. NS	500231	. . SCREW CAP HEX 5/8-11x3 G5 ZP	1		
. NS	500683	. . NUT HEX STO 5/8-11 ZP	1		
19	661199	. TIE ROD END R.H. THREAD 1 1/4-12	1		
19	661201	. TIE ROD END L.H. THREAD 1 1/4-12	1		
20	661186	SPINDLE SHAFT / 19K To N-6692	1		
20	660076	SPINDLE SHAFT / 19K From N-6693 To P-6865	1		
20	660082	SPINDLE SHAFT / 19K From P-6866	1		
NS	682175	UNDERCOATING BLACK PROTECTOR (GRAVELGUARD) 567gr From N-6693 To N-6731	AR		
NS	685413	RUBBERIZED UNDERCOAT (GRAVELGUARD) 560gr From N-6732	AR		
20A	161343	SHIM 26GAGE 105MM C/C x 18MM slot	AR		
20A	161344	SHIM 20GAGE 105MM C/C x 18MM slot	AR		
21	661185	LEVER L.H. / 19000LBS	1		
22	661184	LEVER R.H. / 19000LBS	1		
23	160115	SLEEVE WIPER 77.2MM O.D.	2		
24	507673	DUST SEAL 3.470 I.D. X 4.085 O.D.	2		
24	680752	GREASE LITHIUM / BLUE To G-5950	AR		
24	685371	GREASE / GREY BLACK MOBIL XHP 222 SPECIAL 400 g From G-5951	AR		
25	507674	OIL SEAL	2		
27	161338	WASHER FL / W/ INTERIOR KEY 30.5x63.05x6.3	2		
28	502115	PIN, COTTER 3/16 x 2 1/2	2		
29	661014	COVER	2		
30	5001218	NUT HEX CSL M30-1.5	2		
32	507353	KIT, CUP & CONE BEARING	2		
33	501490	GREASE FITTING / 1/8 NPT	2		
34	507672	KIT, CUP & CONE BEARING / 19K	2		



From E-5490		Date:07/2024	PAGE:X3VIP-1410-51
-------------	--	--------------	--------------------

STEERING RODS - INSTALLATION W/INDEPENDENT "NDIFS80P" / 19000LBS

Item#	Part	Description	X 3 V I P E N T	X 3 V I P M T H	N O T E S
35	5001345	NUT HEX CSL THN 7/8-14	6		
36	502104	PIN, COTTER 5/32 x 2	6		
50	X3VIP-1605-51	FRONT AXLE - INSTALL W/INDEPENDENT "NDIFS80P" / 19000LBS			
51	X3VIP-1005-51	FRONT AXLE - INDEPENDENT MODEL "NDIFS80P" / 19000LBS			
		4) NO PARTS NUMBER			

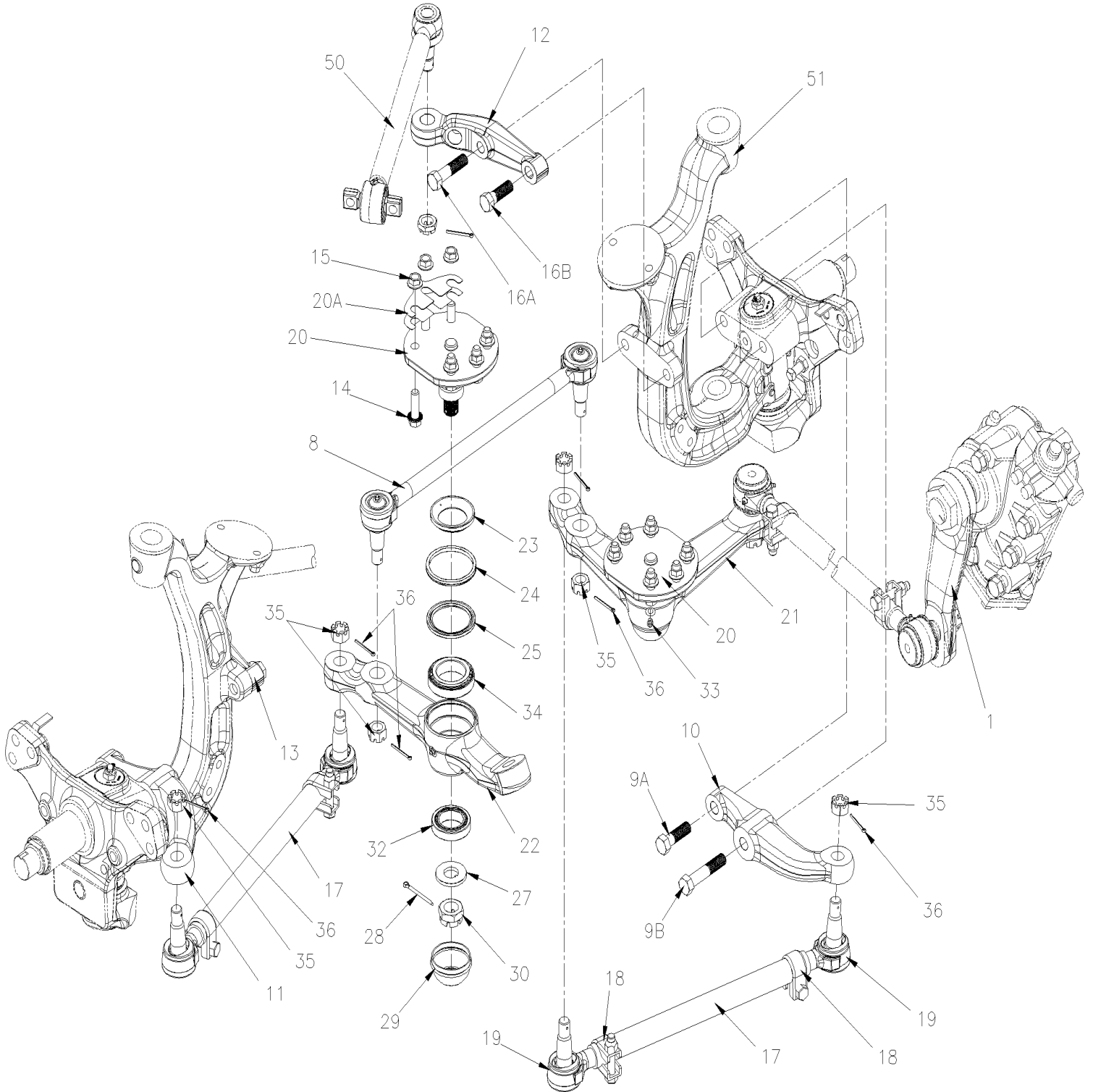


From E-5490

Date:07/2024

PAGE:X3VIP-1410-61

STEERING RODS - INSTALLATION W/INDEPENDENT "NDIFS80P" / 19000LBS





From E-5490 Date:07/2024 PAGE:X3VIP-1410-61

STEERING RODS - INSTALLATION W/INDEPENDENT "NDIFS80P" / 19000LBS

Item#	Part	Description	X 3 V I P E N T	X 3 V I P M T H	N O T E S
1	X3VIP-1410-00	STEERING GEAR BOX & DRAG LINK - INSTALLATION			
8	661183	ROD ASSY / 591.8MM C/C CENTER		1	
9A	612360	SCREW CAP HEX M22-2.5x65 G12.9		1	
9B	612359	SCREW CAP HEX M22-2.5x100 G12.9		1	
10	612378	STEERING ARM L.H. / 19000LBS To G-6007		1	
10	612389	STEERING ARM L.H. / 19000LBS From G-6008		1	
11	612379	STEERING ARM R.H. / 19000LBS To G-6007		1	
11	612390	STEERING ARM R.H. / 19000LBS From G-6008		1	
12	612380	UPRIGHT ARM L.H		1	
13	612381	UPRIGHT ARM R.H		1	
14	5001859	SCREW CAP HEXF SERR M16-2.0x50 G10.9		12	
15	5001844	NUT HEXF SERR M16-2.0 G500		12	
16A	611307	SCREW CAP HEX M20-2.5x80 G12.9		1	
16B	611305	SCREW CAP HEX M20-2.5x60 G12.9		1	
17	661182	ROD ASSY / 657MM C/C		2	
17	N.P.N.	. ROD		1	4
18	661133	. COLLAR ASSY / W/BOLT & NUT & STOPPER 1 5/8" I.D.		2	
. NS	500231	. . SCREW CAP HEX 5/8-11x3 G5 ZP		1	
. NS	500683	. . NUT HEX STO 5/8-11 ZP		1	
19	661199	. TIE ROD END R.H. THREAD 1 1/4-12		1	
19	661201	. TIE ROD END L.H. THREAD 1 1/4-12		1	
20	661186	SPINDLE SHAFT / 19K To N-6692		1	
20	660076	SPINDLE SHAFT / 19K From N-6693 To P-6865		1	
20	660082	SPINDLE SHAFT / 19K From P-6866		1	
NS	682175	UNDERCOATING BLACK PROTECTOR (GRAVELGUARD) 567gr From N-6693 To N-6731		AR	
NS	685413	RUBBERIZED UNDERCOAT (GRAVELGUARD) 560gr From N-6732		AR	
20A	161343	SHIM 26GAGE 105MM C/C x 18MM slot		AR	
20A	161344	SHIM 20GAGE 105MM C/C x 18MM slot		AR	
21	661185	LEVER L.H. / 19000LBS		1	
22	661184	LEVER R.H. / 19000LBS		1	
23	160115	SLEEVE WIPER 77.2MM O.D.		2	
24	507673	DUST SEAL 3.470 I.D. X 4.085 O.D.		2	
24	680752	GREASE LITHIUM / BLUE To G-5950		AR	
24	685371	GREASE / GREY BLACK MOBIL XHP 222 SPECIAL 400 g From G-5951		AR	
25	507674	OIL SEAL		2	
27	161338	WASHER FL / W/ INTERIOR KEY 30.5x63.05x6.3		2	
28	502115	PIN, COTTER 3/16 x 2 1/2		2	
29	661014	COVER		2	
30	5001218	NUT HEX CSL M30-1.5		2	
32	507353	KIT, CUP & CONE BEARING		2	
33	501490	GREASE FITTING / 1/8 NPT		2	
34	507672	KIT, CUP & CONE BEARING / 19K		2	



From E-5490		Date:07/2024	PAGE:X3VIP-1410-61
-------------	--	--------------	--------------------

STEERING RODS - INSTALLATION W/INDEPENDENT "NDIFS80P" / 19000LBS

Item#	Part	Description	X 3 V I P E N T	X 3 V I P M T H	N O T E S
35	5001345	NUT HEX CSL THN 7/8-14		6	
36	502104	PIN, COTTER 5/32 x 2		6	
50	X3VIP-1605-61	FRONT AXLE - INSTALL W/INDEPENDENT "NDIFS80P" / 19000LBS			
51	X3VIP-1005-61	FRONT AXLE - INDEPENDENT MODEL "NDIFS80P" / 19000LBS			
		4) NO PARTS NUMBER			

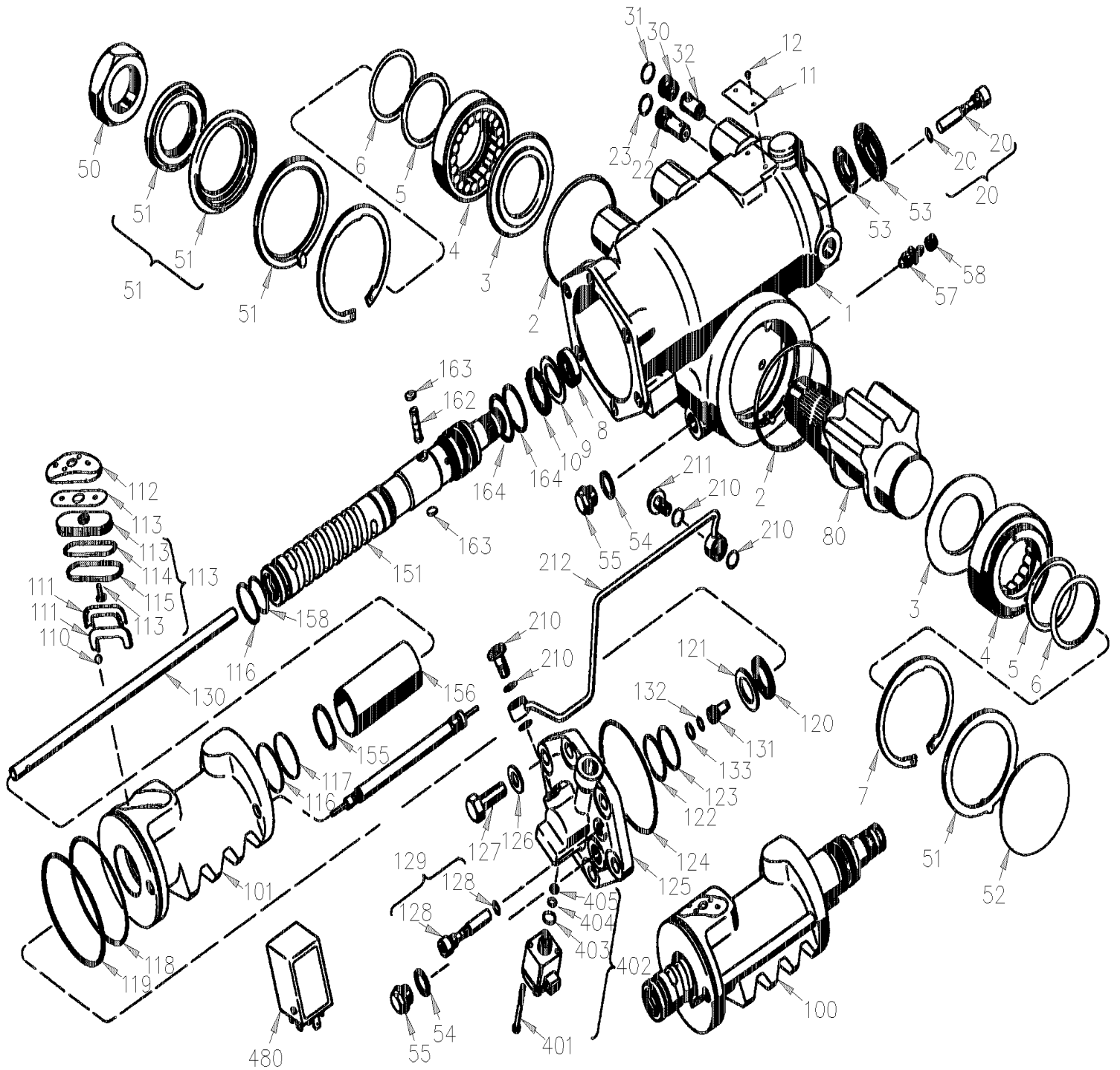


From E-5490

Date:07/2024

PAGE:X3VIP-1415-00

STEERING GEARBOX - "ZF"



MODEL "ZF" - SERVOCOMTRONIC

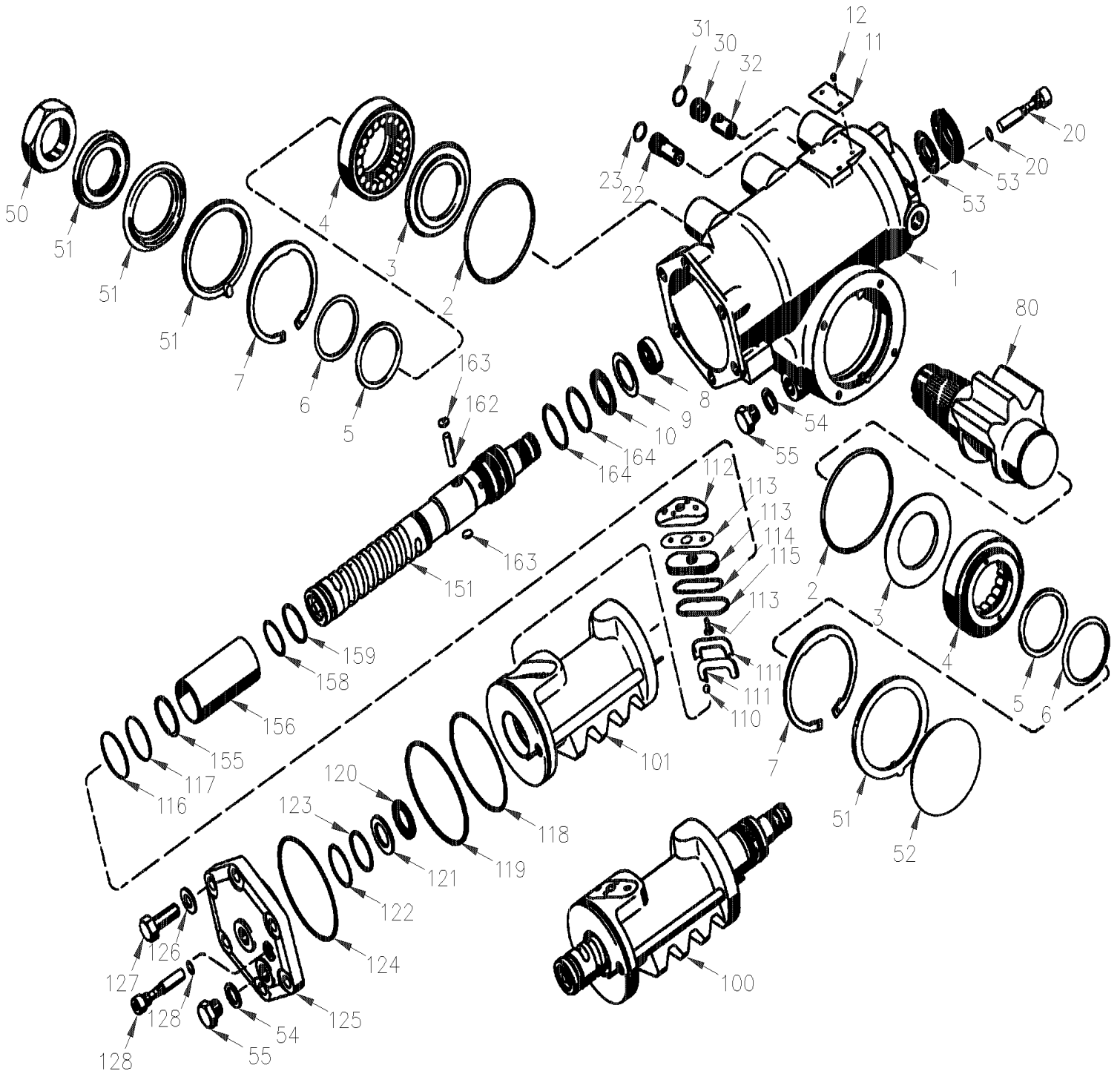


From E-5490

Date:07/2024

PAGE:X3VIP-1415-00

STEERING GEARBOX - "ZF"



MODEL "ZF" - SEVOCOM



From E-5490		Date:07/2024	PAGE:X3VIP-1415-00
STEERING GEARBOX - "ZF"			

Item#	Part	Description	X 3 V I P E N T	X 3 V I P M T H	N O T E S
	661191	GEARBOX STEERING "ZF"® / W/SERVOCOMTRONIC To £-23042	1	1	
	661190	GEARBOX STEERING "ZF"®	1	1	
1	N.P.N.	. HOUSING	1	1	4
2	N.P.N.	. O-RING	1	1	4
3	N.P.N.	. WASHER	1	1	4
4	N.P.N.	. HOUSING COVER	1	1	4
5	N.P.N.	. GASKET	1	1	4
6	N.P.N.	. SUPPORT RING	1	1	4
7	N.P.N.	. RETAINING RING	1	1	4
8	N.P.N.	. SHAFT SEAL	1	1	4
9	N.P.N.	. AXIAL-, WASHER	1	1	4
10	N.P.N.	. NEEDLE CAGE	1	1	4
11	N.P.N.	. TYPE PLATE	1	1	4
12	N.P.N.	. GROOVED STUD	1	1	4
20	N.P.N.	. SET SCREW / ADJUSTING SCREW / SCREW	1	1	4
20	N.P.N.	. O-RING	1	1	4
21	N.P.N.	. COLLAR NUT	1	1	4
22	N.P.N.	. VALVE INSERT	1	1	4
23	N.P.N.	. O-RING	1	1	4
30	N.P.N.	. SCREW	1	1	4
31	N.P.N.	. O-RING	1	1	4
32	N.P.N.	. VALVE INSERT	1	1	4
50	661050	. LOCKNUT M45X1.5 GEARBOX ZF	1	1	
51	N.P.N.	. DUST SEAL	1	1	4
51	N.P.N.	. STOP-RING	1	1	4
51	N.P.N.	. GASKET	1	1	4
51	N.P.N.	. DUST SEAL	1	1	4
52	N.P.N.	. PLUG	1	1	4
53	N.P.N.	. PROTECTING CAP	1	1	4
53	N.P.N.	. GASKET	1	1	4
54	N.P.N.	. SEALING RING	1	1	4
55	N.P.N.	. SCREW PLUG	1	1	4
56	N.P.N.	. PROTECTING SLEEVE	1	1	4
57	N.P.N.	. BREATHER	1	1	4
58	N.P.N.	. PROTECTING CAP	1	1	4
80	661102	. SECTOR SHAFT	1	1	
100	661104	. PISTON	1	1	
101	N.P.N.	. PISTON	1	1	4
110	N.P.N.	. BALL SET	1	1	4
111	N.P.N.	. RECIRCULATING HALF TUBE	1	1	4
112	N.P.N.	. GASKET / PLUG	1	1	4
113	N.P.N.	. GASKET	1	1	4



From E-5490		Date:07/2024	PAGE:X3VIP-1415-00
STEERING GEARBOX - "ZF"			

Item#	Part	Description	X 3 V I P E N T	X 3 V I P M T H	N O T E S
113	N.P.N.	. COMPENSATING PLATE	1	1	4
113	N.P.N.	. PIN	1	1	4
114	N.P.N.	. O-RING	1	1	4
115	N.P.N.	. SEALING RING	1	1	4
116	N.P.N.	. SEALING RING	1	1	4
117	N.P.N.	. SEALING RING	1	1	4
118	N.P.N.	. O-RING	1	1	4
119	N.P.N.	. GASKET	1	1	4
120	N.P.N.	. NEEDLE CAGE	1	1	4
121	N.P.N.	. WASHER	1	1	4
122	N.P.N.	. O-RING	1	1	4
123	N.P.N.	. SEALING RING	1	1	4
124	N.P.N.	. O-RING	1	1	4
125	N.P.N.	. CYLINDER COVER	1	1	4
126	N.P.N.	. WASHER	1	1	4
127	N.P.N.	. HEXAGON SCREW	1	1	4
128	N.P.N.	. SET SCREW / SCREW	1	1	4
128	N.P.N.	. O-RING	1	1	4
129	N.P.N.	. COLLAR NUT	1	1	4
130	N.P.N.	. PIPE	1	1	4
131	N.P.N.	. REACTION PISTON	1	1	4
132	N.P.N.	. O-RING	1	1	4
133	N.P.N.	. SEALING RING	1	1	4
151	N.P.N.	. WORM	1	1	4
155	N.P.N.	. SNAP RING	1	1	4
156	N.P.N.	. SLIDING TUBE	1	1	4
158	N.P.N.	. O-RING	1	1	4
159	N.P.N.	. SEALING RING	1	1	4
162	N.P.N.	. PIN	1	1	4
163	N.P.N.	. PLUG	1	1	4
164	N.P.N.	. SEALING RING	1	1	4
210	661105	. O-RING	1	1	
211	661106	. UNION SCREW	1	1	
212	661107	. PIPE	1	1	
401	N.P.N.	. CAP SCREW	1	1	4 B
402	661108	. CONVERTER	1	1	B
403	N.P.N.	. O-RING	1	1	4 B
404	N.P.N.	. O-RING	1	1	4 B
405	N.P.N.	. OIL SCREEN	1	1	4 B
480	563033	E.C.U. / W/STEERING ASSIST (STP 272 or 330) ((77//125))	1	1	B
480	661170	E.C.U. / W/STEERING ASSIST (STP 338) ((60//95))	1	1	B C
NS	661110	KIT, SEAL REPAIR MAJOR / W/SERVOCOMTRONIC	1	1	B



From E-5490	Date:07/2024	PAGE:X3VIP-1415-00
STEERING GEARBOX - "ZF"		

Item#	Part	Description	X 3 V I P E N T	X 3 V I P M T H	N O T E S
. NS	85109291	. KIT, SEAL REPAIR MAJOR / W/SERVOCOMTRONIC	1	1	B
		B) WITH "ZF" SERVOCOMTRONIC			
		C) THIS E.C.U. GIVE LESS ASSISTANCE AT LOW SPEED			
		4) NO PARTS NUMBER			

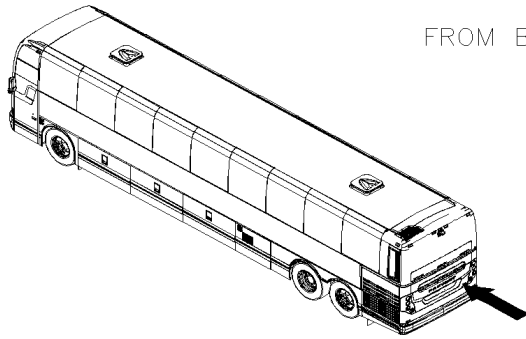


From E-5490 To K-6464

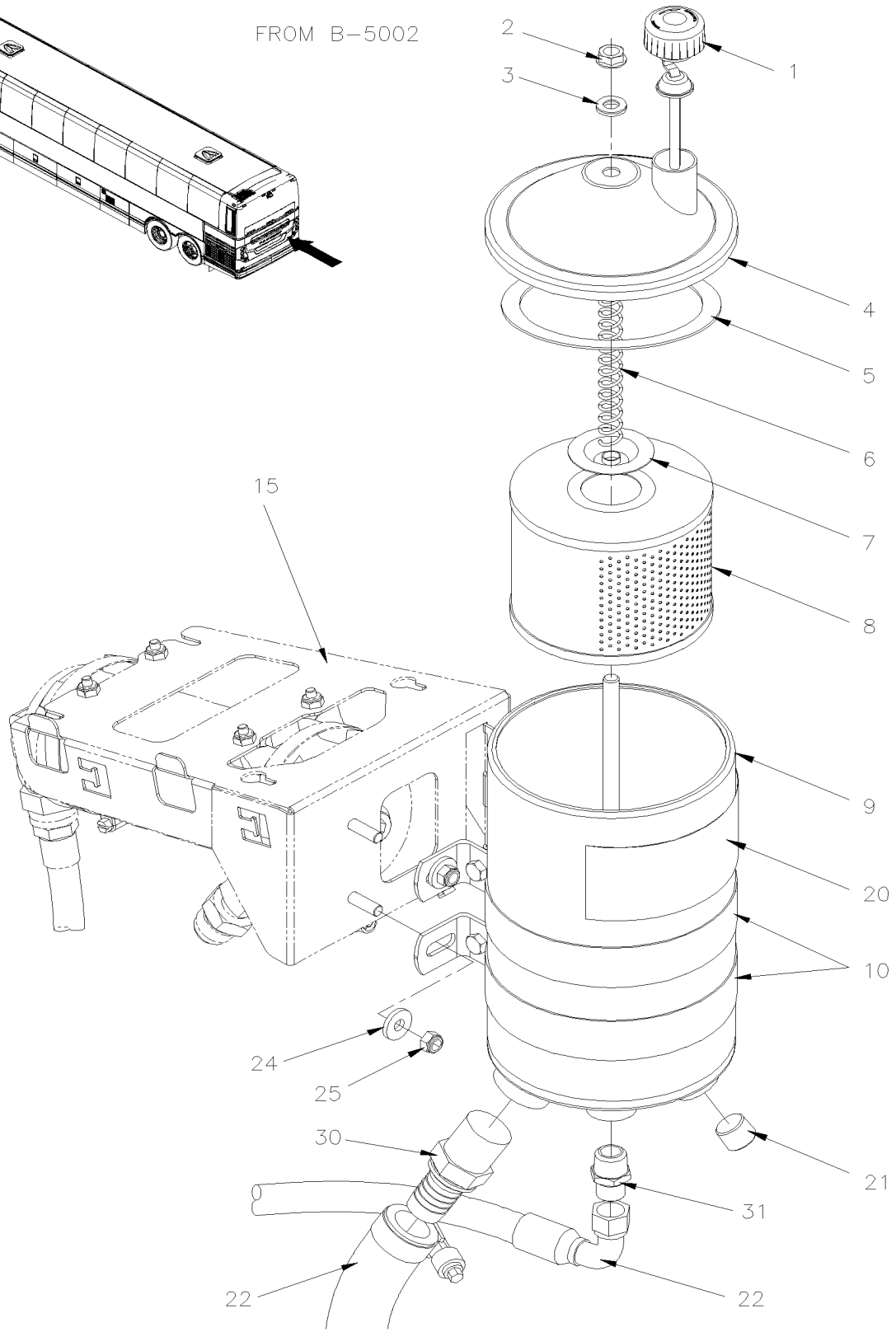
Date:07/2024

PAGE:X3VIP-1420-00

POWER STEERING TANK - 4 QT U.S.



FROM B-5002





From E-5490 To K-6464 Date:07/2024 PAGE:X3VIP-1420-00

POWER STEERING TANK - 4 QT U.S.

Item#	Part	Description	X 3 V I P E N T	X 3 V I P M T H	N O T E S
	660982	TANK ASSY 4QT U.S.	1	1	
	661060	TANK ASSY 4QT US / WITH SIGHT GLASS OPTION	1	1	A
1	660985	. DIPSTICK	1	1	
2	N.S.P.	. WING NUT 3/8-16	1	1	2
3	19512588	. WASHER	1	1	
4	660989	. COVER ASSY	1	1	
5	660986	. GASKET	1	1	
6	660991	. SPRING, COMP.	1	1	
7	N8886469	. WASHER, RETAINER	1	1	
8	660987	. ELEMENT FILTER	1	1	
9		. TANK	1	1	
10	660988	. ATTACHMENT SUPPORT	2	2	
15	X3VIP-1203-50	AIR TANK - INSTALLATION			
15	X3VIP-1215-10	AIR DRYER - INSTALLATION			
20	160370	DECAL "OIL DEXTRON" To H-6179	1	1	
20	160044	DECAL "OIL DEXTRON" From H-6180	1	1	
21	501966	PLUG HEXS / PIPE FITTING / 1/2NPT-M STL	1	1	
21	667586	PLUG HEXS / PIPE FITTING / MAGNETIC / 1/2NPT-M STL From C-5125	1	1	D13
22	X3VIP-1400-00	POWER STEERING HOSE - INSTALLATION To H-6179			
22	X3VIP-1400-01	POWER STEERING HOSE - INSTALLATION VOLVO D13 - GHG17 From H-6180			
24	500401	WASHER FL .343x.875x.125 N500	2	2	
25	502847	NUT HEX NYRT M8-1.25 N500	2	2	
30	5011086	MALE CONNECTOR / PUSH-LOK FITTING / 1NPT-Mx#16 STL	1	1	
31	501739	MALE CONNECTOR / JIC 37° FITTING / #8JIC-Mx1/2NPT-M STL	1	1	
		A) OPTION AMERICAN COACH LINES			
		D13) WITH "VOLVO" ENGINE			
		2) NOT SOLD BY PREVOST (SEE MANUFACTURING PART NUMBER AT END OF DESCRIPTION LINE)			

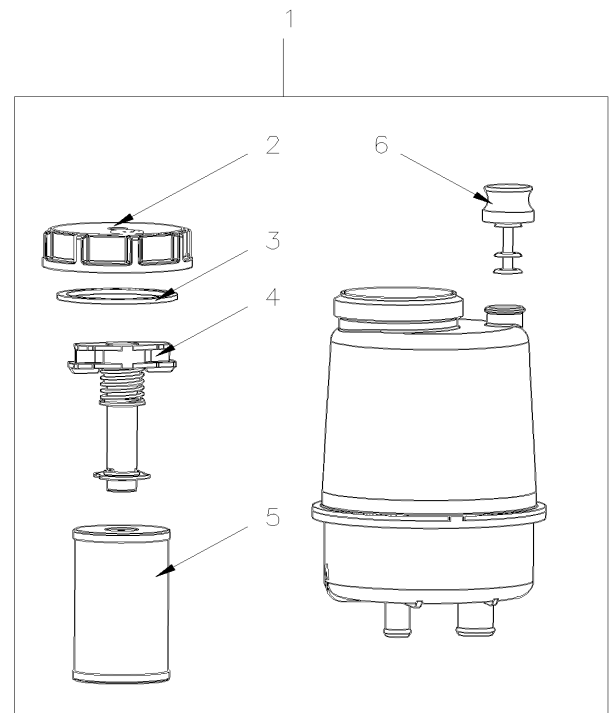
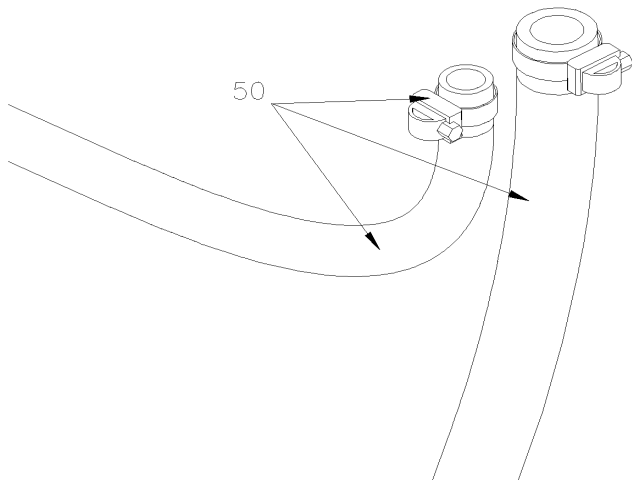
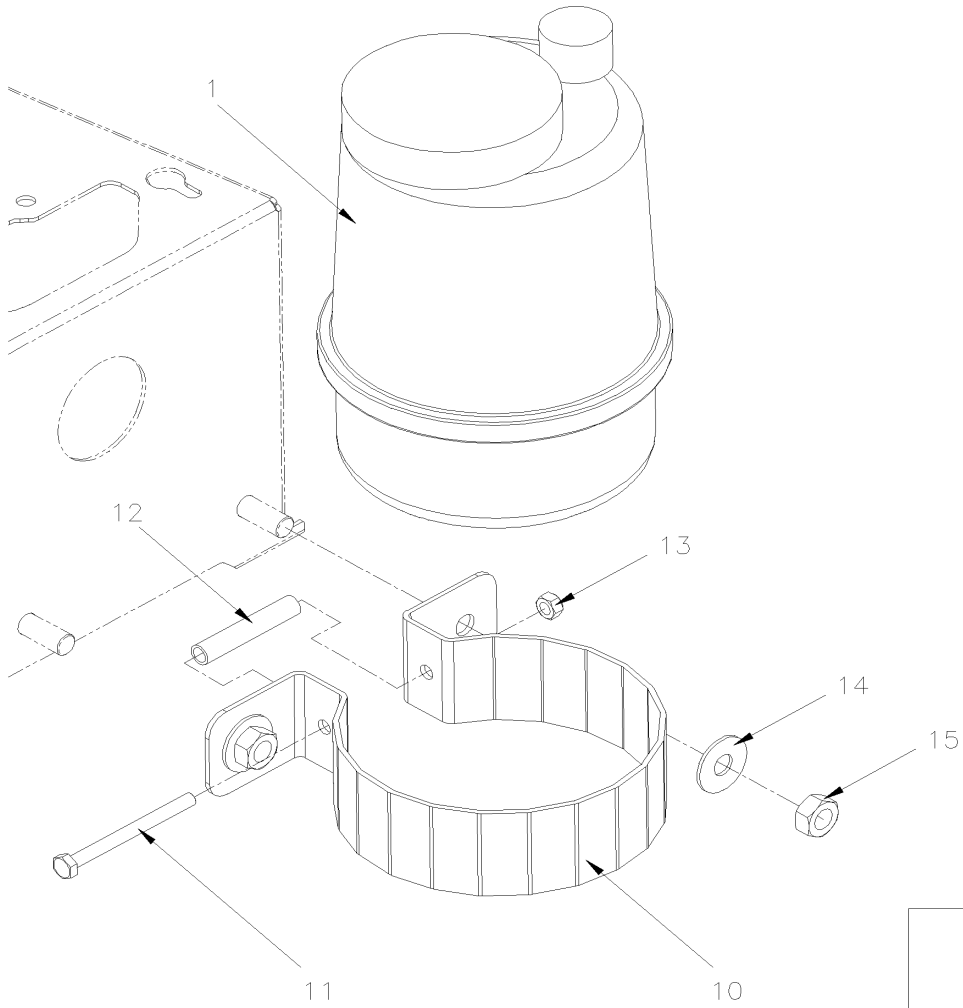
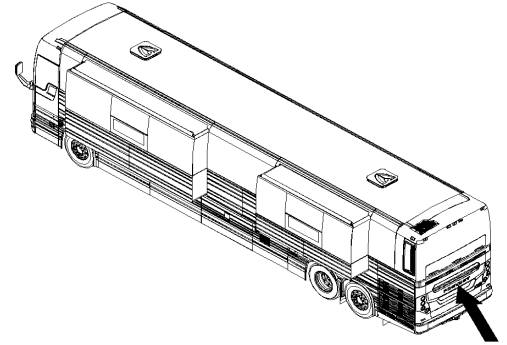


From K-6465

Date:07/2024

PAGE:X3VIP-1420-10

POWER STEERING TANK - ZF





From K-6465	Date:07/2024	PAGE:X3VIP-1420-10
POWER STEERING TANK - ZF		

Item#	Part	Description	X 3 V I P E N T	X 3 V I P M T H	N O T E S
1	669400	TANK ASSY ZF	1	1	
2	660086	. CAP OIL TANK ZF	1	1	
3	1696360	. SEALING RING	1	1	
4	1696359	. BOLT OIL TANK ZF	1	1	
5	661221	. FILTER OIL TANK ZF	1	1	
6	661222	. DIPSTICK OIL TANK ZF	1	1	
10	160026	CLAMP / OIL TANK ZF	1	1	
11	5001667	SCREW CAP HEX M6-1.0x70 BK	1	1	
12	160027	SPACER	1	1	
13	502681	NUT HEX NYRT M6-1.0 N500 G8	1	1	
14	5001718	WASHER BEL SPR 10.2x27x1.6 MAGNI 565	2	2	
15	500847	NUT HEX M10-1.5 N500	2	2	
50	X3VIP-1400-01	POWER STEERING HOSE - INSTALLATION VOLVO D13 - GHG17			

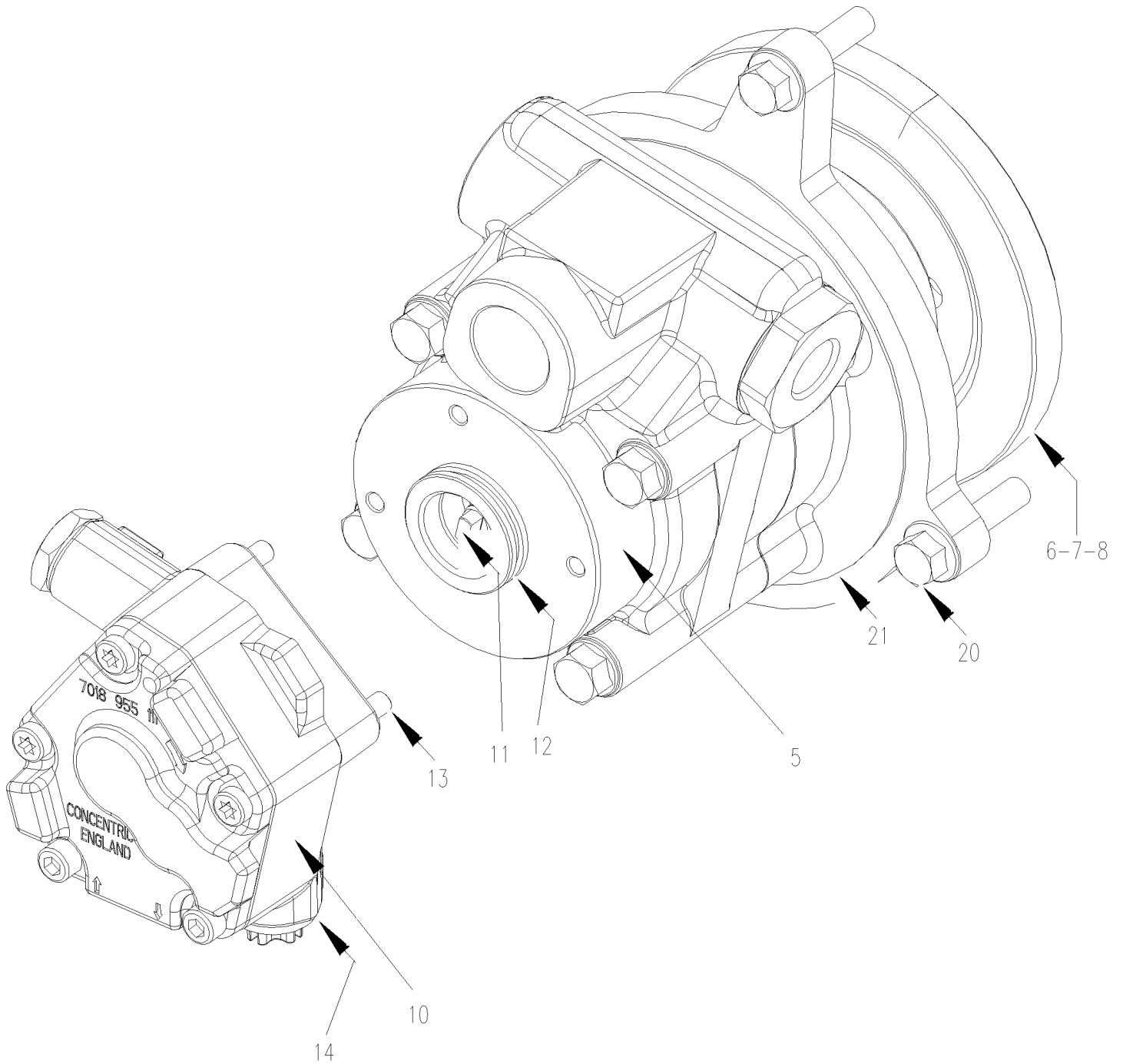


From E-5490

Date:07/2024

PAGE:X3VIP-1427-01

POWER STEERING PUMP - "VOLVO" D13





From E-5490	Date:07/2024	PAGE:X3VIP-1427-01
POWER STEERING PUMP - "VOLVO" D13		

Item#	Part	Description	X 3 V I P E N T	X 3 V I P M T H	N O T E S
	20929186	POWER STEERING & FUEL PUMP ASSY W/485 & 515		1	
	70377030	POWER STEERING & FUEL PUMP ASSY W/435 SEE 032	1		
	70377032	POWER STEERING & FUEL PUMP ASSY W/435	1		
5	N.P.N.	. POWER STEERING PUMP W/485 & 515		1	4
5	70377033	. POWER STEERING PUMP W/435			
6	8131292	. GEAR DRIVE PUMP	1	1	
7	1505357	. KEY	1	1	
8	20367040	. LOCK NUT	1	1	
10	85109709	. FUEL PUMP	1	1	
10	85103778	. . FUEL PUMP W/485 & 515		1	
10	20997341	. . FUEL PUMP W/435	1		
11	85103779	. . . CONSTANT VELOCITY JOINT	1	1	
12	85103703	. O-RING	1	1	
13	85103780	. HEX. SOCKET SCREW	3	3	
14	11996	. WASHER SEAL BANJO FITTING	4	4	
20	946470	FLANGE SCREW M8-35	3	3	
21	977030	O-RING	1	1	
		4) NO PARTS NUMBER			

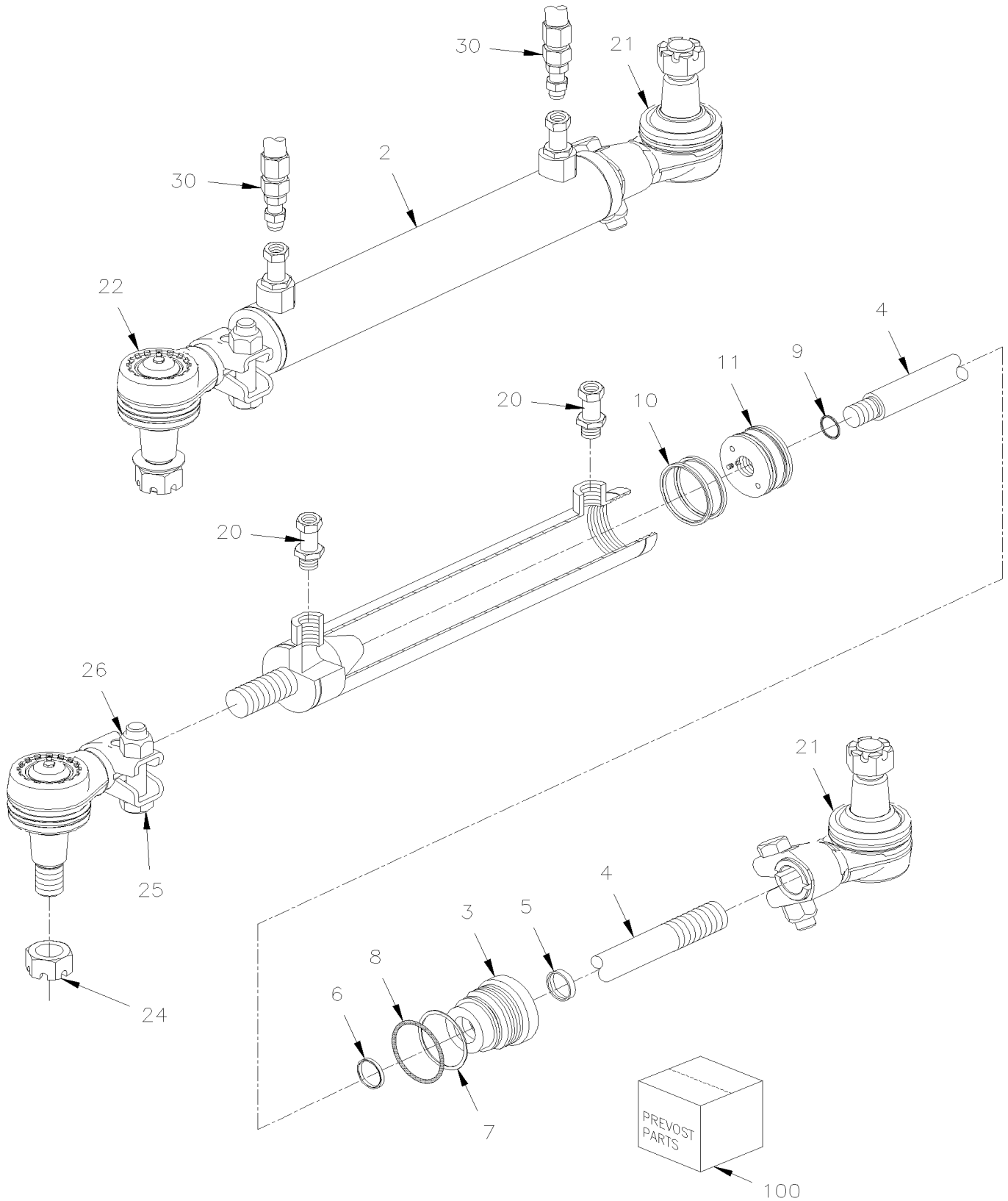


From E-5490

Date:07/2024

PAGE:X3VIP-1430-50

CYLINDER POWER STEERING



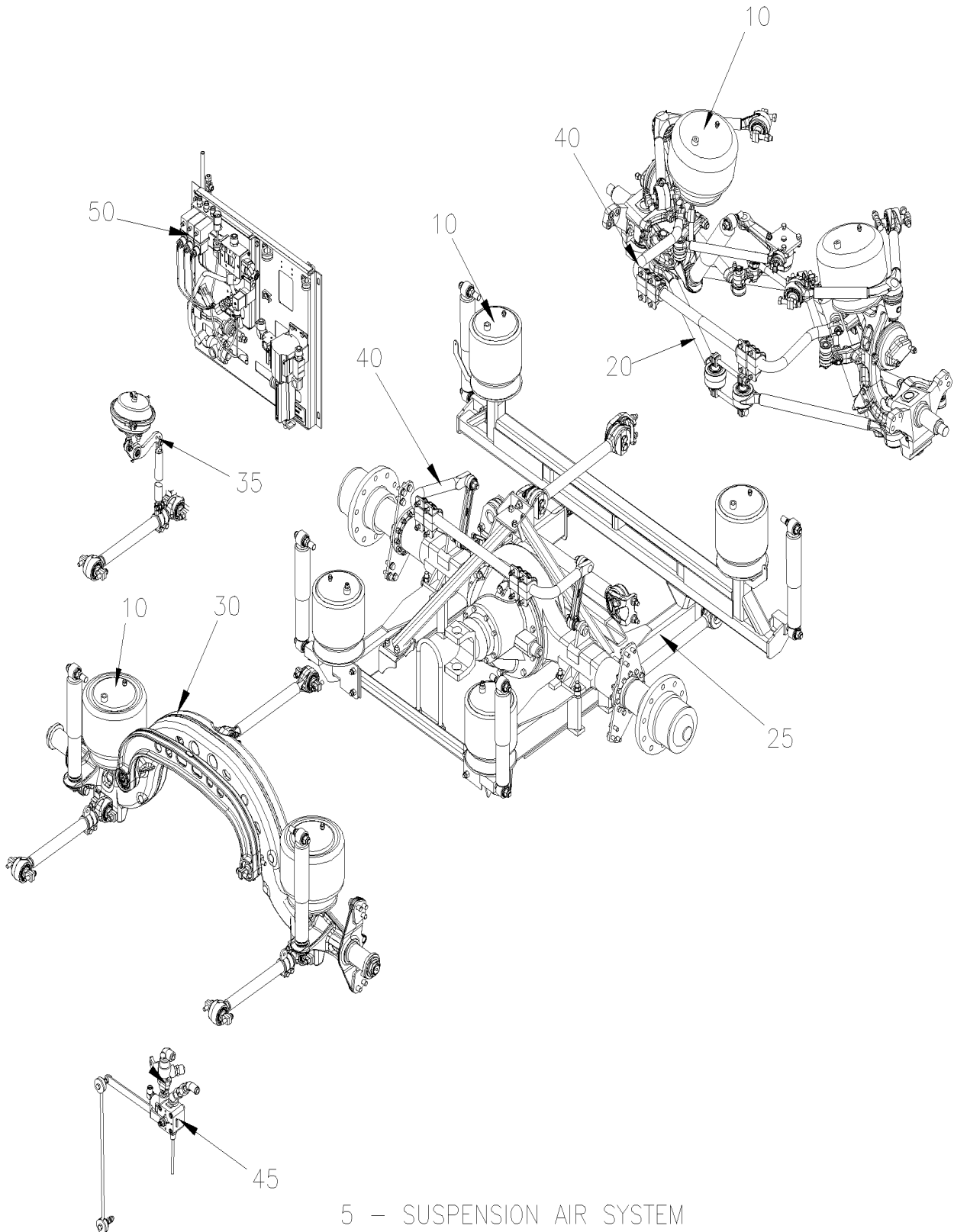


From E-5490		Date:07/2024	PAGE:X3VIP-1430-50
CYLINDER POWER STEERING			

Item#	Part	Description	X 3 V I P E N T	X 3 V I P M T H	N O T E S
1	661194	CYLINDER ASSY PRESSURE 170bar	1	1	
2	N.S.S.	. TUBE	1	1	1
3	661098	. HEAD	1	1	
4	661097	. ROD	1	1	
5	N.S.S.	. WIPER ROD	1	1	1
6	N.S.S.	. SEAL ROD	1	1	1
7	N.S.S.	. BACK-UP	1	1	1
8	N.S.S.	. O-RING	1	1	1
9	N.S.S.	. O-RING	1	1	1
10	N.S.S.	. SEAL PISTON	2	2	1
11	661099	. PISTON	1	1	
20	501593	. MALE CONNECTOR / JIC 37° FITTING / #8JIC-Mx#8ORB-M STL	2	2	
21	611275	. END ASSY / STRUCTURE SIDE	1	1	
22	611469	. END ASSY / ROD SIDE	1	1	
24	5001345	. NUT HEX CSL THN 7/8-14	1	1	
25	N.P.N.	. SCREW CAP HEX ZP 1/2-20X2.25 G8	2	2	4
26	N.P.N.	. NUT HEX 1/2-20 G8	2	2	4
30	X3VIP-1400-00	POWER STEERING HOSE - INSTALLATION			
100	661100	SEAL KIT, REPAIR	1	1	A
		A) INCLUDES ITEMS 5, 6, 7, 8, 9, 10			
		1) NOT SOLD SEPARATELY			
		4) NO PARTS NUMBER			



	Date:07/2024	X3VIP-16
SUSPENSION		



5 – SUSPENSION AIR SYSTEM



		Date:07/2024	X3VIP-16		
SUSPENSION					
Item#	Part	Description	X 3 V I P E N T	X 3 V I P M T H	NOTES
5	X3VIP-1600-50	SUSPENSION AIR SYSTEM From E-5490 To F-5874			
5	X3VIP-1600-51	SUSPENSION AIR SYSTEM From F-5875			
10	X3VIP-1601-00	BELLOWS - AIR SUSPENSION From E-5490			
20	X3VIP-1605-51	FRONT AXLE - INSTALL W/INDEPENDENT "NDIFS80P" / 19000LBS From E-5490			
20	X3VIP-1605-61	FRONT AXLE - INSTALL W/INDEPENDENT "NDIFS80P" / 19000LBS From E-5490			
25	X3VIP-1610-01	REAR AXLE - INSTALL SUSPENSION From E-5490			
30	X3VIP-1615-00	TAG AXLE - INSTALL SUSPENSION ONE PIECE From E-5490			
35	X3VIP-1615-10	TAG AXLE - LIFTING From E-5490			
40	X3VIP-1616-00	SWAY BAR From E-5490			
45	X3VIP-1620-50	HEIGHT CONTROL VALVE - WITH LEVEL LOW From E-5490			
45	X3VIP-1620-60	HEIGHT CONTROL VALVE - WITHOUT LEVEL LOW From E-5490	1	1	
50	X3VIP-1640-50	LEVEL-LOW - CONTROL PANEL & VALVES From E-5490 To F-5874			
50	X3VIP-1640-51	LEVEL-LOW - CONTROL PANEL & VALVES From F-5875			

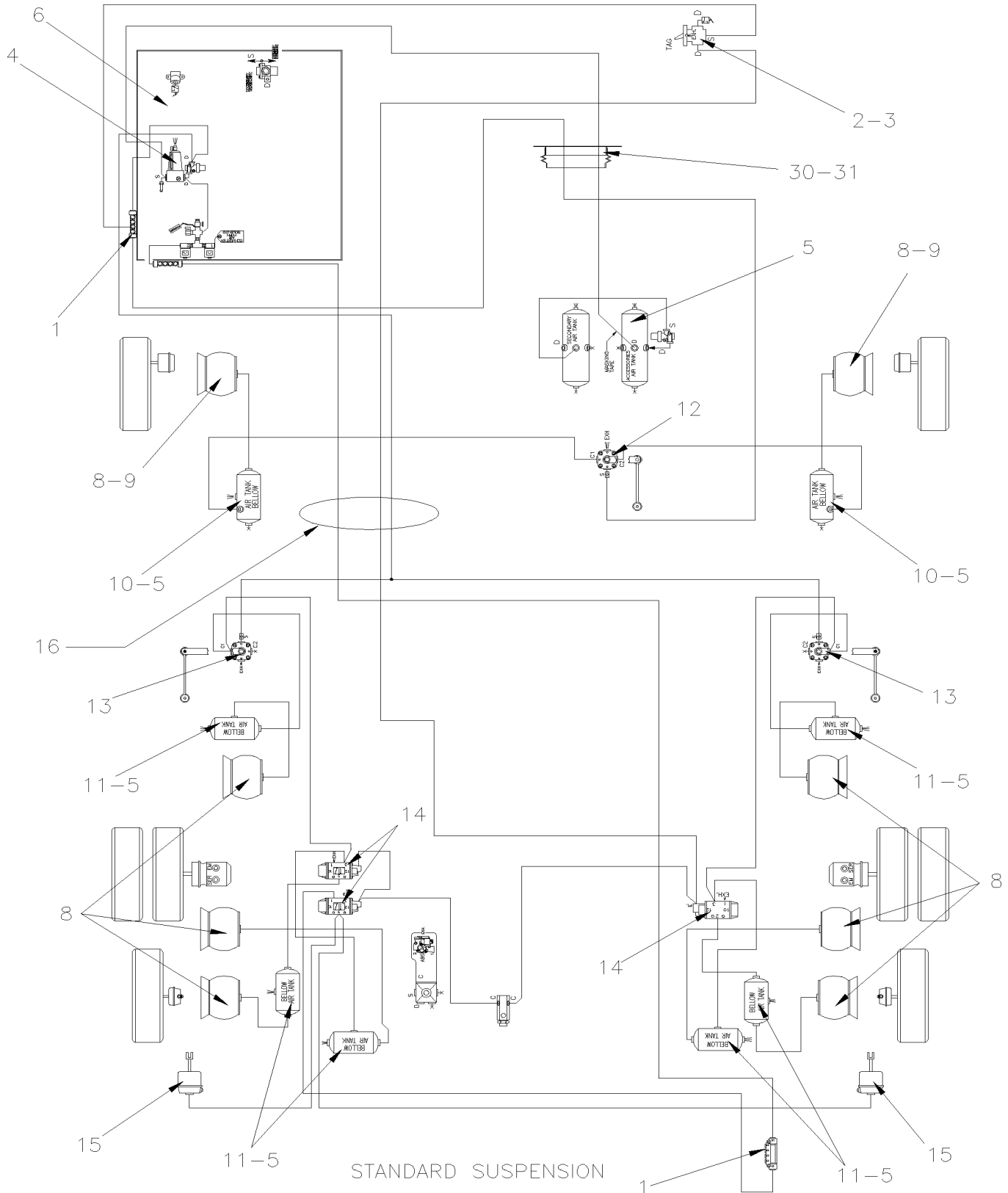


From E-5490 To F-5874

Date:07/2024

PAGE:X3VIP-1600-50

SUSPENSION AIR SYSTEM



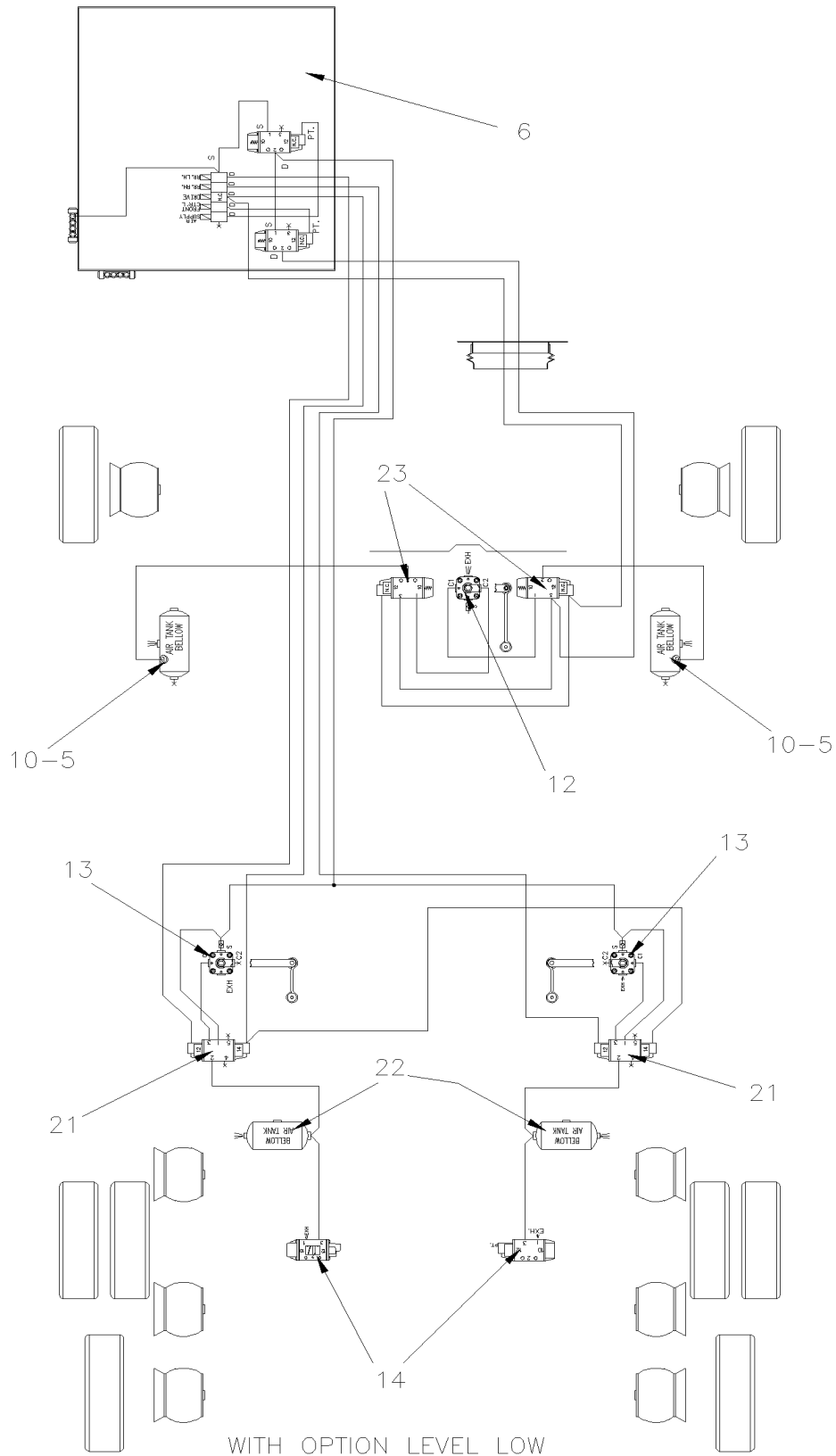


From E-5490 To F-5874

Date:07/2024

PAGE:X3VIP-1600-50

SUSPENSION AIR SYSTEM





From E-5490 To F-5874	Date:07/2024	PAGE:X3VIP-1600-50
SUSPENSION AIR SYSTEM		

Item#	Part	Description	X 3 V I P E N T	X 3 V I P M T H	N O T E S
1	641897	MANIFOLD / PUSH-IN FITTING / 2x#6 / 4x#4 PLAS	3	3	
2	640136	VALVE, CONTROL TW-1	1	1	
. NS	641156	. REPAIR KIT / TW-1	1	1	
3	X3VIP-1806-50	L.H. CONSOLE - MTH			
4	X3VIP-1220-15	AIR FILTER - ACCESSORIES			
5	X3VIP-1203-50	AIR TANK - INSTALLATION			
6	X3VIP-1640-50	LEVEL-LOW - CONTROL PANEL & VALVES			
8	X3VIP-1601-00	BELLOWS - AIR SUSPENSION			
9	131737	MALE CONNECTOR 123.8MM 1/2 NPT	2	2	
10	131403	AIR TANK / 434 IN° / 7" O.D. X 13 1/4"	2	2	
11	641424	AIR TANK / 288 IN° / 7" O.D. X 9 1/4" / W/(3) 1/2" NPT	6	6	
12	630237	VALVE, HEIGHT CONTROL "BARKSDALE" / FRONT	1	1	
13	630156	VALVE, HEIGHT CONTROL "BARKSDALE"	2	2	
14	641274	VALVE, 3 WAYS, 2 POSITIONS N.C.	AR	AR	
15	X3VIP-1615-10	TAG AXLE - LIFTING			
16	X3VIP-1202-00	TUBES PLASTIC / AIR D.O.T.			
21	641531	VALVE, 5 WAYS, 3 POSITIONS	2	2	L
. NS	641186	. SPOOL	1	1	L
22	642110	AIR TANK / 290 IN° / 6" O.D. X 12" / W/(3) 1/2" NPT	2	2	L
23	641274	VALVE, 3 WAYS, 2 POSITIONS N.C.	2	2	
30	504499	CUFF END BELLOW / 2 7/8" I.D. x 3 5/8" x 4 7/16	1	1	
31	141567	PROTECTOR RUBBER 100MM	1	1	
		L) WITH LEVEL LOW			

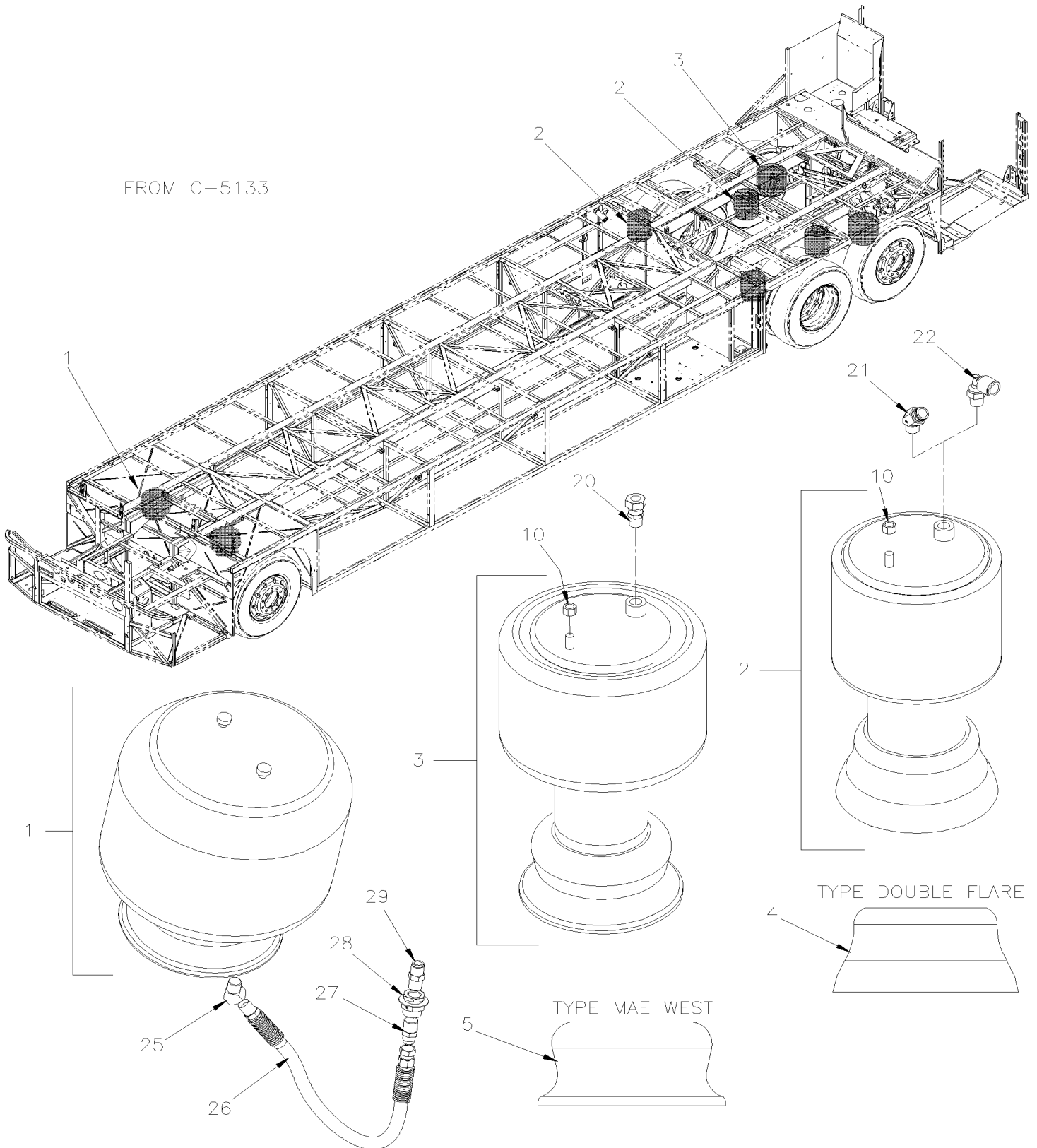


From E-5490

Date:07/2024

PAGE:X3VIP-1601-00

BELLOWS - AIR SUSPENSION





From E-5490	Date:07/2024	PAGE:X3VIP-1601-00
BELLOWS - AIR SUSPENSION		

Item#	Part	Description	X 3 V I P E N T	X 3 V I P M T H	N O T E S
		... FRONT AXLE BELLOW			
1	630280	BELLOW ASSY / MODEL 1400 M.W. / 19000lbs	2	2	
		... DRIVE AXLE BELLOW			
2	630260	BELLOW ASSY / MODEL 1100 D.F.	4	4	
		... TAG AXLE BELLOW			
3	630162	BELLOW ASSY / MODEL 1200 M.W. To E-5525	2	2	
3	630286	BELLOW ASSY / MODEL 1200 M.W. From E-5526	2	2	
10	500276	NUT HEX STO 1/2-13 N500	AR	AR	
20	640994	MALE CONNECTOR / NTA FITTING / #10x1/2NPT-M BR	2	2	
21	642069	MALE ELBOW 45° NON-SWIVEL / PUSH-IN FITTING / #10x1/2NPT-M BR	2	2	
22	642124	MALE ELBOW 90° NON-SWIVEL / PUSH-IN FITTING / #12x1/2NPT-M COMPOSITE	2	2	
25	501528	STREET ELBOW 45° / PIPE FITTING / 1/2NPT-Mx1/2NPT-F BR	2	2	
26	642153	HOSE ASSY / #8 22"	2	2	
27	501616	MALE CONNECTOR / SAE 45° FITTING / #8FL-Mx1/2NPT-M BR	2	2	
28	501796	BULKHEAD COUPLING / PIPE FITTING / 1/2NPT-Fx1/2NPT-Fx1 1/2 BR	2	2	
29	641383	MALE CONNECTOR / PUSH-IN FITTING / #8x1/2NPT-M BR	2	2	

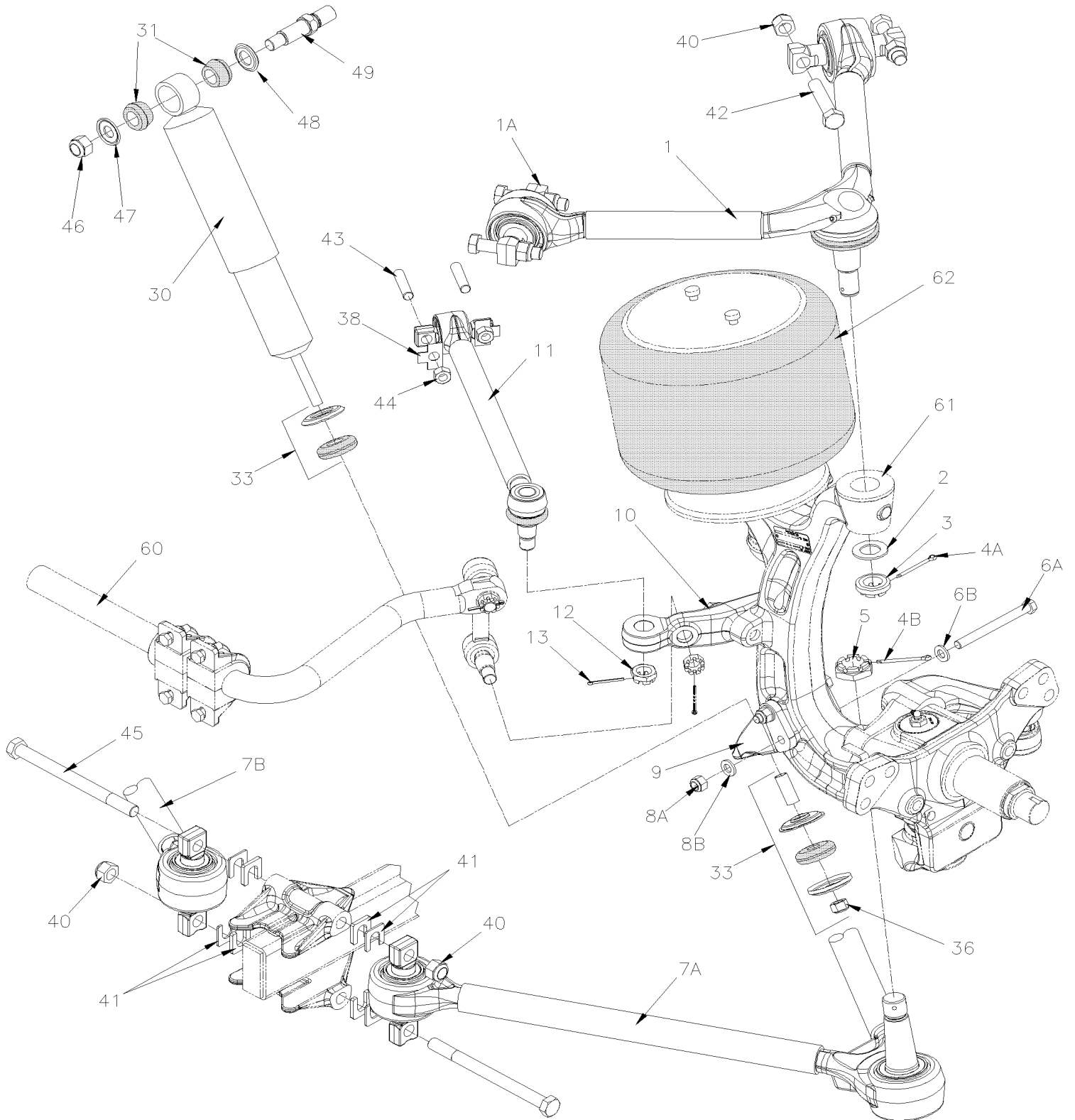


From E-5490

Date:07/2024

PAGE:X3VIP-1605-51

FRONT AXLE - INSTALL W/INDEPENDENT "NDIFS80P" / 19000LBS





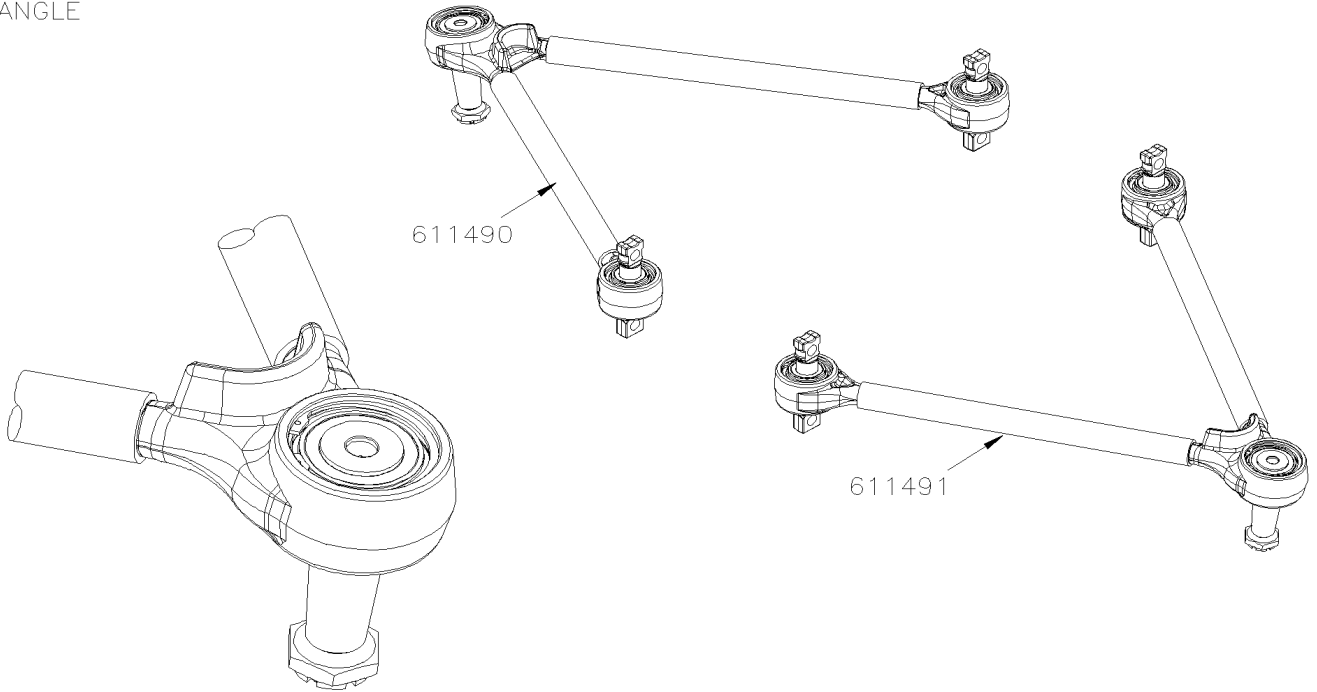
From E-5490

Date:07/2024

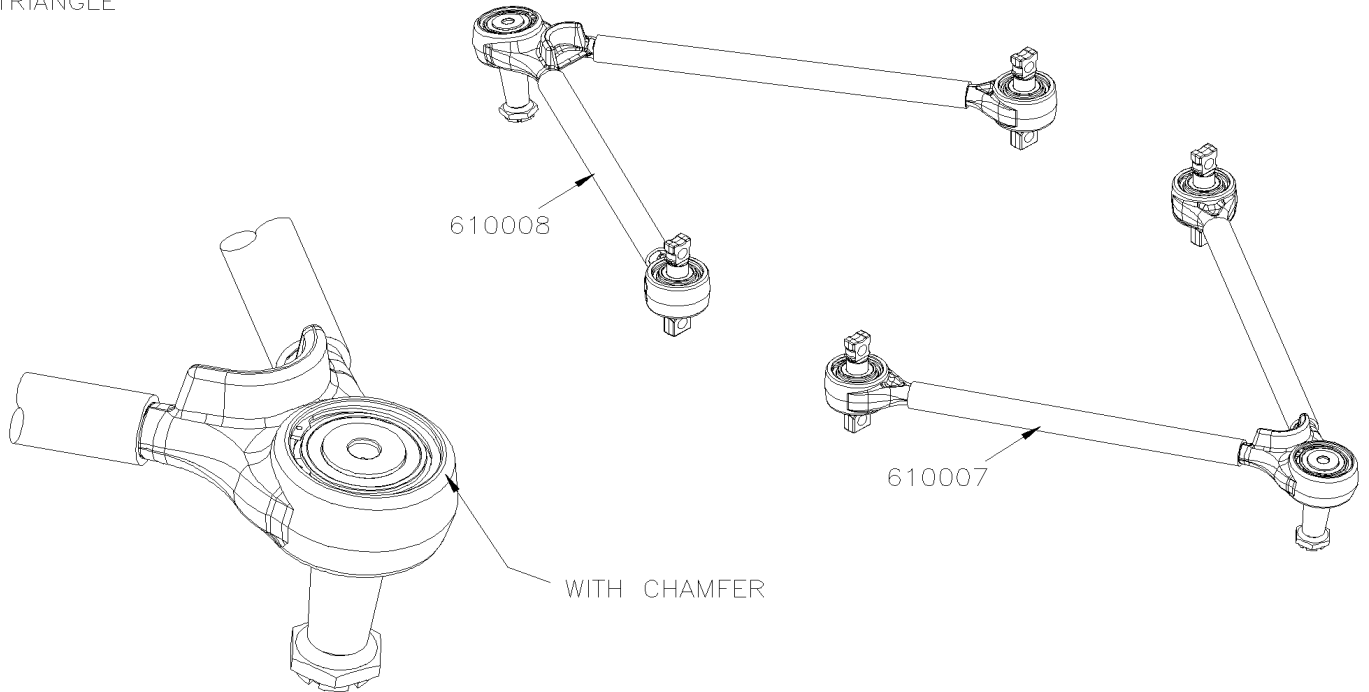
PAGE:X3VIP-1605-51

FRONT AXLE - INSTALL W/INDEPENDENT "NDIFS80P" / 19000LBS

OLD TRIANGLE



NEW TRIANGLE





From E-5490		Date:07/2024	PAGE:X3VIP-1605-51
FRONT AXLE - INSTALL W/INDEPENDENT "NDIFS80P" / 19000LBS			

Item#	Part	Description	X 3 V I P E N T	X 3 V I P M T H	N O T E S
1	611270	UPPER ARM ASSY / L.H. & R.H.	2		
. A	611346	. BUSHING BAR PIN / 20MM 150mm c/c 85MM O.D. x 72MM wide	2		
. A1	611358	. BUSHING BAR PIN / 20MM 150mm c/c 85MM O.D. x 72MM wide	2		
2	5001255	WASHER FL 31.75x54.77x3.175	2		
3	5001321	NUT HEX CSL M30-1.5 17TH CJ	2		
4A	502115	PIN, COTTER 3/16 x 2 1/2 To H-6133	4		
4A	502115	PIN, COTTER 3/16 x 2 1/2 From H-6134	2		
4B	502109	PIN, COTTER 6.3MM x 71MM Z50 From H-6134	2		
5	5001333	NUT HEX CSL M36-1.5 17TH CJ	2		
6A	5001790	SCREW CAP HEXF M14-2.0x130 G10.9 PHC To F-5891	2		
6A	5001993	SCREW CAP HEX M14-2.0x140 G10.9 PT N500 From F-5892 To J-6226	2		
6A	5002000	SCREW CAP HEX M14-2.0x150 G10.9 PT N500 From J-6227	2		
6B	5001995	WASHER FL 15.0x28.0x3.5 N500 From F-5892	2		
7A	612373	LOWER ARM ASSY / R.H / 19K To G-6007	1		
. NS	611477	. BUSHING BAR PIN / REPAIR KIT To G-6007	2		
. NS	611478	. BALL ASSY / REPAIR KIT To G-6007	1		
7A	611490	LOWER ARM ASSY / R.H / 19K From G-6008 To H-6144	1		
. NS	611477	. BUSHING BAR PIN / REPAIR KIT From G-6008 To H-6144	2		
. NS	611478	. BALL ASSY / REPAIR KIT From G-6008 To H-6144	1		
7A	610008	LOWER ARM ASSY / R.H / 19K From H-6145	1		
. NS	610009	. BUSHING BAR PIN / REPAIR KIT FRAME SIDE From H-6145	2		
. NS	610010	. BALL ASSY / REPAIR KIT WHEEL SIDE From H-6145	1		
7B	612374	LOWER ARM ASSY / L.H / 19K To G-6007	1		
. NS	611477	. BUSHING BAR PIN / REPAIR KIT To G-6007	2		
. NS	611478	. BALL ASSY / REPAIR KIT To G-6007	1		
7B	611491	LOWER ARM ASSY / L.H / 19K From G-6008 To H-6144	1		
. NS	611477	. BUSHING BAR PIN / REPAIR KIT From G-6008 To H-6144	2		
. NS	611478	. BALL ASSY / REPAIR KIT From G-6008 To H-6144	1		
7B	610007	LOWER ARM ASSY / L.H / 19K From H-6145	1		
. NS	610009	. BUSHING BAR PIN / REPAIR KIT FRAME SIDE From H-6145	2		
. NS	610010	. BALL ASSY / REPAIR KIT WHEEL SIDE From H-6145	1		
8A	5001771	NUT HEXF STO M14-2.0 G10 PHC To F-5910	2		
8A	5001994	NUT HEX NYRT M14-2.0 NX500 From F-5911	2		
8B	5001995	WASHER FL 15.0x28.0x3.5 N500 From F-5911	2		
9	116454	ATTACHMENT / SHOCK ABSORBER To F-5924	2		
9	110819	ATTACHMENT / SHOCK ABSORBER LH From F-5925 To J-6226	1		
9	110820	ATTACHMENT / SHOCK ABSORBER RH From F-5925 To J-6226	1		
9	110821	ATTACHMENT / SHOCK ABSORBER From J-6227	2		
10	612380	UPRIGHT ARM L.H	1		
10	612381	UPRIGHT ARM R.H	1		
11	661111	ROD ASSY / 5TH / W/58 Deg	2		
12	5001325	. NUT HEX CSL M24-1.5 15TH CJ	1		



From E-5490 Date:07/2024 PAGE:X3VIP-1605-51

FRONT AXLE - INSTALL W/INDEPENDENT "NDIFS80P" / 19000LBS

Item#	Part	Description	X 3 V I P E N T	X 3 V I P M T H	N O T E S
13	661215	. PIN, COTTER 5MMx40MM	1		
30	630282	SHOCK ABSORBER / "KONI" (GOLD) To F-5781	2		
. NS	630255	. KIT WASHER & RUBBER BUSHING To F-5781	1		
. NS	630291	. BUSHING / RUBBER / (TWO PIECES) 1" x 1.005" I.D. To F-5781	1		
30	630287	SHOCK ABSORBER / SACHS From F-5782 To H-6102	2		
. NS	630255	. KIT WASHER & RUBBER BUSHING From F-5782 To H-6102	1		
. NS	630291	. BUSHING / RUBBER / (TWO PIECES) 1" x 1.005" I.D. From F-5782 To H-6102	1		
30	630292	SHOCK ABSORBER / SACHS From H-6103	2		M
. NS	630255	. KIT WASHER & RUBBER BUSHING From H-6103	1		M
. NS	630291	. BUSHING / RUBBER / (TWO PIECES) 1" x 1.005" I.D. From H-6103	1		M
30	630282	SHOCK ABSORBER / "KONI" (GOLD) To F-5781	AR		S
. NS	630255	. KIT WASHER & RUBBER BUSHING To F-5781	1		S
. NS	630291	. BUSHING / RUBBER / (TWO PIECES) 1" x 1.005" I.D. To F-5781	1		S
30	131633	SHIM To F-5781	2		S
31	630257	. BUSHING / RUBBER / (TWO PIECES) 1" x 1.005" I.D. To F-5781	2		
31	630291	. BUSHING / RUBBER / (TWO PIECES) 1" x 1.005" I.D. From F-5782	2		
33	630255	. KIT WASHER & RUBBER BUSHING To H-6102	2		
36	5001579	. NUT HEX NYRT M16-1.5 Z050	2		
38	161176	TAB LOCK W/1 HOLE 17MM I.D. To H-6175	4		
38	131961	TAB LOCK From H-6176	4		
40	5001663	NUT HEX NYRT M20-2.5 G10 Z050	12		
41	661219	SHIM "U" 0.79 x 39.5MM x 38MM x 20 i.d.	AR		
41	661101	SHIM "U" 1.52 x 39.5MM x 38MM x 20 i.d.	AR		
41	160993	SHIM "U" 3.175x 39.5MM x 38MM x 20 i.d.	AR		
41	661094	SHIM "U" 4.76 x 39.5MM x 38MM x 20 i.d.	AR		
41	160992	SHIM "U" 6.35 x 39.5MM x 38MM x 20 i.d.	AR		
41	163599	SHIM "U" 9.53 x 39.5MM x 38MM x 20 i.d.	AR		
42	5001525	SCREW CAP HEX M20-2.5x100 G10.9 N500	4		
43	130963	STUD M16-2.0x70 To H-6175	4		
43	5000308	STUD M16-2.0x50 G10.9 N500 From H-6176	4		
44	502588	NUT HEX M16-2.0 ZP To H-6175	4		
44	5001662	NUT HEX NYRT M16-2.0 G10 Z050 From H-6176	4		
45	5001561	SCREW CAP HEX M20-2.5x250 G10.9 ZP	8		
46	5001663	NUT HEX NYRT M20-2.5 G10 Z050	2		
47	5001152	WASHER CON 21.0x50.0x4.5 ZP	2		
48	5001153	WASHER CON 25.5x50.0x4.5 ZP	2		
49	131424	PIN W/TAPER ATTACHMENT M20-2.5	2		
NS	682175	UNDERCOATING BLACK PROTECTOR (GRAVELGUARD) 567gr To N-6731	AR		
NS	685413	RUBBERIZED UNDERCOAT (GRAVELGUARD) 560gr From N-6732	AR		
60	X3VIP-1616-00	SWAY BAR			
61	X3VIP-1005-51	FRONT AXLE - INDEPENDENT MODEL "NDIFS80P" / 19000LBS			
62	X3VIP-1601-00	BELLOWS - AIR SUSPENSION			



From E-5490	Date:07/2024	PAGE:X3VIP-1605-51
-------------	--------------	--------------------

FRONT AXLE - INSTALL W/INDEPENDENT "NDIFS80P" / 19000LBS

Item#	Part	Description	X 3 V I P E N T	X 3 V I P M T H	N O T E S
		M) METAL SLEEVE FROM KIT 630255 NOT USED			
		S) USE IN SERVICE REQUIRE (2) TWO SHIMS #131633			

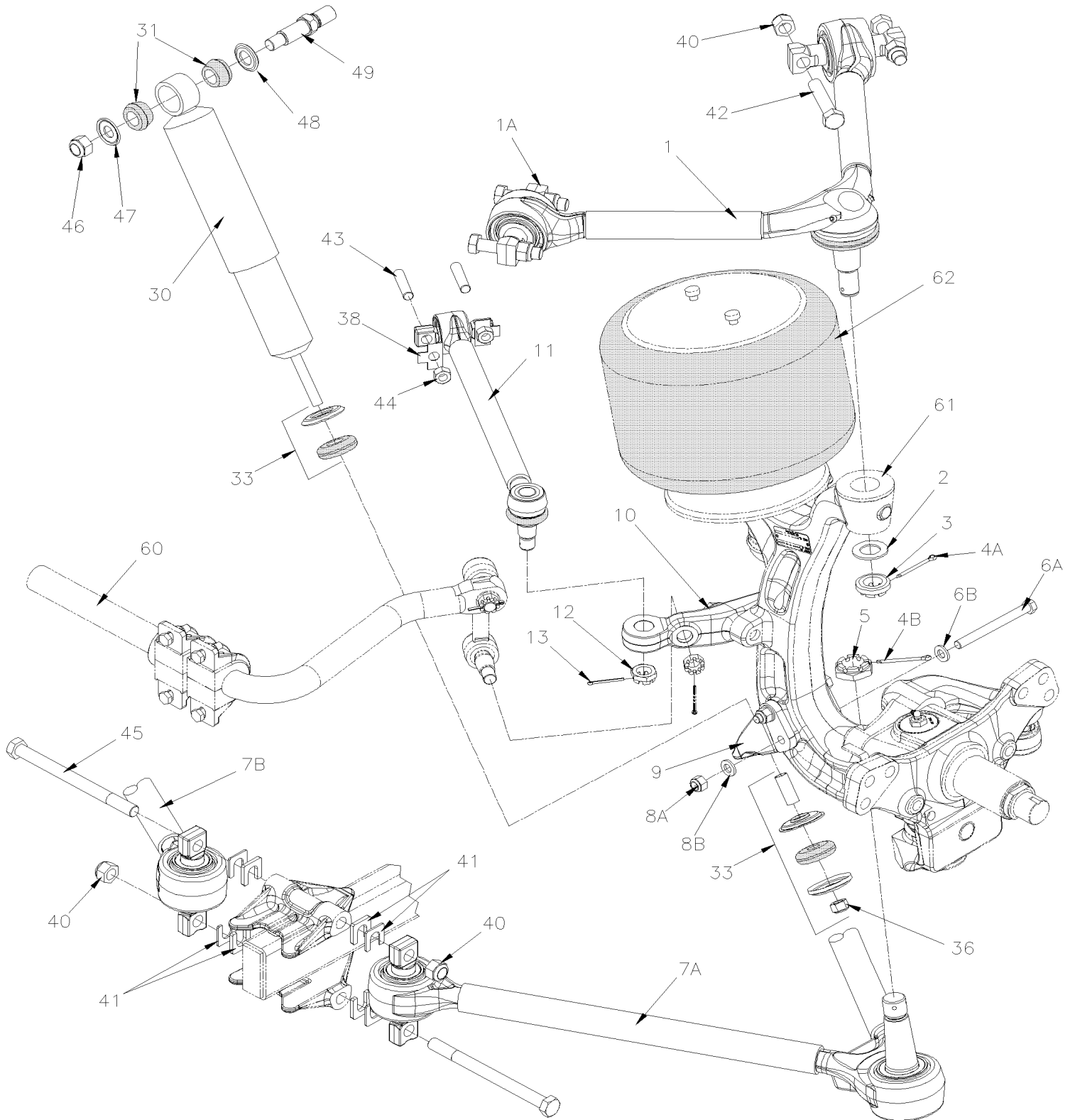


From E-5490

Date:07/2024

PAGE:X3VIP-1605-61

FRONT AXLE - INSTALL W/INDEPENDENT "NDIFS80P" / 19000LBS





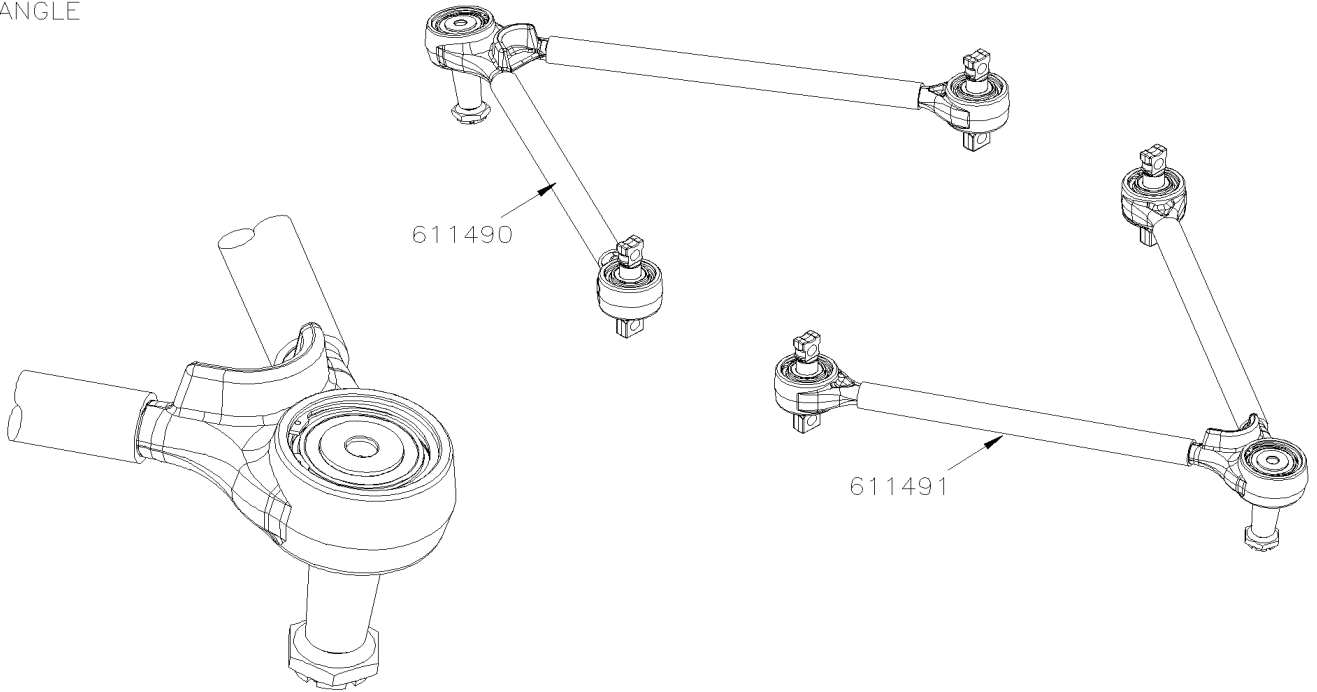
From E-5490

Date:07/2024

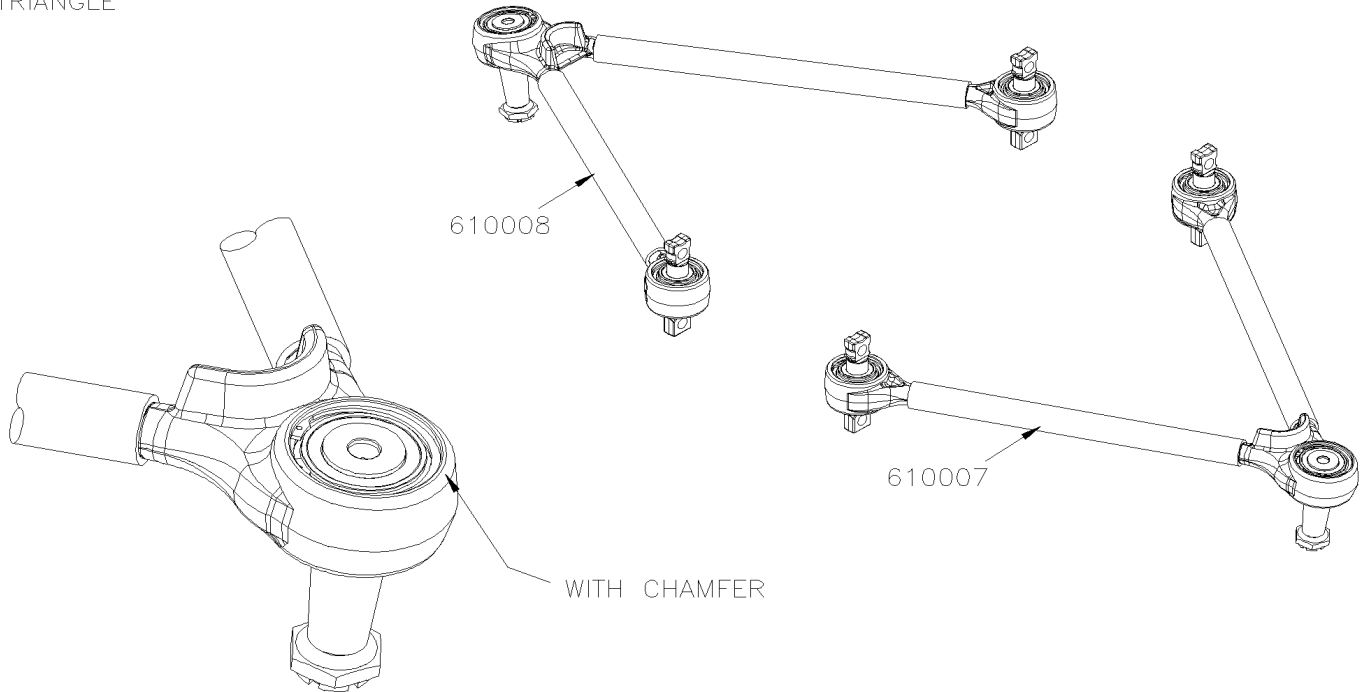
PAGE:X3VIP-1605-61

FRONT AXLE - INSTALL W/INDEPENDENT "NDIFS80P" / 19000LBS

OLD TRIANGLE



NEW TRIANGLE





From E-5490		Date:07/2024	PAGE:X3VIP-1605-61
FRONT AXLE - INSTALL W/INDEPENDENT "NDIFS80P" / 19000LBS			

Item#	Part	Description	X 3 V I P E N T	X 3 V I P M T H	N O T E S
1	611270	UPPER ARM ASSY / L.H. & R.H.		2	
. A	611346	. BUSHING BAR PIN / 20MM 150mm c/c 85MM O.D. x 72MM wide		2	
. A1	611358	. BUSHING BAR PIN / 20MM 150mm c/c 85MM O.D. x 72MM wide		2	
2	5001255	WASHER FL 31.75x54.77x3.175		2	
3	5001321	NUT HEX CSL M30-1.5 17TH CJ		2	
4A	502115	PIN, COTTER 3/16 x 2 1/2 To H-6133		4	
4A	502115	PIN, COTTER 3/16 x 2 1/2 From H-6134		2	
4B	502109	PIN, COTTER 6.3MM x 71MM Z50 From H-6134		2	
5	5001333	NUT HEX CSL M36-1.5 17TH CJ		2	
6A	5001790	SCREW CAP HEXF M14-2.0x130 G10.9 PHC To F-5891		2	
6A	5001993	SCREW CAP HEX M14-2.0x140 G10.9 PT N500 From F-5892 To J-6226		2	
6A	5002000	SCREW CAP HEX M14-2.0x150 G10.9 PT N500 From J-6227		2	
6B	5001995	WASHER FL 15.0x28.0x3.5 N500 From F-5892		2	
7A	612373	LOWER ARM ASSY / R.H / 19K To G-6007		1	
. NS	611477	. BUSHING BAR PIN / REPAIR KIT To G-6007		2	
. NS	611478	. BALL ASSY / REPAIR KIT To G-6007		1	
7A	611490	LOWER ARM ASSY / R.H / 19K From G-6008 To H-6144		1	
. NS	611477	. BUSHING BAR PIN / REPAIR KIT From G-6008 To H-6144		2	
. NS	611478	. BALL ASSY / REPAIR KIT From G-6008 To H-6144		1	
7A	610008	LOWER ARM ASSY / R.H / 19K From H-6145		1	
. NS	610009	. BUSHING BAR PIN / REPAIR KIT FRAME SIDE From H-6145		2	
. NS	610010	. BALL ASSY / REPAIR KIT WHEEL SIDE From H-6145		1	
7B	612374	LOWER ARM ASSY / L.H / 19K To G-6007		1	
. NS	611477	. BUSHING BAR PIN / REPAIR KIT To G-6007		2	
. NS	611478	. BALL ASSY / REPAIR KIT To G-6007		1	
7B	611491	LOWER ARM ASSY / L.H / 19K From G-6008 To H-6144		1	
. NS	611477	. BUSHING BAR PIN / REPAIR KIT From G-6008 To H-6144		2	
. NS	611478	. BALL ASSY / REPAIR KIT From G-6008 To H-6144		1	
7B	610007	LOWER ARM ASSY / L.H / 19K From H-6145		1	
. NS	610009	. BUSHING BAR PIN / REPAIR KIT FRAME SIDE From H-6145		2	
. NS	610010	. BALL ASSY / REPAIR KIT WHEEL SIDE From H-6145		1	
8A	5001771	NUT HEXF STO M14-2.0 G10 PHC To F-5910		2	
8A	5001994	NUT HEX NYRT M14-2.0 NX500 From F-5911		2	
8B	5001995	WASHER FL 15.0x28.0x3.5 N500 From F-5911		2	
9	116454	ATTACHMENT / SHOCK ABSORBER To F-5924		2	
9	110819	ATTACHMENT / SHOCK ABSORBER LH From F-5925 To J-6226		1	
9	110820	ATTACHMENT / SHOCK ABSORBER RH From F-5925 To J-6226		1	
9	110821	ATTACHMENT / SHOCK ABSORBER From J-6227		2	
10	612380	UPRIGHT ARM L.H		1	
10	612381	UPRIGHT ARM R.H		1	
11	661111	ROD ASSY / 5TH / W/58 Deg		2	
12	5001325	. NUT HEX CSL M24-1.5 15TH CJ		1	



From E-5490 Date:07/2024 PAGE:X3VIP-1605-61

FRONT AXLE - INSTALL W/INDEPENDENT "NDIFS80P" / 19000LBS

Item#	Part	Description	X 3 V I P E N T	X 3 V I P M T H	N O T E S
13	661215	. PIN, COTTER 5MMx40MM		1	
30	630282	SHOCK ABSORBER / "KONI" (GOLD) To F-5781		2	S
. NS	630255	. KIT WASHER & RUBBER BUSHING To F-5781		1	S
. NS	630291	. BUSHING / RUBBER / (TWO PIECES) 1" x 1.005" I.D. To F-5781		1	S
30	630287	SHOCK ABSORBER / SACHS From F-5782 To H-6102		2	
. NS	630255	. KIT WASHER & RUBBER BUSHING From F-5782 To H-6102		1	
. NS	630291	. BUSHING / RUBBER / (TWO PIECES) 1" x 1.005" I.D. From F-5782 To H-6102		1	
30	630292	SHOCK ABSORBER / SACHS From H-6103		2	M
. NS	630255	. KIT WASHER & RUBBER BUSHING From H-6103		1	M
. NS	630291	. BUSHING / RUBBER / (TWO PIECES) 1" x 1.005" I.D. From H-6103		1	M
30	630282	SHOCK ABSORBER / "KONI" (GOLD) To F-5781		AR	
. NS	630255	. KIT WASHER & RUBBER BUSHING To F-5781		1	
. NS	630291	. BUSHING / RUBBER / (TWO PIECES) 1" x 1.005" I.D. To F-5781		1	
30	131633	SHIM To F-5781		2	
31	630257	. BUSHING / RUBBER / (TWO PIECES) 1" x 1.005" I.D. To F-5781		2	
31	630291	. BUSHING / RUBBER / (TWO PIECES) 1" x 1.005" I.D. From F-5782		2	
33	630255	. KIT WASHER & RUBBER BUSHING To H-6102		2	
36	5001579	. NUT HEX NYRT M16-1.5 Z050		2	
38	161176	TAB LOCK W/1 HOLE 17MM I.D. To H-6175		4	
38	131961	TAB LOCK From H-6176		4	
40	5001663	NUT HEX NYRT M20-2.5 G10 Z050		12	
41	661219	SHIM "U" 0.79 x 39.5MM x 38MM x 20 i.d.		AR	
41	661101	SHIM "U" 1.52 x 39.5MM x 38MM x 20 i.d.		AR	
41	160993	SHIM "U" 3.175x 39.5MM x 38MM x 20 i.d.		AR	
41	661094	SHIM "U" 4.76 x 39.5MM x 38MM x 20 i.d.		AR	
41	160992	SHIM "U" 6.35 x 39.5MM x 38MM x 20 i.d.		AR	
41	163599	SHIM "U" 9.53 x 39.5MM x 38MM x 20 i.d.		AR	
42	5001525	SCREW CAP HEX M20-2.5x100 G10.9 N500		4	
43	130963	STUD M16-2.0x70 To H-6175		4	
43	5000308	STUD M16-2.0x50 G10.9 N500 From H-6176		4	
44	502588	NUT HEX M16-2.0 ZP To H-6175		4	
44	5001662	NUT HEX NYRT M16-2.0 G10 Z050 From H-6176		4	
45	5001561	SCREW CAP HEX M20-2.5x250 G10.9 ZP		8	
46	5001663	NUT HEX NYRT M20-2.5 G10 Z050		2	
47	5001152	WASHER CON 21.0x50.0x4.5 ZP		2	
48	5001153	WASHER CON 25.5x50.0x4.5 ZP		2	
49	131424	PIN W/TAPER ATTACHMENT M20-2.5		2	
NS	682175	UNDERCOATING BLACK PROTECTOR (GRAVELGUARD) 567gr To N-6731		AR	
NS	685413	RUBBERIZED UNDERCOAT (GRAVELGUARD) 560gr From N-6732		AR	
60	X3VIP-1616-00	SWAY BAR			
61	X3VIP-1005-61	FRONT AXLE - INDEPENDENT MODEL "NDIFS80P" / 19000LBS			
62	X3VIP-1601-00	BELLOWS - AIR SUSPENSION			



From E-5490		Date:07/2024	PAGE:X3VIP-1605-61
-------------	--	--------------	--------------------

FRONT AXLE - INSTALL W/INDEPENDENT "NDIFS80P" / 19000LBS

Item#	Part	Description	X 3 V I P E N T	X 3 V I P M T H	N O T E S
		M) METAL SLEEVE FROM KIT 630255 NOT USED			
		S) USE IN SERVICE REQUIRE (2) TWO SHIMS #131633			

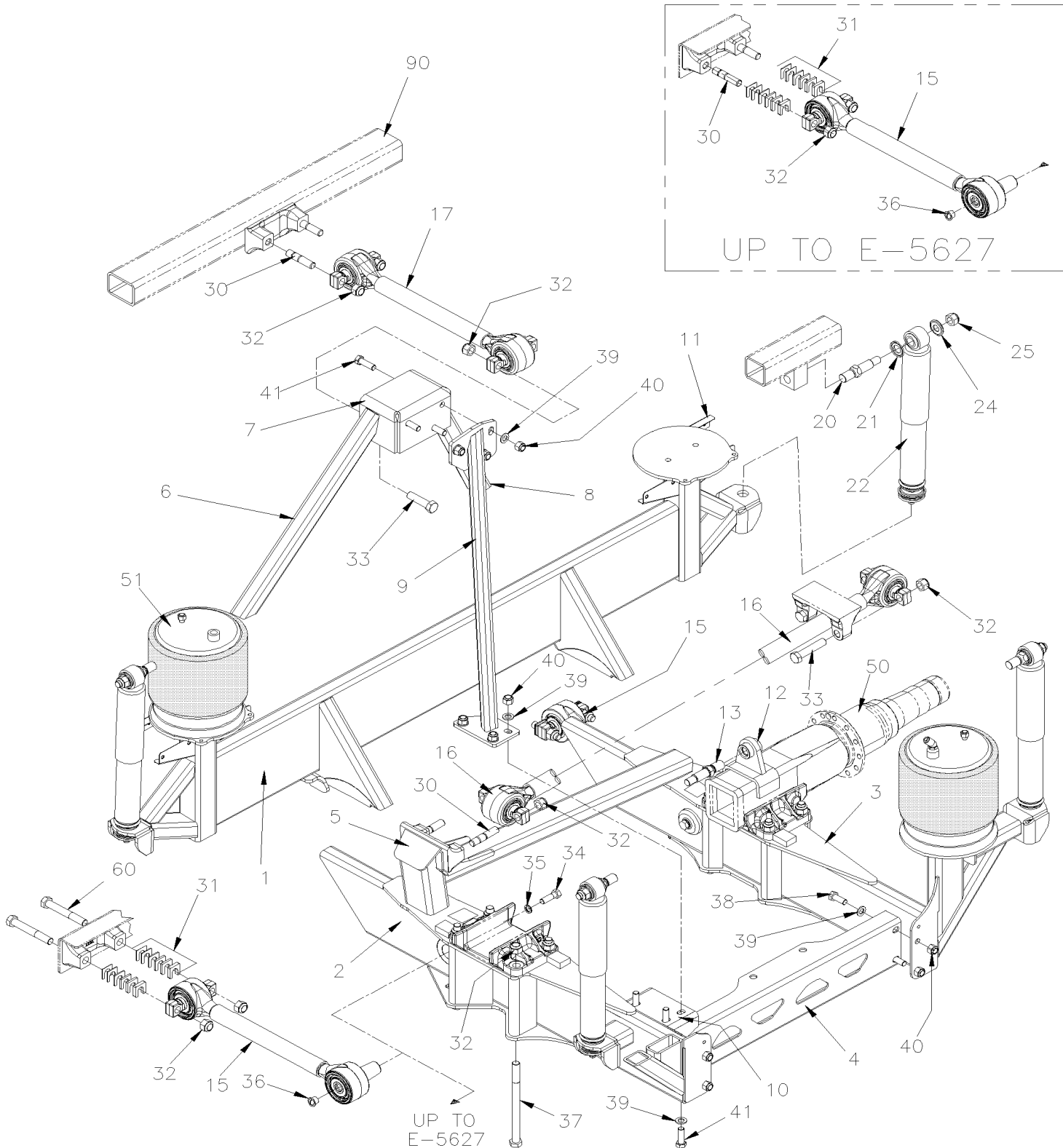


From E-5490

Date:07/2024

PAGE:X3VIP-1610-01

REAR AXLE - INSTALL SUSPENSION





From E-5490		Date:07/2024	PAGE:X3VIP-1610-01
REAR AXLE - INSTALL SUSPENSION			

Item#	Part	Description	X 3 V I P E N T	X 3 V I P M T H	N O T E S
	120188	REAR DIFFERENTIAL CARRIER ASSY WELDED To E-5525	1	1	
	Call order desk	REAR DIFFERENTIAL CARRIER ASSY WELDED From E-5526 To F-5777	1	1	P
	Call order desk	REAR DIFFERENTIAL CARRIER ASSY WELDED From F-5778	1	1	P
1	121977	. FRONT FRAME ASSY / W/AXLE To E-5525	1	1	
1	122048	. FRONT FRAME ASSY / W/AXLE From E-5526 To F-5777	1	1	
1	122053	. FRONT FRAME ASSY / W/AXLE From F-5778	1	1	
2	121967	. BEAM ASSY / L.H.	1	1	
3	121968	. BEAM ASSY / R.H.	1	1	
4	122000	. CROSS MEMBER ASSY	1	1	
5	121990	. PANHARD ATTACHMENT, CARRIER FRAME To P-6787	1	1	
5	120115	. PANHARD ATTACHMENT, CARRIER FRAME From P-6788	1	1	
6	121998	BRACE / FRONT L.H.	1	1	
7	121970	TOP TRIPOD ASSY WELDED To F-5777	1	1	
7	122065	TOP TRIPOD ASSY WELDED From F-5778	1	1	
8	121997	BRACE / FRONT R.H.	1	1	
9	121980	TRIPOD ASSY WELDED	1	1	
10	122023	PLATE SUPPORT	1	1	
11	122013	ACTUATOR SUPPORT / TO FIX LINK / (WELDED)	2	2	
12	121467	ATTACHMENT PIN SWAY BAR / (WELDED TO HOUSING)	2	2	
13	131522	PIN W/TAPER ATTACHMENT M20-2.5 / SWAY-BAR	2	2	
15	621874	ROD ASSY / 594MM To F-5771	2	2	
. NS	621891	. BALL PIN BUSHING / REPAIR KIT 70MM O.D. To F-5771	1	1	
. NS	621892	. BALL PIN BUSHING / REPAIR KIT 70MM O.D. / 130MM C/C To F-5771	1	1	
15	621899	ROD ASSY / 594MM From F-5772	2	2	
. NS	630275	. BALL PIN BUSHING / REPAIR KIT 85MM O.D. From F-5772	1	1	
16	621873	ROD ASSY / 889MM	1	1	
. NS	621890	. BALL PIN BUSHING / REPAIR KIT 70MM O.D. / 130MM C/C	2	2	
17	621878	ROD ASSY / 594MM To F-5771	1	1	
. NS	621890	. BALL PIN BUSHING / REPAIR KIT 70MM O.D. / 130MM C/C To F-5771	2	2	
17	621900	ROD ASSY / 594MM From F-5772	1	1	
20	131424	PIN W/TAPER ATTACHMENT M20-2.5	4	4	
21	5001153	WASHER CON 25.5x50.0x4.5 ZP	4	4	
22	630271	SHOCK ABSORBER / SACHS To F-5781	4	4	
. NS	630257	. BUSHING / RUBBER / (TWO PIECES) 1" x 1.005" I.D. To F-5781	2	2	
. NS	630255	. KIT WASHER & RUBBER BUSHING To F-5781	1	1	
22	630289	SHOCK ABSORBER / DRIVE AXLE SACHS From F-5782 To H-6095	4	4	
. NS	630255	. KIT WASHER & RUBBER BUSHING From F-5782 To H-6095	1	1	
. NS	630291	. BUSHING / RUBBER / (TWO PIECES) 1" x 1.005" I.D. From F-5782 To H-6095	1	1	
22	630294	SHOCK ABSORBER / SACHS From H-6096	4	4	M
. NS	630291	. BUSHING / RUBBER / (TWO PIECES) 1" x 1.005" I.D. From H-6096	1	1	M
. NS	630255	. KIT WASHER & RUBBER BUSHING From H-6096	1	1	M
24	5001152	WASHER CON 21.0x50.0x4.5 ZP	4	4	



REAR AXLE - INSTALL SUSPENSION

Table with columns: Item#, Part, Description, X3VIP ENT, X3VIP MTH, NOTES. Contains parts list for Rear Axle - Model RC23165 and Bel lows - Air Suspension, including nuts, studs, shims, screws, washers, and sealants.

M) METAL SLEEVE FROM KIT 630255 NOT USED
P) CALL ORDER DESK FOR SPECIFIC APPLICATION (V.I.N.)

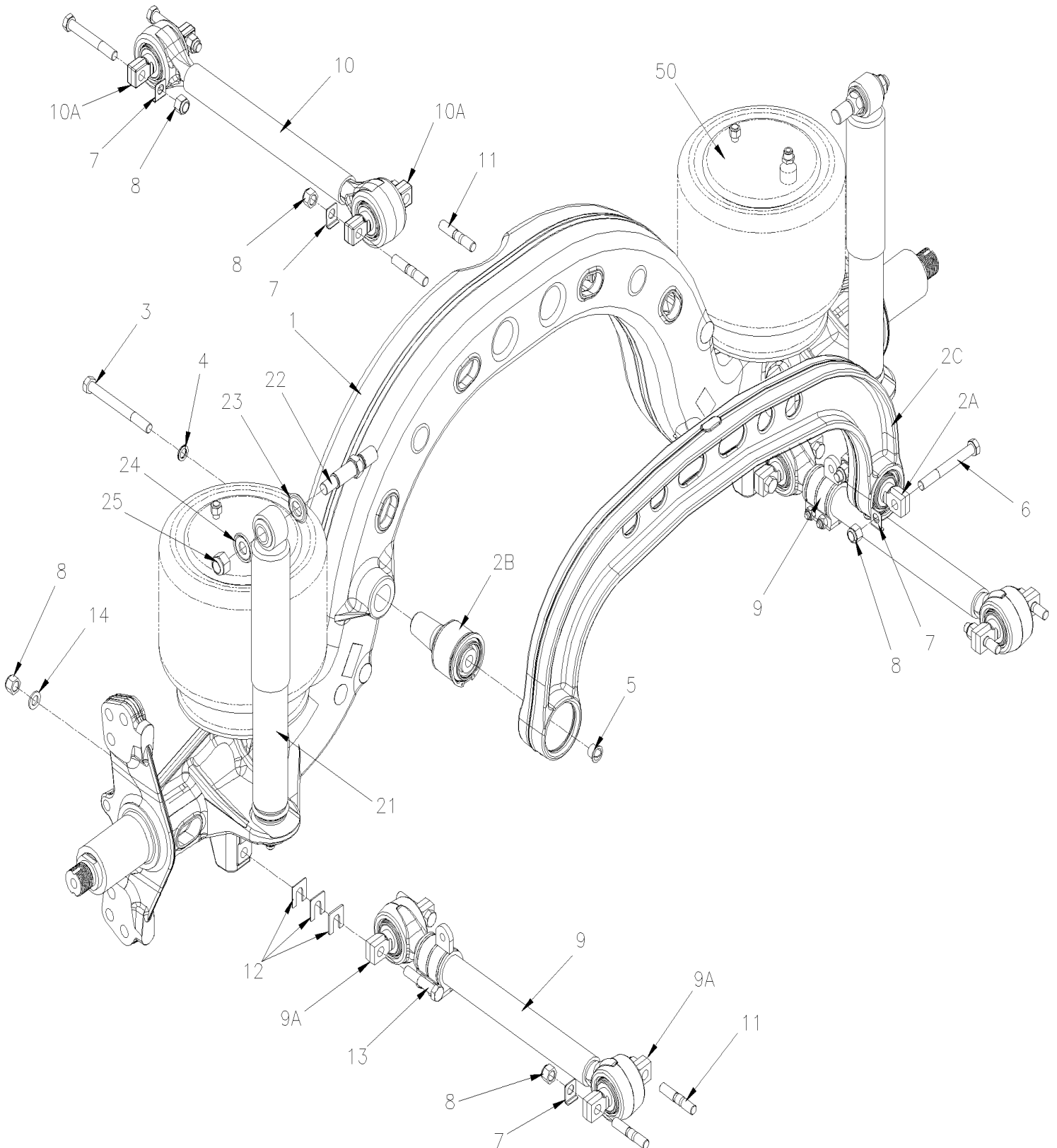


From E-5490

Date:07/2024

PAGE:X3VIP-1615-00

TAG AXLE - INSTALL SUSPENSION ONE PIECE





From E-5490		Date:07/2024	PAGE:X3VIP-1615-00
-------------	--	--------------	--------------------

TAG AXLE - INSTALL SUSPENSION ONE PIECE

Item#	Part	Description	X 3 V I P E N T	X 3 V I P M T H	N O T E S
1	621808	TAG AXLE / FORGE	1	1	
2	630272	ROD ASSY WITH / 35" C/C (889MM) / CASTING	1	1	
. A	630274	. BALL PIN BUSHING / REPAIR KIT 75MM O.D. / 130MM C/C	1	1	
. B	630275	. BALL PIN BUSHING / REPAIR KIT 85MM O.D.	1	1	
. C	630273	. ROD 35" C/C (889MM) / CASTING	1	1	
NS	G32952	TOOL REMOVER TAG PANHARD FROM AXLE	1	1	
3	5001795	SCREW CAP HEX M16-1.5x160 G10.9 N500	1	1	
4	630278	WASHER "NORD-LOCK" 17.0x25.4x3.4 YP	1	1	
5	621832	PULL PLUG DIA. 23MM	1	1	
6	5001828	SCREW CAP HEX M16-2.0x140 G10.9 N500	2	2	
7	131961	TAB LOCK	10	10	
8	5001662	NUT HEX NYRT M16-2.0 G10 Z050	14	14	
9	621803	ROD ASSY / 23.38" (594.1MM) / 130MM / M16	2	2	
. A	630274	. BALL PIN BUSHING / REPAIR KIT 75MM O.D. / 130MM C/C	2	2	
10	621806	ROD ASSY / 23.38" (594.1MM) / 130MM / M16	1	1	
. A	630274	. BALL PIN BUSHING / REPAIR KIT 75MM O.D. / 130MM C/C	2	2	
11	5001867	STUD M16-2.0x60 G10.9 N500 To H-6175	6	6	
11	5000308	STUD M16-2.0x50 G10.9 N500 From H-6176	6	6	
12	661220	SHIM "U" 0.79 x39.5MM x 38MM x17 i.d.	AR	AR	
12	621830	SHIM "U" 1.59 x 39.5MM x 38MM x17 i.d.	AR	AR	
12	161352	SHIM "U" 2.28 x39.5MM x 38MM x17 i.d.	AR	AR	
12	621831	SHIM "U" 3.175 x39.5MM x 38MM x17 i.d.	AR	AR	
13	5001830	SCREW CAP HEX M16-2.0x80 G10.9 N500	4	4	
14	5001722	WASHER FL 17.0x30.0x3.0 SS	4	4	
15	5001827	SCREW CAP HEX M16-2.0x120 G10.9 N500	2	2	
21	630271	SHOCK ABSORBER / SACHS To F-5781	2	2	
. NS	630257	. BUSHING / RUBBER / (TWO PIECES) 1" x 1.005" I.D. To F-5781	2	2	
. NS	630255	. KIT WASHER & RUBBER BUSHING To F-5781	1	1	
21	630290	SHOCK ABSORBER / TAG AXLE SACHS From F-5782 To H-6096	2	2	
. NS	630255	. KIT WASHER & RUBBER BUSHING From F-5782 To H-6096	1	1	
. NS	630257	. BUSHING / RUBBER / (TWO PIECES) 1" x 1.005" I.D. From F-5782 To H-6096	1	1	
21	630295	SHOCK ABSORBER / SACHS From H-6097	2	2	M
. NS	630255	. KIT WASHER & RUBBER BUSHING From H-6097	1	1	M
. NS	630291	. BUSHING / RUBBER / (TWO PIECES) 1" x 1.005" I.D. From H-6097	1	1	M
22	131424	PIN W/TAPER ATTACHMENT M20-2.5	1	1	
23	5001153	WASHER CON 25.5x50.0x4.5 ZP	2	2	
24	5001152	WASHER CON 21.0x50.0x4.5 ZP	2	2	
25	5001663	NUT HEX NYRT M20-2.5 G10 Z050	2	2	
NS	682175	UNDERCOATING BLACK PROTECTOR (GRAVELGUARD) 567gr To N-6731	AR	AR	
NS	685413	RUBBERIZED UNDERCOAT (GRAVELGUARD) 560gr From N-6732	AR	AR	
50	X3VIP-1601-00	BELLOWS - AIR SUSPENSION			



From E-5490	Date:07/2024	PAGE:X3VIP-1615-00
-------------	--------------	--------------------

TAG AXLE - INSTALL SUSPENSION ONE PIECE

Item#	Part	Description	X 3 V I P E N T	X 3 V I P M T H	N O T E S
		M) METAL SLEEVE FROM KIT 630255 NOT USED			

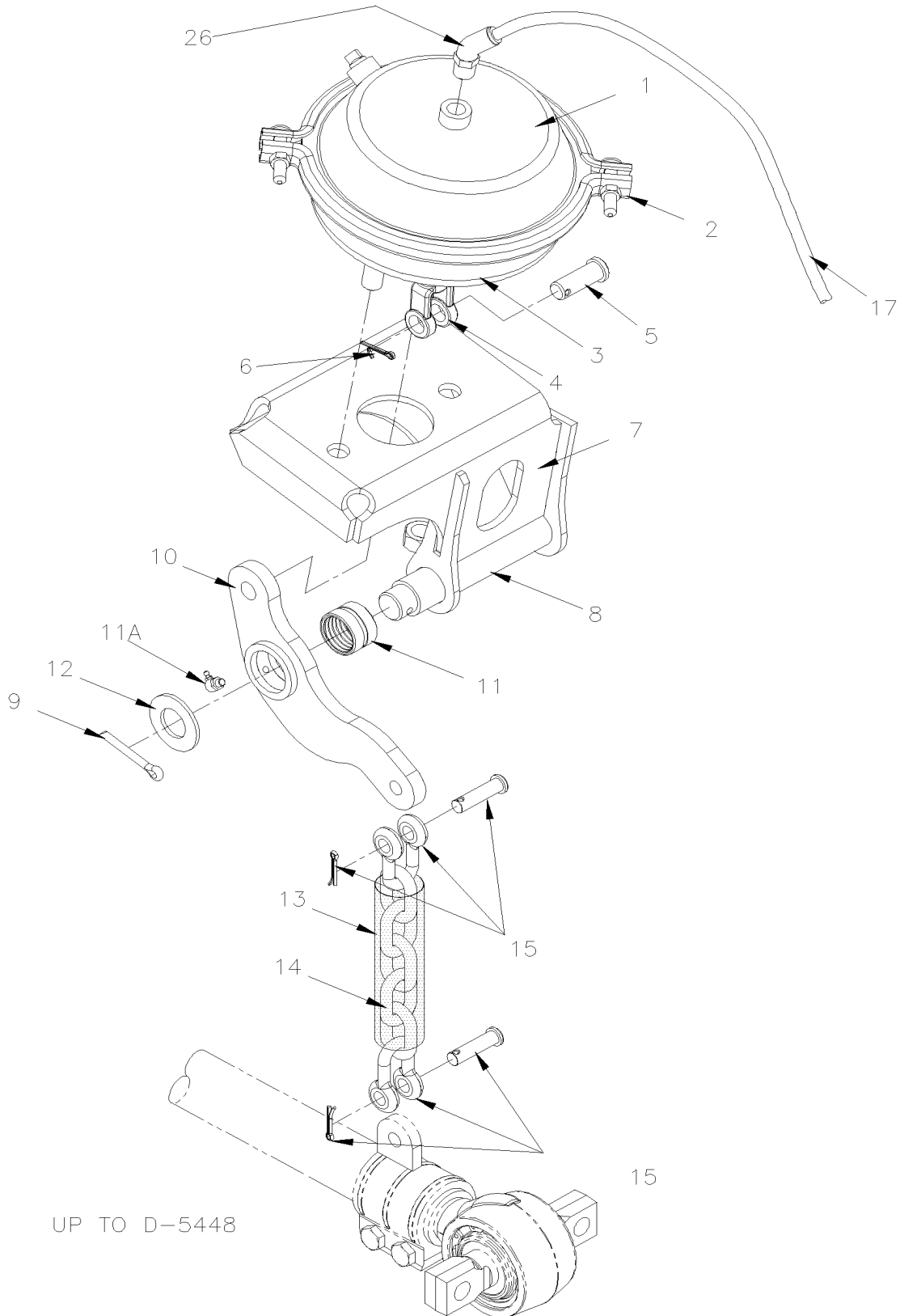


From E-5490

Date:07/2024

PAGE:X3VIP-1615-10

TAG AXLE - LIFTING



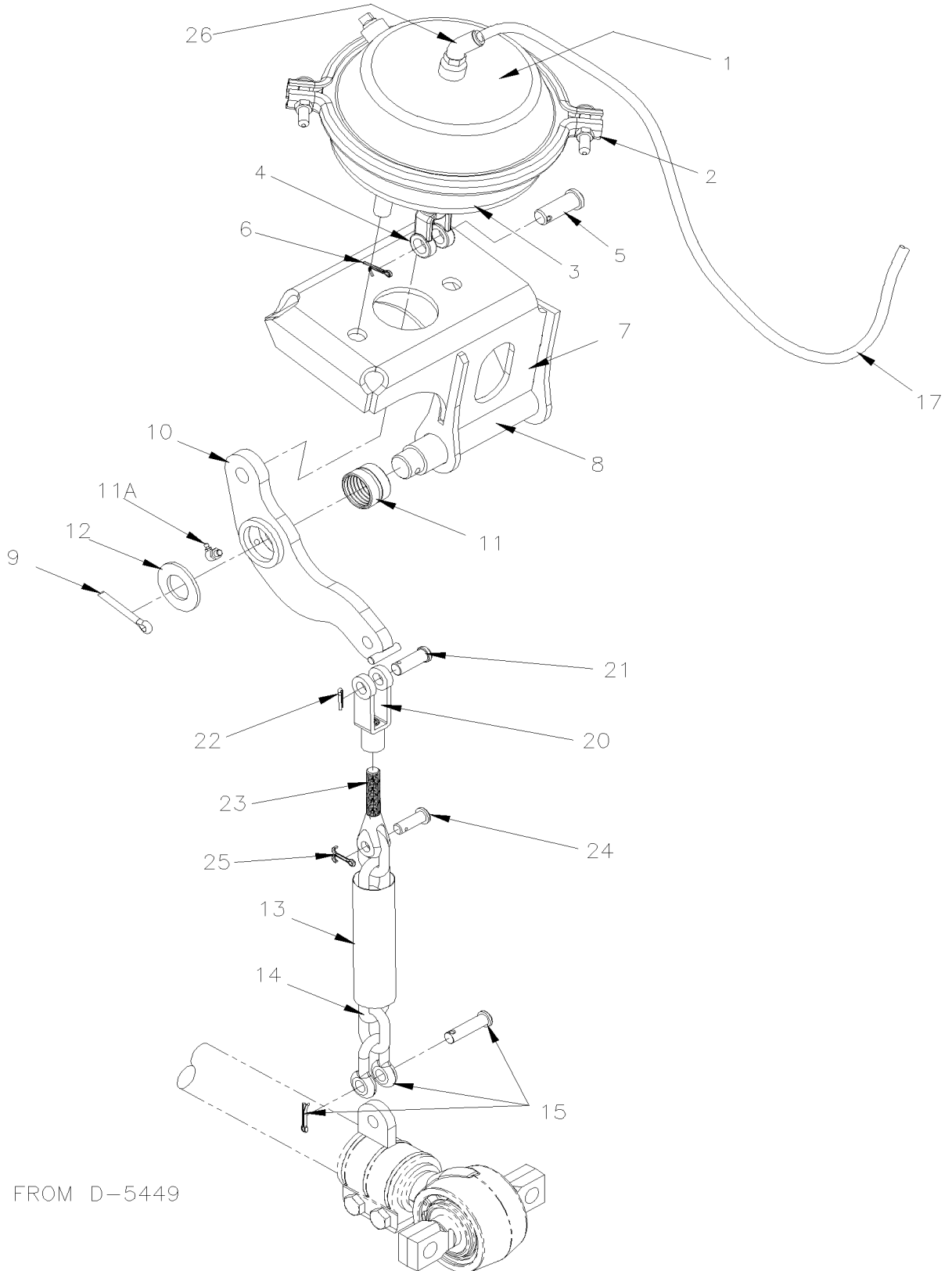


From E-5490

Date:07/2024

PAGE:X3VIP-1615-10

TAG AXLE - LIFTING



FROM D-5449



From E-5490	Date:07/2024	PAGE:X3VIP-1615-10
TAG AXLE - LIFTING		

Item#	Part	Description	X 3 V I P E N T	X 3 V I P M T H	N O T E S
1	641425	BRAKE CHAMBER ASSY / TYPE 36	2	2	
2	641067	. CLAMP TYPE 36	1	1	
3	640979	. DIAPHRAGM / TYPE 36	1	1	
3	641066	. BOOT RUBBER	1	1	
4	640130	. YOKE 5/8-18x1 3/8 C/Lx9/16Wx5/8	1	1	
5	502028	. . PIN, CLEVIS 5/8 x 3/4	1	1	
6	502102	. . PIN, COTTER 1/8 x 1	1	1	
NS	641426	. SHIELD, ROD CENTER HOLE	1	1	
7	173756	BRACKET / R.H. To E-5525	1	1	
7	175144	BRACKET / R.H. From E-5526	1	1	
7	173773	BRACKET / L.H. To E-5525	1	1	
7	175143	BRACKET / L.H. From E-5526	1	1	
8	121724	. PIVOT PIN	1	1	
9	502106	PIN, COTTER 1/4 x 2	1	1	
10	132007	LEVER ASSY To E-5525	2	2	
10	132004	LEVER ASSY From E-5526	1	1	
11	131699	. BUSHING BRASS / W/GROOVE INSIDE 31.94 O.D. x 25.5 I.D. x 25.4	1	1	
11A	501500	. GREASE FITTING 90° / 1/4-28	1	1	
12	500456	WASHER FL 1.062x2.000x.134 Z050	1	1	
13	121123	TUBE COVERING CHAIN 290MM	1	1	
. NS	5001503	. TUBE, PVC / CLEAR / 1 1/2" I.D./ S.L.	AR	AR	
14	121930	CHAIN / 243MM To E-5525	1	1	
14	121851	CHAIN / 210MM From E-5526 To H-6093	1	1	
14	121930	CHAIN / 243MM From H-6094	1	1	
15	505064	SHACKLE CHAIN 3/8	1	1	
17	503404	TUBE, NYLON 3/8 O.D. / BLACK S.L.	1	1	
20	5021002	CLEVIS ROD END 1/2	1	1	
21	502035	. PIN, CLEVIS 1/2 x 1 3/8 Z050	1	1	
22	502103	. PIN, COTTER 1/8 x 2	1	1	
23	5021003	CLEVIS ROD END 7/16	1	1	
24	5021004	PIN, CLEVIS 7/16 x 1 1/4 ZP	1	1	
25	502102	PIN, COTTER 1/8 x 1	1	1	
26	641367	MALE ELBOW 45° NON-SWIVEL / PUSH-IN FITTING / #6x3/8NPT-M BR To E-5525	1	1	
26	641375	MALE ELBOW 90° NON-SWIVEL / PUSH-IN FITTING / #6x3/8NPT-M BR From E-5526	1	1	

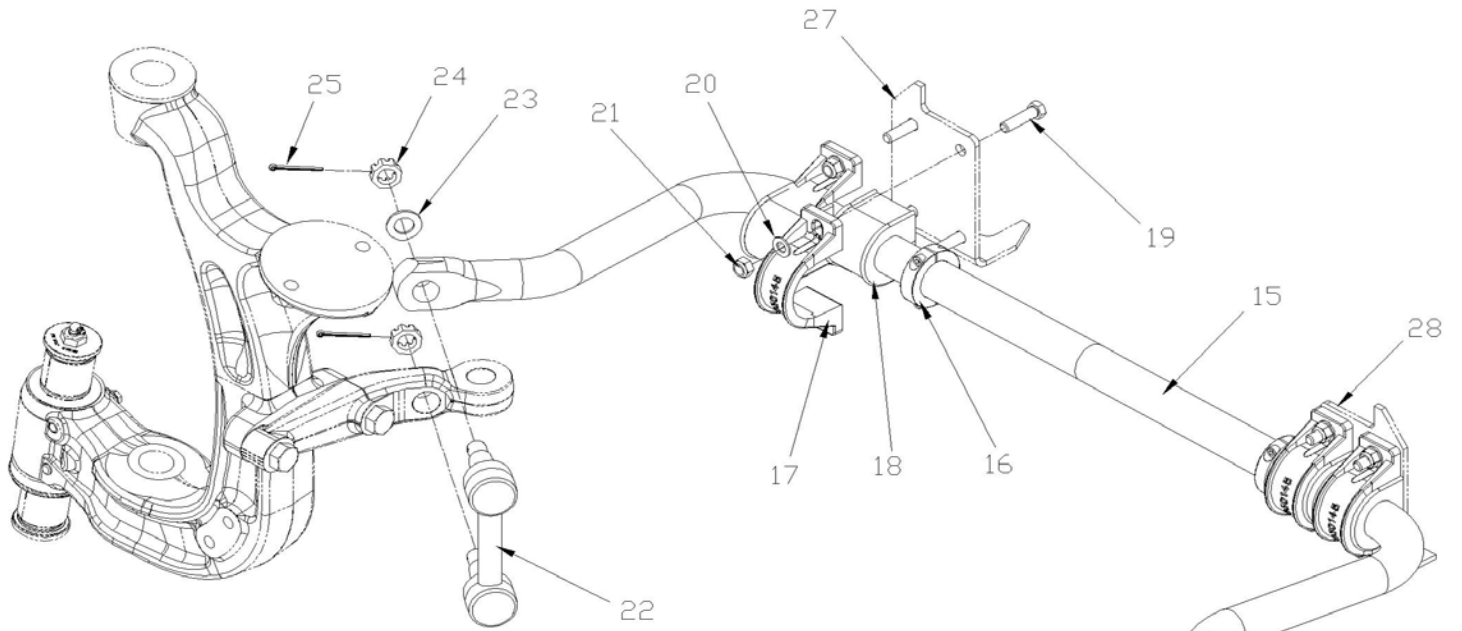


From E-5490

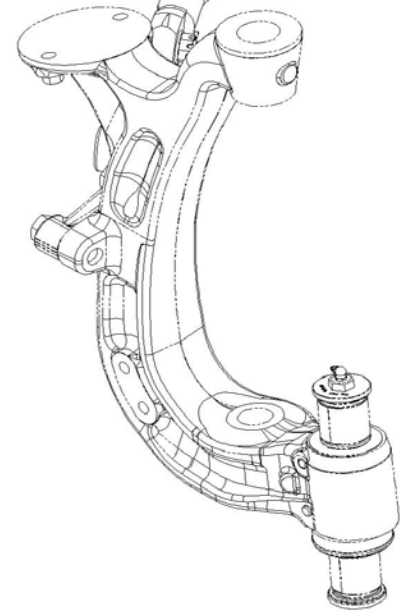
Date:07/2024

PAGE:X3VIP-1616-00

SWAY BAR



WITH INDEPENDANTE SUSPENSION



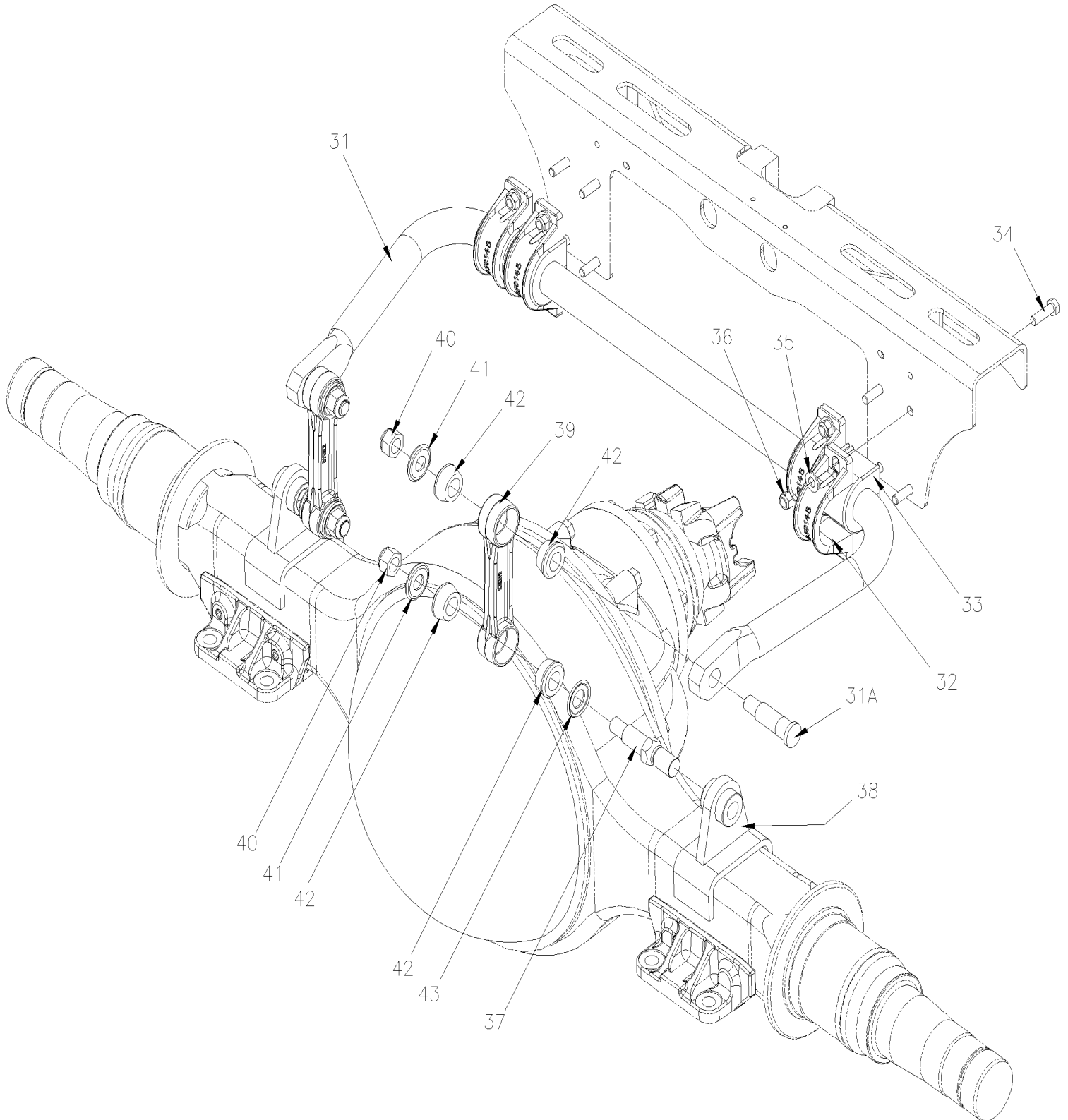


From E-5490

Date:07/2024

PAGE:X3VIP-1616-00

SWAY BAR





From E-5490	Date:07/2024	PAGE:X3VIP-1616-00
SWAY BAR		

Item#	Part	Description	X 3 V I P E N T	X 3 V I P M T H	N O T E S
15	131755	SWAY BAR 1 3/4" O.D. 1175MM // W/58 Deg To K-6395	1	1	I
15	130017	SWAY BAR 45 MM O.D. 1175MM // W/58 Deg From K-6396	1	1	I
16	563042	COLLAR 1 3/4" I.D.	2	2	I
17	630145	COLLAR / IRON / 2x.472" HOLE 4 5/8 C/C	4	4	I
NS	130078	SERV. KIT SWAYBAR COLLAR 45MM 1,75" DI	1	1	
. NS	130076	. MACHINED NODULAR COLLAR	4	4	
. NS	630020	. BUSHING / RUBBER / USE WITH SWAY BAR 1 3/4"	4	4	
. NS	5001688	. SCREW CAP HEX M12-1.75x100 G10.9 G500	8	8	
. NS	5001695	. NUT HEX NYRT M12-1.75 Z050	8	8	
. NS	5002008	. WASHER FL 13.0x35.0x5.0 N500	8	8	
. NS	IS-23019	. SEE ENGLISH INSTRUCTION SHEET	1	1	
. NS	FI-23019	. SEE FRENCH INSTRUCTION SHEET	1	1	
18	630020	BUSHING / RUBBER / USE WITH SWAY BAR 1 3/4"	4	4	I
19	500806	SCREW CAP HEX M12-1.75x35 G10.9 G500	8	8	I
20	500011	WASHER FL / HARDENED 13.0x24.0x3.0 STL	8	8	I
21	5001695	NUT HEX NYRT M12-1.75 Z050	8	8	I
22	630246	LINK ASSY / 150MM C/C / W/18000LBS	2	2	I
23	502558	WASHER FL 21.0x37.0x3.0 G500	2	2	I
24	5001553	NUT HEX CSL M20-1.5 N500	4	4	I
25	502104	PIN, COTTER 5/32 x 2	4	4	I
27	171718	ATTACHMENT SWAY BAR CURBSIDE To G-6047	1	1	
27	170002	ATTACHMENT SWAY BAR CURBSIDE From G-6048	1	1	
28	171908	ATTACHMENT SWAY BAR STREETSIDE To G-6047	1	1	
28	170003	ATTACHMENT SWAY BAR STREETSIDE From G-6048	1	1	
31	131019	SWAY BAR ASSY / 1 1/2" O.D. X 848MM	1	1	R
. A	131520	. STUD 1 1/4" O.D.	2	2	R
32	630145	COLLAR / IRON / 2x.472" HOLE 4 5/8 C/C	4	4	R
NS	130077	SERV. KIT SWAYBAR COLLAR 38MM, 1.5" DI	1	1	
. NS	130076	. MACHINED NODULAR COLLAR	4	4	
. NS	130953	. BUSHING / RUBBER / USE WITH SWAY BAR 1 1/2"	4	4	
. NS	5001688	. SCREW CAP HEX M12-1.75x100 G10.9 G500	8	8	
. NS	5001695	. NUT HEX NYRT M12-1.75 Z050	8	8	
. NS	5002008	. WASHER FL 13.0x35.0x5.0 N500	8	8	
. NS	IS-23019	. SEE ENGLISH INSTRUCTION SHEET	1	1	
. NS	FI-23019	. SEE FRENCH INSTRUCTION SHEET	1	1	
33	130953	BUSHING / RUBBER / USE WITH SWAY BAR 1 1/2"	4	4	R
34	5001338	SCREW CAP HEX M12-1.75x45 G10.9 N500	8	8	R
35	500011	WASHER FL / HARDENED 13.0x24.0x3.0 STL	8	8	R
36	5001695	NUT HEX NYRT M12-1.75 Z050	8	8	R
37	131522	PIN W/TAPER ATTACHMENT M20-2.5 / SWAY-BAR	2	2	RB



From E-5490	Date:07/2024	PAGE:X3VIP-1616-00
SWAY BAR		

Item#	Part	Description	X 3 V I P E N T	X 3 V I P M T H	N O T E S
38	121467	ATTACHMENT PIN SWAY BAR / (WELDED TO HOUSING)	2	2	R
39	630146	LINK ASSY / 7" C/C / IRON	2	2	R
40	5001663	NUT HEX NYRT M20-2.5 G10 Z050	4	4	R
41	5001152	WASHER CON 21.0x50.0x4.5 ZP	4	4	R
42	506678	BUSHING / POLYURETHANE / (TWO PIECES) RED 1" x 1.005" I.D.	8	8	R
43	5001153	WASHER CON 25.5x50.0x4.5 ZP	2	2	R
NS	682175	UNDERCOATING BLACK PROTECTOR (GRAVELGUARD) 567gr To N-6731	AR	AR	
NS	685413	RUBBERIZED UNDERCOAT (GRAVELGUARD) 560gr From N-6732	AR	AR	
		B) THIS PIN IS 3MM SHORTER ON BUSHING SIDE AND BLACK PAINTED FOR EASY IDENTIFICATION			
		I) INDEPENDANT SUSPENSION			
		R) REAR SUSPENSION			



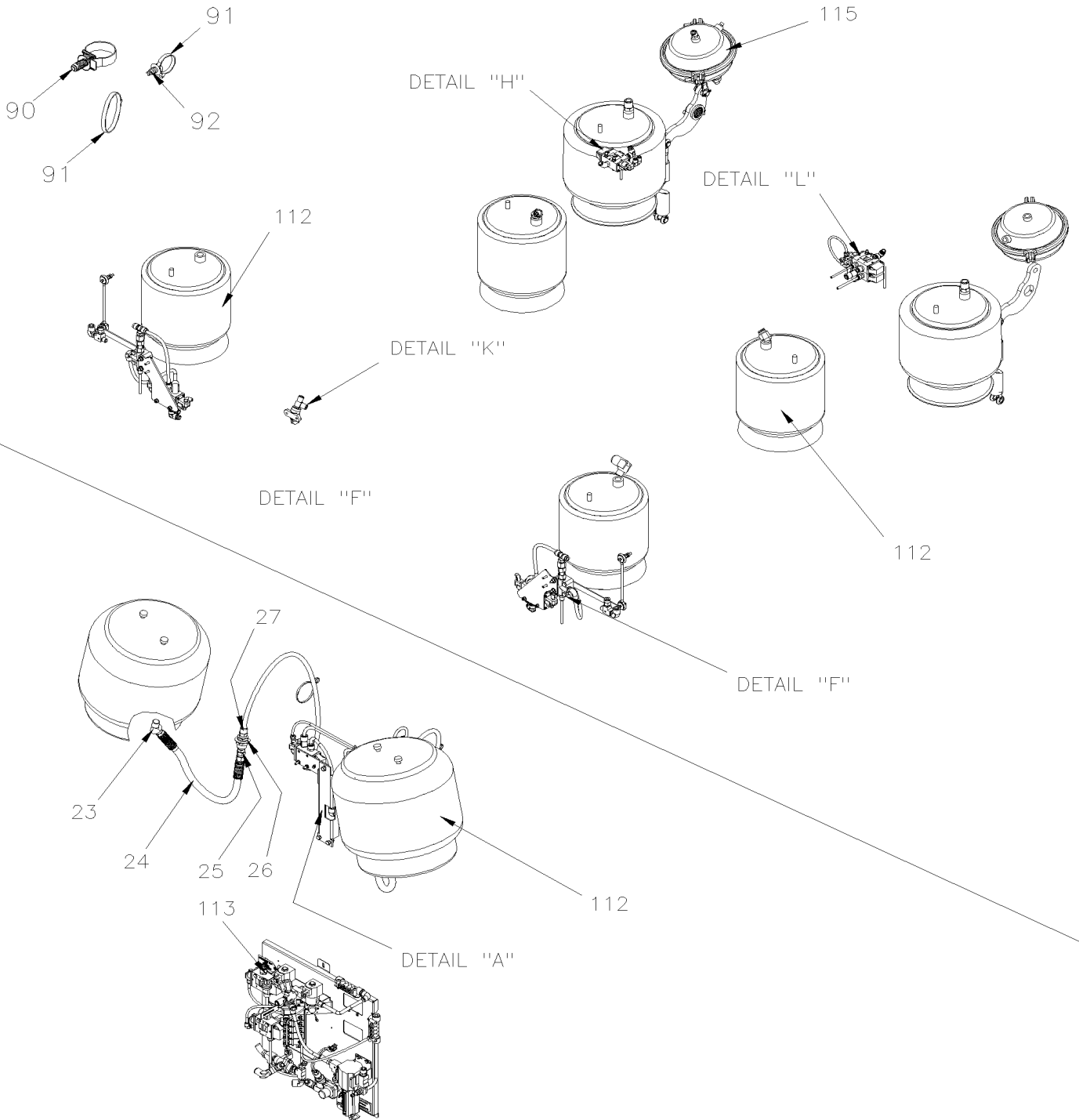
From E-5490

Date:07/2024

PAGE:X3VIP-1620-50

HEIGHT CONTROL VALVE - WITH LEVEL LOW

REAR AND TAG AXLE



INDEPENDANT SUSPENSION

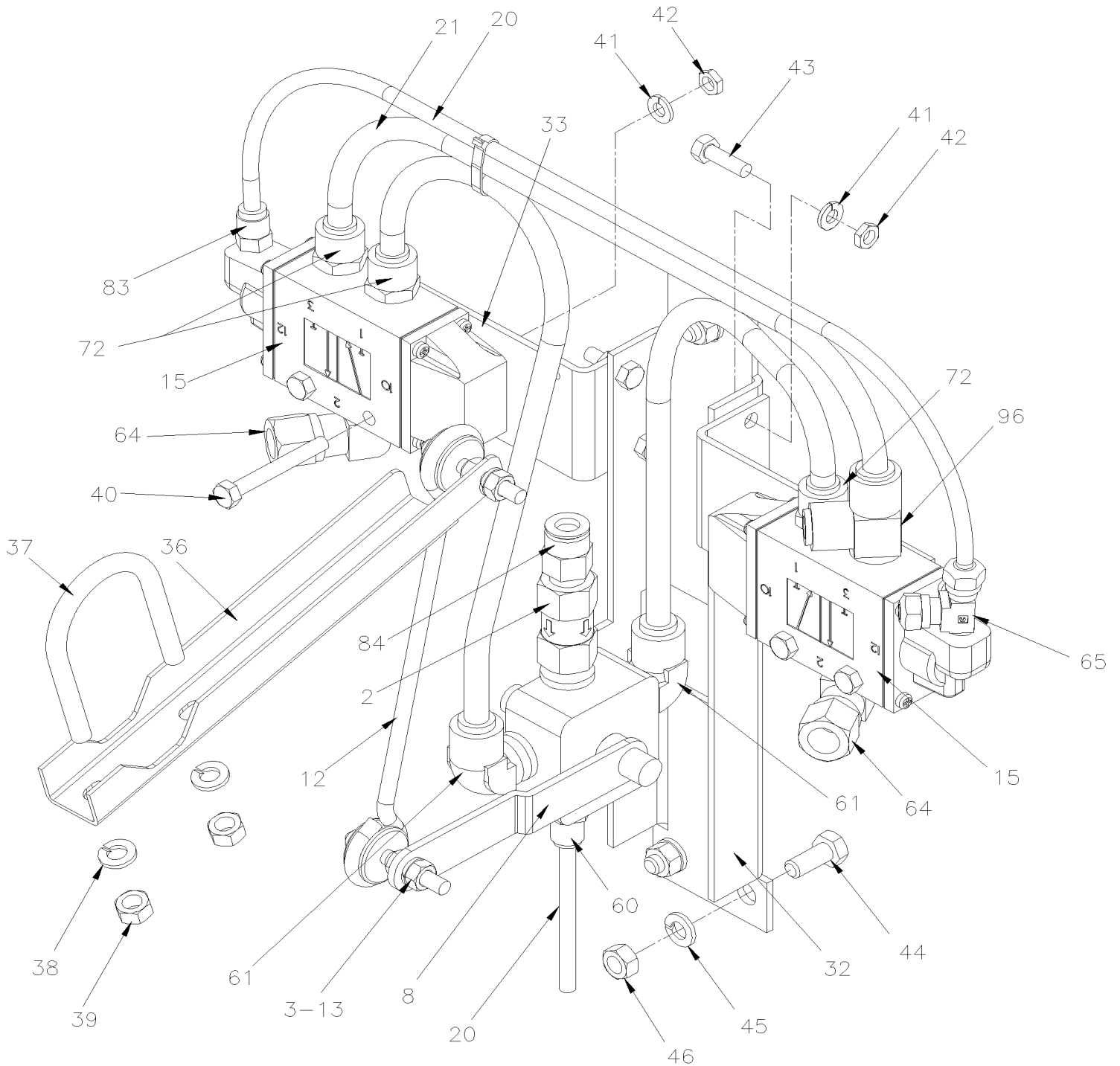


From E-5490

Date:07/2024

PAGE:X3VIP-1620-50

HEIGHT CONTROL VALVE - WITH LEVEL LOW



DETAIL "A"

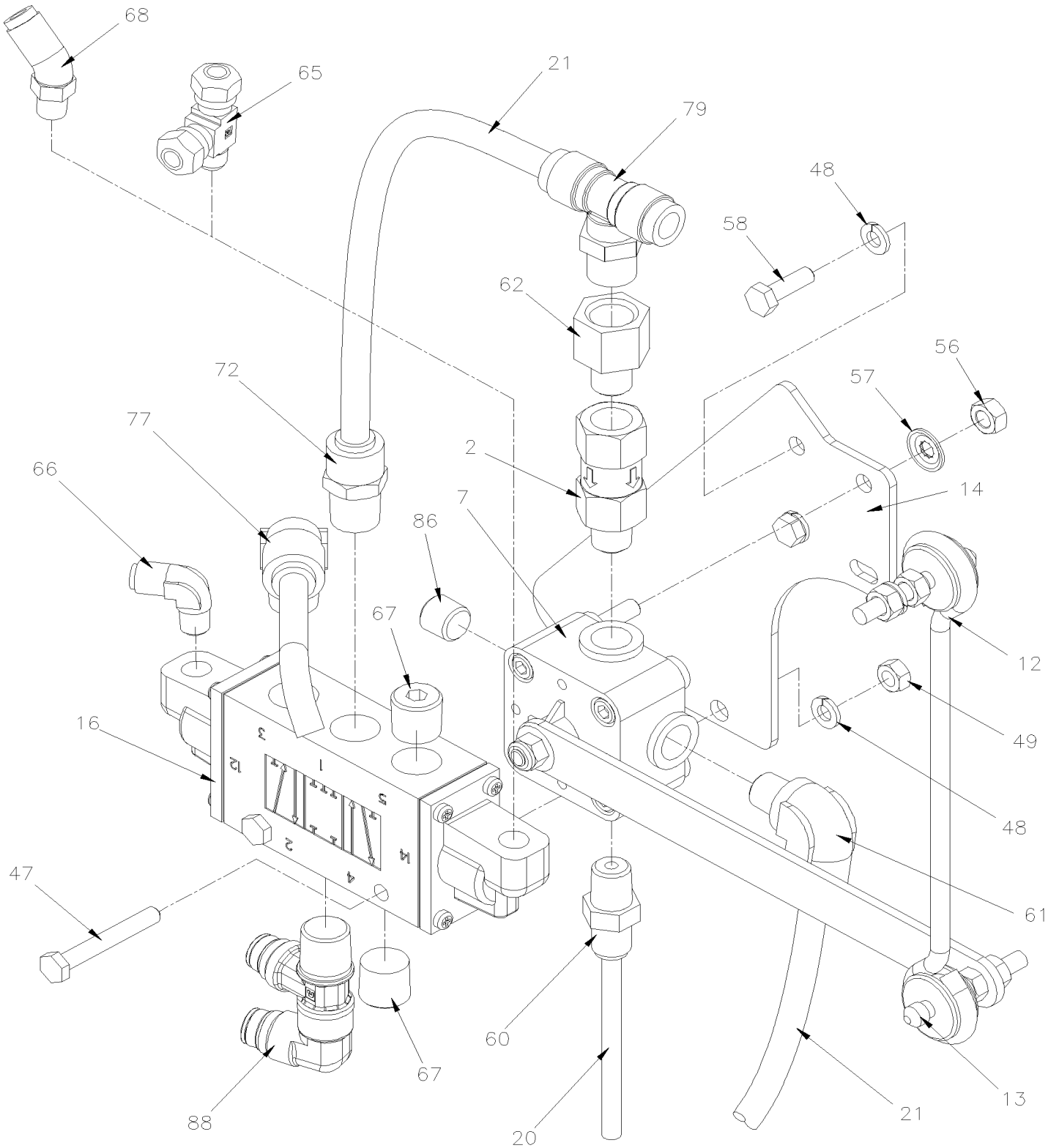


From E-5490

Date:07/2024

PAGE:X3VIP-1620-50

HEIGHT CONTROL VALVE - WITH LEVEL LOW



DETAIL "F"



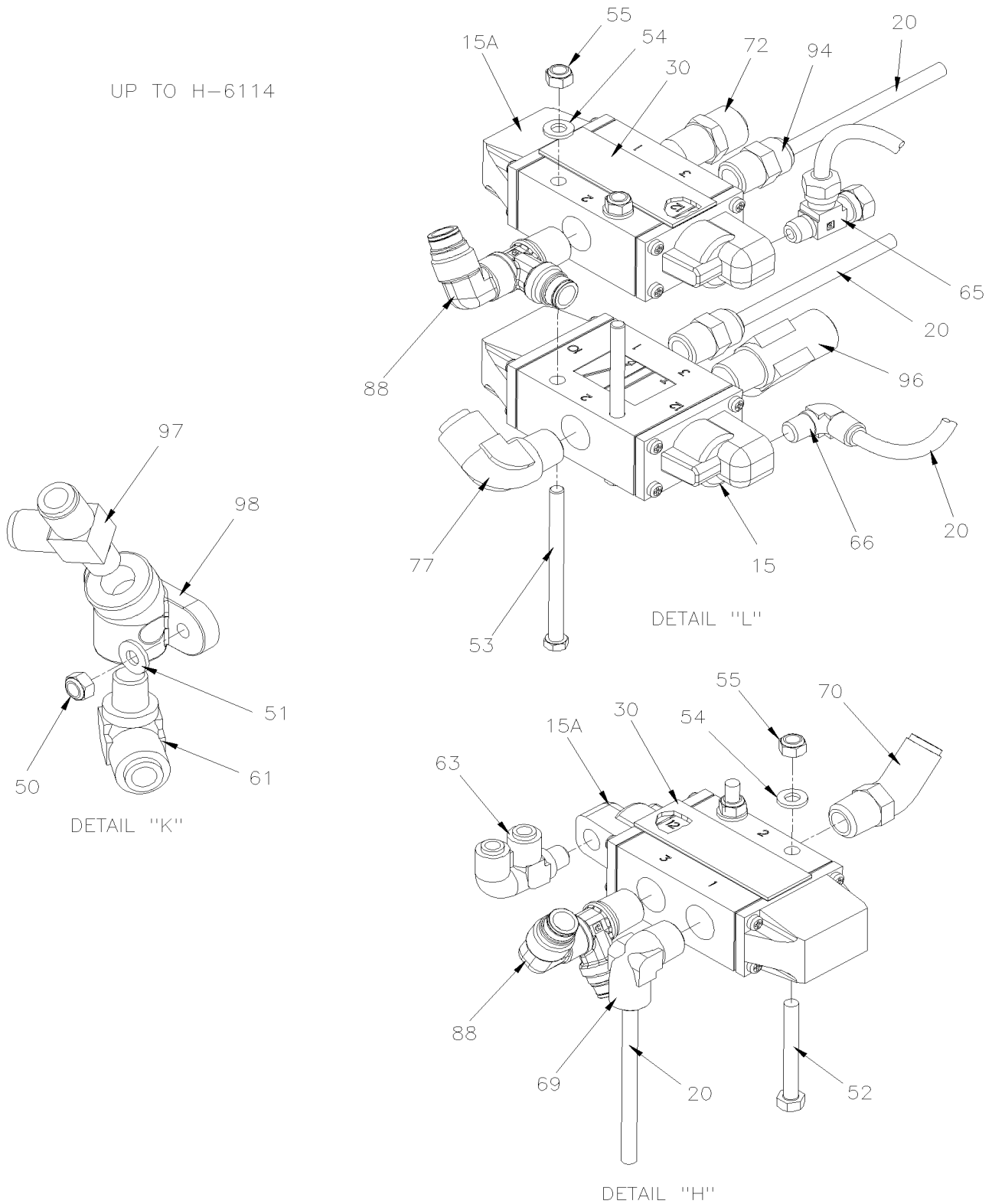
From E-5490

Date:07/2024

PAGE:X3VIP-1620-50

HEIGHT CONTROL VALVE - WITH LEVEL LOW

UP TO H-6114





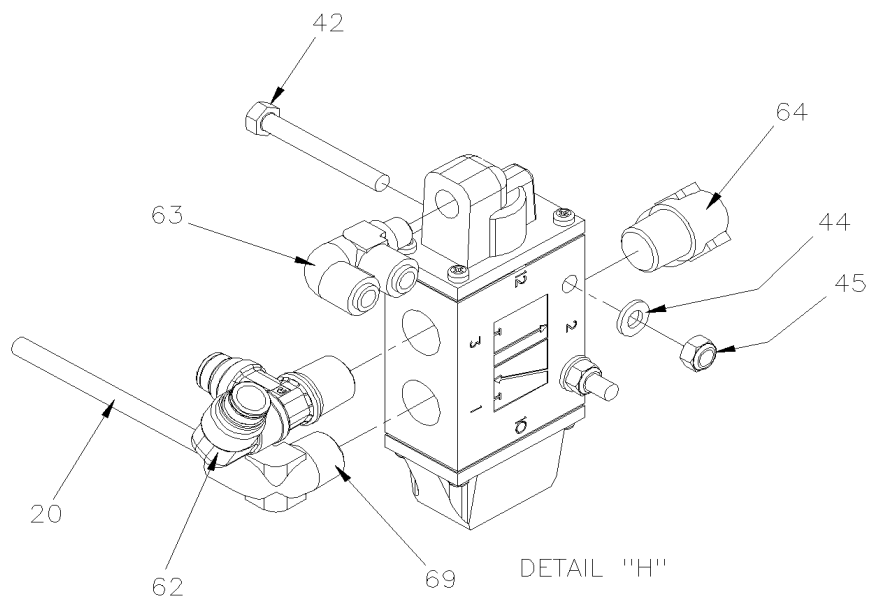
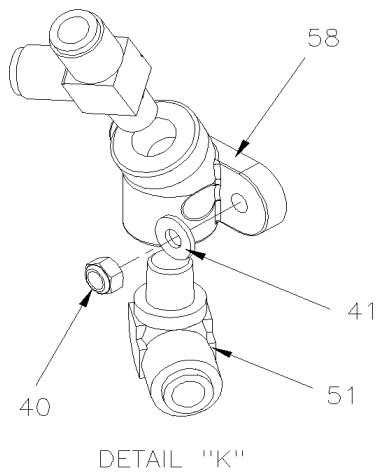
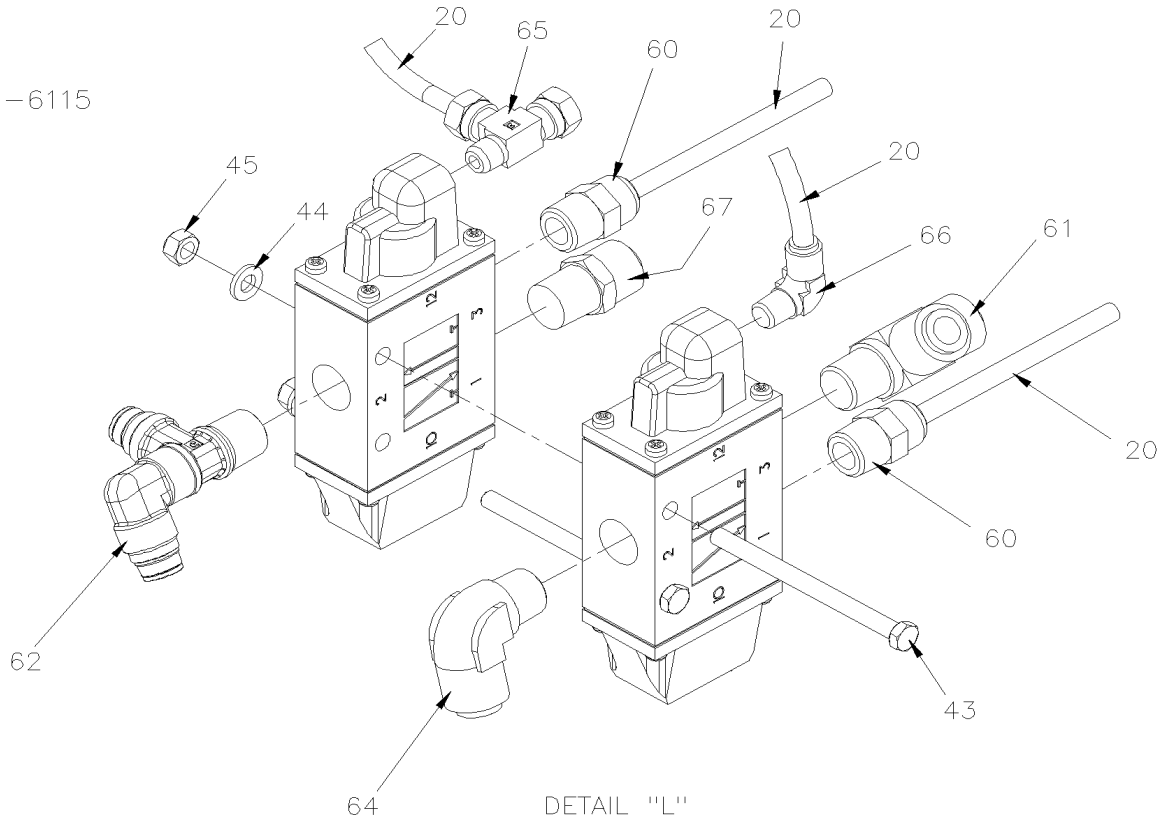
From E-5490

Date:07/2024

PAGE:X3VIP-1620-50

HEIGHT CONTROL VALVE - WITH LEVEL LOW

FROM H-6115





From E-5490		Date:07/2024	PAGE:X3VIP-1620-50
HEIGHT CONTROL VALVE - WITH LEVEL LOW			

Item#	Part	Description	X 3 V I P E N T	X 3 V I P M T H	N O T E S
2	640135	VALVE, CHECK 1/4 NPT	1	1	
3	500769	NUT HEX 1/4-20 Z050	2	2	
7	630156	VALVE, HEIGHT CONTROL "BARKSDALE"	2	2	
8	630237	VALVE, HEIGHT CONTROL "BARKSDALE" / FRONT	1	1	
8	500247	NUT HEX 1/4-20 N500	2	2	
8	500473	WASHER LO SPT .262x.489x.062 Z050	2	2	
12	630231	LINK ASSY 185MM C/C 7 1/4"	1	1	
. A	N8889244	. GROMMET / LINK	2	2	
. B	630250	. STUD RETAINER 1/4-20 X 1"	2	2	
. C	500247	. NUT HEX 1/4-20 N500	4	4	
. D	500473	. WASHER LO SPT .262x.489x.062 Z050	4	4	
13	630250	STUD RETAINER 1/4-20 X 1"	2	2	
14	131980	SUPPORT VALVE	1	1	
15	641274	VALVE, 3 WAYS, 2 POSITIONS N.C. To H-6114	2	2	A
15	641274	VALVE, 3 WAYS, 2 POSITIONS N.C. From H-6115	2	2	
15A	130009	VALVE, 3 WAYS, 2 POSITIONS N.C. WITH VENT PROTECTOR To H-6114	2	2	
. NS	641274	. VALVE, 3 WAYS, 2 POSITIONS N.C. To H-6114	1	1	
. NS	640004	. VENT PROTECTOR To H-6114	1	1	
16	641531	VALVE, 5 WAYS, 3 POSITIONS	2	2	
. NS	641186	. SPOOL	1	1	
20	503402	TUBE, NYLON 1/4 O.D. / BLACK S.L.	AR	AR	
21	503471	TUBE, NYLON 3/8 O.D. / BLUE S.L.	AR	AR	
23	501528	STREET ELBOW 45° / PIPE FITTING / 1/2NPT-Mx1/2NPT-F BR	2	2	
24	642153	HOSE ASSY / #8 22"	2	2	
25	501616	MALE CONNECTOR / SAE 45° FITTING / #8FL-Mx1/2NPT-M BR	2	2	
26	501796	BULKHEAD COUPLING / PIPE FITTING / 1/2NPT-Fx1/2NPT-Fx1 1/2 BR	2	2	
27	641383	MALE CONNECTOR / PUSH-IN FITTING / #8x1/2NPT-M BR	2	2	
30	640004	VENT PROTECTOR To H-6114	2	2	A
32	131468	SUPPORT HEIGHT CONTROL VALVE	1	1	
33	131319	SUPPORT VALVE	2	2	
36	110679	ACTUATOR LEVER To L-6642	1	1	
36	110065	ACTUATOR LEVER From L-6643	1	1	
37	504635	U-BOLT 1 3/4" I.D. x 2 3/4" x 5/16-18 To L-6642	1	1	
37	504215	U-CLAMP / 1 3/4" I.D. x 5/16-18 From L-6643	1	1	
38	500942	WASHER LO SPT 8.1x14.8x2.0 N500 To L-6642	2	2	
38	5001848	WASHER BEL SPR .827 x .331 x .098 th SS From L-6643	1	1	
39	500778	NUT HEX 5/16-18 N500 To L-6642	2	2	
39	500701	NUT HEX 5/16-18 ZP From L-6643	1	1	
40	502656	SCREW CAP HEX M6-1.0x50 SS	4	4	
41	502570	WASHER LO SPT 6.1x11.8x1.6 SS	8	8	
42	502565	NUT HEX M6-1.0 SS	8	8	
43	502622	SCREW CAP HEX M6-1.0x20 SS BK	4	4	



From E-5490		Date:07/2024	PAGE:X3VIP-1620-50
HEIGHT CONTROL VALVE - WITH LEVEL LOW			

Item#	Part	Description	X 3 V I P E N T	X 3 V I P M T H	N O T E S
44	500836	SCREW CAP HEX 5/16-18x3/4 G5 N500	3	3	
45	500942	WASHER LO SPT 8.1x14.8x2.0 N500	3	3	
46	500778	NUT HEX 5/16-18 N500	3	3	
47	502843	SCREW CAP HEX M6-1.0x45 G8.8 N500	4	4	
48	502853	WASHER LO SPT 6.1x11.8x1.6 N500	4	4	
49	502860	NUT HEX STO M6-1.0 N500	4	4	
50	502681	NUT HEX NYRT M6-1.0 N500 G8	2	2	
51	500877	WASHER FL .250x.562x.065 N500	2	2	
52	502656	SCREW CAP HEX M6-1.0x50 SS	2	2	
53	5001682	SCREW CAP HEX M6-1.0x80 SS	2	2	
54	502573	WASHER FL 6.4x12.5x1.6 SS	4	4	
55	502681	NUT HEX NYRT M6-1.0 N500 G8	4	4	
56	500247	NUT HEX 1/4-20 N500	2	2	
57	502582	WASHER LO SERR 6.1x16.2x0.9 Z050	2	2	
58	502830	SCREW CAP HEX M6-1.0x20 G8.8 N500	2	2	
60	641332	MALE CONNECTOR / PUSH-IN FITTING / #4x1/4NPT-M BR	1	1	
61	641372	MALE ELBOW 90° NON-SWIVEL / PUSH-IN FITTING / #6x1/4NPT-M BR	1	1	
62	501311	ADAPTER / PIPE FITTING / 3/8NPT-Fx1/4NPT-M BR	2	2	
63	642127	MALE ELBOW 90° SWIVEL DUAL PORT / PUSH-IN / #4x#4x1/8NPT-M BR	1	1	
64	641040	MALE ELBOW 90° / NTA FITTING / #8x3/8NPT-M BR	2	2	
65	641002	MALE RUN TEE / NTA FITTING / #4x#4x1/8NPT-M BR	1	1	
66	641369	MALE ELBOW 90° NON-SWIVEL / PUSH-IN FITTING / #4x1/8NPT-M BR	2	2	
67	501449	PLUG HEXS / PIPE FITTING / 3/8NPT-M STL	2	2	
68	641365	MALE ELBOW 45° NON-SWIVEL / PUSH-IN FITTING / #4x1/8NPT-M BR	1	1	
69	641374	MALE ELBOW 90° NON-SWIVEL / PUSH-IN FITTING / #4x3/8NPT-M BR	1	1	
70	641367	MALE ELBOW 45° NON-SWIVEL / PUSH-IN FITTING / #6x3/8NPT-M BR	2	2	
72	641330	MALE CONNECTOR / PUSH-IN FITTING / #6x3/8NPT-M BR	3	3	
77	641375	MALE ELBOW 90° NON-SWIVEL / PUSH-IN FITTING / #6x3/8NPT-M BR	1	1	
79	642090	MALE BRANCH TEE / PUSH-IN FITTING / #6x#6x1/4NPT-M COMPOSITE	1	1	
83	641242	MALE CONNECTOR / PUSH-IN FITTING / #4x1/8NPT-M BR	1	1	
84	641331	MALE CONNECTOR / PUSH-IN FITTING / #6x1/4NPT-M BR	1	1	
86	501800	PLUG HEXS / PIPE FITTING / 1/4NPT-M STL	2	2	
88	642128	MALE ELBOW 90° SWIVEL DUAL PORT / PUSH-IN / #6x#6x3/8NPT-M BR	1	1	
90	504750	CABLE TIE / 1/2" x 15" / CHRISTMAS TREE	AR	AR	
91	504637	CABLE TIE / 3/16" x 13"	AR	AR	
92	509815	TIE MOUNT / ATTACHMENT W/TREE MOUNT	AR	AR	
NS	507383	TIE MOUNT HOLE 3/8" To L-6581	1	1	
NS	509894	TIE MOUNT HOLE 7.8MM From L-6582	1	1	
NS	502681	NUT HEX NYRT M6-1.0 N500 G8	1	1	
NS	500877	WASHER FL .250x.562x.065 N500	1	1	
NS	509491	CABLE TIE / 13MM x 383MM	1	1	
94	641347	MALE CONNECTOR / PUSH-IN FITTING / #4x3/8NPT-M BR	1	1	



From E-5490	Date:07/2024	PAGE:X3VIP-1620-50
HEIGHT CONTROL VALVE - WITH LEVEL LOW		

Item#	Part	Description	X 3 V I P E N T	X 3 V I P M T H	N O T E S
96	641388	MALE RUN TEE NON-SWIVEL / PUSH-IN FITTING / #6x#6x3/8NPT-M BR	1	1	
97	641389	MALE RUN TEE SWIVEL / PUSH-IN FITTING / #6x#6x1/4NPT-M BR	1	1	
98	640643	ANCHOR ELBOW / PIPE FITTING / 1/4NPT-Fx1/4NPT-F STL	1	1	
112	X3VIP-1601-00	BELLOWS - AIR SUSPENSION			
113	X3VIP-1640-50	LEVEL-LOW - CONTROL PANEL & VALVES			
115	X3VIP-1615-10	TAG AXLE - LIFTING			
		A) WHEN YOU CHANGE THE VALVE 641274 OF THE TAG AXLE, YOU MUST ORDER THE NEW VALVE 130009 TO PROTECT THE EVENT OF DUST			



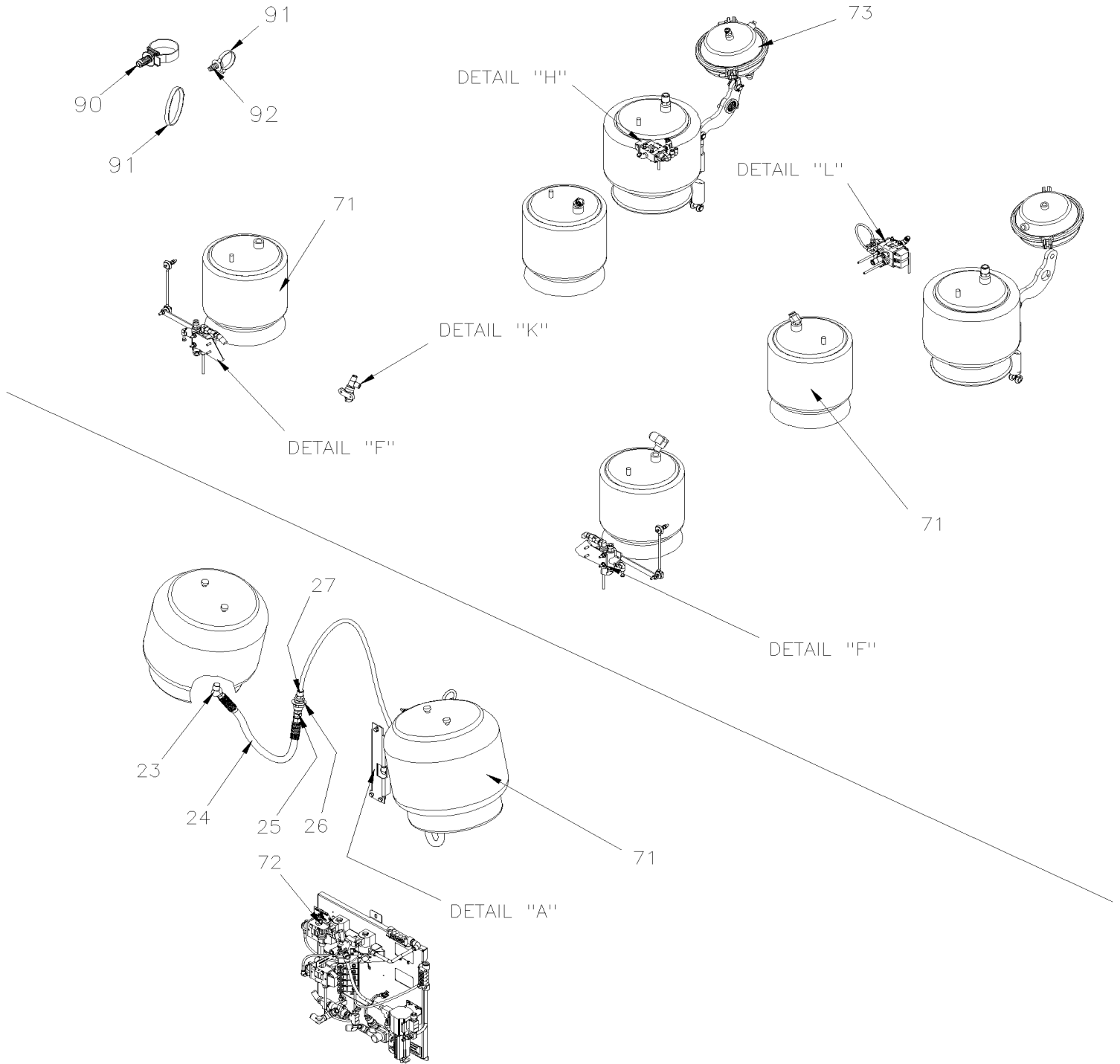
From E-5490

Date:07/2024

PAGE:X3VIP-1620-60

HEIGHT CONTROL VALVE - WITHOUT LEVEL LOW

REAR AND TAG AXLE



INDEPENDANT SUSPENSION

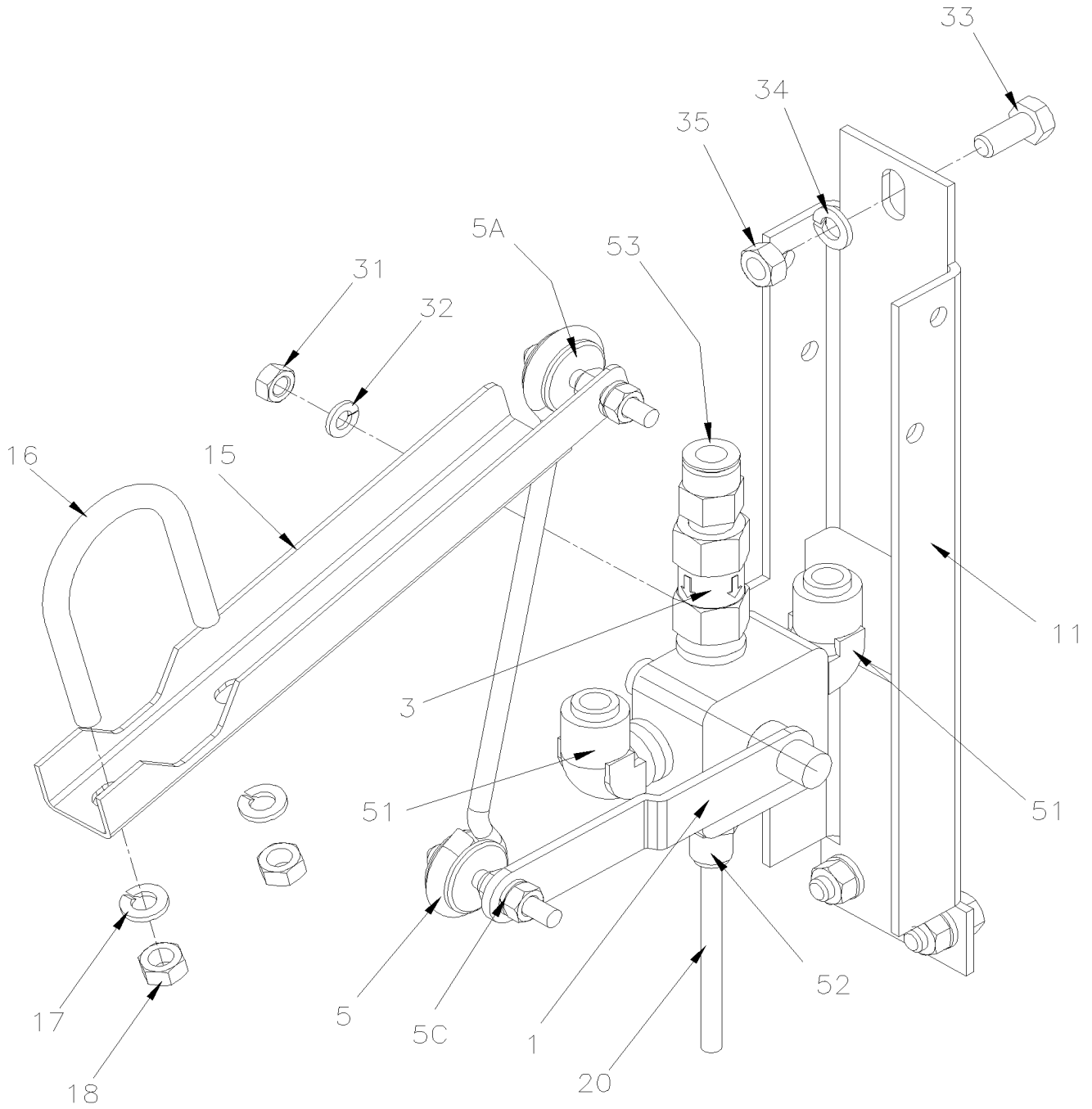


From E-5490

Date:07/2024

PAGE:X3VIP-1620-60

HEIGHT CONTROL VALVE - WITHOUT LEVEL LOW



DETAIL "A"

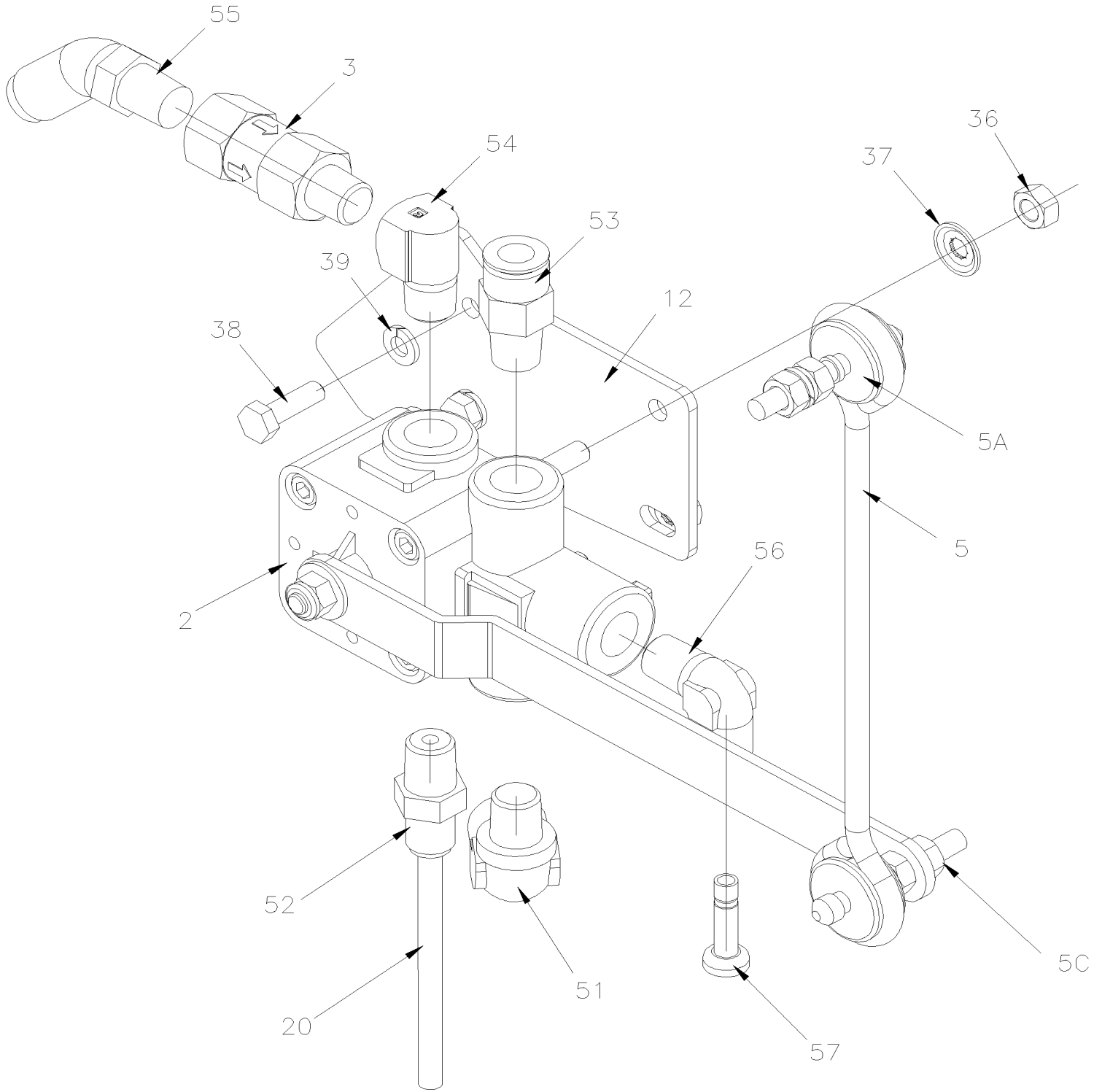


From E-5490

Date:07/2024

PAGE:X3VIP-1620-60

HEIGHT CONTROL VALVE - WITHOUT LEVEL LOW



DETAIL "F"



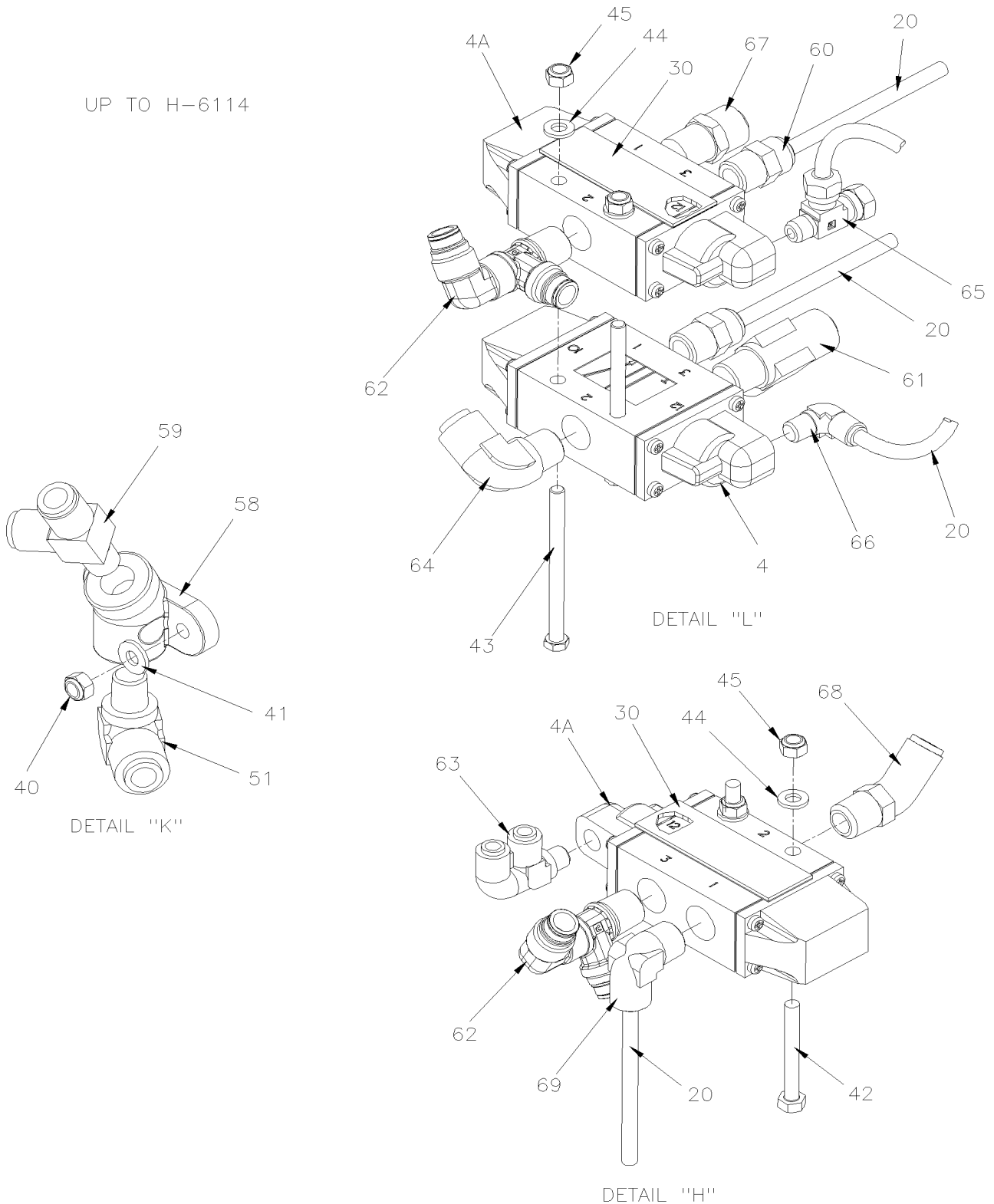
From E-5490

Date:07/2024

PAGE:X3VIP-1620-60

HEIGHT CONTROL VALVE - WITHOUT LEVEL LOW

UP TO H-6114





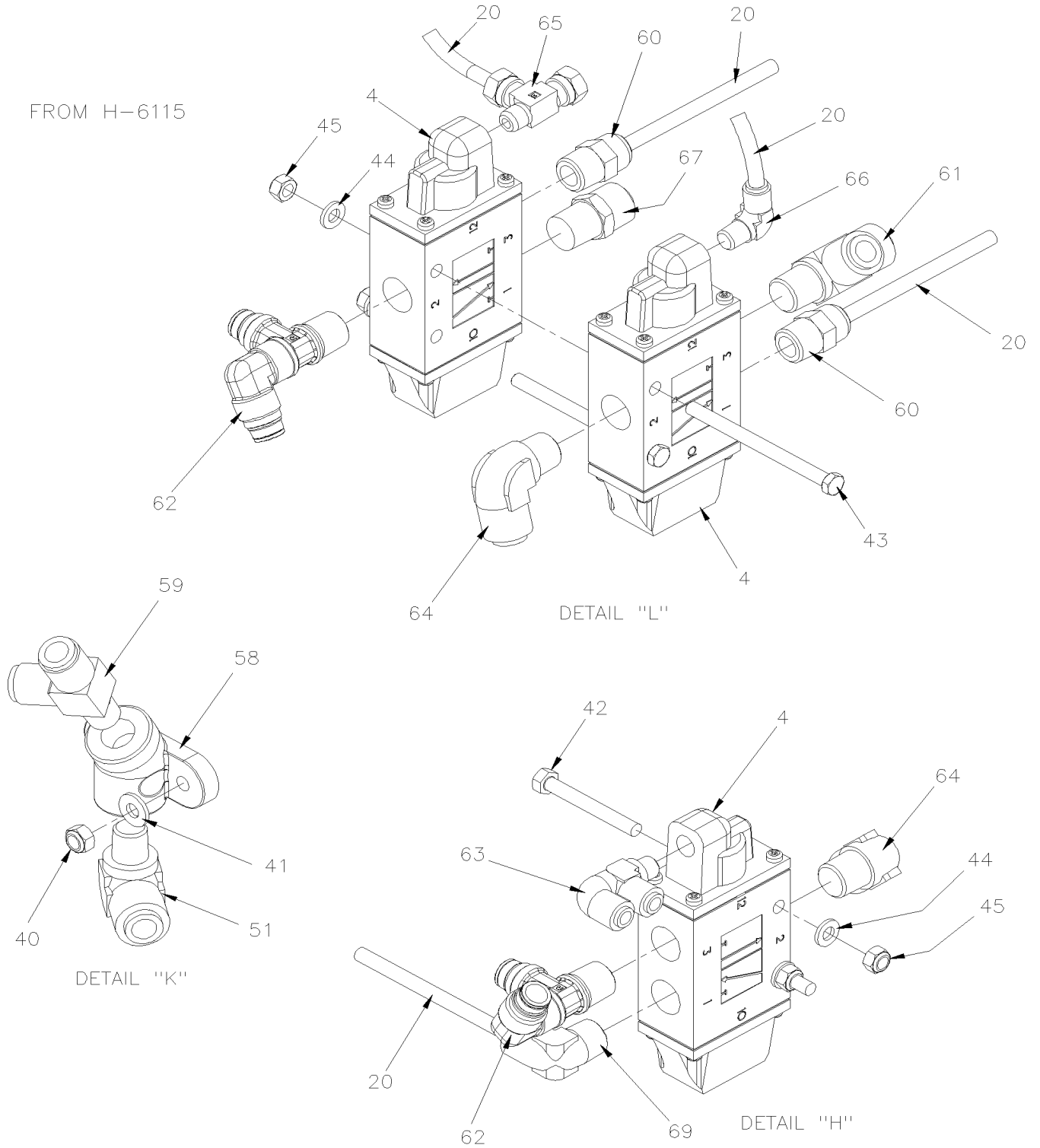
From E-5490

Date:07/2024

PAGE:X3VIP-1620-60

HEIGHT CONTROL VALVE - WITHOUT LEVEL LOW

FROM H-6115





From E-5490		Date:07/2024	PAGE:X3VIP-1620-60
-------------	--	--------------	--------------------

HEIGHT CONTROL VALVE - WITHOUT LEVEL LOW

Item#	Part	Description	X 3 V I P E N T	X 3 V I P M T H	N O T E S
1	630237	VALVE, HEIGHT CONTROL "BARKSDALE" / FRONT	1	1	
2	630247	VALVE, HEIGHT CONTROL "BARKSDALE" / REAR / W/DRAIN	2	2	
3	640135	VALVE, CHECK 1/4 NPT	1	1	
4	641274	VALVE, 3 WAYS, 2 POSITIONS N.C. To H-6114	3	3	A
4	641274	VALVE, 3 WAYS, 2 POSITIONS N.C. From H-6115	3	3	
4A	130009	VALVE, 3 WAYS, 2 POSITIONS N.C. WITH VENT PROTECTOR To H-6114	1	1	
. NS	641274	. VALVE, 3 WAYS, 2 POSITIONS N.C. To H-6114	1	1	
. NS	640004	. VENT PROTECTOR To H-6114	1	1	
5	630231	LINK ASSY 185MM C/C 7 1/4"	3	3	
. A	N8889244	. GROMMET / LINK	2	2	
. B	630250	. STUD RETAINER 1/4-20 X 1"	2	2	
. C	500247	. NUT HEX 1/4-20 N500	4	4	
. D	500473	. WASHER LO SPT .262x.489x.062 Z050	4	4	
11	131468	SUPPORT HEIGHT CONTROL VALVE	1	1	
12	131993	SUPPORT VALVE	2	2	
15	110679	ACTUATOR LEVER To L-6642	1	1	
15	110065	ACTUATOR LEVER From L-6643	1	1	
16	504635	U-BOLT 1 3/4" I.D. x 2 3/4" x 5/16-18 To L-6642	1	1	
16	504215	U-CLAMP / 1 3/4" I.D. x 5/16-18 From L-6643	1	1	
17	500942	WASHER LO SPT 8.1x14.8x2.0 N500 To L-6642	2	2	
17	5001848	WASHER BEL SPR .827 x .331 x .098 th SS From L-6643	2	2	
18	500778	NUT HEX 5/16-18 N500 To L-6642	2	2	
18	500701	NUT HEX 5/16-18 ZP From L-6643	2	2	
20	503402	TUBE, NYLON 1/4 O.D. / BLACK S.L.	AR	AR	
23	501528	STREET ELBOW 45° / PIPE FITTING / 1/2NPT-Mx1/2NPT-F BR	2	2	
24	642153	HOSE ASSY / #8 22"	2	2	
25	501616	MALE CONNECTOR / SAE 45° FITTING / #8FL-Mx1/2NPT-M BR	2	2	
26	501796	BULKHEAD COUPLING / PIPE FITTING / 1/2NPT-Fx1/2NPT-Fx1 1/2 BR	2	2	
27	641383	MALE CONNECTOR / PUSH-IN FITTING / #8x1/2NPT-M BR	2	2	
30	640004	VENT PROTECTOR To H-6114	2	2	A
31	500247	NUT HEX 1/4-20 N500	2	2	
32	500473	WASHER LO SPT .262x.489x.062 Z050	2	2	
33	500836	SCREW CAP HEX 5/16-18x3/4 G5 N500	3	3	
34	500942	WASHER LO SPT 8.1x14.8x2.0 N500	3	3	
35	500778	NUT HEX 5/16-18 N500	3	3	
36	500247	NUT HEX 1/4-20 N500	2	2	
37	502582	WASHER LO SERR 6.1x16.2x0.9 Z050	2	2	
38	502830	SCREW CAP HEX M6-1.0x20 G8.8 N500	4	4	
39	502853	WASHER LO SPT 6.1x11.8x1.6 N500	4	4	
40	502681	NUT HEX NYRT M6-1.0 N500 G8	2	2	



From E-5490		Date:07/2024	PAGE:X3VIP-1620-60
-------------	--	--------------	--------------------

HEIGHT CONTROL VALVE - WITHOUT LEVEL LOW

Item#	Part	Description	X 3 V I P E N T	X 3 V I P M T H	N O T E S
41	500877	WASHER FL .250x.562x.065 N500	2	2	
42	502656	SCREW CAP HEX M6-1.0x50 SS	2	2	
43	5001682	SCREW CAP HEX M6-1.0x80 SS	2	2	
44	502573	WASHER FL 6.4x12.5x1.6 SS	4	4	
45	502681	NUT HEX NYRT M6-1.0 N500 G8	4	4	
51	641372	MALE ELBOW 90° NON-SWIVEL / PUSH-IN FITTING / #6x1/4NPT-M BR	4	4	
52	641332	MALE CONNECTOR / PUSH-IN FITTING / #4x1/4NPT-M BR	3	3	
53	641331	MALE CONNECTOR / PUSH-IN FITTING / #6x1/4NPT-M BR	3	3	
54	501332	STREET ELBOW 90° / PIPE FITTING / 1/4NPT-Mx1/4NPT-F BR	2	2	
55	641366	MALE ELBOW 45° NON-SWIVEL / PUSH-IN FITTING / #6x1/4NPT-M BR	2	2	
56	641371	MALE ELBOW 90° NON-SWIVEL / PUSH-IN FITTING / #4x1/4NPT-M BR	2	2	
57	641416	PLUG STEM / PUSH-IN FITTING / #4 PLAS	2	2	
58	640643	ANCHOR ELBOW / PIPE FITTING / 1/4NPT-Fx1/4NPT-F STL	1	1	
59	641389	MALE RUN TEE SWIVEL / PUSH-IN FITTING / #6x#6x1/4NPT-M BR	1	1	
60	641347	MALE CONNECTOR / PUSH-IN FITTING / #4x3/8NPT-M BR	1	1	
61	641388	MALE RUN TEE NON-SWIVEL / PUSH-IN FITTING / #6x#6x3/8NPT-M BR	1	1	
62	642128	MALE ELBOW 90° SWIVEL DUAL PORT / PUSH-IN / #6x#6x3/8NPT-M BR	2	2	
63	642127	MALE ELBOW 90° SWIVEL DUAL PORT / PUSH-IN / #4x#4x1/8NPT-M BR	1	1	
64	641375	MALE ELBOW 90° NON-SWIVEL / PUSH-IN FITTING / #6x3/8NPT-M BR	1	1	
65	641002	MALE RUN TEE / NTA FITTING / #4x#4x1/8NPT-M BR	1	1	
66	641369	MALE ELBOW 90° NON-SWIVEL / PUSH-IN FITTING / #4x1/8NPT-M BR	2	2	
67	641330	MALE CONNECTOR / PUSH-IN FITTING / #6x3/8NPT-M BR	3	3	
68	641367	MALE ELBOW 45° NON-SWIVEL / PUSH-IN FITTING / #6x3/8NPT-M BR	1	1	
69	641374	MALE ELBOW 90° NON-SWIVEL / PUSH-IN FITTING / #4x3/8NPT-M BR	1	1	
71	X3VIP-1601-00	BELLOWS - AIR SUSPENSION			
72	X3VIP-1640-50	LEVEL-LOW - CONTROL PANEL & VALVES			
72	X3VIP-1640-51	LEVEL-LOW - CONTROL PANEL & VALVES			
73	X3VIP-1615-10	TAG AXLE - LIFTING			
90	504750	CABLE TIE / 1/2" x 15" / CHRISTMAS TREE	AR	AR	
91	504637	CABLE TIE / 3/16" x 13"	AR	AR	
92	509815	TIE MOUNT / ATTACHMENT W/TREE MOUNT	AR	AR	
NS	507383	TIE MOUNT HOLE 3/8" To L-6581	1	1	
NS	509894	TIE MOUNT HOLE 7.8MM From L-6582	1	1	
NS	502681	NUT HEX NYRT M6-1.0 N500 G8	1	1	
NS	500877	WASHER FL .250x.562x.065 N500	1	1	
NS	509491	CABLE TIE / 13MM x 383MM	1	1	



From E-5490	Date:07/2024	PAGE:X3VIP-1620-60
-------------	--------------	--------------------

HEIGHT CONTROL VALVE - WITHOUT LEVEL LOW

Item#	Part	Description	X 3 V I P E N T	X 3 V I P M T H	N O T E S
		A) WHEN YOU CHANGE THE VALVE 641274 OF THE TAG AXLE, YOU MUST ORDER THE NEW VALVE 130009 TO PROTECT THE EVENT OF DUST			

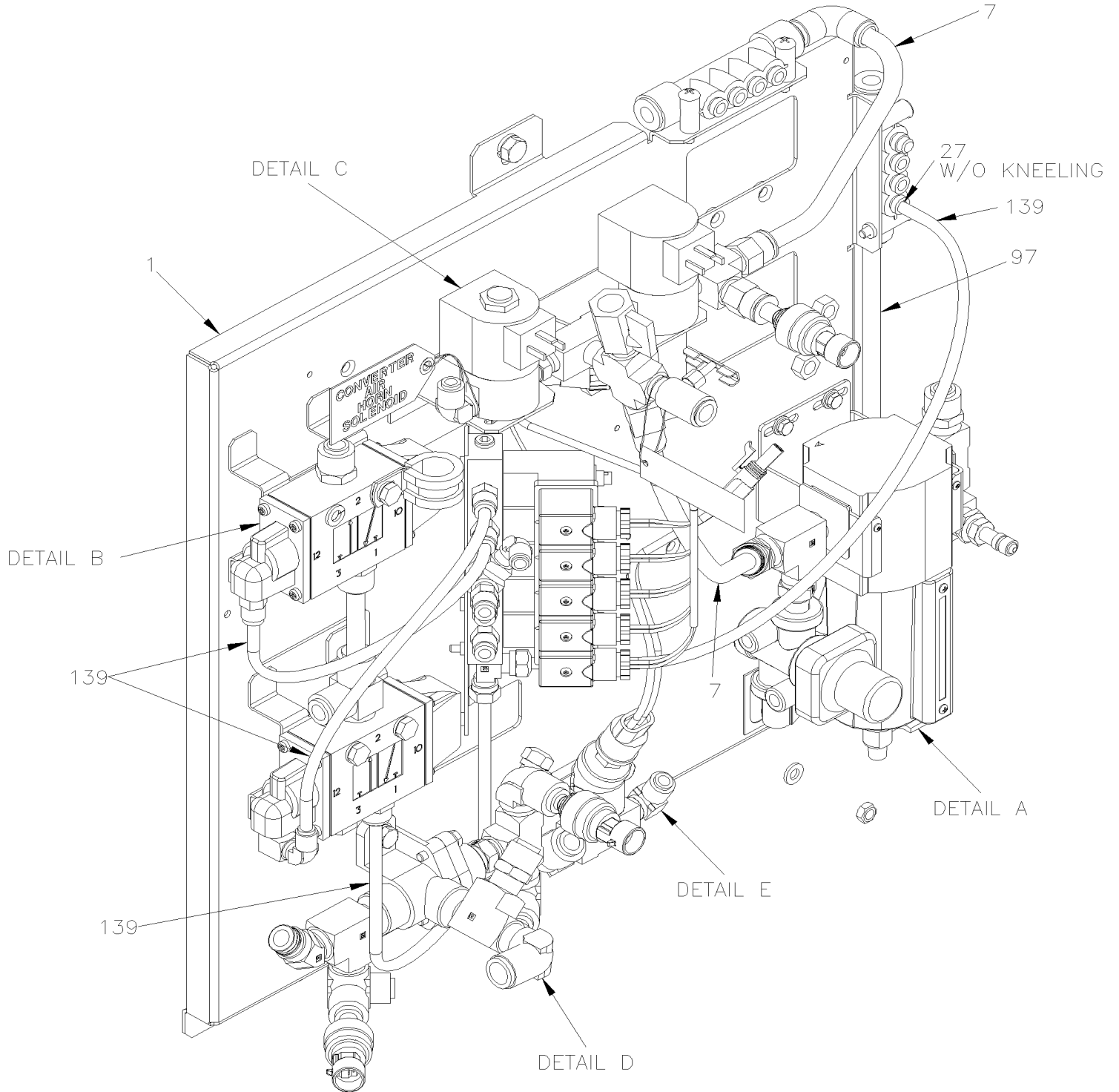


From E-5490 To F-5874

Date:07/2024

PAGE:X3VIP-1640-50

LEVEL-LOW - CONTROL PANEL & VALVES



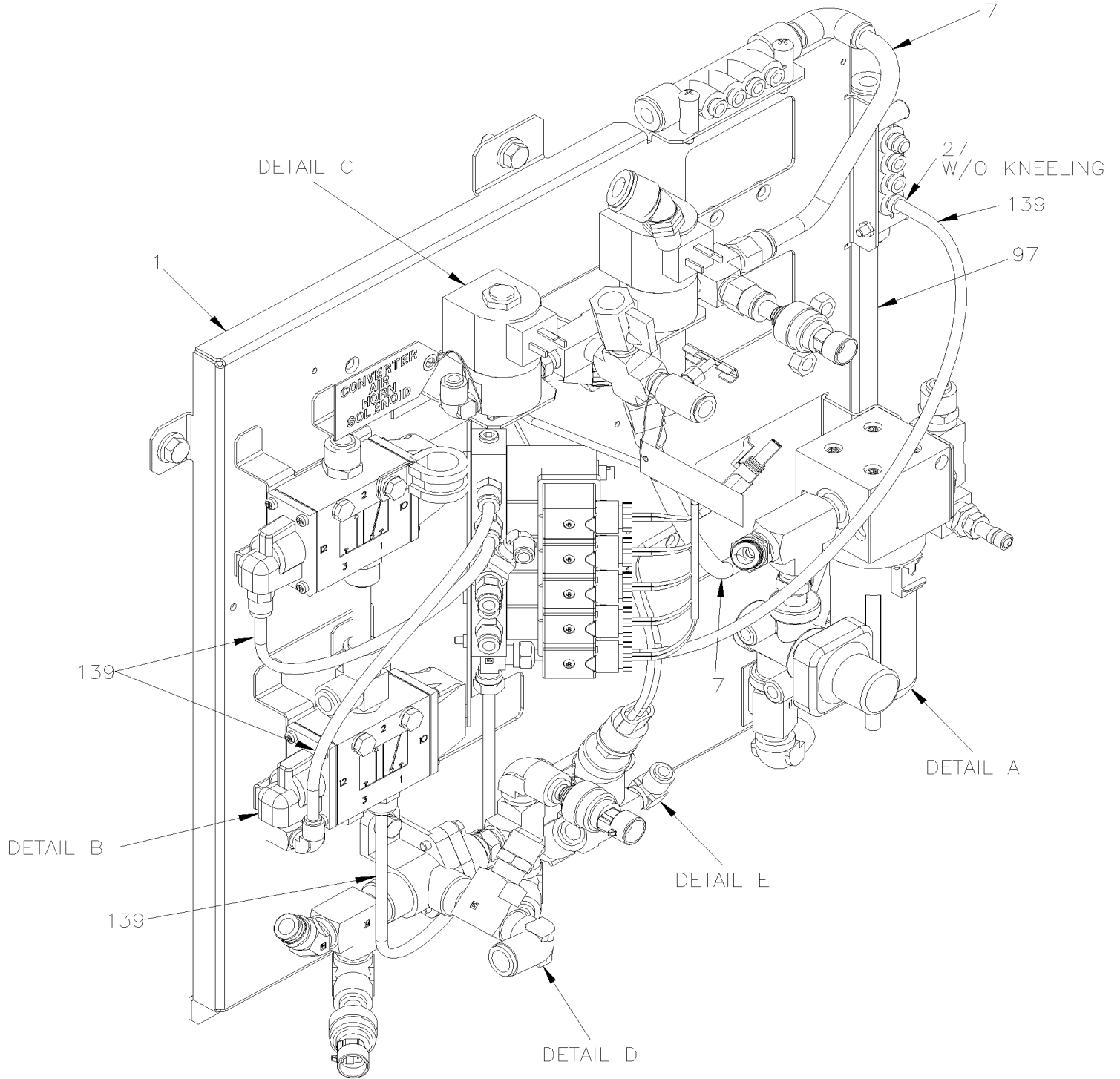


From E-5490 To F-5874

Date:07/2024

PAGE:X3VIP-1640-50

LEVEL-LOW - CONTROL PANEL & VALVES



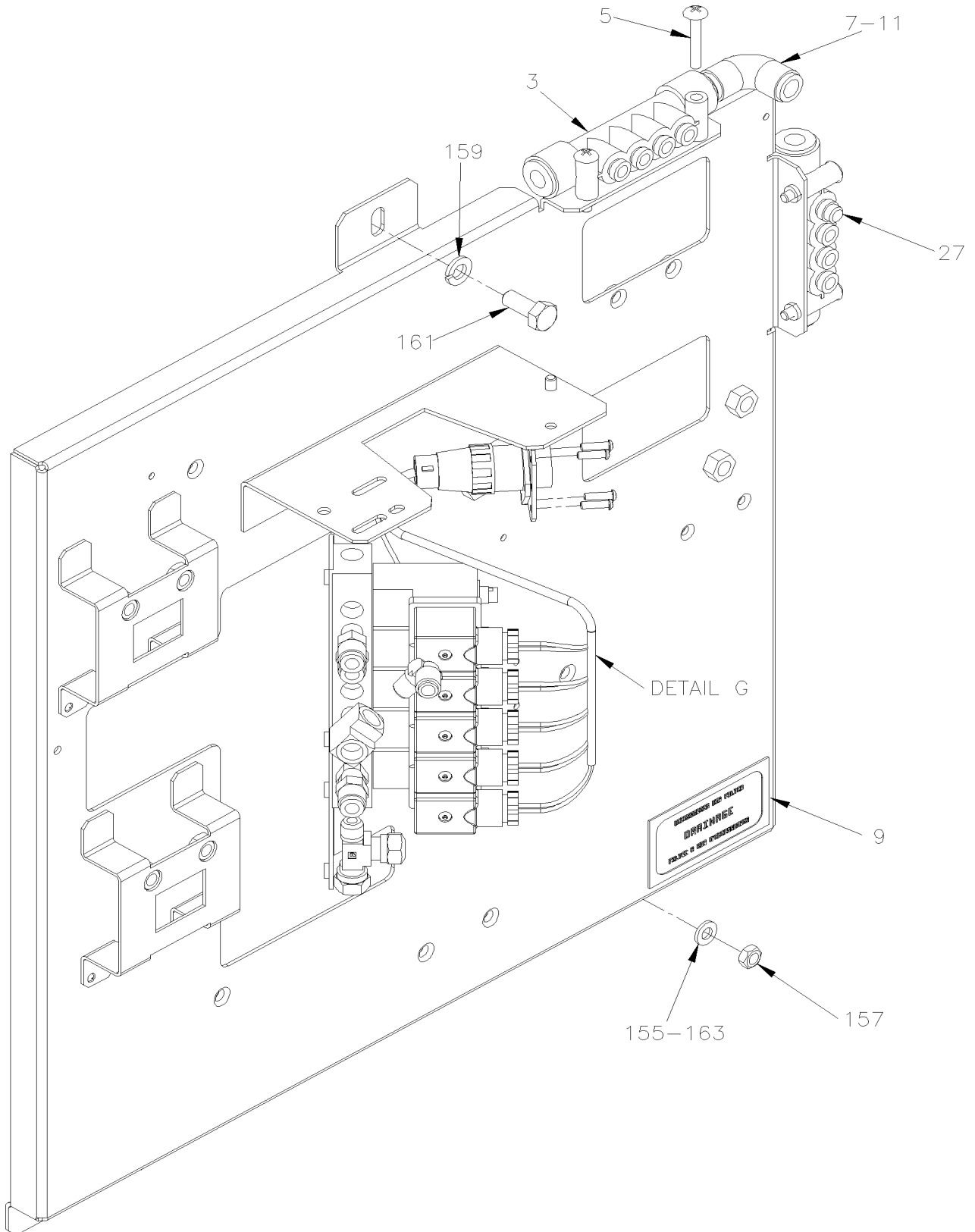


From E-5490 To F-5874

Date:07/2024

PAGE:X3VIP-1640-50

LEVEL-LOW - CONTROL PANEL & VALVES



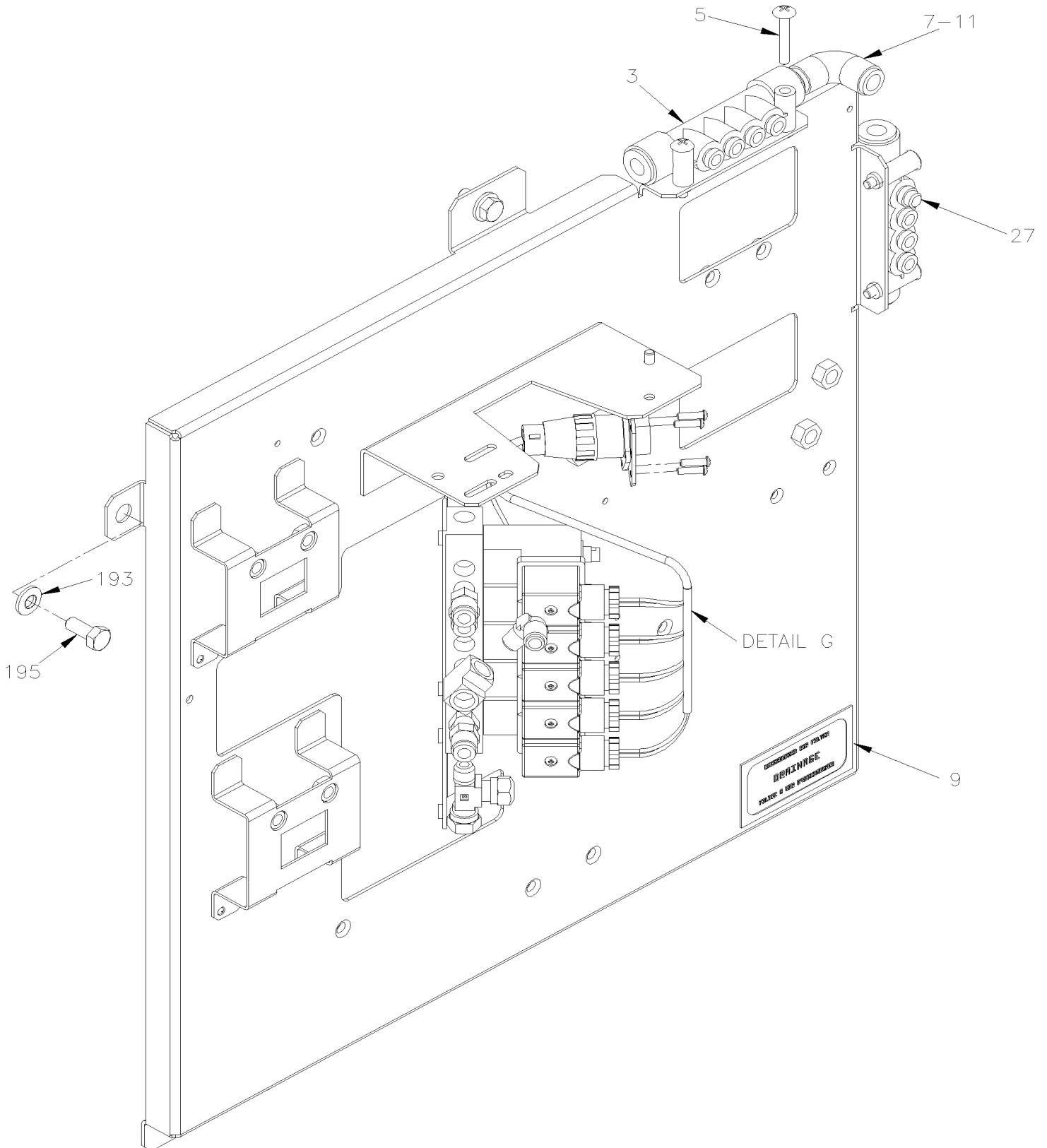


From E-5490 To F-5874

Date:07/2024

PAGE:X3VIP-1640-50

LEVEL-LOW - CONTROL PANEL & VALVES



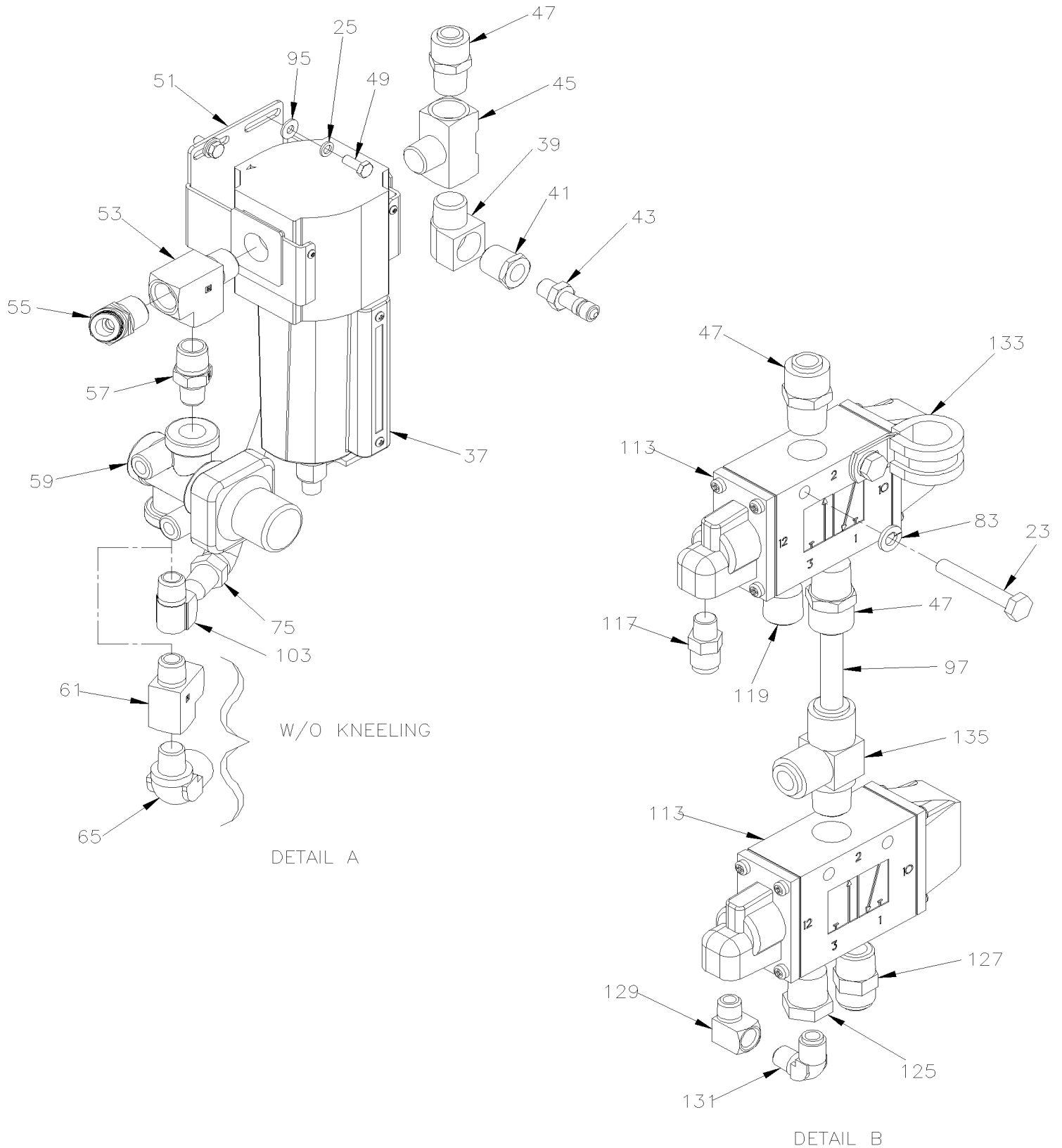


From E-5490 To F-5874

Date:07/2024

PAGE:X3VIP-1640-50

LEVEL-LOW - CONTROL PANEL & VALVES



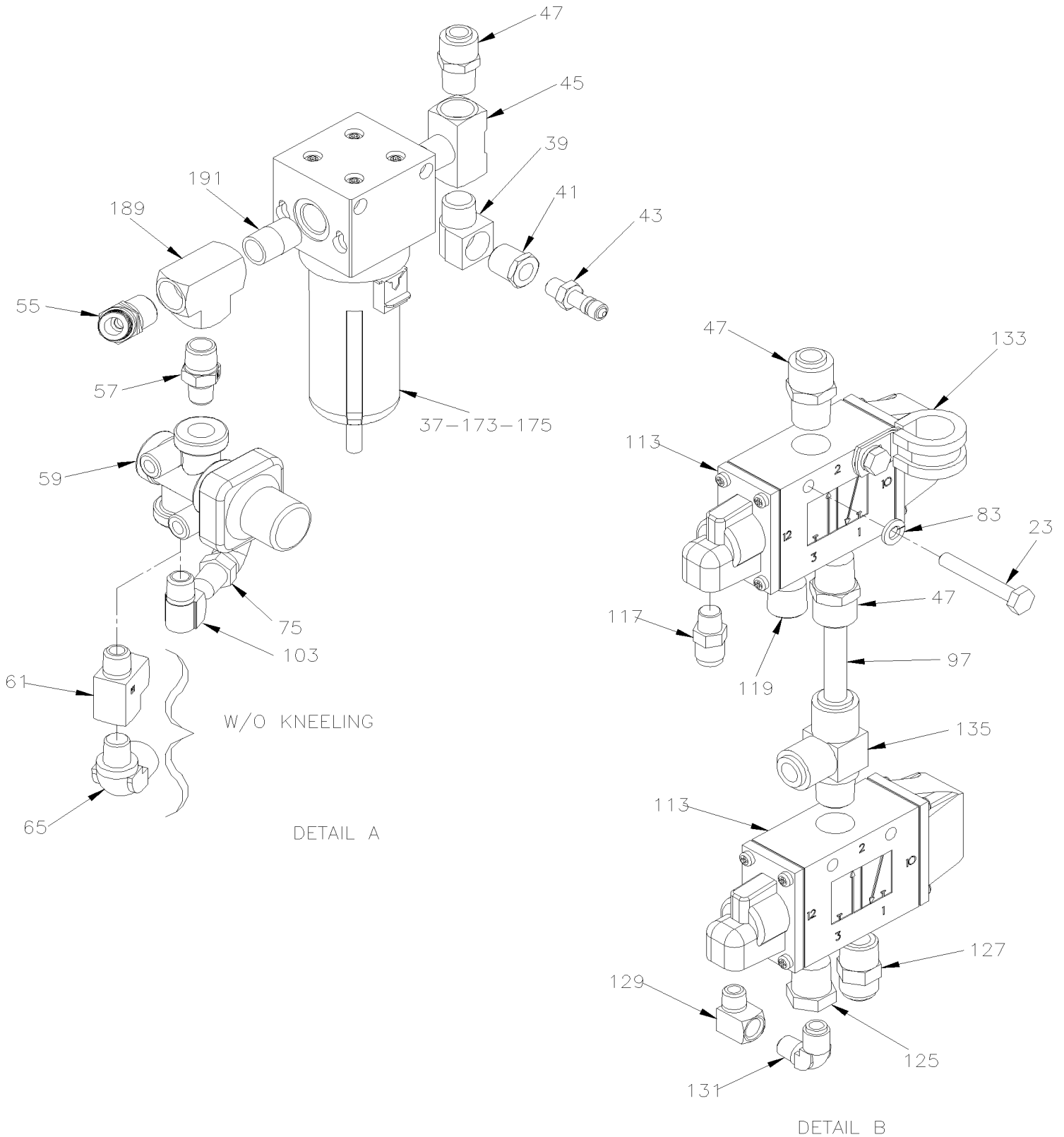


From E-5490 To F-5874

Date:07/2024

PAGE:X3VIP-1640-50

LEVEL-LOW - CONTROL PANEL & VALVES



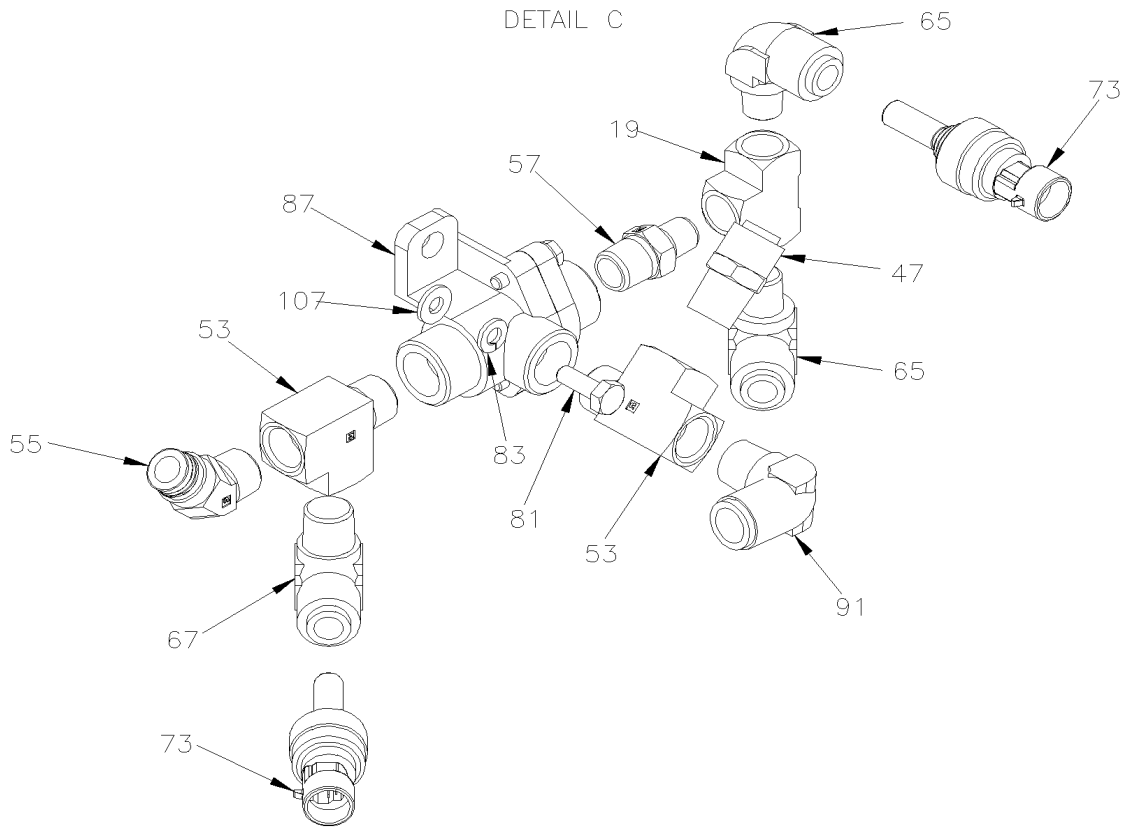
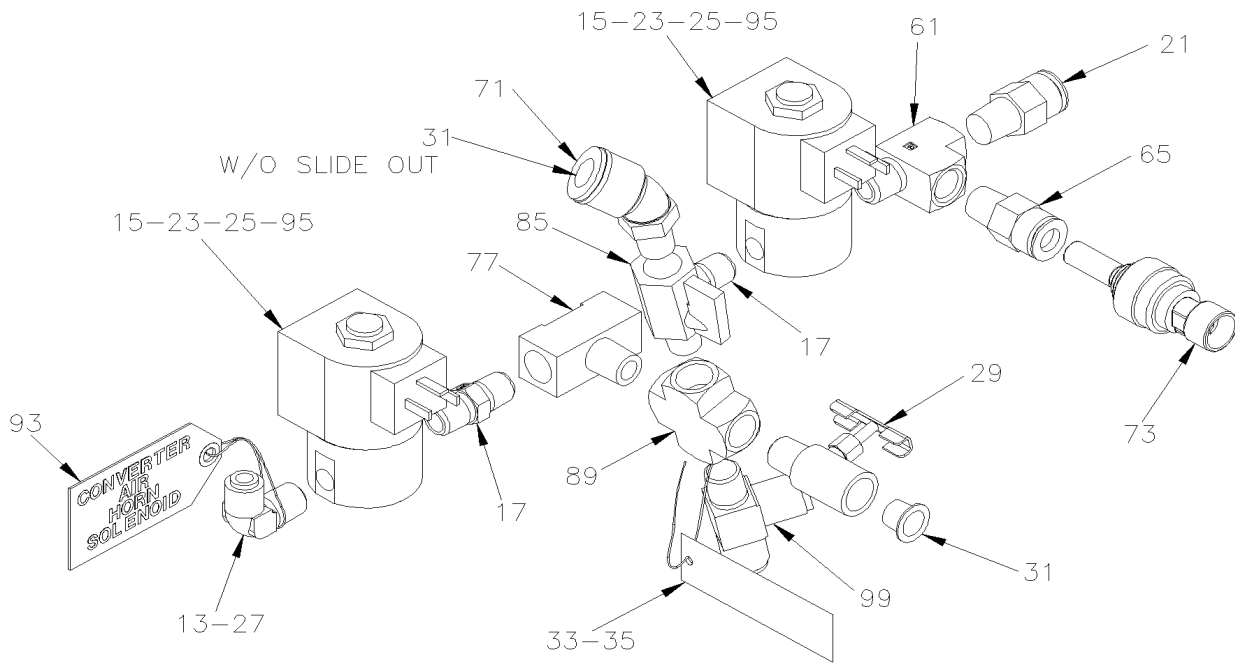


From E-5490 To F-5874

Date:07/2024

PAGE:X3VIP-1640-50

LEVEL-LOW - CONTROL PANEL & VALVES



DETAIL D

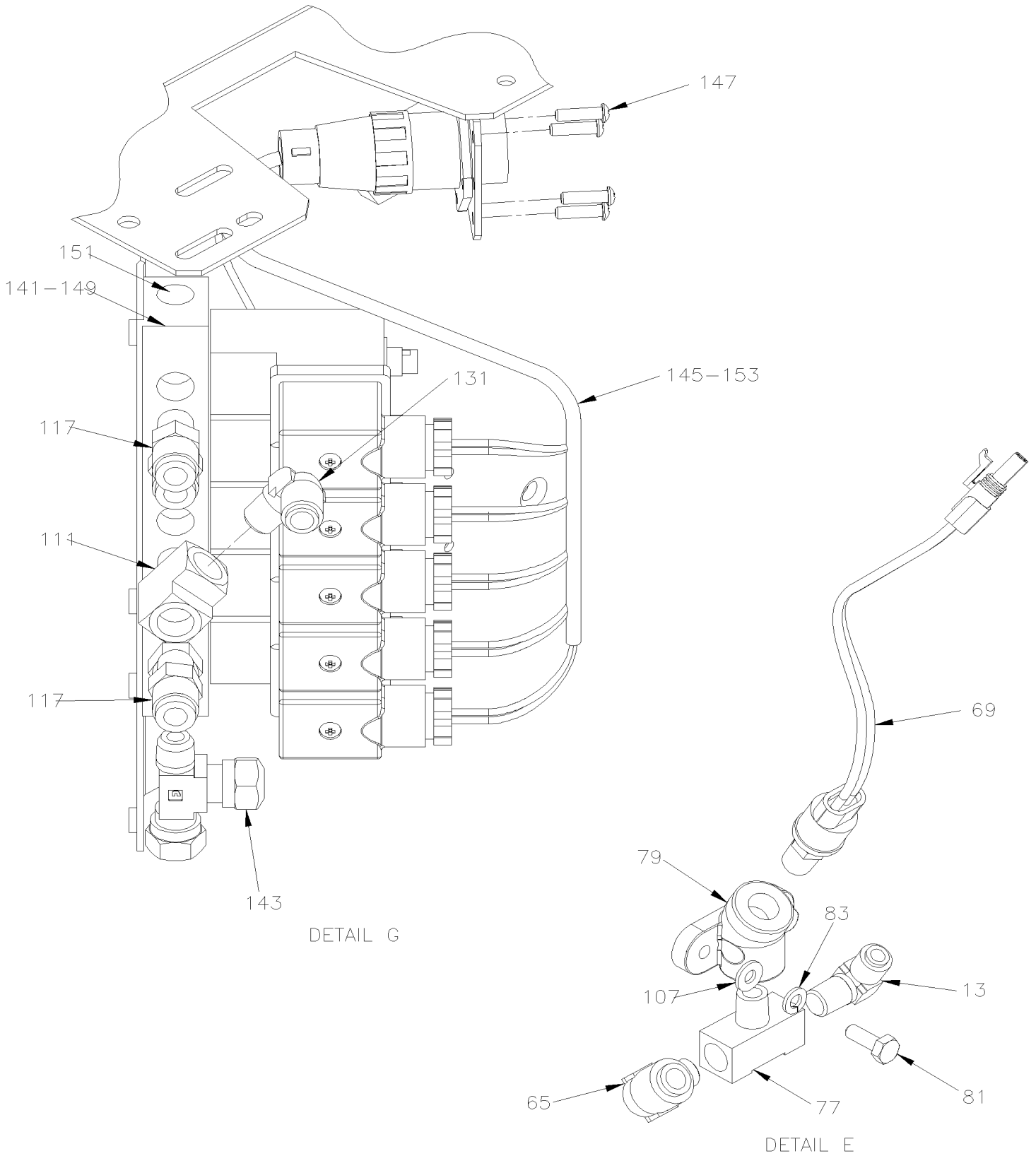


From E-5490 To F-5874

Date:07/2024

PAGE:X3VIP-1640-50

LEVEL-LOW - CONTROL PANEL & VALVES





From E-5490 To F-5874	Date:07/2024	PAGE:X3VIP-1640-50
-----------------------	--------------	--------------------

LEVEL-LOW - CONTROL PANEL & VALVES

Item#	Part	Description	X 3 V I P E N T	X 3 V I P M T H	N O T E S
1	142366	VALVE SUPPORT ASSY To E-5589	1	1	
1	142662	VALVE SUPPORT ASSY From E-5590 To E-5603	1	1	
1	143266	VALVE SUPPORT ASSY From E-5604	1	1	
3	641897	MANIFOLD / PUSH-IN FITTING / 2x#6 / 4x#4 PLAS	2	2	
5	500574	SCREW MA TR PH #10-24x1 1/4 SS	4	4	
7	503404	TUBE, NYLON 3/8 O.D. / BLACK S.L.	AR	AR	
9	140227	DECAL / ACC AIR FILTER DRAIN / ENGLISH & FRANCAIS	1	1	
11	641436	UNION ELBOW 90° / PUSH-IN FITTING / #6x#6 BR	1	1	
13	641371	MALE ELBOW 90° NON-SWIVEL / PUSH-IN FITTING / #4x1/4NPT-M BR	2	2	
15	562804	VALVE, 2 WAYS N.C.	2	2	
. NS	562848	. CONNECTOR / SOCKET HOUSING ASSY 3C / PNEUMAC 54933-05	1	1	
17	501321	NIPPLE HEX / PIPE FITTING / 1/4NPT-Mx1/4NPT-Mx1 3/8 BR	2	2	
19	501337	FEMALE UNION TEE / PIPE FITTING / 1/4NPT-Fx1/4NPT-Fx1/4NPT-F BR	1	1	
21	641331	MALE CONNECTOR / PUSH-IN FITTING / #6x1/4NPT-M BR	2	2	
23	502751	SCREW CAP HEX #10-32x3/8 Z050	4	4	
25	500470	WASHER LO SPT .193x.334x.047 Z050 To E-5589	6	6	
25	500470	WASHER LO SPT .193x.334x.047 Z050 From E-5590	4	4	
27	641416	PLUG STEM / PUSH-IN FITTING / #4 PLAS To E-5589	3	3	
27	641416	PLUG STEM / PUSH-IN FITTING / #4 PLAS From E-5590	2	2	
29	5011129	NEEDLE VALVE 1/4 NPT M x 1/4 NPT F	1	1	
31	680408	CAP PLUG (ID 0.402, OD 0.471)	1	1	
33	504273	CABLE TIE / 1/8" X 3"1/2	1	1	
35	391812	IDENTIFICATION PLATE (CONVERTER)	1	1	
37	X3VIP-1220-15	AIR FILTER - ACCESSORIES To E-5589	1	1	
37	642192	AIR FILTER From E-5590	1	1	
39	501333	STREET ELBOW 90° / PIPE FITTING / 3/8NPT-Mx3/8NPT-F BR	1	1	
41	501313	BUSHING REDUCER / PIPE FITTING / 3/8NPT-Mx1/8NPT-F BR	1	1	
43	640488	VALVE, AIR FILL 1/8" NPT	1	1	
. NS	650164	. CAP VALVE / CHROME	1	1	
45	501737	MALE BRANCHE TEE / PIPE FITTING / 3/8NPT-Fx3/8NPT-Fx3/8NPT-M BR	1	1	
47	641330	MALE CONNECTOR / PUSH-IN FITTING / #6x3/8NPT-M BR To E-5889	4	4	
47	641330	MALE CONNECTOR / PUSH-IN FITTING / #6x3/8NPT-M BR From E-5590	2	2	
49	500160	SCREW CAP HEX #10-24x1/2 Z050	2	2	
51	641339	SUPPORT / AIR FILTER	1	1	
53	501699	MALE RUN TEE / PIPE FITTING / 3/8NPT-Mx3/8NPT-Fx3/8NPT-F BR To E-5589	3	3	
53	501699	MALE RUN TEE / PIPE FITTING / 3/8NPT-Mx3/8NPT-Fx3/8NPT-F BR From E-5590	2	2	
55	641367	MALE ELBOW 45° NON-SWIVEL / PUSH-IN FITTING / #6x3/8NPT-M BR	2	2	
57	501749	NIPPLE REDUCER HEX / PIPE FITTING / 3/8NPT-Mx1/4NPT-Mx1 13/32 BR	2	2	
59	641137	VALVE, PRESSURE PROTECTION TYPE PR-4 70PSI	1	1	
61	501338	MALE RUN TEE / PIPE FITTING / 1/4NPT-Mx1/4NPT-Fx1/4NPT-F BR To E-5589	2	2	
61	501338	MALE RUN TEE / PIPE FITTING / 1/4NPT-Mx1/4NPT-Fx1/4NPT-F BR From E-5590	1	1	
65	641372	MALE ELBOW 90° NON-SWIVEL / PUSH-IN FITTING / #6x1/4NPT-M BR To E-5589	4	4	



From E-5490 To F-5874	Date:07/2024	PAGE:X3VIP-1640-50
------------------------------	---------------------	---------------------------

LEVEL-LOW - CONTROL PANEL & VALVES

Item#	Part	Description	X 3 V I P E N T	X 3 V I P M T H	N O T E S
65	641372	MALE ELBOW 90° NON-SWIVEL / PUSH-IN FITTING / #6x1/4NPT-M BR From E-5590	3	3	
67	641375	MALE ELBOW 90° NON-SWIVEL / PUSH-IN FITTING / #6x3/8NPT-M BR	1	1	
69	287234	PRESSURE SWITCH N.C. 30-10 20PS001AB030E010E	1	1	
71	642073	MALE ELBOW 45° / PUSH-IN FITTING / #8x1/4NPT-M	1	1	
73	20476992	TRANSDUCER PRESSURE (0-12Bar / 0-174PSI) To E-5655	3	3	
73	560005	TRANSDUCER PRESSURE (0-12 BAR, 0-174 PSI) From E-5656	3	3	
75	641366	MALE ELBOW 45° NON-SWIVEL / PUSH-IN FITTING / #6x1/4NPT-M BR	1	1	
77	501894	MALE BRANCHE TEE / PIPE FITTING / 1/4NPT-Fx1/4NPT-Fx1/4NPT-M BR	2	2	
79	640643	ANCHOR ELBOW / PIPE FITTING / 1/4NPT-Fx1/4NPT-F STL	1	1	
81	5001746	SCREW CAP HEX 1/4-20x3/4 G5 N500	3	3	
83	500473	WASHER LO SPT .262x.489x.062 Z050 To E-5589	7	7	
83	500473	WASHER LO SPT .262x.489x.062 Z050 From E-5590	3	3	
85	641936	BALL VALVE 1/4 NPT M x 1/4 NPT F	1	1	
87	641564	VALVE, DOUBLE CHECK DC-4	1	1	
89	501902	CROSS / PIPE FITTING / 1/4NPT-Fx1/4NPT-Fx 1/4NPT-Fx1/4NPT-F BR	1	1	
91	641376	MALE ELBOW 90° NON-SWIVEL / PUSH-IN FITTING / #8x3/8NPT-M BR	1	1	
93	142042	PLATE CONVERTER AIR HORN SOLENOID	1	1	
95	500855	WASHER FL .188x.438x.049 N500 To E-5589	6	6	
95	500855	WASHER FL .188x.438x.049 N500 From E-5590	4	4	
97	503471	TUBE, NYLON 3/8 O.D. / BLUE S.L.	AR	AR	
99	641389	MALE RUN TEE SWIVEL / PUSH-IN FITTING / #6x#6x1/4NPT-M BR	1	1	
103	501332	STREET ELBOW 90° / PIPE FITTING / 1/4NPT-Mx1/4NPT-F BR	1	1	
107	500877	WASHER FL .250x.562x.065 N500	3	3	
111	501653	MALE RUN TEE / PIPE FITTING / 1/8NPT-Mx1/8NPT-Fx1/8NPT-F BR	1	1	
113	641274	VALVE, 3 WAYS, 2 POSITIONS N.C.	2	2	
117	641242	MALE CONNECTOR / PUSH-IN FITTING / #4x1/8NPT-M BR	6	6	
119	501449	PLUG HEXS / PIPE FITTING / 3/8NPT-M STL	1	1	
121	500994	SCREW CAP HEX 1/4-20x1 3/4 G5 PT Z050	4	4	
125	641934	SILENCER / MUFFLER / 3/8NPT-M	1	1	
127	641347	MALE CONNECTOR / PUSH-IN FITTING / #4x3/8NPT-M BR	1	1	
129	501331	STREET ELBOW 90° / PIPE FITTING / 1/8NPT-Mx1/8NPT-F BR	1	1	
131	641369	MALE ELBOW 90° NON-SWIVEL / PUSH-IN FITTING / #4x1/8NPT-M BR	2	2	
133	977742	CLAMP / 3/4" I.D.	1	1	
135	641388	MALE RUN TEE NON-SWIVEL / PUSH-IN FITTING / #6x#6x3/8NPT-M BR	1	1	
139	503402	TUBE, NYLON 1/4 O.D. / BLACK S.L.	AR	AR	
141	500671	SCREW CAP HEXS #8-32x7/8	2	2	
143	641002	MALE RUN TEE / NTA FITTING / #4x#4x1/8NPT-M BR	2	2	
145	065429	CABLE ASSY / VALVE "LEVEL-LOW"	1	1	
147	500654	SCREW TC BDG PH #8-32x1/2 Z050	4	4	
149	641205	MANIFOLD VALVE / W/5 SOLENOID	1	1	
. NS	641928	. KIT, MANIFOLD REPAIR / N.C.	5	5	
. NS	641107	. COIL 24V	5	5	



From E-5490 To F-5874	Date:07/2024	PAGE:X3VIP-1640-50
LEVEL-LOW - CONTROL PANEL & VALVES		

Item#	Part	Description	X 3 V I P E N T	X 3 V I P M T H	N O T E S
151	501072	PLUG HEXS / PIPE FITTING / 1/8NPT-M STL	1	1	
153	500657	SCREW TC TR PH #10-24x1/2 Z050	1	1	
155	502573	WASHER FL 6.4x12.5x1.6 SS	2	2	
157	502854	NUT HEX M6-1.0 N500	2	2	
159	500942	WASHER LO SPT 8.1x14.8x2.0 N500	1	1	
161	502862	SCREW CAP HEX M8-1.25x20 G8.8 N500	1	1	
163	502853	WASHER LO SPT 6.1x11.8x1.6 N500	2	2	
173	500032	SCREW CAP HEX M5-0.8x16 BK From E-5590	2	2	
175	5001608	WASHER BEL SPR 6.2x15.0x0.7 G500 From E-5590	2	2	
189	501527	FEMALE UNION TEE / PIPE FITTING / 3/8NPT-Fx3/8NPT-Fx3/8NPT-F BR From E-5590	1	1	
191	501325	NIPPLE / PIPE FITTING / 3/8NPT-Mx3/8NPT-Mx1 BR From E-5590	1	1	
193	5001868	WASHER BEL SPR 8.4x18x2 SS From E-5590	2	2	
195	502862	SCREW CAP HEX M8-1.25x20 G8.8 N500 From E-5590	2	2	

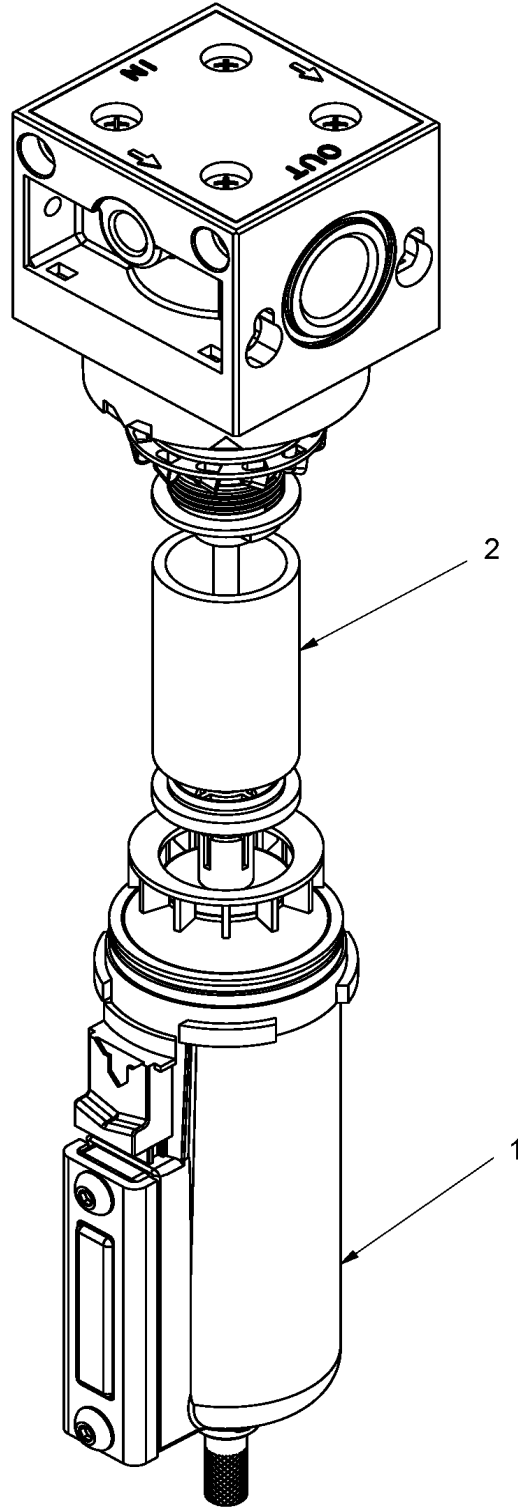


From E-5590

Date:07/2024

PAGE:642192

AIR FILTER





From E-5590	Date:07/2024	PAGE:642192
AIR FILTER		

Item#	Part	Description	X 3 V I P E N T	X 3 V I P M T H	N O T E S
1	642219	METAL BOWL MANUAL DRAIN	1	1	
2	642220	FILTER ELEMENT	1	1	
NS	642221	SERVICE KIT AIR FILTER	1	1	A
. NS	N.S.S.	. FILTER SIDE PLATE	2	2	1 A
. NS	N.S.S.	. SCREW CAP BUT	2	2	1 A
. NS	N.S.S.	. PLUG	1	1	1 A
. NS	N.S.S.	. O-RING	1	1	1 A
. NS	N.S.S.	. GREASE PACKET	1	1	1 A
		A) CONTAIN SIDE COVER 2X / SCREW X2 / PLUG 1X / O-RING 1X / GREASE PACKAGE 1X			
		1) NOT SOLD SEPARATELY			

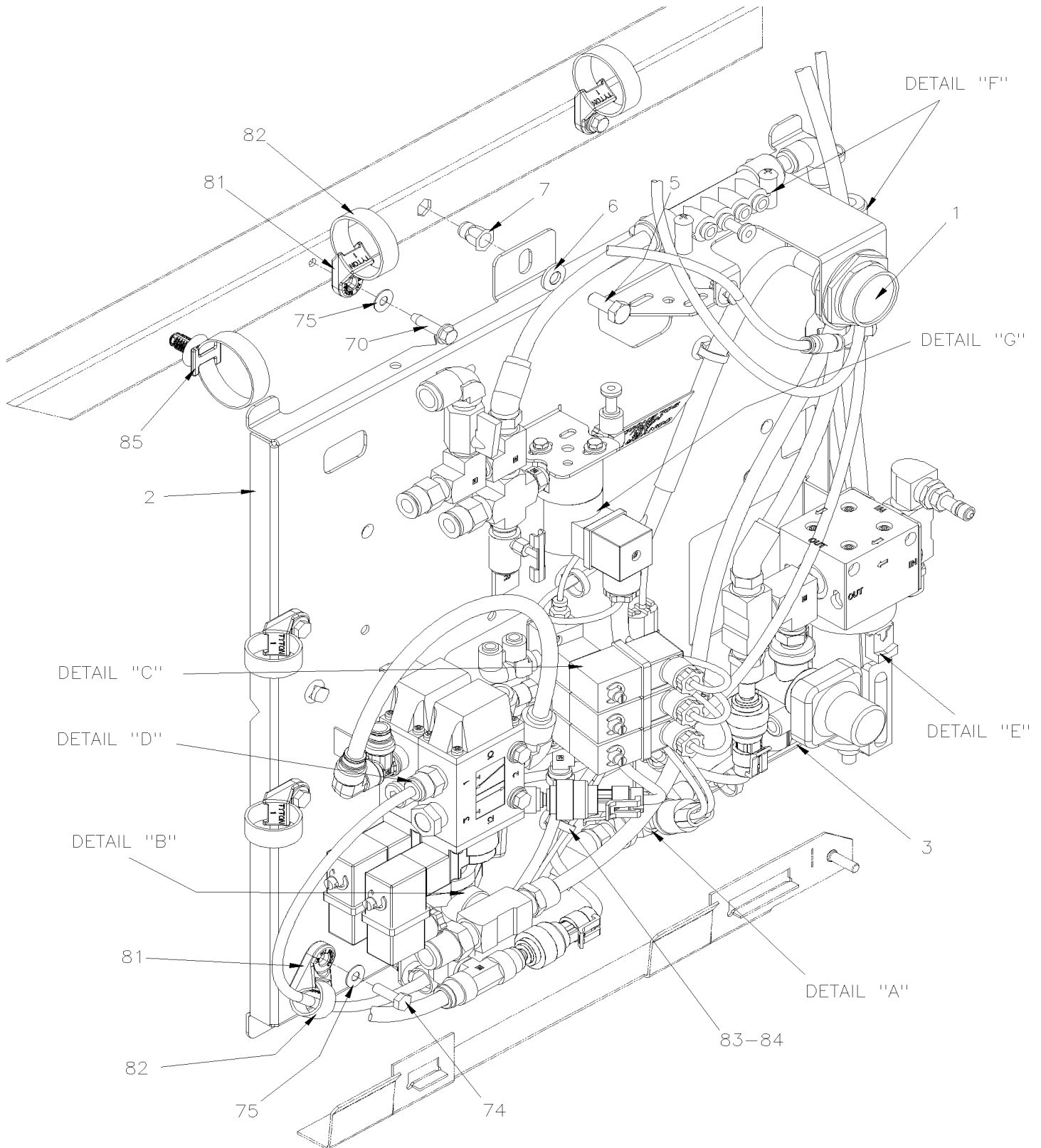


From F-5875

Date:07/2024

PAGE:X3VIP-1640-51

LEVEL-LOW - CONTROL PANEL & VALVES



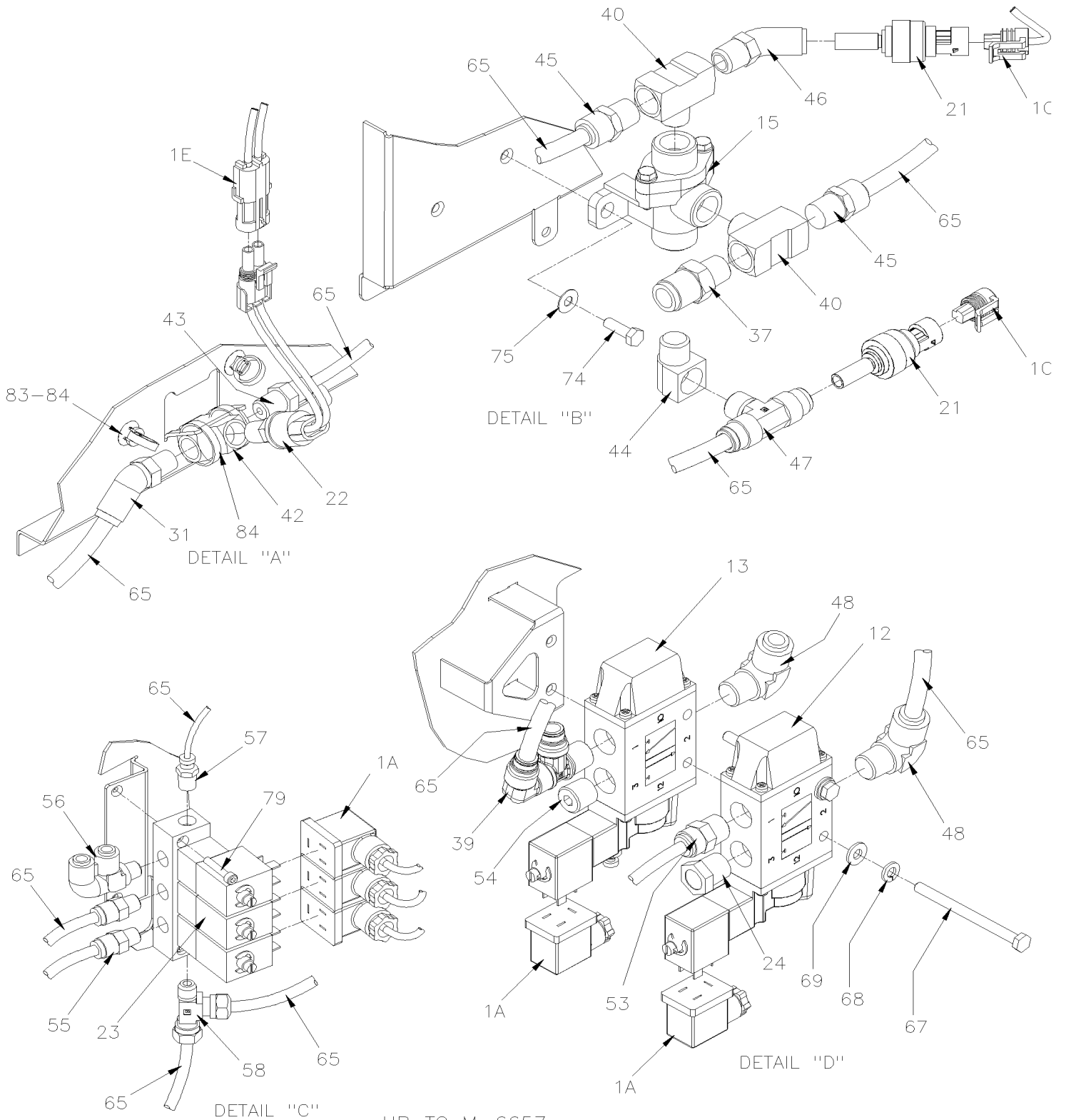


From F-5875

Date:07/2024

PAGE:X3VIP-1640-51

LEVEL-LOW - CONTROL PANEL & VALVES



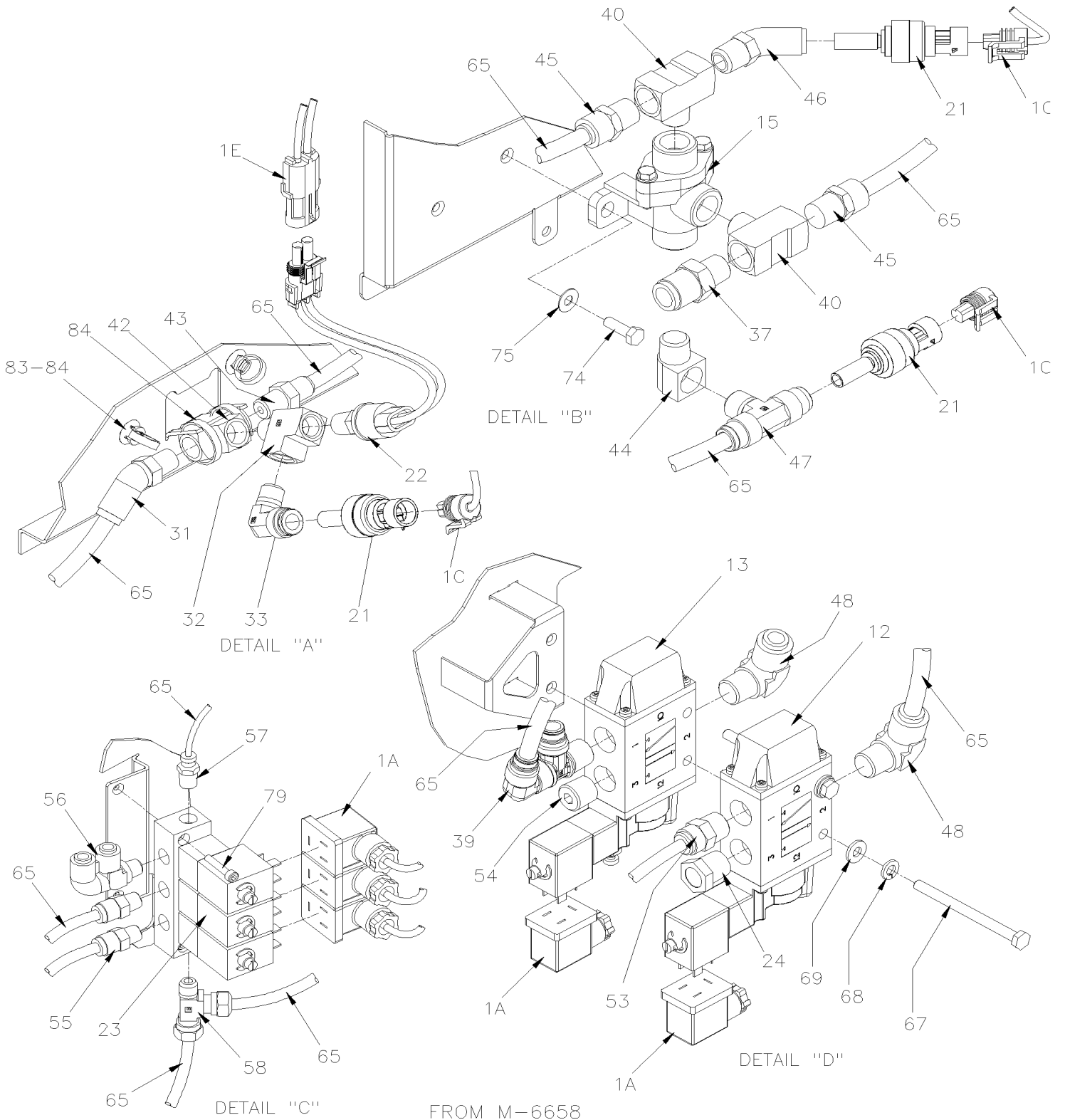


From F-5875

Date:07/2024

PAGE:X3VIP-1640-51

LEVEL-LOW - CONTROL PANEL & VALVES



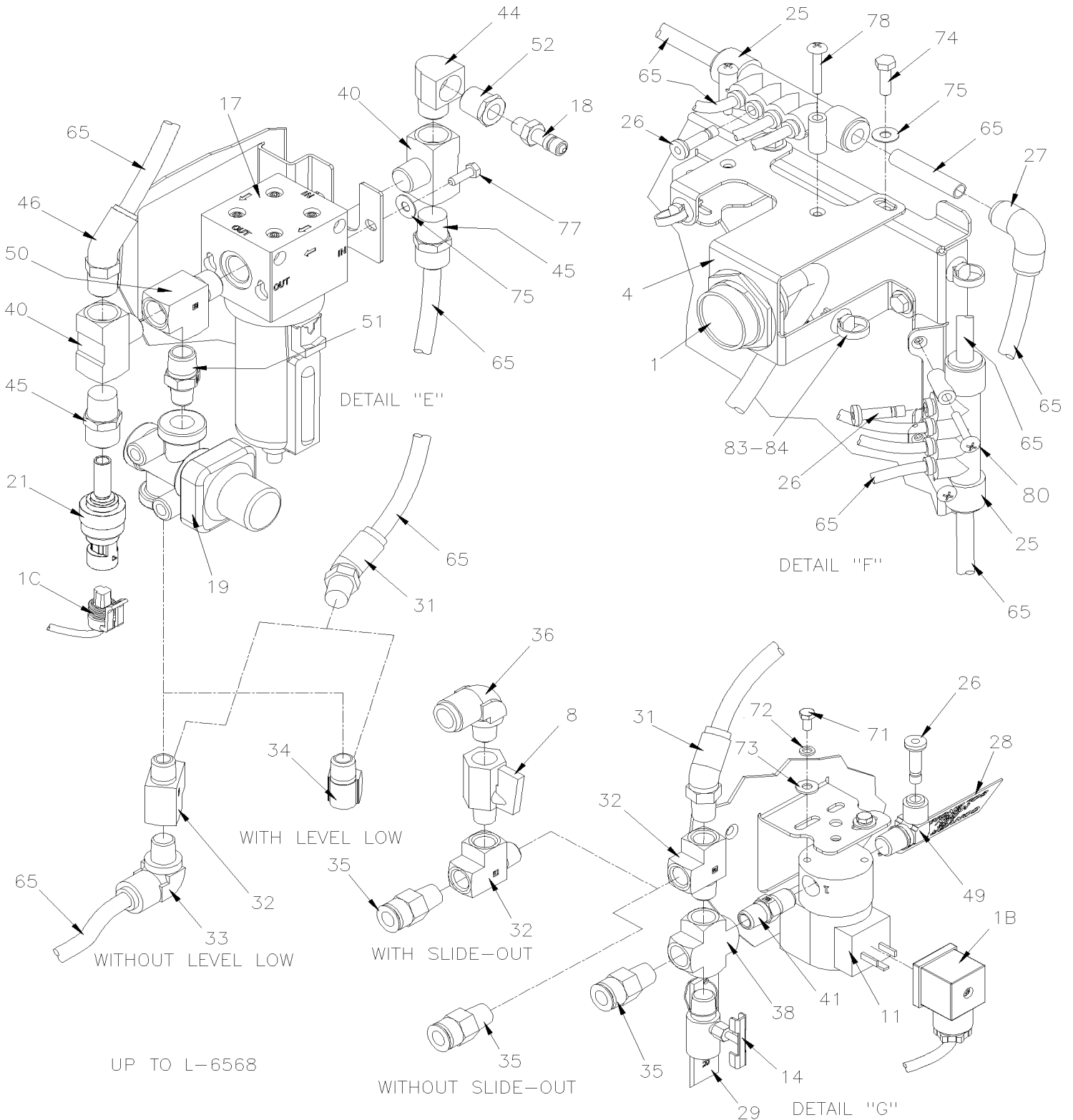


From F-5875

Date:07/2024

PAGE:X3VIP-1640-51

LEVEL-LOW - CONTROL PANEL & VALVES



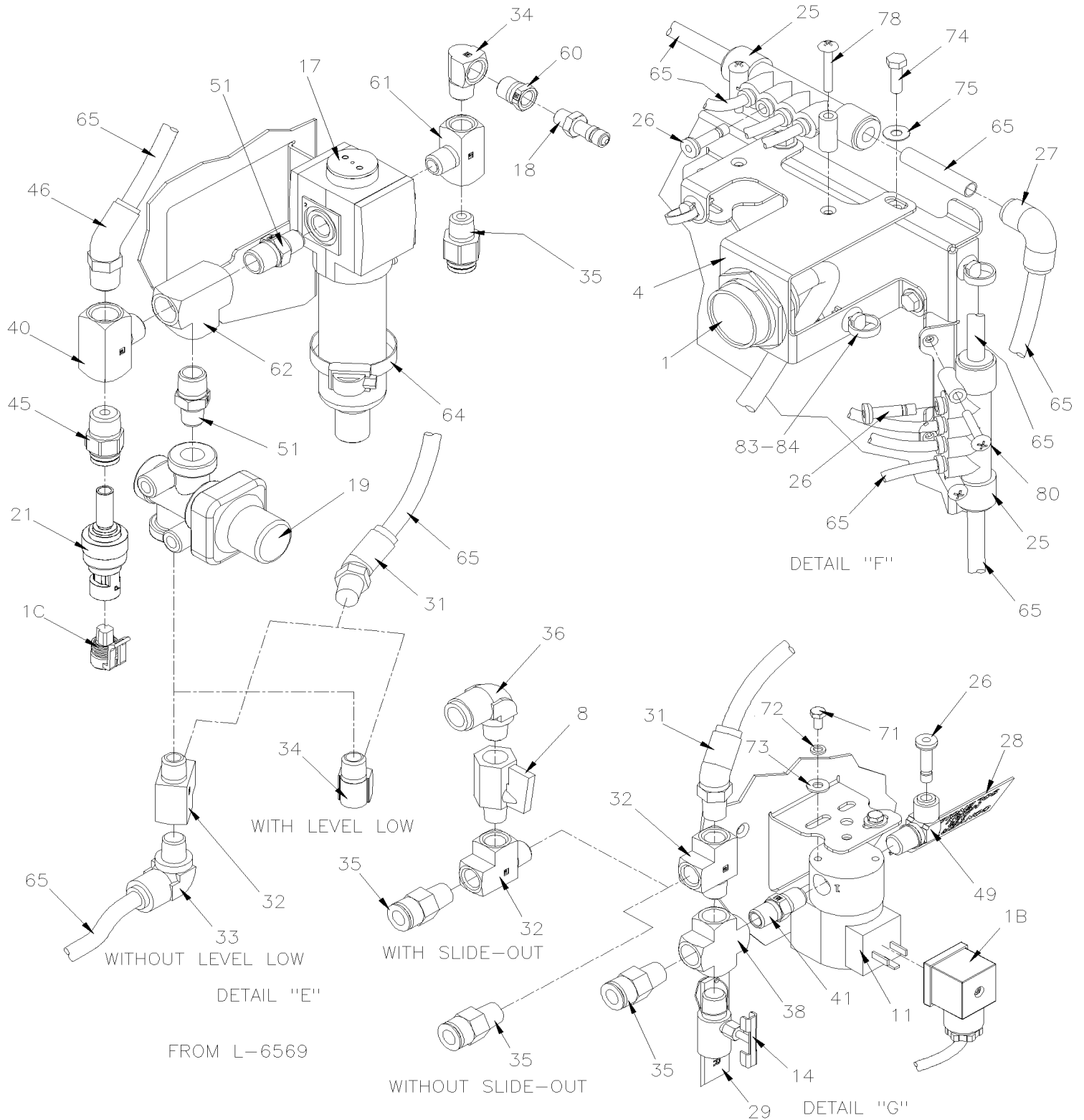


From F-5875

Date:07/2024

PAGE:X3VIP-1640-51

LEVEL-LOW - CONTROL PANEL & VALVES





From F-5875		Date:07/2024	PAGE:X3VIP-1640-51
-------------	--	--------------	--------------------

LEVEL-LOW - CONTROL PANEL & VALVES

Item#	Part	Description	X 3 V I P E N T	X 3 V I P M T H	N O T E S
1	069272	CABLE ASSY LEVEL-LOW To H-6096	1	1	
. A	641385	. CONNECTOR / SOCKET HOUSING ASSY 3C / PNEUMAC 54934-01 To H-6096	5	5	
. B	562848	. CONNECTOR / SOCKET HOUSING ASSY 3C / PNEUMAC 54933-05 To H-6096	1	1	
. C	563159	. CONNECTOR / METRI-PACK 150 / SH 3C / PED 12065287 To H-6096	3	3	
. D	563677	. CONNECTOR / METRI-PACK 150 / SH 4C / PED 12065402 To H-6096	1	1	
. E	561566	. CONNECTOR / WEATHER PACK / PH 2C / BLACK / PED 12010973 To H-6096	1	1	
1	069533	CABLE ASSY LEVEL-LOW From H-6097 To H-6179	1	1	
. A	641385	. CONNECTOR / SOCKET HOUSING ASSY 3C / PNEUMAC 54934-01 From H-6097 To H-6179	1	1	
. B	562848	. CONNECTOR / SOCKET HOUSING ASSY 3C / PNEUMAC 54933-05 From H-6097 To H-6179	1	1	
. C	563159	. CONNECTOR / METRI-PACK 150 / SH 3C / PED 12065287 From H-6097 To H-6179	1	1	
. D	568109	. CONNECTOR / HDP20 SERIES / SH 31C / DEUTSCH HDP24-24-31SE-L017 From H-6097 To H-6179	1	1	
. E	561566	. CONNECTOR / WEATHER PACK / PH 2C / BLACK / PED 12010973 From H-6097 To H-6179	1	1	
1	060367	CABLE ASSY LEVEL-LOW From H-6180 To M-6657	1	1	
. A	641385	. CONNECTOR / SOCKET HOUSING ASSY 3C / PNEUMAC 54934-01 From H-6180 To M-6657	1	1	
. B	564045	. CONNECTOR / FEMALE W2 WIRES x 2.5 METER / LEONI 220768600 From H-6180 To M-6657	1	1	
. C	563159	. CONNECTOR / METRI-PACK 150 / SH 3C / PED 12065287 From H-6180 To M-6657	1	1	
. D	561566	. CONNECTOR / WEATHER PACK / PH 2C / BLACK / PED 12010973 From H-6180 To M-6657	1	1	
. E	568109	. CONNECTOR / HDP20 SERIES / SH 31C / DEUTSCH HDP24-24-31SE-L017 From H-6180 To M-6657	1	1	
1	0610468	CABLE ASSY LEVEL-LOW From M-6658 To N-6723	1	1	
. A	641385	. CONNECTOR / SOCKET HOUSING ASSY 3C / PNEUMAC 54934-01 From M-6658 To N-6723	1	1	
. B	564045	. CONNECTOR / FEMALE W2 WIRES x 2.5 METER / LEONI 220768600 From M-6658 To N-6723	1	1	
. C	563159	. CONNECTOR / METRI-PACK 150 / SH 3C / PED 12065287 From M-6658 To N-6723	2	2	
. D	561566	. CONNECTOR / WEATHER PACK / PH 2C / BLACK / PED 12010973 From M-6658 To N-6723	1	1	
. E	568109	. CONNECTOR / HDP20 SERIES / SH 31C / DEUTSCH HDP24-24-31SE-L017 From M-6658 To N-6723	1	1	
1	0610579	CABLE ASSY LEVEL-LOW From N-6724	1	1	
. A	641385	. CONNECTOR / SOCKET HOUSING ASSY 3C / PNEUMAC 54934-01 From N-6724	1	1	
. B	564045	. CONNECTOR / FEMALE W2 WIRES x 2.5 METER / LEONI 220768600 From N-6724	1	1	
. C	563159	. CONNECTOR / METRI-PACK 150 / SH 3C / PED 12065287 From N-6724	2	2	
. D	561566	. CONNECTOR / WEATHER PACK / PH 2C / BLACK / PED 12010973 From N-6724	1	1	
. E	568109	. CONNECTOR / HDP20 SERIES / SH 31C / DEUTSCH HDP24-24-31SE-L017 From N-6724	1	1	
2	145286	VALVE SUPPORT ASSY To G-6078	1	1	
2	140038	VALVE SUPPORT ASSY From G-6079 To L-6568	1	1	
2	140221	VALVE SUPPORT ASSY From L-6569	1	1	
3	140227	DECAL / ACC AIR FILTER DRAIN / ENGLISH & FRANCAIS	1	1	
4	145261	CABLE SUPPORT To H-6096	1	1	
4	140039	CABLE SUPPORT From H-6097	1	1	
5	502862	SCREW CAP HEX M8-1.25x20 G8.8 N500	1	1	
6	5001868	WASHER BEL SPR 8.4x18x2 SS	1	1	
7	5001692	NUT INS FL HEX M8-1.25 0.5-3.0 SS	1	1	
8	641936	BALL VALVE 1/4 NPT M x 1/4 NPT F	1	1	
11	562804	VALVE, 2 WAYS N.C.	1	1	



From F-5875	Date:07/2024	PAGE:X3VIP-1640-51
-------------	--------------	--------------------

LEVEL-LOW - CONTROL PANEL & VALVES

Item#	Part	Description	X 3 V I P E N T	X 3 V I P M T H	N O T E S
. NS	562848	. CONNECTOR / SOCKET HOUSING ASSY 3C / PNEUMAC 54933-05	1	1	
12	641937	VALVE, 3 WAYS, 2 POSITIONS N.C. / W/MAN OVERRIDE	1	1	
. NS	641929	. COIL 24V	1	1	
. NS	641385	. CONNECTOR / SOCKET HOUSING ASSY 3C / PNEUMAC 54934-01	1	1	
13	642224	VALVE, 3 WAYS, 2 POSITIONS N.C.	1	1	
. NS	641929	. COIL 24V	1	1	
. NS	641385	. CONNECTOR / SOCKET HOUSING ASSY 3C / PNEUMAC 54934-01	1	1	
14	5011129	NEEDLE VALVE 1/4 NPT M x 1/4 NPT F	1	1	
14	680408	CAP PLUG (ID 0.402, OD 0.471)	1	1	
15	641564	VALVE, DOUBLE CHECK DC-4	1	1	
17	642192	AIR FILTER To L-6568	1	1	
17	640031	AIR FILTER From L-6569	1	1	
. NS	640050	. AIR FILTER From L-6569	1	1	
. NS	640049	. BOWL FILTER From L-6569	1	1	
17	140259	SERVICE KIT AIR FILTER PNEUMATIC To L-6568	1	1	
18	640488	VALVE, AIR FILL 1/8" NPT	1	1	
. NS	650164	. CAP VALVE / CHROME	1	1	
19	641137	VALVE, PRESSURE PROTECTION TYPE PR-4 70PSI	1	1	
21	560005	TRANSDUCER PRESSURE (0-12 BAR, 0-174 PSI) To M-6657	3	3	
21	22443498	TRANSDUCER PRESSURE (0-12 BAR, 0-174 PSI) From M-6658	4	4	
22	287234	PRESSURE SWITCH N.C. 30-10 20PS001AB030E010E	1	1	
23	641180	MANIFOLD VALVE / W/3 SOLENOID	1	1	
. NS	641928	. KIT, MANIFOLD REPAIR / N.C.	3	3	
. NS	641107	. COIL 24V	1	1	
24	641934	SILENCER / MUFFLER / 3/8NPT-M	1	1	
25	641897	MANIFOLD / PUSH-IN FITTING / 2x#6 / 4x#4 PLAS	2	2	
26	641416	PLUG STEM / PUSH-IN FITTING / #4 PLAS	AR	AR	
27	641436	UNION ELBOW 90° / PUSH-IN FITTING / #6x#6 BR	1	1	
28	142042	PLATE CONVERTER AIR HORN SOLENOID	1	1	
29	391812	IDENTIFICATION PLATE (CONVERTER)	1	1	
29	504273	CABLE TIE / 1/8" X 3"1/2	1	1	
31	641366	MALE ELBOW 45° NON-SWIVEL / PUSH-IN FITTING / #6x1/4NPT-M BR	3	3	
32	501338	MALE RUN TEE / PIPE FITTING / 1/4NPT-Mx1/4NPT-Fx1/4NPT-F BR To M-6657	3	3	
32	501338	MALE RUN TEE / PIPE FITTING / 1/4NPT-Mx1/4NPT-Fx1/4NPT-F BR From M-6658	4	4	
33	641372	MALE ELBOW 90° NON-SWIVEL / PUSH-IN FITTING / #6x1/4NPT-M BR To M-6657	1	1	
33	641372	MALE ELBOW 90° NON-SWIVEL / PUSH-IN FITTING / #6x1/4NPT-M BR From M-6658	2	2	
34	501332	STREET ELBOW 90° / PIPE FITTING / 1/4NPT-Mx1/4NPT-F BR To L-6568	1	1	
34	501332	STREET ELBOW 90° / PIPE FITTING / 1/4NPT-Mx1/4NPT-F BR From L-6569	2	2	
35	641331	MALE CONNECTOR / PUSH-IN FITTING / #6x1/4NPT-M BR To L-6568	2	2	
35	641331	MALE CONNECTOR / PUSH-IN FITTING / #6x1/4NPT-M BR From L-6569	3	3	
36	641373	MALE ELBOW 90° NON-SWIVEL / PUSH-IN FITTING / #8x1/4NPT-M BR	1	1	



From F-5875		Date:07/2024	PAGE:X3VIP-1640-51
-------------	--	--------------	--------------------

LEVEL-LOW - CONTROL PANEL & VALVES

Item#	Part	Description	X 3 V I P E N T	X 3 V I P M T H	N O T E S
37	641381	MALE CONNECTOR / PUSH-IN FITTING / #8x3/8NPT-M BR	1	1	
38	501902	CROSS / PIPE FITTING / 1/4NPT-Fx1/4NPT-Fx 1/4NPT-Fx1/4NPT-F BR	1	1	
39	642128	MALE ELBOW 90° SWIVEL DUAL PORT / PUSH-IN / #6x#6x3/8NPT-M BR	1	1	
40	501737	MALE BRANCHE TEE / PIPE FITTING / 3/8NPT-Fx3/8NPT-Fx3/8NPT-M BR	4	4	
41	501321	NIPPLE HEX / PIPE FITTING / 1/4NPT-Mx1/4NPT-Mx1 3/8 BR	1	1	
42	501337	FEMALE UNION TEE / PIPE FITTING / 1/4NPT-Fx1/4NPT-Fx1/4NPT-F BR	1	1	
43	641332	MALE CONNECTOR / PUSH-IN FITTING / #4x1/4NPT-M BR	1	1	
44	501333	STREET ELBOW 90° / PIPE FITTING / 3/8NPT-Mx3/8NPT-F BR	2	2	
45	641330	MALE CONNECTOR / PUSH-IN FITTING / #6x3/8NPT-M BR	4	4	
46	641367	MALE ELBOW 45° NON-SWIVEL / PUSH-IN FITTING / #6x3/8NPT-M BR	2	2	
47	649942	MALE BRANCH TEE / PUSH-IN FITTING / #6x#6x3/8NPT-M BR	1	1	
48	641375	MALE ELBOW 90° NON-SWIVEL / PUSH-IN FITTING / #6x3/8NPT-M BR	2	2	
49	641371	MALE ELBOW 90° NON-SWIVEL / PUSH-IN FITTING / #4x1/4NPT-M BR	1	1	
50	501699	MALE RUN TEE / PIPE FITTING / 3/8NPT-Mx3/8NPT-Fx3/8NPT-F BR	1	1	
51	501749	NIPPLE REDUCER HEX / PIPE FITTING / 3/8NPT-Mx1/4NPT-Mx1 13/32 BR To L-6568	1	1	
51	501749	NIPPLE REDUCER HEX / PIPE FITTING / 3/8NPT-Mx1/4NPT-Mx1 13/32 BR From L-6569	2	2	
52	501313	BUSHING REDUCER / PIPE FITTING / 3/8NTP-Mx1/8NPT-F BR	1	1	
53	641347	MALE CONNECTOR / PUSH-IN FITTING / #4x3/8NPT-M BR	1	1	
54	501449	PLUG HEXS / PIPE FITTING / 3/8NPT-M STL	1	1	
55	641242	MALE CONNECTOR / PUSH-IN FITTING / #4x1/8NPT-M BR	2	2	
56	642127	MALE ELBOW 90° SWIVEL DUAL PORT / PUSH-IN / #4x#4x1/8NPT-M BR	1	1	
57	641126	MALE CONNECTOR / PUSH-IN FITTING / #2x1/8NPT-M BR	1	1	
58	641002	MALE RUN TEE / NTA FITTING / #4x#4x1/8NPT-M BR	1	1	
60	501312	BUSHING REDUCER / PIPE FITTING / 1/4NTP-Mx1/8NPT-F BR From L-6569	1	1	
61	501894	MALE BRANCHE TEE / PIPE FITTING / 1/4NPT-Fx1/4NPT-Fx1/4NPT-M BR From L-6569	1	1	
62	501527	FEMALE UNION TEE / PIPE FITTING / 3/8NPT-Fx3/8NPT-Fx3/8NPT-F BR From L-6569	1	1	
NS	680098	THREAD SEALANT LOCTITE #567 / WHITE / 250ml	AR	AR	
64	992086	HOSE CLAMP / 32MM/52MM From L-6569	1	1	
65	X3VIP-1202-00	TUBES PLASTIC / AIR D.O.T.			
67	5001826	SCREW CAP HEX M6-1.0x80 FT Z050	2	2	
68	500473	WASHER LO SPT .262x.489x.062 Z050	2	2	
69	500877	WASHER FL .250x.562x.065 N500	2	2	
70	500266	SCREW TC CAP HEX 1/4-20x1 N500	2	2	
71	502751	SCREW CAP HEX #10-32x3/8 Z050	2	2	
72	500470	WASHER LO SPT .193x.334x.047 Z050	2	2	
73	500964	WASHER FL .203x.500x.047 Z050	2	2	
74	502830	SCREW CAP HEX M6-1.0x20 G8.8 N500	AR	AR	
75	5001608	WASHER BEL SPR 6.2x15.0x0.7 G500	AR	AR	
77	500032	SCREW CAP HEX M5-0.8x16 BK	2	2	
78	500574	SCREW MA TR PH #10-24x1 1/4 SS	2	2	



From F-5875	Date:07/2024	PAGE:X3VIP-1640-51
LEVEL-LOW - CONTROL PANEL & VALVES		

Item#	Part	Description	X 3 V I P E N T	X 3 V I P M T H	N O T E S
78	5001991	SCREW MA RND PH M5-0.8x30 SS	2	2	
79	500671	SCREW CAP HEXS #8-32x7/8	2	2	
80	500574	SCREW MA TR PH #10-24x1 1/4 SS To G-6078	2	2	
80	5001991	SCREW MA RND PH M5-0.8x30 SS From G-6079	2	2	
81	509894	TIE MOUNT HOLE 7.8MM	5	5	
82	509491	CABLE TIE / 13MM x 383MM	5	5	
83	509815	TIE MOUNT / ATTACHMENT W/TREE MOUNT	AR	AR	
84	504637	CABLE TIE / 3/16" x 13"	AR	AR	
85	504750	CABLE TIE / 1/2" x 15" / CHRISTMAS TREE	AR	AR	

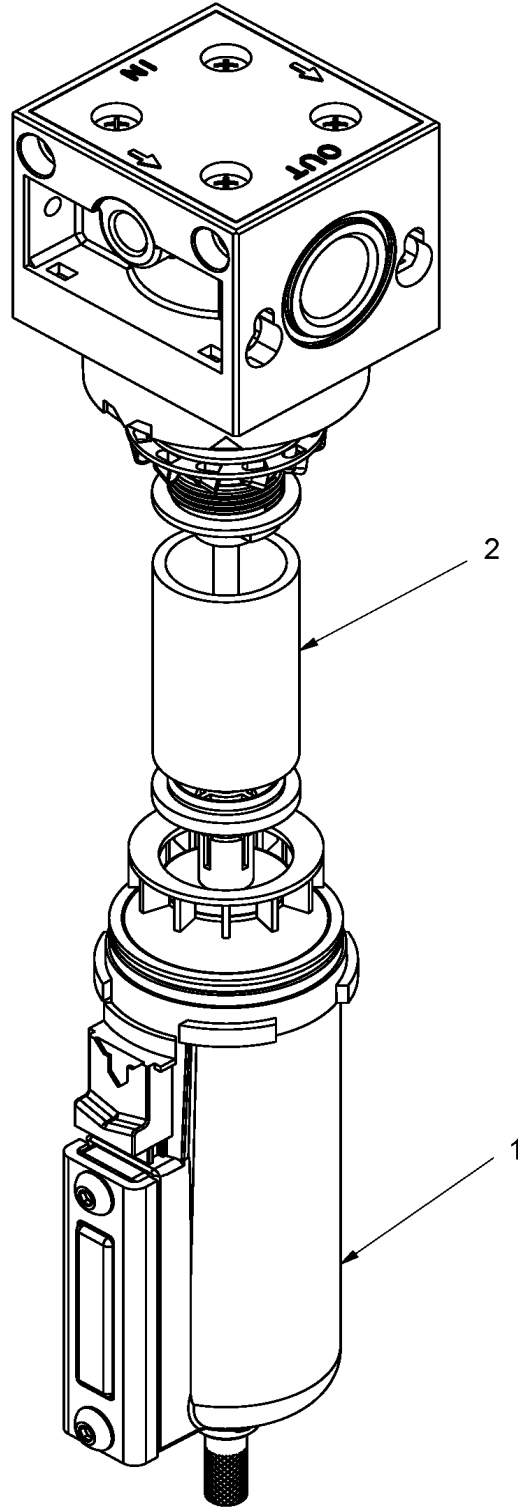


To L-6568

Date:07/2024

PAGE:642192

AIR FILTER





To L-6568		Date:07/2024	PAGE:642192
------------------	--	---------------------	--------------------

AIR FILTER

Item#	Part	Description	X 3 V I P E N T	X 3 V I P M T H	N O T E S
1	642219	METAL BOWL MANUAL DRAIN	1	1	
2	642220	FILTER ELEMENT	1	1	
NS	642221	SERVICE KIT AIR FILTER	1	1	A
. NS	N.S.S.	. FILTER SIDE PLATE	2	2	1 A
. NS	N.S.S.	. SCREW CAP BUT	2	2	1 A
. NS	N.S.S.	. PLUG	1	1	1 A
. NS	N.S.S.	. O-RING	1	1	1 A
. NS	N.S.S.	. GREASE PACKET	1	1	1 A
		A) CONTAIN SIDE COVER 2X / SCREW X2 / PLUG 1X / O-RING 1X / GREASE PACKAGE 1X			
		1) NOT SOLD SEPARATELY			

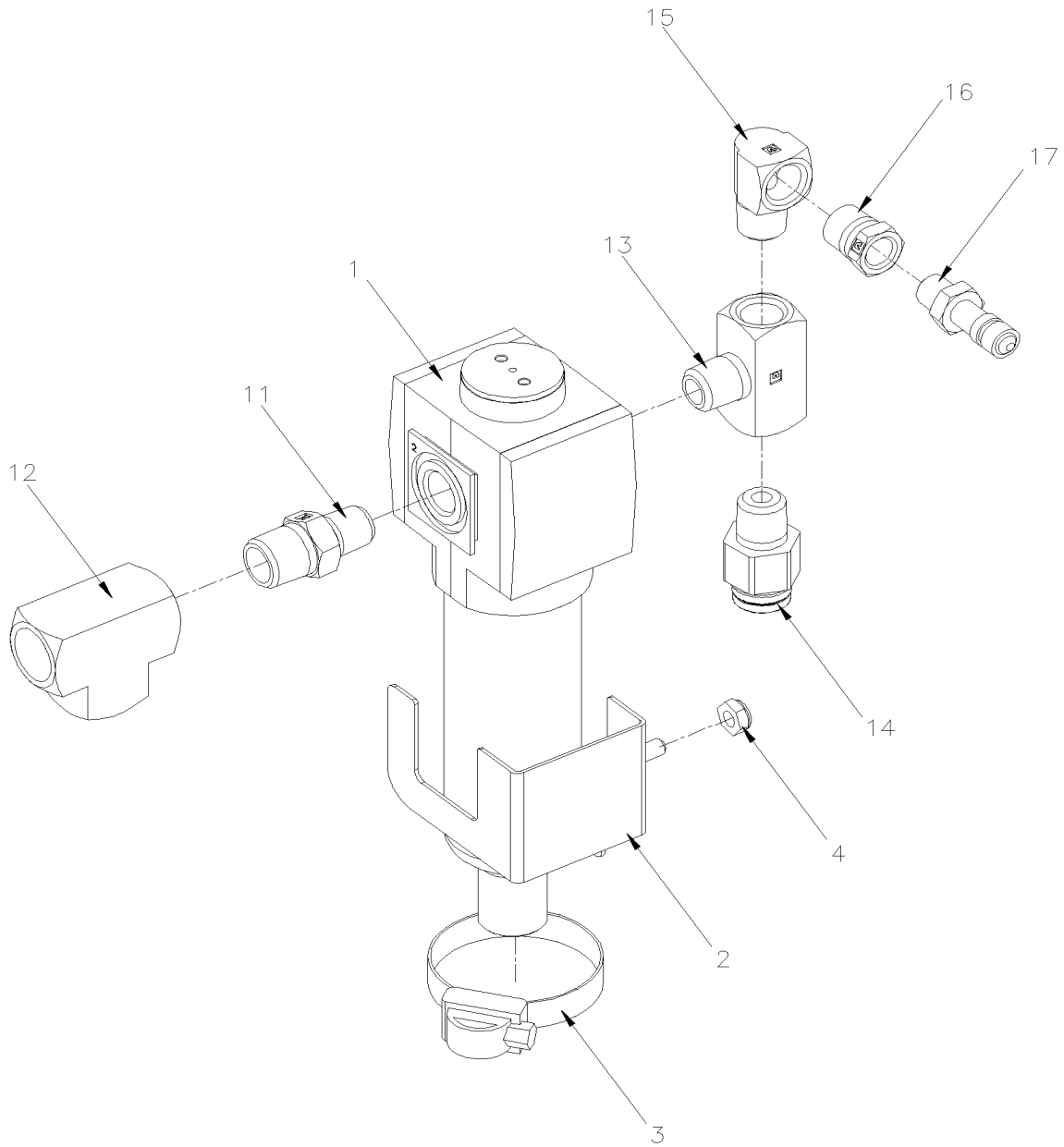


To L-6568

Date:07/2024

PAGE:140259

SERVICE KIT AIR FILTER PNEUMATIC





To L-6568	Date:07/2024	PAGE:140259
-----------	--------------	-------------

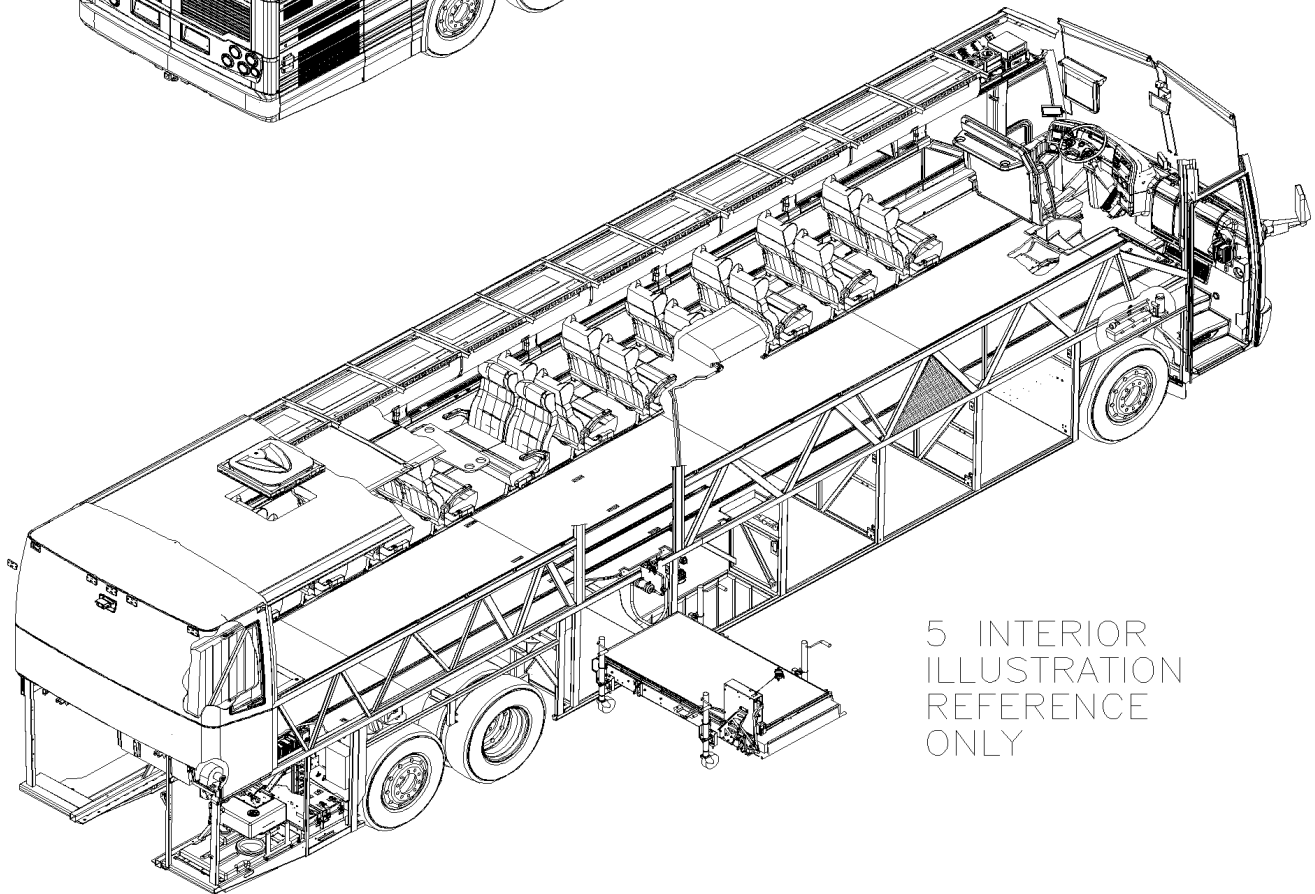
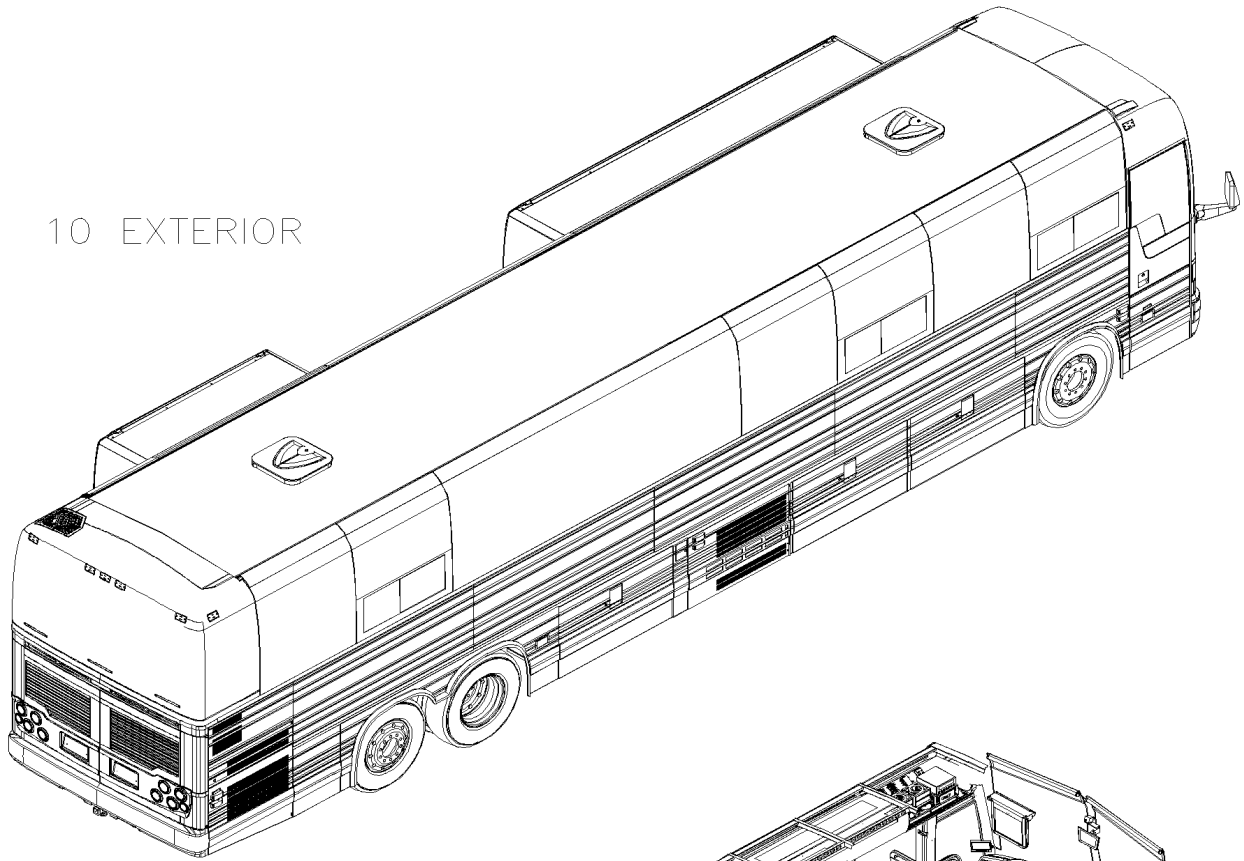
SERVICE KIT AIR FILTER PNEUMATIC

Item#	Part	Description	X 3 V I P E N T	X 3 V I P M T H	N O T E S
1	640031	AIR FILTER	1	1	
. NS	640050	. AIR FILTER	1	1	
. NS	640049	. BOWL FILTER	1	1	
2	140219	BRACKET, AIR FILTER	1	1	
3	992086	HOSE CLAMP / 32MM/52MM	1	1	
4	502841	NUT HEX NYRT M5-0.8 N500	2	2	
11	501749	NIPPLE REDUCER HEX / PIPE FITTING / 3/8NPT-Mx1/4NPT-Mx1 13/32 BR	1	1	
12	501527	FEMALE UNION TEE / PIPE FITTING / 3/8NPT-Fx3/8NPT-Fx3/8NPT-F BR	1	1	
13	501894	MALE BRANCHE TEE / PIPE FITTING / 1/4NPT-Fx1/4NPT-Fx1/4NPT-M BR	1	1	
14	641331	MALE CONNECTOR / PUSH-IN FITTING / #6x1/4NPT-M BR	1	1	
15	501332	STREET ELBOW 90° / PIPE FITTING / 1/4NPT-Mx1/4NPT-F BR	1	1	
16	501312	BUSHING REDUCER / PIPE FITTING / 1/4NTP-Mx1/8NPT-F BR	1	1	
17	640488	VALVE, AIR FILL 1/8" NPT	1	1	
. NS	650164	. CAP VALVE / CHROME	1	1	
18	IS-19084	SEE INSTRUCTION SHEET	1	1	



	Date:07/2024	X3VIP-18
BODY		

10 EXTERIOR



5 INTERIOR
ILLUSTRATION
REFERENCE
ONLY



		Date:07/2024	X3VIP-18		
BODY					
Item#	Part	Description	X 3 V I P E N T	X 3 V I P M T H	N O T E S
5	X3VIP-18-INT	BODY INTERIOR From E-5490			
10	X3VIP-18-EXT	BODY EXTERIOR From E-5490			



From E-5490

Date:07/2024

PAGE:X3VIP-18-INT

BODY INTERIOR

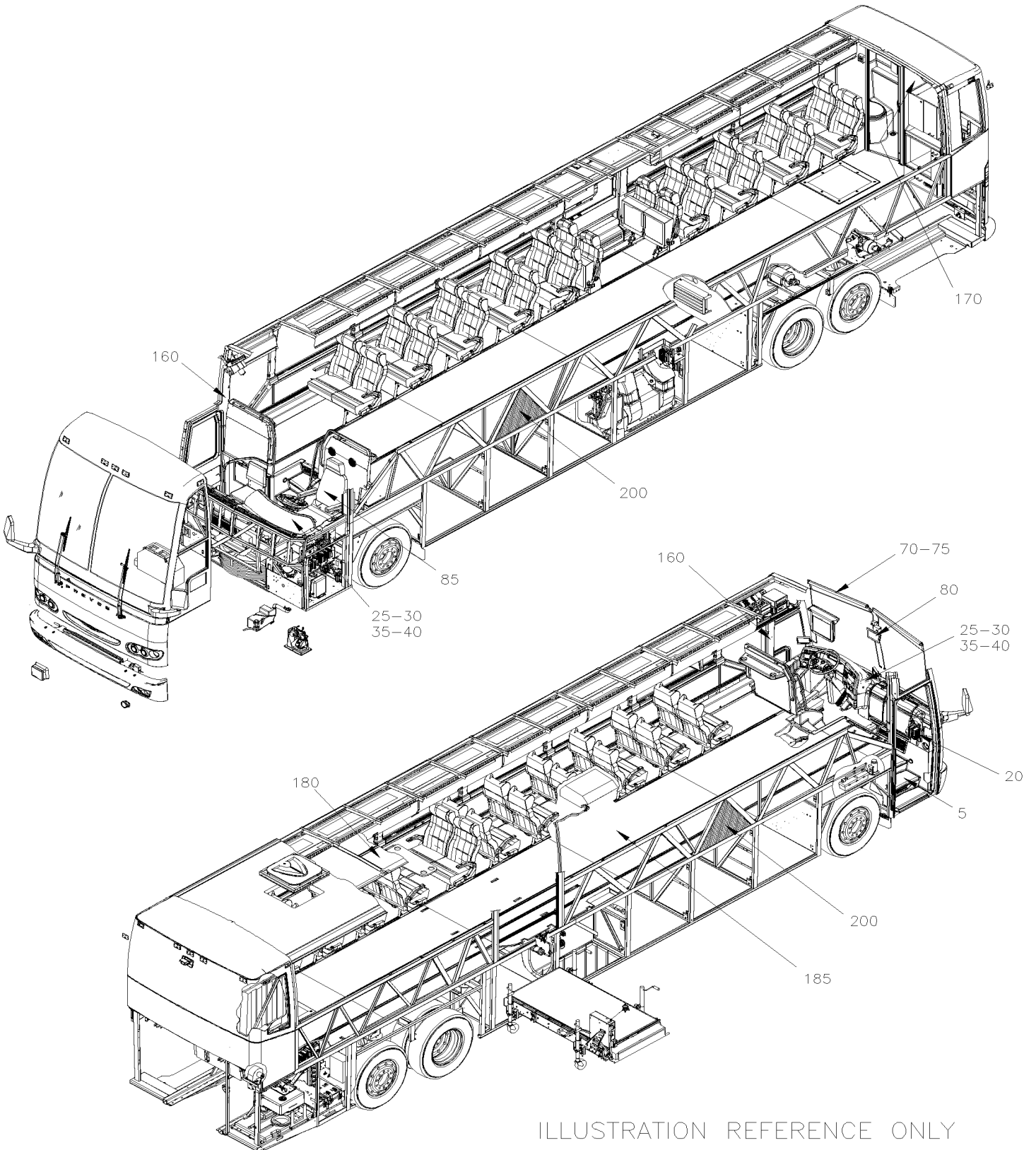


ILLUSTRATION REFERENCE ONLY



From E-5490		Date:07/2024	PAGE:X3VIP-18-INT
BODY INTERIOR			

Item#	Part	Description	X 3 V I P E N T	X 3 V I P M T H	N O T E S
5	X3VIP-1800-50	FRONT STEPWELL - MTH From E-5490			
20	X3VIP-1804-50	ENTRANCE DOOR - VALVE From E-5490			
25	X3VIP-1806-00	CENTRAL DASHBOARD PANEL From E-5490 To J-6335			
25	X3VIP-1806-01	CENTRAL DASHBOARD PANEL From J-6336			
30	X3VIP-1806-15	DASHBOARD - ASSY From E-5490			
35	X3VIP-1806-20	DASHBOARD PANEL From E-5490 To J-6335			
35	X3VIP-1806-21	DASHBOARD PANEL From J-6336 To R-6936			
35	X3VIP-1806-22	DASHBOARD PANEL From R-6937			
40	X3VIP-1806-50	L.H. CONSOLE - MTH From E-5490			
70	X3VIP-1816-00	ROLLER BLIND - DRIVER' S & WINDSHIELD From E-5490 To K-6491			
70	X3VIP-1816-01	ROLLER BLIND - DRIVER' S & WINDSHIELD From L-6492			
70	X3VIP-1816-05	ROLLER BLIND - WINDSHIELD W/ELECTRICAL From E-5490 To K-6491			
75	X3VIP-1817-00	SUN VISOR - "LE MIRAGE" From E-5490			
80	X3VIP-1820-00	MIRROR - INTERIOR From E-5490			
85	X3VIP-1822-01	DRIVER'S SEAT - "ISRI" - 6832/872 From E-5490			
160	X3VIP-1832-50	FRONT FINISHING CAP From E-5490 To L-6491			
160	X3VIP-1832-51	FRONT FINISHING CAP From L-6492			
170	X3VIP-1833-50	WALL RAIL From H-6167			
180	X3VIP-1837-50	CEILING PANELS & MOULDING From E-5490			
185	Call order desk	FLOOR - FRONT SECTION From E-5490			P
185	X3VIP-1838-50	FLOOR - REAR SECTION From E-5490 To H-6179			
185	X3VIP-1838-51	FLOOR - REAR SECTION GHG17 From H-6180			
200	X3VIP-1839-10	INSULATING FLOOR REAR AXLE From E-5490 To H-6179			
200	X3VIP-1839-11	INSULATING FLOOR REAR AXLE GHG17 From H-6180			
200	X3VIP-1839-15	INSULATING FRONT - SUBFRAME From E-5490			
200	X3VIP-1839-20	INSULATING STAIRWELL From E-5760			
200	X3VIP-1839-25	INSULATING - REAR SCR FILTER From E-5490 To K-6491			
200	X3VIP-1839-30	INSULATING ROOF PANELS From E-5490 To K-6491			
200	Call order desk	INSULATING SIDE WALL - LOWER PANEL From E-5490			P
200	X3VIP-1839-55	INSULATING FRONT - MTH From E-5490			
200	Call order desk	INSULATING SIDE WALL - UPPER From E-5490 To K-6491			P
200	X3VIP-1839-70	INSULATING REAR END INSIDE OVER ENGINE From E-5490 To K-6491			
200	X3VIP-1839-90	INSULATING - "SLIDE-OUT" From E-5490			
		P) CALL ORDER DESK FOR SPECIFIC APPLICATION (V.I.N.)			

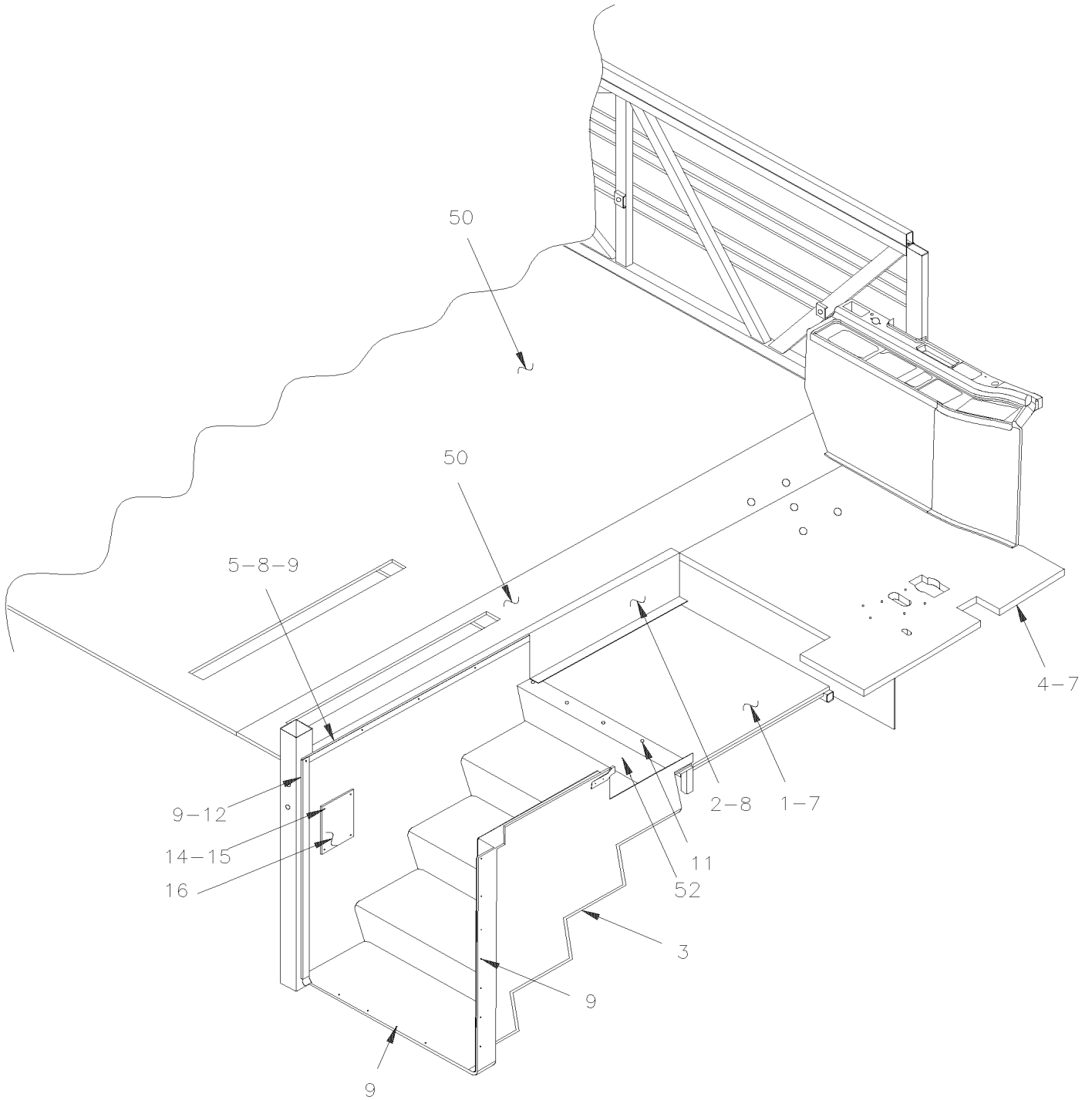


From E-5490

Date:07/2024

PAGE:X3VIP-1800-50

FRONT STEPWELL - MTH





From E-5490		Date:07/2024	PAGE:X3VIP-1800-50
FRONT STEPWELL - MTH			

Item#	Part	Description	X 3 V I P E N T	X 3 V I P M T H	N O T E S
1	3200837	STEPWELL FLOOR	1	1	
2	326681	FINISHING PANEL STEPWELL	1	1	
3	326434	STEPWELL MTH	1	1	
4	3200836	DRIVER'S FLOOR To F-5807	1	1	
4	320972	DRIVER'S FLOOR From F-5808 To F-5850	1	1	
4	3201340	DRIVER'S FLOOR From F-5851 To G-6046	1	1	
4	3202946	DRIVER'S FLOOR From G-6047 To K-6491	1	1	
4	3210582	DRIVER'S FLOOR From L-6492	1	1	
5	326679	MOULDING FINISHING	1	1	
7	5001535	SCREW DR WF RO #14x1 3/4 Z050	50	50	
8	500640	SCREW TP PAN PH #6x3/4 Z050	20	20	
9	504339	RIVET POP DOME OE 1/8x3/8 SS	6	6	
NS	680096	SEALANT BUTYL ALUM / GREY / 310ml CARTRIDGE	AR	AR	
11	500844	SCREW TC FL PH #10-32x1 1/4 Z050	6	6	
12	326703	FINISHING MOULDING	1	1	
14	502774	NUT WELL #10-32x.625	4	4	
15	5001042	SCREW MA RND PH #10-32x1 1/4 SS	4	4	
16	327352	CLOSING PANEL	1	1	
50	Call order desk	FLOOR	AR	AR	P
50	5001535	SCREW DR WF RO #14x1 3/4 Z050	AR	AR	
50	680093	SEALANT TAPE BUTYL / GREY / 1/16"x1 1/2"x50' /71079B11760	AR	AR	
50	680096	SEALANT BUTYL ALUM / GREY / 310ml CARTRIDGE	AR	AR	
52	X3VIP-2230-00	DEFROSTER - INSTALLATION			
		P) CALL ORDER DESK FOR SPECIFIC APPLICATION (V.I.N.)			

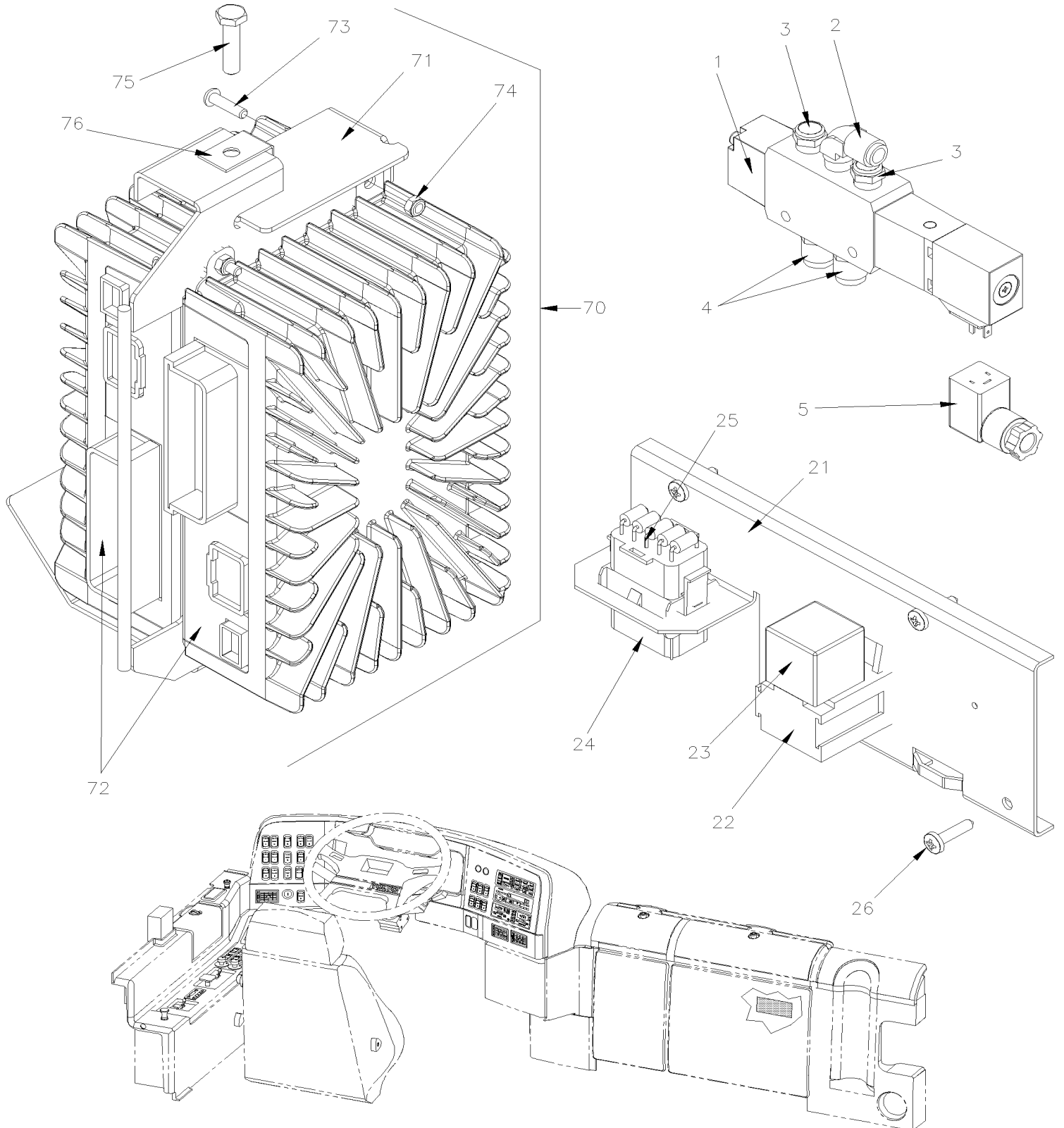


From E-5490

Date:07/2024

PAGE:X3VIP-1804-50

ENTRANCE DOOR - VALVE





From E-5490		Date:07/2024	PAGE:X3VIP-1804-50
-------------	--	--------------	--------------------

ENTRANCE DOOR - VALVE

Item#	Part	Description	X 3 V I P E N T	X 3 V I P M T H	N O T E S
1	642023	VALVE, 5 WAYS, 2 POSITIONS 24V / MODEL V19	1	1	
. NS	641385	. CONNECTOR / SOCKET HOUSING ASSY 3C / PNEUMAC 54934-01	1	1	
2	641369	MALE ELBOW 90° NON-SWIVEL / PUSH-IN FITTING / #4x1/8NPT-M BR	1	1	
3	641943	SILENCER / MUFFLER / 1/8NPT-M	2	2	
4	641242	MALE CONNECTOR / PUSH-IN FITTING / #4x1/8NPT-M BR	2	2	
5	563147	CONNECTOR / SOCKET HOUSING ASSY 3C / PNEUTECH C052-09-N-22	1	1	
21	289652	SUPPORT & RELAY ASSY	1	1	
22	561183	RELAY BASE / TAB TERMINAL / BOSCH 3334485008	1	1	
23	563332	RELAY 24V S.P.D.T. W/RESISTOR / "VOLVO" (20374662)	1	1	
24	561987	CONNECTOR / UNIVERSAL MATE-N-LOK / PH 15C / AMP 1-480711-0 / NATURAL	1	1	
25	381145	DIODE ASSY / W/5 3AMPS	1	1	
26	500641	SCREW TP PAN PH #8x3/4 Z050	3	3	
70	Call order desk	I/O B-MODULE VOLVO MULTIPLEX ASSY	1	1	P
71	382398	. SUPPORT REAR I/O B MODULE	1	1	
72	564193	. I/O B-MODULE VOLVO MULTIPLEX / ALUMINUM To G-6088	2	2	
. NS	563132	. . CONNECTOR / SH 2C / YAZAKI 7283-6458-40 To G-6088	1	1	
. NS	563133	. . CONNECTOR / JUNIOR POWER TIMER / SH 29C / AMP 1-963449-2 To G-6088	1	1	
. NS	562957	. . CONNECTOR / SH 5C / GREEN / JAE IL-AG5-5S-S3C1 To G-6088	1	1	
72	22722842	. I/O B-MODULE VOLVO MULTIPLEX / ALUMINUM From G-6089	2	2	
. NS	563132	. . CONNECTOR / SH 2C / YAZAKI 7283-6458-40 From G-6089	1	1	
. NS	563133	. . CONNECTOR / JUNIOR POWER TIMER / SH 29C / AMP 1-963449-2 From G-6089	1	1	
. NS	562957	. . CONNECTOR / SH 5C / GREEN / JAE IL-AG5-5S-S3C1 From G-6089	1	1	
73	502698	. SCREW MA PAN PH M4-0.7x16 SS BK	4	4	
74	500409	. SCREW TP PAN PH #8x1/2 BK	4	4	
75	5001433	. SCREW CAP HEX M6-1.0x25 SS	1	1	
76	502738	. NUT SPR U M6-1.0 0.6-4.0 To G-5931	1	1	
76	5001965	. NUT SPR U M6-1.0 0.6-4.0 N500 From G-5932	1	1	
		P) CALL ORDER DESK FOR SPECIFIC APPLICATION (V.I.N.)			

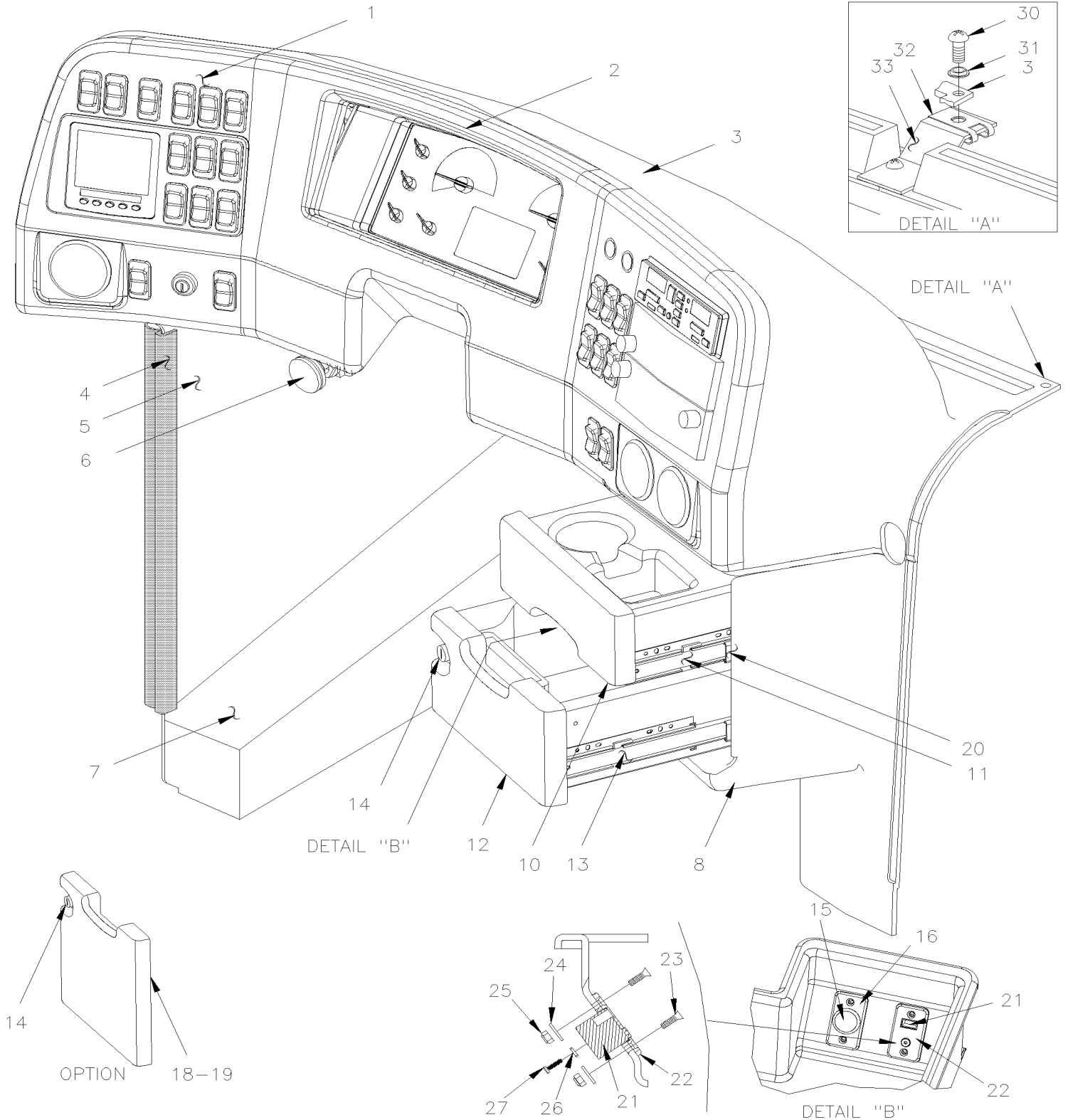


From E-5490 To J-6335

Date:07/2024

PAGE:X3VIP-1806-00

CENTRAL DASHBOARD PANEL





From E-5490 To J-6335	Date:07/2024	PAGE:X3VIP-1806-00
-----------------------	--------------	--------------------

CENTRAL DASHBOARD PANEL

Item#	Part	Description	X 3 V I P E N T	X 3 V I P M T H	N O T E S
1	392483	PANEL / FRONT INSTRUMENTATION	1	1	
2	X3VIP-0645-10	L.H. DASHBOARD PANEL			
2	X3VIP-0645-21	CENTER DASHBOARD PANEL WITH "EPA 2010"			
2	X3VIP-0645-30	R.H. DASHBOARD PANEL			
3	392144	COVER, DASHBOARD PANEL / MTH 89" To J-6335	1	1	C
3	392701	COVER, DASHBOARD PANEL / MTH 89" From J-6336 To K-6491	1	1	C
3	392682	COVER, DASHBOARD PANEL / MTH 89" From L-6492	1	1	C
3	392433	COVER, DASHBOARD PANEL / MTH 89" To J-6335	1	1	A
3	392702	COVER, DASHBOARD PANEL / MTH 89" From J-6336 To K-6491	1	1	A
3	392689	COVER, DASHBOARD PANEL / MTH 89" From L-6492	1	1	A
3	505027	GASKET EPDM / 60° +/- 5 SHORE A BLACK	AR	AR	
4	504675	RUBBER EXTRUSION TRIM SEAL / GRIP .040/.070 / 5/8" HOLLOW BULB C.T.L.	AR	AR	
5	392502	STRUCTURE / L.H. / W/TPMS W/HANDRAIL	1	1	C
5	392505	STRUCTURE / L.H. / W/TPMS W/O HANDRAIL	1	1	A
NS	890017	TRIM SEAL	AR	AR	
5	392320	ADAPTOR TO CONVERT UPPER HVAC TO LOWER / "W " SHAPE SS	1	1	V
NS	562361	PROTECTIVE CAP / HD10 SERIES / 6C / DEUTSCH HDC16-6-BLACK	1	1	F
NS	562492	TYPE A COUPLING	1	1	F
NS	562493	CHAIN / C.T.L.	1	1	F
NS	562494	RING / ATTACHMENT END	1	1	F
6	642173	VALVE, 3 WAYS, 2 POSITIONS MECHANICAL	1	1	
NS	5001036	SCREW MA PAN PH M4-0.7x10 Z050	2	2	
NS	500539	NUT HEX NYRT M4-0.7 N500	2	2	
NS	501307	ADAPTER / PIPE FITTING / 1/8NPT-Fx1/8NPT-M BR	1	1	
NS	641365	MALE ELBOW 45° NON-SWIVEL / PUSH-IN FITTING / #4x1/8NPT-M BR	2	2	
NS	392073	ACCESS PANEL / FOR WIPER REPAIR	1	1	
7	392013	FOOT REST / SUPPORT	1	1	
NS	5001036	SCREW MA PAN PH M4-0.7x10 Z050	4	4	
8	392026	UNDER DASH PANEL	1	1	
8	392181	UNDER DASH PANEL		1	B
8	392182	UNDER DASH PANEL	1	1	G
8	392068	UNDER DASH PANEL	1	1	E
8	Call order desk	UNDER DASH PANEL	1	1	P J
8	392199	UNDER DASH PANEL / BLACK	1	1	D
8	392028	UNDER DASH PANEL ASSY W/FLIP-UP BOX	1	1	J
. NS	901217	. LATCH GRABBER CATCH / 44N PLASTIC BLACK	1	1	J
10	391932	DRAWER, UPPER / BLACK	1	1	
. NS	392237	. SUPPORT MAGNETIC LOCK / UPPER DRAWER	1	1	
. NS	392241	. CATCH MAGNETIC LOCK LOWER DRAWER	1	1	
. NS	504733	. KIT SLIDE TRACK / FIXED AT DRAWER	1	1	
11	504677	. RAIL ASSY 8" / (SET)	1	1	



From E-5490 To J-6335	Date:07/2024	PAGE:X3VIP-1806-00
-----------------------	--------------	--------------------

CENTRAL DASHBOARD PANEL

Item#	Part	Description	X 3 V I P E N T	X 3 V I P M T H	N O T E S
NS	504673	CATCH MAGNETIC	2	2	
12	391933	DRAWER, LOWER / BLACK	1	1	
. NS	392238	. SUPPORT MAGNETIC LOCK / LOWER DRAWER	1	1	
. NS	392240	. CATCH MAGNETIC LOCK LOWER DRAWER	1	1	
. NS	504733	. KIT SLIDE TRACK / FIXED AT DRAWER	1	1	
13	504678	. RAIL ASSY 10" / (SET)	1	1	
NS	504673	CATCH MAGNETIC	2	2	
14	504672	LATCH ASSY W/2 KEYS	1	1	
. NS	810084	. KEY / (CH751)	1	1	
14	810084	. KEY / (CH751)	2	2	
15	562796	12 VOLTS POWER OUTLET	1	1	
16	500343	SCREW MA FL PH M4-0.7x16 ZP	2	2	
NS	500590	NUT HEX NYRT M4-0.7 Z050	2	2	
18	392028	UNDER DASH PANEL ASSY W/FLIP-UP BOX	1	1	
. NS	901217	. LATCH GRABBER CATCH / 44N PLASTIC BLACK	1	1	
19	392205	. COVER ONLY / W/OUT BOX OR DRAWER	1	1	
NS	504673	CATCH MAGNETIC	2	2	
NS	392239	SUPPORT MAGNET FLIP-UP BOX	1	1	
20	392012	MOUNTING PLATE / DRAWER	4	4	
NS	5001413	SCREW MA FL PH M4-0.7x20 Z050	AR	AR	
21	21280133	CABLE USB / (DRAWER TO RADIO) / I-POD CONECTOR To E-5495	AR	AR	
21	401044	CABLE USB / (DRAWER TO RADIO) / I-POD CONECTOR From E-5496	AR	AR	
22	406413	SUPPORT "USB" CONNECTOR	1	1	
23	5001429	SCREW MA FL PH M4-0.7x25 BK	2	2	
24	500855	WASHER FL .188x.438x.049 N500	1	1	
25	500539	NUT HEX NYRT M4-0.7 N500	2	2	
26	406414	PLATE RETAINER "USB" CONECTOR	1	1	
27	500798	SCREW TP PAN PH #4-3/8 ZP	2	2	
30	5001411	SCREW MA FL PH M4-0.7x20 BK	AR	AR	
31	500345	WASHER FN CKF .187x.500x.090 BR BK	AR	AR	
32	5001406	NUT SPR U M4-0.7 0.8-4.0x13.5	AR	AR	
33	X3VIP-2230-00	DEFROSTER - INSTALLATION			
34	563063	SENSOR THERMISTOR ASSY / TEMPERATURE / ("DELPHI")	1	1	
NS	503707	HOSE / PVC REINFORCED 1/2" I.D. 100' / S.L.	AR	AR	
NS	373792	BOX SENSOR PROTECTOR	1	1	
NS	068504	WIRING HARNESS DASHBOARD CENTRAL MODULE From D-5460 To F-5874	1	1	
NS	069254	WIRING HARNESS DASHBOARD CENTRAL MODULE From F-5875 To G-5985	1	1	
51	069411	WIRING HARNESS DASHBOARD CENTRAL MODULE From G-5986 To H-6179	1	1	
51	060335	WIRING HARNESS DASHBOARD CENTRAL MODULE From H-6180 To J-6280	1	1	
51	061424	WIRING HARNESS DASHBOARD CENTRAL MODULE From J-6281 To K-6491	1	1	
100	0610050	WIRING HARNESS DASHBOARD CENTRAL MODULE From L-6492	1	1	



From E-5490 To J-6335	Date:07/2024	PAGE:X3VIP-1806-00
-----------------------	--------------	--------------------

CENTRAL DASHBOARD PANEL

Item#	Part	Description	X 3 V I P E N T	X 3 V I P M T H	N O T E S
		A) USE WITHOUT HANDRAIL			
		B) USE WITHOUT HANDRAIL & WITHOUT DRAWER			
		C) USE WITH HANDRAIL			
		D) USE WITHOUT HANDRAIL & WITH DRAWER			
		E) USE WITH HANDRAIL WITHOUT DRAWER & WITHOUT FLIP-UP BOX			
		F) ITEMS ARE RELATED WITH CONNECTOR FOR DIAGNOSTIC "DDEC"			
		G) USE WITHOUT HANDRAIL & WITH FLIP-UP BOX			
		J) USE WITH HANDRAIL & WITH FLIP-UP BOX			
		V) THIS PART ARE REQUIRE TO CONVERT UPPER HVAC TO LOWER HVAC ON STRUCTURE #392316			
		P) CALL ORDER DESK FOR SPECIFIC APPLICATION (V.I.N.)			

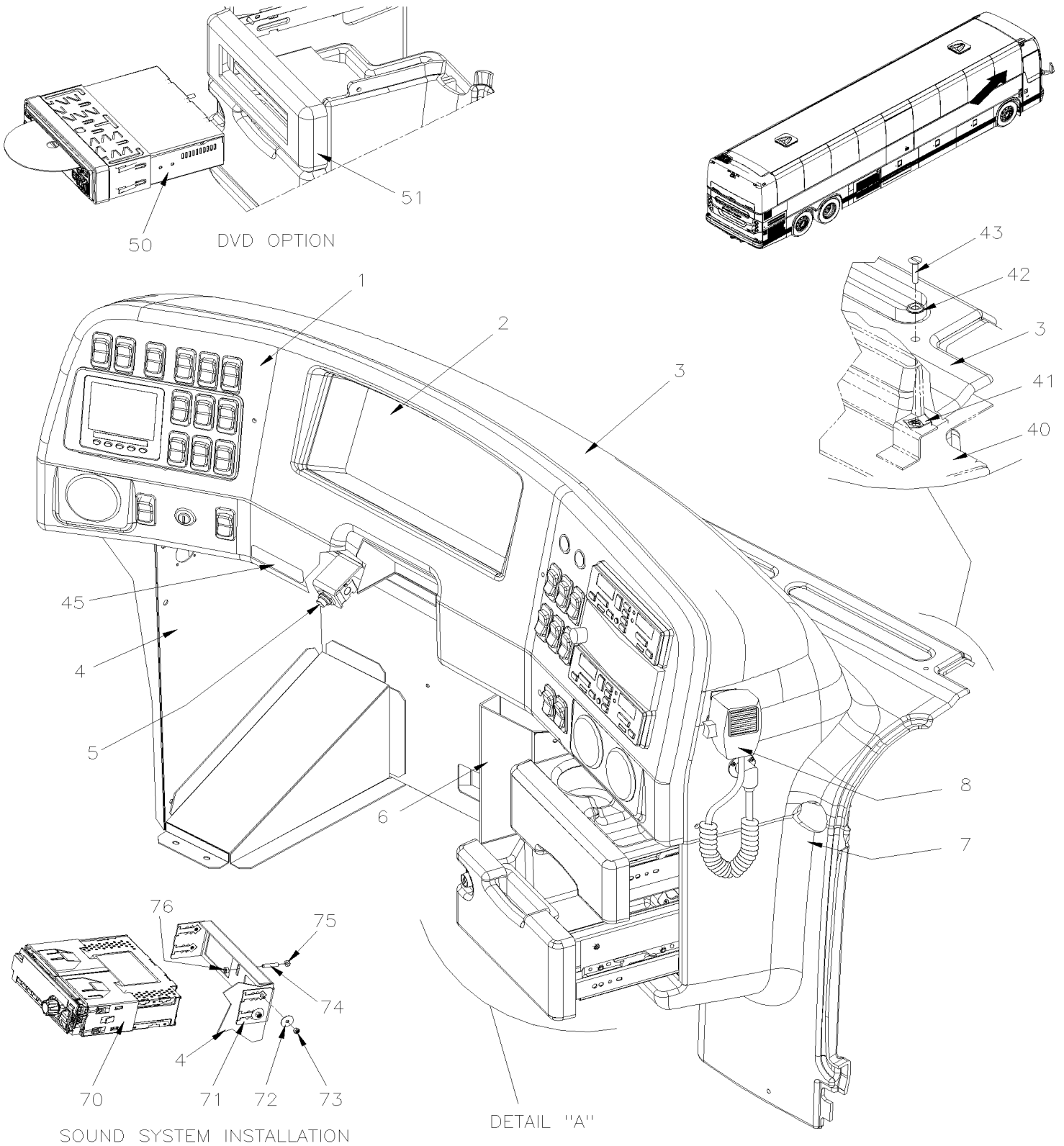


From J-6336

Date:07/2024

PAGE:X3VIP-1806-01

CENTRAL DASHBOARD PANEL



50 DVD OPTION

70 SOUND SYSTEM INSTALLATION

DETAIL "A"

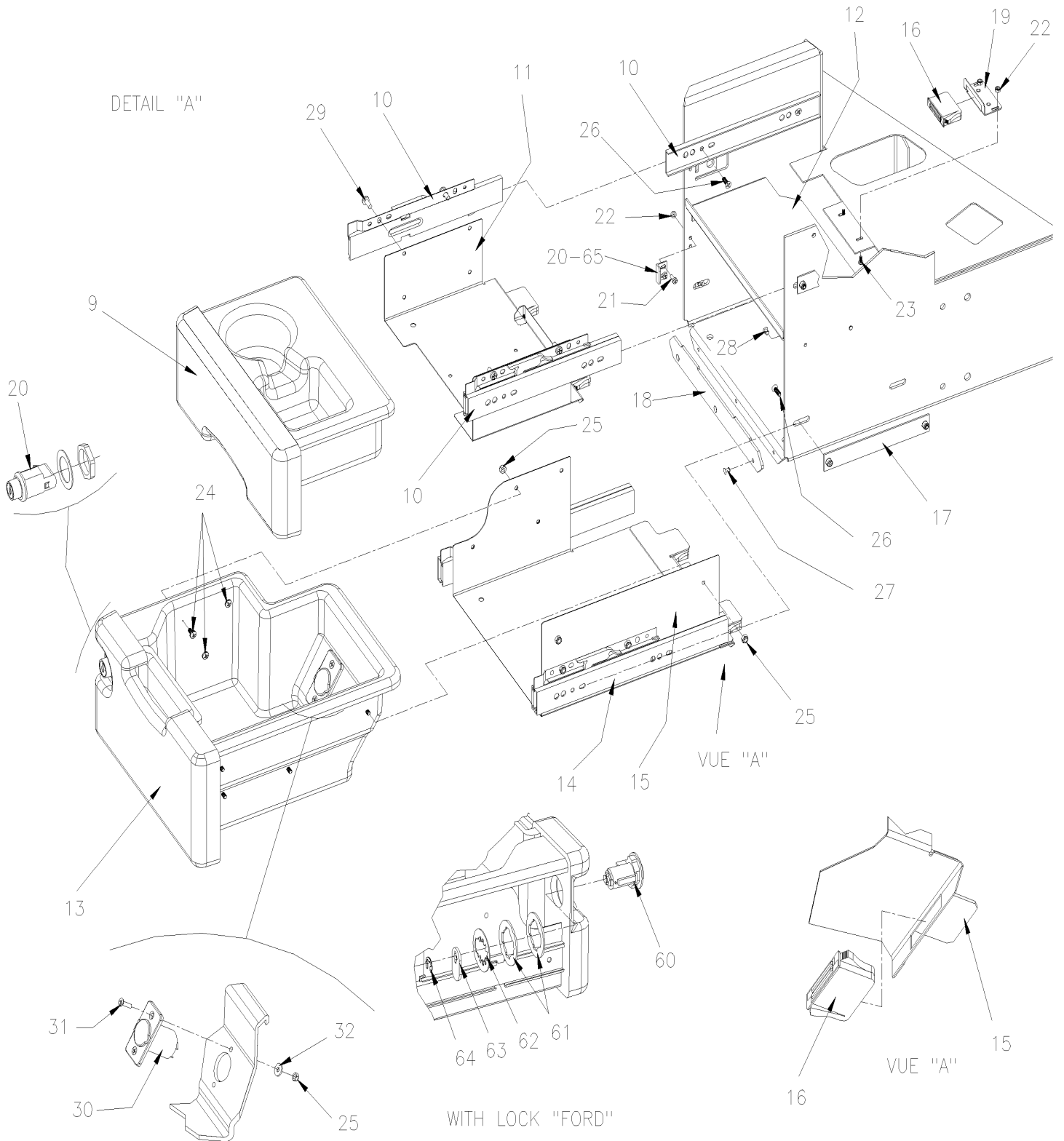


From J-6336

Date:07/2024

PAGE:X3VIP-1806-01

CENTRAL DASHBOARD PANEL





From J-6336		Date:07/2024	PAGE:X3VIP-1806-01
-------------	--	--------------	--------------------

CENTRAL DASHBOARD PANEL

Item#	Part	Description	X 3 V I P E N T	X 3 V I P M T H	N O T E S
1	392483	PANEL / FRONT INSTRUMENTATION To M-6646	1	1	
1	392851	PANEL / FRONT INSTRUMENTATION From M-6647	1	1	
2	X3VIP-0645-10	L.H. DASHBOARD PANEL			
2	X3VIP-0645-21	CENTER DASHBOARD PANEL WITH "EPA 2010"			
2	X3VIP-0645-30	R.H. DASHBOARD PANEL			
3	392144	COVER, DASHBOARD PANEL / MTH 89" To J-6335	1	1	C
3	392702	COVER, DASHBOARD PANEL / MTH 89" From J-6336 To K-6491	1	1	C
3	392682	COVER, DASHBOARD PANEL / MTH 89" From L-6492 To M-6646	1	1	C
3	392682	COVER, DASHBOARD PANEL / MTH 89" From M-6647	1	1	C
3	392838	COVER, DASHBOARD PANEL / MTH 89" WITH "PREVOST DRIVER ASSIT" From M-6647	1	1	C
3	392433	COVER, DASHBOARD PANEL / MTH 89" To J-6335	1	1	A
3	392702	COVER, DASHBOARD PANEL / MTH 89" From J-6336 To K-6491	1	1	A
3	392689	COVER, DASHBOARD PANEL / MTH 89" From L-6492 To M-6646	1	1	A
3	392689	COVER, DASHBOARD PANEL / MTH 89" From M-6647	1	1	A
3	392837	COVER, DASHBOARD PANEL / MTH 89" WITH "PREVOST DRIVER ASSIT" From M-6647	1	1	A
NS	505027	GASKET EPDM / 60° +/- 5 SHORE A BLACK	1	1	
4	392502	STRUCTURE / L.H. / W/TPMS W/HANDRAIL To M-6675	1	1	C
4	392927	STRUCTURE / L.H. / W/TPMS W/HANDRAIL From N-6676	1	1	C
4	392505	STRUCTURE / L.H. / W/TPMS W/O HANDRAIL To M-6675	1	1	A
4	392928	STRUCTURE / L.H. / W/TPMS W/O HANDRAIL From N-6676	1	1	A
NS	390078	CARPET FOOT REST	1	1	
NS	509558	WEATHERSEAL SNAP-ON 1/8" / SINGLE LIP / WH / C.T.L. From L-6492	AR	AR	
5	642173	VALVE, 3 WAYS, 2 POSITIONS MECHANICAL	1	1	
NS	501307	ADAPTER / PIPE FITTING / 1/8NPT-Fx1/8NPT-M BR	1	1	
NS	641365	MALE ELBOW 45° NON-SWIVEL / PUSH-IN FITTING / #4x1/8NPT-M BR	2	2	
6	392497	ACCESS PANEL / FOR WIPER REPAIR	1	1	
NS	5001996	SCREW MA PAN PH M4-0.7x12 N500	4	4	
7	391936	UNDER DASH PANEL / BLACK	1	1	C
7	392199	UNDER DASH PANEL / BLACK	1	1	A
NS	391920	CONSOLE CAP R.H. / NORYL GRAY	1	1	
9	390086	DRAWER, UPPER ASS'Y / PLASTIC BLACK To L-6653	1	1	
9	392704	DRAWER, UPPER ASS'Y / PLASTIC BLACK From L-6654	1	1	
10	504677	RAIL ASSY 8" / (SET)	1	1	
11	390061	SUPPORT, UPPER DRAWER To L-6653	1	1	
11	392708	SUPPORT MAGNETIC LOCK / UPPER DRAWER From L-6654	1	1	
12	390043	SEPARATION PLATE	1	1	
13	390085	DRAWER LOW / PLASTIC BLACK To L-6653	1	1	
13	392692	DRAWER LOW / PLASTIC BLACK From L-6654	1	1	
14	504678	RAIL ASSY 10" / (SET)	1	1	
15	390051	SUPPORT, LOWER DRAWER To L-6653	1	1	
15	392707	SUPPORT MAGNETIC LOCK / LOWER DRAWER From L-6654	1	1	
16	504673	CATCH MAGNETIC	2	2	



From J-6336		Date:07/2024	PAGE:X3VIP-1806-01
CENTRAL DASHBOARD PANEL			

Item#	Part	Description	X 3 V I P E N T	X 3 V I P M T H	N O T E S
17	392012	MOUNTING PLATE / DRAWER To L-6653	4	4	
17	392711	MOUNTING PLATE / DRAWER From L-6654	4	4	
17	505030	SPACER 4.2x13x6 From L-6654	8	8	
18	390047	PLATE STOP MAGNET	1	1	
19	780029	MOUNTING PLATE MAGNETIC LATCH	1	1	
20	780023	LATCH W/LOCK	1	1	
NS	780539	. KEY / (CH751)	2	2	
20	890008	LATCH ASSY KEYLESS	1	1	
21	5001397	SCREW MA CHE PH M3-0.5x8 SS	2	2	
22	5001408	NUT HEX STO M3-0.5 ZP	4	4	
23	5002029	SCREW MA PAN PH M3-0.5x6 Z050	2	2	
24	5002048	SCREW MA PAN PH M4-0.7x8 Z050	8	8	
25	5001409	NUT HEX STO M4-0.7 Z050	AR	AR	
26	5002030	SCREW MA FL PH M4-0.7x12 Z050 To L-6653	AR	AR	
26	5001414	SCREW MA FL PH M4-0.7x16 BK From L-6654	AR	AR	
27	504128	RIVET POP DOME OE 1/8x1/16 SS	3	3	
28	504140	RIVET POP DOME OE 1/8x3/8 SS	4	4	
29	500443	SCREW TP PAN PH #8x1/2 N500	1	1	
30	562796	12 VOLTS POWER OUTLET	1	1	
31	5001414	SCREW MA FL PH M4-0.7x16 BK	2	2	
32	5001971	WASHER FL 4.3x12.0x1.6 ZP	2	2	
33	563063	SENSOR THERMISTOR ASSY / TEMPERATURE / ("DELPHI")	1	1	
33	373792	BOX SENSOR PROTECTOR	1	1	
NS	680459	ADHESIVE CYANOACRYLATE LOCTITE 404 Quick Set(TM)	AR	AR	
33	503707	HOSE / PVC REINFORCED 1/2" I.D. 100' / S.L.	AR	AR	
40	X3VIP-2230-01	DEFROSTER - INSTALLATION			
41	5001406	NUT SPR U M4-0.7 0.8-4.0x13.5	AR	AR	
42	500345	WASHER FN CKF .187x.500x.090 BR BK	AR	AR	
43	5001411	SCREW MA FL PH M4-0.7x20 BK	AR	AR	
45	390038	DECAL, ELECTRONIC LOGGING DEVICE(ELD) / FR, ENG, SP	1	1	
55	061424	WIRING HARNESS DASHBOARD CENTRAL MODULE To K-6491	1	1	
55	0610050	WIRING HARNESS DASHBOARD CENTRAL MODULE From L-6492 To M-6646	1	1	
55	0610361	WIRING HARNESS DASHBOARD CENTRAL MODULE From M-6647 To M-6657	1	1	
55	0610500	WIRING HARNESS DASHBOARD CENTRAL MODULE From M-6658 To N-6723	1	1	
55	0610587	WIRING HARNESS DASHBOARD CENTRAL MODULE From N-6724	1	1	
60	X3VIP-1867-00	KEY & CYLINDER CODE	1	1	
61	780826	SPACER LOCK "FORD"	1	1	
62	780824	RETAINER WASHER LOCK "FORD"	1	1	
63	780825	LEVER WITH "FORD" CYLINDER LOCK	1	1	
64	504556	RING RETAINER / EXT 6.00 x 5.00 x 0.72MM	1	1	
65	504154	RECEPTACLE, LOCK	1	1	
71	392305	ADAPTOR RADIO TO STRUCTURE	1	1	



From J-6336	Date:07/2024	PAGE:X3VIP-1806-01
CENTRAL DASHBOARD PANEL		

Item#	Part	Description	X 3 V I P E N T	X 3 V I P M T H	N O T E S
72	502701	WASHER FL .172x.750x.031	AR	AR	
73	5002040	NUT HEX NYRT M4x0.7 SS NSS	AR	AR	
74	5002041	SCREW SET HEXS CUP M5-0.8x25 SS NSS	1	1	
75	5002042	NUT HEX NYRT M5-0.8 Z050	1	1	
76	5002043	NUT HEX M5-0.8 Z050	1	1	
		A) USE WITHOUT HANDRAIL			
		C) USE WITH HANDRAIL			

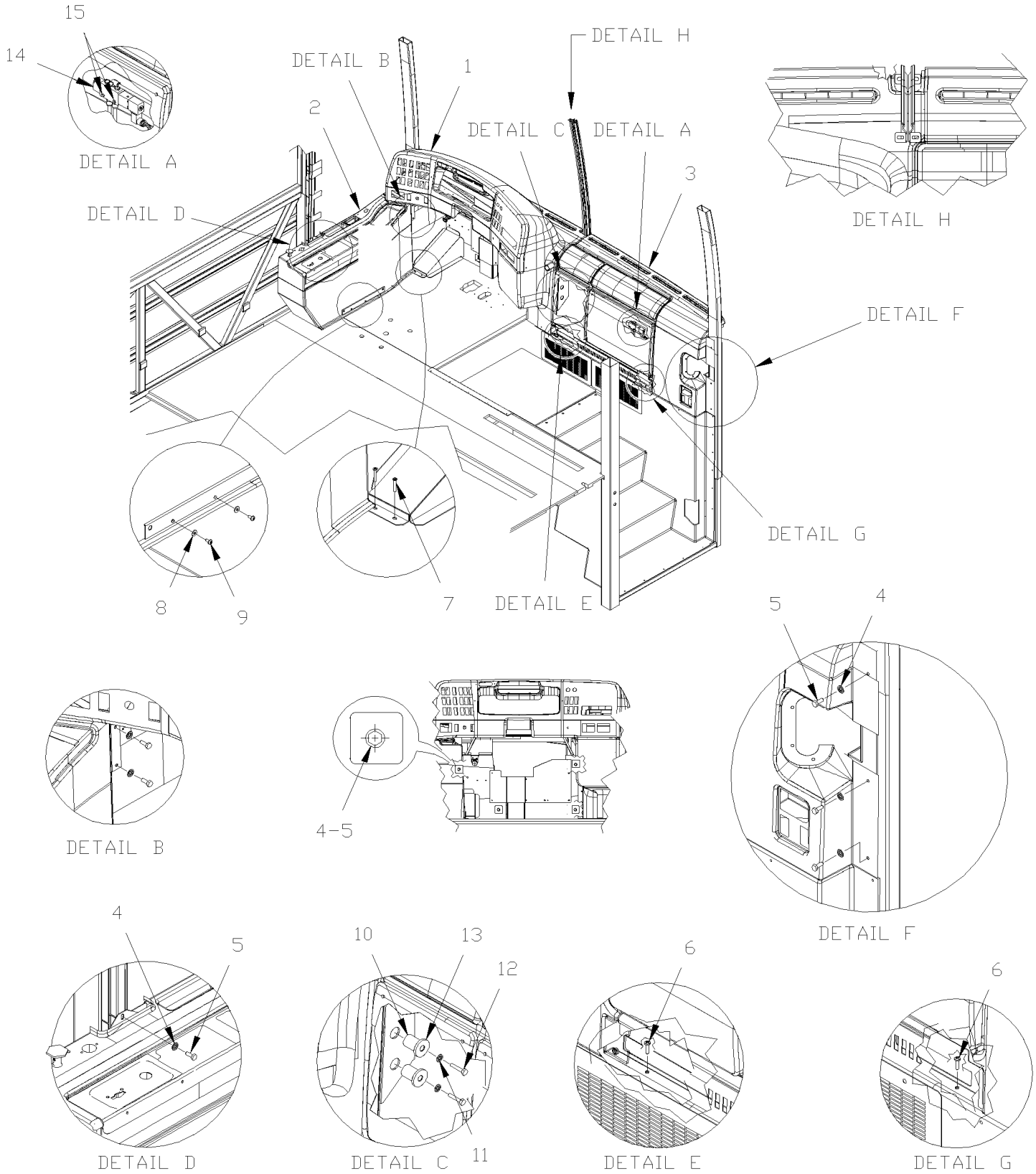


From E-5490

Date:07/2024

PAGE:X3VIP-1806-15

DASHBOARD - ASSY





From E-5490	Date:07/2024	PAGE:X3VIP-1806-15
DASHBOARD - ASSY		

Item#	Part	Description	X 3 V I P E N T	X 3 V I P M T H	N O T E S
1	X3VIP-1806-00	CENTRAL DASHBOARD PANEL			
2	X3VIP-1806-50	L.H. CONSOLE - MTH			
3	X3VIP-1806-20	DASHBOARD PANEL			
4	502582	WASHER LO SERR 6.1x16.2x0.9 Z050 To K-6491	6	6	
5	500923	SCREW TC CAP HEX 1/4-20x3/4 Z050 To K-6491	6	6	
5	5002070	SCREW DR SEMS FN OV PH #8x1 Z050 From L-6492	6	6	
6	500641	SCREW TP PAN PH #8x3/4 Z050	3	3	
7	5001531	SCREW TP FL PH #10x1 SS410	2	2	
8	500964	WASHER FL .203x.500x.047 Z050	2	2	
9	500613	SCREW TP PAN PH #10x1/2 Z050	2	2	
10	890007	UNION TUBE	2	2	
11	502507	WASHER LO SPT 8.1x14.8x2.0 Z050	2	2	
12	502797	SCREW CAP HEX M8-1.25x70 G10.9 G500	2	2	
13	5001164	WASHER FL 8.4x25.0x2.0 Z050	2	2	
14	X3VIP-1804-50	ENTRANCE DOOR - VALVE			
15	5001074	SCREW CAP HEX M4-0.7x30 G8.8 Z050	2	2	
NS	502761	SCREW TP BDG PH #10x3/4 SS BK From L-6492	1	1	

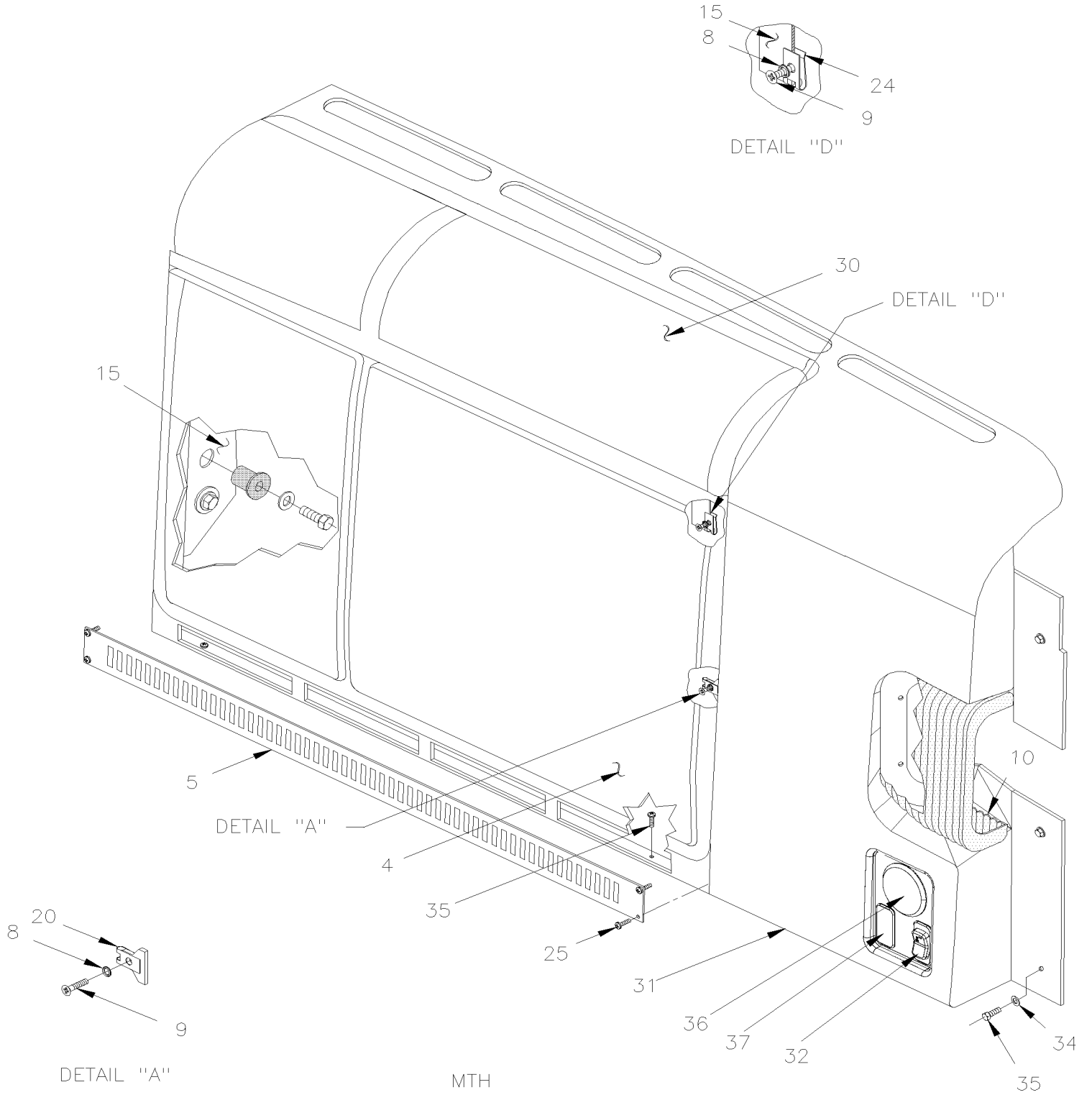


From E-5490 To J-6335

Date:07/2024

PAGE:X3VIP-1806-20

DASHBOARD PANEL



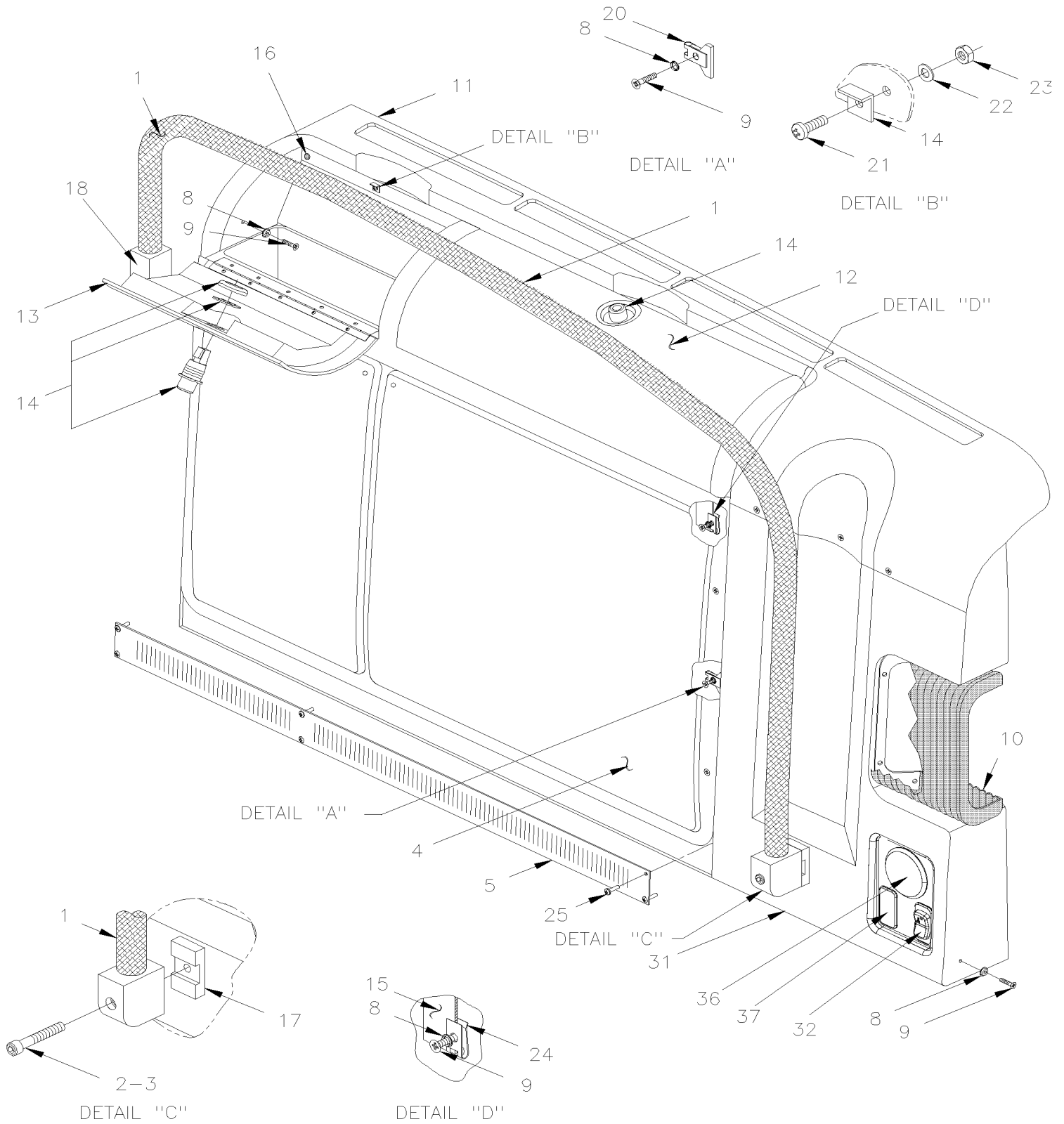


From E-5490 To J-6335

Date:07/2024

PAGE:X3VIP-1806-20

DASHBOARD PANEL





From E-5490 To J-6335		Date:07/2024	PAGE:X3VIP-1806-20
-----------------------	--	--------------	--------------------

DASHBOARD PANEL

Item#	Part	Description	X 3 V I P E N T	X 3 V I P M T H	N O T E S
1	392266	HAND RAIL / BLACK	AR	AR	B C
1	3202061	KIT SERVICE METAL BLACK RAMP DASHBOARD	AR	AR	
2	5001598	SCREW CAP HEXS M8-1.25x30 SS	AR	AR	B
3	5001380	SCREW CAP HEXS M8-1.25x100 SS	AR	AR	B
4	392007	PANEL / SERVICING	1	1	
5	392194	GRILLE / LOWER	1	1	
8	500345	WASHER FN CKF .187x.500x.090 BR BK	AR	AR	
9	5001413	SCREW MA FL PH M4-0.7x20 Z050	AR	AR	
9	5001429	SCREW MA FL PH M4-0.7x25 BK	AR	AR	
10	X3VIP-1862-60	ENTRANCE DOOR FRAME - INSTALLATION	1	1	
11	392146	PANEL R.H. / TOP W/2 BOX MTH 89"	1	1	
12	391954	COVER R.H. / BLACK	1	1	
13	391955	COVER L.H. / BLACK	1	1	
13	504676	STRAP RETAINER	1	1	
14	504672	LATCH ASSY W/2 KEYS	AR	AR	
NS	810084	. KEY / (CH751)	1	1	
15	392148	STRUCTURE / R.H. MTH 89"	1	1	B
15	392434	STRUCTURE / R.H. MTH 89"	1	1	A
16	504674	BUMPER RUBBER / 1/4X13/32X13/32X1/8	4	4	
17	392489	RAMP BLOCK SUPPORT WELD TO DASH STRUCTURE	1	1	
18	392116	RAMP SUPPORT WELD TO DASH STRUCTURE	1	1	
20	5001406	NUT SPR U M4-0.7 0.8-4.0x13.5	4	4	
21	5001398	SCREW MA CHE PH M3-0.5x10 SS	1	1	
22	N.P.N.	WASHER	4	4	4
23	5001408	NUT HEX STO M3-0.5 ZP	4	4	
24	5001405	NUT SPR U M4-0.7 0.8-4.0x9.5	14	14	
25	5001410	SCREW MA CHE PH M4-0.7x16 SS	6	6	
30	392147	PANEL R.H. / TOP W/O BOX MTH 89"	1	1	
31	392133	COVER / ENTRANCE DOOR MECHANISM / MTH 89"	1	1	B
31	392435	COVER / ENTRANCE DOOR MECHANISM / MTH 89"	1	1	A
32	562697	SWITCH / ON-ON / D.P.D.T. / CH-OVER / W/RED & GREEN LED	1	1	
32	562716	CAP / DRIVER'S LAMP	1	1	
NS	069118	WIRING HARNESS DASHBOARD RIGHT MODULE From E-5594 To F-5873	1	1	D
NS	069270	WIRING HARNESS DASHBOARD RIGHT MODULE From F-5874 To H-6197	1	1	D
NS	060931	WIRING HARNESS DASHBOARD RIGHT MODULE From H-6198	1	1	D
NS	562697	SWITCH / ON-ON / D.P.D.T. / CH-OVER / W/RED & GREEN LED	1	1	D E
NS	566038	CAP NGR, LUGGAGES LIGHT	1	1	D
NS	562717	CAP / INTERIOR LIGHT	1	1	E
NS	562699	SWITCH / M/ON-OFF-M/ON / D.P.D.T. / W/GREEN LED	1	1	D E
NS	562736	CAP / LUGGAGE DOOR LOCK	1	1	D E
NS	563332	RELAY 24V S.P.D.T. W/RESISTOR / "VOLVO" (20374662)	1	1	D E
NS	561918	SHRINK TUBING / .125" - .062" / BLACK / ALPHA FIT-221-1/8-4-B	AR	AR	D E



From E-5490 To J-6335	Date:07/2024	PAGE:X3VIP-1806-20
-----------------------	--------------	--------------------

DASHBOARD PANEL

Item#	Part	Description	X 3 V I P E N T	X 3 V I P M T H	N O T E S
NS	504637	CABLE TIE / 3/16" x 13"	AR	AR	DE
33	500923	SCREW TC CAP HEX 1/4-20x3/4 Z050	AR	AR	
34	502582	WASHER LO SERR 6.1x16.2x0.9 Z050	AR	AR	
35	500641	SCREW TP PAN PH #8x3/4 Z050	AR	AR	
36	871315	LOUVER, ADJUSTABLE / ROUND 2 1/8" O.D.	1	1	
36	871314	LOUVER, ADJUSTABLE / ROUND 2 5/8" O.D.	1	1	A
NS	392134	HOSE 3" I.D. X 900MM	1	1	
36	392223	SUPPORT FLEXIBLE DUCT RIGHT CONSOL	1	1	
36	504108	RIVET POP DOME OE 1/8x1/2 AL	2	2	
37	562773	SWITCH / "DUMMY" / PLUG	1	1	
		A) USE WITHOUT HANDRAIL			
		B) WITH HANDRAIL			
		C) FOR SOLUTION IN SERVICE, SEE SERVICE KIT 3202061			
		D) USE WITH SWITCH FOR DRIVER LIGHT & LUGGAGE LOCK			
		E) USE WITH SWITCH FOR LUGGAGE LIGHT & LUGGAGE LOCK			
		4) NO PARTS NUMBER			

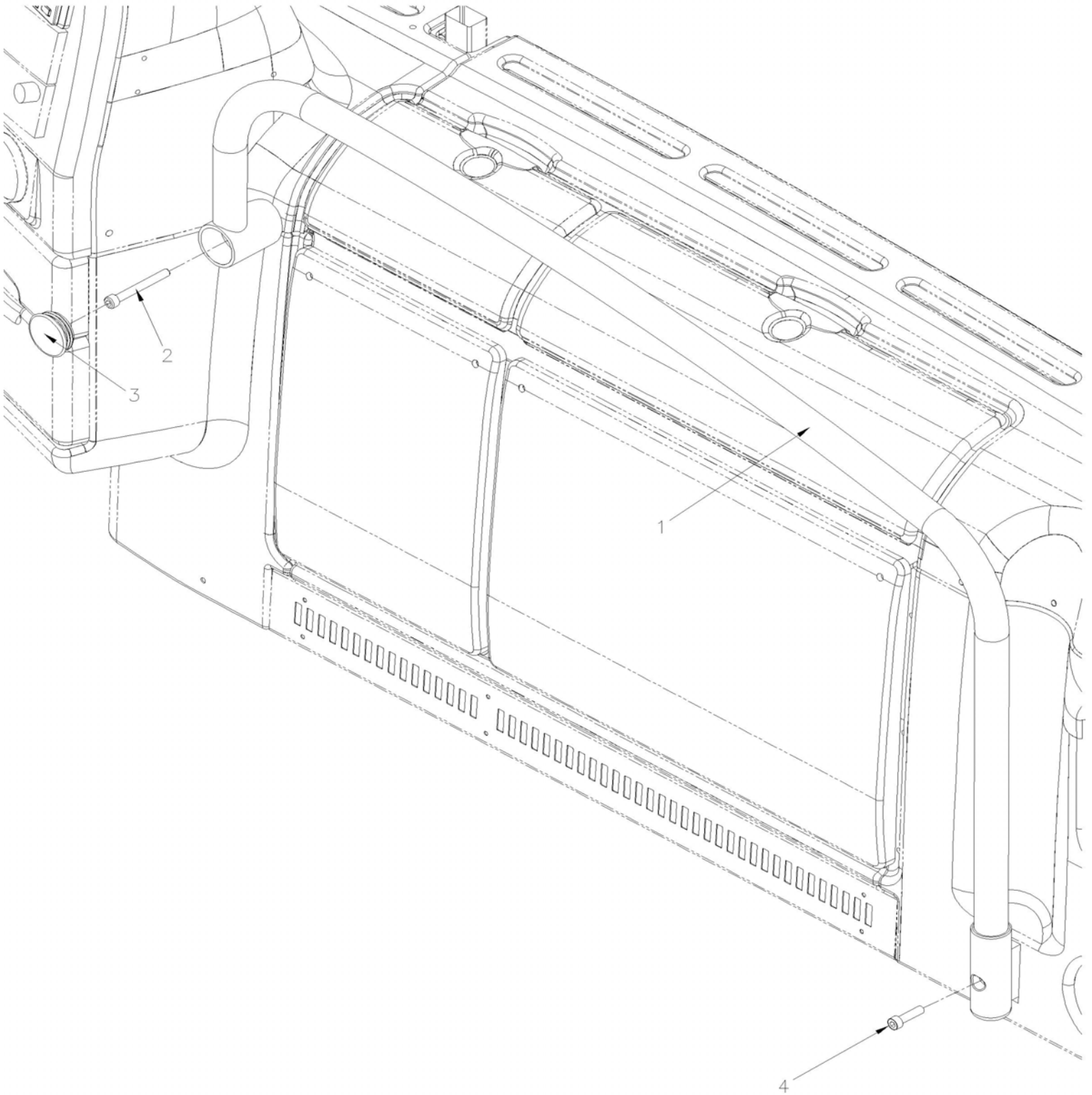


From E-5490 To J-6335

Date:07/2024

PAGE:3202061

KIT SERVICE METAL BLACK RAMP DASHBOARD





From E-5490 To J-6335	Date:07/2024	PAGE:3202061
-----------------------	--------------	--------------

KIT SERVICE METAL BLACK RAMP DASHBOARD

Item#	Part	Description	X 3 V I P E N T	X 3 V I P M T H	N O T E S
1	3202048	METAL HANDRAIL BLACK DASHBOARD	1	1	
2	5001604	SCREW CAP HEXS M8-1.25x70 G8.8 G500	1	1	
3	504513	PLUG BUTTON / 1.9 X 0.58 POL BK	1	1	
4	5001598	SCREW CAP HEXS M8-1.25x30 SS	1	1	

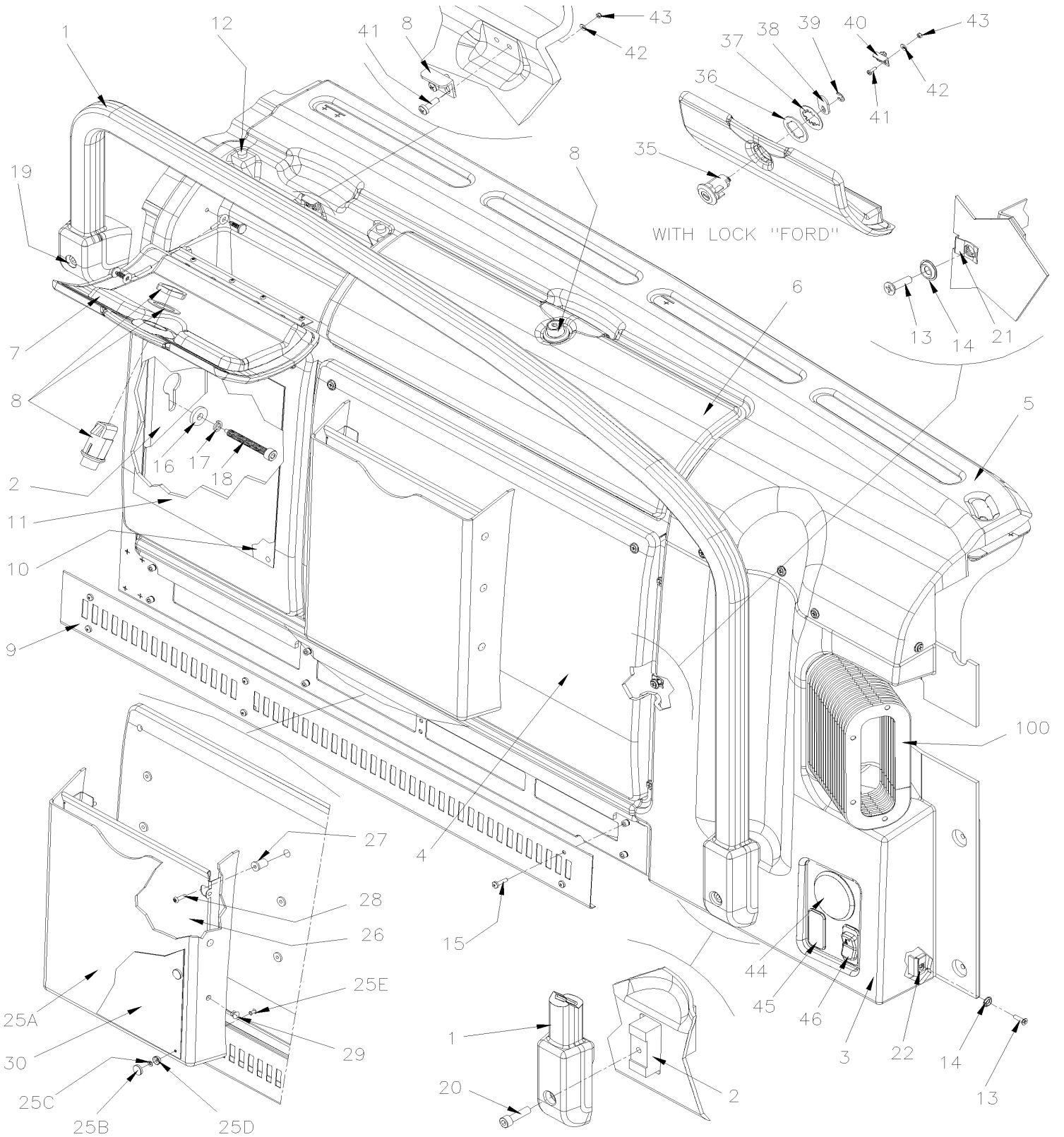


From J-6336 To R-6936

Date:07/2024

PAGE:X3VIP-1806-21

DASHBOARD PANEL



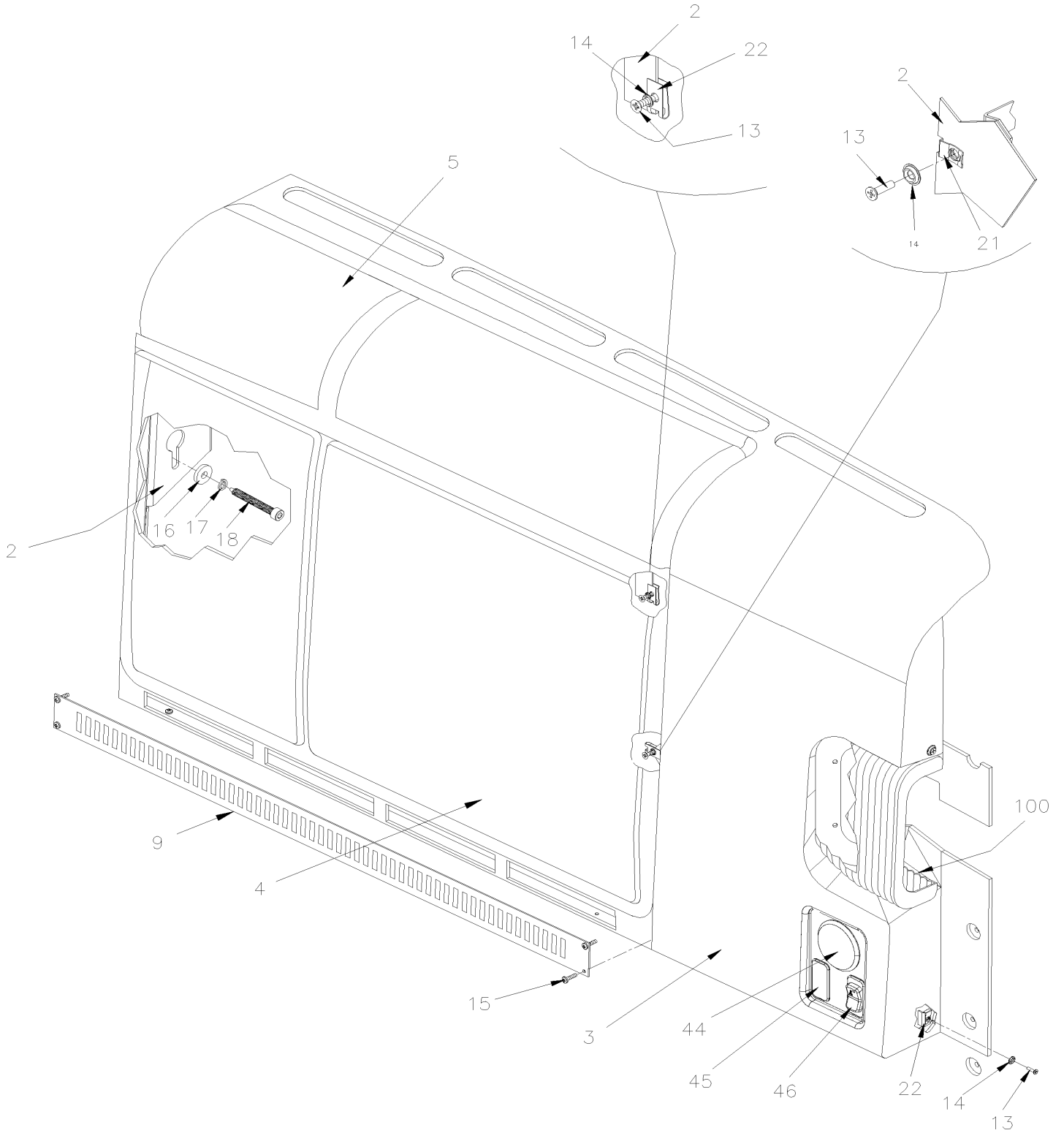


From J-6336 To R-6936

Date:07/2024

PAGE:X3VIP-1806-21

DASHBOARD PANEL





From J-6336 To R-6936	Date:07/2024	PAGE:X3VIP-1806-21
-----------------------	--------------	--------------------

DASHBOARD PANEL

Item#	Part	Description	X 3 V I P E N T	X 3 V I P M T H	N O T E S
1	392266	HAND RAIL / BLACK	1	1	A
1	3202061	KIT SERVICE METAL BLACK RAMP DASHBOARD	1	1	
1	392494	HAND RAIL / YELLOW	1	1	B
1	3202030	KIT SERVICE METAL YELLOW RAMP DASHBOARD	1	1	
2	392148	STRUCTURE / R.H. MTH 89" To K-6491	1	1	H
2	391583	STRUCTURE / R.H. MTH 89" From L-6492	1	1	H
2	392434	STRUCTURE / R.H. MTH 89" To K-6491	1	1	N
2	392678	STRUCTURE / R.H. MTH 89" From L-6492	1	1	N
3	392133	COVER / ENTRANCE DOOR MECHANISM / MTH 89"	1	1	H
3	392435	COVER / ENTRANCE DOOR MECHANISM / MTH 89"	1	1	N
3	392881	COVER / ENTRANCE DOOR MECHANISM / MTH 89"	1	1	H C
4	392007	PANEL / SERVICING	1	1	
5	392146	PANEL R.H. / TOP W/2 BOX MTH 89" To K-6491	1	1	
5	392703	PANEL R.H. / TOP W/2 BOX MTH 89" From L-6492	1	1	
5	392147	PANEL R.H. / TOP W/O BOX MTH 89" To K-6491	1	1	
5	392705	PANEL R.H. / TOP W/O BOX MTH 89" From L-6492	1	1	
6	391954	COVER R.H. / BLACK To J-6335	1	1	
6	390930	COVER R.H. From J-6336	1	1	
NS	504643	RIVET POP DOME OE 1/8x1/2 SS	AR	AR	
NS	504676	STRAP RETAINER	2	2	
NS	504110	BLACK NYLON RETAINER	4	4	
7	391955	COVER L.H. / BLACK To J-6335	1	1	
7	390952	COVER L.H. From J-6336	1	1	
7	504643	RIVET POP DOME OE 1/8x1/2 SS	AR	AR	
NS	504676	STRAP RETAINER	1	1	
NS	504110	BLACK NYLON RETAINER	4	4	
8	890008	LATCH ASSY KEYLESS	2	2	
8	780023	LATCH W/LOCK	2	2	
. NS	780539	. KEY / (CH751)	2	2	
9	392194	GRILLE / LOWER	1	1	
10	400132	PLATE SUPPORT DECAL 242MM x 290MM	1	1	
11	407748	DECAL "THIS VEHICLE IS NOT" / ASSY / ENGLISH & FRANCAIS	1	1	
. NS	407745	. DECAL "THIS VEHICLE IS NOT" // ENGLISH & FRANCAIS	1	1	
. NS	400132	. PLATE SUPPORT DECAL 242MM x 290MM	1	1	
11	400642	DECAL "PASSENGER MUST REMAIN" / ASSY / ENGLISH & SPANISH & FRANCAIS	1	1	
. NS	400132	. PLATE SUPPORT DECAL 242MM x 290MM	1	1	
. NS	400604	. DECAL "PASSENGER MUST REMAIN" / ASSY / ENGLISH & SPANISH & FRANCAIS	1	1	
12	504498	BUMPER PLUG / .406ODx.218THx.250HOLEx.125	4	4	
13	5001414	SCREW MA FL PH M4-0.7x16 BK	AR	AR	
14	500345	WASHER FN CKF .187x.500x.090 BR BK	AR	AR	
15	5001410	SCREW MA CHE PH M4-0.7x16 SS	AR	AR	
16	5002037	WASHER FL 8.4x23.0x4.0 N050	2	2	



From J-6336 To R-6936	Date:07/2024	PAGE:X3VIP-1806-21
-----------------------	--------------	--------------------

DASHBOARD PANEL

Item#	Part	Description	X 3 V I P E N T	X 3 V I P M T H	N O T E S
17	5002038	WASHER LO SPT 8.1x12.7x2.0 N050	2	2	
18	5002052	SCREW SET HEXS CUP M8 x1.25 X70 N050	2	2	
19	5001380	SCREW CAP HEXS M8-1.25x100 SS	1	1	
20	5001598	SCREW CAP HEXS M8-1.25x30 SS	1	1	
21	5001406	NUT SPR U M4-0.7 0.8-4.0x13.5	AR	AR	
22	5001405	NUT SPR U M4-0.7 0.8-4.0x9.5	AR	AR	
25	409383	WALL POCKET DOCUMENT INSTALLATION KIT	1	1	
. NS	IS-11900	. SEE INSTRUCTION SHEET	1	1	
25	200943P	WALL POCKET DOCUMENT KIT	1	1	
25A	409379	WALL POCKET DOCUMENT	1	1	
25B	504403	SNAP CAP #8 FINISHING BLACK	6	6	
25C	502578	WASHER FL 3.2x7.0x0.5 Z050	6	6	
25D	504412	WASHER RETAINER SNAP CAP #8	6	6	
25E	504107	RIVET POP DOME OE 1/8x5/16 AL	6	6	
26	406528	SUPPORT DOCUMENT	1	1	
27	500589	NUT WELL M4-0.7x13.5	6	6	
28	502698	SCREW MA PAN PH M4-0.7x16 SS BK	6	6	
29	504582	RIVET POP DOME OE 3/16x1/4 SS BK	6	6	
30	400119	DECAL "FOR PASSENGER SAFETY....YELLOW" / ASSY / ENGLISH & SPANISH	1	1	
. NS	400125	. DECAL "FOR PASSENGER SAFETY....YELLOW" // ENGLISH & SPANISH	1	1	
. NS	400132	. PLATE SUPPORT DECAL 242MM x 290MM	1	1	
30	407748	DECAL "THIS VEHICLE IS NOT" / ASSY / ENGLISH & FRANCAIS	1	1	
. NS	407745	. DECAL "THIS VEHICLE IS NOT" // ENGLISH & FRANCAIS	1	1	
. NS	400132	. PLATE SUPPORT DECAL 242MM x 290MM	1	1	
35	X3VIP-1867-00	KEY & CYLINDER CODE			
36	780826	SPACER LOCK "FORD"	2	2	
37	780824	RETAINER WASHER LOCK "FORD"	2	2	
38	780825	LEVER WITH "FORD" CYLINDER LOCK	2	2	
39	504402	RING RETAINER / EXT .250 x .210 x .025"	2	2	
40	504477	RING RETAINER / EXT 14.0 X 13.4 X 1.0MM	2	2	
41	5001398	SCREW MA CHE PH M3-0.5x10 SS	AR	AR	
42	5001970	WASHER FL 3.2x9.0x1.0 ZP	AR	AR	
43	5001048	SCREW MA RND PH #10-24x3/8 ZP	AR	AR	
44	871315	LOUVER, ADJUSTABLE / ROUND 2 1/8" O.D.	1	1	
NS	871314	LOUVER, ADJUSTABLE / ROUND 2 5/8" O.D.	1	1	
44	392134	HOSE 3" I.D. X 900MM	1	1	
NS	392223	SUPPORT FLEXIBLE DUCT RIGHT CONSOL	1	1	
44	504108	RIVET POP DOME OE 1/8x1/2 AL	2	2	
45	562773	SWITCH / "DUMMY" / PLUG	1	1	
46	562697	SWITCH / ON-ON / D.P.D.T. / CH-OVER / W/RED & GREEN LED	1	1	
NS	562716	CAP / DRIVER'S LAMP	1	1	
46	069791	WIRING HARNESS DASHBOARD RIGHT MODULE	1	1	DE



From J-6336 To R-6936	Date:07/2024	PAGE:X3VIP-1806-21
-----------------------	--------------	--------------------

DASHBOARD PANEL

Item#	Part	Description	X 3 V I P E N T	X 3 V I P M T H	N O T E S
46	562697	SWITCH / ON-ON / D.P.D.T. / CH-OVER / W/RED & GREEN LED	1	1	DE
46	566038	CAP NGR, LUGGAGES LIGHT	1	1	D
NS	562717	CAP / INTERIOR LIGHT	1	1	E
46	562699	SWITCH / M/ON-OFF-M/ON / D.P.D.T. / W/GREEN LED	1	1	DE
NS	562736	CAP / LUGGAGE DOOR LOCK	1	1	D
NS	560931	DIODE / 3AMPS	1	1	D
NS	563622	BUTT SPLICE / 22-18 / RED / W/THERMORETRAC / PANDUIT BSH18-Q	2	2	D
NS	562499	SHRINK TUBING / .250" - .125" / CLEAR / ALPHA FIT 221-1/4	AR	AR	D
NS	563332	RELAY 24V S.P.D.T. W/RESISTOR / "VOLVO" (20374662)	1	1	DE
NS	561918	SHRINK TUBING / .125" - .062" / BLACK / ALPHA FIT-221-1/8-4-B	AR	AR	DE
NS	504637	CABLE TIE / 3/16" x 13"	AR	AR	DE
NS	069792	WIRING HARNESS RH CONSOLE SWITCH LUGGAGE. LIGHTS	1	1	E
NS	0610040	CUST.ADAPT. RH CONS. SW. / D82 ASSY	1	1	E
NS	069794	DECAL, SPEC. M1 EL BTE JCT.AV. MTH/V5	1	1	E
100	X3VIP-1862-60	ENTRANCE DOOR FRAME - INSTALLATION			
		A) FOR SOLUTION IN SERVICE, SEE SERVICE KIT 3202061			
		B) FOR SOLUTION IN SERVICE, SEE SERVICE KIT 3202030			
		C) WITH LOUVER			
		D) USE WITH SWITCH FOR DRIVER LIGHT & LUGGAGE LOCK			
		E) USE WITH SWITCH FOR LUGGAGE LIGHT & LUGGAGE LOCK			
		H) WITH HAND RAIL			
		N) WITHOUT HANDRAIL			

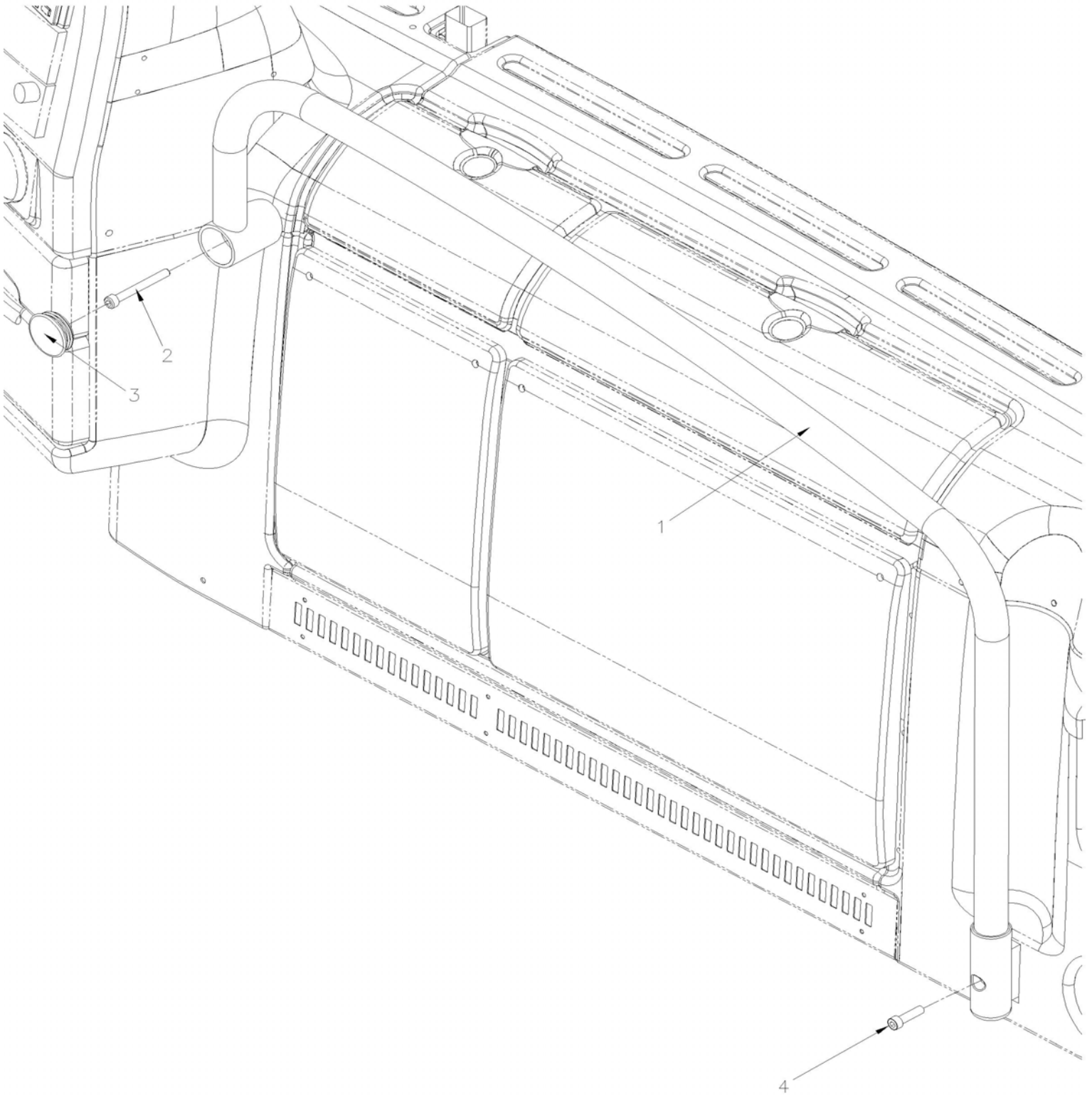


From J-6336 To R-6936

Date:07/2024

PAGE:3202030

KIT SERVICE METAL YELLOW RAMP DASHBOARD





From J-6336 To R-6936	Date:07/2024	PAGE:3202030
-----------------------	--------------	--------------

KIT SERVICE METAL YELLOW RAMP DASHBOARD

Item#	Part	Description	X 3 V I P E N T	X 3 V I P M T H	N O T E S
1	3211769	METAL HANDRAIL YELLOW DASHBOARD	1	1	
2	5001604	SCREW CAP HEXS M8-1.25x70 G8.8 G500	1	1	
3	504513	PLUG BUTTON / 1.9 X 0.58 POL BK	1	1	
4	5001598	SCREW CAP HEXS M8-1.25x30 SS	1	1	

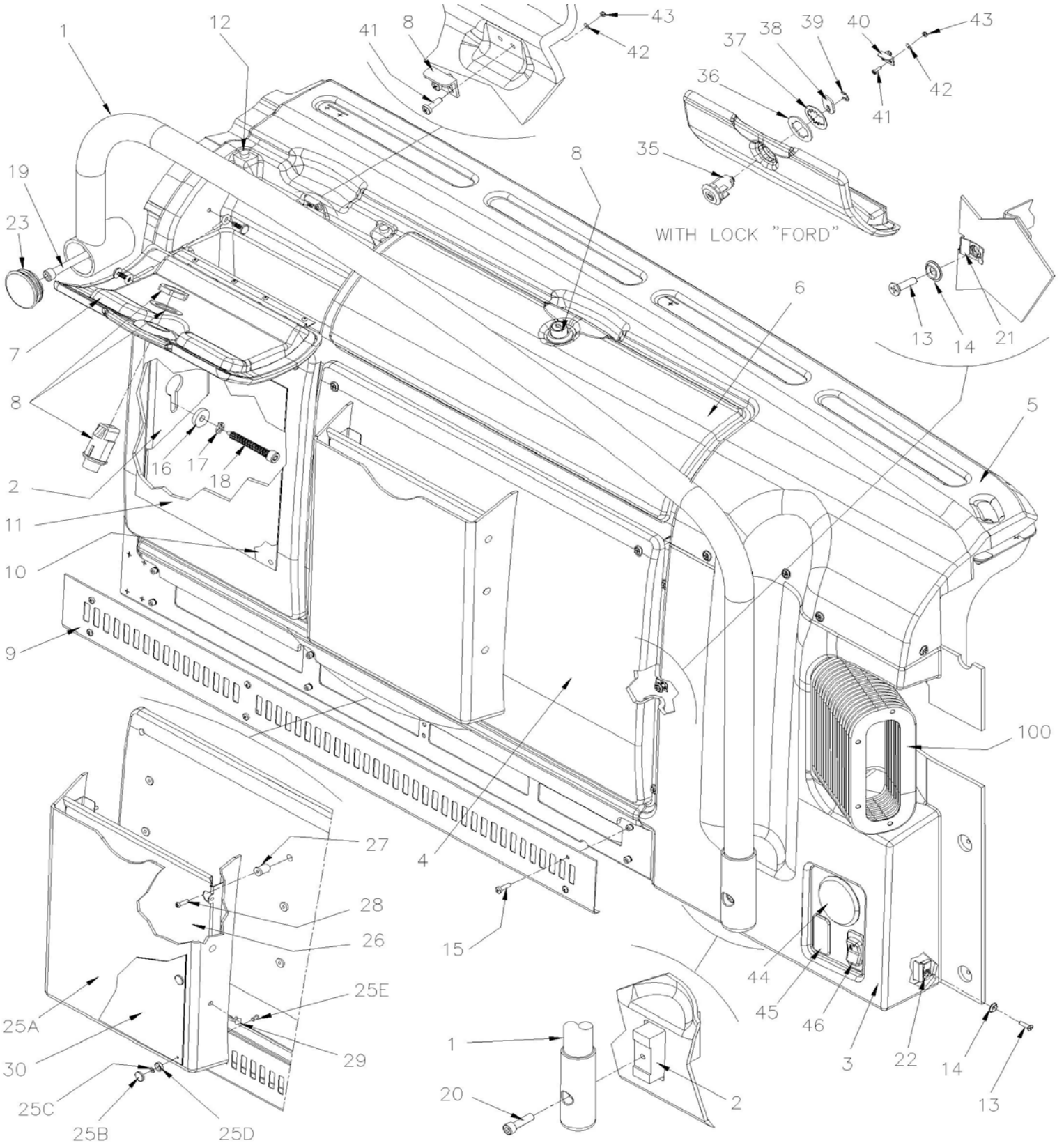


From R-6937

Date:07/2024

PAGE:X3VIP-1806-22

DASHBOARD PANEL



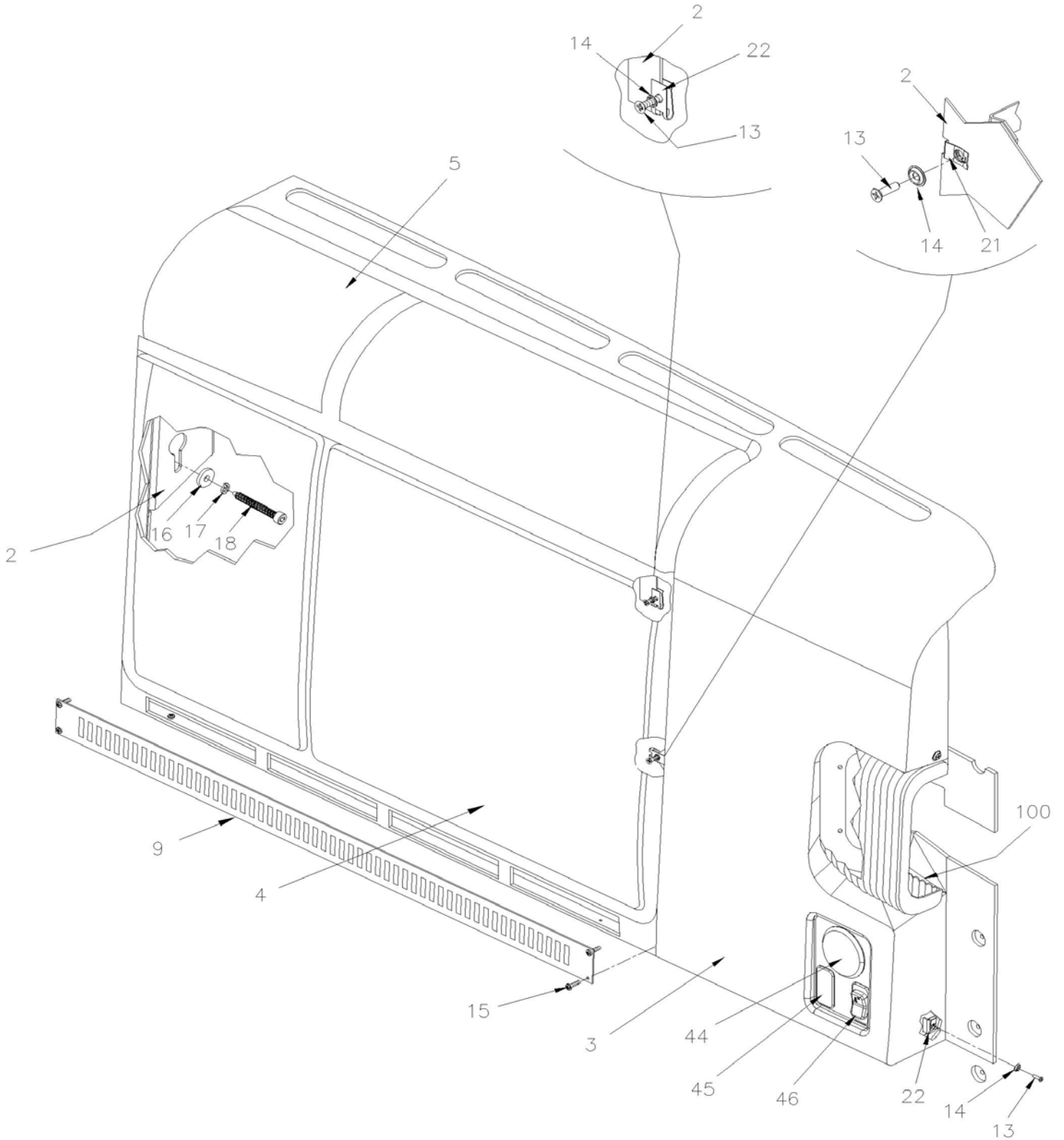


From R-6937

Date:07/2024

PAGE:X3VIP-1806-22

DASHBOARD PANEL





From R-6937		Date:07/2024	PAGE:X3VIP-1806-22
DASHBOARD PANEL			

Item#	Part	Description	X 3 V I P E N T	X 3 V I P M T H	N O T E S
1	3202048	METAL HANDRAIL BLACK DASHBOARD	1	1	
1	3211769	METAL HANDRAIL YELLOW DASHBOARD	1	1	
2	391583	STRUCTURE / R.H. MTH 89"	1	1	H
2	392678	STRUCTURE / R.H. MTH 89"	1	1	N
3	392133	COVER / ENTRANCE DOOR MECHANISM / MTH 89"	1	1	H
3	392435	COVER / ENTRANCE DOOR MECHANISM / MTH 89"	1	1	N
3	392881	COVER / ENTRANCE DOOR MECHANISM / MTH 89"	1	1	H C
4	392007	PANEL / SERVICING	1	1	
5	392703	PANEL R.H. / TOP W/2 BOX MTH 89"	1	1	
5	392705	PANEL R.H. / TOP W/O BOX MTH 89"	1	1	
6	390930	COVER R.H.	1	1	
NS	504643	RIVET POP DOME OE 1/8x1/2 SS	AR	AR	
NS	504676	STRAP RETAINER	2	2	
NS	504110	BLACK NYLON RETAINER	4	4	
7	390952	COVER L.H.	1	1	
7	504643	RIVET POP DOME OE 1/8x1/2 SS	AR	AR	
NS	504676	STRAP RETAINER	1	1	
NS	504110	BLACK NYLON RETAINER	4	4	
8	890008	LATCH ASSY KEYLESS	2	2	
8	780023	LATCH W/LOCK	2	2	
. NS	780539	. KEY / (CH751)	2	2	
9	392194	GRILLE / LOWER	1	1	
10	400132	PLATE SUPPORT DECAL 242MM x 290MM	1	1	
11	407748	DECAL "THIS VEHICLE IS NOT" / ASSY / ENGLISH & FRANCAIS	1	1	
. NS	407745	. DECAL "THIS VEHICLE IS NOT" // ENGLISH & FRANCAIS	1	1	
. NS	400132	. PLATE SUPPORT DECAL 242MM x 290MM	1	1	
11	400642	DECAL "PASSENGER MUST REMAIN" / ASSY / ENGLISH & SPANISH & FRANCAIS	1	1	
. NS	400132	. PLATE SUPPORT DECAL 242MM x 290MM	1	1	
. NS	400604	. DECAL "PASSENGER MUST REMAIN" / ASSY / ENGLISH & SPANISH & FRANCAIS	1	1	
12	504498	BUMPER PLUG / .406ODx.218THx.250HOLEx.125	4	4	
13	5001414	SCREW MA FL PH M4-0.7x16 BK	AR	AR	
14	500345	WASHER FN CKF .187x.500x.090 BR BK	AR	AR	
15	5001410	SCREW MA CHE PH M4-0.7x16 SS	AR	AR	
16	5002037	WASHER FL 8.4x23.0x4.0 N050	2	2	
17	5002038	WASHER LO SPT 8.1x12.7x2.0 N050	2	2	
18	5002052	SCREW SET HEXS CUP M8 x1.25 X70 N050	2	2	
19	5001604	SCREW CAP HEXS M8-1.25x70 G8.8 G500	1	1	
20	5001598	SCREW CAP HEXS M8-1.25x30 SS	1	1	
21	5001406	NUT SPR U M4-0.7 0.8-4.0x13.5	AR	AR	
22	5001405	NUT SPR U M4-0.7 0.8-4.0x9.5	AR	AR	
23	504513	PLUG BUTTON / 1.9 X 0.58 POL BK	1	1	
25	409383	WALL POCKET DOCUMENT INSTALLATION KIT	1	1	



From R-6937	Date:07/2024	PAGE:X3VIP-1806-22
DASHBOARD PANEL		

Item#	Part	Description	X 3 V I P E N T	X 3 V I P M T H	N O T E S
. NS	IS-11900	. SEE INSTRUCTION SHEET	1	1	
25	200943P	WALL POCKET DOCUMENT KIT	1	1	
25A	409379	WALL POCKET DOCUMENT	1	1	
25B	504403	SNAP CAP #8 FINISHING BLACK	6	6	
25C	502578	WASHER FL 3.2x7.0x0.5 Z050	6	6	
25D	504412	WASHER RETAINER SNAP CAP #8	6	6	
25E	504107	RIVET POP DOME OE 1/8x5/16 AL	6	6	
26	406528	SUPPORT DOCUMENT	1	1	
27	500589	NUT WELL M4-0.7x13.5	6	6	
28	502698	SCREW MA PAN PH M4-0.7x16 SS BK	6	6	
29	504582	RIVET POP DOME OE 3/16x1/4 SS BK	6	6	
30	400119	DECAL "FOR PASSENGER SAFETY....YELLOW" / ASSY / ENGLISH & SPANISH	1	1	
. NS	400125	. DECAL "FOR PASSENGER SAFETY....YELLOW" // ENGLISH & SPANISH	1	1	
. NS	400132	. PLATE SUPPORT DECAL 242MM x 290MM	1	1	
30	407748	DECAL "THIS VEHICLE IS NOT" / ASSY / ENGLISH & FRANCAIS	1	1	
. NS	407745	. DECAL "THIS VEHICLE IS NOT" // ENGLISH & FRANCAIS	1	1	
. NS	400132	. PLATE SUPPORT DECAL 242MM x 290MM	1	1	
35	X3VIP-1867-00	KEY & CYLINDER CODE			
36	780826	SPACER LOCK "FORD"	2	2	
37	780824	RETAINER WASHER LOCK "FORD"	2	2	
38	780825	LEVER WITH "FORD" CYLINDER LOCK	2	2	
39	504402	RING RETAINER / EXT .250 x .210 x .025"	2	2	
40	504477	RING RETAINER / EXT 14.0 X 13.4 X 1.0MM	2	2	
41	5001398	SCREW MA CHE PH M3-0.5x10 SS	AR	AR	
42	5001970	WASHER FL 3.2x9.0x1.0 ZP	AR	AR	
43	5001048	SCREW MA RND PH #10-24x3/8 ZP	AR	AR	
44	871315	LOUVER, ADJUSTABLE / ROUND 2 1/8" O.D.	1	1	
NS	871314	LOUVER, ADJUSTABLE / ROUND 2 5/8" O.D.	1	1	
44	392134	HOSE 3" I.D. X 900MM	1	1	
NS	392223	SUPPORT FLEXIBLE DUCT RIGHT CONSOL	1	1	
44	504108	RIVET POP DOME OE 1/8x1/2 AL	2	2	
45	562773	SWITCH / "DUMMY" / PLUG	1	1	
46	562697	SWITCH / ON-ON / D.P.D.T. / CH-OVER / W/RED & GREEN LED	1	1	
NS	562716	CAP / DRIVER'S LAMP	1	1	
46	069791	WIRING HARNESS DASHBOARD RIGHT MODULE	1	1	DE
46	562697	SWITCH / ON-ON / D.P.D.T. / CH-OVER / W/RED & GREEN LED	1	1	DE
46	566038	CAP NGR, LUGGAGES LIGHT	1	1	D
NS	562717	CAP / INTERIOR LIGHT	1	1	E
46	562699	SWITCH / M/ON-OFF-M/ON / D.P.D.T. / W/GREEN LED	1	1	DE
NS	562736	CAP / LUGGAGE DOOR LOCK	1	1	D
NS	560931	DIODE / 3AMPS	1	1	D
NS	563622	BUTT SPLICE / 22-18 / RED / W/THERMORETRAC / PANDUIT BSH18-Q	2	2	D



From R-6937		Date:07/2024	PAGE:X3VIP-1806-22
-------------	--	--------------	--------------------

DASHBOARD PANEL

Item#	Part	Description	X 3 V I P E N T	X 3 V I P M T H	N O T E S
NS	562499	SHRINK TUBING / .250" - .125" / CLEAR / ALPHA FIT 221-1/4	AR	AR	D
NS	563332	RELAY 24V S.P.D.T. W/RESISTOR / "VOLVO" (20374662)	1	1	DE
NS	561918	SHRINK TUBING / .125" - .062" / BLACK / ALPHA FIT-221-1/8-4-B	AR	AR	DE
NS	504637	CABLE TIE / 3/16" x 13"	AR	AR	DE
NS	069792	WIRING HARNESS RH CONSOLE SWITCH LUGGAGE. LIGHTS	1	1	E
NS	0610040	CUST.ADAPT. RH CONS. SW. / D82 ASSY	1	1	E
NS	069794	DECAL, SPEC. M1 EL BTE JCT.AV. MTH/V5	1	1	E
100	X3VIP-1862-60	ENTRANCE DOOR FRAME - INSTALLATION			
		C) WITH LOUVER			
		D) USE WITH SWITCH FOR DRIVER LIGHT & LUGGAGE LOCK			
		E) USE WITH SWITCH FOR LUGGAGE LIGHT & LUGGAGE LOCK			
		H) WITH HAND RAIL			
		N) WITHOUT HANDRAIL			

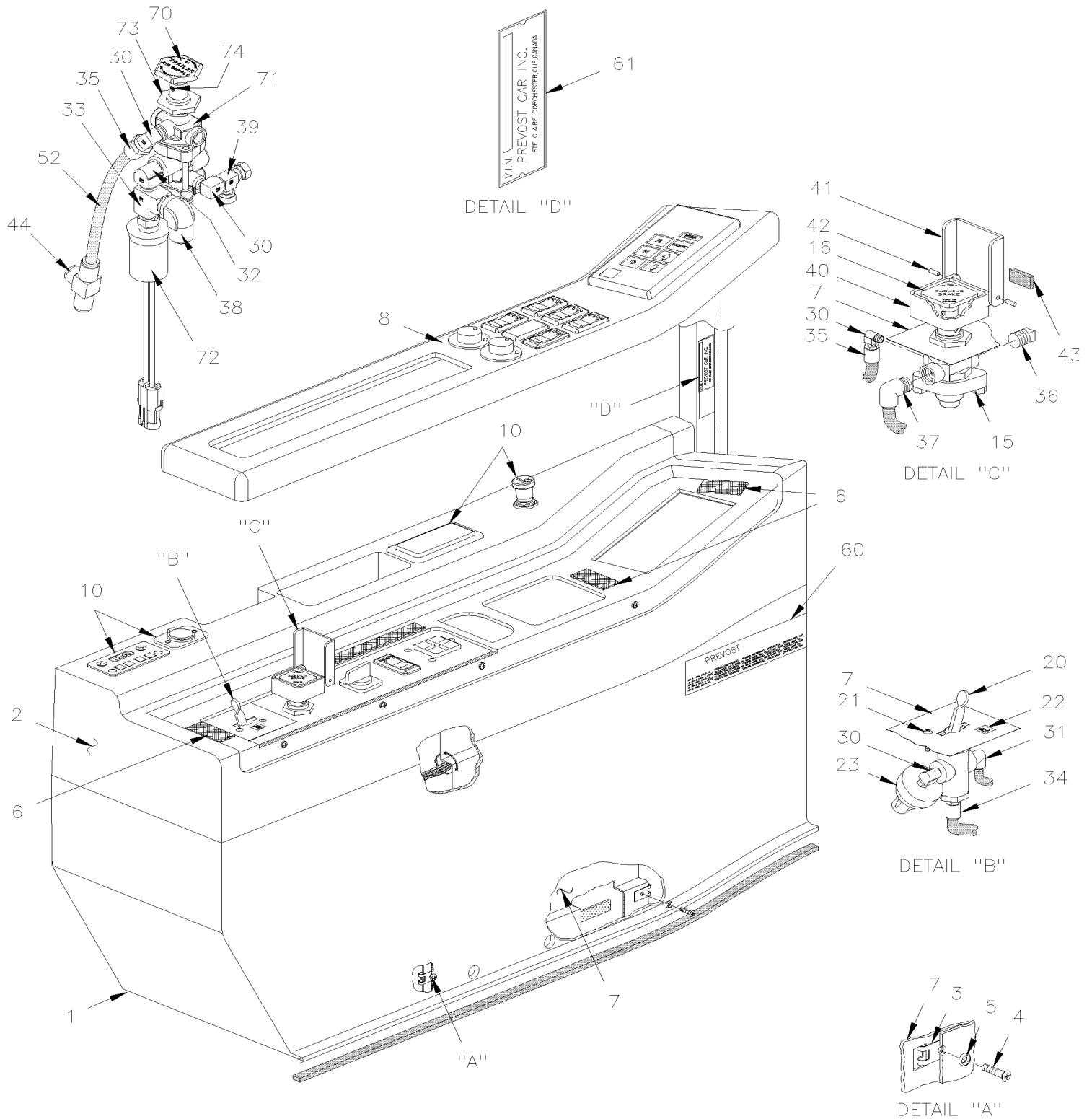


From E-5490

Date:07/2024

PAGE:X3VIP-1806-50

L.H. CONSOLE - MTH





From E-5490	Date:07/2024	PAGE:X3VIP-1806-50
L.H. CONSOLE - MTH		

Item#	Part	Description	X 3 V I P E N T	X 3 V I P M T H	N O T E S
1	392042	CONSOLE / LOWER	1	1	
2	392037	CONSOLE / UPPER To K-6491	1	1	
2	391381	CONSOLE / UPPER From L-6492	1	1	
2	391379	CONSOLE / UPPER W/ASHTRAY & LIGHTER From L-6492 To P-6798	1	1	
2	392955	CONSOLE / UPPER W/DUAL USB PLUG From P-6798	1	1	
3	5001405	NUT SPR U M4-0.7 0.8-4.0x9.5	10	10	
4	5001414	SCREW MA FL PH M4-0.7x16 BK	10	10	
5	500345	WASHER FN CKF .187x.500x.090 BR BK	10	10	
6	506493	TAPE DUAL LOCK 1/2" x 150' / BLACK SJ3541	AR	AR	
7	392039	STRUCTURE ASSY To K-6491	1	1	
7	391184	STRUCTURE ASSY From L-6492	1	1	
8	392038	PANEL / W/AUTOMATIC TRANSMISSION	1	1	
8	392859	PANEL / W/AUTOMATIC TRANSMISSION W/O LEVEL LOW	1	1	
10	X3VIP-0645-05	SWITCHES L.H. CONSOLE - MTH			
10	392043	DUMMY PLUG LIGHTER	1	1	
15	642169	VALVE, CONTROL VALVE PP-1 / 60PSI	1	1	
. NS	641154	. REPAIR KIT / PP-1 & RD-3	1	1	
. NS	641149	. BUTTON, PARKING BRAKE DIAMOND YELLOW / 1"	1	1	
16	641149	. BUTTON, PARKING BRAKE DIAMOND YELLOW / 1"	1	1	
20	640136	VALVE, CONTROL TW-1	1	1	
. NS	641156	. REPAIR KIT / TW-1	1	1	
21	500572	SCREW MA TR PH #10-24x1/2 SS BK	2	2	
22	391992	DECAL "TAG" To K-6491	1	1	
22	391952	DECAL "TAG" From L-6492	1	1	
23	562518	PRESSURE SWITCH N.O. 4PSI / 1/8NPT W/2 SCREWS / TAG	1	1	
24	391994	DECAL "LEVEL LOW"	1	1	
30	501331	STREET ELBOW 90° / PIPE FITTING / 1/8NPT-Mx1/8NPT-F BR	3	3	
31	641369	MALE ELBOW 90° NON-SWIVEL / PUSH-IN FITTING / #4x1/8NPT-M BR	3	3	
32	501332	STREET ELBOW 90° / PIPE FITTING / 1/4NPT-Mx1/4NPT-F BR	1	1	
33	501338	MALE RUN TEE / PIPE FITTING / 1/4NPT-Mx1/4NPT-Fx1/4NPT-F BR	1	1	
34	641242	MALE CONNECTOR / PUSH-IN FITTING / #4x1/8NPT-M BR	1	1	
35	641349	MALE CONNECTOR / PUSH-IN FITTING / #6x1/8NPT-M BR	1	1	
36	501800	PLUG HEXS / PIPE FITTING / 1/4NPT-M STL	1	1	
37	641371	MALE ELBOW 90° NON-SWIVEL / PUSH-IN FITTING / #4x1/4NPT-M BR	1	1	
38	641372	MALE ELBOW 90° NON-SWIVEL / PUSH-IN FITTING / #6x1/4NPT-M BR	1	1	
39	641002	MALE RUN TEE / NTA FITTING / #4x#4x1/8NPT-M BR	1	1	
40	391727	PROTECTOR BOX ASSY / OVER PARKING BRAKE VALVE	1	1	
40	391725	. BOX	1	1	
41	391726	. COVER / CLEAR PLASTIC	1	1	
42	505221	. SPRING, PIN 1/8 X 3/8	1	1	
43	506035	. TAPE RUB ADH1 NEO 1/2" x 1" x 15' / BLACK 1220X	1	1	
44	641922	UNION TEE / PUSH-IN FITTING / #6x#6x#6 BR	1	1	



From E-5490	Date:07/2024	PAGE:X3VIP-1806-50
L.H. CONSOLE - MTH		

Item#	Part	Description	X 3 V I P E N T	X 3 V I P M T H	N O T E S
52	X3VIP-1202-00	TUBES PLASTIC / AIR D.O.T.			
60	Call order desk	PLATE / V.I.N.	1	1	P
61	Call order desk	PLATE / V.I.N.	1	1	P
NS	504107	RIVET POP DOME OE 1/8x5/16 AL	6	6	
70	641935	BUTTON RED / FOR TRAILER VALVE PP-7	1	1	
71	641397	TRAILER SUPPLY VALVE PP-7	1	1	
72	452043	PRESSURE SWITCH N.O. 60-35 20SP001AA060E035E	1	1	
73	640297	NUT	1	1	
74	640286	PIN ROLLER	1	1	
		P) CALL ORDER DESK FOR SPECIFIC APPLICATION (V.I.N.)			

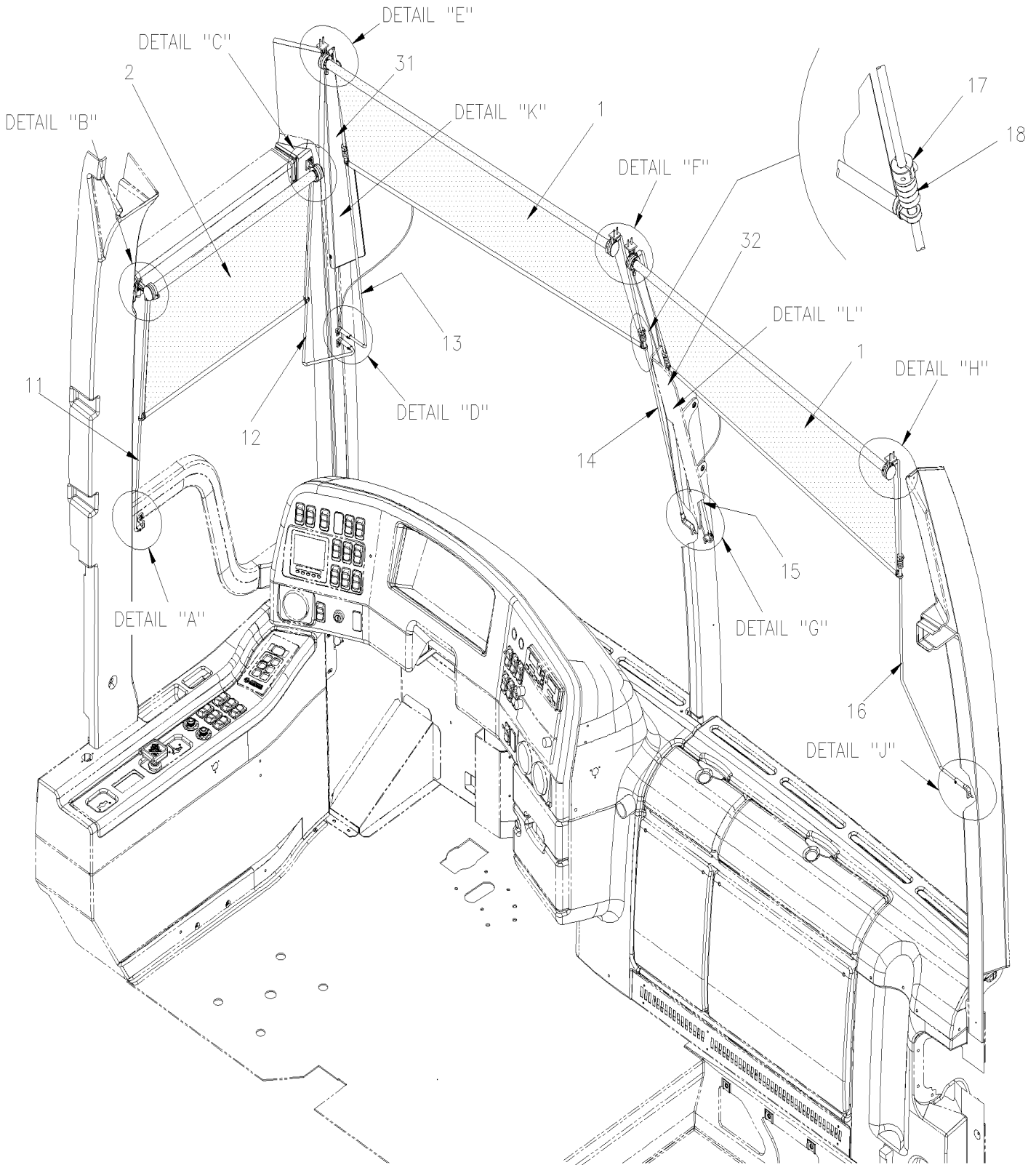


From E-5490 To K-6491

Date:07/2024

PAGE:X3VIP-1816-00

ROLLER BLIND - DRIVER'S & WINDSHIELD



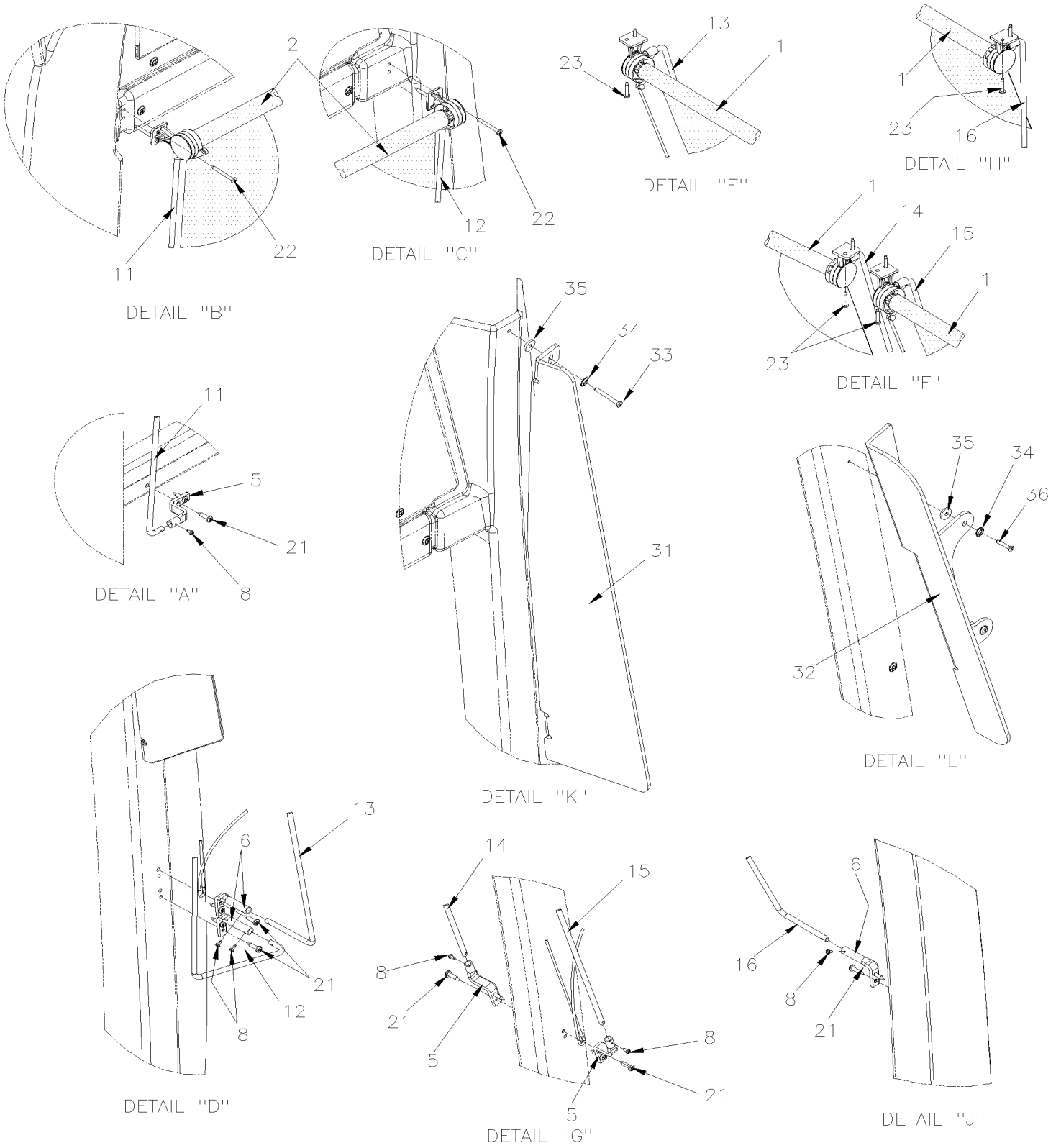


From E-5490 To K-6491

Date:07/2024

PAGE:X3VIP-1816-00

ROLLER BLIND - DRIVER'S & WINDSHIELD





From E-5490 To K-6491	Date:07/2024	PAGE:X3VIP-1816-00
-----------------------	--------------	--------------------

ROLLER BLIND - DRIVER' S & WINDSHIELD

Item#	Part	Description	X 3 V I P E N T	X 3 V I P M T H	N O T E S
1	901373	BLIND ROLLER / CHARCOAL / 1045MM	1	1	
. NS	901561	. BRACKET W/SHAFT & RATCHED LEVER	1	1	
. NS	901560	. BRACKET W/SHAFT & RATCHED LEVER	1	1	
2	901374	BLIND ROLLER / CHARCOAL / 593MM	1	1	
. NS	5001999	. SCREW SET HEXS CUP M4-0.7x5	2	2	
. NS	901562	. BRACKET W/O SHAFT & RATCHED LEVER	1	1	
. NS	901560	. BRACKET W/SHAFT & RATCHED LEVER	1	1	
5	900476	ROD HOLDER 90° / BLACK PLASTIC 30MM C/L To F-5789	3	3	
5	407650	ROD HOLDER / BLACK / PLASTIC "S" SHAPE From F-5790 To H-6155	3	3	
5	401060	ROD HOLDER / BLACK / PLASTIC "S" SHAPE / 2 HOLES From H-6156	3	3	
6	901263	ROD HOLDER / BLACK / PLASTIC 50MM To E-5589	3	3	
6	901445	ROD HOLDER / BLACK / PLASTIC From E-5590 To F-5789	3	3	
6	403570	ROD HOLDER / BLACK / STEEL "L" SHAPE From F-5790 To H-6155	3	3	
6	401059	ROD HOLDER / BLACK / STEEL "L" SHAPE / 2 HOLES From H-6156	3	3	
8	5001091	SCREW TC PAN PH #4-40x1/4 BK	AR	AR	
11	405129	ROD / BACKWARD / 720MM X 25MM	1	1	
12	405193	ROD / FORWARD / 670MM X 126MM	1	1	
13	405071	ROD / L.H. STREET SIDE / 718MM X 107MM To F-5789	1	1	
13	407660	ROD / L.H. STREET SIDE / 718MM X 107MM From F-5790	1	1	
14	405070	ROD / R.H. STREET SIDE / 710MM X 20MM To F-5789	1	1	
14	407662	ROD 710MM X 20MM From F-5790	1	1	
15	405077	ROD / L.H. CURBSIDE / 710MM X 20MM To F-5789	1	1	
15	407662	ROD 710MM X 20MM From F-5790	1	1	
16	405072	ROD / R.H. CURBSIDE / 718MM X 107MM To F-5789	1	1	
16	407661	ROD / R.H. CURBSIDE / 718MM X 107MM From F-5790	1	1	
17	504030	SHAFT COLLAR 6MM From H-6125	4	4	
18	504033	CUFF END BELLOW / 1/4 ID x 5/8 x 15/16 W/FLANGE From H-6125	4	4	
NS	500814	SCREW TP BDG PH #6x3/4 BK To F-5789	AR	AR	
NS	5001145	SCREW TP BDG PH #6x1 BK To F-5789	AR	AR	
21	5001155	SCREW TP PAN PH #8X3/4 N050 From F-5790	AR	AR	
22	5001298	SCREW TP BDG PH #6x1 1/2 BK	AR	AR	
NS	500333	SCREW TP OV PH #6x3/4 BK To F-5789	AR	AR	
23	500862	SCREW TC PAN PH #6-32x3/4 Z050 From F-5790	AR	AR	
31	3200339	PLEXIGLASS / TINTED L.H. STREET SIDE / 795MM	1	1	
32	3200340	PLEXIGLASS / TINTED L.H. CURBSIDE / 540MM	1	1	
33	500632	SCREW TP OV PH #8x1 1/2 Z050	AR	AR	
34	500463	WASHER FN CKF .187x.500x.090 BR Z050	AR	AR	
35	500950	WASHER FL .187x.625x.094 RUB	AR	AR	
36	500629	SCREW TP OV PH #8x1 Z050	AR	AR	

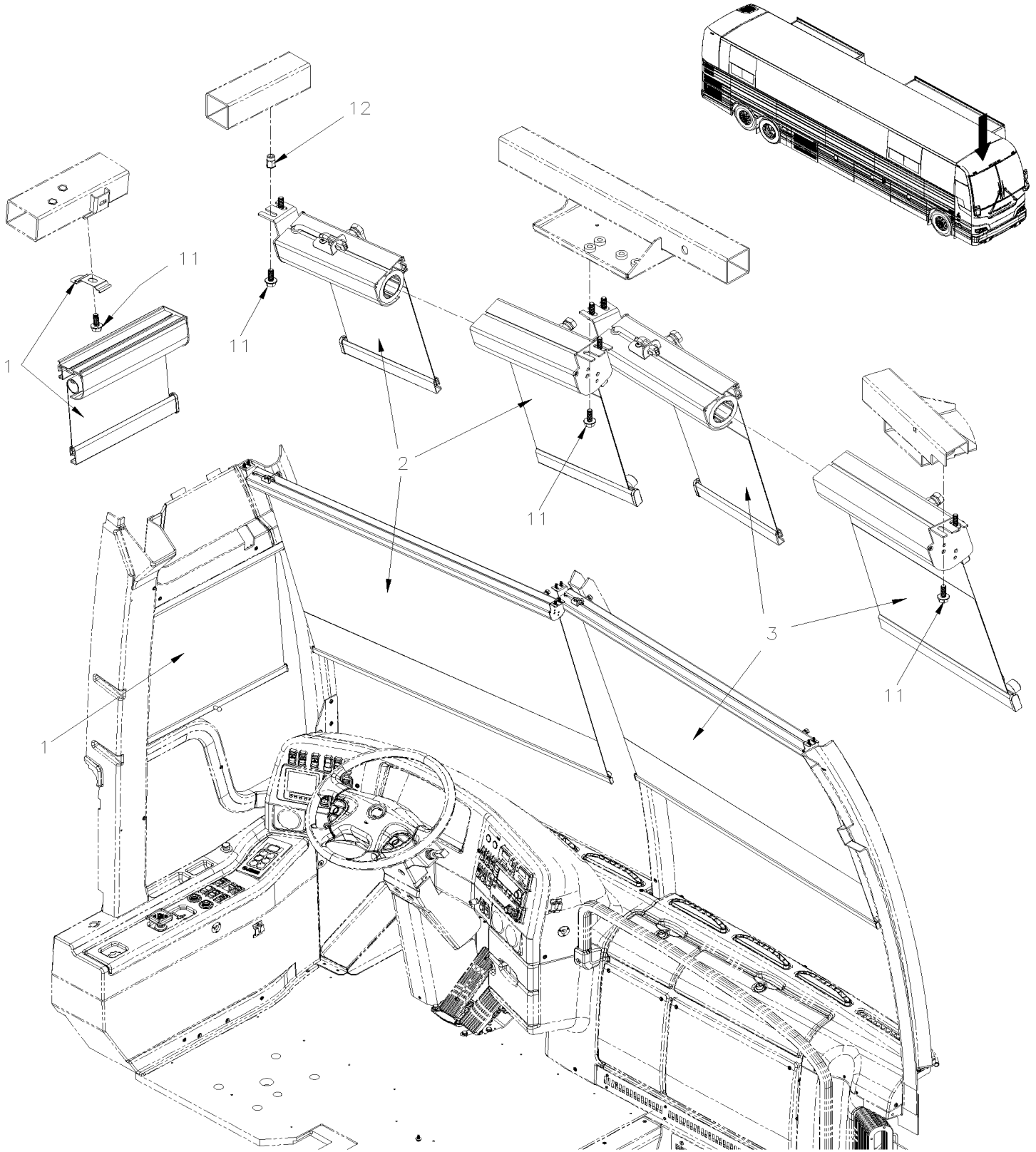


From L-6492

Date:07/2024

PAGE:X3VIP-1816-01

ROLLER BLIND - DRIVER' S & WINDSHIELD





From L-6492	Date:07/2024	PAGE:X3VIP-1816-01
-------------	--------------	--------------------

ROLLER BLIND - DRIVER' S & WINDSHIELD

Item#	Part	Description	X 3 V I P E N T	X 3 V I P M T H	N O T E S
1	901588	ROLLER BLIND / DRIVER / MANUAL / 22"	1	1	
. NS	901838	. SUPPORT, SUN BLIND	2	2	
2	901671	ROLLER BLIND / WINDSHEILD / MANUAL / 45"	1	1	
2	900526	ROLLER BLIND / WINDSHEILD / ELECTRICAL / 45"	1	1	
3	901672	ROLLER BLIND / WINDSHEILD / MANUAL / 43"	1	1	
3	901450	ROLLER BLIND / WINDSHEILD / ELECTRICAL / 43"	1	1	
11	5002027	SCREW CAP HEXF AD M6-1.0x16 G10.9 N500	10	10	
12	5001344	NUT INS FL HEX M6-1.0 0.5-3.0 SS	2	2	

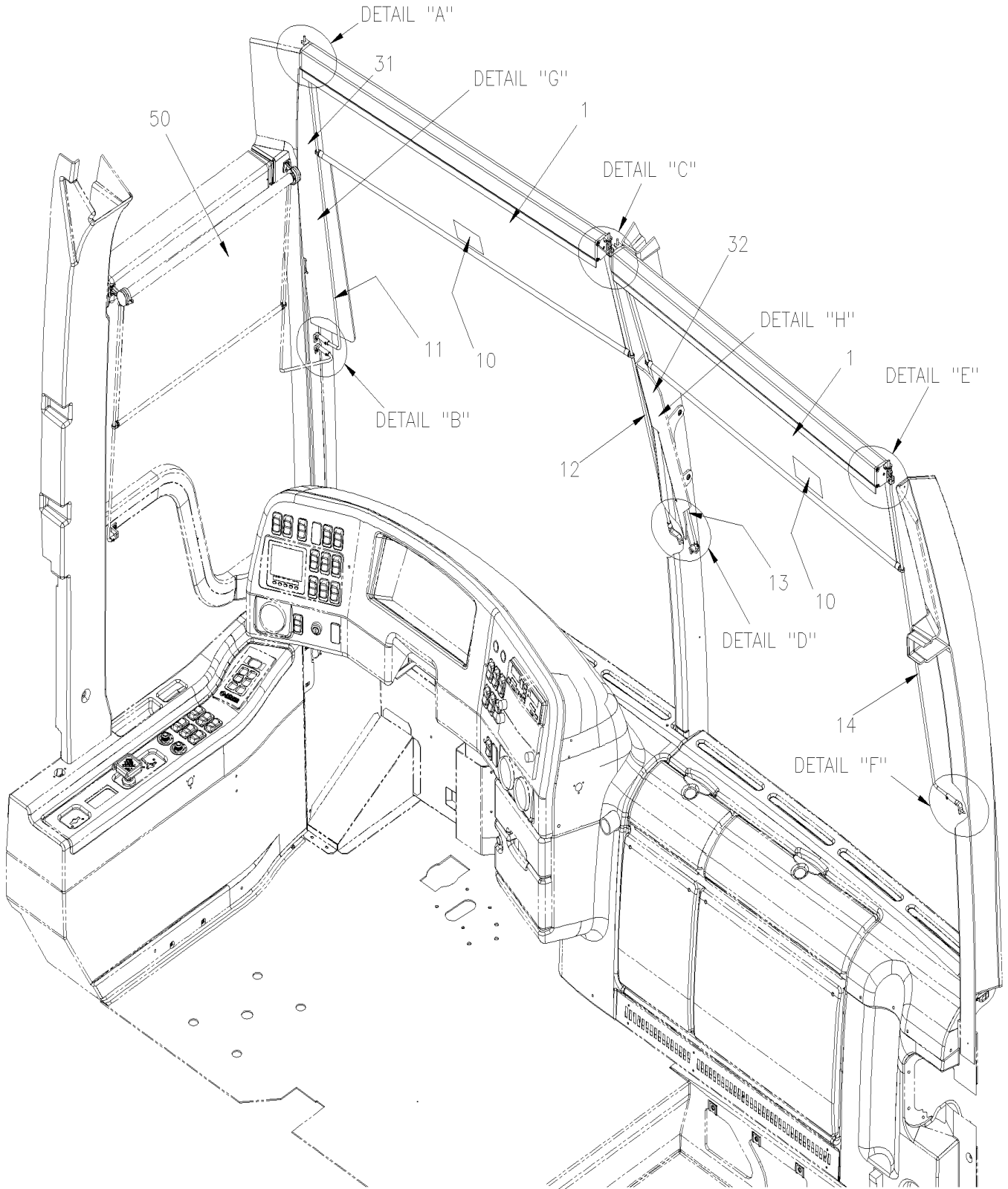


From E-5490 To K-6491

Date:07/2024

PAGE:X3VIP-1816-05

ROLLER BLIND - WINDSHIELD W/ELECTRICAL



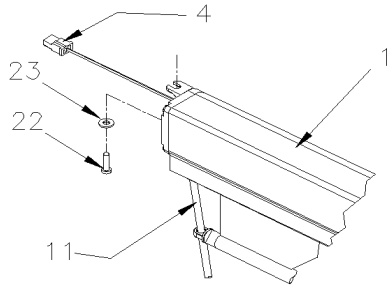


From E-5490 To K-6491

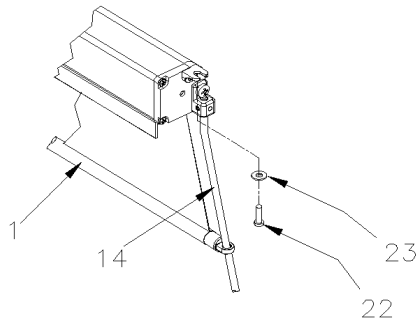
Date:07/2024

PAGE:X3VIP-1816-05

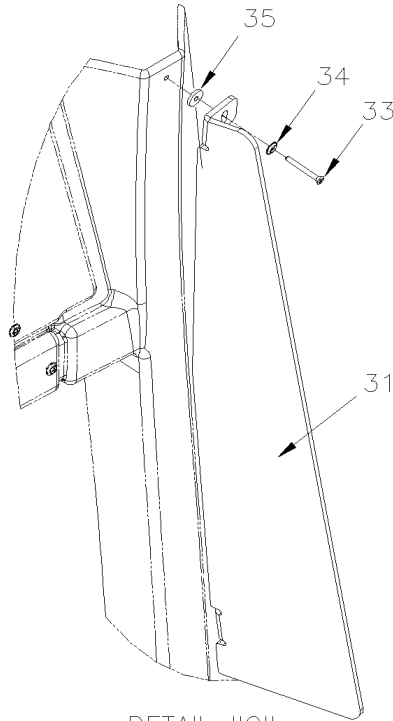
ROLLER BLIND - WINDSHIELD W/ELECTRICAL



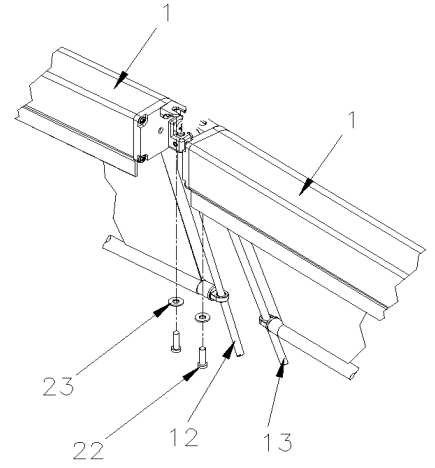
DETAIL "A"



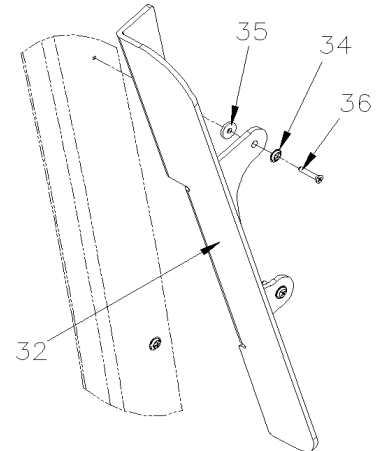
DETAIL "E"



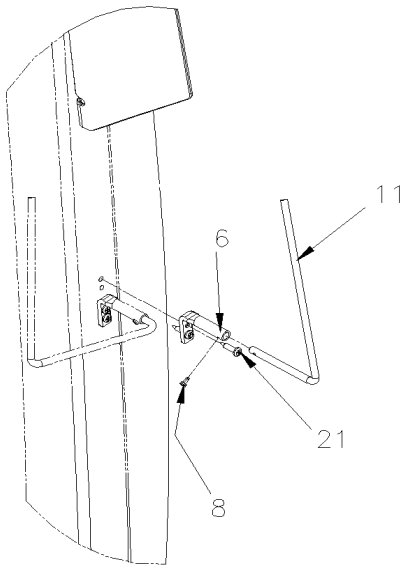
DETAIL "G"



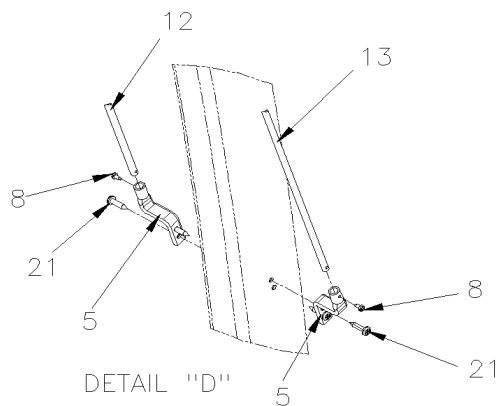
DETAIL "C"



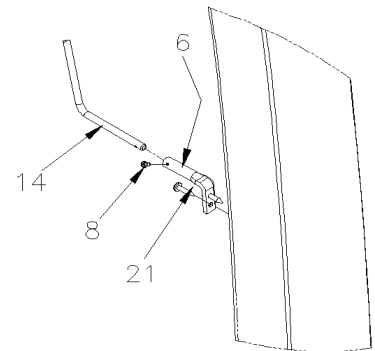
DETAIL "H"



DETAIL "B"



DETAIL "D"



DETAIL "F"



From E-5490 To K-6491	Date:07/2024	PAGE:X3VIP-1816-05
ROLLER BLIND - WINDSHIELD W/ELECTRICAL		

Item#	Part	Description	X 3 V I P E N T	X 3 V I P M T H	N O T E S
1	901375	ROLLER BLIND ASSY / ELECTRIC To F-5789	2	2	
1	901532	ROLLER BLIND ASSY / ELECTRIC From F-5790 To G-6056	2	2	
1	900043	ROLLER BLIND ASSY / ELECTRIC From G-6057	2	2	
4	560854	SOCKET TERMINAL / 24-18 / AMP 60617-1	2	2	
5	900476	ROD HOLDER 90° / BLACK PLASTIC 30MM C/L To F-5789	2	2	
5	407650	ROD HOLDER / BLACK / PLASTIC "S" SHAPE From F-5790 To H-6155	2	2	
5	401060	ROD HOLDER / BLACK / PLASTIC "S" SHAPE / 2 HOLES From H-6156	2	2	
6	901445	ROD HOLDER / BLACK / PLASTIC To F-5789	2	2	
6	403570	ROD HOLDER / BLACK / STEEL "L" SHAPE From F-5790 To H-6155	2	2	
6	401059	ROD HOLDER / BLACK / STEEL "L" SHAPE / 2 HOLES From H-6156	2	2	
8	500409	SCREW TP PAN PH #8x1/2 BK To F-5789	4	4	
8	5001091	SCREW TC PAN PH #4-40x1/4 BK From F-5790	4	4	
10	402952	DECAL	1	1	
11	405373	ROD / STREET SIDE / 730MM X 70MM / 10 DEG BEND To F-5789	1	1	
11	407658	ROD / STREET SIDE From F-5790	1	1	
12	405374	ROD 737MM / 10 DEG BEND To F-5789	1	1	
12	407681	ROD 713MM From F-5790	1	1	
13	405374	ROD 737MM / 10 DEG BEND To F-5789	1	1	
13	407681	ROD 713MM From F-5790	1	1	
14	405375	ROD / CURBSIDE / 730MM X 70MM / 10 DEG BEND To F-5789	1	1	
14	407659	ROD / CURBSIDE From F-5790	1	1	
21	500814	SCREW TP BDG PH #6x3/4 BK To F-5789	4	4	
21	5001155	SCREW TP PAN PH #8X3/4 N050 From F-5790	4	4	
22	500658	SCREW TC PAN PH #10-24x3/4 Z050	4	4	
23	500964	WASHER FL .203x.500x.047 Z050	4	4	
31	3200339	PLEXIGLASS / TINTED L.H. STREET SIDE / 795MM	1	1	
31	3201220	PLEXIGLASS / TINTED L.H. STREET SIDE / 645MM	1	1	O
32	3200340	PLEXIGLASS / TINTED L.H. CURBSIDE / 540MM	1	1	
33	500632	SCREW TP OV PH #8x1 1/2 Z050	AR	AR	
34	500463	WASHER FN CKF .187x.500x.090 BR Z050	AR	AR	
35	500950	WASHER FL .187x.625x.094 RUB	AR	AR	
36	500629	SCREW TP OV PH #8x1 Z050	AR	AR	
NS	327623	SUPPORT / ROLLER BLIND / UNDER DESTINATION SIGN / 244MM	1	1	
50	X3VIP-1816-00	ROLLER BLIND - DRIVER' S & WINDSHIELD			
		O) OPTION			

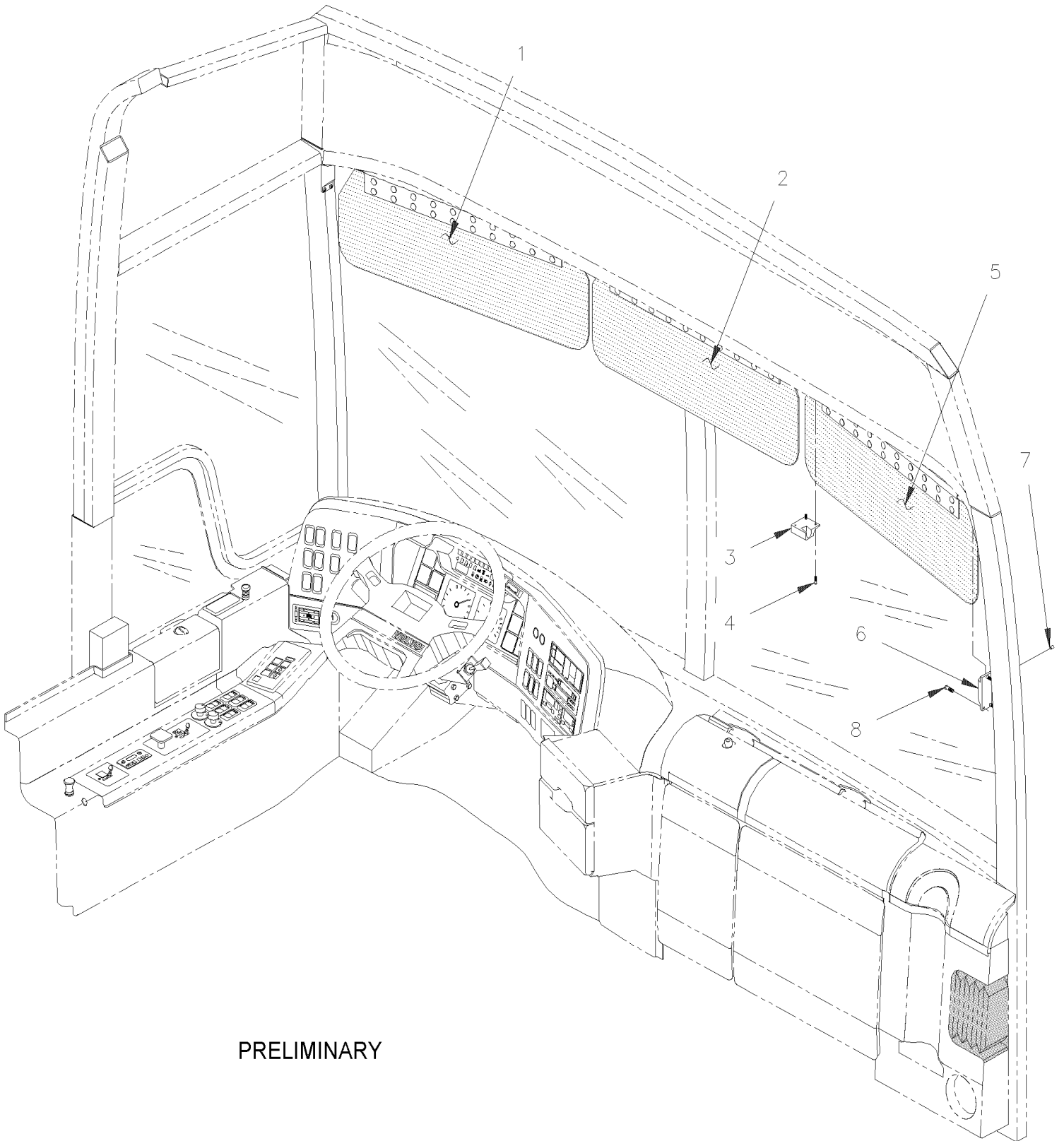


From E-5490

Date:07/2024

PAGE:X3VIP-1817-00

SUN VISOR - "LE MIRAGE"



PRELIMINARY



From E-5490	Date:07/2024	PAGE:X3VIP-1817-00
SUN VISOR - "LE MIRAGE"		

Item#	Part	Description	X 3 V I P E N T	X 3 V I P M T H	N O T E S
1	404741	SUN VISOR ASSY / L.H. W/COVERING (BLACK)	1	1	
1	404724	. SUN VISOR ASSY / L.H. W/O COVERING	1	1	
2	404740	SUN VISOR ASSY / CENTRAL W/COVERING (BLACK)	1	1	
2	404726	. SUN VISOR ASSY / CENTRAL W/O COVERING	1	1	
3	401586	ATTACHMENT, R.H. / CENTRAL SUN VISOR	1	1	
3	401585	ATTACHMENT, L.H. / CENTRAL SUN VISOR	1	1	
NS	401535	HOOK, RETAINING / L.H. SUN VISOR W/O CENTRAL & R.H. SUNVISOR	1	1	
3	505173	SPRING, PIN 1/8 X 3/4	2	2	
4	500263	SCREW TP PAN PH #8x3/8 BK	4	4	
4	500409	SCREW TP PAN PH #8x1/2 BK	4	4	
5	404739	SUN VISOR ASSY / R.H. W/COVERING (BLACK)	1	1	
5	404725	. SUN VISOR ASSY / R.H. W/O COVERING	1	1	
5	404706	. . PLATE, SUN VISOR LH & RH	2	2	
5	404722	. . PLATE, SUN VISOR CENTRAL	2	2	
5	404727	. . PRESSURE PLATE	2	2	
5	504117	. . RIVET POP DOME CLE 3/16x3/8 AL	20	20	
5	500438	. . WASHER FL .187x.437x.050 Z050	20	20	
5	401708	. . ROD, SUN VISOR CENTRAL	1	1	
5	404709	. . ROD, SUN VISOR LH & RH	1	1	
5	560171	SLEEVE INSULATING	1	1	
6	401465	ATTACHMENT, PIVOT L.H. & R.H. CHARCOAL	2	2	
7	500303	SCREW SET HEXS CUP #10-24x3/16	2	2	
8	500630	SCREW TP OV PH #10x1 Z050	6	6	

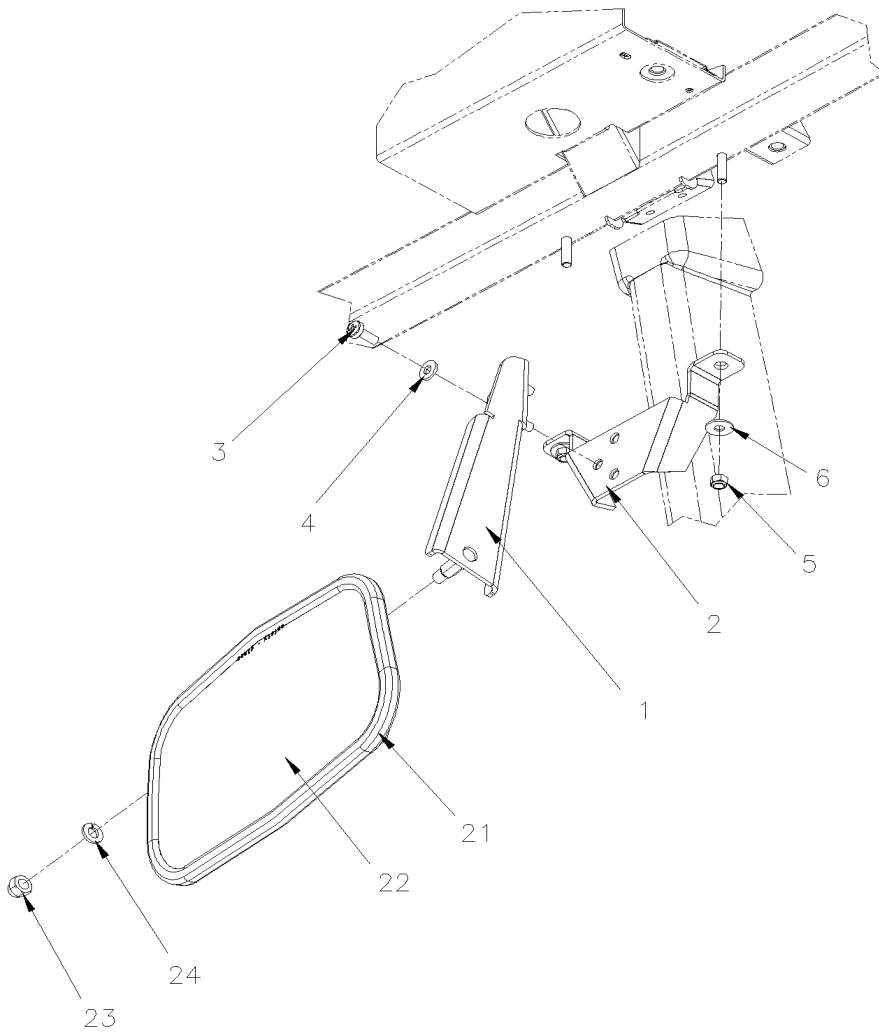
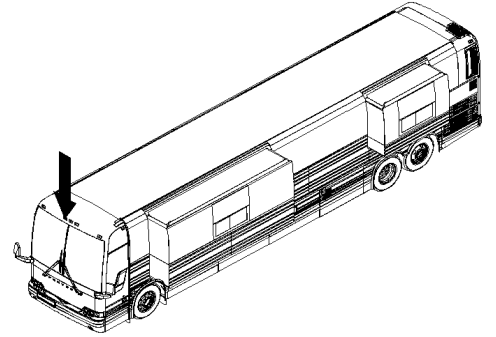


From E-5490

Date:07/2024

PAGE:X3VIP-1820-00

MIRROR - INTERIOR



UP TO ?-15142

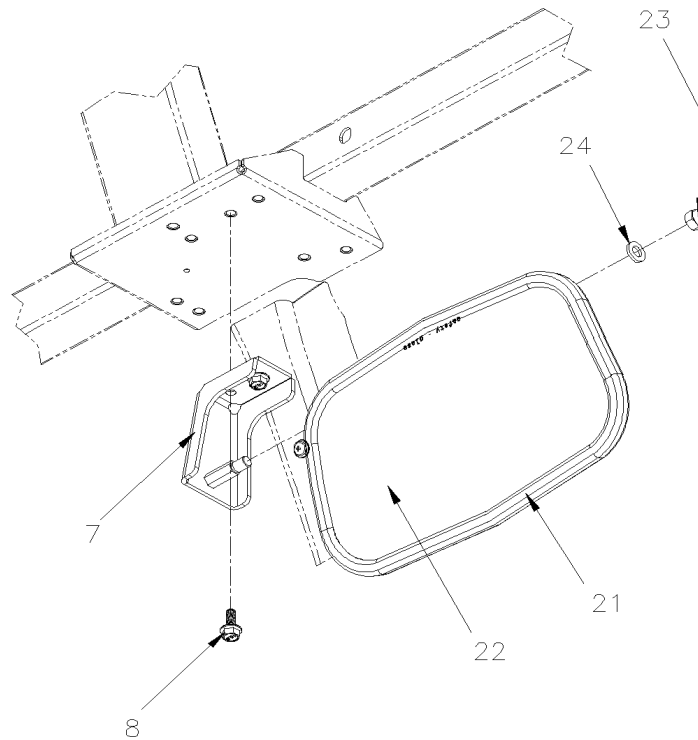
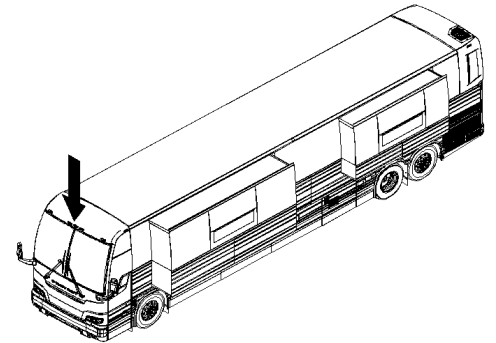


From E-5490

Date:07/2024

PAGE:X3VIP-1820-00

MIRROR - INTERIOR





From E-5490	Date:07/2024	PAGE:X3VIP-1820-00
MIRROR - INTERIOR		

Item#	Part	Description	X 3 V I P E N T	X 3 V I P M T H	N O T E S
1	405136	SUPPORT CENTRAL ASSY, MIRROR To K-6491	1	1	
2	408099	MIRROR SUPPORT / CENTER WINDSHIELD To K-6491	1	1	
3	502569	SCREW MA PAN PH M6-1.0x16 BK To K-6491	3	3	
4	500877	WASHER FL .250x.562x.065 N500 To K-6491	3	3	
5	5001353	NUT HEX NYRT M6-1.0 SS To K-6491	2	2	
6	500411	WASHER FL .260x.697x.050 SS To K-6491	2	2	
7	400694	SUPPORT CENTRAL ASSY, MIRROR From L-6492	1	1	
8	5002027	SCREW CAP HEXF AD M6-1.0x16 G10.9 N500 From L-6492	2	2	
21	900438	MIRROR ASSY SAFETY	1	1	
22	900440	. GLASS / SAFETY	1	1	
23	500780	NUT HEX CAP 5/16-18 Z050	1	1	
24	500942	WASHER LO SPT 8.1x14.8x2.0 N500	1	1	

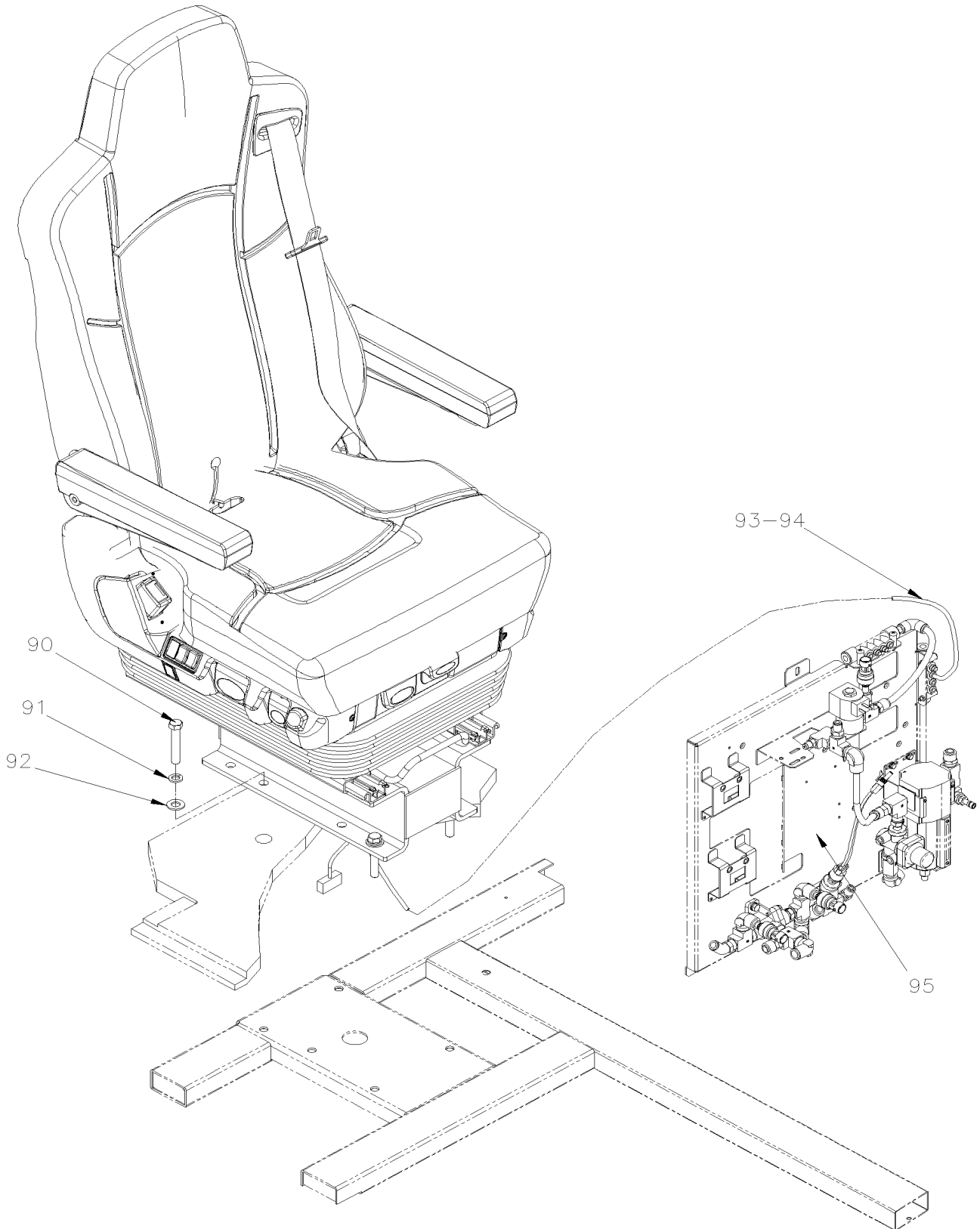


From E-5490

Date:07/2024

PAGE:X3VIP-1822-01

DRIVER'S SEAT - "ISRI" - 6832/872



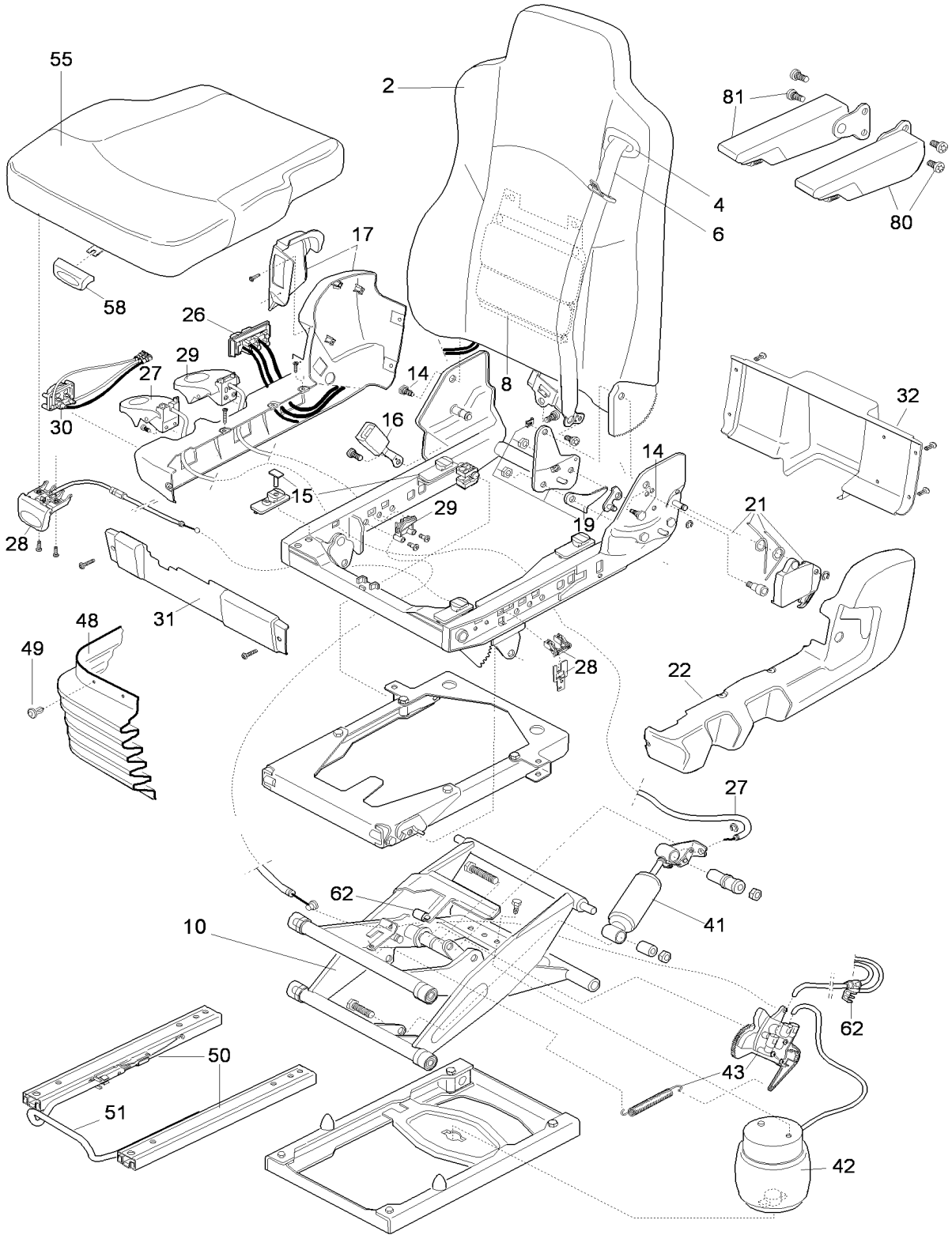


From E-5490

Date:07/2024

PAGE:X3VIP-1822-01

DRIVER'S SEAT - "ISRI" - 6832/872





From E-5490		Date:07/2024	PAGE:X3VIP-1822-01
DRIVER'S SEAT - "ISRI" - 6832/872			

Item#	Part	Description	X 3 V I P E N T	X 3 V I P M T H	N O T E S
	864374	DRIVER'S SEAT - "ISRI" - MODEL 6832/872 / W/O ACTIVE CLIMATE CONTROL / W/COVERING BLACK / NOIR To K-6392	1	1	
	860193	DRIVER'S SEAT - "ISRI" - MODEL 6832/872 / W/O ACTIVE CLIMATE CONTROL / W/COVERING BLACK / NOIR From K-6393 To N-6698	1	1	
	8601004	DRIVER'S SEAT - "ISRI" - MODEL 6832/872 / W/O ACTIVE CLIMATE CONTROL / W/COVERING BLACK / NOIR From N-6699	1	1	
	864373	DRIVER'S SEAT - "ISRI" - MODEL 6832/872 / W/ACTIVE CLIMATE CONTROL / W/COVERING BLACK / NOIR To K-6392	1	1	
	860189	DRIVER'S SEAT - "ISRI" - MODEL 6832/872 / W/ACTIVE CLIMATE CONTROL / W/COVERING BLACK / NOIR From K-6393 To N-6698	1	1	
	8601003	DRIVER'S SEAT - "ISRI" - MODEL 6832/872 / W/ACTIVE CLIMATE CONTROL / W/COVERING BLACK / NOIR From N-6699	1	1	
	864414	DRIVER'S SEAT - "ISRI" - MODEL 6832/872 / W/HEATING / W/COVERING BLACK / NOIR To K-6392	1	1	
	860194	DRIVER'S SEAT - "ISRI" - MODEL 6832/872 / W/HEATING / W/COVERING BLACK / NOIR From K-6393 To N-6698	1	1	
	8601005	DRIVER'S SEAT - "ISRI" - MODEL 6832/872 / W/HEATING / W/COVERING BLACK / NOIR From N-6699	1	1	
	360114	DRIVER'S SEAT - "ISRI" - MODEL 6832/872 / W/O ACTIVE CLIMATE CONTROL / W/COVERING WITH ORANGE SEAT BELT To K-6392	1	1	
	864372	DRIVER'S SEAT - "ISRI" - MODEL 6832/872 / W/O ACTIVE CLIMATE CONTROL / W/O COVERING WITH ORANGE SEAT BELT To K-6392	1	1	
	360068	DRIVER'S SEAT - "ISRI" - MODEL 6832/872 / W/O ACTIVE CLIMATE CONTROL / W/COVERING WITH ORANGE SEAT BELT From K-6393 To N-6698	1	1	
	860101	. DRIVER'S SEAT - "ISRI" - MODEL 6832/872 / W/O ACTIVE CLIMATE CONTROL / W/O COVERING WITH ORANGE SEAT BELT From K-6393 To N-6698	1	1	
	8601001	DRIVER'S SEAT - "ISRI" - MODEL 6832/872 / W/O ACTIVE CLIMATE CONTROL / W/O COVERING WITH ORANGE SEAT BELT From N-6699	1	1	
	864413	DRIVER'S SEAT - "ISRI" - MODEL 6832/872 / WITH HEATING / W/O COVERING To K-6392	1	1	
	860102	DRIVER'S SEAT - "ISRI" - MODEL 6832/872 / WITH HEATING / W/O COVERING From K-6393 To N-6698	1	1	
	8601000	DRIVER'S SEAT - "ISRI" - MODEL 6832/872 / WITH HEATING / W/O COVERING From N-6699	1	1	
1	865236	. RISER	1	1	
2	866273	. BACKREST ASSEMBLY LH	1	1	
3	364310	. COVERING BACKREST ASSY / S.C.C. / DRIVER'S "ISRI" / 6832/872	1	1	C
3	364311	. COVERING BACKREST ASSY / S.C.C. / DRIVER'S "ISRI" / 6832/872	1	1	
4	864418	. . BELT GUIDE LH/RH	1	1	
6	864419	. . 3 POINT SAFETY BELT, LH To K-6392	1	1	
6	860332	. SEAT BELT ASS / W/BUCKLE W/SENSOR From K-6393	1	1	
8	864420	. . LUMBAR AIR CHAMBERS	1	1	
10	Call order desk	. SUSPENSION / SEAT FRAME ASSEMBLY	1	1	P S
14	N8904018	. SCREWS FOR BACKREST PIVOT	1	1	
15	861652	. GLIDE - SEAT PAN	1	1	
16	864421	. BELT BUCKLE To K-6392	1	1	
16	860332	. SEAT BELT ASS / W/BUCKLE W/SENSOR From K-6393	1	1	
17	864845	. RH COVER (CONTROL SIDE)	1	1	
19	866274	. BACKREST RECLINE MECH.	1	1	
21	N8904020	. BACKREST HANDLE LH	1	1	
22	861708	. LH COVER - (NON CONTROL SIDE)	1	1	
26	864422	. LUMBAR CONTROL VALVE, RH 2 BUTTONS	1	1	
26	N8911085	. LUMBAR CONTROL VALVE 3 BUTTONS	1	1	
26	866226	. SWITCH UNIT FOR ACTIVE CLIMATE CONTROL	1	1	

26	868936	. SWITCH UNIT RH ACTIVE CLIMATE CONTROL	1	1	E
27	864423	. HANDLE/CABLE FOR SHOCK ABSORBER	1	1	
28	865718	. TILT GLIDER	1	1	
29	864424	. HANDLE/CABLE FOR HEIGHT ADJUSTMENT	1	1	
30	864425	. QUICK AIR RELEASE VALVE, RH	1	1	
31	Call order desk	. FRONT COVER	1	1	P



From E-5490		Date:07/2024	PAGE:X3VIP-1822-01
DRIVER'S SEAT - "ISRI" - 6832/872			

Item#	Part	Description	X 3 V I P E N T	X 3 V I P M T H	N O T E S
32	865389	. REAR COVER	1	1	
41	864426	. SHOCK ABSORBER	1	1	
42	864427	. AIR SPRING	1	1	
43	864428	. HEIGHT CONTROL VALVE	1	1	
48	Call order desk	. RUBBER BELLOW	1	1	P
49	Call order desk	. BELLOW FASTENERS	1	1	P
50	866109	. SLIDE SET	1	1	
51	866037	. . SLIDE HANDLE	1	1	
55	N8903231	. SEAT CUSHION ASSEMBLY / WITHOUT COVERING	1	1	
55	868157	. CUSHION FOAM WITH W/ACTIVE CLIMATE CONTROL From N-6699	1	1	
55	868158	. CUSHION FOAM WITHOUT W/ACTIVE CLIMATE CONTROL From N-6699	1	1	
55	Call order desk	. SEAT CUSHION ASSEMBLY / WITH COVERING	1	1	P
55	N8903232	. COVERING SEATREST ASSY / BLACK To N-6698	1	1	
55	868156	. COVERING SEATREST ASSY / BLACK From N-6699	1	1	
56	364309	. COVERING SEATREST ASSY / S.C.C. / DRIVER'S "ISRI" / 6832/872 To N-6698	1	1	
56	360105	. COVERING SEATREST ASSY / S.C.C. / DRIVER'S "ISRI" / 6832/872 From N-6699	1	1	
58	864429	. CUSHION ADJUSTMENT HANDLE To N-6698	1	1	
62	864430	. PLASTIC VALVE STOP	1	1	
80	864411	. ARMREST LH / S.C.C. 13"	1	1	
80	866245	. ARMREST LH / LONG 14"	1	1	
81	864412	. ARMREST RH / S.C.C. 13"	1	1	
81	866246	. ARMREST RH / LONG 14"	1	1	
82	865350	. KIT PNEUMATIC COMPONENTS	1	1	
NS	867958	. ADAPTOR	1	1	
NS	7771643	. FITTING CONNECTOR "Y"	1	1	
NS	868125	. UNION 4MM/4MM	1	1	
NS	868128	. UNION 6MM/4MM	1	1	
NS	868460	. HOSE AIR KIT	1	1	
NS	868833	. AIR PIPE CONNECTOR SML	AR	AR	
NS	068369	HARNESS DRIVER SEAT W/HEATING To P-6815	1	1	F
85	0610165	HARNESS DRIVER SEAT W/HEATING From P-6816	1	1	F
90	5001862	SCREW CAP HEX M12-1.75x70 G10.9 N500	4	4	
NS	362549	SPACER / STRUCTURE & BASE / 27MM	4	4	
91	500747	WASHER LO SPT 12.2x21.1x2.5 N500	4	4	
92	500958	WASHER FL .531x1.062x.095 SS	4	4	
93	503402	TUBE, NYLON 1/4 O.D. / BLACK S.L.	AR	AR	
93	504637	CABLE TIE / 3/16" x 13"	1	1	
93	504016	CABLE TIE / 5/16" X 14"1/2	1	1	
94	641507	UNION / PUSH-IN FITTING / #4 x 6MM NP	1	1	
95	X3VIP-1640-50	LEVEL-LOW - CONTROL PANEL & VALVES	1	1	



From E-5490	Date:07/2024	PAGE:X3VIP-1822-01
DRIVER'S SEAT - "ISRI" - 6832/872		

Item#	Part	Description	X 3 V I P E N T	X 3 V I P M T H	N O T E S
		C) WITH CHOICE BACKREST BACK COLOR			
		E) USE WITH SEAT WITH ACTIVE CLIMATE CONTROL			
		F) USE WITH DRIVER SEAT HEATING			
		S) INCLUDES 15, 19, 21, 27, 28, 41, 42, 43, 48, 49, 50, 62			
		P) CALL ORDER DESK FOR SPECIFIC APPLICATION (V.I.N.)			

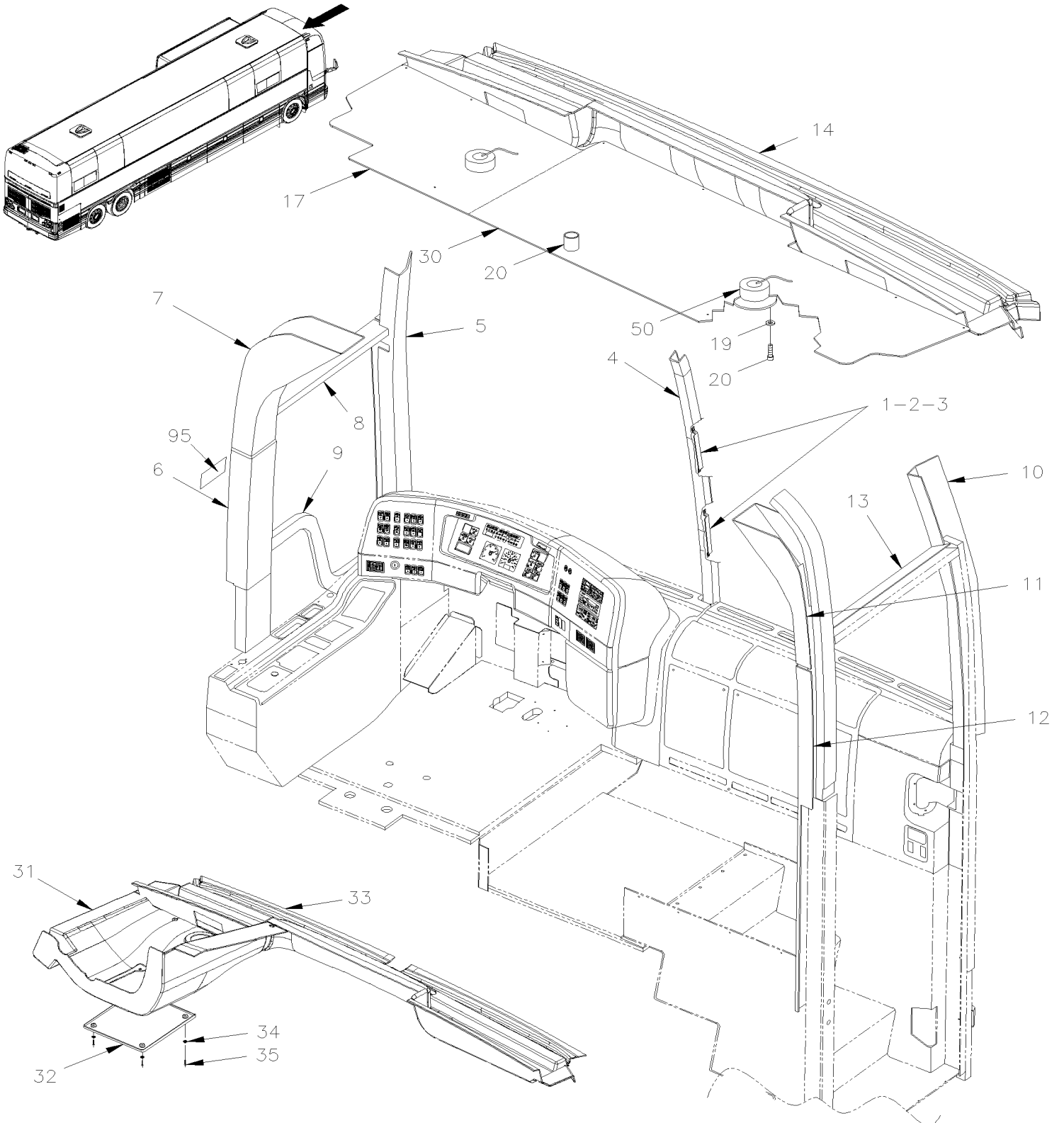


From E-5490 To L-6491

Date:07/2024

PAGE:X3VIP-1832-50

FRONT FINISHING CAP





From E-5490 To L-6491	Date:07/2024	PAGE:X3VIP-1832-50
FRONT FINISHING CAP		

Item#	Part	Description	X 3 V I P E N T	X 3 V I P M T H	N O T E S
1	326744	CENTRAL MOULDING SUPPORT	6	6	
2	502531	SCREW CAP HEX M6-1.0x16 G8.8 Z050	6	6	
3	502511	NUT HEX NYRT M6-1.0 Z050	12	12	
4	327184	CENTER MOULDING / W/WINDSHIELD 89"	1	1	
5	327182	L.H. MOULDING / WINDSHIELD 89"	1		
6	328013	L.H. MOULDING / 89"	1		A
7	327029	UPPER FINISHING MOULDING L.H.	1	1	
8	327135	UPPER MOULDING SERVICE DOOR	1	1	
9	326741	FINISHING MOULDING SERVICE DOOR	1	1	B
9	327179	FINISHING MOULDING SERVICE DOOR	1	1	C
10	327183	R.H. MOULDING / WINDSHIELD 89"	1		
11	327030	UPPER FINISHING MOULDING R.H.	1	1	
12	327655	R.H. MOULDING / 89"	1		A
13	327134	UPPER MOULDING ENTRANCE DOOR	1	1	
14	327136	TRANSITION CEILING		1	
15	500463	WASHER FN CKF .187x.500x.090 BR Z050	36	36	
16	500552	SCREW TP OV PH #6x3/4 Z050	36	36	
17	327825	TRANSITION CEILING PANEL To H-6179		1	
17	323284	TRANSITION CEILING PANEL From H-6180		1	
18	500436	SCREW TP OV PH #10x2 Z050	AR	AR	
19	500465	WASHER FN CKF .278x.729x.119 SS	AR	AR	
20	504586	WASHER FL SPACER .450x.625x.875 NYL	AR	AR	
30	327993	TRANSITION CEILING PANEL To H-6179	1		
30	323269	TRANSITION CEILING PANEL From H-6180	1		
31	341099	TRANSITION CEILING FRONT LEFT W/HALOGEN To H-6179	1		
31	341491	TRANSITION CEILING FRONT LEFT W/LED LIGHT From H-6180	1		
32	341070	ACCESS PANEL CEILING FRONT	1		
33	327992	TRANSITION CEILING	1		
34	500464	WASHER FN CKF .210x.540 SS	4		
35	500626	SCREW TP OV PH #8x3/4 Z050	4		
50	X3VIP-0665-00	ENGINE COMPARTMENT - ELECTRIC COMPONENTS			
95	0691001	DECAL EMISSION WARNING CALIFORNIA	1	1	D
		A) WITHOUT CUT AWAY FOR WINDOW CLEARANCE			
		B) MTH 83"			
		C) MTH 86" & MTH 89"			
		D) REGULATIONS OF CALIFORNIA			

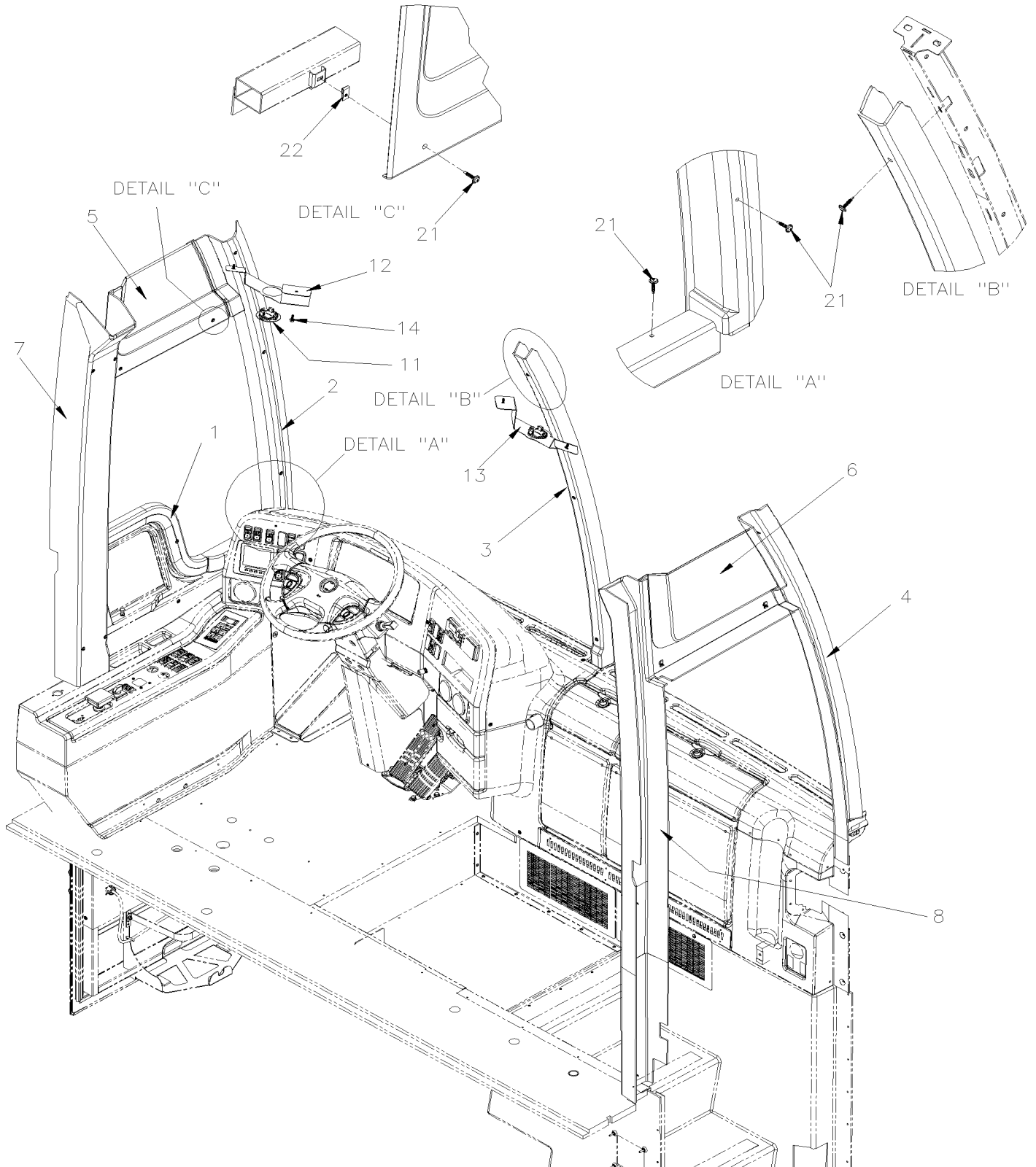


From L-6492

Date:07/2024

PAGE:X3VIP-1832-51

FRONT FINISHING CAP





From L-6492	Date:07/2024	PAGE:X3VIP-1832-51
FRONT FINISHING CAP		

Item#	Part	Description	X 3 V I P E N T	X 3 V I P M T H	N O T E S
1	3210495	MOULDING, SERVICE DOOR	1	1	
2	3210854	WINDSHIELD LEFT MOULDING	1	1	
3	3210852	WINDSHIELD CENTRAL MOULDING	1	1	
4	3210853	WINDSHIELD RIGHT MOULDING	1	1	
5	3210942	PANEL CLOSING, FRONT LH	1	1	
6	3210450	PANEL CLOSING, FRONT RH	1	1	
7	3210937	MOULDING,"A"POST LEFT	1	1	
8	3210938	MOULDING,"A"POST RIGHT	1	1	
11	X3VIP-0655-00	INTERIOR LIGHTING	1	1	
12	330006	CEILING LAMP LEFT BRACKET	1	1	
13	330007	CEILING LAMP RIGHT BRACKET	1	1	
14	5002027	SCREW CAP HEXF AD M6-1.0x16 G10.9 N500	4	4	
21	5002083	SCREW DR SEMS FN OV PH #8X1 N050	25	25	
22	500684	NUT SPR U #8A .025-.064	4	4	

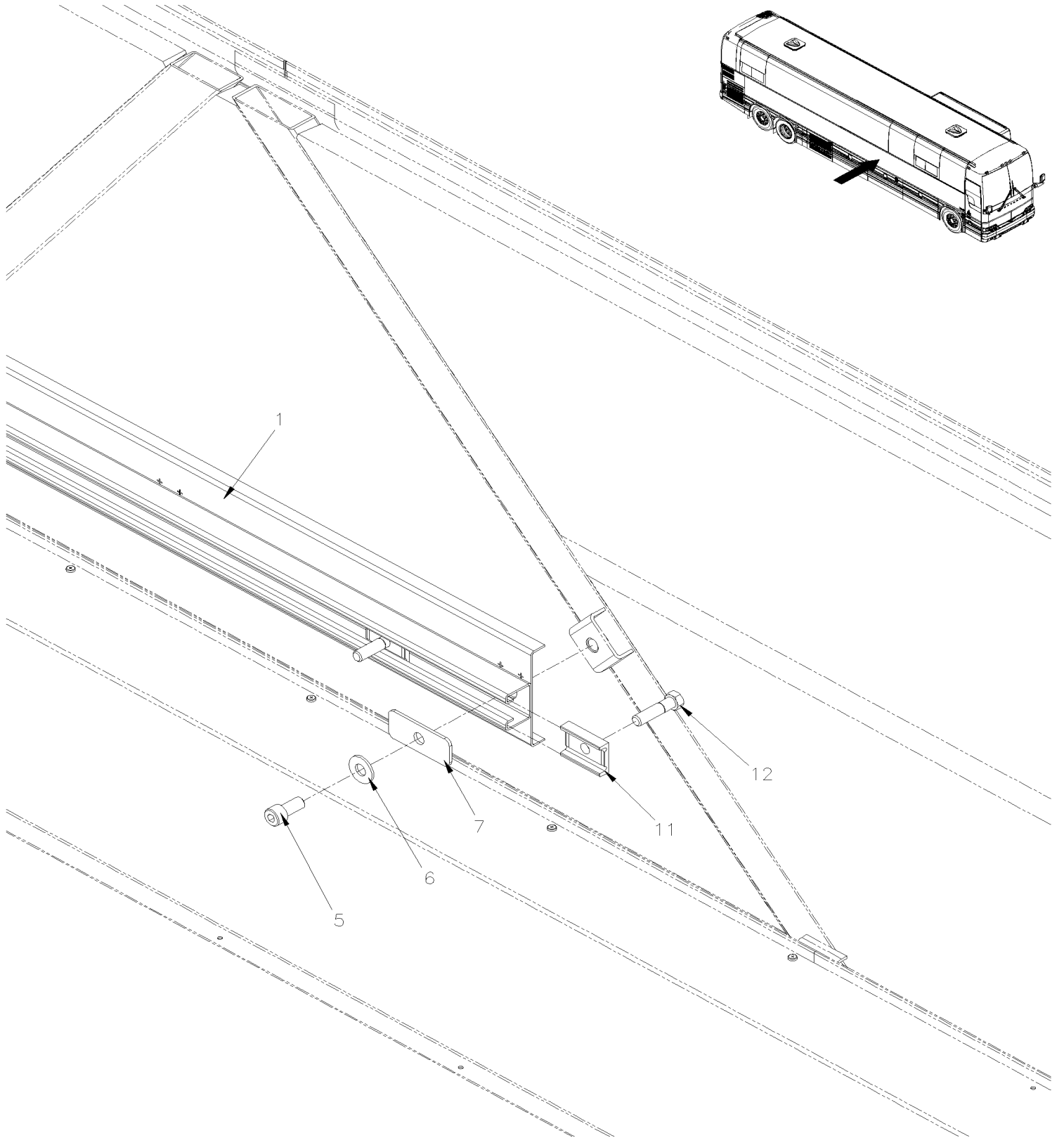


From H-6167

Date:07/2024

PAGE:X3VIP-1833-50

WALL RAIL





From H-6167	Date:07/2024	PAGE:X3VIP-1833-50
WALL RAIL		

Item#	Part	Description	X 3 V I P E N T	X 3 V I P M T H	N O T E S
1	470785	SIDEWALL RAIL ASM 3085MM To K-6366	1		
1	471789	SIDEWALL RAIL ASM 2800MM From K-6367 To K-6491	1		
1	471756	SIDEWALL RAIL ASM 4219MM From K-6367 To K-6491	1		
1	360054	SIDEWALL RAIL / SLIDE-OUT 3572MM From L-6492 To L-6607	1		
1	360076	SIDEWALL RAIL ASM 3616MM From L-6608 To N-6690	1		
1	360085	SIDEWALL RAIL ASM 3616MM From N-6691	1		
1	470786	SIDEWALL RAIL ASM / SLIDE-OUT 3352MM To K-6439	1		
1	360064	SIDEWALL RAIL / SLIDE-OUT 3342MM From K-6440 To L-6607	1		
1	360077	SIDEWALL RAIL / SLIDE-OUT 3379MM From L-6608	1		
5	5000347	SCREW CAP HEXS M12-1.75x25 G12.9 G500	AR		
6	500967	WASHER BEL SPR .512x1.142x.098 N500	AR		
7	478888	RAIL PLATE From K-6440	AR		
11	364272	BLOCK ANCHOR / 26.8MM INSIDE / 35MM x 50MM x 19MM Height	AR		
12	5001735	SCREW CAP HEX 7/16-20x1 3/4 G8 G500	AR		
105	OC2020006	REFERENCE ONLY From N-6691	1	1	



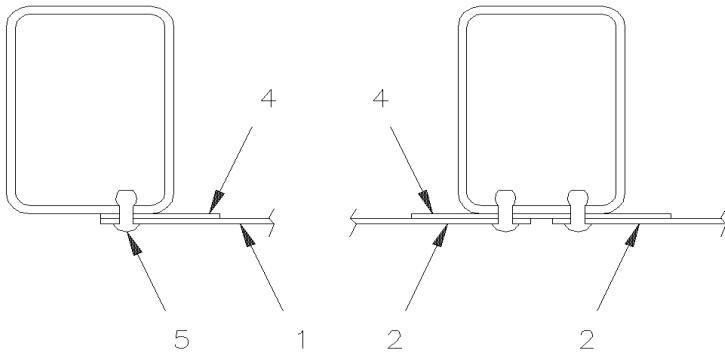
From E-5490

Date:07/2024

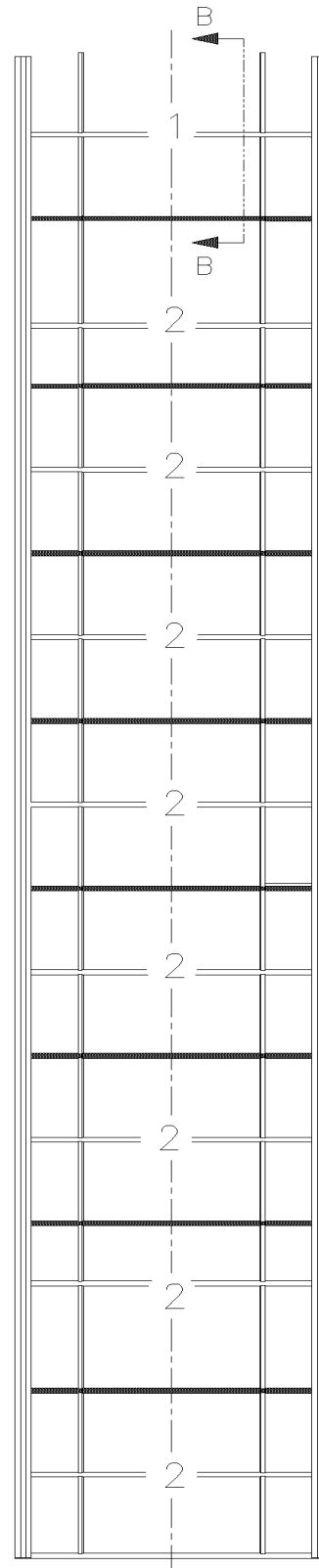
PAGE:X3VIP-1837-50

CEILING PANELS & MOULDING

FRONT



SECTION B-B





From E-5490	Date:07/2024	PAGE:X3VIP-1837-50
-------------	--------------	--------------------

CEILING PANELS & MOULDING

Item#	Part	Description	X 3 V I P E N T	X 3 V I P M T H	N O T E S
1	341075	CEILLING PANEL #1	1	1	
1	341095	CEILLING PANEL #1 / W/SLIDE-OUT		1	
2	341074	CEILLING PANEL	8	8	
2	341096	CEILLING PANEL #2,3 & 4 / W/SLIDE-OUT		7	
4	506466	TAPE RUB ADH1 CC POL 1/16" x 1 1/2" x 100 / GREY 2520	2	2	
5	504339	RIVET POP DOME OE 1/8x3/8 SS	AR	AR	

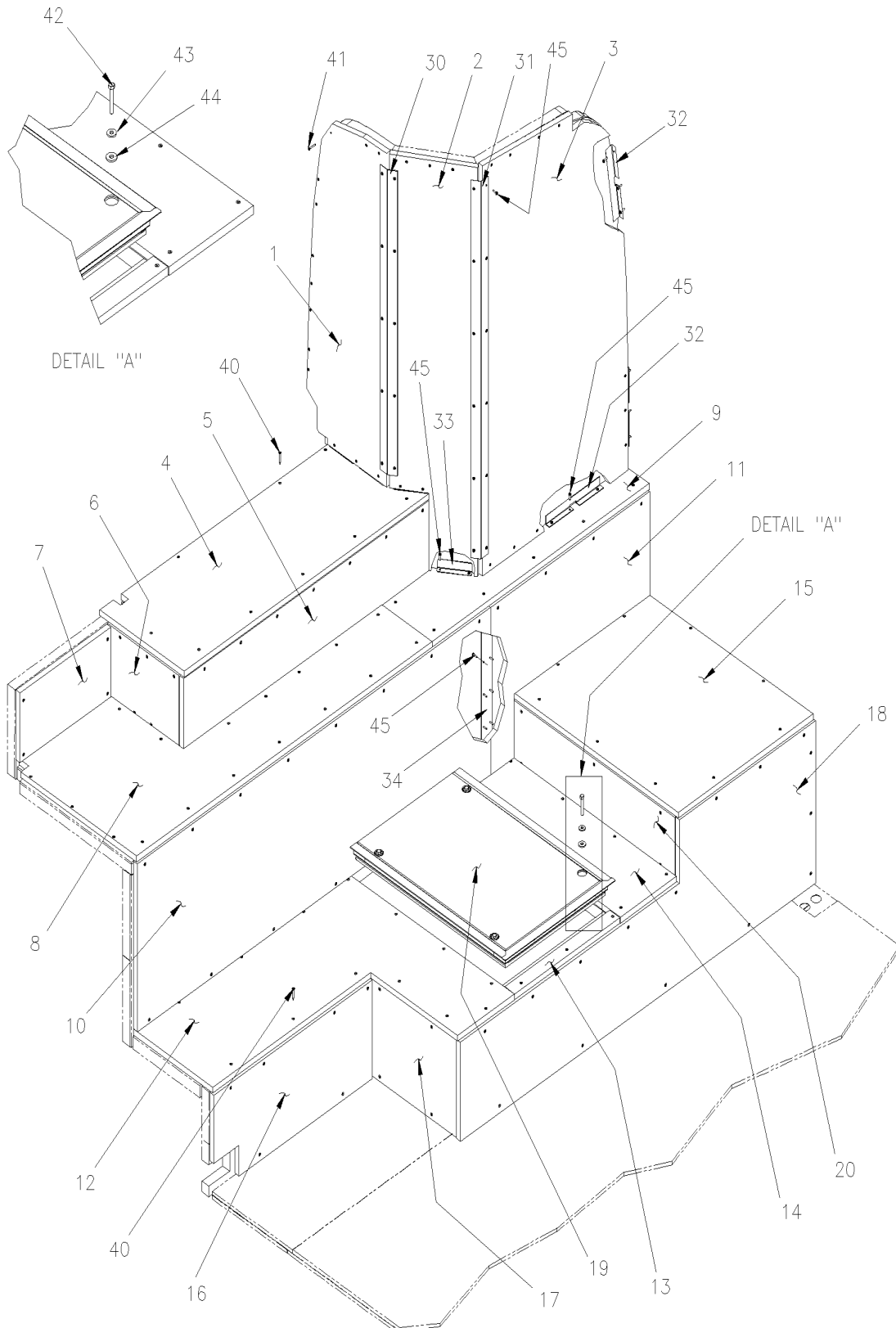


From E-5490 To H-6179

Date:07/2024

PAGE:X3VIP-1838-50

FLOOR - REAR SECTION





From E-5490 To H-6179	Date:07/2024	PAGE:X3VIP-1838-50
-----------------------	--------------	--------------------

FLOOR - REAR SECTION

Item#	Part	Description	X 3 V I P E N T	X 3 V I P M T H	N O T E S
1	3200281	FLOOR PANEL	1	1	
2	3200297	FLOOR PANEL	1	1	
3	3200298	FLOOR PANEL	1	1	
4	3200263	FLOOR PANEL	1	1	
5	3200265	FLOOR PANEL	1	1	
6	3200264	FLOOR PANEL	1	1	
7	3200276	FLOOR PANEL	1	1	
8	3200257	FLOOR PANEL	1	1	
9	3200262	FLOOR PANEL	1	1	
10	3200261	FLOOR PANEL	1	1	
11	3200279	FLOOR PANEL	1	1	
12	320871	FLOOR PANEL	1	1	
13	320879	FLOOR PANEL	1	1	
14	320872	FLOOR PANEL	1	1	
15	3200258	FLOOR PANEL	1	1	
16	328663	FLOOR PANEL / W/LARGE A/C	1	1	B
16	328676	FLOOR PANEL / W/SMALL A/C	1	1	A
17	328664	FLOOR PANEL ASSY	1	1	
18	3200256	FLOOR PANEL	1	1	
19	Call order desk	PANEL ASSY / ENGINE ACCESS	1	1	P
NS	485669	. WEATHERSTRIP RUBBER ASSY 480MMx723MM	1	1	
20	3200259	FLOOR PANEL	1	1	
30	3200301	SUPPORT VENEER	1	1	
31	320399	SUPPORT VENEER	1	1	
32	405809	ANGLE LOWER 260MM To F-5779	5	5	
32	405809	ANGLE LOWER 260MM From F-5780	3	3	
33	3200302	ANGLE LOWER 120MM	2	2	
34	3200282	PLATE ATTACHMENT 50MM x 450MM	1	1	
40	5001840	SCREW DR TR WASHER PH #8x1 5/8 BK	AR	AR	
41	500632	SCREW TP OV PH #8x1 1/2 Z050	AR	AR	
42	5001581	SCREW CAP BUT HEXS M8-1.25x40 SS	4	4	
43	500496	WASHER FL .437x.750x.054 Z050	4	4	
45	500641	SCREW TP PAN PH #8x3/4 Z050	AR	AR	
NS	680096	SEALANT BUTYL ALUM / GREY / 310ml CARTRIDGE	AR	AR	
NS	684517	ADHESIVE SIMSON #ISR 70-03 / GREY / 310ml CARTRIDGE	AR	AR	
		A) WITH SMALL A/C SYSTEM			
		B) WITH LARGE A/C SYSTEM			
		P) CALL ORDER DESK FOR SPECIFIC APPLICATION (V.I.N.)			

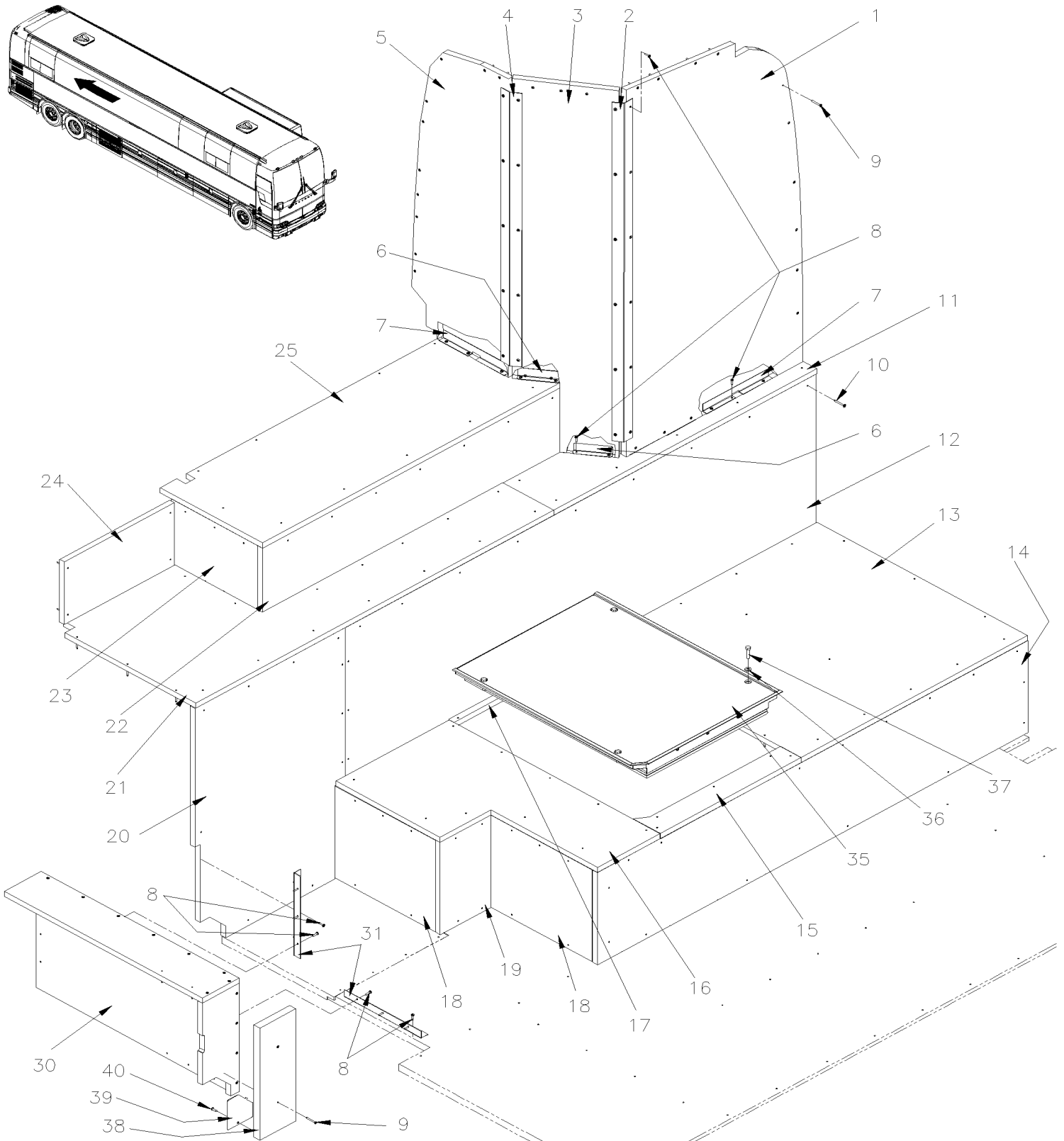


From H-6180

Date:07/2024

PAGE:X3VIP-1838-51

FLOOR - REAR SECTION GHG17





From H-6180		Date:07/2024	PAGE:X3VIP-1838-51
FLOOR - REAR SECTION GHG17			

Item#	Part	Description	X 3 V I P E N T	X 3 V I P M T H	N O T E S
1	3200298	FLOOR PANEL	1	1	
2	320399	SUPPORT VENEER	1	1	
3	3200297	FLOOR PANEL	1	1	
4	3200301	SUPPORT VENEER	1	1	
5	3200281	FLOOR PANEL	1	1	
6	3200302	ANGLE LOWER 120MM	2	2	
7	405809	ANGLE LOWER 260MM	3	3	
8	500641	SCREW TP PAN PH #8x3/4 Z050	AR	AR	
9	500632	SCREW TP OV PH #8x1 1/2 Z050	AR	AR	
10	5001840	SCREW DR TR WASHER PH #8x1 5/8 BK	AR	AR	
11	323057	FLOOR PANEL	1	1	
12	323076	FLOOR PANEL	1	1	
13	323014	FLOOR PANEL To K-6401	1	1	
13	3210522	FLOOR PANEL From K-6402	1	1	
14	323013	FLOOR PANEL	1	1	
15	323021	FLOOR PANEL	1	1	
16	323020	FLOOR PANEL To K-6401	1	1	
16	3210525	FLOOR PANEL From K-6402	1	1	
17	3202948	FLOOR PANEL	1	1	
18	323022	FLOOR PANEL	2	2	
19	323066	FLOOR PANEL	1	1	
20	323075	FLOOR PANEL	1	1	
21	323023	FLOOR PANEL	1	1	
22	3200265	FLOOR PANEL	1	1	
23	3200264	FLOOR PANEL	1	1	
24	3200276	FLOOR PANEL	1	1	
25	3200263	FLOOR PANEL	1	1	
30	323364	FLOOR PANEL, ASSY	1	1	
. NS	323406	. PANEL	1	1	
. NS	323482	. PANEL	1	1	
. NS	323487	. PANEL	1	1	
. NS	500360	. SCREW TP FL PH #8x1 1/4 BK	12	12	
31	401173	ANGLE, RETAINING 12"	2	2	
35	Call order desk	PANEL ASSY / ENGINE ACCESS	1	1	P
. NS	485669	. WEATHERSTRIP RUBBER ASSY 480MMx723MM	1	1	
36	5001736	WASHER FL 8.4x18.0x2.0 N500	4	4	
37	502836	SCREW CAP HEX M8-1.25x35 G8.8 N500	4	4	
38	3210119	CLOSING PANEL	1	1	S
39	450272	CLOSING PLATE	1	1	S
40	500957	SCREW TP BDG PH #10x3/4 N500	1	1	S



From H-6180		Date:07/2024	PAGE:X3VIP-1838-51		
FLOOR - REAR SECTION GHG17					
Item#	Part	Description	X 3 V I P E N T	X 3 V I P M T H	N O T E S
		S) WITH SMALL AC			
		P) CALL ORDER DESK FOR SPECIFIC APPLICATION (V.I.N.)			

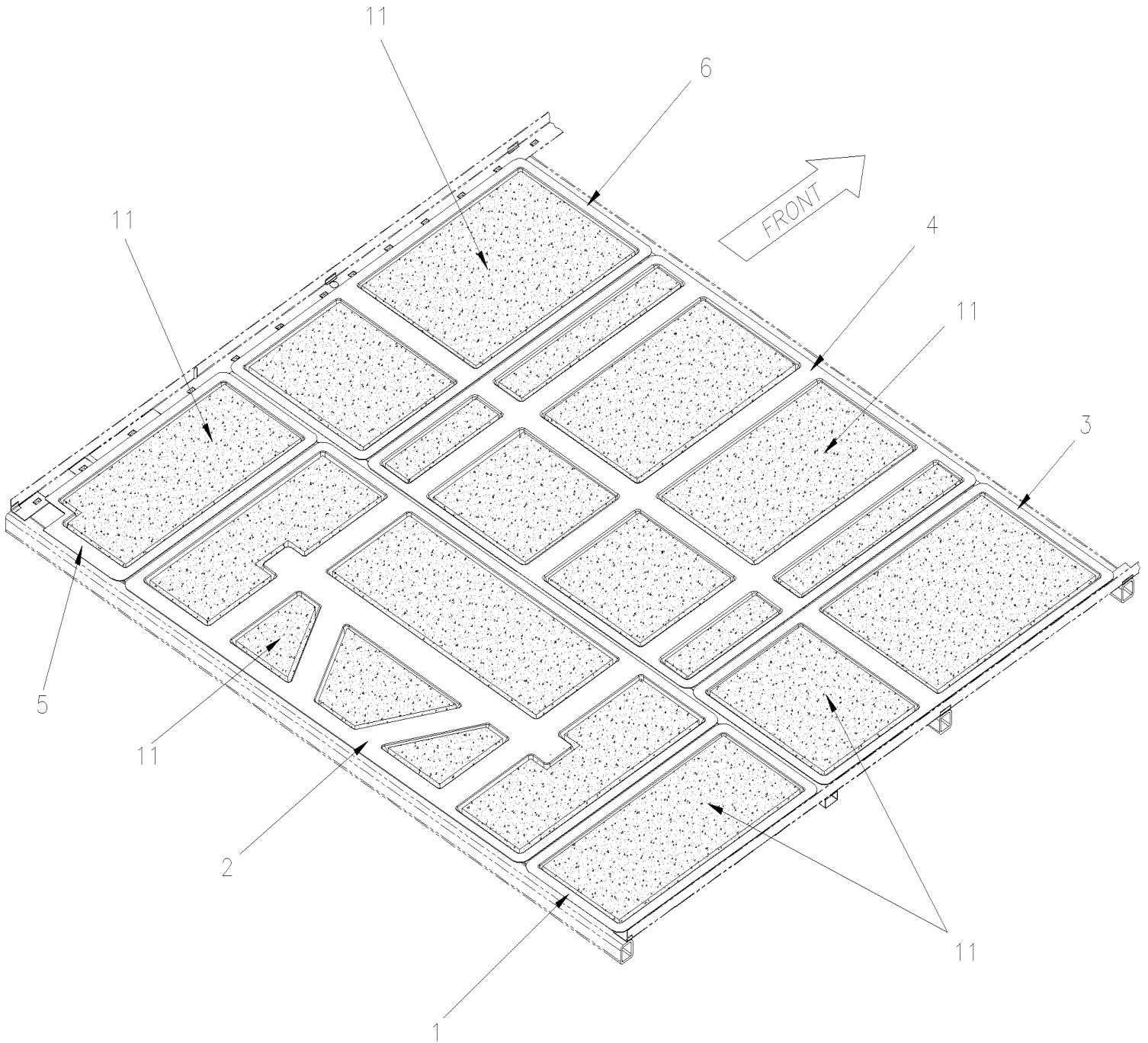


From E-5490 To H-6179

Date:07/2024

PAGE:X3VIP-1839-10

INSULATING FLOOR REAR AXLE





From E-5490 To H-6179	Date:07/2024	PAGE:X3VIP-1839-10
-----------------------	--------------	--------------------

INSULATING FLOOR REAR AXLE

Item#	Part	Description	X 3 V I P E N T	X 3 V I P M T H	N O T E S
1	3200852	INSULATING HOLDER	1	1	
2	3200875	INSULATING HOLDER	1	1	
3	3200854	INSULATING HOLDER	1	1	
4	3200857	INSULATING HOLDER	1	1	
5	3200853	INSULATING HOLDER	1	1	
6	3200876	INSULATING HOLDER	1	1	
11	356214	INSULATING KIT	1	1	
NS	329069	. INSULATING PAD 48" X 48" / CUT TO FIT	AR	AR	

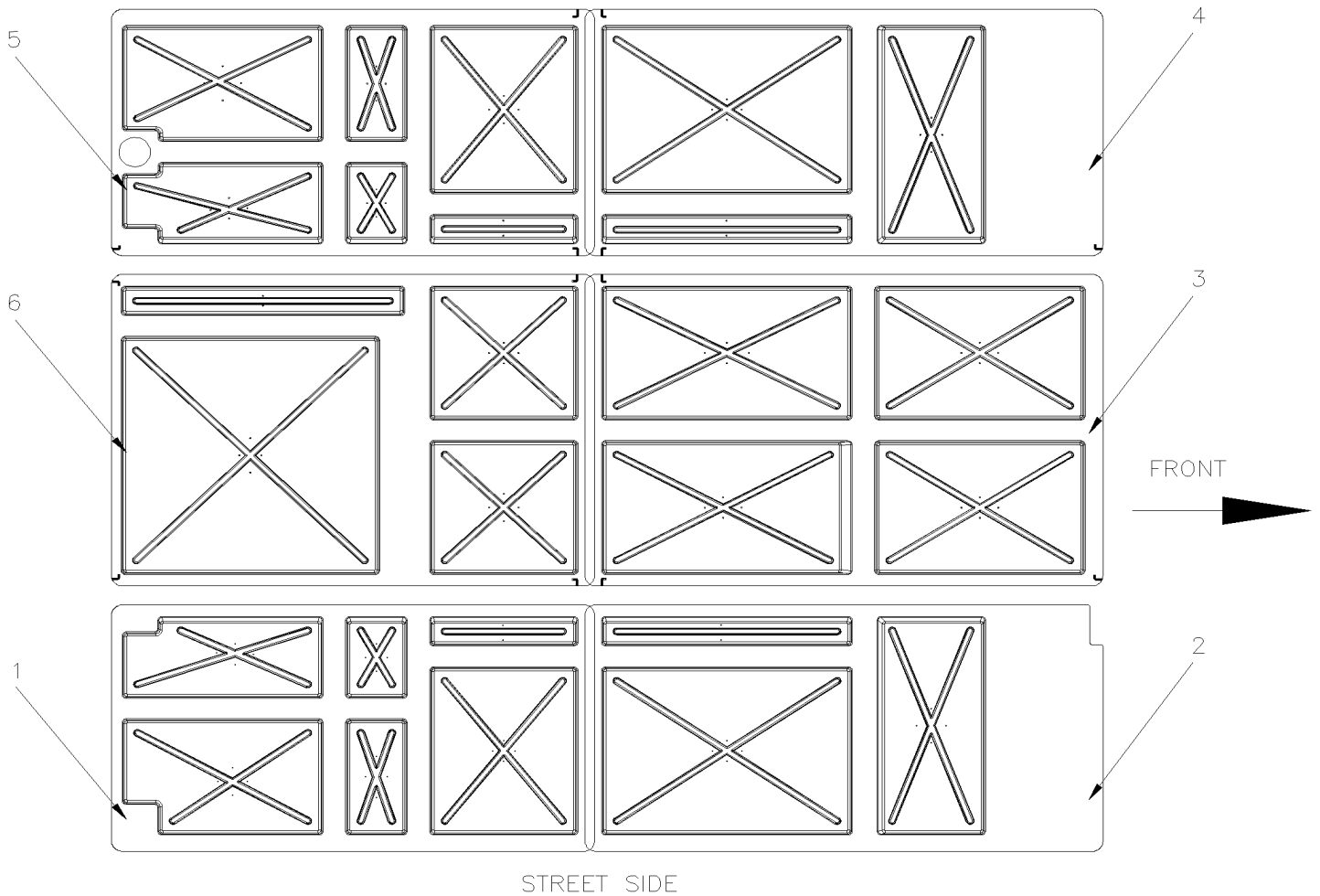
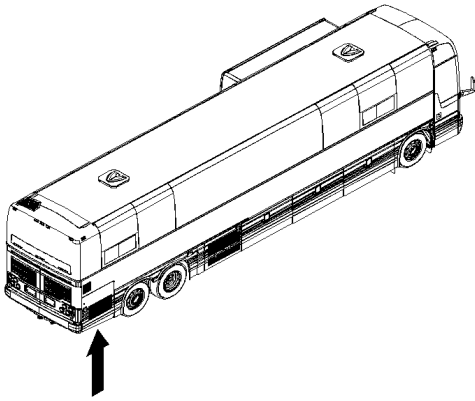


From H-6180

Date:07/2024

PAGE:X3VIP-1839-11

INSULATING FLOOR REAR AXLE GHG17



FOR SERVICE: ISOLATION KIT NOT SOLD SEPARATELY, ASK PART NUMBER 352884

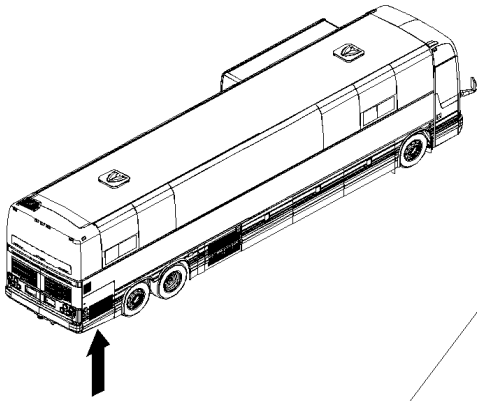


From H-6180

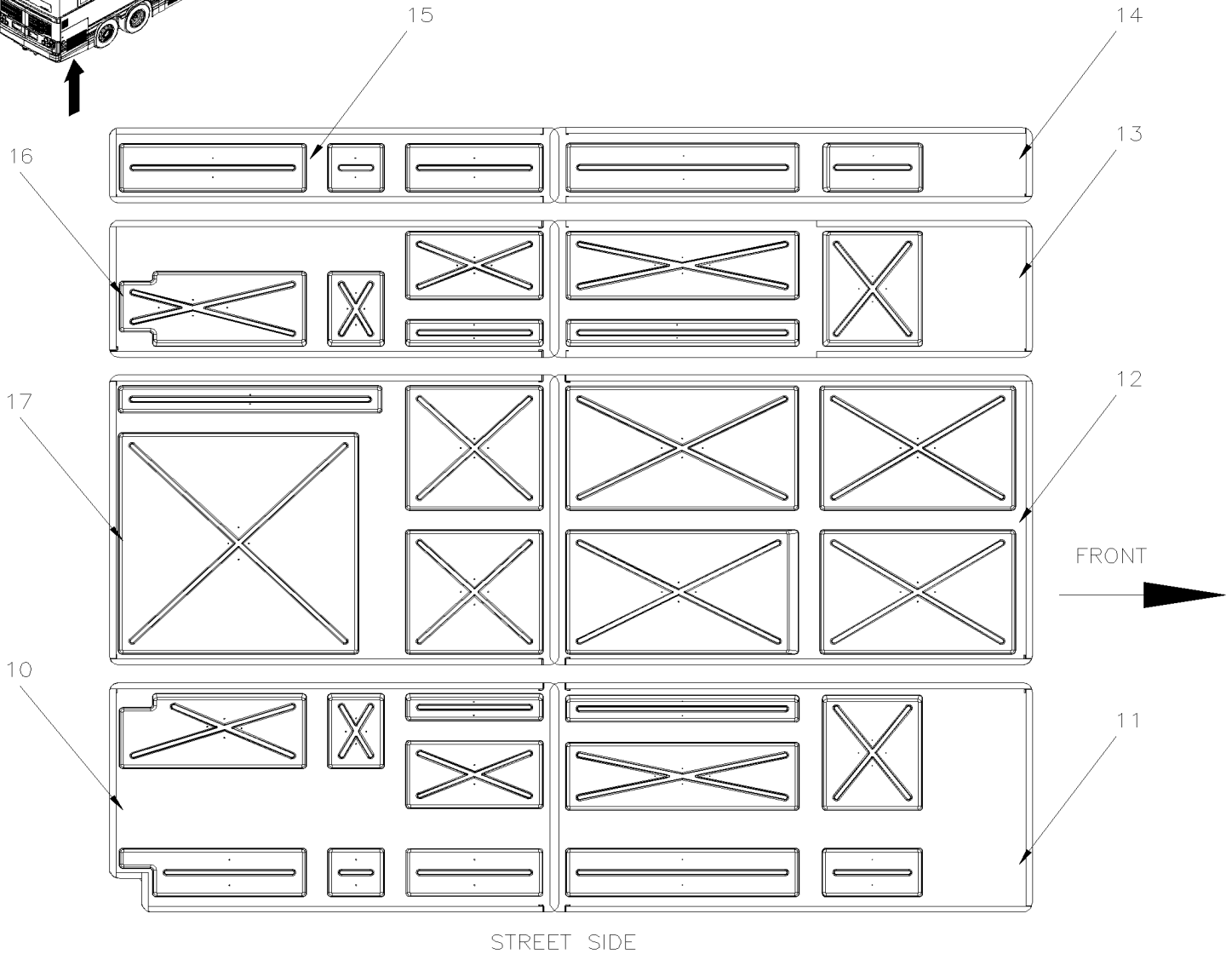
Date:07/2024

PAGE:X3VIP-1839-11

INSULATING FLOOR REAR AXLE GHG17



INSULATION REAR SUBFRAME WE



FOR SERVICE: ISOLATION KIT NOT SOLD SEPARATELY, ASK PART NUMBER 353137

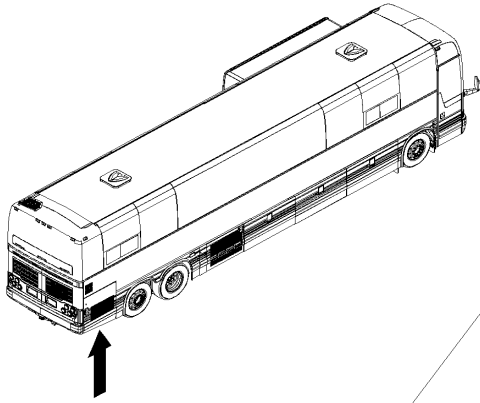


From H-6180

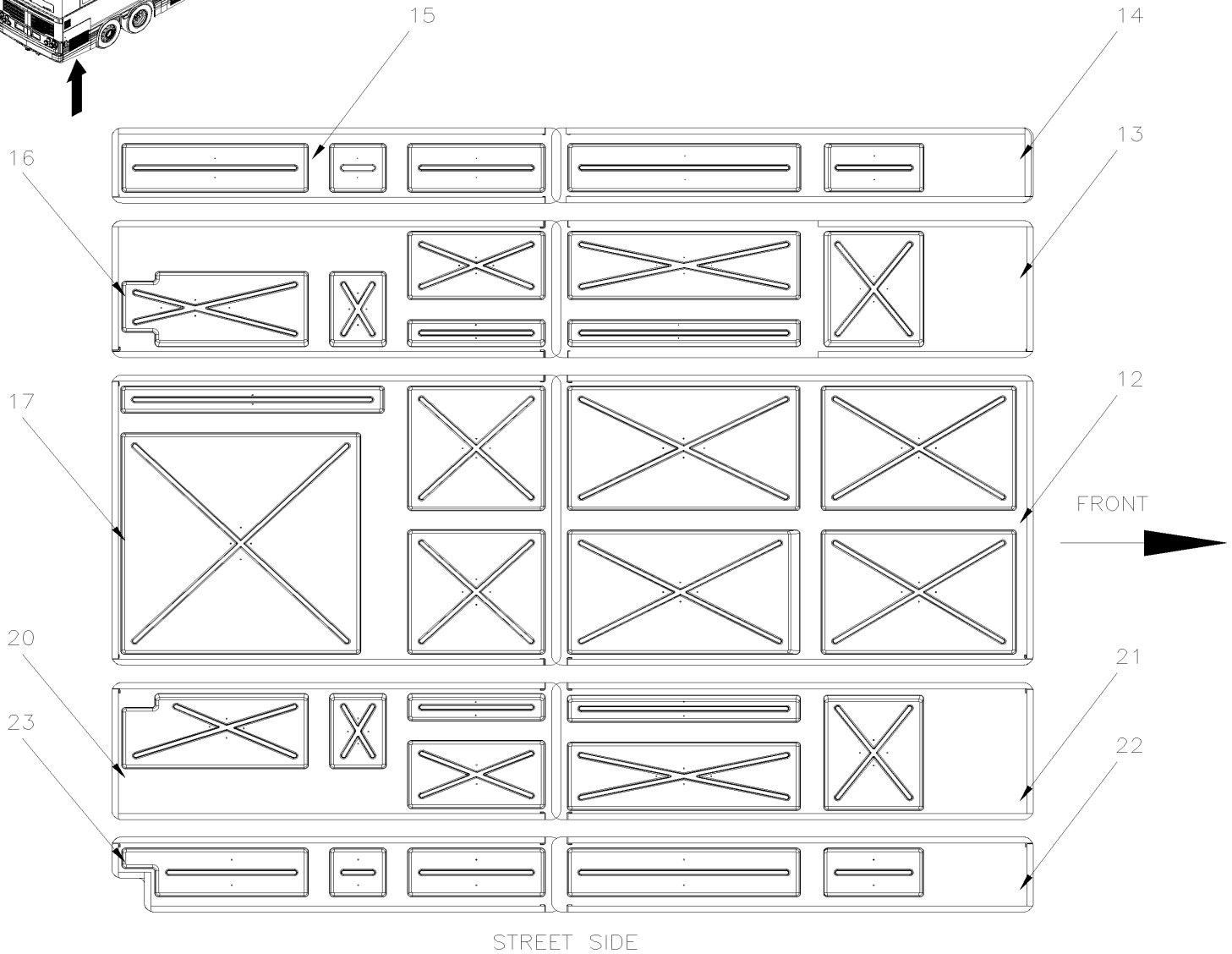
Date:07/2024

PAGE:X3VIP-1839-11

INSULATING FLOOR REAR AXLE GHG17



INSULATION REAR SUBFRAME WE
FROM K-6440



FOR SERVICE: ISOLATION KIT NOT SOLD SEPARATELY, ASK PART NUMBER 353137



From H-6180	Date:07/2024	PAGE:X3VIP-1839-11
INSULATING FLOOR REAR AXLE GHG17		

Item#	Part	Description	X 3 V I P E N T	X 3 V I P M T H	N O T E S
		FOR REPLACEMENT INSULATING PAD KIT PLEASE ASK FOR PART NUMBER 352884			
1	3201604	INSULATING HOLDER		1	
2	3200876	INSULATING HOLDER	1	1	
3	3200857	INSULATING HOLDER	1	1	
4	3200854	INSULATING HOLDER	1	1	
5	3200853	INSULATING HOLDER	1	1	
6	3201547	INSULATING HOLDER	1	1	
NS	352884	REAR FRAME INSULATION PANELS KIT	1	1	
NS	680092	SEALANT TAPE BUTYL / GREY / 1/16"x3/4x50' / 71011V1760		AR	
10	3201550	INSULATING HOLDER To K-6439	1		
11	3201546	INSULATING HOLDER To K-6439	1		
12	3200857	INSULATING HOLDER	1		
13	3200868	INSULATING HOLDER	1		
14	3200869	INSULATING HOLDER	1		
15	3200867	INSULATING HOLDER	1		
16	3200866	INSULATING HOLDER # 302	1		
17	3201547	INSULATING HOLDER	1		
20	3210736	INSULATING HOLDER From K-6440	1		
21	3210734	INSULATING HOLDER From K-6440	1		
22	3210739	INSULATING HOLDER From K-6440	1		
23	3210743	INSULATING HOLDER From K-6440	1		

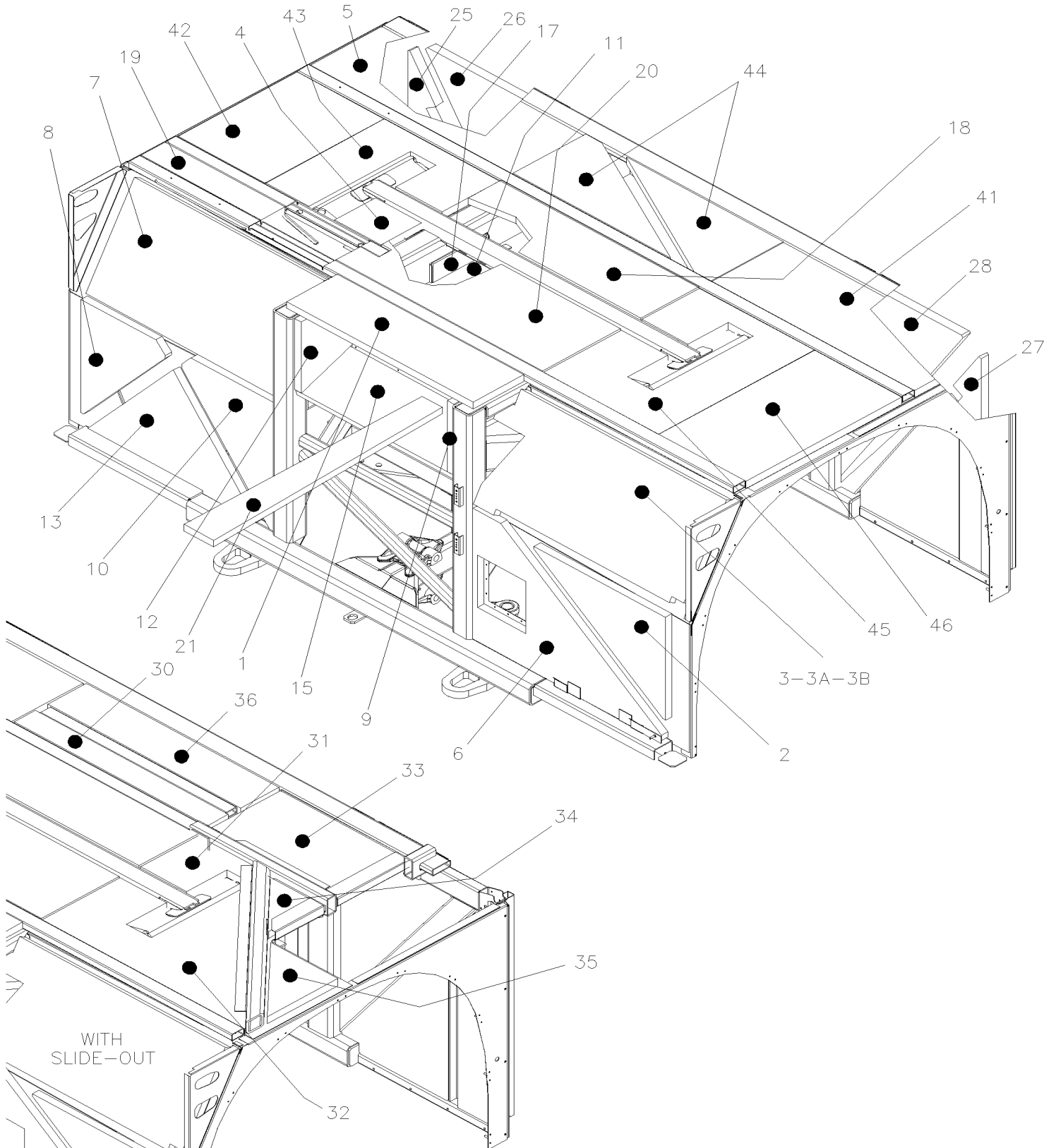


From E-5490

Date:07/2024

PAGE:X3VIP-1839-15

INSULATING FRONT - SUBFRAME





From E-5490		Date:07/2024	PAGE:X3VIP-1839-15
--------------------	--	---------------------	---------------------------

INSULATING FRONT - SUBFRAME

Item#	Part	Description	X 3 V I P E N T	X 3 V I P M T H	N O T E S
1	326577	INSULATING PAD NOISE 1"	1	1	
2	356133	INSULATING PAD 1" 1/16	1	1	
3	356131	INSULATING PAD 1" 1/16 To K-6346	1	1	
3A	353423	INSULATING PAD 1" 1/16 From K-6347	1	1	
3B	353424	INSULATING PAD 1" 1/16 From K-6347	1	1	
4	3200665	INSULATING PAD 1" 1/16 To F-5759	1	1	
4	3201195	INSULATING PAD 1"1/16 From F-5760	1	1	
5	326511	INSULATING PAD 1" 1/16	1	1	
6	356132	INSULATING PAD 1" 1/16 To H-6120	1	1	
6	353090	INSULATING PAD From H-6121	1	1	
7	357391	INSULATING PAD 1" 1/16	1	1	
8	356134	INSULATING PAD 1" 1/16	1	1	
9	3200656	INSULATING PAD NOISE 1" To F-5759	1	1	
9	3201198	INSULATING PAD NOISE 1" From F-5760	1	1	
10	356274	INSULATING PAD 1" 1/16	1	1	
11	3200655	INSULATING PAD 1"1/16	1	1	
12	3200657	INSULATING PAD NOISE 1" To F-5759	1	1	
12	3201199	INSULATING PAD NOISE 1" From F-5760	1	1	
13	357379	INSULATING PAD 1" 1/16	1	1	
15	326520	INSULATING PAD 1"1/16	1	1	
NS	680397	CONTACT GLUE / AEROSOL 17oz	AR	AR	
17	3200661	INSULATING PAD 5/16" To F-5759	2	2	
18	3200663	INSULATING PAD NOISE 1"	1	1	
19	3200660	INSULATING PAD 1"1/16 To H-6166	1	1	
19	3201552	INSULATING PAD 1"1/16 From H-6167	1	1	
19	3200697	INSULATING PAD 1"1/16	1	1	A
20	3200662	INSULATING PAD NOISE 1"	1	1	
21	326529	INSULATING	1	1	
25	352585	INSULATING To E-5589	1	1	
25	356276	INSULATING From E-5590	1	1	
26	352586	INSULATING To E-5589	1	1	
26	356275	INSULATING From E-5590	1	1	
27	356277	INSULATING	1	1	
27	356279	INSULATING	1	1	S
28	356278	INSULATING	1	1	
28	352590	INSULATING	1	1	S
NS	680532	SEALANT SIKA #221 / GREY / 310ml CARTRIDGE	3	3	
30	329186	INSULATING PAD 1"1/16	1	1	S
31	3200670	INSULATING PAD 1"1/16	1	1	S
32	3200669	INSULATING PAD 1"1/16	1	1	S
33	329183	INSULATING PAD 1"1/16	1	1	S
34	329184	INSULATING PAD 1"1/16	1	1	S



From E-5490		Date:07/2024	PAGE:X3VIP-1839-15		
INSULATING FRONT - SUBFRAME					
Item#	Part	Description	X 3 V I P E N T	X 3 V I P M T H	N O T E S
35	329185	INSULATING PAD 1"1/16	1	1	S
35	3200695	INSULATING PAD 1"1/16	1	1	A
36	329187	INSULATING PAD 1"1/16	1	1	S
41	326511	INSULATING PAD 1" 1/16	1	1	
42	3200658	INSULATING PAD 1"1/16	1	1	
42	3200698	INSULATING PAD 1"1/16	1	1	A
43	3200659	INSULATING PAD 1"1/16	1	1	
43	3200696	INSULATING PAD 1"1/16	1	1	A
44	325023	INSULATING PAD NOISE 1"	2	2	
45	3200664	INSULATING PAD 1"1/16	1	1	
46	326525	INSULATING	1	1	
NS	682484	TAPE ALUMINUM ADH1 .005" x 3" x 300' ALUMINUM FSK3"	AR	AR	
NS	850026	INSULATING PAD NOISE ADH1 1" x 54" x 50"	AR	AR	
NS	850061	SOUND INSULATION 1"1/16X36X54	AR	AR	
		A) WITH TWO BEAM WITHOUT SLIDE-OUT			
		S) WITH SLIDE OUT			

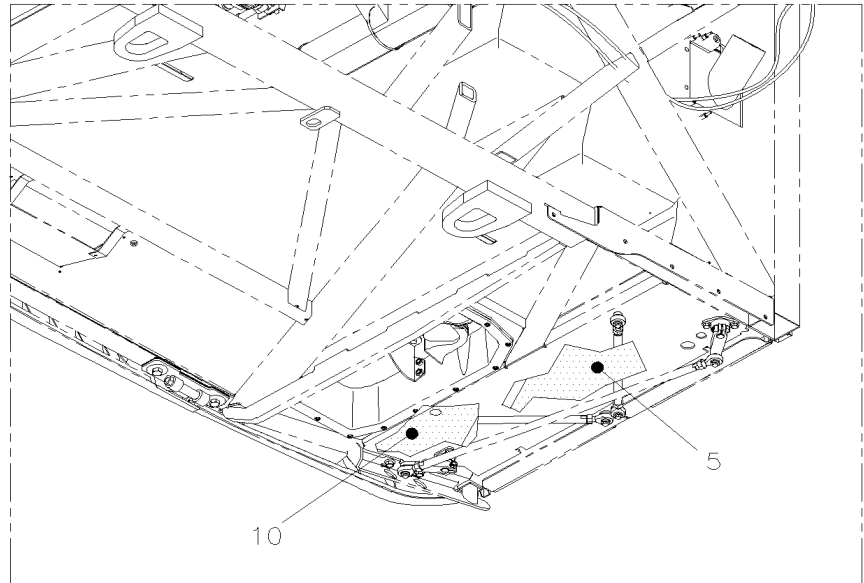
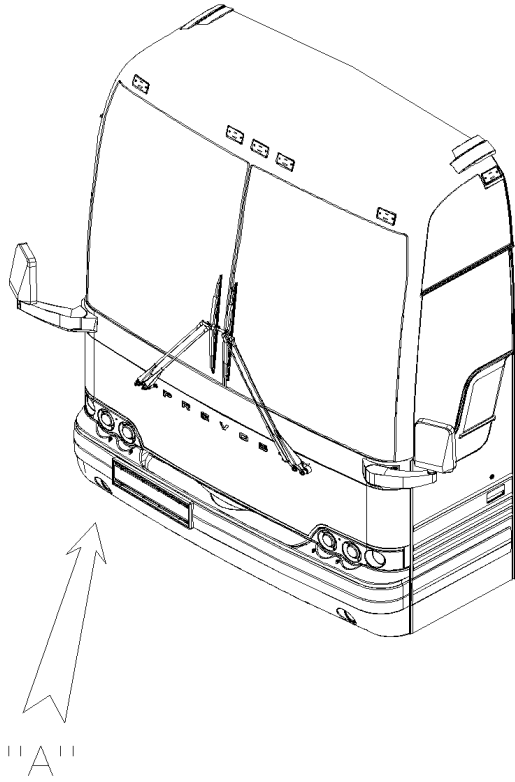


From E-5760

Date:07/2024

PAGE:X3VIP-1839-20

INSULATING STAIRWELL



VIEW "A"



From E-5760	Date:07/2024	PAGE:X3VIP-1839-20
INSULATING STAIRWELL		

Item#	Part	Description	X 3 V I P E N T	X 3 V I P M T H	N O T E S
5	356304	INSULATING PANEL / BACKWARD / UNDER STEPWELL	1	1	
10	356305	INSULATING PANEL / FORWARD / UNDER STEPWELL	1	1	
20	683084	SEALANT SIKA #221 / GREY / 600 ml SAUSAGE	AR	AR	

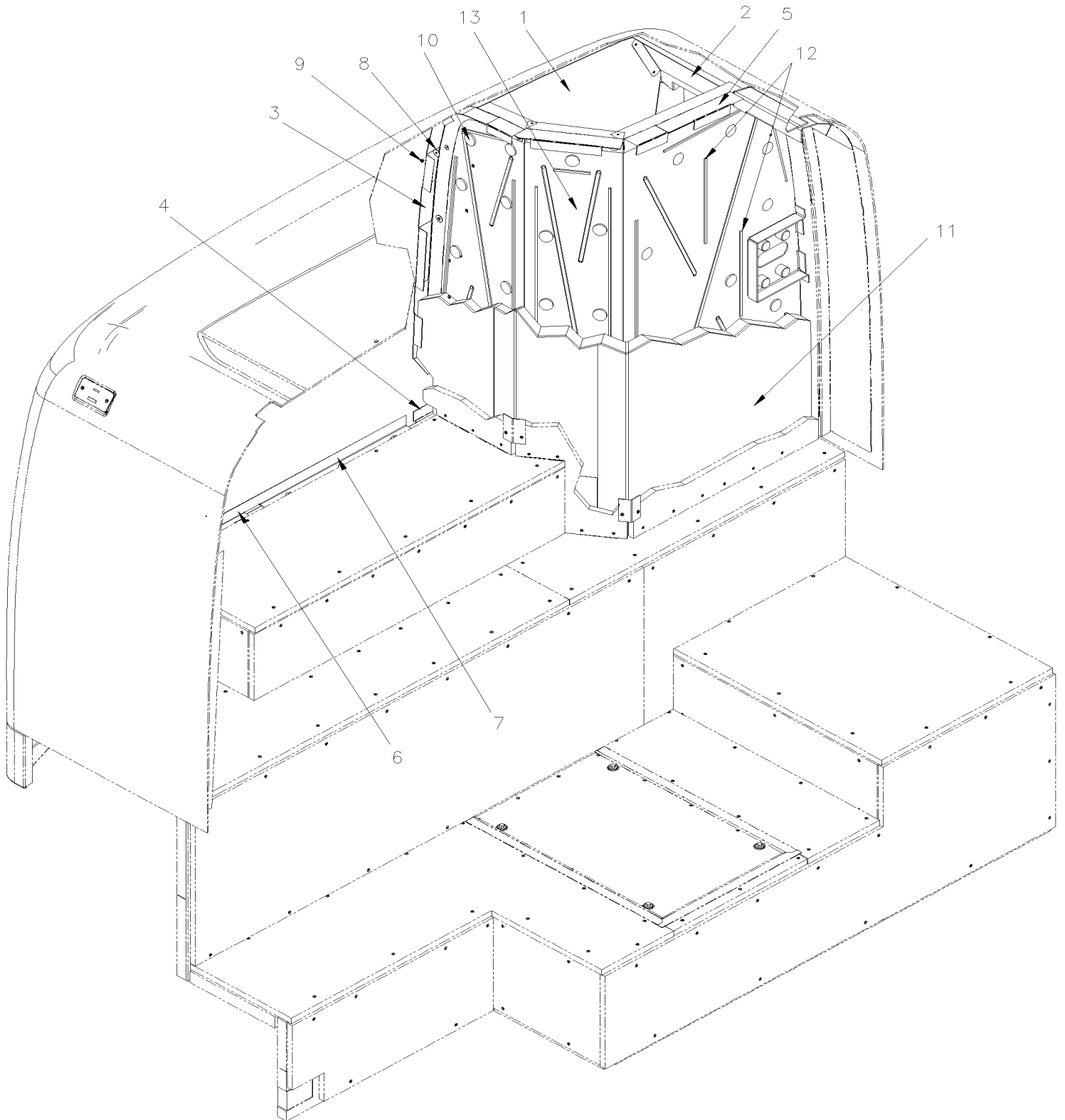


From E-5490 To K-6491

Date:07/2024

PAGE:X3VIP-1839-25

INSULATING - REAR SCR FILTER





From E-5490 To K-6491	Date:07/2024	PAGE:X3VIP-1839-25
-----------------------	--------------	--------------------

INSULATING - REAR SCR FILTER

Item#	Part	Description	X 3 V I P E N T	X 3 V I P M T H	N O T E S
1	352245	PANEL FIRE WALL	1	1	
2	352246	PANEL FIRE WALL	1	1	
3	356126	ANGLE RETAINER	1	1	
4	356127	ANGLE RETAINER	1	1	
5	356128	ANGLE RETAINER	1	1	
6	356129	ANGLE RETAINER	1	1	
7	356130	ANGLE RETAINER	1	1	
8	500989	WASHER FL .219x.875x.062 Z050	AR	AR	
9	504488	RIVET MGLP PRDG 3/16x17/64 SS	AR	AR	
10	684517	ADHESIVE SIMSON #ISR 70-03 / GREY / 310ml CARTRIDGE	AR	AR	
11	356122	KIT REAR END INSULATING SCR SECTION	1	1	
12	507000	TAPE RUB ADH2 POL 3/16" x 1/4" x 50' / BLACK V2206	AR	AR	
13	261249	WALL SHEET PANEL	1	1	



From E-5490 To K-6491	Date:07/2024	PAGE:X3VIP-1839-30
INSULATING ROOF PANELS		

OPTIONS: 98 WITH ESCAPE HATCH, 96 WITHOUT

1	1	1	1	1	2	3	2	1	1	1						
95	91	97	93	91	91	91	91	91	91	91	91	91	93	97	91	95
94	90		92	90	90	90	90	90	90	90	90	90	92		90	94
95	91	97	93	91	91	91	91	91	91	91	91	91	93	97	91	95
1	1	1	1	1	1	1	1	1	1	1	1	1	1	1	1	1

103-100 102 100

← FRONT

BUS & MTH 45

OPTIONS: 98 WITH ESCAPE HATCH, 96 WITHOUT

1	1	1	1	1	1	1	1	1	1						
95	91	97	93	91	91	91	91	91	91	91	91	93	97	91	95
94	90		92	90	90	90	90	90	90	90	90	92		90	94
95	91	97	93	91	91	91	91	91	91	91	91	93	97	91	95
1	1	1	1	1	1	1	1	1	1	1	1	1	1	1	1

← FRONT

BUS & MTH 40



From E-5490 To K-6491	Date:07/2024	PAGE:X3VIP-1839-30
INSULATING ROOF PANELS		

Item#	Part	Description	X 3 V I P E N T	X 3 V I P M T H	N O T E S
	350794	KIT ROOF INSULATING PANEL	1	1	
	354333	KIT ROOF INSULATING PANEL	1	1	
	351321	KIT ROOF SIDE INSULATING PANEL	1	1	
	356179	KIT ROOF INSILATING PANEL / W/SLIDE OUT		1	
	354341	KIT ROOF INSILATING PANEL / W/SLIDE OUT		1	
1	351316	. INSULATING PANEL	17	17	
2	351317	. INSULATING PANEL	2	2	
3	351319	. INSULATING PANEL	1	1	
90	350713	. INSULATING PANEL	12	12	
91	350714	. INSULATING PANEL	24	24	
92	350715	. INSULATING PANEL	2	2	
93	350716	. INSULATING PANEL	4	4	
94	350717	. INSULATING PANEL	2	2	
95	350719	. INSULATING PANEL	4	4	
96	350725	. INSULATING PANEL	2	2	
97	350734	. INSULATING PANEL	4	4	
100	356180	. INSULATING PANEL / W/SLIDE OUT LARGE From D-5300		1	
102	351337	. INSULATING PANEL / W/SLIDE OUT		1	
103	351365	. INSULATING PANEL / W/SLIDE OUT		1	

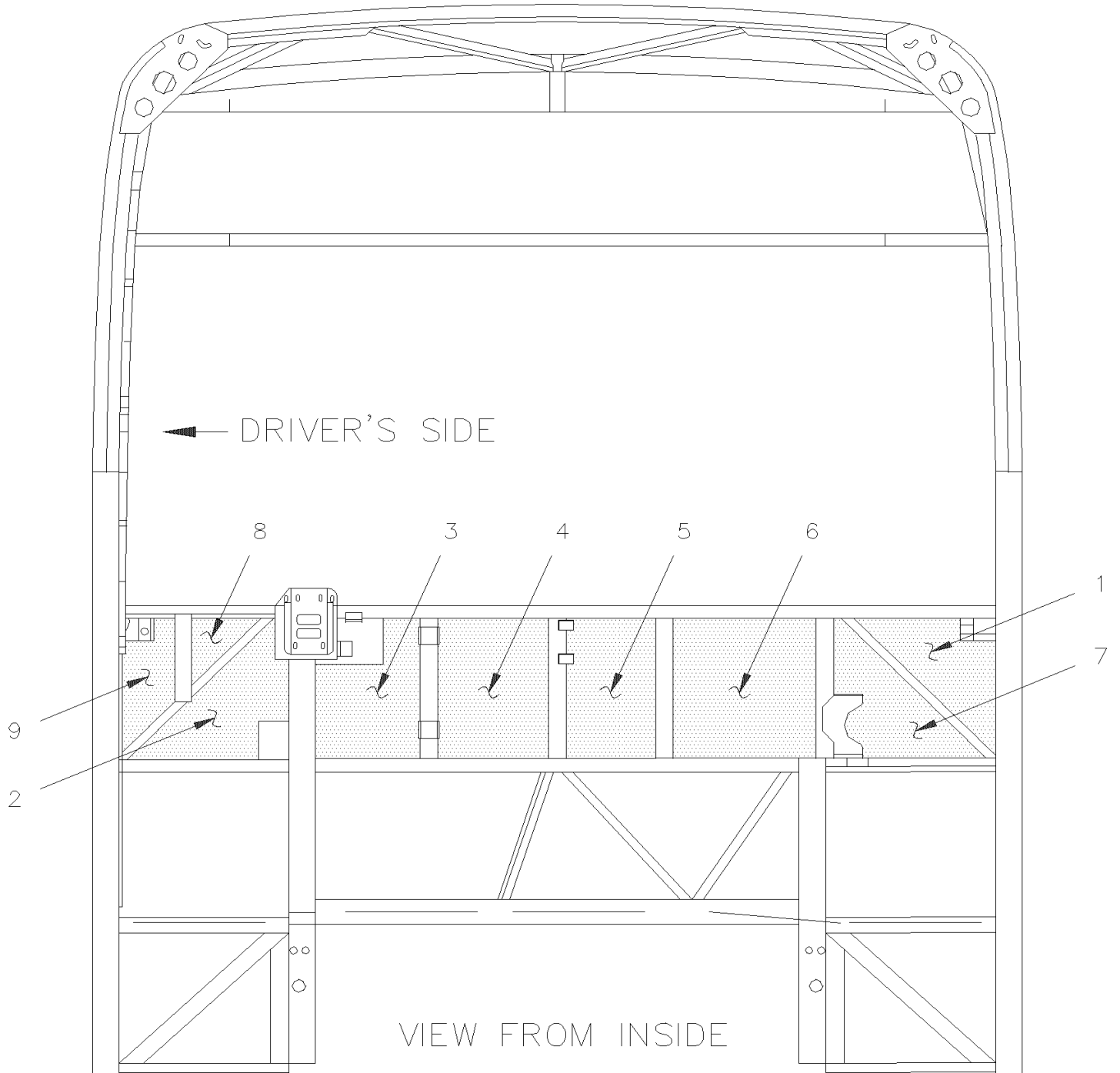


From E-5490

Date:07/2024

PAGE:X3VIP-1839-55

INSULATING FRONT - MTH



MTH



From E-5490	Date:07/2024	PAGE:X3VIP-1839-55
-------------	--------------	--------------------

INSULATING FRONT - MTH

Item#	Part	Description	X 3 V I P E N T	X 3 V I P M T H	N O T E S
1	350962	INSULATING PANEL MTH 86"	1	1	
1	351050	INSULATING PANEL MTH 89"	1		
2	350963	INSULATING PANEL MTH 86"	1	1	
2	351051	INSULATING PANEL MTH 89"	1		
3	350964	INSULATING PANEL MTH 86"	1	1	
3	351052	INSULATING PANEL MTH 89"	1		
4	350965	INSULATING PANEL MTH 86"	1	1	
4	351053	INSULATING PANEL MTH 89"	1		
5	350966	INSULATING PANEL MTH 86"	1	1	
5	351054	INSULATING PANEL MTH 89"	1		
6	350967	INSULATING PANEL MTH 86"	1	1	
6	351055	INSULATING PANEL MTH 89"	1		
7	350968	INSULATING PANEL MTH 86"	1	1	
7	351056	INSULATING PANEL MTH 89"	1		
8	350969	INSULATING PANEL MTH 86"	1	1	
8	351058	INSULATING PANEL MTH 89"	1		
9	350970	INSULATING PANEL MTH 86"	1	1	
9	351057	INSULATING PANEL MTH 89"	1		
NS	680397	CONTACT GLUE / AEROSOL 17oz	AR	AR	
9	850032	INSULATION PAD NOISE 1" x 48" x 35' / ARMAFLEX POLYURETHANE FOAM	AR	AR	

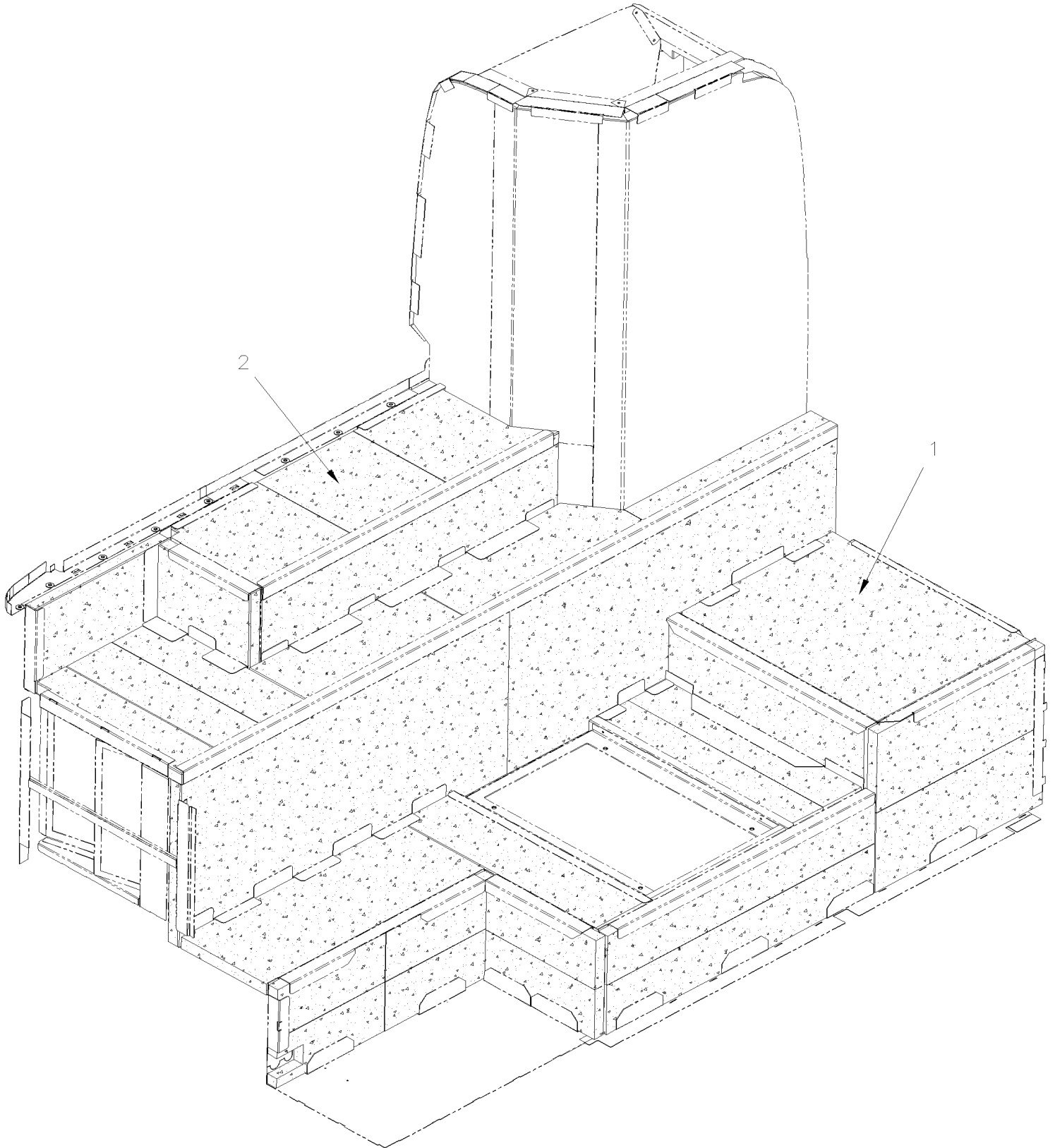


From E-5490 To K-6491

Date:07/2024

PAGE:X3VIP-1839-70

INSULATING REAR END INSIDE OVER ENGINE





From E-5490 To K-6491	Date:07/2024	PAGE:X3VIP-1839-70
INSULATING REAR END INSIDE OVER ENGINE		

Item#	Part	Description	X 3 V I P E N T	X 3 V I P M T H	N O T E S
1	352605	KIT REAR END INSULATING BOTTOM To H-6179	1	1	
. NS	850079	. INSULATING PAD NOISE ADH1 1 5/8" x 36" x 48" To H-6179	AR	AR	
. NS	850055	. INSULATING AC AD1 URE FOAM 3/4"x36"x54 To H-6179	AR	AR	
1	353040	KIT REAR END INSULATING BOTTOM From H-6180 To K-6401	1	1	
1	353559	KIT REAR END INSULATING BOTTOM From K-6402 To K-6491	1	1	
2	3200251	KIT REAR END INSULATING MIDDLE To H-6179	1	1	
2	353070	KIT REAR END INSULATING MIDDLE From H-6180 To K-6491	1	1	
2	353888	KIT REAR END INSULATING From L-6492	1	1	
2	353573	KIT REAR END INSULATING From L-6492	1	1	
NS	682484	TAPE ALUMINUM ADH1 .005" x 3" x 300' ALUMINUM FSK3"	AR	AR	

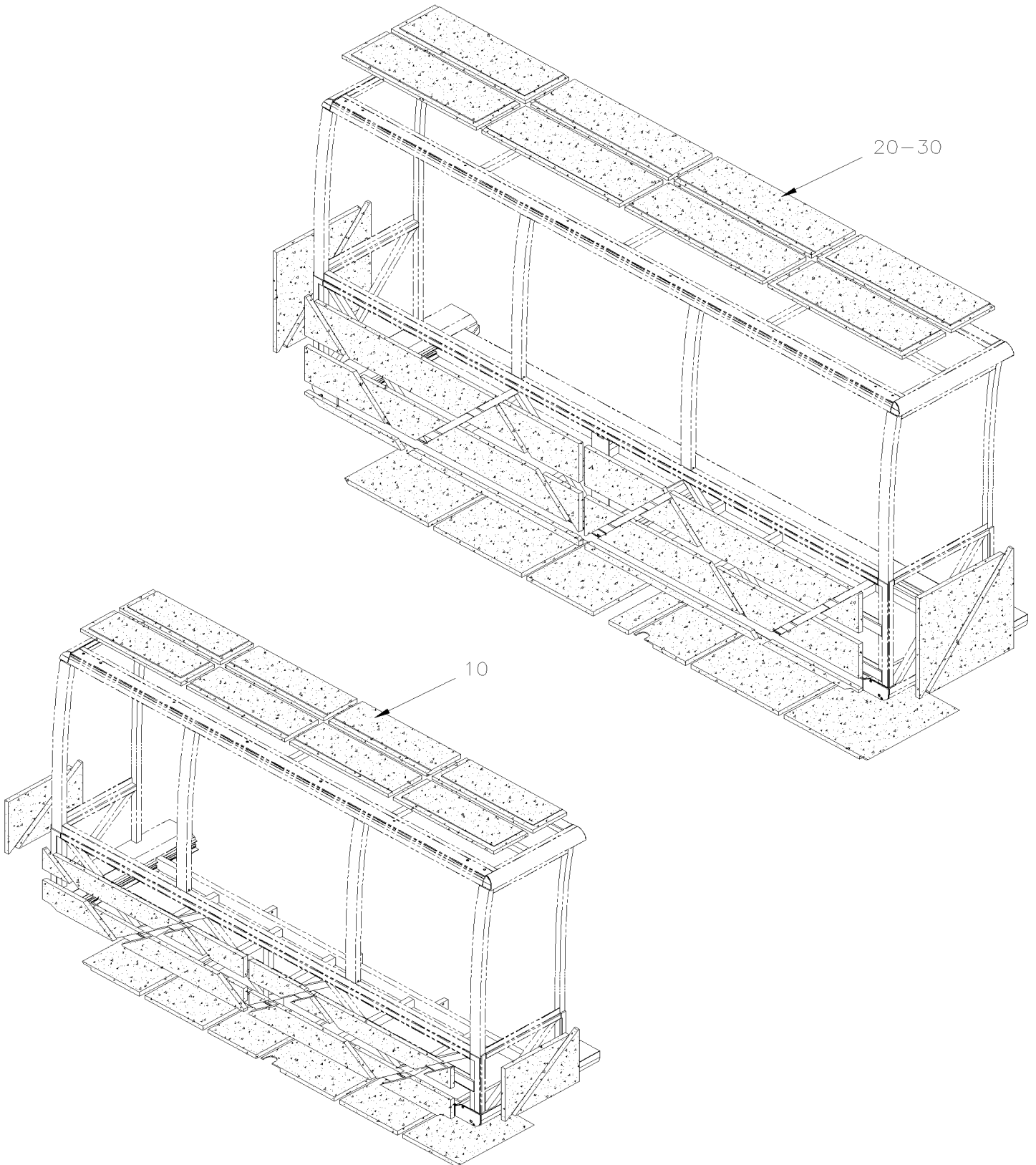


From E-5490

Date:07/2024

PAGE:X3VIP-1839-90

INSULATING - "SLIDE-OUT"





From E-5490		Date:07/2024	PAGE:X3VIP-1839-90
INSULATING - "SLIDE-OUT"			

Item#	Part	Description	X 3 V I P E N T	X 3 V I P M T H	N O T E S
10	Call order desk	FRONT S/O INSULATION KIT To K-6491		1	P
10	Call order desk	FRONT S/O INSULATION KIT From L-6492		1	P
20	Call order desk	REAR S/O INSULATION KIT To K-6491		1	P 7.5
20	Call order desk	REAR S/O INSULATION KIT From L-6492		1	P 7.5
20	Call order desk	REAR S/O INSULATION KIT To K-6491		1	P 10
20	Call order desk	REAR S/O INSULATION KIT From L-6492		1	P 10
30	Call order desk	FRONT S/O INSULATION KIT To H-6166	1		P
30	Call order desk	FRONT S/O INSULATION KIT From H-6167 To K-6439	1		P
30	Call order desk	FRONT S/O INSULATION KIT From K-6440 To K-6491	1		P
30	Call order desk	FRONT S/O INSULATION KIT From L-6492	1		P
30	Call order desk	FRONT S/O INSULATION KIT (BELT LOCATION) From K-6440 To K-6491	1		P
30	Call order desk	FRONT S/O INSULATION KIT (BELT LOCATION) From L-6492	1		P
NS	683084	SEALANT SIKA #221 / GREY / 600 ml SAUSAGE	AR	AR	
NS	684196	PRIMER ELASTOCOL # 593	AR	AR	
41	850095	WHITE WALL COVERING ADHESIVE / 32 1/4" X 300" To K-6491	AR	AR	
41	850089	WHITE WALL COVERING ADHESIVE / 32 1/4" X 455" From L-6492	1	1	
41	850102	WHITE WALL COVERING ADHESIVE / 25" x 360" From L-6492	1	1	
41	680415	TAPE ADHESIVE 3" WIDE BLUE	AR	AR	
		10) WITH 10' SLIDE OUT			
		7.5) WITH 7.5' SLIDE OUT			
		P) CALL ORDER DESK FOR SPECIFIC APPLICATION (V.I.N.)			



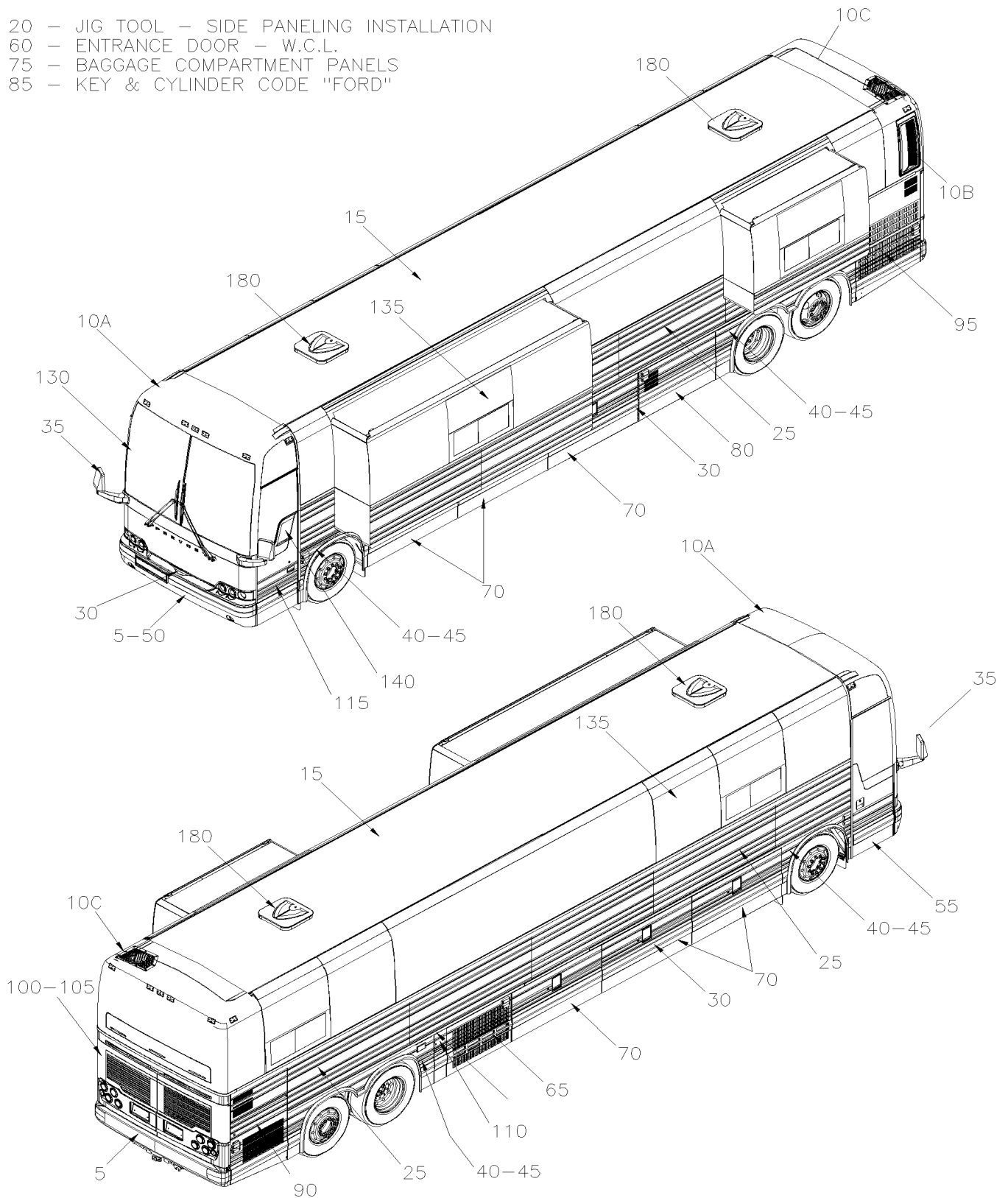
From E-5490

Date:07/2024

PAGE:X3VIP-18-EXT

BODY EXTERIOR

- 20 - JIG TOOL - SIDE PANELING INSTALLATION
- 60 - ENTRANCE DOOR - W.C.L.
- 75 - BAGGAGE COMPARTMENT PANELS
- 85 - KEY & CYLINDER CODE "FORD"





From E-5490		Date:07/2024	PAGE:X3VIP-18-EXT
BODY EXTERIOR			

Item#	Part	Description	X 3 V I P E N T	X 3 V I P M T H	N O T E S
5	X3VIP-1850-00	BUMPER FRONT From E-5490 To K-6491			
5	X3VIP-1850-01	BUMPER FRONT From L-6492			
5	X3VIP-1850-30	BUMPER FRONT From K-6454 To K-6491			B
5	X3VIP-1850-31	BUMPER FRONT From L-6492			B
5	X3VIP-1850-10	BUMPER REAR From E-5490			
10A	X3VIP-1851-00	FRONT CAP - INSTALLATION From E-5490 To K-6491			
10A	X3VIP-1851-01	FRONT CAP - INSTALLATION From L-6492			
10B	X3VIP-1851-05	REAR CAP - DOOR DPF & SCR From E-5490 To K-6491			
10B	X3VIP-1851-06	REAR CAP - DOOR DPF & SCR From L-6492			
10C	X3VIP-1851-20	REAR CAP - INSTALLATION From E-5490 To K-6491			
10C	X3VIP-1851-21	REAR CAP - INSTALLATION From L-6492			
15	X3VIP-1852-00	ROOF PANEL From E-5490 To K-6491			
15	X3VIP-1852-01	ROOF PANEL From L-6492			
25	X3VIP-1854-00	SIDE PANELING From E-5490 To K-6491			
25	X3VIP-1854-01	SIDE PANELING From L-6492			
25	X3VIP-1854-50	UPPER FIBERGLASS SIDE PANELING BETWEEN SIDE WINDOW From E-5490 To K-6491			
25	X3VIP-1854-51	UPPER FIBERGLASS SIDE PANELING BETWEEN SIDE WINDOW From L-6492			
25	X3VIP-1854-90	SIDE PANELING - "SLIDE-OUT" From E-5490 To K-6491			
25	X3VIP-1854-91	SIDE PANELING - "SLIDE-OUT" From L-6492			
30	X3VIP-1855-00	RUB RAIL - EXTERIOR CREST & TRIMS From E-5490 To H-6092			
30	X3VIP-1855-01	RUB RAIL - EXTERIOR CREST & TRIMS From H-6093			
35	X3VIP-1856-10	"E-MIRROR" INSTALLATION From M-6645	1	1	
35	X3VIP-1856-23	MIRROR "RAMCO" FLAT GLASS / BLACK PAINTED From E-5490			
35	X3VIP-1856-24	MIRROR "RAMCO" FLAT GLASS / BLACK PAINTED WITH DIRECTIONAL From L-6492			
35	X3VIP-1856-50	MIRROR "RAMCO" FLAT GLASS / CHROME From E-5490			
35	X3VIP-1856-51	MIRROR "RAMCO" FLAT GLASS / CHROME WITH DIRECTIONAL From E-5490			
40	X3VIP-1857-00	FENDERS L.H. - W/FLAT PANELING SPECIAL REQUEST From J-6223			B
40	X3VIP-1857-51	FENDERS L.H. - W/FLUTED PANELLING From E-5490 To H-6179			
40	X3VIP-1857-52	FENDERS L.H. - W/FLUTED PANELLING VOLVO D13 - GHG17 From H-6180			
40	X3VIP-1857-05	FENDERS R.H. - W/FLAT PANELING SPECIAL REQUEST From J-6223			B
40	X3VIP-1857-56	FENDERS R.H. - W/FLUTED PANELLING From E-5490 To H-6179			
40	X3VIP-1857-57	FENDERS R.H. - W/FLUTED PANELLING VOLVO D13 - GHG17 From H-6180			
45	X3VIP-1859-00	SPLASH GUARD - FRONT & REAR From E-5490 To H-6179			
45	X3VIP-1859-01	SPLASH GUARD - FRONT & REAR VOLVO D13 - GHG17 From H-6180			
50	X3VIP-1860-10	SPARE WHEEL DOOR ASSY From E-5490			
50	X3VIP-1860-30	SPARE WHEEL DOOR ASSY From K-6454			B
55	X3VIP-1862-50	ENTRANCE DOOR ASSY From E-5490 To F-5874			
55	X3VIP-1862-51	ENTRANCE DOOR ASSY From F-5875 To K-6491			
55	X3VIP-1862-52	ENTRANCE DOOR ASSY From L-6492			
55	X3VIP-1862-60	ENTRANCE DOOR FRAME - INSTALLATION From E-5490			
60	X3VIP-1862-80	ENTRANCE DOOR SLIDING - WCL From J-6223			
61	X3VIP-1862-85	ENTRANCE DOOR SLIDING - INSTALLATION - W.C.L. From J-6223			



From E-5490		Date:07/2024	PAGE:X3VIP-18-EXT
BODY EXTERIOR			

Item#	Part	Description	X 3 V I P E N T	X 3 V I P M T H	N O T E S
65	X3VIP-1863-50	CONDENSOR DOOR ASSY WITH LARGE A/C SYSTEM From E-5490			
66	X3VIP-1863-55	CONDENSOR DOOR ASSY WITH SMALL A/C SYSTEM GHG17 From H-6180			
70	X3VIP-1864-01	BAGGAGE DOOR ASSY / 70" From E-5490			
70	X3VIP-1864-50	BAGGAGE DOOR W/HINGE STREET SIDE WITH SMALL A/C SYSTEM / 47 5/8" From E-5490 To H-6128			
70	X3VIP-1864-51	BAGGAGE DOOR W/HINGE STREET SIDE WITH SMALL A/C SYSTEM / 47 5/8" From H-6129			
70	X3VIP-1864-60	BAGGAGE DOOR W/HINGE CURBSIDE WITH SMALL A/C SYSTEM / 50 1/2" From E-5490 To H-6179			
70	X3VIP-1864-80	W.C.L. DOOR - BAGGAGE DOOR From J-6223 To K-6491			B
70	X3VIP-1864-90	BAGGAGE DOOR W/HINGE / 70" From E-5490			
75	X3VIP-1865-00	FLOOR BAGGAGE COMPARTMENT From E-5490			
75	X3VIP-1865-10	SEPARATOR PANEL - BAGGAGE COMPARTMENT From E-5490			
75	X3VIP-1865-21	EVAPORATOR & CONDENSOR WALL INSTALLATION From E-5490 To H-6179			
75	X3VIP-1865-22	EVAPORATOR & CONDENSOR WALL INSTALLATION GHG17 From H-6180			
80	X3VIP-1866-50	EVAPORATOR DOOR ASSY From E-5490 To H-6128			
80	X3VIP-1866-51	EVAPORATOR DOOR ASSY From H-6129			
85	X3VIP-1867-00	KEY & CYLINDER CODE From E-5490			
90	X3VIP-1868-00	A/C COMPRESSOR DOOR ASSY From E-5490 To E-5739			
90	X3VIP-1868-01	A/C COMPRESSOR DOOR ASSY From F-5740 To H-6179			
90	X3VIP-1868-02	A/C COMPRESSOR DOOR ASSY GHG 17 From H-6180 To L-6534			
90	X3VIP-1868-03	A/C COMPRESSOR DOOR ASSY From L-6535			
95	X3VIP-1869-55	RADIATOR DOOR ASSY From E-5490 To E-5739			
95	X3VIP-1869-56	RADIATOR DOOR ASSY From F-5740 To H-6179			
95	X3VIP-1869-57	RADIATOR DOOR ASSY VOLVO D13 - GHG17 From H-6180			
100	X3VIP-1870-00	ENGINE DOOR ASSY L.H. From E-5490 To E-5739			
100	X3VIP-1870-01	ENGINE DOOR ASSY From F-5740			
100	X3VIP-1870-05	ENGINE DOOR ASSY R.H. From E-5490			
105	X3VIP-1870-10	ENGINE DOOR ASSY - INSTALLATION From E-5490 To E-5739			
105	X3VIP-1870-11	ENGINE DOOR ASSY - INSTALLATION From F-5740			
107	X3VIP-1870-20	REAR ENGINE UPPER DOOR WITH "EPA 2010" From E-5490 To K-6491			
107	X3VIP-1870-21	REAR ENGINE UPPER DOOR From L-6492			
110	X3VIP-1875-00	FUEL TANK & UREA FILLING DOOR From E-5490			
115	X3VIP-1879-00	FRONT SERVICE DOOR ASSY From E-5490			
115	X3VIP-1879-10	FRONT SERVICE DOOR - INSTALLATION From E-5490			
130	X3VIP-1880-00	WINDSHIELD & CHANNEL From E-5490 To K-6491			
130	X3VIP-1880-01	WINDSHIELD & CHANNEL From L-6492			
135	X3VIP-1884-50	SIDE WINDOW From E-5490 To K-6491			
135	X3VIP-1884-51	SIDE WINDOW From L-6492	1	1	
135	X3VIP-1884-65	ELECTRICAL AWNING WINDOW ASSY From E-5490 To K-6491			
135	X3VIP-1884-66	ELECTRICAL AWNING WINDOW ASSY From L-6492	1	1	
135	X3VIP-1884-80	ELECTRICAL SLIDING WINDOW ASSY From E-5490 To K-6491			
135	X3VIP-1884-81	ELECTRICAL SLIDING WINDOW ASSY From L-6492	1	1	
135	X3VIP-1884-90	SIDE WINDOW - "SLIDE-OUT" From E-5490 To K-6491			
135	X3VIP-1884-91	SIDE WINDOW - "SLIDE-OUT" From L-6492			



From E-5490	Date:07/2024	PAGE:X3VIP-18-EXT
BODY EXTERIOR		

Item#	Part	Description	X 3 V I P E N T	X 3 V I P M T H	N O T E S
140	X3VIP-1886-00	POWER WINDOW - ELECTRICAL INSTALLATION From E-5490			
145	X3VIP-189X-XX	STRUCTURE / CALL ORDER DESK From E-5490			
180	X3VIP-1898-00	ESCAPE HATCH - INSTALLATION From E-5490			
		B) MOTORHOME WITH FLAT PANEL			

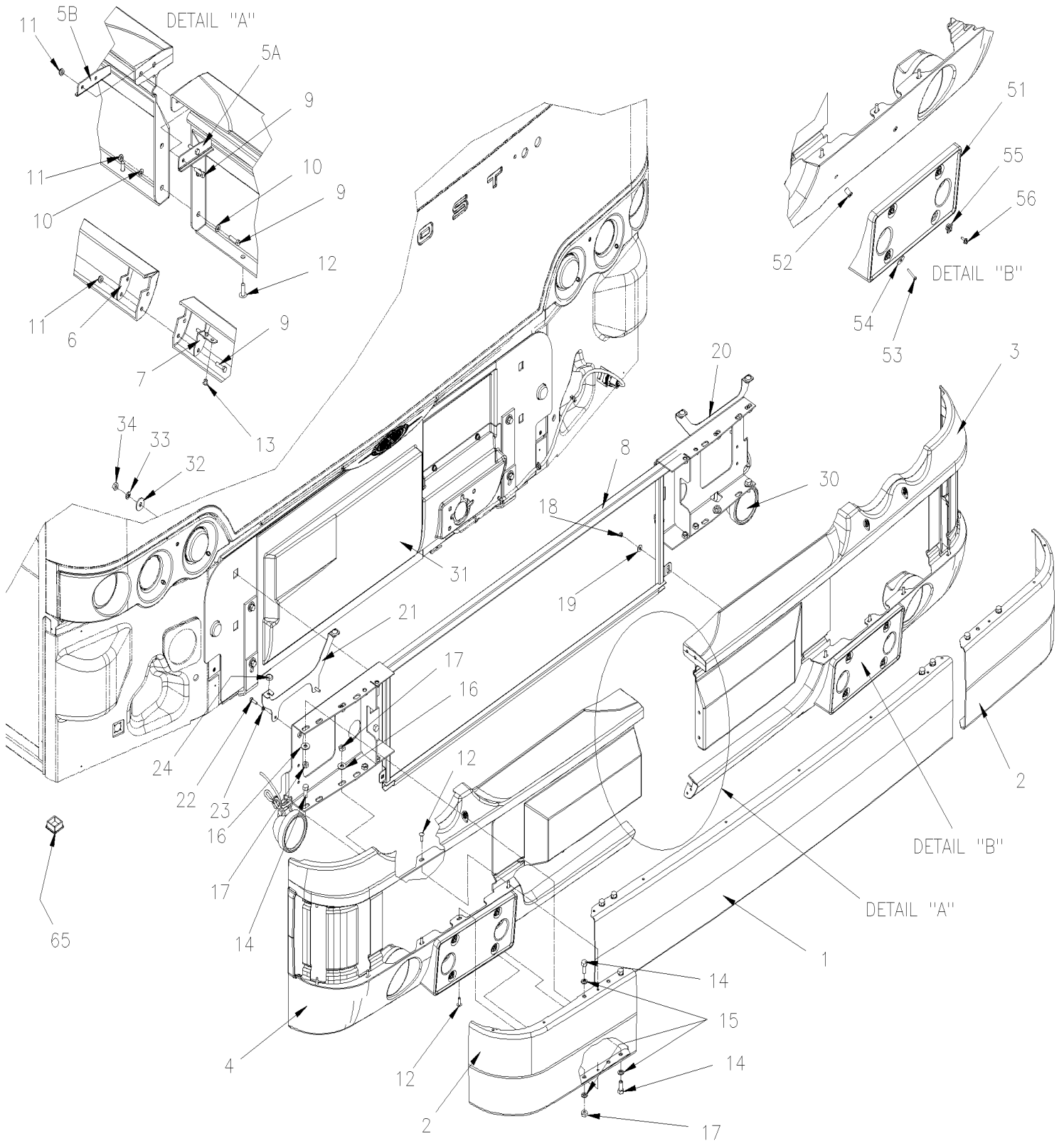


From E-5490 To K-6491

Date:07/2024

PAGE:X3VIP-1850-00

BUMPER FRONT





From E-5490 To K-6491	Date:07/2024	PAGE:X3VIP-1850-00
BUMPER FRONT		

Item#	Part	Description	X 3 V I P E N T	X 3 V I P M T H	N O T E S
	411063P	BUMPER ASSY W/FOG LAMP W/HEAD LAMP WASHER HOLE W/O "ACB" / B.A. To K-6442	1	1	
	411472	BUMPER ASSY W/FOG LAMP W/HEAD LAMP WASHER HOLE W/O "ACB" From K-6443	1	1	
	411430	BUMPER ASSY W/FOG LAMP W/HEAD LAMP WASHER HOLE W/"ACB" To K-6442	1	1	ACB
	411473	BUMPER ASSY W/FOG LAMP W/HEAD LAMP WASHER HOLE W/"ACB" From K-6443	1	1	ACB
1	411116	. BUMPER CENTER PART / SS / B.A. To E-5693	1	1	
1	411384	. BUMPER CENTER PART / SS From E-5694	1	1	
2	411057	. BUMPER CORNER / SS / S.B	2	2	
3	411104	. MOULDING L.H. W/HEAD LAMP WASHER HOLE	1	1	
3	410090	. MOULDING L.H. W/O HEAD LAMP WASHER HOLE	1	1	A
3	411383	. MOULDING L.H. W/HEAD LAMP WASHER HOLE From E-5694	1	1	ACB
4	411103	. MOULDING R.H. W/HEAD LAMP WASHER HOLE	1	1	
4	410088	. MOULDING R.H. W/O HEAD LAMP WASHER HOLE	1	1	A
5A	411036	. ATTACHMENT UPPER / CURBSIDE	1	1	
5B	411042	. ATTACHMENT UPPER / STREETSIDE	1	1	
6	411228	. ATTACHMENT LOWER / STREETSIDE From B-5024	1	1	
7	411227	. ATTACHMENT LOWER / CURBSIDE From B-5024	1	1	
8	411229	. STRUCTURE BUMPER From B-5024 To E-5585	1	1	
8	411331	. STRUCTURE BUMPER From E-5586 To K-6442	1	1	
8	410108	. STRUCTURE BUMPER From K-6443	1	1	
9	5001146	. SCREW CAP HEX M5-0.8x20 SS BK	6	6	
10	5001137	. WASHER FL .203x.438x.050 SS	4	4	
11	5001587	. NUT HEX NYRT M5-0.8 SS	6	6	
12	5001438	. RIVET DRV TR 1/4x3/4 NYL	28	28	
13	504379	. RIVET POP DOME OE 3/16x1/4 SS	2	2	
14	502655	. SCREW CAP HEX M10-1.5x25 SS BK	16	16	
15	502616	. WASHER LO SPT 10.2x18.1x2.2 SS	16	16	
16	5001443	. WASHER FL 10.3x38.0x3.0 SS	8	8	
17	502567	. NUT HEX M10-1.5 SS	8	8	
18	5001182	. NUT HEX NYRT M6-1.0 SS	2	2	
19	500411	. WASHER FL .260x.697x.050 SS	2	2	
20	411054	. SUPPORT UPPER CORNER STREETSIDE	1	1	
21	411053	. SUPPORT UPPER CORNER CURBSIDE	1	1	
22	502622	. SCREW CAP HEX M6-1.0x20 SS BK	AR	AR	
23	502570	. WASHER LO SPT 6.1x11.8x1.6 SS	4	4	
24	504716	. BUMPER RUBBER / .875OD X .256 TH X .312 HOLE	4	4	
30	X3VIP-0661-00	FOG LAMP To K-6443			
30	X3VIP-0661-01	FOG LAMP / LED From K-6443	1	1	
31	X3VIP-1860-10	SPARE WHEEL DOOR ASSY			
32	5001417	WASHER FL 11.0x34.0x3.0 SS	4	4	
33	502616	WASHER LO SPT 10.2x18.1x2.2 SS	4	4	
34	502567	NUT HEX M10-1.5 SS	4	4	
51	410827	MOULDING / PLATE HOLDER	2	2	



From E-5490 To K-6491	Date:07/2024	PAGE:X3VIP-1850-00
-----------------------	--------------	--------------------

BUMPER FRONT

Item#	Part	Description	X 3 V I P E N T	X 3 V I P M T H	N O T E S
52	500589	NUT WELL M4-0.7x13.5	4	4	
53	502677	SCREW MA RND PH M4-0.7x25 SS	4	4	
54	508401	WASHER FL .218x.875x.062 SS XL BK	4	4	
55	5001009	NUT AN 1/4 NYL	8	8	
56	5001245	SCREW TC CAP HEXW SLT #12-24x1/2 Z050	8	8	
65	508394	GLIDE SQUARE END 1.5 X 1.5 TUBE 14GA / P From E-5600	2	2	
65	684685	ADHESIVE SIMSON #ISR 70-03 / 310ml CARTRIDGE	AR	AR	
		A) WITHOUT HEAD LAMP WASHER			
		ACB) WITH ACB			

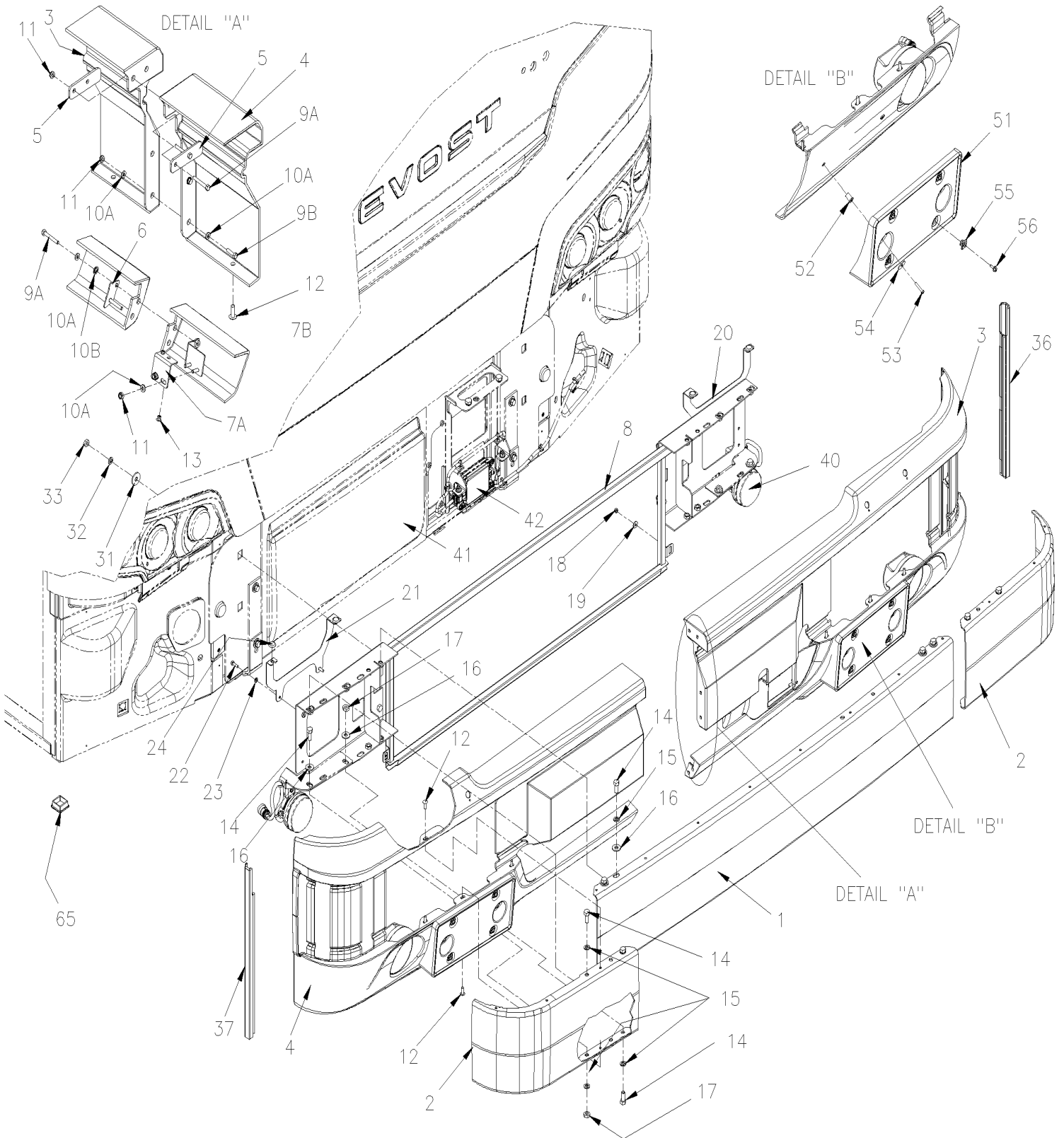


From L-6492

Date:07/2024

PAGE:X3VIP-1850-01

BUMPER FRONT





From L-6492	Date:07/2024	PAGE:X3VIP-1850-01
BUMPER FRONT		

Item#	Part	Description	X 3 V I P E N T	X 3 V I P M T H	N O T E S
	410003	BUMPER ASSY W/FOG LAMP W/HEAD LAMP WASHER HOLE W/O "ACB"	1	1	
	410004	BUMPER ASSY W/FOG LAMP W/HEAD LAMP WASHER HOLE W/"ACB"	1	1	ACB
1	411384	. BUMPER CENTER PART / SS	1	1	
2	411057	. BUMPER CORNER / SS / S.B	2	2	
3	410129	. MOULDING L.H. W/HEAD LAMP WASHER HOLE	1	1	
3	410010	. MOULDING L.H. W/O HEAD LAMP WASHER HOLE	1	1	A
3	410128	. MOULDING L.H. W/HEAD LAMP WASHER HOLE	1	1	ACB
4	410127	. MOULDING R.H. W/HEAD LAMP WASHER HOLE	1	1	
4	410008	. MOULDING R.H. W/O HEAD LAMP WASHER HOLE	1	1	A
5	410259	. ATTACHMENT UPPER	1	1	
6	410289	. ATTACHMENT LOWER / STREETSIDE	1	1	
7A	410292	. BRACKET FOR BUMPER / CURBSIDE	1	1	
7B	410297	. BRACKET FOR BUMPER / CURBSIDE	1	1	
8	410108	. STRUCTURE BUMPER	1	1	
9A	5001146	. SCREW CAP HEX M5-0.8x20 SS BK	4	4	
9A	5001146	. SCREW CAP HEX M5-0.8x20 SS BK	4	4	
9B	5001146	. SCREW CAP HEX M5-0.8x20 SS BK	2	2	
9B	5001146	. SCREW CAP HEX M5-0.8x20 SS BK	2	2	
10A	5001137	. WASHER FL .203x.438x.050 SS	8	8	
10B	5001432	. WASHER LO INT .256x.478x.028 SS 410	2	2	
11	5001587	. NUT HEX NYRT M5-0.8 SS	6	6	
12	5001438	. RIVET DRV TR 1/4x3/4 NYL	28	28	
13	504379	. RIVET POP DOME OE 3/16x1/4 SS	2	2	
14	502655	. SCREW CAP HEX M10-1.5x25 SS BK	16	16	
15	502616	. WASHER LO SPT 10.2x18.1x2.2 SS	16	16	
16	5001443	. WASHER FL 10.3x38.0x3.0 SS	16	16	
17	502567	. NUT HEX M10-1.5 SS	8	8	
18	5001182	. NUT HEX NYRT M6-1.0 SS	2	2	
19	500411	. WASHER FL .260x.697x.050 SS	2	2	
20	410117	. SUPPORT UPPER CORNER STREETSIDE	1	1	
21	410116	. SUPPORT UPPER CORNER CURBSIDE	1	1	
22	502622	. SCREW CAP HEX M6-1.0x20 SS BK	4	4	
23	502570	. WASHER LO SPT 6.1x11.8x1.6 SS	4	4	
24	504716	. BUMPER RUBBER / .875OD X .256 TH X .312 HOLE	4	4	
31	5001417	WASHER FL 11.0x34.0x3.0 SS	4	4	
32	5001737	WASHER LO SPT 10.2x18.1x2.2 N500	4	4	
33	502567	NUT HEX M10-1.5 SS	4	4	
36	471603	MOULDING RIGHT	1	1	
36	684685	ADHESIVE SIMSON #ISR 70-03 / 310ml CARTRIDGE	AR	AR	
36	506769	TAPE RUB ADH2 CC POL 1/8" x 1/4" x 60' / BLACK H1CC-N-#14	AR	AR	



From L-6492	Date:07/2024	PAGE:X3VIP-1850-01
BUMPER FRONT		

Item#	Part	Description	X 3 V I P E N T	X 3 V I P M T H	N O T E S
37	471602	MOULDING LEFT	1	1	
37	684685	ADHESIVE SIMSON #ISR 70-03 / 310ml CARTRIDGE	AR	AR	
37	506769	TAPE RUB ADH2 CC POL 1/8" x 1/4" x 60' / BLACK H1CC-N-#14	AR	AR	
40	X3VIP-0661-01	FOG LAMP / LED	1	1	
41	X3VIP-1860-10	SPARE WHEEL DOOR ASSY			
42	X3VIP-0675-06	SYSTEM - ADAPTIVE CRUISE CONTROL ACB - "BENDIX FLR20 & FLR21	1	1	
51	410827	MOULDING / PLATE HOLDER	2	2	
52	500589	NUT WELL M4-0.7x13.5	4	4	
53	502677	SCREW MA RND PH M4-0.7x25 SS	4	4	
54	508401	WASHER FL .218x.875x.062 SS XL BK	4	4	
55	5001009	NUT AN 1/4 NYL	8	8	
56	5001245	SCREW TC CAP HEXW SLT #12-24x1/2 Z050	8	8	
65	508394	GLIDE SQUARE END 1.5 X 1.5 TUBE 14GA / P	2	2	
65	684685	ADHESIVE SIMSON #ISR 70-03 / 310ml CARTRIDGE	AR	AR	
		A) WITHOUT HEAD LAMP WASHER			
		ACB) WITH ACB			

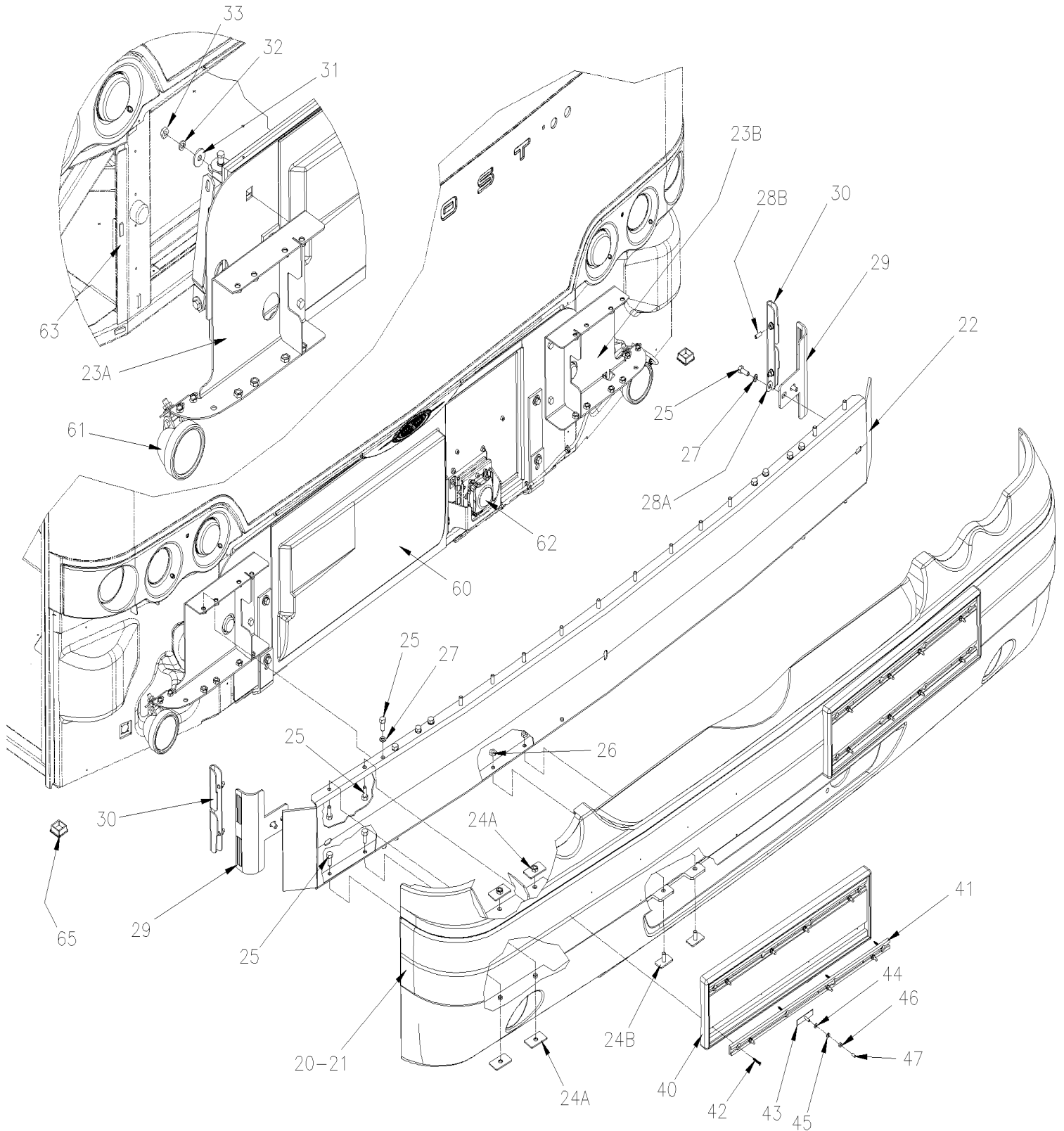


From K-6454 To K-6491

Date:07/2024

PAGE:X3VIP-1850-30

BUMPER FRONT





From K-6454 To K-6491		Date:07/2024	PAGE:X3VIP-1850-30
BUMPER FRONT			

Item#	Part	Description	X 3 V I P E N T	X 3 V I P M T H	N O T E S
20	411089	BUMPER ASSY / FRONT	1	1	
20	416903	BUMPER ASSY / FRONT ADAPTIVE CRUISE CONTROL	1	1	
21	411238	. BUMPER SKIN, FRONT BUS & MTH ENT	1	1	
21	411365	. BUMPER SKIN, FRONT BUS & MTH ENT ADAPTIVE CRUISE CONTROL	1	1	
22	411209	. BUMPER REINFORCEMENT	1	1	
23A	411025	. SUPPORT CUBRE SIDE To K-6442	1	1	
23A	410101	. SUPPORT CUBRE SIDE From K-6443	1	1	
23B	411026	. SUPPORT STREET SIDE To K-6442	1	1	
23B	410105	. SUPPORT STREET SIDE From K-6443	1	1	
24A	410878	. ANCHOR NUT / M10-1.5	AR	AR	
24B	411232	. ANCHOR BOLT / M10-1.5	8	8	
25	502655	. SCREW CAP HEX M10-1.5x25 SS BK	AR	AR	
26	502567	. NUT HEX M10-1.5 SS	8	8	
27	502616	WASHER LO SPT 10.2x18.1x2.2 SS	20	20	
28A	5001443	WASHER FL 10.3x38.0x3.0 SS	4	4	
28B	5001900	SCREW SET HEXS CONE M8-1.25x20 SS	4	4	
29	411211	BRACKET	2	2	
30	411055	ATTACHMENT "U" SHAPE W/NUT	2	2	
31	5001417	WASHER FL 11.0x34.0x3.0 SS	4	4	
32	502616	WASHER LO SPT 10.2x18.1x2.2 SS	4	4	
33	502567	NUT HEX M10-1.5 SS	4	4	
40	410817	MOULDING / PLATE HOLDER	1	1	
41	410818	TRACK / LICENCE PLATE HOLDER 630MM	2	2	
42	502742	SCREW TP FL PH #8x1 1/4 SS410	8	8	
43	504286	T SCREW 10-24 X 3/4" / SS / PLATE HOLDER	8	8	
44	5001137	WASHER FL .203x.438x.050 SS	8	8	
45	502570	WASHER LO SPT 6.1x11.8x1.6 SS	8	8	
46	500787	NUT HEX #10-24 SS	8	8	
47	507333	PROTECTOR CAP / BLACK / .172 I.D. x .500	8	8	
60	X3VIP-1860-30	SPARE WHEEL DOOR ASSY			
61	X3VIP-0661-00	FOG LAMP To K-6442			
61	X3VIP-0661-01	FOG LAMP / LED From K-6443			
62	X3VIP-0675-05	SYSTEM - ADAPTIVE CRUISE CONTROL ACB - "BENDIX" FLR10			
63	X3VIP-189X-XX	STRUCTURE / CALL ORDER DESK			
NS	508394	GLIDE SQUARE END 1.5 X 1.5 TUBE 14GA / P	2	2	
NS	684685	ADHESIVE SIMSON #ISR 70-03 / 310ml CARTRIDGE	AR	AR	

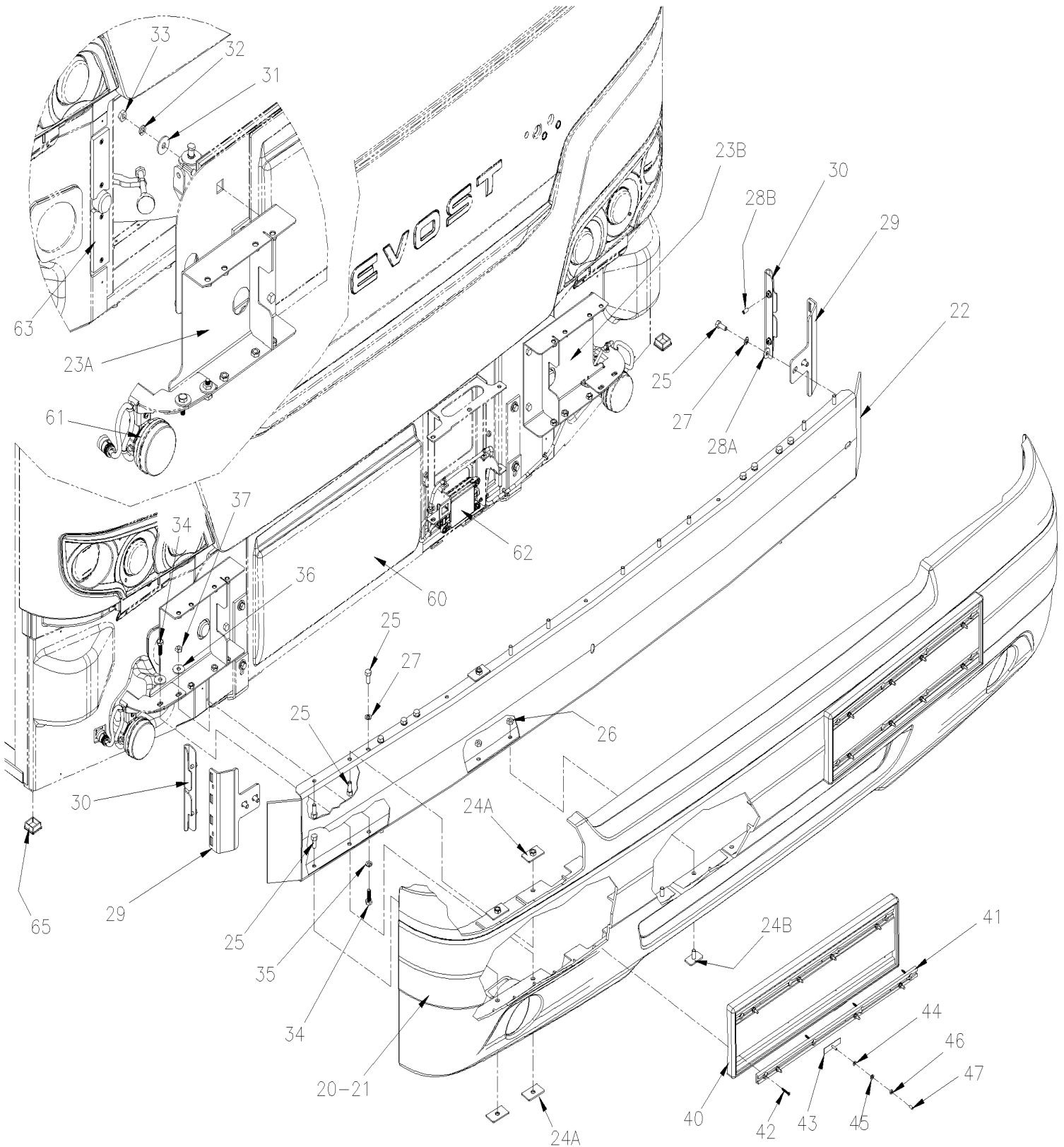


From L-6492

Date:07/2024

PAGE:X3VIP-1850-31

BUMPER FRONT





From L-6492		Date:07/2024	PAGE:X3VIP-1850-31
BUMPER FRONT			

Item#	Part	Description	X 3 V I P E N T	X 3 V I P M T H	N O T E S
20	410006	BUMPER ASSY / FRONT	1	1	
20	410005	BUMPER ASSY / FRONT ADAPTIVE CRUISE CONTROL	1	1	
21	410048	. BUMPER SKIN, FRONT To R-4040	1	1	
21	411530	. FRONT BUMPER WITHOUT FUSION From R-4041	1	1	
21	410046	. BUMPER SKIN, FRONT ADAPTIVE CRUISE CONTROL To R-6970	1	1	
21	411528	. FRONT BUMPER WITH FUSION From R-6971	1	1	
22	411209	. BUMPER REINFORCEMENT	1	1	
23A	410101	. SUPPORT CUBRE SIDE	1	1	
23B	410105	. SUPPORT STREET SIDE	1	1	
24A	410878	. ANCHOR NUT / M10-1.5	AR	AR	
24B	411232	. ANCHOR BOLT / M10-1.5	8	8	
25	502655	. SCREW CAP HEX M10-1.5x25 SS BK	AR	AR	
26	502567	. NUT HEX M10-1.5 SS	8	8	
27	502616	WASHER LO SPT 10.2x18.1x2.2 SS	20	20	
28A	5001443	WASHER FL 10.3x38.0x3.0 SS	4	4	
28B	5001900	SCREW SET HEXS CONE M8-1.25x20 SS	4	4	
29	410099	BRACKET	2	2	
30	410050	CLIPPING BRACKET	2	2	
31	5001417	WASHER FL 11.0x34.0x3.0 SS	4	4	
32	502616	WASHER LO SPT 10.2x18.1x2.2 SS	4	4	
33	502567	NUT HEX M10-1.5 SS	4	4	
34	509856	SCREW CAP HEX M10-1.5x30 SS XLN BK	4	4	
35	502616	WASHER LO SPT 10.2x18.1x2.2 SS	2	2	
36	5001417	WASHER FL 11.0x34.0x3.0 SS	4	4	
37	502567	NUT HEX M10-1.5 SS	2	2	
40	410817	MOULDING / PLATE HOLDER	1	1	
41	410818	TRACK / LICENCE PLATE HOLDER 630MM	2	2	
42	502742	SCREW TP FL PH #8x1 1/4 SS410	8	8	
43	504286	T SCREW 10-24 X 3/4" / SS / PLATE HOLDER	8	8	
44	5001137	WASHER FL .203x.438x.050 SS	8	8	
45	502570	WASHER LO SPT 6.1x11.8x1.6 SS	8	8	
46	500787	NUT HEX #10-24 SS	8	8	
47	507333	PROTECTOR CAP / BLACK / .172 I.D. x .500	8	8	
60	X3VIP-1860-30	SPARE WHEEL DOOR ASSY			
61	X3VIP-0661-01	FOG LAMP / LED			
62	X3VIP-0675-05	SYSTEM - ADAPTIVE CRUISE CONTROL ACB - "BENDIX" FLR10			
63	X3VIP-189X-XX	STRUCTURE / CALL ORDER DESK			
65	508394	GLIDE SQUARE END 1.5 X 1.5 TUBE 14GA / P	2	2	
65	684685	ADHESIVE SIMSON #ISR 70-03 / 310ml CARTRIDGE	AR	AR	

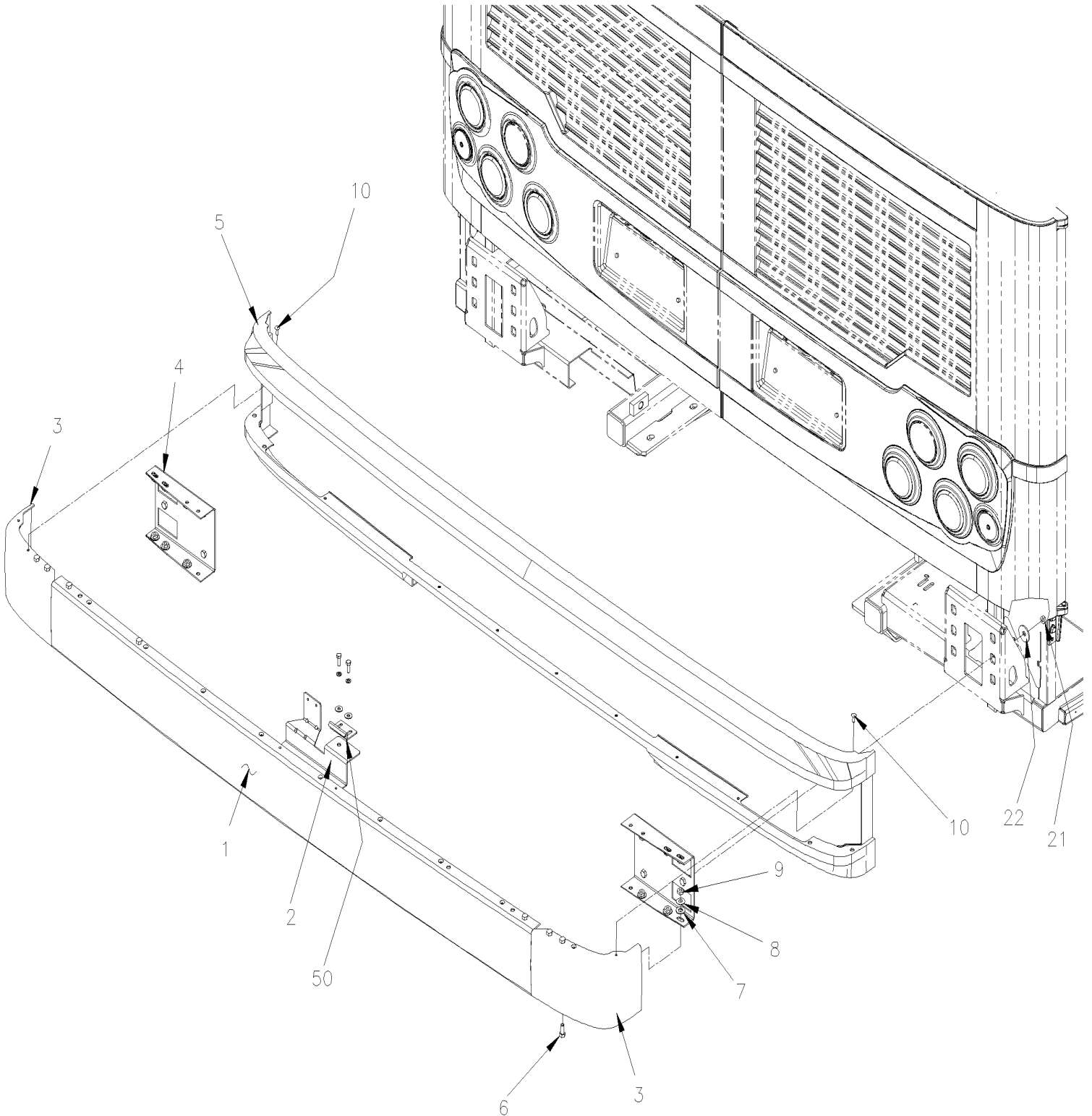


From E-5490

Date:07/2024

PAGE:X3VIP-1850-10

BUMPER REAR



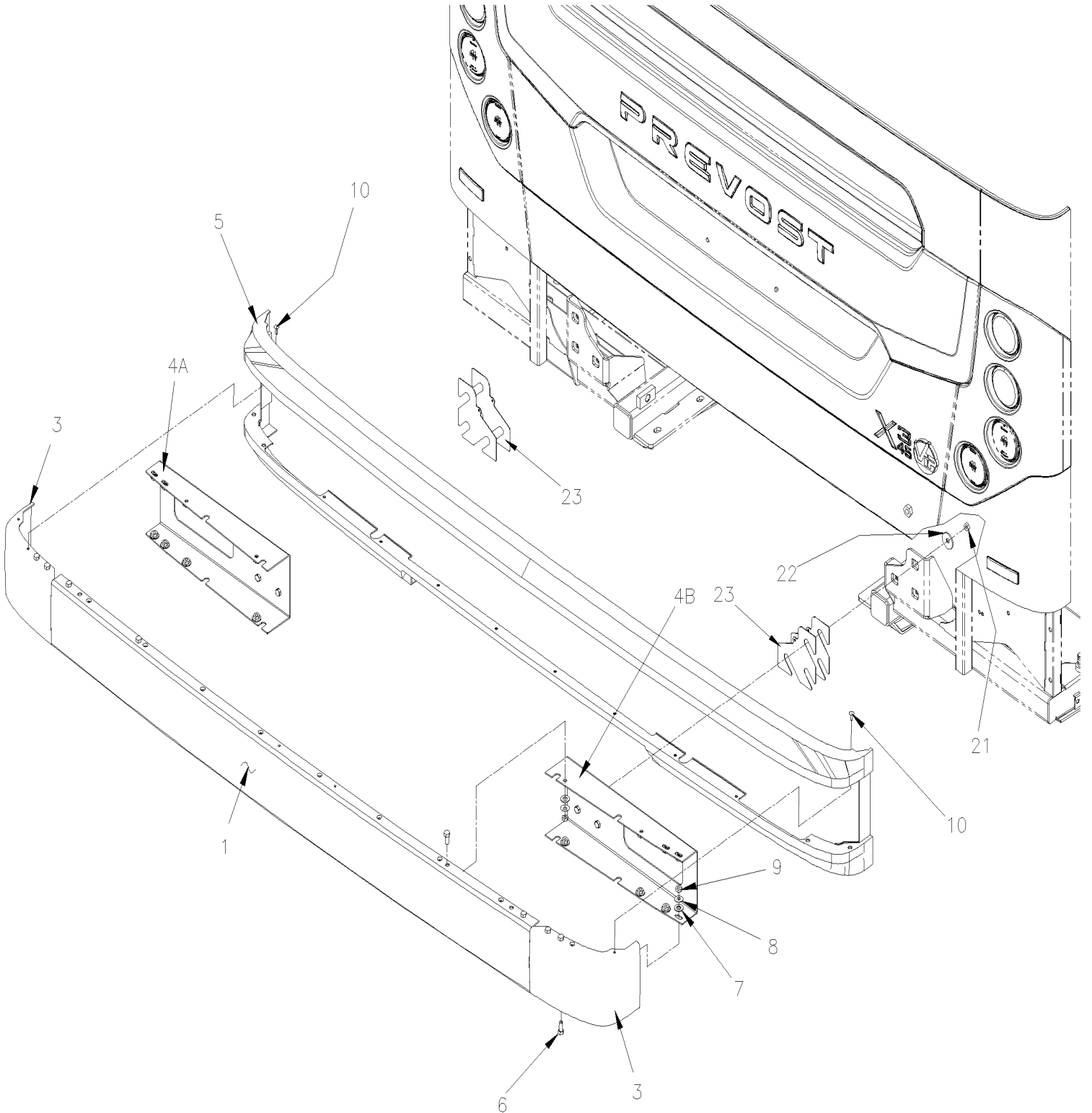


From E-5490

Date:07/2024

PAGE:X3VIP-1850-10

BUMPER REAR





From E-5490		Date:07/2024	PAGE:X3VIP-1850-10
BUMPER REAR			

Item#	Part	Description	X 3 V I P E N T	X 3 V I P M T H	N O T E S
	Call order desk	BUMPER ASSY REAR CHROME To E-5739	1	1	P
	411319P	BUMPER ASSY REAR CHROME From F-5740	1	1	
	411090P	BUMPER ASSY REAR CHROME / W/TRAILLER HITCH To E-5739	1	1	
	411320P	BUMPER ASSY REAR CHROME / W/TRAILLER HITCH From F-5740	1	1	
1	411059	. BUMPER REAR CENTER / SS / S.B.2B To E-5739	1	1	
1	411060	. BUMPER REAR CENTER / SS From F-5740 To J-6239	1	1	
1	410033	. BUMPER REAR CENTER / SS From J-6240	1	1	
2	287231	. ATTACHMENT & STOPPER LH ENGINE DOOR / (WELDED TO BUMPER) To E-5739	1	1	
3	411061	. BUMPER / CORNER / SS / S.B.2B	2	2	
4	410691	. SUPPORT To E-5739	2	2	
4A	411337	. SUPPORT / STREET SIDE From F-5740 To J-6239	1	1	
4A	410035	. SUPPORT / STREET SIDE From J-6240	1	1	
4B	411321	. SUPPORT / CURB SIDE From F-5740 To J-6239	1	1	
4B	410034	. SUPPORT / CURB SIDE From J-6240	1	1	
5	473858	. TRIM REAR BUMPER / W/TRAILLER HITCH To E-5739	1	1	
5	478976	. TRIM REAR BUMPER / W/TRAILLER HITCH From F-5740	1	1	
5	473770	. TRIM REAR BUMPER / W/O TRAILLER HITCH To E-5739	1	1	
5	478975	. TRIM REAR BUMPER / W/O TRAILLER HITCH From F-5740	1	1	
6	502655	. SCREW CAP HEX M10-1.5x25 SS BK	16	16	
7	500958	. WASHER FL .531x1.062x.095 SS To G-6067	16	16	
7	5001443	. WASHER FL 10.3x38.0x3.0 SS From G-6068	16	16	
8	5001718	. WASHER BEL SPR 10.2x27x1.6 MAGNI 565 To G-6067	16	16	
8	502616	. WASHER LO SPT 10.2x18.1x2.2 SS From G-6068	16	16	
9	502567	. NUT HEX M10-1.5 SS	16	16	
10	5001438	. RIVET DRV TR 1/4x3/4 NYL	24	24	
21	502567	NUT HEX M10-1.5 SS	6	6	
22	284447	WASHERS BELLEVILLE	6	6	
23	411399	SHIM / REAR BUMPER From F-5740	4	4	
23	483730	SHIM 14GA 73.2MM x 38.1MM SS From F-5740	AR	AR	
50	X3VIP-1870-10	ENGINE DOOR ASSY - INSTALLATION To F-5739			
50	X3VIP-1870-11	ENGINE DOOR ASSY - INSTALLATION From F-5740			
		P) CALL ORDER DESK FOR SPECIFIC APPLICATION (V.I.N.)			

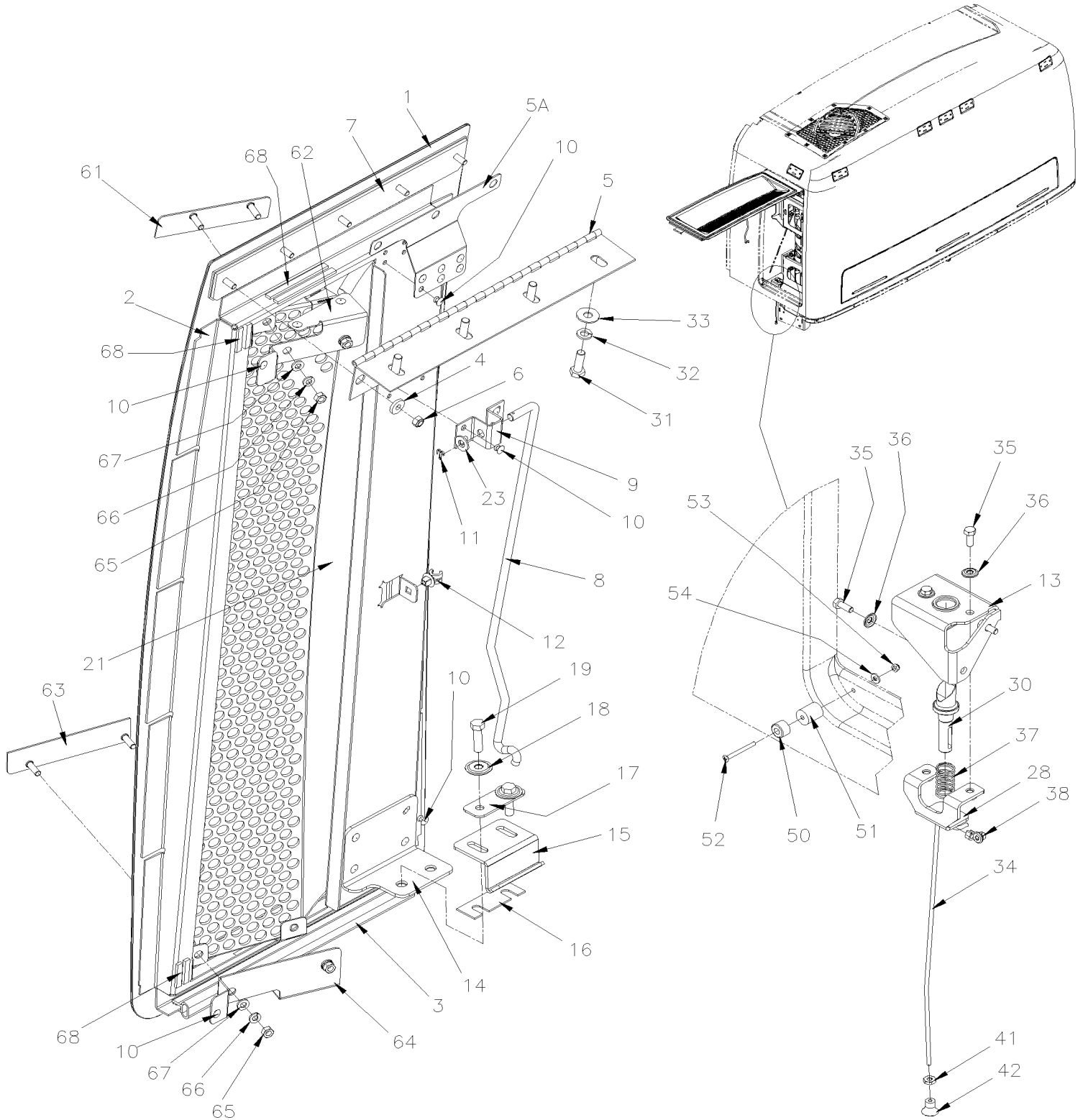


From E-5490 To K-6491

Date:07/2024

PAGE:X3VIP-1851-05

REAR CAP - DOOR DPF & SCR





From E-5490 To K-6491	Date:07/2024	PAGE:X3VIP-1851-05
REAR CAP - DOOR DPF & SCR		

Item#	Part	Description	X 3 V I P E N T	X 3 V I P M T H	N O T E S
	478567	DOOR PANEL ASSY WITH HINGE	1	1	
1	479169	DOOR PANEL	1	1	
2	479195	FRAME DOOR To E-5606	1	1	
2	478967	FRAME DOOR From E-5607	1	1	
3	506303	RUBBER SEAL EXTRUSION	8	8	
4	5001654	WASHER FL 6.4x17.0x3.0 SS	4	4	
5	479170	HINGE 338MM	1	1	
5A	479244	ATTACHMENT PLATE "T" SHAPE	1	1	
NS	506191	TAPE RUB ADH1 CC POL 1/8" x 1/4" x 50' / GREY 2520X	AR	AR	
6	502681	NUT HEX NYRT M6-1.0 N500 G8	4	4	
7	478258	ATTACHMENT PLATE ASSY W/STUD 5	1	1	
8	478269	ROD 442MM	1	1	
9	478218	ATTACHMENT ROD LOCK	1	1	
NS	506191	TAPE RUB ADH1 CC POL 1/8" x 1/4" x 50' / GREY 2520X	AR	AR	
10	504379	RIVET POP DOME OE 3/16x1/4 SS	AR	AR	
11	502094	PIN, COTTER 1/16 x 1/2 SS	1	1	
12	504734	ATTACHMENT ROD	1	1	
NS	680066	ADHESIVE / ADBOND #5014 / 23.6ML BOTTLE	AR	AR	
13	479274	STOPPER CATCH PIN	1	1	
14	479273	ATTACHMENT LOCK	1	1	
NS	506191	TAPE RUB ADH1 CC POL 1/8" x 1/4" x 50' / GREY 2520X	AR	AR	
15	289700	CATCH PIN / RETAINER 49.2MMx36.4MM 90° / OFFSET	1	1	
16	287452	SHIM SPACER 70MM X 25 X 14GA	AR	AR	
17	288088	PLATE RETAINER 66MM X 25.4MM	1	1	
18	5001699	WASHER BEL SPR 8.2x22x1.4 N500	2	2	
19	5001738	SCREW CAP HEX M8-1.25x30 G8.8 N500 To E-5740	2	2	
19	5001912	SCREW CAP HEX M8-1.25x30 SS BK From E-5741 To G-6042	2	2	
19	502780	SCREW CAP HEX M8-1.25x25 SS BK From G-6043	2	2	
NS	684743	GLUE METHACRYLATE PLEXUS MA832GB 380 ml	AR	AR	
21	478289	GRILLE FIBERGLASS / AIR INLET / PAINTED	1	1	
NS	478278	GRILLE FIBERGLASS / AIR INLET	1	1	
23	5001341	WASHER FL 8.4x17.0x1.6 SS	1	1	
NS	506236	TAPE RUB ADH1 CC POL 1/16" x 1/2" x 100' / GREY 2520	AR	AR	
28	288061	SUPPORT CATCH PIN	1	1	
30	288118	CATCH PIN ACETAL / 82MM To F-5786	1	1	
30	2800888	CATCH PIN BLACK ACETAL From F-5787 To G-5982	1	1	
30	2801056	CATCH PIN BLACK ACETAL From G-5983	1	1	
31	502580	NUT HEX CAP M5-0.8 ZP	7	7	
32	5001161	WASHER LO SPT 8.1x14.8x2.0 SS-304	7	7	
33	5001448	WASHER FL .343x.875x.062 SS18-8	7	7	
34	479477	ROD OPENING 540MM To J-6312	1	1	
34	471177	ROD OPENING 432MM From J-6313	1	1	



From E-5490 To K-6491	Date:07/2024	PAGE:X3VIP-1851-05
REAR CAP - DOOR DPF & SCR		

Item#	Part	Description	X 3 V I P E N T	X 3 V I P M T H	N O T E S
34	504069	GROMMET / .281x.375x.062x.250x.562 From J-6313	1	1	
35	5001744	SCREW CAP HEX M6-1.0x16 G8.8 N500	2	2	
36	500356	WASHER LO SERR 6.1x16.0x0.9 N500	2	2	
37	502910	SPRING COMPRESSION / .720 O.D. 1.75 x .055	1	1	
38	780340	CLIP, RETAINER ROD To J-6312	1	1	
41	500986	NUT HEX #8-32 N500	1	1	
42	505504	KNOB, PULL / 8-32	1	1	
50	504334	BUMPER RUBBER / .625 OD x .406 TH x .156 HOLE To J-6339	AR	AR	
50	5002025	BUMPER NEOPRENE / .625 OD x .406 TH x .156 HOLE From J-6340	AR	AR	
51	479222	SPACER ACETAL BLACK 4.37 I.D.x 17 O.D. x 20MM	AR	AR	
52	502530	SCREW MA OV PH M4-0.7x40 SS	AR	AR	
53	502557	NUT HEX NYRT M4-0.7 SS	AR	AR	
54	504357	WASHER FL .187x.437x.050 SS	AR	AR	
61	478968	UPPER PLATE	1	1	
62	478965	SUPPORT UPPER, GRILLE To E-5606	1	1	
63	478969	LOWER PLATE	1	1	
64	478966	SUPPORT LOWER, GRILLE To E-5606	1	1	
65	502681	NUT HEX NYRT M6-1.0 N500 G8	4	4	
66	502570	WASHER LO SPT 6.1x11.8x1.6 SS	4	4	
67	500877	WASHER FL .250x.562x.065 N500	4	4	
68	506191	TAPE RUB ADH1 CC POL 1/8" x 1/4" x 50' / GREY 2520X	AR	AR	

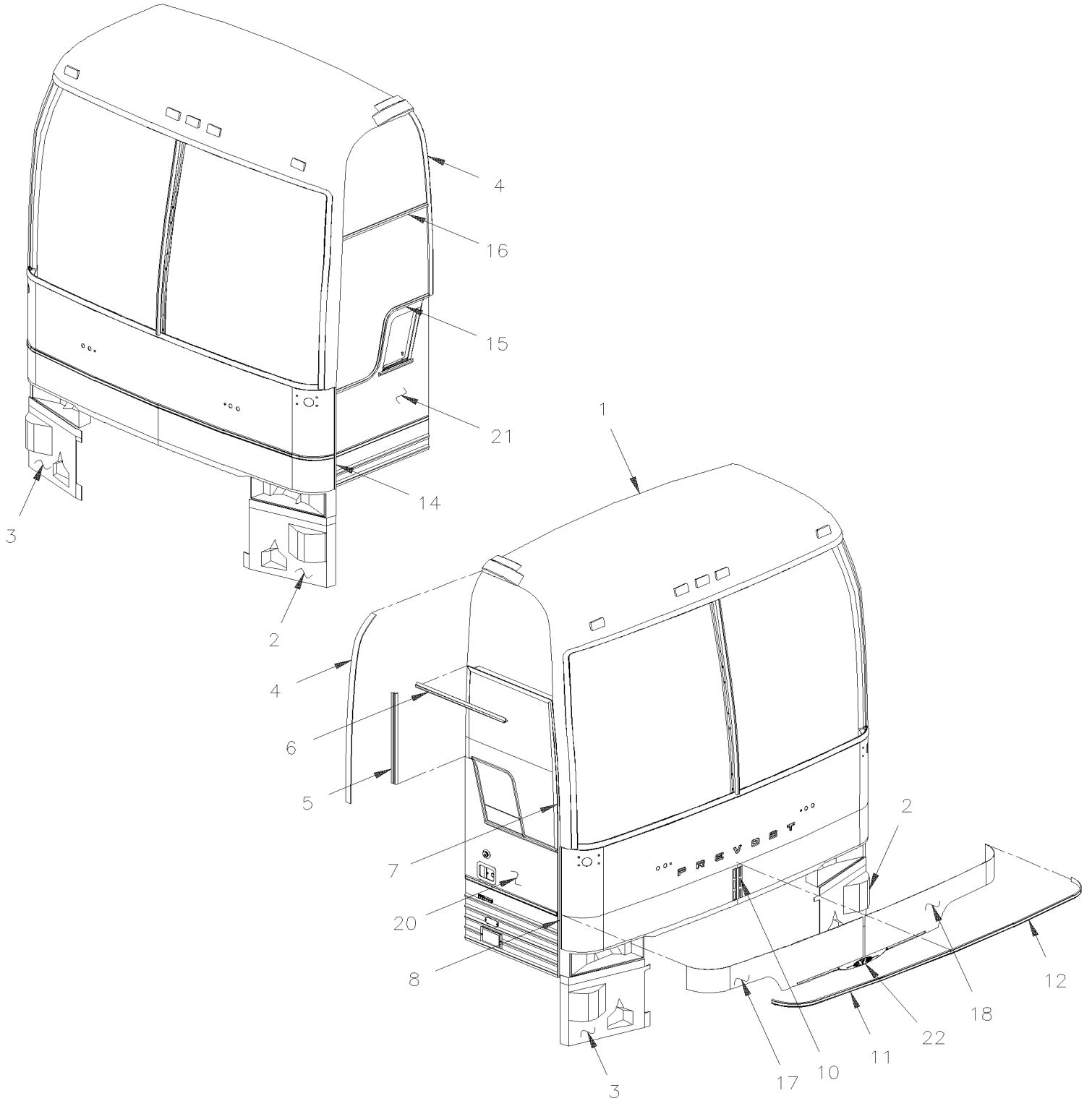


From E-5490 To K-6491

Date:07/2024

PAGE:X3VIP-1851-00

FRONT CAP - INSTALLATION





From E-5490 To K-6491	Date:07/2024	PAGE:X3VIP-1851-00
------------------------------	---------------------	---------------------------

FRONT CAP - INSTALLATION

Item#	Part	Description	X 3 V I P E N T	X 3 V I P M T H	N O T E S
1	478303	FRONT CAP MTH 89" / WLARGE WINDSHIELD To G-5946			
1	478633	FRONT CAP MTH 89" / WLARGE WINDSHIELD From G-5947 To H-6179			
1	470629	FRONT CAP MTH 89" / WLARGE WINDSHIELD From H-6180			
1	478304	FRONT CAP MTH 89" / WLARGE WINDSHIELD To G-5946			B
1	478634	FRONT CAP MTH 89" / WLARGE WINDSHIELD From G-5947 To H-6179			B
1	470630	FRONT CAP MTH 89" / WLARGE WINDSHIELD From H-6180			B
2	478535	PANEL LOWER L.H.	1	1	
2	478534	PANEL LOWER L.H. / WITHOUT HEAD LAMP WASHER	1	1	
3	478532	PANEL LOWER R.H.	1	1	
3	478533	PANEL LOWER R.H. / WITHOUT HEAD LAMP WASHER	1	1	
NS	504787	RIVET CHY MONOLOK PRDG 1/4x5/8 ZP	36	36	
NS	500426	SCREW TP PAN PH #8x1 SS	6	6	
NS	506769	TAPE RUB ADH2 CC POL 1/8" x 1/4" x 60' / BLACK H1CC-N-#14	AR	AR	
NS	506785	TAPE RUB ADH2 CC POL 1/16" X 1/4" X 200' / BLACK I1C-N-A	AR	AR	
NS	475703	KIT STONE PROTECTOR / VINYL FILM 2x25"x120 + 1x16"x120"	1	1	
4	477511	FINISHING MOULDING 1295MM	2	2	
NS	506769	TAPE RUB ADH2 CC POL 1/8" x 1/4" x 60' / BLACK H1CC-N-#14	AR	AR	
4	687957	GLUE MS POLYMER TEROSON MS 9399 / 400ml CARTRIDGE	AR	AR	
5	474042	MOULDING SUPPORT 709MM / MTH 86"	1	1	
6	477516	DRIP MOULDING OVER ENTRANCE DOOR / B.A.	1	1	
7	477517	FINISHING MOULDING ENTRANCE DOOR / 1131MM / B.A. To E-5535	1	1	
7	478596	FINISHING MOULDING ENTRANCE DOOR / 1031MM / B.A. From E-5536 To F-5870	1	1	
7	478625	FINISHING MOULDING ENTRANCE DOOR / 1031MM / B.A. From F-5871	1	1	
8	477522	FINISHING MOULDING ENTRANCE DOOR / 1531MM MTH89" / B.A. To E-5535	1	1	
8	478597	FINISHING MOULDING ENTRANCE DOOR / 1532MM MTH89" / B.A. From E-5536 To F-5870	1	1	
8	478628	FINISHING MOULDING ENTRANCE DOOR / 1532MM MTH89" / B.A. From F-5871	1	1	
NS	504339	RIVET POP DOME OE 1/8x3/8 SS	AR	AR	
10	478404	FINISHING CENTER SS / B.A.	1	1	
11	477512	MOULDING PLASTIC R.H. / B.A.	1	1	
12	477513	MOULDING PLASTIC L.H. / B.A.	1	1	
14	477523	FINISHING MOULDING SERVIR DOOR / 1531MM MTH89" / B.A.	1	1	
15	286646	DRIP MOULDING "S" MTH86" & MTH89"	1	1	
NS	790392	RUBBER BLOCK ADJUSTEMENT 1" x 5/16" x 1/8" 80DURO	AR	AR	
16	286454	DRIP MOULDING OVER DRIVER'S WINDOW	1	1	
17	478402	PANEL SS / CURBSIDE / B.A.	1	1	
18	478403	PANEL SS / STREETSIDE / B.A.	1	1	
20	X3VIP-1862-50	ENTRANCE DOOR ASSY			
21	X3VIP-1879-00	FRONT SERVICE DOOR ASSY			



From E-5490 To K-6491	Date:07/2024	PAGE:X3VIP-1851-00
------------------------------	---------------------	---------------------------

FRONT CAP - INSTALLATION

Item#	Part	Description	X 3 V I P E N T	X 3 V I P M T H	N O T E S
22	X3VIP-1855-00	RUB RAIL - EXTERIOR CREST & TRIMS From E-5490 To H-6092			
22	X3VIP-1855-01	RUB RAIL - EXTERIOR CREST & TRIMS From H-6093			
NS	681092	ADHESIVE SIKA #255FC / BLACK / 310ml CARTRIDGE	AR	AR	
NS	683083	ADHESIVE SIKA #252 / BLACK / 600 ml SAUSAGE	AR	AR	
NS	687957	GLUE MS POLYMER TEROSON MS 9399 / 400ml CARTRIDGE	AR	AR	
NS	687961	GLUE MS POLYMER TEROSON MS 9399 / "A" 21 Liters	AR	AR	
NS	687962	GLUE MS POLYMER TEROSON MS 9399 / "B" 21 Liters	AR	AR	
NS	684685	ADHESIVE SIMSON #ISR 70-03 / 310ml CARTRIDGE	AR	AR	
NS	685124	ADHESIVE SIMSON #ISR 70-03 / BLACK / 600ml SAUSAGE	AR	AR	
NS	684517	ADHESIVE SIMSON #ISR 70-03 / GREY / 310ml CARTRIDGE	AR	AR	
		B) WITHOUT UPPER SIDE GLASS			

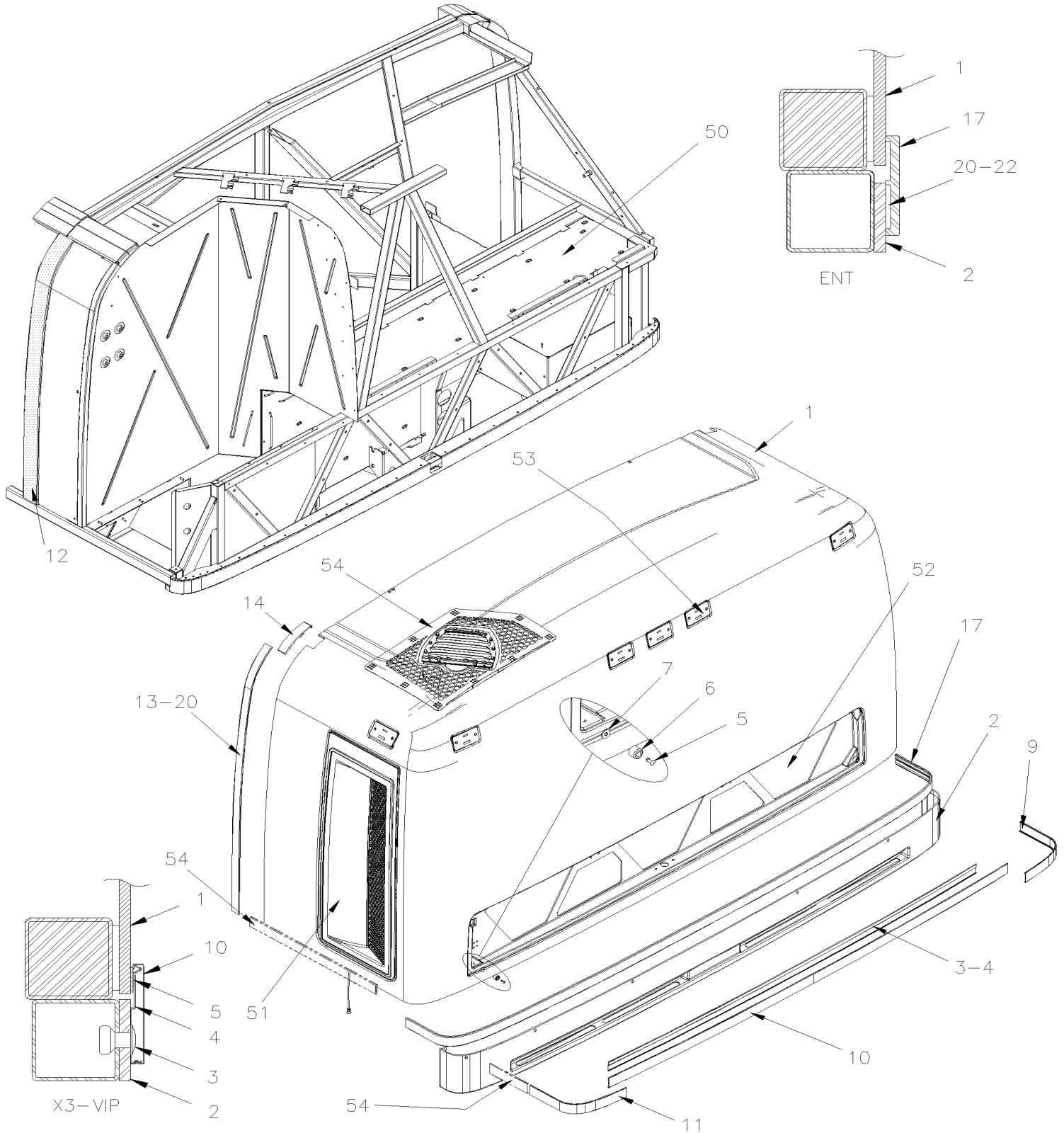


From E-5490 To K-6491

Date:07/2024

PAGE:X3VIP-1851-20

REAR CAP - INSTALLATION





From E-5490 To K-6491	Date:07/2024	PAGE:X3VIP-1851-20
REAR CAP - INSTALLATION		

Item#	Part	Description	X 3 V I P E N T	X 3 V I P M T H	N O T E S
1	479263	REAR CAP ASSY / MTH-86" & MTH-89" To H-6179	1	1	
1	470641	REAR CAP ASSY / MTH From H-6180	1	1	
2	479309	AIR INTAKE / W/MTH-89"	1	1	
NS	5001845	SCREW TP FL PH #8x3/4 SS410	6	6	
3	504416	RIVET POP DOME OE 3/16x5/8 SS	12	12	
4	473895	MOULDING RETAINER / 2250MM		1	
5	500414	SCREW TP BDG PH #10x3/4 SS	2	2	
6	5001168	BUMPER RUBBER / .750 OD x .562 TH x .187 HOLE To J-6339	2	2	
6	5002023	BUMPER NEOPRENE / .750 OD x .562 TH x .187 HOLE From J-6340	2	2	
7	500411	WASHER FL .260x.697x.050 SS	2	2	
9	473831	MOULDING RIGHT CORNER		1	
10	473896	FINISHING MOULDING SS / 2125MM		1	
11	473833	MOULDING LEFT CORNER		1	
12	293136	RUBBER SEAL 1391MM W/86" & 89"	2	2	
13	474068	FINISHING MOULDING 1340MM MTH 86"	2	2	
14	293715	UPPER EXTRUSION 38MM	2	2	
17	474359	FINISHING MOULDING PLASTIC 2800MM	1		
. NS	506785	. TAPE RUB ADH2 CC POL 1/16" X 1/4" X 200' / BLACK I1C-N-A	AR		
. NS	506769	. TAPE RUB ADH2 CC POL 1/8" x 1/4" x 60' / BLACK H1CC-N-#14	AR		
17	474359	FINISHING MOULDING PLASTIC 2800MM From J-6223 To J-6223		1	A
. NS	506785	. TAPE RUB ADH2 CC POL 1/16" X 1/4" X 200' / BLACK I1C-N-A From J-6223 To J-6223		AR	A
. NS	506769	. TAPE RUB ADH2 CC POL 1/8" x 1/4" x 60' / BLACK H1CC-N-#14 From J-6223 To J-6223		AR	A
20	506759	TAPE RUB ADH2 CC POL 1/8" x 1/2" x 100' / BLACK I1C-N-A	AR	AR	
22	683083	ADHESIVE SIKA #252 / BLACK / 600 ml SAUSAGE	AR	AR	
NS	687957	GLUE MS POLYMER TEROSON MS 9399 / 400ml CARTRIDGE	AR	AR	
NS	683084	SEALANT SIKA #221 / GREY / 600 ml SAUSAGE	AR	AR	
NS	680066	ADHESIVE / ADBOND #5014 / 23.6ML BOTTLE	AR	AR	
NS	687956	GLUE METHACRYLATE PLEXUS MA530 400 ml	AR	AR	
NS	684743	GLUE METHACRYLATE PLEXUS MA832GB 380 ml	AR	AR	
NS	684517	ADHESIVE SIMSON #ISR 70-03 / GREY / 310ml CARTRIDGE	AR	AR	
NS	5060044	TAPE RUB ADH2 CC POL 1/4" X 1/4" X 50' / BLACK I1C-N-A	AR	AR	
50	X3VIP-189X-XX	STRUCTURE / CALL ORDER DESK			
51	X3VIP-1851-05	REAR CAP - DOOR DPF & SCR			
52	X3VIP-1870-20	REAR ENGINE UPPER DOOR WITH "EPA 2010"			
53	X3VIP-0662-00	CLEARANCE & MARKER LIGHT			
54	X3VIP-0405-00	MUFFLER - INSTALLATION WITH DPF & SCR WITH VOLVO D13			
55	X3VIP-1854-50	UPPER FIBERGLASS SIDE PANELING BETWEEN SIDE WINDOW			
		A) AUTOBUS BRUNET OPTION / MOTORHOME WITH FLAT PANEL			

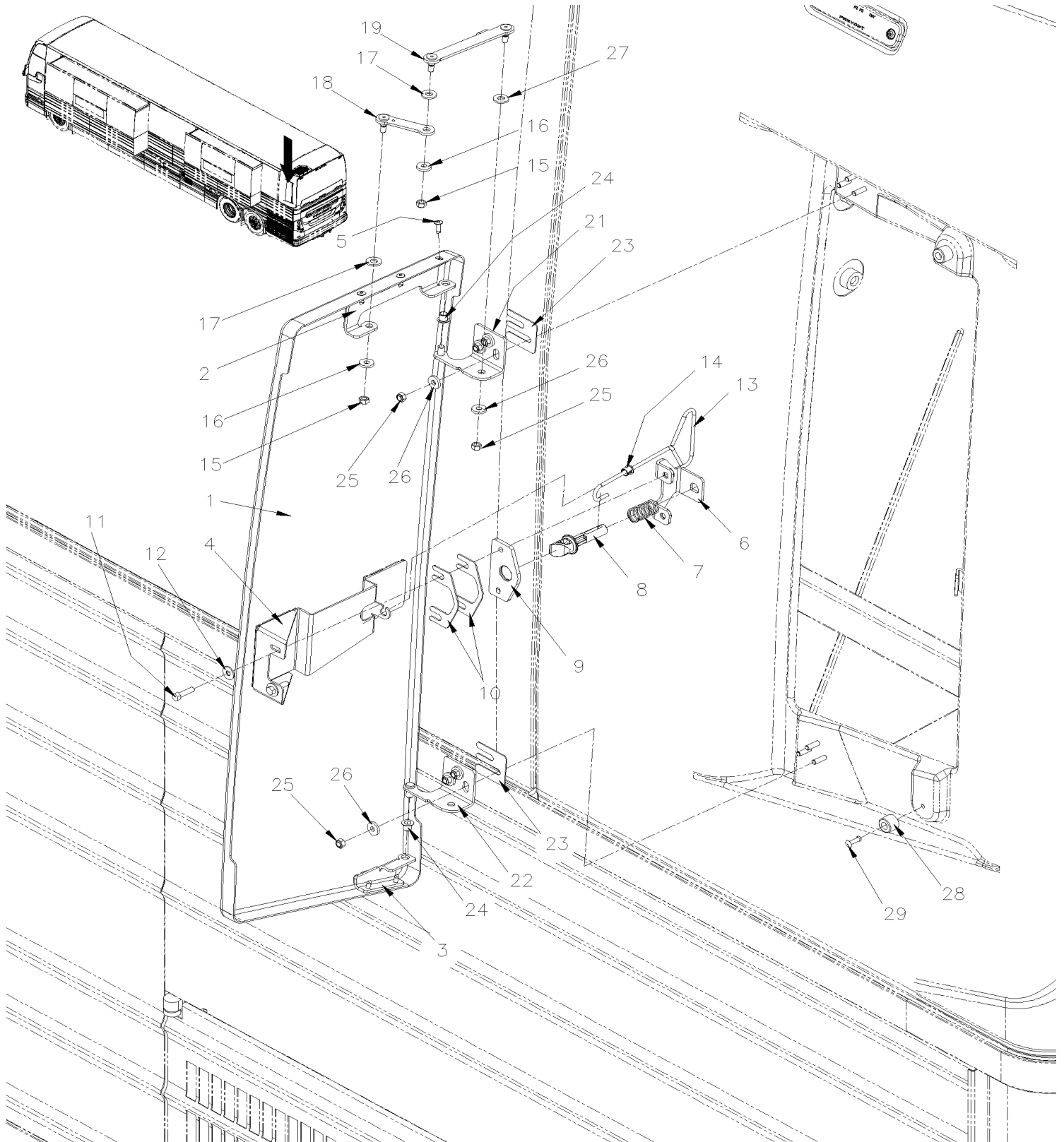


From L-6492

Date:07/2024

PAGE:X3VIP-1851-06

REAR CAP - DOOR DPF & SCR





From L-6492		Date:07/2024	PAGE:X3VIP-1851-06
REAR CAP - DOOR DPF & SCR			

Item#	Part	Description	X 3 V I P E N T	X 3 V I P M T H	N O T E S
1	2810261	DOOR ACCESS, ASS	1	1	
2	283341	. SUPPORT, TOP HINGE	1	1	
NS	687957	. GLUE MS POLYMER TEROSON MS 9399 / 400ml CARTRIDGE To M-6660	AR	AR	
NS	685387	GLUE MS POLYMER TEROSON MS 9399 / 400ml CARTRIDGE From M-6661	AR	AR	
NS	506785	. TAPE RUB ADH2 CC POL 1/16" X 1/4" X 200' / BLACK I1C-N-A	AR	AR	
3	283288	. SUPPORT, BOTTOM HINGE	AR	AR	
NS	687957	. GLUE MS POLYMER TEROSON MS 9399 / 400ml CARTRIDGE To M-6660	AR	AR	
NS	685387	GLUE MS POLYMER TEROSON MS 9399 / 400ml CARTRIDGE From M-6661	AR	AR	
NS	506785	. TAPE RUB ADH2 CC POL 1/16" X 1/4" X 200' / BLACK I1C-N-A	AR	AR	
4	283078	. SUPPORT, DOOR LATCH	AR	AR	
NS	687957	. GLUE MS POLYMER TEROSON MS 9399 / 400ml CARTRIDGE To M-6660	AR	AR	
NS	685387	GLUE MS POLYMER TEROSON MS 9399 / 400ml CARTRIDGE From M-6661	AR	AR	
NS	506785	. TAPE RUB ADH2 CC POL 1/16" X 1/4" X 200' / BLACK I1C-N-A	AR	AR	
5	504379	. RIVET POP DOME OE 3/16x1/4 SS	5	5	
6	283223	. SUPPORT, LATCH	1	1	
7	502910	. SPRING COMPRESSION / .720 O.D. 1.75 x .055	1	1	
8	2801056	. CATCH PIN BLACK ACETAL	1	1	
9	283126	. GUIDE, LATCH	1	1	
10	287878	. SHIM	2	2	
11	502737	. SCREW CAP HEX M6-1.0x25 SS BK	2	2	
12	5001833	. WASHER BEL SPR 6.1x18x1.27 SS	2	2	
13	283287	. ROD, DOOR OPENING	1	1	
14	504083	. SNAP BUSHING / .250x.468.406	1	1	
15	5001182	. NUT HEX NYRT M6-1.0 SS	2	2	
16	5001654	. WASHER FL 6.4x17.0x3.0 SS	2	2	
17	5001850	. WASHER FL 8.4 x 18 x 2 NYL	2	2	
18	283401	. ARM, LOCKING (SHORT) ASSY.	1	1	
19	283399	. ARM, LOCKING (LONG) ASSY.	1	1	
21	283352	HINGE, TOP	1	1	
22	283353	HINGE, BOTTOM	1	1	
23	283396	SHIM	2	2	
24	507378	BUSHING W/SHOULDER	2	2	
25	5001182	NUT HEX NYRT M6-1.0 SS	7	7	
26	5001654	WASHER FL 6.4x17.0x3.0 SS	7	7	
27	5001850	WASHER FL 8.4 x 18 x 2 NYL	1	1	
28	5002023	BUMPER NEOPRENE / .750 OD x .562 TH x .187 HOLE	2	2	
29	504416	RIVET POP DOME OE 3/16x5/8 SS	2	2	
31	471140	LATCH, DOOR 1	1	1	
NS	687957	GLUE MS POLYMER TEROSON MS 9399 / 400ml CARTRIDGE To M-6660	AR	AR	
NS	685387	GLUE MS POLYMER TEROSON MS 9399 / 400ml CARTRIDGE From M-6661	AR	AR	
NS	506785	TAPE RUB ADH2 CC POL 1/16" X 1/4" X 200' / BLACK I1C-N-A	AR	AR	

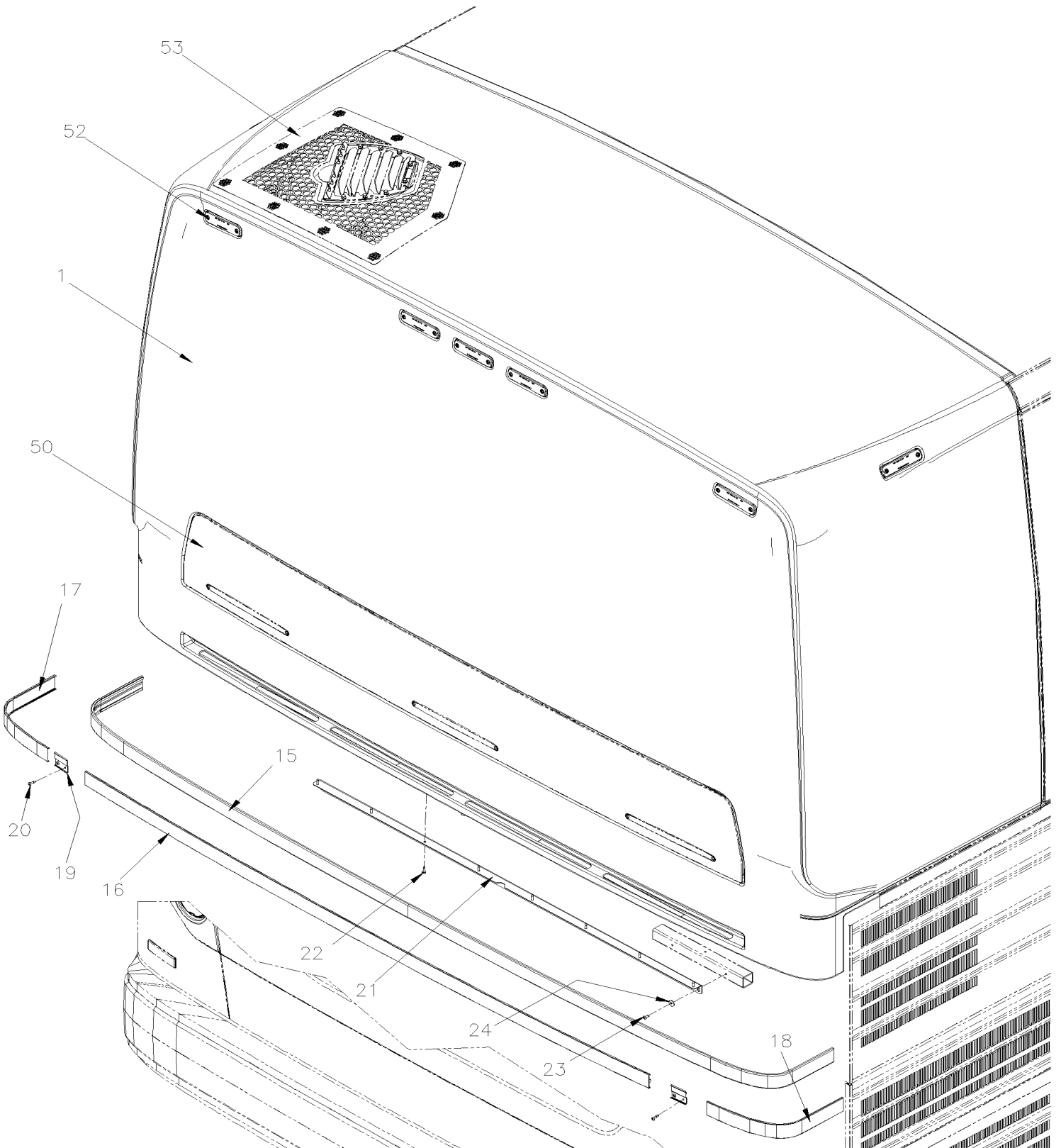


From L-6492

Date:07/2024

PAGE:X3VIP-1851-21

REAR CAP - INSTALLATION



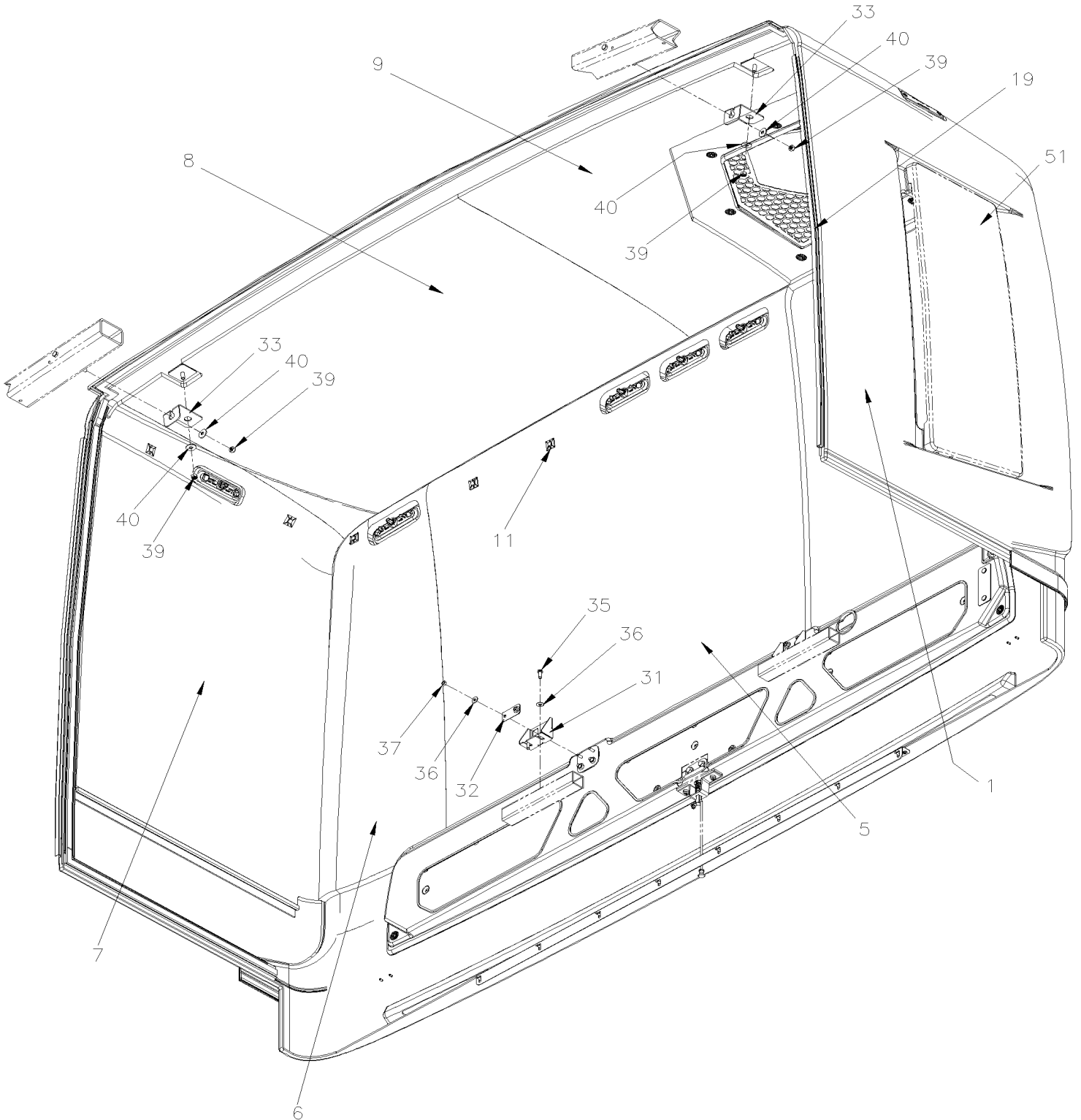


From L-6492

Date:07/2024

PAGE:X3VIP-1851-21

REAR CAP - INSTALLATION





From L-6492		Date:07/2024	PAGE:X3VIP-1851-21
REAR CAP - INSTALLATION			

Item#	Part	Description	X 3 V I P E N T	X 3 V I P M T H	N O T E S
1	471348	REAR CAP ASSY / MTH	1	1	
1	687957	GLUE MS POLYMER TEROSON MS 9399 / 400ml CARTRIDGE To M-6660	AR	AR	
1	685387	GLUE MS POLYMER TEROSON MS 9399 / 400ml CARTRIDGE From M-6661	AR	AR	
1	685124	ADHESIVE SIMSON #ISR 70-03 / BLACK / 600ml SAUSAGE	AR	AR	
5	353722	INSULATION, REAR CAP	1	1	
6	353723	INSULATION, REAR CAP	1	1	
7	353724	INSULATION, REAR CAP	1	1	
8	353695	INSULATION, REAR CAP	1	1	
9	353696	INSULATION, REAR CAP	1	1	
11	562679	4 WAY ADH. BACKED MOUNTS 1.000 x 1.000 x .160	4	4	
15	474359	FINISHING MOULDING PLASTIC 2800MM	1		
. NS	506785	. TAPE RUB ADH2 CC POL 1/16" X 1/4" X 200' / BLACK I1C-N-A	AR		
. NS	506769	. TAPE RUB ADH2 CC POL 1/8" x 1/4" x 60' / BLACK H1CC-N-#14	AR		
NS	683083	ADHESIVE SIKA #252 / BLACK / 600 ml SAUSAGE	AR		
16	473896	FINISHING MOULDING SS / 2125MM		1	
NS	685126	ADHESIVE SIMSON #ISR 70-03 / GREY / 600ml SAUSAGE		AR	
NS	5060044	TAPE RUB ADH2 CC POL 1/4" X 1/4" X 50' / BLACK I1C-N-A		AR	
17	473833	MOULDING LEFT CORNER		1	
18	473831	MOULDING RIGHT CORNER		1	
19	477436	MOULDING RETAINER / 50MM		2	
NS	506225	TAPE RUB ADH1 CC POL 1/16" x 1/4" x 100' / GREY 2520		AR	
NS	683478	TAPE VHB ADH2 1.1MMx18MMx32.9M		AR	
20	504488	RIVET MGLP PRDG 3/16x17/64 SS		4	
21	471163	ANGULAR, FIXING	1	1	
22	500414	SCREW TP BDG PH #10x3/4 SS	8	8	
23	504379	RIVET POP DOME OE 3/16x1/4 SS	8	8	
24	508401	WASHER FL .218x.875x.062 SS XL BK	8	8	
31	471506	REINFORCEMENT	2	2	
32	471509	PLATE, MOUNTING	2	2	
33	471034	BONDING BRACKET To N-6732	2	2	
33	4710284	BONDING BRACKET From N-6733	2	2	
35	502848	SCREW TC CAP HEXF 1/4-20x3/4 N500	4	4	
36	5001833	WASHER BEL SPR 6.1x18x1.27 SS	8	8	
37	5001851	NUT HEX M6-1.0 SS BK	4	4	
39	5001983	NUT HEX NYRT M8-1.25 SS SS BK	4	4	
40	5001849	WASHER FL 8.4x24.0x2.0 SS	4	4	
50	X3VIP-1870-21	REAR ENGINE UPPER DOOR			
51	X3VIP-1851-06	REAR CAP - DOOR DPF & SCR			



From L-6492	Date:07/2024	PAGE:X3VIP-1851-21
-------------	--------------	--------------------

REAR CAP - INSTALLATION

Item#	Part	Description	X 3 V I P E N T	X 3 V I P M T H	N O T E S
52	X3VIP-0662-01	CLEARANCE & MARKER LIGHT			
53	X3VIP-0405-00	MUFFLER - INSTALLATION WITH DPF & SCR WITH VOLVO D13			

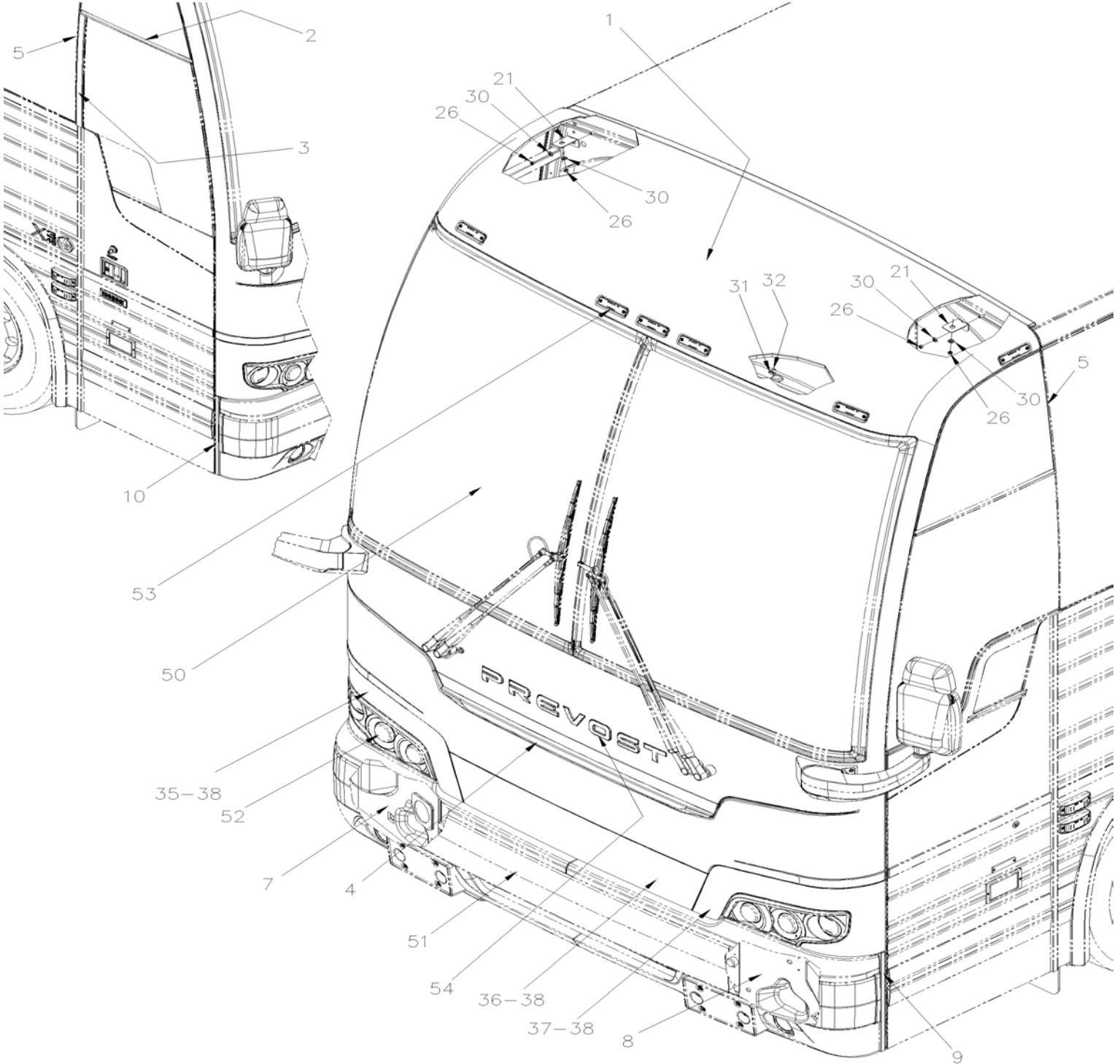


From L-6492

Date:07/2024

PAGE:X3VIP-1851-01

FRONT CAP - INSTALLATION



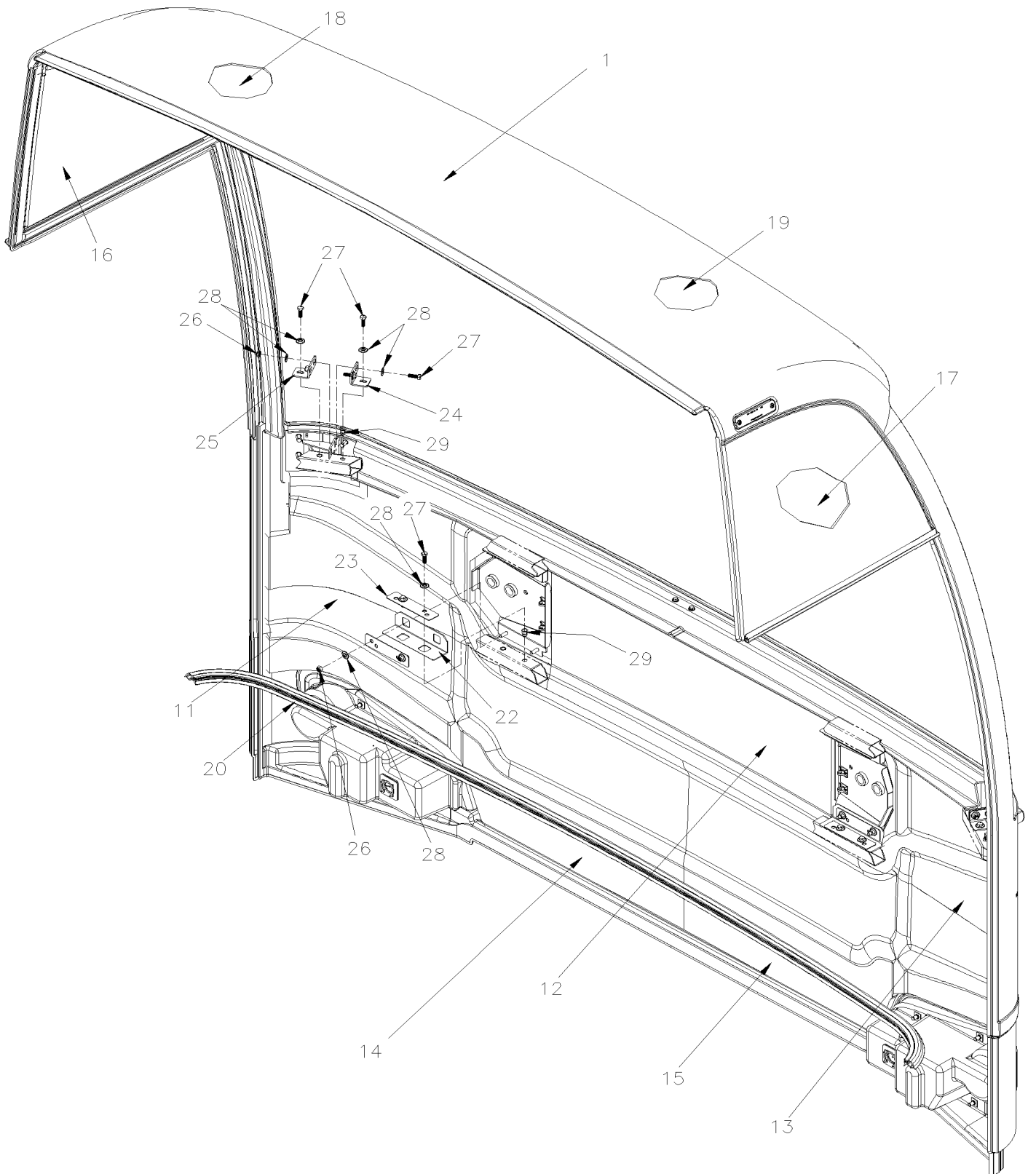


From L-6492

Date:07/2024

PAGE:X3VIP-1851-01

FRONT CAP - INSTALLATION





From L-6492	Date:07/2024	PAGE:X3VIP-1851-01
FRONT CAP - INSTALLATION		

Item#	Part	Description	X 3 V I P E N T	X 3 V I P M T H	N O T E S
1	471002	FRONT CAP	1	1	
NS	687961	GLUE MS POLYMER TEROSON MS 9399 / "A" 21 Liters To M-6660	AR	AR	
NS	685385	GLUE MS POLYMER TEROSON MS 9399 / "A" 14.8 Liters From M-6661	AR	AR	
NS	687962	GLUE MS POLYMER TEROSON MS 9399 / "B" 21 Liters To M-6660	AR	AR	
NS	685386	GLUE MS POLYMER TEROSON MS 9399 / "B" 14.8 Liters From M-6661	AR	AR	
NS	687957	GLUE MS POLYMER TEROSON MS 9399 / 400ml CARTRIDGE To M-6660	AR	AR	
NS	685387	GLUE MS POLYMER TEROSON MS 9399 / 400ml CARTRIDGE From M-6661	AR	AR	
NS	684517	ADHESIVE SIMSON #ISR 70-03 / GREY / 310ml CARTRIDGE	AR	AR	
NS	685124	ADHESIVE SIMSON #ISR 70-03 / BLACK / 600ml SAUSAGE	AR	AR	
2	280656	HORIZONTAL GUTTER	1	1	
NS	680796	TAPE RUB ADH2 ACRYLIQUE 3/4x.045x36YARD	AR	AR	
3	472152	MOLDING, FINISHING	1	1	
NS	506769	TAPE RUB ADH2 CC POL 1/8" x 1/4" x 60' / BLACK H1CC-N-#14	AR	AR	
NS	683083	ADHESIVE SIKA #252 / BLACK / 600 ml SAUSAGE	AR	AR	
NS	506785	TAPE RUB ADH2 CC POL 1/16" X 1/4" X 200' / BLACK I1C-N-A	AR	AR	
4	478747	MOULDING "U" SS CHOME FINISH / HEADLAMP 1332MM	1	1	
NS	506790	TAPE RUB ADH2 CC POL 1/16" x 1/2" x 200' / BLACK I1C-N-A	AR	AR	
NS	684685	ADHESIVE SIMSON #ISR 70-03 / 310ml CARTRIDGE	AR	AR	
5	290586	SEAL, VERTICAL WINDOW 1258MM	2	2	
7	471607	PANEL LOWER R.H.	1	1	
7	471608	PANEL LOWER R.H. / WITHOUT HEAD LAMP WASHER	1	1	
NS	790392	RUBBER BLOCK ADJUSTEMENT 1" x 5/16" x 1/8" 80DURO	AR	AR	
NS	685124	ADHESIVE SIMSON #ISR 70-03 / BLACK / 600ml SAUSAGE	AR	AR	
8	471600	PANEL LOWER L.H. To M-6646	1	1	
8	479971	PANEL LOWER L.H. From M-6647	1	1	
8	479747	PANEL LOWER L.H. / WITHOUT HEAD LAMP WASHER	1	1	
NS	790392	RUBBER BLOCK ADJUSTEMENT 1" x 5/16" x 1/8" 80DURO	AR	AR	
NS	685124	ADHESIVE SIMSON #ISR 70-03 / BLACK / 600ml SAUSAGE	AR	AR	
9	471602	MOULDING LEFT	1	1	
9	684685	ADHESIVE SIMSON #ISR 70-03 / 310ml CARTRIDGE	AR	AR	
9	506769	TAPE RUB ADH2 CC POL 1/8" x 1/4" x 60' / BLACK H1CC-N-#14	AR	AR	
10	471603	MOULDING RIGHT	1	1	
10	684685	ADHESIVE SIMSON #ISR 70-03 / 310ml CARTRIDGE	AR	AR	
10	506769	TAPE RUB ADH2 CC POL 1/8" x 1/4" x 60' / BLACK H1CC-N-#14	AR	AR	
11	353701	INSULATION FRONT CAP	1	1	
12	353702	INSULATION FRONT CAP	1	1	
13	353704	INSULATION FRONT CAP	1	1	
14	353703	INSULATION FRONT CAP	1	1	
15	353719	INSULATION FRONT CAP	1	1	
16	353697	INSULATION FRONT CAP	1	1	
17	353698	INSULATION FRONT CAP	1	1	
18	353699	INSULATION FRONT CAP	1	1	



From L-6492		Date:07/2024	PAGE:X3VIP-1851-01
FRONT CAP - INSTALLATION			

Item#	Part	Description	X 3 V I P E N T	X 3 V I P M T H	N O T E S
19	353700	INSULATION FRONT CAP	1	1	
20	3211019	RUBBER EXTRUSION SEAL / 2645MM	1	1	
21	471034	BONDING BRACKET To N-6732	2	2	
21	4710284	BONDING BRACKET From N-6733	2	2	
22	300178	WIPER ANCHOR PLATE	4	4	
23	300188	WIPER PLATE	8	8	
24	300055	ANCHOR PLATE MIRROR	2	2	
25	300051	ANCHOR PLATE MIRROR	2	2	
26	5001983	NUT HEX NYRT M8-1.25 SS SS BK	16	16	
27	5001745	SCREW CAP HEX M8-1.25x25 G8.8 N500	16	16	
28	5001699	WASHER BEL SPR 8.2x22x1.4 N500	28	28	
29	5001692	NUT INS FL HEX M8-1.25 0.5-3.0 SS	AR	AR	
30	5001699	WASHER BEL SPR 8.2x22x1.4 N500 To N-6732	4	4	
30	5001849	WASHER FL 8.4x24.0x2.0 SS From N-6733	4	4	
31	562679	4 WAY ADH. BACKED MOUNTS 1.000 x 1.000 x .160	6	6	
NS	509815	TIE MOUNT / ATTACHMENT W/TREE MOUNT	2	2	
32	504637	CABLE TIE / 3/16" x 13"	AR	AR	
32	504016	CABLE TIE / 5/16" X 14"1/2	AR	AR	
35	471819	PANEL SS / CURBSIDE	1	1	
36	471818	PANEL SS / CENTRAL	1	1	
37	471817	PANEL SS / STREET SIDE	1	1	
38	506790	TAPE RUB ADH2 CC POL 1/16" x 1/2" x 200' / BLACK I1C-N-A	AR	AR	
38	684517	ADHESIVE SIMSON #ISR 70-03 / GREY / 310ml CARTRIDGE	AR	AR	
50	X3VIP-1880-01	WINDSHIELD & CHANNEL			
51	X3VIP-1850-01	BUMPER FRONT			
52	X3VIP-0660-01	HEADLAMP & FRONT DIRECTIONAL LAMPS			
53	X3VIP-0662-01	CLEARANCE & MARKER LIGHT			
54	X3VIP-1855-01	RUB RAIL - EXTERIOR CREST & TRIMS			

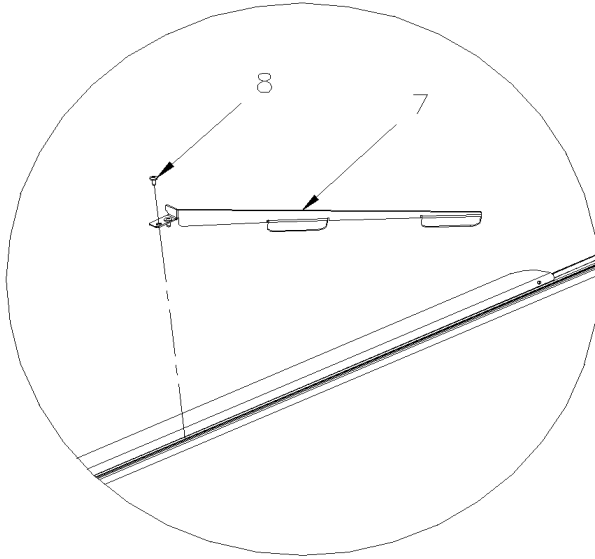


From E-5490 To K-6491

Date:07/2024

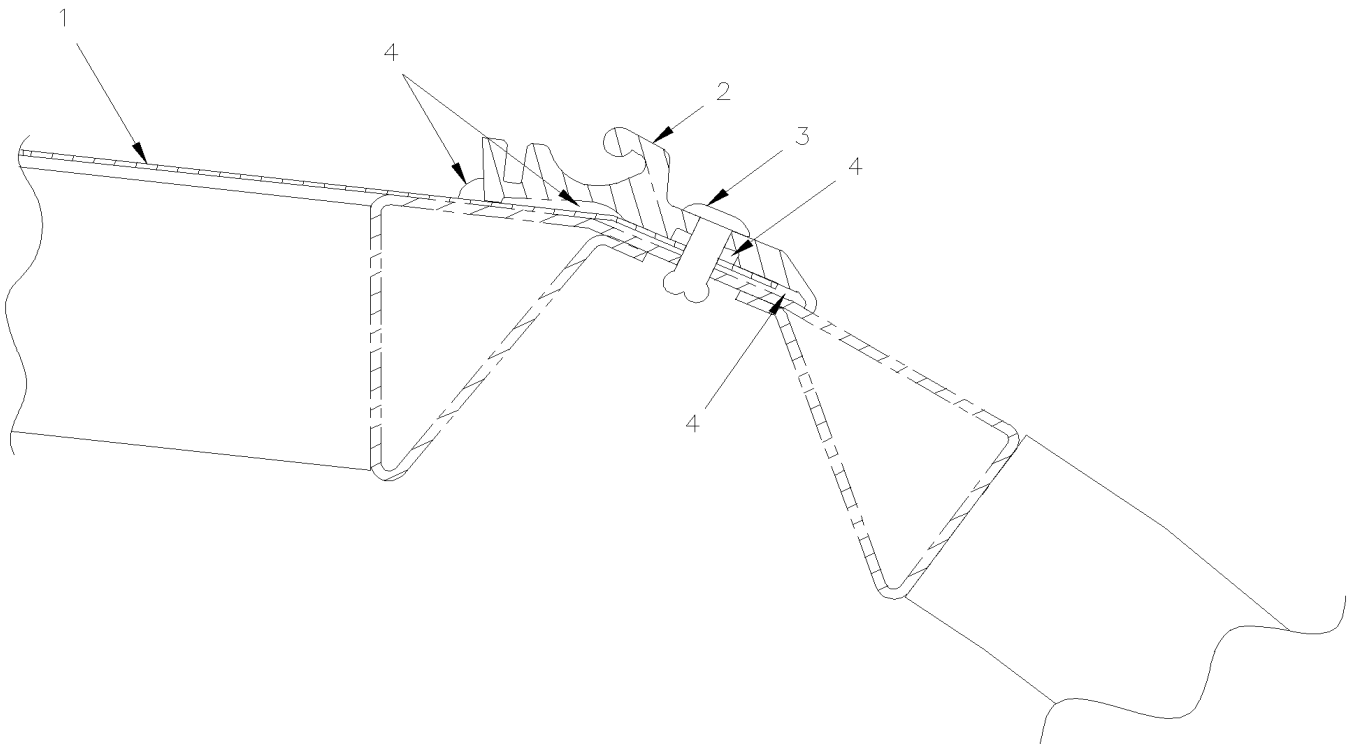
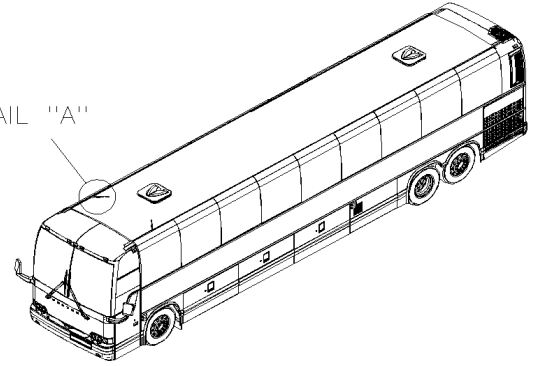
PAGE:X3VIP-1852-00

ROOF PANEL



DETAIL "A"

DETAIL "A"





From E-5490 To K-6491	Date:07/2024	PAGE:X3VIP-1852-00
------------------------------	---------------------	---------------------------

ROOF PANEL

Item#	Part	Description	X 3 V I P E N T	X 3 V I P M T H	N O T E S
1	970274	ALUMINUM SHEET 3003 WHITE 18GAX82 1/4" To E-5499	165	165	
1	478980	ALUMINUM SHEET 5052 WHITE 18GAX82 1/4" To E-5499	1	1	
1	970324	ALUMINUM SHEET 5052 WHITE 18GAX82 1/4" From E-5550	1	1	
2	294092	EXTRUSION, ALUMINUM 5870MM (231.1") To E-5549	4	4	
2	294124	EXTRUSION, ALUMINUM 5870MM (231.1") From E-5550	4	4	
3	504546	RIVET CHY MONOLOK PRDG 1/4x5/8 ZP To E-5499	AR	AR	
3	504545	RIVET CHY MONOLOK PRDG 1/4x3/8 ZP To E-5499	AR	AR	
3	504787	RIVET CHY MONOLOK PRDG 1/4x5/8 ZP From E-5500	AR	AR	
4	684517	ADHESIVE SIMSON #ISR 70-03 / GREY / 310ml CARTRIDGE	AR	AR	
NS	506790	TAPE RUB ADH2 CC POL 1/16" x 1/2" x 200' / BLACK I1C-N-A	AR	AR	
5	474057P	KIT, ROOF PANELING XL SERIES	1	1	
6	Call order desk	DEFLECTOR, ROOF			P
. NS	IS-12024	. SEE INSTRUCTION SHEET	1	1	
7	294115	. DEFLECTOR R.H.	1	1	
NS	294116	. DEFLECTOR L.H.	1	1	
8	500393	. SCREW TC PAN PH #10-24x3/8 Z050	4	4	
NS	5001076	. WASHER FL RET 4.6x15.4x1.37 NYL BK	4	4	
		P) CALL ORDER DESK FOR SPECIFIC APPLICATION (V.I.N.)			

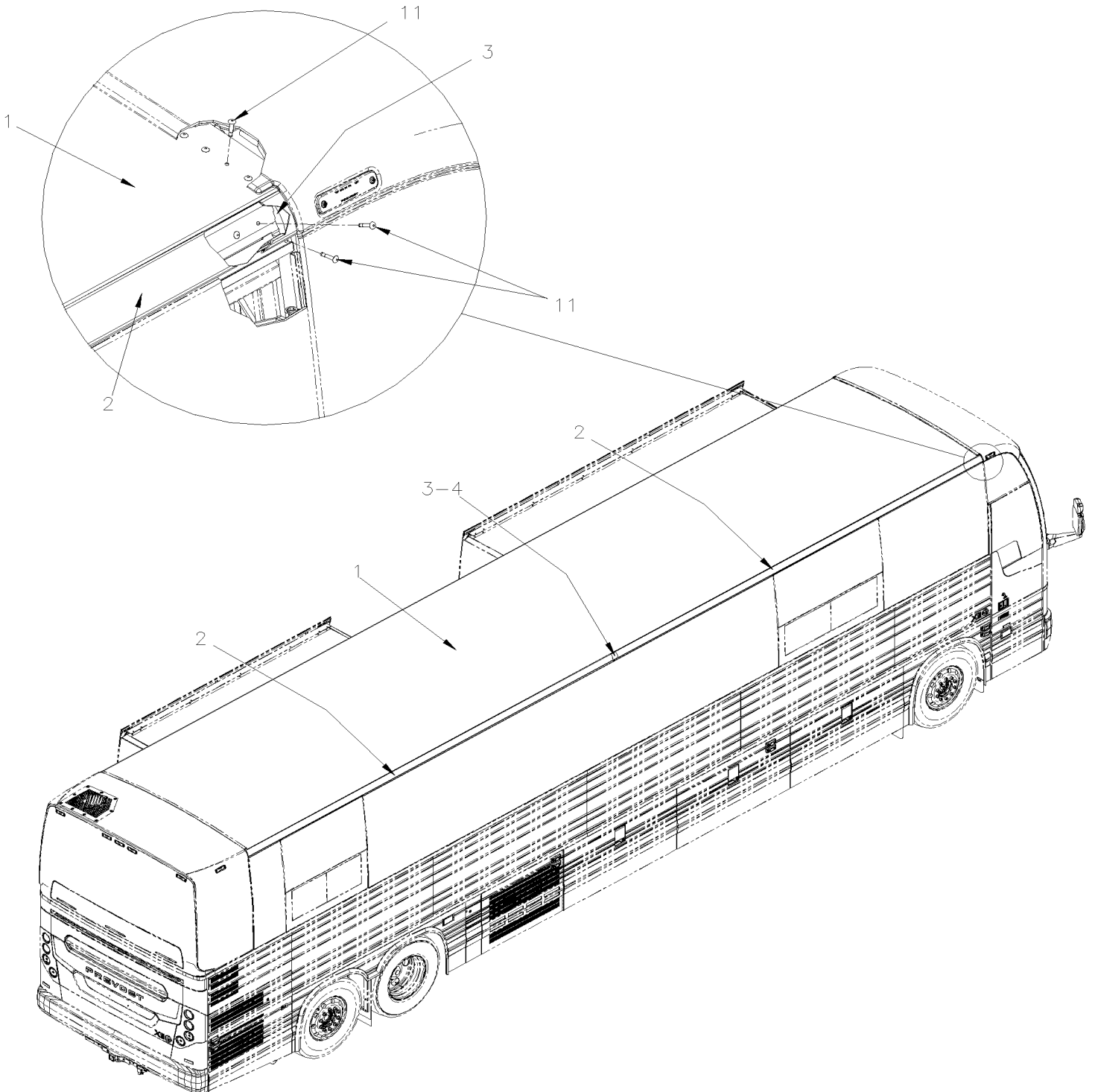


From L-6492

Date:07/2024

PAGE:X3VIP-1852-01

ROOF PANEL





From L-6492	Date:07/2024	PAGE:X3VIP-1852-01
ROOF PANEL		

Item#	Part	Description	X 3 V I P E N T	X 3 V I P M T H	N O T E S
1	970003	ALUMINUM SHEET 5052 WHITE 18GA X 94 1/2"	AR	AR	
2	290114	EXTRUSTION ROOF To M-6657	4	4	
2	290779	EXTRUSTION ROOF From M-6658	4	4	
3	290255	PLUG	8	8	
4	479765	ROOF EXTRUSION SEAL MOLDING To M-6657	2	2	
. NS	290256	. ROOF EXTRUSION SEAL MOLDING To M-6657	1	1	
. NS	506869	. TAPE RUB ADH2 POL .031" X 1/4" X 300' / BLACK To M-6657	AR	AR	
4	4710185	ROOF EXTRUSION SEAL MOLDING From M-6658	2	2	
. NS	290786	. ROOF EXTRUSION SEAL MOLDING From M-6658	1	1	
. NS	506869	. TAPE RUB ADH2 POL .031" X 1/4" X 300' / BLACK From M-6658	AR	AR	
NS	506869	TAPE RUB ADH2 POL .031" X 1/4" X 300' / BLACK	AR	AR	
11	504787	RIVET CHY MONOLOK PRDG 1/4x5/8 ZP	AR	AR	
NS	687961	GLUE MS POLYMER TEROSON MS 9399 / "A" 21 Liters To M-6660	AR	AR	
NS	685385	GLUE MS POLYMER TEROSON MS 9399 / "A" 14.8 Liters From M-6661	AR	AR	
NS	687962	GLUE MS POLYMER TEROSON MS 9399 / "B" 21 Liters To M-6660	AR	AR	
NS	685386	GLUE MS POLYMER TEROSON MS 9399 / "B" 14.8 Liters From M-6661	AR	AR	
NS	687957	GLUE MS POLYMER TEROSON MS 9399 / 400ml CARTRIDGE To M-6660	AR	AR	
NS	685387	GLUE MS POLYMER TEROSON MS 9399 / 400ml CARTRIDGE From M-6661	AR	AR	
NS	685124	ADHESIVE SIMSON #ISR 70-03 / BLACK / 600ml SAUSAGE	AR	AR	
NS	680066	ADHESIVE / ADBOND #5014 / 23.6ML BOTTLE	AR	AR	
NS	683084	SEALANT SIKA #221 / GREY / 600 ml SAUSAGE	AR	AR	



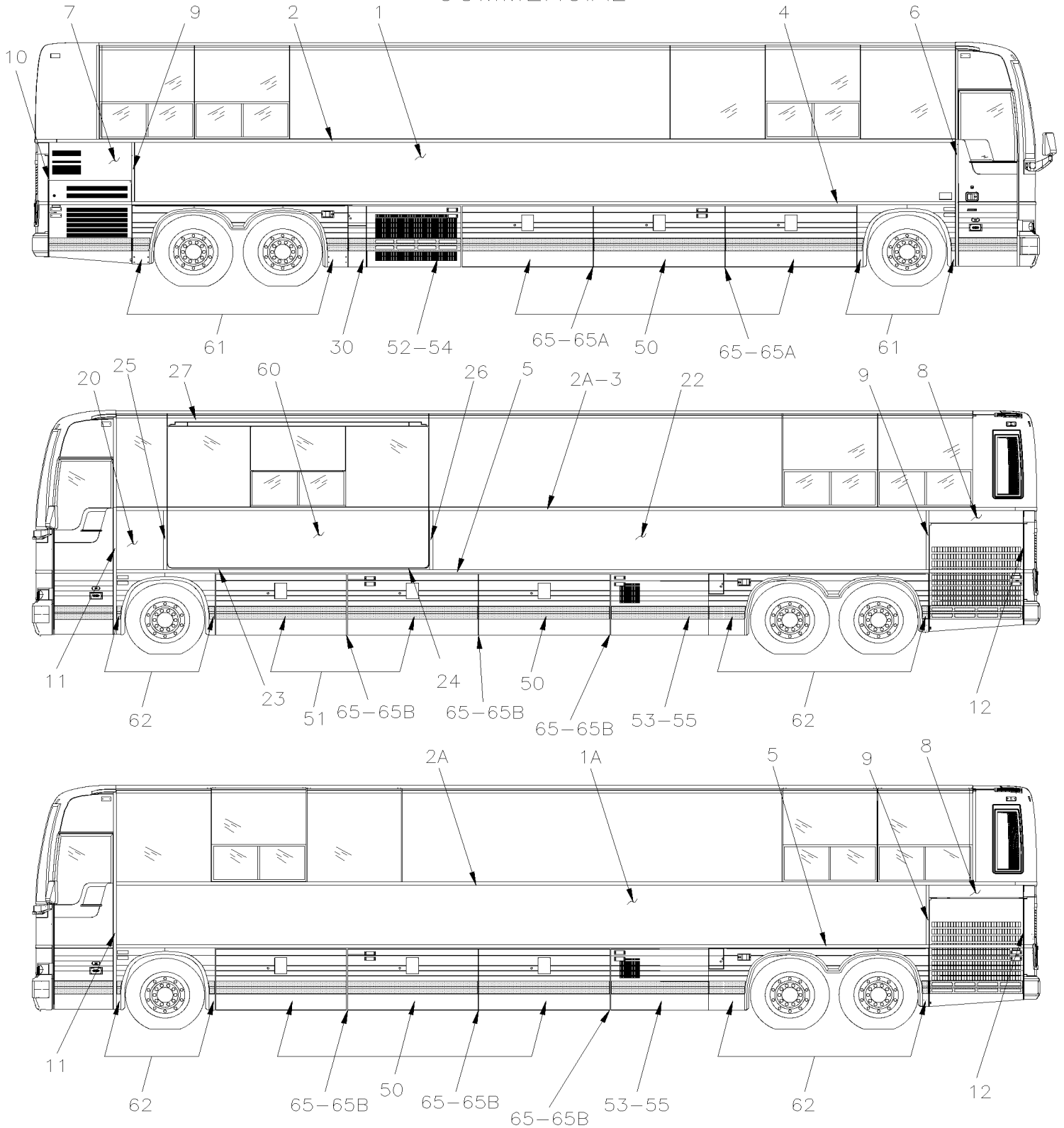
From E-5490 To K-6491

Date:07/2024

PAGE:X3VIP-1854-00

SIDE PANELING

COMMERCIAL





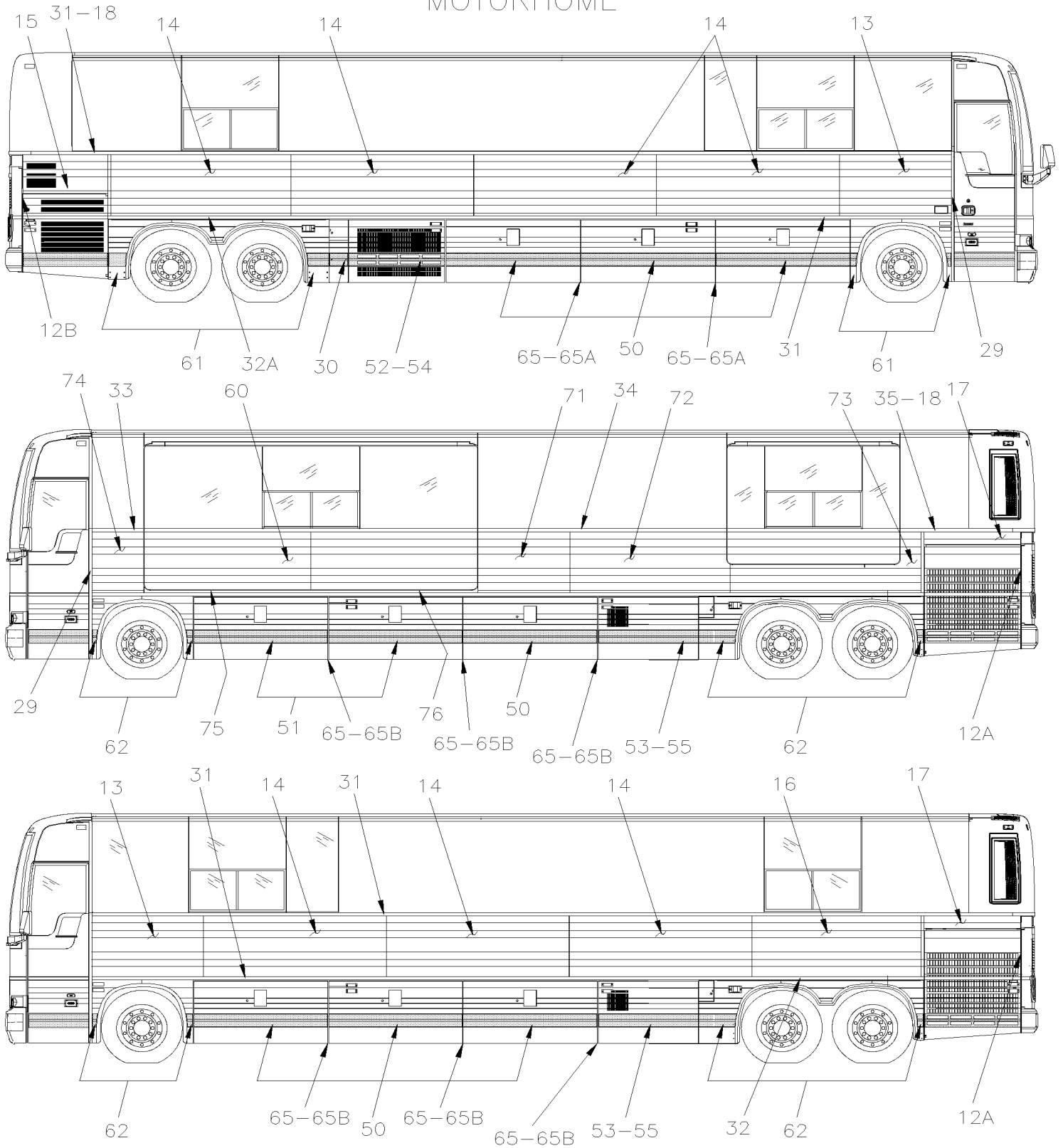
From E-5490 To K-6491

Date:07/2024

PAGE:X3VIP-1854-00

SIDE PANELING

MOTORHOME





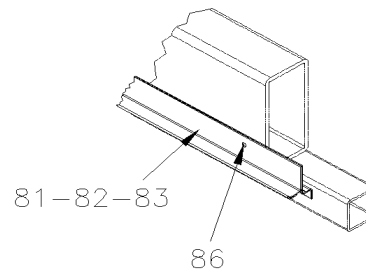
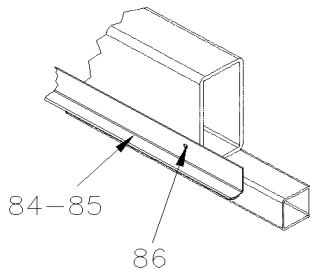
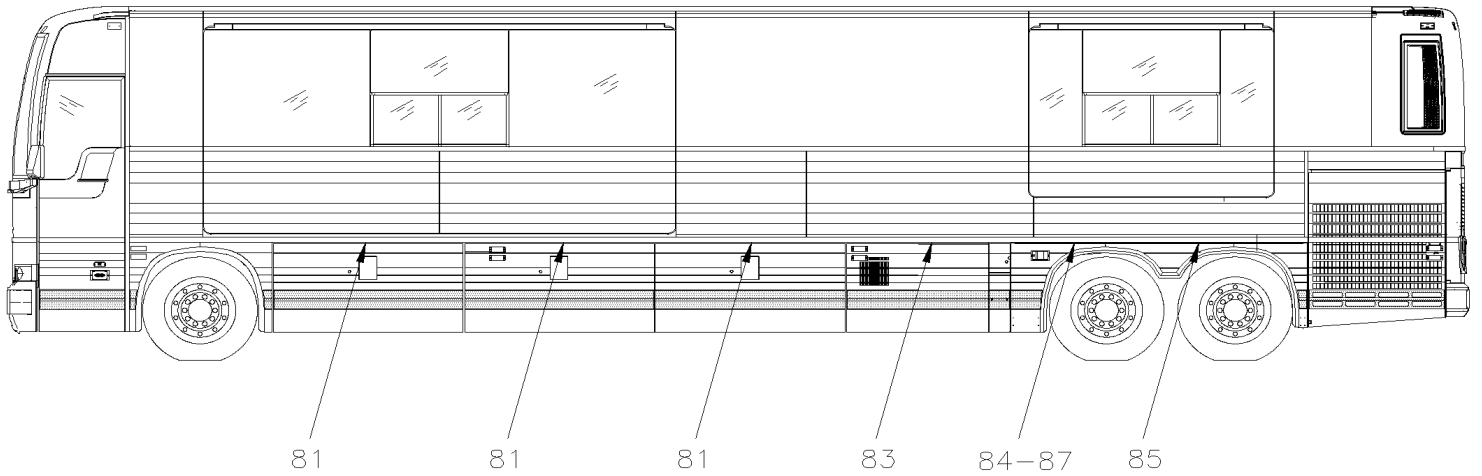
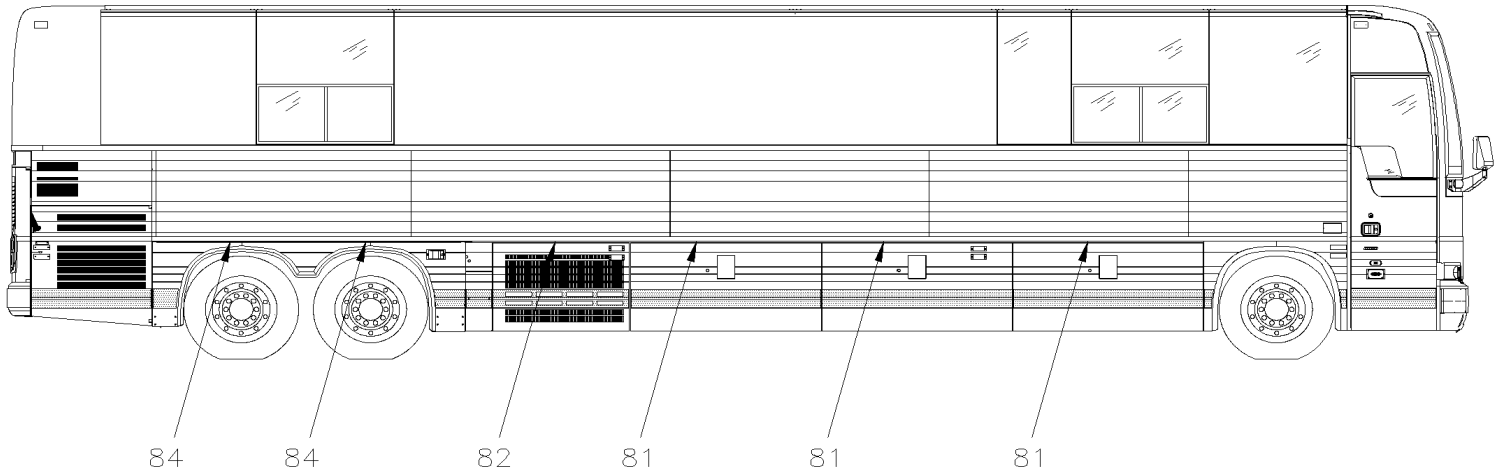
From E-5490 To K-6491

Date:07/2024

PAGE:X3VIP-1854-00

SIDE PANELING

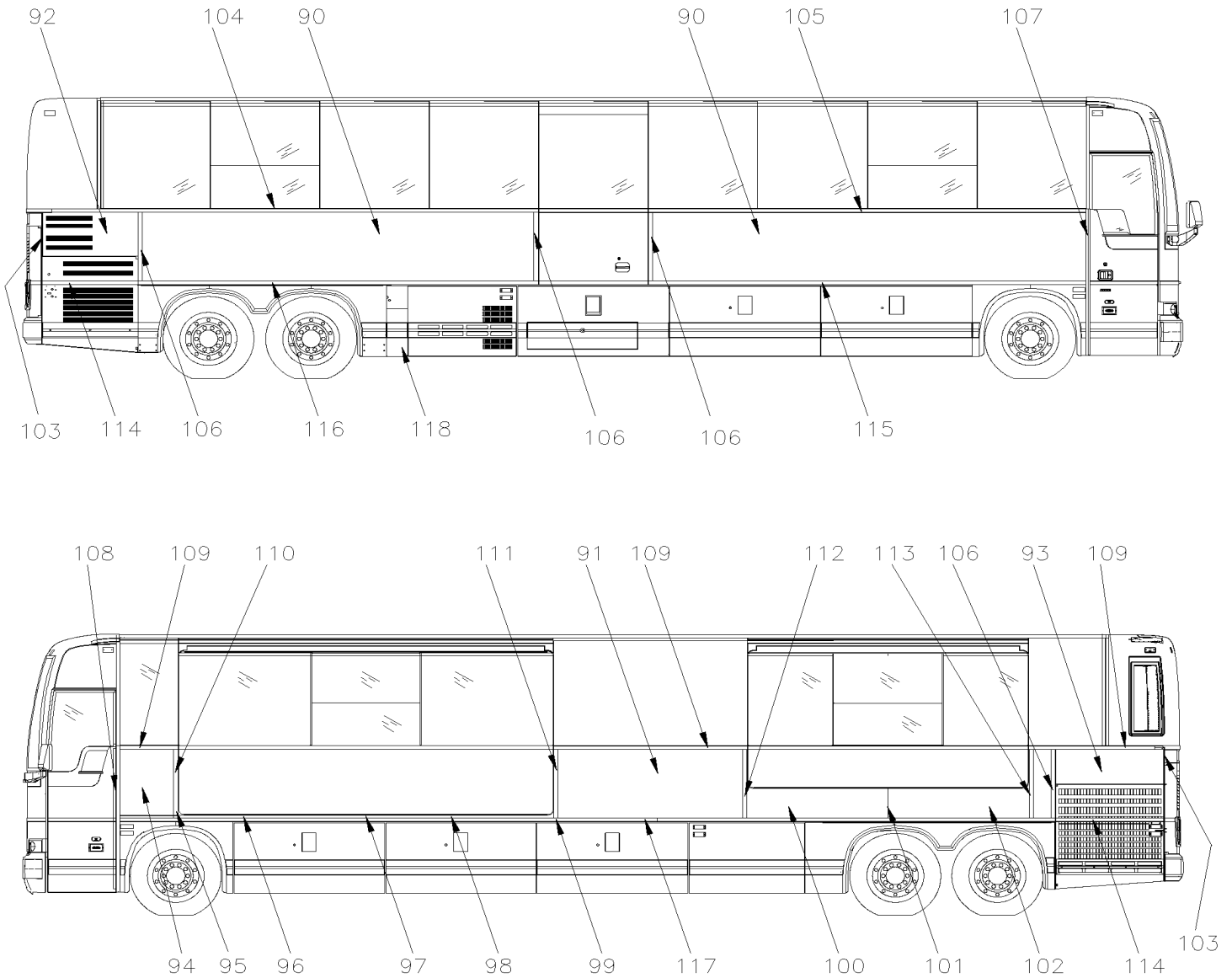
MOTORHOME





From E-5490 To K-6491	Date:07/2024	PAGE:X3VIP-1854-00
SIDE PANELING		

MOTORHOME WITH FLAT PANELING





From E-5490 To K-6491	Date:07/2024	PAGE:X3VIP-1854-00
SIDE PANELING		

Item#	Part	Description	X 3 V I P E N T	X 3 V I P M T H	N O T E S
1	970286	STAINLESS STEEL SHEET 912MM X 11392MM	1		
1A	970316	STAINLESS STEEL SHEET / STREET SIDE / 912MM X 11240MM	1		
2	474514	FINISHING MOULDING UPPER R.H. 12253MM	1		
. NS	506785	. TAPE RUB ADH2 CC POL 1/16" X 1/4" X 200' / BLACK I1C-N-A	AR		
. NS	506790	. TAPE RUB ADH2 CC POL 1/16" x 1/2" x 200' / BLACK I1C-N-A	AR		
2A	474515	FINISHING MOULDING UPPER L.H. 12253MM	1		A
. NS	506785	. TAPE RUB ADH2 CC POL 1/16" X 1/4" X 200' / BLACK I1C-N-A	AR		A
. NS	506790	. TAPE RUB ADH2 CC POL 1/16" x 1/2" x 200' / BLACK I1C-N-A	AR		A
3	474515	FINISHING MOULDING UPPER L.H. 12253MM	1		A
. NS	506785	. TAPE RUB ADH2 CC POL 1/16" X 1/4" X 200' / BLACK I1C-N-A	AR		A
. NS	506790	. TAPE RUB ADH2 CC POL 1/16" x 1/2" x 200' / BLACK I1C-N-A	AR		A
4	478582	FINISHING MOULDING LOWER R.H. 11239MM To H-6179	1		
. NS	506785	. TAPE RUB ADH2 CC POL 1/16" X 1/4" X 200' / BLACK I1C-N-A To H-6179	AR		
. NS	506869	. TAPE RUB ADH2 POL .031" X 1/4" X 300' / BLACK To H-6179	AR		
4	479629	FINISHING MOULDING LOWER R.H. 11045MM From H-6180	1		
. NS	506785	. TAPE RUB ADH2 CC POL 1/16" X 1/4" X 200' / BLACK I1C-N-A From H-6180	AR		
. NS	506869	. TAPE RUB ADH2 POL .031" X 1/4" X 300' / BLACK From H-6180	AR		
. NS	5060124	. TAPE RUB ADH2 CC POL 3/16" x 1/4" x 50' From H-6180	AR		
5	478581	FINISHING MOULDING LOWER L.H. 11086MM To H-6179	1		
. NS	506785	. TAPE RUB ADH2 CC POL 1/16" X 1/4" X 200' / BLACK I1C-N-A To H-6179	AR		
. NS	506869	. TAPE RUB ADH2 POL .031" X 1/4" X 300' / BLACK To H-6179	AR		
5	479616	FINISHING MOULDING LOWER L.H. 11045MM From H-6180	1		
. NS	506785	. TAPE RUB ADH2 CC POL 1/16" X 1/4" X 200' / BLACK I1C-N-A From H-6180	AR		
. NS	506869	. TAPE RUB ADH2 POL .031" X 1/4" X 300' / BLACK From H-6180	AR		
. NS	5060124	. TAPE RUB ADH2 CC POL 3/16" x 1/4" x 50' From H-6180	AR		
6	477524	FINISHING MOULDING / ANGLE / 1853MM SS / W/89" / B.A.	1		
NS	504473	RIVET POP DOME OE 1/8x1/4 SS	12		
7	478800	PANEL AIR INTAKE R.H. / MTH 89" To H-6179	1		
7	470552	PANEL AIR INTAKE R.H. 1336.7x574.8MM From H-6180	1		
NS	5060038	TAPE RUB ADH1 CC POL 1/4" x 1" x 35' / BLACK H1C	AR	AR	
NS	506227	TAPE RUB ADH1 CC POL 1/16" x 3/4" x 100' / GREY 2520	AR	AR	
NS	506769	TAPE RUB ADH2 CC POL 1/8" x 1/4" x 60' / BLACK H1CC-N-#14	AR	AR	
NS	506785	TAPE RUB ADH2 CC POL 1/16" X 1/4" X 200' / BLACK I1C-N-A	AR	AR	
NS	685126	ADHESIVE SIMSON #ISR 70-03 / GREY / 600ml SAUSAGE	AR	AR	
8	479164	PANEL SUB ASSY L.H. / MTH 89" To H-6179	1		
8	470520	PANEL UPPER, RADIATOR DOOR 1336.7X570.3MM From H-6180	1		
8	470545	FINISHING MOULDING / ANGLE 546.5MM / B.A From H-6180	1		
8	470522	PANEL UPPER, RADIATOR DOOR 1327.7X574.8MM From H-6180		1	
9	475101	FINISHING MOULDING ALUMINUM 865MM / W89"	2		
9A	471017	MOULDING BACKWARD SLIDE OUT From J-6223		1	
10	477525	FINISHING MOULDING / ANGLE / 552MM SS / W/89" / B.A. To H-6179	1		
10	470545	FINISHING MOULDING / ANGLE 546.5MM / B.A From H-6180	1		



From E-5490 To K-6491	Date:07/2024	PAGE:X3VIP-1854-00
SIDE PANELING		

Item#	Part	Description	X 3 V I P E N T	X 3 V I P M T H	N O T E S
11	477526	FINISHING MOULDING / ANGLE / 1853MM SS / W/89" / B.A.	1		
NS	506869	TAPE RUB ADH2 POL .031" X 1/4" X 300' / BLACK	AR	AR	
NS	506769	TAPE RUB ADH2 CC POL 1/8" x 1/4" x 60' / BLACK H1CC-N-#14	AR	AR	
11	5060044	TAPE RUB ADH2 CC POL 1/4" X 1/4" X 50' / BLACK I1C-N-A	AR	AR	
NS	506225	TAPE RUB ADH1 CC POL 1/16" x 1/4" x 100' / GREY 2520	AR	AR	
11	5060038	TAPE RUB ADH1 CC POL 1/4" x 1" x 35' / BLACK H1C	AR	AR	
11	506785	TAPE RUB ADH2 CC POL 1/16" X 1/4" X 200' / BLACK I1C-N-A	AR	AR	
NS	687957	GLUE MS POLYMER TEROSON MS 9399 / 400ml CARTRIDGE	AR	AR	
NS	683097	CLEANER SIKA #205 / CLEAR / 1000ml	AR	AR	
NS	685126	ADHESIVE SIMSON #ISR 70-03 / GREY / 600ml SAUSAGE	AR	AR	
NS	683083	ADHESIVE SIKA #252 / BLACK / 600 ml SAUSAGE	AR	AR	
12	479167	FINISHING MOULDING / S.S. / 184MM	1		
12A	470064	FINISHING MOULDING / B.A. / 184MM To H-6179		1	
NS	470636	FINISHING MOULDING B.A. / 546.5MM From H-6180		1	
NS	470636	FINISHING MOULDING B.A. / 546.5MM From H-6180		1	
12B	470066	FINISHING MOULDING / B.A. / 547MM To H-6179		1	
12B	470636	FINISHING MOULDING B.A. / 546.5MM From H-6180		1	
12B	470636	FINISHING MOULDING B.A. / 546.5MM From H-6180		1	
13	470340	LOWER PANEL / B.A. / 1521MM		2	
14	470327	LOWER PANEL / B.A. / 2428MM To H-6179		7	
14	470327	LOWER PANEL / B.A. / 2428MM From H-6180		3	
15	470329	PANEL AIR INTAKE RH / B.A. To H-6179		1	
15	470634	PANEL AIR INTAKE RH / B.A. /1327.7MM From H-6180		1	
15	470552	PANEL AIR INTAKE R.H. 1336.7x574.8MM From J-6223		1	E
NS	470636	FINISHING MOULDING B.A. / 546.5MM From H-6180		1	
16	470345	LOWER PANEL / B.A. / 2275MM To H-6179		1	
16	470524	LOWER PANEL / B.A. / 2234MM From H-6180		1	
17	470331	LOWER PANEL / B.A. / 1283MM To H-6179		1	
17	470343	PANEL JOINT CENTER PART B.A. To H-6179		1	
17	502872	RIVET POP CK OE 1/8x3/16 SS To H-6179		AR	
18	475669	MOULDING RETAINER / 312MM		2	
18	504488	RIVET MGLP PRDG 3/16x17/64 SS		AR	
20	477938	PANEL FLAT FORWARD SLIDE OUT	1		
22	970317	STAINLESS STEEL SHEET / STREET SIDE / 912MM X 6934MM	1		
23	477836	PANEL FLAT FORWARD UNDER SLIDE OUT	1		
24	477921	PANEL FLAT BACKWARD UNDER SLIDE OUT	1		
25	477939	MOULDING FORWARD SLIDE OUT	1		
26	477940	MOULDING BACKWARD SLIDE OUT	1		
27	293834	PANEL ASSY / UPPER "SLIDE-OUT" 3553.2MM	1		
29	470071	FINISHING MOULDING SS / 1853MM		2	
NS	504717	RIVET POP DOME OE 1/8x1/4 SS		AR	



From E-5490 To K-6491	Date:07/2024	PAGE:X3VIP-1854-00
SIDE PANELING		

Item#	Part	Description	X 3 V I P E N T	X 3 V I P M T H	N O T E S
30	477230	PANEL CURBESIDE / B.A. 246.4MM	1	1	
31	474159	FINISHING MOULDING S.S. / 6385MM		6	
31	477436	MOULDING RETAINER / 50MM		AR	
31	477287	FINISHING MOULDING UPPER R.H. 5771.1MM From J-6223		1	E
. NS	506785	. TAPE RUB ADH2 CC POL 1/16" X 1/4" X 200' / BLACK I1C-N-A From J-6223		AR	E
. NS	506790	. TAPE RUB ADH2 CC POL 1/16" x 1/2" x 200' / BLACK I1C-N-A From J-6223		AR	E
31	477288	FINISHING MOULDING UPPER R.H. 5176.9MM From J-6223		1	E
. NS	506790	. TAPE RUB ADH2 CC POL 1/16" x 1/2" x 200' / BLACK I1C-N-A From J-6223		AR	E
32	470072	FINISHING MOULDING S.S. / 4708MM		1	
32A	474161	FINISHING MOULDING S.S. / 4861MM		1	
32A	470654	FINISHING MOULDING S.S. / 4667MM		1	
33	476112	FINISHING MOULDING SS / 720.6MM		1	A
33	470348	FINISHING MOULDING B.A. / 1220MM		1	A
34	474159	FINISHING MOULDING S.S. / 6385MM		1	A
34	478340	FINISHING MOULDING SS / 3300MM		1	B
34	470367	FINISHING MOULDING SS / 2286MM		1	C
34	478604	FINISHING MOULDING SS / 1066MM		1	D
35	478339	FINISHING MOULDING SS / 1489.8MM		1	
50	X3VIP-1864-01	BAGGAGE DOOR ASSY / 70"			
51	X3VIP-1864-90	BAGGAGE DOOR W/HINGE / 70"			
52	X3VIP-1863-50	CONDENSOR DOOR ASSY WITH LARGE A/C SYSTEM			
53	X3VIP-1866-50	EVAPORATOR DOOR ASSY			
54	X3VIP-1864-60	BAGGAGE DOOR W/HINGE CURBSIDE WITH SMALL A/C SYSTEM / 50 1/2"			
55	X3VIP-1864-50	BAGGAGE DOOR W/HINGE STREET SIDE WITH SMALL A/C SYSTEM / 47 5/8"			
60	X3VIP-1854-90	SIDE PANELING - "SLIDE-OUT"			
61	X3VIP-1857-56	FENDERS R.H. - W/FLUTED PANELLING			
62	X3VIP-1857-51	FENDERS L.H. - W/FLUTED PANELLING			
63	X3VIP-1854-50	UPPER FIBERGLASS SIDE PANELING BETWEEN SIDE WINDOW			
65	221777	ANTI-SPLASH To J-6339	5	5	
65	221777	ANTI-SPLASH To J-6339	5	5	
65	507030	RIVET POP DOME LARGE HEAD 3/16x1.2" SS	AR	AR	
65A	221777	ANTI-SPLASH From J-6340	2	2	
65A	221777	ANTI-SPLASH From J-6340	2	2	
65B	220071	ANTI-SPLASH LEFT SIDE From J-6340	3	3	
71	470337	LOWER PANEL / B.A. / 1218.6MM		1	
NS	N.S.S.	PANEL JOINT 125MM		1	1
NS	477609	PANEL JOINT / CORNER		1	
72	470327	LOWER PANEL / B.A. / 2428MM		1	A



From E-5490 To K-6491	Date:07/2024	PAGE:X3VIP-1854-00
SIDE PANELING		

Item#	Part	Description	X 3 V I P E N T	X 3 V I P M T H	N O T E S
72	470335	LOWER PANEL / B.A. / 2428MM		1	B
72	470349	LOWER PANEL / B.A. / 2428MM		1	C
NS	470341	PANEL JOINT CENTER PART 125MM		1	
73	470345	LOWER PANEL / B.A. / 2275MM To H-6179		1	A
73	470524	LOWER PANEL / B.A. / 2234MM From H-6180		1	A
73	478919	LOWER PANEL / B.A. / 1140MM From H-6180		1	F
73	478920	LOWER PANEL / B.A. / 348.5MM From H-6180		1	F
73	478922	LOWER PANEL / B.A. / 3170MM From H-6180		1	F
NS	470332	PANEL JOINT CENTER PART	2	2	G
73	470334	LOWER PANEL / B.A. / 2275MM To H-6179		1	B C
73	470334	LOWER PANEL / B.A. / 2275MM From H-6180		1	B
73	470240	LOWER PANEL / B.A. / 2234MM From H-6180		1	C
NS	470332	PANEL JOINT CENTER PART		1	
74	470338	LOWER PANEL / B.A. / 720MM		1	
NS	477604	PANEL JOINT / CORNER		1	
75	477588	PANEL LOWER / "SLIDE-OUT" & MOULDING FORWARD / B.A.		1	
76	477589	PANEL LOWER / "SLIDE-OUT" & MOULDING / BACKWARD / B.A.		1	
81	476590	DRIP MOULDING / 1788MM		1	
82	478552	DRIP MOULDING / 1541.4MM		1	
83	477396	DRIP MOULDING / 1210.6MM		1	
84	477536	DRIP MOULDING / 1468MM / B.A. To H-6179		2	
84	477536	DRIP MOULDING / 1468MM / B.A. From H-6180		1	
85	476797	DRIP MOULDING / 1315.65MM / B.A. To H-6179		1	
85	470944	DRIP MOULDING / 1273.9MM / B.A. From H-6180		2	
86	504339	RIVET POP DOME OE 1/8x3/8 SS		AR	
87	477397	DRIP MOULDING / 1799MM	1	1	
90	970001	STAINLESS STEEL SHEET 912MMX11195MM From J-6223 To J-6223		1	E
91	970002	STAINLESS STEEL SHEET 912MMX6889MM From J-6223 To J-6223		1	E
92	470552	PANEL AIR INTAKE R.H. 1336.7x574.8MM From J-6223 To J-6223		1	E
93	470520	PANEL UPPER, RADIATOR DOOR 1336.7X570.3MM From J-6223 To J-6223		1	E
94	477938	PANEL FLAT FORWARD SLIDE OUT From J-6223 To J-6223		1	E
95	477604	PANEL JOINT / CORNER From J-6223 To J-6223		1	E
96	477588	PANEL LOWER / "SLIDE-OUT" & MOULDING FORWARD / B.A. From J-6223 To J-6223		1	E
97	477606	PANEL JOINT 125MM From J-6223 To J-6223		1	E
98	477589	PANEL LOWER / "SLIDE-OUT" & MOULDING / BACKWARD / B.A. From J-6223 To J-6223		1	E
99	477609	PANEL JOINT / CORNER From J-6223 To J-6223		1	E
100	471013	PANEL LOWER / "SLIDE-OUT" & MOULDING FORWARD From J-6223 To J-6223		1	E
101	471018	PANEL JOINT From J-6223 To J-6223		1	E
102	471012	PANEL LOWER / "SLIDE-OUT" & MOULDING / BACKWARD From J-6223 To J-6223		1	E
103	470545	FINISHING MOULDING / ANGLE 546.5MM / B.A From J-6223 To J-6223		1	E
104	477287	FINISHING MOULDING UPPER R.H. 5771.1MM From J-6223 To J-6223		1	E



From E-5490 To K-6491		Date:07/2024	PAGE:X3VIP-1854-00
SIDE PANELING			

Item#	Part	Description	X 3 V I P E N T	X 3 V I P M T H	N O T E S
. NS	506785	. TAPE RUB ADH2 CC POL 1/16" X 1/4" X 200' / BLACK I1C-N-A From J-6223 To J-6223		AR	E
. NS	506790	. TAPE RUB ADH2 CC POL 1/16" x 1/2" x 200' / BLACK I1C-N-A From J-6223 To J-6223		AR	E
105	477288	FINISHING MOULDING UPPER R.H. 5176.9MM From J-6223 To J-6223		1	E
. NS	506790	. TAPE RUB ADH2 CC POL 1/16" x 1/2" x 200' / BLACK I1C-N-A From J-6223 To J-6223		AR	E
106	475101	FINISHING MOULDING ALUMINUM 865MM / W89" From J-6223 To J-6223		4	E
107	474388	FINISHING MOULDING S.S. From J-6223 To J-6223		2	E
108	474388	FINISHING MOULDING S.S. From J-6223 To J-6223		2	E
109	474515	FINISHING MOULDING UPPER L.H. 12253MM From J-6223 To J-6223		1	E
. NS	506785	. TAPE RUB ADH2 CC POL 1/16" X 1/4" X 200' / BLACK I1C-N-A From J-6223 To J-6223		AR	E
. NS	506790	. TAPE RUB ADH2 CC POL 1/16" x 1/2" x 200' / BLACK I1C-N-A From J-6223 To J-6223		AR	E
110	477939	MOULDING FORWARD SLIDE OUT From J-6223 To J-6223		1	E
111	477940	MOULDING BACKWARD SLIDE OUT From J-6223 To J-6223		1	E
112	471016	MOULDING FORWARD SLIDE OUT From J-6223 To J-6223		1	E
113	471017	MOULDING BACKWARD SLIDE OUT From J-6223 To J-6223		1	E
114	479617	MOULDING, FINISHING 1323MM From J-6223 To J-6223		2	E
115	478585	FINISHING MOULDING LOWER R.H. 5202MM From J-6223 To J-6223		1	E
. NS	506869	. TAPE RUB ADH2 POL .031" X 1/4" X 300' / BLACK From J-6223 To J-6223		AR	E
. NS	506785	. TAPE RUB ADH2 CC POL 1/16" X 1/4" X 200' / BLACK I1C-N-A From J-6223 To J-6223		AR	E
116	479650	FINISHING MOULDING LOWER R.H. 4538MM From J-6223 To J-6223		1	E
117	479616	FINISHING MOULDING LOWER L.H. 11045MM From J-6223 To J-6223		1	E
. NS	506785	. TAPE RUB ADH2 CC POL 1/16" X 1/4" X 200' / BLACK I1C-N-A From J-6223 To J-6223		AR	E
. NS	506869	. TAPE RUB ADH2 POL .031" X 1/4" X 300' / BLACK From J-6223 To J-6223		AR	E
. NS	5060124	. TAPE RUB ADH2 CC POL 3/16" x 1/4" x 50' From J-6223 To J-6223		AR	E
118	477293	PANEL CURBSIDE 246.4MM From J-6223 To J-6223		1	E
		A) WITH ONE SLIDE-OUT			
		B) WITH 2 SLIDE-OUT / WITH REAR ONE 7.5'			
		C) WITH 2 SLIDE-OUT / WITH REAR ONE 10'			
		D) USE WITH ONLY A REAR SLIDE OUT			
		E) "AUTOBUS BRUNET" OPTION / MOTORHOME WITH FLAT PANEL			
		F) "AUTOBUS BRUNET" OPTION / MOTORHOME WITH FLAT PANEL			
		G) "AUTOBUS BRUNET" OPTION / MOTORHOME WITH FLAT PANEL			
		1) NOT SOLD SEPARATELY			

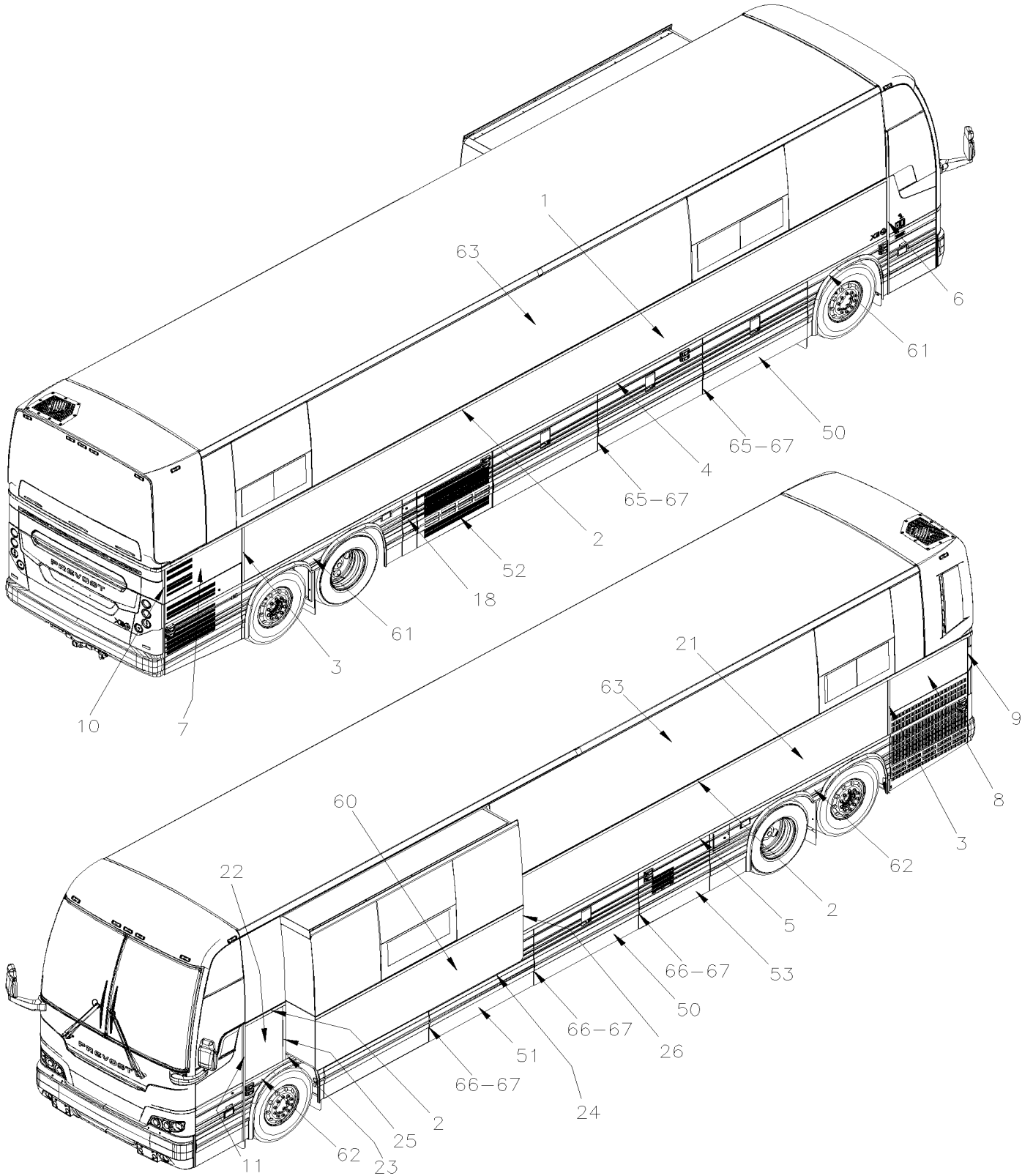


From L-6492

Date:07/2024

PAGE:X3VIP-1854-01

SIDE PANELING



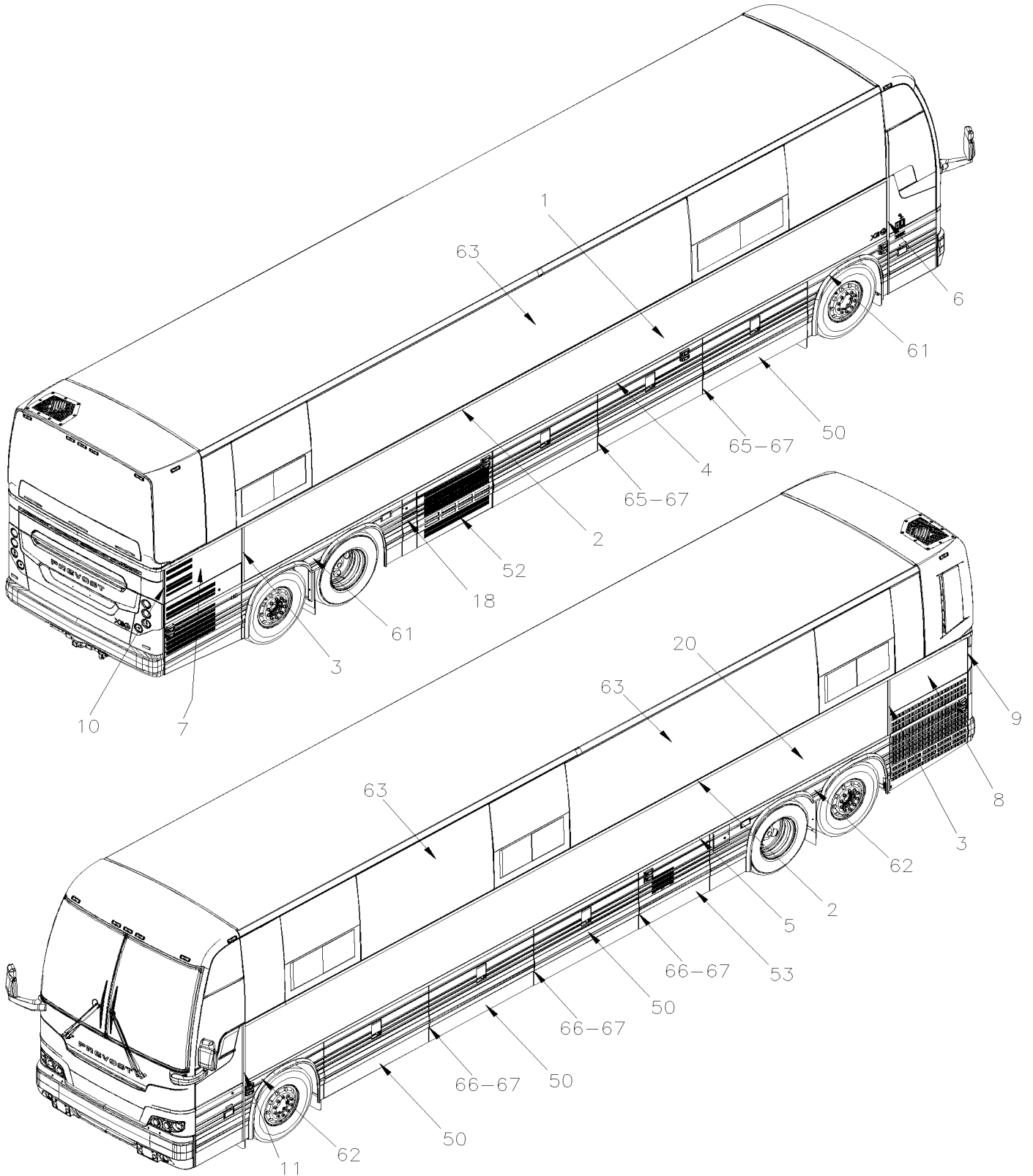


From L-6492

Date:07/2024

PAGE:X3VIP-1854-01

SIDE PANELING



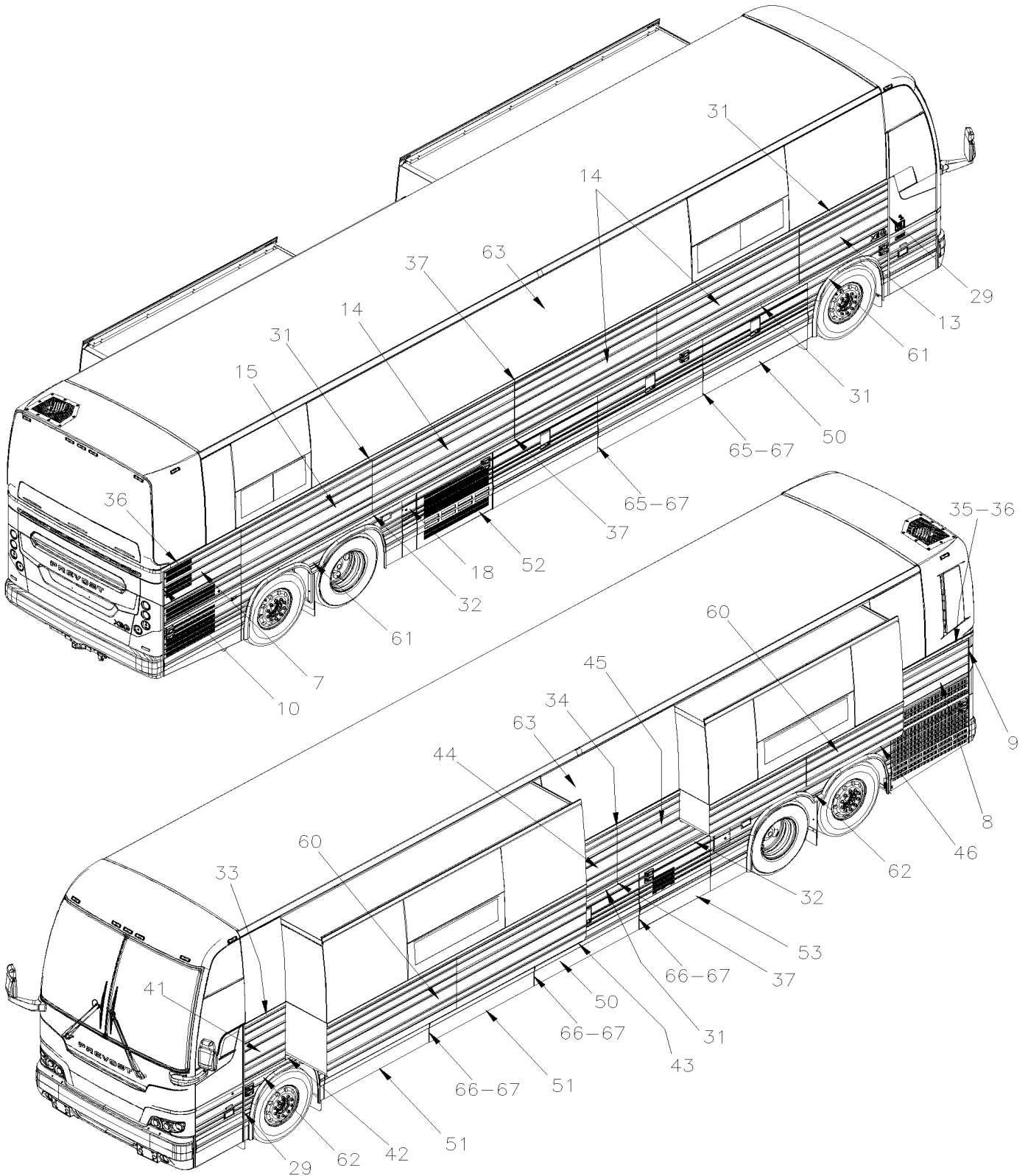


From L-6492

Date:07/2024

PAGE:X3VIP-1854-01

SIDE PANELING





From L-6492	Date:07/2024	PAGE:X3VIP-1854-01
SIDE PANELING		

Item#	Part	Description	X 3 V I P E N T	X 3 V I P M T H	NOTES
1	970001	STAINLESS STEEL SHEET 912MMX11195MM To L-6616	1		
1	4710007	STAINLESS STEEL SHEET 912MMX11195MM From L-6617	1		
2	470644	FINISHING MOULDING UPPER 12250MM	2		
. NS	506785	. TAPE RUB ADH2 CC POL 1/16" X 1/4" X 200' / BLACK I1C-N-A	AR		
NS	683083	ADHESIVE SIKA #252 / BLACK / 600 ml SAUSAGE	AR		
NS	5061289	TAPE RUB ADH2 CC POL 1/8" x 3/8" x 100' / BLACK I1C-NGL-1	AR		
3	475101	FINISHING MOULDING ALUMINUM 865MM / W89"	2		
4	479629	FINISHING MOULDING LOWER R.H. 11045MM	1		
. NS	506785	. TAPE RUB ADH2 CC POL 1/16" X 1/4" X 200' / BLACK I1C-N-A	AR		
. NS	506869	. TAPE RUB ADH2 POL .031" X 1/4" X 300' / BLACK	AR		
. NS	5060124	. TAPE RUB ADH2 CC POL 3/16" x 1/4" x 50'	AR		
NS	683083	ADHESIVE SIKA #252 / BLACK / 600 ml SAUSAGE	AR		
NS	5061289	TAPE RUB ADH2 CC POL 1/8" x 3/8" x 100' / BLACK I1C-NGL-1	AR		
5	479616	FINISHING MOULDING LOWER L.H. 11045MM	1		
. NS	506785	. TAPE RUB ADH2 CC POL 1/16" X 1/4" X 200' / BLACK I1C-N-A	AR		
. NS	506869	. TAPE RUB ADH2 POL .031" X 1/4" X 300' / BLACK	AR		
. NS	5060124	. TAPE RUB ADH2 CC POL 3/16" x 1/4" x 50'	AR		
NS	683083	ADHESIVE SIKA #252 / BLACK / 600 ml SAUSAGE	AR		
NS	5061289	TAPE RUB ADH2 CC POL 1/8" x 3/8" x 100' / BLACK I1C-NGL-1	AR		
6	477524	FINISHING MOULDING / ANGLE / 1853MM SS / W/89" / B.A.	1		
6	479729	FINISHING MOULDING	1		E
NS	504473	RIVET POP DOME OE 1/8x1/4 SS	6		
7	479773	PANEL AIR INTAKE R.H.	1		
7	4705138	PANEL AIR INTAKE R.H.	1		E
7	479772	PANEL AIR INTAKE RH /		1	
NS	685126	ADHESIVE SIMSON #ISR 70-03 / GREY / 600ml SAUSAGE	AR	AR	
NS	506785	TAPE RUB ADH2 CC POL 1/16" X 1/4" X 200' / BLACK I1C-N-A	AR	AR	
NS	506769	TAPE RUB ADH2 CC POL 1/8" x 1/4" x 60' / BLACK H1CC-N-#14	AR	AR	
NS	5060038	TAPE RUB ADH1 CC POL 1/4" x 1" x 35' / BLACK H1C	AR	AR	
8	470520	PANEL UPPER, RADIATOR DOOR 1336.7X570.3MM	1		
8	4705139	PANEL UPPER, RADIATOR DOOR 1336.7X570.3MM	1		E
8	470522	PANEL UPPER, RADIATOR DOOR 1327.7X574.8MM		1	
NS	685126	ADHESIVE SIMSON #ISR 70-03 / GREY / 600ml SAUSAGE	AR	AR	
NS	506785	TAPE RUB ADH2 CC POL 1/16" X 1/4" X 200' / BLACK I1C-N-A	AR	AR	
NS	506769	TAPE RUB ADH2 CC POL 1/8" x 1/4" x 60' / BLACK H1CC-N-#14	AR	AR	
NS	5061289	TAPE RUB ADH2 CC POL 1/8" x 3/8" x 100' / BLACK I1C-NGL-1	AR	AR	
NS	5060038	TAPE RUB ADH1 CC POL 1/4" x 1" x 35' / BLACK H1C	AR	AR	
9	470545	FINISHING MOULDING / ANGLE 546.5MM / B.A	1		
NS	470636	FINISHING MOULDING B.A. / 546.5MM		1	
9	504340	RIVET POP DOME OE 1/8x3/16 SS	3	3	
10	470545	FINISHING MOULDING / ANGLE 546.5MM / B.A	1		
10	470636	FINISHING MOULDING B.A. / 546.5MM		1	



From L-6492		Date:07/2024	PAGE:X3VIP-1854-01
SIDE PANELING			

Item#	Part	Description	X 3 V I P E N T	X 3 V I P M T H	N O T E S
10	504340	RIVET POP DOME OE 1/8x3/16 SS	3	3	
11	477526	FINISHING MOULDING / ANGLE / 1853MM SS / W/89" / B.A.	1		
11	479730	FINISHING MOULDING	1		E
11	504473	RIVET POP DOME OE 1/8x1/4 SS	6		
13	470340	LOWER PANEL / B.A. / 1521MM		2	
14	470327	LOWER PANEL / B.A. / 2428MM		3	
15	470524	LOWER PANEL / B.A. / 2234MM		1	
18	477230	PANEL CURBSIDE / B.A. 246.4MM	1	1	
18	477293	PANEL CURBSIDE 246.4MM	1		E
18	506759	TAPE RUB ADH2 CC POL 1/8" x 1/2" x 100' / BLACK I1C-N-A	AR	AR	
18	684517	ADHESIVE SIMSON #ISR 70-03 / GREY / 310ml CARTRIDGE	AR	AR	
20	970001	STAINLESS STEEL SHEET 912MMX11195MM To L-6616	1		
20	4710007	STAINLESS STEEL SHEET 912MMX11195MM From L-6617	1		
20	970001	STAINLESS STEEL SHEET 912MMX11195MM To L-6616		1	E
20	4710007	STAINLESS STEEL SHEET 912MMX11195MM From L-6617		1	E
21	970002	STAINLESS STEEL SHEET 912MMX6889MM To L-6616	1		
21	4710008	STAINLESS STEEL SHEET 912MMX6889MM From L-6617	1		
21	970002	STAINLESS STEEL SHEET 912MMX6889MM To L-6616		1	E
21	4710008	STAINLESS STEEL SHEET 912MMX6889MM From L-6617		1	E
22	477938	PANEL FLAT FORWARD SLIDE OUT	1		
23	477836	PANEL FLAT FORWARD UNDER SLIDE OUT	1		
NS	477606	PANEL JOINT 125MM	1		
NS	502872	RIVET POP CK OE 1/8x3/16 SS	2		
24	477921	PANEL FLAT BACKWARD UNDER SLIDE OUT	1		
25	477939	MOULDING FORWARD SLIDE OUT	1		
26	477940	MOULDING BACKWARD SLIDE OUT	1		
29	470071	FINISHING MOULDING SS / 1853MM		2	
NS	504717	RIVET POP DOME OE 1/8x1/4 SS		AR	
31	474159	FINISHING MOULDING S.S. / 6385MM		3	
32	470654	FINISHING MOULDING S.S. / 4667MM		2	
33	476112	FINISHING MOULDING SS / 720.6MM To N-6714		1	
33	474159	FINISHING MOULDING S.S. / 6385MM From N-6715		AR	
34	478340	FINISHING MOULDING SS / 3300MM To N-6714		1	B
34	474159	FINISHING MOULDING S.S. / 6385MM From N-6715		AR	B
34	470367	FINISHING MOULDING SS / 2286MM To N-6714		1	C
34	474159	FINISHING MOULDING S.S. / 6385MM From N-6715		AR	C
35	478339	FINISHING MOULDING SS / 1489.8MM To N-6714		1	
35	474159	FINISHING MOULDING S.S. / 6385MM From N-6715		AR	
36	475669	MOULDING RETAINER / 312MM		2	



From L-6492	Date:07/2024	PAGE:X3VIP-1854-01
SIDE PANELING		

Item#	Part	Description	X 3 V I P E N T	X 3 V I P M T H	N O T E S
36	504488	RIVET MGLP PRDG 3/16x17/64 SS		AR	
37	477436	MOULDING RETAINER / 50MM		AR	
NS	685126	ADHESIVE SIMSON #ISR 70-03 / GREY / 600ml SAUSAGE		AR	
NS	5060044	TAPE RUB ADH2 CC POL 1/4" X 1/4" X 50' / BLACK I1C-N-A		AR	
41	470338	LOWER PANEL / B.A. / 720MM		1	
NS	477604	PANEL JOINT / CORNER		1	
NS	502872	RIVET POP CK OE 1/8x3/16 SS		3	
42	477588	PANEL LOWER / "SLIDE-OUT" & MOULDING FORWARD / B.A.		1	
NS	477606	PANEL JOINT 125MM		1	
NS	502872	RIVET POP CK OE 1/8x3/16 SS		2	
43	477589	PANEL LOWER / "SLIDE-OUT" & MOULDING / BACKWARD / B.A.		1	
NS	477609	PANEL JOINT / CORNER		1	
NS	502872	RIVET POP CK OE 1/8x3/16 SS		3	
44	470337	LOWER PANEL / B.A. / 1218.6MM To N-6735		1	
44	4710257	LOWER PANEL / B.A. / 1215.6MM From N-6736		1	
44	470337	LOWER PANEL / B.A. / 1218.6MM From N-6736		1	
44	4710267	LOWER PANEL / B.A. / 1221.6MM From N-6736		1	
NS	470341	PANEL JOINT CENTER PART 125MM		1	
NS	502872	RIVET POP CK OE 1/8x3/16 SS		8	
45	470335	LOWER PANEL / B.A. / 2428MM		1	B
45	470349	LOWER PANEL / B.A. / 2428MM		1	C
NS	470332	PANEL JOINT CENTER PART		2	
NS	502872	RIVET POP CK OE 1/8x3/16 SS		4	
46	470240	LOWER PANEL / B.A. / 2234MM To N-6735		1	
46	4710291	LOWER PANEL / B.A. / 2231MM From N-6736		1	
46	470240	LOWER PANEL / B.A. / 2234MM From N-6736		1	
46	4710292	LOWER PANEL / B.A. / 2237MM From N-6736		1	
NS	230166	PANEL JOINT		1	
NS	502872	RIVET POP CK OE 1/8x3/16 SS		10	
50	X3VIP-1864-01	BAGGAGE DOOR ASSY / 70"			
51	X3VIP-1864-90	BAGGAGE DOOR W/HINGE / 70"			
52	X3VIP-1863-50	CONDENSOR DOOR ASSY WITH LARGE A/C SYSTEM			
52	X3VIP-1863-55	CONDENSOR DOOR ASSY WITH SMALL A/C SYSTEM GHG17			
53	X3VIP-1866-51	EVAPORATOR DOOR ASSY			
53	X3VIP-1864-51	BAGGAGE DOOR W/HINGE STREET SIDE WITH SMALL A/C SYSTEM / 47 5/8"			
60	X3VIP-1854-91	SIDE PANELING - "SLIDE-OUT"			
61	X3VIP-1857-56	FENDERS R.H. - W/FLUTED PANELLING			
62	X3VIP-1857-51	FENDERS L.H. - W/FLUTED PANELLING			
63	X3VIP-1854-51	UPPER FIBERGLASS SIDE PANELING BETWEEN SIDE WINDOW			



From L-6492	Date:07/2024	PAGE:X3VIP-1854-01
SIDE PANELING		

Item#	Part	Description	X 3 V I P E N T	X 3 V I P M T H	N O T E S
65	221777	ANTI-SPLASH From J-6340	2	2	
66	220071	ANTI-SPLASH LEFT SIDE From J-6340	3	3	
67	507030	RIVET POP DOME LARGE HEAD 3/16x1.2" SS	AR	AR	
NS	506769	TAPE RUB ADH2 CC POL 1/8" x 1/4" x 60' / BLACK H1CC-N-#14	AR		
NS	506869	TAPE RUB ADH2 POL .031" X 1/4" X 300' / BLACK	AR		
NS	683083	ADHESIVE SIKA #252 / BLACK / 600 ml SAUSAGE	AR		
NS	506071	TAPE RUB ADH1 CC POL 1/8" x 1/2" x 50' / GREY 2520X	AR		
NS	683084	SEALANT SIKA #221 / GREY / 600 ml SAUSAGE	AR		
NS	687957	GLUE MS POLYMER TEROSON MS 9399 / 400ml CARTRIDGE To M-6660	AR		
NS	685387	GLUE MS POLYMER TEROSON MS 9399 / 400ml CARTRIDGE From M-6661	AR		
NS	5061289	TAPE RUB ADH2 CC POL 1/8" x 3/8" x 100' / BLACK I1C-NGL-1	AR		
NS	685124	ADHESIVE SIMSON #ISR 70-03 / BLACK / 600ml SAUSAGE	AR		
NS	5060038	TAPE RUB ADH1 CC POL 1/4" x 1" x 35' / BLACK H1C	AR		
NS	506282	TAPE RUB ADH1 CC POL 3/8" x 1" x 20' / GREY 2520	AR		
NS	507000	TAPE RUB ADH2 POL 3/16" x 1/4" x 50' / BLACK V2206	AR		
NS	5060038	TAPE RUB ADH1 CC POL 1/4" x 1" x 35' / BLACK H1C		AR	
NS	506785	TAPE RUB ADH2 CC POL 1/16" X 1/4" X 200' / BLACK I1C-N-A		AR	
NS	506790	TAPE RUB ADH2 CC POL 1/16" x 1/2" x 200' / BLACK I1C-N-A		AR	
NS	687957	GLUE MS POLYMER TEROSON MS 9399 / 400ml CARTRIDGE To M-6660		AR	
NS	685387	GLUE MS POLYMER TEROSON MS 9399 / 400ml CARTRIDGE From M-6661		AR	
NS	685126	ADHESIVE SIMSON #ISR 70-03 / GREY / 600ml SAUSAGE		AR	
NS	5060044	TAPE RUB ADH2 CC POL 1/4" X 1/4" X 50' / BLACK I1C-N-A		AR	
NS	506191	TAPE RUB ADH1 CC POL 1/8" x 1/4" x 50' / GREY 2520X		AR	
		B) WITH 2 SLIDE-OUT / WITH REAR ONE 7.5'			
		C) WITH 2 SLIDE-OUT / WITH REAR ONE 10'			
		E) MOTORHOME WITH FLAT PANEL			



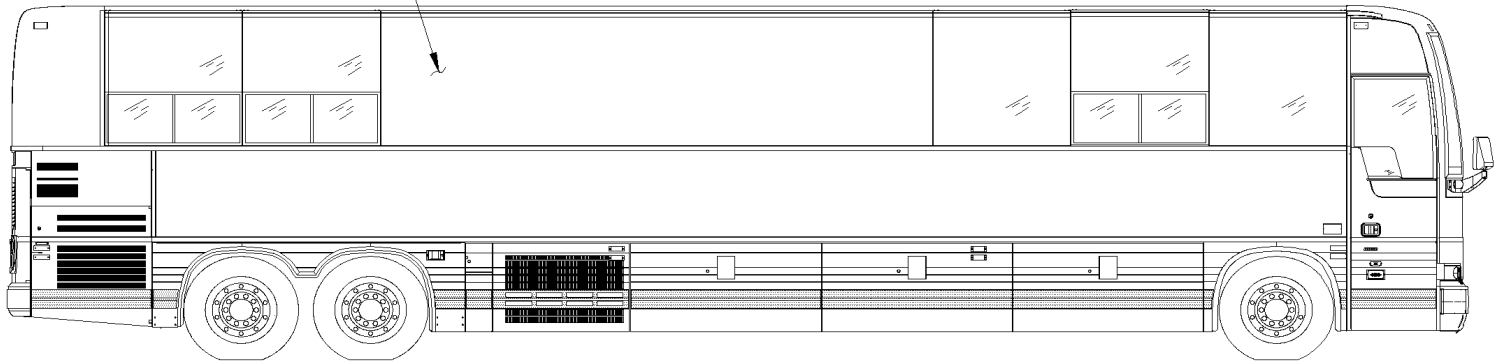
From E-5490 To K-6491

Date:07/2024

PAGE:X3VIP-1854-50

UPPER FIBERGLASS SIDE PANELING BETWEEN SIDE WINDOW

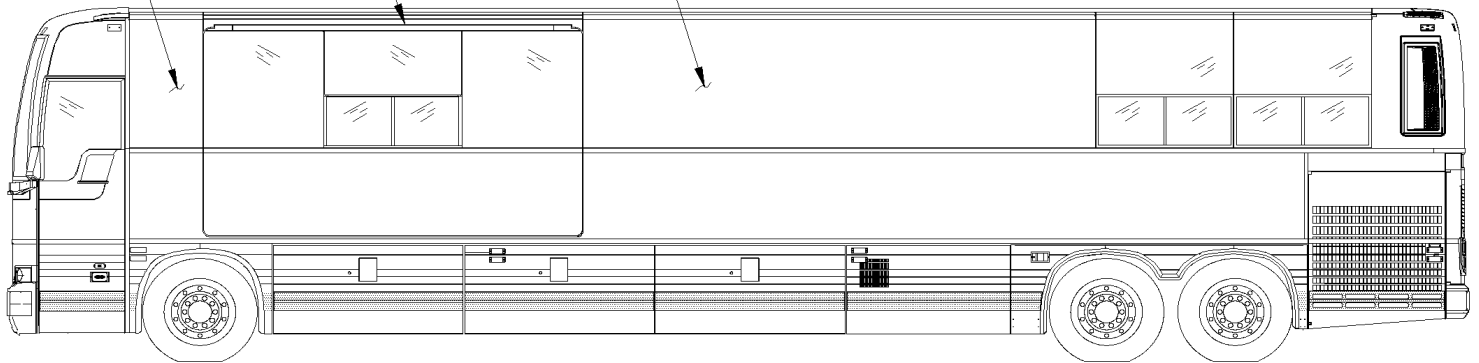
10-11-12
13-14 ENTERTAINER 45'



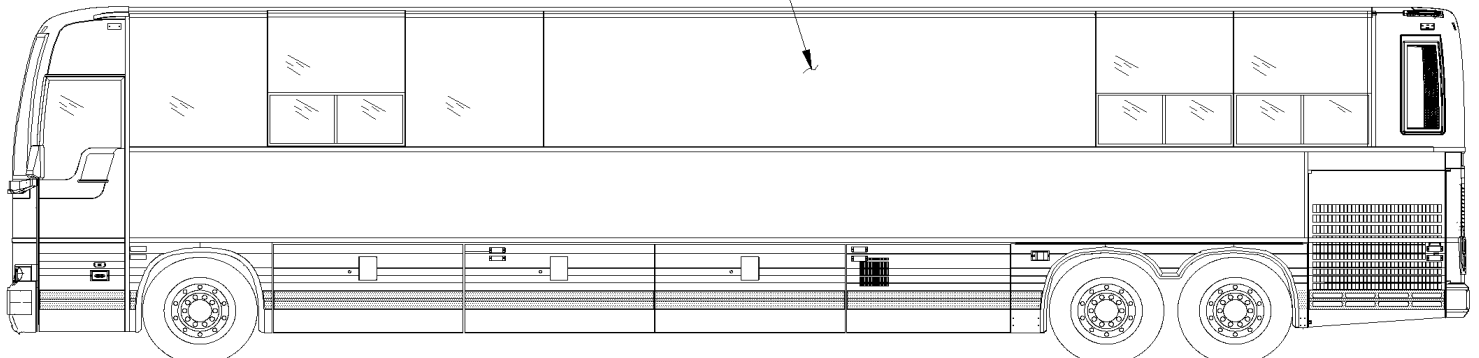
10-11-12
13-14

23-24

10-11-12
13-14



10-11-12
13-14





From E-5490 To K-6491

Date:07/2024

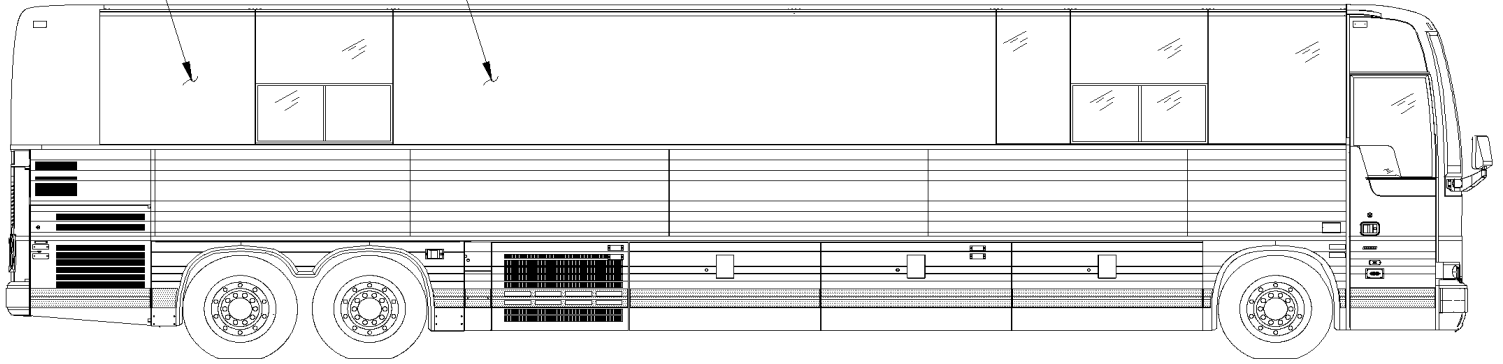
PAGE:X3VIP-1854-50

UPPER FIBERGLASS SIDE PANELING BETWEEN SIDE WINDOW

10-11-12
13-14

10-11-12
13-14

X3-45 VIP



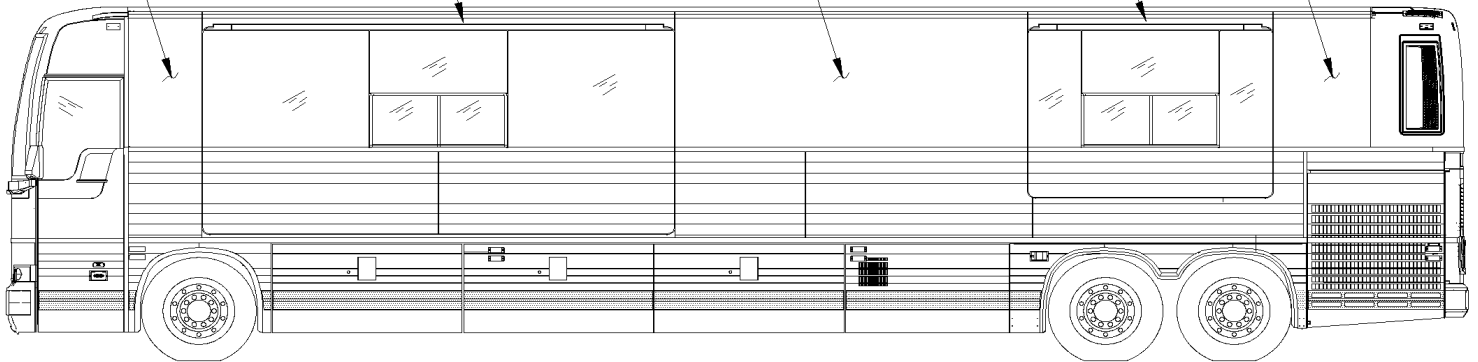
10-11-12
13-14

21-24

10-11-12
13-14

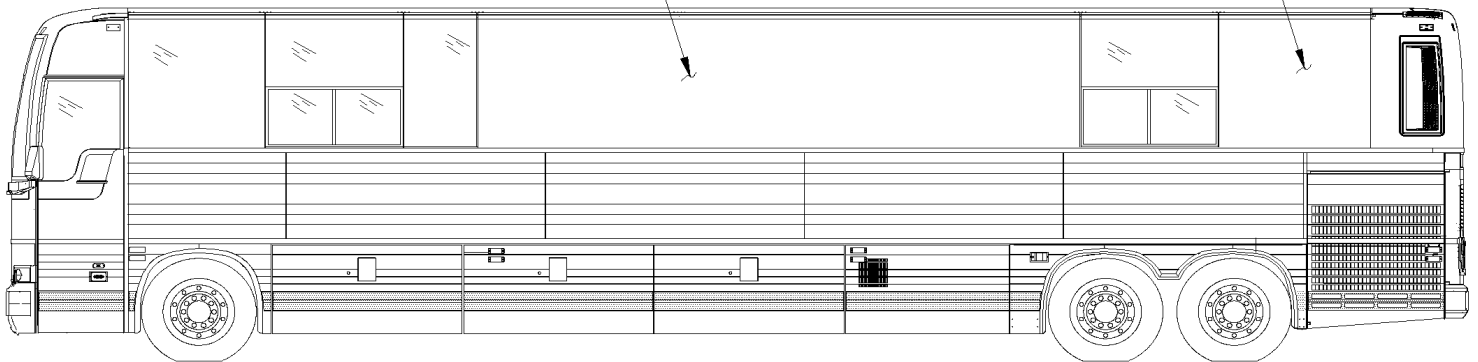
23-24

10-11-12
13-14



10-11-12
13-14

10-11-12
13-14





From E-5490 To K-6491	Date:07/2024	PAGE:X3VIP-1854-50
-----------------------	--------------	--------------------

UPPER FIBERGLASS SIDE PANELING BETWEEN SIDE WINDOW

Item#	Part	Description	X 3 V I P E N T	X 3 V I P M T H	N O T E S
10	475011	UPPER PANEL / MTH-86" & 89" 96MM	AR	AR	
10	474660	UPPER PANEL / MTH-86" & 89" 195.2MM	AR	AR	
10	476541	UPPER PANEL / MTH-86" & 89" 215MM	AR	AR	
10	475479	UPPER PANEL / MTH-86" & 89" 271.4MM	AR	AR	
10	475027	UPPER PANEL / MTH-86" & 89" 310MM	AR	AR	
10	474904	UPPER PANEL / MTH-86" & 89" 322.2MM	AR	AR	
10	474851	UPPER PANEL / MTH-86" & 89" 328.6MM	AR	AR	
10	475040	UPPER PANEL / MTH-86" & 89" 340.5MM	AR	AR	
10	479526	UPPER PANEL / MTH-86" & 89" 347.6MM	AR	AR	
10	474744	UPPER PANEL / MTH-86" & 89" 350.9MM	AR	AR	
10	474655	UPPER PANEL / MTH-86" & 89" 399.5MM	AR	AR	
10	474732	UPPER PANEL / MTH-86" & 89" 414.3MM	AR	AR	
10	474591	UPPER PANEL / MTH-86" & 89" 423.8MM	AR	AR	
10	475110	UPPER PANEL / MTH-86" & 89" 433.3MM	AR	AR	
10	474465	UPPER PANEL / MTH-86" & 89" 489.3MM	AR	AR	
10	475003	UPPER PANEL / MTH-86" & 89" 500MM	AR	AR	
10	474990	UPPER PANEL / MTH-86" & 89" 500MM	AR	AR	
10	474683	UPPER PANEL / MTH-86" & 89" 525.4MM	AR	AR	
10	475408	UPPER PANEL / MTH-86" & 89" 579.4MM	AR	AR	
10	474654	UPPER PANEL / MTH-86" & 89" 589.5MM	AR	AR	
10	470942	UPPER PANEL / MTH-86" & 89" 592.1MM	AR	AR	
10	474712	UPPER PANEL / MTH-86" & 89" 593.7MM	AR	AR	
10	474902	UPPER PANEL / MTH-86" & 89" 601.6MM	AR	AR	
10	474788	UPPER PANEL / MTH-86" & 89" 603.3MM	AR	AR	
10	475366	UPPER PANEL / MTH-86" & 89" 613MM	AR	AR	
10	474562	UPPER PANEL / MTH-86" & 89" 639.7MM	AR	AR	
10	479585	UPPER PANEL / MTH-86" & 89" 652.4MM	AR	AR	
10	474572	UPPER PANEL / MTH-86" & 89" 689.8MM	AR	AR	
10	474903	UPPER PANEL / MTH-86" & 89" 690.5MM	AR	AR	
10	476246	UPPER PANEL / MTH-86" & 89" 703MM	AR	AR	
10	477125	UPPER PANEL / MTH-86" & 89" 717MM	AR	AR	
10	479528	UPPER PANEL / MTH-86" & 89" 722.2MM	AR	AR	
10	479599	UPPER PANEL / MTH-86" & 89" 739.8MM	AR	AR	
10	475128	UPPER PANEL / MTH-86" & 89" 741.3MM	AR	AR	
10	474720	UPPER PANEL / MTH-86" & 89" 792MM	AR	AR	
10	474998	UPPER PANEL / MTH-86" & 89" 843MM	AR	AR	
10	476237	UPPER PANEL / MTH-86" & 89" 849MM	AR	AR	
10	474724	UPPER PANEL / MTH-86" & 89" 855.6MM	AR	AR	
10	475084	UPPER PANEL / MTH-86" & 89" 881MM	AR	AR	
10	474651	UPPER PANEL / MTH-86" & 89" 887.2MM	AR	AR	
10	478331	UPPER PANEL / MTH-86" & 89" 908.1MM	AR	AR	
10	475078	UPPER PANEL / MTH-86" & 89" 914MM	AR	AR	



From E-5490 To K-6491	Date:07/2024	PAGE:X3VIP-1854-50
-----------------------	--------------	--------------------

UPPER FIBERGLASS SIDE PANELING BETWEEN SIDE WINDOW

Item#	Part	Description	X 3 V I P E N T	X 3 V I P M T H	N O T E S
10	477132	UPPER PANEL / MTH-86" & 89" 921MM	AR	AR	
10	477193	UPPER PANEL / MTH-86" & 89" 931.8MM	AR	AR	
10	474879	UPPER PANEL / MTH-86" & 89" 938.2MM	AR	AR	
10	476128	UPPER PANEL / MTH-86" & 89" 982MM	AR	AR	
10	470154	UPPER PANEL / MTH-86" & 89" 992.5MM	AR	AR	
11	475482	UPPER PANEL / MTH-86" & 89" 1084.2MM	AR	AR	
11	479502	UPPER PANEL / MTH-86" & 89" 1094.1MM	AR	AR	
11	476488	UPPER PANEL / MTH-86" & 89" 1103MM	AR	AR	
11	475283	UPPER PANEL / MTH-86" & 89" 1107MM	AR	AR	
11	474553	UPPER PANEL / MTH-86" & 89" 1109.5MM	AR	AR	
11	479371	UPPER PANEL / MTH-86" & 89" 1116MM	AR	AR	
11	474495	UPPER PANEL / MTH-86" & 89" 1127MM	AR	AR	
11	477163	UPPER PANEL / MTH-86" & 89" 1195.4MM	AR	AR	
11	474736	UPPER PANEL / MTH-86" & 89" 1211.7MM	AR	AR	
11	479479	UPPER PANEL / MTH-86" & 89" 1245.2MM	AR	AR	
11	474846	UPPER PANEL / MTH-86" & 89" 1255.7MM	AR	AR	
11	474558	UPPER PANEL / MTH-86" & 89" 1287.4MM	AR	AR	
11	474741	UPPER PANEL / MTH-86" & 89" 1293.7MM	AR	AR	
11	479573	UPPER PANEL / MTH-86" & 89" 1302MM	AR	AR	
11	475082	UPPER PANEL / MTH-86" & 89" 1306.5MM	AR	AR	
11	479500	UPPER PANEL / MTH-86" & 89" 1316.6MM	AR	AR	
11	470109	UPPER PANEL / MTH-86" & 89" 1418.2MM	AR	AR	
11	478334	UPPER PANEL / MTH-86" & 89" 1411.4MM	AR	AR	
11	476508	UPPER PANEL / MTH-86" & 89" 1440MM	AR	AR	
11	479501	UPPER PANEL / MTH-86" & 89" 1506.9MM	AR	AR	
11	479603	UPPER PANEL / MTH-86" & 89" 1523.7MM	AR	AR	
11	470147	UPPER PANEL / MTH-86" & 89" 1608.5MM	AR	AR	
11	477129	UPPER PANEL / MTH-86" & 89" 1614.6MM	AR	AR	
11	478623	UPPER PANEL / MTH-86" & 89" 1795.4MM	AR	AR	
11	477212	UPPER PANEL / MTH-86" & 89" 1889.1MM	AR	AR	
11	470470	UPPER PANEL / MTH-86" & 89" 1919.4MM	AR	AR	
11	479583	UPPER PANEL / MTH-86" & 89" 1939.9MM	AR	AR	
11	479600	UPPER PANEL / MTH-86" & 89" 2045.4MM	AR	AR	
11	479597	UPPER PANEL / MTH-86" & 89" 2049.4MM	AR	AR	
11	474656	UPPER PANEL / MTH-86" & 89" 2177.5MM	AR	AR	
11	477164	UPPER PANEL / MTH-86" & 89" 2212.2MM	AR	AR	
11	470106	UPPER PANEL / MTH-86" & 89" 2236MM	AR	AR	
11	474901	UPPER PANEL / MTH-86" & 89" 2239.9MM	AR	AR	
11	474787	UPPER PANEL / MTH-86" & 89" 2302.5MM	AR	AR	
11	479499	UPPER PANEL / MTH-86" & 89" 2337.6MM	AR	AR	
11	475098	UPPER PANEL / MTH-86" & 89" 2490.9MM	AR	AR	
11	476099	UPPER PANEL / MTH-86" & 89" 2526.5MM	AR	AR	



From E-5490 To K-6491 Date:07/2024 PAGE:X3VIP-1854-50

UPPER FIBERGLASS SIDE PANELING BETWEEN SIDE WINDOW

Item#	Part	Description	X 3 V I P E N T	X 3 V I P M T H	NOTES
11	474772	UPPER PANEL / MTH-86" & 89" 2560MM	AR	AR	
11	479572	UPPER PANEL / MTH-86" & 89" 2568MM	AR	AR	
11	474182	UPPER PANEL / MTH-86" & 89" 2582.8MM	AR	AR	
11	475072	UPPER PANEL / MTH-86" & 89" 2836MM	AR	AR	
11	479584	UPPER PANEL / MTH-86" & 89" 2855.1MM	AR	AR	
11	477131	UPPER PANEL / MTH-86" & 89" 2857.2 MM	AR	AR	
11	475148	UPPER PANEL / MTH-86" & 89" 2907MM	AR	AR	
11	476127	UPPER PANEL / MTH-86" & 89" 2932MM	AR	AR	
11	475077	UPPER PANEL / MTH-86" & 89" 2956.3MM	AR	AR	
11	478624	UPPER PANEL / MTH-86" & 89" 2999.5MM	AR	AR	
11	477133	UPPER PANEL / MTH-86" & 89" 3061.2MM	AR	AR	
11	474719	UPPER PANEL / MTH-86" & 89" 3078MM	AR	AR	
11	478622	UPPER PANEL / MTH-86" & 89" 3082.8MM	AR	AR	
11	475365	UPPER PANEL / MTH-86" & 89" 3165MM	AR	AR	
11	477178	UPPER PANEL / MTH-86" & 89" 3184.5MM	AR	AR	
11	479598	UPPER PANEL / MTH-86" & 89" 3205.1MM	AR	AR	
11	479582	UPPER PANEL / MTH-86" & 89" 3225.7MM	AR	AR	
11	474623	UPPER PANEL / MTH-86" & 89" 3230.5MM	AR	AR	
11	474564	UPPER PANEL / MTH-86" & 89" 3230.5MM	AR	AR	
11	476129	UPPER PANEL / MTH-86" & 89" 3237MM	AR	AR	
11	475407	UPPER PANEL / MTH-86" & 89" 3291MM	AR	AR	
11	478621	UPPER PANEL / MTH-86" & 89" 3378.2MM	AR	AR	
11	475181	UPPER PANEL / MTH-86" & 89" 3414.5MM	AR	AR	
11	478330	UPPER PANEL / MTH-86" & 89" 3302.7MM	AR	AR	
11	475109	UPPER PANEL / MTH-86" & 89" 3344.9MM	AR	AR	
11	475485	UPPER PANEL / MTH-86" & 89" 3364.7MM	AR	AR	
11	474786	UPPER PANEL / MTH-86" & 89" 3607.5MM	AR	AR	
11	476540	UPPER PANEL / MTH-86" & 89" 3655MM	AR	AR	
11	477124	UPPER PANEL / MTH-86" & 89" 3662.9MM	AR	AR	
11	476786	UPPER PANEL / MTH-86" & 89" 3675MM	AR	AR	
11	475010	UPPER PANEL / MTH-86" & 89" 3682MM	AR	AR	
11	475086	UPPER PANEL / MTH-86" & 89" 3731MM	AR	AR	
11	476495	UPPER PANEL / MTH-86" & 89" 3838MM	AR	AR	
11	475081	UPPER PANEL / MTH-86" & 89" 3859.1MM	AR	AR	
11	474740	UPPER PANEL / MTH-86" & 89" 3871.8MM	AR	AR	
11	474183	UPPER PANEL / MTH-86" & 89" 3878.2MM	AR	AR	
11	474847	UPPER PANEL / MTH-86" & 89" 3909.9MM	AR	AR	
11	474791	UPPER PANEL / MTH-86" & 89" 3930.5MM	AR	AR	
11	474737	UPPER PANEL / MTH-86" & 89" 3954MM	AR	AR	
11	474959	UPPER PANEL / MTH-86" & 89" 3967MM	AR	AR	
11	479421	UPPER PANEL / MTH-86" & 89" 2392.3MM	AR	AR	
11	479418	UPPER PANEL / MTH-86" & 89" 2392.3MM	AR	AR	



From E-5490 To K-6491 Date:07/2024 PAGE:X3VIP-1854-50

UPPER FIBERGLASS SIDE PANELING BETWEEN SIDE WINDOW

Item#	Part	Description	X 3 V I P E N T	X 3 V I P M T H	N O T E S
12	474496	UPPER PANEL / MTH-86" & 89" 4038.5MM	AR	AR	
12	474554	UPPER PANEL / MTH-86" & 89" 4056MM	AR	AR	
12	475392	UPPER PANEL / MTH-86" & 89" 4059MM	AR	AR	
12	476487	UPPER PANEL / MTH-86" & 89" 4062MM	AR	AR	
12	474790	UPPER PANEL / MTH-86" & 89" 4105.6MM	AR	AR	
12	475790	UPPER PANEL / MTH-86" & 89" 4105.6MM	AR	AR	
12	475617	UPPER PANEL / MTH-86" & 89" 4108MM	AR	AR	
12	475071	UPPER PANEL / MTH-86" & 89" 4131.4MM	AR	AR	
12	476268	UPPER PANEL / MTH-86" & 89" 4193MM	AR	AR	
12	474878	UPPER PANEL / MTH-86" & 89" 4227.4MM	AR	AR	
12	475079	UPPER PANEL / MTH-86" & 89" 4251.7MM	AR	AR	
12	474652	UPPER PANEL / MTH-86" & 89" 4278.1MM	AR	AR	
12	479558	UPPER PANEL / MTH-86" & 89" 4295MM	AR	AR	
12	474723	UPPER PANEL / MTH-86" & 89" 4310MM	AR	AR	
12	476236	UPPER PANEL / MTH-86" & 89" 4316.5MM	AR	AR	
12	470297	UPPER PANEL / MTH-86" & 89" 4355.9MM	AR	AR	
12	475000	UPPER PANEL / MTH-86" & 89" 4372MM	AR	AR	
12	479596	UPPER PANEL / MTH-86" & 89" 4411.6	AR	AR	
12	474961	UPPER PANEL / MTH-86" & 89" 4440MM	AR	AR	
12	475367	UPPER PANEL / MTH-86" & 89" 4461MM	AR	AR	
12	474597	UPPER PANEL / MTH-86" & 89" 4475.8MM	AR	AR	
12	Call order desk	UPPER PANEL / MTH-86" & 89" 4480MM	AR	AR	P
12	474685	UPPER PANEL / MTH-86" & 89" 4480MM	AR	AR	
12	476247	UPPER PANEL / MTH-86" & 89" 4512MM	AR	AR	
12	474561	UPPER PANEL / MTH-86" & 89" 4525.9MM	AR	AR	
12	475565	UPPER PANEL / MTH-86" & 89" 4529MM	AR	AR	
12	476435	UPPER PANEL / MTH-86" & 89" 4532MM	AR	AR	
12	470469	UPPER PANEL / MTH-86" & 89" 4561.5MM	AR	AR	
12	477209	UPPER PANEL / MTH-86" & 89" 4599.7MM	AR	AR	
12	476729	UPPER PANEL / MTH-86" & 89" 4656MM	AR	AR	
12	475282	UPPER PANEL / MTH-86" & 89" 4660MM	AR	AR	
12	470203	UPPER PANEL / MTH-86" & 89" 4665.6MM	AR	AR	
12	476570	UPPER PANEL / MTH-86" & 89" 4711MM	AR	AR	
12	475004	UPPER PANEL / MTH-86" & 89" 4715MM	AR	AR	
12	474731	UPPER PANEL / MTH-86" & 89" 4751.3MM	AR	AR	
12	476787	UPPER PANEL / MTH-86" & 89" 4803MM	AR	AR	
12	474743	UPPER PANEL / MTH-86" & 89" 4814.7MM	AR	AR	
12	470471	UPPER PANEL / MTH-86" & 89" 4825.4MM	AR	AR	
12	474849	UPPER PANEL / MTH-86" & 89" 4837MM	AR	AR	
12	477135	UPPER PANEL / MTH-86" & 89" 4846.45MM	AR	AR	
12	474661	UPPER PANEL / MTH-86" & 89" 4970.5MM	AR	AR	
12	479372	UPPER PANEL / MTH-86" & 89" 4974MM	AR	AR	



From E-5490 To K-6491	Date:07/2024	PAGE:X3VIP-1854-50
-----------------------	--------------	--------------------

UPPER FIBERGLASS SIDE PANELING BETWEEN SIDE WINDOW

Item#	Part	Description	X 3 V I P E N T	X 3 V I P M T H	N O T E S
12	479420	UPPER PANEL / MTH-86" & 89" 3698MM	AR	AR	
13	476507	UPPER PANEL / MTH-86" & 89" 5021MM	AR	AR	
13	476463	UPPER PANEL / MTH-86" & 89" 5022.8MM	AR	AR	
13	477122	UPPER PANEL / MTH-86" & 89" 5049.6MM	AR	AR	
13	476245	UPPER PANEL / MTH-86" & 89" 5064MM	AR	AR	
13	476567	UPPER PANEL / MTH-86" & 89" 5068.1MM	AR	AR	
13	474801	UPPER PANEL / MTH-86" & 89" 5081.3MM	AR	AR	
13	474778	UPPER PANEL / MTH-86" & 89" 5127.6MM	AR	AR	
13	475458	UPPER PANEL / MTH-86" & 89" 5154.5MM	AR	AR	
13	477194	UPPER PANEL / MTH-86" & 89" 5158.5MM	AR	AR	
13	474184	UPPER PANEL / MTH-86" & 89" 5173.6MM	AR	AR	
13	474933	UPPER PANEL / MTH-86" & 89" 5173.6MM	AR	AR	
13	479478	UPPER PANEL / MTH-86" & 89" 5215.6MM	AR	AR	
13	476534	UPPER PANEL / MTH-86" & 89" 5226MM	AR	AR	
13	474735	UPPER PANEL / MTH-86" & 89" 5249.8MM	AR	AR	
13	475388	UPPER PANEL / MTH-86" & 89" 5326MM	AR	AR	
13	479370	UPPER PANEL / MTH-86" & 89" 5345MM	AR	AR	
13	474556	UPPER PANEL / MTH-86" & 89" 5351.4MM	AR	AR	
13	479527	UPPER PANEL / MTH-86" & 89" 5368.1MM	AR	AR	
13	476506	UPPER PANEL / MTH-86" & 89" 5404.6MM	AR	AR	
13	475799	UPPER PANEL / MTH-86" & 89" 5438.8MM	AR	AR	
13	477128	UPPER PANEL / MTH-86" & 89" 5448MM	AR	AR	
13	476902	UPPER PANEL / MTH-86" & 89" 5590.3MM	AR	AR	
13	475002	UPPER PANEL / MTH-86" & 89" 5631MM	AR	AR	
13	478335	UPPER PANEL / MTH-86" & 89" 5651.3MM	AR	AR	
13	476330	UPPER PANEL / MTH-86" & 89" 5654MM	AR	AR	
13	474721	UPPER PANEL / MTH-86" & 89" 5672.8MM	AR	AR	
13	475127	UPPER PANEL / MTH-86" & 89" 5719.7MM	AR	AR	
13	474573	UPPER PANEL / MTH-86" & 89" 5771.2MM	AR	AR	
13	474814	UPPER PANEL / MTH-86" & 89" 5775.3MM	AR	AR	
13	474676	UPPER PANEL / MTH-86" & 89" 5821.3MM	AR	AR	
13	476557	UPPER PANEL / MTH-86" & 89" 5895.1MM	AR	AR	
13	474684	UPPER PANEL / MTH-86" & 89" 5935.6MM	AR	AR	
13	474977	UPPER PANEL / MTH-86" & 89" 5953MM	AR	AR	
13	474989	UPPER PANEL / MTH-86" & 89" 5961MM	AR	AR	
13	474464	UPPER PANEL / MTH-86" & 89" 5971.7MM	AR	AR	
13	479419	UPPER PANEL / MTH-86" & 89" 4068.7MM	AR	AR	
13	293716	. EXTRUSION WINDOW UPPER (PANEL) 6705mm	1	1	
14	474590	UPPER PANEL / MTH-86" & 89" 6037.2MM	AR	AR	
14	474775	UPPER PANEL / MTH-86" & 89" 6046.7MM	AR	AR	
14	476560	UPPER PANEL / MTH-86" & 89" 6098.3MM	AR	AR	
14	475028	UPPER PANEL / MTH-86" & 89" 6151MM	AR	AR	



From E-5490 To K-6491	Date:07/2024	PAGE:X3VIP-1854-50
-----------------------	--------------	--------------------

UPPER FIBERGLASS SIDE PANELING BETWEEN SIDE WINDOW

Item#	Part	Description	X 3 V I P E N T	X 3 V I P M T H	N O T E S
14	479525	UPPER PANEL / MTH-86" & 89" 6113.4MM	AR	AR	
14	474850	UPPER PANEL / MTH-86" & 89" 6132.4MM	AR	AR	
14	475083	UPPER PANEL / MTH-86" & 89" 6181.7MM	AR	AR	
14	475478	UPPER PANEL / MTH-86" & 89" 6189.6MM	AR	AR	
14	479601	UPPER PANEL / MTH-86" & 89" 6227.1MM	AR	AR	
14	474674	UPPER PANEL / MTH-86" & 89" 6265.8MM	AR	AR	
14	474715	UPPER PANEL / MTH-86" & 89" 6377MM	AR	AR	
14	473592	UPPER PANEL / MTH-86" & 89" 6469MM	AR	AR	
14	474717	UPPER PANEL / MTH-86" & 89" 6469MM	AR	AR	
14	474932	UPPER PANEL / MTH-86" & 89" 6473MM	AR	AR	
14	478478	UPPER PANEL / MTH-86" & 89" 6734MM	AR	AR	
14	475803	UPPER PANEL / MTH-86" & 89" 6753.2MM	AR	AR	
14	475129	UPPER PANEL / MTH-86" & 89" 6867.5MM	AR	AR	
14	474711	UPPER PANEL / MTH-86" & 89" 7154.7MM	AR	AR	
14	474733	UPPER PANEL / MTH-86" & 89" 7342.1MM	AR	AR	
14	475029	UPPER PANEL / MTH-86" & 89" 7446.4MM	AR	AR	
14	474914	UPPER PANEL / MTH-86" & 89" 7561.2MM	AR	AR	
14	474625	UPPER PANEL / MTH-86" & 89" 7764.4MM	AR	AR	
14	475386	UPPER PANEL / MTH-86" & 89" 8113.7MM	AR	AR	
14	478108	UPPER PANEL / MTH-86" & 89" 9661.4MM	AR	AR	
14	475636	UPPER PANEL / MTH-86" & 89" 10957MM	AR	AR	
14	476682	UPPER PANEL / MTH-86" & 89" 43507.5MM	AR	AR	
21	293825	PANEL ASSY / UPPER "SLIDE-OUT" 4426MM		1	
22	293826	PANEL ASSY / UPPER "SLIDE-OUT" 2293MM		1	7.5
22	293962	PANEL ASSY / UPPER "SLIDE-OUT" 3309MM		1	10
23	293834	PANEL ASSY / UPPER "SLIDE-OUT" 3553.2MM	1		
24	293741	RUBBER SEAL 255MM / 86"	4	4	
NS	687957	GLUE MS POLYMER TEROSON MS 9399 / 400ml CARTRIDGE	AR	AR	
NS	506751	TAPE RUB ADH1 CC PVC 3/16" x 7/8" x 50' / BLACK 1320	AR	AR	
NS	683083	ADHESIVE SIKA #252 / BLACK / 600 ml SAUSAGE	AR	AR	
NS	506759	TAPE RUB ADH2 CC POL 1/8" x 1/2" x 100' / BLACK I1C-N-A	AR	AR	
34	5060044	TAPE RUB ADH2 CC POL 1/4" X 1/4" X 50' / BLACK I1C-N-A	AR	AR	
34	506785	TAPE RUB ADH2 CC POL 1/16" X 1/4" X 200' / BLACK I1C-N-A	AR	AR	
NS	506225	TAPE RUB ADH1 CC POL 1/16" x 1/4" x 100' / GREY 2520	AR	AR	
NS	683084	SEALANT SIKA #221 / GREY / 600 ml SAUSAGE	AR	AR	
NS	506002	TAPE RUB ADH1 CC POL 3/16" x 1/2" x 40' / GREY 2520	AR	AR	
100	X3VIP-1884-50	SIDE WINDOW			
		10) WITH 10' SLIDE OUT			



From E-5490 To K-6491	Date:07/2024	PAGE:X3VIP-1854-50
-----------------------	--------------	--------------------

UPPER FIBERGLASS SIDE PANELING BETWEEN SIDE WINDOW

Item#	Part	Description	X 3 V I P E N T	X 3 V I P M T H	N O T E S
		7.5) WITH 7.5 SLIDE-OUT			
		P) CALL ORDER DESK FOR SPECIFIC APPLICATION (V.I.N.)			

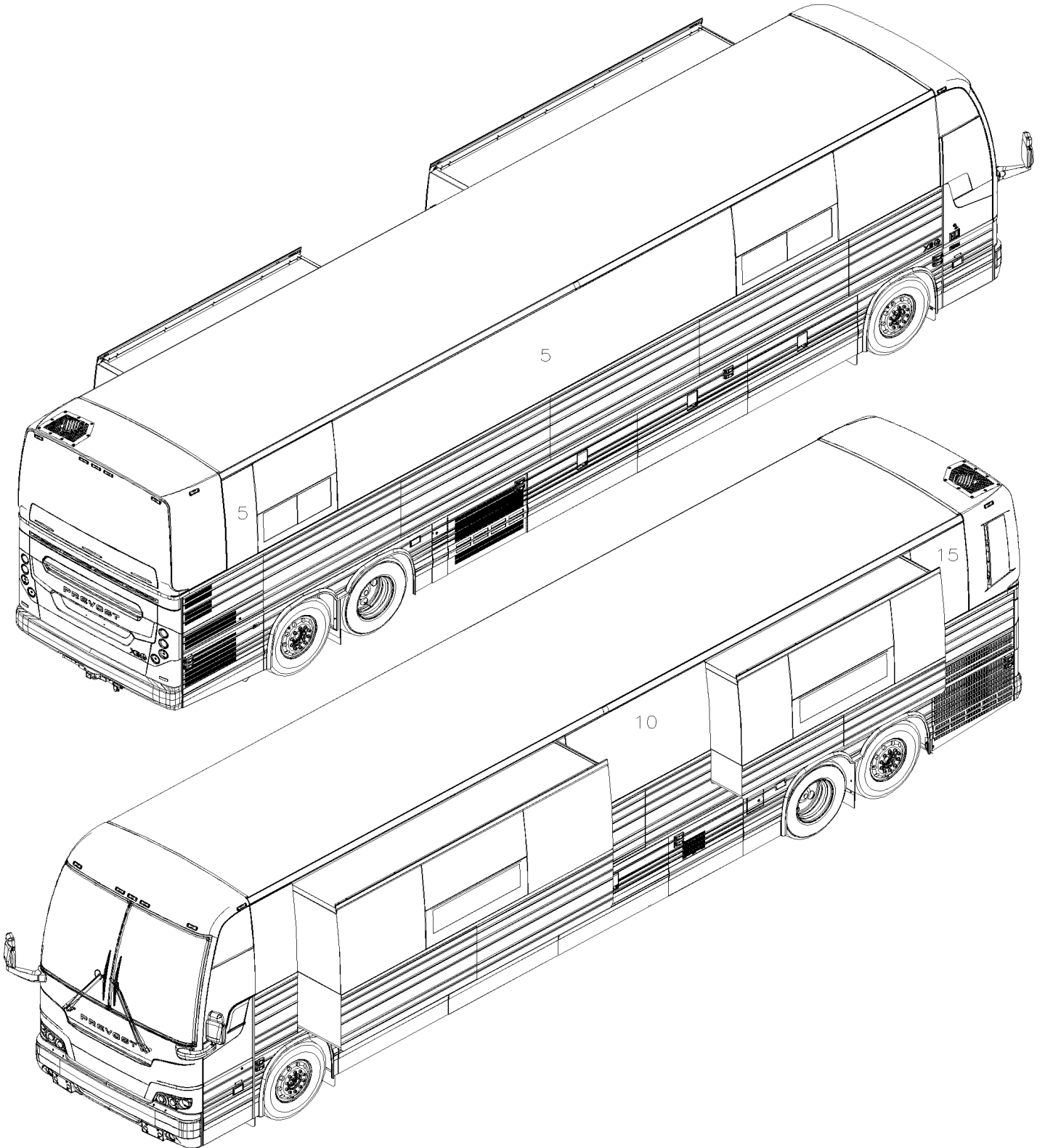


From L-6492

Date:07/2024

PAGE:X3VIP-1854-51

UPPER FIBERGLASS SIDE PANELING BETWEEN SIDE WINDOW



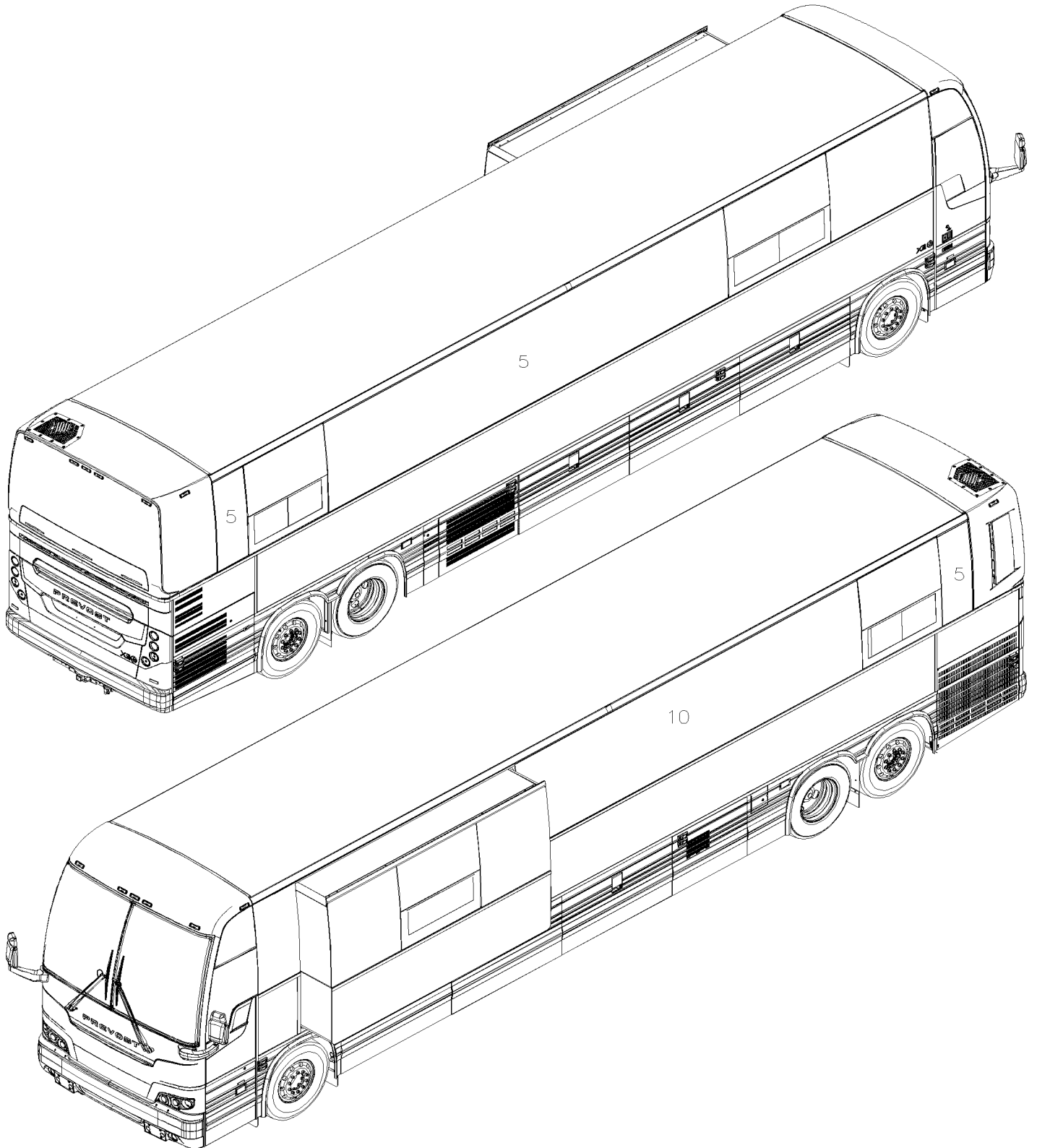


From L-6492

Date:07/2024

PAGE:X3VIP-1854-51

UPPER FIBERGLASS SIDE PANELING BETWEEN SIDE WINDOW





From L-6492	Date:07/2024	PAGE:X3VIP-1854-51
UPPER FIBERGLASS SIDE PANELING BETWEEN SIDE WINDOW		

Item#	Part	Description	X 3 V I P E N T	X 3 V I P M T H	NOTES
5	478914	UPPER PANEL / 155MM	AR	AR	
5	479787	UPPER PANEL / 232.3MM	AR	AR	
5	470180	UPPER PANEL / 355.6MM	AR	AR	
5	478907	UPPER PANEL / 459.8MM	AR	AR	
5	470194	UPPER PANEL / 499MM	AR	AR	
5	479814	UPPER PANEL / 682MM	AR	AR	
5	479818	UPPER PANEL / 868MM	AR	AR	
5	4710269	UPPER PANEL / 910.9MM	AR	AR	
5	478894	UPPER PANEL / 1190.1MM	AR	AR	
5	4710212	UPPER PANEL / 1242.7MM	AR	AR	
5	479760	UPPER PANEL / 1251.1MM	AR	AR	
5	479761	UPPER PANEL / 1275.5MM	AR	AR	
5	479985	UPPER PANEL / 1319.1MM	AR	AR	
5	479813	UPPER PANEL / 1435.4MM	AR	AR	
5	4710262	UPPER PANEL / 1697.4MM	AR	AR	
5	4705254	UPPER PANEL / 2375.6MM	AR	AR	
5	4710248	UPPER PANEL / 2540MM	AR	AR	
5	4710094	UPPER PANEL / 2673.6MM	AR	AR	
5	479812	UPPER PANEL / 2702.7MM	AR	AR	
5	4710303	UPPER PANEL / 2808MM	1	1	
5	479824	UPPER PANEL / 2953MM	AR	AR	
5	4710113	UPPER PANEL / 3087.4MM	AR	AR	
5	479759	UPPER PANEL / 3177MM	AR	AR	
5	4710261	UPPER PANEL / 3264.6MM	AR	AR	
5	4710095	UPPER PANEL / 3452MM	AR	AR	
5	478893	UPPER PANEL / 3771.9MM	AR	AR	
5	479904	UPPER PANEL / 4088.6MM	AR	AR	
5	4710211	UPPER PANEL / 4245.9MM	AR	AR	
5	479984	UPPER PANEL / 4725.6MM	AR	AR	
5	479860	UPPER PANEL / 4746.1MM	AR	AR	
5	478912	UPPER PANEL / 4866.8MM	AR	AR	
5	479769	UPPER PANEL / 5584.8MM	AR	AR	
5	4705228	UPPER PANEL / 5667.5MM	AR	AR	
5	479786	UPPER PANEL / 5812.3MM	AR	AR	
5	4705257	UPPER PANEL / 6302.8MM	AR	AR	
5	4710115	UPPER PANEL / 6407MM	AR	AR	
5	470193	UPPER PANEL / 6487.6MM	AR	AR	
5	478906	UPPER PANEL / 6526.8MM	AR	AR	
5	471827	UPPER PANEL / 6630.5MM	AR	AR	
5	471768	UPPER PANEL / 6631MM	AR	AR	
5	479775	UPPER PANEL / 6771.6MM	AR	AR	
5	478913	UPPER PANEL / 6831.6MM	AR	AR	



From L-6492	Date:07/2024	PAGE:X3VIP-1854-51
UPPER FIBERGLASS SIDE PANELING BETWEEN SIDE WINDOW		

Item#	Part	Description	X 3 V I P E N T	X 3 V I P M T H	N O T E S
10	478926	UPPER PANEL / 2286.2MM		AR	10
10	479445	UPPER PANEL / 3302.8MM		AR	7.5
10	479815	UPPER PANEL / 1120.7MM		AR	
10	479816	UPPER PANEL / 1536MM		AR	
10	4710096	UPPER PANEL / 1961.5MM	AR		D
10	479762	UPPER PANEL / 2240.9MM	AR		D
10	470201	UPPER PANEL / 5551.5MM	AR		D
10	478908	UPPER PANEL / 5590.7MM	AR		D
10	4710116	UPPER PANEL / 5694.9MM	AR		D
10	479884	UPPER PANEL / 5818.3MM	AR		D
10	478917	UPPER PANEL / 5895.5MM	AR		D
10	479776	UPPER PANEL / 6059.5MM	AR		D
15	478925	UPPER PANEL / 868MM		AR	
15	479818	UPPER PANEL / 868MM		AR	A
NS	685124	ADHESIVE SIMSON #ISR 70-03 / BLACK / 600ml SAUSAGE	AR	AR	
NS	687957	GLUE MS POLYMER TEROSON MS 9399 / 400ml CARTRIDGE To M-6660	AR	AR	
NS	685387	GLUE MS POLYMER TEROSON MS 9399 / 400ml CARTRIDGE From M-6661	AR	AR	
NS	506751	TAPE RUB ADH1 CC PVC 3/16" x 7/8" x 50' / BLACK 1320	AR	AR	
		10) WITH 10' SLIDE OUT			
		7.5) WITH 7.5 SLIDE-OUT			
		A) WITH 38" BAGGAGE DOOR			
		D) WITH FRONT SLIDE-OUT			

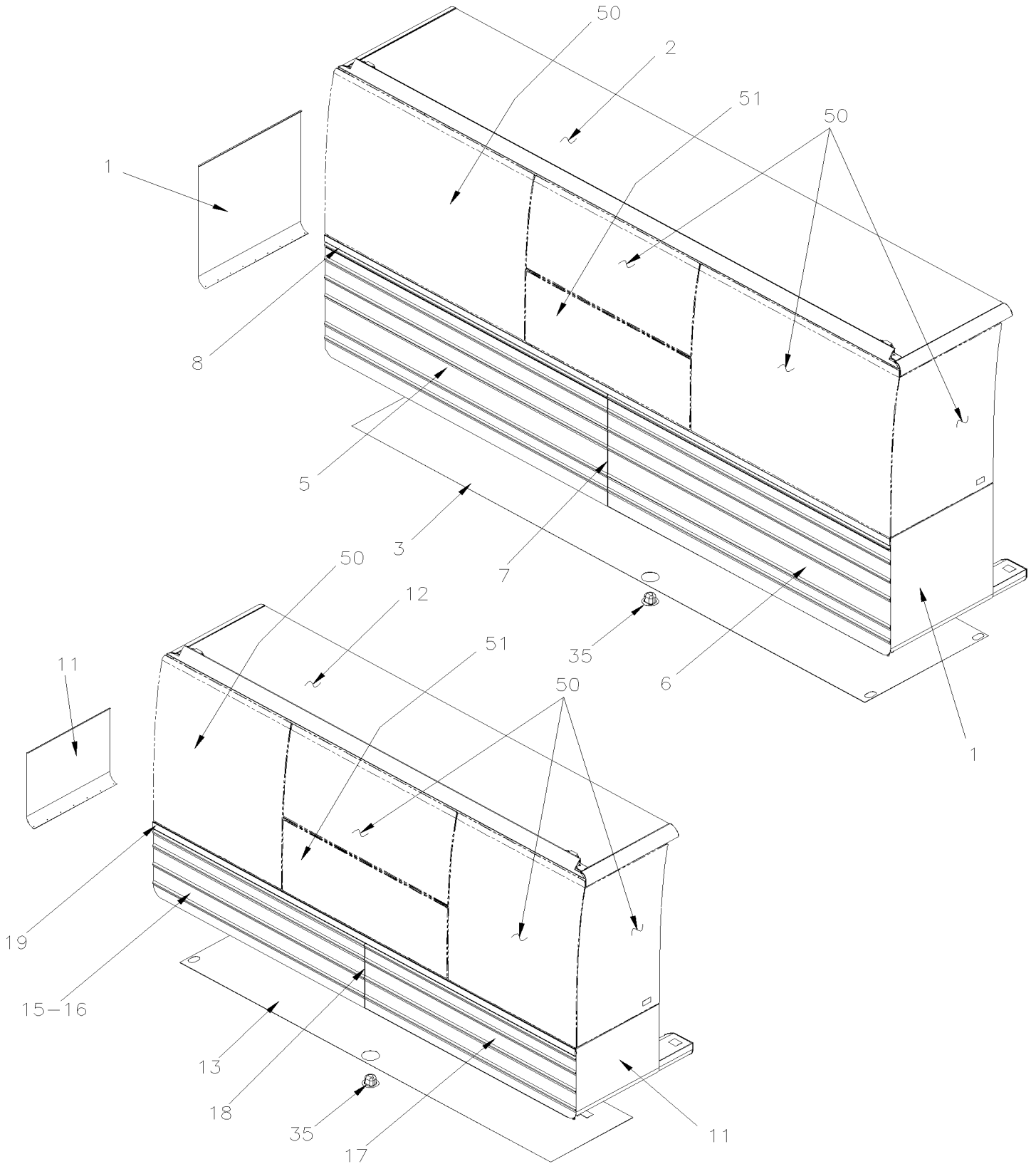


From E-5490

Date:07/2024

PAGE:X3VIP-1854-90

SIDE PANELING - "SLIDE-OUT"



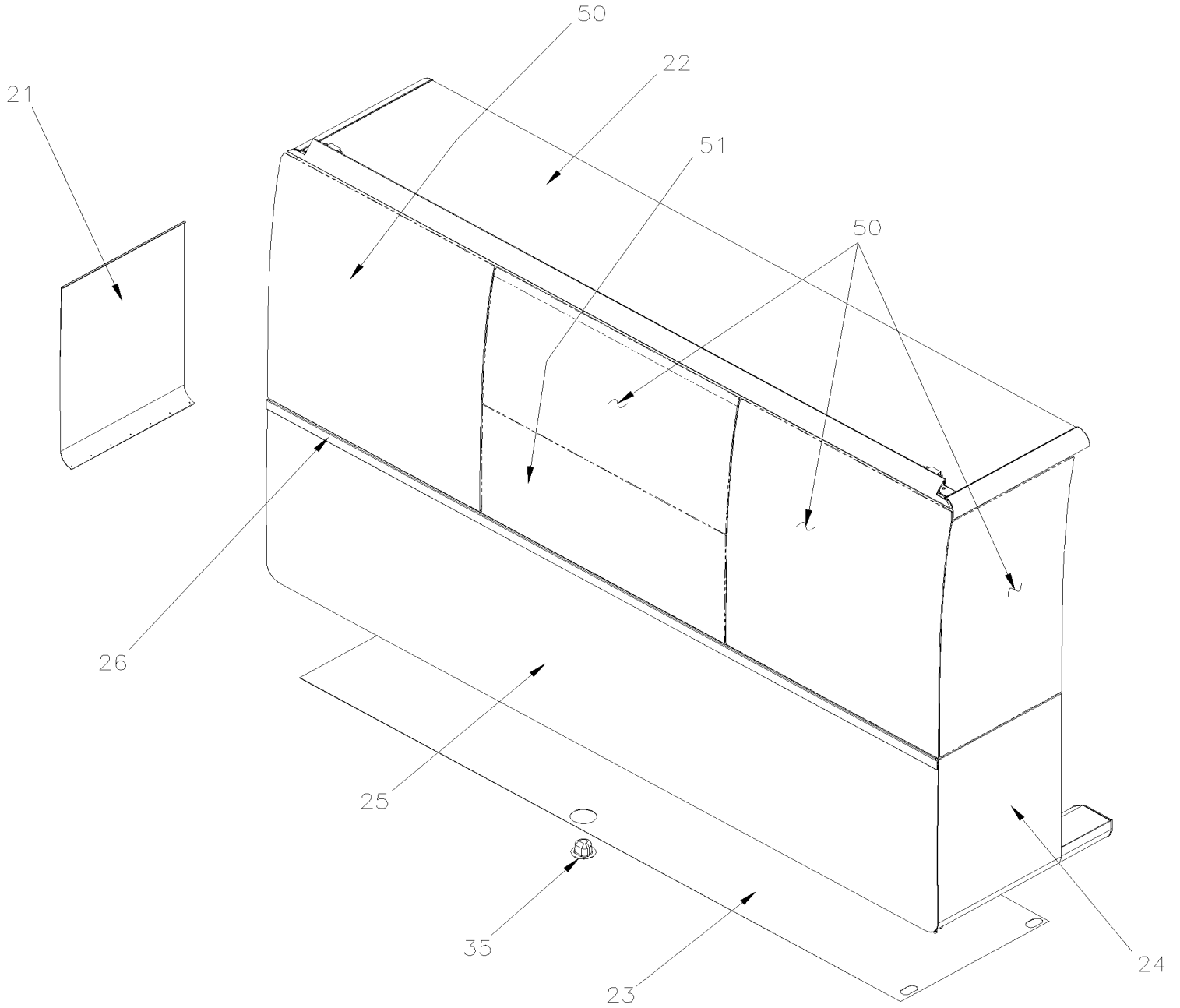


From E-5490

Date:07/2024

PAGE:X3VIP-1854-90

SIDE PANELING - "SLIDE-OUT"





From E-5490		Date:07/2024	PAGE:X3VIP-1854-90
SIDE PANELING - "SLIDE-OUT"			

Item#	Part	Description	X 3 V I P E N T	X 3 V I P M T H	N O T E S
1	478507	FRONT & REAR PANEL S.S. / B.A.		2	
2	477763	ROOF PANEL AL.		1	
3	478576	PANEL UNDER		1	
5	470328	PANEL / FORWARD FRT/"SLIDE-OUT" / B.A. 2211MM		1	
5	471010	PANEL / FORWARD FRT/"SLIDE-OUT" / FLAT / B.A. 2211MM From J-6223 To J-6223		1	A
6	470339	PANEL / BACKWARD FRT/"SLIDE-OUT" / B.A. 2211MM		1	
7	470330	PANEL JOINT CENTER PART		1	
7	502872	RIVET POP CK OE 1/8x3/16 SS		AR	
7	683478	TAPE VHB ADH2 1.1MMx18MMx32.9M		AR	
8	476132	FINISHING MOULDING SS / 4425.6MM		1	
8	474515	FINISHING MOULDING UPPER L.H. 12253MM From J-6223 To J-6223		1	A
. NS	506785	. TAPE RUB ADH2 CC POL 1/16" X 1/4" X 200' / BLACK I1C-N-A From J-6223 To J-6223		AR	A
. NS	506790	. TAPE RUB ADH2 CC POL 1/16" x 1/2" x 200' / BLACK I1C-N-A From J-6223 To J-6223		AR	A
11	477318	FRONT & REAR PANEL S.S. / B.A.		2	
12	477771	ROOF PANEL AL.		1	7.5
12	478343	ROOF PANEL AL.		1	10
13	477772	UNDER FLOOR PANEL AL.		1	7.5
13	478121	UNDER FLOOR PANEL AL.		1	10
15	470333	PANEL / REAR / "SLIDE-OUT" / B.A.		1	7.5
16	470363	PANEL / FORWARD REAR/"SLIDE-OUT" / B.A.		1	10
16	471011	PANEL / FORWARD REAR/"SLIDE-OUT" / FLAT From J-6223 To J-6223		1	A
17	470364	PANEL / BACKWARD RR / "SLIDE-OUT" / B.A.		1	10
18	470365	PANEL JOINT CENTER PART / B.A.		1	10
18	502872	RIVET POP CK OE 1/8x3/16 SS		AR	10
18	683478	TAPE VHB ADH2 1.1MMx18MMx32.9M		AR	10
19	476135	FINISHING MOULDING SS / 2292.4MM		1	7.5
19	477023	FINISHING MOULDING SS / 3309MM		1	10
19	474515	FINISHING MOULDING UPPER L.H. 12253MM From J-6223 To J-6223		1	A
. NS	506785	. TAPE RUB ADH2 CC POL 1/16" X 1/4" X 200' / BLACK I1C-N-A From J-6223 To J-6223		AR	A
. NS	506790	. TAPE RUB ADH2 CC POL 1/16" x 1/2" x 200' / BLACK I1C-N-A From J-6223 To J-6223		AR	A
21	470033	FRONT PANEL S.S. / B.A.	1		
22	477837	ROOF PANEL AL.	1		
23	478569	PANEL UNDER SLIDE OUT	1		
24	470032	REAR PANEL S.S. / B.A.	1		
25	477936	PANEL FLAT FRONT SLIDE OUT	1		
NS	506071	TAPE RUB ADH1 CC POL 1/8" x 1/2" x 50' / GREY 2520X	AR		
NS	507000	TAPE RUB ADH2 POL 3/16" x 1/4" x 50' / BLACK V2206	AR		
26	474515	FINISHING MOULDING UPPER L.H. 12253MM	1		
. NS	506785	. TAPE RUB ADH2 CC POL 1/16" X 1/4" X 200' / BLACK I1C-N-A	AR		
. NS	506790	. TAPE RUB ADH2 CC POL 1/16" x 1/2" x 200' / BLACK I1C-N-A	AR		
NS	683083	ADHESIVE SIKA #252 / BLACK / 600 ml SAUSAGE	AR		
NS	506759	TAPE RUB ADH2 CC POL 1/8" x 1/2" x 100' / BLACK I1C-N-A	AR		



From E-5490		Date:07/2024	PAGE:X3VIP-1854-90
-------------	--	--------------	--------------------

SIDE PANELING - "SLIDE-OUT"

Item#	Part	Description	X 3 V I P E N T	X 3 V I P M T H	N O T E S
NS	502872	RIVET POP CK OE 1/8x3/16 SS	AR	AR	
NS	687957	GLUE MS POLYMER TEROSON MS 9399 / 400ml CARTRIDGE	AR	AR	
NS	506759	TAPE RUB ADH2 CC POL 1/8" x 1/2" x 100' / BLACK I1C-N-A	AR	AR	
NS	506785	TAPE RUB ADH2 CC POL 1/16" X 1/4" X 200' / BLACK I1C-N-A	AR	AR	
NS	506071	TAPE RUB ADH1 CC POL 1/8" x 1/2" x 50' / GREY 2520X	AR	AR	
NS	5060038	TAPE RUB ADH1 CC POL 1/4" x 1" x 35' / BLACK H1C	AR	AR	
NS	506207	TAPE RUB ADH1 CC POL 3/16" x 1" x 50' / GREY 2520X	AR	AR	
NS	506002	TAPE RUB ADH1 CC POL 3/16" x 1/2" x 40' / GREY 2520	AR	AR	
NS	680532	SEALANT SIKA #221 / GREY / 310ml CARTRIDGE	AR	AR	
NS	683083	ADHESIVE SIKA #252 / BLACK / 600 ml SAUSAGE	AR	AR	
35	477902	CAP PLASTIC BLACK / ROD LOOK	1	1	
35	685124	ADHESIVE SIMSON #ISR 70-03 / BLACK / 600ml SAUSAGE	AR	AR	
50	X3VIP-1884-90	SIDE WINDOW - "SLIDE-OUT"	1	1	
51	X3VIP-1884-65	ELECTRICAL AWNING WINDOW ASSY	1	1	
51	X3VIP-1884-80	ELECTRICAL SLIDING WINDOW ASSY	1	1	
		10) WITH 10' SLIDE-OUT			
		7.5) WITH 7.5' SLIDE-OUT			
		A) WITH 38" BAGGAGE DOOR			

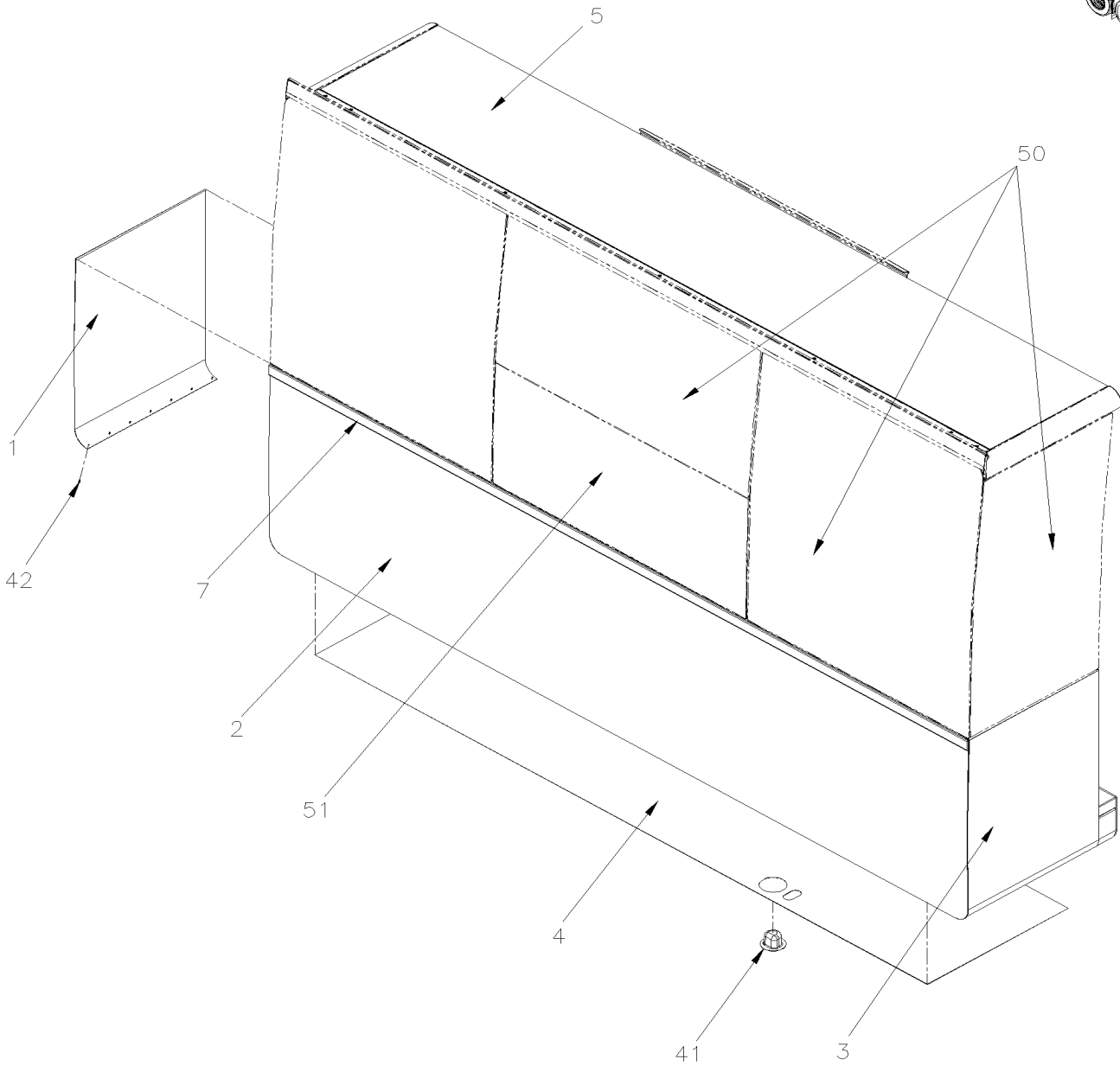
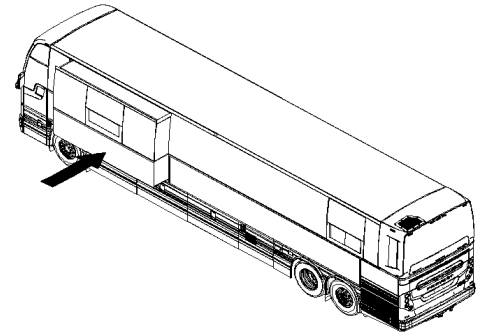


From L-6492

Date:07/2024

PAGE:X3VIP-1854-91

SIDE PANELING - "SLIDE-OUT"



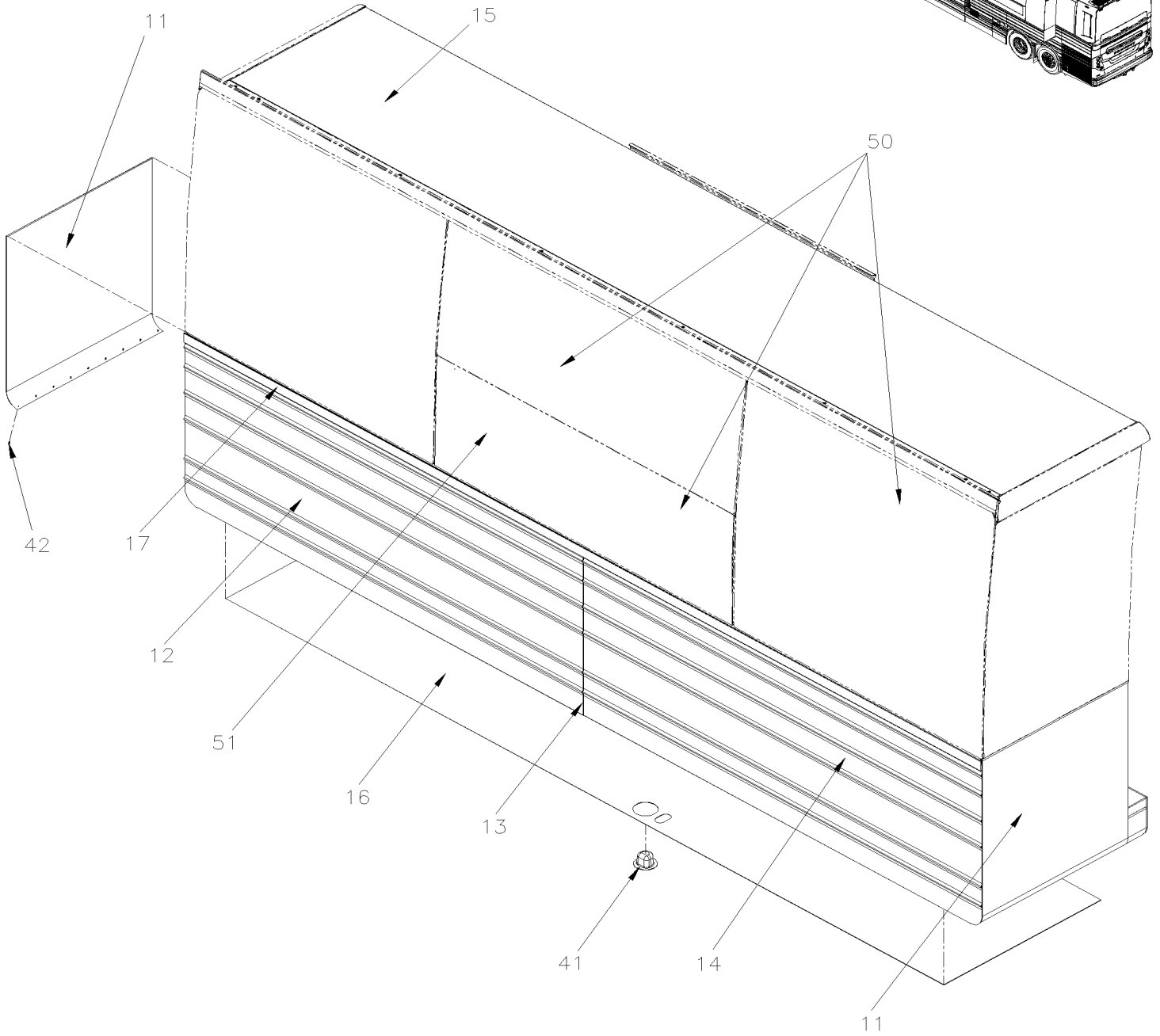
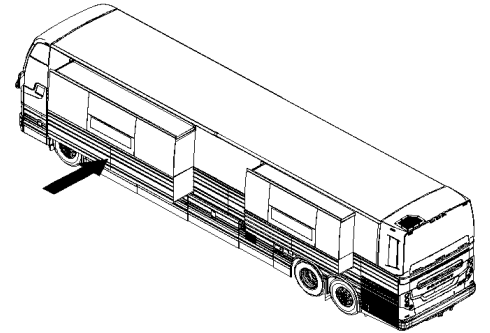


From L-6492

Date:07/2024

PAGE:X3VIP-1854-91

SIDE PANELING - "SLIDE-OUT"



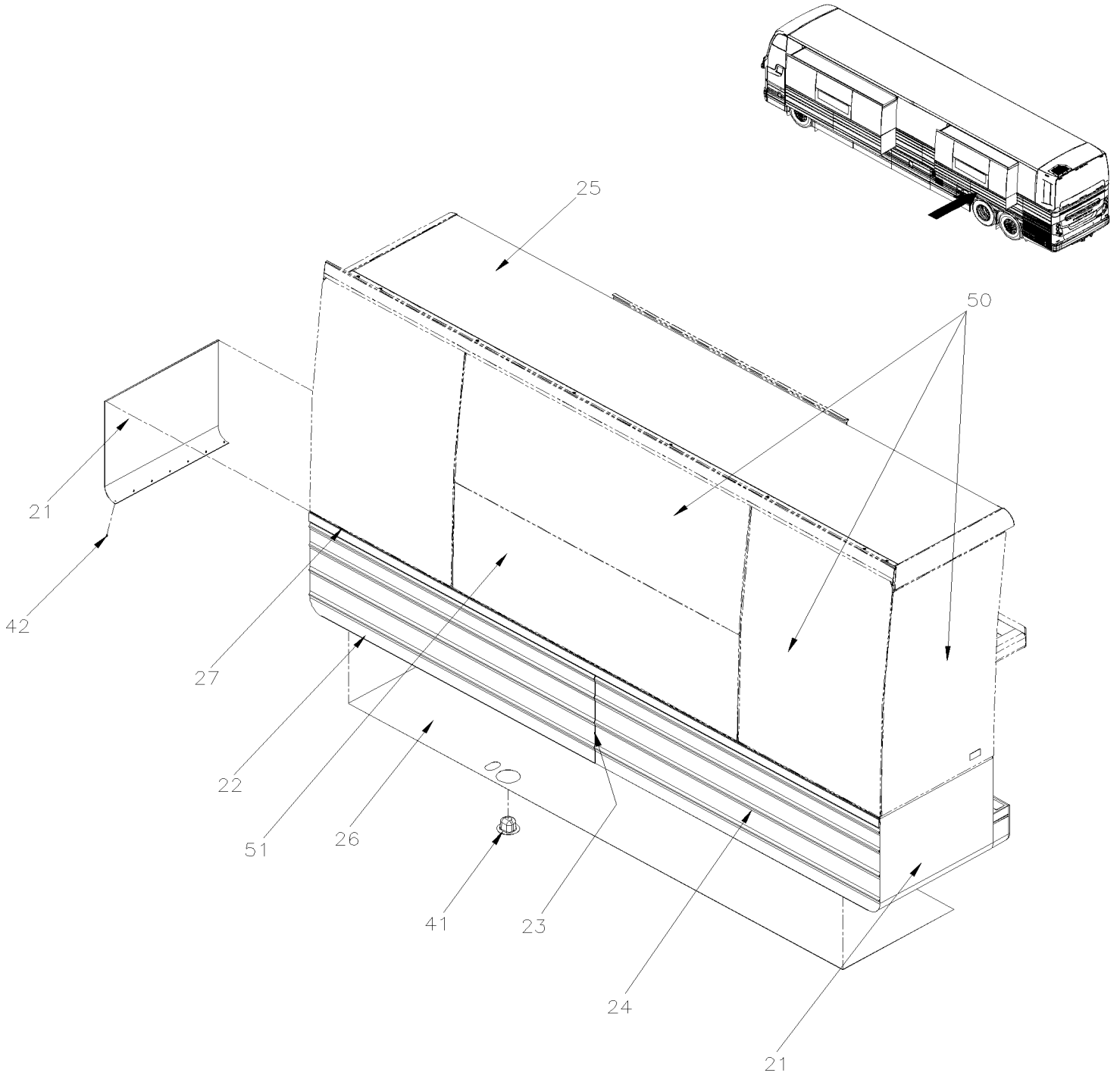


From L-6492

Date:07/2024

PAGE:X3VIP-1854-91

SIDE PANELING - "SLIDE-OUT"



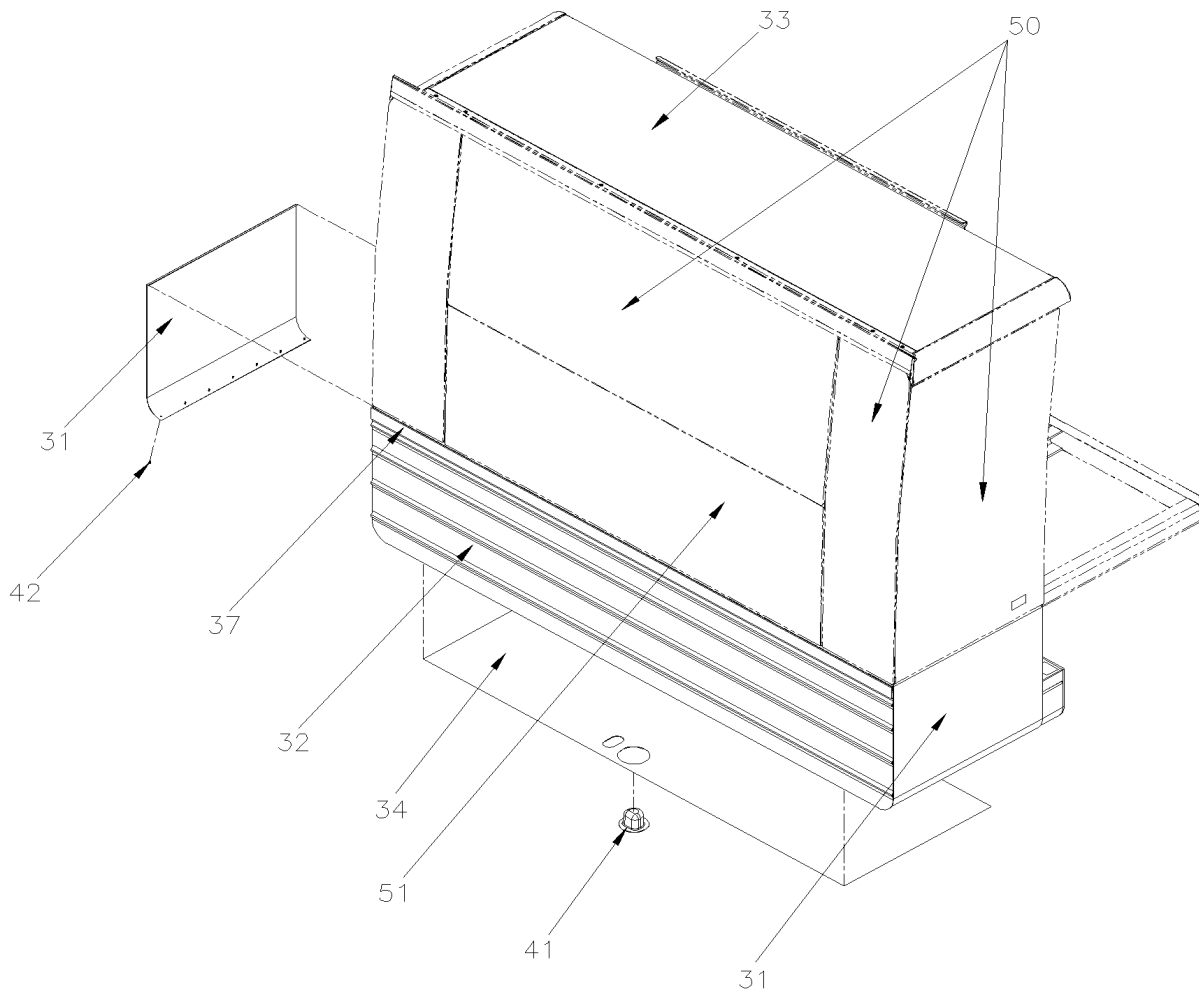
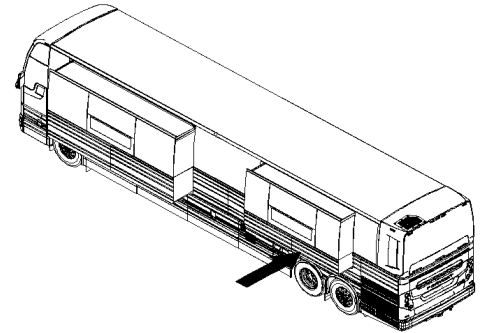


From L-6492

Date:07/2024

PAGE:X3VIP-1854-91

SIDE PANELING - "SLIDE-OUT"





From L-6492		Date:07/2024	PAGE:X3VIP-1854-91
SIDE PANELING - "SLIDE-OUT"			

Item#	Part	Description	X 3 V I P E N T	X 3 V I P M T H	N O T E S
1	478860	FRONT PANEL S.S. / B.A.	1		
2	477936	PANEL FLAT FRONT SLIDE OUT	1		
3	478859	REAR PANEL S.S. / B.A.	1		
4	478836	PANEL UNDER SLIDE OUT	1		
5	478866	ROOF PANEL AL.	1		
7	470644	FINISHING MOULDING UPPER 12250MM	1		
. NS	506785	. TAPE RUB ADH2 CC POL 1/16" X 1/4" X 200' / BLACK I1C-N-A	AR		
7	683083	ADHESIVE SIKA #252 / BLACK / 600 ml SAUSAGE	AR		
7	5061289	TAPE RUB ADH2 CC POL 1/8" x 3/8" x 100' / BLACK I1C-NGL-1	AR		
11	478944	FRONT & REAR PANEL S.S. / B.A.		2	
12	470328	PANEL / FORWARD FRT/"SLIDE-OUT" / B.A. 2211MM		1	
13	470330	PANEL JOINT CENTER PART		1	
13	502872	RIVET POP CK OE 1/8x3/16 SS		4	
14	470339	PANEL / BACKWARD FRT/"SLIDE-OUT" / B.A. 2211MM		1	
15	478064	ROOF PANEL AL.		1	
16	478943	PANEL UNDER SLIDE OUT		1	
17	476132	FINISHING MOULDING SS / 4425.6MM To N-6714		1	
17	474159	FINISHING MOULDING S.S. / 6385MM From N-6715		AR	
17	685126	ADHESIVE SIMSON #ISR 70-03 / GREY / 600ml SAUSAGE		1	
17	5060044	TAPE RUB ADH2 CC POL 1/4" X 1/4" X 50' / BLACK I1C-N-A		1	
21	478885	FRONT & REAR PANEL S.S. / B.A.		2	10
22	470363	PANEL / FORWARD REAR/"SLIDE-OUT" / B.A.		1	10
23	470365	PANEL JOINT CENTER PART / B.A.		1	10
23	502872	RIVET POP CK OE 1/8x3/16 SS		4	10
24	470364	PANEL / BACKWARD RR / "SLIDE-OUT" / B.A.		1	10
25	478887	ROOF PANEL AL.		1	10
26	478886	PANEL UNDER SLIDE OUT		1	10
27	477023	FINISHING MOULDING SS / 3309MM To N-6714		1	10
27	474159	FINISHING MOULDING S.S. / 6385MM From N-6715		AR	10
27	685126	ADHESIVE SIMSON #ISR 70-03 / GREY / 600ml SAUSAGE		AR	10
27	5060044	TAPE RUB ADH2 CC POL 1/4" X 1/4" X 50' / BLACK I1C-N-A		AR	10
31	478885	FRONT & REAR PANEL S.S. / B.A.		2	7.5
32	470333	PANEL / REAR / "SLIDE-OUT" / B.A.		1	7.5
33	478952	ROOF PANEL AL.		1	7.5
34	478953	PANEL UNDER SLIDE OUT		1	7.5
37	476135	FINISHING MOULDING SS / 2292.4MM To N-6714		1	7.5
37	474159	FINISHING MOULDING S.S. / 6385MM From N-6715		AR	7.5
37	685126	ADHESIVE SIMSON #ISR 70-03 / GREY / 600ml SAUSAGE		AR	7.5
37	5060044	TAPE RUB ADH2 CC POL 1/4" X 1/4" X 50' / BLACK I1C-N-A		AR	7.5



From L-6492		Date:07/2024	PAGE:X3VIP-1854-91
-------------	--	--------------	--------------------

SIDE PANELING - "SLIDE-OUT"

Item#	Part	Description	X 3 V I P E N T	X 3 V I P M T H	N O T E S
41	477902	CAP PLASTIC BLACK / ROD LOOK	1	1	
42	502872	RIVET POP CK OE 1/8x3/16 SS	AR	AR	
NS	687957	GLUE MS POLYMER TEROSON MS 9399 / 400ml CARTRIDGE To M-6660	AR	AR	
NS	685387	GLUE MS POLYMER TEROSON MS 9399 / 400ml CARTRIDGE From M-6661	AR	AR	
NS	506785	TAPE RUB ADH2 CC POL 1/16" X 1/4" X 200' / BLACK I1C-N-A	AR	AR	
NS	5060038	TAPE RUB ADH1 CC POL 1/4" x 1" x 35' / BLACK H1C	AR	AR	
NS	506207	TAPE RUB ADH1 CC POL 3/16" x 1" x 50' / GREY 2520X	AR	AR	
NS	5061289	TAPE RUB ADH2 CC POL 1/8" x 3/8" x 100' / BLACK I1C-NGL-1	AR	AR	
50	X3VIP-1884-90	SIDE WINDOW - "SLIDE-OUT"			
51	X3VIP-1884-66	ELECTRICAL AWNING WINDOW ASSY			
51	X3VIP-1884-81	ELECTRICAL SLIDING WINDOW ASSY			
		10) WITH REAR SLIDE-OUT 10'			
		7.5) WITH REAR SLIDE-OUT 7.5'			



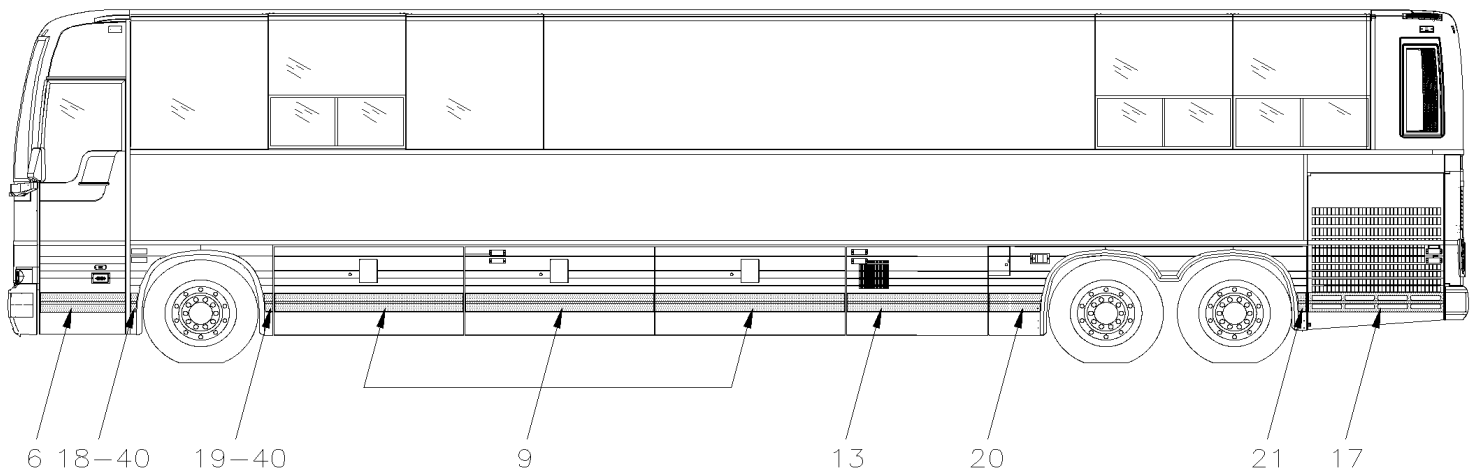
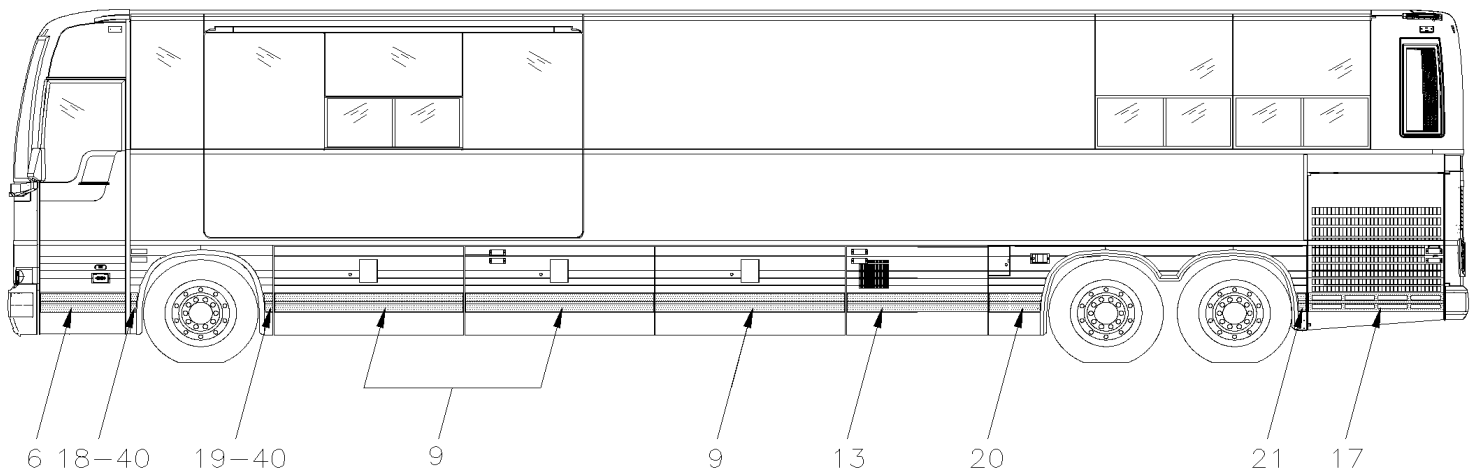
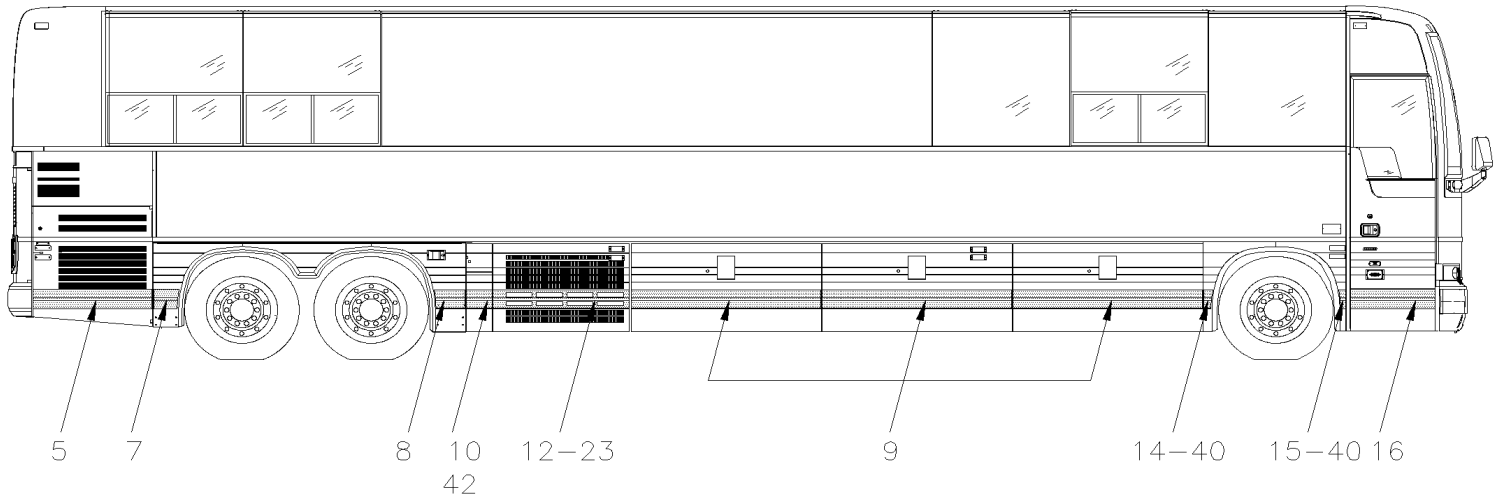
From E-5490 To H-6092

Date:07/2024

PAGE:X3VIP-1855-00

RUB RAIL - EXTERIOR CREST & TRIMS

COMMERCIAL





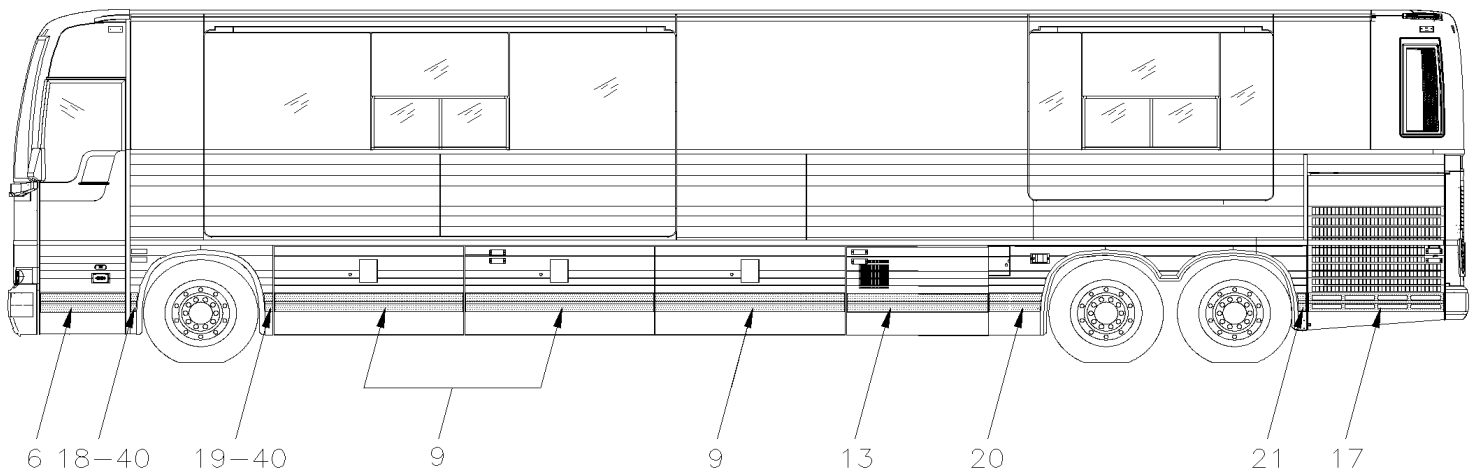
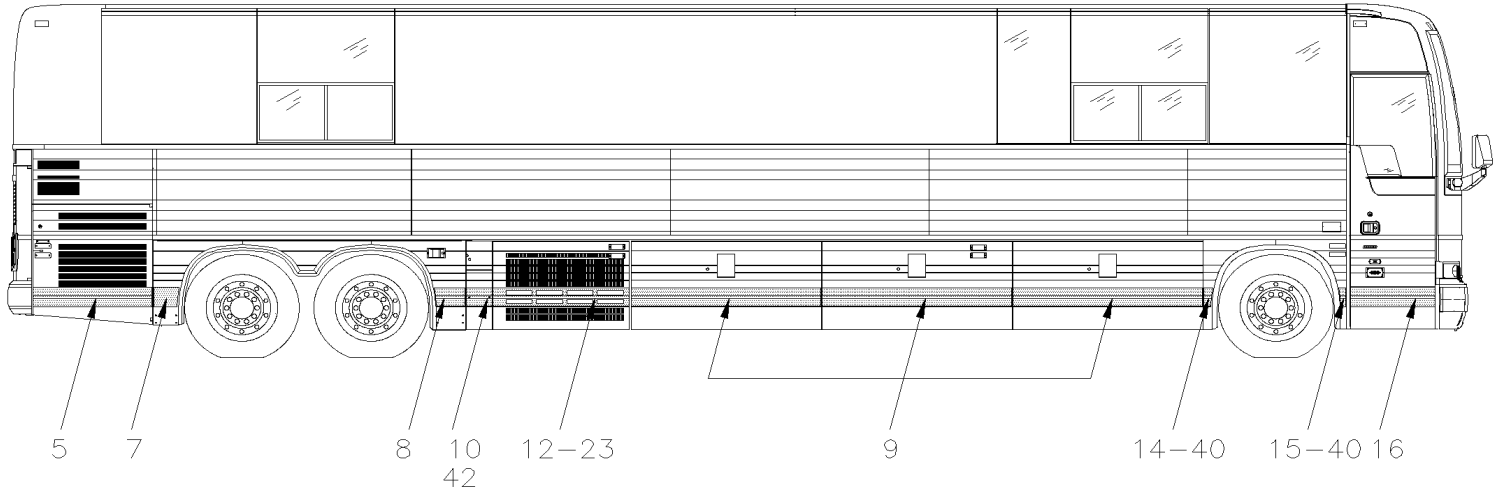
From E-5490 To H-6092

Date:07/2024

PAGE:X3VIP-1855-00

RUB RAIL - EXTERIOR CREST & TRIMS

MOTORHOME



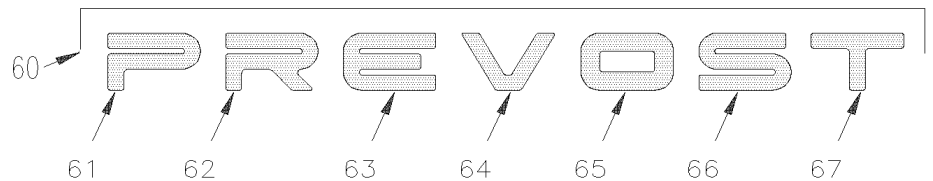
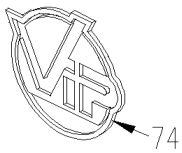
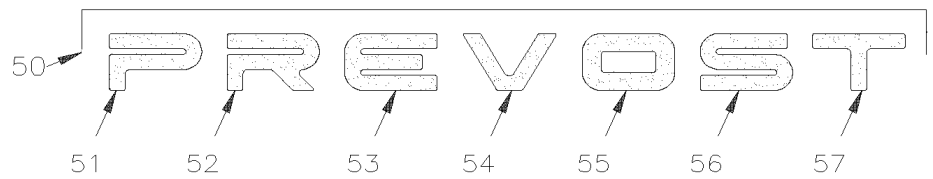
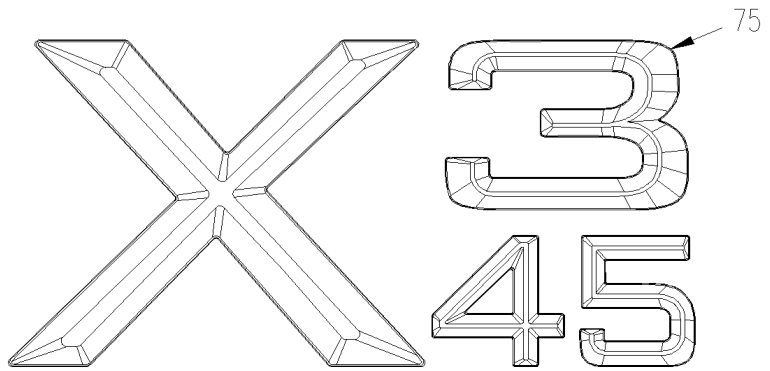
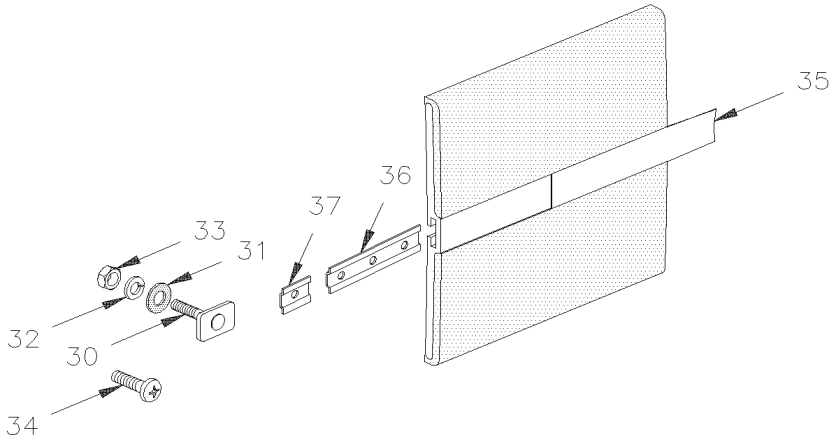


From E-5490 To H-6092

Date:07/2024

PAGE:X3VIP-1855-00

RUB RAIL - EXTERIOR CREST & TRIMS





From E-5490 To H-6092	Date:07/2024	PAGE:X3VIP-1855-00
RUB RAIL - EXTERIOR CREST & TRIMS		

Item#	Part	Description	X 3 V I P E N T	X 3 V I P M T H	N O T E S
5	286639	RUB RAIL ASSY / 1115MM	1	1	
6	474766	RUB RAIL ASSY / 794MM / W/1" SCREW	1	1	
7	476584	RUB RAIL ASSY / 249MM	1	1	
8	476583	RUB RAIL ASSY / 294MM	1	1	
9	471529	RUB RAIL ASSY / 1782.3MM	6	6	
10	477294	RUB RAIL ASSY / 245.4MM	1	1	
12	477291	RUB RAIL ASSY / 1279.3MM PERFORATED	1	1	
13	479399	RUB RAIL ASSY / 1205MM	1	1	
14	476640	RUB RAIL ASSY / 87MM	1	1	
15	478358	RUB RAIL ASSY / 89MM	1	1	
16	474290	RUB RAIL ASSY / 794MM / W/1 1/2" SCREW	1	1	
NS	474304	SPECIAL SCREW ASSY SQ SS 1/4-20 X 1 1/2"	1	1	
17	289417	RUB RAIL ASSY / 1267.4MM PERFORATED	1	1	
18	478359	RUB RAIL ASSY / 89MM	1	1	
19	476641	RUB RAIL ASSY / 87MM	1	1	
20	479407	RUB RAIL ASSY / 627MM	1	1	
21	476793	RUB RAIL ASSY / 99MM	1	1	
23	478525	RUB RAIL ASSY / 1277.3MM	1	1	A
30	474304	SPECIAL SCREW ASSY SQ SS 1/4-20 X 1 1/2"	AR	AR	
31	473378	SEAL WASHER / RUB RAIL & PANEL	AR	AR	
32	5001850	WASHER FL 8.4 x 18 x 2 NYL	AR	AR	
32	500270	WASHER FL .406x1.000x.063 SS From E-5459	3	3	Z
33	5001123	NUT HEXF 1/4-20 SS	AR	AR	
NS	504433	SNAP-IN PLUG / 1.090 O.D.	AR	AR	
34	500310	SCREW TC FL PH #10-24x1 1/4 SS410	AR	AR	
35	920010	STRIPE, REFLECTIVE BLACK / 22MM X 150'	AR	AR	
35	287287	STRIPE, REFLECTIVE BLACK / 22MM X 15'	AR	AR	
36	474777	ATTACHMENT SUPPORT THIN 5.6MM X 100MM 3 HOLES OK	AR	AR	
36	474783	ATTACHMENT SUPPORT THICK 5.6MM X 30MM	AR	AR	
37	474953	ATTACHMENT SUPPORT THIN 4MM X 30MM 1 HOLE	AR	AR	
37	476796	ATTACHMENT SUPPORT THIN 4MM X 59MM 2 HOLES	AR	AR	
37	474944	ATTACHMENT SUPPORT THIN 4MM X 100MM 3 HOLES	AR	AR	
40	506790	TAPE RUB ADH2 CC POL 1/16" x 1/2" x 200' / BLACK 11C-N-A From E-5459	AR	AR	
42	5001533	SCREW TC FL PH #10-24x1 1/4 Z050 SS410 From E-5459	2	2	
50	490922	CREST "PREVOST" GOLD REAR To E-5739		1	
50	491484	CREST "PREVOST" BLACK From F-5740		1	
51	490931	LETTER "P" GOLD To E-5739		1	
52	490932	LETTER "R" GOLD To E-5739		1	
53	490933	LETTER "E" GOLD To E-5739		1	
54	490934	LETTER "V" GOLD To E-5739		1	
55	490935	LETTER "O" GOLD To E-5739		1	
56	490936	LETTER "S" GOLD To E-5739		1	



From E-5490 To H-6092	Date:07/2024	PAGE:X3VIP-1855-00
-----------------------	--------------	--------------------

RUB RAIL - EXTERIOR CREST & TRIMS

Item#	Part	Description	X 3 V I P E N T	X 3 V I P M T H	N O T E S
57	490937	. LETTER "T" GOLD To E-5739		1	
60	490921	CREST "PREVOST" SILVER REAR To E-5739	1		
60	491484	CREST "PREVOST" BLACK From F-5740	1		
61	490924	. LETTER "P" SILVER To E-5739	1		
62	490925	. LETTER "R" SILVER To E-5739	1		
63	490926	. LETTER "E" SILVER To E-5739	1		
64	490927	. LETTER "V" SILVER To E-5739	1		
65	490928	. LETTER "O" SILVER To E-5739	1		
66	490929	. LETTER "S" SILVER To E-5739	1		
67	490930	. LETTER "T" SILVER To E-5739	1		
70	491015	CREST "XL-II" & X3-45 / CURBSIDE WING PART	1	1	
72	491016	CREST "XL-II" & X3-45 / STREETSIDE WING PART	1	1	
73	491069	CREST "X3" / CENTER PART	1	1	
74	491471	CREST "V.I.P." / SELF ADHESIVE	1	1	
75	491070	CREST "X3-45"		1	
		A) WITH SMALL A/C SYSTEM			
		Z) USE ONLY W/ FRONT SERVICE DOOR			



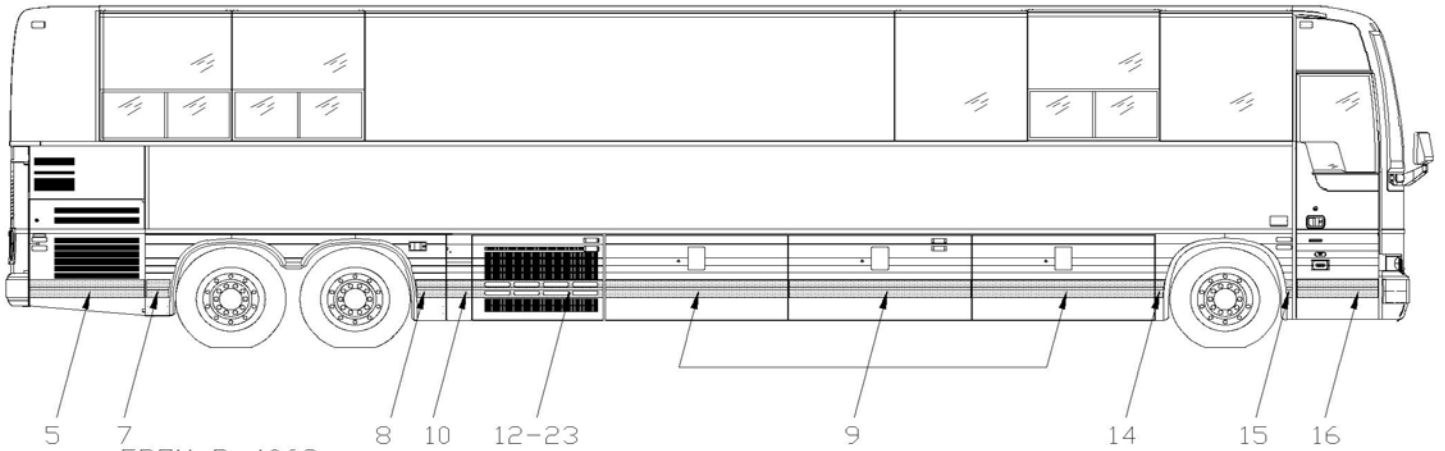
From H-6093

Date:07/2024

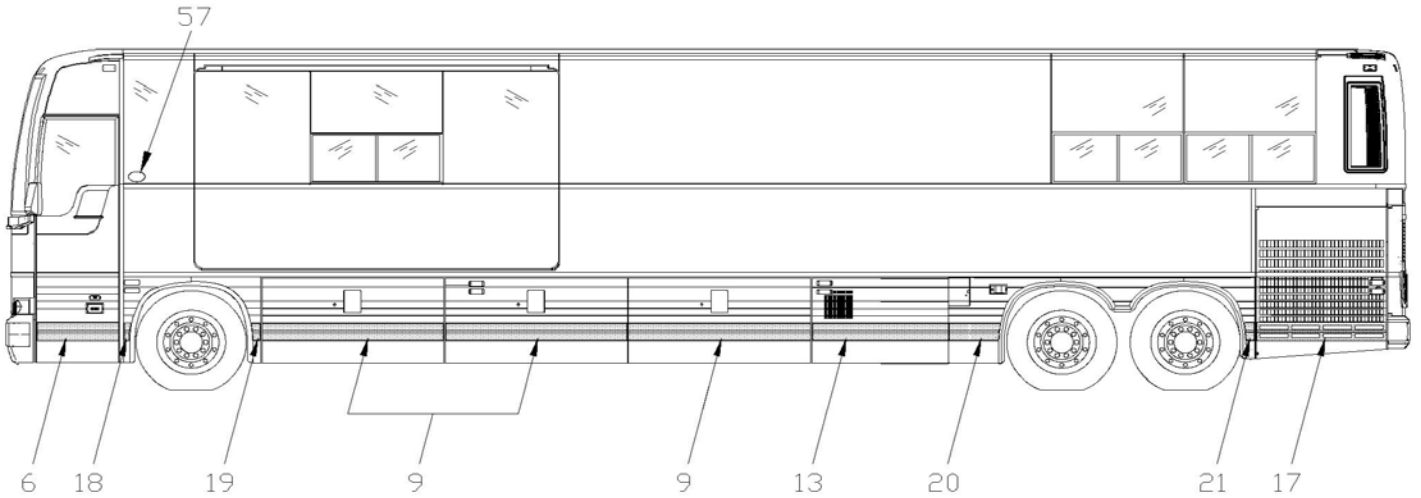
PAGE:X3VIP-1855-01

RUB RAIL - EXTERIOR CREST & TRIMS

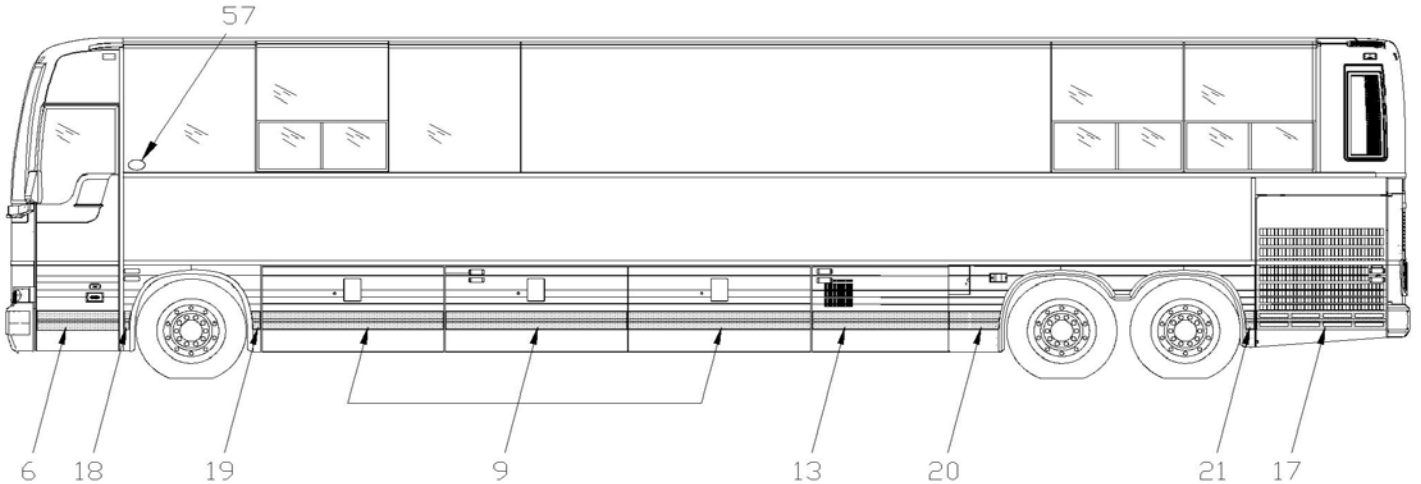
COMMERCIAL



FROM R-4068



FROM R-4068





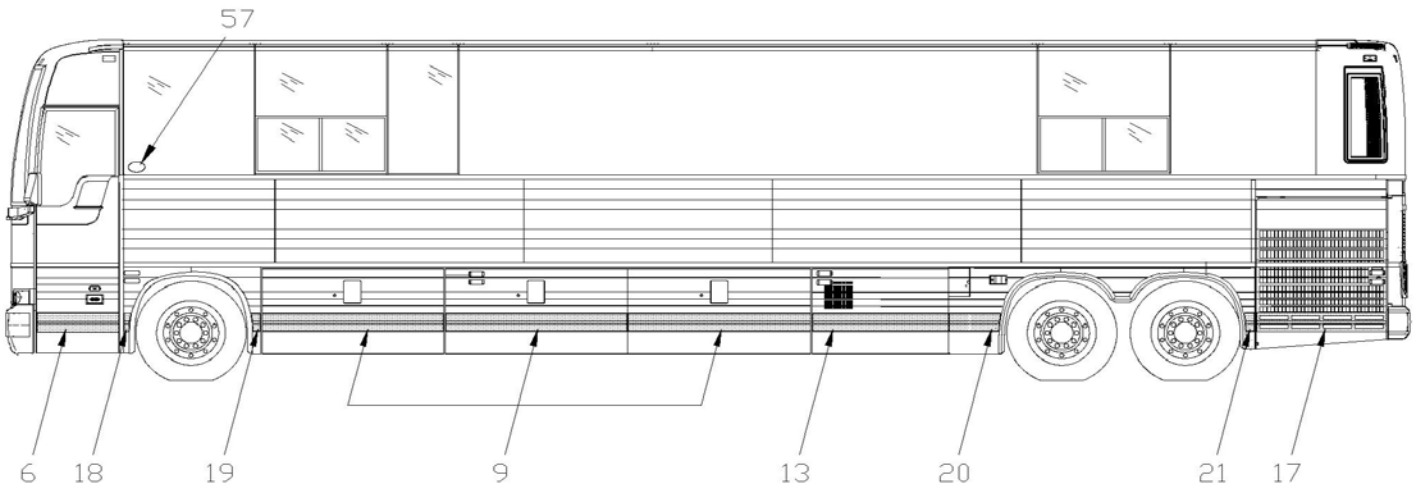
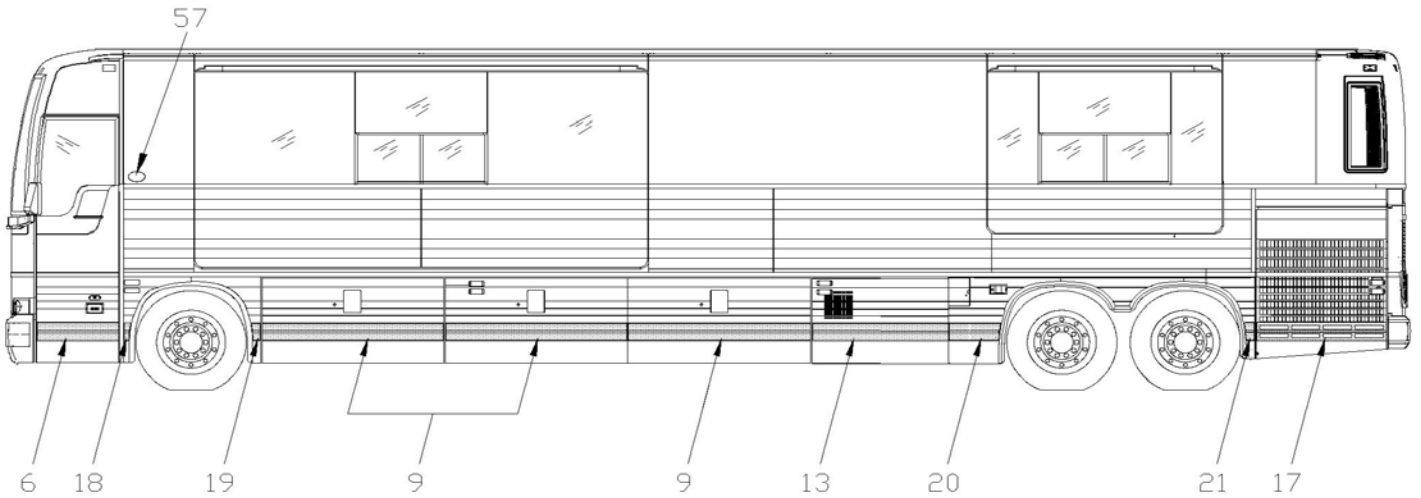
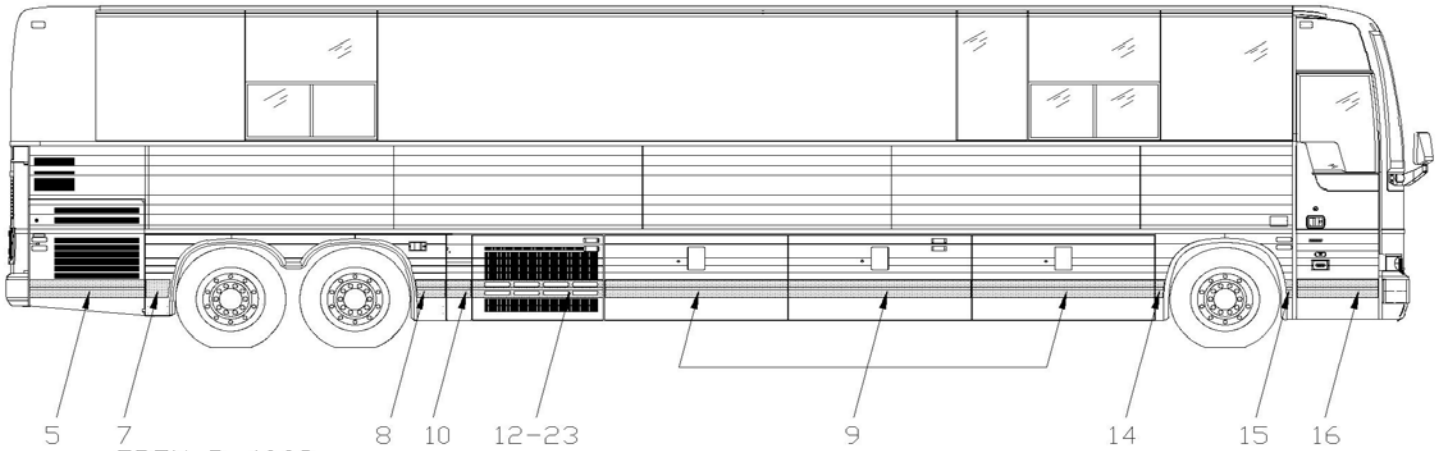
From H-6093

Date:07/2024

PAGE:X3VIP-1855-01

RUB RAIL - EXTERIOR CREST & TRIMS

MOTORHOME



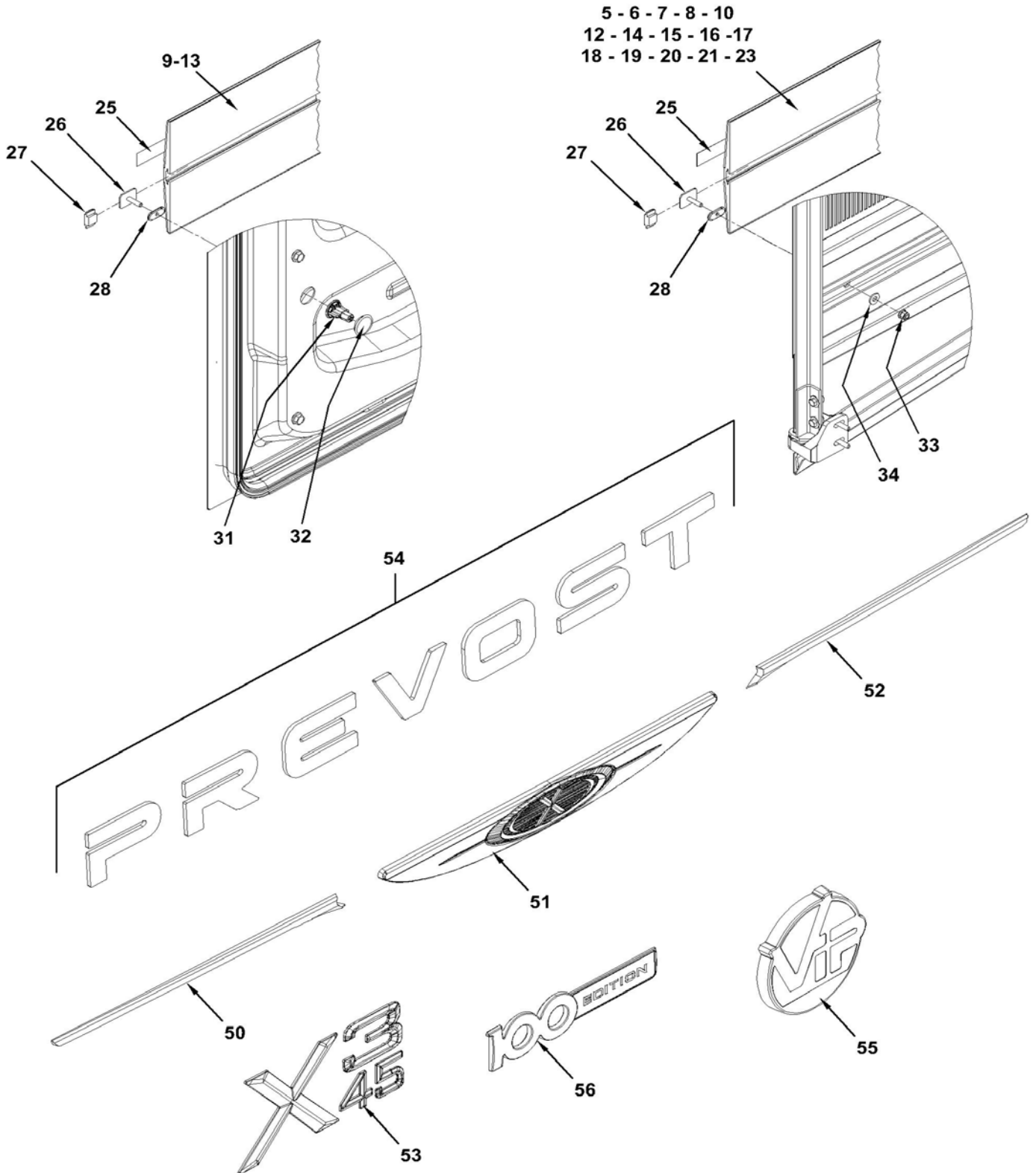


From H-6093

Date:07/2024

PAGE:X3VIP-1855-01

RUB RAIL - EXTERIOR CREST & TRIMS





From H-6093		Date:07/2024	PAGE:X3VIP-1855-01
RUB RAIL - EXTERIOR CREST & TRIMS			

Item#	Part	Description	X 3 V I P E N T	X 3 V I P M T H	N O T E S
5	479378	RUB RAIL ASSY / 1115MM To H-6179	1	1	
5	470600	RUB RAIL ASSY / 1309MM From H-6180	1	1	
5	479648	RUB RAIL ASSY / 1310MM From H-6180	1	1	B
6	479391	RUB RAIL ASSY / 794MM	1	1	
7	479412	RUB RAIL ASSY / 249.4MM To H-6179	1	1	
7	470571	RUB RAIL ASSY / 55.9MM From H-6180	1	1	
7	479649	RUB RAIL ASSY / 84MM From H-6180	1	1	B
NS	5001533	SCREW TC FL PH #10-24x1 1/4 Z050 SS410	AR	AR	
8	479413	RUB RAIL ASSY / 294.7MM	1	1	
8	479380	RUB RAIL ASSY / 318MM	1	1	B
9	479377	RUB RAIL ASSY / 1780MM	6	6	
9	479377	RUB RAIL ASSY / 1780MM From J-6223	5	5	B
9	479394	RUB RAIL ASSY / 185MM From J-6223		1	B WCL
9	479393	RUB RAIL ASSY / 1247MM From J-6223		1	B WCL
9	479392	RUB RAIL ASSY / 328MM From J-6223		1	B WCL
10	479381	RUB RAIL ASSY / 240MM	1	1	
12	479382	RUB RAIL ASSY / 1277.3MM PERFORATED	1	1	
13	479383	RUB RAIL ASSY / 1204.5MM	1	1	
14	479415	RUB RAIL ASSY / 87MM	1	1	
14	479388	RUB RAIL ASSY / 115MM	1	1	B
15	479410	RUB RAIL ASSY / 89MM	1	1	
15	479385	RUB RAIL ASSY / 96MM	1	1	B
16	479376	RUB RAIL ASSY / 794MM	1	1	
17	479386	RUB RAIL ASSY / 1267.4MM PERFORATED To H-6179	1	1	
17	470599	RUB RAIL ASSY / 1309MM PERFORETED From H-6180	1	1	
17	479614	RUB RAIL ASSY / 1310.8MM PERFORATED From H-6180	1	1	B
18	479409	RUB RAIL ASSY / 89MM	1	1	
18	479387	RUB RAIL ASSY / 96MM	1	1	B
NS	5001533	SCREW TC FL PH #10-24x1 1/4 Z050 SS410	AR	AR	
19	479414	RUB RAIL ASSY / 87MM	1	1	
19	479384	RUB RAIL ASSY / 115MM	1	1	B
NS	5001533	SCREW TC FL PH #10-24x1 1/4 Z050 SS410	AR	AR	
20	479408	RUB RAIL ASSY / 626.5MM	1	1	
20	479389	RUB RAIL ASSY / 652MM	1	1	B
21	479416	RUB RAIL ASSY / 96.8MM To H-6179	1	1	
21	470570	RUB RAIL ASSY / 55.1MM From H-6180	1	1	
21	479615	RUB RAIL ASSY / 84MM From H-6180	1	1	B
23	479411	RUB RAIL ASSY / 1277.3MM To H-6179	1	1	A
23	470404	RUB RAIL ASSY / 1277.3MM From H-6180	1	1	A
25	920010	. STRIPE, REFLECTIVE BLACK / 22MM X 150'	AR	AR	
26	5001903	. CLIP / RUB RAIL M6-1.0	AR	AR	
27	479375	. END CAP / RUB RAIL	AR	AR	



From H-6093		Date:07/2024	PAGE:X3VIP-1855-01
RUB RAIL - EXTERIOR CREST & TRIMS			

Item#	Part	Description	X 3 V I P E N T	X 3 V I P M T H	N O T E S
28	479374	. SPACER / RUB RAIL	AR	AR	
NS	506790	. TAPE RUB ADH2 CC POL 1/16" x 1/2" x 200' / BLACK I1C-N-A	AR	AR	
31	491237	NUT WING / PLASTIC M6-1.0 x 23	AR	AR	
32	504433	SNAP-IN PLUG / 1.090 O.D.	AR	AR	
33	5001932	NUT HEXF NYRT M6-1.0 G8.8 N500	AR	AR	
34	5001850	WASHER FL 8.4 x 18 x 2 NYL	AR	AR	
50	491015	CREST "XL-II" & X3-45 / CURBSIDE WING PART To K-6491	1	1	
51	491069	CREST "X3" / CENTER PART To K-6491	1	1	
52	491016	CREST "XL-II" & X3-45 / STREETSIDE WING PART To K-6491	1	1	
53	491070	CREST "X3-45"	1	1	
54	491484	CREST "PREVOST" BLACK	1	1	
54	491167	CREST "PREVOST" CHROME	1	1	
55	491471	CREST "V.I.P." / SELF ADHESIVE	1	1	
56	492176	LOGO 100E EDITION From R-6907	2	2	L
57	21127346	DECAL, LOW NOX (CARB) From R-4040 To R-4040	1	1	
57	21127346	DECAL, LOW NOX (CARB) From R-4068	1	1	
		A) WITH SMALL A/C SYSTEM			
		B) MOTORHOME WITH FLAT PANEL			
		L) FOR VEHICLE 2024 ONLY			
		WCL) WHEEL CHAIR LIFT DOOR			

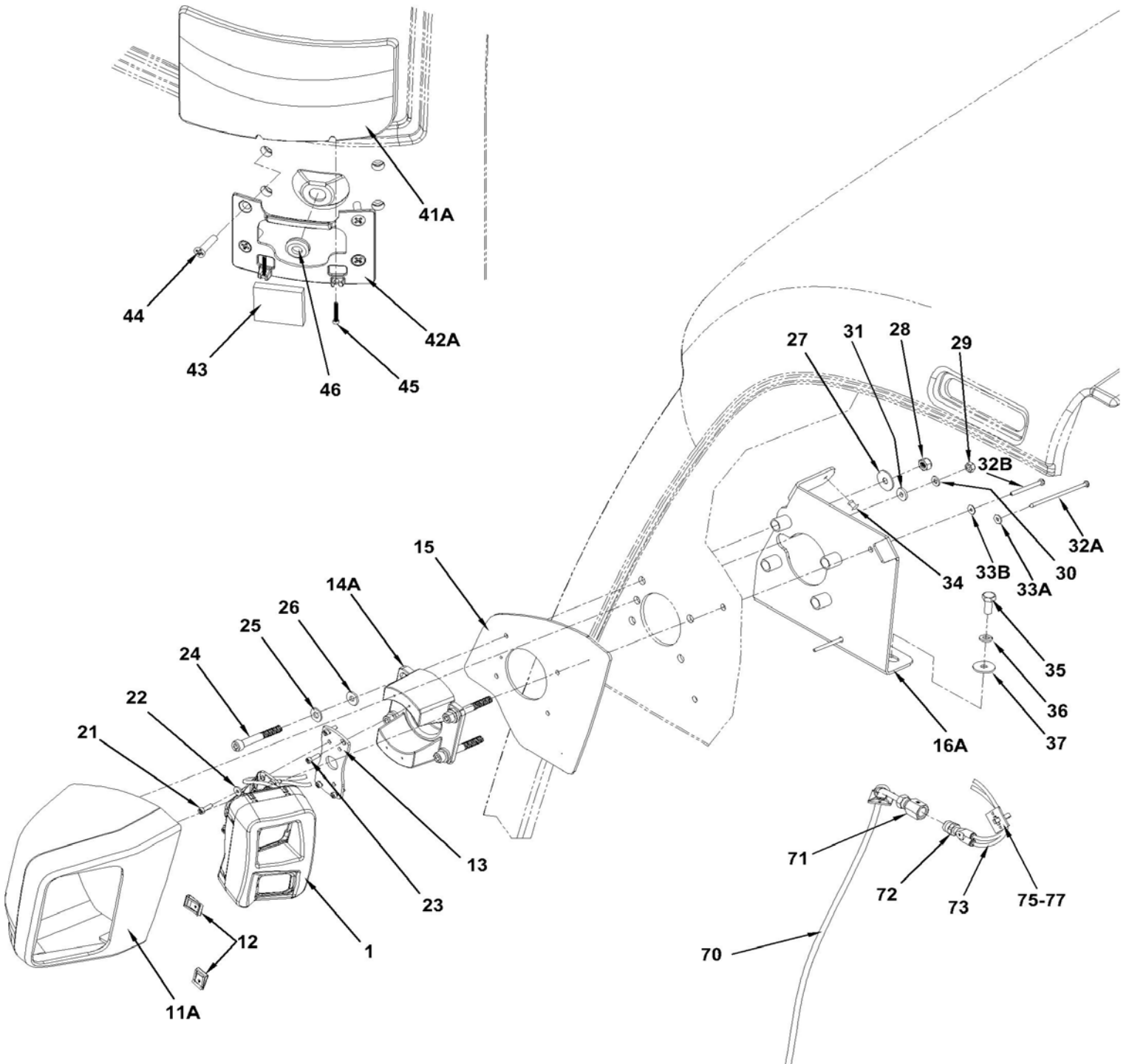


From M-6645

Date:07/2024

PAGE:X3VIP-1856-10

"E-MIRROR" INSTALLATION



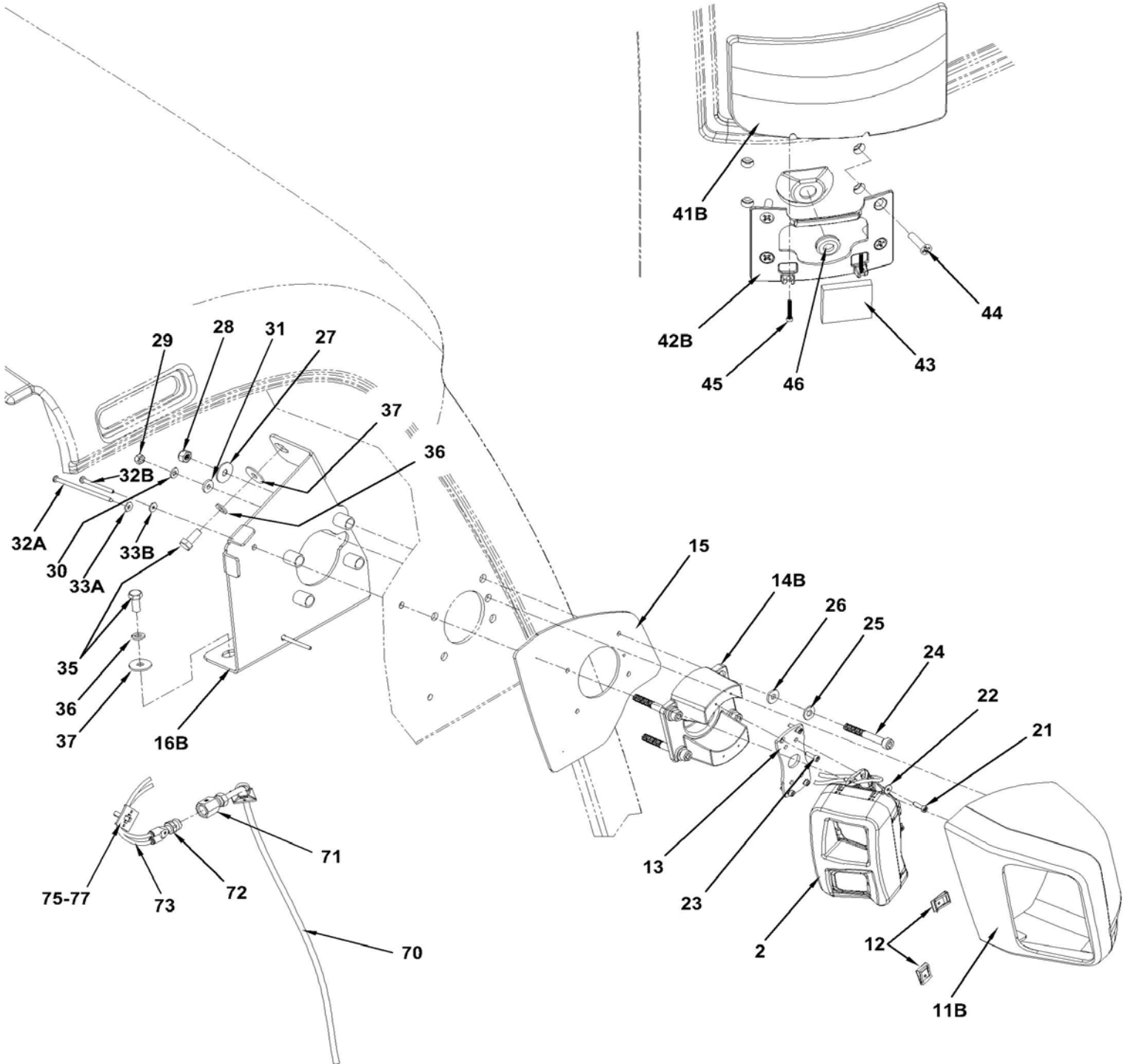


From M-6645

Date:07/2024

PAGE:X3VIP-1856-10

"E-MIRROR" INSTALLATION



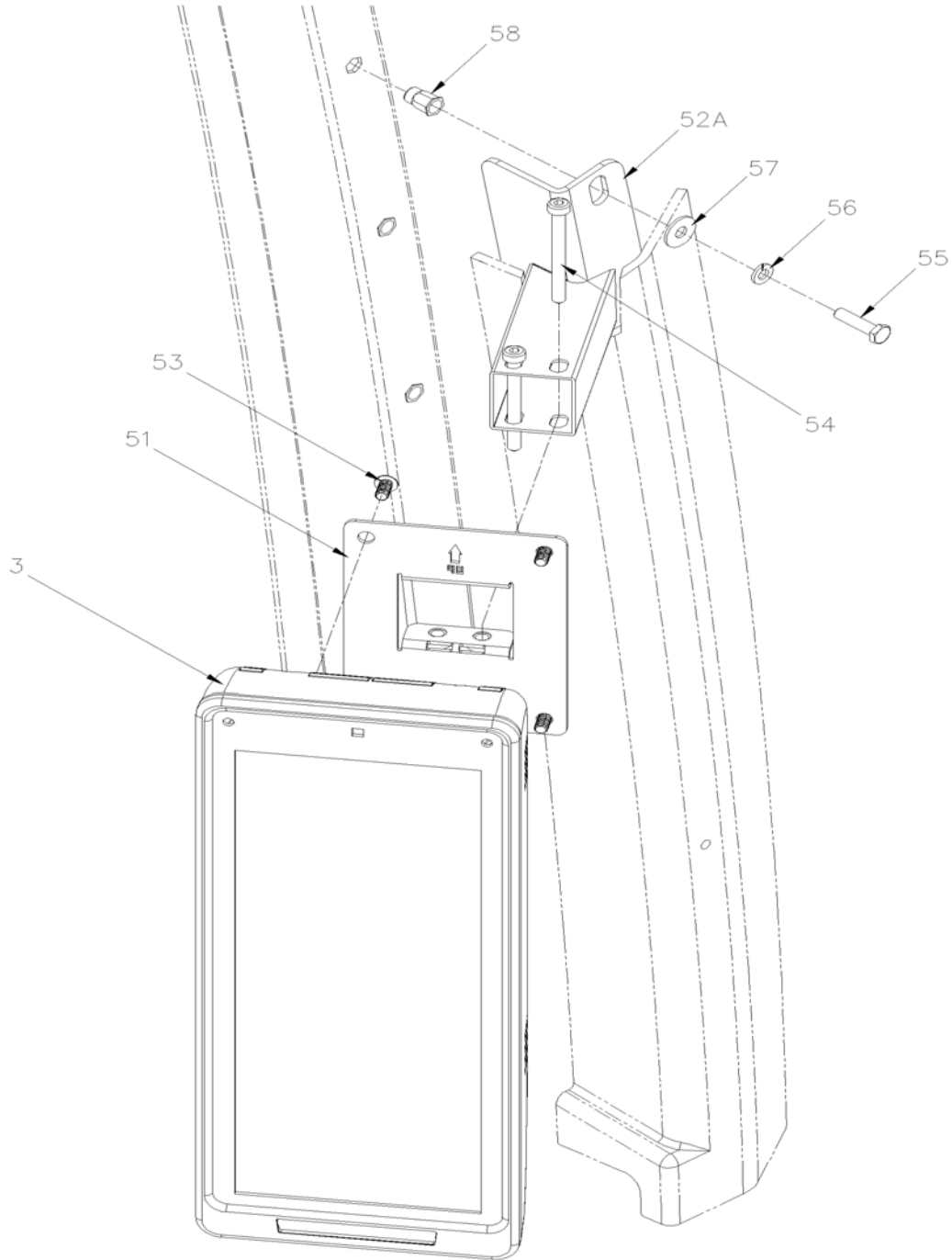


From M-6645

Date:07/2024

PAGE:X3VIP-1856-10

"E-MIRROR" INSTALLATION



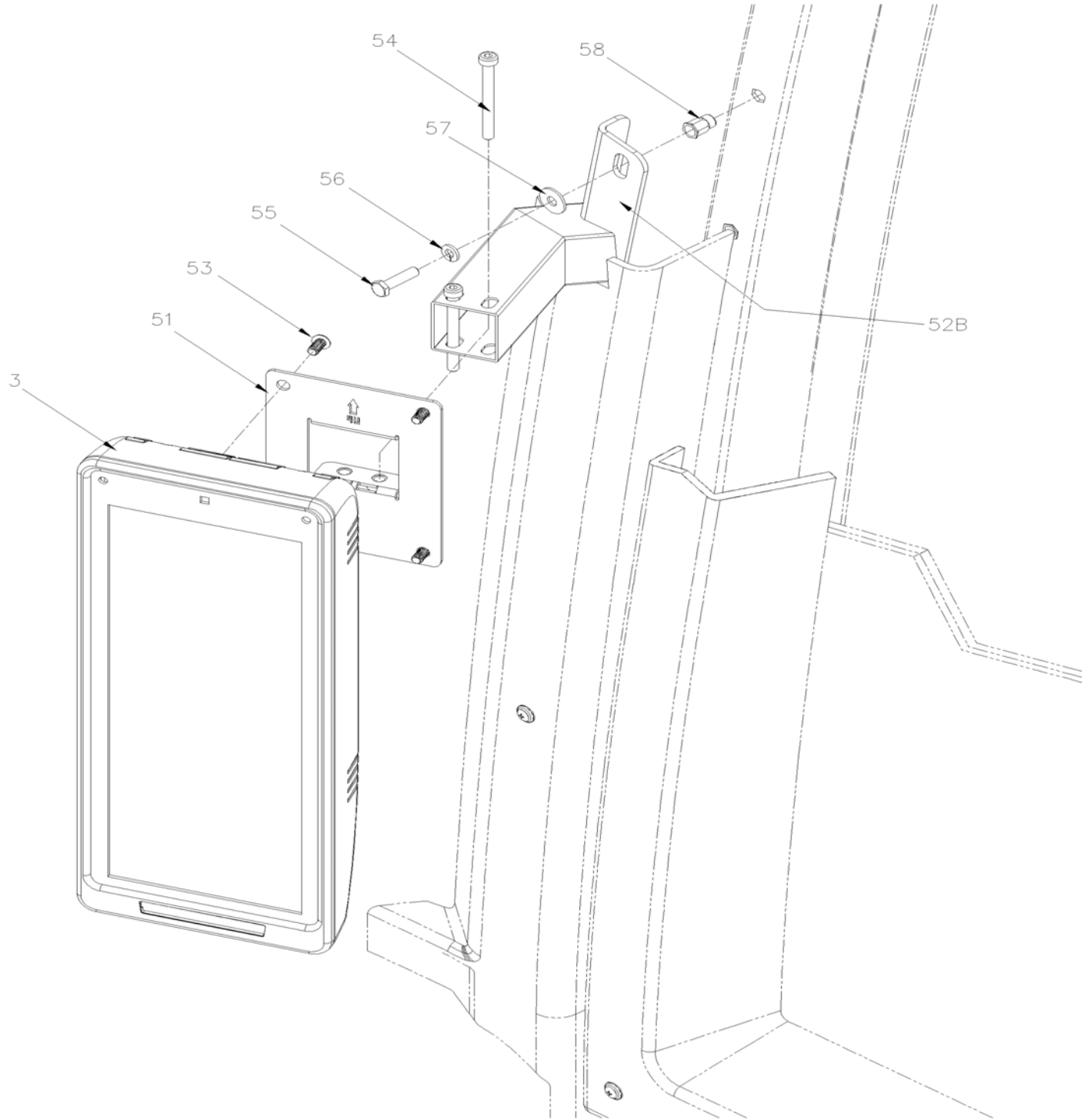


From M-6645

Date:07/2024

PAGE:X3VIP-1856-10

"E-MIRROR" INSTALLATION



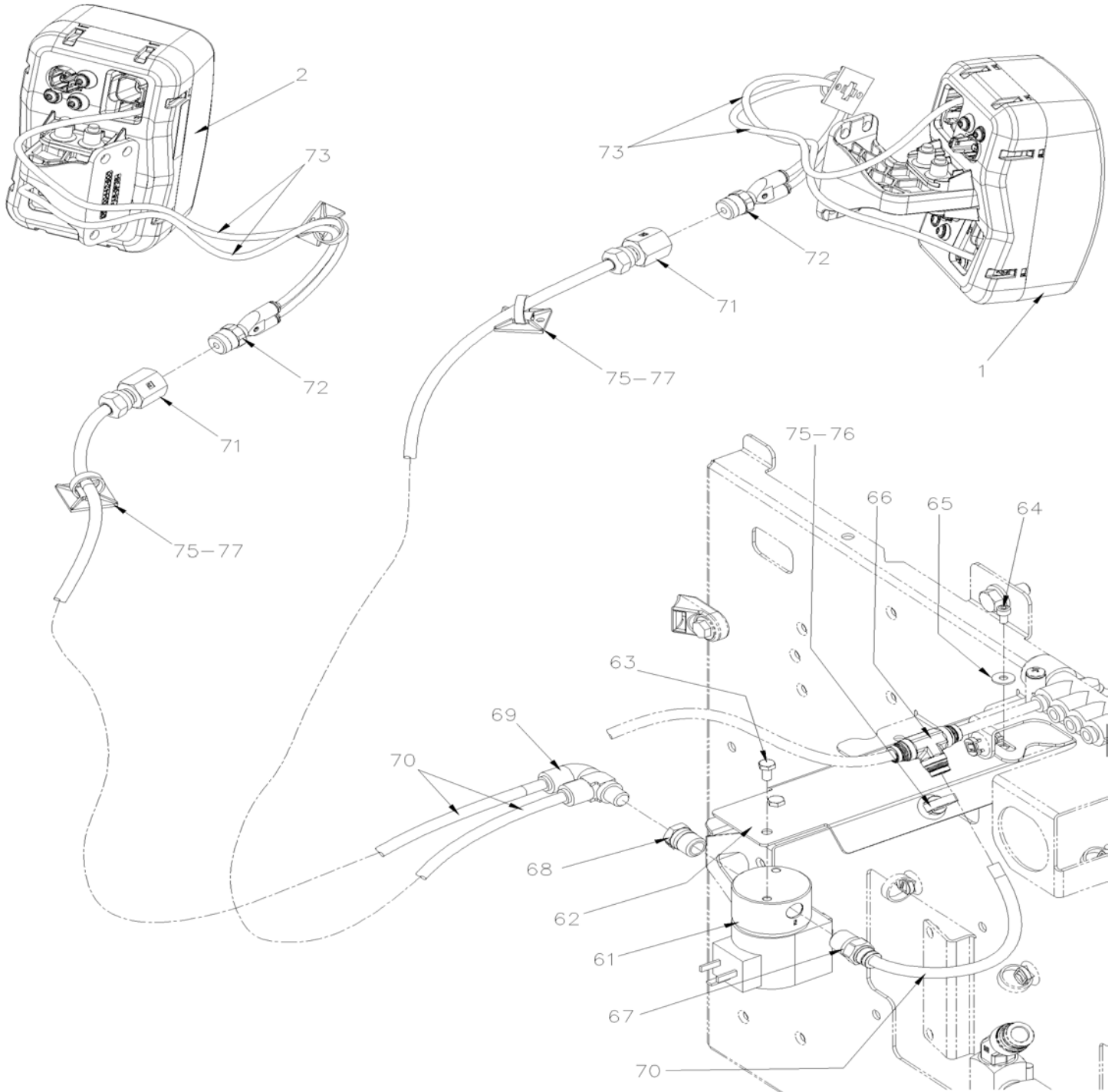


From M-6645

Date:07/2024

PAGE:X3VIP-1856-10

"E-MIRROR" INSTALLATION





From M-6645		Date:07/2024	PAGE:X3VIP-1856-10
"E-MIRROR" INSTALLATION			

Item#	Part	Description	X 3 V I P E N T	X 3 V I P M T H	N O T E S
	901888	KIT "E-MIRROR"	1	1	
1	901812	. CAMERA LEFT "E-MIRROR"	1	1	
2	901814	. CAMERA RIGHT "E-MIRROR"	1	1	
3	901899	. MONITOR 12" "E-MIRROR"	2	2	
. NS	901957	. . CONNECTORS COVER, EMIRROR MONITOR	1	1	
NS	901816	. CABLE BLACK "E-MIRROR"	1	1	
NS	901817	. CABLE WHITE "E-MIRROR"	1	1	
NS	901895	. CABLE VIDEO EMIRROR WHITE 4M	1	1	
NS	901896	. CABLE VIDEO EMIRROR BLACK 4M	1	1	
NS	901897	. POWER CABLE EMIRRORS 2M	2	2	
NS	901901	. CABLE Y HEATER EMIRROR	1	1	
NS	0610559	ELECTRONIC MIRROR HARNESS VISION SYSTEM	1	1	
11A	420003	COVER LF EMIRROR X345 OPP2 From R-6956 To R-6998	1	1	
11A	420003	COVER LF EMIRROR X345 OPP2 From R-4007 To R-4022	1	1	
11A	420121	COVER LF EMIRROR X345 OPP2 From R-4027 To R-6955	1	1	
11B	420004	COVER RH EMIRROR X345 OPP2 From R-6956 To R-6998	1	1	A
11B	420004	COVER RH EMIRROR X345 OPP2 From R-4007 To R-4022	1	1	A
11B	420122	COVER RH EMIRROR X345 OPP2 From R-4027 To R-6955	1	1	A
12	500684	NUT SPR U #8A .025-.064 From R-4027 To R-6955	4	4	
13	491971	PLATE, EMIRROR ANGULAR ADJUSTMENT	2	2	
14A	491986	BRACKET, OUT. CAMERA LF EMIRROR X OPP2	1	1	
14B	491981	BRACKET, OUT. CAMERA RH EMIRROR X OPP2	1	1	
15	420110	SEAL EMIRROR COVER X345 OPP2	2	2	
16A	402297	BRACKET INS LH EMIRROR CAMERA X345 WE/WM	1	1	
16B	402355	BRACKET INS RH EMIRROR CAMERA X345 WE/WM	1	1	
21	5002174	SCREW CAP HEXS M4-0.7x14MM Z050	8	8	
22	5002031	WASHER FL 4.3X12X1 SS	8	8	
23	5002174	SCREW CAP HEXS M4-0.7x14MM Z050	8	8	
24	5002173	SCREW CAP HEXS M8-1.25x60 PT SS	8	8	
25	5001341	WASHER FL 8.4x17.0x1.6 SS	8	8	
26	5002205	WASHER FL RUB .290x.688x.090	8	8	
27	500381	WASHER FL 8.4x25.0x2.0 N500	8	8	
28	5001983	NUT HEX NYRT M8-1.25 SS SS BK	8	8	
29	5001182	NUT HEX NYRT M6-1.0 SS	2	2	
30	502573	WASHER FL 6.4x12.5x1.6 SS	2	2	
31	5002214	WASHER FL .230x.625x.093 RUB	2	2	
32A	509916	SCREW TP PAN PH #8x3 1/2" BK From R-4027 To R-6955	4	4	
32B	70314700	SCREW CAP HEX M4-0.7X45 SS From R-6956 To R-6998	4	4	
32B	70314700	SCREW CAP HEX M4-0.7X45 SS From R-4007 To R-4022	4	4	
33A	500804	WASHER FL .203x.500x.047 N500 From R-4027 To R-6955	4	4	



From M-6645		Date:07/2024	PAGE:X3VIP-1856-10
"E-MIRROR" INSTALLATION			

Item#	Part	Description	X 3 V I P E N T	X 3 V I P M T H	N O T E S
33B	5002031	WASHER FL 4.3X12X1 SS From R-6956 To R-6998	4	4	
33B	5002031	WASHER FL 4.3X12X1 SS From R-4007 To R-4022	4	4	
34	504379	RIVET POP DOME OE 3/16x1/4 SS	1	1	
35	5001594	SCREW CAP HEX M8-1.25x20 SS	5	5	
36	5001161	WASHER LO SPT 8.1x14.8x2.0 SS-304	5	5	
37	500381	WASHER FL 8.4x25.0x2.0 N500	5	5	
41A	420009	MIRROR COVER LF X345 OPP2	1	1	
41B	420010	MIRROR COVER RH X345 OPP2	1	1	
42A	420076	BASE, MIRROR COVER LEFT X345 OPP2	1	1	
42B	420075	BASE MIRROR COVER RIGHT X345 OPP2	1	1	
43	420112	SEAL MIRROR COVER	2	2	
44	5000361	SCREW MA FL PH M8-1.25x35 SS	8	8	
45	5002211	SCREW CAP HEXS M4-0.7x25MM G12.9	4	4	
46	504555	GROMMET / .500x.812x.125x.344x1.062x.031	2	2	
51	401975	MOUNTING PLATE, EMIRROR SCREEN	2	2	
52A	402762	BRACKET, LH EMIRROR SCREEN X345	1	1	
52B	402664	BRACKET, RH EMIRROR SCREEN X345 WE/WM	1	1	
53	5000353	SCREW CAP BUT HEXS M6-1.0x12 N500	8	8	
54	5001698	SCREW CAP HEXS M6-1.0x60 SS XYLAN	4	4	
55	5001433	SCREW CAP HEX M6-1.0x25 SS	4	4	
56	502853	WASHER LO SPT 6.1x11.8x1.6 N500	4	4	
57	5001976	WASHER FL .266x.718x.060 SS	4	4	
58	5001344	NUT INS FL HEX M6-1.0 0.5-3.0 SS	4	4	
61	562804	VALVE, 2 WAYS N.C.	1	1	
. NS	562848	. CONNECTOR / SOCKET HOUSING ASSY 3C / PNEUMAC 54933-05	1	1	
61	0611001	WIRING HARNESS SPECIAL E-MIRRORS ON X3 To N-6723	1	1	
61	0610559	ELECTRONIC MIRROR HARNESS VISION SYSTEM From N-6724 To M-6657	1	1	
62	140374	SUPPORT SOLENOID EMIRROR	1	1	
63	502751	SCREW CAP HEX #10-32x3/8 Z050	2	2	
64	5001670	SCREW CAP HEXS M4-0.7x8 G8.8 Z050	2	2	
65	5002031	WASHER FL 4.3X12X1 SS	2	2	
66	641955	UNION TEE / PUSH-IN FITTING / #4x#4x#4 BR To M-6657	1	1	
67	641332	MALE CONNECTOR / PUSH-IN FITTING / #4x1/4NPT-M BR	1	1	
68	501312	BUSHING REDUCER / PIPE FITTING / 1/4NTP-Mx1/8NPT-F BR	1	1	
69	642127	MALE ELBOW 90° SWIVEL DUAL PORT / PUSH-IN / #4x#4x1/8NPT-M BR	1	1	
70	503402	TUBE, NYLON 1/4 O.D. / BLACK S.L.	AR	AR	
71	641028	FEMALE CONNECTOR / NTA FITTING / #4x1/4NPT-F BR	2	2	
72	640058	MALE BRANCH "Y" / PUSH-IN FITTING / 4MMx4MMx1/4NPT-M	2	2	
73	503420	TUBE, NYLON 4MM O.D. / BLACK S.L.	AR	AR	



From M-6645		Date:07/2024	PAGE:X3VIP-1856-10
"E-MIRROR" INSTALLATION			

Item#	Part	Description	X 3 V I P E N T	X 3 V I P M T H	N O T E S
75	504637	CABLE TIE / 3/16" x 13"	AR	AR	
76	509815	TIE MOUNT / ATTACHMENT W/TREE MOUNT	1	1	
77	562679	4 WAY ADH. BACKED MOUNTS 1.000 x 1.000 x .160	AR	AR	
NS	563332	RELAY 24V S.P.D.T. W/RESISTOR / "VOLVO" (20374662) To M-6657	2	2	
NS	563337	RELAY 12V S.P.D.T. W/RESISTOR / To M-6657	1	1	
NS	563622	BUTT SPLICE / 22-18 / RED / W/THERMORETRAC / PANDUIT BSH18-Q To M-6657	6	6	
NS	562698	SWITCH / OFF-M/ON / D.P.S.T. / W/GREEN LED To M-6657	1	1	
NS	563855	CAP, COMMANDE SWITCH ON OFF, NGR To M-6657	1	1	
NS	680038	THREAD LOCKER LOCTITE #243 / BLUE / 50ml	AR	AR	
NS	680110	SEALANT TAPE / TEFLON / 1/2"	AR	AR	
NS	680323	LUBRICANT DOOR EASE 47.6 GR.	AR	AR	
NS	684685	ADHESIVE SIMSON #ISR 70-03 / 310ml CARTRIDGE	AR	AR	
		A) SEE PICTURE ATTACHED FOR DIFFERENCES BETWEEN 420004 & 420122			

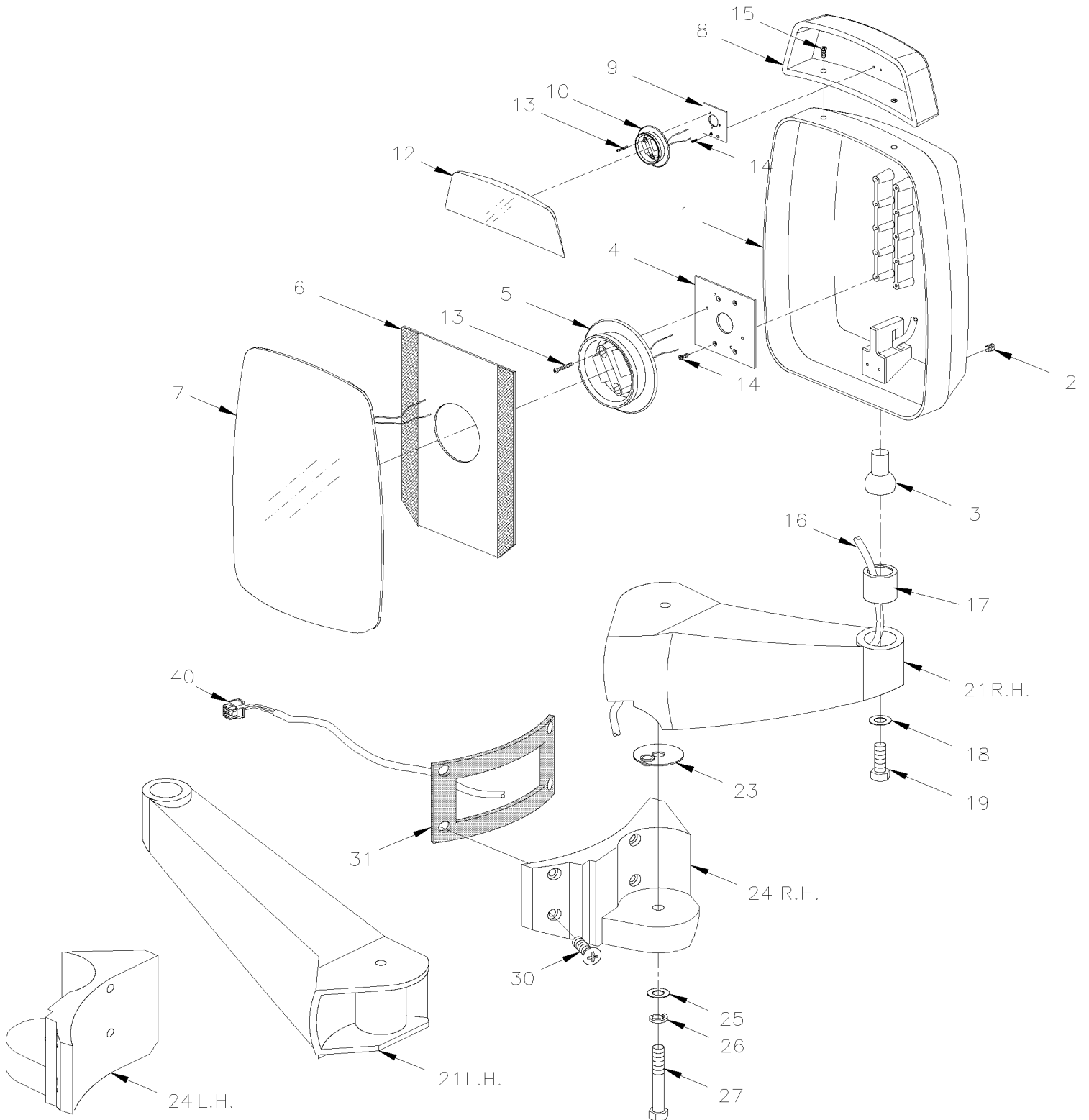


From E-5490

Date:07/2024

PAGE:X3VIP-1856-23

MIRROR "RAMCO" FLAT GLASS / BLACK PAINTED





From E-5490		Date:07/2024	PAGE:X3VIP-1856-23
-------------	--	--------------	--------------------

MIRROR "RAMCO" FLAT GLASS / BLACK PAINTED

Item#	Part	Description	X 3 V I P E N T	X 3 V I P M T H	N O T E S
	990431	MIRROR ASSY, R.H. / W/CONVEX ELECTRIC / W/9 PINS CONNECTOR To J-6240	1		
	990021	MIRROR ASSY, R.H. / W/CONVEX ELECTRIC / W/9 PINS CONNECTOR From J-6241 To K-6491	1		
	990543	MIRROR ASSY, R.H. / W/CONVEX ELECTRIC / W/9 PINS CONNECTOR From L-6492	1		
	990452	MIRROR ASSY, L.H. / W/CONVEX ELECTRIC / W/9 PINS CONNECTOR To J-6240	1		
	990462	MIRROR ASSY, L.H. / W/CONVEX ELECTRIC / W/9 PINS CONNECTOR From J-6241 To K-6491	1		
	990548	MIRROR ASSY, L.H. / W/CONVEX ELECTRIC / W/9 PINS CONNECTOR From L-6492	1		
1	990443	. HEAD ASSY / W/CONVEX ELECTRIC / W/9 PINS CONNECTOR To J-6240	1		
1	990515	. HEAD ASSY / W/CONVEX ELECTRIC / W/9 PINS CONNECTOR From J-6241	1		
. NS	060776	. . CABLE ASSY / W/CONNECTOR 9PIN 54" From J-6241	1		
2	502812	. . SCREW SET HEXS CUP 3/8-16X3/8 SS	1		
3	990478	. . STUD, BALL	1		
4	990272	. . NOTCHED BACK MOUNTING PLATE (2" X 3")	1		
5	990631	. . MOTOR 12V / NEW STYLE MOUNTING NEW STYLE MOUNTING From N-6775	1		
5	990349	. . MOTOR 12V / MEDIUM / BLACK / 108MM / 4 1/4" O.D. OLD STYLE MOUNTING To N-6774	1		
. NS	564494	. . . TAB TERMINAL / 20-16 / AMP 63138-1 To N-6774	4		
6	990630	. . SNAP RING / NEW STYLE MOUNTING NEW STYLE MOUNTING From N-6775	1		
6	990268	. . VELCRO PLATE / 8" X 8" OLD STYLE MOUNTING To N-6774	1		
7	990632	. . GLASS ASSY W/HEATER 12V / NEW STYLE MOUNTING NEW STYLE MOUNTING From N-6775	1		
7	990199	. . GLASS ASSY W/HEATER 12V OLD STYLE MOUNTING To N-6774	1		
8	990297	. MIRROR ASSY / CONVEX ELECTRIC	1		
9	990295	. . PLATE, TOP MOTOR MOUNTING	1		
10	990219	. . MOTOR 12V / SMALL / BLACK / 85MM / 3 5/16" O.D.	1		
. NS	564494	. . . TAB TERMINAL / 20-16 / AMP 63138-1	4		
12	990339	. . GLASS CONVEX ASSY W/HEATER 12V	1		
13	N.P.N.	. . SCREW TC FL PH ZP 6-32 X 1 1/8"	3		4
14	500660	. . SCREW TC FL PH #6-32x3/8 Z050	2		
15	990530	. . SCREW CAP HEX #10-24x1" SS	2		
NS	500787	. . NUT HEX #10-24 SS	2		
16	060776	. . CABLE ASSY / W/CONNECTOR 9PIN 54"	1		
17	990379	. . CUP, BALL STUD RETAINER / ONE PIECE	1		
18	500270	. . WASHER FL .406x1.000x.063 SS	1		
19	N.P.N.	. . SCREW CAP HEX SS 3/8-24 X 1.250	1		4
21	990308	. ARM, R.H.	1		
21	990392	. ARM, L.H. / DIRTY FREE	1		
23	990265	. WASHER ALUMINUM / 2 " O.D.	1		
NS	504082	. . SNAP BUSHING / .125x.312x.312	1		
24	990305	. BRACKET, MOUNTING R.H. To K-6491	1		
24	990537	. BRACKET, MOUNTING R.H. From L-6492	1		
24	990306	. BRACKET, MOUNTING L.H. To K-6491	1		
24	990540	. BRACKET, MOUNTING L.H. From L-6492	1		
25	500958	. WASHER FL .531x1.062x.095 SS	1		
26	500035	. WASHER LO SPT .317x.586x.078 SS	1		



From E-5490	Date:07/2024	PAGE:X3VIP-1856-23
-------------	--------------	--------------------

MIRROR "RAMCO" FLAT GLASS / BLACK PAINTED

Item#	Part	Description	X 3 V I P E N T	X 3 V I P M T H	N O T E S
27	990500	. SCREW 1/2-13x2 HHCS SS	1		
30	5001461	SCREW MA FL PH M8-1.25x40 SS To K-6491	2		
30	5002124	SCREW MA FL PH M8-1.25x45 SS From L-6492	2		
30	5001581	SCREW CAP BUT HEXS M8-1.25x40 SS	2		
NS	5001341	WASHER FL 8.4x17.0x1.6 SS	2		
31	490873	GASKET, RH	1		
31	490894	GASKET, LH	1		
40	563802	CONNECTOR / W 45" CABLE ASSY / PH 9C	2		
41	563801	CONNECTOR / MULTI CON X / SH 9C / CONXALL 4280-9SG-300	2		B
NS	562511	SOCKET TERMINAL / 20 / CONXALL 586SG	AR		B
NS	MI16-28	DRIP EDGE ADDITION ON FRONT MIRRORS / PRODUCT IMPROVMENT	1		
		B) THIS CONNECTOR IT USED ON CABLE HARNESS FROM INSIDE OF VEHICULE			
		4) NO PARTS NUMBER			

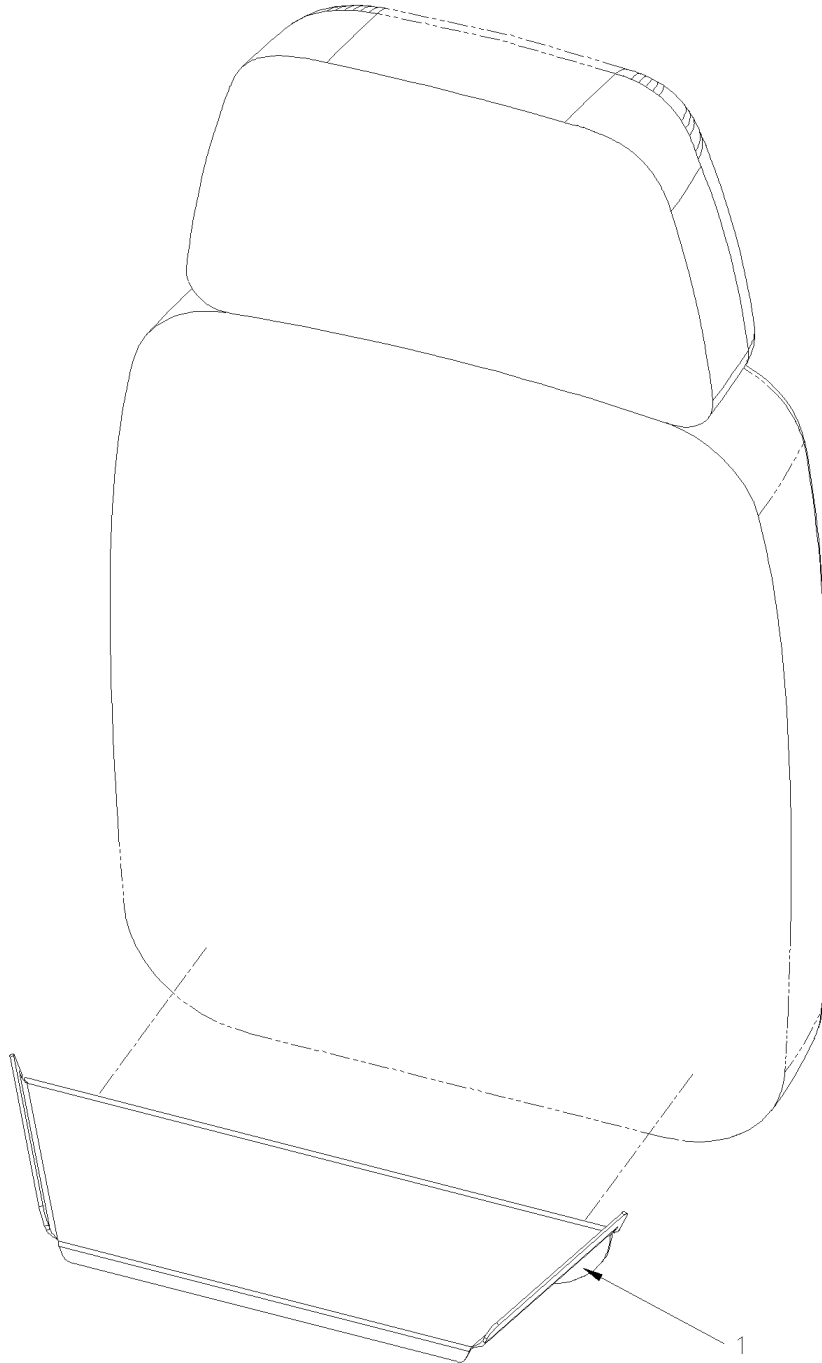


From E-5490

Date:07/2024

PAGE:MI16-28

DRIP EDGE ADDITION ON FRONT MIRRORS / PRODUCT IMPROVMENT





From E-5490		Date:07/2024		PAGE:MI16-28	
DRIP EDGE ADDITION ON FRONT MIRRORS / PRODUCT IMPROVMENT					
Item#	Part	Description	X 3 V I P E N T	X 3 V I P M T H	N O T E S
1	491507	MIRROR EXT. DRIP MOLDING ASSY	2	2	
2		MAINTENANCE INFORMATION	1	1	

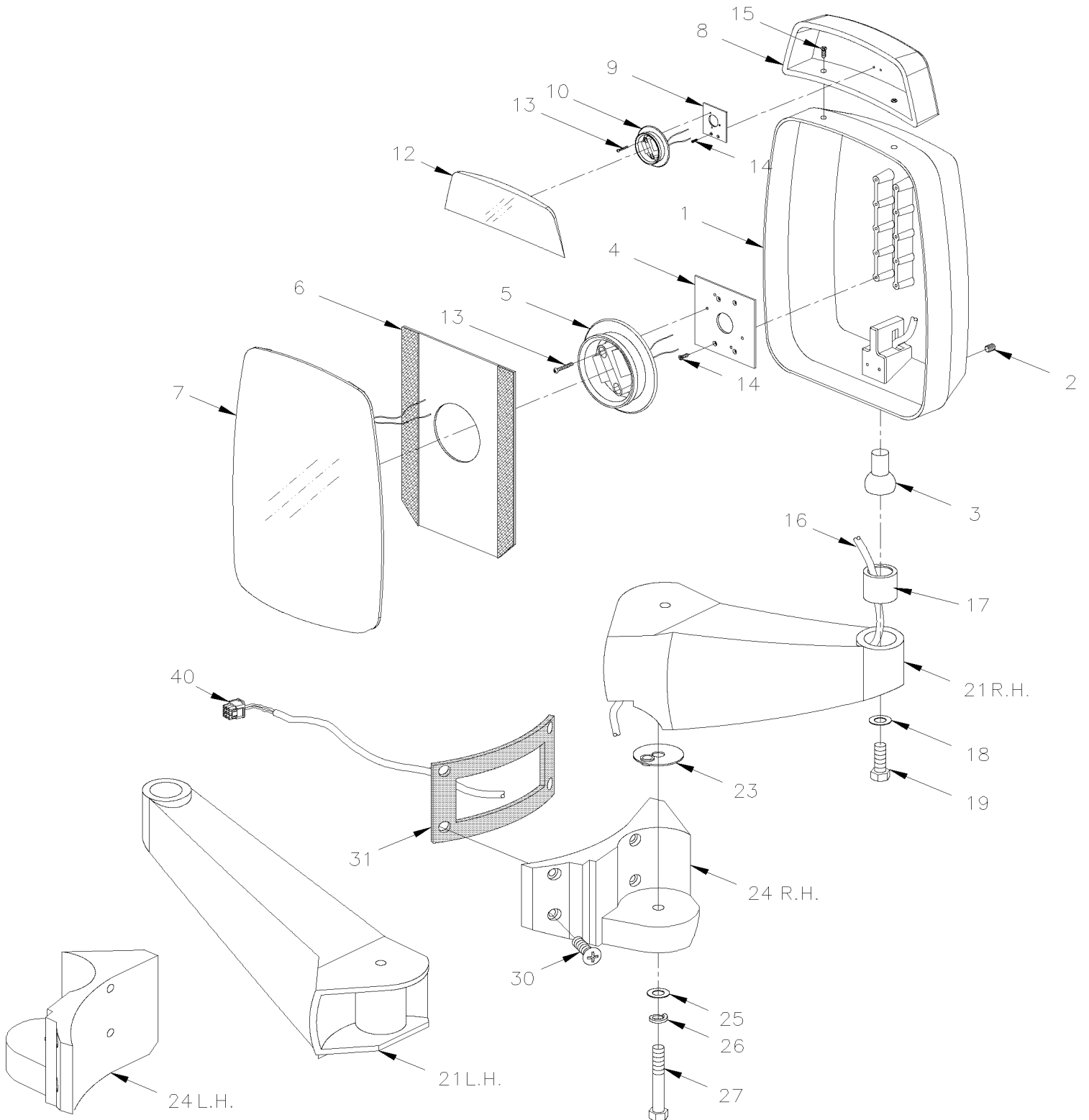


From E-5490

Date:07/2024

PAGE:X3VIP-1856-24

MIRROR "RAMCO" FLAT GLASS / BLACK PAINTED WITH DIRECTIONAL





From E-5490 Date:07/2024 PAGE:X3VIP-1856-24

MIRROR "RAMCO" FLAT GLASS / BLACK PAINTED WITH DIRECTIONAL

Item#	Part	Description	X 3 V I P E N T	X 3 V I P M T H	NOTES
	990549	MIRROR ASSY, L.H. / DIRECTIONAL / W/CONVEX / W/9 PINS CONNECTOR	1		
	990544	MIRROR ASSY, R.H. / DIRECTIONAL / W/CONVEX / W/9 PINS CONNECTOR	1		
1	990521	. HEAD ASSY / ELECTRIC L.H. / W/9 PINS CONNECTOR	1		
. NS	060776	. . CABLE ASSY / W/CONNECTOR 9PIN 54"	1		
1	990519	. HEAD ASSY / ELECTRIC R.H. / W/9 PINS CONNECTOR	1		
. NS	060776	. . CABLE ASSY / W/CONNECTOR 9PIN 54"	1		
2	502812	. . SCREW SET HEXS CUP 3/8-16X3/8 SS	1		
3	990478	. . STUD, BALL	1		
4	990272	. . NOTCHED BACK MOUNTING PLATE (2" X 3")	1		
5	990631	. . MOTOR 12V / NEW STYLE MOUNTING NEW STYLE MOUNTING From N-6775	1		
5	990349	. . MOTOR 12V / MEDIUM / BLACK / 108MM / 4 1/4" O.D. OLD STYLE MOUNTING To N-6774	1		
. NS	564494	. . . TAB TERMINAL / 20-16 / AMP 63138-1 To N-6774	4		
6	990630	. . SNAP RING / NEW STYLE MOUNTING NEW STYLE MOUNTING From N-6775	1		
6	990474	. . VELCRO PLATE / 8" X 8" / W/RECESS FOR FLASHER OLD STYLE MOUNTING To N-6774	1		
7	990633	. . GLASS ASSY W/DIRECTIONAL ARROW L.H. / NEW STYLE MOUNTING NEW STYLE MOUNTING From N-6775	1		
7	990634	. . GLASS ASSY W/DIRECTIONAL ARROW R.H. / NEW STYLE MOUNTING NEW STYLE MOUNTING From N-6775	1		
7	990427	. . GLASS ASSY W/DIRECTIONAL ARROW L.H. OLD STYLE MOUNTING To N-6774	1		
7	990428	. . GLASS ASSY W/DIRECTIONAL ARROW R.H. OLD STYLE MOUNTING To N-6774	1		
8	990297	. MIRROR ASSY / CONVEX ELECTRIC	1		
9	990295	. . PLATE, TOP MOTOR MOUNTING	1		
10	990219	. . MOTOR 12V / SMALL / BLACK / 85MM / 3 5/16" O.D.	1		
. NS	564494	. . . TAB TERMINAL / 20-16 / AMP 63138-1	4		
12	990339	. . GLASS CONVEX ASSY W/HEATER 12V	1		
13	N.P.N.	. . SCREW TC FL PH ZP 6-32 X 1 1/8"	3		4
14	500660	. . SCREW TC FL PH #6-32x3/8 Z050	2		
15	990530	. . SCREW CAP HEX #10-24x1" SS	2		
NS	500787	. . NUT HEX #10-24 SS	2		
16	060776	. . CABLE ASSY / W/CONNECTOR 9PIN 54"	1		
17	990379	. . CUP, BALL STUD RETAINER / ONE PIECE	1		
18	500270	. . WASHER FL .406x1.000x.063 SS	1		
19	N.P.N.	. . SCREW CAP HEX SS 3/8-24 X 1.250	1		4
21	990308	. ARM, R.H.	1		
21	990392	. ARM, L.H. / DIRTY FREE	1		
23	990265	. WASHER ALUMINUM / 2 " O.D.	1		
NS	504082	. . SNAP BUSHING / .125x.312x.312	1		
24	990537	. BRACKET, MOUNTING R.H.	1		
24	990540	. BRACKET, MOUNTING L.H.	1		
25	500958	. WASHER FL .531x1.062x.095 SS	1		
26	500035	. WASHER LO SPT .317x.586x.078 SS	1		
27	990500	. SCREW 1/2-13x2 HHCS SS	1		
30	5002124	SCREW MA FL PH M8-1.25x45 SS	2		
30	5001581	SCREW CAP BUT HEXS M8-1.25x40 SS	2		



From E-5490 Date:07/2024 PAGE:X3VIP-1856-24

MIRROR "RAMCO" FLAT GLASS / BLACK PAINTED WITH DIRECTIONAL

Item#	Part	Description	X 3 V I P E N T	X 3 V I P M T H	N O T E S
NS	5001341	WASHER FL 8.4x17.0x1.6 SS	2		
31	490873	GASKET, RH	1		
31	490894	GASKET, LH	1		
40	563802	CONNECTOR / W 45" CABLE ASSY / PH 9C	2		
41	563801	CONNECTOR / MULTI CON X / SH 9C / CONXALL 4280-9SG-300	2		B
NS	562511	SOCKET TERMINAL / 20 / CONXALL 586SG	AR		B
NS	MI16-28	DRIP EDGE ADDITION ON FRONT MIRRORS / PRODUCT IMPROVMENT	1		
		B) THIS CONNECTOR IT USED ON CABLE HARNESS FROM INSIDE OF VEHICULE			
		4) NO PARTS NUMBER			

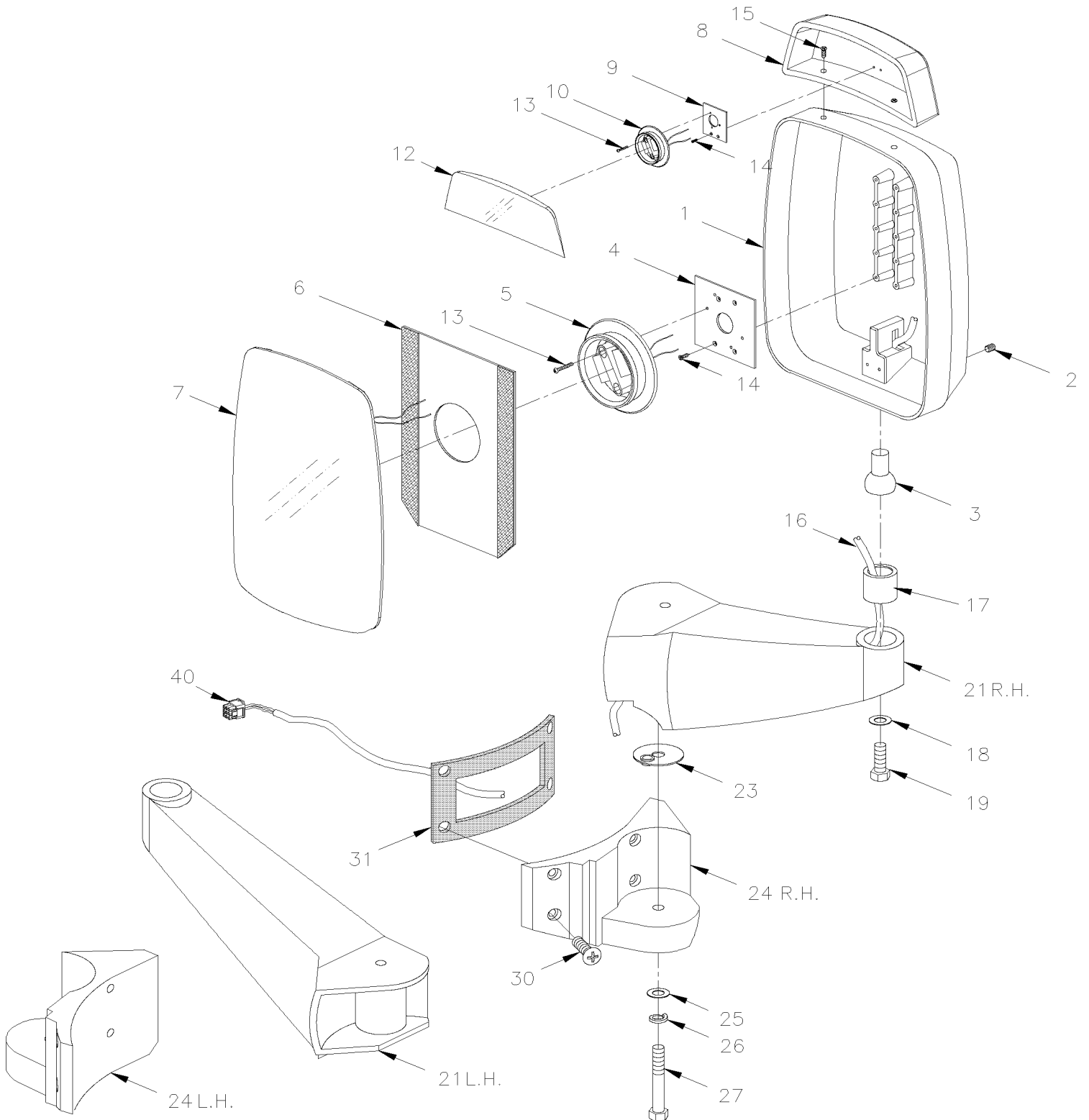


From E-5490

Date:07/2024

PAGE:X3VIP-1856-50

MIRROR "RAMCO" FLAT GLASS / CHROME





From E-5490		Date:07/2024	PAGE:X3VIP-1856-50
-------------	--	--------------	--------------------

MIRROR "RAMCO" FLAT GLASS / CHROME

Item#	Part	Description	X 3 V I P E N T	X 3 V I P M T H	N O T E S
	990454	MIRROR ASSY, L.H. / W/CONVEX ELECTRIC / W/9 PINS CONNECTOR To J-6240	1	1	
	990466	MIRROR ASSY, L.H. / W/CONVEX ELECTRIC / W/9 PINS CONNECTOR From J-6241 To K-6491	1	1	
	990551	MIRROR ASSY, L.H. / W/CONVEX ELECTRIC / W/9 PINS CONNECTOR From L-6492	1	1	
	990433	MIRROR ASSY, R.H. / W/CONVEX ELECTRIC / W/9 PINS CONNECTOR To J-6240	1	1	
	990022	MIRROR ASSY, R.H. / W/CONVEX ELECTRIC / W/9 PINS CONNECTOR From J-6241 To K-6491	1	1	
	990546	MIRROR ASSY, R.H. / W/CONVEX ELECTRIC / W/9 PINS CONNECTOR From L-6492	1	1	
1	990444	. HEAD ASSY / W/CONVEX ELECTRIC / W/9 PINS CONNECTOR To J-6240	1	1	
1	990516	. HEAD ASSY / W/CONVEX ELECTRIC / W/9 PINS CONNECTOR From J-6241	1	1	
. NS	060776	. . CABLE ASSY / W/CONNECTOR 9PIN 54" From J-6241	1	1	
2	502812	. . SCREW SET HEXS CUP 3/8-16X3/8 SS	1	1	
3	990478	. . STUD, BALL	1	1	
4	990272	. . NOTCHED BACK MOUNTING PLATE (2" X 3")	1	1	
5	990631	. . MOTOR 12V / NEW STYLE MOUNTING NEW STYLE MOUNTING From N-6775	1	1	
5	990349	. . MOTOR 12V / MEDIUM / BLACK / 108MM / 4 1/4" O.D. OLD STYLE MOUNTING To N-6774	1	1	
. NS	564494	. . . TAB TERMINAL / 20-16 / AMP 63138-1 To N-6774	4	4	
6	990630	. . SNAP RING / NEW STYLE MOUNTING NEW STYLE MOUNTING From N-6775	1	1	
6	990268	. . VELCRO PLATE / 8" X 8" OLD STYLE MOUNTING To N-6774	1	1	
7	990632	. . GLASS ASSY W/HEATER 12V / NEW STYLE MOUNTING NEW STYLE MOUNTING From N-6775	1	1	
7	990199	. . GLASS ASSY W/HEATER 12V OLD STYLE MOUNTING To N-6774	1	1	
8	990302	. MIRROR ASSY / CONVEX ELECTRIC	1	1	
9	990295	. . PLATE, TOP MOTOR MOUNTING	1	1	
10	990219	. . MOTOR 12V / SMALL / BLACK / 85MM / 3 5/16" O.D.	1	1	
. NS	564494	. . . TAB TERMINAL / 20-16 / AMP 63138-1	4	4	
12	990339	. . GLASS CONVEX ASSY W/HEATER 12V	1	1	
13	N.P.N.	. . SCREW TC FL PH ZP 6-32 X 1 1/8"	3	3	4
14	500660	. . SCREW TC FL PH #6-32x3/8 Z050	2	2	
15	990530	. . SCREW CAP HEX #10-24x1" SS	2	2	
NS	500787	. . NUT HEX #10-24 SS	2	2	
16	060776	. . CABLE ASSY / W/CONNECTOR 9PIN 54"	1	1	
17	990379	. . CUP, BALL STUD RETAINER / ONE PIECE	1	1	
18	500270	. . WASHER FL .406x1.000x.063 SS	1	1	
19	N.P.N.	. . SCREW CAP HEX SS 3/8-24 X 1.250	1	1	4
21	990316	. ARM, R.H.	1	1	
21	990394	. ARM, L.H. / DIRTY FREE	1	1	
23	990265	. WASHER ALUMINUM / 2 " O.D.	1	1	
NS	504082	. . SNAP BUSHING / .125x.312x.312	1	1	
24	990310	. BRACKET, MOUNTING R.H. To K-6491	1	1	
24	990539	. BRACKET, MOUNTING R.H. From L-6492	1	1	
24	990312	. BRACKET, MOUNTING L.H. To K-6491	1	1	
24	990542	. BRACKET, MOUNTING L.H. From L-6492	1	1	
25	500958	. WASHER FL .531x1.062x.095 SS	1	1	
26	500035	. WASHER LO SPT .317x.586x.078 SS	1	1	



From E-5490	Date:07/2024	PAGE:X3VIP-1856-50
-------------	--------------	--------------------

MIRROR "RAMCO" FLAT GLASS / CHROME

Item#	Part	Description	X 3 V I P E N T	X 3 V I P M T H	N O T E S
27	990500	. SCREW 1/2-13x2 HHCS SS	1	1	
30	5001461	SCREW MA FL PH M8-1.25x40 SS To K-6491	2	2	
30	5002124	SCREW MA FL PH M8-1.25x45 SS From L-6492	2	2	
30	5001581	SCREW CAP BUT HEXS M8-1.25x40 SS	2	2	
NS	5001341	WASHER FL 8.4x17.0x1.6 SS	2	2	
31	490873	GASKET, RH	1	1	
31	490894	GASKET, LH	1	1	
40	563802	CONNECTOR / W 45" CABLE ASSY / PH 9C	1	1	
41	563801	CONNECTOR / MULTI CON X / SH 9C / CONXALL 4280-9SG-300	2	2	B
NS	562511	SOCKET TERMINAL / 20 / CONXALL 586SG	AR	AR	B
NS	MI16-28	DRIP EDGE ADDITION ON FRONT MIRRORS / PRODUCT IMPROVMENT	1	1	
		B) THIS CONNECTOR IT USED ON CABLE HARNESS FROM INSIDE OF VEHICULE			
		4) NO PARTS NUMBER			

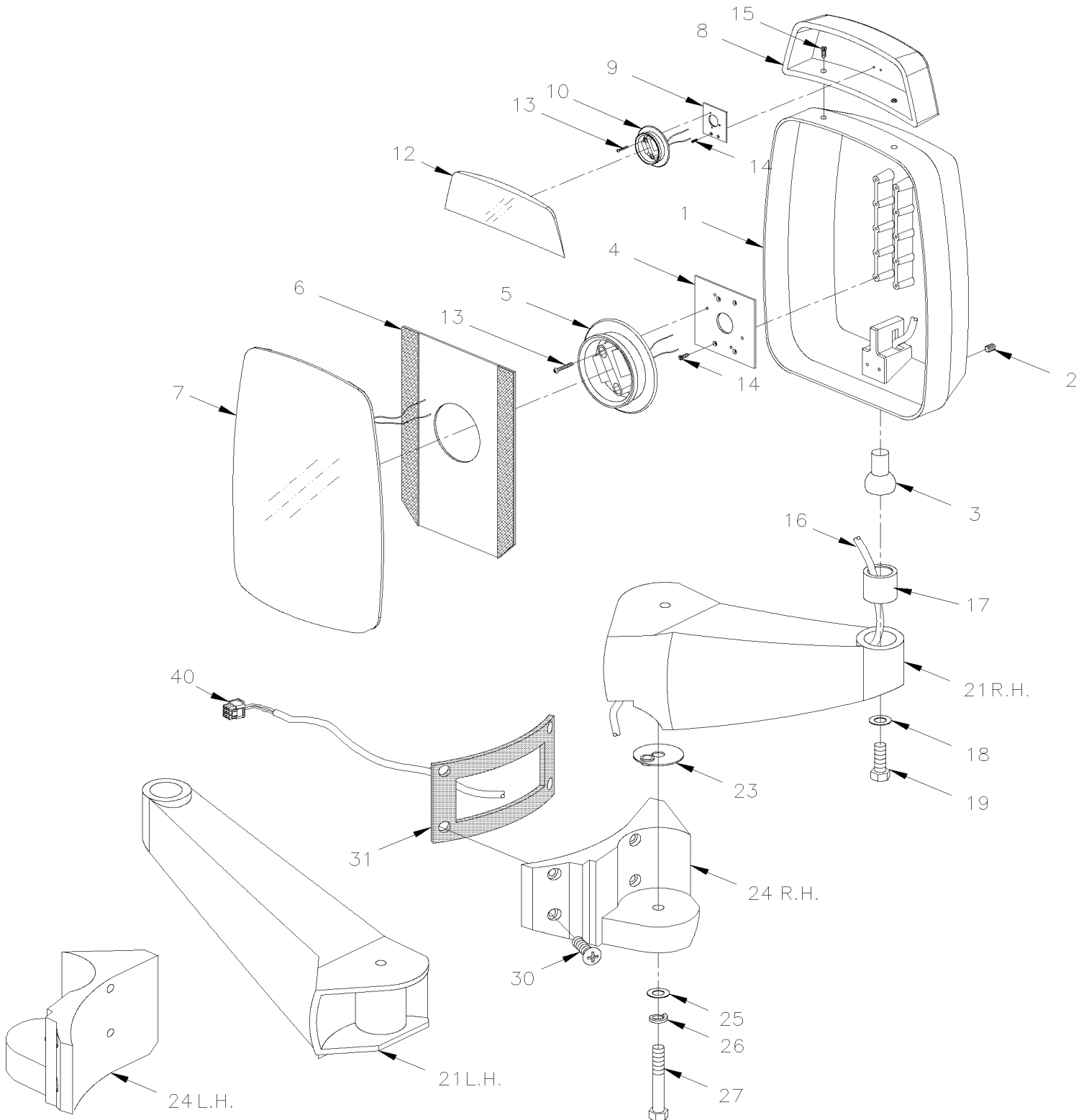


From E-5490

Date:07/2024

PAGE:X3VIP-1856-51

MIRROR "RAMCO" FLAT GLASS / CHROME WITH DIRECTIONAL





From E-5490		Date:07/2024	PAGE:X3VIP-1856-51
-------------	--	--------------	--------------------

MIRROR "RAMCO" FLAT GLASS / CHROME WITH DIRECTIONAL

Item#	Part	Description	X 3 V I P E N T	X 3 V I P M T H	N O T E S
	990456	MIRROR ASSY, L.H. / DIRECTIONAL / W/CONVEX / W/9 PINS CONNECTOR To J-6240	1	1	
	990507	MIRROR ASSY, L.H. / DIRECTIONAL / W/CONVEX / W/9 PINS CONNECTOR From J-6241 To K-6491	1	1	
	990552	MIRROR ASSY, L.H. / DIRECTIONAL / W/CONVEX / W/9 PINS CONNECTOR From L-6492	1	1	
	990436	MIRROR ASSY, R.H. / DIRECTIONAL / W/CONVEX / W/9 PINS CONNECTOR To J-6240	1	1	
	990467	MIRROR ASSY, R.H. / DIRECTIONAL / W/CONVEX / W/9 PINS CONNECTOR From J-6241 To K-6491	1	1	
	990547	MIRROR ASSY, R.H. / DIRECTIONAL / W/CONVEX / W/9 PINS CONNECTOR From L-6492	1	1	
1	990495	. HEAD ASSY / ELECTRIC L.H. / W/9 PINS CONNECTOR To J-6240	1	1	
1	990520	. HEAD ASSY / ELECTRIC L.H. / W/9 PINS CONNECTOR From J-6241	1	1	
. NS	060776	. . CABLE ASSY / W/CONNECTOR 9PIN 54" From J-6241	1	1	
1	990494	. HEAD ASSY / ELECTRIC R.H. / W/9 PINS CONNECTOR To J-6240	1	1	
1	990518	. HEAD ASSY / ELECTRIC R.H. / W/9 PINS CONNECTOR From J-6241	1	1	
. NS	060776	. . CABLE ASSY / W/CONNECTOR 9PIN 54" From J-6241	1	1	
2	502812	. . SCREW SET HEXS CUP 3/8-16X3/8 SS	1	1	
3	990478	. . STUD, BALL	1	1	
4	990272	. . NOTCHED BACK MOUNTING PLATE (2" X 3")	1	1	
5	990631	. . MOTOR 12V / NEW STYLE MOUNTING NEW STYLE MOUNTING From N-6775	1	1	
5	990349	. . MOTOR 12V / MEDIUM / BLACK / 108MM / 4 1/4" O.D. OLD STYLE MOUNTING To N-6774	1	1	
. NS	564494	. . . TAB TERMINAL / 20-16 / AMP 63138-1 To N-6774	4	4	
6	990630	. . SNAP RING / NEW STYLE MOUNTING NEW STYLE MOUNTING From N-6775	1	1	
6	990474	. . VELCRO PLATE / 8" X 8" / W/RECESS FOR FLASHER OLD STYLE MOUNTING To N-6774	1	1	
7	990633	. . GLASS ASSY W/DIRECTIONAL ARROW L.H. / NEW STYLE MOUNTING NEW STYLE MOUNTING From N-6775	1	1	
7	990634	. . GLASS ASSY W/DIRECTIONAL ARROW R.H. / NEW STYLE MOUNTING NEW STYLE MOUNTING From N-6775	1	1	
7	990427	. . GLASS ASSY W/DIRECTIONAL ARROW L.H. OLD STYLE MOUNTING To N-6774	1	1	
7	990428	. . GLASS ASSY W/DIRECTIONAL ARROW R.H. OLD STYLE MOUNTING To N-6774	1	1	
8	990302	. MIRROR ASSY / CONVEX ELECTRIC	1	1	
9	990295	. . PLATE, TOP MOTOR MOUNTING	1	1	
10	990219	. . MOTOR 12V / SMALL / BLACK / 85MM / 3 5/16" O.D.	1	1	
. NS	564494	. . . TAB TERMINAL / 20-16 / AMP 63138-1	4	4	
12	990339	. . GLASS CONVEX ASSY W/HEATER 12V	1	1	
13	N.P.N.	. . SCREW TC FL PH ZP 6-32 X 1 1/8"	3	3	4
14	500660	. . SCREW TC FL PH #6-32x3/8 Z050	2	2	
15	990530	. . SCREW CAP HEX #10-24x1" SS	2	2	
NS	500787	. . NUT HEX #10-24 SS	2	2	
16	060776	. . CABLE ASSY / W/CONNECTOR 9PIN 54"	1	1	
17	990379	. . CUP, BALL STUD RETAINER / ONE PIECE	1	1	
18	500270	. . WASHER FL .406x1.000x.063 SS	1	1	
19	N.P.N.	. . SCREW CAP HEX SS 3/8-24 X 1.250	1	1	4
21	990316	. ARM, R.H.	1	1	
21	990394	. ARM, L.H. / DIRTY FREE	1	1	
23	990265	. WASHER ALUMINUM / 2 " O.D.	1	1	
NS	504082	. . SNAP BUSHING / .125x.312x.312	1	1	
24	990310	. BRACKET, MOUNTING R.H. To K-6491	1	1	



From E-5490		Date:07/2024	PAGE:X3VIP-1856-51
-------------	--	--------------	--------------------

MIRROR "RAMCO" FLAT GLASS / CHROME WITH DIRECTIONAL

Item#	Part	Description	X 3 V I P E N T	X 3 V I P M T H	N O T E S
24	990539	. BRACKET, MOUNTING R.H. From L-6492	1	1	
24	990312	. BRACKET, MOUNTING L.H. To K-6491	1	1	
24	990542	. BRACKET, MOUNTING L.H. From L-6492	1	1	
25	500958	. WASHER FL .531x1.062x.095 SS	1	1	
26	500035	. WASHER LO SPT .317x.586x.078 SS	1	1	
27	990500	. SCREW 1/2-13x2 HHCS SS	1	1	
30	5001461	SCREW MA FL PH M8-1.25x40 SS To K-6491	2	2	
30	5002124	SCREW MA FL PH M8-1.25x45 SS From L-6492	2	2	
30	5001581	SCREW CAP BUT HEXS M8-1.25x40 SS	2	2	
NS	5001341	WASHER FL 8.4x17.0x1.6 SS	2	2	
31	490873	GASKET, RH	1	1	
31	490894	GASKET, LH	1	1	
40	563802	CONNECTOR / W 45" CABLE ASSY / PH 9C	2	2	
41	563801	CONNECTOR / MULTI CON X / SH 9C / CONXALL 4280-9SG-300	2	2	B
NS	562511	SOCKET TERMINAL / 20 / CONXALL 586SG	AR	AR	B
NS	MI16-28	DRIP EDGE ADDITION ON FRONT MIRRORS / PRODUCT IMPROVMENT	1	1	
		B) THIS CONNECTOR IT USED ON CABLE HARNESS FROM INSIDE OF VEHICULE			
		4) NO PARTS NUMBER			

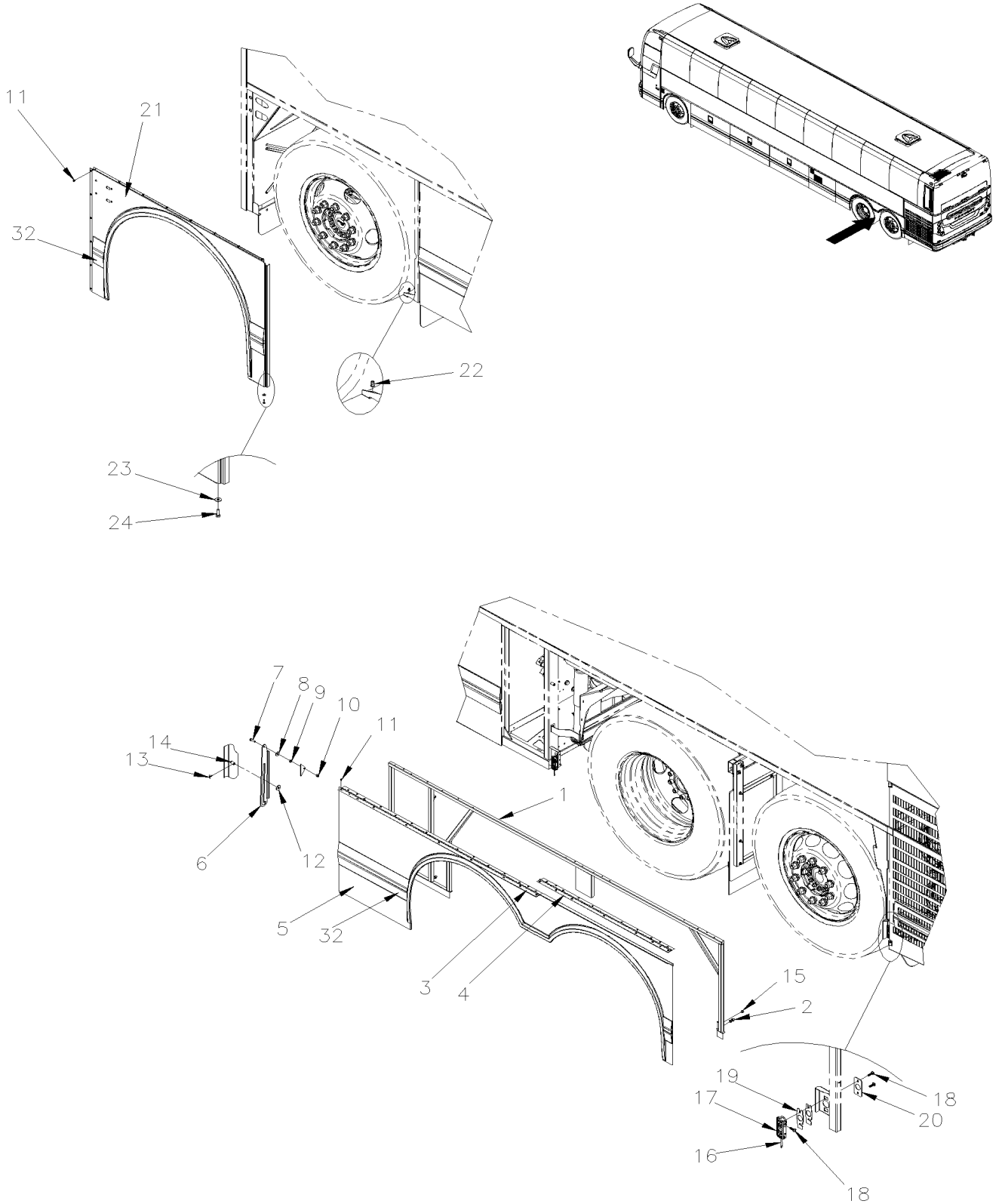


From J-6223

Date:07/2024

PAGE:X3VIP-1857-00

FENDERS L.H. - W/FLAT PANELING SPECIAL REQUEST





From J-6223		Date:07/2024	PAGE:X3VIP-1857-00
FENDERS L.H. - W/FLAT PANELING SPECIAL REQUEST			

Item#	Part	Description	X 3 V I P E N T	X 3 V I P M T H	N O T E S
	464721	REAR FENDER ASSY L.H.		1	
	460165	REAR FENDER ASSY L.H.	1		
1	464723	. FRAME REAR FENDER L.H.	1	1	
2	460694	. . STOPPER	2	2	
3	464757	. HINGE ASSY 1829MM	1	1	
4	464793	. HINGE ASSY 1168 MM	1	1	
5	464722	. REAR FENDER L.H.		1	
5	460167	. REAR FENDER L.H.	1		
NS	506785	. TAPE RUB ADH2 CC POL 1/16" X 1/4" X 200' / BLACK I1C-N-A	AR	AR	
NS	687957	. GLUE MS POLYMER TEROSON MS 9399 / 400ml CARTRIDGE To M-6660	AR	AR	
NS	685387	. GLUE MS POLYMER TEROSON MS 9399 / 400ml CARTRIDGE From M-6661	AR	AR	
NS	685124	. ADHESIVE SIMSON #ISR 70-03 / BLACK / 600ml SAUSAGE	AR	AR	
6	460695	LEVER / FOR LOCK	1	1	
7	5001912	SCREW CAP HEX M8-1.25x30 SS BK	1	1	
8	471119	SEAL WASHER / RUB RAIL & PANEL	1	1	
9	5001852	NUT HEX M8-1.25 SS BK	1	1	
10	5001787	NUT HEX NYRT M8-1.25 SS	1	1	
11	504488	. RIVET MGLP PRDG 3/16x17/64 SS	AR	AR	
12	5001233	WASHER FL .500x1.250x.062 NYL	1	1	
13	502111	PIN, COTTER 1/8 x 1 1/2 SS	1	1	
14	218654	SHAFT	1	1	
15	504527	BUMPER PLUG / .625ODx.312THx.250HOLEx.125	3	3	
16	472830	SPRING GUIDE HOLDER	2	2	
17	477399	RECEPTACLE	2	2	
18	5001630	SCREW TP BUTF TORX M6x20 SS	6	6	
19	464765	ADJUSTMENT PLATE	4	4	
20	460708	ADJUSTMENT PLATE	2	2	
21	476768	FRONT FENDER LH		1	
21	460181	FRONT FENDER LH	1		
21	685126	ADHESIVE SIMSON #ISR 70-03 / GREY / 600ml SAUSAGE	AR	AR	
22	5001344	NUT INS FL HEX M6-1.0 0.5-3.0 SS	2	2	
23	5001833	WASHER BEL SPR 6.1x18x1.27 SS	2	2	
24	502622	SCREW CAP HEX M6-1.0x20 SS BK	2	2	
32	X3VIP-1855-01	RUB RAIL - EXTERIOR CREST & TRIMS			

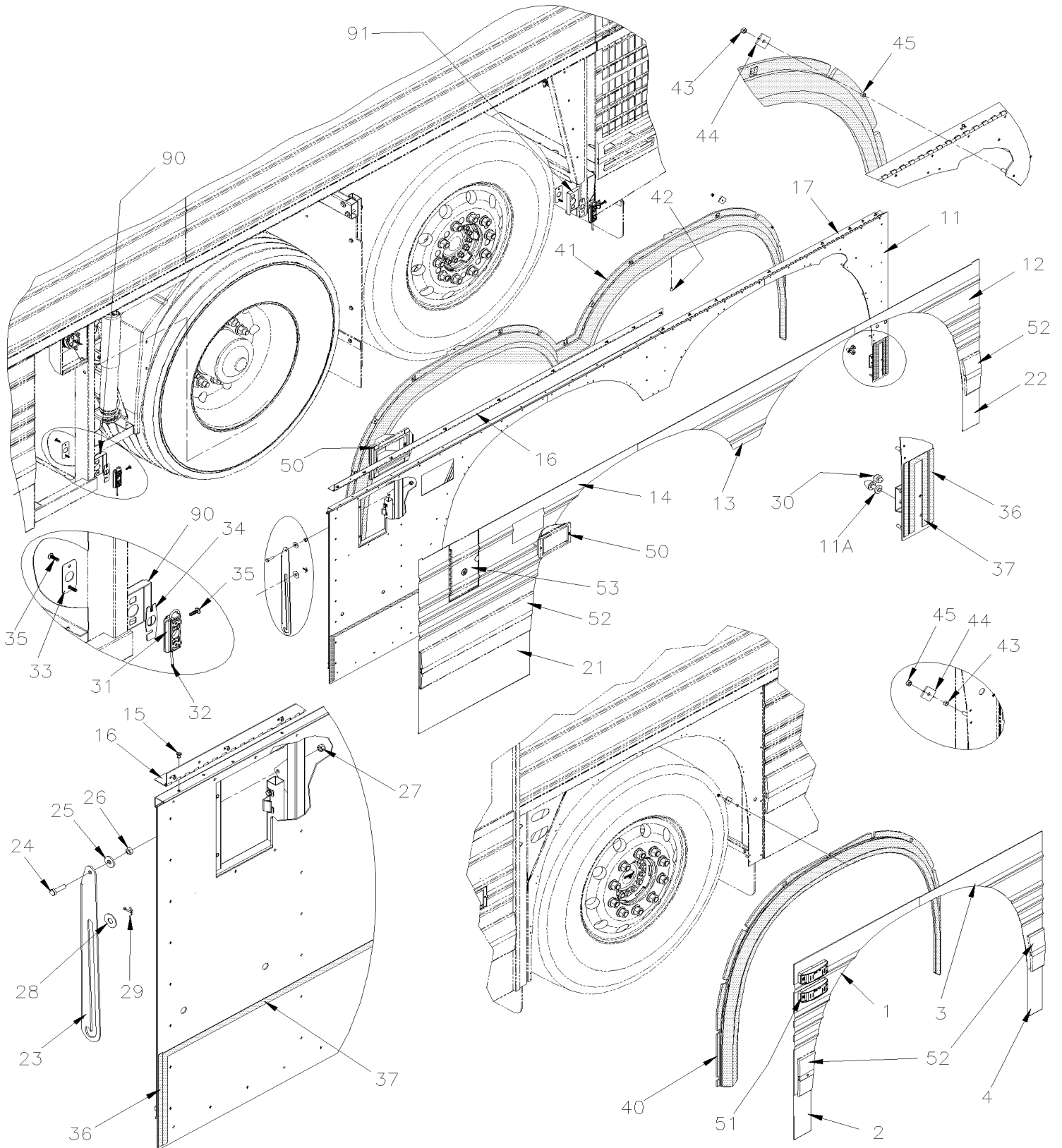


From E-5490 To H-6179

Date:07/2024

PAGE:X3VIP-1857-51

FENDERS L.H. - W/FLUTED PANELLING





From E-5490 To H-6179		Date:07/2024	PAGE:X3VIP-1857-51
-----------------------	--	--------------	--------------------

FENDERS L.H. - W/FLUTED PANELLING

Item#	Part	Description	X 3 V I P E N T	X 3 V I P M T H	N O T E S
1	477634	PANEL FRONT L.H. FORWARD / B.A. To G-5953	1	1	
1	479622	PANEL FRONT L.H. FORWARD / B.A. From G-5954	1	1	
2	479483	PANEL LOWER 95MM X 243MM / B.A.	1	1	
3	476170	PANEL FRONT L.H. BACKWARD / B.A. To G-5953	1	1	
3	479621	PANEL FRONT L.H. BACKWARD / B.A. From G-5954	1	1	
4	476489	PANEL LOWER 81MM X 243MM / B.A.	1	1	
NS	506759	TAPE RUB ADH2 CC POL 1/8" x 1/2" x 100' / BLACK I1C-N-A	AR	AR	
NS	685126	ADHESIVE SIMSON #ISR 70-03 / GREY / 600ml SAUSAGE	AR	AR	
NS	506790	TAPE RUB ADH2 CC POL 1/16" x 1/2" x 200' / BLACK I1C-N-A	AR	AR	
11	460542	REAR FENDER ASSY L.H. W/EDGE To E-5739	1	1	
11	464772	REAR FENDER ASSY L.H. W/EDGE From F-5740	1	1	
11	460582	REAR FENDER ASSY L.H. W/OUT EDGE To E-5739	1	1	
11	464773	REAR FENDER ASSY L.H. W/OUT EDGE From F-5740	1	1	
11	460544	. FRAME REAR FENDER L.H. To E-5739	1	1	
11	464771	. FRAME REAR FENDER L.H. From F-5740	1	1	
11A	460694	. . STOPPER	2	2	
12	460574	. PANEL REAR L.H. BACKWARD	1	1	
13	460572	. PANEL CENTER	1	1	
14	460547	. PANEL REAR L.H. FORWARD To E-5739	1	1	
14	464769	. PANEL REAR L.H. FORWARD From F-5740	1	1	
NS	685124	. ADHESIVE SIMSON #ISR 70-03 / BLACK / 600ml SAUSAGE	AR	AR	
NS	506790	. TAPE RUB ADH2 CC POL 1/16" x 1/2" x 200' / BLACK I1C-N-A	AR	AR	
15	504488	. RIVET MGLP PRDG 3/16x17/64 SS	AR	AR	
16	464757	. HINGE ASSY 1829MM	1	1	
17	464759	. HINGE ASSY 1213MM	1	1	
21	460556	PANEL LOWER 616MM X 255MM / B.A.	1	1	
22	477234	PANEL LOWER 88MM X 205MM / B.A.	1	1	
23	460695	LEVER / FOR LOCK	1	1	
24	5001912	SCREW CAP HEX M8-1.25x30 SS BK	1	1	
25	471119	SEAL WASHER / RUB RAIL & PANEL	1	1	
26	5001852	NUT HEX M8-1.25 SS BK	1	1	
27	5001787	NUT HEX NYRT M8-1.25 SS	1	1	
28	5001233	WASHER FL .500x1.250x.062 NYL	1	1	
29	502111	PIN, COTTER 1/8 x 1 1/2 SS	1	1	
30	504527	BUMPER PLUG / .625ODx.312THx.250HOLEx.125	2	2	
31	477399	RECEPTACLE	2	2	
32	472830	SPRING GUIDE HOLDER	2	2	
33	460708	ADJUSTMENT PLATE	2	2	
34	464765	ADJUSTMENT PLATE	2	2	
35	5001630	SCREW TP BUTF TORX M6x20 SS	6	6	
36	506790	TAPE RUB ADH2 CC POL 1/16" x 1/2" x 200' / BLACK I1C-N-A	AR	AR	
37	685126	ADHESIVE SIMSON #ISR 70-03 / GREY / 600ml SAUSAGE	AR	AR	



From E-5490 To H-6179	Date:07/2024	PAGE:X3VIP-1857-51
FENDERS L.H. - W/FLUTED PANELLING		

Item#	Part	Description	X 3 V I P E N T	X 3 V I P M T H	N O T E S
40	240528	EDGE MOULDING W/FLUTED PANEL	1	1	
41	240482	EDGE MOULDING LH W/FLUTED PANEL	1	1	
42	504748	RIVET HKL MMS 3/16x1/2 SS To E-5606	2	2	
42	504793	RIVET MNB OE LARGE HEAD 3/16x7/16 SS From E-5607	2	2	
43	5001182	NUT HEX NYRT M6-1.0 SS	AR	AR	
44	240436	MOUNTING PLATE EDGE 43.2MM x 25MM	AR	AR	
45	571755	SPACERS BUTTITE STAINLESS	AR	AR	
50	X3VIP-0663-00	DOCK & CORNERING LIGHT			
51	X3VIP-0662-00	CLEARANCE & MARKER LIGHT			
52	X3VIP-1855-00	RUB RAIL - EXTERIOR CREST & TRIMS From E-5490 To H-6092			
52	X3VIP-1855-01	RUB RAIL - EXTERIOR CREST & TRIMS From H-6093			
53	X3VIP-1875-00	FUEL TANK & UREA FILLING DOOR			
90	217133	CATCH FENDER LOWER	1	1	
91	217140	CATCH FENDER LOWER	1	1	

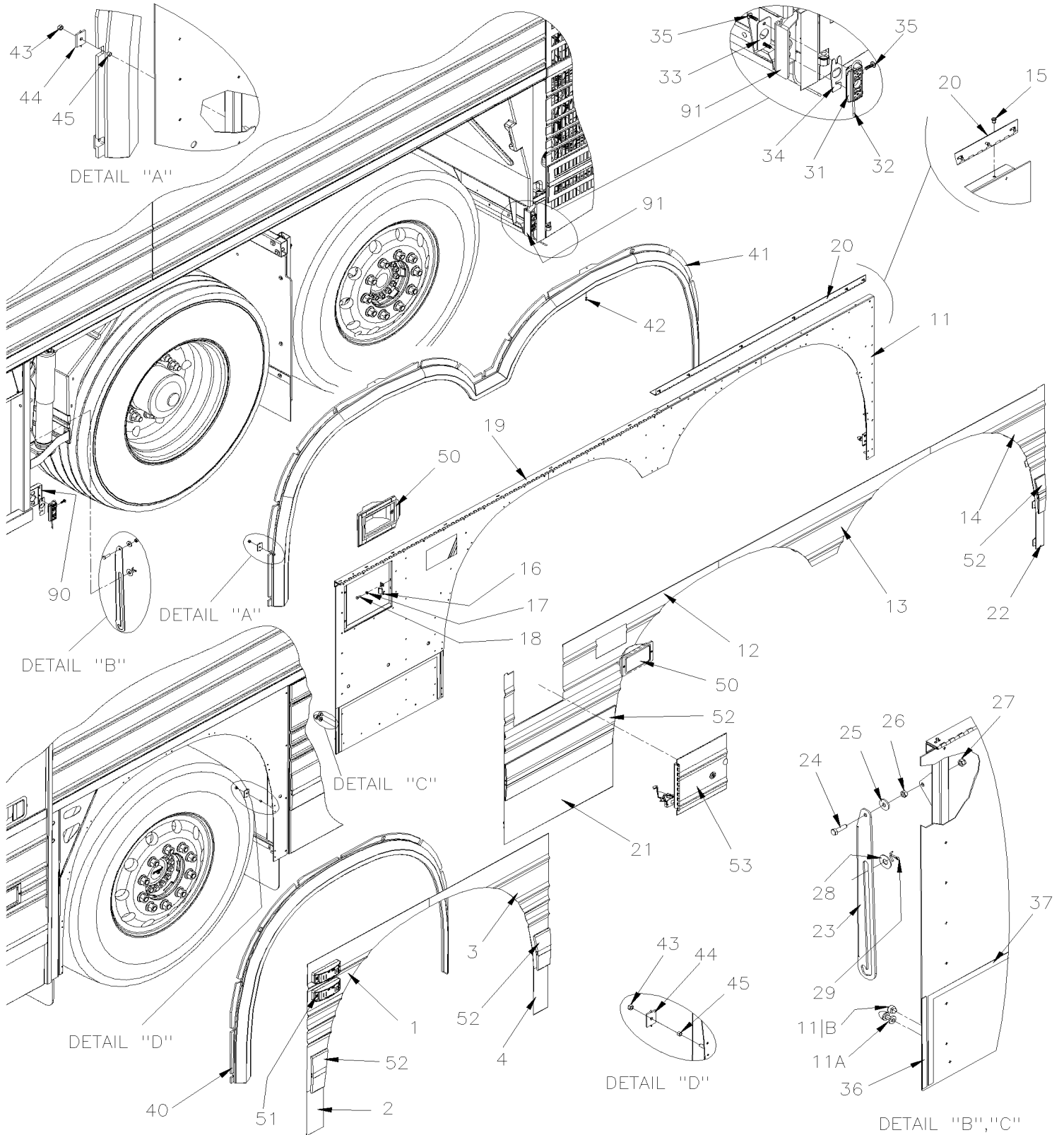


From H-6180

Date:07/2024

PAGE:X3VIP-1857-52

FENDERS L.H. - W/FLUTED PANELLING VOLVO D13 - GHG17





From H-6180		Date:07/2024	PAGE:X3VIP-1857-52
FENDERS L.H. - W/FLUTED PANELLING VOLVO D13 - GHG17			

Item#	Part	Description	X 3 V I P E N T	X 3 V I P M T H	N O T E S
1	479622	PANEL FRONT L.H. FORWARD / B.A.	1	1	
2	479483	PANEL LOWER 95MM X 243MM / B.A.	1	1	
3	479621	PANEL FRONT L.H. BACKWARD / B.A.	1	1	
3	4705121	PANEL FRONT L.H. BACKWARD / B.A. / WITH PIANO HINGE	1	1	A
4	476489	PANEL LOWER 81MM X 243MM / B.A.	1	1	
4	4705120	PANEL LOWER 88MM X 255MM / B.A. / WITH PIANO HINGE	1	1	A
11	460057	REAR FENDER ASSY L.H. W/OUT EDGE	1	1	
11	460037	REAR FENDER ASSY L.H. W/EDGE	1	1	
11	460039	. FRAME REAR FENDER L.H.	1	1	
11A	460694	. STOPPER	1	1	
11B	504527	. BUMPER PLUG / .625ODx.312THx.250HOLEx.125	2	2	
12	464769	. PANEL REAR L.H. FORWARD	1	1	
13	460572	. PANEL CENTER	1	1	
14	460040	. PANEL REAR L.H. BACKWARD	1	1	
NS	687957	. GLUE MS POLYMER TEROSON MS 9399 / 400ml CARTRIDGE To M-6660	AR	AR	
NS	685387	. GLUE MS POLYMER TEROSON MS 9399 / 400ml CARTRIDGE From M-6661	AR	AR	
NS	506790	. TAPE RUB ADH2 CC POL 1/16" x 1/2" x 200' / BLACK I1C-N-A	AR	AR	
15	504488	. RIVET MGLP PRDG 3/16x17/64 SS	AR	AR	
16	460551	. CATCH PLATE / STREET SIDE	1	1	
17	502573	. WASHER FL 6.4x12.5x1.6 SS	2	2	
18	5001182	. NUT HEX NYRT M6-1.0 SS	2	2	
19	464757	. HINGE ASSY 1829MM	1	1	
20	464793	. HINGE ASSY 1168 MM	1	1	
21	460556	PANEL LOWER 616MM X 255MM / B.A.	1	1	
22	470550	PANEL LOWER 205MM X 47MM / B.A.	1	1	
23	460695	LEVER / FOR LOCK	1	1	
24	5001912	SCREW CAP HEX M8-1.25x30 SS BK	1	1	
25	471119	SEAL WASHER / RUB RAIL & PANEL	1	1	
26	5001852	NUT HEX M8-1.25 SS BK	1	1	
27	5001787	NUT HEX NYRT M8-1.25 SS	1	1	
28	5001233	WASHER FL .500x1.250x.062 NYL	1	1	
29	502111	PIN, COTTER 1/8 x 1 1/2 SS	1	1	
31	477399	RECEPTACLE	2	2	
32	472830	SPRING GUIDE HOLDER	2	2	
33	460708	ADJUSTMENT PLATE	2	2	
34	464765	ADJUSTMENT PLATE	2	2	
35	5001630	SCREW TP BUTF TORX M6x20 SS	6	6	
36	506790	TAPE RUB ADH2 CC POL 1/16" x 1/2" x 200' / BLACK I1C-N-A	AR	AR	
37	685126	ADHESIVE SIMSON #ISR 70-03 / GREY / 600ml SAUSAGE	AR	AR	
40	240528	EDGE MOULDING W/FLUTED PANEL	1	1	
41	240482	EDGE MOULDING LH W/FLUTED PANEL	1	1	
42	504793	RIVET MNB OE LARGE HEAD 3/16x7/16 SS	1	1	



From H-6180	Date:07/2024	PAGE:X3VIP-1857-52
FENDERS L.H. - W/FLUTED PANELLING VOLVO D13 - GHG17		

Item#	Part	Description	X 3 V I P E N T	X 3 V I P M T H	N O T E S
43	5001182	NUT HEX NYRT M6-1.0 SS	AR	AR	
44	240436	MOUNTING PLATE EDGE 43.2MM x 25MM	AR	AR	
45	571755	SPACERS BUTTITE STAINLESS	AR	AR	
50	X3VIP-0663-00	DOCK & CORNERING LIGHT			
51	X3VIP-0662-00	CLEARANCE & MARKER LIGHT To K-6491			
51	X3VIP-0662-01	CLEARANCE & MARKER LIGHT From L-6492			
52	X3VIP-1855-01	RUB RAIL - EXTERIOR CREST & TRIMS			
53	X3VIP-1875-00	FUEL TANK & UREA FILLING DOOR			
90	217133	CATCH FENDER LOWER	1	1	
91	261623	CATCH FENDER LOWER	1	1	
		A) USE WITH PIANO HINGE			

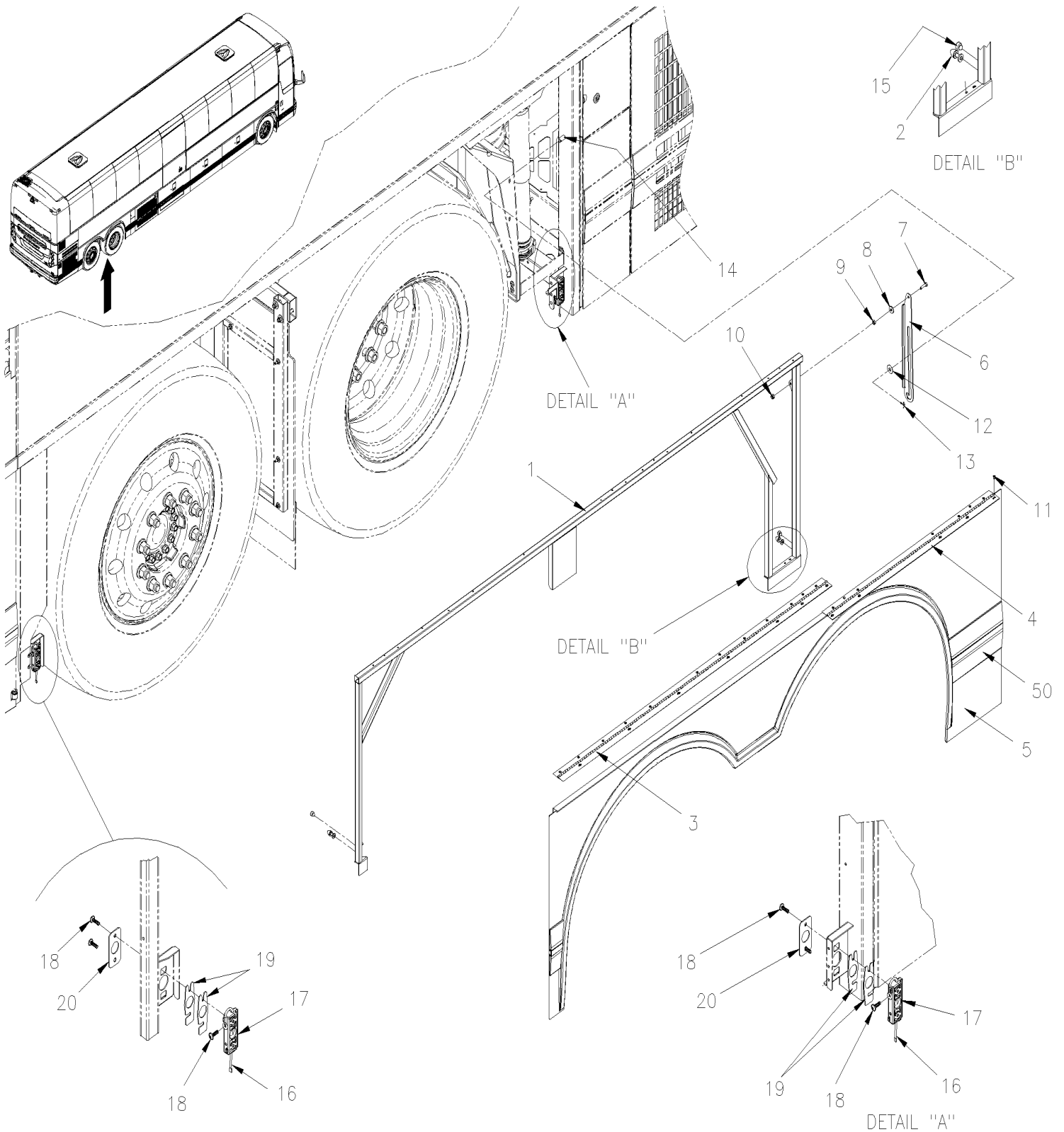


From J-6223

Date:07/2024

PAGE:X3VIP-1857-05

FENDERS R.H. - W/FLAT PANELING SPECIAL REQUEST



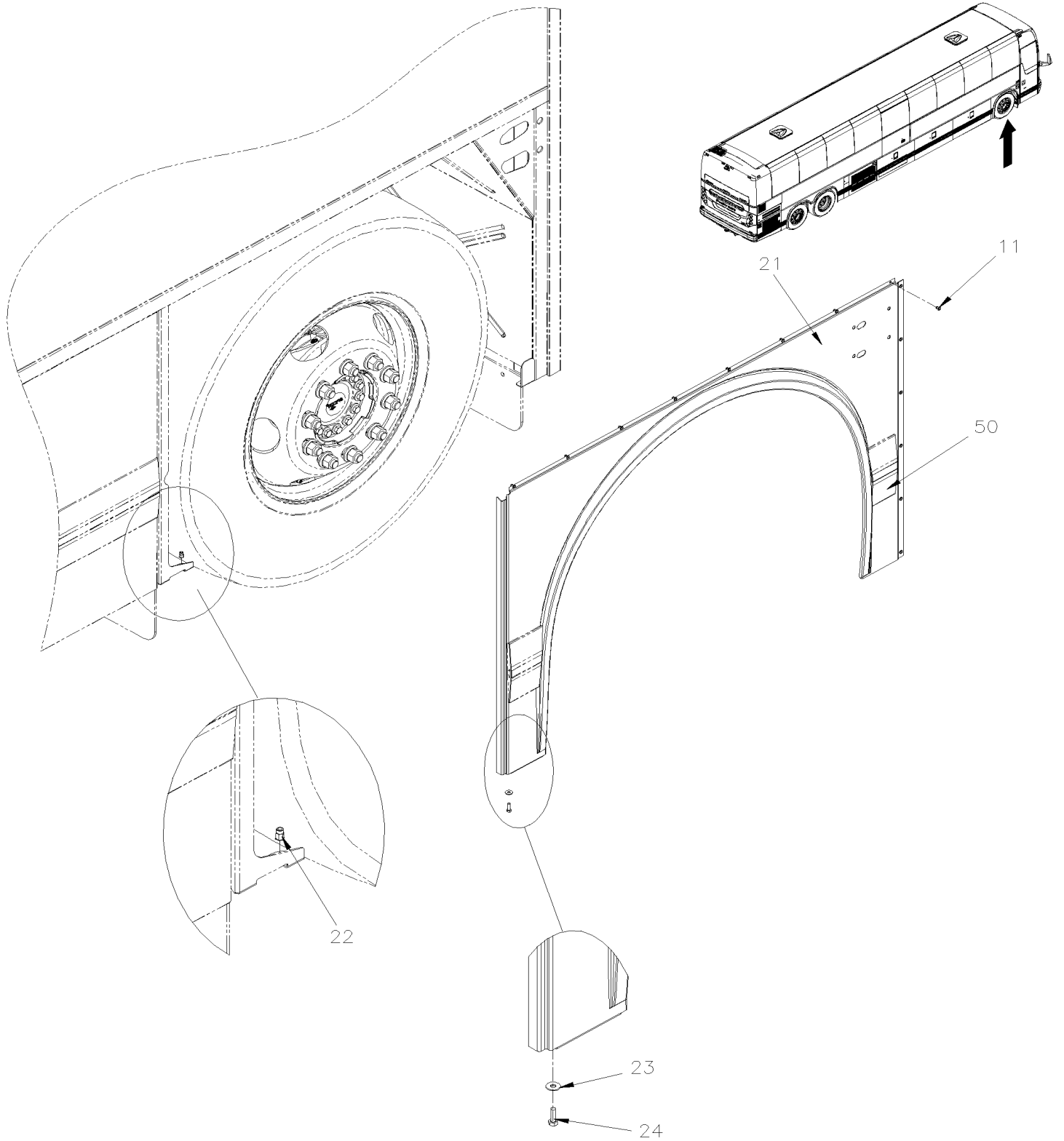


From J-6223

Date:07/2024

PAGE:X3VIP-1857-05

FENDERS R.H. - W/FLAT PANELING SPECIAL REQUEST





From J-6223	Date:07/2024	PAGE:X3VIP-1857-05
FENDERS R.H. - W/FLAT PANELING SPECIAL REQUEST		

Item#	Part	Description	X 3 V I P E N T	X 3 V I P M T H	N O T E S
	464800	REAR FENDER ASSY R.H.		1	
	460154	REAR FENDER ASSY R.H.	1		
1	464801	. FRAME REAR FENDER R.H.		1	
1	460199	. FRAME REAR FENDER R.H.	1		
2	460694	. . STOPPER	1	1	
3	464802	. HINGE ASSY 1632MM	1	1	
4	464758	. HINGE ASSY 1013MM	1	1	
5	479627	. REAR FENDER R.H.	1	1	
5	460166	. REAR FENDER R.H.	1		
NS	506785	. TAPE RUB ADH2 CC POL 1/16" X 1/4" X 200' / BLACK I1C-N-A	AR	AR	
NS	687957	. GLUE MS POLYMER TEROSON MS 9399 / 400ml CARTRIDGE To M-6660	AR	AR	
NS	685387	. GLUE MS POLYMER TEROSON MS 9399 / 400ml CARTRIDGE From M-6661	AR	AR	
NS	685124	. ADHESIVE SIMSON #ISR 70-03 / BLACK / 600ml SAUSAGE	AR	AR	
6	460707	LEVER / FOR LOCK	1	1	
7	5001912	SCREW CAP HEX M8-1.25x30 SS BK	1	1	
8	471119	SEAL WASHER / RUB RAIL & PANEL	1	1	
9	5001852	NUT HEX M8-1.25 SS BK	1	1	
10	5001787	NUT HEX NYRT M8-1.25 SS	1	1	
11	504488	RIVET MGLP PRDG 3/16x17/64 SS	AR	AR	
12	5001233	WASHER FL .500x1.250x.062 NYL	1	1	
13	502111	PIN, COTTER 1/8 x 1 1/2 SS	1	1	
14	218654	SHAFT	1	1	
15	504527	BUMPER PLUG / .625ODx.312THx.250HOLEx.125	2	2	
16	472830	SPRING GUIDE HOLDER	2	2	
17	477399	RECEPTACLE	2	2	
18	5001630	SCREW TP BUTF TORX M6x20 SS	6	6	
19	464765	ADJUSTMENT PLATE	4	4	
20	460708	ADJUSTMENT PLATE	2	2	
21	476769	FRONT FENDER RH		1	
21	460183	FRONT FENDER RH	1		
21	685126	ADHESIVE SIMSON #ISR 70-03 / GREY / 600ml SAUSAGE	AR	AR	
22	5001344	NUT INS FL HEX M6-1.0 0.5-3.0 SS	2	2	
23	5001833	WASHER BEL SPR 6.1x18x1.27 SS	2	2	
24	502622	SCREW CAP HEX M6-1.0x20 SS BK	2	2	
50	X3VIP-1855-01	RUB RAIL - EXTERIOR CREST & TRIMS	1	1	

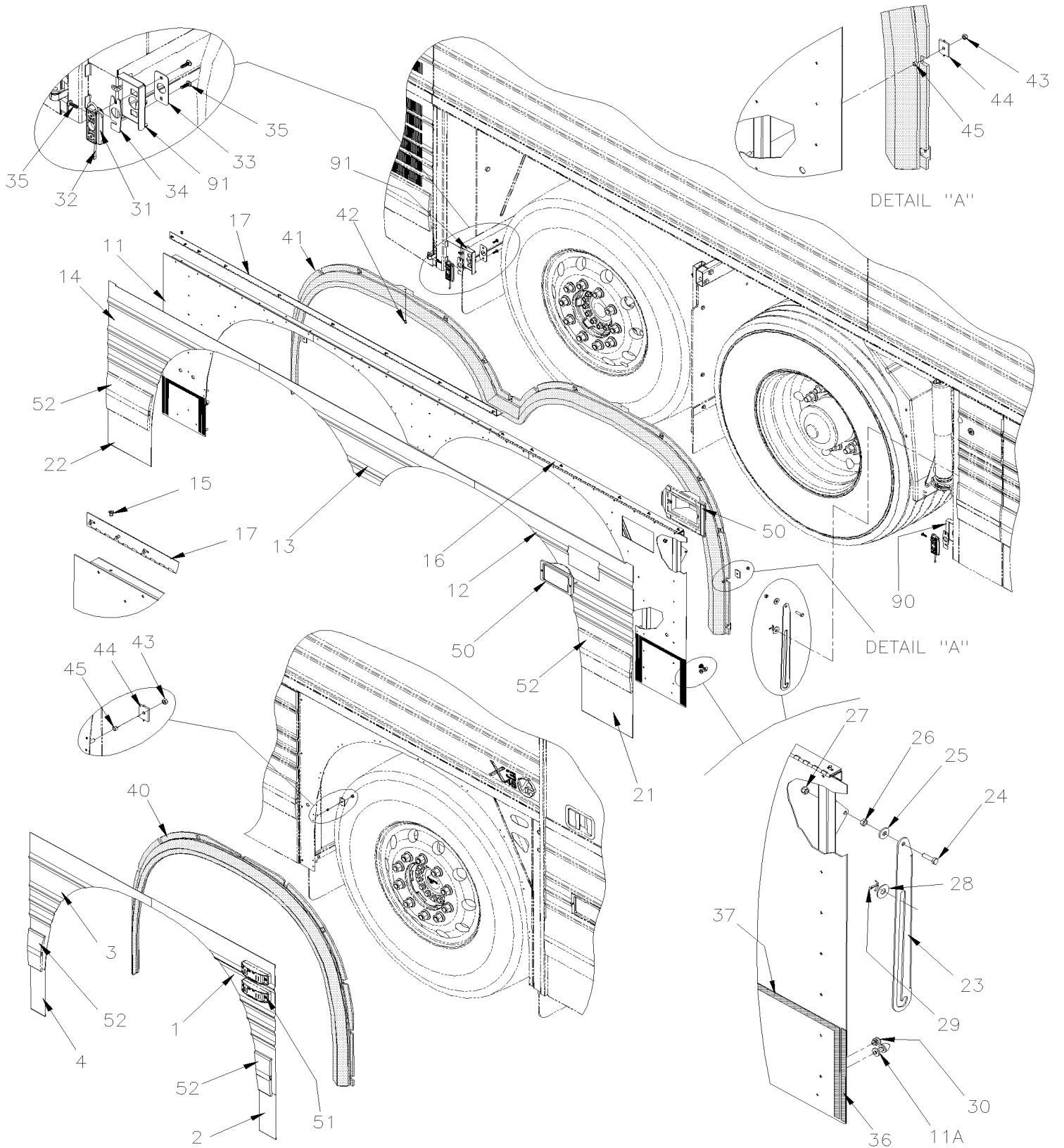


From E-5490 To H-6179

Date:07/2024

PAGE:X3VIP-1857-56

FENDERS R.H. - W/FLUTED PANELLING





From E-5490 To H-6179	Date:07/2024	PAGE:X3VIP-1857-56
------------------------------	---------------------	---------------------------

FENDERS R.H. - W/FLUTED PANELLING

Item#	Part	Description	X 3 V I P E N T	X 3 V I P M T H	N O T E S
1	477635	PANEL FRONT R.H. FORWARD / B.A. To G-5953	1	1	
1	479620	PANEL FRONT R.H. FORWARD / B.A. From G-5954	1	1	
2	479483	PANEL LOWER 95MM X 243MM / B.A.	1	1	
3	477429	PANEL FRONT R.H. BACKWARD / B.A. To G-5953	1	1	
3	479619	PANEL FRONT R.H. BACKWARD / B.A. From G-5954	1	1	
4	476489	PANEL LOWER 81MM X 243MM / B.A.	1	1	
NS	506759	TAPE RUB ADH2 CC POL 1/8" x 1/2" x 100' / BLACK I1C-N-A	AR	AR	
NS	506790	TAPE RUB ADH2 CC POL 1/16" x 1/2" x 200' / BLACK I1C-N-A	AR	AR	
NS	685126	ADHESIVE SIMSON #ISR 70-03 / GREY / 600ml SAUSAGE	AR	AR	
11	460581	REAR FENDER ASSY R.H. W/OUT EDGE	1	1	
11	460541	REAR FENDER ASSY R.H. W/EDGE	1	1	
11	460543	. FRAME REAR FENDER R.H.			
11A	460694	. . STOPPER	2	2	
12	460571	. PANEL REAR R.H. FORWARD			
13	460572	. PANEL CENTER			
14	460573	. PANEL REAR R.H BACKWARD			
NS	685124	. ADHESIVE SIMSON #ISR 70-03 / BLACK / 600ml SAUSAGE	AR	AR	
NS	506790	. TAPE RUB ADH2 CC POL 1/16" x 1/2" x 200' / BLACK I1C-N-A	AR	AR	
15	504488	. RIVET MGLP PRDG 3/16x17/64 SS	AR	AR	
16	464758	. HINGE ASSY 1013MM	1	1	
17	464757	. HINGE ASSY 1829MM	1	1	
21	477232	PANEL LOWER 286MM X 255MM / B.A.	1	1	
22	477233	PANEL LOWER 240MM X 205MM / B.A.	1	1	
23	460707	LEVER / FOR LOCK	1	1	
24	5001912	SCREW CAP HEX M8-1.25x30 SS BK	1	1	
25	471119	SEAL WASHER / RUB RAIL & PANEL	1	1	
26	5001852	NUT HEX M8-1.25 SS BK	1	1	
27	5001787	NUT HEX NYRT M8-1.25 SS	1	1	
28	5001233	WASHER FL .500x1.250x.062 NYL	1	1	
29	502111	PIN, COTTER 1/8 x 1 1/2 SS	1	1	
30	504527	BUMPER PLUG / .625ODx.312THx.250HOLEx.125	2	2	
31	477399	RECEPTACLE	2	2	
32	472830	SPRING GUIDE HOLDER	2	2	
33	460708	ADJUSTMENT PLATE	2	2	
34	464765	ADJUSTMENT PLATE	2	2	
35	5001630	SCREW TP BUTF TORX M6x20 SS	6	6	
36	506790	TAPE RUB ADH2 CC POL 1/16" x 1/2" x 200' / BLACK I1C-N-A	AR	AR	
37	685126	ADHESIVE SIMSON #ISR 70-03 / GREY / 600ml SAUSAGE	AR	AR	
40	240528	EDGE MOULDING W/FLUTED PANEL	1	1	
41	240483	EDGE MOULDING RH W/FLUTED PANEL			



From E-5490 To H-6179	Date:07/2024	PAGE:X3VIP-1857-56
FENDERS R.H. - W/FLUTED PANELLING		

Item#	Part	Description	X 3 V I P E N T	X 3 V I P M T H	N O T E S
42	504748	RIVET HKL MMS 3/16x1/2 SS To E-5606	2	2	
42	504793	RIVET MNB OE LARGE HEAD 3/16x7/16 SS From E-5607	2	2	
43	5001182	NUT HEX NYRT M6-1.0 SS			
44	240436	MOUNTING PLATE EDGE 43.2MM x 25MM			
45	571755	SPACERS BUTTITE STAINLESS			
50	X3VIP-0663-00	DOCK & CORNERING LIGHT			
51	X3VIP-0662-00	CLEARANCE & MARKER LIGHT			
52	X3VIP-1855-00	RUB RAIL - EXTERIOR CREST & TRIMS From E-5490 To H-6092			
52	X3VIP-1855-01	RUB RAIL - EXTERIOR CREST & TRIMS From H-6093			
90	217130	CATCH FENDER LOWER	1	1	
91	217144	CATCH FENDER LOWER	1	1	

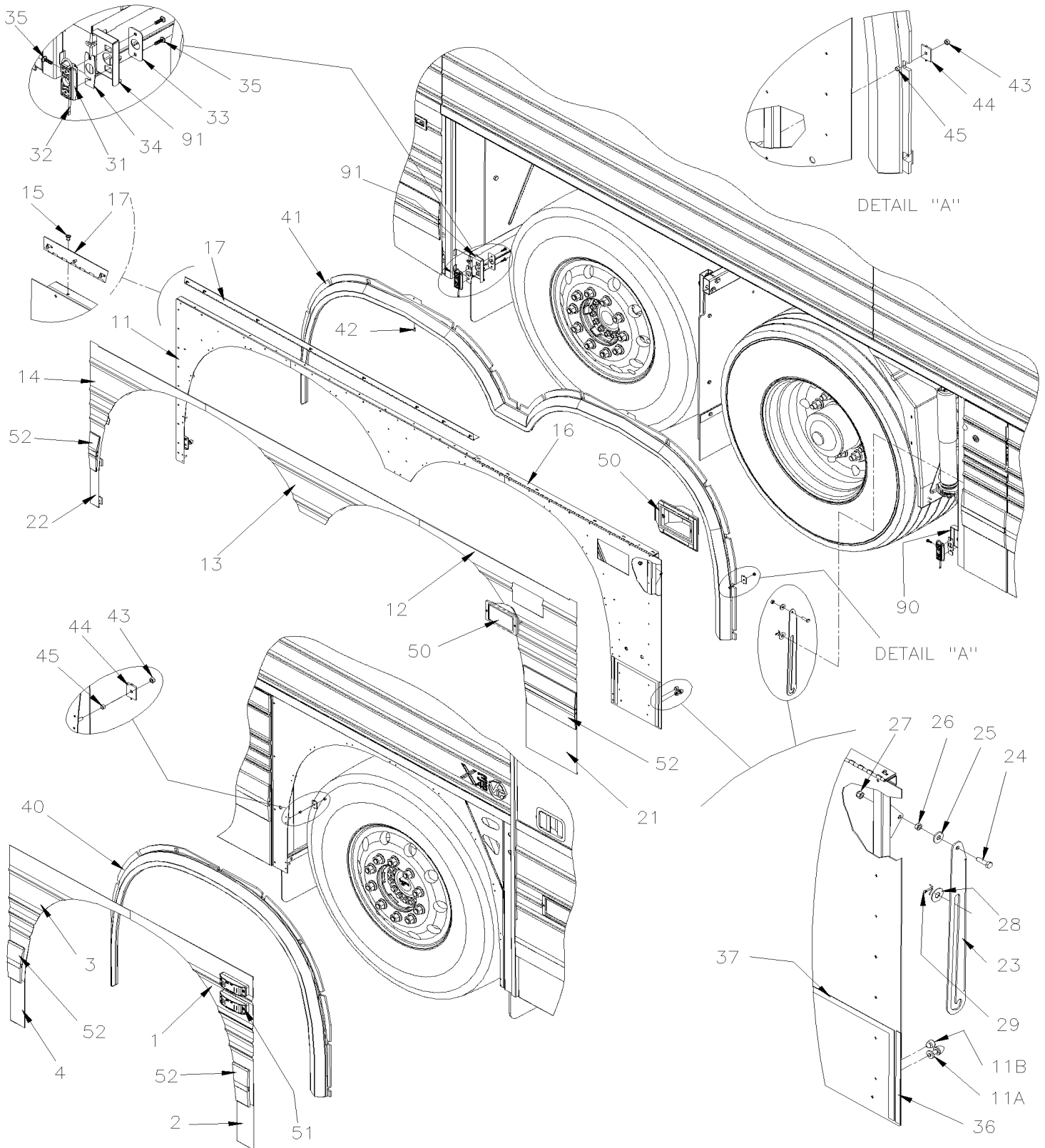


From H-6180

Date:07/2024

PAGE:X3VIP-1857-57

FENDERS R.H. - W/FLUTED PANELLING VOLVO D13 - GHG17





From H-6180		Date:07/2024	PAGE:X3VIP-1857-57
FENDERS R.H. - W/FLUTED PANELLING VOLVO D13 - GHG17			

Item#	Part	Description	X 3 V I P E N T	X 3 V I P M T H	N O T E S
1	479620	PANEL FRONT R.H. FORWARD / B.A.	1	1	
2	479483	PANEL LOWER 95MM X 243MM / B.A.	1	1	
3	479619	PANEL FRONT R.H. BACKWARD / B.A.	1	1	
4	476489	PANEL LOWER 81MM X 243MM / B.A.	1	1	
11	460054	REAR FENDER ASSY R.H. W/OUT EDGE	1	1	
11	460036	REAR FENDER ASSY R.H. W/EDGE	1	1	
11	460038	. FRAME REAR FENDER R.H.	1	1	
11A	460694	. STOPPER	2	2	
11B	504527	. BUMPER PLUG / .625ODx.312THx.250HOLEx.125	2	2	
12	460571	. PANEL REAR R.H. FORWARD	1	1	
13	460572	. PANEL CENTER	1	1	
14	460041	. PANEL REAR R.H BACKWARD	1	1	
NS	687957	. GLUE MS POLYMER TEROSON MS 9399 / 400ml CARTRIDGE To M-6660	AR	AR	
NS	685387	. GLUE MS POLYMER TEROSON MS 9399 / 400ml CARTRIDGE From M-6661	AR	AR	
NS	506790	. TAPE RUB ADH2 CC POL 1/16" x 1/2" x 200' / BLACK I1C-N-A	AR	AR	
15	504488	. RIVET MGLP PRDG 3/16x17/64 SS	AR	AR	
16	464758	. HINGE ASSY 1013MM	1	1	
17	464802	. HINGE ASSY 1632MM	1	1	
21	477232	PANEL LOWER 286MM X 255MM / B.A.	1	1	
22	470550	PANEL LOWER 205MM X 47MM / B.A.	1	1	
23	460707	LEVER / FOR LOCK	1	1	
24	5001912	SCREW CAP HEX M8-1.25x30 SS BK	1	1	
25	471119	SEAL WASHER / RUB RAIL & PANEL	1	1	
26	5001852	NUT HEX M8-1.25 SS BK	1	1	
27	5001787	NUT HEX NYRT M8-1.25 SS	1	1	
28	5001233	WASHER FL .500x1.250x.062 NYL	1	1	
29	502111	PIN, COTTER 1/8 x 1 1/2 SS	1	1	
31	477399	RECEPTACLE	2	2	
32	472830	SPRING GUIDE HOLDER	2	2	
33	460708	ADJUSTMENT PLATE	2	2	
34	464765	ADJUSTMENT PLATE	2	2	
35	5001630	SCREW TP BUTF TORX M6x20 SS	6	6	
36	506790	TAPE RUB ADH2 CC POL 1/16" x 1/2" x 200' / BLACK I1C-N-A	AR	AR	
37	685126	ADHESIVE SIMSON #ISR 70-03 / GREY / 600ml SAUSAGE	AR	AR	
40	240528	EDGE MOULDING W/FLUTED PANEL	1	1	
41	240483	EDGE MOULDING RH W/FLUTED PANEL	1	1	
42	504793	RIVET MNB OE LARGE HEAD 3/16x7/16 SS	2	2	
43	5001182	NUT HEX NYRT M6-1.0 SS	AR	AR	
44	240436	MOUNTING PLATE EDGE 43.2MM x 25MM	AR	AR	
45	571755	SPACERS BUTTITE STAINLESS	AR	AR	
50	X3VIP-0663-00	DOCK & CORNERING LIGHT			



From H-6180	Date:07/2024	PAGE:X3VIP-1857-57
FENDERS R.H. - W/FLUTED PANELLING VOLVO D13 - GHG17		

Item#	Part	Description	X 3 V I P E N T	X 3 V I P M T H	N O T E S
51	X3VIP-0662-00	CLEARANCE & MARKER LIGHT To K-6491			
51	X3VIP-0662-01	CLEARANCE & MARKER LIGHT From L-6492	1	1	
52	X3VIP-1855-01	RUB RAIL - EXTERIOR CREST & TRIMS			
90	217130	CATCH FENDER LOWER	1	1	
91	218850	CATCH FENDER LOWER	1	1	

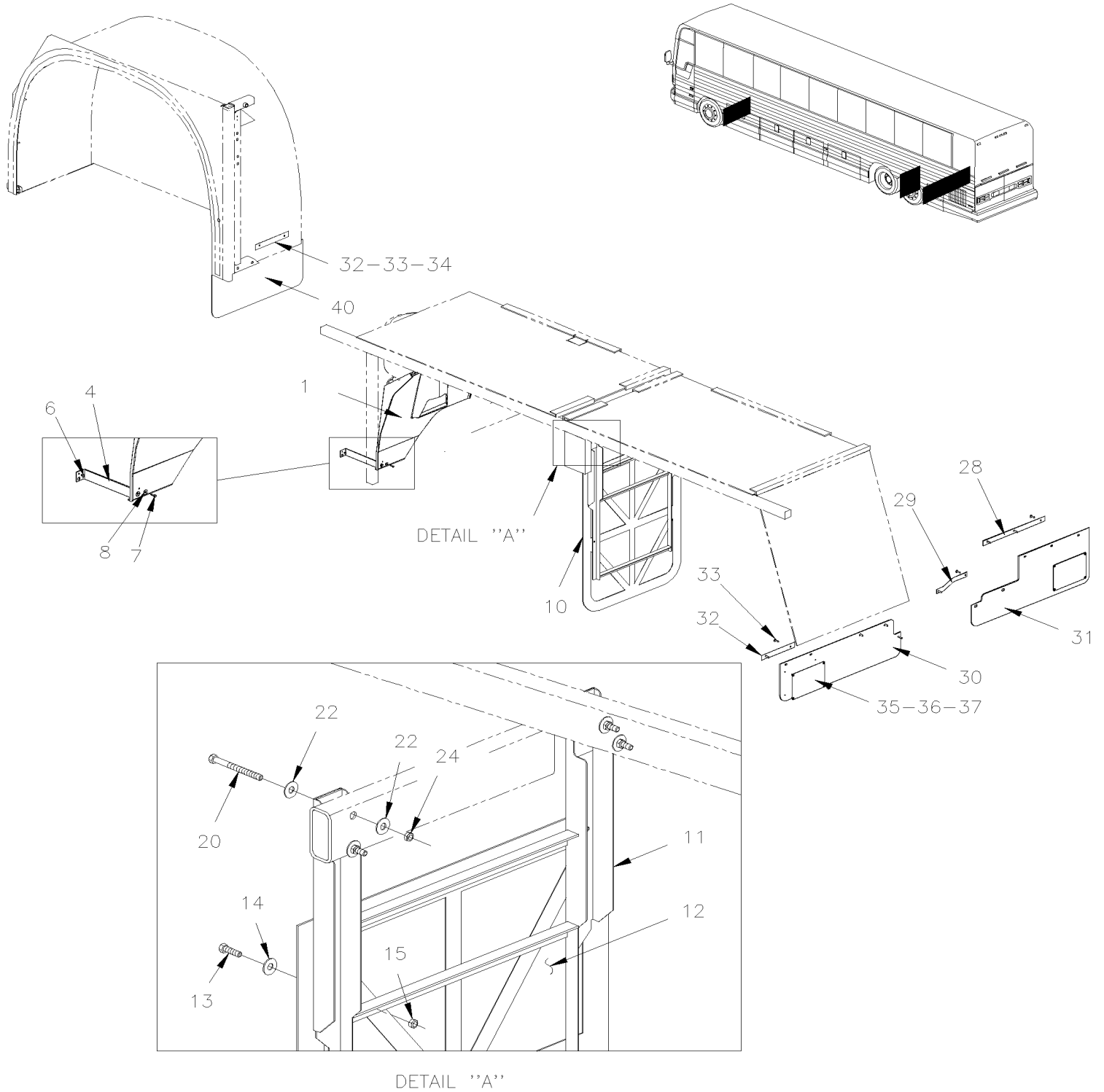


From E-5490 To H-6179

Date:07/2024

PAGE:X3VIP-1859-00

SPLASH GUARD - FRONT & REAR



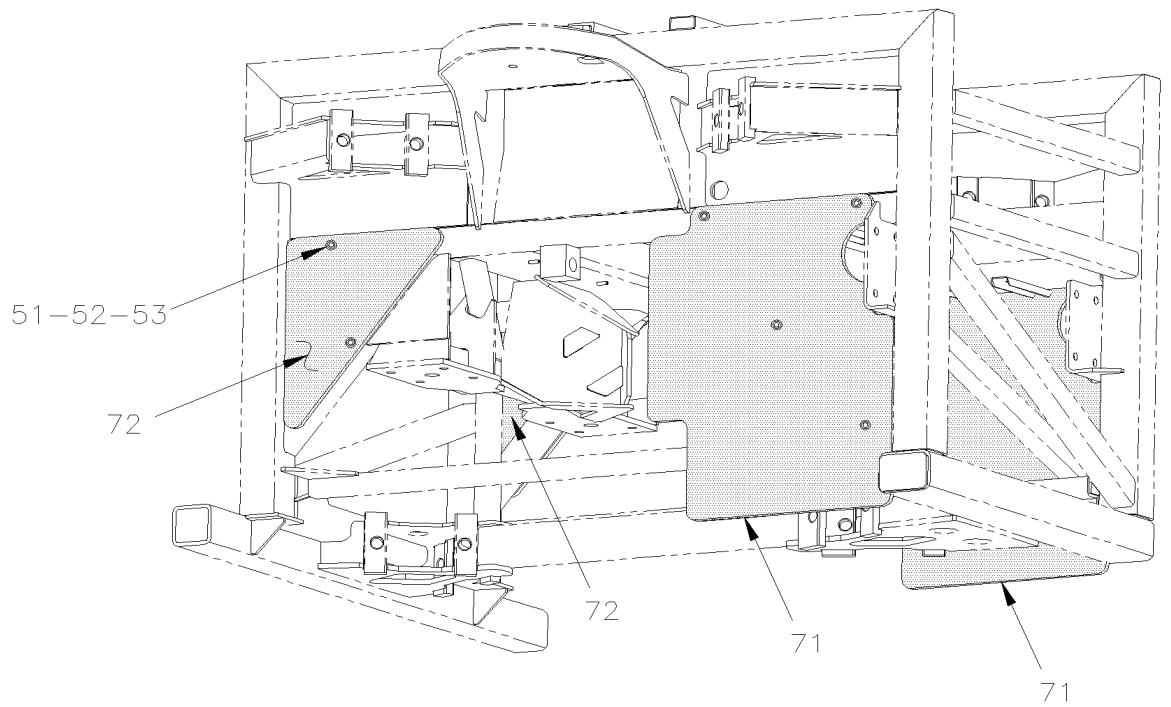
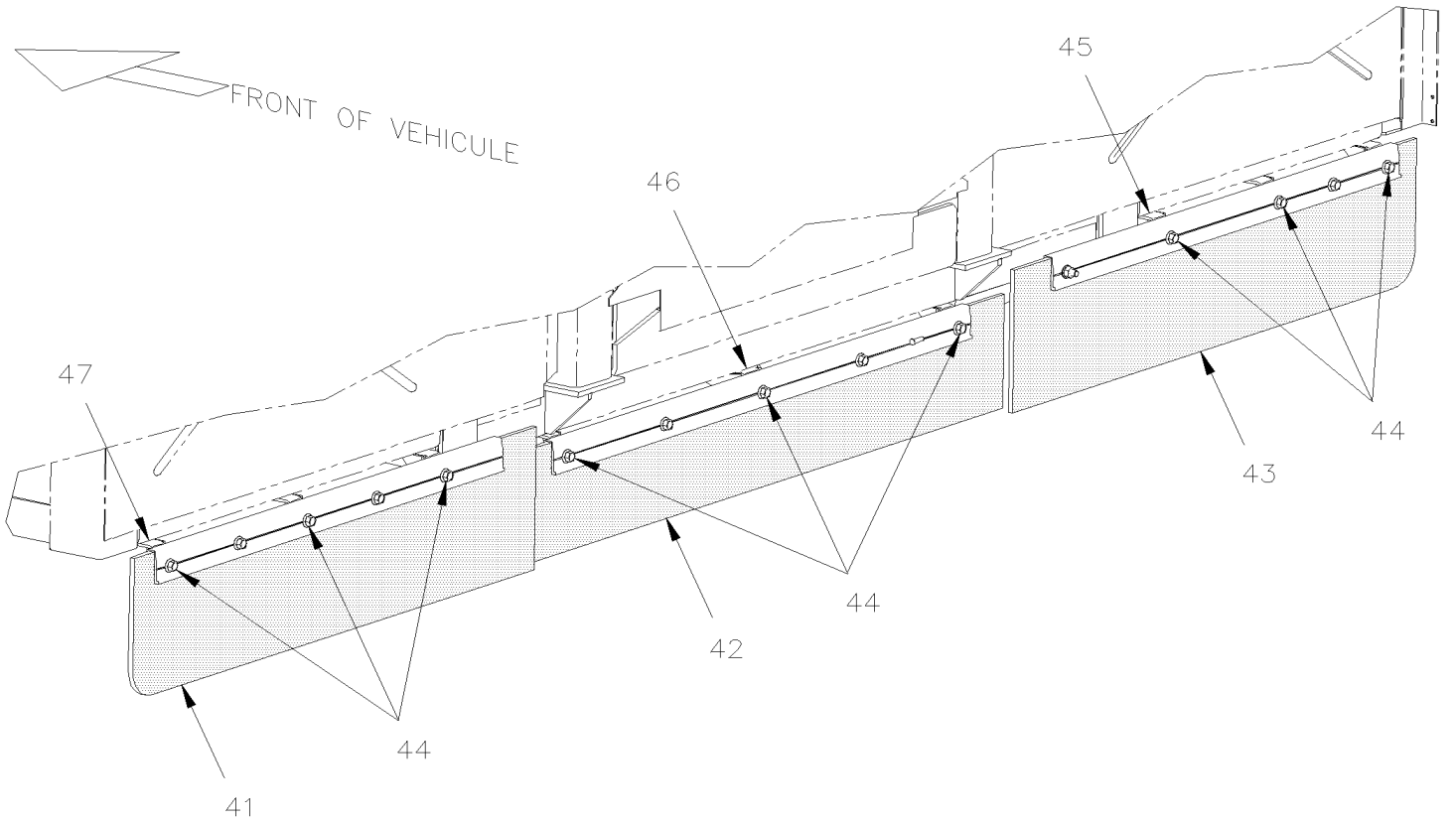


From E-5490 To H-6179

Date:07/2024

PAGE:X3VIP-1859-00

SPLASH GUARD - FRONT & REAR





From E-5490 To H-6179	Date:07/2024	PAGE:X3VIP-1859-00
-----------------------	--------------	--------------------

SPLASH GUARD - FRONT & REAR

Item#	Part	Description	X 3 V I P E N T	X 3 V I P M T H	N O T E S
1	464764	SPLASH GUARD	2	2	
4	460698	SUPPORT	1	1	
6	504746	RIVET HKL MMS 3/16x1/4 SS To E-5606	4	4	
6	504793	RIVET MNB OE LARGE HEAD 3/16x7/16 SS From E-5607	4	4	
7	5001169	SCREW TP CAP HEXW #12x3/4 SS410	12	12	
8	500411	WASHER FL .260x.697x.050 SS	12	12	
10	460566P	SPLASH GUARD / R.H. DRIVE & TAG	1	1	
10	460565P	SPLASH GUARD / L.H. DRIVE & TAG	1	1	
11	460561	. SUPPORT L.H. & R.H.	2	2	
12	460562	. PAD L.H. & R.H. 749MM x 762MM	2	2	
12	460563	. PAD LOWER 749MM x 237MM	2	2	
12	460564	. REINFORCMENT STRIP SS 749MM x 38MM	2	2	
13	5001636	. SCREW CAP HEX M6-1.0x50 SS BK	16	16	
14	500411	. WASHER FL .260x.697x.050 SS	16	16	
15	5001182	. NUT HEX NYRT M6-1.0 SS	8	8	
20	5001185	SCREW CAP HEX M8-1.25x80 SS BK	8	8	
22	500270	WASHER FL .406x1.000x.063 SS	8	8	
24	5001787	NUT HEX NYRT M8-1.25 SS	8	8	
28	460672	STRIP, FIXATION / SS 380MM W/3 HOLES	1	1	
29	460673	STRIP, FIXATION / SS 188MM W/2 HOLES / OFFSET	1	1	
30	460533	SPLASH GUARD / BEHIND TAG AXLE STREETSIDE 740MM x 200MM	1	1	
31	460671	SPLASH GUARD / BEHIND TAG AXLE CURBSIDE 725MM x 295MM	1	1	
32	460189	STRIP, FIXATION / SS 203MM W/2 HOLES	4	4	
33	504610	RIVET MGLP PRDG 1/4x5/8 SS	8	8	
34	5001749	WASHER LO SPT 6.5x11.5x1.6 N500	16	16	
35	071509	PLATE ASSY W/DECAL "EDGE"	2	2	
. NS	071507	. PLATE SS 200MM x 133MM	1	1	
. NS	071508	. DECAL / "EDGE" - TRANS ALLISON	1	1	
36	504487	RIVET MGLP PRDG 3/16x7/16 SS	4	4	
37	502637	WASHER FL .200x.437x.037 SS To E-5573	4	4	
37	5001137	WASHER FL .203x.438x.050 SS From E-5574	4	4	
40	490081	SPLASH GUARD / BEHIND FRONT AXLE 9" X 22"	2	2	
41	460443	AIR SHIELD DEFLECTOR	1	1	
41	464731	STRIP DEFELECTOR 645MM	1	1	
42	460444	AIR SHIELD DEFLECTOR / CENTER	1	1	
42	464732	STRIP DEFELECTOR 804MM	1	1	
43	460443	AIR SHIELD DEFLECTOR	1	1	
43	464731	STRIP DEFELECTOR 645MM	1	1	
44	502912	SCREW CAP HEXF M8-1.25x25 SS BK	15	15	
44	502911	NUT HEXF M8-1.25 SS	6	6	
45	460682	SUPPORT / AIR SHIELD	1	1	
46	460681	SUPPORT / AIR SHIELD / CENTER	1	1	



From E-5490 To H-6179	Date:07/2024	PAGE:X3VIP-1859-00
-----------------------	--------------	--------------------

SPLASH GUARD - FRONT & REAR

Item#	Part	Description	X 3 V I P E N T	X 3 V I P M T H	N O T E S
47	460682	SUPPORT / AIR SHIELD	1	1	
51	502565	NUT HEX M6-1.0 SS	AR	AR	
52	502570	WASHER LO SPT 6.1x11.8x1.6 SS	AR	AR	
53	5001467	WASHER FL .343x1.250x.062 SS18-8	AR	AR	
NS	460436	KIT RETROFIT AIR SHIELD DEFLECTOR / W/IND SUSPENSION	1	1	
. NS	D460031	. SEE DRAWING	1	1	
71	460679	AIR SHIELD DEFLECTOR / FORWARD / W/IND SUSPENSION To G-6047	2	2	
71	460001	DEFLECTOR, INDEPENDENT FRONT SUSPENSION From G-6048	2	2	
72	460456	DEFLECTOR, FRONT	2	2	

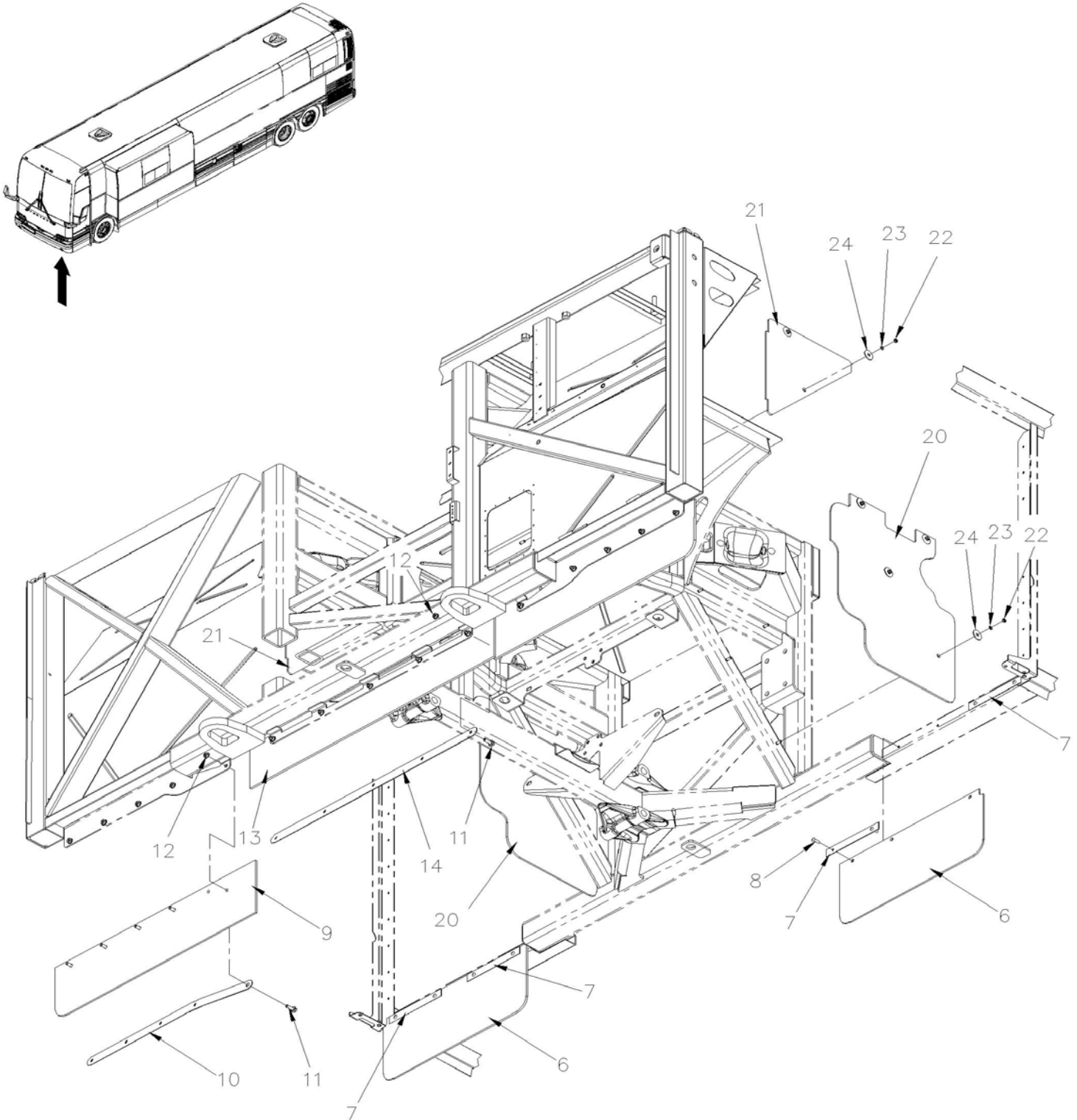


From H-6180

Date:07/2024

PAGE:X3VIP-1859-01

SPLASH GUARD - FRONT & REAR VOLVO D13 - GHG17



UP TO

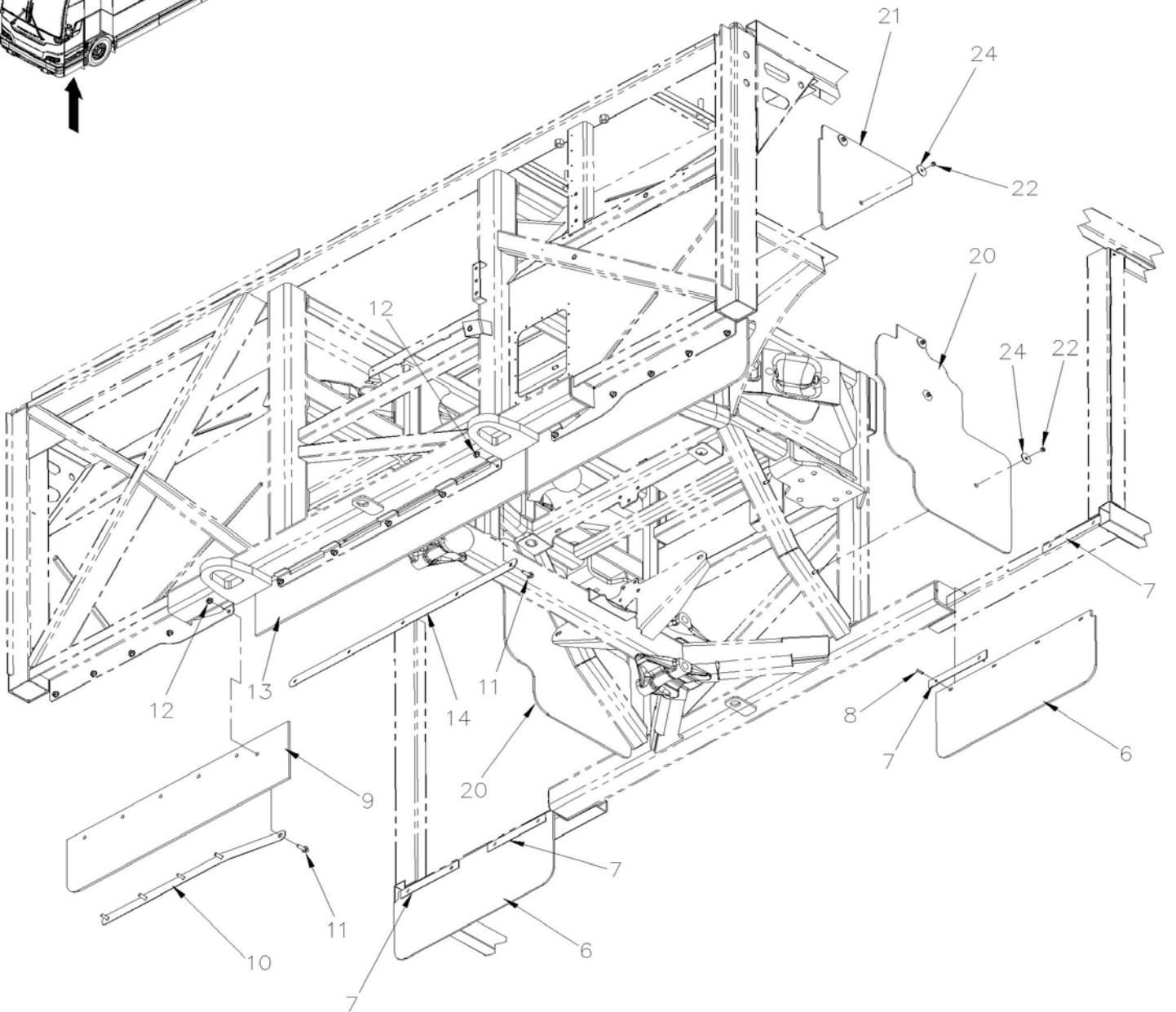
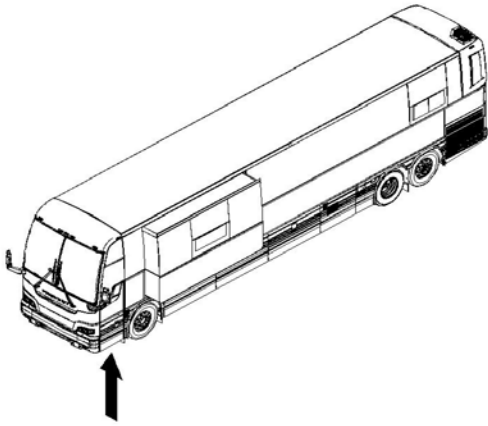


From H-6180

Date:07/2024

PAGE:X3VIP-1859-01

SPLASH GUARD - FRONT & REAR VOLVO D13 - GHG17



FROM

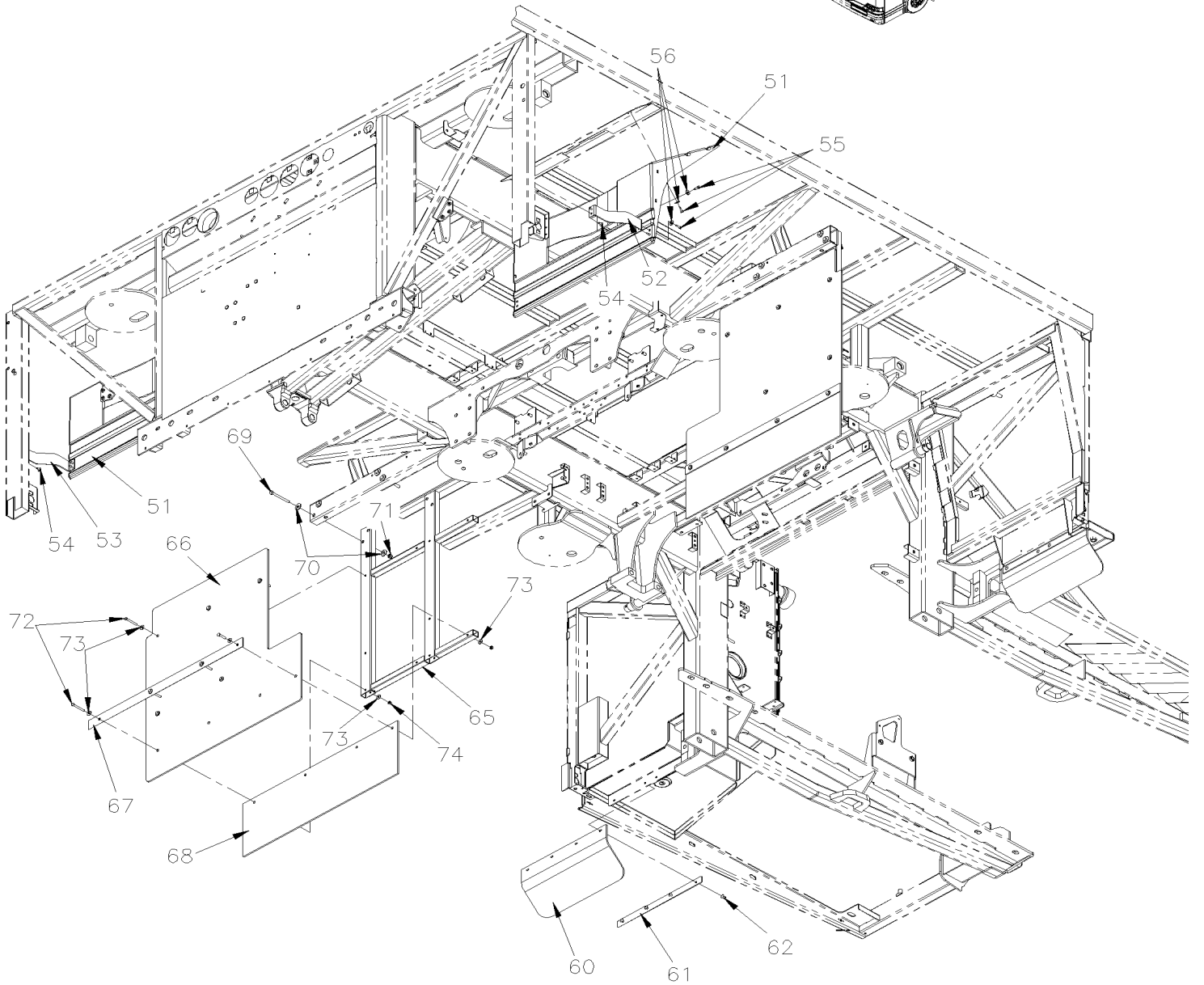
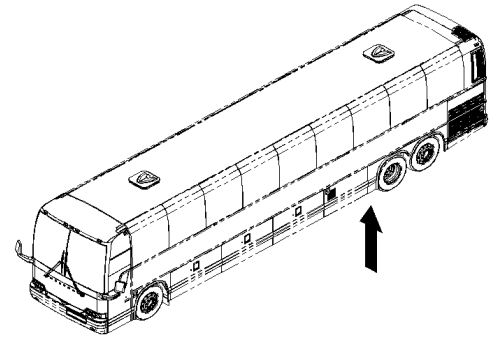


From H-6180

Date:07/2024

PAGE:X3VIP-1859-01

SPLASH GUARD - FRONT & REAR VOLVO D13 - GHG17



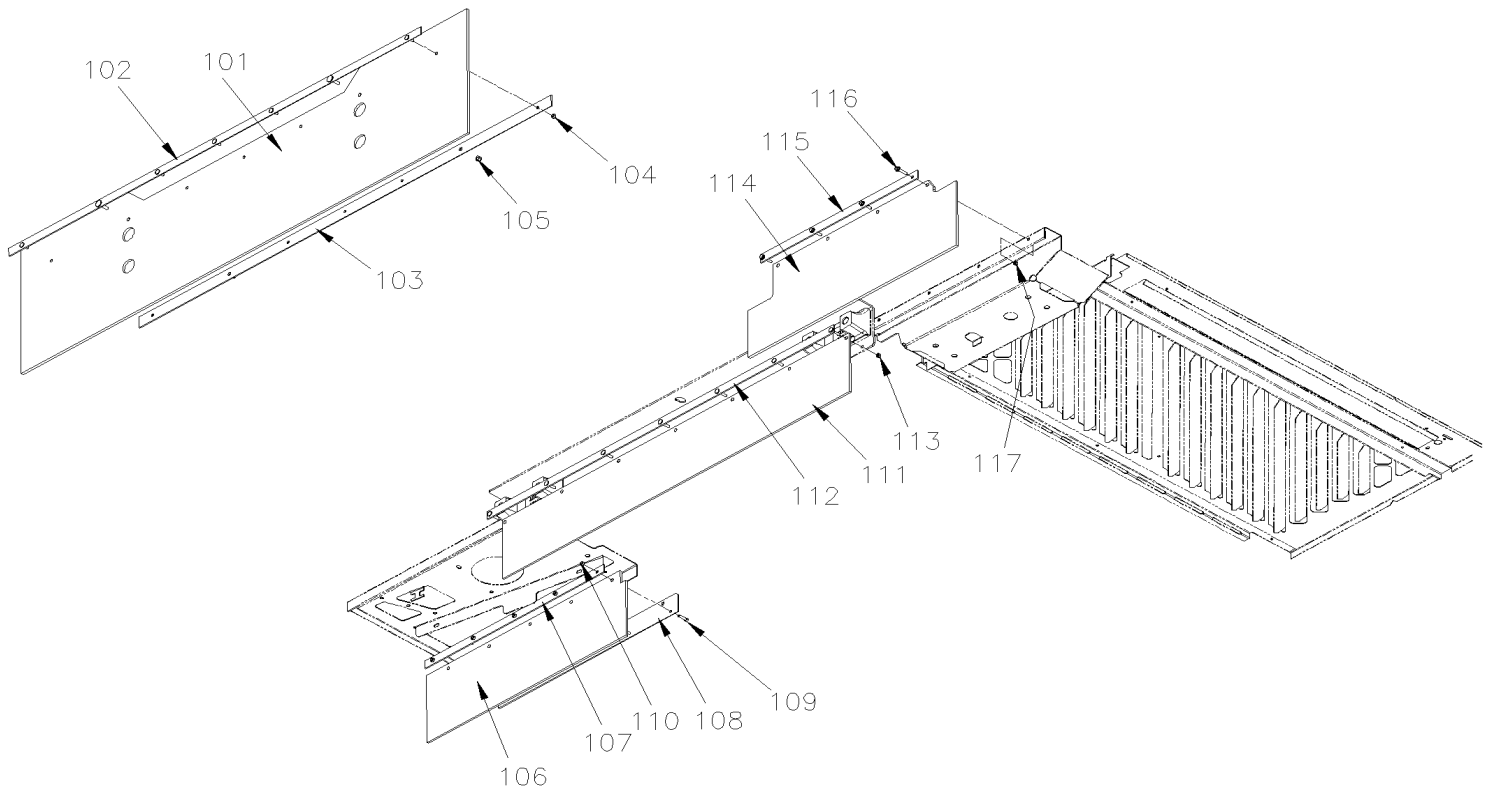
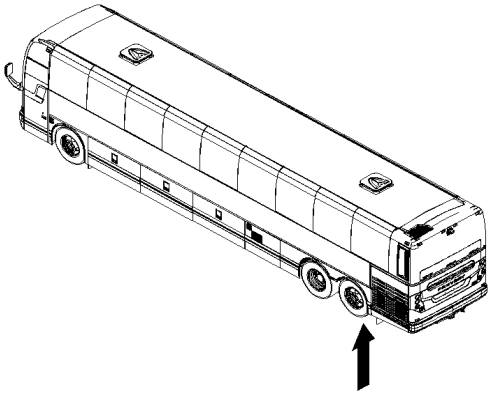


From H-6180

Date:07/2024

PAGE:X3VIP-1859-01

SPLASH GUARD - FRONT & REAR VOLVO D13 - GHG17





From H-6180		Date:07/2024	PAGE:X3VIP-1859-01
SPLASH GUARD - FRONT & REAR VOLVO D13 - GHG17			

Item#	Part	Description	X 3 V I P E N T	X 3 V I P M T H	N O T E S
		UP TO R-4066 To R-4066			
		FROM R-4067 From R-4067			
6	490081	SPLASH GUARD / BEHIND FRONT AXLE 9" X 22" To M-6657	2	2	
6	460112	SPLASH GUARD / BEHIND FRONT AXLE 9" X 22" From M-6658	2	2	
7	460189	STRIP, FIXATION / SS 203MM W/2 HOLES To M-6657	4	4	
7	460114	STRIP, FIXATION / SS 203MM W/2 HOLES From M-6658	4	4	
8	504610	RIVET MGLP PRDG 1/4x5/8 SS To M-6657	8	8	
8	504416	RIVET POP DOME OE 3/16x5/8 SS From M-6658	8	8	
9	460443	AIR SHIELD DEFLECTOR	2	2	
10	464731	STRIP DEFELECTOR 645MM	2	2	
11	502912	SCREW CAP HEXF M8-1.25x25 SS BK	15	15	
12	502911	NUT HEXF M8-1.25 SS	15	15	
13	460444	AIR SHIELD DEFLECTOR / CENTER	1	1	
14	464732	STRIP DEFELECTOR 804MM	1	1	
20	460001	DEFLECTOR, INDEPENDENT FRONT SUSPENSION To R-4066	2	2	
20	460196	DEFLECTOR, INDEPENDENT FRONT SUSPENSION From R-4067	2	2	
21	460456	DEFLECTOR, FRONT	2	2	
22	502565	NUT HEX M6-1.0 SS To R-4066	12	12	
22	5001182	NUT HEX NYRT M6-1.0 SS From R-4067	10	10	
23	502570	WASHER LO SPT 6.1x11.8x1.6 SS To R-4066	12	12	
24	5001467	WASHER FL .343x1.250x.062 SS18-8 To R-4066	12	12	
24	5001467	WASHER FL .343x1.250x.062 SS18-8 From R-4067	10	10	
51	464755	SPLASH GUARD / DRIVE	2	2	
52	460716	SUPPORT STREET SIDE	1	1	
53	460710	SUPPORT CURBSIDE	1	1	
54	504793	RIVET MNB OE LARGE HEAD 3/16x7/16 SS	4	4	
55	5001169	SCREW TP CAP HEXW #12x3/4 SS410	14	14	
56	500411	WASHER FL .260x.697x.050 SS	14	14	
60	466964	SPLASH GUARD TAG To M-6657	2	2	
60	460109	SPLASH GUARD TAG From M-6658	2	2	
61	460030	PLATE REINFORCEMENT 380MM W/4 HOLES To M-6657	2	2	
61	460118	PLATE REINFORCEMENT 380MM W/4 HOLES From M-6658	2	2	
62	504459	RIVET MGLP PRDG 1/4x3/8 SS To M-6657	8	8	
62	504416	RIVET POP DOME OE 3/16x5/8 SS From M-6658	8	8	
65	460561	SUPPORT L.H. & R.H.	2	2	
66	460562	PAD L.H. & R.H. 749MM x 762MM	1	1	
67	460564	REINFORCMENT STRIP SS 749MM x 38MM	2	2	
68	460563	PAD LOWER 749MM x 237MM	1	1	
69	5001185	SCREW CAP HEX M8-1.25x80 SS BK	8	8	
70	500270	WASHER FL .406x1.000x.063 SS	16	16	
71	5001787	NUT HEX NYRT M8-1.25 SS	8	8	
72	5001636	SCREW CAP HEX M6-1.0x50 SS BK	8	8	



From H-6180	Date:07/2024	PAGE:X3VIP-1859-01
SPLASH GUARD - FRONT & REAR VOLVO D13 - GHG17		

Item#	Part	Description	X 3 V I P E N T	X 3 V I P M T H	N O T E S
73	500411	WASHER FL .260x.697x.050 SS	18	18	
74	5001182	NUT HEX NYRT M6-1.0 SS	18	18	
101	460228	SPLASH GUARD / BETWEEN DRIVE AXLE & TAG AXLE	1	1	
102	460227	STRIP, FIXATION / SS	1	1	
103	460226	STRIP, FIXATION / SS	1	1	
104	502681	NUT HEX NYRT M6-1.0 N500 G8	5	5	
105	502847	NUT HEX NYRT M8-1.25 N500	2	2	
106	464744	SPLASH GUARD / UNDER HEATER & EVAPORATOR COMP	1	1	
107	464742	STRIP, FIXATION / SS 630MM W/5 HOLES	1	1	
108	464738	STRIP, FIXATION / SS	1	1	
109	502737	SCREW CAP HEX M6-1.0x25 SS BK	5	5	
110	5001182	NUT HEX NYRT M6-1.0 SS	5	5	
111	460222	SPLASH GUARD / UNDER FUEL TANK To K-6491	1	1	
111	460106	SPLASH GUARD / UNDER FUEL TANK From L-6492 To M-6657	1	1	
111	460119	SPLASH GUARD / UNDER FUEL TANK From M-6658	1	1	
111	460107	SUPPORT, CENTER PROTECTOR From L-6492 To M-6657	2	2	
111	464742	STRIP, FIXATION / SS 630MM W/5 HOLES From M-6658	2	2	
111	502737	SCREW CAP HEX M6-1.0x25 SS BK From M-6658	12	12	
111	5001182	NUT HEX NYRT M6-1.0 SS From M-6658	12	12	
111	500142	WASHER FL 6.6x22.0x2.0 SS From M-6658	2	2	
112	460223	STRIP, FIXATION / SS To K-6491	1	1	
112	460105	STRIP, FIXATION / SS From L-6492 To M-6657	1	1	
112	470123	STRIP, FIXATION / SS From M-6658	1	1	
113	502681	NUT HEX NYRT M6-1.0 N500 G8	7	7	
113	502681	NUT HEX NYRT M6-1.0 N500 G8 From M-6658	6	6	
114	464741	SPLASH GUARD	1	1	
114	460125	SPLASH GUARD From M-6658	1	1	
115	464743	STRIP, FIXATION / SS 564MM W/4 HOLES	1	1	
116	5001815	SCREW CAP HEXF M6-1.0x30 G 8.8 N500	4	4	
117	5001182	NUT HEX NYRT M6-1.0 SS	4	4	

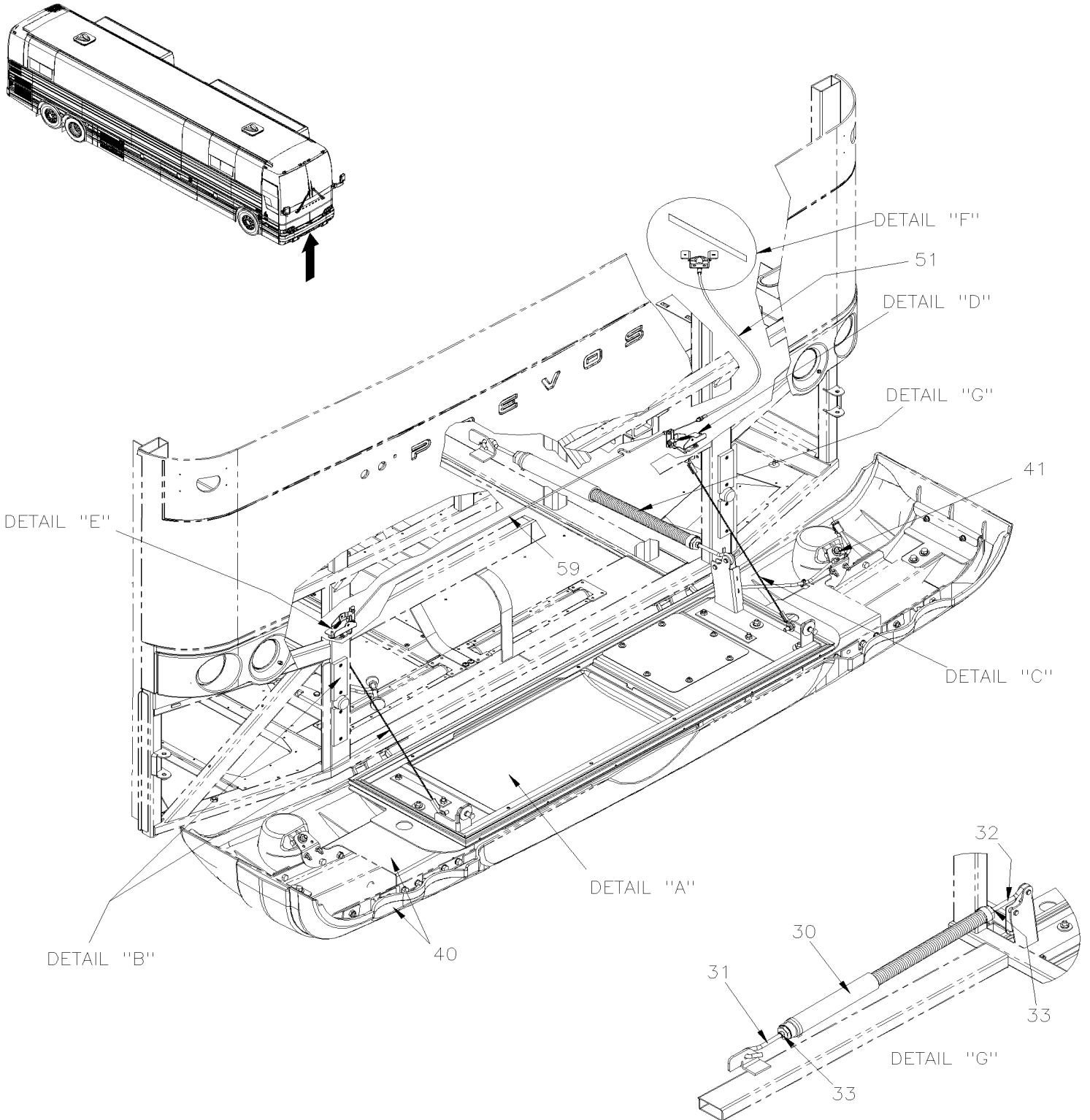


From E-5490

Date:07/2024

PAGE:X3VIP-1860-10

SPARE WHEEL DOOR ASSY



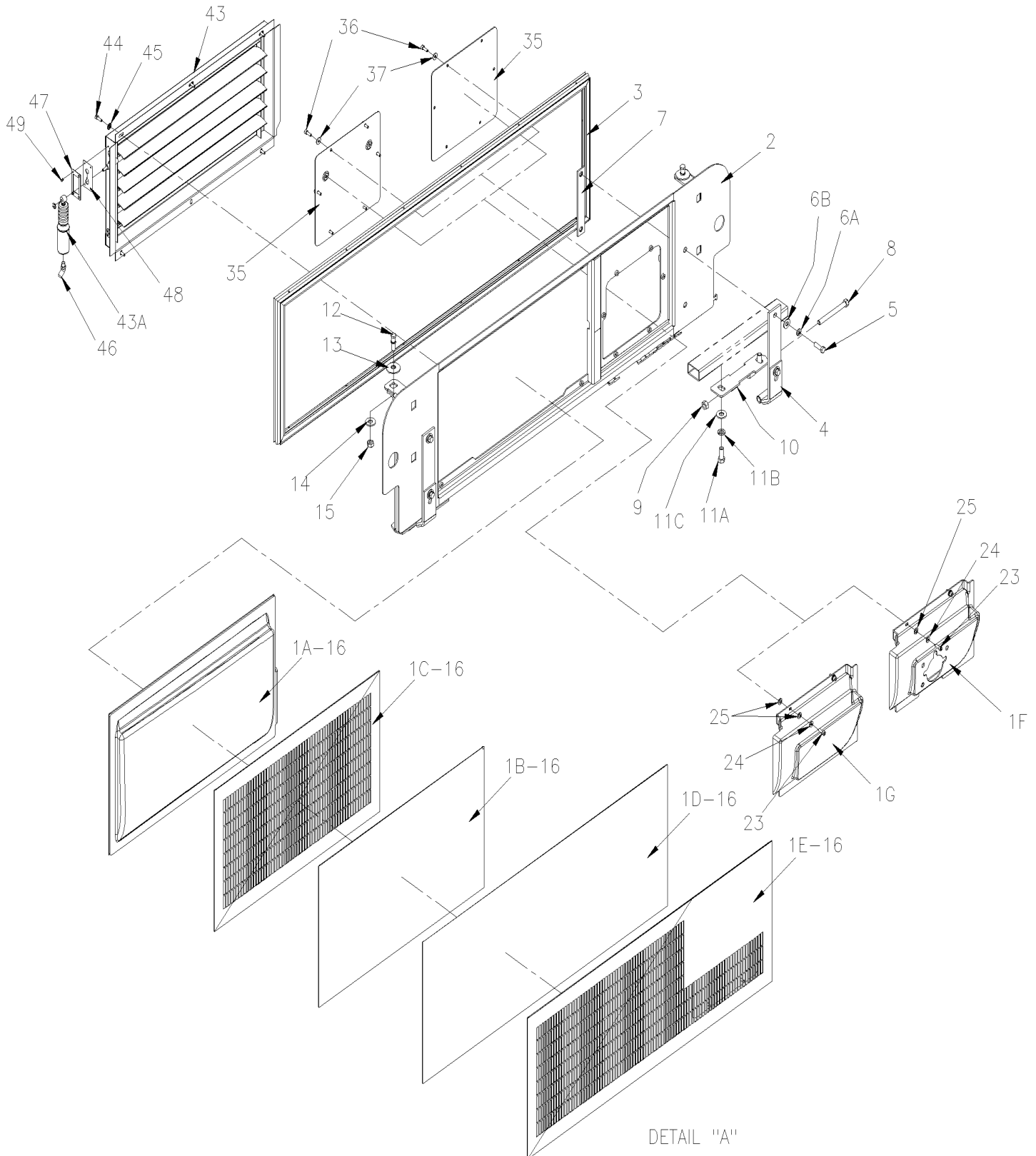


From E-5490

Date:07/2024

PAGE:X3VIP-1860-10

SPARE WHEEL DOOR ASSY



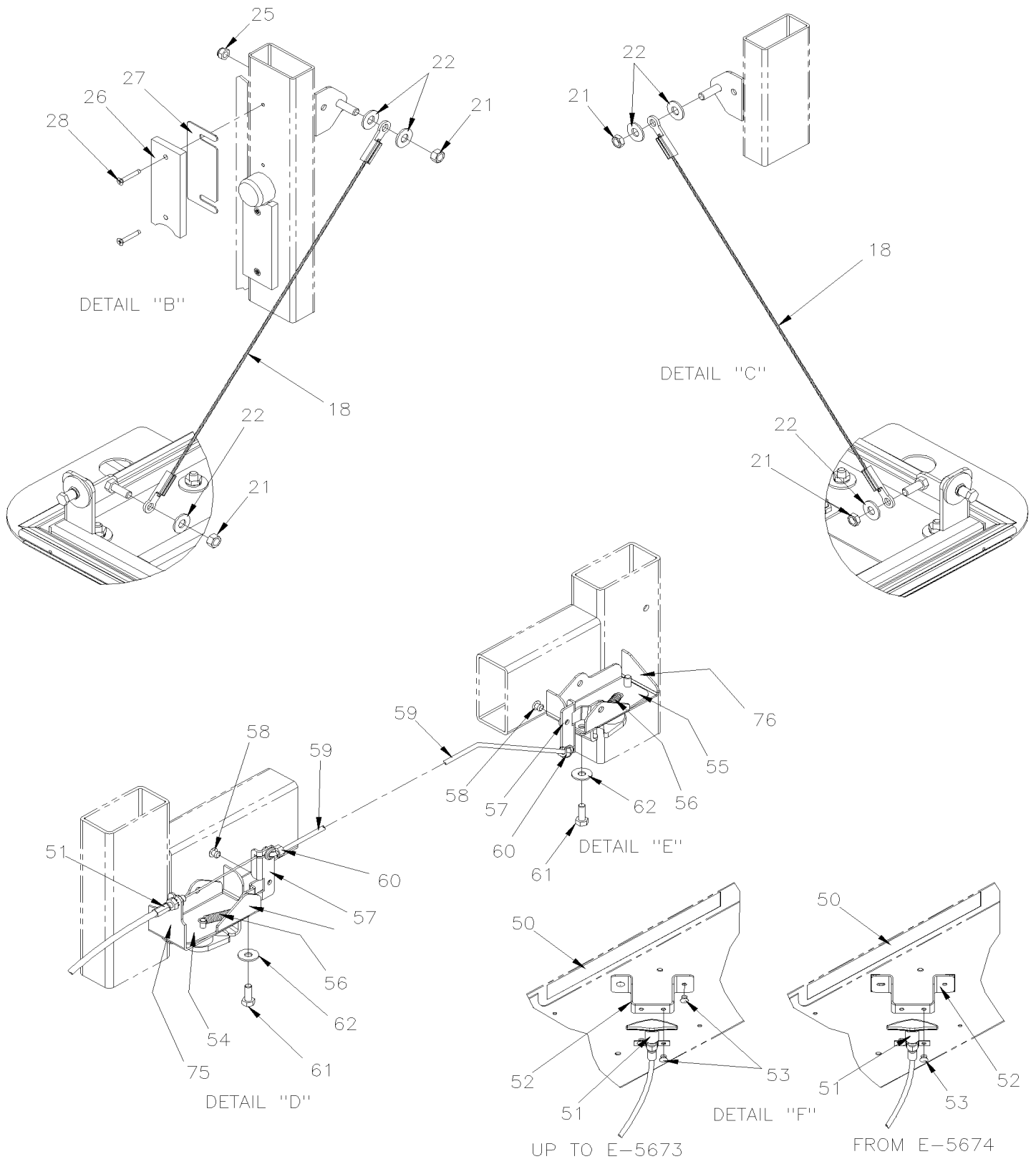


From E-5490

Date:07/2024

PAGE:X3VIP-1860-10

SPARE WHEEL DOOR ASSY





From E-5490		Date:07/2024	PAGE:X3VIP-1860-10
SPARE WHEEL DOOR ASSY			

Item#	Part	Description	X 3 V I P E N T	X 3 V I P M T H	N O T E S
	289273P	SPARE WHEEL DOOR ASSY / W/HINGE To E-5585	1	1	
	287371	SPARE WHEEL DOOR ASSY / W/HINGE / W/ACB To E-5585	1	1	
	287372	SPARE WHEEL DOOR ASSY / W/HINGE From E-5586 To E-5693	1	1	
	287373	SPARE WHEEL DOOR ASSY / W/HINGE / W/ACB From E-5586 To E-5693	1	1	
	280464	SPARE WHEEL DOOR ASSY / W/HINGE W/O ACB W/O SPARE TIRE W/VENT HOLE From E-5694	1	1	
	280467	SPARE WHEEL DOOR ASSY / W/HINGE W/ACB W/O SPARE TIRE W/VENT HOLE From E-5694	1	1	
	280468	SPARE WHEEL DOOR ASSY / W/HINGE W/ACB W/O SPARE TIRE W/O VENT HOLE From E-5694	1	1	
	280457	SPARE WHEEL DOOR ASSY / W/HINGE W/O ACB W/O SPARE TIRE W/O VENT HOLE From E-5694	1	1	
	280469	SPARE WHEEL DOOR ASSY / W/HINGE W/O ACB W/SPARE TIRE From E-5694	1	1	
1A	411230	. PANEL, PLASTIC / WITH SPARE WHEEL CENTRAL To E-5585	1	1	
1A	411330	. PANEL, PLASTIC / WITH SPARE WHEEL CENTRAL From E-5586	1	1	
1B	280254	. PANEL, STAINLESS / WITHOUT SPARE WHEEL CENTRAL	1	1	
1C	280255	. PANEL, PERFORATED WITH ACB SYSTEM	1	1	
1D	288535	. PANEL, PLAIN PANEL WITHOUT ACB SYSTEM / B.A.	1	1	
1E	280259	. PANEL, PERFORATED WITHOUT ACB SYSTEM	1	1	
1F	411231	. PANEL, PLASTIC WITH ACB SYSTEM STREET SIDE To E-5693	1		
1F	411385	. PANEL, PLASTIC WITH ACB SYSTEM STREET SIDE From E-5694 To K-6491	1		
1F	410115	. PANEL, PLASTIC WITH ACB SYSTEM STREET SIDE From L-6492	1		
1G	411245	. PANEL, PLASTIC WITHOUT ACB SYSTEM STREET SIDE To K-6491	1		
1G	410123	. PANEL, PLASTIC WITHOUT ACB SYSTEM STREET SIDE From L-6492	1		
2	289152	. FRAME ASSY To E-5585	1	1	
2	2800871	. FRAME ASSY From E-5586 To E-5693	1	1	
2	2800890	. FRAME ASSY From E-5694	1	1	
3	2800124	. RUBBER SEAL EXTRUSION / SPARE WHEEL DOOR	1	1	
4	288564	. HINGE UPPER SECTION	2	2	
5	5001748	. SCREW CAP HEX 3/8-16x1 1/4 G5 N500	4	4	
6A	502616	. WASHER LO SPT 10.2x18.1x2.2 SS	4	4	
6B	500897	. WASHER FL .437x1.000x.083 N500	4	4	
7	287383	. RETAINING PLATE W/NUT / 195MM X 30MM	2	2	
8	500696	. SCREW CAP HEX 7/16-20x4 1/2 G5 N500	2	2	
9	502661	. NUT HEX STO 7/16-20 N500	2	2	
10	288563	. HINGE LOWER SECTION	2	2	
11A	502594	. SCREW CAP HEX M12-1.75x30 G8.8 Z050 To F-5778	4	4	
11A	5001866	. SCREW CAP HEX M12-1.75x30 G10.9 N500 From F-5779	4	4	
11B	500944	. WASHER LO SPT .506x.873x.125 N500	4	4	
11C	500211	. WASHER FL .531x1.250x.125 N500	4	4	
12	284438	. PIN STRIKER	2	2	
13	500494	. WASHER BEL SPR .470x1.680x.125 N500	2	2	
14	500211	. WASHER FL .531x1.250x.125 N500	2	2	
15	502883	. NUT HEX 7/16-14 N500	2	2	
16	506785	. TAPE RUB ADH2 CC POL 1/16" X 1/4" X 200' / BLACK I1C-N-A	AR	AR	
16	684685	. ADHESIVE SIMSON #ISR 70-03 / 310ml CARTRIDGE	AR	AR	



From E-5490		Date:07/2024	PAGE:X3VIP-1860-10
SPARE WHEEL DOOR ASSY			

Item#	Part	Description	X 3 V I P E N T	X 3 V I P M T H	N O T E S
18	287284	CABLE DOOR ASSY 550MM	2	2	
21	500208	NUT HEX STO 3/8-16 N500	4	4	
22	500897	WASHER FL .437x1.000x.083 N500	6	6	
23	5001648	SCREW CAP HEXS M6-1.0x18 SS BK	2	2	
24	500877	WASHER FL .250x.562x.065 N500	2	2	
25	500374	WASHER FL .375x.625x.062 RUB	2	2	
26	287258	RUBBER BUMPER 126MM X 48MM	4	4	
26	684655	GLUE CONTACT "SCOTCH-GRIP" / 3M #1357-NEUTRAL 3.8 LITERS	AR	AR	
27	411084	SHIM SPACER	AR	AR	
28	502903	SCREW TC FL PH #10-24x1 1/4 N500	8	8	
30	411267P	SPRING ASSY	1	1	
31	5001238	SCREW HOOK 3/8-16x5 ZP	1	1	
32	5001239	SCREW HOOK 3/8-16x5 LH ZP	1	1	
33	500102	NUT HEX 3/8-16 SS	2	2	
35	280251	PLATE CLOSING W/"ACB" To E-5585	1	1	
35	280256	PLATE CLOSING W/OUT "ACB" To E-5585	1	1	
35	2800893	PLATE CLOSING W/"ACB" OR W/OUT "ACB" From E-5586	1	1	
35	2800901	PLATE CLOSING W/OUT "ACB" / WITH SPARE WHEEL From E-5586	1	1	
36	5001648	SCREW CAP HEXS M6-1.0x18 SS BK To E-5585	4	4	
36	5001648	SCREW CAP HEXS M6-1.0x18 SS BK From E-5586	6	6	
37	5001833	WASHER BEL SPR 6.1x18x1.27 SS To E-5585	4	4	
37	5001833	WASHER BEL SPR 6.1x18x1.27 SS From E-5586	6	6	
40	X3VIP-1850-00	BUMPER FRONT To K-6491			
40	X3VIP-1850-01	BUMPER FRONT From L-6492			
41	X3VIP-0661-00	FOG LAMP To K-6442			
41	X3VIP-0661-01	FOG LAMP / LED From K-6443			
42	X3VIP-189X-XX	STRUCTURE / CALL ORDER DESK			
43	053011	SHUTTER ASSY	1	1	
43	550577	. SPRING EXTENSION / .350 O.D. x 6.875 x .069	1	1	
43A	550568	. CYLINDER AIR / SHUTTER / W/4" MOUNT	1	1	
43A	550569	. . BOOT RUBBER	1	1	
43A	550179	. . BUSHING 5/16" I.D. / NYLON	1	1	
44	5001648	SCREW CAP HEXS M6-1.0x18 SS BK	5	5	
45	500356	WASHER LO SERR 6.1x16.0x0.9 N500	5	5	
46	641365	MALE ELBOW 45° NON-SWIVEL / PUSH-IN FITTING / #4x1/8NPT-M BR	1	1	
47	282953	PLATE, CLOSING	1	1	
48	282954	GASKET	1	1	
49	504340	RIVET POP DOME OE 1/8x3/16 SS	4	4	
50	287290	DECAL / "UNLATCH FRONT BUMPER" / ENGLISH & FRANCAIS	1	1	
50	288199	DECAL / "UNLATCH FRONT BUMPER" / ENGLISH & SPANISH	1	1	
51	289495	CABLE HANDLE ASSY	1	1	
52	289981	SUPPORT / HANDLE To E-5673	1	1	



From E-5490		Date:07/2024	PAGE:X3VIP-1860-10
SPARE WHEEL DOOR ASSY			

Item#	Part	Description	X 3 V I P E N T	X 3 V I P M T H	N O T E S
52	411347	SUPPORT / HANDLE / WELDED From E-5674	1	1	
53	504379	RIVET POP DOME OE 3/16x1/4 SS To E-5673	4	4	
53	504379	RIVET POP DOME OE 3/16x1/4 SS From E-5674	2	2	
54	780653	LOCK SPAGNOLET R.H. / W/G-FITTING	1	1	
. NS	780340	. CLIP, RETAINER ROD	1	1	
. NS	507607	. GREASE FITTING / M6-1.00	1	1	
54	680739	GREASE SYNTHETIC / RED 20KG	AR	AR	
55	780652	LOCK SPAGNOLET L.H. / W/G-FITTING	1	1	
. NS	780340	. CLIP, RETAINER ROD	1	1	
. NS	507607	. GREASE FITTING / M6-1.00	1	1	
55	680739	GREASE SYNTHETIC / RED 20KG	AR	AR	
56	284914	SPRING EXTENSION / .305 O.D. x 1.562 x .051	2	2	
57	289496	LEVER PIVOT	2	2	
58	504379	RIVET POP DOME OE 3/16x1/4 SS	2	2	
59	287424	ROD	1	1	
60	780340	CLIP, RETAINER ROD	2	2	
61	5001744	SCREW CAP HEX M6-1.0x16 G8.8 N500	4	4	
62	5001833	WASHER BEL SPR 6.1x18x1.27 SS To J-6219	4	4	
62	5002015	WASHER BEL SPR 6.65x17.4x0.9 SS From J-6220	4	4	
NS	680739	GREASE SYNTHETIC / RED 20KG	AR	AR	
75	289497	SUPPORT SPAGNOLET	1	1	
76	287423	SUPPORT SPAGNOLET	1	1	
NS	161192	DECAL "WARNING SPARE TIRE...." BILINGUAL 315/80/R22.5 Tag & Dr125 To E-5585	1	1	
86	161301	DECAL "WARNING SPARE TIRE...." BILINGUAL 315/80/R22.5 Tag & Dr125 From E-5586	1	1	

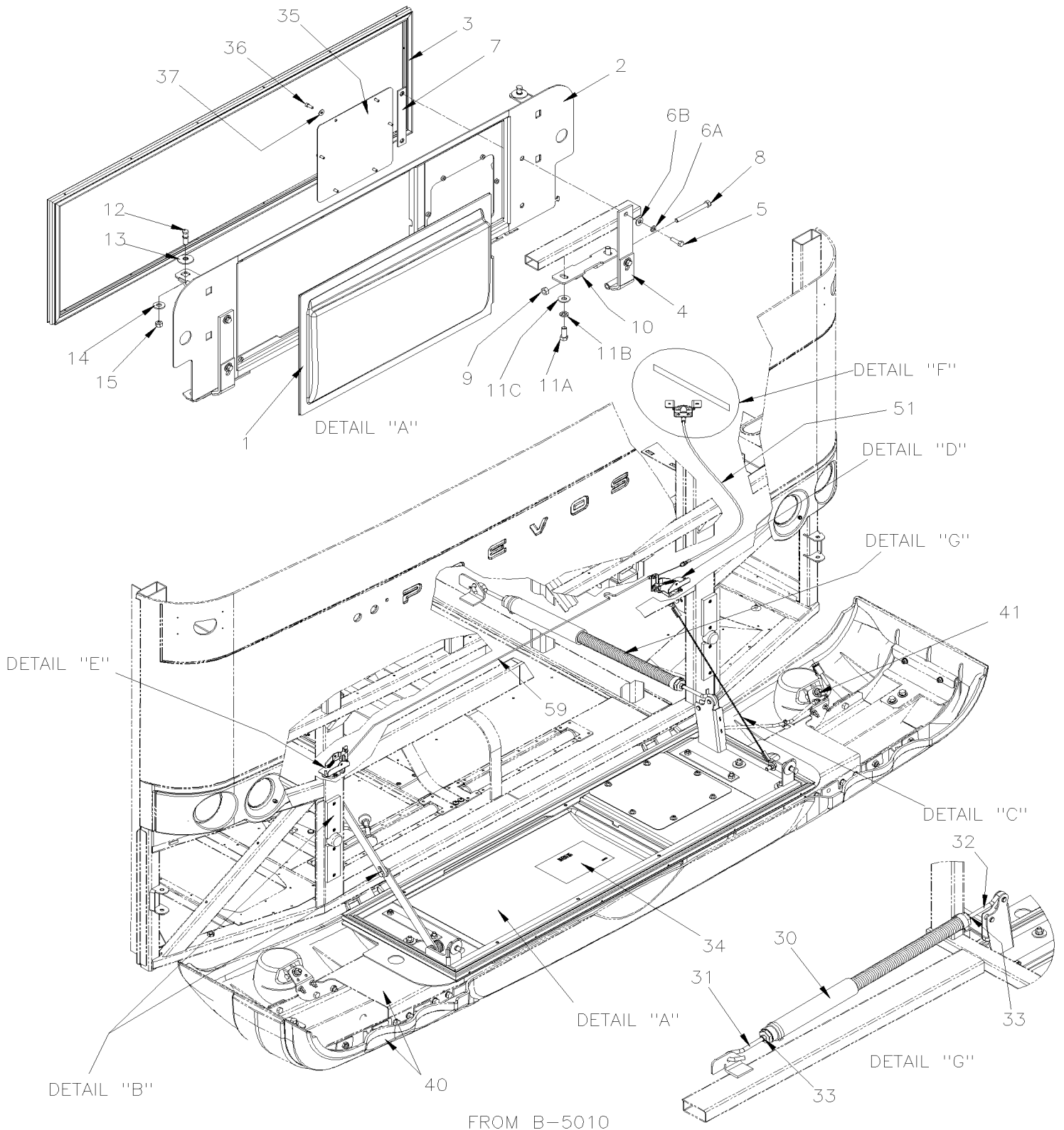


From K-6454

Date:07/2024

PAGE:X3VIP-1860-30

SPARE WHEEL DOOR ASSY



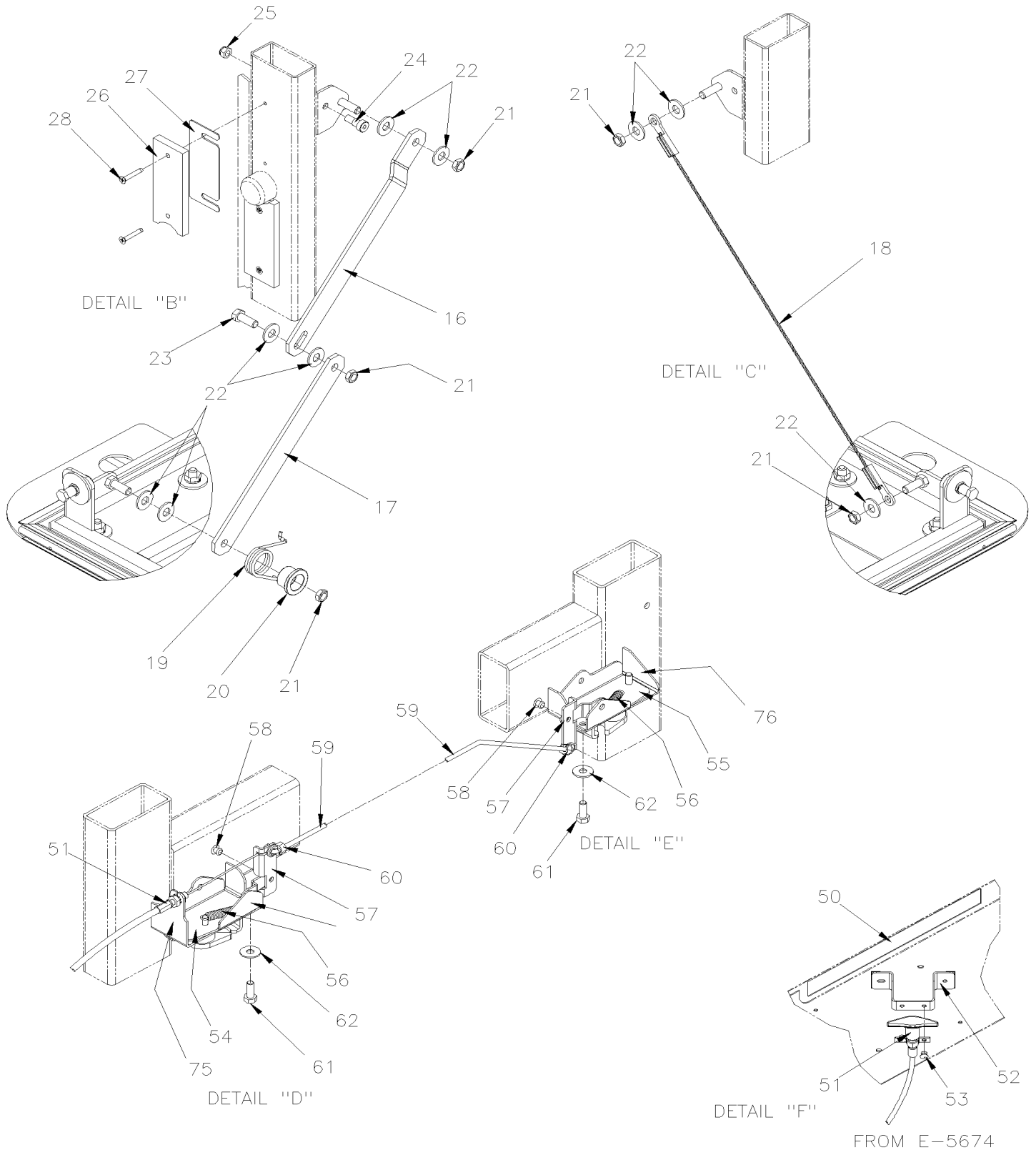


From K-6454

Date:07/2024

PAGE:X3VIP-1860-30

SPARE WHEEL DOOR ASSY





From K-6454	Date:07/2024	PAGE:X3VIP-1860-30
SPARE WHEEL DOOR ASSY		

Item#	Part	Description	X 3 V I P E N T	X 3 V I P M T H	N O T E S
	287331	SPARE WHEEL DOOR ASSY / W/HINGE	1	1	
1	411330	. PANEL, PLASTIC / WITH SPARE WHEEL CENTRAL	1	1	
1	506785	. TAPE RUB ADH2 CC POL 1/16" X 1/4" X 200' / BLACK I1C-N-A	AR	AR	
1	684685	. ADHESIVE SIMSON #ISR 70-03 / 310ml CARTRIDGE	AR	AR	
2	2800890	. FRAME ASSY	1	1	
3	2800124	. RUBBER SEAL EXTRUSION / SPARE WHEEL DOOR	1	1	
4	288564	. HINGE UPPER SECTION	2	2	
5	5001748	. SCREW CAP HEX 3/8-16x1 1/4 G5 N500	4	4	
6A	502616	. WASHER LO SPT 10.2x18.1x2.2 SS	4	4	
6B	500897	. WASHER FL .437x1.000x.083 N500	4	4	
7	287383	. RETAINING PLATE W/NUT / 195MM X 30MM	2	2	
8	500696	. SCREW CAP HEX 7/16-20x4 1/2 G5 N500	2	2	
9	502661	. NUT HEX STO 7/16-20 N500	2	2	
10	288563	. HINGE LOWER SECTION	2	2	
11A	5001866	. SCREW CAP HEX M12-1.75x30 G10.9 N500	4	4	
11B	500944	. WASHER LO SPT .506x.873x.125 N500	4	4	
11C	500211	. WASHER FL .531x1.250x.125 N500	4	4	
12	284438	. PIN STRIKER	2	2	
13	500494	. WASHER BEL SPR .470x1.680x.125 N500	2	2	
14	500211	. WASHER FL .531x1.250x.125 N500	2	2	
15	502883	. NUT HEX 7/16-14 N500	2	2	
16	2800999	ARM, TIRE DOOR SUPPORT SUPERIOR	1	1	
17	2801002	ARM, TIRE DOOR SUPPORT INFERIOR	1	1	
18	287284	CABLE DOOR ASSY 550MM	1	1	
19	2800945	SPRING TORSION	1	1	
20	2800536	BUSHING, BUMPER SPRING	1	1	
21	500208	NUT HEX STO 3/8-16 N500	5	5	
22	500897	WASHER FL .437x1.000x.083 N500	8	8	
23	500197	SCREW CAP HEX 3/8-16x1 G5 N500	1	1	
24	5001285	SCREW SHR HEXS 3/8x3/8 {5/16-18	1	1	
25	500685	NUT HEX NYRT 5/16-18 SS	1	1	
26	287258	RUBBER BUMPER 126MM X 48MM	4	4	
26	684655	GLUE CONTACT "SCOTCH-GRIP" / 3M #1357-NEUTRAL 3.8 LITERS	AR	AR	
27	411084	SHIM SPACER	AR	AR	
28	502903	SCREW TC FL PH #10-24x1 1/4 N500	8	8	
30	411267P	SPRING ASSY	1	1	
31	5001238	SCREW HOOK 3/8-16x5 ZP	1	1	
32	5001239	SCREW HOOK 3/8-16x5 LH ZP	1	1	
33	500102	NUT HEX 3/8-16 SS	2	2	
34	150795	DECAL "WARNING SPARE TIRE...." BILINGUAL / ENGLISH & SPANISH	1	1	
34	150796	DECAL "WARNING SPARE TIRE...." BILINGUAL / ENGLISH & FRANCAIS	1	1	
35	2800893	PLATE CLOSING W/"ACB" OR W/OUT "ACB"	1	1	



From K-6454		Date:07/2024	PAGE:X3VIP-1860-30
SPARE WHEEL DOOR ASSY			

Item#	Part	Description	X 3 V I P E N T	X 3 V I P M T H	N O T E S
36	5001648	SCREW CAP HEXS M6-1.0x18 SS BK	6	6	
37	5001833	WASHER BEL SPR 6.1x18x1.27 SS	6	6	
40	X3VIP-1850-00	BUMPER FRONT To K-6491			
40	X3VIP-1850-01	BUMPER FRONT From L-6492			
41	X3VIP-0661-00	FOG LAMP To K-6442			
41	X3VIP-0661-01	FOG LAMP / LED From K-6443			
50	287290	DECAL / "UNLATCH FRONT BUMPER" / ENGLISH & FRANCAIS	1	1	
50	288199	DECAL / "UNLATCH FRONT BUMPER" / ENGLISH & SPANISH	1	1	
51	289495	CABLE HANDLE ASSY	1	1	
52	411347	SUPPORT / HANDLE / WELDED	1	1	
53	504379	RIVET POP DOME OE 3/16x1/4 SS	2	2	
54	780653	LOCK SPAGNOLET R.H. / W/G-FITTING	1	1	
. NS	780340	. CLIP, RETAINER ROD	1	1	
. NS	507607	. GREASE FITTING / M6-1.00	1	1	
54	680739	GREASE SYNTHETIC / RED 20KG	AR	AR	
55	780652	LOCK SPAGNOLET L.H. / W/G-FITTING	1	1	
. NS	780340	. CLIP, RETAINER ROD	1	1	
. NS	507607	. GREASE FITTING / M6-1.00	1	1	
55	680739	GREASE SYNTHETIC / RED 20KG	AR	AR	
56	284914	SPRING EXTENSION / .305 O.D. x 1.562 x .051	2	2	
57	289496	LEVER PIVOT	2	2	
58	504379	RIVET POP DOME OE 3/16x1/4 SS	2	2	
59	287424	ROD	1	1	
60	780340	CLIP, RETAINER ROD	2	2	
61	5001744	SCREW CAP HEX M6-1.0x16 G8.8 N500	4	4	
62	5002015	WASHER BEL SPR 6.65x17.4x0.9 SS	4	4	
NS	680739	GREASE SYNTHETIC / RED 20KG	AR	AR	
75	289497	SUPPORT SPAGNOLET	1	1	
76	287423	SUPPORT SPAGNOLET	1	1	
86	161301	DECAL "WARNING SPARE TIRE...." BILINGUAL 315/80/R22.5 Tag & Dr125	1	1	

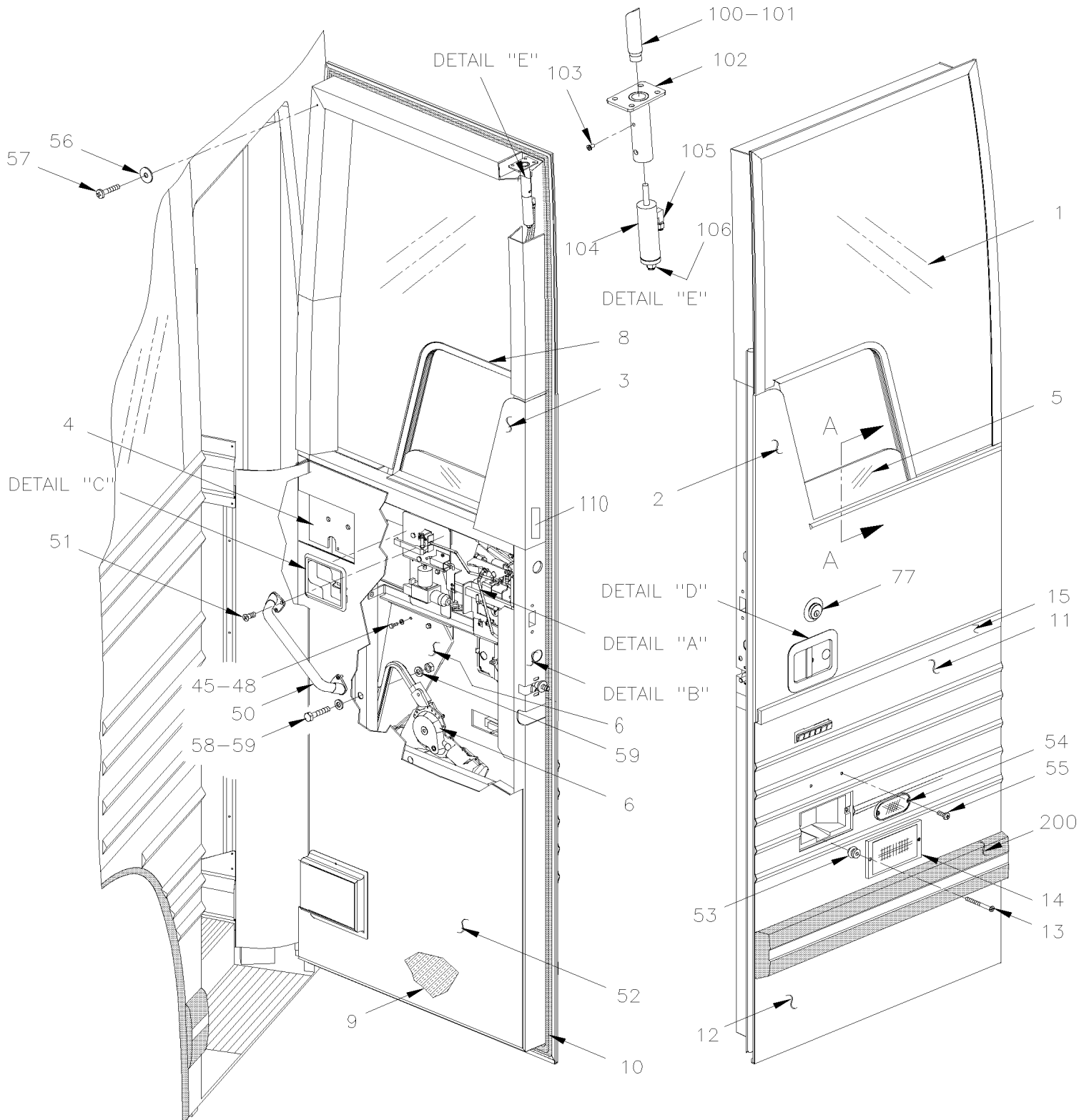


From E-5490 To F-5874

Date:07/2024

PAGE:X3VIP-1862-50

ENTRANCE DOOR ASSY



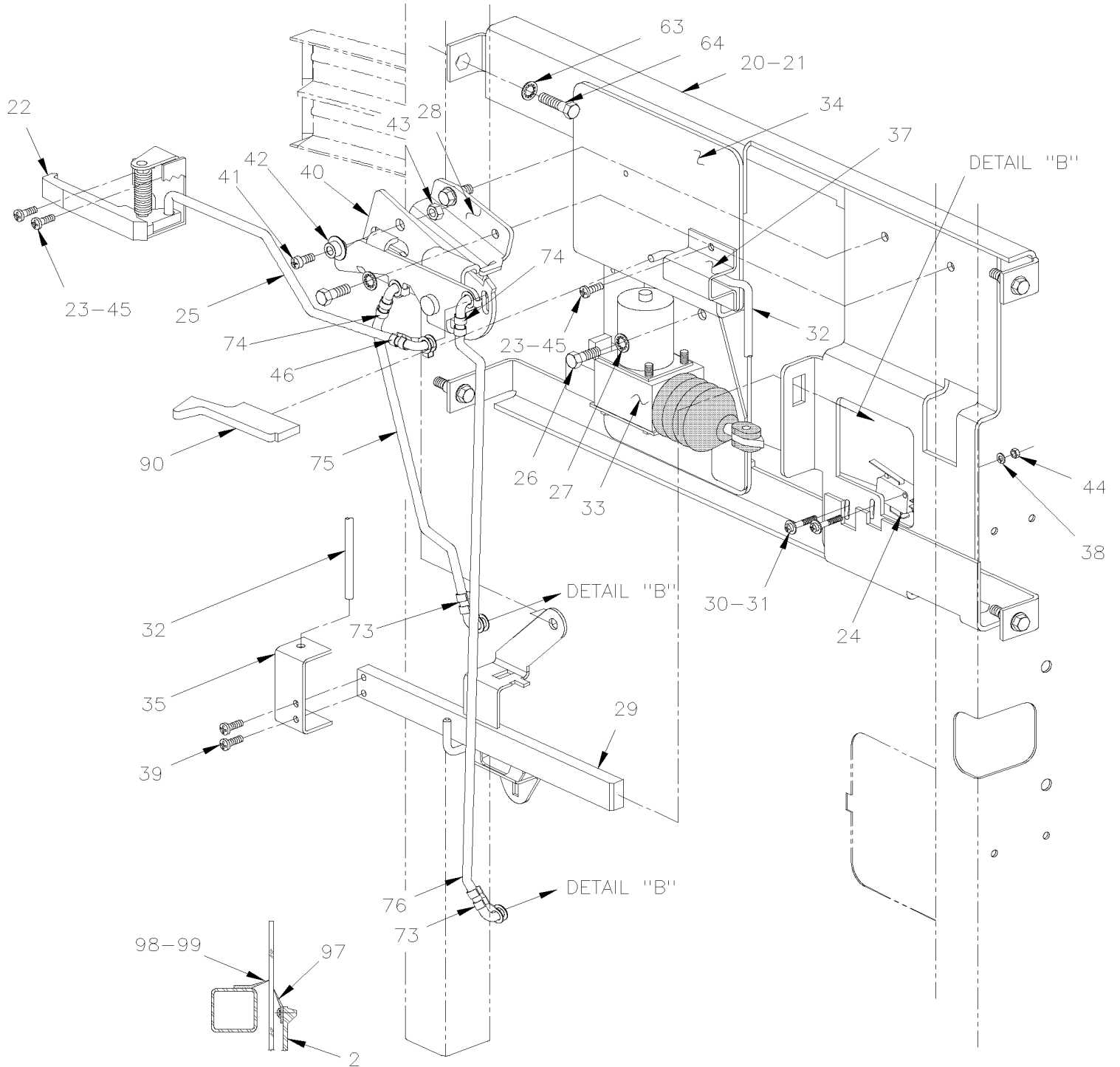


From E-5490 To F-5874

Date:07/2024

PAGE:X3VIP-1862-50

ENTRANCE DOOR ASSY



SECTION "A-A"

DETAIL "A"

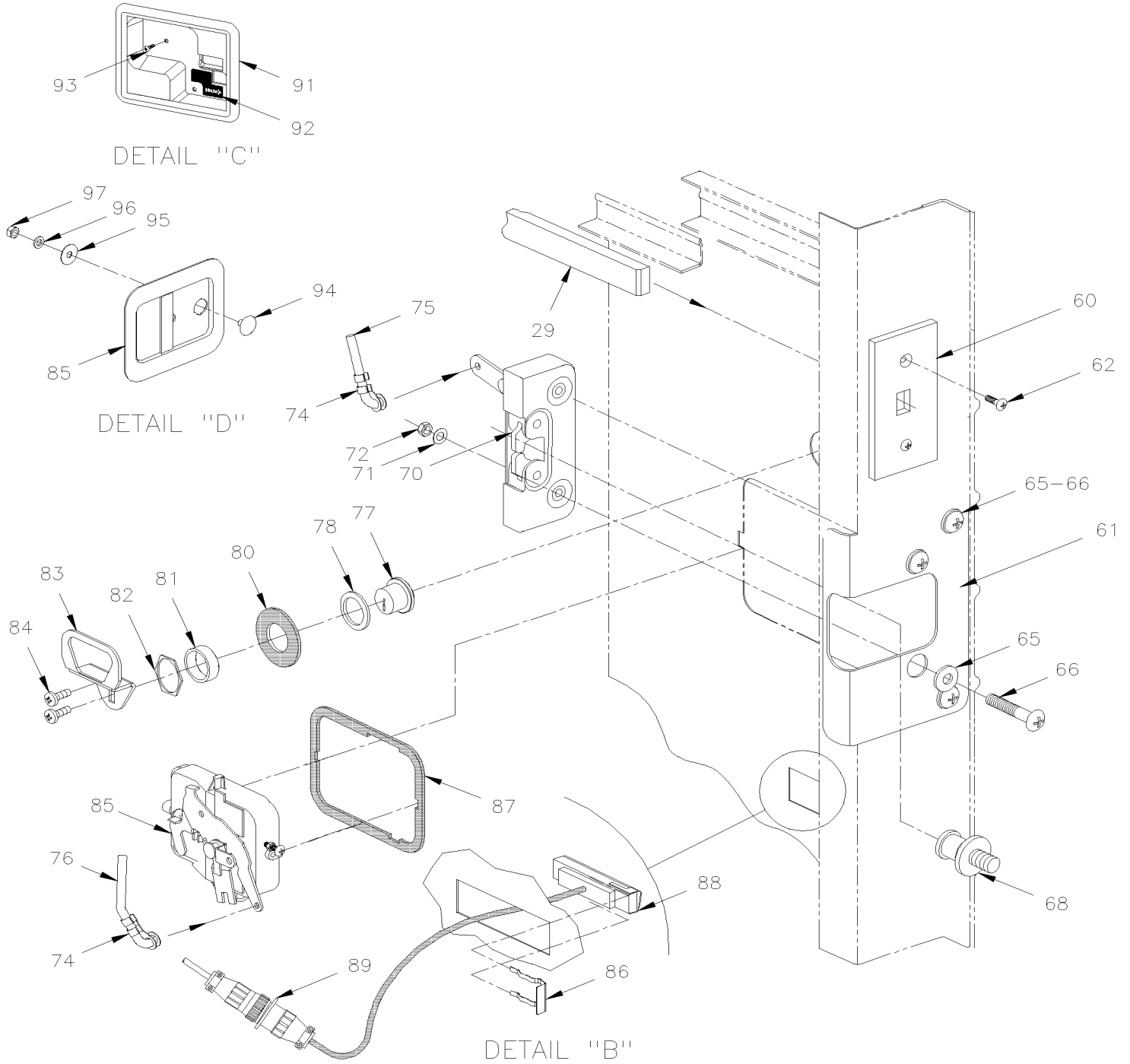


From E-5490 To F-5874

Date:07/2024

PAGE:X3VIP-1862-50

ENTRANCE DOOR ASSY





From E-5490 To F-5874	Date:07/2024	PAGE:X3VIP-1862-50
-----------------------	--------------	--------------------

ENTRANCE DOOR ASSY

Item#	Part	Description	X 3 V I P E N T	X 3 V I P M T H	N O T E S
		ALL DOORS ASSY DO NOT INCLUDE			
		RUB-RAIL PLEASE ORDER SEPARATELY			
	287181P	ENTRANCE DOOR ASSY MTH 89"	1	1	
1	286427	GLASS ENTRANCE DOOR / MTH 86" & 89"	1	1	
2	286715	PANEL UPPER / MTH 89"	1	1	
3	287915	FINISHING CAP MTH 83", 86", & 89"	1	1	
NS	504340	RIVET POP DOME OE 1/8x3/16 SS	3	3	
4	287136P	FRAME ASSY 89"	1	1	
5	286196	GLASS ASSY W/SUPPORT	1	1	
5	286078	GLASS	1	1	
5	299049	SUPPORT ASSY	1	1	
5	687957	GLUE MS POLYMER TEROSON MS 9399 / 400ml CARTRIDGE	1	1	
6	X3VIP-1886-00	POWER WINDOW - ELECTRICAL INSTALLATION			
8	293088	MOULDING	1	1	
9	286736	INSULATION WITH 89" DOOR	1	1	
10	2800129	RUBBER SEAL EXTRUSION // ENTRANCE DOOR MTH-89"	1	1	
11	288523	PANEL CENTER / MTH W/DOCKING LAMP / B.A.	1	1	
12	288524	PANEL LOWER / B.A.	1	1	
NS	504335	RIVET POP DOME CLE 3/16x1/4 AL	2	2	
NS	500437	WASHER FL .125x.375x.040 Z050	2	2	
13	502530	SCREW MA OV PH M4-0.7x40 SS	2	2	
14	X3VIP-0663-00	DOCK & CORNERING LIGHT			
15	288522	FINISHING MOULDING 800MM / B.A.	1	1	
20	288554	. MECHANISM ASSY To E-5598	1	1	
20	2800471	. MECHANISM ASSY From E-5599	1	1	
21	289957	. . SUPPORT ASSY To E-5598	1	1	
21	2800470	. . SUPPORT ASSY From E-5599	1	1	
22	780484	. . LEVER, RELEASE To E-5598	1	1	
22	780891	. . LEVER, RELEASE From E-5599	1	1	
23	500654	. . SCREW TC BDG PH #8-32x1/2 Z050	4	4	
24	561677	. . MICRO SWITCH	1	1	
NS	680066	. . ADHESIVE / ADBOND #5014 / 23.6ML BOTTLE	AR	AR	
25	283387	. . ROD	1	1	
26	500472	. . WASHER LO INT .256x.478x.028 Z050	4	4	
27	502531	. . SCREW CAP HEX M6-1.0x16 G8.8 Z050	4	4	
28	288552	. . SHUTTER, RELEASE ASSY	1	1	
29	286217	. . BAR ASSY, RIVETED	1	1	
30	5001412	. . SCREW MA CHE PH M3-0.5x20 EMN	2	2	
31	500591	. . WASHER FL 4.3x9.0x0.8 Z050	2	2	
32	284836	. . ROD	1	1	



From E-5490 To F-5874	Date:07/2024	PAGE:X3VIP-1862-50
ENTRANCE DOOR ASSY		

Item#	Part	Description	X 3 V I P E N T	X 3 V I P M T H	N O T E S
33	2800049	.. LOCK ACTUATOR / 12V	1	1	
34	289960	.. SUPPORT ACTUATOR	1	1	
35	283364	.. TIE	1	1	
37	780483	.. CLAMP	1	1	
38	502579	.. NUT HEX M3-0.5 NP	2	2	
39	500393	.. SCREW TC PAN PH #10-24x3/8 Z050	2	2	
40	502156	.. SPRING EXTENSION / .437 O.D. x 2 x .041	1	1	
41	502746	.. SCREW MA PAN PH M5-0.8x20 SS BK	1	1	
42	285546	.. STOPPER	1	1	
43	502782	.. NUT HEX NYRT M5-0.8 Z050	1	1	
44	502691	.. WASHER LO SPT 3.6x6.7x0.8 Z050	2	2	
45	680066	.. ADHESIVE / ADBOND #5014 / 23.6ML BOTTLE	AR	AR	
46	504541	.. CLIP ROD 1/4" R.H.	1	1	
48	502806	SCREW MA FL PH M6-1.0x10 Z050	2	2	
50	901047	HANDLE / SHORT	1	1	
51	500616	SCREW TP FL PH #10x3/4 Z050	4	4	
52	289281	PANEL FINISHING / AL. / MTH 89" To F-5821	1	1	
52	2800913	PANEL FINISHING / AL. / MTH 89" From F-5822	1	1	
NS	504373	PLUG BUTTON / 1.000 O.D. / BARE METAL	3	3	
NS	286117	FINISHING PLATE	1	1	
NS	289282	ACCESS PANEL 834MM X 494MM To E-5598	1	1	
52	2800472	ACCESS PANEL From E-5599 To F-5821	1	1	
52	2800912	ACCESS PANEL From F-5822	1	1	
53	500589	NUT WELL M4-0.7x13.5	2	2	
54	930212	REFLECTOR AMBER 1 1/8" x 4 3/8"	1	1	
55	500124	SCREW TP TR PH #8x1/2 SS	2	2	
56	500345	WASHER FN CKF .187x.500x.090 BR BK	14	14	
57	5001097	SCREW TC OV PH #6-32x3/4 SS410 BK	14	14	
58	502622	SCREW CAP HEX M6-1.0x20 SS BK	4	4	
59	502573	WASHER FL 6.4x12.5x1.6 SS	4	4	
60	283397	GUIDE ASSY	1	1	
61	286117	FINISHING PLATE	1	1	
62	500654	SCREW TC BDG PH #8-32x1/2 Z050	2	2	
62	500438	WASHER FL .187x.437x.050 Z050	2	2	
63	502582	WASHER LO SERR 6.1x16.2x0.9 Z050	2	2	
64	5001433	SCREW CAP HEX M6-1.0x25 SS	1	1	
65	500411	WASHER FL .260x.697x.050 SS	4	4	
66	500559	SCREW MA TR PH 1/4-20x1 1/2 SS EMN	4	4	
68	780189	STRIKER & SHIM	1	1	A
70	780592	LATCH, LH.	1	1	
71	500411	WASHER FL .260x.697x.050 SS	4	4	
72	502716	NUT HEX NYRT 1/4-20	4	4	



From E-5490 To F-5874	Date:07/2024	PAGE:X3VIP-1862-50
------------------------------	---------------------	---------------------------

ENTRANCE DOOR ASSY

Item#	Part	Description	X 3 V I P E N T	X 3 V I P M T H	N O T E S
73	504243	CLIP ROD 1/4" L.H.	2	2	
74	504541	CLIP ROD 1/4" R.H.	4	4	
NS	504541	CLIP ROD 1/4" R.H.	2	2	
75	288201	RELEASE MECHANISM ROD	1	1	
76	288200	HANDLE ROD	1	1	
77	780803	CYLINDER LOCK ASSY W/2 KEYS / "SCHLAGE" SERVICE	1	1	
NS	780902	KEY / "SCHLAGE" BLANK	1	1	
NS	780562	KEY / "CORBIN" BLANK	1	1	
78	283468	WASHER FINISHING	1	1	
80	285188	GASKET	1	1	
81	286704	SPACER / LOCK & NUT	1	1	
82	780427	NUT	1	1	
83	286626	LEVER, TRIANGULAR SHAPE / W/"CORBIN" 18MM OFFSET	1	1	
83	289029	LEVER, TRIANGULAR SHAPE / W/"SCHLAGE" 18MM OFFSET SERVICE	1	1	
84	N.S.P.	SCREW MA FL PH 22 (INCLUDE W/ITEM #77)	1	1	2
85	780713	HANDLE EXTERIOR	1	1	
NS	288814	SPACER	1	1	
NS	500438	WASHER FL .187x.437x.050 Z050	1	1	
NS	500438	WASHER FL .187x.437x.050 Z050	1	1	
NS	507610	FOAM LOW EXPANSION	1	1	
86	780637	CLIP RETAINER	1	1	
87	288815	GASKET	1	1	
88	065301	KEYBOARD ASSY To E-5666	1	1	
88	069126P	KEYBOARD ASSY From E-5667	1	1	
88	066432	DOOR KEYLESS ENTRY HARNESS From E-5667	1	1	
88	065900	WATER DEFLECTOR / PLASTIC	1	1	C
NS	565916	MODULE INTERFACE KEYLESS SYSTEM From E-5667	1	1	D
NS	066810	HARNES INTERFACE MODULE SKIM From E-5667	1	1	D
NS	500508	SCREW TC PAN PH #10-32x1 1/2 Z050 From E-5667	2	2	D
NS	504637	CABLE TIE / 3/16" x 13" From E-5667	4	4	D
88	069141	KEYBOARD REPLACEMENT KIT To E-5666	1	1	SAV
NS	069071	HARNESS ENTRANCE DOOR KEYLESS SKIM To E-5666	1	1	SAV
NS	069164	SUPPORT SKIM MODULE To E-5666	1	1	SAV
NS	069166	HARNESS KEYLESS KEYPAD - CPC To E-5666	1	1	SAV
NS	502868	SCREW TC TR PH #10-16x1/2 N500 To E-5666	2	2	SAV
NS	502903	SCREW TC FL PH #10-24x1 1/4 N500 To E-5666	3	3	SAV
NS	504013	TIE MOUNT / 1/4" X 1/4" I.D. To E-5666	3	3	SAV
NS	504637	CABLE TIE / 3/16" x 13" To E-5666	6	6	SAV
NS	565914	KEYPAD, DOOR LOCK W/CONNECTOR To E-5666	1	1	SAV
NS	565916	MODULE INTERFACE KEYLESS SYSTEM To E-5666	1	1	SAV
NS	IS-13158	SEE INSTRUCTION SHEET To E-5666	1	1	SAV
NS	FI-13158	VOIR FEUILLE D'INSTRUCTION To E-5666	1	1	SAV



From E-5490 To F-5874	Date:07/2024	PAGE:X3VIP-1862-50
ENTRANCE DOOR ASSY		

Item#	Part	Description	X 3 V I P E N T	X 3 V I P M T H	N O T E S
89	064831	CABLE KEYLESS MODULE	1	1	
NS	504637	CABLE TIE / 3/16" x 13"	1	1	
NS	560503	CLAMP / 1/4" I.D.	1	1	
NS	500641	SCREW TP PAN PH #8x3/4 Z050	1	1	
90	284127	BUTTON	1	1	
91	780482	BEZEL To E-5598	1	1	
91	780890	BEZEL From E-5599	1	1	
92	283769	. DECAL / "LOCK"	1	1	
93	5001155	SCREW TP PAN PH #8X3/4 N050	1	1	
94	286480	PLUG SS 3/4" O.D. X M8-1.25	1	1	
95	286481	WASHER FL .354x1.02x 22GA SS	1	1	
96	502507	WASHER LO SPT 8.1x14.8x2.0 Z050	1	1	
97	286993	FLAP SEAL GLASS ASSY	1	1	
NS	286992	. FLAP SUPPORT	1	1	
98	288063	. FLAP SEAL / W/FLOCKING 37.6MM x 335MM	1	1	
99	286717	JOINT SUPPORT 345MM SS	1	1	
NS	500124	SCREW TP TR PH #8x1/2 SS	4	4	
100	287012	UPPER LOCK ASSY	1	1	
101	282383	. CATCH	1	1	
102	287011	. PLATE MOUNTING	1	1	
103	500560	. SCREW MA PAN PH M4-0.7x6 Z050	1	1	
NS	502636	. WASHER LO SPT 4.1x7.6x0.9 Z050	1	1	
104	641983	. CYLINDER 7/8" X 1" STROKE / DOUBLE ACTION	1	1	
105	641369	. MALE ELBOW 90° NON-SWIVEL / PUSH-IN FITTING / #4x1/8NPT-M BR	1	1	
106	641242	. MALE CONNECTOR / PUSH-IN FITTING / #4x1/8NPT-M BR	1	1	
NS	683276	. GREASE LOW TEMPERATURE 450GR	AR	AR	
110	406050	DECAL / "C.W.A." & "T.C.A."	1	1	
110	157729	DECAL / WALL TO WALL TURNING DIAM 90' 3" WITH VIN #	1	1	
. NS	157730	. DECAL / WALL TO WALL TURNING DIAM 90' 3" W/OUT VIN RAW MATERIAL	1	1	
200	X3VIP-1855-00	RUB RAIL - EXTERIOR CREST & TRIMS			
NS	506769	TAPE RUB ADH2 CC POL 1/8" x 1/4" x 60' / BLACK H1CC-N-#14	AR	AR	
NS	506790	TAPE RUB ADH2 CC POL 1/16" x 1/2" x 200' / BLACK I1C-N-A	AR	AR	
NS	680065	TAPE COMPOUND / BLACK / 1/32" X 1" X 33' / L163-2400	AR	AR	
NS	684517	ADHESIVE SIMSON #ISR 70-03 / GREY / 310ml CARTRIDGE	AR	AR	
NS	687957	GLUE MS POLYMER TEROSON MS 9399 / 400ml CARTRIDGE	AR	AR	
NS	687958	MIXER QUADRO 10.7MM W/"V" ADAPTOR / "B"	1	1	
NS	289984	SUPPORT WATER DEFLECTOR	1	1	
NS	289948	DEFLECTOR LONG	1	1	
		A) FIXED ON STRUCTURAL FRAME			



From E-5490 To F-5874	Date:07/2024	PAGE:X3VIP-1862-50
-----------------------	--------------	--------------------

ENTRANCE DOOR ASSY

Item#	Part	Description	X 3 V I P E N T	X 3 V I P M T H	N O T E S
		C) FOR PRODUCT IMPROVEMENT USE THIS NEW DEFLECTOR UP TO 4-8261			
		D) INSTALL INSIDE DEFROSTER COMPARTMENT			
		SAV) SERVICE ONLY			
		2) NOT SOLD BY PREVOST (SEE MANUFACTURING PART NUMBER AT END OF DESCRIPTION LINE)			

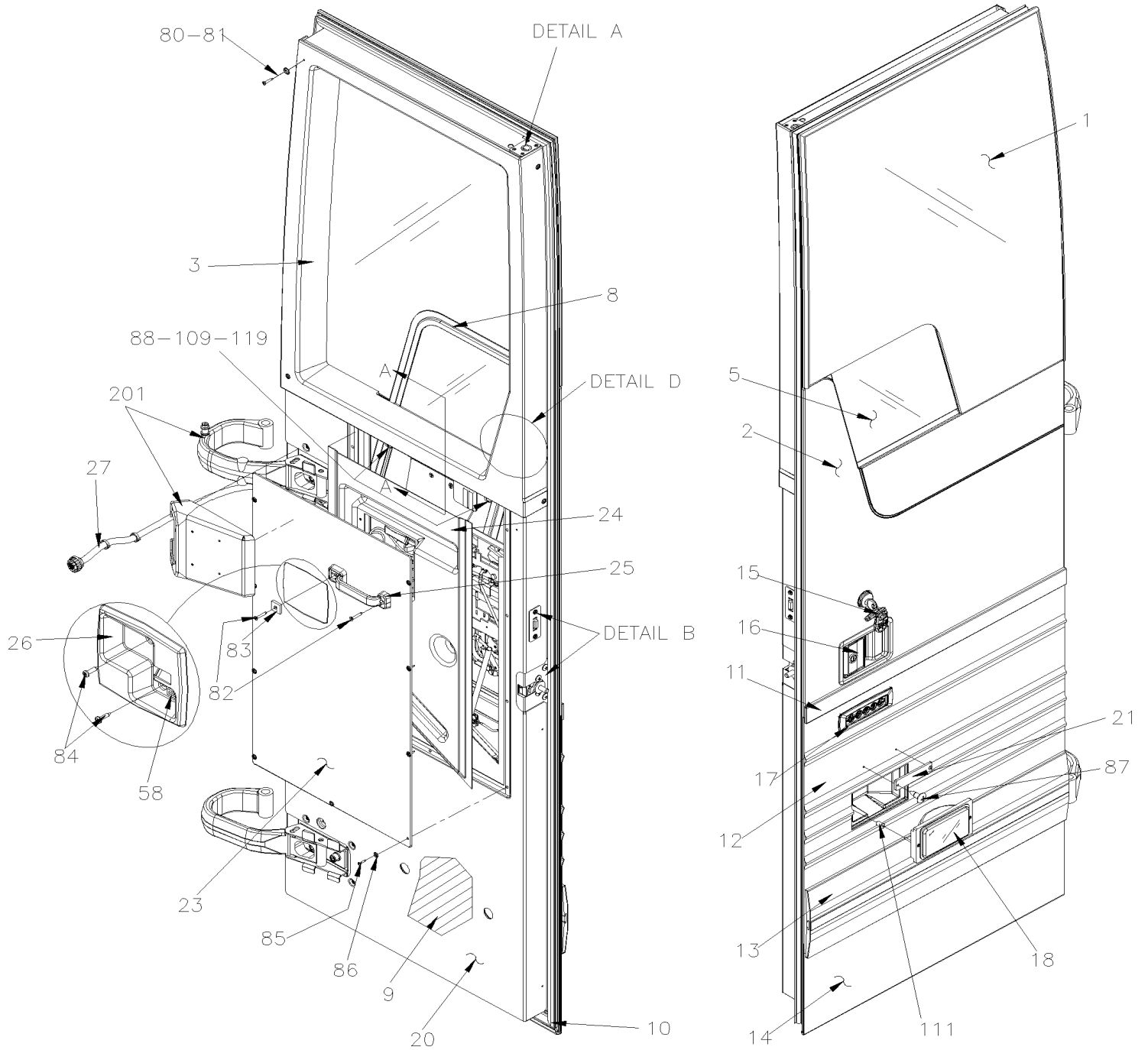


From F-5875 To K-6491

Date:07/2024

PAGE:X3VIP-1862-51

ENTRANCE DOOR ASSY



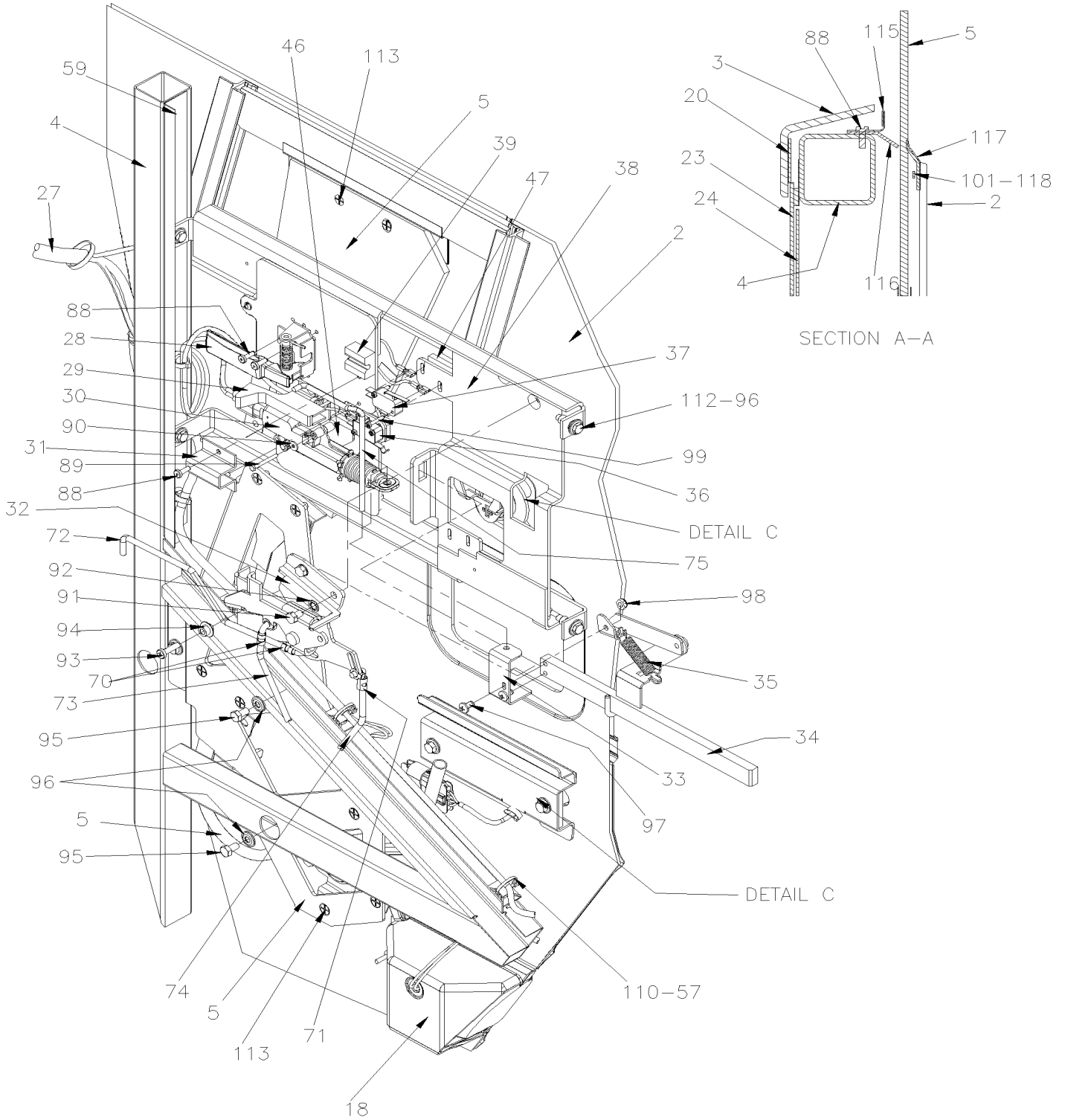


From F-5875 To K-6491

Date:07/2024

PAGE:X3VIP-1862-51

ENTRANCE DOOR ASSY



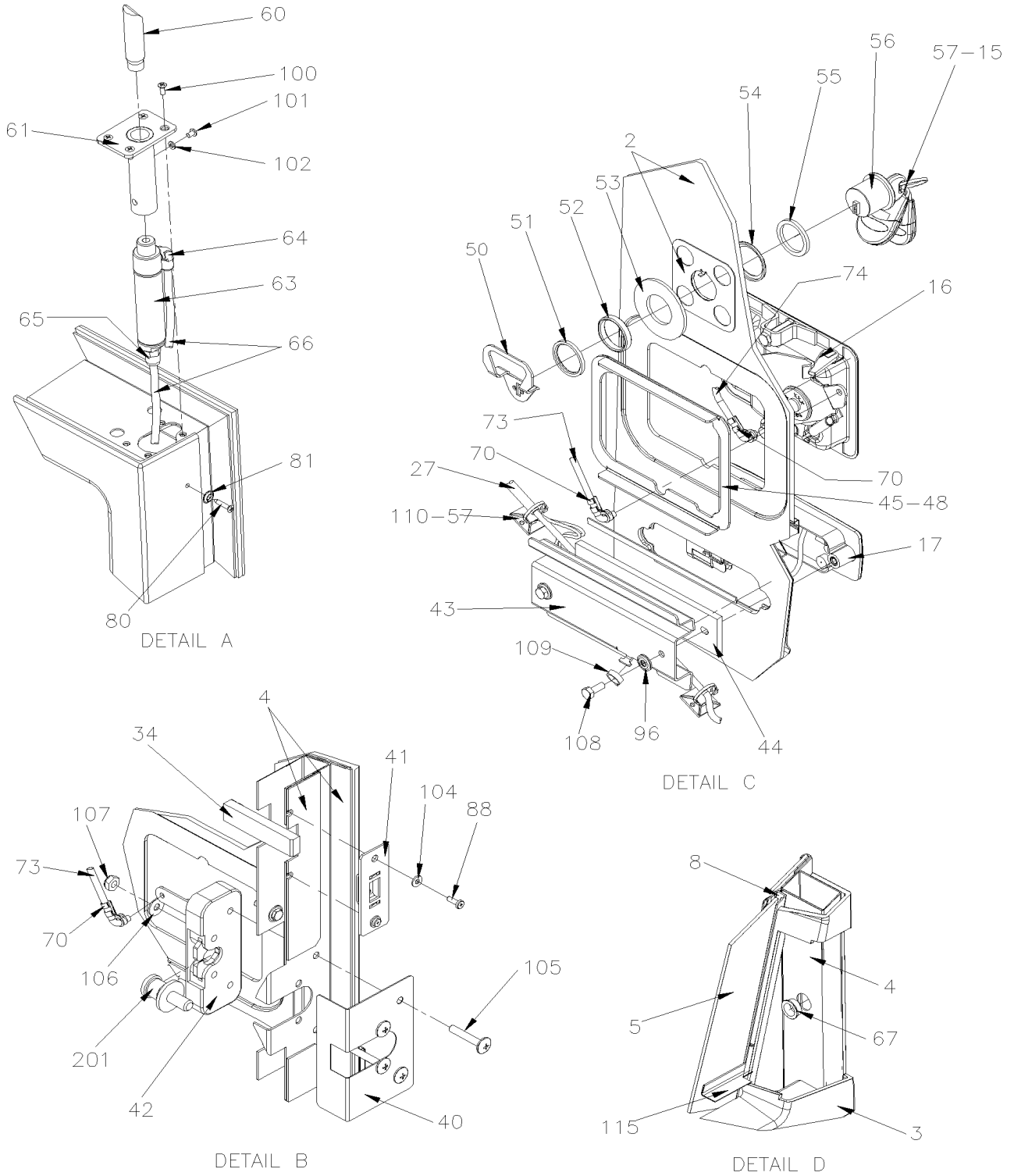


From F-5875 To K-6491

Date:07/2024

PAGE:X3VIP-1862-51

ENTRANCE DOOR ASSY





From F-5875 To K-6491	Date:07/2024	PAGE:X3VIP-1862-51
ENTRANCE DOOR ASSY		

Item#	Part	Description	X 3 V I P E N T	X 3 V I P M T H	N O T E S
		ALL DOORS ASSY DO NOT INCLUDE			
		RUB-RAIL PLEASE ORDER SEPARATELY			
	2800639P	FRONT DOOR ASSY W To H-6092	1	1	
	280063	FRONT DOOR ASSY W From H-6093	1	1	
1	286427	. GLASS ENTRANCE DOOR / MTH 86" & 89"	1	1	
2	2800610	. EXTERIOR FINISH, FRONT DOOR W	1	1	
NS	684685	. ADHESIVE SIMSON #ISR 70-03 / 310ml CARTRIDGE	AR	AR	
NS	687957	. GLUE MS POLYMER TEROSON MS 9399 / 400ml CARTRIDGE	AR	AR	
3	287915	. FINISHING CAP MTH 83", 86", & 89"	1	1	
4	287136P	. FRAME ASSY 89"	1	1	
NS	506236	. TAPE RUB ADH1 CC POL 1/16" x 1/2" x 100' / GREY 2520	AR	AR	
NS	506790	. TAPE RUB ADH2 CC POL 1/16" x 1/2" x 200' / BLACK I1C-N-A	AR	AR	
NS	687957	. GLUE MS POLYMER TEROSON MS 9399 / 400ml CARTRIDGE	AR	AR	
NS	507610	. FOAM LOW EXPANSION	AR	AR	
5	X3VIP-1886-00	. POWER WINDOW - ELECTRICAL INSTALLATION	1	1	
8	293088	. MOULDING	1	1	
NS	506769	. TAPE RUB ADH2 CC POL 1/8" x 1/4" x 60' / BLACK H1CC-N-#14	AR	AR	
NS	687957	. GLUE MS POLYMER TEROSON MS 9399 / 400ml CARTRIDGE	AR	AR	
8	293210	. FELT SLIDING 597MM	1	1	
NS	293211	. FELT SLIDING 923MM	1	1	
9	289500	. INSULATION, DOOR, 89"	1	1	
10	2800129	. RUBBER SEAL EXTRUSION // ENTRANCE DOOR MTH-89"	1	1	
11	288522	. FINISHING MOULDING 800MM / B.A.	1	1	
12	2800638	. UPPER PANEL	1	1	
NS	506191	. TAPE RUB ADH1 CC POL 1/8" x 1/4" x 50' / GREY 2520X	AR	AR	
NS	506071	. TAPE RUB ADH1 CC POL 1/8" x 1/2" x 50' / GREY 2520X	AR	AR	
NS	504339	. RIVET POP DOME OE 1/8x3/8 SS	2	2	
13	X3VIP-1855-00	. RUB RAIL - EXTERIOR CREST & TRIMS To H-6092	1	1	
13	X3VIP-1855-01	. RUB RAIL - EXTERIOR CREST & TRIMS From H-6093	1	1	
14	288524	. PANEL LOWER / B.A.	1	1	
15	565987	. KEYLESS, FOBS WITH MEDALLIONS	2	2	
16	780713	. HANDLE EXTERIOR	1	1	
17	565986	. KEYLESS, KEYPAD KIT To H-6194	1	1	
17	560455	. KEYLESS, KEYPAD KIT From H-6195	1	1	
18	X3VIP-0663-00	. DOCK & CORNERING LIGHT	1	1	
20	2800913	. PANEL FINISHING / AL. / MTH 89" To K-6430	1	1	
20	2810124	. PANEL FINISHING From K-6431	1	1	
21	930212	. REFLECTOR AMBER 1 1/8" x 4 3/8"	1	1	
23	2800912	. ACCESS PANEL To K-6430	1	1	
23	2810123	. ACCESS PANEL From K-6431	1	1	



From F-5875 To K-6491 Date:07/2024 PAGE:X3VIP-1862-51

ENTRANCE DOOR ASSY

Item#	Part	Description	X 3 V I P E N T	X 3 V I P M T H	N O T E S
24	289948	. DEFLECTOR LONG	1	1	
25	860422	. HANDLE	1	1	
26	780890	. BEZEL	1	1	
27	069251	. HARNESS, KEYLESS DOOR To G-5985	1	1	
27	069412	. HARNESS, KEYLESS DOOR From G-5986 To H-6179	1	1	
27	060423	. HARNESS, KEYLESS DOOR From H-6180	1	1	
27	509815	. TIE MOUNT / ATTACHMENT W/TREE MOUNT	5	5	
27	8631155	. CABLE TIE / 4.6MM x 200 / CHRISTMAS TREE	3	3	
28	780891	. LEVER, RELEASE	1	1	
29	284127	. BUTTON	1	1	
30	2800049	. LOCK ACTUATOR / 12V	1	1	
31	780483	. CLAMP	1	1	
32	288552	. SHUTTER, RELEASE ASSY To G-5983	1	1	
32	2801052	. SHUTTER, RELEASE ASSY From G-5984	1	1	
33	2800627	. CLIP	1	1	
34	286217	. BAR ASSY, RIVETED	1	1	
35	502156	. SPRING EXTENSION / .437 O.D. x 2 x .041	1	1	
36	562096	. MICRO SWITCH	1	1	
37	561677	. MICRO SWITCH	1	1	
38	2800643	. SUPPORT FOR MECANISM ASSY	1	1	
39	506035	. TAPE RUB ADH1 NEO 1/2" x 1" x 15' / BLACK 1220X	AR	AR	
40	286117	. FINISHING PLATE	1	1	
41	283397	. GUIDE ASSY	1	1	
42	780592	. LATCH, LH.	1	1	
43	2800618	. PLATE HOLDER KEYBOARD	1	1	
44	2800635	. SEAL	1	1	
45	288814	. SPACER	1	1	
46	2800616	. PLATE HOLDER KEYBOARD	1	1	
47	2800615	. BLOCK RETAINING	2	2	
48	288815	. GASKET	1	1	
50	289029	. LEVER, TRIANGULAR SHAPE / W/"SCHLAGE" 18MM OFFSET	1	1	
51	780427	. NUT	1	1	
52	286704	. SPACER / LOCK & NUT	1	1	
53	285188	. GASKET	1	1	
54	283468	. WASHER FINISHING	1	1	
55	285198	. GASKET	1	1	
56	780803	. CYLINDER LOCK ASSY W/2 KEYS / "SCHLAGE"	1	1	
. NS	780902	. KEY / "SCHLAGE" BLANK	1	1	
57	504273	. CABLE TIE / 1/8" X 3"1/2	9	9	
58	283769	. DECAL / "LOCK"	1	1	
59	289984	. SUPPORT WATER DEFLECTOR	1	1	
60	287012	. UPPER LOCK ASSY	1	1	



From F-5875 To K-6491	Date:07/2024	PAGE:X3VIP-1862-51
ENTRANCE DOOR ASSY		

Item#	Part	Description	X 3 V I P E N T	X 3 V I P M T H	N O T E S
60	282383	. . CATCH	1	1	
NS	683276	. . GREASE LOW TEMPERATURE 450GR To G-5950	AR	AR	
60	685371	. . GREASE / GREY BLACK MOBIL XHP 222 SPECIAL 400 g From G-5951	AR	AR	
61	287011	. . PLATE MOUNTING	1	1	
63	641983	. . CYLINDER 7/8" X 1" STROKE / DOUBLE ACTION	1	1	
64	641369	. . MALE ELBOW 90° NON-SWIVEL / PUSH-IN FITTING / #4x1/8NPT-M BR	1	1	
65	641242	. . MALE CONNECTOR / PUSH-IN FITTING / #4x1/8NPT-M BR	1	1	
66	503402	. TUBE, NYLON 1/4 O.D. / BLACK S.L.	17	17	
67	504500	. SNAP BUSHING / .766x1.125x.453	1	1	
70	504541	. CLIP ROD 1/4" R.H.	3	3	
71	504243	. CLIP ROD 1/4" L.H.	1	1	
72	283387	. ROD	1	1	
73	288201	. RELEASE MECHANISM ROD	1	1	
74	288200	. HANDLE ROD	1	1	
75	284836	. ROD	1	1	
80	500289	. SCREW TC OV PH #6-32x3/4 SS410	4	4	
81	500463	. WASHER FN CKF .187x.500x.090 BR Z050	4	4	
82	502903	. SCREW TC FL PH #10-24x1 1/4 N500	2	2	
83	284049	. PLUG / SQUARE / BLACK	1	1	
84	5001155	. SCREW TP PAN PH #8X3/4 N050	2	2	
85	5001097	. SCREW TC OV PH #6-32x3/4 SS410 BK	19	19	
86	500345	. WASHER FN CKF .187x.500x.090 BR BK	19	19	
87	500124	. SCREW TP TR PH #8x1/2 SS	2	2	
88	500654	. SCREW TC BDG PH #8-32x1/2 Z050	9	9	
NS	680066	. ADHESIVE / ADBOND #5014 / 23.6ML BOTTLE	AR	AR	
89	5001100	. SCREW CAP HEX M3-0.5x30 G8.8 ZP	2	2	
89	5001408	. NUT HEX STO M3-0.5 ZP	2	2	
90	500437	. WASHER FL .125x.375x.040 Z050	2	2	
91	5001106	. SCREW CAP HEX M6-1.0x10 G8.8 Z050	4	4	
92	500472	. WASHER LO INT .256x.478x.028 Z050	4	4	
93	502746	. SCREW MA PAN PH M5-0.8x20 SS BK	1	1	
94	285546	. STOPPER	1	1	
95	5001743	. SCREW CAP HEX M6-1.0x12 G8.8 N500	5	5	
96	502582	. WASHER LO SERR 6.1x16.2x0.9 Z050	4	4	
97	500393	. SCREW TC PAN PH #10-24x3/8 Z050	2	2	
98	502841	. NUT HEX NYRT M5-0.8 N500	1	1	
99	5001888	. SCREW TP CAP TORX M3X18 SS	4	4	
100	502725	. SCREW MA OV PH M4-0.7x10 SS EMN	4	4	
100	680038	. THREAD LOCKER LOCTITE #243 / BLUE / 50ml	AR	AR	
101	500560	. SCREW MA PAN PH M4-0.7x6 Z050	4	4	
101	680038	. THREAD LOCKER LOCTITE #243 / BLUE / 50ml	AR	AR	
102	502636	. WASHER LO SPT 4.1x7.6x0.9 Z050	1	1	



From F-5875 To K-6491		Date:07/2024	PAGE:X3VIP-1862-51
-----------------------	--	--------------	--------------------

ENTRANCE DOOR ASSY

Item#	Part	Description	X 3 V I P E N T	X 3 V I P M T H	N O T E S
104	504357	. WASHER FL .187x.437x.050 SS	2	2	
105	500559	. SCREW MA TR PH 1/4-20x1 1/2 SS EMN	4	4	
106	500411	. WASHER FL .260x.697x.050 SS	4	4	
107	502716	. NUT HEX NYRT 1/4-20	4	4	
108	502830	. SCREW CAP HEX M6-1.0x20 G8.8 N500	2	2	
109	504637	. CABLE TIE / 3/16" x 13"	AR	AR	
110	562679	. 4 WAY ADH. BACKED MOUNTS 1.000 x 1.000 x .160	2	2	
111	500589	. NUT WELL M4-0.7x13.5	2	2	
112	5001433	. SCREW CAP HEX M6-1.0x25 SS	4	4	
113	5001633	. SCREW MA FL PH M6-1.0x12 Z050	4	4	
113	680038	. THREAD LOCKER LOCTITE #243 / BLUE / 50ml	AR	AR	
115	286717	. JOINT SUPPORT 345MM SS	1	1	
NS	680066	. ADHESIVE / ADBOND #5014 / 23.6ML BOTTLE	AR	AR	
116	288063	. FLAP SEAL / W/FLOCKING 37.6MM x 335MM	1	1	
117	286993	. FLAP SEAL GLASS ASSY	1	1	
117	680066	. ADHESIVE / ADBOND #5014 / 23.6ML BOTTLE	AR	AR	
118	500805	. WASHER FL .218x.875x.062 N500	4	4	
119	504013	. TIE MOUNT / 1/4" X 1/4" I.D.	2	2	
201	X3VIP-1862-60	ENTRANCE DOOR FRAME - INSTALLATION	2	2	
NS	680739	. GREASE SYNTHETIC / RED 20KG	AR	AR	
NS	565985	. KEYLESS MODULE To H-6194	1	1	
NS	560454	. KEYLESS MODULE From H-6195	1	1	

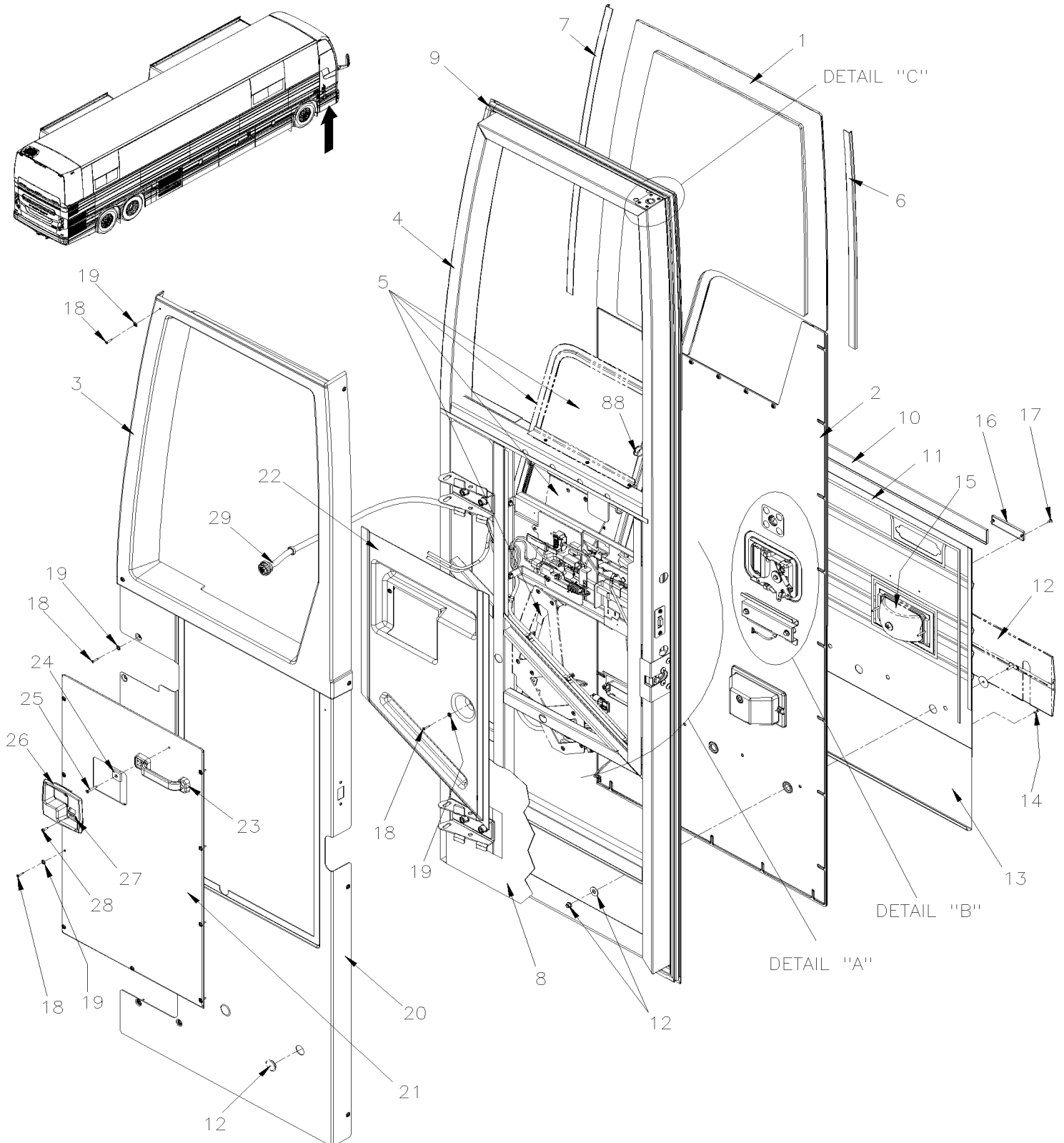


From L-6492

Date:07/2024

PAGE:X3VIP-1862-52

ENTRANCE DOOR ASSY



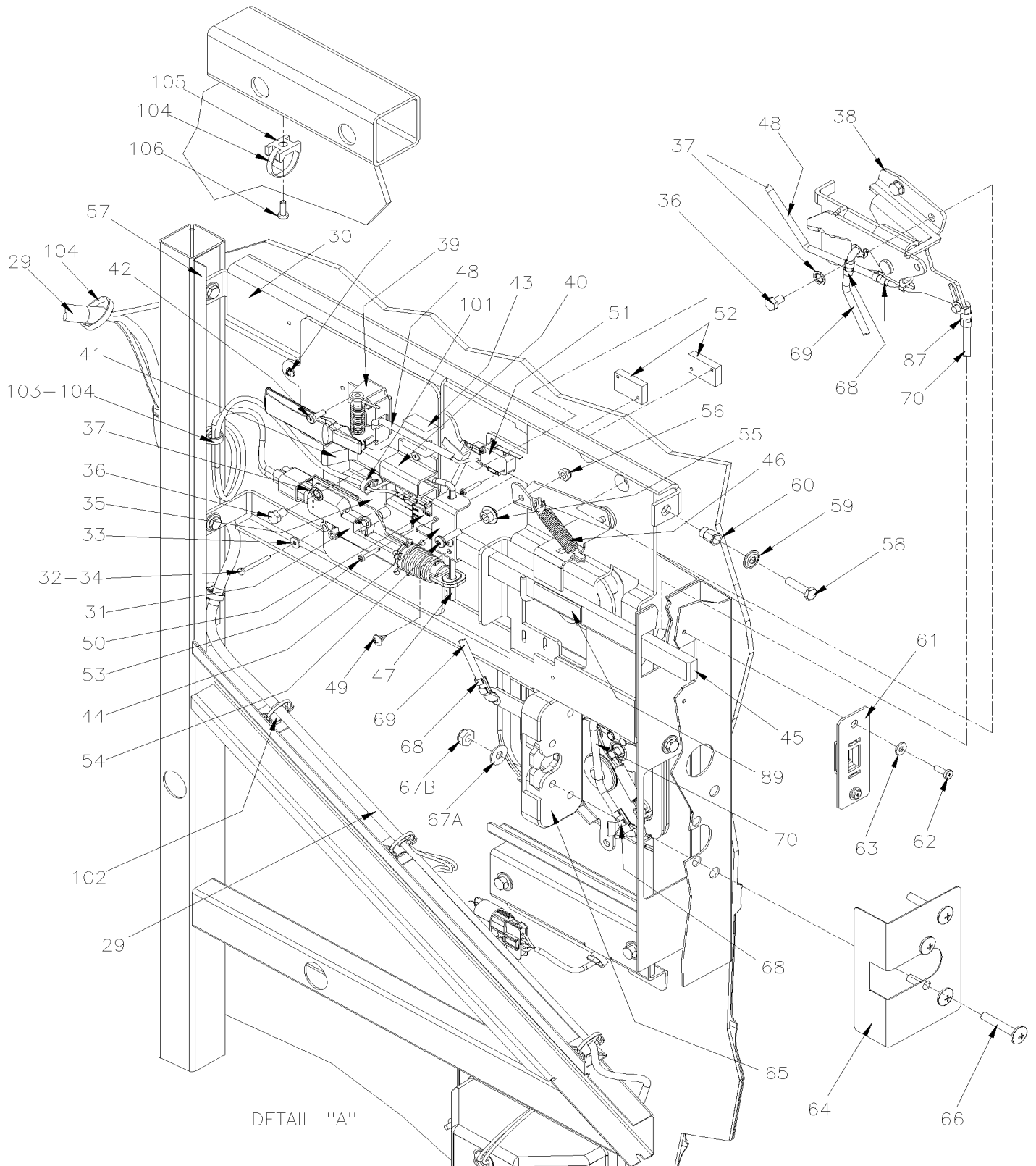


From L-6492

Date:07/2024

PAGE:X3VIP-1862-52

ENTRANCE DOOR ASSY



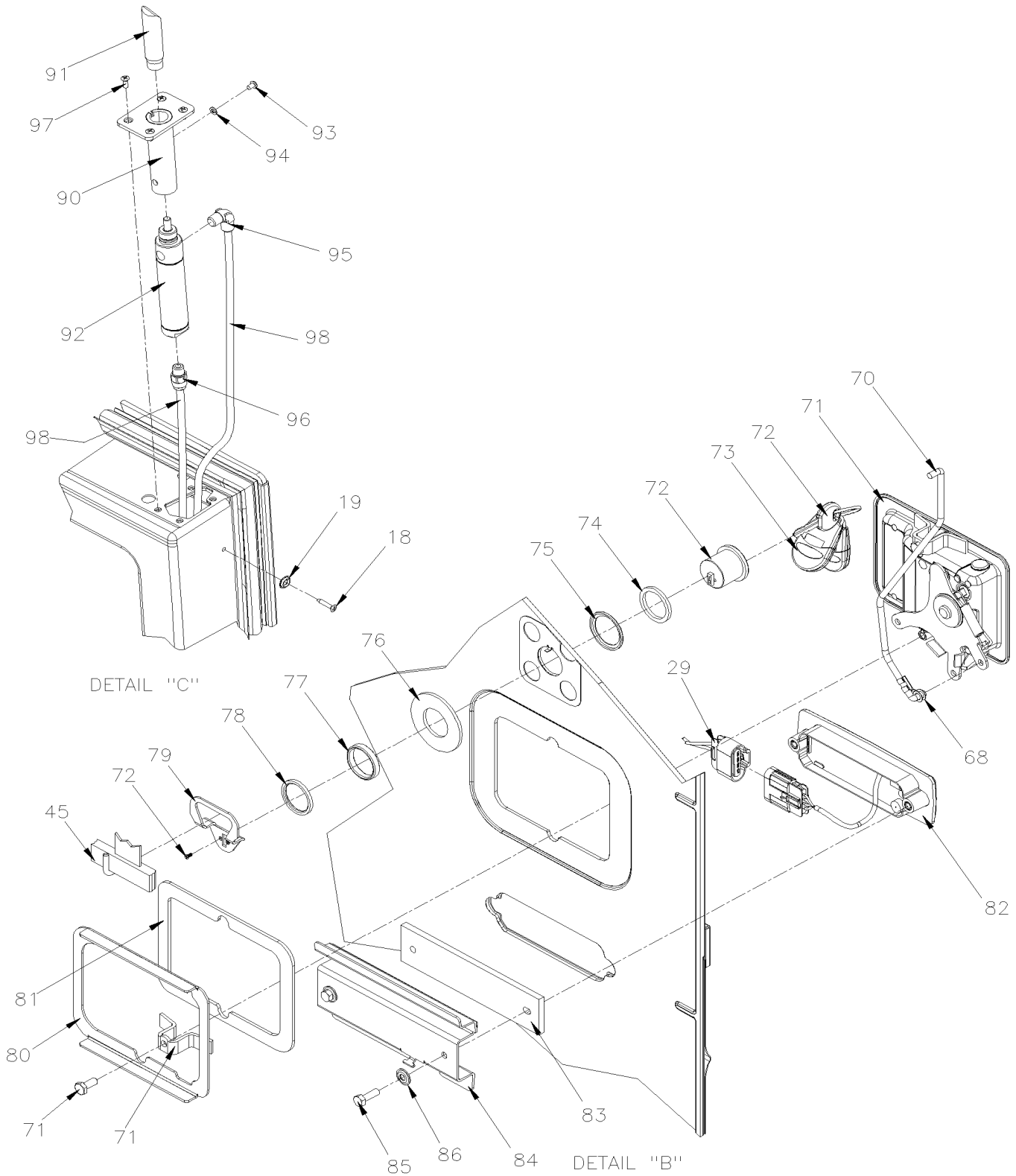


From L-6492

Date:07/2024

PAGE:X3VIP-1862-52

ENTRANCE DOOR ASSY





From L-6492		Date:07/2024	PAGE:X3VIP-1862-52
ENTRANCE DOOR ASSY			

Item#	Part	Description	X 3 V I P E N T	X 3 V I P M T H	N O T E S
		ALL DOORS ASSY DO NOT INCLUDE			
		RUB-RAIL PLEASE ORDER SEPARATELY			
	2810259	FRONT DOOR ASSY W	1	1	
1	2810022	. GLASS ENTRANCE DOOR	1	1	A
NS	687957	. GLUE MS POLYMER TEROSON MS 9399 / 400ml CARTRIDGE To M-6660	AR	AR	
NS	685387	. GLUE MS POLYMER TEROSON MS 9399 / 400ml CARTRIDGE From M-6661	1	1	
NS	506769	. TAPE RUB ADH2 CC POL 1/8" x 1/4" x 60' / BLACK H1CC-N-#14	AR	AR	
NS	680796	. TAPE RUB ADH2 ACRYLIQUE 3/4x.045x36YARD	AR	AR	
2	289857	. EXTERIOR FINISH, FRONT DOOR W	1	1	
NS	684685	. ADHESIVE SIMSON #ISR 70-03 / 310ml CARTRIDGE	AR	AR	
NS	687957	. GLUE MS POLYMER TEROSON MS 9399 / 400ml CARTRIDGE To M-6660	AR	AR	
NS	685387	. GLUE MS POLYMER TEROSON MS 9399 / 400ml CARTRIDGE From M-6661	1	1	
2	506769	. TAPE RUB ADH2 CC POL 1/8" x 1/4" x 60' / BLACK H1CC-N-#14	AR	AR	
3	2810023	. FINISHING CAP ENTRANCE DOOR	1	1	
4	2810010	. FRAME ASSY	1	1	
NS	506236	. TAPE RUB ADH1 CC POL 1/16" x 1/2" x 100' / GREY 2520	AR	AR	
NS	506790	. TAPE RUB ADH2 CC POL 1/16" x 1/2" x 200' / BLACK I1C-N-A	AR	AR	
NS	687957	. GLUE MS POLYMER TEROSON MS 9399 / 400ml CARTRIDGE To M-6660	AR	AR	
NS	685387	. GLUE MS POLYMER TEROSON MS 9399 / 400ml CARTRIDGE From M-6661	1	1	
NS	507610	. FOAM LOW EXPANSION	AR	AR	
5	X3VIP-1886-00	. POWER WINDOW - ELECTRICAL INSTALLATION	1	1	
6	2810097	. ENTRANCE DOOR REAR MOLDING	1	1	
NS	680914	. TAPE RUB ADH2 ACRYLIQUE 1/2x.045x36YARD	AR	AR	
7	2810098	. ENTRANCE DOOR FRONT MOLDING	1	1	
NS	680914	. TAPE RUB ADH2 ACRYLIQUE 1/2x.045x36YARD	AR	AR	
8	289500	. INSULATION, DOOR, 89"	1	1	
9	2810021	. RUBBER SEAL EXTRUSION /	1	1	
10	288522	. FINISHING MOULDING 800MM / B.A.	1	1	
10	2800690	FINISHING MOULDING From P-6868	1		B
NS	506790	. TAPE RUB ADH2 CC POL 1/16" x 1/2" x 200' / BLACK I1C-N-A	AR	AR	
NS	506191	. TAPE RUB ADH1 CC POL 1/8" x 1/4" x 50' / GREY 2520X	AR	AR	
11	2800638	. UPPER PANEL	1	1	
11	2800686	UPPER PANEL From P-6868	1		B
NS	506790	. TAPE RUB ADH2 CC POL 1/16" x 1/2" x 200' / BLACK I1C-N-A	AR	AR	
NS	687957	. GLUE MS POLYMER TEROSON MS 9399 / 400ml CARTRIDGE To M-6660	AR	AR	
NS	685387	. GLUE MS POLYMER TEROSON MS 9399 / 400ml CARTRIDGE From M-6661	AR	AR	
12	X3VIP-1855-01	. RUB RAIL - EXTERIOR CREST & TRIMS	1	1	
13	288524	. PANEL LOWER / B.A.	1	1	
13	2800687	PANEL LOWER From P-6868	1		B
14	504339	. RIVET POP DOME OE 1/8x3/8 SS	2	2	



From L-6492		Date:07/2024	PAGE:X3VIP-1862-52
ENTRANCE DOOR ASSY			

Item#	Part	Description	X 3 V I P E N T	X 3 V I P M T H	N O T E S
15	X3VIP-0663-00	. DOCK & CORNERING LIGHT	1	1	
16	930212	. REFLECTOR AMBER 1 1/8" x 4 3/8"	1	1	
17	500124	. SCREW TP TR PH #8x1/2 SS	2	2	
18	5001097	. SCREW TC OV PH #6-32x3/4 SS410 BK	19	19	
19	500345	. WASHER FN CKF .187x.500x.090 BR BK	19	19	
20	2810124	. PANEL FINISHING	1	1	
21	2810123	. ACCESS PANEL	1	1	
NS	506071	. TAPE RUB ADH1 CC POL 1/8" x 1/2" x 50' / GREY 2520X	AR	AR	
22	289948	. DEFLECTOR LONG	1	1	
23	860422	. HANDLE	1	1	
24	284049	. PLUG / SQUARE / BLACK	1	1	
25	502903	. SCREW TC FL PH #10-24x1 1/4 N500	2	2	
26	780890	. BEZEL	1	1	
27	283769	. DECAL / "LOCK"	1	1	
28	5001155	. SCREW TP PAN PH #8X3/4 N050	2	2	
29	060423	. HARNESS, KEYLESS DOOR	1	1	
30	280388	. DOOR MECANISM ASSY	1	1	
30	2800643	. . SUPPORT FOR MECANISM ASSY	1	1	
31	2800049	. . LOCK ACTUATOR / 12V	1	1	
32	5001100	. . SCREW CAP HEX M3-0.5x30 G8.8 ZP	2	2	
33	500437	. . WASHER FL .125x.375x.040 Z050	2	2	
34	5001408	. . NUT HEX STO M3-0.5 ZP	2	2	
35	2800616	. . PLATE HOLDER KEYBOARD	1	1	
36	5001106	. . SCREW CAP HEX M6-1.0x10 G8.8 Z050	4	4	
37	500472	. . WASHER LO INT .256x.478x.028 Z050	4	4	
38	2801052	. . SHUTTER, RELEASE ASSY	1	1	
39	780891	. . LEVER, RELEASE	1	1	
40	780483	. . CLAMP	1	1	
41	284127	. . BUTTON	1	1	
42	500654	. . SCREW TC BDG PH #8-32x1/2 Z050	4	4	
43	506035	. . TAPE RUB ADH1 NEO 1/2" x 1" x 15' / BLACK 1220X	AR	AR	
44	2800627	. . CLIP	1	1	
45	286217	. . BAR ASSY, RIVETED	1	1	
46	502156	. . SPRING EXTENSION / .437 O.D. x 2 x .041	1	1	
47	284836	. . ROD	1	1	
48	283387	. . ROD	1	1	
48	504541	. . CLIP ROD 1/4" R.H.	1	1	
49	500393	. . SCREW TC PAN PH #10-24x3/8 Z050	2	2	
50	562096	. . MICRO SWITCH	1	1	
51	561677	. . MICRO SWITCH	1	1	
52	2800615	. . BLOCK RETAINING	2	2	
53	5001888	. . SCREW TP CAP TORX M3X18 SS	4	4	



From L-6492		Date:07/2024	PAGE:X3VIP-1862-52
ENTRANCE DOOR ASSY			

Item#	Part	Description	X 3 V I P E N T	X 3 V I P M T H	N O T E S
54	502746	. SCREW MA PAN PH M5-0.8x20 SS BK	1	1	
55	285546	. STOPPER	1	1	
56	502841	. NUT HEX NYRT M5-0.8 N500	1	1	
57	289984	. SUPPORT WATER DEFLECTOR	1	1	
58	5001433	. SCREW CAP HEX M6-1.0x25 SS	4	4	
59	502582	. WASHER LO SERR 6.1x16.2x0.9 Z050	4	4	
60	5001344	. NUT INS FL HEX M6-1.0 0.5-3.0 SS	4	4	
61	283397	. GUIDE ASSY	1	1	
62	500654	. SCREW TC BDG PH #8-32x1/2 Z050	2	2	
63	504357	. WASHER FL .187x.437x.050 SS	2	2	
64	286117	. FINISHING PLATE	1	1	
65	780592	. LATCH, LH.	1	1	
66	500559	. SCREW MA TR PH 1/4-20x1 1/2 SS EMN	4	4	
67A	500411	. WASHER FL .260x.697x.050 SS	4	4	
67B	502716	. NUT HEX NYRT 1/4-20	4	4	
68	504541	. CLIP ROD 1/4" R.H.	3	3	
69	288201	. RELEASE MECHANISM ROD	1	1	
70	288200	. HANDLE ROD	1	1	
71	780713	. HANDLE EXTERIOR	1	1	
72	780803	. CYLINDER LOCK ASSY W/2 KEYS / "SCHLAGE"	1	1	
. NS	780902	. KEY / "SCHLAGE" BLANK	1	1	
73	565987	. KEYLESS, FOBS WITH MEDALLIONS	2	2	
74	285198	. GASKET	1	1	
75	283468	. WASHER FINISHING	1	1	
76	285188	. GASKET	1	1	
77	286704	. SPACER / LOCK & NUT	1	1	
78	780427	. NUT	1	1	
79	289029	. LEVER, TRIANGULAR SHAPE / W/"SCHLAGE" 18MM OFFSET	1	1	
80	288814	. SPACER	1	1	
81	288815	. GASKET	1	1	
82	560455	. KEYLESS, KEYPAD KIT	1	1	
82	560454	. KEYLESS MODULE	1	1	
83	2800635	. SEAL	1	1	
84	2800618	. PLATE HOLDER KEYBOARD	1	1	
85	502830	. SCREW CAP HEX M6-1.0x20 G8.8 N500	2	2	
86	502582	. WASHER LO SERR 6.1x16.2x0.9 Z050	2	2	
87	504243	. CLIP ROD 1/4" L.H.	1	1	
88	504500	. SNAP BUSHING / .766x1.125x.453	1	1	
89	506339	. TAPE RUB ADH1 NIT 1/4" x 1" x 35' / BLACK 1220	AR	AR	
90	287012	. UPPER LOCK ASSY To L-6572	1	1	
90	2810371	. UPPER LOCK ASSY From L-6573	1	1	
90	287011	. PLATE MOUNTING	1	1	



From L-6492		Date:07/2024	PAGE:X3VIP-1862-52
ENTRANCE DOOR ASSY			

Item#	Part	Description	X 3 V I P E N T	X 3 V I P M T H	N O T E S
91	282383	. . CATCH To L-6572	1	1	
91	2810361	. . CATCH From L-6573	1	1	
NS	685371	. . GREASE / GREY BLACK MOBIL XHP 222 SPECIAL 400 g	AR	AR	
92	641983	. . CYLINDER 7/8" X 1" STROKE / DOUBLE ACTION	1	1	
NS	680098	. . THREAD SEALANT LOCTITE #567 / WHITE / 250ml	AR	AR	
NS	680038	. . THREAD LOCKER LOCTITE #243 / BLUE / 50ml	AR	AR	
93	500560	. . SCREW MA PAN PH M4-0.7x6 Z050	1	1	
94	502636	. . WASHER LO SPT 4.1x7.6x0.9 Z050	1	1	
95	641369	. . MALE ELBOW 90° NON-SWIVEL / PUSH-IN FITTING / #4x1/8NPT-M BR	1	1	
96	641242	. . MALE CONNECTOR / PUSH-IN FITTING / #4x1/8NPT-M BR	1	1	
97	502725	. SCREW MA OV PH M4-0.7x10 SS EMN	4	4	
98	503402	. TUBE, NYLON 1/4 O.D. / BLACK S.L.	AR	AR	
NS	680430	. TAPE VINYL / GREEN 1"	AR	AR	
NS	680431	. TAPE VINYL / RED 1"	AR	AR	
101	8631155	. CABLE TIE / 4.6MM x 200 / CHRISTMAS TREE	3	3	
102	562679	. 4 WAY ADH. BACKED MOUNTS 1.000 x 1.000 x .160	2	2	
102	504273	. CABLE TIE / 1/8" X 3" 1/2	9	9	
103	509815	. TIE MOUNT / ATTACHMENT W/TREE MOUNT	3	3	
104	504637	. CABLE TIE / 3/16" x 13"	AR	AR	
105	504013	. TIE MOUNT / 1/4" X 1/4" I.D.	2	2	
106	500654	. SCREW TC BDG PH #8-32x1/2 Z050	2	2	
NS	680739	. GREASE SYNTHETIC / RED 20KG	AR	AR	
120	X3VIP-1862-60	. ENTRANCE DOOR FRAME - INSTALLATION	2	2	
		A) DO NOT INLCUDE ITEMS 6 & 7			
		B) WITH FLAT PANEL OPTION			

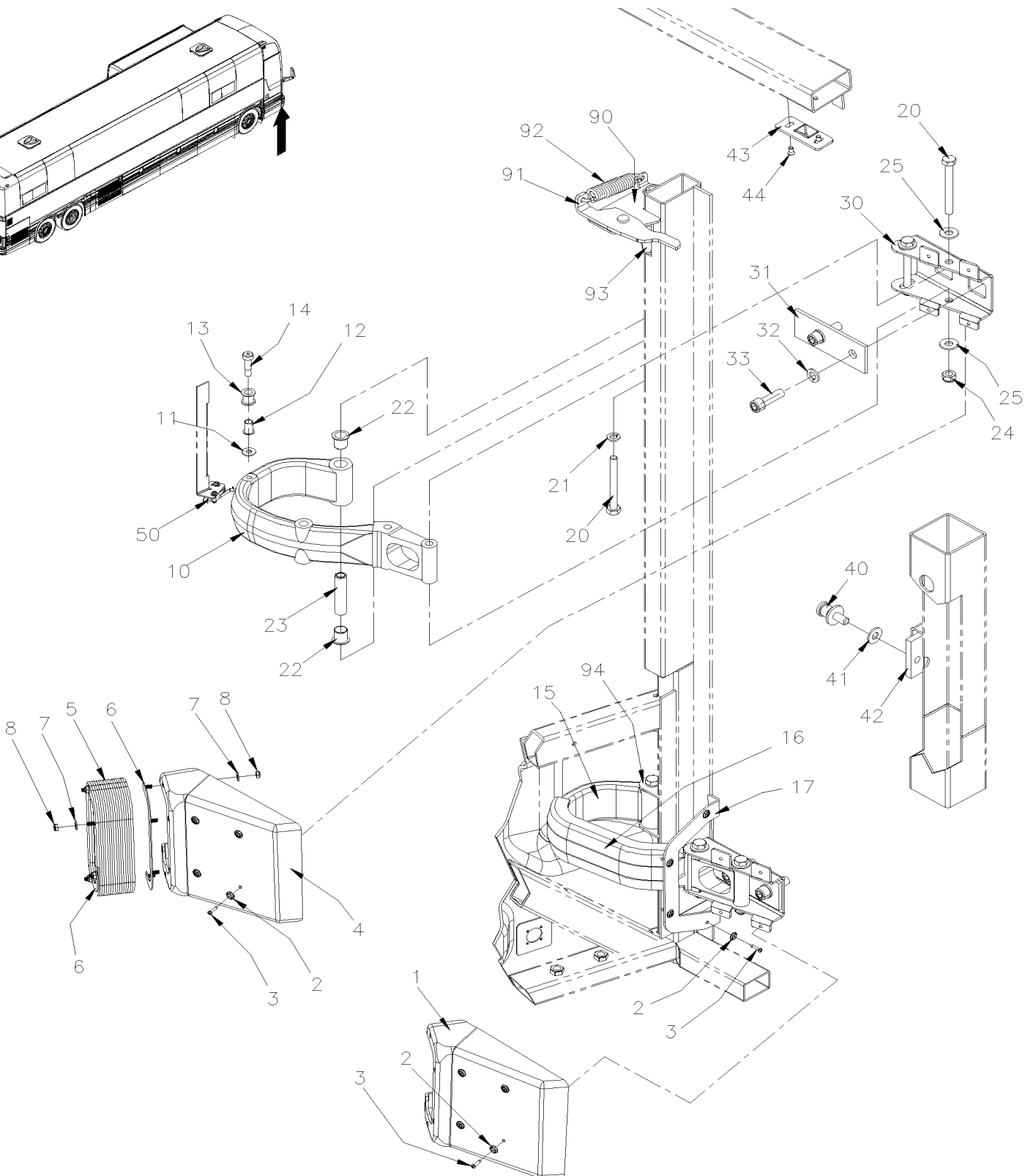
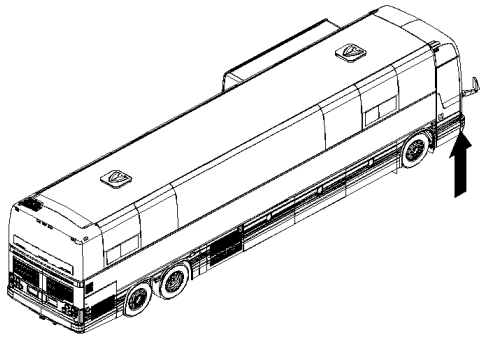


From E-5490

Date:07/2024

PAGE:X3VIP-1862-60

ENTRANCE DOOR FRAME - INSTALLATION





From E-5490		Date:07/2024	PAGE:X3VIP-1862-60
-------------	--	--------------	--------------------

ENTRANCE DOOR FRAME - INSTALLATION

Item#	Part	Description	X 3 V I P E N T	X 3 V I P M T H	N O T E S
1	326604	CAP COVER LOWER	1	1	
2	500345	WASHER FN CKF .187x.500x.090 BR BK	12	12	
3	500333	SCREW TP OV PH #6x3/4 BK	12	12	
4	326727	CAP COVER UPPER	1	1	
5	285492	BELLOWS / RUBBER To N-6736	1	1	
5	2810577	BELLOWS / RUBBER From N-6737	1	1	
6	285491	PLATE BELLOW RETAINER	2	2	
7	500964	WASHER FL .203x.500x.047 Z050	8	8	
8	502841	NUT HEX NYRT M5-0.8 N500	8	8	
10	287472	HINGE UPPER	1	1	
11	502638	WASHER FL .312x.734x.065 N500	1	1	
12	507628	BUSHING NYLINER	1	1	
13	287405	ROLLER SS 11MM I.D.x14.5 O.D. 19Fix17Th	1	1	
14	500876	SCREW SHR HEXS 3/8x3/4 {5/16-18	1	1	
15	287341	HINGE	1	1	
16	326228	COVER HINGE LOWER / PLASTIC	1	1	
17	326227	PANEL FINISHING LOWER	1	1	
20	502890	SCREW CAP HEX M10-1.5x90 G8.8 N500 To R-4010	6	6	
20	5000017	SCREW CAP HEX M10-1.5X90 G10.9 N500 From R-4011	6	6	
21	5001737	WASHER LO SPT 10.2x18.1x2.2 N500	2	2	
22	507326	BEARING FLANGE	4	4	
23	287337	SPACER / BEARING FLANGE	2	2	
23	680739	GREASE SYNTHETIC / RED 20KG	AR	AR	
24	502859	NUT HEX NYRT M10-1.5 N500	4	4	
25	500897	WASHER FL .437x1.000x.083 N500	8	8	
30	284040	ATTACHMENT	2	2	
31	286998	SUPPORT PLATE 134MM X 48MM	2	2	
32	500747	WASHER LO SPT 12.2x21.1x2.5 N500	4	4	
33	5001589	SCREW CAP HEXS M12-1.75x40 G8.8 Z050	4	4	
40	780189	STRIKER & SHIM	1	1	
41	500446	WASHER FL .531x1.250x.125 Z050	1	1	
42	285014	FIXING BLOCK	1	1	
43	287008	DOOR STOPPER ASSY	1	1	
44	502806	SCREW MA FL PH M6-1.0x10 Z050	2	2	
NS	684685	ADHESIVE SIMSON #ISR 70-03 / 310ml CARTRIDGE	AR	AR	
50	X3VIP-0640-50	CABLE & HARNESS - FRONT END INSTALLATION			
90	251609	LEVER AND SUPPORT ASSY SS (WELDED TO FRAME) To J-6219	1	1	
90	250118	LEVER AND SUPPORT ASSY SS (WELDED TO FRAME) From J-6220	1	1	
NS	504543	. RIVET SHR FL 3/8x3/16 STL	1	1	
90	251610	. DOOR STOPPER	1	1	
92	502255	SPRING EXTENSION / .814 O.D. x 3.14 x .148	1	1	
93	251083	HINGE SUPPORT / UPPER To J-6219	1	1	



From E-5490		Date:07/2024	PAGE:X3VIP-1862-60
-------------	--	--------------	--------------------

ENTRANCE DOOR FRAME - INSTALLATION

Item#	Part	Description	X 3 V I P E N T	X 3 V I P M T H	N O T E S
93	250115	HINGE SUPPORT / UPPER From J-6220	1	1	
94	251001	HINGE SUPPORT / LOWER To E-5586	1	1	
94	251613	HINGE SUPPORT / LOWER From E-5587	1	1	

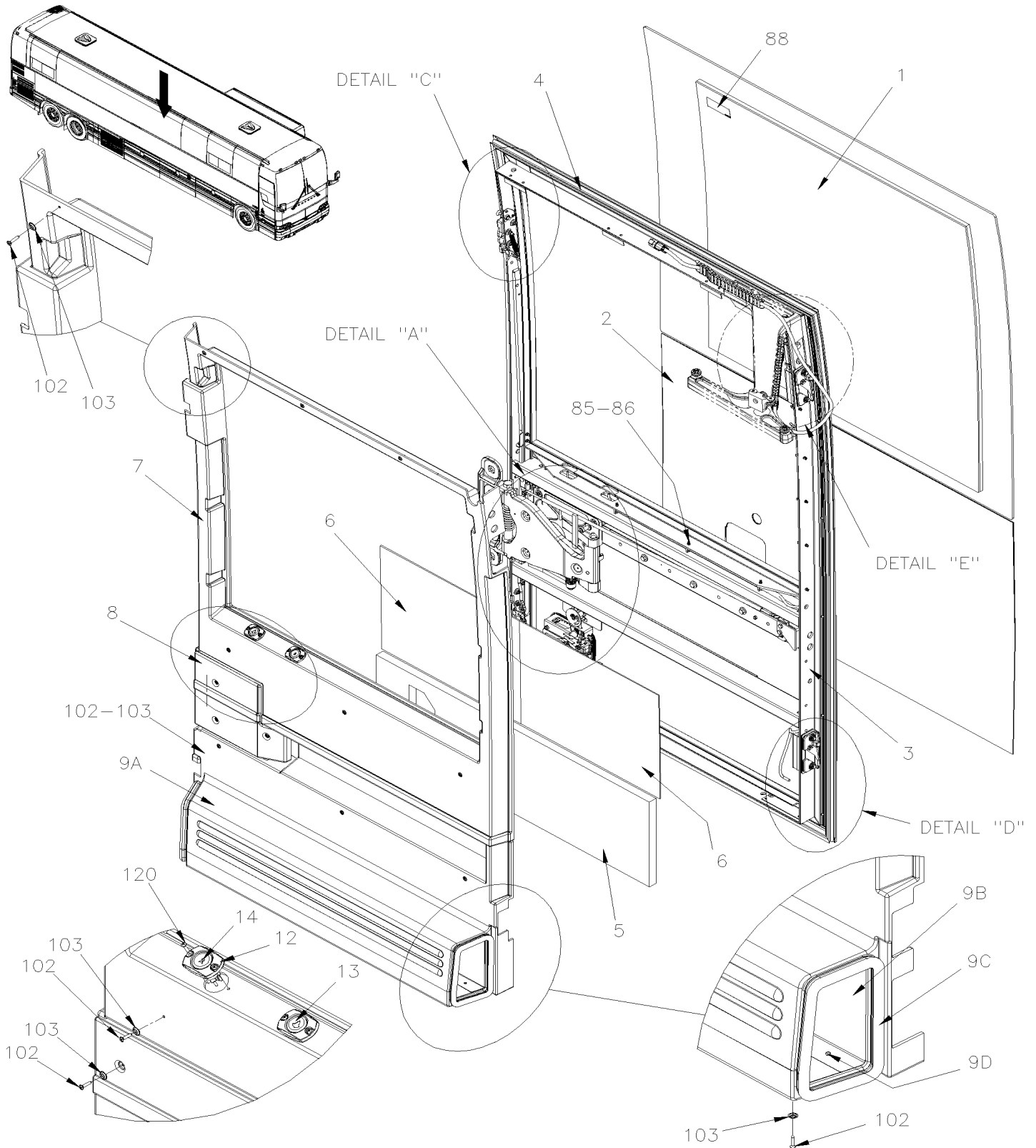


From J-6223

Date:07/2024

PAGE:X3VIP-1862-80

ENTRANCE DOOR SLIDING - WCL





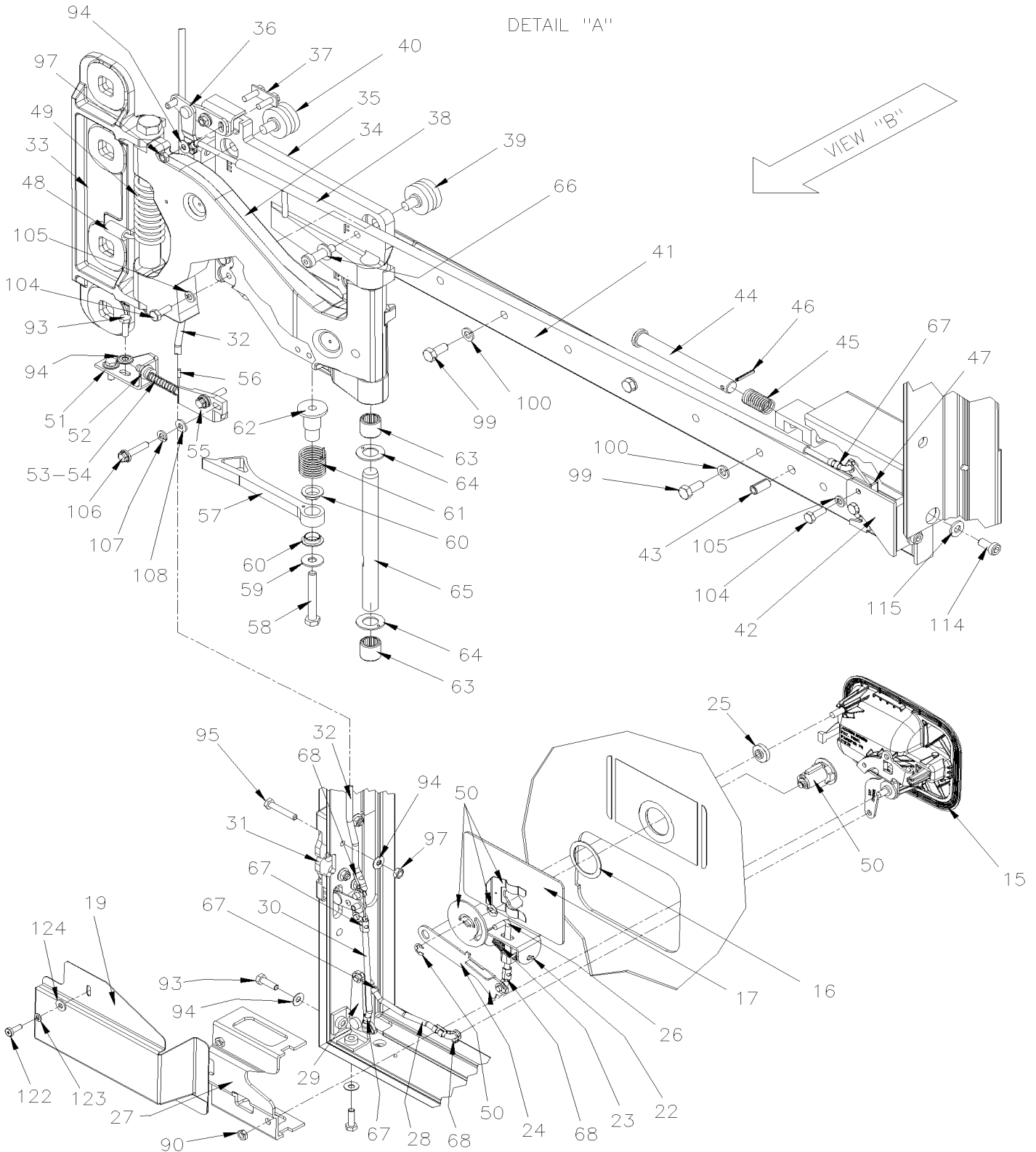
From J-6223

Date:07/2024

PAGE:X3VIP-1862-80

ENTRANCE DOOR SLIDING - WCL

DETAIL "A"



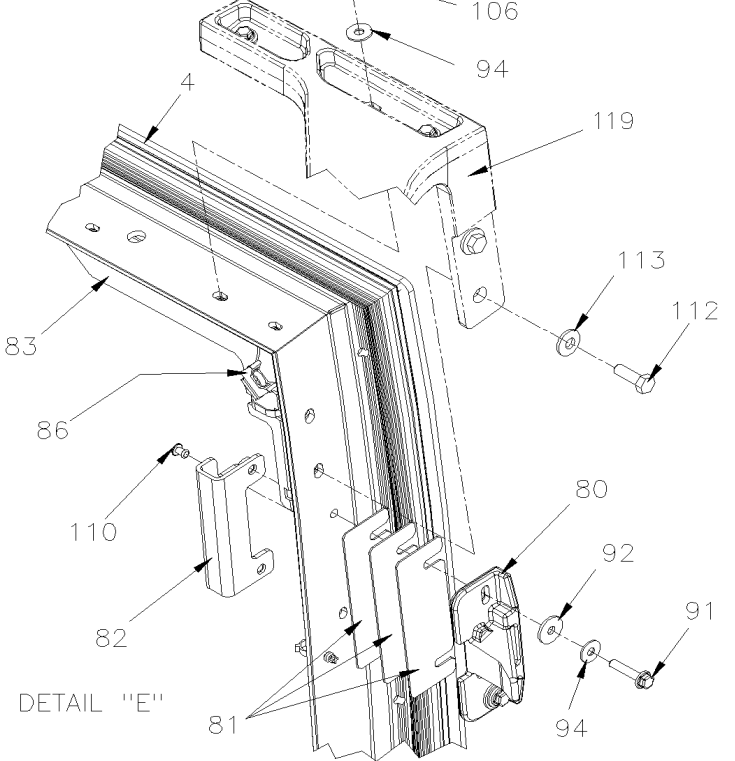
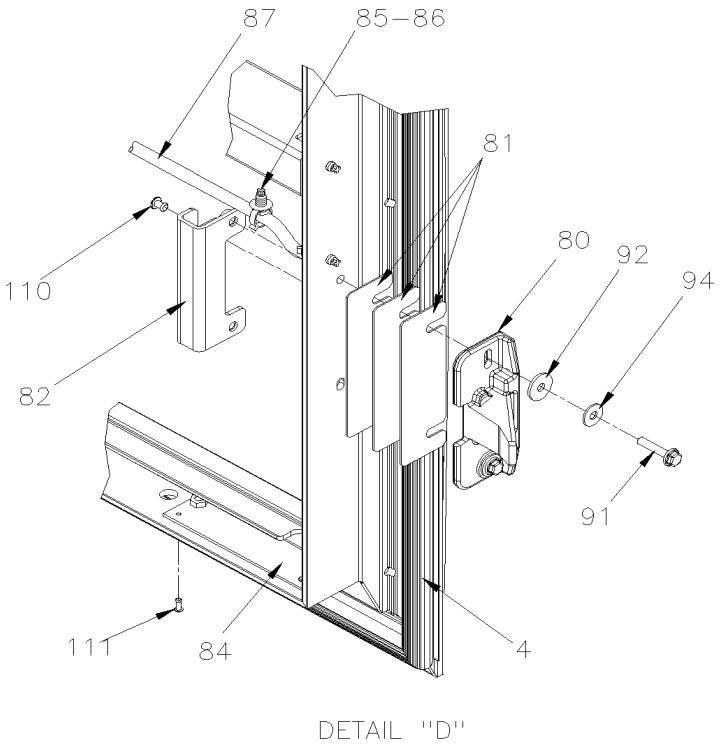
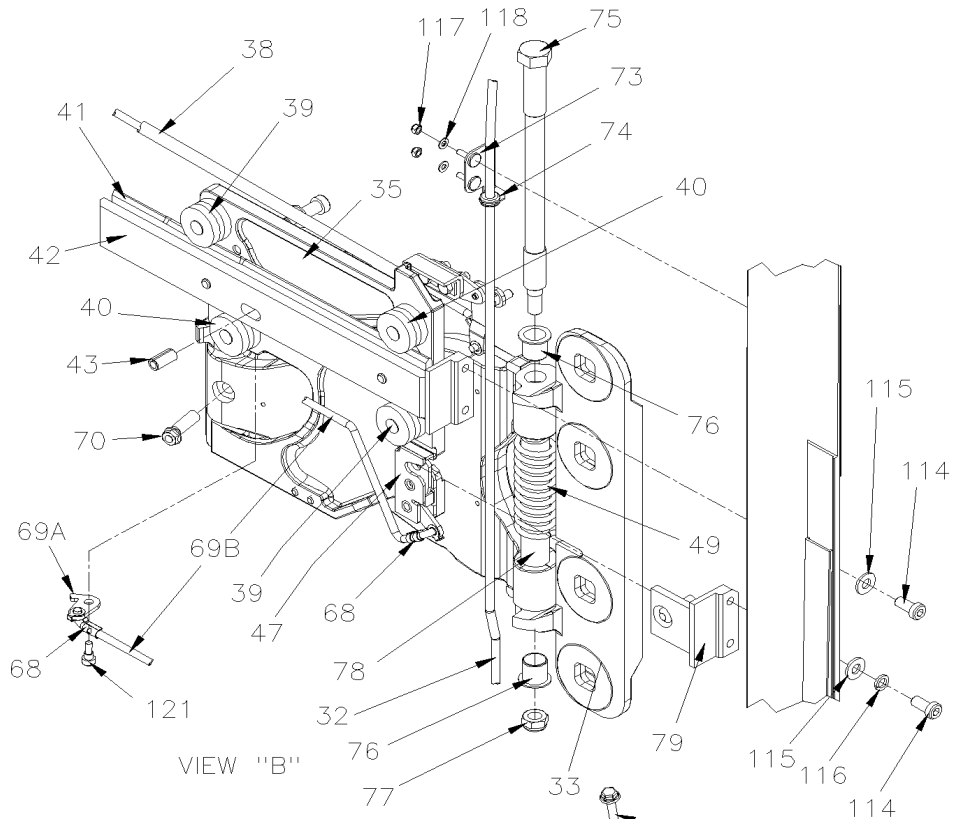
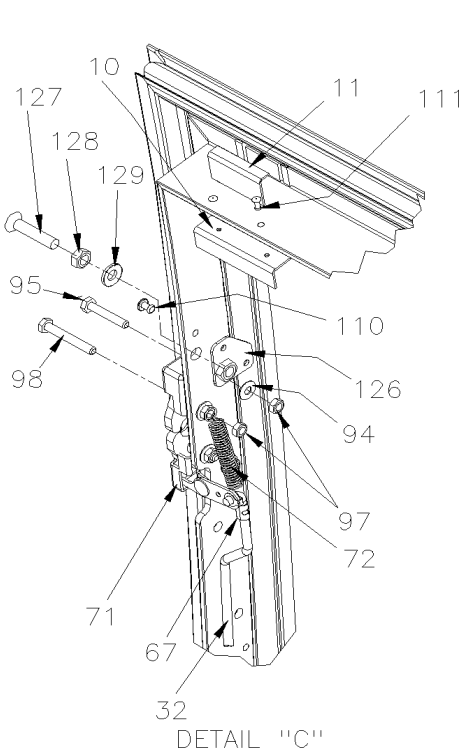


From J-6223

Date:07/2024

PAGE:X3VIP-1862-80

ENTRANCE DOOR SLIDING - WCL





From J-6223		Date:07/2024	PAGE:X3VIP-1862-80
-------------	--	--------------	--------------------

ENTRANCE DOOR SLIDING - WCL

Item#	Part	Description	X 3 V I P E N T	X 3 V I P M T H	N O T E S
	Call order desk	DOOR S ASSY W.C.L. DOOR SLIDING	1	1	P
1	2800041	GLASS, THERMOS 13% W.C.L. DOOR SLIDING 1286.4MM x 1068.52MM	1	1	
1	506769	TAPE RUB ADH2 CC POL 1/8" x 1/4" x 60' / BLACK H1CC-N-#14	AR	AR	
1	687957	GLUE MS POLYMER TEROSON MS 9399 / 400ml CARTRIDGE To M-6660	AR	AR	
NS	685387	GLUE MS POLYMER TEROSON MS 9399 / 400ml CARTRIDGE From M-6661	AR	AR	
1	684685	ADHESIVE SIMSON #ISR 70-03 / 310ml CARTRIDGE	AR	AR	
2	281332	PANEL LOWER 1014.9 x 1286.4 MM	1	1	
2	506769	TAPE RUB ADH2 CC POL 1/8" x 1/4" x 60' / BLACK H1CC-N-#14	AR	AR	
2	687957	GLUE MS POLYMER TEROSON MS 9399 / 400ml CARTRIDGE To M-6660	AR	AR	
NS	685387	GLUE MS POLYMER TEROSON MS 9399 / 400ml CARTRIDGE From M-6661	AR	AR	
3	Call order desk	STRUCTURE DOOR	1	1	P
4	281333	RUBBER SEAL EXTRUSION / 2008 x 1127 MM	1	1	
5	280895	INSULATING LOWER	1	1	
6	280896	INSULATING UPPER	2	2	
7	2800220	CAP FINISHING	1	1	
NS	506466	TAPE RUB ADH1 CC POL 1/16" x 1 1/2" x 100 / GREY 2520	1	1	
8	3200786	CAP FINISHING	1	1	
9	Call order desk	DUCT DOOR / PLASTIC ASSY			P
9A	3201589	. DUCT DOOR / PLASTIC	1	1	
NS	506869	. TAPE RUB ADH2 POL .031" X 1/4" X 300' / BLACK	AR	AR	
NS	2800261	. PLATE REINFORCMENT SS LOZANGE 148MM x 114MM	1	1	
NS	684743	. GLUE METHACRYLATE PLEXUS MA832GB 380 ml	AR	AR	
9B	280242	. PANEL ANGLE / ALUMINUM 1055MM x 350MM x 4000	1	1	
9C	329615	. SEAL DUCT 600MM	1	1	
. NS	5061011	. . RUBBER EXTRUSION TRIM SEAL / GRIP .090/.120 / 5/8" HOLLOW BULB C.T.L.	AR	AR	
NS	680066	. ADHESIVE / ADBOND #5014 / 23.6ML BOTTLE	AR	AR	
9D	504113	. RIVET POP DOME CLE 3/16x1/4 AL	3	3	
10	288648	ANGLE 18MM x 18MM x 76MM	3	3	
11	068192	PLATE ANGLE 50MM x 25MM	1	1	
11	506785	TAPE RUB ADH2 CC POL 1/16" X 1/4" X 200' / BLACK I1C-N-A	AR	AR	
11	684685	ADHESIVE SIMSON #ISR 70-03 / 310ml CARTRIDGE	AR	AR	
12	409259	PROTECTOR SWITCH / CAP	2	2	
. NS	288728	. REINFORCMENT FOR SCREW PROTECTOR CAP	1	1	
13	830159	SWITCH / OFF-M/ON / S.P.S.T. / CHIME	1	1	
14	830158	SWITCH / OFF-ON / S.P.S.T. / READING LIGHT	1	1	
15	280169	HANDLE ASSY	1	1	
16	280174	GASKET ADH2 33.5 I.D x 43.5 O.D. x 1/32"	1	1	
17	280199	PLATE RETAINING / LOCK CYLINDER KEY	1	1	
17	506869	TAPE RUB ADH2 POL .031" X 1/4" X 300' / BLACK	AR	AR	
17	684743	GLUE METHACRYLATE PLEXUS MA832GB 380 ml	AR	AR	
19	2800060	PLATE, SEALING HANDLE	1	1	



From J-6223		Date:07/2024	PAGE:X3VIP-1862-80
-------------	--	--------------	--------------------

ENTRANCE DOOR SLIDING - WCL

Item#	Part	Description	X 3 V I P E N T	X 3 V I P M T H	N O T E S
19	684685	ADHESIVE SIMSON #ISR 70-03 / 310ml CARTRIDGE	AR	AR	
19	506004	TAPE RUB ADH1 CC POL 3/8" x 1/2" x 20' / GREY 2520X	AR	AR	
19	506001	TAPE RUB ADH1 CC POL 1/8" x 3/4" x 50' / GREY 2520X	AR	AR	
22	481564	ROD GUIDE	2	2	
23	502934	SPRING COMPRESSION / .300 O.D. x 1 x .026	2	2	
24	280126	ACTUATOR LEVER	1	1	
25	289322	SPACER W/SHOULDER FOR BE	1	1	
26	280206	ROD ASSY W/ACTUATOR 83MM C/C	1	1	
27	780787	SUPPORT HANDLE	1	1	
28	289314	ROD LOWER 123MM	1	1	
29	289910	PIVOT ASSY	1	1	
30	289922	ROD LOWER 152MM	1	1	
31	289916	LOCK LOWER / FORWARD	1	1	
32	281346	ROD UPPER 1457.4 MM	1	1	
33	2800194	HINGE / POST SECTION / MACHINED ONE PIECE CASTING	1	1	
34	2800193	HINGE / MOVABLE SECTION ONE PIECE CASTING	1	1	
35	289996	HINGE / RAIL SECTION ONE PIECE CASTING	1	1	
36	289913	PIVOT ASSY	1	1	
37	289924	ATTACHMENT PLATE	1	1	
38	289920	ROD UPPER 937MM	1	1	
NS	560785	SHRINK TUBING / .375" - .187" / BLACK / ALPHA FIT-300-3/8-4B	AR	AR	
39	780782	WHEEL "V"	2	2	
40	780783	WHEEL "V" W/ECCENTRIC	2	2	
41	285614	RAIL TRACK	1	1	
42	280213	SUPPORT RAIL SLIDING / FIXED AT DOOR FRAME	1	1	
43	504719	SPRING, PIN M10 X 20	2	2	
44	289901	BUMPER PIN	1	1	
45	502181	SPRING COMPRESSION / .720 O.D. x 3 x .067	1	1	
46	505513	SPRING, PIN M3 x 24 SS	1	1	
47	780778	LOCK L.H.	2	2	
48	285576	BUSHING 12.7 O.D. x 6.6 I.D. x 24MM	1	1	
49	2800348	SPRING, TORSION / 1.061" I.D. x 3.23 x .162	1	1	
50	X3VIP-1867-00	KEY & CYLINDER CODE			
51	289325	BUMPER ANGLE	1	1	
52	504718	RIVET DRV BDG 1/4X1/2 NYL	1	1	
53	289324	PLUNGER	1	1	
54	289326	SPRING , COMPRESSION	1	1	
55	289323	PLATE SLIDING DOOR	1	1	
56	505221	SPRING, PIN 1/8 X 3/8	1	1	
57	288499	STOPPER BUMPER	1	1	
58	5001178	SCREW CAP HEX M8-1.25x60 SS BK	1	1	
59	500332	WASHER FL .328x.875x.062 N500	1	1	



From J-6223		Date:07/2024	PAGE:X3VIP-1862-80
-------------	--	--------------	--------------------

ENTRANCE DOOR SLIDING - WCL

Item#	Part	Description	X 3 V I P E N T	X 3 V I P M T H	N O T E S
60	507379	BUSHING FLANGE 14MM I.D. x 16MM O.D. x 6MM L x SHOULDER 22MM O.D.	2	2	
61	286237	SPRING, TORSION / 25MM I.D. x 25.2 x .068	1	1	
62	288498	BUSHING 8MM ID x 14MM OD x 20MM OD	1	1	
63	507374	NEEDLES BEARING 5/8 I.D. x 13/16 O.D. x 3/4	2	2	
64	507377	WASHER 5/8x1 1/8x.0585	2	2	
65	286524	AXE 178MM	1	1	
66	780779	BOLT, STRIKER ASSY.	1	1	
67	504243	CLIP ROD 1/4" L.H.	6	6	
68	504541	CLIP ROD 1/4" R.H.	5	5	
69A	289923	PIVOT	1	1	
69B	289917	ROD CARRIER 188MM	1	1	
70	280028	KEY DRAW	1	1	
70	5001835	NUT HEXF M6-1.0 SS	1	1	
71	780776	LOCK UPPER / FORWARD	1	1	
72	502156	SPRING EXTENSION / .437 O.D. x 2 x .041	1	1	
73	2800056	GUIDE	1	1	
74	504069	GROMMET / .281x.375x.062x.250x.562	1	1	
75	286151	AXE BOLT SPECIAL 250MM	1	1	
76	507376	BUSHING FLANGE	2	2	
77	502859	NUT HEX NYRT M10-1.5 N500	1	1	
78	287520	BUSHING 16MM I.D. x 21MM O.D. x 122MM	1	1	
79	289926	ATTACHMENT	1	1	
80	289825	CATCH SLIDING DOOR	2	2	
81	2800296	SPACER 44MM x 132MM x 24GA	AR	AR	
81	288588	SPACER 44MM x 132MM x 18GA	AR	AR	
82	470568	REINFORCMENT	2	2	
83	280481	PLATE UPPER SLIDING DOOR	1	1	
83	504013	TIE MOUNT / 1/4" X 1/4" I.D.	1	1	
83	5001377	SCREW MA PAN PH M5-0.8x8 SS	1	1	
83	5001587	NUT HEX NYRT M5-0.8 SS	1	1	
84	288470	PLATE ATTACHMENT 136MM x 35MM	1	1	
85	509815	TIE MOUNT / ATTACHMENT W/TREE MOUNT	AR	AR	
86	504637	CABLE TIE / 3/16" x 13"	AR	AR	
87	060569	CABLE ASSY / W/WCL To J-6296	1	1	
87	069818	CABLE ASSY / W/WCL From J-6296 To K-6431	1	1	
87	069997	WCL RICON SLIDING DOOR HARNESS / W/WCL From K-6432	1	1	
. NS	560768	. CHAIN SYSTEM MICRO From K-6432	AR	AR	
88	408203	DECAL EMERGENCY >>>> PICTOGRAPM RIGHT>>>>	1	1	
90	502565	NUT HEX M6-1.0 SS	2	2	
91	5001815	SCREW CAP HEXF M6-1.0x30 G 8.8 N500	4	4	
92	500142	WASHER FL 6.6x22.0x2.0 SS	4	4	
93	502830	SCREW CAP HEX M6-1.0x20 G8.8 N500	4	4	



From J-6223	Date:07/2024	PAGE:X3VIP-1862-80
ENTRANCE DOOR SLIDING - WCL		

Item#	Part	Description	X 3 V I P E N T	X 3 V I P M T H	N O T E S
94	5001833	WASHER BEL SPR 6.1x18x1.27 SS	21	21	
95	502888	SCREW CAP HEX M6-1.0x35 G8.8 N500	7	7	
97	502854	NUT HEX M6-1.0 N500	11	11	
98	502843	SCREW CAP HEX M6-1.0x45 G8.8 N500	1	1	
99	502862	SCREW CAP HEX M8-1.25x20 G8.8 N500	6	6	
100	5001848	WASHER BEL SPR .827 x .331 x .098 th SS	6	6	
102	500552	SCREW TP OV PH #6x3/4 Z050	15	15	
103	500463	WASHER FN CKF .187x.500x.090 BR Z050	15	15	
104	5001746	SCREW CAP HEX 1/4-20x3/4 G5 N500	4	4	
105	5001749	WASHER LO SPT 6.5x11.5x1.6 N500	4	4	
106	5001815	SCREW CAP HEXF M6-1.0x30 G 8.8 N500	5	5	
107	5001749	WASHER LO SPT 6.5x11.5x1.6 N500	2	2	
107	506004	TAPE RUB ADH1 CC POL 3/8" x 1/2" x 20' / GREY 2520X	AR	AR	
108	500877	WASHER FL .250x.562x.065 N500	2	2	
110	504581	RIVET MGLP PRDG 3/16x7/16 SS BK	8	8	
111	504339	RIVET POP DOME OE 1/8x3/8 SS	8	8	
112	5001745	SCREW CAP HEX M8-1.25x25 G8.8 N500	2	2	
113	5001848	WASHER BEL SPR .827 x .331 x .098 th SS	2	2	
114	5001573	SCREW CAP HEXS M8-1.25x18 G8.8	6	6	
115	5001736	WASHER FL 8.4x18.0x2.0 N500	6	6	
116	500942	WASHER LO SPT 8.1x14.8x2.0 N500	2	2	
117	500539	NUT HEX NYRT M4-0.7 N500	2	2	
118	502556	WASHER FL 4.3x9.0x0.8 SS	2	2	
119	X3VIP-1862-85	ENTRANCE DOOR SLIDING - INSTALLATION - W.C.L.			
120	500814	SCREW TP BDG PH #6x3/4 BK	4	4	
121	5001606	SCREW SHR HEXS 1/4x3/16 (#10-24 SS	1	1	
122	500965	SCREW TC BDG PH #8-32x1/2 N500	1	1	
123	502834	WASHER LO SPT 4.1x7.6x0.9 N500	1	1	
124	504357	WASHER FL .187x.437x.050 SS	1	1	
126	479570	WELD PLATE NUT ASSY	1	1	
127	500117	SCREW CAP FL HEXS M8-1.25x40 GR10.9 BK	1	1	
128	5001188	NUT HEX M8-1.25 SS	1	1	
129	5001868	WASHER BEL SPR 8.4x18x2 SS	1	1	
NS	680038	THREAD LOCKER LOCTITE #243 / BLUE / 50ml	AR	AR	
NS	680122	TUBE, LUBRIPLATE 10 OZ.	AR	AR	
NS	680397	CONTACT GLUE / AEROSOL 17oz	AR	AR	
NS	680739	GREASE SYNTHETIC / RED 20KG	AR	AR	
		P) CALL ORDER DESK FOR SPECIFIC APPLICATION (V.I.N.)			

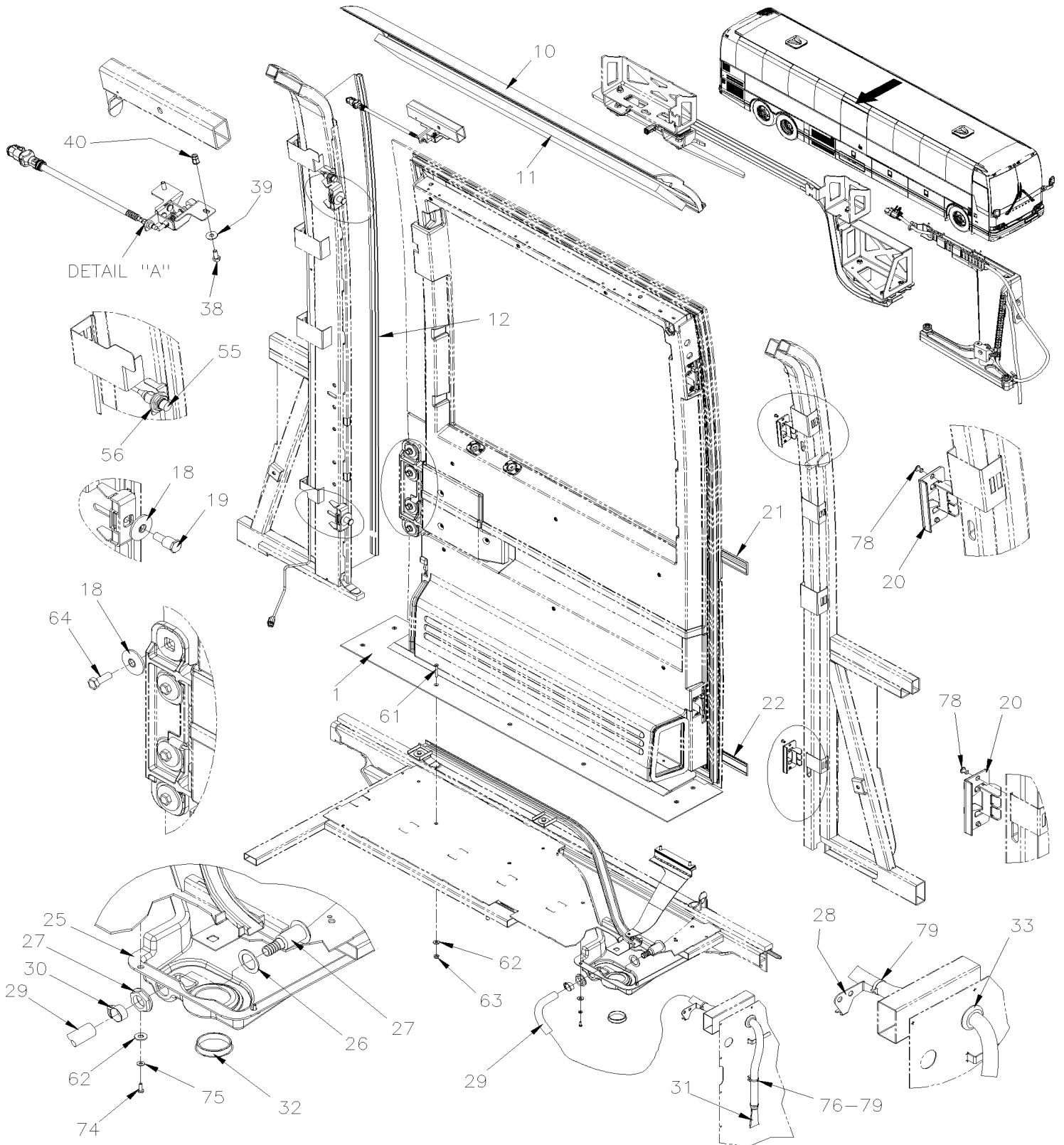


From J-6223

Date:07/2024

PAGE:X3VIP-1862-85

ENTRANCE DOOR SLIDING - INSTALLATION - W.C.L.



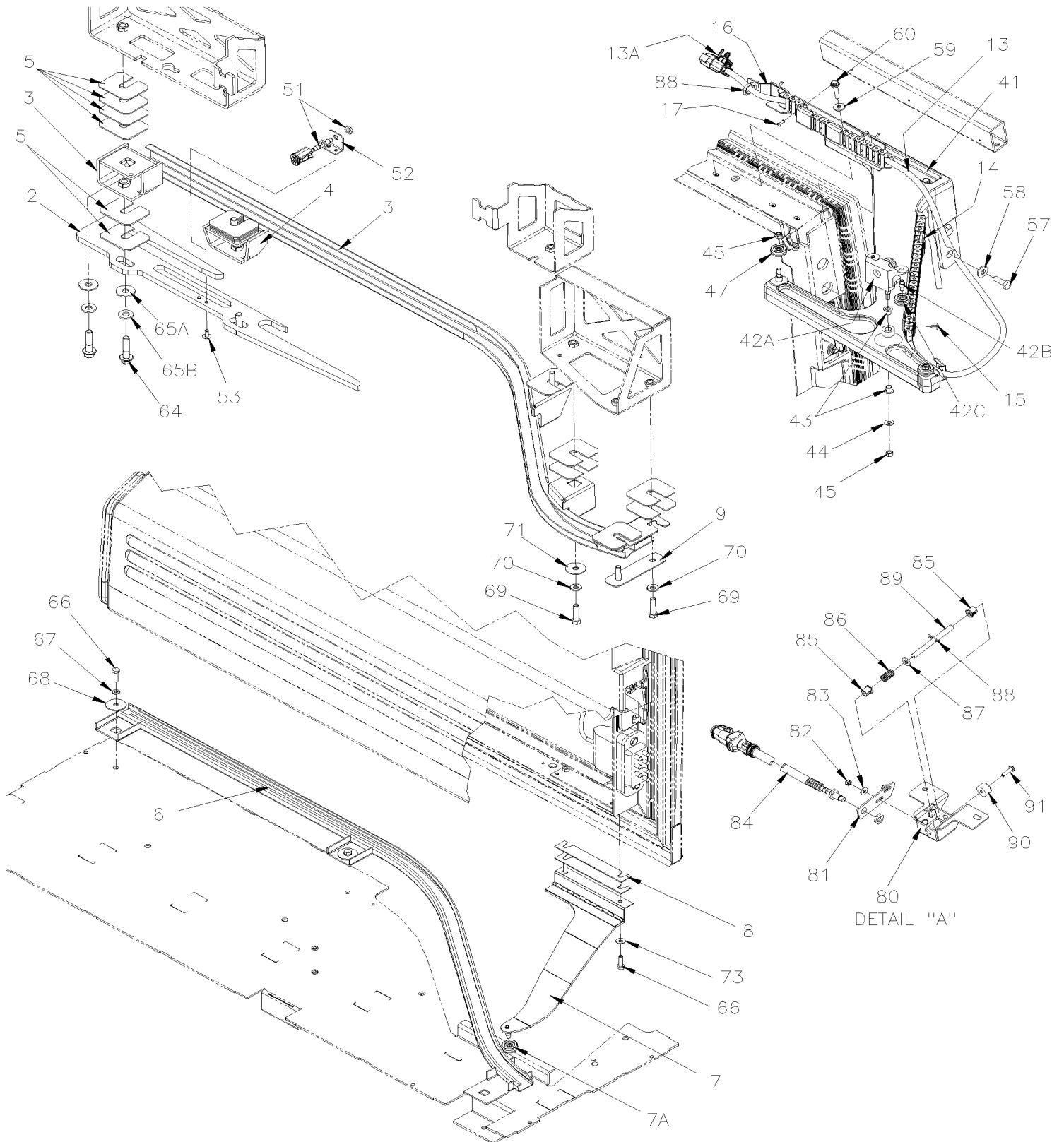


From J-6223

Date:07/2024

PAGE:X3VIP-1862-85

ENTRANCE DOOR SLIDING - INSTALLATION - W.C.L.





From J-6223		Date:07/2024	PAGE:X3VIP-1862-85
-------------	--	--------------	--------------------

ENTRANCE DOOR SLIDING - INSTALLATION - W.C.L.

Item#	Part	Description	X 3 V I P E N T	X 3 V I P M T H	N O T E S
1	2800015	STEP PROTECTOR	1	1	
2	2800088	DOOR SUPPORT	1	1	
3	2800235	TRACK UPPER ASSY	1	1	
4	288489	SUPPORT	1	1	
5	286421	SPACER "U" 54MM X 66MM X 14GA	AR	AR	
6	288482	TRACK LOWER ASSY	1	1	
7	2800197	LOWER ARM ASSY	1	1	
7A	288460	WHEEL ASSY W/BEARING	1	1	
7A	288468	RIVET	1	1	
8	288471	SPACER 22MM x 146MM x 16GA	AR	AR	
9	2800242	REINFORCEMENT PLATE	1	1	
10	479359P	PANEL ASSY / UPPER W.C.L. DOOR	1	1	
. NS	479358	. PANEL / UPPER W.C.L. DOOR	1	1	
. NS	2800012	. DRIP MOULDING ALUM	1	1	
. NS	506785	. TAPE RUB ADH2 CC POL 1/16" X 1/4" X 200' / BLACK I1C-N-A	AR	AR	
. NS	684685	. ADHESIVE SIMSON #ISR 70-03 / 310ml CARTRIDGE	AR	AR	
NS	685124	ADHESIVE SIMSON #ISR 70-03 / BLACK / 600ml SAUSAGE	AR	AR	
11	287793	INSULATION	1	1	
12	5060103	RUBBER SEAL 6.56FT LONG	AR	AR	
13	060569	CABLE ASSY / W/WCL To J-6295	1	1	
13	069818	CABLE ASSY / W/WCL From J-6296 To K-6431	1	1	
13	069997	WCL RICON SLIDING DOOR HARNESS / W/WCL From K-6432	1	1	
. NS	560768	. CHAIN SYSTEM MICRO From K-6432	AR	AR	
13A	564108	SELF MOUNTING STUD // DEUTSCH 1011-310-0205	1	1	
14	280461	RAIL SUPPORT ON ARM To K-6431	3	3	
14	2810007	RAIL SUPPORT ON ARM From K-6432	3	3	
15	5001440	SCREW TP RND PH WSHR HD #8x1/2 To K-6386	5	5	
15	500654	SCREW TC BDG PH #8-32x1/2 Z050 From K-6387	4	4	
16	280460	CABLE PAST BRACKET To K-6431	1	1	
16	2810011	CABLE PAST BRACKET From K-6432	1	1	
17	504339	RIVET POP DOME OE 1/8x3/8 SS	4	4	
18	500494	WASHER BEL SPR .470x1.680x.125 N500	6	6	
19	780809	STRIKER PIN .675 O.D. x 1.715 -7/16-14	2	2	
19	500496	WASHER FL .437x.750x.054 Z050 To L-6561	2	2	A
NS	5000106	WASHER FL .454X.913X.106 ECOGUARD From L-6562	2	2	A
20	280080	CATCH	2	2	
21	479360	FINISHING MOULDING UPPER W.C.L. DOOR 1286MM	1	1	
. NS	506785	. TAPE RUB ADH2 CC POL 1/16" X 1/4" X 200' / BLACK I1C-N-A	AR	AR	
. NS	506769	. TAPE RUB ADH2 CC POL 1/8" x 1/4" x 60' / BLACK H1CC-N-#14	AR	AR	
NS	683083	ADHESIVE SIKA #252 / BLACK / 600 ml SAUSAGE	AR	AR	
22	478587	FINISHING MOULDING LOWER W.C.L. DOOR 1286MM	1	1	
NS	683083	ADHESIVE SIKA #252 / BLACK / 600 ml SAUSAGE	AR	AR	



From J-6223		Date:07/2024	PAGE:X3VIP-1862-85
-------------	--	--------------	--------------------

ENTRANCE DOOR SLIDING - INSTALLATION - W.C.L.

Item#	Part	Description	X 3 V I P E N T	X 3 V I P M T H	N O T E S
25	289699	TRAY, SLIDING DOOR	1	1	
NS	680532	SEALANT SIKA #221 / GREY / 310ml CARTRIDGE	AR	AR	
26	409038	GASKET	1	1	
27	900280	THRU HULL, CONNECTOR / PLASTIC	1	1	
28	455982	SUPPORT / HOSE	1	1	
29	900220	TUBE PVC / 5/8" I.D. / S.L.	AR	AR	
30	504018	HOSE CLAMP / 7/16"-1" SS / HS-8	1	1	
31	590286	DRAIN BOOT 1 1/4" I.D. X 4" / FLAT	1	1	
31	504637	CABLE TIE / 3/16" x 13"	1	1	
32	504774	HOLE PLUG BUTTON / 2.000 O.D. BLACK	1	1	
33	504776	GROMMET / .875x1.250x.062x.437x1.625	2	2	
NS	685124	ADHESIVE SIMSON #ISR 70-03 / BLACK / 600ml SAUSAGE	AR	AR	
NS	680397	CONTACT GLUE / AEROSOL 17oz	AR	AR	
NS	506785	TAPE RUB ADH2 CC POL 1/16" X 1/4" X 200' / BLACK I1C-N-A	AR	AR	
38	5001697	SCREW CAP HEX M6-1.0x16 SS BK To M-6657	2	2	
38	500526	SCREW TP CAP HEXW #12x3/4 N500 From M-6658	2	2	
39	5001833	WASHER BEL SPR 6.1x18x1.27 SS	2	2	
40	5001344	NUT INS FL HEX M6-1.0 0.5-3.0 SS	2	2	
41	280491	ARM ASSY (CASTING)	1	1	
41	280498	. ARM ONE PIECE CASTING	1	1	C
41	2800025	. AXLE PIN RIVET W/SHOULDER 55.6MM x 7.4 O.D. & M6-1.0	2	2	
42	281454	UP CARRIAGE DOOR ASSY	1	1	
. A	281410	. CARRIER ASSY	1	1	
. B	288469	. RIVET W/DOUBLE SHOULDER	3	3	
. C	288460	. WHEEL ASSY W/BEARING	3	3	
43	507378	BUSHING W/SHOULDER	2	2	
44	500877	WASHER FL .250x.562x.065 N500	1	1	
45	502681	NUT HEX NYRT M6-1.0 N500 G8	3	3	
47	288460	WHEEL ASSY W/BEARING	2	2	
50	X3VIP-1862-80	ENTRANCE DOOR SLIDING - WCL			
51	068358	PROXIMITY SENSOR, NO ENTRANCE DOOR ASS.	1	1	
. NS	564163	. SWITCH PROXIMITY / S.P.D.T. / W/3 WIRES	1	1	
. NS	564099	. TAPE ADHESIF ELECTRICAL TISSUS / BLACK 838MM	1	1	
. NS	562387	. CONVOLUTED TUBING / SLIT / BLACK / .250"	1	1	
. NS	562477	. CONNECTOR / DT SERIES / SH 4C / GRAY / DEUTSCH DT06-4S	1	1	
. NS	562478	. SECONDARY LOCK / DT SERIES / SH 4C / DEUTSCH W4S	1	1	
. NS	561608	. SOCKET TERMINAL / 18-16 / DEUTSCH 0462-201-16141	3	3	
. NS	563606	. SEALING PLUG TYPE 20 / DEUTSCH 0413-204-2005	1	1	
51	069347	HARNESS, UPPER WCL DOOR To J-6295	1	1	
51	062240	HARNESS, UPPER WCL DOOR From J-6296 To K-6491	1	1	



From J-6223		Date:07/2024	PAGE:X3VIP-1862-85
-------------	--	--------------	--------------------

ENTRANCE DOOR SLIDING - INSTALLATION - W.C.L.

Item#	Part	Description	X 3 V I P E N T	X 3 V I P M T H	N O T E S
51	069773	HARNESS, UPPER WCL DOOR From L-6492	1	1	
52	068417	BRACKET, PROXIMITY SENSOR	1	1	
53	504793	RIVET MNB OE LARGE HEAD 3/16x7/16 SS	2	2	
55	068991	PROXIMITY SWITCH ASSY To £-22046	1	1	
55	0600169	PROXIMITY SWITCH ASSY From £-22046	1	1	
56	500126	WASHER FL 19.0x34.0x3.0 SS	1	1	
57	5001745	SCREW CAP HEX M8-1.25x25 G8.8 N500	2	2	
58	5001848	WASHER BEL SPR .827 x .331 x .098 th SS	2	2	
59	5001815	SCREW CAP HEXF M6-1.0x30 G 8.8 N500	2	2	
60	5001833	WASHER BEL SPR 6.1x18x1.27 SS	3	3	
61	5001626	SCREW MA FL PH 1/4-20x1 3/4 SS	7	7	
62	502638	WASHER FL .312x.734x.065 N500	11	11	
63	502874	NUT HEX NYRT 1/4-20 N500	7	7	
64	5001308	SCREW CAP HEXF M10-1.5x40 G10.9 N500	8	8	
65A	502644	WASHER FL 10.5x30.0x2.5 Z050	4	4	
65B	5001834	WASHER BEL SPR 10.5X23X2.5 N500	4	4	
66	502830	SCREW CAP HEX M6-1.0x20 G8.8 N500	5	5	
67	502853	WASHER LO SPT 6.1x11.8x1.6 N500	3	3	
68	500913	WASHER FL .281x1.250x.065 N500	3	3	
69	5001738	SCREW CAP HEX M8-1.25x30 G8.8 N500	4	4	
70	5001848	WASHER BEL SPR .827 x .331 x .098 th SS	4	4	
71	5001467	WASHER FL .343x1.250x.062 SS18-8	2	2	
73	5001833	WASHER BEL SPR 6.1x18x1.27 SS	2	2	
74	500965	SCREW TC BDG PH #8-32x1/2 N500	4	4	
75	500855	WASHER FL .188x.438x.049 N500	4	4	
76	504013	TIE MOUNT / 1/4" X 1/4" I.D.	1	1	
76	500545	SCREW TP PAN PH #10x1/2 N500	1	1	
76	500804	WASHER FL .203x.500x.047 N500	1	1	
78	504581	RIVET MGLP PRDG 3/16x7/16 SS BK	4	4	
79	504637	CABLE TIE / 3/16" x 13"	3	3	
80	Call order desk	DETECTOR WCL DOOR ASSEMBLY To M-6657			P
80	Call order desk	DETECTOR WCL DOOR ASSEMBLY From M-6658	1	1	P
80	060599	. SUPPORT SWITCH To M-6657	1	1	
80	0610396	. SUPPORT SWITCH From M-6658	1	1	
81	060928	. SUPPORT PLATE SWITCH	1	1	
82	500539	. NUT HEX NYRT M4-0.7 N500	2	2	
83	500855	. WASHER FL .188x.438x.049 N500	2	2	
84	068076	. SWITCH PROXIMITY WITH LED ASSY	1	1	
. NS	564176	. . SWITCH PROXIMITY / S.P.D.T. / W/3 WIRES W/LED	1	1	
85	504083	. SNAP BUSHING / .250x.468.406	2	2	
86	5021001	. SPRING COMPRESSION / .360 O.D. x 1.5 x .038	1	1	



From J-6223	Date:07/2024	PAGE:X3VIP-1862-85
ENTRANCE DOOR SLIDING - INSTALLATION - W.C.L.		

Item#	Part	Description	X 3 V I P E N T	X 3 V I P M T H	N O T E S
87	502573	. WASHER FL 6.4x12.5x1.6 SS	1	1	
88	5001860	. PIN HITCH CLIP .054 x 3/4 SS	1	1	
89	060600	. SWITCH ROD To N-6765	1	1	
89	0610619	. SERVICE KIT WCL DOOR SENSOR To N-6765	1	1	
. NS	0610617	. . PLATE ANGLE 50MM x 31MM To N-6765	1	1	
. NS	5002025	. . BUMPER NEOPRENE / .625 OD x .406 TH x .156 HOLE To N-6765	1	1	
. NS	500142	. . WASHER FL 6.6x22.0x2.0 SS To N-6765	1	1	
89	0610618	. SWITCH ROD From N-6766	1	1	
90	504334	. BUMPER RUBBER / .625 OD x .406 TH x .156 HOLE To J-6339	1	1	
90	5002025	. BUMPER NEOPRENE / .625 OD x .406 TH x .156 HOLE From J-6340	1	1	
91	502698	. SCREW MA PAN PH M4-0.7x16 SS BK	2	2	
NS	509815	. TIE MOUNT / ATTACHMENT W/TREE MOUNT From M-6658	1	1	
95	X3VIP-0621-80	MODULE WCL ASSY / GHG17			
		A) USE TO SHIM THE STRIKER PIN IF NECESSAIRY			
		C) FOR PRODUCT IMPROVEMENT ASK FOR KIT #2800281			
		P) CALL ORDER DESK FOR SPECIFIC APPLICATION (V.I.N.)			

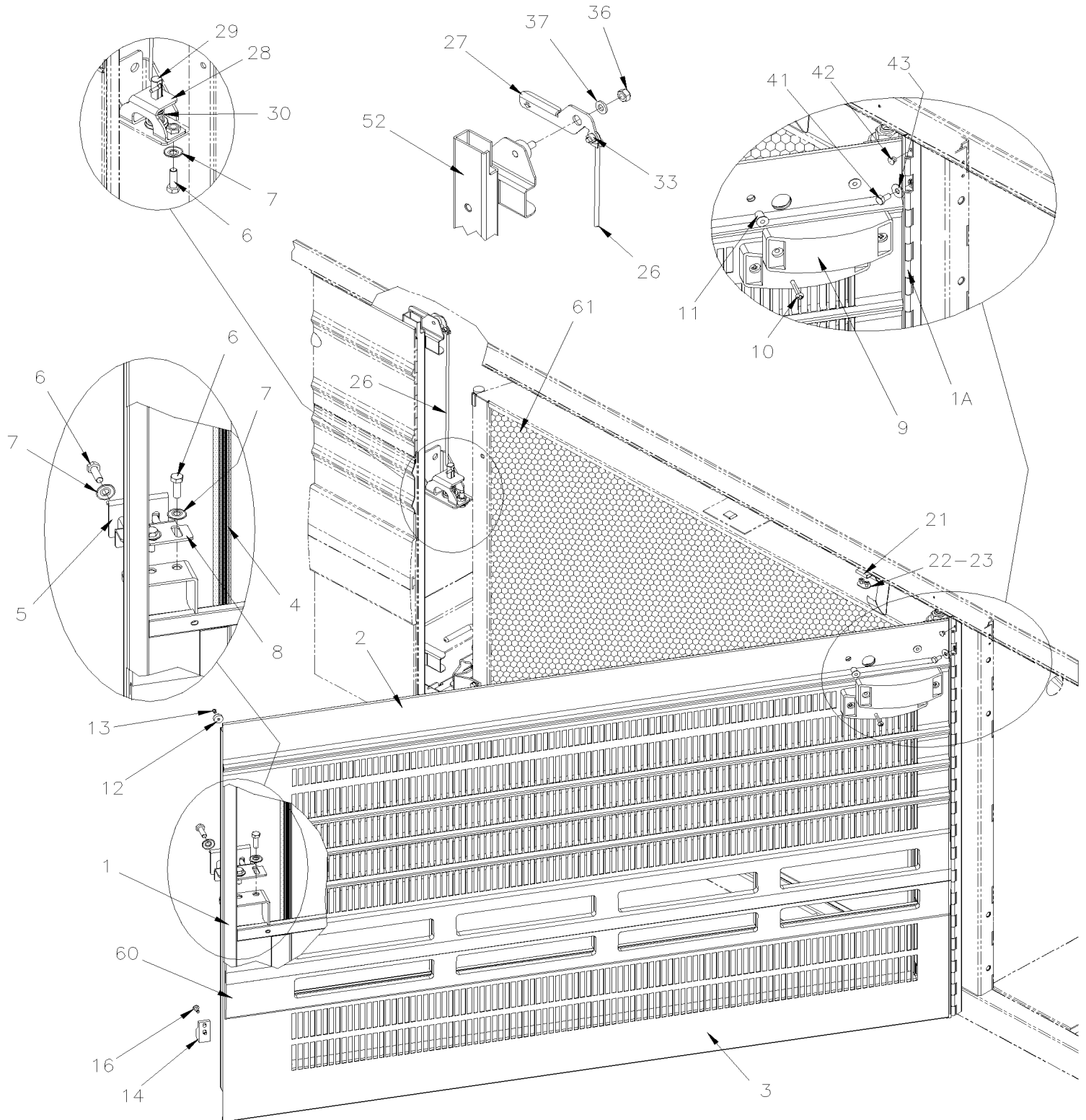


From E-5490

Date:07/2024

PAGE:X3VIP-1863-50

CONDENSOR DOOR ASSY WITH LARGE A/C SYSTEM





From E-5490		Date:07/2024	PAGE:X3VIP-1863-50
-------------	--	--------------	--------------------

CONDENSOR DOOR ASSY WITH LARGE A/C SYSTEM

Item#	Part	Description	X 3 V I P E N T	X 3 V I P M T H	N O T E S
		THIS DOOR ASSY DO NOT INCLUDE RUB-RAIL			
		PLEASE ORDER SEPARATELY			
	485869	CONDENSOR DOOR ASSY / W/FLUTED	1	1	
1	484334	. FRAME ASSY / 1285MM	1	1	
1A	484163	. . HINGE	1	1	
2	484333	. ONE PIECE PANEL / FLUTED 1281.6MM	1	1	
2	484330	. ONE PIECE PANEL CONDENSOR / FLAT "OEM" UPPER & LOWER	1		A
3	484205	. . PANEL, LOWER 1285MM / FLUTED	1	1	
NS	684517	ADHESIVE SIMSON #ISR 70-03 / GREY / 310ml CARTRIDGE	AR	AR	
NS	687961	GLUE MS POLYMER TEROSON MS 9399 / "A" 21 Liters To M-6660	AR	AR	
NS	685385	GLUE MS POLYMER TEROSON MS 9399 / "A" 14.8 Liters From M-6661	AR	AR	
NS	687962	GLUE MS POLYMER TEROSON MS 9399 / "B" 21 Liters To M-6660	AR	AR	
NS	685386	GLUE MS POLYMER TEROSON MS 9399 / "B" 14.8 Liters From M-6661	AR	AR	
NS	687957	GLUE MS POLYMER TEROSON MS 9399 / 400ml CARTRIDGE To M-6660	AR	AR	
NS	685387	GLUE MS POLYMER TEROSON MS 9399 / 400ml CARTRIDGE From M-6661	AR	AR	
4	506303	. RUBBER SEAL EXTRUSION	12	12	
5	287051	. CATCH PIN / RETAINER 52MM x 70MM	1	1	
6	502780	. SCREW CAP HEX M8-1.25x25 SS BK	4	4	
7	5001699	. WASHER BEL SPR 8.2x22x1.4 N500 To G-5931	AR	AR	
7	5001868	. WASHER BEL SPR 8.4x18x2 SS From G-5932	AR	AR	
8	484167	DOOR LATCH ADJUSTABLE To P-6820	1	1	
8	2800689	DOOR LATCH ADJUSTABLE From P-6821	1	1	
9	X3VIP-0662-00	CLEARANCE & MARKER LIGHT To K-6491			
9	X3VIP-0662-01	CLEARANCE & MARKER LIGHT From L-6492			
10	5001042	. SCREW MA RND PH #10-32x1 1/4 SS To J-6243	2	2	
10	5002021	. SCREW MA TR PH #10-32x1 1/4 SS From J-6244	2	2	
11	502774	. NUT WELL #10-32x.625	2	2	
12	5001393	. BUMPER RUBBER / .625 OD x .281 TH x .125 HOLE To J-6339	2	2	
12	5002025	. BUMPER NEOPRENE / .625 OD x .406 TH x .156 HOLE From J-6340	2	2	
13	504340	. RIVET POP DOME OE 1/8x3/16 SS	2	2	
14	2800374	. GUIDE LOWER COND DOOR PLASTIC	1	1	
16	500623	. SCREW TC PAN PH #10-24x3/4 N500	2	2	
21	505507	STRAP NYLON 1" WIDE / S.L.	AR	AR	
NS	452813	SUPPORT STRAP RETAINER W/2 SLOTS & 2 HOLES	1	1	
NS	285476	SUPPORT STRAP RETAINER W/2 SLOTS & 1 HOLE (WELDED AT DOOR STRUCTURE)	1	1	
22	284439	PLATE, STRAP RETAINING / OBLONG 16.5MM x 25.4MM W/2 HOLES	1	1	
23	504747	RIVET HKL MMS 3/16x3/8 SS To E-5606	2	2	
23	504793	RIVET MNB OE LARGE HEAD 3/16x7/16 SS From E-5607	2	2	
26	484169	ROD OPENING 309MM To F-5811	1	1	
26	485721	ROD OPENING From F-5812 To H-6140	1	1	



CONDENSOR DOOR ASSY WITH LARGE A/C SYSTEM					
Item#	Part	Description	X 3 V I P E N T	X 3 V I P M T H	N O T E S
26	480015	ROD OPENING From H-6141	1	1	
27	484216	HANDLE	1	1	
28	289674	SUPPORT CATCH PIN W/OUT PIVOT	1	1	
29	289636	CATCH PIN ACETAL / 90.5MM To F-5786	1	1	
29	2800884	CATCH PIN BLACK ACETAL From F-5787 To G-5982	1	1	
29	2801055	CATCH PIN BLACK ACETAL From G-5983	1	1	
30	502910	SPRING COMPRESSION / .720 O.D. 1.75 x .055	1	1	
33	780340	CLIP, RETAINER ROD	2	2	
36	5001182	NUT HEX NYRT M6-1.0 SS	1	1	
37	502573	WASHER FL 6.4x12.5x1.6 SS	1	1	
41	5001743	SCREW CAP HEX M6-1.0x12 G8.8 N500 To G-5931	6	6	
41	5001697	SCREW CAP HEX M6-1.0x16 SS BK From G-5932	6	6	
42	504379	RIVET POP DOME OE 3/16x1/4 SS	2	2	
43	500411	WASHER FL .260x.697x.050 SS To L-6526	6	6	
43	500411	WASHER FL .260x.697x.050 SS From L-6527	2	2	
43	504206	WASHER FL .312X.750X.050 ss From L-6527	4	4	
52	223954	POST ASSY FORWARD FUEL DOOR ASSY W/REINFORCMENT PANEL To F-5811	1	1	
. NS	216798	. PANEL REINFORCMENT LOWER FUEL DOOR 249MM x 600MM To F-5811	1	1	
. NS	223940	. POST ASSY FORWARD FUEL DOOR ASSY To F-5811	1	1	
. NS	216797	. STOPPER CONDENSOR DOOR To F-5811	2	2	
. NS	223937	. BRACKET LATCH COND DOOR To F-5811	1	1	
. NS	477296	. ATTACHMENT SPRING DOOR To F-5811	1	1	
. NS	502659	. NUT WD RND M6-1.0 SS To F-5811	2	2	
52	221916	POST ASSY FORWARD FUEL DOOR ASSY W/REINFORCMENT PANEL From F-5812	1	1	
. NS	221921	. PANEL REINFORCMENT LOWER FUEL DOOR 244.4MM x 508.6MM From F-5812	1	1	
. NS	221896	. ATTACH PIVOT LATCH From F-5812	1	1	
. NS	221917	. TUBE, FUEL DOOR / 895MM LG. From F-5812	1	1	
. NS	221918	. STOPPER, CONDENSOR DOOR, UPPER From F-5812	1	1	
. NS	221919	. SUPPORT, CONDENSOR DOOR, LATCH From F-5812	1	1	
. NS	221920	. STOPPER, CONDENSOR DOOR From F-5812	1	1	
60	X3VIP-1855-00	RUB RAIL - EXTERIOR CREST & TRIMS From E-5490 To H-6092			
60	X3VIP-1855-01	RUB RAIL - EXTERIOR CREST & TRIMS From H-6093			
61	X3VIP-2255-00	CONDENSOR - INSTALLATION			
		A) MOTORHOME WITH FLAT PANEL			

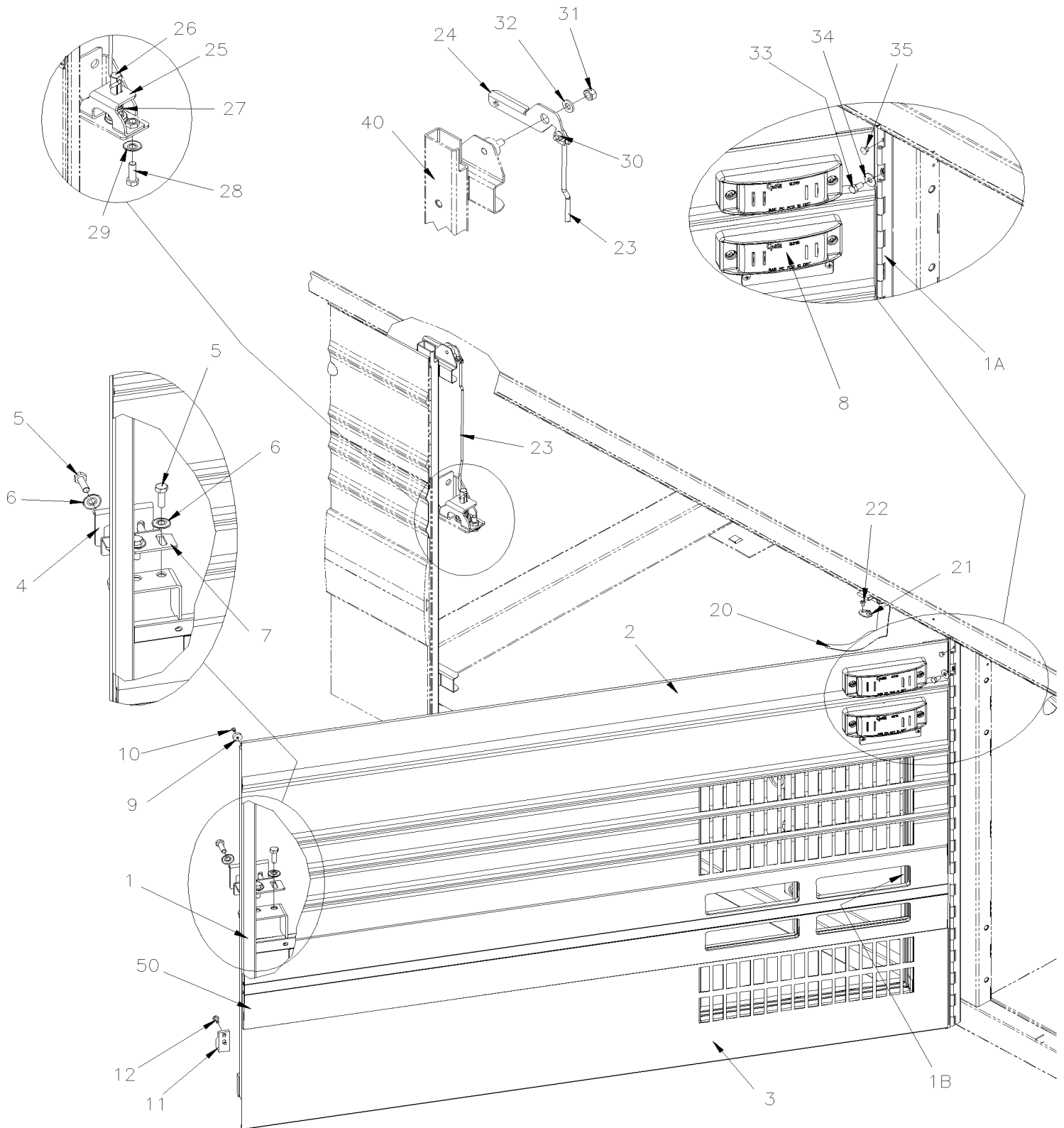


From H-6180

Date:07/2024

PAGE:X3VIP-1863-55

CONDENSOR DOOR ASSY WITH SMALL A/C SYSTEM GHG17





From H-6180		Date:07/2024	PAGE:X3VIP-1863-55
CONDENSOR DOOR ASSY WITH SMALL A/C SYSTEM GHG17			

Item#	Part	Description	X 3 V I P E N T	X 3 V I P M T H	N O T E S
		THIS DOOR ASSY DO NOT INCLUDE RUB-RAIL			
		PLEASE ORDER SEPARATELY			
	480263	CONDENSOR DOOR ASSY / W/FLUTED/W/SMALL A/C	1	1	
	Call order desk	CONDENSOR DOOR ASSY / W/FLAT / W/SMALL A/C		1	PA
1	480014	. FRAME, CONDENSOR DOOR W/SMALL A/C	1	1	
1A	484163	. . HINGE	1	1	
1B	506303	. RUBBER SEAL EXTRUSION	AR	AR	
2	480020	. ONE PIECE PANEL / FLUTED 1281.6MM	1	1	
3	480021	. . LOWER PANEL	1	1	
3	480099	. ONE PIECE PANEL / FLAT 1281.6MM From J-6223 To J-6223		1	A
4	287051	. CATCH PIN / RETAINER 52MM x 70MM	1	1	
5	502780	. SCREW CAP HEX M8-1.25x25 SS BK	4	4	
6	5001868	. WASHER BEL SPR 8.4x18x2 SS	4	4	
7	484167	. DOOR LATCH ADJUSTABLE To P-6820	1	1	
7	2800689	DOOR LATCH ADJUSTABLE From P-6821	1	1	
8	X3VIP-0662-00	. CLEARANCE & MARKER LIGHT To K-6491			
8	X3VIP-0662-01	. CLEARANCE & MARKER LIGHT From L-6492	1	1	
9	5001393	. BUMPER RUBBER / .625 OD x .281 TH x .125 HOLE To J-6339	2	2	
9	5002024	. BUMPER NEOPRENE / .625 OD x .281 TH x .125 HOLE From J-6340	2	2	
10	504340	. RIVET POP DOME OE 1/8x3/16 SS	2	2	
11	2800374	. GUIDE LOWER COND DOOR PLASTIC	1	1	
12	500623	. SCREW TC PAN PH #10-24x3/4 N500	2	2	
20	505507	STRAP NYLON 1" WIDE / S.L.	AR	AR	
21	284439	PLATE, STRAP RETAINING / OBLONG 16.5MM x 25.4MM W/2 HOLES	1	1	
22	504379	RIVET POP DOME OE 3/16x1/4 SS	AR	AR	
23	480015	ROD OPENING	1	1	
24	484216	HANDLE	1	1	
25	289674	SUPPORT CATCH PIN W/OUT PIVOT	1	1	
26	2801055	CATCH PIN BLACK ACETAL	1	1	
27	502910	SPRING COMPRESSION / .720 O.D. 1.75 x .055	1	1	
28	502780	SCREW CAP HEX M8-1.25x25 SS BK	4	4	
29	5001868	WASHER BEL SPR 8.4x18x2 SS	2	2	
30	780340	CLIP, RETAINER ROD	1	1	
31	5001182	NUT HEX NYRT M6-1.0 SS	1	1	
32	502573	WASHER FL 6.4x12.5x1.6 SS	1	1	
33	5001697	SCREW CAP HEX M6-1.0x16 SS BK	6	6	
34	500411	WASHER FL .260x.697x.050 SS To L-6526	6	6	
34	504206	WASHER FL .312X.750X.050 ss From L-6527	6	6	
35	504379	RIVET POP DOME OE 3/16x1/4 SS	2	2	
40	221916	POST ASSY FORWARD FUEL DOOR ASSY W/REINFORCMENT PANEL	1	1	
. NS	221921	. PANEL REINFORCMENT LOWER FUEL DOOR 244.4MM x 508.6MM	1	1	
. NS	221896	. ATTACH PIVOT LATCH	1	1	



From H-6180	Date:07/2024	PAGE:X3VIP-1863-55
CONDENSOR DOOR ASSY WITH SMALL A/C SYSTEM GHG17		

Item#	Part	Description	X 3 V I P E N T	X 3 V I P M T H	N O T E S
. NS	221917	. TUBE, FUEL DOOR / 895MM LG.	1	1	
. NS	221918	. STOPPER, CONDENSOR DOOR, UPPER	1	1	
. NS	221919	. SUPPORT, CONDENSOR DOOR, LATCH	1	1	
. NS	221920	. STOPPER, CONDENSOR DOOR	1	1	
50	X3VIP-1855-01	RUB RAIL - EXTERIOR CREST & TRIMS			
		A) AUTOBUS BRUNET" OPTION / MOTORHOME WITH FLAT PANEL			
		P) CALL ORDER DESK FOR SPECIFIC APPLICATION (V.I.N.)			

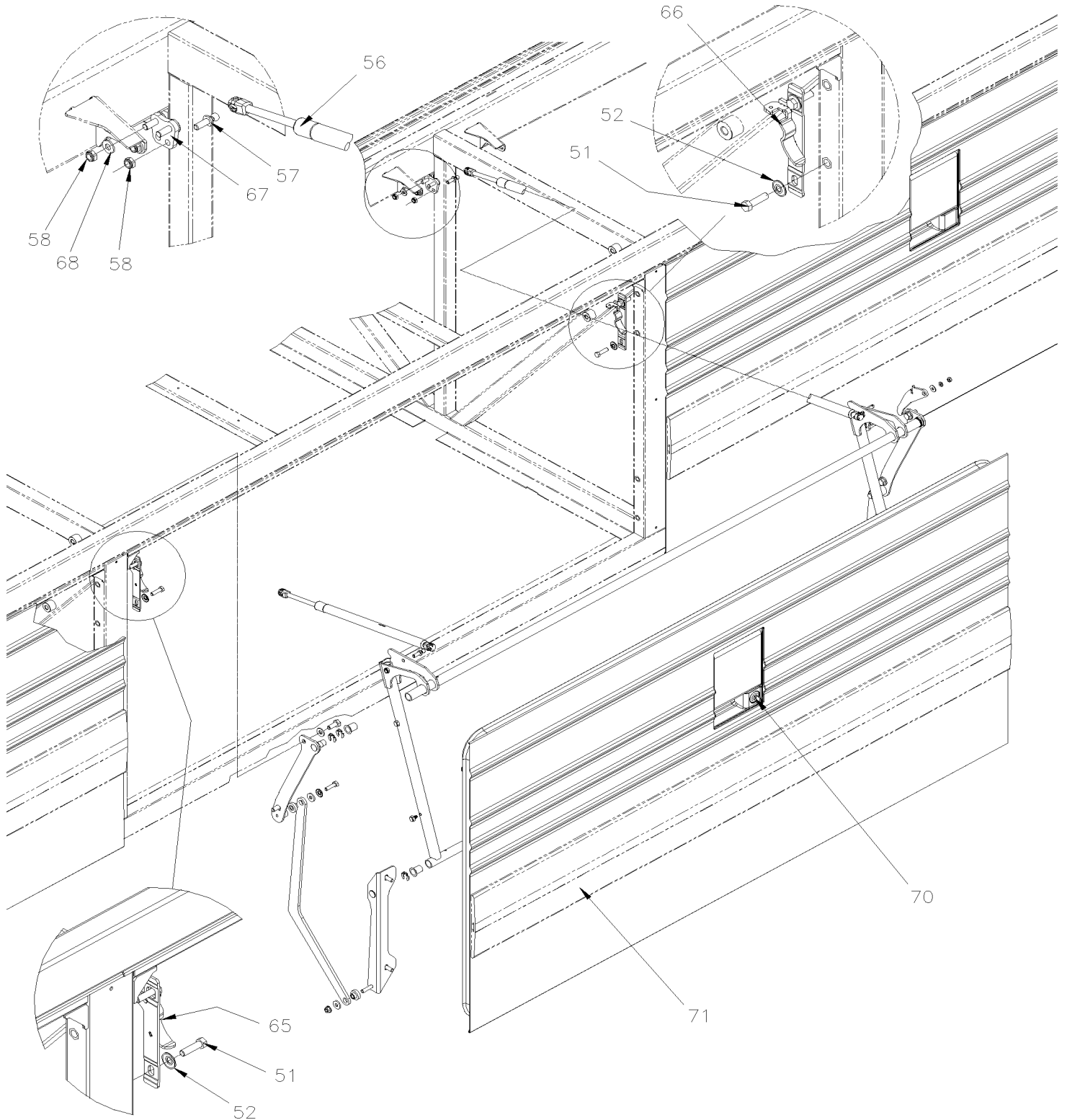


From E-5490

Date:07/2024

PAGE:X3VIP-1864-01

BAGGAGE DOOR ASSY / 70"



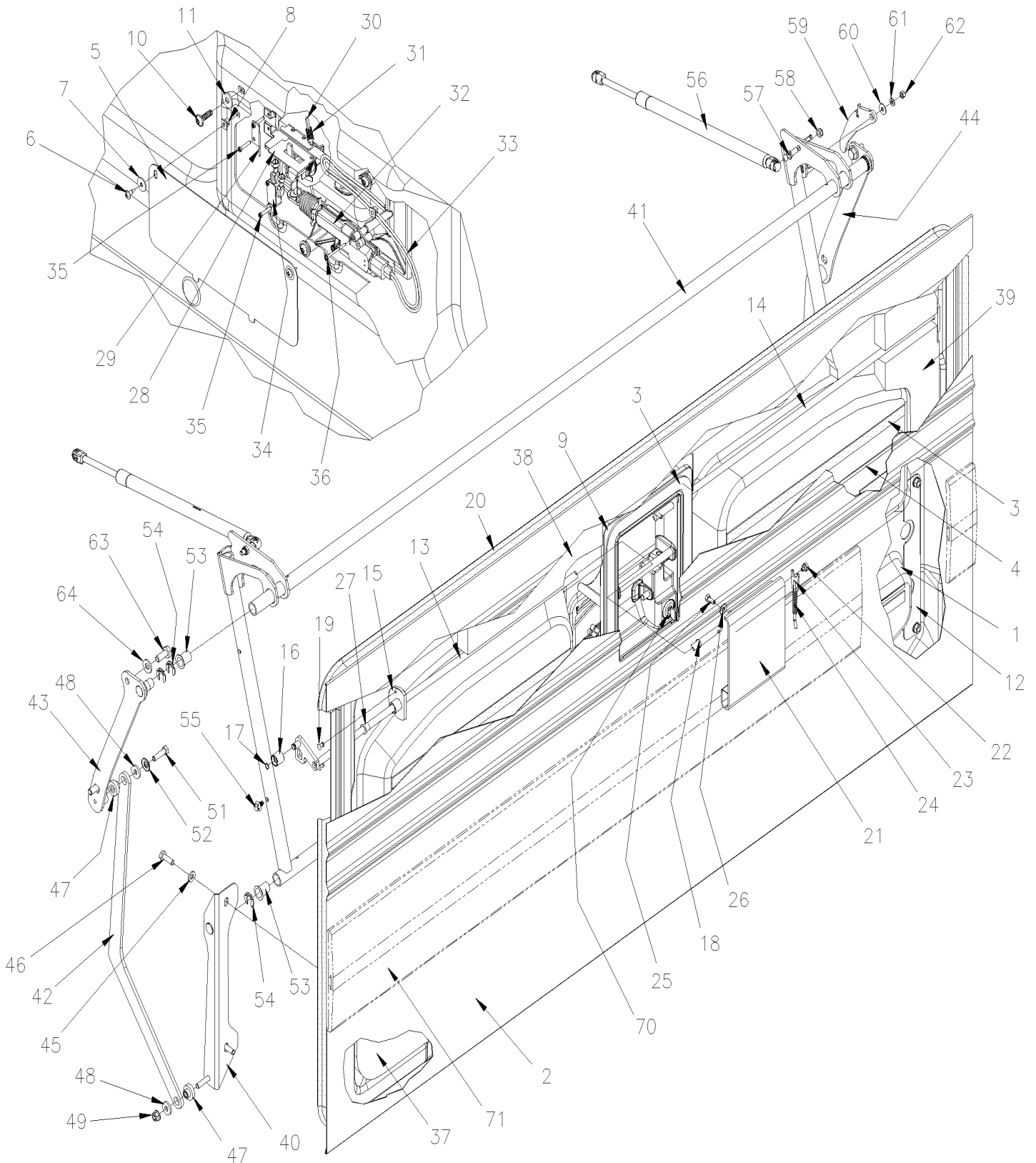


From E-5490

Date:07/2024

PAGE:X3VIP-1864-01

BAGGAGE DOOR ASSY / 70"





From E-5490		Date:07/2024	PAGE:X3VIP-1864-01
BAGGAGE DOOR ASSY / 70"			

Item#	Part	Description	X 3 V I P E N T	X 3 V I P M T H	N O T E S
	485714	DOOR ASSY 70" / W/ELECTRICAL LOCK / SS	1	1	
	2800365	DOOR ASSY 70" / W/FLAT PANEL / ELECTRICAL LOCK / ALUMINIUM From J-6223		1	B
	485715	DOOR ASSY 70" / W/ELECTRICAL LOCK / W/LAMP / SS / LH	1	1	
	485716	DOOR ASSY 70" / W/ELECTRICAL LOCK / W/LAMP / SS / RH	1	1	
	485727	DOOR ASSY 70" W/VENT HOLE / ELECTRICAL LOCK / SS / ELECTRICAL LOCK / SS	1	1	
1	287941	. FRAME 70" / ALUMINUM To F-5864	1	1	
1	2800597	. FRAME 70" / ALUMINUM From F-5865	1	1	
1	2800291	. FRAME 70" / ALUMINUM / W/VENT HOLE To F-5848	1	1	
1	2800602	. FRAME 70" / ALUMINUM / W/VENT HOLE From F-5849	1	1	
1	2800517	. FRAME 70" / PERFORATED ALUMINUM To F-5848	1	1	
1	2800605	. FRAME 70" / PERFORATED ALUMINUM From F-5849	1	1	
1	2800598	. FRAME 70" - W/ W.C.L. / ALUMINIUM From J-6223		1	B
2	484317	. ONE PIECE PANEL / FLUTED 70"	AR	AR	
2	484324	. ONE PIECE PANEL / W/MARKER LIGHT / RH / FLUTED 70"	1	1	
2	2810281	. ONE PIECE PANEL / W/MARKER LIGHT / RH / FLAT	1	1	B
2	484323	. ONE PIECE PANEL / W/MARKER LIGHT / LH / FLUTED 70"	1	1	
2	2810280	. ONE PIECE PANEL / W/MARKER LIGHT / LH / FLAT 70"	1	1	B
2	484340	. . PANEL, LOWER / B.A. 1786.8 MM	1	1	
2	288733	. ONE PIECE PANEL / FLAT 70" / ALUMINIUM	1	1	B
2	2800295	. . LOWER PANEL / FLAT - W/O W.C.L. / 70" / ALUMINIUM From J-6223		1	B
2	2800103	. ONE PIECE PANEL / FLAT - W/W.C.L. 70" / ALUMINIUM From J-6223		1	B
2	7771317	. ONE PIECE PANEL / FLUTED - W/W.C.L. 70" / SS From J-6295 To J-6295	1	1	
3	687961	. GLUE MS POLYMER TEROSON MS 9399 / "A" 21 Liters To M-6660	AR	AR	
3	685385	. GLUE MS POLYMER TEROSON MS 9399 / "A" 14.8 Liters From M-6661	AR	AR	
3	687962	. GLUE MS POLYMER TEROSON MS 9399 / "B" 21 Liters To M-6660	AR	AR	
3	685386	. GLUE MS POLYMER TEROSON MS 9399 / "B" 14.8 Liters From M-6661	AR	AR	
3	687957	. GLUE MS POLYMER TEROSON MS 9399 / 400ml CARTRIDGE To M-6660	AR	AR	
3	685387	. GLUE MS POLYMER TEROSON MS 9399 / 400ml CARTRIDGE From M-6661	AR	AR	
3	684517	. ADHESIVE SIMSON #ISR 70-03 / GREY / 310ml CARTRIDGE	AR	AR	
4	506769	. TAPE RUB ADH2 CC POL 1/8" x 1/4" x 60' / BLACK H1CC-N-#14	AR	AR	
5	2800265	. PANEL ACCESS 10 3/4" x 4 3/8"	1	1	
6	500124	. SCREW TP TR PH #8x1/2 SS	2	2	
7	5001076	. WASHER FL RET 4.6x15.4x1.37 NYL BK	2	2	
8	502741	. NUT AN #8 NYL	2	2	
9	289062	. SEALING BOX / W/FORD LOCK	1	1	
10	5001630	. SCREW TP BUTF TORX M6x20 SS	5	5	
11	5001114	. WASHER FL .260x.687x.060 NYL	5	5	
12	2800053	. ATTACH, HINGE	2	2	
13	2800237	. LOCKING ROD L.H. 793MM	1	1	
14	2800238	. LOCKING ROD R.H. 793MM	1	1	
15	2800269	. LOCKING ROD GUIDE	2	2	
16	2800270	. ROLLER CATCH	2	2	



From E-5490		Date:07/2024	PAGE:X3VIP-1864-01
BAGGAGE DOOR ASSY / 70"			

Item#	Part	Description	X 3 V I P E N T	X 3 V I P M T H	N O T E S
17	504318	. RING RETAINER / EXT .375 x .352 x .025	2	2	
18	507644	. O-RING 10MM I.D. X 2MM	2	2	
19	504120	. RIVET POP DOME CLE 3/16x1/2 AL	4	4	
20	2800358	. RUBBER SEAL EXTRUSION / W/70" DOOR To E-5596	1	1	
20	2800423	. RUBBER SEAL EXTRUSION / W/70" DOOR From E-5597	1	1	
21	2800316	. HANDLE ASSY / BAGAGE DOOR / SS To N-6727	1	1	
21	2800676	. HANDLE ASSY / BAGAGE DOOR / SS From N-6728	1	1	
21	2800297	. HANDLE ASSY / BAGAGE DOOR To N-6727	1	1	B
21	2800675	. HANDLE ASSY / BAGAGE DOOR From N-6728	1	1	B
21	289063	. FINISHING FRAME PLASTIC / AROUND HANDLE BLACK	1	1	B
21	684685	. ADHESIVE SIMSON #ISR 70-03 / 310ml CARTRIDGE	AR	AR	B
22	287271	. RIVET SHR FL 9.95x3.6{4.8x4.8 SS	1	1	
23	289068	. PIN HANDLE RELEASE	1	1	
24	289070	. SPRING COMPRESSION / .355 O.D. 2.755 x .063	1	1	
25	5001697	. SCREW CAP HEX M6-1.0x16 SS BK	2	2	
26	5001833	. WASHER BEL SPR 6.1x18x1.27 SS	2	2	
27	507141	. BUSHING, NYLINER W/SHOULDER (7-L-7-F)	2	2	
28	289065	. PIN LATCH To K-6393	1	1	C
28	289862	. PIN LATCH From K-6393	1	1	
29	289064	. STOP PLATE LATCH	1	1	
30	481564	. ROD GUIDE	2	2	
31	502934	. SPRING COMPRESSION / .300 O.D. x 1 x .026	2	2	
32	2800049	. LOCK ACTUATOR / 12V To K-6393	1	1	
32	289877	. LOCK ACTUATOR / 12V From K-6393	1	1	
33	068617	. CABLE ASSY / DOOR LOCK To H-6179	1	1	
33	069551	. CABLE ASSY / DOOR LOCK From H-6180	1	1	
NS	504637	. CABLE TIE / 3/16" x 13"	AR	AR	
34	562096	. MICRO SWITCH	1	1	
35	5001888	. SCREW TP CAP TORX M3X18 SS	4	4	
36	5001887	. SCREW TP PAN WSHR TORX M3X35 SS	2	2	
37	352597	. INSULATING PANEL / LOWER	1	1	
38	352598	. INSULATING PANEL / UPPER LEFT	1	1	
39	352599	. INSULATING PANEL / UPPER RIGHT	1	1	
40	288735	BRACKET LOWER LH	1	1	
40	288734	BRACKET LOWER RH	1	1	
41	2800107	ARM PANTOGRAPH	1	1	
42	2800307	ARM LOWER L.H.	1	1	
42	2800104	ARM LOWER R.H.	1	1	
43	288737	ARM UPPER L.H.	1	1	
44	288736	ARM UPPER R.H.	1	1	
45	5001868	WASHER BEL SPR 8.4x18x2 SS	4	4	
46	502780	SCREW CAP HEX M8-1.25x25 SS BK	4	4	



From E-5490		Date:07/2024	PAGE:X3VIP-1864-01
BAGGAGE DOOR ASSY / 70"			

Item#	Part	Description	X 3 V I P E N T	X 3 V I P M T H	N O T E S
47	286716	SPACER BUSHING FLANGE / AUX. ARM & SUPPORT ACETAL 8.3MM I.D.	4	4	
48	500401	WASHER FL .343x.875x.125 N500	4	4	
49	502837	NUT HEXF STO M8-1.25 N500	2	2	
51	5001738	SCREW CAP HEX M8-1.25x30 G8.8 N500	6	6	
52	5001699	WASHER BEL SPR 8.2x22x1.4 N500	6	6	
53	507299	BUSHING NYLINER	4	4	
54	508398	RING RETAINER / EXT .625 x .500 x .050" / SS	6	6	
55	509815	TIE MOUNT / ATTACHMENT W/TREE MOUNT	2	2	
56	980030	CYLINDER GAZ / 669/409MM C/C / 210LBS	2	2	
56	7770081	CYLINDER GAZ / 669/409MM C/C / 300LBS	1	1	J
57	980027	BALL STUD / W/10 MM X M8-1.25 / 36.5MM	4	4	
58	502847	NUT HEX NYRT M8-1.25 N500	8	8	
59	2800310	HOOK, BAGGAGE DOOR	1	1	
NS	2800309	SPRING TENSION	1	1	
60	5001833	WASHER BEL SPR 6.1x18x1.27 SS To J-6207	1	1	
60	5001976	WASHER FL .266x.718x.060 SS From J-6208	1	1	
61	502573	WASHER FL 6.4x12.5x1.6 SS To J-6207	1	1	
62	5001182	NUT HEX NYRT M6-1.0 SS	1	1	
63	502804	SCREW CAP HEX M10-1.5x25 G8.8 N500	4	4	
64	5001834	WASHER BEL SPR 10.5X23X2.5 N500	4	4	
65	2800260	LOCKING GUIDE L.H. ASSY To E-5759	1	1	
65	2800528	LOCKING GUIDE L.H. ASSY From F-5760 To K-6439	1	1	
65	2800321	LOCKING GUIDE L.H. ASSY From K-6440	1	1	
66	2800259	LOCKING GUIDE R.H. ASSY To E-5759	1	1	
66	2800531	LOCKING GUIDE R.H. ASSY From F-5760 To K-6439	1	1	
66	2800667	LOCKING GUIDE R.H. ASSY From K-6440	1	1	
67	2800370	ATTACHMENT / DOOR CYLINDER	2	2	
68	5001736	WASHER FL 8.4x18.0x2.0 N500	4	4	
70	X3VIP-1867-00	KEY & CYLINDER CODE			
71	X3VIP-1855-00	RUB RAIL - EXTERIOR CREST & TRIMS From E-5490 To H-6092			
71	X3VIP-1855-01	RUB RAIL - EXTERIOR CREST & TRIMS From H-6093			
		B) MOTORHOME WITH FLAT PANEL			
		C) ONLY USE WITH ELECTRICAL LOCK, WHEN YOU REPLACE THE PIN LATCH 289065 BY THE NEW 289862 YOU HAVE TO REPLACE THE ACTUATOR 2800049 BY NEW 289877			
		J) USE WITH DOOR WITH ACCESSORIES			

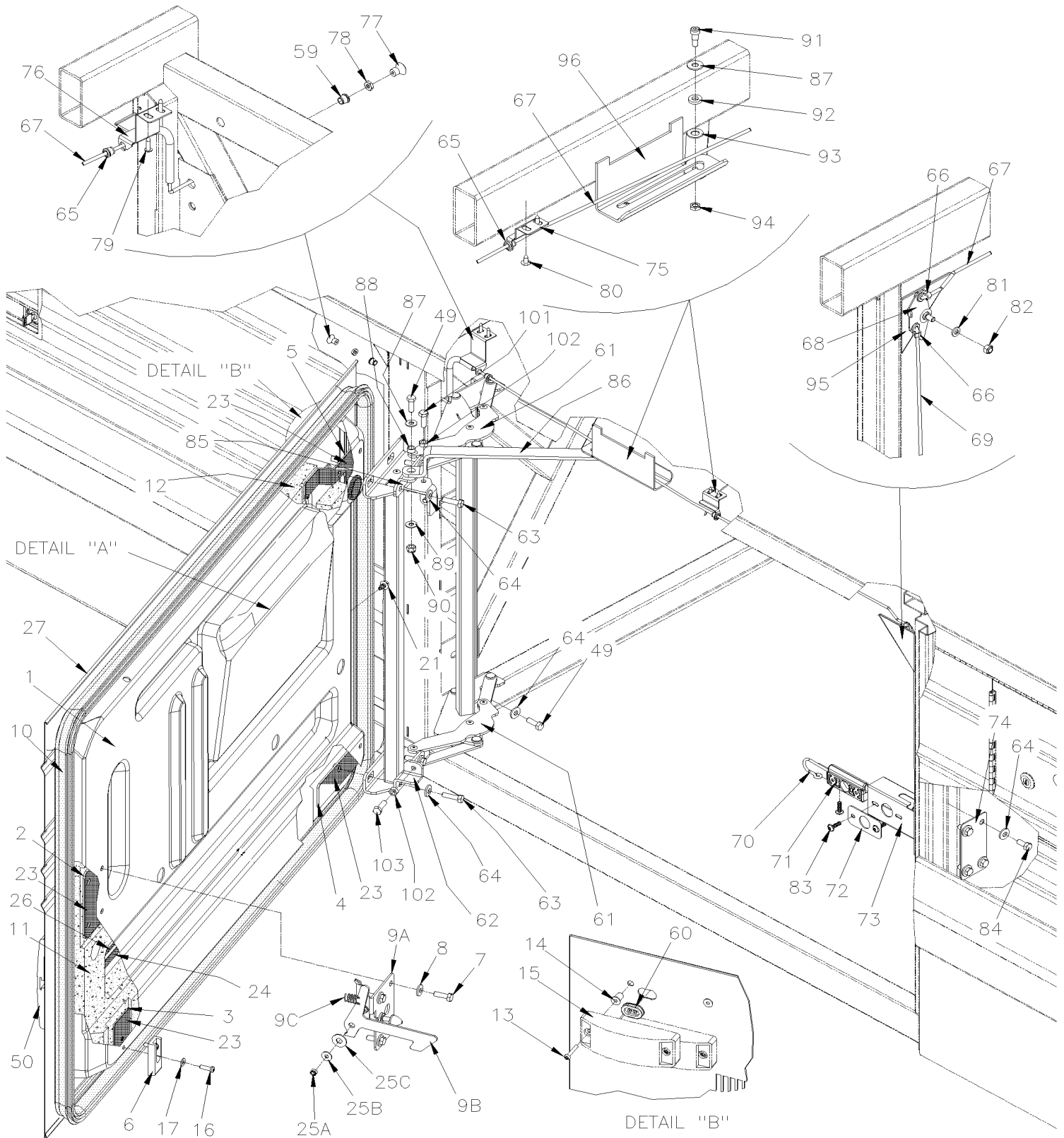


From E-5490 To H-6128

Date:07/2024

PAGE:X3VIP-1864-50

BAGGAGE DOOR W/HINGE STREET SIDE WITH SMALL A/C SYSTEM / 47 5/8"





From E-5490 To H-6128	Date:07/2024	PAGE:X3VIP-1864-50
BAGGAGE DOOR W/HINGE STREET SIDE WITH SMALL A/C SYSTEM / 47 5/8"		

Item#	Part	Description	X 3 V I P E N T	X 3 V I P M T H	N O T E S
	484335P	BAGGAGE DOOR ASSY / W/HINGE 1210mm	1	1	
1	2800305	. DOOR FRAME To F-5908	1	1	
1	2800601	. DOOR FRAME From F-5909	1	1	
2	2800250	. ATTACH, PENE	1	1	
3	2800251	. ATTACH, SKID	1	1	
4	2800252	. ATTACH, DOWN HINGE	1	1	
5	2800253	. ATTACH, UPPER HINGE	1	1	
6	2800234	. GUIDE, HINGE DOOR	1	1	
7	502780	. SCREW CAP HEX M8-1.25x25 SS BK To F-5862	4	4	
7	5001912	. SCREW CAP HEX M8-1.25x30 SS BK From F-5863	4	4	
8	500321	. WASHER BEL SPR .331x.827x.098 N500	4	4	
9A	2800389	. PENE ASSY	1	1	
9B	2800388	. LATCH	1	1	
9C	502245	. SPRING COMPRESSION / .600 O.D. x 1.25 x .059	1	1	
10	2800357	. WEATHERSTRIP / EVAPORATOR DOOR To E-5596	1	1	
10	2800422	. WEATHERSTRIP / EVAPORATOR DOOR From E-5597	1	1	
11	352595	. INSULATION, EVAPORATOR DOOR	1	1	
11	352606	. INSULATION WITHOUT FRESH AIR HOLES	1	1	
12	352596	. INSULATION, EVAPORATOR DOOR	1	1	
13	5001042	. SCREW MA RND PH #10-32x1 1/4 SS	4	4	
14	502774	. NUT WELL #10-32x.625	4	4	
15	X3VIP-0662-00	. CLEARANCE & MARKER LIGHT			
15	068731	. HARNESS DOOR To E-5759	1	1	
. NS	504398	. . GROMMET / 1.000x1.375x.062x.437x1.750 To E-5759	1	1	
. NS	478900	. . GROMMET, MARKER LIGHT To E-5759	2	2	
15	067372	. HARNESS DOOR From F-5760	1	1	
. NS	504398	. . GROMMET / 1.000x1.375x.062x.437x1.750 From F-5760	1	1	
. NS	478900	. . GROMMET, MARKER LIGHT From F-5760	2	2	
16	502626	. SCREW MA PAN PH M6-1.0x20 N500	2	2	
17	500877	. WASHER FL .250x.562x.065 N500	2	2	
NS	504398	. GROMMET / 1.000x1.375x.062x.437x1.750	1	1	
21	509815	. TIE MOUNT / ATTACHMENT W/TREE MOUNT	3	3	
23	684743	. GLUE METHACRYLATE PLEXUS MA832GB 380 ml	AR	AR	
24	687961	. GLUE MS POLYMER TEROSON MS 9399 / "A" 21 Liters	AR	AR	
24	687962	. GLUE MS POLYMER TEROSON MS 9399 / "B" 21 Liters	AR	AR	
25A	5001182	. NUT HEX NYRT M6-1.0 SS	1	1	
25B	5001833	. WASHER BEL SPR 6.1x18x1.27 SS	1	1	
25C	500270	. WASHER FL .406x1.000x.063 SS	1	1	
26	685126	. ADHESIVE SIMSON #ISR 70-03 / GREY / 600ml SAUSAGE	AR	AR	
27	484329	. ONE PIECE PANEL / FLUTED 1210mm	1	1	
49	502780	SCREW CAP HEX M8-1.25x25 SS BK	5	5	
50	X3VIP-1855-00	RUB RAIL - EXTERIOR CREST & TRIMS From E-5490 To H-6092			



From E-5490 To H-6128	Date:07/2024	PAGE:X3VIP-1864-50
BAGGAGE DOOR W/HINGE STREET SIDE WITH SMALL A/C SYSTEM / 47 5/8"		

Item#	Part	Description	X 3 V I P E N T	X 3 V I P M T H	N O T E S
50	X3VIP-1855-01	RUB RAIL - EXTERIOR CREST & TRIMS From H-6093			
59	504226	SNAP BUSHING / .391x.578x.406	1	1	
60	478900	GROMMET, MARKER LIGHT	1	1	
61	2800218	HINGE ASSY To E-5626	1	1	
61	2800494	HINGE ASSY From E-5627	1	1	
62	2800267	SPACER To F-5862	1	1	
62	2800588	PLATE ADJUSTMENT BOTTOM From F-5863	1	1	
63	502780	SCREW CAP HEX M8-1.25x25 SS BK To F-5862	4	4	
63	5001912	SCREW CAP HEX M8-1.25x30 SS BK From F-5863	4	4	
64	500321	WASHER BEL SPR .331x.827x.098 N500	12	12	
65	504083	SNAP BUSHING / .250x.468.406	2	2	
66	780340	CLIP, RETAINER ROD	2	2	
67	484313	ROD OPENING 1200MM	1	1	
68	484309	PIVOT LATCH	1	1	
69	484310	ROD OPENING 381MM	1	1	
70	478577	SPRING HOLDER	1	1	
71	477399	RECEPTACLE	1	1	
72	460708	ADJUSTMENT PLATE	1	1	
73	2800228	SUPPORT, RECEPTACLE ASSY	1	1	
74	484319	FIXATION PLATE	1	1	
75	484321	ROD SUPPOPRT	1	1	
76	484320	ROD SUPPOPRT	1	1	
77	505504	KNOB, PULL / 8-32	1	1	
78	500986	NUT HEX #8-32 N500	1	1	
79	500957	SCREW TP BDG PH #10x3/4 N500	2	2	
80	500657	SCREW TC TR PH #10-24x1/2 Z050	2	2	
81	502573	WASHER FL 6.4x12.5x1.6 SS	1	1	
82	5001182	NUT HEX NYRT M6-1.0 SS	1	1	
83	5001630	SCREW TP BUTF TORX M6x20 SS	3	3	
84	502862	SCREW CAP HEX M8-1.25x20 G8.8 N500	4	4	
85	2800225	ATTACH, ARM STOPPER To F-5862	1	1	
85	2800590	PLATE ADJUSTMENT UPPER From F-5863	1	1	
86	2800223	ARM STOPPER	1	1	
87	502638	WASHER FL .312x.734x.065 N500	2	2	
88	283770	SPACER / TO FIX RETAINING ARM	1	1	
89	5001699	WASHER BEL SPR 8.2x22x1.4 N500 To F-5862	1	1	
89	502638	WASHER FL .312x.734x.065 N500 From F-5863	1	1	
90	5001787	NUT HEX NYRT M8-1.25 SS	1	1	
91	5001560	SCREW SHR HEXS 5/16x3/8 {1/4-20 SS	1	1	
92	502768	WASHER FL RUB .312x.625x.125 NEO	1	1	
93	502723	WASHER FL .386x.750x.050 NYL	1	1	
94	500384	NUT HEX JAM 1/4-20 G500	1	1	



From E-5490 To H-6128	Date:07/2024	PAGE:X3VIP-1864-50
BAGGAGE DOOR W/HINGE STREET SIDE WITH SMALL A/C SYSTEM / 47 5/8"		

Item#	Part	Description	X 3 V I P E N T	X 3 V I P M T H	N O T E S
95	221810	SUPPORT PIVOT / DOOR GUIDE M6-1.0 W/SHOULDER 10M	1	1	
96	2800231	GUIDE, ARM STOPPER	1	1	
NS	680038	THREAD LOCKER LOCTITE #243 / BLUE / 50ml	AR	AR	
101	502780	SCREW CAP HEX M8-1.25x25 SS BK From F-5863	1	1	
102	5001852	NUT HEX M8-1.25 SS BK From F-5863	3	3	
103	5001912	SCREW CAP HEX M8-1.25x30 SS BK	2	2	
NS	684472	GREASE CLEAR SPRAY BOTTLE 350GR	AR	AR	

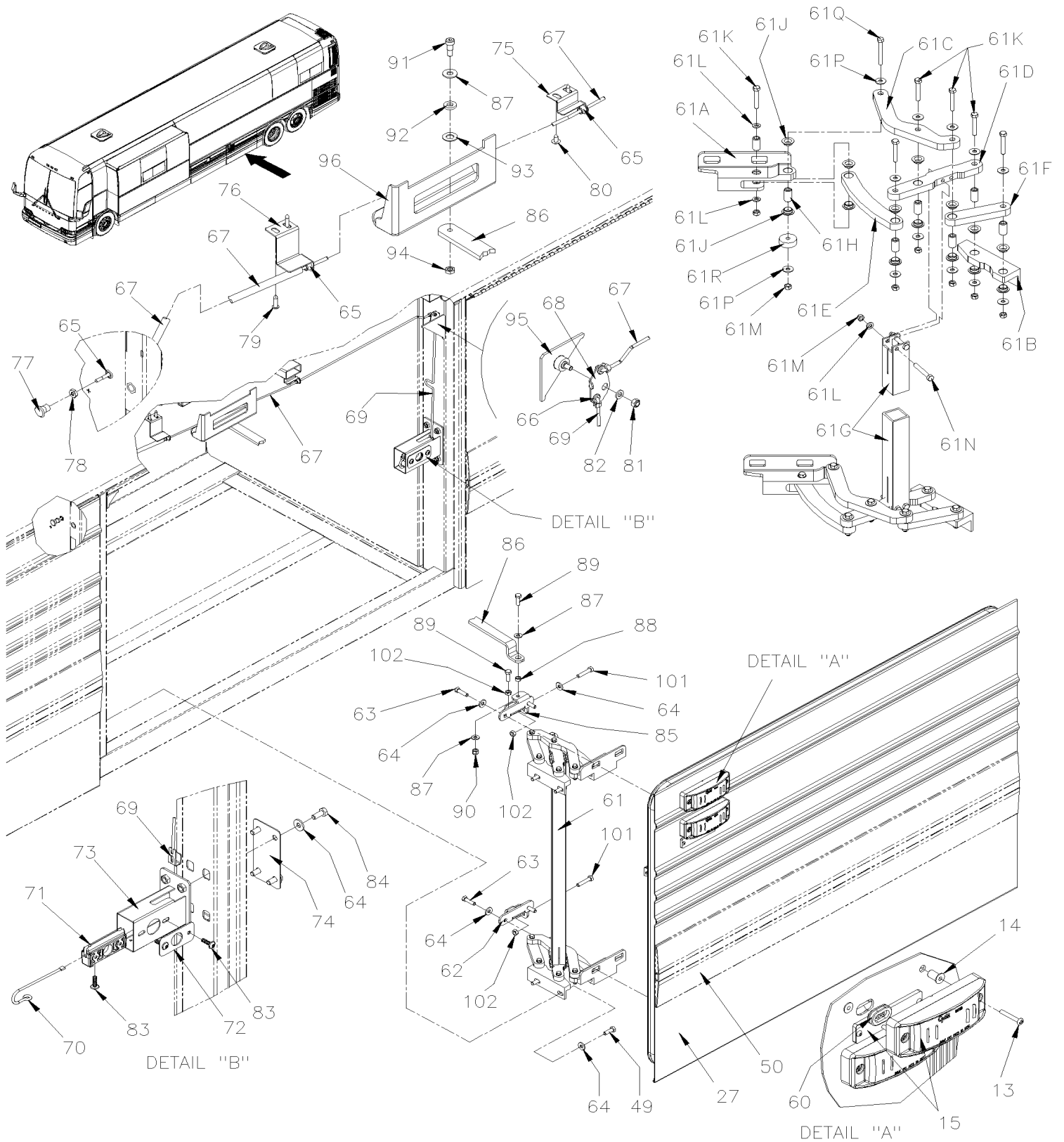


From H-6129

Date:07/2024

PAGE:X3VIP-1864-51

BAGGAGE DOOR W/HINGE STREET SIDE WITH SMALL A/C SYSTEM / 47 5/8"



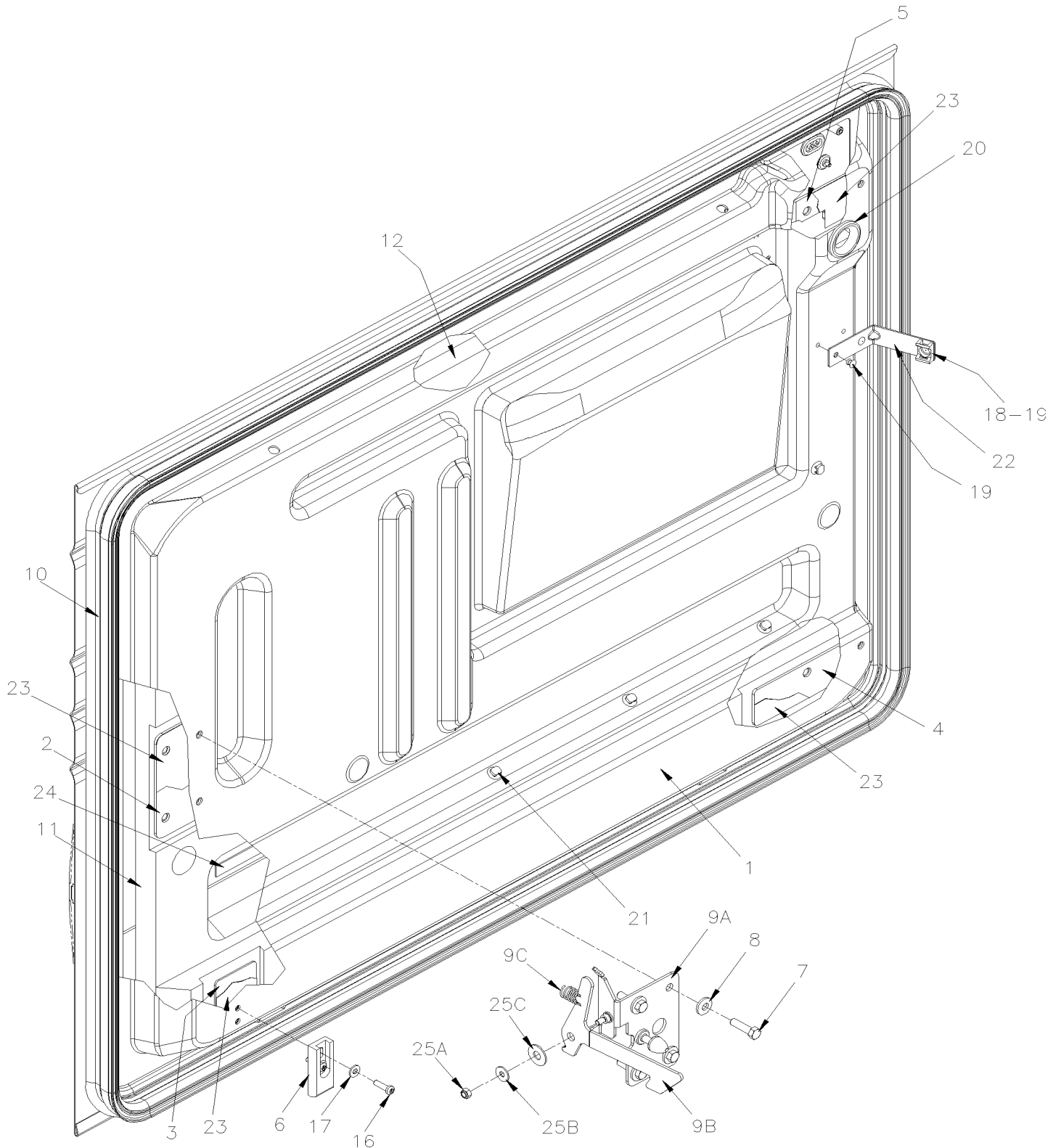


From H-6129

Date:07/2024

PAGE:X3VIP-1864-51

BAGGAGE DOOR W/HINGE STREET SIDE WITH SMALL A/C SYSTEM / 47 5/8"





From H-6129	Date:07/2024	PAGE:X3VIP-1864-51
BAGGAGE DOOR W/HINGE STREET SIDE WITH SMALL A/C SYSTEM / 47 5/8"		

Item#	Part	Description	X 3 V I P E N T	X 3 V I P M T H	NOTES
	484335P	BAGGAGE DOOR ASSY / W/HINGE 1210mm	1	1	
	Call order desk	BAGGAGE DOOR ASSY / W/HINGE From J-6223 To J-6223		1	PA
1	2800601	. DOOR FRAME	1	1	
2	2800250	. ATTACH, PENE	1	1	
3	2800251	. ATTACH, SKID	1	1	
4	2800252	. ATTACH, DOWN HINGE	1	1	
5	2800253	. ATTACH, UPPER HINGE	1	1	
6	2800234	. GUIDE, HINGE DOOR	1	1	
7	5001912	. SCREW CAP HEX M8-1.25x30 SS BK	4	4	
8	500321	. WASHER BEL SPR .331x.827x.098 N500	4	4	
9A	2800389	. PENE ASSY	1	1	
9B	2800388	. LATCH	1	1	
9C	502245	. SPRING COMPRESSION / .600 O.D. x 1.25 x .059	1	1	
10	2800422	. WEATHERSTRIP / EVAPORATOR DOOR	1	1	
11	352595	. INSULATION, EVAPORATOR DOOR	1	1	
12	352596	. INSULATION, EVAPORATOR DOOR	1	1	
12	352606	. INSULATION WITHOUT FRESH AIR HOLES	1	1	
13	X3VIP-0662-00	. CLEARANCE & MARKER LIGHT To K-6491			
13	X3VIP-0662-01	. CLEARANCE & MARKER LIGHT From L-6492	1	1	
13	067372	. HARNESS DOOR To H-6179	1	1	
. NS	504398	. . GROMMET / 1.000x1.375x.062x.437x1.750 To H-6179	1	1	
. NS	478900	. . GROMMET, MARKER LIGHT To H-6179	2	2	
NS	060418	. HARNESS DOOR From H-6180	1	1	
. NS	504398	. . GROMMET / 1.000x1.375x.062x.437x1.750 From H-6180	1	1	
. NS	478900	. . GROMMET, MARKER LIGHT From H-6180	2	2	
14	5001042	. . SCREW MA RND PH #10-32x1 1/4 SS To J-6244	4	4	
14	5002021	. . SCREW MA TR PH #10-32x1 1/4 SS From J-6244	4	4	
15	502774	. . NUT WELL #10-32x.625	4	4	
16	502626	. SCREW MA PAN PH M6-1.0x20 N500	2	2	
17	500877	. WASHER FL .250x.562x.065 N500	2	2	
18	504013	TIE MOUNT / 1/4" X 1/4" I.D.	1	1	
19	504788	. RIVET POP DOME OE 3/16x1/4 AL	AR	AR	
20	504398	. GROMMET / 1.000x1.375x.062x.437x1.750	1	1	
21	509815	. TIE MOUNT / ATTACHMENT W/TREE MOUNT	AR	AR	
21	504637	. CABLE TIE / 3/16" x 13"	AR	AR	
21	504273	. CABLE TIE / 1/8" X 3" 1/2	AR	AR	
22	069008	. SUPPORT CABLE	1	1	
23	684743	. GLUE METHACRYLATE PLEXUS MA832GB 380 ml	AR	AR	
24	687957	. GLUE MS POLYMER TEROSON MS 9399 / 400ml CARTRIDGE To M-6660	AR	AR	
24	685387	GLUE MS POLYMER TEROSON MS 9399 / 400ml CARTRIDGE From M-6661	AR	AR	
24	506785	. TAPE RUB ADH2 CC POL 1/16" X 1/4" X 200' / BLACK I1C-N-A	AR	AR	
24	685126	. ADHESIVE SIMSON #ISR 70-03 / GREY / 600ml SAUSAGE	AR	AR	



From H-6129		Date:07/2024	PAGE:X3VIP-1864-51
BAGGAGE DOOR W/HINGE STREET SIDE WITH SMALL A/C SYSTEM / 47 5/8"			

Item#	Part	Description	X 3 V I P E N T	X 3 V I P M T H	N O T E S
25A	5001182	. NUT HEX NYRT M6-1.0 SS	1	1	
25B	5001833	. WASHER BEL SPR 6.1x18x1.27 SS	1	1	
25C	500270	. WASHER FL .406x1.000x.063 SS	1	1	
27	484329	. ONE PIECE PANEL / FLUTED 1210mm	1	1	
27	484327	. . LOWER PANEL / FLAT SS	1	1	
27	484328	. ONE PIECE PANEL EVAPORATOR / FLAT WITHOUT FRESH AIR HOLES From J-6223 To J-6223		1	A
49	502780	SCREW CAP HEX M8-1.25x25 SS BK	4	4	
50	X3VIP-1855-01	RUB RAIL - EXTERIOR CREST & TRIMS			
60	478900	GROMMET, MARKER LIGHT	1	1	
61	280272P	HINGE ASSY	1	1	
61	504013	. TIE MOUNT / 1/4" X 1/4" I.D.	2	2	
61	504114	. RIVET POP DOME OE 3/16x1/4 AL	2	2	
61A	280102	. BRACKET DOOR, HINGE	1	1	
61B	280097	. BRACKET STRUCTURE, HINGE	1	1	
61C	280100	. PIVOT, HINGE To J-6292	1	1	
61C	281683	. PIVOT, HINGE From J-6293	1	1	
61D	280099	. PIVOT, HINGE To J-6292	1	1	
61D	281686	. PIVOT, HINGE From J-6293	1	1	
61E	280101	. PIVOT, HINGE To J-6292	1	1	
61E	281690	. PIVOT, HINGE From J-6293	1	1	
61F	280098	. PIVOT, HINGE	1	1	
61G	280106	. TUBE	1	1	
61H	280105	. SLEEVE, HINGE 7 PIVOTS	12	12	
61J	507013	. BEARING FLANGE 12MM I.D. X 14MM O.D. X 6MM	28	28	
61K	5000310	. SCREW CAP HEX M6-1.0x40 BK	14	14	
61L	502573	. WASHER FL 6.4x12.5x1.6 SS	8	8	
61M	5001182	. NUT HEX NYRT M6-1.0 SS	18	18	
61N	5001923	. SCREW CAP HEX M6-1.0x45 SS BK To J-6227	4	4	
61N	5000310	. SCREW CAP HEX M6-1.0x40 BK From J-6228	4	4	
61P	500411	. WASHER FL .260x.697x.050 SS	24	24	
61Q	5001636	. SCREW CAP HEX M6-1.0x50 SS BK	2	2	
61R	281874	. STOPPER, HINGE	2	2	
62	280103	PLATE ADJUSTMENT	1	1	
63	5001912	SCREW CAP HEX M8-1.25x30 SS BK	4	4	
64	500321	WASHER BEL SPR .331x.827x.098 N500	13	13	
65	504083	SNAP BUSHING / .250x.468.406	3	3	
66	780340	CLIP, RETAINER ROD	2	2	
67	480032	ROD OPENING 1200MM	1	1	
68	484309	PIVOT LATCH	1	1	
69	484310	ROD OPENING 381MM	1	1	
70	478577	SPRING HOLDER	1	1	
71	477399	RECEPTACLE	1	1	



From H-6129		Date:07/2024	PAGE:X3VIP-1864-51
BAGGAGE DOOR W/HINGE STREET SIDE WITH SMALL A/C SYSTEM / 47 5/8"			

Item#	Part	Description	X 3 V I P E N T	X 3 V I P M T H	N O T E S
72	460708	ADJUSTMENT PLATE	1	1	
73	2800228	SUPPORT, RECEPTACLE ASSY	1	1	
74	484319	FIXATION PLATE	1	1	
75	484321	ROD SUPPOPRT	1	1	
76	484320	ROD SUPPOPRT	1	1	
77	505504	KNOB, PULL / 8-32	1	1	
78	500986	NUT HEX #8-32 N500	1	1	
79	502868	SCREW TC TR PH #10-16x1/2 N500	2	2	
80	5001966	SCREW TC BDG PH #10-24x1/2 SS410 ZINC	1	1	
81	502573	WASHER FL 6.4x12.5x1.6 SS	1	1	
82	5001182	NUT HEX NYRT M6-1.0 SS	1	1	
83	5001630	SCREW TP BUTF TORX M6x20 SS	3	3	
84	502862	SCREW CAP HEX M8-1.25x20 G8.8 N500	4	4	
85	280273	PLATE ADJUSTMENT UPPER	1	1	
86	280551	ARM STOPPER To J-6292	1	1	
86	2800223	ARM STOPPER From J-6293 To J-6315	1	1	
86	280551	ARM STOPPER From J-6316	1	1	
87	502638	WASHER FL .312x.734x.065 N500	3	3	
88	283770	SPACER / TO FIX RETAINING ARM	1	1	
89	502780	SCREW CAP HEX M8-1.25x25 SS BK	2	2	
90	5001787	NUT HEX NYRT M8-1.25 SS	1	1	
91	5001560	SCREW SHR HEXS 5/16x3/8 {1/4-20 SS	1	1	
92	502768	WASHER FL RUB .312x.625x.125 NEO	1	1	
93	502723	WASHER FL .386x.750x.050 NYL	1	1	
94	500384	NUT HEX JAM 1/4-20 G500	1	1	
95	221894	SUPPORT PIVOT / DOOR GUIDE M6-1.0 W/SHOULDER 10M	1	1	
96	2800231	GUIDE, ARM STOPPER	1	1	
NS	680038	THREAD LOCKER LOCTITE #243 / BLUE / 50ml	AR	AR	
101	5001989	SCREW CAP HEX M8-1.25x40 BK	1	1	
102	5001852	NUT HEX M8-1.25 SS BK	3	3	
NS	684472	GREASE CLEAR SPRAY BOTTLE 350GR	AR	AR	
		A) AUTOBUS BRUNET" OPTION / MOTORHOME WITH FLAT PANEL			
		P) CALL ORDER DESK FOR SPECIFIC APPLICATION (V.I.N.)			

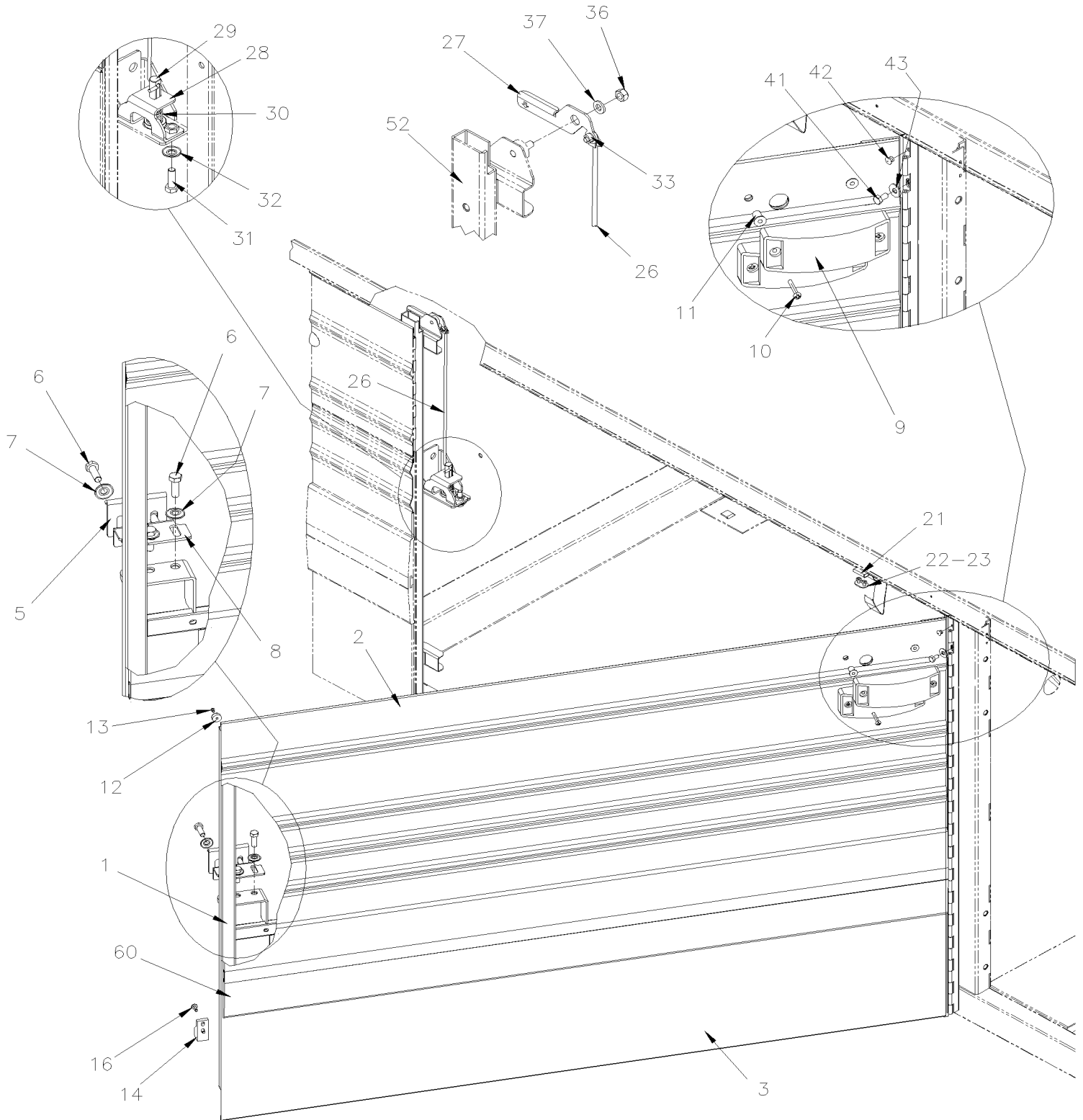


From E-5490 To H-6179

Date:07/2024

PAGE:X3VIP-1864-60

BAGGAGE DOOR W/HINGE CURBSIDE WITH SMALL A/C SYSTEM / 50 1/2"





From E-5490 To H-6179	Date:07/2024	PAGE:X3VIP-1864-60
BAGGAGE DOOR W/HINGE CURBSIDE WITH SMALL A/C SYSTEM / 50 1/2"		

Item#	Part	Description	X 3 V I P E N T	X 3 V I P M T H	NOTES
		THIS DOOR ASSY DO NOT INCLUDE RUB-RAIL			
		PLEASE ORDER SEPARATELY			
	480026	BAGGAGE DOOR ASSY / W/HINGE 50 1/2"	1	1	
1	484334	. FRAME ASSY / 1285MM	1	1	
2	484332	. ONE PIECE PANEL / FLUTED 1281.6 / B.A. UPPER & LOWER	1	1	
3	484240	. . PANEL, LOWER / B.A. 1281.6 MM	1	1	
NS	687962	. GLUE MS POLYMER TEROSON MS 9399 / "B" 21 Liters	AR	AR	
NS	687961	. GLUE MS POLYMER TEROSON MS 9399 / "A" 21 Liters	AR	AR	
NS	684517	. ADHESIVE SIMSON #ISR 70-03 / GREY / 310ml CARTRIDGE	AR	AR	
5	287051	. CATCH PIN / RETAINER 52MM x 70MM	1	1	
6	502780	. SCREW CAP HEX M8-1.25x25 SS BK	4	4	
7	5001699	. WASHER BEL SPR 8.2x22x1.4 N500 To F-5867	4	4	
7	5001868	. WASHER BEL SPR 8.4x18x2 SS From F-5868	4	4	
8	484167	. DOOR LATCH ADJUSTABLE To P-6820	1	1	
8	2800689	DOOR LATCH ADJUSTABLE From P-6821	1	1	
9	X3VIP-0662-00	. CLEARANCE & MARKER LIGHT			
10	5001042	. SCREW MA RND PH #10-32x1 1/4 SS	2	2	
10	5002021	. SCREW MA TR PH #10-32x1 1/4 SS From J-6244	2	2	
11	502774	. NUT WELL #10-32x.625	2	2	
12	5001393	. BUMPER RUBBER / .625 OD x .281 TH x .125 HOLE To J-6339	2	2	
12	5002024	. BUMPER NEOPRENE / .625 OD x .281 TH x .125 HOLE From J-6340	2	2	
13	504340	. RIVET POP DOME OE 1/8x3/16 SS	2	2	
14	2800374	. GUIDE LOWER COND DOOR PLASTIC	1	1	
16	500623	. SCREW TC PAN PH #10-24x3/4 N500	2	2	
21	505507	STRAP NYLON 1" WIDE / S.L.	AR	AR	
NS	452813	SUPPORT STRAP RETAINER W/2 SLOTS & 2 HOLES	1	1	
NS	285476	SUPPORT STRAP RETAINER W/2 SLOTS & 1 HOLE (WELDED AT DOOR STRUCTURE)	1	1	
22	284439	PLATE, STRAP RETAINING / OBLONG 16.5MM x 25.4MM W/2 HOLES	1	1	
23	504747	RIVET HKL MMS 3/16x3/8 SS To E-5606	2	2	
23	504793	RIVET MNB OE LARGE HEAD 3/16x7/16 SS From E-5607	2	2	
26	484169	ROD OPENING 309MM	1	1	
27	484216	HANDLE	1	1	
28	289674	SUPPORT CATCH PIN W/OUT PIVOT	1	1	
29	289636	CATCH PIN ACETAL / 90.5MM To F-5786	1	1	
29	2800884	CATCH PIN BLACK ACETAL From F-5787 To G-5982	1	1	
29	2801055	CATCH PIN BLACK ACETAL From G-5983	1	1	
30	502910	SPRING COMPRESSION / .720 O.D. 1.75 x .055	1	1	
31	502780	SCREW CAP HEX M8-1.25x25 SS BK	2	2	
32	5001699	WASHER BEL SPR 8.2x22x1.4 N500 To F-5867	2	2	
32	5001868	WASHER BEL SPR 8.4x18x2 SS From F-5868	2	2	
33	780340	CLIP, RETAINER ROD	2	2	



From E-5490 To H-6179	Date:07/2024	PAGE:X3VIP-1864-60
BAGGAGE DOOR W/HINGE CURBSIDE WITH SMALL A/C SYSTEM / 50 1/2"		

Item#	Part	Description	X 3 V I P E N T	X 3 V I P M T H	N O T E S
36	5001182	NUT HEX NYRT M6-1.0 SS	1	1	
37	502573	WASHER FL 6.4x12.5x1.6 SS	1	1	
41	5001743	SCREW CAP HEX M6-1.0x12 G8.8 N500 To G-5931	6	6	
41	5001697	SCREW CAP HEX M6-1.0x16 SS BK From G-5932	6	6	
42	504379	RIVET POP DOME OE 3/16x1/4 SS	2	2	
43	500411	WASHER FL .260x.697x.050 SS	6	6	
52	223954	POST ASSY FORWARD FUEL DOOR ASSY W/REINFORCMENT PANEL To F-5811	1	1	
. NS	216798	. PANEL REINFORCMENT LOWER FUEL DOOR 249MM x 600MM To F-5811	1	1	
. NS	223940	. POST ASSY FORWARD FUEL DOOR ASSY To F-5811	1	1	
. . NS	216797	. . STOPPER CONDENSOR DOOR To F-5811	2	2	
. . NS	223937	. . BRACKET LATCH COND DOOR To F-5811	1	1	
. . NS	477296	. . ATTACHMENT SPRING DOOR To F-5811	1	1	
. . NS	502659	. . NUT WD RND M6-1.0 SS To F-5811	2	2	
52	221916	POST ASSY FORWARD FUEL DOOR ASSY W/REINFORCMENT PANEL From F-5812	1	1	
. NS	221921	. PANEL REINFORCMENT LOWER FUEL DOOR 244.4MM x 508.6MM From F-5812	1	1	
. NS	221896	. ATTACH PIVOT LATCH From F-5812	1	1	
. NS	221917	. TUBE, FUEL DOOR / 895MM LG. From F-5812	1	1	
. NS	221918	. STOPPER, CONDENSOR DOOR, UPPER From F-5812	1	1	
. NS	221919	. SUPPORT, CONDENSOR DOOR, LATCH From F-5812	1	1	
. NS	221920	. STOPPER, CONDENSOR DOOR From F-5812	1	1	
60	X3VIP-1855-00	RUB RAIL - EXTERIOR CREST & TRIMS From E-5490 To H-6092			
60	X3VIP-1855-01	RUB RAIL - EXTERIOR CREST & TRIMS From H-6093			

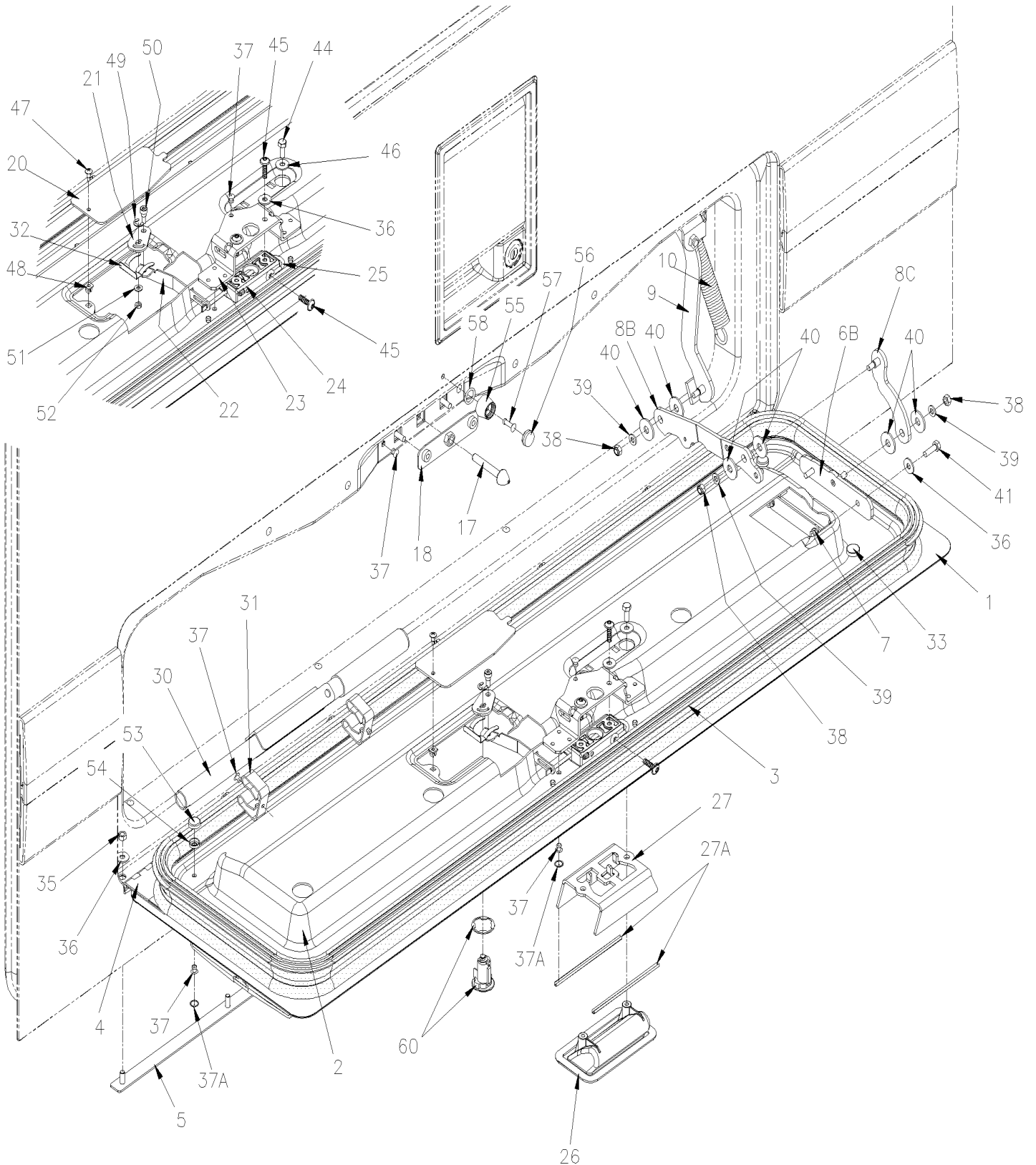


From J-6223 To K-6491

Date:07/2024

PAGE:X3VIP-1864-80

W.C.L. DOOR - BAGGAGE DOOR



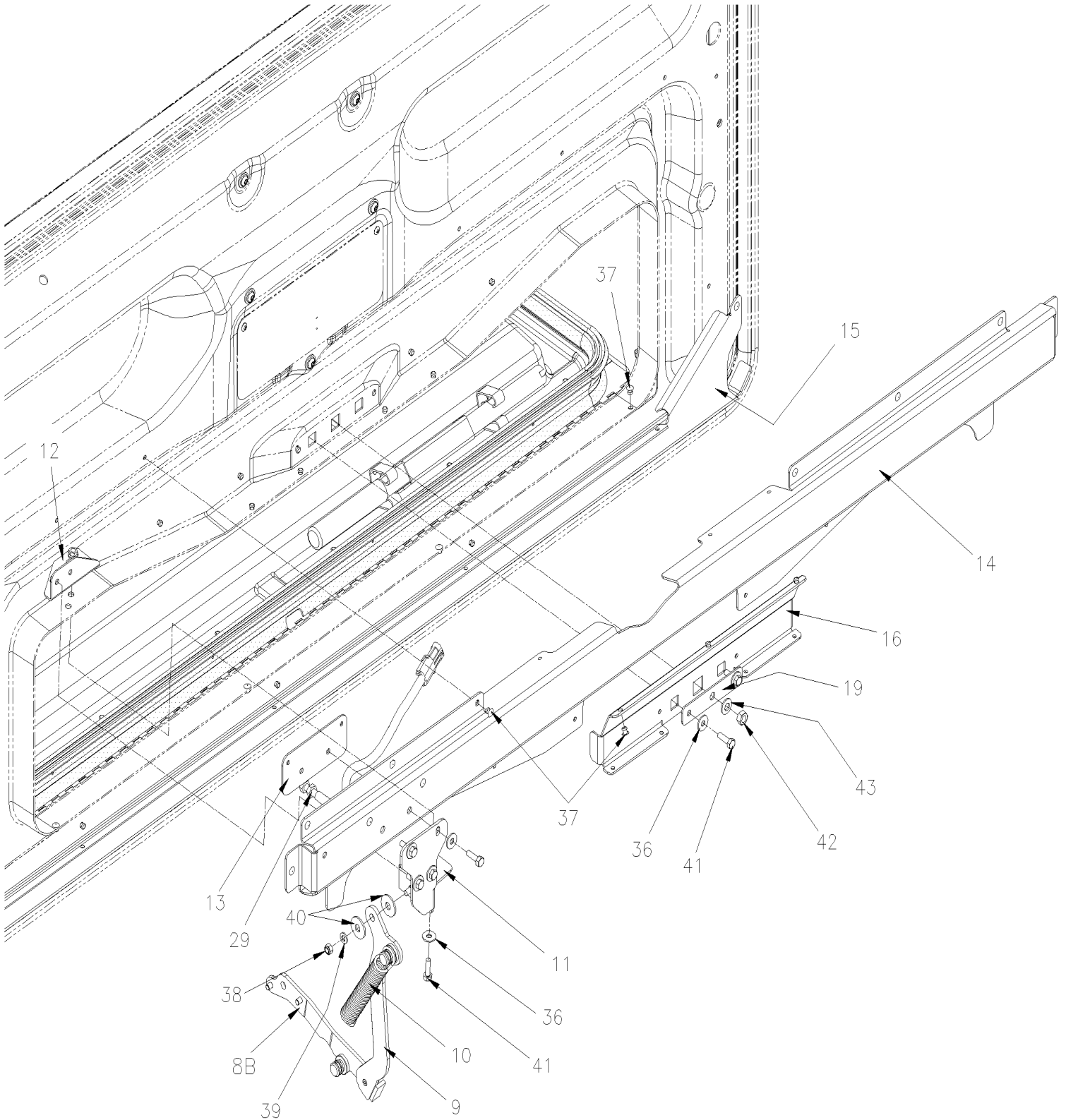


From J-6223 To K-6491

Date:07/2024

PAGE:X3VIP-1864-80

W.C.L. DOOR - BAGGAGE DOOR





From J-6223 To K-6491	Date:07/2024	PAGE:X3VIP-1864-80
W.C.L. DOOR - BAGGAGE DOOR		

Item#	Part	Description	X 3 V I P E N T	X 3 V I P M T H	N O T E S
		NOTE FOR OTHERS COMPONENT SEE PAGE X3-1864-02			
		ALLS ITEMS IN THIS PAGE ARE INCLUSE			
		WITH DOOR			
		AS SHOWN AT PAGE X3-1864-02			
	281776	DOOR ASSY / SMALL	1	1	
1	2800183	PANEL - W.C.L. DOOR W/FORD LOCK	1	1	
1	7771318	PANEL - W.C.L. DOOR W/FORD LOCK / SS From J-6295 To J-6295	1	1	
NS	684517	ADHESIVE SIMSON #ISR 70-03 / GREY / 310ml CARTRIDGE	AR	AR	
NS	684743	GLUE METHACRYLATE PLEXUS MA832GB 380 ml	AR	AR	
NS	687961	GLUE MS POLYMER TEROSON MS 9399 / "A" 21 Liters To M-6660	AR	AR	
NS	685385	GLUE MS POLYMER TEROSON MS 9399 / "A" 14.8 Liters From M-6661	AR	AR	
NS	687962	GLUE MS POLYMER TEROSON MS 9399 / "B" 21 Liters To M-6660	AR	AR	
NS	685386	GLUE MS POLYMER TEROSON MS 9399 / "B" 14.8 Liters From M-6661	AR	AR	
NS	687957	GLUE MS POLYMER TEROSON MS 9399 / 400ml CARTRIDGE To M-6660	AR	AR	
NS	685387	GLUE MS POLYMER TEROSON MS 9399 / 400ml CARTRIDGE From M-6661	AR	AR	
2	2800599	FRAME - W.C.L. DOOR From G-6056	1	1	
3	2800424	RUBBER SEAL EXTRUSION - W.C.L. DOOR From E-5597	1	1	
4	2800312	HINGE 1231.7MM	1	1	
4	5001910	TAPE RUB ADH1 CC POL 1/32" X 3/4" X48.5"	AR	AR	
4	506785	TAPE RUB ADH2 CC POL 1/16" X 1/4" X 200' / BLACK I1C-N-A	AR	AR	
NS	5001076	WASHER FL RET 4.6x15.4x1.37 NYL BK	9	9	C
5	2800314	SUPPORT HINGE	1	1	
6B	2800859	SUPPORT - W.C.L. DOOR From E-5507	1	1	
7	2800320	ANCHOR PLATE	1	1	
8B	2800854	ARM - W.C.L. DOOR From E-5507	1	1	
8C	2800857	ARM - W.C.L. DOOR From E-5507	1	1	
9	2800334	ARM - W.C.L. DOOR	1	1	
10	2800308	SPRING EXTENSION / W.C.L. DOOR	1	1	
11	2800336	SUPPORT / ARM - W.C.L. DOOR	1	1	
12	2800328	REINFORCEMENT / W.C.L. DOOR	1	1	
13	2800329	INSERT FOR SUPPORT / W.C.L. DOOR	1	1	
14	2800331	REINFORCEMENT UPPER / W.C.L. DOOR	1	1	
15	2800332	REINFORCEMENT LOWER / W.C.L. DOOR	1	1	
16	2800333	REINFORCEMENT STOPPER / W.C.L. DOOR	1	1	
17	2800846	STOPPING ROD M8X67MM	1	1	
18	2800845	ADJUSTMENT PLATE	1	1	
19	2800847	ADJUSTMENT PLATE	1	1	
20	2800843	COVER / MECANISME	1	1	
21	2800850	PIVOT LOCK	1	1	
22	2800849	LEVER	1	1	



From J-6223 To K-6491	Date:07/2024	PAGE:X3VIP-1864-80
W.C.L. DOOR - BAGGAGE DOOR		

Item#	Part	Description	X 3 V I P E N T	X 3 V I P M T H	N O T E S
23	2800844	COVER / RECEPTACLE	1	1	
24	477399	RECEPTACLE	1	1	
25	472830	SPRING GUIDE HOLDER	1	1	
26	780812	ENTRANCE DOOR HANDLE BLACK	1	1	
27	2800848	SUPPORT HANDLE	1	1	
27A	564099	TAPE ADHESIF ELECTRICAL TISSUS / BLACK 838MM From J-6245	AR	AR	
29	065011	SWITCH PROXIMITY ASSY	1	1	
. NS	562950	. SWITCH PROXIMITY / S.P.D.T. / W/3 WIRES	1	1	
. NS	561566	. CONNECTOR / WEATHER PACK / PH 2C / BLACK / PED 12010973	1	1	
29	502768	WASHER FL RUB .312x.625x.125 NEO	2	2	
30	464678	HANDLE-MANUAL BACKUP PUMP	1	1	
31	504585	SPRING CLIP 3/4"	2	2	
32	780887	RETAINER CLIP, GM DOOR LOCK CYLINDER "U SHAPE"	1	1	
33	562949	MAGNET ROUND .200x.700 DIA	1	1	
34	5001137	WASHER FL .203x.438x.050 SS	2	2	
35	5001851	NUT HEX M6-1.0 SS BK	7	7	
36	5001833	WASHER BEL SPR 6.1x18x1.27 SS	17	17	
37	504788	RIVET POP DOME OE 3/16x1/4 AL	AR	AR	
37	504379	RIVET POP DOME OE 3/16x1/4 SS	AR	AR	
37A	505016	ISOLATION RING From J-6245	AR	AR	
38	5001182	NUT HEX NYRT M6-1.0 SS	3	3	
39	502573	WASHER FL 6.4x12.5x1.6 SS	3	3	
40	5001911	WASHER FL .341x1.000x.080 NYL	6	6	
41	502622	SCREW CAP HEX M6-1.0x20 SS BK	10	10	
42	5001868	WASHER BEL SPR 8.4x18x2 SS	1	1	
43	5001852	NUT HEX M8-1.25 SS BK	1	1	
44	5001697	SCREW CAP HEX M6-1.0x16 SS BK	2	2	
45	5001630	SCREW TP BUTF TORX M6x20 SS	3	3	
46	5001114	WASHER FL .260x.687x.060 NYL	2	2	
47	500124	SCREW TP TR PH #8x1/2 SS	1	1	
48	502741	NUT AN #8 NYL	1	1	
49	504402	RING RETAINER / EXT .250 x .210 x .025"	1	1	
50	5001606	SCREW SHR HEXS 1/4x3/16 (#10-24 SS	1	1	
51	5001137	WASHER FL .203x.438x.050 SS From E-5574	1	1	
52	5001180	NUT HEX NYRT #10-24 SS	1	1	
53	504400	SNAP CAP #10 FINISHING BLACK	6	6	
54	504399	WASHER RETAINER SNAP CAP #10	6	6	
55	2800369	STOPPER / W.C.L. DOOR	1	1	
56	2800377	CAP / W.C.L. DOOR	1	1	
56	684685	ADHESIVE SIMSON #ISR 70-03 / 310ml CARTRIDGE	AR	AR	
58	507214	O-RING	1	1	



From J-6223 To K-6491	Date:07/2024	PAGE:X3VIP-1864-80
W.C.L. DOOR - BAGGAGE DOOR		

Item#	Part	Description	X 3 V I P E N T	X 3 V I P M T H	N O T E S
59	504119	RIVET POP DOME OE 3/16x1/2 AL	1	1	
60	X3VIP-1867-00	KEY & CYLINDER CODE			
61	X3VIP-1864-01	BAGGAGE DOOR ASSY / 70"			
NS	409452	DECAL / MANUAL OPERATING INSTRUCTION... / ENGLISH & FRANCAIS & SPANISH	1	1	
NS	990528	DECAL MAX LOAD WCL 800 LBS. / ENGLISH & FRANCAIS From J-6245	1	1	
		C) IF NEED IT			

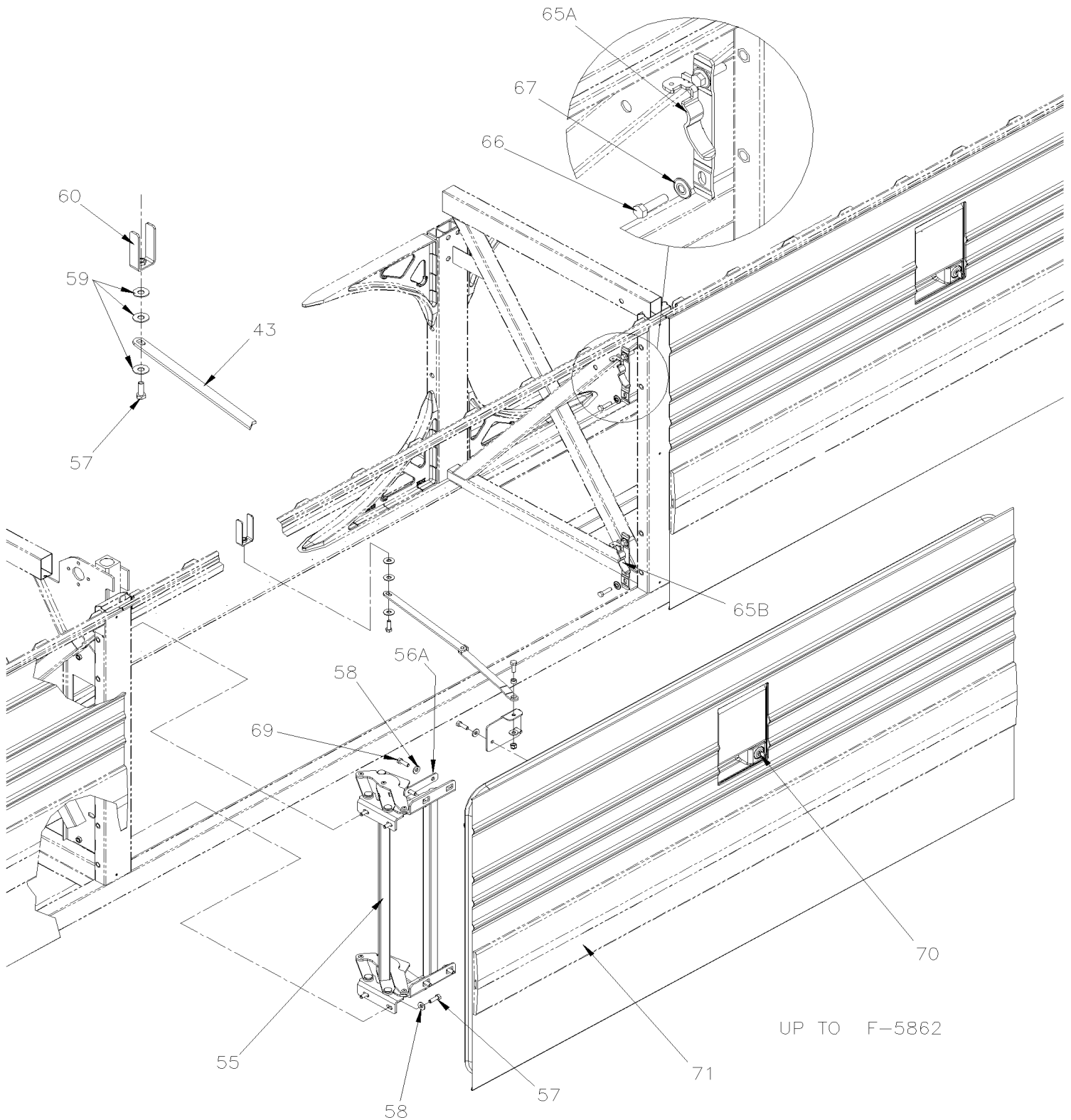


From E-5490

Date:07/2024

PAGE:X3VIP-1864-90

BAGGAGE DOOR W/HINGE / 70"



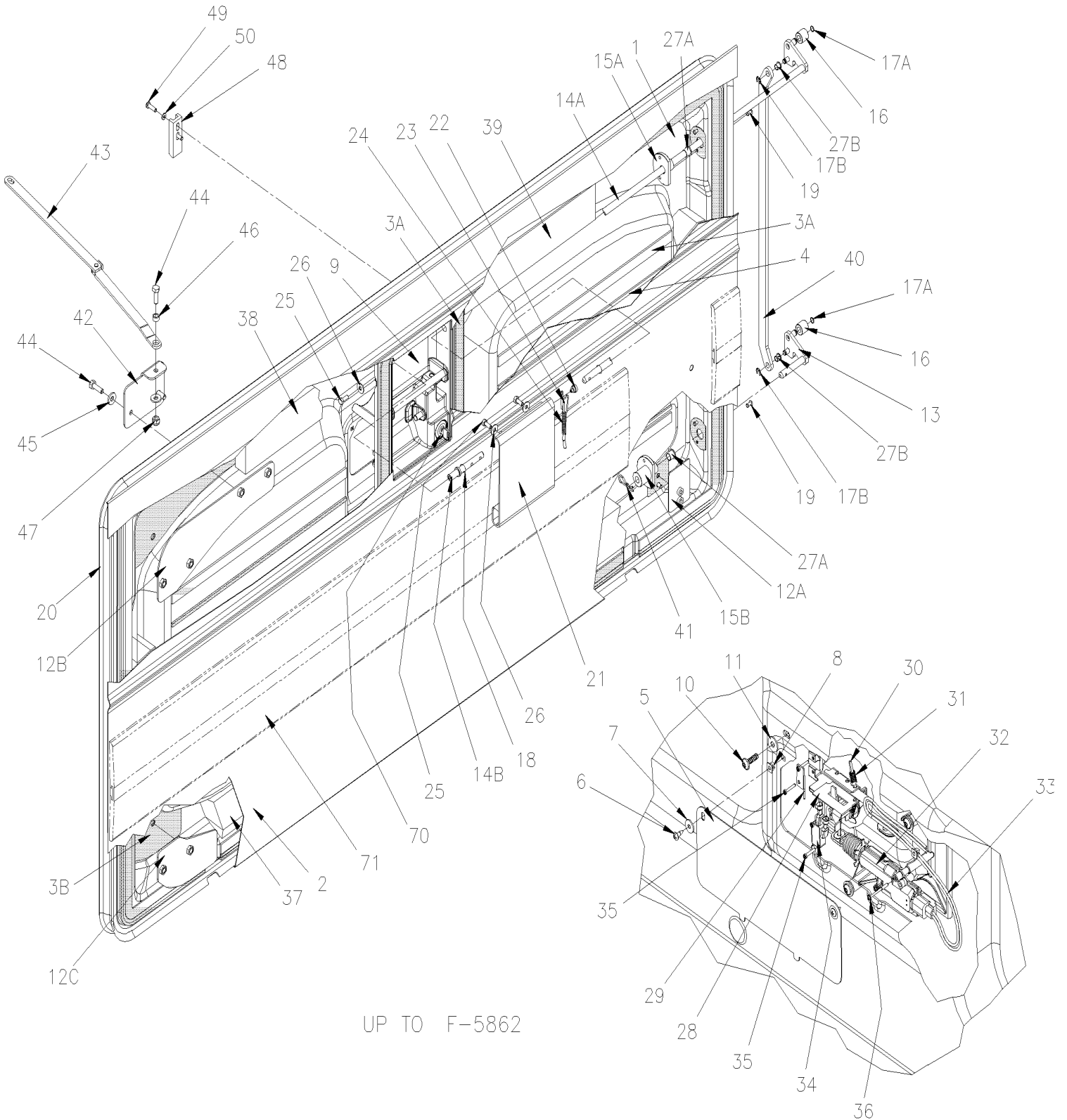


From E-5490

Date:07/2024

PAGE:X3VIP-1864-90

BAGGAGE DOOR W/HINGE / 70"



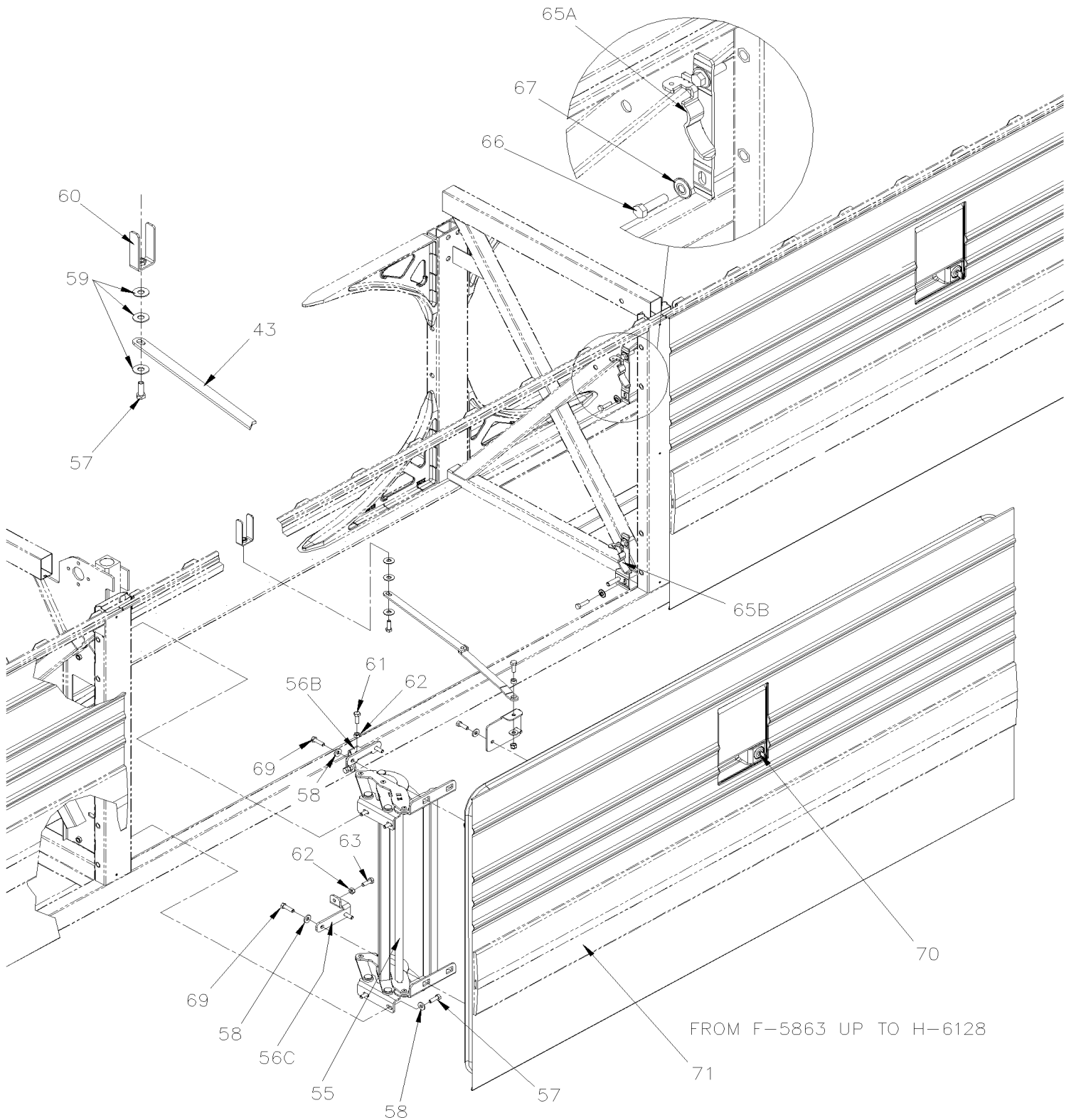


From E-5490

Date:07/2024

PAGE:X3VIP-1864-90

BAGGAGE DOOR W/HINGE / 70"



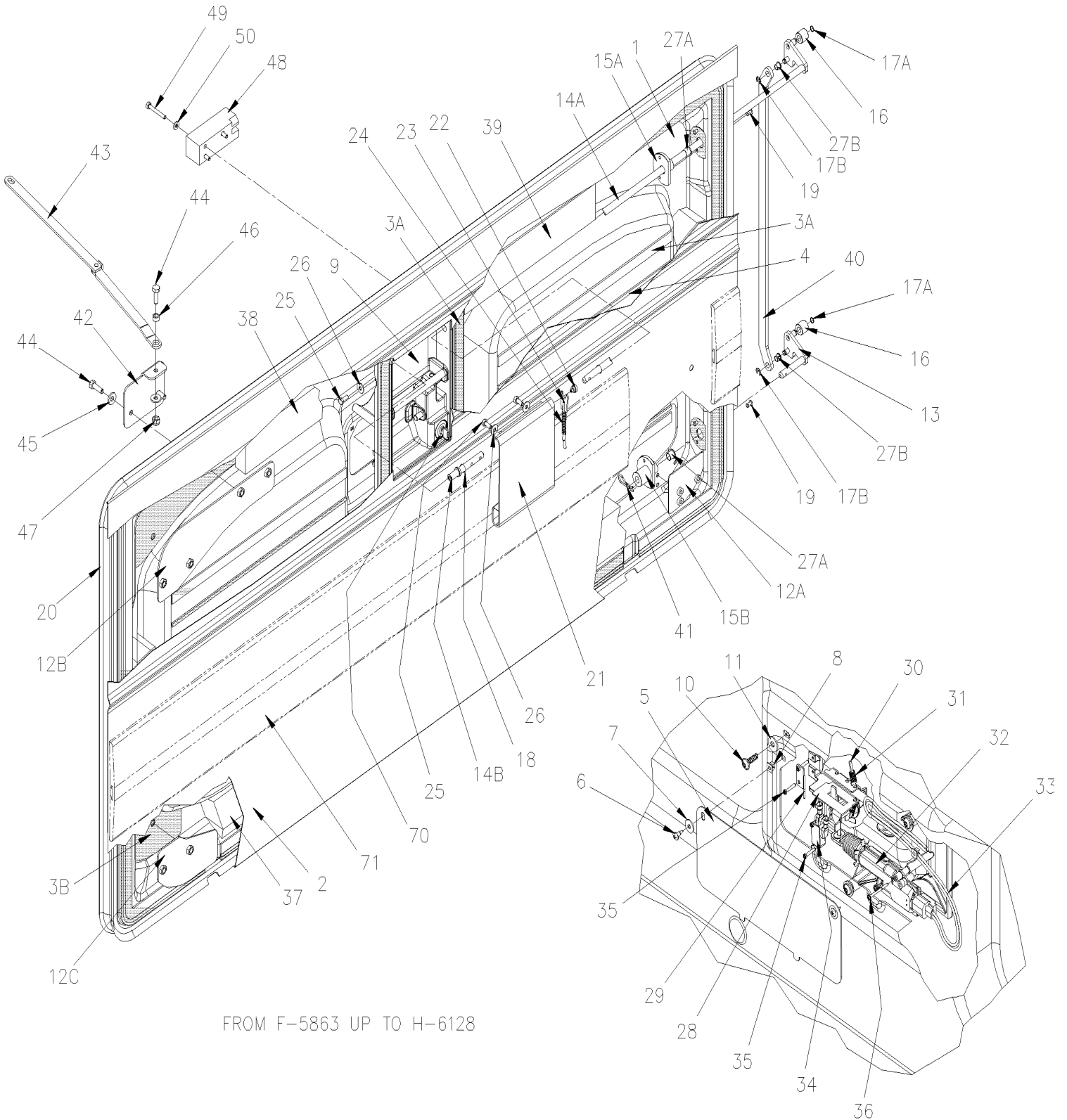


From E-5490

Date:07/2024

PAGE:X3VIP-1864-90

BAGGAGE DOOR W/HINGE / 70"



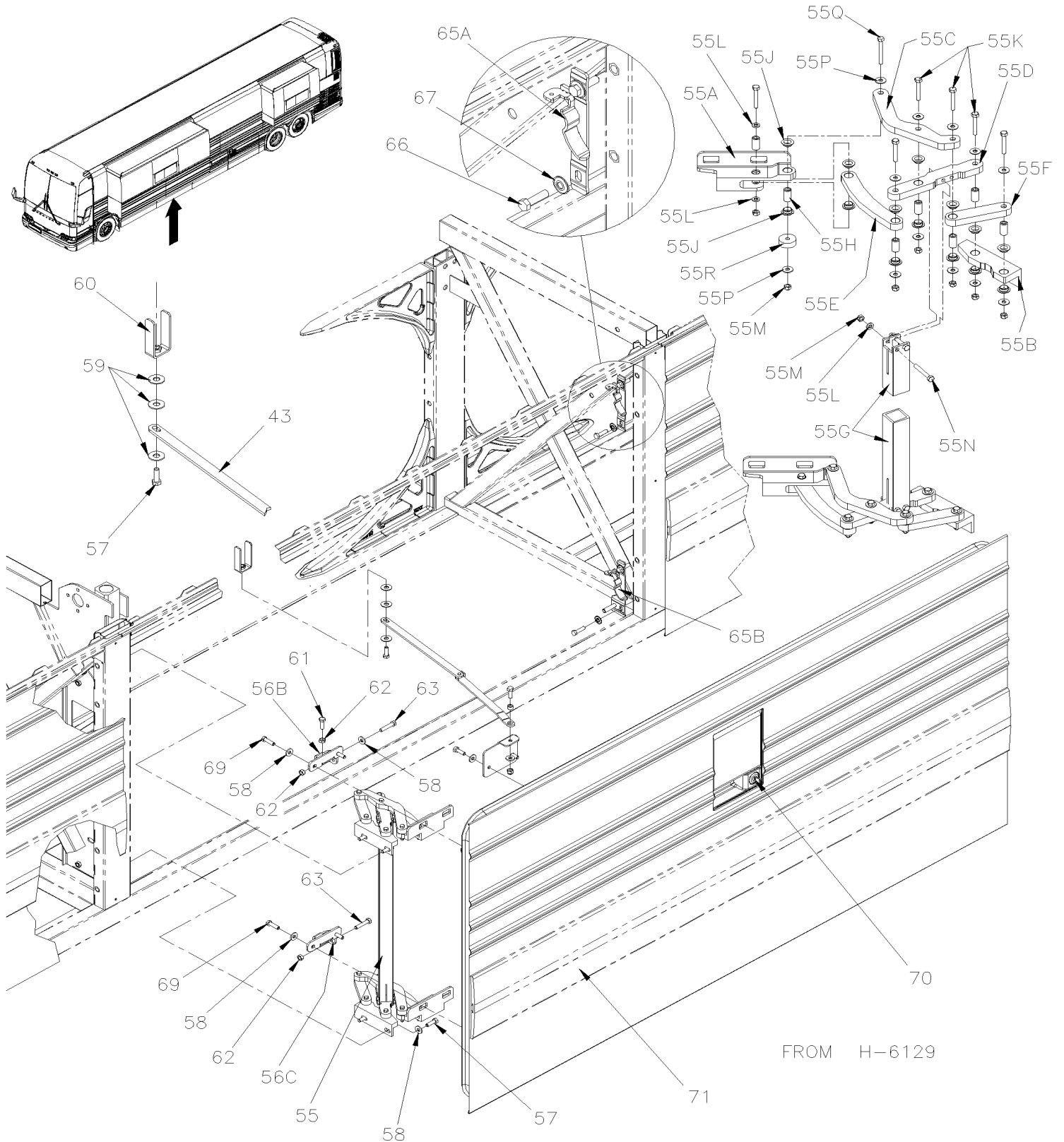


From E-5490

Date:07/2024

PAGE:X3VIP-1864-90

BAGGAGE DOOR W/HINGE / 70"



FROM H-6129

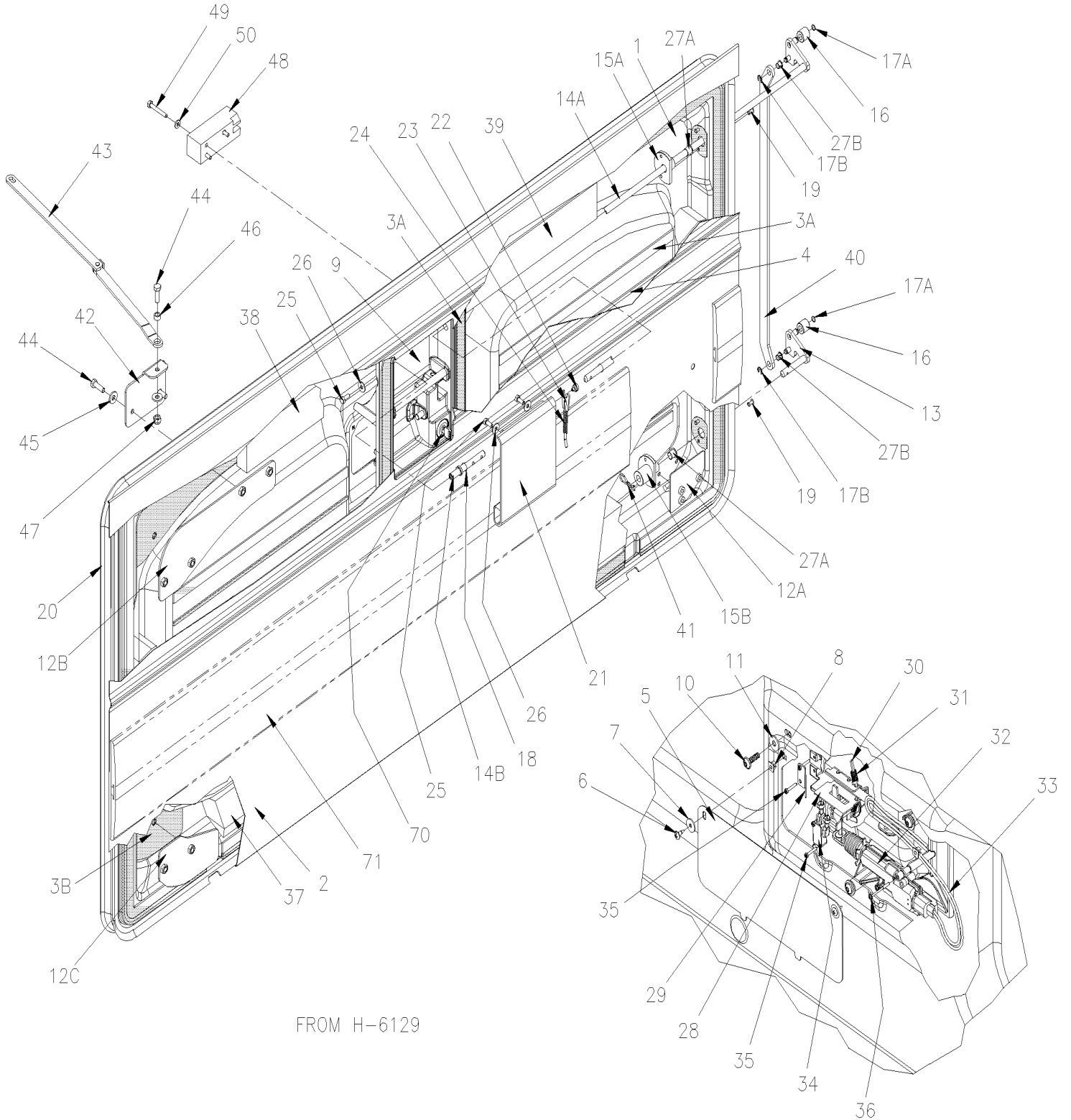


From E-5490

Date:07/2024

PAGE:X3VIP-1864-90

BAGGAGE DOOR W/HINGE / 70"



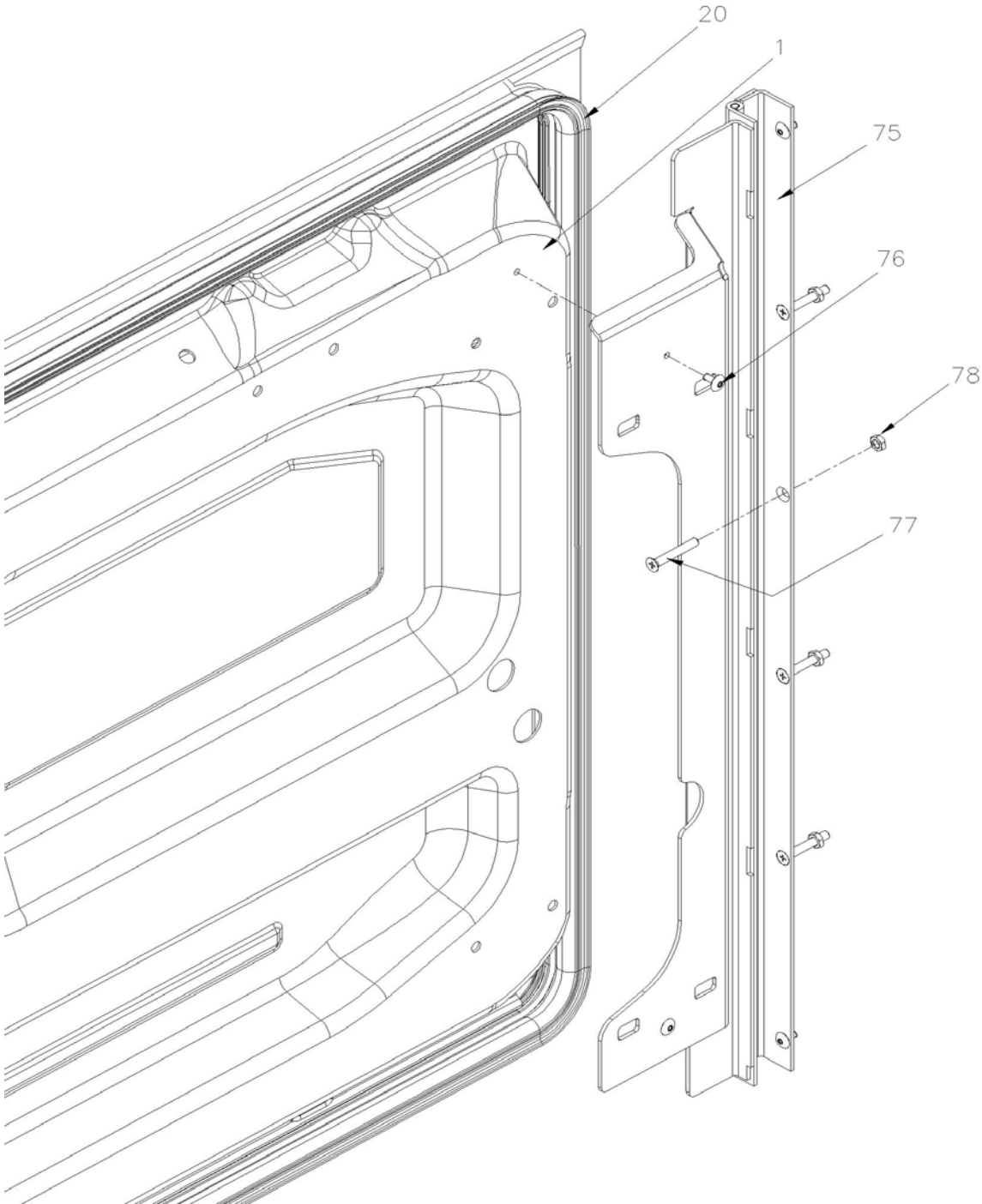


From E-5490

Date:07/2024

PAGE:X3VIP-1864-90

BAGGAGE DOOR W/HINGE / 70"





From E-5490		Date:07/2024	PAGE:X3VIP-1864-90
BAGGAGE DOOR W/HINGE / 70"			

Item#	Part	Description	X 3 V I P E N T	X 3 V I P M T H	N O T E S
	487601	DOOR ASSY 70" / W/FLUTED PANEL / ELECTRICAL LOCK / MARKER LIGHT / SS To F-5876	1	1	
	480210	DOOR ASSY 70" / W/FLUTED PANEL / ELECTRICAL LOCK / MARKER LIGHT / SS From F-5877	1	1	
	487602	DOOR ASSY 70" / W/FLUTED PANEL / ELECTRICAL LOCK / SS To F-5876	1	1	
	485870	DOOR ASSY 70" / W/FLUTED PANEL / ELECTRICAL LOCK / SS From F-5877	1	1	
	485731	DOOR ASSY 70" / W/FLUTED PANEL / ELECTRICAL LOCK / MARKER LIGHT / SS/ ALUMINUM / W/VENT HOLE To F-5876	1	1	
	Call order desk	DOOR ASSY 70" / W/FLUTED PANEL / ELECTRICAL LOCK / MARKER LIGHT / SS/ ALUMINUM / W/VENT HOLE From F-5877	1	1	P
	485730	DOOR ASSY 70" / W/FLUTED PANEL / ELECTRICAL LOCK / SS/ ALUMINUM / W/VENT HOLE To F-5876	1	1	
	Call order desk	DOOR ASSY 70" / W/FLUTED PANEL / ELECTRICAL LOCK / SS/ ALUMINUM / W/VENT HOLE From F-5877	1	1	P
	485729	DOOR ASSY 70" / W/FLUTED PANEL / ELECTRICAL LOCK / MARKER LIGHT / SS / PERFORATED ALUMINUM To F-5876	1	1	
	Call order desk	DOOR ASSY 70" / W/FLUTED PANEL / ELECTRICAL LOCK / MARKER LIGHT / SS / PERFORATED ALUMINUM From F-5877	1	1	P
	485728	DOOR ASSY 70" / W/FLUTED PANEL / ELECTRICAL LOCK / SS / PERFORATED ALUMINUM To F-5876	1	1	
	Call order desk	DOOR ASSY 70" / W/FLUTED PANEL / ELECTRICAL LOCK / SS / PERFORATED ALUMINUM From F-5877	1	1	P
	Call order desk	DOOR ASSY 70" / W/FLUTED PANEL / ELECTRICAL LOCK / W/PIANO HINGE From N-6704	1	1	P D
	Call order desk	DOOR ASSY 70" / W/FLUTED PANEL / ELECTRICAL LOCK / MARKER LIGHT W/PIANO HINGE From N-6704	1	1	P D
1	2800256	. FRAME 70" To F-5876	1	1	
1	2800604	. FRAME 70" From F-5877	1	1	
1	2800292	. FRAME 70" / ALUMINUM / W/VENT HOLE To F-5876	1	1	
1	2800611	. FRAME 70" / ALUMINUM / W/VENT HOLE From F-5877 To F-5908	1	1	
1	2800603	. FRAME 70" / ALUMINUM / W/VENT HOLE From F-5909	1	1	
1	2800518	. FRAME 70" / PERFORATED ALUMINUM To F-5876	1	1	
1	2800612	. FRAME 70" / PERFORATED ALUMINUM From F-5877 To F-5908	1	1	
1	2800606	. FRAME 70" / PERFORATED ALUMINUM From F-5909	1	1	
1	2810629	. FRAME 70" / WITH PIANO HINGE From N-6704	1	1	D E
1	2800679	. FRAME 70" / WITH PIANO HINGE From P-6805	1	1	D F
1	2800697	. FRAME 70" / PERFORATED ALUMINUM / WITH PIANO HINGE From P-6805	1	1	D
2	484317	. ONE PIECE PANEL / FLUTED 70"	1	1	
2	484323	. ONE PIECE PANEL / W/MARKER LIGHT / LH / FLUTED 70"	1	1	
2	2810280	. ONE PIECE PANEL / W/MARKER LIGHT / LH / FLAT 70"	1	1	B
2	484341	. . LOWER PANEL 70"	1	1	
2	288733	. ONE PIECE PANEL / FLAT 70" / ALUMINIUM	1	1	B
2	2800295	. . LOWER PANEL / FLAT - W/O W.C.L. / 70" / ALUMINIUM	1	1	B
2	480229	. ONE PIECE PANEL / FLUTED 70" / W/PIANO HINGE From N-6704	1	1	D
2	480244	. ONE PIECE PANEL / W/MARKER LIGHT / LH / FLUTED 70" / W/PIANO HINGE From N-6704	1	1	D
2	480264	. ONE PIECE PANEL / FLUTED 70" / W/PIANO HINGE / 3RD DOOR From N-6704	1	1	D
3A	687961	. GLUE MS POLYMER TEROSON MS 9399 / "A" 21 Liters To M-6660	AR	AR	
3A	685385	. GLUE MS POLYMER TEROSON MS 9399 / "A" 14.8 Liters From M-6661	AR	AR	
3A	687962	. GLUE MS POLYMER TEROSON MS 9399 / "B" 21 Liters To M-6660	AR	AR	
3A	685386	. GLUE MS POLYMER TEROSON MS 9399 / "B" 14.8 Liters From M-6661	AR	AR	
3A	687957	. GLUE MS POLYMER TEROSON MS 9399 / 400ml CARTRIDGE To M-6660	AR	AR	
3A	685387	. GLUE MS POLYMER TEROSON MS 9399 / 400ml CARTRIDGE From M-6661	AR	AR	
3A	684517	. ADHESIVE SIMSON #ISR 70-03 / GREY / 310ml CARTRIDGE	AR	AR	
3B	684743	. GLUE METHACRYLATE PLEXUS MA832GB 380 ml	AR	AR	



From E-5490		Date:07/2024	PAGE:X3VIP-1864-90
BAGGAGE DOOR W/HINGE / 70"			

Item#	Part	Description	X 3 V I P E N T	X 3 V I P M T H	N O T E S
4	506769	. TAPE RUB ADH2 CC POL 1/8" x 1/4" x 60' / BLACK H1CC-N#14	AR	AR	
5	2800265	. PANEL ACCESS 10 3/4" x 4 3/8"	1	1	
6	500124	. SCREW TP TR PH #8x1/2 SS	2	2	
7	5001076	. WASHER FL RET 4.6x15.4x1.37 NYL BK	2	2	
8	502741	. NUT AN #8 NYL	2	2	
9	289062	. SEALING BOX / W/FORD LOCK	1	1	
10	5001630	. SCREW TP BUTF TORX M6x20 SS	5	5	
11	5001114	. WASHER FL .260x.687x.060 NYL	5	5	
12A	2800251	. ATTACH, SKID To F-5876	1	1	
12A	2800596	. ATTACH, SKID From F-5877	1	1	
12B	2800254	. ATTACH, HINGE UPPER	1	1	
12C	2800255	. ATTACH, HINGE LOWER	1	1	
13	2800245	. LOCKING ROD LOWER 65MM To K-6470	1	1	
13	2810188	. LOCKING ROD LOWER 65MM From K-6471	1	1	
14A	2800246	. LOCKING ROD UPPER RH 793MM To K-6470	1	1	
14A	2810187	. LOCKING ROD UPPER RH From K-6471	1	1	
14B	2800317	. LOCKING ROD UPPER LH 94.5MM	1	1	
15A	2800269	. LOCKING ROD GUIDE	1	1	
15B	2800248	. LOCKING ROD GUIDE LOWER	1	1	
16	2800270	. ROLLER CATCH	2	2	
17A	504318	. RING RETAINER / EXT .375 x .352 x .025	2	2	
17B	504689	. RING RETAINER / EXT .312 x .243 x .025 / SS	2	2	
18	507644	. O-RING 10MM I.D. X 2MM	2	2	
19	504120	. RIVET POP DOME CLE 3/16x1/2 AL	4	4	
20	2800358	. RUBBER SEAL EXTRUSION / W/70" DOOR To E-5596	1	1	
20	2800423	. RUBBER SEAL EXTRUSION / W/70" DOOR From E-5597	1	1	
20	2810506	. RUBBER SEAL EXTRUSION / W/70" DOOR From N-6704 To P-6903	1	1	D
20	2800818	. RUBBER SEAL EXTRUSION / W/70" DOOR From P-6904	1	1	D
21	2800316	. HANDLE ASSY / BAGAGE DOOR / SS To N-6727	1	1	
21	2800676	. HANDLE ASSY / BAGAGE DOOR / SS From N-6728	1	1	
21	2800675	. HANDLE ASSY / BAGAGE DOOR	1	1	B
21	289063	. FINISHING FRAME PLASTIC / AROUND HANDLE BLACK	1	1	B
21	684685	. ADHESIVE SIMSON #ISR 70-03 / 310ml CARTRIDGE	AR	AR	B
22	287271	. RIVET SHR FL 9.95x3.6{4.8x4.8 SS	1	1	
23	289068	. PIN HANDLE RELEASE	1	1	
24	289070	. SPRING COMPRESSION / .355 O.D. 2.755 x .063	1	1	
25	5001697	. SCREW CAP HEX M6-1.0x16 SS BK	4	4	
26	5001833	. WASHER BEL SPR 6.1x18x1.27 SS	4	4	
27A	507141	. BUSHING, NYLINER W/SHOULDER (7-L-7-F)	2	2	
27B	507301	. BUSHING NYLINER	2	2	
28	289065	. PIN LATCH To K-6392	1	1	C
28	289862	. PIN LATCH From K-6393	1	1	



From E-5490		Date:07/2024	PAGE:X3VIP-1864-90
BAGGAGE DOOR W/HINGE / 70"			

Item#	Part	Description	X 3 V I P E N T	X 3 V I P M T H	N O T E S
29	289064	. STOP PLATE LATCH	1	1	
30	481564	. ROD GUIDE	2	2	
31	502934	. SPRING COMPRESSION / .300 O.D. x 1 x .026	2	2	
32	2800049	. LOCK ACTUATOR / 12V To K-6392	1	1	
32	289877	. LOCK ACTUATOR / 12V From K-6393	1	1	
33	068617	. CABLE ASSY / DOOR LOCK	1	1	
NS	504637	. CABLE TIE / 3/16" x 13"	AR	AR	
NS	069339	. CABLE ASSY / DOOR LOCK / W/W.C.L. From J-6315	1	1	WCL
34	562096	. MICRO SWITCH	1	1	
35	5001888	. SCREW TP CAP TORX M3X18 SS	4	4	
36	5001887	. SCREW TP PAN WSHR TORX M3X35 SS	2	2	
37	352597	. INSULATING PANEL / LOWER	1	1	
38	352598	. INSULATING PANEL / UPPER LEFT	1	1	
39	352599	. INSULATING PANEL / UPPER RIGHT	1	1	
40	288516	. LINKAGE	1	1	
41	502945	. PIN HITCH CLIP 3/32 x 1/2 SS	1	1	
41	5001233	. WASHER FL .500x1.250x.062 NYL From E-5571	1	1	
42	2800288	. ATTACH, ARM DOOR	1	1	
43	2800285	. ARM DOOR ASSY To H-6121	1	1	
43	2801075	. ARM DOOR ASSY From H-6122 To H-6128	1	1	
43	280598	. ARM DOOR ASSY From H-6129 To J-6292	1	1	
43	281708	. ARM DOOR ASSY From J-6293	1	1	
44	502780	. SCREW CAP HEX M8-1.25x25 SS BK To F-5876	3	3	
44	5001912	. SCREW CAP HEX M8-1.25x30 SS BK From F-5877	3	3	
45	500321	. WASHER BEL SPR .331x.827x.098 N500	3	3	
46	283770	. SPACER / TO FIX RETAINING ARM	1	1	
47	5001787	. NUT HEX NYRT M8-1.25 SS	1	1	
48	2800234	. GUIDE, HINGE DOOR To F-5876	1	1	
48	2800592	. GUIDE, HINGE DOOR From F-5877	1	1	
49	502626	. SCREW MA PAN PH M6-1.0x20 N500 To F-5876	2	2	
49	5001923	. SCREW CAP HEX M6-1.0x45 SS BK From F-5877	3	3	
50	500855	. WASHER FL .188x.438x.049 N500 To F-5876	2	2	
50	500877	. WASHER FL .250x.562x.065 N500 From F-5877	3	3	
55	2800219	HINGE ASSY To E-5626	1	1	A
55	2800495	HINGE ASSY From E-5627 To H-6128	1	1	A
55	280387	BAGGAGE DOOR HINGE REPLACEMENT To H-6128	1	1	
55	280043P	HINGE ASSY From H-6129	1	1	
55	504013	TIE MOUNT / 1/4" X 1/4" I.D. From H-6129	2	2	
55	504114	RIVET POP DOME OE 3/16x1/4 AL From H-6129	2	2	
55A	280102	. BRACKET DOOR, HINGE From H-6129	1	1	
55B	280097	. BRACKET STRUCTURE, HINGE From H-6129	1	1	
55C	280100	. PIVOT, HINGE From H-6129 To J-6292	1	1	



From E-5490		Date:07/2024	PAGE:X3VIP-1864-90
BAGGAGE DOOR W/HINGE / 70"			

Item#	Part	Description	X 3 V I P E N T	X 3 V I P M T H	N O T E S
55C	281683	. . PIVOT, HINGE From J-6293	1	1	
55D	280099	. . PIVOT, HINGE From H-6129 To J-6292	1	1	
55D	281686	. . PIVOT, HINGE From J-6293	1	1	
55E	280101	. . PIVOT, HINGE From H-6129 To J-6292	1	1	
55E	281690	. . PIVOT, HINGE From J-6293	1	1	
55F	280098	. . PIVOT, HINGE From H-6129	1	1	
55G	280104	. TUBE, LUGGAGE HINGE DOOR From H-6129	1	1	
55H	280105	. SLEEVE, HINGE 7 PIVOTS From H-6129	14	14	
55J	507013	. BEARING FLANGE 12MM I.D. X 14MM O.D. X 6MM From H-6129	28	28	
55K	5000310	. SCREW CAP HEX M6-1.0x40 BK From H-6129	12	12	
55L	502573	. WASHER FL 6.4x12.5x1.6 SS From H-6129	8	8	
55M	5001182	. NUT HEX NYRT M6-1.0 SS From H-6129	18	18	
55N	5001923	. SCREW CAP HEX M6-1.0x45 SS BK From H-6129 To J-6227	4	4	
55N	5000310	. SCREW CAP HEX M6-1.0x40 BK From J-6228	4	4	
55P	500411	. WASHER FL .260x.697x.050 SS From H-6129	24	24	
55Q	5001636	SCREW CAP HEX M6-1.0x50 SS BK From H-6129	2	2	
55R	281874	STOPPER, HINGE From H-6129 To L-6506	2	2	
55R	2810436	STOPPER, HINGE From L-6507	2	2	
56A	2800267	SPACER To F-5876	2	2	
56B	2800589	PLATE ADJUSTMENT UPPER From F-5877 To H-6128	1	1	
56B	280103	PLATE ADJUSTMENT From H-6129	1	1	
56B	280103	PLATE ADJUSTMENT From H-6129	1	1	
56C	2800588	PLATE ADJUSTMENT BOTTOM From F-5877 To H-6128	1	1	
56C	280103	PLATE ADJUSTMENT From H-6129	1	1	
56C	280103	PLATE ADJUSTMENT From H-6129	1	1	
57	502780	SCREW CAP HEX M8-1.25x25 SS BK	5	5	
58	500321	WASHER BEL SPR .331x.827x.098 N500 To H-6128	8	8	
58	500321	WASHER BEL SPR .331x.827x.098 N500 From H-6129	9	9	
59	500270	WASHER FL .406x1.000x.063 SS	3	3	
60	217204	SUPPORT PIVOT / DOOR GUIDE M8-1.25 / (WELDED AT STRUCTURE	1	1	
61	502780	SCREW CAP HEX M8-1.25x25 SS BK From F-5877	1	1	
62	5001852	NUT HEX M8-1.25 SS BK From F-5877	3	3	
63	5001912	SCREW CAP HEX M8-1.25x30 SS BK To H-6128	2	2	
63	5001989	SCREW CAP HEX M8-1.25x40 BK From H-6129	2	2	
65A	2800259	LOCKING GUIDE R.H. ASSY To F-5759	1	1	
65A	2800259	LOCKING GUIDE R.H. ASSY To F-5759	1	1	
65A	2800531	LOCKING GUIDE R.H. ASSY From F-5760	1	1	
65A	2800531	LOCKING GUIDE R.H. ASSY From F-5760	1	1	
65B	2800259	LOCKING GUIDE R.H. ASSY To F-5759	1	1	
65B	2800259	LOCKING GUIDE R.H. ASSY To F-5759	1	1	
65B	2800531	LOCKING GUIDE R.H. ASSY From F-5760 To F-5876	1	1	
65B	2800531	LOCKING GUIDE R.H. ASSY From F-5760 To F-5876	1	1	



From E-5490		Date:07/2024	PAGE:X3VIP-1864-90
BAGGAGE DOOR W/HINGE / 70"			

Item#	Part	Description	X 3 V I P E N T	X 3 V I P M T H	N O T E S
65B	2800593	LOCKING GUIDE R.H. ASSY From F-5877	1	1	
66	5001738	SCREW CAP HEX M8-1.25x30 G8.8 N500	4	4	
67	5001699	WASHER BEL SPR 8.2x22x1.4 N500	4	4	
NS	680739	GREASE SYNTHETIC / RED 20KG	AR	AR	
NS	680343	GREASE CLEAR SPRAY BOTTLE 283GR	AR	AR	
69	502780	SCREW CAP HEX M8-1.25x25 SS BK To F-5876	4	4	
69	5001912	SCREW CAP HEX M8-1.25x30 SS BK From F-5877	4	4	
70	X3VIP-1867-00	KEY & CYLINDER CODE			
71	X3VIP-1855-00	RUB RAIL - EXTERIOR CREST & TRIMS From E-5490 To H-6092			
71	X3VIP-1855-01	RUB RAIL - EXTERIOR CREST & TRIMS From H-6093			
75	2810635	HINGE ASSEMBLY / PIANO From N-6704	1	1	DE
75	2800680	HINGE ASSEMBLY / PIANO From P-6805	1	1	DF
76	504793	RIVET MNB OE LARGE HEAD 3/16x7/16 SS From N-6704	8	8	D
77	5001626	SCREW MA FL PH 1/4-20x1 3/4 SS From N-6704	4	4	D
77	5000003	SCREW MA FL PH 1/4-20X2 SS From N-6704	4	4	D
78	502819	NUT HEX JAM 1/4-20 Z050 From N-6704	8	8	D
		A) FOR PRODUCT IMPROVMENT ASK FOR KIT #280387			
		B) "AUTOBUS BRUNET" OPTION / MOTORHOME WITH FLAT PANEL			
		C) ONLY USE WITH ELECTRICAL LOCK, WHEN YOU REPLACE THE PIN LATCH 289065 BY THE NEW 289862 YOU HAVE TO REPLACE THE ACTUATOR 2800049 BY NEW 289877			
		D) USE WITH PIANO HINGE OPTION			
		E) SERVICE CENTER INSTALLATION			
		F) PRODUCTION INSTALLATION			
		WCL) WITH WHELL CHAIR LIFT			
		P) CALL ORDER DESK FOR SPECIFIC APPLICATION (V.I.N.)			

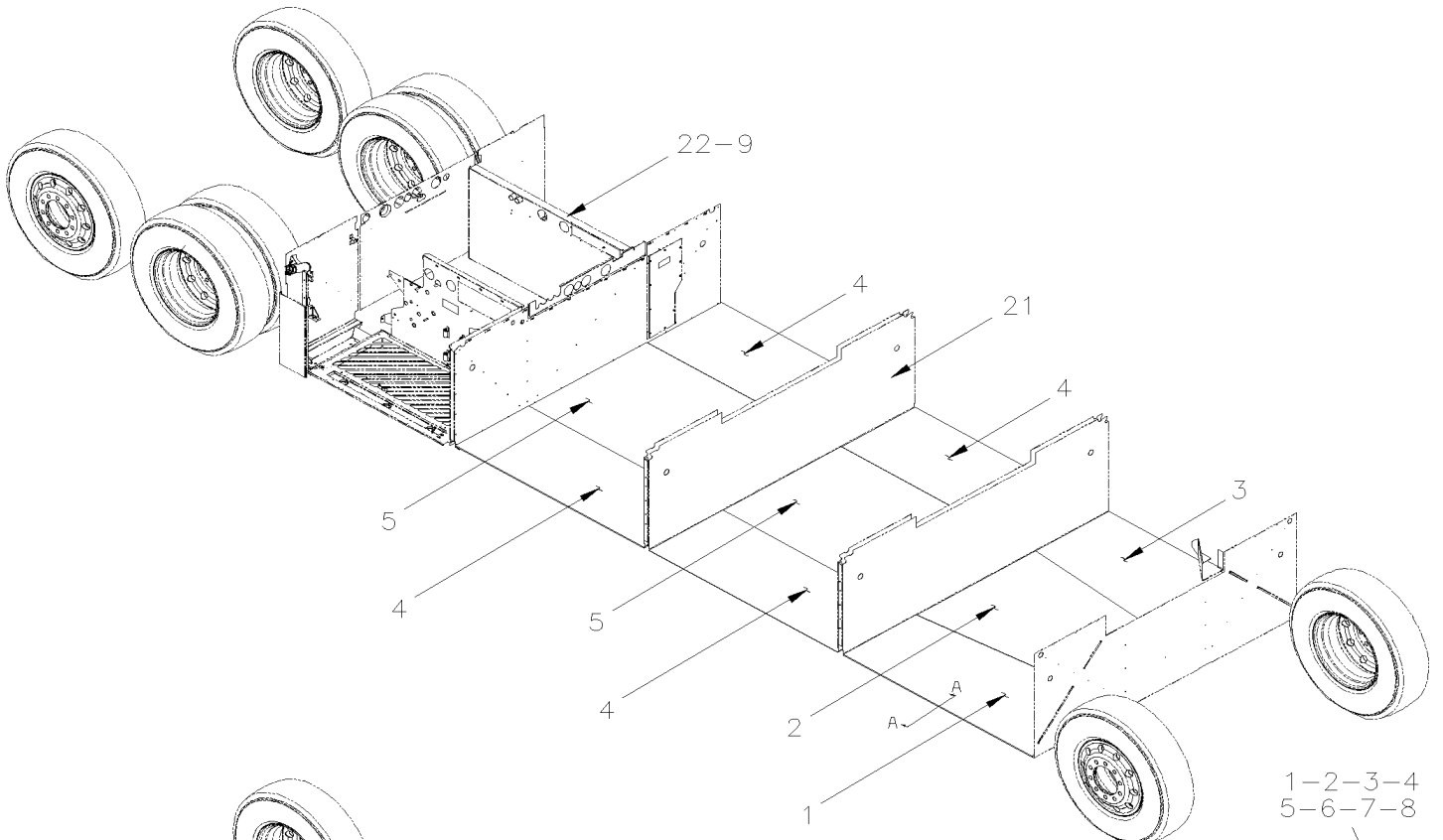


From E-5490

Date:07/2024

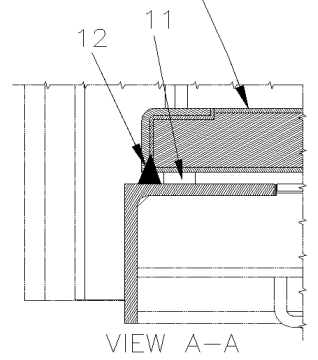
PAGE:X3VIP-1865-00

FLOOR BAGGAGE COMPARTMENT

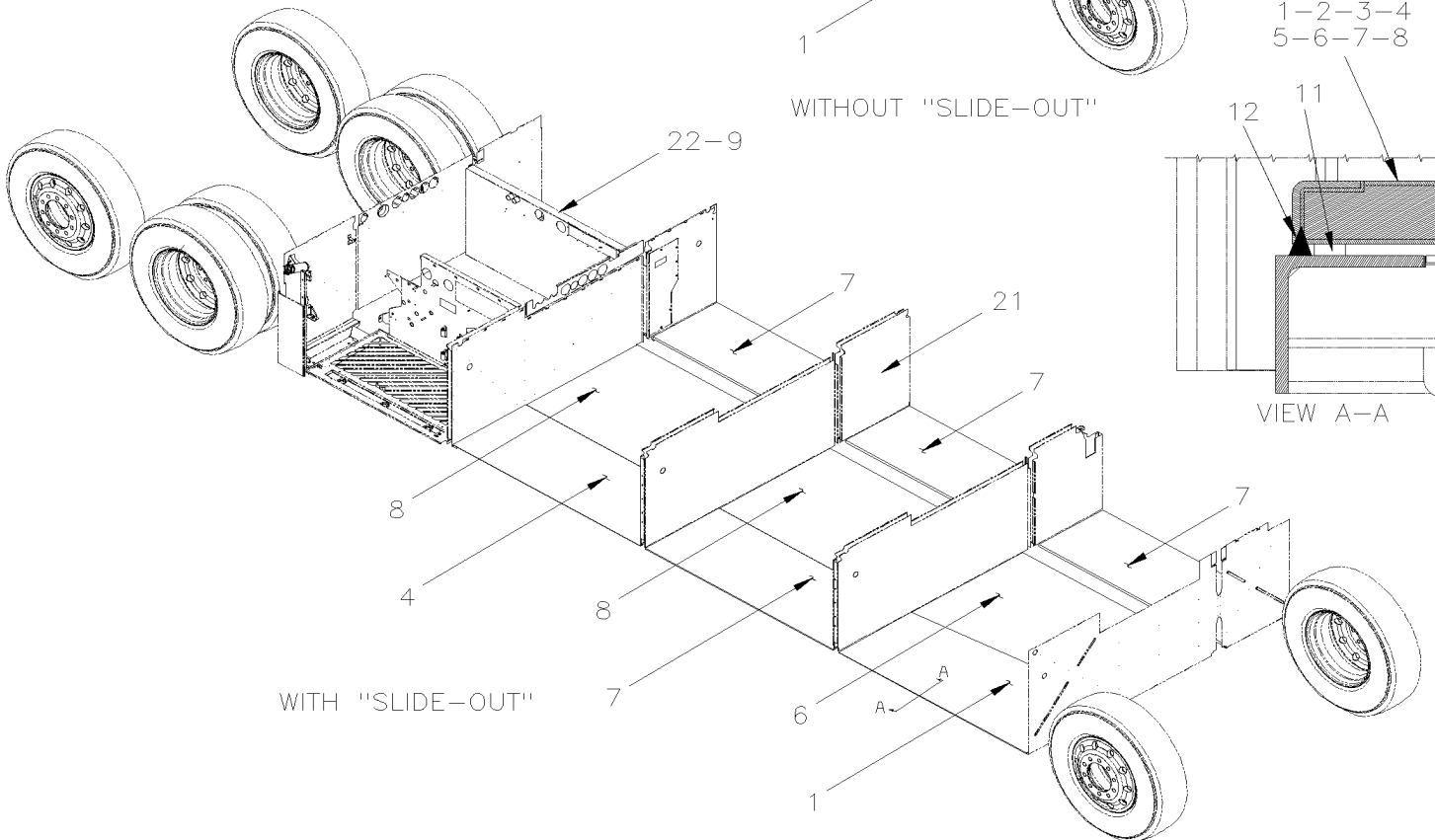


WITHOUT "SLIDE-OUT"

1-2-3-4
5-6-7-8



VIEW A-A



WITH "SLIDE-OUT"

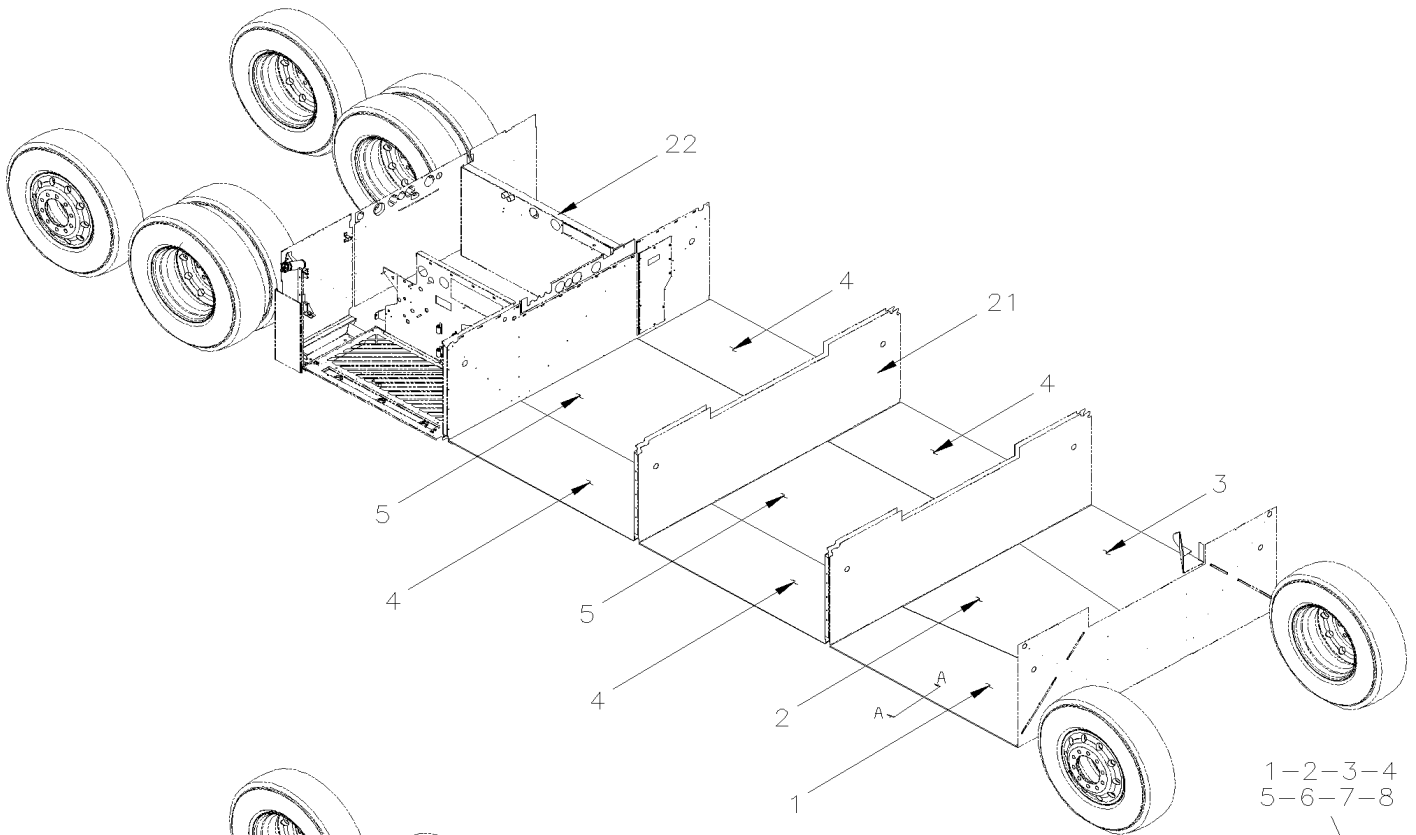


From E-5490

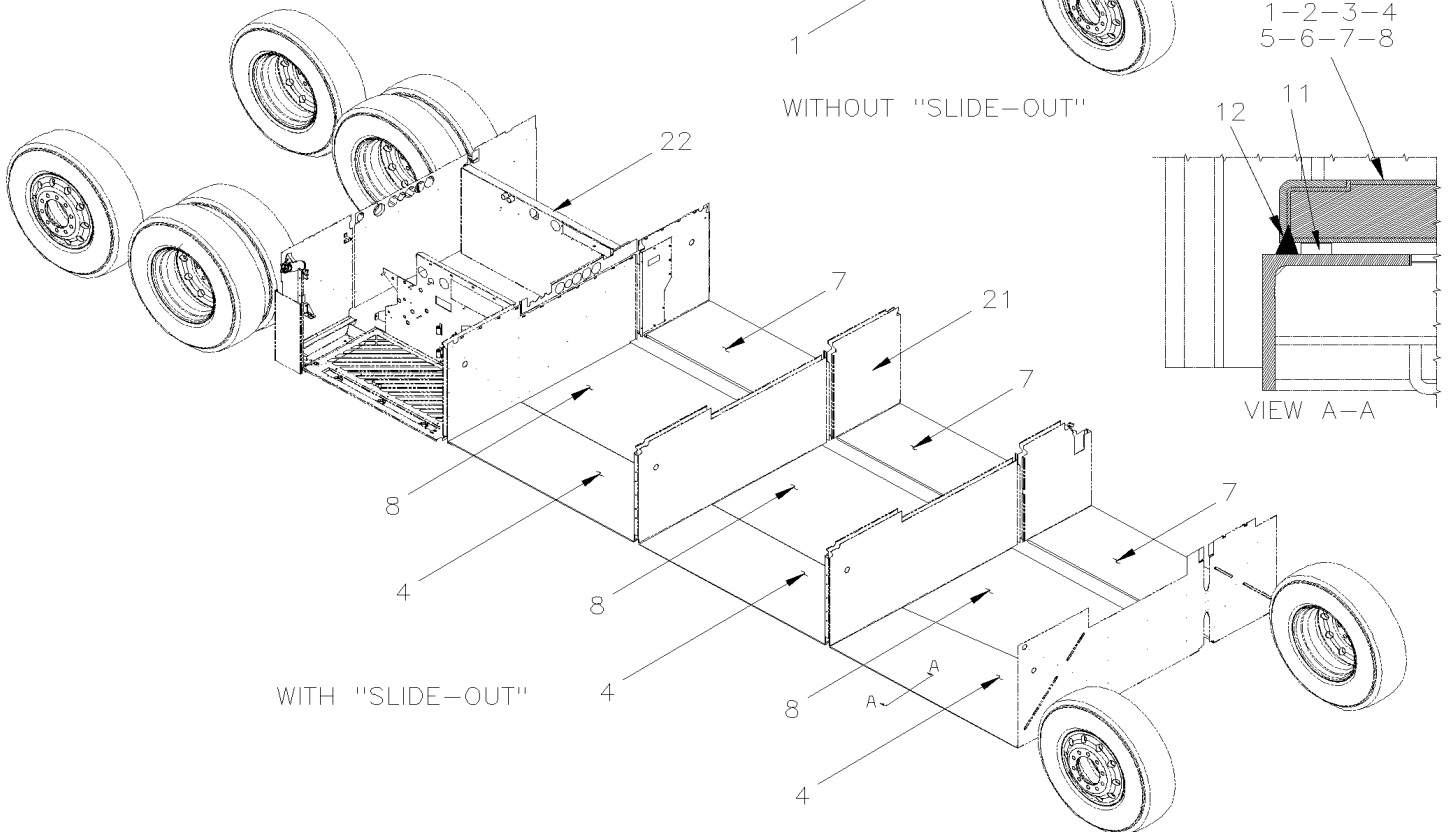
Date:07/2024

PAGE:X3VIP-1865-00

FLOOR BAGGAGE COMPARTMENT



WITHOUT "SLIDE-OUT"



WITH "SLIDE-OUT"

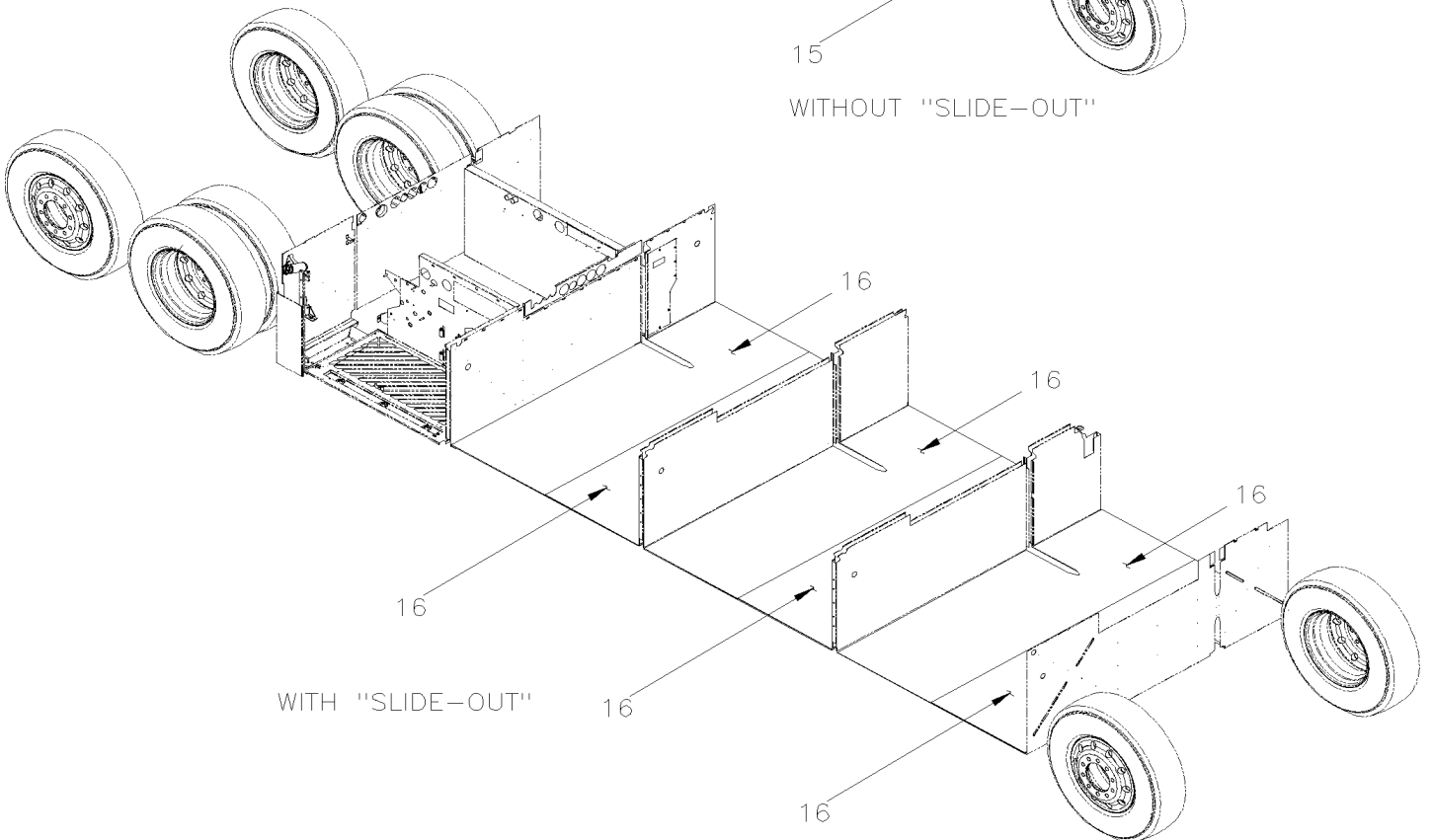
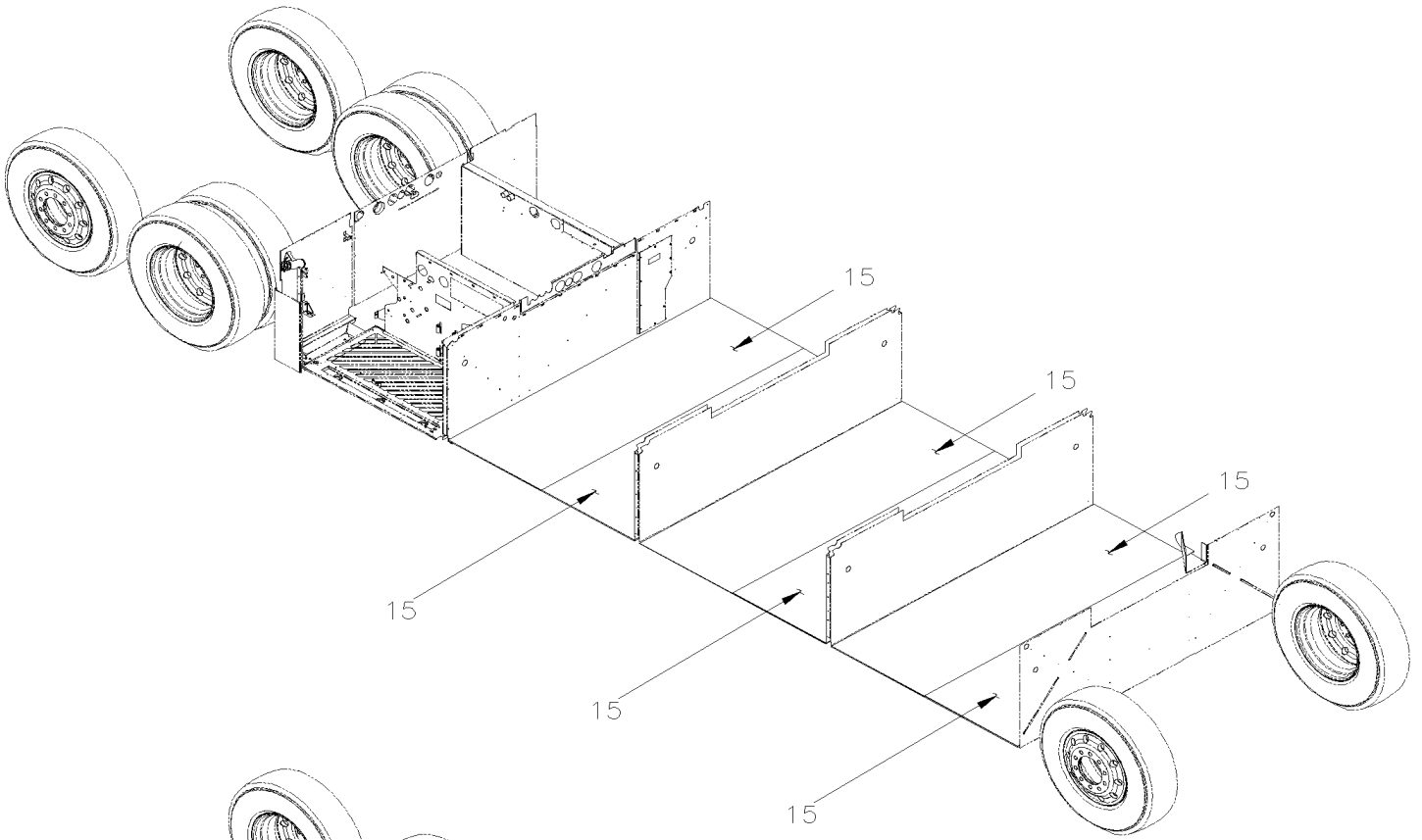


From E-5490

Date:07/2024

PAGE:X3VIP-1865-00

FLOOR BAGGAGE COMPARTMENT





From E-5490		Date:07/2024	PAGE:X3VIP-1865-00
-------------	--	--------------	--------------------

FLOOR BAGGAGE COMPARTMENT

Item#	Part	Description	X 3 V I P E N T	X 3 V I P M T H	N O T E S
1	485692	PANEL FLOOR L.H. FRONT 846MM x 1743 x 665MM To E-5585	1	1	
2	489201	PANEL FLOOR CENTER / FRONT 1102MM x 1743 x 740MM	1	1	
2	489204	PANEL FLOOR CENTER / FRONT 598MM x 1517MM	1	1	A
2	485697	PANEL FLOOR CENTER / FRONT 586MM x 1138MM	1	1	A
3	489202	PANEL FLOOR L.H. FRONT 858MM x 1743 x 677MM	1	1	
3	485694	PANEL FLOOR L.H. FRONT 846MM x 1743 x 665MM	1	1	
4	489198	PANEL FLOOR L.H. & R.H. 682MM x 1743MM	4	4	
4	485693	PANEL FLOOR L.H. & R.H. 670MM x 1743MM	4	4	
4	485693	PANEL FLOOR L.H. & R.H. 670MM x 1743MM To E-5585	1	1	S
4	485693	PANEL FLOOR L.H. & R.H. 670MM x 1743MM From E-5586	3	3	S
4	485154	PANEL FLOOR R.H. / W/O PAINT 670MM x 1743MM From E-5586	3	3	S
4	480115	PANEL FLOOR R.H. / COMPOSITE 1700MM x 1743MM From K-6350	2	2	S
4	480226	PANEL FLOOR R.H. / COMPOSITE 670MM x 1743MM	1	1	S
5	489203	PANEL FLOOR CENTER 1092MM x 1743MM	2	2	
5	480225	PANEL FLOOR CENTER / COMPOSITE 1030MM x 1743MM	1	1	S
6	489196	PANEL FLOOR R.H. FRONT 1035MM x 1743 x 854MM To E-5585	1	1	
7	485696	PANEL FLOOR CENTER 586MM x 1743MM	3	3	
7	485155	PANEL FLOOR L.H. / W/O PAINT 586MM x 1743MM	3	3	
7	480116	PANEL FLOOR L.H. / COMPOSITE 586MM x 1743MM From K-6350	1	1	S
8	489199	PANEL FLOOR CENTER 1030MM x 1743MM To E-5585	2	2	
8	489199	PANEL FLOOR CENTER 1030MM x 1743MM From E-5586	3	3	
8	489019	PANEL FLOOR CENTER / W/O PAINT 1030MM x 1743MM From E-5586	3	3	
9	485695	PANEL FLOOR L.H. WITH SMALL A/C SYSTEM 740MM x 1138MM	1	1	
9	480070	PANEL FLOOR L.H. WITH SMALL A/C SYSTEM / W/O PAINT 740MM x 1138MM From E-5586	1	1	
11	790392	RUBBER BLOCK ADJUSTEMENT 1" x 5/16" x 1/8" 80DURO	AR	AR	
12	685126	ADHESIVE SIMSON #ISR 70-03 / GREY / 600ml SAUSAGE	AR	AR	
12	680532	SEALANT SIKA #221 / GREY / 310ml CARTRIDGE	AR	AR	
NS	684459	PAINT GREY FOR BAGGAGE FLOOR	AR	AR	
15	485402	FLOOR COVERING / ALUMINIUM / W/O SLIDE OUT To E-5489	6	6	O
15	485702	FLOOR COVERING / ALUMINIUM / W/O SLIDE OUT From E-5490	6	6	O
15	480198	PANEL, BAY FLOOR / RESIN W/FIBERGLASS W/O SLIDE OUT	6	6	O
16	480033	FLOOR COVERING / ALUMINIUM / W/SLIDE OUT To E-5489	6	6	O
16	485701	FLOOR COVERING / ALUMINIUM / W/SLIDE OUT From E-5490	6	6	O
17	685126	ADHESIVE SIMSON #ISR 70-03 / GREY / 600ml SAUSAGE	AR	AR	O
20	X3VIP-189X-XX	STRUCTURE / CALL ORDER DESK			
21	X3VIP-1865-10	SEPARATOR PANEL - BAGGAGE COMPARTMENT			
22	X3VIP-1865-21	EVAPORATOR & CONDENSOR WALL INSTALLATION			
		A) WITH SMALL A/C SYSTEM			
		O) OPTION ALUMINIUM BAGGAGE COMPARTMENT FLOOR			



From E-5490	Date:07/2024	PAGE:X3VIP-1865-00
-------------	--------------	--------------------

FLOOR BAGGAGE COMPARTMENT

Item#	Part	Description	X 3 V I P E N T	X 3 V I P M T H	N O T E S
		S) WITH SLIDE OUT			

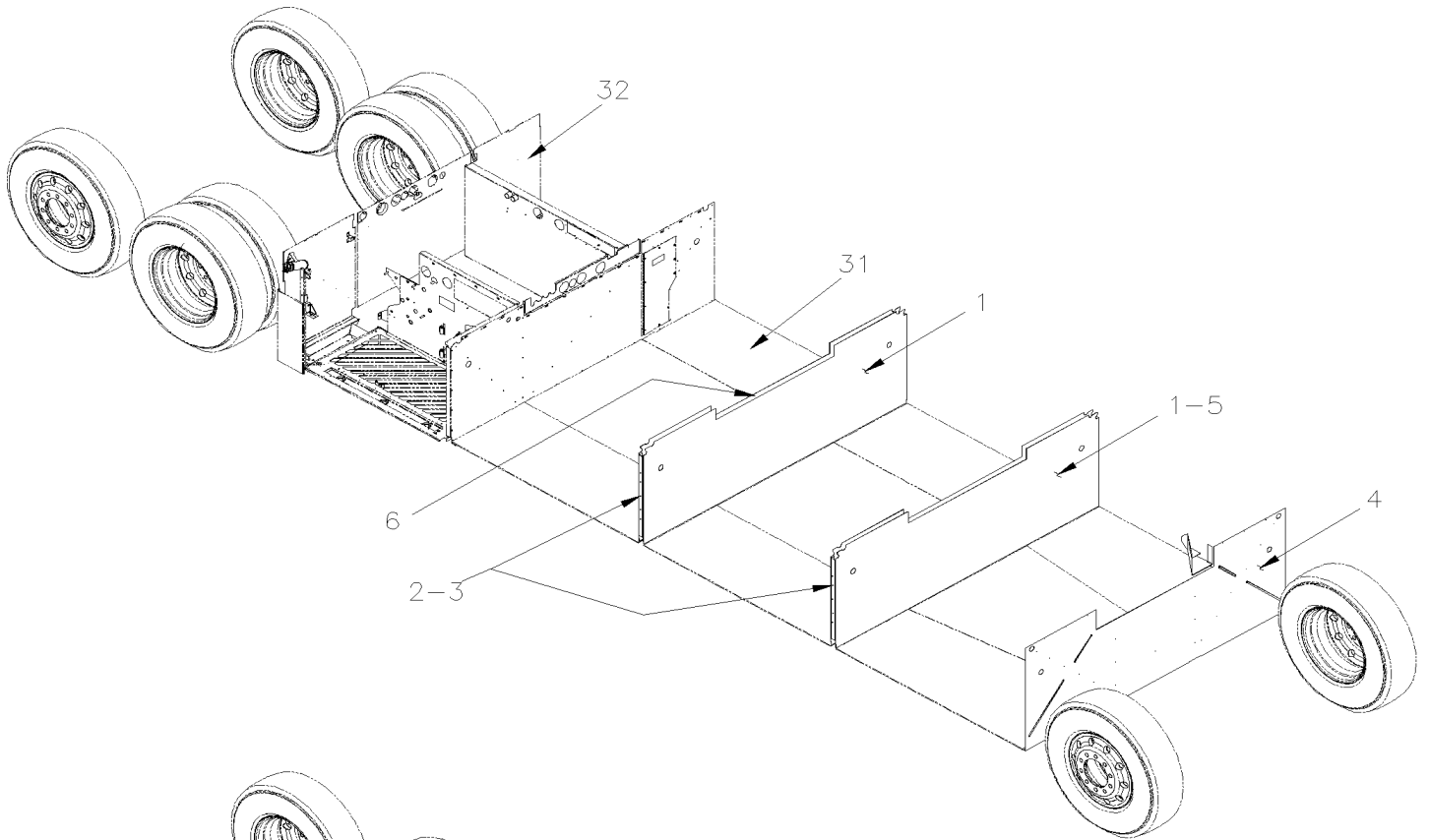


From E-5490

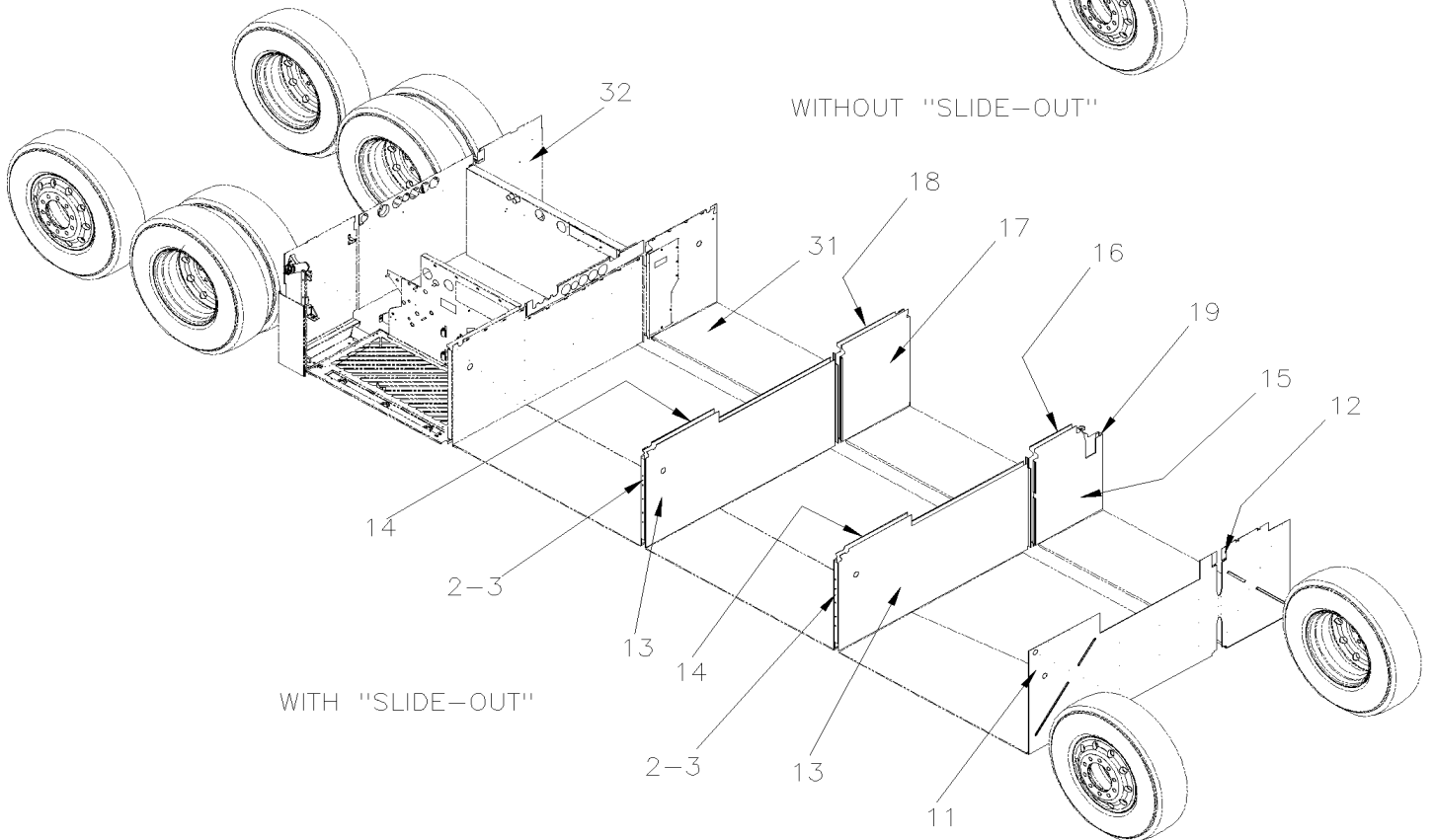
Date:07/2024

PAGE:X3VIP-1865-10

SEPARATOR PANEL - BAGGAGE COMPARTMENT



WITHOUT "SLIDE-OUT"



WITH "SLIDE-OUT"



From E-5490		Date:07/2024	PAGE:X3VIP-1865-10
-------------	--	--------------	--------------------

SEPARATOR PANEL - BAGGAGE COMPARTMENT

Item#	Part	Description	X 3 V I P E N T	X 3 V I P M T H	N O T E S
1	485680	PANEL SIDE WALL COVERING	3	3	W
2	485681	PANEL HOLDER 635MM x 38MM x 30MM	4	4	W
2	485681	PANEL HOLDER 635MM x 38MM x 30MM	3	3	S
3	504347	RIVET POP DOME OE 3/16x1/4 AL	AR	AR	
4	216687	PANEL BACKWARD FRONT FENDER / ONE PIECE	1	1	W
5	484351	PANEL SIDE WALL COVERING		1	A
6	485680	PANEL SIDE WALL COVERING To K-6491	1	1	W
6	480117	PANEL SIDE WALL COVERING From L-6492	1	1	W
11	221619	PANEL BACKWARD FRONT FENDER / ONE PIECE	1	1	S
12	240536	CLOSING PLATE	2	2	S
13	485685	PANEL FORWARD	2	2	S
14	485686	PANEL BACKWARD	2	2	S
15	485679	PANEL FORWARD	1	1	S
16	485677	PANEL BACKWARD	1		S
16	485690	PANEL BACKWARD		1	S
17	485683	PANEL FORWARD	1		S
17	485689	PANEL BACKWARD		1	S
18	485684	PANEL BACKWARD	1	1	S
19	485678	PANEL HOLDER 580MM x 25MM x 30MM	1	1	S
NS	506785	TAPE RUB ADH2 CC POL 1/16" X 1/4" X 200' / BLACK I1C-N-A	AR	AR	
NS	685126	ADHESIVE SIMSON #ISR 70-03 / GREY / 600ml SAUSAGE	AR	AR	
31	X3VIP-1865-00	FLOOR BAGGAGE COMPARTMENT			
32	X3VIP-1865-21	EVAPORATOR & CONDENSOR WALL INSTALLATION			
		A) WITH REAR SLIDE OUT ONLY			
		S) WITH SLIDE OUT			
		W) WITHOUT SLIDE OUT			

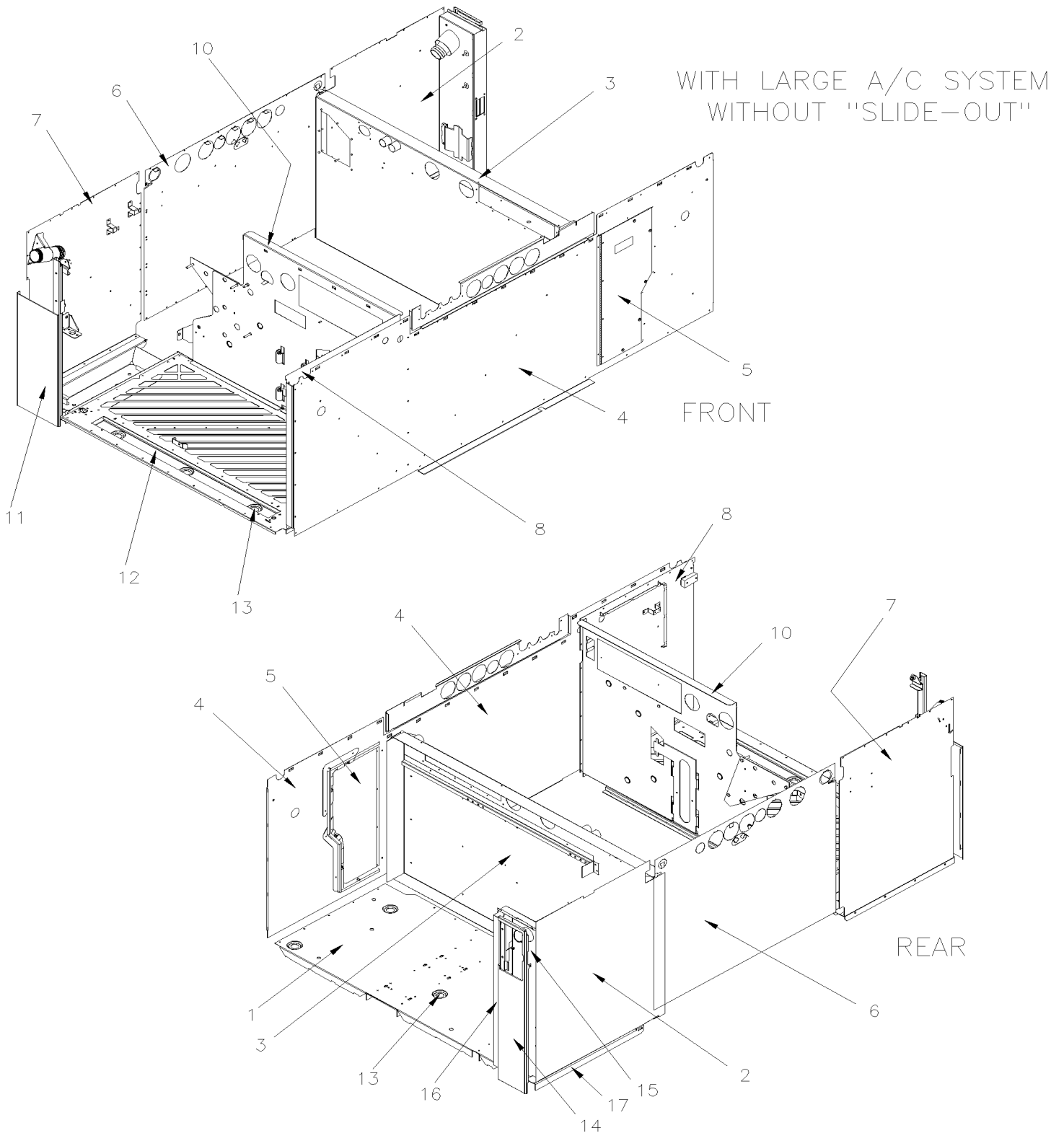


From E-5490 To H-6179

Date:07/2024

PAGE:X3VIP-1865-21

EVAPORATOR & CONDENSOR WALL INSTALLATION



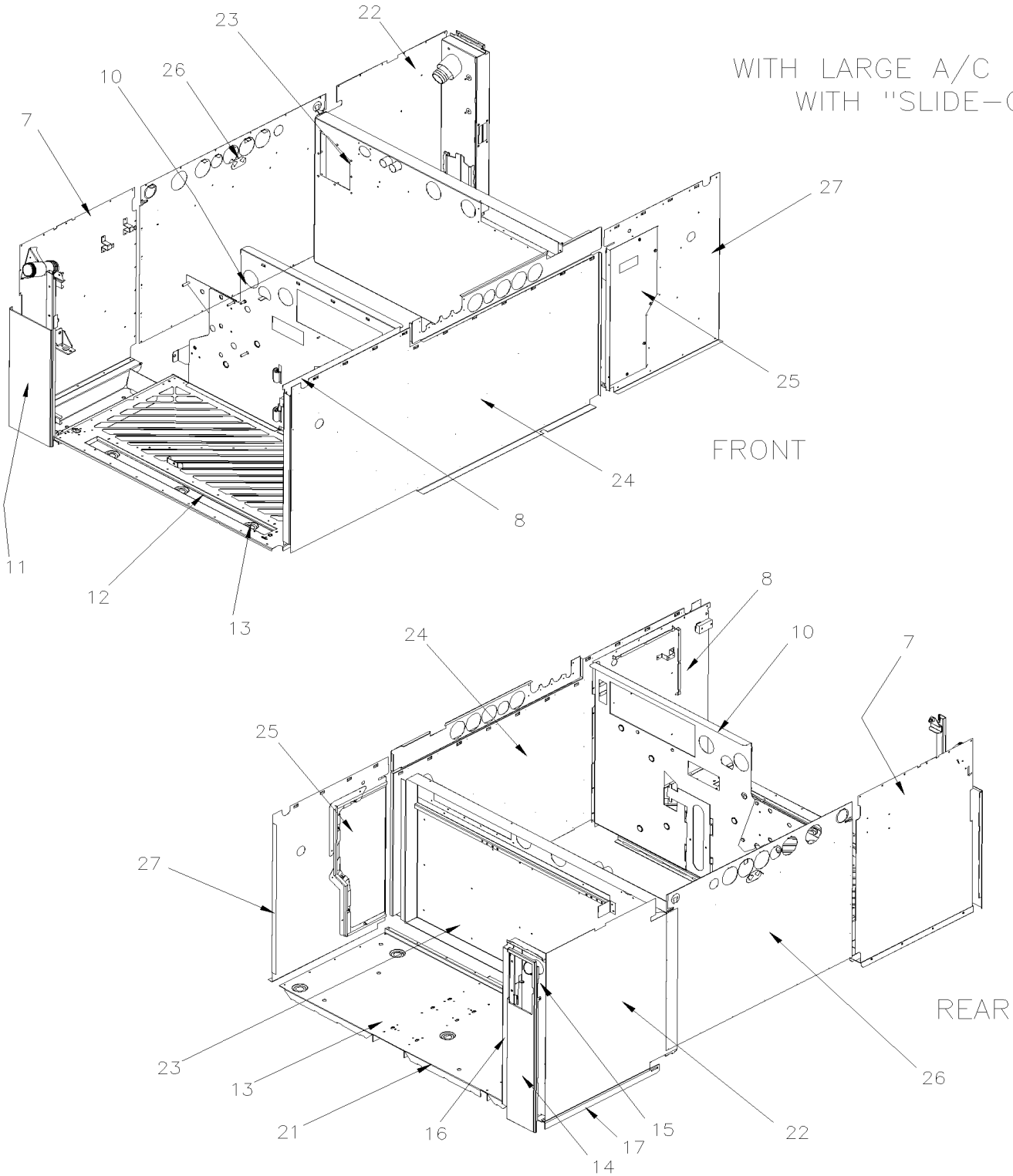


From E-5490 To H-6179

Date:07/2024

PAGE:X3VIP-1865-21

EVAPORATOR & CONDENSOR WALL INSTALLATION



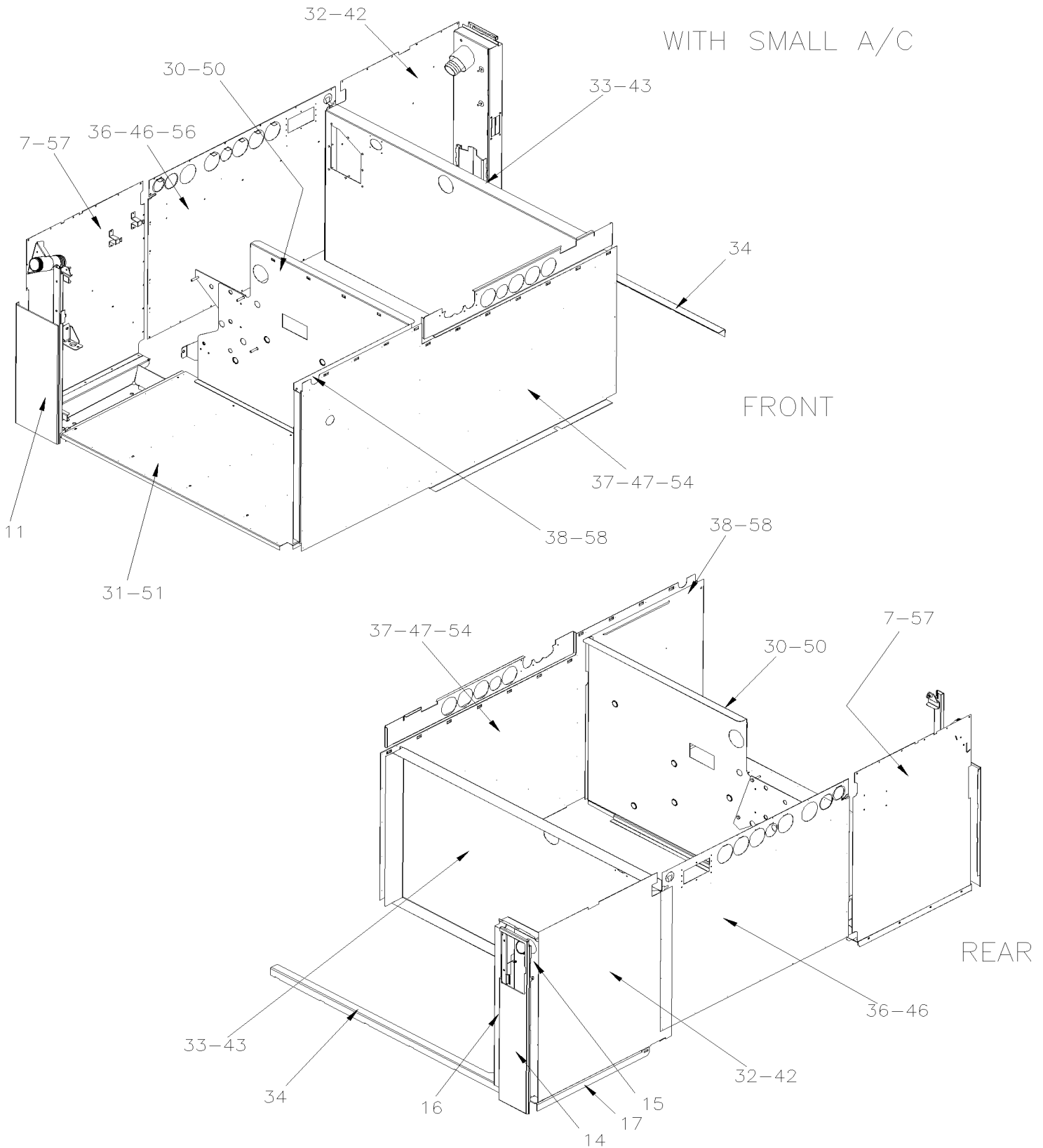


From E-5490 To H-6179

Date:07/2024

PAGE:X3VIP-1865-21

EVAPORATOR & CONDENSOR WALL INSTALLATION





From E-5490 To H-6179 Date:07/2024 PAGE:X3VIP-1865-21

EVAPORATOR & CONDENSOR WALL INSTALLATION

Item#	Part	Description	X 3 V I P E N T	X 3 V I P M T H	N O T E S
1	216947	PANEL ASSY / EVAPORATOR FLOOR WITH REINFORCMENT To E-5490	1	1	
1	217104	PANEL ASSY / EVAPORATOR FLOOR WITH REINFORCMENT From E-5491	1	1	
2	216952	PANEL REAR STREET SIDE To E-5490	1	1	
2	217148	PANEL REAR STREET SIDE From E-5491 To F-5740	1	1	
2	218753	PANEL REAR STREET SIDE From F-5741	1	1	
3	217105	REAR VERTICAL PANEL EVAPORATOR	1	1	
4	217024	PANEL FRONT ONE PIECE To E-5490	1	1	
4	221753	PANEL FRONT From E-5491	1	1	
5	374623	PANEL DOOR To E-5490	1	1	
5	374682	PANEL DOOR From E-5491	1	1	
NS	374511	HINGE / DOOR From E-5491	1	1	
NS	504681	STUD 6MM (DZUS)	6	6	
NS	504604	FASTENER	6	6	
NS	506228	TAPE RUB ADH1 CC POL 1/4" x 1/2" x 37.5' / GREY 2520X	AR	AR	
NS	370354	DECAL / AIR FILTER / ENGLISH & FRANCAIS	1	1	
NS	374207	DECAL / AIR FILTER / ENGLISH & SPANISH To E-5490	1	1	
6	173738	PANEL REAR CENTER To E-5490	1	1	
6	175277	PANEL REAR CENTER	1	1	
. NS	5001678	. SCREW WD M6-1.0X20 SS	AR	AR	
7	223929	PANEL REAR CURBSIDE To E-5490	1	1	
7	221825	PANEL REAR CURBSIDE	1	1	
8	216852	PANEL ASSY / INTERIOR EVAPORATOR	1	1	
8	221754	PANEL ASSY / INTERIOR EVAPORATOR	1	1	
10	217132	REAR VERTICAL PANEL CONDENSOR To F-5759	1	1	
10	218731	REAR VERTICAL PANEL CONDENSOR From F-5760 To F-5924	1	1	
10	219094	REAR VERTICAL PANEL CONDENSOR From F-5925	1	1	
11	223954	POST ASSY FORWARD FUEL DOOR ASSY W/REINFORCMENT PANEL To F-5811	1	1	
. NS	216798	. PANEL REINFORCMENT LOWER FUEL DOOR 249MM x 600MM To F-5811	1	1	
. NS	223940	. POST ASSY FORWARD FUEL DOOR ASSY To F-5811	1	1	
. . NS	216797	. . STOPPER CONDENSOR DOOR To F-5811	2	2	
. . NS	223937	. . BRACKET LATCH COND DOOR To F-5811	1	1	
. . NS	477296	. . ATTACHMENT SPRING DOOR To F-5811	1	1	
. . NS	502659	. . NUT WD RND M6-1.0 SS To F-5811	2	2	
11	221916	POST ASSY FORWARD FUEL DOOR ASSY W/REINFORCMENT PANEL From F-5812	1	1	
. NS	221921	. PANEL REINFORCMENT LOWER FUEL DOOR 244.4MM x 508.6MM From F-5812	1	1	
. NS	221896	. ATTACH PIVOT LATCH From F-5812	1	1	
. NS	221917	. TUBE, FUEL DOOR / 895MM LG. From F-5812	1	1	
. NS	221918	. STOPPER, CONDENSOR DOOR, UPPER From F-5812	1	1	
. NS	221919	. SUPPORT, CONDENSOR DOOR, LATCH From F-5812	1	1	
. NS	221920	. STOPPER, CONDENSOR DOOR From F-5812	1	1	
12	217072	PANEL CONDENSOR FLOOR ASSY W/LOUVER To G-6088	1	1	
. NS	216677	. GRILL FLOOR To G-6088	1	1	



From E-5490 To H-6179	Date:07/2024	PAGE:X3VIP-1865-21
-----------------------	--------------	--------------------

EVAPORATOR & CONDENSOR WALL INSTALLATION

Item#	Part	Description	X 3 V I P E N T	X 3 V I P M T H	N O T E S
. NS	221709	. SUPPORT UREA To G-6088	1	1	
. NS	216678	. ANGLE REINFORCMENT FLOOR 1290MM To G-6088	1	1	
. NS	216679	. ANGLE "Z" REINFORCMENT FLOOR 1287MM To G-6088	1	1	
. NS	223941	. ANGLE REINFORCMENT FLOOR 748MM To G-6088	1	1	
. NS	216671	. TUBE ASSY COND PIVOT 127MM To G-6088	1	1	
. NS	480081	. DRAIN RECEPTACLE To G-6088	1	1	
. NS	216724	. STOPPER CONDENSOR DOOR To G-6088	1	1	
12	210006	PANEL CONDENSOR FLOOR ASSY W/LOUVER From G-6089	1	1	
. NS	216677	. GRILL FLOOR From G-6089	1	1	
. NS	210007	. SUPPORT UREA From G-6089	1	1	
. NS	216678	. ANGLE REINFORCMENT FLOOR 1290MM From G-6089	1	1	
. NS	216679	. ANGLE "Z" REINFORCMENT FLOOR 1287MM From G-6089	1	1	
. NS	223941	. ANGLE REINFORCMENT FLOOR 748MM From G-6089	1	1	
. NS	216671	. TUBE ASSY COND PIVOT 127MM From G-6089	1	1	
. NS	480081	. DRAIN RECEPTACLE From G-6089	1	1	
. NS	216724	. STOPPER CONDENSOR DOOR From G-6089	1	1	
13	414654	DRAIN BOOT 1" I.D. W/GROOVE 1.5 x 35MM I.D. x 85MM	7	7	
14	216977	PANEL / FRAME REINFORCMENT	1	1	
15	217058	FILLING CAP ASSY / STREET SIDE	1	1	
16	240932	POST ASSY	1	1	
17	221553	SUPPORT / FLOOR 662MM	1	1	
	 PANEL WITH LARGE A/C & SLIDE-OUT			
21	216949	PANEL ASSY / EVAPORATOR FLOOR WITH REINFORCMENT	1	1	
22	216951	PANEL REAR STREET SIDE	1	1	
22	221618	PLATE FINISHING	1	1	
23	217070	REAR VERTICAL PANEL EVAPORATOR	1	1	
24	221622	PANEL FRONT	1	1	
25	374624	PANEL DOOR	1	1	
NS	374511	HINGE / DOOR	1	1	
NS	504681	STUD 6MM (DZUS)	6	6	
NS	504604	FASTENER	6	6	
NS	506228	TAPE RUB ADH1 CC POL 1/4" x 1/2" x 37.5' / GREY 2520X	AR	AR	
NS	370354	DECAL / AIR FILTER / ENGLISH & FRANCAIS	1	1	
26	173738	PANEL REAR CENTER	1	1	
27	217025	PANEL ASSY FRONT CURB-SIDE	1	1	
	 PANEL WITH SMALL A/C			
30	216898	REAR VERTICAL PANEL R.H. FUEL TANK	1	1	



From E-5490 To H-6179 Date:07/2024 PAGE:X3VIP-1865-21

EVAPORATOR & CONDENSOR WALL INSTALLATION

Item#	Part	Description	X 3 V I P E N T	X 3 V I P M T H	N O T E S
31	223957	PANEL ASSY / FLOOR CURBSIDE	1	1	
. NS	293946	. PANEL	1	1	
. NS	221576	. SUPPORT UREA	1	1	
. NS	216896	. REINFORCMENT	3	3	
32	216952	PANEL REAR STREET SIDE	1	1	
33	217067	REAR VERTICAL PANEL L.H. FUEL TANK	1	1	
34	221677	PANEL SUPPORT	1	1	
36	173740	PANEL REAR CENTER	1	1	
37	216909	PANEL / CURBSIDE	1	1	
38	216899	PANEL ASSY	1	1	
39	221649	SUPPORT CABLE ATTACH	1	1	
	 PANEL WITH SMALL A/C & SLIDE-OUT			
	 PANEL WITH SMALL A/C & ONE "H-BEAM"			
42	216951	PANEL REAR STREET SIDE	1	1	
42	221618	PLATE FINISHING	1	1	
43	217068	REAR VERTICAL PANEL	1	1	
44	485665	PANEL / STREET SIDE	1	1	
46	173740	PANEL REAR CENTER	1	1	
47	221622	PANEL FRONT	1	1	
		PANEL WITH SMALL A/C & TWO "H-BEAM"			
50	216966	REAR VERTICAL PANEL R.H. FUEL TANK		1	
51	217000	PANEL ASSY / FLOOR CURBSIDE		1	
. NS	217001	. PANEL		1	
. NS	216999	. SUPPORT UREA		1	
. NS	216998	. REINFORCMENT		3	
54	217005	PANEL / CURBSIDE		1	
54	217003	PANEL FRONT CENTER		1	
56	216995	PANEL REAR CENTER		1	
57	216996	PANEL REAR CURBSIDE		1	
58	217002	PANEL ASSY		1	

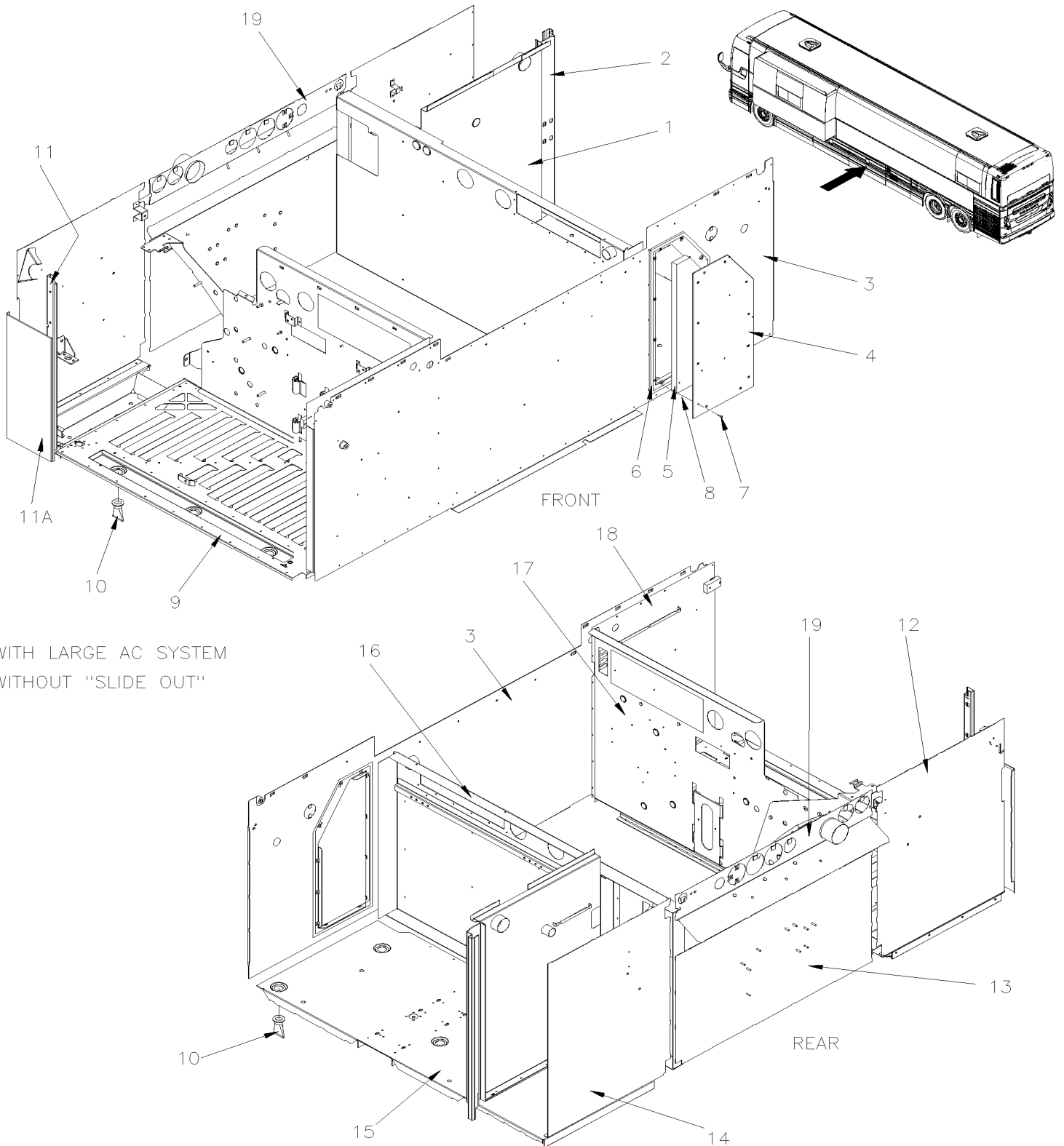


From H-6180

Date:07/2024

PAGE:X3VIP-1865-22

EVAPORATOR & CONDENSOR WALL INSTALLATION GHG17



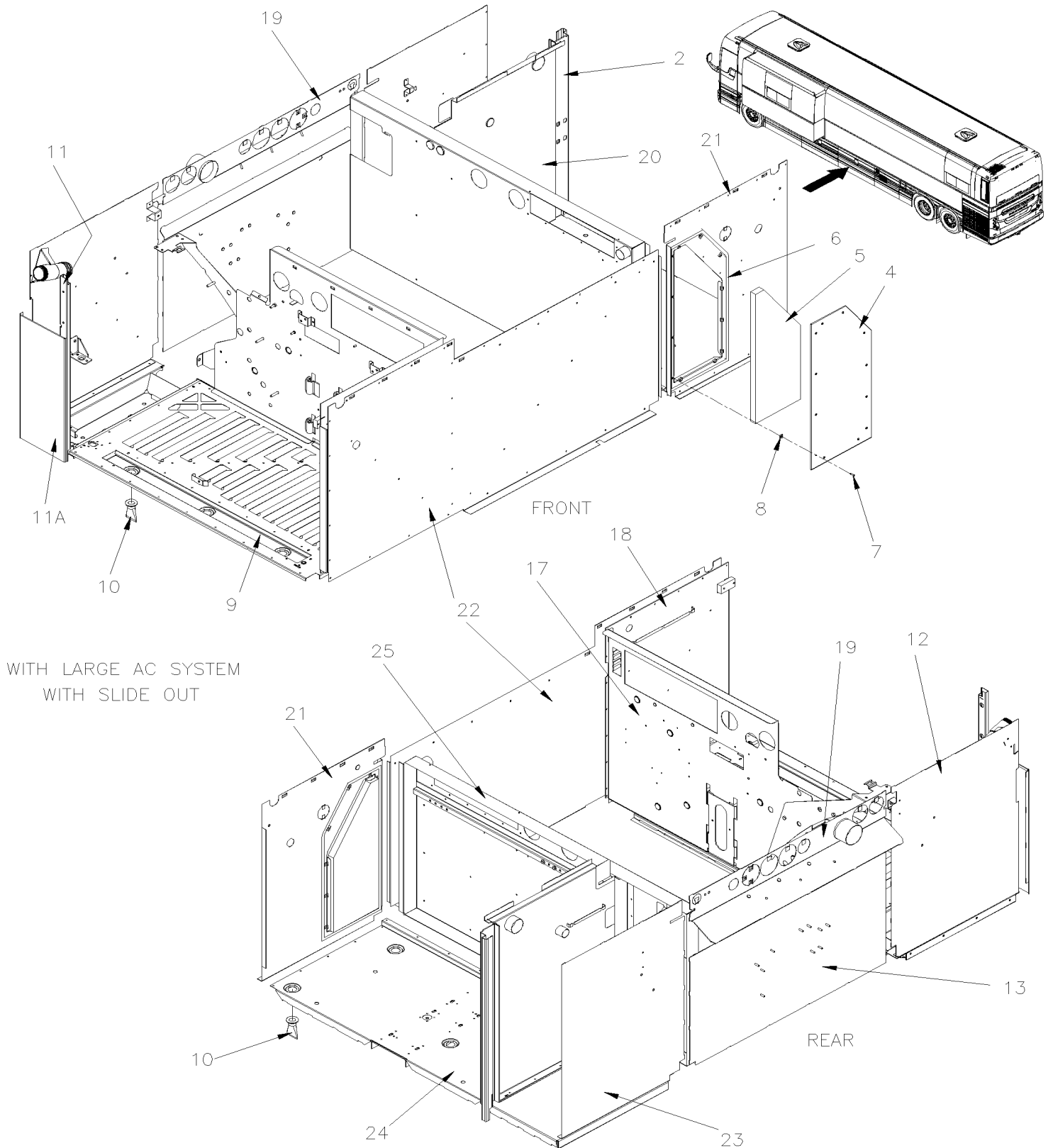


From H-6180

Date:07/2024

PAGE:X3VIP-1865-22

EVAPORATOR & CONDENSOR WALL INSTALLATION GHG17



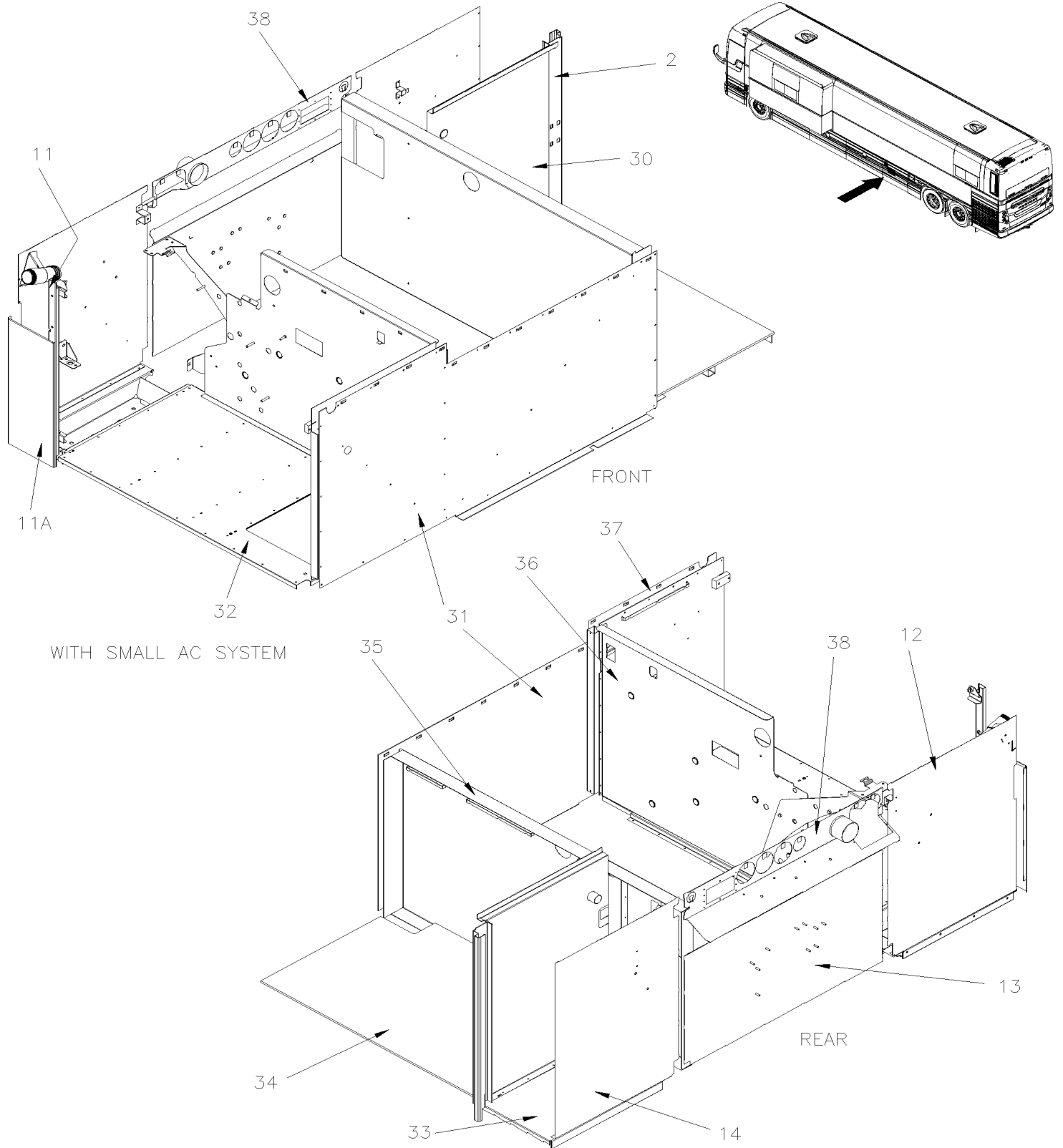


From H-6180

Date:07/2024

PAGE:X3VIP-1865-22

EVAPORATOR & CONDENSOR WALL INSTALLATION GHG17



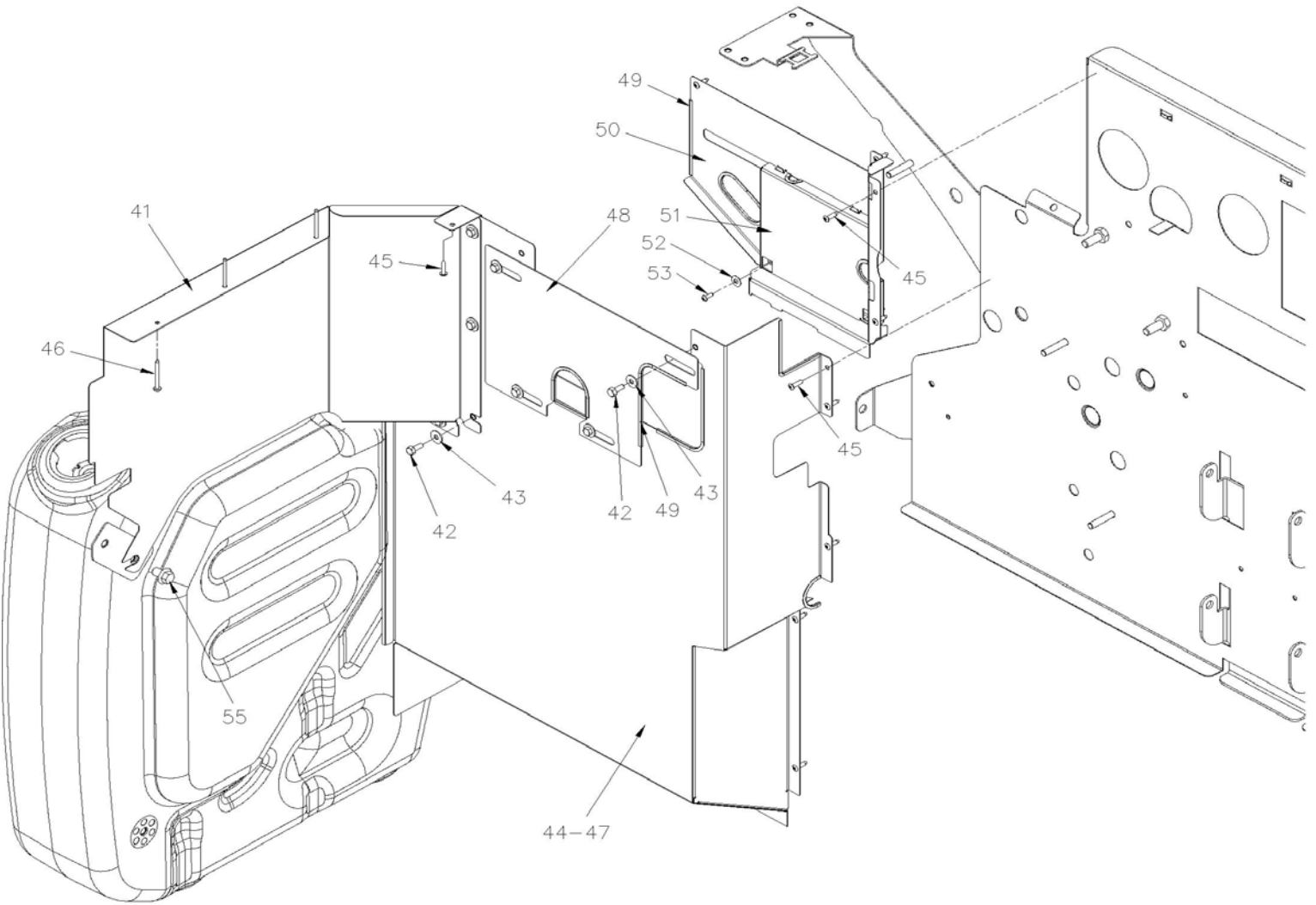


From H-6180

Date:07/2024

PAGE:X3VIP-1865-22

EVAPORATOR & CONDENSOR WALL INSTALLATION GHG17





From H-6180		Date:07/2024	PAGE:X3VIP-1865-22
EVAPORATOR & CONDENSOR WALL INSTALLATION GHG17			

Item#	Part	Description	X 3 V I P E N T	X 3 V I P M T H	N O T E S
1	217188	PANEL BACKWARD EVAPORATOR COMPARTMENT	1	1	
1	216945	CLOSING PLATE	1	1	
2	217134	POST / EVAPORATOR DOOR	1	1	
3	224001	PANEL, REAR LUGGAGE COMPT.	1	1	
4	374682	PANEL DOOR	1	1	
5	374701	INSULATION	1	1	
51	374697	INSULATION	1	1	
52	374698	INSULATION	1	1	
53	374699	INSULATION	1	1	
55	370063	INSULATION	1	1	
6	506268	TAPE RUB ADH1 URE 3/8" x 1/2" x 25' / GREY 1820	1	1	
7	500957	SCREW TP BDG PH #10x3/4 N500	AR	AR	
8	502904	NUT SPR J #10A .035-.050 N500	AR	AR	
9	210019	FLOOR CONDENSOR, WELDED	1	1	
. NS	210007	. SUPPORT UREA	1	1	
. NS	210020	. PANEL, CONDENSOR FLOOR	1	1	
. NS	216671	. TUBE ASSY COND PIVOT 127MM	1	1	
. NS	216678	. ANGLE REINFORCMENT FLOOR 1290MM	1	1	
. NS	216679	. ANGLE "Z" REINFORCMENT FLOOR 1287MM	1	1	
. NS	216724	. STOPPER CONDENSOR DOOR	1	1	
. NS	223941	. ANGLE REINFORCMENT FLOOR 748MM	1	1	
. NS	480081	. DRAIN RECEPTACLE	1	1	
10	414654	DRAIN BOOT 1" I.D. W/GROOVE 1.5 x 35MM I.D. x 85MM	AR	AR	
11	221916	POST ASSY FORWARD FUEL DOOR ASSY W/REINFORCMENT PANEL	1	1	
. NS	221921	. PANEL REINFORCMENT LOWER FUEL DOOR 244.4MM x 508.6MM	1	1	
. NS	221896	. ATTACH PIVOT LATCH	1	1	
. NS	221917	. TUBE, FUEL DOOR / 895MM LG.	1	1	
. NS	221918	. STOPPER, CONDENSOR DOOR, UPPER	1	1	
. NS	221919	. SUPPORT, CONDENSOR DOOR, LATCH	1	1	
. NS	221920	. STOPPER, CONDENSOR DOOR	1	1	
11A	221921	PANEL REINFORCMENT LOWER FUEL DOOR 244.4MM x 508.6MM	1	1	
12	220019	PANEL REAR CURBSIDE	1	1	
13	175277	PANEL REAR CENTER	1	1	
. NS	5001678	. SCREW WD M6-1.0X20 SS	AR	AR	
14	218753	PANEL REAR STREET SIDE	1	1	
15	210139	FLOR EVAPAPORATOR, WELDED	1	1	
16	218745	REAR VERTICAL PANEL EVAPORATOR To L-6512	1	1	
16	218039	REAR VERTICAL PANEL EVAPORATOR From L-6513 To M-6657	1	1	
16	218312	REAR VERTICAL PANEL EVAPORATOR From M-6658	1	1	
17	210042	VERTICAL PANEL CONDENSOR	1	1	
18	221754	PANEL ASSY / INTERIOR EVAPORATOR	1	1	
19	178875	CLOSING PANEL, ASSY	1	1	



From H-6180 Date:07/2024 PAGE:X3VIP-1865-22

EVAPORATOR & CONDENSOR WALL INSTALLATION GHG17

Item#	Part	Description	X 3 V I P E N T	X 3 V I P M T H	N O T E S
. NS	170064	. TUBE	1	1	
. NS	178874	. CLOSING PANEL	1	1	
	 PANEL WITH LARGE A/C & SLIDE-OUT			
20	217157	PANEL BACKWARD EVAPORATOR COMPARTMENT	1	1	
NS	216945	CLOSING PLATE	1	1	
21	210140	PANEL, CURB-SIDE REAR LUGGAGE COMPT.	1	1	
22	221771	PANEL, CENTER REAR LUGGAGE COMPT.	1	1	
23	218754	PANEL REAR STREET SIDE	1	1	
24	210142	FLOR EVAPAPORATOR, WELDED	1	1	
25	218749	REAR VERTICAL PANEL EVAPORATOR	1	1	
	 PANEL WITH SMALL A/C			
30	217154	PANEL BACKWARD EVAPORATOR COMPARTMENT	1	1	WO
30	217168	PANEL BACKWARD EVAPORATOR COMPARTMENT	1	1	SO
31	221759	PANEL, CENTER REAR LUGGAGE COMPT.	1	1	WO
31	221771	PANEL, CENTER REAR LUGGAGE COMPT.	1	1	SO
32	220014	FLOOR CONDENSOR, WELDED	1	1	
33	217150	FLOOR EVAPORATOR, WELDED	1	1	WO
33	217165	FLOOR EVAPORATOR, WELDED	1	1	SO
34	Call order desk	PANEL, LUGG. FLOOR	1	1	P WO
34	Call order desk	PANEL, LUGG. FLOOR	1	1	P SO
35	218747	REAR VERTICAL PANEL EVAPORATOR To M-6657	1	1	WO
35	218747	REAR VERTICAL PANEL EVAPORATOR From M-6658	1	1	WO
35	218751	REAR VERTICAL PANEL EVAPORATOR	1	1	SO
36	210162	VERTICAL PANEL CONDENSOR	1	1	
37	220031	PANEL ASSY / INTERIOR EVAPORATOR	1	1	
38	170046	CLOSING PANEL, ASSY	1	1	
41	504264	GROMMET / .750x1.250x.062x.250x1.625 From P-6815	1	1	A
41	033988	PROTECTIVE SHEET, UREA TANK	1	1	A
42	5001697	SCREW CAP HEX M6-1.0x16 SS BK	8	8	A
43	5001833	WASHER BEL SPR 6.1x18x1.27 SS	8	8	A
44	033989	PROTECTIVE SHEET, UREA TANK	1	1	A
45	502868	SCREW TC TR PH #10-16x1/2 N500	AR	AR	A
46	5001890	SCREW TP PAN PH #8x1 3/4" SS	3	3	A
47	506002	TAPE RUB ADH1 CC POL 3/16" x 1/2" x 40' / GREY 2520	AR	AR	A
48	033990	CLOSING PLATE	1	1	A
49	5060120	GROMMET EDGING ADHESIVE .036-.062	AR	AR	A
50	030137	PROTECTION PLATE	1	1	A



From H-6180	Date:07/2024	PAGE:X3VIP-1865-22
-------------	--------------	--------------------

EVAPORATOR & CONDENSOR WALL INSTALLATION GHG17

Item#	Part	Description	X 3 V I P E N T	X 3 V I P M T H	N O T E S
51	030148	CLOSING PLATE	1	1	A
52	5001608	WASHER BEL SPR 6.2x15.0x0.7 G500	2	2	A
53	500344	SCREW MA RND PH M4-0.7x12 Z050	2	2	A
55	5001780	SCREW CAP HEXF M8-1.25x16 G8.8 N500	1	1	A
		A) SPECIAL OPTION			
		SO) WITH SLIDE-OUT			
		WO) WITHOUT SLIDE OUT			
		P) CALL ORDER DESK FOR SPECIFIC APPLICATION (V.I.N.)			

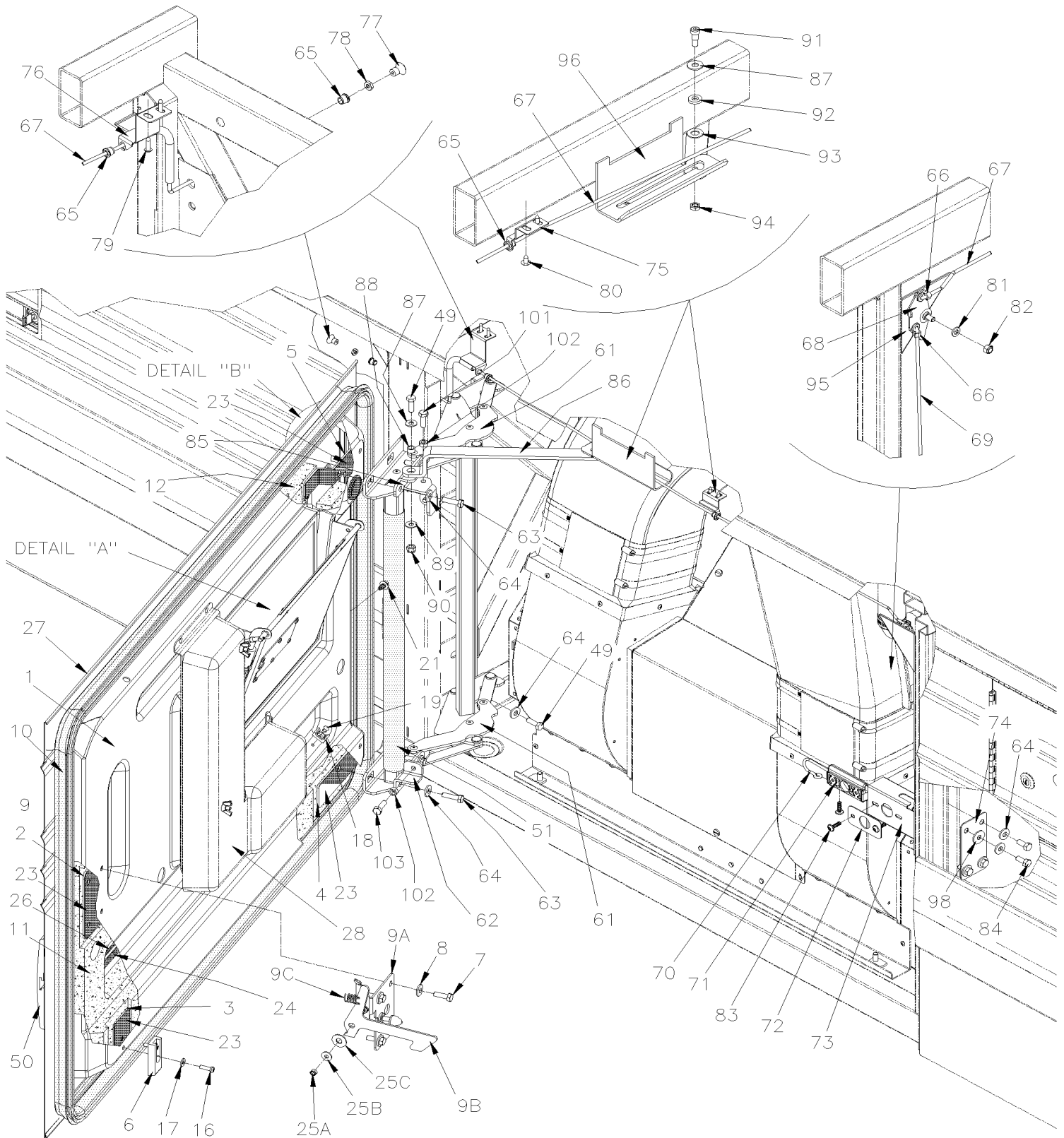


From E-5490 To H-6128

Date:07/2024

PAGE:X3VIP-1866-50

EVAPORATOR DOOR ASSY



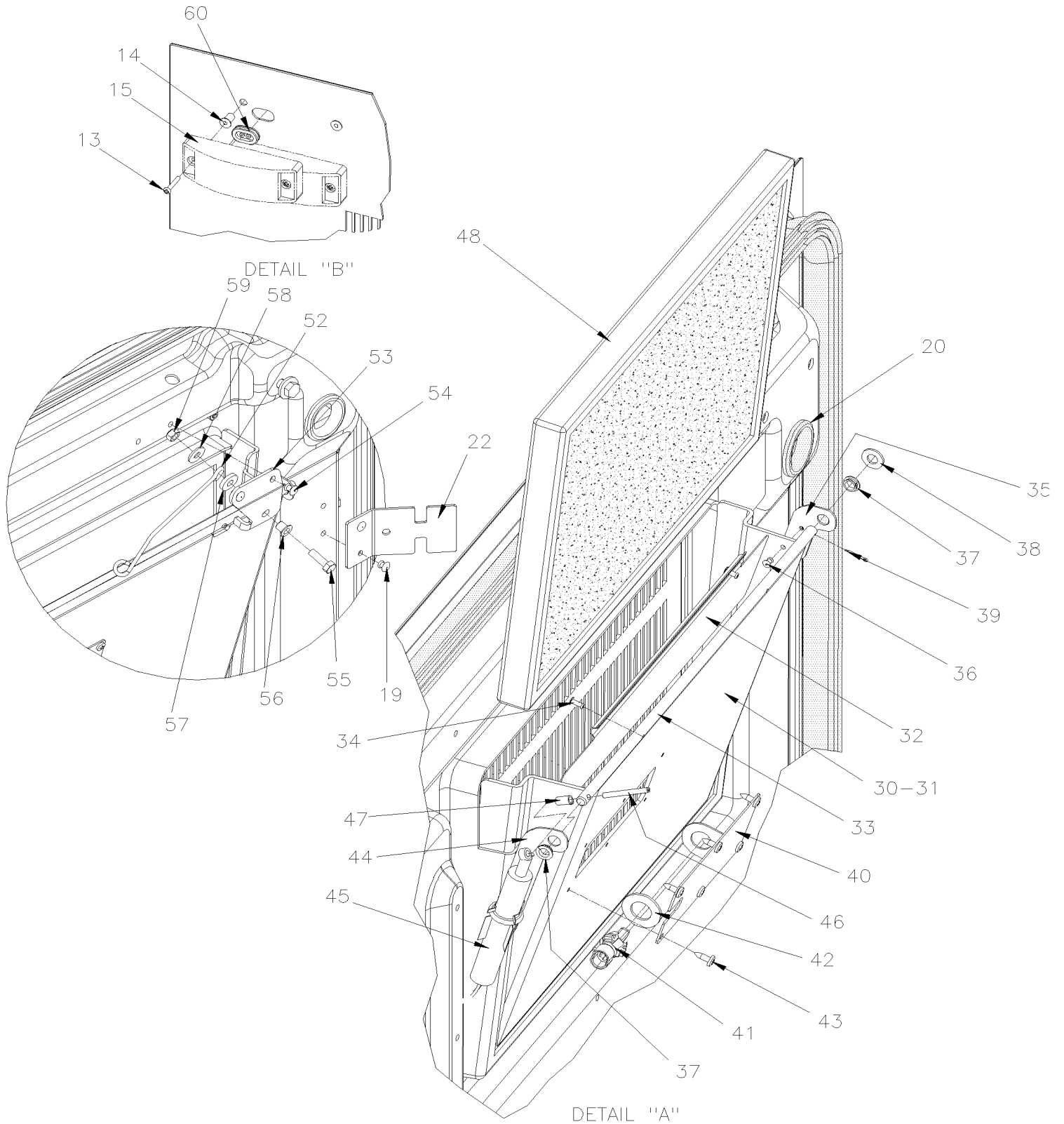


From E-5490 To H-6128

Date:07/2024

PAGE:X3VIP-1866-50

EVAPORATOR DOOR ASSY





From E-5490 To H-6128	Date:07/2024	PAGE:X3VIP-1866-50
EVAPORATOR DOOR ASSY		

Item#	Part	Description	X 3 V I P E N T	X 3 V I P M T H	N O T E S
	485871	EVAPORATOR DOOR ASSY	1	1	
1	2800204	. DOOR FRAME To E-5759	1	1	
1	2800555	. DOOR FRAME From F-5760 To F-5904	1	1	
1	2800600	. DOOR FRAME From F-5905	1	1	
2	2800250	. ATTACH, PENE	1	1	
3	2800251	. ATTACH, SKID	1	1	
4	2800252	. ATTACH, DOWN HINGE	1	1	
5	2800253	. ATTACH, UPPER HINGE	1	1	
6	2800234	. GUIDE, HINGE DOOR	1	1	
7	502780	. SCREW CAP HEX M8-1.25x25 SS BK To F-5862	4	4	
7	5001912	. SCREW CAP HEX M8-1.25x30 SS BK From F-5863	4	4	
8	500321	. WASHER BEL SPR .331x.827x.098 N500	4	4	
9A	2800389	. PENE ASSY	1	1	
9B	2800388	. LATCH	1	1	
9C	502245	. SPRING COMPRESSION / .600 O.D. x 1.25 x .059	1	1	
10	2800357	. WEATHERSTRIP / EVAPORATOR DOOR To E-5596	1	1	
10	2800422	. WEATHERSTRIP / EVAPORATOR DOOR From E-5597	1	1	
11	352595	. INSULATION, EVAPORATOR DOOR	1	1	
12	352596	. INSULATION, EVAPORATOR DOOR	1	1	
13	5001042	. SCREW MA RND PH #10-32x1 1/4 SS	4	4	
14	502774	. NUT WELL #10-32x.625	4	4	
15	X3VIP-0662-00	. CLEARANCE & MARKER LIGHT			
16	502626	. SCREW MA PAN PH M6-1.0x20 N500	2	2	
17	500877	. WASHER FL .250x.562x.065 N500	2	2	
18	504013	. TIE MOUNT / 1/4" X 1/4" I.D.	4	4	
19	504114	. RIVET POP DOME OE 3/16x1/4 AL	AR	AR	
20	504398	. GROMMET / 1.000x1.375x.062x.437x1.750 To E-5475	1	1	
21	509815	. TIE MOUNT / ATTACHMENT W/TREE MOUNT	3	3	
22	060998	. SUPPORT CABLAGE A/C	1	1	
23	684743	. GLUE METHACRYLATE PLEXUS MA832GB 380 ml	AR	AR	
24	687961	. GLUE MS POLYMER TEROSON MS 9399 / "A" 21 Liters	AR	AR	
24	687962	. GLUE MS POLYMER TEROSON MS 9399 / "B" 21 Liters	AR	AR	
25A	5001182	. NUT HEX NYRT M6-1.0 SS	1	1	
25B	5001833	. WASHER BEL SPR 6.1x18x1.27 SS	1	1	
25C	500270	. WASHER FL .406x1.000x.063 SS	1	1	
26	685126	. ADHESIVE SIMSON #ISR 70-03 / GREY / 600ml SAUSAGE	AR	AR	
27	484315	. ONE PIECE PANEL EVAPORATOR SS	1	1	
27	484327	. . LOWER PANEL / FLAT SS	1	1	
28	X3VIP-0621-50	A/C ELECTRICAL PANEL ASSY / EVAPORATOR DOOR			
30	374707P	. INTAKE FRESH AIR ASSY	1	1	
31	374706	. AIR DEFLECTOR	1	1	
32	374713	. FLAP	1	1	



From E-5490 To H-6128	Date:07/2024	PAGE:X3VIP-1866-50
EVAPORATOR DOOR ASSY		

Item#	Part	Description	X 3 V I P E N T	X 3 V I P M T H	N O T E S
33	374714	. PIVOT , FLAP	1	1	
34	504339	. RIVET POP DOME OE 1/8x3/8 SS	2	2	
35	374708	. SUPPORT, FRESH AIR FLAP	1	1	
36	504340	. RIVET POP DOME OE 1/8x3/16 SS	5	5	
37	507309	. BUSHING NYLINED .312x.375x.078x.500	2	2	
38	5001341	. WASHER FL 8.4x17.0x1.6 SS	1	1	
39	502094	. PIN, COTTER 1/16 x 1/2 SS	1	1	
40	374710	. SENSOR SUPPORT ASSY	1	1	
41	563335	. SENSOR THERMISTOR ASSY / OUTSIDE // PED 15416387	1	1	
42	5001460	. WASHER FL .640x1.188x0.073 SS	1	1	
43	500952	. SCREW TP BDG PH #8x1/2 SS	6	6	
44	374709	. SUPPORT, ACTUATOR	1	1	
45	871180	. ACTUATOR W/BOOT	1	1	G
. NS	871452	. . CLIP MOUTING ACTUATOR	1	1	G
. NS	N.S.S.	. . ACTUATOR	1	1	1 G
. NS	N.S.S.	. . BOOT	1	1	1 G
45	870135	. ACTUATOR W/BOOT W/E-COAT PROTECTION	1	1	
. NS	871452	. . CLIP MOUTING ACTUATOR	1	1	
46	502243	. SPRING PIN	1	1	
47	503402	. TUBE, NYLON 1/4 O.D. / BLACK S.L.	1	1	
48	871448	AIR FILTER 1" x 10 7/8" x 15 1/2"	1	1	
49	502780	SCREW CAP HEX M8-1.25x25 SS BK	5	5	
50	X3VIP-1855-00	RUB RAIL - EXTERIOR CREST & TRIMS From E-5490 To H-6092			
50	X3VIP-1855-01	RUB RAIL - EXTERIOR CREST & TRIMS From H-6093			
51	505110	COIL PROTECTOR / PLASTIC / #12 To E-5759	AR	AR	
51	505182	COIL PROTECTOR / PLASTIC / #16 To E-5759	AR	AR	
51	680319	TAPE ADHESIF ELECTRIC / BLACK 3/4" To E-5759	AR	AR	
52	374777	SPRING RETAINER	1	1	
53	374778	SUPPORT, SPRING	1	1	
54	504113	RIVET POP DOME CLE 3/16x1/4 AL	2	2	
55	502622	SCREW CAP HEX M6-1.0x20 SS BK	1	1	
56	507381	BUSHING W/SHOULDER 1/4" I,D,	1	1	
57	5001481	SPACER NYLON .323 I.D. X .750 O.D. X .125	2	2	
58	5001114	WASHER FL .260x.687x.060 NYL	1	1	
59	5001182	NUT HEX NYRT M6-1.0 SS	1	1	
60	478900	GROMMET, MARKER LIGHT	1	1	
61	2800218	HINGE ASSY To E-5626	1	1	
61	2800494	HINGE ASSY From E-5627	1	1	
62	2800267	SPACER To F-5862	1	1	
62	2800588	PLATE ADJUSTMENT BOTTOM From F-5863	1	1	
63	502780	SCREW CAP HEX M8-1.25x25 SS BK To F-5862	4	4	
63	5001912	SCREW CAP HEX M8-1.25x30 SS BK From F-5863	4	4	



From E-5490 To H-6128	Date:07/2024	PAGE:X3VIP-1866-50
EVAPORATOR DOOR ASSY		

Item#	Part	Description	X 3 V I P E N T	X 3 V I P M T H	N O T E S
64	500321	WASHER BEL SPR .331x.827x.098 N500	12	12	
65	504083	SNAP BUSHING / .250x.468.406	3	3	
66	780340	CLIP, RETAINER ROD	2	2	
67	484313	ROD OPENING 1200MM	1	1	
68	484309	PIVOT LATCH	1	1	
69	484310	ROD OPENING 381MM	1	1	
70	478577	SPRING HOLDER	1	1	
71	477399	RECEPTACLE	1	1	
72	460708	ADJUSTMENT PLATE	1	1	
73	2800228	SUPPORT, RECEPTACLE ASSY	1	1	
74	484319	FIXATION PLATE	1	1	
75	484321	ROD SUPPOPRT	1	1	
76	484320	ROD SUPPOPRT	1	1	
77	505504	KNOB, PULL / 8-32	1	1	
78	500986	NUT HEX #8-32 N500	1	1	
79	500957	SCREW TP BDG PH #10x3/4 N500	2	2	
80	500657	SCREW TC TR PH #10-24x1/2 Z050	2	2	
81	502573	WASHER FL 6.4x12.5x1.6 SS	1	1	
82	5001182	NUT HEX NYRT M6-1.0 SS	1	1	
83	5001630	SCREW TP BUTF TORX M6x20 SS	3	3	
84	502862	SCREW CAP HEX M8-1.25x20 G8.8 N500	4	4	
85	2800225	ATTACH, ARM STOPPER To F-5862	1	1	
85	2800590	PLATE ADJUSTMENT UPPER From F-5863	1	1	
86	2800223	ARM STOPPER	1	1	
87	502638	WASHER FL .312x.734x.065 N500	2	2	
88	283770	SPACER / TO FIX RETAINING ARM	1	1	
89	5001699	WASHER BEL SPR 8.2x22x1.4 N500 To F-5862	1	1	
89	502638	WASHER FL .312x.734x.065 N500 From F-5863	1	1	
90	5001787	NUT HEX NYRT M8-1.25 SS	1	1	
91	5001560	SCREW SHR HEXS 5/16x3/8 {1/4-20 SS	1	1	
92	502768	WASHER FL RUB .312x.625x.125 NEO	1	1	
93	502723	WASHER FL .386x.750x.050 NYL	1	1	
94	500384	NUT HEX JAM 1/4-20 G500	1	1	
95	221810	SUPPORT PIVOT / DOOR GUIDE M6-1.0 W/SHOULDER 10M To E-5586	1	1	
95	221894	SUPPORT PIVOT / DOOR GUIDE M6-1.0 W/SHOULDER 10M From E-5587	1	1	
96	2800231	GUIDE, ARM STOPPER	1	1	
NS	068966	EVAPORATOR HARNESS	1	1	
. NS	504398	. GROMMET / 1.000x1.375x.062x.437x1.750	1	1	
. NS	478900	. GROMMET, MARKER LIGHT	AR	AR	
98	500381	WASHER FL 8.4x25.0x2.0 N500	1	1	
NS	680038	THREAD LOCKER LOCTITE #243 / BLUE / 50ml	AR	AR	
NS	680739	GREASE SYNTHETIC / RED 20KG	AR	AR	



From E-5490 To H-6128	Date:07/2024	PAGE:X3VIP-1866-50
EVAPORATOR DOOR ASSY		

Item#	Part	Description	X 3 V I P E N T	X 3 V I P M T H	N O T E S
NS	680343	GREASE CLEAR SPRAY BOTTLE 283GR	AR	AR	
NS	684472	GREASE CLEAR SPRAY BOTTLE 350GR	AR	AR	
101	502780	SCREW CAP HEX M8-1.25x25 SS BK From F-5863	1	1	
102	5001852	NUT HEX M8-1.25 SS BK From F-5863	3	3	
103	5001912	SCREW CAP HEX M8-1.25x30 SS BK	2	2	
		G) FOR PRODUCT IMPROVEMENT ASK FOR 8701351			
		1) NOT SOLD SEPARATELY			

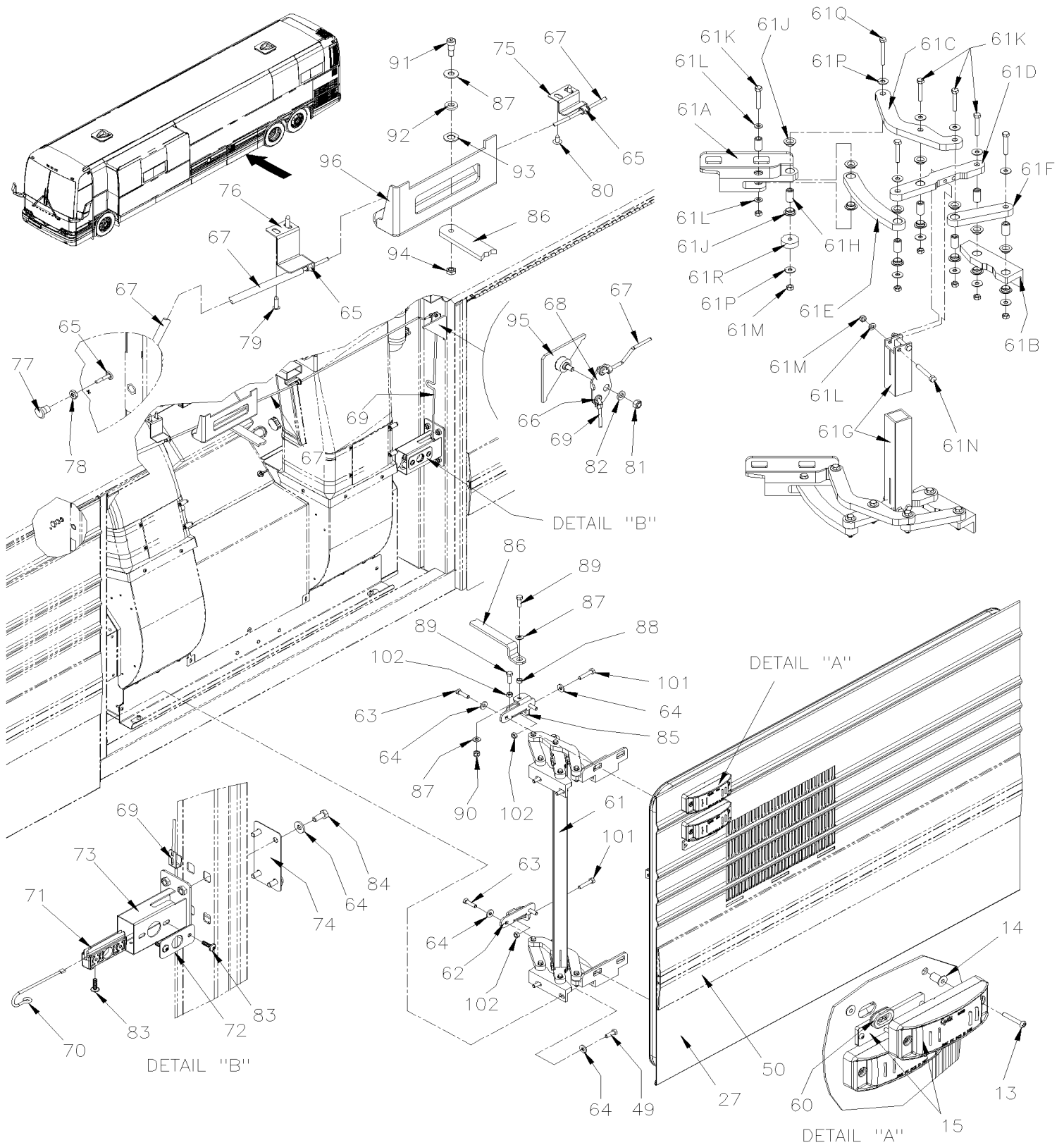


From H-6129

Date:07/2024

PAGE:X3VIP-1866-51

EVAPORATOR DOOR ASSY



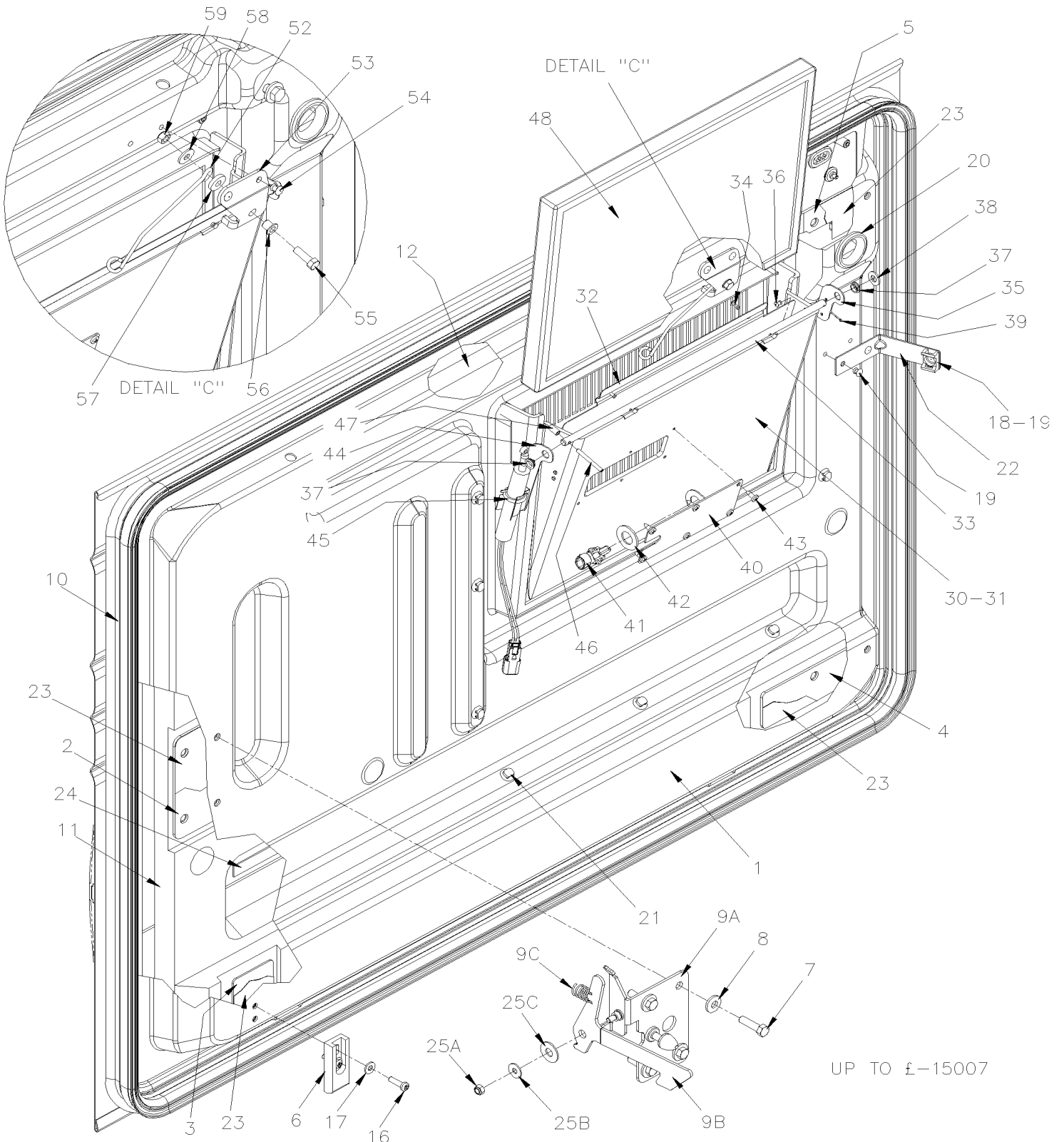


From H-6129

Date:07/2024

PAGE:X3VIP-1866-51

EVAPORATOR DOOR ASSY





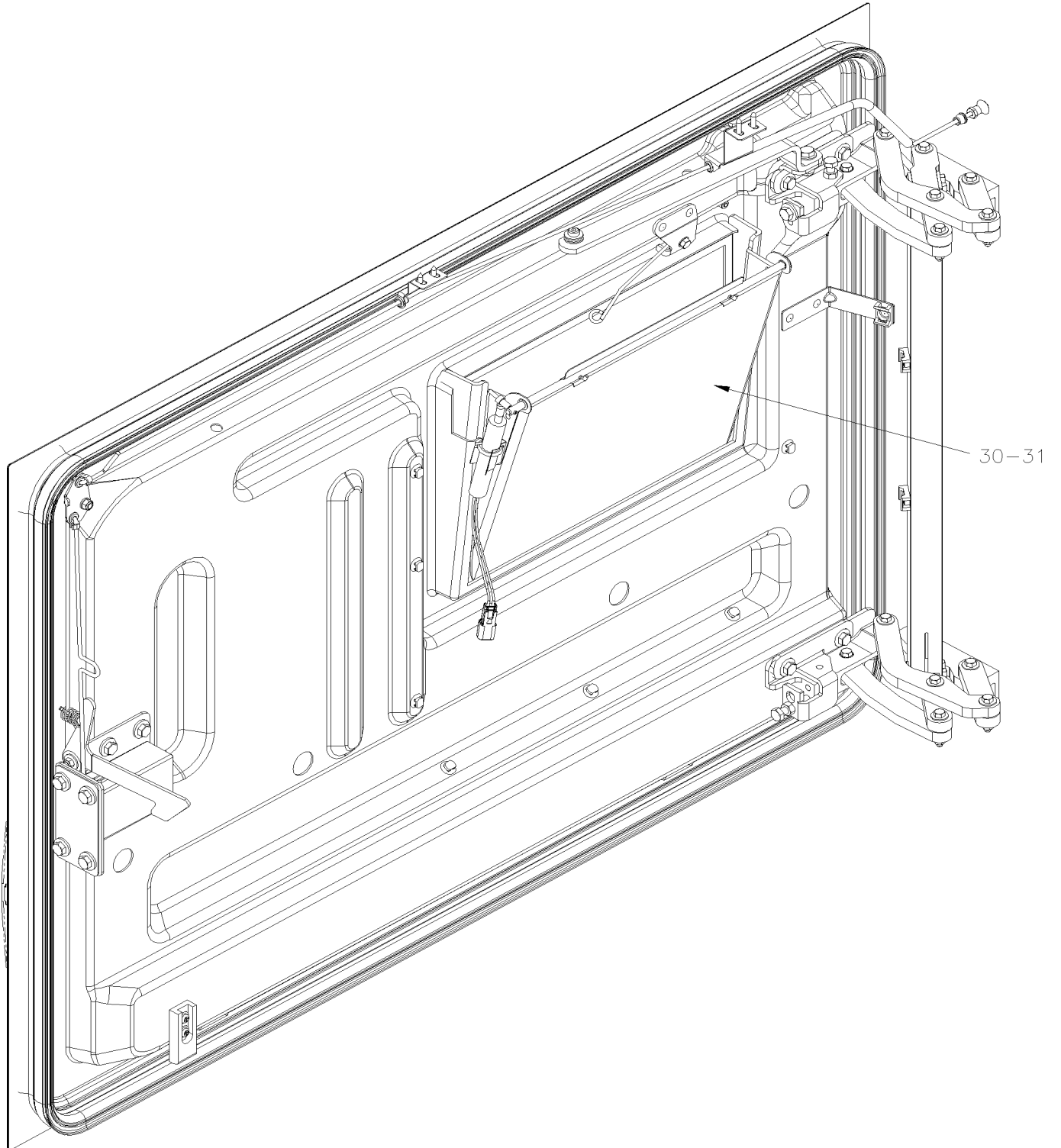
From H-6129

Date:07/2024

PAGE:X3VIP-1866-51

EVAPORATOR DOOR ASSY

FROM £-15007





From H-6129		Date:07/2024	PAGE:X3VIP-1866-51
EVAPORATOR DOOR ASSY			

Item#	Part	Description	X 3 V I P E N T	X 3 V I P M T H	N O T E S
	485871	EVAPORATOR DOOR ASSY	1	1	
1	2800600	. DOOR FRAME	1	1	
2	2800250	. ATTACH, PENE	1	1	
3	2800251	. ATTACH, SKID	1	1	
4	2800252	. ATTACH, DOWN HINGE	1	1	
5	2800253	. ATTACH, UPPER HINGE	1	1	
6	2800234	. GUIDE, HINGE DOOR	1	1	
7	5001912	. SCREW CAP HEX M8-1.25x30 SS BK	4	4	
8	500321	. WASHER BEL SPR .331x.827x.098 N500 To H-6204	4	4	
8	5001848	. WASHER BEL SPR .827 x .331 x .098 th SS From H-6205	AR	AR	
9A	2800389	. PENE ASSY	1	1	
9B	2800388	. LATCH	1	1	
9C	502245	. SPRING COMPRESSION / .600 O.D. x 1.25 x .059	1	1	
10	2800422	. WEATHERSTRIP / EVAPORATOR DOOR	1	1	
11	352595	. INSULATION, EVAPORATOR DOOR	1	1	
12	352596	. INSULATION, EVAPORATOR DOOR	1	1	
13	X3VIP-0662-00	. CLEARANCE & MARKER LIGHT To K-6491			
13	X3VIP-0662-01	. CLEARANCE & MARKER LIGHT From L-6492	1	1	
14	5001042	. SCREW MA RND PH #10-32x1 1/4 SS To J-6243	4	4	
14	5002021	. SCREW MA TR PH #10-32x1 1/4 SS From J-6244	4	4	
15	502774	. NUT WELL #10-32x.625	4	4	
16	502626	. SCREW MA PAN PH M6-1.0x20 N500	2	2	
17	500877	. WASHER FL .250x.562x.065 N500	2	2	
18	504013	. TIE MOUNT / 1/4" X 1/4" I.D.	1	1	
19	504788	. RIVET POP DOME OE 3/16x1/4 AL	AR	AR	
20	504398	. GROMMET / 1.000x1.375x.062x.437x1.750	1	1	
21	509815	. TIE MOUNT / ATTACHMENT W/TREE MOUNT	AR	AR	
21	504637	. CABLE TIE / 3/16" x 13"	AR	AR	
21	504273	. CABLE TIE / 1/8" X 3" 1/2	AR	AR	
22	069008	. SUPPORT CABLE	1	1	
23	684743	. GLUE METHACRYLATE PLEXUS MA832GB 380 ml	AR	AR	
24	687957	. GLUE MS POLYMER TEROSON MS 9399 / 400ml CARTRIDGE To M-6660	AR	AR	
24	685387	. GLUE MS POLYMER TEROSON MS 9399 / 400ml CARTRIDGE From M-6661	AR	AR	
24	506785	. TAPE RUB ADH2 CC POL 1/16" X 1/4" X 200' / BLACK 11C-N-A	AR	AR	
24	685126	. ADHESIVE SIMSON #ISR 70-03 / GREY / 600ml SAUSAGE	AR	AR	
25A	5001182	. NUT HEX NYRT M6-1.0 SS	1	1	
25B	5001833	. WASHER BEL SPR 6.1x18x1.27 SS	1	1	
25C	500270	. WASHER FL .406x1.000x.063 SS	1	1	
27	484315	. ONE PIECE PANEL EVAPORATOR SS	1	1	
27	484322	. ONE PIECE PANEL EVAPORATOR / FLAT / ALUMINIUM	1	1	A
27	484327	. LOWER PANEL / FLAT SS	1	1	
30	374707P	. INTAKE FRESH AIR ASSY To H-6179	1	1	



From H-6129		Date:07/2024	PAGE:X3VIP-1866-51
EVAPORATOR DOOR ASSY			

Item#	Part	Description	X 3 V I P E N T	X 3 V I P M T H	N O T E S
30	370108P	. INTAKE FRESH AIR ASSY From H-6180	1	1	
30	684685	. ADHESIVE SIMSON #ISR 70-03 / 310ml CARTRIDGE	AR	AR	
31	374706	. AIR DEFLECTOR To H-6179	1	1	
31	370107	. AIR DEFLECTOR From H-6180	1	1	
32	374713	. FLAP	1	1	
33	374714	. PIVOT , FLAP	1	1	
34	504339	. RIVET POP DOME OE 1/8x3/8 SS	2	2	
35	374708	. SUPPORT, FRESH AIR FLAP	1	1	
36	504340	. RIVET POP DOME OE 1/8x3/16 SS	5	5	
37	507309	. BUSHING NYLINED .312x.375x.078x.500	2	2	
38	5001341	. WASHER FL 8.4x17.0x1.6 SS	1	1	
39	502094	. PIN, COTTER 1/16 x 1/2 SS	1	1	
40	374710	. SENSOR SUPPORT ASSY To H-6179	1	1	
41	563335	. SENSOR THERMISTOR ASSY / OUTSIDE // PED 15416387 To H-6179	1	1	
42	5001460	. WASHER FL .640x1.188x0.073 SS To H-6179	1	1	
43	500952	. SCREW TP BDG PH #8x1/2 SS To H-6179	6	6	
44	374709	. SUPPORT, ACTUATOR	1	1	
45	871180	. ACTUATOR W/BOOT	1	1	G
. NS	871452	. . CLIP MOUTING ACTUATOR	1	1	G
. NS	N.S.S.	. . ACTUATOR	1	1	1 G
. NS	N.S.S.	. . BOOT	1	1	1 G
45	870135	. ACTUATOR W/BOOT W/E-COAT PROTECTION	1	1	
. NS	871452	. . CLIP MOUTING ACTUATOR	1	1	
NS	562486	. CONNECTOR / DT SERIES / PH 2C / GRAY / DEUTSCH DT04-2P	1	1	
NS	562286	. PIN TERMINAL / 18-16 / DEUTSCH 0460-202-16141	2	2	
NS	562487	. SECONDARY LOCK / DT SERIES / PH 2C / DEUTSCH W2P	1	1	
46	502243	. SPRING PIN	1	1	
47	503402	. TUBE, NYLON 1/4 O.D. / BLACK S.L.	1	1	
48	871448	AIR FILTER 1" x 10 7/8" x 15 1/2"	1	1	
49	502780	SCREW CAP HEX M8-1.25x25 SS BK	4	4	
50	X3VIP-1855-01	RUB RAIL - EXTERIOR CREST & TRIMS			
52	374777	SPRING RETAINER	1	1	
53	374778	SUPPORT, SPRING	1	1	
54	504113	RIVET POP DOME CLE 3/16x1/4 AL	2	2	
55	502622	SCREW CAP HEX M6-1.0x20 SS BK	1	1	
56	507381	BUSHING W/SHOULDER 1/4" I,D,	1	1	
57	5001481	SPACER NYLON .323 I.D. X .750 O.D. X .125	1	1	
58	5001114	WASHER FL .260x.687x.060 NYL	1	1	
59	5001182	NUT HEX NYRT M6-1.0 SS	1	1	
60	478900	GROMMET, MARKER LIGHT	1	1	
61	280272P	HINGE ASSY	1	1	
61	504013	. TIE MOUNT / 1/4" X 1/4" I.D.	2	2	



From H-6129		Date:07/2024	PAGE:X3VIP-1866-51
EVAPORATOR DOOR ASSY			

Item#	Part	Description	X 3 V I P E N T	X 3 V I P M T H	N O T E S
61	504114	. RIVET POP DOME OE 3/16x1/4 AL	2	2	
61A	280102	. BRACKET DOOR, HINGE	1	1	
61B	280097	. BRACKET STRUCTURE, HINGE	1	1	
61C	280100	. PIVOT, HINGE To J-6292	1	1	
61C	281683	. PIVOT, HINGE From J-6293	1	1	
61D	280099	. PIVOT, HINGE To J-6292	1	1	
61D	281686	. PIVOT, HINGE From J-6293	1	1	
61E	280101	. PIVOT, HINGE To J-6292	1	1	
61E	281690	. PIVOT, HINGE From J-6293	1	1	
61F	280098	. PIVOT, HINGE	1	1	
61G	280106	. TUBE	1	1	
61H	280105	. SLEEVE, HINGE 7 PIVOTS	12	12	
61J	507013	. BEARING FLANGE 12MM I.D. X 14MM O.D. X 6MM	28	28	
61K	5000310	. SCREW CAP HEX M6-1.0x40 BK	14	14	
61L	502573	. WASHER FL 6.4x12.5x1.6 SS	8	8	
61M	5001182	. NUT HEX NYRT M6-1.0 SS	18	18	
61N	5001923	. SCREW CAP HEX M6-1.0x45 SS BK To J-6227	4	4	
61P	500411	. WASHER FL .260x.697x.050 SS	24	24	
61Q	5001636	. SCREW CAP HEX M6-1.0x50 SS BK	2	2	
61R	281874	. STOPPER, HINGE	2	2	
62	280103	PLATE ADJUSTMENT	1	1	
63	5001912	SCREW CAP HEX M8-1.25x30 SS BK	4	4	
64	500321	WASHER BEL SPR .331x.827x.098 N500 To H-6204	13	13	
64	5001848	WASHER BEL SPR .827 x .331 x .098 th SS From H-6205	AR	AR	
65	504083	SNAP BUSHING / .250x.468.406	3	3	
66	780340	CLIP, RETAINER ROD	2	2	
67	480032	ROD OPENING 1200MM	1	1	
68	484309	PIVOT LATCH	1	1	
69	484310	ROD OPENING 381MM	1	1	
70	478577	SPRING HOLDER	1	1	
71	477399	RECEPTACLE	1	1	
72	460708	ADJUSTMENT PLATE	1	1	
73	2800228	SUPPORT, RECEPTACLE ASSY	1	1	
74	484319	FIXATION PLATE	1	1	
75	484321	ROD SUPPOPRT	1	1	
76	484320	ROD SUPPOPRT	1	1	
77	505504	KNOB, PULL / 8-32	1	1	
78	500986	NUT HEX #8-32 N500	1	1	
79	502868	SCREW TC TR PH #10-16x1/2 N500	2	2	
80	500657	SCREW TC TR PH #10-24x1/2 Z050 To H-6204	2	2	
80	5001966	SCREW TC BDG PH #10-24x1/2 SS410 ZINC From H-6205	2	2	
81	502573	WASHER FL 6.4x12.5x1.6 SS	1	1	



From H-6129		Date:07/2024	PAGE:X3VIP-1866-51
EVAPORATOR DOOR ASSY			

Item#	Part	Description	X 3 V I P E N T	X 3 V I P M T H	N O T E S
82	5001182	NUT HEX NYRT M6-1.0 SS	1	1	
83	5001630	SCREW TP BUTF TORX M6x20 SS	3	3	
84	502862	SCREW CAP HEX M8-1.25x20 G8.8 N500	4	4	
85	280273	PLATE ADJUSTMENT UPPER	1	1	
86	280551	ARM STOPPER To J-6292	1	1	
86	2800223	ARM STOPPER From J-6293 To J-6315	1	1	
86	280551	ARM STOPPER From J-6316	1	1	
87	502638	WASHER FL .312x.734x.065 N500 To H-6204	3	3	
87	5001341	WASHER FL 8.4x17.0x1.6 SS From H-6205	3	3	
88	283770	SPACER / TO FIX RETAINING ARM	1	1	
89	502780	SCREW CAP HEX M8-1.25x25 SS BK	2	2	
90	5001787	NUT HEX NYRT M8-1.25 SS	1	1	
91	5001560	SCREW SHR HEXS 5/16x3/8 (1/4-20 SS	1	1	
92	502768	WASHER FL RUB .312x.625x.125 NEO	1	1	
93	502723	WASHER FL .386x.750x.050 NYL	1	1	
94	500384	NUT HEX JAM 1/4-20 G500	1	1	
95	221894	SUPPORT PIVOT / DOOR GUIDE M6-1.0 W/SHOULDER 10M	1	1	
96	2800231	GUIDE, ARM STOPPER	1	1	
97	068966	EVAPORATOR HARNESS To H-6179	1	1	
. NS	504398	. GROMMET / 1.000x1.375x.062x.437x1.750 To H-6179	1	1	
. NS	478900	. GROMMET, MARKER LIGHT To H-6179	AR	AR	
NS	060556	EVAPORATOR HARNESS From H-6180	1	1	
. NS	504398	. GROMMET / 1.000x1.375x.062x.437x1.750 From H-6180	1	1	
. NS	478900	. GROMMET, MARKER LIGHT From H-6180	1	1	
NS	680038	THREAD LOCKER LOCTITE #243 / BLUE / 50ml	AR	AR	
101	5001989	SCREW CAP HEX M8-1.25x40 BK	1	1	
102	5001852	NUT HEX M8-1.25 SS BK	3	3	
NS	684472	GREASE CLEAR SPRAY BOTTLE 350GR	AR	AR	
61NN	5000310	. SCREW CAP HEX M6-1.0x40 BK From J-6228	4	4	
		A) MOTORHOME WITH FLAT PANEL			
		G) FOR PRODUCT IMPROVEMENT ASK FOR 870135			
		1) NOT SOLD SEPARATELY			

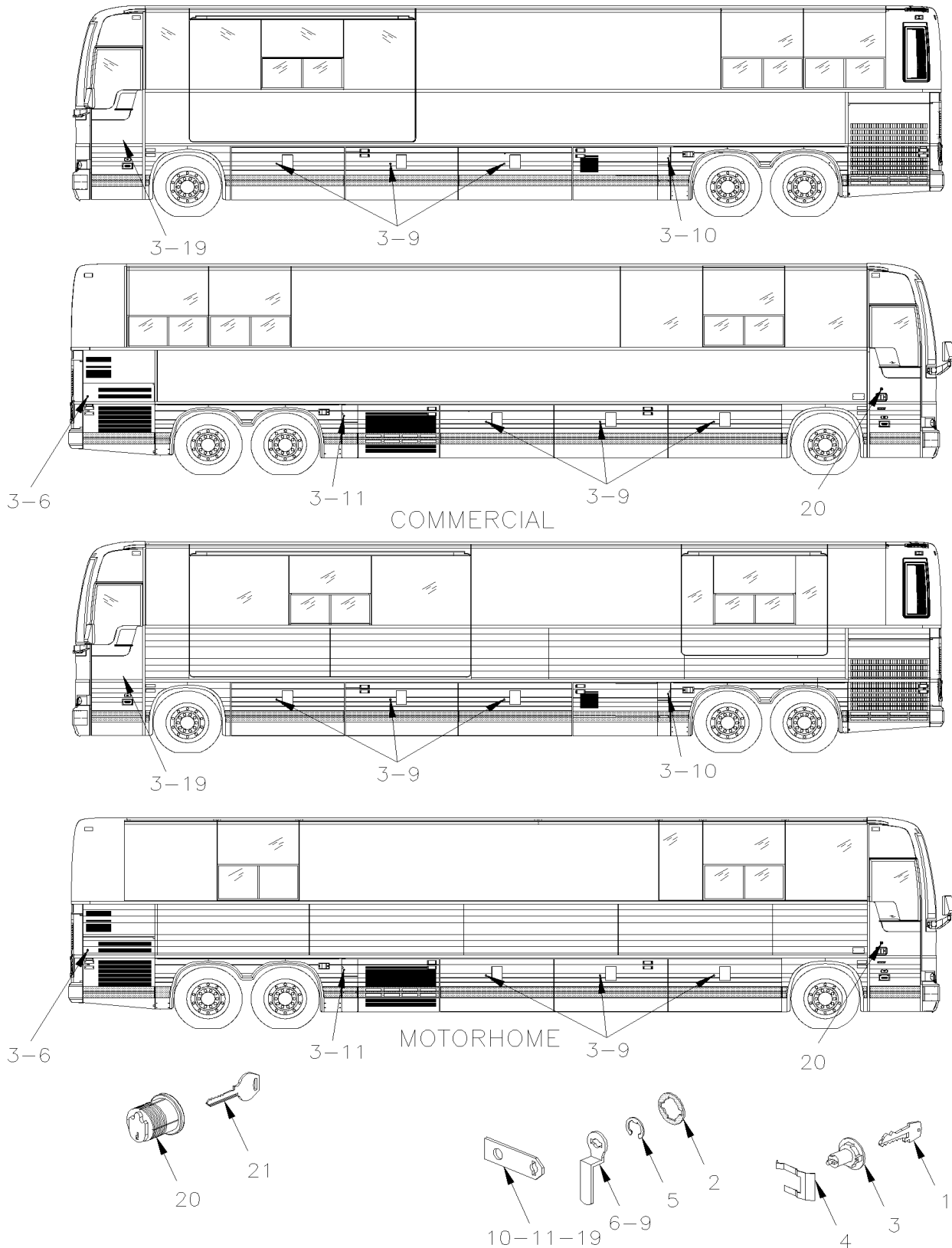


From E-5490

Date:07/2024

PAGE:X3VIP-1867-00

KEY & CYLINDER CODE





From E-5490		Date:07/2024	PAGE:X3VIP-1867-00
KEY & CYLINDER CODE			

Item#	Part	Description	X 3 V I P E N T	X 3 V I P M T H	N O T E S
1	282179	KEY CODE / 00	1	1	
1	282180	KEY CODE / 01	1	1	
1	282181	KEY CODE / 02	1	1	
1	282182	KEY CODE / 03	1	1	
1	282183	KEY CODE / 04	1	1	
1	282184	KEY CODE / 05	1	1	
1	282185	KEY CODE / 06	1	1	
1	282186	KEY CODE / 07	1	1	
1	282187	KEY CODE / 08	1	1	
1	282188	KEY CODE / 09	1	1	
1	282189	KEY CODE / 10	1	1	
1	282190	KEY CODE / 11	1	1	
1	282191	KEY CODE / 12	1	1	
1	282192	KEY CODE / 13	1	1	
1	282193	KEY CODE / 14	1	1	
1	282194	KEY CODE / 15	1	1	
1	282195	KEY CODE / 16	1	1	
1	282196	KEY CODE / 17	1	1	
1	282197	KEY CODE / 18	1	1	
1	282198	KEY CODE / 19	1	1	
1	282199	KEY CODE / 20	1	1	
1	282200	KEY CODE / 21	1	1	
1	282201	KEY CODE / 22	1	1	
1	282202	KEY CODE / 23	1	1	
1	282203	KEY CODE / 24	1	1	
1	282204	KEY CODE / 25	1	1	
1	282205	KEY CODE / 26	1	1	
1	282206	KEY CODE / 27	1	1	
1	282207	KEY CODE / 28	1	1	
1	282208	KEY CODE / 29	1	1	
1	282209	KEY CODE / 30	1	1	
1	282210	KEY CODE / 31	1	1	
1	282211	KEY CODE / 32	1	1	
1	282212	KEY CODE / 33	1	1	
1	282213	KEY CODE / 34	1	1	
1	282214	KEY CODE / 35	1	1	
1	282215	KEY CODE / 36	1	1	
1	282216	KEY CODE / 37	1	1	
1	282217	KEY CODE / 38	1	1	
1	282218	KEY CODE / 39	1	1	
1	282219	KEY CODE / 40	1	1	
1	282220	KEY CODE / 41	1	1	



From E-5490		Date:07/2024	PAGE:X3VIP-1867-00
KEY & CYLINDER CODE			

Item#	Part	Description	X 3 V I P E N T	X 3 V I P M T H	N O T E S
1	282221	KEY CODE / 42	1	1	
1	282222	KEY CODE / 43	1	1	
1	282223	KEY CODE / 44	1	1	
1	282224	KEY CODE / 45	1	1	
1	282225	KEY CODE / 46	1	1	
1	282226	KEY CODE / 47	1	1	
1	282227	KEY CODE / 48	1	1	
1	282228	KEY CODE / 49	1	1	
1	282229	KEY CODE / 50	1	1	
1	282230	KEY CODE / 51	1	1	
1	282231	KEY CODE / 52	1	1	
1	282232	KEY CODE / 53	1	1	
1	282233	KEY CODE / 54	1	1	
1	282234	KEY CODE / 55	1	1	
1	282235	KEY CODE / 56	1	1	
1	282236	KEY CODE / 57	1	1	
1	282237	KEY CODE / 58	1	1	
1	282238	KEY CODE / 59	1	1	
1	282239	KEY CODE / 60	1	1	
1	282240	KEY CODE / 61	1	1	
1	282241	KEY CODE / 62	1	1	
1	282242	KEY CODE / 63	1	1	
1	282243	KEY CODE / 64	1	1	
1	282244	KEY CODE / 65	1	1	
1	282245	KEY CODE / 66	1	1	
1	282246	KEY CODE / 67	1	1	
1	282247	KEY CODE / 68	1	1	
1	282248	KEY CODE / 69	1	1	
1	282249	KEY CODE / 70	1	1	
1	282250	KEY CODE / 71	1	1	
1	282251	KEY CODE / 72	1	1	
1	282252	KEY CODE / 73	1	1	
1	282253	KEY CODE / 74	1	1	
1	282254	KEY CODE / 75	1	1	
1	282255	KEY CODE / 76	1	1	
1	282256	KEY CODE / 77	1	1	
1	282257	KEY CODE / 78	1	1	
1	282258	KEY CODE / 79	1	1	
1	282259	KEY CODE / 80	1	1	
1	282260	KEY CODE / 81	1	1	
1	282261	KEY CODE / 82	1	1	
1	282262	KEY CODE / 83	1	1	



From E-5490		Date:07/2024	PAGE:X3VIP-1867-00
KEY & CYLINDER CODE			

Item#	Part	Description	X 3 V I P E N T	X 3 V I P M T H	N O T E S
1	282263	KEY CODE / 84	1	1	
1	282264	KEY CODE / 85	1	1	
1	282265	KEY CODE / 86	1	1	
1	282266	KEY CODE / 87	1	1	
1	282267	KEY CODE / 88	1	1	
1	282268	KEY CODE / 89	1	1	
1	282269	KEY CODE / 90	1	1	
1	282270	KEY CODE / 91	1	1	
1	282271	KEY CODE / 92	1	1	
1	282272	KEY CODE / 93	1	1	
1	282273	KEY CODE / 94	1	1	
1	282274	KEY CODE / 95	1	1	
1	282275	KEY CODE / 96	1	1	
1	282276	KEY CODE / 97	1	1	
1	282277	KEY CODE / 98	1	1	
1	282278	KEY CODE / 99	1	1	
1	780238	KEY BLANK UNCUT	AR	AR	
2	2800032	SEAL RUBBER 1/16" TH	AR	AR	
3	282079	CYLINDER LOCK / CODE 00	1	1	
3	282080	CYLINDER LOCK / CODE 01	1	1	
3	282081	CYLINDER LOCK / CODE 02	1	1	
3	282082	CYLINDER LOCK / CODE 03	1	1	
3	282083	CYLINDER LOCK / CODE 04	1	1	
3	282084	CYLINDER LOCK / CODE 05	1	1	
3	282085	CYLINDER LOCK / CODE 06	1	1	
3	282086	CYLINDER LOCK / CODE 07	1	1	
3	282087	CYLINDER LOCK / CODE 08	1	1	
3	282088	CYLINDER LOCK / CODE 09	1	1	
3	282089	CYLINDER LOCK / CODE 10	1	1	
3	282090	CYLINDER LOCK / CODE 11	1	1	
3	282091	CYLINDER LOCK / CODE 12	1	1	
3	282092	CYLINDER LOCK / CODE 13	1	1	
3	282093	CYLINDER LOCK / CODE 14	1	1	
3	282094	CYLINDER LOCK / CODE 15	1	1	
3	282095	CYLINDER LOCK / CODE 16	1	1	
3	282096	CYLINDER LOCK / CODE 17	1	1	
3	282097	CYLINDER LOCK / CODE 18	1	1	
3	282098	CYLINDER LOCK / CODE 19	1	1	
3	282099	CYLINDER LOCK / CODE 20	1	1	
3	282100	CYLINDER LOCK / CODE 21	1	1	
3	282101	CYLINDER LOCK / CODE 22	1	1	



From E-5490	Date:07/2024	PAGE:X3VIP-1867-00
KEY & CYLINDER CODE		

Item#	Part	Description	X 3 V I P E N T	X 3 V I P M T H	N O T E S
3	282102	CYLINDER LOCK / CODE 23	1	1	
3	282103	CYLINDER LOCK / CODE 24	1	1	
3	282104	CYLINDER LOCK / CODE 25	1	1	
3	282105	CYLINDER LOCK / CODE 26	1	1	
3	282106	CYLINDER LOCK / CODE 27	1	1	
3	282107	CYLINDER LOCK / CODE 28	1	1	
3	282108	CYLINDER LOCK / CODE 29	1	1	
3	282109	CYLINDER LOCK / CODE 30	1	1	
3	282110	CYLINDER LOCK / CODE 31	1	1	
3	282111	CYLINDER LOCK / CODE 32	1	1	
3	282112	CYLINDER LOCK / CODE 33	1	1	
3	282113	CYLINDER LOCK / CODE 34	1	1	
3	282114	CYLINDER LOCK / CODE 35	1	1	
3	282115	CYLINDER LOCK / CODE 36	1	1	
3	282116	CYLINDER LOCK / CODE 37	1	1	
3	282117	CYLINDER LOCK / CODE 38	1	1	
3	282118	CYLINDER LOCK / CODE 39	1	1	
3	282119	CYLINDER LOCK / CODE 40	1	1	
3	282120	CYLINDER LOCK / CODE 41	1	1	
3	282121	CYLINDER LOCK / CODE 42	1	1	
3	282122	CYLINDER LOCK / CODE 43	1	1	
3	282123	CYLINDER LOCK / CODE 44	1	1	
3	282124	CYLINDER LOCK / CODE 45	1	1	
3	282125	CYLINDER LOCK / CODE 46	1	1	
3	282126	CYLINDER LOCK / CODE 47	1	1	
3	282127	CYLINDER LOCK / CODE 48	1	1	
3	282128	CYLINDER LOCK / CODE 49	1	1	
3	282129	CYLINDER LOCK / CODE 50	1	1	
3	282130	CYLINDER LOCK / CODE 51	1	1	
3	282131	CYLINDER LOCK / CODE 52	1	1	
3	282132	CYLINDER LOCK / CODE 53	1	1	
3	282133	CYLINDER LOCK / CODE 54	1	1	
3	282134	CYLINDER LOCK / CODE 55	1	1	
3	282135	CYLINDER LOCK / CODE 56	1	1	
3	282136	CYLINDER LOCK / CODE 57	1	1	
3	282137	CYLINDER LOCK / CODE 58	1	1	
3	282138	CYLINDER LOCK / CODE 59	1	1	
3	282139	CYLINDER LOCK / CODE 60	1	1	
3	282140	CYLINDER LOCK / CODE 61	1	1	
3	282141	CYLINDER LOCK / CODE 62	1	1	
3	282142	CYLINDER LOCK / CODE 63	1	1	
3	282143	CYLINDER LOCK / CODE 64	1	1	



From E-5490		Date:07/2024	PAGE:X3VIP-1867-00
KEY & CYLINDER CODE			

Item#	Part	Description	X 3 V I P E N T	X 3 V I P M T H	N O T E S
3	282144	CYLINDER LOCK / CODE 65	1	1	
3	282145	CYLINDER LOCK / CODE 66	1	1	
3	282146	CYLINDER LOCK / CODE 67	1	1	
3	282147	CYLINDER LOCK / CODE 68	1	1	
3	282148	CYLINDER LOCK / CODE 69	1	1	
3	282149	CYLINDER LOCK / CODE 70	1	1	
3	282150	CYLINDER LOCK / CODE 71	1	1	
3	282151	CYLINDER LOCK / CODE 72	1	1	
3	282152	CYLINDER LOCK / CODE 73	1	1	
3	282153	CYLINDER LOCK / CODE 74	1	1	
3	282154	CYLINDER LOCK / CODE 75	1	1	
3	282155	CYLINDER LOCK / CODE 76	1	1	
3	282156	CYLINDER LOCK / CODE 77	1	1	
3	282157	CYLINDER LOCK / CODE 78	1	1	
3	282158	CYLINDER LOCK / CODE 79	1	1	
3	282159	CYLINDER LOCK / CODE 80	1	1	
3	282160	CYLINDER LOCK / CODE 81	1	1	
3	282161	CYLINDER LOCK / CODE 82	1	1	
3	282162	CYLINDER LOCK / CODE 83	1	1	
3	282163	CYLINDER LOCK / CODE 84	1	1	
3	282164	CYLINDER LOCK / CODE 85	1	1	
3	282165	CYLINDER LOCK / CODE 86	1	1	
3	282166	CYLINDER LOCK / CODE 87	1	1	
3	282167	CYLINDER LOCK / CODE 88	1	1	
3	282168	CYLINDER LOCK / CODE 89	1	1	
3	282169	CYLINDER LOCK / CODE 90	1	1	
3	282170	CYLINDER LOCK / CODE 91	1	1	
3	282171	CYLINDER LOCK / CODE 92	1	1	
3	282172	CYLINDER LOCK / CODE 93	1	1	
3	282173	CYLINDER LOCK / CODE 94	1	1	
3	282174	CYLINDER LOCK / CODE 95	1	1	
3	282175	CYLINDER LOCK / CODE 96	1	1	
3	282176	CYLINDER LOCK / CODE 97	1	1	
3	282177	CYLINDER LOCK / CODE 98	1	1	
3	282178	CYLINDER LOCK / CODE 99	1	1	
4	780236	. RETAINER CLIP To F-5779	1	1	
4	780887	. RETAINER CLIP, GM DOOR LOCK CYLINDER "U SHAPE" From F-5780	1	1	
5	504477	. RING RETAINER / EXT 14.0 X 13.4 X 1.0MM	1	1	
6	287406	PIVOT LOCK 9.5MM OFFSET	1	1	
9	289071	PIVOT LOCK	1	1	
10	484276	LEVER LOCK / STREET SIDE	1	1	
11	484218	PIVOT LOCK / CURBSIDE	1	1	



From E-5490	Date:07/2024	PAGE:X3VIP-1867-00
KEY & CYLINDER CODE		

Item#	Part	Description	X 3 V I P E N T	X 3 V I P M T H	N O T E S
19	287087	PIVOT	1	1	
20	780803	CYLINDER LOCK ASSY W/2 KEYS / "SCHLAGE"	1	1	
. NS	780902	. KEY / "SCHLAGE" BLANK	1	1	
21	780562	KEY / "CORBIN" BLANK	AR	AR	

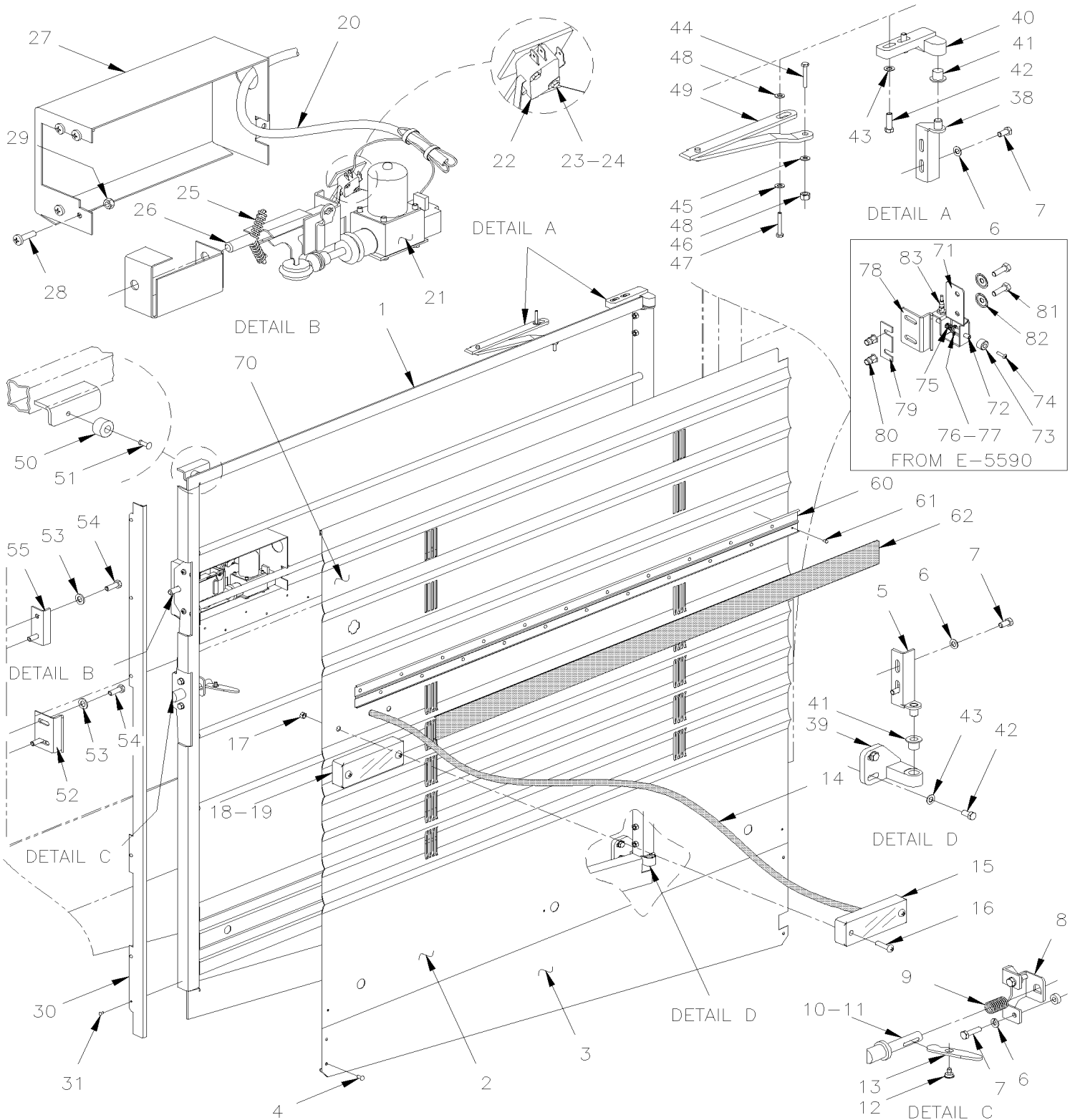


From E-5490 To E-5739

Date:07/2024

PAGE:X3VIP-1868-00

A/C COMPRESSOR DOOR ASSY





From E-5490 To E-5739	Date:07/2024	PAGE:X3VIP-1868-00
A/C COMPRESSOR DOOR ASSY		

Item#	Part	Description	X 3 V I P E N T	X 3 V I P M T H	N O T E S
	280065	COMPRESSOR DOOR ASSY / W/FLUTED LOWER MOULDING	1		
	280066	COMPRESSOR DOOR ASSY / W/FLUTED		1	
1	288950	FRAME ASSY / COMPRESSOR DOOR	1	1	
. NS	288989	SUPPORT ACTUATOR / WELDED AT FRAME CURRENT ACTUATOR 780814	1	1	
2	477392	PANEL, UPPER / W/FLUTED / B.A.	1		
2	477393	PANEL, UPPER / W/FLUTED / B.A.		1	
3	477236	PANEL, LOWER / B.A.	1	1	
4	504340	RIVET POP DOME OE 1/8x3/16 SS	5	5	
5	289150	ARM ASSY	1	1	
6	500356	WASHER LO SERR 6.1x16.0x0.9 N500	4	4	
7	502737	SCREW CAP HEX M6-1.0x25 SS BK	4	4	
8	288125	GUIDE PIN HOLDER	1	1	
9	502910	SPRING COMPRESSION / .720 O.D. 1.75 x .055	1	1	
10	289585	CATCH PIN ACETAL / 90MM	1	1	
11	507212	O-RING	1	1	
12	287271	RIVET SHR FL 9.95x3.6{4.8x4.8 SS	1	1	
13	286612	PIVOT	1	1	
14	064990	CABLE ASSY / SIDE MARKER LAMP FOR DOORS	1	1	
. NS	473832	GROMMET 2 HOLESx1.6x11.0MMx2.0MMx8.0MMx16MM	1	1	
14	067207	CABLE ASSY / SIDE MARKER LAMP FOR DOORS	1	1	
. NS	473832	GROMMET 2 HOLESx1.6x11.0MMx2.0MMx8.0MMx16MM	1	1	
NS	504273	CABLE TIE / 1/8" X 3" 1/2	2	2	
15	X3VIP-0662-00	CLEARANCE & MARKER LIGHT			
16	5001042	SCREW MA RND PH #10-32x1 1/4 SS	4	4	
17	502774	NUT WELL #10-32x.625	4	4	
18	930320	REFLECTOR RED 1 3/16" x 4 7/16"	1	1	
19	500510	SCREW MA BDG PH #10-32x3/4 SS EMN	2	2	
19	500423	NUT HEX NYRT #10-32 SS	2	2	
19	500787	NUT HEX #10-24 SS	2	2	
20	068084	CABLE ASSY / COMPRESSOR DOOR LOCK	1	1	
21	2800049	LOCK ACTUATOR / 12V	1	1	
22	562096	MICRO SWITCH	1	1	
23	502577	SCREW MA PAN PH M3-0.5x16 ZP	2	2	
24	502579	NUT HEX M3-0.5 NP	2	2	
NS	502691	WASHER LO SPT 3.6x6.7x0.8 Z050	2	2	
25	502151	SPRING COMPRESSION / .300 O.D. x 1 x .032	2	2	
26	481564	ROD GUIDE	1	1	
27	288990	COVER / ACTUATOR PROTECTOR	1	1	
28	502698	SCREW MA PAN PH M4-0.7x16 SS BK	2	2	
29	5001544	WASHER LO EXT .195x.410x.025 SS	2	2	
30	288527	FINISHING MOULDING 1110MM / B.A.	1	1	
31	504339	RIVET POP DOME OE 1/8x3/8 SS	4	4	



From E-5490 To E-5739	Date:07/2024	PAGE:X3VIP-1868-00
A/C COMPRESSOR DOOR ASSY		

Item#	Part	Description	X 3 V I P E N T	X 3 V I P M T H	N O T E S
38	289149	. ARM ASSY	1	1	
39	288945	LOWER HINGE	1	1	
40	286085	HINGE / UPPER	1	1	
41	284607	BUSHING, NYLON / (NOT INCLUDE W/HINGE)	1	1	
NS	502723	WASHER FL .386x.750x.050 NYL	1	1	
42	502737	SCREW CAP HEX M6-1.0x25 SS BK	4	4	
43	430406	WASHER FLAT	8	8	
44	502737	SCREW CAP HEX M6-1.0x25 SS BK	1	1	
45	502573	WASHER FL 6.4x12.5x1.6 SS	1	1	
46	502511	NUT HEX NYRT M6-1.0 Z050	1	1	
47	502686	SCREW CAP HEX M6-1.0x30 SS BK	1	1	
48	5001448	WASHER FL .343x.875x.062 SS18-8	2	2	
49	288031	GUIDE ASSY / R.H. DOOR	1	1	
50	504334	BUMPER RUBBER / .625 OD x .406 TH x .156 HOLE	1	1	
51	504339	RIVET POP DOME OE 1/8x3/8 SS	1	1	
52	288124	CATCH PIN / RETAINER / SWITCH SUPPORT To E-5589	1	1	
NS	287452	SHIM SPACER 70MM X 25 X 14GA To E-5589	AR	AR	
53	5001699	WASHER BEL SPR 8.2x22x1.4 N500	4	4	
54	502780	SCREW CAP HEX M8-1.25x25 SS BK	4	4	
55	287578	STRICKING PLATE	1	1	
60	473826	MOULDING RETAINER / 1125MM		1	
61	504488	RIVET MGLP PRDG 3/16x17/64 SS		10	
62	473830	FINISHING MOULDING SS / 1123MM		1	
62	478584	FINISHING MOULDING PLASTIC 1123MM	1		
NS	061325	DECAL "CAUTION" ALWAYS FIRST.... / ENGLISH & FRANCAIS	1	1	
70	X3VIP-1867-00	KEY & CYLINDER CODE			
71	2800874	SUPPORT SWITCH From E-5590	1		
72	2800875	ROD / SWITCH From E-5590	1		
73	504334	BUMPER RUBBER / .625 OD x .406 TH x .156 HOLE From E-5590	1		
74	502698	SCREW MA PAN PH M4-0.7x16 SS BK From E-5590	1		
75	5021001	SPRING COMPRESSION / .360 O.D. x 1.5 x .038 From E-5590	1		
76	502573	WASHER FL 6.4x12.5x1.6 SS From E-5590	1		
77	5001860	PIN HITCH CLIP .054 x 3/4 SS From E-5590	1		
78	287286	CATCH PIN / RETAINER 45MMx21MM 90° From E-5590	1		
79	287452	SHIM SPACER 70MM X 25 X 14GA From E-5590	1		
80	5001337	NUT INS FL HEX M8-1.25 0.5-3.0 Z050 From E-5590	2		
81	502780	SCREW CAP HEX M8-1.25x25 SS BK From E-5590	2		
82	5001699	WASHER BEL SPR 8.2x22x1.4 N500 From E-5590	2		
83	X3VIP-0665-10	SWITCHES, LIGHTS, AJAR - UNDER FLOOR			

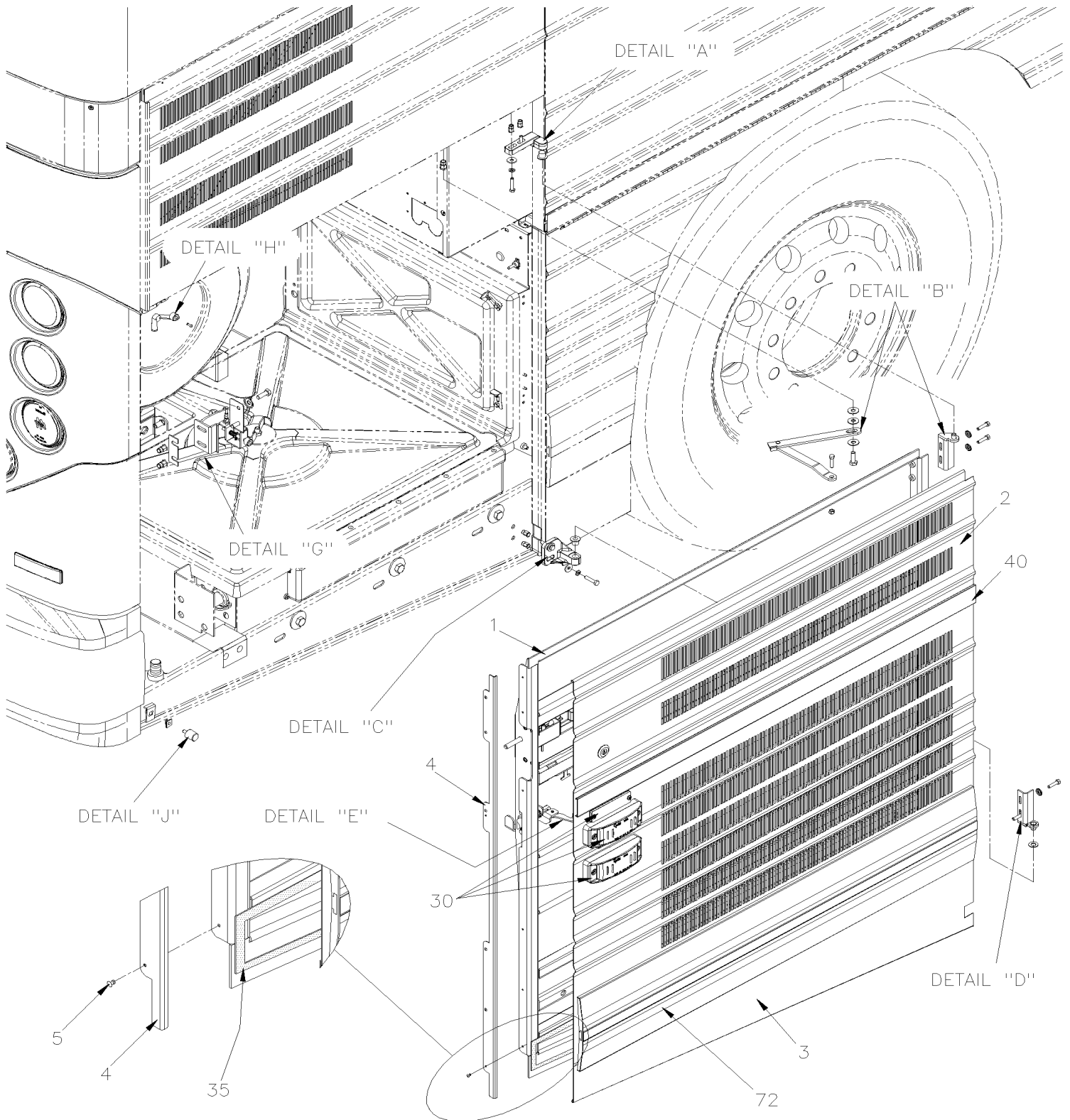


From F-5740 To H-6179

Date:07/2024

PAGE:X3VIP-1868-01

A/C COMPRESSOR DOOR ASSY



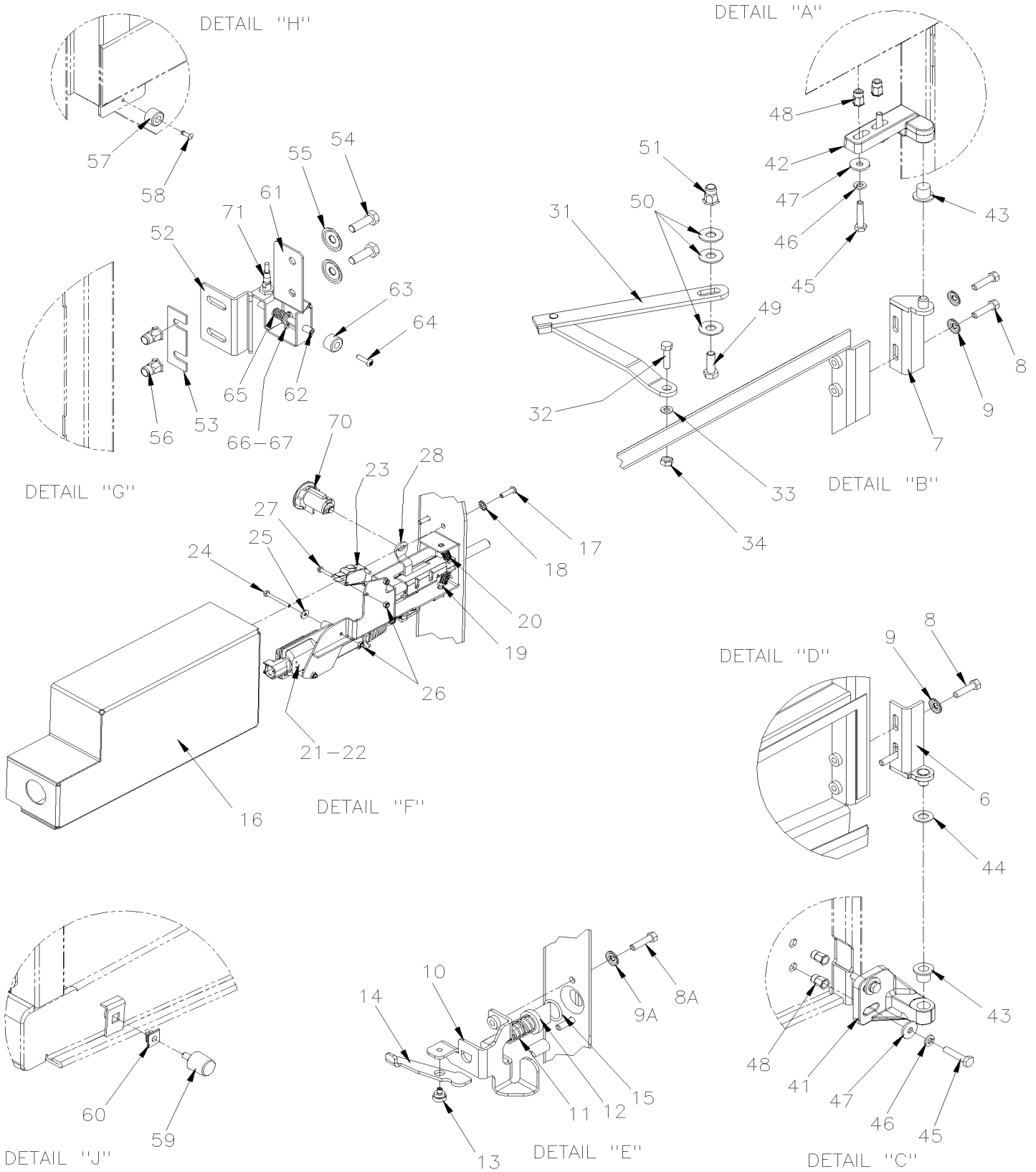


From F-5740 To H-6179

Date:07/2024

PAGE:X3VIP-1868-01

A/C COMPRESSOR DOOR ASSY





From F-5740 To H-6179	Date:07/2024	PAGE:X3VIP-1868-01
A/C COMPRESSOR DOOR ASSY		

Item#	Part	Description	X 3 V I P E N T	X 3 V I P M T H	N O T E S
		ALL COMPRESSOR DOORS ASSY DO NOT INCLUDE			
		RUB-RAIL PLEASE ORDER SEPARATELY			
	280067	COMPRESSOR DOOR ASSY / W/FLUTED LOWER MOULDING	1		
	280068	COMPRESSOR DOOR ASSY / W/FLUTED		1	
1	287811	FRAME ASSY / COMPRESSOR DOOR	1	1	
NS	287812	SUPPORT ACTUATOR / WELDED AT FRAME CURRENT ACTUATOR 780814	1	1	
2	477392	PANEL, UPPER / W/FLUTED / B.A.	1		
2	477393	PANEL, UPPER / W/FLUTED / B.A.		1	
3	477236	PANEL, LOWER / B.A.	1	1	
NS	687962	GLUE MS POLYMER TEROSON MS 9399 / "B" 21 Liters	AR	AR	
NS	687961	GLUE MS POLYMER TEROSON MS 9399 / "A" 21 Liters	AR	AR	
NS	506071	TAPE RUB ADH1 CC POL 1/8" x 1/2" x 50' / GREY 2520X	AR	AR	
4	288527	FINISHING MOULDING 1110MM / B.A.	1	1	
5	504340	RIVET POP DOME OE 1/8x3/16 SS	6	6	
6	289150	ARM ASSY	1	1	
7	289149	ARM ASSY	1	1	
8	5001697	SCREW CAP HEX M6-1.0x16 SS BK	4	4	
8	5001697	SCREW CAP HEX M6-1.0x16 SS BK	4	4	
8A	5001697	SCREW CAP HEX M6-1.0x16 SS BK	2	2	
8A	5001697	SCREW CAP HEX M6-1.0x16 SS BK	2	2	
9	5001833	WASHER BEL SPR 6.1x18x1.27 SS	4	4	
9	5001833	WASHER BEL SPR 6.1x18x1.27 SS	4	4	
9A	5001833	WASHER BEL SPR 6.1x18x1.27 SS	2	2	
9A	5001833	WASHER BEL SPR 6.1x18x1.27 SS	2	2	
10	288125	GUIDE PIN HOLDER To E-5663	1	1	
10	288006	GUIDE PIN HOLDER From E-5664	1	1	
11	502910	SPRING COMPRESSION / .720 O.D. 1.75 x .055	1	1	
12	289585	CATCH PIN ACETAL / 90MM	1	1	
13	287271	RIVET SHR FL 9.95x3.6{4.8x4.8 SS	1	1	
14	286612	PIVOT	1	1	
15	507212	O-RING	1	1	
15	680739	GREASE SYNTHETIC / RED 20KG	AR	AR	
16	288990	COVER / ACTUATOR PROTECTOR	1	1	
17	502698	SCREW MA PAN PH M4-0.7x16 SS BK	4	4	
18	5001544	WASHER LO EXT .195x.410x.025 SS	4	4	
19	481564	ROD GUIDE	2	2	
20	502934	SPRING COMPRESSION / .300 O.D. x 1 x .026	2	2	
21	2800049	LOCK ACTUATOR / 12V	1	1	
22	068084	CABLE ASSY / COMPRESSOR DOOR LOCK	1	1	
NS	504637	CABLE TIE / 3/16" x 13"	4	4	



From F-5740 To H-6179	Date:07/2024	PAGE:X3VIP-1868-01
A/C COMPRESSOR DOOR ASSY		

Item#	Part	Description	X 3 V I P E N T	X 3 V I P M T H	N O T E S
NS	504273	. CABLE TIE / 1/8" X 3"1/2	1	1	
23	562096	. MICRO SWITCH	1	1	
24	5001100	. SCREW CAP HEX M3-0.5x30 G8.8 ZP	2	2	
25	500437	. WASHER FL .125x.375x.040 Z050	2	2	
26	5001408	. NUT HEX STO M3-0.5 ZP	4	4	
27	502577	. SCREW MA PAN PH M3-0.5x16 ZP	2	2	
28	287406	. PIVOT LOCK 9.5MM OFFSET	1	1	
30	X3VIP-0662-00	. CLEARANCE & MARKER LIGHT			
31	288031	. GUIDE ASSY / R.H. DOOR To H-6121	1	1	
31	2801083	GUIDE ASSY / R.H. DOOR From H-6122	1	1	
32	502737	. SCREW CAP HEX M6-1.0x25 SS BK	1	1	
33	502573	. WASHER FL 6.4x12.5x1.6 SS	1	1	
34	502681	. NUT HEX NYRT M6-1.0 N500 G8	1	1	
35	682972	BLACK TAPE BUTYL 3/16"X3/8"X25'	AR	AR	
35	684517	ADHESIVE SIMSON #ISR 70-03 / GREY / 310ml CARTRIDGE	AR	AR	
40	473830	FINISHING MOULDING SS / 1123MM	1	1	
40	685126	ADHESIVE SIMSON #ISR 70-03 / GREY / 600ml SAUSAGE	AR	AR	
40	5060044	TAPE RUB ADH2 CC POL 1/4" X 1/4" X 50' / BLACK I1C-N-A	AR	AR	
41	288945	LOWER HINGE To H-6201	1	1	
41	280552	LOWER HINGE From H-6202	1	1	
42	286085	HINGE / UPPER	1	1	
43	284607	BUSHING, NYLON / (NOT INCLUDE W/HINGE)	2	2	
44	502723	WASHER FL .386x.750x.050 NYL	1	1	
45	502686	SCREW CAP HEX M6-1.0x30 SS BK	4	4	
46	502570	WASHER LO SPT 6.1x11.8x1.6 SS	4	4	
47	430406	WASHER FLAT	4	4	
48	5001344	NUT INS FL HEX M6-1.0 0.5-3.0 SS	4	4	
49	502780	SCREW CAP HEX M8-1.25x25 SS BK	1	1	
49	680038	THREAD LOCKER LOCTITE #243 / BLUE / 50ml	AR	AR	
50	5001448	WASHER FL .343x.875x.062 SS18-8	3	3	
51	5001337	NUT INS FL HEX M8-1.25 0.5-3.0 Z050	1	1	
52	287286	CATCH PIN / RETAINER 45MMx21MM 90°	1	1	
53	287452	SHIM SPACER 70MM X 25 X 14GA	AR	AR	
54	502780	SCREW CAP HEX M8-1.25x25 SS BK	2	2	
55	5001868	WASHER BEL SPR 8.4x18x2 SS	2	2	
56	5001337	NUT INS FL HEX M8-1.25 0.5-3.0 Z050	2	2	
57	504334	BUMPER RUBBER / .625 OD x .406 TH x .156 HOLE	1	1	
58	504339	RIVET POP DOME OE 1/8x3/8 SS	1	1	
59	504454	BUMPER RUBBER BOLT / 20MM ODx20MM TH X M6X15MM STUD	1	1	
60	502939	NUT AN 1/4 NYL	1	1	
61	2800874	SUPPORT SWITCH	1	1	
62	2800875	ROD / SWITCH	1	1	



From F-5740 To H-6179	Date:07/2024	PAGE:X3VIP-1868-01
A/C COMPRESSOR DOOR ASSY		

Item#	Part	Description	X 3 V I P E N T	X 3 V I P M T H	N O T E S
63	504334	BUMPER RUBBER / .625 OD x .406 TH x .156 HOLE	1	1	
64	502698	SCREW MA PAN PH M4-0.7x16 SS BK	1	1	
65	5021001	SPRING COMPRESSION / .360 O.D. x 1.5 x .038	1	1	
66	502573	WASHER FL 6.4x12.5x1.6 SS	1	1	
67	5001860	PIN HITCH CLIP .054 x 3/4 SS	1	1	
70	X3VIP-1867-00	KEY & CYLINDER CODE			
71	X3VIP-0665-11	SWITCHES, LIGHTS, AJAR - UNDER FLOOR			
72	X3VIP-1855-00	RUB RAIL - EXTERIOR CREST & TRIMS From E-5490 To H-6092			
72	X3VIP-1855-01	RUB RAIL - EXTERIOR CREST & TRIMS From H-6093			

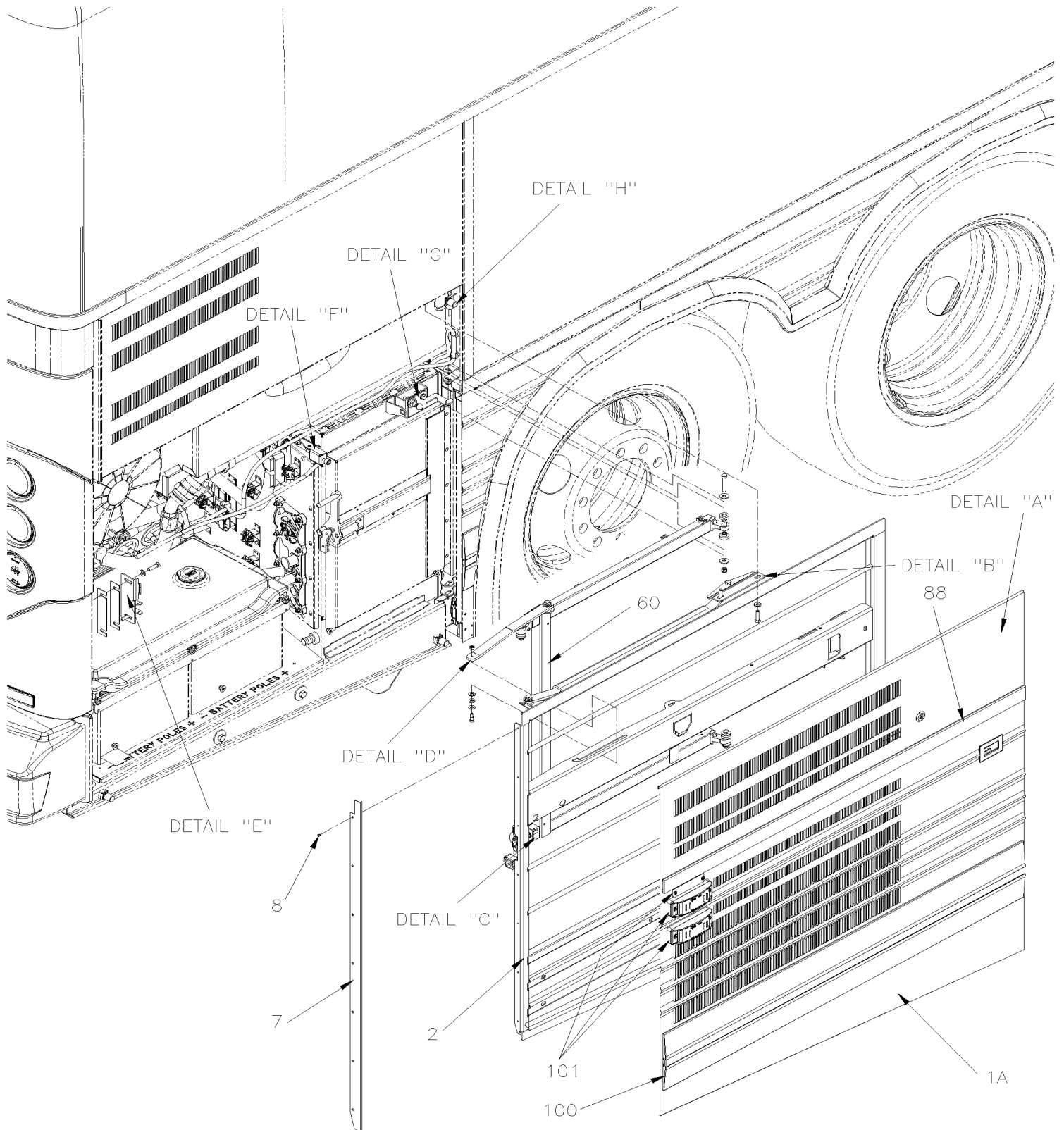


From H-6180 To L-6534

Date:07/2024

PAGE:X3VIP-1868-02

A/C COMPRESSOR DOOR ASSY GHG 17



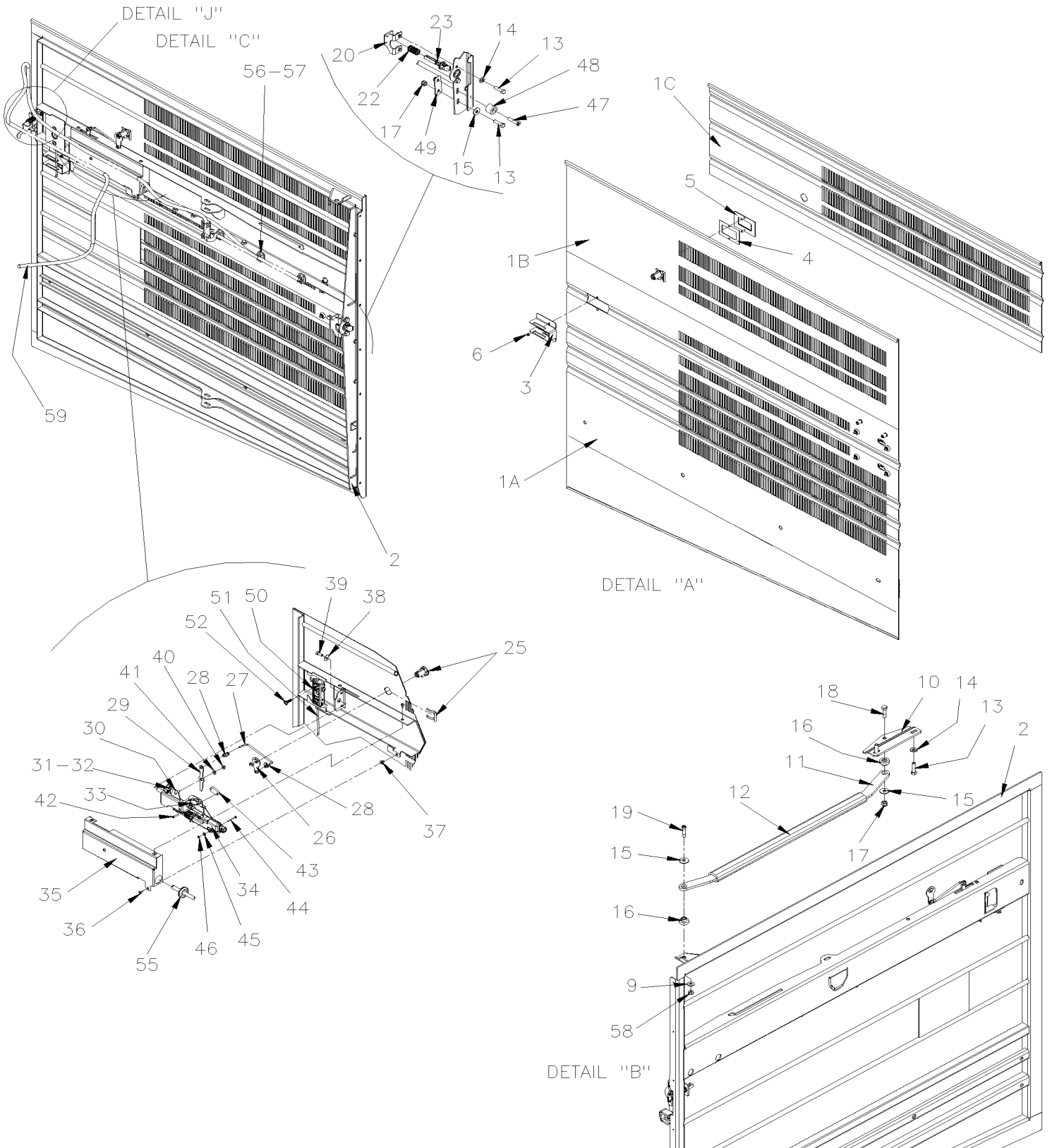


From H-6180 To L-6534

Date:07/2024

PAGE:X3VIP-1868-02

A/C COMPRESSOR DOOR ASSY GHG 17



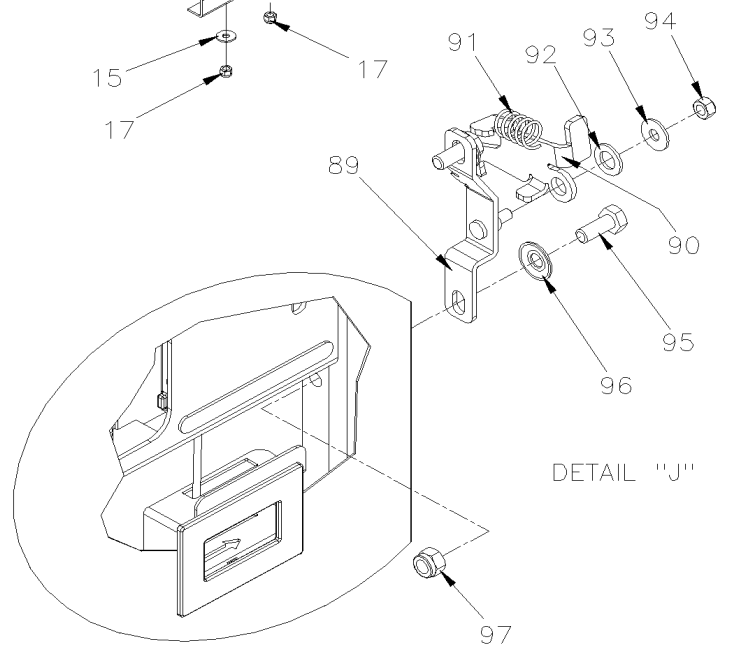
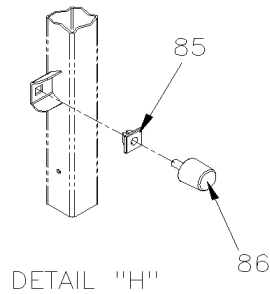
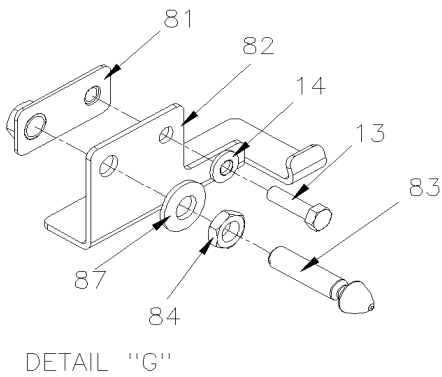
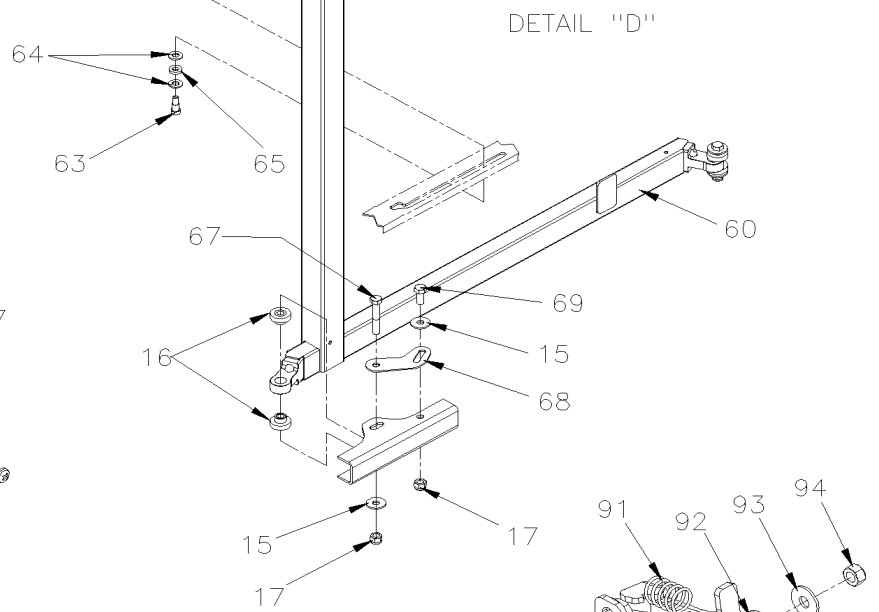
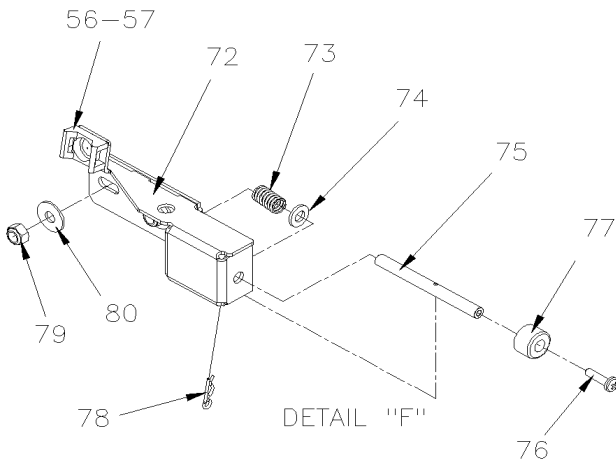
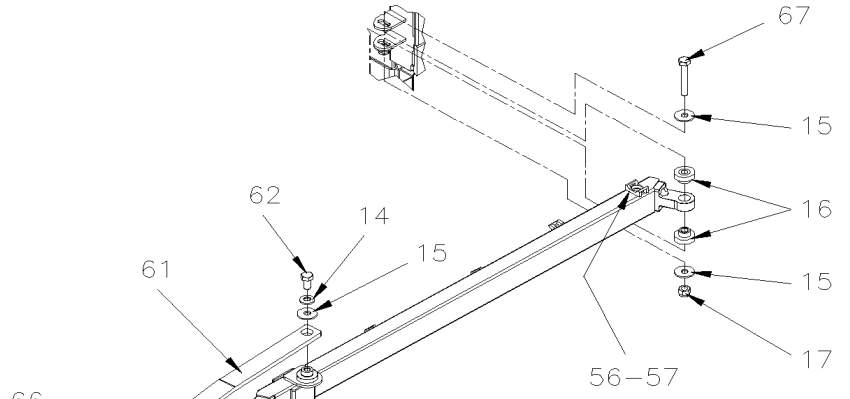
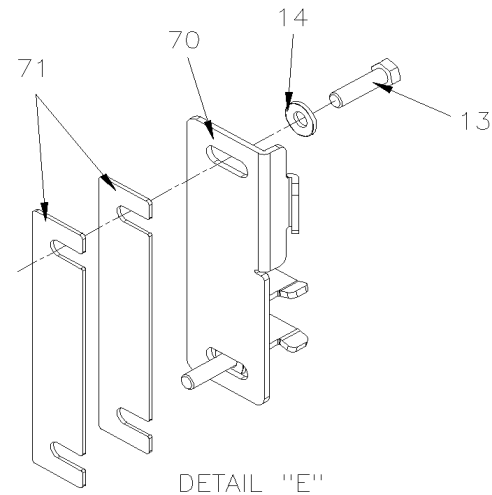


From H-6180 To L-6534

Date:07/2024

PAGE:X3VIP-1868-02

A/C COMPRESSOR DOOR ASSY GHG 17





From H-6180 To L-6534	Date:07/2024	PAGE:X3VIP-1868-02
A/C COMPRESSOR DOOR ASSY GHG 17		

Item#	Part	Description	X 3 V I P E N T	X 3 V I P M T H	N O T E S
		ALL COMPRESSOR DOORS ASSY DO NOT INCLUDE	1	1	
		RUB-RAIL PLEASE ORDER SEPARATELY	1	1	
	287884	COMPRESSOR DOOR ASSY / W/FLUTED LOWER MOULDING	1		
	287885	COMPRESSOR DOOR ASSY / W/FLUTED		1	
NS	506071	. TAPE RUB ADH1 CC POL 1/8" x 1/2" x 50' / GREY 2520X	AR	AR	
NS	684517	. ADHESIVE SIMSON #ISR 70-03 / GREY / 310ml CARTRIDGE	AR	AR	
NS	687961	. GLUE MS POLYMER TEROSON MS 9399 / "A" 21 Liters	AR	AR	
NS	687962	. GLUE MS POLYMER TEROSON MS 9399 / "B" 21 Liters	AR	AR	
1A	470846	. PANEL LOWER / W/FLUTED	1	1	
1B	470843	. PANEL UPPER	1		
1B	479690	. PANEL, / FLAT	1	1	B
. NS	4710301	. . BOTTOM PANEL, COMPRESSOR DOOR	1	1	B
1C	470856	. PANEL UPPER / W/FLUTED		1	
2	2801023	. WELDED FRAME, COMPRESSOR DOOR To K-6409	1	1	
2	2810064	. WELDED FRAME, COMPRESSOR DOOR From K-6410	1	1	
3	280271	. GUIDE FOR SPRING	1	1	
4	280454	. SPACER	1	1	
5	280378	. FINISHING PLATE ASSY	1	1	
6	500539	. NUT HEX NYRT M4-0.7 N500	2	2	
7	280478	. FINISHING MOULDING 1113.5MM To K-6409	1	1	
7	2810037	. FINISHING MOULDING 1113.5MM From K-6410	1	1	
8	504340	. RIVET POP DOME OE 1/8x3/16 SS	AR	AR	
9	5001976	. WASHER FL .266x.718x.060 SS	1	1	
10	280270	. PIVOT BRACKET	1	1	
11	280086	. HORIZONTAL LINK	1	1	
12	503523	. HOSE SILICONE 1PLY 3/4" I.D. x 100' / S.L.	AR	AR	
13	5001912	. SCREW CAP HEX M8-1.25x30 SS BK	AR	AR	
14	5001868	. WASHER BEL SPR 8.4x18x2 SS	AR	AR	
15	5001849	. WASHER FL 8.4x24.0x2.0 SS	AR	AR	
16	286716	. SPACER BUSHING FLANGE / AUX. ARM & SUPPORT ACETAL 8.3MM I.D.	AR	AR	
17	5001787	. NUT HEX NYRT M8-1.25 SS	AR	AR	
18	5001499	. SCREW CAP HEX M8-1.25x30 SS	1	1	
19	500631	. SCREW SHR HEXS 5/16x3/4 {1/4-20 SS	1	1	
20	287856	. LATCH GUIDE	1	1	
22	502910	. SPRING COMPRESSION / .720 O.D. 1.75 x .055	1	1	
23	2801055	. CATCH PIN BLACK ACETAL	1	1	
25	X3VIP-1867-00	. KEY & CYLINDER CODE			
26	280368	. PIVOT LOCK	1	1	
27	280382	. LOCK ROD COMPRESSOR DOOR / 124MM	1	1	
28	780340	. CLIP, RETAINER ROD	2	2	
29	280383	. LOCK LEVER 94MM	1	1	



From H-6180 To L-6534	Date:07/2024	PAGE:X3VIP-1868-02
A/C COMPRESSOR DOOR ASSY GHG 17		

Item#	Part	Description	X 3 V I P E N T	X 3 V I P M T H	N O T E S
30	2801036	. SUPPORT DOOR LOCK ASSY WELDED 232x90x37MM	1	1	
31	481564	. ROD GUIDE	2	2	
32	502934	. SPRING COMPRESSION / .300 O.D. x 1 x .026	2	2	
33	562096	. MICRO SWITCH	1	1	E
34	2800049	. LOCK ACTUATOR / 12V	1	1	E
35	280411	. CLOSING COVER	1	1	
36	500124	. SCREW TP TR PH #8x1/2 SS	4	4	
37	502741	. NUT AN #8 NYL	4	4	
38	5001833	. WASHER BEL SPR 6.1x18x1.27 SS	2	2	
39	5001697	. SCREW CAP HEX M6-1.0x16 SS BK	2	2	
40	5001587	. NUT HEX NYRT M5-0.8 SS	1	1	
41	500804	. WASHER FL .203x.500x.047 N500	1	1	
42	5001888	. SCREW TP CAP TORX M3X18 SS	2	2	E
43	2801045	. RETAINING BLOCK	1	1	E
44	5001100	. SCREW CAP HEX M3-0.5x30 G8.8 ZP	2	2	E
45	500437	. WASHER FL .125x.375x.040 Z050	2	2	E
46	5001408	. NUT HEX STO M3-0.5 ZP	2	2	E
47	5001461	. SCREW MA FL PH M8-1.25x40 SS	1	1	
48	280589	. ROLLER	1	1	
49	280588	. RETAINING PLATE	1	1	
50	477399	. RECEPTACLE	1	1	
51	470481	. SPRING 191MM	1	1	
52	5001630	. SCREW TP BUTF TORX M6x20 SS	3	3	
55	504397	. GROMMET / .750x1.062x.062x.375x1.375	1	1	E
NS	504433	. SNAP-IN PLUG / 1.090 O.D.	1	1	N
56	504013	. TIE MOUNT / 1/4" X 1/4" I.D.	AR	AR	
57	504379	. RIVET POP DOME OE 3/16x1/4 SS	AR	AR	
58	5001251	. NUT HEX NYRT 1/4-20 SS	1	1	
59	060778	CABLE ASSY / DOOR LOCK	1	1	
60	2801041	PANTOGRAPH FRAME WELDED	1	1	
61	2801062	RETAINING ARM	1	1	
62	5001527	SCREW CAP HEX M8-1.25x16 SS BK	1	1	
63	5001560	SCREW SHR HEXS 5/16x3/8 {1/4-20 SS	1	1	
64	5001341	WASHER FL 8.4x17.0x1.6 SS	2	2	
65	502768	WASHER FL RUB .312x.625x.125 NEO	1	1	
66	5001980	NUT HEX JAM 1/4-20 SS BK	1	1	
67	5001981	SCREW CAP HEX M8-1.25x50 SS BK	4	4	
68	2810051	PLATE From K-6421	1	1	
69	5001594	SCREW CAP HEX M8-1.25x20 SS From K-6421	2	2	
70	280567	CATCH PIN / RETAINER	1	1	
71	280599	SHIM SPACER / 150MM X 32 X 14GA	2	2	
72	280274	SWITCH HOLDER	1	1	



From H-6180 To L-6534	Date:07/2024	PAGE:X3VIP-1868-02
A/C COMPRESSOR DOOR ASSY GHG 17		

Item#	Part	Description	X 3 V I P E N T	X 3 V I P M T H	N O T E S
73	5021001	SPRING COMPRESSION / .360 O.D. x 1.5 x .038	1	1	
74	502573	WASHER FL 6.4x12.5x1.6 SS	1	1	
75	2800875	ROD / SWITCH	1	1	
76	502698	SCREW MA PAN PH M4-0.7x16 SS BK	1	1	
77	504334	BUMPER RUBBER / .625 OD x .406 TH x .156 HOLE To J-6339	1	1	
77	5002025	BUMPER NEOPRENE / .625 OD x .406 TH x .156 HOLE From J-6340	1	1	
78	5001860	PIN HITCH CLIP .054 x 3/4 SS	1	1	
79	502681	NUT HEX NYRT M6-1.0 N500 G8	2	2	
80	500411	WASHER FL .260x.697x.050 SS	2	2	
81	2801030	RETAINING PLATE ASSY 65X25MM	1	1	
82	2801031	PLATE 65X25MM To K-6420	1	1	
83	280590	STOPPING ROD M12 X 52	1	1	
85	5001009	NUT AN 1/4 NYL	4	4	
86	504454	BUMPER RUBBER BOLT / 20MM ODx20MM TH X M6X15MM STUD	4	4	
87	5000358	WASHER BEL SPR 13.0x29x3 SS	1	1	
88	470589	MOULDING FINISHING 1315MM From J-6223 To J-6223		1	
88	470605	MOULDING FINISHING	1		
88	479617	MOULDING, FINISHING 1323MM	1	1	B
89	2810059	STOPPER ASSY From K-6421	1	1	
90	2810056	LATCH From K-6421	1	1	
91	502245	SPRING COMPRESSION / .600 O.D. x 1.25 x .059 From K-6421	1	1	
92	5001935	WASHER FL 10.5x18.0x1.6 SS From K-6421	1	1	
93	5001833	WASHER BEL SPR 6.1x18x1.27 SS From K-6421	1	1	
94	5001182	NUT HEX NYRT M6-1.0 SS From K-6421	1	1	
95	5001594	SCREW CAP HEX M8-1.25x20 SS From K-6421	2	2	
96	5001699	WASHER BEL SPR 8.2x22x1.4 N500 From K-6421	2	2	
97	5001787	NUT HEX NYRT M8-1.25 SS From K-6421	2	2	
100	X3VIP-1855-01	RUB RAIL - EXTERIOR CREST & TRIMS From K-6421	1	1	
101	X3VIP-0662-00	CLEARANCE & MARKER LIGHT To K-6491	1	1	
101	X3VIP-0662-01	CLEARANCE & MARKER LIGHT From L-6492	1	1	
		B) MOTORHOME WITH FLAT PANEL			
		E) WITH ELECTRICAL DOOR LOCK			
		N) NO ELECTRICAL DOOR LOCK			

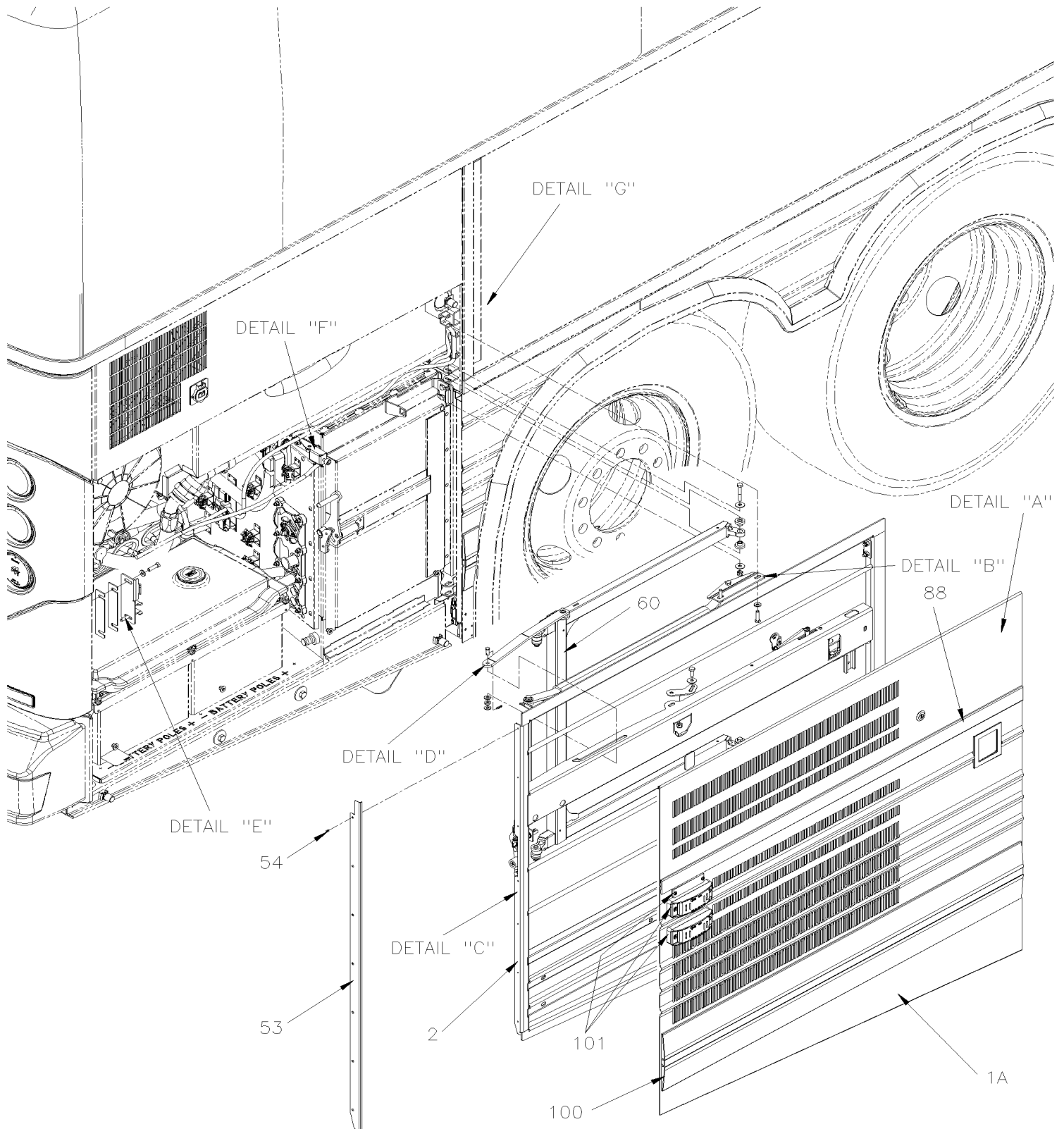


From L-6535

Date:07/2024

PAGE:X3VIP-1868-03

A/C COMPRESSOR DOOR ASSY



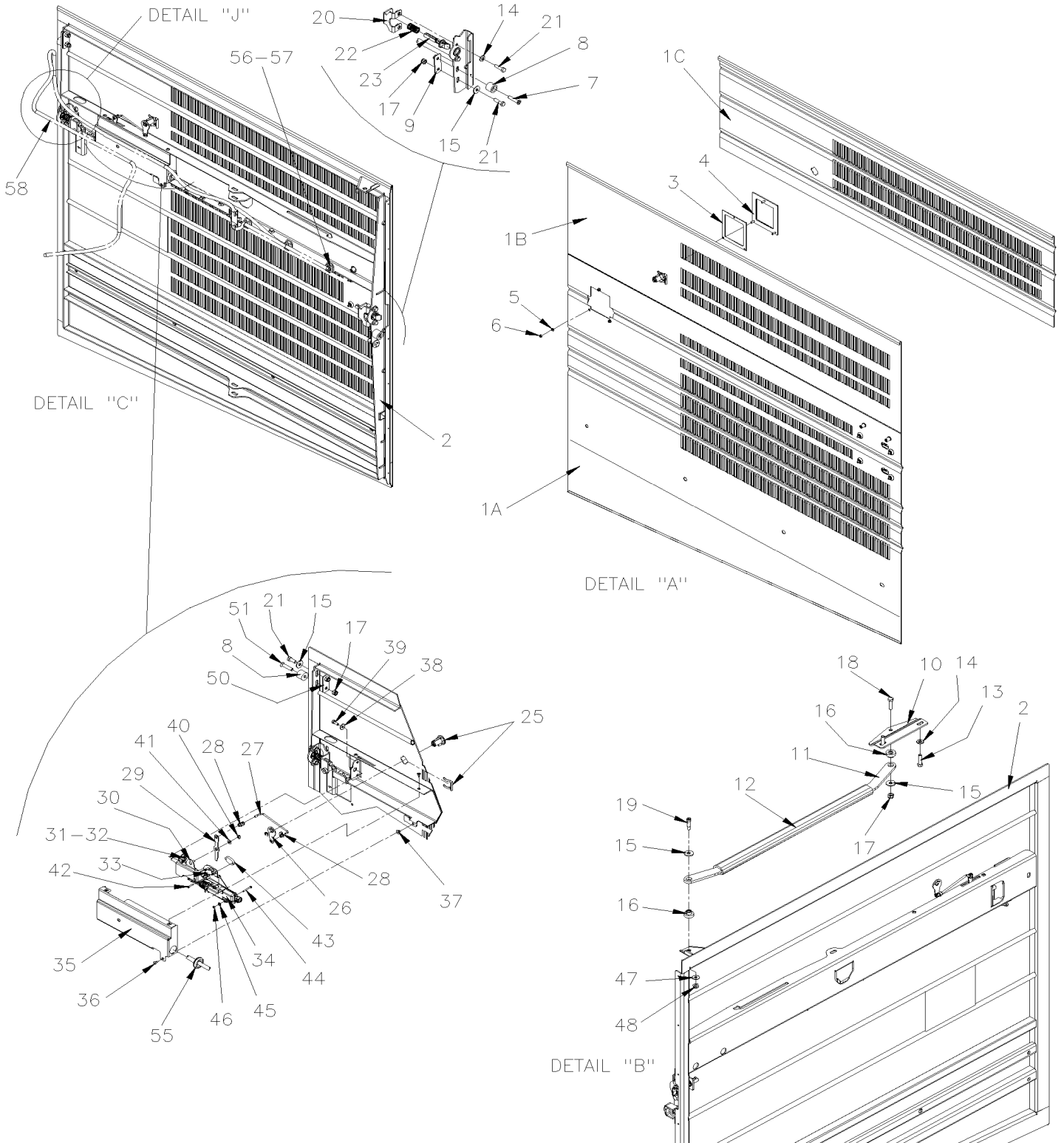


From L-6535

Date:07/2024

PAGE:X3VIP-1868-03

A/C COMPRESSOR DOOR ASSY



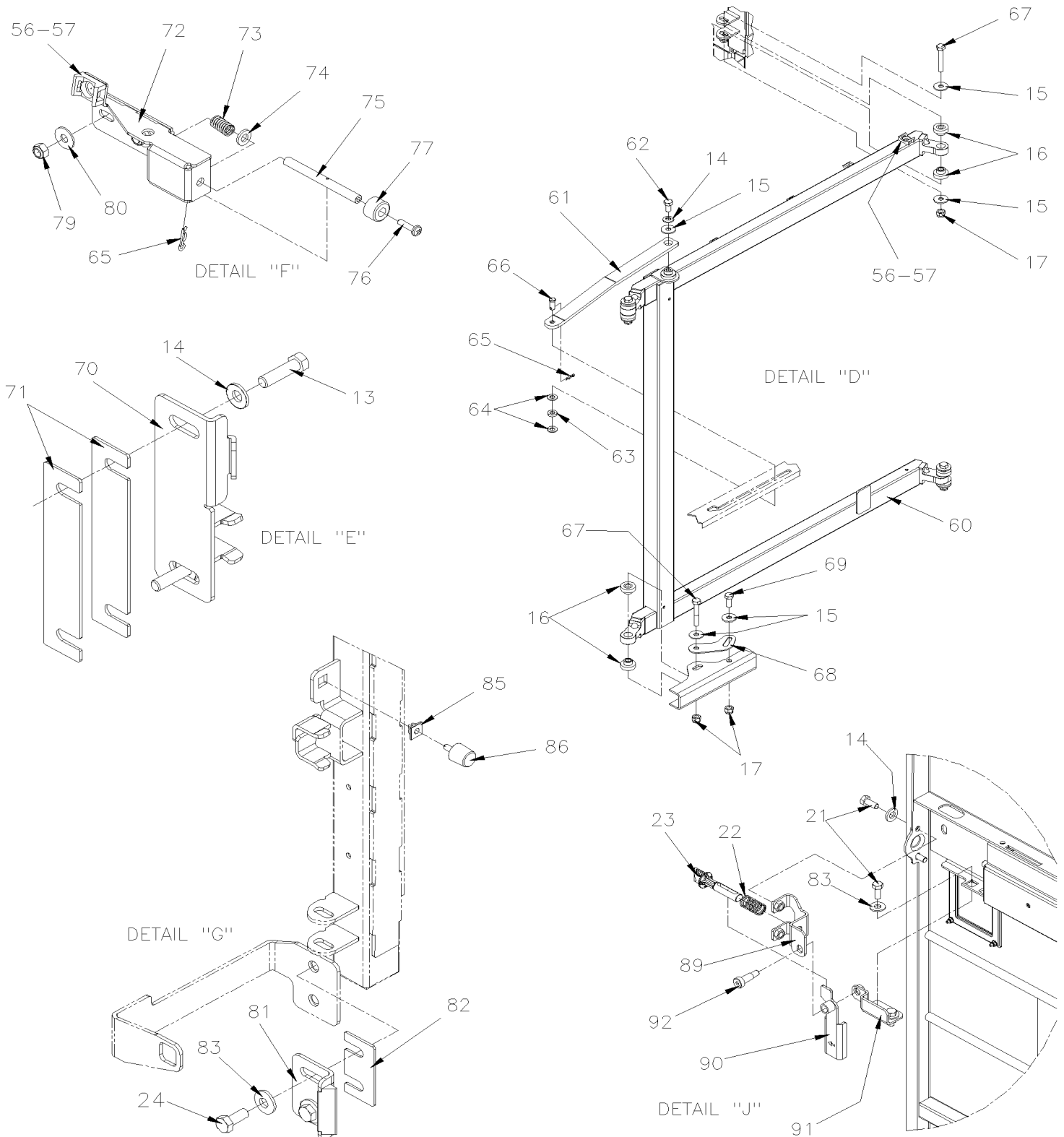


From L-6535

Date:07/2024

PAGE:X3VIP-1868-03

A/C COMPRESSOR DOOR ASSY





From L-6535		Date:07/2024	PAGE:X3VIP-1868-03
A/C COMPRESSOR DOOR ASSY			

Item#	Part	Description	X 3 V I P E N T	X 3 V I P M T H	N O T E S
		ALL COMPRESSOR DOORS ASSY DO NOT INCLUDE	1	1	
		RUB-RAIL PLEASE ORDER SEPARATELY	1	1	
	2801210	COMPRESSOR DOOR ASSY	1		
	Call order desk	COMPRESSOR DOOR ASSY / W/ELECTRICAL LOCK		1	P
NS	506071	. TAPE RUB ADH1 CC POL 1/8" x 1/2" x 50' / GREY 2520X	AR	AR	
NS	684517	. ADHESIVE SIMSON #ISR 70-03 / GREY / 310ml CARTRIDGE	AR	AR	
NS	687961	. GLUE MS POLYMER TEROSON MS 9399 / "A" 21 Liters To M-6660	AR	AR	
NS	685385	. GLUE MS POLYMER TEROSON MS 9399 / "A" 14.8 Liters From M-6661	AR	AR	
NS	687962	. GLUE MS POLYMER TEROSON MS 9399 / "B" 21 Liters To M-6660	AR	AR	
NS	685386	. GLUE MS POLYMER TEROSON MS 9399 / "B" 14.8 Liters From M-6661	AR	AR	
NS	687957	. GLUE MS POLYMER TEROSON MS 9399 / 400ml CARTRIDGE To M-6660	AR	AR	
NS	685387	. GLUE MS POLYMER TEROSON MS 9399 / 400ml CARTRIDGE From M-6661	AR	AR	
1A	479746	. PANEL LOWER / W/FLUTED	1	1	
1A	478998	PANEL, / FLAT	1		B
NS	4710301	. BOTTOM PANEL, COMPRESSOR DOOR	1		B
1B	470843	. PANEL UPPER	1		
1B	479690	. PANEL, / FLAT		1	B
NS	4710301	. BOTTOM PANEL, COMPRESSOR DOOR		1	B
1C	470856	. PANEL UPPER / W/FLUTED		1	
2	2810230	. WELDED FRAME, COMPRESSOR DOOR To M-6661	1	1	
2	2810576	. WELDED FRAME, COMPRESSOR DOOR From M-6662	1	1	
3	2810159	. SPACER	1	1	
4	2810289	. FINISHING PLATE	1	1	
NS	2810288	. HOLDING PLATE From M-6647	1	1	
5	502556	. WASHER FL 4.3x9.0x0.8 SS	3	3	
6	500539	. NUT HEX NYRT M4-0.7 N500	3	3	
7	5001461	. SCREW MA FL PH M8-1.25x40 SS	2	2	
8	280589	. ROLLER	2	2	
9	280588	. RETAINING PLATE To M-6661	1	1	
9	2810149	. RETAINING PLATE From M-6662	1	1	
10	280270	. PIVOT BRACKET	1	1	
11	280086	. HORIZONTAL LINK	1	1	
12	503523	. HOSE SILICONE 1PLY 3/4" I.D. x 100' / S.L.	AR	AR	
13	5001912	. SCREW CAP HEX M8-1.25x30 SS BK	AR	AR	
14	5001868	. WASHER BEL SPR 8.4x18x2 SS	AR	AR	
15	5001849	. WASHER FL 8.4x24.0x2.0 SS	AR	AR	
16	286716	. SPACER BUSHING FLANGE / AUX. ARM & SUPPORT ACETAL 8.3MM I.D.	AR	AR	
17	5001787	. NUT HEX NYRT M8-1.25 SS	AR	AR	
18	5001499	. SCREW CAP HEX M8-1.25x30 SS	1	1	
19	500631	. SCREW SHR HEXS 5/16x3/4 {1/4-20 SS	1	1	



From L-6535		Date:07/2024	PAGE:X3VIP-1868-03
A/C COMPRESSOR DOOR ASSY			

Item#	Part	Description	X 3 V I P E N T	X 3 V I P M T H	N O T E S
20	287856	. LATCH GUIDE	1	1	
21	500119	. SCREW CAP HEX M8X1.25X20 BK	AR	AR	
22	502910	. SPRING COMPRESSION / .720 O.D. 1.75 x .055	1	1	
23	2801055	. CATCH PIN BLACK ACETAL	1	1	
24	502780	. SCREW CAP HEX M8-1.25x25 SS BK From M-6647	AR	AR	
25	X3VIP-1867-00	. KEY & CYLINDER CODE			
26	280368	. PIVOT LOCK	1	1	
27	280382	. LOCK ROD COMPRESSOR DOOR / 124MM	1	1	
28	780340	. CLIP, RETAINER ROD	2	2	
29	280383	. LOCK LEVER 94MM	1	1	
30	2801036	. SUPPORT DOOR LOCK ASSY WELDED 232x90x37MM	1	1	
31	481564	. ROD GUIDE	2	2	
32	502934	. SPRING COMPRESSION / .300 O.D. x 1 x .026	2	2	
33	562096	. MICRO SWITCH	1	1	E
34	2800049	. LOCK ACTUATOR / 12V	1	1	E
35	280411	. CLOSING COVER	1	1	
36	500124	. SCREW TP TR PH #8x1/2 SS	4	4	
37	502741	. NUT AN #8 NYL	4	4	
38	5001833	. WASHER BEL SPR 6.1x18x1.27 SS	2	2	
39	5001697	. SCREW CAP HEX M6-1.0x16 SS BK	2	2	
40	5001587	. NUT HEX NYRT M5-0.8 SS	1	1	
41	500804	. WASHER FL .203x.500x.047 N500	1	1	
42	5001888	. SCREW TP CAP TORX M3X18 SS	2	2	E
43	2801045	. RETAINING BLOCK	1	1	E
44	5001100	. SCREW CAP HEX M3-0.5x30 G8.8 ZP	2	2	E
45	500437	. WASHER FL .125x.375x.040 Z050	2	2	E
46	5001408	. NUT HEX STO M3-0.5 ZP	2	2	E
47	5001976	. WASHER FL .266x.718x.060 SS	1	1	
48	5001251	. NUT HEX NYRT 1/4-20 SS	1	1	
50	2810149	. RETAINING PLATE	1	1	
51	5001416	. BUMPER RUBBER / 11/16x1/2x3/32	1	1	
52	5001630	. SCREW TP BUTF TORX M6x20 SS	3	3	
53	2810037	. FINISHING MOULDING 1113.5MM	1	1	
54	504340	. RIVET POP DOME OE 1/8x3/16 SS	AR	AR	
55	504397	. GROMMET / .750x1.062x.062x.375x1.375	1	1	E
NS	504433	. SNAP-IN PLUG / 1.090 O.D.	1	1	N
56	504013	. TIE MOUNT / 1/4" X 1/4" I.D.	AR	AR	
57	504379	. RIVET POP DOME OE 3/16x1/4 SS	AR	AR	
58	060778	CABLE ASSY / DOOR LOCK	1	1	
60	2810320	PANTOGRAPH FRAME WELDED	1	1	
61	2810346	RETAINING ARM	1	1	
62	5001527	SCREW CAP HEX M8-1.25x16 SS BK	1	1	



From L-6535		Date:07/2024	PAGE:X3VIP-1868-03
A/C COMPRESSOR DOOR ASSY			

Item#	Part	Description	X 3 V I P E N T	X 3 V I P M T H	N O T E S
63	502768	WASHER FL RUB .312x.625x.125 NEO	1	1	
64	5001341	WASHER FL 8.4x17.0x1.6 SS	2	2	
65	5001860	PIN HITCH CLIP .054 x 3/4 SS	2	2	
66	5002122	PIN, CLEVIS 5/16 x 19/32 x 3/4 SS	1	1	
67	5001981	SCREW CAP HEX M8-1.25x50 SS BK	4	4	
68	2810051	PLATE	2	2	
69	500119	SCREW CAP HEX M8X1.25X20 BK	2	2	
70	280567	CATCH PIN / RETAINER	1	1	
71	280599	SHIM SPACER / 150MM X 32 X 14GA	2	2	
72	280274	SWITCH HOLDER	1	1	
73	5021001	SPRING COMPRESSION / .360 O.D. x 1.5 x .038	1	1	
74	502573	WASHER FL 6.4x12.5x1.6 SS	1	1	
75	2800875	ROD / SWITCH	1	1	
76	502698	SCREW MA PAN PH M4-0.7x16 SS BK	1	1	
77	5002025	BUMPER NEOPRENE / .625 OD x .406 TH x .156 HOLE	1	1	
79	502681	NUT HEX NYRT M6-1.0 N500 G8	2	2	
80	500411	WASHER FL .260x.697x.050 SS	2	2	
81	2810232	STRIKE, COMPRESSOR DOOR	1	1	
82	2810233	BACK PLATE	1	1	
83	5001848	WASHER BEL SPR .827 x .331 x .098 th SS	3	3	
84	5001623	NUT HEX JAM M12x1.75 SS	1	1	
85	5001009	NUT AN 1/4 NYL	4	4	
86	504454	BUMPER RUBBER BOLT / 20MM ODx20MM TH X M6X15MM STUD	4	4	
88	479617	MOULDING, FINISHING 1323MM	1	1	
89	2810156	LATCH ASSY COMPRESSOR DOOR	1	1	
90	2810302	LEVER, LATCH DOOR RAD	1	1	
91	2810342	SUPPORT, HANDLE	1	1	
92	5002148	SCREW SHR HEXS 10x20 {M8-1.25 SS	1	1	
100	X3VIP-1855-01	RUB RAIL - EXTERIOR CREST & TRIMS	1	1	
101	X3VIP-0662-01	CLEARANCE & MARKER LIGHT	1	1	
		B) MOTORHOME WITH FLAT PANEL			
		E) WITH ELECTRICAL DOOR LOCK			
		N) NO ELECTRICAL DOOR LOCK			
		P) CALL ORDER DESK FOR SPECIFIC APPLICATION (V.I.N.)			

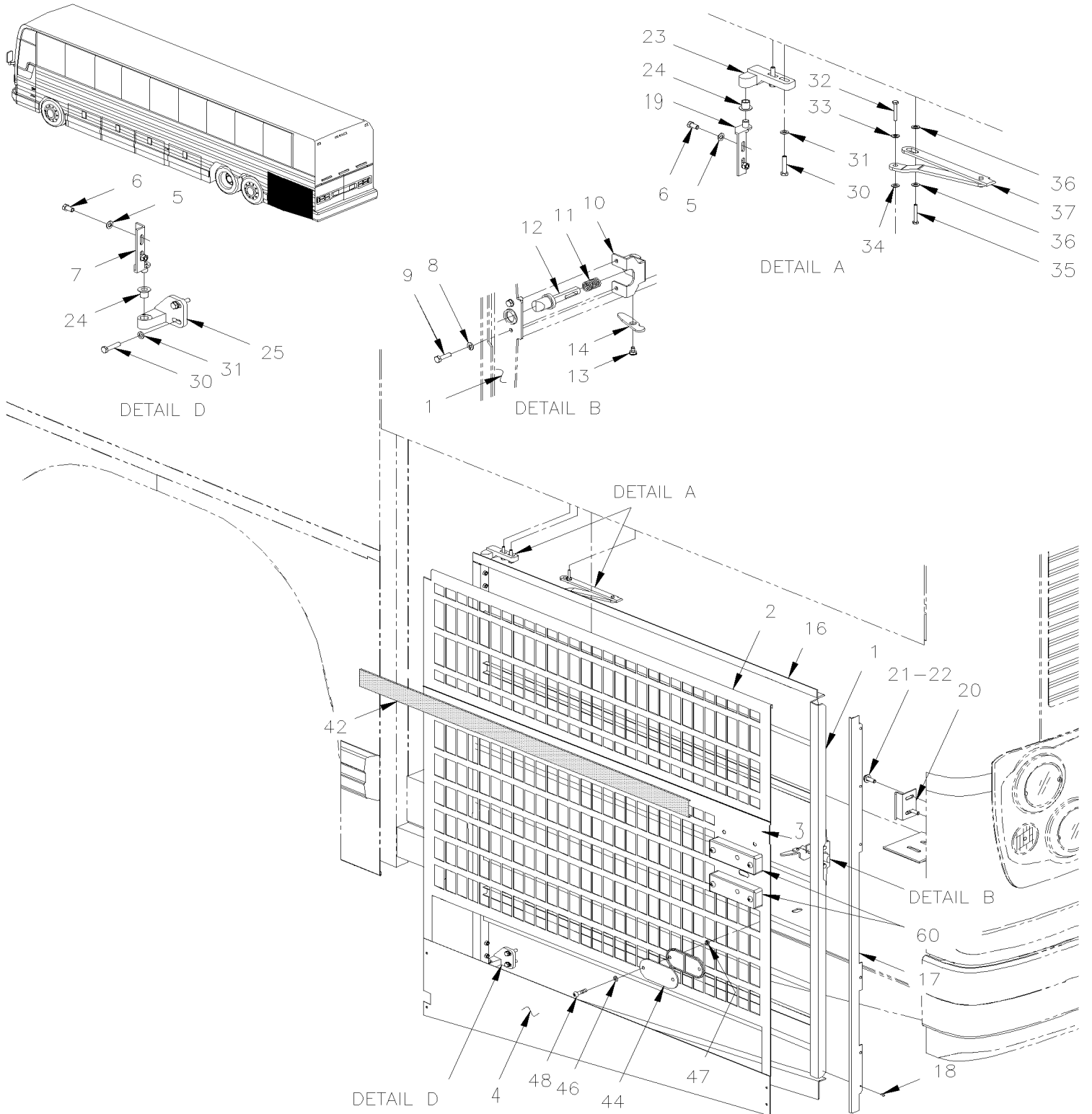


From E-5490 To E-5739

Date:07/2024

PAGE:X3VIP-1869-55

RADIATOR DOOR ASSY





From E-5490 To E-5739	Date:07/2024	PAGE:X3VIP-1869-55
RADIATOR DOOR ASSY		

Item#	Part	Description	X 3 V I P E N T	X 3 V I P M T H	N O T E S
	287827	RADIATOR DOOR ASSY / W/FLUTED LOWER MOULDING	1		
	287828	RADIATOR DOOR ASSY / W/FLUTED		1	
1	281294	. FRAME ASSY / RADIATOR DOOR	1	1	
2	470344	. PANEL, UPPER / W/FLAT UPPER MOULDING / B.A.	1		
2	470336	. PANEL, UPPER / W/FLUTED UPPER MOULDING / B.A.		1	
3	477391	. PANEL, CENTER / W/FLUTED LOWER MOULDING / B.A.	1	1	
4	477235	. PANEL, LOWER / B.A.	1	1	
5	502737	. SCREW CAP HEX M6-1.0x25 SS BK	4	4	
NS	430406	. WASHER FLAT	4	4	
6	502686	. SCREW CAP HEX M6-1.0x30 SS BK	4	4	
7	289149	. ARM ASSY	1	1	
8	500356	. WASHER LO SERR 6.1x16.0x0.9 N500	6	6	
9	502737	. SCREW CAP HEX M6-1.0x25 SS BK	6	6	
10	288006	. GUIDE PIN HOLDER	1	1	
11	502910	. SPRING COMPRESSION / .720 O.D. 1.75 x .055	1	1	
12	289585	. CATCH PIN ACETAL / 90MM	1	1	
NS	507212	. O-RING	1	1	
13	287271	. RIVET SHR FL 9.95x3.6{4.8x4.8 SS	1	1	
14	286612	. PIVOT	1	1	
16	504334	. BUMPER RUBBER / .625 OD x .406 TH x .156 HOLE	1	1	
16	504339	. RIVET POP DOME OE 1/8x3/8 SS	1	1	
16	504454	. BUMPER RUBBER BOLT / 20MM ODx20MM TH X M6X15MM STUD From F-5740	1	1	
16	502939	. NUT AN 1/4 NYL From F-5740	1	1	
16	504340	. RIVET POP DOME OE 1/8x3/16 SS	7	7	
17	289415	. FINISHING MOULDING 1477MM / B.A.	1	1	
18	504339	. RIVET POP DOME OE 1/8x3/8 SS	AR	AR	
19	289150	. ARM ASSY	1	1	
20	287286	. CATCH PIN / RETAINER 45MMx21MM 90°	1	1	
NS	287452	. SHIM SPACER 70MM X 25 X 14GA	AR	AR	
21	502857	. WASHER LO SERR 8.2x26.3x1.8 N500	4	4	
22	502780	. SCREW CAP HEX M8-1.25x25 SS BK	4	4	
23	286129	HINGE / UPPER	1	1	
24	284607	BUSHING, NYLON / (NOT INCLUDE W/HINGE)	2	2	
NS	502723	WASHER FL .386x.750x.050 NYL	1	1	
25	288827	LOWER HINGE	1	1	
30	502737	SCREW CAP HEX M6-1.0x25 SS BK	4	4	
31	430406	WASHER FLAT	4	4	
32	502568	SCREW MA PAN PH M6-1.0x20 EMN	1	1	
33	502573	WASHER FL 6.4x12.5x1.6 SS	1	1	
34	502511	NUT HEX NYRT M6-1.0 Z050	1	1	
35	502780	SCREW CAP HEX M8-1.25x25 SS BK	1	1	
36	500270	WASHER FL .406x1.000x.063 SS	2	2	



From E-5490 To E-5739	Date:07/2024	PAGE:X3VIP-1869-55
-----------------------	--------------	--------------------

RADIATOR DOOR ASSY

Item#	Part	Description	X 3 V I P E N T	X 3 V I P M T H	N O T E S
37	281912	GUIDE ASSY / L.H. DOOR	1	1	
42	479176	FINISHING MOULDING PLASTIC 1276MM	1		
. NS	506769	. TAPE RUB ADH2 CC POL 1/8" x 1/4" x 60' / BLACK H1CC-N-#14	AR		
42	470073	FINISHING MOULDING SS 1280MM		1	
NS	683083	ADHESIVE SIKA #252 / BLACK / 600 ml SAUSAGE	AR	AR	
NS	5060044	TAPE RUB ADH2 CC POL 1/4" X 1/4" X 50' / BLACK I1C-N-A	AR	AR	
44	930320	REFLECTOR RED 1 3/16" x 4 7/16"	1	1	
46	500914	WASHER LO SPT .193x.334x.047 N500	2	2	
47	500787	NUT HEX #10-24 SS	2	2	
48	500606	SCREW MA TR PH #10-24x3/4 SS	2	2	
60	X3VIP-0662-00	CLEARANCE & MARKER LIGHT			
NS	064990	CABLE ASSY / SIDE MARKER LAMP FOR DOORS	1	1	
. NS	473832	. GROMMET 2 HOLESx1.6x11.0MMx2.0MMx8.0MMx16MM	1	1	
61	067207	CABLE ASSY / SIDE MARKER LAMP FOR DOORS	1	1	
. NS	473832	. GROMMET 2 HOLESx1.6x11.0MMx2.0MMx8.0MMx16MM	1	1	

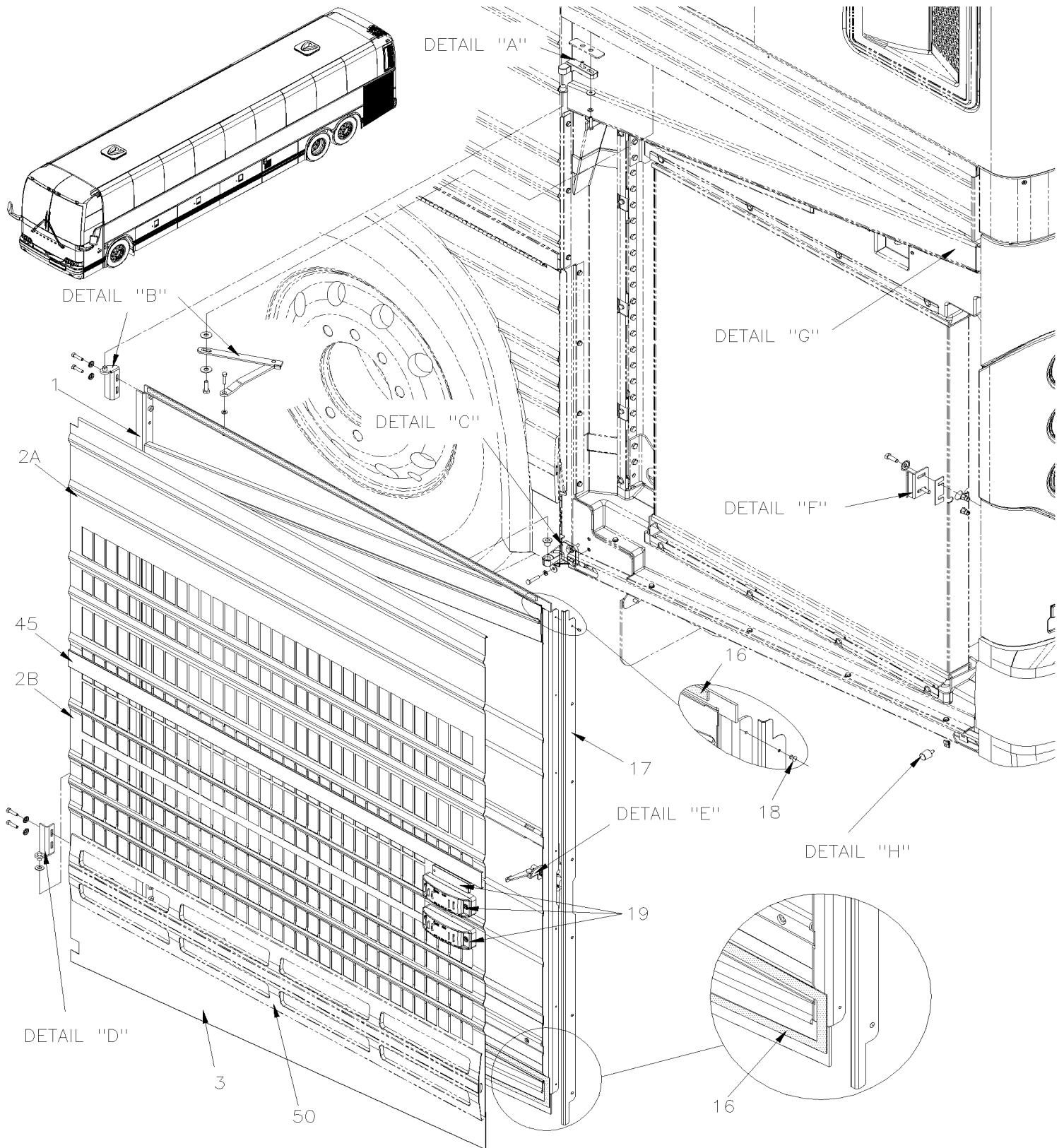


From F-5740 To H-6179

Date:07/2024

PAGE:X3VIP-1869-56

RADIATOR DOOR ASSY



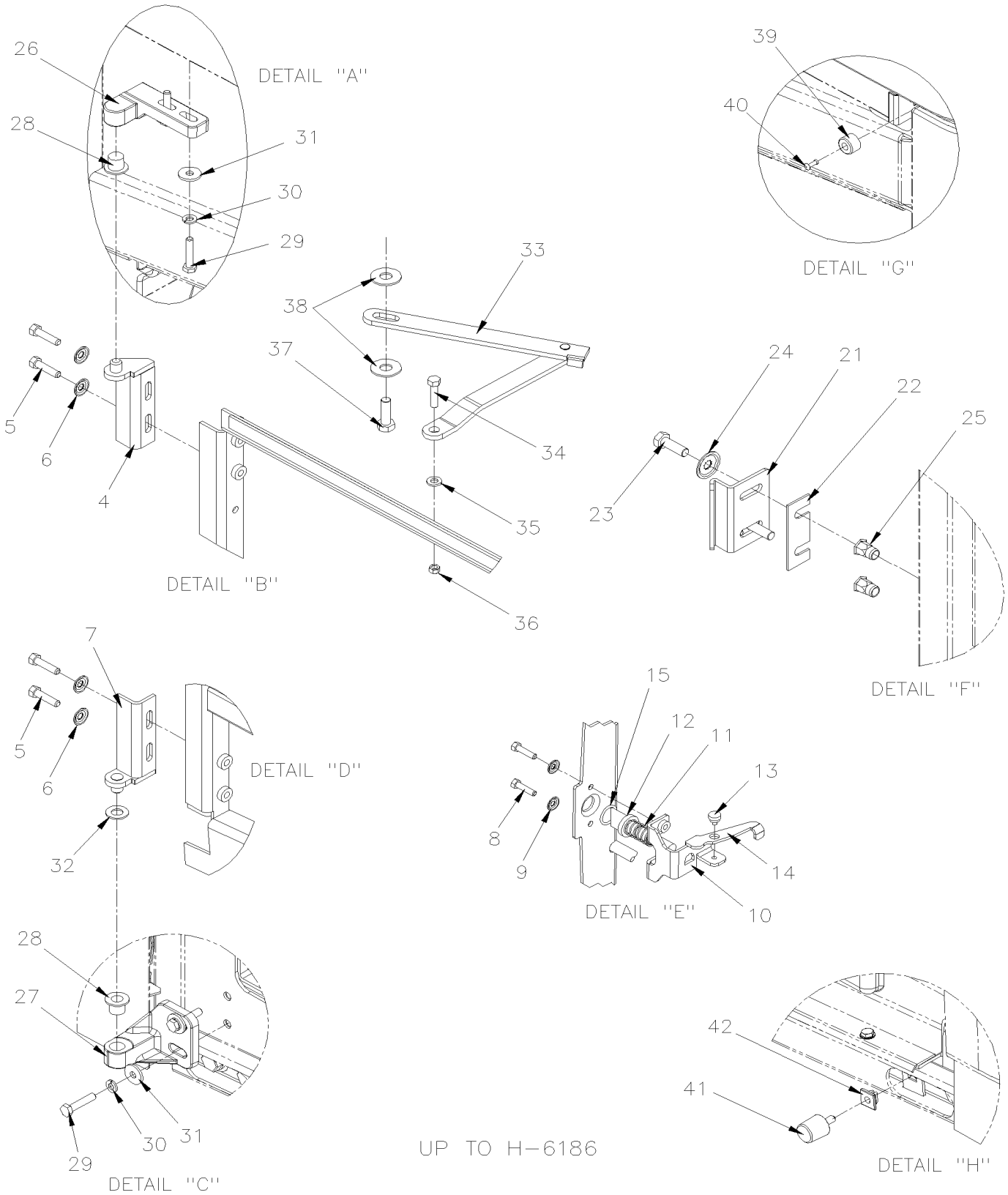


From F-5740 To H-6179

Date:07/2024

PAGE:X3VIP-1869-56

RADIATOR DOOR ASSY



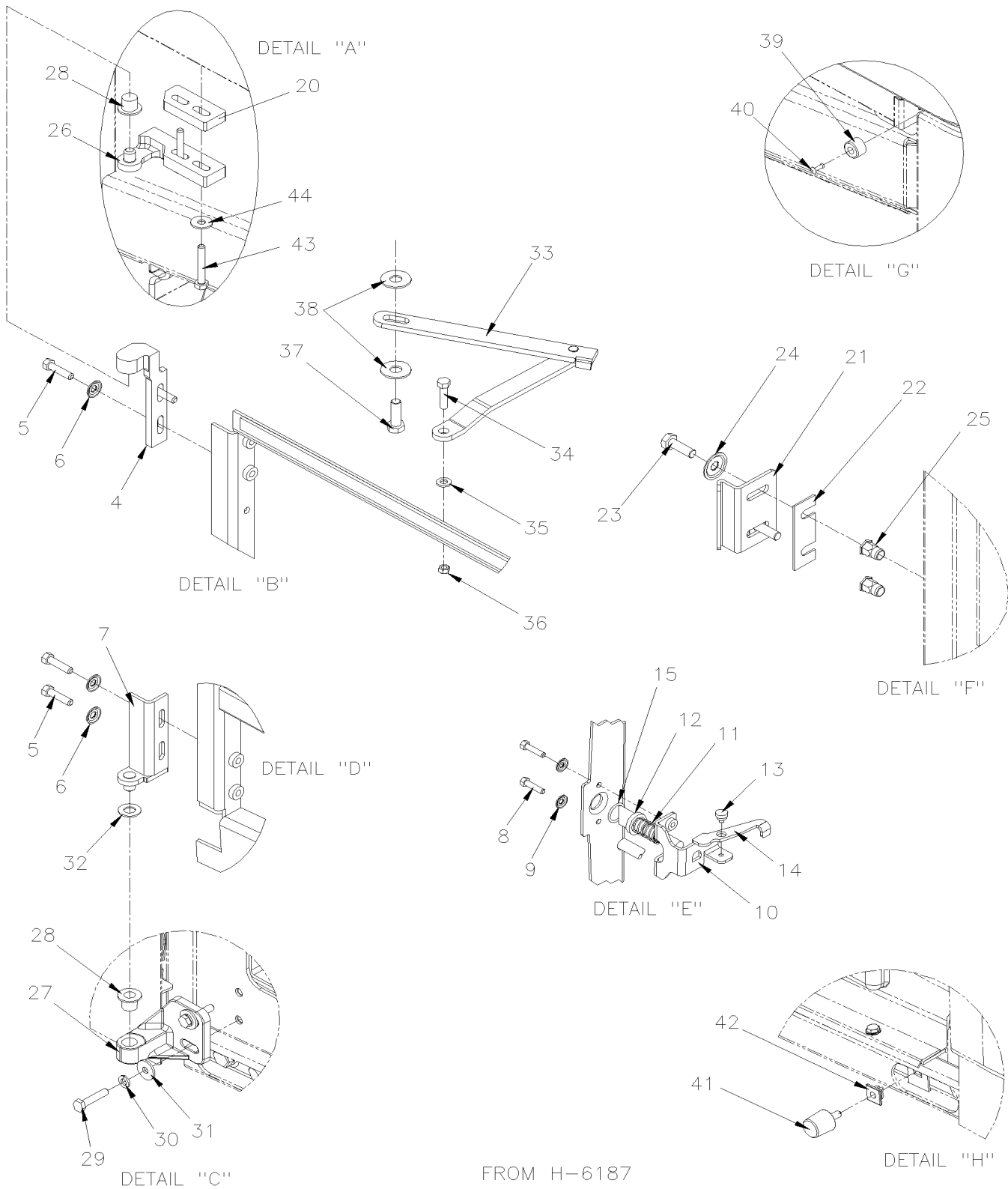


From F-5740 To H-6179

Date:07/2024

PAGE:X3VIP-1869-56

RADIATOR DOOR ASSY





From F-5740 To H-6179	Date:07/2024	PAGE:X3VIP-1869-56
-----------------------	--------------	--------------------

RADIATOR DOOR ASSY

Item#	Part	Description	X 3 V I P E N T	X 3 V I P M T H	N O T E S
	287827	RADIATOR DOOR ASSY / W/FLUTED LOWER MOULDING To H-6201	1		
	Call order desk	RADIATOR DOOR ASSY / W/FLUTED LOWER MOULDING From H-6202	1		P
	287828	RADIATOR DOOR ASSY / W/FLUTED To H-6201		1	
	Call order desk	RADIATOR DOOR ASSY / W/FLUTED From H-6202		1	P
1	281294	. FRAME ASSY / RADIATOR DOOR	1	1	
2A	470344	. PANEL, UPPER / W/FLAT UPPER MOULDING / B.A.	1		
2A	470336	. PANEL, UPPER / W/FLUTED UPPER MOULDING / B.A.		1	
2B	477391	. PANEL, CENTER / W/FLUTED LOWER MOULDING / B.A.	1	1	
3	477235	. PANEL, LOWER / B.A.	1	1	R
NS	687961	. GLUE MS POLYMER TEROSON MS 9399 / "A" 21 Liters	1	1	
NS	687962	. GLUE MS POLYMER TEROSON MS 9399 / "B" 21 Liters	1	1	
NS	684517	. ADHESIVE SIMSON #ISR 70-03 / GREY / 310ml CARTRIDGE	1	1	
4	289150	. ARM ASSY To H-6201	1	1	
4	280602	. ARM ASSY From H-6202	1	1	
5	5001697	. SCREW CAP HEX M6-1.0x16 SS BK To H-6201	4	4	
5	502737	. SCREW CAP HEX M6-1.0x25 SS BK From H-6202	4	4	
6	5001833	. WASHER BEL SPR 6.1x18x1.27 SS	4	4	
7	289149	. ARM ASSY	1	1	
8	5001697	. SCREW CAP HEX M6-1.0x16 SS BK	2	2	
9	5001833	. WASHER BEL SPR 6.1x18x1.27 SS	2	2	
10	288006	. GUIDE PIN HOLDER	1	1	
11	502910	. SPRING COMPRESSION / .720 O.D. 1.75 x .055	1	1	
12	289585	. CATCH PIN ACETAL / 90MM	1	1	
13	287271	. RIVET SHR FL 9.95x3.6{4.8x4.8 SS	1	1	
14	286612	. PIVOT	1	1	
15	507212	. O-RING	1	1	
15	680739	. GREASE SYNTHETIC / RED 20KG	AR	AR	
16	506071	. TAPE RUB ADH1 CC POL 1/8" x 1/2" x 50' / GREY 2520X	1	1	
17	289415	. FINISHING MOULDING 1477MM / B.A.	1	1	
18	504340	. RIVET POP DOME OE 1/8x3/16 SS	7	7	
19	X3VIP-0662-00	. CLEARANCE & MARKER LIGHT			
20	280610	SHIM 9.5MM From H-6202	1	1	
21	287286	CATCH PIN / RETAINER 45MMx21MM 90°	1	1	
22	287452	SHIM SPACER 70MM X 25 X 14GA	AR	AR	
23	502780	SCREW CAP HEX M8-1.25x25 SS BK	2	2	
24	5001699	WASHER BEL SPR 8.2x22x1.4 N500	2	2	
25	5001337	NUT INS FL HEX M8-1.25 0.5-3.0 Z050	2	2	
26	286129	HINGE / UPPER To H-6201	1	1	
26	280609	UPPER HINGE From H-6202	1	1	
27	288827	LOWER HINGE	1	1	
28	284607	BUSHING, NYLON / (NOT INCLUDE W/HINGE)	2	2	
29	502686	SCREW CAP HEX M6-1.0x30 SS BK To H-6201	4	4	



From F-5740 To H-6179	Date:07/2024	PAGE:X3VIP-1869-56
-----------------------	--------------	--------------------

RADIATOR DOOR ASSY

Item#	Part	Description	X 3 V I P E N T	X 3 V I P M T H	N O T E S
29	502686	SCREW CAP HEX M6-1.0x30 SS BK From H-6202	2	2	
30	502570	WASHER LO SPT 6.1x11.8x1.6 SS To H-6201	4	4	
30	502570	WASHER LO SPT 6.1x11.8x1.6 SS From H-6202	2	2	
31	430406	WASHER FLAT To H-6201	4	4	
31	430406	WASHER FLAT From H-6202	2	2	
32	502723	WASHER FL .386x.750x.050 NYL	1	1	
33	281912	GUIDE ASSY / L.H. DOOR To H-6121	1	1	
33	2801079	GUIDE ASSY / L.H. DOOR From H-6122	1	1	
34	502737	SCREW CAP HEX M6-1.0x25 SS BK	1	1	
34	5001610	SCREW CAP HEXS M6-1.0x25 SS EMN	1	1	GR
35	502573	WASHER FL 6.4x12.5x1.6 SS	1	1	
36	5001182	NUT HEX NYRT M6-1.0 SS	1	1	
37	502780	SCREW CAP HEX M8-1.25x25 SS BK	1	1	
37	680038	THREAD LOCKER LOCTITE #243 / BLUE / 50ml	AR	AR	
38	500270	WASHER FL .406x1.000x.063 SS	2	2	
39	504334	BUMPER RUBBER / .625 OD x .406 TH x .156 HOLE	1	1	
40	504339	RIVET POP DOME OE 1/8x3/8 SS	1	1	
41	504454	BUMPER RUBBER BOLT / 20MM ODx20MM TH X M6X15MM STUD	1	1	
42	502939	NUT AN 1/4 NYL	1	1	
43	5000310	SCREW CAP HEX M6-1.0x40 BK From H-6202	2	2	
44	5001833	WASHER BEL SPR 6.1x18x1.27 SS From H-6202	2	2	
45	470073	FINISHING MOULDING SS 1280MM	1	1	
45	5060044	TAPE RUB ADH2 CC POL 1/4" X 1/4" X 50' / BLACK 11C-N-A	AR	AR	
NS	685126	ADHESIVE SIMSON #ISR 70-03 / GREY / 600ml SAUSAGE	AR	AR	
50	X3VIP-1855-00	RUB RAIL - EXTERIOR CREST & TRIMS From E-5490 To H-6092			
50	X3VIP-1855-01	RUB RAIL - EXTERIOR CREST & TRIMS From H-6093			
		GR) WITH GREYHOUND OPTION			
		R) THIS PANEL ARE FIXED WITHOUT RIVETS			
		P) CALL ORDER DESK FOR SPECIFIC APPLICATION (V.I.N.)			

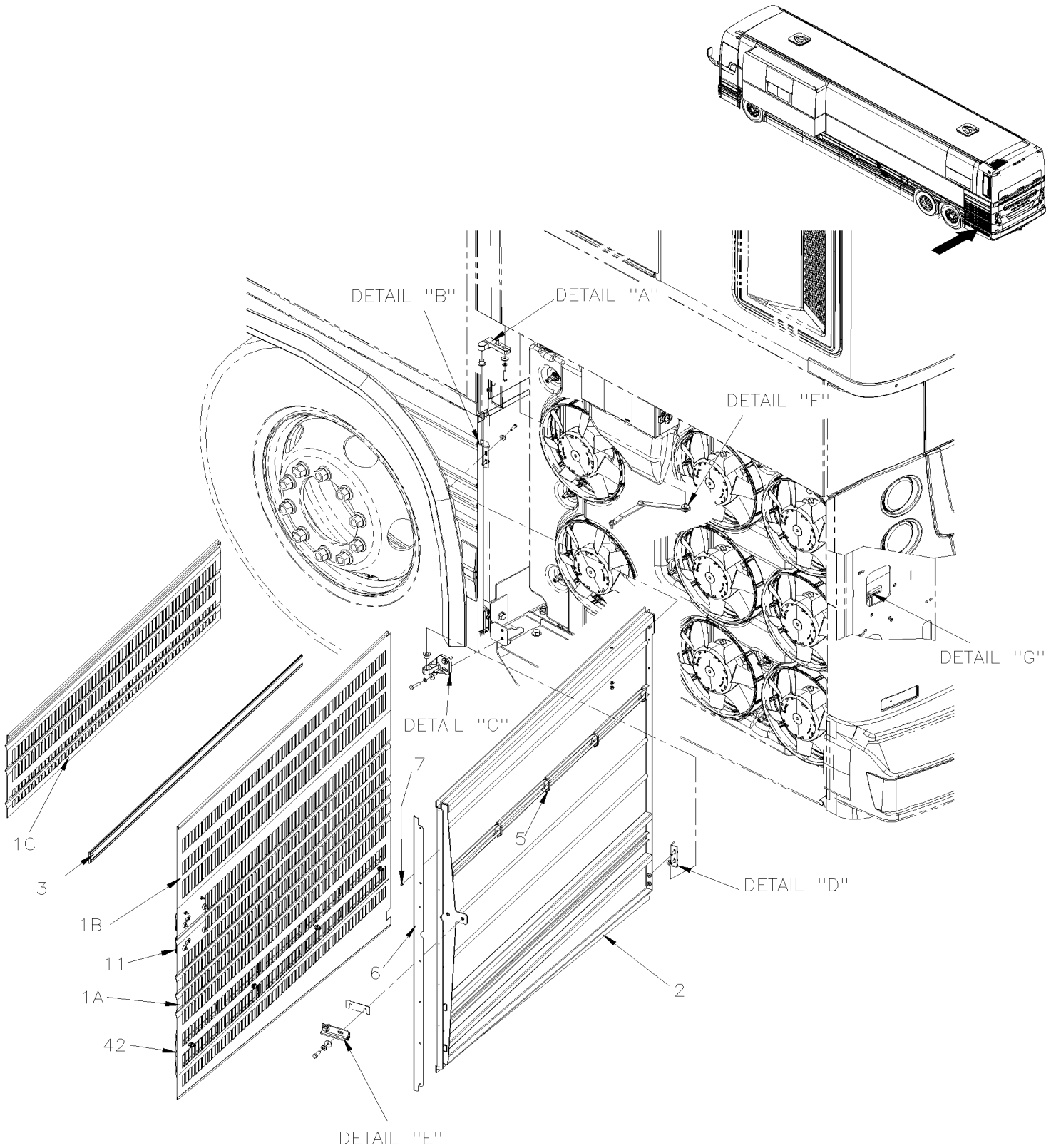


From H-6180

Date:07/2024

PAGE:X3VIP-1869-57

RADIATOR DOOR ASSY VOLVO D13 - GHG17



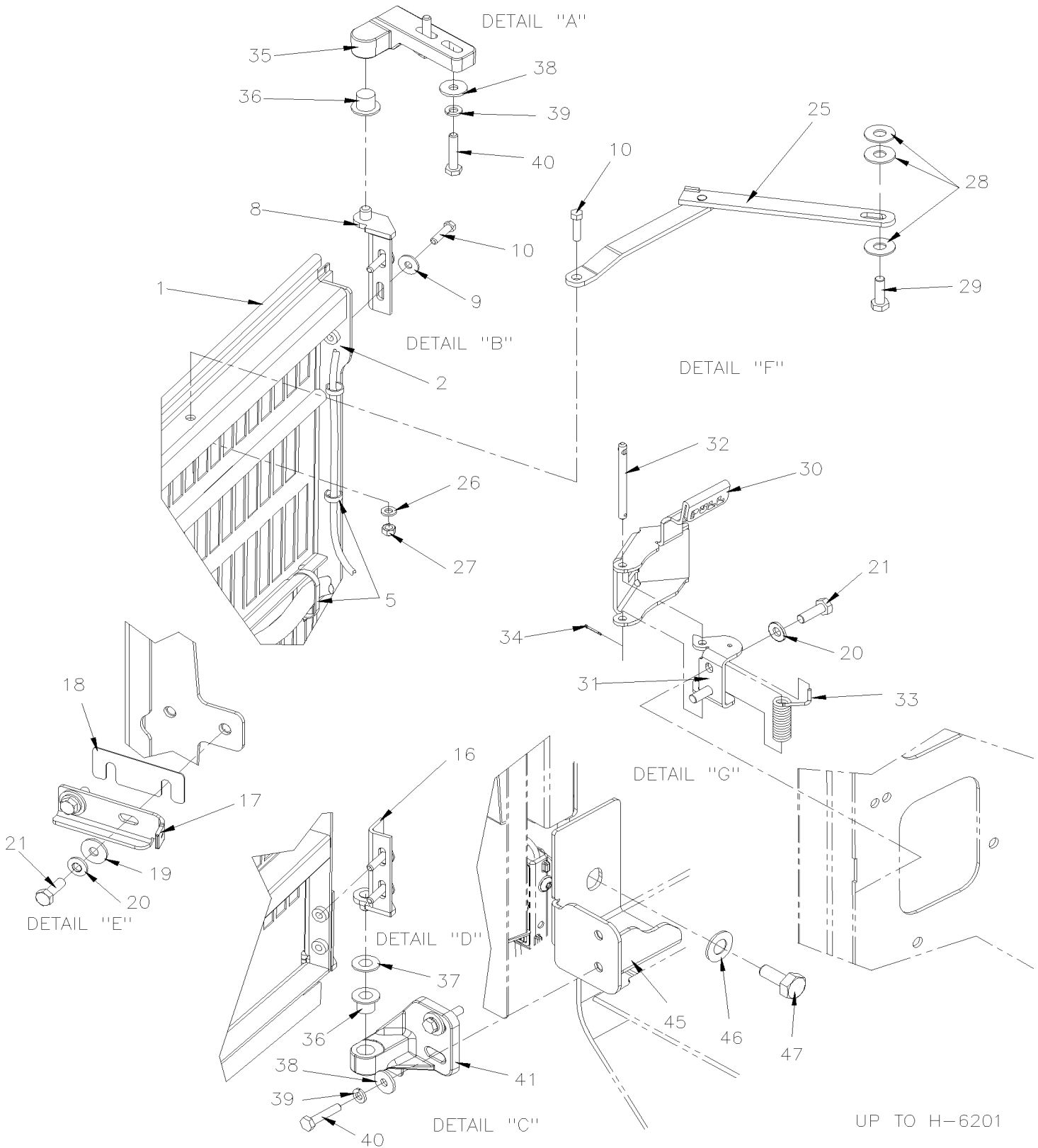


From H-6180

Date:07/2024

PAGE:X3VIP-1869-57

RADIATOR DOOR ASSY VOLVO D13 - GHG17



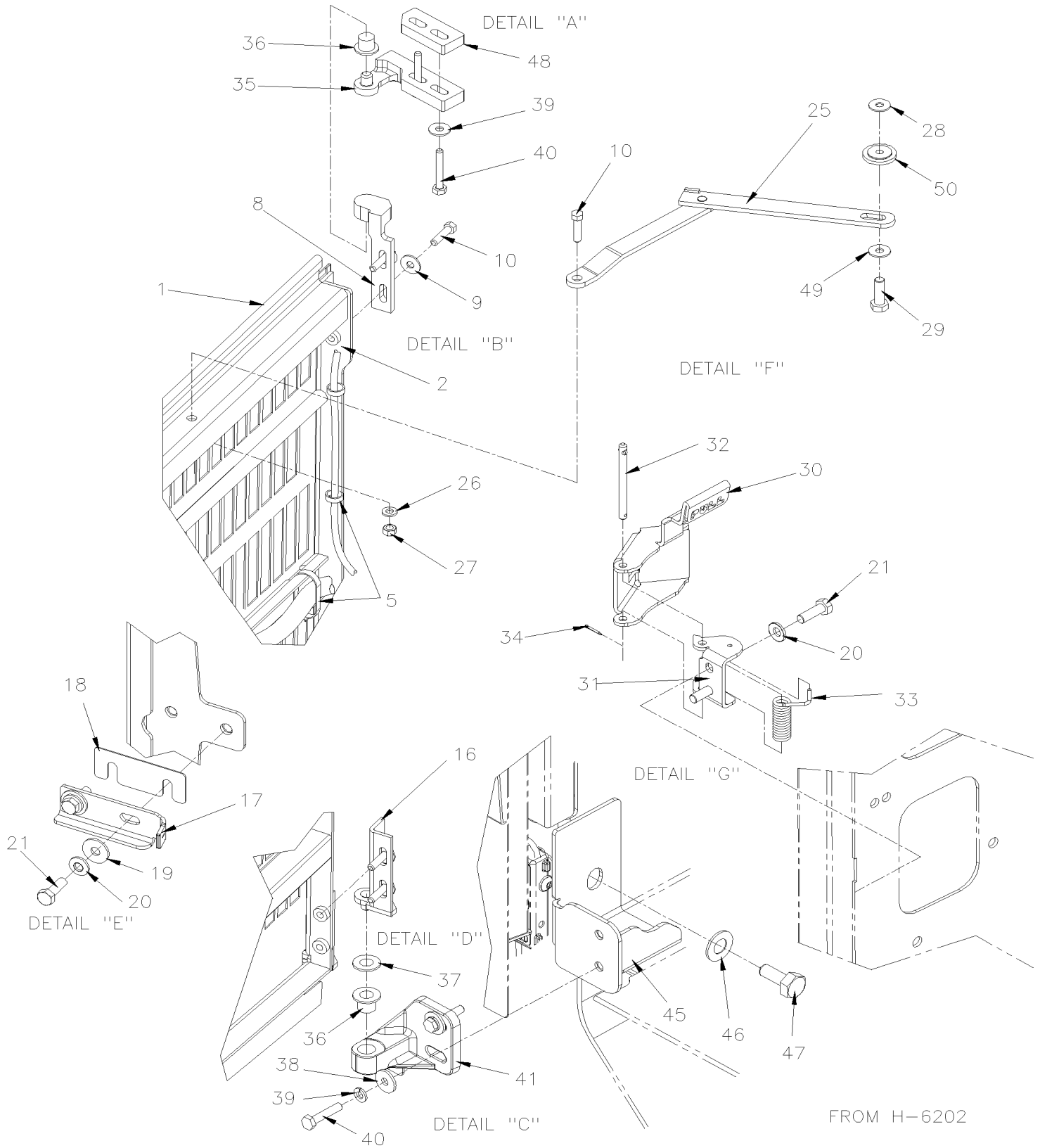


From H-6180

Date:07/2024

PAGE:X3VIP-1869-57

RADIATOR DOOR ASSY VOLVO D13 - GHG17



FROM H-6202



From H-6180		Date:07/2024	PAGE:X3VIP-1869-57
RADIATOR DOOR ASSY VOLVO D13 - GHG17			

Item#	Part	Description	X 3 V I P E N T	X 3 V I P M T H	N O T E S
		ALL RADIATOR DOORS ASSY DO NOT INCLUDE	1	1	
		RUB-RAIL PLEASE ORDER SEPARATELY	1	1	
	Call order desk	RADIATOR DOOR ASSY / W/FLUTED LOWER MOULDING To H-6201	1		P
	288127	RADIATOR DOOR ASSY / W/FLUTED LOWER MOULDING From H-6202	1		
	Call order desk	RADIATOR DOOR ASSY / W/FLUTED To H-6201		1	P
	288128	RADIATOR DOOR ASSY / W/FLUTED From H-6202		1	
1	470521	. PANEL, / W/FLAT UPPER MOULDING / B.A. To H-6179	1		
1A	470844	. PANEL, / W/FLAT LOWER MOULDING / B.A. From H-6180	1	1	
1B	470806	. PANEL, / W/FLAT UPPER MOULDING From H-6180	1		
1B	479618	. FLAT PANEL / RADIATOR DOOR From J-6223	1	1	B
. NS	4710300	. BOTTOM PANEL, RADIATOR DOOR From J-6223	1	1	B
1C	470845	. PANEL, / W/FLAT UPPER MOULDING From H-6180		1	
2	2800974	. FRAME ASSY / RADIATOR'S DOOR	1	1	
NS	687961	. GLUE MS POLYMER TEROSON MS 9399 / "A" 21 Liters To M-6660	AR	AR	
2	685385	. GLUE MS POLYMER TEROSON MS 9399 / "A" 14.8 Liters From M-6661	AR	AR	
NS	687962	. GLUE MS POLYMER TEROSON MS 9399 / "B" 21 Liters To M-6660	AR	AR	
2	685386	. GLUE MS POLYMER TEROSON MS 9399 / "B" 14.8 Liters From M-6661	AR	AR	
2	687957	. GLUE MS POLYMER TEROSON MS 9399 / 400ml CARTRIDGE To M-6660	AR	AR	
2	685387	. GLUE MS POLYMER TEROSON MS 9399 / 400ml CARTRIDGE From M-6661	AR	AR	
NS	684517	. ADHESIVE SIMSON #ISR 70-03 / GREY / 310ml CARTRIDGE	AR	AR	
3	470589	. MOULDING FINISHING 1315MM	1		
3	470605	. MOULDING FINISHING		1	
3	479617	. MOULDING, FINISHING 1323MM From J-6223		1	B
NS	506071	. TAPE RUB ADH1 CC POL 1/8" x 1/2" x 50' / GREY 2520X	1	1	
5	504637	. CABLE TIE / 3/16" x 13"	AR	AR	
6	280458	. FINISHING MOULDING 1113.5MM	1	1	
7	504340	. RIVET POP DOME OE 1/8x3/16 SS	AR	AR	
8	289150	. ARM ASSY To H-6201	1	1	
8	280602	. ARM ASSY From H-6202	1	1	
9	5001833	. WASHER BEL SPR 6.1x18x1.27 SS	4	4	
10	502737	. SCREW CAP HEX M6-1.0x25 SS BK	6	6	
11	X3VIP-0662-00	. CLEARANCE & MARKER LIGHT To K-6491	1	1	
11	X3VIP-0662-01	. CLEARANCE & MARKER LIGHT From L-6492	1	1	
16	289149	. ARM ASSY	1	1	
17	2800961	. DOOR'S LATCH	1	1	
18	2800985	. SPACER PLATE	1	1	
19	5001849	. WASHER FL 8.4x24.0x2.0 SS	2	2	
20	5001868	. WASHER BEL SPR 8.4x18x2 SS	4	4	
21	502780	. SCREW CAP HEX M8-1.25x25 SS BK	4	4	
25	281912	. GUIDE ASSY / L.H. DOOR To H-6121	1	1	



From H-6180	Date:07/2024	PAGE:X3VIP-1869-57
RADIATOR DOOR ASSY VOLVO D13 - GHG17		

Item#	Part	Description	X 3 V I P E N T	X 3 V I P M T H	N O T E S
25	2801079	. GUIDE ASSY / L.H. DOOR From H-6122 To H-6201	1	1	
25	280682	GUIDE ASSY / L.H. DOOR From H-6202	1	1	
26	502573	. WASHER FL 6.4x12.5x1.6 SS	1	1	
27	5001182	. NUT HEX NYRT M6-1.0 SS	1	1	
28	500270	. WASHER FL .406x1.000x.063 SS To H-6201	3	3	
28	5001833	WASHER BEL SPR 6.1x18x1.27 SS From H-6202	1	1	
29	502780	SCREW CAP HEX M8-1.25x25 SS BK To H-6201	1	1	
29	5000310	SCREW CAP HEX M6-1.0x40 BK From H-6202	1	1	
NS	680038	THREAD LOCKER LOCTITE #243 / BLUE / 50ml	1	1	
30	2800962	LOCK LEVER	1	1	
31	2800960	LOCK HOLDER	1	1	
32	2800963	PIN	1	1	
33	780815	SPRING, TORSION	1	1	
34	502094	PIN, COTTER 1/16 x 1/2 SS To H-6201	1	1	
35	286129	HINGE /	1	1	
35	280609	UPPER HINGE From H-6202	1	1	
36	284607	BUSHING, NYLON / (NOT INCLUDE W/HINGE)	2	2	
37	502723	WASHER FL .386x.750x.050 NYL	1	1	
38	430406	WASHER FLAT To H-6201	4	4	
38	430406	WASHER FLAT From H-6202	2	2	
39	502570	WASHER LO SPT 6.1x11.8x1.6 SS To H-6201	4	4	
39	502570	WASHER LO SPT 6.1x11.8x1.6 SS From H-6202	2	2	
40	502686	SCREW CAP HEX M6-1.0x30 SS BK To H-6201	4	4	
40	502686	SCREW CAP HEX M6-1.0x30 SS BK From H-6202	2	2	
41	288827	LOWER HINGE To J-6277	1	1	
41	280548	LOWER HINGE From J-6278	1	1	
42	X3VIP-1855-01	RUB RAIL - EXTERIOR CREST & TRIMS	1	1	
43	5000310	SCREW CAP HEX M6-1.0x40 BK From H-6202	1	1	
44	5001833	WASHER BEL SPR 6.1x18x1.27 SS From H-6202	1	1	
45	2800950	PENTURE HOLDER	1	1	
46	5001868	WASHER BEL SPR 8.4x18x2 SS	2	2	
47	5001912	SCREW CAP HEX M8-1.25x30 SS BK	2	2	
NS	680098	THREAD SEALANT LOCTITE #567 / WHITE / 250ml	AR	AR	
48	280610	SHIM 9.5MM From H-6202	1	1	
49	5001976	WASHER FL .266x.718x.060 SS From H-6202	1	1	
50	280680	BUSHING WITH FLANGE From H-6202	1	1	
		B) MOTORHOME WITH FLAT PANEL			
		P) CALL ORDER DESK FOR SPECIFIC APPLICATION (V.I.N.)			

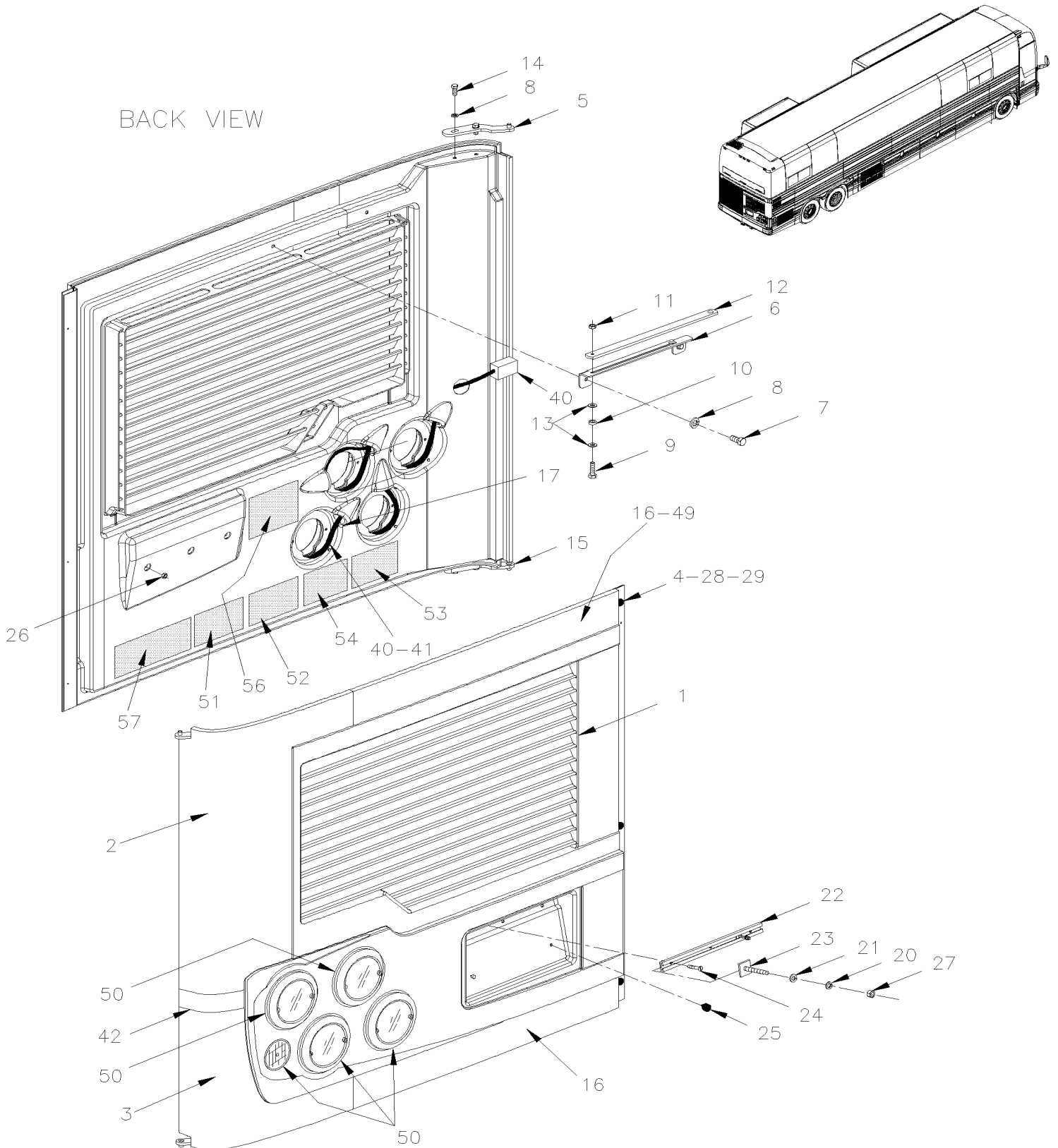


From E-5490 To E-5739

Date:07/2024

PAGE:X3VIP-1870-00

ENGINE DOOR ASSY L.H.





From E-5490 To E-5739	Date:07/2024	PAGE:X3VIP-1870-00
ENGINE DOOR ASSY L.H.		

Item#	Part	Description	X 3 V I P E N T	X 3 V I P M T H	N O T E S
	288326	ENGINE DOOR LH ASSY	1		D
	288325	ENGINE DOOR LH ASSY		1	D
1	289433	. ENGINE DOOR LH MOULDED VENTED	1		
1	289431	. ENGINE DOOR LH MOULDED VENTED		1	
2	288528	. UPPER PANEL / B.A.		1	
3	288529	. LOWER PANEL / B.A.	1	1	
4	509828	. BUMPER RUBBER / .750 OD x .312 TH x .125 HOLE	6	6	
5	289620	. ARM ASSY	1	1	
6	283776	. GUIDE RETAINING ARM	1	1	
7	955295	. SCREW CAP HEX M8-1.25x20 G8.8 ZG603	2	2	
8	502857	. WASHER LO SERR 8.2x26.3x1.8 N500	6	6	
9	5001560	. SCREW SHR HEXS 5/16x3/8 {1/4-20 SS	1	1	
10	502768	. WASHER FL RUB .312x.625x.125 NEO	1	1	
11	500384	. NUT HEX JAM 1/4-20 G500	1	1	
12	283772	. ARM RETAINING	1	1	
13	502638	. WASHER FL .312x.734x.065 N500	2	2	
14	955297	. SCREW CAP HEX M8-1.25x25 G8.8 ZG603	4	4	
15	289617	. ARM ASSY	1	1	
16	288530	. PANEL UPPER & LOWER DOOR / B.A.	1		
16	288530	. PANEL UPPER & LOWER DOOR / B.A.		2	
17	504530	. GROMMET / .750x1.250x.125x.312x1.625	5	5	
20	502570	. WASHER LO SPT 6.1x11.8x1.6 SS	2	2	
21	502637	. WASHER FL .200x.437x.037 SS To E-5573	2	2	
21	5001137	. WASHER FL .203x.438x.050 SS From E-5574	2	2	
22	286053	. TRACK / LICENCE PLATE HOLDER 326MM	1	1	
22	491572	. TRACK / LICENCE PLATE HOLDER 321 MM	1	1	
23	504286	. T SCREW 10-24 X 3/4" / SS / PLATE HOLDER	2	2	
24	502666	. SCREW MA FL PH #6-32x3/4 SS BK	3	3	
25	504498	. BUMPER PLUG / .406ODx.218THx.250HOLEx.125	2	2	
26	500286	. NUT WELL #6-32	3	3	
27	500787	. NUT HEX #10-24 SS	2	2	
28	509827	. SCREW MA RND PH M4-0.7x20 SS	3	3	
29	502557	. NUT HEX NYRT M4-0.7 SS	3	3	
31	683097	. CLEANER SIKA #205 / CLEAR / 1000ml	AR	AR	
40	066491	. CABLE / ENGINE DOOR REAR LAMP W/LEDS	1	1	
41	504637	. CABLE TIE / 3/16" x 13"	7	7	
41	509815	. TIE MOUNT / ATTACHMENT W/TREE MOUNT	7	7	
42	285899	. FINISHING MOULDING L.H. / PLASTIC / (LOWER 3MM THINER THAN UPPER	1		
42	288531	. FINISHING MOULDING SS / B.A.		1	
NS	506769	. TAPE RUB ADH2 CC POL 1/8" x 1/4" x 60' / BLACK H1CC-N-#14	AR	AR	
49	506790	. TAPE RUB ADH2 CC POL 1/16" x 1/2" x 200' / BLACK I1C-N-A	AR	AR	
49	683084	. SEALANT SIKA #221 / GREY / 600 ml SAUSAGE	AR	AR	



From E-5490 To E-5739	Date:07/2024	PAGE:X3VIP-1870-00
ENGINE DOOR ASSY L.H.		

Item#	Part	Description	X 3 V I P E N T	X 3 V I P M T H	N O T E S
49	683083	. ADHESIVE SIKA #252 / BLACK / 600 ml SAUSAGE	AR	AR	
50	X3VIP-0664-00	. REAR EXTERIOR LIGHTS & PLATE HOLDER			
51	405730	DECAL THIS VEHICULE EQUIPED ... FIRE SUPPRES / ENGLISH & FRANCAIS	1	1	
51	405729	DECAL THIS VEHICULE EQUIPED ... FIRE SUPPRES / ENGLISH	1	1	
51	405731	DECAL THIS VEHICULE EQUIPED ... FIRE SUPPRES / ENGLISH & SPANISH	1	1	
52	071249	DECAL "TranSynd OIL ONLY" / ENGLISH & FRANCAIS To E-5739	1	1	
52	071687	DECAL "TranSynd OIL ONLY" / ENGLISH & FRANCAIS From F-5740	1	1	
52	071364	DECAL "TranSynd OIL ONLY" / ENGLISH & SPANISH To E-5739	1	1	
52	071688	DECAL "TranSynd OIL ONLY" / ENGLISH & SPANISH From F-5740	1	1	
53	454105	DECAL "R-134A NOMINAL CHARGE...." / ENGLISH & FRANCAIS	1	1	
54	141064	DECAL / COLOR CODE / PNEUMATIC SYSTEM / ENGLISH & FRANCAIS	1	1	
54	142370	DECAL / COLOR CODE / PNEUMATIC SYSTEM / ENGLISH & SPANISH	1	1	
56	066596	DECAL / "CAUTION" BEFORE WELDING...." // ENGLISH & FRANCAIS	1	1	
56	066436	DECAL / "CAUTION" BEFORE WELDING...." // ENGLISH	1	1	
56	067072	DECAL / "CAUTION" BEFORE WELDING...." // ENGLISH	1	1	
56	067067	DECAL / "CAUTION" BEFORE WELDING...." // ENGLISH & SPANISH	1	1	
57	012811	DECAL / "BELT ROUTING" To E-5599	1	1	
57	012865	DECAL / "BELT ROUTING" From E-5600 To F-5743	1	1	
57	012880	DECAL / "BELT ROUTING" From F-5744	1	1	
		D) THIS DOOR ASSEMBLY DO NOT INCLUDE ITEM #40			

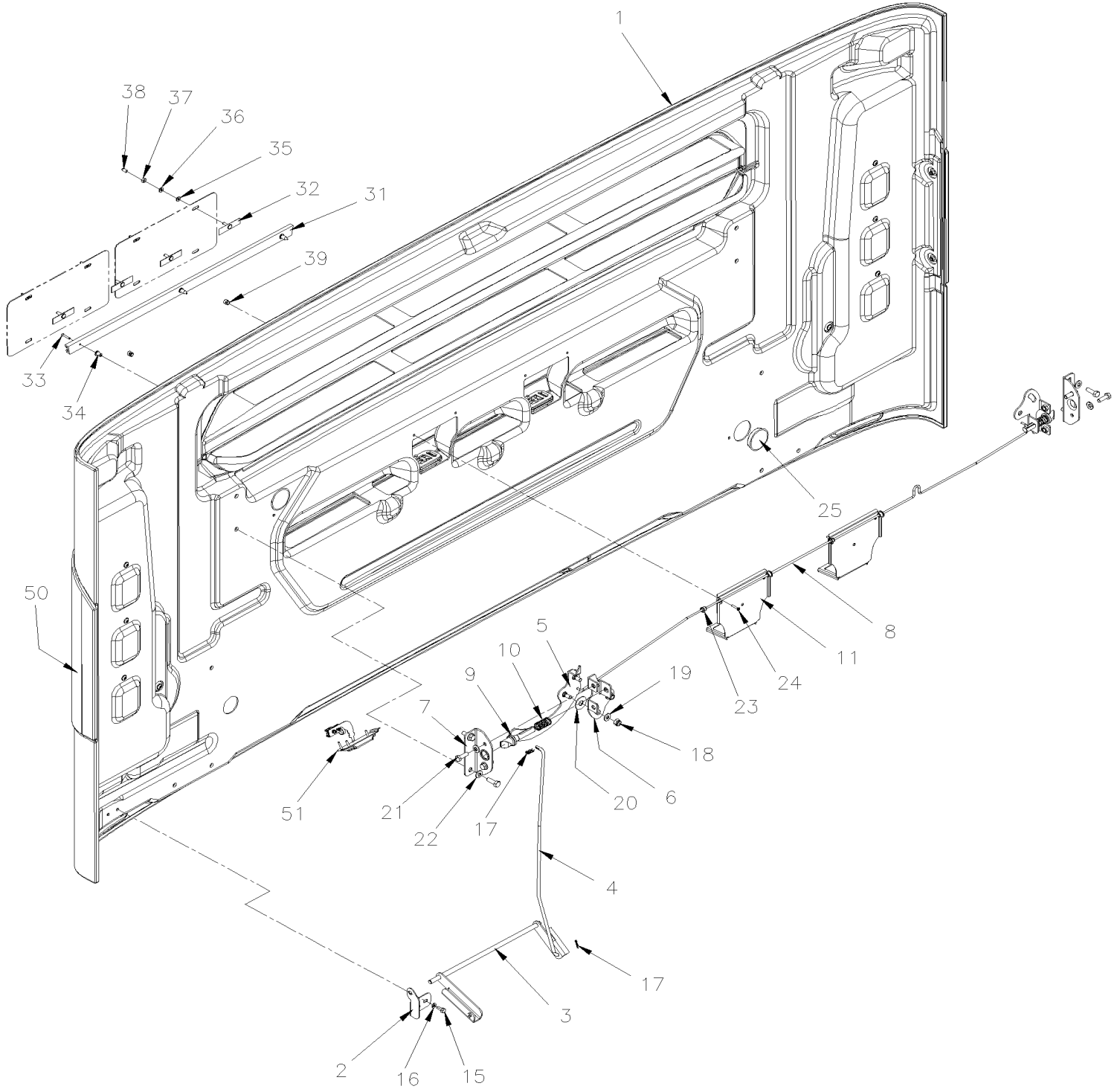


From F-5740

Date:07/2024

PAGE:X3VIP-1870-01

ENGINE DOOR ASSY



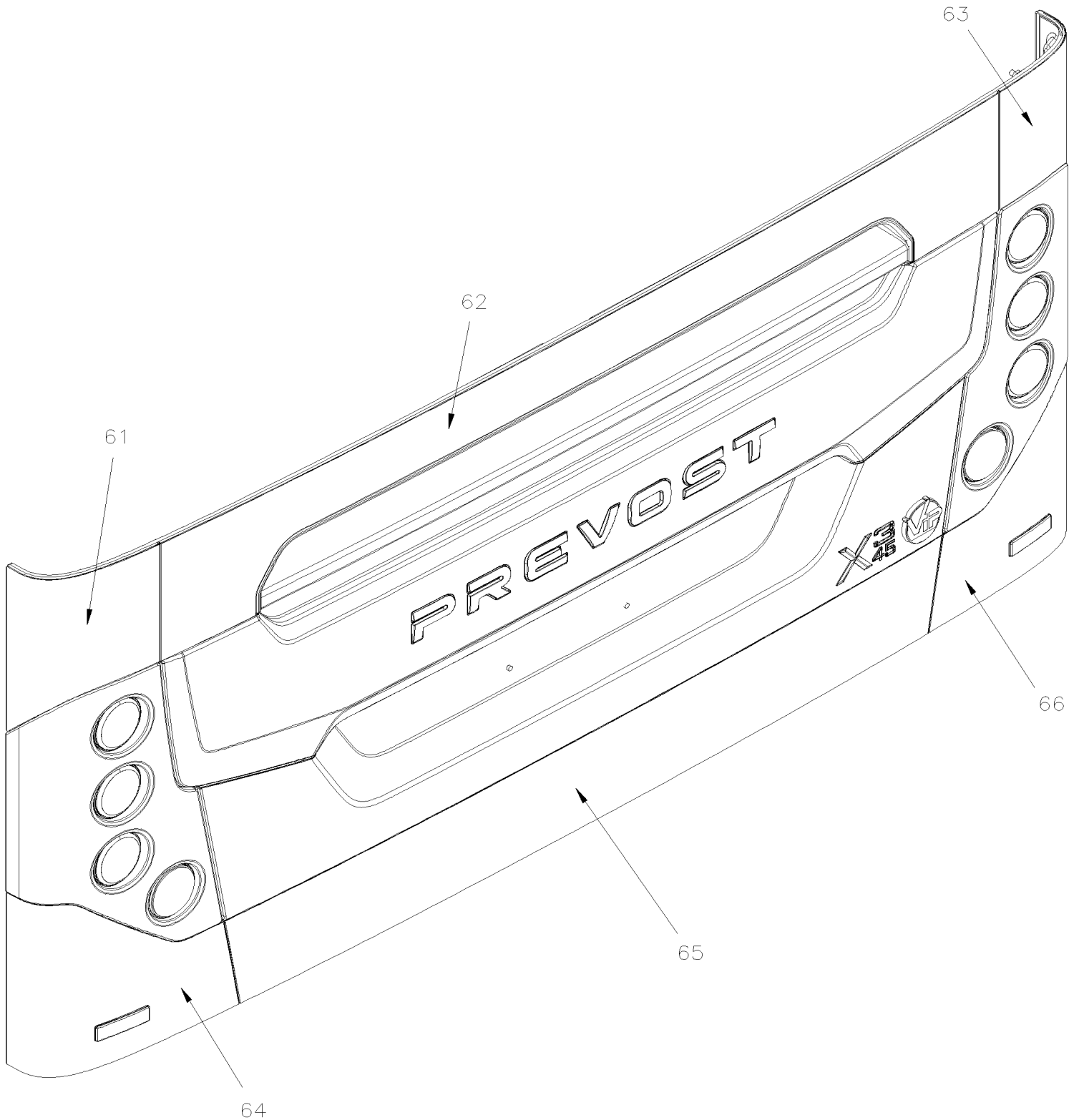


From F-5740

Date:07/2024

PAGE:X3VIP-1870-01

ENGINE DOOR ASSY





From F-5740	Date:07/2024	PAGE:X3VIP-1870-01
ENGINE DOOR ASSY		

Item#	Part	Description	X 3 V I P E N T	X 3 V I P M T H	N O T E S
	280069	REAR ENGINE DOOR ASSY W/LIGHTS	1		
	280070	REAR ENGINE DOOR ASSY W/LIGHTS W/UPPER PANEL SS		1	
1	2800304	. DOOR MOULDED / FIBERGLASS	1	1	
2	2800440	. SUPPORT, HANDLE	1	1	
3	2800441	. LEVER ASSY	1	1	
4	2800436	. ROD	1	1	
5	2800448	. HANDLE ASSY / ENGINE DOOR	1	1	
6	2800408	. SUPPORT	2	2	
7	2800409	. BRACKET FOR LATCH	2	2	
8	2800419	. ROD FOR LATCH	1	1	
9	289636	. CATCH PIN ACETAL / 90.5MM To F-5786	2	2	
9	2800884	. CATCH PIN BLACK ACETAL From F-5787 To G-5982	2	2	
9	2801055	. CATCH PIN BLACK ACETAL From G-5983	2	2	
10	502910	. SPRING COMPRESSION / .720 O.D. 1.75 x .055	2	2	
11	2800462	. LICENSE PLATE LAMP HOLDER	2	2	
NS	509815	. TIE MOUNT / ATTACHMENT W/TREE MOUNT	2	2	
NS	504637	. CABLE TIE / 3/16" x 13"	2	2	
15	502622	. SCREW CAP HEX M6-1.0x20 SS BK	2	2	
16	5001833	. WASHER BEL SPR 6.1x18x1.27 SS	2	2	
17	5001860	. PIN HITCH CLIP .054 x 3/4 SS	3	3	
18	5001787	. NUT HEX NYRT M8-1.25 SS	2	2	
19	5001850	. WASHER FL 8.4 x 18 x 2 NYL	3	3	
20	5001233	. WASHER FL .500x1.250x.062 NYL	2	2	
21	502780	. SCREW CAP HEX M8-1.25x25 SS BK	8	8	
22	5001868	. WASHER BEL SPR 8.4x18x2 SS	8	8	
23	504083	. SNAP BUSHING / .250x.468.406	4	4	
24	5001040	. SCREW TC PAN PH #6-32x3/4 SS	4	4	
25	504774	. HOLE PLUG BUTTON / 2.000 O.D. BLACK	2	2	
31	289655	. TRACK / LICENCE PLATE HOLDER 678.1 MM To J-6252	1	1	A
31	491388	. TRACK / LICENCE PLATE HOLDER 678.1 MM From J-6253	1	1	A
32	504286	. T SCREW 10-24 X 3/4" / SS / PLATE HOLDER	4	4	
33	502666	. SCREW MA FL PH #6-32x3/4 SS BK	3	3	
34	500286	. NUT WELL #6-32	3	3	
35	5001137	WASHER FL .203x.438x.050 SS	4	4	
36	502570	WASHER LO SPT 6.1x11.8x1.6 SS	4	4	
37	500787	NUT HEX #10-24 SS	4	4	
38	507333	PROTECTOR CAP / BLACK / .172 I.D. x .500	4	4	
39	504498	BUMPER PLUG / .406ODx.218THx.250HOLEx.125	2	2	
40	280722	KIT LICENSE HOLDER - IMPROVMENT	1	1	
. NS	280616	. LICENCE SUPPORT ALUMINIUM	1	1	
. NS	5001955	. SCREW MA RND PH #6-32x1/2 SS	3	3	



From F-5740	Date:07/2024	PAGE:X3VIP-1870-01
ENGINE DOOR ASSY		

Item#	Part	Description	X 3 V I P E N T	X 3 V I P M T H	N O T E S
. NS	502556	. WASHER FL 4.3x9.0x0.8 SS	3	3	
50	X3VIP-0664-01	. REAR EXTERIOR LIGHTS & PLATE HOLDER	1	1	
51	X3VIP-0665-11	. SWITCHES, LIGHTS, AJAR - UNDER FLOOR	1	1	
61	2800459	UPPER PANEL / STREET SIDE / B.A.		1	
62	2800545	UPPER PANEL / CENTER / B.A.		1	
63	2800458	UPPER PANEL / CURBSIDE / B.A.		1	
64	2800457	LOWER PANEL / STREET SIDE / B.A.	1	1	
65	2800546	LOWER PANEL / CENTER / B.A.	1	1	
66	2800456	LOWER PANEL / CURBSIDE / B.A.	1	1	
NS	685126	ADHESIVE SIMSON #ISR 70-03 / GREY / 600ml SAUSAGE	AR	AR	
NS	506790	TAPE RUB ADH2 CC POL 1/16" x 1/2" x 200' / BLACK I1C-N-A	AR	AR	
		A) FOR PRODUCT IMPROVMENT ASK KIT#280722			

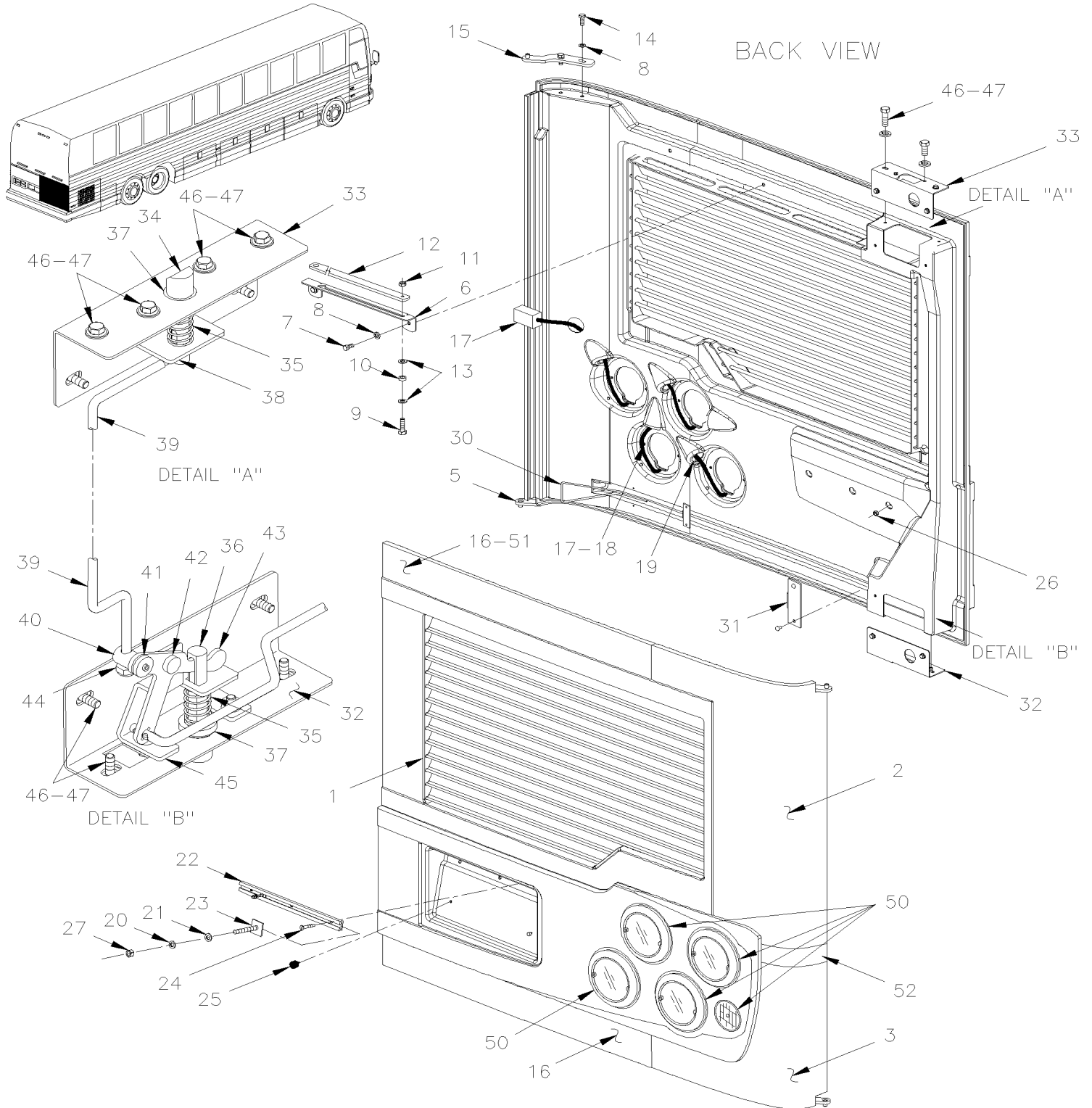


From E-5490

Date:07/2024

PAGE:X3VIP-1870-05

ENGINE DOOR ASSY R.H.





From E-5490		Date:07/2024	PAGE:X3VIP-1870-05
ENGINE DOOR ASSY R.H.			

Item#	Part	Description	X 3 V I P E N T	X 3 V I P M T H	N O T E S
	288327	ENGINE DOOR RH ASSY		1	D
	288328	ENGINE DOOR RH ASSY	1		D
1	289432	. ENGINE DOOR RH MOULDED VENTED	1		
1	289430	. ENGINE DOOR RH MOULDED VENTED		1	
2	288532	. UPPER PANEL / B.A.		1	
3	288533	. LOWER PANEL / B.A.	1	1	
5	289620	. ARM ASSY	1	1	
6	283771	. GUIDE RETAINING ARM	1	1	
7	955295	. SCREW CAP HEX M8-1.25x20 G8.8 ZG603	2	2	
8	502857	. WASHER LO SERR 8.2x26.3x1.8 N500	6	6	
9	5001560	. SCREW SHR HEXS 5/16x3/8 {1/4-20 SS	1	1	
10	502768	. WASHER FL RUB .312x.625x.125 NEO	1	1	
11	500384	. NUT HEX JAM 1/4-20 G500	1	1	
12	283772	. ARM RETAINING	1	1	
13	502638	. WASHER FL .312x.734x.065 N500	2	2	
14	955297	. SCREW CAP HEX M8-1.25x25 G8.8 ZG603	4	4	
15	289617	. ARM ASSY	1	1	
16	288530	. PANEL UPPER & LOWER DOOR / B.A.		2	
16	288530	. PANEL UPPER & LOWER DOOR / B.A.	1		
17	066491	. CABLE / ENGINE DOOR REAR LAMP W/LEDS	1	1	
18	504637	. CABLE TIE / 3/16" x 13"	AR	AR	
18	509815	TIE MOUNT / ATTACHMENT W/TREE MOUNT	7	7	
19	504530	. GROMMET / .750x1.250x.125x.312x1.625	5	5	
20	502570	. WASHER LO SPT 6.1x11.8x1.6 SS	2	2	
21	502637	. WASHER FL .200x.437x.037 SS To E-5573	2	2	
21	5001137	. WASHER FL .203x.438x.050 SS From E-5574	2	2	
22	286053	. TRACK / LICENCE PLATE HOLDER 326MM	1	1	
22	491572	. TRACK / LICENCE PLATE HOLDER 321 MM	1	1	
23	504286	. T SCREW 10-24 X 3/4" / SS / PLATE HOLDER	2	2	
24	502666	. SCREW MA FL PH #6-32x3/4 SS BK	3	3	
25	504498	. BUMPER PLUG / .406ODx.218THx.250HOLEx.125	2	2	
26	500286	. NUT WELL #6-32	3	3	
27	500787	. NUT HEX #10-24 SS	2	2	
30	287325	. CONTROL ROD	1	1	
NS	506018	. HANDLE PLASTIC / 1/4" I.D. X 4"	1	1	
31	280143	. FIXTURE / W/HOLE FOR ROD	2	2	
31	287369	. FIXTURE	1	1	
NS	504339	. RIVET POP DOME OE 1/8x3/8 SS	4	4	
32	285018	. SUPPORT LOCK / LOWER	1	1	
33	286581	. SUPPORT LOCK / UPPER	1	1	
34	287381	. CATCH PIN SS / 80.5MM	1	1	
NS	506225	. TAPE RUB ADH1 CC POL 1/16" x 1/4" x 100' / GREY 2520	AR	AR	



From E-5490		Date:07/2024	PAGE:X3VIP-1870-05		
ENGINE DOOR ASSY R.H.					
Item#	Part	Description	X 3 V I P E N T	X 3 V I P M T H	NOTES
35	502910	. SPRING COMPRESSION / .720 O.D. 1.75 x .055	2	2	
36	287391	. CATCH PIN SS / 90.5MM	1	1	
37	507212	. O-RING	2	2	
38	287382	. GUIDE PIN HOLDER UPPER	1	1	
39	287276	. ROD / JUNCTION	1	1	
40	280142	. ROD HOLDER	1	1	
41	280140	. RETAINING WASHER	1	1	
42	287271	. RIVET SHR FL 9.95x3.6{4.8x4.8 SS	1	1	
43	287277	. PIVOT	1	1	
44	5001251	. NUT HEX NYRT 1/4-20 SS	1	1	
45	287291	. GUIDE PIN HOLDER LOWER	1	1	
46	955271	. SCREW CAP HEX M6-1.0x16 G8.8 ZG603	12	12	
47	500356	. WASHER LO SERR 6.1x16.0x0.9 N500	12	12	
50	X3VIP-0664-00	REAR EXTERIOR LIGHTS & PLATE HOLDER			
51	506790	. TAPE RUB ADH2 CC POL 1/16" x 1/2" x 200' / BLACK I1C-N-A	AR	AR	
51	683084	. SEALANT SIKA #221 / GREY / 600 ml SAUSAGE	AR	AR	
51	683083	. ADHESIVE SIKA #252 / BLACK / 600 ml SAUSAGE	AR	AR	
52	285900	. FINISHING MOULDING R.H. / PLASTIC / (LOWER 3MM THINER THAN UPPER	1		
52	288531	. FINISHING MOULDING SS / B.A.		1	
		D) THIS DOOR ASSEMBLY DO NOT INCLUDE ITEM #17			

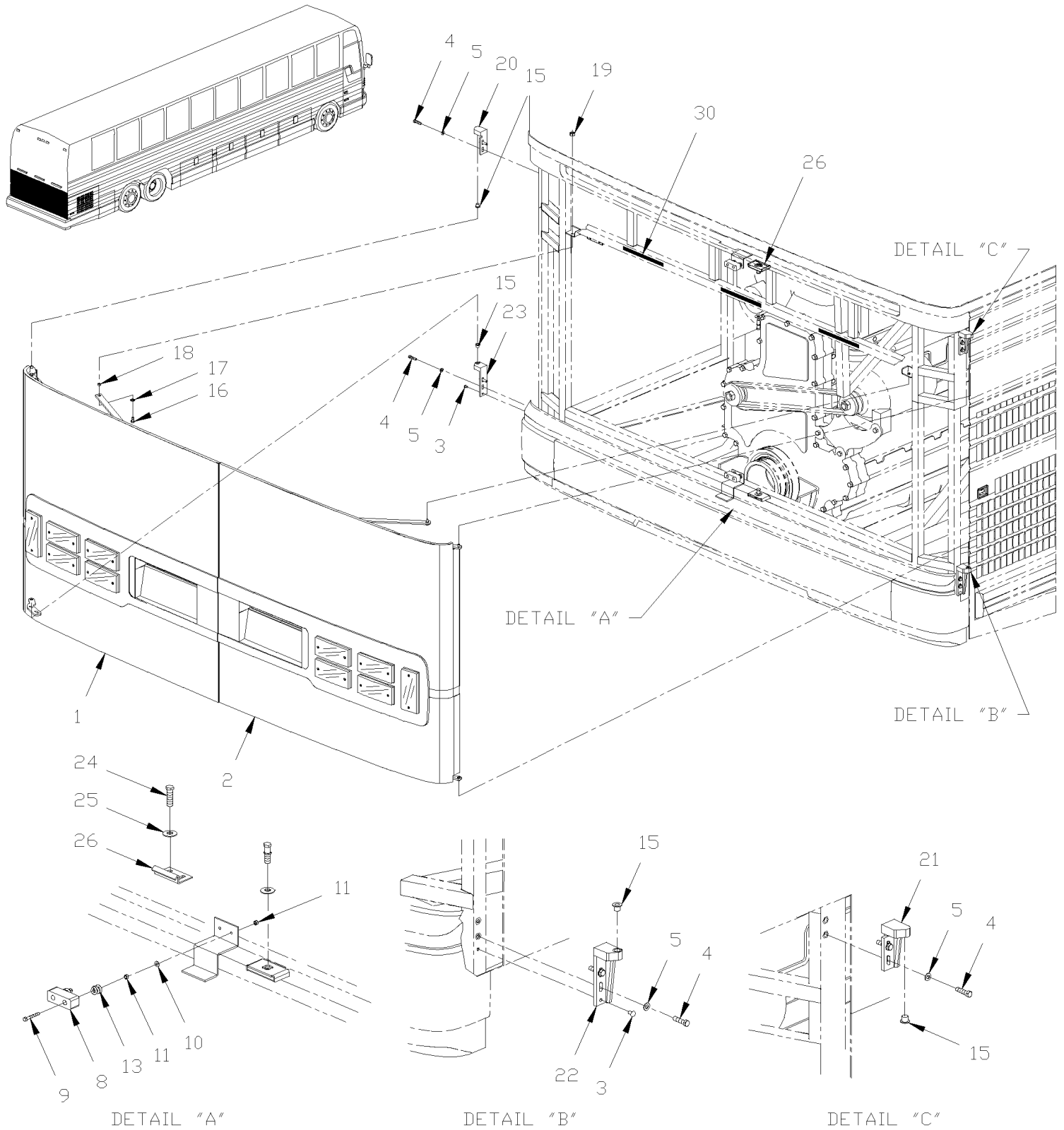


From E-5490 To E-5739

Date:07/2024

PAGE:X3VIP-1870-10

ENGINE DOOR ASSY - INSTALLATION





From E-5490 To E-5739	Date:07/2024	PAGE:X3VIP-1870-10
ENGINE DOOR ASSY - INSTALLATION		

Item#	Part	Description	X 3 V I P E N T	X 3 V I P M T H	N O T E S
1	X3VIP-1870-00	ENGINE DOOR ASSY L.H.			
2	X3VIP-1870-05	ENGINE DOOR ASSY R.H.			
3	504122	RIVET POP DOME OE 1/4x3/8 AL	2	2	
4	502780	SCREW CAP HEX M8-1.25x25 SS BK	5	5	
5	502584	WASHER LO SERR 8.2x26.3x1.8 Z050	8	8	
8	506250	RUBBER BUMPER	1	1	
9	502708	SCREW CAP HEX M5-0.8x35 SS	2	2	
10	500411	WASHER FL .260x.697x.050 SS	2	2	
11	5001449	NUT HEX M5-0.8 SS	4	4	
13	502205	SPRING COMPRESSION / .850 O.D. x .750 x .072	2	2	
15	284607	BUSHING, NYLON / (NOT INCLUDE W/HINGE)	4	4	
16	502780	SCREW CAP HEX M8-1.25x25 SS BK	10	10	
17	502583	WASHER LO SERR 8.15x22.3x1.0 Z050	2	2	
18	283770	SPACER / TO FIX RETAINING ARM	2	2	
19	966171	NUT HEX NYRT M8x1.25 SS	2	2	
20	285930	HINGE UPPER L.H.	1	1	
21	285854	HINGE UPPER R.H.	1	1	
22	285855	HINGE LOWER R.H.	1	1	
23	285931	HINGE LOWER L.H.	1	1	
24	502780	SCREW CAP HEX M8-1.25x25 SS BK	4	4	
25	5001161	WASHER LO SPT 8.1x14.8x2.0 SS-304	4	4	
26	287286	CATCH PIN / RETAINER 45MMx21MM 90°	2	2	
30	920009	REFLECTOR STRIP RED	AR	AR	
NS	286688	DECAL DOOR OPEN	1	1	
NS	012818	DECAL "VEHICLE EMISSION..." CANADA From E-5459 To E-5604	1	1	
NS	012820P	DECAL "VEHICLE EMISSION..." CANADA From E-5605	1	1	

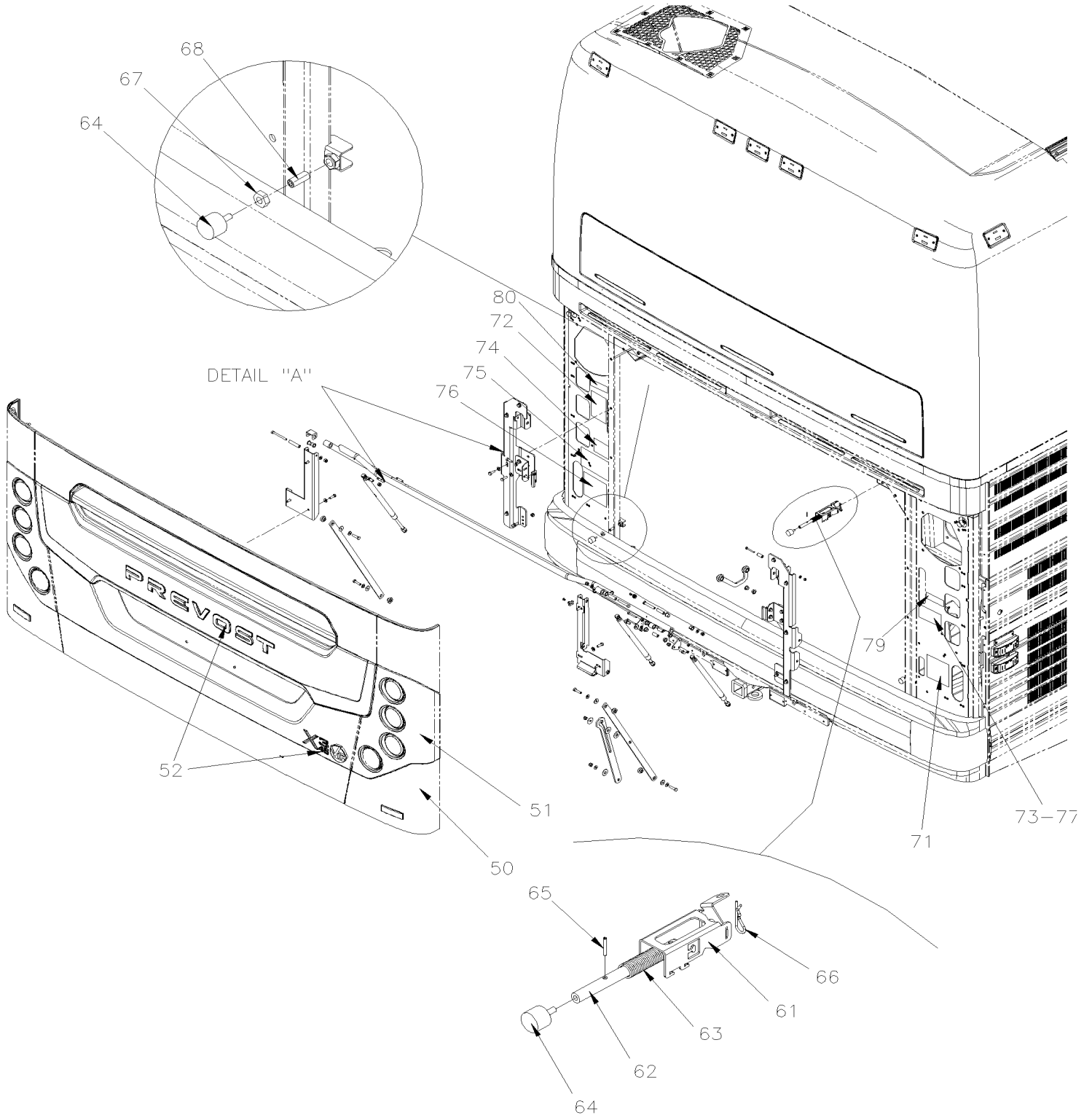


From F-5740

Date:07/2024

PAGE:X3VIP-1870-11

ENGINE DOOR ASSY - INSTALLATION



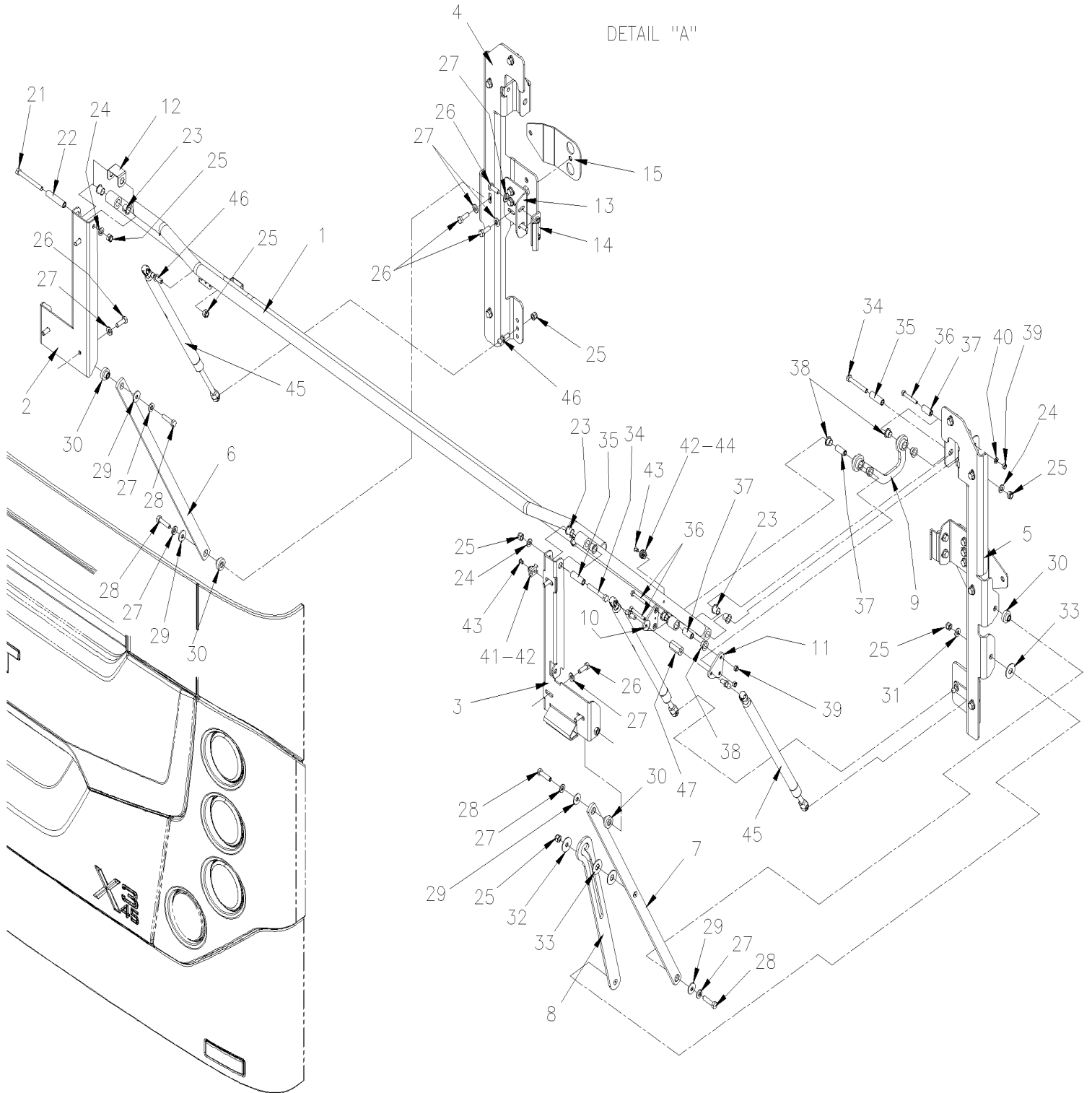


From F-5740

Date:07/2024

PAGE:X3VIP-1870-11

ENGINE DOOR ASSY - INSTALLATION





From F-5740		Date:07/2024	PAGE:X3VIP-1870-11
-------------	--	--------------	--------------------

ENGINE DOOR ASSY - INSTALLATION

Item#	Part	Description	X 3 V I P E N T	X 3 V I P M T H	N O T E S
1	2800434	PANTOGRAPH ARM ASSY	1	1	
2	2800522	SUPPORT STREET SIDE	1	1	
3	2800521	SUPPORT CURBSIDE	1	1	
4	2800412	BACKING PLATE STREET SIDE To H-6179	1	1	
4	280503	BACKING PLATE STREET SIDE From H-6180	1	1	
5	2800410	BACKING PLATE CURBSIDE	1	1	
6	2800523	ARM STABILIZER 610MM C/C	1	1	
7	2800525	ARM STABILIZER 610MM C/C	1	1	
8	2800532	SECURITY ARM ASSY	1	1	
9	2800442	ARM ASSY	1	1	
10	2800444	LEVER	1	1	
11	2800445	LEVER	1	1	
12	2800435	GUIDE	2	2	
13	2800425	CARRIER LOCK	2	2	
14	2800407	LATCH BRACKET	2	2	
15	2800519	REINFORCEMENT PLATE	2	2	
21	5001185	SCREW CAP HEX M8-1.25x80 SS BK	2	2	
22	2800417	SPACER 12.7MM O.D.x59.5MM	2	2	
23	507142	BUSHING, NYLINER W/SHOULDER (8-L-8-F)	8	8	
24	5001341	WASHER FL 8.4x17.0x1.6 SS	4	4	
25	5001787	NUT HEX NYRT M8-1.25 SS	10	10	
26	502780	SCREW CAP HEX M8-1.25x25 SS BK	22	22	
27	5001868	WASHER BEL SPR 8.4x18x2 SS	26	26	
28	5001559	SCREW CAP HEX M8-1.25x35 SS BK	4	4	
29	5001849	WASHER FL 8.4x24.0x2.0 SS	4	4	
30	286716	SPACER BUSHING FLANGE / AUX. ARM & SUPPORT ACETAL 8.3MM I.D.	4	4	
31	5001850	WASHER FL 8.4 x 18 x 2 NYL	1	1	
32	5001467	WASHER FL .343x1.250x.062 SS18-8	1	1	
33	5001233	WASHER FL .500x1.250x.062 NYL	3	3	
34	5001178	SCREW CAP HEX M8-1.25x60 SS BK	2	2	
35	2800416	SPACER 12.7MM O.D.x40MM	2	2	
36	5001923	SCREW CAP HEX M6-1.0x45 SS BK	3	3	
37	2800446	BUSHING 12.4MM O.D.x29MM	3	3	
38	507217	FLANGE BEARING 12MM I.D. 20MM O.D. X 10MM	6	6	
39	5001182	NUT HEX NYRT M6-1.0 SS	3	3	
40	502573	WASHER FL 6.4x12.5x1.6 SS	1	1	
41	504013	TIE MOUNT / 1/4" X 1/4" I.D.	3	3	
42	504637	CABLE TIE / 3/16" x 13"	5	5	
43	504379	RIVET POP DOME OE 3/16x1/4 SS	5	5	
44	504428	TIE MOUNT / 3/16" #10 SCREW / TA1S10-C	2	2	
45	980030	CYLINDER GAZ / 669/409MM C/C / 210LBS	3	3	
45	980006	CYLINDER GAZ / 670/410MM C/C / 225LBS	1	1	S



From F-5740		Date:07/2024	PAGE:X3VIP-1870-11
-------------	--	--------------	--------------------

ENGINE DOOR ASSY - INSTALLATION

Item#	Part	Description	X 3 V I P E N T	X 3 V I P M T H	N O T E S
46	980015	BALL STUD / W/10 MM X M8-1.25 / 29.18 MM	2	2	
46	980027	BALL STUD / W/10 MM X M8-1.25 / 36.5MM	4	4	
46	980008	BALL STUD / M8	2	2	T
46	680038	THREAD LOCKER LOCTITE #243 / BLUE / 50ml	AR	AR	
47	2800463	NUT M8-1.25x27.3MM	1	1	
47	680038	THREAD LOCKER LOCTITE #243 / BLUE / 50ml	AR	AR	
50	X3VIP-1870-01	ENGINE DOOR ASSY			
51	X3VIP-0664-01	REAR EXTERIOR LIGHTS & PLATE HOLDER			
52	X3VIP-1855-00	RUB RAIL - EXTERIOR CREST & TRIMS From E-5490 To H-6092			
52	X3VIP-1855-01	RUB RAIL - EXTERIOR CREST & TRIMS From H-6093			
61	287709	GUIDE PIN REMOVABLE To L-6680	1	1	
61	2810510	GUIDE PIN REMOVABLE From L-6681	1	1	
NS	507034	CLIP BEARING 1/2" DIA From L-6681	2	2	
62	289662	STOPPER 155MM	1	1	
63	502940	SPRING COMPRESSION / .720 O.D. x 6 x .067 SS	1	1	
64	504790	BUMPER RUBBER BOLT / 25.5MM ODx20MM TH M6X18MM STUD	5	5	
64	688910	THREAD LOCKER LOCTITE #262 / RED / 250ml	AR	AR	
65	505513	SPRING, PIN M3 x 24 SS	1	1	
66	502180	PIN HITCH CLIP 3/32 x 1/2 Z050	1	1	
67	502567	NUT HEX M10-1.5 SS	4	4	
68	287803	ROD, ADJUSTMENT ENGINE DOOR STOPPER	4	4	
71	405730	DECAL THIS VEHICULE EQUIPED ... FIRE SUPPRES / ENGLISH & FRANCAIS	1	1	
71	405729	DECAL THIS VEHICULE EQUIPED ... FIRE SUPPRES / ENGLISH	1	1	
71	405731	DECAL THIS VEHICULE EQUIPED ... FIRE SUPPRES / ENGLISH & SPANISH	1	1	
72	071687	DECAL "TranSynd OIL ONLY" / ENGLISH & FRANCAIS	1	1	
72	071688	DECAL "TranSynd OIL ONLY" / ENGLISH & SPANISH	1	1	
73	454105	DECAL "R-134A NOMINAL CHARGE...." / ENGLISH & FRANCAIS To H-6179	1	1	
73	450402	DECAL "R-134A NOMINAL CHARGE...." / ENGLISH & FRANCAIS From H-6180	1	1	
74	141064	DECAL / COLOR CODE / PNEUMATIC SYSTEM / ENGLISH & FRANCAIS To F-5874	1	1	
74	142370	DECAL / COLOR CODE / PNEUMATIC SYSTEM / ENGLISH & SPANISH To F-5874	1	1	
75	012811	DECAL / "BELT ROUTING" To E-5599	1	1	
75	012865	DECAL / "BELT ROUTING" From E-5600 To F-5743	1	1	
75	012880	DECAL / "BELT ROUTING" From F-5744 To H-6179	1	1	
75	010049	DECAL / "BELT ROUTING" /W/LARGE AC 2 ALT RH From H-6180	1	1	
75	010051	DECAL / "BELT ROUTING" /W/SAMLL AC ONE OR 3 ALT RH From H-6180	1	1	
75	010052	DECAL / "BELT ROUTING" /W/SAMLL AC 2 AC 12 OR 24V ALT RH From H-6180	1	1	
76	066596	DECAL / "CAUTION" BEFORE WELDING...." // ENGLISH & FRANCAIS To H-6179	1	1	
76	060261	DECAL / "CAUTION" BEFORE WELDING...." // ENGLISH & FRANCAIS From H-6180 To J-6239	1	1	
76	066436	DECAL / "CAUTION" BEFORE WELDING...." // ENGLISH To H-6179	1	1	



From F-5740		Date:07/2024	PAGE:X3VIP-1870-11
-------------	--	--------------	--------------------

ENGINE DOOR ASSY - INSTALLATION

Item#	Part	Description	X 3 V I P E N T	X 3 V I P M T H	N O T E S
76	067067	DECAL / "CAUTION" BEFORE WELDING...." // ENGLISH & SPANISH To H-6179	1	1	
77	453066	DECAL R134A / NOMINAL CHARGE 24 LBS // ENGLISH & FRANCAIS To H-6179	1	1	A
NS	011229P	DECAL "VEHICLE EMISSION INFORMATION" / CANADA / ENGLISH To L-6527	1	1	
78	Call order desk	DECAL "VEHICLE EMISSION INFORMATION" / CANADA / ENGLISH From L-6528 To P-6869	1	1	P
78	Call order desk	DECAL "VEHICLE EMISSION INFORMATION" / CANADA / ENGLISH From P-6870 To P-6878	1	1	P
78	Call order desk	DECAL "VEHICLE EMISSION INFORMATION" / CANADA / ENGLISH From P-6879 To R-4067	1	1	P
78	Call order desk	DECAL "VEHICLE EMISSION INFORMATION" / CANADA / ENGLISH From R-4040 To R-4040	1	1	P B
78	Call order desk	DECAL "INFORMATION EMISSIONS VEHICULE" / CANADA / FRANCAIS From R-4040 To R-4040	1	1	P B
78	Call order desk	DECAL "VEHICLE EMISSION INFORMATION" / CANADA / ENGLISH From R-4068	1	1	P B
78	Call order desk	DECAL "INFORMATION EMISSIONS VEHICULE" / CANADA / FRANCAIS From R-4068	1	1	P B
79	040011	DECAL "CLEAN IDLE EXEMPTION" From H-6094 To R-4067	1	1	
80	050335	DECAL COOLANT" / ENGLISH From L-6559 To R-4067	1	1	
80	050628	DECAL, COOLANT VOLVO VCS-2B (ENGLISH-FRANCAIS-ESPANOL) From R-4040 To R-4040	1	1	
80	050628	DECAL, COOLANT VOLVO VCS-2B (ENGLISH-FRANCAIS-ESPANOL) From R-4068	1	1	
		A) WITH LARGE A/C SYSTEM			
		B) BOTH ENGLISH AND FRENCH DECALS ARE REQUIRED			
		S) LEFT SIDE ONLY / HEAVY DUTY CYLINDER / USE WITH PART: 980008			
		T) USE ONLY WITH HEAVY DUTY CYLINDER: 980006			
		P) CALL ORDER DESK FOR SPECIFIC APPLICATION (V.I.N.)			

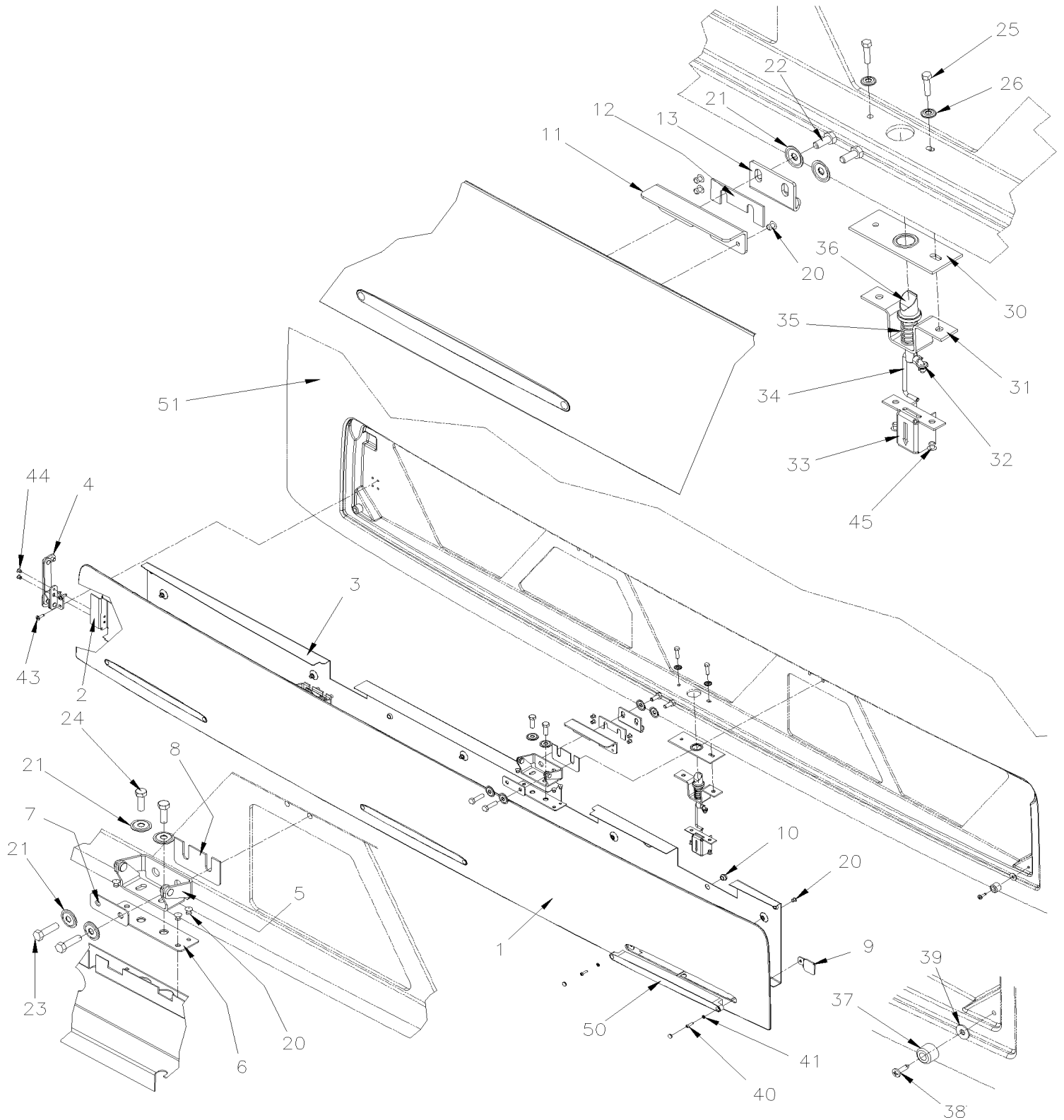


From E-5490 To K-6491

Date:07/2024

PAGE:X3VIP-1870-20

REAR ENGINE UPPER DOOR WITH "EPA 2010"





From E-5490 To K-6491	Date:07/2024	PAGE:X3VIP-1870-20
-----------------------	--------------	--------------------

REAR ENGINE UPPER DOOR WITH "EPA 2010"

Item#	Part	Description	X 3 V I P E N T	X 3 V I P M T H	N O T E S
	479002	DOOR ASSY	1	1	
1	479269	DOOR PANEL ALUMINUM	1	1	
NS	684743	GLUE METHACRYLATE PLEXUS MA832GB 380 ml	AR	AR	
NS	506869	TAPE RUB ADH2 POL .031" X 1/4" X 300' / BLACK	AR	AR	
2	479474	FRAME DOOR	1	1	
3	479475	PANEL INSULATING ALUMINUM	1	1	
4	479323	ARM ASSY To H-6115	1	1	
4	470458	ARM ASSY From H-6116	1	1	
5	479268	HINGE ASSY	2	2	
6	479275	ATTACHMENT PLATE W/2 NUTS 131MMx35MM / 40MM C/C	2	2	
7	288088	PLATE RETAINER 66MM X 25.4MM	2	2	
NS	506869	TAPE RUB ADH2 POL .031" X 1/4" X 300' / BLACK	AR	AR	
8	479299	SHIM SPACER 40MM x 80MM x 14GA	1	1	
9	479300	ATTACHMENT LAMPS 32MMx32MM	6	6	
10	504496	GROMMET 2 HOLESx.062x.625x.062x.312x.875x.031 x.375	10	10	
11	479283	ATTACHMENT ANGLE W/2 NUTS 131MMx35MM / 40MM C/C	1	1	
12	479301	SHIM SPACER 28MM x 78MM x 14GA	1	1	
13	479288	CATCH PIN / RETAINER 125X45	1	1	
20	504379	RIVET POP DOME OE 3/16x1/4 SS	AR	AR	
21	5001699	WASHER BEL SPR 8.2x22x1.4 N500	10	10	
22	502862	SCREW CAP HEX M8-1.25x20 G8.8 N500	2	2	
23	5001738	SCREW CAP HEX M8-1.25x30 G8.8 N500	4	4	
24	502780	SCREW CAP HEX M8-1.25x25 SS BK	4	4	
25	502737	SCREW CAP HEX M6-1.0x25 SS BK	2	2	
26	500356	WASHER LO SERR 6.1x16.0x0.9 N500	2	2	
30	479280	GUIDE PIN PLATE 125MMx 45MM	1	1	
31	479282	SUPPORT CATCH PIN	1	1	
32	780340	CLIP, RETAINER ROD	1	1	
33	479482	COVER, MECANISME	1	1	
34	479476	ROD "J" FORM 213MMx31MMx15MM	1	1	
35	502910	SPRING COMPRESSION / .720 O.D. 1.75 x .055	1	1	
36	289636	CATCH PIN ACETAL / 90.5MM To F-5786	1	1	
36	2800884	CATCH PIN BLACK ACETAL From F-5787 To G-5982	1	1	
36	2801055	CATCH PIN BLACK ACETAL From G-5983	1	1	
37	5001168	BUMPER RUBBER / .750 OD x .562 TH x .187 HOLE To J-6339	2	2	
37	5002023	BUMPER NEOPRENE / .750 OD x .562 TH x .187 HOLE From J-6340	2	2	
38	500414	SCREW TP BDG PH #10x3/4 SS To H-6303	2	2	
39	500411	WASHER FL .260x.697x.050 SS	2	2	
40	5001332	SCREW MA PAN PH M4-0.7x16 SS	6	6	
41	502834	WASHER LO SPT 4.1x7.6x0.9 N500	6	6	
NS	504637	CABLE TIE / 3/16" x 13"	8	8	



From E-5490 To K-6491	Date:07/2024	PAGE:X3VIP-1870-20
-----------------------	--------------	--------------------

REAR ENGINE UPPER DOOR WITH "EPA 2010"

Item#	Part	Description	X 3 V I P E N T	X 3 V I P M T H	N O T E S
NS	067665	CABLE ASSY DPF DOOR 3 LIGHTS	1	1	
NS	060037	CABLE ASSY DPF DOOR 3 LIGHTS To H-6179	1	1	
NS	504448	CABLE CLIP 1/4" / ADHESIVE From H-6180	1	1	
43	504610	RIVET MGLP PRDG 1/4x5/8 SS	4	4	
44	504793	RIVET MNB OE LARGE HEAD 3/16x7/16 SS	2	2	
45	504487	RIVET MGLP PRDG 3/16x7/16 SS	2	2	
50	X3VIP-0664-00	REAR EXTERIOR LIGHTS & PLATE HOLDER			
51	X3VIP-1851-20	REAR CAP - INSTALLATION			

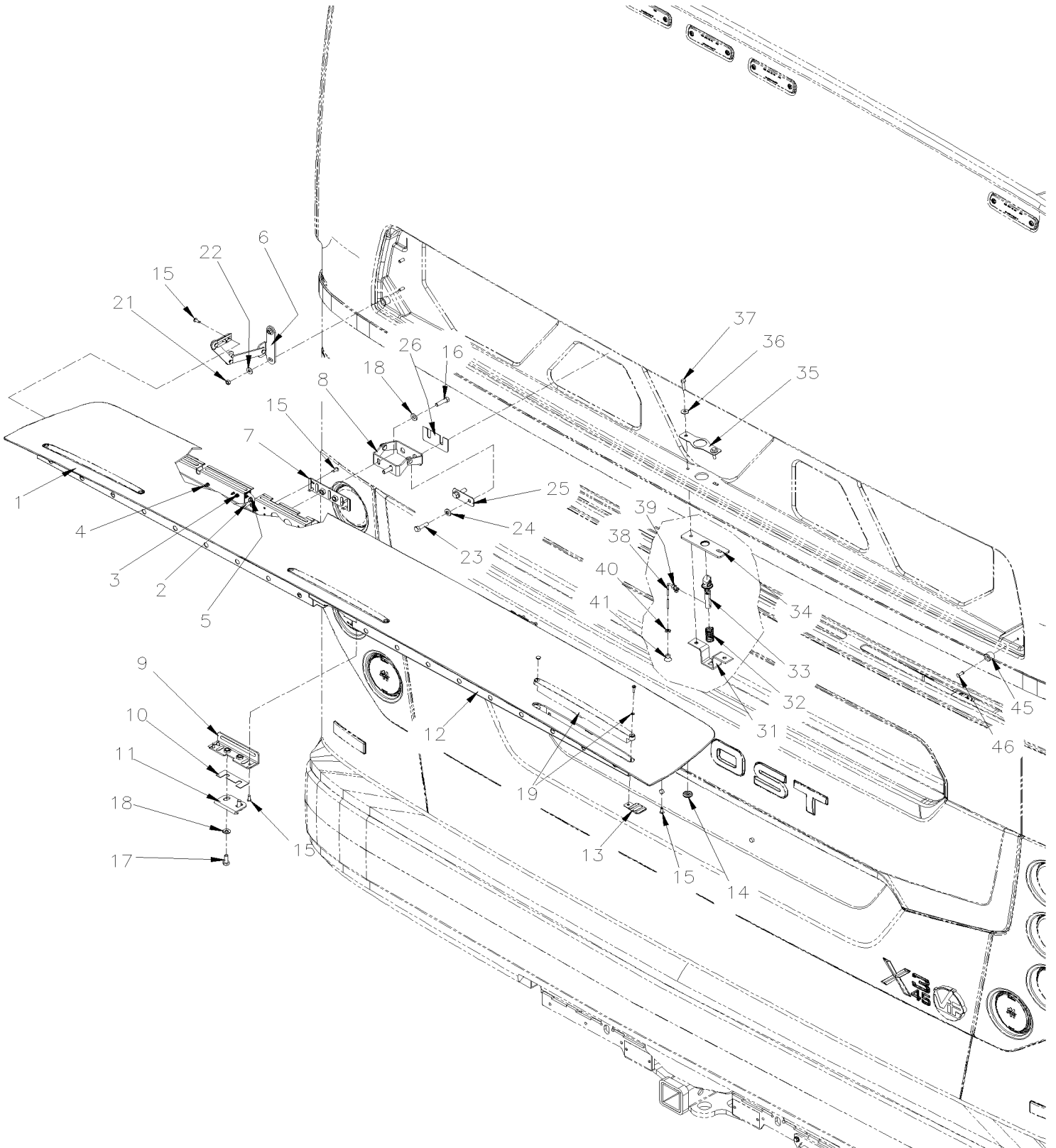


From L-6492

Date:07/2024

PAGE:X3VIP-1870-21

REAR ENGINE UPPER DOOR





From L-6492		Date:07/2024	PAGE:X3VIP-1870-21
REAR ENGINE UPPER DOOR			

Item#	Part	Description	X 3 V I P E N T	X 3 V I P M T H	N O T E S
1	2810260	REAR ENGINE UPPER DOOR WITH LAMPS ASSY	1	1	
2	060037	. CABLE ASSY DPF DOOR 3 LIGHTS	1	1	
3	564108	. SELF MOUNTING STUD // DEUTSCH 1011-310-0205	1	1	
4	509815	. TIE MOUNT / ATTACHMENT W/TREE MOUNT	1	1	
5	504637	. CABLE TIE / 3/16" x 13"	AR	AR	
6	471157	. ARM, RETAINING ASSY	1	1	
6	506869	. TAPE RUB ADH2 POL .031" X 1/4" X 300' / BLACK	AR	AR	
7	479275	. ATTACHMENT PLATE W/2 NUTS 131MMx35MM / 40MM C/C	2	2	
7	506869	. TAPE RUB ADH2 POL .031" X 1/4" X 300' / BLACK	AR	AR	
7	684743	. GLUE METHACRYLATE PLEXUS MA832GB 380 ml	AR	AR	
8	479268	. HINGE ASSY	2	2	
9	479283	. ATTACHMENT ANGLE W/2 NUTS 131MMx35MM / 40MM C/C	1	1	
9	506869	. TAPE RUB ADH2 POL .031" X 1/4" X 300' / BLACK	AR	AR	
9	684743	. GLUE METHACRYLATE PLEXUS MA832GB 380 ml	AR	AR	
10	479301	. SHIM SPACER 28MM x 78MM x 14GA	1	1	
11	479288	. CATCH PIN / RETAINER 125X45	1	1	
12	479314	. PANEL INSULATING ALUMINUM	1	1	
13	479300	. ATTACHMENT LAMPS 32MMx32MM To R-6969	6	6	
13	506869	. TAPE RUB ADH2 POL .031" X 1/4" X 300' / BLACK To R-6969	AR	AR	
13	684743	. GLUE METHACRYLATE PLEXUS MA832GB 380 ml To R-6969	1	1	
13	4705229	. ATTACHMENT LAMPS 51MMx63.7MM From R-6970	6	6	
14	504496	. GROMMET 2 HOLESx.062x.625x.062x.312x.875x.031 x.375	10	10	
15	504379	. RIVET POP DOME OE 3/16x1/4 SS	23	23	
16	5001912	. SCREW CAP HEX M8-1.25x30 SS BK	4	4	
17	5001868	. WASHER BEL SPR 8.4x18x2 SS	6	6	
18	500119	. SCREW CAP HEX M8X1.25X20 BK	2	2	
19	X3VIP-0662-01	. CLEARANCE & MARKER LIGHT			
21	5001851	NUT HEX M6-1.0 SS BK	2	2	
22	5001833	WASHER BEL SPR 6.1x18x1.27 SS	2	2	
23	5001912	SCREW CAP HEX M8-1.25x30 SS BK	4	4	
24	5001868	WASHER BEL SPR 8.4x18x2 SS	4	4	
25	288088	PLATE RETAINER 66MM X 25.4MM	2	2	
26	479299	SHIM SPACER 40MM x 80MM x 14GA	2	2	
31	479282	SUPPORT CATCH PIN	1	1	
32	502910	SPRING COMPRESSION / .720 O.D. 1.75 x .055	1	1	
33	2801055	CATCH PIN BLACK ACETAL	1	1	
34	479280	GUIDE PIN PLATE 125MMx 45MM	1	1	
35	471155	PLATE	1	1	
36	5001833	WASHER BEL SPR 6.1x18x1.27 SS	2	2	
37	502737	SCREW CAP HEX M6-1.0x25 SS BK	2	2	



From L-6492		Date:07/2024	PAGE:X3VIP-1870-21
-------------	--	--------------	--------------------

REAR ENGINE UPPER DOOR

Item#	Part	Description	X 3 V I P E N T	X 3 V I P M T H	N O T E S
38	471362	ROD, REAR ACCESS DOOR	1	1	
39	780340	CLIP, RETAINER ROD	1	1	
40	500986	NUT HEX #8-32 N500	1	1	
41	505504	KNOB, PULL / 8-32	1	1	
45	5002023	BUMPER NEOPRENE / .750 OD x .562 TH x .187 HOLE	2	2	
46	504416	RIVET POP DOME OE 3/16x5/8 SS To L-6494	2	2	
46	504200	RIVET POP DOME OE 3/16x3/4 SS From L-6495	2	2	



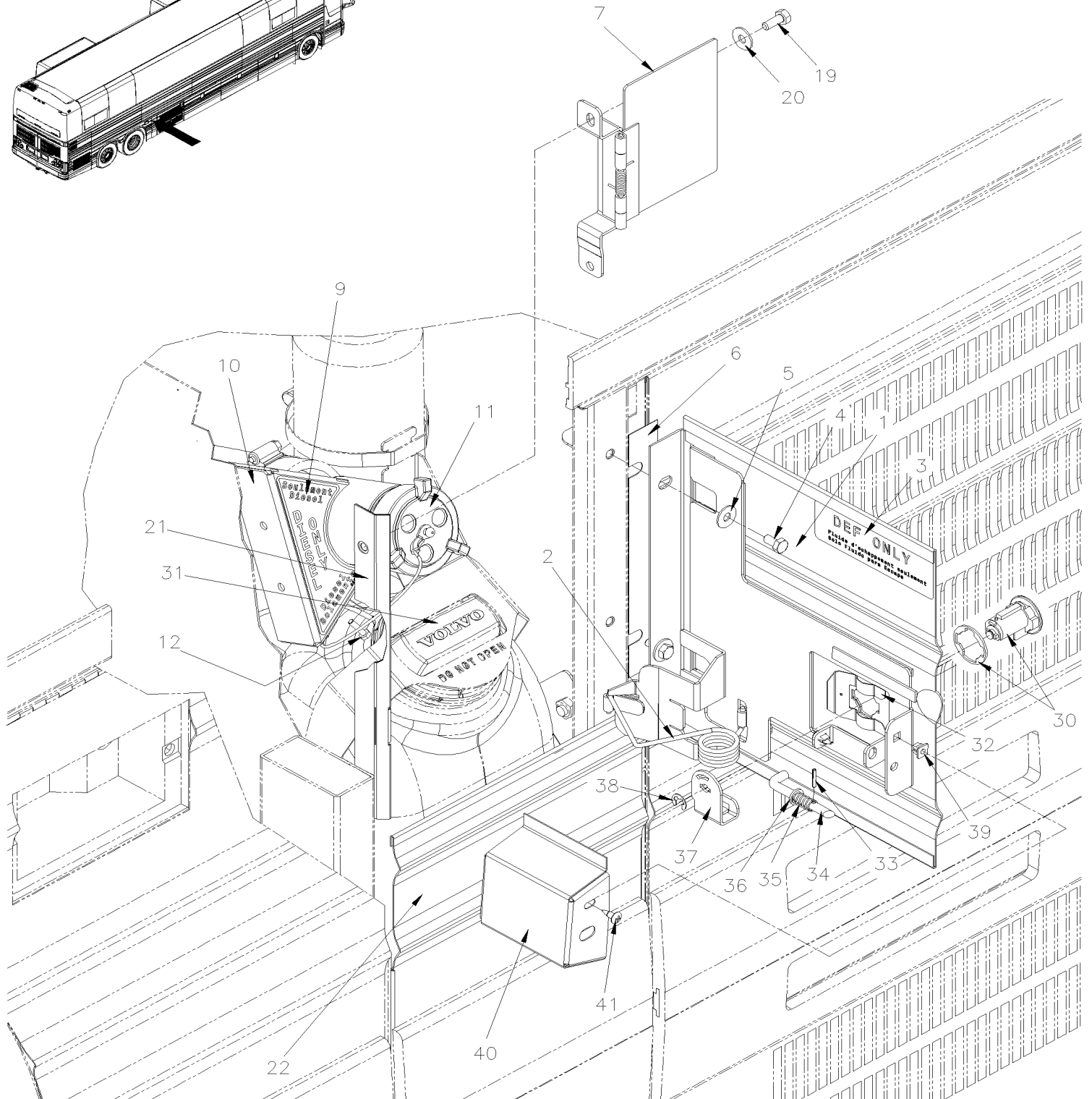
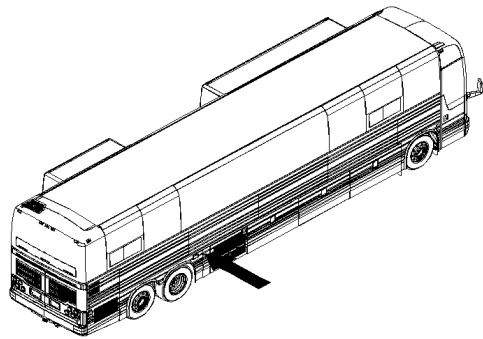
From E-5490

Date:07/2024

PAGE:X3VIP-1875-00

FUEL TANK & UREA FILLING DOOR

CURBSIDE
UP TO H-6189



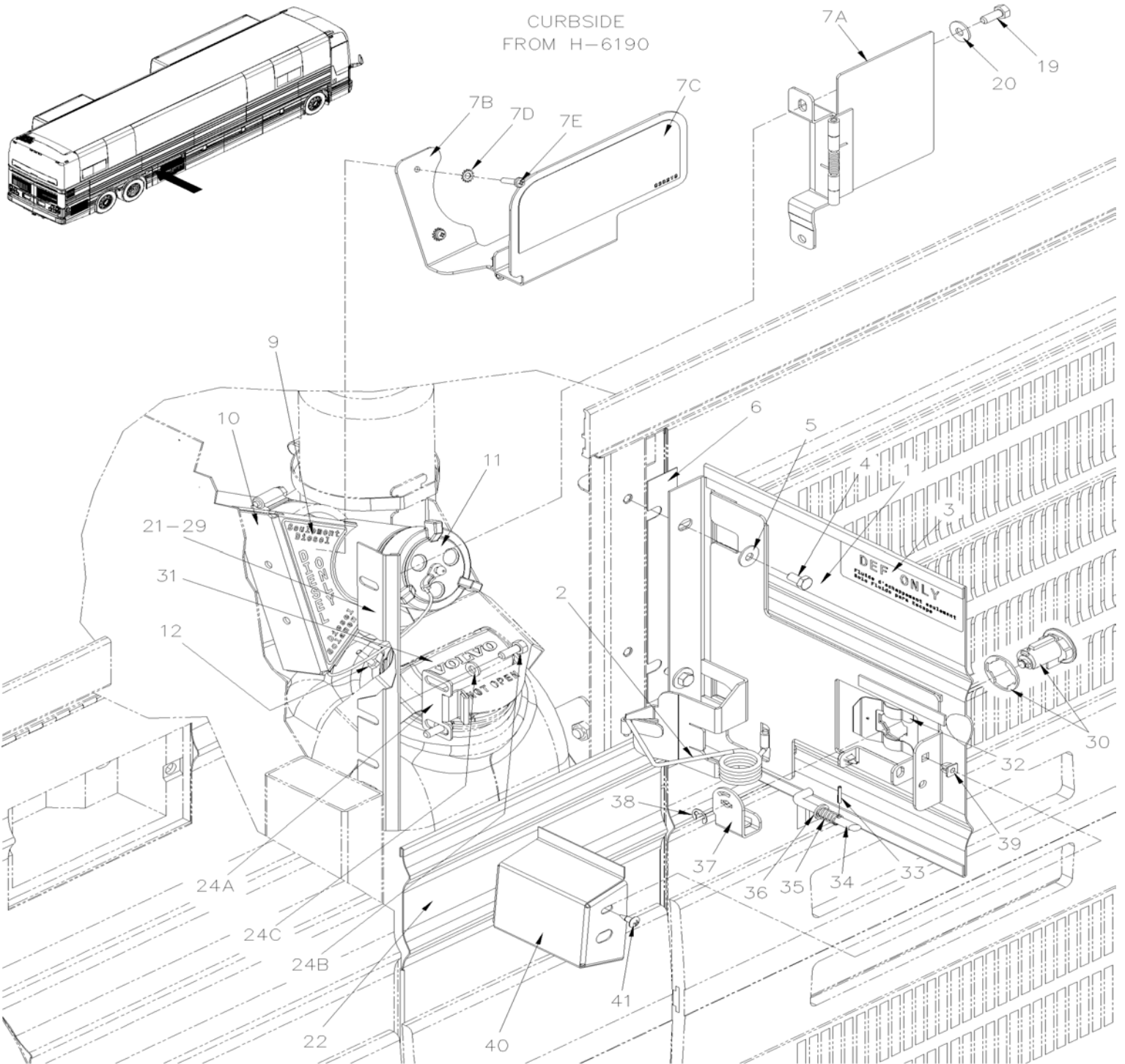


From E-5490

Date:07/2024

PAGE:X3VIP-1875-00

FUEL TANK & UREA FILLING DOOR



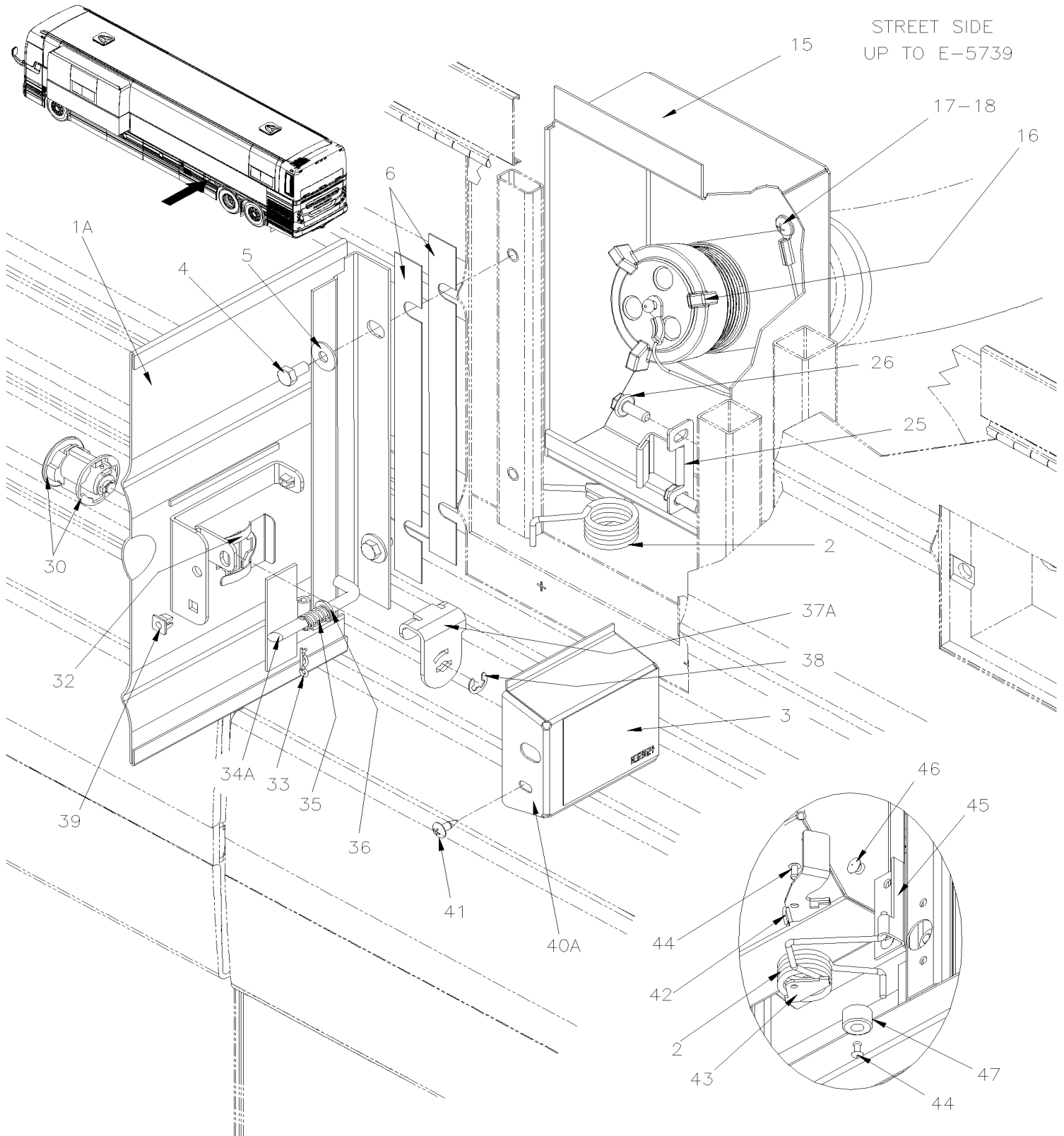


From E-5490

Date:07/2024

PAGE:X3VIP-1875-00

FUEL TANK & UREA FILLING DOOR



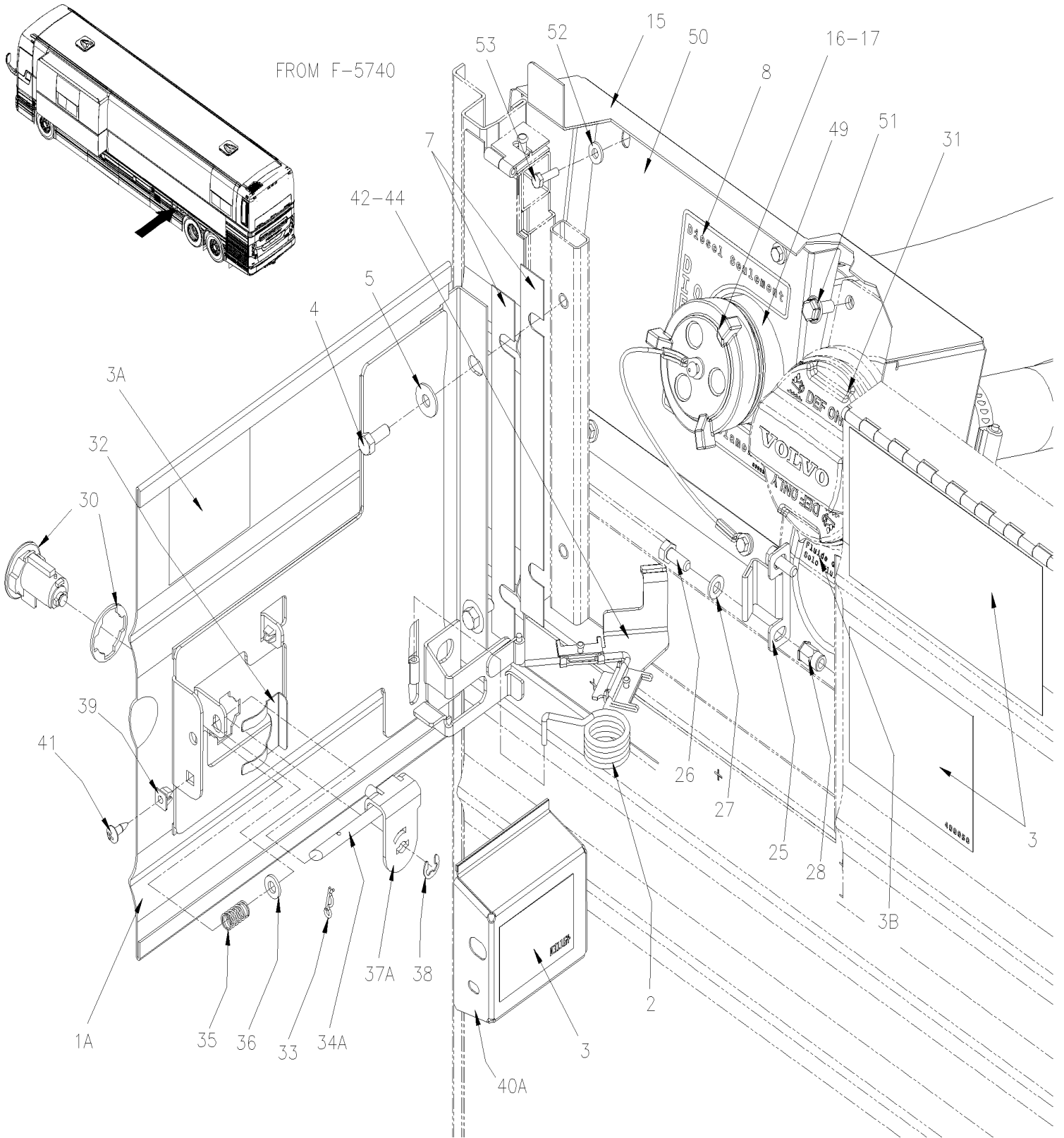


From E-5490

Date:07/2024

PAGE:X3VIP-1875-00

FUEL TANK & UREA FILLING DOOR





From E-5490		Date:07/2024	PAGE:X3VIP-1875-00
-------------	--	--------------	--------------------

FUEL TANK & UREA FILLING DOOR

Item#	Part	Description	X 3 V I P E N T	X 3 V I P M T H	N O T E S
	Call order desk	DOOR ASSY, R.H. / W/LOCK installation	1	1	P
1	484211	DOOR ASSY, CURB SIDE / W/LOCK To F-5811	1	1	
1	2800574P	DOOR ASSY, CURB SIDE / W/LOCK From F-5812	1	1	
1	2800581P	DOOR ASSY, R.H. / W/LOCK From J-6223 To J-6223		1	A
1A	460554	DOOR ASSY, STREET SIDE / W/LOCK To E-5739	1	1	
1A	464789P	DOOR ASSY, STREET SIDE / W/LOCK From F-5740	1	1	
1A	464724	DOOR PANEL WITHOUT HINGE	1	1	A
2	032910	SPRING, TORSION / To E-5739	1	1	
2	2800538	SPRING, TORSION / From F-5740	1	1	
3	21467930	DECAL, UREA FILLING To E-5739	1	1	
3	21467930	DECAL, UREA FILLING To E-5739	1	1	
3	032824	DECAL / ULTRA LOW SULFURE DIESEL / ENGLISH	2	2	
3	400137	DECAL / DIESEL FUEL BLACK	2	2	
3	400001	DECAL / DIESEL FUEL WHITE From E-5659	2	2	
3	031164	DECAL / CERTIFICATION	2	2	
3	403747	DECAL / INSTRUCTION FOR FILLING TANK /208 GAL BLACK To G-5946	2	2	
3	400051	DECAL / INSTRUCTION FOR FILLING TANK /203 GAL BLACK From G-5947	1	1	
3	400002	DECAL / INSTRUCTION FOR FILLING TANK /208 GAL WHITE From E-5659 To G-5946	2	2	
3	400050	DECAL / INSTRUCTION FOR FILLING TANK /203 GAL WHITE From G-5947	1	1	
3A	21298562	DECAL / ULTRA LOW SULFURE DIESEL / ENGLISH & FRANCAIS From F-5740 To F-5812	1	1	
3B	21467930	DECAL, UREA FILLING From F-5740	1	1	
3B	21467930	DECAL, UREA FILLING From F-5740	1	1	
4	5001743	SCREW CAP HEX M6-1.0x12 G8.8 N500 To F-5811	2	2	
4	5001697	SCREW CAP HEX M6-1.0x16 SS BK From F-5812	6	6	
5	500411	WASHER FL .260x.697x.050 SS To F-5811	2	2	
5	5001833	WASHER BEL SPR 6.1x18x1.27 SS From F-5812	6	6	
6	484278	SHIM SS / DOOR HINGE 20MM x 220MM x 24GA	AR	AR	
7A	033219	SPRING FLAP X3 OR WE W/ LOCK ASSY To L-6634	1	1	O
7A	030182	SPRING FLAP WITH LOCK ASSY From L-6635 To N-6721	1	1	O
7A	IS-18910	SEE INSTRUCTION SHEET To N-6721	1	1	
7B	030098	DIESEL FILLING FLAP From N-6722	1	1	O
7C	030217	DECAL "DIESEL ONLY..." From N-6722	1	1	O
7C	030219	DECAL "DEF ONLY..." From N-6722	1	1	O
7D	502698	SCREW MA PAN PH M4-0.7x16 SS BK From N-6722	2	2	O
7E	5001544	WASHER LO EXT .195x.410x.025 SS From N-6722	2	2	O
8	030031	DECAL "DIESEL ONLY" From H-6118	1	1	
9	030035	DECAL "DIESEL ONLY" From H-6118	1	1	
10	032932	FILLING CAP ASSY / CURB-SIDE	1	1	
11	531424	FUEL FILLING CAP / SCREW TYPE CAP	1	1	
. NS	530133	. REPLACEMENT GASKET FOR 2" FEMALE CAP	1	1	
12	502799	SCREW CAP HEX M4-0.7X16 G8.8 N500	1	1	



From E-5490		Date:07/2024	PAGE:X3VIP-1875-00
--------------------	--	---------------------	---------------------------

FUEL TANK & UREA FILLING DOOR

Item#	Part	Description	X 3 V I P E N T	X 3 V I P M T H	N O T E S
15	217190	FILLING CAP ASSY / STREET SIDE To E-5739	1	1	
15	218656	FUEL & UREA FILLING ENCLOSURE ASSY / STREET SIDE From F-5740	1	1	
16	531424	FUEL FILLING CAP / SCREW TYPE CAP	1	1	
NS	530133	. REPLACEMENT GASKET FOR 2" FEMALE CAP	1	1	
17	500510	SCREW MA BDG PH #10-32x3/4 SS EMN To E-5739	1	1	
17	502799	SCREW CAP HEX M4-0.7X16 G8.8 N500 From F-5740	1	1	
18	500519	NUT WELL #10-32x.518 From F-5739	1	1	
19	5001697	SCREW CAP HEX M6-1.0x16 SS BK From B-5003 To N-6721	2	2	O
20	5001833	WASHER BEL SPR 6.1x18x1.27 SS From B-5003 To N-6721	2	2	O
21	477240	CATCH PLATE To H-6201	1	1	
21	470549	CATCH PLATE From H-6202	1	1	
22	477230	PANEL CURBSIDE / B.A. 246.4MM	1	1	
NS	506759	TAPE RUB ADH2 CC POL 1/8" x 1/2" x 100' / BLACK I1C-N-A	AR	AR	
NS	685126	ADHESIVE SIMSON #ISR 70-03 / GREY / 600ml SAUSAGE To F-5811	AR	AR	
NS	684517	ADHESIVE SIMSON #ISR 70-03 / GREY / 310ml CARTRIDGE From F-5812	AR	AR	
24A	460031	STOPPER DOOR From H-6202	1	1	
24B	5001697	SCREW CAP HEX M6-1.0x16 SS BK From H-6202	2	2	
24C	502573	WASHER FL 6.4x12.5x1.6 SS From H-6202	2	2	
25	460551	CATCH PLATE / STREET SIDE	1	1	
26	5001697	SCREW CAP HEX M6-1.0x16 SS BK	2	2	
27	502573	WASHER FL 6.4x12.5x1.6 SS	2	2	
28	5001344	NUT INS FL HEX M6-1.0 0.5-3.0 SS	2	2	
29	4705100	SPACER FRAME From J-7537	1	1	
30	X3VIP-1867-00	KEY & CYLINDER CODE			
31	X3VIP-0410-00	UREA RESERVOIR ASSY To E-5739			
31	X3VIP-0410-01	UREA RESERVOIR ASSY From F-5740			
32	780236	RETAINER CLIP To F-5779	1	1	
32	780887	RETAINER CLIP, GM DOOR LOCK CYLINDER "U SHAPE" From F-5780	1	1	
33	5001860	PIN HITCH CLIP .054 x 3/4 SS	1	1	
34	289800	ROD	1	1	
34A	289824	ROD / STREET SIDE	1	1	
35	474008	SPRING COMPRESSION / .360 O.D. x .625 x .035 To K-6428	1	1	
35	471755	SPRING COMPRESSION / .360 O.D. x .750 x .035 From K-6429	1	1	
36	502573	WASHER FL 6.4x12.5x1.6 SS	1	1	
37	484218	PIVOT LOCK / CURBSIDE			
37A	484276	LEVER LOCK / STREET SIDE	1	1	
38	504402	RING RETAINER / EXT .250 x .210 x .025"	1	1	
39	502741	NUT AN #8 NYL	2	2	
40	484217	PROTECTOR BOX / CURBSIDE To F-5811	1	1	
40	2800579	PROTECTOR BOX / CURBSIDE From F-5812	1	1	
40A	484275	PROTECTOR BOX / STREET SIDE	1	1	



From E-5490		Date:07/2024	PAGE:X3VIP-1875-00
FUEL TANK & UREA FILLING DOOR			

Item#	Part	Description	X 3 V I P E N T	X 3 V I P M T H	N O T E S
40A	506225	TAPE RUB ADH1 CC POL 1/16" x 1/4" x 100' / GREY 2520	AR	AR	
41	500124	SCREW TP TR PH #8x1/2 SS	2	2	
42	460557	ARM, FUEL DOOR To E-5739	1	1	
42	2800550	ARM, FUEL DOOR From F-5740	1	1	
43	460558	PLATE From F-5739	1	1	
44	504717	RIVET POP DOME OE 1/8x1/4 SS From F-5739	2	2	
45	460555	ATTACH, FUEL DOOR	1	1	
46	504379	RIVET POP DOME OE 3/16x1/4 SS From F-5739	2	2	
47	504334	BUMPER RUBBER / .625 OD x .406 TH x .156 HOLE From F-5739 To J-6339	1	1	
47	5002025	BUMPER NEOPRENE / .625 OD x .406 TH x .156 HOLE From J-6340	1	1	
49	033967	BRACKET, FUEL PIPE ASSY From F-5740	1	1	
50	033975	FUEL SIDE CLOSING PLATE From F-5740	1	1	
51	5001730	SCREW CAP HEXF M6-1.0x16 G10.9 N500	2	2	
52	5001137	WASHER FL .203x.438x.050 SS From F-5740	4	4	
53	502799	SCREW CAP HEX M4-0.7X16 G8.8 N500 From F-5740	4	4	
		A) AUTOBUS BRUNET" OPTION / MOTORHOME WITH FLAT PANEL			
		O) OPTIONAL			
		P) CALL ORDER DESK FOR SPECIFIC APPLICATION (V.I.N.)			

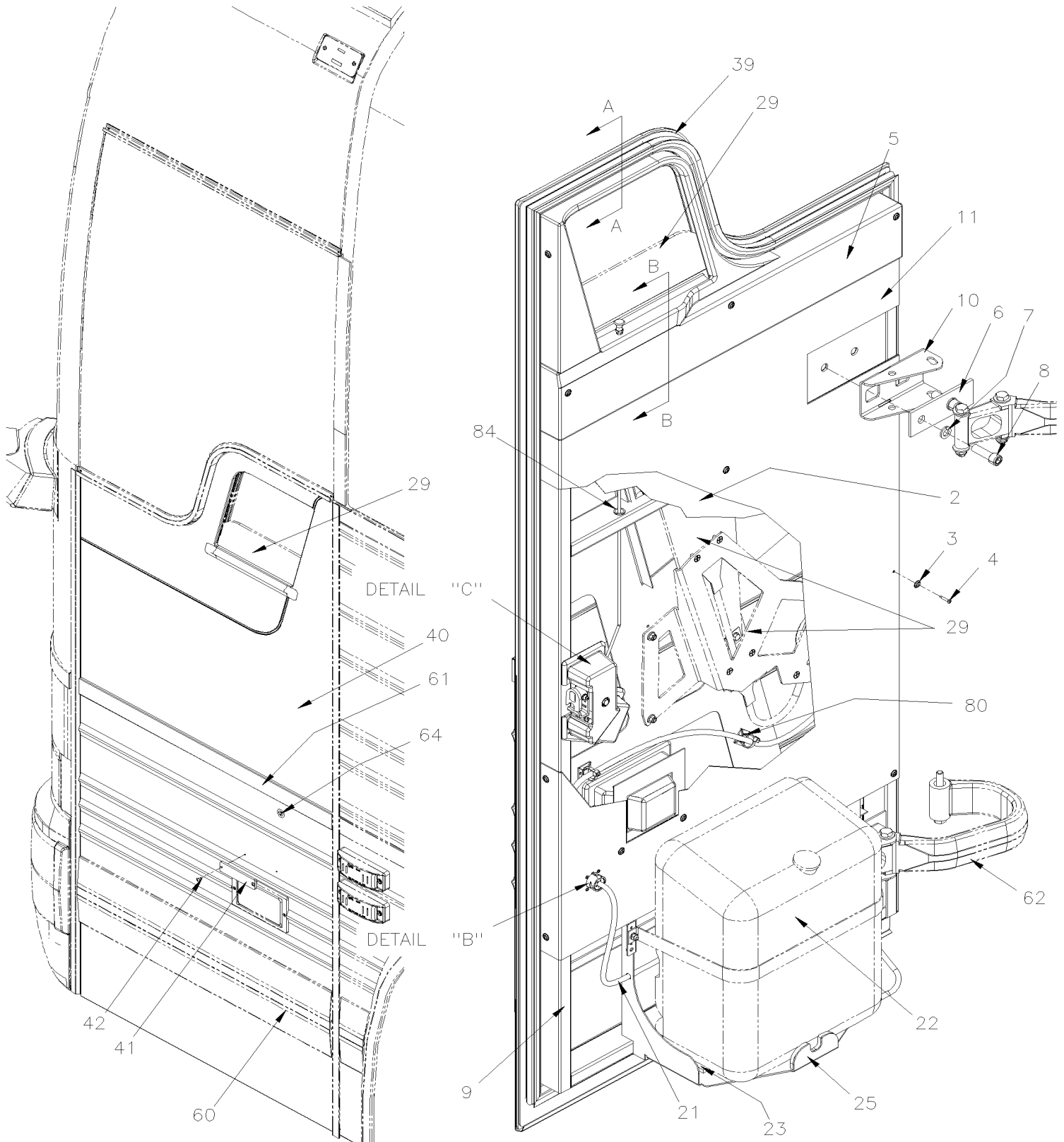


From E-5490

Date:07/2024

PAGE:X3VIP-1879-00

FRONT SERVICE DOOR ASSY



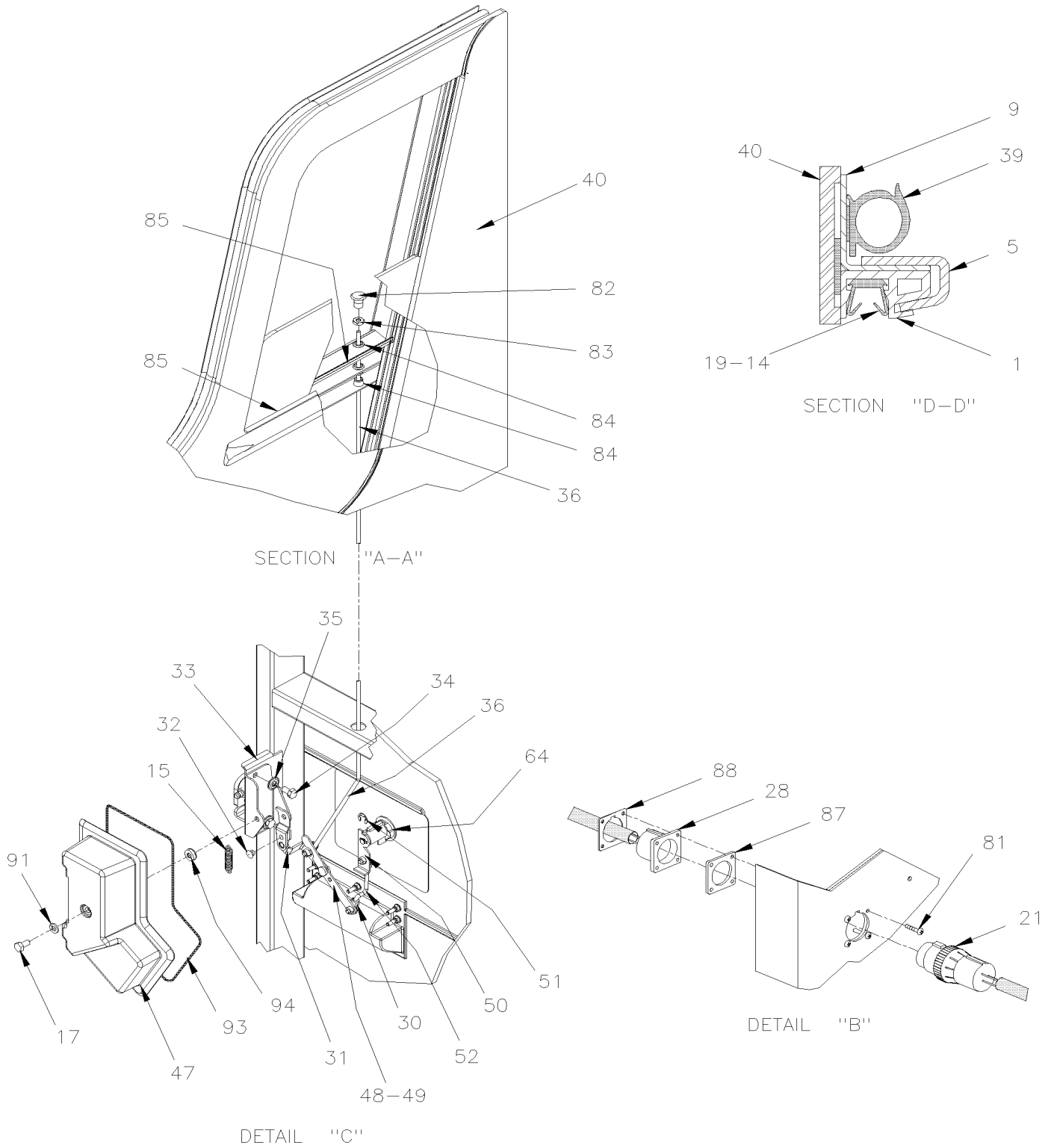


From E-5490

Date:07/2024

PAGE:X3VIP-1879-00

FRONT SERVICE DOOR ASSY



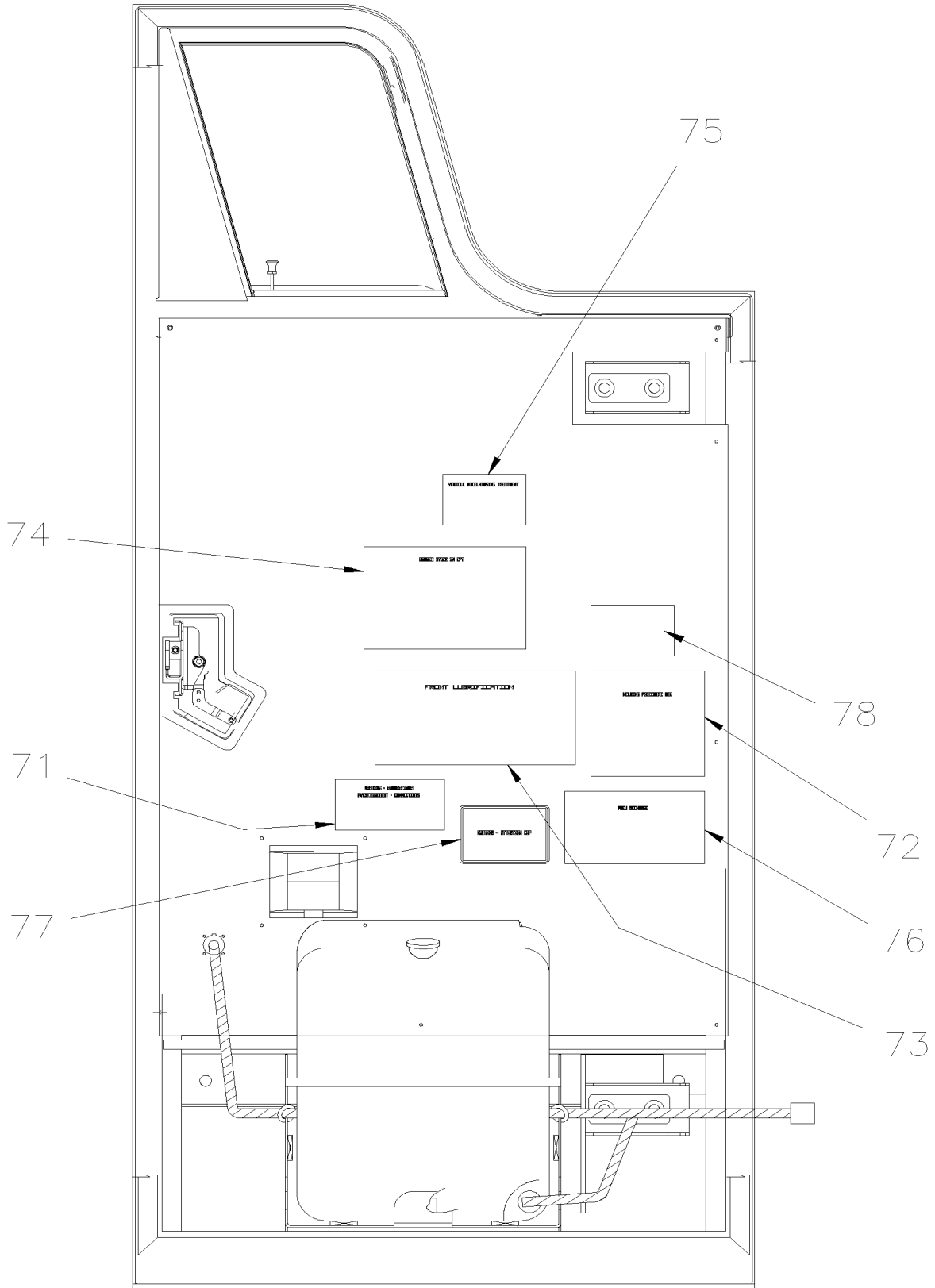


From E-5490

Date:07/2024

PAGE:X3VIP-1879-00

FRONT SERVICE DOOR ASSY





From E-5490	Date:07/2024	PAGE:X3VIP-1879-00
FRONT SERVICE DOOR ASSY		

Item#	Part	Description	X 3 V I P E N T	X 3 V I P M T H	NOTES
		ALL FRONT SERVICE DOORS DO NOT INCLUDE			
		RUB-RAIL PLEASE ORDER SEPARATELY			
	287914P	FRONT SERVICE DOOR ASSY MTH 89" To K-6491	1	1	
	2810258	FRONT SERVICE DOOR ASSY MTH 89" From L-6492	1	1	
1	285983	WINDOW TRACK	1	1	
2	287906	INSULATING / 89"	1	1	
3	500345	WASHER FN CKF .187x.500x.090 BR BK	AR	AR	
4	5001097	SCREW TC OV PH #6-32x3/4 SS410 BK	AR	AR	
5	286491	INTERIOR FINISHING / 86" & 89" To K-6491	1	1	
5	2810060	INTERIOR FINISHING / 89" From L-6492	1	1	
6	283402	SUPPORT PLATE To E-5621	2	2	
6	286998	SUPPORT PLATE 134MM X 48MM From E-5622	2	2	
7	502731	SCREW CAP HEX M12-1.75x40 G8.8 Z050	4	4	
8	500747	WASHER LO SPT 12.2x21.1x2.5 N500	4	4	
9	287478	DOOR FRAME ASSY / 89"	1	1	
10	286014	HINGE SUPPORT	2	2	
11	287905	INTERIOR PANEL / 89"	1	1	
NS	506790	TAPE RUB ADH2 CC POL 1/16" x 1/2" x 200' / BLACK I1C-N-A	4	4	
13	5001182	NUT HEX NYRT M6-1.0 SS	4	4	
13	502570	WASHER LO SPT 6.1x11.8x1.6 SS	2	2	
14	286440	FELT SLIDING 677MM	1	1	
15	284914	SPRING EXTENSION / .305 O.D. x 1.562 x .051	1	1	
17	5001433	SCREW CAP HEX M6-1.0x25 SS	1	1	
19	286439	FELT SLIDING 930MM	1	1	
21	067947	CABLE ASSY / WINDSHIELD WASHER PUMP	1	1	
22	X3VIP-2305-20	WINDSHIELD WASHER - INSTALLATION			
23	506339	TAPE RUB ADH1 NIT 1/4" x 1" x 35' / BLACK 1220	1	1	
25	286422	SUPPORT / WINDSHIELD WASHER TANK / WELDED TO STRUCTURE	1	1	
26	288525	PANEL UPPER / B.A.	1	1	
26	2800688	PANEL UPPER	1		B
27	288524	PANEL LOWER / B.A.	1	1	
27	2800687	PANEL LOWER	1		B
28	066626	WIRING HARNESS SERVICE DOOR	1	1	
29	X3VIP-1886-00	POWER WINDOW - ELECTRICAL INSTALLATION			
30	780340	CLIP, RETAINER ROD	3	3	
31	287077	PIVOT	1	1	
32	504379	RIVET POP DOME OE 3/16x1/4 SS	1	1	
33	780652	LOCK SPAGNOLET L.H. / W/G-FITTING	1	1	
. NS	780340	. CLIP, RETAINER ROD	1	1	
. NS	507607	. GREASE FITTING / M6-1.00	1	1	



From E-5490	Date:07/2024	PAGE:X3VIP-1879-00
FRONT SERVICE DOOR ASSY		

Item#	Part	Description	X 3 V I P E N T	X 3 V I P M T H	NOTES
34	502563	SCREW CAP HEX M6-1.0x12 G8.8 Z050	2	2	
35	502582	WASHER LO SERR 6.1x16.2x0.9 Z050	2	2	
36	287907	OPENING ROD / 89"	1	1	
37	500289	SCREW TC OV PH #6-32x3/4 SS410	15	15	
38	286212	GLASS ASSY W/SUPPORT	1	1	
39	2800128	RUBBER SEAL EXTRUSION / SERVICE DOOR MTH-89"	1	1	
40	286075	PANEL FIBERGLASS / 89" To K-6491	1	1	
40	289078	PANEL FIBERGLASS / 89" From L-6492	1	1	
41	930212	REFLECTOR AMBER 1 1/8" x 4 3/8"	1	1	
42	500124	SCREW TP TR PH #8x1/2 SS	2	2	
47	286456	LOCK CAP	1	1	
48	504542	RIVET SHR FL 9/32x3/32 STL	1	1	
49	287073	ROD	1	1	
50	287087	PIVOT	1	1	
51	504402	RING RETAINER / EXT .250 x .210 x .025"	1	1	
52	286709	ROD	1	1	
60	X3VIP-1855-00	RUB RAIL - EXTERIOR CREST & TRIMS From E-5490 To H-6092			
60	X3VIP-1855-01	RUB RAIL - EXTERIOR CREST & TRIMS From H-6093			
61	288522	FINISHING MOULDING 800MM / B.A.	1	1	
61	2800690	FINISHING MOULDING	1		B
NS	681051	TAPE RUB ADH2 URE .045" x 1/2" x 108' / WHITE 4085	AR	AR	A
NS	682462	ADHESIVE SIKA #252 / BLACK / 310ml CARTRIDGE	AR	AR	A
62	X3VIP-1879-10	FRONT SERVICE DOOR - INSTALLATION			
64	X3VIP-1867-00	KEY & CYLINDER CODE			
71	063160	DECAL / WARNING DONOT USE THIS CONNECTION / ENGLISH & FRANCAIS	1	1	
71	066061	DECAL / WARNING DONOT USE THIS CONNECTION / ENGLISH & SPANISH	1	1	
72	067072	DECAL / "CAUTION" BEFORE WELDING...." // ENGLISH To H-6179	1	1	
72	066436	DECAL / "CAUTION" BEFORE WELDING...." // ENGLISH To H-6179	1	1	
73	180232	DECAL "FRONT LUBRICATION..." / BILINGUAL / W/INDEPENDANTE SUSPENSION / ENGLISH & FRANCAIS	1	1	
73	180231	DECAL "FRONT LUBRICATION..." / BILINGUAL / W/RIGIDE SUSPENSION / ENGLISH & FRANCAIS	1	1	
73	180261	DECAL "FRONT LUBRICATION..." / BILINGUAL / W/RIGIDE SUSPENSION / ENGLISH & SPANISH	1	1	
74	160295	DECAL / "IT FORBIDDEN TO STOCK ANYTING IN TH. / ENGLISH & FRANCAIS	1	1	
74	161191	DECAL / "IT FORBIDDEN TO STOCK ANYTING IN TH. / ENGLISH & SPANISH	1	1	
75	180246	DECAL / VEHICULE WHEELHOUSING....TREATED / ENGLISH & FRANCAIS	1	1	
75	180252	DECAL / VEHICULE WHEELHOUSING....TREATED / ENGLISH & SPANISH	1	1	
76	161182	DECAL "WARNING SPARE TIRE...." BILINGUAL 315/80/R22.5 Tag & Frt	1	1	
76	150795	DECAL "WARNING SPARE TIRE...." BILINGUAL / ENGLISH & SPANISH	1	1	
76	150796	DECAL "WARNING SPARE TIRE...." BILINGUAL / ENGLISH & FRANCAIS	1	1	
77	142617	DECAL "CAUTION... THIS VEHICLE EQUIPPED...ELECTRONIC STABILITY...." / ENGLISH & FRANCAIS	1	1	
77	142639	DECAL "CAUTION... THIS VEHICLE EQUIPPED...ELECTRONIC STABILITY...." / ENGLISH	1	1	
78	145209	DECAL / COLOR CODE / PNEUMATIC SYSTEM / ENGLISH & FRANCAIS From F-5875 To J-6255	1	1	
78	140095	DECAL / COLOR CODE / PNEUMATIC SYSTEM / ENGLISH & FRANCAIS From J-6256	1	1	



From E-5490		Date:07/2024	PAGE:X3VIP-1879-00
FRONT SERVICE DOOR ASSY			

Item#	Part	Description	X 3 V I P E N T	X 3 V I P M T H	N O T E S
78	145268	DECAL / COLOR CODE / PNEUMATIC SYSTEM / ENGLISH & SPANISH From F-5875 To J-6255	1	1	
78	140096	DECAL / COLOR CODE / PNEUMATIC SYSTEM / ENGLISH & SPANISH From J-6256	1	1	
80	504637	CABLE TIE / 3/16" x 13"	2	2	
81	5001454	SCREW MA BDG PH #4-40x1/2 SS	4	4	
82	505504	KNOB, PULL / 8-32	1	1	
83	500764	NUT HEX #8-32 Z050	1	1	
84	504083	SNAP BUSHING / .250x.468.406	3	3	
85	286419	FLAP SEAL / 25MM x 260MM	2	2	
86	506866	FLAP SEAL 3/4" x 7/8" / PVC / C.T.L. / RAW MATERIAL	AR	AR	
NS	684655	GLUE CONTACT "SCOTCH-GRIP" / 3M #1357-NEUTRAL 3.8 LITERS	AR	AR	
87	562946	GASKET MOUNTING / HD10 SERIES / 5C / DEUTSCH HD10-5-GKT	1	1	
88	561820	NUT, RING #13 / 1.125" I.D. W/4 4-40	1	1	
91	502570	WASHER LO SPT 6.1x11.8x1.6 SS	1	1	
93	506002	TAPE RUB ADH1 CC POL 3/16" x 1/2" x 40' / GREY 2520	AR	AR	
94	504399	WASHER RETAINER SNAP CAP #10	1	1	
NS	684517	ADHESIVE SIMSON #ISR 70-03 / GREY / 310ml CARTRIDGE	AR	AR	
NS	687957	GLUE MS POLYMER TEROSON MS 9399 / 400ml CARTRIDGE To M-6660	AR	AR	
NS	685387	GLUE MS POLYMER TEROSON MS 9399 / 400ml CARTRIDGE From M-6661	AR	AR	
NS	687958	MIXER QUADRO 10.7MM W/"V" ADAPTOR / "B"	1	1	
		A) USE WITH BUS WITH FLUTED LOWER PANELLING WITH DOCKING LIGHT			
		B) WITH FLAT PANEL OPTION			

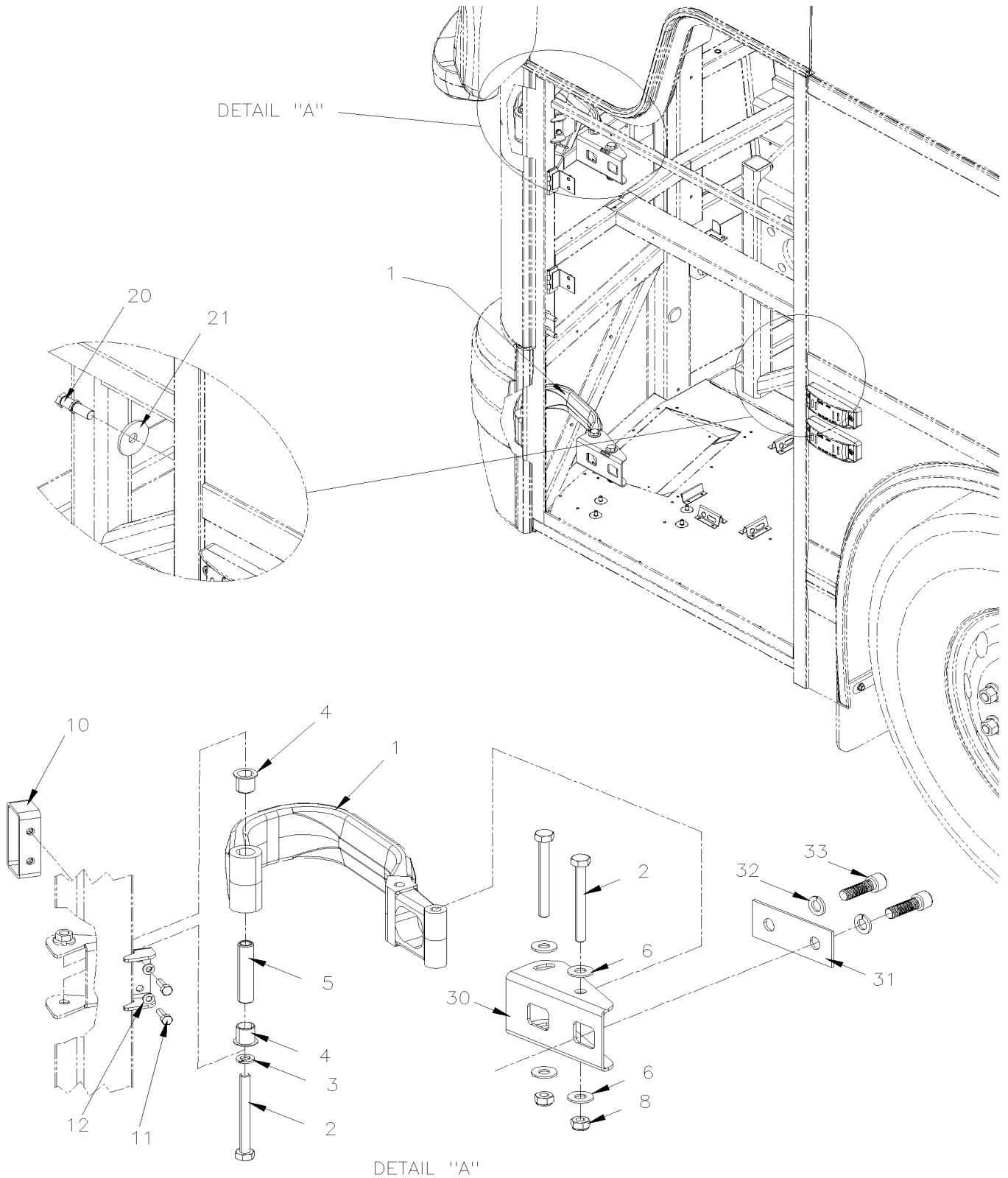


From E-5490

Date:07/2024

PAGE:X3VIP-1879-10

FRONT SERVICE DOOR - INSTALLATION





From E-5490	Date:07/2024	PAGE:X3VIP-1879-10
-------------	--------------	--------------------

FRONT SERVICE DOOR - INSTALLATION

Item#	Part	Description	X 3 V I P E N T	X 3 V I P M T H	N O T E S
1	287341	HINGE	2	2	
2	5001016	SCREW CAP HEX M10-1.5x90 G8.8 Z050 To E-5570	6	6	
2	502890	SCREW CAP HEX M10-1.5x90 G8.8 N500 From E-5571 To R-4010	6	6	
2	5000017	SCREW CAP HEX M10-1.5X90 G10.9 N500 From R-4011	6	6	
3	5001737	WASHER LO SPT 10.2x18.1x2.2 N500	2	2	
4	507326	BEARING FLANGE	2	2	
5	287337	SPACER / BEARING FLANGE	1	1	
NS	680739	GREASE SYNTHETIC / RED 20KG	AR	AR	
6	500445	WASHER FL .437x1.000x.083 Z050 To E-5570	8	8	
6	500897	WASHER FL .437x1.000x.083 N500 From E-5571	8	8	
8	502617	NUT HEX NYRT M10-1.5 Z050 To E-5570	4	4	
8	502859	NUT HEX NYRT M10-1.5 N500 From E-5571	1	1	
10	251186	STOPPER SERVICE DOOR	1	1	
11	502622	SCREW CAP HEX M6-1.0x20 SS BK	2	2	
12	502570	WASHER LO SPT 6.1x11.8x1.6 SS	2	2	
20	284438	PIN STRIKER	1	1	
21	284447	WASHERS BELLEVILLE	1	1	
30	286014	HINGE SUPPORT	2	2	
31	283402	SUPPORT PLATE To E-5570	2	2	
31	286998	SUPPORT PLATE 134MM X 48MM From E-5571	2	2	
32	500747	WASHER LO SPT 12.2x21.1x2.5 N500	4	4	
33	5001589	SCREW CAP HEXS M12-1.75x40 G8.8 Z050	4	4	

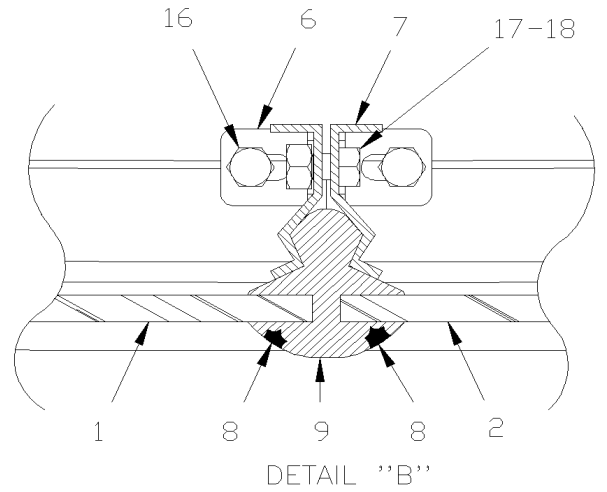
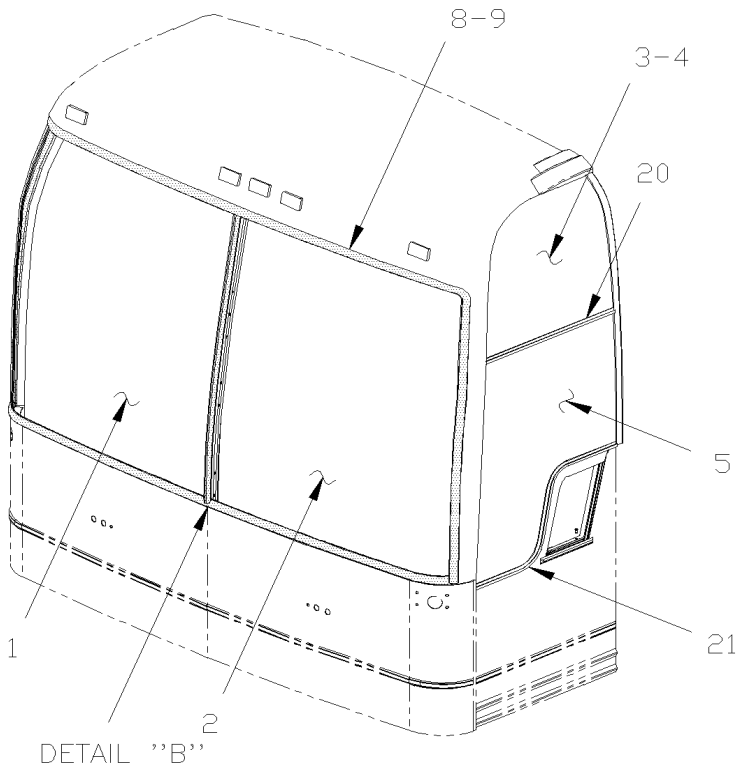


From E-5490 To K-6491

Date:07/2024

PAGE:X3VIP-1880-00

WINDSHIELD & CHANNEL





From E-5490 To K-6491	Date:07/2024	PAGE:X3VIP-1880-00
WINDSHIELD & CHANNEL		

Item#	Part	Description	X 3 V I P E N T	X 3 V I P M T H	N O T E S
1	300476	WINDSHIELD R.H.	1	1	
2	300475	WINDSHIELD L.H.	1	1	
3	293241	GLASS UPPER L.H. THERMOS	1	1	
4	293240	GLASS UPPER R.H. THERMOS	1	1	
5	293081	GLASS DRIVER'S WINDOW / MTH 86" & 89"	1	1	
5	506962	RUB POL 1/4 X 7/16 X 1 LG	AR	AR	
6	293070	POST R.H. WINDSHIELD / WITH LARGE	1	1	
7	293689	POST L.H. WINDSHIELD / WITH LARGE	1	1	
8	293059	STRIP, LOCKING / S.L.	70FT	70FT	
9	293393	WINDSHIELD RUBBER SEAL / WITH LARGE / DOUBLE LOCK	1	1	
. NS	MI03-22	. SEE MAINTENANCE INFORMATION	1	1	
16	500948	SCREW TC CAP HEX 1/4-20x1 Z050	4	4	
17	5001106	SCREW CAP HEX M6-1.0x10 G8.8 Z050	8	8	
18	502570	WASHER LO SPT 6.1x11.8x1.6 SS	8	8	
20	286454	DRIP MOULDING OVER DRIVER'S WINDOW	1	1	
20	477516	DRIP MOULDING OVER ENTRANCE DOOR / B.A.	1	1	
21	286646	DRIP MOULDING "S" MTH86" & MTH89"	1	1	
NS	293842	HANDLE ASSY (TO FIX FRONT GLASS CHANNEL)	1	1	
. NS	293843	. END TIP "PRÉVOST"	AR	AR	
NS	684685	ADHESIVE SIMSON #ISR 70-03 / 310ml CARTRIDGE	AR	AR	
NS	800355	LUBRICANT CLEAR LUBE 32A / 20 LITER	AR	AR	
NS	689819	LUBRICANT CLEAR LUBE 32A / 2 LBS	AR	AR	
NS	800356	LUBRICANT CLEAR LUBE 32A / 430 Gr	AR	AR	

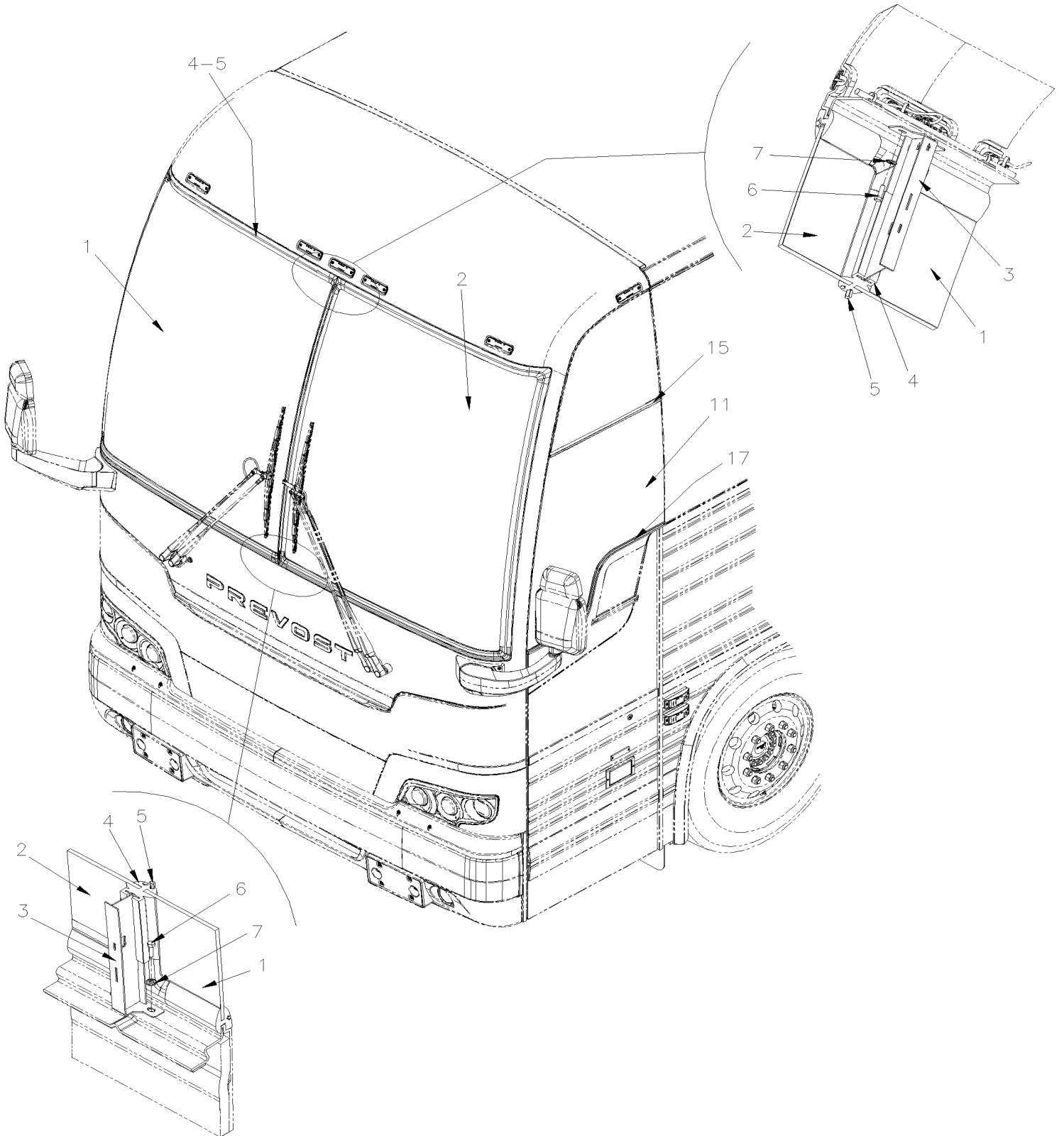


From L-6492

Date:07/2024

PAGE:X3VIP-1880-01

WINDSHIELD & CHANNEL





From L-6492		Date:07/2024	PAGE:X3VIP-1880-01
WINDSHIELD & CHANNEL			

Item#	Part	Description	X 3 V I P E N T	X 3 V I P M T H	N O T E S
1	300043	WINDSHIELD R.H. To M-6646	1	1	
1	300723	WINDSHIELD R.H. From M-6647	1	1	
1	G37276	TEMPLATE, CAMERA POSITION MARKINGS X3	1	1	A
2	300041	WINDSHIELD L.H.	1	1	
3	290222	CENTRAL POST	1	1	
3	290985	CENTRAL POST WITH "E-MIRROR"	1	1	
4	300040	WINDSHIELD RUBBER SEAL	1	1	
5	296264	STRIP, LOCKING / S.L.	36FT	36FT	
6	502830	SCREW CAP HEX M6-1.0x20 G8.8 N500	4	4	
7	502582	WASHER LO SERR 6.1x16.2x0.9 Z050	4	4	
11	290279	GLASS DRIVER'S WINDOW	1	1	
11	5060044	TAPE RUB ADH2 CC POL 1/4" X 1/4" X 50' / BLACK I1C-N-A	AR	AR	
15	280656	HORIZONTAL GUTTER ENTRANCE DOOR	2	2	
15	680796	TAPE RUB ADH2 ACRYLIQUE 3/4x.045x36YARD	AR	AR	
17	2810072	GUTTER "S" SHAPE	1	1	
NS	506769	TAPE RUB ADH2 CC POL 1/8" x 1/4" x 60' / BLACK H1CC-N-#14	AR	AR	
NS	687957	GLUE MS POLYMER TEROSON MS 9399 / 400ml CARTRIDGE To M-6660	AR	AR	
NS	685387	GLUE MS POLYMER TEROSON MS 9399 / 400ml CARTRIDGE From M-6661	AR	AR	
NS	293842	HANDLE ASSY (TO FIX FRONT GLASS CHANNEL)	1	1	
NS	293843	END TIP "PRÉVOST"	AR	AR	
NS	684685	ADHESIVE SIMSON #ISR 70-03 / 310ml CARTRIDGE	AR	AR	
NS	800355	LUBRICANT CLEAR LUBE 32A / 20 LITER	AR	AR	
NS	689819	LUBRICANT CLEAR LUBE 32A / 2 LBS	AR	AR	
NS	800356	LUBRICANT CLEAR LUBE 32A / 430 Gr	AR	AR	
NS	687957	GLUE MS POLYMER TEROSON MS 9399 / 400ml CARTRIDGE To M-6660	AR	AR	
NS	685387	GLUE MS POLYMER TEROSON MS 9399 / 400ml CARTRIDGE From M-6661	AR	AR	
		A) USE IF WINDSHIELD DOESN'T ALREADY HAVE POSITION MARKINGS			



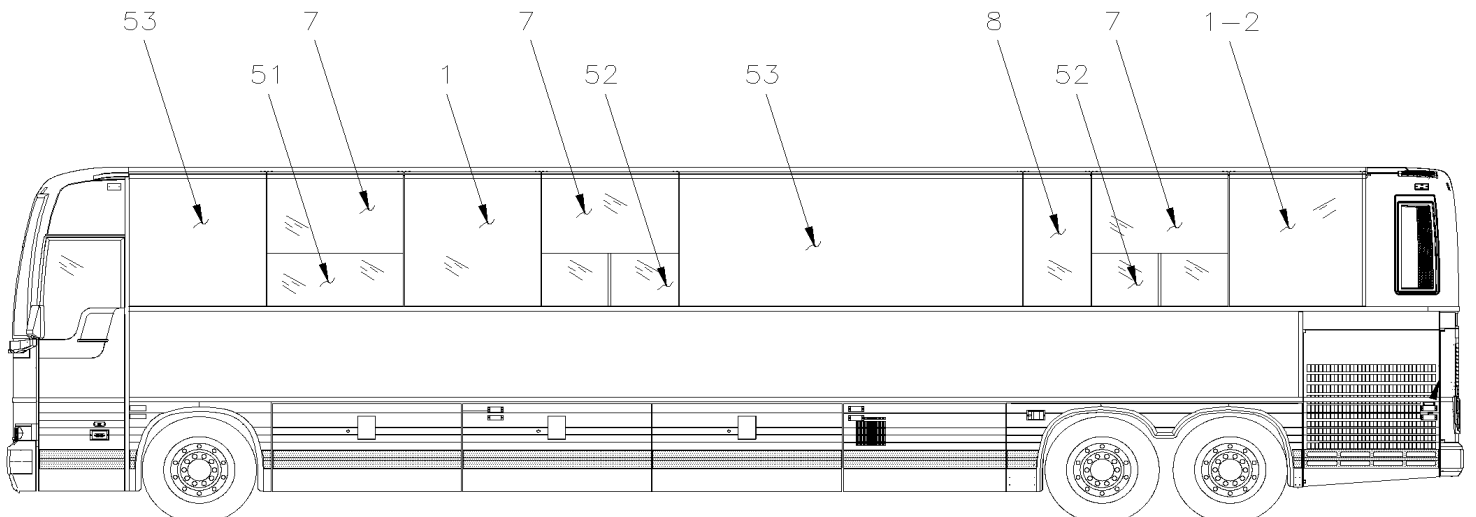
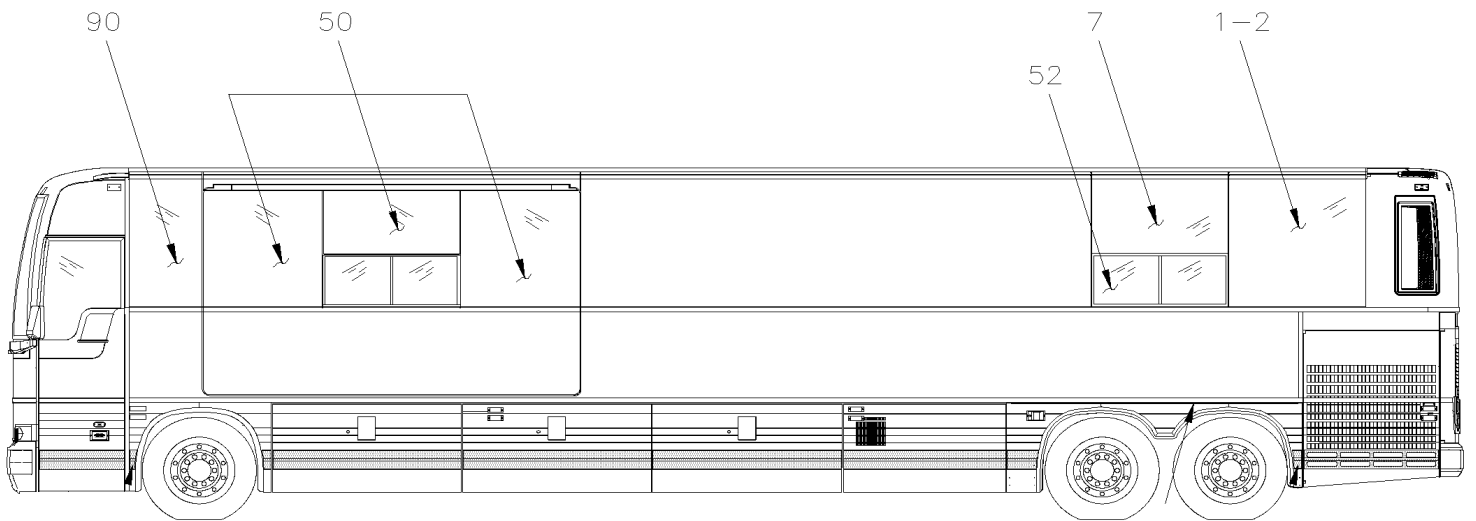
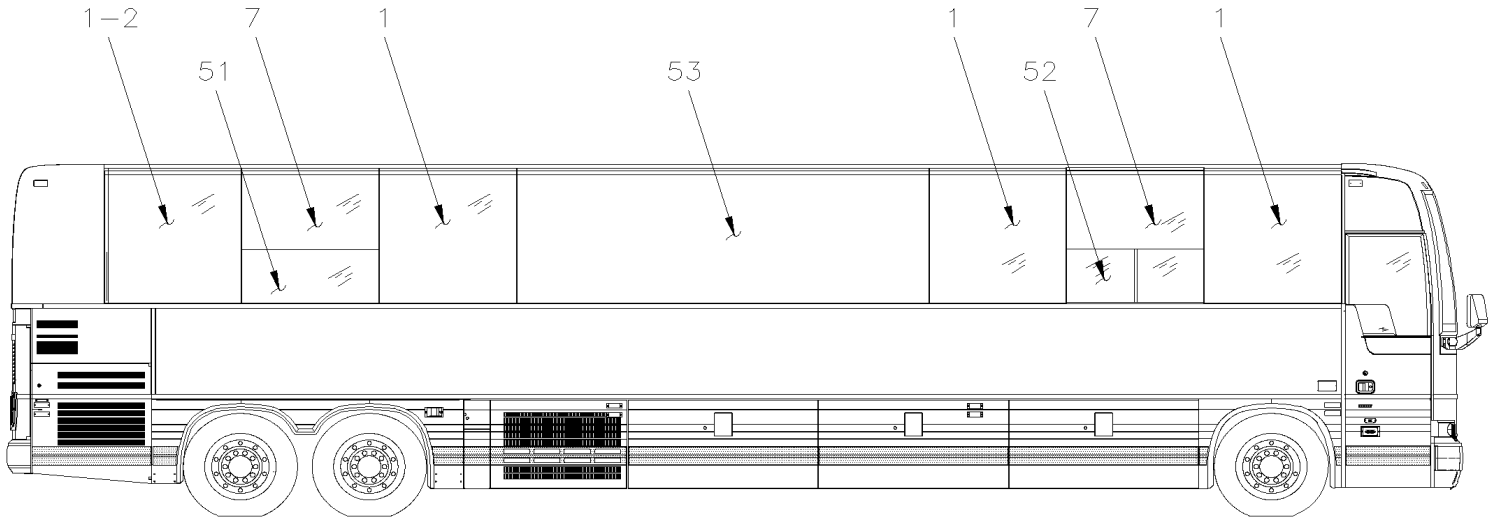
From E-5490 To K-6491

Date:07/2024

PAGE:X3VIP-1884-50

SIDE WINDOW

COMMERCIAL





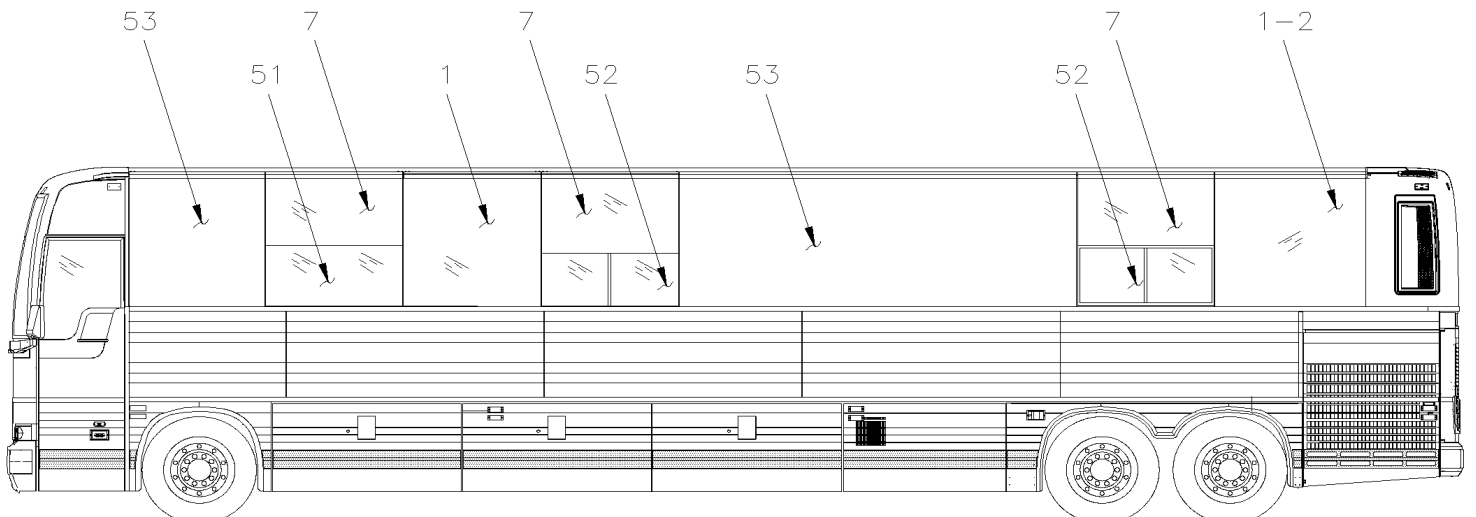
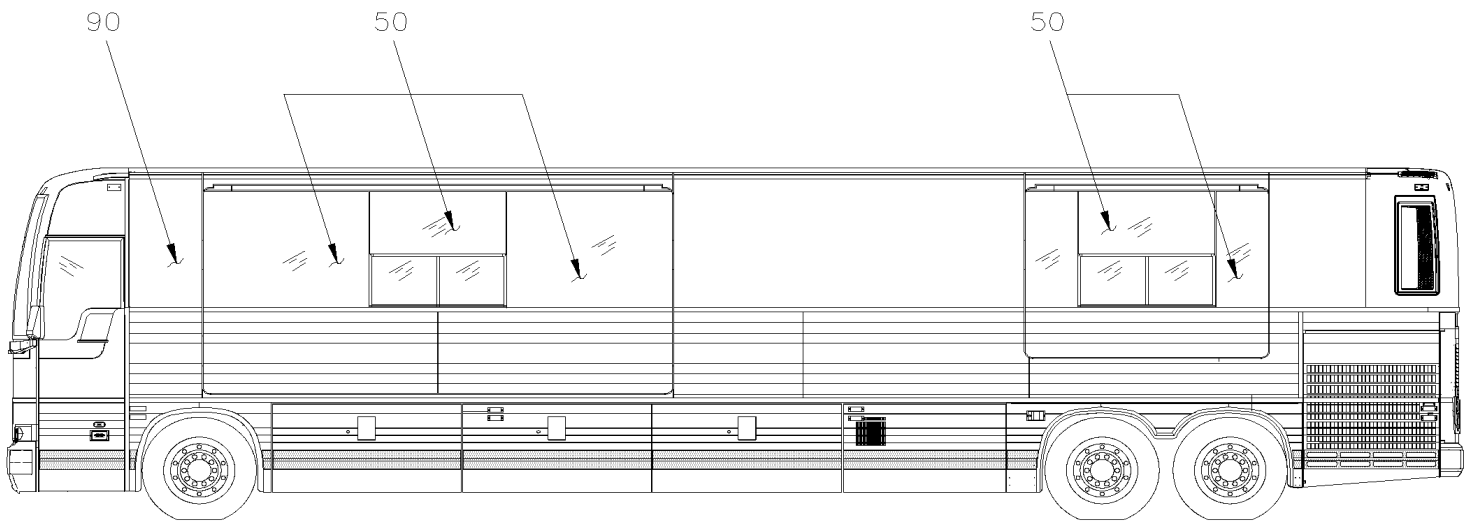
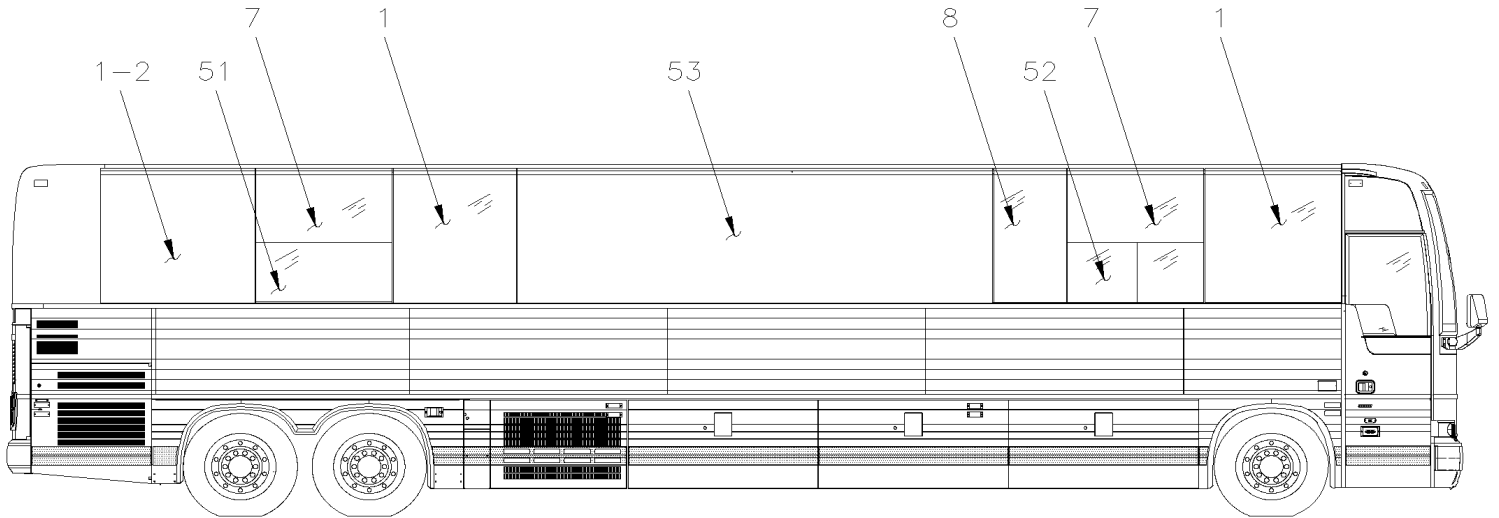
From E-5490 To K-6491

Date:07/2024

PAGE:X3VIP-1884-50

SIDE WINDOW

MOTORHOME



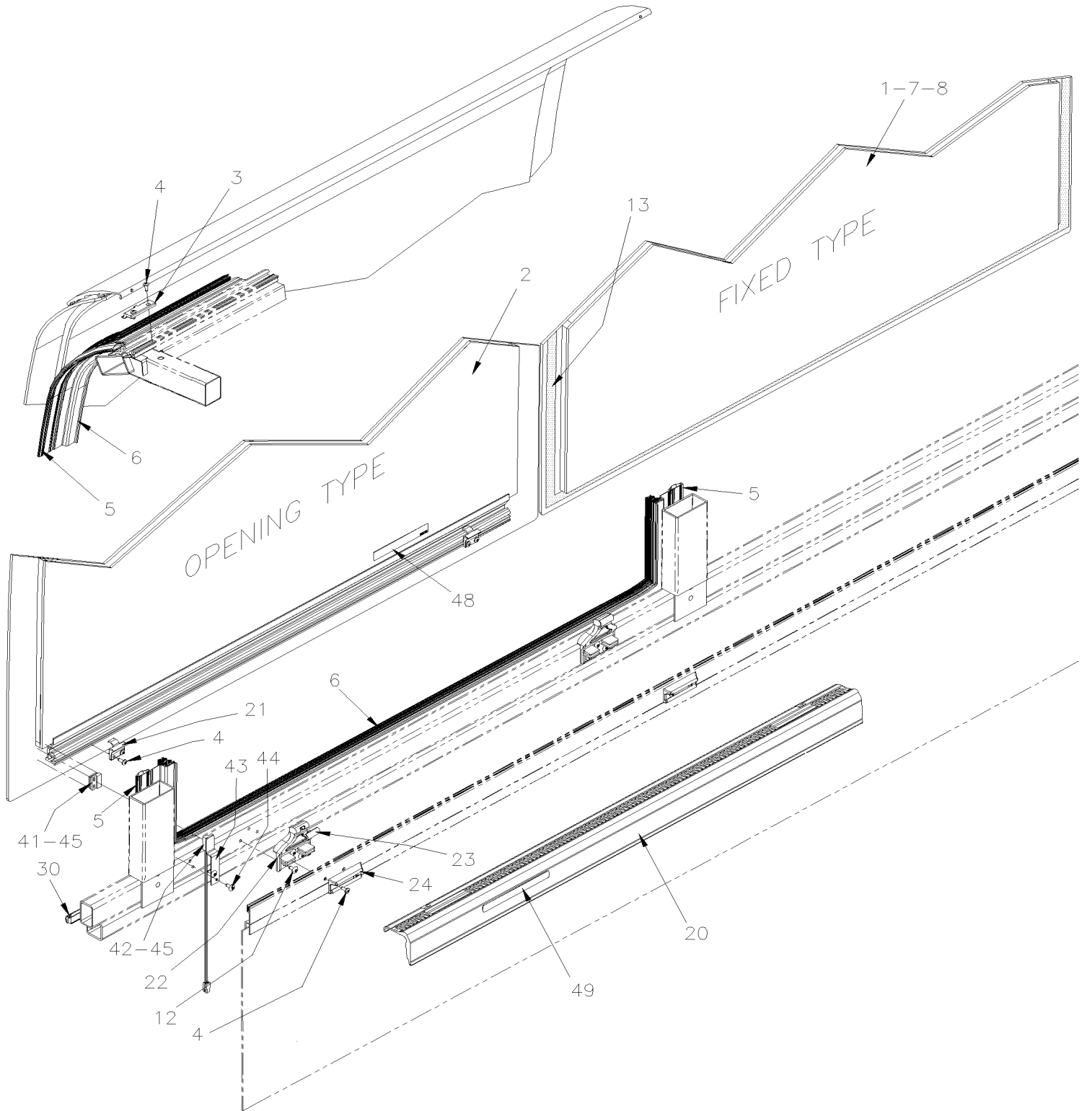


From E-5490 To K-6491

Date:07/2024

PAGE:X3VIP-1884-50

SIDE WINDOW





From E-5490 To K-6491	Date:07/2024	PAGE:X3VIP-1884-50
------------------------------	---------------------	---------------------------

SIDE WINDOW

Item#	Part	Description	X 3 V I P E N T	X 3 V I P M T H	N O T E S
1	297084	GLASS ASSY, SINGLE 13% / 1287.4MM / W/86" & 89" MTH	AR	AR	
1	297083	GLASS ASSY, THERMOS 13% / 1287.4MM / W/86" & 89" MTH	AR	AR	
2	294104	GLASS ASSY, SINGLE 13% / OPEN TYPE / 1287.4M/ W/86" MTH	2	2	
NS	293290	. STRAP NYLON 108MM	2	2	C
NS	5001889	. SCREW TC FL PH #12-24x1/2 ZP	2	2	C
NS	502573	. WASHER FL 6.4x12.5x1.6 SS	2	2	C
3	293124	STOPPER BLOCK	4	4	
3	293125	STOPPER BLOCK SEPARATOR / 2 GLASS	16	16	
4	500611	SCREW TC PAN PH #10-24x1/2 Z050 To G-6055	AR	AR	
4	500657	SCREW TC TR PH #10-24x1/2 Z050 From G-6056	1	1	
5	293136	RUBBER SEAL 1391MM W/86" & 89"	2	2	
NS	507000	TAPE RUB ADH2 POL 3/16" x 1/4" x 50' / BLACK V2206	AR	AR	
NS	507087	TAPE RUB ADH1 NEO BLACK 1/4"X3/8"X1/2"LG	AR	AR	
6	294107P	FRAME W/WINDOW SEAL ASSY / WITH OPEN TYPE ONLY	1	1	C
. NS	294106	. FRAME FIBERGLASS SEAL SUPPORT	1	1	C
. NS	294108	. WINDOW SEAL / WITH OPEN TYPE ONLY 1249MM X 1219MM	1	1	C
. NS	685124	. ADHESIVE SIMSON #ISR 70-03 / BLACK / 600ml SAUSAGE	AR	AR	C
NS	684743	GLUE METHACRYLATE PLEXUS MA832GB 380 ml	AR	AR	C
NS	685124	ADHESIVE SIMSON #ISR 70-03 / BLACK / 600ml SAUSAGE	AR	AR	C
NS	684517	ADHESIVE SIMSON #ISR 70-03 / GREY / 310ml CARTRIDGE	AR	AR	C
7	297085	GLASS ASSY, SINGLE 13% / UPPER / 1287.4MM / W/86" MTH	1	1	
7	293906	GLASS ASSY, THERMOS 13% / UPPER / 1287.4MM / W/86" MTH	1	1	
8	293328	GLASS ASSY, SINGLE 13% / 685.7MM / W/86" MTH	1	1	
8	293329	GLASS ASSY, THERMOS 13% / 685.7MM / W/86" MTH	1	1	
12	504249	RIVET CHY Q PRDG 3/16x3/8 SS	AR	AR	C
13	683097	CLEANER SIKA #205 / CLEAR / 1000ml	AR	AR	
13	683446	PRIMER SIKA #206 / BLACK / 1000ml	AR	AR	
13	684685	ADHESIVE SIMSON #ISR 70-03 / 310ml CARTRIDGE	AR	AR	
13	683083	ADHESIVE SIKA #252 / BLACK / 600 ml SAUSAGE	AR	AR	
13	687957	GLUE MS POLYMER TEROSON MS 9399 / 400ml CARTRIDGE	AR	AR	
13	687958	MIXER QUADRO 10.7MM W/"V" ADAPTOR / "B"	AR	AR	
20	293284	HANDLE WINDOW OPENING 1098MM	2	2	C
21	791007	SUPPORT W/STOPPER (ONE PIECE)	4	4	C
22	293235	SUPPORT To H-6165	4	4	C
22	290080	SUPPORT From H-6166	4	4	C
23	292837	CUSHION 2.0MM TH / BLACK PLASTIC	4	4	C N
23	298215	CUSHION / BLACK PLASTIC / 1.5MM TH	AR	AR	C L
23	298225	CUSHION / BLACK PLASTIC / 2.5MM TH	AR	AR	C M
NS	680066	ADHESIVE / ADBOND #5014 / 23.6ML BOTTLE	AR	AR	C
24	293975	PROTECTOR	4	4	C
30	293281	RUBBER SEAL EXTRUSION / ADHESIVE / LOWER WINDOW	AR	AR	C
NS	680459	ADHESIVE CYANOACRYLATE LOCTITE 404 Quick Set(TM)	AR	AR	C



From E-5490 To K-6491	Date:07/2024	PAGE:X3VIP-1884-50
SIDE WINDOW		

Item#	Part	Description	X 3 V I P E N T	X 3 V I P M T H	N O T E S
41	064679	MAGNET SENSOR ASSY W/TAPE DUAL LOCK	2	2	C
42	064678	SWITCH MAGNETIC ASSY W/TAPE DUAL LOCK	2	2	C
43	293345	SUPPORT / SWITCH MAGNETIC	2	2	C
44	504793	RIVET MNB OE LARGE HEAD 3/16x7/16 SS	4	4	C
45	680415	TAPE ADHESIVE 3" WIDE BLUE	AR	AR	C
48	408206	DECAL / "EMERGENCY EXIT" / ENGLISH	1	1	C
49	408209	DECAL 1.PULL UP BAR 2. PUSH OUT WINDOW" / ENGLISH	1	1	C
50	X3VIP-1884-90	SIDE WINDOW - "SLIDE-OUT"			
51	X3VIP-1884-65	ELECTRICAL AWNING WINDOW ASSY	1	1	
52	X3VIP-1884-80	ELECTRICAL SLIDING WINDOW ASSY	1	1	
53	X3VIP-1854-50	UPPER FIBERGLASS SIDE PANELING BETWEEN SIDE WINDOW	1	1	
90	293736	GLASS ASSY, THERMOS 685.7MM W/86" / STREETSIDE 685.7MM x 1382.6MM	1	1	S
		C) OPEN TYPE ONLY			
		L) LESS TENSION			
		M) MORE TENSION			
		N) NORMAL TENSION			
		S) USE ONLY WITH FRONT "SLIDE-OUT"			

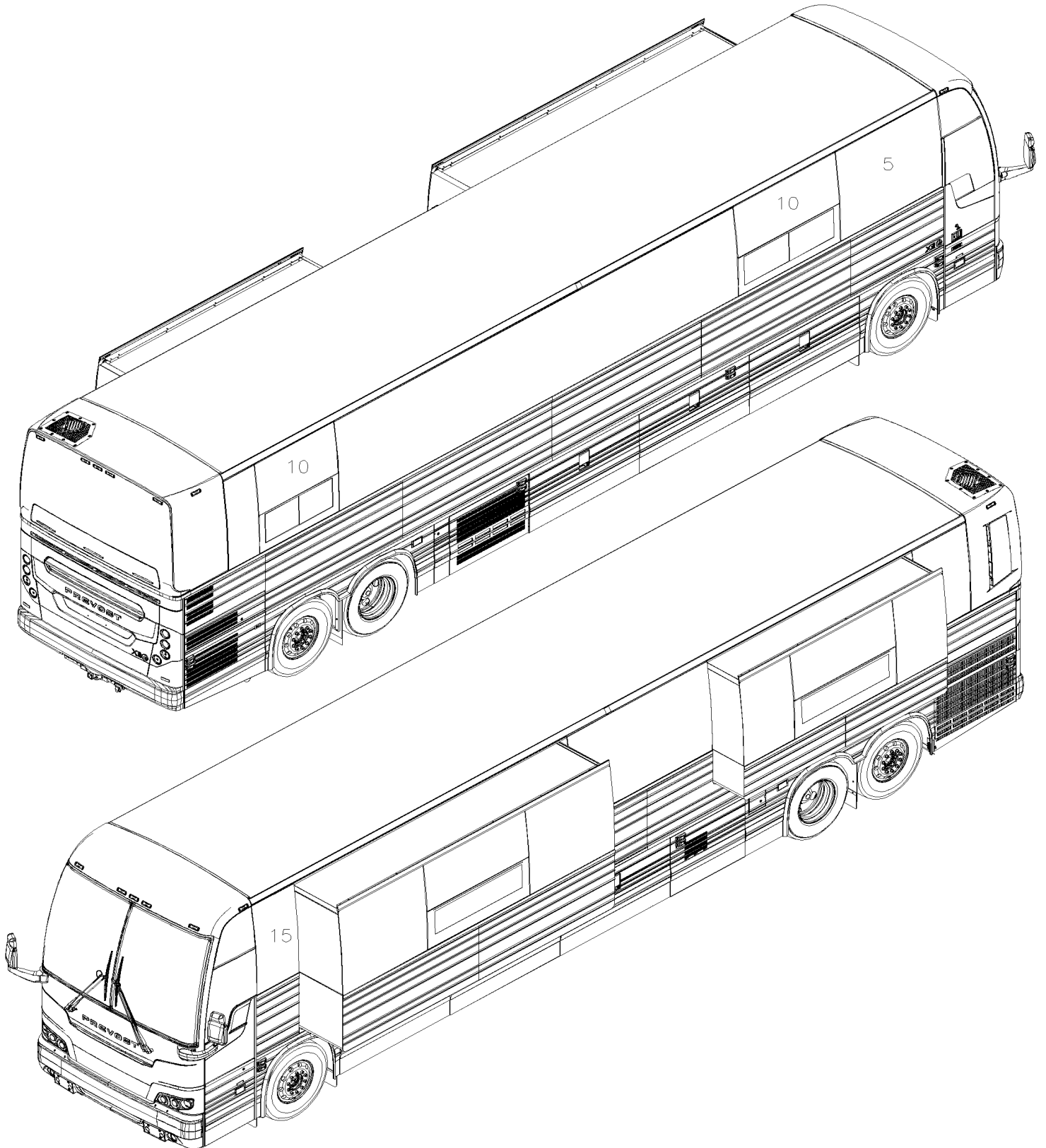


From L-6492

Date:07/2024

PAGE:X3VIP-1884-51

SIDE WINDOW



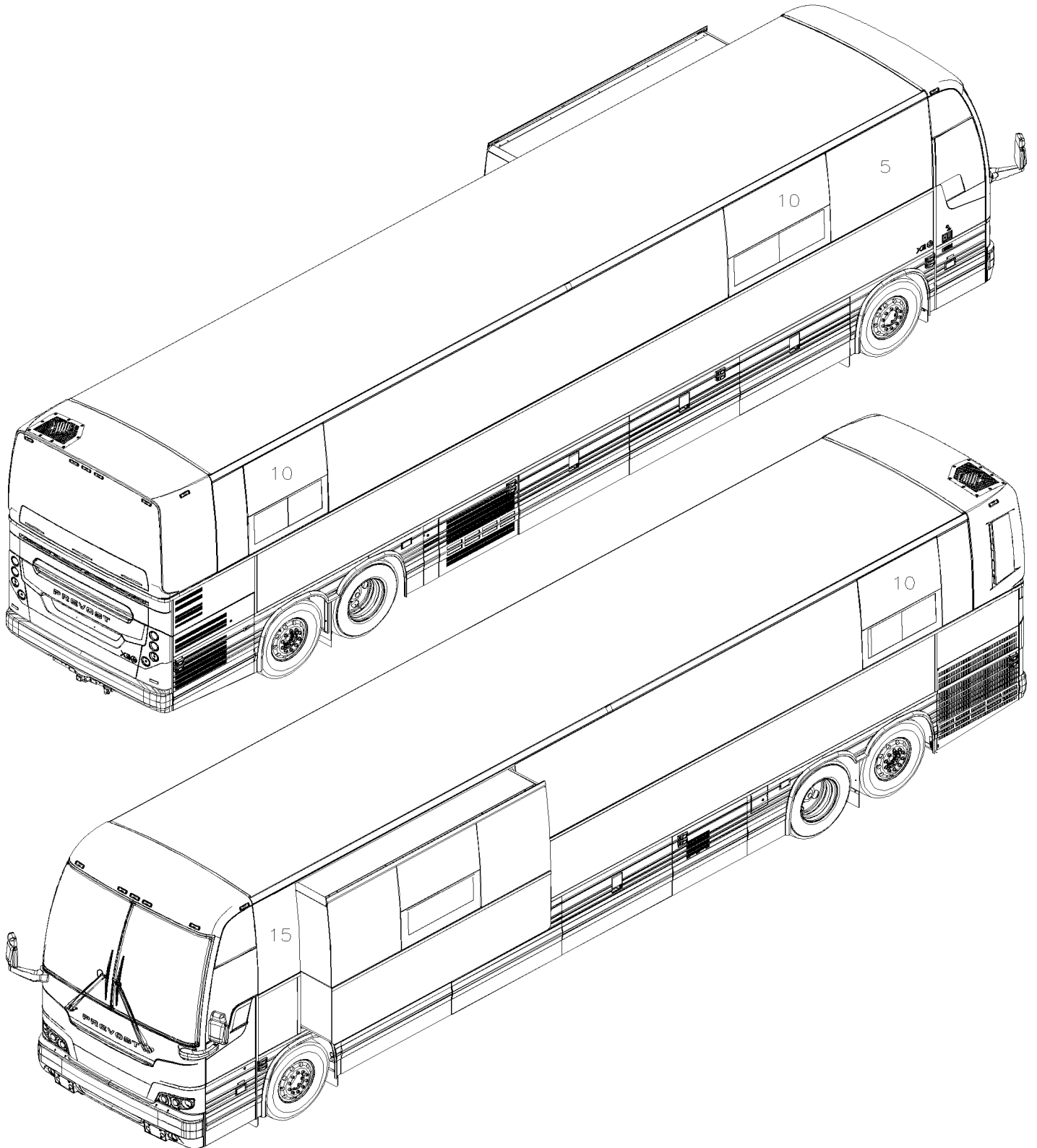


From L-6492

Date:07/2024

PAGE:X3VIP-1884-51

SIDE WINDOW



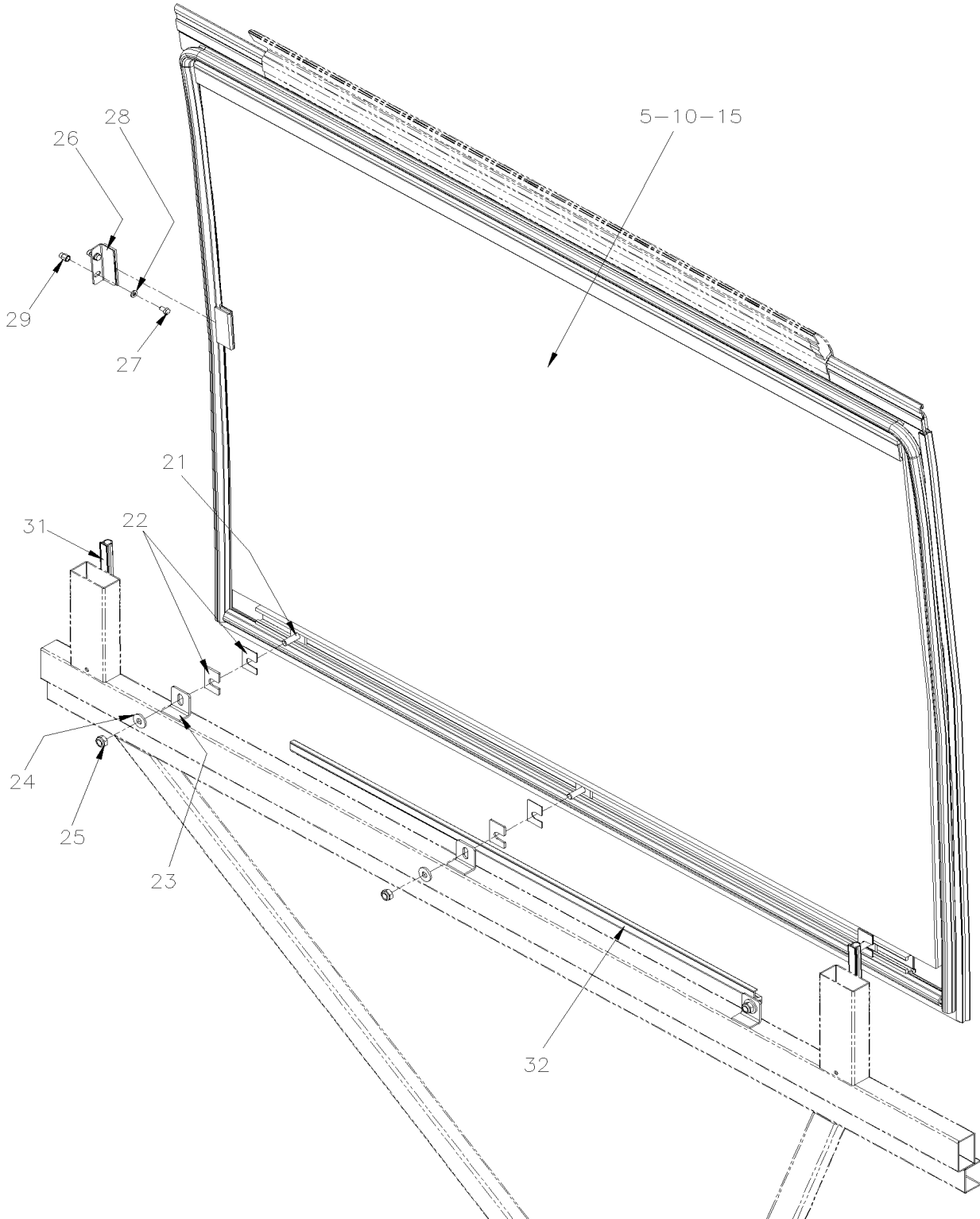


From L-6492

Date:07/2024

PAGE:X3VIP-1884-51

SIDE WINDOW





From L-6492		Date:07/2024	PAGE:X3VIP-1884-51		
SIDE WINDOW					
Item#	Part	Description	X 3 V I P E N T	X 3 V I P M T H	NOTES
5	290271	GLASS ASSY, THERMOS 1651MM	AR	AR	
. NS	290272	. SEAL, RUBBER 3990MM	1	1	
. NS	290259	. SEAL, RUBBER 1584MM	1	1	
5	290268	GLASS ASSY, THERMOS 628MM	AR	AR	
. NS	290277	. SEAL, RUBBER 2965MM	1	1	
. NS	290278	. SEAL, RUBBER 560MM	1	1	
5	290269	GLASS ASSY, THERMOS 933MM	AR	AR	
. NS	290273	. SEAL, RUBBER 3270MM	1	1	
. NS	290274	. SEAL, RUBBER 865MM	1	1	
10	290290	GLASS ASSY, THERMOS 1287MM	AR	AR	
10	290288	GLASS ASSY, THERMOS 1651MM	AR	AR	
NS	290254	WINDOW LOCK	2	2	
15	290355	GLASS ASSY, THERMOS 685MM	AR	AR	
. NS	290358	. SEAL, RUBBER 3012MM	1	1	
. NS	290359	. SEAL, RUBBER 592MM	1	1	
21	290302	ANCHOR BLOCK W/SCREW M10-1.5 x 30	AR	AR	
22	505193	SHIM 1/8" THICK	AR	AR	
22	505213	SHIM 1/16" THICK	AR	AR	
23	292931	ANGLE / (WELDED)	AR	AR	
24	5001443	WASHER FL 10.3x38.0x3.0 SS	AR	AR	
25	502859	NUT HEX NYRT M10-1.5 N500	AR	AR	
26	290561	BRACE	1	1	A
26	506738	TAPE RUB ADH1 CC POL 1/8" x 1" x 50' / GREY 2520	AR	AR	A
27	5001744	SCREW CAP HEX M6-1.0x16 G8.8 N500	1	1	A
28	502573	WASHER FL 6.4x12.5x1.6 SS	1	1	A
29	5001344	NUT INS FL HEX M6-1.0 0.5-3.0 SS	1	1	A
31	290517	SEAL, VERTICAL WINDOW 1255MM	AR	AR	
32	290535	SEAL, LOW WINDOW To L-6642	AR	AR	
32	290592	SEAL, LOW WINDOW 3048MM From L-6642 To N-6738	AR	AR	
32	290849	SEAL, LOW WINDOW 3048MM From N-6739	AR	AR	
NS	687957	GLUE MS POLYMER TEROSON MS 9399 / 400ml CARTRIDGE To M-6660	AR	AR	
NS	685387	GLUE MS POLYMER TEROSON MS 9399 / 400ml CARTRIDGE From M-6661	AR	AR	
50	X3VIP-1884-66	ELECTRICAL AWNING WINDOW ASSY			
50	X3VIP-1884-81	ELECTRICAL SLIDING WINDOW ASSY			
53		REFERENCE ONLY From N-6739	1	1	
		A) USE WITH WINDOW 290355 INSTALL ON DRIVE SIDE			

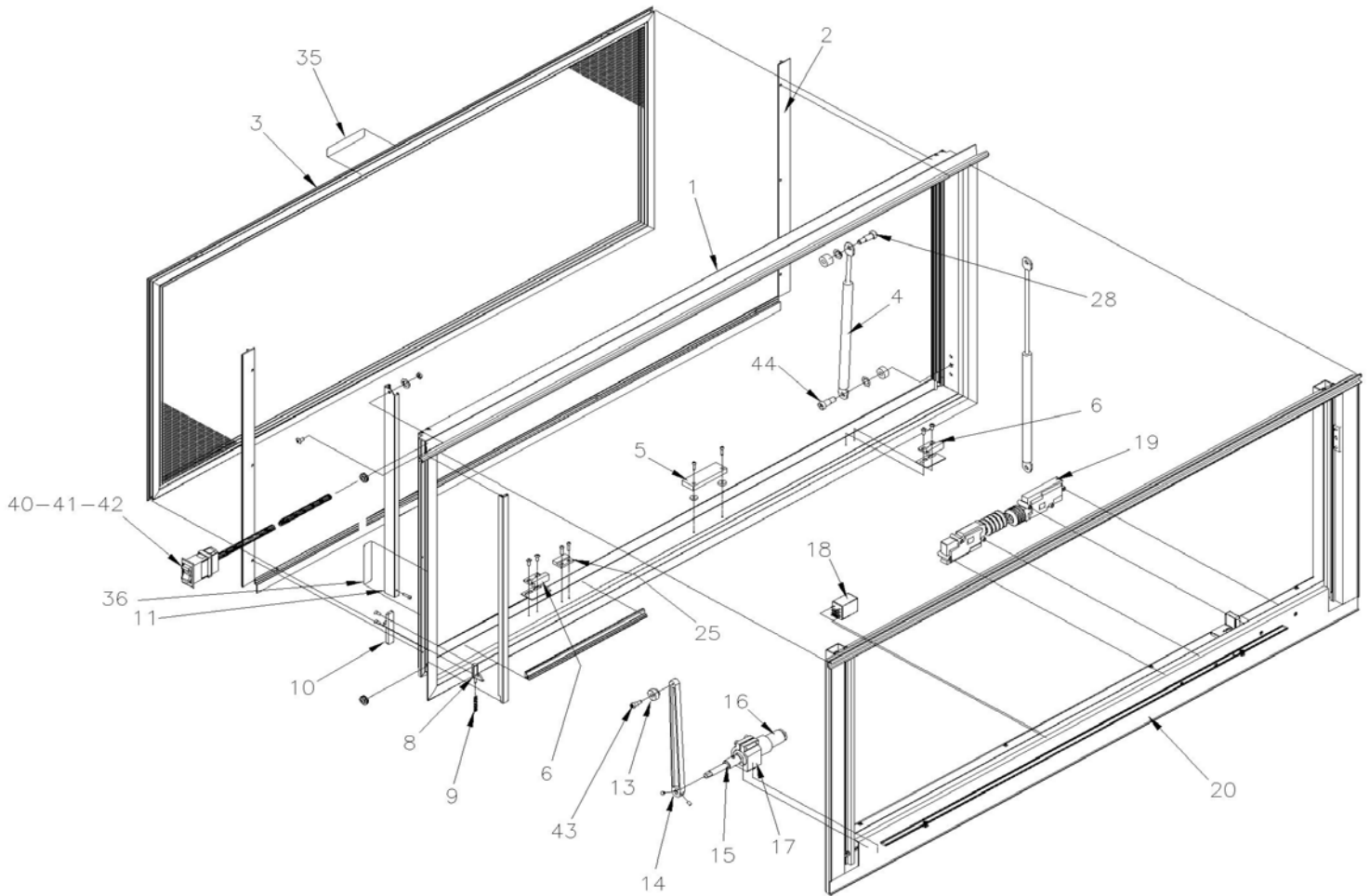


From E-5490 To K-6491

Date:07/2024

PAGE:X3VIP-1884-65

ELECTRICAL AWNING WINDOW ASSY



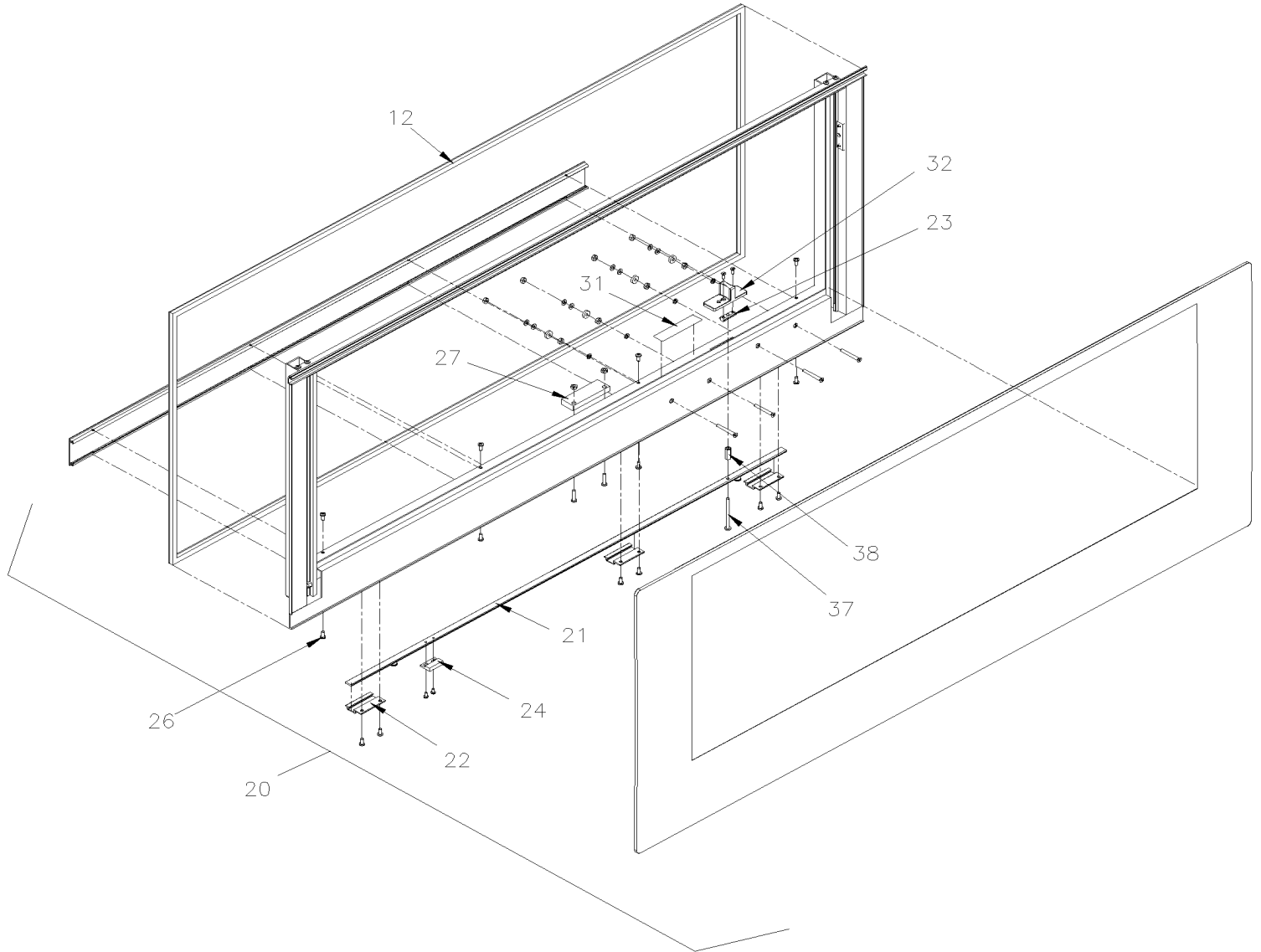


From E-5490 To K-6491

Date:07/2024

PAGE:X3VIP-1884-65

ELECTRICAL AWNING WINDOW ASSY





From E-5490 To K-6491		Date:07/2024	PAGE:X3VIP-1884-65
-----------------------	--	--------------	--------------------

ELECTRICAL AWNING WINDOW ASSY

Item#	Part	Description	X 3 V I P E N T	X 3 V I P M T H	N O T E S
	790613	AWNING WINDOW ASSY / W/REMOTE SWITCH OPERATING	1	1	
. NS	291204	. DECAL,SP2 FI (2)OPEN AWNING WIND	1	1	
. NS	291205	. DECAL, SP2 FI (3)OPEN WINDOW	1	1	
	790614	AWNING WINDOW ASSY / W/REMOTE SWITCH OPERATING		1	A
. NS	291204	. DECAL,SP2 FI (2)OPEN AWNING WIND		1	A
. NS	291205	. DECAL, SP2 FI (3)OPEN WINDOW		1	A
1	790595	. FRAME ASSY	1	1	
2	790568	. RETAINING RING	1	1	
2	790569	. RETAINING RING		1	A
3	790571	. SCREEN / XL-II 45" x 18 1/2"	1	1	
4	790578	. CYLINDER	1	1	
5	563442	. PROXIMITY SWITCH MAGNET	1	1	
6	790609	. TIE BAR KEEPER	2	2	
NS	790611	. SHIM KEEPER	2	2	
8	790574	. TRACK LATCH	1	1	
9	790575	. SPRING	1	1	
10	790582	. RELEASE LATCH HANDLE / RED / SASH	1	1	
11	790581	. TRACK ROLLER	1	1	
12	790579	. SEAL	12	12	
13	790586	. ROLLER	1	1	
14	790585	. ARM	1	1	
NS	790045	. SET SCREW 10-32X1/4 S/S	1	1	
15	790587	. MOTOR COUPLER	1	1	
16	790619	. MOTOR ASSY W/MOTOR MOUNT / SMALL O.D.	1	1	E
16	N.P.N.	. MOTOR / SMALL O.D.	2	2	4
17	N.P.N.	. MOTOR MOUNT / SMALL O.D.	2	2	4
18	563444	. RELAY 24V	1	1	
19	790592	. ACTUATOR To FORMER	2	2	
19	790623	. ACTUATOR W/WHITE DECAL From CURRENT	2	2	
20	790548	. GLASS ASSY W/AWNING FRAME	1	1	
21	790583	. TIE BAR XL	1	1	
22	790584	. GUIDE	2	2	
23	790580	. RELEASE LATCH GUIDE	1	1	
24	562641	. MAGNET	.1	.1	
25	562640	. SWITCH MAGNETIC	1	1	
26	N8888119	. SCREW #8-32 X 0.38	1	1	
27	563443	. PROXIMITY SWITCH SENSOR	1	1	
28	790996	. SHOULDER BOLT 3/8 X 5/8	1	1	
31	790601	. DECAL / "EMERGENCY EXIT" # 3 To E-5570	1	1	
31	299098	. DECAL / "EMERGENCY EXIT" # 3 From E-5571	1	1	
32	790620	. RELEASE LATCH HANDLE / RED / FRAME	1	1	
35	790599	. DECAL / "EMERGENCY EXIT" # 1 / PULL SCREEN	1	1	



From E-5490 To K-6491	Date:07/2024	PAGE:X3VIP-1884-65
-----------------------	--------------	--------------------

ELECTRICAL AWNING WINDOW ASSY

Item#	Part	Description	X 3 V I P E N T	X 3 V I P M T H	N O T E S
36	790600	. DECAL / "EMERGENCY EXIT" # 2	1	1	
37	790012	. SCREW MA PAN PH #10-32x2 1/4 SS	1	1	
38	790013	. COUPLING #10-32x5/16 OD x3/4 ZP	1	1	
40	563570	. CABLE ASSY WITH ROCKER SWITCH AND HARNESS / W/XL2 & H3	1	1	B
NS	293854	. SUPPORT SWITCH / REMOTE OPERATIONAL MODEL	1	1	
41	563571	. SWITCH / M/ON-OFF-M/ON S.P.D.T.	1	1	
NS	562699	. SWITCH / M/ON-OFF-M/ON / D.P.D.T. / W/GREEN LED	1	1	W
42	563572	. CAP / "OPEN - CLOSE"	1	1	
NS	562740	. CAP / WINDOW DRIVER'S	1	1	W
43	790058	. SHOULDER BOLT SS, 10-24X0.625	1	1	
44	790059	. SHOULDER BOLT SS, 3/8 X 1/2	1	1	
NS	Call order desk	CABLE ASSY / POWER AWNING	1	1	P
NS	066029	. CABLE ASSY / POWER AWNING EXTENTION 3M To H-6179	1	1	
NS	060400	. CABLE ASSY / POWER AWNING EXTENTION 3M From H-6180	1	1	
NS	069122	CABLE POWER ASSY / TWO SWITCHES OPTION	1	1	W
NS	564588	RELAY MODULE, CONTROLER	1	1	W
NS	564589	RELAY MODULE, PROTECT. CAP.	1	1	W
NS	685124	ADHESIVE SIMSON #ISR 70-03 / BLACK / 600ml SAUSAGE	AR	AR	
NS	790392	RUBBER BLOCK ADJUSTEMENT 1" x 5/16" x 1/8" 80DURO	AR	AR	
NS	790597	RUBBER BLOCK ADJUSTEMENT 20MM x 31.75MM x 4.7 60 DURO	AR	AR	
NS	7770423	MASK FOR WINDOW MTH	1	1	
		A) WITH "SLIDE-OUT"			
		B) THIS SWITCH ASSY COULD BE USE FROM 5-8624			
		E) INCLUDE ITEMS # 15,16 & 17 WITH ELECTRICAL CONNECTOR			
		W) W/ COPILOT ELECTRIC WINDOW			
		4) NO PARTS NUMBER			
		P) CALL ORDER DESK FOR SPECIFIC APPLICATION (V.I.N.)			

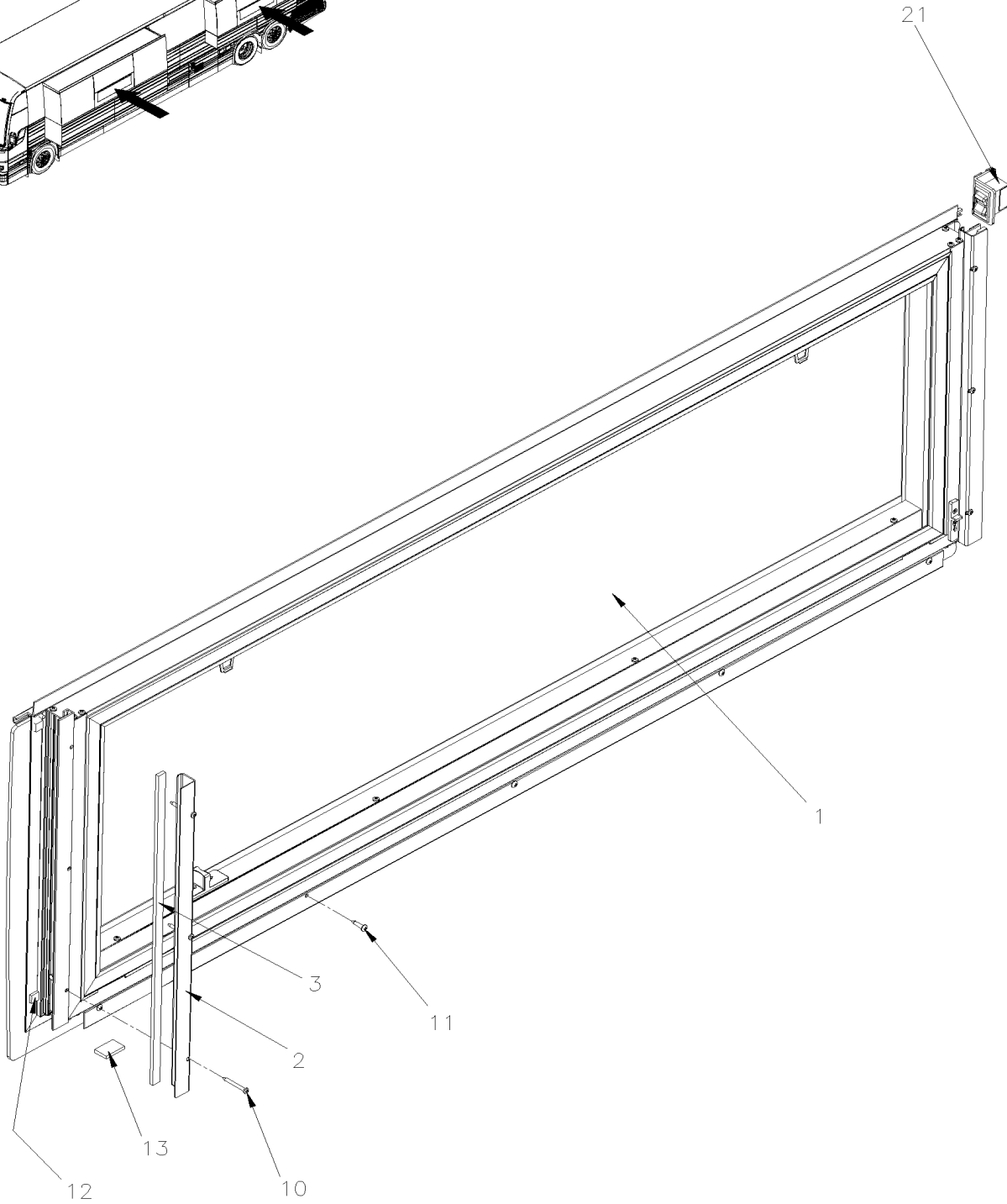
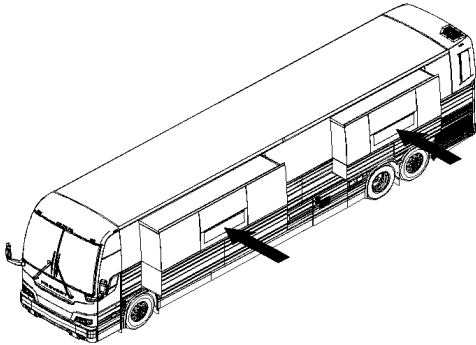


From L-6492

Date:07/2024

PAGE:X3VIP-1884-66

ELECTRICAL AWNING WINDOW ASSY





From L-6492		Date:07/2024	PAGE:X3VIP-1884-66
-------------	--	--------------	--------------------

ELECTRICAL AWNING WINDOW ASSY

Item#	Part	Description	X 3 V I P E N T	X 3 V I P M T H	N O T E S
1	790017	ELECTRICAL AWNING WINDOW ASSY / 1286MM	1	1	
1	790019	ELECTRICAL AWNING WINDOW ASSY / 1651MM	1	1	
2	290572	WINDOW FASTENING From L-6517	2	2	A
3	506002	TAPE RUB ADH1 CC POL 3/16" x 1/2" x 40' / GREY 2520 From L-6517	AR	AR	A
10	500508	SCREW TC PAN PH #10-32x1 1/2 Z050 From L-6517 To P-6837	6	6	A
10	5002246	SCREW TP PAN PH #10X1 1/2 Z050 From P-6838	1	1	A
11	5001545	SCREW TP PAN PH #10x7/8 Z050 To L-6516	11	11	
11	5001545	SCREW TP PAN PH #10x7/8 Z050 From L-6517	5	5	A
11	5001545	SCREW TP PAN PH #10x7/8 Z050 From L-6517	11	11	B
12	790602	RUBBER BLOCK ADJUSTEMENT 1/2" x 1/2" x 1/8" 80DURO	4	4	
13	790597	RUBBER BLOCK ADJUSTEMENT 20MM x 31.75MM x 4.7 60 DURO	4	4	
NS	685124	ADHESIVE SIMSON #ISR 70-03 / BLACK / 600ml SAUSAGE	1	1	
NS	687957	GLUE MS POLYMER TEROSON MS 9399 / 400ml CARTRIDGE To M-6660	AR	AR	
NS	685387	GLUE MS POLYMER TEROSON MS 9399 / 400ml CARTRIDGE From M-6661	AR	AR	
NS	507087	TAPE RUB ADH1 NEO BLACK 1/4"X3/8"X1/2"LG	2	2	
NS	506962	RUB POL 1/4 X 7/16 X 1 LG	6	6	
NS	506728	TAPE RUB ADH1 NEO 1/4" x 3/4" x 10' / BLACK	AR	AR	
21	293854	SUPPORT SWITCH / REMOTE OPERATIONAL MODEL	1	1	
NS	506790	TAPE RUB ADH2 CC POL 1/16" x 1/2" x 200' / BLACK I1C-N-A	1	1	
NS	060400	CABLE ASSY / POWER AWNING EXTENTION 3M	1	1	
NS	680415	TAPE ADHESIVE 3" WIDE BLUE	AR	AR	
21	562679	4 WAY ADH. BACKED MOUNTS 1.000 x 1.000 x .160	AR	AR	
NS	682176	SEALANT SIKA #221 / BLACK / 310ml CARTRIDGE	AR	AR	
NS	7770423	MASK FOR WINDOW MTH	1	1	
		A) NOT USE WITH WINDOW INSTALL INSIDE THE SLIDE-OUT			
		B) USE ONLY WITH WINDOW INSTALL INSIDE SLIDE-OUT			

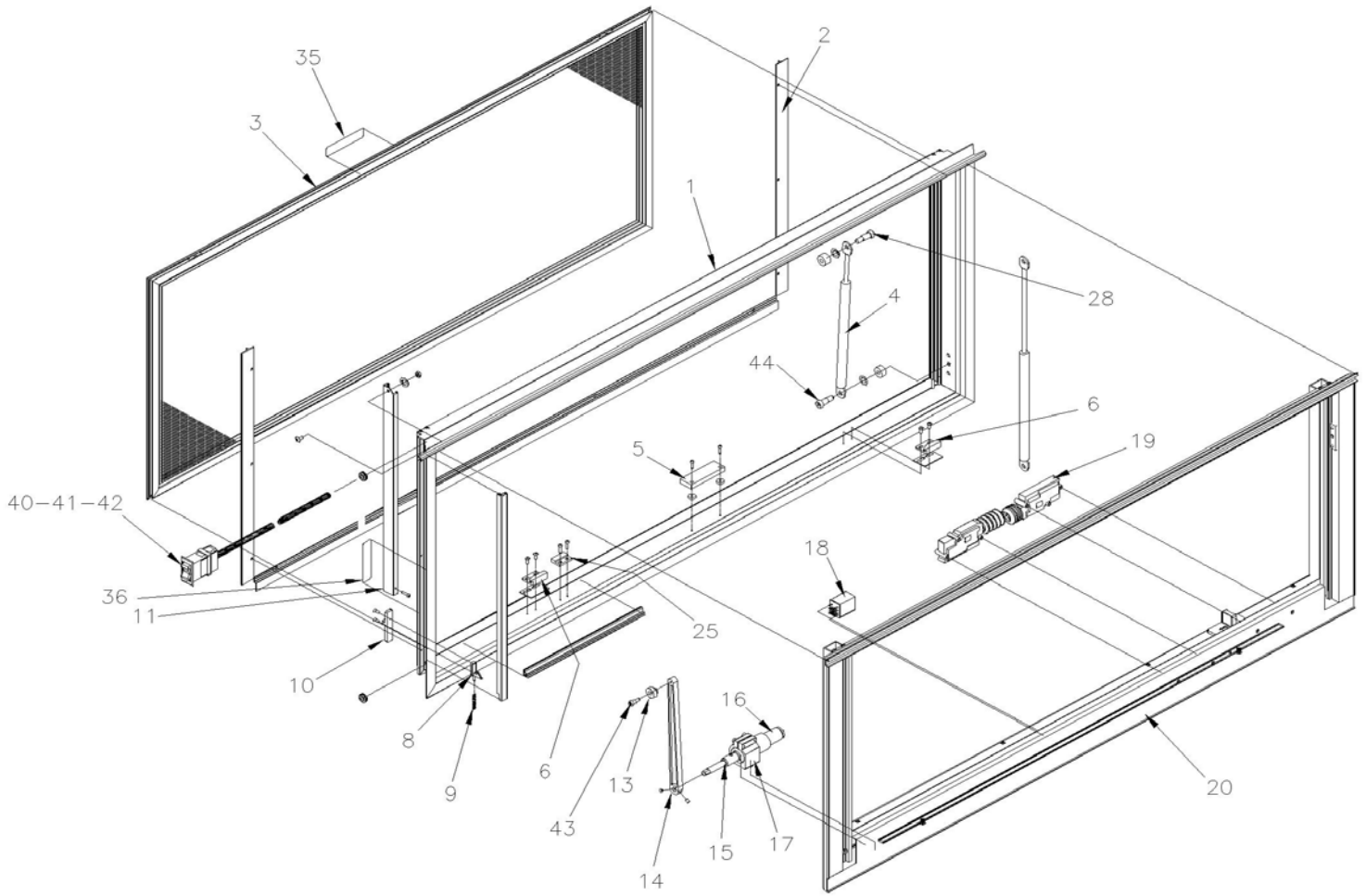


From L-6492

Date:07/2024

PAGE:790017

ELECTRICAL AWNING WINDOW ASSY / 1286MM



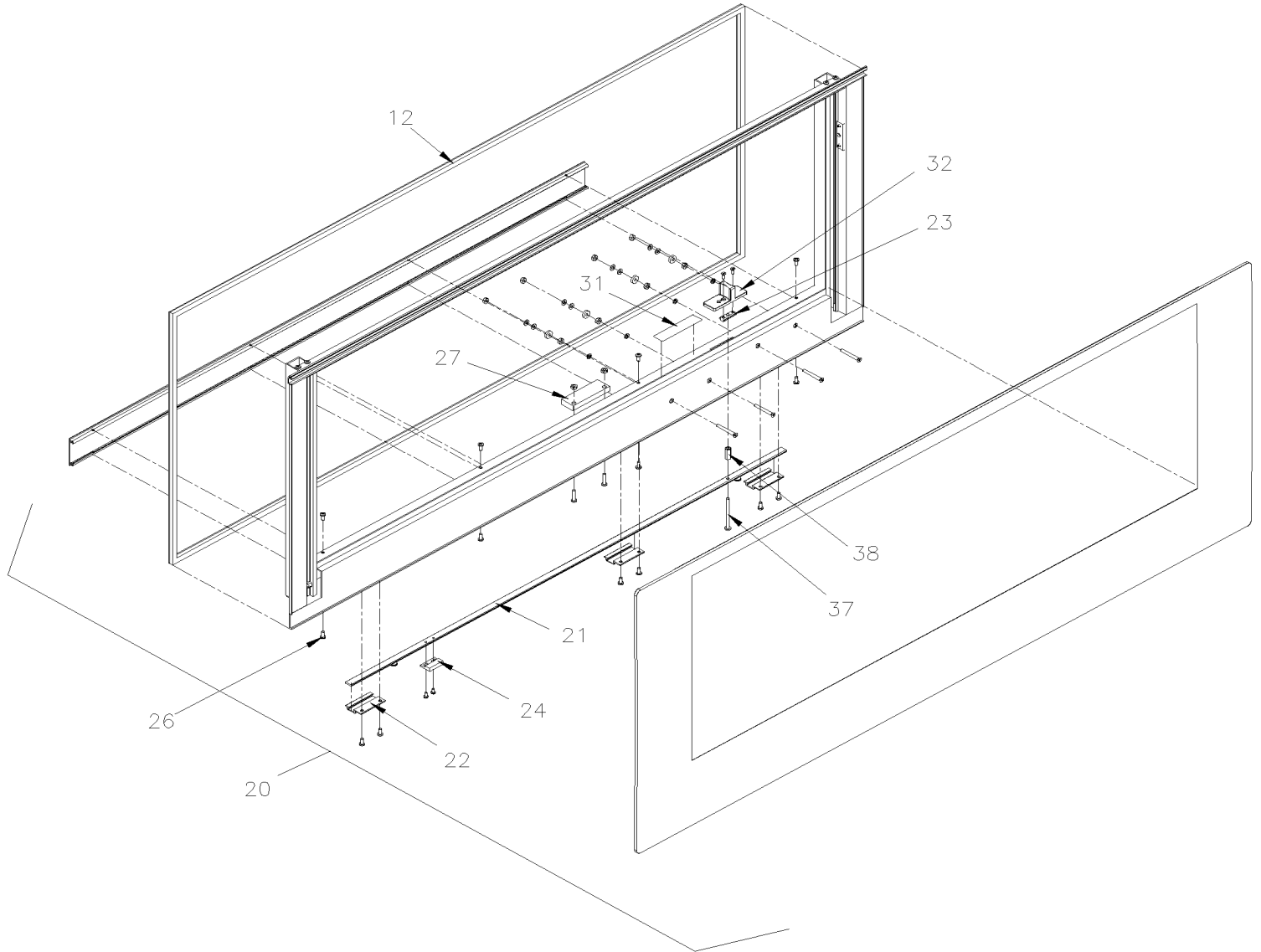


From L-6492

Date:07/2024

PAGE:790017

ELECTRICAL AWNING WINDOW ASSY / 1286MM





From L-6492	Date:07/2024	PAGE:790017
ELECTRICAL AWNING WINDOW ASSY / 1286MM		

Item#	Part	Description	X 3 V I P E N T	X 3 V I P M T H	NOTES
		AWNING WINDOW ASSY	1	1	
1	790025	. FRAME ASSY	1	1	
2	790027	. CLAMPRING ASSY	1	1	
3	790571	. SCREEN / XL-II 45" x 18 1/2"	1	1	
4	790578	. CYLINDER	1	1	
5	563442	. PROXIMITY SWITCH MAGNET	1	1	
6	790609	. TIE BAR KEEPER	2	2	
NS	790611	. SHIM KEEPER	2	2	
8	790574	. TRACK LATCH	1	1	
9	790575	. SPRING	1	1	
10	790582	. RELEASE LATCH HANDLE / RED / SASH	1	1	
11	790581	. TRACK ROLLER	1	1	
12	790579	. SEAL	12	12	
13	790586	. ROLLER	1	1	
14	790585	. ARM	1	1	
14	790045	. SET SCREW 10-32X1/4 S/S	2	2	
15	790587	. MOTOR COUPLER	1	1	
16	790619	. MOTOR ASSY W/MOTOR MOUNT / SMALL O.D.	1	1	E
16	N.P.N.	. MOTOR / SMALL O.D.	2	2	4
17	N.P.N.	. MOTOR MOUNT / SMALL O.D.	2	2	4
18	563444	. RELAY 24V	1	1	
19	790623	. ACTUATOR W/WHITE DECAL	2	2	
20	790026	. GLASS ASSY W/AWNING FRAME	1	1	
21	790583	. TIE BAR XL	1	1	
22	790584	. GUIDE	2	2	
23	790580	. RELEASE LATCH GUIDE	1	1	
24	562641	. MAGNET	.1	.1	
25	562640	. SWITCH MAGNETIC	1	1	
26	N8888119	. SCREW #8-32 X 0.38	1	1	
27	563443	. PROXIMITY SWITCH SENSOR	1	1	
28	790996	. SHOULDER BOLT 3/8 X 5/8	3	3	
31	299098	. DECAL / "EMERGENCY EXIT" # 3 To R-4014	1	1	
31	291205	. DECAL, SP2 FI (3)OPEN WINDOW From R-4015	1	1	
32	790620	. RELEASE LATCH HANDLE / RED / FRAME	1	1	
35	790599	. DECAL / "EMERGENCY EXIT" # 1 / PULL SCREEN	1	1	
36	790600	. DECAL / "EMERGENCY EXIT" # 2 To R-4014	1	1	
36	291204	. DECAL,SP2 FI (2)OPEN AWNING WIND From R-4015	1	1	
37	790012	. SCREW MA PAN PH #10-32x2 1/4 SS	1	1	
38	790013	. COUPLING #10-32x5/16 OD x3/4 ZP	1	1	
40	563570	. CABLE ASSY WITH ROCKER SWITCH AND HARNESS / W/XL2 & H3	1	1	B
NS	293854	. SUPPORT SWITCH / REMOTE OPERATIONAL MODEL	1	1	
41	563571	. SWITCH / M/ON-OFF-M/ON S.P.D.T.	1	1	



From L-6492	Date:07/2024	PAGE:790017
ELECTRICAL AWNING WINDOW ASSY / 1286MM		

Item#	Part	Description	X 3 V I P E N T	X 3 V I P M T H	N O T E S
NS	562699	. SWITCH / M/ON-OFF-M/ON / D.P.D.T. / W/GREEN LED	1	1	W
42	563572	. CAP / "OPEN - CLOSE"	1	1	
NS	562740	. CAP / WINDOW DRIVER'S	1	1	W
43	790058	. SHOULDER BOLT SS, 10-24X0.625	1	1	
44	790059	. SHOULDER BOLT SS, 3/8 X 1/2	1	1	
NS	Call order desk	CABLE ASSY / POWER AWNING	1	1	P
NS	060400	. CABLE ASSY / POWER AWNING EXTENTION 3M	1	1	
NS	069122	CABLE POWER ASSY / TWO SWITCHES OPTION	1	1	W
NS	564588	RELAY MODULE, CONTROLER	1	1	W
NS	564589	RELAY MODULE, PROTECT. CAP.	1	1	W
		B) THIS SWITCH ASSY COULD BE USE FROM 5-8624			
		E) INCLUDE ITEMS # 15,16 & 17 WITH ELECTRICAL CONNECTOR			
		W) W/ COPILOT ELECTRIC WINDOW			
		4) NO PARTS NUMBER			
		P) CALL ORDER DESK FOR SPECIFIC APPLICATION (V.I.N.)			

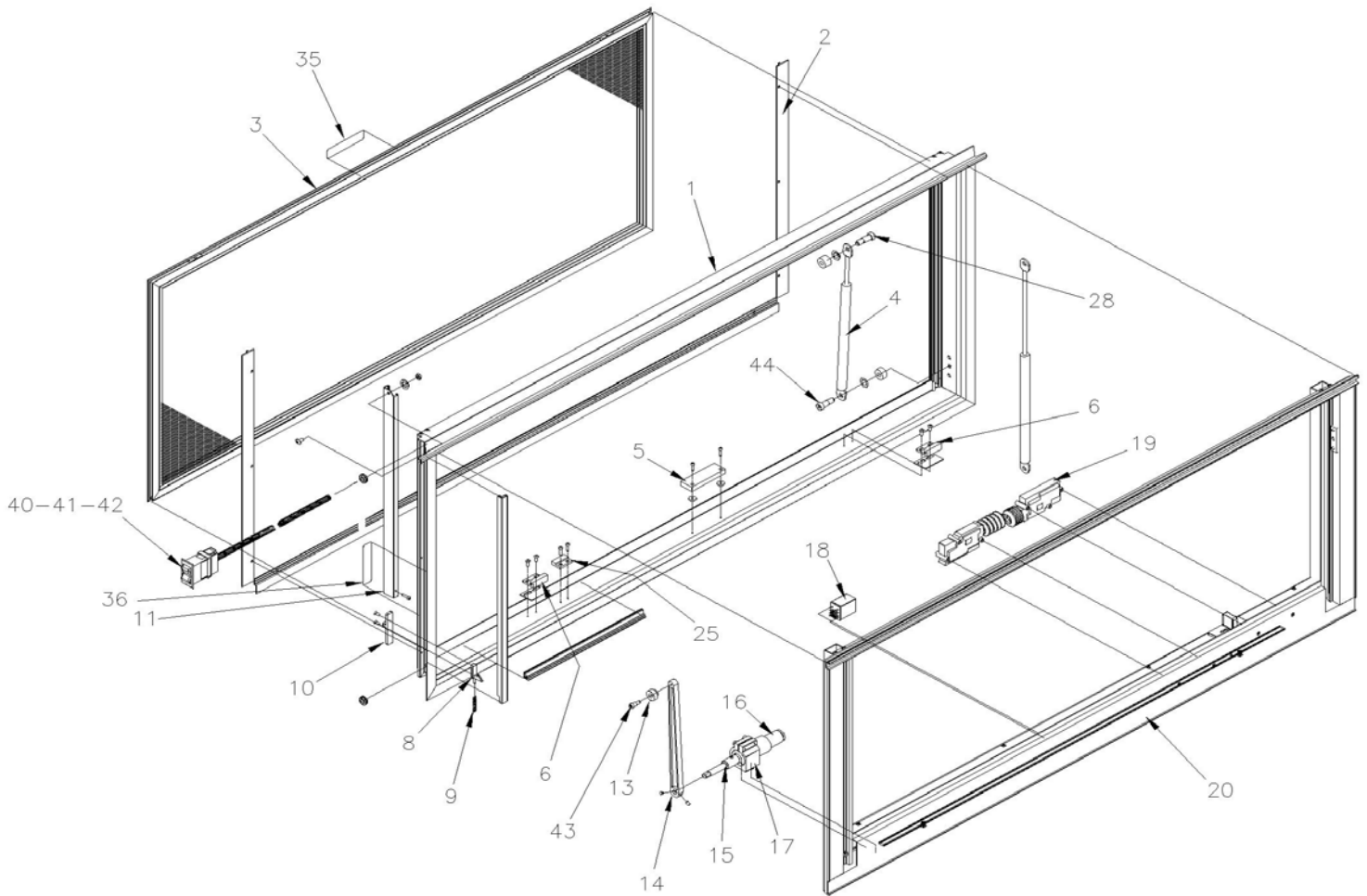


From L-6492

Date:07/2024

PAGE:790019

ELECTRICAL AWNING WINDOW ASSY / 1651MM



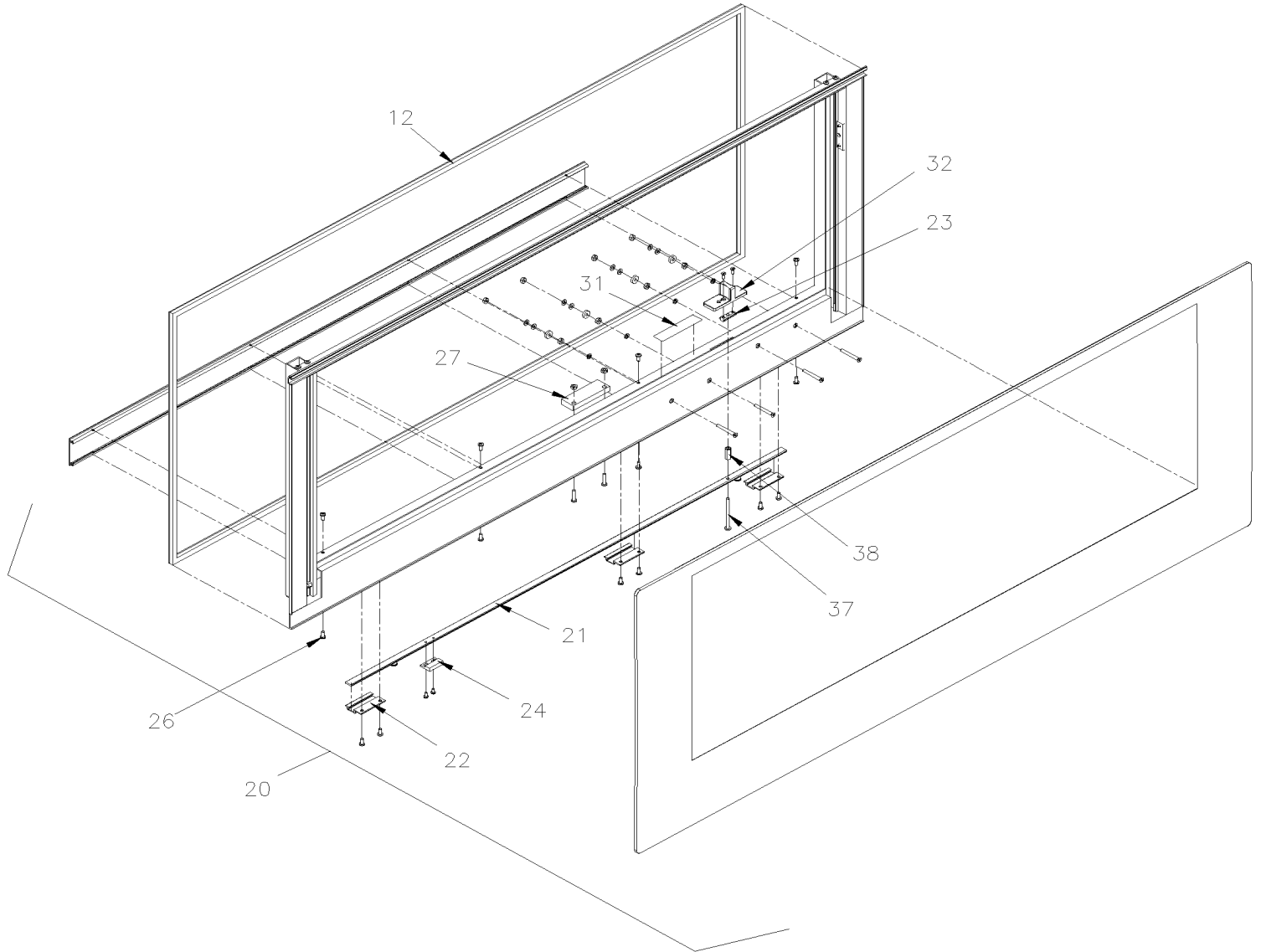


From L-6492

Date:07/2024

PAGE:790019

ELECTRICAL AWNING WINDOW ASSY / 1651MM





From L-6492		Date:07/2024	PAGE:790019
ELECTRICAL AWNING WINDOW ASSY / 1651MM			

Item#	Part	Description	X 3 V I P E N T	X 3 V I P M T H	N O T E S
		ELECTRICAL AWNING WINDOW ASSY	1	1	
1	790617	. FRAME ASSY	1	1	
NS	790602	RUBBER BLOCK ADJUSTEMENT ½" x ½" x 1/8" 80DURO	AR	AR	
2	790570	. RETAINING RING	1	1	
3	790573	. SCREEN / V.I.P. 59 ½" x 18 ½"	1	1	
4	790578	. CYLINDER	1	1	
5	563442	. PROXIMITY SWITCH MAGNET	1	1	
6	790609	. TIE BAR KEEPER	2	2	
NS	790611	. SHIM KEEPER	2	2	
8	790574	. TRACK LATCH	1	1	
9	790575	. SPRING	1	1	
10	790582	. RELEASE LATCH HANDLE / RED / SASH	1	1	
11	790581	. TRACK ROLLER	1	1	
12	790579	. SEAL	14FT	14FT	
13	790586	. ROLLER	1	1	
14	790585	. ARM	1	1	
14	790045 SET SCREW 10-32X1/4 S/S	2	2	
15	790587	. MOTOR COUPLER	1	1	
16	790619	. MOTOR ASSY W/MOTOR MOUNT / SMALL O.D.	1	1	D
16	N.P.N.	. . MOTOR / SMALL O.D.	1	1	4
17	N.P.N.	. . MOTOR MOUNT / SMALL O.D.	1	1	4
18	563444	. RELAY 24V	1	1	
19	790623	. ACTUATOR W/WHITE DECAL	2	2	
20	790024	. GLASS ASSY W/AWNING FRAME NEW	1	1	
21	790590	. TIE BAR - H	1	1	
22	790584	. GUIDE	2	2	
23	790580	. RELEASE LATCH GUIDE	1	1	
24	562641	. MAGNET	1	1	
25	562640	. SWITCH MAGNETIC	1	1	
25	563441	. . SWITCH / M/ON-OFF-M/ON / S.P.D.T / BLACK	2	2	
26	N8888119	. SCREW #8-32 X 0.38	AR	AR	
27	563443	. PROXIMITY SWITCH SENSOR	1	1	
28	790996	. SHOULDER BOLT 3/8 X 5/8	1	1	
31	299098	. DECAL / "EMERGENCY EXIT" # 3 To R-4014	1	1	
31	291205	. DECAL, SP2 FI (3)OPEN WINDOW From R-4015	1	1	
32	790620	. RELEASE LATCH HANDLE / RED / FRAME	1	1	
35	790599	. DECAL / "EMERGENCY EXIT" # 1 / PULL SCREEN	1	1	
36	790600	. DECAL / "EMERGENCY EXIT" # 2 To R-4014	1	1	
36	291204	. DECAL,SP2 FI (2)OPEN AWNING WIND From R-4015	1	1	
37	790012	. SCREW MA PAN PH #10-32x2 1/4 SS	1	1	
38	790013	. COUPLING #10-32x5/16 OD x3/4 ZP	1	1	
43	790058	. SHOULDER BOLT SS, 10-24X0.625	1	1	



From L-6492	Date:07/2024	PAGE:790019
-------------	--------------	-------------

ELECTRICAL AWNING WINDOW ASSY / 1651MM

Item#	Part	Description	X 3 V I P E N T	X 3 V I P M T H	N O T E S
44	790059	. SHOULDER BOLT SS, 3/8 X 1/2	1	1	
		D) INCLUDE ITEM # 15, 16 & 17 WITH ELECTRICAL CONNECTOR			
		4) NO PARTS NUMBER			

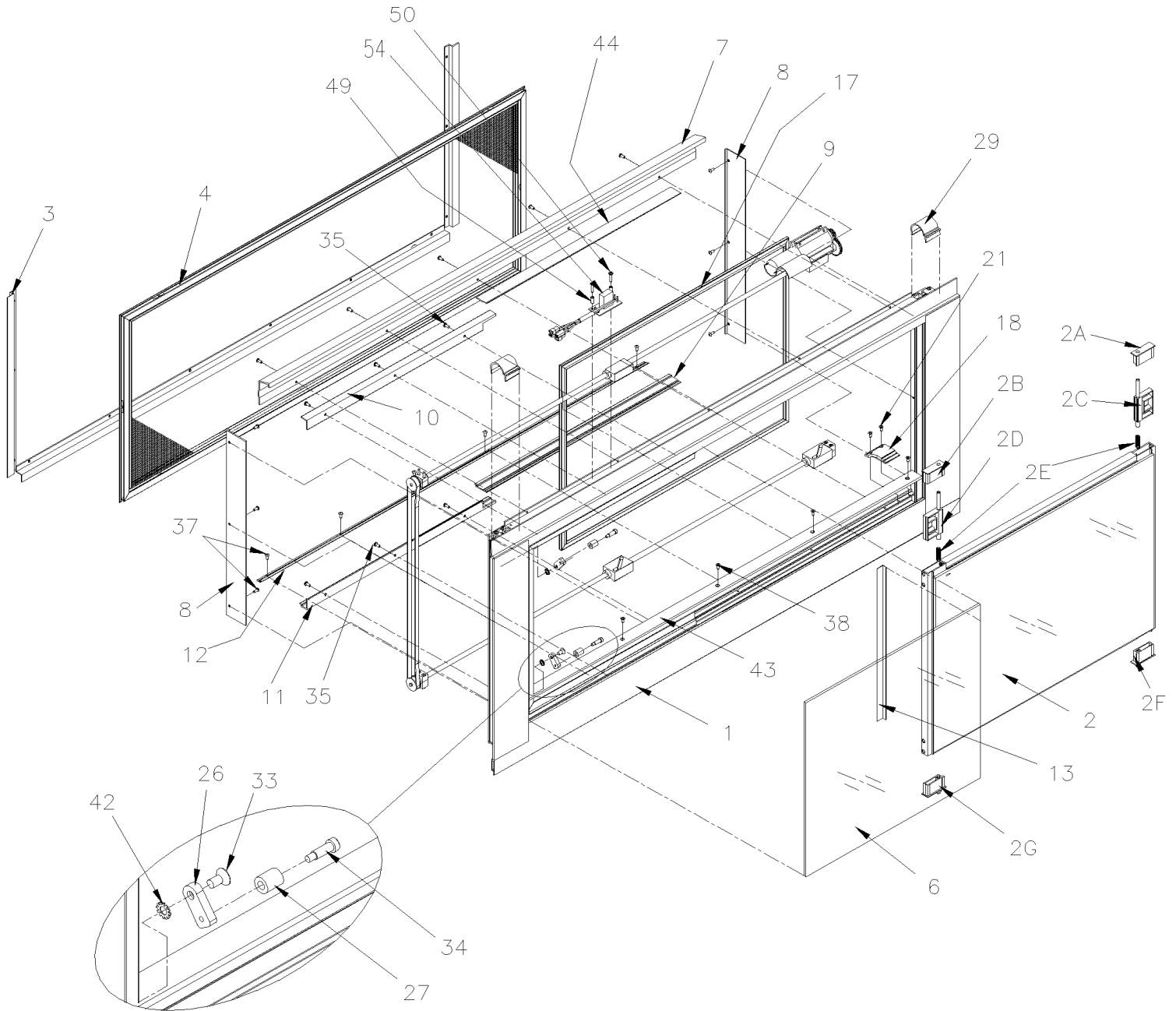


From E-5490 To K-6491

Date:07/2024

PAGE:X3VIP-1884-80

ELECTRICAL SLIDING WINDOW ASSY



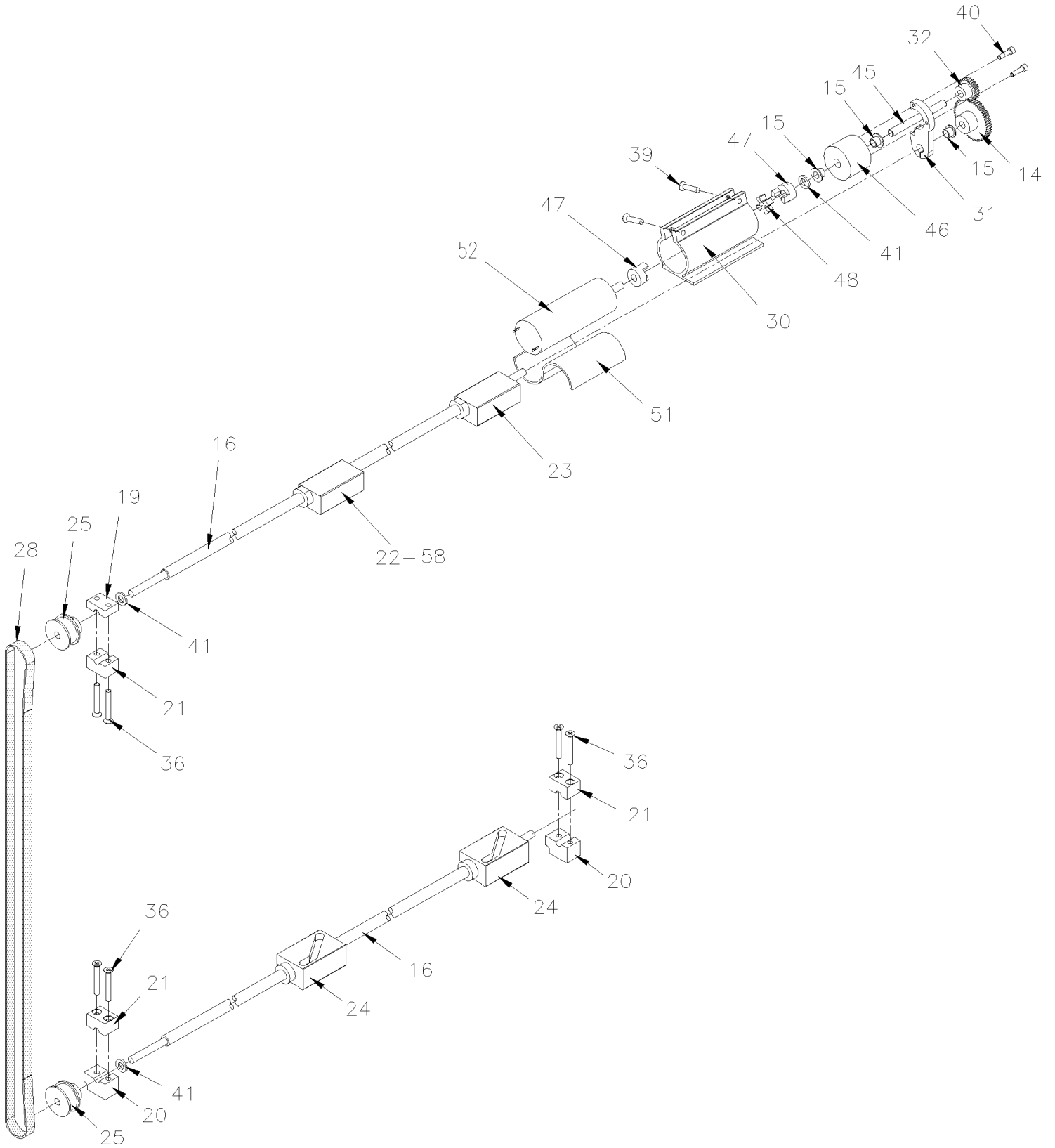


From E-5490 To K-6491

Date:07/2024

PAGE:X3VIP-1884-80

ELECTRICAL SLIDING WINDOW ASSY





From E-5490 To K-6491	Date:07/2024	PAGE:X3VIP-1884-80
-----------------------	--------------	--------------------

ELECTRICAL SLIDING WINDOW ASSY

Item#	Part	Description	X 3 V I P E N T	X 3 V I P M T H	N O T E S
	791005	ELECTRICAL SLIDING WINDOW ASSY	1	1	
. NS	291203	. DECAL,SP2 FI (2)OPEN SLIDING WIND	1	1	
NS	293911	CLAMPRING, POWER SLIDER WINDOW	1		
NS	500657	SCREW TC TR PH #10-24x1/2 Z050	6		
1	790711	. FRAME COMPONENT ASSY	1	1	
2	790713	. SASH ASSY - 5MM T GRAY/4mm T CLR	1	1	
. A	790751	. . SASH INSERT - RH UPPER / LH LOWER	1	1	
. B	790750	. . SASH INSERT - LH UPPER / RH LOWER	1	1	
. C	790728	. . RELEASE LATCH ASSY - RH	1	1	
. D	790727	. . RELEASE LATCH ASSY - LH	1	1	
. E	790752	. . SPRING RELEASE LATCH	2	2	
. F	790732	. . FIXED SASH INSERT ASSY - RH	1	1	
. G	790730	. . FIXED SASH INSERT ASSY - LH	1	1	
3	790717	. CLAMPRING ASSY	1	1	
4	790719	. SCREEN ASSY	1	1	
6	790707	. GLASS ASSY-5MM T GRAY/4mm T CLR-XL2-FIXED	1	1	
7	790709	. COVER HEADER ACCESS	1	1	
8	790714	. JAMB COVER	2	2	
9	790729	. COVER SASH GUIDE - SILL	2	2	
10	790734	. COVER FIXED GUIDE - HEADER	1	1	
11	790737	. COVER FIXED GUIDE - SILL	1	1	
12	790758	. COVER INNER GUIDE	1	1	
13	790741	. FIXED GLAZING ANGLE	1	1	
14	790770	. SPUR GEAR - 1 1/2" - STAINLESS / W/24Volt Motor	1	1	
14	790780	. SPUR GEAR - 1 1/4" - STAINLESS / W/30Volt Motor	1	1	
15	790743	. FLANGE BEARING 0.25" DEPTH	1	1	
16	790744	. DRIVE SHAFT	2	2	
17	790778	. D-SEAL EPDM SPONGE (PER FT)	AR	AR	
18	790746	. SASH END STOP	1	1	
19	790747	. BLOCK BASE SUPPORT SHAFT - UPPER	1	1	
20	790748	. BLOCK BASE SUPPORT SHAFT - LOWER	2	2	
21	790749	. CAP SUPPORT BLOCK SHAFT	3	3	
22	790724	. FOLLOWER CAM ASSY - UPPER w/ MAGNET	1	1	
. NS	790015	. . BUSHING INSERT	1	1	
23	790725	. FOLLOWER CAM ASSY - UPPER	1	1	
. NS	790015	. . BUSHING INSERT	1	1	
24	790726	. FOLLOWER CAM ASSY - LOWER	2	2	
. NS	790015	. . BUSHING INSERT	1	1	
25	790753	. PULLEY	2	2	
26	790754	. BRACKET TENSIONER	2	2	
27	790755	. ROLLER TENSIONER	2	2	
28	790756	. DRIVE BELT	1	1	



From E-5490 To K-6491 Date:07/2024 PAGE:X3VIP-1884-80

ELECTRICAL SLIDING WINDOW ASSY

Item#	Part	Description	X 3 V I P E N T	X 3 V I P M T H	NOTES
29	790757	. COVER, GEAR	1	1	
30	790740	. MOTOR MOUNT	1	1	
31	790742	. MOTOR MOUNT END PLATE	1	1	
32	790769	. SPUR GEAR - 3/4" - ACETAL / W/24Volt Motor	1	1	
32	790781	. SPUR GEAR - 1" - ACETAL / W/30Volt Motor	1	1	
33	N.P.N.	. SCREW CAP FL HEXS 1/4-20 x 1/2	2	2	4
34	N.P.N.	. SCREW SHR CAP HEX .250x.625	2	2	4
35	500883	. SCREW TC PAN PH #8-32x3/8 Z050	6	6	
36	500887	. SCREW MA FL PH #8-32x1 1/4 SS	6	6	
37	790704	. SCREW CAP BUT HEXS #8-32x3/8 420 S/S BLACK OX	19	19	
38	790702	. SCREW MA FL PH #8-32x3/8 410 S/S BLACK OX	7	7	
39	790703	. SCREW MA FL PH #8-32x7/8 TYPE 23 410 SS	2	2	
40	790773	. SCREW CAP HEXS M3-0.5x9.5 SS	2	2	
41	790774	. WASHER FL .250x.470x .065	2	2	
42	790775	. WASHER LO EXT .250x.500x.187 SS	2	2	
43	790760	. STRIP ANTI FRICTION	1	1	
44	790762	. COVER SASH GUIDE - HEADER	1	1	
45	790767	. OUTPUT SHAFT	1	1	
46	790768	. SUPPORT OUTPUT SHAFT	1	1	
47	790766	. JAW COUPLER	2	2	
48	790765	. SPIDER	1	1	
49	790772	. SPACER SLEEVE	2	2	
50	790700	. SCREW MA PAN PH #8-32x7/8 TYPE 23 410 SS	1	1	
51	790771	. PAD VIBRATION DAMPER	1	1	
52	790738	MOTOR ELECTRIC 24V ASSY / W/CABLE	1	1	P
52	790779	. MOTOR ELECTRIC 30V ASSY	1	1	
53	790736	CABLE ASSY W/CAPACITOR / MOTOR 24V	1	1	
. NS	790721	. FRAME WIRING HARNESS WITH RELAY ASSY	1	1	
. . NS	790002	. . RELAY	1	1	
. NS	790722	. POWER WIRING HARNESS ASSY	1	1	
. NS	790738	. MOTOR ELECTRIC 24V ASSY / W/CABLE	1	1	
. NS	790723	. PROXIMITY SENSOR ASSY	2	2	
. NS	563570	. CABLE ASSY WITH ROCKER SWITCH AND HARNESS / W/XL2 & H3	1	1	
. NS	790764	. VOLTAGE REGULATOR	1	1	
54	790721	. FRAME WIRING HARNESS WITH RELAY ASSY	1	1	
. NS	790002	. . RELAY	1	1	
55	790780	SPUR GEAR - 1 1/4" - STAINLESS / W/30Volt Motor	1	1	
56	790781	SPUR GEAR - 1" - ACETAL / W/30Volt Motor	1	1	
57	790779	MOTOR ELECTRIC 30V ASSY	1	1	
58	790723	PROXIMITY SENSOR ASSY	1	1	
NS	790599	DECAL / "EMERGENCY EXIT" # 1 / PULL SCREEN	1	1	
NS	790600	DECAL / "EMERGENCY EXIT" # 2	1	1	



From E-5490 To K-6491	Date:07/2024	PAGE:X3VIP-1884-80
-----------------------	--------------	--------------------

ELECTRICAL SLIDING WINDOW ASSY

Item#	Part	Description	X 3 V I P E N T	X 3 V I P M T H	N O T E S
NS	562699	SWITCH / M/ON-OFF-M/ON / D.P.D.T. / W/GREEN LED	1	1	W
NS	562740	CAP / WINDOW DRIVER'S	1	1	W
NS	069122	CABLE POWER ASSY / TWO SWITCHES OPTION	1	1	W
NS	564588	RELAY MODULE, CONTROLER	1	1	W
NS	564589	RELAY MODULE, PROTECT. CAP.	1	1	W
NS	685124	ADHESIVE SIMSON #ISR 70-03 / BLACK / 600ml SAUSAGE	AR	AR	
NS	790392	RUBBER BLOCK ADJUSTEMENT 1" x 5/16" x 1/8" 80DURO	AR	AR	
NS	790597	RUBBER BLOCK ADJUSTEMENT 20MM x 31.75MM x 4.7 60 DURO	AR	AR	
		P) PRODUCT IMPROVEMENT FOR 30 VOLT MOTOR IT REQUIRE 1x790779 Motor With 1x780780 Gear & 1x780781 Gear			
		W) W/ COPILOT ELECTRIC WINDOW			
		4) NO PARTS NUMBER			

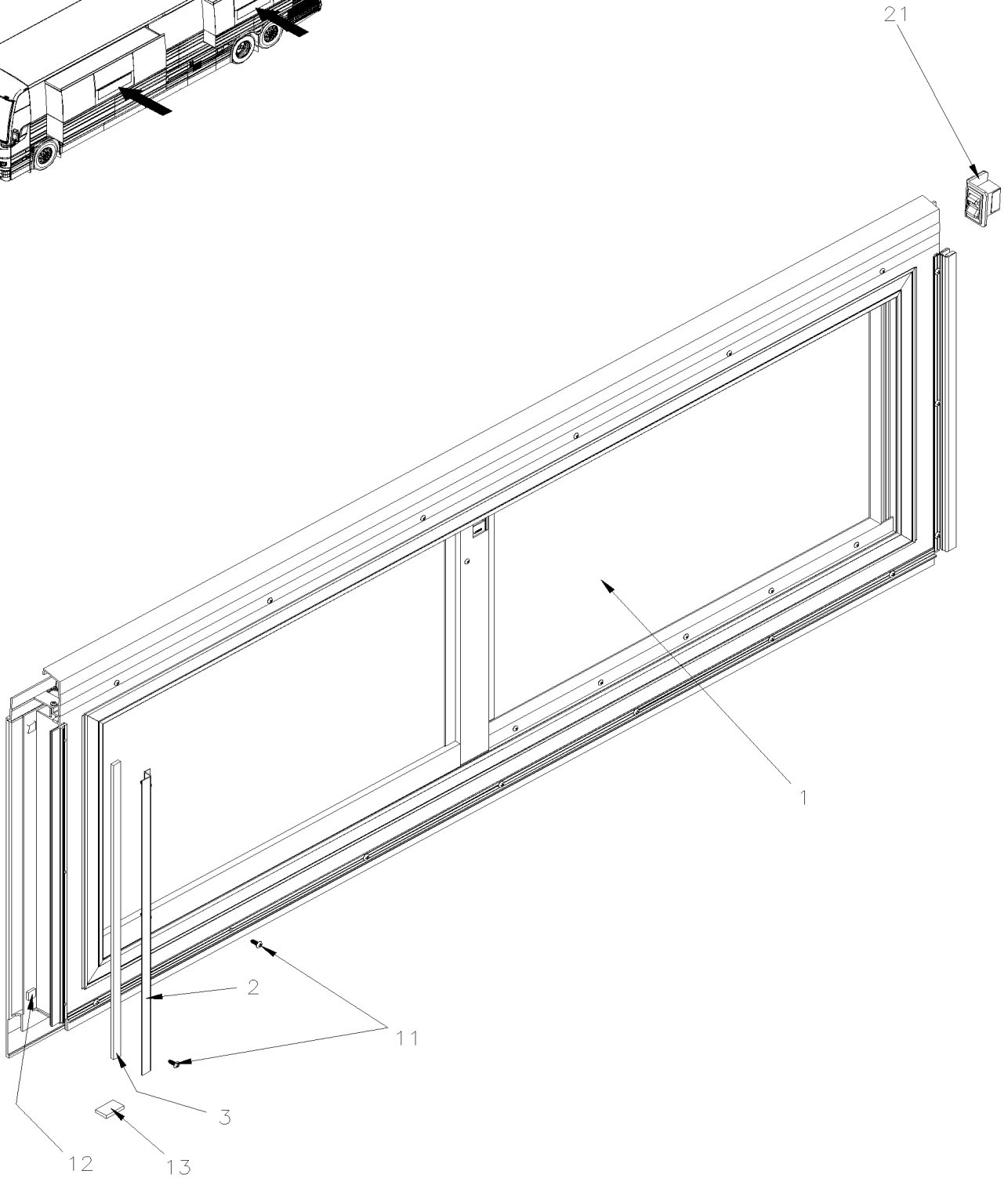
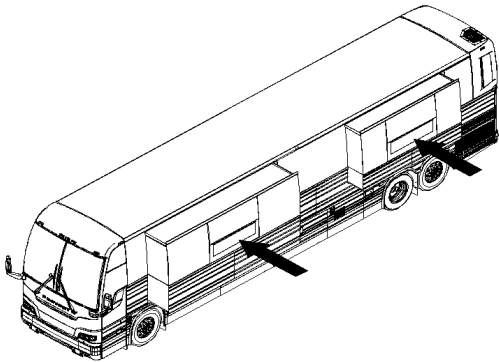


From L-6492

Date:07/2024

PAGE:X3VIP-1884-81

ELECTRICAL SLIDING WINDOW ASSY





From L-6492		Date:07/2024	PAGE:X3VIP-1884-81
ELECTRICAL SLIDING WINDOW ASSY			

Item#	Part	Description	X 3 V I P E N T	X 3 V I P M T H	N O T E S
1	790016	ELECTRICAL SLIDING WINDOW ASSY / 1286MM To N-6729	1	1	
1	790044	ELECTRICAL SLIDING WINDOW ASSY / 1286MM From N-6730	1	1	
1	790018	ELECTRICAL SLIDING WINDOW ASSY / 1651MM To N-6729	1	1	
1	790043	ELECTRICAL SLIDING WINDOW ASSY / 1651MM From N-6730	1	1	
2	290571	WINDOW FASTENING From L-6517	1	1	A
3	506002	TAPE RUB ADH1 CC POL 3/16" x 1/2" x 40' / GREY 2520 From L-6517	AR	AR	A
11	500657	SCREW TC TR PH #10-24x1/2 Z050	12	12	
12	790602	RUBBER BLOCK ADJUSTEMENT 1/2" x 1/2" x 1/8" 80DURO	4	4	
13	790597	RUBBER BLOCK ADJUSTEMENT 20MM x 31.75MM x 4.7 60 DURO	4	4	
NS	685124	ADHESIVE SIMSON #ISR 70-03 / BLACK / 600ml SAUSAGE	AR	AR	
NS	687957	GLUE MS POLYMER TEROSON MS 9399 / 400ml CARTRIDGE To M-6660	AR	AR	
NS	685387	GLUE MS POLYMER TEROSON MS 9399 / 400ml CARTRIDGE From M-6661	AR	AR	
NS	506962	RUB POL 1/4 X 7/16 X 1 LG	6	6	
NS	507087	TAPE RUB ADH1 NEO BLACK 1/4"X3/8"X1/2"LG	AR	AR	
NS	506728	TAPE RUB ADH1 NEO 1/4" x 3/4" x 10' / BLACK	AR	AR	
21	293854	SUPPORT SWITCH / REMOTE OPERATIONAL MODEL	1	1	
NS	506790	TAPE RUB ADH2 CC POL 1/16" x 1/2" x 200' / BLACK I1C-N-A	1	1	
NS	060400	CABLE ASSY / POWER AWNING EXTENTION 3M	1	1	
NS	680415	TAPE ADHESIVE 3" WIDE BLUE	AR	AR	
NS	682176	SEALANT SIKA #221 / BLACK / 310ml CARTRIDGE	AR	AR	
NS	562679	4 WAY ADH. BACKED MOUNTS 1.000 x 1.000 x .160	AR	AR	
		A) NOT USE WITH WINDOW INSTALL INSIDE THE SLIDE-OUT			

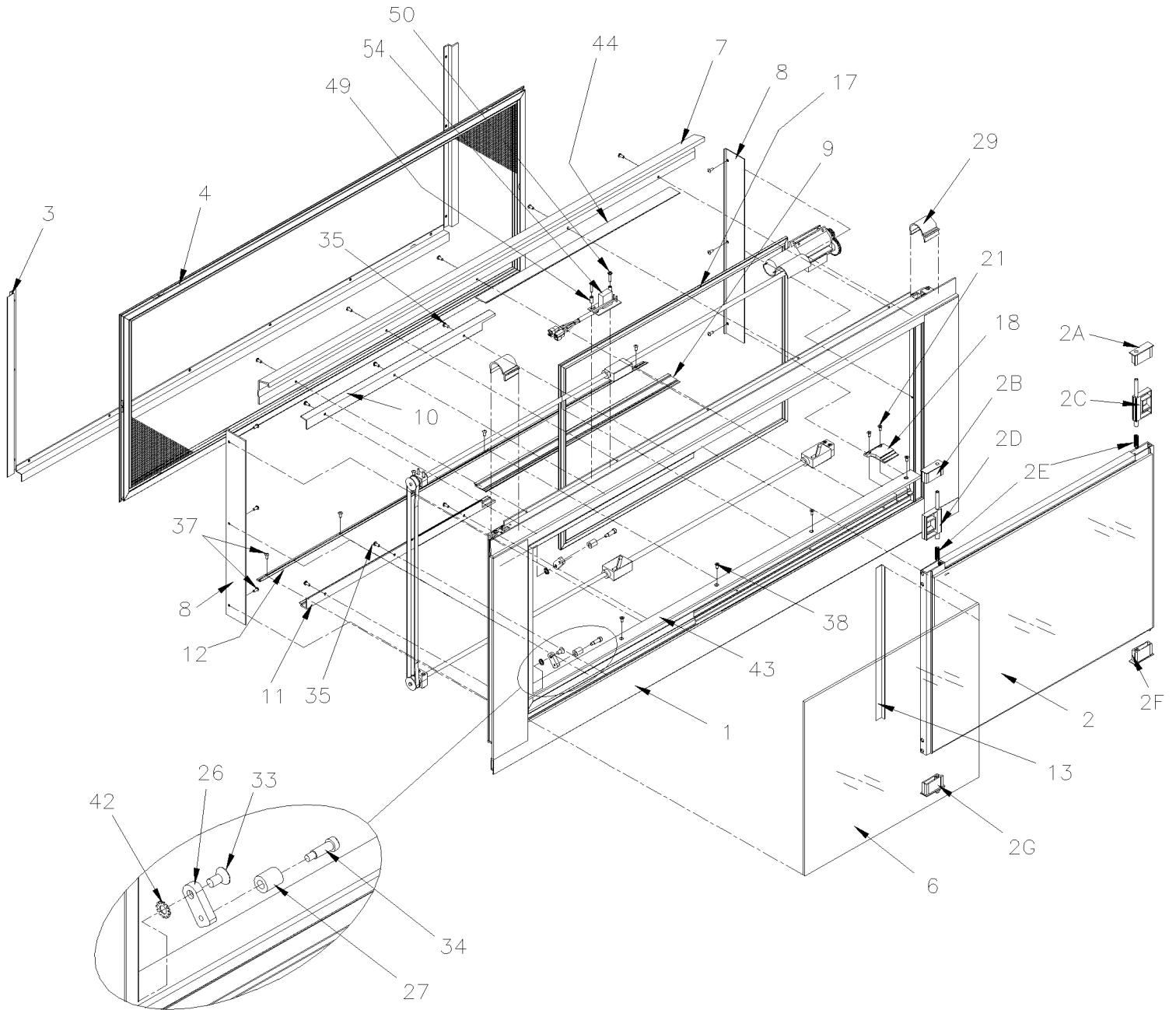


From L-6492

Date:07/2024

PAGE:790016

ELECTRICAL SLIDING WINDOW ASSY / 1286MM



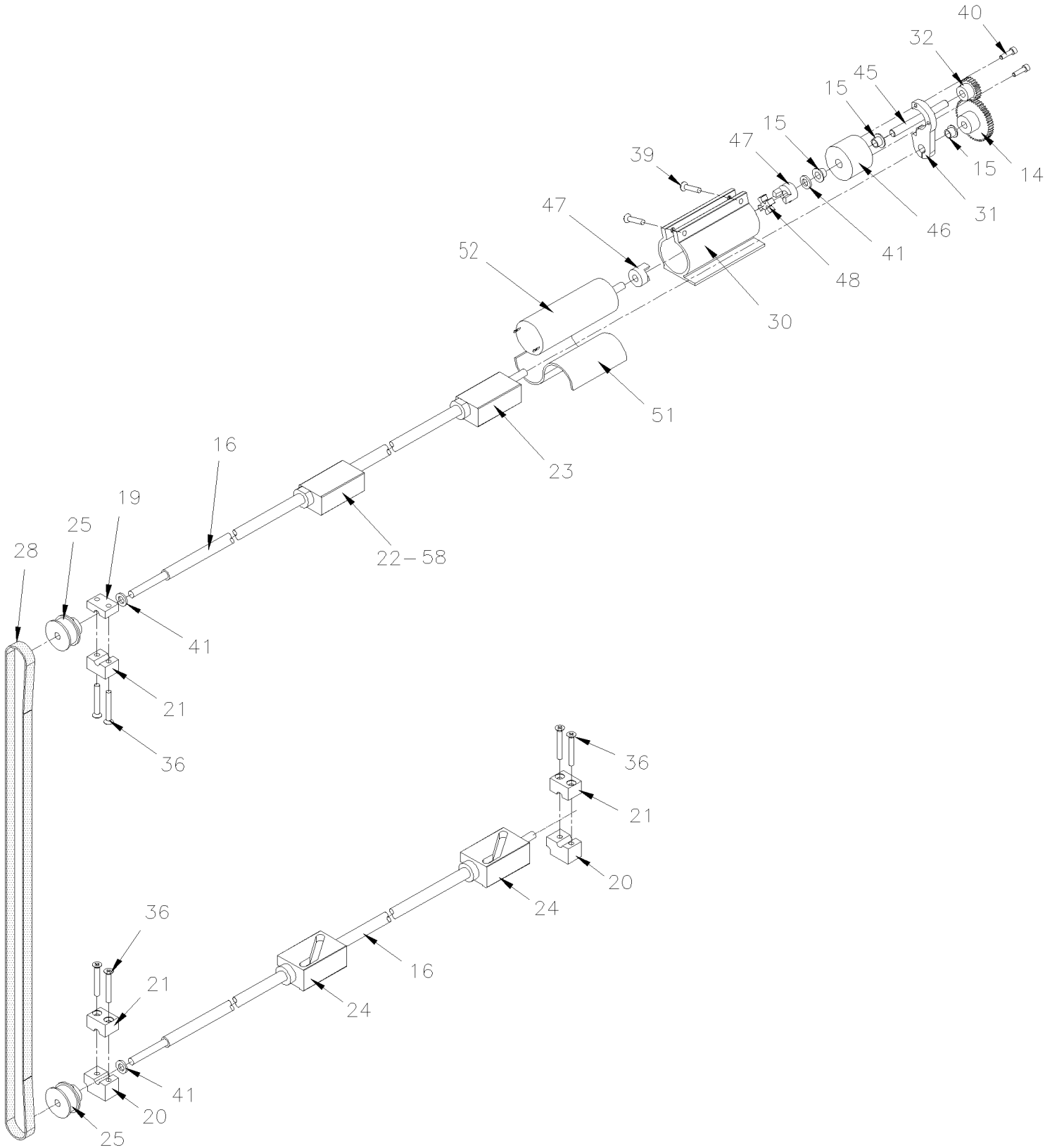


From L-6492

Date:07/2024

PAGE:790016

ELECTRICAL SLIDING WINDOW ASSY / 1286MM





From L-6492		Date:07/2024	PAGE:790016
ELECTRICAL SLIDING WINDOW ASSY / 1286MM			

Item#	Part	Description	X 3 V I P E N T	X 3 V I P M T H	N O T E S
1	790020	. FRAME ASSY	1	1	
2	790021	. SASH ASSY - 5MM T GRAY/4mm T CLR	1	1	
. A	790751	. . SASH INSERT - RH UPPER / LH LOWER	1	1	
. B	790750	. . SASH INSERT - LH UPPER / RH LOWER	1	1	
. C	790728	. . RELEASE LATCH ASSY - RH	1	1	
. D	790727	. . RELEASE LATCH ASSY - LH	1	1	
. E	790752	. . SPRING RELEASE LATCH	2	2	
. F	790732	. . FIXED SASH INSERT ASSY - RH	1	1	
. G	790730	. . FIXED SASH INSERT ASSY - LH	1	1	
3	790022	. CLAMPRING ASSY	1	1	
4	790719	. SCREEN ASSY	1	1	
6	790006	. GLASS FIXED ASSY	1	1	
7	790709	. COVER HEADER ACCESS	1	1	
8	790714	. JAMB COVER	2	2	
9	790729	. COVER SASH GUIDE - SILL	2	2	
10	790734	. COVER FIXED GUIDE - HEADER	1	1	
11	790737	. COVER FIXED GUIDE - SILL	1	1	
12	790758	. COVER INNER GUIDE	1	1	
13	790741	. FIXED GLAZING ANGLE	1	1	
14	790770	. SPUR GEAR - 1 1/2" - STAINLESS / W/24Volt Motor	1	1	
14	790780	. SPUR GEAR - 1 1/4" - STAINLESS / W/30Volt Motor	1	1	
15	790743	. FLANGE BEARING 0.25" DEPTH	1	1	
16	790744	. DRIVE SHAFT	2	2	
17	790778	. D-SEAL EPDM SPONGE (PER FT)	AR	AR	
18	790746	. SASH END STOP	1	1	
19	790747	. BLOCK BASE SUPPORT SHAFT - UPPER	1	1	
20	790748	. BLOCK BASE SUPPORT SHAFT - LOWER	2	2	
21	790749	. CAP SUPPORT BLOCK SHAFT	3	3	
22	790724	. FOLLOWER CAM ASSY - UPPER w/ MAGNET	1	1	
. NS	790015	. . BUSHING INSERT	1	1	
23	790725	. FOLLOWER CAM ASSY - UPPER	1	1	
. NS	790015	. . BUSHING INSERT	1	1	
24	790726	. FOLLOWER CAM ASSY - LOWER	2	2	
. NS	790015	. . BUSHING INSERT	1	1	
25	790753	. PULLEY	2	2	
26	790754	. BRACKET TENSIONER	2	2	
27	790755	. ROLLER TENSIONER	2	2	
28	790756	. DRIVE BELT	1	1	
29	790757	. COVER, GEAR	1	1	
30	790740	. MOTOR MOUNT	1	1	
31	790742	. MOTOR MOUNT END PLATE	1	1	



From L-6492		Date:07/2024	PAGE:790016
ELECTRICAL SLIDING WINDOW ASSY / 1286MM			

Item#	Part	Description	X 3 V I P E N T	X 3 V I P M T H	N O T E S
32	790769	. SPUR GEAR - 3/4" - ACETAL / W/24Volt Motor	1	1	
32	790781	. SPUR GEAR - 1" - ACETAL / W/30Volt Motor	1	1	
33	N.P.N.	. SCREW CAP FL HEXS 1/4-20 x 1/2	2	2	4
34	N.P.N.	. SCREW SHR CAP HEX .250x.625	2	2	4
35	500883	. SCREW TC PAN PH #8-32x3/8 Z050	6	6	
36	500887	. SCREW MA FL PH #8-32x1 1/4 SS	6	6	
37	790704	. SCREW CAP BUT HEXS #8-32x3/8 420 S/S BLACK OX	19	19	
38	790702	. SCREW MA FL PH #8-32x3/8 410 S/S BLACK OX	7	7	
39	790703	. SCREW MA FL PH #8-32x7/8 TYPE 23 410 SS	2	2	
40	790773	. SCREW CAP HEXS M3-0.5x9.5 SS	2	2	
41	790774	. WASHER FL .250x.470x .065	2	2	
42	790775	. WASHER LO EXT .250x.500x.187 SS	2	2	
43	790760	. STRIP ANTI FRICTION	1	1	
44	790762	. COVER SASH GUIDE - HEADER	1	1	
45	790767	. OUTPUT SHAFT	1	1	
46	790768	. SUPPORT OUTPUT SHAFT	1	1	
47	790766	. JAW COUPLER	2	2	
48	790765	. SPIDER	1	1	
49	790772	. SPACER SLEEVE	2	2	
50	790700	. SCREW MA PAN PH #8-32x7/8 TYPE 23 410 SS	1	1	
51	790771	. PAD VIBRATION DAMPER	1	1	
52	790779	. MOTOR ELECTRIC 30V ASSY	1	1	
53	790736	. CABLE ASSY W/CAPACITOR / MOTOR 24V	1	1	
. NS	790721	. . FRAME WIRING HARNESS WITH RELAY ASSY	1	1	
. . NS	790002	. . . RELAY	1	1	
. NS	790722	. . POWER WIRING HARNESS ASSY	1	1	
. NS	790738	. . MOTOR ELECTRIC 24V ASSY / W/CABLE	1	1	
. NS	790723	. . PROXIMITY SENSOR ASSY	2	2	
. NS	563570	. . CABLE ASSY WITH ROCKER SWITCH AND HARNESS / W/XL2 & H3	1	1	
. NS	790764	. . VOLTAGE REGULATOR	1	1	
54	790721	. FRAME WIRING HARNESS WITH RELAY ASSY	1	1	
. NS	790002	. . RELAY	1	1	
55	790780	SPUR GEAR - 1 1/4" - STAINLESS / W/30Volt Motor	1	1	
56	790781	SPUR GEAR - 1" - ACETAL / W/30Volt Motor	1	1	
57	790779	MOTOR ELECTRIC 30V ASSY	1	1	
58	790723	PROXIMITY SENSOR ASSY	1	1	
NS	790599	DECAL / "EMERGENCY EXIT" # 1 / PULL SCREEN	1	1	
NS	790600	DECAL / "EMERGENCY EXIT" # 2 To R-4014	1	1	
NS	291203	DECAL,SP2 FI (2)OPEN SLIDING WIND From R-4015	1	1	
NS	562699	SWITCH / M/ON-OFF-M/ON / D.P.D.T. / W/GREEN LED	1	1	W
NS	562740	CAP / WINDOW DRIVER'S	1	1	W
NS	069122	CABLE POWER ASSY / TWO SWITCHES OPTION	1	1	W



From L-6492	Date:07/2024	PAGE:790016
-------------	--------------	-------------

ELECTRICAL SLIDING WINDOW ASSY / 1286MM

Item#	Part	Description	X 3 V I P E N T	X 3 V I P M T H	N O T E S
NS	564588	RELAY MODULE, CONTROLER	1	1	W
NS	564589	RELAY MODULE, PROTECT. CAP.	1	1	W
		W) W/ COPILOT ELECTRIC WINDOW			
		4) NO PARTS NUMBER			

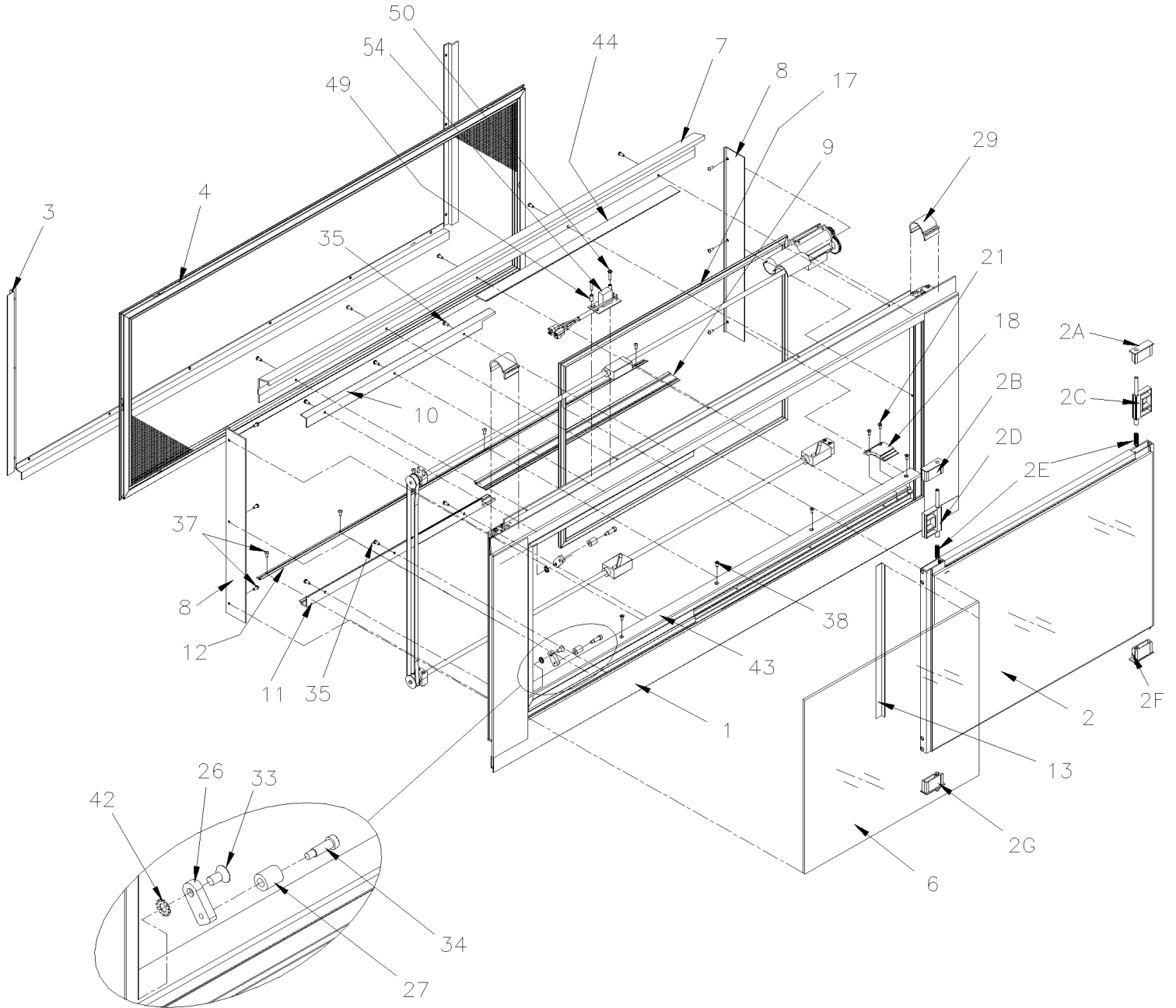


From L-6492

Date:07/2024

PAGE:790044

ELECTRICAL SLIDING WINDOW ASSY / 1286MM



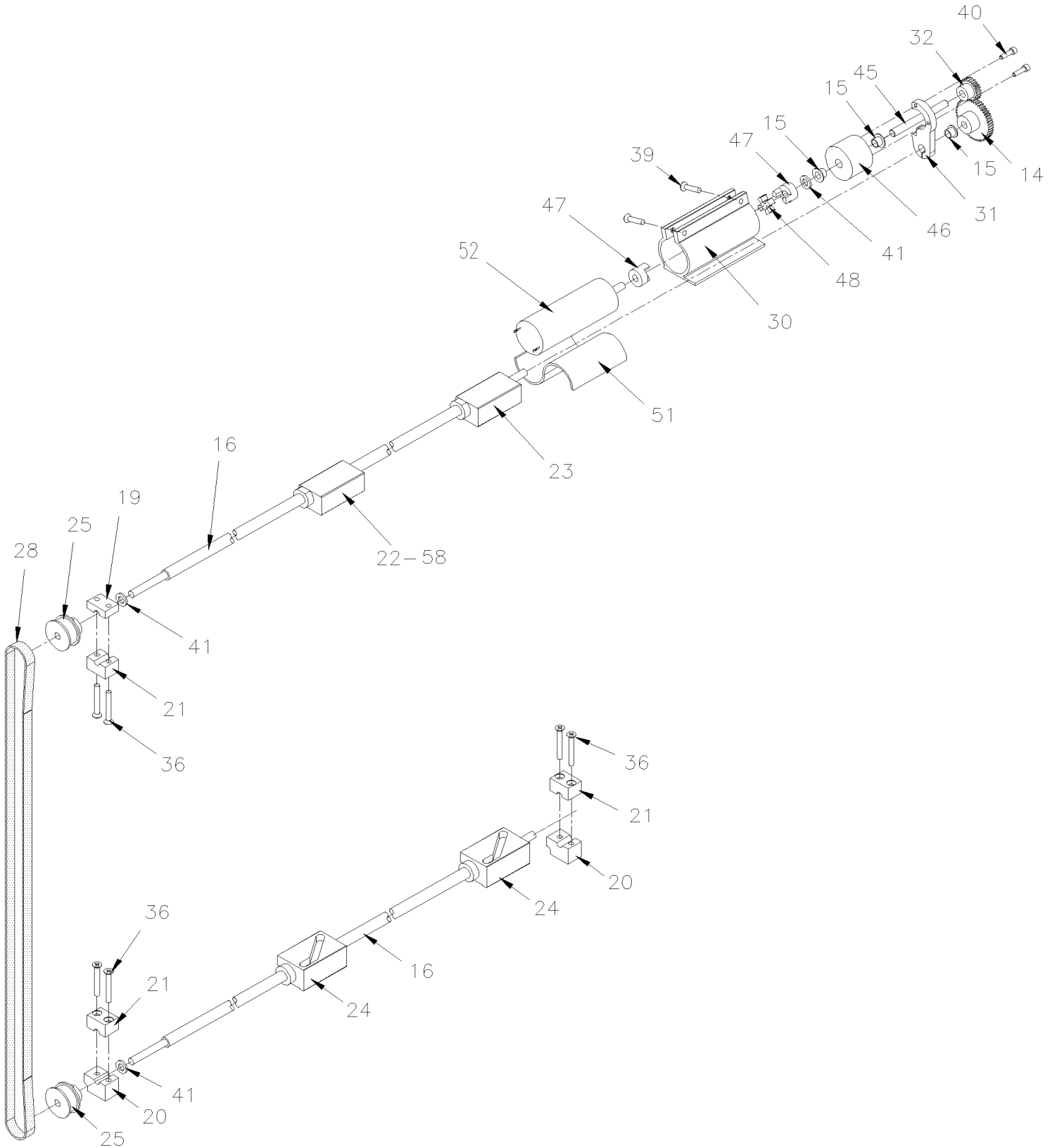


From L-6492

Date:07/2024

PAGE:790044

ELECTRICAL SLIDING WINDOW ASSY / 1286MM





From L-6492		Date:07/2024	PAGE:790044
ELECTRICAL SLIDING WINDOW ASSY / 1286MM			

Item#	Part	Description	X 3 V I P E N T	X 3 V I P M T H	N O T E S
1		FRAME ASSY	1	1	
2	Call order desk	. SASH ASSY	1	1	P
3	790022	. CLAMPRING ASSY	1	1	
4	790719	. SCREEN ASSY	1	1	
6		. GLASS FIXED ASSY	1	1	
7	790709	. COVER HEADER ACCESS	1	1	
8	790714	. JAMB COVER	2	2	
9	790729	. COVER SASH GUIDE - SILL	2	2	
10	790734	. COVER FIXED GUIDE - HEADER	1	1	
11	790737	. COVER FIXED GUIDE - SILL	1	1	
12	790758	. COVER INNER GUIDE	1	1	
13	790741	. FIXED GLAZING ANGLE	1	1	
14	790770	. SPUR GEAR - 1 1/2" - STAINLESS / W/24Volt Motor	1	1	
14	790780	. SPUR GEAR - 1 1/4" - STAINLESS / W/30Volt Motor	1	1	
15	790743	. FLANGE BEARING 0.25" DEPTH	1	1	
16	790744	. DRIVE SHAFT	2	2	
17	790778	. D-SEAL EPDM SPONGE (PER FT)	AR	AR	
18	790746	. SASH END STOP	1	1	
19	790747	. BLOCK BASE SUPPORT SHAFT - UPPER	1	1	
20	790748	. BLOCK BASE SUPPORT SHAFT - LOWER	2	2	
21	790749	. CAP SUPPORT BLOCK SHAFT	3	3	
22	790724	. FOLLOWER CAM ASSY - UPPER w/ MAGNET	1	1	
. NS	790015	. . BUSHING INSERT	1	1	
23	790725	. FOLLOWER CAM ASSY - UPPER	1	1	
. NS	790015	. . BUSHING INSERT	1	1	
24	790726	. FOLLOWER CAM ASSY - LOWER	2	2	
. NS	790015	. . BUSHING INSERT	1	1	
25	790753	. PULLEY	2	2	
26	790754	. BRACKET TENSIONER	2	2	
27	790755	. ROLLER TENSIONER	2	2	
28	790756	. DRIVE BELT	1	1	
29	790757	. COVER, GEAR	1	1	
30	790740	. MOTOR MOUNT	1	1	
31	790742	. MOTOR MOUNT END PLATE	1	1	
32	790769	. SPUR GEAR - 3/4" - ACETAL / W/24Volt Motor	1	1	
32	790781	. SPUR GEAR - 1" - ACETAL / W/30Volt Motor	1	1	
33	N.P.N.	. SCREW CAP FL HEXS 1/4-20 x 1/2	2	2	4
34	N.P.N.	. SCREW SHR CAP HEX .250x.625	2	2	4
35	500883	. SCREW TC PAN PH #8-32x3/8 Z050	6	6	
36	500887	. SCREW MA FL PH #8-32x1 1/4 SS	6	6	
37	790704	. SCREW CAP BUT HEXS #8-32x3/8 420 S/S BLACK OX	19	19	



From L-6492	Date:07/2024	PAGE:790044
ELECTRICAL SLIDING WINDOW ASSY / 1286MM		

Item#	Part	Description	X 3 V I P E N T	X 3 V I P M T H	NOTES
38	790702	. SCREW MA FL PH #8-32x3/8 410 S/S BLACK OX	7	7	
39	790703	. SCREW MA FL PH #8-32x7/8 TYPE 23 410 SS	2	2	
40	790773	. SCREW CAP HEXS M3-0.5x9.5 SS	2	2	
41	790774	. WASHER FL .250x.470x .065	2	2	
42	790775	. WASHER LO EXT .250x.500x.187 SS	2	2	
43	790760	. STRIP ANTI FRICTION	1	1	
44	790762	. COVER SASH GUIDE - HEADER	1	1	
45	790767	. OUTPUT SHAFT	1	1	
46	790768	. SUPPORT OUTPUT SHAFT	1	1	
47	790766	. JAW COUPLER	2	2	
48	790765	. SPIDER	1	1	
49	790772	. SPACER SLEEVE	2	2	
50	790700	. SCREW MA PAN PH #8-32x7/8 TYPE 23 410 SS	1	1	
51	790771	. PAD VIBRATION DAMPER	1	1	
52	790779	. MOTOR ELECTRIC 30V ASSY	1	1	
53	790736	. CABLE ASSY W/CAPACITOR / MOTOR 24V	1	1	
. NS	790721	. . FRAME WIRING HARNESS WITH RELAY ASSY	1	1	
. . NS	790002	. . . RELAY	1	1	
. NS	790722	. . POWER WIRING HARNESS ASSY	1	1	
. NS	790738	. . MOTOR ELECTRIC 24V ASSY / W/CABLE	1	1	
. NS	790723	. . PROXIMITY SENSOR ASSY	2	2	
. NS	563570	. . CABLE ASSY WITH ROCKER SWITCH AND HARNESS / W/XL2 & H3	1	1	
. NS	790764	. . VOLTAGE REGULATOR	1	1	
54	790721	. FRAME WIRING HARNESS WITH RELAY ASSY	1	1	
. NS	790002	. . RELAY	1	1	
55	790780	SPUR GEAR - 1 1/4" - STAINLESS / W/30Volt Motor	1	1	
56	790781	SPUR GEAR - 1" - ACETAL / W/30Volt Motor	1	1	
57	790779	MOTOR ELECTRIC 30V ASSY	1	1	
58	790723	PROXIMITY SENSOR ASSY	1	1	
NS	790599	DECAL / "EMERGENCY EXIT" # 1 / PULL SCREEN	1	1	
NS	790600	DECAL / "EMERGENCY EXIT" # 2 To R-4014	1	1	
60	291203	DECAL,SP2 FI (2)OPEN SLIDING WIND From R-4015	1	1	
NS	562699	SWITCH / M/ON-OFF-M/ON / D.P.D.T. / W/GREEN LED	1	1	W
NS	562740	CAP / WINDOW DRIVER'S	1	1	W
NS	069122	CABLE POWER ASSY / TWO SWITCHES OPTION	1	1	W
NS	564588	RELAY MODULE, CONTROLER	1	1	W
NS	564589	RELAY MODULE, PROTECT. CAP.	1	1	W
		W) W/ COPILOT ELECTRIC WINDOW			
		4) NO PARTS NUMBER			



From L-6492		Date:07/2024	PAGE:790044		
ELECTRICAL SLIDING WINDOW ASSY / 1286MM					
Item#	Part	Description	X 3 V I P E N T	X 3 V I P M T H	N O T E S
		P) CALL ORDER DESK FOR SPECIFIC APPLICATION (V.I.N.)			

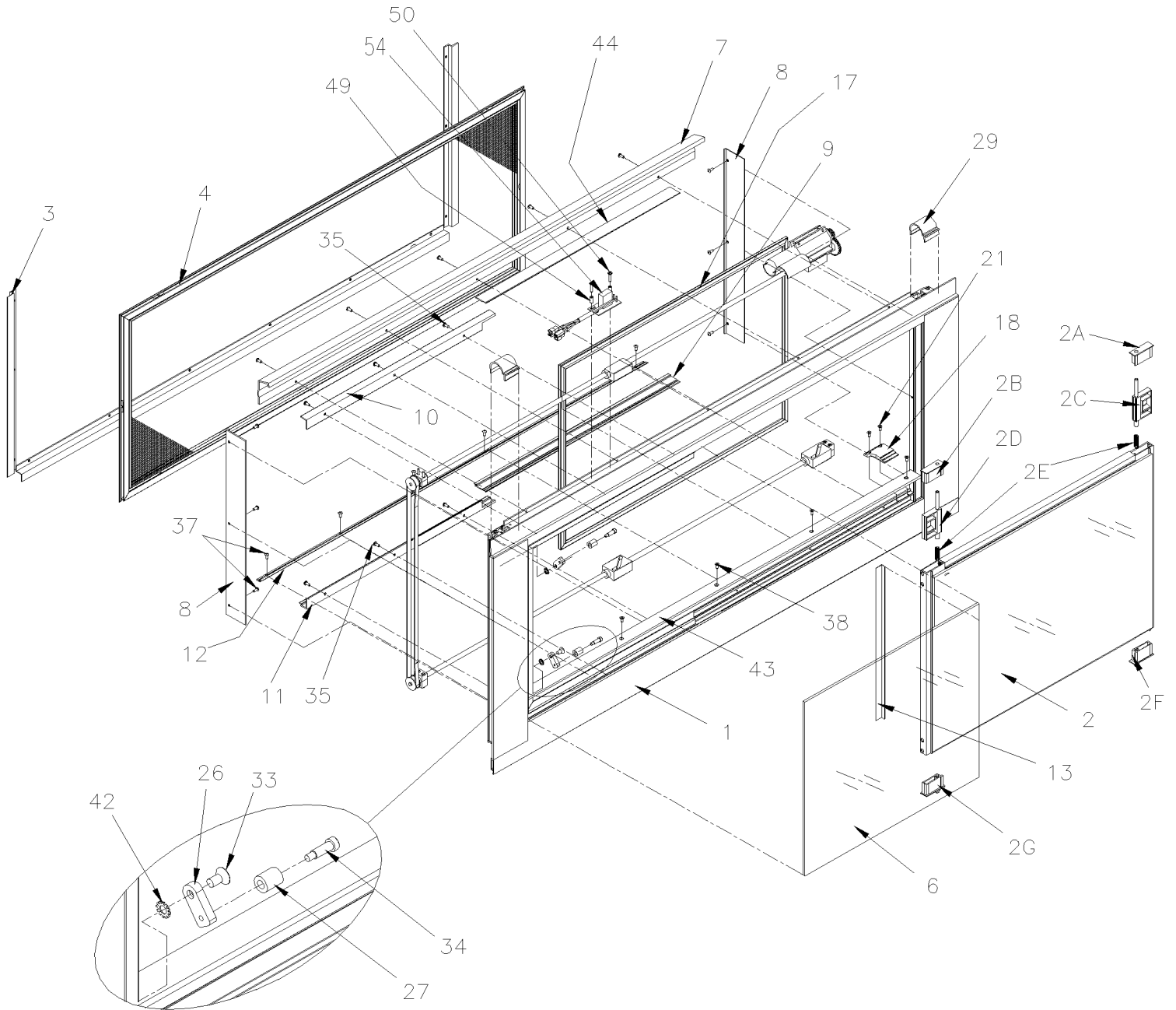


From L-6492

Date:07/2024

PAGE:790018

ELECTRICAL SLIDING WINDOW ASSY / 1651MM



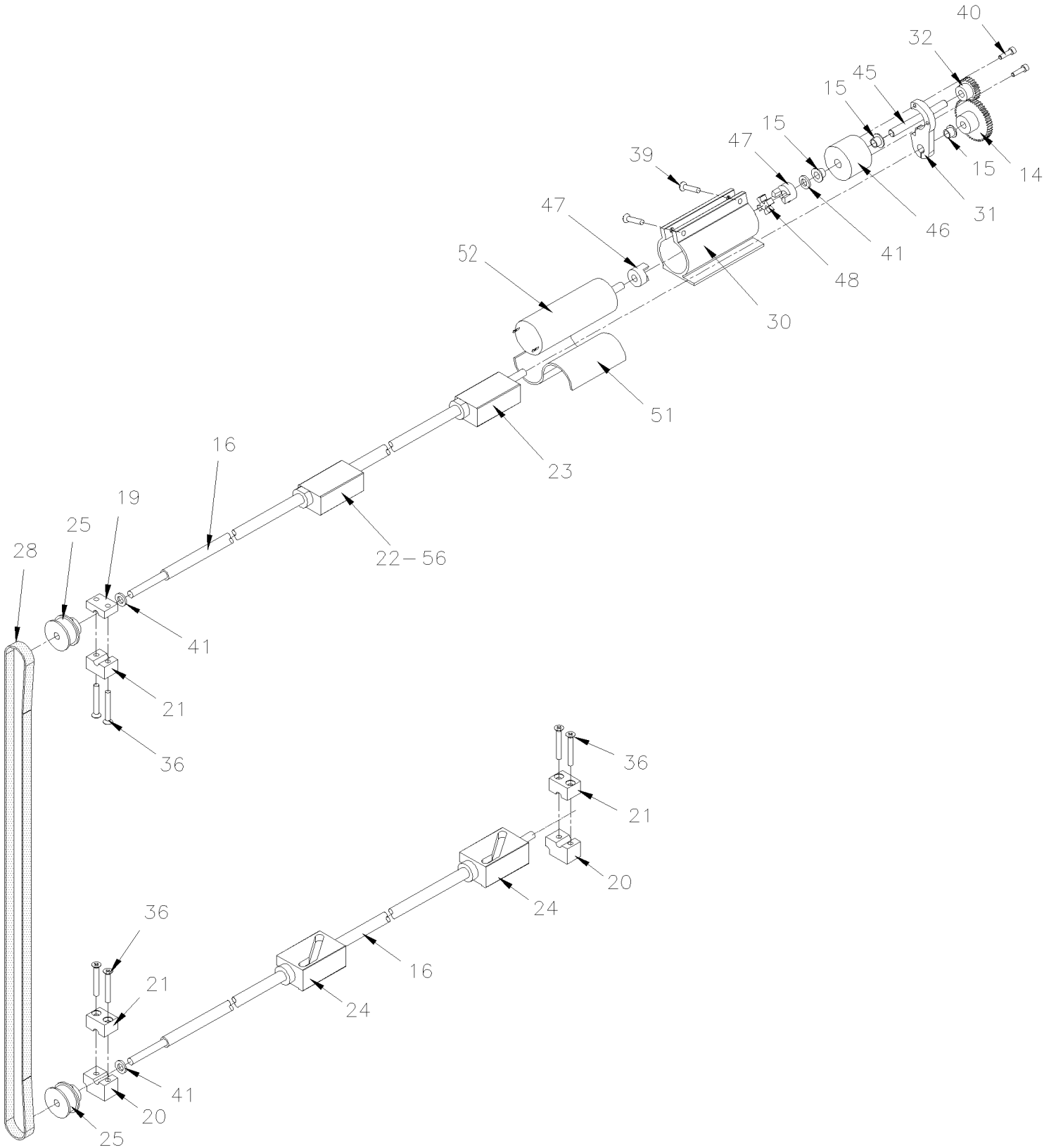


From L-6492

Date:07/2024

PAGE:790018

ELECTRICAL SLIDING WINDOW ASSY / 1651MM





From L-6492		Date:07/2024	PAGE:790018
-------------	--	--------------	-------------

ELECTRICAL SLIDING WINDOW ASSY / 1651MM

Item#	Part	Description	X 3 V I P E N T	X 3 V I P M T H	N O T E S
		ELECTRICAL SLIDING WINDOW ASSY	1	1	
1	790712	. FRAME COMPONENT ASSY	1	1	
2	790023	. SASH ASSY	1	1	
. A	790751	. . SASH INSERT - RH UPPER / LH LOWER	1	1	
. B	790750	. . SASH INSERT - LH UPPER / RH LOWER	1	1	
. C	790728	. . RELEASE LATCH ASSY - RH	1	1	
. D	790727	. . RELEASE LATCH ASSY - LH	1	1	
. E	790752	. . SPRING RELEASE LATCH	2	2	
. F	790732	. . FIXED SASH INSERT ASSY - RH	1	1	
. G	790730	. . FIXED SASH INSERT ASSY - LH	1	1	
3	790718	. CLAMPRING ASSY	1	1	
4	790720	. SCREEN ASSY	1	1	
6	790708	. GLASS ASSY-5MM T GRAY/4mm T CLR-H-FIXED	1	1	
7	790710	. COVER HEADER ACCESS	1	1	
8	790714	. JAMB COVER	2	2	
9	790731	. COVER SASH GUIDE - SILL	2	2	
10	790735	. COVER FIXED GUIDE- HEADER	1	1	
11	790739	. COVER FIXED GUIDE- SILL	1	1	
12	790759	. COVER INNER GUIDE	1	1	
13	790741	. FIXED GLAZING ANGLE	1	1	
14	790770	. SPUR GEAR - 1 1/2" - STAINLESS / W/24Volt Motor	1	1	
14	790780	. SPUR GEAR - 1 1/4" - STAINLESS / W/30Volt Motor	1	1	
15	790743	. FLANGE BEARING 0.25" DEPTH	1	1	
16	790745	. DRIVE SHAFT	2	2	
17	790778	. D-SEAL EPDM SPONGE (PER FT)	AR	AR	
18	790746	. SASH END STOP	1	1	
19	790747	. BLOCK BASE SUPPORT SHAFT - UPPER	1	1	
20	790748	. BLOCK BASE SUPPORT SHAFT - LOWER	2	2	
21	790749	. CAP SUPPORT BLOCK SHAFT	3	3	
22	790724	. FOLLOWER CAM ASSY - UPPER w/ MAGNET	1	1	
. NS	790015	. . BUSHING INSERT	1	1	
23	790725	. FOLLOWER CAM ASSY - UPPER	1	1	
. NS	790015	. . BUSHING INSERT	1	1	
24	790726	. FOLLOWER CAM ASSY - LOWER	2	2	
. NS	790015	. . BUSHING INSERT	1	1	
25	790753	. PULLEY	2	2	
26	790754	. BRACKET TENSIONER	2	2	
27	790755	. ROLLER TENSIONER	2	2	
28	790756	. DRIVE BELT	1	1	
29	790757	. COVER, GEAR	1	1	
30	790740	. MOTOR MOUNT	1	1	
31	790742	. MOTOR MOUNT END PLATE	1	1	



From L-6492		Date:07/2024	PAGE:790018
ELECTRICAL SLIDING WINDOW ASSY / 1651MM			

Item#	Part	Description	X 3 V I P E N T	X 3 V I P M T H	N O T E S
32	790769	. SPUR GEAR - 3/4" - ACETAL / W/24Volt Motor	1	1	
32	790781	. SPUR GEAR - 1" - ACETAL / W/30Volt Motor	1	1	
33	N.P.N.	. SCREW CAP FL HEXS 1/4-20 x 1/2	2	2	4
34	N.P.N.	. SCREW SHR CAP HEX .250x.625	2	2	4
35	500883	. SCREW TC PAN PH #8-32x3/8 Z050	6	6	
36	500887	. SCREW MA FL PH #8-32x1 1/4 SS	6	6	
37	790704	. SCREW CAP BUT HEXS #8-32x3/8 420 S/S BLACK OX	19	19	
38	790702	. SCREW MA FL PH #8-32x3/8 410 S/S BLACK OX	7	7	
39	790703	. SCREW MA FL PH #8-32x7/8 TYPE 23 410 SS	2	2	
40	790773	. SCREW CAP HEXS M3-0.5x9.5 SS	2	2	
41	790774	. WASHER FL .250x.470x .065	2	2	
42	790775	. WASHER LO EXT .250x.500x.187 SS	2	2	
43	790761	. STRIP ANTI FRICTION	1	1	
44	790763	. COVER SASH GUIDE - HEADER	1	1	
45	790767	. OUTPUT SHAFT	1	1	
46	790768	. SUPPORT OUTPUT SHAFT	1	1	
47	790766	. JAW COUPLER	2	2	
48	790765	. SPIDER	1	1	
49	790772	. SPACER SLEEVE	2	2	
50	790700	. SCREW MA PAN PH #8-32x7/8 TYPE 23 410 SS	1	1	
51	790771	. PAD VIBRATION DAMPER	1	1	
52	790779	. MOTOR ELECTRIC 30V ASSY	1	1	
53	790736	. CABLE ASSY W/CAPACITOR / MOTOR 24V	1	1	
. NS	790721	. . FRAME WIRING HARNESS WITH RELAY ASSY	1	1	
. . NS	790002	. . . RELAY	1	1	
. NS	790722	. . POWER WIRING HARNESS ASSY	1	1	
. NS	790738	. . MOTOR ELECTRIC 24V ASSY / W/CABLE	1	1	
. NS	790723	. . PROXIMITY SENSOR ASSY	2	2	
. NS	563570	. . CABLE ASSY WITH ROCKER SWITCH AND HARNESS / W/XL2 & H3	1	1	
. NS	790764	. . VOLTAGE REGULATOR	1	1	
NS	790721	. FRAME WIRING HARNESS WITH RELAY ASSY	1	1	
. NS	790002	. . RELAY	1	1	
56	790723	PROXIMITY SENSOR ASSY	1	1	
NS	790599	DECAL / "EMERGENCY EXIT" # 1 / PULL SCREEN	1	1	
NS	790600	DECAL / "EMERGENCY EXIT" # 2 To R-4014	1	1	
NS	291203	DECAL,SP2 FI (2)OPEN SLIDING WIND From R-4015	1	1	
		4) NO PARTS NUMBER			

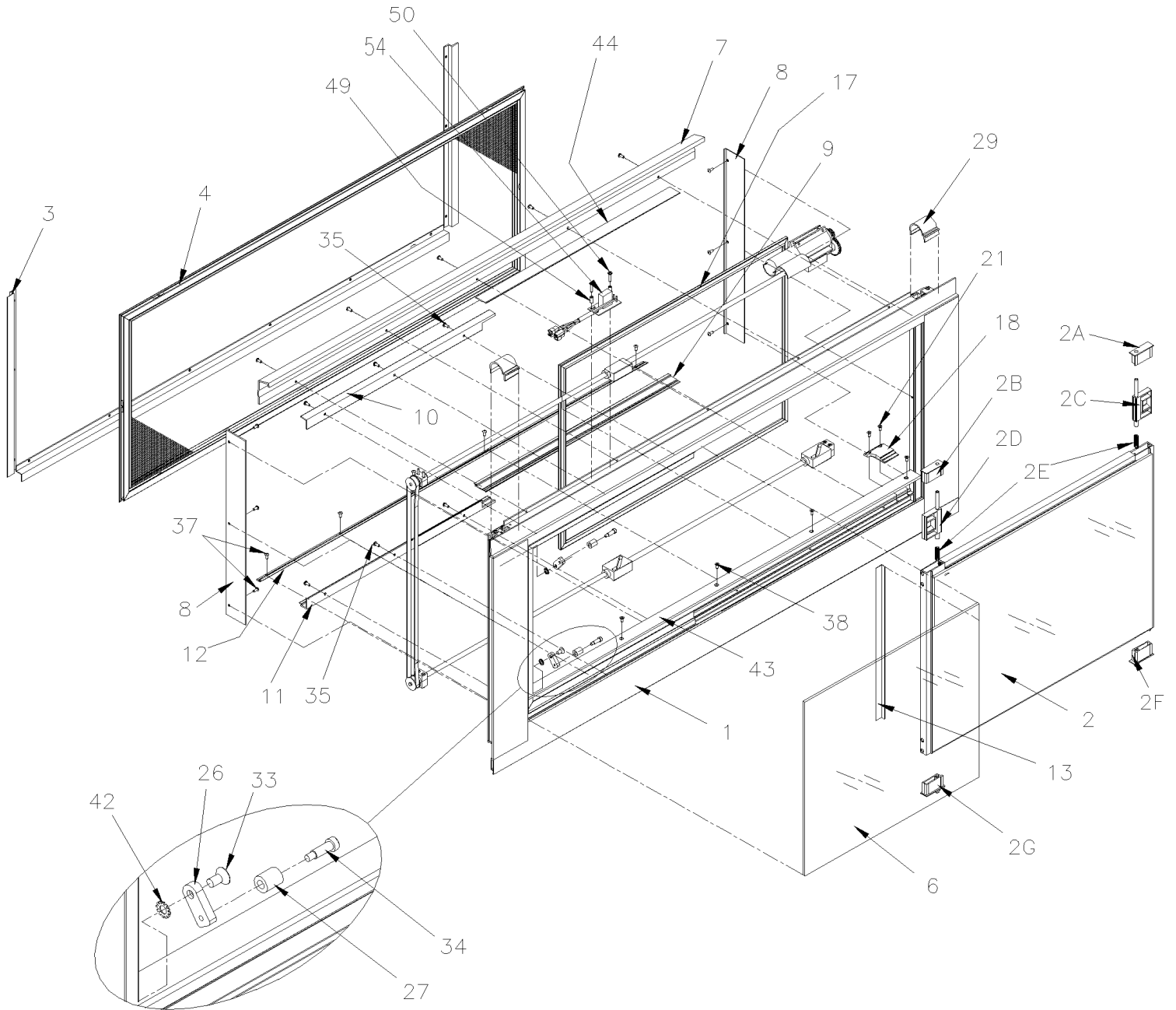


From L-6492

Date:07/2024

PAGE:790043

ELECTRICAL SLIDING WINDOW ASSY / 1651MM



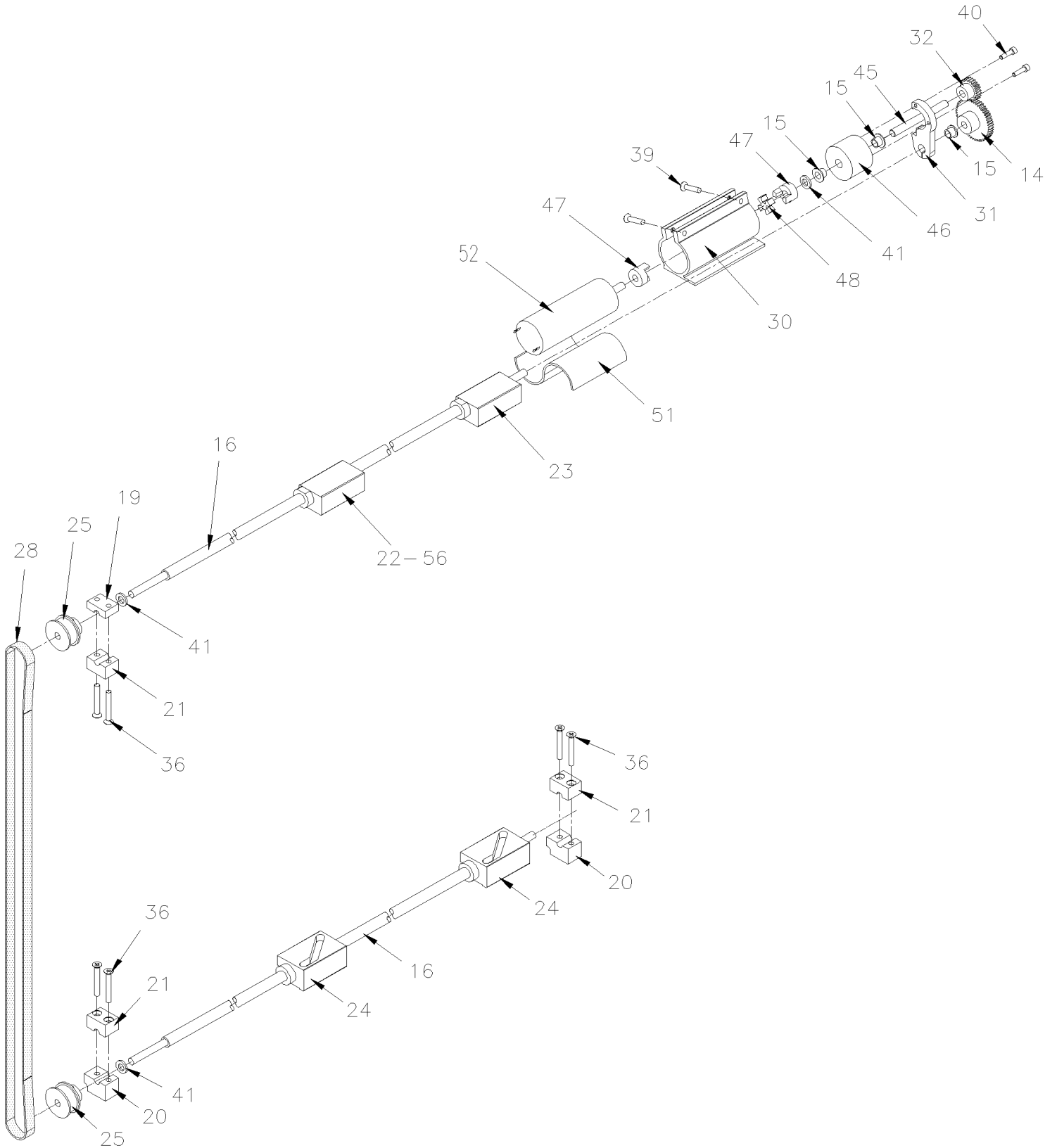


From L-6492

Date:07/2024

PAGE:790043

ELECTRICAL SLIDING WINDOW ASSY / 1651MM





From L-6492		Date:07/2024	PAGE:790043
ELECTRICAL SLIDING WINDOW ASSY / 1651MM			

Item#	Part	Description	X 3 V I P E N T	X 3 V I P M T H	N O T E S
		ELECTRICAL SLIDING WINDOW ASSY	1	1	
1	Call order desk	FRAME ASSY	1	1	P
2	790715	SASH ASSY - 5MM T GRAY/4mm T CLR	1	1	
. A	790751	SASH INSERT - RH UPPER / LH LOWER	1	1	
. B	790750	SASH INSERT - LH UPPER / RH LOWER	1	1	
. C	790728	RELEASE LATCH ASSY - RH	1	1	
. D	790727	RELEASE LATCH ASSY - LH	1	1	
. E	790752	SPRING RELEASE LATCH	2	2	
. F	790732	FIXED SASH INSERT ASSY - RH	1	1	
. G	790730	FIXED SASH INSERT ASSY - LH	1	1	
3	790718	CLAMPING ASSY	1	1	
4	790720	SCREEN ASSY	1	1	
6	Call order desk	GLASS FIXED ASSY	1	1	P
7	790710	COVER HEADER ACCESS	1	1	
8	790714	JAMB COVER	2	2	
9	790731	COVER SASH GUIDE - SILL	2	2	
10	790735	COVER FIXED GUIDE- HEADER	1	1	
11	790739	COVER FIXED GUIDE- SILL	1	1	
12	790759	COVER INNER GUIDE	1	1	
13	790741	FIXED GLAZING ANGLE	1	1	
14	790770	SPUR GEAR - 1 1/2" - STAINLESS / W/24Volt Motor	1	1	
14	790780	SPUR GEAR - 1 1/4" - STAINLESS / W/30Volt Motor	1	1	
15	790743	FLANGE BEARING 0.25" DEPTH	1	1	
16	790745	DRIVE SHAFT	2	2	
17	790778	D-SEAL EPDM SPONGE (PER FT)	AR	AR	
18	790746	SASH END STOP	1	1	
19	790747	BLOCK BASE SUPPORT SHAFT - UPPER	1	1	
20	790748	BLOCK BASE SUPPORT SHAFT - LOWER	2	2	
21	790749	CAP SUPPORT BLOCK SHAFT	3	3	
22	790724	FOLLOWER CAM ASSY - UPPER w/ MAGNET	1	1	
. NS	790015	BUSHING INSERT	1	1	
23	790725	FOLLOWER CAM ASSY - UPPER	1	1	
. NS	790015	BUSHING INSERT	1	1	
24	790726	FOLLOWER CAM ASSY - LOWER	2	2	
. NS	790015	BUSHING INSERT	1	1	
25	790753	PULLEY	2	2	
26	790754	BRACKET TENSIONER	2	2	
27	790755	ROLLER TENSIONER	2	2	
28	790756	DRIVE BELT	1	1	
29	790757	COVER, GEAR	1	1	
30	790740	MOTOR MOUNT	1	1	
31	790742	MOTOR MOUNT END PLATE	1	1	



From L-6492	Date:07/2024	PAGE:790043
ELECTRICAL SLIDING WINDOW ASSY / 1651MM		

Item#	Part	Description	X 3 V I P E N T	X 3 V I P M T H	N O T E S
32	790769	. SPUR GEAR - 3/4" - ACETAL / W/24Volt Motor	1	1	
32	790781	. SPUR GEAR - 1" - ACETAL / W/30Volt Motor	1	1	
33	N.P.N.	. SCREW CAP FL HEXS 1/4-20 x 1/2	2	2	4
34	N.P.N.	. SCREW SHR CAP HEX .250x.625	2	2	4
35	500883	. SCREW TC PAN PH #8-32x3/8 Z050	6	6	
36	500887	. SCREW MA FL PH #8-32x1 1/4 SS	6	6	
37	790704	. SCREW CAP BUT HEXS #8-32x3/8 420 S/S BLACK OX	19	19	
38	790702	. SCREW MA FL PH #8-32x3/8 410 S/S BLACK OX	7	7	
39	790703	. SCREW MA FL PH #8-32x7/8 TYPE 23 410 SS	2	2	
40	790773	. SCREW CAP HEXS M3-0.5x9.5 SS	2	2	
41	790774	. WASHER FL .250x.470x .065	2	2	
42	790775	. WASHER LO EXT .250x.500x.187 SS	2	2	
43	790761	. STRIP ANTI FRICTION	1	1	
44	790763	. COVER SASH GUIDE - HEADER	1	1	
45	790767	. OUTPUT SHAFT	1	1	
46	790768	. SUPPORT OUTPUT SHAFT	1	1	
47	790766	. JAW COUPLER	2	2	
48	790765	. SPIDER	1	1	
49	790772	. SPACER SLEEVE	2	2	
50	790700	. SCREW MA PAN PH #8-32x7/8 TYPE 23 410 SS	1	1	
51	790771	. PAD VIBRATION DAMPER	1	1	
52	790779	. MOTOR ELECTRIC 30V ASSY	1	1	
53	790736	. CABLE ASSY W/CAPACITOR / MOTOR 24V	1	1	
. NS	790721	. . FRAME WIRING HARNESS WITH RELAY ASSY	1	1	
. . NS	790002	. . . RELAY	1	1	
. NS	790722	. . POWER WIRING HARNESS ASSY	1	1	
. NS	790738	. . MOTOR ELECTRIC 24V ASSY / W/CABLE	1	1	
. NS	790723	. . PROXIMITY SENSOR ASSY	2	2	
. NS	563570	. . CABLE ASSY WITH ROCKER SWITCH AND HARNESS / W/XL2 & H3	1	1	
. NS	790764	. . VOLTAGE REGULATOR	1	1	
NS	790721	. FRAME WIRING HARNESS WITH RELAY ASSY	1	1	
. NS	790002	. . RELAY	1	1	
56	790723	PROXIMITY SENSOR ASSY	1	1	
NS	790599	DECAL / "EMERGENCY EXIT" # 1 / PULL SCREEN	1	1	
NS	790600	DECAL / "EMERGENCY EXIT" # 2 To R-4014	1	1	
58	790600	DECAL / "EMERGENCY EXIT" # 2 To R-1813	1	1	
58	291203	DECAL,SP2 FI (2)OPEN SLIDING WIND From R-4015	1	1	
58	291203	DECAL,SP2 FI (2)OPEN SLIDING WIND From R-1814	1	1	
		4) NO PARTS NUMBER			



From L-6492		Date:07/2024	PAGE:790043		
ELECTRICAL SLIDING WINDOW ASSY / 1651MM					
Item#	Part	Description	X 3 V I P E N T	X 3 V I P M T H	N O T E S
		P) CALL ORDER DESK FOR SPECIFIC APPLICATION (V.I.N.)			

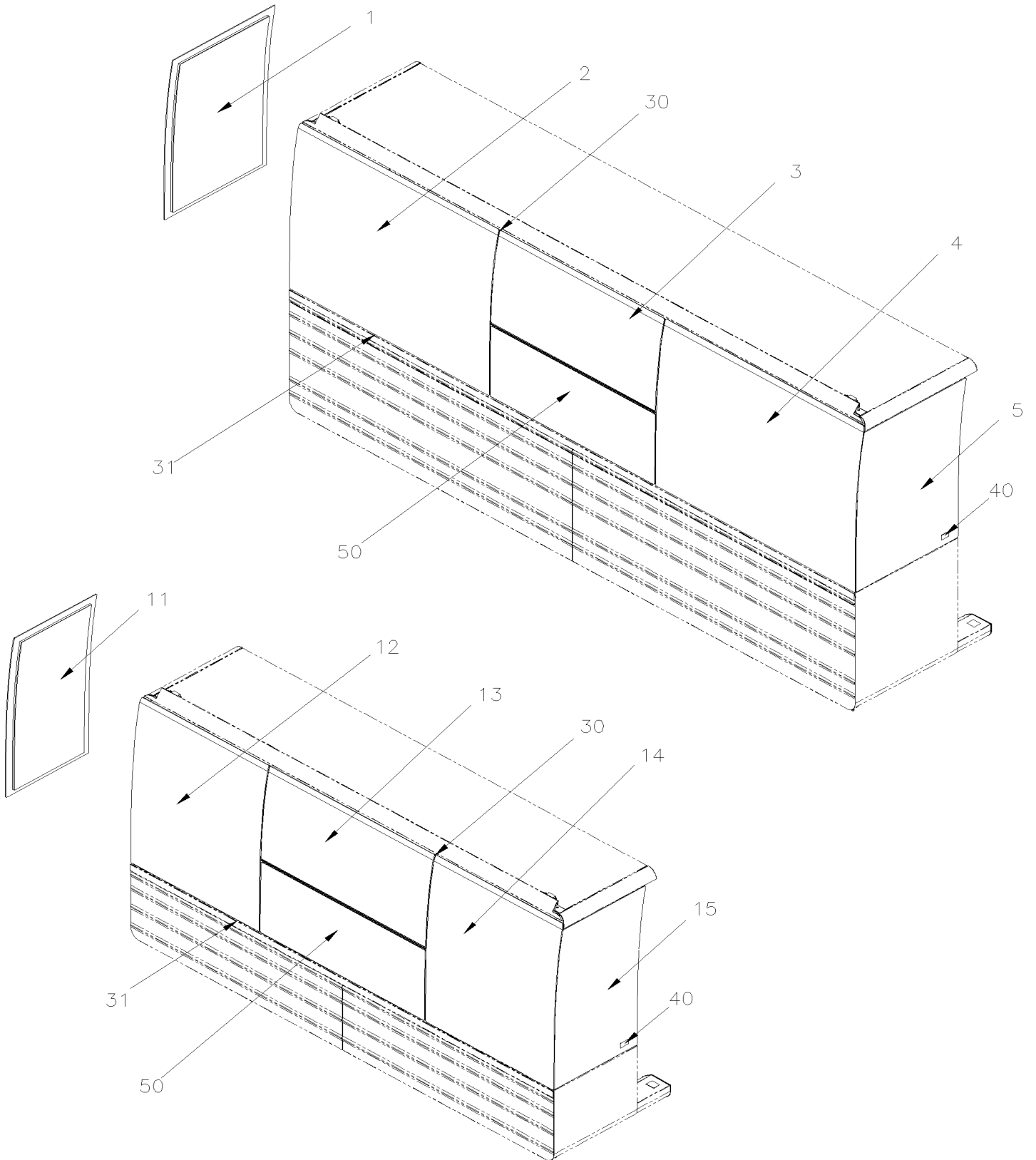


From E-5490 To K-6491

Date:07/2024

PAGE:X3VIP-1884-90

SIDE WINDOW - "SLIDE-OUT"



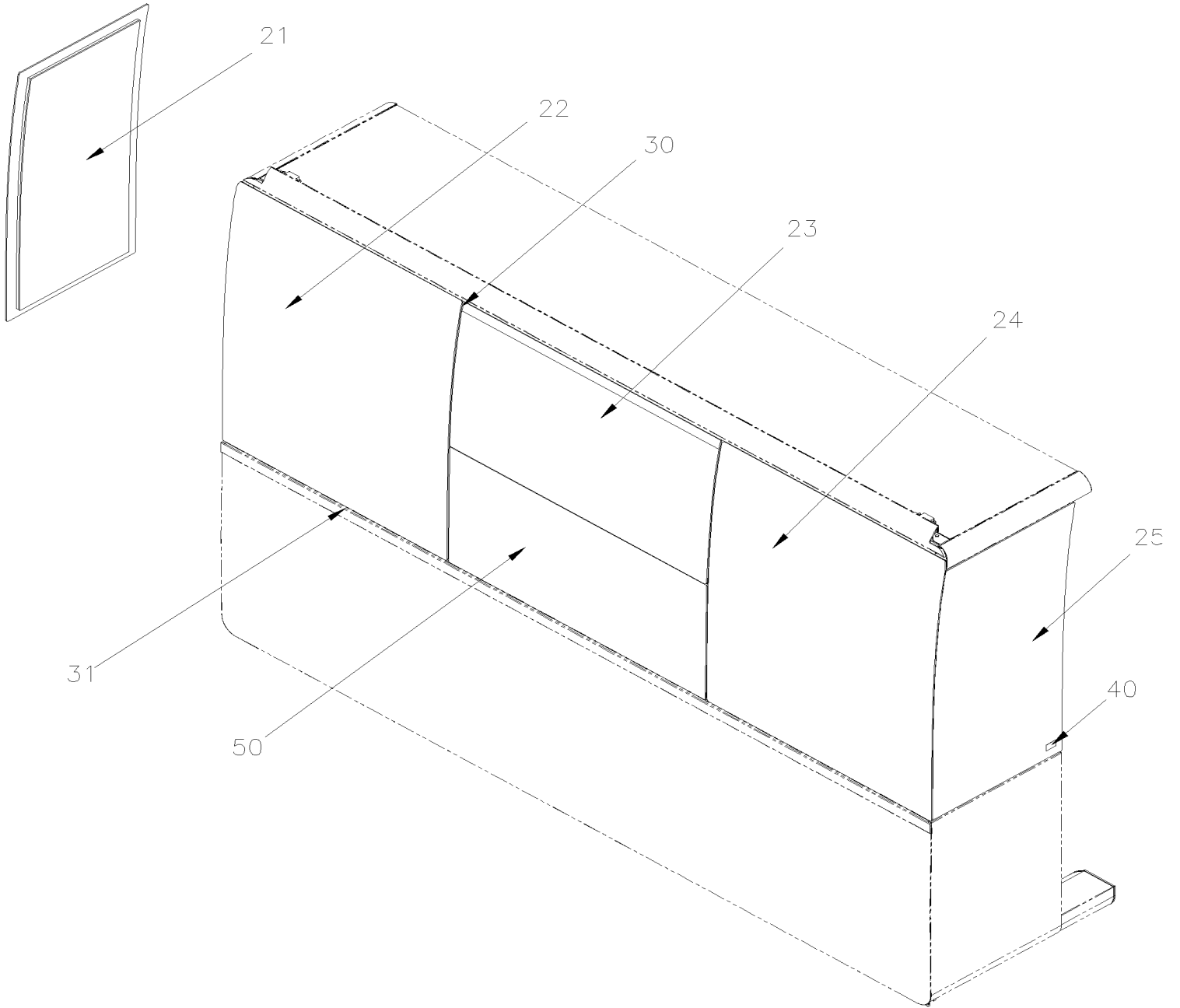


From E-5490 To K-6491

Date:07/2024

PAGE:X3VIP-1884-90

SIDE WINDOW - "SLIDE-OUT"





SIDE WINDOW - "SLIDE-OUT"

Item#	Part	Description	X 3 V I P E N T	X 3 V I P M T H	NOTES
1	293411	GLASS, THERMOS 13% / FRONT SIDE / 800MM		1	
1	479517	PANEL , ALUMINIUM		1	M
2	293412	GLASS, THERMOS 13% / FRONT / 1561MM		1	
2	479515	PANEL, FIBER GLASS 1510MM		1	M
2	479592	PANEL , ALUMINIUM		1	
3	293929	GLASS ASSY, THERMOS 13% / UPPER / 1287.4MM		1	
3	293433	GLASS, THERMOS 13% / CENTER / 1287MM		1	W
4	293414	GLASS, THERMOS 13% / REAR / 1561MM		1	
4	479516	PANEL, FIBER GLASS 495MM		1	M
5	293415	GLASS, THERMOS 13% / REAR SIDE / 800MM		1	
5	479593	PANEL , ALUMINIUM		1	
11	293418	GLASS, THERMOS 13% / FRONT SIDE / 648MM		1	
12	293419	GLASS, THERMOS 13% / FRONT / 495MM		1	7.5
12	297171	GLASS, THERMOS 13% / FRONT / 1003MM		1	10
13	293929	GLASS ASSY, THERMOS 13% / UPPER / 1287.4MM		1	
14	293420	GLASS, THERMOS 13% / REAR / 495MM		1	7.5
14	293957	GLASS, THERMOS 13% / REAR / 1003MM		1	10
15	293421	GLASS, THERMOS 13% / REAR SIDE / 648MM		1	
21	293418	GLASS, THERMOS 13% / FRONT SIDE / 648MM	1		
22	293832	GLASS, THERMOS 13% / FRONT / 1125MM	1		
23	293929	GLASS ASSY, THERMOS 13% / UPPER / 1287.4MM	1		
24	293833	GLASS, THERMOS 13% / REAR / 1125MM	1		
25	293421	GLASS, THERMOS 13% / REAR SIDE / 648MM	1		
30	293739	RUBBER SEAL EXTRUSION / ADHESIVE 1194MM	2	2	
31	293281	RUBBER SEAL EXTRUSION / ADHESIVE / LOWER WINDOW	AR	AR	
NS	683083	ADHESIVE SIKA #252 / BLACK / 600 ml SAUSAGE	AR	AR	
NS	687957	GLUE MS POLYMER TEROSON MS 9399 / 400ml CARTRIDGE	AR	AR	
NS	506002	TAPE RUB ADH1 CC POL 3/16" x 1/2" x 40' / GREY 2520	AR	AR	
NS	5060044	TAPE RUB ADH2 CC POL 1/4" X 1/4" X 50' / BLACK I1C-N-A	AR	AR	
NS	790602	RUBBER BLOCK ADJUSTEMENT 1/2" x 1/2" x 1/8" 80DURO	AR	AR	
NS	790597	RUBBER BLOCK ADJUSTEMENT 20MM x 31.75MM x 4.7 60 DURO	AR	AR	
NS	790392	RUBBER BLOCK ADJUSTEMENT 1" x 5/16" x 1/8" 80DURO	AR	AR	
NS	685124	ADHESIVE SIMSON #ISR 70-03 / BLACK / 600ml SAUSAGE	AR	AR	
40	476130	DECAL " KEEP HANDS & FINGERS AWAY.."	AR	AR	
50	X3VIP-1884-65	ELECTRICAL AWNING WINDOW ASSY			
50	X3VIP-1884-80	ELECTRICAL SLIDING WINDOW ASSY			
		10) WITH 10' SLIDE-OUT			
		7.5) WITH 7.5' SLIDE-OUT			
		M) SPECIAL OPTION "MARATHON"			



From E-5490 To K-6491	Date:07/2024	PAGE:X3VIP-1884-90
-----------------------	--------------	--------------------

SIDE WINDOW - "SLIDE-OUT"

Item#	Part	Description	X 3 V I P E N T	X 3 V I P M T H	N O T E S
		W) SPECIAL OPTION "MARATHON"			

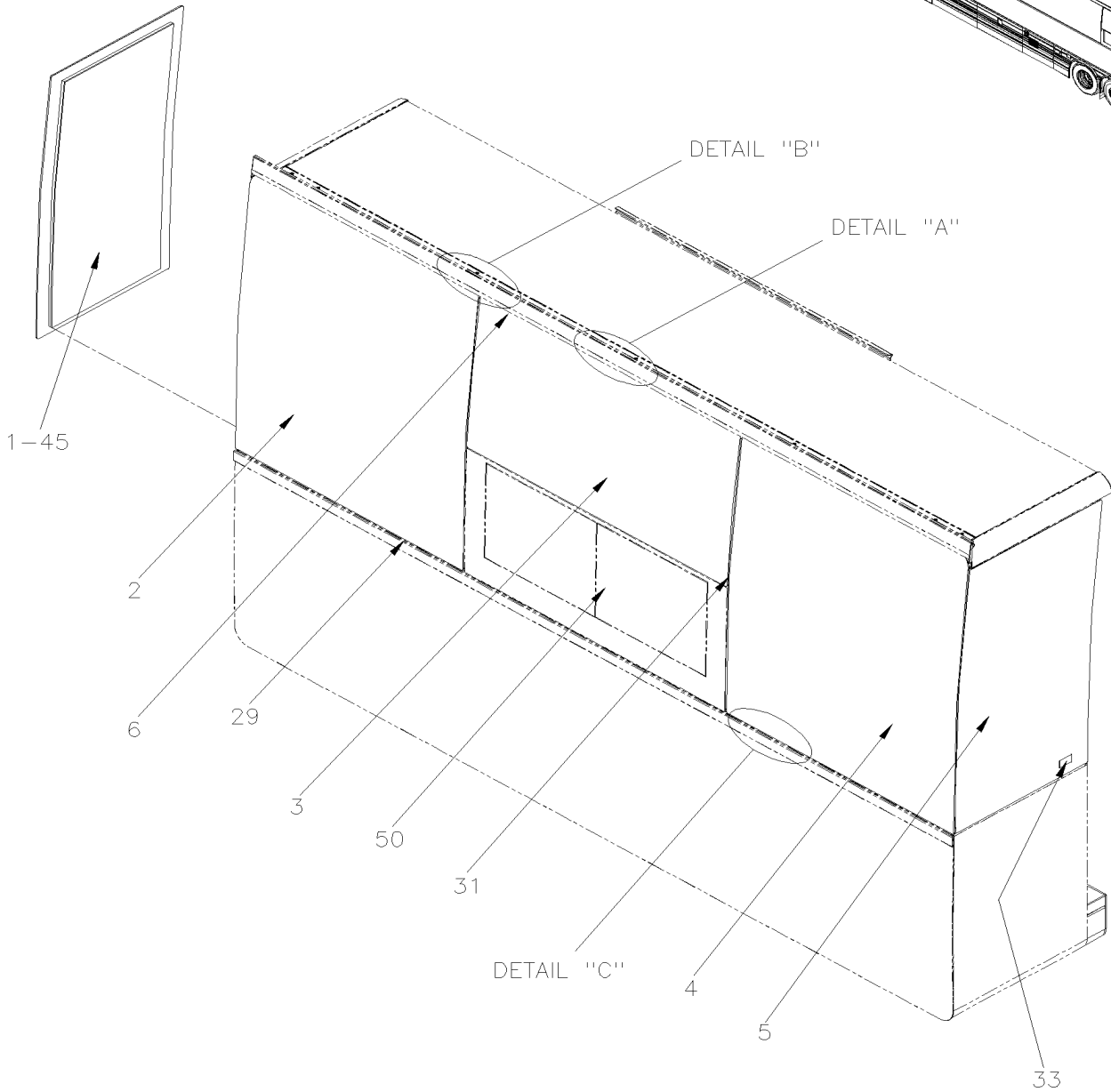
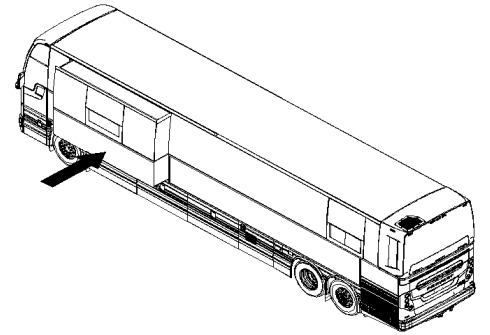


From L-6492

Date:07/2024

PAGE:X3VIP-1884-91

SIDE WINDOW - "SLIDE-OUT"



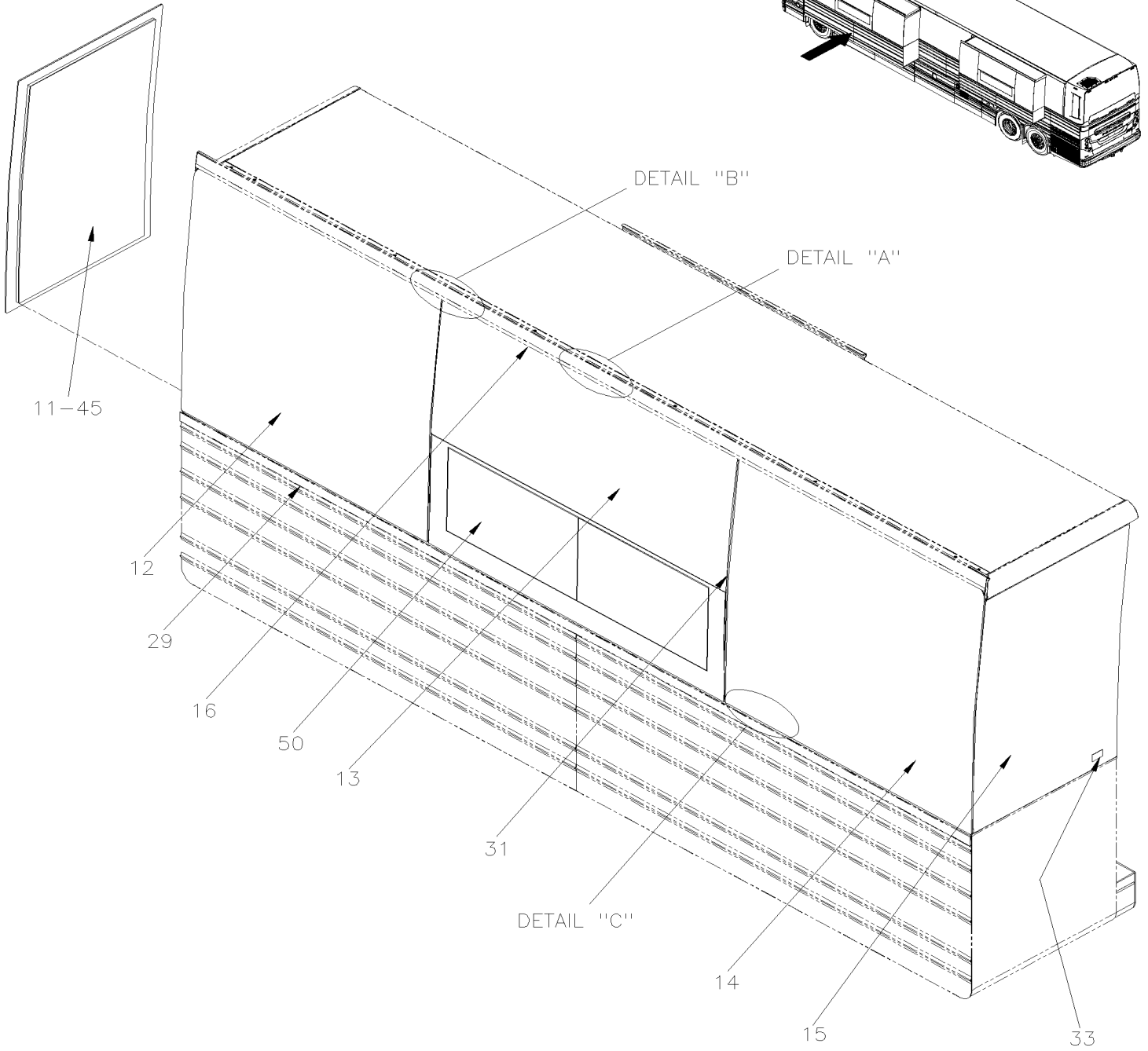
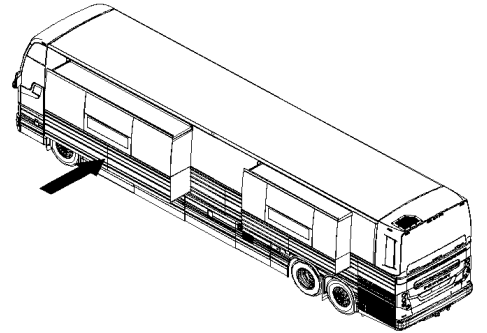


From L-6492

Date:07/2024

PAGE:X3VIP-1884-91

SIDE WINDOW - "SLIDE-OUT"



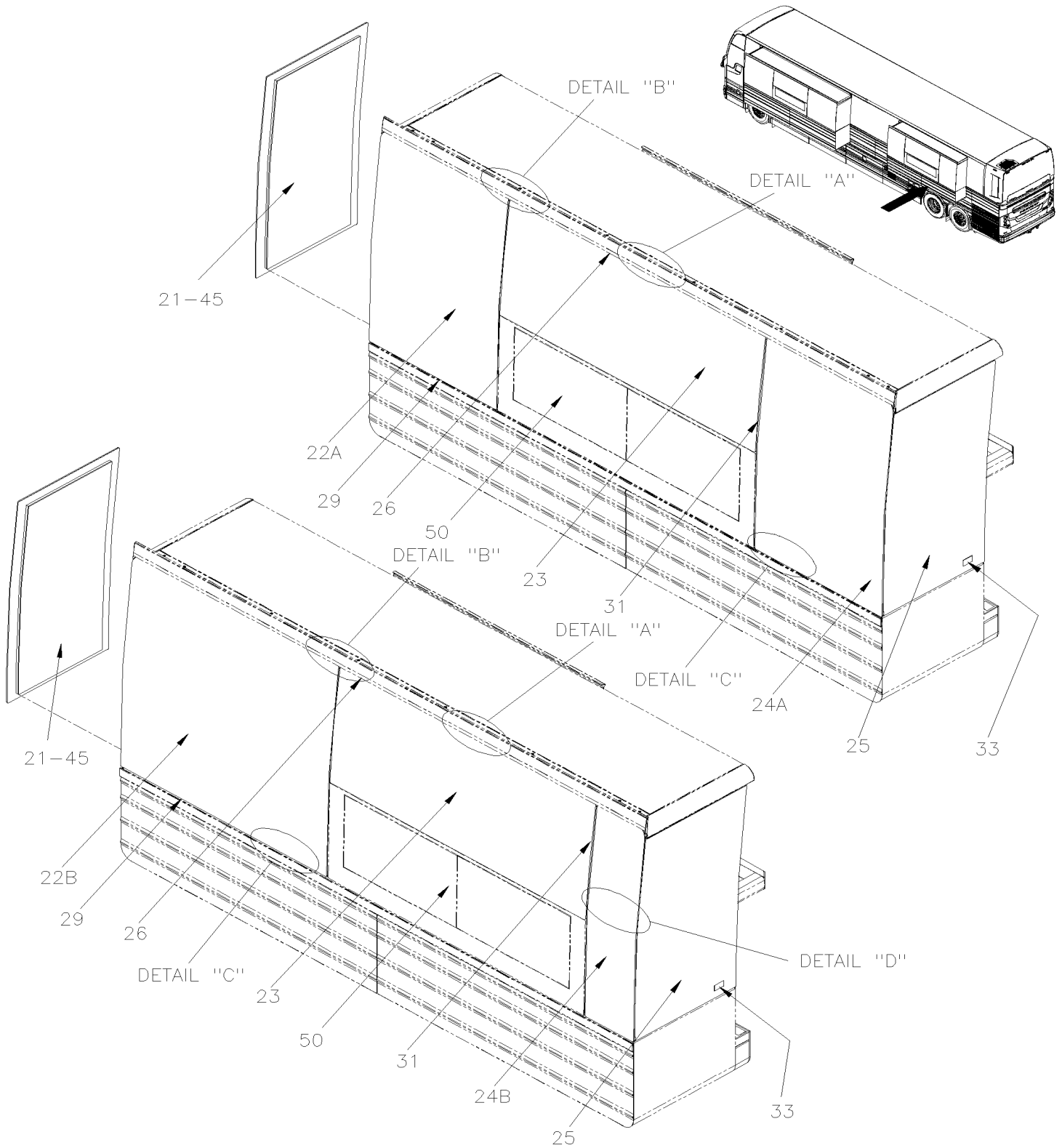


From L-6492

Date:07/2024

PAGE:X3VIP-1884-91

SIDE WINDOW - "SLIDE-OUT"



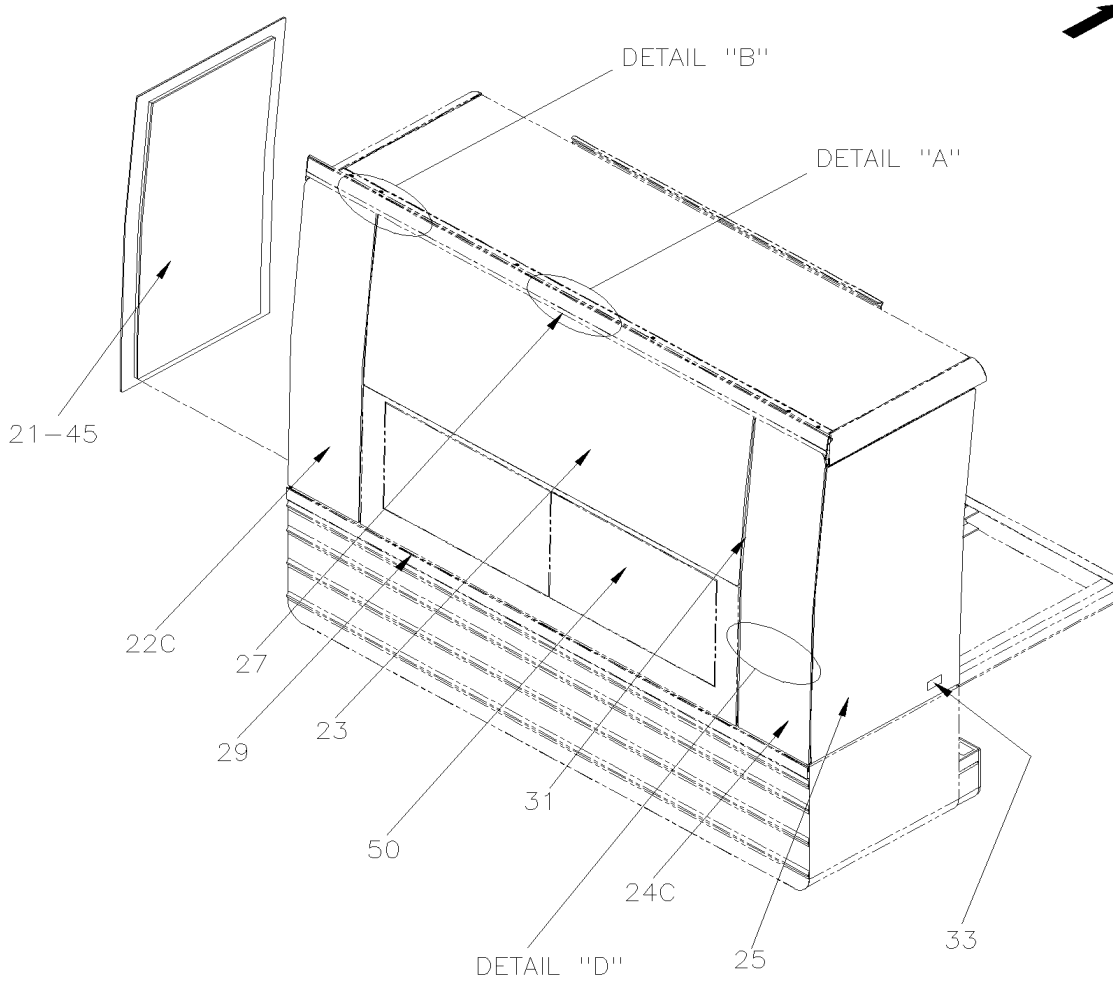


From L-6492

Date:07/2024

PAGE:X3VIP-1884-91

SIDE WINDOW - "SLIDE-OUT"



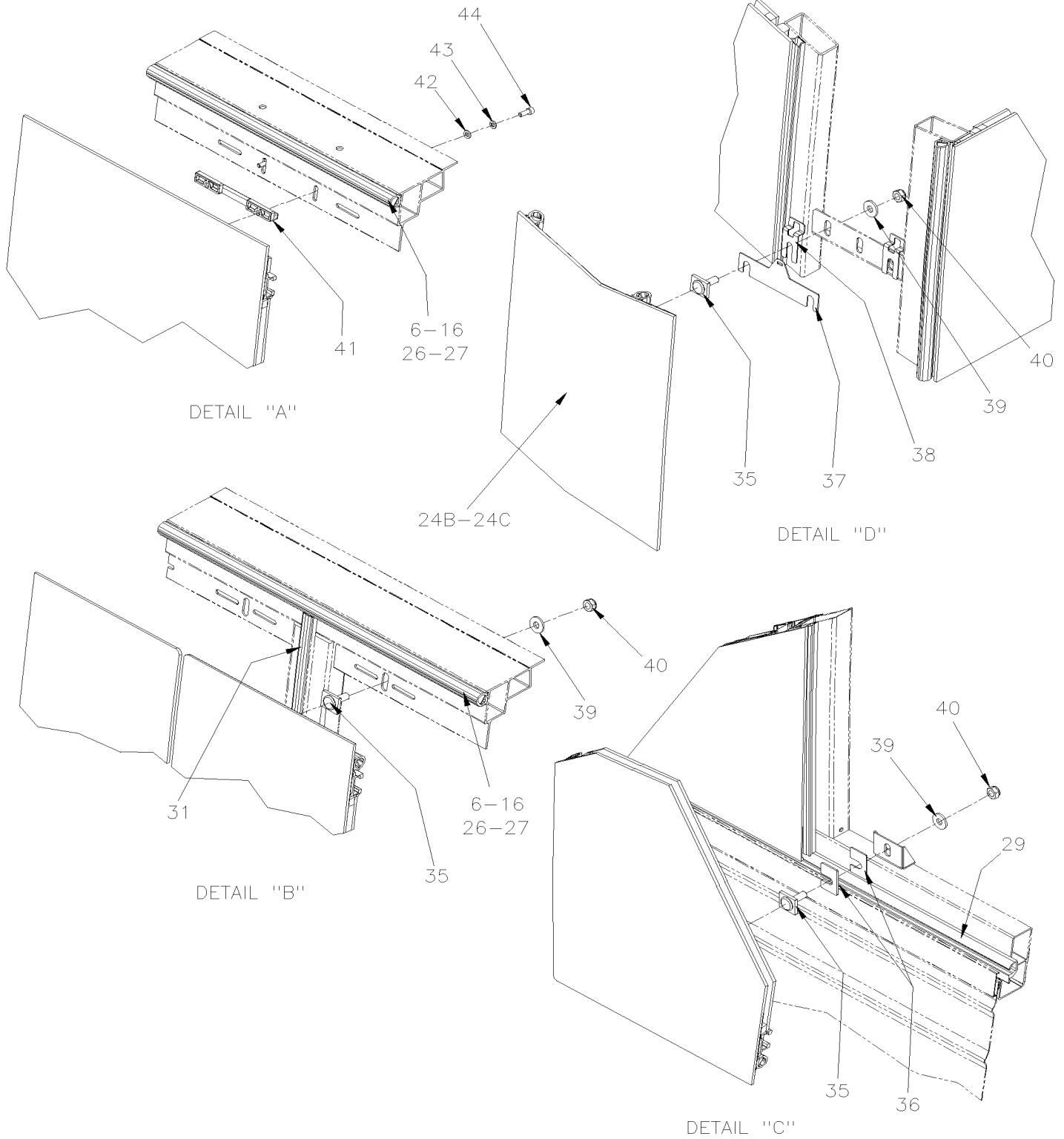


From L-6492

Date:07/2024

PAGE:X3VIP-1884-91

SIDE WINDOW - "SLIDE-OUT"





From L-6492		Date:07/2024	PAGE:X3VIP-1884-91
SIDE WINDOW - "SLIDE-OUT"			

Item#	Part	Description	X 3 V I P E N T	X 3 V I P M T H	N O T E S
1	290339	GLASS, THERMOS / FRONT SIDE /	1		
2	290347	GLASS, THERMOS / FRONT / 1124MM	1		
. NS	290392	. SEAL, RUBBER 3300MM	1		
. NS	290398	. SEAL, RUBBER 1002MM	1		
3	290369	GLASS THERMOS / UPPER / 1286MM	1		
4	290344	GLASS, THERMOS / REAR / 1124MM	1		
. NS	290392	. SEAL, RUBBER 3300MM	1		
. NS	290398	. SEAL, RUBBER 1002MM	1		
5	290343	GLASS, THERMOS / REAR SIDE /	1		
6	290402	SEAL, RUBBER 5895MM	1		
11	290321	GLASS, THERMOS / FRONT SIDE /		1	
12	290353	GLASS, THERMOS / FRONT / 1378MM		1	
. NS	290396	. SEAL, RUBBER 3560MM		1	
. NS	290397	. SEAL, RUBBER 1256MM		1	
13	290352	GLASS THERMOS / UPPER / 1651MM		1	
14	290354	GLASS, THERMOS / REAR / 1378MM		1	
. NS	290396	. SEAL, RUBBER 3560MM		1	
. NS	290397	. SEAL, RUBBER 1256MM		1	
15	290336	GLASS, THERMOS / REAR SIDE /		1	
16	290403	SEAL, RUBBER 6770MM		1	
21	290339	GLASS, THERMOS / FRONT SIDE /		1	
22A	290432	GLASS, THERMOS / FRONT / 820MM		1	10
. NS	290439	. SEAL, RUBBER 3005MM		1	10
. NS	290440	. SEAL, RUBBER 698MM		1	10
22A	4710256	PANEL 820MM		1	B
22B	290477	GLASS, THERMOS / FRONT / 1328MM		1	10 A
. NS	290478	. SEAL, RUBBER 1256MM		1	10 A
. NS	290479	. SEAL, RUBBER 3515MM		1	10 A
22C	290444	GLASS, THERMOS / FRONT / 312MM		1	7.5
. NS	290453	. SEAL, RUBBER 2495MM		1	7.5
. NS	290456	. SEAL, RUBBER 190MM		1	7.5
23	290352	GLASS THERMOS / UPPER / 1651MM		1	
24A	290435	GLASS, THERMOS / REAR / 820MM		1	10
. NS	290439	. SEAL, RUBBER 3005MM		1	10
. NS	290440	. SEAL, RUBBER 698MM		1	10
24A	4710266	PANEL 820MM		1	B
24B	290446	GLASS, THERMOS / REAR / 312MM		1	10 A
24B	290446	GLASS, THERMOS / REAR / 312MM		1	10 A
. NS	290453	. SEAL, RUBBER 2495MM		1	10 A



From L-6492		Date:07/2024	PAGE:X3VIP-1884-91
SIDE WINDOW - "SLIDE-OUT"			

Item#	Part	Description	X 3 V I P E N T	X 3 V I P M T H	N O T E S
. NS	290456	. SEAL, RUBBER 190MM		1	10 A
24C	290446	GLASS, THERMOS / REAR / 312MM		1	7.5
24C	290446	GLASS, THERMOS / REAR / 312MM		1	7.5
. NS	290453	. SEAL, RUBBER 2495MM		1	7.5
. NS	290456	. SEAL, RUBBER 190MM		1	7.5
25	290343	GLASS, THERMOS / REAR SIDE /		1	
26	290441	SEAL, RUBBER 5698MM		1	10
27	290457	SEAL, RUBBER 4680MM		1	7.5
29	290535	SEAL, LOW WINDOW To L-6641	AR	AR	
29	290592	SEAL, LOW WINDOW 3048MM From L-6642 To N-6738	AR	AR	
29	290849	SEAL, LOW WINDOW 3048MM From N-6739	AR	AR	
31	290548	SEAL, VERTICAL WINDOW SLIDE OUT	2	2	
33	476130	DECAL " KEEP HANDS & FINGERS AWAY.."	AR	AR	
35	290302	ANCHOR BLOCK W/SCREW M10-1.5 x 30	AR	AR	
36	505213	SHIM 1/16" THICK	4	4	
36	505193	SHIM 1/8" THICK	4	4	
37	290103	DOUBLE SHIM 1/16"		AR	
38	491824	SHIM 1/16"		AR	
39	5001443	WASHER FL 10.3x38.0x3.0 SS	AR	AR	
40	502859	NUT HEX NYRT M10-1.5 N500	AR	AR	
41	790645	SAFETY ANCHOR W/2 HOLE M6-1.0 / 203MM	3	3	
42	502573	WASHER FL 6.4x12.5x1.6 SS		6	
43	502570	WASHER LO SPT 6.1x11.8x1.6 SS		6	
44	5001648	SCREW CAP HEXS M6-1.0x18 SS BK		6	
45	685124	ADHESIVE SIMSON #ISR 70-03 / BLACK / 600ml SAUSAGE	AR	AR	
45	687957	GLUE MS POLYMER TEROSON MS 9399 / 400ml CARTRIDGE To M-6660	AR	AR	
45	685387	GLUE MS POLYMER TEROSON MS 9399 / 400ml CARTRIDGE From M-6661	AR	AR	
45	5060044	TAPE RUB ADH2 CC POL 1/4" X 1/4" X 50' / BLACK I1C-N-A	AR	AR	
NS	689819	LUBRICANT CLEAR LUBE 32A / 2 LBS	AR	AR	
50	X3VIP-1884-66	ELECTRICAL AWNING WINDOW ASSY			
50	X3VIP-1884-81	ELECTRICAL SLIDING WINDOW ASSY			
		10) WITH 10' SLIDE-OUT			
		7.5) WITH 7.5' SLIDE-OUT			
		A) USE WITH FRONT LARGE WINDOW ON SLIDE-OUT			
		B) USE WITH SLIDE-OUT WITH PANEL INSTEAD WINDOW			



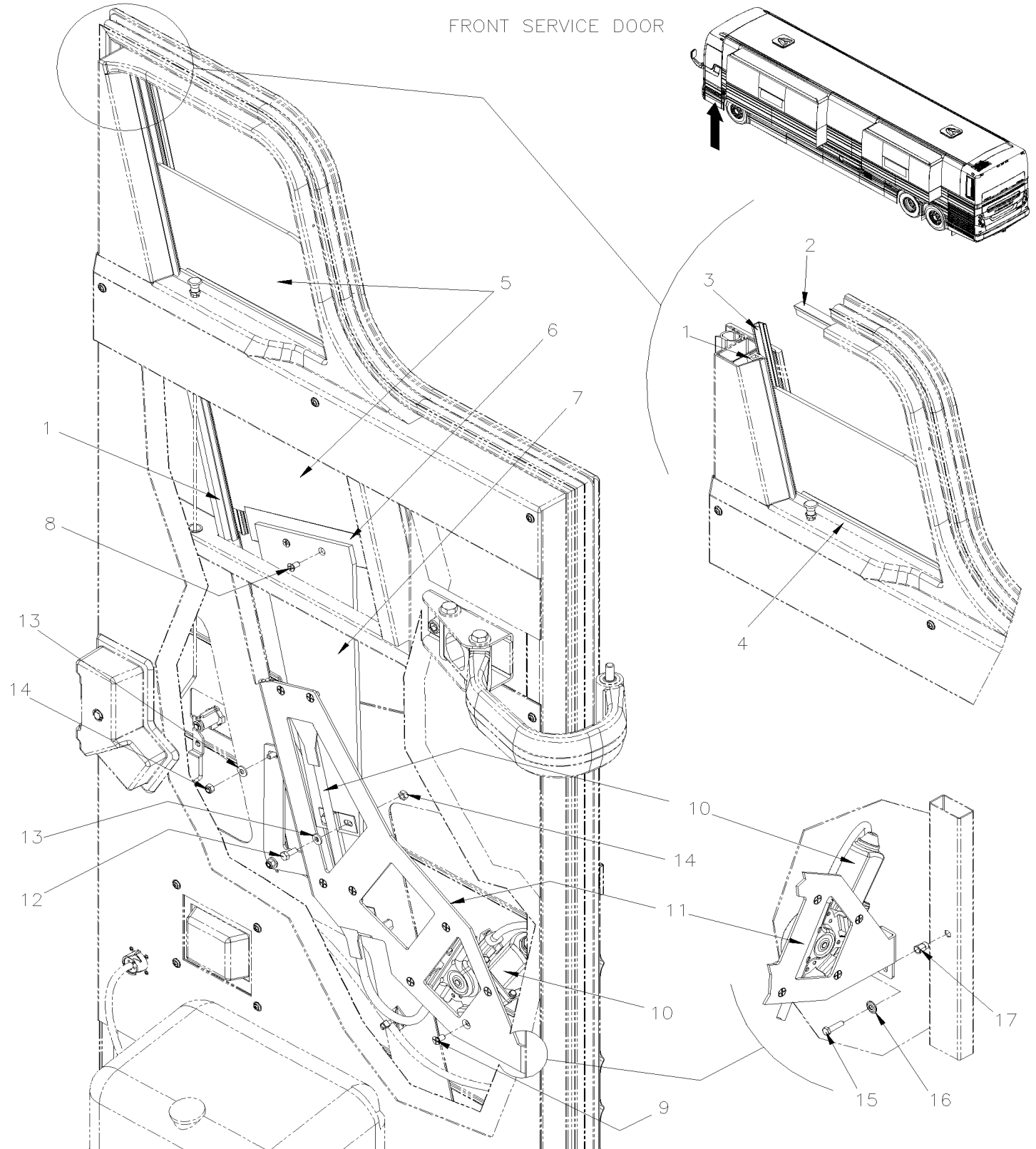
From E-5490

Date:07/2024

PAGE:X3VIP-1886-00

POWER WINDOW - ELECTRICAL INSTALLATION

FRONT SERVICE DOOR





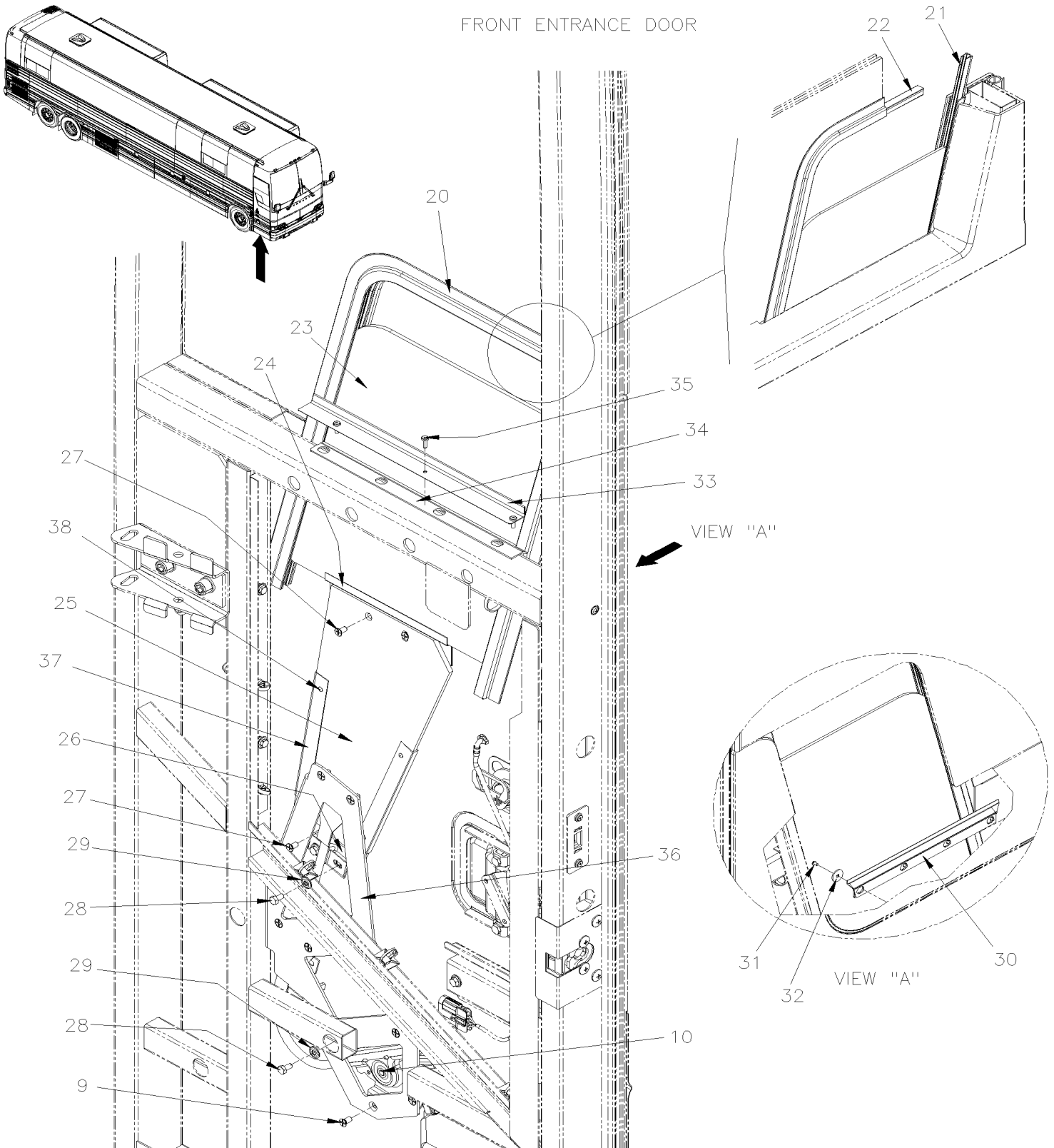
From E-5490

Date:07/2024

PAGE:X3VIP-1886-00

POWER WINDOW - ELECTRICAL INSTALLATION

FRONT ENTRANCE DOOR





From E-5490		Date:07/2024	PAGE:X3VIP-1886-00
-------------	--	--------------	--------------------

POWER WINDOW - ELECTRICAL INSTALLATION

Item#	Part	Description	X 3 V I P E N T	X 3 V I P M T H	N O T E S
1	285983	WINDOW TRACK	1	1	
2	286440	FELT SLIDING 677MM	1	1	
3	286439	FELT SLIDING 930MM	1	1	
4	286419	FLAP SEAL / 25MM x 260MM	2	2	
5	286212	GLASS ASSY W/SUPPORT	1	1	
6	293194	. SUPPORT ASSY	1	1	
7	293857	SUPPORT TRANSITION PLASTIC / MTH 89" ONLY	1	1	
8	5001633	SCREW MA FL PH M6-1.0x12 Z050	2	2	
9	500541	SCREW MA FL PH 1/4-20x1/2 SS BK	8	8	
NS	685072	THREAD LOCKER LOCTITE #243 / BLUE / 5ml	AR	AR	
10	790500	MOTOR & REGULATOR ASSY / SERIES "XL-II"	1	1	
11	293850	SUPPORT MOTOR SERVICE DOOR / MTH 86" & 89"	1	1	
12	5001744	SCREW CAP HEX M6-1.0x16 G8.8 N500	2	2	
13	500877	WASHER FL .250x.562x.065 N500	4	4	
14	5001182	NUT HEX NYRT M6-1.0 SS	2	2	
15	5001433	SCREW CAP HEX M6-1.0x25 SS	1	1	
16	502582	WASHER LO SERR 6.1x16.2x0.9 Z050	1	1	
17	5001344	NUT INS FL HEX M6-1.0 0.5-3.0 SS	1	1	
20	293088	MOULDING	1	1	
21	293211	FELT SLIDING 923MM	1	1	
NS	680066	ADHESIVE / ADBOND #5014 / 23.6ML BOTTLE	AR	AR	
22	293210	FELT SLIDING 597MM	1	1	
NS	680066	ADHESIVE / ADBOND #5014 / 23.6ML BOTTLE	AR	AR	
23	286196	GLASS ASSY W/SUPPORT	1	1	
24	299049	. SUPPORT ASSY	1	1	
25	293861	SUPPORT TRANSITION PLASTIC / MTH 89" ONLY	1	1	
26	293845	ATTACHMENT ASSY W/NUTS WINDOW "Z" SHAPE	1	1	
27	5001633	SCREW MA FL PH M6-1.0x12 Z050	4	4	
NS	685072	THREAD LOCKER LOCTITE #243 / BLUE / 5ml	AR	AR	
28	5001743	SCREW CAP HEX M6-1.0x12 G8.8 N500	5	5	
NS	685072	THREAD LOCKER LOCTITE #243 / BLUE / 5ml	AR	AR	
29	502582	WASHER LO SERR 6.1x16.2x0.9 Z050	5	5	
30	286993	FLAP SEAL GLASS ASSY	1	1	
30	286992	. FLAP SUPPORT	1	1	
30	288063	. FLAP SEAL / W/FLOCKING 37.6MM x 335MM	1	1	
31	500560	SCREW MA PAN PH M4-0.7x6 Z050	4	4	
32	500805	WASHER FL .218x.875x.062 N500	4	4	
33	286717	JOINT SUPPORT 345MM SS To K-6491	1	1	
33	2810384	JOINT SUPPORT From L-6492	1	1	
34	288063	FLAP SEAL / W/FLOCKING 37.6MM x 335MM	1	1	
35	500654	SCREW TC BDG PH #8-32x1/2 Z050	3	3	



From E-5490	Date:07/2024	PAGE:X3VIP-1886-00
-------------	--------------	--------------------

POWER WINDOW - ELECTRICAL INSTALLATION

Item#	Part	Description	X 3 V I P E N T	X 3 V I P M T H	N O T E S
36	293848	SUPPORT MOTOR ENTRANCE DOOR / MTH 86" & 89"	1	1	
37	293907	MOULDING	2	2	
38	504105	RIVET POP DOME OE 1/8x3/16 AL	4	4	
NS	562699	SWITCH / M/ON-OFF-M/ON / D.P.D.T. / W/GREEN LED	1	1	A
NS	562740	CAP / WINDOW DRIVER'S	1	1	A
NS	293854	SUPPORT SWITCH / REMOTE OPERATIONAL MODEL	1	1	A
40	502868	SCREW TC TR PH #10-16x1/2 N500	2	2	A
NS	0600174	SWITCH ENTRANCE DOOR WINDOW CO-PILOT	1	1	A
NS	563332	RELAY 24V S.P.D.T. W/RESISTOR / "VOLVO" (20374662)	1	1	A
NS	562679	4 WAY ADH. BACKED MOUNTS 1.000 x 1.000 x .160	2	2	A
NS	504637	CABLE TIE / 3/16" x 13"	6	6	A
		A) WITH SWITCH ENTRANCE DOOR WINDOW CO-PILOT			

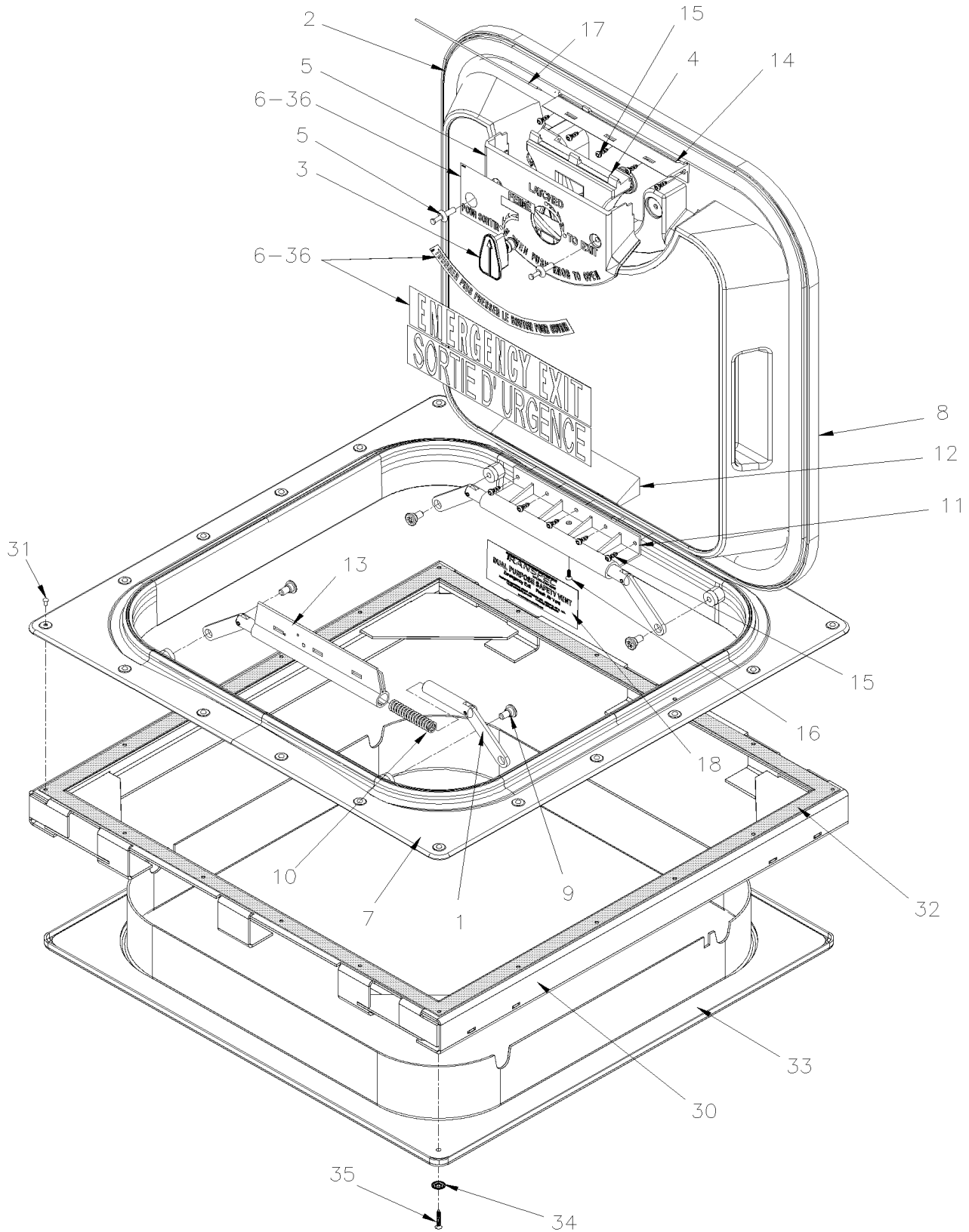


From E-5490

Date:07/2024

PAGE:X3VIP-1898-00

ESCAPE HATCH - INSTALLATION





From E-5490		Date:07/2024	PAGE:X3VIP-1898-00
-------------	--	--------------	--------------------

ESCAPE HATCH - INSTALLATION

Item#	Part	Description	X 3 V I P E N T	X 3 V I P M T H	N O T E S
	950468	HATCH ASSY / 23" X 23" GREY / LOW PROFILE GREY / ENG & FRENCH To N-6725	1		
	950396	HATCH ASSY / 23" X 23" GREY / LOW PROFILE GREY / ENG & FRENCH From N-6726 To R-6910	1		
	950665	HATCH ASSY / 23" X 23" GREY / LOW PROFILE GREY / ENG & FRENCH From R-6911	1		
	950556	HATCH ASSY / 23" X 23" GREY / LOW PROFILE GREY / ENGLISH ONLY To N-6725	1		
	950637	HATCH ASSY / 23" X 23" GREY / LOW PROFILE GREY / ENGLISH ONLY From N-6726 To R-6910	1		
	950661	HATCH ASSY / 23" X 23" GREY / LOW PROFILE GREY / ENGLISH ONLY From R-6911	1		
1	790436	. LINK & LEVER ASSY	4		
2	950069	. SEAL, GASKET KIT	1		
3	790663	. RELEASE KNOB W/SCREW / RED	1		
4	790664	. RELEASE HANDLE ASSY GREY	1		
4	790371	. HANDLE, RELEASE W/SPRING / GREY	1		
5	N8893808	. RELEASE HINGE SHIELD ASSY GREY	1		
6	950690	. DECAL KIT INSTRUCTION / ENGLISH & FRANCAIS	1		
6	950698	. DECAL KIT INSTRUCTION / ENGLISH	1		
NS	403651	. DECAL, "EMERGEGENCY... JAPAN"	AR		
NS	405775	. DECAL / BRAILLE / EMERGENCY EXIT ONLY / ENGLISH & FRANCAIS To P-6791	AR		
6	406847	. DECAL / BRAILLE / EMERGENCY EXIT ONLY / ENGLISH & FRENCH From P-6792	1		
6	500373	. SCREW TP BDG PH #6x1/2 N500	2		
6	406161	. DECAL / DO NOT OPEN... MOTION / ENGLISH & SPANISH	1		
6	406329	. DECAL / DO NOT OPEN... MOTION / ENGLISH & FRANCAIS	1		
7	950205	. FRAME ASSY, EXTERIOR FIBERGLASS / 23" X 23" GREY	1		
8	950478	. COVER ASSY / LOW PROFILE / THIN GREY ENGLISH & FRENCH To N-6725	1		B
8	950464	. COVER ASSY / LOW PROFILE / GREY ENGLISH & FRENCH From N-6726	1		B
8	950480	. COVER ASSY / LOW PROFILE / THIN / GREY ENGLISH ONLY	1		B
8	950653	. COVER ASSY / LOW PROFILE / GREY / ENGLISH ONLY From N-6726	1		B
9	790372	. SCREW SHR HEXS 7/16x3/16 {5/16-18	4		
9	950449	. SCREW CAP BUT TORX 5/16-18x3/4 BK G8	4		
9	950450	. SPACER BUSHING 5/16I.D.x 7/16O.D.x 3/16TH	4		
10	790449	. SPRING COMPRESSION / .549 O.D. x 2.590 x .078	4		
11	N.S.S.	. HINGE COVER SECTION	1		1
12	950479	. HINGE COVER GREY	1		
13	790375	. HINGE, RELEASE / GREY	1		
14	6982866	. HANDLE BASE	1		
15	N8880007	. SPECIAL TORX SCREW #10 x 1/2 SS	10		
16	7775130	. SCREW FL PH #8 x 1/2 SS	1		
17	950693	. HINGE PIN SS	1		
18	N8891500	DECAL PURPOSE SAFETY VENT	1		
30	292398	FRAME ASSY, MOUNTING 23" X 23" To R-6910	1		
NS	685126	ADHESIVE SIMSON #ISR 70-03 / GREY / 600ml SAUSAGE	AR		
31	504546	RIVET CHY MONOLOK PRDG 1/4x5/8 ZP To E-5499	20		
31	504787	RIVET CHY MONOLOK PRDG 1/4x5/8 ZP From E-5500 To H-6193	20		



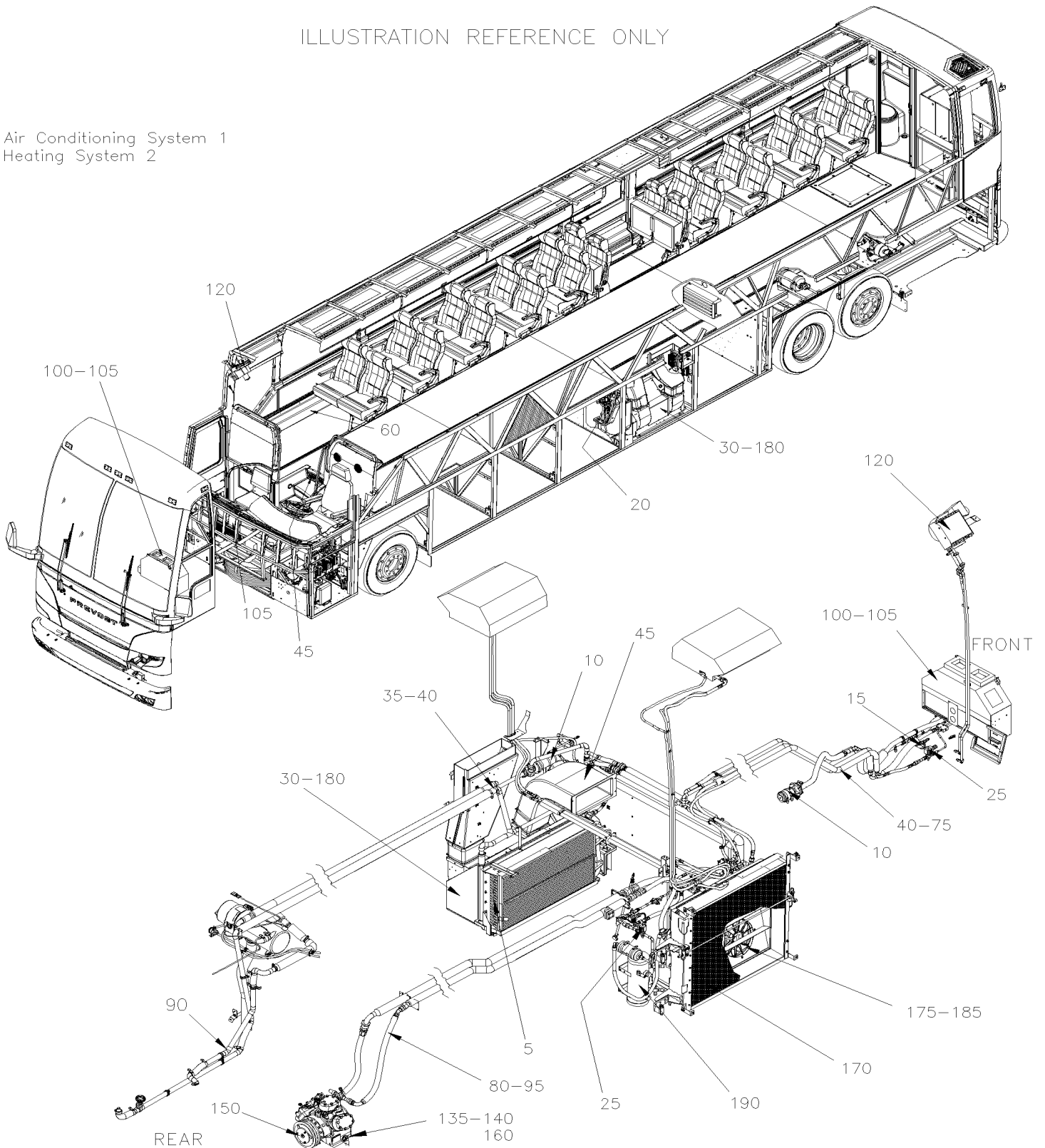
From E-5490		Date:07/2024	PAGE:X3VIP-1898-00		
ESCAPE HATCH - INSTALLATION					
Item#	Part	Description	X 3 V I P E N T	X 3 V I P M T H	NOTES
31	504058	RIVET CHY MONOLOK PRDG 1/4x5/8 AL From H-6194 To R-6910	20		
31	685387	GLUE MS POLYMER TEROSON MS 9399 / 400ml CARTRIDGE From R-6911	AR		
31	506769	TAPE RUB ADH2 CC POL 1/8" x 1/4" x 60' / BLACK H1CC-N-#14 From R-6911	AR		
32	685126	ADHESIVE SIMSON #ISR 70-03 / GREY / 600ml SAUSAGE	AR		
33	291720	MOULDING, INTERIOR 23" X 23" GREY To R-6910	1		
33	290974	MOULDING, INTERIOR 23" X 23" GREY From R-6911	1		
33	340591	INSULATION FIBERGLASS	AR		
NS	500464	WASHER FN CKF .210x.540 SS To R-6910	4		
35	500629	SCREW TP OV PH #8x1 Z050 To R-6910	4		
35	5002070	SCREW DR SEMS FN OV PH #8x1 Z050 From R-6911	16		
36	297092	DECAL / "EMERGENCY..." / ENGLISH & SPANISH	1		
36	400019	DECAL / "EMERGENCY..." / ENGLISH & SPANISH & FRANCAIS	1		
36	406161	DECAL / DO NOT OPEN... MOTION / ENGLISH & SPANISH	1		
36	400020	DECAL / DO NOT OPEN... MOTION / ENGLISH & SPANISH & FRANCAIS	1		
		B) INCLUDED ITEMS 2-3-4-5-6-8-11-12-15-16-17			
		1) NOT SOLD SEPARATELY			



	Date:07/2024	X3VIP-22
HEATING & AIR CONDITIONING		

ILLUSTRATION REFERENCE ONLY

Air Conditioning System 1
Heating System 2





		Date:07/2024	X3VIP-22		
HEATING & AIR CONDITIONING					
Item#	Part	Description	X 3 V I P E N T	X 3 V I P M T H	NOTES
	X3VIP-2200-00	AIR CONDITIONING SYSTEM From E-5490			
	X3VIP-2200-05	HEATING SYSTEM From E-5490			
5	X3VIP-2205-00	HEATER & EVAPORATOR COIL - INSTALLATION From E-5490			
10	X3VIP-2206-00	WATER PUMP #874297 AMETEK From E-5490			
15	X3VIP-2207-00	WATER VALVE - HEATER From E-5490			
15	X3VIP-2207-05	WATER VALVE - HEATER From E-5490 To F-5815			
15	X3VIP-2207-06	WATER VALVE - HEATER From F-5816			
15	X3VIP-2207-99	WATER VALVE - HEATER / SERVICE From E-5490 To F-5815			
20	X3VIP-2208-00	A/C EXPANSION VALVE From E-5490 To K-6466			
20	X3VIP-2208-01	A/C EXPANSION VALVE From K-6467			
25	X3VIP-2208-10	REFRIGERANT SOLENOID VALVE From E-5490			
30	X3VIP-2210-00	HEATER & EVAPORATOR BLOWER - INSTALLATION From E-5490			
35	X3VIP-2210-10	WATER PUMP - INSTALLATION From E-5490 To H-6179			
35	X3VIP-2210-11	WATER PUMP - INSTALLATION WITH LARGE A/C / "GHG17" From H-6180			
40	X3VIP-2210-20	WATER PUMP & FILTER - W/SMALL A/C From E-5490			
45	X3VIP-2220-00	UNDER FLOOR AIR DUCTING From E-5490			
45	X3VIP-2221-05	UNDER FLOOR AIR FILTERS From E-5490			
60	X3VIP-2221-50	DUCTING HEATER & A/C - MTH FLOOR From E-5490 To K-6491			
60	X3VIP-2221-51	DUCTING HEATER & A/C - MTH FLOOR From L-6402			
75	X3VIP-2222-10	A/C & HEATING LINE FRONT SECTION W/LARGE A/C From E-5490			
80	X3VIP-2222-16	A/C LINE REAR SECTION W/ "BITZER" From E-5490 To H-6179			
80	X3VIP-2222-17	A/C LINE REAR SECTION / "GHG17" From H-6180			
90	X3VIP-2222-35	HEATER LINE REAR SECTION From E-5490 To H-6179			
90	X3VIP-2222-36	HEATER LINE REAR SECTION / "GHG17" From H-6180			
95	X3VIP-2222-50	SMALL A/C LINES & HOSES From E-5490 To H-6179			
95	X3VIP-2222-51	SMALL A/C LINES & HOSES / "GHG17" From H-6180			
100	X3VIP-2225-00	DRIVER'S HEATER & DEFROSTER ASSY From E-5490			
100	X3VIP-2225-10	DRIVER'S HEATER & DEFROSTER ASSY WITH SMALL A/C From H-6180			
105	X3VIP-2230-00	DEFROSTER - INSTALLATION From E-5490 To J-6335			
105	X3VIP-2230-01	DEFROSTER - INSTALLATION From J-6336			
120	X3VIP-2240-10	UPPER WINDSHIELD FAN - INSTALLATION From E-5490 To K-6491			
135	X3VIP-2245-01	A/C COMPRESSOR "BITZER" - INSTALLATION From E-5490 To H-6179			
135	X3VIP-2245-02	A/C COMPRESSOR "BITZER" - INSTALLATION From H-6180			
135	X3VIP-2245-20	A/C COMPRESSOR "BOCK" - INSTALLATION From N-6739			
140	X3VIP-2245-50	A/C SMALL COMPRESSOR - INSTALLATION From E-5490 To H-6179			
140	X3VIP-2245-51	A/C SMALL COMPRESSOR - INSTALLATION / "GHG17" From H-6180			
150	X3VIP-2246-01	A/C CLUTCH - WITH "BITZER" COMPRESSOR From E-5490			
150	X3VIP-2246-20	A/C CLUTCH - WITH "BOCK" COMPRESSOR From N-6739			
155	X3VIP-2250-01	A/C COMPRESSOR "BITZER" 4NFCY From E-5490			
155	X3VIP-2250-20	A/C COMPRESSOR "BOCK" From N-6739			
160	X3VIP-2250-16	A/C ELECTRIC UNLOADER - WITH "BITZER" COMPRESSOR From E-5490			
160	X3VIP-2250-35	A/C ELECTRIC UNLOADER - WITH "BOCK" COMPRESSOR From N-6739			



		Date:07/2024	X3VIP-22		
HEATING & AIR CONDITIONING					
Item#	Part	Description	X 3 V I P E N T	X 3 V I P M T H	NOTES
170	X3VIP-2255-00	CONDENSOR - INSTALLATION From E-5490 To H-6179			
170	X3VIP-2255-01	CONDENSOR - INSTALLATION / "GHG17" From H-6180			
170	X3VIP-2255-10	CONDENSOR - INSTALLATION SMALL A/C SYSTEM From E-5490 To H-6179			
170	X3VIP-2255-11	CONDENSOR - INSTALLATION SMALL A/C SYSTEM / "GHG17" From H-6180			
175	X3VIP-2260-00	CONDENSOR FANS - INSTALLATION From E-5490 To N-6703			
175	X3VIP-2260-01	CONDENSOR FANS - INSTALLATION From N-6704			
180	X3VIP-2265-01	MOTOR - EVAPORATOR BRUSHLESS From E-5490			
190	X3VIP-2270-00	RECEIVER TANK & FILTER DRYER From E-5490 To H-6179			
190	X3VIP-2270-01	RECEIVER TANK & FILTER DRYER / "GHG17" From H-6180			



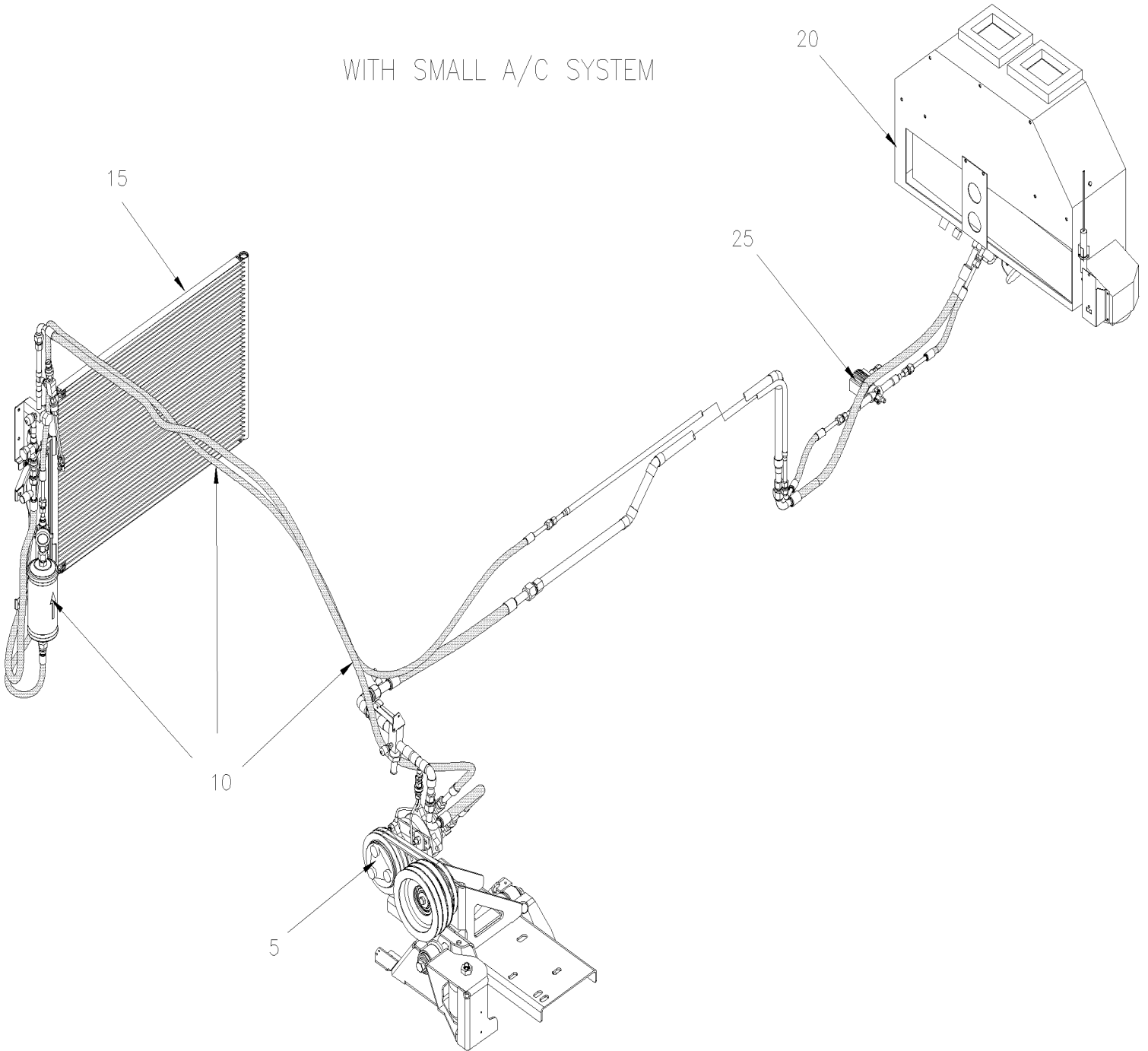
From E-5490

Date:07/2024

PAGE:X3VIP-2200-00

AIR CONDITIONING SYSTEM

WITH SMALL A/C SYSTEM





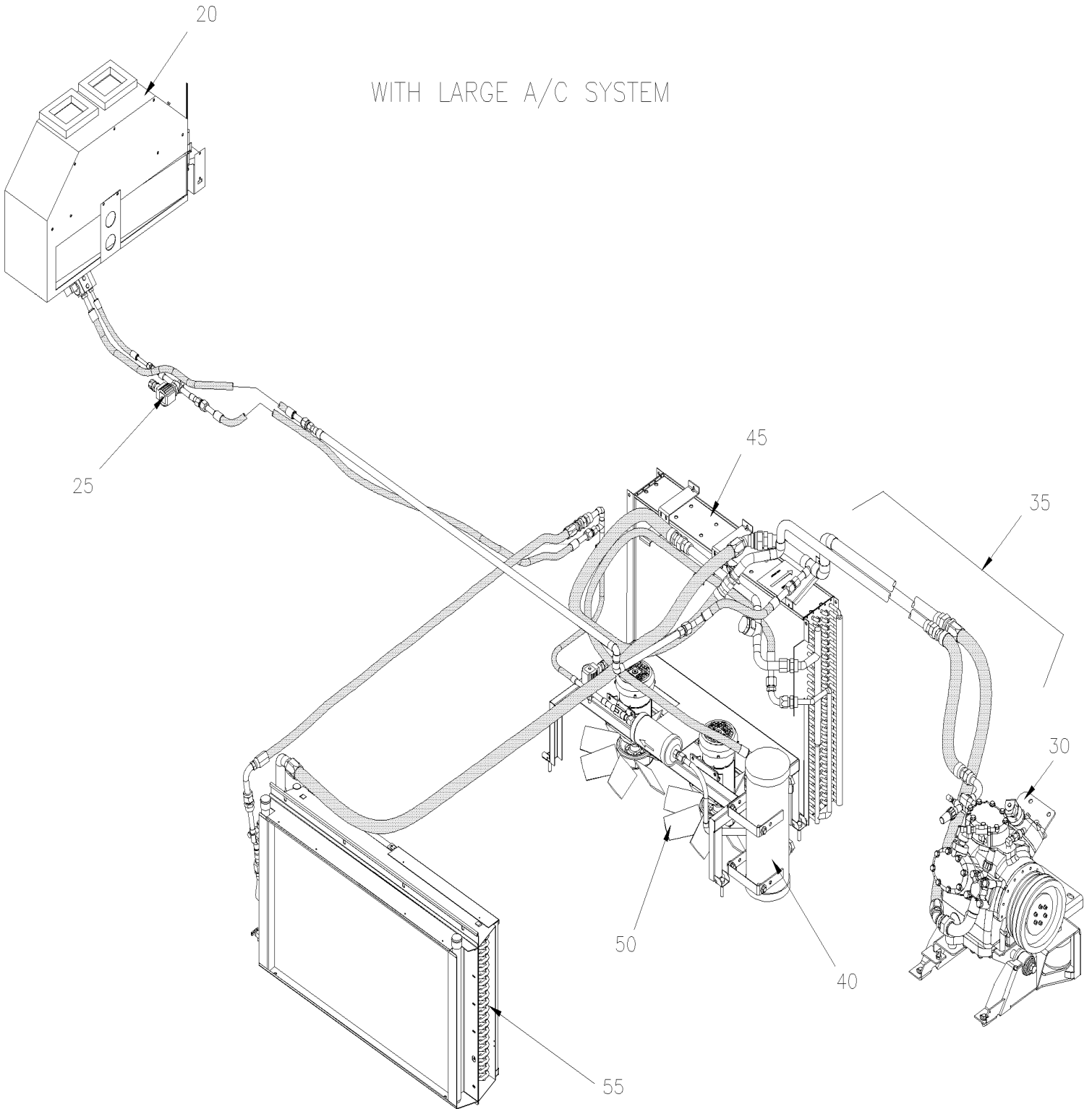
From E-5490

Date:07/2024

PAGE:X3VIP-2200-00

AIR CONDITIONING SYSTEM

WITH LARGE A/C SYSTEM





From E-5490		Date:07/2024	PAGE:X3VIP-2200-00
-------------	--	--------------	--------------------

AIR CONDITIONING SYSTEM

Item#	Part	Description	X 3 V I P E N T	X 3 V I P M T H	N O T E S
5	X3VIP-2245-50	A/C SMALL COMPRESSOR - INSTALLATION From E-5490 To H-6179			
5	X3VIP-2245-51	A/C SMALL COMPRESSOR - INSTALLATION / "GHG17" From H-6180			
10	X3VIP-2222-50	SMALL A/C LINES & HOSES From E-5490 To H-6179			
10	X3VIP-2222-51	SMALL A/C LINES & HOSES / "GHG17" From H-6180			
15	X3VIP-2255-10	CONDENSOR - INSTALLATION SMALL A/C SYSTEM From E-5490 To H-6179			
15	X3VIP-2255-11	CONDENSOR - INSTALLATION SMALL A/C SYSTEM / "GHG17" From H-6180			
20	X3VIP-2225-00	DRIVER'S HEATER & DEFROSTER ASSY From E-5490			
25	X3VIP-2208-10	REFRIGERANT SOLENOID VALVE From E-5490			
30	X3VIP-2245-01	A/C COMPRESSOR "BITZER" - INSTALLATION From E-5490 To H-6179			
30	X3VIP-2245-02	A/C COMPRESSOR "BITZER" - INSTALLATION From H-6180	1	1	
30	X3VIP-2245-20	A/C COMPRESSOR "BOCK" - INSTALLATION From N-6739			
30	X3VIP-2250-01	A/C COMPRESSOR "BITZER" 4NFCY From E-5490			
30	X3VIP-2250-20	A/C COMPRESSOR "BOCK" From N-6739	1	1	
35	X3VIP-2222-16	A/C LINE REAR SECTION W/ "BITZER" From E-5490 To H-6179			
35	X3VIP-2222-17	A/C LINE REAR SECTION / "GHG17" From H-6180			
40	X3VIP-2270-00	RECEIVER TANK & FILTER DRYER From E-5490 To H-6179			
40	X3VIP-2270-01	RECEIVER TANK & FILTER DRYER / "GHG17" From H-6180			
45	X3VIP-2255-00	CONDENSOR - INSTALLATION From E-5490 To H-6179			
45	X3VIP-2255-01	CONDENSOR - INSTALLATION / "GHG17" From H-6180			
45	X3VIP-2255-10	CONDENSOR - INSTALLATION SMALL A/C SYSTEM From E-5490 To H-6179			
45	X3VIP-2255-11	CONDENSOR - INSTALLATION SMALL A/C SYSTEM / "GHG17" From H-6180			
50	X3VIP-2260-00	CONDENSOR FANS - INSTALLATION From E-5490 To M-6654			
50	X3VIP-2260-01	CONDENSOR FANS - INSTALLATION From M-6655			
55	X3VIP-2205-00	HEATER & EVAPORATOR COIL - INSTALLATION From E-5490			



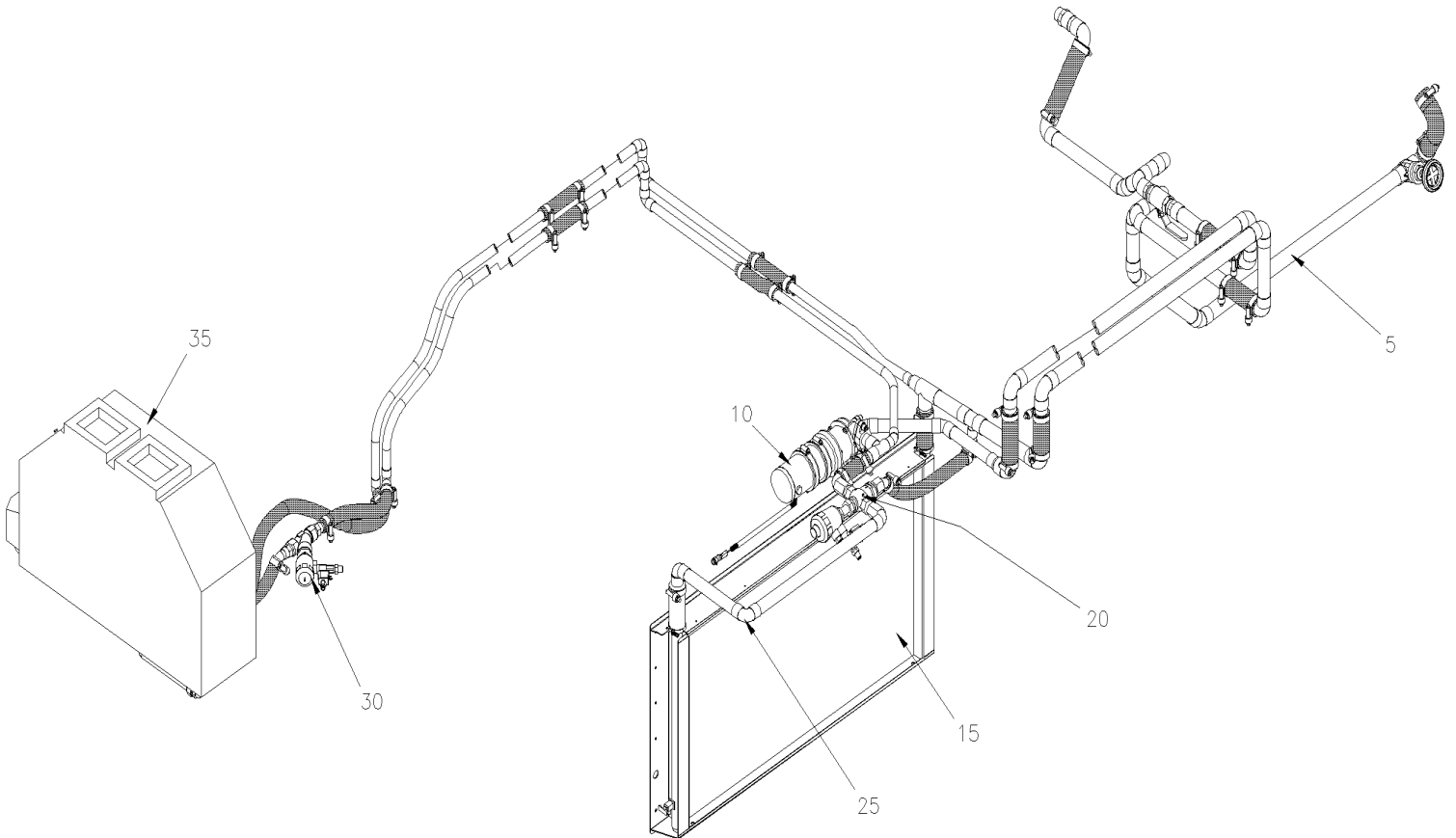
From E-5490

Date:07/2024

PAGE:X3VIP-2200-05

HEATING SYSTEM

WITH LARGE A/C SYSTEM





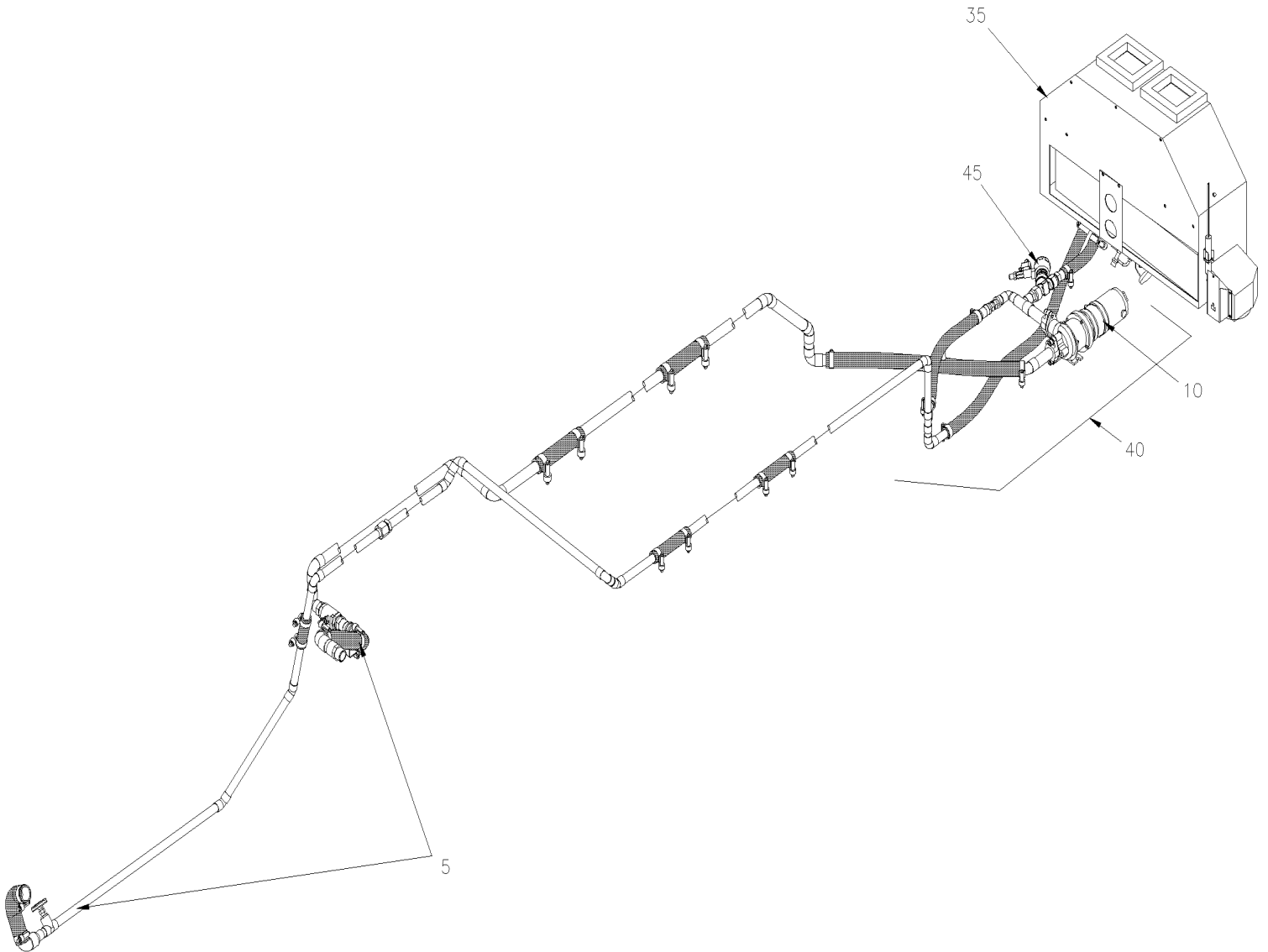
From E-5490

Date:07/2024

PAGE:X3VIP-2200-05

HEATING SYSTEM

WITH SMALL A/C SYSTEM





From E-5490	Date:07/2024	PAGE:X3VIP-2200-05
HEATING SYSTEM		

Item#	Part	Description	X 3 V I P E N T	X 3 V I P M T H	N O T E S
5	X3VIP-2222-35	HEATER LINE REAR SECTION From E-5490 To H-6179			
5	X3VIP-2222-36	HEATER LINE REAR SECTION / "GHG17" From H-6180			
10	X3VIP-2206-00	WATER PUMP #874297 AMETEK From E-5490			
15	X3VIP-2205-00	HEATER & EVAPORATOR COIL - INSTALLATION From E-5490			
15	X3VIP-2210-00	HEATER & EVAPORATOR BLOWER - INSTALLATION From E-5490			
20	X3VIP-2207-00	WATER VALVE - HEATER From E-5490			
25	X3VIP-2210-10	WATER PUMP - INSTALLATION From E-5490 To H-6179			
25	X3VIP-2210-11	WATER PUMP - INSTALLATION WITH LARGE A/C / "GHG17" From H-6180			
30	X3VIP-2207-05	WATER VALVE - HEATER From E-5490 To F-5815			
30	X3VIP-2207-06	WATER VALVE - HEATER From F-5816			
35	X3VIP-2230-00	DEFROSTER - INSTALLATION From E-5490			
40	X3VIP-2210-20	WATER PUMP & FILTER - W/SMALL A/C From E-5490			
45	X3VIP-2207-05	WATER VALVE - HEATER From E-5490 To F-5815			
45	X3VIP-2207-06	WATER VALVE - HEATER From F-5816			

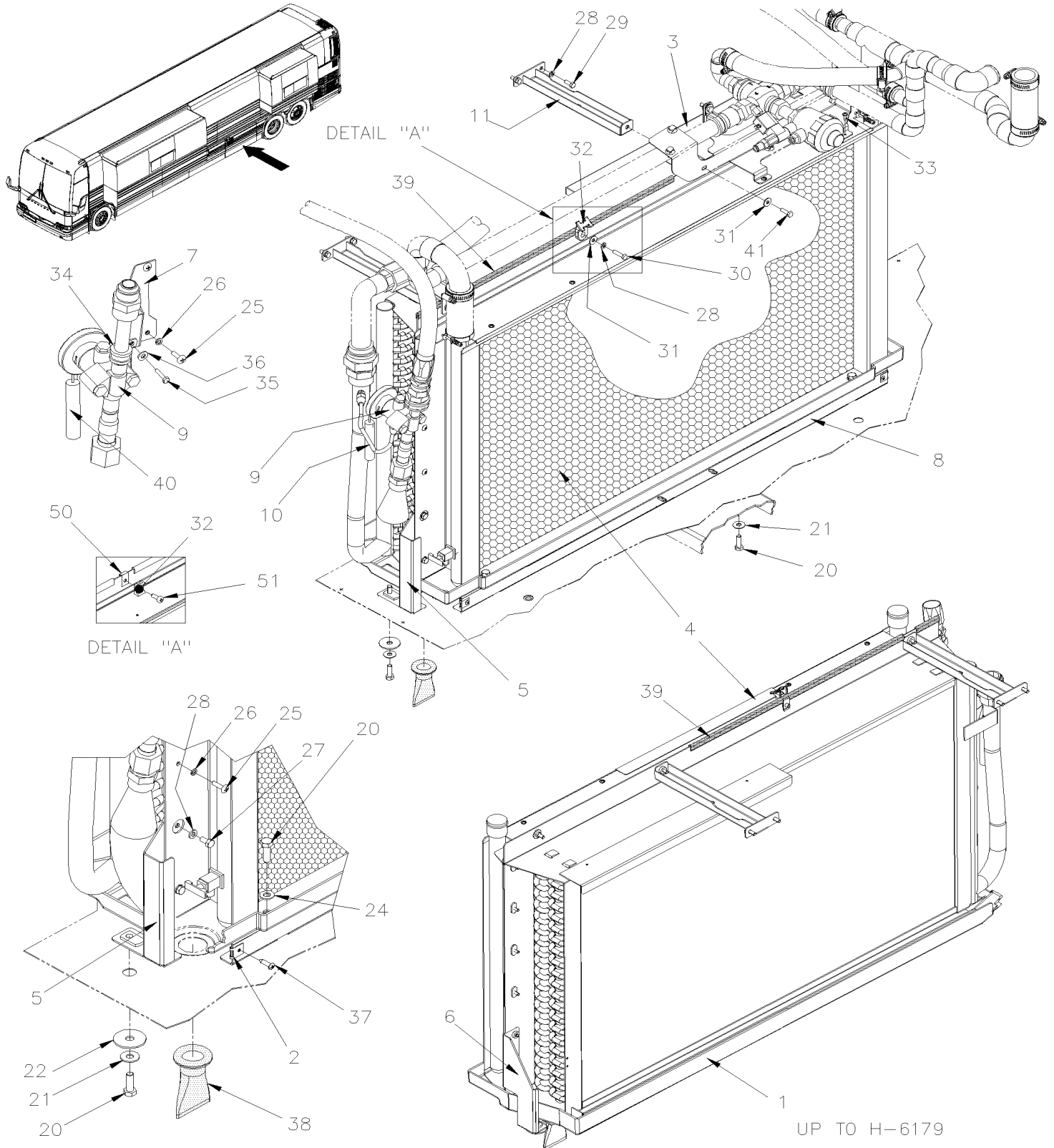


From E-5490

Date:07/2024

PAGE:X3VIP-2205-00

HEATER & EVAPORATOR COIL - INSTALLATION



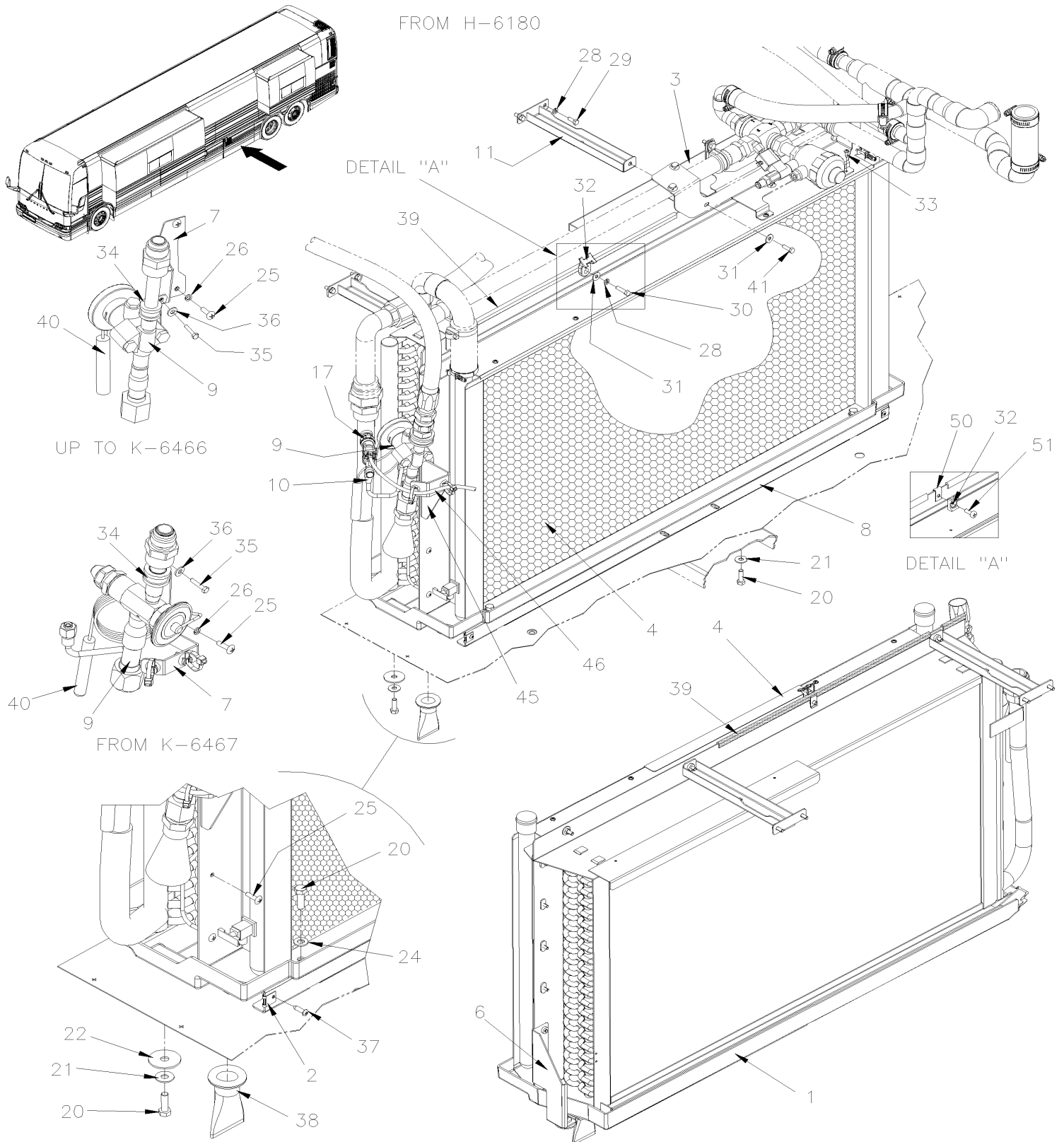


From E-5490

Date:07/2024

PAGE:X3VIP-2205-00

HEATER & EVAPORATOR COIL - INSTALLATION





From E-5490		Date:07/2024	PAGE:X3VIP-2205-00
-------------	--	--------------	--------------------

HEATER & EVAPORATOR COIL - INSTALLATION

Item#	Part	Description	X 3 V I P E N T	X 3 V I P M T H	N O T E S
1	453994	DRAIN PAN	1	1	
2	481249	NUT To H-6158	2	2	
2	500981	NUT SPR U #10-23/32x5/8 From H-6159	2	2	
3	950390	COIL EVAPORATOR To H-6179	1	1	
. NS	501829	. O-RING / ORS FITTING / #12 NEO To H-6179	1	1	
. NS	501803	. O-RING / ORS FITTING / #20 NEO To H-6179	1	1	
3	950547	COIL EVAPORATOR From H-6180 To J-6285	1	1	
. NS	501829	. O-RING / ORS FITTING / #12 NEO From H-6180 To J-6285	1	1	
. NS	501803	. O-RING / ORS FITTING / #20 NEO From H-6180 To J-6285	1	1	
3	950584	COIL EVAPORATOR From J-6286 To N-6771	1	1	
. NS	501829	. O-RING / ORS FITTING / #12 NEO From J-6286 To N-6771	1	1	
. NS	501803	. O-RING / ORS FITTING / #20 NEO From J-6286 To N-6771	1	1	
3	950650	COIL EVAPORATOR From N-6772	1	1	
. NS	501829	. O-RING / ORS FITTING / #12 NEO From N-6772	1	1	
. NS	501803	. O-RING / ORS FITTING / #20 NEO From N-6772	1	1	
4	871372	COIL HEATER To K-6363	1	1	
4	871465	COIL HEATER From K-6364	1	1	
. NS	870125	. DRAIN COCK 1/4 From K-6364	1	1	
5	453983	SUPPORT EVAPORATOR / FORWARD To H-6179	1	1	
6	453984	SUPPORT EVAPORATOR / BACKWARD	1	1	
7	454700	SUPPORT VALVE EXPANSION To K-6459	1	1	
7	450971	SUPPORT VALVE EXPANSION From K-6460	1	1	
7	509815	TIE MOUNT / ATTACHMENT W/TREE MOUNT From K-6460	AR	AR	
7	504637	CABLE TIE / 3/16" x 13" From K-6460	AR	AR	
8	453982	SUPPORT HEATER CORE	1	1	
9	X3VIP-2208-00	A/C EXPANSION VALVE To K-6466	1	1	
9	X3VIP-2208-01	A/C EXPANSION VALVE From K-6467	1	1	
10	454256	TUBE STABILISATOR A/C PRESSURE To E-5759	1	1	
10	454753	TUBE STABILISATOR A/C PRESSURE From F-5760 To H-6179	1	1	
10	450078	TUBE STABILISATOR A/C PRESSURE From H-6180 To K-6459	1	1	
NS	501058	SWIVEL NUT ELBOW 90° / SAE 45° FITTING / #4FL-Fx#4FLC-M BR From F-5760 To H-6099	1	1	
NS	501001	SWIVEL NUT FEMALE BRANCH TEE WITH CAP / SAE 45° FITTING / #4JIC-Mx#4JIC-Mx#4JIC-F STL From H-6100 To H-6179	1	1	
NS	501058	SWIVEL NUT ELBOW 90° / SAE 45° FITTING / #4FL-Fx#4FLC-M BR From H-6180 To H-6194	1	1	
10	501069	SWIVEL NUT ELBOW 90° / SAE 45° FITTING / WITH SCHRADER VALVE #4FL-Fx#4FLC-M BR W-VALVE From H-6195 To K-6459	1	1	
NS	680869	THREAD SEALANT LOCTITE #554 / REFRIG. / 250ml	AR	AR	
11	374683	SUPPORT / EVAPORATOR To E-5759	2	2	
11	374812	SUPPORT / EVAPORATOR 253.5MM From F-5760	1	1	A
11	374813	SUPPORT / EVAPORATOR 163MM From F-5760	1	1	A
11	374812	SUPPORT / EVAPORATOR 253.5MM From F-5760	2	2	B
12	871383	FILTER 1" x 38" x 10 1/2"	2	2	
17	950546	SENSOR, COMBINED PRESSURE-TEMPERATURE From H-6180	1	1	
20	502780	SCREW CAP HEX M8-1.25x25 SS BK To G-5948	6	6	



From E-5490	Date:07/2024	PAGE:X3VIP-2205-00
HEATER & EVAPORATOR COIL - INSTALLATION		

Item#	Part	Description	X 3 V I P E N T	X 3 V I P M T H	N O T E S
20	5001527	SCREW CAP HEX M8-1.25x16 SS BK From G-5949	AR	AR	
21	5001448	WASHER FL .343x.875x.062 SS18-8	4	4	
22	500261	WASHER FL .390x1.500x.083 N500 To G-5948	2	2	
22	500462	WASHER FL .343x1.500x.083 SS From G-5949	AR	AR	
23	500035	WASHER LO SPT .317x.586x.078 SS To G-6046	2	2	
24	5001341	WASHER FL 8.4x17.0x1.6 SS To G-6046	2	2	
24	5001848	WASHER BEL SPR .827 x .331 x .098 th SS From G-6047	2	2	
25	500510	SCREW MA BDG PH #10-32x3/4 SS EMN	7	7	
26	500914	WASHER LO SPT .193x.334x.047 N500	7	7	
27	5001743	SCREW CAP HEX M6-1.0x12 G8.8 N500	4	4	
28	502853	WASHER LO SPT 6.1x11.8x1.6 N500	AR	AR	
29	5001744	SCREW CAP HEX M6-1.0x16 G8.8 N500	4	4	
30	502830	SCREW CAP HEX M6-1.0x20 G8.8 N500	AR	AR	
31	5001833	WASHER BEL SPR 6.1x18x1.27 SS	AR	AR	
32	507383	TIE MOUNT HOLE 3/8" To E-5759	1	1	
32	504013	TIE MOUNT / 1/4" X 1/4" I.D. From F-5760	1	1	
33	502868	SCREW TC TR PH #10-16x1/2 N500	4	4	
34	952639	CLAMP / 1"1/4 I.D. To K-6459	1	1	
34	952631	CLAMP / 3/4" I.D. From K-6460	1	1	
35	500588	SCREW CAP HEX M4-0.7x20 G8.8 Z050	1	1	
36	500964	WASHER FL .203x.500x.047 Z050	1	1	
37	500957	SCREW TP BDG PH #10x3/4 N500	2	2	
38	414654	DRAIN BOOT 1" I.D. W/GROOVE 1.5 x 35MM I.D. x 85MM	5	5	
39	506337	RUBBER CHANNEL / 3/32" x 11/32" INT "U" SHAPE / ROUND C.T.L. To H-6110			
39	506338	RUBBER CHANNEL / 1/16" x 1/4" INT "U" SHAPE / ROUND C.T.L. From H-6111	AR	AR	
40	680091	TAPE INSULATING / 1/8" x 2" x 30' / BLACK PT-1	AR	AR	
41	502737	SCREW CAP HEX M6-1.0x25 SS BK	2	2	
45	370091	SUPPORT,SENSOR HARNESS From H-6180 To J-6227	1	1	
45	370155	SUPPORT,SENSOR HARNESS From J-6228 To K-6459	1	1	
NS	500510	SCREW MA BDG PH #10-32x3/4 SS EMN From J-6228 To K-6459	2	2	
NS	509815	TIE MOUNT / ATTACHMENT W/TREE MOUNT From J-6228 To K-6459	AR	AR	
NS	504637	CABLE TIE / 3/16" x 13" From J-6228 To K-6459	AR	AR	
46	060373	HVAC CONTROL HARNESS From H-6180 To J-6278	1	1	
46	060017	HVAC CONTROL HARNESS From J-6279	1	1	
50	502738	NUT SPR U M6-1.0 0.6-4.0 To G-5931	1	1	
50	5001965	NUT SPR U M6-1.0 0.6-4.0 N500 From G-5932 To N-6713	1	1	
51	502817	SCREW MA PAN PH M6-1.0x16 N500 From F-5760 To N-6713	1	1	
51	502868	SCREW TC TR PH #10-16x1/2 N500 From N-6714	1	1	
		A) WITH "SLIDE-OUT"			



From E-5490		Date:07/2024	PAGE:X3VIP-2205-00		
HEATER & EVAPORATOR COIL - INSTALLATION					
Item#	Part	Description	X 3 V I P E N T	X 3 V I P M T H	N O T E S
		B) WITHOUT "SLIDE-OUT"			

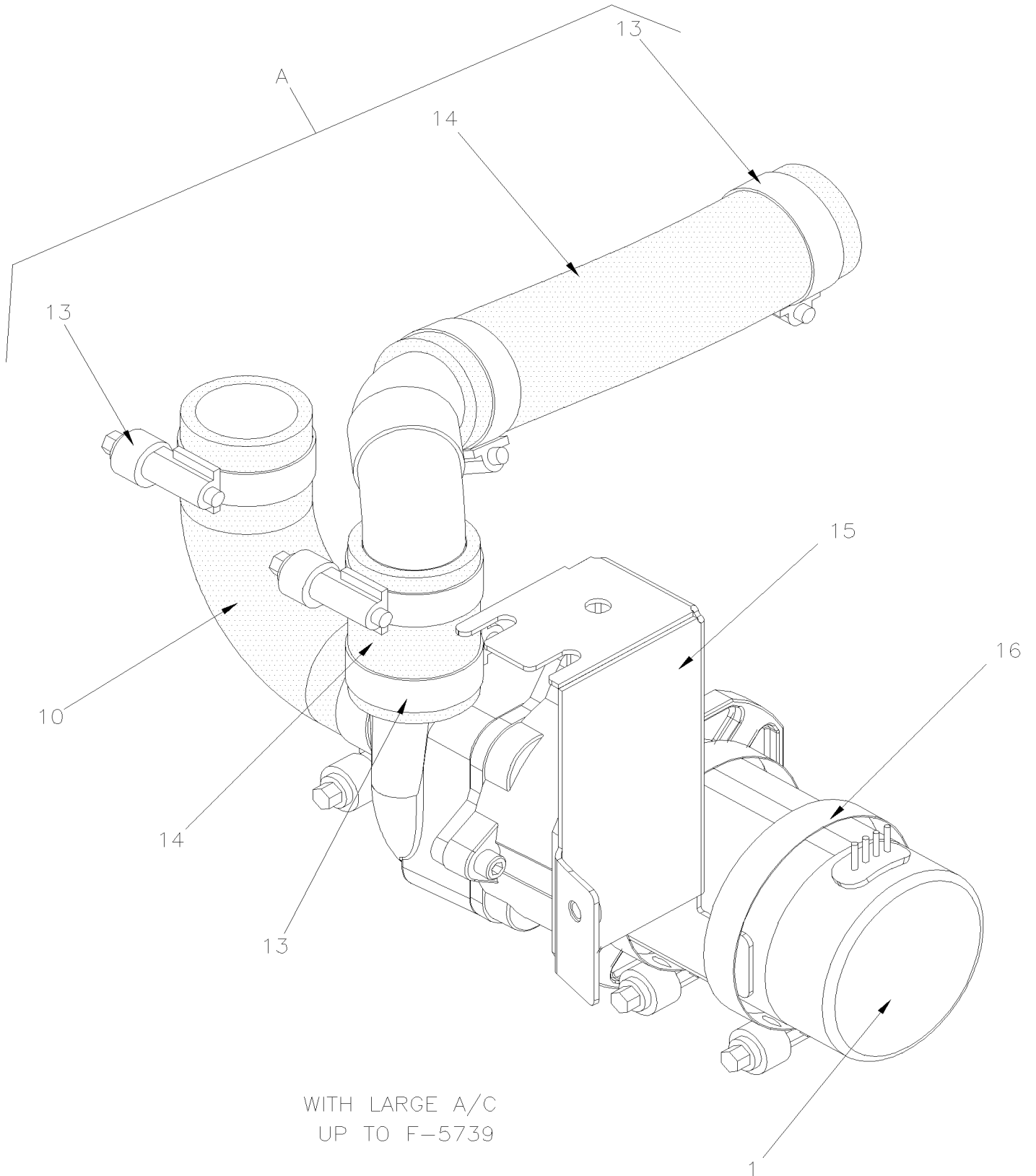


From E-5490

Date:07/2024

PAGE:X3VIP-2206-00

WATER PUMP #874297 AMETEK



WITH LARGE A/C
UP TO F-5739

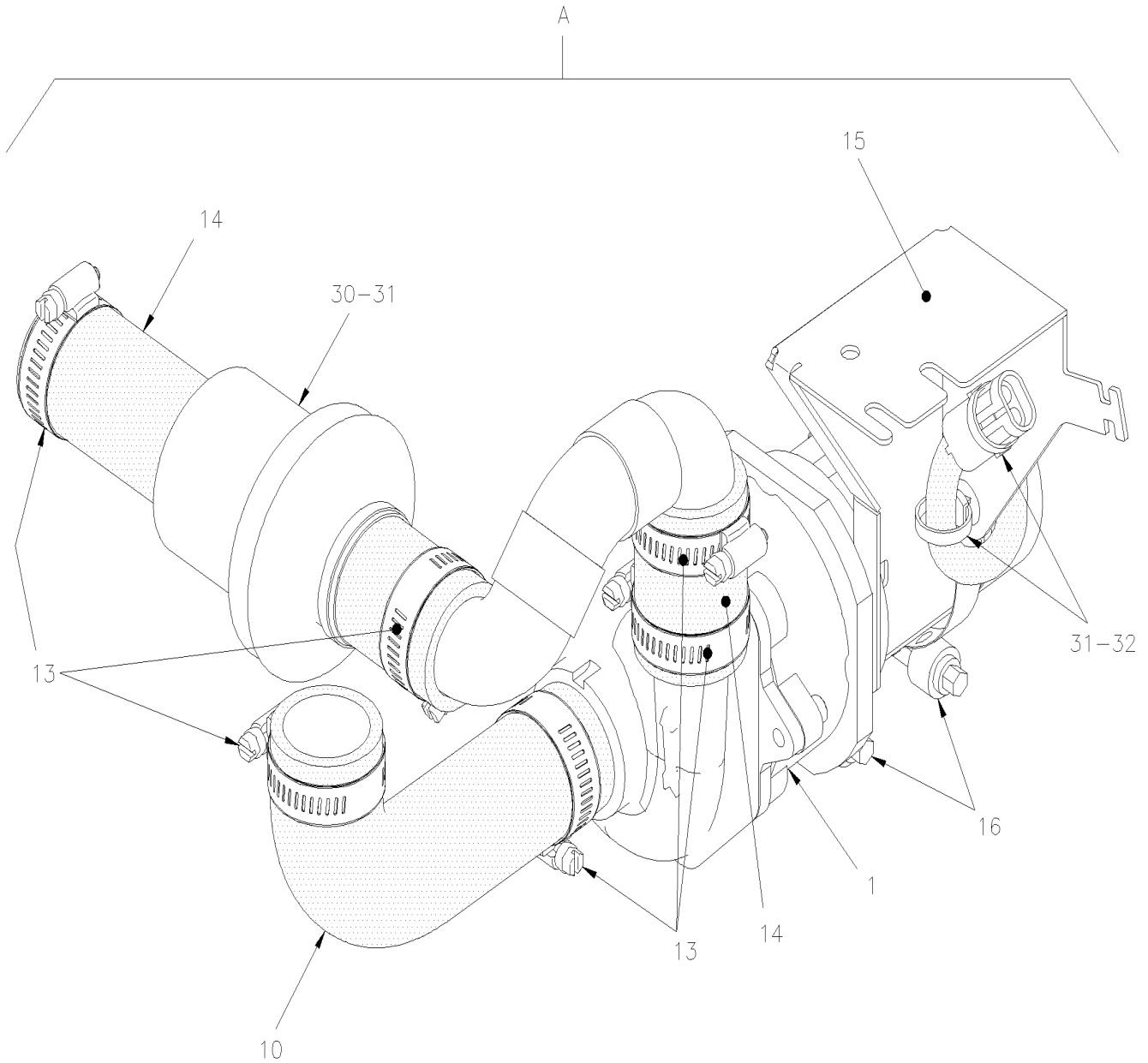


From E-5490

Date:07/2024

PAGE:X3VIP-2206-00

WATER PUMP #874297 AMETEK



WITH LARGE A/C
FROM F-5740



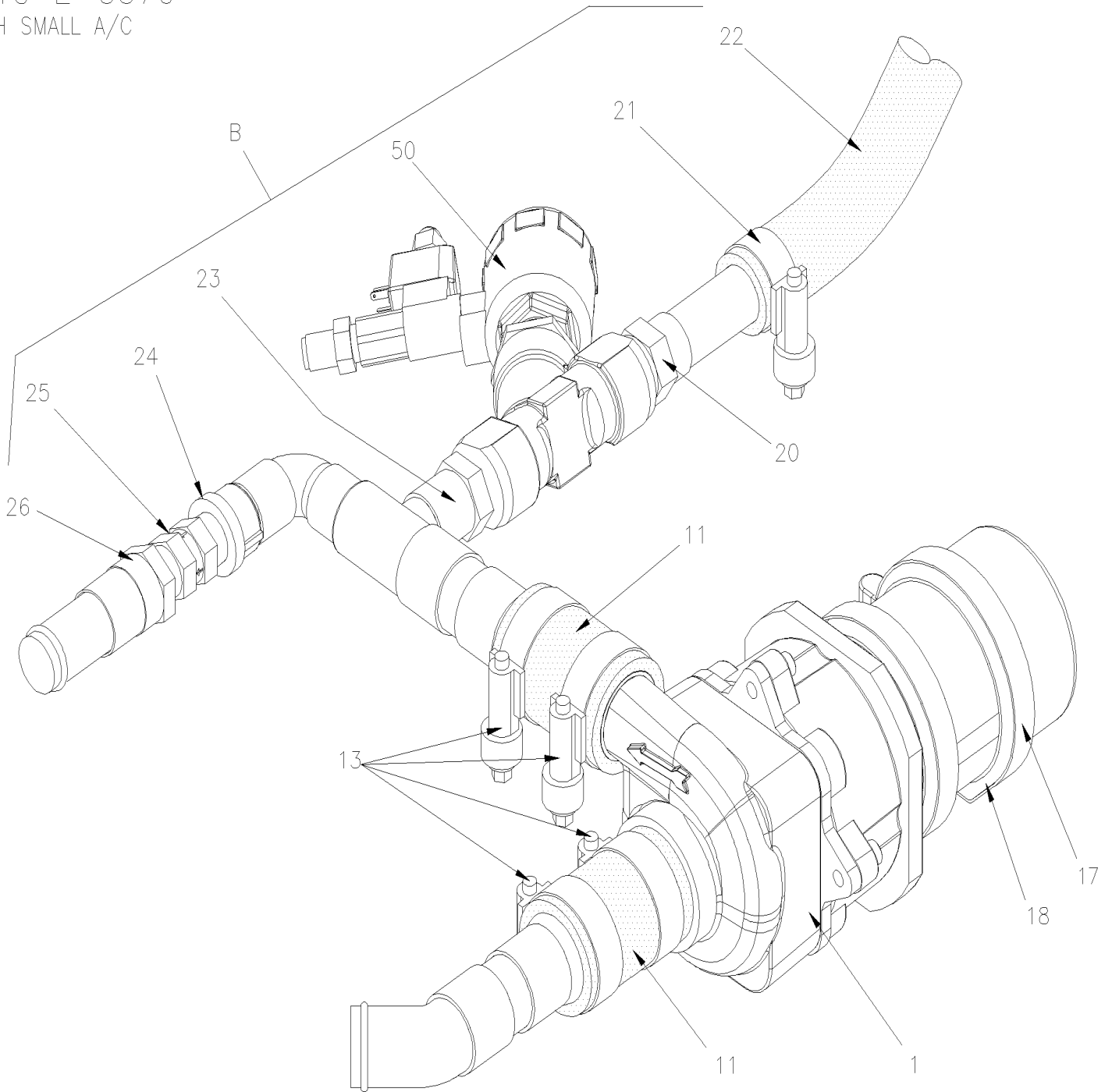
From E-5490

Date:07/2024

PAGE:X3VIP-2206-00

WATER PUMP #874297 AMETEK

UP TO E-5570
WITH SMALL A/C





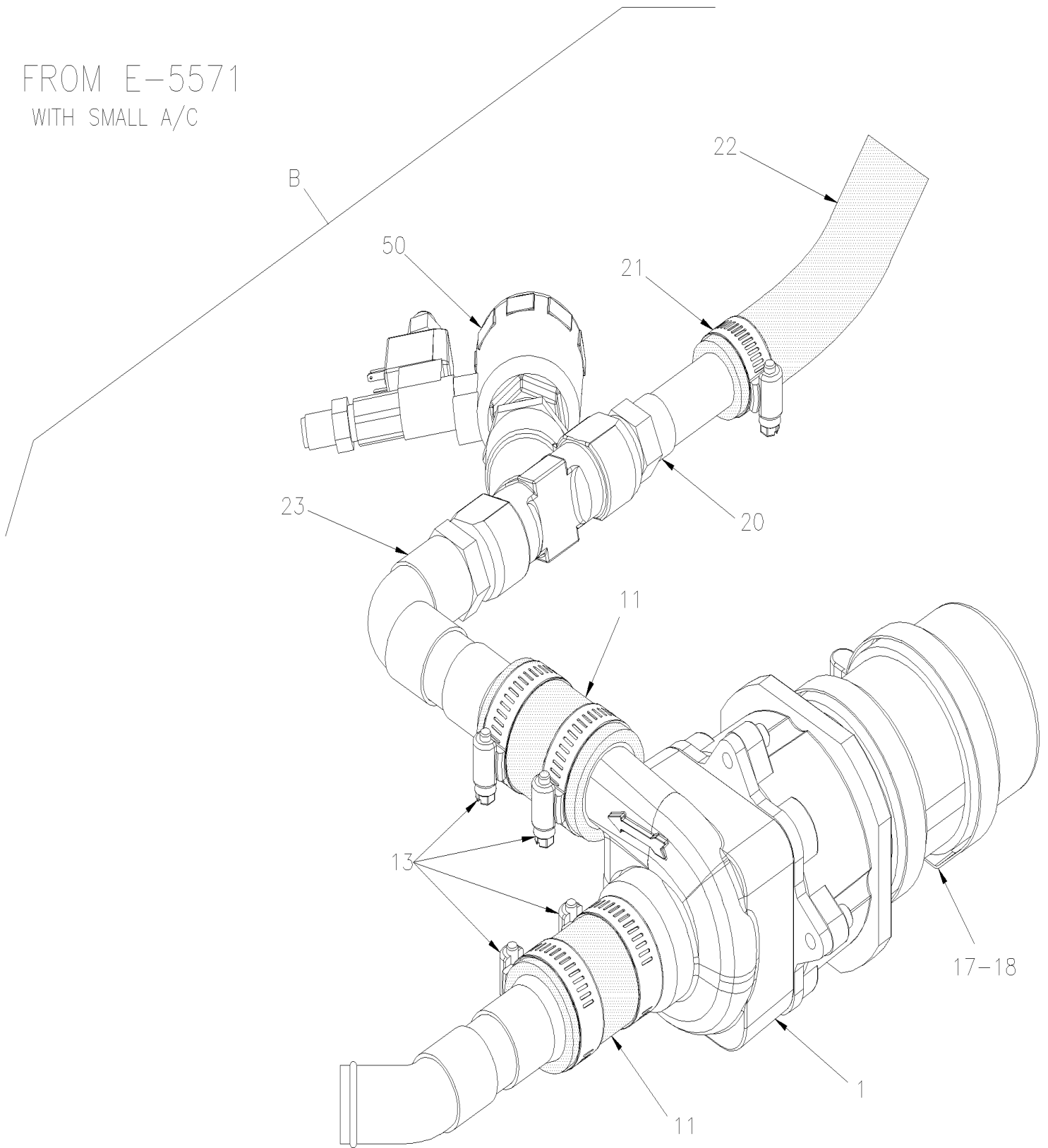
From E-5490

Date:07/2024

PAGE:X3VIP-2206-00

WATER PUMP #874297 AMETEK

FROM E-5571
WITH SMALL A/C



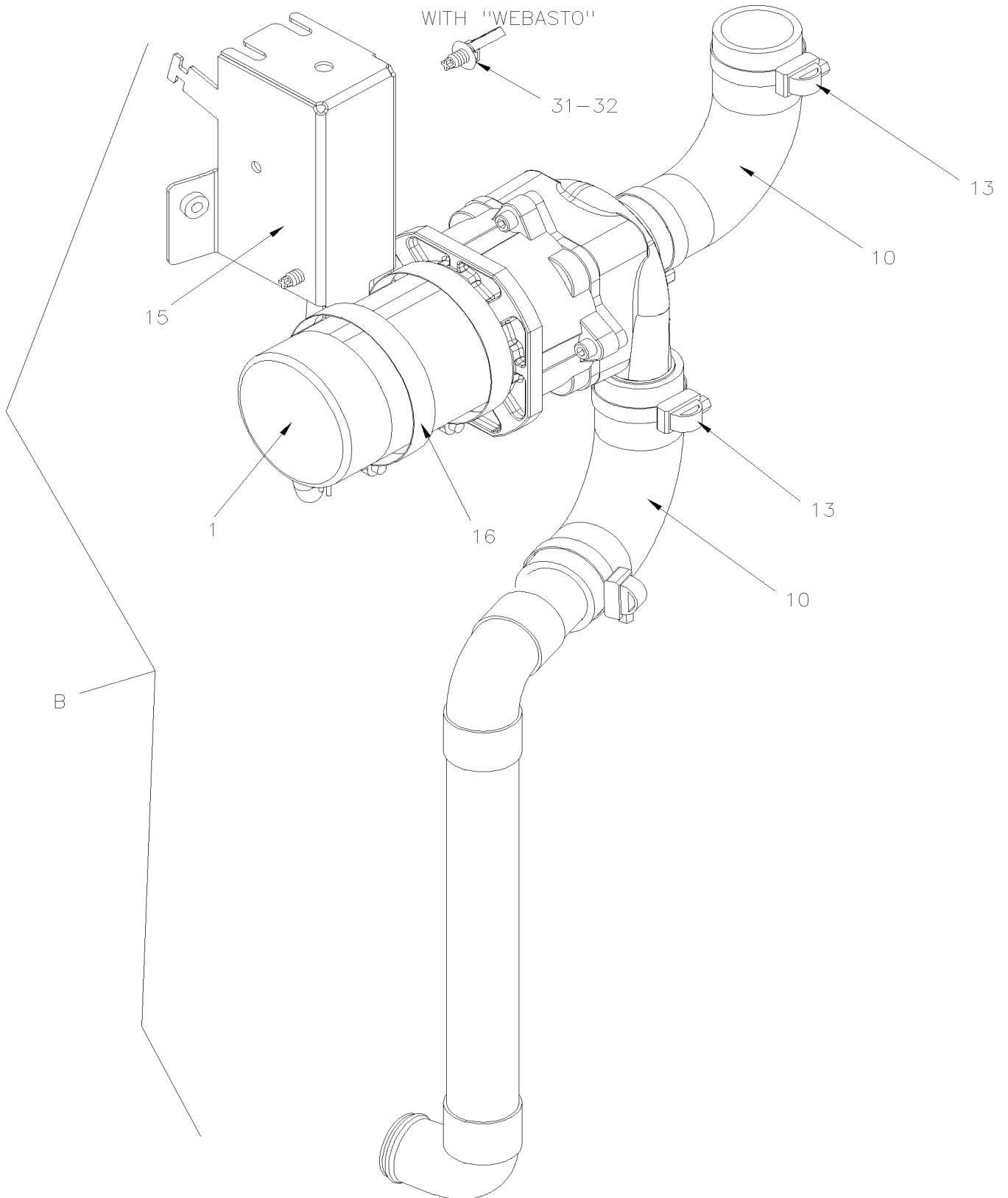


From E-5490

Date:07/2024

PAGE:X3VIP-2206-00

WATER PUMP #874297 AMETEK





From E-5490		Date:07/2024	PAGE:X3VIP-2206-00
WATER PUMP #874297 AMETEK			

Item#	Part	Description	X 3 V I P E N T	X 3 V I P M T H	N O T E S
1	561781	CONNECTOR / WEATHER PACK / PH 3C / BLACK / PED 12010717	1	1	
1	561568	PIN TERMINAL / 16-14 / PED 12089305	2	2	
1	561786	CABLE SEAL / GRAY / PED 15324980	2	2	
1	561783	SEAL PLUG CAVITY / GREEN / PED 12010300	1	1	
1	680319	TAPE ADHESIF ELECTRIC / BLACK 3/4"	AR	AR	
1	562387	CONVOLUTED TUBING / SLIT / BLACK / .250"	AR	AR	
10	374307	ELBOW 90° X 1 3/8" I.D. / 88MM x 150MM C/C / SILICONE 1 PLY	1	1	
10	374298	ELBOW 90° X 1 3/8" I.D. / 78MM x 140MM C/C / SILICONE To G-5907	1	1	
10	378925	ELBOW 90° X 1 3/8" I.D. / 78MM x 140MM C/C / SILICONE From G-5908	1	1	
10	378923	ELBOW 90° X 1 3/8" I.D. / 88MM x 150MM C/C / SILICONE 4 PLY From J-6223 To J-6223		2	A
11	503783	HOSE SILICONE 4PLY / NOMEX-ARAMID 34MM I.D. x 6'	AR	AR	
13	504783	HOSE CLAMP / 1"1/16-2" SS / C.T. W.S.	6	6	
13	992086	HOSE CLAMP / 32MM/52MM	6	6	
14	503783	HOSE SILICONE 4PLY / NOMEX-ARAMID 34MM I.D. x 6'	AR	AR	
15	374649	SUPPORT / WATER PUMP	1	1	
15	374822	SUPPORT / WATER PUMP	1	1	
16	504026	HOSE CLAMP / 2"13/16-3"3/4 SS / HS-52	2	2	
17	504235	HOSE CLAMP / 3"9/16"-4"1/2 SS / HS-64 To F-5885	2	2	
17	504026	HOSE CLAMP / 2"13/16-3"3/4 SS / HS-52 From F-5886	2	2	
18	506728	TAPE RUB ADH1 NEO 1/4" x 3/4" x 10' / BLACK	AR	AR	
20	501866	ADAPTER / COPPER @ PIPE / 3/4Fx3/4NPT-M	1	1	
21	504781	HOSE CLAMP / 13/16"-1 5/16" SS / C.T. W.S.	1	1	
21	992084	HOSE CLAMP / 23MM/35MM	1	1	
22	503803	HOSE SILICONE 1 PLY / NOMEX-ARAMID 7/8" I.D. x 100' / S.L.	AR	AR	
23	501896	ADAPTER / COPPER @ PIPE / 3/4Fx3/4NPT-M	1	1	
23	501794	ADAPTER / COPPER @ PIPE / 1Mx3/4NPT-M	1	1	
24	501889	ADAPTER / COPPER @ PIPE / 3/4Mx1/2NPT-F	1	1	
25	870727	CHECK VALVE 1/2 NPT	1	1	
26	501568	ADAPTER / COPPER @ PIPE / 3/4Fx1/2NPT-F	1	1	
30	504385	CUFF END BELLOW / 1 1/2" I.D. x 2 1/2" x 4"	1	1	
31	504637	CABLE TIE / 3/16" x 13"	3	3	
32	509815	TIE MOUNT / ATTACHMENT W/TREE MOUNT	2	2	
37	874297	WATER PUMP "AMETEK" / SEALLESS & BRUSHLESS	1	1	
50	X3VIP-2207-05	WATER VALVE - HEATER To F-5815			
50	X3VIP-2207-06	WATER VALVE - HEATER From F-5816			
A	Call order desk	WATER PUMP ASSY WITH PIPE / W/O "WEBASTO" To F-5739	1	1	P
A	Call order desk	WATER PUMP ASSY WITH PIPE / WITH LARGE A/C From F-5740	1	1	P
A	370415	. PIPE, PUMP ASSY From N-6714	1	1	
B	Call order desk	WATER PUMP ASSY WITH PIPE / WITH SMALL A/C To E-5570	1	1	P
B	Call order desk	WATER PUMP ASSY WITH PIPE / WITH SMALL A/C From E-5571 To F-5815	1	1	P
B	Call order desk	WATER PUMP ASSY WITH PIPE / WITH SMALL A/C From F-5816 To J-6255	1	1	P
B	370149	WATER PUMP ASSY WITH PIPE / WITH SMALL A/C From J-6256 To N-6713	1	1	



From E-5490		Date:07/2024	PAGE:X3VIP-2206-00
WATER PUMP #874297 AMETEK			

Item#	Part	Description	X 3 V I P E N T	X 3 V I P M T H	N O T E S
B	Call order desk	WATER PUMP ASSY WITH PIPE / WITH SMALL A/C From N-6714	1	1	P
. NS	370406	. PIPE, VALVE ASSY 68MM From N-6714	1	1	
. NS	370407	. PIPE, PUMP ASSY 90EG From N-6714	1	1	
. NS	370408	. PIPE, PUMP ASSY 130MM From N-6714	1	1	
B	Call order desk	WATER PUMP ASSY WITH PIPE / WITH "WEBASTO" From J-6223 To J-6223	1	1	P A
		A) AUTOBUS BRUNET" OPTION / MOTORHOME WITH FLAT PANEL			
		P) CALL ORDER DESK FOR SPECIFIC APPLICATION (V.I.N.)			

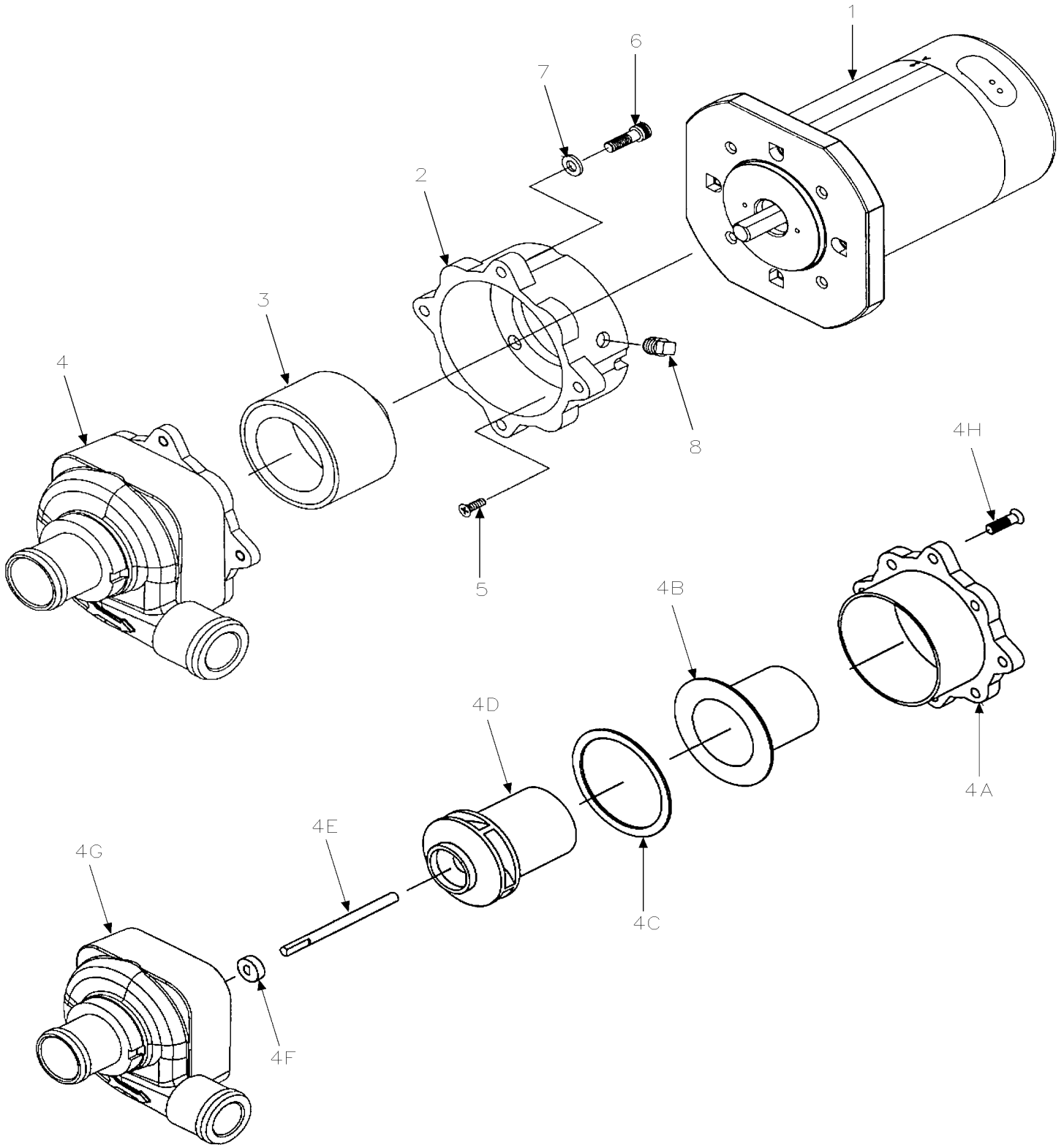


From E-5490

Date:07/2024

PAGE:874297

WATER PUMP "AMETEK" / SEALLESS & BRUSHLESS





From E-5490	Date:07/2024	PAGE:874297
WATER PUMP "AMETEK" / SEALLESS & BRUSHLESS		

Item#	Part	Description	X 3 V I P E N T	X 3 V I P M T H	N O T E S
1	N.P.N.	MOTOR ASSEMBLY WITHOUT BASEPLATE	1	1	4
2	N8896645	CONNECTING HOUSING	1	1	
3	N8896646	DRIVE MAGNET	1	1	
4	19517742	HOUSING	1	1	
4A	G1091780	. HOUSING CONNECTOR RING	1	1	
4B	G1091781	. IMPELLER HOUSING	1	1	
4C	G1091782	. GASKET ROUND	1	1	
4D	G1091783	. IMPELLER ASSY	1	1	
4E	G1091785	. IMPELLER SHAFT	1	1	
4F	G1091784	. THRUST WASHER	1	1	
4G	870074	. PUMP HOUSING BRASS	1	1	
4H	19508912	. SCREW FLAT HEAD	4	4	
5	N.P.N.	SCREW FLAT HEAD	4	4	4
6	N8896647	SCREW SOCKET HEAD	4	4	
7	N8896640	FLAT WASHER	4	4	
8	195971	PLUG, TREATED	1	1	
		4) NO PARTS NUMBER			

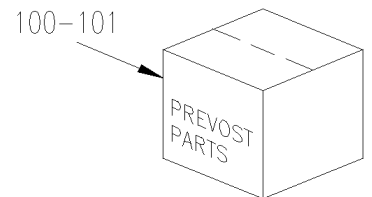
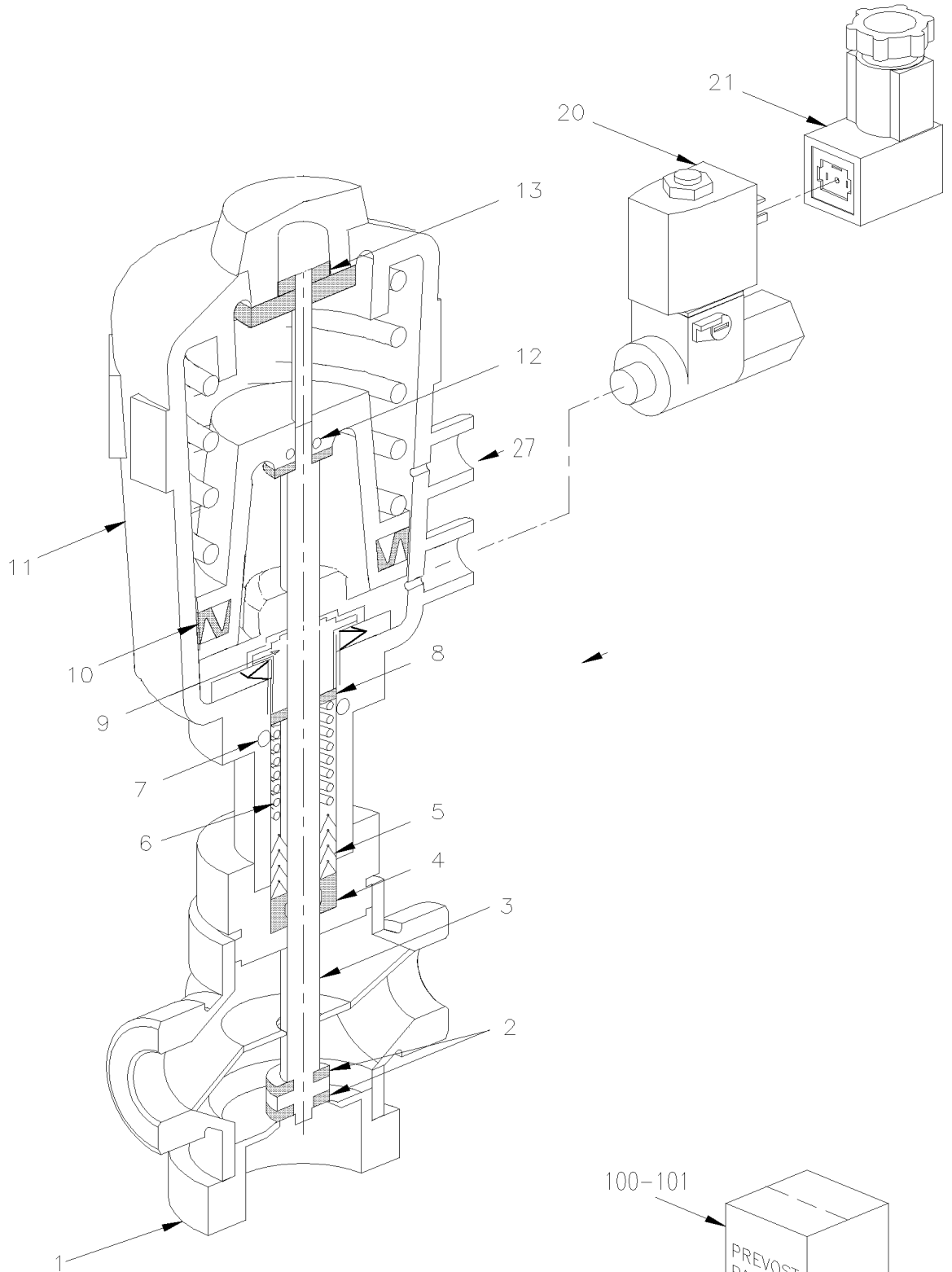
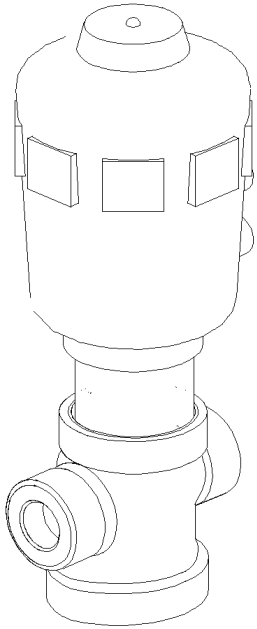


From E-5490

Date:07/2024

PAGE:X3VIP-2207-00

WATER VALVE - HEATER



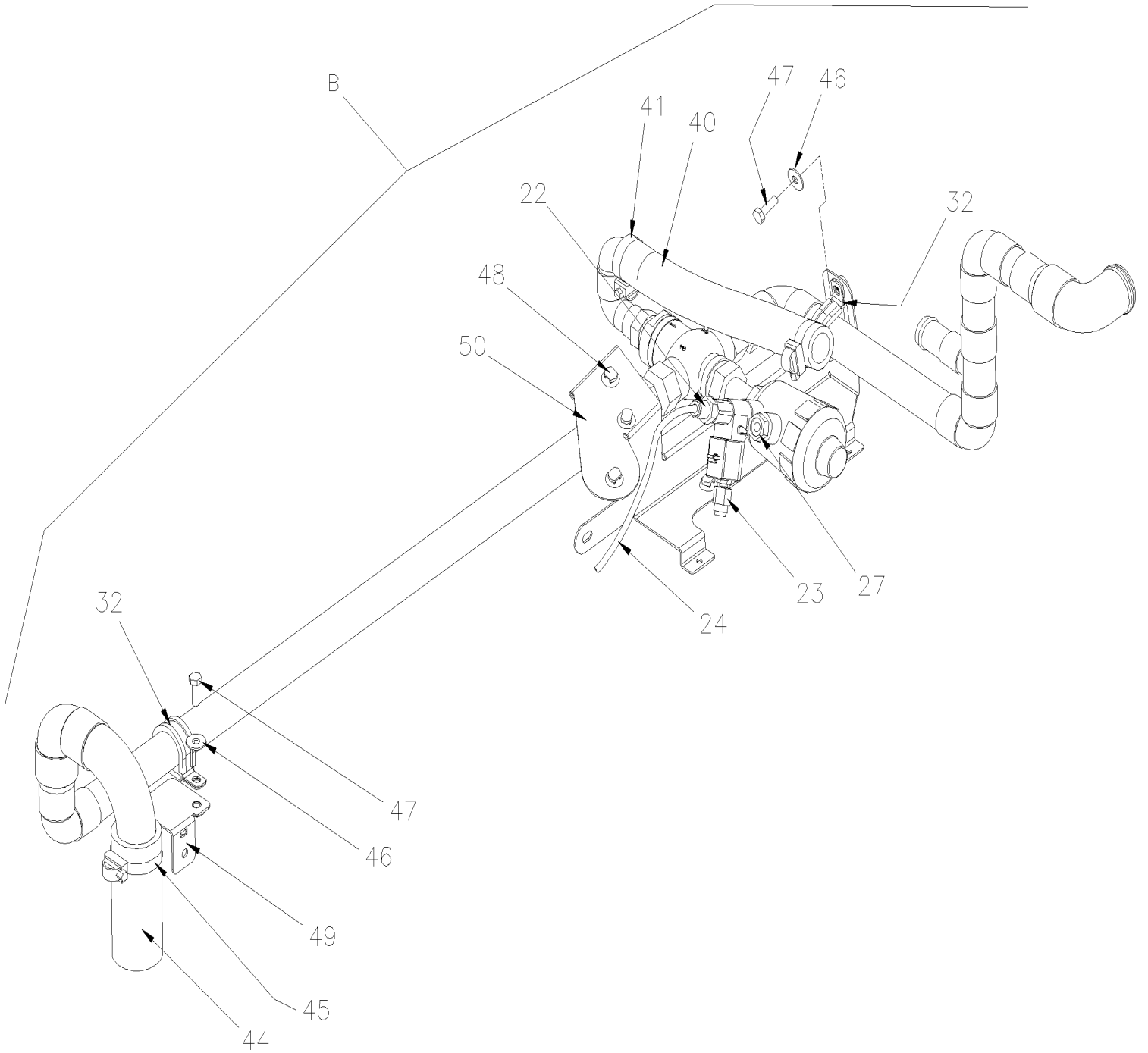


From E-5490

Date:07/2024

PAGE:X3VIP-2207-00

WATER VALVE - HEATER





From E-5490		Date:07/2024	PAGE:X3VIP-2207-00
WATER VALVE - HEATER			

Item#	Part	Description	X 3 V I P E N T	X 3 V I P M T H	N O T E S
	871430	WATER VALVE ASSY / 24V / 3/WAY 3/4" NPT To L-6590	1	1	
	870136	WATER VALVE ASSY / 24V / 3/WAY 3/4" NPT From L-6591	1	1	
1	N.S.S.	. BODY	1	1	1
2	N.S.S.	. SEAL	1	1	1
3	N.S.S.	. SPINDLE	1	1	1
4	N.S.S.	. WIPER	1	1	1
5	N.S.S.	. V-SEAL	3	3	1
6	N.S.S.	. SPRING	1	1	1
7	N.S.S.	. O-RING	1	1	1
8	N.S.S.	. LIP SEAL	1	1	1
9	N.S.S.	. SCREW PISTON	1	1	1
10	N.S.S.	. CYLINDER SEAL	1	1	1
11	N.S.S.	. ACTUATOR CASING	1	1	1
12	N.S.S.	. O-RING.	1	1	1
13	N.S.S.	. LIP SEAL	1	1	1
14	N.S.S.	. CONE GLAND 1/8"	2	2	1
20	871390	. SOLENOID VALVE / 24V 4 WATTS	1	1	
. NS	871391	. . COIL 24V 4 WATTS	1	1	
21	563204	. CONNECTOR / SOCKET HOUSING ASSY 4C / BURKET 303148	1	1	
22	641332	MALE CONNECTOR / PUSH-IN FITTING / #4x1/4NPT-M BR	1	1	
23	642028	MALE CONNECTOR / PUSH-IN FITTING / 6MM x M5-0.8 BR To G-5969	1	1	
23	871374	MUFFLER M5 PLASTIC From G-5970 To J-6255	1	1	
23	642028	MALE CONNECTOR / PUSH-IN FITTING / 6MM x M5-0.8 BR From J-6256	1	1	
23	503040	TUBE, NYLON 6MM O.D. / WHITE S.L. From J-6256	AR	AR	
24	503747	TUBE, NYLON 6MM O.D. / BLACK S.L. To H-6179	AR	AR	
24	503402	TUBE, NYLON 1/4 O.D. / BLACK S.L. From H-6180	AR	AR	
27	641926	SILENCER / MUFFLER / 1/4NPT-M	1	1	
NS	142087	RESTRICTION / ALU. TUBE 10MM x 4.14MM O.D. W/0.79" HOLE / W/FLANGE To L-6612	1	1	
27	140262	RESTRICTION / ALU. TUBE 13.5MM x 4.14MM O.D. W/0.79" HOLE / W/FLANGE From L-6613 To N-6743	1	1	
27	140485	RESTRICTION W/0.80" HOLE / W/FLANGE From N-6744	1	1	
27	501312	BUSHING REDUCER / PIPE FITTING / 1/4NTP-Mx1/8NPT-F BR From N-6744	1	1	
30	374576	SUPPORT PIPE	1	1	
31	374499	SUPPORT WATER VALVE BACKWARD	1	1	
32	952637	CLAMP / 1"1/16 I.D.	2	2	
33	952639	CLAMP / 1"1/4 I.D.	1	1	
34	374595	SUPPORT WATER PUMP	1	1	
40	503797	HOSE SILICONE 4 PLY / NOMEX-ARAMID 7/8" I.D. x 6'	AR	AR	
41	504781	HOSE CLAMP / 13/16"-1 5/16" SS / C.T. W.S. To E-5759	2	2	
41	992084	HOSE CLAMP / 23MM/35MM From F-5760	2	2	
42	503796	HOSE SILICONE 2 PLY / NOMEX-ARAMID 1 1/8" I.D. x 6'	AR	AR	
43	504782	HOSE CLAMP / 1 3/16-1 13/16 SS / C.T. W.S.	2	2	
44	503783	HOSE SILICONE 4PLY / NOMEX-ARAMID 34MM I.D. x 6'	AR	AR	



From E-5490		Date:07/2024	PAGE:X3VIP-2207-00
WATER VALVE - HEATER			

Item#	Part	Description	X 3 V I P E N T	X 3 V I P M T H	N O T E S
45	504783	HOSE CLAMP / 1"1/16-2" SS / C.T. W.S. To E-5759	1	1	
45	992086	HOSE CLAMP / 32MM/52MM From F-5760	1	1	
46	5001833	WASHER BEL SPR 6.1x18x1.27 SS	4	4	
47	502830	SCREW CAP HEX M6-1.0x20 G8.8 N500	3	3	
48	509815	TIE MOUNT / ATTACHMENT W/TREE MOUNT	3	3	
49	374673	SUPPORT WATER VALVE FORWARD To N-6713	1	1	
49	370364	SUPPORT WATER VALVE FORWARD From N-6714	1	1	
50	374674	SUPPORT WATER VALVE BACKWARD	1	1	
100	871389	SEAL KIT / WATER SIDE	1	1	
101	871388	SEAL KIT / AIR PISTON SIDE	1	1	
B	374688	WATER VALVE ASSY W/PIPE & SUPPORT To J-6255	1	1	
B	370147	WATER VALVE ASSY W/PIPE & SUPPORT From J-6256 To L-6590	1	1	
B	370046	WATER VALVE ASSY W/PIPE & SUPPORT From L-6591 To L-6612	1	1	
B	370030	WATER VALVE ASSY W/PIPE & SUPPORT From L-6613 To N-6713	1	1	
B	370362	WATER VALVE ASSY W/PIPE & SUPPORT From N-6714 To N-6743	1	1	
B	370485	WATER VALVE ASSY W/PIPE & SUPPORT From N-6744	1	1	
		1) NOT SOLD SEPARATELY			

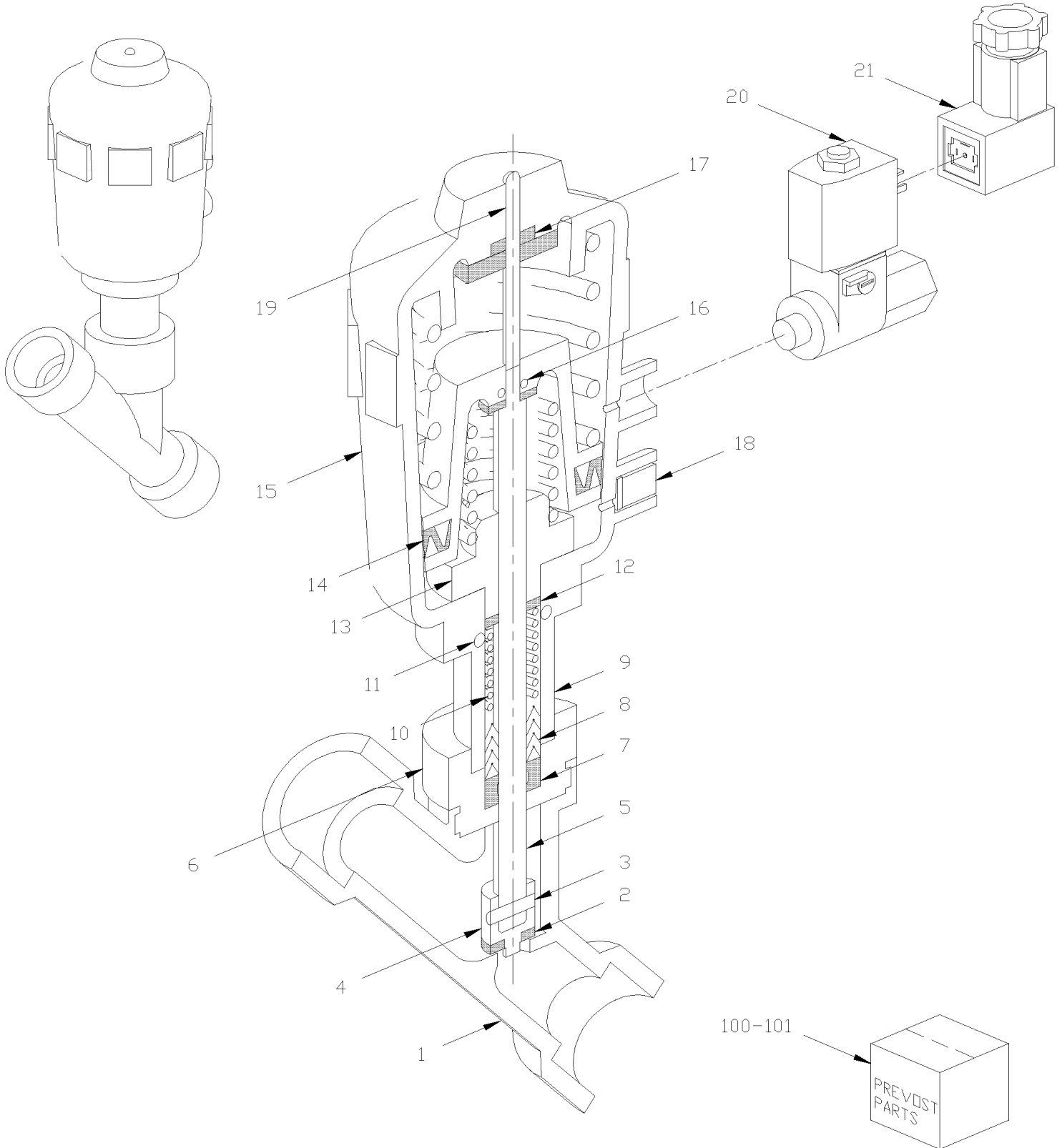


From E-5490 To F-5815

Date:07/2024

PAGE:X3VIP-2207-05

WATER VALVE - HEATER



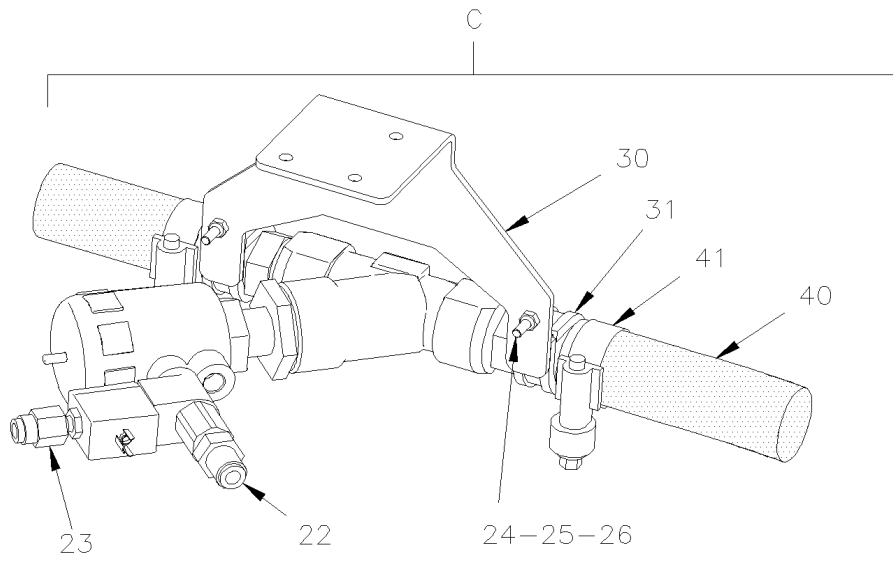


From E-5490 To F-5815

Date:07/2024

PAGE:X3VIP-2207-05

WATER VALVE - HEATER





From E-5490 To F-5815	Date:07/2024	PAGE:X3VIP-2207-05
------------------------------	---------------------	---------------------------

WATER VALVE - HEATER

Item#	Part	Description	X 3 V I P E N T	X 3 V I P M T H	N O T E S
	871252	WATER VALVE ASSY / 24V	1	1	
1	N.S.S.	BODY	1	1	1
2	N.S.S.	SEAL	1	1	1
3	N.S.S.	PIN	1	1	1
4	N.S.S.	SWIVEL PLATE	1	1	1
5	N.S.S.	SPINDLE	1	1	1
6	N.S.S.	NIPPLE	1	1	1
7	N.S.S.	WIPER	1	1	1
8	N.S.S.	V-SEAL	3	3	1
9	N.S.S.	TUBE	1	1	1
10	N.S.S.	SPRING	1	1	1
11	N.S.S.	O-RING	1	1	1
12	N.S.S.	LIP SEAL	1	1	1
13	N.S.S.	SCREW	1	1	1
14	N.S.S.	CYLINDER SEAL	1	1	1
15	N.S.S.	ACTUATOR CASING	1	1	1
16	N.S.S.	O-RING	1	1	1
17	N.S.S.	LIP SEAL	1	1	1
18	N.S.S.	CONE GLAND 1/8"	2	2	1
19	N.S.S.	POSITION INDICATOR	1	1	1
20	871313	SOLENOID VALVE 24V 4 WATTS 1/8SPT X 1/4NPT	1	1	
NS	871391	COIL 24V 4 WATTS	1	1	
21	563204	CONNECTOR / SOCKET HOUSING ASSY 4C / BURKET 303148	1	1	
22	641332	MALE CONNECTOR / PUSH-IN FITTING / #4x1/4NPT-M BR	1	1	
23	642028	MALE CONNECTOR / PUSH-IN FITTING / 6MM x M5-0.8 BR	1	1	
24	500588	SCREW CAP HEX M4-0.7x20 G8.8 Z050	2	2	
25	500438	WASHER FL .187x.437x.050 Z050	2	2	
26	500590	NUT HEX NYRT M4-0.7 Z050	2	2	
30	374147	SUPPORT WATER VALVE	1	1	A
31	952635	CLAMP / 1" I.D.	2	2	
40	503803	HOSE SILICONE 1 PLY / NOMEX-ARAMID 7/8" I.D. x 100' / S.L.	AR	AR	
41	504781	HOSE CLAMP / 13/16"-1 5/16" SS / C.T. W.S. To E-5759	AR	AR	
41	992084	HOSE CLAMP / 23MM/35MM From F-5760	AR	AR	
99	504781	HOSE CLAMP / 13/16"-1 5/16" SS / C.T. W.S.	2	2	
100	871311	SEAL KIT / WATER SIDE	1	1	
101	871312	SEAL KIT / AIR PISTON SIDE	1	1	
C	Call order desk	WATER VALVE ASSY W/PIPE & SUPPORT	1	1	P



From E-5490 To F-5815	Date:07/2024	PAGE:X3VIP-2207-05
-----------------------	--------------	--------------------

WATER VALVE - HEATER

Item#	Part	Description	X 3 V I P E N T	X 3 V I P M T H	N O T E S
		A) IN SPARE COMPARTMENT-LOCALISER			
		1) NOT SOLD SEPARATELY			
		P) CALL ORDER DESK FOR SPECIFIC APPLICATION (V.I.N.)			



From F-5816

Date:07/2024

PAGE:X3VIP-2207-06

WATER VALVE - HEATER



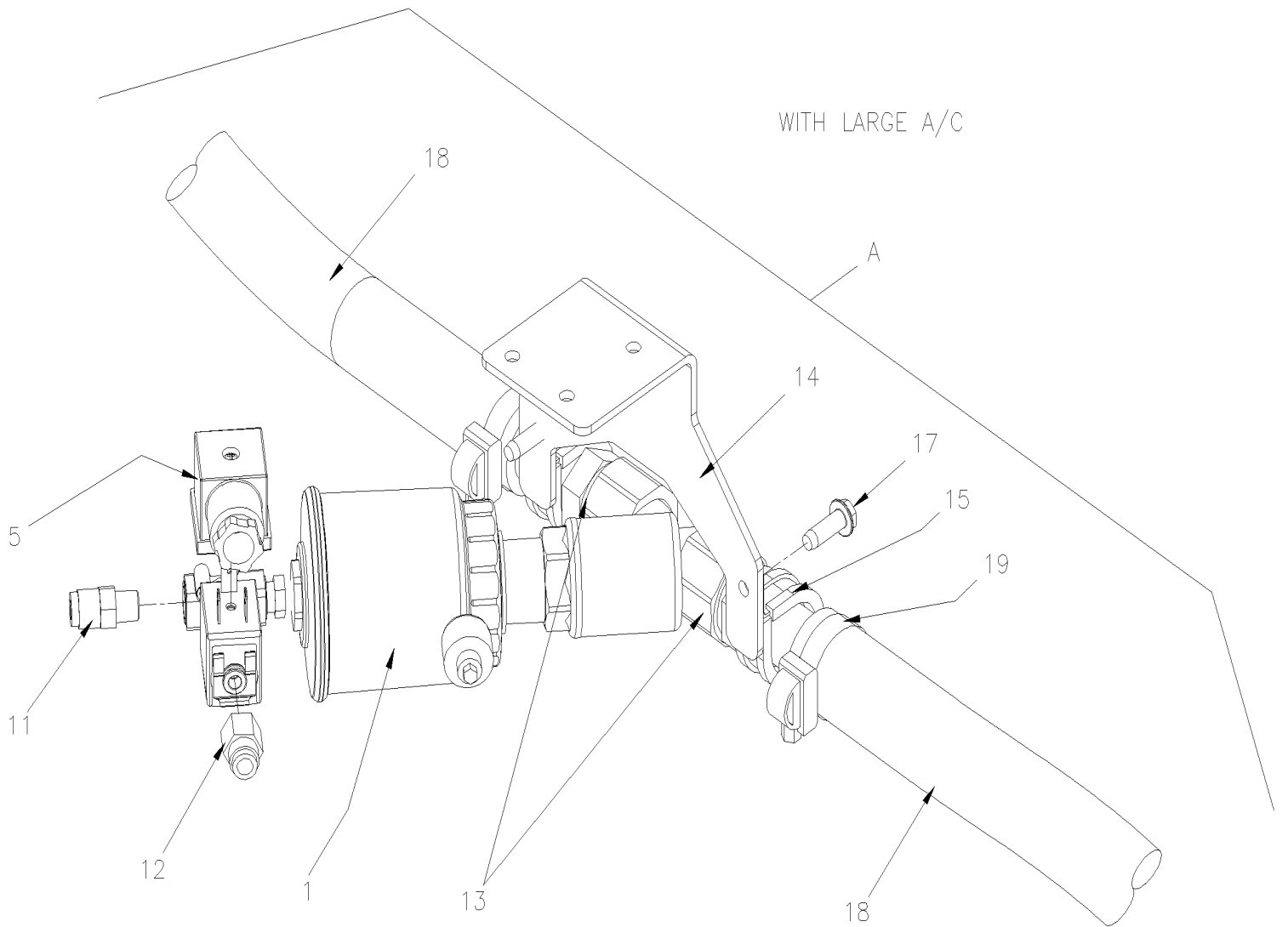


From F-5816

Date:07/2024

PAGE:X3VIP-2207-06

WATER VALVE - HEATER



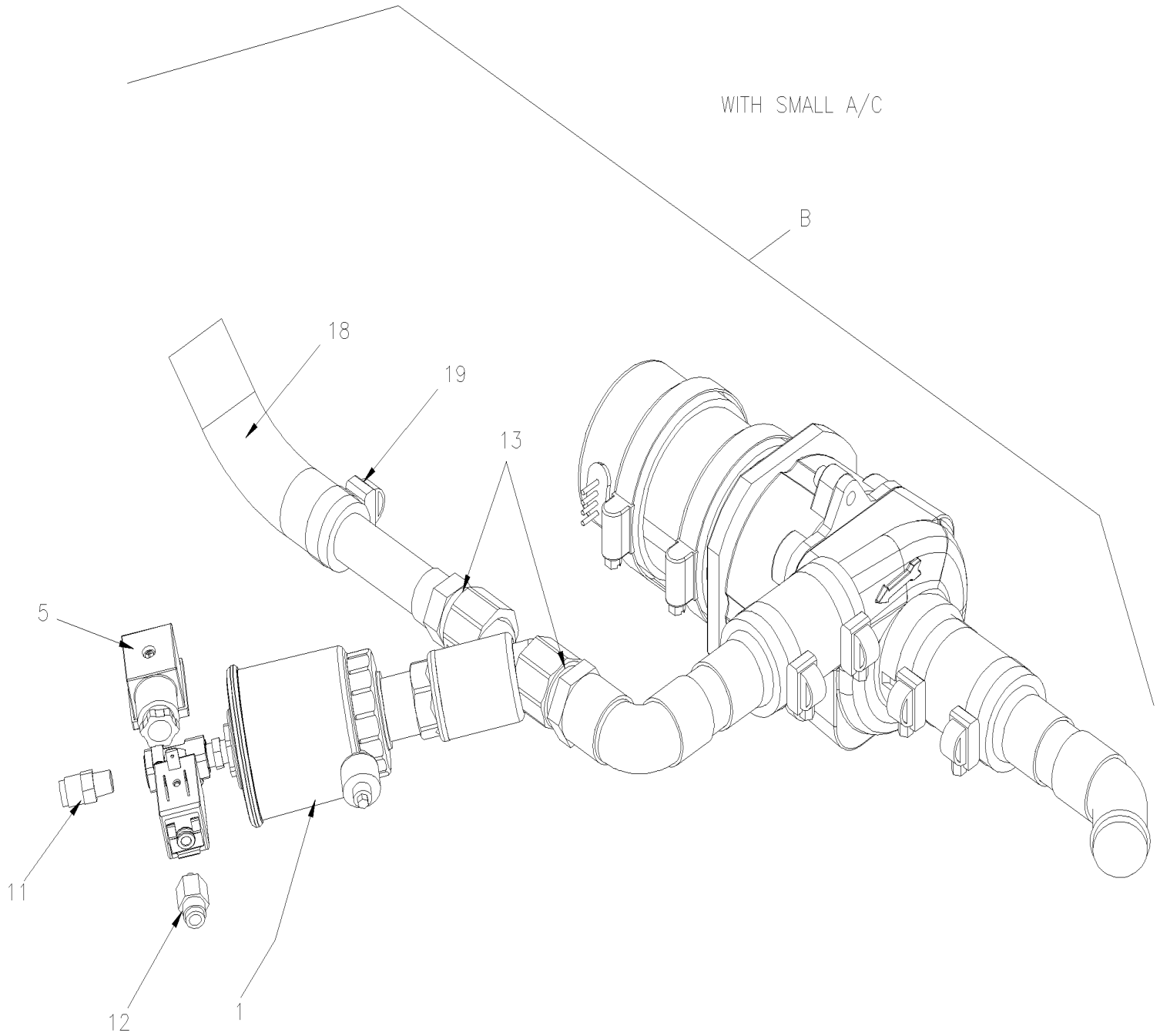


From F-5816

Date:07/2024

PAGE:X3VIP-2207-06

WATER VALVE - HEATER





From F-5816		Date:07/2024	PAGE:X3VIP-2207-06
WATER VALVE - HEATER			

Item#	Part	Description	X 3 V I P E N T	X 3 V I P M T H	N O T E S
1	871454	WATER VALVE ASSY / 24V	1	1	
2	871458	. VALVE PILOT	1	1	
3	871459	. VALVE PSITON SERVICE KIT	1	1	
. NS	N.S.S.	. . VALVE PSITON SERVICE KIT	1	1	1
. NS	N.S.S.	. . WASHER	1	1	1
. NS	N.S.S.	. . WASHER	1	1	1
. NS	N.S.S.	. . SEAL	1	1	1
4	871460	. CONNECTOR KIT	1	1	
5	641385	CONNECTOR / SOCKET HOUSING ASSY 3C / PNEUMAC 54934-01	1	1	
11	641242	MALE CONNECTOR / PUSH-IN FITTING / #4x1/8NPT-M BR	1	1	
12	642028	MALE CONNECTOR / PUSH-IN FITTING / 6MM x M5-0.8 BR To G-5969	1	1	
12	871374	MUFFLER M5 PLASTIC From G-5970 To J-6255	1	1	
12	642028	MALE CONNECTOR / PUSH-IN FITTING / 6MM x M5-0.8 BR From J-6256	1	1	
12	503040	TUBE, NYLON 6MM O.D. / WHITE S.L. From J-6256	1	1	
13	680098	THREAD SEALANT LOCTITE #567 / WHITE / 250ml	AR	AR	
14	374842	SUPPORT WATER VALVE	1	1	L
15	952635	CLAMP / 1" I.D.	2	2	L
17	502848	SCREW TC CAP HEXF 1/4-20x3/4 N500	4	4	L
18	503797	HOSE SILICONE 4 PLY / NOMEX-ARAMID 7/8" I.D. x 6'	AR	AR	
19	992084	HOSE CLAMP / 23MM/35MM	2	2	
A	Call order desk	WATER VALVE ASSY W/PIPE & SUPPORT To J-6255	1	1	PA
A	370148	WATER VALVE ASSY W/PIPE & SUPPORT From J-6256 To N-6713	1	1	A
A	Call order desk	WATER VALVE ASSY W/PIPE & SUPPORT From N-6714	1	1	PA
. NS	370417	. PIPE, VALVE ASSY From N-6714	2	2	A
B	X3VIP-2206-00	WATER PUMP #874297 AMETEK			
		A) IN SPARE COMPARTMENT			
		L) WITH LARGE A/C SYSTEM			
		P) CALL ORDER DESK FOR SPECIFIC APPLICATION (V.I.N.)			
		1) NOT SOLD SEPARATELY			

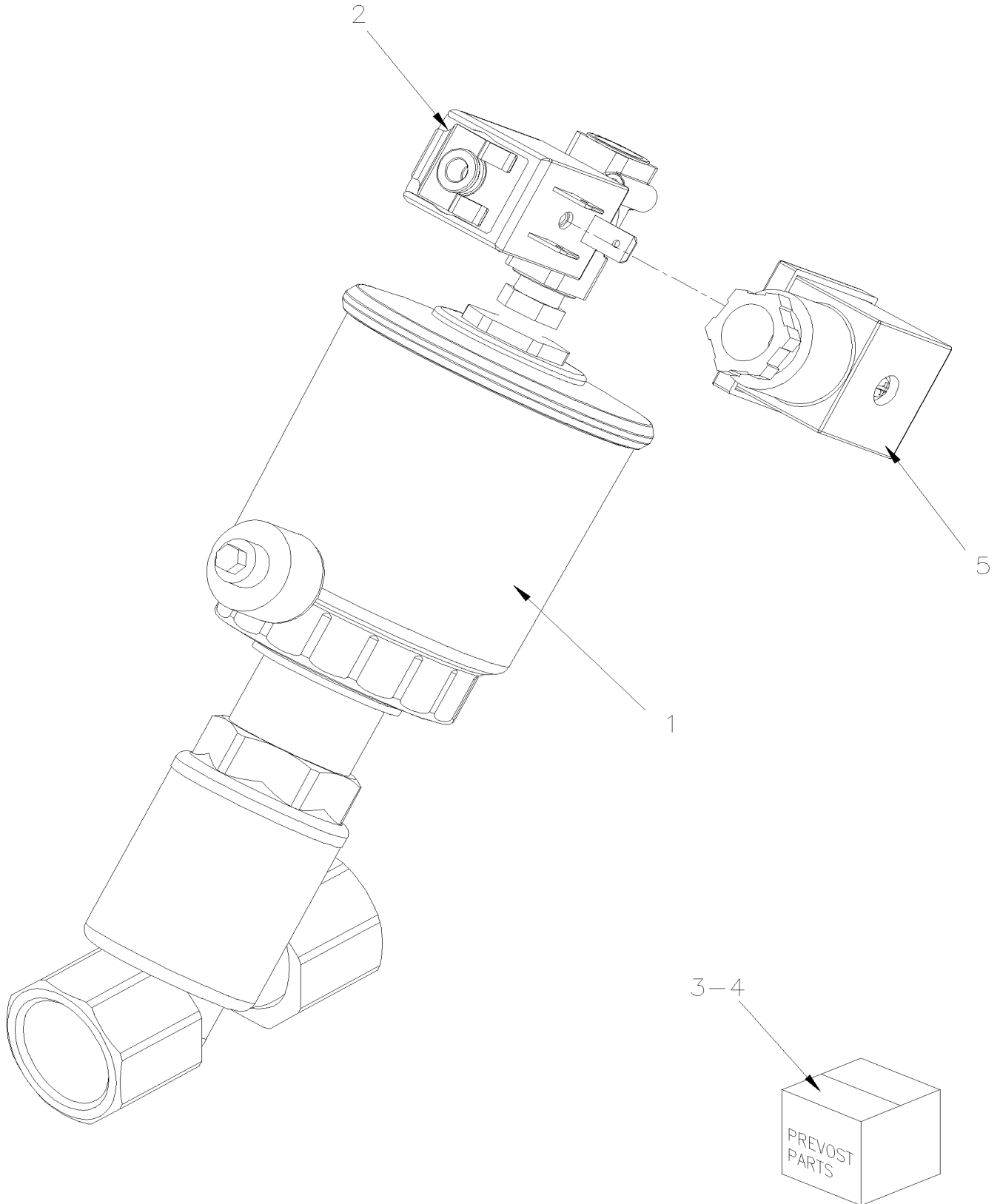


From E-5490 To F-5815

Date:07/2024

PAGE:X3VIP-2207-99

WATER VALVE - HEATER / SERVICE





From E-5490 To F-5815	Date:07/2024	PAGE:X3VIP-2207-99
WATER VALVE - HEATER / SERVICE		

Item#	Part	Description	X 3 V I P E N T	X 3 V I P M T H	N O T E S
1	871454	WATER VALVE ASSY / 24V	1	1	
2	871458	. VALVE PILOT	1	1	
3	871459	. VALVE PSITON SERVICE KIT	1	1	
. NS	N.S.S.	. . VALVE PSITON SERVICE KIT	1	1	1
. NS	N.S.S.	. . WASHER	1	1	1
. NS	N.S.S.	. . WASHER	1	1	1
. NS	N.S.S.	. . SEAL	1	1	1
4	871460	. CONNECTOR KIT	1	1	
5	641385	CONNECTOR / SOCKET HOUSING ASSY 3C / PNEUMAC 54934-01	1	1	
		1) NOT SOLD SEPARATELY			

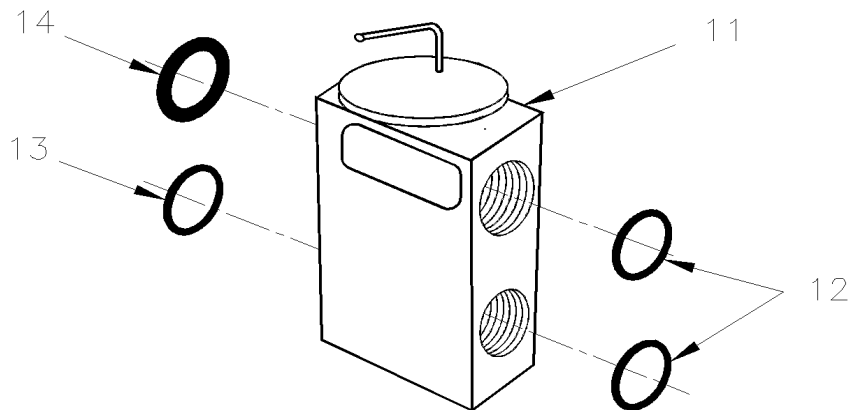
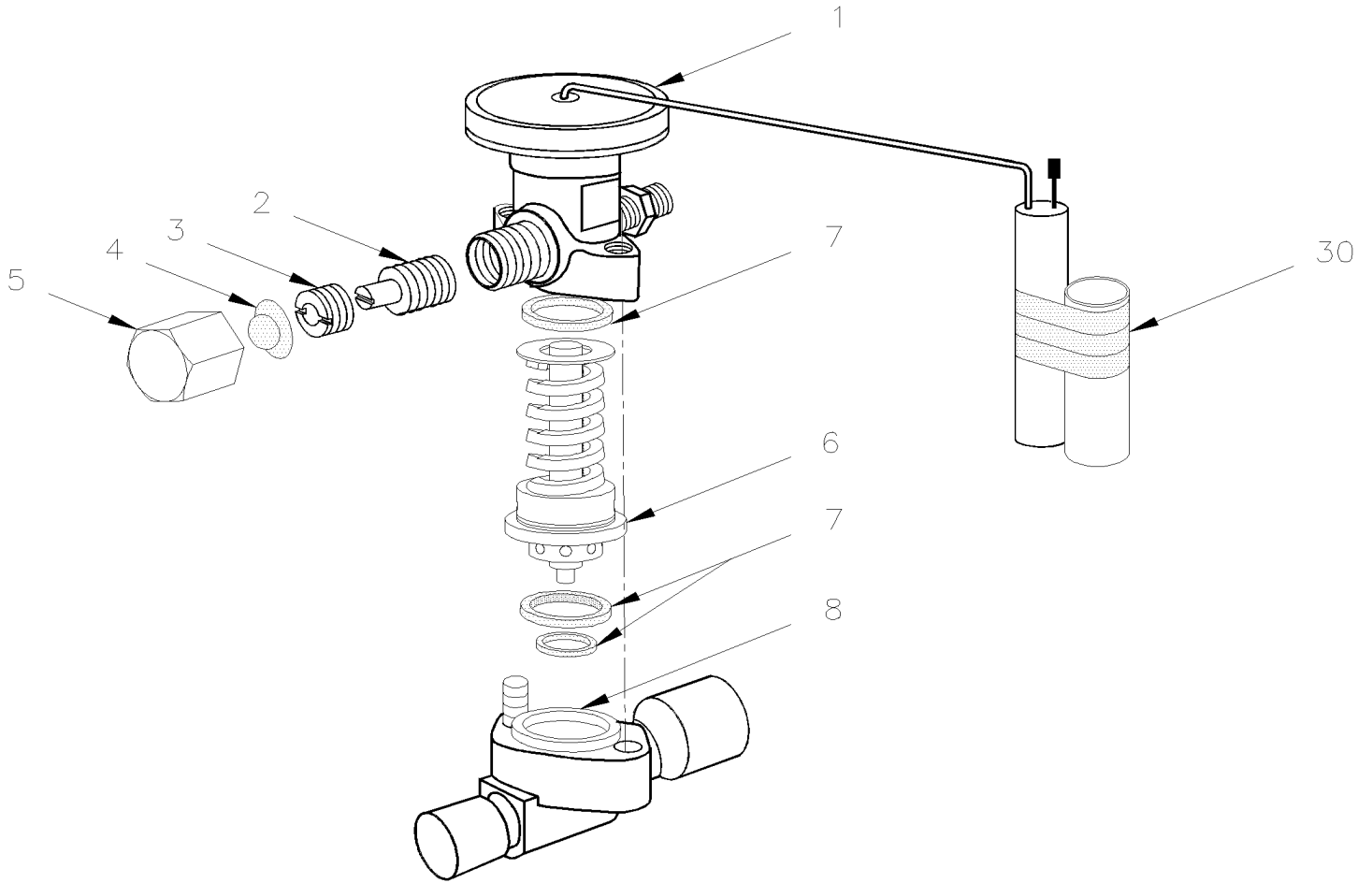


From E-5490 To K-6466

Date:07/2024

PAGE:X3VIP-2208-00

A/C EXPANSION VALVE



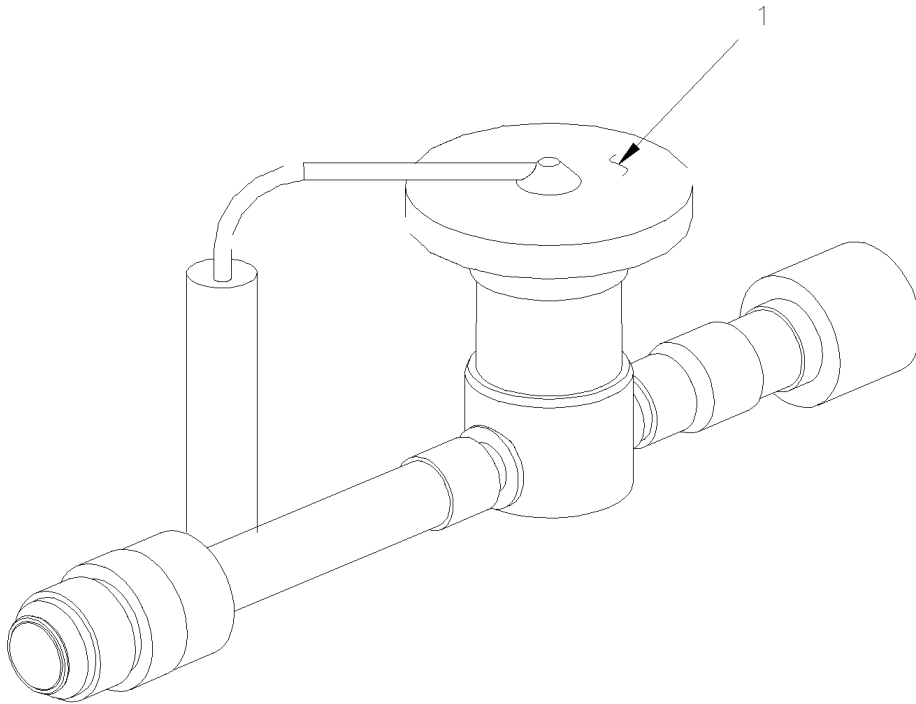


From E-5490 To K-6466

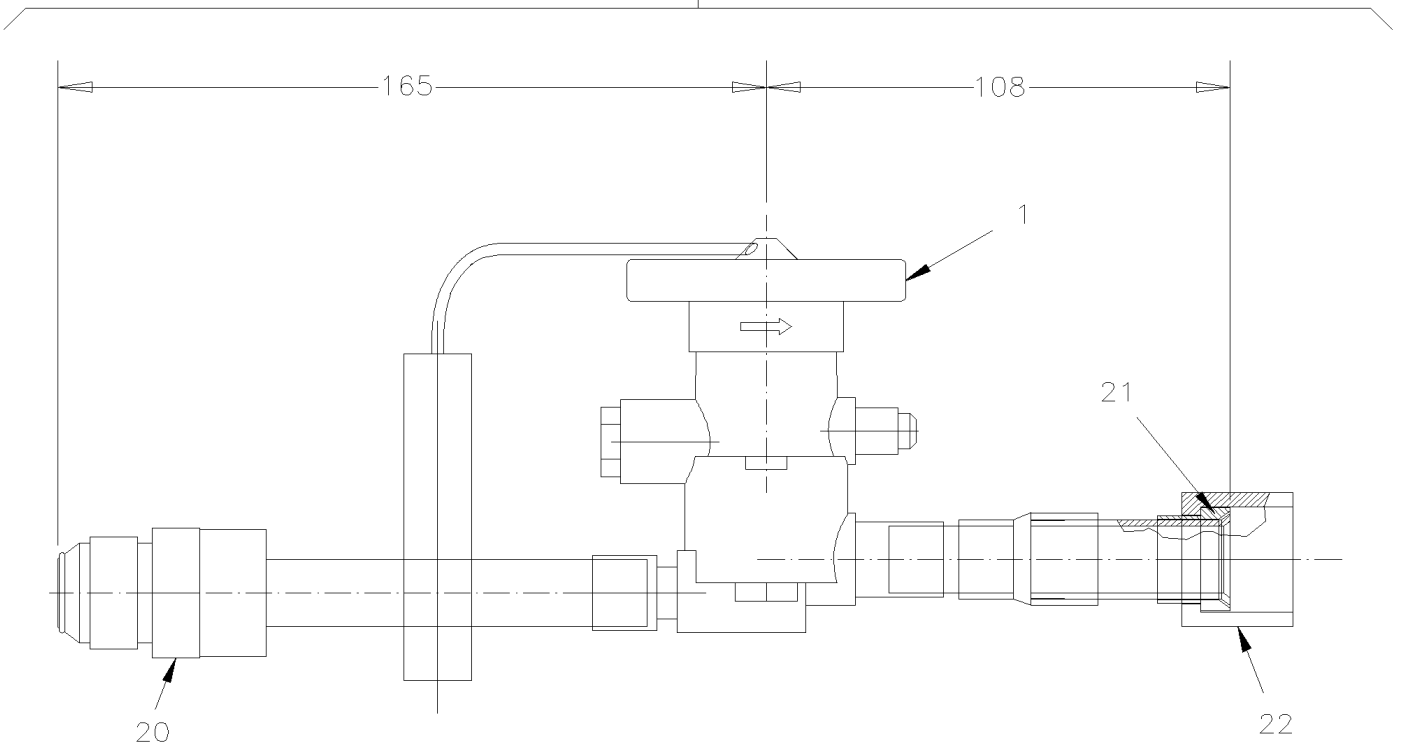
Date:07/2024

PAGE:X3VIP-2208-00

A/C EXPANSION VALVE



B





From E-5490 To K-6466	Date:07/2024	PAGE:X3VIP-2208-00
------------------------------	---------------------	---------------------------

A/C EXPANSION VALVE

Item#	Part	Description	X 3 V I P E N T	X 3 V I P M T H	N O T E S
	871344	VALVE, EXPANSION ASSY / WITH PIPE	1	1	A
	950320	. VALVE, EXPANSION 5 1/2 TON	1	1	
1	950241	. . ELEMENT POWER R134A	1	1	
1	950241	. . ELEMENT POWER R134A	1	1	A
2	870622	. . ADJUSTING STEM & PACKING ASSY	1	1	
3	870621	. . NUT PACKING	1	1	
4	N.S.S.	. . SEAL	1	1	1
5	870619	. . NUT CAP	1	1	
6	950317	. . CAGE ASSY & SPRING / B6B	1	1	
6	950258	. . CAGE ASSY & SPRING / B3B	1	1	A
7	870709	. . SET GASKET	1	1	
8	N.S.S.	. . FLANGE BODY	1	1	1
8	504634	T-CLIP / 7/8" - 1"	1	1	
8	504637	CABLE TIE / 3/16" x 13"	1	1	
11	950221	VALVE, EXPANSION / DRIVER'S W/R134A	1	1	
12	507279	O-RING / ORS FITTING / #8 NEO	1	1	
13	507278	O-RING / ORS FITTING / #4 NEO	1	1	
14	507344	O-RING / ORS FITTING / #10 NEO	1	1	
20	507525	ADAPTER JIC @ BRAZE W/O-RING / / #12JIC-Mx#10BRAZE-F BR	1	1	
. NS	501829	. O-RING / ORS FITTING / #12 NEO	1	1	
21	507518	SLEEVE / JIC 37° FITTING / #12 STL	1	1	
22	507519	NUT / JIC 37° FITTING / #12JIC-F STL	1	1	
30	680091	TAPE INSULATING / 1/8" x 2" x 30' / BLACK PT-1	1	1	
B	454699	VALVE, EXPANSION ASSY / WITH PIPE From C-5133	1	1	
		A) WITH SMALL A/C SYSTEM INSTALL ON FRONT DEFROSTER ASSY			
		1) NOT SOLD SEPARATELY			

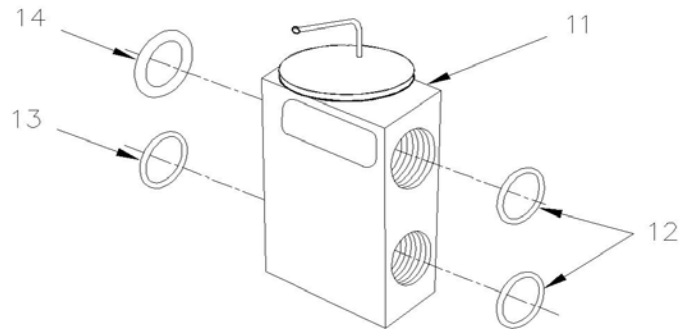
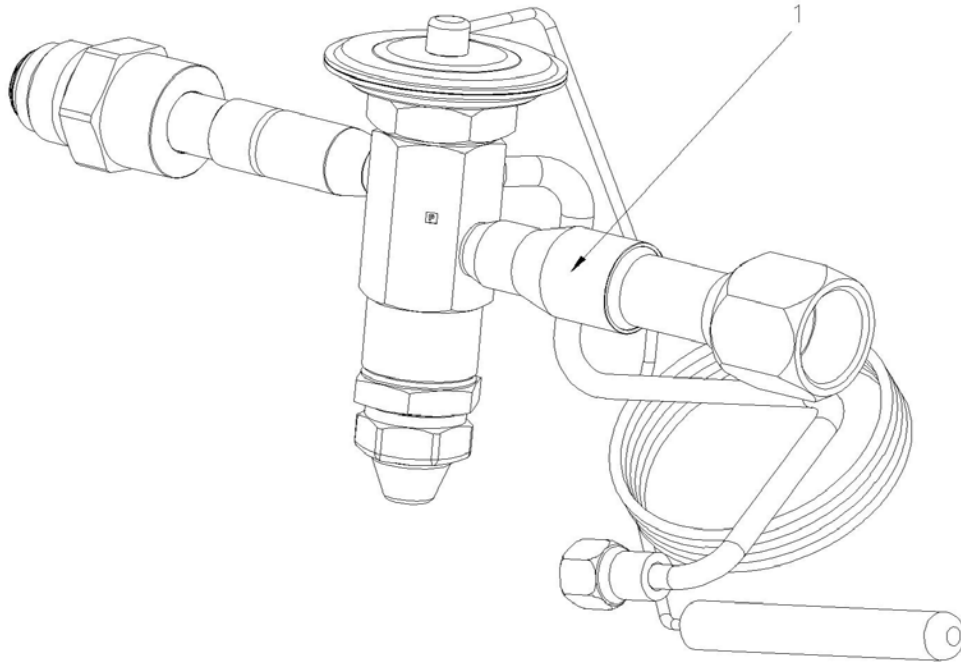
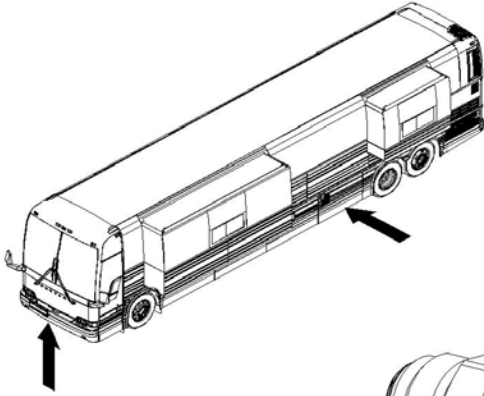


From K-6467

Date:07/2024

PAGE:X3VIP-2208-01

A/C EXPANSION VALVE





From K-6467	Date:07/2024	PAGE:X3VIP-2208-01
A/C EXPANSION VALVE		

Item#	Part	Description	X 3 V I P E N T	X 3 V I P M T H	N O T E S
1	950588	VALVE, EXPANSION ASSY / WITH PIPE	1	1	
. NS	501829	. O-RING / ORS FITTING / #12 NEO	AR	AR	
11	950221	VALVE, EXPANSION / DRIVER'S W/R134A	1	1	
12	507343	O-RING / ORS FITTING / #8 NEO	2	2	
13	507278	O-RING / ORS FITTING / #4 NEO	1	1	
14	507344	O-RING / ORS FITTING / #10 NEO	1	1	

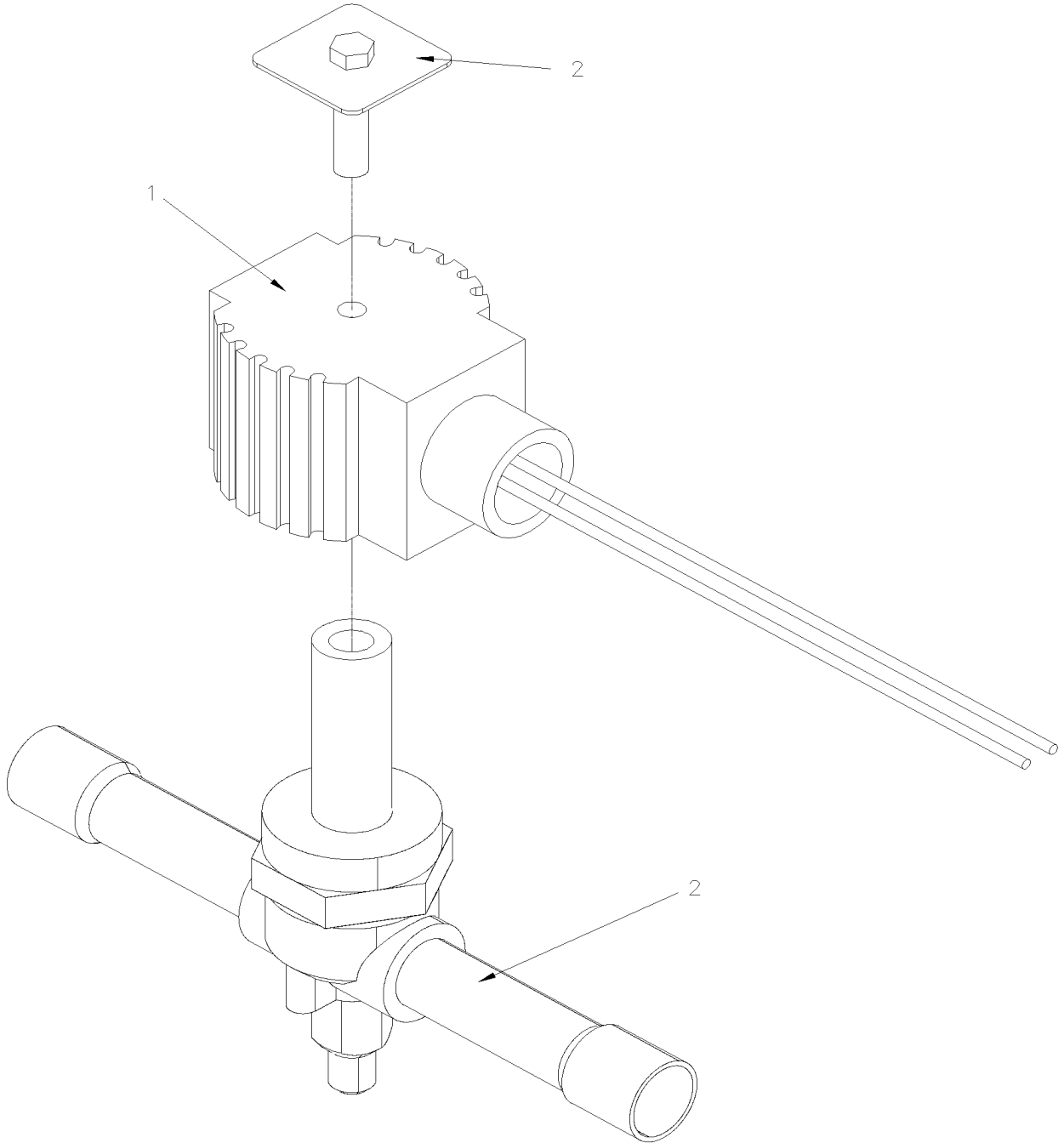


From E-5490

Date:07/2024

PAGE:X3VIP-2208-10

REFRIGERANT SOLENOID VALVE



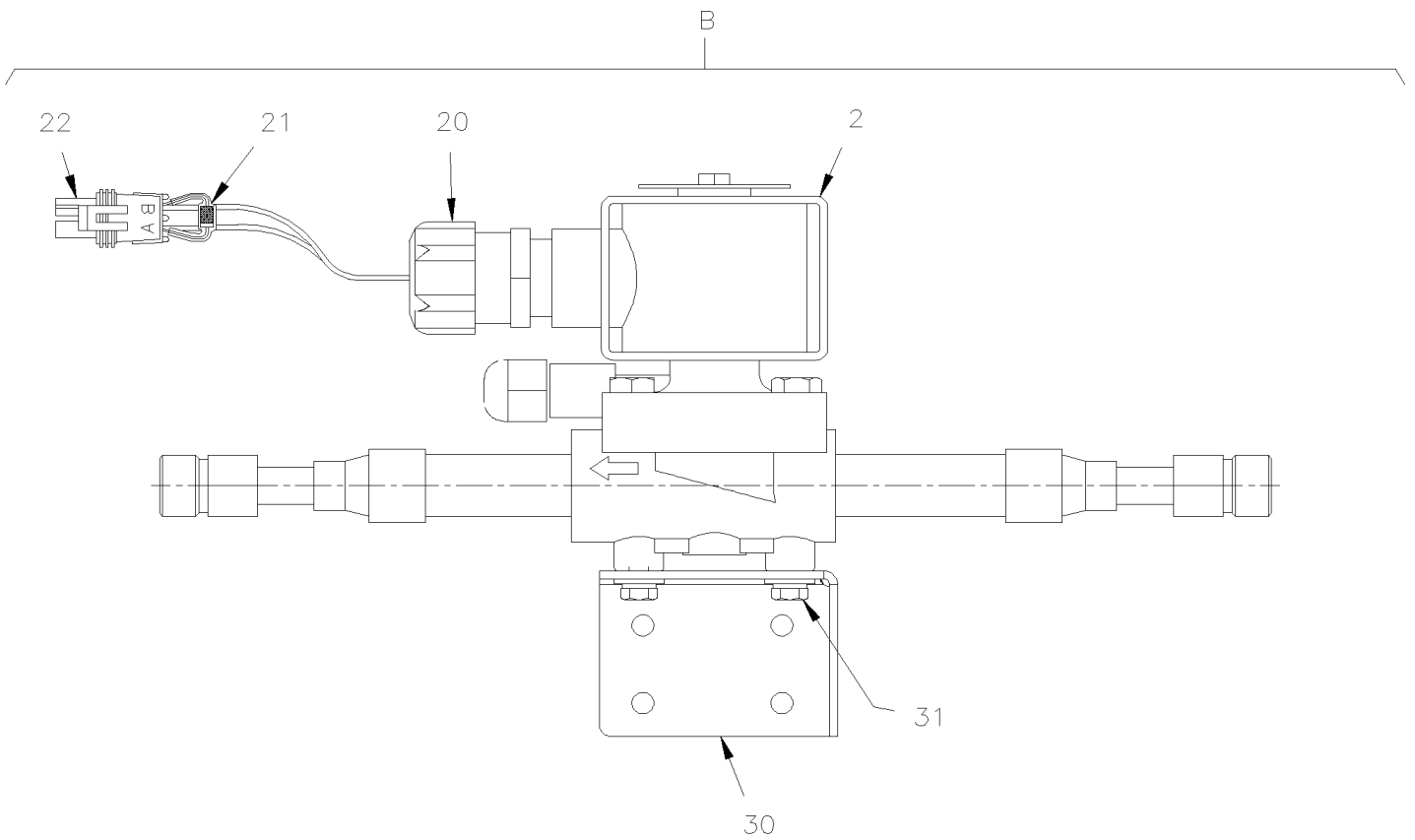


From E-5490

Date:07/2024

PAGE:X3VIP-2208-10

REFRIGERANT SOLENOID VALVE





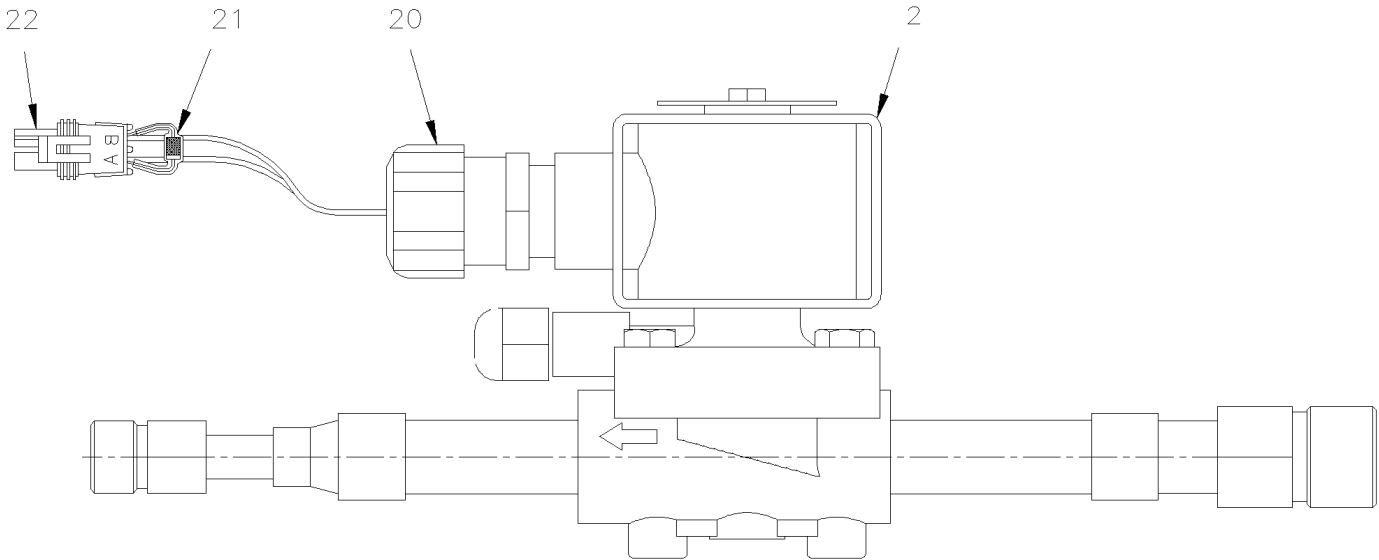
From E-5490

Date:07/2024

PAGE:X3VIP-2208-10

REFRIGERANT SOLENOID VALVE

C





From E-5490		Date:07/2024	PAGE:X3VIP-2208-10
-------------	--	--------------	--------------------

REFRIGERANT SOLENOID VALVE

Item#	Part	Description	X 3 V I P E N T	X 3 V I P M T H	N O T E S
1	950951	. VALVE REFRIGERANT SOLENOID	1	1	
2	457708	SOLENOID ASSY	1	1	
2	950953	. COIL 24V / SERVICE	1	1	
20	560434	. CONNECTOR 1/2" PIPE	1	1	
21	560931	. DIODE / 3AMPS	1	1	
22	561690	. CONNECTOR / WEATHER PACK / SH 2C / BLACK / PED 12015792	1	1	
NS	561565	. CABLE SEAL / GREEN / PED 15324982	2	2	
NS	561578	. SOCKET TERMINAL / 16-14 / PED 12010182	2	2	
23	507278	. O-RING / ORS FITTING / #4 NEO	1	1	
30	453315	SUPPORT / A/C VALVE	1	1	
31	5001689	SCREW CAP HEX #8-32x1/2 SS	2	2	
NS	502636	WASHER LO SPT 4.1x7.6x0.9 Z050	2	2	
NS	500855	WASHER FL .188x.438x.049 N500	2	2	
B	453318	VALVE ASSY / REFRIGERANT SOLENOID To F-5802	1	1	B
B	457700	VALVE ASSY / REFRIGERANT SOLENOID From F-5803	1	1	B
C	453151	VALVE ASSY / REFRIGERANT SOLENOID To F-5759	1	1	A
C	457696P	VALVE ASSY / REFRIGERANT SOLENOID From F-5760 To N-6713	1	1	A
C	454470	VALVE ASSY / REFRIGERANT W/O SOLENOID From N-6714	1	1	A
C	457708	SOLENOID ASSY From N-6714	1	1	A
		A) IN SPARE COMPARTMENT			
		B) IN SPARE COMPARTEMENT WITH SMALL A/C SYSTEM			

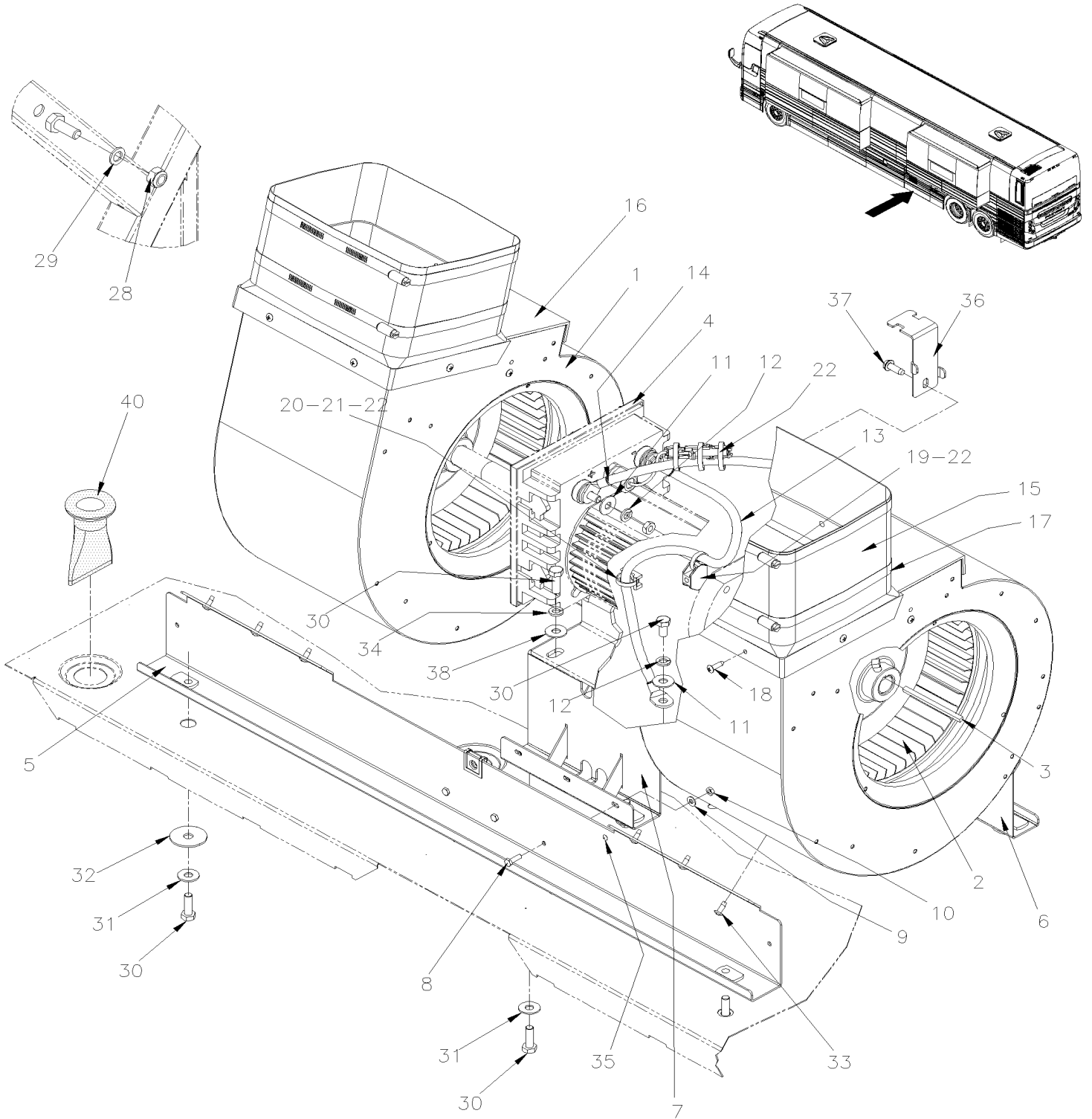


From E-5490

Date:07/2024

PAGE:X3VIP-2210-00

HEATER & EVAPORATOR BLOWER - INSTALLATION





From E-5490		Date:07/2024	PAGE:X3VIP-2210-00
HEATER & EVAPORATOR BLOWER - INSTALLATION			

Item#	Part	Description	X 3 V I P E N T	X 3 V I P M T H	N O T E S
1	871306	HOUSING ASSY W/BLOWER WHEEL	2	2	
1	871308	. HOUSING ASSY, GALVANISED	1	1	
2	870956	. BLOWER WHEEL	1	1	
3	452085	KEY 3/16 X 82 MM	2	2	
4	X3VIP-2265-01	MOTOR - EVAPORATOR BRUSHLESS			
5	453990	SUPPORT To E-5458	1	1	
5	454726	SUPPORT From E-5459 To E-5759	1	1	
5	457568	SUPPORT From F-5760 To H-6128	1	1	
5	450103	SUPPORT From H-6129	1	1	
6	453995	SUPPORT	1	1	
7	457414	BASE SUB ASSY	1	1	
8	5001447	SCREW CAP HEX #10-24x5/8 PT SS BK	6	6	
9	5001137	WASHER FL .203x.438x.050 SS	6	6	
10	5001180	NUT HEX NYRT #10-24 SS	6	6	
11	5001448	WASHER FL .343x.875x.062 SS18-8 From H-6180	3	3	
12	500035	WASHER LO SPT .317x.586x.078 SS From H-6180	3	3	
13	060527	EVAPORATOR POWER HARNESS GROUND From H-6180	1	1	
14	060175	EVAPORATOR POWER HARNESS From H-6145 To H-6145	1	1	
14	060529	EVAPORATOR POWER HARNESS From H-6180	1	1	
15	453986	FLEXIBLE DUCT / HEIGHT 140MM	2	2	
16	453992	TRANSITION ADAPTOR FLEXIBLE DUCT	2	2	
17	504729	CLAMP HOSE SS/CR 203-279	2	2	
18	500957	SCREW TP BDG PH #10x3/4 N500	10	10	
19	509492	CABLE TIE MOUNT FOR THREADED STUD 1/4	1	1	
20	504013	TIE MOUNT / 1/4" X 1/4" I.D.	1	1	
21	504379	RIVET POP DOME OE 3/16x1/4 SS	1	1	
22	504637	CABLE TIE / 3/16" x 13"	AR	AR	
28	5002028	NUT HEX NYRT M10-1.5 SS	1	1	
29	5001935	WASHER FL 10.5x18.0x1.6 SS	1	1	
30	502780	SCREW CAP HEX M8-1.25x25 SS BK To G-5948	12	12	
30	5001527	SCREW CAP HEX M8-1.25x16 SS BK From G-5949	AR	AR	
31	5001448	WASHER FL .343x.875x.062 SS18-8	AR	AR	
32	500261	WASHER FL .390x1.500x.083 N500 To G-5948	4	4	
32	500462	WASHER FL .343x1.500x.083 SS From G-5949	AR	AR	
33	502868	SCREW TC TR PH #10-16x1/2 N500	AR	AR	
34	500035	WASHER LO SPT .317x.586x.078 SS To G-6046	4	4	
35	504112	RIVET POP DOME OE 1/8x1/8 AL	2	2	
36	068359	SUPPORT WIRING HARNESS	1	1	
37	502848	SCREW TC CAP HEXF 1/4-20x3/4 N500	1	1	
38	5001448	WASHER FL .343x.875x.062 SS18-8 To G-6046	1	1	
38	5001848	WASHER BEL SPR .827 x .331 x .098 th SS From G-6047	1	1	
40	414654	DRAIN BOOT 1" I.D. W/GROOVE 1.5 x 35MM I.D. x 85MM	4	4	

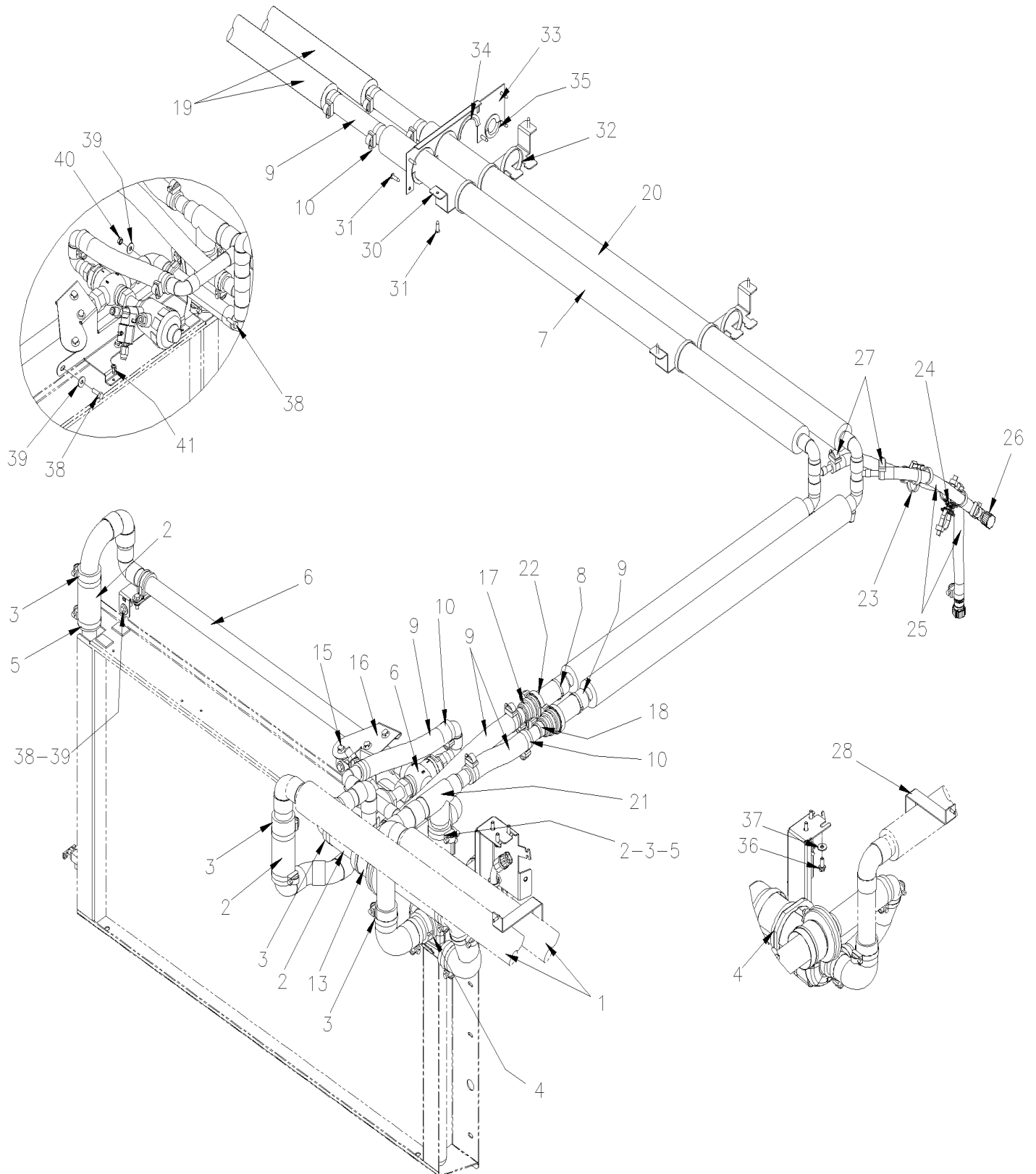


From E-5490 To H-6179

Date:07/2024

PAGE:X3VIP-2210-10

WATER PUMP - INSTALLATION





From E-5490 To H-6179	Date:07/2024	PAGE:X3VIP-2210-10
WATER PUMP - INSTALLATION		

Item#	Part	Description	X 3 V I P E N T	X 3 V I P M T H	N O T E S
1	X3VIP-2222-35	HEATER LINE REAR SECTION			
2	503783	HOSE SILICONE 4PLY / NOMEX-ARAMID 34MM I.D. x 6'	AR	AR	
3	504783	HOSE CLAMP / 1"1/16-2" SS / C.T. W.S. To E-5759	AR	AR	
3	992086	HOSE CLAMP / 32MM/52MM From F-5760	AR	AR	
4	X3VIP-2206-00	WATER PUMP #874297 AMETEK			
5	504692	HOSE CLAMP STEPLESS SPRING SS / OETIKER / 1.5-1.8 To E-5759	2	2	
5	992086	HOSE CLAMP / 32MM/52MM From F-5760	2	2	
6	X3VIP-2207-00	WATER VALVE - HEATER			
7	Call order desk	PIPE ASSY / INLET	1	1	P
8	504637	CABLE TIE / 3/16" x 13"	AR	AR	
9	503797	HOSE SILICONE 4 PLY / NOMEX-ARAMID 7/8" I.D. x 6'	AR	AR	
10	504781	HOSE CLAMP / 13/16"-1 5/16" SS / C.T. W.S. To E-5759	AR	AR	
10	992084	HOSE CLAMP / 23MM/35MM From F-5760	AR	AR	
13	504385	CUFF END BELLOW / 1 1/2" I.D. x 2 1/2" x 4"	1	1	
13	504637	CABLE TIE / 3/16" x 13"	1	1	
15	509815	TIE MOUNT / ATTACHMENT W/TREE MOUNT	AR	AR	
15	504637	CABLE TIE / 3/16" x 13"	AR	AR	
16	374674	SUPPORT WATER VALVE BACKWARD	1	1	
17	504383	CUFF END BELLOW / 7/8" I.D. x 1 1/2" x 2 1/4"	2	2	
18	504020	HOSE CLAMP / 9/16"-1"1/4 SS / HS-12 To E-5759	2	2	
18	992084	HOSE CLAMP / 23MM/35MM From F-5760	2	2	
19	374492	PIPE ASSY / CENTRAL SECTION 2345MM To F-5894	2	2	
19	378928	PIPE ASSY / CENTRAL SECTION 4342MM From F-5895	2	2	
20	Call order desk	PIPE ASSY / OUTLET	1	1	P
21	Call order desk	PIPE ASSY / OUTLET	1	1	P
22	504022	HOSE CLAMP / 3/4"-1"3/4 SS / HS-20 To E-5759	2	2	
22	992086	HOSE CLAMP / 32MM/52MM From F-5760	2	2	
23	504768	CABLE TIE / 3/16" 14.7" / DOUBLE LOOP HEAD	3	3	
24	504751	ROTATIF SPACER DOUBLE / SMALL To E-5759	1	1	
24	504016	CABLE TIE / 5/16" X 14"1/2 To E-5759	2	2	
24	8631155	CABLE TIE / 4.6MM x 200 / CHRISTMAS TREE From F-5760	AR	AR	
25	503821	HOSE SILICONE 4 PLY / NOMEX-ARAMID 3/8" x 144"	AR	AR	
26	20805110	QUICK CONNECTOR 90° 10MM	2	2	
27	992081	HOSE CLAMP / 12MM/22MM	4	4	
28	372005	SUPPORT / TUBE	AR	AR	
28	500654	SCREW TC BDG PH #8-32x1/2 Z050	AR	AR	
28	500641	SCREW TP PAN PH #8x3/4 Z050	AR	AR	
30	457699	SUPPORT To F-5780	6	6	
30	457712	SUPPORT From F-5781	6	6	
31	500957	SCREW TP BDG PH #10x3/4 N500	AR	AR	
32	504016	CABLE TIE / 5/16" X 14"1/2	AR	AR	
33	221674	CLOSING PLATE ASS	1	1	



From E-5490 To H-6179	Date:07/2024	PAGE:X3VIP-2210-10
WATER PUMP - INSTALLATION		

Item#	Part	Description	X 3 V I P E N T	X 3 V I P M T H	N O T E S
34	5060120	. GROMMET EDGING ADHESIVE .036-.062	AR	AR	
35	506338	RUBBER CHANNEL / 1/16" x 1/4" INT "U" SHAPE / ROUND C.T.L.	AR	AR	
35	680532	SEALANT SIKA #221 / GREY / 310ml CARTRIDGE	AR	AR	
36	5001730	SCREW CAP HEXF M6-1.0x16 G10.9 N500	3	3	
37	5001833	WASHER BEL SPR 6.1x18x1.27 SS	3	3	
38	502830	SCREW CAP HEX M6-1.0x20 G8.8 N500	3	3	
39	5001833	WASHER BEL SPR 6.1x18x1.27 SS	3	3	
40	502854	NUT HEX M6-1.0 N500	1	1	
41	502868	SCREW TC TR PH #10-16x1/2 N500	2	2	
		P) CALL ORDER DESK FOR SPECIFIC APPLICATION (V.I.N.)			

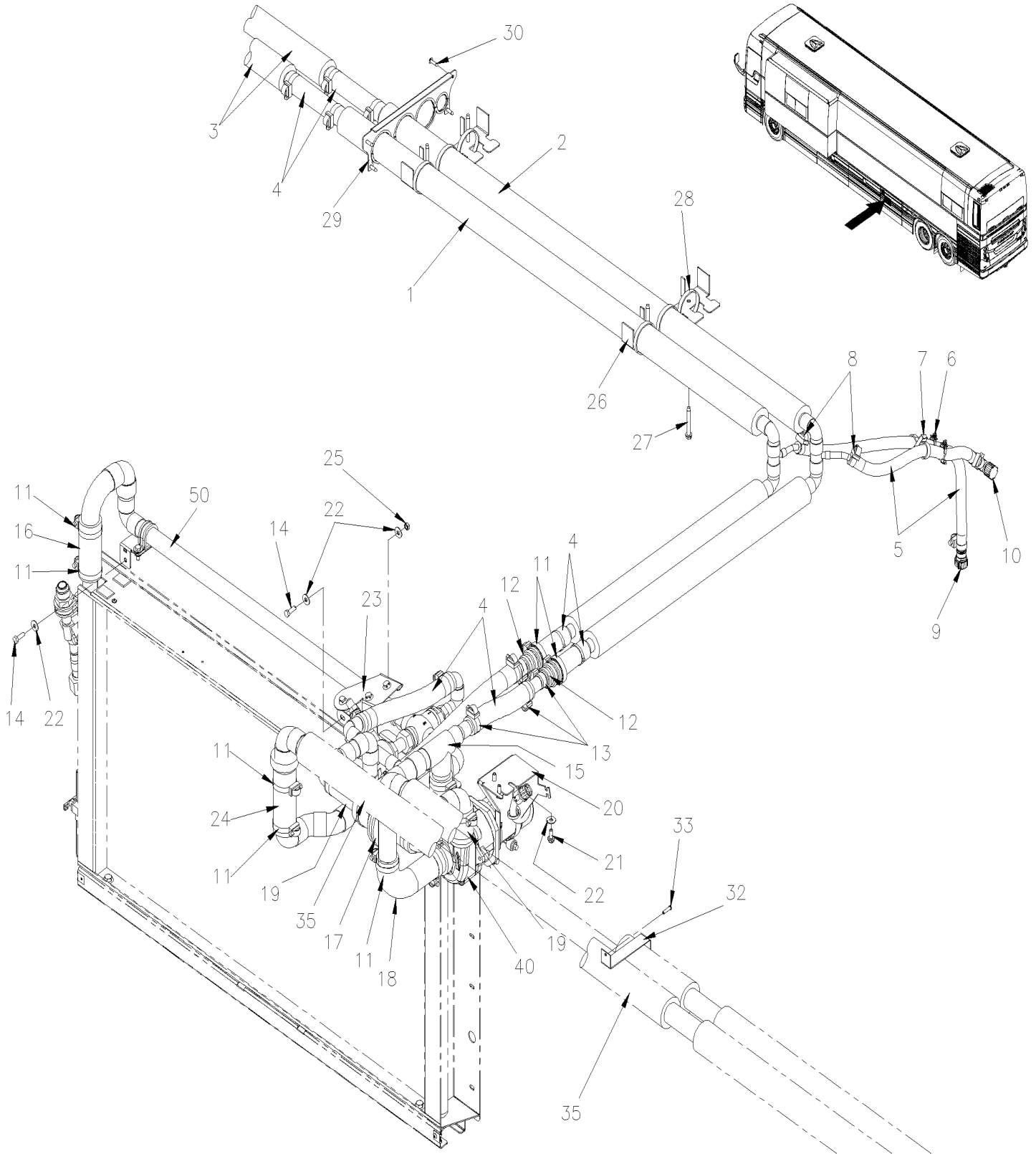


From H-6180

Date:07/2024

PAGE:X3VIP-2210-11

WATER PUMP - INSTALLATION WITH LARGE A/C / "GHG17"





From H-6180	Date:07/2024	PAGE:X3VIP-2210-11
WATER PUMP - INSTALLATION WITH LARGE A/C / "GHG17"		

Item#	Part	Description	X 3 V I P E N T	X 3 V I P M T H	NOTES
1	374881	PIPE ASSY / INLET	1	1	
2	374880	PIPE ASSY / OUTLET	1	1	
3	378928	PIPE ASSY / CENTRAL SECTION 4342MM	2	2	
4	503797	HOSE SILICONE 4 PLY / NOMEX-ARAMID 7/8" I.D. x 6'	2	2	
NS	504637	CABLE TIE / 3/16" x 13"	AR	AR	
5	503821	HOSE SILICONE 4 PLY / NOMEX-ARAMID 3/8" x 144"	AR	AR	
6	8631155	CABLE TIE / 4.6MM x 200 / CHRISTMAS TREE	AR	AR	
7	504768	CABLE TIE / 3/16" 14.7" / DOUBLE LOOP HEAD	AR	AR	
8	992081	HOSE CLAMP / 12MM/22MM	AR	AR	
9	20805109	QUICK CONECTOR 10MM	1	1	
10	20805110	QUICK CONNECTOR 90° 10MM	1	1	
11	992086	HOSE CLAMP / 32MM/52MM	AR	AR	
12	504383	CUFF END BELLOW / 7/8" I.D. x 1 1/2" x 2 1/4"	2	2	
13	992084	HOSE CLAMP / 23MM/35MM	AR	AR	
14	502830	SCREW CAP HEX M6-1.0x20 G8.8 N500	AR	AR	
15	374689	PIPE ASSY / OUTLET To N-6713	1	1	
15	370047	PIPE ASSY / OUTLET From N-6714	1	1	
16	503783	HOSE SILICONE 4PLY / NOMEX-ARAMID 34MM I.D. x 6'	AR	AR	
17	504385	CUFF END BELLOW / 1 1/2" I.D. x 2 1/2" x 4"	1	1	
NS	504637	CABLE TIE / 3/16" x 13"	1	1	
18	378925	ELBOW 90° X 1 3/8" I.D. / 78MM x 140MM C/C / SILICONE	1	1	
19	Call order desk	WATER PUMP ASSY WITH PIPE / WITH LARGE A/C	1	1	P
19	370415	. PIPE, PUMP ASSY From N-6714	1	1	
20	374822	SUPPORT / WATER PUMP	1	1	
NS	509815	TIE MOUNT / ATTACHMENT W/TREE MOUNT	1	1	
NS	504637	CABLE TIE / 3/16" x 13"	1	1	
21	5001730	SCREW CAP HEXF M6-1.0x16 G10.9 N500	AR	AR	
22	5001833	WASHER BEL SPR 6.1x18x1.27 SS	AR	AR	
23	374674	SUPPORT WATER VALVE BACKWARD	1	1	
24	503392	HOSE SILICONE 4PLY 1 3/8" I.D. x 4' To K-6427	AR	AR	
24	503783	HOSE SILICONE 4PLY / NOMEX-ARAMID 34MM I.D. x 6' From K-6427	AR	AR	
25	502854	NUT HEX M6-1.0 N500	AR	AR	
26	370062	SUPPORT, HVAC PIPE 211MM	AR	AR	
27	500625	SCREW TC CAP HEXW 1/4-20x2 Z050			
28	504016	CABLE TIE / 5/16" X 14"1/2	AR	AR	
29	370089	CLOSING PLATE W/SMALL A/C	1	1	
29	374886	CLOSING PLATE W/LARGE A/C	1	1	
. NS	506338	. RUBBER CHANNEL / 1/16" x 1/4" INT "U" SHAPE / ROUND C.T.L.	AR	AR	
. NS	680066	. ADHESIVE / ADBOND #5014 / 23.6ML BOTTLE	ar	ar	
NS	5060120	GROMMET EDGING ADHESIVE .036-.062 To K-6491	AR	AR	
29	506338	RUBBER CHANNEL / 1/16" x 1/4" INT "U" SHAPE / ROUND C.T.L. From L-6492	AR	AR	
29	680066	ADHESIVE / ADBOND #5014 / 23.6ML BOTTLE From L-6492	AR	AR	



From H-6180		Date:07/2024	PAGE:X3VIP-2210-11		
WATER PUMP - INSTALLATION WITH LARGE A/C / "GHG17"					
Item#	Part	Description	X 3 V I P E N T	X 3 V I P M T H	NOTES
30	500957	SCREW TP BDG PH #10x3/4 N500	AR	AR	
32	372005	SUPPORT / TUBE	3	3	
NS	500641	SCREW TP PAN PH #8x3/4 Z050	3	3	
33	500654	SCREW TC BDG PH #8-32x1/2 Z050	3	3	
35	X3VIP-2222-36	HEATER LINE REAR SECTION / "GHG17"			
40	X3VIP-2206-00	WATER PUMP #874297 AMETEK			
50	X3VIP-2207-00	WATER VALVE - HEATER			
		P) CALL ORDER DESK FOR SPECIFIC APPLICATION (V.I.N.)			

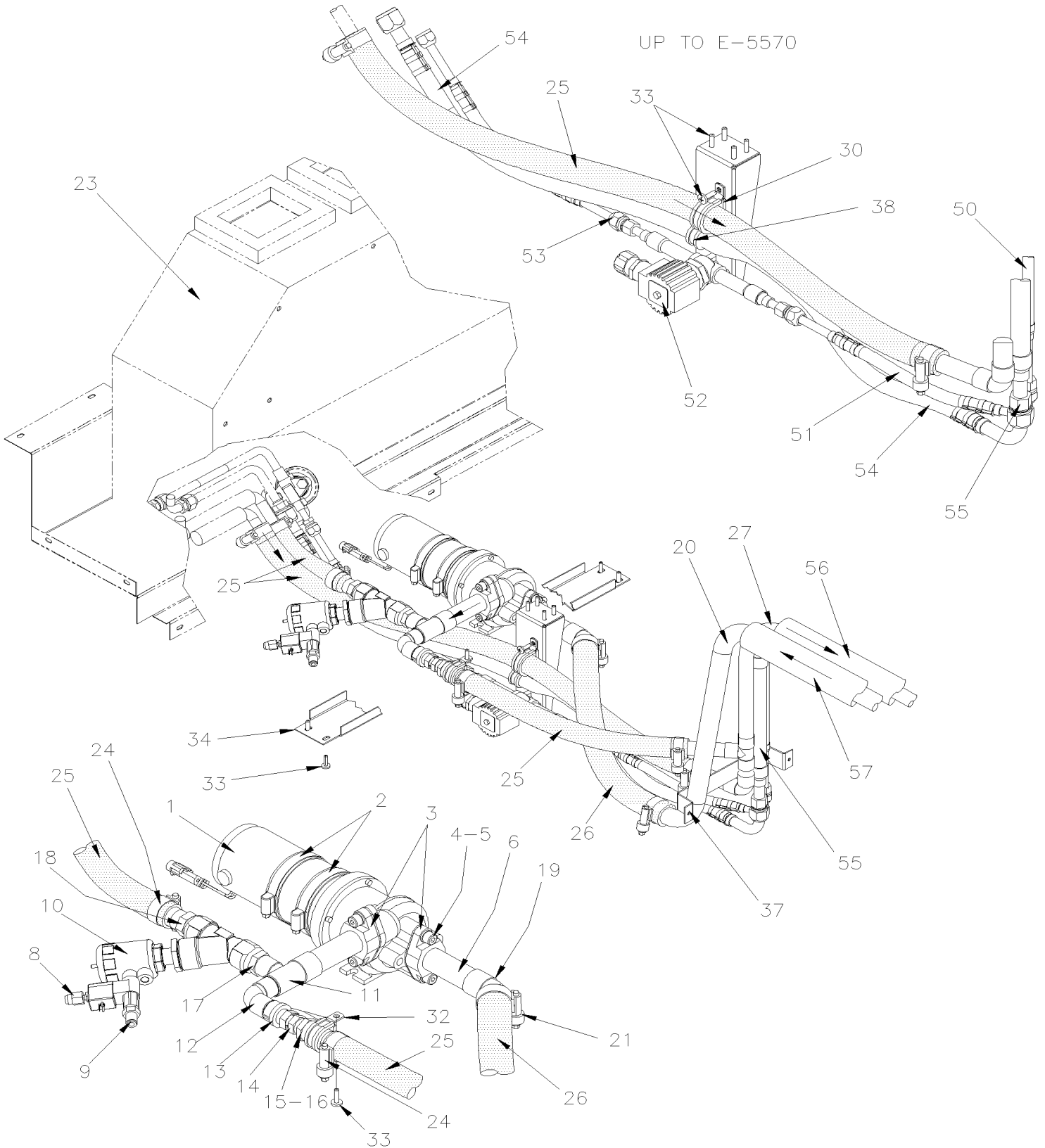


From E-5490

Date:07/2024

PAGE:X3VIP-2210-20

WATER PUMP & FILTER - W/SMALL A/C



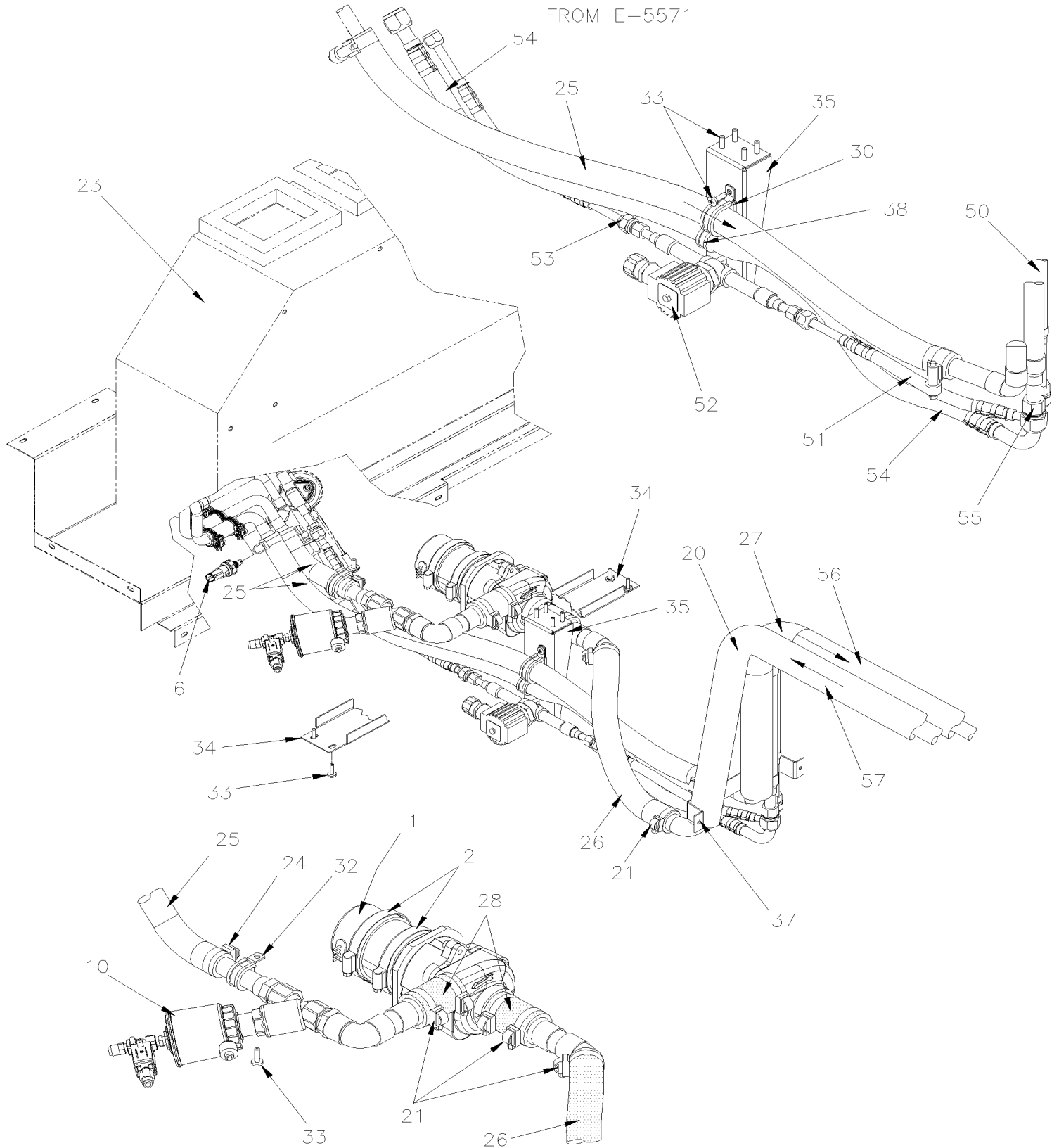


From E-5490

Date:07/2024

PAGE:X3VIP-2210-20

WATER PUMP & FILTER - W/SMALL A/C





From E-5490		Date:07/2024	PAGE:X3VIP-2210-20
WATER PUMP & FILTER - W/SMALL A/C			

Item#	Part	Description	X 3 V I P E N T	X 3 V I P M T H	N O T E S
	Call order desk	WATER PUMP ASSY W/WATER VALVE	1	1	P
1	X3VIP-2206-00	WATER PUMP #874297 AMETEK			
2	504235	HOSE CLAMP / 3"9/16"-4"1/2 SS / HS-64	2	2	
NS	506728	TAPE RUB ADH1 NEO 1/4" x 3/4" x 10' / BLACK	AR	AR	
3	871206	FLANGE ADAPTOR / W/QUAD RING To F-5815	2	2	
NS	870441	GASKET PUMP INLET & OUTLET To F-5815	2	2	
4	5001580	SCREW CAP HEXS 3/8-16x7/8 To F-5815	4	4	
5	500478	WASHER LO SPT .380x.683x.094 Z050 To F-5815	4	4	
6	950546	SENSOR,COMBINED PRESSURE-TEMPERATURE From H-6180	1	1	
8	642028	MALE CONNECTOR / PUSH-IN FITTING / 6MM x M5-0.8 BR To F-5815	1	1	
9	641332	MALE CONNECTOR / PUSH-IN FITTING / #4x1/4NPT-M BR To F-5815	1	1	
10	X3VIP-2207-05	WATER VALVE - HEATER To F-5815			
10	X3VIP-2207-06	WATER VALVE - HEATER From F-5816			
20	Call order desk	PIPE ASSY / FORWARD SECTION 4038MM To G-5976	1	1	P
20	Call order desk	PIPE ASSY / FORWARD SECTION From G-5977 To H-6179	1	1	P
20	370083	PIPE ASSY / FORWARD SECTION 2141.8MM From H-6180	1	1	
20	Call order desk	PIPE ASSY / CENTRAL SECTION 2345MM To G-5976	1	1	P
20	Call order desk	PIPE ASSY / CENTRAL SECTION 4389MM From G-5977	1	1	P
20	Call order desk	PIPE ASSY / BACKWARD SECTION To H-6179	1	1	P
20	370084	PIPE ASSY / BACKWARD SECTION From H-6180	1	1	
20	504782	. HOSE CLAMP / 1 3/16-1 13/16 SS / C.T. W.S. To E-5759	AR	AR	
20	992086	. HOSE CLAMP / 32MM/52MM From F-5760	AR	AR	
20	503796	. HOSE SILICONE 2 PLY / NOMEX-ARAMID 1 1/8" I.D. x 6'	AR	AR	
21	504782	HOSE CLAMP / 1 3/16-1 13/16 SS / C.T. W.S. To E-5759	2	2	
21	992086	HOSE CLAMP / 32MM/52MM From F-5760 To F-5815	2	2	
21	992086	HOSE CLAMP / 32MM/52MM From F-5816	6	6	
23	X3VIP-2230-00	DEFROSTER - INSTALLATION			
24	504781	HOSE CLAMP / 13/16"-1 5/16" SS / C.T. W.S. To E-5759	AR	AR	
24	992084	HOSE CLAMP / 23MM/35MM From F-5760	AR	AR	
25	503803	HOSE SILICONE 1 PLY / NOMEX-ARAMID 7/8" I.D. x 100' / S.L. To G-5976	AR	AR	
25	503797	HOSE SILICONE 4 PLY / NOMEX-ARAMID 7/8" I.D. x 6' From G-5977	AR	AR	
26	503810	HOSE SILICONE 1 PLY / NOMEX-ARAMID 1 1/8" I.D. x 25'	AR	AR	
27	Call order desk	PIPE ASSY / FORWARD SECTION To E-5570	1	1	P
27	Call order desk	PIPE ASSY / FORWARD SECTION From E-5571 To G-5976	1	1	P
27	378932	PIPE ASSY / 4352MM From G-5977 To H-6179	1	1	
27	370115	PIPE ASSY / 2184.3MM From H-6180	1	1	
27	Call order desk	PIPE ASSY / CENTRAL SECTION 2345MM To G-5976	1	1	P
27	378928	PIPE ASSY / CENTRAL SECTION 4342MM From G-5977	1	1	
27	Call order desk	PIPE ASSY / BACKWARD SECTION To H-6179	1	1	P
27	370085	PIPE ASSY / BACKWARD SECTION From H-6180	1	1	
27	504781	. HOSE CLAMP / 13/16"-1 5/16" SS / C.T. W.S. To E-5759	AR	AR	
27	992084	. HOSE CLAMP / 23MM/35MM From F-5760	AR	AR	



From E-5490	Date:07/2024	PAGE:X3VIP-2210-20
WATER PUMP & FILTER - W/SMALL A/C		

Item#	Part	Description	X 3 V I P E N T	X 3 V I P M T H	N O T E S
27	503796	. HOSE SILICONE 2 PLY / NOMEX-ARAMID 1 1/8" I.D. x 6'	AR	AR	
28	503783	HOSE SILICONE 4PLY / NOMEX-ARAMID 34MM I.D. x 6'	AR	AR	
30	952639	CLAMP / 1"1/4 I.D.	1	1	
32	952635	CLAMP / 1" I.D. To F-5815	1	1	
32	952633	CLAMP / 7/8" I.D. From F-5816	1	1	
33	502526	SCREW TC BDG PH #12-24x3/4 Z050	10	10	
34	172355	SUPPORT / VALVE	1	1	
NS	504637	CABLE TIE / 3/16" x 13"	AR	AR	
35	453315	SUPPORT / A/C VALVE	1	1	
37	450458	SUPPORT	1	1	
38	952631	CLAMP / 3/4" I.D. To G-6080	AR	AR	
38	952633	CLAMP / 7/8" I.D. From G-6081	AR	AR	
50	453319	PIPE ASSY To G-5985	1	1	
50	Call order desk	PIPE ASSY FRONT From G-5986	1	1	P
51	455212	HOSE ASSY / PIPE & VALVE #6 205MM To F-5802	1	1	
. NS	507278	. O-RING / ORS FITTING / #4 NEO To F-5802	2	2	
51	457693	HOSE ASSY / #8 2140MM From F-5803	1	1	
. NS	507343	. O-RING / ORS FITTING / #8 NEO From F-5803	2	2	
52	X3VIP-2208-10	REFRIGERANT SOLENOID VALVE			
53	455290	HOSE ASSY / VALVE & EVAPORATOR / #6 205MM	1	1	
. NS	507278	. O-RING / ORS FITTING / #4 NEO	2	2	
54	455289	HOSE ASSY / EXPANSION VALVE OUTLET / #10 875MM To F-5802	1	1	
. NS	507344	. O-RING / ORS FITTING / #10 NEO To F-5802	2	2	
54	457687	HOSE ASSY / EXPANSION VALVE OUTLET / #10 2825MM From F-5803 To H-6130	1	1	
54	450145	HOSE ASSY / EXPANSION VALVE OUTLET / #10 2815MM From H-6131	1	1	
55	453704	PIPE To F-5802	1	1	
55	Call order desk	PIPE ASSY FRONT From F-5803 To G-5985	1	1	P
55	Call order desk	PIPE ASSY FRONT From G-5986	1	1	P
56	506276	PIPE INSULATING / 7/8" I.D. X 1/2" TH. X 72 / APT07812	AR	AR	
57	506267	PIPE INSULATING / 1 1/8" I.D. X 1/2" TH. X / APT11812	AR	AR	
		P) CALL ORDER DESK FOR SPECIFIC APPLICATION (V.I.N.)			

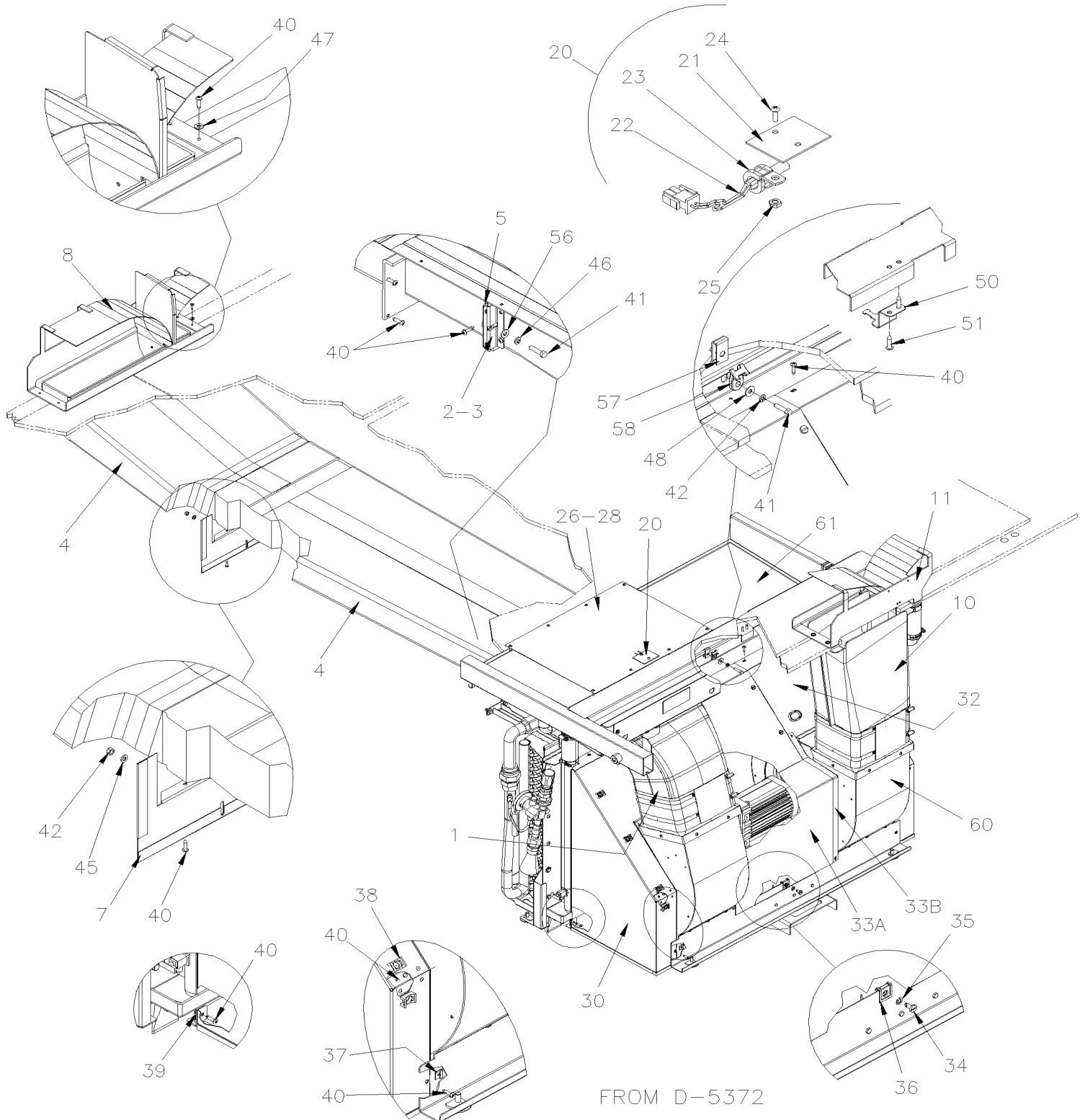


From E-5490

Date:07/2024

PAGE:X3VIP-2220-00

UNDER FLOOR AIR DUCTING





From E-5490		Date:07/2024	PAGE:X3VIP-2220-00
UNDER FLOOR AIR DUCTING			

Item#	Part	Description	X 3 V I P E N T	X 3 V I P M T H	N O T E S
1	Call order desk	DUCT, L.H. OUTLET EVAPORATOR FAN	1	1	P
1	453978	. DUCT	1	1	
2	454236	. ATTACHMENT	2	2	
3	453997	. GASKET	1	1	
4	454668	DUCT UNDER FLOOR ASSY To E-5759	1	1	
4	457706	DUCT UNDER FLOOR ASSY From F-5760	1	1	
5	454235	. ATTACHMENT W/NUT	1	1	
NS	500957	. SCREW TP BDG PH #10x3/4 N500	4	4	
NS	506268	. TAPE RUB ADH1 URE 3/8" x 1/2" x 25' / GREY 1820	AR	AR	
7	453640	PLATE SEALING	1	1	
8	374561	DEFLECTOR ASSY CONDENSOR SIDE	1	1	
NS	684517	ADHESIVE SIMSON #ISR 70-03 / GREY / 310ml CARTRIDGE	AR	AR	
NS	684162	CORD ETHAFOAM 3/4"	AR	AR	
10	453979	DUCT, R,H, OUTLET EVAPORATOR FAN	1	1	
11	374557	DEFLECTOR ASSY EVAPORATOR SIDE	1	1	
11	680532	SEALANT SIKA #221 / GREY / 310ml CARTRIDGE DAC #22627 From E-5584	AR	AR	
20	453791	TEMPERATURE SENSOR ASSY W/SUPPORT	1	1	
21	453792	. SUPPORT TERMISTOR	1	1	
22	563063	. SENSOR THERMISTOR ASSY / TEMPERATURE / ("DELPHI")	1	1	
23	952637	. CLAMP / 1"1/16 I.D.	1	1	
24	500416	. SCREW MA PAN PH #10-32x1/2 BK	1	1	
25	500700	. NUT HEX #10-32 Z050	1	1	
26	453789	. GRILL / AIR RETURN	1	1	
28	500642	SCREW TP PAN PH #10x3/4 Z050	AR	AR	
30	Call order desk	PLENUM FORWARD SECTION To E-5759	1	1	P
30	457563P	PLENUM FORWARD SECTION From F-5760 To H-6128	1	1	
30	Call order desk	PLENUM FORWARD SECTION From H-6129	1	1	P
31	453991	REINFORCMENT	2	2	
32	454664P	PLENUM BACKWARD SECTION To H-6179	1	1	
32	Call order desk	PLENUM BACKWARD SECTION From H-6180	1	1	P
NS	504574	. GROMMET / 1.125x1.312x.062x.312x1.56 To H-6179	1	1	
32	504356	. GROMMET / .625x.875x.062x.312x1.125 From H-6180 To J-6321	1	1	
32	504264	. GROMMET / .750x1.250x.062x.250x1.625 From J-6322	1	1	
33A	454670P	PLENUM CENTRAL SECTION To E-5759	1	1	
33A	457562P	PLENUM CENTRAL SECTION From F-5760	1	1	
33B	454648	SUPPORT PLENUM CENTRAL SECTION	1	1	
34	504681	STUD 6MM (DZUS)	5	5	
35	504604	FASTENER	5	5	
36	504605	RECEPTACLE 6 MM	5	5	
37	502904	NUT SPR J #10A .035-.050 N500	2	2	
38	504013	TIE MOUNT / 1/4" X 1/4" I.D.	AR	AR	
39	481249	NUT To H-6158	2	2	



From E-5490	Date:07/2024	PAGE:X3VIP-2220-00
UNDER FLOOR AIR DUCTING		

Item#	Part	Description	X 3 V I P E N T	X 3 V I P M T H	N O T E S
39	500981	NUT SPR U #10-23/32x5/8 From H-6159	2	2	
40	500957	SCREW TP BDG PH #10x3/4 N500 To G-5955	17	17	
40	500414	SCREW TP BDG PH #10x3/4 SS From G-5956	17	17	
41	502737	SCREW CAP HEX M6-1.0x25 SS BK	2	2	
42	502681	NUT HEX NYRT M6-1.0 N500 G8	2	2	
43	500642	SCREW TP PAN PH #10x3/4 Z050	9	9	
44	502737	SCREW CAP HEX M6-1.0x25 SS BK	2	2	
45	502573	WASHER FL 6.4x12.5x1.6 SS	2	2	
46	502853	WASHER LO SPT 6.1x11.8x1.6 N500	6	6	
47	500804	WASHER FL .203x.500x.047 N500	4	4	
48	500411	WASHER FL .260x.697x.050 SS	4	4	
49	502868	SCREW TC TR PH #10-16x1/2 N500	16	16	
50	374705	SUPPORT WIRING To F-5747	1	1	
50	374821	SUPPORT WIRING From F-5748	1	1	
50	509815	TIE MOUNT / ATTACHMENT W/TREE MOUNT From F-5748	1	1	
51	500957	SCREW TP BDG PH #10x3/4 N500	2	2	
56	500877	WASHER FL .250x.562x.065 N500	2	2	
57	5001965	NUT SPR U M6-1.0 0.6-4.0 N500	1	1	
58	507383	TIE MOUNT HOLE 3/8"	1	1	
60	X3VIP-2210-00	HEATER & EVAPORATOR BLOWER - INSTALLATION			
61	X3VIP-2221-05	UNDER FLOOR AIR FILTERS			
		P) CALL ORDER DESK FOR SPECIFIC APPLICATION (V.I.N.)			

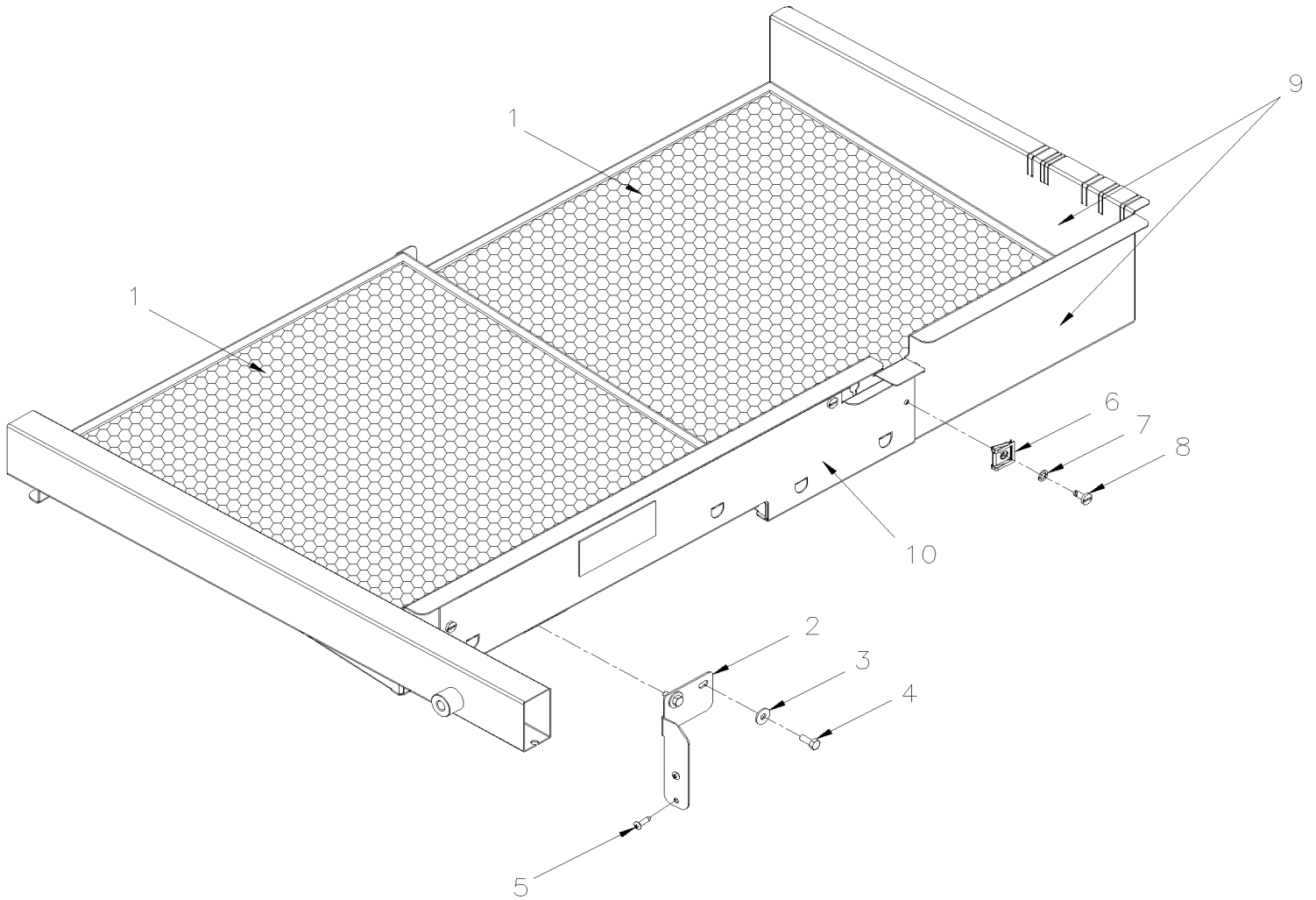
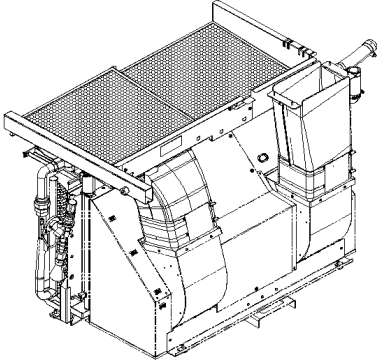


From E-5490

Date:07/2024

PAGE:X3VIP-2221-05

UNDER FLOOR AIR FILTERS





From E-5490	Date:07/2024	PAGE:X3VIP-2221-05
-------------	--------------	--------------------

UNDER FLOOR AIR FILTERS

Item#	Part	Description	X 3 V I P E N T	X 3 V I P M T H	N O T E S
1	871447	FILTER 1" x 19 1/2" X 19 1/2"	2	2	
2	374684	SUPPORT, EVAPORATOR DUCT WO/ SLIDE-OUT	1	1	
2	374685	SUPPORT, EVAPORATOR DUCT W/ SLIDE-OUT	1	1	
3	5001833	WASHER BEL SPR 6.1x18x1.27 SS	2	2	
4	5001744	SCREW CAP HEX M6-1.0x16 G8.8 N500	2	2	
5	500957	SCREW TP BDG PH #10x3/4 N500	2	2	
6	504605	RECEPTACLE 6 MM	AR	AR	
7	504604	FASTENER	AR	AR	
8	504681	STUD 6MM (DZUS)	AR	AR	
9	217063	SUPPORT FILTER, FRONT PANEL ASSY	1	1	
10	374681	CLOSING, FILTER	1	1	

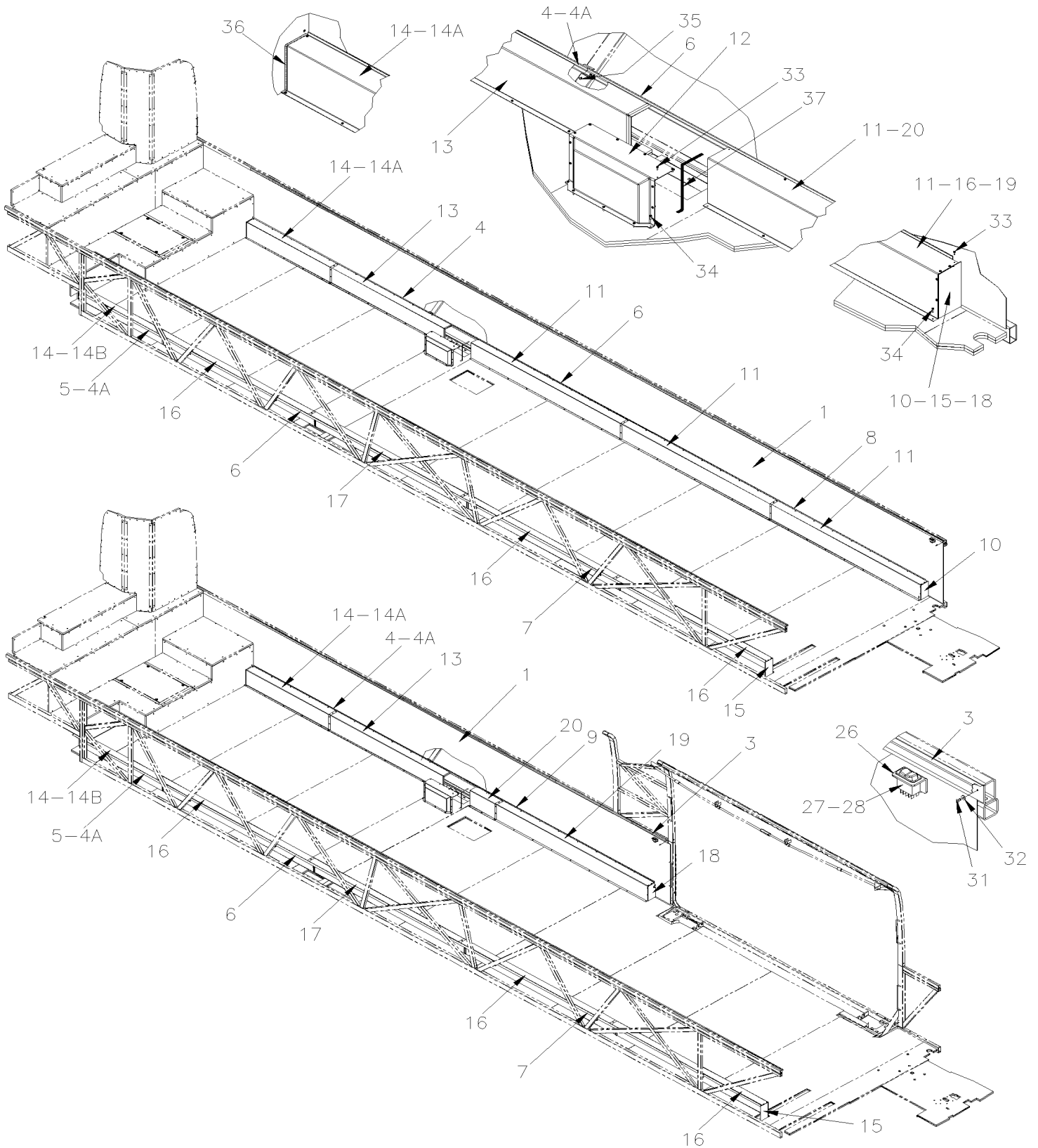


From E-5490 To K-6491

Date:07/2024

PAGE:X3VIP-2221-50

DUCTING HEATER & A/C - MTH FLOOR





From E-5490 To K-6491	Date:07/2024	PAGE:X3VIP-2221-50
DUCTING HEATER & A/C - MTH FLOOR		

Item#	Part	Description	X 3 V I P E N T	X 3 V I P M T H	N O T E S
1	850090	WHITE WALL COVERING ADHESIVE / 36" X 438"	2	2	
3	328243	AIR GRILL & SPACER 560MM / BELOW WINDOW	1		
4	374571	"T" SUPPORT, AIR DUCT 2799MM To H-6179	1	1	
4	374571	"T" SUPPORT, AIR DUCT 2799MM To H-6179	1	1	
4A	374571	"T" SUPPORT, AIR DUCT 2799MM From H-6180	2	2	
4A	374571	"T" SUPPORT, AIR DUCT 2799MM From H-6180	2	2	
5	374572	"T" SUPPORT, AIR DUCT 3015MM To H-6179	1	1	
6	374573	"T" SUPPORT, AIR DUCT 3519MM	2	2	
7	374574	"T" SUPPORT, AIR DUCT 4241MM	1	1	
8	374575	"T" SUPPORT, AIR DUCT 4316MM	1	1	
9	370201	"T" SUPPORT, AIR DUCT 3599MM	1	1	
9	374823	LINK PLATE From £-14054	1	1	
9	500642	SCREW TP PAN PH #10x3/4 Z050 From £-14054	2	2	
10	371716	CAP L.H. / FRONT	1	1	
11	374555	AIR DUCT 2391MM	3	3	
12	374180	AIR DUCT 450MM / W/SLIDE OUT	1	1	
13	374181	AIR DUCT 1826MM / W/SLIDE OUT	1	1	
14	378898	AIR DUCT 1350MM To H-6179	2	2	
14	378898	AIR DUCT 1350MM To H-6179	2	2	
14A	378898	AIR DUCT 1350MM From H-6180	1	1	
14A	378898	AIR DUCT 1350MM From H-6180	1	1	
14B	370101	AIR DUCT 981.5MM From H-6180	1	1	
15	371715	CAP R.H. / FRONT	1	1	
16	371712	AIR DUCT 2438MM	3	3	
17	374553	AIR DUCT 2438MM	1	1	
18	374218	CAP L.H. / FRONT / W/SLIDE OUT	1	1	
19	371712	AIR DUCT 2438MM	1	1	
20	374554	AIR DUCT 448MM	1		
20	374589	AIR DUCT 406MM		1	
26	293854	SUPPORT SWITCH / REMOTE OPERATIONAL MODEL	1	1	
27	562699	SWITCH / M/ON-OFF-M/ON / D.P.D.T. / W/GREEN LED	1	1	
28	563278	CAP / HI SPEED MAIN VENTILATION	1	1	
31	504105	RIVET POP DOME OE 1/8x3/16 AL	AR	AR	
32	500437	WASHER FL .125x.375x.040 Z050	AR	AR	
33	500654	SCREW TC BDG PH #8-32x1/2 Z050	AR	AR	
34	500641	SCREW TP PAN PH #8x3/4 Z050	AR	AR	
35	504379	RIVET POP DOME OE 3/16x1/4 SS	AR	AR	
36	506025	RUBBER CHANNEL / 1/18" x 5/16" INT "U" SHAPE / SQUARE C.T.L.	AR	AR	
37	506236	TAPE RUB ADH1 CC POL 1/16" x 1/2" x 100' / GREY 2520	AR	AR	
NS	680257	TAPE ALUMINUM ADH1 .005" x 2" x 300' TRM425-2	AR	AR	

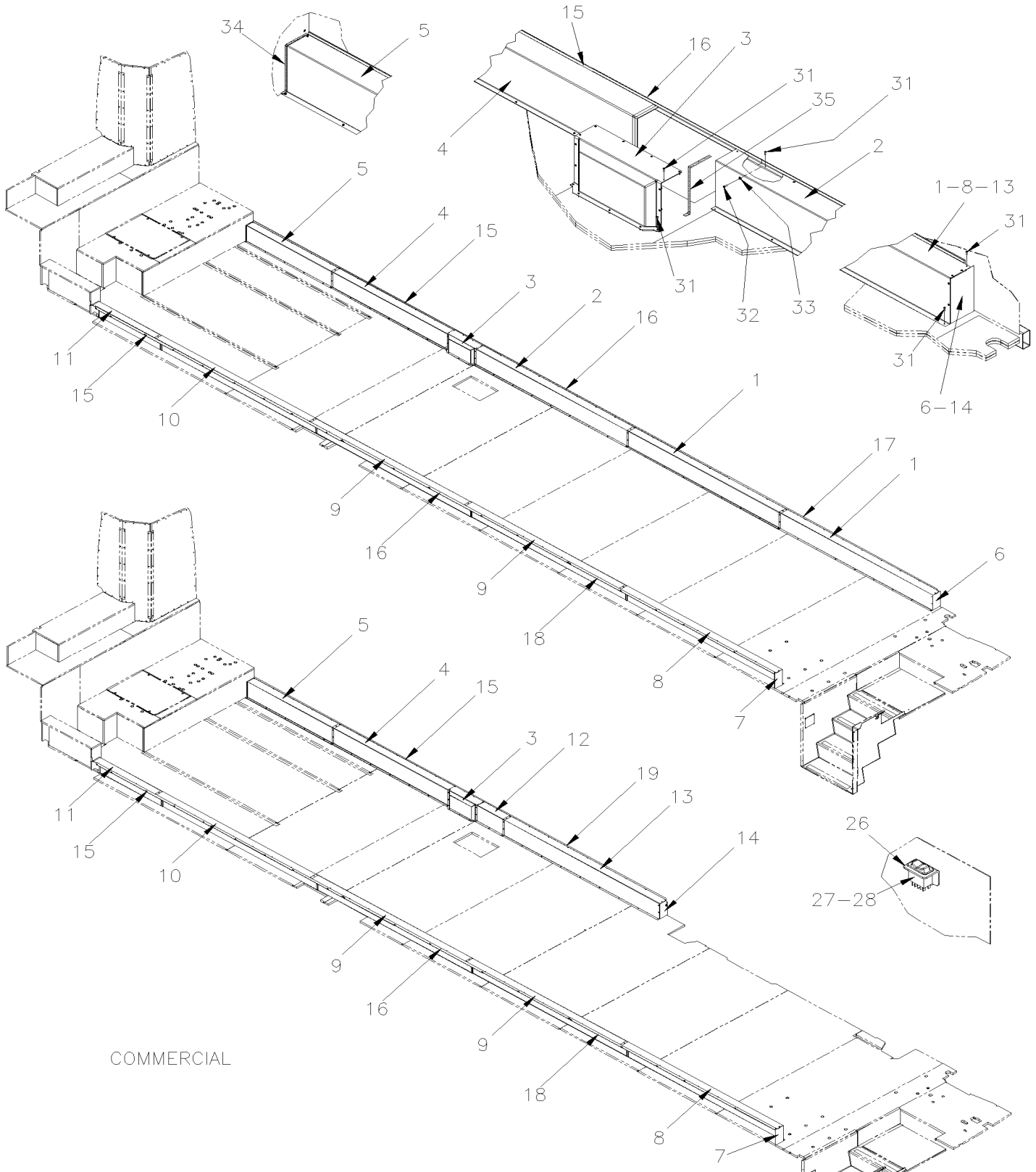


From L-6402

Date:07/2024

PAGE:X3VIP-2221-51

DUCTING HEATER & A/C - MTH FLOOR



COMMERCIAL



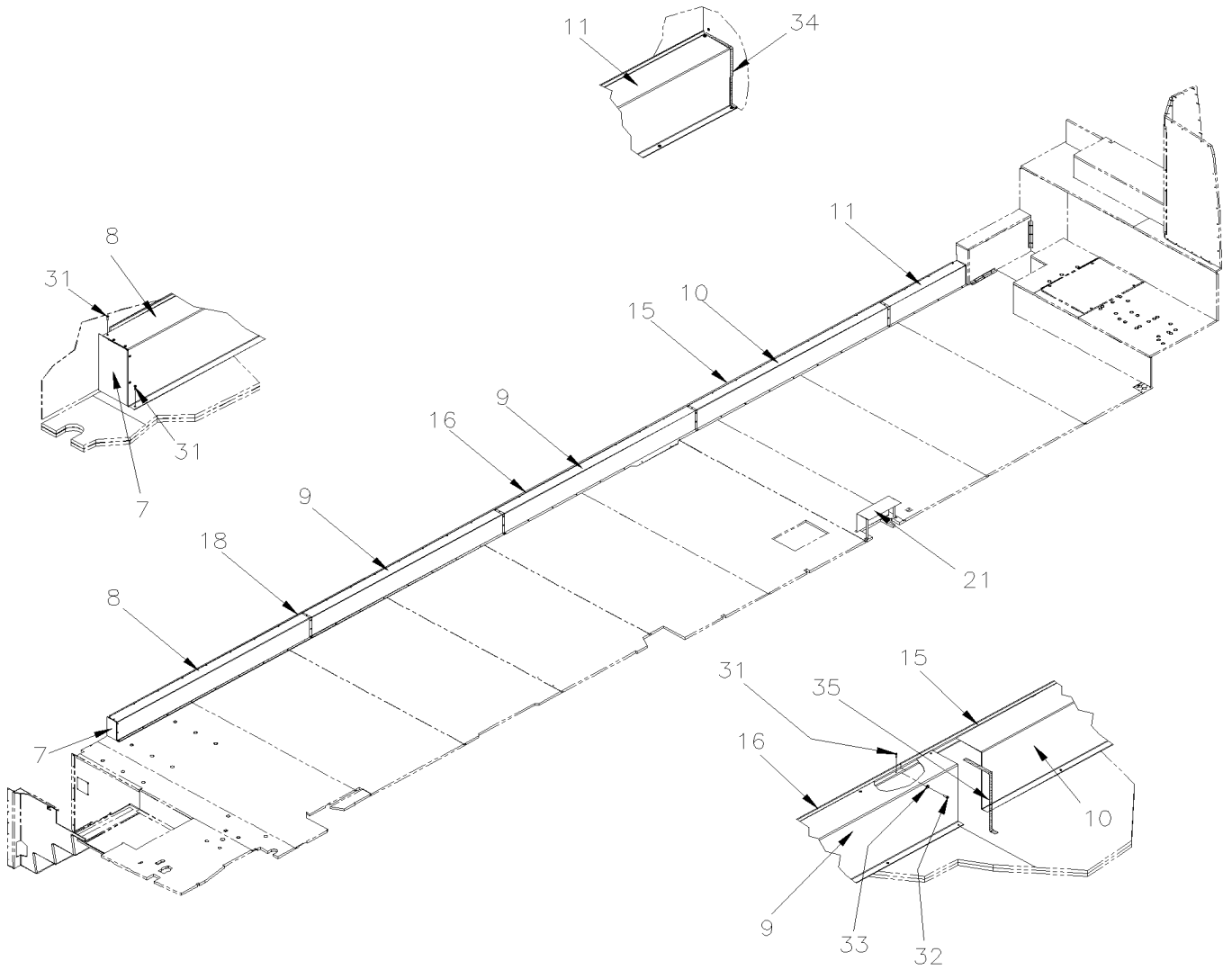
From L-6402

Date:07/2024

PAGE:X3VIP-2221-51

DUCTING HEATER & A/C - MTH FLOOR

MOTORHOME





From L-6402		Date:07/2024	PAGE:X3VIP-2221-51
DUCTING HEATER & A/C - MTH FLOOR			

Item#	Part	Description	X 3 V I P E N T	X 3 V I P M T H	N O T E S
1	370196	AIR DUCT 2391MM	2		
2	370212	AIR DUCT 2391MM	1		
3	374180	AIR DUCT 450MM / W/SLIDE OUT	1		
4	370204	AIR DUCT 1826MM	1		
5	370195	AIR DUCT 1350MM	1		
6	370208	PLATE, CLOSING	1		
7	370207	PLATE, CLOSING	1	1	
8	370190	AIR DUCT 2438MM	2	2	
9	370194	AIR DUCT 2391MM	1	1	
10	370211	AIR DUCT 2438MM	1	1	
11	370205	AIR DUCT 981MM	1	1	
12	370206	AIR DUCT 448MM	1		E
13	370211	AIR DUCT 2438MM	2		E
14	370210	DEFLECTOR, EVAPORATOR ASSY	1		E
15	370179	SUPPORT, AIR DUCT 3843MM	2	2	
16	370180	SUPPORT, AIR DUCT 3524MM	2	2	
17	370186	SUPPORT, AIR DUCT 3267MM	1		
18	370182	SUPPORT, AIR DUCT 3192MM	1	1	
19	370188	SUPPORT, AIR DUCT	1		E
21	374589	AIR DUCT 406MM		1	
26	293854	SUPPORT SWITCH / REMOTE OPERATIONAL MODEL	1	1	
27	562699	SWITCH / M/ON-OFF-M/ON / D.P.D.T. / W/GREEN LED	1	1	
28	563278	CAP / HI SPEED MAIN VENTILATION	1	1	
31	500641	SCREW TP PAN PH #8x3/4 Z050	AR	AR	
32	500032	SCREW CAP HEX M5-0.8x16 BK	AR	AR	
33	500804	WASHER FL .203x.500x.047 N500	AR	AR	
34	506025	RUBBER CHANNEL / 1/18" x 5/16" INT "U" SHAPE / SQUARE C.T.L.	AR	AR	
35	506236	TAPE RUB ADH1 CC POL 1/16" x 1/2" x 100' / GREY 2520	AR	AR	
		E) WITH SLIDE-OUT ENT-45			

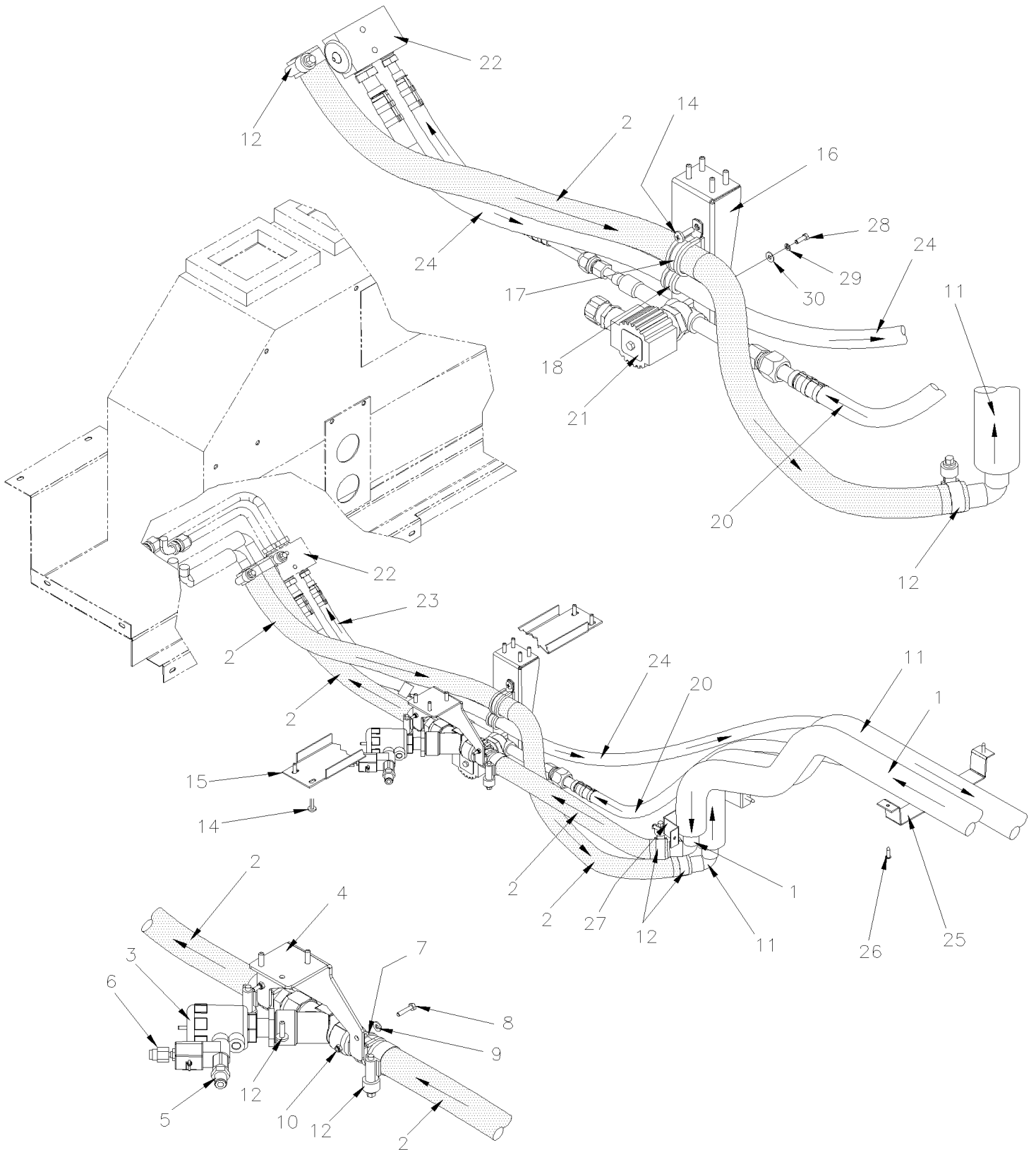


From E-5490

Date:07/2024

PAGE:X3VIP-2222-10

A/C & HEATING LINE FRONT SECTION W/LARGE A/C





From E-5490		Date:07/2024	PAGE:X3VIP-2222-10
-------------	--	--------------	--------------------

A/C & HEATING LINE FRONT SECTION W/LARGE A/C

Item#	Part	Description	X 3 V I P E N T	X 3 V I P M T H	N O T E S
1	Call order desk	PIPE ASSY / FORWARD SECTION To F-5894	1	1	P
1	378931	PIPE ASSY / FORWARD SECTION From F-5895	1	1	
2	503803	HOSE SILICONE 1 PLY / NOMEX-ARAMID 7/8" I.D. x 100' / S.L. To F-5894	AR	AR	
2	503797	HOSE SILICONE 4 PLY / NOMEX-ARAMID 7/8" I.D. x 6' From F-5895	AR	AR	
3	Call order desk	WATER VALVE ASSY W/PIPE & SUPPORT	1	1	P
3	X3VIP-2207-05	. WATER VALVE - HEATER			
4	374147	. SUPPORT WATER VALVE	1	1	
5	641332	. MALE CONNECTOR / PUSH-IN FITTING / #4x1/4NPT-M BR	1	1	
6	642028	. MALE CONNECTOR / PUSH-IN FITTING / 6MM x M5-0.8 BR	1	1	
7	952635	. CLAMP / 1" I.D.	2	2	
8	500588	. SCREW CAP HEX M4-0.7x20 G8.8 Z050	2	2	
9	500438	. WASHER FL .187x.437x.050 Z050	2	2	
10	500590	. NUT HEX NYRT M4-0.7 Z050	2	2	
11	Call order desk	PIPE ASSY / 4352MM / FORWARD SECTION To F-5894	1	1	P
11	378932	PIPE ASSY / 4352MM / FORWARD SECTION From F-5895	1	1	
12	504781	HOSE CLAMP / 13/16"-1 5/16" SS / C.T. W.S. To E-5759	6	6	
12	992084	HOSE CLAMP / 23MM/35MM From F-5760	6	6	
14	502526	SCREW TC BDG PH #12-24x3/4 Z050	AR	AR	
15	172355	SUPPORT / VALVE	1	1	
16	453315	SUPPORT / A/C VALVE	1	1	
17	952639	CLAMP / 1"1/4 I.D.	1	1	
18	952631	CLAMP / 3/4" I.D.	1	1	
20	455413	HOSE ASSY / #10 7790MM To E-5759	1	1	
. NS	507344	. O-RING / ORS FITTING / #10 NEO To E-5759	2	2	
20	457693	HOSE ASSY / #8 2140MM From F-5760	1	1	
. NS	507343	. O-RING / ORS FITTING / #8 NEO From F-5760	2	2	
20	Call order desk	PIPE ASSY #8 4594MM From F-5760	1	1	P
21	453151	VALVE ASSY / REFRIGERANT SOLENOID To E-5759	1	1	
21	457696P	VALVE ASSY / REFRIGERANT SOLENOID From F-5760 To N-6713	1	1	
21	454470	VALVE ASSY / REFRIGERANT W/O SOLENOID From N-6714	1	1	
21	457708	SOLENOID ASSY From N-6714	1	1	
21	X3VIP-2208-10	REFRIGERANT SOLENOID VALVE			
22	X3VIP-2208-00	A/C EXPANSION VALVE To K-6466			
22	X3VIP-2208-01	A/C EXPANSION VALVE From K-6467			
23	455210	HOSE ASSY / VALVE & EVAPORATOR / #6 250MM	1	1	
. NS	507278	. O-RING / ORS FITTING / #4 NEO	2	2	
24	455376	HOSE ASSY / #10 6775MM To E-5759	1	1	
. NS	507344	. O-RING / ORS FITTING / #10 NEO To E-5759	2	2	
24	457694	HOSE ASSY / #10 2666MM From F-5760 To H-6130	1	1	
. NS	507344	. O-RING / ORS FITTING / #10 NEO From F-5760 To H-6130	2	2	
24	450138	HOSE ASSY / #10 2666MM From H-6131	1	1	



From E-5490	Date:07/2024	PAGE:X3VIP-2222-10
-------------	--------------	--------------------

A/C & HEATING LINE FRONT SECTION W/LARGE A/C

Item#	Part	Description	X 3 V I P E N T	X 3 V I P M T H	N O T E S
. NS	507344	. O-RING / ORS FITTING / #10 NEO From H-6131	2	2	
24	Call order desk	PIPE ASSY #10 4048MM From F-5760	1	1	P
24	504751	ROTATIF SPACER DOUBLE / SMALL From F-5760	1	1	
24	504637	CABLE TIE / 3/16" x 13" From F-5760	2	2	
25	454675	SUPPORT To F-5780	AR	AR	
25	457712	SUPPORT From F-5781	AR	AR	
26	500957	SCREW TP BDG PH #10x3/4 N500	AR	AR	
27	452906	SUPPORT	1	1	
28	5001689	SCREW CAP HEX #8-32x1/2 SS	2	2	
29	502636	WASHER LO SPT 4.1x7.6x0.9 Z050	2	2	
30	500438	WASHER FL .187x.437x.050 Z050	2	2	
		P) CALL ORDER DESK FOR SPECIFIC APPLICATION (V.I.N.)			

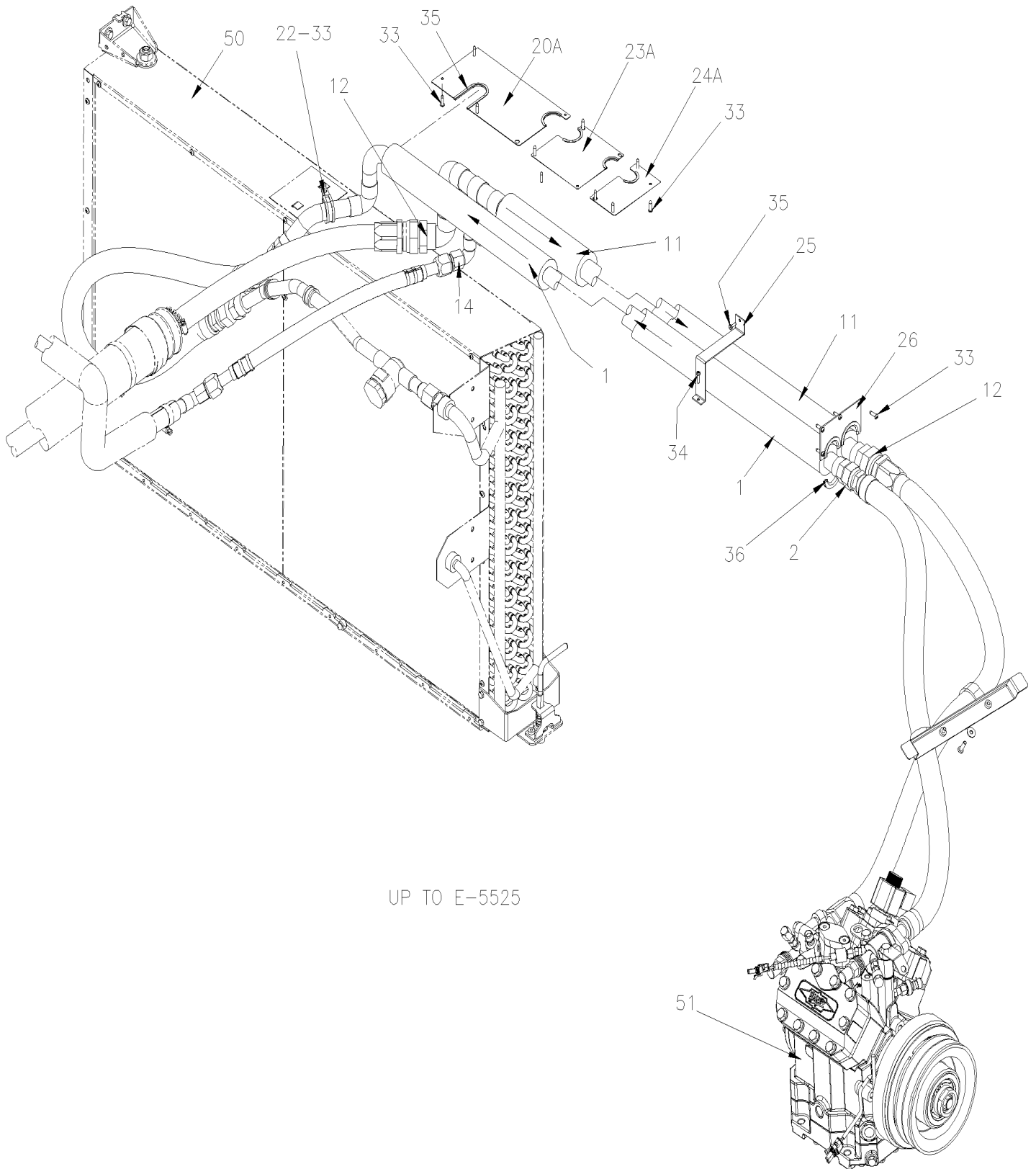


From E-5490 To H-6179

Date:07/2024

PAGE:X3VIP-2222-16

A/C LINE REAR SECTION W/ "BITZER"



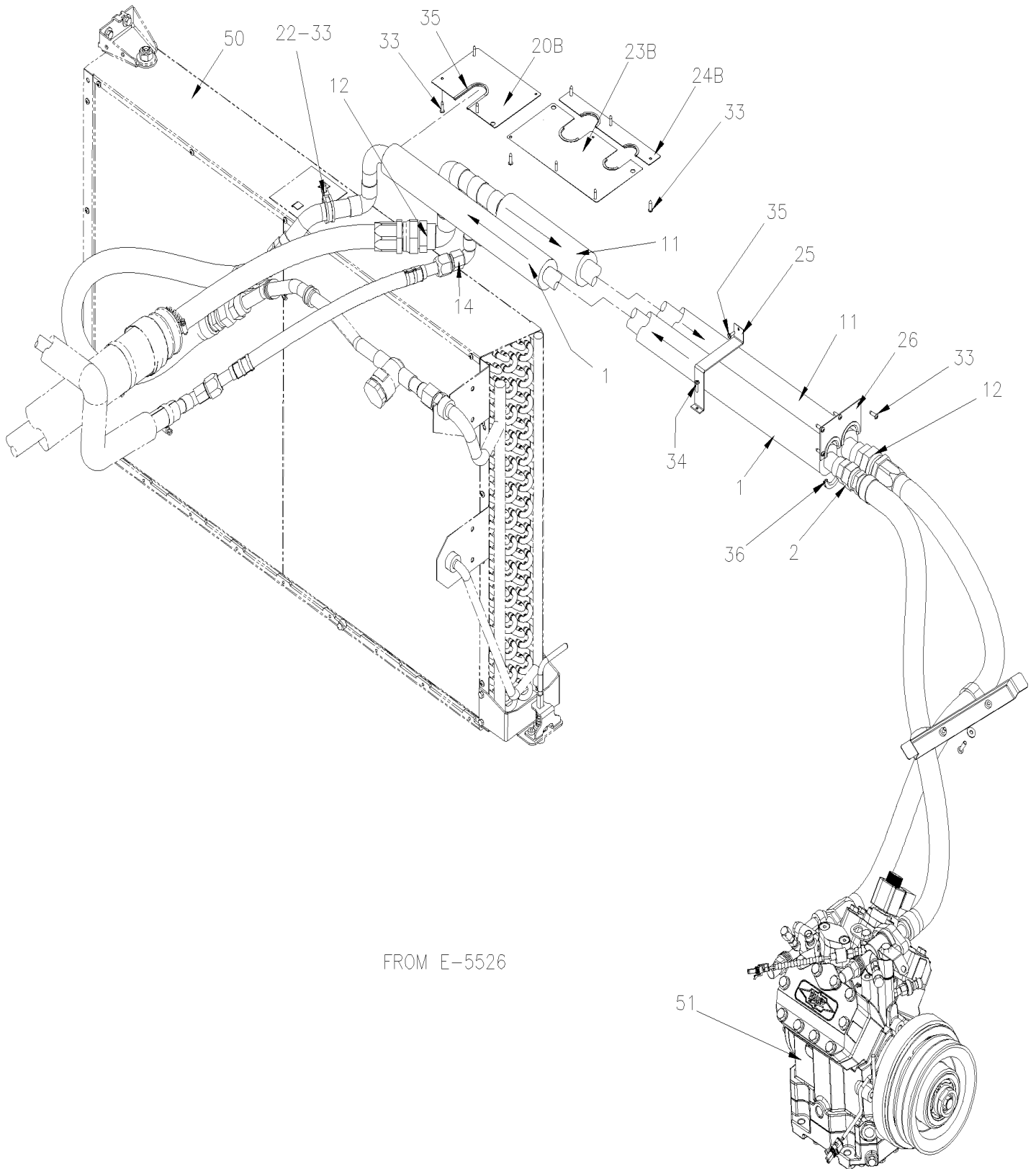


From E-5490 To H-6179

Date:07/2024

PAGE:X3VIP-2222-16

A/C LINE REAR SECTION W/ "BITZER"





From E-5490 To H-6179		Date:07/2024	PAGE:X3VIP-2222-16		
A/C LINE REAR SECTION W/ "BITZER"					
Item#	Part	Description	X 3 V I P E N T	X 3 V I P M T H	NOTES
1	455389	TUBE ASSY, PRESSURE / A/C COMPRESSOR	1	1	
2	501718	ADAPTER JIC @ BRAZE W/O-RING // #16JIC-Mx#18BRAZE-F BR	2	2	
. NS	501802	. O-RING / ORS FITTING / #16 NEO	1	1	
11	Call order desk	TUBE ASSY, VACUUM / A/C COMPRESSOR To F-5759	1	1	P
11	Call order desk	TUBE ASSY, VACUUM / A/C COMPRESSOR From F-5760	1	1	P
12	501717	ADAPTER JIC @ BRAZE W/O-RING // #20JIC-Mx#22BRAZE-F BR	2	2	
. NS	501803	. O-RING / ORS FITTING / #20 NEO	1	1	
14	5011099	ADAPTER "TUBE-O" @ BRAZE / #12TUBE-O-Mx#14 BR	1	1	
NS	374860	INSULATION PANEL From F-5819	1	1	
20A	454787	PLATE CLOSING AROUND PIPE / 264MMx132MM To E-5525	1	1	
20B	454805	PLATE CLOSING AROUND PIPE / 180MMx132MM From E-5526	1	1	
21	504458	CLAMP / 1 5/8" I.D.	1	1	
22	952637	CLAMP / 1"1/16 I.D.	1	1	
23A	454785	PLATE CLOSING AROUND PIPE / 132MMx132MM To E-5525	1	1	
23B	454804	PLATE CLOSING AROUND PIPE / 255MMx132MM From E-5526	1	1	
24A	454786	PLATE CLOSING AROUND PIPE / 70MMx132MM To E-5525	1	1	
24B	454806	PLATE CLOSING AROUND PIPE / 255MMx34.5MM From E-5526	1	1	
25	372005	SUPPORT / TUBE	3	3	
26	483041	PLATE CLOSING AROUND PIPE	1	1	
30	500588	SCREW CAP HEX M4-0.7x20 G8.8 Z050	2	2	
31	500438	WASHER FL .187x.437x.050 Z050	2	2	
32	500590	NUT HEX NYRT M4-0.7 Z050	2	2	
33	500957	SCREW TP BDG PH #10x3/4 N500	AR	AR	
34	500641	SCREW TP PAN PH #8x3/4 Z050	3	3	
35	500654	SCREW TC BDG PH #8-32x1/2 Z050	3	3	
36	5060120	GROMMET EDGING ADHESIVE .036-.062	AR	AR	
50	X3VIP-2270-00	RECEIVER TANK & FILTER DRYER			
51	X3VIP-2245-01	A/C COMPRESSOR "BITZER" - INSTALLATION			
		P) CALL ORDER DESK FOR SPECIFIC APPLICATION (V.I.N.)			

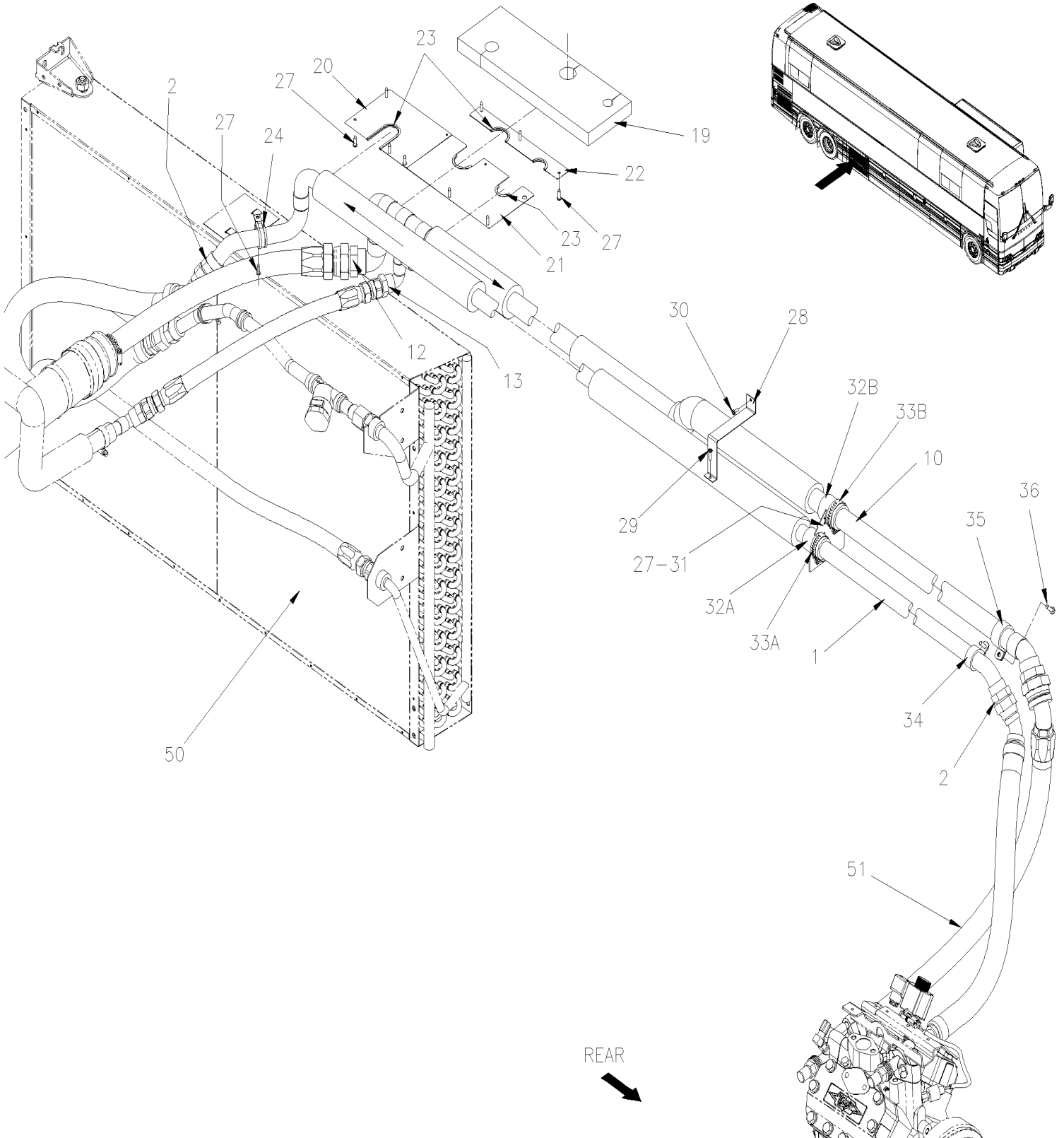


From H-6180

Date:07/2024

PAGE:X3VIP-2222-17

A/C LINE REAR SECTION / "GHG17"





From H-6180		Date:07/2024	PAGE:X3VIP-2222-17
A/C LINE REAR SECTION / "GHG17"			

Item#	Part	Description	X 3 V I P E N T	X 3 V I P M T H	N O T E S
1	450006	TUBE ASSY, PRESSURE / A/C COMPRESSOR	1	1	
2	501718	. ADAPTER JIC @ BRAZE W/O-RING // #16JIC-Mx#18BRAZE-F BR	2	2	
. NS	501802	. . O-RING / ORS FITTING / #16 NEO	1	1	
10	450010	TUBE ASSY, VACUUM / A/C COMPRESSOR To N-6713	1	1	
10	454378	TUBE ASSY, VACUUM / A/C COMPRESSOR From N-6714	1	1	
12	501717	. ADAPTER JIC @ BRAZE W/O-RING // #20JIC-Mx#22BRAZE-F BR	2	2	
. NS	501803	. . O-RING / ORS FITTING / #20 NEO	1	1	
13	5011015	. ADAPTER JIC @ BRAZE W/O-RING // #12JIC-Mx#14BRAZE-F BR	1	1	
. NS	501829	. . O-RING / ORS FITTING / #12 NEO	1	1	
19	374860	INSULATION PANEL	1	1	
20	454805	PLATE CLOSING AROUND PIPE / 180MMx132MM	1	1	
21	454804	PLATE CLOSING AROUND PIPE / 255MMx132MM	1	1	
22	454806	PLATE CLOSING AROUND PIPE / 255MMx34.5MM	1	1	
23	5060120	GROMMET EDGING ADHESIVE .036-.062	AR	AR	
24	952637	CLAMP / 1"1/16 I.D.	1	1	
27	500957	SCREW TP BDG PH #10x3/4 N500	AR	AR	
28	372005	SUPPORT / TUBE	3	3	
29	500641	SCREW TP PAN PH #8x3/4 Z050	3	3	
30	500654	SCREW TC BDG PH #8-32x1/2 Z050	3	3	
31	450408	PLATE CLOSING AROUND PIPE /	1	1	
32A	503796	HOSE SILICONE 2 PLY / NOMEX-ARAMID 1 1/8" I.D. x 6'	AR	AR	
32B	503392	HOSE SILICONE 4PLY 1 3/8" I.D. x 4' To K-6426	AR	AR	
32B	503783	HOSE SILICONE 4PLY / NOMEX-ARAMID 34MM I.D. x 6' From K-6427	AR	AR	
33A	504022	HOSE CLAMP / 3/4"-1"3/4 SS / HS-20	1	1	
33B	504413	HOSE CLAMP / 1"1/16-2" SS / HAS-24	1	1	
34	504778	CLAMP / SS / SILICONE RUBBER / 1 1/8" I.D. x .281 HOLE	1	1	
35	504779	CLAMP / SS / SILICONE RUBBER / 1 3/8" I.D. x .281 HOLE	1	1	
36	5001815	SCREW CAP HEXF M6-1.0x30 G 8.8 N500	2	2	
50	X3VIP-2270-01	RECEIVER TANK & FILTER DRYER / "GHG17"			
51	X3VIP-2245-02	A/C COMPRESSOR "BITZER" - INSTALLATION			
51	X3VIP-2245-20	A/C COMPRESSOR "BOCK" - INSTALLATION From N-6739	1	1	
52	450038	PLATE CLOSING AROUND PIPE /	1	1	

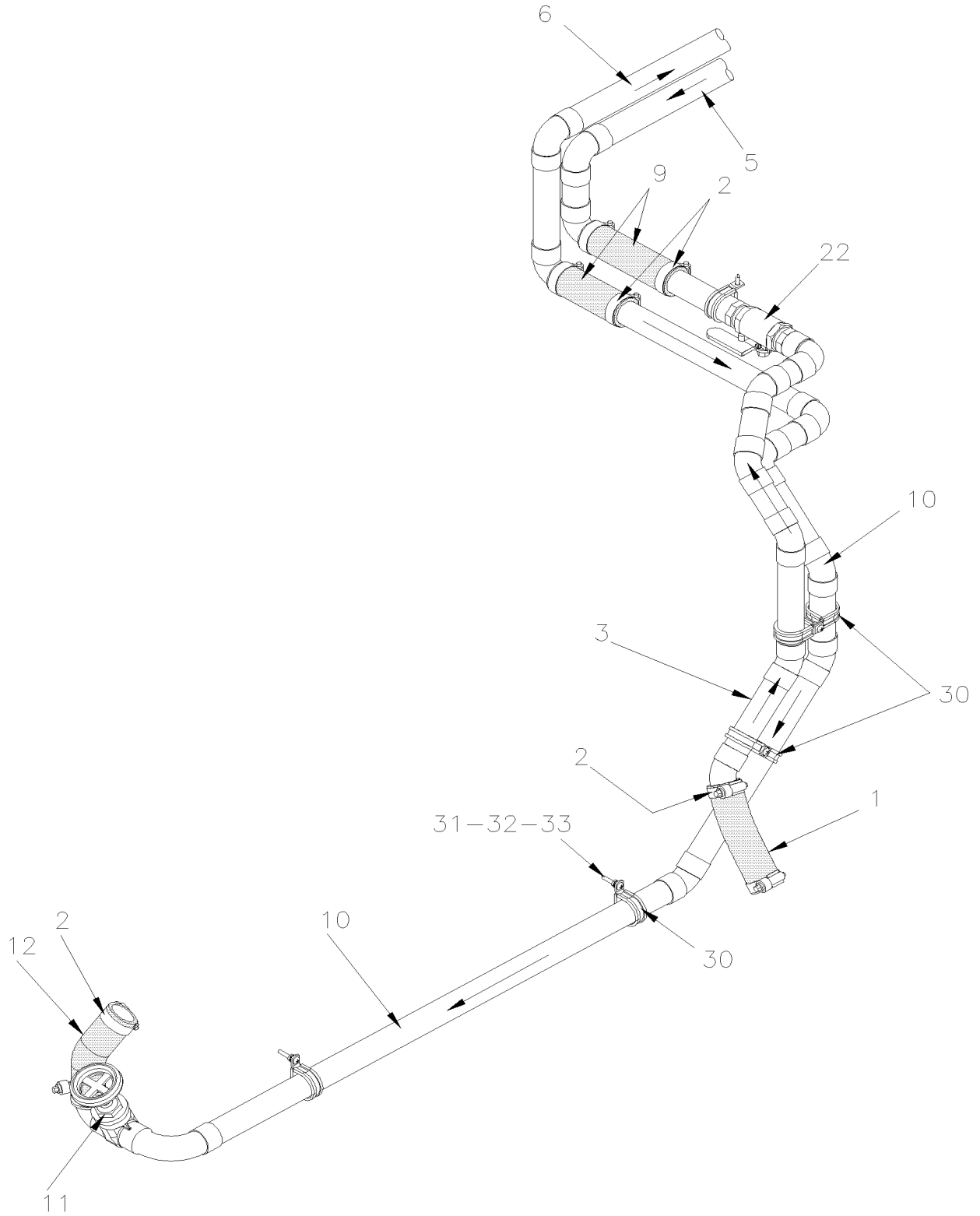


From E-5490 To H-6179

Date:07/2024

PAGE:X3VIP-2222-35

HEATER LINE REAR SECTION



WITH LARGE A/C SYSTEM

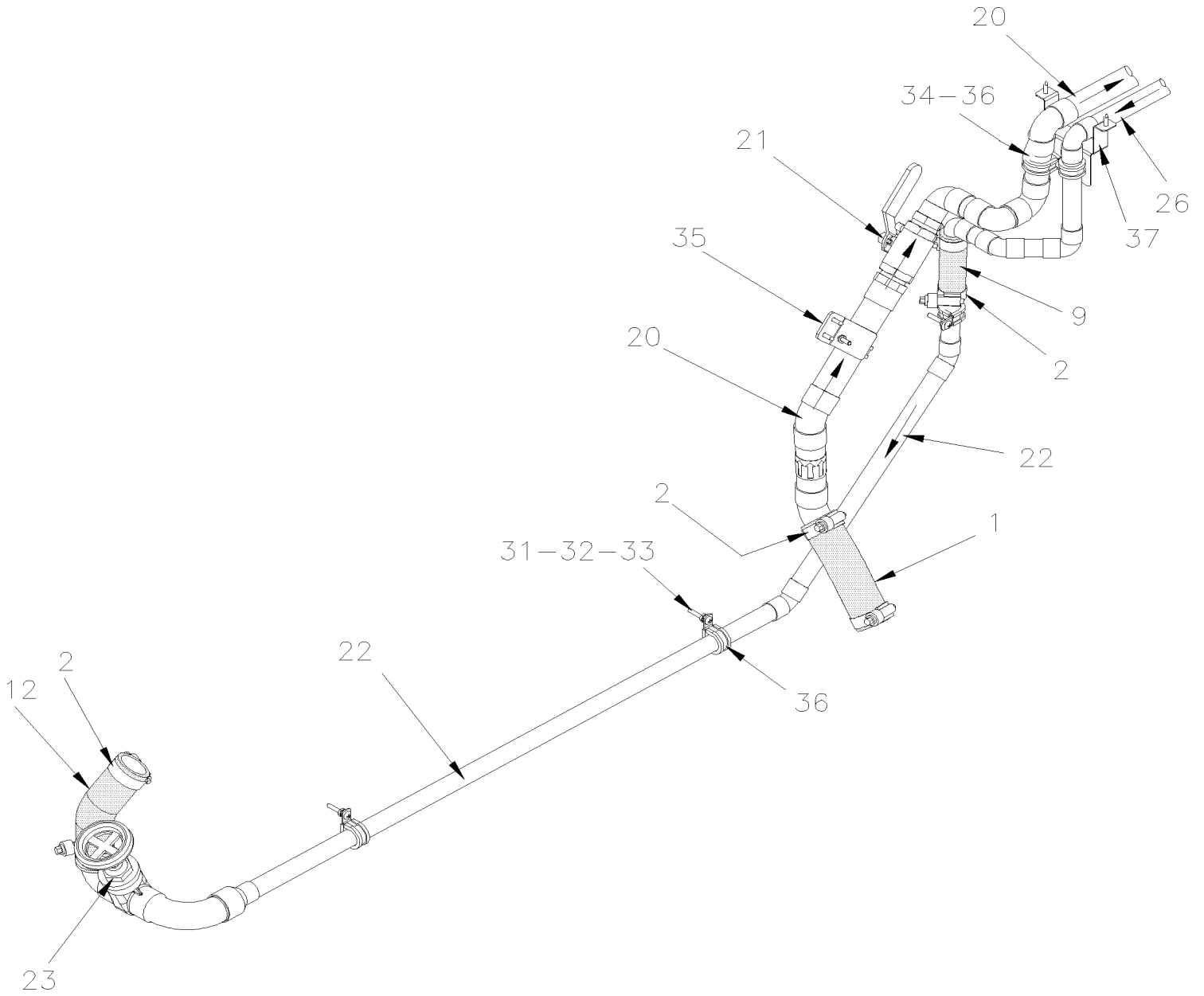


From E-5490 To H-6179

Date:07/2024

PAGE:X3VIP-2222-35

HEATER LINE REAR SECTION



WITH SMALL A/C SYSTEM



From E-5490 To H-6179	Date:07/2024	PAGE:X3VIP-2222-35
------------------------------	---------------------	---------------------------

HEATER LINE REAR SECTION

Item#	Part	Description	X 3 V I P E N T	X 3 V I P M T H	N O T E S
1	374365	HOSE 1 3/8" I.D. X 180MM	1	1	
1	503783	. HOSE SILICONE 4PLY / NOMEX-ARAMID 34MM I.D. x 6'	AR	AR	
2	504783	HOSE CLAMP / 1"1/16-2" SS / C.T. W.S. To E-5759	AR	AR	
2	992086	HOSE CLAMP / 32MM/52MM From F-5760	AR	AR	
3	374312P	PIPE ASSY HEATING / FEED LINE / LOWER SECTION W/"WORLD" TRANS To F-5787	1	1	
3	374824	PIPE ASSY HEATING / FEED LINE / LOWER SECTION W/"WORLD" TRANS From F-5788	1	1	
4	871419	. BALL VALVE 1" NPT-F	1	1	
4	501997	. ADAPTER / COPPER @ PIPE / 1 1/4Fx1NPT-M	2	2	
5	374665	PIPE ASSY HEATING / RETURN LINE	1	1	
6	374664	PIPE ASSY HEATING / FEED LINE	1	1	
NS	507610	FOAM LOW EXPANSION	AR	AR	
9	503783	HOSE SILICONE 4PLY / NOMEX-ARAMID 34MM I.D. x 6'	AR	AR	
10	374313P	PIPE ASSY HEATING / RETURN LINE To E-5589	1	1	
10	378919	PIPE ASSY HEATING / RETURN LINE From E-5590	1	1	
11	501861	. GATE VALVE 1 1/4" (WELDED) To E-5589	1	1	
11	871419	. BALL VALVE 1" NPT-F From E-5590	1	1	
11	501997	. ADAPTER / COPPER @ PIPE / 1 1/4Fx1NPT-M From E-5590	2	2	
NS	680098	. THREAD SEALANT LOCTITE #567 / WHITE / 250ml	AR	AR	
12	374616	ELBOW 35° X 1 3/8" I.D. / 80MM x 80MM C/C / SILICONE / NOMEX	1	1	
		WITH SMALL A/C SYSTEM			
20	374534P	PIPE ASSY HEATING / FEED LINE / W/SMALL A/C SYSTEM	1	1	
21	871419	. BALL VALVE 1" NPT-F	1	1	
22	Call order desk	PIPE ASSY HEATING / RETURN LINE / W/SMALL A/C SYSTEM	1	1	P
23	501861	. GATE VALVE 1 1/4" (WELDED)	1	1	
26	Call order desk	PIPE ASSY HEATING / RETURN LINE / W/SMALL A/C SYSTEM	1	1	P
30	952641	CLAMP P STL ZP RUB 34.9 ID	AR	AR	
31	500574	SCREW MA TR PH #10-24x1 1/4 SS	AR	AR	
32	500914	WASHER LO SPT .193x.334x.047 N500	AR	AR	
33	502882	NUT HEX #10-24 N500	AR	AR	
34	500957	SCREW TP BDG PH #10x3/4 N500	AR	AR	
35	374402	SUPPORT FEED LINE	1	1	
36	952633	CLAMP / 7/8" I.D.	4	4	
36	952637	CLAMP / 1"1/16 I.D.	1	1	
37	374361	SUPPORT PIPE	1	1	
		P) CALL ORDER DESK FOR SPECIFIC APPLICATION (V.I.N.)			

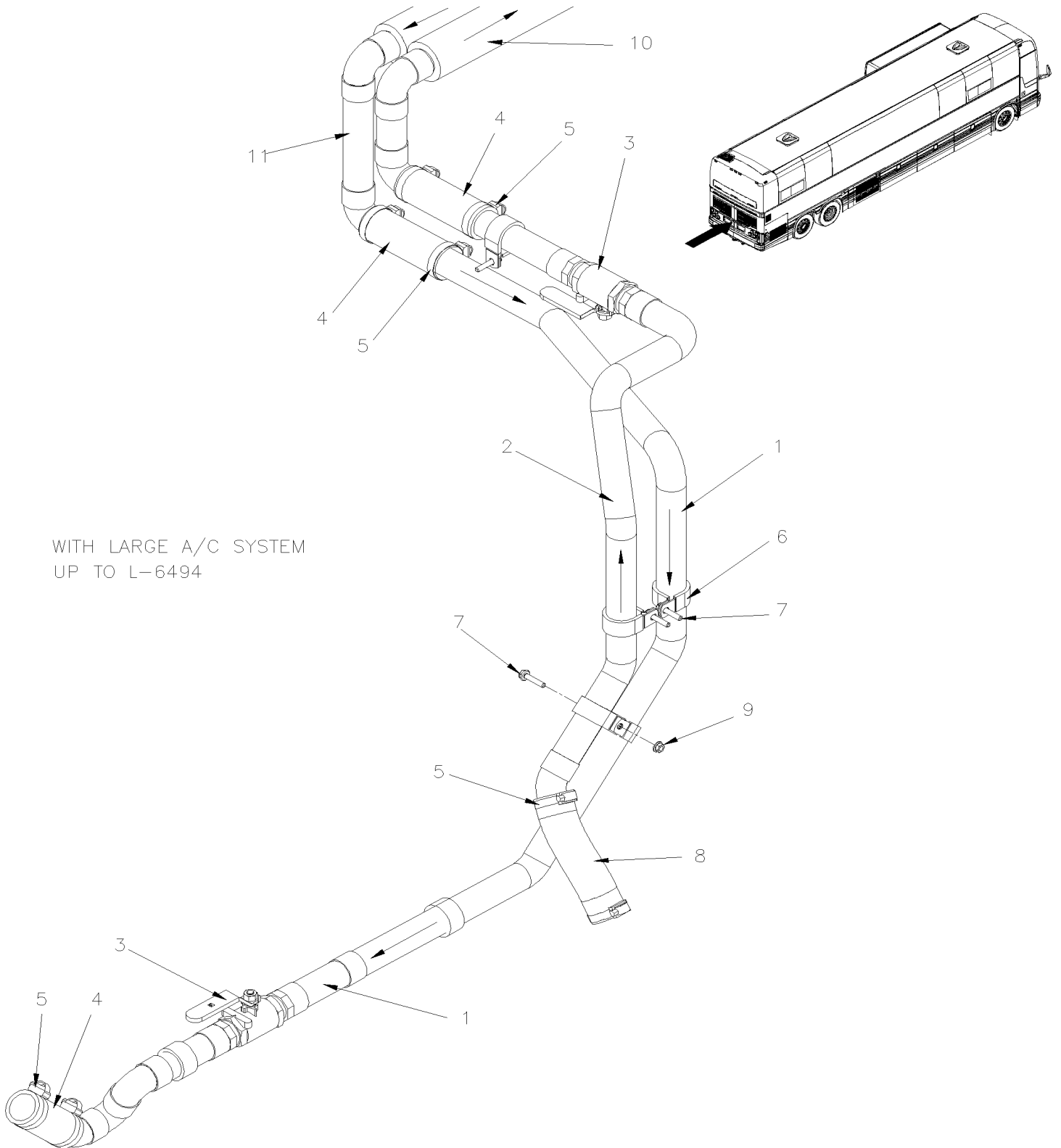


From H-6180

Date:07/2024

PAGE:X3VIP-2222-36

HEATER LINE REAR SECTION / "GHG17"



WITH LARGE A/C SYSTEM
UP TO L-6494

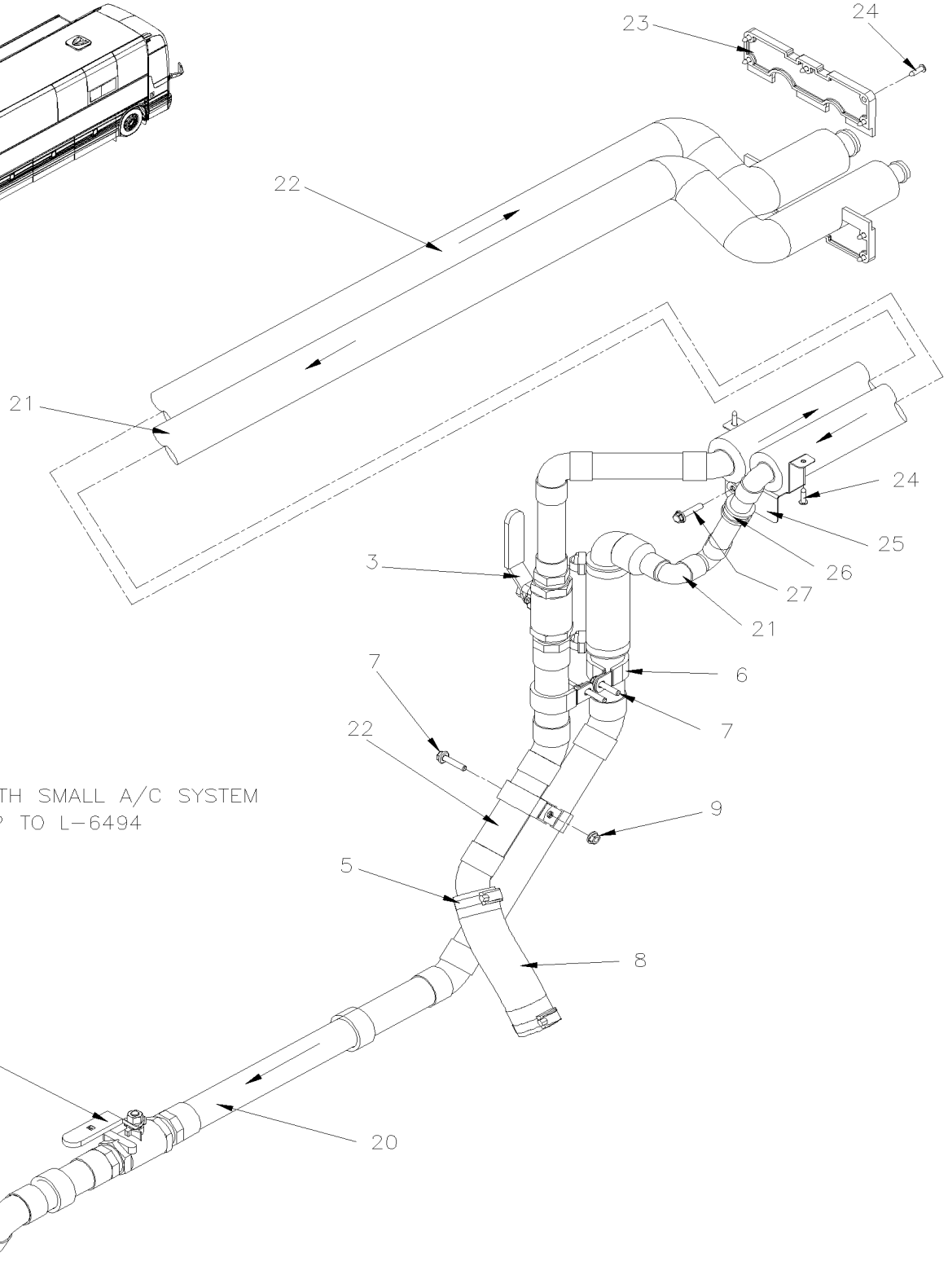
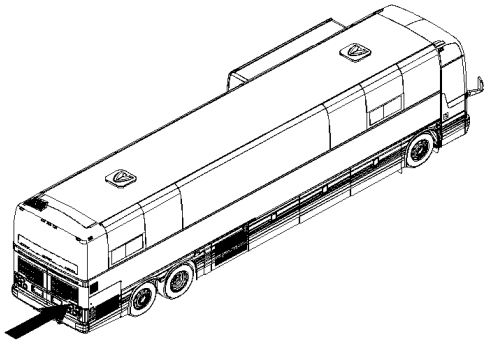


From H-6180

Date:07/2024

PAGE:X3VIP-2222-36

HEATER LINE REAR SECTION / "GHG17"



WITH SMALL A/C SYSTEM
UP TO L-6494

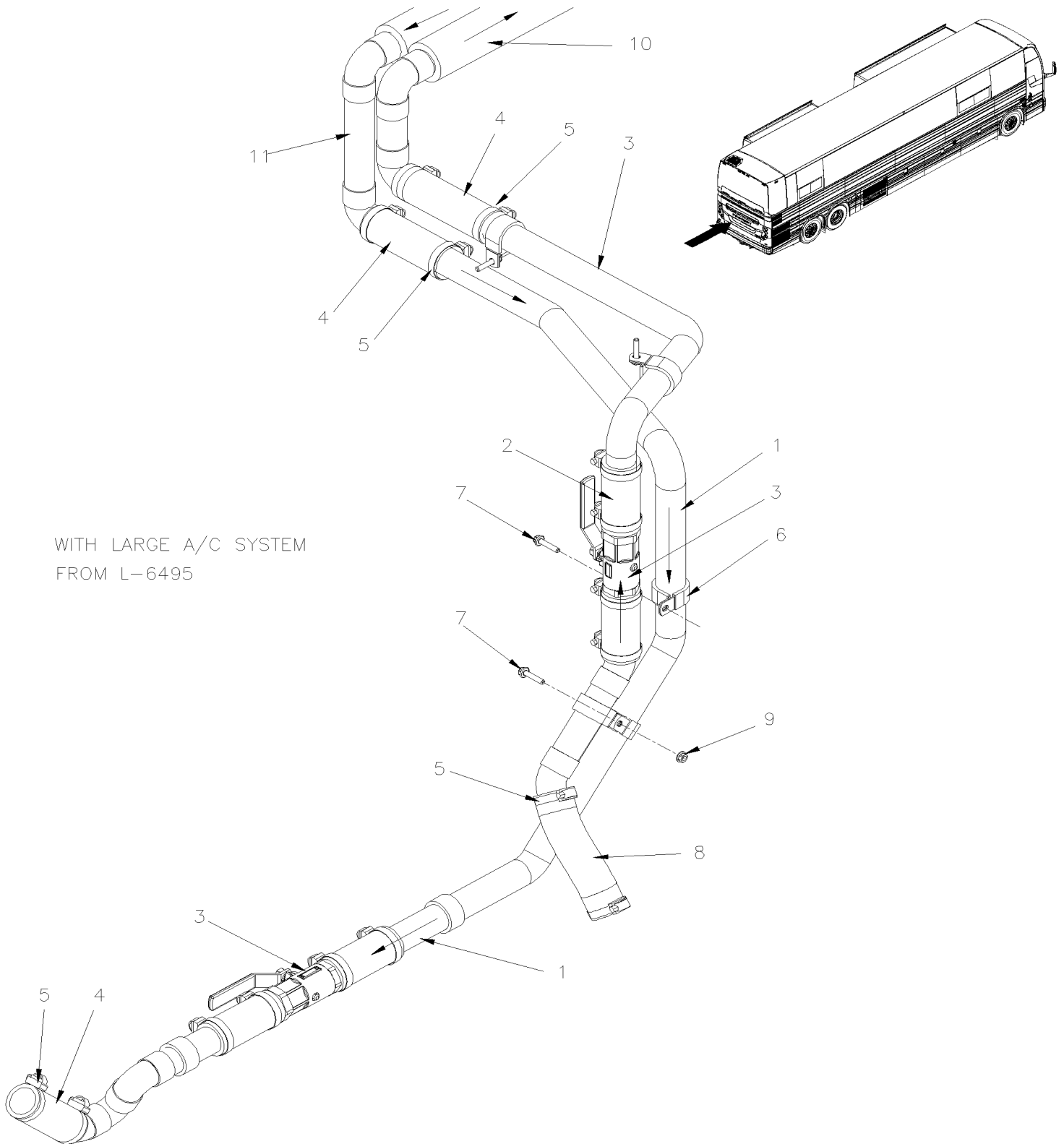


From H-6180

Date:07/2024

PAGE:X3VIP-2222-36

HEATER LINE REAR SECTION / "GHG17"



WITH LARGE A/C SYSTEM
FROM L-6495

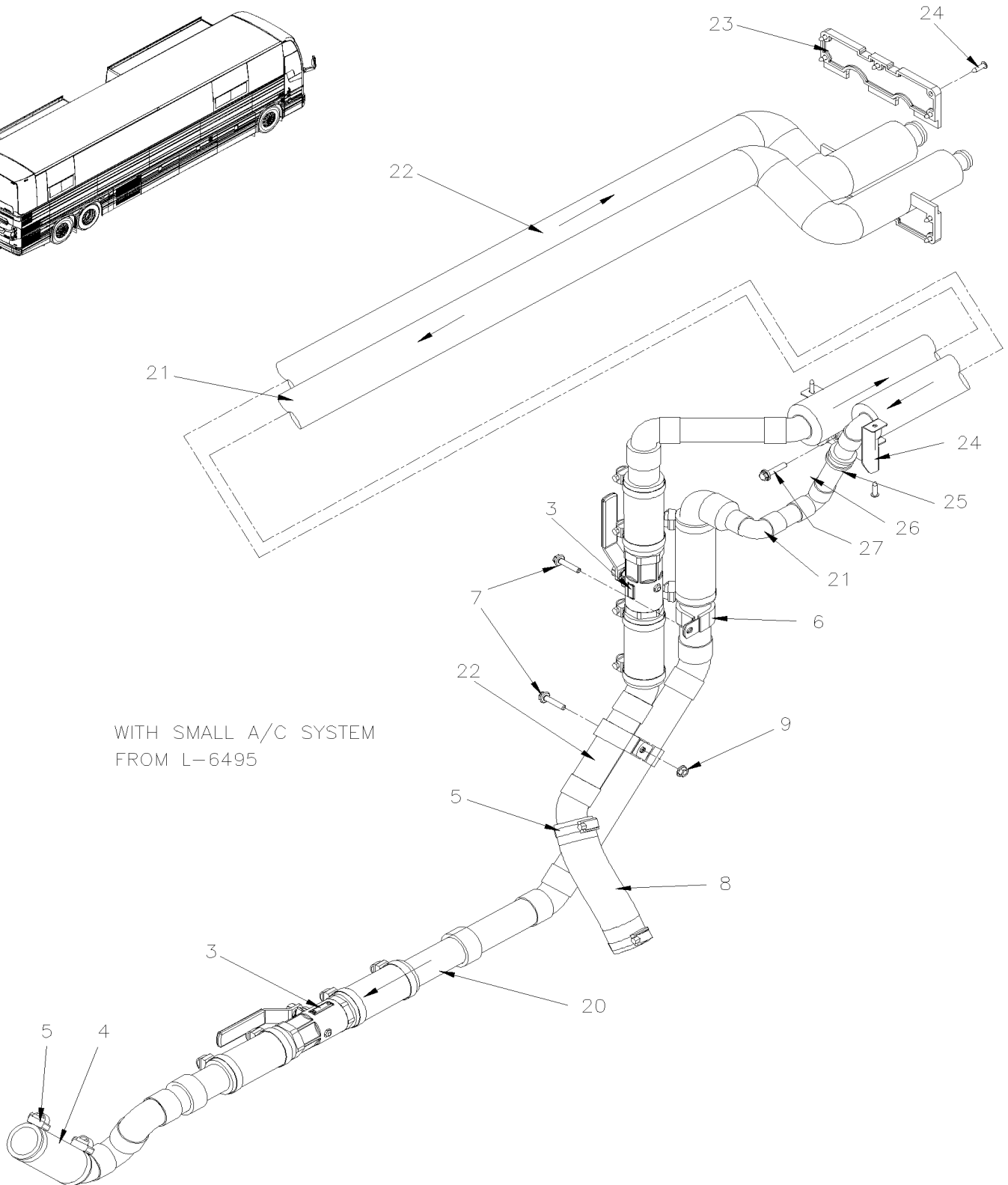
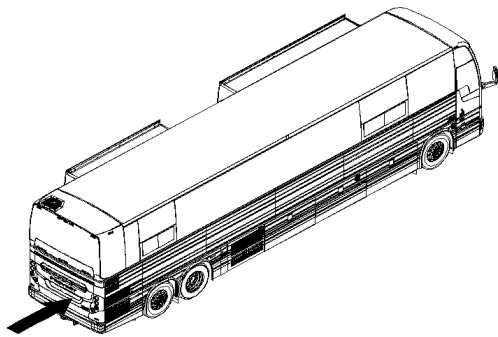


From H-6180

Date:07/2024

PAGE:X3VIP-2222-36

HEATER LINE REAR SECTION / "GHG17"



WITH SMALL A/C SYSTEM
FROM L-6495



From H-6180		Date:07/2024	PAGE:X3VIP-2222-36
HEATER LINE REAR SECTION / "GHG17"			

Item#	Part	Description	X 3 V I P E N T	X 3 V I P M T H	N O T E S
1	370076	PIPE ASSY HEATING / RETURN LINE/LOWER SECTION To L-6494	1	1	
1	370294	PIPE ASSY HEATING / RETURN LINE/LOWER SECTION From L-6495 To P-6878	1	1	
1	370489	PIPE ASSY HEATING / RETURN LINE/LOWER SECTION From P-6879	1	1	
2	370078	PIPE ASSY HEATING / FEED LINE / LOWER SECTION W/"WORLD" TRANS To L-6494	1	1	
2	370304	PIPE ASSY HEATING / FEED LINE / LOWER SECTION W/"WORLD" TRANS From L-6495	1	1	
3	871419	. BALL VALVE 1" NPT-F To L-6494	2	2	
3	870115	. BALL VALVE 1 3/8 HOSE From L-6495	2	2	
3	501997	. ADAPTER / COPPER @ PIPE / 1 1/4Fx1NPT-M To L-6494	2	2	
4	503783	HOSE SILICONE 4PLY / NOMEX-ARAMID 34MM I.D. x 6'	AR	AR	
5	992086	HOSE CLAMP / 32MM/52MM	AR	AR	
6	504779	CLAMP / SS / SILICONE RUBBER / 1 3/8" I.D. x .281 HOLE	AR	AR	
7	5001815	SCREW CAP HEXF M6-1.0x30 G 8.8 N500	AR	AR	
8	370126	HOSE 1 3/8" I.D. X 170MM	1	1	
9	5001857	NUT HEXF M6-1.0 N500	1	1	
10	374664	PIPE ASSY HEATING / FEED LINE	1	1	
11	374665	PIPE ASSY HEATING / RETURN LINE	1	1	
20	370109	PIPE ASSY HEATING / RETURN LINE/LOWER SECTION To L-6494	1	1	S
20	370308	PIPE ASSY HEATING / RETURN LINE/LOWER SECTION From L-6495 To P-6903	1	1	S
20	370576	PIPE ASSY HEATING / RETURN LINE/LOWER SECTION From P-6904	1	1	
21	370110	PIPE ASSY HEATING / FEED LINE To K-6413	1	1	S
21	370213	PIPE ASSY HEATING / FEED LINE From K-6414	1	1	S
22	370111	PIPE ASSY HEATING / RETURN LINE To L-6494	1	1	S
22	370309	PIPE ASSY HEATING / RETURN LINE From L-6495 To N-6713	1	1	S
22	370039	PIPE ASSY HEATING / RETURN LINE From N-6714	1	1	S
23	457424	CLOSING / PIPE TUNNEL PLASTIC / RH 57.2MM x 181MM	2	2	
NS	506338	RUBBER CHANNEL / 1/16" x 1/4" INT "U" SHAPE / ROUND C.T.L.	AR	AR	
24	500957	SCREW TP BDG PH #10x3/4 N500	AR	AR	
25	370112	SUPPORT PIPE To K-6413	1	1	
25	370214	SUPPORT PIPE From K-6414	1	1	
26	952633	CLAMP / 7/8" I.D.	1	1	
27	5001815	SCREW CAP HEXF M6-1.0x30 G 8.8 N500	1	1	
		S) WITH SMALL A/C			

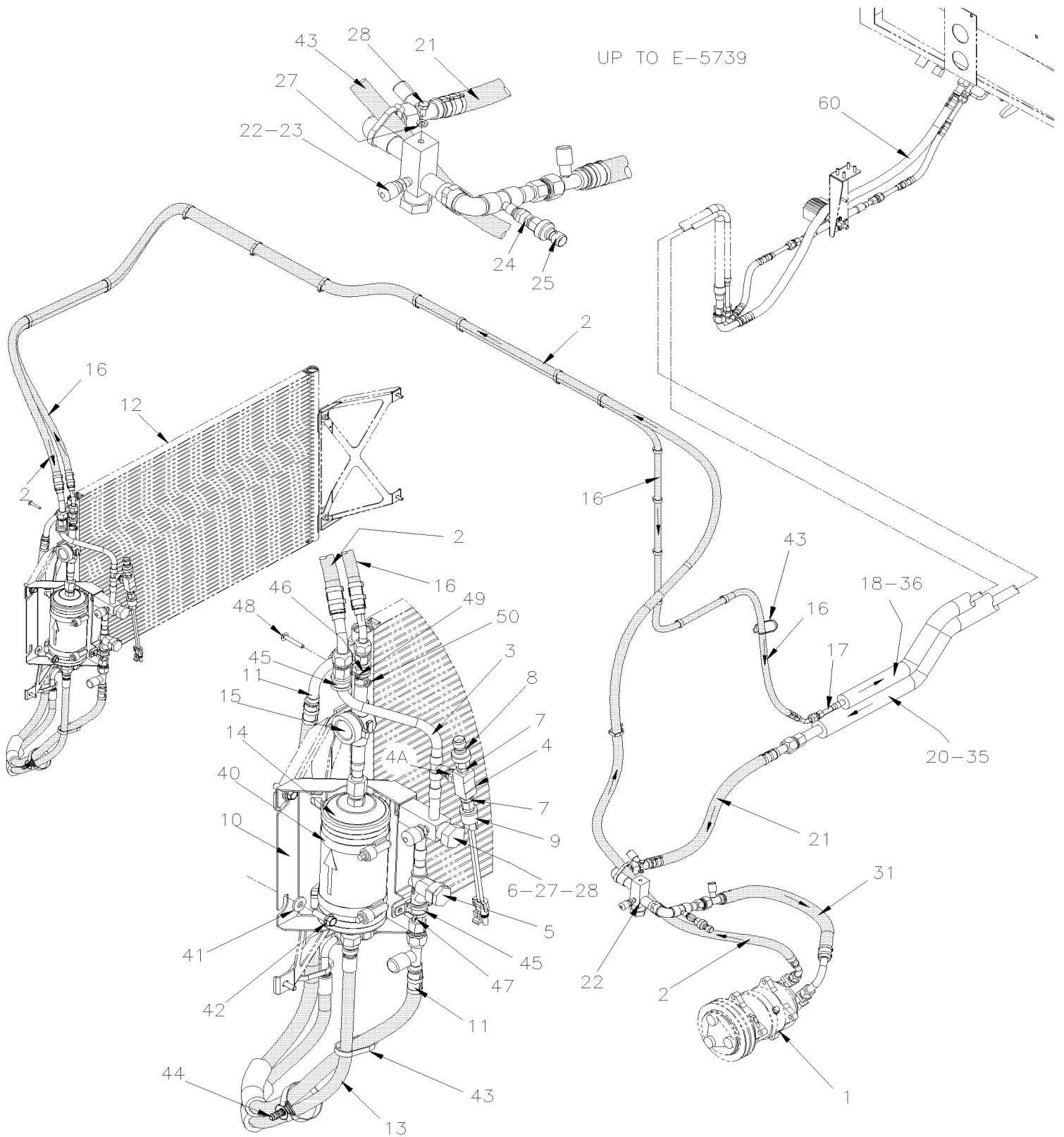


From E-5490 To H-6179

Date:07/2024

PAGE:X3VIP-2222-50

SMALL A/C LINES & HOSES



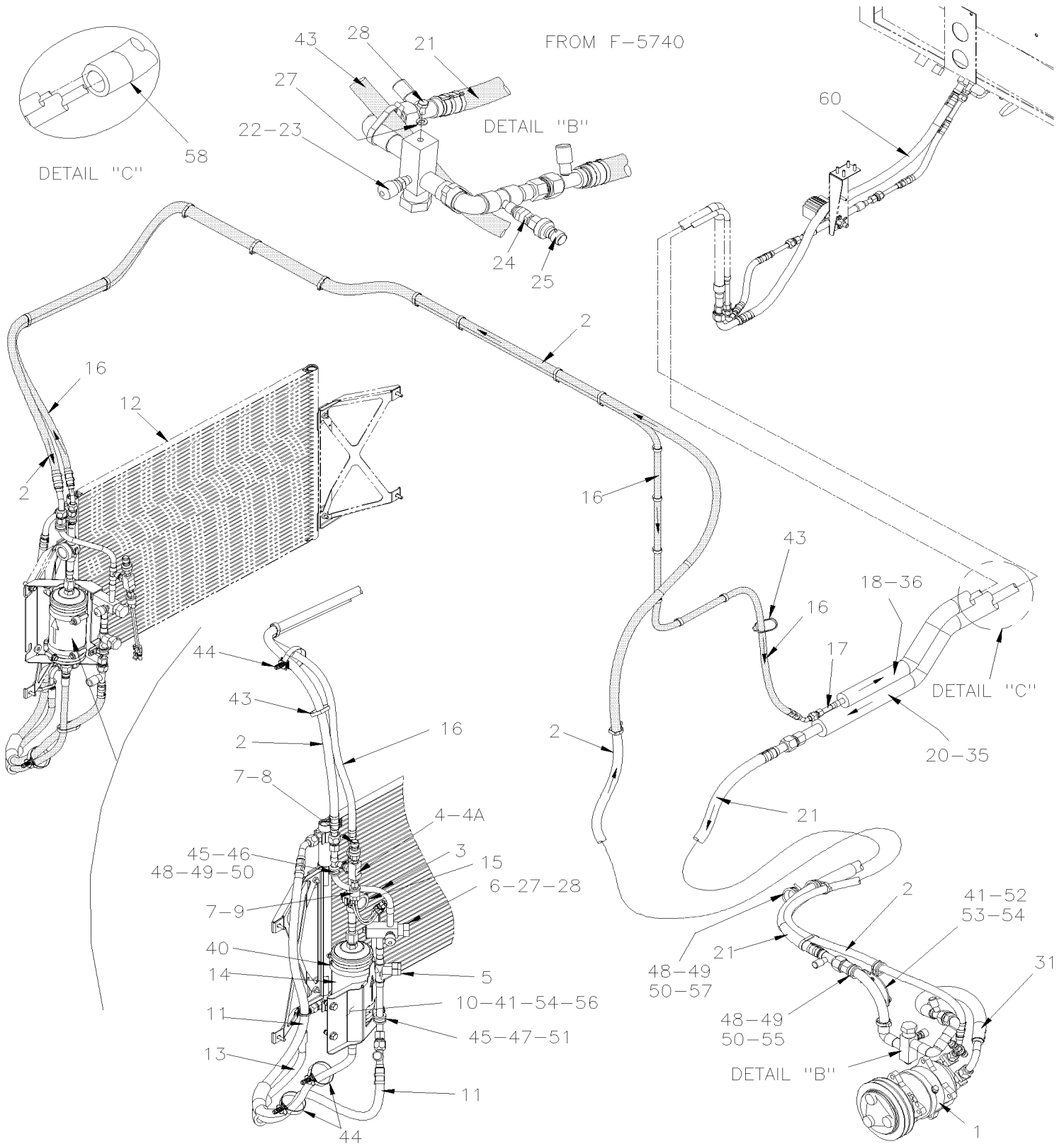


From E-5490 To H-6179

Date:07/2024

PAGE:X3VIP-2222-50

SMALL A/C LINES & HOSES





From E-5490 To H-6179	Date:07/2024	PAGE:X3VIP-2222-50
------------------------------	---------------------	---------------------------

SMALL A/C LINES & HOSES

Item#	Part	Description	X 3 V I P E N T	X 3 V I P M T H	N O T E S
1	X3VIP-2245-50	A/C SMALL COMPRESSOR - INSTALLATION			
2	457478P	HOSE ASSY / #8 4555MM To E-5739	1	1	
. NS	507343	. O-RING / ORS FITTING / #8 NEO To E-5739	2	2	
2	Call order desk	HOSE ASSY / #8 5170MM From F-5740	1	1	P
. NS	507343	. O-RING / ORS FITTING / #8 NEO From F-5740	1	1	
3	457485P	VALVE ASSY / HI-SIDE (superseded by 409205)	1	1	
4	501894	. MALE BRANCHE TEE / PIPE FITTING / 1/4NPT-Fx1/4NPT-Fx1/4NPT-M BR	1	1	
4A	507588	. ADAPTER / COPPER @ PIPE / 1/4Fx1/4NPT-F	1	1	
5	950326	. CHECK VALVE	1	1	
6	950376	. VALVE SERVICE HIGH PRESSURE	1	1	
7	950249	SCHRADER VALVE 1/4NPT-M	2	2	
8	563423	TRANSDUSER -6.7 to 420 LBS / 1/8 NPT-F	1	1	
. NS	563159	. CONNECTOR / METRI-PACK 150 / SH 3C / PED 12065287	1	1	
9	453380	PRESSURE SWITCH N.C. 350-245 20PS001MB350K245R	1	1	
10	459204	SUPPORT / HIGHT PRESSURE VALVE To E-5739	1	1	
10	457512	SUPPORT / HIGHT PRESSURE VALVE From F-5740	1	1	
11	455356	HOSE ASSY / #8 1140MM To E-5739	1	1	
. NS	507343	. O-RING / ORS FITTING / #8 NEO To E-5739	2	2	
11	457515	HOSE ASSY / #8 1200MM From F-5740	1	1	
. NS	507343	. O-RING / ORS FITTING / #8 NEO From F-5740	2	2	
12	X3VIP-2255-10	CONDENSOR - INSTALLATION SMALL A/C SYSTEM			
13	455355	HOSE ASSY / #6 760MM	1	1	
. NS	507278	. O-RING / ORS FITTING / #4 NEO	1	1	
14	950370	FILTER DRYER	1	1	
. NS	507085	. O-RING 7/16" I.D X 1/32"	1	1	
15	455336	MOISTURE INDICATOR ASSY	1	1	
. NS	950455	. MOISTURE INDICATOR	1	1	
16	Call order desk	HOSE ASSY / #6 3865MM To E-5739	1	1	P
. NS	507278	. O-RING / ORS FITTING / #4 NEO To E-5739	2	2	
16	Call order desk	HOSE ASSY / #6 3975MM From F-5740	1	1	P
. NS	507278	. O-RING / ORS FITTING / #4 NEO From F-5740	1	1	
17	452437	PIPE ASSY To G-5936	1	1	
18	453319	PIPE ASSY To G-5936	1	1	
18	Call order desk	PIPE ASSY FRONT From G-5937	1	1	P
18	Call order desk	PIPE ASSY REAR From G-5937	1	1	P
20	Call order desk	PIPE ASSY To F-5802	1	1	P
20	Call order desk	PIPE ASSY FRONT From F-5803 To G-5936	1	1	P
20	Call order desk	PIPE ASSY FRONT From G-5937	1	1	P
20	Call order desk	PIPE ASSY REAR From F-5803 To G-5936	1	1	P
20	457763	PIPE ASSY From G-5937	1	1	
21	455300	HOSE ASSY / #12 847MM	1	1	
. NS	507280	. O-RING / ORS FITTING / #12 NEO	2	2	



From E-5490 To H-6179	Date:07/2024	PAGE:X3VIP-2222-50
SMALL A/C LINES & HOSES		

Item#	Part	Description	X 3 V I P E N T	X 3 V I P M T H	N O T E S
. NS	505110	. COIL PROTECTOR / PLASTIC / #12	AR	AR	
22	457468P	VALVE ASSY W/SUPPORT / LOW SIDE To E-5739	1	1	
22	457677P	VALVE ASSY W/SUPPORT / LOW SIDE From F-5740	1	1	
23	950950	. VALVE SERVICE LOW PRESSURE	1	1	
. NS	950235	. . GAUGE ADAPTOR ASSY / W/BLUE CAP FOR R-134A / SUCTION SIDE (ALUMINUM)	1	1	
24	950249	SCHRADER VALVE 1/4NPT-M	1	1	
25	563423	TRANSDUSER -6.7 to 420 LBS / 1/8 NPT-F	1	1	
. NS	563159	. CONNECTOR / METRI-PACK 150 / SH 3C / PED 12065287	1	1	
27	5001749	WASHER LO SPT 6.5x11.5x1.6 N500 To E-5739	2	2	
27	5001833	WASHER BEL SPR 6.1x18x1.27 SS From F-5740	2	2	
28	502772	SCREW CAP HEX 1/4-20x1/2 G5 N500 To E-5739	2	2	
28	5001190	SCREW CAP HEX 1/4-20x3/4 SS BK From F-5740	2	2	
31	457451P	HOSE ASSY / #12 400MM To E-5739	1	1	
. NS	507344	. O-RING / ORS FITTING / #10 NEO To E-5739	2	2	
31	Call order desk	HOSE ASSY / #12 345MM From F-5740	1	1	P
. NS	507344	. O-RING / ORS FITTING / #10 NEO From F-5740	2	2	
35	506276	PIPE INSULATING / 7/8" I.D. X 1/2" TH. X 72 / APT07812	1	1	
36	506215	PIPE INSULATING / 1/2" I.D. X 1/2" TH. X 72" / APT01212 To G-5936	1	1	
36	506276	PIPE INSULATING / 7/8" I.D. X 1/2" TH. X 72 / APT07812 From G-5937	AR	AR	
40	504026	HOSE CLAMP / 2"13/16-3"3/4 SS / HS-52	2	2	
41	500321	WASHER BEL SPR .331x.827x.098 N500 To E-5739	2	2	
41	5001868	WASHER BEL SPR 8.4x18x2 SS From F-5740	2	2	
42	5001643	SCREW CAP HEXF M8-1.25x25 G8.8 G500 To E-5739	2	2	
43	504016	CABLE TIE / 5/16" X 14"1/2	AR	AR	
44	504750	CABLE TIE / 1/2" x 15" / CHRISTMAS TREE	AR	AR	
45	952629	CLAMP / 5/8" I.D. To F-5739	2	2	
45	952627	CLAMP / 1/2" I.D. From F-5740	2	2	
46	952627	CLAMP / 1/2" I.D.	1	1	
47	500957	SCREW TP BDG PH #10x3/4 N500	2	2	
48	500574	SCREW MA TR PH #10-24x1 1/4 SS	AR	AR	
49	500914	WASHER LO SPT .193x.334x.047 N500	AR	AR	
50	502882	NUT HEX #10-24 N500	AR	AR	
51	500804	WASHER FL .203x.500x.047 N500 From F-5740	1	1	
52	5001852	NUT HEX M8-1.25 SS BK From F-5740	1	1	
53	457679	BRACKET From F-5740	1	1	
54	502780	SCREW CAP HEX M8-1.25x25 SS BK From F-5740	3	3	
55	952633	CLAMP / 7/8" I.D. From F-5740	2	2	
56	5001337	NUT INS FL HEX M8-1.25 0.5-3.0 Z050 From F-5740	2	2	
57	952637	CLAMP / 1"1/16 I.D. From F-5740 To G-5936	1	1	
57	952639	CLAMP / 1"1/4 I.D. From F-5740	1	1	
58	506283	PIPE INSULATING / 1 5/8" I.D. X 1/2" TH. X 72 / APT15812	AR	AR	
60	X3VIP-2210-20	WATER PUMP & FILTER - WSMALL A/C			



From E-5490 To H-6179	Date:07/2024	PAGE:X3VIP-2222-50
-----------------------	--------------	--------------------

SMALL A/C LINES & HOSES

Item#	Part	Description	X 3 V I P E N T	X 3 V I P M T H	N O T E S
		P) CALL ORDER DESK FOR SPECIFIC APPLICATION (V.I.N.)			

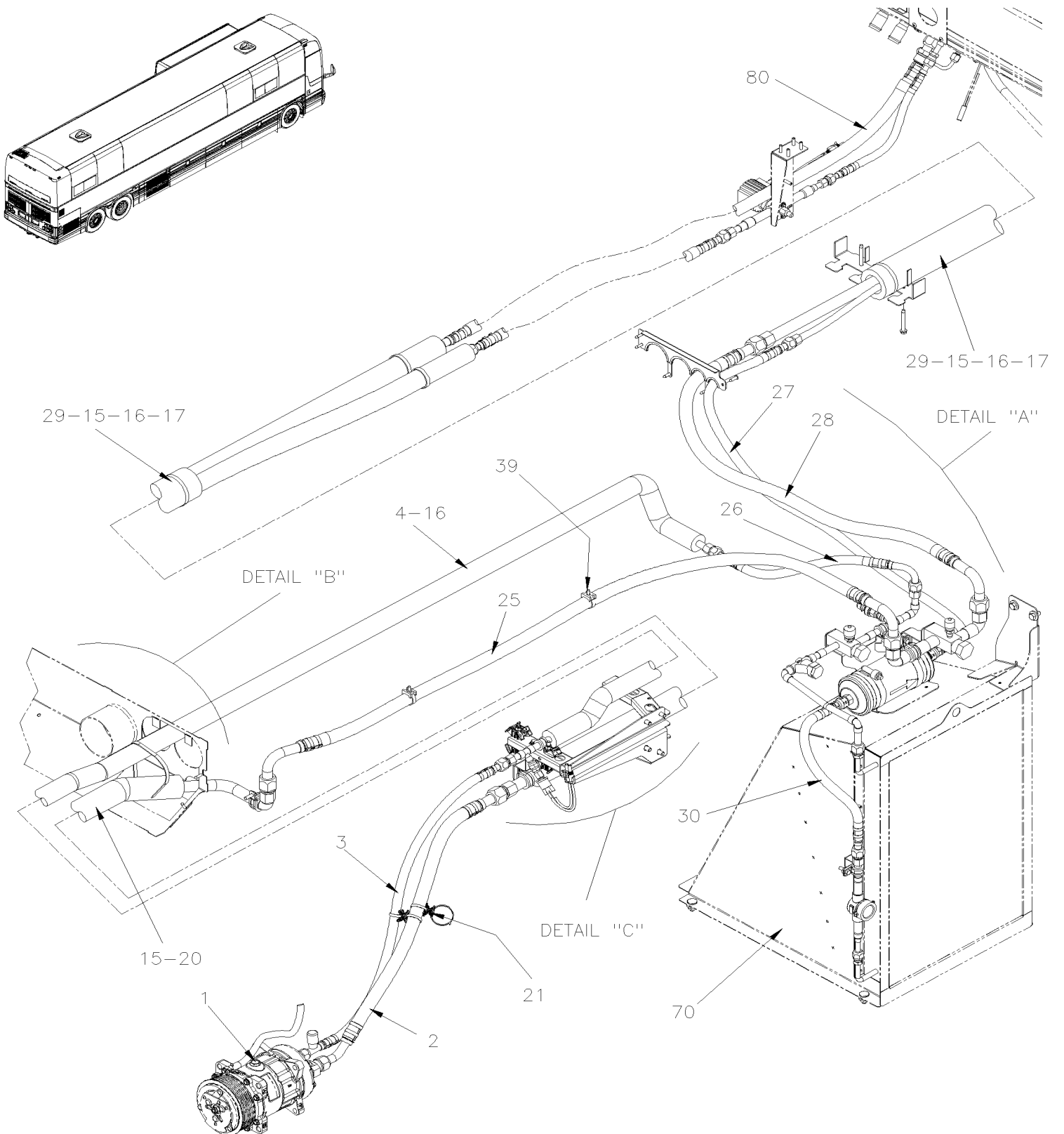


From H-6180

Date:07/2024

PAGE:X3VIP-2222-51

SMALL A/C LINES & HOSES / "GHG17"



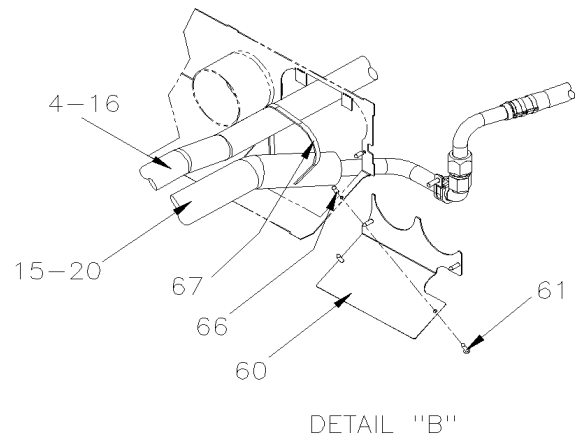
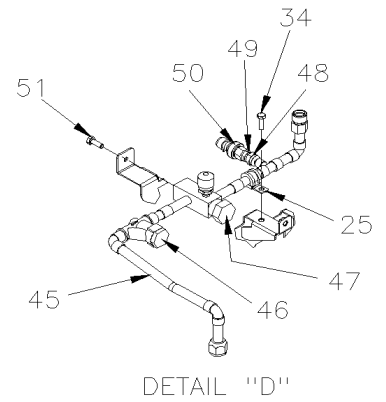
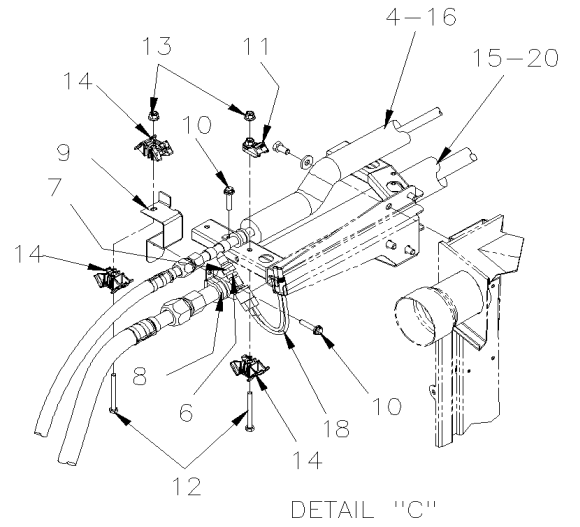
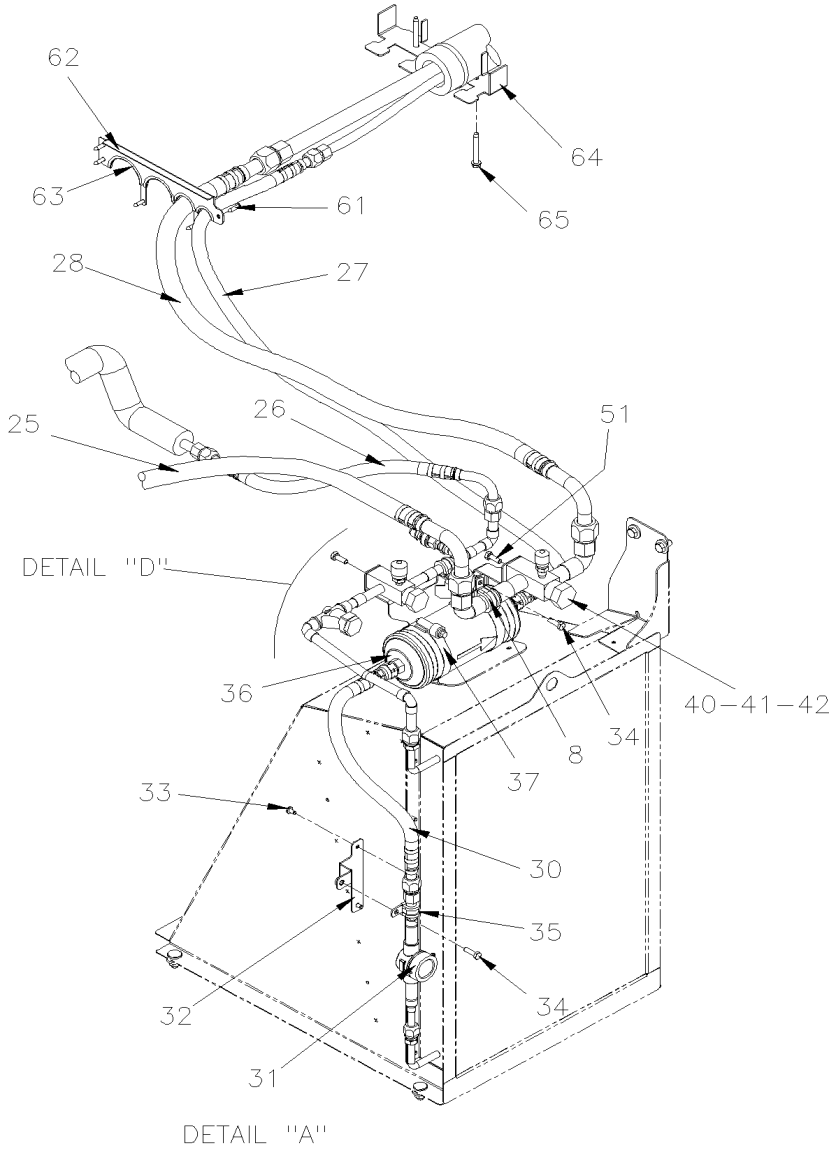


From H-6180

Date:07/2024

PAGE:X3VIP-2222-51

SMALL A/C LINES & HOSES / "GHG17"





From H-6180		Date:07/2024	PAGE:X3VIP-2222-51
SMALL A/C LINES & HOSES / "GHG17"			

Item#	Part	Description	X 3 V I P E N T	X 3 V I P M T H	N O T E S
1	X3VIP-2245-51	A/C SMALL COMPRESSOR - INSTALLATION / "GHG17"	1	1	
2	450383	HOSE ASSY / #12, 590MM LG	1	1	
. NS	507280	. O-RING / ORS FITTING / #12 NEO	1	1	
. NS	507344	. O-RING / ORS FITTING / #10 NEO	1	1	
3	450384	HOSE ASSY / #8 690MM	1	1	
. NS	507343	. O-RING / ORS FITTING / #8 NEO	2	2	
4	450080	PIPE ASSY / DISCHARGE To K-6413	1	1	
4	450721	PIPE ASSY / DISCHARGE From K-6414	1	1	
6	950249	. SCHRADER VALVE 1/4NPT-M	1	1	
7	507588	. ADAPTER / COPPER @ PIPE / 1/4Fx1/4NPT-F	1	1	
8	952633	. CLAMP / 7/8" I.D.	1	1	
9	450125	SUPPORT PIPE 102.9x44x36.8MM	1	1	
10	5001815	SCREW CAP HEXF M6-1.0x30 G 8.8 N500	6	6	
11	509894	TIE MOUNT HOLE 7.8MM	1	1	
12	5001681	SCREW CAP HEX M6-1.0x60 SS	AR	AR	
13	5001932	NUT HEXF NYRT M6-1.0 G8.8 N500	AR	AR	
14	509490	ATTACHMENT DOUBLE USE WITH CABLE TIE	AR	AR	
15	506276	PIPE INSULATING / 7/8" I.D. X 1/2" TH. X 72 / APT07812	AR	AR	
16	506215	PIPE INSULATING / 1/2" I.D. X 1/2" TH. X 72" / APT01212	AR	AR	
17	506283	PIPE INSULATING / 1 5/8" I.D. X 1/2" TH. X 72 / APT15812	AR	AR	
18	453380	. PRESSURE SWITCH N.C. 350-245 20PS001MB350K245R	1	1	
NS	680098	. THREAD SEALANT LOCTITE #567 / WHITE / 250ml	AR	AR	
NS	504737	CABLE TIE / .300" X 30"1/2	AR	AR	
20	450081	PIPE ASSY / SUCTION To K-6413	1	1	
20	450724	PIPE ASSY / SUCTION From K-6414	1	1	
21	504751	ROTATIF SPACER DOUBLE / SMALL	2	2	
21	504016	CABLE TIE / 5/16" X 14"1/2 To L-6494	4	4	
21	5040100	CABLE TIE /OUTSIDE SERRATED 5/16" X 14"1/2 From L-6495	AR	AR	
25	450247	HOSE ASSY / #12, 1355 MM LG	1	1	
. NS	507280	. O-RING / ORS FITTING / #12 NEO	2	2	
26	450248	HOSE ASSY / #8 370MM	1	1	
. NS	507343	. O-RING / ORS FITTING / #8 NEO	2	2	
27	450240	HOSE ASSY / #8 1070MM LG	1	1	
. NS	507343	. O-RING / ORS FITTING / #8 NEO	1	1	
28	450243	HOSE ASSY / #12 980MM LG	1	1	
. NS	507280	. O-RING / ORS FITTING / #12 NEO	2	2	
29	450144	PIPE ASSY / To L-6526	1	1	
29	451092	PIPE ASSY / From L-6527	1	1	
30	450239	HOSE ASSY / #8 370MM	1	1	
. NS	507343	. O-RING / ORS FITTING / #8 NEO	1	1	
31	450206	MOISTURE INDICATOR ASSY	1	1	
. NS	950455	. MOISTURE INDICATOR	1	1	



From H-6180		Date:07/2024	PAGE:X3VIP-2222-51
SMALL A/C LINES & HOSES / "GHG17"			

Item#	Part	Description	X 3 V I P E N T	X 3 V I P M T H	N O T E S
. NS	507278	. O-RING / ORS FITTING / #4 NEO	1	1	
32	450237	SUPORT PIPE /	1	1	
33	500209	SCREW TC BDG PH #10-24x3/8 N500	AR	AR	
34	502622	SCREW CAP HEX M6-1.0x20 SS BK	AR	AR	
35	952627	CLAMP / 1/2" I.D.	AR	AR	
36	950370	FILTER DRYER	1	1	
. NS	507085	. O-RING 7/16" I.D X 1/32"	1	1	
37	504026	HOSE CLAMP / 2"13/16-3"3/4 SS / HS-52	2	2	
39	504013	TIE MOUNT / 1/4" X 1/4" I.D.	AR	AR	
39	504488	RIVET MGLP PRDG 3/16x17/64 SS	AR	AR	
39	504737	CABLE TIE / .300" X 30"1/2	AR	AR	
40	450213	VALVE LOW PRESSURE To N-6713	1	1	
40	454462	VALVE LOW PRESSURE From N-6714 To N-6747	1	1	
40	454978	VALVE LOW PRESSURE From N-6748	1	1	
NS	454982	BRACKET, VALVE SERVICE From N-6748 To P-6807	1	1	
41	950950	. VALVE SERVICE LOW PRESSURE	1	1	
. NS	950235	. . GAUGE ADAPTOR ASSY / W/BLUE CAP FOR R-134A / SUCTION SIDE (ALUMINUM)	1	1	
42	950235	. GAUGE ADAPTOR ASSY / W/BLUE CAP FOR R-134A / SUCTION SIDE (ALUMINUM)	1	1	
43	952633	CLAMP / 7/8" I.D.	1	1	
45	450211	VALVE HIGH PRESSURE To N-6713	1	1	
45	454376	VALVE HIGH PRESSURE From N-6714 To N-6747	1	1	
45	454970	VALVE HIGH PRESSURE From N-6748	1	1	
NS	454980	BRACKET, VALVE SERVICE From N-6748 To P-6807	1	1	
46	950326	. CHECK VALVE	1	1	
47	950376	. VALVE SERVICE HIGH PRESSURE	1	1	
48	507588	. ADAPTER / COPPER @ PIPE / 1/4Fx1/4NPT-F	1	1	
49	950249	. SCHRADER VALVE 1/4NPT-M	1	1	
50	563423	. TRANSDUSER -6.7 to 420 LBS / 1/8 NPT-F	1	1	
. NS	563159	. . CONNECTOR / METRI-PACK 150 / SH 3C / PED 12065287	1	1	
51	5001190	SCREW CAP HEX 1/4-20x3/4 SS BK To P-6807	2	2	
51	5001833	WASHER BEL SPR 6.1x18x1.27 SS To P-6807	2	2	
60	450077	CLOSING PANEL 185x79.5x100MM To K-6413	1	1	
60	450720	CLOSING PANEL From K-6414	1	1	
61	500957	SCREW TP BDG PH #10x3/4 N500	AR	AR	
62	370089	CLOSING PLATE W/SMALL A/C	1	1	
63	5060120	GROMMET EDGING ADHESIVE .036-.062 To K-6491	AR	AR	
63	506338	RUBBER CHANNEL / 1/16" x 1/4" INT "U" SHAPE / ROUND C.T.L. From L-6492	AR	AR	
63	680066	ADHESIVE / ADBOND #5014 / 23.6ML BOTTLE From L-6492	AR	AR	
64	370062	SUPPORT, HVAC PIPE 211MM To J-6226	8	8	
64	370062	SUPPORT, HVAC PIPE 211MM From J-6227	1	1	
64	370144	SUPPORT, HVAC PIPE 192.5MM From J-6227	7	7	
65	500625	SCREW TC CAP HEXW 1/4-20x2 Z050	AR	AR	



From H-6180	Date:07/2024	PAGE:X3VIP-2222-51
SMALL A/C LINES & HOSES / "GHG17"		

Item#	Part	Description	X 3 V I P E N T	X 3 V I P M T H	N O T E S
66	507333	PROTECTOR CAP / BLACK / .172 I.D. x .500	4	4	
67	504737	CABLE TIE / .300" X 30"1/2	AR	AR	
NS	450272	CLOSING PLATE	1	1	A
NS	500957	SCREW TP BDG PH #10x3/4 N500	1	1	A
70	X3VIP-2255-11	CONDENSOR - INSTALLATION SMALL A/C SYSTEM / "GHG17"	1	1	
80	X3VIP-2210-20	WATER PUMP & FILTER - W/SMALL A/C			
		A) TO CLOSE HOLE PIPE USED WITH LARGE A/C SYSTEM			

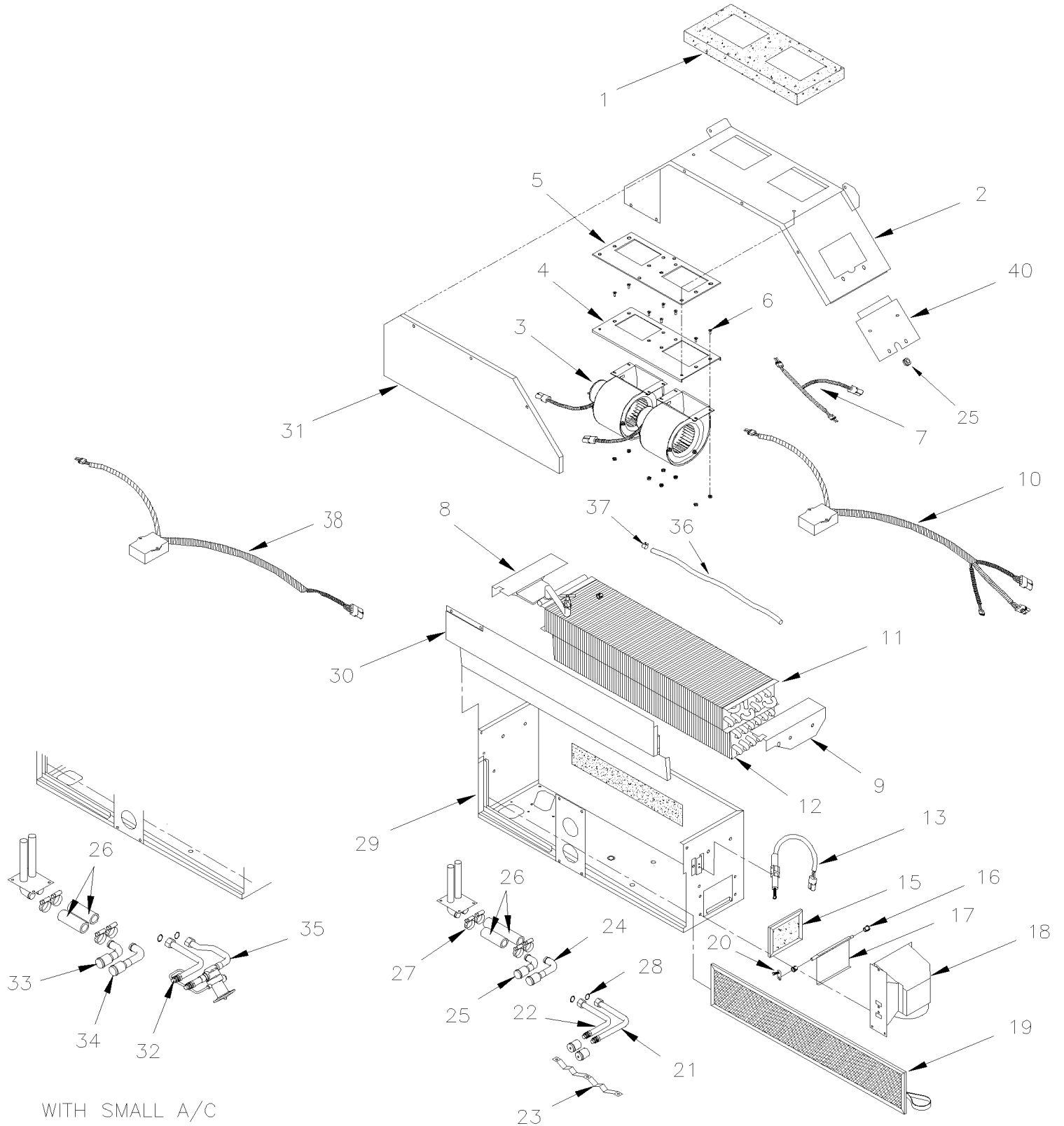


From E-5490

Date:07/2024

PAGE:X3VIP-2225-00

DRIVER'S HEATER & DEFROSTER ASSY





From E-5490		Date:07/2024	PAGE:X3VIP-2225-00
-------------	--	--------------	--------------------

DRIVER'S HEATER & DEFROSTER ASSY

Item#	Part	Description	X 3 V I P E N T	X 3 V I P M T H	N O T E S
	871415	DEFROSTER & A/C UNIT ASSY To K-6410	1	1	
	870017	DEFROSTER & A/C UNIT ASSY From K-6411	1	1	
	871416	DEFROSTER & A/C UNIT ASSY MUX To H-6179	1	1	A
	870016	DEFROSTER & A/C UNIT ASSY MUX From K-6411	1	1	A
1	871129	. SEAL	1	1	
2	870063	. COVER	1	1	
3	871359	. BLOWER ASSY 24V / W/DOUBLE MOTOR MOUNT	2	2	
3	871360	. BLOWER & MOTOR ASSY - "M.C.C." "CCW" / FAN END	2	2	
4	871362	. PLATE MOUNTING	1	1	
5	871363	. SEAL PLATE MOUNTING	1	1	
6	684605	. SCREW CAP HEXS #10-32x1/2	8	8	
NS	500423	. NUT HEX NYRT #10-32 SS	8	8	
7	871364	. CABLE HARNESS	1	1	
8	871137	. BRACKET L.H.	1	1	
9	871138	. BRACKET R.H.	1	1	
10	871353	. MODULE CONTROL FAN SPEED / W/DOUBLE MOTOR	1	1	
11	871140	. HEATER COIL	1	1	
. NS	870127	. DRAIN VALVE ROBINET VIDANGE	1	1	
12	871141	. EVAPORATOR COIL	1	1	
13	871142	. ACTUATOR, THERMAL	1	1	
15	871144	. FILTER / FRESH AIR 1/4" x 3 5/8" x 5 1/4"	1	1	
16	871025	. BUSHING / CABLE PIVOT	2	2	
17	871145	. DAMPER TRAP	1	1	
18	871225	. BOX, FRESH AIR	1	1	
19	871147	. FILTER / RECIRCULATING 1/4" x 6 1/4" x 28"	1	1	
20	871148	. LEVER , F/A DAMPER	1	1	
20	5001410	. SCREW MA CHE PH M4-0.7x16 SS	1	1	
20	502557	. NUT HEX NYRT M4-0.7 SS	1	1	
21	871229	. TUBE, A/C	1	1	
22	871228	. TUBE, A/C	1	1	
23	871226	. TUBE SUPPORT	1	1	
NS	871237	. TUBE SUPPORT	1	1	
24	871231	. TUBE HEATER	1	1	
25	871230	. TUBE HEATER	1	1	
26	871442	. HOSE SILICONE 4 PLY 5/8 OD x 4"	AR	AR	
27	871443	. HOSE CLAMP /	4	4	
28	507279	. O-RING / ORS FITTING / #8 NEO	2	2	
28	X3VIP-2208-00	. A/C EXPANSION VALVE To K-6466			
28	X3VIP-2208-01	. A/C EXPANSION VALVE From K-6467			
29	870027	. CASING	1	1	
30	871155	. COVER	1	1	
31	871156	. COVER / BLOWER ACCESS	1	1	



From E-5490		Date:07/2024	PAGE:X3VIP-2225-00
DRIVER'S HEATER & DEFROSTER ASSY			

Item#	Part	Description	X 3 V I P E N T	X 3 V I P M T H	N O T E S
NS	5001047	. . SCREW TC PAN PH M5-0.8X10 ZP	17	17	
32	871343	. TUBE A/C To H-6179	1	1	A
33	871230	. TUBE HEATER To H-6179	1	1	A
34	871231	. TUBE HEATER To H-6179	1	1	A
35	871344	. VALVE, EXPANSION ASSY / WITH PIPE To H-6179	1	1	A
36	8860148	. TUBE, NYLON 5/16 O.D. / BLACK S.L.	1	1	
37	N8888160	. SPRING CLIP	1	1	
38	563660	. MODULE CONTROL FAN SPEED / W/DOUBLE MOTOR W/MUX PASSNGER SIDE	1	1	
40	870040	. HARNESS COVER	1	1	
		A) WITH SMALL A/C SYSTEM			

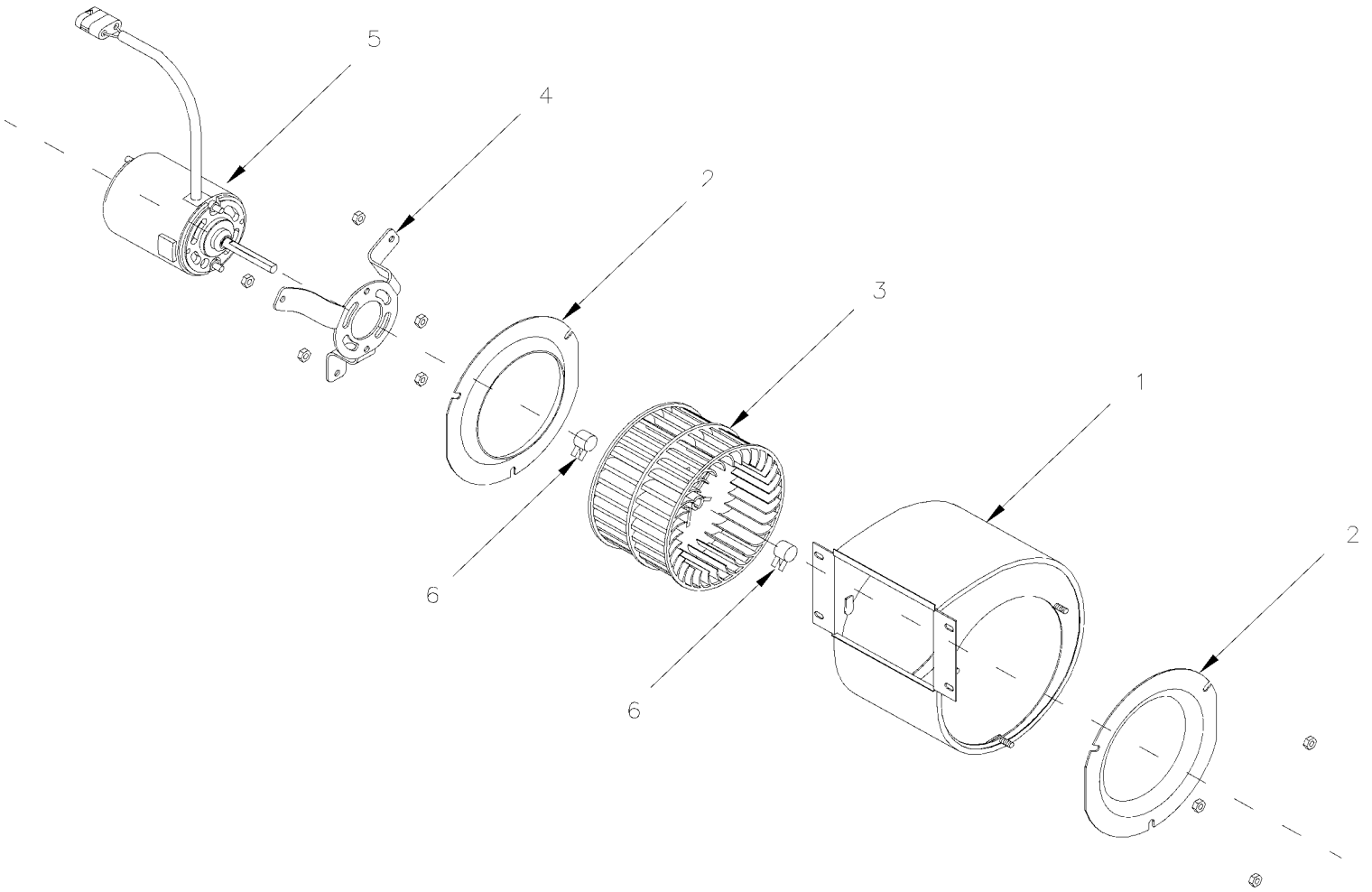


From E-5490

Date:07/2024

PAGE:871360

BLOWER & MOTOR ASSY - "M.C.C." "CCW" / FAN END





From E-5490		Date:07/2024	PAGE:871360
-------------	--	--------------	-------------

BLOWER & MOTOR ASSY - "M.C.C." "CCW" / FAN END

Item#	Part	Description	X 3 V I P E N T	X 3 V I P M T H	N O T E S
		BLOWER ASSY 24V / CCW	1	1	
1	871365	. BLOWER HOUSING	1	1	
2	N8889479	. VENTURY	2	2	
3	871133	. BLOWER WHEEL / PLASTIC 5 1/8" x 3 1/2" x 5/16" x I.D.	1	1	
4	N8890530	. MOUNTING MOTOR BRACKET	1	1	
5	871366	. MOTOR ASSY 24V / CCW	1	1	
6	N8888160	. SPRING CLIP	2	2	

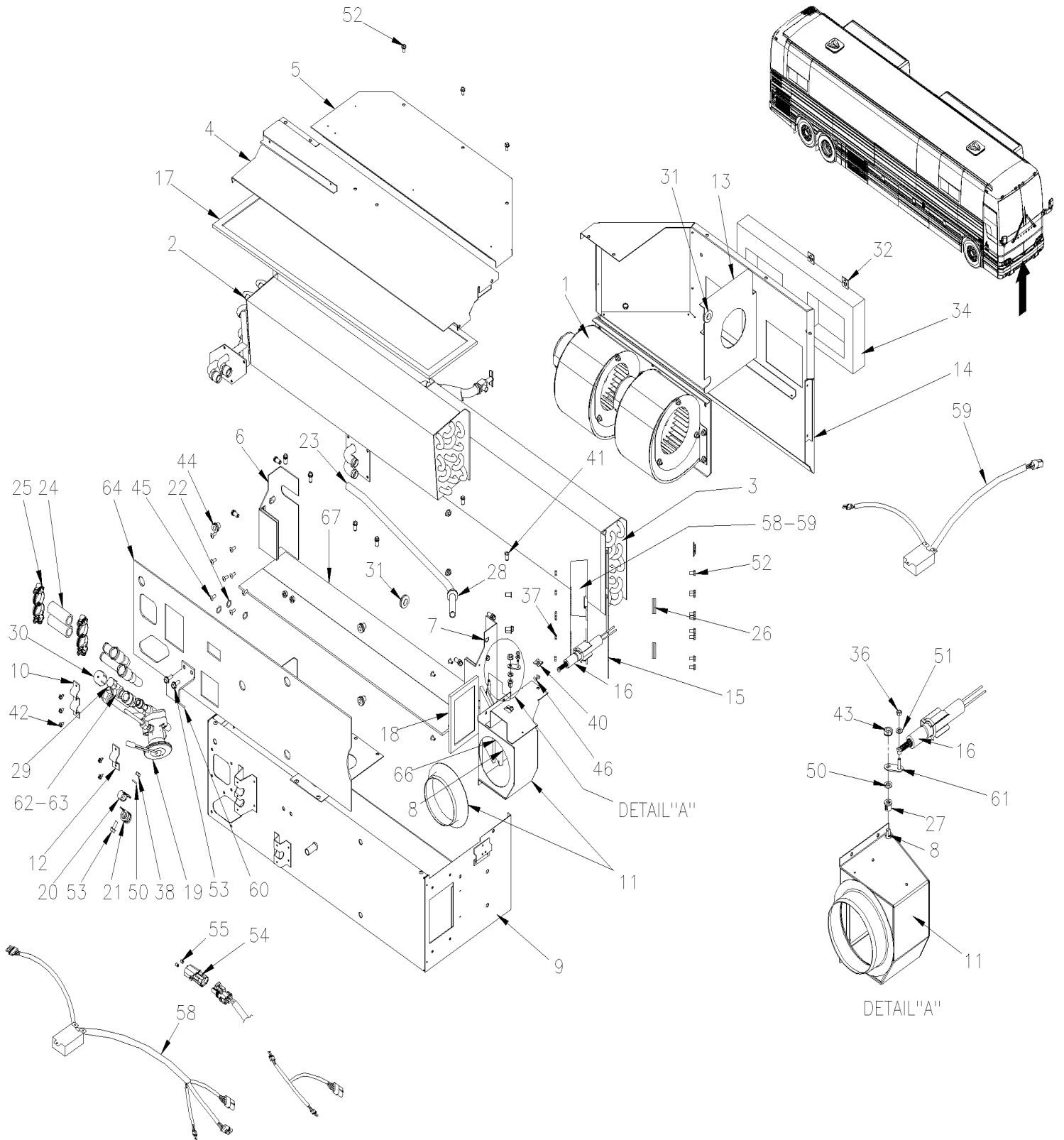


From H-6180

Date:07/2024

PAGE:X3VIP-2225-10

DRIVER'S HEATER & DEFROSTER ASSY WITH SMALL A/C





From H-6180		Date:07/2024	PAGE:X3VIP-2225-10
-------------	--	--------------	--------------------

DRIVER'S HEATER & DEFROSTER ASSY WITH SMALL A/C

Item#	Part	Description	X 3 V I P E N T	X 3 V I P M T H	N O T E S
	870002	DEFROSTER & A/C UNIT ASSY To K-6410	1	1	
	870018	DEFROSTER & A/C UNIT ASSY From K-6411	1	1	
1	871359	. BLOWER ASSY 24V / W/DOUBLE MOTOR MOUNT	1	1	
2	871141	. EVAPORATOR COIL	1	1	
3	871140	. HEATER COIL	1	1	
. NS	870127	. . DRAIN VALVE ROBINET VIDANGE	1	1	
4	871155	. COVER	1	1	
5	871156	. COVER / BLOWER ACCESS	1	1	
6	871137	. BRACKET L.H.	1	1	
7	871138	. BRACKET R.H.	1	1	
8	871145	. DAMPER TRAP	1	1	
9	870027	. CASING	1	1	
10	871226	. TUBE SUPPORT	1	1	
11	871402	. BOX, FRESH AIR	1	1	
12	870061	. TUBE SUPPORT	1	1	
13	871409	. DIVIDER	1	1	
14	870063	. .COVER	1	1	
15	870040	. HARNESS COVER	1	1	
16	871142	. ACTUATOR, THERMAL	1	1	
17	871147	. FILTER / RECIRCULATING 1/4" x 6 1/4" x 28"	1	1	
18	871144	. FILTER / FRESH AIR 1/4" x 3 5/8" x 5 1/4"	1	1	
19	871344	. VALVE, EXPANSION ASSY / WITH PIPE	1	1	
20	950567	. CLAMP #8	1	1	
21	N8887164	. CLAMP / #10	1	1	
22	N8887061	. O-RING #8	3	3	
23	8860148	. TUBE, NYLON 5/16 O.D. / BLACK S.L.	AR	AR	
24	N8903249	. HOSE SILICONE 5/8"	2	2	
25	N8903248	. CLAMP 5/8"	4	4	
26	N8889852	. GROMMET	2	2	
27	871025	. BUSHING / CABLE PIVOT	2	2	
28	N8889483	. GROMMET	1	1	
29	870029	. CHARGE CAP 5/8"-18 FE	1	1	
30	870031	. CHARGE CAP 7/8"-14 FE	1	1	
31	N8899850	. GROMMET	2	2	
32	870058	. TIE MOUNT	3	3	
34	871129	. SEAL	1	1	
36	N8895769	. NUT M4	1	1	
37	N8889858	. NUT M5	6	6	
38	N8892468	. NUT M6	3	3	
40	871429	. SPRING NUT	2	2	
41	870050	. RIVET NUT M5	15	15	
42	N8889859	. SCREW #8x3/8"	5	5	



From H-6180		Date:07/2024	PAGE:X3VIP-2225-10
-------------	--	--------------	--------------------

DRIVER'S HEATER & DEFROSTER ASSY WITH SMALL A/C

Item#	Part	Description	X 3 V I P E N T	X 3 V I P M T H	N O T E S
43	N8890452	. LOCKNUT 1/4-28	1	1	
44	870048	. RIVET NUT 5/16"-18 AL	3	3	
45	N8892456	. POP RIVET 3/16"x.44"	8	8	
46	N8890513	. POP RIVET 1/8"x.265"	2	2	
47	N8889488	. POP RIVET 3/16"x.375"	4	4	
48	N8890487	. WASHER LO EXT #10	1	1	
50	N8890477	. WASHER FL M6	4	4	
51	N8889863	. WASHER FL M5	1	1	
52	N8889857	. SCREW CAP HEX M5x10	25	25	
53	870053	. SCREW CAP HEX M6x16	3	3	
54	N8890410	. 2 WAY CONNECTOR	1	1	
55	N8892474	. PLUG	2	2	
56	870035	. CONNECTOR (INLET)	1	1	
57	870034	. CONNECTOR	1	1	
58	871353	. MODULE CONTROL FAN SPEED / W/DOUBLE MOTOR	1	1	
59	563660	. MODULE CONTROL FAN SPEED / W/DOUBLE MOTOR W/MUX PASSNGER SIDE	1	1	
60	870030	. CLAMP BRACKET	1	1	
61	870042	. LEVER , F/A DAMPER	1	1	
62	870045	. PLUG M12x1.25	1	1	
63	870006	. TUBE A/C	1	1	
64	Call order desk	. INSULATION 1/8"	AR	AR	P
65	N8889679	. FOAM / 3/16"x1 /2"	AR	AR	
66	Call order desk	. FOAM / 1/4"	AR	AR	P
67	N8893438	. FOAM / 3/16"x3"	AR	AR	
		P) CALL ORDER DESK FOR SPECIFIC APPLICATION (V.I.N.)			

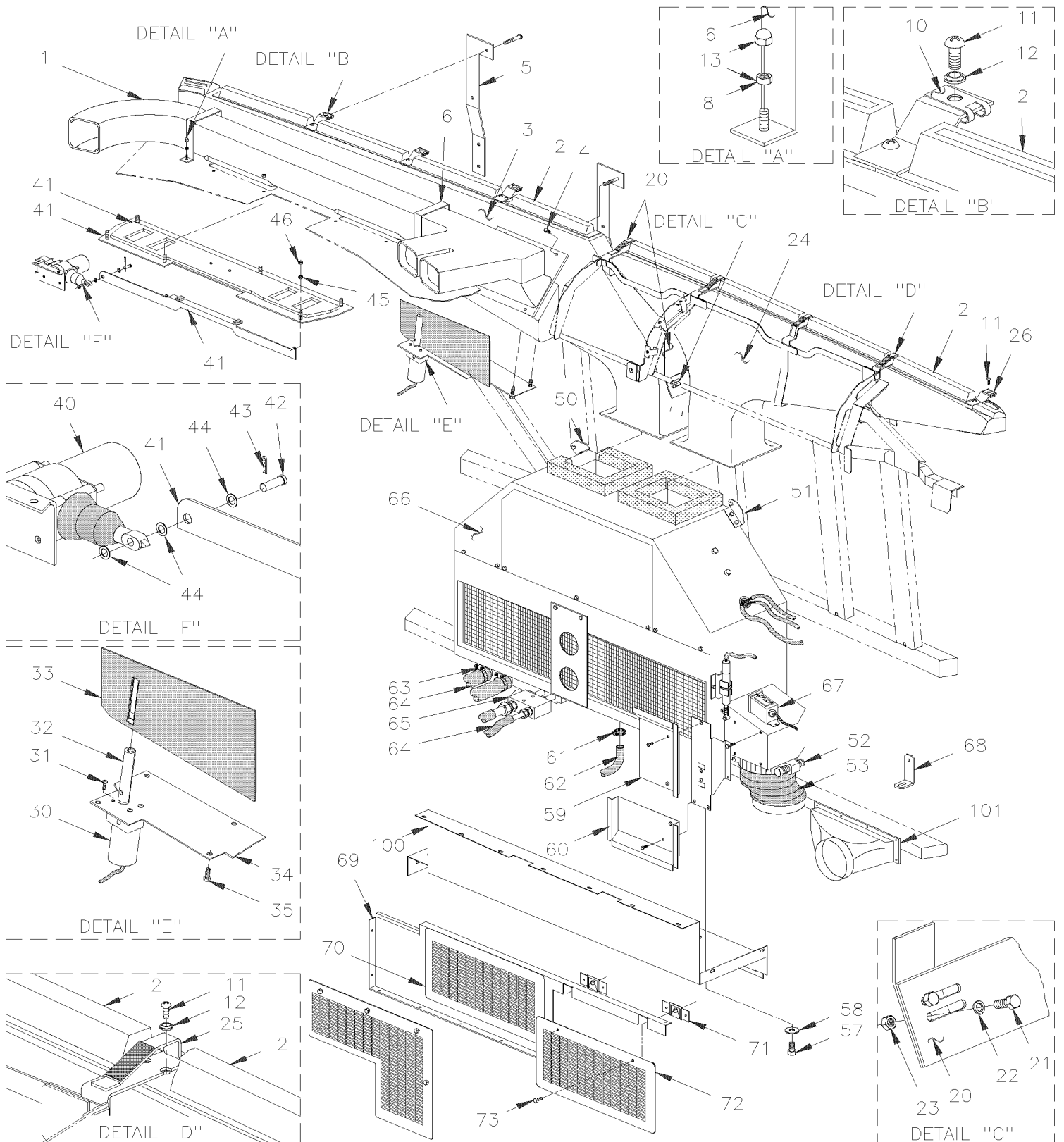


From E-5490 To J-6335

Date:07/2024

PAGE:X3VIP-2230-00

DEFROSTER - INSTALLATION



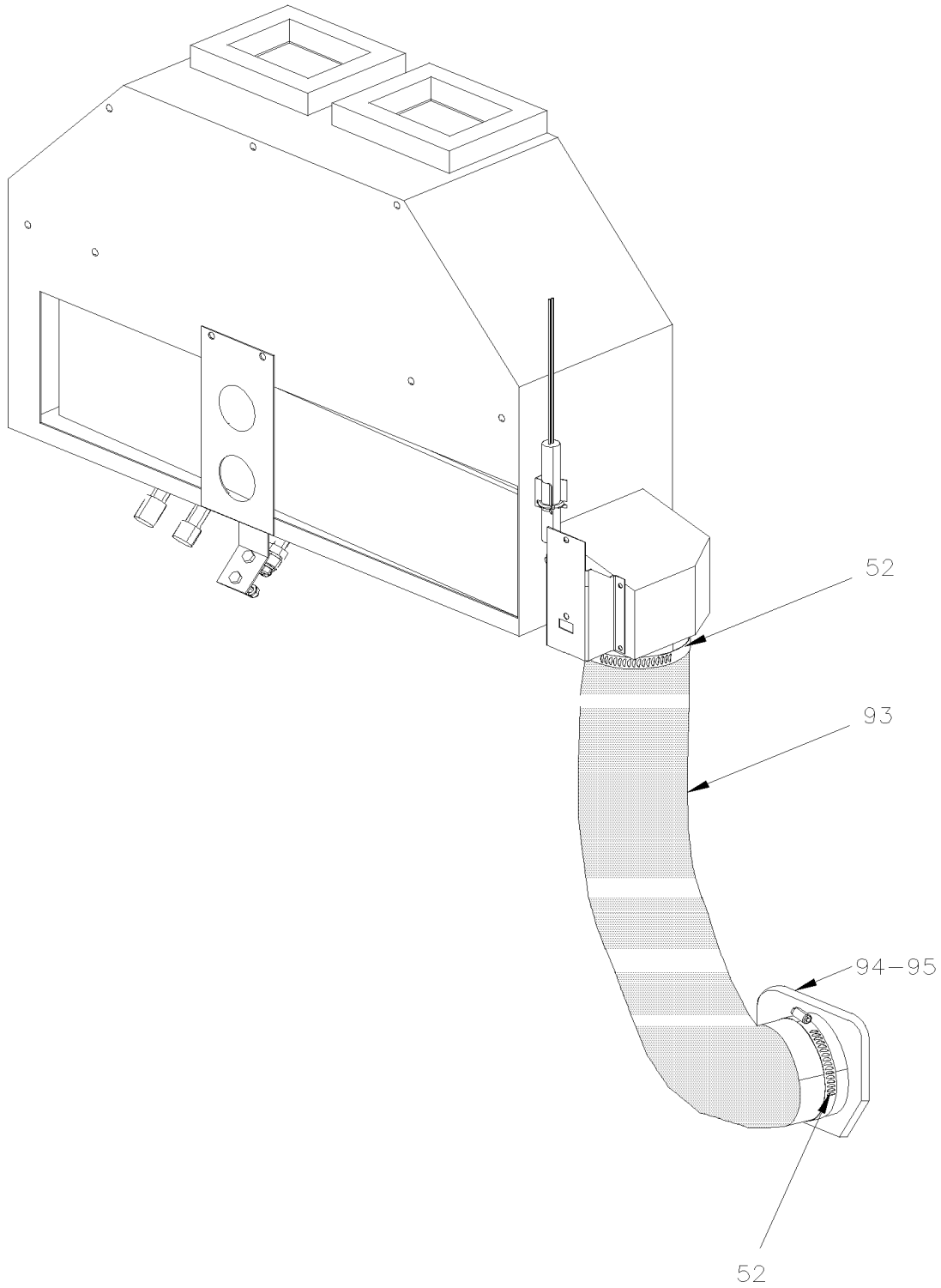


From E-5490 To J-6335

Date:07/2024

PAGE:X3VIP-2230-00

DEFROSTER - INSTALLATION





From E-5490 To J-6335	Date:07/2024	PAGE:X3VIP-2230-00
-----------------------	--------------	--------------------

DEFROSTER - INSTALLATION

Item#	Part	Description	X 3 V I P E N T	X 3 V I P M T H	N O T E S
1	392488	DUCT DRIVER CENTER SECTION	1	1	
NS	392479	DUCT DRIVER LH SECTION	1	1	
1	392212	DUCT DRIVER RH SECTION	1	1	G
NS	391003	SEAL DUCT	1	1	G
NS	392064	SUPPORT	1	1	
NS	392085	DEFLECTOR (INSIDE DUCT)	1	1	
2	392045	LOUVER To E-5589	8	8	
2	392519	LOUVER, LOW SHAPE From E-5590	8	8	
NS	392046	LOUVER CORNER	2	2	
3	392044	DEFROSTER DUCT STREETSIDE	1	1	
NS	392292	GASKET / DRIVER'S DUCT & WINDSHIELD DUCT	1	1	
NS	391979	DEFLECTOR / (INSIDE OF DUCT)	1	1	
NS	392160	SUPPORT / DEFROSTER DUCT		1	
NS	392161	SUPPORT / DEFROSTER DUCT MTH 89"	1		
4	500641	SCREW TP PAN PH #8x3/4 Z050	1	1	
4	500841	SCREW TP PAN PH #14x3/4 Z050			
8	502557	NUT HEX NYRT M4-0.7 SS	4	4	
10	5001405	NUT SPR U M4-0.7 0.8-4.0x9.5	AR	AR	
11	5001411	SCREW MA FL PH M4-0.7x20 BK	AR	AR	
12	500345	WASHER FN CKF .187x.500x.090 BR BK	AR	AR	
13	5001404	NUT HEX CAP M4-0.7 SS	4	4	
20	391996	STRUCTURE / R.H.	1	1	
21	502529	SCREW MA BDG PH M5-0.8x12 BZC	2	2	
22	500440	WASHER FL .250x.562x.065 Z050	2	2	
23	502782	NUT HEX NYRT M5-0.8 Z050	2	2	
24	392049	DEFROSTER DUCT CURBSIDE	1	1	
NS	453585	HOSE ADAPTOR / CURBSIDE DUCT	1	1	C
NS	453584	HOSE ADAPTOR / WINDSHIELD	1	1	C
NS	453588	HOSE 510MM	1	1	C
25	392018	STRAP R.H. / TO FIX DUCT TO STRUCTURE	1	1	
25	392019	STRAP L.H. / TO FIX DUCT TO STRUCTURE	1	1	
26	392017	SUPPORT / R.H. WINDSHIELD	1	1	
30	392282	DAMPER ASSY To F-5907	1	1	
30	392540	DAMPER ASSY From F-5908	1	1	
30	871424	MOTOR	1	1	
31	5001398	SCREW MA CHE PH M3-0.5x10 SS	3	3	
31	5001407	WASHER LO EXT 3.2x6.0x0.4 SS	3	3	
32	N.P.N.	SHAFT To F-5907	1	1	4
32	390040	FIXING PLATE DAMPER From F-5908	1	1	
32	390046	SPACER FIXING DAMPER From F-5908	1	1	
32	890020	SCREW MA PAN TORX M5-0.8x12 From F-5908	4	4	
33	N.P.N.	TRAP ASSY To F-5907	1	1	4



From E-5490 To J-6335	Date:07/2024	PAGE:X3VIP-2230-00
DEFROSTER - INSTALLATION		

Item#	Part	Description	X 3 V I P E N T	X 3 V I P M T H	N O T E S
33	390994	. TRAP ASSY From F-5908	1	1	
34	N.P.N.	. BASE DAMPER MOTOR To F-5907	1	1	4
34	390024	. BASE DAMPER MOTOR From F-5908	1	1	
35	890014	SCREW TP PAN PH ST3.9x16 BKP	4	4	
NS	563429	SWITCH MAGNETIC ASSY	1	1	
. NS	562641	. MAGNET	1	1	
40	890009	LOCK ACTUATOR / 12V	1	1	
. NS	562076	. CONNECTOR / PACK-CON I / FEMALE HOUSING / 2C / PED 8911772	1	1	
41	392484	DAMPER, FOOT ASSY	1	1	
42	502023	. PIN, CLEVIS 1/4 x 51/64	1	1	
43	502180	. PIN HITCH CLIP 3/32 x 1/2 Z050	1	1	
44	500411	. WASHER FL .260x.697x.050 SS	2	2	
NS	563429	. SWITCH MAGNETIC ASSY	1	1	
. NS	562641	. . MAGNET	1	1	
45	N.P.N.	SPACER	6	6	4
46	5001036	SCREW MA PAN PH M4-0.7x10 Z050	6	6	
50	373551	ATTACHMENT L.H.	1	1	
51	373552	ATTACHMENT R.H.	1	1	
NS	500642	SCREW TP PAN PH #10x3/4 Z050	2	2	
NS	504114	RIVET POP DOME OE 3/16x1/4 AL	4	4	
52	504235	HOSE CLAMP / 3"9/16"-4"1/2 SS / HS-64	2	2	
53	373630	HOSE 4" I.D. X 350MM	1	1	
53	503434	. HOSE FLEXIBLE / AIR DUCT 4" I.D. X 12' RUBBER	AR	AR	
57	500179	SCREW CAP HEX 5/16-18x3/4 G5 Z050	3	3	
58	500462	WASHER FL .343x1.500x.083 SS	3	3	
NS	500476	WASHER LO SPT .317x.586x.078 Z050	3	3	
59	453343	DEFLECTOR, UPPER	1	1	
NS	453345	FOAM 5" X 3" X 1"	1	1	
NS	502761	SCREW TP BDG PH #10x3/4 SS BK	5	5	
NS	500803	NUT SPR J #10A .035-.050	AR	AR	
NS	506268	TAPE RUB ADH1 URE 3/8" x 1/2" x 25' / GREY 1820	AR	AR	
61	504014	HOSE CLAMP / 1/4"-5/8" SS / HM-4	2	2	
62	373680	HOSE 1/2" I.D. X 1135MM	1	1	
62	503666	HOSE 1/2" I.D. 100' / S.L.	AR	AR	
NS	504356	GROMMET / .625x.875x.062x.312x1.125	1	1	
NS	590286	DRAIN BOOT 1 1/4" I.D. X 4" / FLAT	1	1	
63	504781	HOSE CLAMP / 13/16"-1 5/16" SS / C.T. W.S.	2	2	
64	X3VIP-2222-10	A/C & HEATING LINE FRONT SECTION W/LARGE A/C			
65	X3VIP-2208-00	A/C EXPANSION VALVE			
66	X3VIP-2225-00	DRIVER'S HEATER & DEFROSTER ASSY			
66	068000	DECAL RIGHT HAND CONSOLE From A-9873 To H-6179	1	1	
NS	060935	DECAL RIGHT HAND CONSOLE From H-6180 To M-6657	1	1	



From E-5490 To J-6335	Date:07/2024	PAGE:X3VIP-2230-00
-----------------------	--------------	--------------------

DEFROSTER - INSTALLATION

Item#	Part	Description	X 3 V I P E N T	X 3 V I P M T H	N O T E S
66	0610532	DECAL RIGHT HAND CONSOLE From M-6658	1	1	
67	950035	THERMOSTAT To H-6179	1	1	A
NS	500583	SCREW TP PAN PH #6x1/2 Z050 To H-6179	2	2	A
67	069157	PLUG CONNECTOR USE W/O FRESH DAMPER From F-5749	1	1	
68	373754	ANGLE SUPPORT / CURBSIDE / 25MM X 35MM X 65MM	1	1	
69	373640	GRILLE ASSY W/SUPPORT	1	1	
NS	502868	SCREW TC TR PH #10-16x1/2 N500	7	7	
69	373633	. SUPPORT	1	1	
70	453338	. GRILL AIR / FRONT STEPWELL / RETURN / 200MM X 408MM	1	1	
71	504605	. RECEPTACLE 6 MM	2	2	
NS	681283	. TAPE RUB ADH2 ACRYLIC .045" x 1/2" x 108' / WHITE 4945	AR	AR	
NS	506268	. TAPE RUB ADH1 URE 3/8" x 1/2" x 25' / GREY 1820	AR	AR	
72	453341	GRILL AIR / FRONT STEPWELL / RETURN / 197MM X 408MM	1	1	
73	504681	. STUD 6MM (DZUS)	2	2	
NS	504604	. FASTENER	2	2	
93	374010	HOSE 4" I.D. X 650MM	1	1	
94	374580	FRAME AIR INTAKE	2	2	
95	373933	GRILLE 111MM X 111MM	1	1	
95	476156	CLOSING PLATE 39MM X 257MM	1	1	
95	476159	CLOSING PLATE 55MM X 257MM	1	1	
100	172316	SUPPORT / DEFROST & A/C UNIT To K-6491	1	1	
NS	504488	RIVET MGLP PRDG 3/16x17/64 SS	4	4	
101	X3VIP-1851-00	FRONT CAP - INSTALLATION			
106	OC2021001	REFERENCE ONLY OBD21 £-21001 M-6658 / M-7726 From M-6658	1	1	
		A) WITH SMALL A/C SYSTEM ONLY			
		C) FEED AIR TO CENTER POST WINDSHIELD			
		G) FOR PRODUCT IMPROVEMENT, USE KIT #871318 AND SEE INSTRUCTION SHEET IS-04902			
		4) NO PARTS NUMBER			

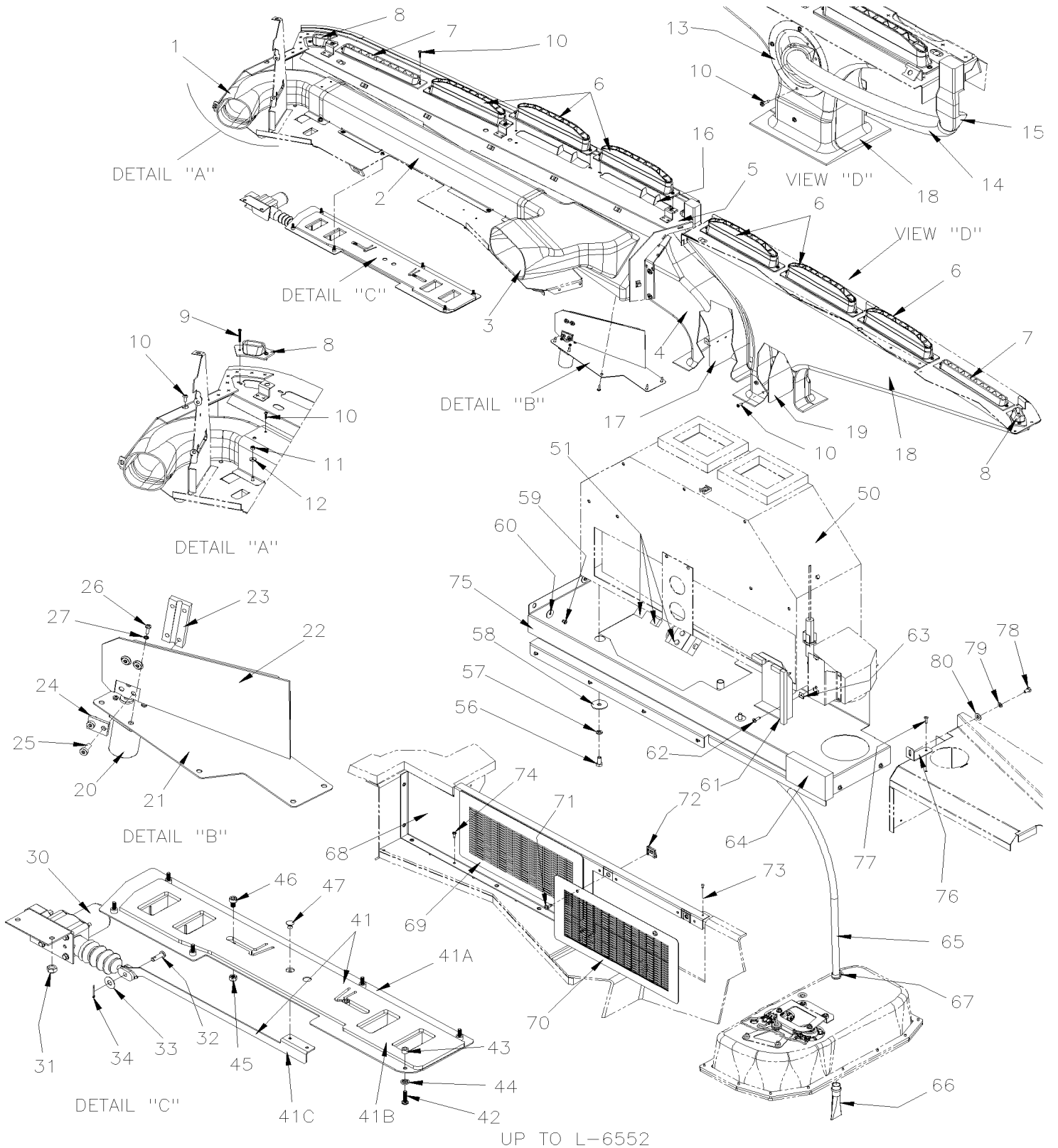


From J-6336

Date:07/2024

PAGE:X3VIP-2230-01

DEFROSTER - INSTALLATION



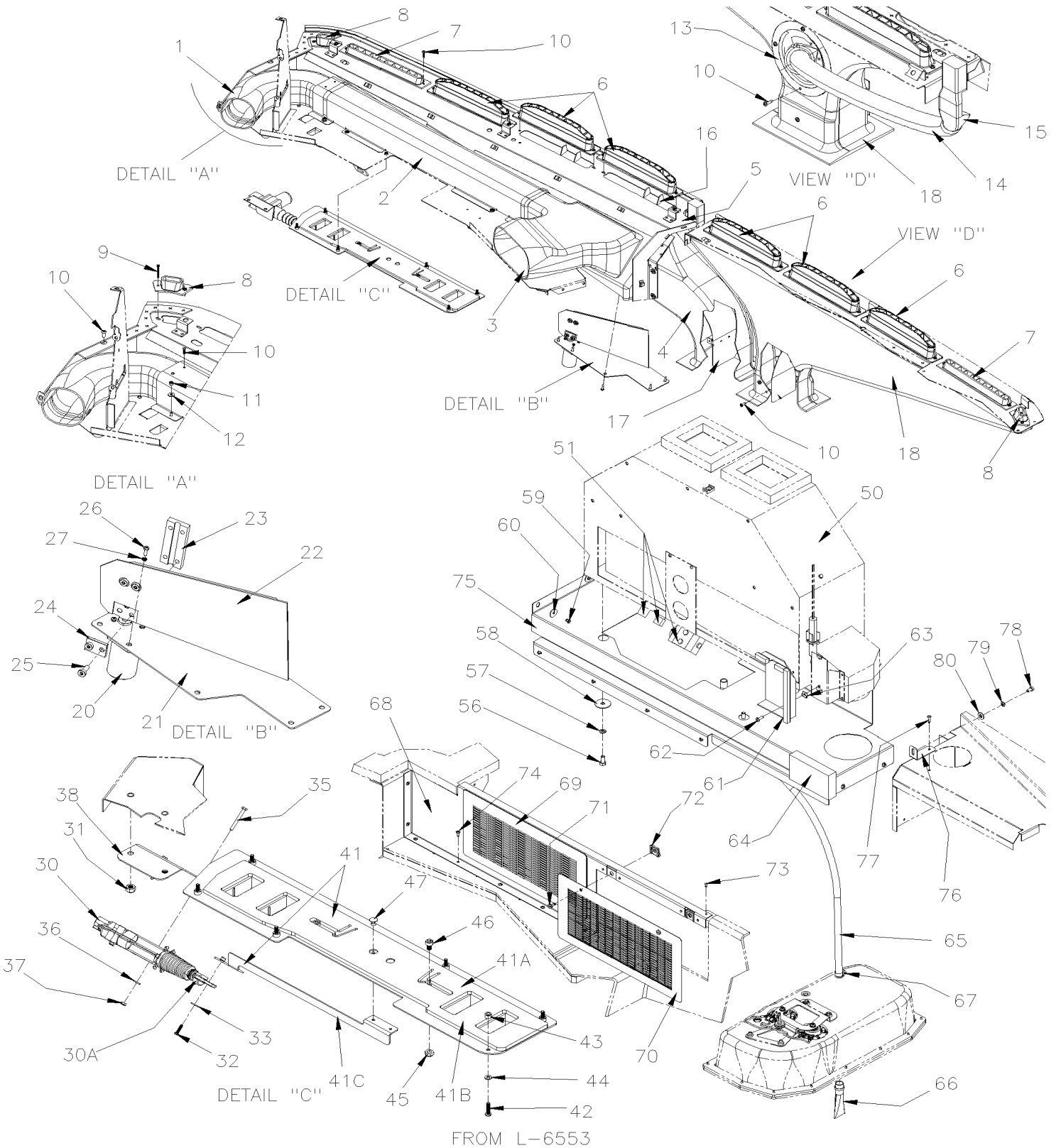


From J-6336

Date:07/2024

PAGE:X3VIP-2230-01

DEFROSTER - INSTALLATION



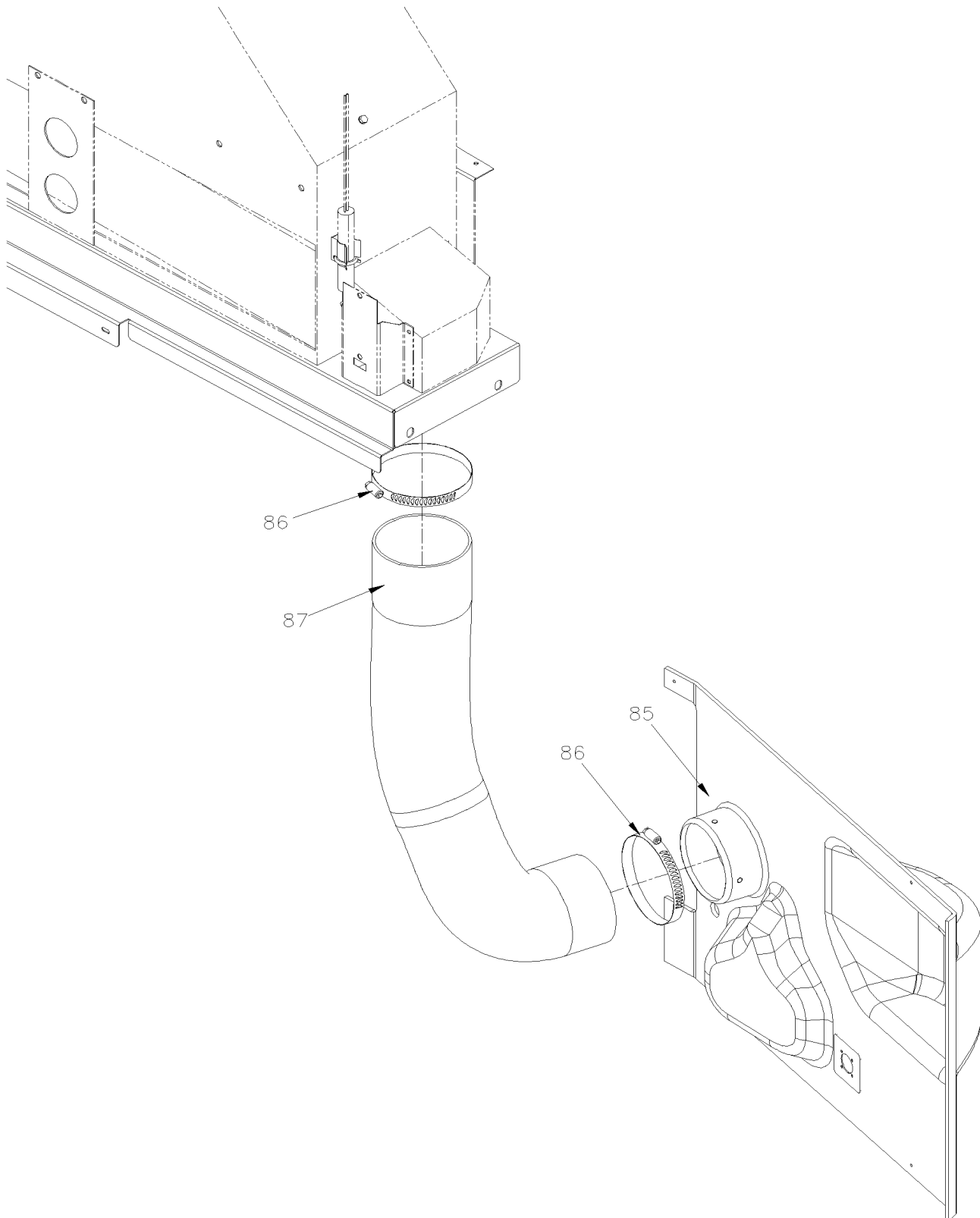


From J-6336

Date:07/2024

PAGE:X3VIP-2230-01

DEFROSTER - INSTALLATION





From J-6336		Date:07/2024	PAGE:X3VIP-2230-01
-------------	--	--------------	--------------------

DEFROSTER - INSTALLATION

Item#	Part	Description	X 3 V I P E N T	X 3 V I P M T H	N O T E S
1	390369	DUCT DRIVER LH SECTION	1	1	
2	392488	DUCT DRIVER CENTER SECTION	1	1	
3	390370	DUCT DRIVER RH SECTION	1	1	
. NS	505029	. SEAL DUCT	1	1	
. NS	390067	. DEFLECTOR HEATER CONDUIT	1	1	
. NS	5002047	. SCREW TP PAN PH ST3 .9X16 Z050	2	2	
4	392044	DEFROSTER DUCT STREETSIDE To K-6491	1	1	
4	390929	DEFROSTER DUCT STREETSIDE From L-6492	1	1	
NS	690258	SCREW MA PAN PH M5-0.8x16 ZP	2	2	
4	391012	DEFLECTOR ASSEMBLY From L-6492	1	1	
5	392161	SUPPORT / DEFROSTER DUCT MTH 89" To K-6491	1	1	
5	392576	SUPPORT / DEFROSTER DUCT MTH 89" From L-6492	1	1	
6	392517	LOUVER, HIGH SHAPE	6	6	
7	392519	LOUVER, LOW SHAPE	2	2	
NS	390076	DEFLECTOR, CENTRAL CONSOLE	4	4	
8	392046	LOUVER CORNER To P-6889	2	2	
8	392947	LOUVER CORNER From P-6890	1	1	
9	5002036	SCREW MA PAN PH M4-0.7x35 Z050	1	1	
NS	5001971	WASHER FL 4.3x12.0x1.6 ZP	1	1	
NS	5002040	NUT HEX NYRT M4x0.7 SS NSS	1	1	
10	5002047	SCREW TP PAN PH ST3 .9X16 Z050	AR	AR	
11	5002040	NUT HEX NYRT M4x0.7 SS NSS	AR	AR	
12	5001971	WASHER FL 4.3x12.0x1.6 ZP	AR	AR	
13	453585	HOSE ADAPTOR / CURBSIDE DUCT To K-6491	1	1	
14	503062	HOSE 1.25IDx25 To K-6491	AR	AR	
NS	504637	CABLE TIE / 3/16" x 13" To K-6491	1	1	
15	453584	HOSE ADAPTOR / WINDSHIELD To K-6491	1	1	
16	390076	DEFLECTOR, CENTRAL CONSOLE	4	4	
17	390071	DEFLECTOR LEFT, RIGHT CONSOLE	1	1	
NS	390074	DEFLECTOR UPPER LEFT, RIGHT CONSOLE	1	1	
NS	504101	RIVET POP DOME OE 1/8x1/8 AL	2	2	
18	392049	DEFROSTER DUCT CURBSIDE	1	1	
20	Call order desk	DAMPER ASSY	1	1	P
20	390084	MOTOR	1	1	
21	390024	BASE DAMPER MOTOR	1	1	
22	Call order desk	TRAP ASSY	1	1	P
NS	390069	TRAP	1	1	
23	390040	FIXING PLATE DAMPER	1	1	
24	390046	SPACER FIXING DAMPER	1	1	
25	5002051	SCREW MA PAN TORX M5-0.8x12 SS	4	4	
26	5001398	SCREW MA CHE PH M3-0.5x10 SS	3	3	
27	5001407	WASHER LO EXT 3.2x6.0x0.4 SS	3	3	



From J-6336		Date:07/2024	PAGE:X3VIP-2230-01
DEFROSTER - INSTALLATION			

Item#	Part	Description	X 3 V I P E N T	X 3 V I P M T H	N O T E S
30	890009	LOCK ACTUATOR / 12V To L-6552	1	1	
. NS	562076	. CONNECTOR / PACK-CON I / FEMALE HOUSING / 2C / PED 8911772 To L-6552	1	1	
30	392814	KIT ACTUATOR VENTILATION TRAP DASH BOARD To L-6552	1	1	
30	780814	LOCK ACTUATOR / 12V From L-6553	1	1	
. NS	562076	. CONNECTOR / PACK-CON I / FEMALE HOUSING / 2C / PED 8911772 From L-6553	1	1	
NS	680459	ADHESIVE CYANOACRYLATE LOCTITE 404 Quick Set(TM) To L-6552	AR	AR	
30A	780883	END EFFECTOR PADDLE From L-6553	1	1	
31	5001182	NUT HEX NYRT M6-1.0 SS To L-6552	2	2	
31	5002044	NUT HEX NYRT M6-1.0 SS NSS From L-6553	2	2	
32	502263	PIN, CLEVIS 3/16 x 5/8 To L-6552	1	1	
32	5001399	SCREW MA CHE PH M3-0.5x12 SS From L-6553	1	1	
33	5001972	WASHER FL .200x.625x.062 SS To L-6552	1	1	
33	500437	WASHER FL .125x.375x.040 Z050 From L-6553	1	1	
34	502095	PIN, COTTER 1/16 x 3/4 ZP To L-6552	1	1	
35	5001100	SCREW CAP HEX M3-0.5x30 G8.8 ZP From L-6553	2	2	
36	500437	WASHER FL .125x.375x.040 Z050 From L-6553	2	2	
37	5001408	NUT HEX STO M3-0.5 ZP From L-6553	2	2	
38	392792	SUPPORT, TRAP ACTUATOR From L-6553	1	1	
41	Call order desk	DAMPER, FOOT ASSY To L-6552	1	1	P
41	Call order desk	DAMPER, FOOT ASSY From L-6553	1	1	P
41A	390077	. CLUSTER SLIDING PLATE	1	1	
41B	390048	. VENTILATION SUPPORT PLATE	1	1	
41C	390045	. ARM, VENTILATION TRAP To L-6552	1	1	
41C	392793	. ARM, VENTILATION TRAP From L-6553	1	1	
42	5002035	. SCREW MA PAN PH M4X0.7 X12 Z050	6	6	
43	505026	. SPACER 3/16IDx5/16ODx3/16	6	6	
44	5001968	. WASHER FL RET .198 X .328 X .031 NYL	6	6	
45	5001969	. SCREW CAP HEXS M5-0.8x8 SS	2	2	
46	502782	. NUT HEX NYRT M5-0.8 Z050	2	2	
47	504097	. RIVET POP DOME LARGE HEAD 1/8x1/4 N050	2	2	
50	X3VIP-2225-00	DRIVER'S HEATER & DEFROSTER ASSY			
51	X3VIP-2222-10	A/C & HEATING LINE FRONT SECTION W/LARGE A/C			
NS	X3VIP-2208-00	A/C EXPANSION VALVE To K-6466			
52	X3VIP-2208-01	A/C EXPANSION VALVE From K-6467			
NS	509558	WEATHERSEAL SNAP-ON 1/8" / SINGLE LIP / WH / C.T.L. From M-6651	AR	AR	
NS	504637	CABLE TIE / 3/16" x 13" From M-6651	1	1	
NS	504013	TIE MOUNT / 1/4" X 1/4" I.D. From M-6651	1	1	
NS	504357	WASHER FL .187x.437x.050 SS From M-6651	1	1	
56	500836	SCREW CAP HEX 5/16-18x3/4 G5 N500	3	3	
57	500942	WASHER LO SPT 8.1x14.8x2.0 N500	3	3	
58	500462	WASHER FL .343x1.500x.083 SS	3	3	
59	504488	RIVET MGLP PRDG 3/16x17/64 SS	AR	AR	



From J-6336	Date:07/2024	PAGE:X3VIP-2230-01
DEFROSTER - INSTALLATION		

Item#	Part	Description	X 3 V I P E N T	X 3 V I P M T H	N O T E S
60	502759	WASHER FL .218x.875x.062 SS To M-6650	4	4	
60	508401	WASHER FL .218x.875x.062 SS XL BK From M-6651	4	4	
61	453343	DEFLECTOR, UPPER	1	1	
62	502761	SCREW TP BDG PH #10x3/4 SS BK	2	2	
63	500803	NUT SPR J #10A .035-.050	2	2	
64	453345	FOAM 5" X 3" X 1"	1	1	
65	503666	HOSE 1/2" I.D. 100' / S.L.	1	1	
66	590286	DRAIN BOOT 1 1/4" I.D. X 4" / FLAT	1	1	
NS	504637	CABLE TIE / 3/16" x 13"	1	1	
67	504014	HOSE CLAMP / 1/4"-5/8" SS / HM-4	1	1	
68	373640	GRILLE ASSY W/SUPPORT	1	1	
68	373633	. SUPPORT	1	1	
68	506268	. TAPE RUB ADH1 URE 3/8" x 1/2" x 25' / GREY 1820	AR	AR	
69	453338	. GRILL AIR / FRONT STEPWELL / RETURN / 200MM X 408MM	1	1	
NS	681283	. TAPE RUB ADH2 ACRYLIC .045" x 1/2" x 108' / WHITE 4945	AR	AR	
70	453341	GRILL AIR / FRONT STEPWELL / RETURN / 197MM X 408MM	1	1	
71	504681	STUD 6MM (DZUS)	2	2	
72	504605	RECEPTACLE 6 MM	2	2	
73	504339	RIVET POP DOME OE 1/8x3/8 SS	1	1	
74	502868	SCREW TC TR PH #10-16x1/2 N500	AR	AR	
75	170306	SUPPORT / DEFROST & A/C UNIT	1	1	
76	373754	ANGLE SUPPORT / CURBSIDE / 25MM X 35MM X 65MM	1	1	
77	500642	SCREW TP PAN PH #10x3/4 Z050	1	1	
78	5001743	SCREW CAP HEX M6-1.0x12 G8.8 N500	1	1	
79	502564	WASHER LO SPT 6.1x11.8x1.6 Z050	1	1	
80	5001736	WASHER FL 8.4x18.0x2.0 N500	1	1	
85	471607	PANEL LOWER R.H.	1	1	
86	504235	HOSE CLAMP / 3"9/16"-4"1/2 SS / HS-64	2	2	
87	374010	HOSE 4" I.D. X 650MM	1	1	
87	503688	. HOSE FLEXIBLE / AIR DUCT 4" I.D. X 25' / RUBBER	AR	AR	
		P) CALL ORDER DESK FOR SPECIFIC APPLICATION (V.I.N.)			

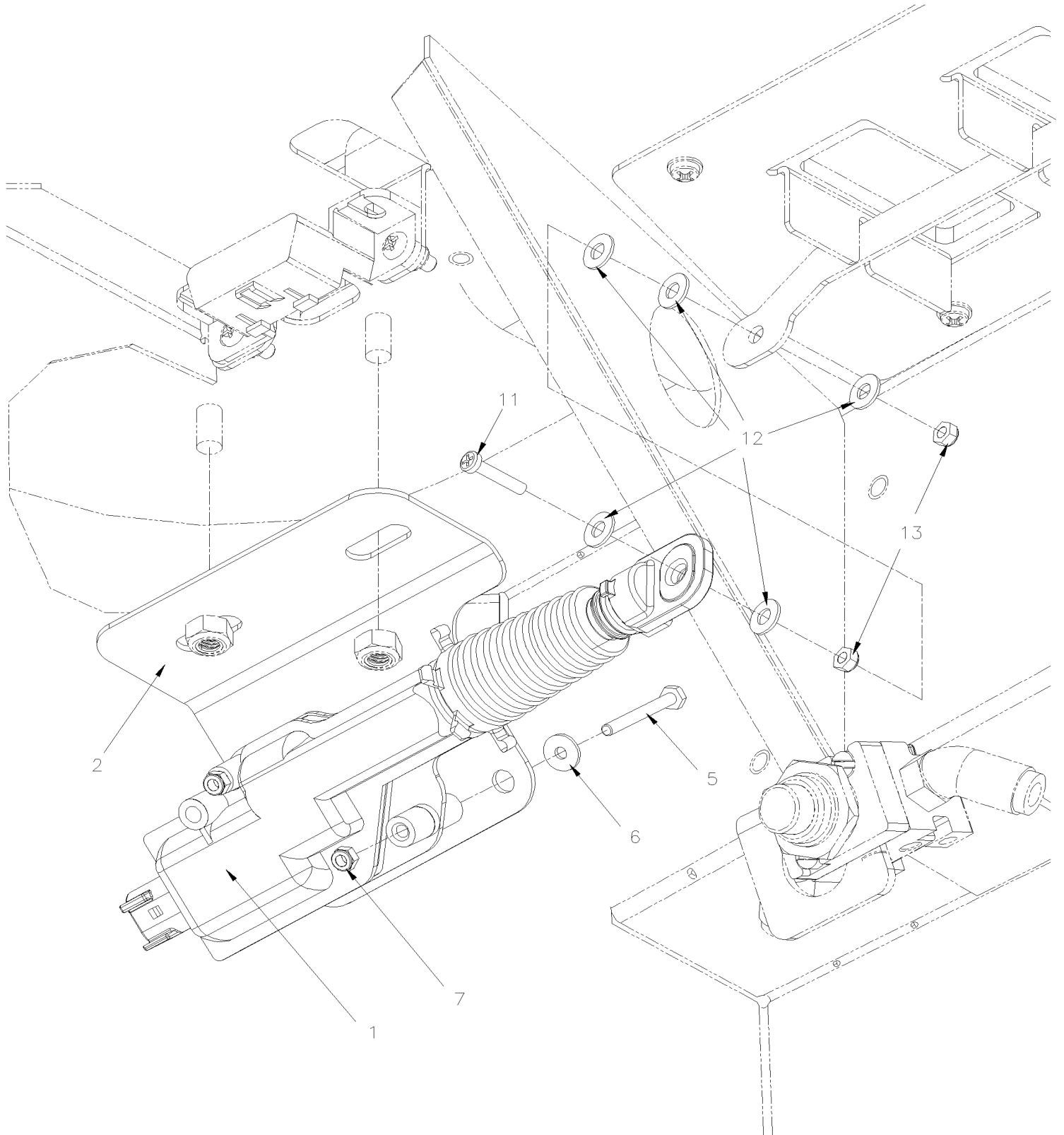


To L-6552

Date:07/2024

PAGE:392814

KIT ACTUATOR VENTILATION TRAP DASH BOARD





To L-6552	Date:07/2024	PAGE:392814
-----------	--------------	-------------

KIT ACTUATOR VENTILATION TRAP DASH BOARD

Item#	Part	Description	X 3 V I P E N T	X 3 V I P M T H	N O T E S
1	392816	ACTUATOR VENTILATION TRAP DASH ASSY	1	1	
1	068011	CABLE INTERFACE DOOR LOCK ACTUATOR (780428 vs 2800049)	1	1	
2	392783	SUPPORT, ACTUATOR	1	1	
5	5001100	SCREW CAP HEX M3-0.5x30 G8.8 ZP	2	2	
6	500437	WASHER FL .125x.375x.040 Z050	2	2	
7	5001408	NUT HEX STO M3-0.5 ZP	2	2	
11	502577	SCREW MA PAN PH M3-0.5x16 ZP	1	1	
12	5001310	WASHER FL RET .173x.375x.031 NYL BK	5	5	
13	5001408	NUT HEX STO M3-0.5 ZP	2	2	

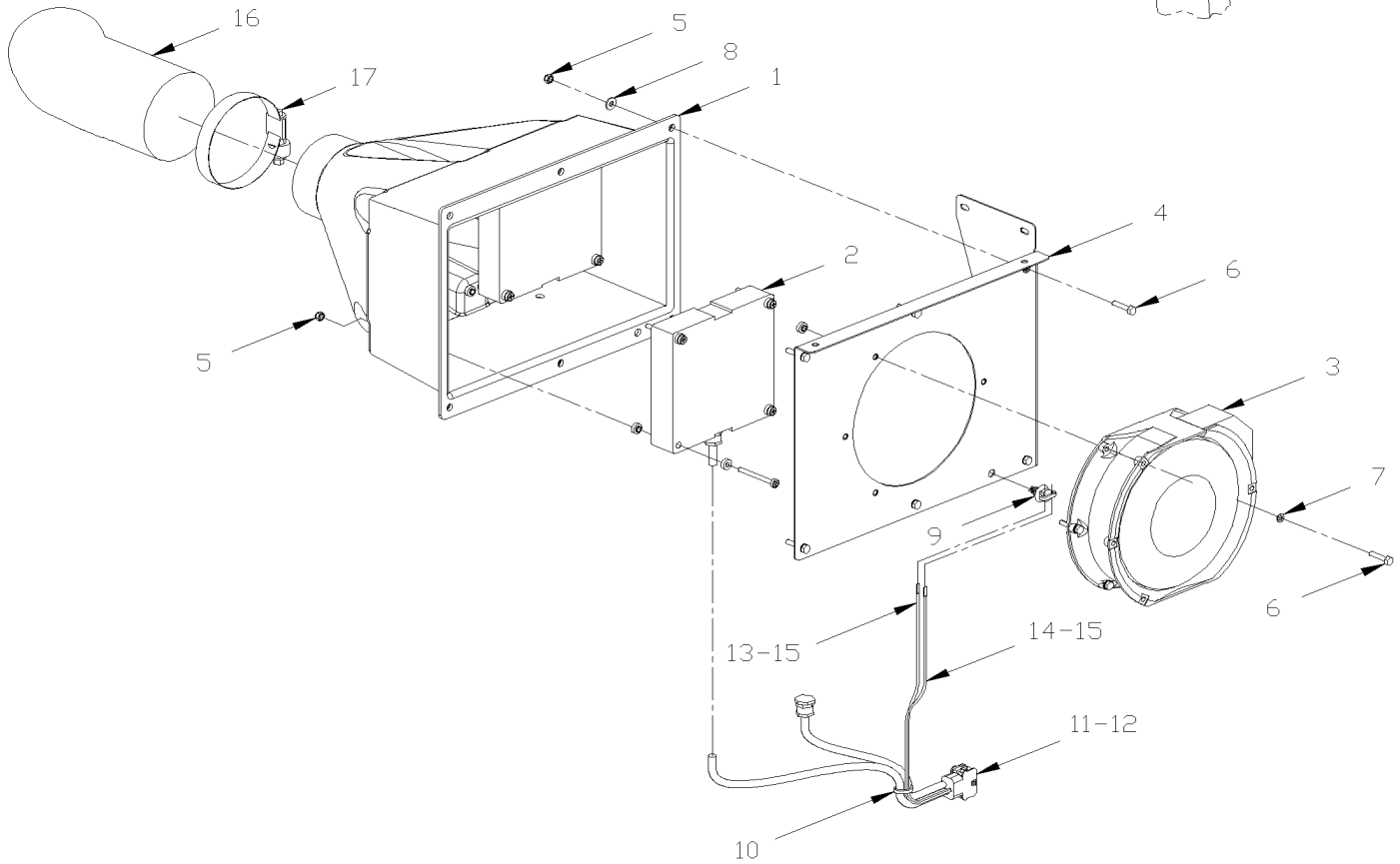
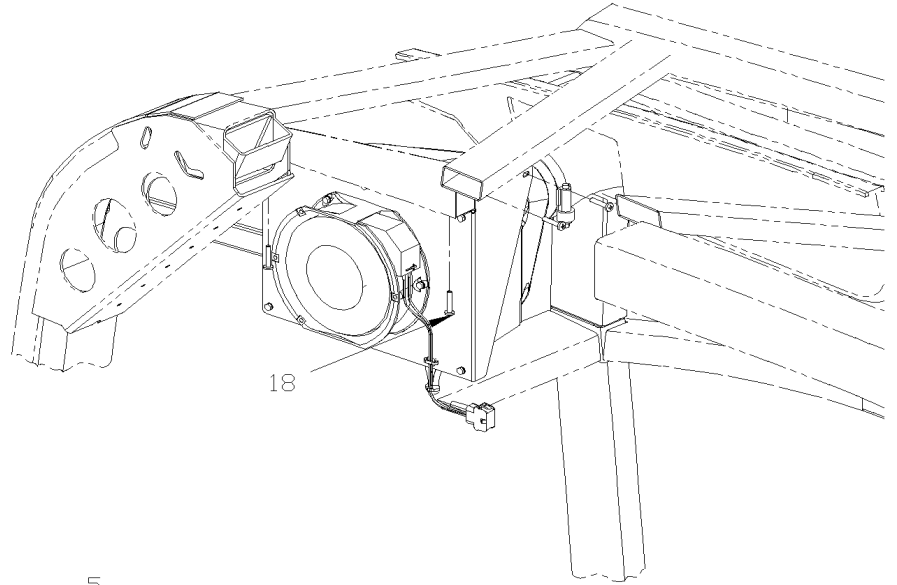
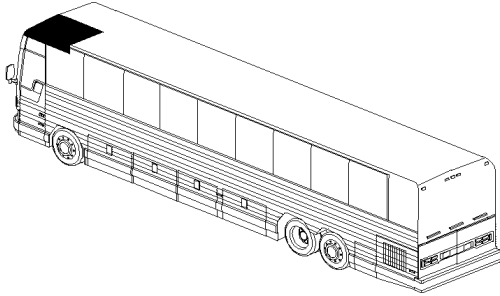


From E-5490 To K-6491

Date:07/2024

PAGE:X3VIP-2240-10

UPPER WINDSHIELD FAN - INSTALLATION





From E-5490 To K-6491	Date:07/2024	PAGE:X3VIP-2240-10
-----------------------	--------------	--------------------

UPPER WINDSHIELD FAN - INSTALLATION

Item#	Part	Description	X 3 V I P E N T	X 3 V I P M T H	N O T E S
	373936P	HEATER FAN ASS	1		
1	373938	. SHROUD	1		
NS	506254	. RUBBER EXTRUSION NEO / GLASS FILLER / B / C.T.L. To F-5911	AR		
NS	506338	. RUBBER CHANNEL / 1/16" x 1/4" INT "U" SHAPE / ROUND C.T.L. From F-5912	AR		
2	871324	. HEATER COIL 300W	1		
3	871326	. FAN AXIAL 12/28V 230CFM To £-21109	1		
3	870161	FAN From £-21109	1		
4	373939	. SUPPORT, FAN TOP WINDSHIELD	1		
5	500590	. NUT HEX NYRT M4-0.7 Z050	11		
6	500588	. SCREW CAP HEX M4-0.7x20 G8.8 Z050	7		
7	502636	. WASHER LO SPT 4.1x7.6x0.9 Z050	7		
8	500438	. WASHER FL .187x.437x.050 Z050	3		
9	509815	. TIE MOUNT / ATTACHMENT W/TREE MOUNT	1		
10	504637	. CABLE TIE / 3/16" x 13"	2		
11	561552	. CONNECTOR / UNIVERSAL MATE-N-LOK / PH 6C / AMP 1-480705-0	1		
12	561671	. PIN TERMINAL / 24-18 / AMP 350690-1	6		
13	562588	. WIRE CABLE 14 / RED / TXL	AR		
14	562585	. WIRE CABLE 14 / BLACK / TXL	AR		
15	561625	. TAB RECEPTACLE TERMINAL INSUL. NYLON / 16-1 / AMP 3-520125-2	2		
16	373941	. HOSE 200MM X 3" I.D.	1		
17	504026	. HOSE CLAMP / 2"13/16-3"3/4 SS / HS-52	1		
18	500642	SCREW TP PAN PH #10x3/4 Z050	4		

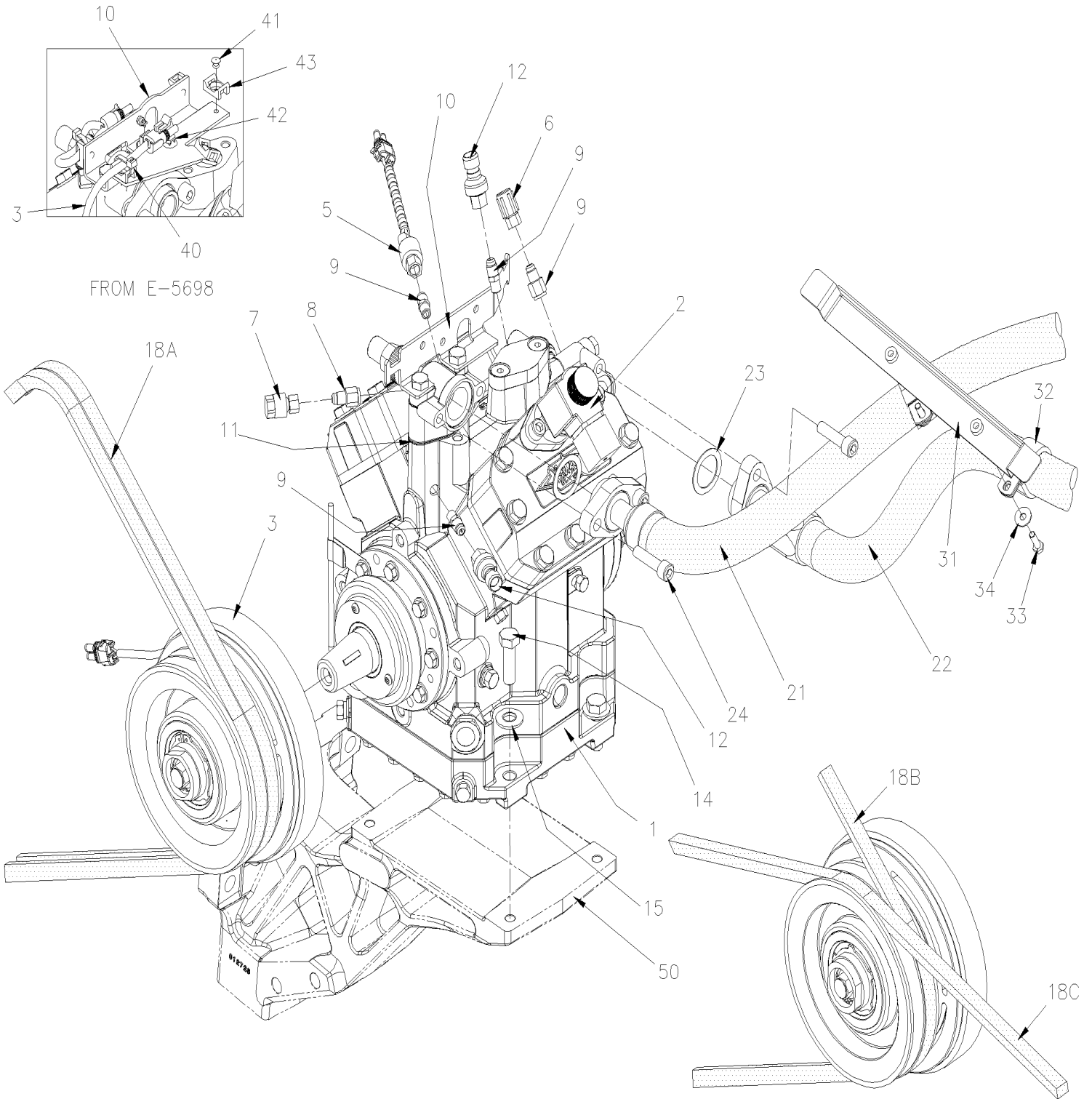


From E-5490 To H-6179

Date:07/2024

PAGE:X3VIP-2245-01

A/C COMPRESSOR "BITZER" - INSTALLATION



FROM E-5698

UP TO F-5779

WITH 3 ALTERNATORS

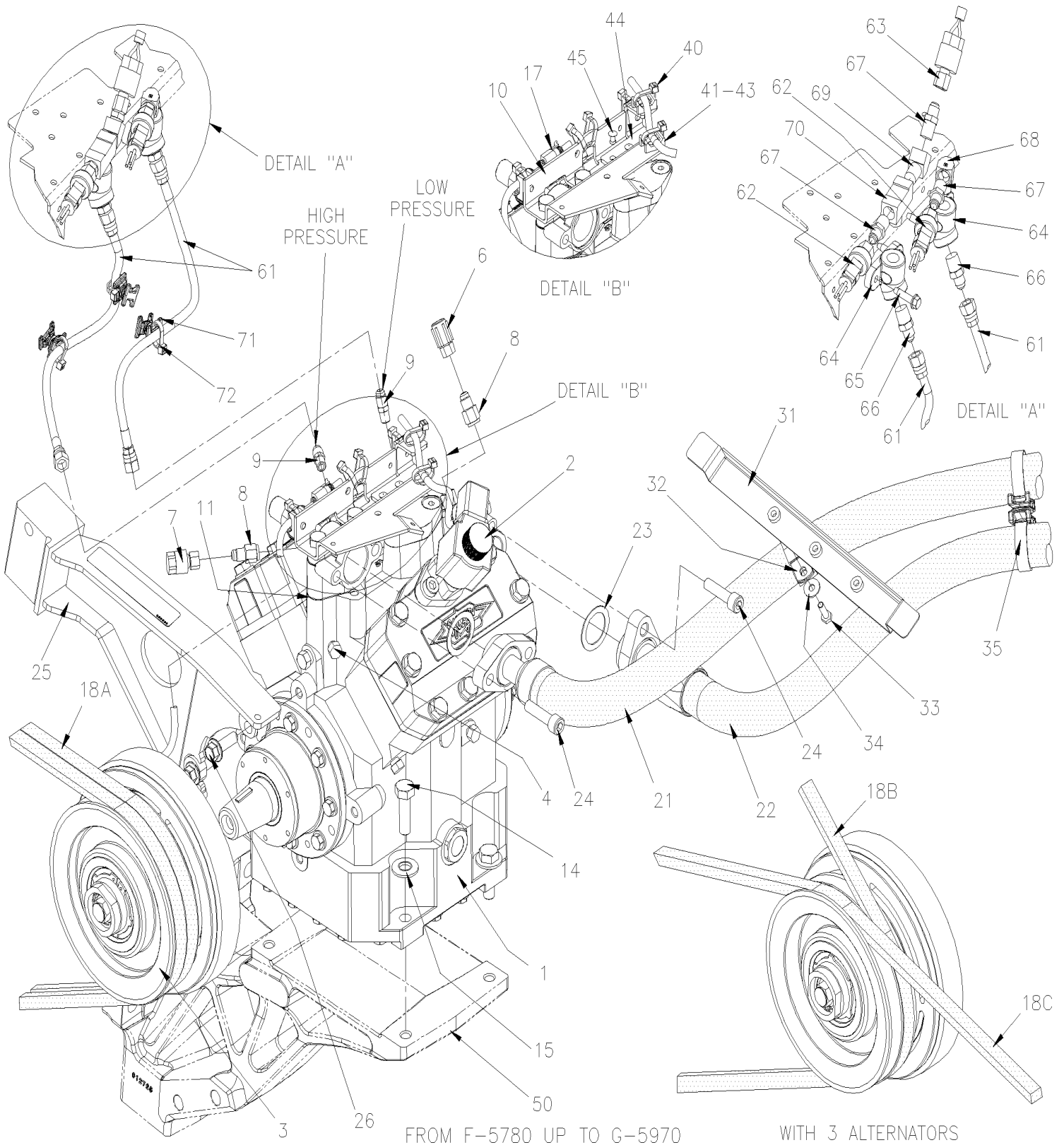


From E-5490 To H-6179

Date:07/2024

PAGE:X3VIP-2245-01

A/C COMPRESSOR "BITZER" - INSTALLATION



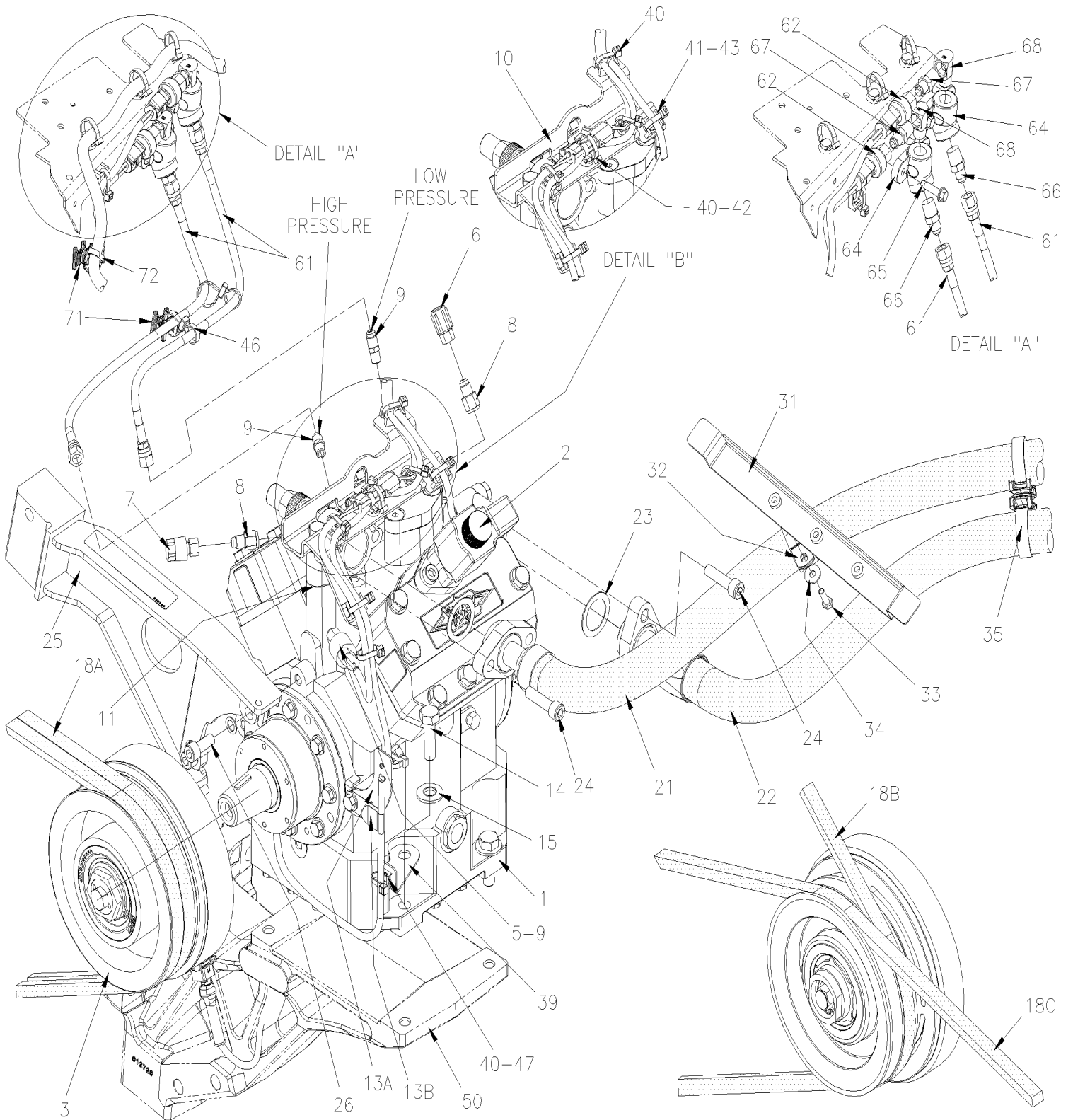


From E-5490 To H-6179

Date:07/2024

PAGE:X3VIP-2245-01

A/C COMPRESSOR "BITZER" - INSTALLATION



FROM G-5971 UP TO H-6101

WITH 3 ALTERNATORS

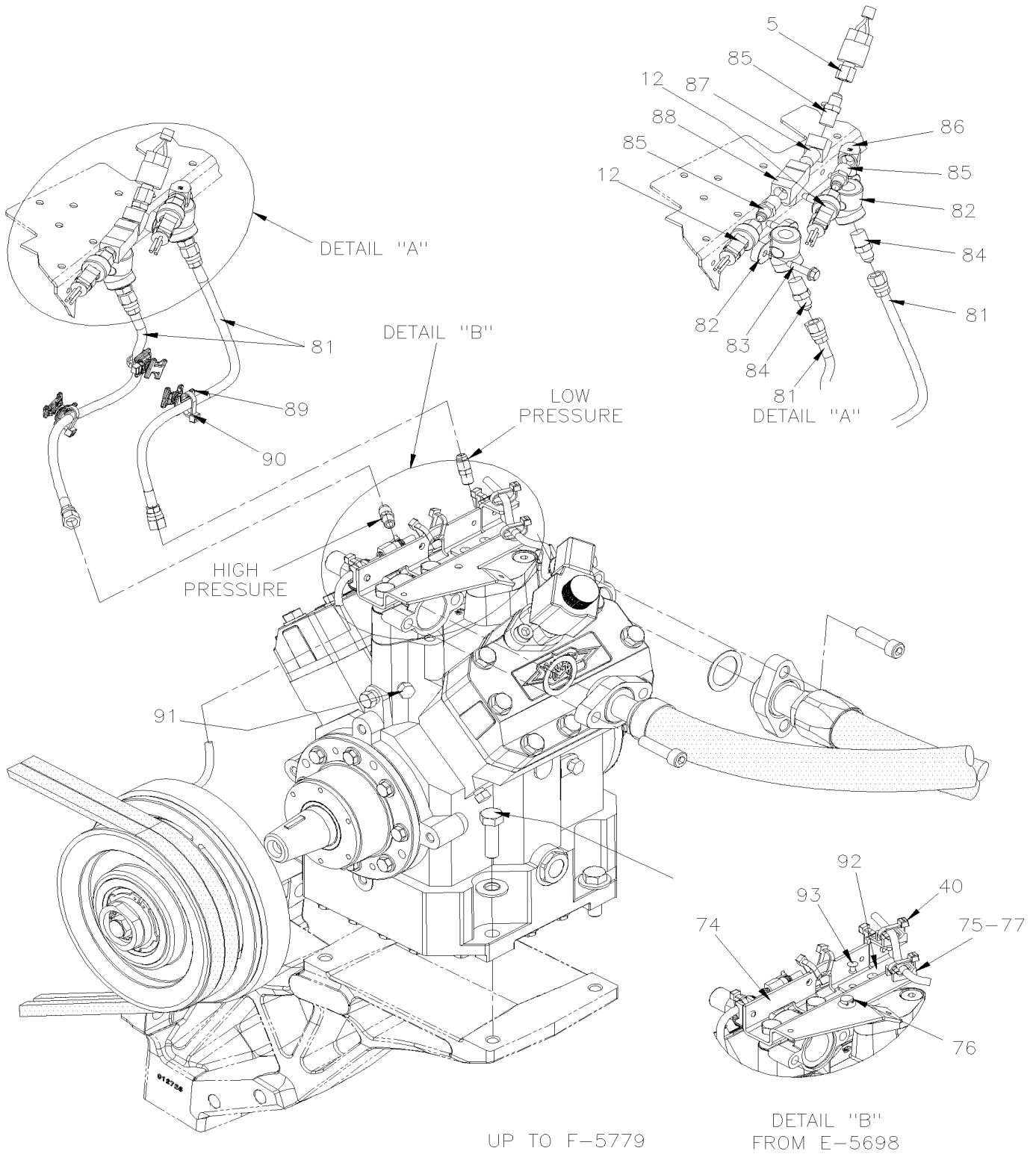


From E-5490 To H-6179

Date:07/2024

PAGE:X3VIP-2245-01

A/C COMPRESSOR "BITZER" - INSTALLATION



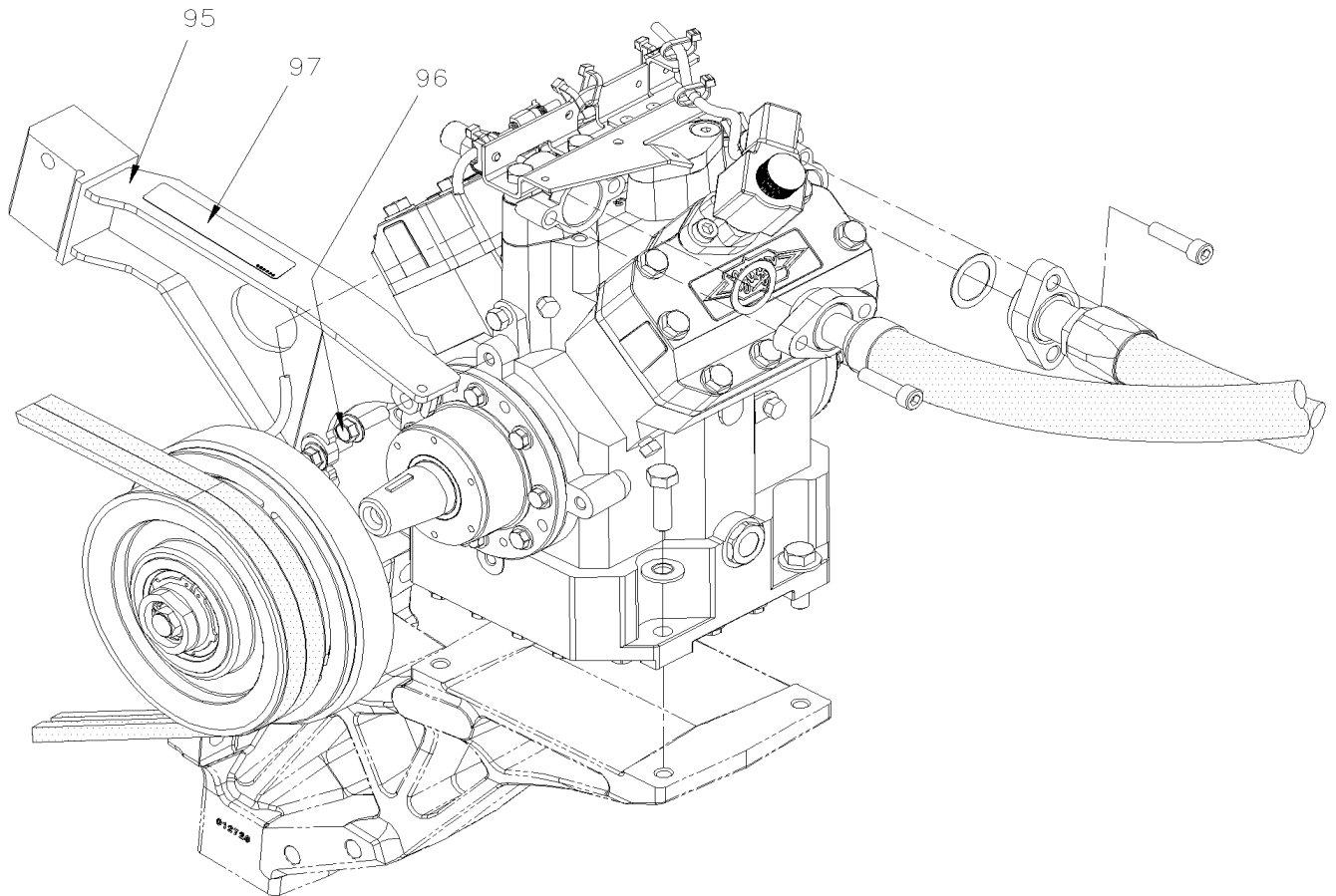


From E-5490 To H-6179

Date:07/2024

PAGE:X3VIP-2245-01

A/C COMPRESSOR "BITZER" - INSTALLATION



UP TO F-5923

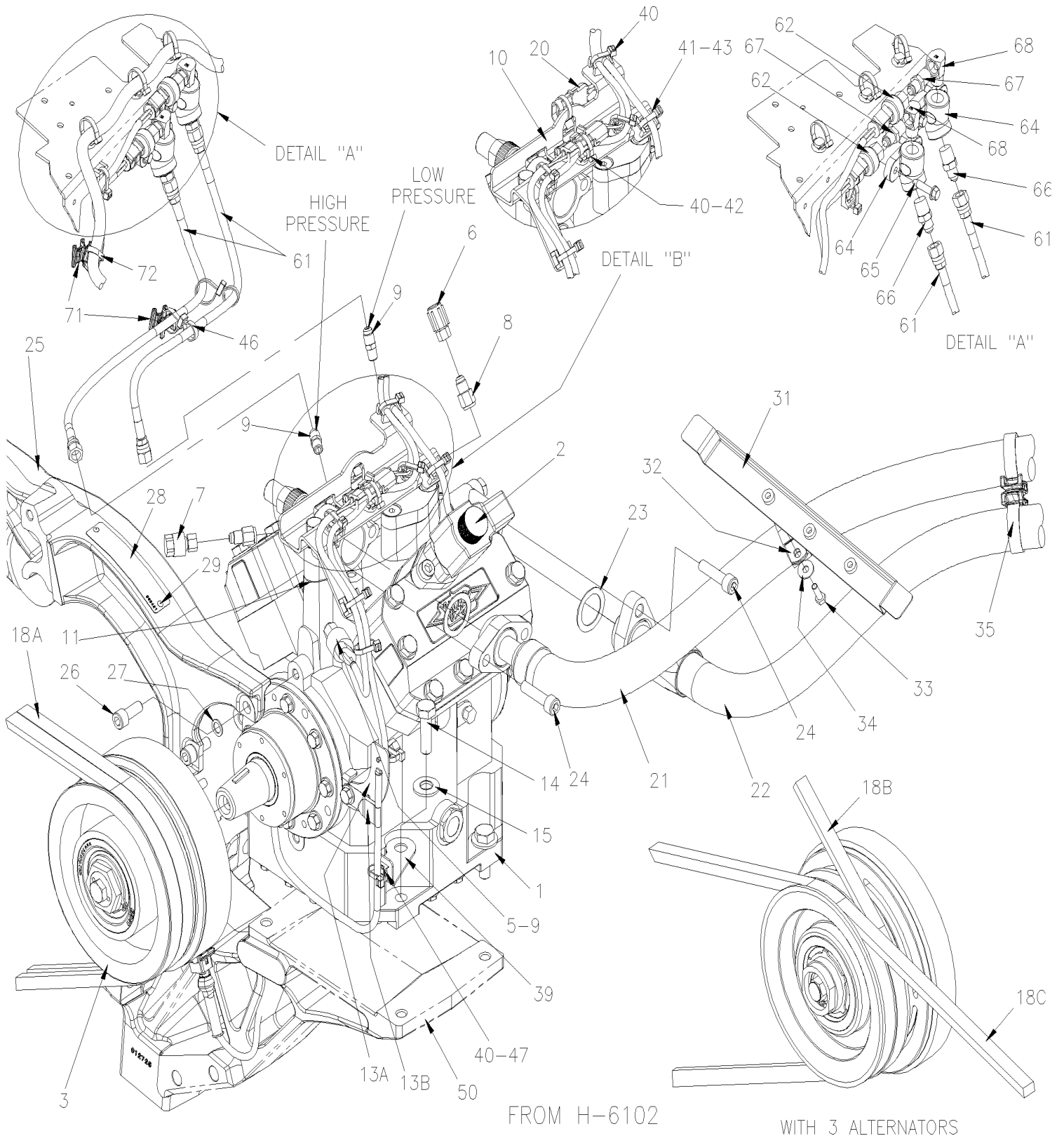


From E-5490 To H-6179

Date:07/2024

PAGE:X3VIP-2245-01

A/C COMPRESSOR "BITZER" - INSTALLATION





From E-5490 To H-6179	Date:07/2024	PAGE:X3VIP-2245-01
-----------------------	--------------	--------------------

A/C COMPRESSOR "BITZER" - INSTALLATION

Item#	Part	Description	X 3 V I P E N T	X 3 V I P M T H	N O T E S
	950001D	A/C COMPRESSOR ASSY 4 CYLINDERS W/O CLUTCH W/O VALVES - "BITZER" REMAN To E-5697	1	1	
	950002	A/C COMPRESSOR ASSY 4 CYLINDERS - "BITZER" From E-5698 To F-5779	1	1	
	950572	A/C COMPRESSOR ASSY 4 CYLINDERS - "BITZER" From F-5780 To G-5949	1	1	
	950575	A/C COMPRESSOR ASSY 4 CYLINDERS W/O CLUTCH - "BITZER" From G-5950 To G-5970	1	1	
	950580	A/C COMPRESSOR ASSY 4 CYLINDERS W/O CLUTCH - "BITZER" From G-5971	1	1	
	5001775	SCREW CAP HEXS M8-1.25x25 G8.8 G500 From G-5950	4	4	C
	950494	A/C COMPRESSOR ASSY 4 CYLINDERS W/O CLUTCH W/O VALVES - "BITZER"	1	1	
. NS	680801	. OIL, BITZER COMPRESSOR, POE 134A 1 GALLON	AR	AR	
1	X3VIP-2250-01	. A/C COMPRESSOR "BITZER" 4NFCY			
2	X3VIP-2250-16	. A/C ELECTRIC UNLOADER - WITH "BITZER" COMPRESSOR			
3	X3VIP-2246-01	. A/C CLUTCH - WITH "BITZER" COMPRESSOR			
4	501303	. PLUG SQUARE HEAD / PIPE FITTING / 1/8NPT-M BR From F-5780 To G-5970	1	1	
5	950498	. PRESSURE SWITCH ASSY To F-5779	1	1	
. NS	561690	. . CONNECTOR / WEATHER PACK / SH 2C / BLACK / PED 12015792 To F-5779	1	1	
. NS	561567	. . PIN TERMINAL / 20-18 / PED 12089040 To F-5779	2	2	
. NS	561786	. . CABLE SEAL / GRAY / PED 15324980 To F-5779	2	2	
5	950498	. PRESSURE SWITCH ASSY From G-5971	1	1	
. NS	561690	. . CONNECTOR / WEATHER PACK / SH 2C / BLACK / PED 12015792 From G-5971	1	1	
. NS	561567	. . PIN TERMINAL / 20-18 / PED 12089040 From G-5971	2	2	
. NS	561786	. . CABLE SEAL / GRAY / PED 15324980 From G-5971	2	2	
6	950499	. ADAPTOR 7/16-20 x R134 13MM	1	1	
7	950500	. ADAPTOR 7/16-20 x R134 16MM	1	1	
8	950501	. ADAPTOR 7/16-20-F x 7/16-20-M To G-5970	2	2	
8	950466	. ADAPTOR 7/16-20-F x 7/16-20-M From G-5971	2	2	
9	950502	. ADAPTOR / SHRADER FITTING / 1/8NPT-M To F-5779	3	3	
9	950502	. ADAPTOR / SHRADER FITTING / 1/8NPT-M From F-5780 To G-5970	2	2	
9	950502	. ADAPTOR / SHRADER FITTING / 1/8NPT-M From G-5971	3	3	
10	068758	. BRACKET WIRIING HARNESS COMPRESSOR To E-5697	1	1	
10	067349	. BRACKET WIRIING HARNESS COMPRESSOR From E-5698 To G-5970	1	1	
10	069449	. BRACKET WIRIING HARNESS COMPRESSOR From G-5971	1	1	
11	950503	. MUFFLER 14MM / 56MM C/C	1	1	
12	950504	. TRANSDUCER 0-500 PSIG To F-5779	2	2	
13A	069450	. BRACKET WIRIING HARNESS COMPRESSOR From G-5971	1	1	
13B	950532	. BRACKET OIL TUBING From G-5971	1	1	
13B	950975	. HOSE From G-5971	1	1	
14	5001885	SCREW CAP HEX M12-1.75X40 G10.9 N500	4	4	
15	500967	WASHER BEL SPR .512x1.142x.098 N500	4	4	
16	069206	CABLE ASSY / A/C COMPRESSOR W/LARGE SYSTEM From E-5698 To G-5970	1	1	
16	069492	CABLE ASSY / A/C COMPRESSOR W/LARGE SYSTEM From G-5971 To H-6179	1	1	
16	060381	CABLE ASSY / A/C COMPRESSOR W/LARGE SYSTEM From H-6180 To J-6244	1	1	
16	061482	CABLE ASSY / A/C COMPRESSOR W/LARGE SYSTEM From J-6245	1	1	
17	561690	CONNECTOR / WEATHER PACK / SH 2C / BLACK / PED 12015792 To G-5970	1	1	



From E-5490 To H-6179	Date:07/2024	PAGE:X3VIP-2245-01
-----------------------	--------------	--------------------

A/C COMPRESSOR "BITZER" - INSTALLATION

Item#	Part	Description	X 3 V I P E N T	X 3 V I P M T H	N O T E S
17	561565	CABLE SEAL / GREEN / PED 15324982 To G-5970	2	2	
17	561567	PIN TERMINAL / 20-18 / PED 12089040 To G-5970	2	2	
18A	5060134	V-BELT / BX-71 / SET OF 2 To K-6409	1	1	
18A	5060142	V-BELT / BX-71 From K-6410 To K-6483	2	2	
18A	5060134	V-BELT / BX-71 / SET OF 2 From K-6484 To M-6657	1	1	
18A	5060137	SUPER V-BELT / 5VX740 From M-6658	2	2	
18A	5060137	SUPER V-BELT / 5VX740 From M-6658	2	2	
18B	5060127	SUPER V-BELT / 5VX810 To F-5743	1	1	A
18B	5060137	SUPER V-BELT / 5VX740 From F-5744	1	1	A
18B	5060137	SUPER V-BELT / 5VX740 From F-5744	1	1	A
18C	5060125	SUPER V-BELT / 5VX918 To F-5743	1	1	A
18C	5060138	SUPER V-BELT / 5VX940 From F-5744	1	1	A
20	452831	PRESSURE SWITCH N.O. 30-5 20SP001MA030C005C From J-6245	1	1	
21	950485	HOSE ASSY / DISCHARGE / #16 / 1055MM To H-6179	1	1	
21	950536	HOSE ASSY / DISCHARGE / #16 / 780MM From H-6180 To J-6321	1	1	
21	950591	HOSE ASSY / DISCHARGE / #16 / 755MM From J-6322	1	1	
22	950484	HOSE ASSY / SUCTION / #20 / 1155MM To E-5759	1	1	
22	457685	HOSE ASSY / SUCTION / #20 / 1075MM From F-5760 To H-6179	1	1	
22	950535	HOSE ASSY / SUCTION / #20 / 860MM From H-6180	1	1	
23	950957	GASKET	2	2	
24	950488	SCREW CAP HEXS M10-1.5x40 G10.9	4	4	
25	457759	SUPPORT, TENSIONNER From F-5923 To G-6007	1	1	
25	457675	SUPPORT, TENSIONNER WELDED From G-6008 To H-6101	1	1	
25	069356	DECAL "DO NOT POWER WASH ALTERNATORS" ENGLISH From F-5923 To H-6101	1	1	
25	457750	SUPPORT, TENSIONNER CASTING From H-6102 To K-6439	1	1	
25	450580	SUPPORT, TENSIONNER CASTING From K-6440	1	1	
26	5001741	SCREW CAP HEXF M10-1.5x30 G8.8 N500 From F-5923 To G-5985	2	2	
26	5001616	SCREW CAP HEXS M10-1.5X25 G10.9 DP From G-5986	2	2	
27	502867	WASHER FL .406x.625x.040 N500 From G-6000	2	2	
28	069421	DECAL "DO NOT POWER WASH ALTERNATORS" From H-6102	1	1	
29	504339	RIVET POP DOME OE 1/8x3/8 SS From H-6102	2	2	
30	680038	THREAD LOCKER LOCTITE #243 / BLUE / 50ml	AR	AR	
NS	680098	THREAD SEALANT LOCTITE #567 / WHITE / 250ml	AR	AR	
31	454454	SUPPORT / A/C HOSE To E-5707	1	1	
31	454453	SUPPORT / A/C HOSE From E-5708 To H-6179	1	1	
32	504785	CLAMP / SS / SILICONE RUBBER / 1 1/2" I.D. x .281 HOLE			
33	5001833	WASHER BEL SPR 6.1x18x1.27 SS	2	2	
34	502830	SCREW CAP HEX M6-1.0x20 G8.8 N500	2	2	
35	504752	ROTATIF SPACER DOUBLE / LARGE	1	1	
35	509491	CABLE TIE / 13MM x 383MM	2	2	
39	069481	BRACKET WIRIING HARNESS COMPRESSOR From G-5971	1	1	
40	504637	CABLE TIE / 3/16" x 13" From E-5698	AR	AR	



From E-5490 To H-6179 Date:07/2024 PAGE:X3VIP-2245-01

A/C COMPRESSOR "BITZER" - INSTALLATION

Item#	Part	Description	X 3 V I P E N T	X 3 V I P M T H	NOTES
41	504379	RIVET POP DOME OE 3/16x1/4 SS From E-5698	5	5	
42	509815	TIE MOUNT / ATTACHMENT W/TREE MOUNT From E-5698 To G-5970	2	2	
42	509815	TIE MOUNT / ATTACHMENT W/TREE MOUNT From G-5971 To J-6244	1	1	
42	509815	TIE MOUNT / ATTACHMENT W/TREE MOUNT From J-6245	3	3	
43	504013	TIE MOUNT / 1/4" X 1/4" I.D. From E-5698	AR	AR	
44	069099	SUPPROT WIRIING HARNESS COMPRESSOR From F-5780 To G-5970	1	1	
45	504379	RIVET POP DOME OE 3/16x1/4 SS From F-5780 To G-5970	2	2	
46	507664	CABLE TIE / 3/16" 11" / DOUBLE LOOP HEAD From G-5971	AR	AR	
47	504810	TIE MOUNT / #8 From G-5971	2	2	
47	504340	RIVET POP DOME OE 1/8x3/16 SS From G-5971	2	2	
50	X3VIP-0150-00	ENGINE CRADLE - WITH VOLVO D13			
61	457743	HOSE ASSY / #4 / 400MM From F-5780 To G-5970	2	2	
61	457772	HOSE ASSY / #4 / 425MM From G-5971 To H-6179	2	2	
62	950504	TRANSDUCER 0-500 PSIG From F-5780 To H-6179	2	2	
63	950498	PRESSURE SWITCH ASSY From F-5780 To G-5970	1	1	
. NS	561690	. CONNECTOR / WEATHER PACK / SH 2C / BLACK / PED 12015792 From F-5780 To G-5970	1	1	
. NS	561567	. PIN TERMINAL / 20-18 / PED 12089040 From F-5780 To G-5970	2	2	
. NS	561786	. CABLE SEAL / GRAY / PED 15324980 From F-5780 To G-5970	2	2	
64	640643	ANCHOR ELBOW / PIPE FITTING / 1/4NPT-Fx1/4NPT-F STL From F-5780 To H-6179	2	2	
65	500266	SCREW TC CAP HEX 1/4-20x1 N500 From F-5780 To H-6179	4	4	
66	501027	MALE CONNECTOR / SAE 45° FITTING / #4FL-Mx1/4NPT-M BR From F-5780 To H-6179	2	2	
67	950249	SCHRADER VALVE 1/4NPT-M From F-5780 To G-5970	3	3	
67	950249	SCHRADER VALVE 1/4NPT-M From G-5971 To H-6179	2	2	
68	501332	STREET ELBOW 90° / PIPE FITTING / 1/4NPT-Mx1/4NPT-F BR From F-5780 To G-5970	1	1	
68	501332	STREET ELBOW 90° / PIPE FITTING / 1/4NPT-Mx1/4NPT-F BR From G-5971 To H-6179	2	2	
69	501329	STREET ELBOW 45° / PIPE FITTING / 1/4NPT-Mx1/4NPT-F BR From F-5780 To G-5970	1	1	
70	501894	MALE BRANCHE TEE / PIPE FITTING / 1/4NPT-Fx1/4NPT-Fx1/4NPT-M BR From F-5780 To G-5970	1	1	
71	504751	ROTATIF SPACER DOUBLE / SMALL From F-5780 To H-6179	4	4	
72	504637	CABLE TIE / 3/16" x 13" From F-5780 To H-6179	AR	AR	
73	WB14-06	BRACKET WIRIING HARNESS COMPRESSOR REPLACEMENT To E-5697	1	1	
73	069206	. CABLE ASSY / A/C COMPRESSOR W/LARGE SYSTEM To E-5697	1	1	
74	067349	. BRACKET WIRIING HARNESS COMPRESSOR To E-5697	1	1	
75	504379	. RIVET POP DOME OE 3/16x1/4 SS To E-5697	5	5	
76	509815	. TIE MOUNT / ATTACHMENT W/TREE MOUNT To E-5697	1	1	
77	504013	. TIE MOUNT / 1/4" X 1/4" I.D. To E-5697	5	5	
78	504637	CABLE TIE / 3/16" x 13" To E-5697	AR	AR	
80	WB14-06-1	RELOCATION PRESSURE SWITCHES & TRANSDUCER To F-5779			
81	457743	. HOSE ASSY / #4 / 400MM To F-5779	2	2	



From E-5490 To H-6179 Date:07/2024 PAGE:X3VIP-2245-01

A/C COMPRESSOR "BITZER" - INSTALLATION

Item#	Part	Description	X 3 V I P E N T	X 3 V I P M T H	N O T E S
82	640643	. ANCHOR ELBOW / PIPE FITTING / 1/4NPT-Fx1/4NPT-F STL To F-5779	2	2	
83	500266	. SCREW TC CAP HEX 1/4-20x1 N500 To F-5779	4	4	
84	501027	. MALE CONNECTOR / SAE 45° FITTING / #4FL-Mx1/4NPT-M BR To F-5779	2	2	
85	950249	. SCHRADER VALVE 1/4NPT-M To F-5779	3	3	
86	501332	. STREET ELBOW 90° / PIPE FITTING / 1/4NPT-Mx1/4NPT-F BR To F-5779	1	1	
87	501329	. STREET ELBOW 45° / PIPE FITTING / 1/4NPT-Mx1/4NPT-F BR To F-5779	1	1	
88	501894	. MALE BRANCHE TEE / PIPE FITTING / 1/4NPT-Fx1/4NPT-Fx1/4NPT-M BR To F-5779	1	1	
89	504751	. ROTATIF SPACER DOUBLE / SMALL To F-5779	4	4	
90	504637	. CABLE TIE / 3/16" x 13" To F-5779	AR	AR	
91	501303	. PLUG SQUARE HEAD / PIPE FITTING / 1/8NPT-M BR To F-5779	1	1	
92	069099	. SUPPROT WIRIING HARNESS COMPRESSOR To F-5779	1	1	
93	504379	. RIVET POP DOME OE 3/16x1/4 SS To F-5779	2	2	
95	457769	SUPPORT A/C COMPRESSOR KIT To F-5922	1	1	
95	457675	. SUPPORT, TENSIONNER WELDED To F-5922	1	1	S
96	5001616	. SCREW CAP HEXS M10-1.5X25 G10.9 DP To F-5922	2	2	S
97	069356	. DECAL "DO NOT POWER WASH ALTERNATORS" ENGLISH To F-5922	1	1	
		A) WITH 3 ALTERNATORS INSTALLATION			
		C) USE TO FIX THE CLUTCH TO THE COMPRESSOR			
		S) SERVICE			

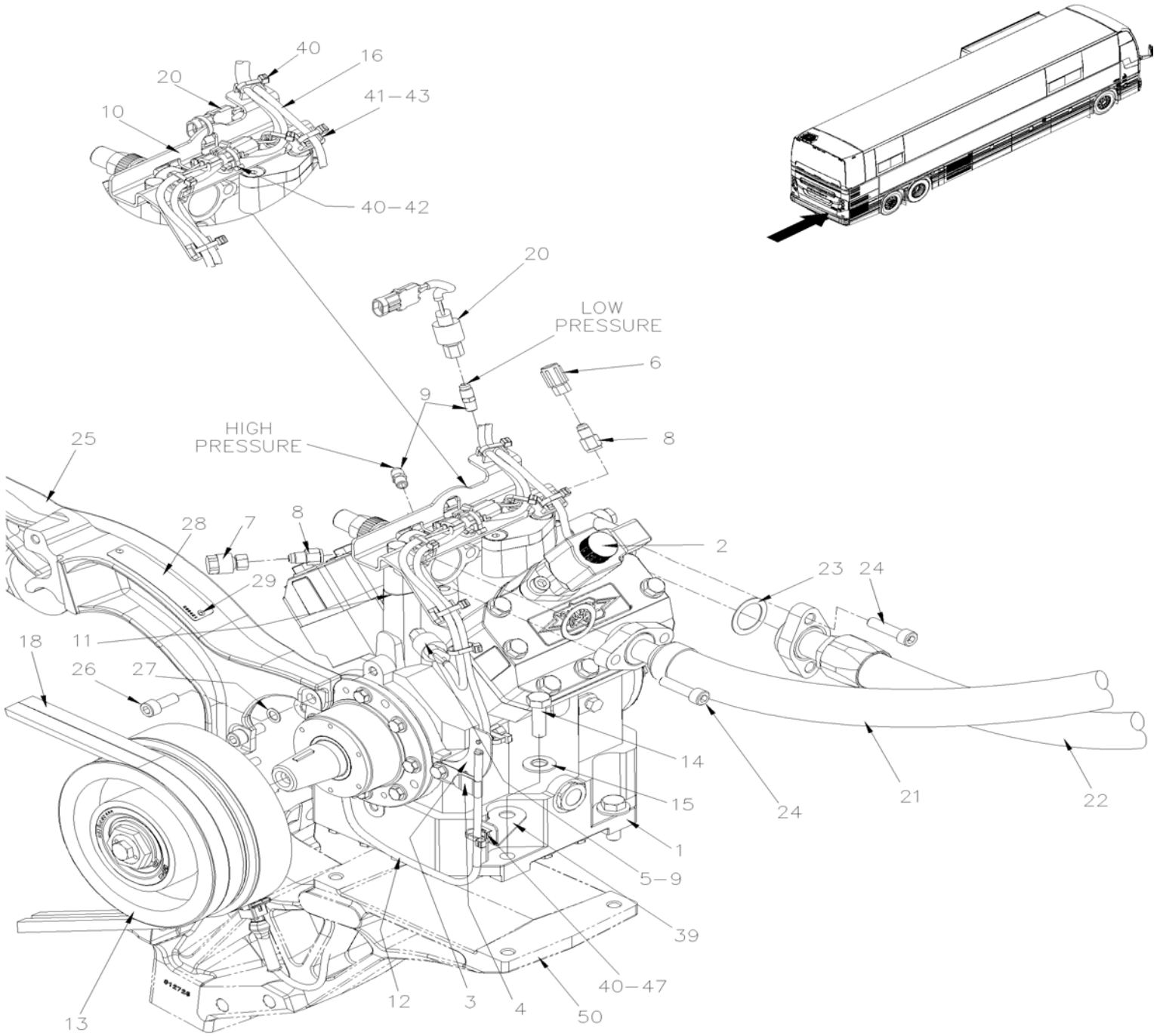


From H-6180

Date:07/2024

PAGE:X3VIP-2245-02

A/C COMPRESSOR "BITZER" - INSTALLATION





From H-6180		Date:07/2024	PAGE:X3VIP-2245-02
-------------	--	--------------	--------------------

A/C COMPRESSOR "BITZER" - INSTALLATION

Item#	Part	Description	X 3 V I P E N T	X 3 V I P M T H	N O T E S
	950580	A/C COMPRESSOR ASSY 4 CYLINDERS W/O CLUTCH - "BITZER"	1	1	
	5001775	SCREW CAP HEXS M8-1.25x25 G8.8 G500	4	4	C
	950494	. A/C COMPRESSOR ASSY 4 CYLINDERS W/O CLUTCH W/O VALVES - "BITZER"	1	1	
. NS	680801	. OIL, BITZER COMPRESSOR, POE 134A 1 GALLON	AR	AR	
1	X3VIP-2250-01	. A/C COMPRESSOR "BITZER" 4NFCY			
2	X3VIP-2250-16	. A/C ELECTRIC UNLOADER - WITH "BITZER" COMPRESSOR			
3	069450	. BRACKET WIRIING HARNESS COMPRESSOR	1	1	
4	950532	. BRACKET OIL TUBING	1	1	
5	950498	. PRESSURE SWITCH ASSY	1	1	
. NS	561690	. . CONNECTOR / WEATHER PACK / SH 2C / BLACK / PED 12015792	1	1	
. NS	561567	. . PIN TERMINAL / 20-18 / PED 12089040	2	2	
. NS	561786	. . CABLE SEAL / GRAY / PED 15324980	2	2	
6	950499	. ADAPTOR 7/16-20 x R134 13MM	1	1	
7	950500	. ADAPTOR 7/16-20 x R134 16MM	1	1	
8	950466	. ADAPTOR 7/16-20-F x 7/16-20-M	2	2	
9	950502	. ADAPTOR / SHRADER FITTING / 1/8NPT-M	3	3	
10	069449	. BRACKET WIRIING HARNESS COMPRESSOR	1	1	
11	950503	. MUFFLER 14MM / 56MM C/C	1	1	
12	950975	. HOSE	1	1	
13	X3VIP-2246-01	A/C CLUTCH - WITH "BITZER" COMPRESSOR			
14	5001885	SCREW CAP HEX M12-1.75X40 G10.9 N500 To N-6738	4	4	
14	5001582	SCREW CAP HEX M12-1.75x50 G10.9 DP From N-6739	4	4	
15	500967	WASHER BEL SPR .512x1.142x.098 N500 To N-6738	4	4	
15	5001877	WASHER BEL SPR .512x1.000x.073 SS From N-6739	4	4	
16	060381	CABLE ASSY / A/C COMPRESSOR W/LARGE SYSTEM To J-6244	1	1	
16	061482	CABLE ASSY / A/C COMPRESSOR W/LARGE SYSTEM From J-6245	1	1	
18	5060134	V-BELT / BX-71 / SET OF 2 To K-6409	1	1	
18	5060142	V-BELT / BX-71 From K-6410 To K-6483	2	2	
18	5060134	V-BELT / BX-71 / SET OF 2 From K-6484 To M-6657	1	1	
18	5060137	SUPER V-BELT / 5VX740 From M-6658	2	2	
20	452831	PRESSURE SWITCH N.O. 30-5 20SP001MA030C005C From J-6245	1	1	
21	950536	HOSE ASSY / DISCHARGE / #16 / 780MM To J-6321	1	1	
21	950591	HOSE ASSY / DISCHARGE / #16 / 755MM From J-6322 To N-6738	1	1	
21	950640	HOSE ASSY / DISCHARGE / #16 / 780MM From N-6739 To £-23123	1	1	
21	950717	HOSE ASSY / DISCHARGE / #16 / 800MM From £-23123	1	1	
22	950535	HOSE ASSY / SUCTION / #20 / 860MM To K-6492	1	1	
23	950957	GASKET	2	2	
24	950488	SCREW CAP HEXS M10-1.5x40 G10.9	4	4	
25	457750	SUPPORT, TENSIONNER CASTING To K-6439	1	1	
25	450580	SUPPORT, TENSIONNER CASTING From K-6440 To N-6738	1	1	



From H-6180		Date:07/2024	PAGE:X3VIP-2245-02
-------------	--	--------------	--------------------

A/C COMPRESSOR "BITZER" - INSTALLATION

Item#	Part	Description	X 3 V I P E N T	X 3 V I P M T H	N O T E S
25	454767	SUPPORT, TENSIONNER CASTING From N-6739	1	1	
26	5001616	SCREW CAP HEXS M10-1.5X25 G10.9 DP	2	2	
27	502867	WASHER FL .406x.625x.040 N500 To N-6738	2	2	
27	5001935	WASHER FL 10.5x18.0x1.6 SS From N-6739	1	1	
28	069421	DECAL "DO NOT POWER WASH ALTERNATORS"	1	1	
29	504339	RIVET POP DOME OE 1/8x3/8 SS	2	2	
NS	680038	THREAD LOCKER LOCTITE #243 / BLUE / 50ml	AR	AR	
NS	680098	THREAD SEALANT LOCTITE #567 / WHITE / 250ml	AR	AR	
39	069481	BRACKET WIRIING HARNESS COMPRESSOR	1	1	
40	504637	CABLE TIE / 3/16" x 13"	AR	AR	
41	504379	RIVET POP DOME OE 3/16x1/4 SS	5	5	
42	509815	TIE MOUNT / ATTACHMENT W/TREE MOUNT To J-6244	1	1	
42	509815	TIE MOUNT / ATTACHMENT W/TREE MOUNT From J-6245	3	3	
43	504013	TIE MOUNT / 1/4" X 1/4" I.D.	5	5	
NS	507664	CABLE TIE / 3/16" 11" / DOUBLE LOOP HEAD	AR	AR	
47	504810	TIE MOUNT / #8	2	2	
47	504340	RIVET POP DOME OE 1/8x3/16 SS	2	2	
50	X3VIP-0150-01	ENGINE CRADLE - WITH VOLVO D13 - GHG17			
		C) USE TO FIX THE CLUTCH TO THE COMPRESSOR			

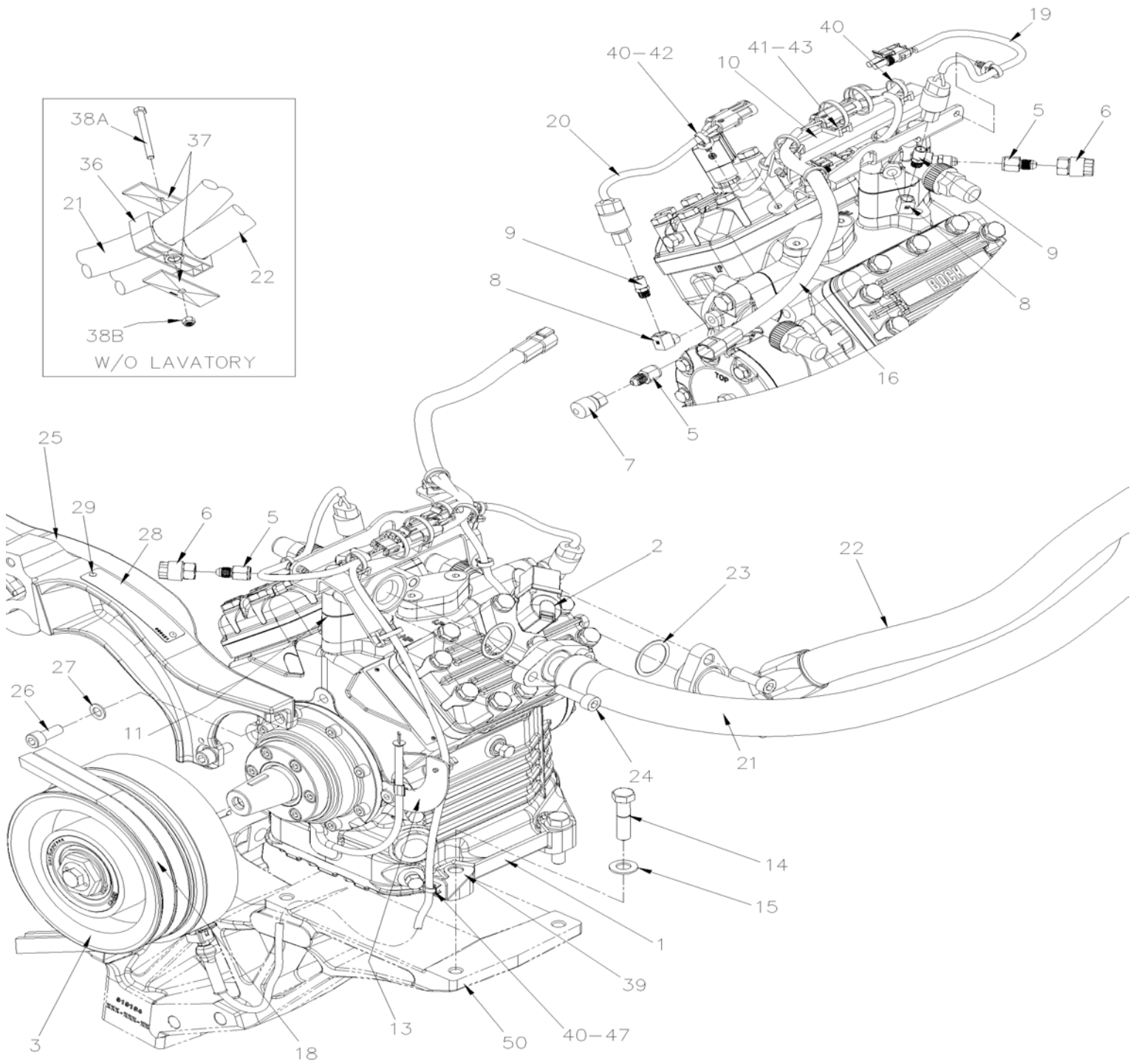


From N-6739

Date:07/2024

PAGE:X3VIP-2245-20

A/C COMPRESSOR "BOCK" - INSTALLATION





From N-6739		Date:07/2024	PAGE:X3VIP-2245-20
-------------	--	--------------	--------------------

A/C COMPRESSOR "BOCK" - INSTALLATION

Item#	Part	Description	X 3 V I P E N T	X 3 V I P M T H	N O T E S
	950612	A/C COMPRESSOR ASSY 4 CYLINDERS W/CLUTCH - "BOCK" FK40/655K	1	1	
NS	680801	OIL, BITZER COMPRESSOR, POE 134A 1 GALLON	AR	AR	
1	X3VIP-2250-20	. A/C COMPRESSOR "BOCK"			
2	X3VIP-2250-35	. A/C ELECTRIC UNLOADER - WITH "BOCK" COMPRESSOR			
3	X3VIP-2246-20	. A/C CLUTCH - WITH "BOCK" COMPRESSOR			
5	950501	ADAPTOR 7/16-20-F x 7/16-20-M	2	2	
6	950500	ADAPTOR 7/16-20 x R134 16MM	1	1	
7	950499	ADAPTOR 7/16-20 x R134 13MM	1	1	
8	501331	STREET ELBOW 90° / PIPE FITTING / 1/8NPT-Mx1/8NPT-F BR	2	2	
9	950030	SCHRADER VALVE 1/8NPT-M	2	2	
10	0610598	BRACKET WIRIING HARNESS COMPRESSOR	1	1	
11	950642	GASKET- VALVE FLANGE	2	2	
13	0610265	BRACKET WIRIING HARNESS COMPRESSOR	1	1	
14	5001582	SCREW CAP HEX M12-1.75x50 G10.9 DP	4	4	
15	5001877	WASHER BEL SPR .512x1.000x.073 SS	4	4	
16	0610550	CABLE ASSY / A/C COMPRESSOR W/LARGE SYSTEM	1	1	
18	5060134	V-BELT / BX-71 / SET OF 2 To M-6657	1	1	
18	5060137	SUPER V-BELT / 5VX740 From M-6658	2	2	
19	950498	PRESSURE SWITCH ASSY	1	1	
. NS	561690	. CONNECTOR / WEATHER PACK / SH 2C / BLACK / PED 12015792	1	1	
. NS	561567	. PIN TERMINAL / 20-18 / PED 12089040	2	2	
. NS	561786	. CABLE SEAL / GRAY / PED 15324980	2	2	
20	452831	PRESSURE SWITCH N.O. 30-5 20SP001MA030C005C	1	1	
21	950640	HOSE ASSY / DISCHARGE / #16 / 780MM To £-23123	1	1	
21	950717	HOSE ASSY / DISCHARGE / #16 / 800MM From £-23123	1	1	
22	950535	HOSE ASSY / SUCTION / #20 / 860MM	1	1	
23	950643	GASKET RING	2	2	
24	5001620	SCREW CAP HEXS M10-1.5X35 G10.9 G500	4	4	
25	454767	SUPPORT, TENSIONNER CASTING	1	1	
26	5001616	SCREW CAP HEXS M10-1.5X25 G10.9 DP	2	2	
27	5001935	WASHER FL 10.5x18.0x1.6 SS	2	2	
28	069421	DECAL "DO NOT POWER WASH ALTERNATORS"	1	1	
29	504339	RIVET POP DOME OE 1/8x3/8 SS	2	2	
NS	680038	THREAD LOCKER LOCTITE #243 / BLUE / 50ml	AR	AR	
NS	680098	THREAD SEALANT LOCTITE #567 / WHITE / 250ml	AR	AR	
39	0610264	BRACKET WIRIING HARNESS COMPRESSOR	1	1	
40	504637	CABLE TIE / 3/16" x 13"	AR	AR	
41	504379	RIVET POP DOME OE 3/16x1/4 SS	5	5	
42	509815	TIE MOUNT / ATTACHMENT W/TREE MOUNT	5	5	
43	504013	TIE MOUNT / 1/4" X 1/4" I.D.	5	5	
47	504810	TIE MOUNT / #8	2	2	
47	504340	RIVET POP DOME OE 1/8x3/16 SS	2	2	



From N-6739	Date:07/2024	PAGE:X3VIP-2245-20
-------------	--------------	--------------------

A/C COMPRESSOR "BOCK" - INSTALLATION

Item#	Part	Description	X 3 V I P E N T	X 3 V I P M T H	N O T E S
50	X3VIP-0150-01	ENGINE CRADLE - WITH VOLVO D13 - GHG17			

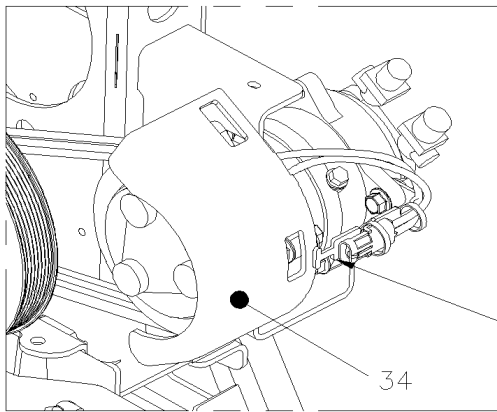


From E-5490 To H-6179

Date:07/2024

PAGE:X3VIP-2245-50

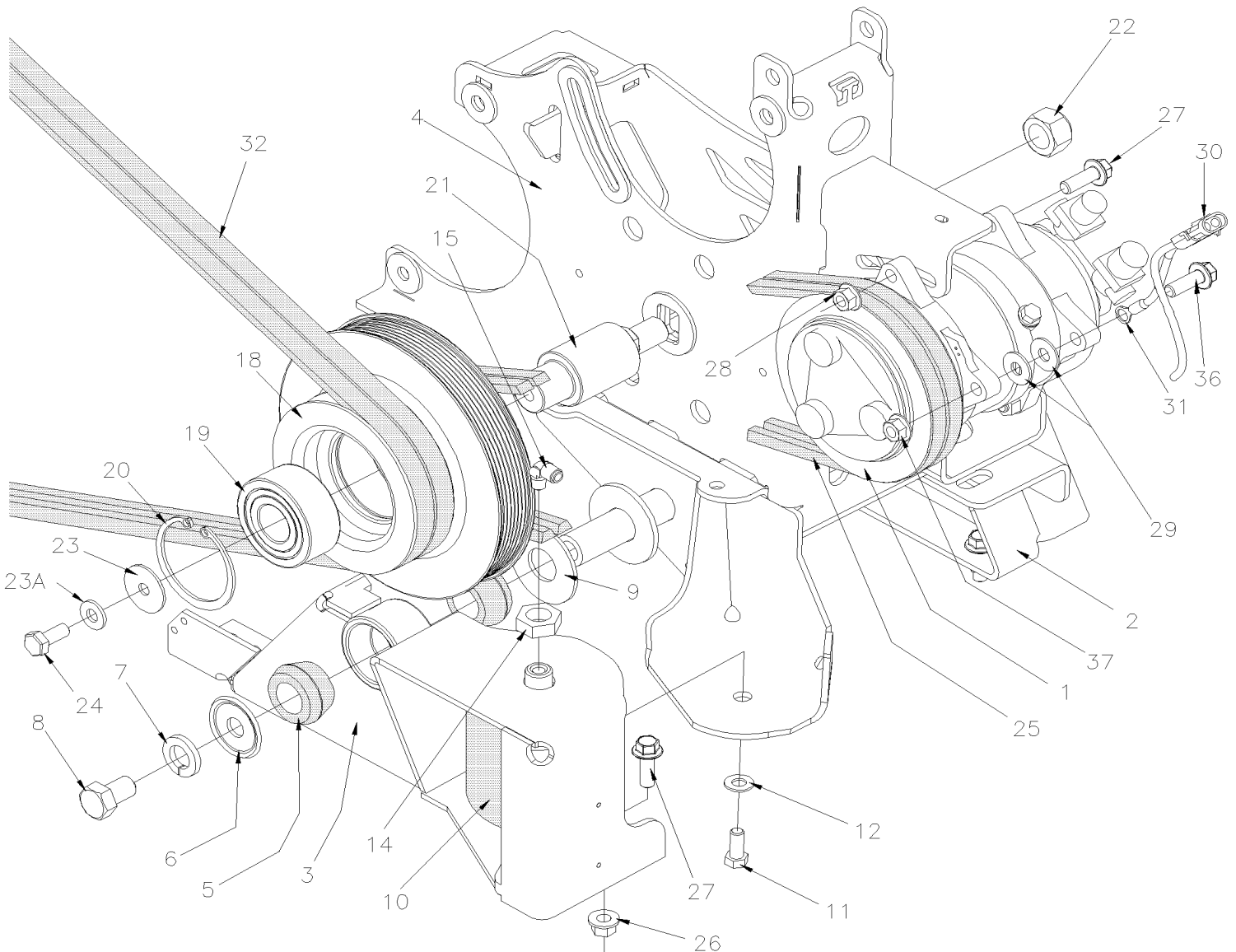
A/C SMALL COMPRESSOR - INSTALLATION



33-35

34

FROM ?-12007





From E-5490 To H-6179	Date:07/2024	PAGE:X3VIP-2245-50
-----------------------	--------------	--------------------

A/C SMALL COMPRESSOR - INSTALLATION

Item#	Part	Description	X 3 V I P E N T	X 3 V I P M T H	N O T E S
1	950436	A/C COMPRESSOR ASSY "SD7"	1	1	
NS	950445	. MANIFOLD FITTING 3/4-16 & 7/8-14	1	1	
2	457528	SUPPORT OPPOSITE PULLEY SIDE	1	1	
3	457529	SUPPORT ASSY	1	1	
4	457521	SUPPORT ASSY / SMALL A/C COMPRESSOR	1	1	
5	630002	BUSHING / RUBBER / (TWO PIECES) 1" x 1.005" I.D.	4	4	
6	5001151	WASHER CON 16.5x50.0x4.5 ZP	2	2	
7	502884	WASHER LO SPT 16.2x27.4x3.5 N500	2	2	
8	500813	SCREW CAP HEX M16-2.0x35 G8.8 ZP To G-6000	2	2	
8	5001896	SCREW CAP HEX M16-2.0x35 G10.9 N500 From G-6001	2	2	
9	500997	WASHER FL 1.062x2.500x.125 SS	2	2	
10	550840	BELLOW ASSY / BELT TENSIONER / 4" O.D.	1	1	
11	502926	SCREW CAP HEX 3/8-16x7/8 G5 N500	1	1	
12	5001834	WASHER BEL SPR 10.5X23X2.5 N500	1	1	
14	502917	NUT HEX JAM 3/4-16 G2 N500	1	1	
15	641369	MALE ELBOW 90° NON-SWIVEL / PUSH-IN FITTING / #4x1/8NPT-M BR	1	1	
NS	680098	THREAD SEALANT LOCTITE #567 / WHITE / 250ml	AR	AR	
NS	503402	TUBE, NYLON 1/4 O.D. / BLACK S.L.	AR	AR	
18	457530	PULLEY / W/4 GROOVE & 8 RIB 2/B + 8 RIB + 2/A	1	1	
18	950471	CAP, DUST	1	1	
19	507675	BALL BEARING To H-6098	1	1	
19	507008	BALL BEARING 30MM x 72MM x 30.2 W From H-6099 To H-6144	1	1	
19	509953	BALL BEARING 30MM x 72MM x 30.2 W HI-TEMP From H-6145	1	1	
20	504736	RING RETAINER / INT 72 x 75 x 2.5MM	1	1	
21	457474	SHAFT PULLEY	1	1	
22	5001252	NUT HEX STO M20-2.5 DP	1	1	
23	500261	WASHER FL .390x1.500x.083 N500	1	1	
23A	5001834	WASHER BEL SPR 10.5X23X2.5 N500	1	1	
24	502804	SCREW CAP HEX M10-1.5x25 G8.8 N500	1	1	
25	5060081	V-BELT / AX-32 / SET OF 2 9012-2032	1	1	
26	5001727	NUT HEXF NYRT M10-1.5 N500 To E-5651	5	5	
26	5001930	NUT HEXF NYRT M10-1.5 N500 G10.9 From E-5652 To E-5739	5	5	
26	5001930	NUT HEXF NYRT M10-1.5 N500 G10.9 From F-5740	6	6	
27	5001741	SCREW CAP HEXF M10-1.5x30 G8.8 N500 To E-5739	3	3	
27	5001741	SCREW CAP HEXF M10-1.5x30 G8.8 N500 From F-5740 To H-6132	5	5	
27	5000343	SCREW CAP HEXF M10-1.5x30 G10.9 N500 From H-6133	5	5	
28	5001727	NUT HEXF NYRT M10-1.5 N500	3	3	
29	5001751	WASHER FL 10.5x26.0x2.0 N500 To F-5917	2	2	
29	500270	WASHER FL .406x1.000x.063 SS From F-5918	2	2	
30	561566	CONNECTOR / WEATHER PACK / PH 2C / BLACK / PED 12010973	1	1	
30	561565	CABLE SEAL / GREEN / PED 15324982	2	2	
30	561568	PIN TERMINAL / 16-14 / PED 12089305	2	2	



From E-5490 To H-6179	Date:07/2024	PAGE:X3VIP-2245-50
-----------------------	--------------	--------------------

A/C SMALL COMPRESSOR - INSTALLATION

Item#	Part	Description	X 3 V I P E N T	X 3 V I P M T H	N O T E S
30	560673	WIRE CABLE 16 / BLACK / GXL	1	1	
NS	067112	HARNESS, SMALL, A/C COMP. To E-5739	1	1	
NS	068978	HARNESS, SMALL, A/C COMP. From F-5740 To F-5812	1	1	
30	069211	HARNESS, SMALL, A/C COMP. From F-5813	1	1	
31	560093	RING TERMINAL .375 / 16-14 / INSULATED / AMP 330896	1	1	
32	5060126	SUPER V-BELT / 5VX950 / SET OF 2	1	1	
33	457550	BRACKET, CABLE From F-5740	1	1	
34	457553	GUARD From F-5740	1	1	
35	504637	CABLE TIE / 3/16" x 13" From F-5740	2	2	
36	5001418	SCREW CAP HEX M10-1.5x30 SS From F-5918	1	1	
37	5001628	NUT HEX NYRT M10-1.5 SS	1	1	

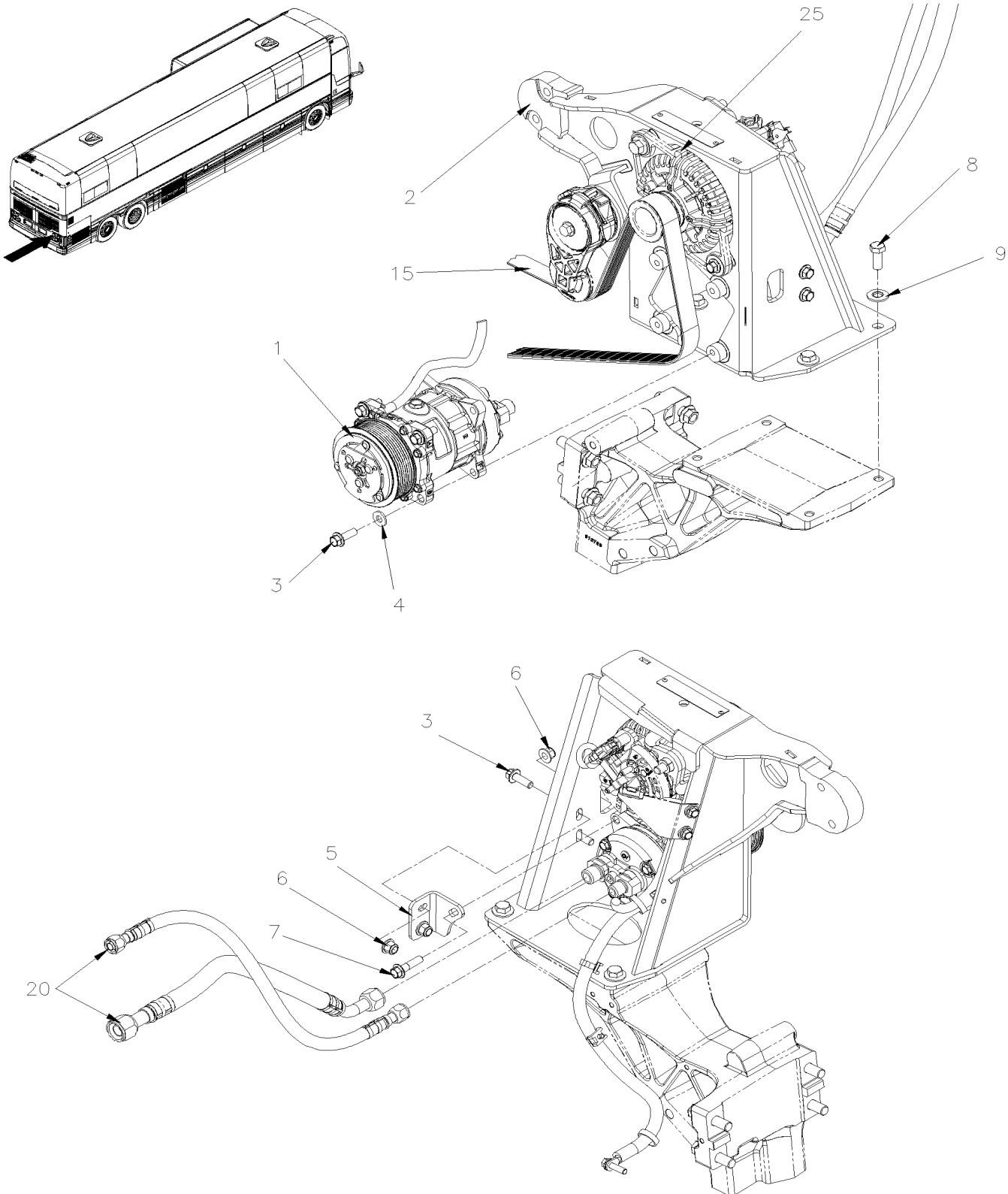


From H-6180

Date:07/2024

PAGE:X3VIP-2245-51

A/C SMALL COMPRESSOR - INSTALLATION / "GHG17"





From H-6180	Date:07/2024	PAGE:X3VIP-2245-51
A/C SMALL COMPRESSOR - INSTALLATION / "GHG17"		

Item#	Part	Description	X 3 V I P E N T	X 3 V I P M T H	N O T E S
NS	060382	CABLE ASSY / A/C COMPRESSOR W/SMALL SYSTEM To K-6392	1	1	
	0610093	CABLE ASSY / A/C COMPRESSOR W/SMALL SYSTEM From K-6393	1	1	
NS	060302	HARNESS, SMALL, A/C COMP.	1	1	
NS	060637	HARNESS SMALL A/C To H-6211	1	1	
	061017	HARNESS SMALL A/C From H-6212	1	1	
	061281	HARNESS SMALL A/C From J-6279 To J-6280	1	1	
	061855	HARNESS SMALL A/C From J-6281 To K-6359	1	1	
	069915	HARNESS SMALL A/C From K-6360 To K-6439	1	1	
	0610029	HARNESS SMALL A/C From K-6440 To K-6491	1	1	
	0610049	HARNESS SMALL A/C From L-6492 To L-6610	1	1	
	0611011	HARNESS SMALL A/C From L-6611 To M-6657	1	1	
	0610499	HARNESS SMALL A/C From M-6658	1	1	
1	950543	A/C COMPRESSOR ASSY "SD7" / 8PV, 24V	1	1	
2	450332	COMPRESSOR SUPPORT	1	1	
3	5000343	SCREW CAP HEXF M10-1.5x30 G10.9 N500	6	6	
4	5001834	WASHER BEL SPR 10.5X23X2.5 N500	4	4	
5	450048	BRACKET, COMPRESSOR	1	1	
6	5001930	NUT HEXF NYRT M10-1.5 N500 G10.9	1	1	
7	5001308	SCREW CAP HEXF M10-1.5x40 G10.9 N500	1	1	
8	5001866	SCREW CAP HEX M12-1.75x30 G10.9 N500	4	4	
9	500967	WASHER BEL SPR .512x1.142x.098 N500	4	4	
15	5060140	MULTI V-BELT / 8 RIB 72.4" (1840MM) 8PK1840 EPDM QT+ ARAMID	1	1	
20	X3VIP-2222-51	SMALL A/C LINES & HOSES / "GHG17"			
25	X3VIP-0610-61	ALTERNATOR MOUNTING / A/C COMPRESSOR SUPPORT / W/SMALL A/C VOLVO D13 - GHG17			

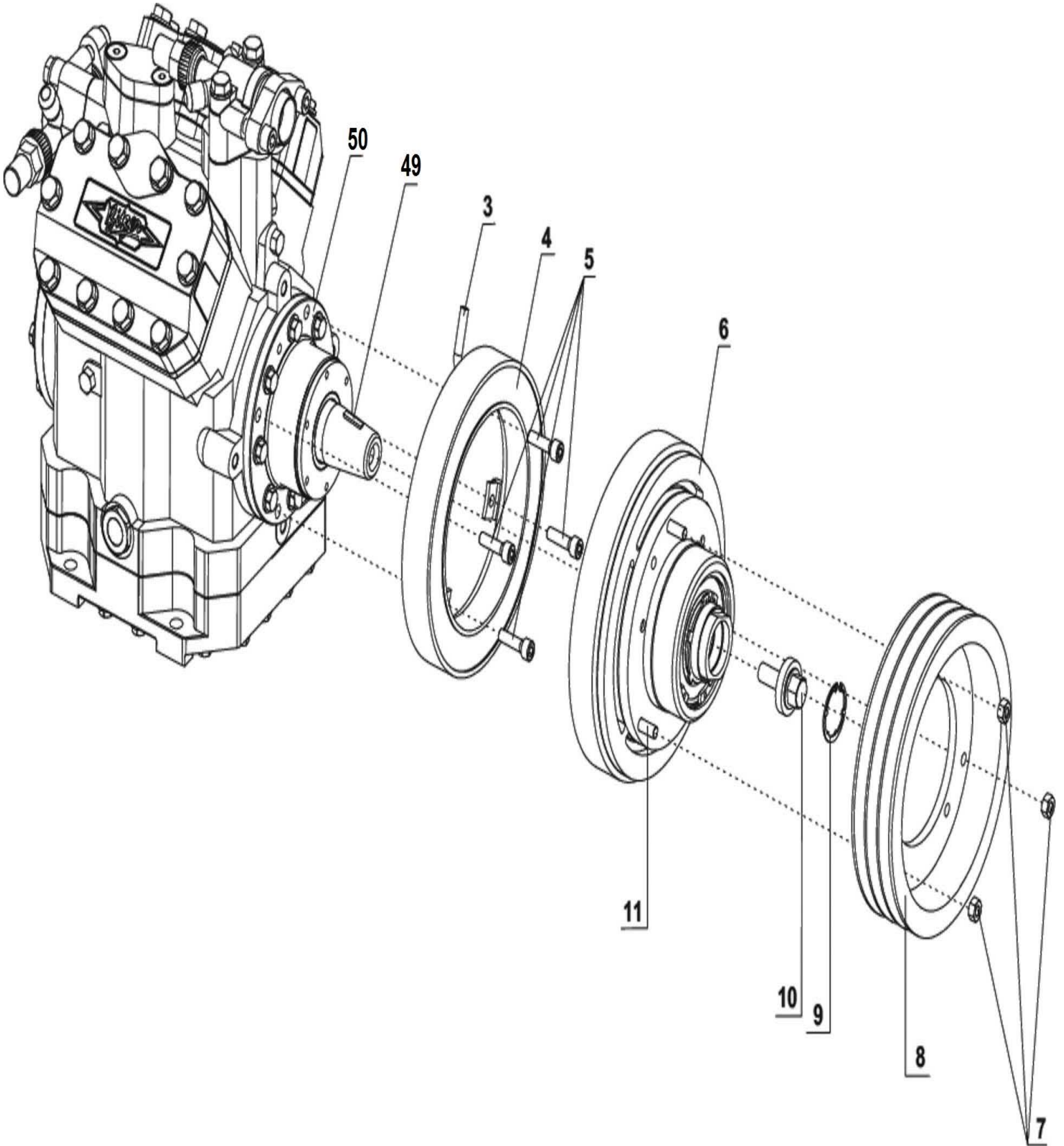


From E-5490

Date:07/2024

PAGE:X3VIP-2246-01

A/C CLUTCH - WITH "BITZER" COMPRESSOR





From E-5490

Date:07/2024

PAGE:X3VIP-2246-01

A/C CLUTCH - WITH "BITZER" COMPRESSOR





From E-5490		Date:07/2024	PAGE:X3VIP-2246-01
-------------	--	--------------	--------------------

A/C CLUTCH - WITH "BITZER" COMPRESSOR

Item#	Part	Description	X 3 V I P E N T	X 3 V I P M T H	N O T E S
	950496	CLUTCH ASSY 24V To E-5697	1	1	
. NS	561690	. CONNECTOR / WEATHER PACK / SH 2C / BLACK / PED 12015792 To E-5697	1	1	
. NS	561567	. PIN TERMINAL / 20-18 / PED 12089040 To E-5697	2	2	
. NS	561786	. CABLE SEAL / GRAY / PED 15324980 To E-5697	2	2	
	950571	CLUTCH ASSY 24V From E-5698 To G-5970	1	1	
	950034	CLUTCH ASSY 24V From G-5971 To H-6179	1	1	
. NS	950561	. BALL BEARING 50MM X 90MM X 30.2MM From G-5971 To H-6179	1	1	
	950603	CLUTCH ASSY 24V From G-5971 To H-6179	1	1	
	950539	CLUTCH ASSY 24V From H-6180 To K-6443	1	1	
	950601	CLUTCH ASSY 24V From K-6444	1	1	
	561690	CONNECTOR / WEATHER PACK / SH 2C / BLACK / PED 12015792 From E-5698 To G-5970	1	1	
	561567	PIN TERMINAL / 20-18 / PED 12089040 From E-5698 To G-5970	2	2	
	561786	CABLE SEAL / GRAY / PED 15324980 From E-5698 To G-5970	2	2	
	459228	CLUTCH ASSY 24V From E-5698 To G-5970	1	1	
. NS	950974	. CLUTCH ASSY 24V From E-5698 To G-5970	1	1	
. NS	561690	. CONNECTOR / WEATHER PACK / SH 2C / BLACK / PED 12015792 From E-5698 To G-5970	1	1	
. NS	561567	. PIN TERMINAL / 20-18 / PED 12089040 From E-5698 To G-5970	2	2	
. NS	561786	. CABLE SEAL / GRAY / PED 15324980 From E-5698 To G-5970	2	2	
NS	950594	BEARING, SERVICE A/C CLUTCH From E-5698 To G-5970	1	1	
2	950561	BALL BEARING 50MM X 90MM X 30.2MM From G-5971	1	1	
3	N.S.S.	CABLE	1	1	1
4	950972	MAGNET To E-5697	1	1	
4	455003	MAGNET / WITH CABLE & CONNECTOR From E-5698 To G-5970	1	1	
4	950533	. MAGNET / WITH CABLE From E-5698 To G-5970	1	1	
4	561690	. CONNECTOR / WEATHER PACK / SH 2C / BLACK / PED 12015792 From E-5698 To G-5970	1	1	
4	561567	. PIN TERMINAL / 20-18 / PED 12089040 From E-5698 To G-5970	2	2	
4	561786	. CABLE SEAL / GRAY / PED 15324980 From E-5698 To G-5970	2	2	
4	950534	MAGNET / W/CONNECTOR From G-5971 To K-6443	1	1	
4	950604	MAGNET / W/CONNECTOR From K-6444	1	1	
5	5001775	SCREW CAP HEXS M8-1.25x25 G8.8 G500	4	4	
6	N.S.S.	ROTOR	1	1	1
7	N.S.S.	NUT HEX M8-1.25	1	1	1
8	N.S.S.	PULLEY	1	1	1
9	N.S.S.	CIRCLIP	1	1	1
10	N.S.S.	SCREW STRAINING	1	1	1
10	502875	SCREW CAP HEX M12-1.75x40 G8.8 N50	1	1	
11	N.S.S.	STUD M8-1.25x20	1	1	1
49	950520	WOODRUFF KEY 5 x 9	1	1	
50	X3VIP-2250-01	A/C COMPRESSOR "BITZER" 4NFCY			
NS	680888	TOOL M16-2.0x70MM PLAIN FIN HEX CAP SCREW WITH LANG CLUTCH From E-5698	1	1	



From E-5490	Date:07/2024	PAGE:X3VIP-2246-01
-------------	--------------	--------------------

A/C CLUTCH - WITH "BITZER" COMPRESSOR

Item#	Part	Description	X 3 V I P E N T	X 3 V I P M T H	N O T E S
		1) NOT SOLD SEPARATELY			

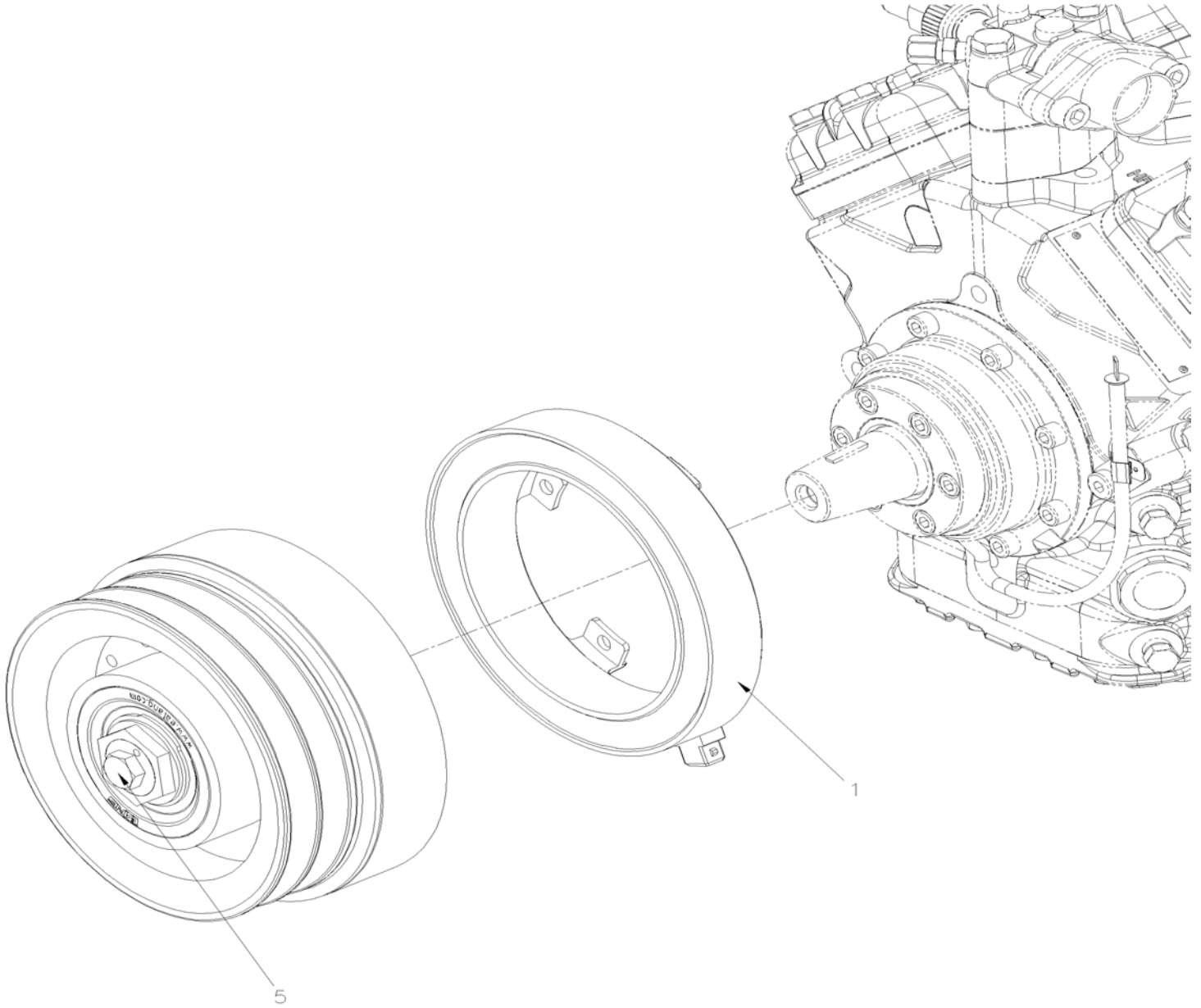


From N-6739

Date:07/2024

PAGE:X3VIP-2246-20

A/C CLUTCH - WITH "BOCK" COMPRESSOR





From N-6739	Date:07/2024	PAGE:X3VIP-2246-20
A/C CLUTCH - WITH "BOCK" COMPRESSOR		

Item#	Part	Description	X 3 V I P E N T	X 3 V I P M T H	N O T E S
	950601	CLUTCH ASSY 24V	1	1	
1	950604	. MAGNET / W/CONNECTOR	1	1	
NS	950561	. BALL BEARING 50MM X 90MM X 30.2MM	1	1	
5	Call order desk	SET TO FIX CLUTCH ON SHAFT	1	1	P
		P) CALL ORDER DESK FOR SPECIFIC APPLICATION (V.I.N.)			

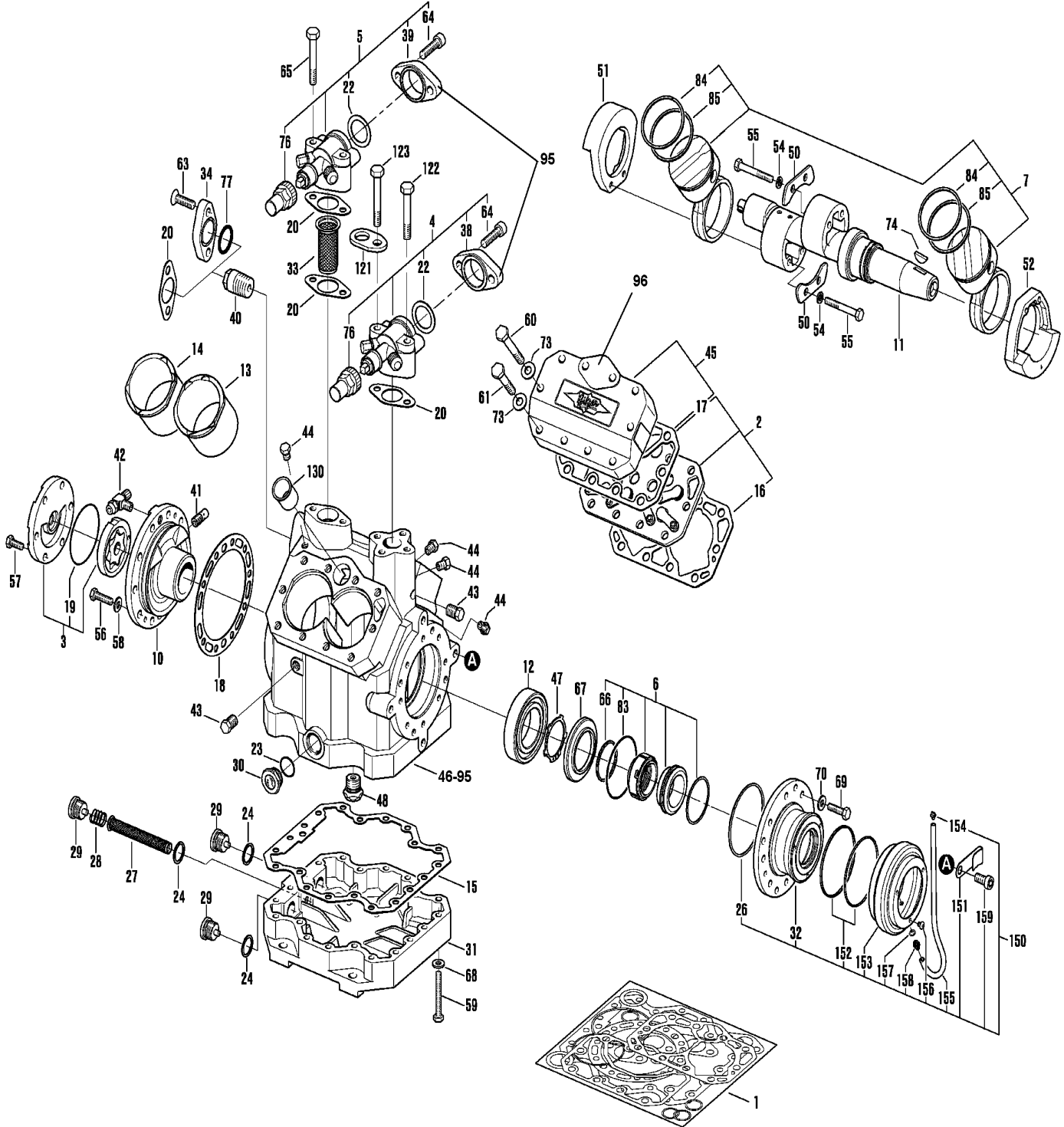


From E-5490

Date:07/2024

PAGE:X3VIP-2250-01

A/C COMPRESSOR "BITZER" 4NFCY





From E-5490		Date:07/2024	PAGE:X3VIP-2250-01
A/C COMPRESSOR "BITZER" 4NFCY			

Item#	Part	Description	X 3 V I P E N T	X 3 V I P M T H	N O T E S
	950494	A/C COMPRESSOR ASSY 4 CYLINDERS W/O CLUTCH W/O VALVES - "BITZER"	1	1	
. NS	680801	. OIL, BITZER COMPRESSOR, POE 134A 1 GALLON	AR	AR	
1	950510	. KIT GASKET	1	1	A
2	950517	. VALVE COMPLET WITH GASKET	3	3	B
3	950518	. OIL PUMP W/ O-RING	1	1	C
4	950956	. DISCHARGE & SUCTION SHUT-OFF VALVE	1	1	D
. NS	950557	. . GASKET KIT FOR VALVE	1	1	D
. . 20	950506	. . . GASKET	3	3	D
. . 22	950957	. . . GASKET	2	2	D
5	950956	. DISCHARGE & SUCTION SHUT-OFF VALVE	1	1	D
. NS	950557	. . GASKET KIT FOR VALVE	1	1	D
. . 20	950506	. . . GASKET	3	3	D
. . 22	950957	. . . GASKET	2	2	D
6	950509	. SHAFT SEAL COMPLETE	1	1	E
7	950627	. CONNECTING ROD W/PISTON COMPLETE	4	4	F
8	N.S.S.	. . PISTON STD	4	4	1
9	N.S.S.	. . CONNECTING ROD	4	4	1
10	950541	. BEARING COVER	1	1	G
11	950628	. ECCENTRIC SHAFT	1	1	H
12	950585	. CYLINDRIC ROLLER BEARING	1	1	
13	Call order desk	. CYLINDER LINER RIGHT	3	3	P
14	Call order desk	. CYLINDER LINER LEFT	3	3	P
15	N.S.S.	. GASKET	1	1	1
16	950516	. GASKET	3	3	
17	950625	. GASKET	2	2	
18	950542	. GASKET	1	1	
19	950519	. O-RING 74 x 2	1	1	
20	950506	. GASKET	3	3	
22	950957	. GASKET	2	2	
23	950515	. O-RING 23.5 x 1.8	2	2	
24	950544	. GASKET RING ALUMINUM	1	1	
26	950626	. O-RING 85 x 3.53 MM	1	1	
27	951082	. OIL FILTER	1	1	
28	950600	. PRESSURE SPRING	1	1	
29	950545	. MAGNETIC SCREW M22-1.5	3	3	
30	950514	. SIGHT GLASS	2	2	
31	Call order desk	. BOTTOM PLATE	1	1	P
32	950605	. SHAFT SEAL COVER	1	1	
33	950973	. SUCTION GAS FILTER	2	2	
34	950644	. BLIND FLANGE 80x44.5x15	1	1	
38	Call order desk	. COMPANION FLANGE 35 (1 3/8")	1	1	P
39	Call order desk	. COMPANION FLANGE 35 (1 3/8")	2	2	P



From E-5490		Date:07/2024	PAGE:X3VIP-2250-01
A/C COMPRESSOR "BITZER" 4NFCY			

Item#	Part	Description	X 3 V I P E N T	X 3 V I P M T H	N O T E S
40	Call order desk	. PRESSURE RELIEF VALVE	2	2	P
41	Call order desk	. OIL PRESSURE RELIEF VALVE	1	1	P
42	950540	. SCHRADER VALVE 7/16 UNF	1	1	
43	Call order desk	. SEALING PLUG	2	2	P
44	Call order desk	. SEALING PLUG	2	2	P
45	Call order desk	. CYLINDER HEAD	2	2	P J
45	950511	. CYLINDER HEAD W/MUFFLER	2	2	J
45	Call order desk	. GASKET CYLINDER HEAD	1	1	P
46	Call order desk	. HOUSING	1	1	P
47	950970	. RETAINING RING W/LUGS	1	1	
48	Call order desk	. GAS EQUALISING VALVE	1	1	P
50	Call order desk	. THRUST SEGMENT	2	2	P
51	Call order desk	. BALANCE WEIGHT	1	1	P
52	Call order desk	. BALANCE WEIGHT	1	1	P
54	Call order desk	. WASHER A 8 DIN 134	4	4	P
55	Call order desk	. SCREW CAP HEX M8-1.25x60 G10.9 ZP	4	4	P
56	Call order desk	. SCREW CAP HEX M8-1.25x30 G10.9 FT	10	10	P
57	Call order desk	. SCREW CAP HEX M8-1.25x20 G10.9 FT	6	6	P
58	Call order desk	. WASHER A 8 DIN 134	16	16	P
59	Call order desk	. SCREW CAP HEX M8-1.25x60 G10.9 FT	20	20	P
60	Call order desk	. SCREW CAP HEX M10-1.5x75 G10.9	18	18	P
61	Call order desk	. SCREW CAP HEX M10-1.5x55 G10.9	8	8	P
63	Call order desk	. SCREW CAP CK HEXS M10-1.5x35 G10.9	1	1	P
64	950488	. SCREW CAP HEXS M10-1.5x40 G10.9	4	4	
65	950641	. SCREW CAP HEX M10-1.5x65 G10.9	2	2	
66	Call order desk	. GASKET	1	1	P
67	950565	. BLANKING PLATE	1	1	
68	Call order desk	. WASHER A 8 DIN 134	20	20	P
69	Call order desk	. SCREW CAP HEX M8-1.25x30 G10.9 FT	8	8	P
70	Call order desk	. WASHER A 8 DIN 134	8	8	P
73	Call order desk	. WASHER A10 DIN 134	20	20	P
74	950520	. WOODRUFF KEY 5 x 9	1	1	
NS	950634	. SPIRAL PIN 3 x 20	1	1	
76	950564	. PROTECTIVE CAP	3	3	
77	950645	. O RING 33x3.5	1	1	
83	950519	. O-RING 74 x 2	1	1	
84	Call order desk	. GROOVE # 1 COMPRESSION RING	4	4	P
85	Call order desk	. GROOVE # 2 COMPRESSION RING	4	4	P
NS	Call order desk	. FLANGE KIT INTERMEDIATE	1	1	P
NS	Call order desk	. CROSS FLANGE KIT	1	1	P
NS	Call order desk	. SEALING SCREW M36 x 1.5	2	2	P
NS	Call order desk	. GASKET RING	2	2	P



From E-5490	Date:07/2024	PAGE:X3VIP-2250-01
-------------	--------------	--------------------

A/C COMPRESSOR "BITZER" 4NFCY

Item#	Part	Description	X 3 V I P E N T	X 3 V I P M T H	N O T E S
95	X3VIP-2245-01	. A/C COMPRESSOR "BITZER" - INSTALLATION			
95	X3VIP-2246-01	. A/C CLUTCH - WITH "BITZER" COMPRESSOR			
96	X3VIP-2250-16	. A/C ELECTRIC UNLOADER - WITH "BITZER" COMPRESSOR			
121	950505	. LIFTING LUG	1	1	
122	950641	. SCREW CAP HEX M10-1.5x65 G10.9	1	1	
123	950646	. SCREW CAP HEX M10-1.5x70 G10.9	1	1	
130	Call order desk	. BUSHING DRAIN INSERT	1	1	P
150	950968	. RETROFIT KIT OF SEALING COVER	1	1	
151	950532	. . BRACKET OIL TUBING	1	1	
152	950969	. . O RING 85x2	2	2	
153	950713	. . OIL COLLECTION CHAMBER	1	1	
154	950507	. . SEALING PLUG	1	1	
155	950975	. . HOSE	1	1	
156	950555	. . SCREW MA BUT M5x6	1	1	
157	950560	. . GASKET 9.5	1	1	
158	951087	. . CONNECTION PIECE M6	1	1	
159	Call order desk	. . SCREW CAP HEXS M10x16 G10.9	1	1	P
200	680801	OIL, BITZER COMPRESSOR, POE 134A 1 GALLON	AR	AR	
		A) INCLUDE ITEMS # 15 to 26 + 66,77,83,94 & 266			
		B) INCLUDE ITEMS # 16 & 17			
		C) INCLUDE ITEM # 19			
		D) INCLUDE ITEMS # 22, 35, 38, 64 & 76			
		E) INCLUDE ITEMS # 26, 66, 83, 152 & 156			
		F) INCLUDE ITEMS # 8, 9, 84, 85			
		G) INCLUDE ITEM # 105			
		H) INCLUDE ITEM # 75			
		J) INCLUDE ITEM # 17			
		1) NOT SOLD SEPARATELY			
		P) CALL ORDER DESK FOR SPECIFIC APPLICATION (V.I.N.)			

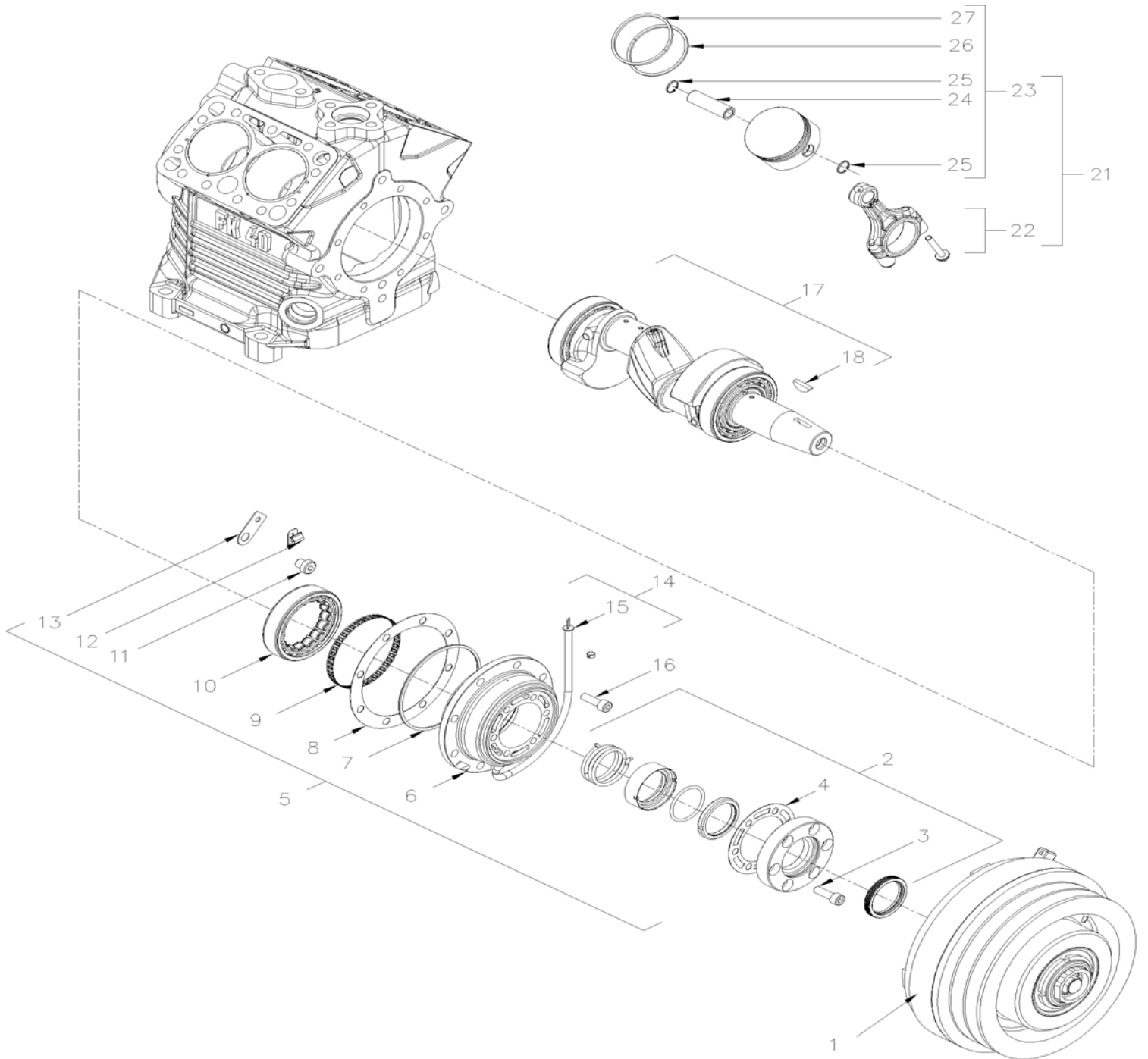


From N-6739

Date:07/2024

PAGE:X3VIP-2250-20

A/C COMPRESSOR "BOCK"



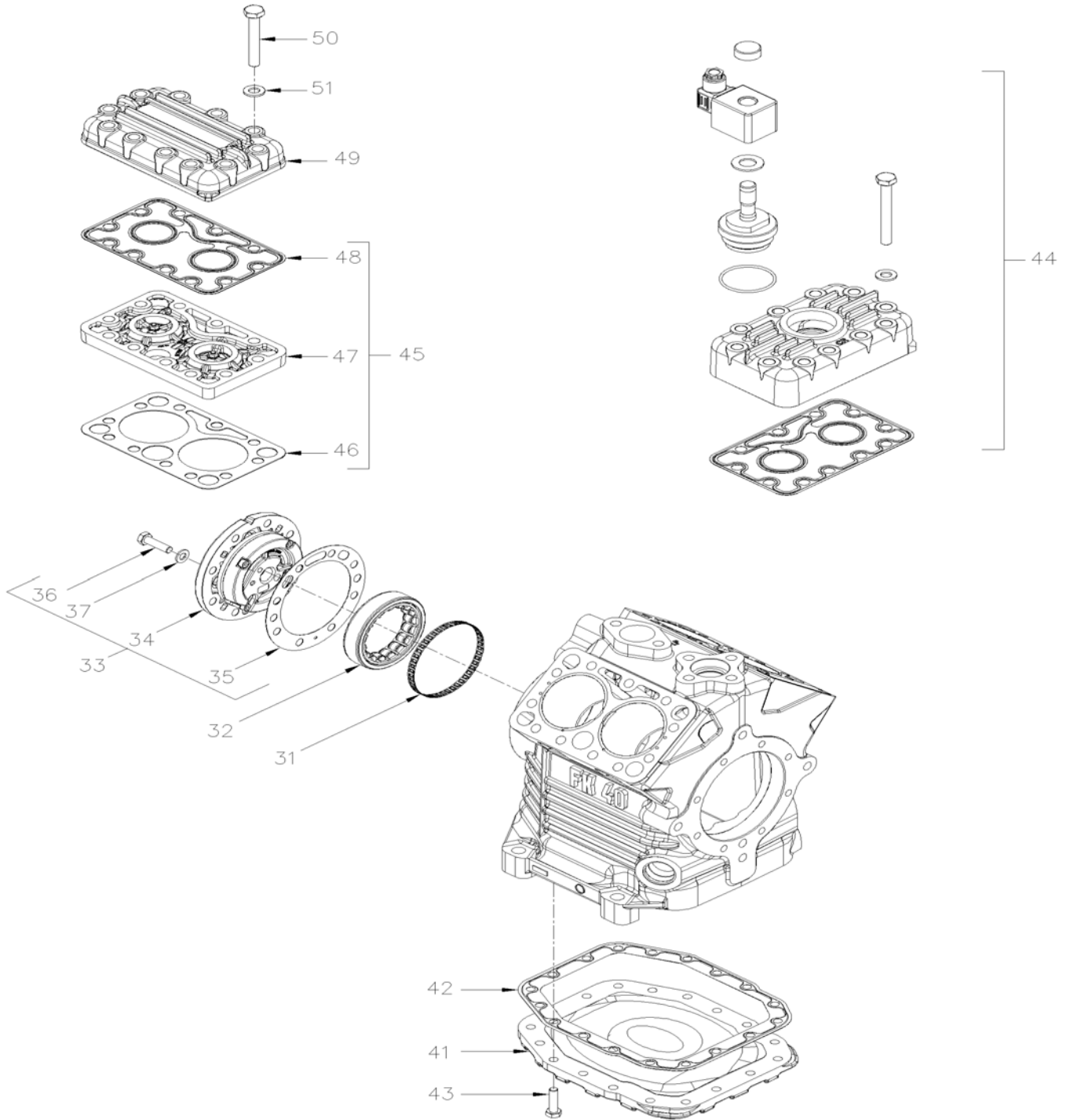


From N-6739

Date:07/2024

PAGE:X3VIP-2250-20

A/C COMPRESSOR "BOCK"



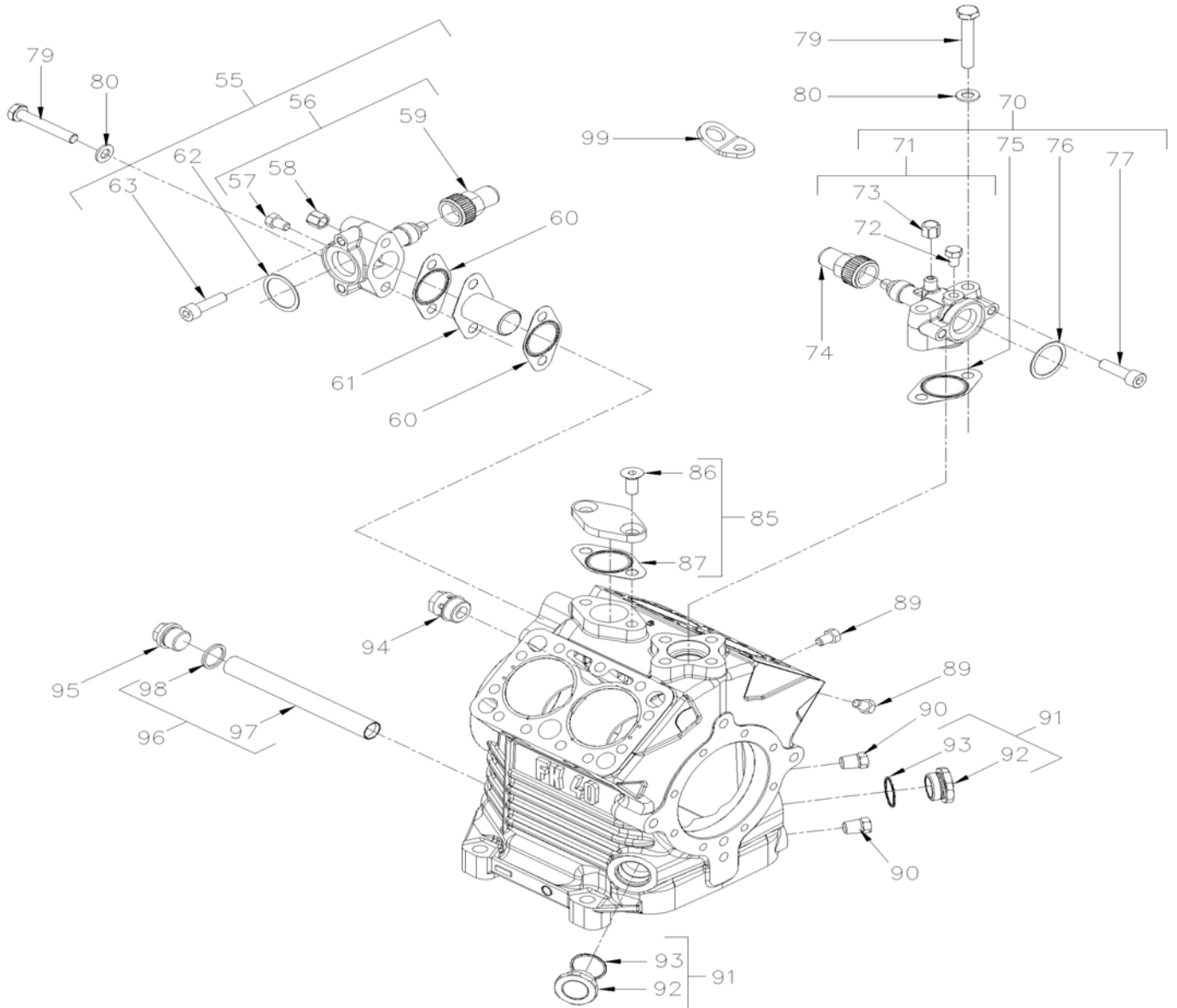


From N-6739

Date:07/2024

PAGE:X3VIP-2250-20

A/C COMPRESSOR "BOCK"





From N-6739		Date:07/2024	PAGE:X3VIP-2250-20
A/C COMPRESSOR "BOCK"			

Item#	Part	Description	X 3 V I P E N T	X 3 V I P M T H	N O T E S
	950612	A/C COMPRESSOR ASSY 4 CYLINDERS W/CLUTCH - "BOCK" FK40/655K	1	1	
1	X3VIP-2246-20	A/C CLUTCH - WITH "BOCK" COMPRESSOR			
2	950613	SET-SHAFT SEAL W/ESTER OIL	1	1	
3	Call order desk	SCREW CAP HEXS M8X25	6	6	P
4	Call order desk	GASKET-SHAFT SEAL COVER	1	1	P
5	Call order desk	SET-FRONT BEARING FLANGE	1	1	P
6	Call order desk	FRONT BEARING FLANGE	1	1	P
7	Call order desk	O-RING 101,19X3,53	1	1	P
8	Call order desk	GASKET-FRONT BEARING FLANGE	1	1	P
9	Call order desk	TOLERANCE RING FOR BEARING DIA 90	1	1	P
10	Call order desk	SET-CYLINDRICAL ROLLER BEARING	1	1	P
11	Call order desk	SCREW CAP HEXS M10X10	1	1	P
12	Call order desk	HOSE CLAMP	1	1	P
13	Call order desk	CABLE/HOSE HOLDER	1	1	P
14	Call order desk	SET-OIL DRAIN HOSE	1	1	P
15	Call order desk	HAFT PLUG DIA 5 BLACK	1	1	P
16	Call order desk	SCREW CAP HEXS M8X25	8	8	P
17	Call order desk	SET-CRANKSHAFT	1	1	P
18	Call order desk	KEY WOODRUFF A5X9	1	1	P
21	Call order desk	SET-PISTON, CONNECTNG ROD W/RINGS	4	4	P
22	Call order desk	SET-CONNECTING ROD	4	4	P
23	Call order desk	SET-PISTON	4	4	P
24	Call order desk	PIN PISTON 15X10X50	4	4	P
25	Call order desk	CIRCLIP 15X1	8	8	P
26	Call order desk	OIL SCRAPER RING	4	4	P
27	Call order desk	COMPRESSION RING	4	4	P
31	Call order desk	TOLERANCE RING FOR BEARING DIA 90	1	1	P
32	Call order desk	SET-CYLINDRICAL ROLLER BEARING	1	1	P
33	Call order desk	SET-OIL PUMP	1	1	P
34	Call order desk	OIL PUMP COMPLETE	1	1	P
35	Call order desk	GASKET	1	1	P
36	Call order desk	SCREW CAP HEX M8X30	8	8	P
37	Call order desk	WASHER A8,4	8	8	P
41	Call order desk	BASE PLATE	1	1	P
42	Call order desk	GASKET-BASE PLATE	1	1	P
43	Call order desk	SCREW CAP HEX M8X30	18	18	P
44	X3VIP-2250-35	A/C ELECTRIC UNLOADER - WITH "BOCK" COMPRESSOR			
45	Call order desk	SET-VALVE PLATE	2	2	P
46	Call order desk	GASKET-LOWER VALVE PLATE, DIA 65	2	2	P
47	Call order desk	VALVE PLATE COUPLING, DIA 50/55/60/65	2	2	P
48	Call order desk	GASKET-UPPER VALVE PLATE	2	2	P
49	Call order desk	CYLINDER COVER	2	2	P



From N-6739		Date:07/2024	PAGE:X3VIP-2250-20
A/C COMPRESSOR "BOCK"			

Item#	Part	Description	X3VIP E N T	X3VIP M T H	N O T E S
50	Call order desk	SCREW CAP HEX M10X70	11	11	P
51	Call order desk	WASHER A10,5	11	11	P
55	950734	SET-SHUT-OFF VALVE	1	1	
56	950735	SHUT-OFF VALVE	1	1	
57	Call order desk	LOCKING SCREW 1/8"NPT	1	1	P
58	Call order desk	NUT HEX CAP 7/16"UNF	1	1	P
59	950710	NUT HEX CAP M22X1,5	1	1	
60	Call order desk	GASKET-VALVE FLANGE	2	2	P
61	Call order desk	FILTER SUCTION SIDE	1	1	P
62	Call order desk	GASKET RING 42X34X1	1	1	P
63	Call order desk	SCREW CAP HEXS M10X35	2	2	P
70	Call order desk	SET-SHUT-OFF VALVE	1	1	P
71	Call order desk	SHUT-OFF VALVE	1	1	P
72	Call order desk	LOCKING SCREW 1/8"NPT	1	1	P
73	Call order desk	NUT HEX CAP 7/16"UNF	1	1	P
74	950710	NUT HEX CAP M22X1,5	1	1	
75	Call order desk	GASKET-VALVE FLANGE	1	1	P
76	Call order desk	GASKET RING 42X34X1	1	1	P
77	Call order desk	SCREW CAP HEXS M10X35	2	2	P
79	Call order desk	SCREW CAP HEX M10X65	4	4	P
80	Call order desk	WASHER A10,5	3	3	P
85	Call order desk	SET-BLANK FLANGE 9MM	1	1	P
86	Call order desk	SCREW CAP FL HEXS M10X25	2	2	P
87	Call order desk	GASKET-VALVE FLANGE	1	1	P
89	Call order desk	LOCKING SCREW 1/8"NPT	2	2	P
90	Call order desk	LOCKING SCREW 1/4"NPT	2	2	P
91	Call order desk	SET-SIGHT GLASS DIA 22	2	2	P
92	Call order desk	SIGHT GLASS-INSERT DIA 22	2	2	P
93	Call order desk	O-RING 28,30X1,78	2	2	P
94	Call order desk	DECOMPRESSION VALVE M24X1,5	1	1	P
95	Call order desk	LOCKING SCREW M22X1,5	1	1	P
96	Call order desk	SET-OIL STRAINER	1	1	P
97	Call order desk	OIL STRAINER	1	1	P
98	Call order desk	SEAL RING 27x22x2	1	1	P
99	Call order desk	TRANSPORT BRACKET	1	1	P
NS	Call order desk	SET-GASKETS	1	1	P
		P) CALL ORDER DESK FOR SPECIFIC APPLICATION (V.I.N.)			

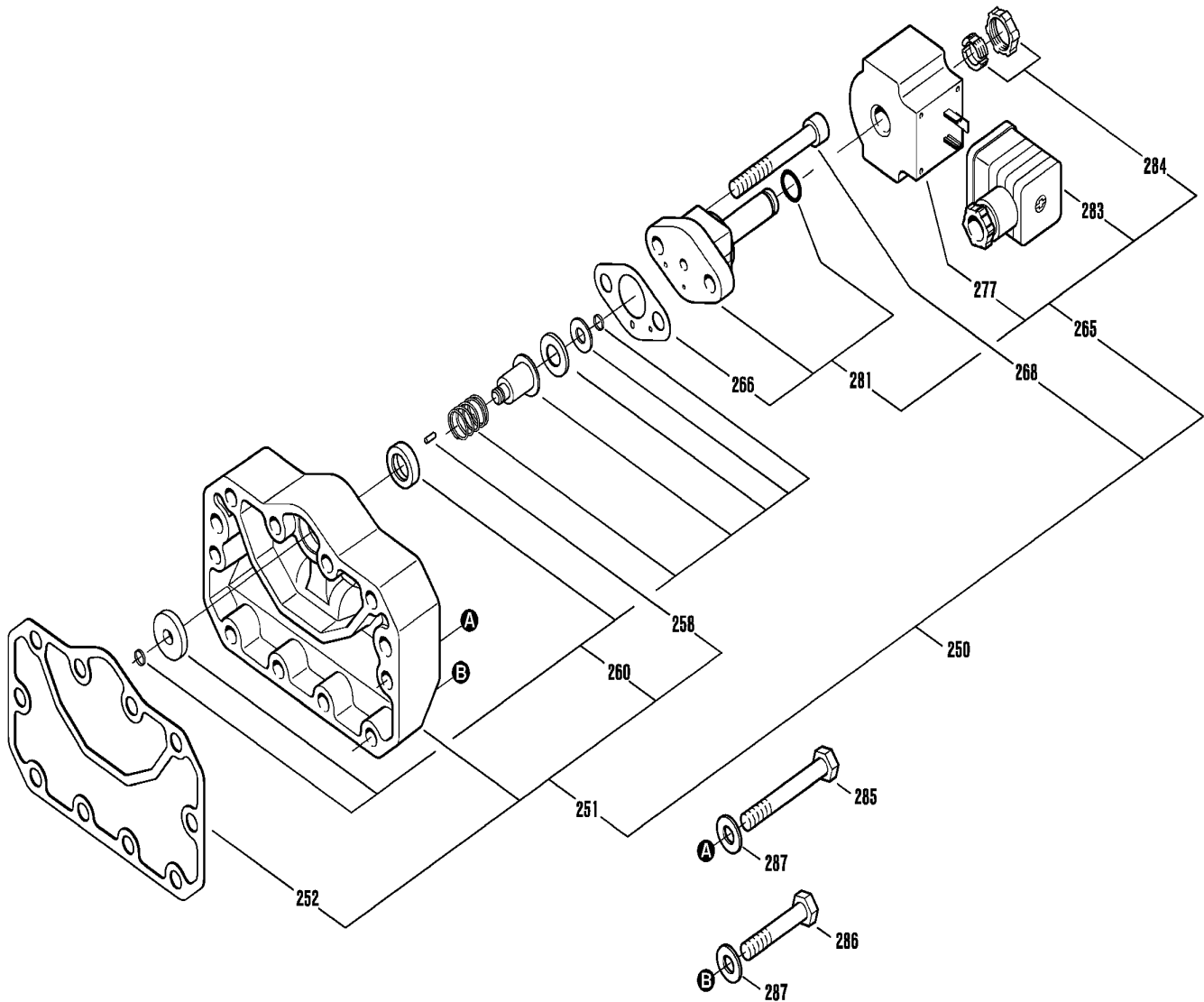


From E-5490

Date:07/2024

PAGE:X3VIP-2250-16

A/C ELECTRIC UNLOADER - WITH "BITZER" COMPRESSOR





From E-5490		Date:07/2024	PAGE:X3VIP-2250-16
A/C ELECTRIC UNLOADER - WITH "BITZER" COMPRESSOR			

Item#	Part	Description	X 3 V I P E N T	X 3 V I P M T H	N O T E S
250	950513	CAPACITY REGULATOR COMPLETE 24 VOLT	1	1	
251	950512	. CYLINDER HEAD W/PISTON "CR"	1	1	
252	950625	. . GASKET	1	1	
253	Call order desk	. . CONTROL PISTON COMPLETE	1	1	P
254	Call order desk	. . HALF LENGHT RESERVE TAPER GROVE DOWEL PIN 3 x 8	1	1	P
255	950521	. SOLONOID VALVE COMPLET 24VOLT	1	1	
256	950563	. . COIL FIXATION	1	1	
257	950971	. . ELECTRICAL CONNECTOR ASSY	1	1	
258	950495	. . COIL 24 VOLT W/CONNECTOR To G-5949	1	1	
258	950576	. . COIL 24 VOLT W/CONNECTOR From G-5950	1	1	
258	950577	. . O-RING From G-5950	1	1	
259	950522	. . SOLONOID VALVE W/OUT COIL	1	1	
260	950965	. . . GASKET	1	1	
261	950721	. SCREW CAP HEXS M10 x 80 GR 10.9	1	1	
285	Call order desk	SCREW CAP HEX M10x75 G10.9	4	4	P
286	Call order desk	SCREW CAP HEX M10x55 G10.9	4	4	P
287	Call order desk	WASHER 10	8	8	P
		P) CALL ORDER DESK FOR SPECIFIC APPLICATION (V.I.N.)			

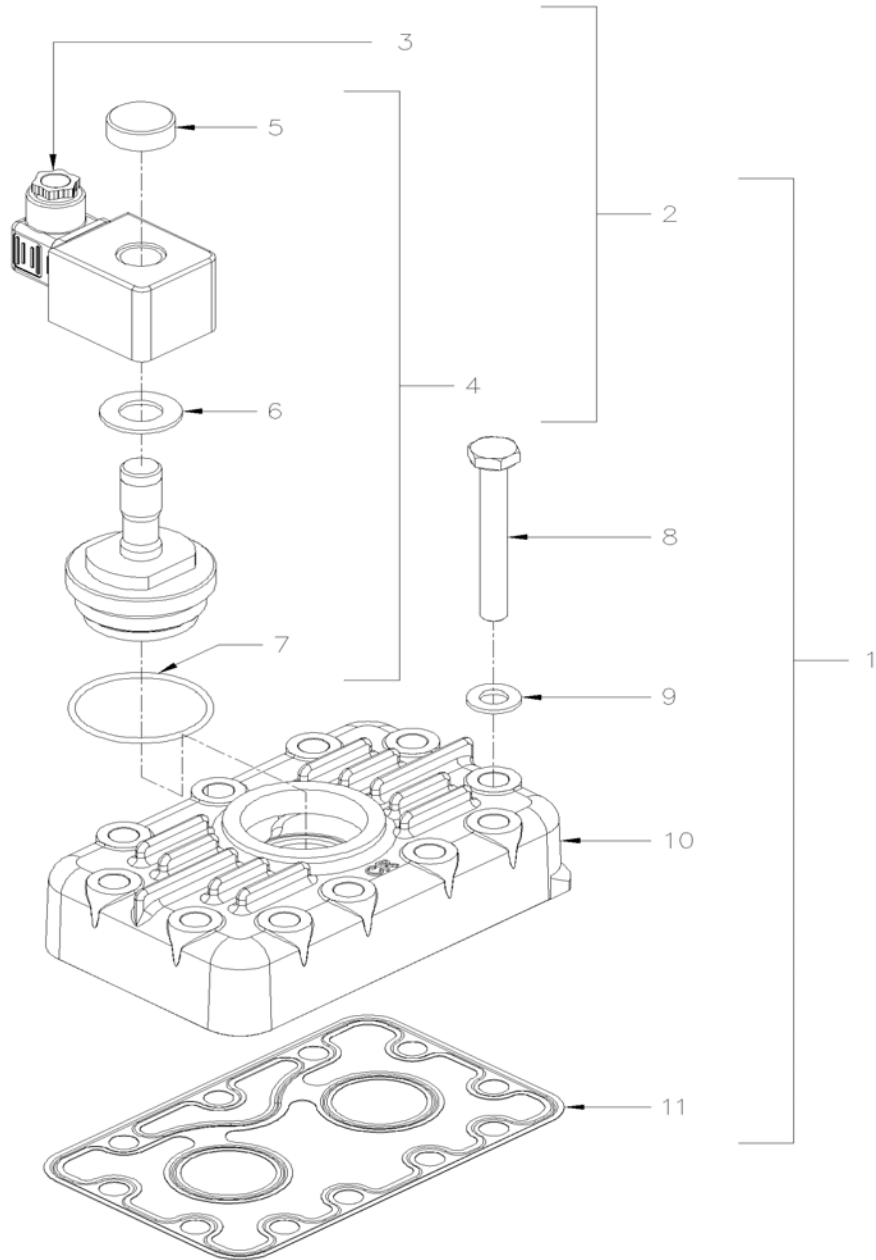


From N-6739

Date:07/2024

PAGE:X3VIP-2250-35

A/C ELECTRIC UNLOADER - WITH "BOCK" COMPRESSOR





From N-6739	Date:07/2024	PAGE:X3VIP-2250-35
-------------	--------------	--------------------

A/C ELECTRIC UNLOADER - WITH "BOCK" COMPRESSOR

Item#	Part	Description	X 3 V I P E N T	X 3 V I P M T H	N O T E S
1	950760	SET-CAPACITY REGULATOR W/COVER 24V	1	1	
2	950708	. SET-CAPACITY REGULATOR 24V	1	1	
3	950745	. . SOLENOID COIL 24V	1	1	
4	Call order desk	. . VALVE BODY	1	1	P
5	Call order desk	. . . KNURLED NUT M15X1 W/O-RING	1	1	P
6	Call order desk	. . . WASHER 30X16X2,0	1	1	P
7	Call order desk	. . . O-RING 48,0X2,5 GREEN	1	1	P
8	Call order desk	. SCREW CAP HEX M10X85	11	11	P
9	Call order desk	. WASHER A10,5	11	11	P
10	Call order desk	. CYLINDER COVER	1	1	P
11	950757	. GASKET-UPPER VALVE PLATE	1	1	
		P) CALL ORDER DESK FOR SPECIFIC APPLICATION (V.I.N.)			

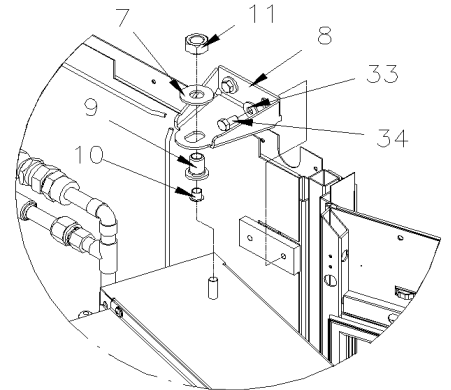
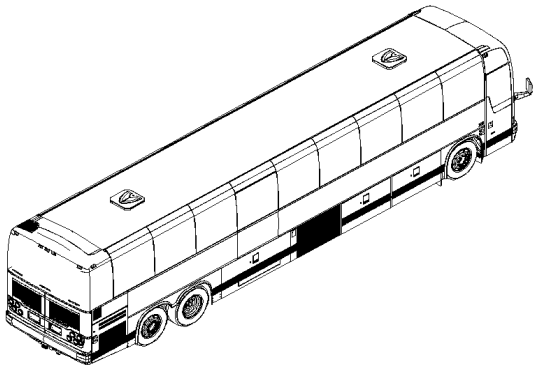


From E-5490 To H-6179

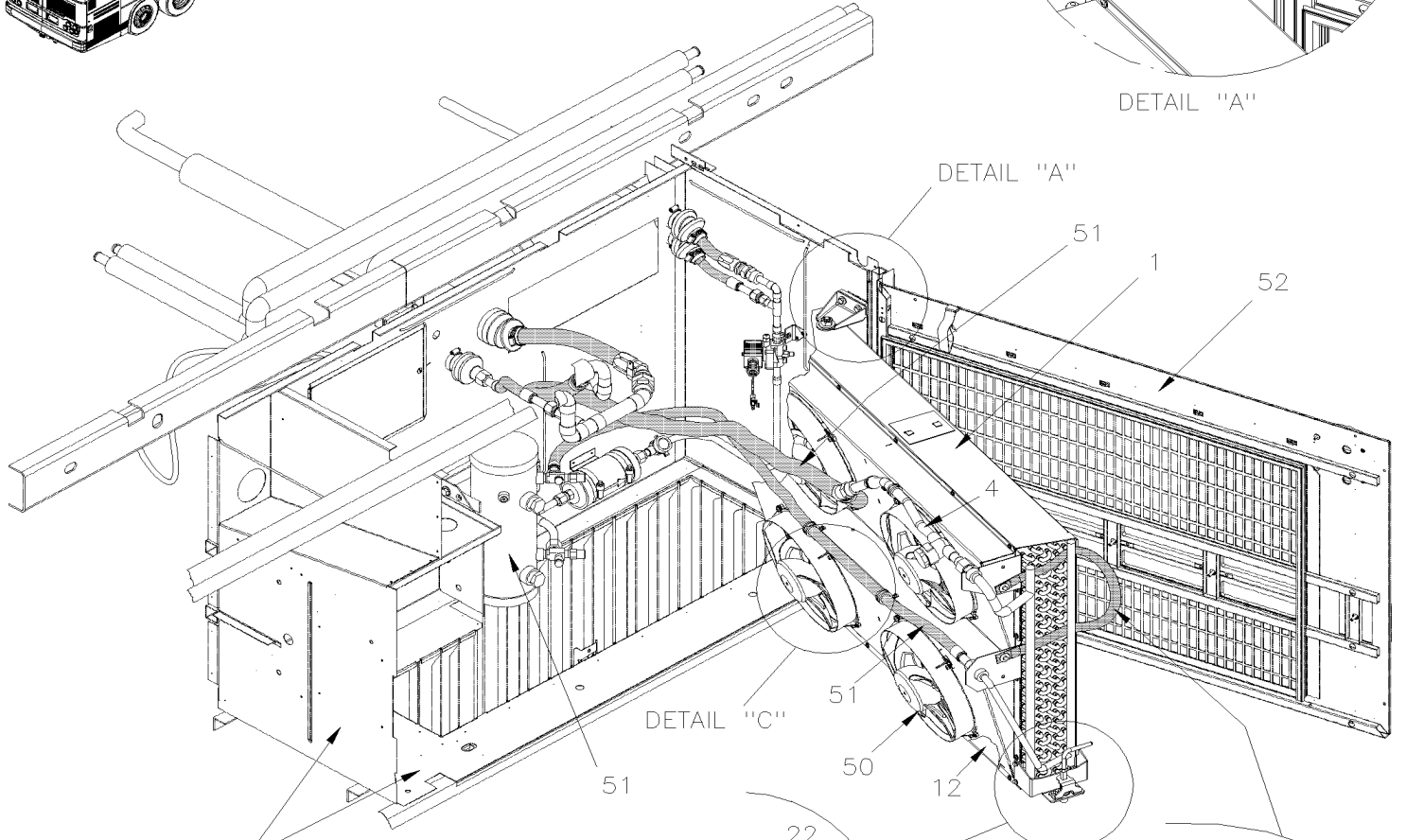
Date:07/2024

PAGE:X3VIP-2255-00

CONDENSOR - INSTALLATION

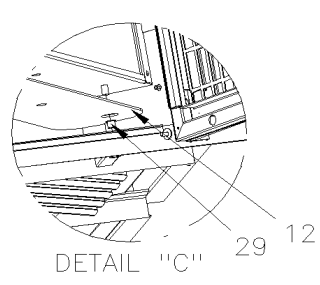


DETAIL "A"

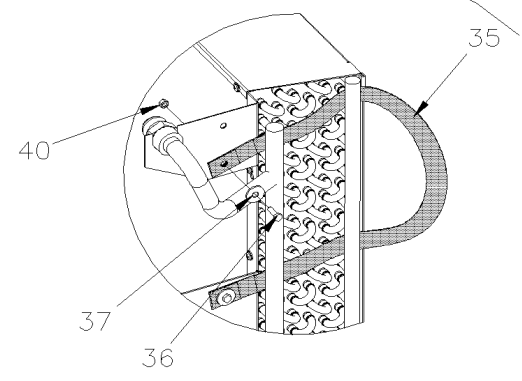
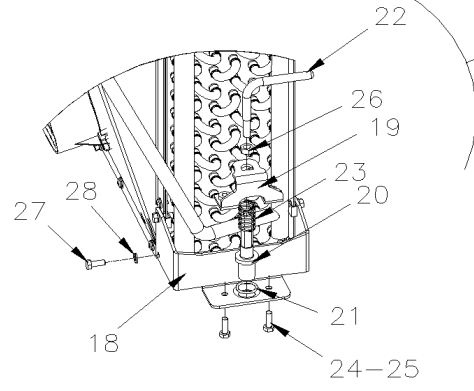


DETAIL "A"

DETAIL "C"



DETAIL "C"



36



From E-5490 To H-6179	Date:07/2024	PAGE:X3VIP-2255-00
-----------------------	--------------	--------------------

CONDENSOR - INSTALLATION

Item#	Part	Description	X 3 V I P E N T	X 3 V I P M T H	N O T E S
1	950010	CONDENSOR COPPER To G-6088	1	1	
. NS	501802	. O-RING / ORS FITTING / #16 NEO To G-6088	1	1	
. NS	501829	. O-RING / ORS FITTING / #12 NEO To G-6088	1	1	
1	950064	CONDENSOR COPPER From G-6089	1	1	
. NS	501802	. O-RING / ORS FITTING / #16 NEO From G-6089	1	1	
. NS	501829	. O-RING / ORS FITTING / #12 NEO From G-6089	1	1	
1	454964	CONDENSER PIVOT REINFORCEMENT PLATE / UPPER	1	1	A
1	454965	CONDENSER PIVOT REINFORCEMENT PLATE / LOWER	1	1	A
4	454712	PIPE ASSY WITH CHECK VALVE	1	1	
. NS	951081	. CHECK VALVE	1	1	
. NS	950537	. GASKET, COPPER	1	1	
. NS	501802	. O-RING / ORS FITTING / #16 NEO	1	1	
7	500449	WASHER FL .625x1.500 SS	1	1	
8	483999	SUPPORT UPPER To G-6088	1	1	
8	480007	SUPPORT UPPER From G-6089	1	1	
9	485452	PIVOT UPPER	1	1	
10	507260	BUSHING NYLINER W/SHOULDER .375x.437x.375x.594	2	2	
11	5001646	NUT HEX M16-1.5 G500	1	1	
12	485672	PLATE / SUPPORT GREY PLASTIC 1105MM x 147MM	1	1	
NS	506790	TAPE RUB ADH2 CC POL 1/16" x 1/2" x 200' / BLACK 11C-N-A	AR	AR	
NS	684517	ADHESIVE SIMSON #ISR 70-03 / GREY / 310ml CARTRIDGE	AR	AR	
18	454294	SUPPORT LOCK	1	1	
19	454293	LOCK	1	1	
20	454295	CATCH PIN	1	1	
21	507212	O-RING	1	1	
22	454296	HANDLE CATCH PIN	1	1	
23	502910	SPRING COMPRESSION / .720 O.D. 1.75 x .055	1	1	
24	502622	SCREW CAP HEX M6-1.0x20 SS BK To G-5931	AR	AR	
24	5001697	SCREW CAP HEX M6-1.0x16 SS BK From G-5932	2	2	
25	500356	WASHER LO SERR 6.1x16.0x0.9 N500 To G-5931	AR	AR	
25	502570	WASHER LO SPT 6.1x11.8x1.6 SS From G-5932	2	2	
26	502851	NUT HEX M8-1.25 N500	1	1	
27	955271	SCREW CAP HEX M6-1.0x16 G8.8 ZG603 To G-5931	4	4	
27	5001697	SCREW CAP HEX M6-1.0x16 SS BK From G-5932	4	4	
28	502570	WASHER LO SPT 6.1x11.8x1.6 SS	AR	AR	
29	504527	BUMPER PLUG / .625ODx.312THx.250HOLEx.125	1	1	
33	500321	WASHER BEL SPR .331x.827x.098 N500	2	2	
34	507637	SCREW CAP HEXF M8-1.25x20 G10.9 PHC	2	2	
35	455502	STRAP, CONDENSER From E-5526	1	1	
. NS	505507	. STRAP NYLON 1" WIDE / S.L. From E-5526	AR	AR	
36	5001744	SCREW CAP HEX M6-1.0x16 G8.8 N500 From E-5526 To G-5931	2	2	



From E-5490 To H-6179	Date:07/2024	PAGE:X3VIP-2255-00
-----------------------	--------------	--------------------

CONDENSOR - INSTALLATION

Item#	Part	Description	X 3 V I P E N T	X 3 V I P M T H	N O T E S
36	5001697	SCREW CAP HEX M6-1.0x16 SS BK From G-5932	2	2	
37	500381	WASHER FL 8.4x25.0x2.0 N500 From E-5526 To G-5931	2	2	
37	5001849	WASHER FL 8.4x24.0x2.0 SS From G-5932	2	2	
40	502681	NUT HEX NYRT M6-1.0 N500 G8 From E-5526	2	2	
50	X3VIP-2260-00	CONDENSOR FANS - INSTALLATION			
51	X3VIP-2270-00	RECEIVER TANK & FILTER DRYER			
52	X3VIP-1863-50	CONDENSOR DOOR ASSY WITH LARGE A/C SYSTEM			
53	X3VIP-1865-21	EVAPORATOR & CONDENSOR WALL INSTALLATION			
		A) USE ONLY IF THE CONDENSOR PIVOT PIN BROKE			

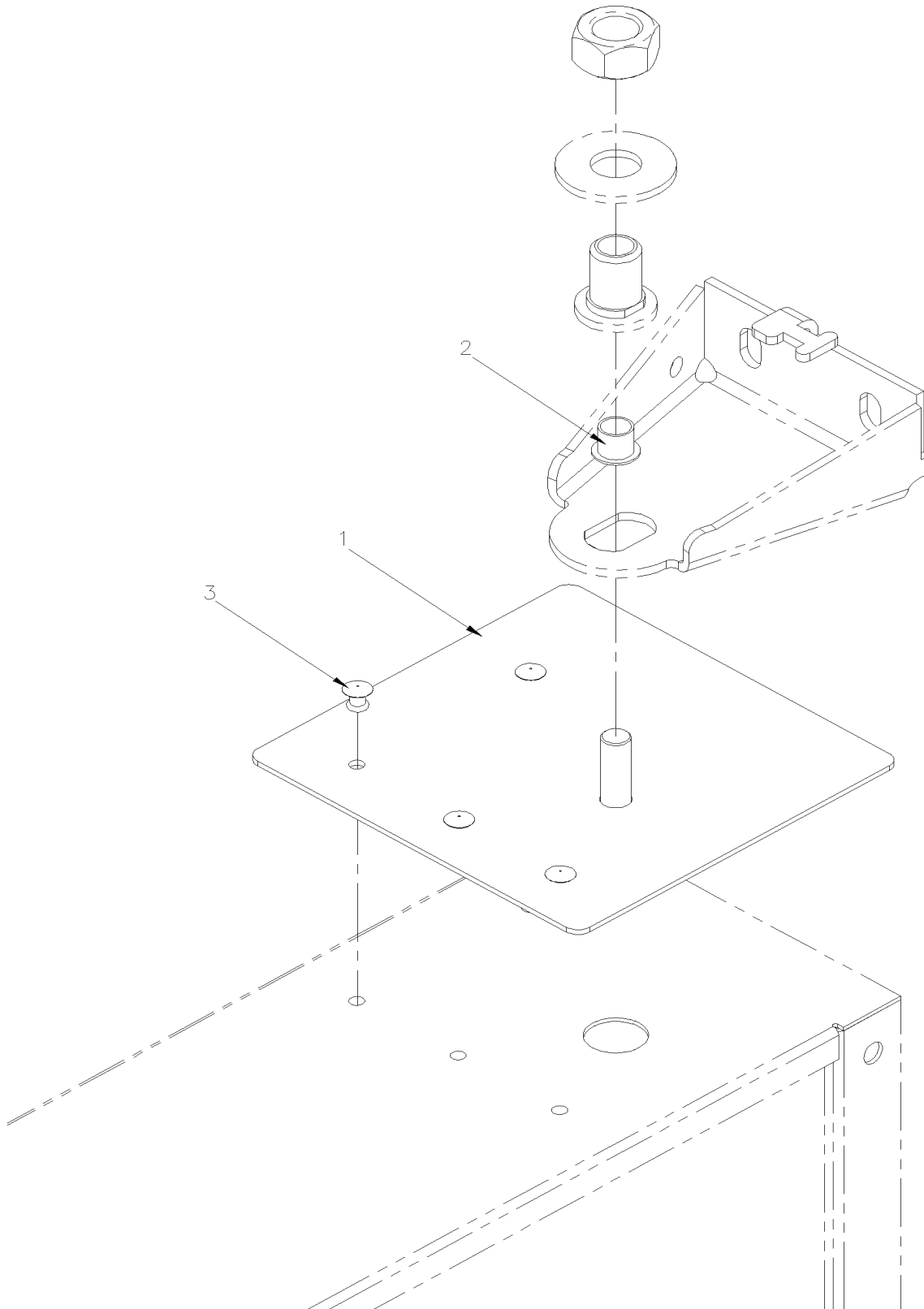


From E-5490 To H-6179

Date:07/2024

PAGE:454964

CONDENSER PIVOT REINFORCEMENT PLATE / UPPER





From E-5490 To H-6179	Date:07/2024	PAGE:454964
-----------------------	--------------	-------------

CONDENSER PIVOT REINFORCEMENT PLATE / UPPER

Item#	Part	Description	X 3 V I P E N T	X 3 V I P M T H	N O T E S
1	454956	REINFORCEMENT PLATE UPPER	1	1	
2	507260	BUSHING NYLINER W/SHOULDER .375x.437x.375x.594	1	1	
3	504379	RIVET POP DOME OE 3/16x1/4 SS	4	4	
NS	504637	CABLE TIE / 3/16" x 13"	AR	AR	
NS	IS-14904	SEE INSTRUCTION SHEET	1	1	

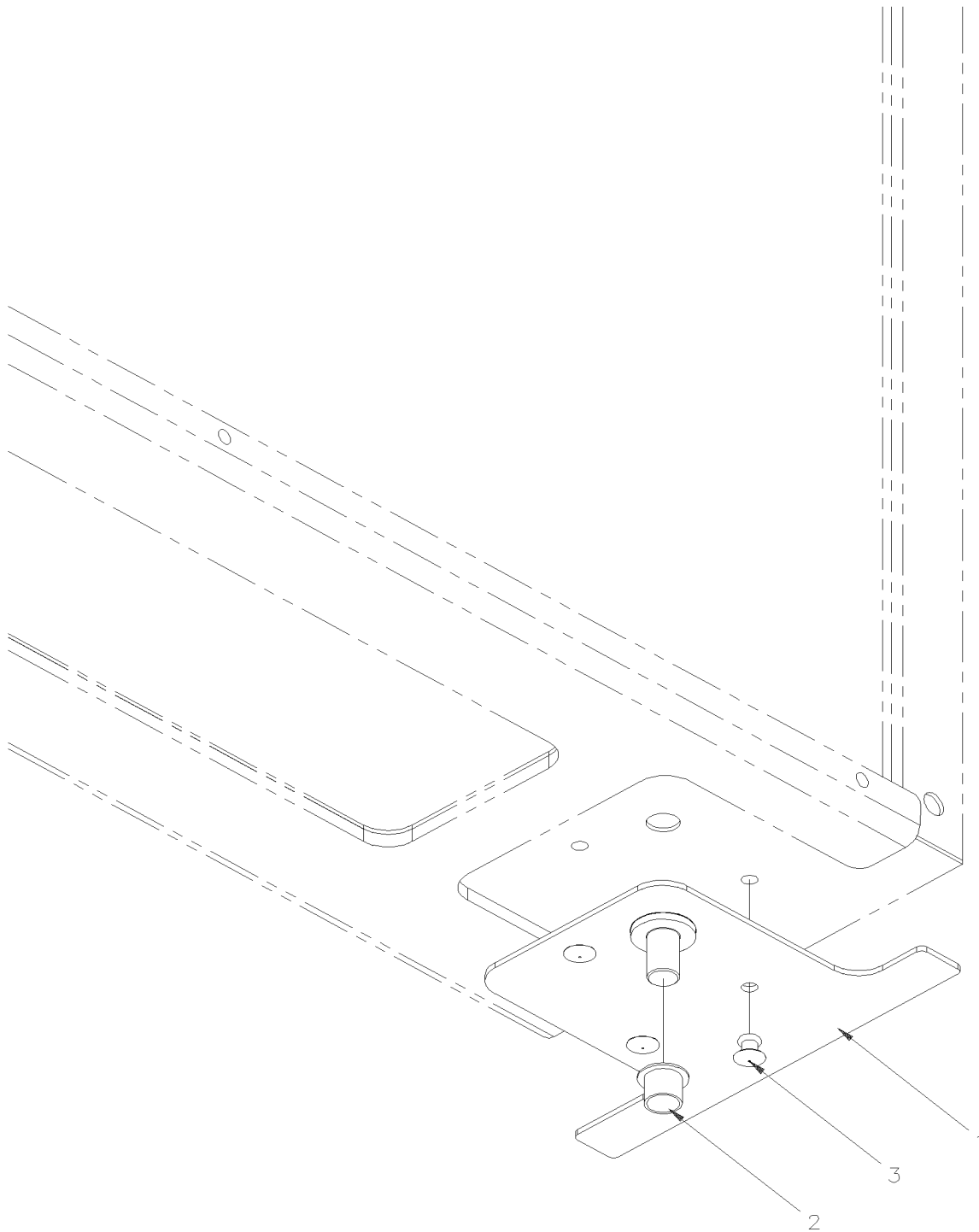


From E-5490 To H-6179

Date:07/2024

PAGE:454965

CONDENSER PIVOT REINFORCEMENT PLATE / LOWER





From E-5490 To H-6179	Date:07/2024	PAGE:454965
-----------------------	--------------	-------------

CONDENSER PIVOT REINFORCEMENT PLATE / LOWER

Item#	Part	Description	X 3 V I P E N T	X 3 V I P M T H	N O T E S
1	454959	REINFORCEMENT PLATE LOWER	1	1	
2	507260	BUSHING NYLINER W/SHOULDER .375x.437x.375x.594	1	1	
3	504379	RIVET POP DOME OE 3/16x1/4 SS	4	4	

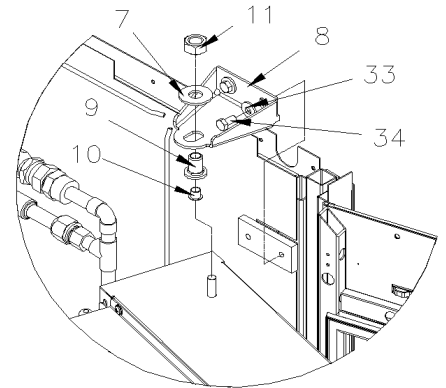
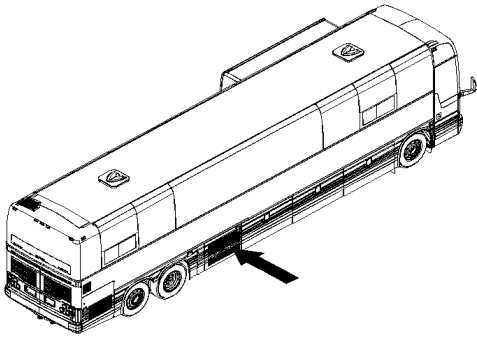


From H-6180

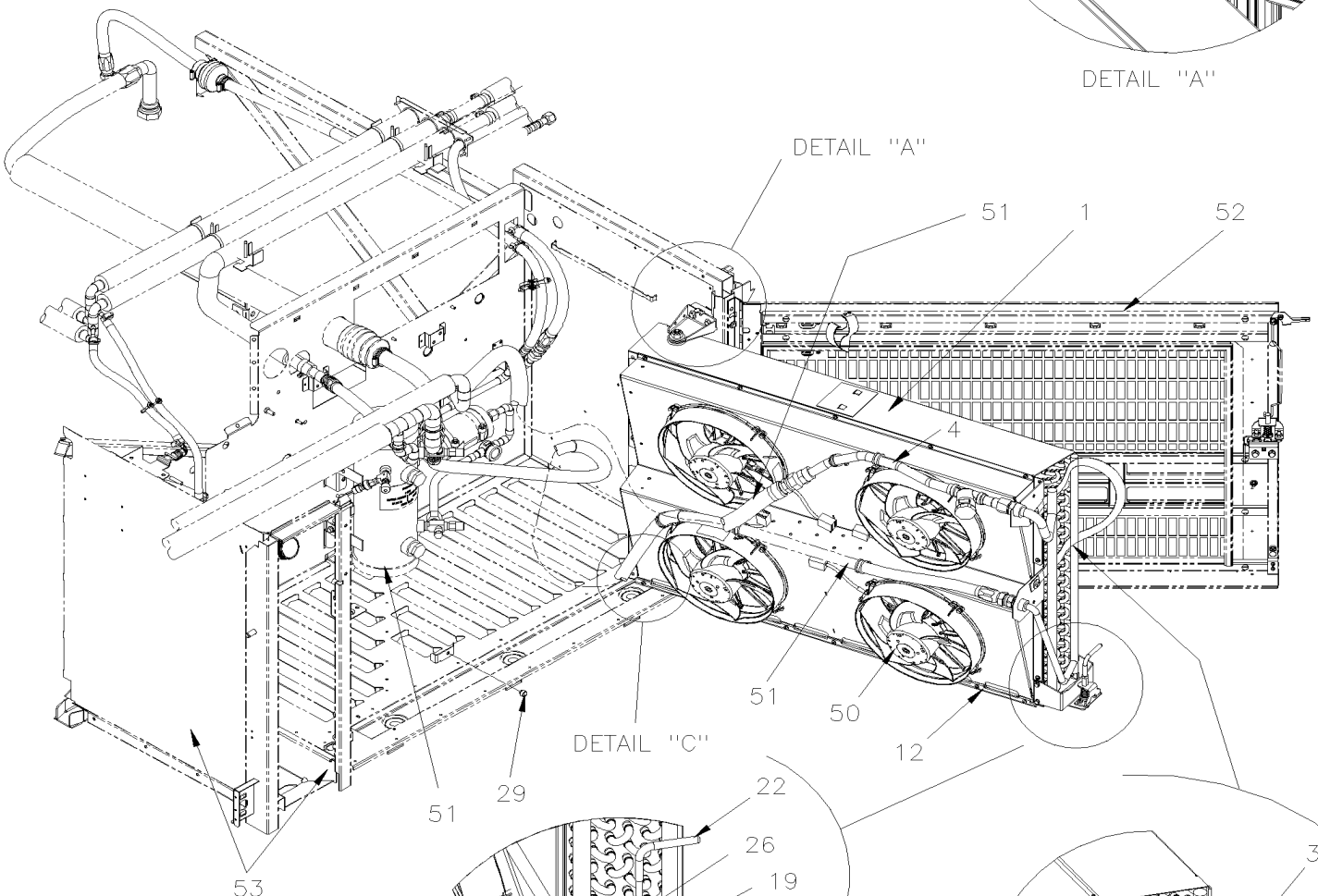
Date:07/2024

PAGE:X3VIP-2255-01

CONDENSOR - INSTALLATION / "GHG17"

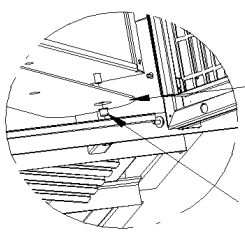


DETAIL "A"

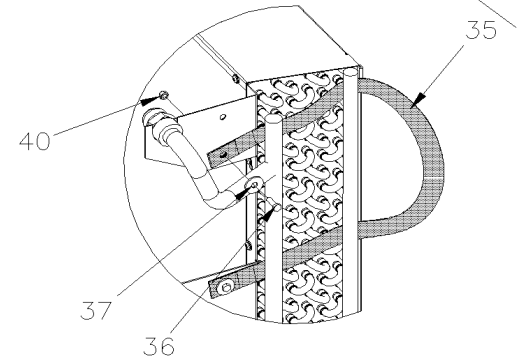
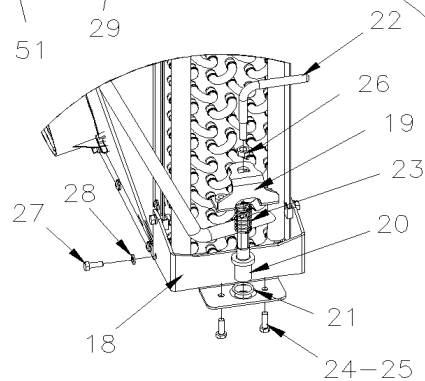


DETAIL "A"

DETAIL "C"



DETAIL "C"





From H-6180		Date:07/2024	PAGE:X3VIP-2255-01
CONDENSOR - INSTALLATION / "GHG17"			

Item#	Part	Description	X 3 V I P E N T	X 3 V I P M T H	N O T E S
1	950064	CONDENSOR COPPER To L-6643	1	1	
. NS	501802	. O-RING / ORS FITTING / #16 NEO To L-6643	1	1	
. NS	501829	. O-RING / ORS FITTING / #12 NEO To L-6643	1	1	
1	950620	CONDENSOR COPPER From L-6644 To N-6766	1	1	
. NS	501802	. O-RING / ORS FITTING / #16 NEO From L-6644 To N-6766	1	1	
. NS	501829	. O-RING / ORS FITTING / #12 NEO From L-6644 To N-6766	1	1	
1	950648	CONDENSOR COPPER From N-6767 To P-6807	1	1	
. NS	501802	. O-RING / ORS FITTING / #16 NEO From N-6767 To P-6807	1	1	
. NS	501829	. O-RING / ORS FITTING / #12 NEO From N-6767 To P-6807	1	1	
1	950620	CONDENSOR COPPER From £-23096	1	1	
. NS	501802	. O-RING / ORS FITTING / #16 NEO From £-23096	1	1	
. NS	501829	. O-RING / ORS FITTING / #12 NEO From £-23096	1	1	
1	454965	CONDENSER PIVOT REINFORCEMENT PLATE / LOWER	1	1	
4	454712	PIPE ASSY WITH CHECK VALVE To L-6506	1	1	
. NS	951081	. CHECK VALVE To L-6506	1	1	
. NS	950537	. GASKET, COPPER To L-6506	1	1	
. NS	501802	. O-RING / ORS FITTING / #16 NEO To L-6506	1	1	
4	451027	PIPE ASSY WITH CHECK VALVE From L-6507	1	1	
. NS	950609	. CHECK VALVE From L-6507	1	1	
. NS	501031	. SEAL / JIC 37° FITTING / #8 From L-6507	1	1	
. NS	501802	. O-RING / ORS FITTING / #16 NEO From L-6507	1	1	
7	502901	WASHER FL .625x1.469x.109 N500	1	1	
8	480007	SUPPORT UPPER	1	1	
9	485452	PIVOT UPPER	1	1	
10	507260	BUSHING NYLINER W/SHOULDER .375x.437x.375x.594	2	2	
11	5001646	NUT HEX M16-1.5 G500	1	1	
12	485672	PLATE / SUPPORT GREY PLASTIC 1105MM x 147MM	1	1	
12	506790	TAPE RUB ADH2 CC POL 1/16" x 1/2" x 200' / BLACK I1C-N-A	AR	AR	
18	454294	SUPPORT LOCK	1	1	
19	454293	LOCK	1	1	
20	454295	CATCH PIN	1	1	
21	507212	O-RING	1	1	
22	454296	HANDLE CATCH PIN	1	1	
23	502910	SPRING COMPRESSION / .720 O.D. 1.75 x .055	1	1	
24	5001697	SCREW CAP HEX M6-1.0x16 SS BK	AR	AR	
25	502570	WASHER LO SPT 6.1x11.8x1.6 SS	AR	AR	
26	502851	NUT HEX M8-1.25 N500	1	1	
27	5001697	SCREW CAP HEX M6-1.0x16 SS BK	4	4	
NS	5001965	NUT SPR U M6-1.0 0.6-4.0 N500 From £-23096	4	4	
28	502570	WASHER LO SPT 6.1x11.8x1.6 SS	AR	AR	
29	504527	BUMPER PLUG / .625ODx.312THx.250HOLEx.125	1	1	



From H-6180	Date:07/2024	PAGE:X3VIP-2255-01
CONDENSOR - INSTALLATION / "GHG17"		

Item#	Part	Description	X 3 V I P E N T	X 3 V I P M T H	N O T E S
33	500321	WASHER BEL SPR .331x.827x.098 N500	2	2	
34	500820	SCREW CAP HEX M8-1.25x16 G10.9 N500	2	2	
35	455502	STRAP, CONDENSER	1	1	
. NS	505507	. STRAP NYLON 1" WIDE / S.L.	AR	AR	
36	5001697	SCREW CAP HEX M6-1.0x16 SS BK	2	2	
37	5001849	WASHER FL 8.4x24.0x2.0 SS	2	2	
40	502681	NUT HEX NYRT M6-1.0 N500 G8	2	2	
50	X3VIP-2260-00	CONDENSOR FANS - INSTALLATION To M-6654			
50	X3VIP-2260-01	CONDENSOR FANS - INSTALLATION From M-6655			
51	X3VIP-2270-01	RECEIVER TANK & FILTER DRYER / "GHG17"			
52	X3VIP-1863-55	CONDENSOR DOOR ASSY WITH SMALL A/C SYSTEM GHG17			
53	X3VIP-1865-22	EVAPORATOR & CONDENSOR WALL INSTALLATION GHG17			

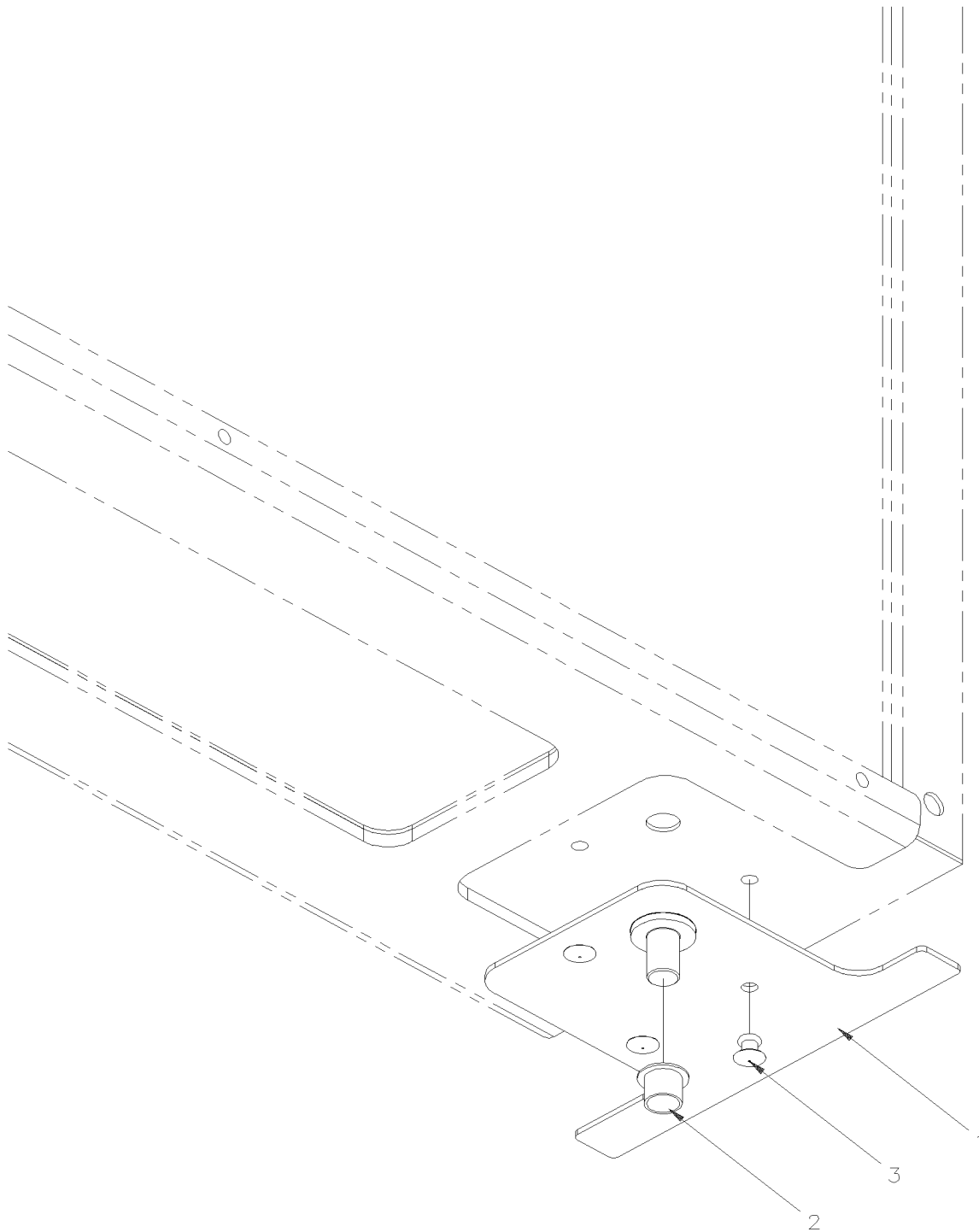


From H-6180

Date:07/2024

PAGE:454965

CONDENSER PIVOT REINFORCEMENT PLATE / LOWER





From H-6180	Date:07/2024	PAGE:454965
-------------	--------------	-------------

CONDENSER PIVOT REINFORCEMENT PLATE / LOWER

Item#	Part	Description	X 3 V I P E N T	X 3 V I P M T H	N O T E S
1	454959	REINFORCEMENT PLATE LOWER	1	1	
2	507260	BUSHING NYLINER W/SHOULDER .375x.437x.375x.594	1	1	
3	504379	RIVET POP DOME OE 3/16x1/4 SS	4	4	

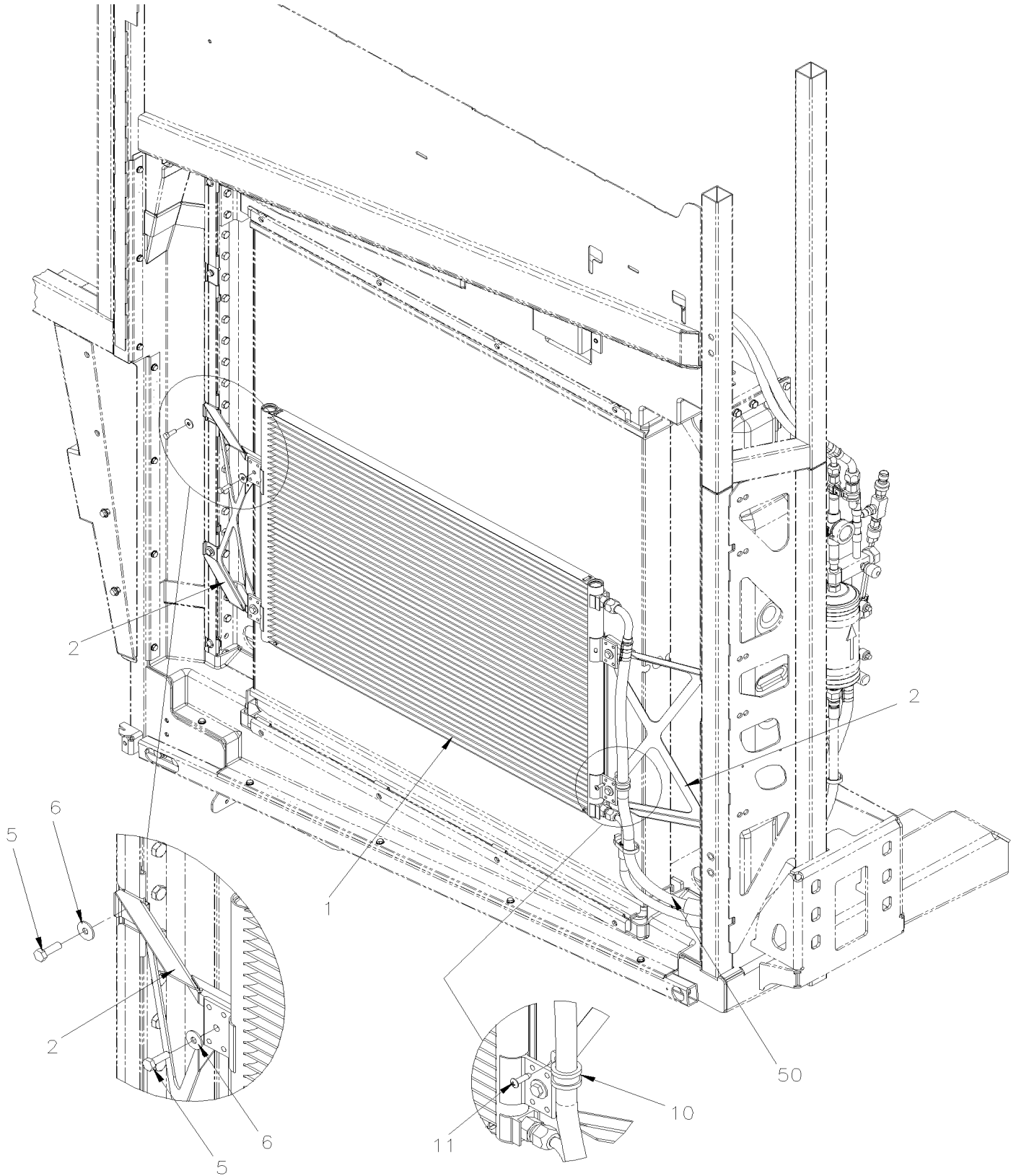


From E-5490 To H-6179

Date:07/2024

PAGE:X3VIP-2255-10

CONDENSOR - INSTALLATION SMALL A/C SYSTEM





From E-5490 To H-6179	Date:07/2024	PAGE:X3VIP-2255-10
-----------------------	--------------	--------------------

CONDENSOR - INSTALLATION SMALL A/C SYSTEM

Item#	Part	Description	X 3 V I P E N T	X 3 V I P M T H	N O T E S
1	950958	CONDENSOR COIL E-COAT 8.2	1	1	
2	454519	SUPPORT CONDENSOR / EACH SIDE	2	2	
5	502622	SCREW CAP HEX M6-1.0x20 SS BK	8	8	
6	5001833	WASHER BEL SPR 6.1x18x1.27 SS	8	8	
10	952629	CLAMP / 5/8" I.D.	1	1	
11	500957	SCREW TP BDG PH #10x3/4 N500	1	1	
50	X3VIP-2222-50	SMALL A/C LINES & HOSES			
51	IS20007	DRIVER'S AIR CONDENSER REPLACEMENT AND RELOCATION			A
		A) USE WHEN YOU HAVE CHANGE FOR RADIATOR WITH ELECTRICAL FAN			

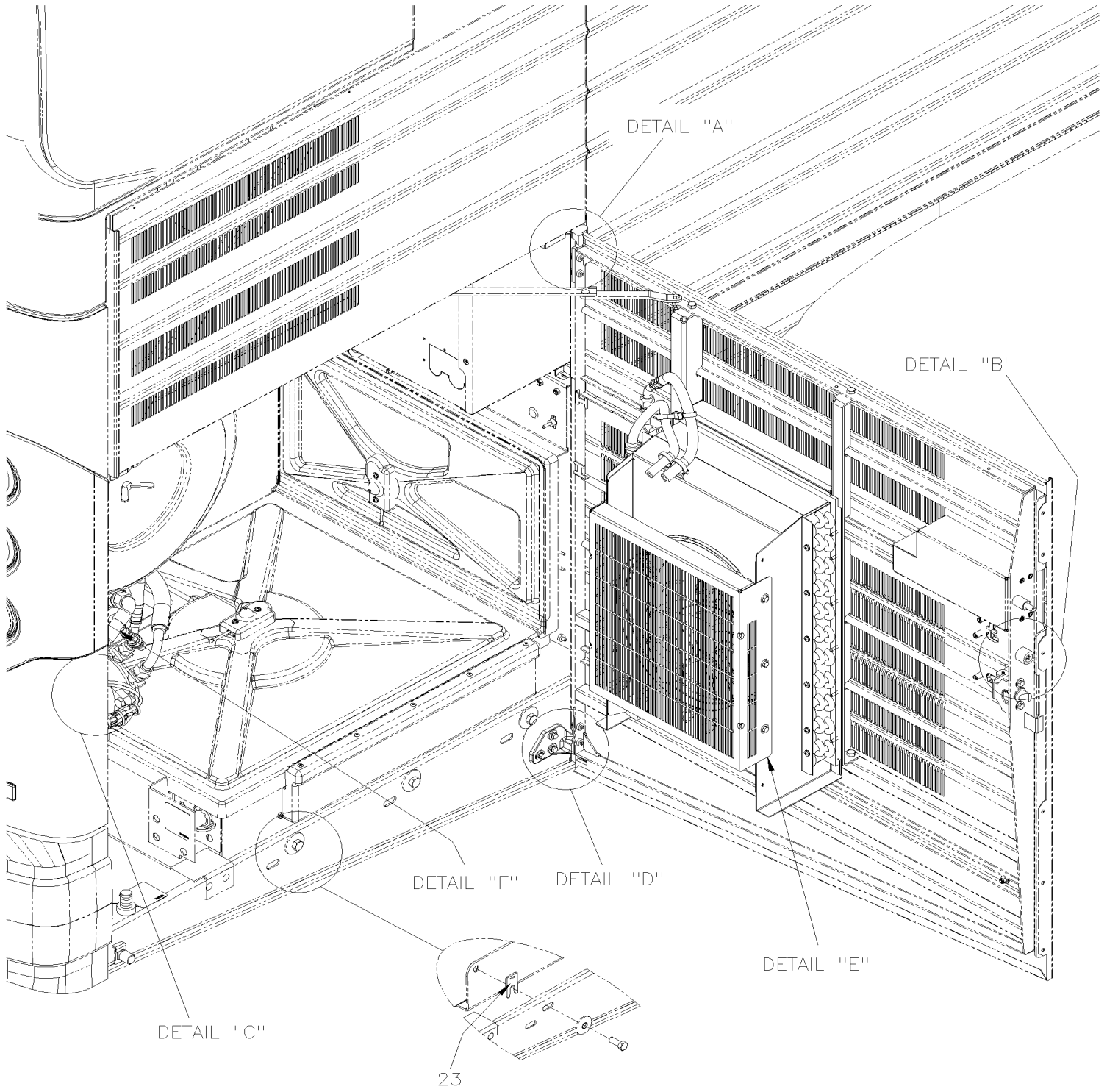


From E-5490 To H-6179

Date:07/2024

PAGE:IS20007

DRIVER'S AIR CONDENSER REPLACEMENT AND RELOCATION



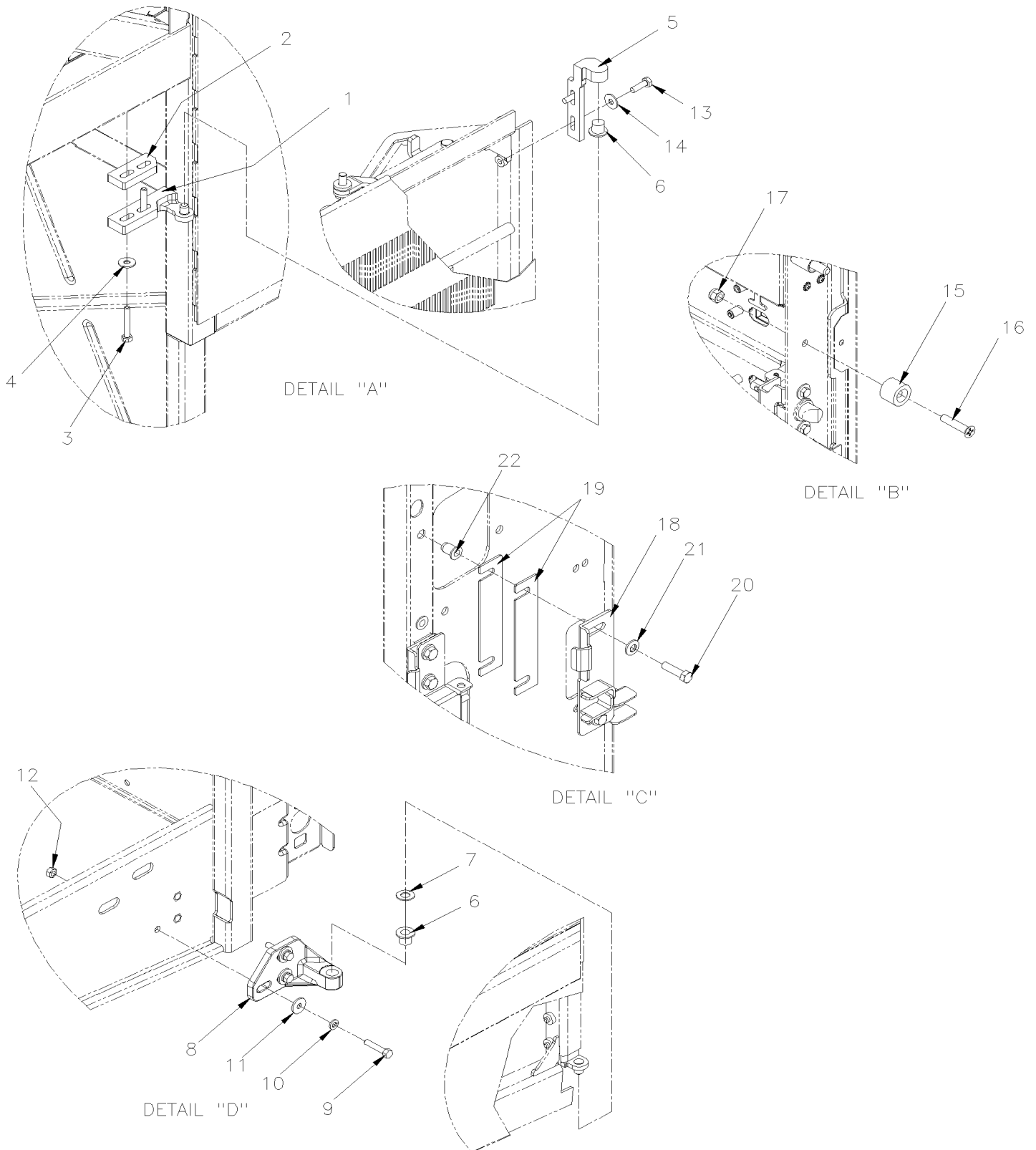


From E-5490 To H-6179

Date:07/2024

PAGE:IS20007

DRIVER'S AIR CONDENSER REPLACEMENT AND RELOCATION



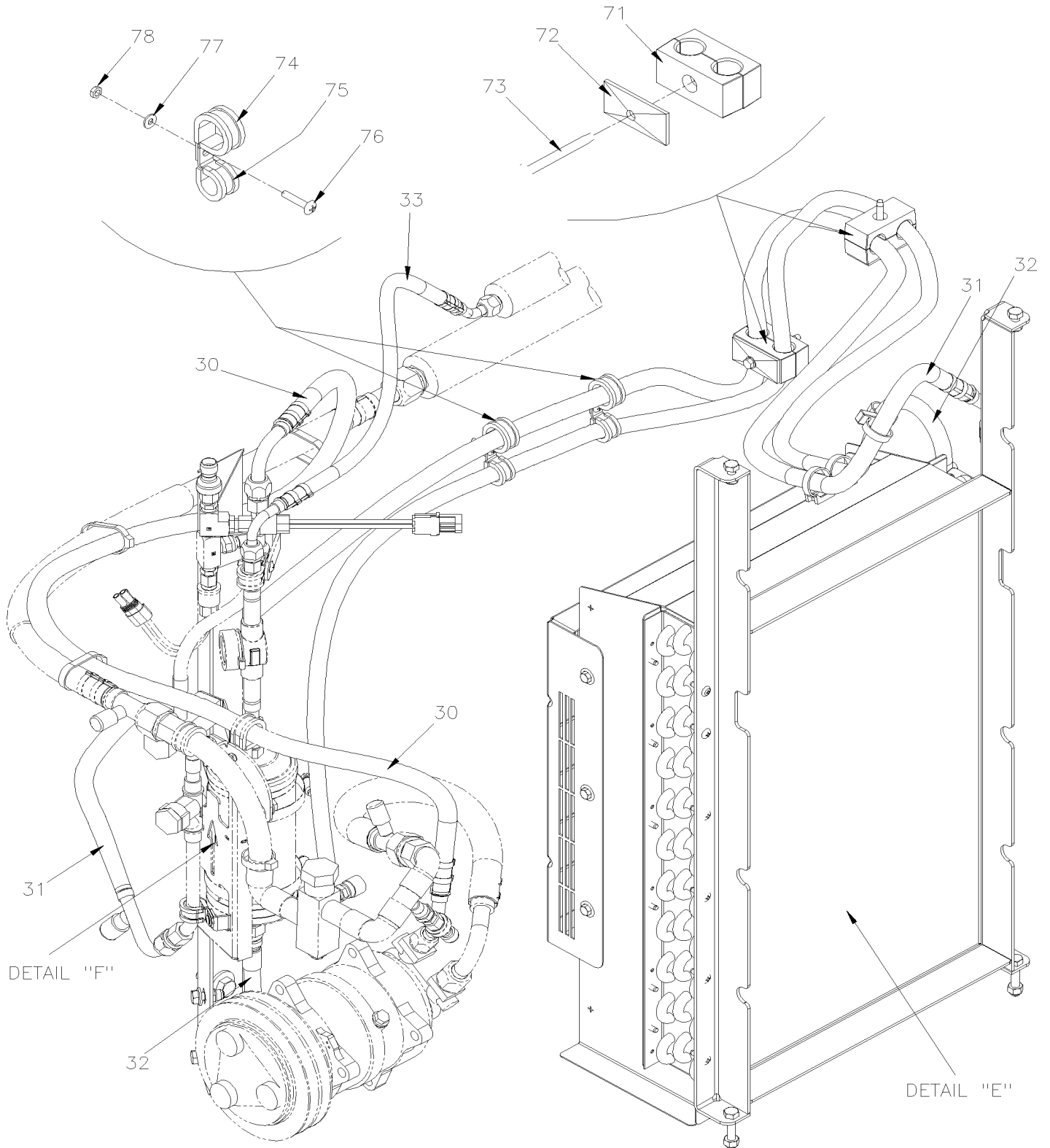


From E-5490 To H-6179

Date:07/2024

PAGE:IS20007

DRIVER'S AIR CONDENSER REPLACEMENT AND RELOCATION



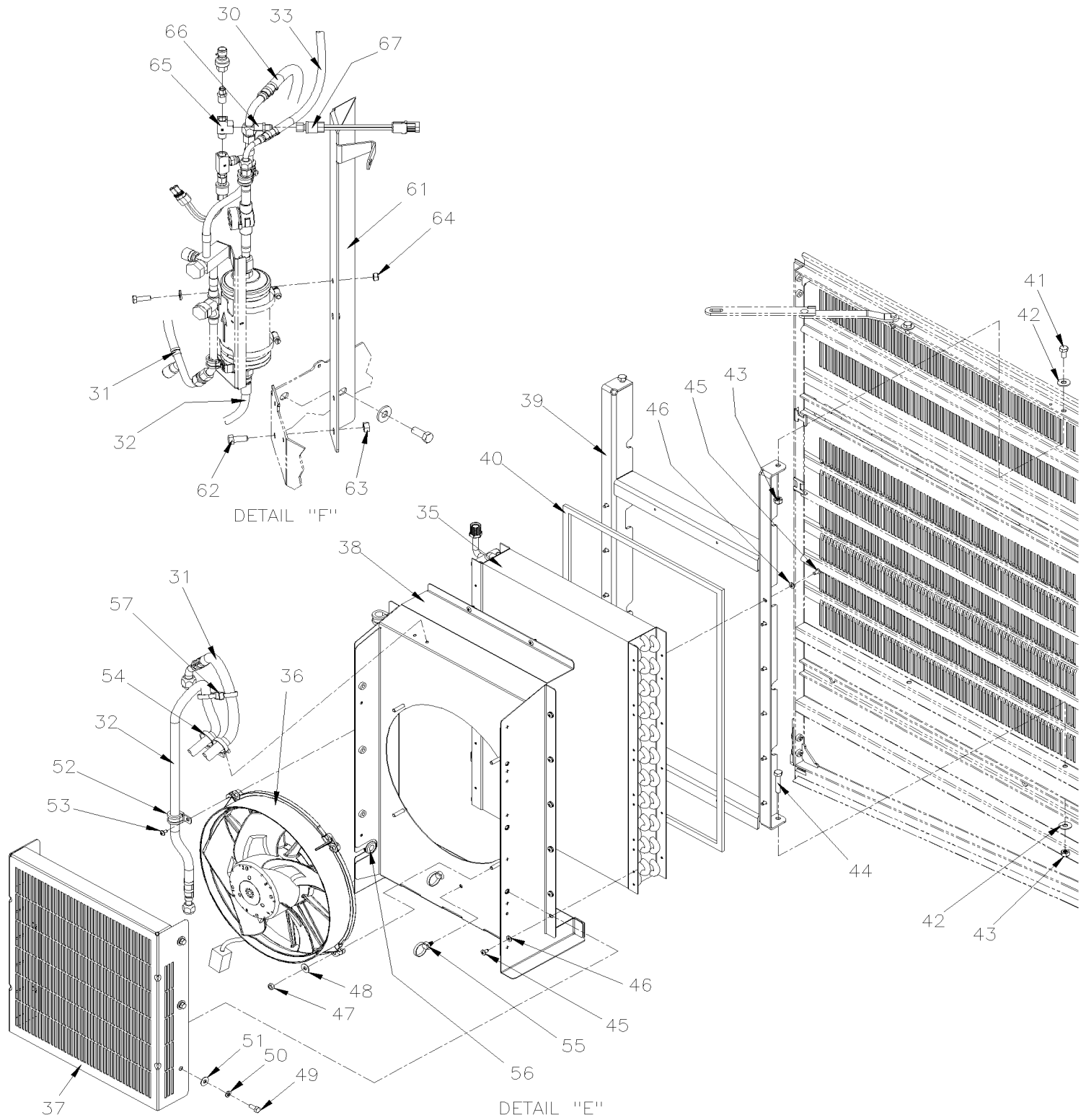


From E-5490 To H-6179

Date:07/2024

PAGE:IS20007

DRIVER'S AIR CONDENSER REPLACEMENT AND RELOCATION





From E-5490 To H-6179	Date:07/2024	PAGE:IS20007
-----------------------	--------------	--------------

DRIVER'S AIR CONDENSER REPLACEMENT AND RELOCATION

Item#	Part	Description	X 3 V I P E N T	X 3 V I P M T H	N O T E S
1	280549	HNGE / UPPER	1	1	
2	280610	SHIM 9.5MM	1	1	
3	5000310	SCREW CAP HEX M6-1.0x40 BK	2	2	
4	5001833	WASHER BEL SPR 6.1x18x1.27 SS	2	2	
5	280504	ARM ASSY	1	1	
6	284607	BUSHING, NYLON / (NOT INCLUDE W/HINGE)	2	2	
7	502723	WASHER FL .386x.750x.050 NYL	1	1	
8	2810294	LOWER HINGE	1	1	
9	5001815	SCREW CAP HEXF M6-1.0x30 G 8.8 N500	3	3	
10	502570	WASHER LO SPT 6.1x11.8x1.6 SS	3	3	
11	430406	WASHER FLAT	3	3	
12	502854	NUT HEX M6-1.0 N500	1	1	
13	502622	SCREW CAP HEX M6-1.0x20 SS BK	2	2	
14	5001833	WASHER BEL SPR 6.1x18x1.27 SS	2	2	
15	280589	ROLLER	1	1	
16	5001461	SCREW MA FL PH M8-1.25x40 SS	1	1	
17	5001983	NUT HEX NYRT M8-1.25 SS SS BK	1	1	
18	280567	CATCH PIN / RETAINER	1	1	
19	280599	SHIM SPACER / 150MM X 32 X 14GA	2	2	
20	5001912	SCREW CAP HEX M8-1.25x30 SS BK	2	2	
21	5001868	WASHER BEL SPR 8.4x18x2 SS	2	2	
22	5001063	RIVET NUT FL OKS M8-1.25 11.0-1.5	2	2	
23	030082	SPACER "U" 3.175MM	3	3	
30	454030	HOSE ASSY / #8 1550MM	1	1	
31	454031	HOSE ASSY / #8 2570MM	1	1	
32	454032	HOSE ASSY / #6 3180MM	1	1	
33	454033	HOSE ASSY / #6 800MM	1	1	
35	950552	CONDENSOR	1	1	
36	565881	CONDENSOR FAN ASSY 24V	1	1	
NS	563691	. CONNECTOR / JUNIOR POWER TIMER / SH 6C / AMP 1-963212-1	1	1	
37	454036	PROTECTIVE PANEL	1	1	
38	454037	SHROUD ASSY	1	1	
39	454156	CONDENSER BRACKET ASSY.	1	1	
40	506228	TAPE RUB ADH1 CC POL 1/4" x 1/2" x 37.5' / GREY 2520X	AR	AR	
41	502780	SCREW CAP HEX M8-1.25x25 SS BK	2	2	
42	5001448	WASHER FL .343x.875x.062 SS18-8	4	4	
43	5001983	NUT HEX NYRT M8-1.25 SS SS BK	4	4	
44	5001981	SCREW CAP HEX M8-1.25x50 SS BK	2	2	
45	5001975	SCREW TC BDG PH #10-24x3/8 SS410 ZINC	24	24	
46	5001137	WASHER FL .203x.438x.050 SS	24	24	



From E-5490 To H-6179	Date:07/2024	PAGE:IS20007
-----------------------	--------------	--------------

DRIVER'S AIR CONDENSER REPLACEMENT AND RELOCATION

Item#	Part	Description	X 3 V I P E N T	X 3 V I P M T H	N O T E S
47	5001851	NUT HEX M6-1.0 SS BK	4	4	
48	5001833	WASHER BEL SPR 6.1x18x1.27 SS	4	4	
49	5001697	SCREW CAP HEX M6-1.0x16 SS BK	6	6	
50	502853	WASHER LO SPT 6.1x11.8x1.6 N500	6	6	
51	500411	WASHER FL .260x.697x.050 SS	6	6	
52	952629	CLAMP / 5/8" I.D.	3	3	
53	5001241	SCREW MA TR PH #10-24x1/2 SS	3	3	
53	5001180	NUT HEX NYRT #10-24 SS	3	3	
54	504013	TIE MOUNT / 1/4" X 1/4" I.D.	2	2	
54	504016	CABLE TIE / 5/16" X 14"1/2	2	2	
54	504379	RIVET POP DOME OE 3/16x1/4 SS	2	2	
55	509815	TIE MOUNT / ATTACHMENT W/TREE MOUNT	2	2	
55	504637	CABLE TIE / 3/16" x 13"	2	2	
56	504061	GROMMET / .4375x.687x.062x.312x.937	1	1	
57	8079360	CABLE TIE	3	3	
57	N37749	CABLE TIE DUAL .250-2.300	8	8	
57	504751	ROTATIF SPACER DOUBLE / SMALL	1	1	
57	504016	CABLE TIE / 5/16" X 14"1/2	2	2	
61	454035	SUPPORT, AIR DRYER	1	1	
62	502655	SCREW CAP HEX M10-1.5x25 SS BK	1	1	
63	5001758	NUT HEX STO M10-1.5 N500	1	1	
64	5001983	NUT HEX NYRT M8-1.25 SS SS BK	2	2	
65	501338	MALE RUN TEE / PIPE FITTING / 1/4NPT-Mx1/4NPT-Fx1/4NPT-F BR	1	1	
66	950249	SCHRADER VALVE 1/4NPT-M	1	1	
67	950270	PRESSURE SWITCH N.O. 170-130	1	1	
67	561566	CONNECTOR / WEATHER PACK / PH 2C / BLACK / PED 12010973	1	1	
67	561565	CABLE SEAL / GREEN / PED 15324982	2	2	
67	561567	PIN TERMINAL / 20-18 / PED 12089040	2	2	
NS	0610379	HARNESS, DRIVER AIR CONDENSER X3	1	1	
NS	563332	RELAY 24V S.P.D.T. W/RESISTOR / "VOLVO" (20374662)	2	2	
NS	504637	CABLE TIE / 3/16" x 13"	30	30	
71	504727	CLAMP DOUBLE ASS / 2 HOSE SIZE 3/8"	2	2	
72	504728	PLATE RETAINER	2	2	
73	500107	SCREW TC CAP HEXW 1/4-20x2 1/2 Z050	2	2	
74	952634	CLAMP / 15/16" I.D.	3	3	
75	952629	CLAMP / 5/8" I.D.	3	3	
76	500607	SCREW MA TR PH #10-24x1 SS	3	3	
77	504357	WASHER FL .187x.437x.050 SS	3	3	
78	5001180	NUT HEX NYRT #10-24 SS	3	3	



From E-5490 To H-6179	Date:07/2024	PAGE:IS20007
-----------------------	--------------	--------------

DRIVER'S AIR CONDENSER REPLACEMENT AND RELOCATION

Item#	Part	Description	X 3 V I P E N T	X 3 V I P M T H	N O T E S
80	IS-20007	SEE INSTRUCTION SHEET	1	1	
80	FI-20007	SEE INSTRUCTION SHEET	1	1	

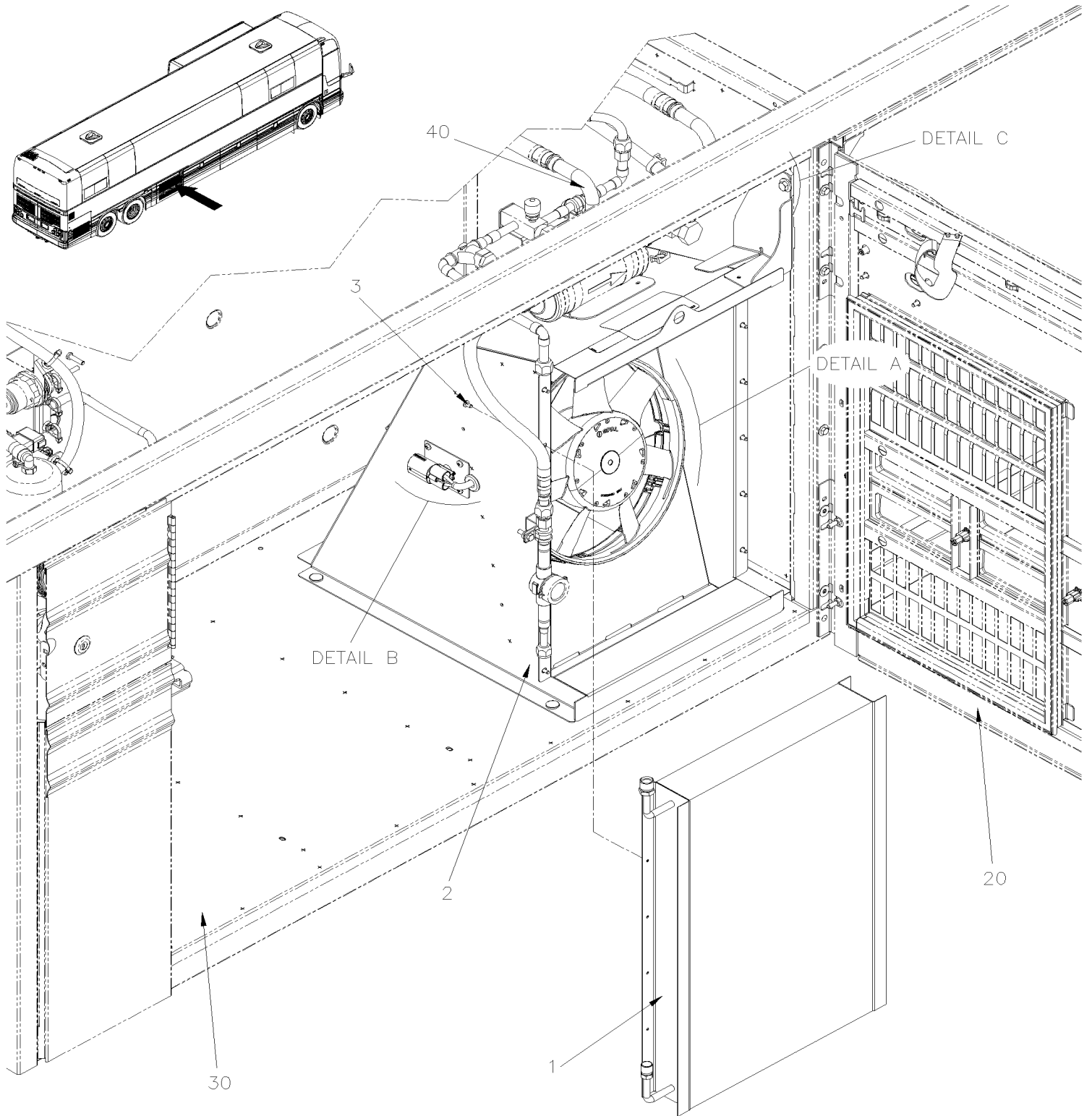


From H-6180

Date:07/2024

PAGE:X3VIP-2255-11

CONDENSOR - INSTALLATION SMALL A/C SYSTEM / "GHG17"



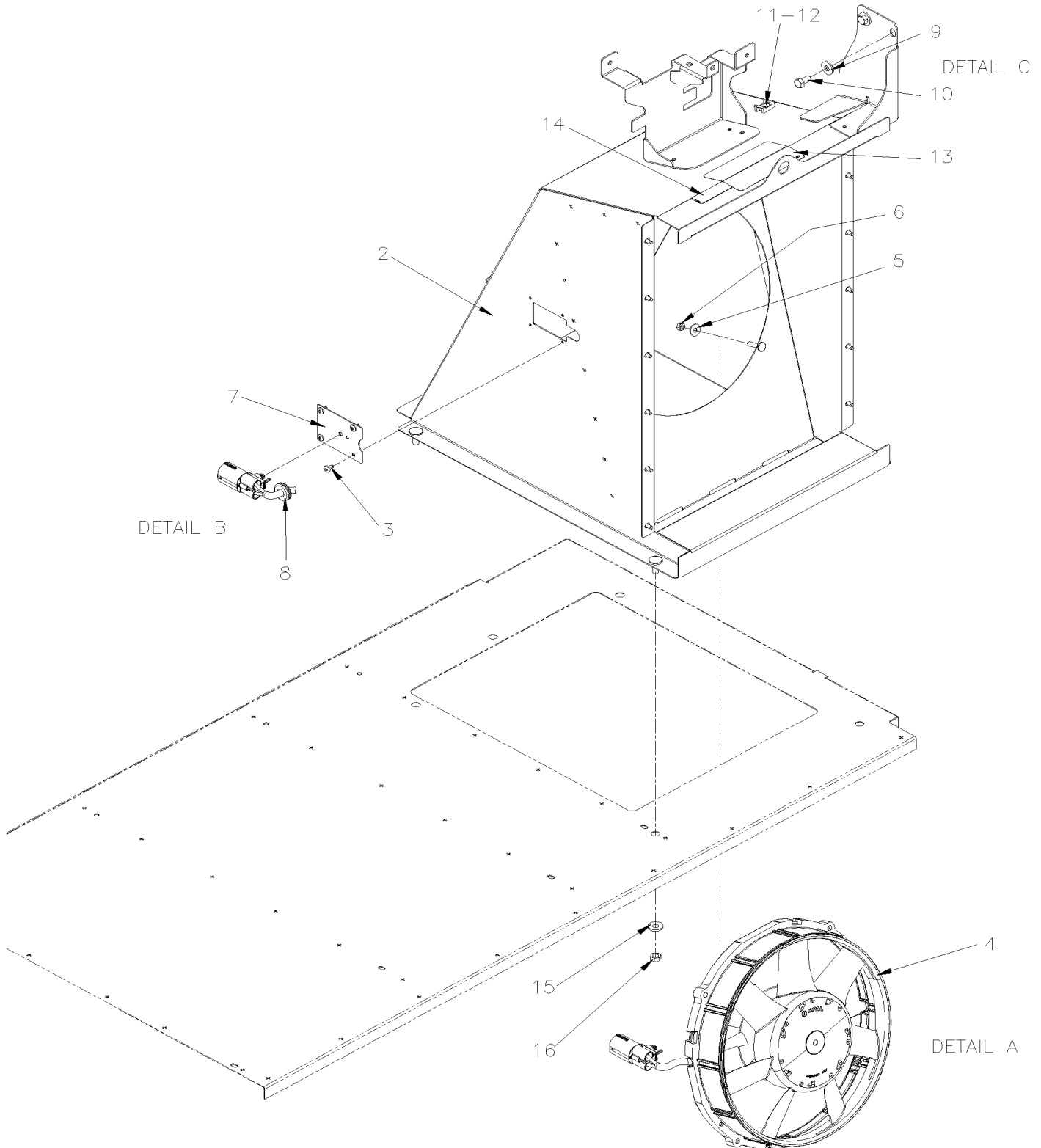


From H-6180

Date:07/2024

PAGE:X3VIP-2255-11

CONDENSOR - INSTALLATION SMALL A/C SYSTEM / "GHG17"





From H-6180		Date:07/2024	PAGE:X3VIP-2255-11
CONDENSOR - INSTALLATION SMALL A/C SYSTEM / "GHG17"			

Item#	Part	Description	X 3 V I P E N T	X 3 V I P M T H	N O T E S
1	950552	CONDENSOR	1	1	
2	450331	SHROUD ASSY To P-6807	1	1	
2	454987	SHROUD ASSY From P-6808	1	1	
3	5001975	SCREW TC BDG PH #10-24x3/8 SS410 ZINC	AR	AR	
3	5001137	WASHER FL .203x.438x.050 SS	AR	AR	
4	565191	ELECTRIC FAN FOR RADIATOR & CAC To M-6650	1	1	
. NS	568092	. CONNECTOR / PH 4C / YAZAKI 7282-8497-90 To M-6650	1	1	
. NS	560009	. CONNECTOR CLIP / HELLERMAN TYTON 155-30702 To M-6650	1	1	
4	564312	ELECTRIC FAN FOR RADIATOR & CAC From M-6651	1	1	
. NS	568092	. CONNECTOR / PH 4C / YAZAKI 7282-8497-90 From M-6651	1	1	
. NS	560009	. CONNECTOR CLIP / HELLERMAN TYTON 155-30702 From M-6651	1	1	
5	5001833	WASHER BEL SPR 6.1x18x1.27 SS	AR	AR	
6	5001851	NUT HEX M6-1.0 SS BK	4	4	
7	450400	CLOSING PLATE, SHROUD	1	1	
8	504068	GROMMET / .500x.750x.062x.312x1.062	1	1	
9	500321	WASHER BEL SPR .331x.827x.098 N500	2	2	
10	500820	SCREW CAP HEX M8-1.25x16 G10.9 N500	2	2	
11	504013	TIE MOUNT / 1/4" X 1/4" I.D.	3	3	
12	504488	RIVET MGLP PRDG 3/16x17/64 SS	3	3	
13	450402	DECAL "R-134A NOMINAL CHARGE...." / ENGLISH & FRANCAIS	1	1	
14	450403	DECAL, REFRIGERANT DIRECTION	1	1	
15	5001848	WASHER BEL SPR .827 x .331 x .098 th SS	5	5	
16	5001852	NUT HEX M8-1.25 SS BK	5	5	
20	X3VIP-1863-55	CONDENSOR DOOR ASSY WITH SMALL A/C SYSTEM GHG17			
30	X3VIP-1865-22	EVAPORATOR & CONDENSOR WALL INSTALLATION GHG17			
40	X3VIP-2222-51	SMALL A/C LINES & HOSES / "GHG17"			

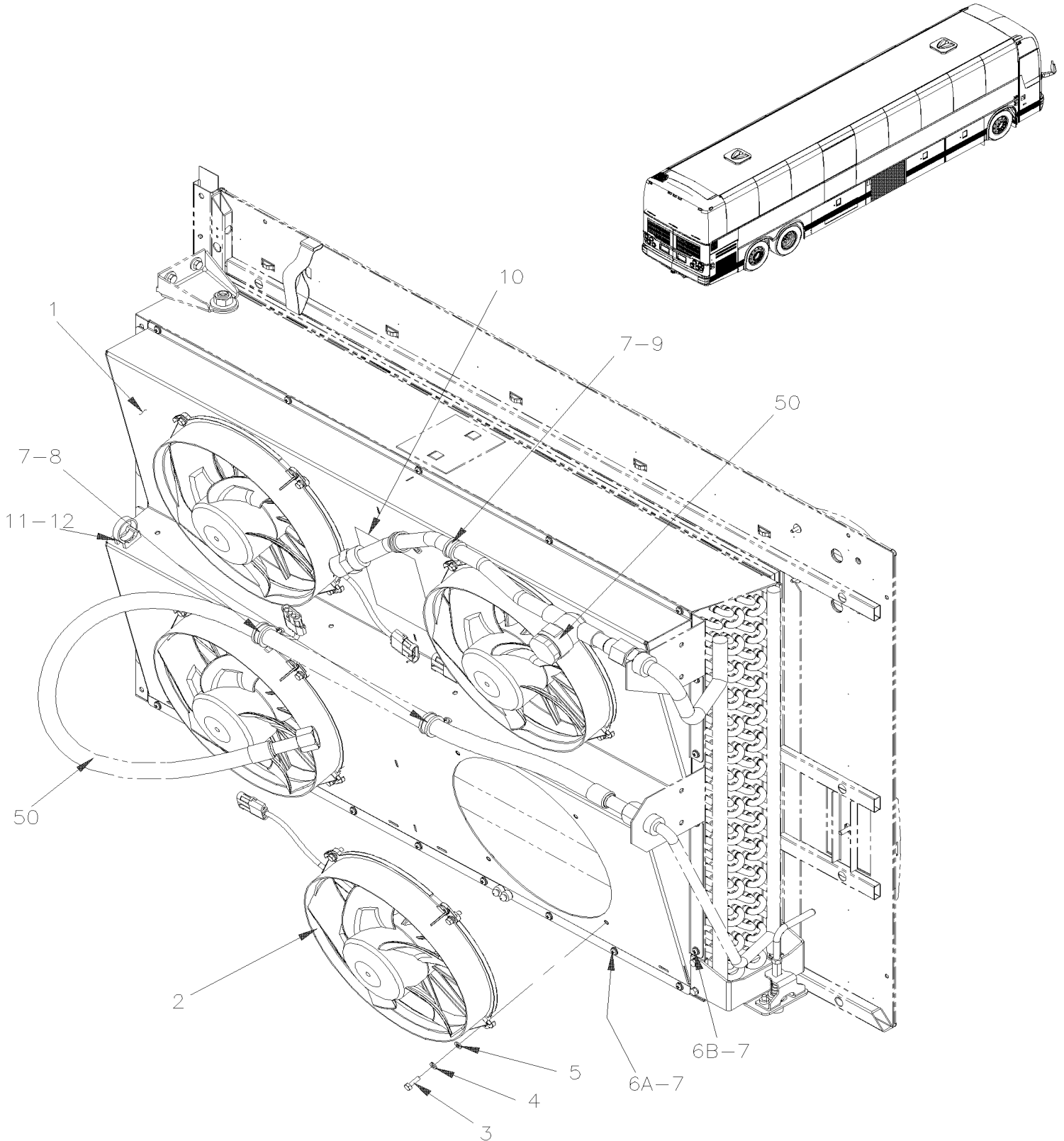


From E-5490 To N-6703

Date:07/2024

PAGE:X3VIP-2260-00

CONDENSOR FANS - INSTALLATION





From E-5490 To N-6703	Date:07/2024	PAGE:X3VIP-2260-00
-----------------------	--------------	--------------------

CONDENSOR FANS - INSTALLATION

Item#	Part	Description	X 3 V I P E N T	X 3 V I P M T H	N O T E S
1	454697	SHROUD FAN	1	1	
2	565881	CONDENSOR FAN ASSY 24V	4	4	
. NS	563691	. CONNECTOR / JUNIOR POWER TIMER / SH 6C / AMP 1-963212-1	1	1	
2	068626	CABLE CONDENSOR FANS To H-6179	1	1	
2	060377	CABLE CONDENSOR FANS From H-6180	1	1	
3	502622	SCREW CAP HEX M6-1.0x20 SS BK	16	16	
4	502570	WASHER LO SPT 6.1x11.8x1.6 SS	16	16	
5	502573	WASHER FL 6.4x12.5x1.6 SS To H-6179	16	16	
5	5001833	WASHER BEL SPR 6.1x18x1.27 SS From H-6180	16	16	
6A	500209	SCREW TC BDG PH #10-24x3/8 N500 To G-5931	AR	AR	
6A	5001975	SCREW TC BDG PH #10-24x3/8 SS410 ZINC From G-5932	AR	AR	
6B	500945	SCREW TC BDG PH #10-24x1/2 G500 To G-5931	AR	AR	
6B	5001966	SCREW TC BDG PH #10-24x1/2 SS410 ZINC From G-5932	9	9	
7	500804	WASHER FL .203x.500x.047 N500	AR	AR	
8	952635	CLAMP / 1" I.D.	2	2	
9	952633	CLAMP / 7/8" I.D.	2	2	
10	402792	DECAL / "DANGER" SHUT DOWN A/C BEFORE SERVI. / ENGLISH & FRANCAIS	1	1	
10	405637	DECAL / "DANGER" SHUT DOWN A/C BEFORE SERVI. / ENGLISH & SPANISH	1	1	
11	504013	TIE MOUNT / 1/4" X 1/4" I.D.	AR	AR	
NS	504379	RIVET POP DOME OE 3/16x1/4 SS	AR	AR	
12	504016	CABLE TIE / 5/16" X 14"1/2	AR	AR	
NS	509815	TIE MOUNT / ATTACHMENT W/TREE MOUNT	AR	AR	
50	X3VIP-2270-00	RECEIVER TANK & FILTER DRYER			

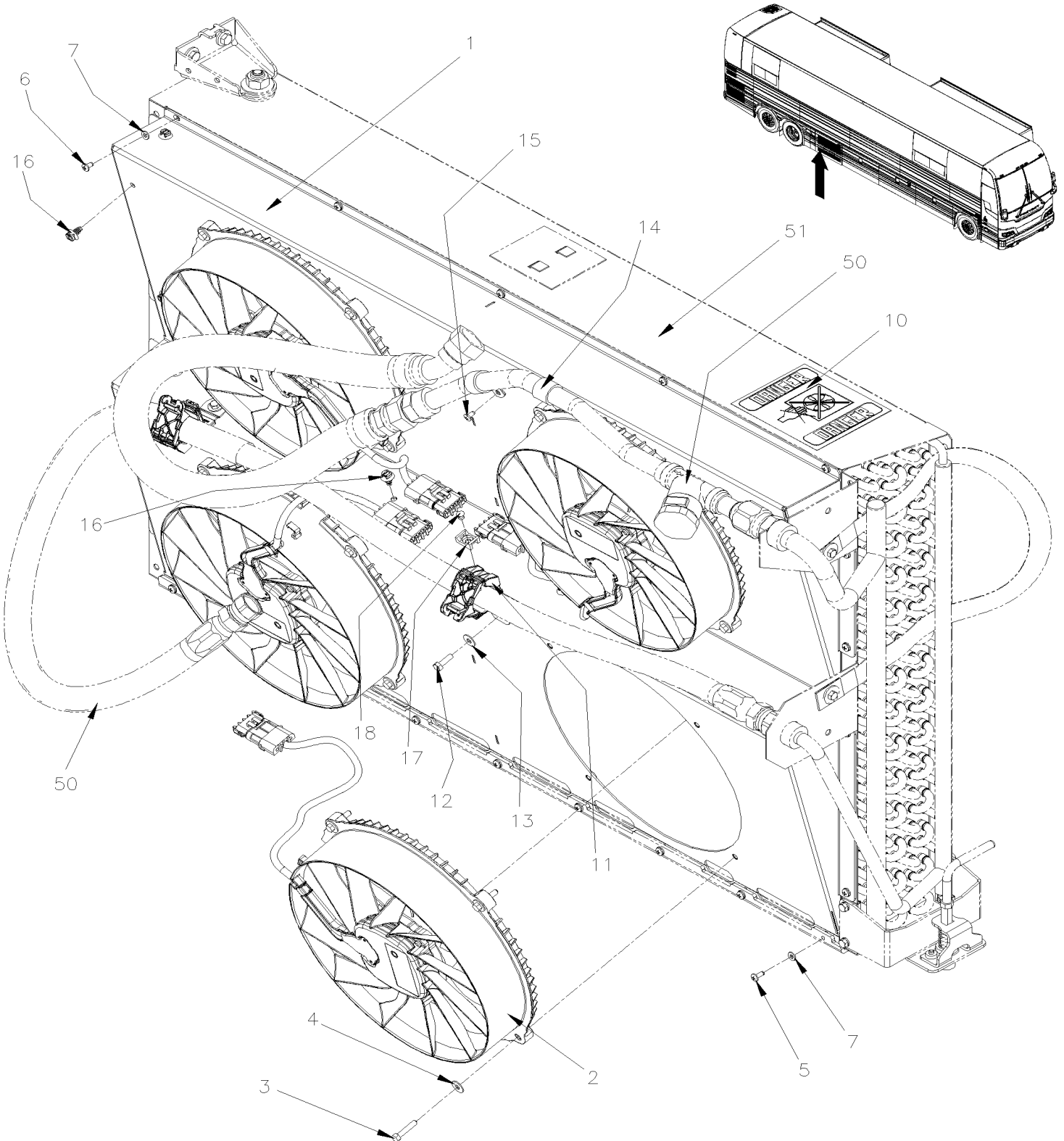


From N-6704

Date:07/2024

PAGE:X3VIP-2260-01

CONDENSOR FANS - INSTALLATION





From N-6704		Date:07/2024	PAGE:X3VIP-2260-01
-------------	--	--------------	--------------------

CONDENSOR FANS - INSTALLATION

Item#	Part	Description	X 3 V I P E N T	X 3 V I P M T H	N O T E S
1	450754	SHROUD FAN To R-4000	1	1	
1	455079	SHROUD FAN From R-4001	1	1	
2	870011	CONDENSOR FAN ASSY 24V To R-4000	4	4	
2	870246	CONDENSOR FAN ASSY 24V From R-4001	1	1	
2	0610237	CABLE CONDENSOR FANS To R-4000	1	1	
2	0600189	CABLE CONDENSOR FANS From R-4001	1	1	
3	502686	SCREW CAP HEX M6-1.0x30 SS BK To R-4000	16	16	
3	502622	SCREW CAP HEX M6-1.0x20 SS BK From R-4001	16	16	
4	5001833	WASHER BEL SPR 6.1x18x1.27 SS	16	16	
5	5001966	SCREW TC BDG PH #10-24x1/2 SS410 ZINC	AR	AR	
6	5001975	SCREW TC BDG PH #10-24x3/8 SS410 ZINC	AR	AR	
7	5001137	WASHER FL .203x.438x.050 SS	AR	AR	
10	402792	DECAL / "DANGER" SHUT DOWN A/C BEFORE SERVI. / ENGLISH & FRANCAIS	1	1	
11	504187	CLAMP P SS PA 19.4-36 ID	2	2	
12	502622	SCREW CAP HEX M6-1.0x20 SS BK	2	2	
13	5001833	WASHER BEL SPR 6.1x18x1.27 SS	2	2	
14	504209	CLAMP / SS / SILICONE RUBBER / 7/8" I.D. x .281 HOLE	2	2	
15	5001975	SCREW TC BDG PH #10-24x3/8 SS410 ZINC	2	2	
16	509815	TIE MOUNT / ATTACHMENT W/TREE MOUNT	AR	AR	
17	504013	TIE MOUNT / 1/4" X 1/4" I.D. To R-4000	4	4	
18	504379	RIVET POP DOME OE 3/16x1/4 SS To R-4000	4	4	
18	504488	RIVET MGLP PRDG 3/16x17/64 SS From R-4001	4	4	
NS	504637	CABLE TIE / 3/16" x 13"	AR	AR	
50	X3VIP-2270-01	RECEIVER TANK & FILTER DRYER / "GHG17"			
51	X3VIP-2255-01	CONDENSOR - INSTALLATION / "GHG17"			



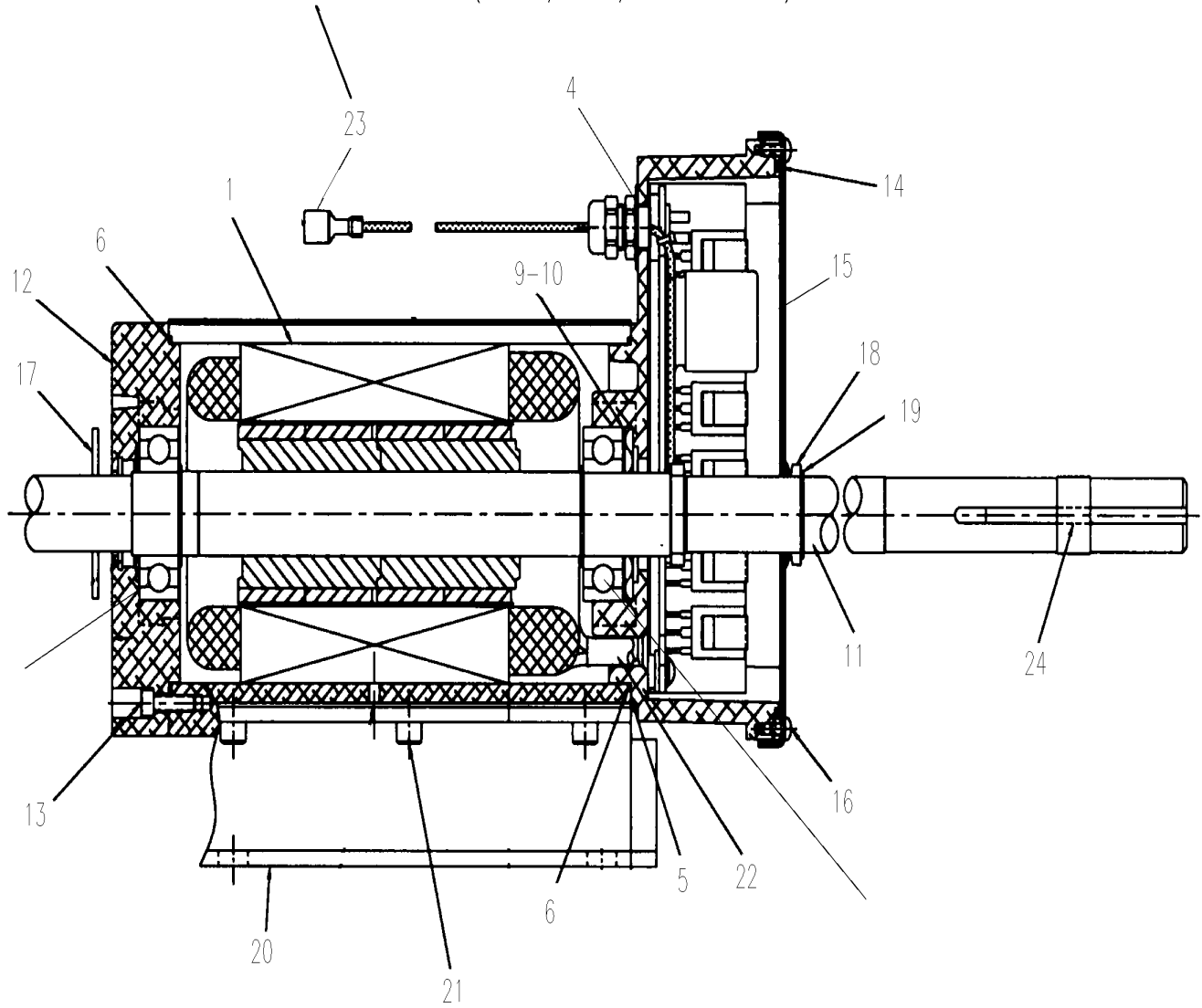
From E-5490

Date:07/2024

PAGE:X3VIP-2265-01

MOTOR - EVAPORATOR BRUSHLESS

NOTE.: IN REPLACEMENT OF FORMER MOTOR MODEL YOU REQUIRE THOSE PARTS
TO MODIFIED ITEM # 23 ONE OF EACH (561577,561578, 561786 & 563623)





From E-5490		Date:07/2024	PAGE:X3VIP-2265-01
MOTOR - EVAPORATOR BRUSHLESS			

Item#	Part	Description	X 3 V I P E N T	X 3 V I P M T H	N O T E S
	564216	MOTOR EVAPORATOR BRUSHLESS / 2 SPEEDS To R-4061			
	564793	MOTOR EVAPORATOR BRUSHLESS / 2 SPEEDS From R-4062	1	1	
1	Call order desk	. MOTOR ASSY / COMPLETE	1	1	P
4	564621	. CONTROLLER ASSEMBLY	1	1	
5	Call order desk	. GASKET	1	1	P
6	Call order desk	. O-RING 3.989" x .070"	1	1	P
7	Call order desk	. SCREW MA PAN 8-32 x ?	1	1	P
8	Call order desk	. HEAT-SHRINK TUBING	1	1	P
9	Call order desk	. WAVE SPRING	1	1	P
10	Call order desk	. SHIM	1	1	P
11	Call order desk	. SHAFT / ROTOR ASSY W/KEYS	1	1	P
12	Call order desk	. ENDBELL	1	1	P
13	Call order desk	. SCREW MA PAN 8-32 x .875"	1	1	P
14	Call order desk	. O-RING SEAL	1	1	P
15	Call order desk	. COVER	1	1	P
16	Call order desk	. SCREW MA PAN #6-32	1	1	P
17	Call order desk	. SLINGER	1	1	P
18	Call order desk	. V-SEAL	1	1	P
19	Call order desk	. EXTERNAL RETAINING RING	1	1	P
20	Call order desk	. BASE PLATE	1	1	P
21	Call order desk	. SCREW CAP HEXS 1/4-20 x ?	1	1	P
22	Call order desk	. TUBING	1	1	P
23	Call order desk	. TERMINAL (0.032 X 0.25)	1	1	P
24	Call order desk	. KEY SQUARE 3/16" x 3"	1	1	P
		P) CALL ORDER DESK FOR SPECIFIC APPLICATION (V.I.N.)			

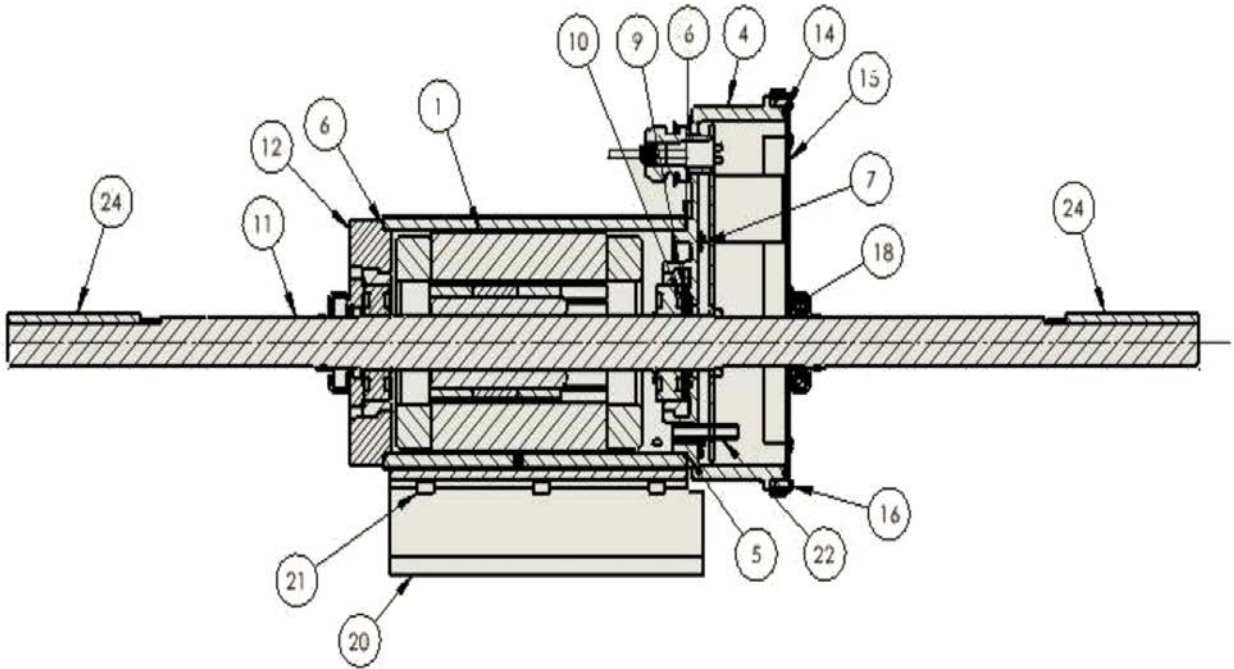


From R-4062

Date:07/2024

PAGE:564793

MOTOR EVAPORATOR BRUSHLESS / 2 SPEEDS



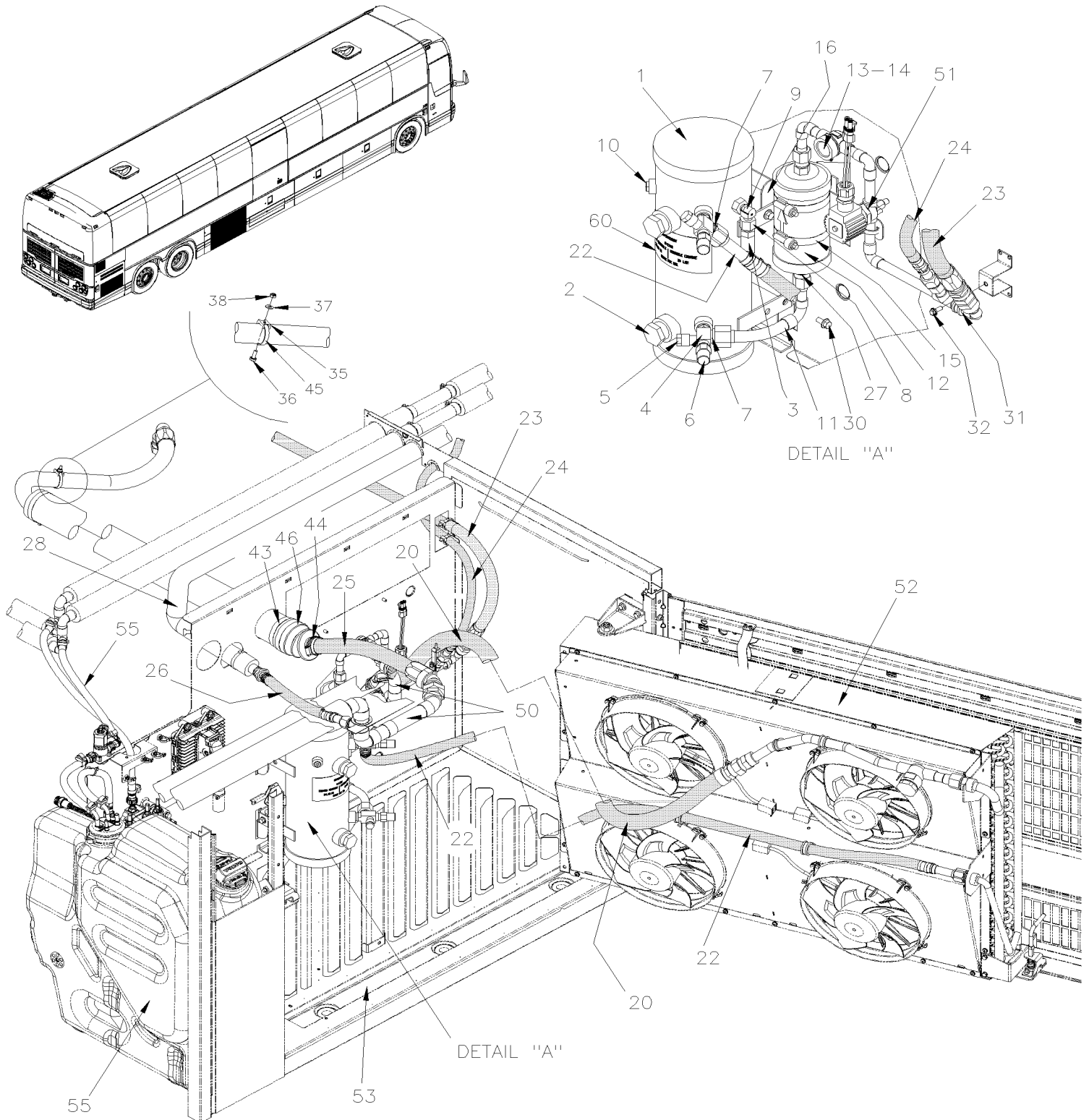


From E-5490 To H-6179

Date:07/2024

PAGE:X3VIP-2270-00

RECEIVER TANK & FILTER DRYER





From E-5490 To H-6179 Date:07/2024 PAGE:X3VIP-2270-00

RECEIVER TANK & FILTER DRYER

Item#	Part	Description	X 3 V I P E N T	X 3 V I P M T H	N O T E S
	Call order desk	RECEIVER TANK & FILTER DRYER ASSY From D-5375	1	1	P
	Call order desk	RECEIVER TANK & FILTER DRYER ASSY From D-5375	1	1	P
1	950261	RECEIVER TANK ASSY	1	1	
. NS	950428	. SIGHTGLASS / W/BALL 1NPT-M (FORMER)	1	1	
. NS	951198	. SIGHTGLASS / W/BALL 1 1/4NPT-F (CURRENT)	1	1	
2	680098	THREAD SEALANT LOCTITE #567 / WHITE / 250ml To E-5676	AR	AR	
2	680869	THREAD SEALANT LOCTITE #554 / REFRIG. / 250ml From E-5677	AR	AR	
3	870890	VALVE, SAFETY 450 PSI	1	1	
4	950228	VALVE ASSY / SERVICE / INLET & OUTLET	2	2	
. NS	950284	. CAP / PROTECTOR / FOR GAUGE	1	1	
. NS	507169	. O-RING 1/2 I.D.	1	1	
5	950285	. CAP VALVE / PROTECTOR / PLASTIC	1	1	
6	950284	. CAP / PROTECTOR / FOR GAUGE	1	1	
7	507169	O-RING 1/2 I.D.	2	2	
8	501311	ADAPTER / PIPE FITTING / 3/8NPT-Fx1/4NPT-M BR	1	1	
9	501332	STREET ELBOW 90° / PIPE FITTING / 1/4NPT-Mx1/4NPT-F BR	1	1	
10	501449	PLUG HEXS / PIPE FITTING / 3/8NPT-M STL To H-6130	1	1	
10	501338	MALE RUN TEE / PIPE FITTING / 1/4NPT-Mx1/4NPT-Fx1/4NPT-F BR From H-6131	1	1	
10	501027	MALE CONNECTOR / SAE 45° FITTING / #4FL-Mx1/4NPT-M BR From H-6131	2	2	
10	950500	ADAPTOR 7/16-20 x R134 16MM From H-6131	2	2	
10	501314	BUSHING REDUCER / PIPE FITTING / 3/8NPT-Mx1/4NPT-F BR From H-6131	1	1	
12	950332	. FILTER DRYER	1	1	
. NS	507370	. O-RING #10	1	1	U
13	950333	. MOISTURE INDICATOR	1	1	
. NS	950711	. LENS ASSY KIT MOISTURE INDICATOR	1	1	
. NS	950712	. O-RING MOISTURE INDICATOR	1	1	
14	950029	. CAP, MOISTURE INDICATOR	1	1	
15	504026	HOSE CLAMP / 2"13/16-3"3/4 SS / HS-52	2	2	
16	455411	SUPPORT / FILTER DRYER	1	1	
20	455343	HOSE ASSY / PIPE TO COND / #16 1143MM / SS BELLOW	1	1	
NS	501802	. O-RING / ORS FITTING / #16 NEO	1	1	
NS	507169	. O-RING 1/2 I.D.	1	1	
22	455314	HOSE ASSY / #12 1558MM To E-5759	1	1	
22	457683	HOSE ASSY / #12 1576MM From F-5760	1	1	
NS	505110	. COIL PROTECTOR / PLASTIC / #12	AR	AR	
22	501829	O-RING / ORS FITTING / #12 NEO	1	1	
23	455412	HOSE ASSY / #12 2150MM To E-5739	1	1	
. NS	505182	. COIL PROTECTOR / PLASTIC / #16 To E-5739	AR	AR	
23	457682	HOSE ASSY / #12 1978MM From F-5740	1	1	
. NS	505182	. COIL PROTECTOR / PLASTIC / #16 From F-5740	AR	AR	
24	455413	HOSE ASSY / #10 7790MM To E-5739	1	1	
. NS	507344	. O-RING / ORS FITTING / #10 NEO To E-5739	2	2	



From E-5490 To H-6179	Date:07/2024	PAGE:X3VIP-2270-00
RECEIVER TANK & FILTER DRYER		

Item#	Part	Description	X 3 V I P E N T	X 3 V I P M T H	N O T E S
24	457692	HOSE ASSY / #10 878MM From F-5740	1	1	
. NS	507344	. O-RING / ORS FITTING / #10 NEO From F-5740	2	2	
25	454705	HOSE ASSY / #20 2335MM To E-5739	1	1	
. NS	501803	. O-RING / ORS FITTING / #20 NEO To E-5739	1	1	
25	457680	HOSE ASSY / #20 2500MM From F-5740 To G-6006	1	1	
. NS	501803	. O-RING / ORS FITTING / #20 NEO From F-5740 To G-6006	1	1	
25	454762	HOSE ASSY / #20 2415MM From G-6007	1	1	
. NS	501803	. O-RING / ORS FITTING / #20 NEO From G-6007	1	1	
26	454708	HOSE ASSY / #12 415MM To E-5739	1	1	
. NS	501829	. O-RING / ORS FITTING / #12 NEO To E-5739	1	1	
26	457684	HOSE ASSY / #12 431MM From F-5740	1	1	
. NS	501829	. O-RING / ORS FITTING / #12 NEO From F-5740	1	1	
27	507370	O-RING #10	2	2	
28	Call order desk	PIPE ASSY To F-5759	1	1	P
28	Call order desk	PIPE ASSY From F-5760	1	1	P
30	5001780	SCREW CAP HEXF M8-1.25x16 G8.8 N500	4	4	
31	952629	CLAMP / 5/8" I.D.	1	1	
32	5001730	SCREW CAP HEXF M6-1.0x16 G10.9 N500	1	1	
NS	216725	SUPPORT RECEIVER TANK / WELDED TO STRUCTURE	1	1	
35	504013	TIE MOUNT / 1/4" X 1/4" I.D. From F-5760	1	1	
36	502817	SCREW MA PAN PH M6-1.0x16 N500 From F-5760	1	1	
37	500877	WASHER FL .250x.562x.065 N500 From F-5760	1	1	
38	502684	RIVET NUT FL OKS 1/4-20 .119-.179 From F-5760	1	1	
NS	504022	HOSE CLAMP / 3/4"-1"3/4 SS / HS-20	5	5	
NS	504026	HOSE CLAMP / 2"13/16-3"3/4 SS / HS-52	3	3	
NS	504384	CUFF END BELLOW / 1 1/4" I.D. x 1 3/4" x 4"	4	4	
43	451075	PROTECTOR HOSE SPLIT / 7/8" O.D. x 3"	2	2	
44	504024	HOSE CLAMP / 1"13/16"-2"3/4 SS / HS-36	4	4	
45	504016	CABLE TIE / 5/16" X 14"1/2	AR	AR	
46	504442	CUFF END BELLOW / 1 1/4" I.D. x 3 1/2" x 4 1/2"	1	1	
NS	952629	CLAMP / 5/8" I.D.	1	1	
NS	500957	SCREW TP BDG PH #10x3/4 N500	1	1	
50	X3VIP-2222-16	A/C LINE REAR SECTION W/ "BITZER"			
51	X3VIP-2208-10	REFRIGERANT SOLENOID VALVE			
52	X3VIP-2255-00	CONDENSOR - INSTALLATION			
53	X3VIP-1865-21	EVAPORATOR & CONDENSOR WALL INSTALLATION			
55	X3VIP-0410-00	UREA RESERVOIR ASSY To E-5739			
55	X3VIP-0410-01	UREA RESERVOIR ASSY From F-5740			
60	453066	DECAL R134A / NOMINAL CHARGE 24 LBS // ENGLISH & FRANCAIS	1	1	
60	454180	DECAL R134A / NOMINAL CHARGE 24 LBS // ENGLISH & SPANISH	1	1	



From E-5490 To H-6179	Date:07/2024	PAGE:X3VIP-2270-00
-----------------------	--------------	--------------------

RECEIVER TANK & FILTER DRYER

Item#	Part	Description	X 3 V I P E N T	X 3 V I P M T H	N O T E S
		P) CALL ORDER DESK FOR SPECIFIC APPLICATION (V.I.N.)			
		U) UNDER CONSTRUCTION			

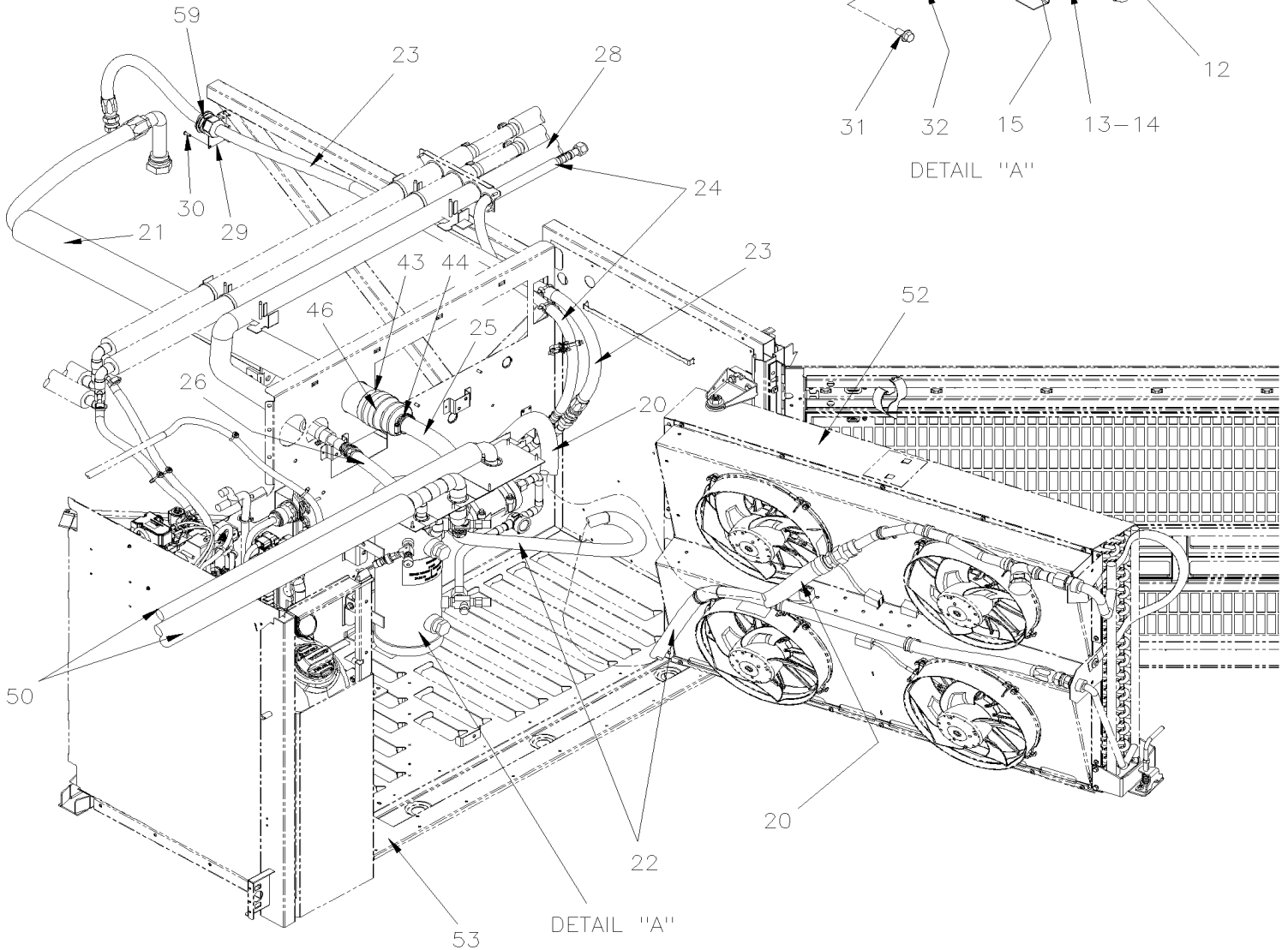
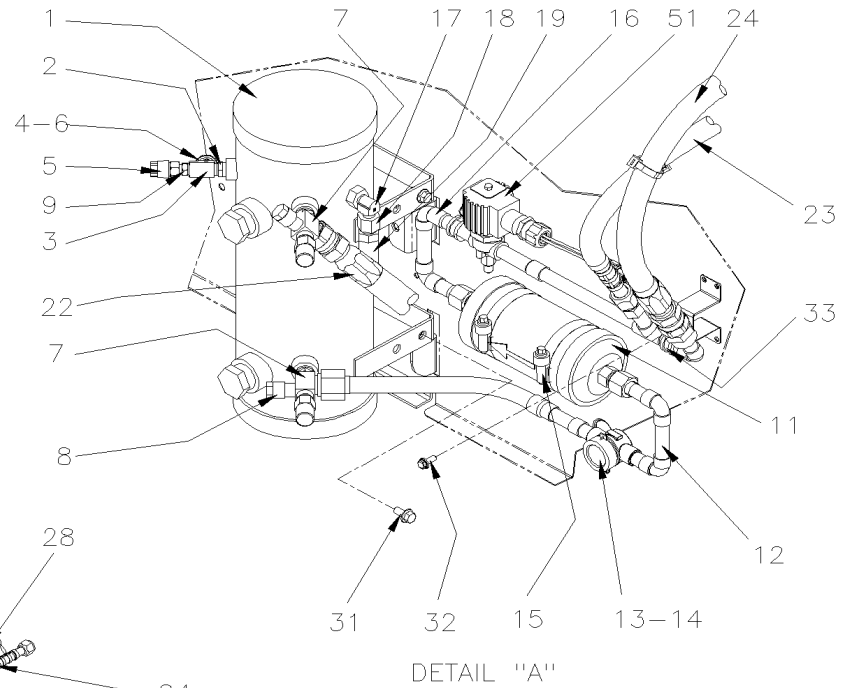
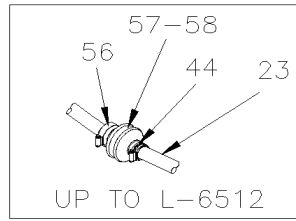
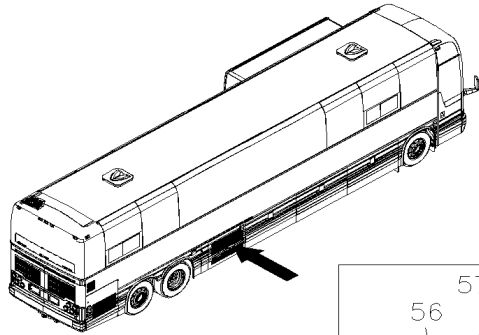


From H-6180

Date:07/2024

PAGE:X3VIP-2270-01

RECEIVER TANK & FILTER DRYER / "GHG17"





From H-6180	Date:07/2024	PAGE:X3VIP-2270-01
RECEIVER TANK & FILTER DRYER / "GHG17"		

Item#	Part	Description	X 3 V I P E N T	X 3 V I P M T H	N O T E S
1	950261	RECEIVER TANK ASSY	1	1	
. NS	950428	. SIGHTGLASS / W/BALL 1NPT-M (FORMER)	1	1	
. NS	951198	. SIGHTGLASS / W/BALL 1 1/4NPT-F (CURRENT)	1	1	
NS	5001745	SCREW CAP HEX M8-1.25x25 G8.8 N500	1	1	
NS	509894	TIE MOUNT HOLE 7.8MM	1	1	
NS	502847	NUT HEX NYRT M8-1.25 N500	1	1	
2	501314	BUSHING REDUCER / PIPE FITTING / 3/8NTP-Mx1/4NPT-F BR	1	1	
3	501338	MALE RUN TEE / PIPE FITTING / 1/4NPT-Mx1/4NPT-Fx1/4NPT-F BR	1	1	
4	950249	SCHRADER VALVE 1/4NPT-M	2	2	
5	950234	GAUGE ADAPTOR ASSY / W/RED CAP FOR R-134A / DISCHARGE SIDE (ALUMINUM)	1	1	
6	950504	TRANSDUCER 0-500 PSIG	1	1	
7	950228	VALVE ASSY / SERVICE / INLET & OUTLET	2	2	
. NS	950284	. CAP / PROTECTOR / FOR GAUGE	1	1	
. NS	507169	. O-RING 1/2 I.D.	1	1	
NS	680869	THREAD SEALANT LOCTITE #554 / REFRIG. / 250ml	AR	AR	
8	950285	. CAP VALVE / PROTECTOR / PLASTIC	1	1	
9	501027	MALE CONNECTOR / SAE 45° FITTING / #4FL-Mx1/4NPT-M BR	2	2	
11	950332	FILTER DRYER	1	1	
. NS	507370	. O-RING #10	1	1	U
12	450401	PIPE,OUTLET RECEIVER TANK ASSY To K-6491	1	1	
12	450656	PIPE,OUTLET RECEIVER TANK ASSY From L-6492	1	1	
13	950333	. MOISTURE INDICATOR	1	1	
. NS	950711	. . LENS ASSY KIT MOISTURE INDICATOR	1	1	
. . NS	950712	. . . O-RING MOISTURE INDICATOR	1	1	
13	950029	. CAP, MOISTURE INDICATOR	1	1	
15	504026	HOSE CLAMP / 2"13/16-3"3/4 SS / HS-52	2	2	
16	450041	VALVE ASSY / REFRIGERANT WITHOUT SOLENOID To K-6491	1	1	
. NS	501829	. O-RING / ORS FITTING / #12 NEO To K-6491	1	1	
16	450709	VALVE ASSY / REFRIGERANT WITHOUT SOLENOID From L-6492	1	1	
. NS	501829	. O-RING / ORS FITTING / #12 NEO From L-6492	1	1	
16	950951	. VALVE REFRIGERANT SOLENOID	1	1	
17	501332	STREET ELBOW 90° / PIPE FITTING / 1/4NPT-Mx1/4NPT-F BR	1	1	
18	501311	ADAPTER / PIPE FITTING / 3/8NPT-Fx1/4NPT-M BR	1	1	
19	870890	VALVE, SAFETY 450 PSI	1	1	
20	455343	HOSE ASSY / PIPE TO COND / #16 1143MM / SS BELLOW	1	1	
21	454672	TUBE / PVC PIPE / 3"x1160MM WHITE PVC	1	1	
22	457683	HOSE ASSY / #12 1576MM	1	1	
NS	501829	O-RING / ORS FITTING / #12 NEO	1	1	
23	457682	HOSE ASSY / #12 1978MM To L-6512	1	1	
. NS	505182	. COIL PROTECTOR / PLASTIC / #16 To L-6512	AR	AR	
23	450992	HOSE ASSY / #12 1978MM From L-6513	1	1	
. NS	505110	. COIL PROTECTOR / PLASTIC / #12 From L-6513	AR	AR	



From H-6180		Date:07/2024		PAGE:X3VIP-2270-01	
RECEIVER TANK & FILTER DRYER / "GHG17"					
Item#	Part	Description	X 3 V I P E N T	X 3 V I P M T H	NOTES
24	454759	HOSE ASSY / #10 985MM	1	1	
. NS	507344	. O-RING / ORS FITTING / #10 NEO	1	1	
25	454762	HOSE ASSY / #20 2415MM	1	1	
. NS	501803	. O-RING / ORS FITTING / #20 NEO	1	1	
26	457684	HOSE ASSY / #12 431MM	1	1	
. NS	501829	. O-RING / ORS FITTING / #12 NEO	1	1	
28	454758	PIPE ASSY	1	1	
29	457520	CLOSING, EVAPORATOR	1	1	
30	500957	SCREW TP BDG PH #10x3/4 N500	5	5	
31	5001780	SCREW CAP HEXF M8-1.25x16 G8.8 N500	3	3	
32	5001730	SCREW CAP HEXF M6-1.0x16 G10.9 N500	2	2	
33	952629	CLAMP / 5/8" I.D.	2	2	
43	504026	HOSE CLAMP / 2"13/16-3"3/4 SS / HS-52	1	1	
44	504022	HOSE CLAMP / 3/4"-1"3/4 SS / HS-20 To L-6512	2	2	
46	504442	CUFF END BELLOW / 1 1/4" I.D. x 3 1/2" x 4 1/2"	1	1	
50	X3VIP-2222-17	A/C LINE REAR SECTION / "GHG17"			
51	X3VIP-2208-10	REFRIGERANT SOLENOID VALVE			
52	X3VIP-2255-01	CONDENSOR - INSTALLATION / "GHG17"			
53	X3VIP-1865-22	EVAPORATOR & CONDENSOR WALL INSTALLATION GHG17			
56	504024	HOSE CLAMP / 1"13/16"-2"3/4 SS / HS-36 To L-6512	1	1	
57	504384	CUFF END BELLOW / 1 1/4" I.D. x 1 3/4" x 4" To L-6512	1	1	
58	374643	PROTECTOR HOSE SPLIT / 7/8" x 200MM To L-6512	1	1	
59	501125	CABLE-GLAND M40 X 1.5 From L-6513	1	1	
NS	505110	COIL PROTECTOR / PLASTIC / #12 From L-6513	AR	AR	
		U) UNDER CONSTRUCTION			



	Date:07/2024	X3VIP-23
ACCESSORIES		

Accessories Air System 5

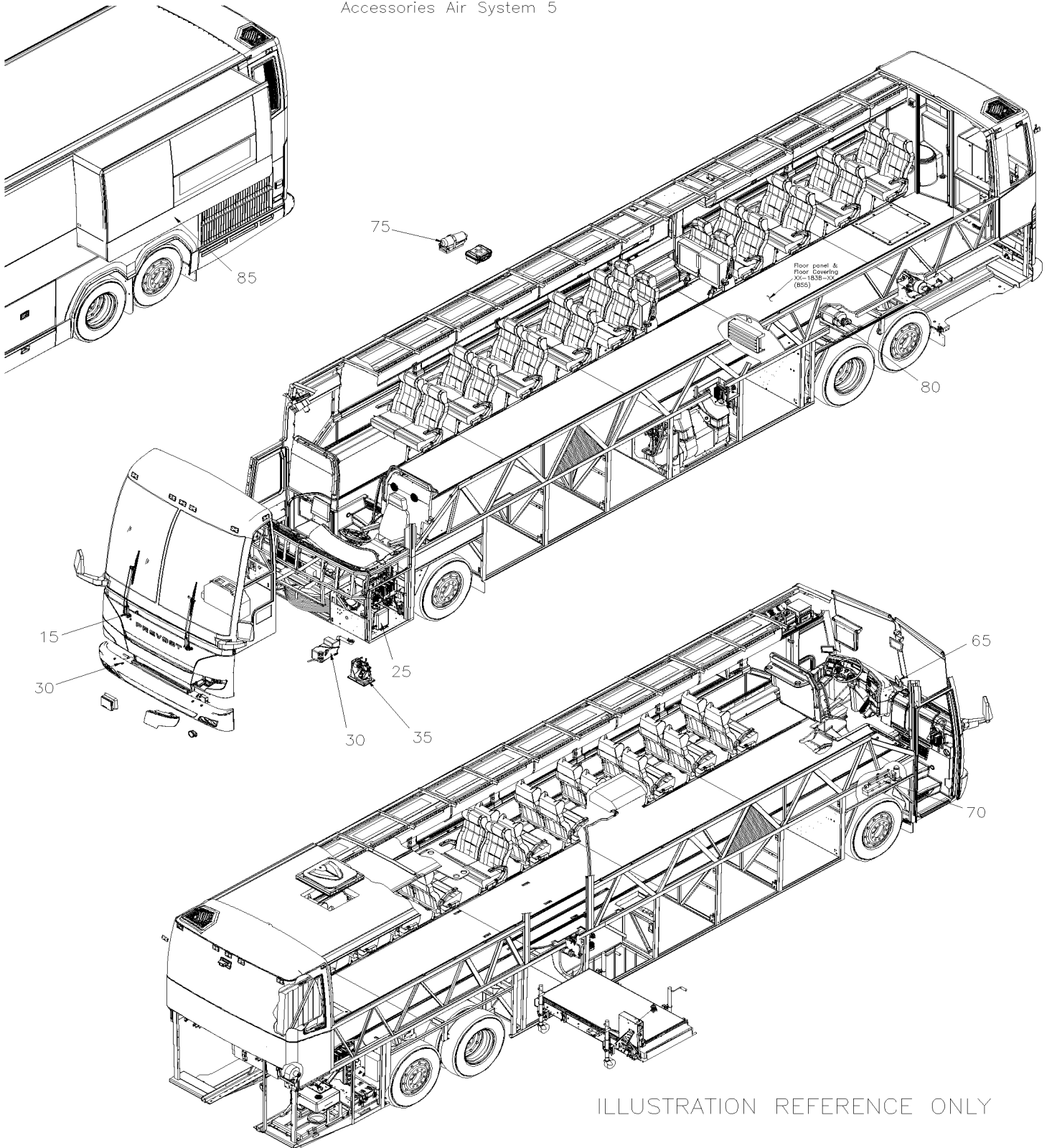


ILLUSTRATION REFERENCE ONLY



		Date:07/2024	X3VIP-23		
ACCESSORIES					
Item#	Part	Description	X 3 V I P E N T	X 3 V I P M T H	N O T E S
5	X3VIP-2300-50	ACCESSORIES AIR SYSTEM - MTH From E-5490 To F-5874			
5	X3VIP-2300-51	ACCESSORIES AIR SYSTEM - MTH From F-5875 To H-6179			
5	X3VIP-2300-52	ACCESSORIES AIR SYSTEM - MTH / GHG17 From H-6180			
10	X3VIP-2300-90	"SLIDE-OUT" AIR SYSTEM From E-5490			
15	X3VIP-2305-00	LOWER WINDSHIELD WIPER From E-5490			
15	X3VIP-2305-05	LOWER WINDSHIELD WIPER - INSTALLATION From E-5490 To K-6491			
15	X3VIP-2305-06	LOWER WINDSHIELD WIPER - INSTALLATION From L-6492			
25	X3VIP-2305-20	WINDSHIELD WASHER - INSTALLATION From E-5490			
30	X3VIP-2305-25	HEAD LAMP CLEANING WASHER TANK From E-5490			
35	X3VIP-2310-00	HORN - INSTALLATION From E-5490			
65	X3VIP-2319-00	VOLVO LINK ANTENNA - INSTALLATION From E-5490			
67	X3VIP-2319-80	SURROUNDING CAMERA SYSTEM INSTALLATION "BRIGADE" From L-6493			
70	X3VIP-2320-00	JACK & FLARE KIT - INSTALLATION From E-5490			
75	X3VIP-2320-30	EXTINGUISHER - INSTALLATION From E-5490			
80	X3VIP-2320-51	FIRE PROTECTION SYSTEM / HEATER & EVAPORATOR COMPARTMENT From E-5490			
81	X3VIP-2325-00	LAVATORY - ACCESSORIES From J-6223 To J-6223			A
82	X3VIP-2326-00	TOILET PUMP ASSY From J-6223 To J-6223			A
83	X3VIP-2328-00	LAVATORY WALL - INSTALLATION From J-6223 To J-6223			A
84	X3VIP-2329-00	LAVATORY DOOR LOCK & SWITCH From J-6223 To J-6223			A
85	X3VIP-2330-00	SUMP TANK SYSTEM - INSTALLATION From J-6223 To J-6223			A
86	X3VIP-2337-00	LAVATORY FAN - INSTALLATION From J-6223 To J-6223			A
87	X3VIP-2350-10	WATER HEATER - INSTALLATION From J-6223 To J-6223			A
88	X3VIP-2355-20	BACK-UP CAMERA & MONITOR - INSTALLATION From K-6454			
90	X3VIP-2380-00	W.C.L. "RICON" REMOVABLE MODEL "F9TF" From J-6223 To J-6223			A
90	X3VIP-2380-05	W.C.L. "RICON" REMOVABLE MODEL "F9TF" From J-6223 To J-6223			A
90	X3VIP-2380-10	W.C.L. "RICON" - LIFT ENCLOSURE ASSY MODEL "F9TF" From J-6223 To J-6223			A
90	X3VIP-2380-20	W.C.L. "RICON" - PLATFORM ASSY MODEL "F9TF" From J-6223 To J-6223			A
90	X3VIP-2380-30	W.C.L. "RICON" - TRAVELING FRAME ASSY MODEL "F9TF" From J-6223 To J-6223			A
90	X3VIP-2380-40	W.C.L. "RICON" - CARRIAGE ASSY MODEL "F9TF" From J-6223 To J-6223			A
90	X3VIP-2380-50	W.C.L. "RICON" - BRIDGE PLATE ASSY MODEL "F9TF" From J-6223 To J-6223			A
90	X3VIP-2380-60	W.C.L. "RICON" - PUMP INSTALLATION MODEL "F9TF" From J-6223 To J-6223			A
90	X3VIP-2380-65	W.C.L. "RICON" - PUMP ASSY From J-6223 To J-6223			A
120	X3VIP-2390-00	"SLIDE-OUT" INFLATED SEAL From E-5490			
120	X3VIP-2390-10	"SLIDE-OUT" AIR CONTROL PANEL From E-5490			
120	X3VIP-2390-20	"SLIDE-OUT" - FRONT MECHANISM - INSTALLATION From E-5490 To K-6491			
120	X3VIP-2390-21	"SLIDE-OUT" - FRONT MECHANISM - INSTALLATION From L-6492			
120	X3VIP-2390-30	"SLIDE-OUT" - REAR MECHANISM INSTALLATION From E-5490 To K-6491			
120	X3VIP-2390-31	"SLIDE-OUT" - REAR MECHANISM INSTALLATION From L-6492			
120	X3VIP-2390-40	"SLIDE-OUT" - BED SUPPORT From E-5490 To K-6491			
120	X3VIP-2390-41	"SLIDE-OUT" - BED SUPPORT From L-6492			
120	X3VIP-2390-50	"SLIDE-OUT" - INSTALLATION From E-5490 To K-6491			
120	X3VIP-2390-51	"SLIDE-OUT" - INSTALLATION / FRONT STREET SIDE From L-6492			



		Date:07/2024	X3VIP-23		
ACCESSORIES					
Item#	Part	Description	X 3 V I P E N T	X 3 V I P M T H	NOTES
120	X3VIP-2390-61	"SLIDE-OUT" - INSTALLATION / REAR STREET SIDE From L-6492			
120	X3VIP-2390-80	ACCESS PANELS - FRONT "SLIDE-OUT" - INSTALLATION / STREET SIDE From L-6492			
120	X3VIP-2390-90	ACCESS PANELS - REAR "SLIDE-OUT" - INSTALLATION / STREET SIDE From L-6492			
		A) AUTOBUS BRUNET" OPTION			

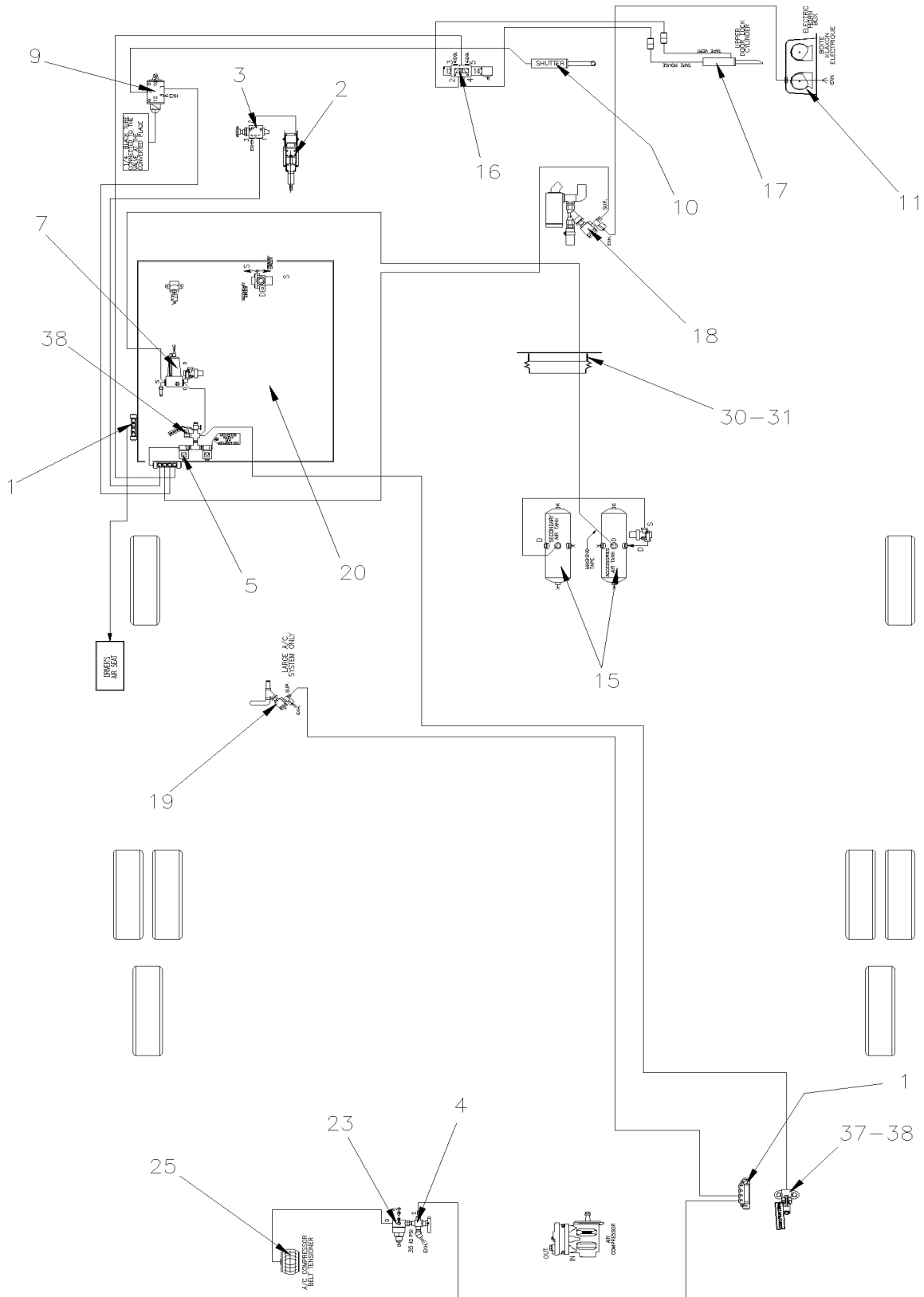


From E-5490 To F-5874

Date:07/2024

PAGE:X3VIP-2300-50

ACCESSORIES AIR SYSTEM - MTH



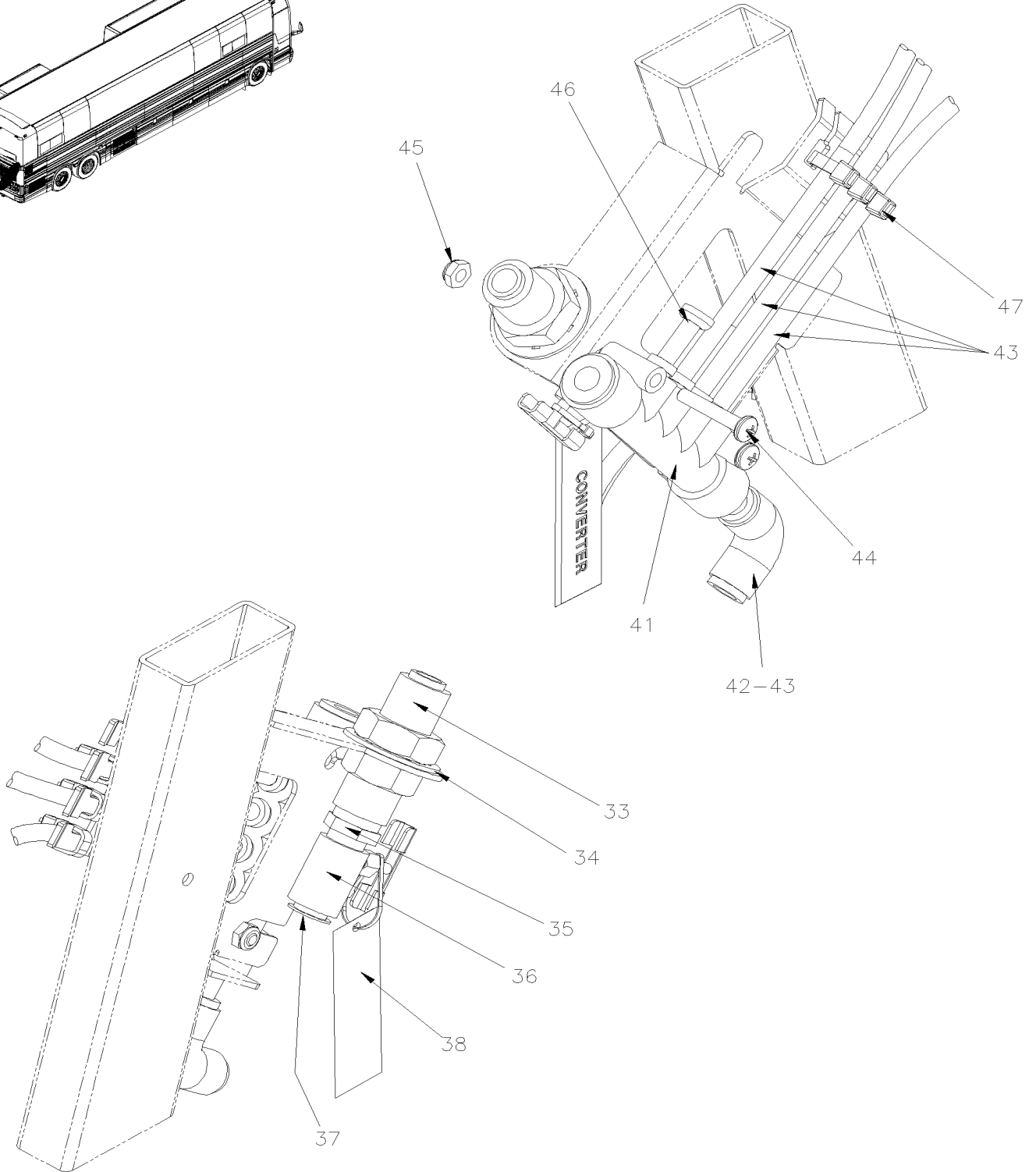
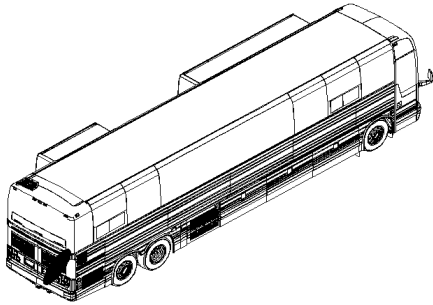


From E-5490 To F-5874

Date:07/2024

PAGE:X3VIP-2300-50

ACCESSORIES AIR SYSTEM - MTH





From E-5490 To F-5874	Date:07/2024	PAGE:X3VIP-2300-50
ACCESSORIES AIR SYSTEM - MTH		

Item#	Part	Description	X 3 V I P E N T	X 3 V I P M T H	N O T E S
1	641897	MANIFOLD / PUSH-IN FITTING / 2x#6 / 4x#4 PLAS	1	1	
1	20462708	ELBOW 90° STEM / PUSH-IN FITTING / #6x#6STEM PLAS To E-5757	1	1	
1	647894	ELBOW 90° STEM / PUSH-IN FITTING / #6x#6STEM PLAS From E-5758	1	1	
1	641416	PLUG STEM / PUSH-IN FITTING / #4 PLAS	AR	AR	
2	X3VIP-1405-00	STEERING WHEEL & COLUMN ASSY WITH CONTROL SWITCHES			
3	642173	VALVE, 3 WAYS, 2 POSITIONS MECHANICAL	1	1	
4	642161	VALVE, 3 WAYS 1/8NPT-Fx1/8NPT-Fx1/8NPT-F BR	1	1	
. NS	642014	. HANDLE / RED	1	1	
5	562804	VALVE, 2 WAYS N.C.	2	2	
. NS	562848	. CONNECTOR / SOCKET HOUSING ASSY 3C / PNEUMAC 54933-05	1	1	
7	X3VIP-1220-15	AIR FILTER - ACCESSORIES			
8	X3VIP-0645-21	CENTER DASHBOARD PANEL WITH "EPA 2010"			
9	N.P.N.	SUPPLIED BY CONVERTER			4
10	053011	SHUTTER ASSY	1	1	
11	X3VIP-2310-00	HORN - INSTALLATION			
15	141834	AIR TANK / 1303 IN° / 8" O.D. X 27"1/2	2	2	
16	642023	VALVE, 5 WAYS, 2 POSITIONS 24V / MODEL V19	1	1	
. NS	641385	. CONNECTOR / SOCKET HOUSING ASSY 3C / PNEUMAC 54934-01	1	1	
17	287012	UPPER LOCK ASSY	1	1	
18	X3VIP-2207-05	WATER VALVE - HEATER			
19	X3VIP-2207-00	WATER VALVE - HEATER			
20	X3VIP-1640-50	LEVEL-LOW - CONTROL PANEL & VALVES			
23	641472	AIR PRESSURE REGULATOR 1/4" NPT / COPPER	2	2	
25	550840	BELLOW ASSY / BELT TENSIONER / 4" O.D.	3	3	
30	504499	CUFF END BELLOW / 2 7/8" I.D. x 3 5/8" x 4 7/16	1	1	
31	141567	PROTECTOR RUBBER 100MM	1	1	
33	642157	BULKHEAD FEMALE CONNECTOR / PUSH-IN FITTING / #6x3/8NPT-F BR	1	1	
34	500489	WASHER LO INT .894x1.410x.060 Z050	1	1	
35	501314	BUSHING REDUCER / PIPE FITTING / 3/8NTP-Mx1/4NPT-F BR	1	1	
36	5011129	NEEDLE VALVE 1/4 NPT M x 1/4 NPT F	1	1	
36	680098	THREAD SEALANT LOCTITE #567 / WHITE / 250ml	AR	AR	
37	680408	CAP PLUG (ID 0.402, OD 0.471)	1	1	
38	391812	IDENTIFICATION PLATE (CONVERTER)	1	1	
38	504273	CABLE TIE / 1/8" X 3"1/2	1	1	
41	641897	MANIFOLD / PUSH-IN FITTING / 2x#6 / 4x#4 PLAS	1	1	
42	641436	UNION ELBOW 90° / PUSH-IN FITTING / #6x#6 BR	1	1	
43	503402	TUBE, NYLON 1/4 O.D. / BLACK S.L.	AR	AR	
44	5001042	SCREW MA RND PH #10-32x1 1/4 SS	2	2	
45	500423	NUT HEX NYRT #10-32 SS	2	2	
46	641416	PLUG STEM / PUSH-IN FITTING / #4 PLAS	1	1	
47	504637	CABLE TIE / 3/16" x 13"	3	3	
50	X3VIP-0665-00	ENGINE COMPARTMENT - ELECTRIC COMPONENTS	1	1	



From E-5490 To F-5874	Date:07/2024	PAGE:X3VIP-2300-50
-----------------------	--------------	--------------------

ACCESSORIES AIR SYSTEM - MTH

Item#	Part	Description	X 3 V I P E N T	X 3 V I P M T H	N O T E S
50	X3VIP-0665-01	ENGINE COMPARTMENT - ELECTRIC COMPONENTS	1	1	
		4) NO PARTS NUMBER			

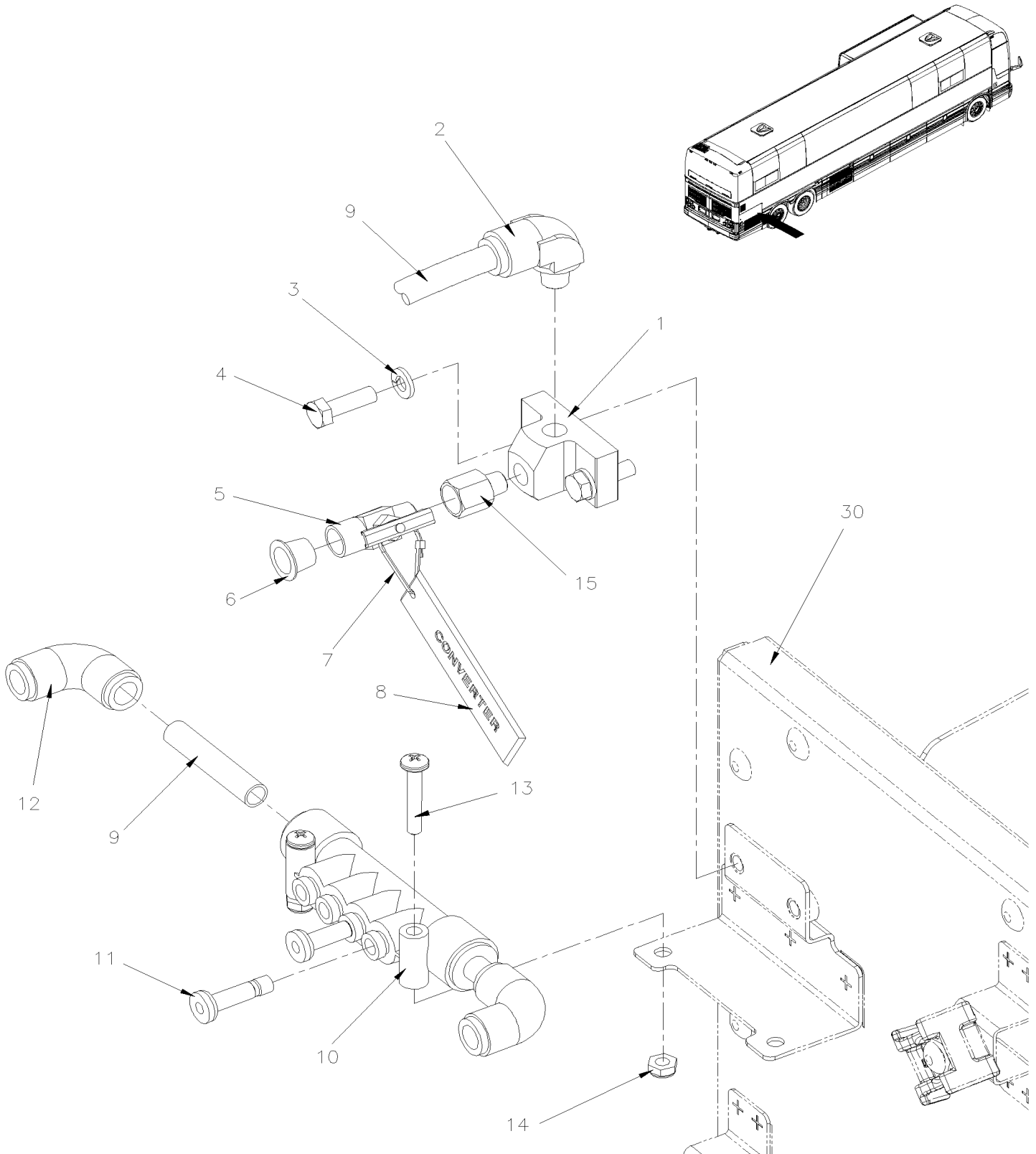


From H-6180

Date:07/2024

PAGE:X3VIP-2300-52

ACCESSORIES AIR SYSTEM - MTH / GHG17





From H-6180	Date:07/2024	PAGE:X3VIP-2300-52
ACCESSORIES AIR SYSTEM - MTH / GHG17		

Item#	Part	Description	X 3 V I P E N T	X 3 V I P M T H	N O T E S
1	642021	DROP-EAR ELBOW 90° / PIPE FITTING / 1/8NPT-F BR	1	1	
2	641370	MALE ELBOW 90° NON-SWIVEL / PUSH-IN FITTING / #6x1/8NPT-M BR	1	1	
3	502853	WASHER LO SPT 6.1x11.8x1.6 N500	2	2	
4	502626	SCREW MA PAN PH M6-1.0x20 N500	2	2	
5	5011129	NEEDLE VALVE 1/4 NPT M x 1/4 NPT F	1	1	
6	680408	CAP PLUG (ID 0.402, OD 0.471)	1	1	
7	504273	CABLE TIE / 1/8" X 3"1/2	1	1	
8	391812	IDENTIFICATION PLATE (CONVERTER)	1	1	
9	503404	TUBE, NYLON 3/8 O.D. / BLACK S.L.	AR	AR	
10	641897	MANIFOLD / PUSH-IN FITTING / 2x#6 / 4x#4 PLAS	1	1	
11	641416	PLUG STEM / PUSH-IN FITTING / #4 PLAS	2	2	
12	641436	UNION ELBOW 90° / PUSH-IN FITTING / #6x#6 BR	2	2	
13	5001991	SCREW MA RND PH M5-0.8x30 SS	2	2	
14	5001587	NUT HEX NYRT M5-0.8 SS	2	2	
15	501310	ADAPTER / PIPE FITTING / 1/4NPT-Fx1/8NPT-M BR	1	1	
NS	680098	THREAD SEALANT LOCTITE #567 / WHITE / 250ml	AR	AR	
30	X3VIP-0620-51	REAR JUNCTION BOX ASSY VOLVO D13 - GHG17			

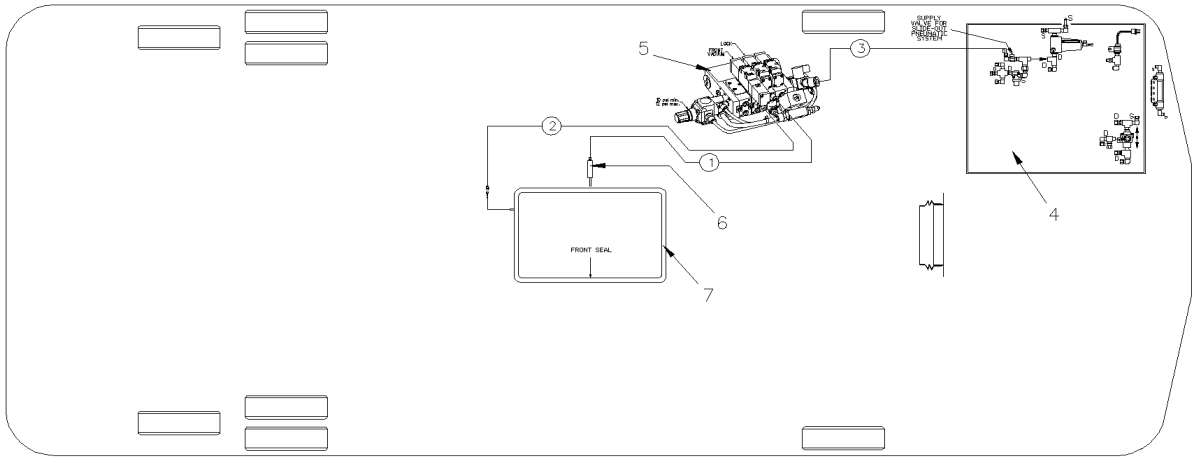


From E-5490

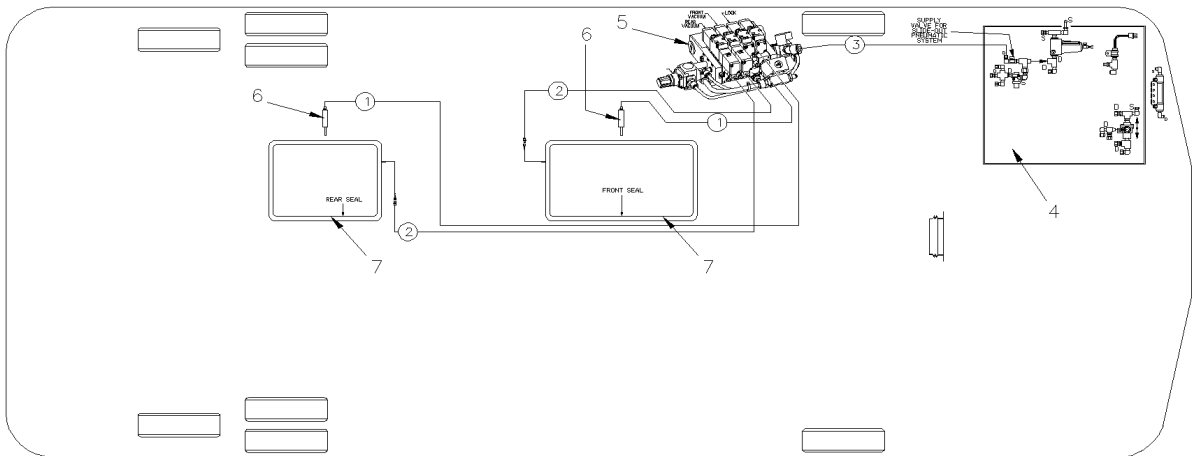
Date:07/2024

PAGE:X3VIP-2300-90

"SLIDE-OUT" AIR SYSTEM



WITH FRONT SINGLE SLIDE-OUT



WITH DOUBLE SLIDE-OUT



From E-5490	Date:07/2024	PAGE:X3VIP-2300-90
"SLIDE-OUT" AIR SYSTEM		

Item#	Part	Description	X 3 V I P E N T	X 3 V I P M T H	N O T E S
1	503536	TUBE, NYLON 1/8 O.D. / BLACK S.L.	AR	AR	
2	503404	TUBE, NYLON 3/8 O.D. / BLACK S.L.	AR	AR	
3	503488	TUBE, NYLON 1/2 O.D. / BLACK S.L./	AR	AR	
4	X3VIP-1640-50	LEVEL-LOW - CONTROL PANEL & VALVES To F-5874			
4	X3VIP-1640-51	LEVEL-LOW - CONTROL PANEL & VALVES From F-5875			
5	X3VIP-2390-10	"SLIDE-OUT" AIR CONTROL PANEL			
6	X3VIP-2390-20	"SLIDE-OUT" - FRONT MECHANISM - INSTALLATION			
6	X3VIP-2390-30	"SLIDE-OUT" - REAR MECHANISM INSTALLATION			
7	X3VIP-2390-00	"SLIDE-OUT" INFLATED SEAL			
8	642095	UNION "Y" / PUSH-IN FITTING / #2x#2x#2 PLAS	AR	AR	

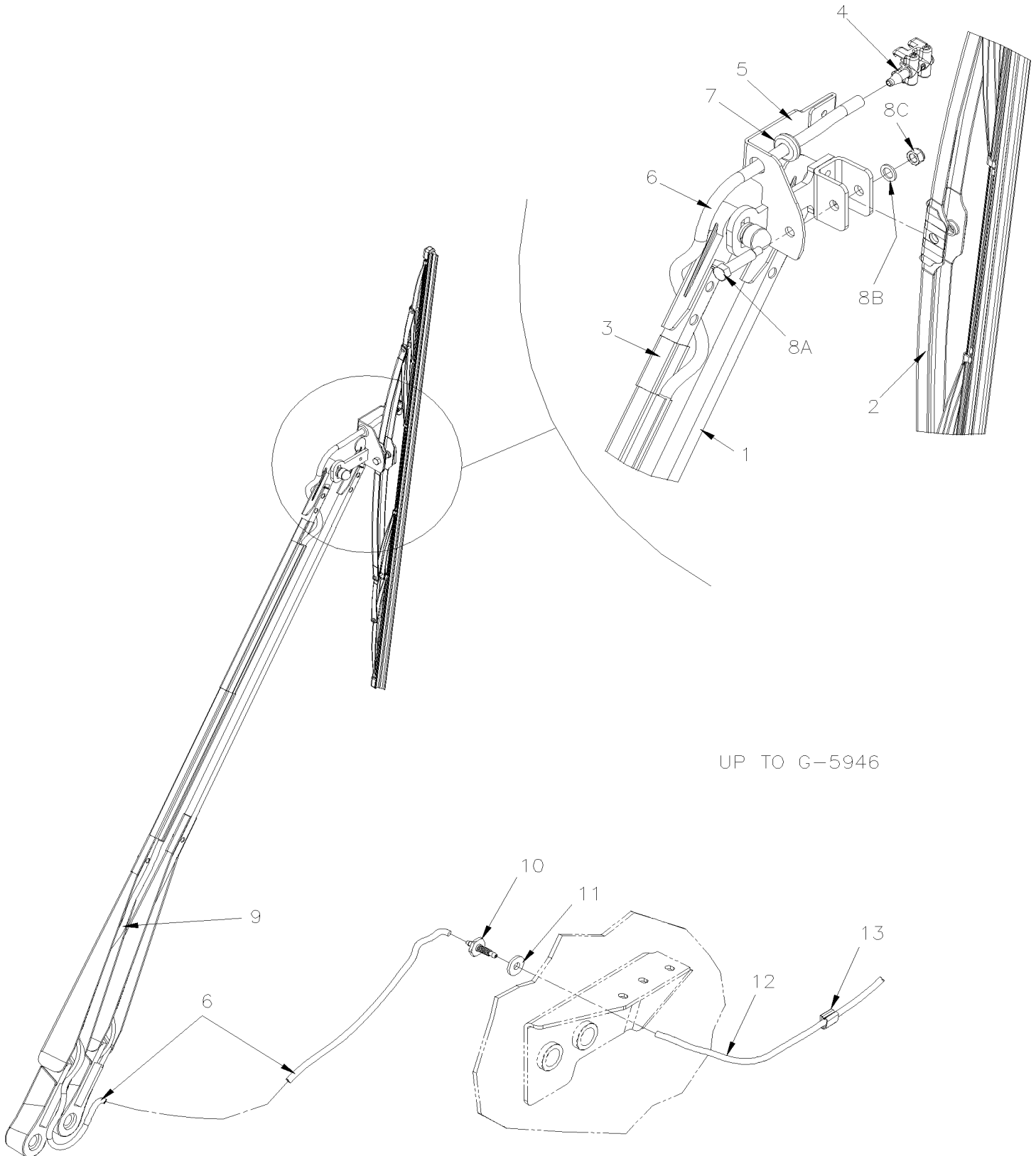


From E-5490

Date:07/2024

PAGE:X3VIP-2305-00

LOWER WINDSHIELD WIPER



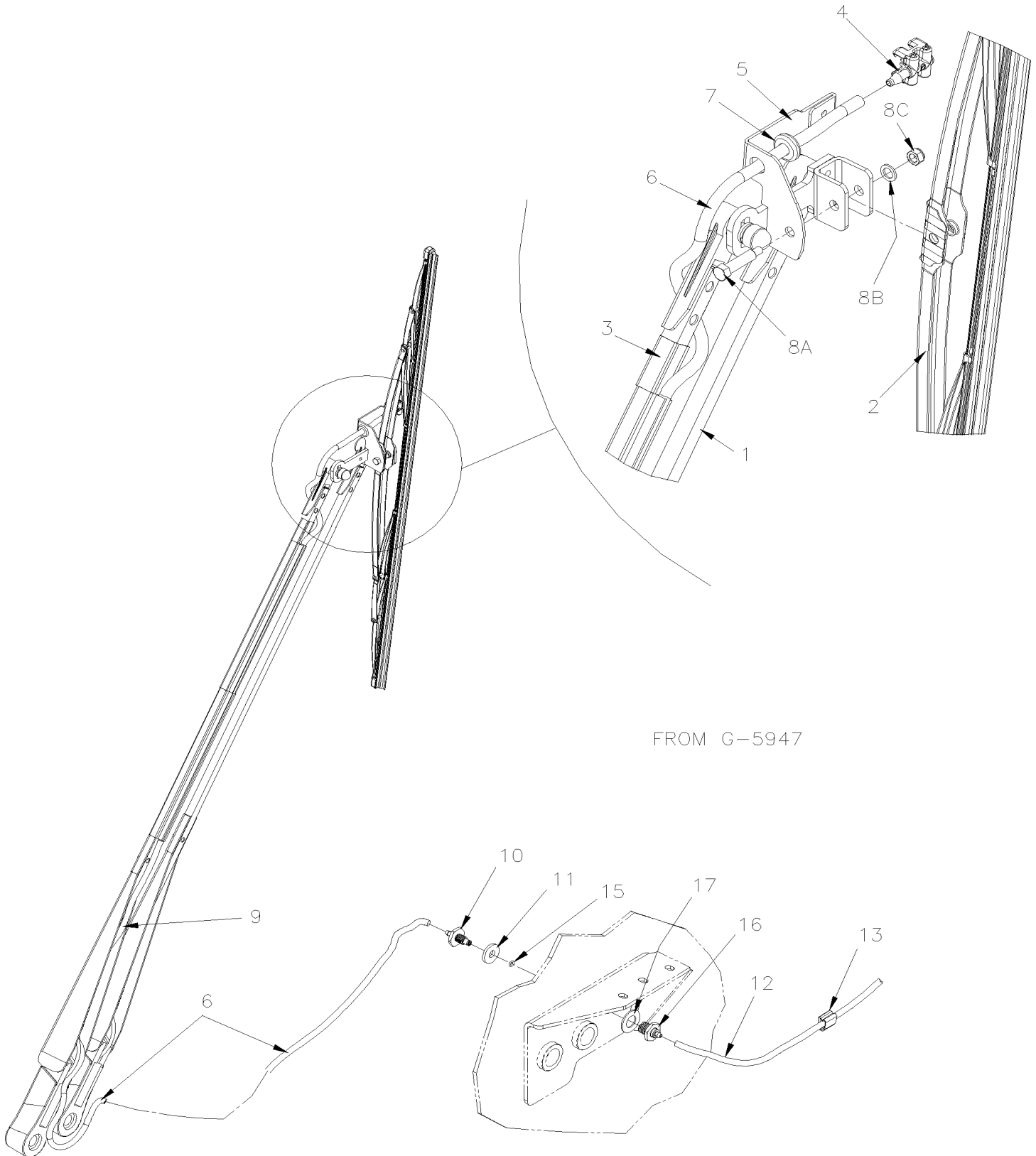


From E-5490

Date:07/2024

PAGE:X3VIP-2305-00

LOWER WINDSHIELD WIPER



FROM G-5947

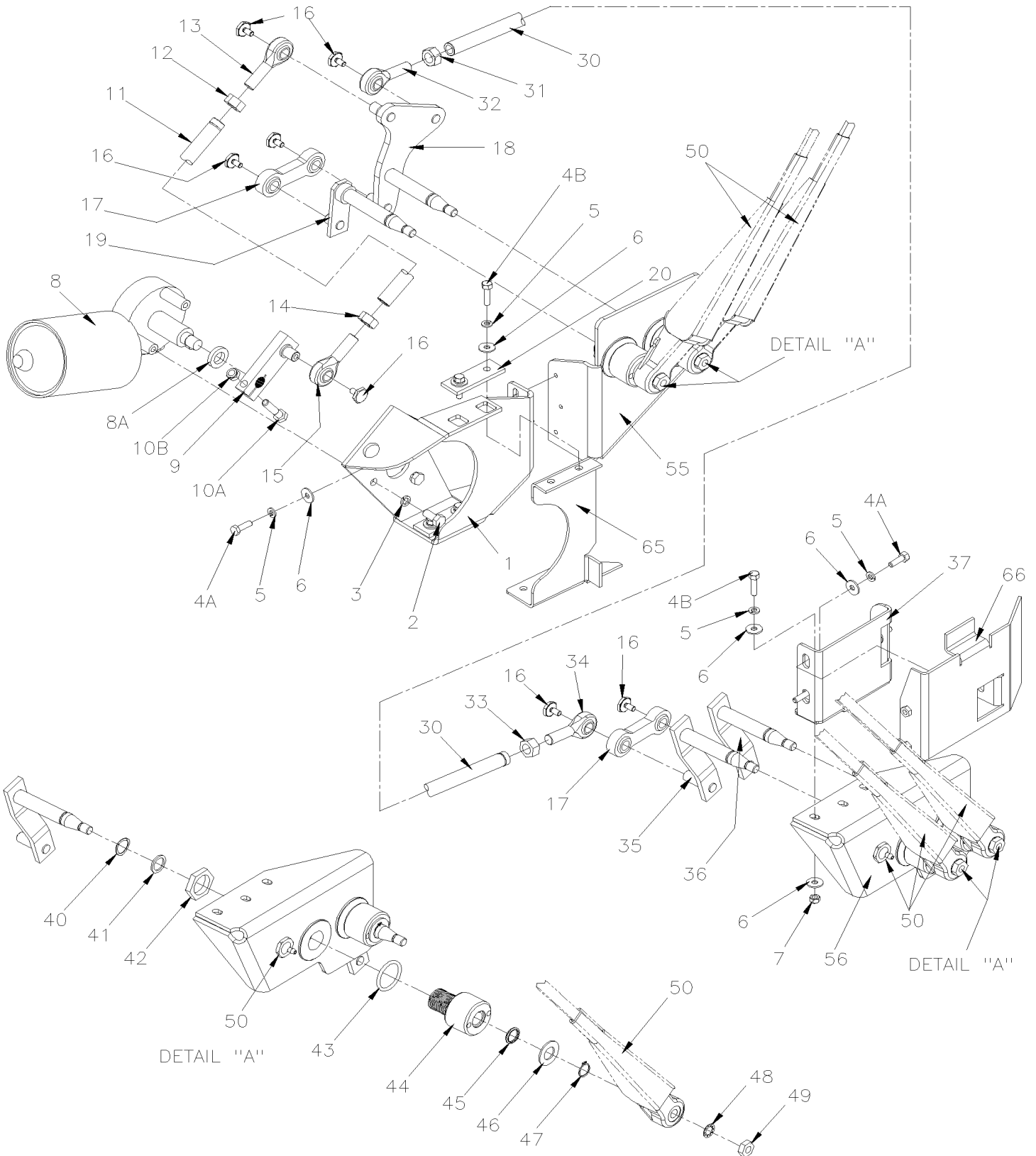


From E-5490 To K-6491

Date:07/2024

PAGE:X3VIP-2305-05

LOWER WINDSHIELD WIPER - INSTALLATION





From E-5490 To K-6491	Date:07/2024	PAGE:X3VIP-2305-05
-----------------------	--------------	--------------------

LOWER WINDSHIELD WIPER - INSTALLATION

Item#	Part	Description	X 3 V I P E N T	X 3 V I P M T H	N O T E S
1	300415	SUPPORT ELECTRIC MOTOR	1	1	
1	300543	SHIM 20GA	1	1	
1	300544	SHIM 24GA	1	1	
2	5001217	SCREW CAP HEX M8-1.25x20 G10.9	3	3	
3	500942	WASHER LO SPT 8.1x14.8x2.0 N500	3	3	
4A	502830	SCREW CAP HEX M6-1.0x20 G8.8 N500	6	6	
4B	5001209	SCREW CAP HEX M6-1.0x25 G8.8 Z050	7	7	
5	502564	WASHER LO SPT 6.1x11.8x1.6 Z050	13	13	
6	5001462	WASHER FL 6.4x18.0x1.6 Z050	16	16	
7	502681	NUT HEX NYRT M6-1.0 N500 G8	3	3	
8	800380	MOTOR WIPER ASSY / 24V / BOSCH	1	1	
8A	300424	WASHER	1	1	
9	300445	CRANK ARM	1	1	
10A	502651	. SCREW CAP HEX M8-1.25x35 G8.8 Z050	1	1	
10B	500868	. NUT HEX NYRT M8-1.25 Z050	1	1	
11	300363	ROD ASSY 254MM C/C	1	1	
11	300344	. ROD 179MM	1	1	
12	5001466	. NUT HEX LH M12-1.75 N500	1	1	
13	502253	. ROD END MALE L.H. M12-1.75-L.HH / 12MM I.D.	1	1	
14	5001757	. NUT HEX M12-1.75 N500	1	1	
15	502252	. ROD END MALE M12-1.75 / 12MM I.D.	1	1	
16	507613	SCREW CAP HEX M6-1.0x12 / W/17MM HEAD ZP	7	7	
17	502256	DOUBLE LINK 60MM	2	2	
18	300515	COUPLING PLATE ASSY	1	1	
19	300519	DRIVE LEVER ASSY EXT	1	1	
20	300426	PLATE 25MMx70MM	2	2	
30	300362	ROD ASSY 1168MM C/C	1	1	
30	300332	. ROD 1093MM	1	1	
31	5001757	. NUT HEX M12-1.75 N500	1	1	
32	502252	. ROD END MALE M12-1.75 / 12MM I.D.	1	1	
33	5001466	. NUT HEX LH M12-1.75 N500	1	1	
34	502253	. ROD END MALE L.H. M12-1.75-L.HH / 12MM I.D.	1	1	
35	300524	DRIVE LEVER ASSY INT.	1	1	
36	300521	DRIVE LEVER ASSY EXT.	1	1	
37	300336	TRANSITION SUPPORT	1	1	
40	5001471	WASHER SPR WAVE .855x.650x.015	4	4	
41	5001459	WASHER SPR WAVE 16.0x22.0x1.5	4	4	
42	5001463	NUT HEX JAM 1-14 Z050	4	4	
43	507366	O-RING	4	4	
44	300333	CAP-HOUSING	4	4	
. NS	5001455	. BUSHING BRASS 16X20X20	2	2	
NS	680739	GREASE SYNTHETIC / RED 20KG	AR	AR	



From E-5490 To K-6491	Date:07/2024	PAGE:X3VIP-2305-05
-----------------------	--------------	--------------------

LOWER WINDSHIELD WIPER - INSTALLATION

Item#	Part	Description	X 3 V I P E N T	X 3 V I P M T H	N O T E S
45	507369	O-RING W/BACKING	4	4	
46	5001460	WASHER FL .640x1.188x0.073 SS	4	4	
47	504691	RING RETAINER / EXT .625 x .588 x .035" / SS	4	4	
48	500823	WASHER LO INT 10.5x18.0x0.9 BK	4	4	
49	502567	NUT HEX M10-1.5 SS	4	4	
NS	680038	THREAD LOCKER LOCTITE #243 / BLUE / 50ml	AR	AR	
50	X3VIP-2305-00	LOWER WINDSHIELD WIPER			
55	N.S.S.	SUPPORT R.H. To G-5946	1	1	1 A
55	N.S.S.	SUPPORT R.H. From G-5947	1	1	1 A
56	N.S.S.	SUPPORT L.H. To G-5946	1	1	1 A
56	N.S.S.	SUPPORT L.H. From G-5947	1	1	1 A
65	251087	SUPPORT WIPER R.H.	1	1	
66	251086	SUPPORT WIPER L.H.	1	1	
		A) THIS PART IS FIXED IN FRONT FIBERGLASS CAP			
		1) NOT SOLD SEPARATELY			

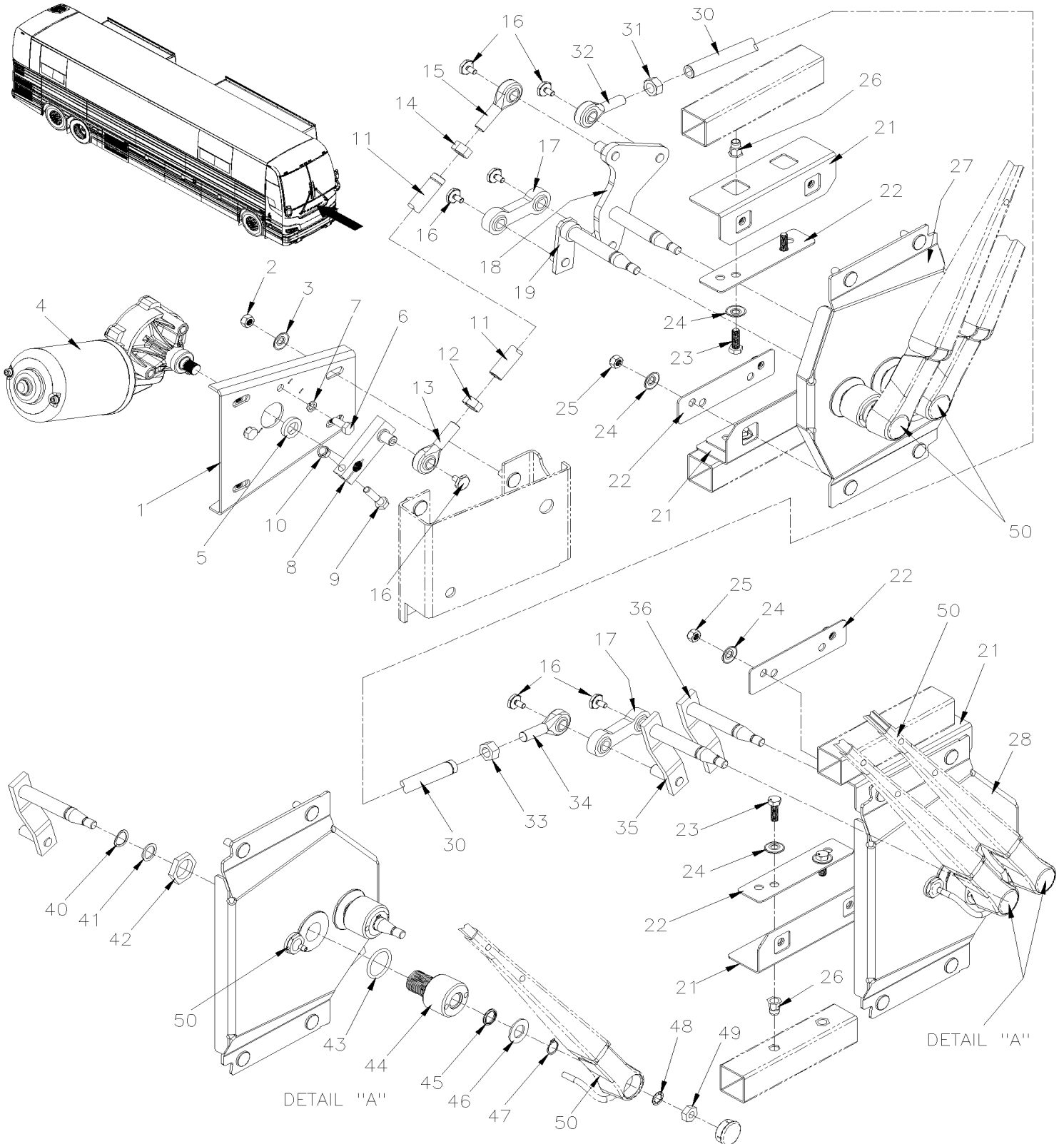


From L-6492

Date:07/2024

PAGE:X3VIP-2305-06

LOWER WINDSHIELD WIPER - INSTALLATION





From L-6492		Date:07/2024	PAGE:X3VIP-2305-06
LOWER WINDSHIELD WIPER - INSTALLATION			

Item#	Part	Description	X 3 V I P E N T	X 3 V I P M T H	N O T E S
1	300057	WIPER MOTOR SUPPORT To P-6875	1	1	
1	300743	WIPER MOTOR SUPPORT From P-6876	1	1	
2	5001983	NUT HEX NYRT M8-1.25 SS SS BK	4	4	
3	5001699	WASHER BEL SPR 8.2x22x1.4 N500	4	4	
4	800380	MOTOR WIPER ASSY / 24V / BOSCH To P-6875	1	1	
4	800401	MOTOR WIPER ASSY / 24V / DOGA From P-6876	1	1	
5	300424	WASHER	1	1	
6	5001217	SCREW CAP HEX M8-1.25x20 G10.9	3	3	
7	500942	WASHER LO SPT 8.1x14.8x2.0 N500	3	3	
8	300445	CRANK ARM	1	1	
9	502651	. SCREW CAP HEX M8-1.25x35 G8.8 Z050	1	1	
10	500868	. NUT HEX NYRT M8-1.25 Z050	1	1	
11	300363	ROD ASSY 254MM C/C	1	1	
11	300344	. ROD 179MM	1	1	
12	5001757	. NUT HEX M12-1.75 N500	1	1	
13	502252	. ROD END MALE M12-1.75 / 12MM I.D.	1	1	
14	5001466	. NUT HEX LH M12-1.75 N500	1	1	
15	502253	. ROD END MALE L.H. M12-1.75-L.HH / 12MM I.D.	1	1	
16	507613	SCREW CAP HEX M6-1.0x12 / W/17MM HEAD ZP	7	7	
17	502256	DOUBLE LINK 60MM	2	2	
18	300515	COUPLING PLATE ASSY	1	1	
19	300519	DRIVE LEVER ASSY EXT	1	1	
21	300178	WIPER ANCHOR PLATE	4	4	
22	300188	WIPER PLATE	8	8	
23	5001745	SCREW CAP HEX M8-1.25x25 G8.8 N500	8	8	
24	5001699	WASHER BEL SPR 8.2x22x1.4 N500	16	16	
25	5001983	NUT HEX NYRT M8-1.25 SS SS BK	8	8	
26	5001692	NUT INS FL HEX M8-1.25 0.5-3.0 SS	8	8	
27	300058	ANCHOR PLATE RH	1	1	
28	300060	ANCHOR PLATE LH	1	1	
30	300362	ROD ASSY 1168MM C/C	1	1	
30	300332	. ROD 1093MM	1	1	
31	5001757	. NUT HEX M12-1.75 N500	1	1	
32	502252	. ROD END MALE M12-1.75 / 12MM I.D.	1	1	
33	5001466	. NUT HEX LH M12-1.75 N500	1	1	
34	502253	. ROD END MALE L.H. M12-1.75-L.HH / 12MM I.D.	1	1	
35	300668	DRIVE LEVER ASSY INT.	1	1	
36	300667	DRIVE LEVER ASSY EXT.	1	1	
40	5001471	WASHER SPR WAVE .855x.650x.015	4	4	



From L-6492	Date:07/2024	PAGE:X3VIP-2305-06
-------------	--------------	--------------------

LOWER WINDSHIELD WIPER - INSTALLATION

Item#	Part	Description	X 3 V I P E N T	X 3 V I P M T H	N O T E S
41	5001459	WASHER SPR WAVE 16.0x22.0x1.5	4	4	
42	5001463	NUT HEX JAM 1-14 Z050	4	4	
43	507366	O-RING	4	4	
44	300333	CAP-HOUSING	4	4	
. NS	5001455	. BUSHING BRASS 16X20X20	2	2	
NS	680739	GREASE SYNTHETIC / RED 20KG	AR	AR	
45	507369	O-RING W/BACKING	4	4	
46	5001460	WASHER FL .640x1.188x0.073 SS	4	4	
47	504691	RING RETAINER / EXT .625 x .588 x .035" / SS	4	4	
48	500823	WASHER LO INT 10.5x18.0x0.9 BK	4	4	
49	502567	NUT HEX M10-1.5 SS	4	4	
NS	680038	THREAD LOCKER LOCTITE #243 / BLUE / 50ml	AR	AR	
50	X3VIP-2305-00	LOWER WINDSHIELD WIPER			

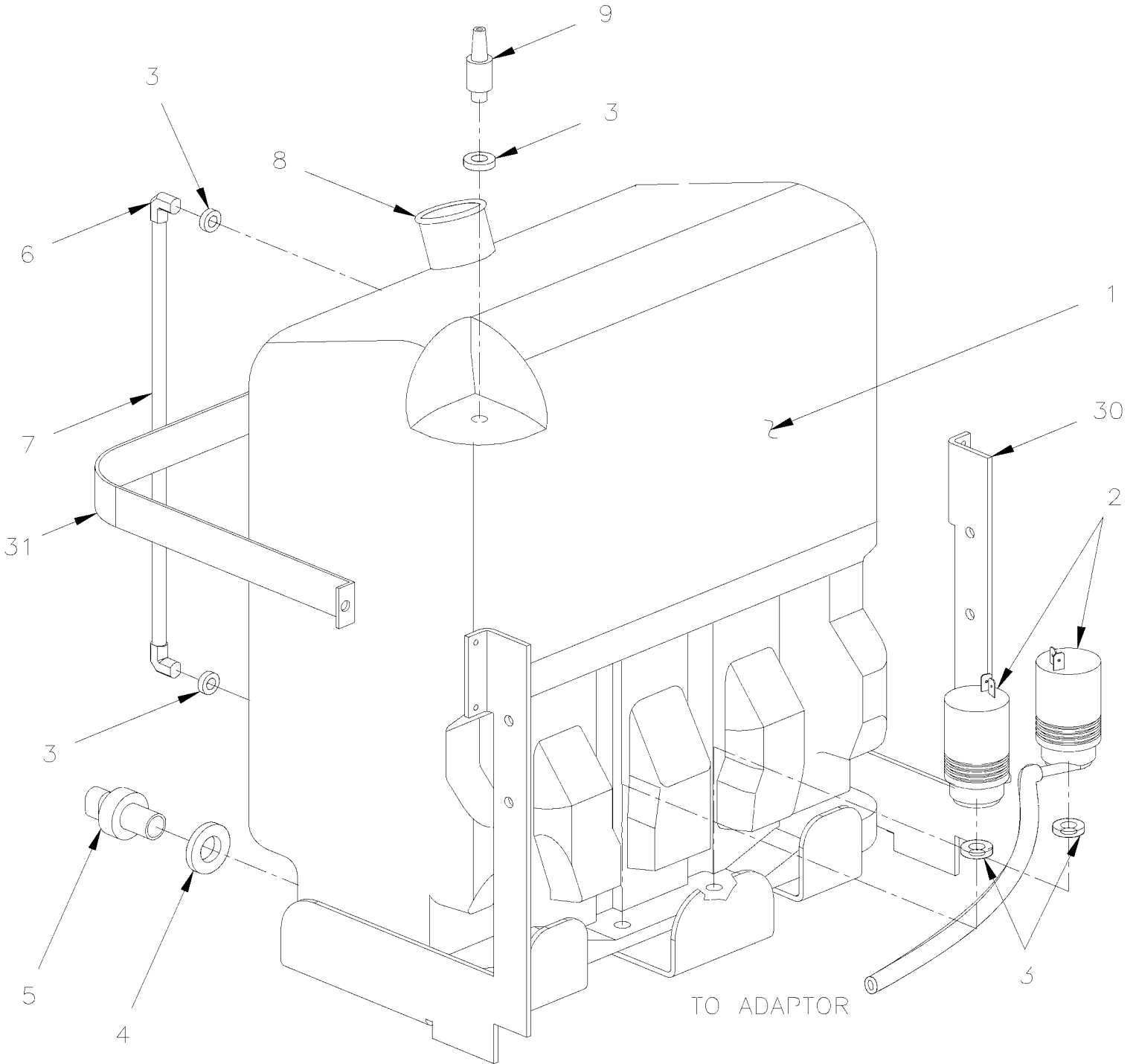


From E-5490

Date:07/2024

PAGE:X3VIP-2305-20

WINDSHIELD WASHER - INSTALLATION





From E-5490	Date:07/2024	PAGE:X3VIP-2305-20
-------------	--------------	--------------------

WINDSHIELD WASHER - INSTALLATION

Item#	Part	Description	X 3 V I P E N T	X 3 V I P M T H	N O T E S
1	800379	WINDSHIELD WASHER TANK	1	1	
2	800346	. PUMP WINDSHIELD WASHER 24V	2	2	
3	800348	. SEAL RETAINER	5	5	
4	800349	. SEAL RETAINER	1	1	
5	800364	. SENSOR LEVEL-LOW	1	1	
. NS	563409	. . CONNECTOR / SUPERSEAL 1.5 SERIES / SH 2C / AMP 282080-1	1	1	
. NS	562607	. . SOCKET TERMINAL / 20-16 / AMP 183025-1	2	2	
6	800352	. ELBOW 90°	2	2	
7	560382	. PLASTIC TUBING / 1/4" / CLEAR	AR	AR	
8	800350	. COVER WASHER RESERVOIR	1	1	
9	800351	. CHECK VALVE	1	1	
20	503002	HOSE / EPDM 5/32" I.D. / S.L.	AR	AR	
30	286422	SUPPORT / WINDSHIELD WASHER TANK / WELDED TO STRUCTURE	1	1	
31	287097	STRAP RETAINING SS / 330MM x 196MM	1	1	
31	502854	NUT HEX M6-1.0 N500	2	2	
31	502570	WASHER LO SPT 6.1x11.8x1.6 SS	2	2	

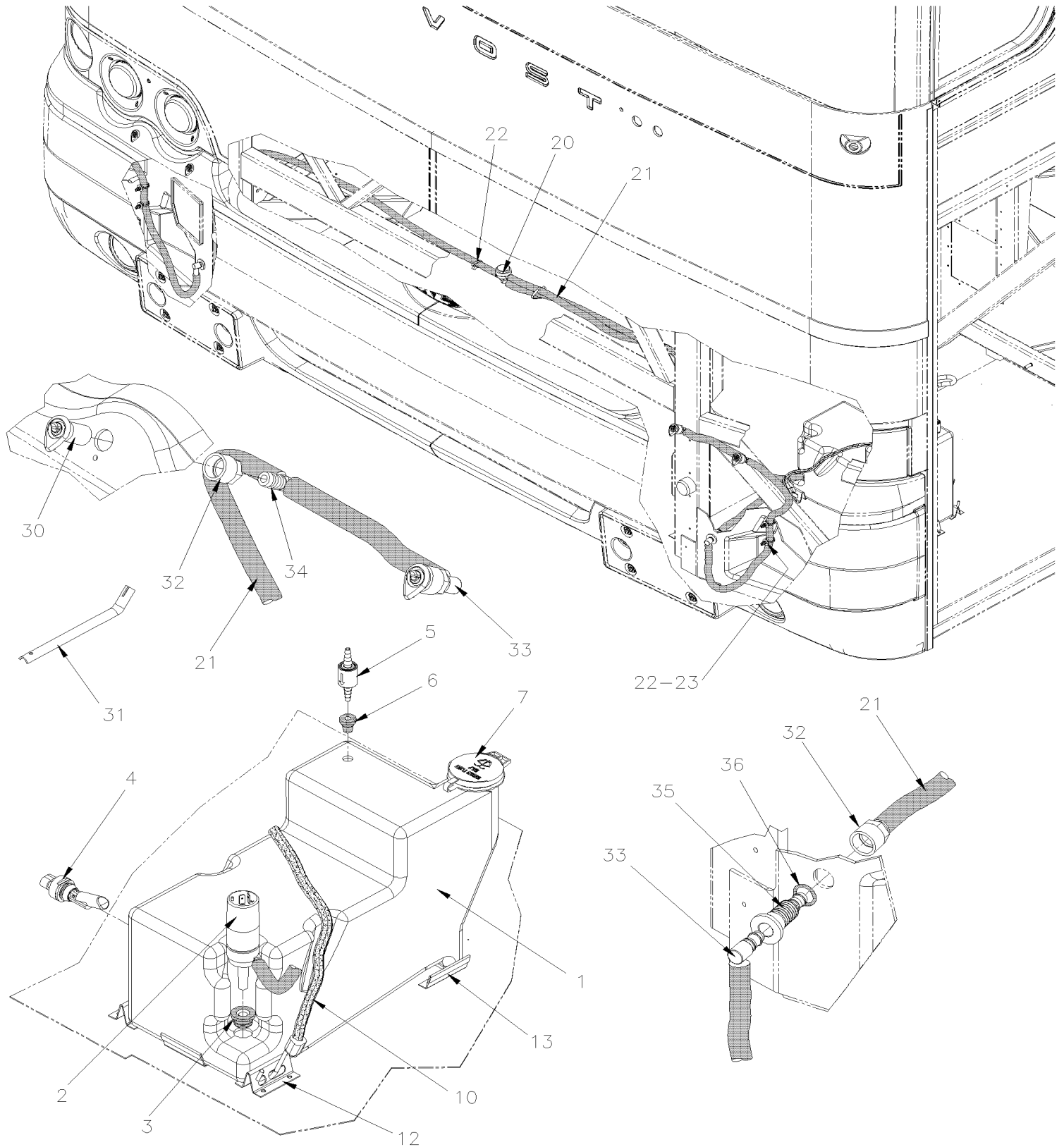


From E-5490

Date:07/2024

PAGE:X3VIP-2305-25

HEAD LAMP CLEANING WASHER TANK





From E-5490	Date:07/2024	PAGE:X3VIP-2305-25
HEAD LAMP CLEANING WASHER TANK		

Item#	Part	Description	X 3 V I P E N T	X 3 V I P M T H	N O T E S
	300573P	HEADLAMP WASHER TANK ASSY	1	1	
1	300577P	. HEADLAMP WASHER TANK	1	1	
2	800367	. PUMP SEALBEAM WASHER	1	1	
3	800368	. GROMMET PUMP	1	1	
4	800364	. SENSOR LEVEL-LOW	1	1	
. NS	563409	. . CONNECTOR / SUPERSEAL 1.5 SERIES / SH 2C / AMP 282080-1	1	1	
. NS	562607	. . SOCKET TERMINAL / 20-16 / AMP 183025-1	2	2	
5	800351	. CHECK VALVE	1	1	
6	800348	. SEAL RETAINER	1	1	
7	20462640	. COVER WASHER RESERVOIR	1	1	
7	300621	. GASKET / COVER WASHER RESERVOIR From E-5586	1	1	
10	504731	TIE RUBBER BELT, W/HOOK 15"	1	1	
12	300563	RESERVOIR SUPPORT FOR HOOK / HEADLAMP WASH.	4	4	
13	300570	RESERVOIR SUPPORT SIDE	2	2	
20	800371	VALVE CENTRAL	1	1	
21	800376	HOSE HEADLAMP WASHER / 5M	1	1	
22	504637	CABLE TIE / 3/16" x 13"	1	1	
23	509815	TIE MOUNT / ATTACHMENT W/TREE MOUNT	4	4	
30	800372	NOZZLE SEALBEAM WASHER	4	4	
31	800377	TOOL, ALIGNMENT NOZZLE HEADLAMP	AR	AR	
32	800373	NUT NOZZLE ADAPTOR	4	4	
33	800369	ELBOW NOZZLE ADAPTOR	4	4	
34	300561	TEE CONNECTOR (MODIFIED)	2	2	
35	800375	ADAPTOR WALL / FRONT FACE	2	2	
36	507214	O-RING	2	2	

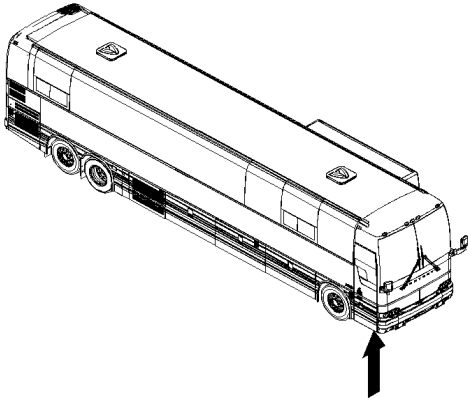


From E-5490

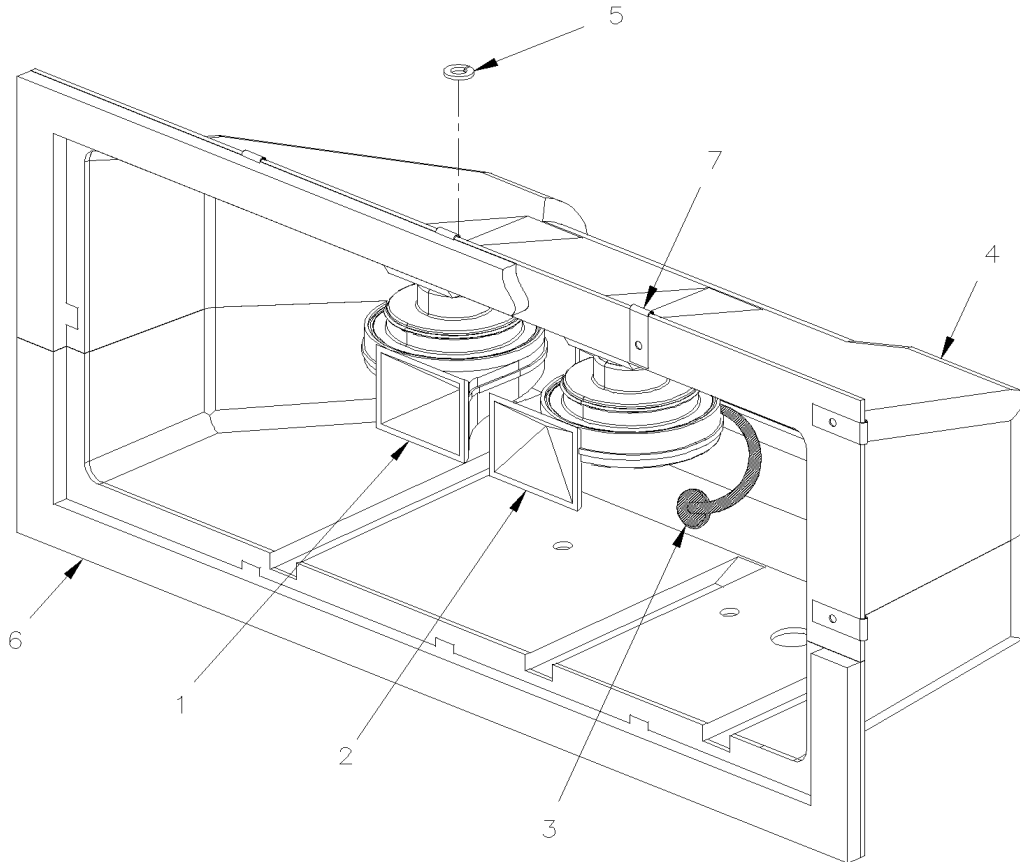
Date:07/2024

PAGE:X3VIP-2310-00

HORN - INSTALLATION



UP TO E-5585





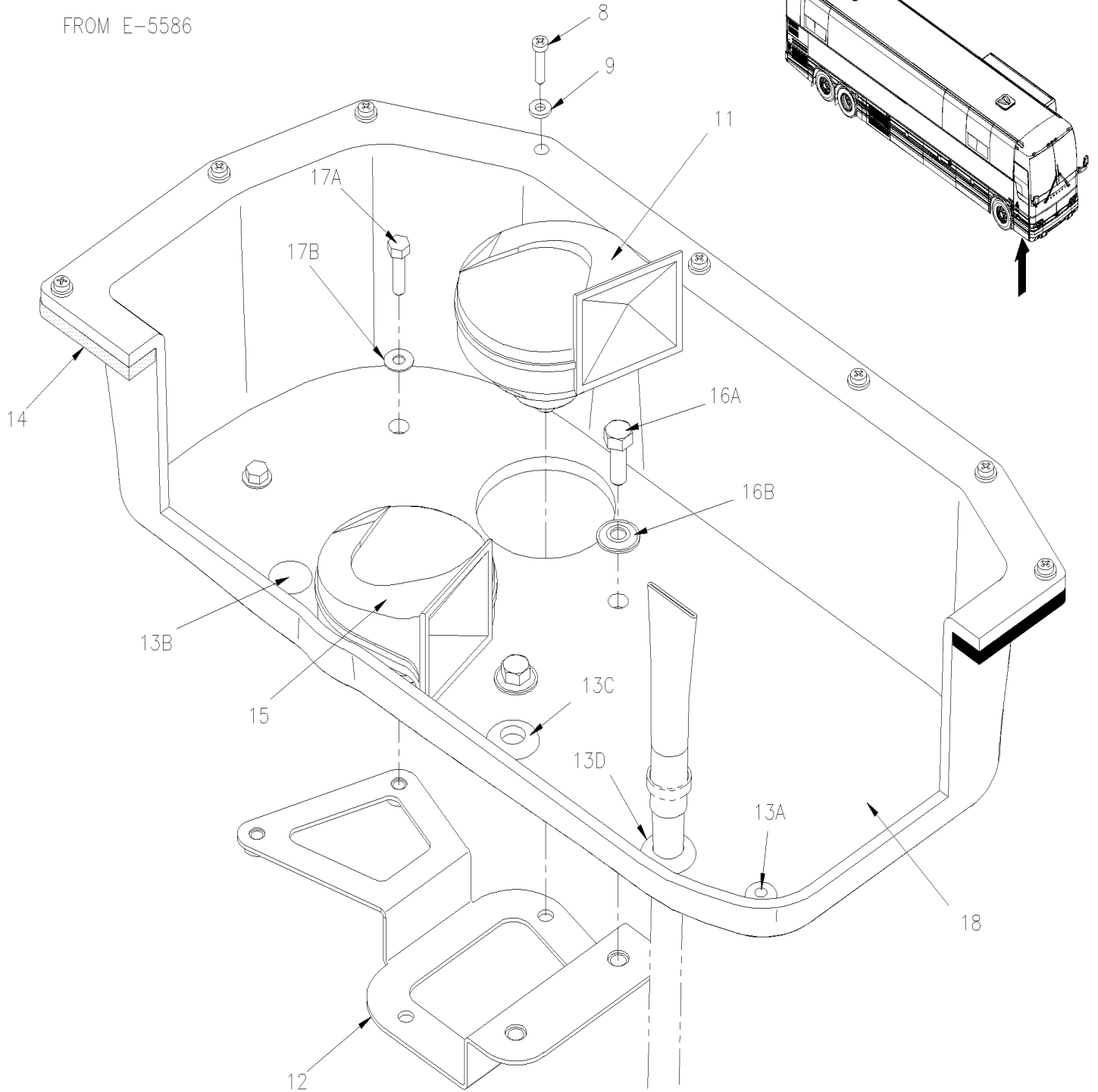
From E-5490

Date:07/2024

PAGE:X3VIP-2310-00

HORN - INSTALLATION

FROM E-5586



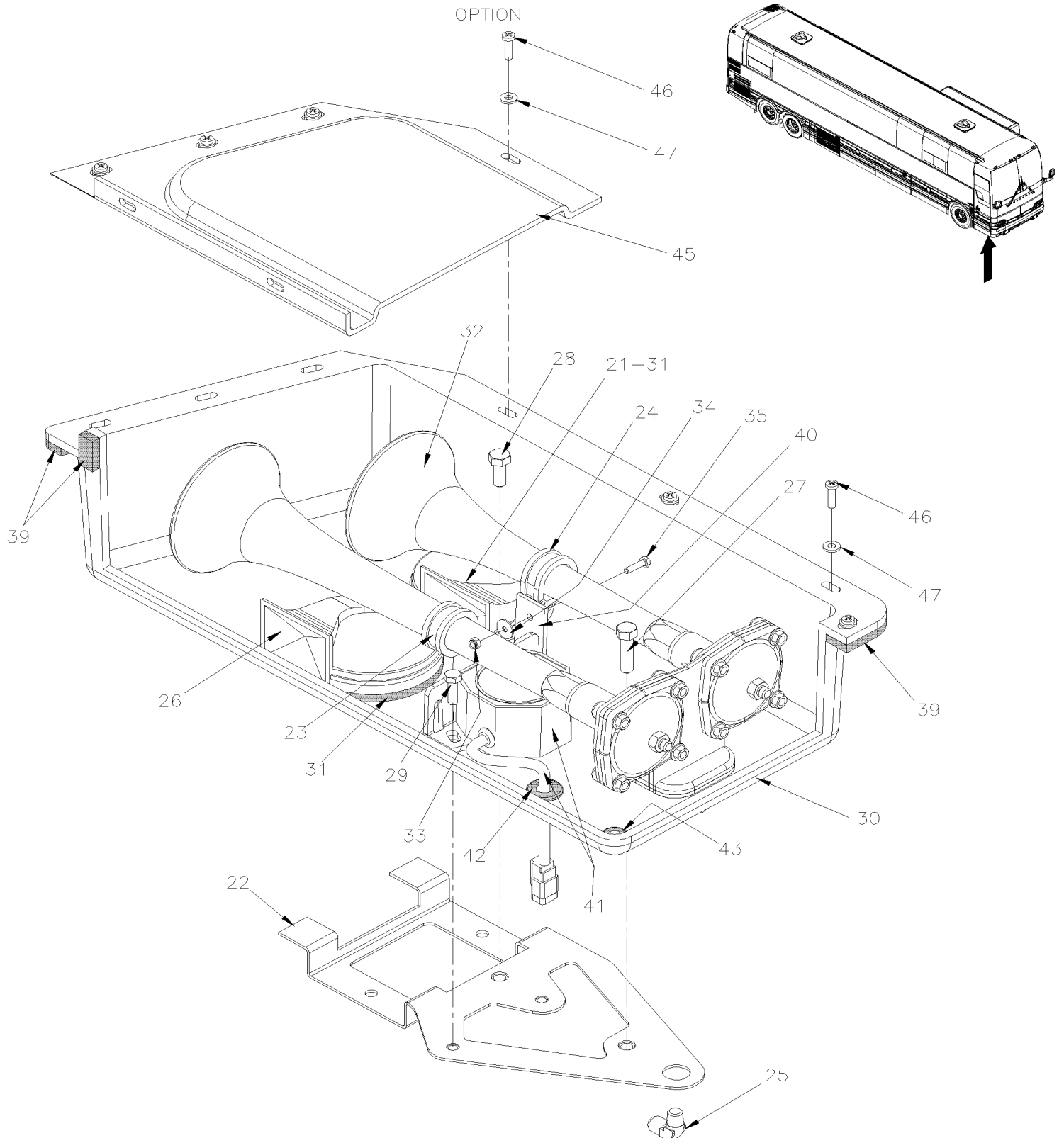


From E-5490

Date:07/2024

PAGE:X3VIP-2310-00

HORN - INSTALLATION





From E-5490		Date:07/2024	PAGE:X3VIP-2310-00
HORN - INSTALLATION			

Item#	Part	Description	X 3 V I P E N T	X 3 V I P M T H	N O T E S
	142502	HORNS BOX ASSY ELECTRIC To E-5585	1	1	
1	563015	. HORN, ELECTRIC / LOW 405HZ / 12V "FIAM" SERVICE To E-5585	1	1	
2	563023	. HORN, ELECTRIC / HIGH 485HZ / 12V "FIAM" SERVICE To E-5585	1	1	
3	504593	. GROMMET / .250x.437x.250x.375x.625 To E-5585	1	1	
NS	065257	. HARNESS / HORN & CONNECTOR To E-5585	1	1	
4	142501	. BOX, PLASTIC / BLACK / ELECTRIC HORN To E-5585	1	1	
5	500468	. WASHER FL .281x1.250x.065 Z050 To E-5585	2	2	
NS	500489	. WASHER LO INT .894x1.410x.060 Z050 To E-5585	2	2	
6	506282	. TAPE RUB ADH1 CC POL 3/8" x 1" x 20' / GREY 2520 To E-5585	AR	AR	
7	500252	NUT SPR U #10-24 .156-.187 To E-5585	10	10	
8	500623	SCREW TC PAN PH #10-24x3/4 N500 From E-5586 To J-6332	14	14	
8	500283	SCREW TC TR PH #10-24x3/4 SS From J-6333	14	14	
9	5001137	WASHER FL .203x.438x.050 SS From E-5586	14	14	
10	Call order desk	HORNS BOX ASSY ELECTRIC From E-5586 To G-5969	1	1	P
10	Call order desk	HORNS BOX ASSY ELECTRIC From G-5970	1	1	P
11	563015	. HORN, ELECTRIC / LOW 405HZ / 12V "FIAM" SERVICE From E-5586 To J-6313	1	1	
11	560624	. HORN, ELECTRIC / LOW 405HZ / 12V "FIAM" SERVICE From J-6314	1	1	
11	5001835	. NUT HEXF M6-1.0 SS From E-5586	1	1	
NS	680111	. GREASE PROTECTIVE / NYK77 (8 oz) From E-5586	AR	AR	
12	142507	. SUPPORT From E-5586 To G-6031	1	1	
12	140034	. SUPPORT, HORN ASSY. From G-6032 To J-6313	1	1	
12	140022	. SUPPORT, HORN ASSY. From J-6314	1	1	
13A	504593	. GROMMET / .250x.437x.250x.375x.625 From E-5586	1	1	
13B	504076	. PLUG BUTTON / .750 O.D. / NICKEL From E-5586 To G-5969	1	1	
13C	504555	. GROMMET / .500x.812x.125x.344x1.062x.031 From E-5586	1	1	
13D	504421	. GROMMET / .625x.875x.187x.437x1.125 From E-5760	1	1	
14	501580	. SEAL, HORN BOX From E-5586	1	1	
15	563023	. HORN, ELECTRIC / HIGH 485HZ / 12V "FIAM" SERVICE From E-5586 To J-6313	1	1	
15	560625	. HORN, ELECTRIC / HIGH 485HZ / 12V "FIAM" SERVICE From J-6314	1	1	
15	5001835	. NUT HEXF M6-1.0 SS From E-5586	1	1	
NS	680111	. GREASE PROTECTIVE / NYK77 (8 oz) From E-5586	AR	AR	
16A	502862	. SCREW CAP HEX M8-1.25x20 G8.8 N500 From E-5586	2	2	
16B	5001699	. WASHER BEL SPR 8.2x22x1.4 N500 From G-6033	2	2	
17A	502830	. SCREW CAP HEX M6-1.0x20 G8.8 N500 From E-5586	2	2	
17B	5001608	. WASHER BEL SPR 6.2x15.0x0.7 G500 From G-6033	2	2	
18	140581	. PLASTIC BOX, HORN From E-5586 To G-5969	1	1	
18	145607	. PLASTIC BOX, HORN From G-5970	1	1	
18	142869	INSULATING PAD To J-6313	1	1	
18	140100	INSULATING PAD From J-6314	1	1	
19	066540	HARNESS / HORN & CONNECTOR From E-5586 To H-6179	1	1	
19	060074	HARNESS / HORN & CONNECTOR From H-6180	1	1	



From E-5490		Date:07/2024	PAGE:X3VIP-2310-00
HORN - INSTALLATION			

Item#	Part	Description	X 3 V I P E N T	X 3 V I P M T H	N O T E S
		NEXT FOLLOWING ITEMS ARE RELATED WITH AIR HORN			
21	563015	HORN, ELECTRIC / LOW 405HZ / 12V "FIAM" SERVICE To J-6313	1	1	
21	560624	HORN, ELECTRIC / LOW 405HZ / 12V "FIAM" SERVICE From J-6314	1	1	
21	5001835	NUT HEXF M6-1.0 SS	1	1	
22	142283	SUPPORT To J-6313	1	1	
22	140108	SUPPORT From J-6314	1	1	
23	952635	CLAMP / 1" I.D.	1	1	
24	952639	CLAMP / 1"1/4 I.D.	1	1	
25	641369	MALE ELBOW 90° NON-SWIVEL / PUSH-IN FITTING / #4x1/8NPT-M BR	1	1	
NS	680098	THREAD SEALANT LOCTITE #567 / WHITE / 250ml	AR	AR	
26	563023	HORN, ELECTRIC / HIGH 485HZ / 12V "FIAM" SERVICE To J-6313	1	1	
26	560625	HORN, ELECTRIC / HIGH 485HZ / 12V "FIAM" SERVICE From J-6314	1	1	
26	5001835	NUT HEXF M6-1.0 SS	1	1	
27	5001738	SCREW CAP HEX M8-1.25x30 G8.8 N500	1	1	
28	502862	SCREW CAP HEX M8-1.25x20 G8.8 N500	1	1	
29	502830	SCREW CAP HEX M6-1.0x20 G8.8 N500	2	2	
30	142529	PLASTIC BOX, HORN To E-5585	1	1	
30	140615	PLASTIC BOX, HORN From E-5586	1	1	
31	142869	INSULATING PAD To J-6313	2	2	
31	140100	INSULATING PAD From J-6314	2	2	
32	640093	HORN AIR	1	1	
33	500539	NUT HEX NYRT M4-0.7 N500	2	2	
34	5001750	WASHER FL 4.3x14.0x1.0 N500	2	2	
35	502799	SCREW CAP HEX M4-0.7X16 G8.8 N500	2	2	
NS	066540	HARNESS / HORN & CONNECTOR To H-6179	1	1	
NS	060074	HARNESS / HORN & CONNECTOR From H-6180	1	1	
NS	680111	GREASE PROTECTIVE / NYK77 (8 oz)	AR	AR	
39	506339	TAPE RUB ADH1 NIT 1/4" x 1" x 35' / BLACK 1220 To E-5585	AR	AR	
39	501580	SEAL, HORN BOX From E-5586	1	1	
40	141120	SUPPORT / AIR HORN	1	1	
41	065593	ALARM "KNEELING"	1	1	
NS	563164	ALARM "KNEELING"	1	1	
42	504625	GROMMET / .250x.750x.250x.437x1.000	1	1	
42	504076	PLUG BUTTON / .750 O.D. / NICKEL	1	1	
43	504593	GROMMET / .250x.437x.250x.375x.625 To G-5969	1	1	
45	142309	DEFLECTOR To E-5585	1	1	
45	140614	DEFLECTOR From E-5586	1	1	
46	500623	SCREW TC PAN PH #10-24x3/4 N500	13	13	



From E-5490	Date:07/2024	PAGE:X3VIP-2310-00
HORN - INSTALLATION		

Item#	Part	Description	X 3 V I P E N T	X 3 V I P M T H	N O T E S
47	5001137	WASHER FL .203x.438x.050 SS	13	13	
		P) CALL ORDER DESK FOR SPECIFIC APPLICATION (V.I.N.)			

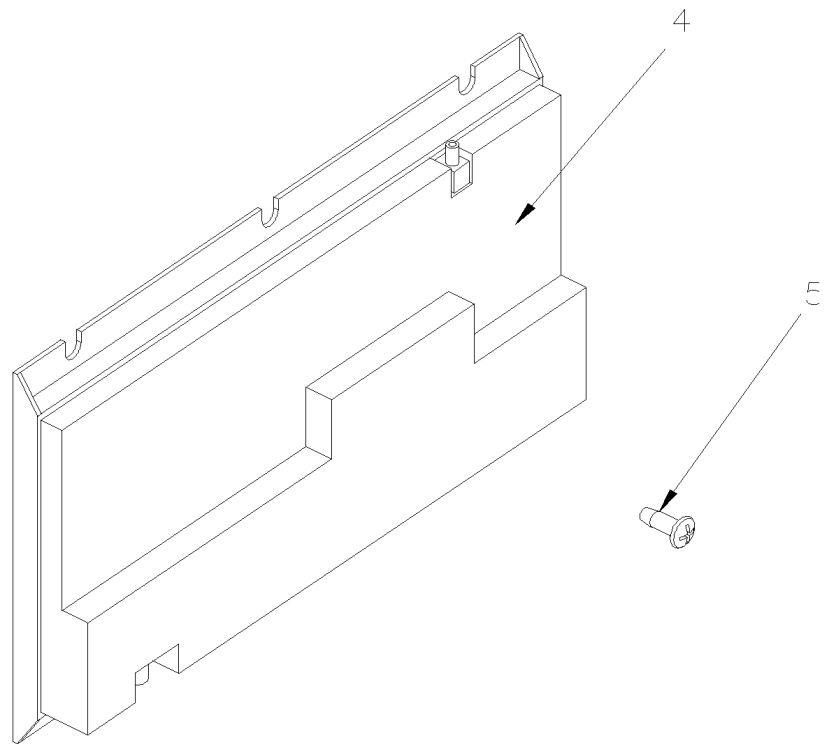
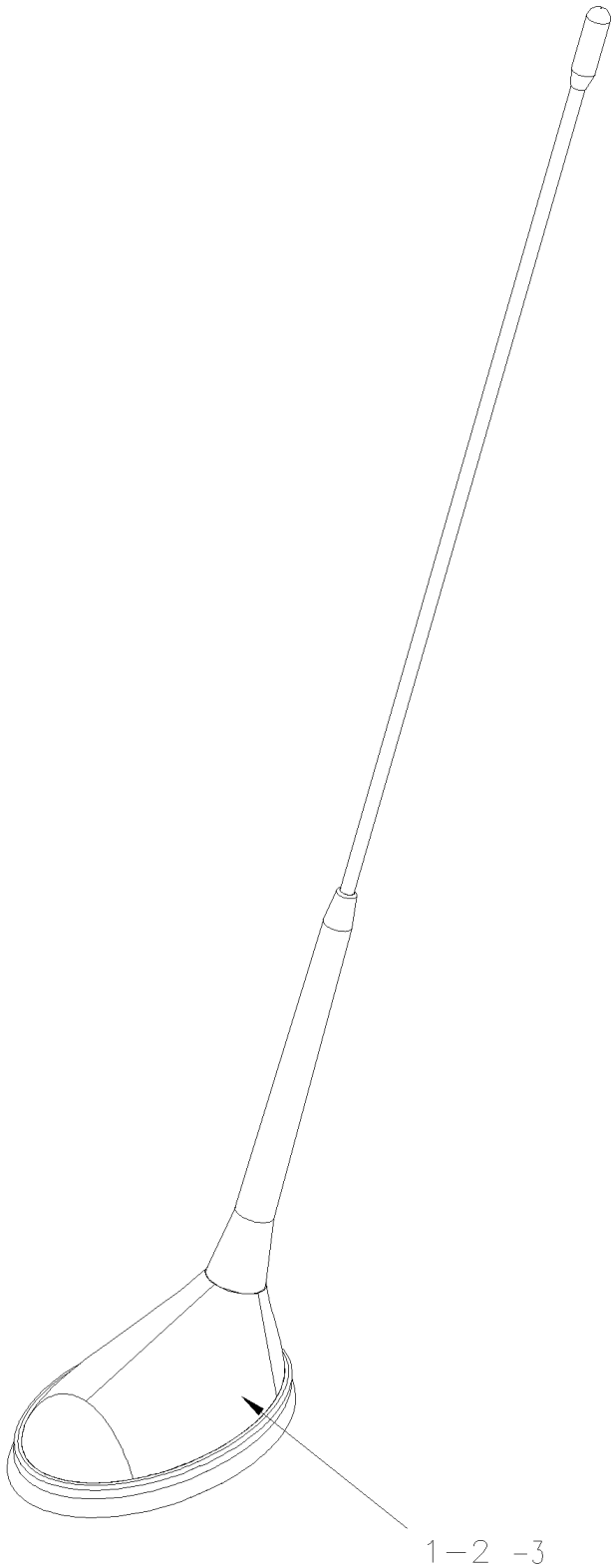


From E-5490

Date:07/2024

PAGE:X3VIP-2319-00

VOLVO LINK ANTENNA - INSTALLATION



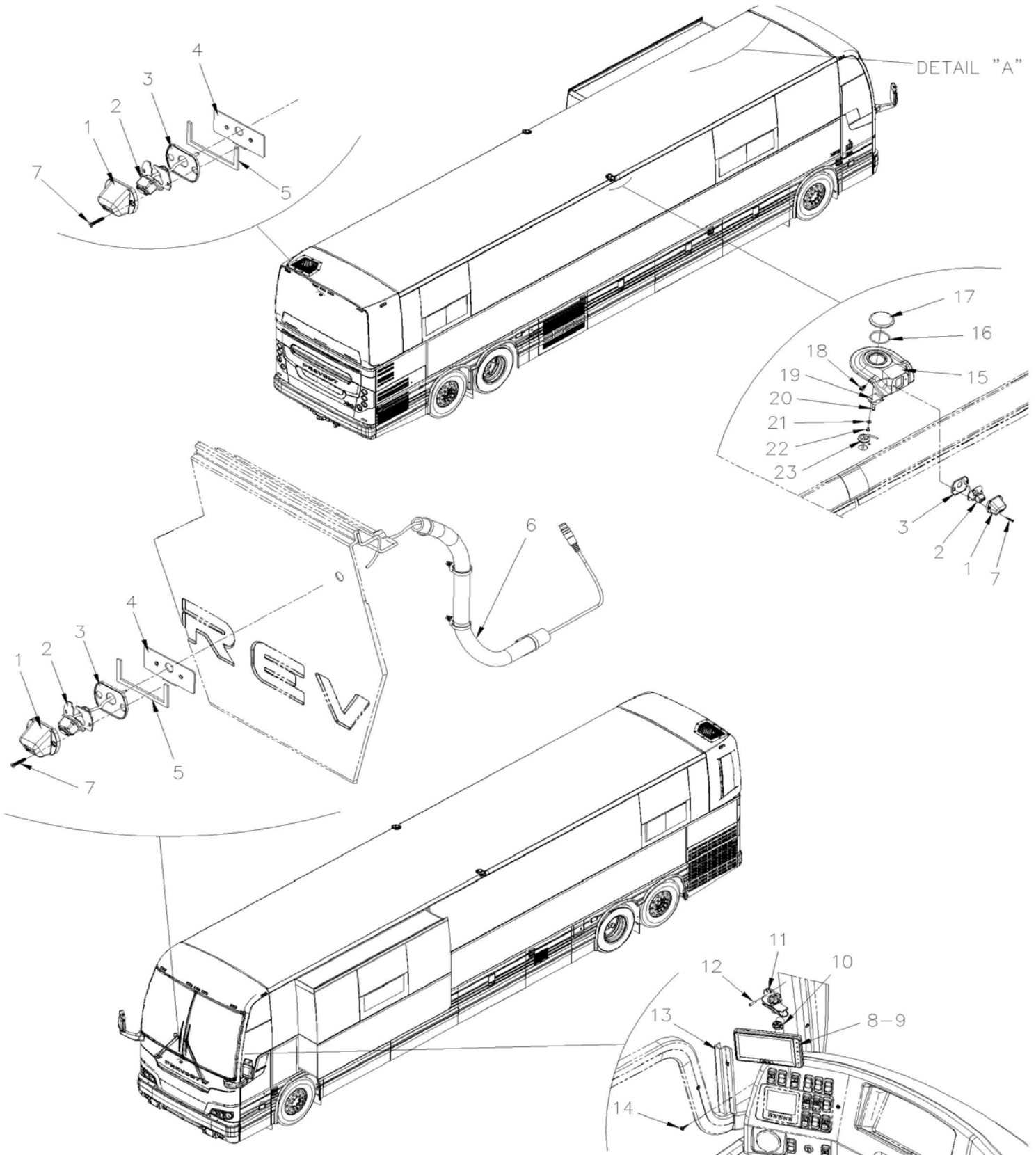


From E-5490	Date:07/2024	PAGE:X3VIP-2319-00
VOLVO LINK ANTENNA - INSTALLATION		

Item#	Part	Description	X 3 V I P E N T	X 3 V I P M T H	N O T E S
1	21705662	ANTENNA (VOLVO LINK) To K-6417	1	1	
1	22472979	ANTENNA (VOLVO LINK) From K-6418	1	1	
1	880050	WASHER FL 19X24.4X3.2 RUB	1	1	
NS	684517	ADHESIVE SIMSON #ISR 70-03 / GREY / 310ml CARTRIDGE	AR	AR	
2	903230	NUT RETAINER ANTENNA	1	1	
3	21385255	CABLE ANTENNA (RF-in VOLVO LINK) To K-6417	1	1	
3	560762	CABLE, 4G TGW ANTENNA (ANTENNA TO JUNCT) From K-6418 To L-6634	1	1	
3	563913	CABLE, 4G TGW ANTENNA (ANTENNA TO JUNCT) From L-6635	1	1	
3	560764	CABLE, 4G TGW ANTENNA (JUNCT TO TGW ECU) From K-6418 To L-6634	1	1	
3	563914	CABLE, 4G TGW ANTENNA (JUNCT TO TGW ECU) From L-6635	1	1	
NS	685126	ADHESIVE SIMSON #ISR 70-03 / GREY / 600ml SAUSAGE To L-6518	AR	AR	
NS	684685	ADHESIVE SIMSON #ISR 70-03 / 310ml CARTRIDGE From L-6519	AR	AR	
4	21284312	ECU VOLVO LINK MODULE To E-5570	1	1	
4	21985688	ECU VOLVO LINK MODULE From E-5571 To F-5871	1	1	
4	22357675	ECU VOLVO LINK MODULE From F-5872 To H-6230	1	1	
4	22861158	ECU VOLVO LINK MODULE From H-6231 To K-6479	1	1	
4	23359380	ECU VOLVO LINK MODULE From K-6480 To L-6618	1	1	
4	23593814	ECU VOLVO LINK MODULE From L-6619 To R-6924	1	1	
4	23163299	ECU VOLVO LINK MODULE From R-6925	1	1	
4	IS14122	REPLACEMENT KIT TGW1 TO TWG2 To F-5871	1	1	
. NS	IS-14122	. SEE INSTRUCTION SHEET To F-5871	1	1	
. NS	069100	. KIT SERVICE TGW1 TO TGW2 To F-5871	1	1	
. NS	22357675	. ECU VOLVO LINK MODULE To F-5871	1	1	
4	21443469	SIM CARD VOLVO LINK MODULE To J-6212	1	1	
4	22990242	SIM CARD VOLVO LINK MODULE FOR SERVICE From J-6213 To R-6924	1	1	
4	23004613	SIM CARD VOLVO LINK MODULE From R-6925	1	1	
5	502868	SCREW TC TR PH #10-16x1/2 N500	2	2	
NS	562679	4 WAY ADH. BACKED MOUNTS 1.000 x 1.000 x .160	AR	AR	
NS	504637	CABLE TIE / 3/16" x 13"	AR	AR	
NS	504671	GROMMET / .687x1.000x.125x.437x1.312	1	1	

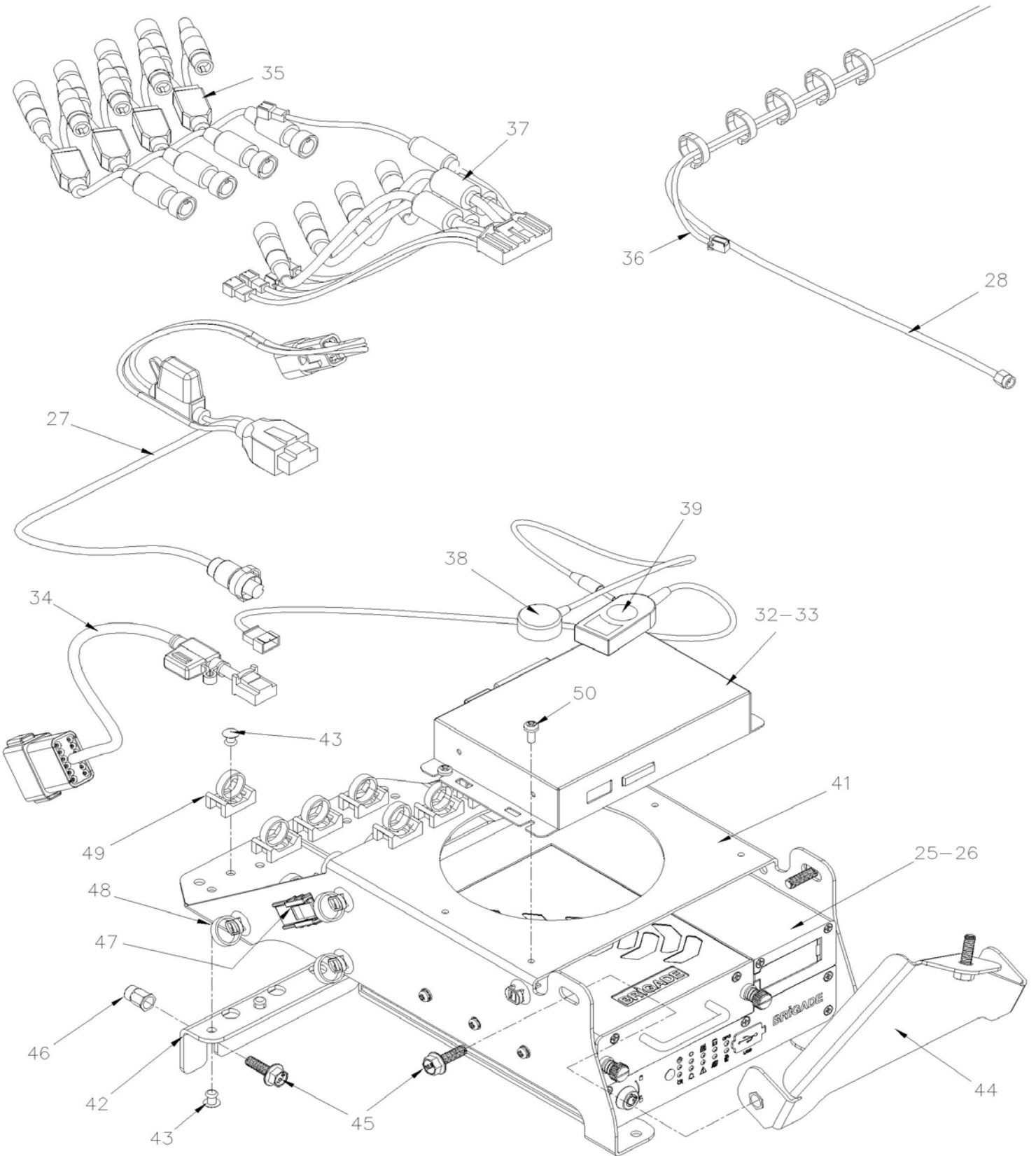


	Date:07/2024	PAGE:X3VIP-2319-80
SURROUNDING CAMERA SYSTEM INSTALLATION "BRIGADE"		





	Date:07/2024	PAGE:X3VIP-2319-80
SURROUNDING CAMERA SYSTEM INSTALLATION "BRIGADE"		





SURROUNDING CAMERA SYSTEM INSTALLATION "BRIGADE"

Item#	Part	Description	X 3 V I P E N T	X 3 V I P M T H	N O T E S
1	990001	HOUSING, SURROUNDING CAMERA "BRIGADE" To R-6954	4	4	
1	901919	CAMERA 360 HOUSING BLACK HD "BRIGADE" From R-6955	4	4	
2	990565	SURROUNDING CAMERA "BRIGADE" To R-6954	4	4	
2	901913	SURROUNDING CAMERA "BRIGADE", HD From R-6955	4	4	
3	990575	GASKET, BLK SURROUNDING CAMERA "BRIGADE"	4	4	
4	471605	PLATE, ANCHOR M4 To R-6954	2	2	
4	4705234	PLATE, ANCHOR M4 HD From R-6955	2	2	
NS	684685	ADHESIVE SIMSON #ISR 70-03 / 310ml CARTRIDGE	AR	AR	
5	506769	TAPE RUB ADH2 CC POL 1/8" x 1/4" x 60' / BLACK H1CC-N-#14	AR	AR	
6	900220	TUBE PVC / 5/8" I.D. / S.L.	AR	AR	
NS	504637	CABLE TIE / 3/16" x 13"	3	3	
NS	562679	4 WAY ADH. BACKED MOUNTS 1.000 x 1.000 x .160	1	1	
NS	509815	TIE MOUNT / ATTACHMENT W/TREE MOUNT	2	2	
7	505011	SCREW MA FL PH M4-0.7X25 SS NSS	AR	AR	
8	901735	KIT MONITOR, 7" LDC, SURR. CAM. "BRIGADE"	1	1	
NS	901707	. HARN. ASSY. MONITOR PWR & SIGN. "BRIGADE"	1	1	
NS	562479	. . CONNECTOR / DT SERIES / PH 4C / GRAY / DEUTSCH DT04-4P-C015	1	1	
NS	504637	CABLE TIE / 3/16" x 13"	AR	AR	
9	901708	. MONITOR, 7" DIG. LDC, SURR. CAM. "BRIGADE"	1	1	
. NS	901904	. . MONITOR	1	1	
. NS	901911	. . CABLE ADAPTER	1	1	
10	901736	. MONITOR BACK "T" SLOT TO BALL MOUNT	1	1	
11	901737	. MONITOR MOUNT, WITH 3" ARM FOR BRIGADE	1	1	
12	500608	. SCREW TP BDG PH #10x1 N500	3	3	
13	3210563	MOULDING, HIDING WIRE	1	1	
14	5002083	SCREW DR SEMS FN OV PH #8X1 N050	2	2	
15	491847	SUPPORT, SURROUNDING CAMERA To R-6954	2	2	
15	492179	SUPPORT, SURROUNDING CAMERA HD From R-6955	1	1	
NS	684685	ADHESIVE SIMSON #ISR 70-03 / 310ml CARTRIDGE	AR	AR	
NS	685387	GLUE MS POLYMER TEROSON MS 9399 / 400ml CARTRIDGE	AR	AR	
NS	506785	TAPE RUB ADH2 CC POL 1/16" X 1/4" X 200' / BLACK I1C-N-A	AR	AR	
16	507022	O-RING 1.984 ID x 2.262 OD x 0.139 W	2	2	
17	491549	PLUG, SUPPORT ACCESS " BRIGADE"	2	2	
18	509815	TIE MOUNT / ATTACHMENT W/TREE MOUNT	2	2	
19	491848	RETAINING STRAP	2	2	
20	504787	RIVET CHY MONOLOK PRDG 1/4x5/8 ZP	2	2	
21	502573	WASHER FL 6.4x12.5x1.6 SS	2	2	
22	5001377	SCREW MA PAN PH M5-0.8x8 SS	2	2	
23	504066	GROMMET / .687x1.000x.062x.375x1.312	2	2	
NS	0600154	HARNESS BRIGADE SURROUNDING CAMERA	1	1	
25	901730	KIT MOBILE DIGIT.RECORDER ACC., "BRIGADE"	1	1	
26	901704	. MOBILE DIGITAL RECORDER 500 SERIES 8 CH.	1	1	



SURROUNDING CAMERA SYSTEM INSTALLATION "BRIGADE"

Item#	Part	Description	X 3 V I P E N T	X 3 V I P M T H	N O T E S
. NS	901824	. SECURITY KEY	1	1	
. NS	902025	. MDR-500 CADDY UNIT, 2TB SSD (GEN 2)	1	1	
27	901703	. WIR. HARN. ASSY PWR & VIDEO MDR "BRIGADE"	1	1	
28	901709	. ANTENNA GPS FOR MDR "BRIGADE"	1	1	
32	901733	KIT PERIF. CAMERAS SYSTEM W/ACCESSORIES To R-6954	1	1	
NS	901715	. CABLE VBV-L ECU TO MONITOR 5M, BRIGADE To R-6954	1	1	
NS	901738	. REMOTE CONTROL FOR CAMERAS SYSTEM To R-6954	1	1	
32	901933	KIT PERIF. CAMERAS SYSTEM HD W/ACCESSORIES From R-6955	1	1	
NS	901940	. CABLE VBV-H405 ECU TO MONITOR 5M, BRIGADE From R-6955	1	1	
NS	901920	. VIDEO OUTPUT INTERFACE HARNESS HD From R-6955	1	1	
NS	901916	. INTERFACE HARNESS REMOTE ECU "BRIGADE" From R-6955	1	1	
33	901706	. ELECTRONIC MODULE ECU PERIF.CAM. "BRIGADE" To R-6954	1	1	
33	900007	ELECTRONIC MODULE ECU PERIF.CAM. "BRIGADE", HD From R-6955	1	1	
34	901705	. WIR. HARN. ASSY. ECU 360 PWR "BRIGADE" To R-6954	1	1	
34	901915	WIR. HARN. ASSY. ECU 360 PWR "BRIGADE", HD From R-6955	1	1	
35	901710	. CABLE Y SPLITTER SURROUND. CAM, "BRIGADE" To R-6954	4	4	
35	901926	CABLE Y SPLITTER HD CAM "BRIGADE" From R-6955	4	4	
36	901714	. CABLE VIDEO VBV-L ECU TO MONITOR, "BRIGADE" To R-6954	1	1	
36	901922	CABLE VIDEO VBV-L ECU TO MONITOR, "BRIGADE", HD From R-6955	1	1	
37	901716	. CABLE INTERFACE CAMERAS TO ECU, "BRIGADE" To R-6954	1	1	
37	901914	CABLE INTERFACE CAMERAS TO ECU, "BRIGADE", HD From R-6955	1	1	
38	901717	. CABLE FOR IR REMOTE SENSOR, "BRIGADE" To R-6954	1	1	
39	901718	. BUTTON SELECT/ADJUST. W/WIRE, "BRIGADE" To R-6954	1	1	
39	901921	BUTTON SELECT/ADJUST. W/WIRE, "BRIGADE", HD From R-6955	1	1	
41	406825	STAND MDR_ECU BRIGADE To R-6954	1	1	
41	406929	STAND MDR_ECU BRIGADE HD From R-6955	1	1	
42	406826	FIXTURE,STAND MDR_ECU BRIGADE	1	1	
43	504379	RIVET POP DOME OE 3/16x1/4 SS	16	16	
44	406922	FIXTURE,STAND MDR_ECU BRIGADE To R-6954	1	1	
44	406933	FIXTURE,STAND MDR_ECU BRIGADE VIP From R-6955	1	1	
45	5002100	SCREW CAP HEXF AD M6-1.0x20 G10.9 N500	5	5	
46	5001344	NUT INS FL HEX M6-1.0 0.5-3.0 SS	AR	AR	
47	564108	SELF MOUNTING STUD // DEUTSCH 1011-310-0205	2	2	
48	509815	TIE MOUNT / ATTACHMENT W/TREE MOUNT	6	6	
48	504637	CABLE TIE / 3/16" x 13"	6	6	
49	504013	TIE MOUNT / 1/4" X 1/4" I.D.	12	12	
49	504637	CABLE TIE / 3/16" x 13"	12	12	
50	500799	SCREW TC PAN PH #8-32x3/8 N500 To R-6954	4	4	
50	500437	WASHER FL .125x.375x.040 Z050 From R-6955	4	4	
50	502825	SCREW MA PAN PH M3-0.5x16 N500 From R-6955	4	4	
51	500841	SCREW TP PAN PH #14x3/4 Z050	AR	AR	
NS	901712	HARNESS / CAMERA "BRIGADE" 10M To R-6954	2	2	



	Date:07/2024	PAGE:X3VIP-2319-80
SURROUNDING CAMERA SYSTEM INSTALLATION "BRIGADE"		

Item#	Part	Description	X 3 V I P E N T	X 3 V I P M T H	N O T E S
55	901924	HARNESS / CAMERA "BRIGADE" HD, 10M From R-6955	2	2	
NS	901713	HARNESS / CAMERA "BRIGADE" 15M To R-6954	2	2	
60	901925	HARNESS / CAMERA "BRIGADE" HD, 15M From R-6955	2	2	
61	562679	4 WAY ADH. BACKED MOUNTS 1.000 x 1.000 x .160	AR	AR	
NS	504637	CABLE TIE / 3/16" x 13"	AR	AR	

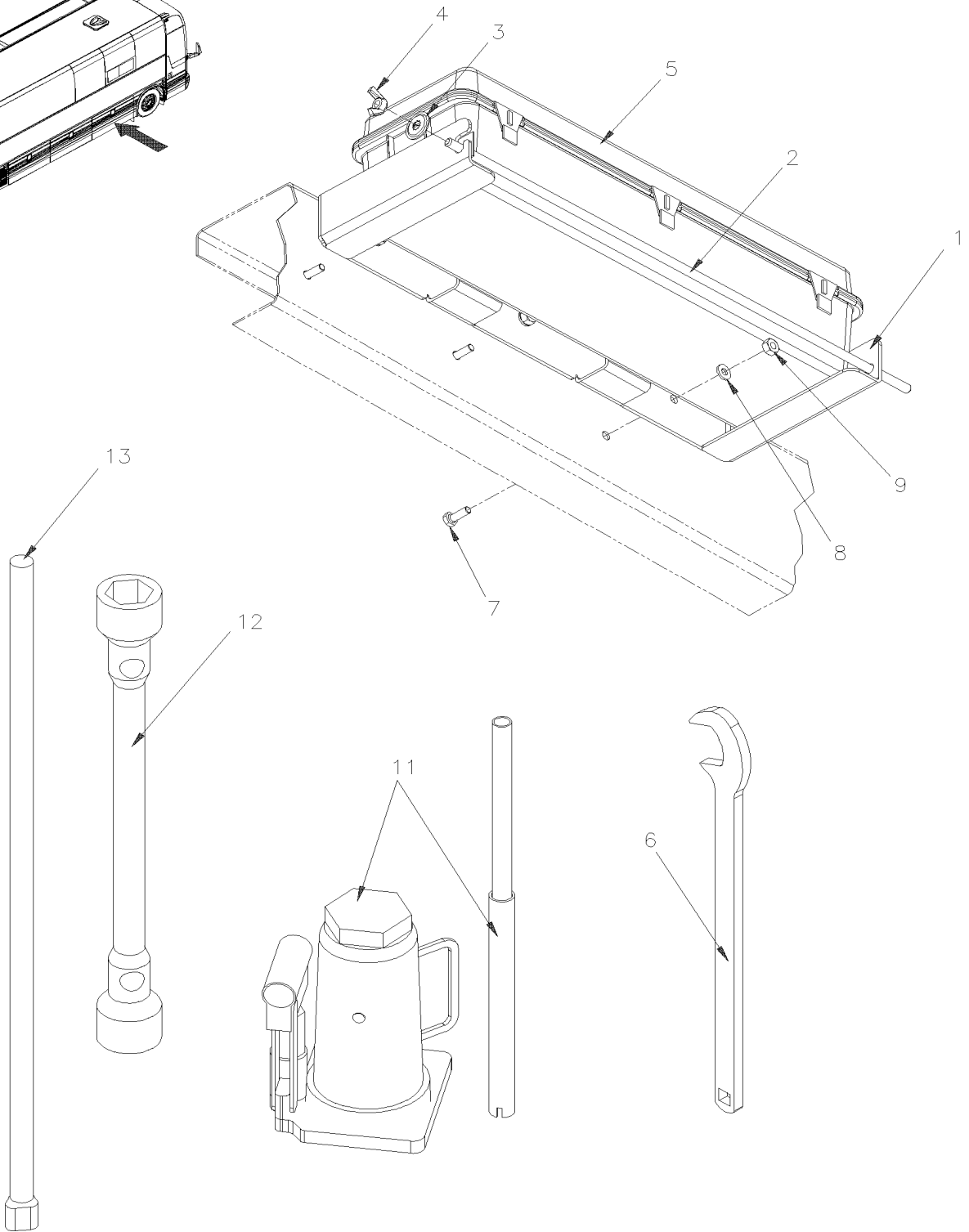
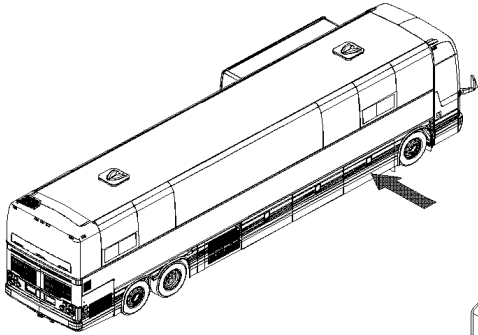


From E-5490

Date:07/2024

PAGE:X3VIP-2320-00

JACK & FLARE KIT - INSTALLATION





From E-5490		Date:07/2024	PAGE:X3VIP-2320-00
JACK & FLARE KIT - INSTALLATION			

Item#	Part	Description	X 3 V I P E N T	X 3 V I P M T H	N O T E S
1	211220	SUPPORT, FLARE KIT / BOLTED TO STRUCTURE From J-6237 To M-6667	1	1	
1	218892	SUPPORT, FLARE KIT / BOLTED TO STRUCTURE From M-6668	1	1	
NS	506282	TAPE RUB ADH1 CC POL 3/8" x 1" x 20' / GREY 2520	AR	AR	
2	210280	ROD, RETAINING / FLARE KIT To M-6667	1	1	
2	218894	ROD, RETAINING / FLARE KIT From M-6668	1	1	
3	502584	WASHER LO SERR 8.2x26.3x1.8 Z050	1	1	
4	500782	NUT WING 5/16-18 Z050	2	2	
5	930442	FLARE KIT, TRIANGULAR To M-6667	1	1	
5	930045	FLARE KIT, TRIANGULAR From M-6668	1	1	
NS	3211637	KIT, EMERGENCY WARNING TRIANGLE To M-6667	1	1	
6	010032	TOOL KEY 1 1/2" / TENSIONER RELEASE	1	1	
7	5001190	SCREW CAP HEX 1/4-20x3/4 SS BK	3	3	
8	500877	WASHER FL .250x.562x.065 N500	3	3	
9	500771	NUT HEX 1/4-20 SS	3	3	
11	505505	JACK, 12TONS To L-6561	1	1	
11	690426	JACK, 12TONS From L-6562	1	1	
12	690005	WRENCH, WHEEL 33 MM	1	1	
13	690002	HANDLE, W/WRENCH WHEEL NUT	1	1	

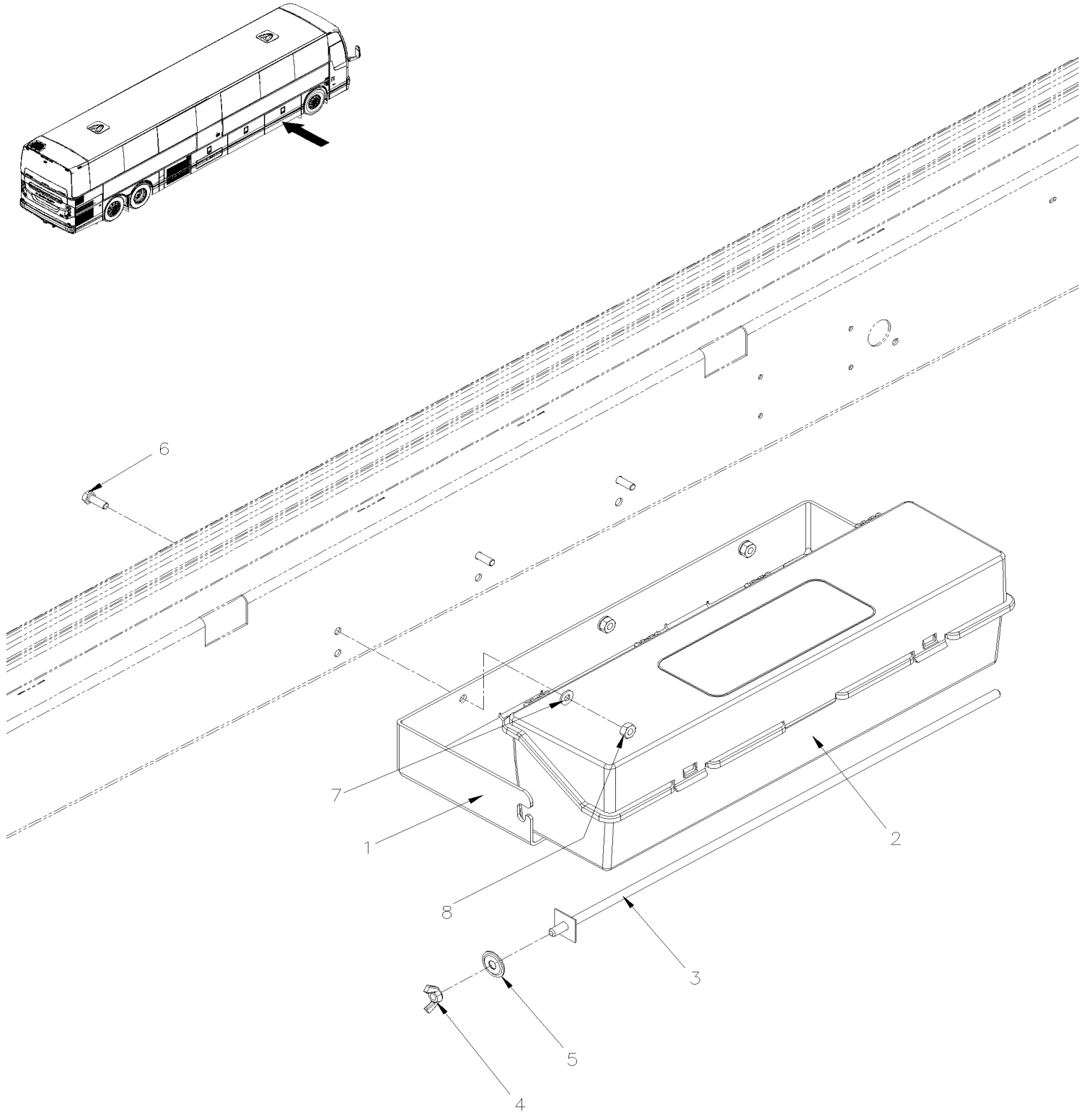


To M-6667

Date:07/2024

PAGE:3211637

KIT, EMERGENCY WARNING TRIANGLE





To M-6667	Date:07/2024	PAGE:3211637
-----------	--------------	--------------

KIT, EMERGENCY WARNING TRIANGLE

Item#	Part	Description	X 3 V I P E N T	X 3 V I P M T H	N O T E S
1	218892	SUPPORT, FLARE KIT / BOLTED TO STRUCTURE	1	1	
2	930045	FLARE KIT, TRIANGULAR	1	1	
3	218894	ROD, RETAINING / FLARE KIT	1	1	
4	500782	NUT WING 5/16-18 Z050	1	1	
5	502584	WASHER LO SERR 8.2x26.3x1.8 Z050	1	1	
6	5001190	SCREW CAP HEX 1/4-20x3/4 SS BK	3	3	
7	500877	WASHER FL .250x.562x.065 N500	3	3	
8	500771	NUT HEX 1/4-20 SS	3	3	

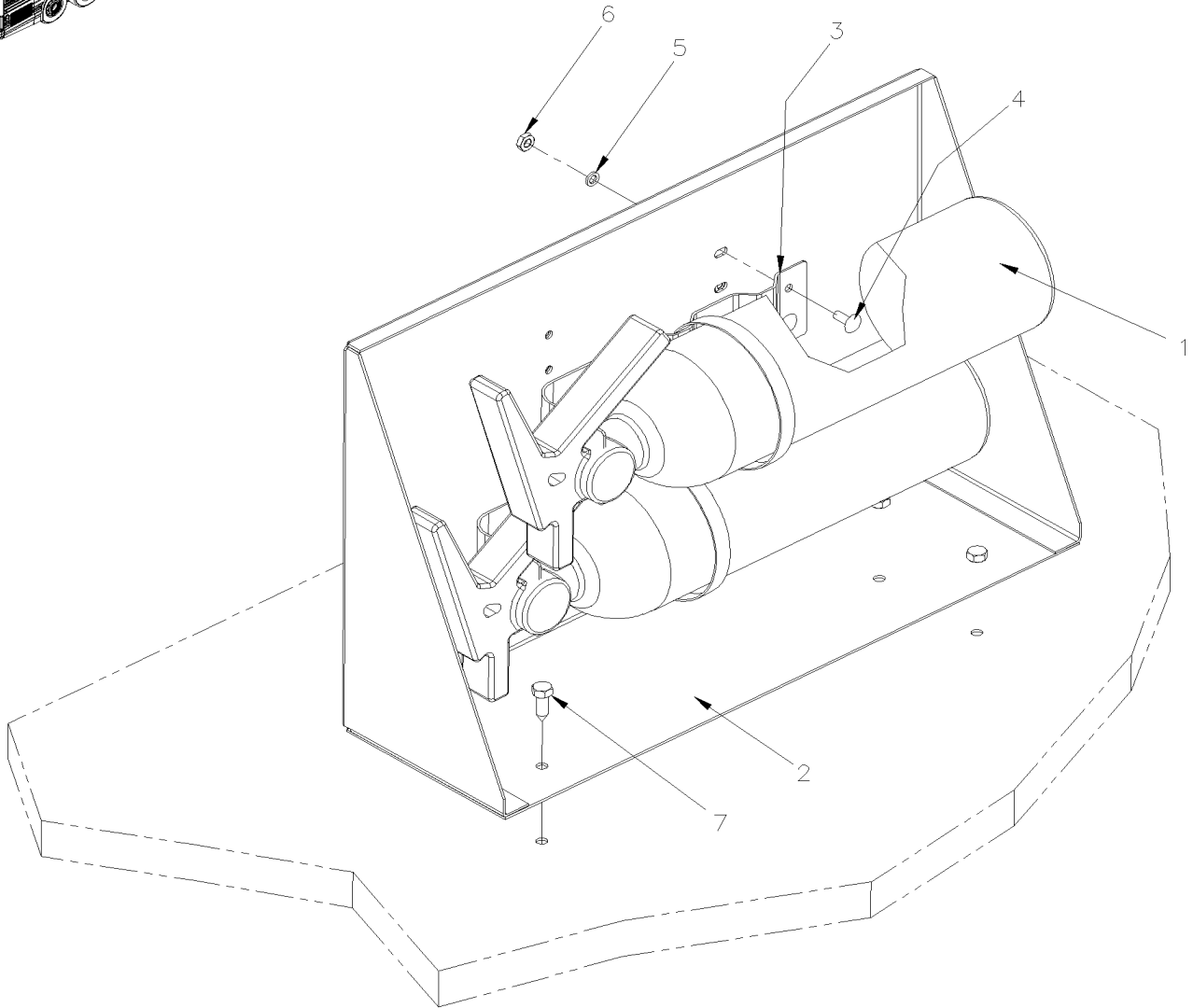
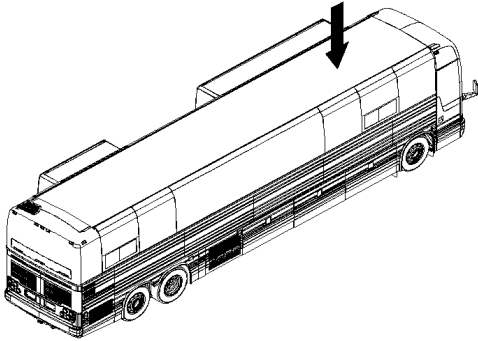


From E-5490

Date:07/2024

PAGE:X3VIP-2320-30

EXTINGUISHER - INSTALLATION





From E-5490	Date:07/2024	PAGE:X3VIP-2320-30
-------------	--------------	--------------------

EXTINGUISHER - INSTALLATION

Item#	Part	Description	X 3 V I P E N T	X 3 V I P M T H	N O T E S
1	901001	EXTINGUISHER 2.5 LBS / W/METAL HANDLE To J-6279	2	2	
1	901360	EXTINGUISHER 2.5 LBS / W/PLASTIC HANDLE To J-6279	2	2	
1	901414	EXTINGUISHER 2.5 LBS / W/STEEL HANDLE From J-6280 To L-6644	2	2	
1	900267	EXTINGUISHER 2.5 LBS / W/METAL HANDLE From L-6645	2	2	
2	324391	SUPPORT ASSY / EXTINGUISHER	1	1	
3	901361	SUPPORT ASSY / EXTINGUISHER	2	2	
NS	470949	SPACER RUBBER 3/4" O.D. / S.Q.	2	2	
4	500572	SCREW MA TR PH #10-24x1/2 SS BK	8	8	
5	500470	WASHER LO SPT .193x.334x.047 Z050	8	8	
6	500786	NUT HEX #10-24 Z050	8	8	
7	500535	SCREW TP CAP HEX #14x3/4 Z050	4	4	

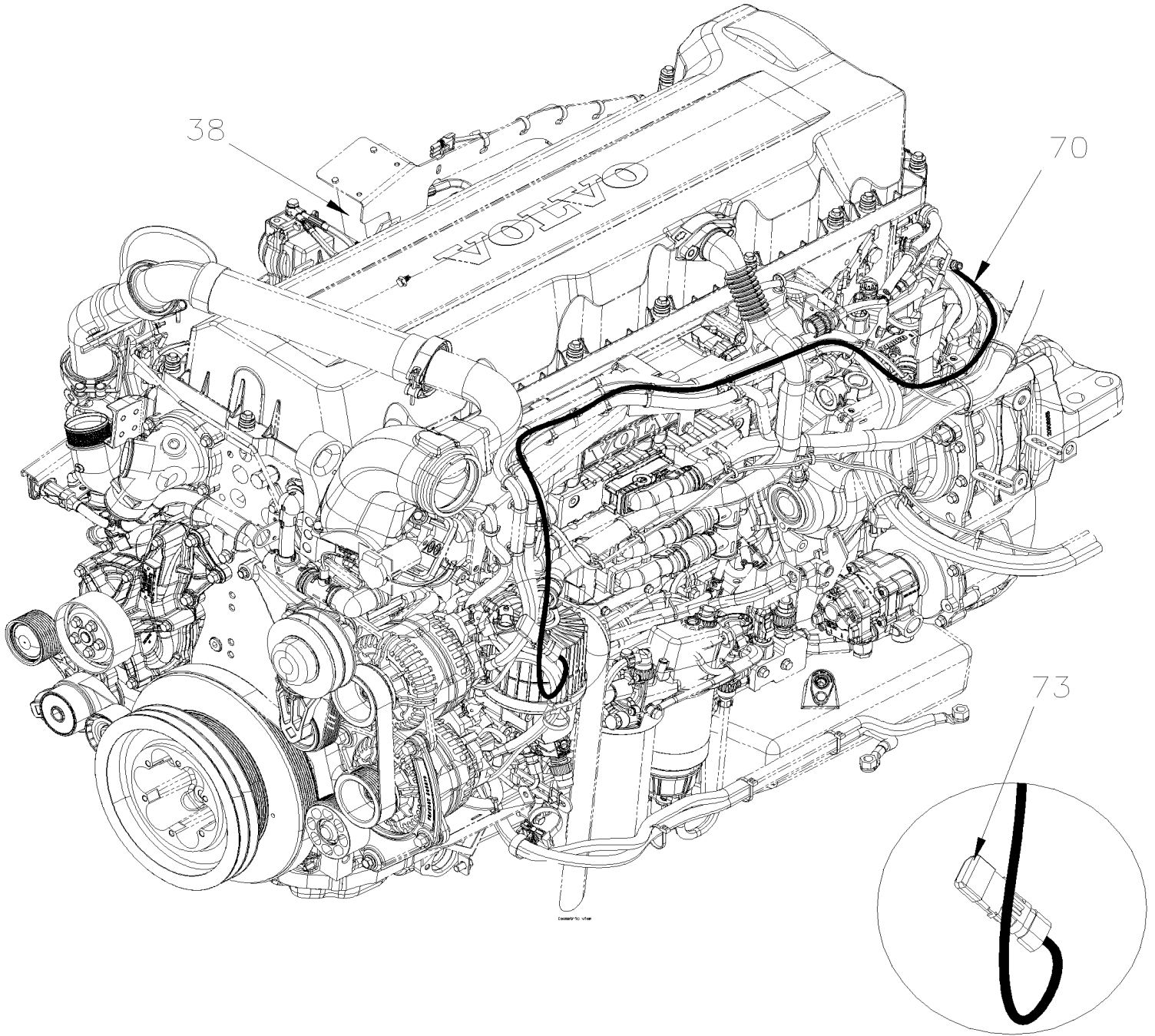


From E-5490

Date:07/2024

PAGE:X3VIP-2320-51

FIRE PROTECTION SYSTEM / HEATER & EVAPORATOR COMPARTMENT



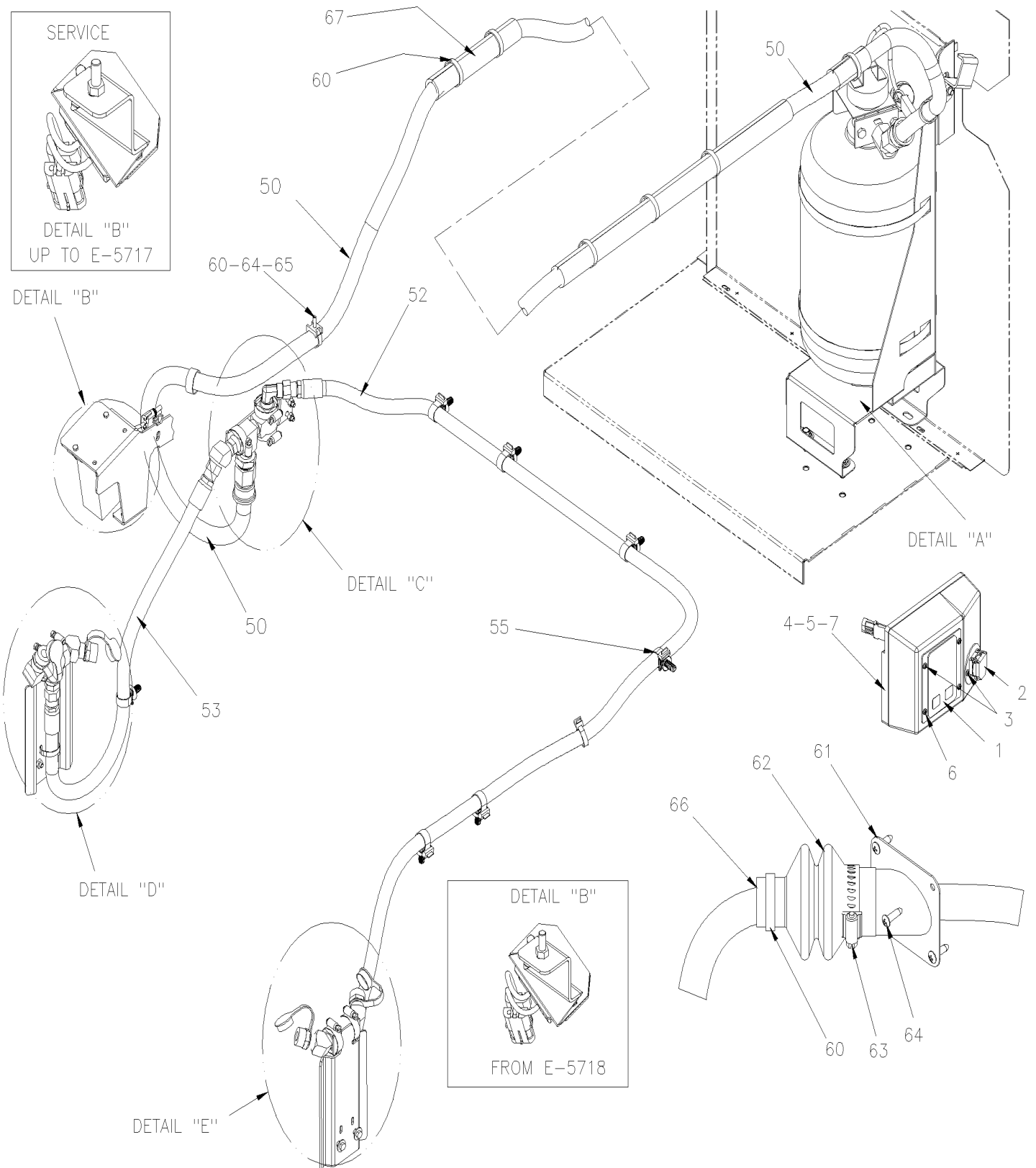


From E-5490

Date:07/2024

PAGE:X3VIP-2320-51

FIRE PROTECTION SYSTEM / HEATER & EVAPORATOR COMPARTMENT



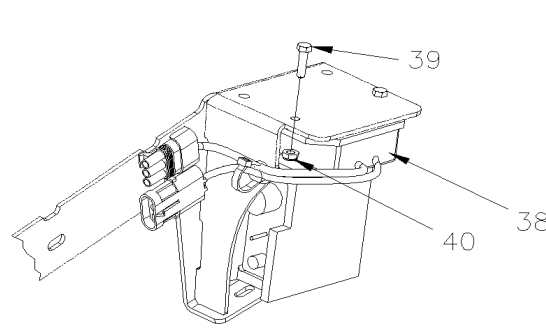
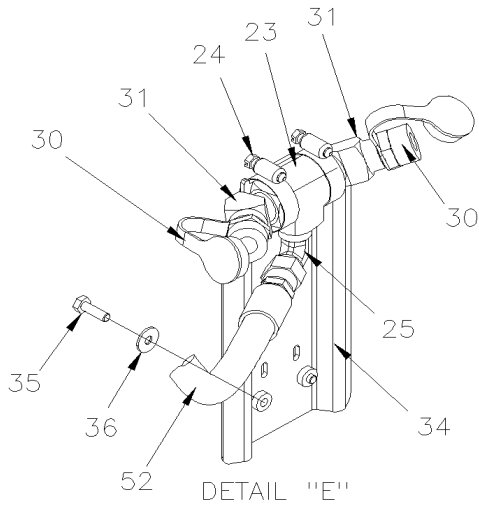


From E-5490

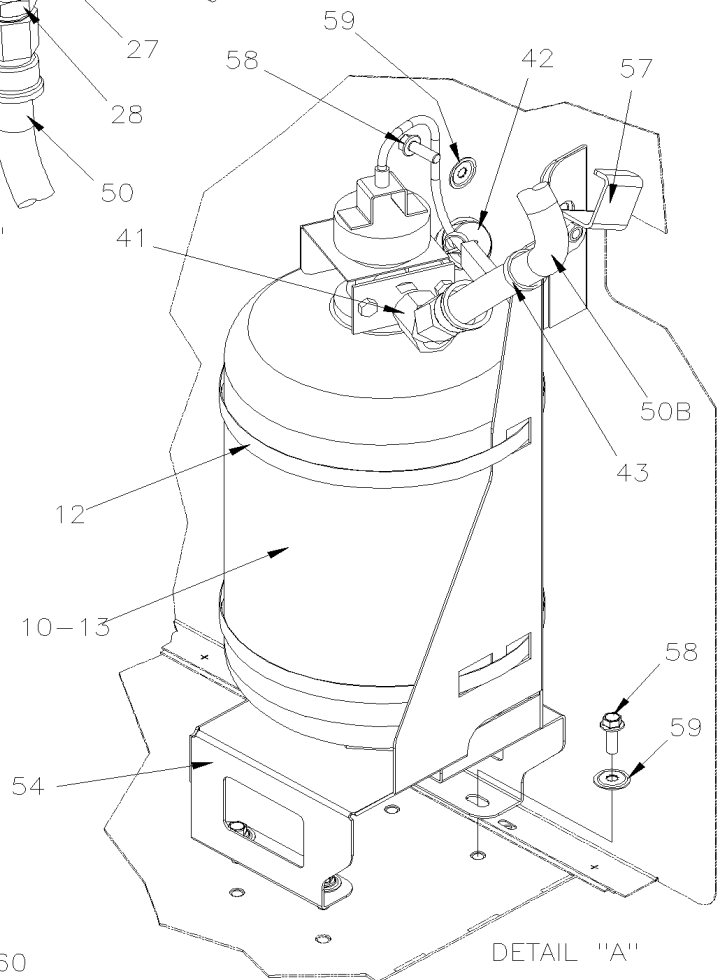
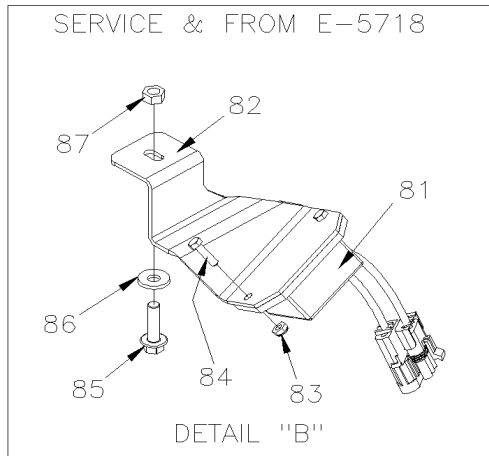
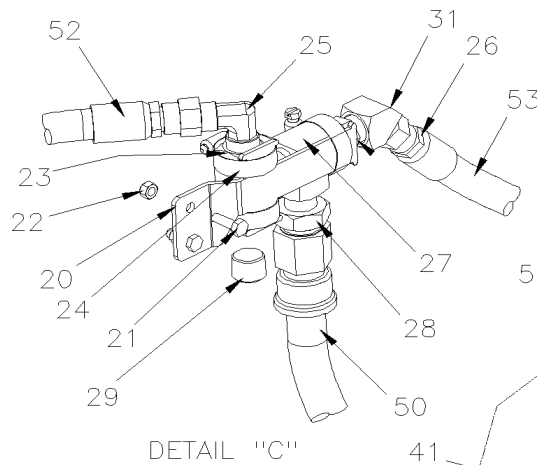
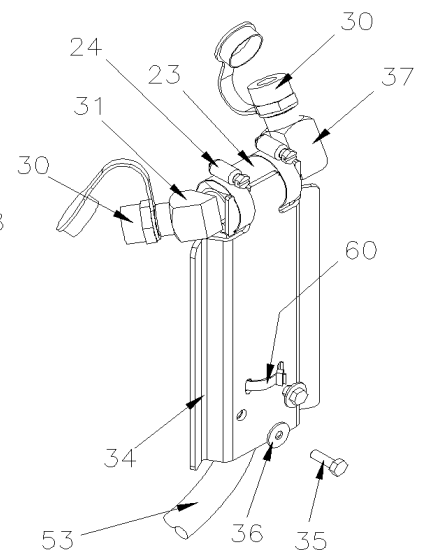
Date:07/2024

PAGE:X3VIP-2320-51

FIRE PROTECTION SYSTEM / HEATER & EVAPORATOR COMPARTMENT



DETAIL "B"
UP TO E-5717



FROM D-5460



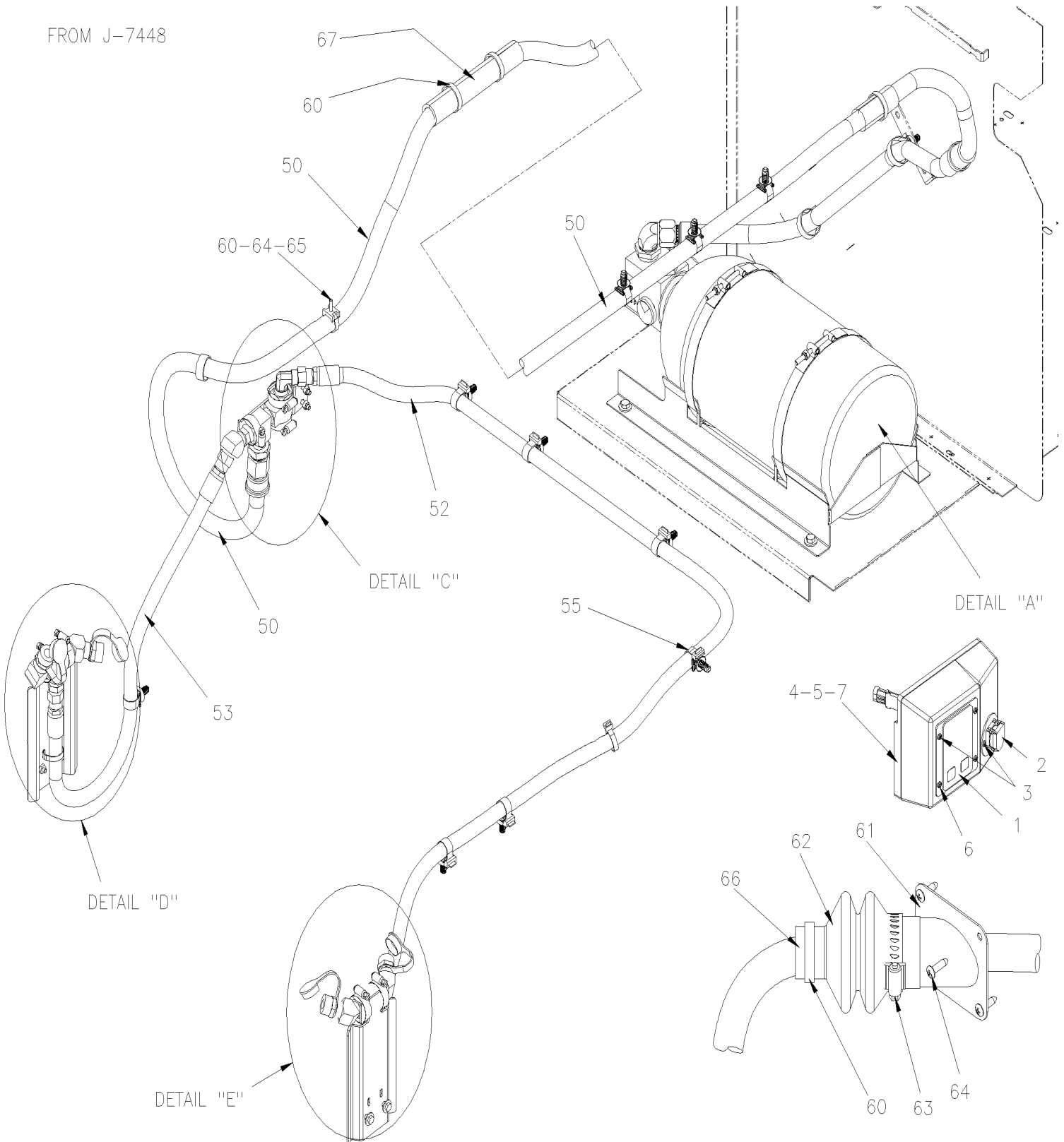
From E-5490

Date:07/2024

PAGE:X3VIP-2320-51

FIRE PROTECTION SYSTEM / HEATER & EVAPORATOR COMPARTMENT

FROM J-7448





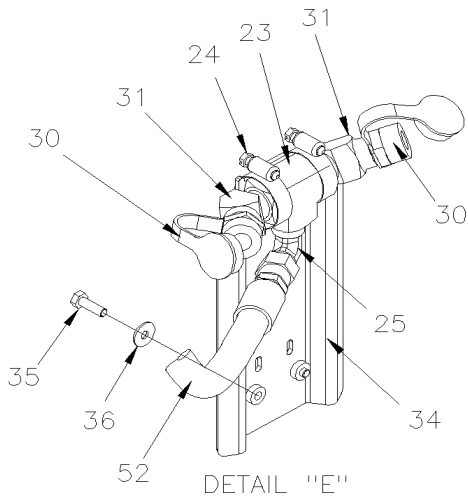
From E-5490

Date:07/2024

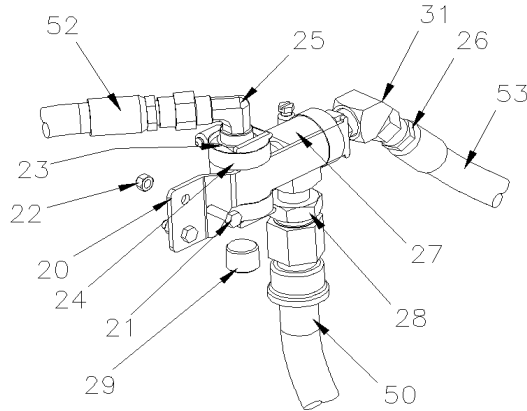
PAGE:X3VIP-2320-51

FIRE PROTECTION SYSTEM / HEATER & EVAPORATOR COMPARTMENT

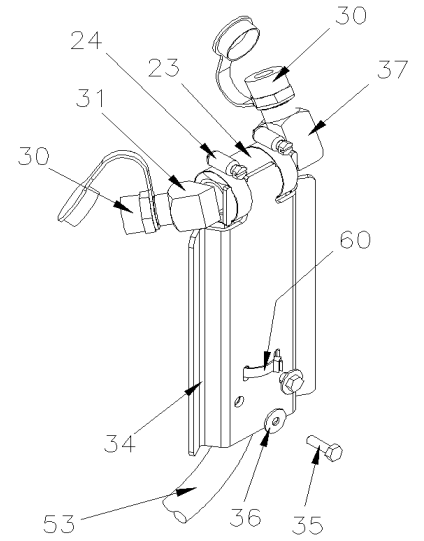
FROM J-7448



DETAIL "E"

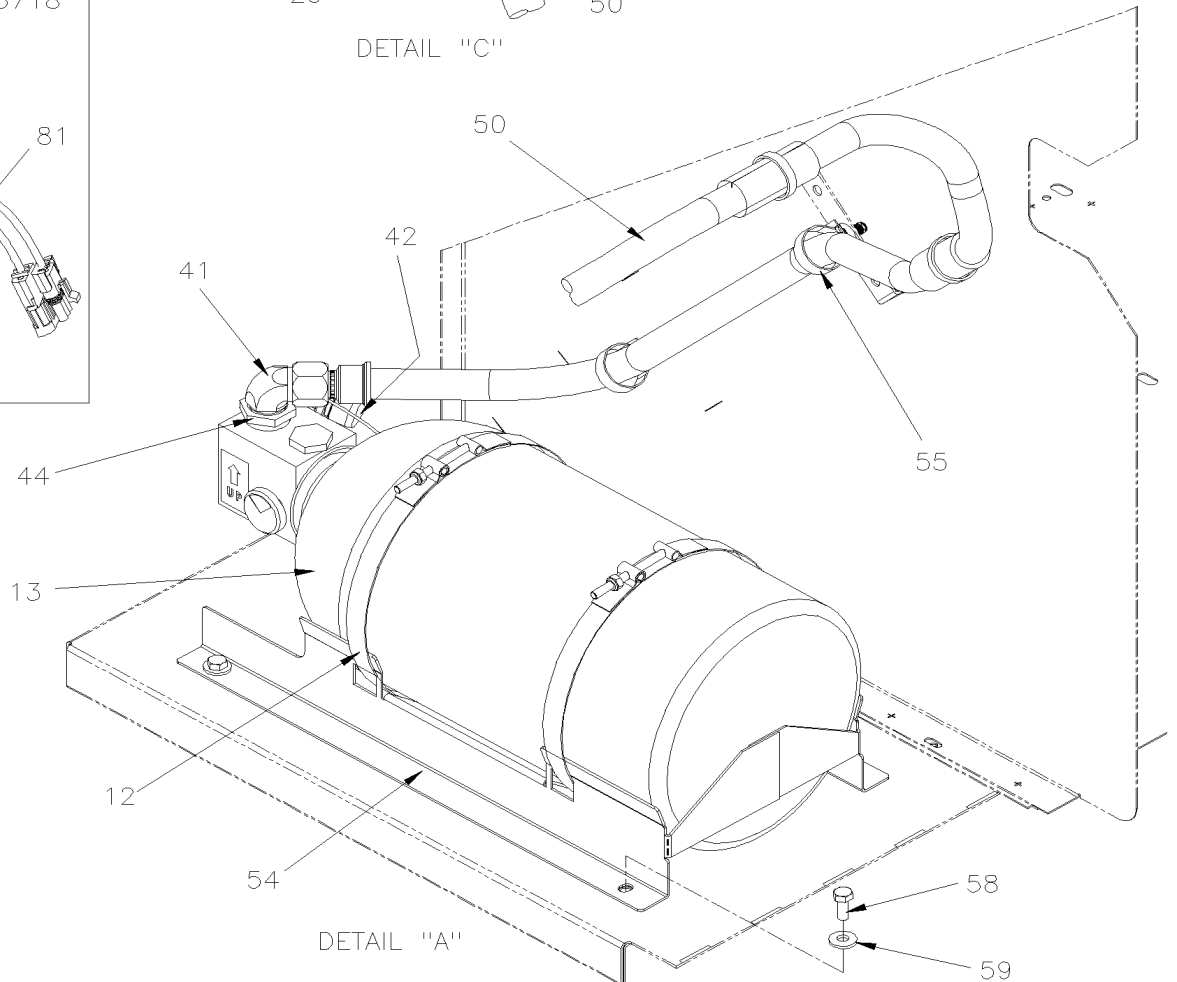
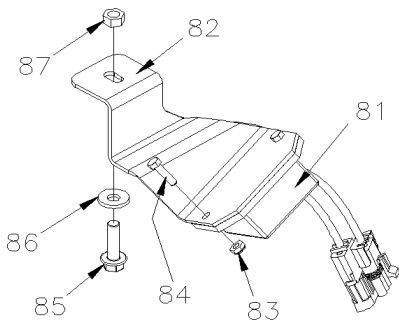


DETAIL "C"



DETAIL "D"

SERVICE & FROM E-5718



DETAIL "A"



From E-5490		Date:07/2024	PAGE:X3VIP-2320-51
-------------	--	--------------	--------------------

FIRE PROTECTION SYSTEM / HEATER & EVAPORATOR COMPARTMENT

Item#	Part	Description	X 3 V I P E N T	X 3 V I P M T H	N O T E S
1	563455	PANEL FIRE PROTECTOR DISPLAY	1	1	
1	405725	DECAL / "IN CASE OF FIRE..." / ENGLISH & FRANCAIS To N-6723	1	1	
1	402941	DECAL / "IN CASE OF FIRE..." / ENGLISH & FRANCAIS From N-6724	1	1	
1	405724	DECAL / "IN CASE OF FIRE..." / ENGLISH To N-6723	1	1	
1	402784	DECAL / "IN CASE OF FIRE..." / ENGLISH From N-6724	1	1	
1	400032	DECAL / "IN CASE OF FIRE..." / ENGLISH & FRANCAIS & SPANISH To N-6723	1	1	
1	402940	DECAL / "IN CASE OF FIRE..." / ENGLISH & FRANCAIS & SPANISH From N-6724	1	1	
2	563456	BUTTON FIRE / MANUAL OPERATING To M-6672	1	1	
. NS	563462	. SEAL BUTTON FIRE / MANUAL OPERATING To M-6672	1	1	
2	564346	BUTTON FIRE / MANUAL OPERATING From M-6673	1	1	
. NS	564392	. TAMPER SEAL BUTTON From M-6673	1	1	
. NS	564349	. TAMPER SEAL FOR BUTTON From M-6673	1	1	
. . NS	564392	. . TAMPER SEAL BUTTON From M-6673	1	1	
3	500814	SCREW TP BDG PH #6x3/4 BK	6	6	
4	329655	SUPPORT PANEL FRONT	1	1	
5	329644	COVER PANEL To H-6103	1	1	
5	321137	COVER PANEL From H-6104 To K-6491	1	1	
5	3210566	COVER PANEL From L-6492	1	1	
5	329799	SUPPORT / CONTROL PANEL To H-6103	1	1	
6	509916	SCREW TP PAN PH #8x3 1/2" BK	2	2	
7	509815	TIE MOUNT / ATTACHMENT W/TREE MOUNT	2	2	
10	217060	SUPPORT EXTINGUISHER 25 LBS To J-6244	1	1	
12	509915	T-BOLT BAND CLAMP/ 9.19" ID To G-5963	2	2	
12	509951	T-BOLT BAND CLAMP/ 9.19" ID From G-5964 To J-6244	2	2	
12	509955	T-BOLT BAND CLAMP/ 8.56" ID From J-6245	2	2	
13	901125	EXTINGUISHER 25 LBS To J-6244	1	1	
. NS	901299	. KIT REPAIR, FIRE EXTINGUISHER SYSTEM To J-6244	1	1	
13	900211	EXTINGUISHER 25 LBS From J-6245 To N-6688	1	1	
. NS	N8900111	. REBUILT KIT From J-6245 To N-6688	1	1	
13	901743	EXTINGUISHER 22 LBS From N-6689	1	1	
. NS	501026	. MALE CONNECTOR / SAE 45° FITTING / #4FL-Mx1/8NPT-M BR From N-6689	1	1	
. NS	561566	. CONNECTOR / WEATHER PACK / PH 2C / BLACK / PED 12010973 From N-6689	1	1	
. NS	950483	. SEAL CAP, SHRADER VALVE From N-6689	1	1	
. NS	990559	. CYLINDER, V25 ABC W/PRESSURE SWITCH From N-6689	1	1	
20	494173	SUPPORT HOSE To G-6016	1	1	
20	400057	SUPPORT HOSE From G-6017	1	1	
21	502830	SCREW CAP HEX M6-1.0x20 G8.8 N500 To H-6179	2	2	
21	502622	SCREW CAP HEX M6-1.0x20 SS BK From H-6180	2	2	
22	502681	NUT HEX NYRT M6-1.0 N500 G8 To E-5651	2	2	
22	5001932	NUT HEXF NYRT M6-1.0 G8.8 N500 From E-5652	2	2	
23	501472	FEMALE UNION TEE / PIPE FITTING / 1/2NPT-Fx1/2NPT-Fx1/2NPT-F BR	3	3	
24	504021	HOSE CLAMP / 11/16"-1"1/2 SS / HS-16 To G-6011	6	6	



From E-5490		Date:07/2024	PAGE:X3VIP-2320-51
-------------	--	--------------	--------------------

FIRE PROTECTION SYSTEM / HEATER & EVAPORATOR COMPARTMENT

Item#	Part	Description	X 3 V I P E N T	X 3 V I P M T H	N O T E S
24	992084	HOSE CLAMP / 23MM/35MM From G-6012	6	6	
25	501612	MALE ELBOW 90° / SAE 45° FITTING / #8FL-Mx1/2NPT-M BR	2	2	
26	501616	MALE CONNECTOR / SAE 45° FITTING / #8FL-Mx1/2NPT-M BR	2	2	
27	501473	MALE RUN TEE / PIPE FITTING / 1/2NPT-Mx1/2NPT-Fx1/2NPT-F BR	1	1	
28	501600	MALE CONNECTOR / JIC 37° FITTING / #12JIC-Mx1/2NPT-M STL	1	1	
29	501966	PLUG HEXS / PIPE FITTING / 1/2NPT-M STL	1	1	B
30	901128	NOZZLE DRY CHEMICAL	4	4	
NS	901184	CAP PROTECTOR NOZZLE	1	1	
31	501528	STREET ELBOW 45° / PIPE FITTING / 1/2NPT-Mx1/2NPT-F BR	3	3	
33	504021	HOSE CLAMP / 11/16"-1"1/2 SS / HS-16	1	1	
34	406403	SUPPORT NOZZLE	2	2	
35	502830	SCREW CAP HEX M6-1.0x20 G8.8 N500 To H-6179	4	4	
35	502622	SCREW CAP HEX M6-1.0x20 SS BK From H-6180	4	4	
36	5001833	WASHER BEL SPR 6.1x18x1.27 SS	4	4	
37	507557	STREET ELBOW 90° / PIPE FITTING / 1/2NPT-Mx1/2NPT-F BR	1	1	
38	563457	FIRE SENSOR PM-3M To E-5717	1	1	
NS	500975	WASHER FL .378x.620x.094 NYL To E-5717	2	2	
39	5001146	SCREW CAP HEX M5-0.8x20 SS BK To E-5717	2	2	
40	502841	NUT HEX NYRT M5-0.8 N500	2	2	
41	5011305	FEMALE ELBOW 45° / JIC 37° FITTING / #12JIC-Mx3/4NPT-F STL To J-6244	1	1	
41	501841	MALE ELBOW 90° / JIC 37° FITTING / #12JIC-Mx3/4NPT-M STL From J-6245	1	1	
42	680470	CAP PLUG ID 1.364 OD 1.423	1	1	
43	504637	CABLE TIE / 3/16" x 13"	1	1	
44	501564	ADAPTER / PIPE FITTING / 3/4NPT-Fx1NPT-M BR From J-6245	1	1	
50	406619P	HOSE ASSY / #12 4150MM To J-6244	1	1	
50	400758P	HOSE ASSY / #12 4850MM From J-6245	1	1	
52	406421P	HOSE ASSY / #8 1930MM To E-5717	1	1	
52	406715P	HOSE ASSY / #8 1965MM From E-5718 To G-6069	1	1	
52	400101	HOSE ASSY / #8 1965MM From G-6070	1	1	
53	406422P	HOSE ASSY / #8 665MM To G-6069	1	1	
53	400094	HOSE ASSY / #8 665MM From G-6070	1	1	
54	406608	SUPPORT / TANK To J-6244	1	1	
54	400563	SUPPORT / TANK From J-6245	1	1	
55	504750	CABLE TIE / 1/2" x 15" / CHRISTMAS TREE	AR	AR	
NS	504751	ROTATIF SPACER DOUBLE / SMALL	AR	AR	
57	406609	ATTACH To J-6244	1	1	
58	5001643	SCREW CAP HEXF M8-1.25x25 G8.8 G500 To J-6244	AR	AR	
58	500119	SCREW CAP HEX M8X1.25X20 BK From J-6245	1	1	
59	5001699	WASHER BEL SPR 8.2x22x1.4 N500 To J-6244	AR	AR	
59	5001848	WASHER BEL SPR .827 x .331 x .098 th SS From J-6245	1	1	
60	504016	CABLE TIE / 5/16" X 14"1/2	AR	AR	



From E-5490	Date:07/2024	PAGE:X3VIP-2320-51
--------------------	---------------------	---------------------------

FIRE PROTECTION SYSTEM / HEATER & EVAPORATOR COMPARTMENT

Item#	Part	Description	X 3 V I P E N T	X 3 V I P M T H	N O T E S
61	406539	SUPPORT HOSE	1	1	
62	504384	CUFF END BELLOW / 1 1/4" I.D. x 1 3/4" x 4"	1	1	
63	504022	HOSE CLAMP / 3/4"-1"3/4 SS / HS-20	1	1	
64	500957	SCREW TP BDG PH #10x3/4 N500	AR	AR	
64	500623	SCREW TC PAN PH #10-24x3/4 N500	AR	AR	
64	504581	RIVET MGLP PRDG 3/16x7/16 SS BK	AR	AR	
65	504013	TIE MOUNT / 1/4" X 1/4" I.D.	AR	AR	
66	374643	PROTECTOR HOSE SPLIT / 7/8" x 200MM	2	2	
67	503803	HOSE SILICONE 1 PLY / NOMEX-ARAMID 7/8" I.D. x 100' / S.L.	AR	AR	
70	068564	CABLE THERMO DETECTOR (LINEAR FIRE CABLE) / 2.26M / 168C/180C // 334F/356F To E-5717	1	1	E
70	069062	CABLE THERMO DETECTOR (LINEAR FIRE CABLE) / 1.6M / 168C/180C // 334F/356F From E-5718 To H-6179	1	1	E
70	069738	CABLE THERMO DETECTOR (LINEAR FIRE CABLE) / 2.46M / 168C/180C // 334F/356F From H-6180 To L-6501	1	1	E
70	0610154	FIRE WIRE LTD RED From L-6502 To £-23156	1	1	E
70	0600387	SERVICE KIT FIRE WIRE LTD From L-6502 To £-23156	1	1	E
. NS	0600386	. WHITE WIRE FIRE EXTENTION HARNESS From L-6502 To £-23156	1	1	E
. NS	902005	. FIRE WIRE LTD WHITE From L-6502 To £-23156	1	1	E
. NS	504300	. GROMMET LTD From L-6502 To £-23156	36	36	E
. NS	507664	. CABLE TIE / 3/16" 11" / DOUBLE LOOP HEAD From L-6502 To £-23156	42	42	E
70	902005	FIRE WIRE LTD WHITE From £-23156	1	1	
70	507664	CABLE TIE / 3/16" 11" / DOUBLE LOOP HEAD From £-23156	42	42	
70	504300	GROMMET LTD From £-23156	36	36	
70	069041	CABLE THERMO DETECTOR (LINEAR FIRE CABLE) / 1.5M / 168C/180C // 334F/356F From E-5718	1	1	A C
70	504637	CABLE TIE / 3/16" x 13" From E-5718	AR	AR	A C
70	509492	CABLE TIE MOUNT FOR THREADED STUD 1/4 From E-5718	AR	AR	A C
NS	068646	CABLE ASSY / FIRE DETECTOR FRT JCT BOX To H-6179	1	1	F
NS	060397	CABLE ASSY / FIRE DETECTOR FRT JCT BOX From H-6180	1	1	F
73	563587	MODULE DETECTOR / END CIRCUIT	1	1	
75	19500355	TEST KIT EXTINGUISHER 25LBS / WSIMULATOR & POWER CABLE	1	1	
. NS	685536	. POWER CABLE / USED W 24VOLT	1	1	
. NS	685537	. SOURCE SIMILATOR	1	1	
. NS	901301	. TEST KIT EXTINGUISHER 25LBS	1	1	
. NS	685128	. VALVE SIMULATOR / EXTINGUISHER 25LBS	1	1	
. NS	685129	. TEST SWITCH W/CABLE 48" / EXTINGUISHER 25LBS	1	1	
. NS	N.P.N.	. STORAGE CASE	1	1	4
75	901301	TEST KIT EXTINGUISHER 25LBS	1	1	
. NS	685128	. VALVE SIMULATOR / EXTINGUISHER 25LBS	1	1	
. NS	685129	. TEST SWITCH W/CABLE 48" / EXTINGUISHER 25LBS	1	1	
. NS	N.P.N.	. STORAGE CASE	1	1	4



From E-5490	Date:07/2024	PAGE:X3VIP-2320-51
--------------------	---------------------	---------------------------

FIRE PROTECTION SYSTEM / HEATER & EVAPORATOR COMPARTMENT

Item#	Part	Description	X 3 V I P E N T	X 3 V I P M T H	N O T E S
81	563457	FIRE SENSOR PM-3M	1	1	G
81	069020	CABLE INTERFACE FIRE SENSOR & MAIN HARNESS To E-5717	1	1	E G
81	069041	CABLE THERMO DETECTOR (LINEAR FIRE CABLE) / 1.5M / 168C/180C // 334F/356F To E-5717	1	1	E G
81	060436	HARNESS EXTENSION, FLAME DETECTOR To H-6180	1	1	
NS	504637	CABLE TIE / 3/16" x 13" From G-6083	AR	AR	
NS	504013	TIE MOUNT / 1/4" X 1/4" I.D. From G-6083	AR	AR	
NS	504379	RIVET POP DOME OE 3/16x1/4 SS From G-6083	AR	AR	
NS	504016	CABLE TIE / 5/16" X 14"1/2 From G-6083	AR	AR	
82	406701	SUPPORT / FIRE SENSOR To G-6082	1	1	G
82	406985	SUPPORT / FIRE SENSOR From G-6083 To H-6179	1	1	
82	060483	SUPPORT / FIRE SENSOR From H-6180 To L-6501	1	1	
82	0610190	SUPPORT / FIRE SENSOR From L-6502	1	1	
83	502841	NUT HEX NYRT M5-0.8 N500	2	2	G
84	5001146	SCREW CAP HEX M5-0.8x20 SS BK	2	2	G
85	5001742	SCREW CAP HEXF M8-1.25x30 G8.8 N500 To H-6179	1	1	G
85	502780	SCREW CAP HEX M8-1.25x25 SS BK From H-6180	1	1	
86	500321	WASHER BEL SPR .331x.827x.098 N500	1	1	G
87	502851	NUT HEX M8-1.25 N500	1	1	G
88	509815	TIE MOUNT / ATTACHMENT W/TREE MOUNT From H-6180	5	5	
89	504637	CABLE TIE / 3/16" x 13" From H-6180	8	8	
90	505045	NYLON SPACER 5.3MM x 13MM x 5MM From P-6904	2	2	
		A) USE WHEN YOU DO NOT HAVE A FIRE SUPPRESSIONS SYSTEM			
		B) WITHOUT WATER HEATER			
		C) FIX TO THE PANEL OVER THE ENGINE			
		E) INSTALL ON THE ENGINE			
		F) LOCATED IN FRONT JCT BOX PANEL			
		G) RELOCATION OF FIRE SENSOR			
		4) NO PARTS NUMBER			

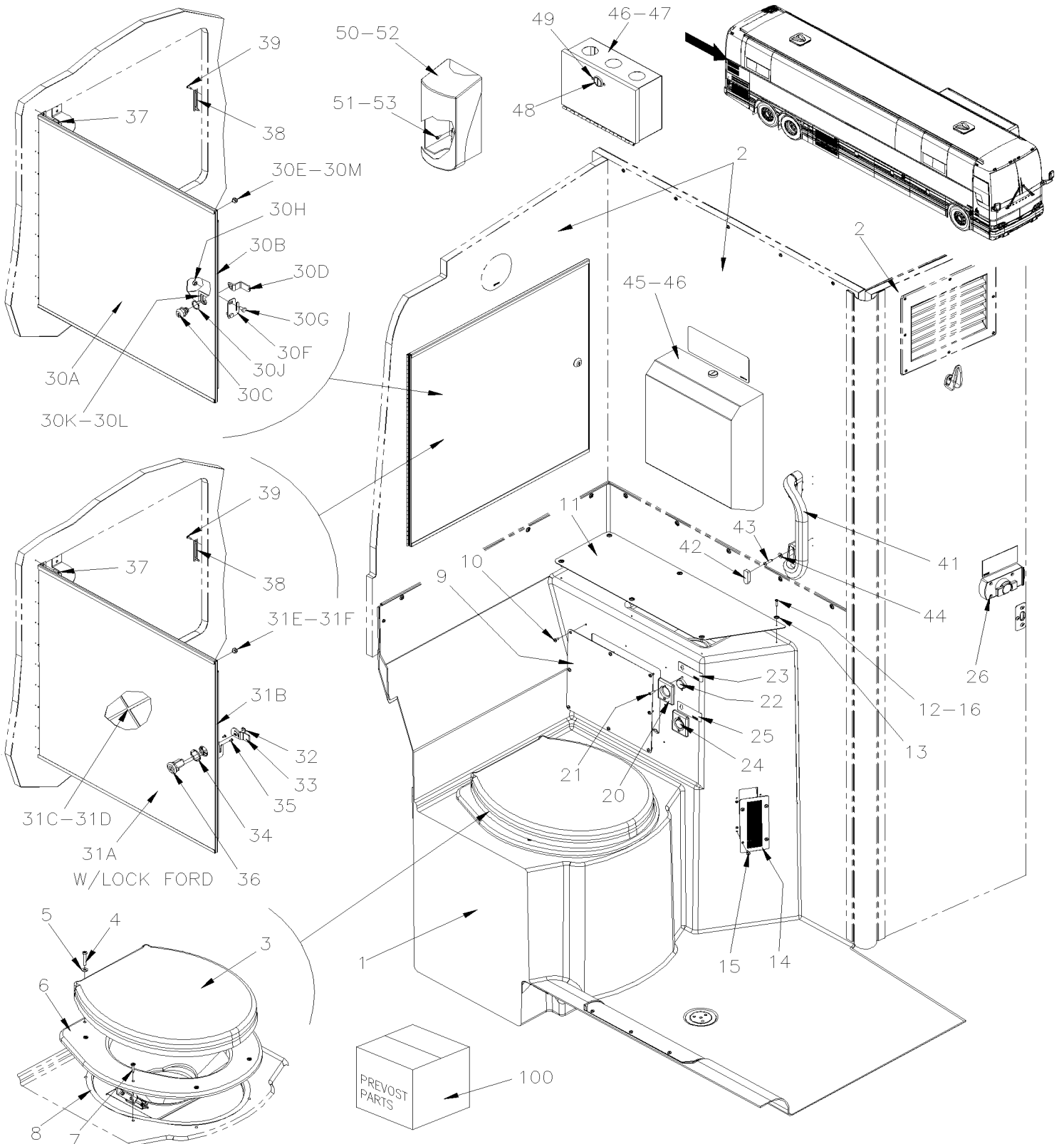


From J-6223 To J-6223

Date:07/2024

PAGE:X3VIP-2325-00

LAVATORY - ACCESSORIES



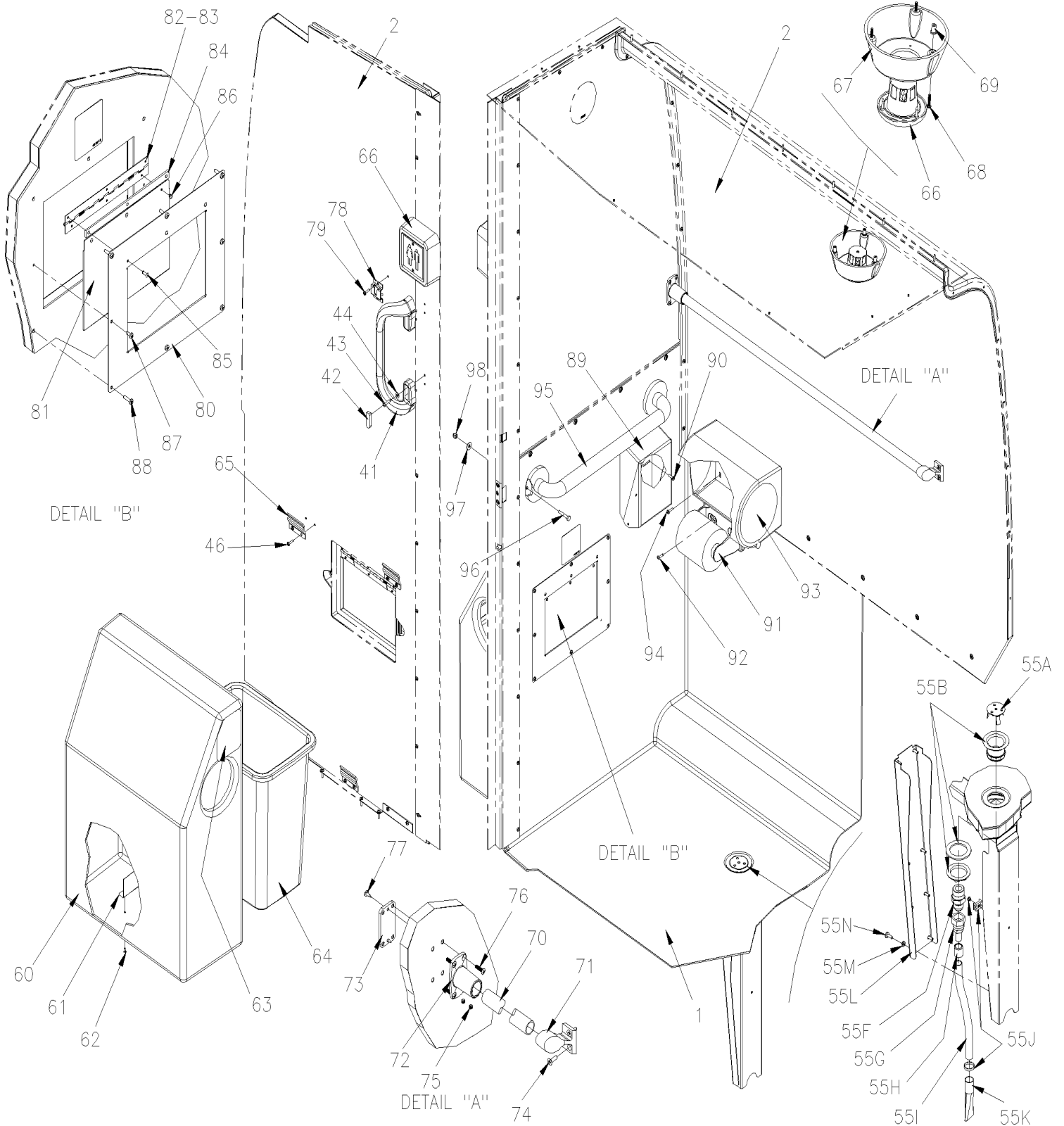


From J-6223 To J-6223

Date:07/2024

PAGE:X3VIP-2325-00

LAVATORY - ACCESSORIES





From J-6223 To J-6223	Date:07/2024	PAGE:X3VIP-2325-00
-----------------------	--------------	--------------------

LAVATORY - ACCESSORIES

Item#	Part	Description	X 3 V I P E N T	X 3 V I P M T H	N O T E S
1	409483	LAVATORY, FIBERGLASS		1	
. NS	562679	. 4 WAY ADH. BACKED MOUNTS 1.000 x 1.000 x .160		AR	
1	400369	LAVATORY, FIBERGLASS / WCL / "PWT"		1	
NS	506466	TAPE RUB ADH1 CC POL 1/16" x 1 1/2" x 100 / GREY 2520		AR	
2	X3VIP-2328-00	LAVATORY WALL - INSTALLATION			
3	901279	SEAT & COVER ASSY, TOILET / "CENTOCO"		1	
4	500865	SCREW TP PAN PH #12x1 1/2 Z050 To M-6665		2	
4	501128	SCREW TP PAN PH #12x1 1/2 SS From M-6666		2	
5	5001462	WASHER FL 6.4x18.0x1.6 Z050 To M-6665		2	
5	500411	WASHER FL .260x.697x.050 SS From M-6666		2	
6	409191P	BOWL ASSY, TOILET / GREY WITH PIPE & TRAP		1	
. NS	409186	. BOWL ASSY, TOILET / GREY		1	
. NS	409184	. TRAP		1	
. NS	900759	. SPRING / TRAP		1	
. NS	405362	. PIPE ASSY		1	
. NS	952633	. CLAMP / 7/8" I.D.		1	
. NS	5001491	. SCREW TC PAN PH #8-32x3/4 SS		3	
. NS	405361	. SUPPORT		1	
. NS	5001491	. SCREW TC PAN PH #8-32x3/4 SS		2	
. NS	790602	. RUBBER BLOCK ADJUSTEMENT 1/2" x 1/2" x 1/8" 80DURO		1	
. NS	506228	. TAPE RUB ADH1 CC POL 1/4" x 1/2" x 37.5' / GREY 2520X		AR	
7	500293	SCREW TP PAN PH #10x1 SS		6	
8	506236	TAPE RUB ADH1 CC POL 1/16" x 1/2" x 100' / GREY 2520		AR	
9	400807	PLATE, CLOSING		1	
10	5001119	SCREW TP BDG PH #8x3/4 SS		10	
12	500552	SCREW TP OV PH #6x3/4 Z050		6	
13	500465	WASHER FN CKF .278x.729x.119 SS		6	
14	405700	GRILLE 160MM X 70MM SS		1	
15	500952	SCREW TP BDG PH #8x1/2 SS		4	
16	507331	PROTECTOR CAP / BLACK / .137 I.D. x .500		6	
20	403040	PROTECTOR / EMERGENCY SWITCH / PLASTIC GREY / 44MM X 54MM		1	
21	5001955	SCREW MA RND PH #6-32x1/2 SS		2	
22	563326	PUSH BUTTON / OPERATOR / BLACK		1	
23	406613	DECAL / LAVATORY PUMP FLUSH / ENGLISH		1	
23	406611	DECAL / LAVATORY PUMP FLUSH / ENGLISH & FRANCAIS		1	
23	406617	DECAL / LAVATORY PUMP FLUSH / ENGLISH & SPANISH		1	
23	400008	DECAL / LAVATORY PUMP FLUSH / ENGLISH & SPANISH & FRANCAIS		1	
24	561676	BUTTON / EMERGENCY		1	
25	406614	DECAL / "EMERGENCY CALL" / ENGLISH		1	
25	406612	DECAL / "EMERGENCY CALL" / ENGLISH & FRANCAIS		1	
25	406618	DECAL / "EMERGENCY CALL" / ENGLISH & SPANISH		1	
25	400013	DECAL / "EMERGENCY CALL" / ENGLISH & SPANISH & FRANCAIS		1	



From J-6223 To J-6223	Date:07/2024	PAGE:X3VIP-2325-00
-----------------------	--------------	--------------------

LAVATORY - ACCESSORIES

Item#	Part	Description	X 3 V I P E N T	X 3 V I P M T H	N O T E S
26	X3VIP-2329-00	LAVATORY DOOR LOCK & SWITCH			
NS	X3VIP-2330-00	SUMP TANK SYSTEM - INSTALLATION			
30	408334P	MIRROR ASSY / REAR WALL WITH CYLINDER LOCK		1	
. A	408288	. MIRROIR GLASS WITH CYLINDER LOCK HOLE		1	
. B	408332	. SUPPORT MIRROIR ASSY		1	
. C	780538	. LOCK		1	
. . NS	780539	. . KEY / (CH751)		1	
. D	408335	. PIVOT LOCK ACTUATOR 44MM / W/21MM OFFSET		1	
. E	313678	. RUBBER BUMPER		2	
. F	408336	. LOCK REINFORCEMENT		1	
. G	5001181	. SCREW CAP HEX M6-1.0x12 SS		2	
. H	502681	. NUT HEX NYRT M6-1.0 N500 G8		2	
. J	5001856	. WASHER FL 19.0x23.0x1.0 FIB		1	
. K	506785	. TAPE RUB ADH2 CC POL 1/16" X 1/4" X 200' / BLACK I1C-N-A		AR	
. L	506225	. TAPE RUB ADH1 CC POL 1/16" x 1/4" x 100' / GREY 2520		AR	
. M	680066	. ADHESIVE / ADBOND #5014 / 23.6ML BOTTLE		AR	
. NS	068254	. DECAL "POWER DISTRIBUTION"		1	
. NS	680038	. THREAD LOCKER LOCTITE #243 / BLUE / 50ml		AR	
31	499384	MIRROR ASSY / REAR WALL WITH CYLINDER LOCK FORD		1	GR F
. A	407623	. MIRROR GLASS		1	GR F
. B	407621	. SUPPORT MIRROIR ASSY		1	GR F
. C	506785	. TAPE RUB ADH2 CC POL 1/16" X 1/4" X 200' / BLACK I1C-N-A		AR	GR F
. D	506225	. TAPE RUB ADH1 CC POL 1/16" x 1/4" x 100' / GREY 2520		AR	GR F
. E	313678	. RUBBER BUMPER		2	GR F
. F	680066	. ADHESIVE / ADBOND #5014 / 23.6ML BOTTLE		AR	GR F
. NS	068254	. DECAL "POWER DISTRIBUTION"		1	GR F
32	504402	RING RETAINER / EXT .250 x .210 x .025"		1	GR F
33	3200546	PIVOT LOCK ACTUATOR 44MM / W/21MM OFFSET		1	GR F
34	2800032	SEAL RUBBER 1/16" TH		1	GR F
35	5001053	SCREW MA PAN PH #4-40x1/4 ZP		2	GR F
36	X3VIP-1867-00	KEY & CYLINDER CODE			GR F
37	500614	SCREW TP FL PH #6x3/4 Z050		10	
38	402737	REINFORCEMENT / DOOR LOCK		1	
39	500124	SCREW TP TR PH #8x1/2 SS		2	
41	901459	HANDLE		2	
42	900490	CAP / W/HANDLE		4	
43	5001545	SCREW TP PAN PH #10x7/8 Z050		8	
44	500964	WASHER FL .203x.500x.047 Z050		8	
45	900327	DISPENSER / PAPER TOWELS		1	
. NS	900494	. KEY, PAPER BOX		1	
. NS	901290	. LOCK, PAPER BOX		1	
NS	900328	TOWEL, PAPER		AR	



From J-6223 To J-6223	Date:07/2024	PAGE:X3VIP-2325-00
-----------------------	--------------	--------------------

LAVATORY - ACCESSORIES

Item#	Part	Description	X 3 V I P E N T	X 3 V I P M T H	N O T E S
46	500641	SCREW TP PAN PH #8x3/4 Z050		AR	
46	500642	SCREW TP PAN PH #10x3/4 Z050		AR	
47	404999	DISPENSER SS / WET TOWELS		1	
47	402026	. BOX		1	
48	901051	. LOCK		1	
48	N.S.S.	. . KEY		1	1
49	500525	. SCREW MA RND SLT #5-40x1/2 SS		2	
49	500555	. NUT HEX #5-40 SS		2	
49	502649	. WASHER LO EXT .141x.320x.022 Z050		2	
49	502556	. WASHER FL 4.3x9.0x0.8 SS		4	
50	900088	DISPENSER / SOAP		1	
50	901385	HAND SANITIZER WATERLESS BOX OF 12/800ml		1	
50	19503185	HAND SANITIZER WATERLESS NON-ALCOHOLIC SCREWABLE BOTTLE		AR	
50	19503186	HAND SANITIZER WATERLESS ALCOHOLIC SCREWABLE BOTTLE		AR	
50	19503187	HAND & FACE REFRESHER TOWELLETES		AR	
51	500642	SCREW TP PAN PH #10x3/4 Z050		1	
52	N.S.P.	DISPENSER FRESHENER		1	2
53	500855	WASHER FL .188x.438x.049 N500		4	
55A	401927	GRILLE ASSY, STRAINER		1	
55B	900219	STRAINER ASSY, FLOOR		1	
55B	684517	ADHESIVE SIMSON #ISR 70-03 / GREY / 310ml CARTRIDGE		AR	
55F	501847	MALE CONNECTOR / JIC 37° FITTING / #12JIC-Mx1NPT-M STL		1	
55F	680098	THREAD SEALANT LOCTITE #567 / WHITE / 250ml		AR	
55G	5011207	FEMALE CONNECTOR SWIVEL / JIC 37° FITTING / #12JIC-Fx#12 STL		1	
55H	5011206	SLEEVE / #12 STL		1	
55I	503376	HOSE TEFLON #12 / S.L.		AR	
55J	504013	TIE MOUNT / 1/4" X 1/4" I.D.		1	
55J	504488	RIVET MGLP PRDG 3/16x17/64 SS		1	
55J	504637	CABLE TIE / 3/16" x 13"		1	
55K	590286	DRAIN BOOT 1 1/4" I.D. X 4" / FLAT		1	
55L	400258	COVER 502 x 85 x 58 SS		1	
55M	502570	WASHER LO SPT 6.1x11.8x1.6 SS		8	
55N	500283	SCREW TC TR PH #10-24x3/4 SS		8	
60	407710	COVER, BASKET		1	
60	406319	SIDE CLOSING PLATE / BASKET		2	PWT
60	504106	RIVET POP DOME OE 1/8x1/4 AL		8	PWT
60	500437	WASHER FL .125x.375x.040 Z050		8	PWT
61	407717	. ANGLE		1	
62	504106	. RIVET POP DOME OE 1/8x1/4 AL		2	
63	405713	DECAL / "TRASH DEPOSIT" PICTOGRAM / PHOTOLUMINESCENT		1	
64	900605	TRASH CAN / BLACK PLASTIC		1	
65	404459	BRACKET, RETAINING / TO FIX CONTAINER TO WALL		2	



From J-6223 To J-6223	Date:07/2024	PAGE:X3VIP-2325-00
LAVATORY - ACCESSORIES		

Item#	Part	Description	X 3 V I P E N T	X 3 V I P M T H	N O T E S
66	X3VIP-0655-00	INTERIOR LIGHTING			
67	409270	LAMP SUPPORT / LAVATORY GREY PLATINE		1	
68	500564	SCREW MA RND PH #8-32x3/4 Z050		3	
69	500678	NUT WELL #8-32x.450		3	
70	407709	TUBE 980MM		1	
71	900334	BRACKET / TO FIX GRAB HANDLE		1	
71	506466	TAPE RUB ADH1 CC POL 1/16" x 1 1/2" x 100 / GREY 2520		AR	
72	900331	BRACKET, MOUNTING / FRONT WALL HANDRAIL TUBE		1	
73	407701	PLATE, FIXING		1	
74	500616	SCREW TP FL PH #10x3/4 Z050		2	
75	500870	SCREW SET HEXS CUP 1/4-28x3/16		2	
76	5002011	SCREW MA OV PH #10-32x3/4 Z050		4	
77	500638	SCREW TP PAN PH #8x1/2 Z050		2	
78	900859	BRACKET, MOUNTING / MICROPHONE		1	
79	500641	SCREW TP PAN PH #8x3/4 Z050		2	
80	407711	TRAPDOOR, LAVATORY TRASH CAN ASSY		1	
80	407712	. FRAME, TRASH CAN TRAPDOOR		1	
81	407713	. TRAPDOOR, TRASH CAN		1	
81	506225	. TAPE RUB ADH1 CC POL 1/16" x 1/4" x 100' / GREY 2520		AR	
82	407715	. HINGE		1	
83	400739	. SPRING, TORSION / .375 I.D. x .437 x .032		2	
84	407714	. SHIM		1	
85	504717	. RIVET POP DOME OE 1/8x1/4 SS		3	
86	504104	. RIVET POP DOME OE 1/8x1/8 SS		3	
88	5001119	SCREW TP BDG PH #8x3/4 SS		8	
89	900083	DISPENSER / TOILET PAPER / (CHROME)		1	
89	900085	PAPER, TOILET / BOX OF 96 PACK		AR	
90	500641	SCREW TP PAN PH #8x3/4 Z050		3	
91	900656	DISPENSER / TOILET PAPER ASSY (TO USE W/STD) ROLL)		1	
91	900657	PAPER, TOILET / ROLL S.Q.		AR	
92	500642	SCREW TP PAN PH #10x3/4 Z050		2	
93	901409	DISPENSER / TOILET PAPER ASSY / TRANSLUCENT BLUE		1	GR
. NS	901425	. KEY, DISPENSER		1	GR
93	901545	DISPENSER / TOILET PAPER ASSY / TRANSLUCENT SMOKE		1	
. NS	901425	. KEY, DISPENSER		1	
93	900049	DISPENSER / TOILET PAPER ASSY / TRANSLUCENT WHITE		1	IN
. NS	901425	. KEY, DISPENSER		1	IN
94	500641	SCREW TP PAN PH #8x3/4 Z050		4	
95	901408	GRAB HANDLE, LAVATORY, 18"		1	
96	502888	SCREW CAP HEX M6-1.0x35 G8.8 N500		4	
96	680038	THREAD LOCKER LOCTITE #243 / BLUE / 50ml		AR	
97	502709	WASHER FL .260x.687x.050 XLN BK		4	



From J-6223 To J-6223	Date:07/2024	PAGE:X3VIP-2325-00
LAVATORY - ACCESSORIES		

Item#	Part	Description	X 3 V I P E N T	X 3 V I P M T H	N O T E S
98	5001684	NUT HEX CAP M6-1.0 SS		4	
		... NEXT PACKS ARE NO-FORMALDEHYDE			
100	900329	CHEMICAL PACK / "INCA GOLD" / S.Q.		AR	
100	900654	CHEMICAL PACK / "INCA" FORMULE 104 / S.Q.		AR	
100	900655	CHEMICAL PACK / "TIMSEN-AIR" / (BOX OF 960)		AR	
100	403678	CHEMICAL PACK / "TIMSEN-AIR" / (BOX OF 40)		AR	
100	900893	CHEMICAL PACK / "CELESTE INDUSTRIE" / S.Q.		AR	
100	900894	CHEMICAL PACK / "CELESTE INDUSTRIE" / (BOX OF 100)		AR	
		F) WITH FORD LOCK			
		GR) WITH OPTION "GREYHOUND"			
		IN) INDIAN TRAILS OPTION			
		PWT) USE WITH WCL LAVATORY			
		1) NOT SOLD SEPARATELY			
		2) NOT SOLD BY PREVOST (SEE MANUFACTURING PART NUMBER AT END OF DESCRIPTION LINE)			

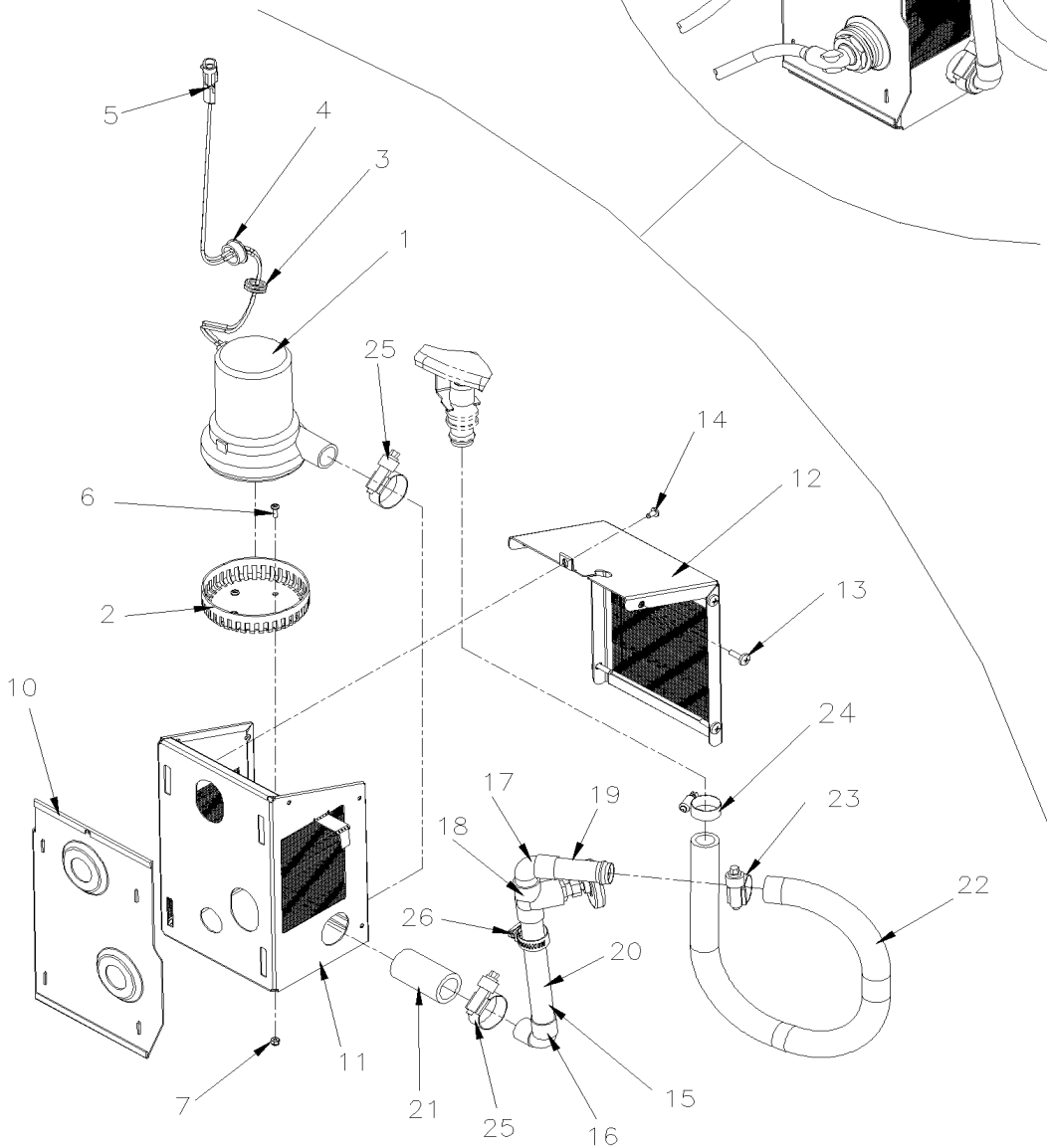
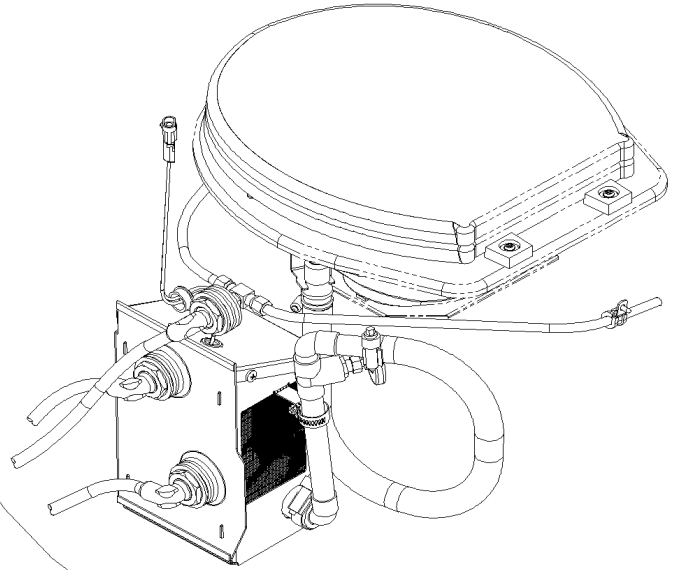
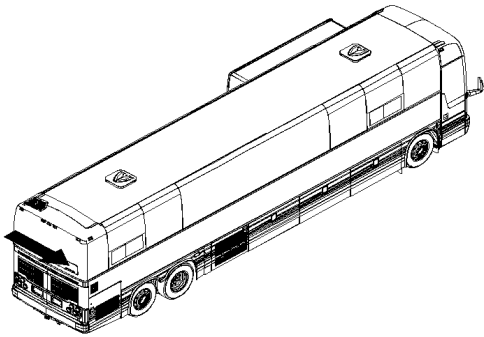


From J-6223 To J-6223

Date:07/2024

PAGE:X3VIP-2326-00

TOILET PUMP ASSY





From J-6223 To J-6223	Date:07/2024	PAGE:X3VIP-2326-00
TOILET PUMP ASSY		

Item#	Part	Description	X 3 V I P E N T	X 3 V I P M T H	N O T E S
1	400201	PUMP TOILET ASSY		1	
1	900960	. PUMP TOILET		1	
2	901421	. . BASE, STRAINER		1	
3	504496	. GROMMET 2 HOLESx.062x.625x.062x.312x.875x.031 x.375		1	
4	504500	. SNAP BUSHING / .766x1.125x.453		1	
5	561566	. CONNECTOR / WEATHER PACK / PH 2C / BLACK / PED 12010973		1	
5	561568	. . PIN TERMINAL / 16-14 / PED 12089305		2	
5	561786	. . CABLE SEAL / GRAY / PED 15324980		2	
6	5011209	SCREW MA PAN PH #8-32x1/2 SS		4	
7	5001480	NUT HEX NYRT #8-32 SS		4	
10	400206	SUPPORT PUMP BOX		1	
11	400192	BOX ASSY/ WELDED		1	
12	400193	BOX COVER		1	
13	500283	SCREW TC TR PH #10-24x3/4 SS		6	
14	500209	SCREW TC BDG PH #10-24x3/8 N500		1	
15	400202	TUBE ASSY W/GATE VALVE		1	
16	501395	. FEMALE ELBOW 90° SHORT RADIUS / COPPER TUBE / 3/4Fx3/4F		1	
17	501217	. STREET ELBOW 90° SHORT RADIUS / COPPER TUBE / 3/4Mx3/4F		1	
18	501958	. GATE VALVE 7/8" (WELDED)		1	
19	503198	. COPPER TUBE .875" O.D. x .045" x 240"		AR	
20	503198	. COPPER TUBE .875" O.D. x .045" x 240"		AR	
21	503579	. HOSE 1" I.D. X 50' / "GREEN STRIPE"		AR	
22	503523	HOSE SILICONE 1PLY 3/4" I.D. x 100' / S.L.		AR	
23	504021	HOSE CLAMP / 11/16"-1"1/2 SS / HS-16		1	
23	504417	HOSE CLAMP / 11/16"-1"1/2 SS / HAS-16		1	
24	504319	HOSE CLAMP / 1"-1"1/2 SS / E.T. 16		1	
24	504417	HOSE CLAMP / 11/16"-1"1/2 SS / HAS-16 From M-6666		1	
25	504291	HOSE CLAMP / 1"1/8"-1"3/4 SS / E.T. 20		2	
25	504413	HOSE CLAMP / 1"1/16"-2" SS / HAS-24 From M-6666		2	
26	504020	HOSE CLAMP / 9/16"-1"1/4 SS / HS-12		1	
26	504417	HOSE CLAMP / 11/16"-1"1/2 SS / HAS-16 From M-6666		1	

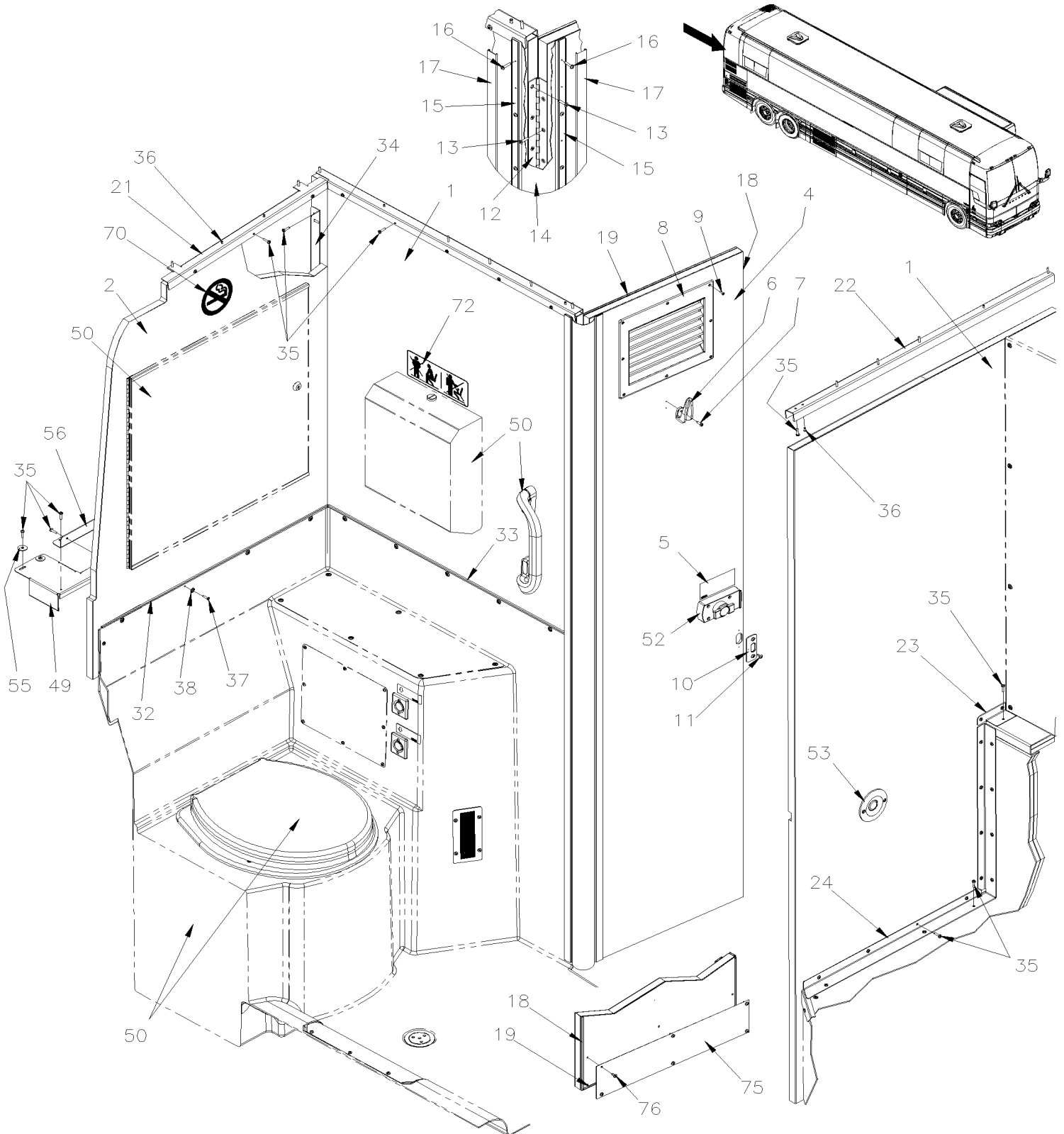


From J-6223 To J-6223

Date:07/2024

PAGE:X3VIP-2328-00

LAVATORY WALL - INSTALLATION



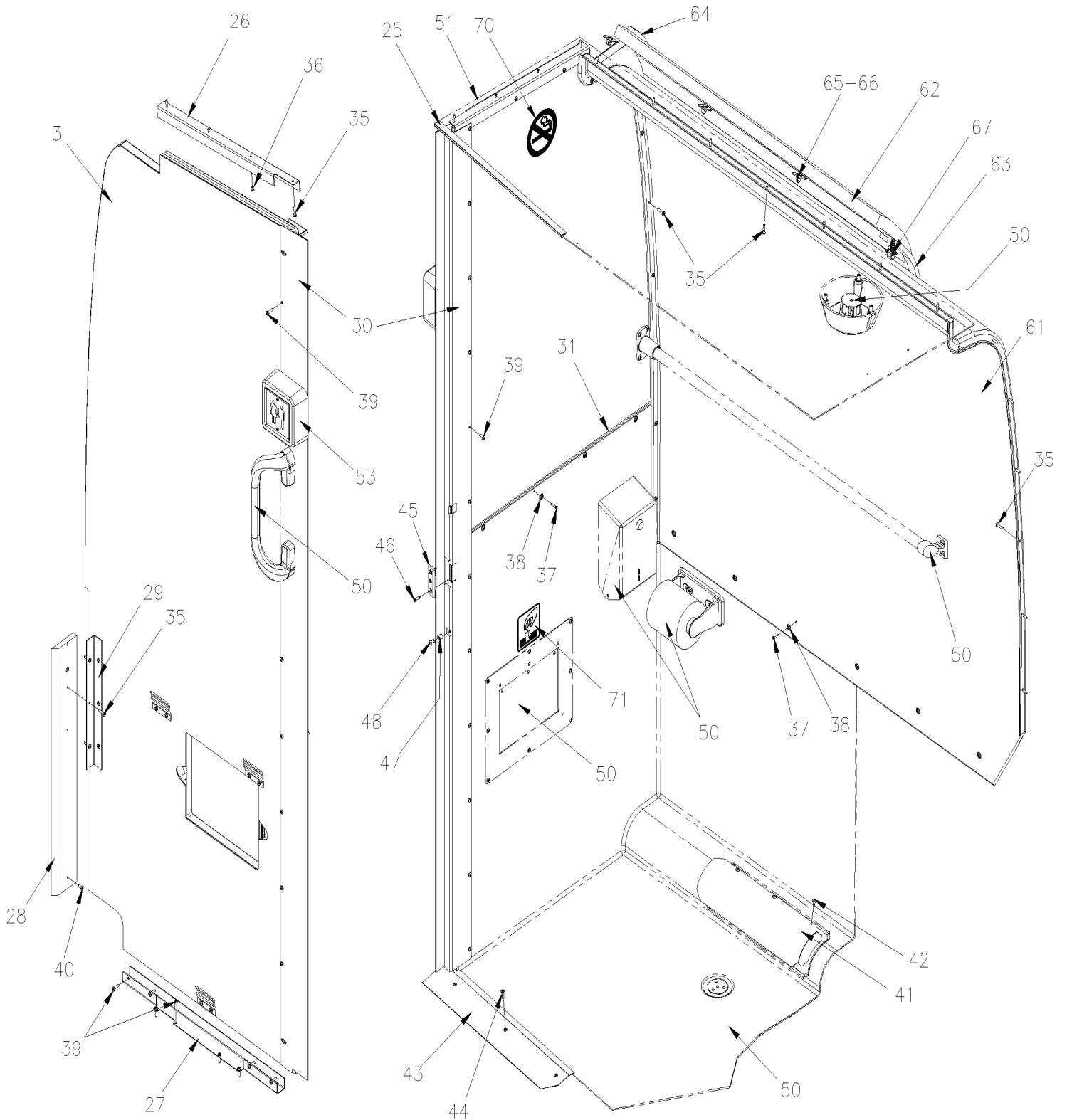


From J-6223 To J-6223

Date:07/2024

PAGE:X3VIP-2328-00

LAVATORY WALL - INSTALLATION





From J-6223 To J-6223 Date:07/2024 PAGE:X3VIP-2328-00

LAVATORY WALL - INSTALLATION

Item#	Part	Description	X 3 V I P E N T	X 3 V I P M T H	N O T E S
1	Call order desk	WALL ASSY, SIDE / SPECIFY COLOR CODE		1	P
2	Call order desk	WALL ASSY, REAR SIDE WITH MIRROR / SPECIFY COLOR CODE		1	P
3	Call order desk	WALL ASSY, FRONT / SPECIFY COLOR CODE		1	P
4	Call order desk	LAVATORY DOOR ASSY / CARPET / SPECIFY COLOR CODE		1	P
4	Call order desk	LAVATORY DOOR ASSY / TISSUS / SPECIFY COLOR CODE		1	P
4	Call order desk	LAVATORY DOOR ASSY / LOCK "FORD" / SPECIFY COLOR CODE		1	P
5	400315	DECAL / LAVATORY OPEN / LOCK / ENGLISH		1	
5	400314	DECAL / LAVATORY OPEN / LOCK / ENGLISH & FRANCAIS		1	
5	400313	DECAL / LAVATORY OPEN / LOCK / ENGLISH & SPANISH		1	
5	400324	DECAL / LAVATORY OPEN / LOCK / ENGLISH & SPANISH & FRANCAIS		1	
6	900065	HOOK / COAT		1	
6	900066	CAP, COAT HOOK		1	
7	5001155	SCREW TP PAN PH #8X3/4 N050		2	
8	405065	GRILL, VENT / MED GREY		2	
9	500624	SCREW TP OV PH #6x1/2 Z050		16	
10	405518	PLATE RETAINING DOOR / 76MM X 31MM		1	
11	500124	SCREW TP TR PH #8x1/2 SS		3	
12	780134	HINGE NP .040 X 3/4 X 3/4 X 72"		1	
13	500614	SCREW TP FL PH #6x3/4 Z050		AR	
14	400181	LEATHERETTE GREY / 125MM X 1980MM To K-6482		1	
14	401375	LEATHERETTE GREY / 125MM X 1980MM From K-6483		1	
15	404971	MOULDING RETAINER / 1980MM		2	
16	500614	SCREW TP FL PH #6x3/4 Z050		AR	
17	407704	MOULDING CAP / SS 2100MM		2	
18	405006	MOULDING "J" FORM / 1985MM / A/A		1	C
18	405005	MOULDING "J" FORM / 1985MM / A/A		1	D
19	401490	MOULDING "J" FORM / 463MM (18 1/4") / A/A		1	C
19	401309	MOULDING "J" FORM / 463MM (18 1/4") / A/A		1	D
21	341268	MOULDING / "U" SHAPE 529MM		1	
22	341269	MOULDING / "U" SHAPE 863MM		1	
23	408286	ANGLE 92.2MM		1	
24	408386	ANGLE 623.2MM X 503.2MM		1	
25	341285	MOULDING / "J" SHAPE 489MM		1	
NS	680437	TAPE TRANSFER ADH2 CLEAR 12.7MM x 55M / TRM950-0500		AR	
26	341284	MOULDING / "U" SHAPE 465MM		1	
27	407702	MOULDING / "U" SHAPE 531MM		1	
28	400727	ANGLE, RETAINING 23"		1	
29	401173	ANGLE, RETAINING 12"		1	
30	407703	MOULDING DOOR 1995MM To K-6491		1	
30	400771	MOULDING DOOR 1981MM From L-6492		1	
NS	504397	GROMMET / .750x1.062x.062x.375x1.375		1	
NS	506003	TAPE RUB ADH1 CC POL 3/16" x 3/4" x 40' / GREY 2520X		AR	



From J-6223 To J-6223	Date:07/2024	PAGE:X3VIP-2328-00
-----------------------	--------------	--------------------

LAVATORY WALL - INSTALLATION

Item#	Part	Description	X 3 V I P E N T	X 3 V I P M T H	N O T E S
		D) USE WITH DOOR WITH TISSUS			
		P) CALL ORDER DESK FOR SPECIFIC APPLICATION (V.I.N.)			

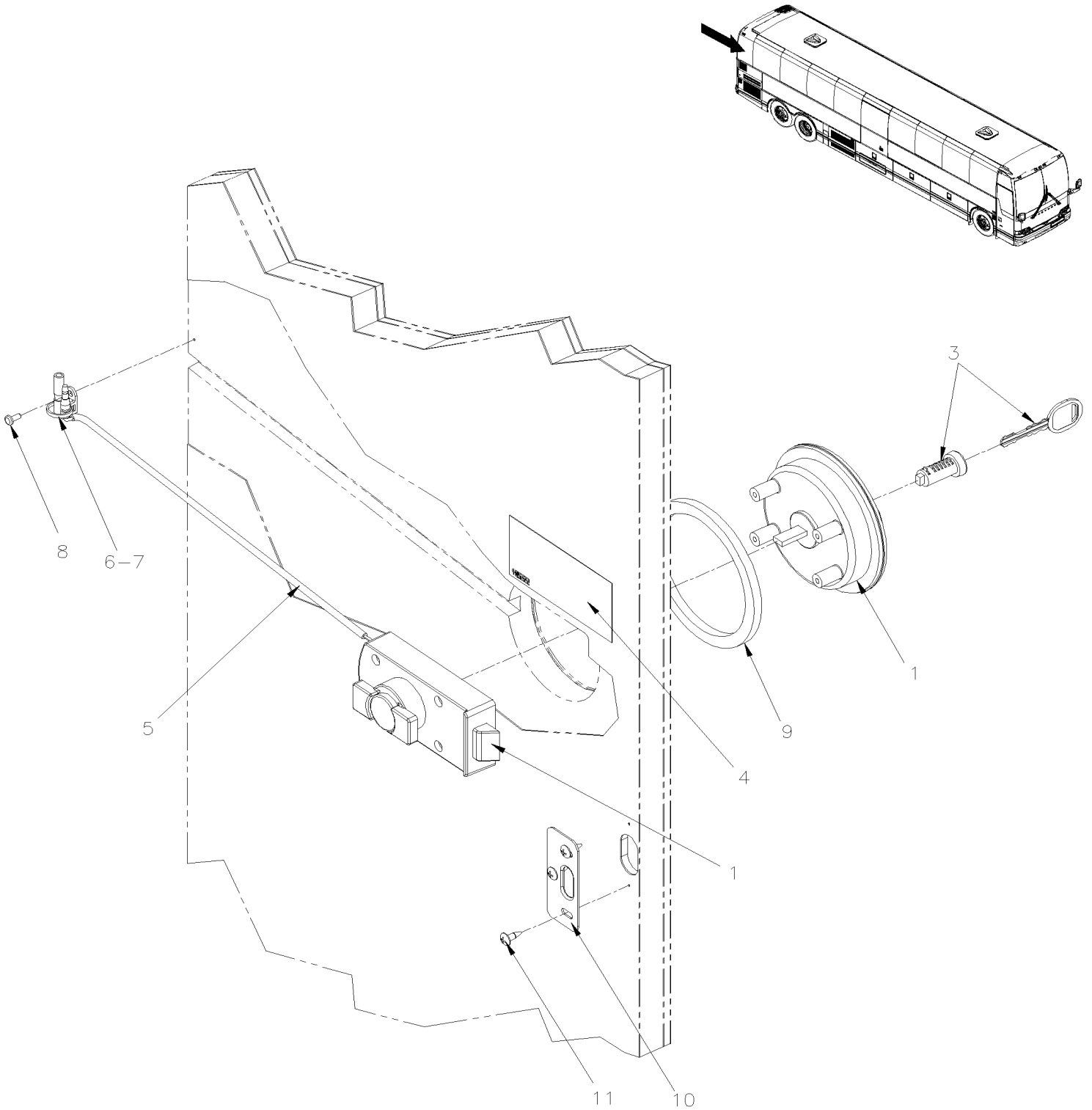


From J-6223 To J-6223

Date:07/2024

PAGE:X3VIP-2329-00

LAVATORY DOOR LOCK & SWITCH





From J-6223 To J-6223

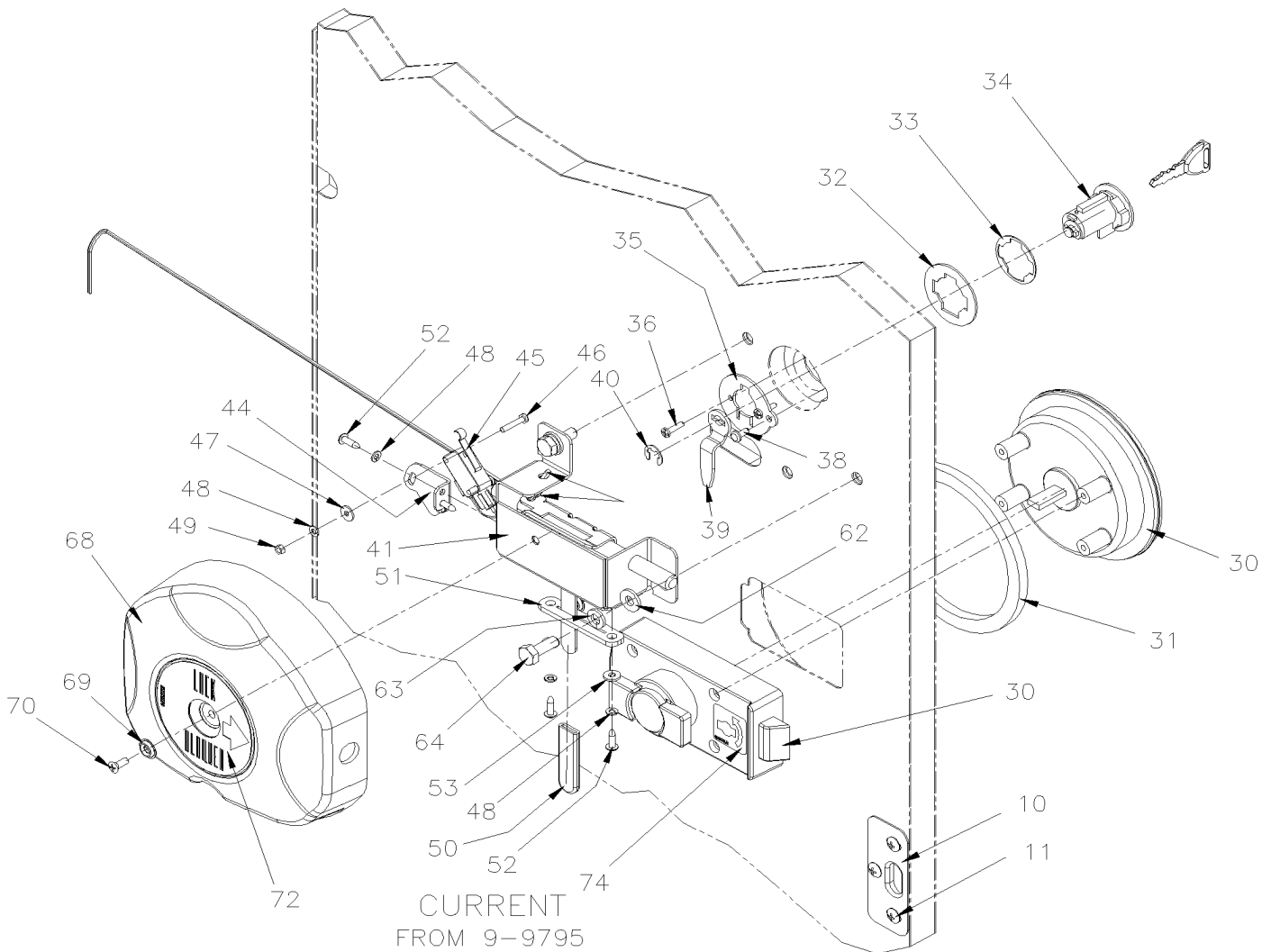
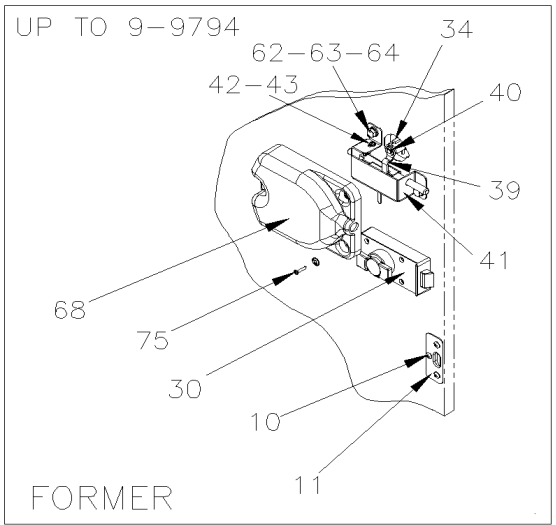
Date:07/2024

PAGE:X3VIP-2329-00

LAVATORY DOOR LOCK & SWITCH

DOOR LOCK "FORD"

UP TO 9-9794





From J-6223 To J-6223	Date:07/2024	PAGE:X3VIP-2329-00
-----------------------	--------------	--------------------

LAVATORY DOOR LOCK & SWITCH

Item#	Part	Description	X 3 V I P E N T	X 3 V I P M T H	N O T E S
1	901114	LOCK ASSY, DOOR		1	
1	563097	. MICRO SWITCH / N.C.		1	
3	X3VIP-1867-00	KEY & CYLINDER CODE			
4	400315	DECAL / LAVATORY OPEN / LOCK / ENGLISH		1	
4	400314	DECAL / LAVATORY OPEN / LOCK / ENGLISH & FRANCAIS		1	
4	400313	DECAL / LAVATORY OPEN / LOCK / ENGLISH & SPANISH		1	
4	400324	DECAL / LAVATORY OPEN / LOCK / ENGLISH & SPANISH & FRANCAIS		1	
5	064372	WIRING HARNESS LAVATORY DOOR		1	
6	504531	TIE MOUNT / 3/16" #10 SCREW / TA1S8-C		1	
7	504273	CABLE TIE / 1/8" X 3"1/2		1	
8	500417	SCREW TP PAN PH #6x3/8 Z050		1	
9	405216	SPACER		1	
10	405518	PLATE RETAINING DOOR / 76MM X 31MM		1	
11	500124	SCREW TP TR PH #8x1/2 SS		3	
		LAVATORY DOOR WITH LOCK "FORD"			
30	406311	LOCK ASSY, DOOR		1	
31	405216	SPACER		1	
32	406280	WASHER SPACER CYLINDER "FORD" 18GA		1	
33	2800032	SEAL RUBBER 1/16" TH		1	
34	X3VIP-1867-00	KEY & CYLINDER CODE			
35	406279	WASHER / CYLINDER LOCK RETAINER		1	
36	500518	SCREW MA BDG PH #4-40x1/2 Z050		2	
38	500417	SCREW TP PAN PH #6x3/8 Z050		2	
39	287406	PIVOT LOCK 9.5MM OFFSET		1	
40	504402	RING RETAINER / EXT .250 x .210 x .025"		1	
41	406309	SECONDARY LATCH ASSY "FORD"		1	
41	406276	. SECONDARY LATCH ASSY "FORD"		1	
NS	684007	. GREASE WHITE / SPRAY BOTTLE 290GR		AR	
42	481564	. ROD GUIDE		2	
43	502934	. SPRING COMPRESSION / .300 O.D. x 1 x .026		2	
48	502691	. WASHER LO SPT 3.6x6.7x0.8 Z050		AR	
50	406306	. CAP DOOR HANDLE		1	C
NS	680042	. GLUE LOCTITE 430 BOTTLE 1OZ		AR	C
51	406308	. GUIDE DOOR HANDLE		1	C
52	500583	. SCREW TP PAN PH #6x1/2 Z050		AR	
53	502630	. WASHER FL .156x.375x.049 Z050		2	
62	500440	WASHER FL .250x.562x.065 Z050		3	
63	500473	WASHER LO SPT .262x.489x.062 Z050		3	
64	500163	SCREW CAP HEX 1/4-20x3/4 G5 Z050		3	
NS	500453	NUT TEE 1/4-20 To L-6612		3	



From J-6223 To J-6223		Date:07/2024	PAGE:X3VIP-2329-00
-----------------------	--	--------------	--------------------

LAVATORY DOOR LOCK & SWITCH

Item#	Part	Description	X 3 V I P E N T	X 3 V I P M T H	N O T E S
NS	5002144	NUT AN INS THREADED 1/4-20x.516 From L-6613		1	
66	067838	WIRING HARNESS LAVATORY DOOR W/DOOR LOCK "FORD"		1	C
NS	504531	TIE MOUNT / 3/16" #10 SCREW / TA1S8-C		1	C
NS	504273	CABLE TIE / 1/8" X 3"1/2		1	C
NS	500417	SCREW TP PAN PH #6x3/8 Z050		1	C
68	406304	COVER LATCH / PLASTIC		1	C
69	502725	SCREW MA OV PH M4-0.7x10 SS EMN		1	C
70	500345	WASHER FN CKF .187x.500x.090 BR BK		1	C
NS	500333	SCREW TP OV PH #6x3/4 BK		1	
72	406305	DECAL / LAVATORY LOCK, ENGLISH & SPANISH		1	
72	406325	DECAL / LAVATORY LOCK, ENGLISH & FRENCH		1	
72	400007	DECAL / LAVATORY LOCK, ENGLISH & SPANISH & FRENCH		1	
NS	405518	PLATE RETAINING DOOR / 76MM X 31MM		1	
74	406315	DECAL / LAVATORY LOCK		1	
75	500552	SCREW TP OV PH #6x3/4 Z050		3	F
75	500463	WASHER FN CKF .187x.500x.090 BR Z050		3	F
		C) CURRENT			
		F) FORMER			

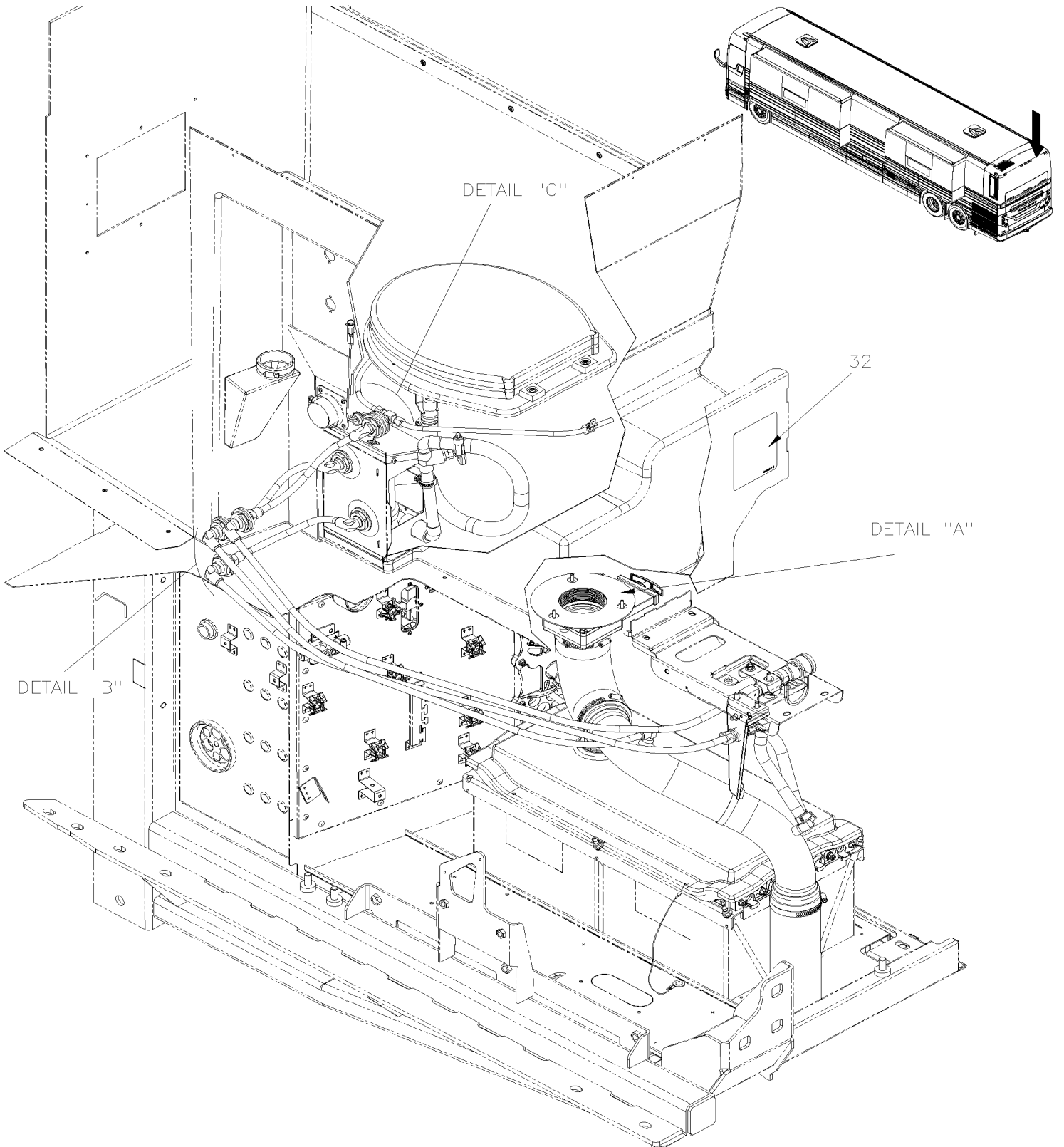


From J-6223 To J-6223

Date:07/2024

PAGE:X3VIP-2330-00

SUMP TANK SYSTEM - INSTALLATION



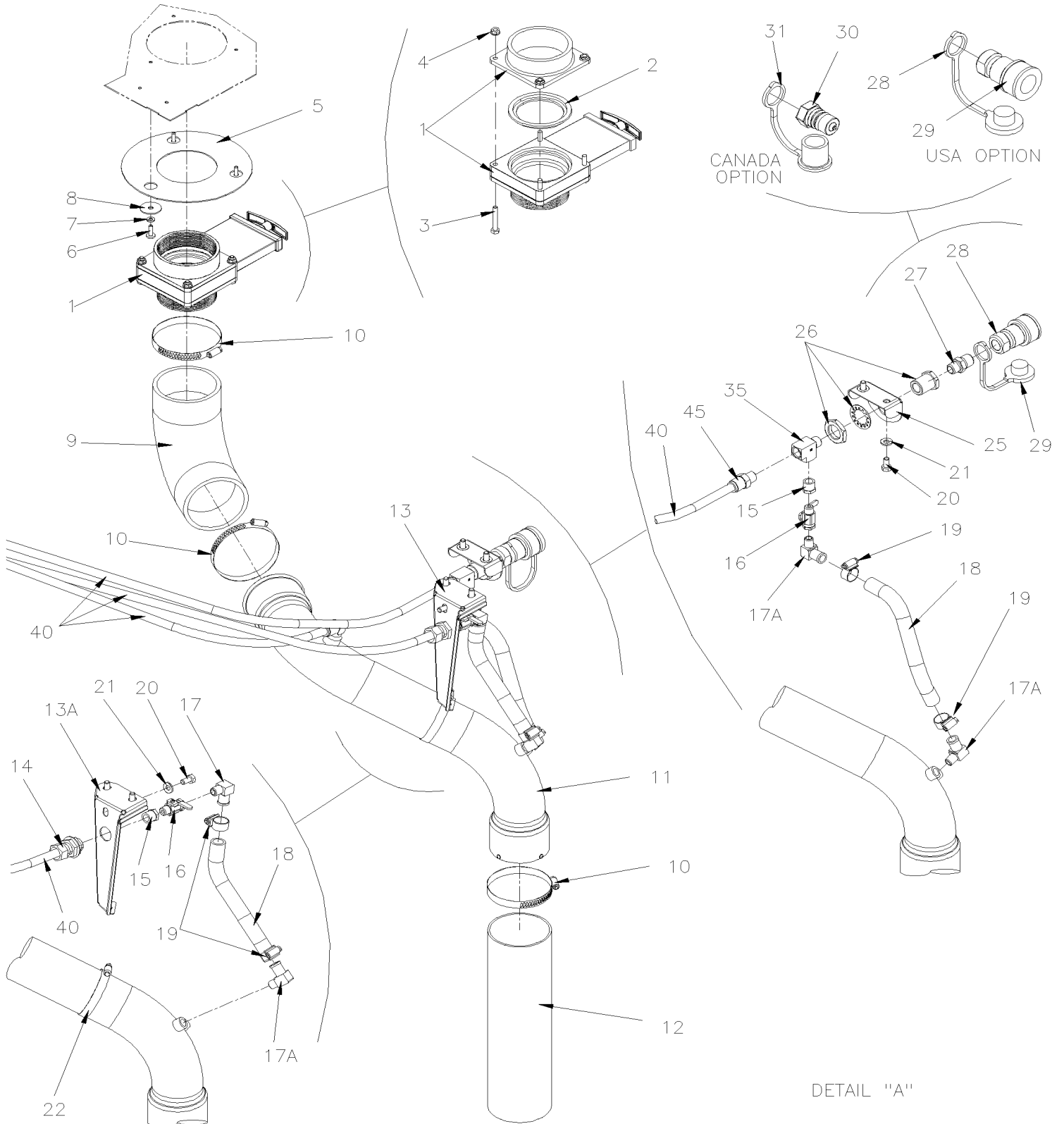


From J-6223 To J-6223

Date:07/2024

PAGE:X3VIP-2330-00

SUMP TANK SYSTEM - INSTALLATION





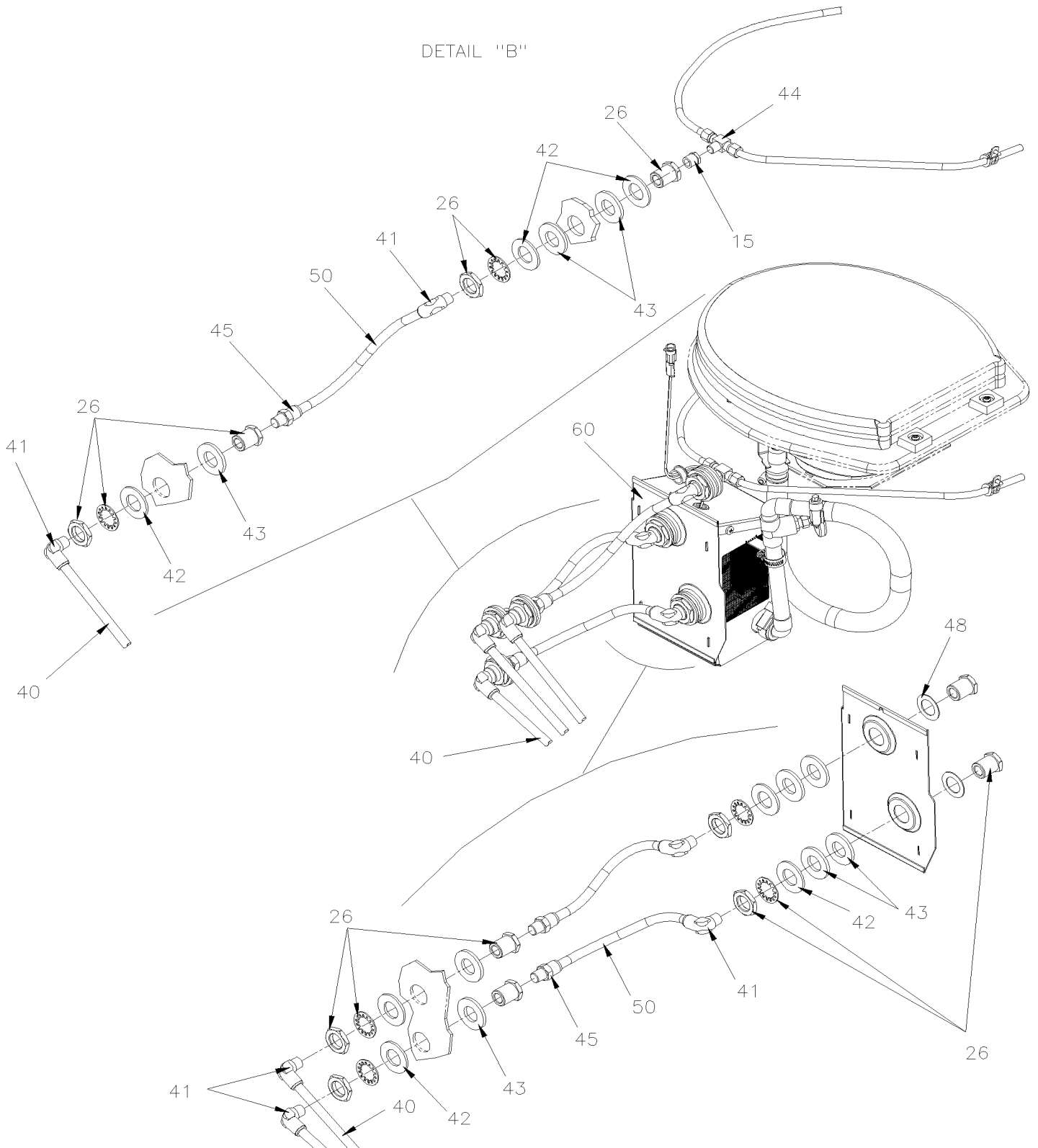
From J-6223 To J-6223

Date:07/2024

PAGE:X3VIP-2330-00

SUMP TANK SYSTEM - INSTALLATION

DETAIL "B"





From J-6223 To J-6223	Date:07/2024	PAGE:X3VIP-2330-00
-----------------------	--------------	--------------------

SUMP TANK SYSTEM - INSTALLATION

Item#	Part	Description	X 3 V I P E N T	X 3 V I P M T H	N O T E S
1	900195	THREADED VALVE ASSY W/HANDLE		1	
2	900330	. SEAL		1	
3	500994	. SCREW CAP HEX 1/4-20x1 3/4 G5 PT Z050		4	
4	500769	. NUT HEX 1/4-20 Z050		4	
5	400240	FIRE STOP PLATE		1	
6	500283	SCREW TC TR PH #10-24x3/4 SS		3	
7	502570	WASHER LO SPT 6.1x11.8x1.6 SS		3	
8	500913	WASHER FL .281x1.250x.065 N500		3	
9	530002	ELBOW 90° X 3 1/2" I.D. RUBBER 3 1/2"		1	
10	504235	HOSE CLAMP / 3"9/16"-4"1/2 SS / HS-64		3	
11	400093	TUBE DRAIN "S" SHAPE 3 1/2" O.D. SS		1	
11	401373	TUBE DRAIN "S" SHAPE 3 1/2" O.D. SS 304		1	C
12	401298	HOSE 13 1/2"		1	
13	400239	DRAIN VALVE ASSY / WATER TANK		1	
13A	400269	. BRACKET		1	
14	641012	. BULKHEAD UNION / NTA FITTING / #8x3/8NPT-M BR		1	
15	501314	. BUSHING REDUCER / PIPE FITTING / 3/8NTP-Mx1/4NPT-F BR		1	
16	642194	. BALL VALVE 1/4 NPT M x 1/4 NPT F		1	
17	5011025	. MALE ELBOW 90° / BEADED HOSE BARB / #10x1/4NPT-M		1	
17	5011025	. MALE ELBOW 90° / BEADED HOSE BARB / #10x1/4NPT-M		1	
NS	680098	. THREAD SEALANT LOCTITE #567 / WHITE / 250ml		AR	
17A	5011025	MALE ELBOW 90° / BEADED HOSE BARB / #10x1/4NPT-M		3	
17A	5011025	MALE ELBOW 90° / BEADED HOSE BARB / #10x1/4NPT-M		3	
18	900220	TUBE PVC / 5/8" I.D. / S.L.		AR	
19	504019	HOSE CLAMP / 9/16"-1"1/16 SS / HS-10		AR	
20	5001527	SCREW CAP HEX M8-1.25x16 SS BK		AR	
21	5001868	WASHER BEL SPR 8.4x18x2 SS		AR	
22	504026	HOSE CLAMP / 2"13/16-3"3/4 SS / HS-52		1	
25	400233	SUPPORT		1	
26	640863	BULKHEAD COUPLING / PIPE FITTING / 3/8NPT-Fx3/8NPT-F STL		3	
27	5011151	NIPPLE REDUCER HEX / PIPE FITTING / 1/2NPT-Mx3/8NPT-Mx1 5/8 BR		1	
28	900324	COUPLER / QUICK DISCONNECT "B SERIES" / #8x1/2NPT-F BR		1	
29	900325	DUST PLUG / QUICK DISCONNECT "B SERIES" / #8 VINYL		1	
30	900323	NIPPLE / QUICK DISCONNECT "B SERIES" / #10x1/2NPT-F BR		1	
31	900326	DUST CAP / QUICK DISCONNECT "B SERIES" / #10 VINYL		1	
32	400278	DECAL / "SEPTIC TANK" / ENGLISH & FRANCAIS		1	
32	400290	DECAL / "SEPTIC TANK" / ENGLISH & SPANISH		1	
35	501699	MALE RUN TEE / PIPE FITTING / 3/8NPT-Mx3/8NPT-Fx3/8NPT-F BR		1	
40	503488	TUBE, NYLON 1/2 O.D. / BLACK S.L./		AR	
41	641376	MALE ELBOW 90° NON-SWIVEL / PUSH-IN FITTING / #8x3/8NPT-M BR		6	
NS	680098	THREAD SEALANT LOCTITE #567 / WHITE / 250ml		AR	
42	500456	WASHER FL 1.062x2.000x.134 Z050		AR	



From J-6223 To J-6223	Date:07/2024	PAGE:X3VIP-2330-00
SUMP TANK SYSTEM - INSTALLATION		

Item#	Part	Description	X 3 V I P E N T	X 3 V I P M T H	N O T E S
43	400296	SEAL NEOPRENE		6	
44	641040	MALE ELBOW 90° / NTA FITTING / #8x3/8NPT-M BR		1	
45	641381	MALE CONNECTOR / PUSH-IN FITTING / #8x3/8NPT-M BR		3	
48	400255	WASHER FL 26.0x44.0x1.27 SS		2	
50	503406	TUBE, NYLON 1/2 O.D. / GREEN S.L.		AR	
NS	680098	THREAD SEALANT LOCTITE #567 / WHITE / 250ml		AR	
60	X3VIP-2326-00	TOILET PUMP ASSY			
70	401294	VALVE SERVICE KIT To K-6465		1	
. NS	900195	. THREADED VALVE ASSY W/HANDLE To K-6465		1	
. NS	401296	. ADAPTER S.STEEL To K-6465		1	
. NS	5000310	. SCREW CAP HEX M6-1.0x40 BK To K-6465		3	
. NS	5001833	. WASHER BEL SPR 6.1x18x1.27 SS To K-6465		4	
. NS	680098	. THREAD SEALANT LOCTITE #567 / WHITE / 250ml To K-6465		AR	
. NS	684685	. ADHESIVE SIMSON #ISR 70-03 / 310ml CARTRIDGE To K-6465		AR	
. NS	IS-18158	. INSTRUCTION SHEET To K-6465		1	
		C) SPECIAL OPTION SS304			

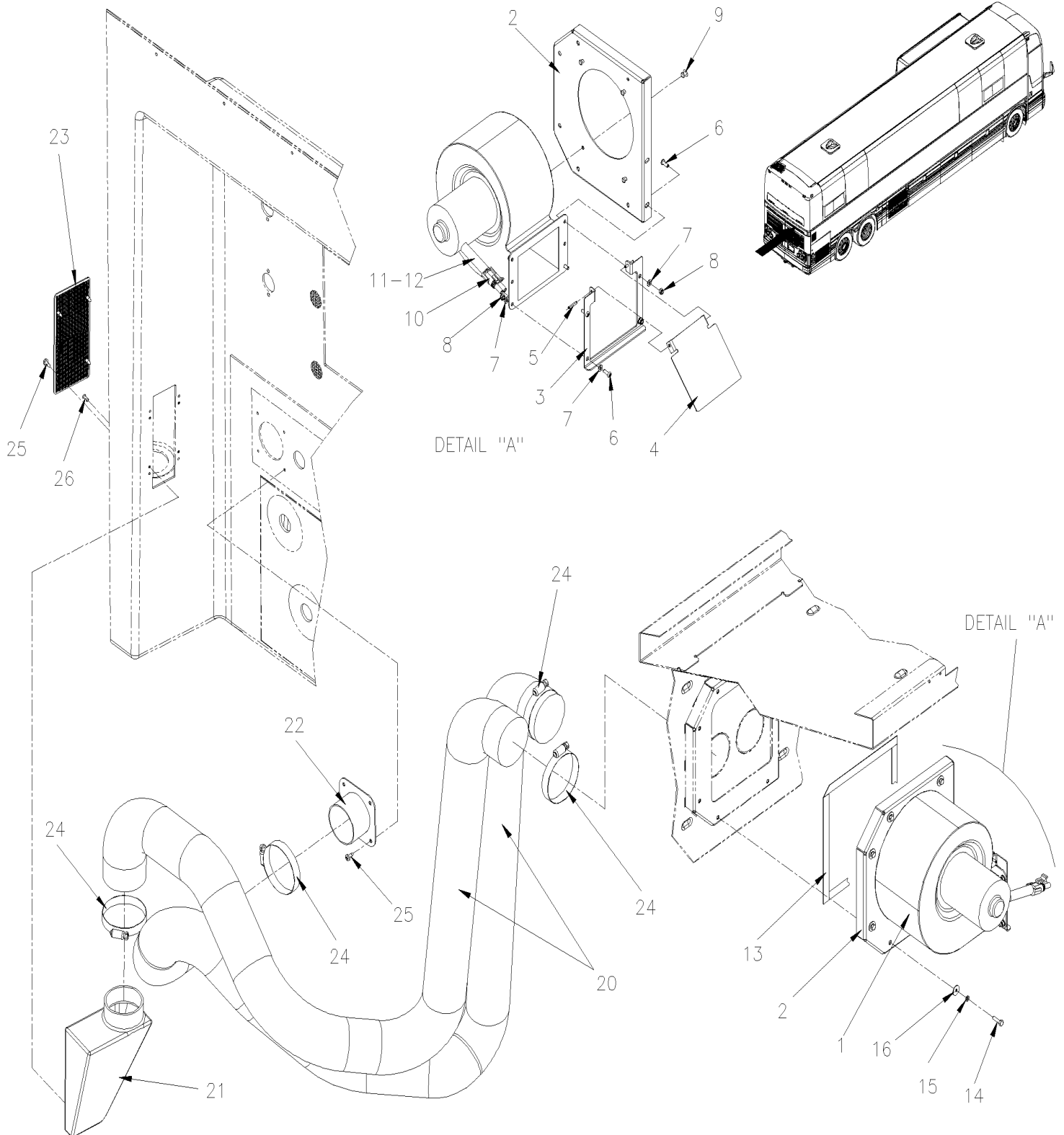


From J-6223 To J-6223

Date:07/2024

PAGE:X3VIP-2337-00

LAVATORY FAN - INSTALLATION





From J-6223 To J-6223	Date:07/2024	PAGE:X3VIP-2337-00
-----------------------	--------------	--------------------

LAVATORY FAN - INSTALLATION

Item#	Part	Description	X 3 V I P E N T	X 3 V I P M T H	N O T E S
	Call order desk	BLOWER ASSY LAVATORY		1	P
1	870844	. BLOWER & MOTOR ASSY - "M.C.C." "CW" / FAN END		1	S
2	450024	. SUPPORT, FAN		1	
3	450025	. SUPPORT FLAPGATE		1	
4	450026	. FLAPGATE		1	
5	505421	. SPRING, PIN M3 x 18		2	
6	5001996	. SCREW MA PAN PH M4-0.7x12 N500		4	
7	502556	. WASHER FL 4.3x9.0x0.8 SS		6	
8	500539	. NUT HEX NYRT M4-0.7 N500		4	
9	504379	. RIVET POP DOME OE 3/16x1/4 SS		4	
10	561690	. CONNECTOR / WEATHER PACK / SH 2C / BLACK / PED 12015792		1	
NS	561578	. SOCKET TERMINAL / 16-14 / PED 12010182		2	
NS	561786	. CABLE SEAL / GRAY / PED 15324980		2	
11	561681	. CONVOLUTED TUBING / SLIT / BLACK & GRAY / .350"		1	
12	564099	. TAPE ADHESIF ELECTRICAL TISSUS / BLACK 838MM		AR	
13	506236	. TAPE RUB ADH1 CC POL 1/16" x 1/2" x 100' / GREY 2520		AR	
14	502799	. SCREW CAP HEX M4-0.7X16 G8.8 N500		6	
15	502834	. WASHER LO SPT 4.1x7.6x0.9 N500		1	
16	5001750	. WASHER FL 4.3x14.0x1.0 N500		6	
NS	455051	SERVICE KIT FAN LAVATORY		1	
20	503031	HOSE FLEXIBLE / AIR DUCT 2 1/2" I.D. X 12' / RUBBER		AR	
21	372366	BOX ASSY		1	
22	400205	FLANGE, ASSY		1	
23	405700	GRILLE 160MM X 70MM SS		1	
24	504025	HOSE CLAMP / 2"5/16-3"1/4 SS / HS-44		4	
25	500952	SCREW TP BDG PH #8x1/2 SS		8	
26	504006	RIVET POP CK OE 1/8x5/16 AL		4	
		S) FOR BRUSHLESS FAN ALTERNATIVE SEE SERVICE KIT 455051			
		P) CALL ORDER DESK FOR SPECIFIC APPLICATION (V.I.N.)			

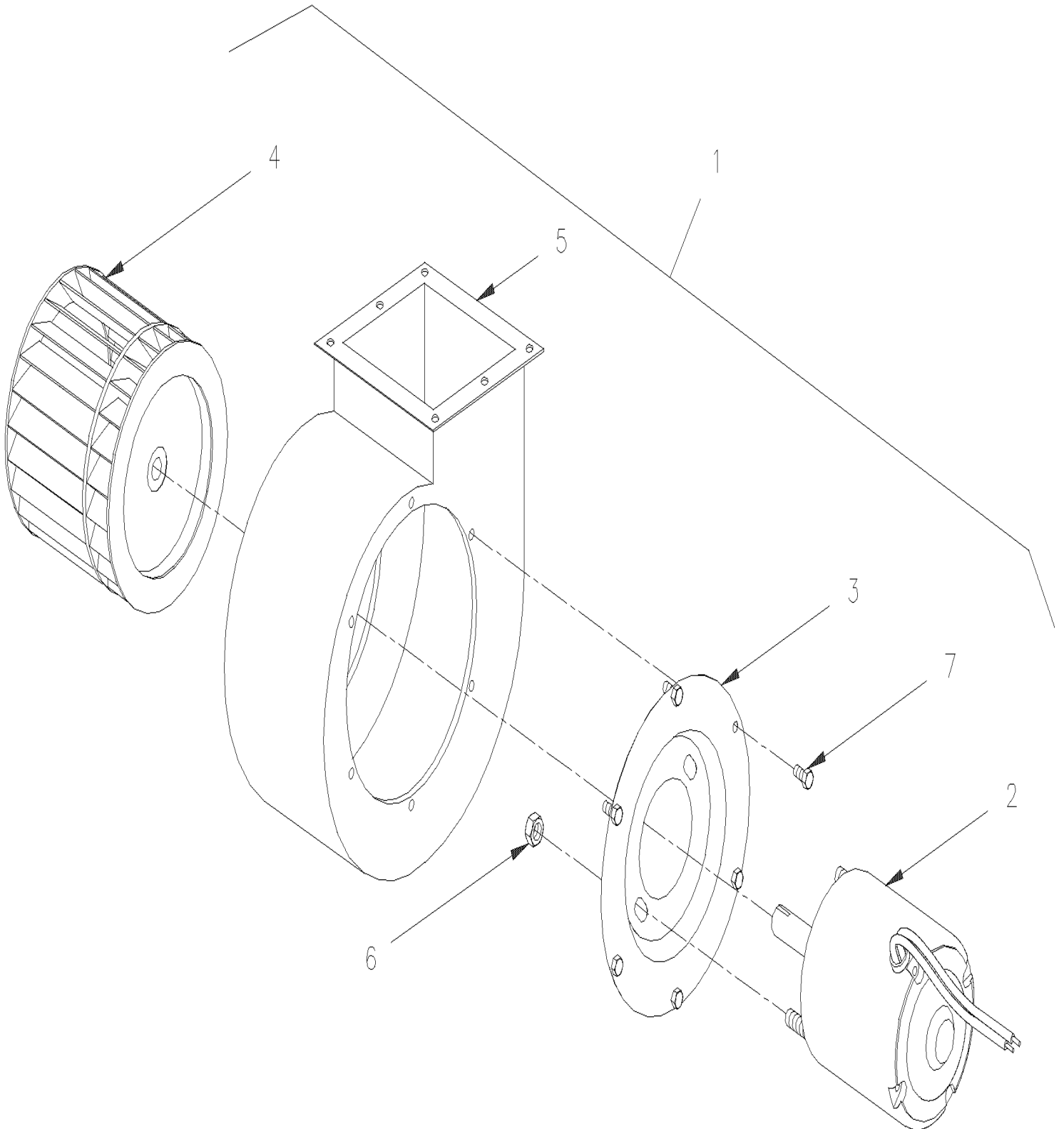


From J-6223 To J-6223

Date:07/2024

PAGE:870844

BLOWER & MOTOR ASSY - "M.C.C." "CW" / FAN END





From J-6223 To J-6223	Date:07/2024	PAGE:870844
-----------------------	--------------	-------------

BLOWER & MOTOR ASSY - "M.C.C." "CW" / FAN END

Item#	Part	Description	X 3 V I P E N T	X 3 V I P M T H	N O T E S
1		BLOWER ASSY 24V / CW	1	1	
2	562167	. MOTOR ASSY / 24V	1	1	
3	871020	. PLATE MOUNTING / MOTOR	1	1	
4	871017	. BLOWER WHEEL / STEEL	1	1	
5	871440	. HOUSING BLOWER	1	1	
6	500786	. NUT HEX #10-24 Z050	2	2	
7	500978	. SCREW CAP HEX #10-24x3/4 Z050	6	6	

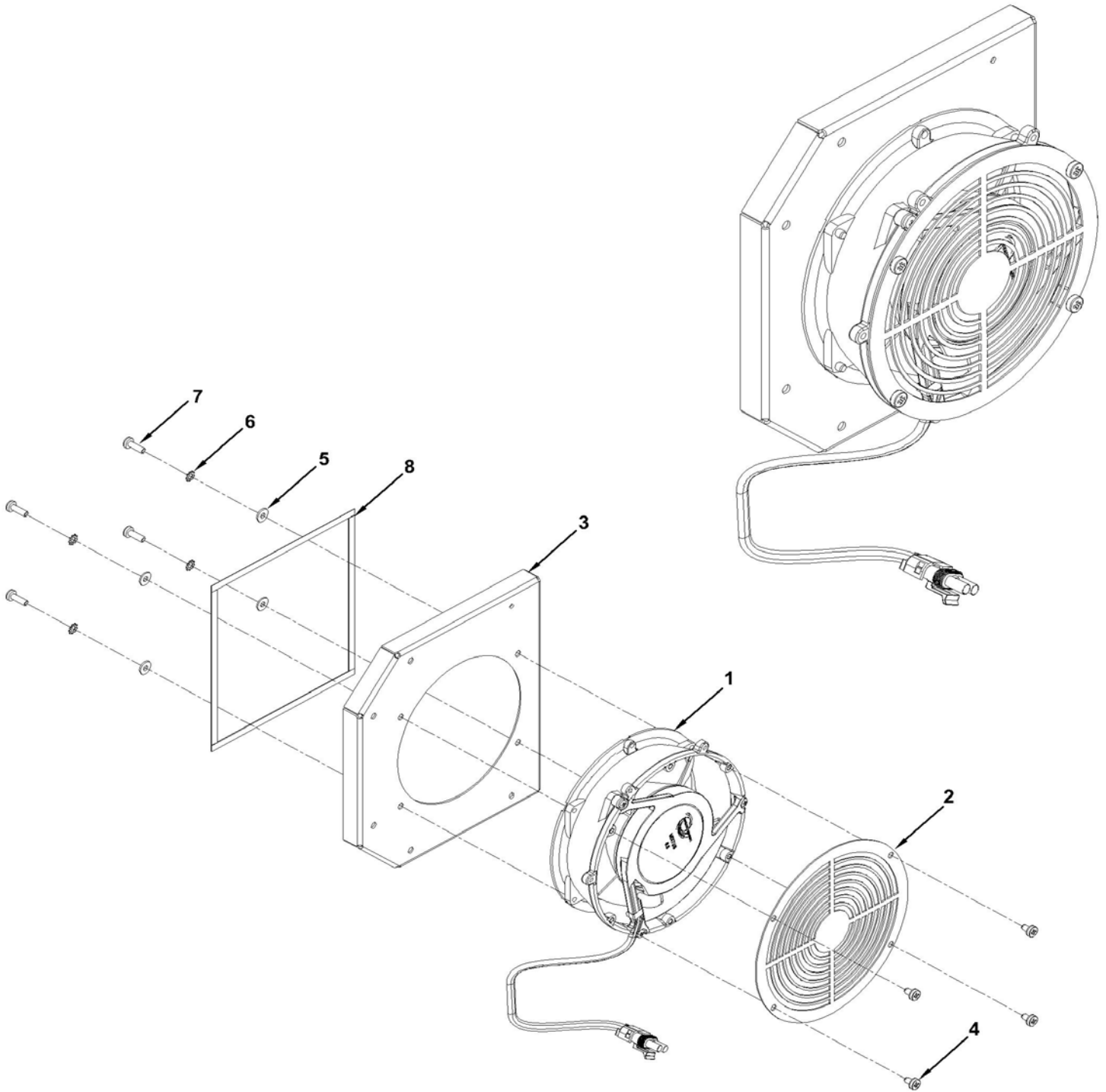


From J-6223 To J-6223

Date:07/2024

PAGE:455051

SERVICE KIT FAN LAVATORY





From J-6223 To J-6223	Date:07/2024	PAGE:455051
SERVICE KIT FAN LAVATORY		

Item#	Part	Description	X 3 V I P E N T	X 3 V I P M T H	N O T E S
1	950707	FAN BRUSHLESS	1	1	
2	455048	FAN GRILL	1	1	
3	455052	SUPPORT LAVATORY FAN	1	1	
4	5001337	NUT INS FL HEX M8-1.25 0.5-3.0 Z050	4	4	
4	5001137	WASHER FL .203x.438x.050 SS	4	4	
5	500804	WASHER FL .203x.500x.047 N500	4	4	
6	5001378	WASHER LO EXT 5.3x10x0.6 Z050	4	4	
7	502653	SCREW MA PAN PH M5-0.8x16 SS	4	4	
8	506225	TAPE RUB ADH1 CC POL 1/16" x 1/4" x 100' / GREY 2520	AR	AR	



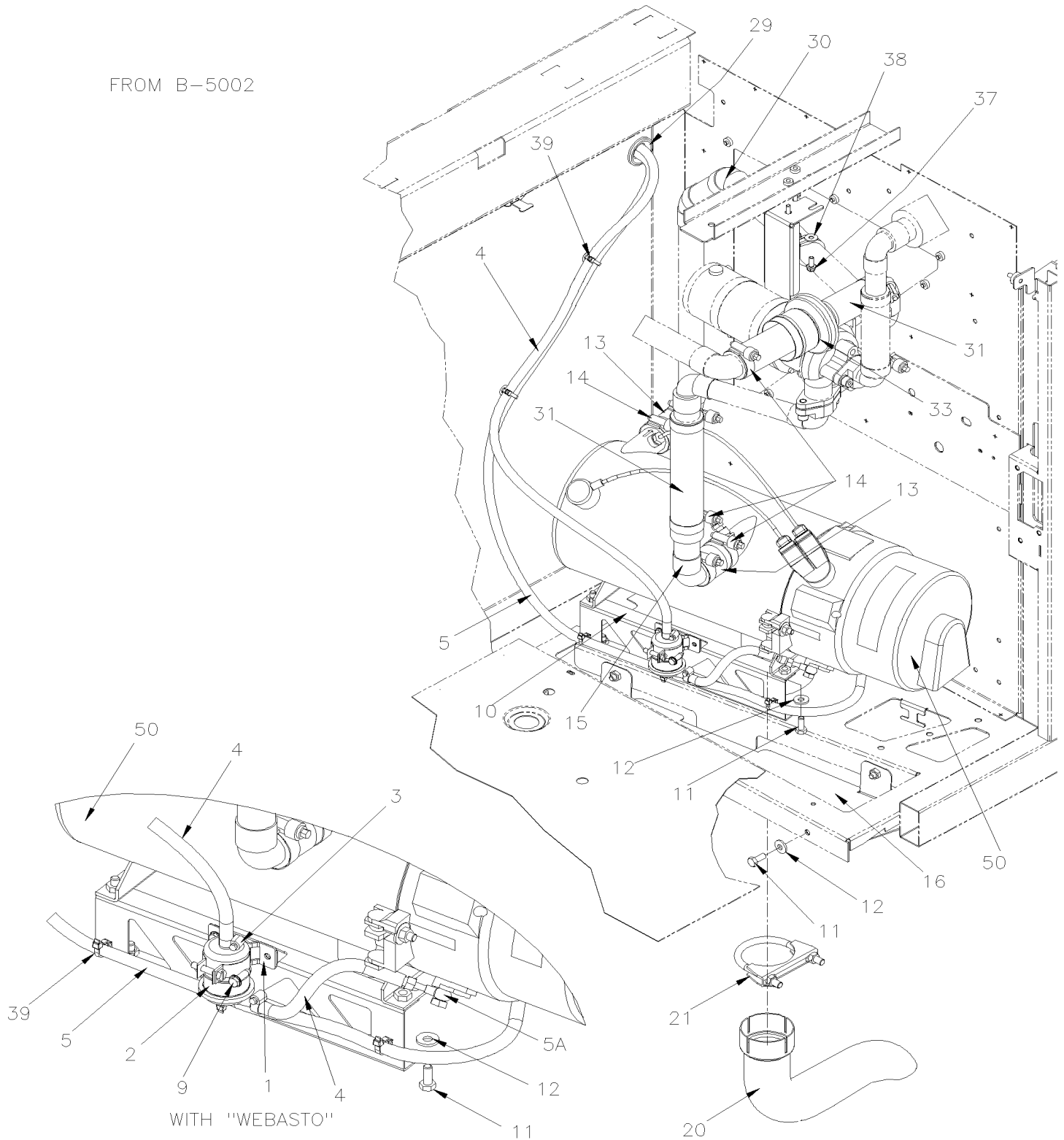
From J-6223 To J-6223

Date:07/2024

PAGE:X3VIP-2350-10

WATER HEATER - INSTALLATION

FROM B-5002



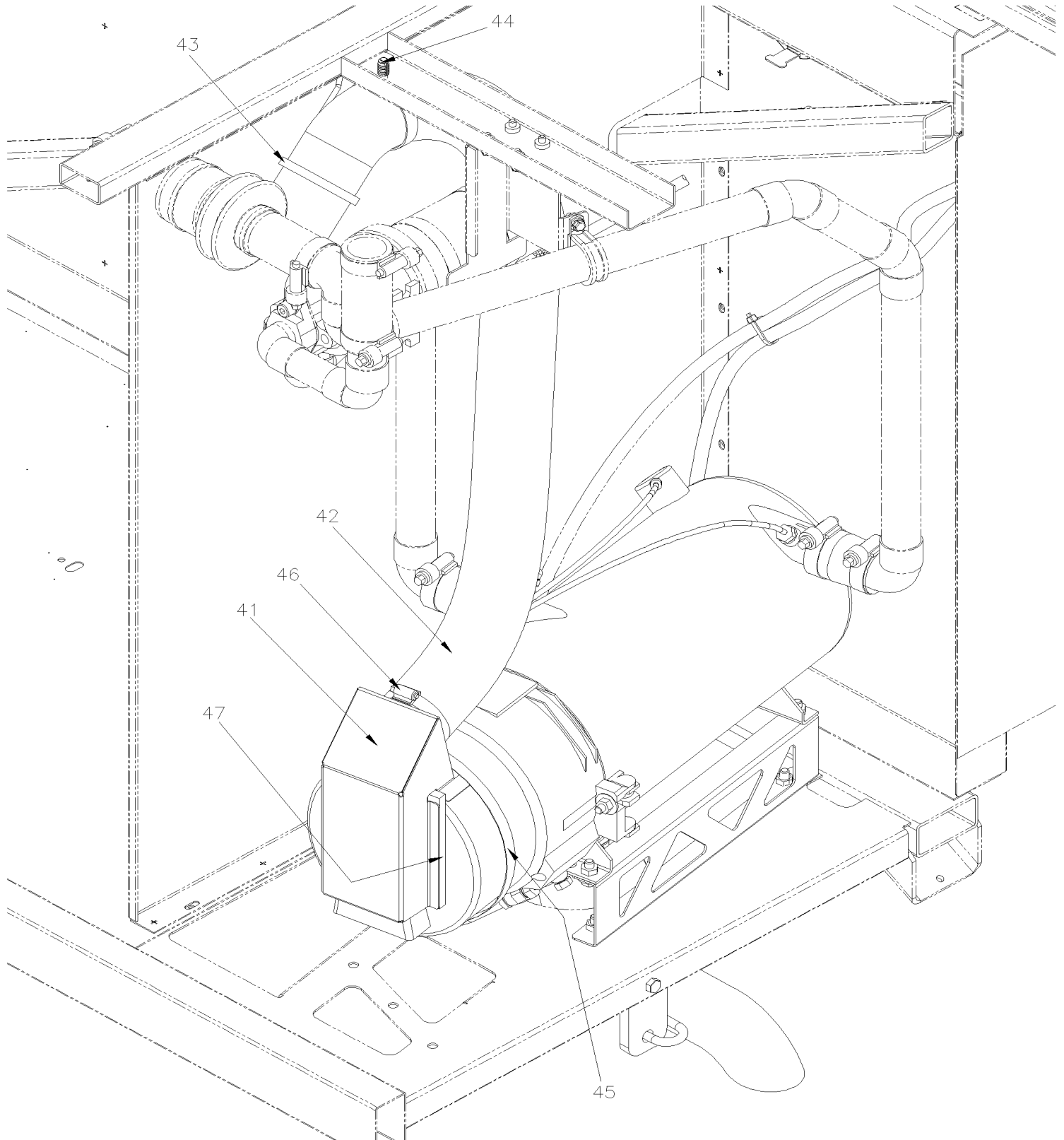


From J-6223 To J-6223

Date:07/2024

PAGE:X3VIP-2350-10

WATER HEATER - INSTALLATION





From J-6223 To J-6223	Date:07/2024	PAGE:X3VIP-2350-10
-----------------------	--------------	--------------------

WATER HEATER - INSTALLATION

Item#	Part	Description	X 3 V I P E N T	X 3 V I P M T H	N O T E S
1	871038	SUPPORT, FILTER FUEL		1	
2	871037	FILTER, FUEL		1	
3	504014	HOSE CLAMP / 1/4"-5/8" SS / HM-4		2	
4	Call order desk	HOSE ASSY #4 2610MM		1	P
4	503706	. HOSE FC-332-4 #4		AR	
4	5011235	. FEMALE CONNECTOR SWIVEL / PUSH-LOK FITTING #6JIC-Fx#4 BR		1	
NS	5011238	BANJO UNION / 10MMx#6JIC-M		1	
5	Call order desk	HOSE / FUEL LINE / #4 2790MM		1	P
5	503706	. HOSE FC-332-4 #4		AR	
5	501347	. FEMALE CONNECTOR SWIVEL / PUSH-LOK FITTING #4JIC-Fx#4 BR		1	
5A	5011237	BANJO UNION / 10MMx#4JIC-M		1	
9	502848	SCREW TC CAP HEXF 1/4-20x3/4 N500		1	
NS	374458	SUPPORT REAR / WATER HEATER		1	
10	374427	SUPPORT FRONT / WATER HEATER		1	
11	5001527	SCREW CAP HEX M8-1.25x16 SS BK		13	
12	5001848	WASHER BEL SPR .827 x .331 x .098 th SS		13	
13	373800	HOSE REDUCER / 1 1/2" I.D.x1 3/8" I.D.x65MM		2	
14	992086	HOSE CLAMP / 32MM/52MM		4	
15	X3VIP-2206-00	WATER PUMP #874297 AMETEK			
16	374610	AIR DEFLECTOR, WATER HEATER ASSY		1	
20	374602	EXHAUST PIPE SHORT		1	
21	540061	U-CLAMP / 2 3/4" I.D.		1	
29	504398	GROMMET / 1.000x1.375x.062x.437x1.750		1	
30	X3VIP-2210-11	WATER PUMP - INSTALLATION WITH LARGE A/C / "GHG17"			
31	503783	HOSE SILICONE 4PLY / NOMEX-ARAMID 34MM I.D. x 6'		AR	
32	504783	HOSE CLAMP / 1"1/16-2" SS / C.T. W.S.		2	
33	504385	CUFF END BELLOW / 1 1/2" I.D. x 2 1/2" x 4"		1	
NS	504637	CABLE TIE / 3/16" x 13"		1	
34	504302	HOSE CLAMP / 1"9/16-2"1/2 SS / E.T. 32		1	
35	952641	CLAMP P STL ZP RUB 34.9 ID		2	
36	500957	SCREW TP BDG PH #10x3/4 N500		2	
37	5001730	SCREW CAP HEXF M6-1.0x16 G10.9 N500		3	
38	5001833	WASHER BEL SPR 6.1x18x1.27 SS		3	
39	8631155	CABLE TIE / 4.6MM x 200 / CHRISTMAS TREE		AR	
41	374586	AIR INTAKE / "WATER HEATER" WEBASTO		1	
41	871439	AIR FILTER / AIR INTAKE WATER HEATER		1	
41	992089	HOSE CLAMP / 60MM/80MM		1	
42	503031	HOSE FLEXIBLE / AIR DUCT 2 1/2" I.D. X 12' / RUBBER		AR	
43	504016	CABLE TIE / 5/16" X 14"1/2		1	
44	504750	CABLE TIE / 1/2" x 15" / CHRISTMAS TREE		1	
45	504229	HOSE CLAMP / 6"1/2-8"1/2 SS / HS-100		1	



From J-6223 To J-6223	Date:07/2024	PAGE:X3VIP-2350-10
-----------------------	--------------	--------------------

WATER HEATER - INSTALLATION

Item#	Part	Description	X 3 V I P E N T	X 3 V I P M T H	N O T E S
46	504025	HOSE CLAMP / 2"5/16-3"1/4 SS / HS-44		1	
47	506268	TAPE RUB ADH1 URE 3/8" x 1/2" x 25' / GREY 1820		AR	
50	871202	WATER HEATER - "SPHEROS" 100,000 B.T.U.		1	
		P) CALL ORDER DESK FOR SPECIFIC APPLICATION (V.I.N.)			

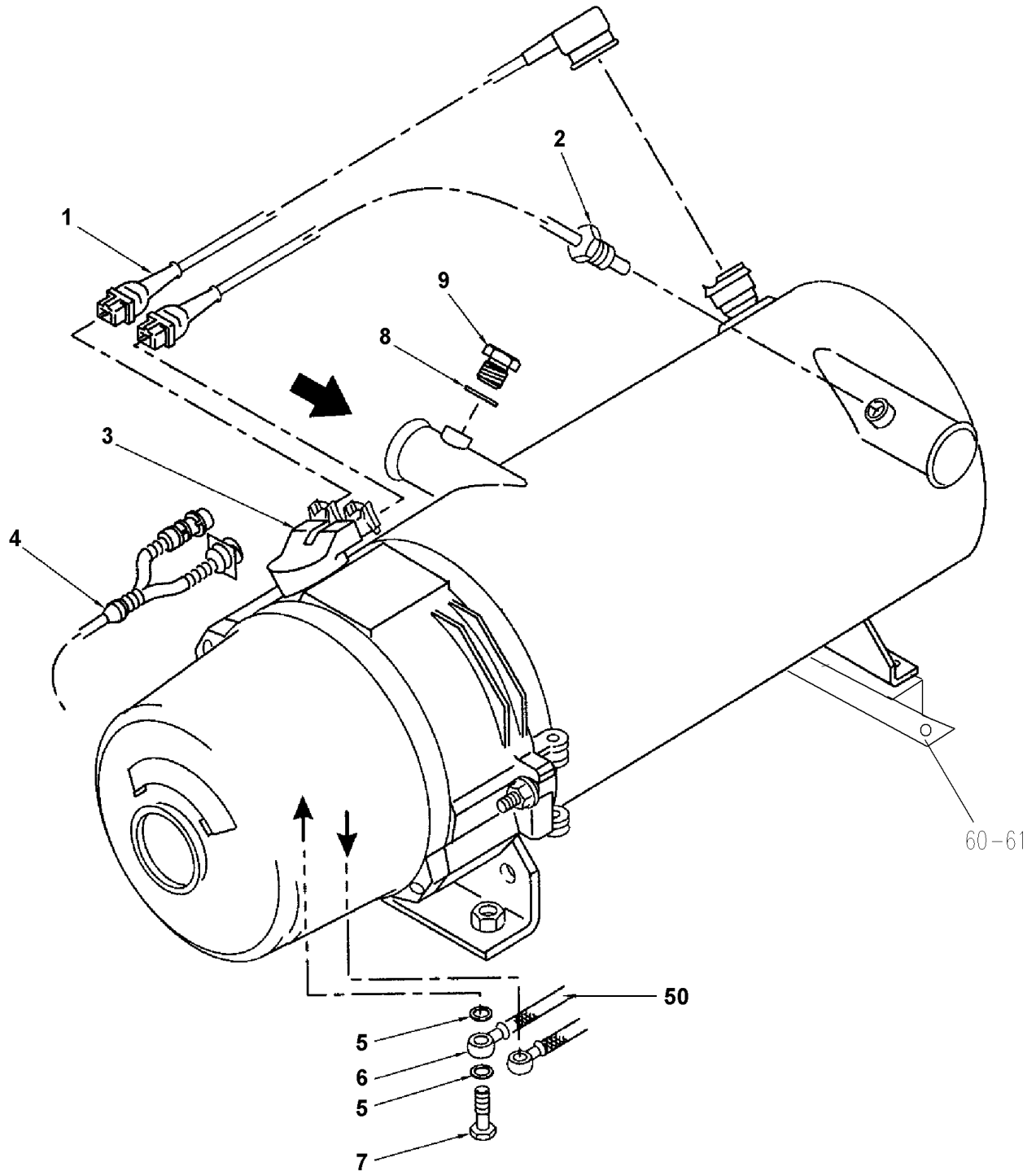


From J-6223 To J-6223

Date:07/2024

PAGE:871202

WATER HEATER - "SPHEROS" 100,000 B.T.U.



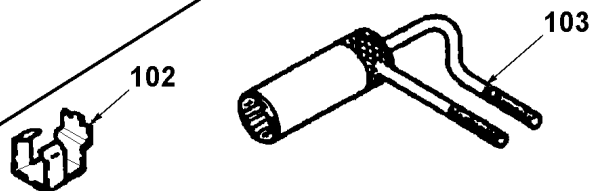
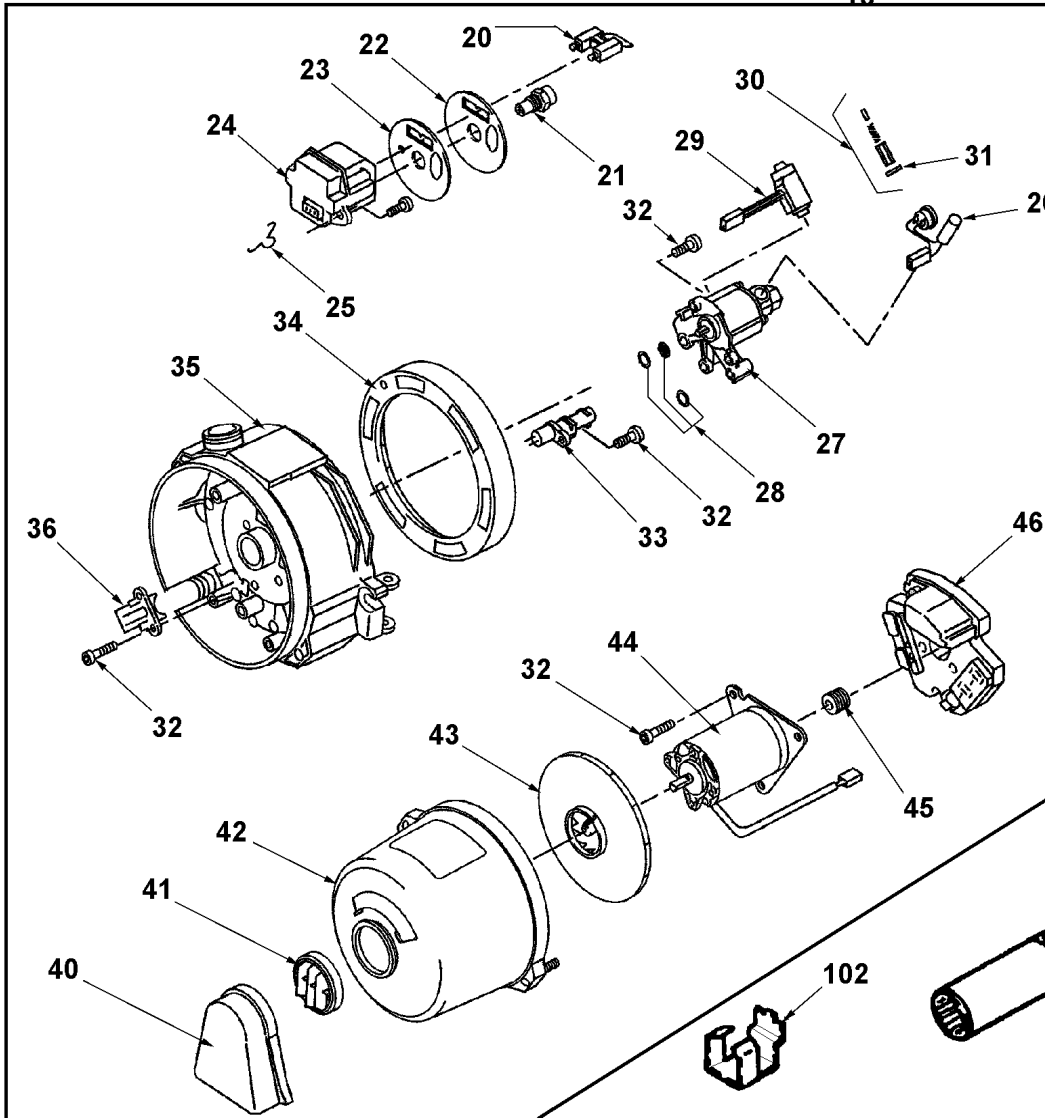
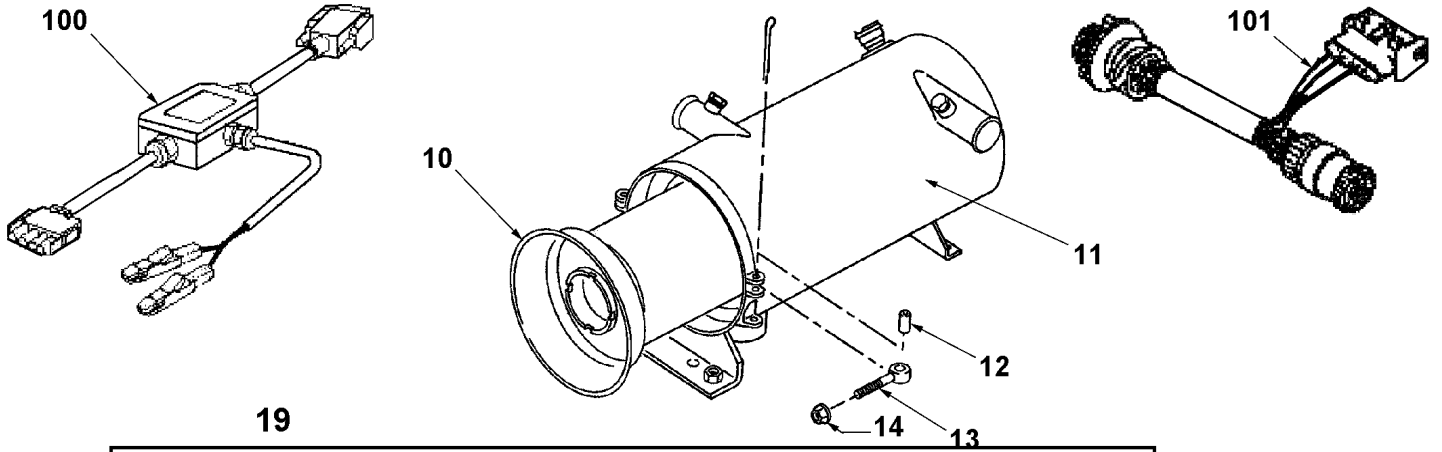


From J-6223 To J-6223

Date:07/2024

PAGE:871202

WATER HEATER - "SPHEROS" 100,000 B.T.U.





From J-6223 To J-6223	Date:07/2024	PAGE:871202
WATER HEATER - "SPHEROS" 100,000 B.T.U.		

Item#	Part	Description	X 3 V I P E N T	X 3 V I P M T H	N O T E S
		WATER HEATER - "WEBASTO" 100,000 B.T.U.	1	1	
1	871284	. OVERHEAT PROTECTION	1	1	
2	871285	. TEMPERATURE SENSOR	1	1	
2	G1094742	. TEMPERATURE SENSOR	1	1	
3	194873	. CABLE ASSY / WITH RUBBER BOOT / CONTROL & HARNESS CABLE	1	1	
4	871286	. MASTER WIRING HARNESS	1	1	
5	870923	. BANJO WASHER / M10	1	1	
6	5011237	. BANJO UNION / 10MMx#4JIC-M	1	1	
6	5011238	. BANJO UNION / 10MMx#6JIC-M	1	1	
7	870929	. BANJO BOLT / M10-1.0	1	1	
8	N.S.P.	. GASKET / (151 173)	1	1	2
9	N.S.P.	. PLUG / (199 87A)	1	1	2
10	871288	. COMBUSTION CHAMBER	1	1	
11	871289	. HEAT EXCHANGER	1	1	
NS	871431	. . STICKER WEBASTO	1	1	
12	N8890598	. COLLAR	2	2	
13	N8890596	. EYE BOLT	2	2	
14	502692	. NUT HEXF STO M8-1.25 Z050	1	1	
19	N8894780	. BURNER HEAD ASSY / 24V - "WEBASTO" THERMO 300	1	1	
19	N8896417	. BURNER HEAD ASSY / 24V - "WEBASTO" THERMO 350	1	1	
20	871290	. . IGNATION ELECTRODE	1	1	
21	871291	. . NOZZLE 0.85GPH - "WEBASTO" THERMO 300	1	1	
21	870918	. . NOZZLE 0.80GPH	AR	AR	
22	871368	. . PHOTODISC	1	1	
23	871369	. . PHOTODISC	1	1	
24	871292	. . ELECTRONIC IGNITION UNIT	1	1	
25	N8883147	. . HOLDING STRAP	1	1	
26	871293	. . HEATING ELEMENT WITH THERMOSTAT	1	1	
27	871294	. . FUEL PUMP	1	1	
28	871295	. . . SMALLL PARTS FOR FUEL PUMP	1	1	
29	871296	. . . MAGNETIC COIL	1	1	
30	870919 UNLOADER POWER ASSY	1	1	
31	871297 GASKET	1	1	
32	502653	. . SCREW MA PAN PH M5-0.8x16 SS	AR	AR	
33	871298	. . FLAME DETECTOR	1	1	
34	194824	. . ADJUSTING RING	1	1	
35	N8890616	. . HOUSING	1	1	
35	G1094733	. . HOUSING	1	1	
36	N8890590	. . CORE GRIP	1	1	
36	G1094734	. . CORE GRIP	1	1	
40	871299	. . SPLASHGUARD	1	1	
41	871300	. . GRID	1	1	



From J-6223 To J-6223	Date:07/2024	PAGE:871202
WATER HEATER - "SPHEROS" 100,000 B.T.U.		

Item#	Part	Description	X 3 V I P E N T	X 3 V I P M T H	N O T E S
42	871301	.. HOOD	1	1	
NS	G1017565	.. DECAL "DANGER"	1	1	
43	871302	.. FAN ROTOR	1	1	
44	871303	.. DRIVE ASSY	1	1	
45	871304	... CLUTCH	1	1	
46	871305	.. ELECTRONIC CONTROL	1	1	
		SEE WATER HEATER - INSTALLATION			
60	374322	SPACER ASSY 1" / "WATER HEATER & FENDER	2	2	
61	500069	SCREW CAP HEX M8-1.25x16 G10.9 DP	4	4	
NS	5001341	WASHER FL 8.4x17.0x1.6 SS	4	4	
NS	5001161	WASHER LO SPT 8.1x14.8x2.0 SS-304	4	4	
NS	5001188	NUT HEX M8-1.25 SS	4	4	
100	871320	DIAGNOSTIC KIT VERSION 2.2	AR	AR	
100	N8894700	DIAGNOSTIC KIT VERSION 2.?	AR	AR	
101	871321	ADAPTOR HARNESS / W/ROUND CONECTORS	AR	AR	
101	195314	ADAPTOR HARNESS / W/RECTANGULAR CONECTORS	1	1	
102	870937	GAUGE / IGNITION ELECTRODE	AR	AR	
103	870938	BOX WRENCH / HIGH PRESSURE NOZZLE	AR	AR	
		2) NOT SOLD BY PREVOST (SEE MANUFACTURING PART NUMBER AT END OF DESCRIPTION LINE)			

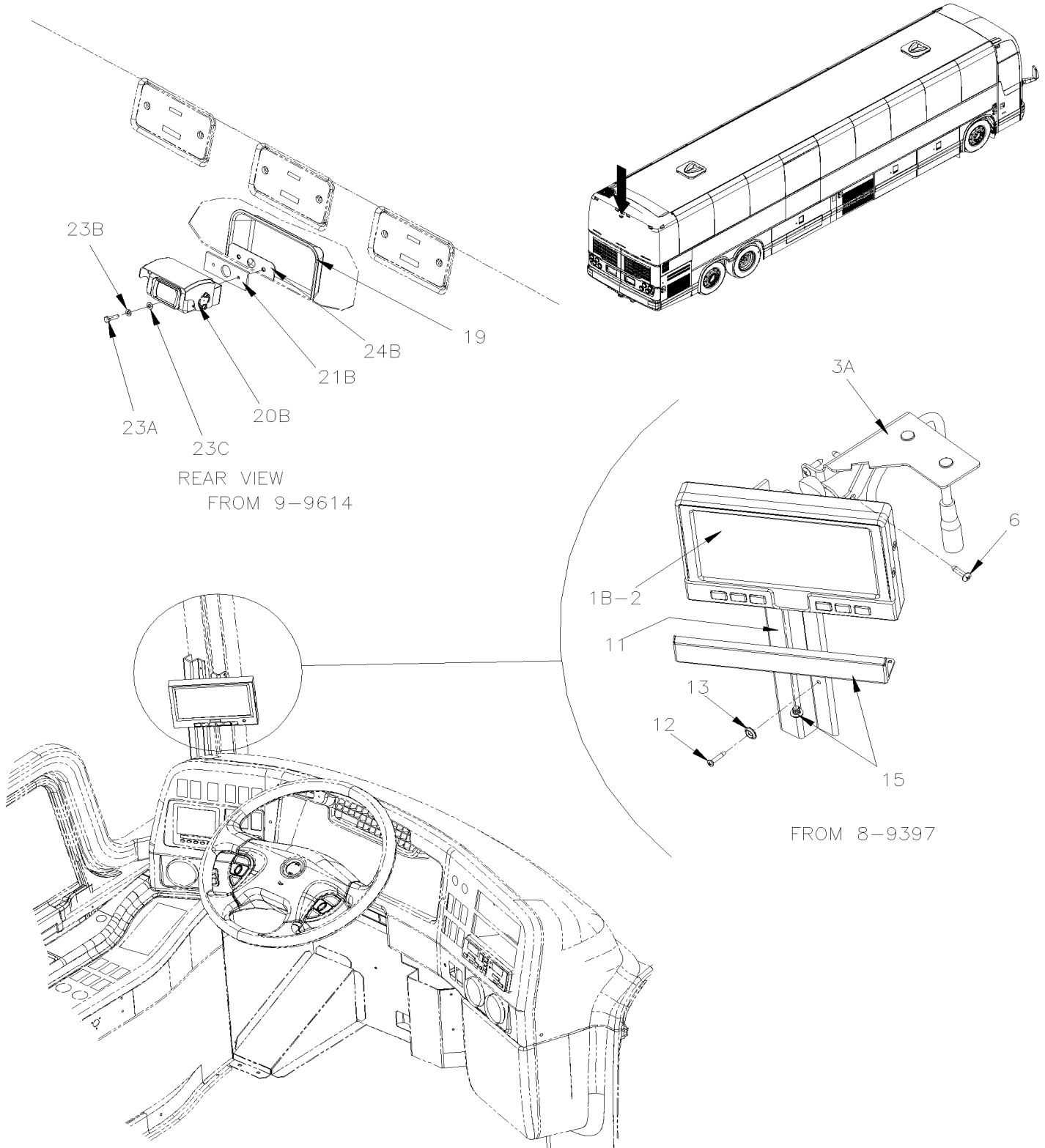


From K-6454

Date:07/2024

PAGE:X3VIP-2355-20

BACK-UP CAMERA & MONITOR - INSTALLATION





From K-6454	Date:07/2024	PAGE:X3VIP-2355-20
BACK-UP CAMERA & MONITOR - INSTALLATION		

Item#	Part	Description	X 3 V I P E N T	X 3 V I P M T H	NOTES
1B	901424	MONITOR - "R.E.I." / COLOR LCD 12 VOLT	1	1	
. NS	900277	. ARTICLATION MONITOR	1	1	
. NS	901289	. ADJUSTABLE PEDESTAL	1	1	
2	901433	CABLE ASSY / BACK-UP CAMERA VIDEO / CAMERA & MONITOR LCD / 50'	1	1	
2	901434	CABLE ASSY / BACK-UP CAMERA VIDEO / CAMERA & MONITOR LCD / 15'	1	1	
3A	406607	SUPPORT / CAMERA & MONITOR To K-6491	1	1	F
3A	400930	SUPPORT / CAMERA & MONITOR From L-6492	1	1	F
6	500608	SCREW TP BDG PH #10x1 N500	2	2	
11	327281	MOULDING HIDE CABLE	1	1	
12	500552	SCREW TP OV PH #6x3/4 Z050 To K-6491	2	2	
12	5002083	SCREW DR SEMS FN OV PH #8X1 N050 From L-6492	2	2	
13	500463	WASHER FN CKF .187x.500x.090 BR Z050 To K-6491	2	2	
15	880009	MONITOR BUTTON GUARD	1	1	NJ
19	682177	LIGHT PROTECTOR	1	1	
20B	901291	BACK-UP CAMERA - "R.E.I." / COLOR	1	1	
21B	409268	GASKET RUBER 100MM x 36MM x 1/8"	1	1	
23A	502737	SCREW CAP HEX M6-1.0x25 SS BK	2	2	
23A	680038	THREAD LOCKER LOCTITE #243 / BLUE / 50ml	AR	AR	
23B	5001739	WASHER LO EXT 6.4x11.0x0.7 N500	2	2	
23C	500877	WASHER FL .250x.562x.065 N500	2	2	
24B	409266	PLATE, FIXATION / (INSIDE OF REAR CAP)	1	1	
24B	682177	LIGHT PROTECTOR	AR	AR	
24B	685124	ADHESIVE SIMSON #ISR 70-03 / BLACK / 600ml SAUSAGE	AR	AR	
NS	680532	SEALANT SIKA #221 / GREY / 310ml CARTRIDGE	AR	AR	
26	401428	CABLE INTERFACE / MONITOR & DASH	1	1	
NS	564534	CABLE TIE / WITH EDGE CLIP / T50REC5A 10 MM x 200 MM	AR	AR	
NS	504637	CABLE TIE / 3/16" x 13"	AR	AR	
NS	0611107	CABLE ASSY / VIDEO & FRONT CAMERA	1	1	
NS	900912	CABLE ASSY / FRONT CAMERA	1	1	
NS	900777	CONNECTOR BNC PLUG TO RCA ADAPTOR / ELEC 21-142-0	1	1	
		F) USE WITH COLOR FLAT SCREEN MONITOR			
		NJ) NEW JERSEY OPTION			

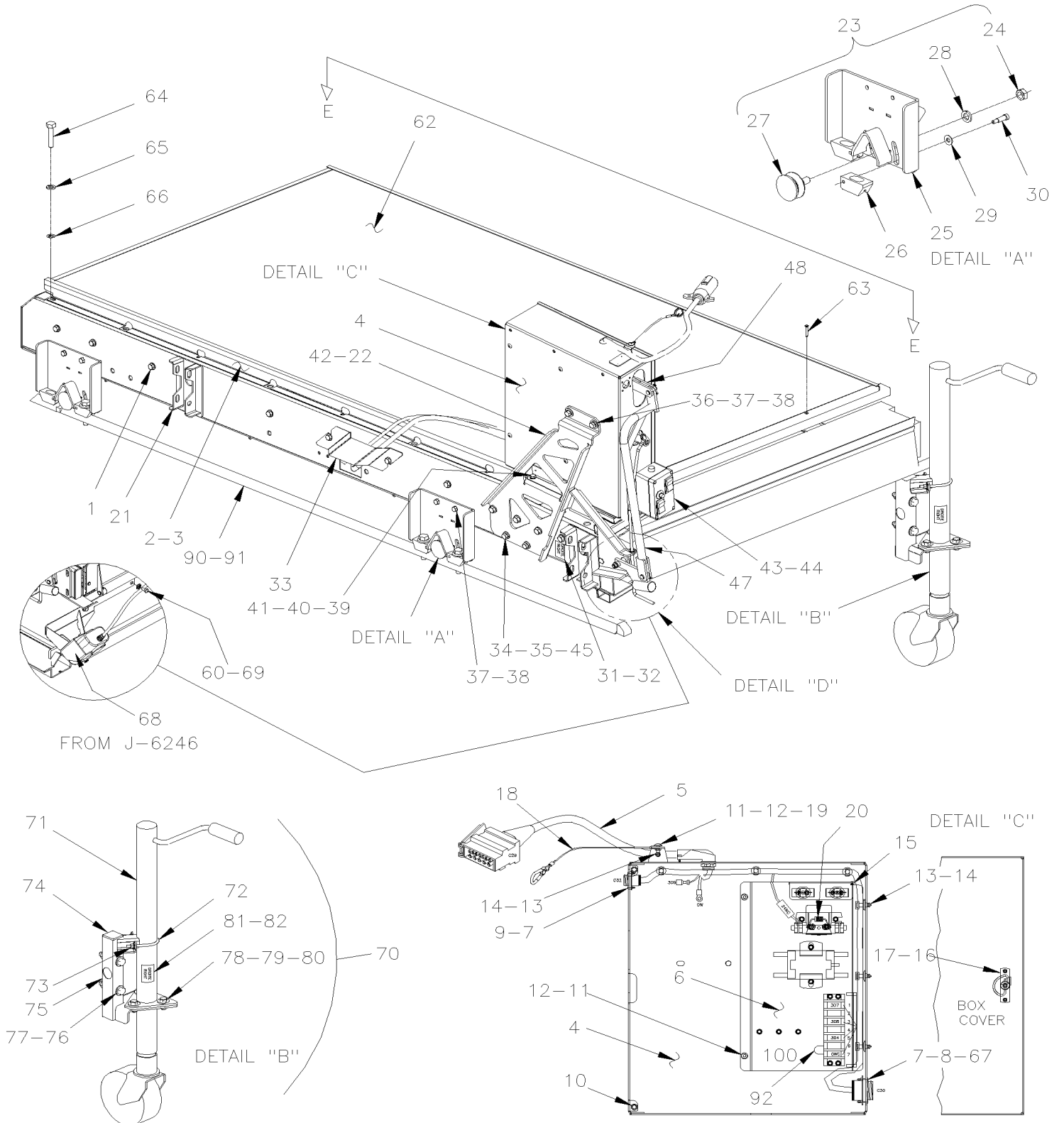


From J-6223 To J-6223

Date:07/2024

PAGE:X3VIP-2380-00

W.C.L. "RICON" REMOVABLE MODEL "F9TF"



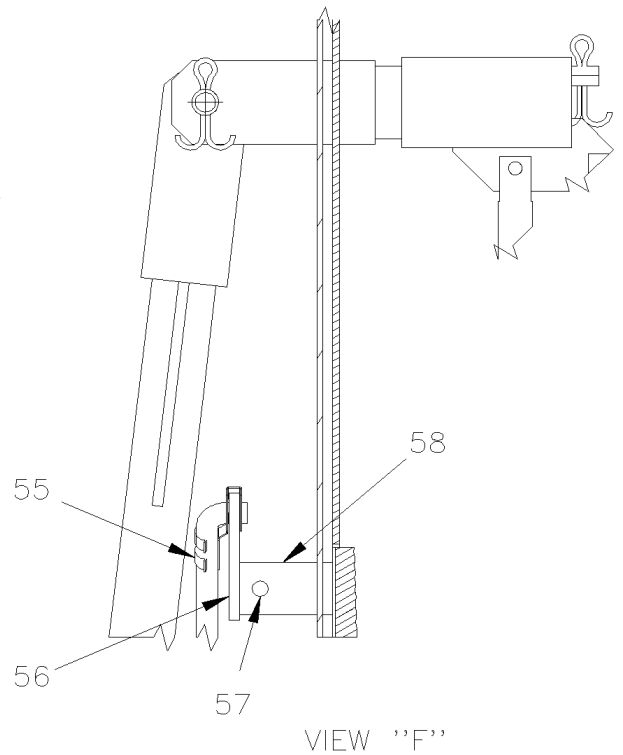
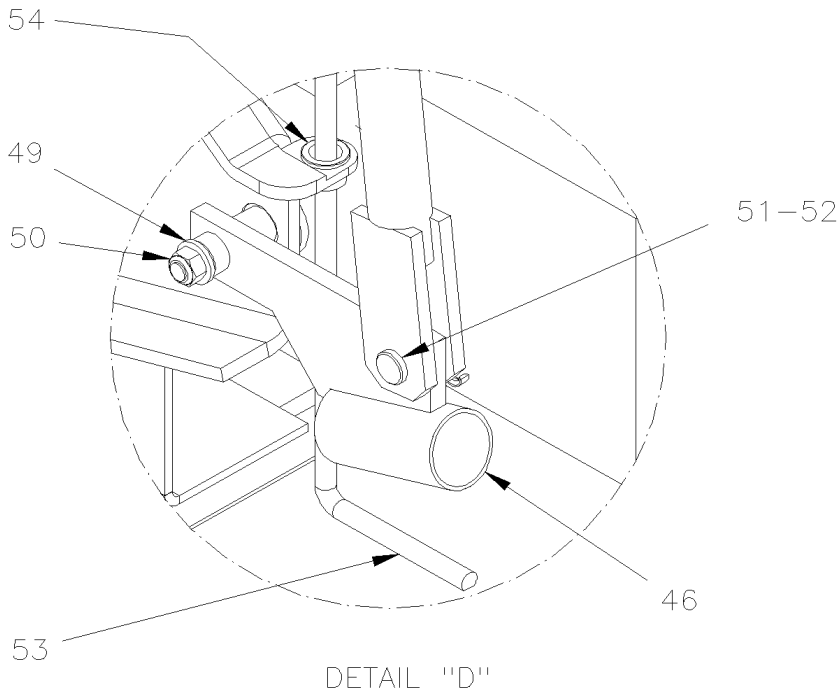
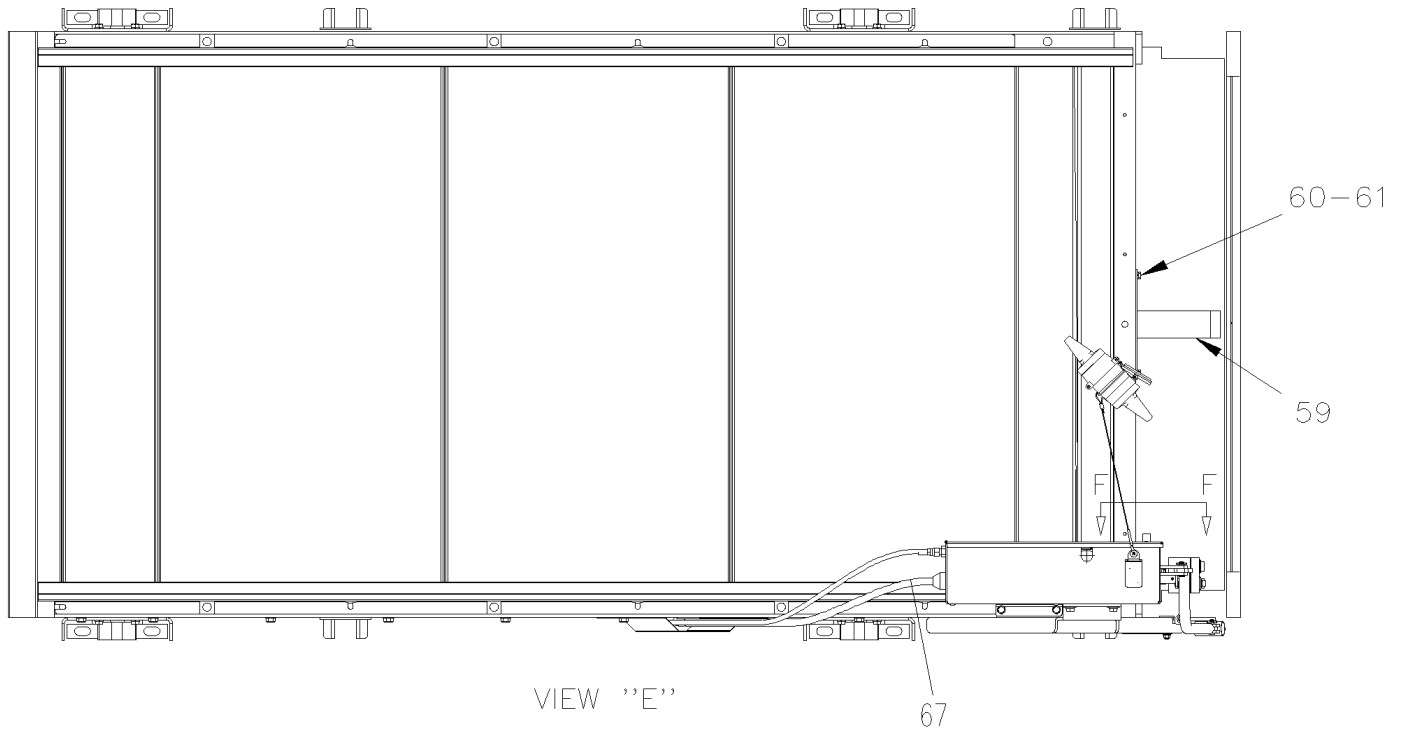


From J-6223 To J-6223

Date:07/2024

PAGE:X3VIP-2380-00

W.C.L. "RICON" REMOVABLE MODEL "F9TF"





From J-6223 To J-6223	Date:07/2024	PAGE:X3VIP-2380-00
W.C.L. "RICON" REMOVABLE MODEL "F9TF"		

Item#	Part	Description	X 3 V I P E N T	X 3 V I P M T H	N O T E S
	490891P	REMOVABLE W.C.L. COMPLETE ASSY W/ PUMP BOX ASSY / "F9TF"	1	1	A
1	X3VIP-2380-05	. W.C.L. "RICON" REMOVABLE MODEL "F9TF"			
2	490971	SLIDING TRACK REMOVABLE R.H.	1	1	
3	490990	SLIDING TRACK REMOVABLE L.H.	1	1	
4	Call order desk	BOX ASSY W/POWER PLATE	1	1	P
4	364074	. BOX ASSY To M-6650	1	1	
4	360088	. BOX ASSY From M-6651	1	1	
5	060782	. CABLE ASSY / POWER / W.C.L. "RICON" To J-6295	1	1	
5	069744	. CABLE ASSY / POWER / W.C.L. "RICON" From J-6296	1	1	
6	563370	. POWER PLATE ASSY "RICON"	1	1	
7	500518	. SCREW MA BDG PH #4-40x1/2 Z050	8	8	
8	561823	. NUT, RING #23 / 1.812" I.D. W/4 4-40	1	1	
9	561820	. NUT, RING #13 / 1.125" I.D. W/4 4-40	1	1	
10	504498	. BUMPER PLUG / .406ODx.218THx.250HOLEx.125	2	2	
11	5001180	. NUT HEX NYRT #10-24 SS	5	5	
12	5001241	. SCREW MA TR PH #10-24x1/2 SS	5	5	
13	509815	. TIE MOUNT / ATTACHMENT W/TREE MOUNT	6	6	
14	504637	. CABLE TIE / 3/16" x 13"	11	11	
15	506338	. RUBBER CHANNEL / 1/16" x 1/4" INT "U" SHAPE / ROUND C.T.L.	AR	AR	
NS	680066	. ADHESIVE / ADBOND #5014 / 23.6ML BOTTLE	AR	AR	
16	504105	. RIVET POP DOME OE 1/8x3/16 AL	2	2	
17	504203	. SPRING LATCH / KNURLED STEEL KNOB	1	1	
18	364072P	. CABLE RETAINING ASSY	1	1	
18	283069	. . CABLE 1/16 DIA. / 565MM LG	1	1	
18	780341	. . SLEEVE / TO HOLDING CABLE 1/16OD SS	1	1	
18	504723	. . SPRING HOOK	1	1	
19	500964	. WASHER FL .203x.500x.047 Z050	1	1	
20	064792	. DIODE ASSY	1	1	
. NS	561740	. . DIODE / 3AMPS	1	1	
. NS	560082	. . RING TERMINAL #10 / 16-14 / INSULATED / AMP 626033-2	1	1	
. NS	560815	. . RING TERMINAL #10 / 22-18 / INSULATED / AMP 42037-2	1	1	
. NS	562499	. . SHRINK TUBING / .250" - .125" / CLEAR / ALPHA FIT 221-1/4	AR	AR	
21	491009	. ATTACHMENT ASSY	4	4	
22	491482	SUPPORT PUMP ASSY	1	1	
23	491251	CARRIER ASSY / W/WHEEL	4	4	
25	491252	. PLATE SUPPORT ASSY W/AXLE SHAFT	1	1	
26	491232	. CALIPER	1	1	
27	491233	. WHEEL / W/"V" GROOVE USE W/AXLE SHAFT RIV	1	1	
28	500270	. WASHER FL .406x1.000x.063 SS	1	1	
31	491002	DECAL / GAUCHE / LEFT / ENGLISH & FRANCAIS	1	1	
31	491056	DECAL / LEFT IZQUIERDA / ENGLISH & SPANISH	1	1	
32	491001	DECAL / DROIT / RIGHT / ENGLISH & FRANCAIS	1	1	



From J-6223 To J-6223	Date:07/2024	PAGE:X3VIP-2380-00
W.C.L. "RICON" REMOVABLE MODEL "F9TF"		

Item#	Part	Description	X 3 V I P E N T	X 3 V I P M T H	N O T E S
32	491055	DECAL / RIGHT DERECHA / ENGLISH & SPANISH	1	1	
33	491013	PLATE PROTECTOR	1	1	
34	955525	SCREW CAP HEX 5/16-18x1 G5 ZG603	10	10	
35	500942	WASHER LO SPT 8.1x14.8x2.0 N500	10	10	
36	500347	SCREW CAP HEX 5/16-18x1 1/4 SS	2	2	
37	5001448	WASHER FL .343x.875x.062 SS18-8	2	2	
38	500035	WASHER LO SPT .317x.586x.078 SS	2	2	
39	955513	SCREW CAP HEX 1/4-20x3/4 G5 ZG603	2	2	
40	500877	WASHER FL .250x.562x.065 N500	2	2	
41	502874	NUT HEX NYRT 1/4-20 N500	10	10	
42	364031	SPACER	2	2	
43	502638	WASHER FL .312x.734x.065 N500	2	2	
43	502772	SCREW CAP HEX 1/4-20x1/2 G5 N500	2	2	
43	364381P	REMOTE SUPPORT WCL ASSY To J-6245	1	1	
45	502638	WASHER FL .312x.734x.065 N500	2	2	
46	491483	PIVOT ASSY	1	1	
47	491087	ARM ASSY To K-6491	1	1	
47	491693	ARM ASSY From L-6492	1	1	
48	491083	TUBE ASSY	1	1	
49	500877	WASHER FL .250x.562x.065 N500	1	1	
50	502681	NUT HEX NYRT M6-1.0 N500 G8	1	1	
51	502024	PIN, CLEVIS 5/16 x 13/16 BZC	2	2	
52	502102	PIN, COTTER 1/8 x 1	3	3	
53	491097	ROD	1	1	
54	504226	SNAP BUSHING / .391x.578x.406	1	1	
55	504243	CLIP ROD 1/4" L.H.	1	1	
56	491100	PIVOT	1	1	
57	505420	SPRING, PIN M4.5 x 20	1	1	
58	491101	UNION	1	1	
59	491489	GUIDE	1	1	
60	502772	SCREW CAP HEX 1/4-20x1/2 G5 N500	AR	AR	
61	502853	WASHER LO SPT 6.1x11.8x1.6 N500	2	2	
62	484144	PANEL FIBERGLASS / OVER W.C.L. "RICON" / 1000MM X 1940MM	1	1	
62	480058	PANEL FIBERGLASS / OVER W.C.L. "RICON" / 1000MM X 1940MM	1	1	GR
63	502903	SCREW TC FL PH #10-24x1 1/4 N500	2	2	
63	5001869	WASHER FL .343x.750x.12 SS	2	2	
64	5001538	SCREW CAP HEXF SERR M12-1.75x50 G500	8	8	
65	500944	WASHER LO SPT .506x.873x.125 N500	8	8	
66	5001568	NUT PUSH RND M12 ZP	8	8	
67	864071	HARNESS, ELECTRICAL, MAIN, W/HYDRAULIC LINE	1	1	
68	500356	WASHER LO SERR 6.1x16.0x0.9 N500 From J-6246	AR	AR	
69	360035	REMOTE CONTROL HOLDER From J-6246	1	1	



From J-6223 To J-6223	Date:07/2024	PAGE:X3VIP-2380-00
W.C.L. "RICON" REMOVABLE MODEL "F9TF"		

Item#	Part	Description	X 3 V I P E N T	X 3 V I P M T H	N O T E S
70	490988P	TRANSPORTER JACK ASSY L.H.	2	2	
70	490989P	TRANSPORTER JACK ASSY R.H.	2	2	
71	990416	. JACK	1	1	
72	503399	. U-CLAMP / 2" I.D. X 1/4-20	1	1	
73	500769	. NUT HEX 1/4-20 Z050	2	2	
NS	500441	. WASHER FL .312x.734x.065 Z050	2	2	
NS	500473	. WASHER LO SPT .262x.489x.062 Z050	2	2	
74	508394	. GLIDE SQUARE END 1.5 X 1.5 TUBE 14GA / P	1	1	
75	490981	. SUPPORT JACK L.H.	1	1	
75	490982	. SUPPORT JACK R.H.	1	1	
76	5001862	. SCREW CAP HEX M12-1.75x70 G10.9 N500	2	2	
77	500860	. NUT HEX M12-1.75 Z050	2	2	
NS	500958	. WASHER FL .531x1.062x.095 SS	4	4	
78	502559	. SCREW CAP HEX M10-1.5x25 G8.8 Z050	3	3	
79	502644	. WASHER FL 10.5x30.0x2.5 Z050	3	3	
80	500680	. NUT HEX STO M10-1.5 Z050	3	3	
81	491002	. DECAL / GAUCHE / LEFT / ENGLISH & FRANCAIS	1	1	
81	491056	. DECAL / LEFT IZQUIERDA / ENGLISH & SPANISH	1	1	
82	491001	. DECAL / DROIT / RIGHT / ENGLISH & FRANCAIS	1	1	
82	491055	. DECAL / RIGHT DERECHA / ENGLISH & SPANISH	1	1	
90	218232	TRACK ANGULAR ASSY W.C.L. BACKWARD	1	1	
91	218234	TRACK ANGULAR ASSY W.C.L.	1	1	
NS	218229	TRACK BASE W.C.L. FORWARD UNDER FLOOR	1	1	
92	069065	JUMPER, WCL LIGHTING	1	1	
NS	Call order desk	POWER CABLE, SYS. WCL RICON X3-45	1	1	P
NS	Call order desk	CABL.& ACCESS WCL RICON INST X3-45	1	1	P
100	X3VIP-2380-60	W.C.L. "RICON" - PUMP INSTALLATION MODEL "F9TF"			
		A) DO NOT INCLUDED TRANSPORTER JACK L.H. & R.H.			
		GR) WITH "GREYHOUND" OPTION			
		P) CALL ORDER DESK FOR SPECIFIC APPLICATION (V.I.N.)			

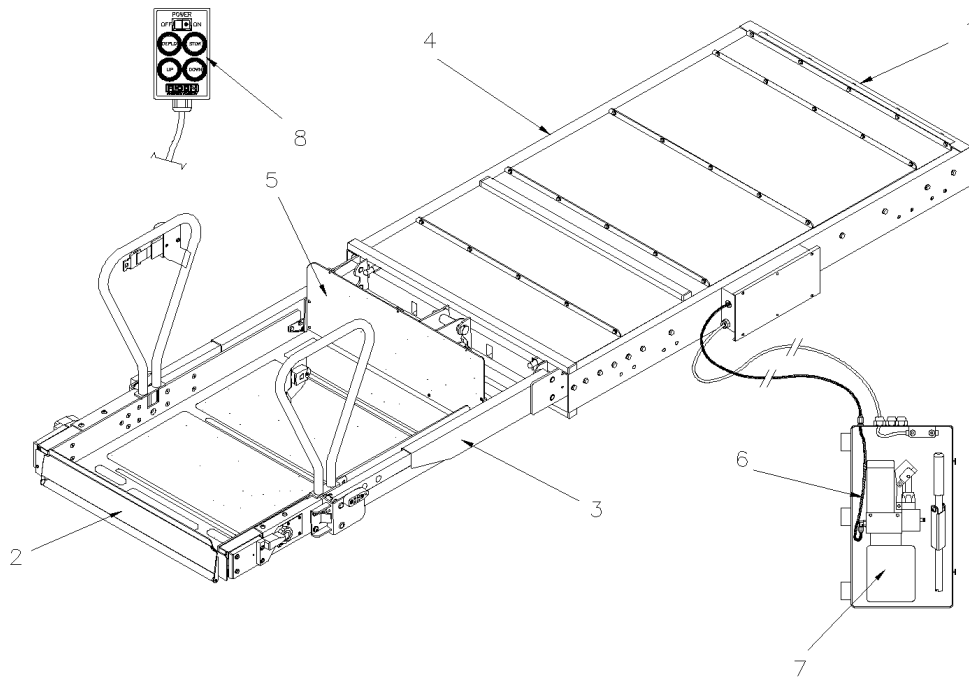


From J-6223 To J-6223

Date:07/2024

PAGE:X3VIP-2380-05

W.C.L. "RICON" REMOVABLE MODEL "F9TF"



DECALS AFFIXED TO VEHICLE

LIFT OPERATING INSTRUCTIONS, ENTRY-32159, EXIT-32160

LIFT OPERATING INSTRUCTIONS, ENTRY AND EXIT, FOR LIFTS WITH A STOP AT INTERMEDIATE HEIGHT ENTRY-32154, EXIT-32155

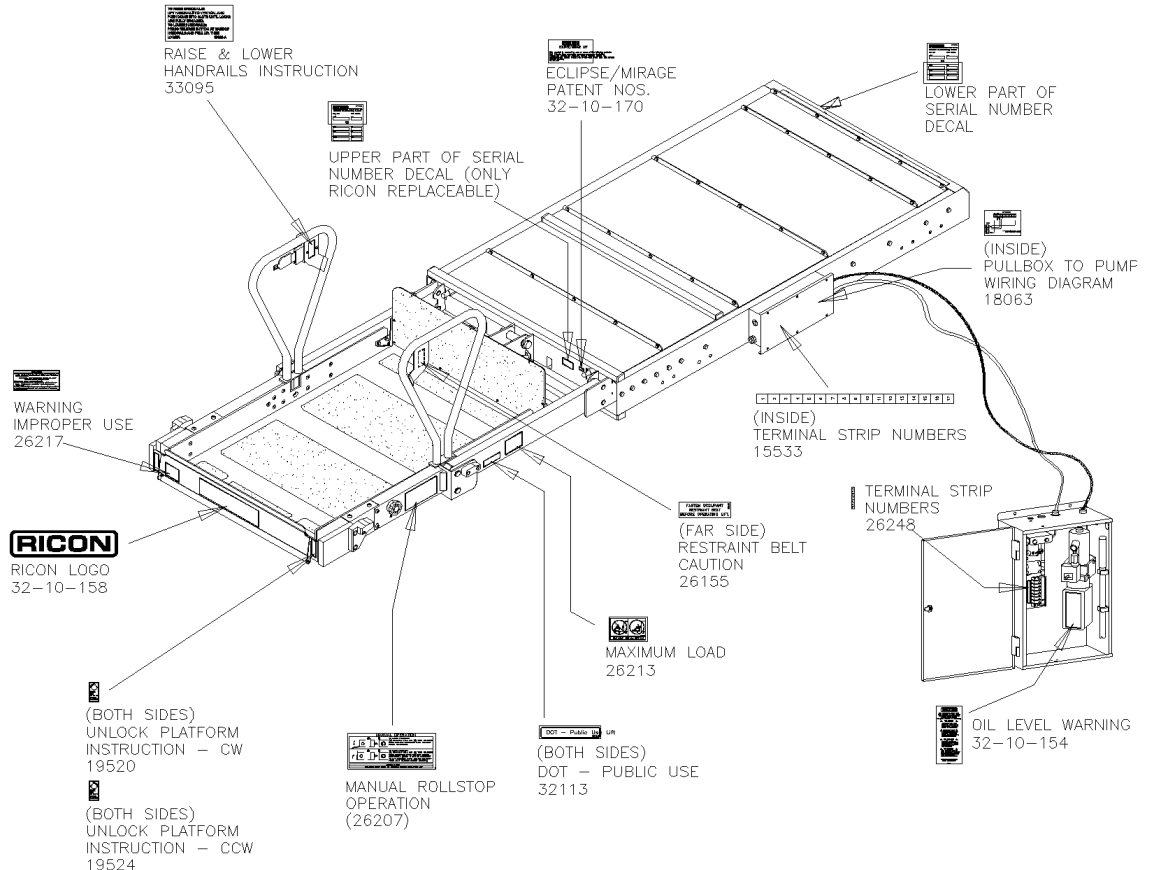
NO PARKING (26119)

MANUAL OPERATING INSTRUCTIONS (19551)

MANUAL OPERATING INSTRUCTIONS - ENGLISH-FRENCH (29254)

PLATFORM STOW HEIGHT (19550)

TWS WARNING (31997)





From J-6223 To J-6223 Date:07/2024 PAGE:X3VIP-2380-05

W.C.L. "RICON" REMOVABLE MODEL "F9TF"

Item#	Part	Description	X 3 V I P E N T	X 3 V I P M T H	N O T E S
	864809	W.C.L. "RICON" - F9TF-DE022	1	1	
	864798	W.C.L. "RICON" - F9TF-DE019 OPTION	1	1	A
1	X3VIP-2380-10	. W.C.L. "RICON" - LIFT ENCLOSURE ASSY MODEL "F9TF"			
2	X3VIP-2380-20	. W.C.L. "RICON" - PLATFORM ASSY MODEL "F9TF"			
3	X3VIP-2380-30	. W.C.L. "RICON" - TRAVELING FRAME ASSY MODEL "F9TF"			
4	X3VIP-2380-40	. W.C.L. "RICON" - CARRIAGE ASSY MODEL "F9TF"			
5	X3VIP-2380-50	. W.C.L. "RICON" - BRIDGE PLATE ASSY MODEL "F9TF"			
6	X3VIP-2380-60	. W.C.L. "RICON" - PUMP INSTALLATION MODEL "F9TF"			
7	X3VIP-2380-65	. . W.C.L. "RICON" - PUMP ASSY			
8	862986	PENDANT, W/COILED CORD	1	1	
8	865106	PENDANT, W/COILED CORD / WATERPROOTF	1	1	
NS	509815	TIE MOUNT / ATTACHMENT W/TREE MOUNT	1	1	
NS	504637	CABLE TIE / 3/16" x 13"	1	1	
8	862987	HARNESS PENDANT EXTENSION, PULLBOX TO PENDANT	1	1	
8	862988	HARNESS, TWS INTERFACE, W/PCB	1	1	
9	862989	CYCLE COUNTER	1	1	
NS	19514002	ROLLSTOP ADJ. TOOL	1	1	
NS	19514003	BRIDGEPLATE HGT GAUGE TOOL	1	1	
		A) THIS WHEEL CHAIR LIFT HAVE A SENSOR FULLY OPEN DOOR			

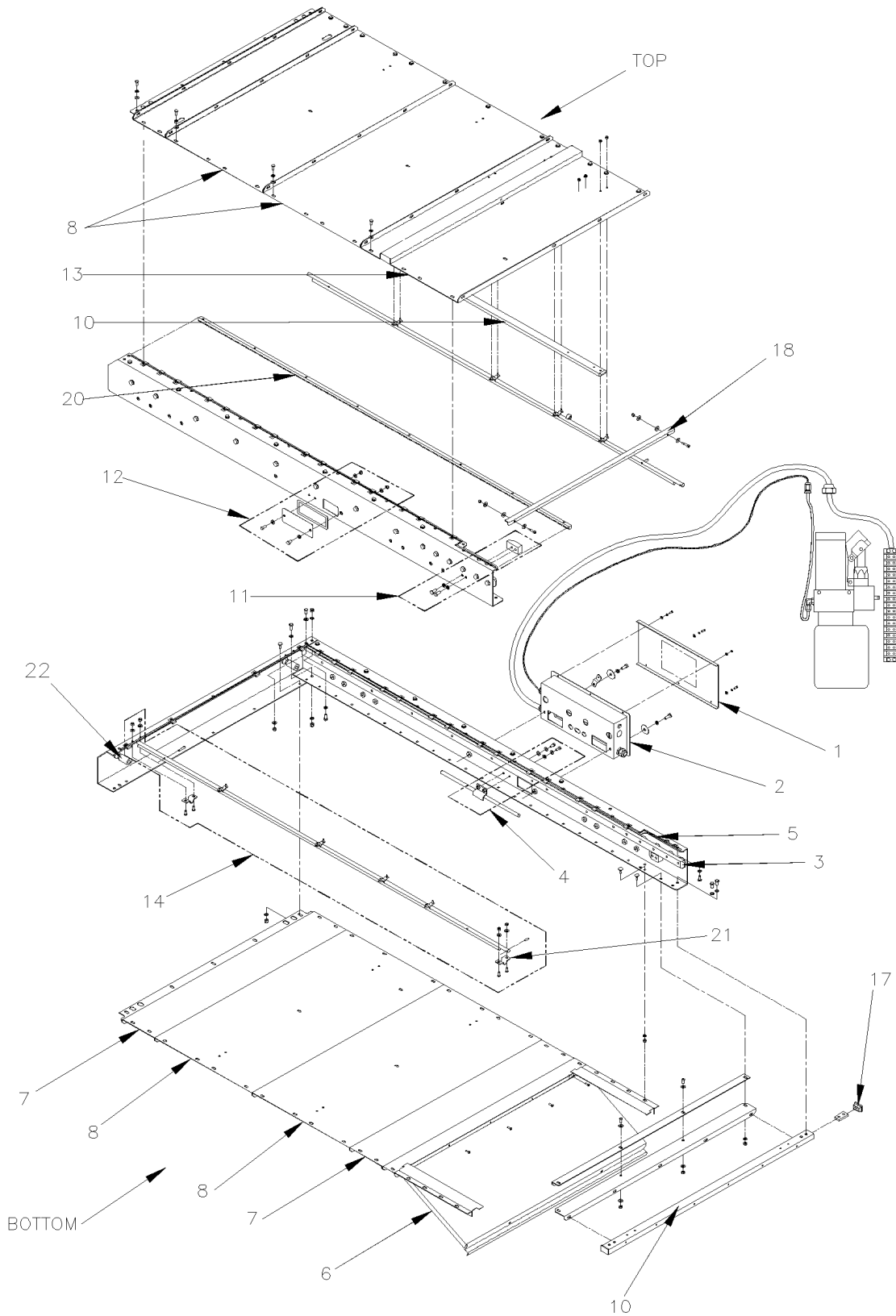


From J-6223 To J-6223

Date:07/2024

PAGE:X3VIP-2380-10

W.C.L. "RICON" - LIFT ENCLOSURE ASSY MODEL "F9TF"



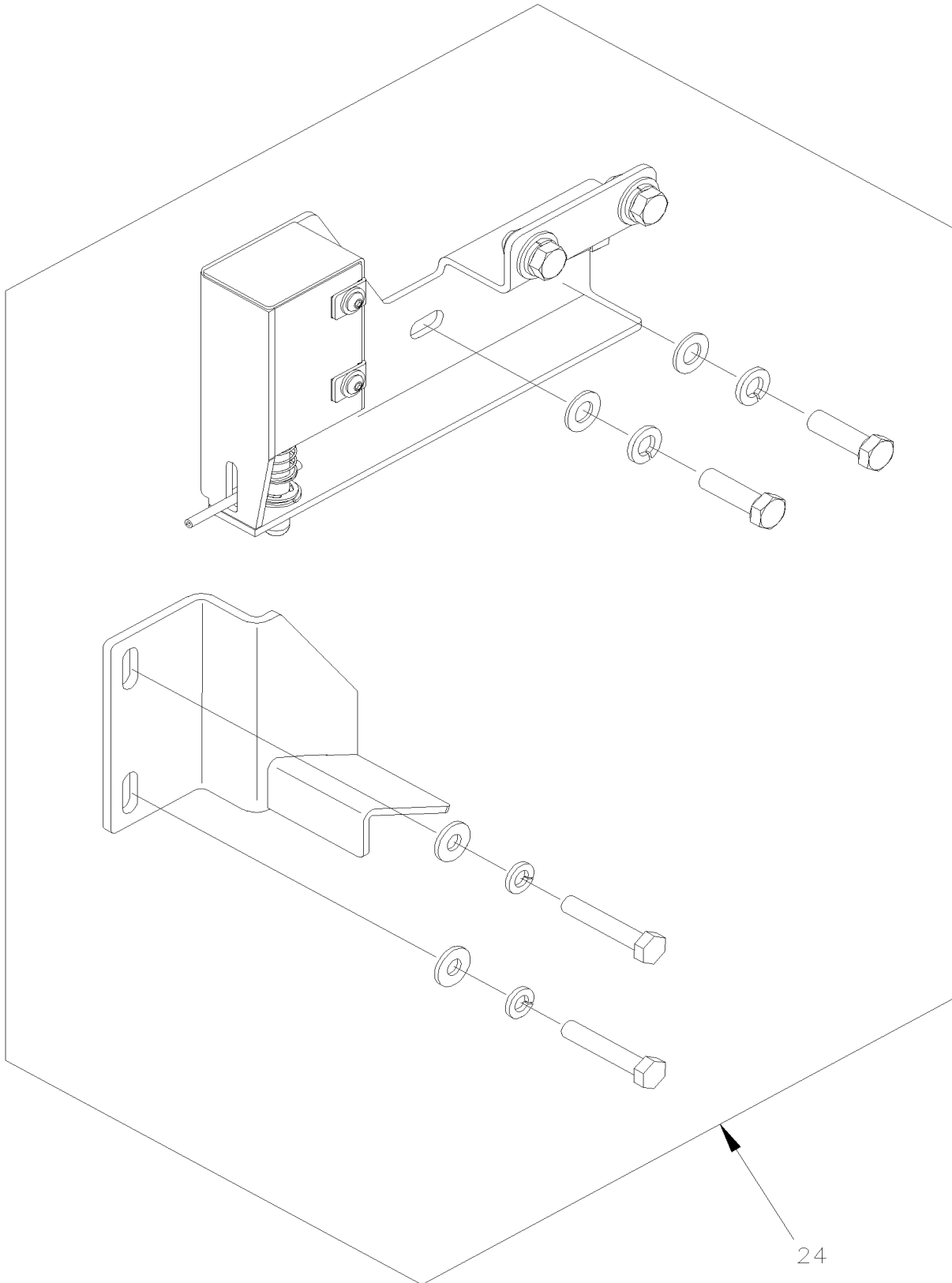


From J-6223 To J-6223

Date:07/2024

PAGE:X3VIP-2380-10

W.C.L. "RICON" - LIFT ENCLOSURE ASSY MODEL "F9TF"



24



From J-6223 To J-6223	Date:07/2024	PAGE:X3VIP-2380-10
W.C.L. "RICON" - LIFT ENCLOSURE ASSY MODEL "F9TF"		

Item#	Part	Description	X 3 V I P E N T	X 3 V I P M T H	N O T E S
1	862991	KIT, PULLBOX COVER	1	1	
2	862992	PULLBOX ASSY	1	1	
3	862999	RAIL, CARRIAGE GUIDE	2	2	
4	862994	KIT, HOSE CLAMP	1	1	
5	19509886	WEATHERSTRIP	1	1	
6	862995	KIT, SERVICE ACCESS PANEL	1	1	
7	19509867	KIT, ENCLOSURE COVER, 6.6" W/HDWR	2	2	
8	862997	KIT, ENCLOSURE COVER, 19.98"	4	4	
10	862998	TUBE, FORWARD CROSSMEMBER	1	1	
11	863000	KIT, STOP BLOCK	2	2	
12	863001	KIT, BLOCK-OFF PLATE	1	1	
13	863002	KIT, ENCLOSURE COVER, LINKAGE	1	1	
14	863003	KIT, PLATFORM RELEASE SHAFT / LH	2	2	
17	863004	PLUG, RECTANGULAR, 1.0 X 1.5, NYLON, BLACK	4	4	
18	868231	TIE BAR, PLATFORM RELEASE SHAFTS	1	1	
20	863006	GEAR RACK	2	2	
21	863007	BRACKET, PLATFORM RELEASE SHAFT	4	4	
22	863008	BUMPER, CARRIAGE STOP	2	2	
24	865081	KIT, STOW LOCK	1	1	
24	864955	. SOLENOID / STOW LOCK	1	1	
24	Call order desk	. BRACKET / STOW LOCK	1	1	P
		P) CALL ORDER DESK FOR SPECIFIC APPLICATION (V.I.N.)			

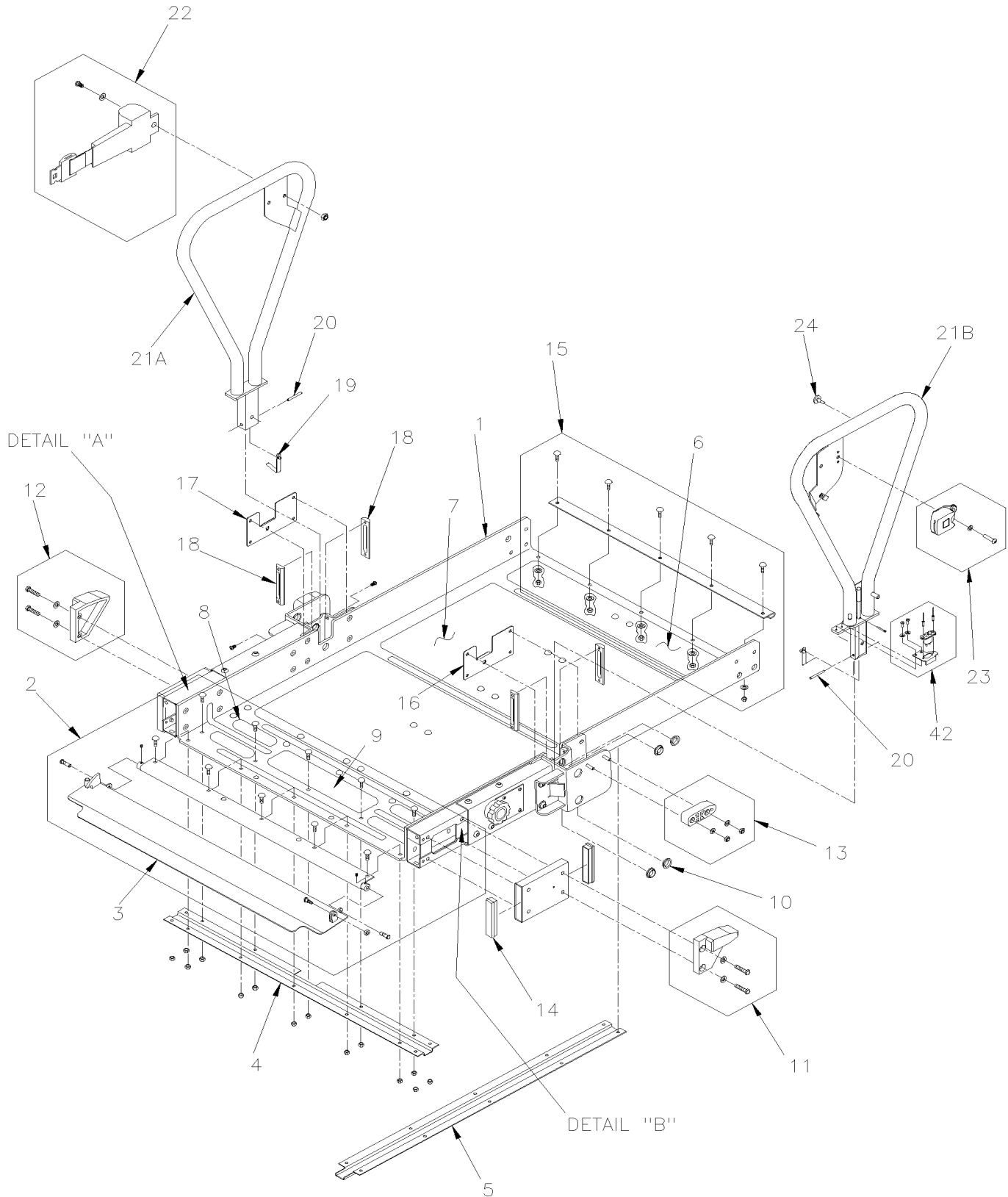


From J-6223 To J-6223

Date:07/2024

PAGE:X3VIP-2380-20

W.C.L. "RICON" - PLATFORM ASSY MODEL "F9TF"



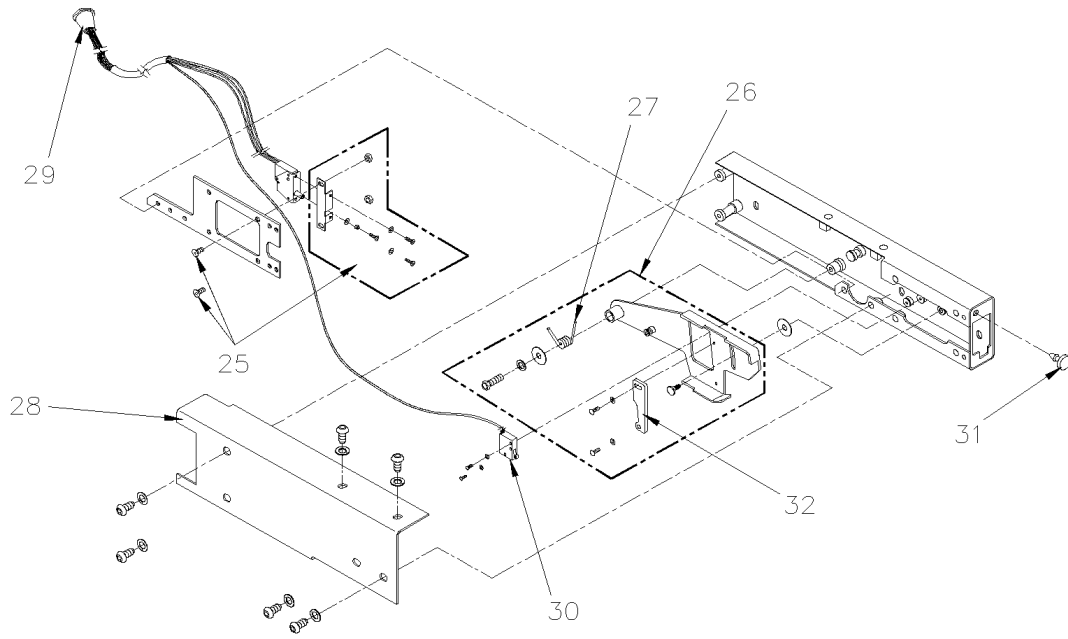


From J-6223 To J-6223

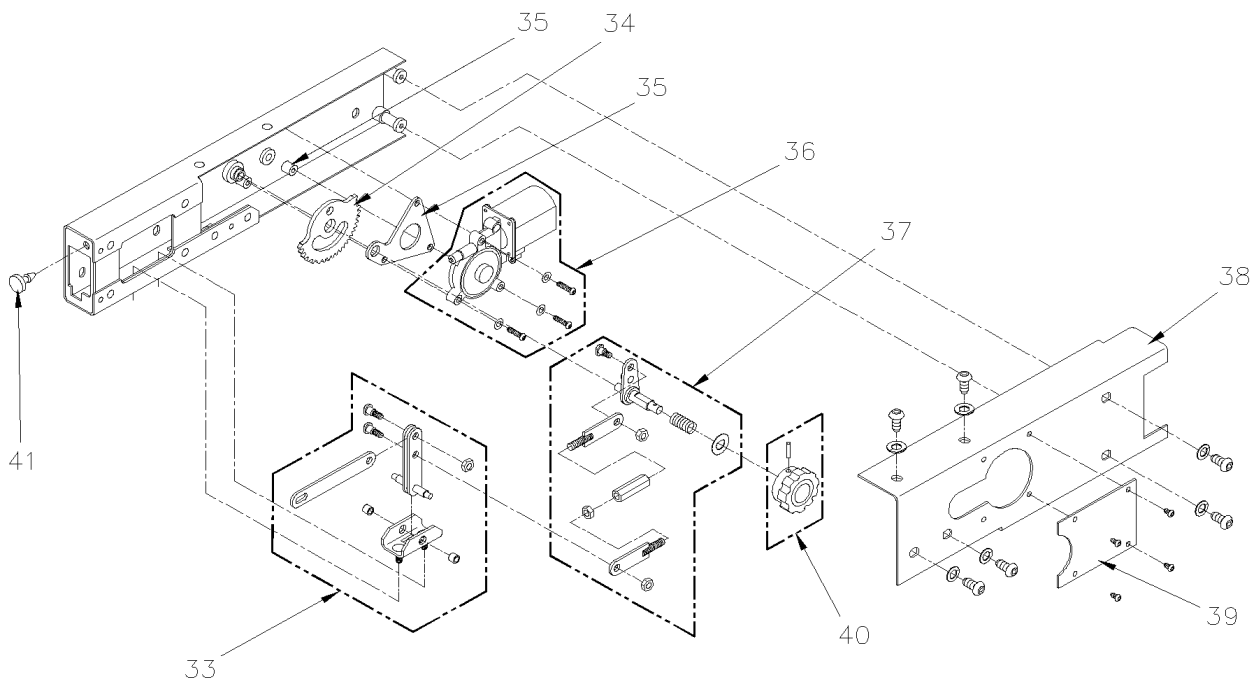
Date:07/2024

PAGE:X3VIP-2380-20

W.C.L. "RICON" - PLATFORM ASSY MODEL "F9TF"



DETAIL A



DETAIL B



From J-6223 To J-6223	Date:07/2024	PAGE:X3VIP-2380-20
W.C.L. "RICON" - PLATFORM ASSY MODEL "F9TF"		

Item#	Part	Description	X 3 V I P E N T	X 3 V I P M T H	N O T E S
1	865627	PLATFORM	1	1	
2	863010	KIT, ROLLSTOP ASSEMBLY	1	1	
3	865634	ROLLSTOP, PAINTED From D-5300	1	1	
4	865628	STIFFENER & HARNESS CONDUIT, NOTCHED	1	1	
5	865629	HARNESS CONDUIT, FRONT TO REAR	1	1	
6	863014	SAFETREAD, 3.0 X 31.0, YELLOW	1	1	
7	863015	SAFETREAD, 16.0 X 31.0, GRAY	1	1	
8	863016	SAFETY TREAD / 12.75x3.0 / SAFETY YELLOW	1	1	
9	863017	SAFETY TREAD / 5.5x1.5 / SAFETY YELLOW	4	4	
10	863018	BEARING, FLANGED, 3/4I.D. X 1/4W	1	1	
11	862114	BLOCK / PLAFORM GUIDE / RH	1	1	
12	862115	BLOCK / PLAFORM GUIDE / LH	1	1	
13	863019	KIT, PLATFORM GUIDE, REAR	2	2	
14	863020	CAP, RECTANGULAR, SNAP-IN	4	4	
15	863021	KIT, STIFFENER, PLATFORM, REAR	1	1	
16	860098	PLATE, PIN LOCK	1	1	
17	860098	PLATE, PIN LOCK	1	1	
18	863024	HANDRAIL GUIDE	4	4	
19	863618	BUTTON, HANDRAIL LOCK	2	2	
20	863026	PIN, HANDRAIL PIVOT	2	2	
21A	865136	HANDRAIL ASSY RH	1	1	
21B	865137	HANDRAIL ASSY LH	1	1	
22	864774	KIT, SAFETY BELT W/RETRACTOR	1	1	
23	864775	KIT, SAFETY BELT BUCKLE ASSEMBLY	1	1	
24	862120	BUMPER / RUBBER 1.000 O.D. x .13THK	1	1	
25	863036	KIT, MOUNTING BRACKET, LIMIT SWITCH	1	1	
26	863037	KIT, ACTUATOR FOOT ASSY	1	1	
27	862121	SPRING / LH / ROLLSTOP ACTUATOR RETURN	1	1	
28	863038	COVER, ROLLSTOP, LH	1	1	
29	863039	HARNESS, W/TWO ROLLSTOP SWITCHES	1	1	
. NS	865043	. ROLLSTOP PLUNGER	1	1	
30	863040	SWITCH LIMIT, W/LEADS	1	1	
31	862120	BUMPER / RUBBER 1.000 O.D. x .13THK	1	1	
32	863041	PLATE, ACTUATOR, SWITCH	1	1	
33	863031	KIT, ROLLSTOP LINKAGE	1	1	
34	862996	KIT, ROLLSTOP GEAR	1	1	
35	863032	KIT, GEAR MOTOR MTG PLATE	1	1	
36	862117	KIT MOTOR, 24V W/HARDAWARE	1	1	
37	868153	KIT, GEAR LINKAGE	1	1	
38	868235	COVER, ROLLSTOP, RH	1	1	
39	868236	COVER PLATE, MANUAL RELEASE	1	1	
40	862210	KNOB KIT	1	1	



From J-6223 To J-6223	Date:07/2024	PAGE:X3VIP-2380-20
W.C.L. "RICON" - PLATFORM ASSY MODEL "F9TF"		

Item#	Part	Description	X 3 V I P E N T	X 3 V I P M T H	N O T E S
41	862120	BUMPER / RUBBER 1.000 O.D. x .13THK	1	1	
42	865633	KIT, CONTACT CONNECTOR, HAND RAIL ASSY	1	1	
42	868221	CONTACT BLOCK ASSY	1	1	

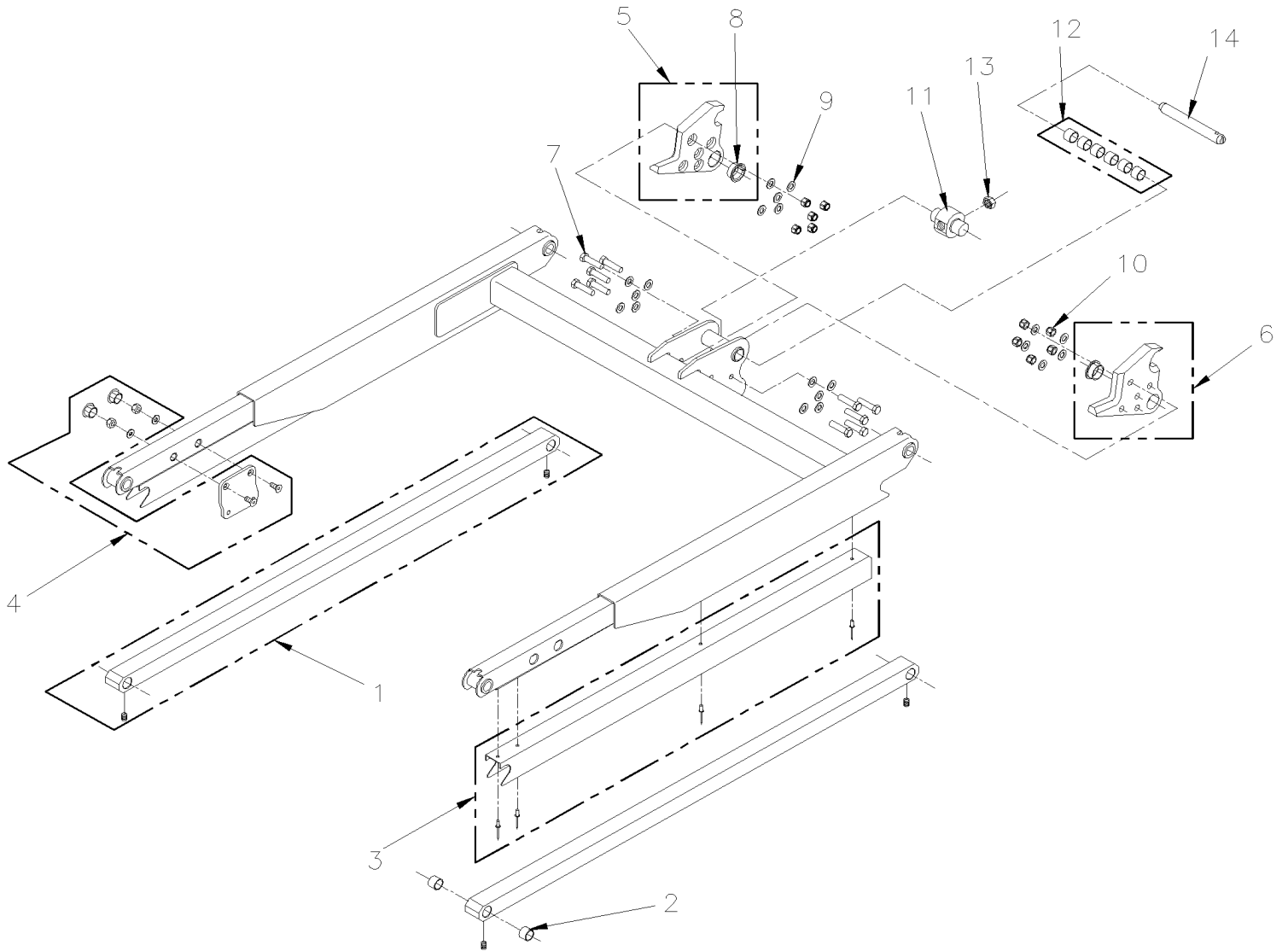


From J-6223 To J-6223

Date:07/2024

PAGE:X3VIP-2380-30

W.C.L. "RICON" - TRAVELING FRAME ASSY MODEL "F9TF"





From J-6223 To J-6223	Date:07/2024	PAGE:X3VIP-2380-30
W.C.L. "RICON" - TRAVELING FRAME ASSY MODEL "F9TF"		

Item#	Part	Description	X 3 V I P E N T	X 3 V I P M T H	N O T E S
1	863042	KIT, LOWER ARM	2	2	
2	863043	BUSHING, .880.D. X .75I.D. X .38	4	4	
3	863044	KIT, COVER, LOWER ARM	2	2	
4	863045	KIT, PLATE, BRIDGEPLATE ACTUATOR	2	2	
5	863046	PLATE ASSY, CLEVIS REINFORCEMENT, LH	1	1	
6	863047	PLATE ASSY, CLEVIS REINFORCEMENT, RH	1	1	
7	863048	SCREW CAP HEX 3/8-16x1 1/2 SS	1	1	
8	863049	BEARING, FLANGED, 1.00 I.D. X .75W	2	2	
9	863050	WASHER FL .40x.75x.06 SS	2	2	
10	863051	NUT, ESN, 3/8-16, SS	1	1	
11	863052	TRUNNION, SOLID PIN	1	1	
12	863053	KIT, BEARING, .75I.D. X .875O.D. X .63	1	1	
13	863054	NUT, JAM, 3/4-16	1	1	
14	863055	PIN, .75D X 6.0L	1	1	

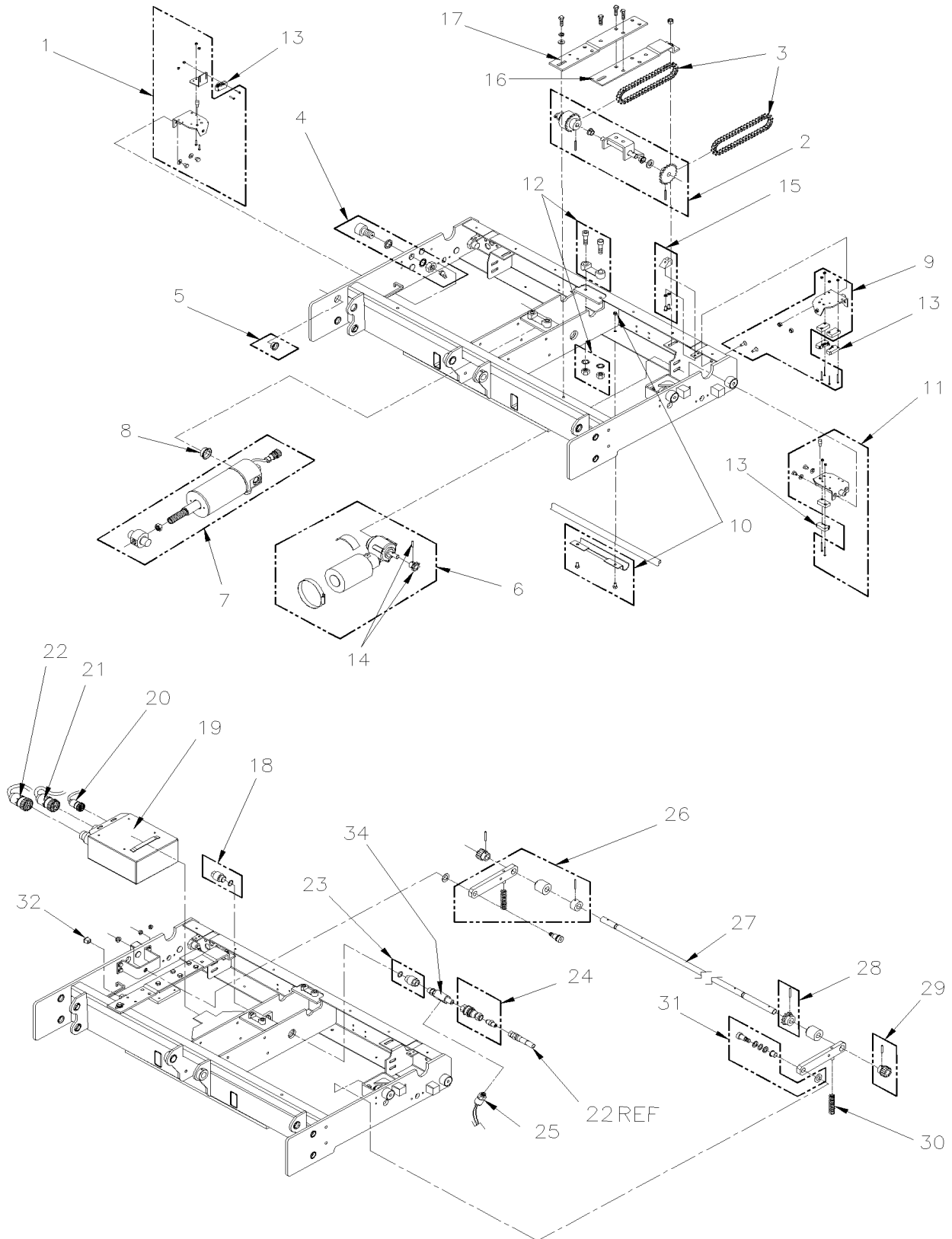


From J-6223 To J-6223

Date:07/2024

PAGE:X3VIP-2380-40

W.C.L. "RICON" - CARRIAGE ASSY MODEL "F9TF"





From J-6223 To J-6223	Date:07/2024	PAGE:X3VIP-2380-40
W.C.L. "RICON" - CARRIAGE ASSY MODEL "F9TF"		

Item#	Part	Description	X 3 V I P E N T	X 3 V I P M T H	N O T E S
1	863056	KIT, PLATFORM RELEASE SWITCH BRACKET	1	1	
2	863057	KIT, INTERMEDIATE SHAFT ASSY	1	1	
3	863058	DRIVE CHAIN	2	2	
4	863059	KIT, CARRIAGE ROLLER, 1 1/4 O.D.	4	4	
5	863128	BEARING	1	1	
6	863060	KIT, GEAR MOTOR ASSY, 24V	1	1	
7	863061	HYDRAULIC CYLINDER ASSEMBLY	1	1	
8	863062	FLANGED BEARING, 1" I.D.B20	1	1	
9	863063	KIT, STOW SWITCH BRACKET	1	1	
10	863064	KIT, HARNESS CLAMP	1	1	
11	863065	KIT, DEPLOY SWITCH BRACKET	1	1	
12	N8892390	KIT, GUIDE BLOCKS CARRIAGE	1	1	
13	863129	LIMIT SWITCH	4	4	
14	863066	KIT, SPROCKET, 8T	1	1	
15	863067	KIT, MANUAL RELEASE RESET RAMP	2	2	
16	863068	BRACKET, IDLER SHAFT, REAR	1	1	
17	863069	BRACKET, IDLER SHAFT, FRONT	1	1	
18	863070	KIT, PIVOT CAP, HYDRAULIC CYLINDER	1	1	
19	19506358	CONTROL BOX 24V W/SOFTWARE	1	1	
20	863071	HARNESS, ELECTRICAL, HYDRAULIC CYLINDER	1	1	
21	863072	HARNESS, ELECTRICAL, CARRIAGE	1	1	
22	864071	HARNESS, ELECTRICAL, MAIN, W/HYDRAULIC LINE	1	1	
23	863074	KIT, PIVOT FITTING, HYDRAULIC CYLINDER	1	1	
24	863076	KIT, QUICK DISCONNECT FITTING	1	1	
25	863077	KIT, PRESSURE SWITCH, W/ELECTRICAL TERMINALS	1	1	
26	863078	KIT, DRIVESHAFT LINK ASSY	2	2	
27	863079	DRIVESHAFT, FINAL	1	1	
28	863080	KIT, SPROCKET, 12 TEETH	1	1	
29	863081	KIT, PINION GEAR, 18 TEETH	2	2	
30	863082	SPRING, COM, .609O.D. X 2.53	2	2	
31	863083	KIT, BUSHING ASSY, DRIVESHAFT LINK	2	2	
32	863084	DUST CAP, CONTROLLER PROGRAMMING CONNECTOR	1	1	
34	866059	MANIFOLD,HYD,PRESSURE SWITCH(PACKAGED)	1	1	

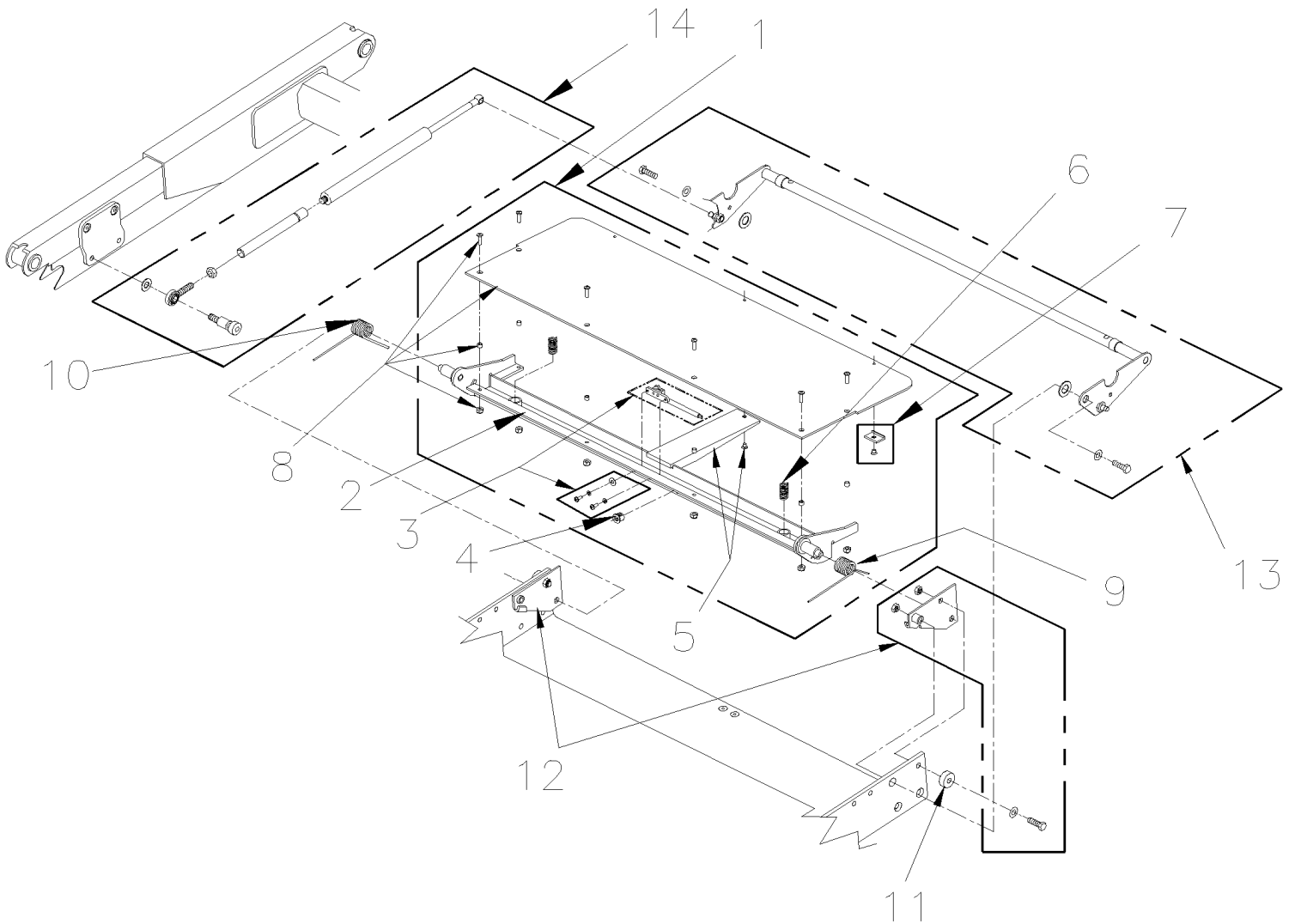


From J-6223 To J-6223

Date:07/2024

PAGE:X3VIP-2380-50

W.C.L. "RICON" - BRIDGE PLATE ASSY MODEL "F9TF"





From J-6223 To J-6223	Date:07/2024	PAGE:X3VIP-2380-50
W.C.L. "RICON" - BRIDGE PLATE ASSY MODEL "F9TF"		

Item#	Part	Description	X 3 V I P E N T	X 3 V I P M T H	N O T E S
1	863097	BRIDGEPLATE ASSEMBLY 9"	1	1	
1	865626	BRIDGEPLATE ASSEMBLY 11" OPTION	1	1	A
2	860228	FRAME, BRIDGEPLATE	1	1	
3	863099	KIT, SWITCH ASSEMBLY	1	1	
4	863100	BUSHING, SNAP-IN, 1/2	1	1	
5	863101	KIT, GUIDE, BRIDGEPLATE, W/SCREW	1	1	
6	863102	SPRING, COMP. SST, .48OD X .75L	2	2	
7	863103	SKID, BRIDGEPLATE BRACKET	2	2	
8	863104	KIT, PLATE, BRIDGEPLATE	1	1	
9	863105	SPRING, BRIDGEPLATE RETURN, RH	1	1	
10	863106	SPRING, BRIDGEPLATE RETURN, LH	1	1	
11	863107	BUSHING .75x.32x.38	1	1	
12	863108	KIT, MOUNTING BRACKETS, LH AND RH	1	1	
13	863109	KIT, STIRRUP ASSEMBLY	1	1	
14	863110	KIT, ACTUATOR ROD ASSEMBLY, BRIDGEPLATE	2	2	
		A) USE WITH WHEEL CHAIRE LIFT F9TF-DE019			

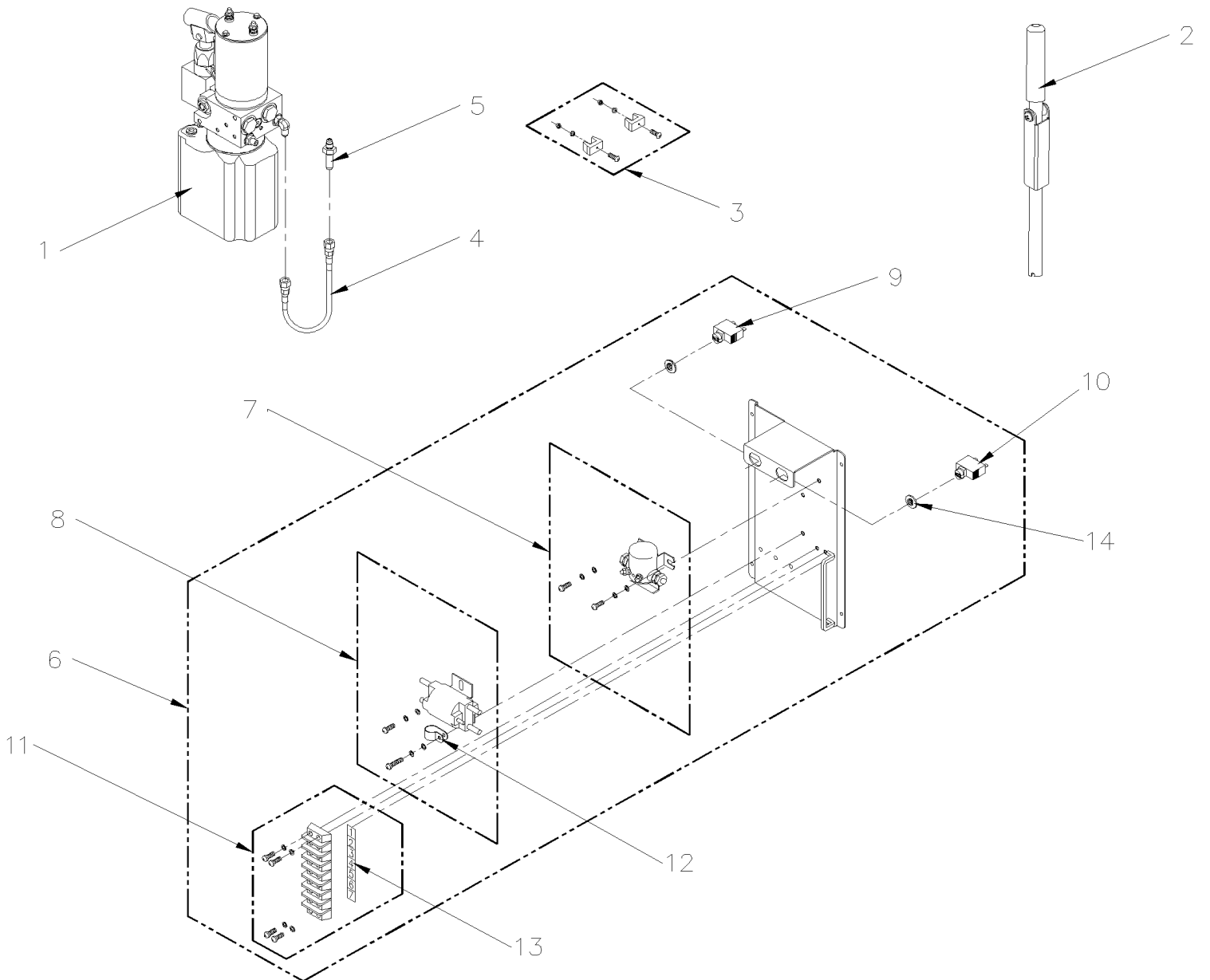


From J-6223 To J-6223

Date:07/2024

PAGE:X3VIP-2380-60

W.C.L. "RICON" - PUMP INSTALLATION MODEL "F9TF"





From J-6223 To J-6223	Date:07/2024	PAGE:X3VIP-2380-60
W.C.L. "RICON" - PUMP INSTALLATION MODEL "F9TF"		

Item#	Part	Description	X 3 V I P E N T	X 3 V I P M T H	N O T E S
1	X3VIP-2380-65	W.C.L. "RICON" - PUMP ASSY			
2	464678	HANDLE-MANUAL BACKUP PUMP	1	1	
3	868251	TOOL CLIP	1	1	
4	863085	HOSE ASSY 13 3/4"	1	1	
5	863086	FITTING, BUN, 1/4J, 2.08L	1	1	
6	863087	KIT, SOLENOID PLATE ASSY, 24VDC	1	1	
7	862100	SOLENOID / SP 24V	1	1	
8	862101	SOLENOID-24V DP LARGE	1	1	
9	862102	CIRCUIT BREAKER / 8AMP	1	1	
10	862103	CIRCUIT BREAKER / 30AMPS	1	1	
11	863088	KIT, TERMINAL STRIP	1	1	
12	863089	CLAMP, NYLON, 3/8" BLACK	1	1	
13	863090	DECAL "TERMINAL STRIP NUMBERS"	1	1	
14	863091	ADAPTOR .625 D-HOLE	1	1	

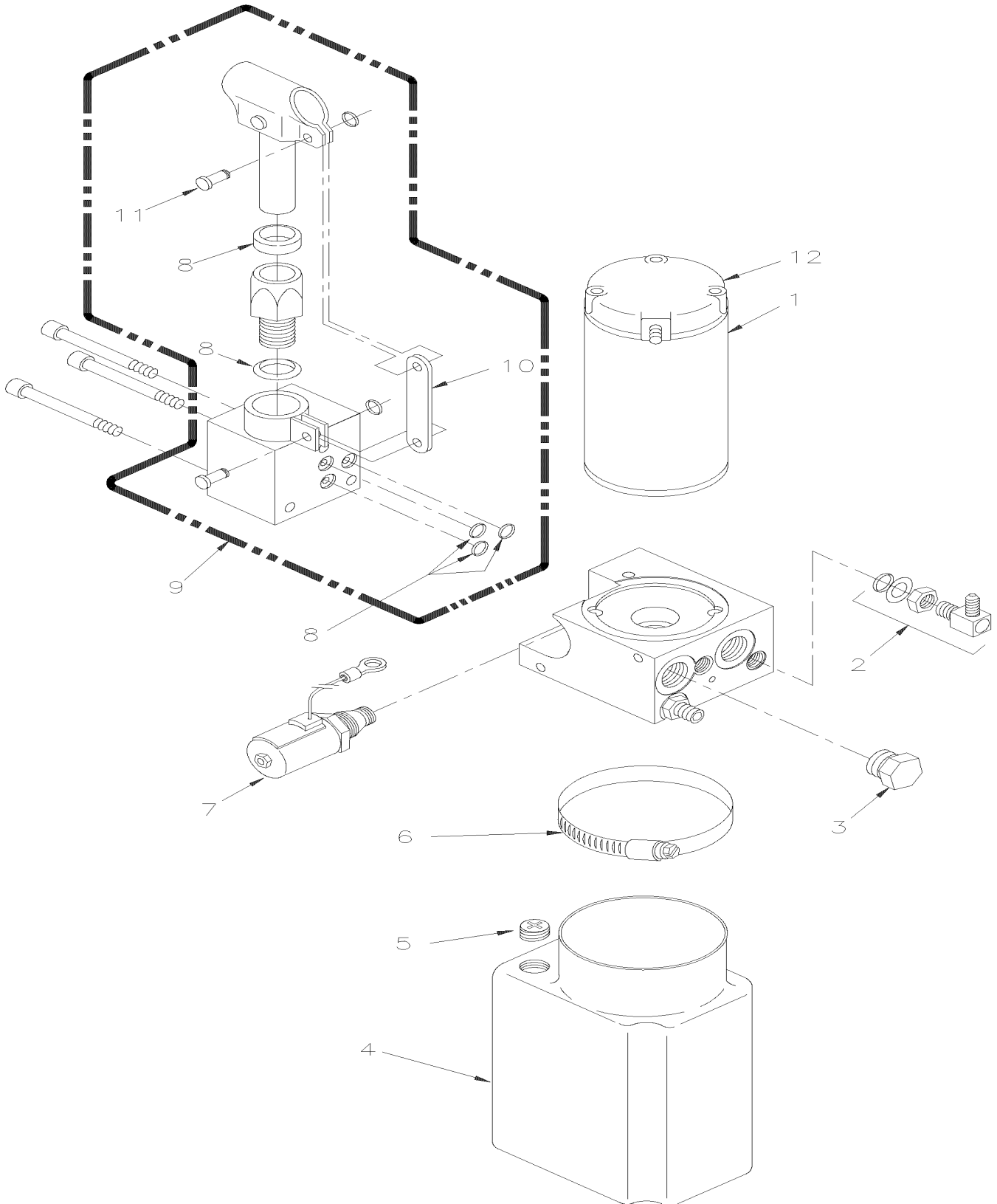


From J-6223 To J-6223

Date:07/2024

PAGE:X3VIP-2380-65

W.C.L. "RICON" - PUMP ASSY





From J-6223 To J-6223	Date:07/2024	PAGE:X3VIP-2380-65
-----------------------	--------------	--------------------

W.C.L. "RICON" - PUMP ASSY

Item#	Part	Description	X 3 V I P E N T	X 3 V I P M T H	N O T E S
	863112	PUMP ASSY 2.0 KPSI / 24V	1	1	
1	863126	. MOTOR ASSY. / 24V	1	1	
2	868147	. FITTING / "L" 1/4 SAE O-RING BOSS 1/4 JIC	1	1	
3	860122	. PLUG / 3/4-16 CAVITY / W/O-RING	2	2	
4	863092	. RESERVOIR / RICON POWER UNIT / PLASTIC	1	1	
5	863095	. PLUG, BREATHER, RESERVOIR	1	1	
NS	865625	. WASHER, RUBBER 1"O.D.x5/8" I.D.x1/8"	1	1	
6	504235	. HOSE CLAMP / 3"9/16"-4"1/2 SS / HS-64	1	1	
7	862106	. HYD. POPPET VALVE ASSY. / 24V DELTROL	1	1	
8	862107	. SEAL KIT / MANUAL BACK-UP PUMP	1	1	
9	863093	. BACK-UP PUMP ASSY, MANUAL W/O HANDLE	1	1	
10	868253	. BRACKET / TENSION LINK / MANARCH PUMP	1	1	
11	868254	. PIN & RETAINING RING-BACKUP PUMP	2	2	
12	863127	. KIT / PUMP MOTOR BRUSH SET	1	1	
NS	685682	OIL HYDRAULIC W.C.L. (19 LITERS)	1	1	

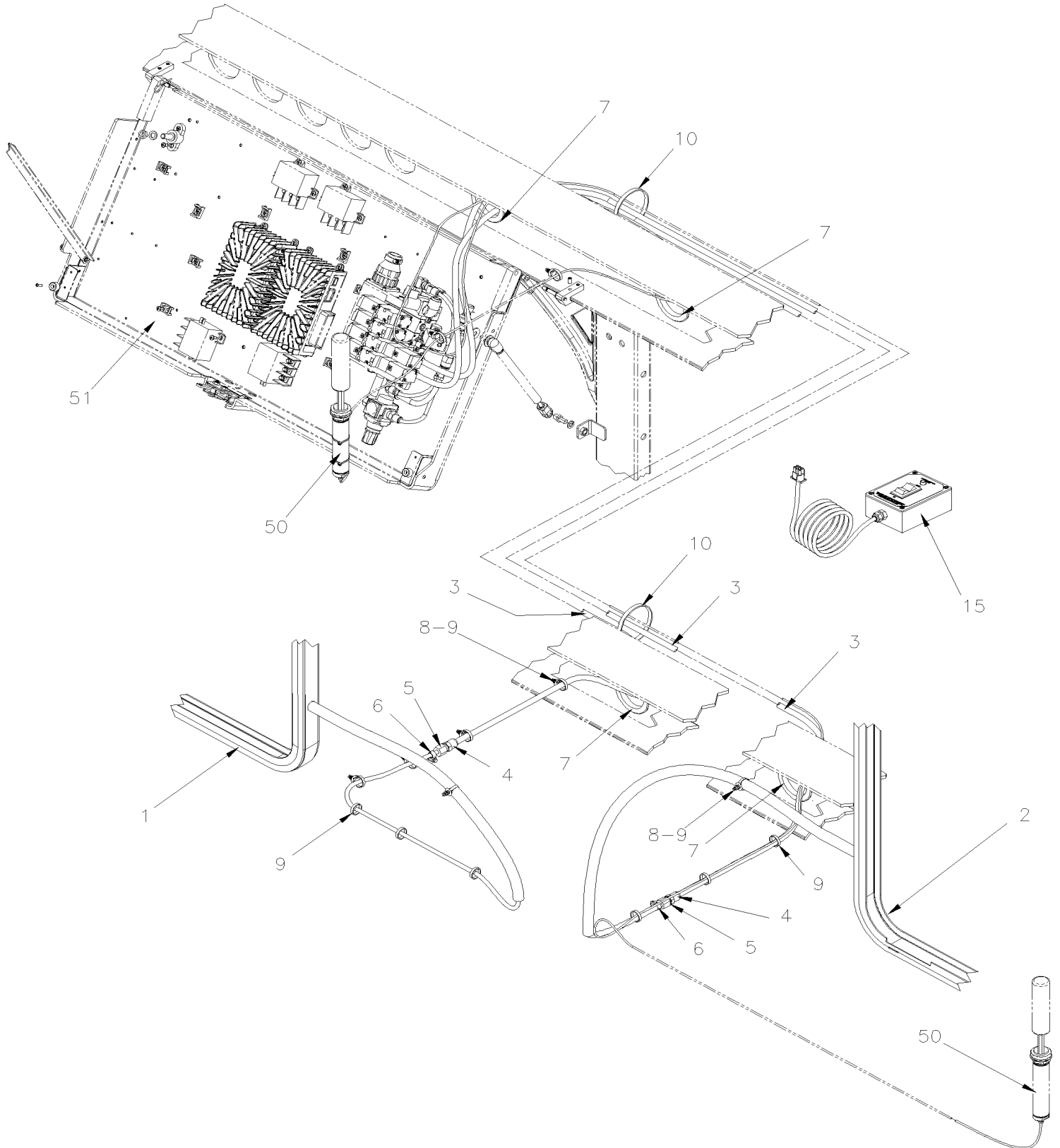


From E-5490

Date:07/2024

PAGE:X3VIP-2390-00

"SLIDE-OUT" INFLATED SEAL





From E-5490		Date:07/2024	PAGE:X3VIP-2390-00
-------------	--	--------------	--------------------

"SLIDE-OUT" INFLATED SEAL

Item#	Part	Description	X 3 V I P E N T	X 3 V I P M T H	N O T E S
1	478510	SEAL, INFLATABLE FRONT / 4465MM x 2115MM / 175MM To K-6491		1	
1	479434	SEAL INSTALLATION FRONT / 4465MM x 2115MM To K-6491		1	
. NS	470660	. SEAL, BASE FRONT / 4465MM x 2115MM To K-6491		1	
. NS	4705180	. SEAL, INFLATABLE FRONT / 4465MM x 2115MM To K-6491		1	
. NS	IS-16080	. SEE INSTRUCTION SHEET To K-6491		1	
. NS	FI-16080	. VOIR FEUILLE D'INSTRUCTION To K-6491		1	
1	471801	SEAL, INFLATABLE FRONT / 4464MM x 2162MM From L-6492 To P-6809		1	
1	4705166	SEAL, INFLATABLE FRONT / 4464MM x 2162MM From P-6810		1	
1	471802	SEAL, BASE FRONT / 4464MM x 2162MM From L-6492		1	
1	478149	SEAL, INFLATABLE FRONT / 3591MM x 2115MM / 175MM To K-6491	1		
1	479430	SEAL INSTALLATION FRONT / 3591MM x 2115MM To K-6491	1		
. NS	470666	. SEAL, BASE FRONT / 3591MM x 2115MM To K-6491	1		
. NS	4705181	. SEAL, INFLATABLE FRONT / 3591MM x 2115MM To K-6491	1		
. NS	IS-16080	. SEE INSTRUCTION SHEET To K-6491	1		
. NS	FI-16080	. VOIR FEUILLE D'INSTRUCTION To K-6491	1		
1	471803	SEAL, INFLATABLE FRONT / 3591MM x 2162MM From L-6492 To P-6809	1		
1	4705167	SEAL, INFLATABLE FRONT / 3591MM x 2162MM From P-6810	1		
1	471804	SEAL, BASE FRONT / 3591MM x 2162MM From L-6492	1		
2	477328	SEAL, INFLATABLE REAR / 2330MM x 1775MM / 175MM To K-6491		1	7.5
2	479432	SEAL INSTALLATION REAR / 2330MM x 1775MM To K-6491		1	7.5
. NS	470656	. SEAL, BASE REAR / 2330MM x 1775MM To K-6491		1	7.5
. NS	4705178	. SEAL, INFLATABLE REAR / 2330MM x 1775MM To K-6491		1	7.5
. NS	IS-16080	. SEE INSTRUCTION SHEET To K-6491		1	7.5
. NS	FI-16080	. VOIR FEUILLE D'INSTRUCTION To K-6491		1	7.5
2	471813	SEAL, INFLATABLE REAR / 2331MM x 1821MM From L-6492 To P-6809		1	7.5
2	4705169	SEAL, INFLATABLE REAR / 2331MM x 1821MM From P-6810		1	7.5
2	471814	SEAL, BASE REAR / 2331MM x 1821MM From L-6492		1	7.5
2	477320	SEAL, INFLATABLE REAR / 3347MM x 1775MM / 175MM To K-6491		1	10
2	479431	SEAL INSTALLATION REAR / 3347MM x 1775MM To K-6491		1	10
. NS	470658	. SEAL, BASE REAR / 3347MM x 1775MM To K-6491		1	10
. NS	4705179	. SEAL, INFLATABLE REAR / 3347MM x 1775MM To K-6491		1	10
. NS	IS-16080	. SEE INSTRUCTION SHEET To K-6491		1	10
. NS	FI-16080	. VOIR FEUILLE D'INSTRUCTION To K-6491		1	10
2	471811	SEAL, INFLATABLE REAR / 3347MM x 1821MM From L-6492 To P-6809		1	10
2	4705168	SEAL, INFLATABLE REAR / 3347MM x 1821MM From P-6810		1	10
2	471812	SEAL, BASE REAR / 3347MM x 1821MM From L-6492		1	10
3	503541	TUBE, NYLON 3/4" O.D. / BLACK S.L	AR	AR	
3	478879	HOSE, PROTECTOR 40 MM From L-6492	1	1	
3	503707	. HOSE / PVC REINFORCED 1/2" I.D. 100' / S.L. From L-6492	AR	AR	
NS	504650	GROMMET / .375x.625x.062x.313x.875		1	
4	641331	MALE CONNECTOR / PUSH-IN FITTING / #6x1/4NPT-M BR	2	2	
5	642010	FEMALE CONNECTOR / HOSE BARB FITTING / #4x1/4NPT-F BR	2	2	



From E-5490		Date:07/2024	PAGE:X3VIP-2390-00
-------------	--	--------------	--------------------

"SLIDE-OUT" INFLATED SEAL

Item#	Part	Description	X 3 V I P E N T	X 3 V I P M T H	N O T E S
6	504715	HOSE CLAMP / 7/32"-5/8" SS	2	2	
7	504720	GROMMET / 2.375x3.000x.250x.437x3.250	4	4	
7	680066	ADHESIVE / ADBOND #5014 / 23.6ML BOTTLE	AR	AR	
8	509815	TIE MOUNT / ATTACHMENT W/TREE MOUNT	AR	AR	
9	504637	CABLE TIE / 3/16" x 13"	AR	AR	
10	504016	CABLE TIE / 5/16" X 14"1/2	AR	AR	
NS	684517	ADHESIVE SIMSON #ISR 70-03 / GREY / 310ml CARTRIDGE	AR	AR	
15	382048	REMOTE CONTROL / SINGLE SLIDE-OUT	1	1	
. NS	563380	. SWITCH / M/ON-OFF-M/ON S P.D.T BLACK	1	1	
. NS	564421	. PILOT LIGHT GREEN / LED 24V	1	1	
. NS	382047	. DECAL "REMOTE CONTROL"	1	1	
50	X3VIP-2390-20	"SLIDE-OUT" - FRONT MECHANISM - INSTALLATION	1	1	
50	X3VIP-2390-30	"SLIDE-OUT" - REAR MECHANISM INSTALLATION	1	1	
51	X3VIP-2390-10	"SLIDE-OUT" AIR CONTROL PANEL	1	1	
		10) WITH SLIDE OUT 10' WIDE			
		7.5) WITH SLIDE OUT 7.5' WIDE			

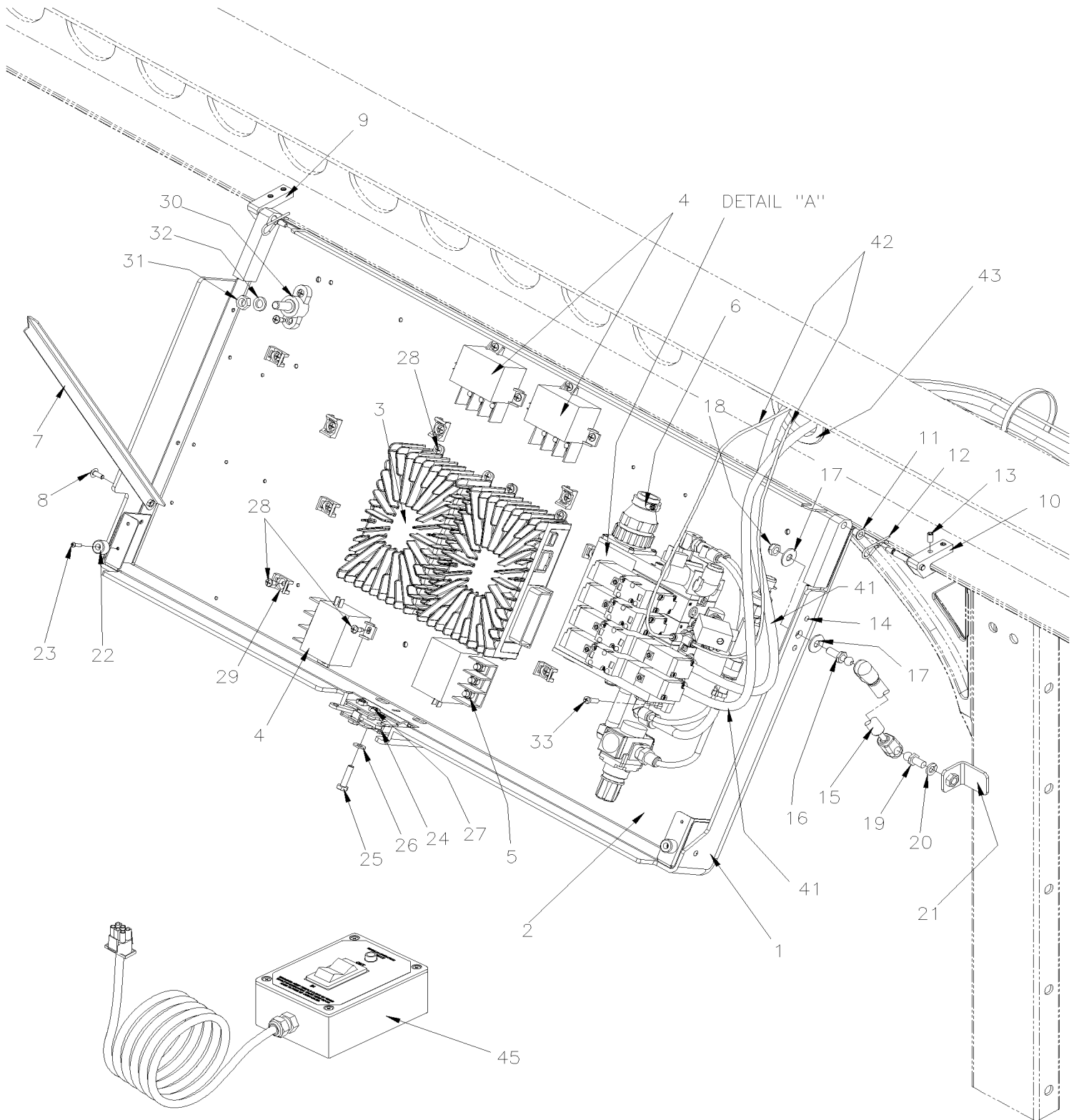


From E-5490

Date:07/2024

PAGE:X3VIP-2390-10

"SLIDE-OUT" AIR CONTROL PANEL



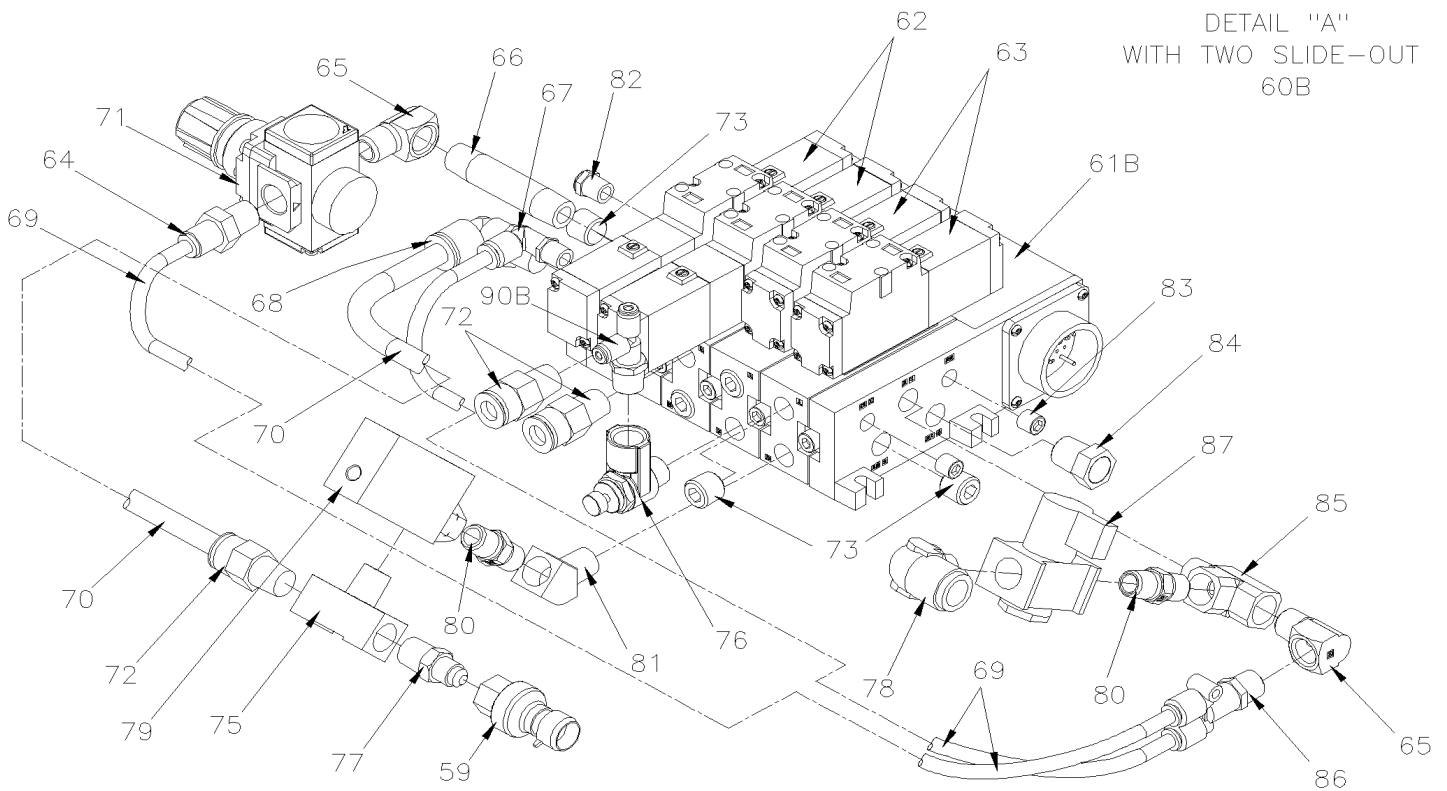
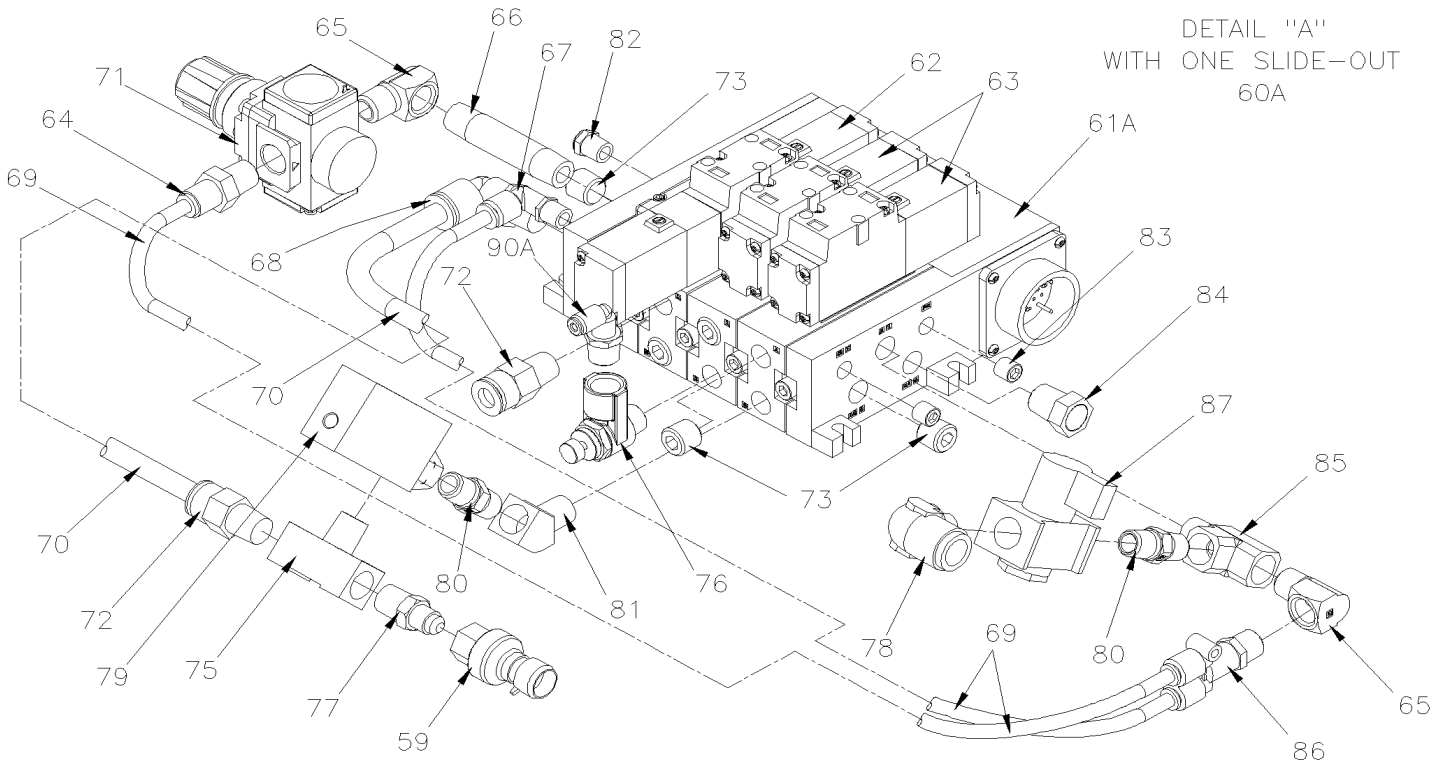


From E-5490

Date:07/2024

PAGE:X3VIP-2390-10

"SLIDE-OUT" AIR CONTROL PANEL





From E-5490		Date:07/2024	PAGE:X3VIP-2390-10
-------------	--	--------------	--------------------

"SLIDE-OUT" AIR CONTROL PANEL

Item#	Part	Description	X 3 V I P E N T	X 3 V I P M T H	N O T E S
1	066380	COVER PLASTIC	1	1	
1	066885	DECAL "JCT BOX SLIDE-OUT "VIP" / W/DOUBLE "SLIDE-OUT" To E-5568	1	1	
1	067577	DECAL "JCT BOX SLIDE-OUT "VIP" / W/QUAD "SLIDE-OUT" From E-5569 To H-6179	1	1	
1	060982	DECAL "JCT BOX SLIDE-OUT "VIP" / W/QUAD "SLIDE-OUT" From H-6180	1	1	
1	068854	DECAL "JCT BOX SLIDE-OUT "VIP" / W/REAR "SLIDE-OUT" ONLY		1	
2	067538	PANEL MOUNTING / W/TRIPLE "SLIDE-OUT" To E-5568	1	1	
2	068964	PANEL MOUNTING / W/QUAD "SLIDE-OUT" From E-5569	1	1	
2	060215	PANEL MOUNTING	1	1	
3	564193	I/O B-MODULE VOLVO MULTIPLEX / ALUMINUM To G-6088	AR	AR	
. NS	563132	. CONNECTOR / SH 2C / YAZAKI 7283-6458-40 To G-6088	1	1	
. NS	563133	. CONNECTOR / JUNIOR POWER TIMER / SH 29C / AMP 1-963449-2 To G-6088	1	1	
. NS	562957	. CONNECTOR / SH 5C / GREEN / JAE IL-AG5-5S-S3C1 To G-6088	1	1	
3	22722842	I/O B-MODULE VOLVO MULTIPLEX / ALUMINUM From G-6089 To H-6179	AR	AR	
. NS	563132	. CONNECTOR / SH 2C / YAZAKI 7283-6458-40 From G-6089 To H-6179	1	1	
. NS	563133	. CONNECTOR / JUNIOR POWER TIMER / SH 29C / AMP 1-963449-2 From G-6089 To H-6179	1	1	
. NS	562957	. CONNECTOR / SH 5C / GREEN / JAE IL-AG5-5S-S3C1 From G-6089 To H-6179	1	1	
3	22722850	I/O B E-MODULE VOLVO MULTIPLEX / ALUMINUM From H-6180 To M-6650	AR	AR	
3	23824204	I/O B E-MODULE VOLVO MULTIPLEX / ALUMINUM From M-6651	AR	AR	
4	563445	RELAY POWER 24V 130 AMPS / S.P.D.T. N.O. To E-5568	4	4	
4	068091	KIT, RELAY POWER 24V S.P.D.T. To E-5568	1	1	
. NS	068087	. WIRING HARNESS. INTERFACE, RELAY COIL To E-5568	1	1	
. NS	564242	. RELAY POWER 24V 200AMPS / S.P.D.T. To E-5568	1	1	
. NS	500182	. SCREW CAP HEX 5/16-18x1 1/4 G5 PT Z050 To E-5568	3	3	
. NS	IS-13069	. INSTRUCTION SHEET To E-5568	1	1	
4	564242	RELAY POWER 24V 200AMPS / S.P.D.T. From E-5569 To H-6179	4	4	
4	563332	RELAY 24V S.P.D.T. W/RESISTOR / "VOLVO" (20374662) From H-6180	2	2	
5	5001182	NUT HEX NYRT M6-1.0 SS	6	6	
6	068159	WIRING HARNESS SLIDE-OUT FRONT LEFT To E-5568	1	1	
6	068961	WIRING HARNESS SLIDE-OUT FRONT LEFT From E-5569 To H-6179	1	1	
6	060372	WIRING HARNESS SLIDE-OUT FRONT LEFT From H-6180 To K-6491	1	1	
6	0610150	WIRING HARNESS SLIDE-OUT FRONT LEFT From L-6492	1	1	
6	066776	WIRING HARNESS SLIDE-OUT REAR LEFT To E-5568		1	
6	068962	WIRING HARNESS SLIDE-OUT REAR LEFT From E-5569		1	
6	060371	WIRING HARNESS SLIDE-OUT REAR LEFT From H-6180 To K-6491		1	
6	0610151	WIRING HARNESS SLIDE-OUT REAR LEFT From L-6492		1	
6	0610146	WIRING HARNESS SLIDE-OUT REAR LEFT ONLY From K-6437		1	SP
7	066928	ANGLE HOLDING SUPPORT (OPEN)	1	1	
8	5001241	SCREW MA TR PH #10-24x1/2 SS	1	1	
8	5001180	NUT HEX NYRT #10-24 SS	1	1	
9	066489	HINGE BLOCK L.H. FIXED TO STRUCTURE To E-5593	1	1	
9	068949	HINGE BLOCK FIXED TO STRUCTURE From E-5594	1	1	
10	066490	HINGE BLOCK R.H. FIXED TO STRUCTURE To E-5593	1	1	



From E-5490		Date:07/2024	PAGE:X3VIP-2390-10
-------------	--	--------------	--------------------

"SLIDE-OUT" AIR CONTROL PANEL

Item#	Part	Description	X 3 V I P E N T	X 3 V I P M T H	N O T E S
10	068949	HINGE BLOCK FIXED TO STRUCTURE From E-5594	1	1	
11	507381	BUSHING W/SHOULDER 1/4" I,D,	2	2	
12	502180	PIN HITCH CLIP 3/32 x 1/2 Z050 To E-5593	2	2	
12	504402	RING RETAINER / EXT .250 x .210 x .025" From E-5594	2	2	
13	5001634	SCREW SET HEXS CUP M6-1.0X12MM Z050	6	6	
14	504105	RIVET POP DOME OE 1/8x3/16 AL	6	6	
15	980029	CYLINDER GAZ / 354/219MM C/C / 46LBS	1	1	
16	980027	BALL STUD / W/10 MM X M8-1.25 / 36.5MM	1	1	
17	500332	WASHER FL .328x.875x.062 N500	2	2	
18	500868	NUT HEX NYRT M8-1.25 Z050	1	1	
19	980015	BALL STUD / W/10 MM X M8-1.25 / 29.18 MM	1	1	
20	5001161	WASHER LO SPT 8.1x14.8x2.0 SS-304	1	1	
21	Call order desk	SUPPORT CYLINDER STUD	1	1	P
22	504334	BUMPER RUBBER / .625 OD x .406 TH x .156 HOLE To J-6339	2	2	
22	5002025	BUMPER NEOPRENE / .625 OD x .406 TH x .156 HOLE From J-6340	2	2	
23	500576	SCREW TC PAN PH #6-32x1/2 Z050	2	2	
24	780778	LOCK L.H.	1	1	
25	500165	SCREW CAP HEX 1/4-20x1 G5 Z050	2	2	
26	500440	WASHER FL .250x.562x.065 Z050	2	2	
27	502819	NUT HEX JAM 1/4-20 Z050	2	2	
28	502868	SCREW TC TR PH #10-16x1/2 N500	AR	AR	
29	504013	TIE MOUNT / 1/4" X 1/4" I.D. To E-5568	AR	AR	
29	504637	CABLE TIE / 3/16" x 13"	AR	AR	
30	560422	BLOCK, TERMINAL / 1 STUD 3/8-16 / BLACK	1	1	
31	500379	NUT HEX 3/8-16 BR	1	1	
32	500478	WASHER LO SPT .380x.683x.094 Z050	1	1	
33	500658	SCREW TC PAN PH #10-24x3/4 Z050	2	2	
41	503404	TUBE, NYLON 3/8 O.D. / BLACK S.L.	AR	AR	
42	503536	TUBE, NYLON 1/8 O.D. / BLACK S.L.	AR	AR	
43	504720	GROMMET / 2.375x3.000x.250x.437x3.250	AR	AR	
43	680066	ADHESIVE / ADBOND #5014 / 23.6ML BOTTLE	AR	AR	
45	382048	REMOTE CONTROL / SINGLE SLIDE-OUT	AR	AR	
. NS	563380	. SWITCH / M/ON-OFF-M/ON S P.D.T BLACK	1	1	
. NS	564421	. PILOT LIGHT GREEN / LED 24V	1	1	
. NS	382047	. DECAL "REMOTE CONTROL"	1	1	
59	563459	TRANSDUSER -14.7 to 100LBS / 1/8 NPT-F	1	1	
. NS	563159	. CONNECTOR / METRI-PACK 150 / SH 3C / PED 12065287	1	1	
60A	144867	CONTROL VALVE ASSY / W/SINGLE "SLIDE-OUT" To P-6877	1	1	
60A	140584	CONTROL VALVE ASSY / W/SINGLE "SLIDE-OUT" From P-6878	1	1	
60B	144866	CONTROL VALVE ASSY / W/DOUBLE "SLIDE-OUT" To P-6877	1	1	
60B	140585	CONTROL VALVE ASSY / W/DOUBLE "SLIDE-OUT" From P-6878	1	1	
61A	642025	. BLOCK VALVE / W/SINGLE "SLIDE-OUT" To P-6877	1	1	



From E-5490		Date:07/2024	PAGE:X3VIP-2390-10
"SLIDE-OUT" AIR CONTROL PANEL			

Item#	Part	Description	X 3 V I P E N T	X 3 V I P M T H	N O T E S
61B	642024	. BLOCK VALVE / W/DOUBLE "SLIDE-OUT" To P-6877	1	1	
62	641995	. . SOLENOID VALVE 5/2 ASSY / W/DOUBLE COIL 2 To P-6877	1	1	
. NS	642059	. . . GASKET VALVE BODY / RECTANGULAR To P-6877	1	1	
63	641997	. . SOLENOID VALVE 5/2 ASSY / W/SIMPLE COIL 2 To P-6877	1	1	
. NS	642059	. . . GASKET VALVE BODY / RECTANGULAR To P-6877	1	1	
64	641332	. MALE CONNECTOR / PUSH-IN FITTING / #4x1/4NPT-M BR To P-6877	1	1	
65	501332	. STREET ELBOW 90° / PIPE FITTING / 1/4NPT-Mx1/4NPT-F BR To P-6877	2	2	
66	Call order desk	. NIPPLE / PIPE FITTING / 1/4NPT-Mx1/4NPT-Mx2 1/2 To P-6877	1	1	P
67	642052	. MALE ELBOW 90° / PUSH-IN FITTING / #2x3/8NPT-M PLAS To P-6877	1	1	
68	642051	. MALE ELBOW 90° / PUSH-IN FITTING / #6x1/4NPT-M PLAS To P-6877	1	1	
69	503402	. TUBE, NYLON 1/4 O.D. / BLACK S.L. To P-6877	AR	AR	
70	503404	. TUBE, NYLON 3/8 O.D. / BLACK S.L. To P-6877	AR	AR	
71	647891	. PRESSURE REGULATOR To P-6877	1	1	
72	641331	. MALE CONNECTOR / PUSH-IN FITTING / #6x1/4NPT-M BR To P-6877	2	2	
73	501800	. PLUG HEXS / PIPE FITTING / 1/4NPT-M STL To P-6877	7	7	
75	501894	. MALE BRANCHE TEE / PIPE FITTING / 1/4NPT-Fx1/4NPT-Fx1/4NPT-M BR To P-6877	1	1	
NS	680098	. THREAD SEALANT LOCTITE #567 / WHITE / 250ml To P-6877	AR	AR	
76	642050	. AIR REGULATOR To P-6877	1	1	
77	501027	. MALE CONNECTOR / SAE 45° FITTING / #4FL-Mx1/4NPT-M BR To P-6877	1	1	
78	642165	. MALE ELBOW 90° NON-SWIVEL / PUSH-IN FITTING / #8x1/4NPT-M BR To P-6877	1	1	
79	642166	. VACUUM GENERATORS To P-6877	1	1	
80	501321	. NIPPLE HEX / PIPE FITTING / 1/4NPT-Mx1/4NPT-Mx1 3/8 BR To P-6877	2	2	
81	642170	. MALE ELBOW 90° / PIPE FITTING / 1/4NPT-Mx1/8NPT-M BR To P-6877	1	1	
82	642048	. SILENCER / MUFFLER / 1/8NPT-M To P-6877	1	1	
83	501072	. PLUG HEXS / PIPE FITTING / 1/8NPT-M STL To P-6877	1	1	
84	641926	. SILENCER / MUFFLER / 1/4NPT-M To P-6877	1	1	
85	501338	. MALE RUN TEE / PIPE FITTING / 1/4NPT-Mx1/4NPT-Fx1/4NPT-F BR To P-6877	1	1	
86	642047	. MALE BRANCH "Y" / PUSH-IN FITTING / #4X#4X1/4NPT-M PLAS To P-6877	1	1	
87	690351	. PORT RELIEVING SHUT-OFF VALVE To P-6877	1	1	
88	504637	. CABLE TIE / 3/16" x 13" To P-6877	1	1	
90A	642053	. MALE ELBOW 90° / PUSH-IN FITTING / #2x1/4NPT-M PLAS To P-6877	1	1	
90B	641920	. MALE RUN TEE / PUSH-IN FITTING / #2x#2x1/4NPT-M PLAS To P-6877		1	
		SP) SPECIAL WITH REAR SLIDE OUT ONLY			
		P) CALL ORDER DESK FOR SPECIFIC APPLICATION (V.I.N.)			

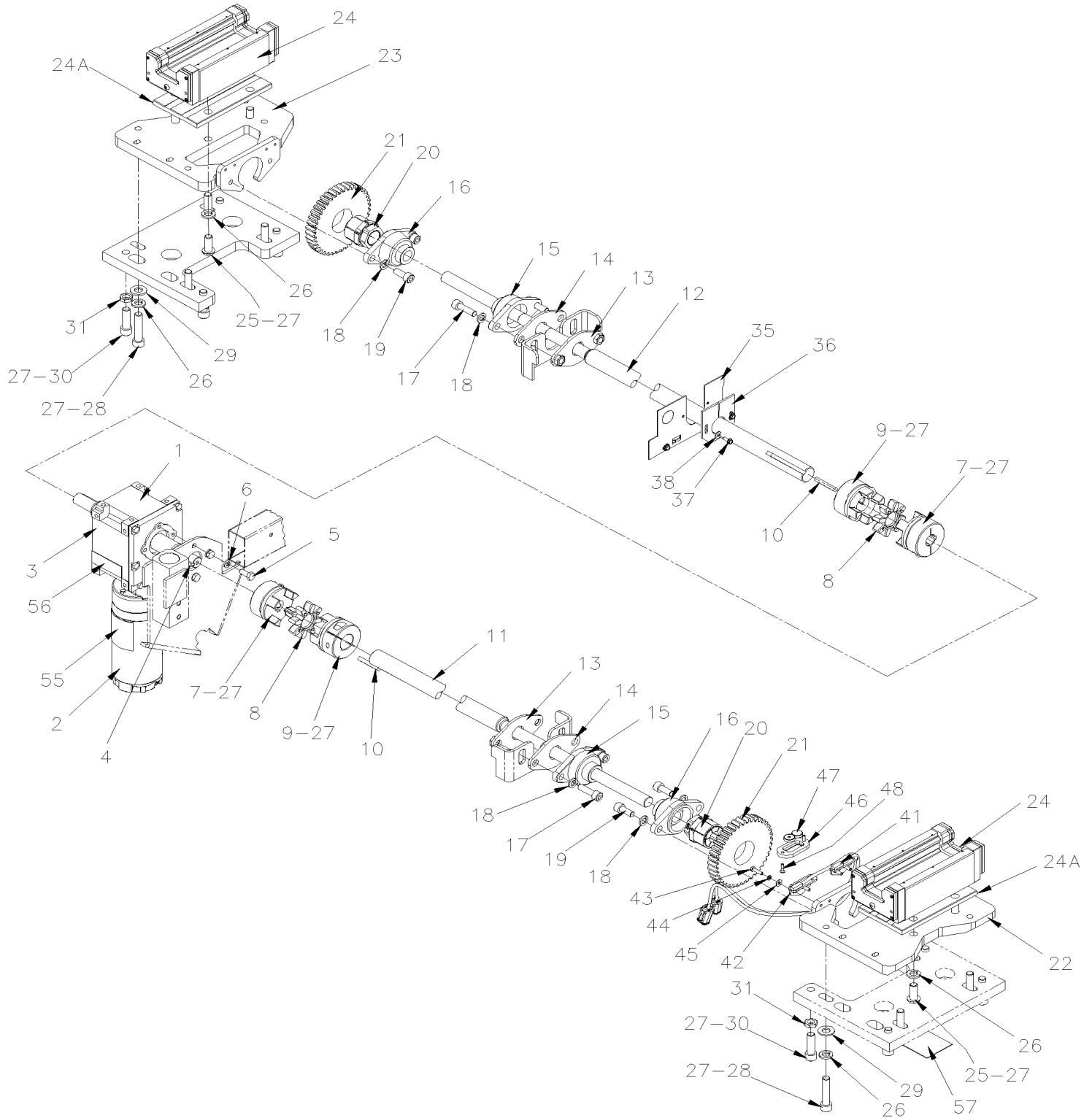


From E-5490 To K-6491

Date:07/2024

PAGE:X3VIP-2390-20

"SLIDE-OUT" - FRONT MECHANISM - INSTALLATION



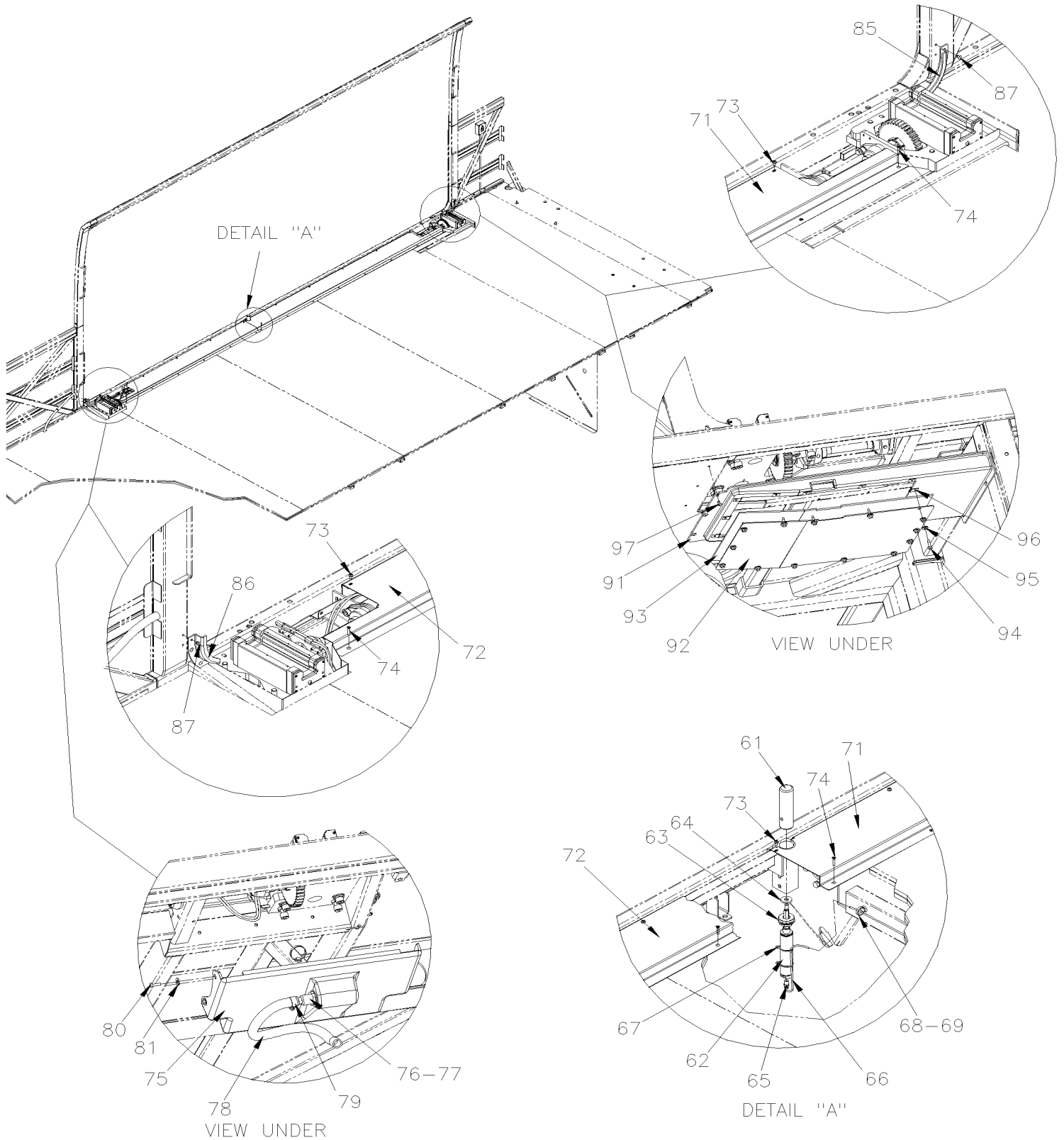


From E-5490 To K-6491

Date:07/2024

PAGE:X3VIP-2390-20

"SLIDE-OUT" - FRONT MECHANISM - INSTALLATION





From E-5490 To K-6491	Date:07/2024	PAGE:X3VIP-2390-20
-----------------------	--------------	--------------------

"SLIDE-OUT" - FRONT MECHANISM - INSTALLATION

Item#	Part	Description	X 3 V I P E N T	X 3 V I P M T H	N O T E S
1	066651	MOTOR 24V ASSY W/CONNECTOR	1	1	
. NS	563936	. MOTOR 24V ASSY W/GEAR-BOX	1	1	
. . NS	563937	. . MOTOR 24V	1	1	
. . NS	563938	. . GEAR BOX RATIO 738/1	1	1	
. NS	561944	. CONNECTOR / CPC SERIES 3 / PH 3C / AMP 206426-1	1	1	
. NS	564831	. CONNECTOR BACKSHELL AMP CPC #17 - STD	1	1	
. NS	561698	. PIN TERMINAL 16-12 / POWER CONTACT / AMP 66261-4	2	2	
2	563936	MOTOR 24V ASSY W/GEAR-BOX	1	1	
. NS	563937	. . MOTOR 24V	1	1	
. NS	563938	. . GEAR BOX RATIO 738/1	1	1	
3	563938	. GEAR BOX RATIO 738/1	1	1	
4	505533	. KEY 6MM x 6MM x 40MM	2	2	
5	5001450	SCREW CAP HEX M8-1.25x20 G10.9 DP	4	4	
6	500035	WASHER LO SPT .317x.586x.078 SS	4	4	
7	505530	COUPLING SHAFT DRIVE 20MM I.D. / TYPE GS 28 To H-6135	2	2	
7	505004	COUPLING SHAFT DRIVE 20MM I.D. From H-6136	2	2	
8	505529	SPIDER RUBBER / TYPE GS 28 To H-6135	2	2	
8	505009	SPIDER RUBBER From H-6136	2	2	
9	505528	COUPLING SHAFT DRIVE 1 1/8" I.D. / TYPE GS 28 To H-6135	2	2	
9	505005	COUPLING SHAFT DRIVE 1 1/8" I.D. From H-6136	2	2	
10	505527	KEY SQUARE 1/4" x 1/4" x 1 3/4"	2	2	
11	478514	SHAFT / BACKWARD / 1703.6MM		1	
11	479462	SHAFT / BACKWARD / 830.5MM	1		
12	479461	SHAFT / FORWARD / 2067.2MM	1	1	
13	470129	PLATE TORQUE	2	2	
14	470128	SPACER 3/16"	2	2	
15	507641	PILLOW BEARING ASSY	2	2	
16	470116	PILLOW BEARING ASSY	2	2	
17	5001620	SCREW CAP HEXS M10-1.5X35 G10.9 G500	4	4	
18	502616	WASHER LO SPT 10.2x18.1x2.2 SS	8	8	
19	5001616	SCREW CAP HEXS M10-1.5X25 G10.9 DP	4	4	
20	470118	COUPLING TORQUE	2	2	
21	470119	GEAR 5 1/4" W/40TH	2	2	
22	477753	BASE GUIDE ASSY BACKWARD To J-6319	1	1	
22	471089	BASE GUIDE ASSY BACKWARD From J-6320	1	1	
23	477752	BASE GUIDE ASSY FORWARD To J-6319	1	1	
23	471094	BASE GUIDE ASSY FORWARD From J-6320	1	1	
24	476761	GUIDE To E-5689	2	2	E
24	478827	GUIDE From E-5690	2	2	
24	479623	SLIDE-OUT LINEAR BEARING AND GUIDE KIT To E-5689	2	2	E
24A	478823	GUIDE SPACER From E-5690	2	2	
25	5001615	SCREW CAP BUT HEXS M12-1.75x30 G10.9 G500 To E-5689	8	8	



From E-5490 To K-6491	Date:07/2024	PAGE:X3VIP-2390-20
-----------------------	--------------	--------------------

"SLIDE-OUT" - FRONT MECHANISM - INSTALLATION

Item#	Part	Description	X 3 V I P E N T	X 3 V I P M T H	N O T E S
25	5001928	SCREW CAP BUT HEXS M12-1.75x35 G10.9 N500 From E-5690	8	8	
26	500944	WASHER LO SPT .506x.873x.125 N500	16	16	
27	684420	SCREW MARKER LOCK 90ml To H-6123	AR	AR	
27	685353	TORQUE SEAL From H-6124	AR	AR	
28	5001621	SCREW CAP HEXS M12-1.75x55 G10.9 DP	8	8	
29	500958	WASHER FL .531x1.062x.095 SS	8	8	
30	5001622	SCREW CAP HEXS M12-1.75x40 G10.9 DP	8	8	
31	5001623	NUT HEX JAM M12x1.75 SS	8	8	
35	477916	CLOSING PLATE SS 168MM x 94MM	1	1	
36	479436	CLOSING PLATE PLASTIC 74MM x 75MM	1	1	
NS	680532	SEALANT SIKA #221 / GREY / 310ml CARTRIDGE	AR	AR	
37	5001017	SCREW TC CAP HEXW #10-24x1/2 Z050	4	4	
38	500964	WASHER FL .203x.500x.047 Z050	4	4	
40	470115	SUPPORT To J-6319	1	1	
40	471095	SUPPORT, FLANGE BEARING From J-6320	1	1	
41	066852	LIMITING REED SWITCH ASSY W/LED S.P.D.T. / W/SLIDE OUT	2	2	
. NS	563426	. HALL EFFECT SENSOR	1	1	
. NS	563452	. LED GREEN / 5VOLTS	1	1	
. NS	562477	. CONNECTOR / DT SERIES / SH 4C / GRAY / DEUTSCH DT06-4S	1	1	
41	504273	CABLE TIE / 1/8" X 3"1/2	2	2	
42	477829	SUPPORT LIMITING READ SWITCH To J-6319	2	2	
42	471096	SUPPORT LIMITING READ SWITCH From J-6320	2	2	
43	5001146	SCREW CAP HEX M5-0.8x20 SS BK	4	4	
44	500914	WASHER LO SPT .193x.334x.047 N500	4	4	
45	500804	WASHER FL .203x.500x.047 N500	4	4	
46	470124	SUPPORT MAGNET / ALUMINUM	2	2	
47	562949	MAGNET ROUND .200x.700 DIA	4	4	
48	5001614	SCREW CAP FL HEXS M4-0.7x16 SS EMN	4	4	
50	X3VIP-2390-50	"SLIDE-OUT" - INSTALLATION			
55	477989	DECAL "SEAL MUST BE DEFLATED..."	1	1	
56	477987	DECAL " ON OVERRIDE MUST BE LOW TORQUE..."	1	1	
57	477990	DECAL "THIS SLIDE-OUT PLATE IS FACTORY.."	2	2	
NS	216451	DECAL PATENT	1	1	
61	470182	SAFETY PIN 1 1/4" O.D. x 116MM	1	1	
62	642027	CYLINDER 1 1/16"	1	1	
63	470183	ADAPTOR CYLINDER 5/8-18 x M36-2	1	1	
64	502220	WASHER FL .375x1.000x.125 RUB	1	1	
65	641126	MALE CONNECTOR / PUSH-IN FITTING / #2x1/8NPT-M BR		1	
65	642062	MALE ELBOW 90° / PUSH-IN FITTING / #2x1/8NPT-M PLAS	1		
NS	680098	THREAD SEALANT LOCTITE #567 / WHITE / 250ml	AR	AR	
66	503536	TUBE, NYLON 1/8 O.D. / BLACK S.L.	AR	AR	
67	504273	CABLE TIE / 1/8" X 3"1/2	AR	AR	



From E-5490 To K-6491	Date:07/2024	PAGE:X3VIP-2390-20
-----------------------	--------------	--------------------

"SLIDE-OUT" - FRONT MECHANISM - INSTALLATION

Item#	Part	Description	X 3 V I P E N T	X 3 V I P M T H	N O T E S
68	509815	TIE MOUNT / ATTACHMENT W/TREE MOUNT	AR	AR	
69	504637	CABLE TIE / 3/16" x 13"	AR	AR	
71	323202	PROTECTOR PLATE FORWARD	1	1	
72	326251	PROTECTOR PLATE BACKWARD	1		
72	324228	PROTECTOR PLATE BACKWARD		1	
NS	506227	TAPE RUB ADH1 CC POL 1/16" x 3/4" x 100' / GREY 2520	AR	AR	
NS	506466	TAPE RUB ADH1 CC POL 1/16" x 1 1/2" x 100 / GREY 2520	AR	AR	
73	500799	SCREW TC PAN PH #8-32x3/8 N500	AR	AR	
74	5001349	SCREW WO TR PH #8x7/8	AR	AR	
75	479487	ACCESS PANEL	1	1	
76	409038	GASKET	1	1	
77	900280	THRU HULL, CONNECTOR / PLASTIC	1	1	
78	900220	TUBE PVC / 5/8" I.D. / S.L.	AR	AR	
NS	504637	CABLE TIE / 3/16" x 13"	1	1	
79	504019	HOSE CLAMP / 9/16"-1"1/16 SS / HS-10	1	1	
80	502830	SCREW CAP HEX M6-1.0x20 G8.8 N500	4	4	
81	502638	WASHER FL .312x.734x.065 N500	4	4	
85	477747	GUTTER MOULDING FORWARD	1	1	
86	477748	GUTTER MOULDING BACKWARD	1	1	
NS	680532	SEALANT SIKA #221 / GREY / 310ml CARTRIDGE	AR	AR	
87	504379	RIVET POP DOME OE 3/16x1/4 SS	6	6	
90	477740P	ACCESS PANEL ASSY / FORWARD	1	1	
91	477737	. RECEPTACLE BOX	1	1	
91	684517	. ADHESIVE SIMSON #ISR 70-03 / GREY / 310ml CARTRIDGE	AR	AR	
92	477738	. ACCESS PANEL	1	1	
93	477739	. GASKET	1	1	
94	5001169	. SCREW TP CAP HEXW #12x3/4 SS410	14	14	
95	5001686	. WASHER FL SEAL .218x.625x20GA SS	14	14	
96	481249	. NUT To H-6158	14	14	
96	500981	. NUT SPR U #10-23/32x5/8 From H-6159	14	14	
97	504746	RIVET HKL MMS 3/16x1/4 SS To E-5606	8	8	
97	504793	RIVET MNB OE LARGE HEAD 3/16x7/16 SS From E-5607	8	8	
		E) WHEN YOU REPLACE THE OLD LINEAR BEARING 476761 YOU NEED 478827 AND 2 SLIDE-OUT RAIL SEE PAGE X3VIP-1854-95			

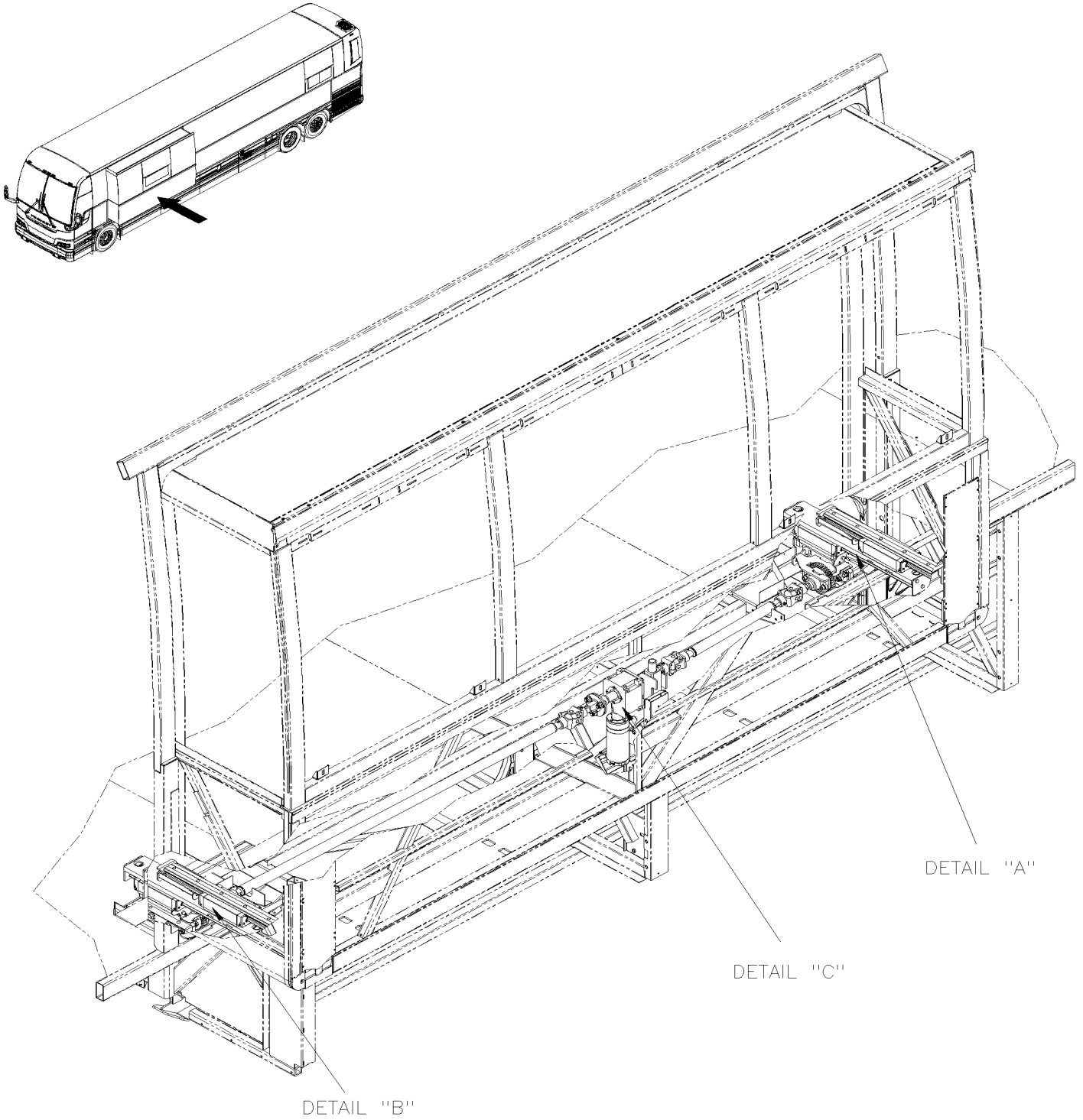


From L-6492

Date:07/2024

PAGE:X3VIP-2390-21

"SLIDE-OUT" - FRONT MECHANISM - INSTALLATION





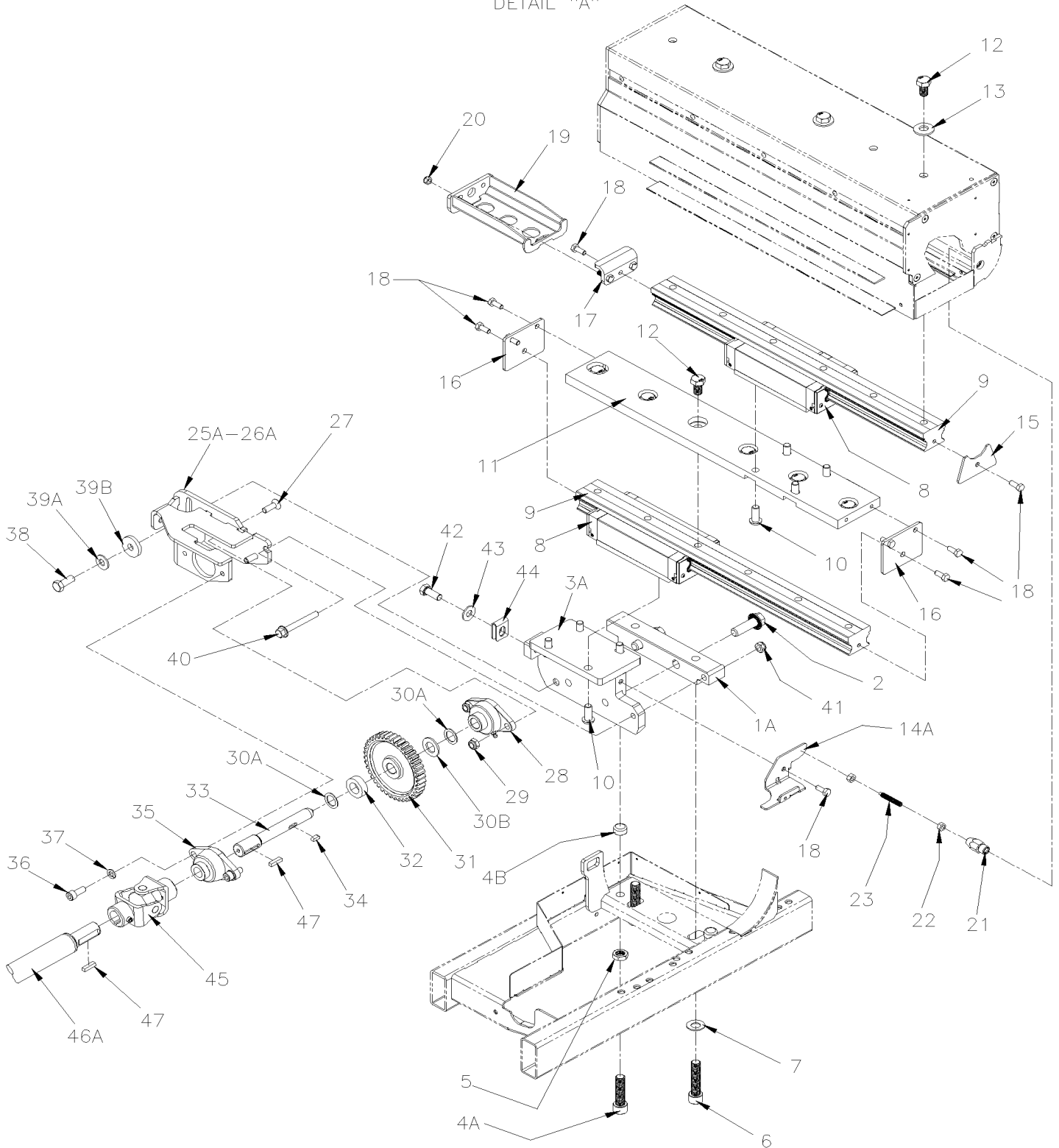
From L-6492

Date:07/2024

PAGE:X3VIP-2390-21

"SLIDE-OUT" - FRONT MECHANISM - INSTALLATION

DETAIL "A"





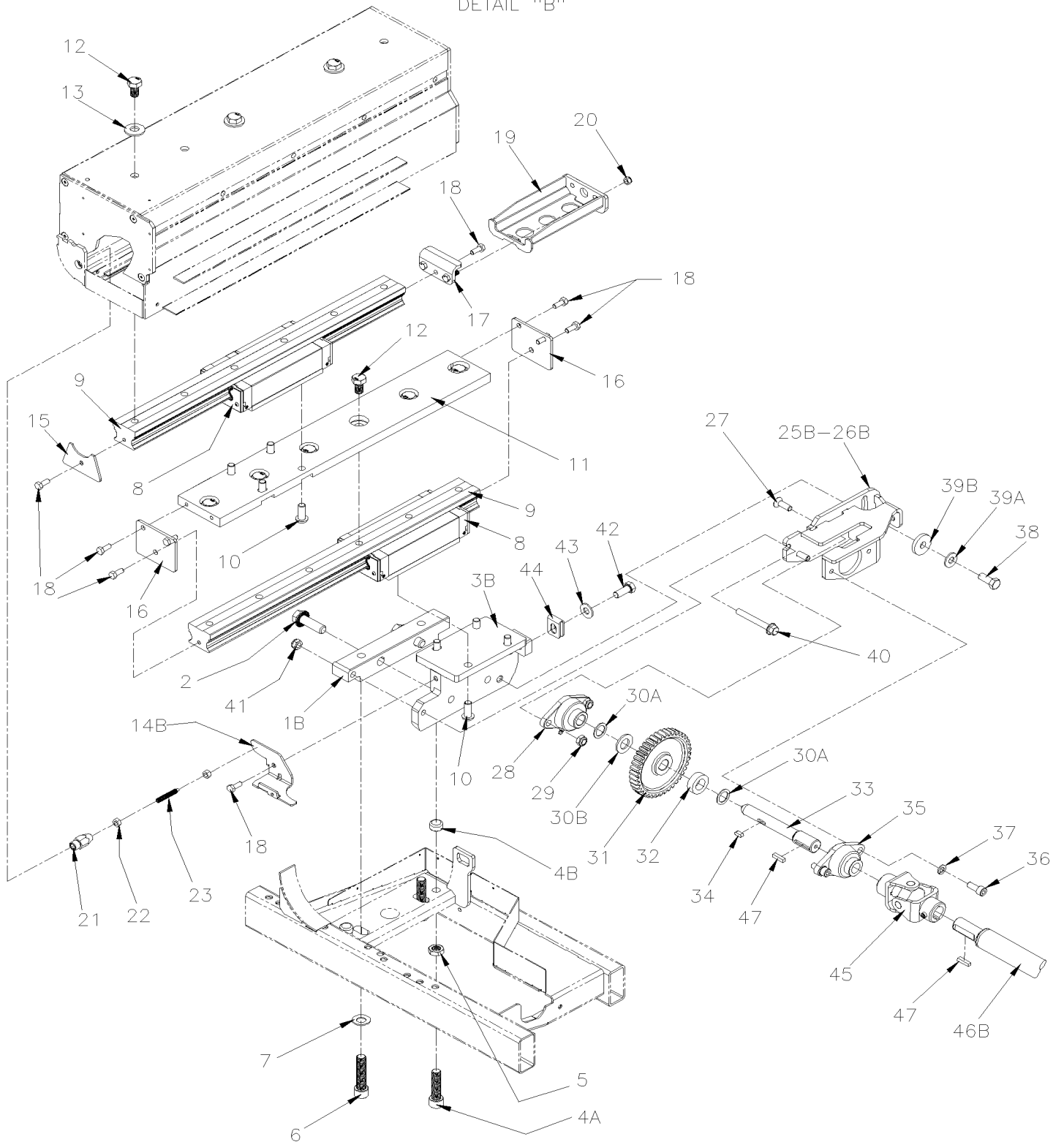
From L-6492

Date:07/2024

PAGE:X3VIP-2390-21

"SLIDE-OUT" - FRONT MECHANISM - INSTALLATION

DETAIL "B"



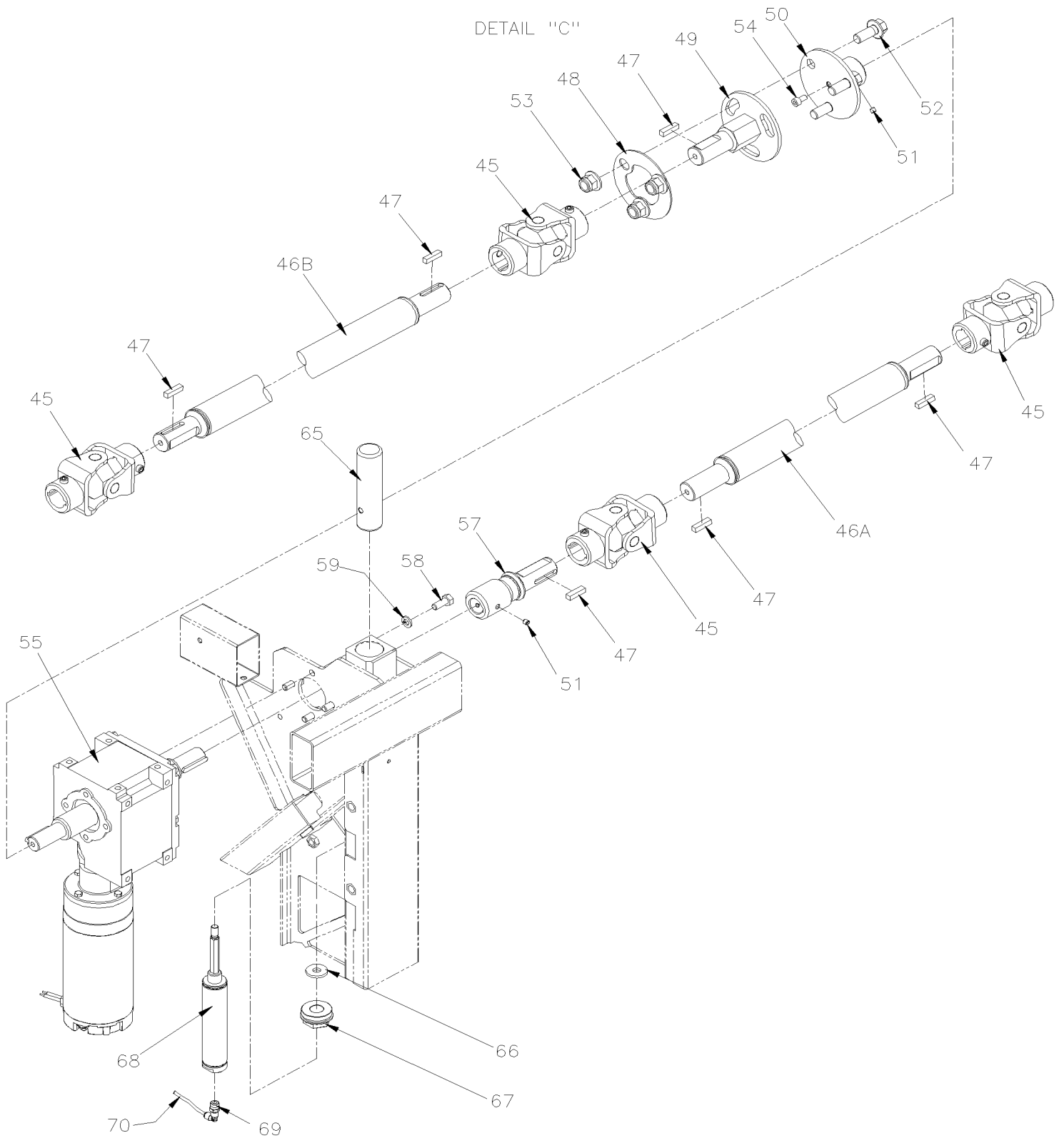


From L-6492

Date:07/2024

PAGE:X3VIP-2390-21

"SLIDE-OUT" - FRONT MECHANISM - INSTALLATION





From L-6492		Date:07/2024	PAGE:X3VIP-2390-21
-------------	--	--------------	--------------------

"SLIDE-OUT" - FRONT MECHANISM - INSTALLATION

Item#	Part	Description	X 3 V I P E N T	X 3 V I P M T H	N O T E S
1A	491714	ADJUSTEMENT PLATE To L-6569	1	1	
1A	491714	ADJUSTEMENT PLATE To L-6569	1	1	
1A	491885	ADJUSTEMENT PLATE / REAR STREET SIDE / FRONT CURBSIDE From L-6570	1	1	
1B	491714	ADJUSTEMENT PLATE To L-6569	1	1	
1B	491714	ADJUSTEMENT PLATE To L-6569	1	1	
1B	491884	ADJUSTEMENT PLATE / FRONT STREET SIDE / REAR CURBSIDE From L-6570	1	1	
2	5001859	SCREW CAP HEXF SERR M16-2.0x50 G10.9	4	4	
3A	491721	SUPPORT REAR SLIDE-OUT To L-6569	1	1	
3A	491882	SUPPORT / REAR STREET SIDE / FRONT CURBSIDE From L-6570	1	1	
3B	491715	SUPPORT FRONT SLIDE-OUT To L-6569	1	1	
3B	491880	SUPPORT / FRONT STREET SIDE / REAR CURBSIDE From L-6570	1	1	
4A	5002081	SCREW CAP HEXS M16-2.0x60 G12.9 N500	4	4	
4B	491320	ADJUSTEMENT PAD	4	4	
5	5000330	NUT HEX JAM M16-2.0 SS	4	4	
6	5002110	SCREW CAP HEXS M16-2.0x70 G12.9 N500	1	1	
7	5002082	WASHER BEL SPR 16.3x31.0x2.0 N500	4	4	
8	478827	GUIDE	4	4	
8	504758	DUMMY RAIL GUIDE LINEAR BEARING 254MM / USE WITH 476761 & 478827 ONLY	AR	AR	
9	490240	RAIL GUIDE LINEAR BEARING 650MM	4		
9	491318	RAIL GUIDE LINEAR BEARING 762MM		4	
10	5001615	SCREW CAP BUT HEXS M12-1.75x30 G10.9 G500	16	16	
11	491758	REINFORCMENT RAIL 650MM	2		
11	491323	REINFORCMENT RAIL 726MM		2	
12	5000329	SCREW CAP HEX M14-2.0x25 G10.9 N500	18	18	
13	5002113	WASHER BEL SPR 15.0x35.0x3.4 N500	6	6	
14A	491745	BRACKET, RAIL GUARD / REAR	1	1	
14B	491729	BRACKET, RAIL GUARD / FRONT	1	1	
15	490131	STOPPER RAIL	2	2	
16	490139	STOPPER RAIL/REINFORCMENT	4	4	
17	490195	STOPPER UPPER RAIL	2	2	
18	502862	SCREW CAP HEX M8-1.25x20 G8.8 N500	18	18	
19	491755	STOPPER SLIDING	2		
19	490145	STOPPER SLIDING		2	
20	502847	NUT HEX NYRT M8-1.25 N500	4	4	
21	491383	STOPPER SLIDE OUT ADJUSTMENT	2	2	
22	502851	NUT HEX M8-1.25 N500	4	4	
NS	688910	THREAD LOCKER LOCTITE #262 / RED / 250ml	AR	AR	
23	5002019	SCREW SET HEXS FLAT M8-1.25x50 N500 To P-6823	2	2	
23	5002149	SCREW SET HEXS FLAT M8-1.25X60 SS From P-6824	2	2	
25A	Call order desk	GEAR ASSY / REAR	1	1	P



From L-6492		Date:07/2024	PAGE:X3VIP-2390-21
-------------	--	--------------	--------------------

"SLIDE-OUT" - FRONT MECHANISM - INSTALLATION

Item#	Part	Description	X 3 V I P E N T	X 3 V I P M T H	N O T E S
25B	Call order desk	GEAR ASSY / FRONT STREET SIDE / REAR CURBSIDE	1	1	P
26A	491722	. GEAR SUPPORT / REAR	1	1	
26B	491716	. GEAR SUPPORT / FRONT STREET SIDE / REAR CURBSIDE	1	1	
27	5002016	. SCREW CAP FL HEXS M10-1.5X30 G10.9 N500	2	2	
28	507641	. PILLOW BEARING ASSY	1	1	
29	502859	. NUT HEX NYRT M10-1.5 N500	2	2	
30A	5001894	. WASHER FL 21.0x30.0x1.587 SS To P-6881	2	2	
30B	502558	. WASHER FL 21.0x37.0x3.0 G500 To P-6881	1	1	
30B	502558	. WASHER FL 21.0x37.0x3.0 G500 From P-6882	2	2	
31	491321	. GEAR	1	1	
32	491510	. SPACER / 22MM x 38.1MM x 12MM	1	1	
33	491337	. GEAR SHAFT To M-6650	1	1	A
33	492002	. GEAR SHAFT From M-6651	1	1	
34	505010	. KEY 6MM x 6MM x 16MM To M-6650	1	1	A
34	505036	. KEY 6MM x 6MM x 18MM From M-6651	1	1	
35	470116	. PILLOW BEARING ASSY	1	1	
36	5001616	. SCREW CAP HEXS M10-1.5X25 G10.9 DP	2	2	
37	502616	. WASHER LO SPT 10.2x18.1x2.2 SS	2	2	
38	5001866	SCREW CAP HEX M12-1.75x30 G10.9 N500	2	2	
39A	500967	WASHER BEL SPR .512x1.142x.098 N500	2	2	
39B	491744	BEARING SUPPORT CLAMP	2	2	
40	5001802	SCREW CAP HEXF M10-1.5x80 G10.9 N500	2	2	
NS	680038	THREAD LOCKER LOCTITE #243 / BLUE / 50ml	AR	AR	
41	502859	NUT HEX NYRT M10-1.5 N500	2	2	
42	5001866	SCREW CAP HEX M12-1.75x30 G10.9 N500	2	2	
43	500967	WASHER BEL SPR .512x1.142x.098 N500	2	2	
44	491645	SHIM "U SHAPE"	2	2	
45	505023	U-JOINT	4	4	
NS	683652	GREASE SYNTHETIC / RED BOX 50 TUBE	AR	AR	
46A	491753	SHAFT / REAR 513MM	1		
46A	491749	SHAFT / REAR 1384MM		1	
46B	491746	SHAFT / FRONT 1731MM	1	1	
47	505020	KEY / .250x.250x1.000	8	8	
48	491332	PLATE	1	1	
49	491329	FLANGE UNIVERSAL JOINT	1	1	
50	491326	SHAFT FLANGE	1	1	
51	502634	SCREW SET HEXS CUP M6-1.0x6	6	6	
52	5001866	SCREW CAP HEX M12-1.75x30 G10.9 N500	3	3	
53	5001761	NUT HEXF NYRT M12-1.75 G8 N500	3	3	
54	5001783	SCREW CAP HEXS M6-1.0x12 SS	1	1	
55	069959	MOTOR 24V ASSY W/CONNECTOR	1	1	



From L-6492	Date:07/2024	PAGE:X3VIP-2390-21
-------------	--------------	--------------------

"SLIDE-OUT" - FRONT MECHANISM - INSTALLATION

Item#	Part	Description	X 3 V I P E N T	X 3 V I P M T H	N O T E S
. NS	563936	. MOTOR 24V ASSY W/GEAR-BOX	1	1	
. . NS	563937	. . MOTOR 24V	1	1	
. . NS	563938	. . GEAR BOX RATIO 738/1	1	1	
. NS	563764	. CONNECTOR / CPC SERIES 3 / PH 3C / PED 15300002	1	1	
. NS	563763	. PIN TERMINAL / 14-12 / PED 12129497	1	1	
55	477989	DECAL "SEAL MUST BE DEFLATED..."	1	1	
55	477987	DECAL " ON OVERRIDE MUST BE LOW TORQUE..."	1	1	
57	491381	UNIVERSAL JOINT ADAPTER	1	1	
58	5001450	SCREW CAP HEX M8-1.25x20 G10.9 DP	4	4	
59	500035	WASHER LO SPT .317x.586x.078 SS	4	4	
60	X3VIP-2390-51	"SLIDE-OUT" - INSTALLATION / FRONT STREET SIDE			
65	470182	SAFETY PIN 1 1/4" O.D. x 116MM	1	1	
66	502220	WASHER FL .375x1.000x.125 RUB	1	1	
67	470183	ADAPTOR CYLINDER 5/8-18 x M36-2	1	1	
68	642027	CYLINDER 1 1/16"	1	1	
69	642062	MALE ELBOW 90° / PUSH-IN FITTING / #2x1/8NPT-M PLAS	1	1	
70	503536	TUBE, NYLON 1/8 O.D. / BLACK S.L.	AR	AR	
		A) IF KEY 505010 BREAKS, REPLACE SHAFT 491337 WITH 492002 AND 505036			
		P) CALL ORDER DESK FOR SPECIFIC APPLICATION (V.I.N.)			

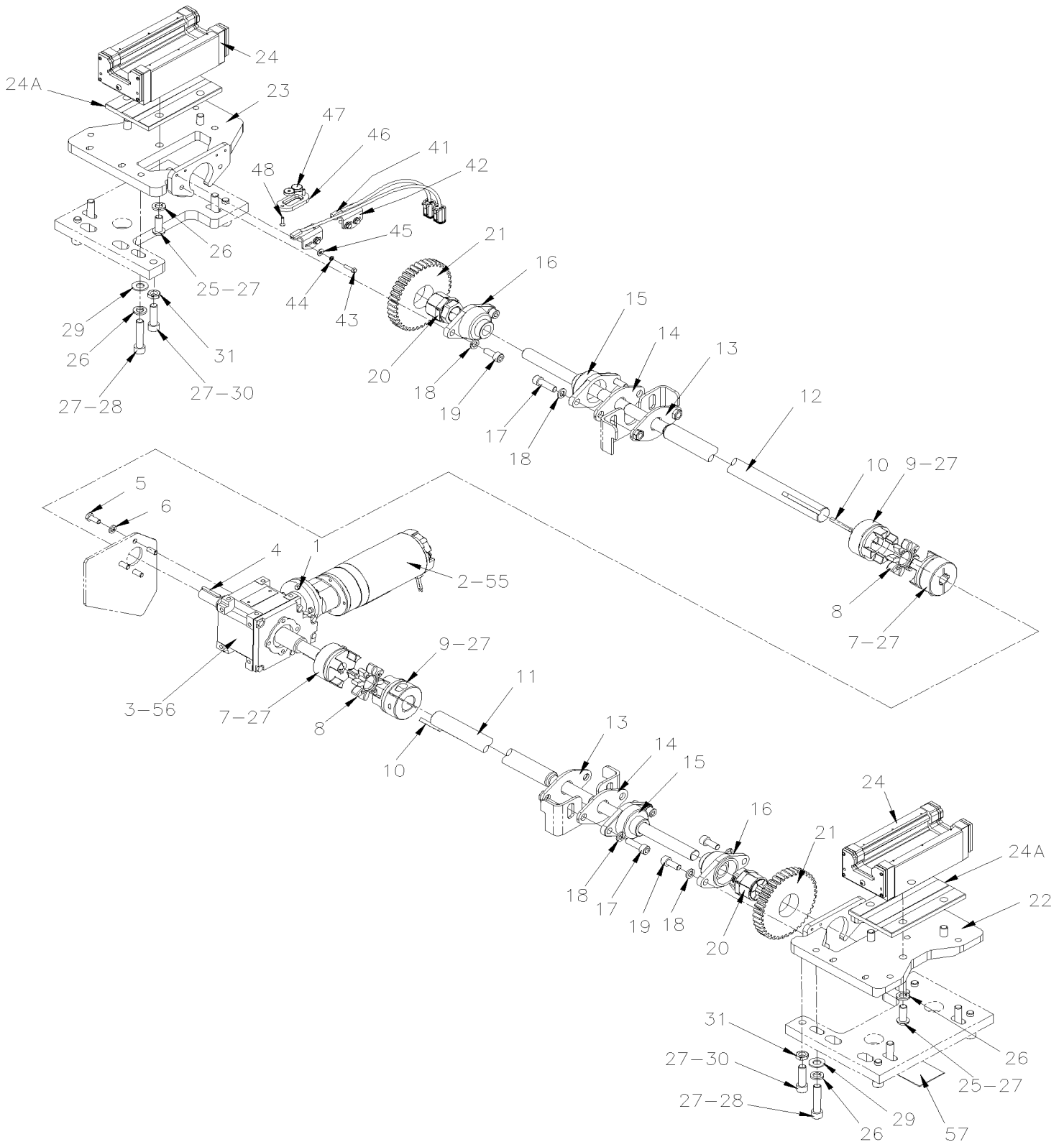


From E-5490 To K-6491

Date:07/2024

PAGE:X3VIP-2390-30

"SLIDE-OUT" - REAR MECHANISM INSTALLATION



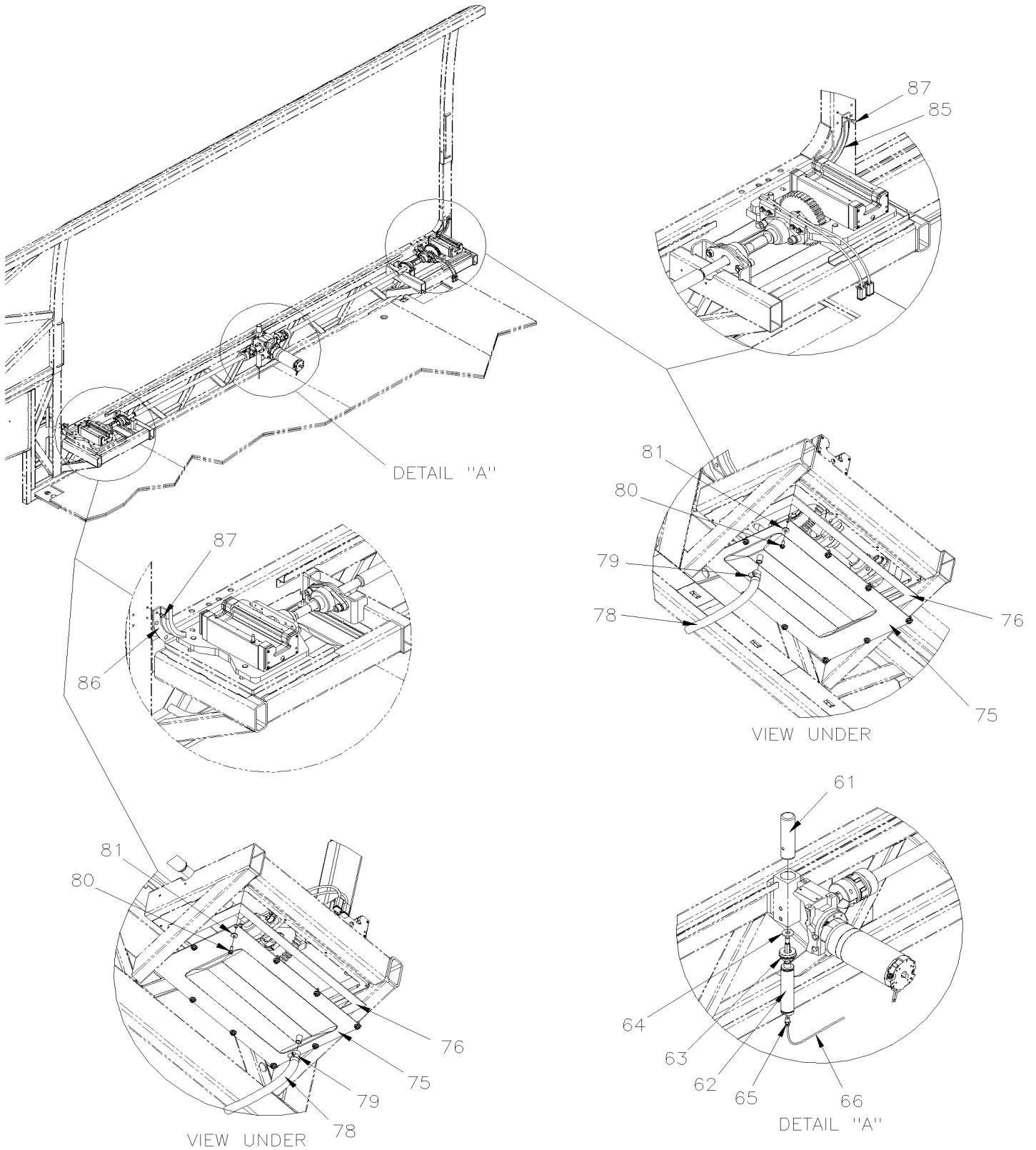


From E-5490 To K-6491

Date:07/2024

PAGE:X3VIP-2390-30

"SLIDE-OUT" - REAR MECHANISM INSTALLATION





From E-5490 To K-6491	Date:07/2024	PAGE:X3VIP-2390-30
-----------------------	--------------	--------------------

"SLIDE-OUT" - REAR MECHANISM INSTALLATION

Item#	Part	Description	X 3 V I P E N T	X 3 V I P M T H	N O T E S
1	067323	MOTOR 24V ASSY W/CONNECTOR		1	
. NS	564091	. MOTOR 24V ASSY W/GEAR-BOX		1	
. . NS	563937	. . MOTOR 24V		1	
. . NS	563938	. . GEAR BOX RATIO 738/1		1	
. . NS	505533	. . KEY 6MM x 6MM x 40MM		2	
. NS	563764	. CONNECTOR / CPC SERIES 3 / PH 3C / PED 15300002		1	
. NS	564831	. CONNECTOR BACKSHELL AMP CPC #17 - STD		1	
. NS	563763	. PIN TERMINAL / 14-12 / PED 12129497		2	
2	564091	. . MOTOR 24V ASSY W/GEAR-BOX		1	
. NS	563937	. . . MOTOR 24V		1	
. NS	563938	. . . GEAR BOX RATIO 738/1		1	
. NS	505533	. . . KEY 6MM x 6MM x 40MM		2	
3	563938	. . GEAR BOX RATIO 738/1		1	
4	505533	. . KEY 6MM x 6MM x 40MM		2	
5	5001450	SCREW CAP HEX M8-1.25x20 G10.9 DP		4	
6	500035	WASHER LO SPT .317x.586x.078 SS		4	
7	505530	COUPLING SHAFT DRIVE 20MM I.D. / TYPE GS 28 To H-6135		2	
7	505004	COUPLING SHAFT DRIVE 20MM I.D. From H-6136		2	
8	505529	SPIDER RUBBER / TYPE GS 28 To H-6135		2	
8	505009	SPIDER RUBBER From H-6136		2	
9	505528	COUPLING SHAFT DRIVE 1 1/8" I.D. / TYPE GS 28 To H-6135		2	
9	505005	COUPLING SHAFT DRIVE 1 1/8" I.D. From H-6136		2	
10	505527	KEY SQUARE 1/4" x 1/4" x 1 3/4"		2	
11	476544	SHAFT 1326MM		1	10
11	470144	SHAFT 859MM / BACKWARD		1	7.5
12	476544	SHAFT 1326MM		1	10
12	470141	SHAFT 776MM / FORWARD		1	7.5
13	470129	PLATE TORQUE		2	
14	470128	SPACER 3/16"		2	
15	507641	PILLOW BEARING ASSY		2	
16	470116	PILLOW BEARING ASSY		2	
17	5001620	SCREW CAP HEXS M10-1.5X35 G10.9 G500		4	
18	502616	WASHER LO SPT 10.2x18.1x2.2 SS		8	
19	5001616	SCREW CAP HEXS M10-1.5X25 G10.9 DP		4	
20	470118	COUPLING TORQUE		2	
21	470119	GEAR 5 1/4" W/40TH		2	
22	477753	BASE GUIDE ASSY BACKWARD To J-6319		1	
22	471089	BASE GUIDE ASSY BACKWARD From J-6320		1	
23	477752	BASE GUIDE ASSY FORWARD To J-6319		1	
23	471094	BASE GUIDE ASSY FORWARD From J-6320		1	
24	476761	GUIDE To E-5689		2	E
24	478827	GUIDE From E-5690		2	



From E-5490 To K-6491	Date:07/2024	PAGE:X3VIP-2390-30
-----------------------	--------------	--------------------

"SLIDE-OUT" - REAR MECHANISM INSTALLATION

Item#	Part	Description	X 3 V I P E N T	X 3 V I P M T H	N O T E S
24	479623	SLIDE-OUT LINEAR BEARING AND GUIDE KIT To E-5689		2	E
25	5001615	SCREW CAP BUT HEXS M12-1.75x30 G10.9 G500 To E-5689		8	
25	5001928	SCREW CAP BUT HEXS M12-1.75x35 G10.9 N500 From E-5690		8	
26	500944	WASHER LO SPT .506x.873x.125 N500		16	
27	684420	SCREW MARKER LOCK 90ml To H-6123		AR	
27	685353	TORQUE SEAL From H-6124		AR	
28	5001621	SCREW CAP HEXS M12-1.75x55 G10.9 DP		8	
29	500958	WASHER FL .531x1.062x.095 SS		8	
30	5001622	SCREW CAP HEXS M12-1.75x40 G10.9 DP		8	
31	5001623	NUT HEX JAM M12x1.75 SS		8	
40	470115	SUPPORT To J-6319		1	
40	471095	SUPPORT, FLANGE BEARING From J-6320		1	
41	066852	LIMITING REED SWITCH ASSY W/LED S.P.D.T. / W/SLIDE OUT		2	
. NS	563426	. HALL EFFECT SENSOR		1	
. NS	563452	. LED GREEN / 5VOLTS		1	
. NS	562477	. CONNECTOR / DT SERIES / SH 4C / GRAY / DEUTSCH DT06-4S		1	
41	504273	CABLE TIE / 1/8" X 3"1/2		2	
42	470120	SUPPORT LIMITING READ SWITCH To J-6319		2	
42	471097	SUPPORT LIMITING READ SWITCH From J-6320		1	
43	5001146	SCREW CAP HEX M5-0.8x20 SS BK		4	
44	500914	WASHER LO SPT .193x.334x.047 N500		4	
45	500804	WASHER FL .203x.500x.047 N500		4	
46	470124	SUPPORT MAGNET / ALUMINUM		2	
47	562949	MAGNET ROUND .200x.700 DIA		4	
48	5001614	SCREW CAP FL HEXS M4-0.7x16 SS EMN		4	
50	X3VIP-2390-50	"SLIDE-OUT" - INSTALLATION			
55	477989	DECAL "SEAL MUST BE DEFLATED..."		1	
56	477987	DECAL " ON OVERRIDE MUST BE LOW TORQUE..."		1	
57	477990	DECAL "THIS SLIDE-OUT PLATE IS FACTORY.."		2	
NS	216451	DECAL PATENT		1	
61	470182	SAFETY PIN 1 1/4" O.D. x 116MM		1	
62	642027	CYLINDER 1 1/16"		1	
63	470183	ADAPTOR CYLINDER 5/8-18 x M36-2		1	
64	502220	WASHER FL .375x1.000x.125 RUB		1	
65	641126	MALE CONNECTOR / PUSH-IN FITTING / #2x1/8NPT-M BR		1	
NS	680098	THREAD SEALANT LOCTITE #567 / WHITE / 250ml		AR	
66	503536	TUBE, NYLON 1/8 O.D. / BLACK S.L.		AR	
75	476935	ACCESS PANEL ASSY W/DRAIN		2	
NS	680532	SEALANT SIKA #221 / GREY / 310ml CARTRIDGE		AR	
76	478123	GASKET		2	
78	503707	HOSE / PVC REINFORCED 1/2" I.D. 100' / S.L.		AR	
NS	684517	ADHESIVE SIMSON #ISR 70-03 / GREY / 310ml CARTRIDGE		AR	



From E-5490 To K-6491	Date:07/2024	PAGE:X3VIP-2390-30
-----------------------	--------------	--------------------

"SLIDE-OUT" - REAR MECHANISM INSTALLATION

Item#	Part	Description	X 3 V I P E N T	X 3 V I P M T H	N O T E S
79	504230	HOSE CLAMP / 3/8"-7/8" SS / HS-6		2	
80	500526	SCREW TP CAP HEXW #12x3/4 N500		8	
81	5001686	WASHER FL SEAL .218x.625x20GA SS		8	
85	477747	GUTTER MOULDING FORWARD		1	
86	477748	GUTTER MOULDING BACKWARD		1	
NS	680532	SEALANT SIKA #221 / GREY / 310ml CARTRIDGE		AR	
87	504379	RIVET POP DOME OE 3/16x1/4 SS		6	
		10) WITH 10' SLIDE-OUT			
		7.5) WITH 7.5' SLIDE-OUT			
		E) WHEN YOU REPLACE THE OLD LINEAR BEARING 476761 YOU NEED 478827 AND 2 SLIDE-OUT RAIL SEE PAGE X3VIP-1854-95			

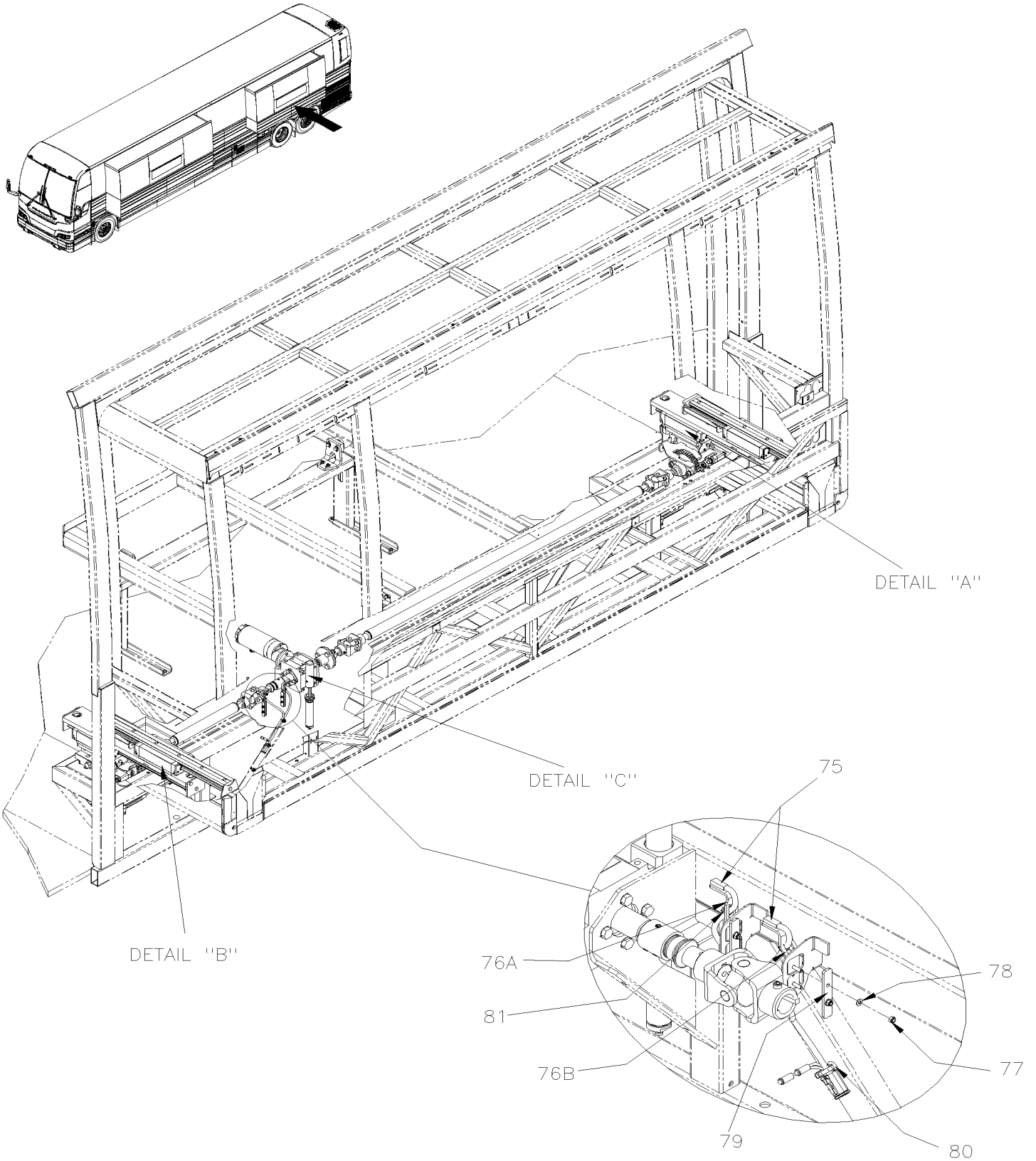


From L-6492

Date:07/2024

PAGE:X3VIP-2390-31

"SLIDE-OUT" - REAR MECHANISM INSTALLATION





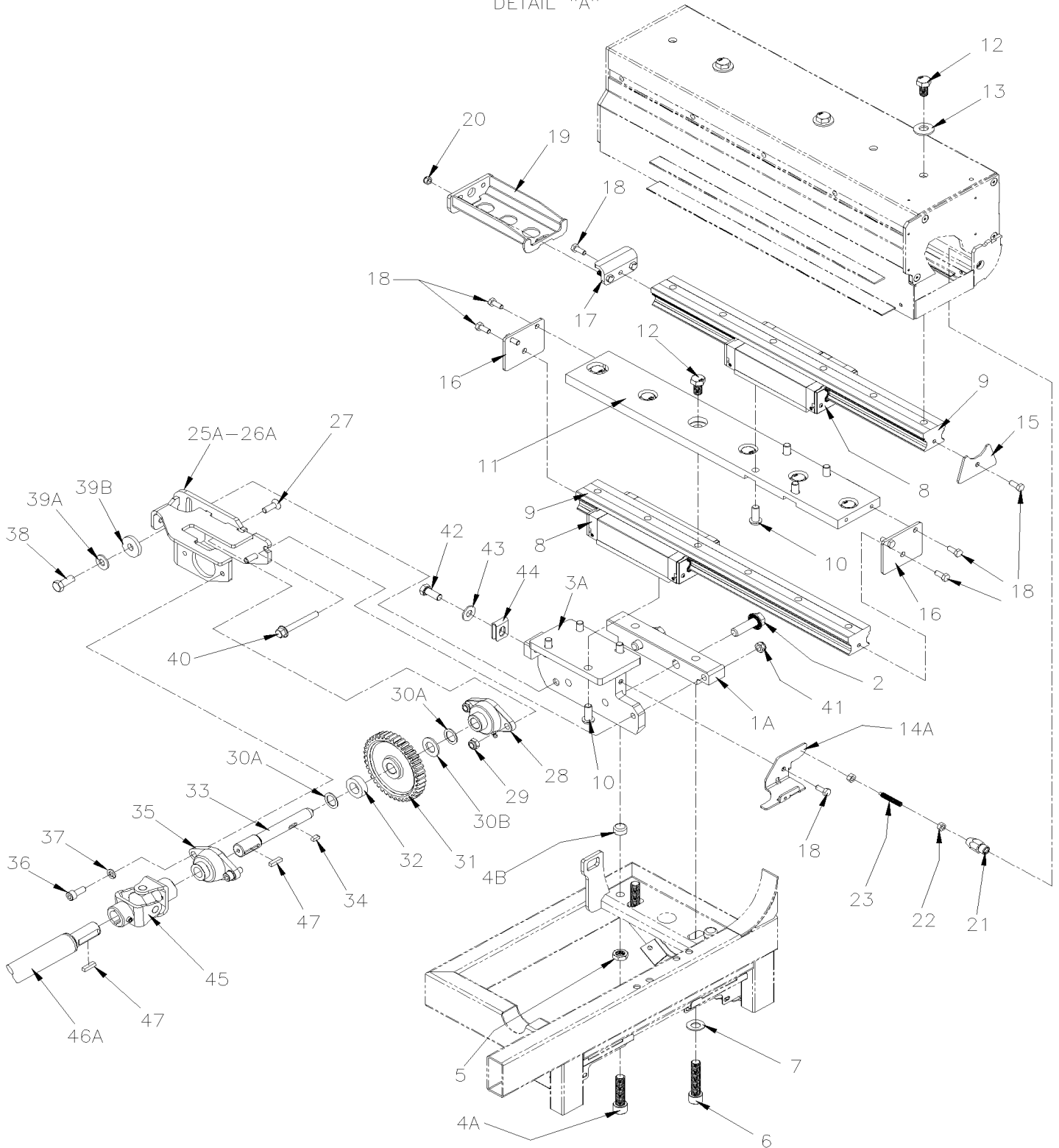
From L-6492

Date:07/2024

PAGE:X3VIP-2390-31

"SLIDE-OUT" - REAR MECHANISM INSTALLATION

DETAIL "A"





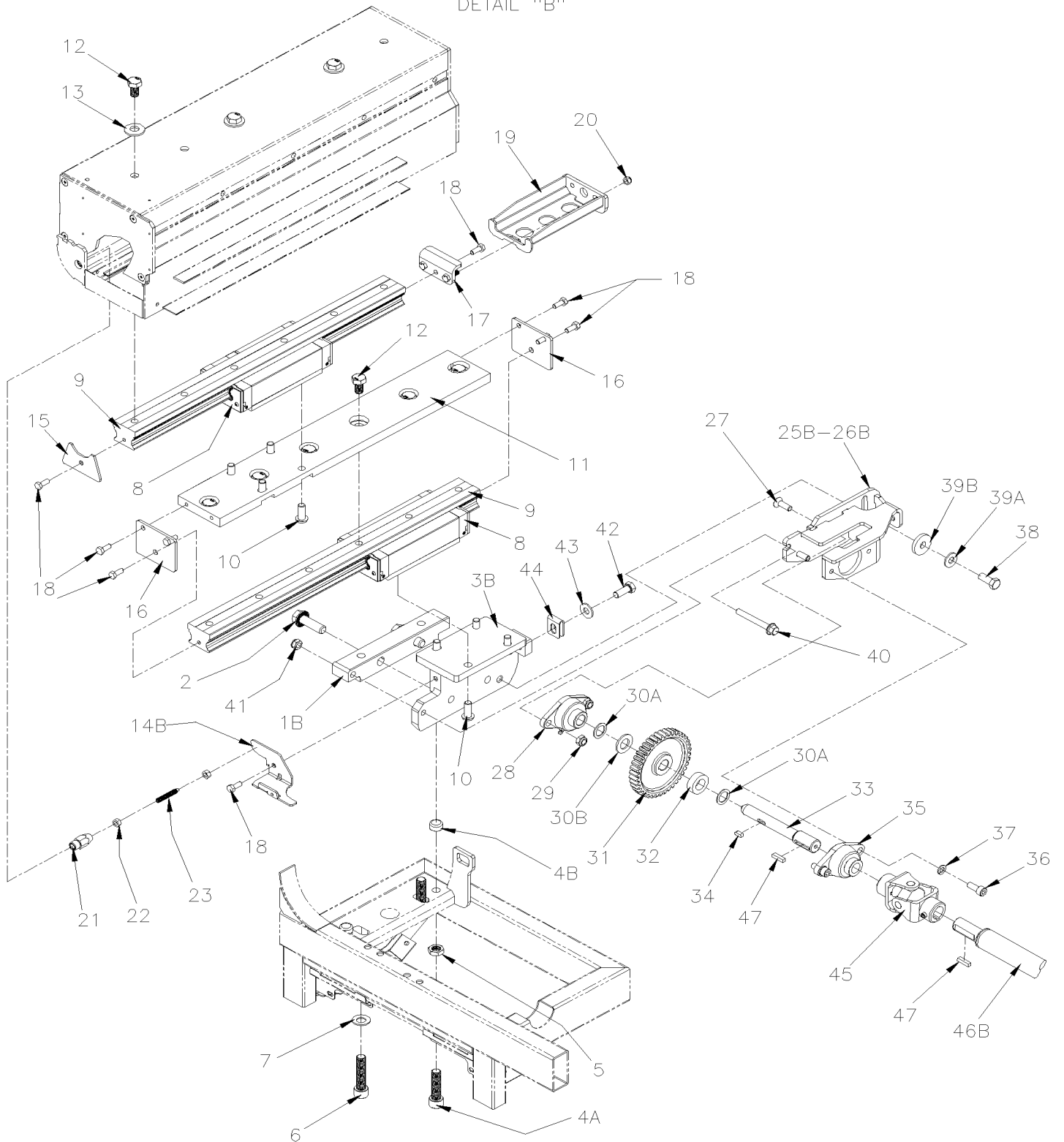
From L-6492

Date:07/2024

PAGE:X3VIP-2390-31

"SLIDE-OUT" - REAR MECHANISM INSTALLATION

DETAIL "B"





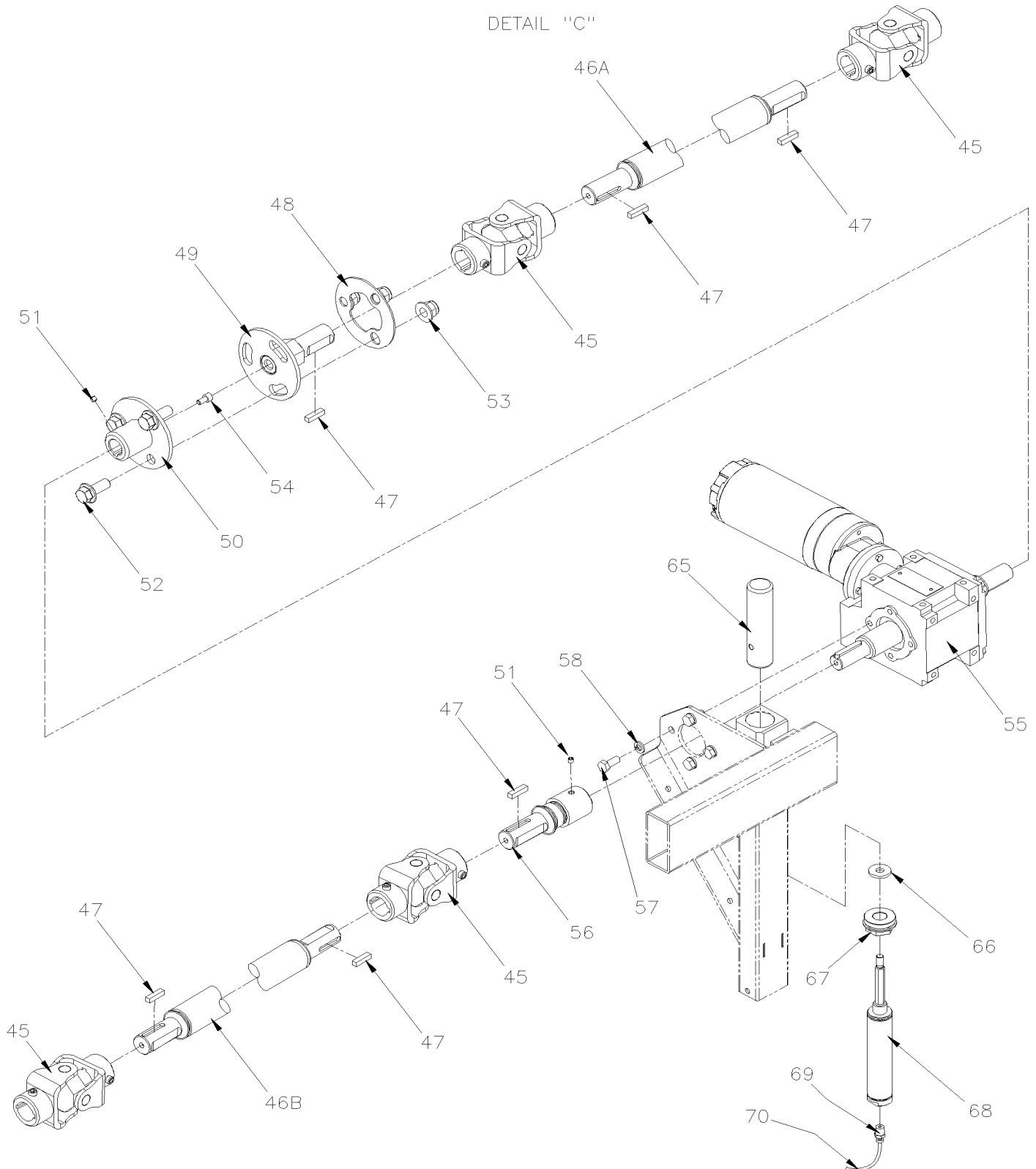
From L-6492

Date:07/2024

PAGE:X3VIP-2390-31

"SLIDE-OUT" - REAR MECHANISM INSTALLATION

DETAIL "C"





From L-6492		Date:07/2024	PAGE:X3VIP-2390-31
-------------	--	--------------	--------------------

"SLIDE-OUT" - REAR MECHANISM INSTALLATION

Item#	Part	Description	X 3 V I P E N T	X 3 V I P M T H	N O T E S
1A	491714	ADJUSTEMENT PLATE To L-6569		1	
1A	491714	ADJUSTEMENT PLATE To L-6569		1	
1A	491885	ADJUSTEMENT PLATE / REAR STREET SIDE / FRONT CURBSIDE From L-6570		1	
1B	491714	ADJUSTEMENT PLATE To L-6569		1	
1B	491714	ADJUSTEMENT PLATE To L-6569		1	
1B	491884	ADJUSTEMENT PLATE / FRONT STREET SIDE / REAR CURBSIDE From L-6570		1	
2	5001859	SCREW CAP HEXF SERR M16-2.0x50 G10.9		4	
3A	491721	SUPPORT REAR SLIDE-OUT To L-6569		1	
3A	491882	SUPPORT / REAR STREET SIDE / FRONT CURBSIDE From L-6570		1	
3B	491715	SUPPORT FRONT SLIDE-OUT To L-6569		1	
3B	491880	SUPPORT / FRONT STREET SIDE / REAR CURBSIDE From L-6570		1	
4A	5002081	SCREW CAP HEXS M16-2.0x60 G12.9 N500		4	
4B	491320	ADJUSTEMENT PAD		4	
5	5000330	NUT HEX JAM M16-2.0 SS		4	
6	5002110	SCREW CAP HEXS M16-2.0x70 G12.9 N500		1	
7	5002082	WASHER BEL SPR 16.3x31.0x2.0 N500		4	
8	478827	GUIDE		4	
8	504758	DUMMY RAIL GUIDE LINEAR BEARING 254MM / USE WITH 476761 & 478827 ONLY		AR	
9	490240	RAIL GUIDE LINEAR BEARING 650MM		4	
10	5001615	SCREW CAP BUT HEXS M12-1.75x30 G10.9 G500		16	
11	491758	REINFORCMENT RAIL 650MM		2	
12	5000329	SCREW CAP HEX M14-2.0x25 G10.9 N500		18	
13	5002113	WASHER BEL SPR 15.0x35.0x3.4 N500		6	
14A	491745	BRACKET, RAIL GUARD / REAR		1	
14B	491729	BRACKET, RAIL GUARD / FRONT		1	
15	490131	STOPPER RAIL		2	
16	490139	STOPPER RAIL/REINFORCMENT		4	
17	490195	STOPPER UPPER RAIL		2	
18	502862	SCREW CAP HEX M8-1.25x20 G8.8 N500		18	
19	491755	STOPPER SLIDING		2	
20	502847	NUT HEX NYRT M8-1.25 N500		4	
21	491383	STOPPER SLIDE OUT ADJUSTMENT		2	
22	502851	NUT HEX M8-1.25 N500		4	
NS	688910	THREAD LOCKER LOCTITE #262 / RED / 250ml		AR	
23	5002019	SCREW SET HEXS FLAT M8-1.25x50 N500 To P-6823		2	
23	5002149	SCREW SET HEXS FLAT M8-1.25X60 SS From P-6824		2	
25A	Call order desk	GEAR ASSY / REAR		1	P
25B	Call order desk	GEAR ASSY / FRONT		1	P
26A	491722	. GEAR SUPPORT / REAR		1	
26B	491716	. GEAR SUPPORT / FRONT STREET SIDE / REAR CURBSIDE		1	



From L-6492		Date:07/2024	PAGE:X3VIP-2390-31
-------------	--	--------------	--------------------

"SLIDE-OUT" - REAR MECHANISM INSTALLATION

Item#	Part	Description	X 3 V I P E N T	X 3 V I P M T H	N O T E S
27	5002016	. SCREW CAP FL HEXS M10-1.5X30 G10.9 N500		2	
28	507641	. PILLOW BEARING ASSY		1	
29	502859	. NUT HEX NYRT M10-1.5 N500		2	
30A	5001894	. WASHER FL 21.0x30.0x1.587 SS To P-6881		2	
30B	502558	. WASHER FL 21.0x37.0x3.0 G500 To P-6881		1	
30B	502558	. WASHER FL 21.0x37.0x3.0 G500 From P-6882		1	
31	491321	. GEAR		1	
32	491510	. SPACER / 22MM x 38.1MM x 12MM		1	
33	491337	. GEAR SHAFT To M-6650		1	A
33	492002	. GEAR SHAFT From M-6651		1	
34	505010	. KEY 6MM x 6MM x 16MM To M-6650		1	A
34	505036	. KEY 6MM x 6MM x 18MM From M-6651		1	
35	470116	. PILLOW BEARING ASSY		1	
36	5001616	. SCREW CAP HEXS M10-1.5X25 G10.9 DP		2	
37	502616	. WASHER LO SPT 10.2x18.1x2.2 SS		2	
38	5001866	SCREW CAP HEX M12-1.75x30 G10.9 N500		2	
39A	500967	WASHER BEL SPR .512x1.142x.098 N500		2	
39B	491744	BEARING SUPPORT CLAMP		2	
40	5001802	SCREW CAP HEXF M10-1.5x80 G10.9 N500		2	
NS	680038	THREAD LOCKER LOCTITE #243 / BLUE / 50ml		AR	
41	502859	NUT HEX NYRT M10-1.5 N500		2	
42	5001866	SCREW CAP HEX M12-1.75x30 G10.9 N500		2	
43	500967	WASHER BEL SPR .512x1.142x.098 N500		2	
44	491645	SHIM "U SHAPE"		2	
45	505023	U-JOINT		4	
45	683652	GREASE SYNTHETIC / RED BOX 50 TUBE		AR	
46A	491514	SHAFT / REAR 525MM		1	7.5
46A	491618	SHAFT / REAR 1540MM		1	10
46B	491602	SHAFT / FRONT 460MM		1	
47	505020	KEY / .250x.250x1.000		8	
48	491332	PLATE		1	
49	491329	FLANGE UNIVERSAL JOINT		1	
50	491326	SHAFT FLANGE		1	
51	502634	SCREW SET HEXS CUP M6-1.0x6		6	
52	5001866	SCREW CAP HEX M12-1.75x30 G10.9 N500		3	
53	5001761	NUT HEXF NYRT M12-1.75 G8 N500		3	
54	5001783	SCREW CAP HEXS M6-1.0x12 SS		1	
55	069956	MOTOR 24V ASSY W/CONNECTOR		1	
. NS	564091	. MOTOR 24V ASSY W/GEAR-BOX		1	
. . NS	563937	. . MOTOR 24V		1	
. . NS	563938	. . GEAR BOX RATIO 738/1		1	



From L-6492	Date:07/2024	PAGE:X3VIP-2390-31
"SLIDE-OUT" - REAR MECHANISM INSTALLATION		

Item#	Part	Description	X 3 V I P E N T	X 3 V I P M T H	N O T E S
. . NS	505533	. . KEY 6MM x 6MM x 40MM		2	
. NS	563764	. CONNECTOR / CPC SERIES 3 / PH 3C / PED 15300002		1	
. NS	563763	. PIN TERMINAL / 14-12 / PED 12129497		2	
55	477989	DECAL "SEAL MUST BE DEFLATED..."		1	
55	477987	DECAL " ON OVERRIDE MUST BE LOW TORQUE..."		1	
56	491381	UNIVERSAL JOINT ADAPTER		1	
57	5001450	SCREW CAP HEX M8-1.25x20 G10.9 DP		4	
58	500035	WASHER LO SPT .317x.586x.078 SS		4	
60	X3VIP-2390-61	"SLIDE-OUT" - INSTALLATION / REAR STREET SIDE			
65	470182	SAFETY PIN 1 1/4" O.D. x 116MM		1	
66	502220	WASHER FL .375x1.000x.125 RUB		1	
67	470183	ADAPTOR CYLINDER 5/8-18 x M36-2		1	
68	642027	CYLINDER 1 1/16"		1	
69	641126	MALE CONNECTOR / PUSH-IN FITTING / #2x1/8NPT-M BR		1	
70	503536	TUBE, NYLON 1/8 O.D. / BLACK S.L.		AR	
75	061503	LIMITING REED SWITCH ASSY W/LED S.P.D.T. / W/SLIDE OUT		1	
. NS	563426	. HALL EFFECT SENSOR		2	
. NS	563452	. LED GREEN / 5VOLTS		2	
. NS	564108	. SELF MOUNTING STUD // DEUTSCH 1011-310-0205		1	
76A	3210838	PLATE SENSOR SUPPORT "F"		1	
76B	3210897	PLATE SENSOR SUPPORT "F"		1	
77	500529	SCREW MA FL SLT 5/16-18x1 1/2 BR		4	
78	502556	WASHER FL 4.3x9.0x0.8 SS		4	
79	273196	PLATE, CLAMPING		2	
80	8631155	CABLE TIE / 4.6MM x 200 / CHRISTMAS TREE		3	
81	504273	CABLE TIE / 1/8" X 3"1/2		2	
		10) WITH 10' SLIDE-OUT			
		7.5) WITH 7.5' SLIDE-OUT			
		A) IF KEY 505010 BREAKS, REPLACE SHAFT 491337 WITH 492002 AND 505036			
		P) CALL ORDER DESK FOR SPECIFIC APPLICATION (V.I.N.)			

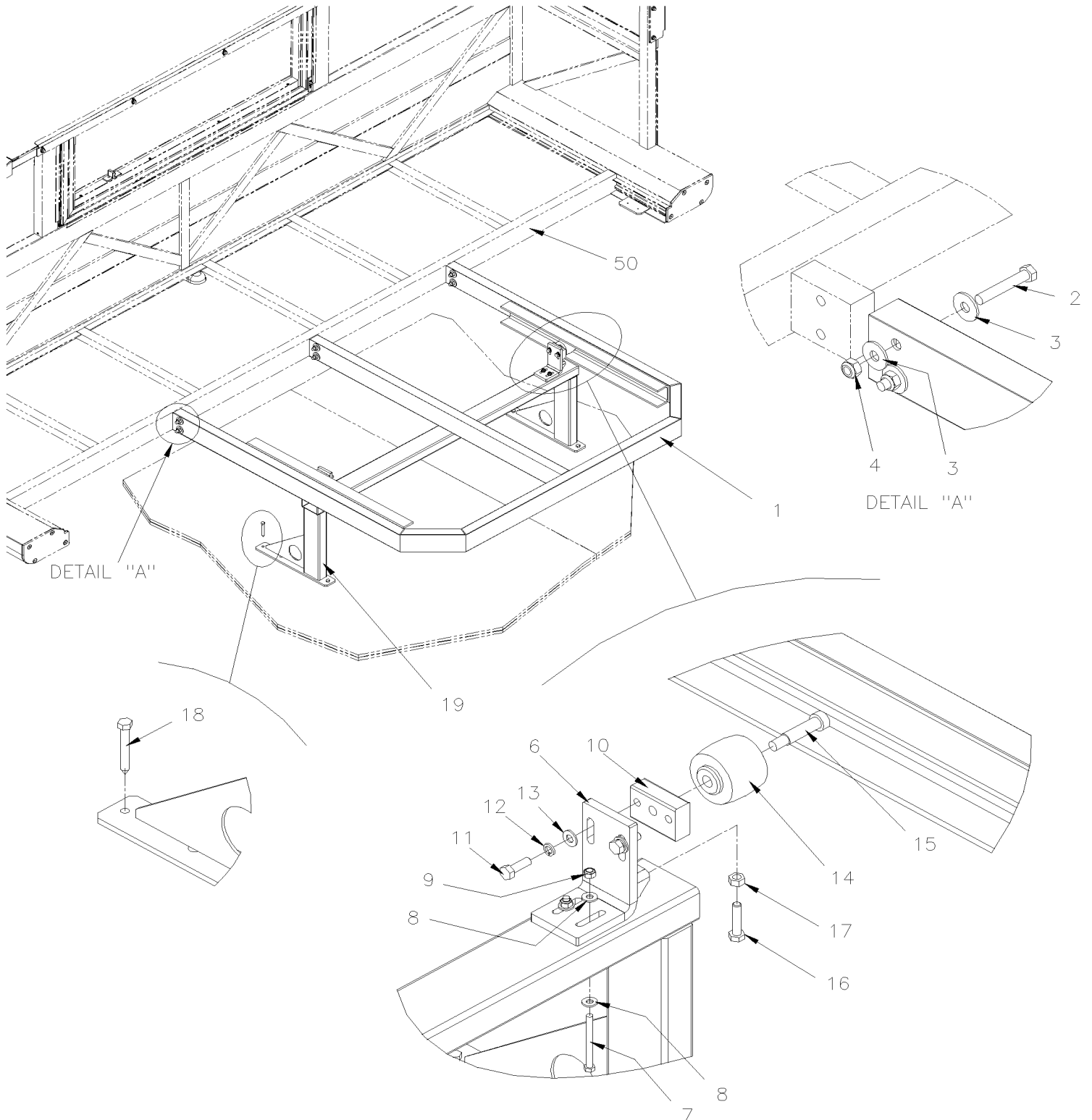


From E-5490 To K-6491

Date:07/2024

PAGE:X3VIP-2390-40

"SLIDE-OUT" - BED SUPPORT





From E-5490 To K-6491	Date:07/2024	PAGE:X3VIP-2390-40
"SLIDE-OUT" - BED SUPPORT		

Item#	Part	Description	X 3 V I P E N T	X 3 V I P M T H	N O T E S
1	407525	SUPPORT REAR BED		1	
2	5001485	SCREW CAP HEX M10-1.5x60 G8.8 Z050		6	
3	502644	WASHER FL 10.5x30.0x2.5 Z050		12	
4	5001570	NUT HEX NYRT M10-1.5 Z050		6	
6	477815	ANGLE SUPPORT		1	
7	509839	SCREW CAP HEX M6-1.0x60 G8.8 ZP		4	
8	500440	WASHER FL .250x.562x.065 Z050		8	
9	502511	NUT HEX NYRT M6-1.0 Z050		4	
10	476177	PLATE		1	
11	502589	SCREW CAP HEX M8-1.25x25 G8.8 Z050		4	
12	500874	WASHER FL 8.4x17.0x1.6 Z050		4	
13	5001003	WASHER LO SPT 8.1x12.7x2.0 Z050		4	
14	476181	WHEEL		1	
15	5001064	SCREW SHR HEXS 12x40 {M10-1.5		2	
15	680038	THREAD LOCKER LOCTITE #243 / BLUE / 50ml		AR	
16	502651	SCREW CAP HEX M8-1.25x35 G8.8 Z050		2	A
17	502543	NUT HEX M8-1.25 Z050		2	A
18	500918	SCREW TP CAP HEX 5/16-12x2 1/4 Z050		2	
18	5001221	SCREW TP CAP HEX 5/16x1 1/2 Z050		2	
19	478760	SUPPORT REAR BED		1	
50	X3VIP-2390-50	"SLIDE-OUT" - INSTALLATION			
		A) FIXED TO ANGLE TO ADJUST HEIGHT			

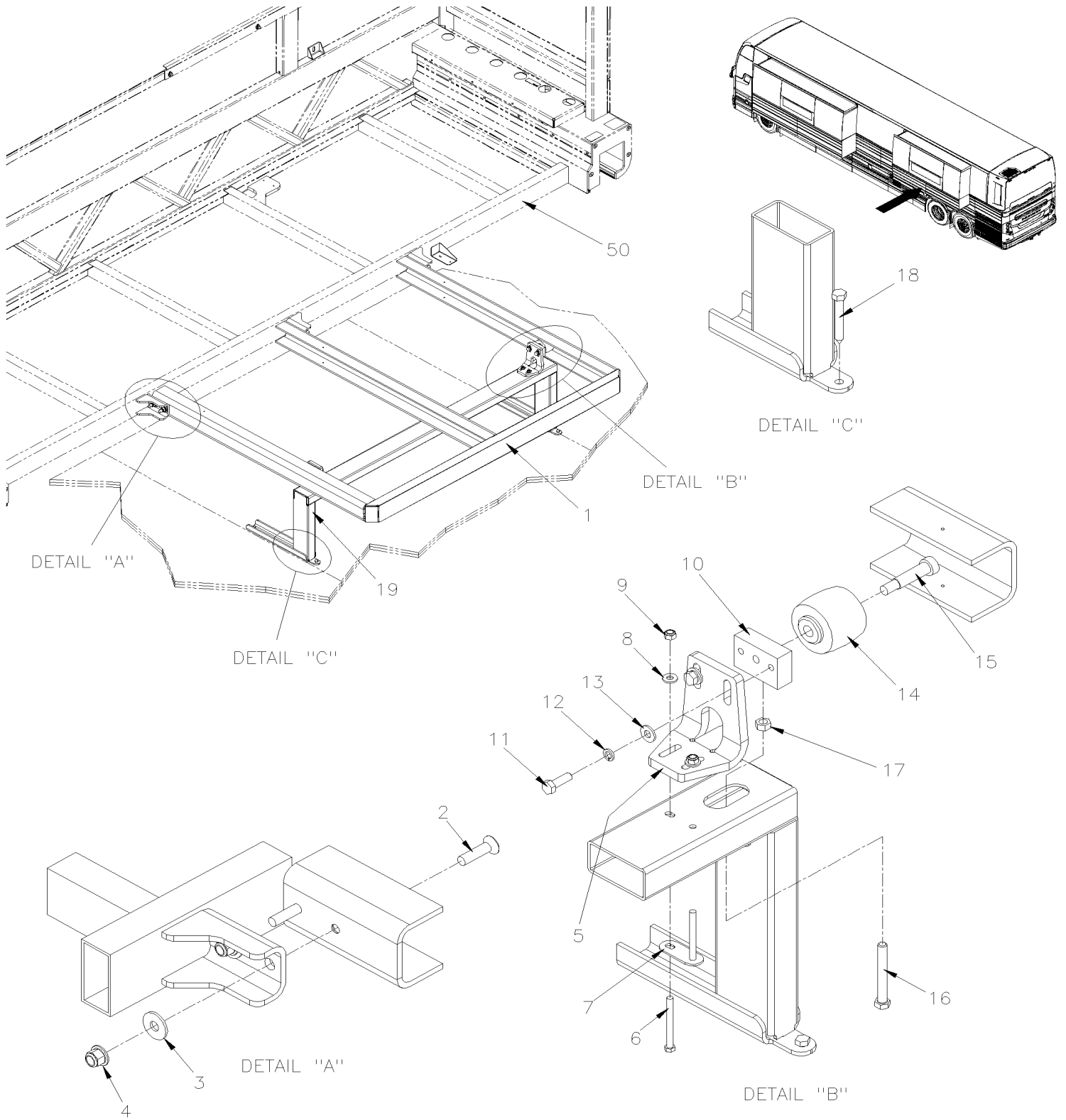


From L-6492

Date:07/2024

PAGE:X3VIP-2390-41

"SLIDE-OUT" - BED SUPPORT





From L-6492		Date:07/2024	PAGE:X3VIP-2390-41
"SLIDE-OUT" - BED SUPPORT			

Item#	Part	Description	X 3 V I P E N T	X 3 V I P M T H	N O T E S
1	401275	SUPPORT REAR BED		1	
2	5001796	SCREW CAP FL HEXS M10-1.5x40 GR10.9 N500		6	
3	502644	WASHER FL 10.5x30.0x2.5 Z050		6	
4	5001930	NUT HEXF NYRT M10-1.5 N500 G10.9		6	
5	491604	ANGLE SUPPORT		2	
6	509839	SCREW CAP HEX M6-1.0x60 G8.8 ZP		4	
7	400624	PLATE		2	
8	500877	WASHER FL .250x.562x.065 N500		4	
9	502681	NUT HEX NYRT M6-1.0 N500 G8		4	
10	491605	PLATE		2	
11	5001745	SCREW CAP HEX M8-1.25x25 G8.8 N500		4	
12	500942	WASHER LO SPT 8.1x14.8x2.0 N500		4	
13	5001736	WASHER FL 8.4x18.0x2.0 N500		4	
14	476181	WHEEL		2	
15	5001064	SCREW SHR HEXS 12x40 {M10-1.5		2	
NS	680038	THREAD LOCKER LOCTITE #243 / BLUE / 50ml		AR	
16	5001347	SCREW CAP HEX M8-1.25x70 SS		2	
17	502851	NUT HEX M8-1.25 N500		2	
18	5001221	SCREW TP CAP HEX 5/16x1 1/2 Z050		4	
19	401282	SUPPORT REAR BED ASSY		1	
50	X3VIP-2390-61	"SLIDE-OUT" - INSTALLATION / REAR STREET SIDE			

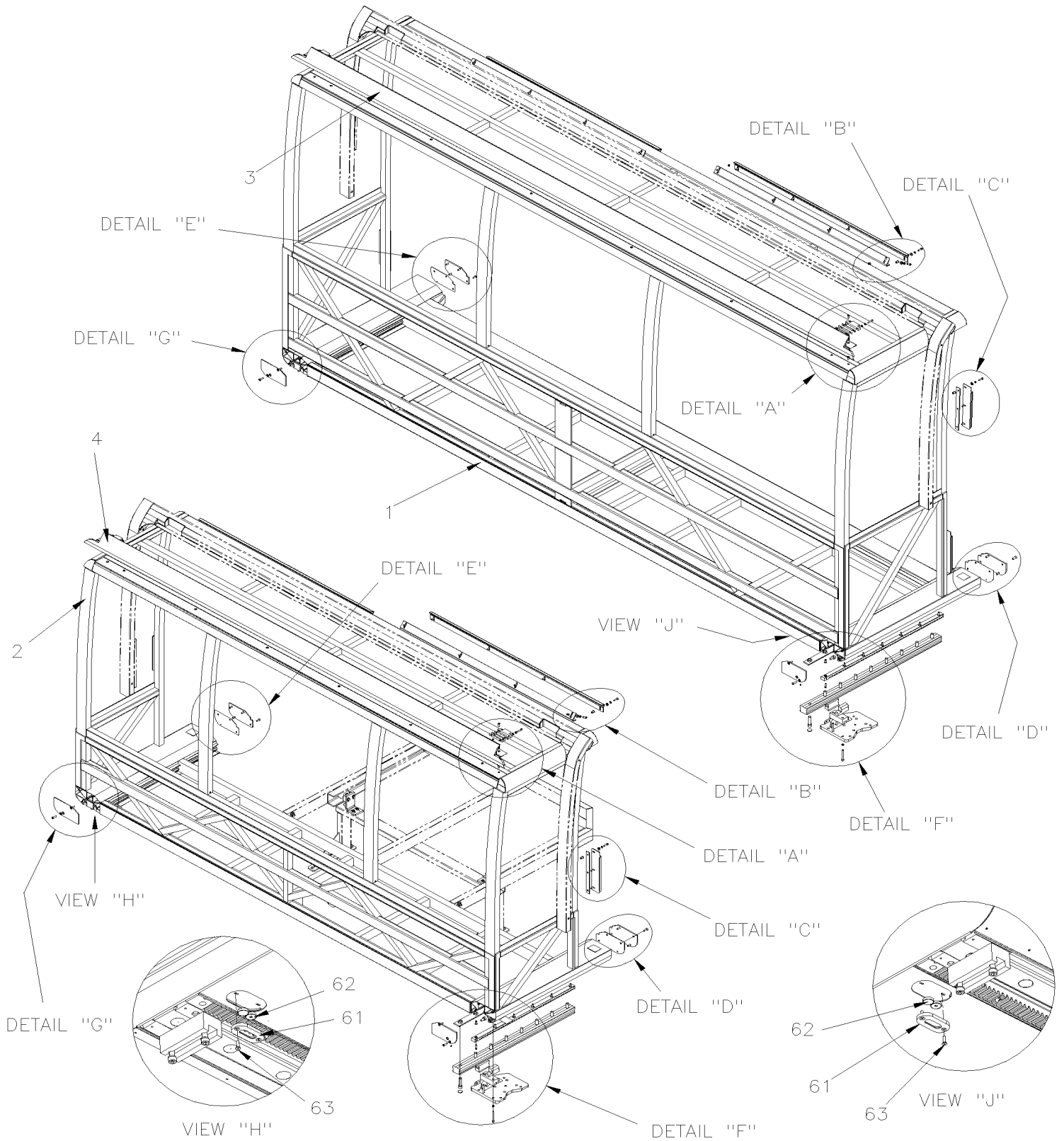


From E-5490 To K-6491

Date:07/2024

PAGE:X3VIP-2390-50

"SLIDE-OUT" - INSTALLATION



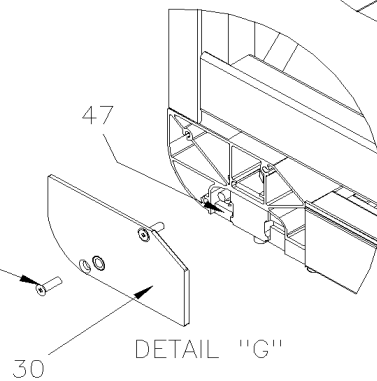
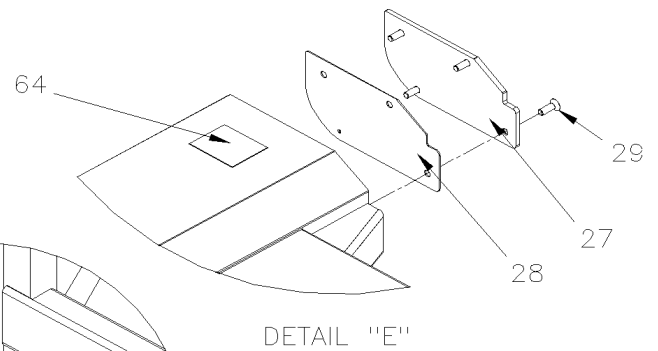
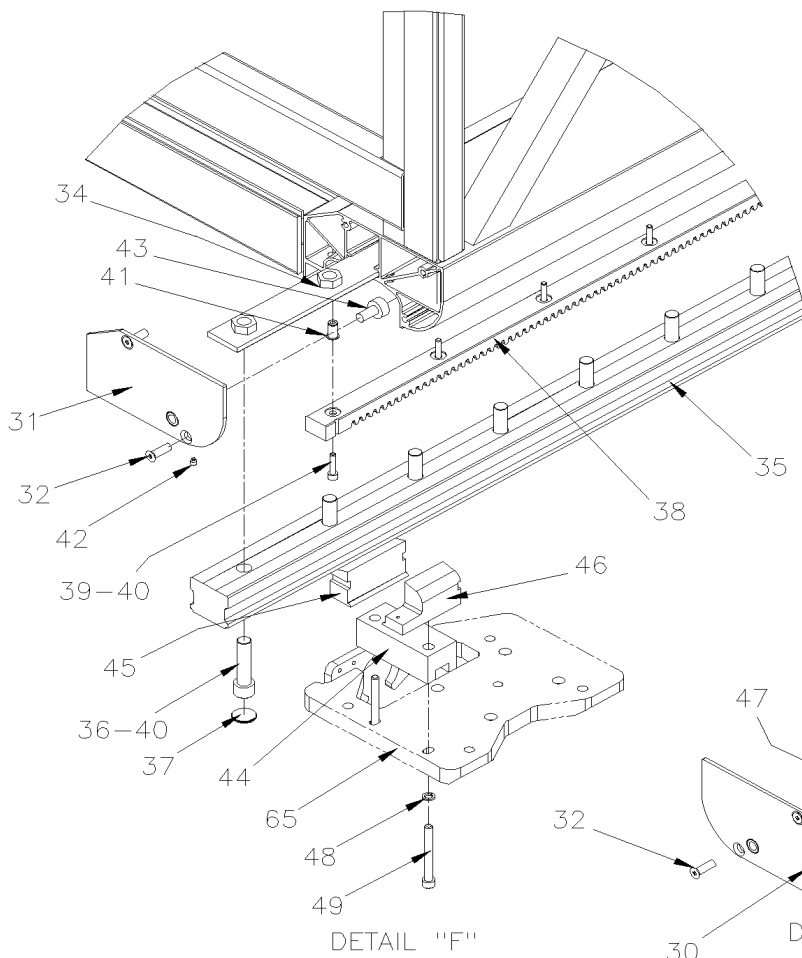
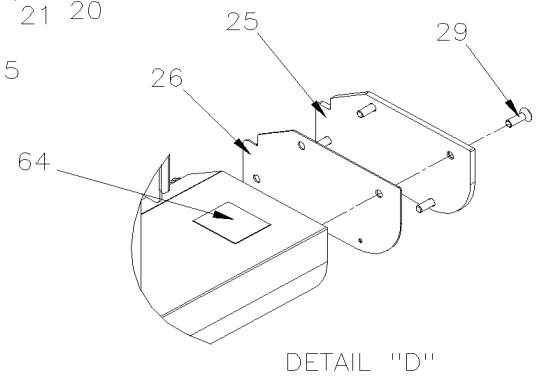
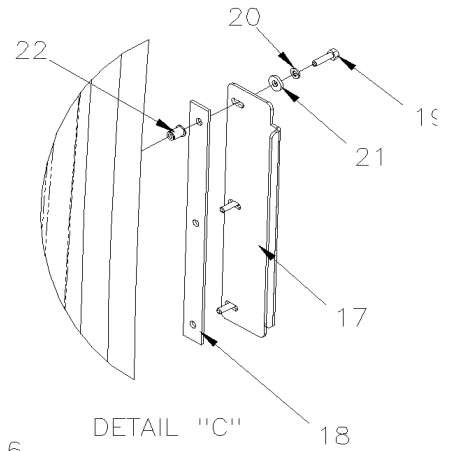
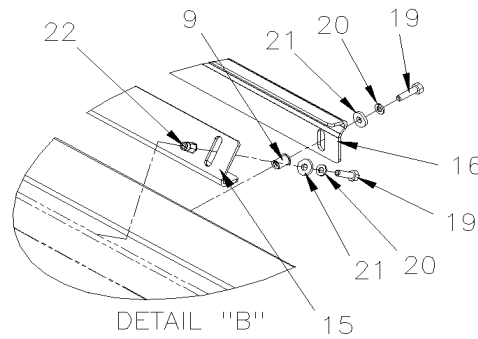
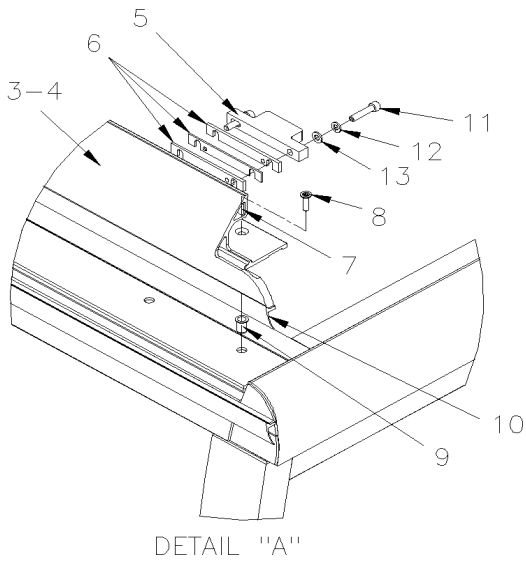


From E-5490 To K-6491

Date:07/2024

PAGE:X3VIP-2390-50

"SLIDE-OUT" - INSTALLATION





From E-5490 To K-6491	Date:07/2024	PAGE:X3VIP-2390-50
-----------------------	--------------	--------------------

"SLIDE-OUT" - INSTALLATION

Item#	Part	Description	X 3 V I P E N T	X 3 V I P M T H	N O T E S
1		FRONT "SLIDE-OUT"	1	1	
2		REAR "SLIDE-OUT"	1	1	
3	477726	EXTRUSION & STOPPER / FRONT SLIDE-OUT		1	
3	477913	EXTRUSION & STOPPER / FRONT SLIDE-OUT	1		
4	477810	EXTRUSION & STOPPER / REAR SLIDE-OUT 7.5'		1	
4	470097	EXTRUSION & STOPPER / REAR SLIDE-OUT 10'		1	
5	477724	BUMPER	2	2	
6	477725	SHIM 12.7MM x 101MM x 11GA	AR	AR	
6	477807	SHIM 12.7MM x 101MM x 16GA	AR	AR	
7	5001612	SCREW CAP FL HEXS M4-0.7x8 SS EMN	2	2	
8	5001768	SCREW MA FL TORX M6-1.0x20 G8.8 Z050	6	6	
8	682176	SEALANT SIKA #221 / BLACK / 310ml CARTRIDGE	AR	AR	
9	502842	NUT INS TYPE "A-L" OE M6-1.0 0.7-4.2 Z050	AR	AR	
10	470095	RUBBER EXTRUSION / RAW MATERIAL	AR	AR	
11	5001611	SCREW CAP HEXS M6-1.0x30 SS BK	4	4	
12	502570	WASHER LO SPT 6.1x11.8x1.6 SS	4	4	
13	502573	WASHER FL 6.4x12.5x1.6 SS	4	4	
15	477915	INTERIOR KEY	2	2	
16	477723	PLATE TOP STOPPER 1354MM	2	2	
17	476176	SIDE KEY STOPPER 300MM	4	4	
18	476180	SPACER	4	4	
19	5001209	SCREW CAP HEX M6-1.0x25 G8.8 Z050	AR	AR	
20	502564	WASHER LO SPT 6.1x11.8x1.6 Z050	AR	AR	
21	5001586	WASHER FL 6.4x17.0x3.0 Z050	AR	AR	
22	5001344	NUT INS FL HEX M6-1.0 0.5-3.0 SS	AR	AR	
25	477681	CLOSING PLATE / BACKWARD	1	1	
26	477790	GASKET CLOSING PLATE / BACKWARD	1	1	
27	477879	CLOSING PLATE / FORWARD	1	1	
28	477744	GASKET CLOSING PLATE / FORWARD	1	1	
29	5001517	SCREW CAP FL HEXS M8-1.25x25 G8.8 Z050	8	8	
30	477676	CLOSING PLATE / FORWARD	1	1	
31	477677	CLOSING PLATE / BACKWARD	1	1	
32	502576	SCREW MA FL PH M8-1.25x25 Z050	4	4	
34	470104	ATTACHMENT STRIP 1020MM		2	F
34	477901	ATTACHMENT STRIP 900MM	2	2	
35	476759	RAIL GUIDE LINEAR BEARING 1058MM To E-5689		2	F
35	478826	RAIL GUIDE LINEAR BEARING 1058MM From E-5690		1	
35	476758	RAIL GUIDE LINEAR BEARING 904MM To E-5689	2	2	
35	478825	RAIL GUIDE LINEAR BEARING 904MM From E-5690	2	2	
36	5001617	SCREW CAP HEXS M14-2.0x55 G10.9 DP	18	18	
37	504757	FINISHING PLUG / RAIL GUIDE	18	18	
38	470125	BOTTOM RACK 935MM		2	F

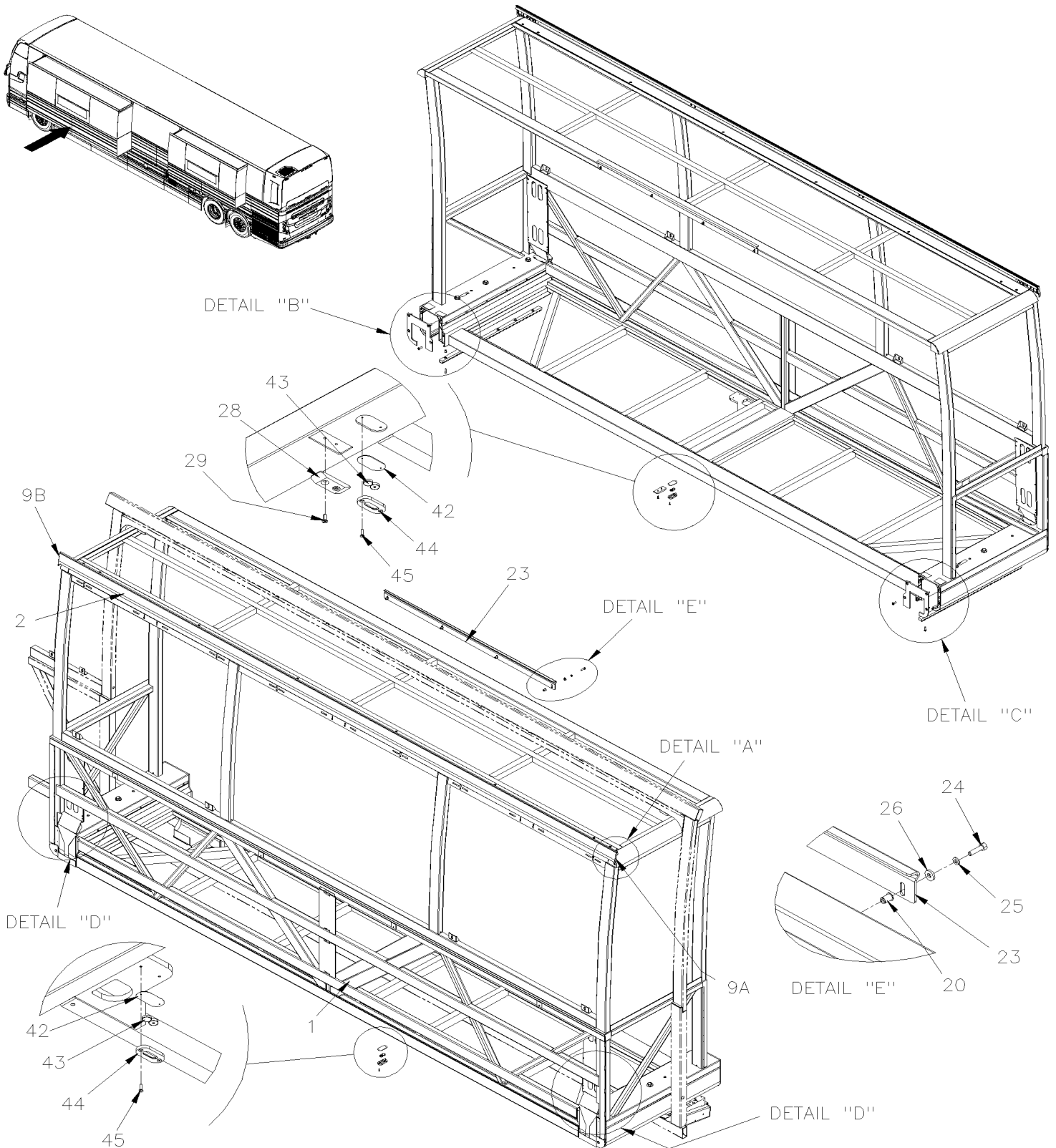


From L-6492

Date:07/2024

PAGE:X3VIP-2390-51

"SLIDE-OUT" - INSTALLATION / FRONT STREET SIDE



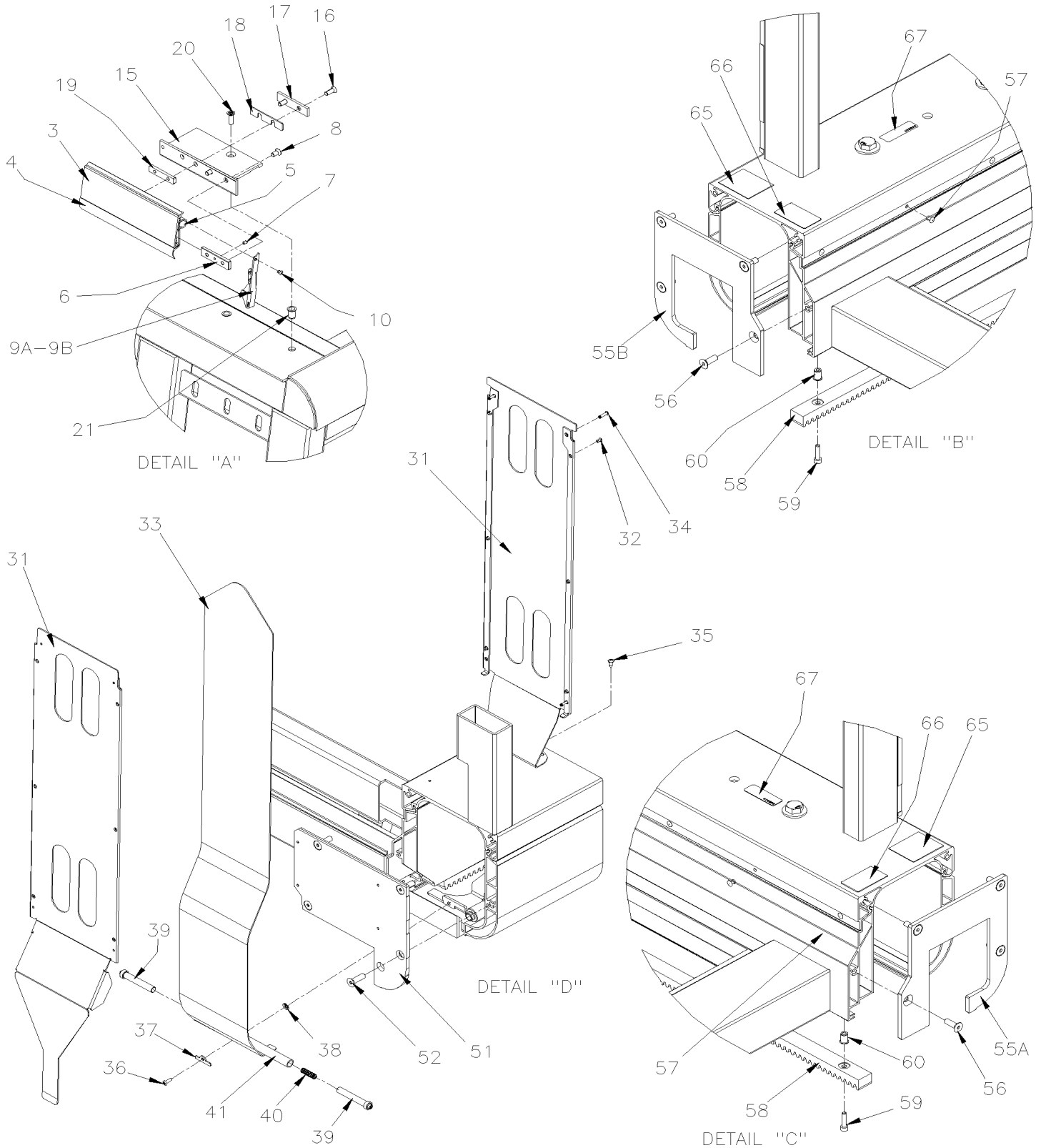


From L-6492

Date:07/2024

PAGE:X3VIP-2390-51

"SLIDE-OUT" - INSTALLATION / FRONT STREET SIDE





From L-6492		Date:07/2024	PAGE:X3VIP-2390-51
-------------	--	--------------	--------------------

"SLIDE-OUT" - INSTALLATION / FRONT STREET SIDE

Item#	Part	Description	X 3 V I P E N T	X 3 V I P M T H	N O T E S
1	Call order desk	FRONT STREET SIDE "SLIDE-OUT"	1		P
1	Call order desk	FRONT STREET SIDE "SLIDE-OUT"		1	P
2	Call order desk	FASCIA SLIDE-OUT, FRONT ASSY 4421MM		1	P
2	Call order desk	FASCIA SLIDE-OUT, FRONT ASSY 3548MM	1		P
3	478987	. FASCIA SLIDE-OUT, FRONT 4421MM		1	
3	478840	. FASCIA SLIDE-OUT, FRONT 3548MM	1		
4	470095	. RUBBER EXTRUSION / RAW MATERIAL	1	1	
5	509044	. RUBBER SEAL 175"-+0.6	AR	AR	
6	478842	. THREADED BLOCK	4	4	
7	500587	. SCREW SET HEXS CUP M4-0.7x6	4	4	
8	5001633	. SCREW MA FL PH M6-1.0x12 Z050	8	8	
9A	478838	. CAP, LOWER	1	1	
9B	478841	. CAP, LOWER	1	1	
10	504340	. RIVET POP DOME OE 1/8x3/16 SS	6	6	
15	478989	EXTRUSION, SLIDE-OUT FRONT 4341MM		1	
15	478839	EXTRUSION, SLIDE-OUT FRONT 3468MM	1		
16	5001198	SCREW MA FL PH M6-1.0x16 Z050	4	4	
17	478850	STOPPER	2	2	
18	478849	SHIM FOR SLIDE OUT	2	2	
19	478875	TAPPING PLATE	2	2	
20	5001768	SCREW MA FL TORX M6-1.0x20 G8.8 Z050	8	8	
21	502842	NUT INS TYPE "A-L" OE M6-1.0 0.7-4.2 Z050 To R-6961	AR	AR	
21	5000023	NUT AN INS CE Z050 M6-1,0 GRIP .70-4.2MM From R-6962	AR	AR	
23	470437	PLATE TOP STOPPER 1354MM X 62.1MM	1	1	
24	5001209	SCREW CAP HEX M6-1.0x25 G8.8 Z050	4	4	
25	502564	WASHER LO SPT 6.1x11.8x1.6 Z050	4	4	
26	5001586	WASHER FL 6.4x17.0x3.0 Z050	4	4	
28	491512	SLIDE EXTENSION	1	1	
29	5001198	SCREW MA FL PH M6-1.0x16 Z050	2	2	
31	491815	GUIDE RAIL GUARD ASSY / FRONT SLIDE-OUT To M-6651		2	
31	491989	GUIDE RAIL GUARD ASSY / FRONT SLIDE-OUT From M-6652		2	
NS	492001	PLATE OF PROTECTION From M-6652		2	
31	491792	GUIDE RAIL GUARD ASSY / FRONT SLIDE-OUT To L-6622	2		
31	491924	GUIDE RAIL GUARD ASSY / FRONT SLIDE-OUT From L-6623 To P-6834	2		
31	492151	GUIDE RAIL GUARD ASSY / FRONT SLIDE-OUT From P-6835	2		
32	504105	. RIVET POP DOME OE 1/8x3/16 AL	6	6	
33	491524	GUARD, RAIL 880MM To N-6757		2	
33	492097	GUARD, RAIL 893MM From N-6758		2	

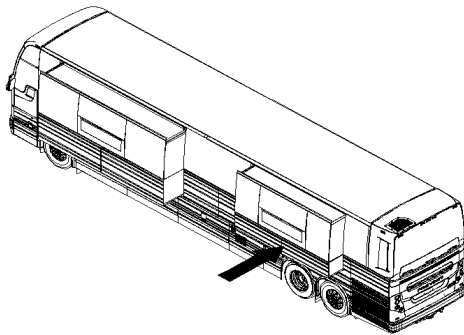


From L-6492

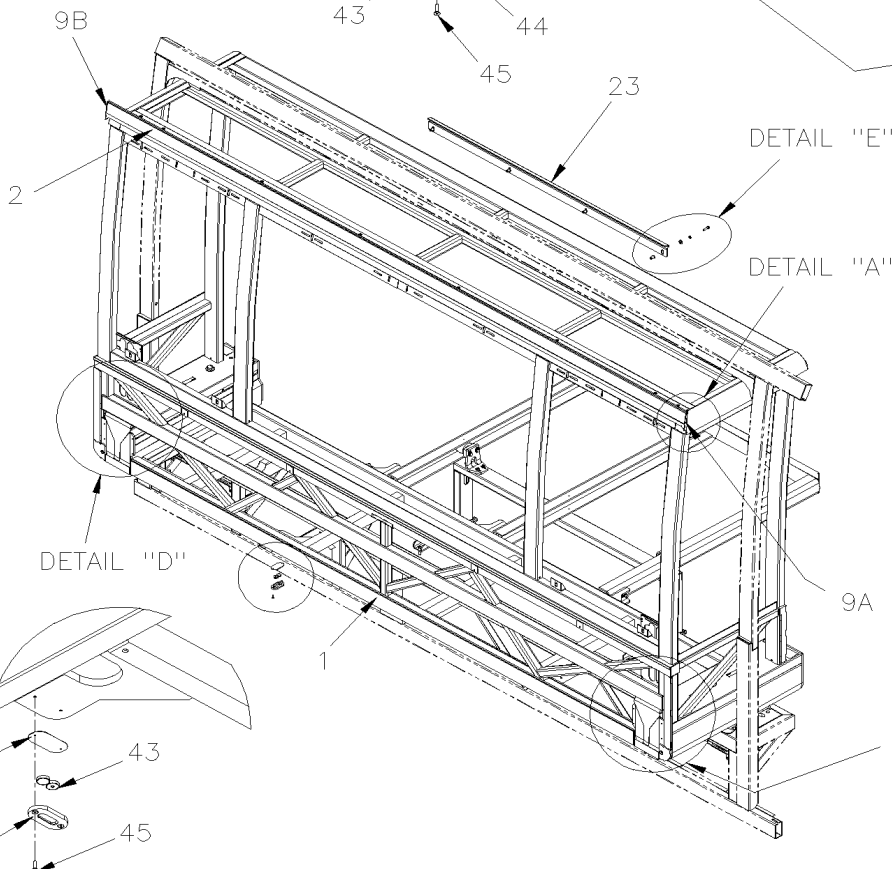
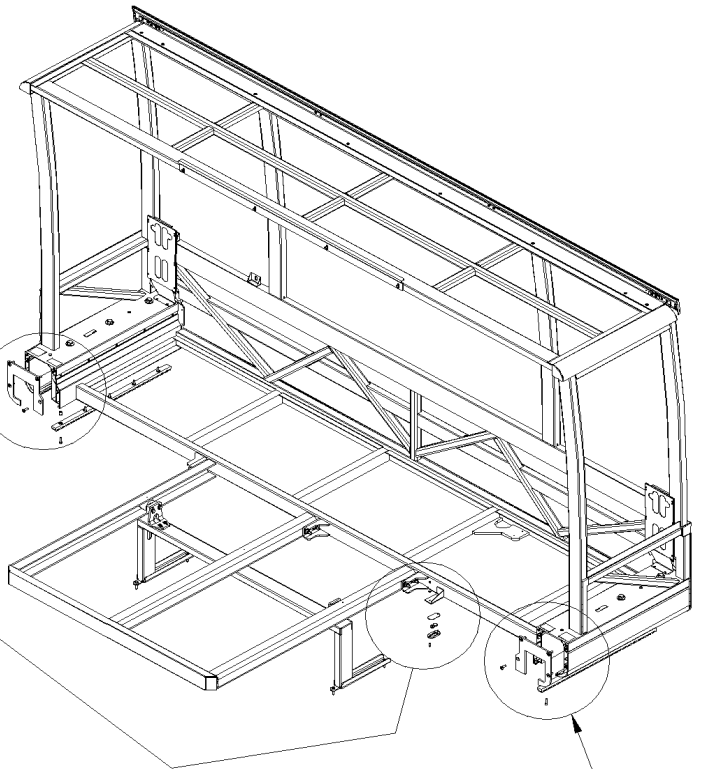
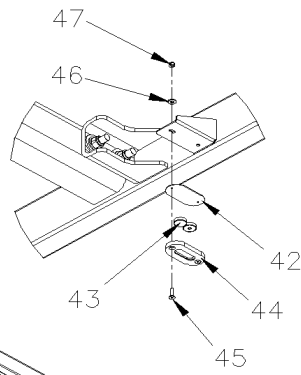
Date:07/2024

PAGE:X3VIP-2390-61

"SLIDE-OUT" - INSTALLATION / REAR STREET SIDE



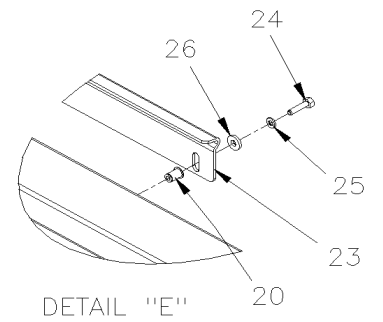
DETAIL "B"



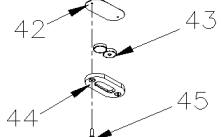
DETAIL "E"

DETAIL "A"

DETAIL "C"



DETAIL "E"



DETAIL "D"

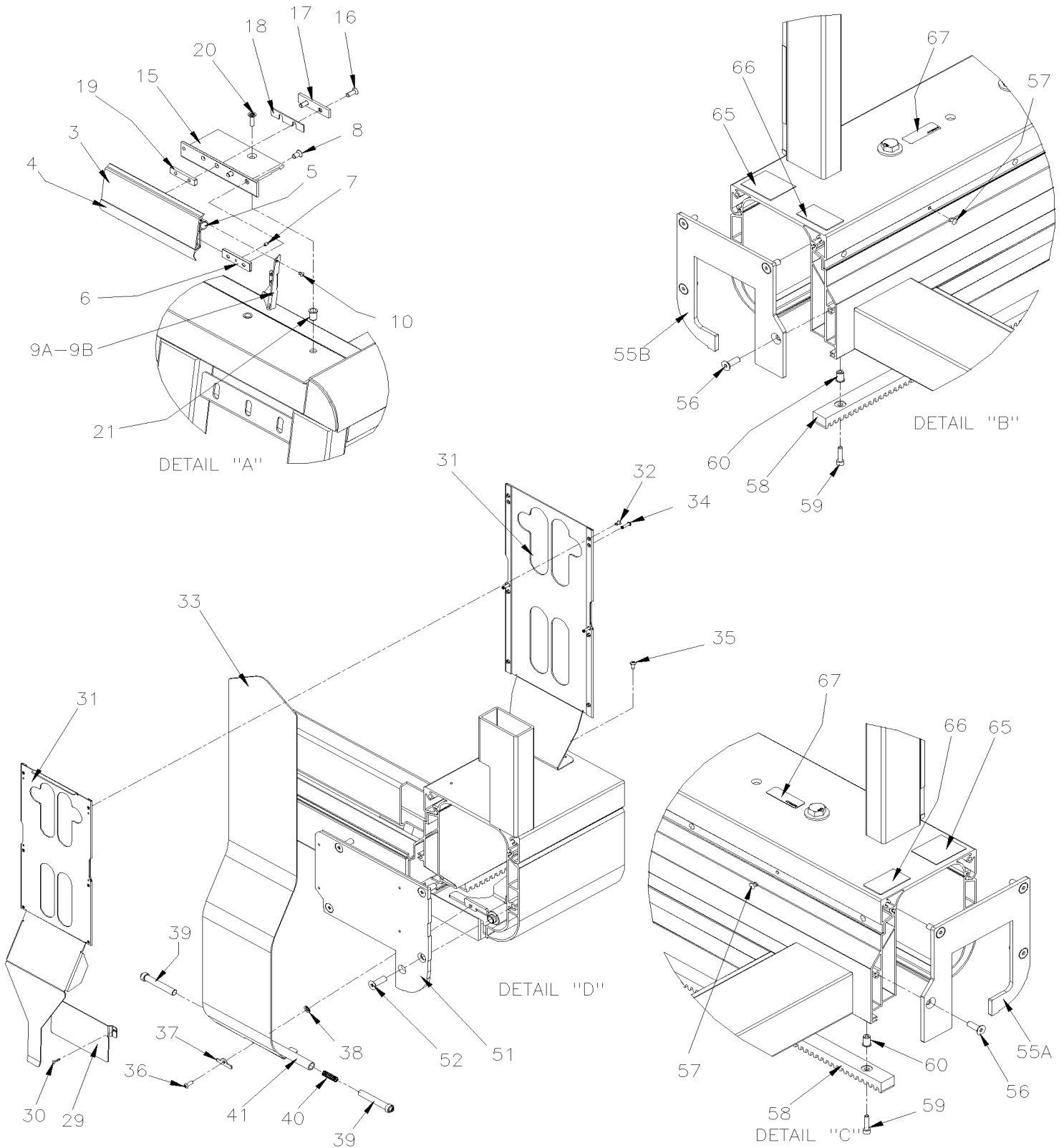


From L-6492

Date:07/2024

PAGE:X3VIP-2390-61

"SLIDE-OUT" - INSTALLATION / REAR STREET SIDE





From L-6492	Date:07/2024	PAGE:X3VIP-2390-61
-------------	--------------	--------------------

"SLIDE-OUT" - INSTALLATION / REAR STREET SIDE

Item#	Part	Description	X 3 V I P E N T	X 3 V I P M T H	N O T E S
1	Call order desk	REAR STREET SIDE "SLIDE-OUT"		1	P 7.5
1	Call order desk	REAR STREET SIDE "SLIDE-OUT" W/CENTER WINDOW		1	P 10
1	Call order desk	REAR STREET SIDE "SLIDE-OUT" W/BACKWARD WINDOW		1	P 10
2	Call order desk	FASCIA SLIDE-OUT, REAR ASS 2288MM		1	P 7.5
2	Call order desk	FASCIA SLIDE-OUT, REAR ASS 3304mm		1	P 10
3	478947	. FASCIA SLIDE-OUT, REAR 2288MM		1	7.5
3	478904	. FASCIA SLIDE-OUT, REAR 3304mm		1	10
4	470095	. RUBBER EXTRUSION / RAW MATERIAL		1	
5	509044	. RUBBER SEAL 175"-+0.6		AR	
6	478842	. THREADED BLOCK		4	
7	500587	. SCREW SET HEXS CUP M4-0.7x6		4	
8	5001633	. SCREW MA FL PH M6-1.0x12 Z050		8	
9A	478838	. CAP, LOWER		1	
9B	478841	. CAP, LOWER		1	
10	504340	. RIVET POP DOME OE 1/8x3/16 SS		6	
15	478948	EXTRUSION, SLIDE-OUT REAR 2208MM		1	7.5
15	478905	EXTRUSION, SLIDE-OUT REAR 3224MM		1	10
16	5001198	SCREW MA FL PH M6-1.0x16 Z050		4	
17	478850	STOPPER		2	
18	478849	SHIM FOR SLIDE OUT		2	
19	478875	TAPPING PLATE		2	
20	5001768	SCREW MA FL TORX M6-1.0x20 G8.8 Z050		8	
21	502842	NUT INS TYPE "A-L" OE M6-1.0 0.7-4.2 Z050 To R-6961		AR	
21	5000023	NUT AN INS CE Z050 M6-1,0 GRIP .70-4.2MM From R-6962		AR	
23	470437	PLATE TOP STOPPER 1354MM X 62.1MM		1	
24	5001209	SCREW CAP HEX M6-1.0x25 G8.8 Z050		4	
25	502564	WASHER LO SPT 6.1x11.8x1.6 Z050		4	
26	5001586	WASHER FL 6.4x17.0x3.0 Z050		4	
29	491997	PLATE OF PROTECTION To M-6651		2	
29	492001	PLATE OF PROTECTION From M-6652		2	
30	504339	RIVET POP DOME OE 1/8x3/8 SS		4	
31	491808	GUIDE RAIL GUARD ASSY / REAR SLIDE-OUT To M-6651		2	
31	491991	GUIDE RAIL GUARD ASSY / REAR SLIDE-OUT From M-6652		2	
32	504105	. RIVET POP DOME OE 1/8x3/16 AL		6	
33	490226	GUARD, RAIL 704MM To N-6757		2	
33	492096	GUARD, RAIL 717MM From N-6758		2	
34	504643	RIVET POP DOME OE 1/8x1/2 SS		6	
35	400638	MOULDING / 11" / "U" SHAPE DRIVER'S NAME HO		2	
36	5001996	SCREW MA PAN PH M4-0.7x12 N500 To L-6526		2	

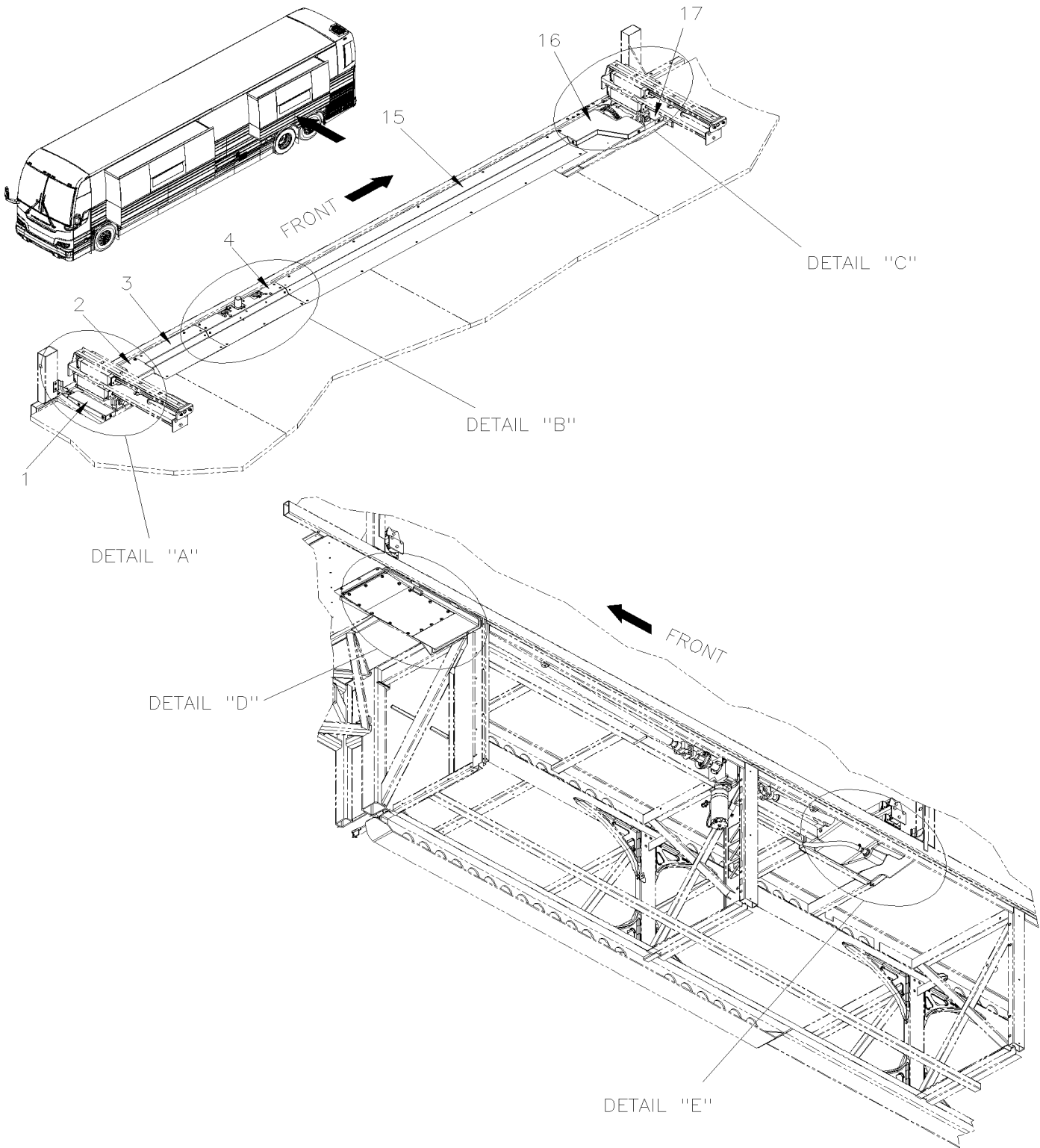


From L-6492

Date:07/2024

PAGE:X3VIP-2390-80

ACCESS PANELS - FRONT "SLIDE-OUT" - INSTALLATION / STREET SIDE



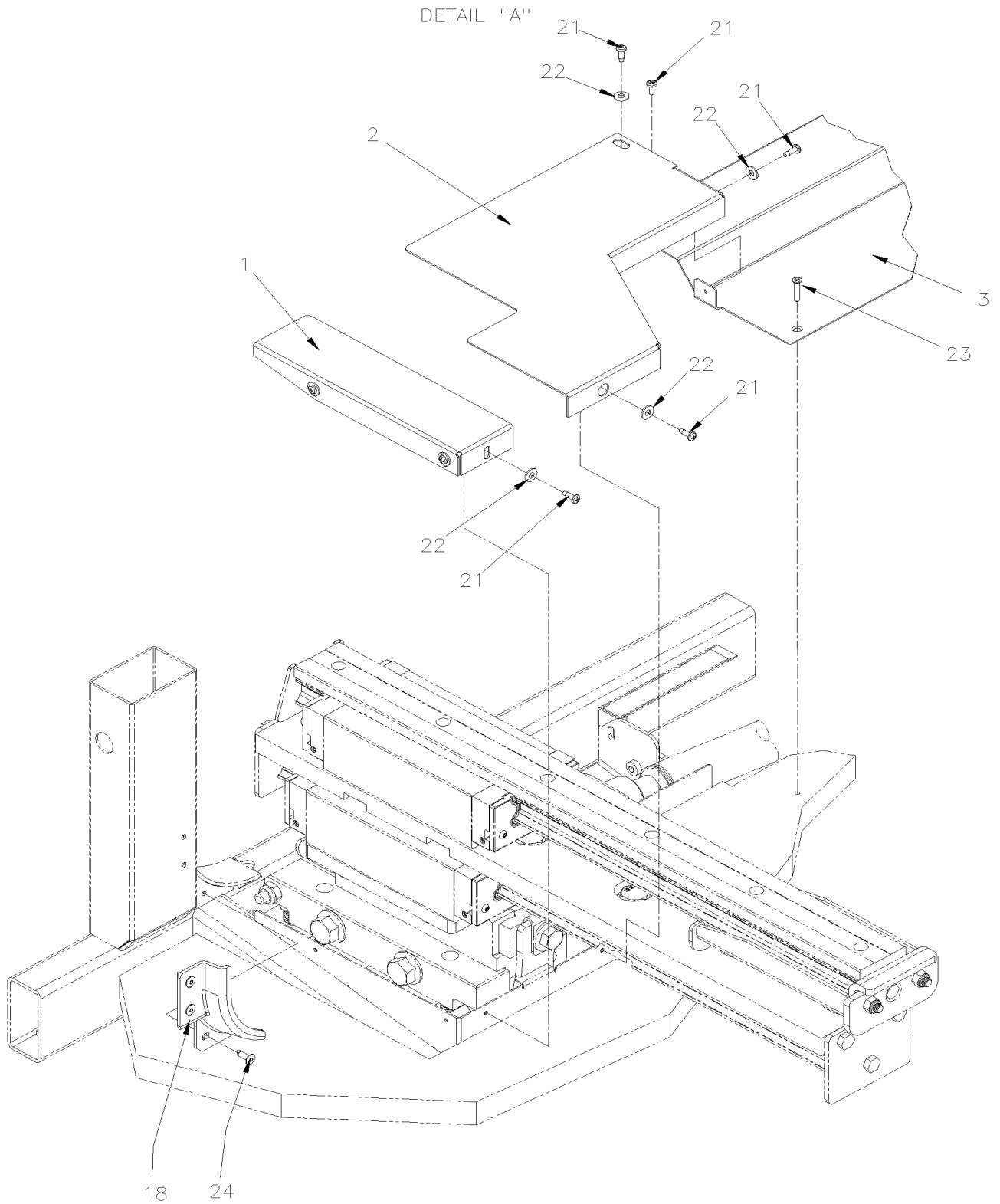


From L-6492

Date:07/2024

PAGE:X3VIP-2390-80

ACCESS PANELS - FRONT "SLIDE-OUT" - INSTALLATION / STREET SIDE



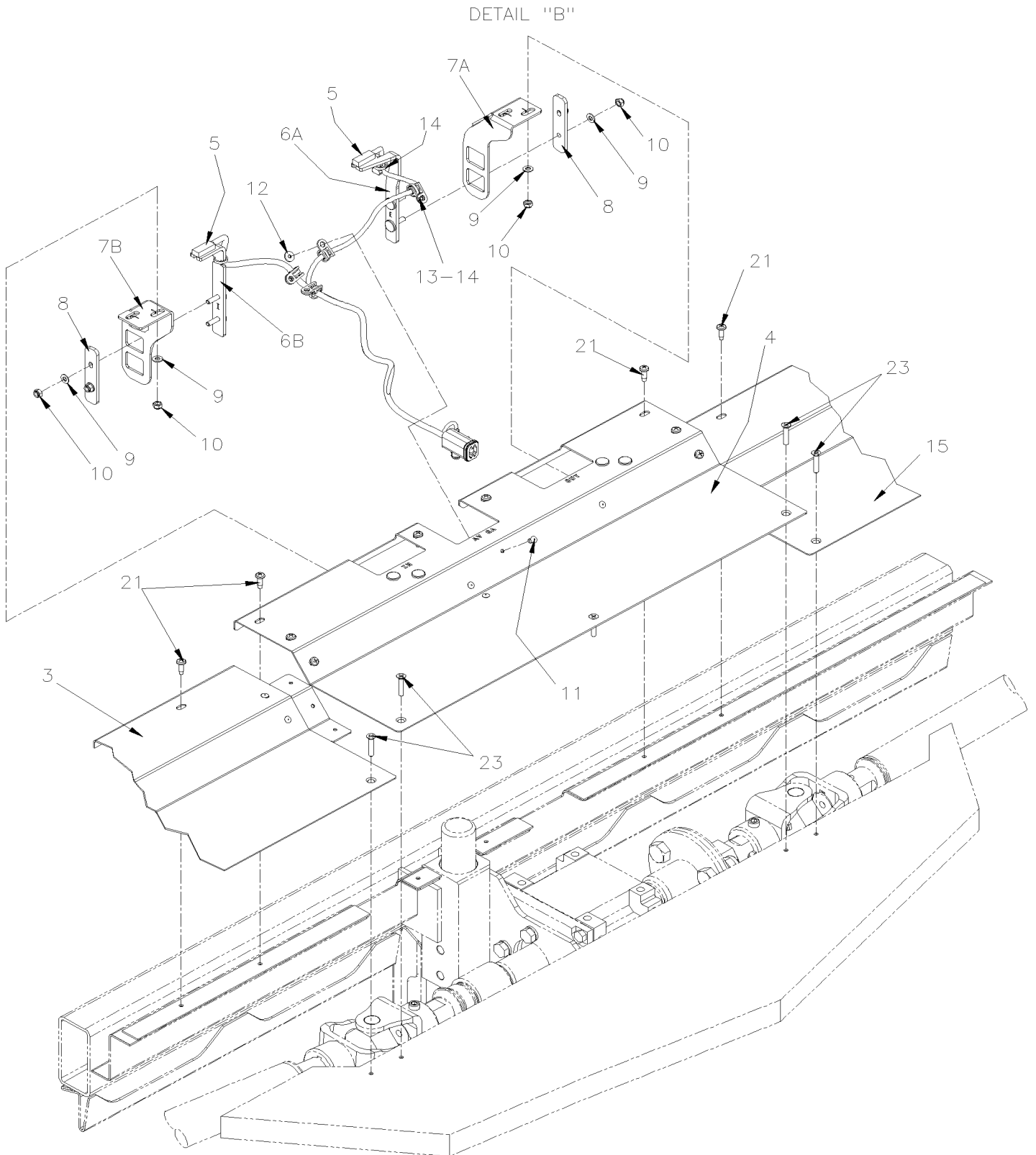


From L-6492

Date:07/2024

PAGE:X3VIP-2390-80

ACCESS PANELS - FRONT "SLIDE-OUT" - INSTALLATION / STREET SIDE





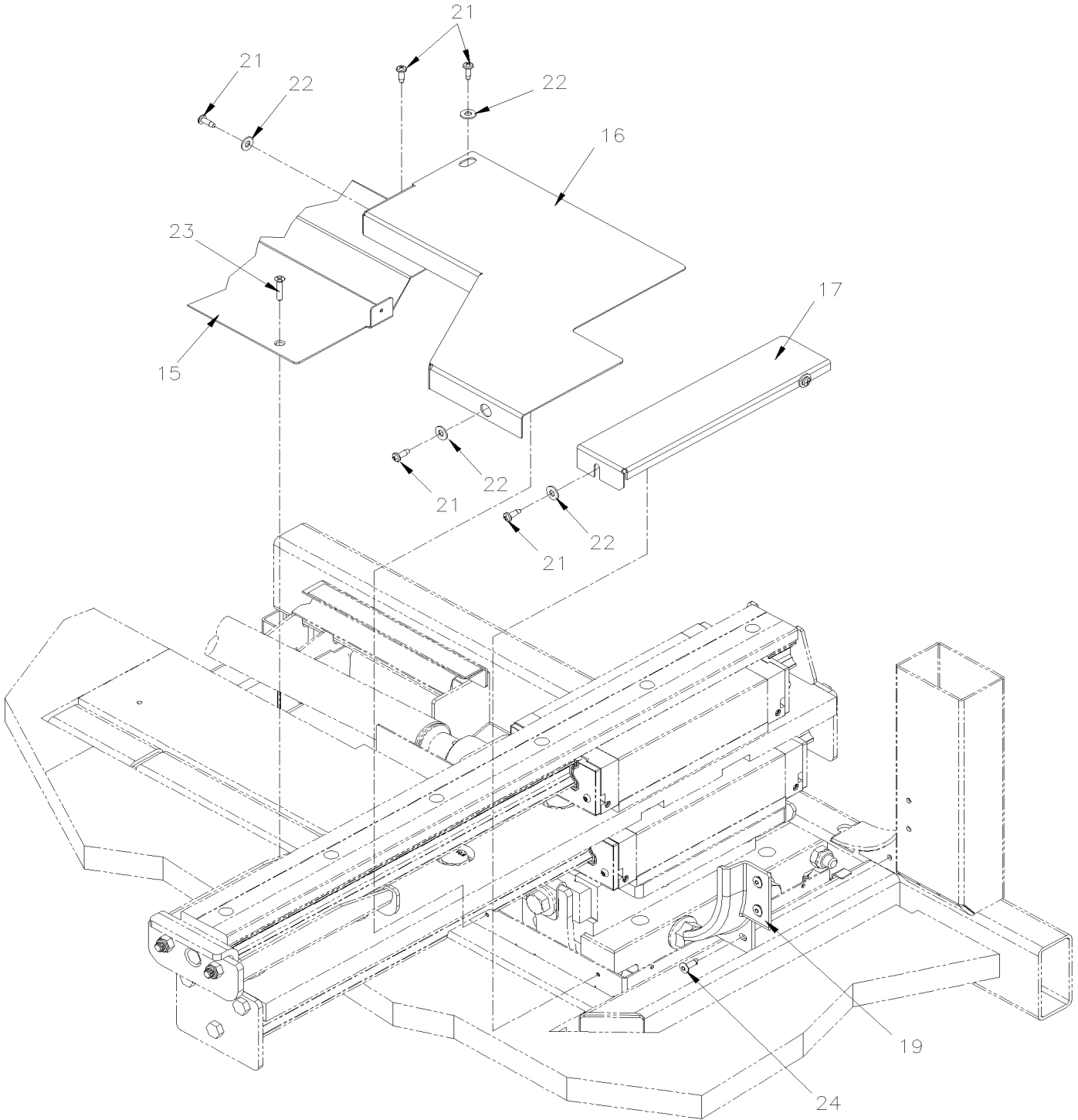
From L-6492

Date:07/2024

PAGE:X3VIP-2390-80

ACCESS PANELS - FRONT "SLIDE-OUT" - INSTALLATION / STREET SIDE

DETAIL "C"





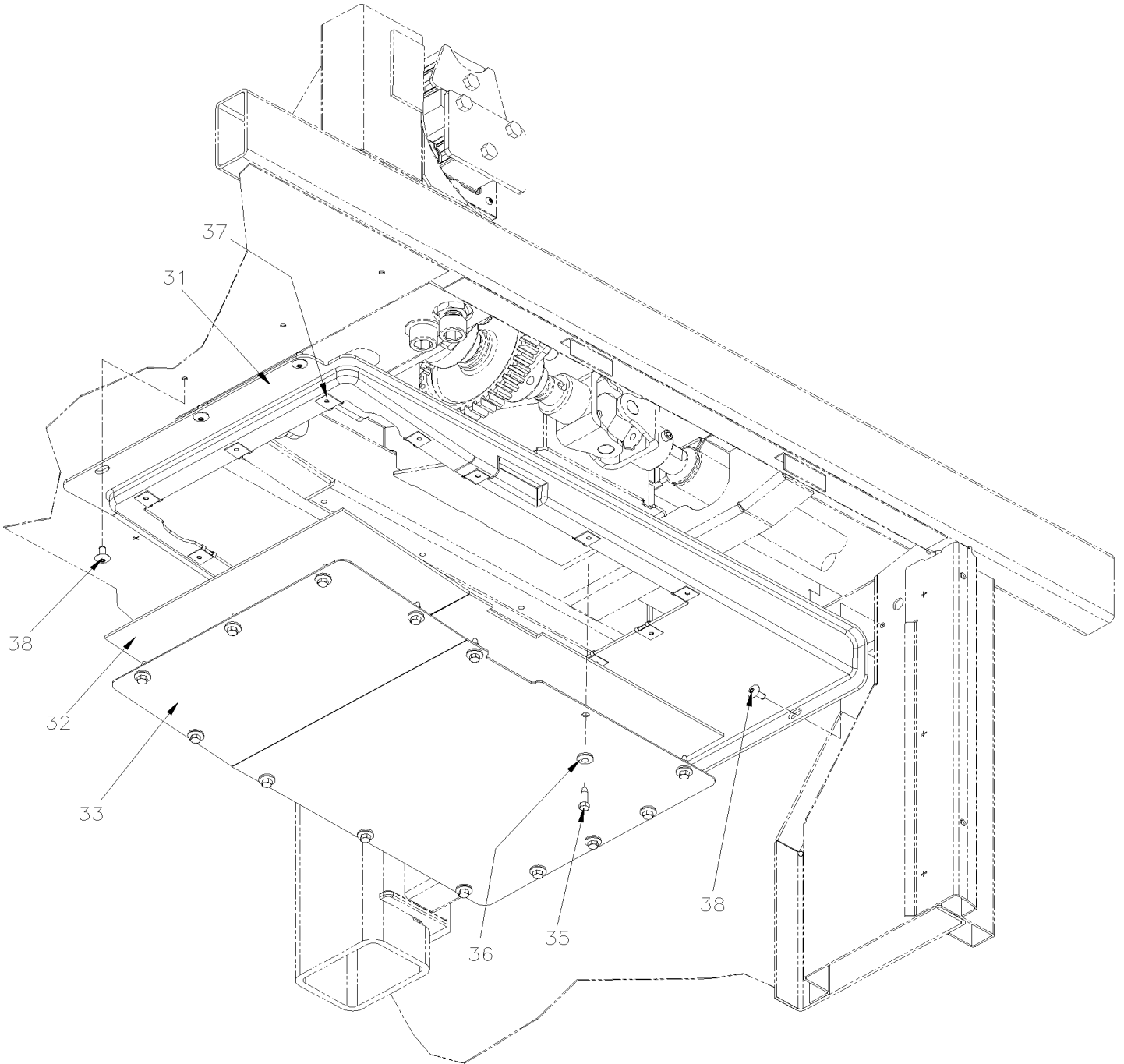
From L-6492

Date:07/2024

PAGE:X3VIP-2390-80

ACCESS PANELS - FRONT "SLIDE-OUT" - INSTALLATION / STREET SIDE

DETAIL "D"



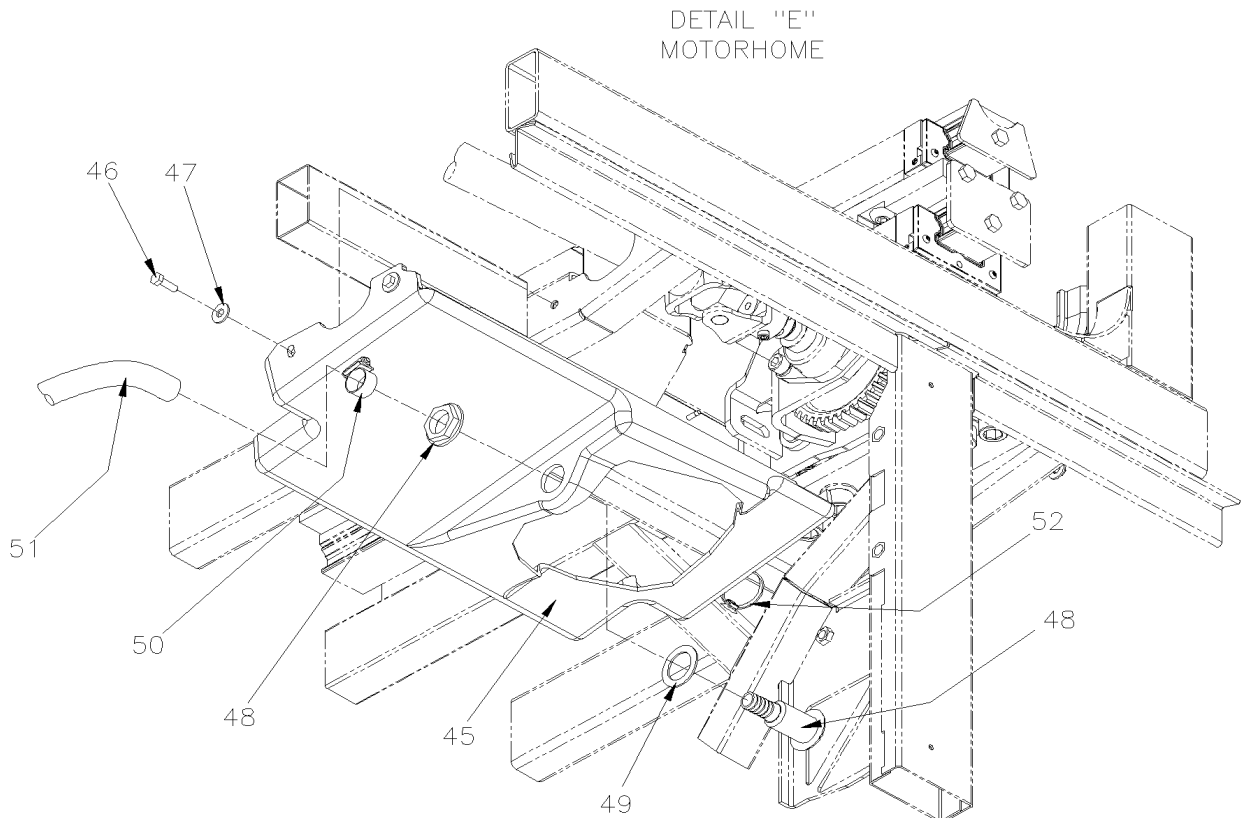
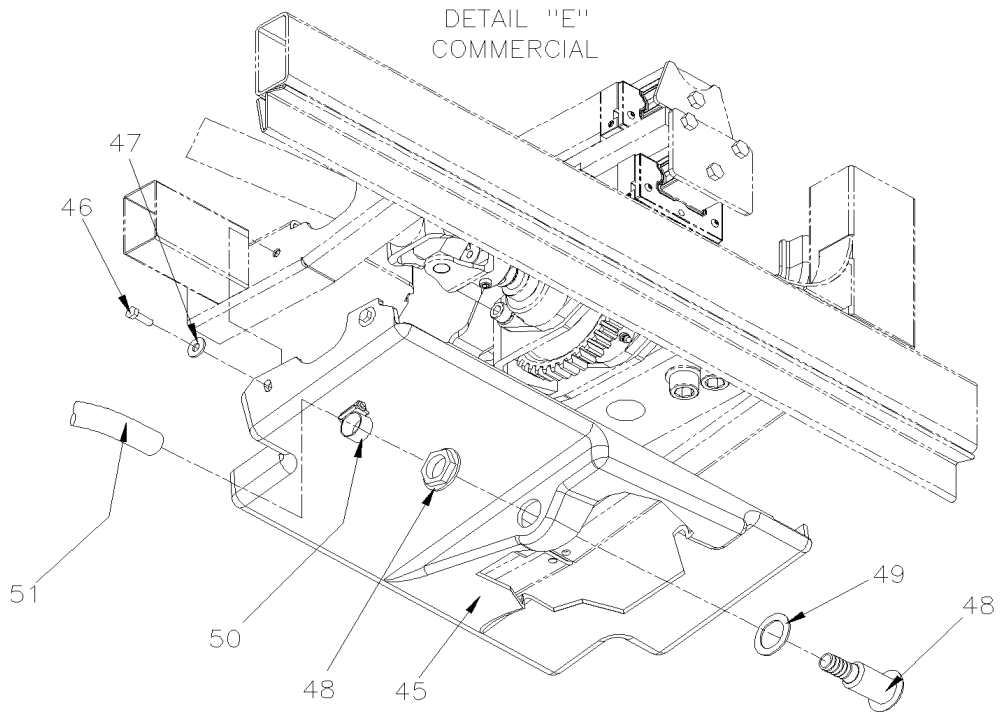


From L-6492

Date:07/2024

PAGE:X3VIP-2390-80

ACCESS PANELS - FRONT "SLIDE-OUT" - INSTALLATION / STREET SIDE





From L-6492		Date:07/2024	PAGE:X3VIP-2390-80
-------------	--	--------------	--------------------

ACCESS PANELS - FRONT "SLIDE-OUT" - INSTALLATION / STREET SIDE

Item#	Part	Description	X 3 V I P E N T	X 3 V I P M T H	N O T E S
1	3210660	PLATE PROTECTIVE SLIDE-OUT	1	1	
2	3210576	PLATE PROTECTIVE SLIDE-OUT	1	1	
NS	506227	TAPE RUB ADH1 CC POL 1/16" x 3/4" x 100' / GREY 2520	AR	AR	
3	3210658	PLATE PROTECTIVE SLIDE-OUT	1		
3	3210578	PLATE PROTECTIVE SLIDE-OUT		1	
4	Call order desk	PLATE AND SENSOR ASSY	1	1	P
4	3210692	. PLATE PROTECTIVE SLIDE-OUT(WELDED)	1	1	
NS	506236	. TAPE RUB ADH1 CC POL 1/16" x 1/2" x 100' / GREY 2520	AR	AR	
5	0610196	. LIMITING REED SWITCH ASSY W/LED S.P.D.T.	2	2	
. NS	563426	. . HALL EFFECT SENSOR	1	1	
. NS	563452	. . LED GREEN / 5VOLTS	1	1	
6A	3210740	. SUPPORT, SENSOR ASS. (WELDED)	1	1	
6B	3210742	. SUPPORT, SENSOR ASS. (WELDED)	1	1	
7A	3210744	. ATTACH, SENSOR SUPPORT	1	1	
7B	3210745	. ATTACH, SENSOR SUPPORT	1	1	
8	273196	. PLATE, CLAMPING	2	2	
9	502556	. WASHER FL 4.3x9.0x0.8 SS	8	8	
10	500539	. NUT HEX NYRT M4-0.7 N500	8	8	
11	504340	. RIVET POP DOME OE 1/8x3/16 SS	4	4	
12	500437	. WASHER FL .125x.375x.040 Z050	4	4	
13	504428	. TIE MOUNT / 3/16" #10 SCREW / TA1S10-C	4	4	
14	504273	. CABLE TIE / 1/8" X 3"1/2	6	6	
15	3210579	PLATE PROTECTIVE SLIDE-OUT	1	1	
16	3210575	PLATE PROTECTIVE SLIDE-OUT	1	1	
NS	506227	TAPE RUB ADH1 CC POL 1/16" x 3/4" x 100' / GREY 2520	AR	AR	
17	3210661	PLATE PROTECTIVE SLIDE-OUT	1	1	
18	478883	GUTTER MOULDING BACKWARD	1	1	
19	478881	GUTTER MOULDING FORWARD	1	1	
21	500965	SCREW TC BDG PH #8-32x1/2 N500	28	28	
22	500804	WASHER FL .203x.500x.047 N500	11	11	
23	5001349	SCREW WO TR PH #8x7/8	13	13	
24	504379	RIVET POP DOME OE 3/16x1/4 SS	6	6	
31	477737	RECEPTACLE BOX	1	1	
NS	684517	ADHESIVE SIMSON #ISR 70-03 / GREY / 310ml CARTRIDGE	AR	AR	
32	477739	GASKET	1	1	
33	477738	ACCESS PANEL	3	3	
35	5001169	SCREW TP CAP HEXW #12x3/4 SS410	14	14	
36	5001686	WASHER FL SEAL .218x.625x20GA SS	14	14	
37	500981	NUT SPR U #10-23/32x5/8	14	14	
38	504793	RIVET MNB OE LARGE HEAD 3/16x7/16 SS	8	8	



From L-6492	Date:07/2024	PAGE:X3VIP-2390-80
-------------	--------------	--------------------

ACCESS PANELS - FRONT "SLIDE-OUT" - INSTALLATION / STREET SIDE

Item#	Part	Description	X 3 V I P E N T	X 3 V I P M T H	N O T E S
45	478735	TRAY SEALING, SLIDE-OUT	1	1	
NS	684517	ADHESIVE SIMSON #ISR 70-03 / GREY / 310ml CARTRIDGE	AR	AR	
46	502830	SCREW CAP HEX M6-1.0x20 G8.8 N500	4	4	
47	502638	WASHER FL .312x.734x.065 N500	4	4	
48	900280	THRU HULL, CONNECTOR / PLASTIC	2	2	
49	409038	GASKET	1	1	
50	504019	HOSE CLAMP / 9/16"-1"1/16 SS / HS-10	1	1	
51	900220	TUBE PVC / 5/8" I.D. / S.L.	AR	AR	
52	509815	TIE MOUNT / ATTACHMENT W/TREE MOUNT		1	
52	504637	CABLE TIE / 3/16" x 13"		1	
		P) CALL ORDER DESK FOR SPECIFIC APPLICATION (V.I.N.)			

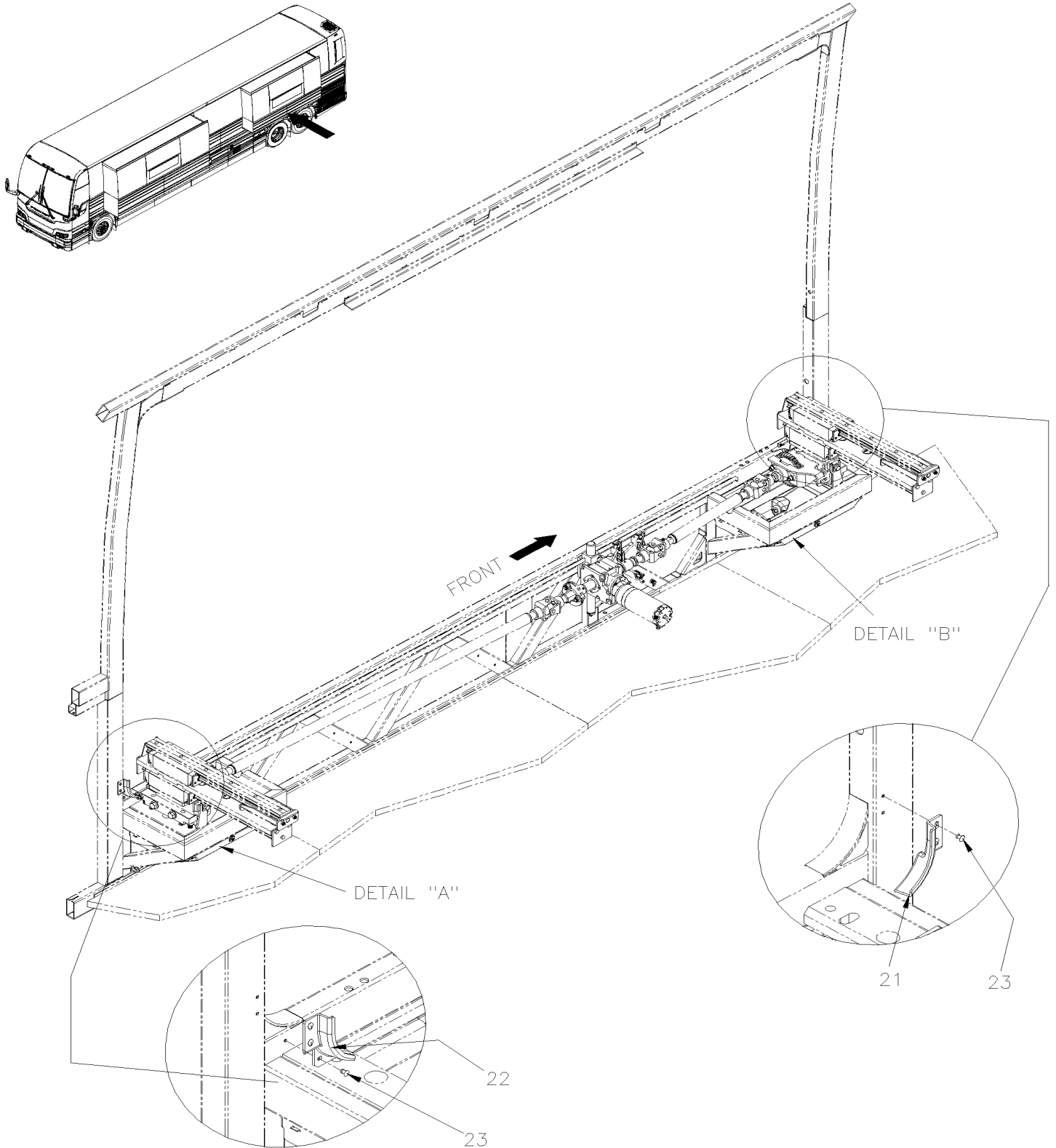


From L-6492

Date:07/2024

PAGE:X3VIP-2390-90

ACCESS PANELS - REAR "SLIDE-OUT" - INSTALLATION / STREET SIDE



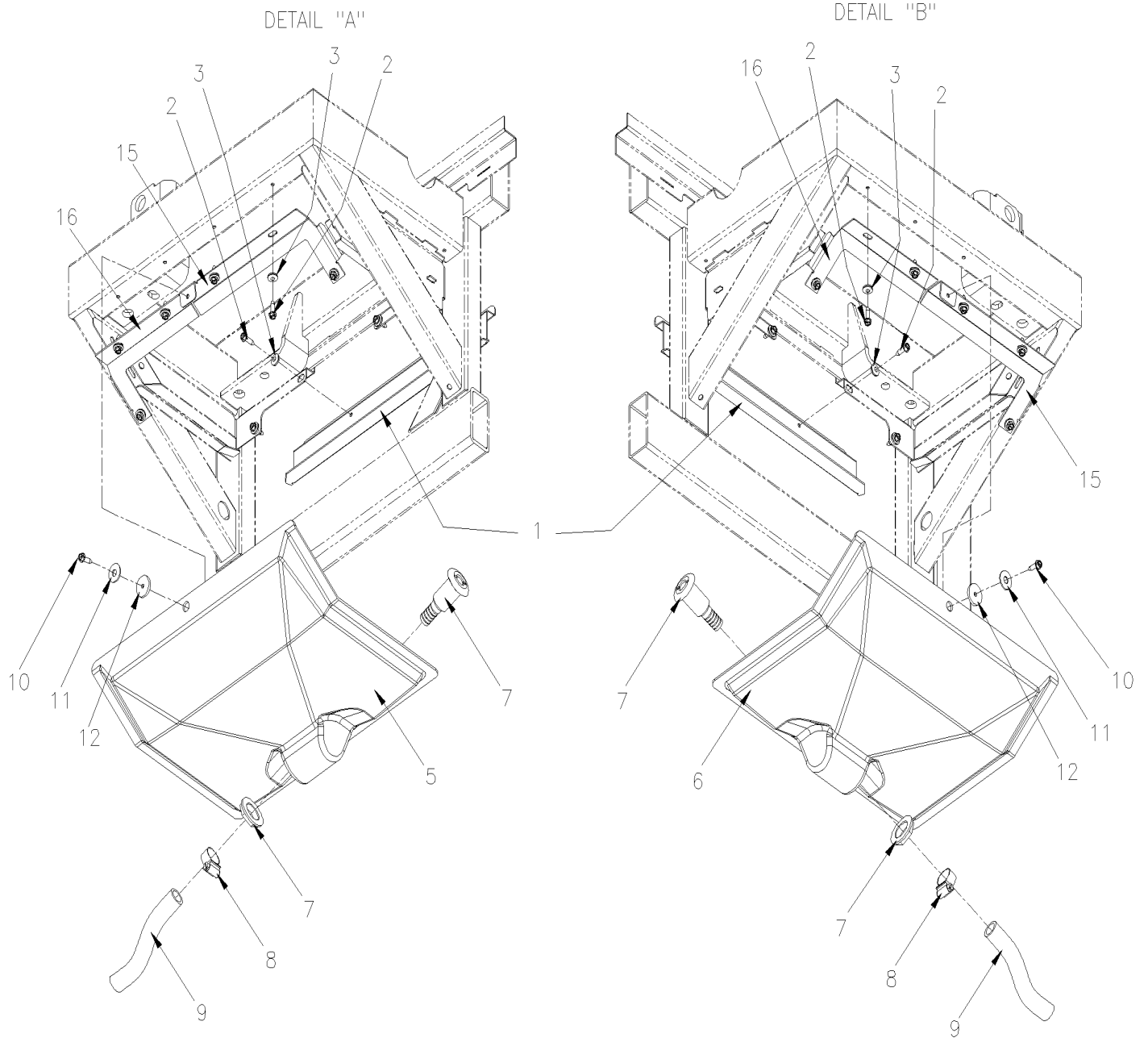


From L-6492

Date:07/2024

PAGE:X3VIP-2390-90

ACCESS PANELS - REAR "SLIDE-OUT" - INSTALLATION / STREET SIDE



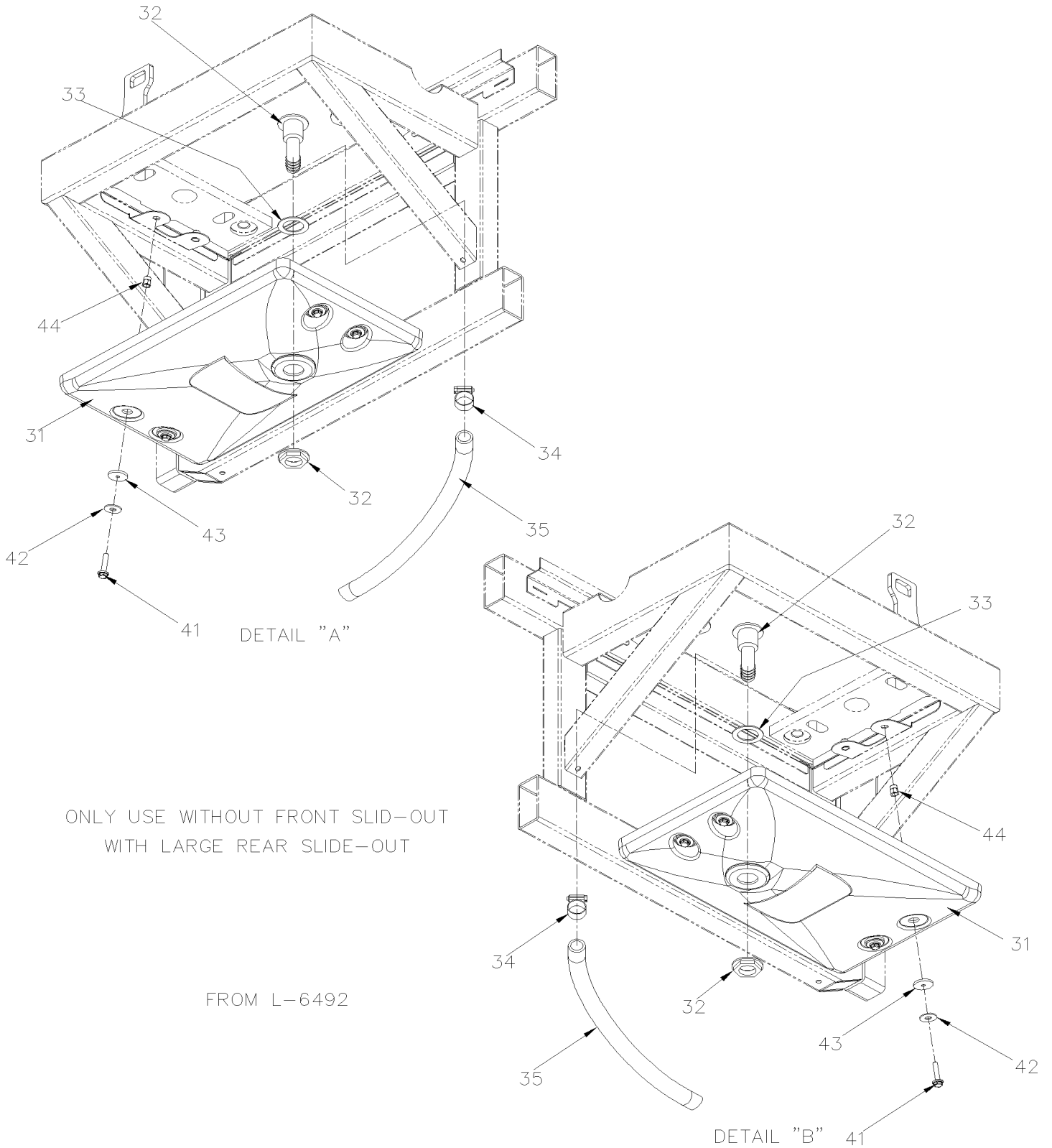


From L-6492

Date:07/2024

PAGE:X3VIP-2390-90

ACCESS PANELS - REAR "SLIDE-OUT" - INSTALLATION / STREET SIDE





From L-6492 Date:07/2024 PAGE:X3VIP-2390-90

ACCESS PANELS - REAR "SLIDE-OUT" - INSTALLATION / STREET SIDE

Item#	Part	Description	X 3 V I P E N T	X 3 V I P M T H	N O T E S
1	491831	SUPPORT		2	
2	500526	SCREW TP CAP HEXW #12x3/4 N500		AR	
3	5001686	WASHER FL SEAL .218x.625x20GA SS		AR	
5	491568	ACCESS PANEL / BACKWARD		1	
6	491567	ACCESS PANEL / FORWARD		1	
7	900280	THRU HULL, CONNECTOR / PLASTIC		2	
8	504019	HOSE CLAMP / 9/16"-1"1/16 SS / HS-10		2	
9	900220	TUBE PVC / 5/8" I.D. / S.L.		AR	
11	500332	WASHER FL .328x.875x.062 N500		2	
12	502820	WASHER FL .187x1.000x.125 RUB BK		2	
15	491827	BRACKET / ACCESS PANEL		2	
16	491830	BRACKET / ACCESS PANEL		2	
NS	500526	SCREW TP CAP HEXW #12x3/4 N500		12	B
NS	684517	ADHESIVE SIMSON #ISR 70-03 / GREY / 310ml CARTRIDGE		AR	
21	478881	GUTTER MOULDING FORWARD		1	
22	478883	GUTTER MOULDING BACKWARD		1	
23	504379	RIVET POP DOME OE 3/16x1/4 SS		6	
31	491923	DRAINING PAN From L-6492		2	A
32	901805	CONNECTOR 90 DEGREE, THRU HULL From L-6492		2	A
33	409038	GASKET From L-6492		2	A
34	504019	HOSE CLAMP / 9/16"-1"1/16 SS / HS-10 From L-6492		2	A
35	900220	TUBE PVC / 5/8" I.D. / S.L. From L-6492		AR	A
41	5001815	SCREW CAP HEXF M6-1.0x30 G 8.8 N500 From L-6492		8	A
42	500332	WASHER FL .328x.875x.062 N500 From L-6492		8	A
43	502820	WASHER FL .187x1.000x.125 RUB BK From L-6492		8	A
44	5001344	NUT INS FL HEX M6-1.0 0.5-3.0 SS From L-6492		8	A
NS	684517	ADHESIVE SIMSON #ISR 70-03 / GREY / 310ml CARTRIDGE From L-6492		AR	A
A) ONLY USE WITHOUT FRONT SLIDE-OUT WITH LARGE REAR SLIDE-OUT					



Date:07/2024

PAGE:ABBREVIATIONS

ABBREVIATIONS

Item#	Part	Description	QTY	Notes
A	ABS	ANTILOCK BRAKING SYSTEM		
A	ADH1	ONE SIDE ADHESIVE		
A	ADH2	TWO SIDE ADHESIVE		
A	AR	AS REQUIRED		
A	ASSY	ASSEMBLY		
B	BDG	BINDING		
B	BEL	BELLEVILLE		
B	BOW	BOWED		
B	BR	BRASS		
B	BRAZ	BRAZIER		
B	BRZ	BRONZE		
B	BUT	BUTTON		
B	BZC	BRIGHT ZINC CHROMATE		
C	C.E.	COMMUTATOR END		
C	C.T.	CONSTANT TORQUE		
C	C/C	CENTER/CENTER		
C	CC	CLOSED CELL		
C	CCW	COUNTERCLOCKWISE		
C	CEB	CUFF END BELLOW		
C	CHE	CHEESE		
C	CHR	CHROME		
C	CHY	CHERRY		
C	CK	COUNTERSUNK		
C	CKD	CLOSED KEYED		
C	CKF	COUNTERSUNK FLUSH		
C	CKS	CLOSED KEYLESS		
C	CLE	CLOSE END		
C	CON	CONCAVE		
C	CONV	CONVOLUTED TUBING		
C	COP	COPPER		
C	CP	CADMIUM PLATED		
C	CPG	COUPLING		
C	CPV	CAPTIVE		
C	CRG	CARRIAGE		
C	CRS	COLD ROLLED STEEL		
C	CSL	CASTLE		
C	CT	CONSTANT TORQUE		
C	CW	CLOCKWISE		
C	CYL.	CYLINDER		
D	D.E.	DRIVE END		
D	D.P.D.T.	DOUBLE POLE DOUBLE THROW		
D	DIA.	DIAMETER		
D	DIFF	DIFFERENTIAL		
D	DOB	DIAMETER OVER BALLS		
D	DR	DRILL		
D	DRV	DRIVE		
D	DW	DOUBLE WAVE		
E	ECU	ELECTRONIC CONTROL UNIT		
E	EFF	EFFECTIVE		
E	EMN	EMRALON		



Date:07/2024

PAGE:ABBREVIATIONS

ABBREVIATIONS

Item#	Part	Description	QTY	Notes
E	ENG.	ENGINE		
E	EXT	EXTERNAL		
F	F	FEMALE		
F	FER	FERRULE		
F	FFB	FLAT FACE BOWED		
F	FH	FITTING HOSE		
F	FIB	FIBER		
F	FIL	FILLISTER		
F	FL	FLAT		
F	FLRET	FLOATING RETAINER		
F	FN	FINISHING		
F	FORM	FORMICA		
F	FRT	FRONT		
F	FT	FULLY THREADED		
G	G500	MAGNI 565 GRAY / 500 HOURS SALT SPRAY		
G	GAL	GALVANISED		
G	GND	GROUND		
H	H.P.	HIGH PRESSURE		
H	HD	HEAVY DUTY		
H	HEX	HEXAGONAL		
H	HEXF	HEXAGONAL FLANGE		
H	HEXH	HEXAGONAL HEAVY		
H	HEXS	HEXAGONAL SOCKET		
H	HEXW	HEXAGONAL WASHER		
H	HI	HIGH		
H	HK	HOOK		
H	HRS	HOT ROLLED STEEL		
H	HVAC	HEATING, VENTILATION & AIR CONDITIONING		
H	HYD	HYDRAULIC		
I	I.D.	INSIDE DIAMETER		
I	INS	INSERT		
I	INT	INTERNAL		
J	JCT	JUNCTION		
L	L.P.	LOW PRESSURE		
L	LED	LIGHT-EMITTING DIODE		
L	LGE	LARGE		
L	LH	LEFT HAND		
L	LO	LOCK		
L	LUGG.	LUGGAGE		
M	M	MALE		
M	M & F	MALE & FEMALE		
M	MA	MACHINE		
M	MAX	MAXIMUM		
M	MGLP	MAGNA-LOK		
M	MIN	MINIMUM		
M	MNB	MONOBOLT		
M	MNL	MONEL		
N	N.C.	NORMALY CLOSE		
N	N.O.	NORMALY OPEN		
N	N.P.N.	NO PARTS NUMBER		



Date:07/2024

PAGE:ABBREVIATIONS

ABBREVIATIONS

Item#	Part	Description	QTY	Notes
N	N.S.P.	NOT SOLD AT PREVOST		
N	N.S.S.	NOT SOLD SEPARATELY		
N	N/A	NOT AVAILABLE		
N	N500	MAGNI 565 BLACK / 500 HOURS SALT SPRAY		
N	NEG.	NEGATIVE		
N	NEO	NEOPRENE		
N	NERB	NEOPRENE & BRASS		
N	NIT	NITRILE		
N	NP	NICKEL PLATED		
N	NPT	NATIONAL PIPE THREAD		
N	NS	NOT SHOWN		
N	NYAL	NYLON & ALUMINIUM		
N	NYL	NYLON		
N	NYRT	NYLON INSERT		
O	O.D.	OUTSIDE DIAMETER		
O	O.S.	OVERSIZE		
O	OE	OPEN END		
O	OKD	OPEN KEYED		
O	OKS	OPEN KEYLESS		
O	OPT.	OPTION		
O	OV	OVAL		
P	PH	PHILIPS		
P	PHB	PHOSPHOR BRONZE		
P	PHC	PHOSPHATE COATING		
P	PLAS	PLASTIC		
P	PLEX	PLEXIGLASS		
P	PO	PUSH-ON		
P	POL	POLYETHYLENE		
P	POLCAR	POLYCARBONATE		
P	POLY	POLYPROPYLENE		
P	POLYA	POLYAMIDE		
P	POLYP	POLYPROPYLENE		
P	POS.	POSITIVE		
P	PRDG	PROTRUDING		
P	PROT	PROTECTIVE		
P	PT	PARTIALLY THREADED		
R	RBP	RUBBER BUMPER		
R	RCT	RECEPTACLE		
R	REC	RECTANGULAR		
R	RES	RECESS		
R	RET	RETANING / RETAINER		
R	RH	RIGHT HAND		
R	RND	ROUND		
R	RR	REAR		
R	RUB	RUBBER		
R	RVT	RIVET		
S	S.C.C.	SPECIFY COLOR CODE		
S	S.D.	SPECIFY DIMENSION		
S	S.L.	SPECIFY LENGHT		
S	S.P.D.T	SINGLE POLE DOUBLE THROW		



Date:07/2024

PAGE:ABBREVIATIONS

ABBREVIATIONS

Item#	Part	Description	QTY	Notes
S	S.P.S.T	SINGLE POLE SINGLE THROW		
S	SB	SATIN BLEND		
S	SCT	SECTION		
S	SERR	SERRATED		
S	SG	SPRING GUARD		
S	SHR	SHOULDER		
S	SLE	SLEEVE		
S	SLO	SELF LOCKING		
S	SLT	SLOTTED		
S	SM	SMALL		
S	SOL	SOLID		
S	SPE	SPECIAL		
S	SPR	SPRING		
S	SPT	SPLIT		
S	SQ	SQUARE		
S	SQS	SQUARE SOCKET		
S	SS	STAINLESS STEEL		
S	STD	STANDARD		
S	STL	STEEL		
S	STO	STOVER		
S	SW	SWIVEL		
S	SWL FITT.	SWIVEL FITT		
T	TC	THREAD CUTTING		
T	TH	THICKNESS		
T	TP	TAPPING		
T	TPG	TAPPING		
T	TR	TRUSS		
T	TRANS.	TRANSMISSION		
T	TWAY	TWO WAY LOCK		
T	TXV	THERMAL EXPANSION VALVE		
U	U.S.	UNDERSIZE		
V	VAC	VEHICLE ACCELERATION CONTROL		
W	W	WITH		
W	W.S.	WAVE SEAL		
W	W/O	WITHOUT		
W	WD	WELDED		
W	WIND.	WINDOW		
W	WO	WOOD		
W	WOC	WITHOUT CERAMIC		
X	XX-XXXX-XX	SEE PAGE		
Y	YZP	YELLOW ZINC PLATED		
Z	Z050	ZINC PLATED		
Z	ZG603	ZINC IRON BLACK		
Z	ZP	ZINC PLATED		
N	N_A	NOT AVAILABLE		
W	W_O	WITHOUT		
C	C_C	CENTER/CENTER		
A	ABBREVIATIC	ABBREVIATIONS		