

PREVOST

COACH MANUFACTURER

PARTS MANUAL



PA1631

07-2024



General information

A. Vehicle Identification Number (V.I.N.)

Each time spare parts have to be ordered, you must refer to your vehicle identification number serial number. In order to understand the meaning of this number, please refer to the following:

2 P C V 3 3 4 9 5 K 1 0 1 0295

V = VEHICLE MODEL

9 = VEHICLE LENGHT

K = MODEL YEAR

0295 = SEQUENCE NUMBER

Vehicle Model

This manual covers vehicle model VIP bus shells.

| | |
|----------|------------------|
| V | V.I.P. Bus shell |
|----------|------------------|

Vehicle Length

| | |
|----------|---------|
| 9 | 45 feet |
|----------|---------|

Model Year

| YEAR | CODE | YEAR | CODE | YEAR | CODE | YEAR | CODE |
|------|------|------|------|------|------|------|------|
| 2019 | K | 2022 | N | | | | |
| 2020 | L | 2023 | P | | | | |
| 2021 | M | 2024 | R | | | | |

Sequence Number

This number represents the sequence the vehicle has followed on the assembly line.

B. Effective

This manual covers information for vehicles from the sequence number **K-0295** for VIP model.

The heading of each page in this manual refers to an effective serial number and in the parts description, you may find additional information on the effective of a specific part to a serial number (refer to FROM).

In the description, you may also remark the expression UP TO which means that a component is effective to the vehicles manufactured before the specified serial number (refer to UP TO).

PARTS MANUAL

C. Illustrations

An exploded view is conveniently located at the beginning of each section and is meant to assist the user in identifying parts and components.

The illustrations show the typical construction of the different assemblies and , in all cases, may not reproduced the full detail or exact shape of parts shown, however, they represent parts which have same or similar function.

D. General

The information, illustrations and components/system descriptions contained in this manual are correct at time of publication. Prévost Car Inc., however, maintains a policy of continuous improvement of its product without imposing upon itself any obligation to install them on products previously manufactured.

Prévost Car Inc., reserves the right at any time to discontinue or change specifications, designs, features, models or equipment without incurring obligation.

PARTS MANUAL

E. Parts and Service Center

CANADA

| | | | |
|---|---|---|---|
| Canadian Parts Customer Service 2955-A Watt Street Québec, Québec Canada, G1X 3W1 | Toll free phone: 1 (800) 463-8876 Tel.: (418) 654-0174 Fax: (800) 939-0133 Fax: (418) 658-1723 | Service Center British Columbia 11911 No. 5 Road Richmond, British Columbia Canada, V7A 4E9 | Tel.: (604) 940-3306 Fax: (604) 940-3384 |
| Service Center 850 Chemin Olivier Saint-Nicolas, Quebec Canada G7A 2N1 | Toll free phone: 1 866 870-2046 Tel.: (418) 831-2046 Fax: (418) 831-7432 | Service Ontario 8301-A Keele Street Vaughan, Ontario Canada, L4K 1Z6 | Tel.: (905) 738-0881 Fax: (905) 738-0891 |
| Service Center Alberta 292 MacDonald Crescent Fort McMurray, Alberta Canada T9H 4B6 | Tel.: (780) 792-9526 Fax: (780) 743-0983 | | |

UNITED STATES

| | | | |
|--|--|--|--|
| US Parts Customer Service 2250 Point Blvd., Suite 410 Elgin, IL USA, 60123 | Toll free phone 1 800 799-9938 Main office (847) 844-7680 Parts 1 800 621-5519 | Prevost Parts & Service Center 800 South Cartwright Street Goodlettsville, TN USA, 37072 | Toll free phone 1 877 299-8881 Main office (615) 299-8881 Fax: (615) 299-8816 After-Hours (615) 519-1372 Parts Emergency |
| Prevost Parts & Service Center 3384 De Forest Circle Mira Loma, CA USA, 91752 | Toll free phone 1 800 421-9958 Main office (951) 360-2550 Fax: (951) 360-2560 After-Hours (951) 314-0226 Parts Emergency | Prevost Parts & Service Center 201 South Avenue South Plainfield, NJ USA, 07080 | Toll free phone 1 800 223-0830 Main office (908) 222-7211 Fax: (908) 222-7304 Fax parts (908) 222-7305 After-Hours (201) 315-4064 Parts Emergency |
| Prevost Parts & Service Center 6821 Central Avenue, Newark, CA USA, 94560 | Main office (310) 283-1852 After-Hours: (951) 314-0226 Parts Emergency | Prevost Parts & Service Center 15200 Frye Road Fort Worth, TX USA, 76155-2702 | Service/Parts 1 866 773-8678 Main office (817) 685-0250 Fax : (817) 685-0460 After-Hours (817) 271-8653 Parts Emergency |
| Prevost Parts & Service Center 6931 Business Park Blvd North Jacksonville, FL USA, 32256 | Toll free phone 1 800 874-7740 Main office (904) 886-4555 Fax: (904) 886-0092 After-Hours (904) 412-8023 Parts Emergency | Prevost Parts & Service Center 11851 Cutten Road Houston, TX USA, 77066 | Service/Parts 1 877 602-0273 Main office (713) 849-8562 Fax: (281) 315-1571 After-Hours (346) 333-5520 Parts Emergency |
| Prevost Parts & Service Center 1300 Green Forest Court Winter Garden, FL USA, 34787 | Toll free phone 1 866 726-6235 Main office (407) 554-0196 After-Hours: (407) 259-5720 Parts Emergency | Prevost Parts & Service Center 3715 N. Carnation St. Franklin Park, IL USA, 60131 | Main office (847) 778-7475 Fax: (847) 737-2242 After-Hours 1 800 463-7738 Parts Emergency |

PARTS MANUAL

KEY & ABBREVIATIONS

| | | | |
|------------------------|--|------------------------|--|
| (XXXX-XX) | SEE PAGE | N/A | NOT AVAILABLE |
| <> | BETWEEN | NEG. | NEGATIVE |
| ° | DEGREE | N.O. | NORMALLY OPEN |
| # | NUMBER | N.C. | NORMALLY CLOSE |
| ?? | INFORMATION NOT AVAILABLE AT TIME OF PUBLICATION | N.P.N. | NO PARTS NUMBER |
| ABS | ANTILOCK BRAKING SYSTEM | NPT | NATIONAL PIPE THREAD |
| AR | AS REQUIRED | NS | NOT SHOWN |
| ASSY | ASSEMBLY | N.S.P. | NOT SOLD AT PREVOST (SEE MANUFACTURING PART NUMBER AT THE END OF DESCRIPTION LINE) |
| CCW | COUNTERCLOCKWISE | N.S.S. | NOT SOLD SEPARATELY |
| C.E. | COMMUTATOR END | O.D. | OUTSIDE DIAMETER |
| CHR | CHROME | OPT. | OPTION |
| CW | CLOCKWISE | O.S. | OVERSIZE |
| CYL. | CYLINDER | PH | PHILLIPS |
| C/C | CENTER/CENTER | POS. | POSITIVE |
| D.E. | DRIVE END | RR | REAR |
| DIA. | DIAMETER | S.C.C. | SPECIFY COLOR CODE |
| DIFF. | DIFFERENTIAL | SCT | SECTION |
| D.P.D.T. | DOUBLE POLE DOUBLE THROW | S.D. | SPECIFY DIMENSION |
| ECU | ELECTRONIC CONTROL UNIT | S.L. | SPECIFY LENGHT |
| EDU | ELECTRONIC DISTRIBUTOR UNIT | SM | SMALL |
| EFF | EFFECTIVE | S.P.S.T. | SINGLE POLE SINGLE THROW |
| ENG. | ENGINE | S.P.D.T. | SINGLE POLE DOUBLE THROW |
| EXT | EXTERNAL | S.Q. | SPECIFY QUANTITY |
| FR | FRONT | SS | STAINLESS STEEL |
| GND | GROUND | STD | STANDARD |
| HD | HEAD | STO | STOVER |
| HEX | HEXAGONAL | SW | SWIVEL |
| H.P. | HIGH PRESSURE | SWL FITT. | SWIVEL FITTING |
| HVAC | HEATING, VENTILATION & AIR CONDITIONING | TPG | TAPING |
| HYD | HYDRAULIC | TH | THICKNESS |
| I.D. | INSIDE DIAMETER | TRANS. | TRANSMISSION |
| INT | INTERNAL | TXV | THERMAL EXPANSION VALVE |
| JCT | JUNCTION | U.S. | UNDERSIZE |
| LED | LIGHT-EMITTING DIODE | W | WITH |
| L.P. | LOW PRESSURE | W/O | WITHOUT |
| LUGG. | LUGGAGE | WIND. | WINDOW |
| M & F | MALE & FEMALE | ZP | ZINC PLATED |

PARTS MANUAL

MEASUREMENT EQUIVALENTS

Fraction - Inches (dec.) - Millimeter

25.4mm = 1 inch

1mm = .03937 inch

| fraction | decimal | mm | fraction | decimal | mm |
|----------|---------|--------|----------|---------|--------|
| 1/64 | 0.0156 | 0.397 | 33/64 | 0.5156 | 13.097 |
| 1/32 | 0.0313 | 0.794 | 17/32 | 0.5313 | 13.494 |
| - | 0.0394 | 1 | 35/64 | 0.5469 | 13.891 |
| 3/64 | 0.0469 | 1.191 | - | 0.5512 | 14 |
| 1/16 | 0.0625 | 1.588 | 9/16 | 0.5625 | 14.288 |
| 5/64 | 0.0781 | 1.984 | 37/64 | 0.5781 | 14.684 |
| - | 0.0787 | 2 | - | 0.5906 | 15 |
| 3/32 | 0.0938 | 2.381 | 19/32 | 0.5938 | 15.081 |
| 7/64 | 0.1093 | 2.778 | 39/64 | 0.6094 | 15.478 |
| - | 0.1181 | 3 | 5/8 | 0.6250 | 15.875 |
| 1/8 | 0.1250 | 3.175 | - | 0.6299 | 16 |
| 9/64 | 0.1406 | 3.572 | 41/64 | 0.6406 | 16.272 |
| 5/32 | 0.1563 | 3.969 | 21/32 | 0.6563 | 16.669 |
| - | 0.1575 | 4 | - | 0.6693 | 17 |
| 11/64 | 0.1719 | 4.366 | 43/64 | 0.6719 | 17.066 |
| 3/16 | 0.1875 | 4.762 | 11/16 | 0.6875 | 17.462 |
| - | 0.1969 | 5 | 45/64 | 0.7031 | 17.859 |
| 13/64 | 0.2031 | 5.159 | - | 0.7087 | 18 |
| 7/32 | 0.2188 | 5.556 | 23/32 | 0.7188 | 18.256 |
| 15/64 | 0.2344 | 5.953 | 47/64 | 0.7344 | 18.653 |
| - | 0.2362 | 6 | - | 0.7480 | 19 |
| 1/4 | 0.2500 | 6.350 | 3/4 | 0.7500 | 19.050 |
| 17/64 | 0.2656 | 6.747 | 49/64 | 0.7656 | 19.447 |
| - | 0.2756 | 7 | 25/32 | 0.7813 | 19.844 |
| 9/32 | 0.2813 | 7.144 | - | 0.7874 | 20 |
| 19/64 | 0.2969 | 7.541 | 51/64 | 0.7969 | 20.241 |
| 5/16 | 0.3125 | 7.938 | 13/16 | 0.8125 | 20.638 |
| - | 0.3150 | 8 | - | 0.8268 | 21 |
| 21/64 | 0.3281 | 8.334 | 53/64 | 0.8281 | 21.034 |
| 11/32 | 0.3438 | 8.731 | 27/32 | 0.8438 | 21.431 |
| - | 0.3543 | 9 | 55/64 | 0.8594 | 21.828 |
| 23/64 | 0.3594 | 9.128 | - | 0.8661 | 22 |
| 3/8 | 0.3750 | 9.525 | 7/8 | 0.8750 | 22.225 |
| 25/64 | 0.3906 | 9.922 | 57/64 | 0.8096 | 22.622 |
| - | 0.3937 | 10 | - | 0.9055 | 23 |
| 13/32 | 0.4063 | 10.319 | 29/32 | 0.9063 | 23.019 |
| 27/64 | 0.4219 | 10.716 | 59/64 | 0.9219 | 23.416 |
| - | 0.4331 | 11 | 15/16 | 0.9375 | 23.812 |
| 7/16 | 0.4375 | 11.112 | - | 0.9449 | 24 |
| 29/64 | 0.4531 | 11.509 | 61/64 | 0.9531 | 24.209 |
| 15/32 | 0.4688 | 11.906 | 31/32 | 0.9688 | 24.606 |
| - | 0.4724 | 12 | - | 0.9843 | 25 |
| 31/64 | 0.4844 | 12.303 | 63/64 | 0.9844 | 25.003 |
| 12 | 0.5000 | 12.700 | 1/1 | 1 | 25.400 |
| - | 0.5118 | 13 | - | - | - |

PARTS MANUAL

TABLE OF CONTENTS

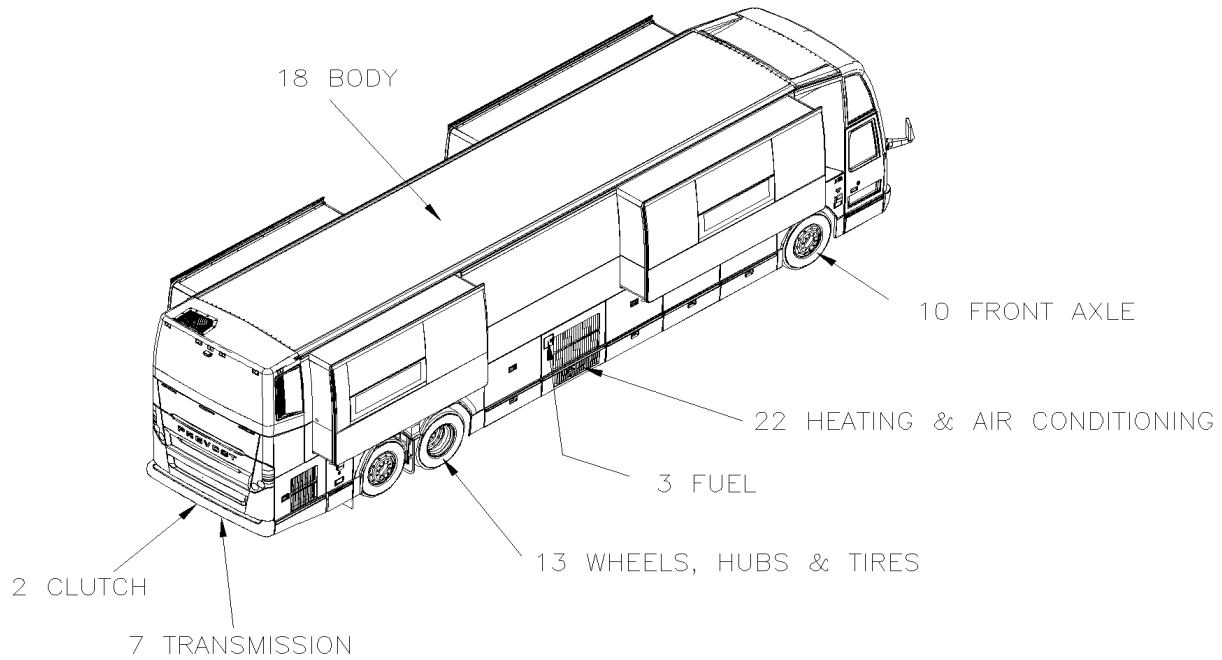
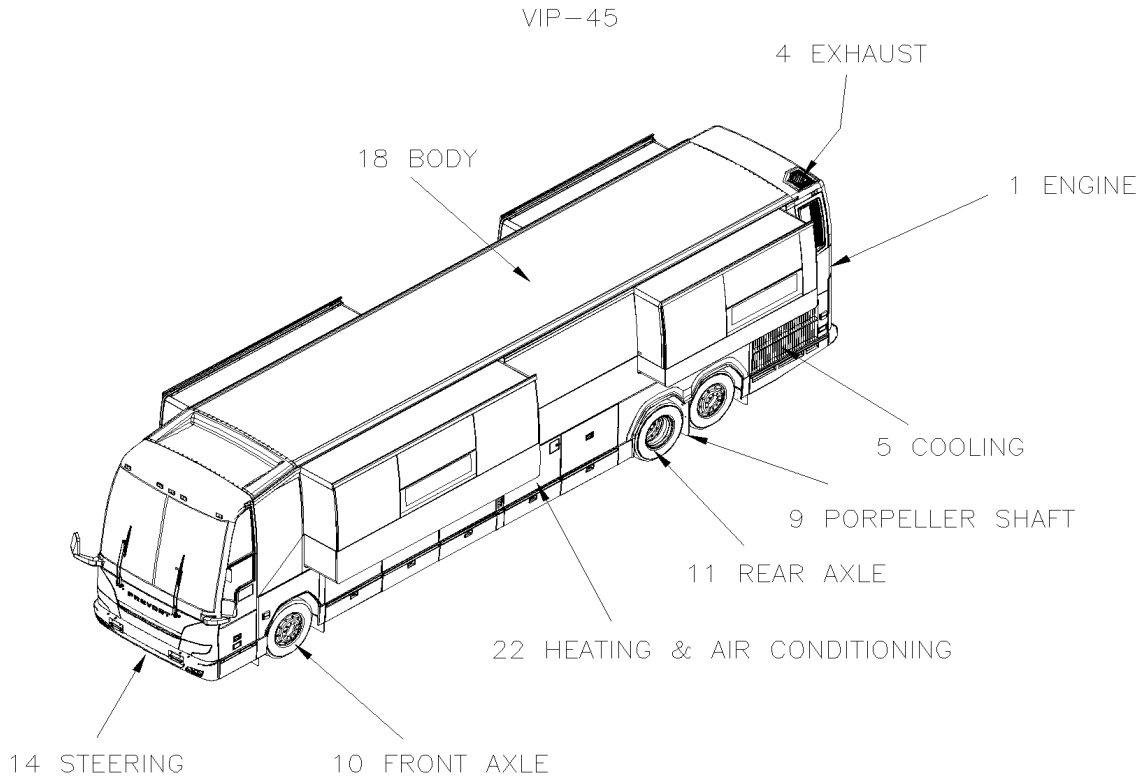
| | |
|----------------------------|----|
| GENERAL | 00 |
| ENGINE | 01 |
| CLUTCH | 02 |
| FUEL | 03 |
| EXHAUST | 04 |
| COOLING | 05 |
| ELECTRICAL | 06 |
| TRANSMISSION | 07 |
| PROPELLER SHAFT | 09 |
| FRONT AXLE | 10 |
| REAR AXLE | 11 |
| BRAKE | 12 |
| WHEEL, HUBS & TIRES | 13 |
| STEERING | 14 |
| SUSPENSION | 16 |
| BODY | 18 |
| HEATING & AIR CONDITIONING | 22 |
| ACCESSORIES | 23 |
| WHEEL CHAIR LIFT | 25 |

PARTS MANUAL

To have more information about fast moving parts, place an order for the book PA-1105 to your nearest parts order desk.

Thank you!

| | | |
|--|--------------|----------------------|
| | Date:07/2024 | PAGE:_VIP-2019@UP TO |
| H3-45 VIP / 2019 TO DATE / VIN FROM K-0295 TO | | |



6 ELECTRICAL
12 BRAKE

16 SUSPENSION
23 ACCESSORIES

| | | |
|--|--------------|----------------------|
| | Date:07/2024 | PAGE: VIP-2019@UP TO |
| H3-45 VIP / 2019 TO DATE / VIN FROM K-0295 TO | | |

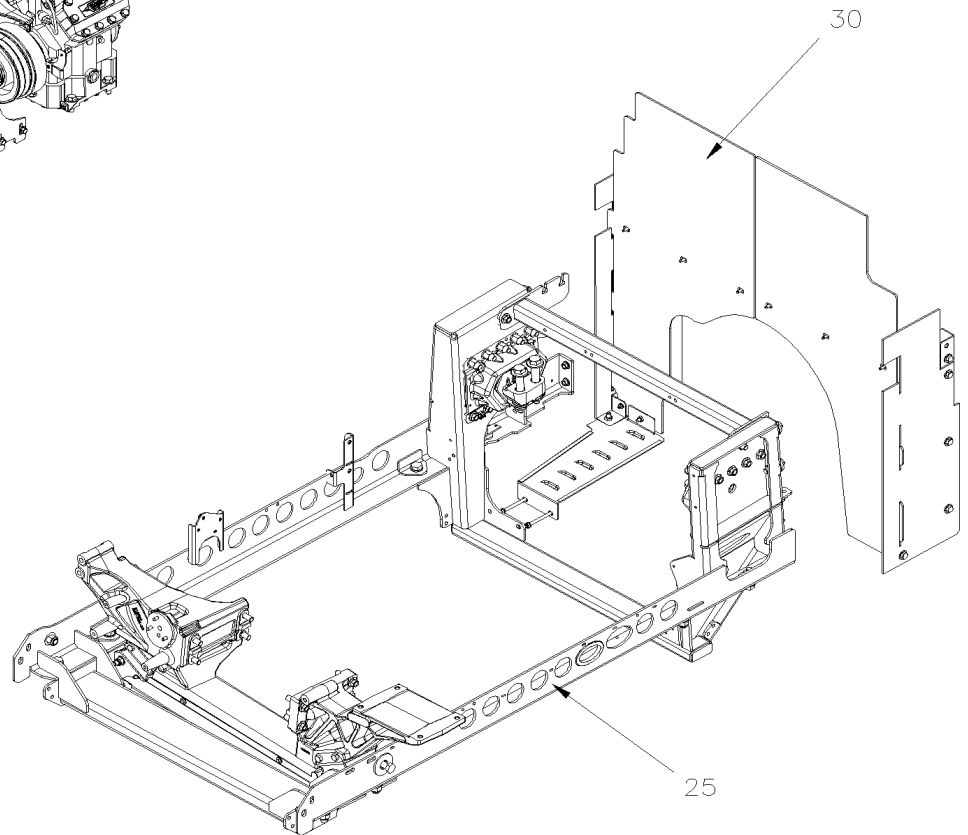
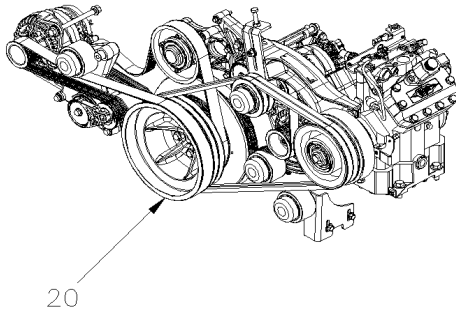
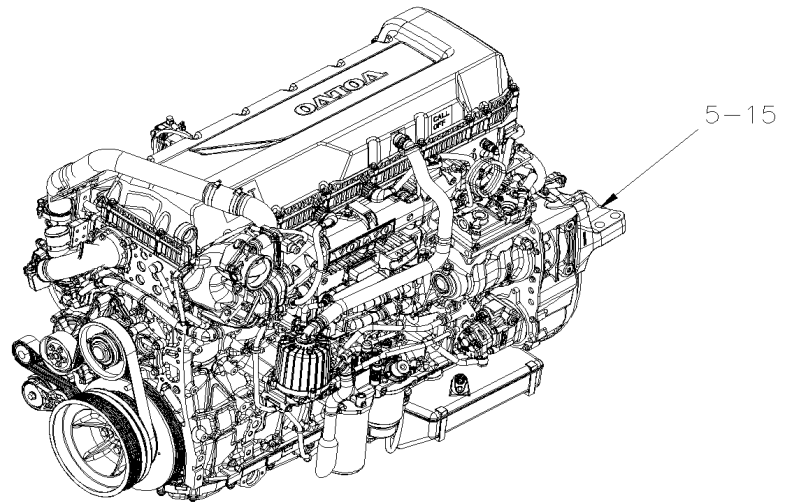
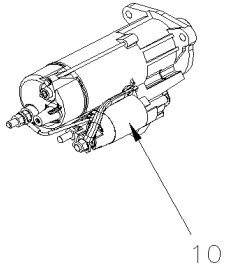
| Item# | Part | Description | QTY | Notes |
|-------|---------------|----------------------------|-----|-------|
| 1 | VIP-01 | ENGINE | | |
| 2 | VIP-02 | CLUTCH | | |
| 3 | VIP-03 | FUEL | | |
| 4 | VIP-04 | EXHAUST | | |
| 5 | VIP-05 | COOLING | | |
| 6 | VIP-06 | ELECTRICAL | | |
| 7 | VIP-07 | TRANSMISSION | | |
| 9 | VIP-09 | PROPELLER SHAFT | | |
| 10 | VIP-10 | FRONT AXLE | | |
| 11 | VIP-11 | REAR AXLE | | |
| 12 | VIP-12 | BRAKE | | |
| 13 | VIP-13 | WHEELS, HUBS & TIRES | | |
| 14 | VIP-14 | STEERING | | |
| 16 | VIP-16 | SUSPENSION | | |
| 18 | VIP-18 | BODY | | |
| 22 | VIP-22 | HEATING & AIR CONDITIONING | | |
| 23 | VIP-23 | ACCESSORIES | | |
| | | | | |
| | | | | |
| 40 | VIP-DRIVER-00 | DRIVER'S SEAT | | |
| | | | | |
| | | | | |
| | | | | |

From K-0295

Date:07/2024

VIP-01

ENGINE



| | | |
|-------------|--------------|--------|
| From K-0295 | Date:07/2024 | VIP-01 |
|-------------|--------------|--------|

ENGINE

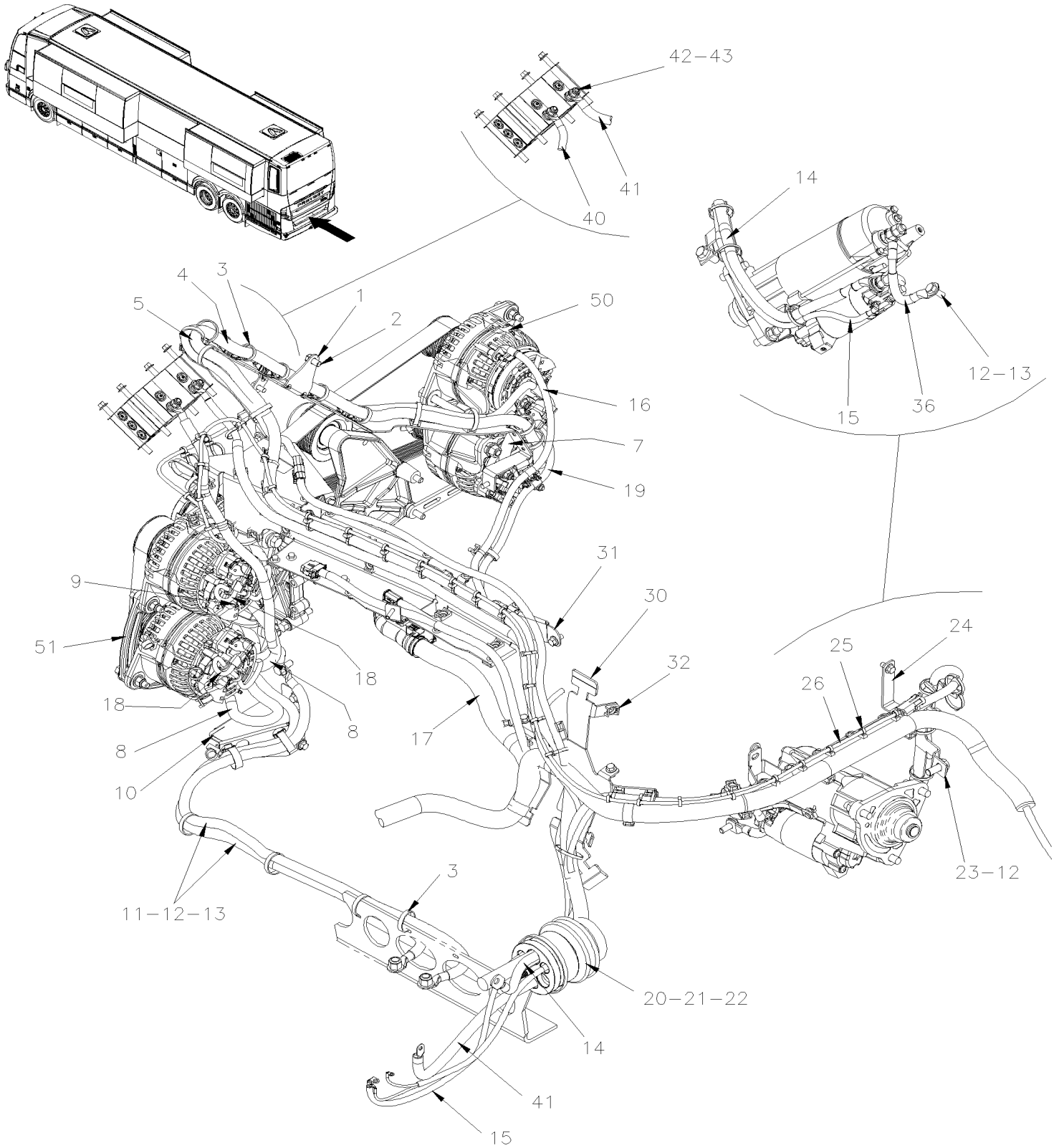
| Item# | Part | Description | QTY | Notes |
|-------|-------------|---|-----|-------|
| 5 | VIP-0100-50 | ENGINE WIRING HARNESS - INSTALLATION WITH VOLVO D13 From K-0295 | | |
| 10 | VIP-0100-10 | STARTER - INSTALLATION From K-0295 | | |
| 15 | VIP-0105-05 | ENGINE OIL FILLER CAP & DIPSTICK WITH VOLVO D13 From K-0295 | | |
| 20 | VIP-0120-50 | DRIVE PULLEY, BELTS & TENSIONER WITH VOLVO D13 From K-0295 | | |
| 25 | VIP-0150-03 | ENGINE CRADLE - WITH VOLVO D13 From K-0295 | | |
| 30 | VIP-0155-10 | ENGINE TRANSMISSION GUARD & AIR SHIELD From K-0295 | | |

From K-0295

Date:07/2024

PAGE:VIP-0100-50

ENGINE WIRING HARNESS - INSTALLATION WITH VOLVO D13



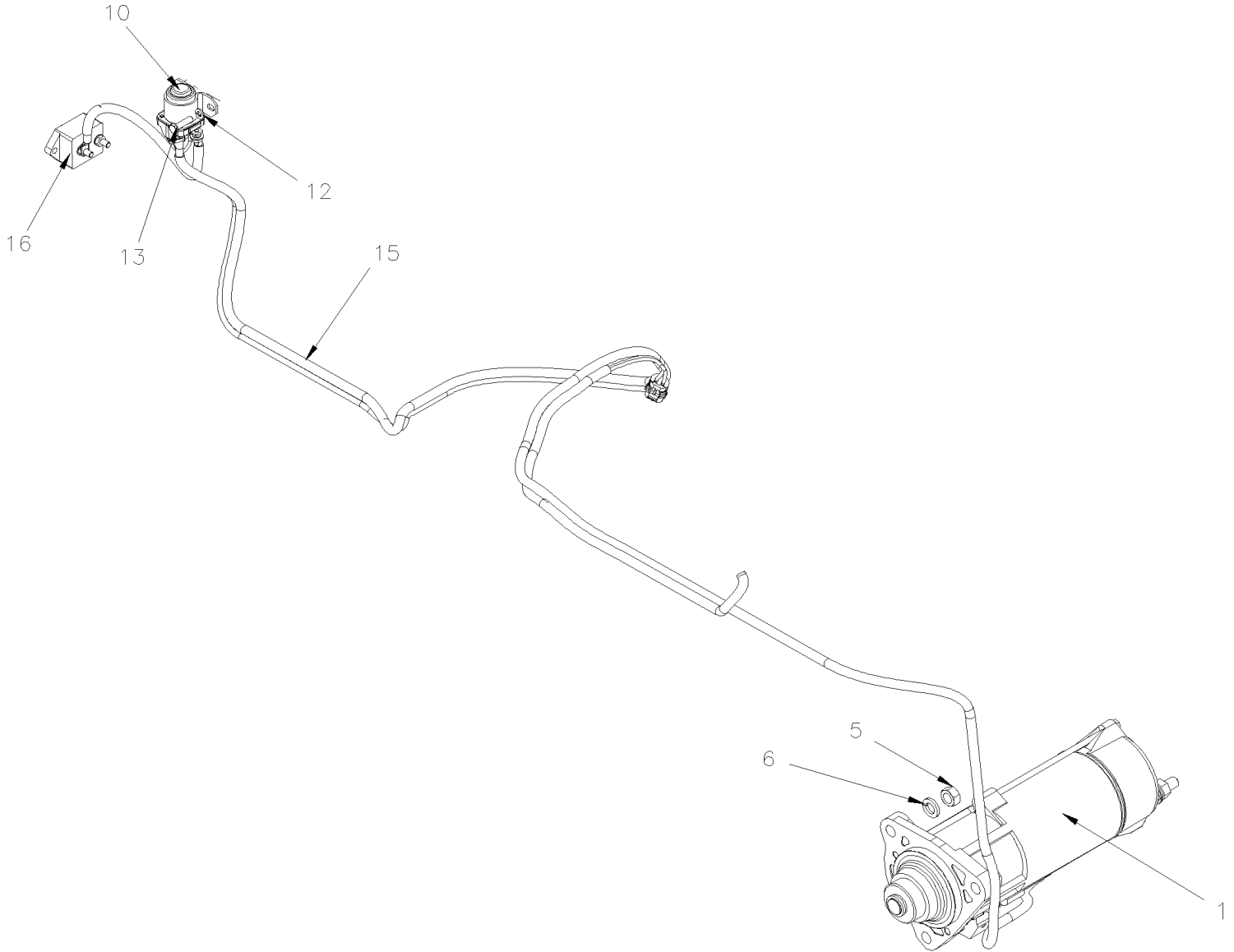
| | | | |
|--|--|--------------|------------------|
| From K-0295 | | Date:07/2024 | PAGE:VIP-0100-50 |
| ENGINE WIRING HARNESS - INSTALLATION WITH VOLVO D13 | | | |

| Item# | Part | Description | QTY | Notes |
|-------|---------|---|-----|-------|
| 1 | 012949 | SUPPORT, ALTERNATOR HARNESS / LH To K-0604 | 1 | |
| 1 | 010036 | SUPPORT, ALTERNATOR HARNESS / LH From K-0605 | 1 | |
| NS | 509490 | ATTACHMENT DOUBLE USE WITH CABLE TIE | 5 | |
| NS | 504610 | RIVET MGLP PRDG 1/4x5/8 SS | 5 | |
| NS | 504013 | TIE MOUNT / 1/4" X 1/4" I.D. | AR | |
| NS | 509815 | TIE MOUNT / ATTACHMENT W/TREE MOUNT | 1 | |
| NS | 5001780 | SCREW CAP HEXF M8-1.25x16 G8.8 N500 | 3 | |
| 2 | 5001729 | SCREW CAP HEXF M10-1.5x16 G8.8 N500 | 1 | |
| 3 | 504016 | CABLE TIE / 5/16" X 14"1/2 To L-0826 | AR | |
| 3 | 5040100 | CABLE TIE /OUTSIDE SERRATED 5/16" X 14"1/2 From L-0827 | AR | |
| 4 | 060013 | ALTERNATOR BATTERY HARNESS | 1 | |
| 5 | 060415 | ALTERNATOR BOTTOM LEFT BATTERY HARNESS | 1 | |
| NS | 5001341 | WASHER FL 8.4x17.0x1.6 SS | 1 | |
| NS | 060297 | ADAPTOR STUD M8 Male x M8 Female + FLANGE M8-1.25 x 18MM SS | AR | |
| NS | 5001983 | NUT HEX NYRT M8-1.25 SS SS BK | AR | |
| 7 | 060413 | ALTERNATORS JUMPER POWER HARNESS | 1 | |
| 8 | 060264 | HARNESS ALTERNATOR GROUND BODY | 2 | |
| NS | 5001341 | WASHER FL 8.4x17.0x1.6 SS To K-0604 | 2 | |
| NS | 560811 | WASHER, ELECTRICAL CONDUCTOR M8/5/16 From K-0605 | 2 | |
| NS | 5001182 | NUT HEX NYRT M6-1.0 SS | 2 | |
| NS | 502573 | WASHER FL 6.4x12.5x1.6 SS | 2 | |
| 9 | 060014 | HARNESS ALTERNATOR BATTERY UR | 1 | |
| 10 | 068541 | SUPPORT CABLE GROUND ALTERNATOR | 1 | |
| 11 | 060306 | CABLE GROUND MOTOR TO BODY | 2 | |
| NS | 500958 | WASHER FL .531x1.062x.095 SS | 2 | |
| NS | 5002001 | NUT HEX NYRT 1/2-13 SS BK | 2 | |
| 12 | 502804 | SCREW CAP HEX M10-1.5x25 G8.8 N500 | AR | |
| 13 | 500270 | WASHER FL .406x1.000x.063 SS | AR | |
| 14 | 060712 | HARNESS STARTER BATTERY | 1 | |
| 15 | 060711 | HARNESS STARTER RELAY MELCO | 1 | |
| NS | 502817 | SCREW MA PAN PH M6-1.0x16 N500 | 1 | |
| 16 | 060414 | GROUND FRAME ALTERNATOR UP LEFT HARNESS | 1 | |
| 17 | 060010 | CABLE ASSY / WITH "ALISSON" TRANSMISSION To P-1347 | 1 | |
| NS | 0600126 | CABLE ASSY / WITH "ALISSON" TRANSMISSION From P-1348 | 1 | |
| 18 | 068570 | CABLE ASSY / GROUND | 2 | |
| 18 | 060407 | ALTERNATOR CONTROL RIGHT HARNESS MTH To P-1347 | 1 | |
| NS | 0600128 | ALTERNATOR CONTROL RIGHT HARNESS From P-1348 | 1 | |
| 19 | 069504 | HARNESS LH GROUND ALTERNATOR | 1 | |
| 20 | 069471 | FEED THRU / ENGINE CABLE | 1 | |
| NS | 504637 | CABLE TIE / 3/16" x 13" | AR | |
| 21 | 069472 | SEAL RUBBER NITRILE 1/8" 60-70 DURO | 1 | |
| 22 | 504499 | CUFF END BELLOW / 2 7/8" I.D. x 3 5/8" x 4 7/16 | 1 | |

| | | |
|--|--------------|------------------|
| From K-0295 | Date:07/2024 | PAGE:VIP-0100-50 |
| ENGINE WIRING HARNESS - INSTALLATION WITH VOLVO D13 | | |

| Item# | Part | Description | QTY | Notes |
|-------|-------------|---|-----|-------|
| NS | 5001866 | SCREW CAP HEX M12-1.75x30 G10.9 N500 | 2 | |
| NS | 500967 | WASHER BEL SPR .512x1.142x.098 N500 | 2 | |
| 23 | 019227 | SUPPORT CABLE STARTOR MOTOR | 1 | |
| NS | 504637 | CABLE TIE / 3/16" x 13" | AR | |
| 24 | 012946 | SUPPORT, REAR HARNESS | 1 | |
| NS | 5001780 | SCREW CAP HEXF M8-1.25x16 G8.8 N500 | 1 | |
| 25 | 507664 | CABLE TIE / 3/16" 11" / DOUBLE LOOP HEAD | 33 | |
| 26 | 069062 | CABLE THERMO DETECTOR (LINEAR FIRE CABLE) / 1.6M / 168C/180C // 334F/356F | 1 | |
| 30 | 012953 | BRACKET ENGINE HARNESS | 1 | |
| NS | 504637 | CABLE TIE / 3/16" x 13" | AR | |
| NS | 5001780 | SCREW CAP HEXF M8-1.25x16 G8.8 N500 | 2 | |
| 31 | 012951 | MAIN SUPPORT ENGINE HARNESS | 1 | |
| NS | 509815 | TIE MOUNT / ATTACHMENT W/TREE MOUNT | 1 | |
| NS | 5001780 | SCREW CAP HEXF M8-1.25x16 G8.8 N500 | 3 | |
| 32 | 504013 | TIE MOUNT / 1/4" X 1/4" I.D. | AR | |
| NS | 504379 | RIVET POP DOME OE 3/16x1/4 SS | AR | |
| NS | 5001935 | WASHER FL 10.5x18.0x1.6 SS | 1 | |
| NS | 502719 | SCREW CAP HEX M10-1.5x20 SS EMN | 1 | |
| NS | 5001182 | NUT HEX NYRT M6-1.0 SS | 1 | |
| NS | 502573 | WASHER FL 6.4x12.5x1.6 SS | 1 | |
| NS | 504013 | TIE MOUNT / 1/4" X 1/4" I.D. | 1 | |
| NS | 502817 | SCREW MA PAN PH M6-1.0x16 N500 | 1 | |
| 36 | 060307 | HARNESS GND STRARTER TO BODY | 1 | |
| 40 | 060308 | CABLE NEG HEATER ELEMENT | 1 | |
| 41 | 060872 | CABLE HEATER ELEMENT RELAY | 1 | |
| 42 | 5001341 | WASHER FL 8.4x17.0x1.6 SS To K-0604 | 2 | |
| 42 | 560811 | WASHER, ELECTRICAL CONDUCTOR M8/5/16 From K-0605 | 2 | |
| 43 | 5001787 | NUT HEX NYRT M8-1.25 SS | 2 | |
| 50 | VIP-0610-40 | ALTERNATOR MOUNTING / STREET SIDE WITH TWO ALTERNATOR VOLVO D13 | | |
| 51 | VIP-0610-30 | ALTERNATOR MOUNTING / CURBSIDE WITH TWO ALTERNATOR VOLVO D13 | | |

| | | |
|-------------------------------|--------------|------------------|
| From K-0295 | Date:07/2024 | PAGE:VIP-0100-10 |
| STARTER - INSTALLATION | | |



| | | |
|-------------------------------|--------------|------------------|
| From K-0295 | Date:07/2024 | PAGE:VIP-0100-10 |
| STARTER - INSTALLATION | | |

| Item# | Part | Description | QTY | Notes |
|-------|----------|--|-----|-------|
| 1 | 22807202 | VOLVO STARTER 24V, MELCO WITHOUT RELAY To R-1561 | 1 | D13 |
| 1 | 7775270 | VOLVO STARTER 24V, MELCO WITHOUT RELAY From R-1562 | 1 | |
| 5 | 5001668 | SCREW CB 12POINT 5/8-11x2 1/4 | 3 | |
| 6 | 502884 | WASHER LO SPT 16.2x27.4x3.5 N500 | 3 | |
| 10 | 564095 | SMALL STARTOR RELAY To R-1561 | 1 | |
| 10 | 564398 | SMALL STARTOR RELAY From R-1562 | 1 | |
| 12 | 502570 | WASHER LO SPT 6.1x11.8x1.6 SS | 2 | |
| 12 | 5001182 | NUT HEX NYRT M6-1.0 SS | 2 | |
| 13 | 5001433 | SCREW CAP HEX M6-1.0x25 SS | 2 | |
| 15 | 067356 | CABLE ASSY / RELAY & BREAKER | 1 | |
| NS | 502817 | SCREW MA PAN PH M6-1.0x16 N500 | 1 | |
| NS | 504013 | TIE MOUNT / 1/4" X 1/4" I.D. | 1 | |
| NS | 504637 | CABLE TIE / 3/16" x 13" | 1 | |
| 16 | 565137 | BREAKER 90AMPS / 24V / W/O HARDWARE | 1 | |
| NS | 5001924 | NUT HEX NYRT THN 1/4-28 SS | 1 | |
| NS | 502573 | WASHER FL 6.4x12.5x1.6 SS | 1 | |
| NS | 067088 | CABLE ASSY SW24V TO STARTER | 1 | D13 |
| | | | | |
| | | | | |
| | | | | |
| | | D13) WITH VOLVO ENGINE D13 | | |

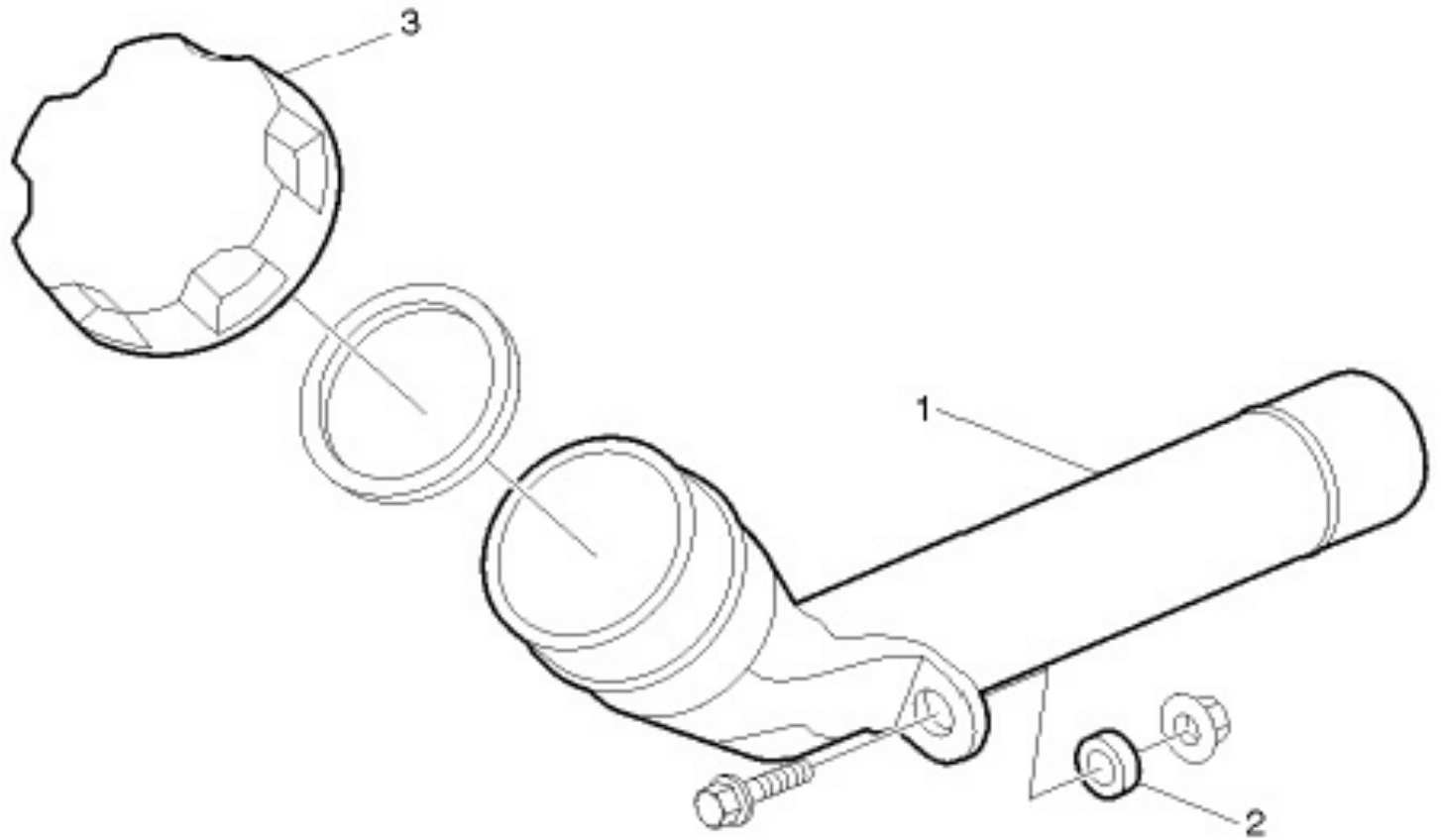
| | | | |
|--|--|--------------|------------------|
| From K-0295 | | Date:07/2024 | PAGE:VIP-0105-05 |
| ENGINE OIL FILLER CAP & DIPSTICK WITH VOLVO D13 | | | |

| Item# | Part | Description | QTY | Notes |
|-------|-----------------|---|-----|-------|
| 1 | 015998 | DIPSTICK & TUBE ASSY To P-1268 | 1 | |
| 1 | 010348 | DIPSTICK & TUBE ASSY From P-1271 | 1 | |
| 1 | 015997 | . DIPSTICK ASSY / ENGINE OIL / W/D13 1362MM | 1 | |
| 2 | 015996 | . TUBE OIL DIPSTICK W/D13 1276MM To P-1268 | 1 | |
| 2 | 010347 | . TUBE OIL DIPSTICK W/D13 1362MM From P-1271 | 1 | |
| 3 | 22281824 | OIL FILLER NECK TB-133887958-1 To R-1585 | 1 | |
| . A | 20807510 | . OIL CAP / WITH GASKET To R-1585 | 1 | |
| . . A | 20365079 | . . GASKET OIL CAP To R-1585 | 1 | |
| . B | 22281825 | . OIL NECK / PIPE FILLER To R-1585 | 1 | |
| . C | 943361 | . SPACER WASHER 6.5 X 12 X 4 To R-1585 | 1 | |
| . NS | 8149895 | . SUPPORT RING To R-1585 | 1 | |
| 3 | 23512202 | OIL FILLER NECK From R-1586 | 1 | |
| . B | 23811819 | . OIL NECK / PIPE FILLER From R-1586 | 1 | |
| 4 | 012882 | SUPPORT DIPSTICK & FILLER NECK | 1 | |
| 5 | 3034195 | RACCORD COUPLING | 1 | |
| 6 | 992086 | HOSE CLAMP / 32MM/52MM | 4 | |
| 7 | 952627 | CLAMP / 1/2" I.D. | 2 | |
| 8 | 5001780 | SCREW CAP HEXF M8-1.25x16 G8.8 N500 | 3 | |
| 8 | 680038 | THREAD LOCKER LOCTITE #243 / BLUE / 50ml | AR | |
| 10 | 952639 | CLAMP / 1"1/4 I.D. | 4 | |
| 11 | 5001815 | SCREW CAP HEXF M6-1.0x30 G 8.8 N500 | 2 | |
| 12 | 5001932 | NUT HEXF NYRT M6-1.0 G8.8 N500 | 2 | |
| 14 | 010064 | OIL FILLER TUBE STAINLESS STEEL | 1 | |
| 15 | 033946 | SUPPORT FUEL LINE | 1 | |
| 17 | 010069 | SUPPORT DIPSTICK | 1 | |
| NS | 500321 | WASHER BEL SPR .331x.827x.098 N500 | 2 | |
| NS | 5001780 | SCREW CAP HEXF M8-1.25x16 G8.8 N500 | 2 | |
| 18 | 5001815 | SCREW CAP HEXF M6-1.0x30 G 8.8 N500 | 1 | |
| 20 | 012933 | HOSE 31.75MM I.D. x 70MM | 1 | |
| 21 | 504750 | CABLE TIE / 1/2" x 15" / CHRISTMAS TREE | 1 | |
| 22 | 946173 | SCREW CAP HEXF M8-1.25x20 To N-1188 | 2 | |
| 22 | 984734 | SCREW CAP HEXF M8x20 From N-1189 | 2 | |
| 23 | 469950 | FLANGE | 1 | |
| 24 | 70329332 | INLET PIPE To M-1156 | 1 | |
| 24 | 22676938 | INLET PIPE From M-1157 | 1 | |
| 25 | 20555696 | SEALING RING | 1 | |
| 26 | 500414 | SCREW TP BDG PH #10x3/4 SS | 1 | |
| 27 | 5001932 | NUT HEXF NYRT M6-1.0 G8.8 N500 | 1 | |
| 28 | 507664 | CABLE TIE / 3/16" 11" / DOUBLE LOOP HEAD | 1 | |
| 29 | 502848 | SCREW TC CAP HEXF 1/4-20x3/4 N500 | 1 | |
| | | | | |
| | | NEXT 5 ITEMS TO FIX OIL CAP | | |

| | | |
|--|--------------|------------------|
| From K-0295 | Date:07/2024 | PAGE:VIP-0105-05 |
| ENGINE OIL FILLER CAP & DIPSTICK WITH VOLVO D13 | | |

| Item# | Part | Description | QTY | Notes |
|-------|----------------|---|-----|-------|
| NS | 510973 | CABLE SS 3/64" DIA. ASSY W/LOOP 8" LG x W/1" LOOP | 1 | |
| NS | 502861 | SCREW SHR HEXS 5/16x3/8 {1/4-20 N500 | 1 | |
| NS | 502638 | WASHER FL .312x.734x.065 N500 | 1 | |
| NS | 5001352 | NUT HEX NYRT 1/4-20 SS | 1 | |
| NS | 5001008 | WASHER FL .218x.437x.062 RUB BK | 1 | |
| 50 | Refer To Volvo | SEE IMPACT OR CALL ORDER DESK | | V |
| | | | | |
| | | | | |
| | | V) SEE IMPACT OR CALL ORDER DESK | | |

| | | |
|--------------------------------|--------------|---------------|
| To R-1585 | Date:07/2024 | PAGE:22281824 |
| OIL FILLER NECK TB-133887958-1 | | |



| | | | |
|-----------|--|--------------|---------------|
| To R-1585 | | Date:07/2024 | PAGE:22281824 |
|-----------|--|--------------|---------------|

OIL FILLER NECK TB-133887958-1

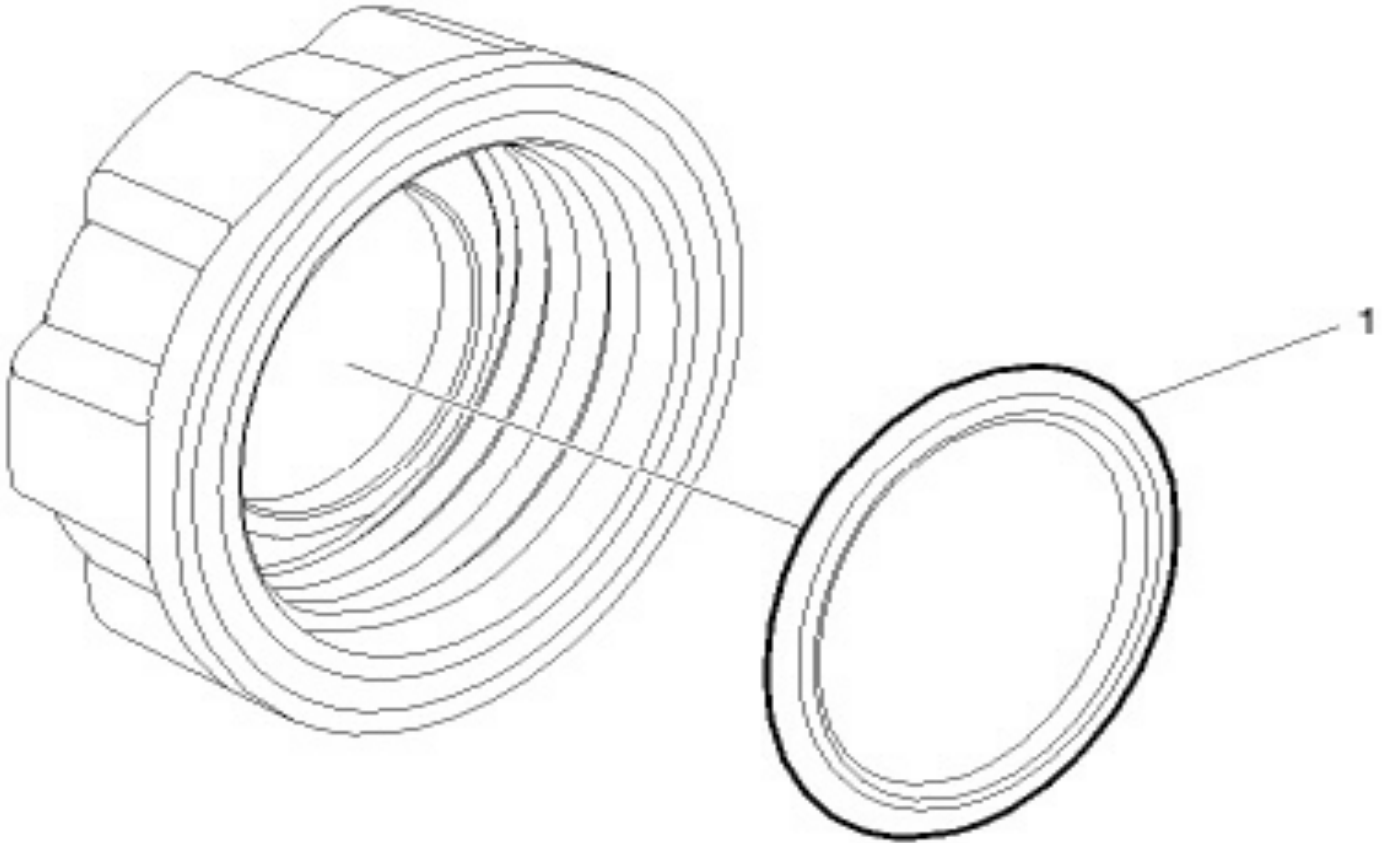
| Item# | Part | Description | QTY | Notes |
|-------|-----------------|------------------------------|-----|-------|
| 1 | 22281825 | OIL NECK / PIPE FILLER | 1 | |
| 2 | 60112502 | SPACER WASHER | 1 | |
| 3 | 20807510 | OIL CAP / WITH GASKET | 1 | |
| .A | 20365079 | . GASKET OIL CAP | 1 | |

To R-1585

Date:07/2024

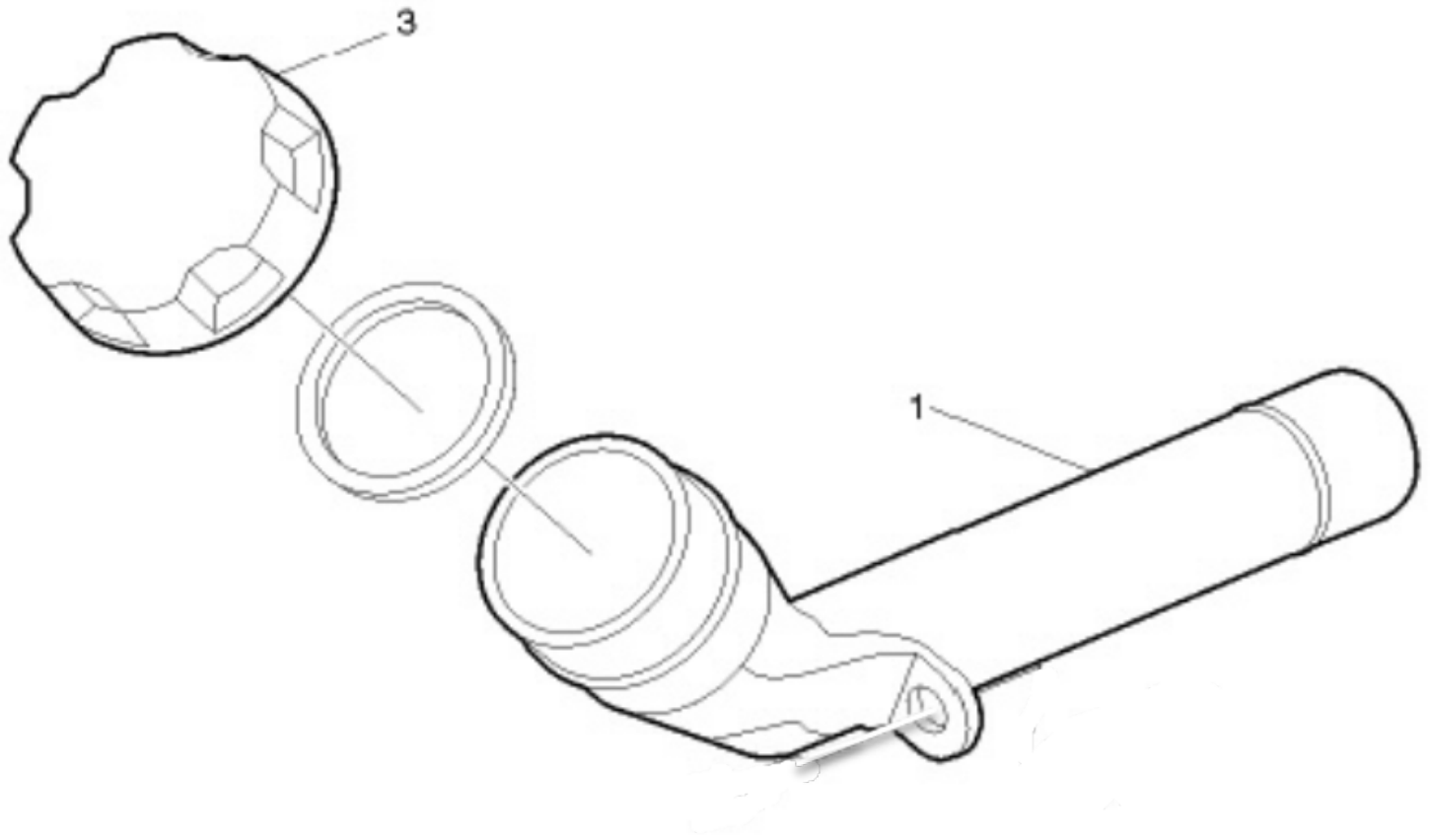
PAGE:20807510

OIL CAP / WITH GASKET



| To R-1585 | | Date:07/2024 | PAGE:20807510 | |
|------------------------------|----------|----------------|---------------|-------|
| OIL CAP / WITH GASKET | | | | |
| Item# | Part | Description | QTY | Notes |
| 1 | 20365079 | GASKET OIL CAP | 1 | |

| | | |
|-----------------|--------------|---------------|
| From R-1586 | Date:07/2024 | PAGE:23512202 |
| OIL FILLER NECK | | |

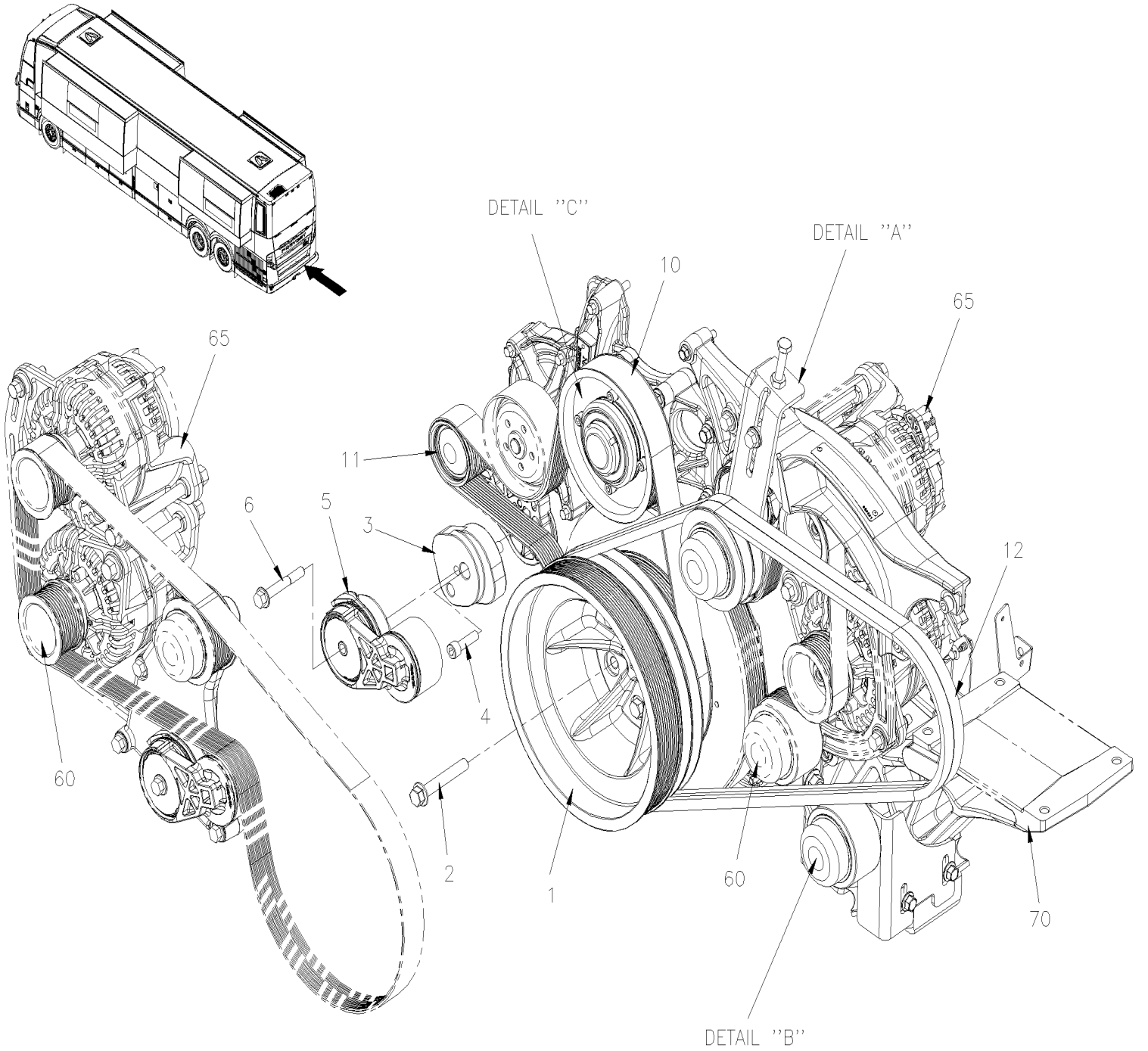


| | | | |
|-------------|--|--------------|---------------|
| From R-1586 | | Date:07/2024 | PAGE:23512202 |
|-------------|--|--------------|---------------|

OIL FILLER NECK

| Item# | Part | Description | QTY | Notes |
|-------|-----------------|------------------------------|-----|-------|
| 1 | 23811819 | OIL NECK / PIPE FILLER | 1 | |
| 3 | 20807510 | OIL CAP / WITH GASKET | 1 | |
| .A | 20365079 | . GASKET OIL CAP | 1 | |

| | | |
|--|--------------|------------------|
| From K-0295 | Date:07/2024 | PAGE:VIP-0120-50 |
| DRIVE PULLEY, BELTS & TENSIONER WITH VOLVO D13 | | |



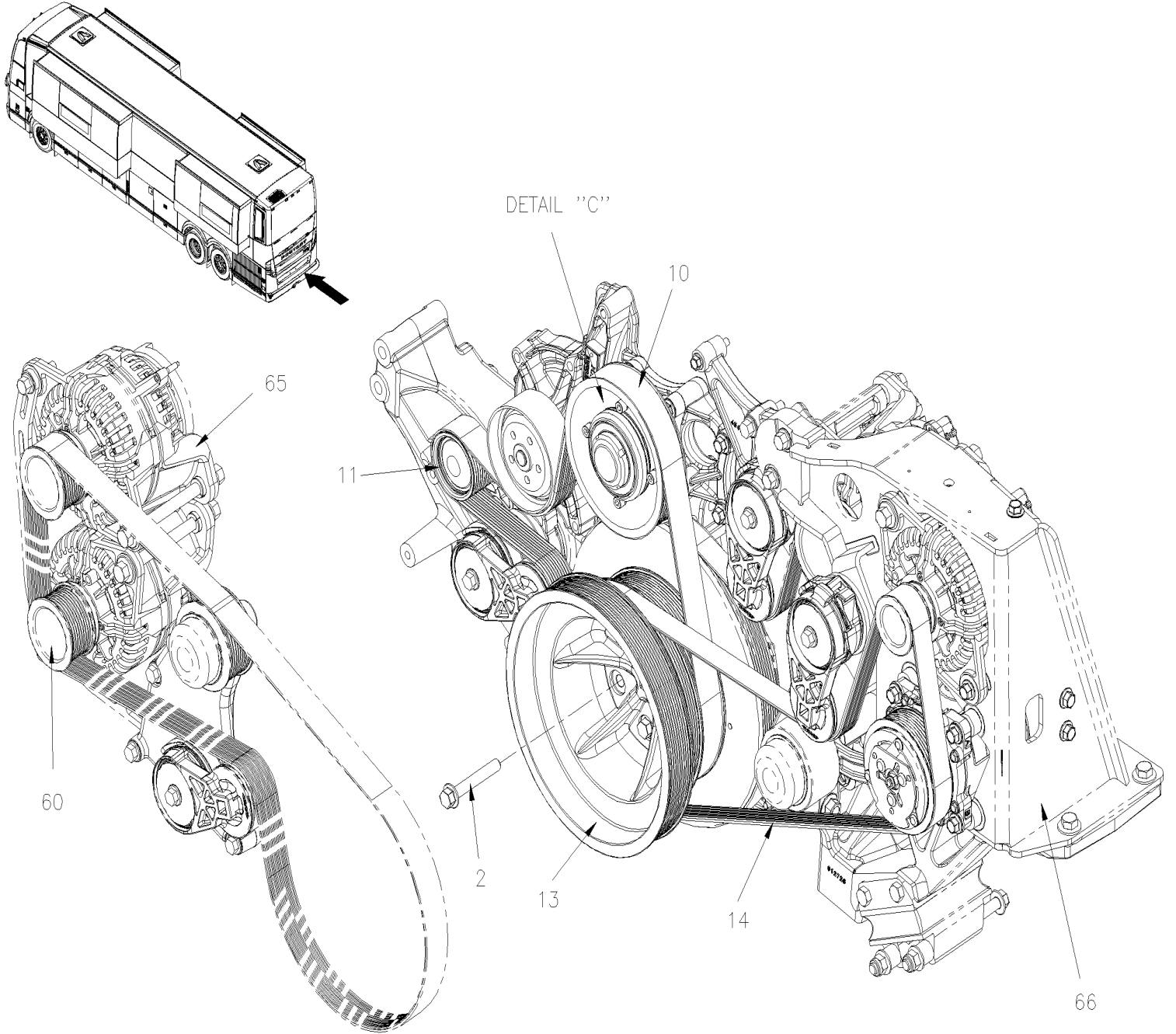
WITH LARGE A/C

From K-0295

Date:07/2024

PAGE:VIP-0120-50

DRIVE PULLEY, BELTS & TENSIONER WITH VOLVO D13



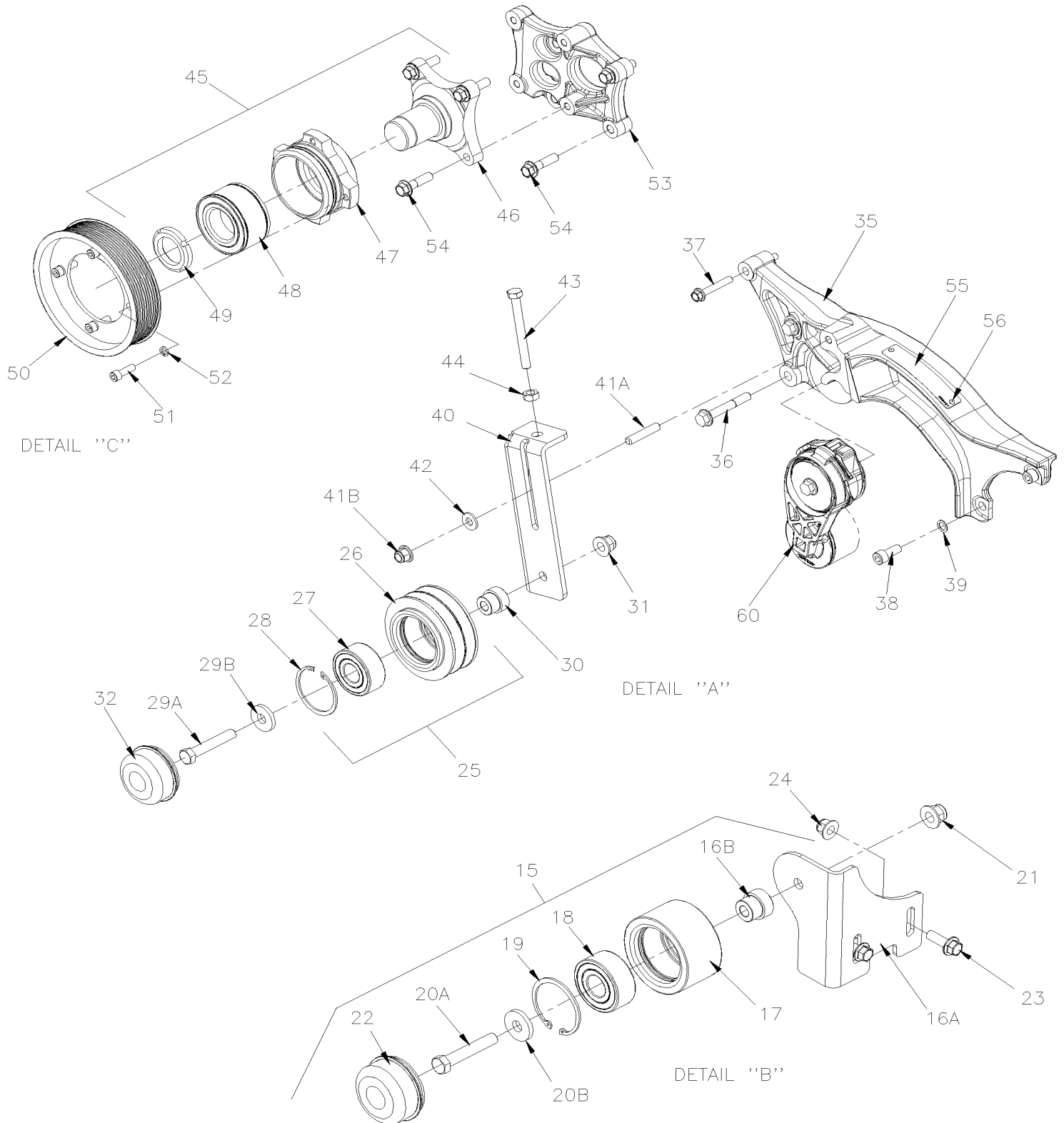
WITH SMALL A/C

From K-0295

Date:07/2024

PAGE:VIP-0120-50

DRIVE PULLEY, BELTS & TENSIONER WITH VOLVO D13



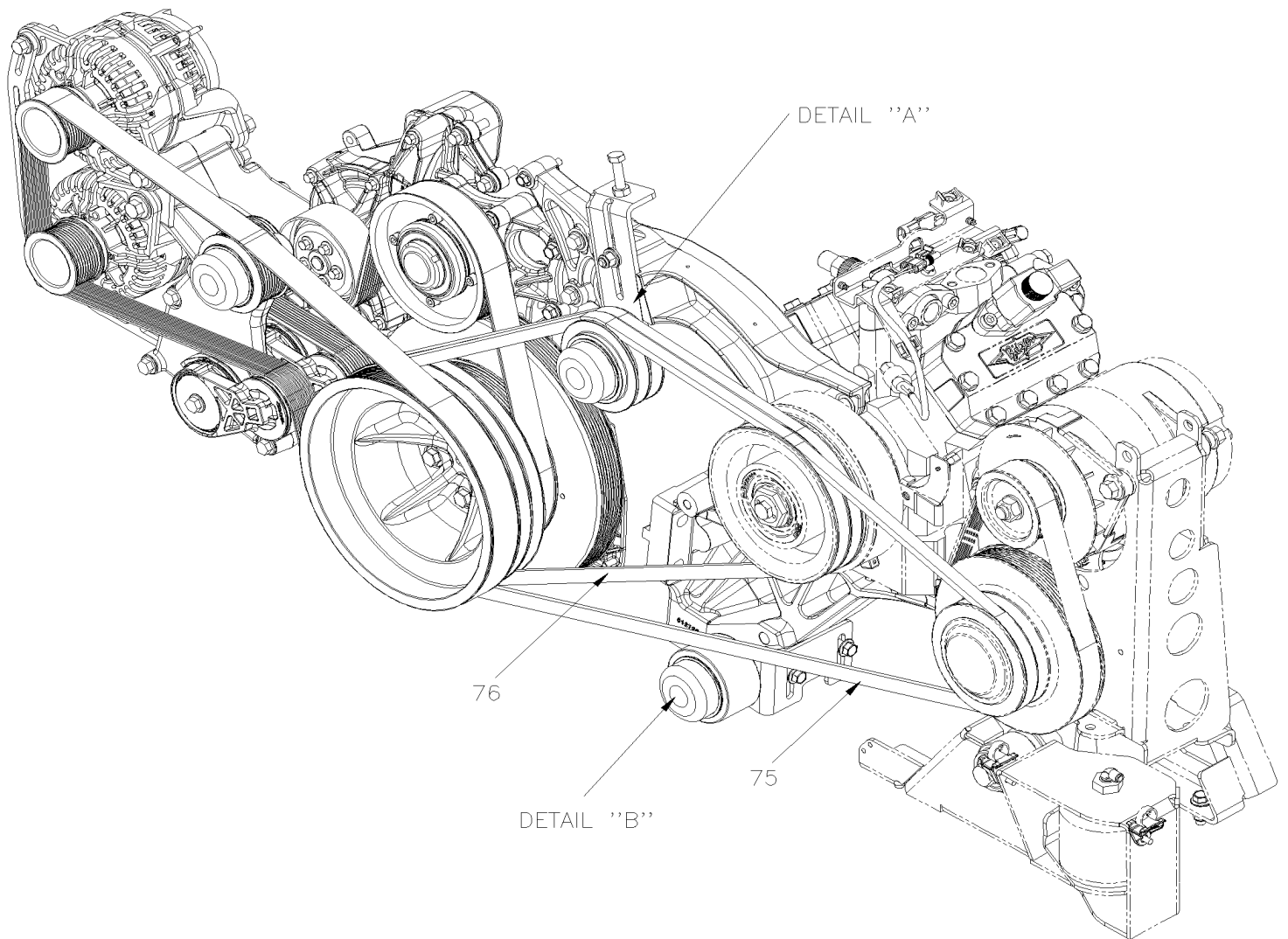
From K-0295

Date:07/2024

PAGE:VIP-0120-50

DRIVE PULLEY, BELTS & TENSIONER WITH VOLVO D13

WITH "VOLTA" ALTERNATOR OPTION
WITH LARGE A/C SYSTEM



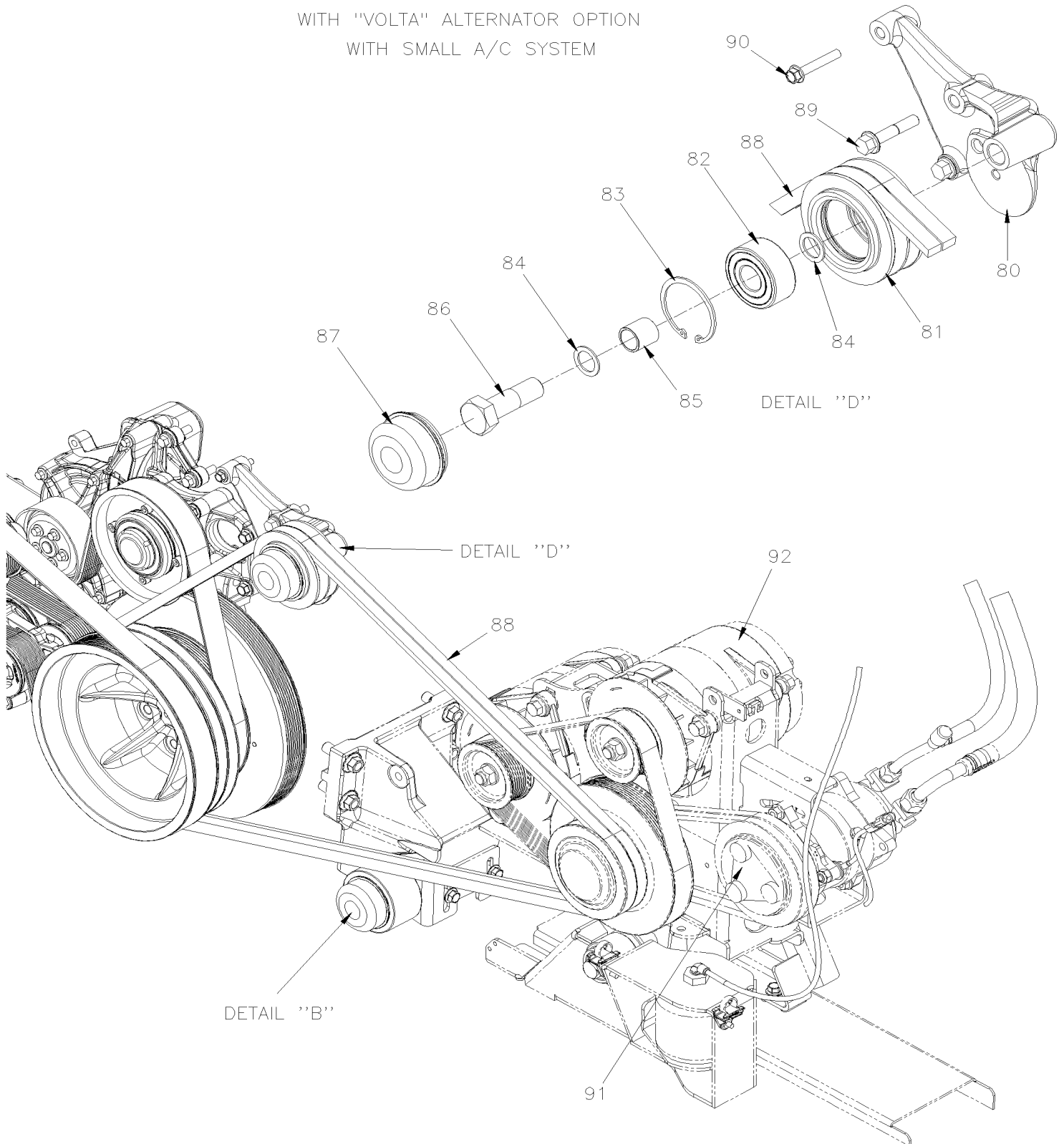
From K-0295

Date:07/2024

PAGE:VIP-0120-50

DRIVE PULLEY, BELTS & TENSIONER WITH VOLVO D13

WITH "VOLTA" ALTERNATOR OPTION
WITH SMALL A/C SYSTEM



| | | | |
|---|--|---------------------|-------------------------|
| From K-0295 | | Date:07/2024 | PAGE:VIP-0120-50 |
| DRIVE PULLEY, BELTS & TENSIONER WITH VOLVO D13 | | | |

| Item# | Part | Description | QTY | Notes |
|-------|----------------|---|-----|-------|
| 1 | 012941 | DRIVE PULLEY / 280MMx10RIB/ 268.3MMx2V / 220.8MMx10 RIB To M-1112 | 1 | B C |
| 1 | 010319 | DRIVE PULLEY / 280MMx10RIB/ 268.3MMx2V / 220.8MMx10 RIB To M-1112 | 1 | A |
| 1 | 010319 | DRIVE PULLEY / 280MMx10RIB/ 268.3MMx2V / 220.8MMx10 RIB From M-1113 | 1 | |
| 2 | 5001296 | SCREW CAP HEXF M12-1.75x80 G10.9 N500 | 6 | |
| 3 | 012695 | SUPPORT ADAPTOR AUTOMTIC TENSIONER ASSY W/DOWEL / WATER PUMP | 1 | |
| . NS | 502941 | . DOWEL PIN | 2 | |
| 4 | 5001620 | SCREW CAP HEXS M10-1.5X35 G10.9 G500 | 1 | |
| NS | 680038 | THREAD LOCKER LOCTITE #243 / BLUE / 50ml | AR | |
| 5 | 510991 | AUTOMATIC TENSIONER ASSY | 1 | |
| 6 | 5001799 | SCREW CAP HEXF M10-1.5x70 G10.9 N500 | 1 | |
| 10 | 5060110 | MULTI V-BELT / 10 RIB 59.5" (1512MM) 10PK1512 QT (21-2112) | 1 | |
| 10 | 5060104 | MULTI V-BELT / 10 RIB 59.5" (1512MM) 10PK1512 QT + SD (21-2112) | 1 | H |
| NS | 010060 | DECAL / "BELT ROUTING" | 1 | B |
| NS | 010049 | DECAL / "BELT ROUTING" W/LARGE AC 2 ALT RH | 1 | B |
| NS | 010051 | DECAL / "BELT ROUTING" W/SAMLL AC ONE OR 3 ALT RH | 1 | S |
| NS | 010052 | DECAL / "BELT ROUTING" W/SAMLL AC 2 AC 12 OR 24V ALT RH | 1 | S |
| 11 | Refer To Volvo | PULLEY IDLER | 1 | V |
| 12 | 5060134 | V-BELT / BX-71 / SET OF 2 To K-0486 | 1 | B |
| 12 | 5060142 | V-BELT / BX-71 From K-0487 To L-0777 | 2 | B |
| 12 | 5060134 | V-BELT / BX-71 / SET OF 2 From L-0778 To M-1112 | 1 | B |
| 12 | 5060137 | SUPER V-BELT / 5VX740 From M-1113 | 2 | B |
| 12 | 5060126 | SUPER V-BELT / 5VX950 / SET OF 2 To K-0486 | 1 | C |
| 12 | 5060141 | SUPER V-BELT / 5VX950 From K-0487 To L-0777 | 2 | C |
| 12 | 5060126 | SUPER V-BELT / 5VX950 / SET OF 2 From L-0778 To M-1112 | 1 | C |
| 13 | 010061 | DRIVE PULLEY / 280MMx10RIB / 236MMx8RIB / 220.8MMx10 RIB | 1 | S |
| 14 | 5060140 | MULTI V-BELT / 8 RIB 72.4" (1840MM) 8PK1840 EPDM QT+ ARAMID | 1 | S |
| 15 | 457783 | PULLEY, LOOSE ASM | 1 | |
| 16A | 457782 | . SUPPORT, LOOSE PULLEY | 1 | |
| 16B | 053724 | . BUSHING | 1 | |
| 17 | 012958 | . PULLEY / 48MM x 90MM O.D. | 1 | |
| 18 | 509952 | . BALL BEARING 25 ID x 62 OD x 25.4 W HI-TEMP | 1 | |
| 19 | 504040 | . RING RETAINER / INT 2.440 x 1.860 x 0.078 STL BLK | 1 | |
| 20A | 5001862 | . SCREW CAP HEX M12-1.75x70 G10.9 N500 | 1 | |
| 20B | 5002008 | . WASHER FL 13.0x35.0x5.0 N500 | 1 | |
| 21 | 5001761 | . NUT HEXF NYRT M12-1.75 G8 N500 | 1 | |
| 22 | 453076 | . CAP, DUST | 1 | |
| 23 | 5000343 | SCREW CAP HEXF M10-1.5x30 G10.9 N500 | 2 | |
| 24 | 5001930 | NUT HEXF NYRT M10-1.5 N500 G10.9 | 2 | |
| 25 | 450044 | PULLEY ASSY W/BEARING To M-1112 | 1 | |
| 25 | 450096 | PULLEY ASSY W/BEARING From M-1113 | 1 | |
| 26 | 450045 | . PULLEY / 112MM O.D. X 2V To M-1112 | 1 | |
| 26 | 457786 | . PULLEY / 112MM O.D. X 2V From M-1113 | 1 | |

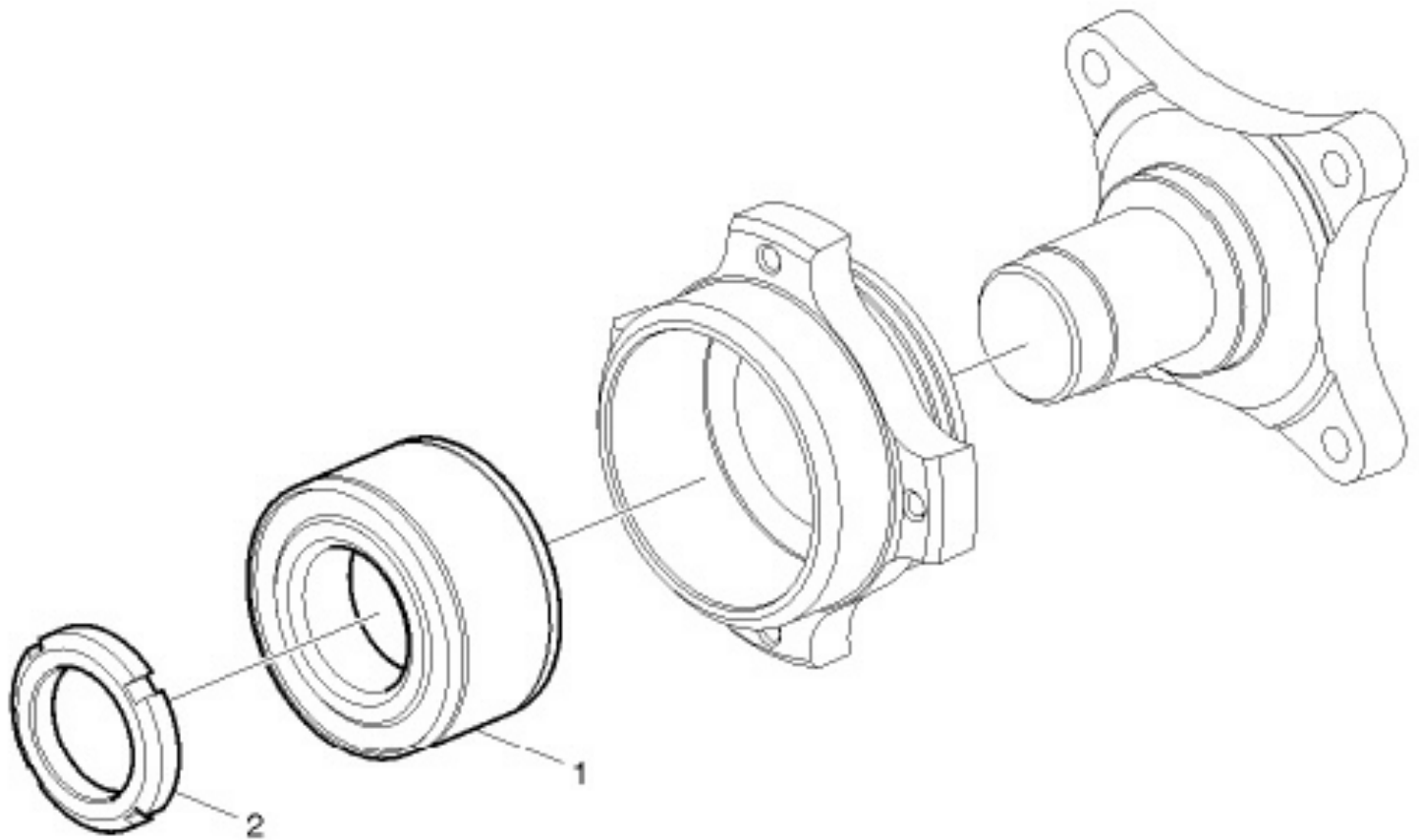
| | | | |
|---|--|--------------|------------------|
| From K-0295 | | Date:07/2024 | PAGE:VIP-0120-50 |
| DRIVE PULLEY, BELTS & TENSIONER WITH VOLVO D13 | | | |

| Item# | Part | Description | QTY | Notes |
|-------|--------------------|---|-----|-------|
| 27 | 509952 | . BALL BEARING 25 ID x 62 OD x 25.4 W HI-TEMP | 1 | |
| 28 | 504040 | . RING RETAINER / INT 2.440 x 1.860 x 0.078 STL BLK | 1 | |
| 29A | 5001862 | SCREW CAP HEX M12-1.75x70 G10.9 N500 | 1 | |
| 29B | 5002008 | WASHER FL 13.0x35.0x5.0 N500 | 1 | |
| 30 | 053724 | BUSHING | 1 | |
| 31 | 5001761 | NUT HEXF NYRT M12-1.75 G8 N500 | 1 | |
| 32 | 453076 | CAP, DUST | 1 | |
| 35 | 457750 | SUPPORT, TENSIONNER CASTING To K-0604 | 1 | |
| 35 | 450580 | SUPPORT, TENSIONNER CASTING From K-0605 To N-1268 | 1 | |
| 35 | 454767 | SUPPORT, TENSIONNER CASTING From P-1269 | 1 | |
| 36 | 5001799 | SCREW CAP HEXF M10-1.5x70 G10.9 N500 | 2 | |
| 37 | 500796 | SCREW CAP HEXF M8-1.25x50 G10.9 N500 | 1 | |
| 38 | 5001616 | SCREW CAP HEXS M10-1.5X25 G10.9 DP | 2 | |
| NS | 680038 | THREAD LOCKER LOCTITE #243 / BLUE / 50ml | AR | |
| 39 | 502867 | WASHER FL .406x.625x.040 N500 | 2 | |
| 40 | 450050 | TENSIONER, AC BELT COMPRESSOR | 1 | |
| 41A | 5000360 | ROD M10-1.5x52 N500 | 1 | |
| 41A | 680100 | THREAD LOCKER LOCTITE #271 / RED / 250ml | AR | |
| 41B | 5001930 | NUT HEXF NYRT M10-1.5 N500 G10.9 | 1 | |
| 42 | 5001834 | WASHER BEL SPR 10.5X23X2.5 N500 | 1 | |
| 43 | 5001914 | SCREW CAP HEX M10-1.5x100 FT SS | 1 | |
| 44 | 500847 | NUT HEX M10-1.5 N500 | 1 | |
| 45 | 22719941 | HUB ASSY | 1 | |
| 46 | 20459796 | . SHAFT MOUNTING | 1 | |
| 47 | N.S.S. | . BEARING HOUSING | 1 | 1 |
| 48 | N.S.S. | . BALL BEARING | 1 | 1 |
| 49 | 1675790 | . NUT M40 x 9MM | 1 | |
| 50 | 8149875 | PULLEY 171 MM O.D. W/10RIB | 1 | |
| 51 | 5001775 | SCREW CAP HEXS M8-1.25x25 G8.8 G500 | 4 | |
| NS | 680038 | THREAD LOCKER LOCTITE #243 / BLUE / 50ml | 1 | |
| 52 | 500942 | WASHER LO SPT 8.1x14.8x2.0 N500 | 4 | |
| 53 | 21270170 | SUPPORT PULLEY TENSIONER WATER PUMP | 1 | |
| 54 | 5001308 | SCREW CAP HEXF M10-1.5x40 G10.9 N500 | 8 | |
| 55 | 069421 | DECAL "DO NOT POWER WASH ALTERNATORS" To L-1014 | 1 | |
| NS | 0610176 | DECAL "DO NOT POWER WASH ALTERNATORS" ENGLISH From L-1015 | 1 | |
| NS | 0610181 | DECAL "DO NOT POWER WASH ALTERNATORS" ENGLISH / FRANCAIS From L-1015 | 1 | |
| 56 | 504339 | RIVET POP DOME OE 1/8x3/8 SS | 2 | |
| 60 | VIP-0610-40 | ALTERNATOR MOUNTING / STREET SIDE WITH TWO ALTERNATOR VOLVO D13 | 1 | |
| NS | 069356 | DECAL "DO NOT POWER WASH ALTERNATORS" ENGLISH | 1 | |
| 65 | VIP-0610-30 | ALTERNATOR MOUNTING / CURBSIDE WITH TWO ALTERNATOR VOLVO D13 | 1 | |
| 65 | VIP-0610-51 | ALTERNATOR MOUNTING / CURB-SIDE WITH ONE ALTERNATOR / W /SMALL A/C VOLVO D13 | 1 | |
| 66 | VIP-0610-62 | ALTERNATOR MOUNTING - A/C COMPRESSOR SUPPORT / W/SMALL A/C VOLVO D13 | 1 | |

| | | | |
|---|--|---------------------|-------------------------|
| From K-0295 | | Date:07/2024 | PAGE:VIP-0120-50 |
| DRIVE PULLEY, BELTS & TENSIONER WITH VOLVO D13 | | | |

| Item# | Part | Description | QTY | Notes |
|-------|-------------|---|-----|-------|
| 70 | VIP-0150-03 | ENGINE CRADLE - WITH VOLVO D13 | 1 | |
| 75 | 5060138 | SUPER V-BELT / 5VX940 | 1 | D |
| 76 | 5060137 | SUPER V-BELT / 5VX740 | 1 | D |
| 80 | 012656 | SUPPORT PULLEY ALT & A/C To K-0604 | 1 | C |
| 80 | 010116 | SUPPORT PULLEY ALT & A/C From K-0605 | 1 | C |
| 81 | 450096 | PULLEY ASSY W/BEARING | 1 | C |
| 81 | 457786 | . PULLEY / 112MM O.D. X 2V | 1 | C |
| 82 | 509952 | . BALL BEARING 25 ID x 62 OD x 25.4 W HI-TEMP | 1 | C |
| 83 | 504040 | . RING RETAINER / INT 2.440 x 1.860 x 0.078 STL BLK | 1 | C |
| 84 | 5001894 | WASHER FL 21.0x30.0x1.587 SS | 2 | C |
| 85 | 053725 | BUSHING 20.2I.D. x 24.5O.D. x 24.5 | 1 | C |
| 86 | 453835 | SCREW CAP HEX M20-2.5x65 | 1 | C |
| 87 | 453076 | CAP, DUST | 1 | C |
| 88 | 5060126 | SUPER V-BELT / 5VX950 / SET OF 2 To K-0486 | 1 | C |
| 88 | 5060141 | SUPER V-BELT / 5VX950 From K-0487 To L-0777 | 2 | C |
| 88 | 5060126 | SUPER V-BELT / 5VX950 / SET OF 2 From L-0778 | 1 | C |
| NS | 010049 | DECAL / "BELT ROUTING" W/LARGE AC 2 ALT RH To N-1199 | 1 | C |
| 88 | 010331 | DECAL / "BELT ROUTING" W/LARGE AC From N-1200 | 1 | C |
| 89 | 5001801 | SCREW CAP HEXF M10-1.5x55 G10.9 N500 | 2 | C |
| 90 | 500796 | SCREW CAP HEXF M8-1.25x50 G10.9 N500 | 1 | C |
| 91 | VIP-2245-60 | A/C COMPRESSOR SMALL - INSTALLATION WITH "VOLTA" ALTERNATOR | | C |
| 92 | VIP-0610-70 | ALTERNATOR MOUNTING - W/SMALL A/C WITH "VOLTA" ALTERNATOR | | C |
| | | | | |
| | | | | |
| | | A) ONLY USE WITH VOLTA ALTERNATOR OPTION | | |
| | | B) WITH BIG A/C | | |
| | | C) USE WITH SMALL A/C WITH "VOLTA" ALTERNATOR" OPTION | | |
| | | D) USE WITH LARGE A/C WITH "VOLTA" ALTERNATOR" OPTION | | |
| | | H) HEAVY DUTY | | |
| | | S) WITH SMALL A/C | | |
| | | 1) NOT SOLD SEPARATELY | | |
| | | V) SEE IMPACT OR CALL ORDER DESK | | |

| | | |
|-------------|--------------|---------------|
| From K-0295 | Date:07/2024 | PAGE:22719941 |
| HUB ASSY | | |



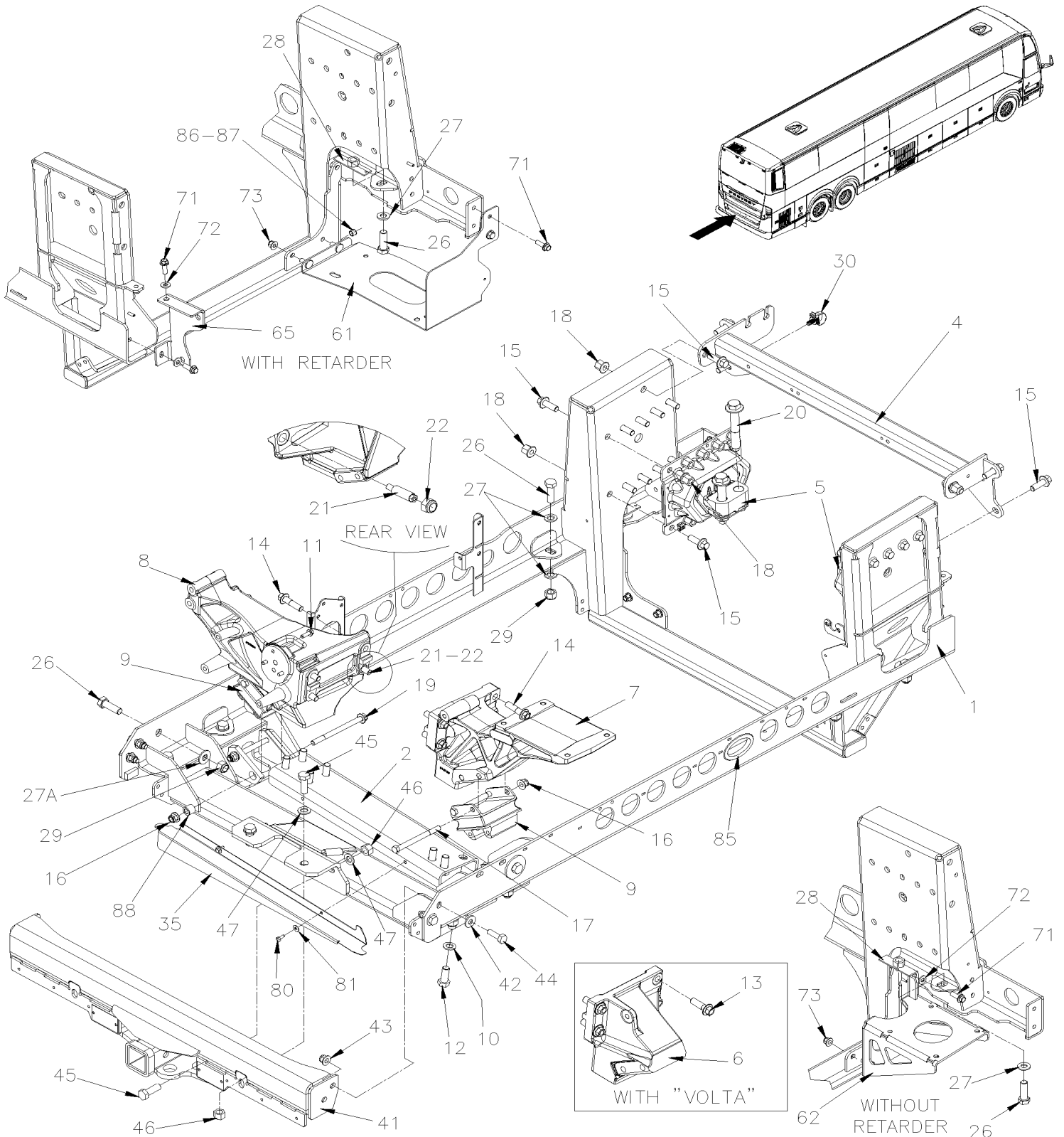
| From K-0295 | | | Date:07/2024 | PAGE:22719941 | | |
|-----------------|----------|--------------|--------------|---------------|-----|-------|
| HUB ASSY | | | | | | |
| Item# | Part | Description | | | QTY | Notes |
| 1 | 21760184 | BALL BEARING | | | 1 | |
| 2 | 23705970 | ROUND NUT | | | 1 | |

From K-0295

Date:07/2024

PAGE:VIP-0150-03

ENGINE CRADLE - WITH VOLVO D13



| | | | |
|---------------------------------------|--|---------------------|-------------------------|
| From K-0295 | | Date:07/2024 | PAGE:VIP-0150-03 |
| ENGINE CRADLE - WITH VOLVO D13 | | | |

| Item# | Part | Description | QTY | Notes |
|-------|----------|---|-----|-------|
| 1 | 010081 | ENGINE CRADLE / W / D13 WITH TRAILER HITCH To K-0574 | 1 | |
| 1 | 010103 | ENGINE CRADLE / W / D13 WITH TRAILER HITCH From K-0575 To L-1020 | 1 | |
| 1 | 010311 | ENGINE CRADLE / W / D13 WITH TRAILER HITCH From L-1021 To P-1434 | 1 | |
| 1 | 010346 | ENGINE CRADLE / W / D13 WITH TRAILER HITCH From P-1435 | 1 | |
| 1 | 012955 | ENGINE CRADLE / W / D13 WITHOUT TRAILER HITCH To K-0574 | 1 | |
| 1 | 010202 | ENGINE CRADLE / W / D13 WITHOUT TRAILER HITCH From K-0575 To L-1020 | 1 | |
| 1 | 010310 | ENGINE CRADLE / W / D13 WITHOUT TRAILER HITCH From L-1021 To P-1434 | 1 | |
| 1 | 010332 | ENGINE CRADLE / W / D13 WITHOUT TRAILER HITCH From P-1435 | 1 | |
| 2 | 012732 | BAR PROTECTOR & REINFORCEMENT W/D13 | 1 | |
| 4 | 012785 | REINFORCEMENT ASSY W/D13 To L-1020 | 1 | |
| 4 | 010305 | REINFORCEMENT ASSY W/D13 From L-1021 | 1 | |
| 5 | 20499474 | ENGINE MOUNT FRONT W/D13 | 2 | |
| 6 | 012645 | ENGINE MOUNT CURBSIDE W/D13 | 1 | A |
| 7 | 012839 | ENGINE MOUNT CURBSIDE WITH "BITZER" W/D13 To L-1085 | 1 | |
| 7 | 010318 | ENGINE MOUNT CURBSIDE WITH "BITZER" W/D13 From L-1086 To M-1153 | 1 | |
| 7 | 010105 | ENGINE MOUNT CURBSIDE WITH "BITZER" W/D13 From M-1154 | 1 | |
| 8 | 012942 | ENGINE MOUNT STREET SIDE W/D13 | 1 | |
| 9 | 3037072 | INSULATOR, RUBBER MOUNT W/D13 | 2 | |
| 10 | 5001150 | WASHER FL 17.0x30.0x3.0 N500 | 7 | |
| 11 | 5001643 | SCREW CAP HEXF M8-1.25x25 G8.8 G500 | 3 | |
| 12 | 5001590 | SCREW CAP HEX M16-2.0x40 G10.9 N500 | 7 | |
| 13 | 5001671 | SCREW CAP HEXF M14-2.0x45 G8.8 G500 | 4 | A |
| 14 | 5001672 | SCREW CAP HEXF M14-2.0x55 G8.8 G500 | 7 | |
| 15 | 5001671 | SCREW CAP HEXF M14-2.0x45 G8.8 G500 | 26 | |
| 16 | 5001761 | NUT HEXF NYRT M12-1.75 G8 N500 | 8 | |
| 17 | 5001940 | SCREW CAP HEX M12-1.75x140 G10.9 N500 | 4 | |
| 18 | 5001762 | NUT HEXF M14-2.0 | 20 | |
| 19 | 5001763 | SCREW CAP HEXF M12-1.75x160 G8.8 N500 | 4 | |
| 20 | 5001791 | SCREW CAP HEXF DOG POINT M20-2.5x120 G10.9 G500 | 4 | |
| 21 | 012921 | GROUND STUD M14 Lg.:88MM | 1 | |
| 22 | 5001665 | NUT HEX NYRT M22-2.5 G8 Z050 | 1 | |
| 26 | 5001372 | SCREW CAP HEX M16-2.0x50 G10.9 N500 | 10 | |
| 27 | 5001150 | WASHER FL 17.0x30.0x3.0 N500 | 15 | |
| 27A | 502901 | WASHER FL .625x1.469x.109 N500 | 2 | |
| 28 | 012546 | NUT STO SPECIAL / WELDED ON PLATE M16-2.0 DP | 2 | |
| 29 | 5001662 | NUT HEX NYRT M16-2.0 G10 Z050 | 9 | |
| 30 | 504750 | CABLE TIE / 1/2" x 15" / CHRISTMAS TREE | 1 | |
| 35 | 012852 | PROTECTOR / BELT | 1 | |
| 41 | 411289 | PROTECTOR ASSY / W/TRAILER HITCH To £-23081 | 1 | |
| 41 | 411516 | PROTECTOR ASSY / W/TRAILER HITCH From £-23081 | 1 | |
| 42 | 500011 | WASHER FL / HARDENED 13.0x24.0x3.0 STL | 4 | |
| 43 | 5001728 | NUT HEXF STO M12-1.75 N500 G10 | 4 | |

| | | |
|---------------------------------------|--------------|------------------|
| From K-0295 | Date:07/2024 | PAGE:VIP-0150-03 |
| ENGINE CRADLE - WITH VOLVO D13 | | |

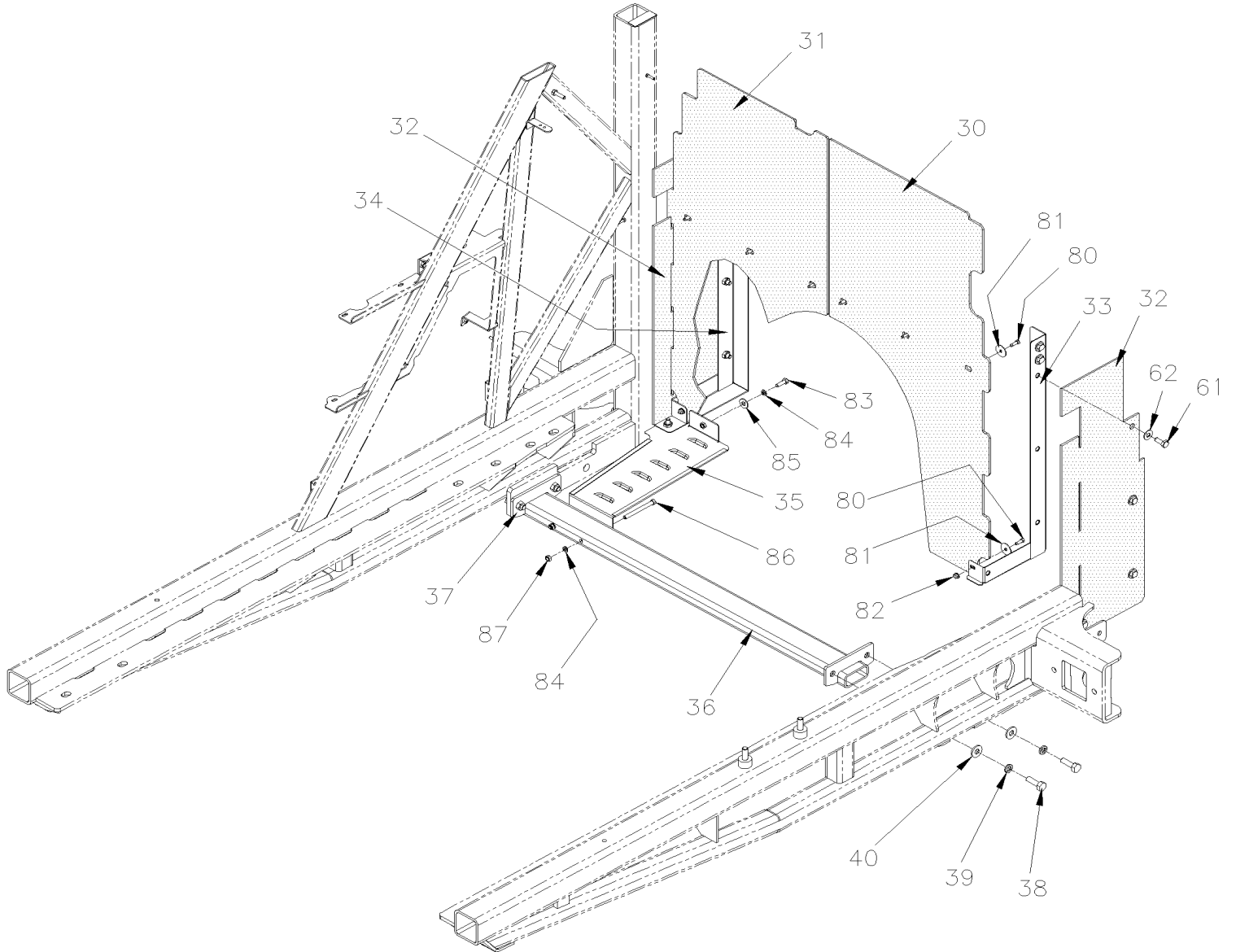
| Item# | Part | Description | QTY | Notes |
|-------|---------|---|-----|-------|
| 44 | 5001885 | SCREW CAP HEX M12-1.75X40 G10.9 N500 | 4 | |
| 45 | 5001372 | SCREW CAP HEX M16-2.0x50 G10.9 N500 | 4 | |
| 46 | 500781 | NUT HEX STO M16-2.0 DP | 4 | |
| 47 | 5001150 | WASHER FL 17.0x30.0x3.0 N500 | 15 | |
| 61 | 070040 | SUPPORT OIL COOLER W/RETARDER | 1 | |
| 62 | 071713 | SUPPORT OIL COOLER W/O RETARDER | 1 | |
| 65 | 071672 | SUPPORT ACCUMULATOR | 1 | |
| 71 | 5001741 | SCREW CAP HEXF M10-1.5x30 G8.8 N500 | 4 | |
| 72 | 5001834 | WASHER BEL SPR 10.5X23X2.5 N500 | 6 | |
| 73 | 5001930 | NUT HEXF NYRT M10-1.5 N500 G10.9 | 2 | |
| 80 | 5001697 | SCREW CAP HEX M6-1.0x16 SS BK | 2 | |
| 81 | 5001833 | WASHER BEL SPR 6.1x18x1.27 SS | 2 | |
| 85 | 504720 | GROMMET / 2.375x3.000x.250x.437x3.250 | 1 | |
| 86 | 504449 | HOLE PLUG BUTTON / .500 O.D. BLACK | 4 | |
| 87 | 680066 | ADHESIVE / ADBOND #5014 / 23.6ML BOTTLE | AR | |
| 88 | 012938 | BUSHING | 4 | |
| NS | 680038 | THREAD LOCKER LOCTITE #243 / BLUE / 50ml | AR | |
| | | | | |
| | | | | |
| | | | | |
| | | A) USE WITH SMALL A/C WITH "VOLTA" ALTERNATOR" OPTION | | |

From K-0295

Date:07/2024

PAGE:VIP-0155-10

ENGINE TRANSMISSION GUARD & AIR SHIELD

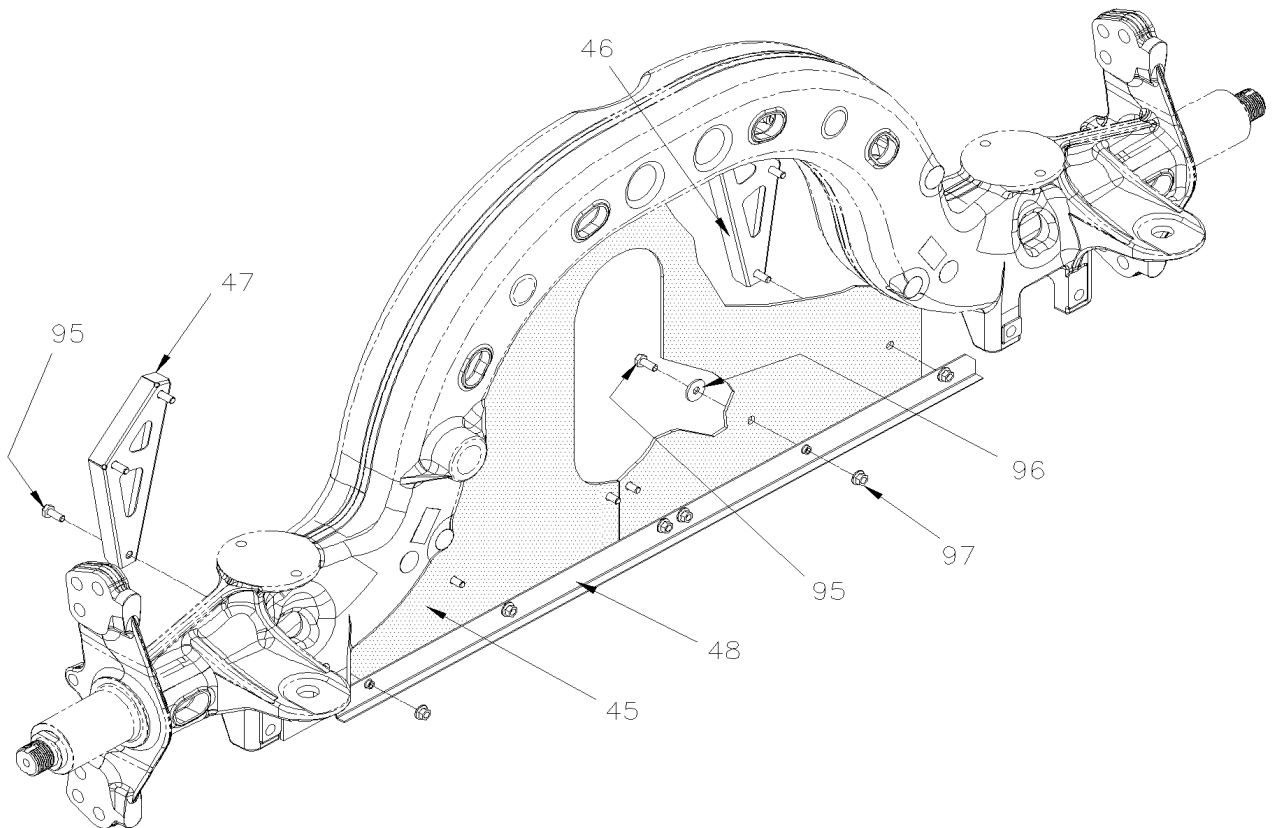


From K-0295

Date:07/2024

PAGE:VIP-0155-10

ENGINE TRANSMISSION GUARD & AIR SHIELD



| | | | |
|---|--|---------------------|-------------------------|
| From K-0295 | | Date:07/2024 | PAGE:VIP-0155-10 |
| ENGINE TRANSMISSION GUARD & AIR SHIELD | | | |

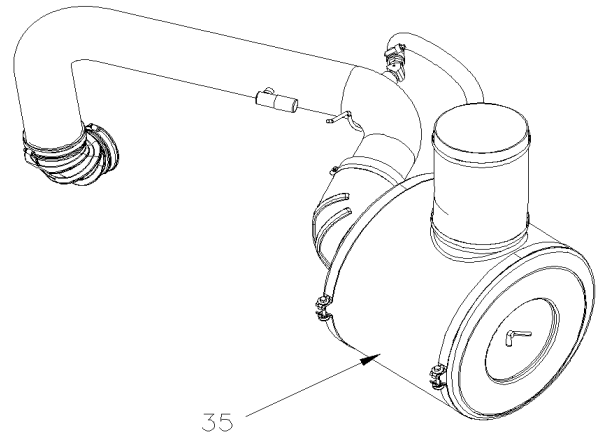
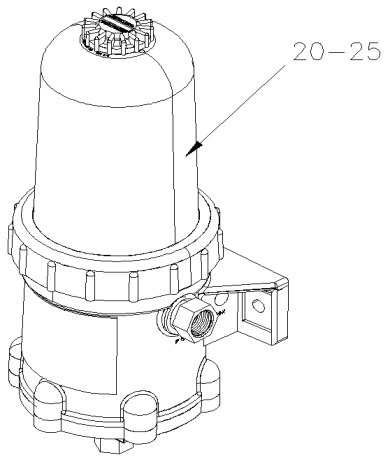
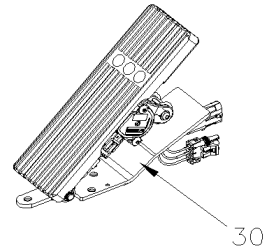
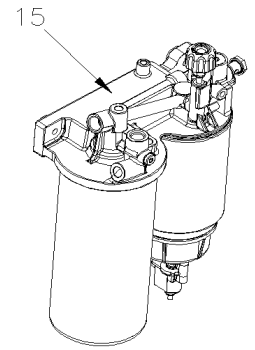
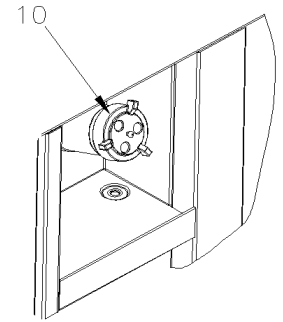
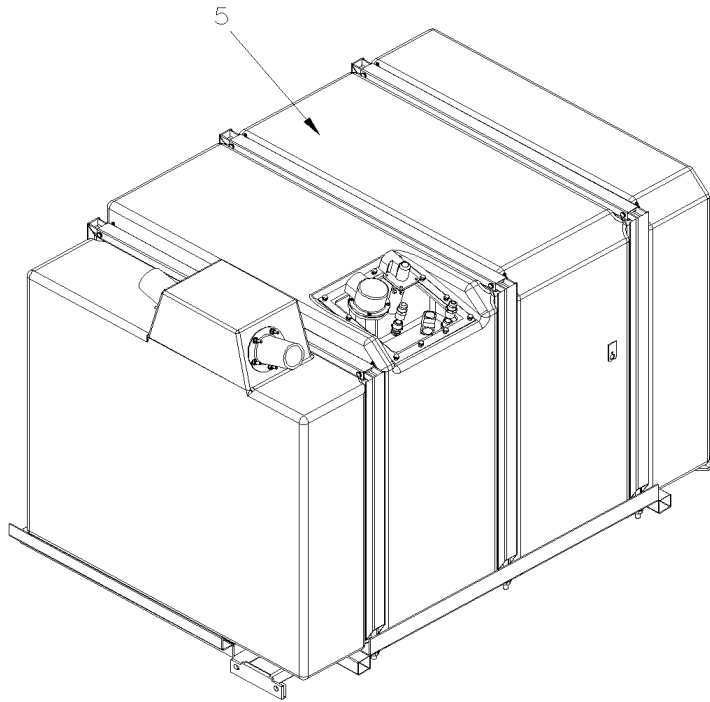
| Item# | Part | Description | QTY | Notes |
|-------|---------|-------------------------------------|-----|-------|
| 30 | 012827 | PROTECTOR R.H. / W/O RETARDER | 1 | |
| 30 | 012828 | PROTECTOR R.H. / W/RETARDER | 1 | |
| 31 | 010076 | PROTECTOR L.H. | 1 | O W |
| 32 | 071578 | PROTECTOR / BOTH SIDE | 2 | |
| 33 | 071617 | SUPPORT L.H. | 1 | |
| 34 | 071616 | SUPPORT R.H. | 1 | |
| 35 | 012563 | AIR SHIELD BOX SS | 1 | A |
| 36 | 173688 | TUBE 1058MM | 1 | |
| 37 | 174003 | BOLTING PLATE, REAR SUB FRAME | 2 | |
| 38 | 502731 | SCREW CAP HEX M12-1.75x40 G8.8 Z050 | 4 | |
| 39 | 500482 | WASHER LO SPT .506x.873x.125 Z050 | 4 | |
| 40 | 500446 | WASHER FL .531x1.250x.125 Z050 | 4 | |
| 45 | 121904 | PROTECTOR | 1 | |
| 46 | 121905 | RENFORT L.H. | 1 | |
| 47 | 121906 | RENFORT R.H. | 1 | |
| 48 | 071642 | RENFORT | 1 | |
| | | | | |
| 61 | 502804 | SCREW CAP HEX M10-1.5x25 G8.8 N500 | 12 | |
| 62 | 500270 | WASHER FL .406x1.000x.063 SS | 12 | |
| 80 | 502848 | SCREW TC CAP HEXF 1/4-20x3/4 N500 | 9 | |
| 81 | 500913 | WASHER FL .281x1.250x.065 N500 | 9 | |
| 82 | 5001123 | NUT HEXF 1/4-20 SS | 2 | |
| 83 | 502780 | SCREW CAP HEX M8-1.25x25 SS BK | 1 | |
| 84 | 5001161 | WASHER LO SPT 8.1x14.8x2.0 SS-304 | 3 | |
| 85 | 500897 | WASHER FL .437x1.000x.083 N500 | 1 | |
| 86 | 5001186 | SCREW CAP HEX M8-1.25x90 SS BK | 2 | |
| 87 | 5001188 | NUT HEX M8-1.25 SS | 2 | |
| 95 | 502804 | SCREW CAP HEX M10-1.5x25 G8.8 N500 | 16 | |
| 96 | 500211 | WASHER FL .531x1.250x.125 N500 | AR | |
| 97 | 5001760 | NUT HEXF STO M10-1.5 G8 ZP | 6 | |
| | | | | |
| | | | | |
| | | | | |
| | | | | |
| | | A) WITH WORLD TRANSMISSION | | |
| | | O) WITHOUT RETARDER | | |
| | | W) WITH RETARDER | | |

From K-0295

Date:07/2024

VIP-03

FUEL

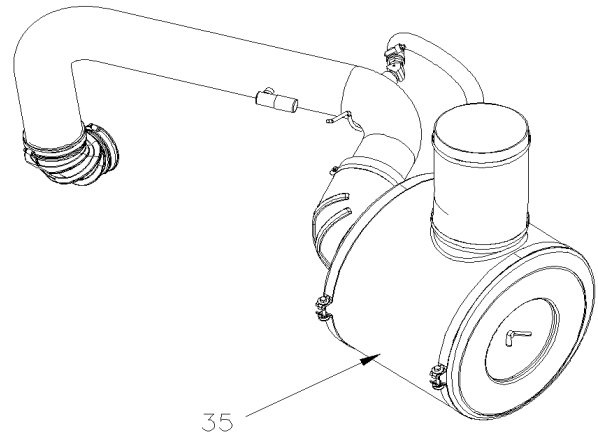
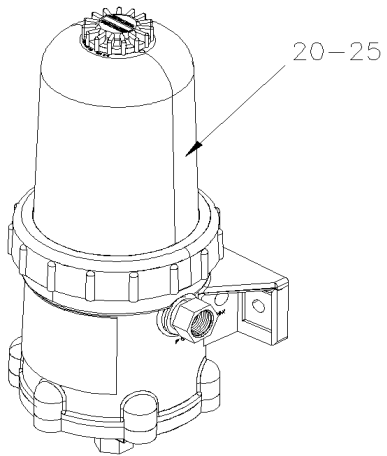
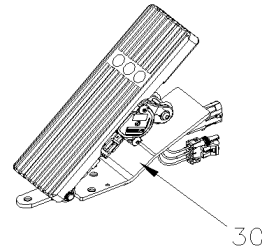
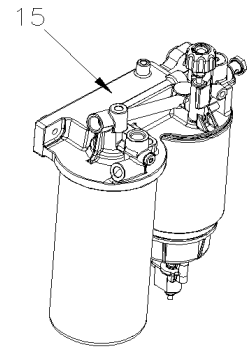
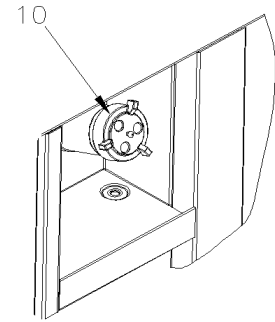
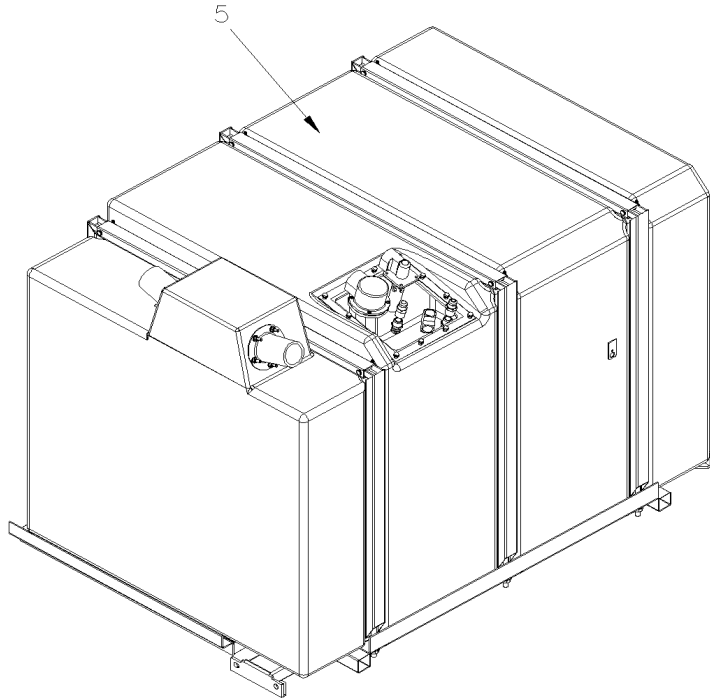


From K-0295

Date:07/2024

VIP-03

FUEL



| | | |
|-------------|--------------|--------|
| From K-0295 | Date:07/2024 | VIP-03 |
|-------------|--------------|--------|

FUEL

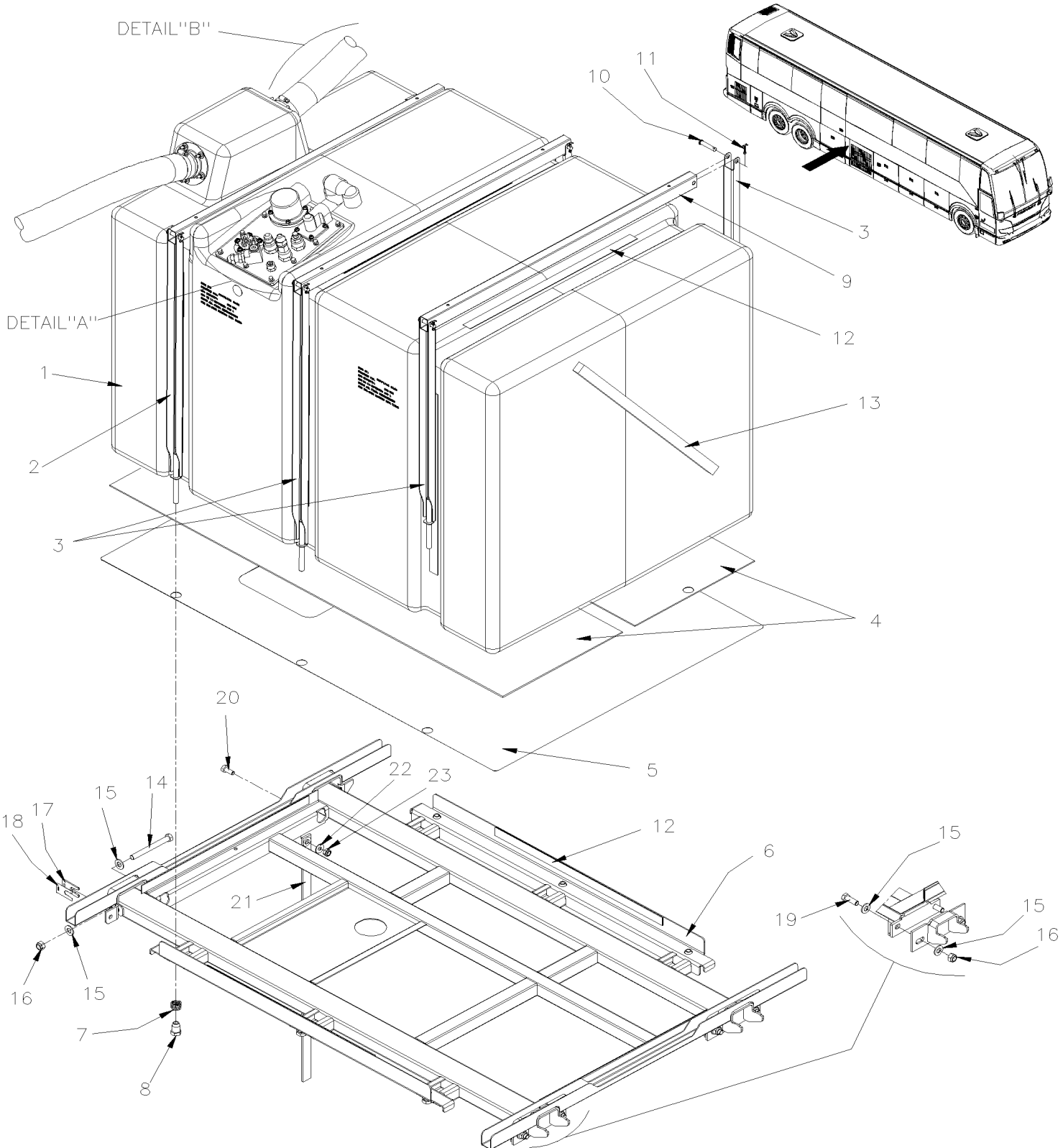
| Item# | Part | Description | QTY | Notes |
|-------|-------------|--|-----|-------|
| 5 | VIP-0305-00 | FUEL TANK PLASTIC From K-0295 | | |
| 10 | VIP-0310-10 | FUEL FILLING CAP From K-0295 | | |
| 15 | VIP-0311-02 | FUEL FILTER - PRIMARY & SECONDARY WITH VOLVO D13 - GHG17 From K-0295 | | |
| 20 | VIP-0311-16 | FUEL FILTER / "PRO 382" From K-0295 To N-1239 | | |
| 25 | VIP-0312-12 | FUEL PRO - INSTALLATION WITH VOLVO D13 From K-0295 | | |
| 30 | VIP-0315-10 | ACCELERATOR PEDAL - ELECTRONIC From K-0295 | | |
| 35 | VIP-0330-03 | AIR FILTER & INTAKE - INSTALLATION WITH VOLVO D13 From K-0295 | | |

From K-0295

Date:07/2024

PAGE:VIP-0305-00

FUEL TANK PLASTIC

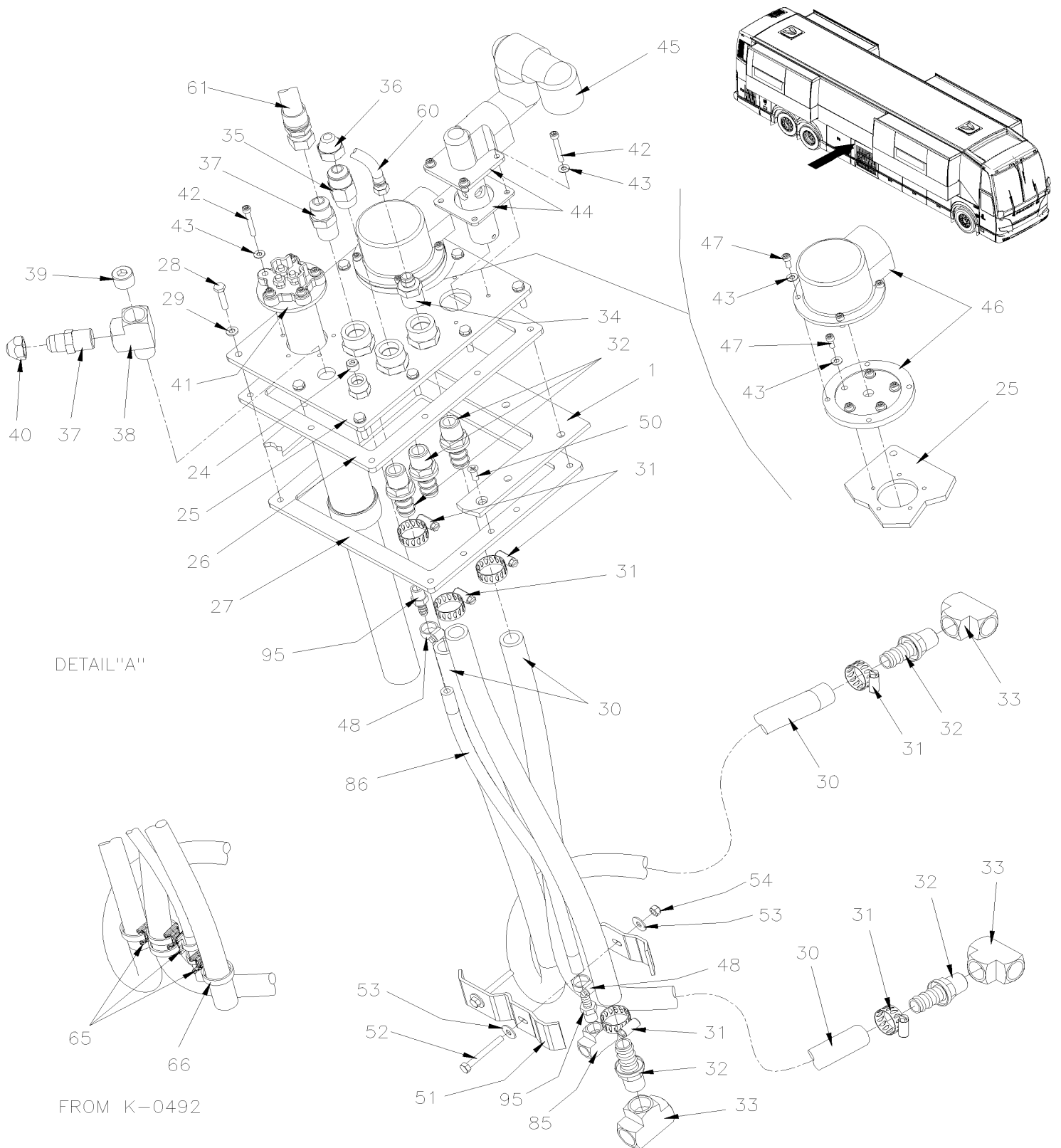


From K-0295

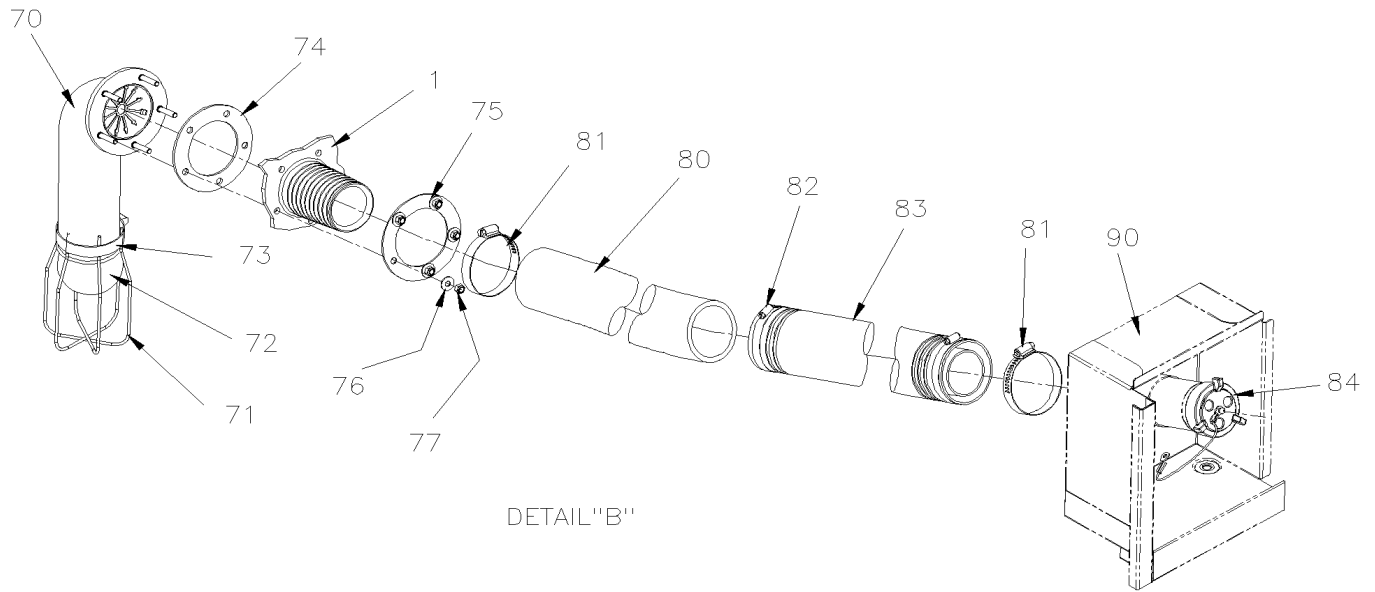
Date:07/2024

PAGE:VIP-0305-00

FUEL TANK PLASTIC



| | | |
|-------------------|--------------|------------------|
| From K-0295 | Date:07/2024 | PAGE:VIP-0305-00 |
| FUEL TANK PLASTIC | | |



| | | | |
|--------------------------|--|--------------|------------------|
| From K-0295 | | Date:07/2024 | PAGE:VIP-0305-00 |
| FUEL TANK PLASTIC | | | |

| Item# | Part | Description | QTY | Notes |
|-------|-----------------|---|-----|-------|
| | Call order desk | FUEL TANK ASSY / COMPLETE WITH FLOOR ASSY | 1 | P |
| | Call order desk | FUEL TANK ASSY / COMPLETE W/OUT FLOOR AND STRAP | 1 | P |
| 1 | 030007 | FUEL TANK / 222 GALLONS US | 1 | |
| NS | 506757 | TAPE RUB ADH1 NEO 3/4" x 10" x 25 1/2" / BLACK 1220 To N-1172 | 1 | |
| 2 | 030069 | ATTACHMENT ASSY / 829.5 MM | 2 | |
| 3 | 030071 | ATTACHMENT ASSY / 880.5 MM | 4 | |
| 4 | 030075 | PLATE NITRILE 1/8" TH. 1307.9 x 398 MM | 2 | |
| 5 | 030073 | BOTTOM SHEET METAL 1317.9 x 897.7 MM | 1 | |
| 6 | 030055 | REMOVABLE FLOOR To M-1141 | 1 | |
| 6 | 030177 | REMOVABLE FLOOR From M-1142 | 1 | |
| 7 | 502932 | SPRING COMPRESSION / SS .975 O.D. x 1.250 x .125 | 6 | |
| 8 | 032607 | NUT HEX SPECIAL M12-1.75 SS | 6 | |
| 9 | 030065 | PIN, COTTER 1/8 x 1 | 3 | |
| 10 | 502121 | PIN, CLEVIS 3/8 x 1.625 BZC | 6 | |
| 11 | 502102 | PIN, COTTER 1/8 x 1 | 6 | |
| 12 | 506758 | TAPE RUB ADH1 NEO 1/16"X 1 1/2"X50' To K-0325 | AR | |
| 12 | 506046 | TAPE NIT N/A BK 1/16"X1"X50' From K-0326 | AR | |
| 12 | 680108 | TAPE RUB ADH2 VHB 1" x .045" x 108' From K-0326 | AR | |
| 13 | 506007 | TAPE RUB ADH1 CC NEO 3/4" x 1" x 10' / BLACK 1220 To N-1172 | AR | |
| 14 | 5001941 | SCREW CAP HEX M12-1.75x120 G10.9 N500 | 2 | |
| 15 | 500958 | WASHER FL .531x1.062x.095 SS | AR | |
| 16 | 500811 | NUT HEX STO M12-1.75 G500 | 6 | |
| 17 | 030083 | SPACER "U" 0.953MM | 2 | |
| 18 | 030082 | SPACER "U" 3.175MM | 2 | |
| 19 | 500806 | SCREW CAP HEX M12-1.75X35 G10.9 G500 | 4 | |
| 20 | 5001231 | SCREW CAP HEX M10-1.5x25 SS | 1 | |
| 21 | 505056 | ANTISTATIC STRAP / UNDER STRUCTURE | 1 | |
| 22 | 500270 | WASHER FL .406x1.000x.063 SS | 1 | |
| 23 | 502859 | NUT HEX NYRT M10-1.5 N500 | 1 | |
| 24 | 501800 | PLUG HEXS / PIPE FITTING / 1/4NPT-M STL | 1 | |
| 25 | 033959 | MAIN PLATE / RECTANGULAR SHAPE | 1 | |
| 26 | 032956 | GASKET / RECTANGULAR SHAPE 250 x 190 MM | 1 | |
| 27 | 033962 | INTERIOR FRAME ASSY / RECTANGULAR SHAPE | 1 | |
| 28 | 502686 | SCREW CAP HEX M6-1.0x30 SS BK | 10 | |
| 29 | 5001392 | WASHER FL 6.0x12.0x1.5 COP | 10 | |
| 30 | 531417 | HOSE / 2556 / #10 X 48" | 2 | |
| 30 | 531454 | HOSE / 2556 / #10 X 25 1/2" | AR | |
| 31 | 504019 | HOSE CLAMP / 9/16"-1"1/16 SS / HS-10 | AR | |
| 32 | 501942 | MALE CONNECTOR / PUSH-LOK FITTING / 1/2NPT-Mx#10 BR | AR | |
| 33 | 501472 | FEMALE UNION TEE / PIPE FITTING / 1/2NPT-Fx1/2NPT-Fx1/2NPT-F BR | AR | |
| 34 | 501930 | MALE CONNECTOR / JIC 37° FITTING / #6JIC-Mx1/2NPT-M STL | 1 | |
| 35 | 501034 | MALE CONNECTOR / SAE 45° FITTING / #10FL-Mx1/2NPT-M BR | 1 | |

| | | | |
|--------------------------|--|--------------|------------------|
| From K-0295 | | Date:07/2024 | PAGE:VIP-0305-00 |
| FUEL TANK PLASTIC | | | |

| Item# | Part | Description | QTY | Notes |
|-------|---------|--|-----|-------|
| 36 | 501054 | .. CAP NUT / SAE 45° FITTING / #10FL-F BR | 1 | |
| 37 | 501616 | .. MALE CONNECTOR / SAE 45° FITTING / #8FL-Mx1/2NPT-M BR | 2 | |
| 38 | 501473 | .. MALE RUN TEE / PIPE FITTING / 1/2NPT-Mx1/2NPT-Fx1/2NPT-F BR | 1 | |
| 39 | 501966 | .. PLUG HEXS / PIPE FITTING / 1/2NPT-M STL | 1 | |
| 40 | 501053 | .. CAP NUT / SAE 45° FITTING / #8FL-F BR | 1 | |
| 41 | 531404 | .. SENSOR, FUEL LEVEL / 31¼" / W/PLASTIC TAN To M-1153 | 1 | |
| . NS | 531419 | .. . GASKET, FUEL SENSOR To M-1153 | 1 | |
| 41 | 530018 | SENSOR, FUEL LEVEL / 31¼" / W/PLASTIC TAN From M-1154 | 1 | |
| . NS | 531419 | . GASKET, FUEL SENSOR From M-1154 | 1 | |
| 42 | 5001925 | .. SCREW CAP HEXS #10-24x1 1/4 N500 | 9 | |
| 43 | 500593 | .. WASHER FL .200x.437x.036 BR | 18 | |
| 44 | 531459 | .. VALVE, FUEL TANK LEVEL CONTROL EMCO To R-1597 | 1 | |
| . NS | 530212 | .. . GASKET / VALVE CONTROL LEVEL To R-1597 | 1 | |
| 44 | 530123 | .. VALVE, FUEL TANK LEVEL CONTROL EMCO From R-1598 | 1 | |
| 45 | 5011352 | .. STREET ELBOW 90° / PIPE FITTING / 1NTP-Mx1NPT-F PVC | 3 | |
| 46 | 530156 | .. VALVE PRESSURE | 1 | |
| . NS | 531427 | .. . GASKET / (SMALL) | 1 | |
| . NS | 531428 | .. . GASKET / (LARGE) | 1 | |
| 47 | 500143 | .. SCREW CAP HEXS #10-24x1/2 N500 | 9 | |
| 48 | 504014 | .. HOSE CLAMP / 1/4"-5/8" SS / HM-4 | AR | |
| 50 | 5001198 | .. SCREW MA FL PH M6-1.0x16 Z050 | 2 | |
| 51 | 032779 | .. HOLDING PLATE / TO HOLD TUBE To K-0490 | 2 | |
| 52 | 502656 | .. SCREW CAP HEX M6-1.0x50 SS To K-0490 | 2 | |
| 53 | 500411 | .. WASHER FL .260x.697x.050 SS To K-0490 | AR | |
| 54 | 502681 | .. NUT HEX NYRT M6-1.0 N500 G8 To K-0490 | 12 | |
| 60 | 033006 | .. HOSE ASSY / #6 6370MM To K-0490 | 1 | |
| 61 | 032144 | .. HOSE ASSY / #8 6402MM To P-1424 | 1 | |
| 61 | 033248 | HOSE ASSY / #8 6402MM From P-1425 | 1 | |
| 65 | 504751 | ROTATIF SPACER DOUBLE / SMALL From K-0491 | AR | |
| 66 | 504016 | CABLE TIE / 5/16" X 14"1/2 From K-0491 | AR | |
| 70 | 030021 | . TUBE BALL RETAINER WITH ANTI SYPHON | 2 | |
| 71 | 032438 | . BASKET | 2 | |
| 72 | 032871 | . BALL 77MM O.D. | 2 | |
| 73 | 504293 | . HOSE CLAMP / 2"5/16-3"1/4 SS / E.T. 44 | 2 | |
| 74 | 032938 | . GASKET | 2 | |
| 75 | 032436 | . PLATE EXTERIOR | 2 | |
| 76 | 500411 | . WASHER FL .260x.697x.050 SS | AR | |
| 77 | 502681 | . NUT HEX NYRT M6-1.0 N500 G8 | AR | |
| 80 | 032819 | HOSE 2 1/2" I.D. x 840MM | 1 | |
| 80 | 032820 | HOSE 2 1/2" I.D. x 1085MM | 1 | |
| 81 | 504025 | HOSE CLAMP / 2"5/16-3"1/4 SS / HS-44 | 1 | |
| 82 | 504235 | HOSE CLAMP / 3"9/16"-4"1/2 SS / HS-64 | 2 | |

| | | | |
|--------------------------|--|---------------------|-------------------------|
| From K-0295 | | Date:07/2024 | PAGE:VIP-0305-00 |
| FUEL TANK PLASTIC | | | |

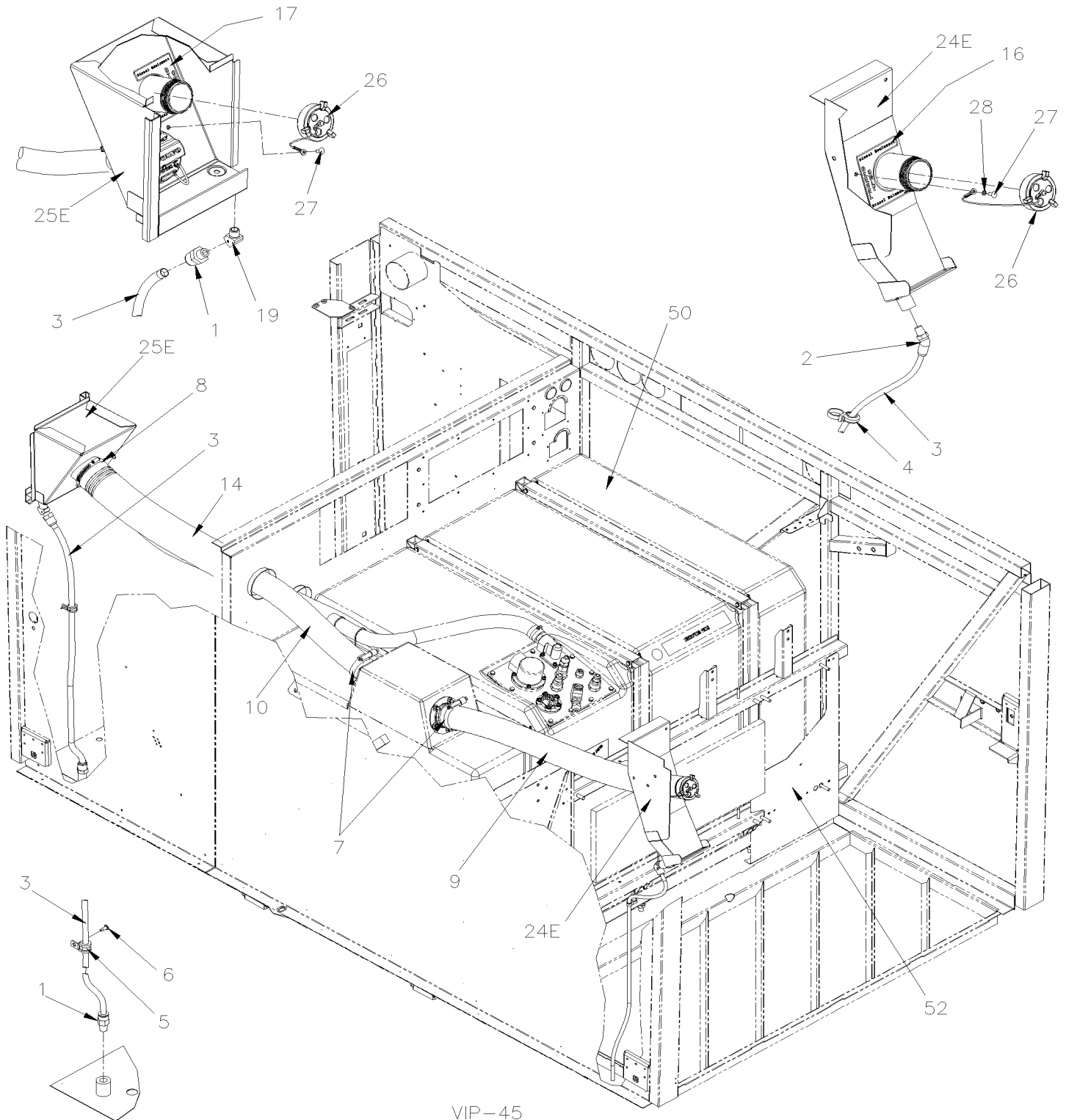
| Item# | Part | Description | QTY | Notes |
|-------|--------------------|---|-----|-------|
| 83 | 032821 | HOSE FLEXIBLE 3 1/2" I.D. X 645MM | 1 | |
| 84 | 531424 | FUEL FILLING CAP / SCREW TYPE CAP | 2 | |
| . NS | 530133 | . REPLACEMENT GASKET FOR 2" FEMALE CAP | 1 | |
| 85 | 501337 | FEMALE UNION TEE / PIPE FITTING / 1/4NPT-Fx1/4NPT-Fx1/4NPT-F BR | | |
| 86 | 531453 | HOSE / 2556 / #4 X 25 1/2" | 1 | |
| NS | 682175 | UNDERCOATING BLACK PROTECTOR (GRAVELGUARD) 567gr To N-1261 | AR | |
| NS | 685413 | RUBBERIZED UNDERCOAT (GRAVELGUARD) 560gr From N-1262 | AR | |
| 90 | VIP-0310-10 | FUEL FILLING CAP | | |
| 95 | 507602 | . MALE CONNECTOR / PUSH-LOK FITTING / 1/4NPT-Mx#4 BR | 1 | |
| NS | 5011064 | . MALE CONNECTOR / HOSE BARB FITTING / #3x1/4NPT-M BR | 1 | |
| 96 | 501316 | . BUSHING REDUCER / PIPE FITTING / 1/2NPT-Mx1/4NPT-F BR | 1 | |
| 97 | 680733 | . CAP PROTECTOR (NO-THREADED) | 1 | |
| 98 | 501321 | . NIPPLE HEX / PIPE FITTING / 1/4NPT-Mx1/4NPT-Mx1 3/8 BR | 1 | |
| 99 | 530043 | . CHECK VALVE UP TO 250 PSI-2600 SERIES | 1 | |
| 100 | 501011 | . FEMALE CONNECTOR / PUSH-LOK FITTING / 1/4NPT-Fx#4 BR | 1 | |
| | | | | |
| | | | | |
| | | | | |
| | | P) CALL ORDER DESK FOR SPECIFIC APPLICATION (V.I.N.) | | |

From K-0295

Date:07/2024

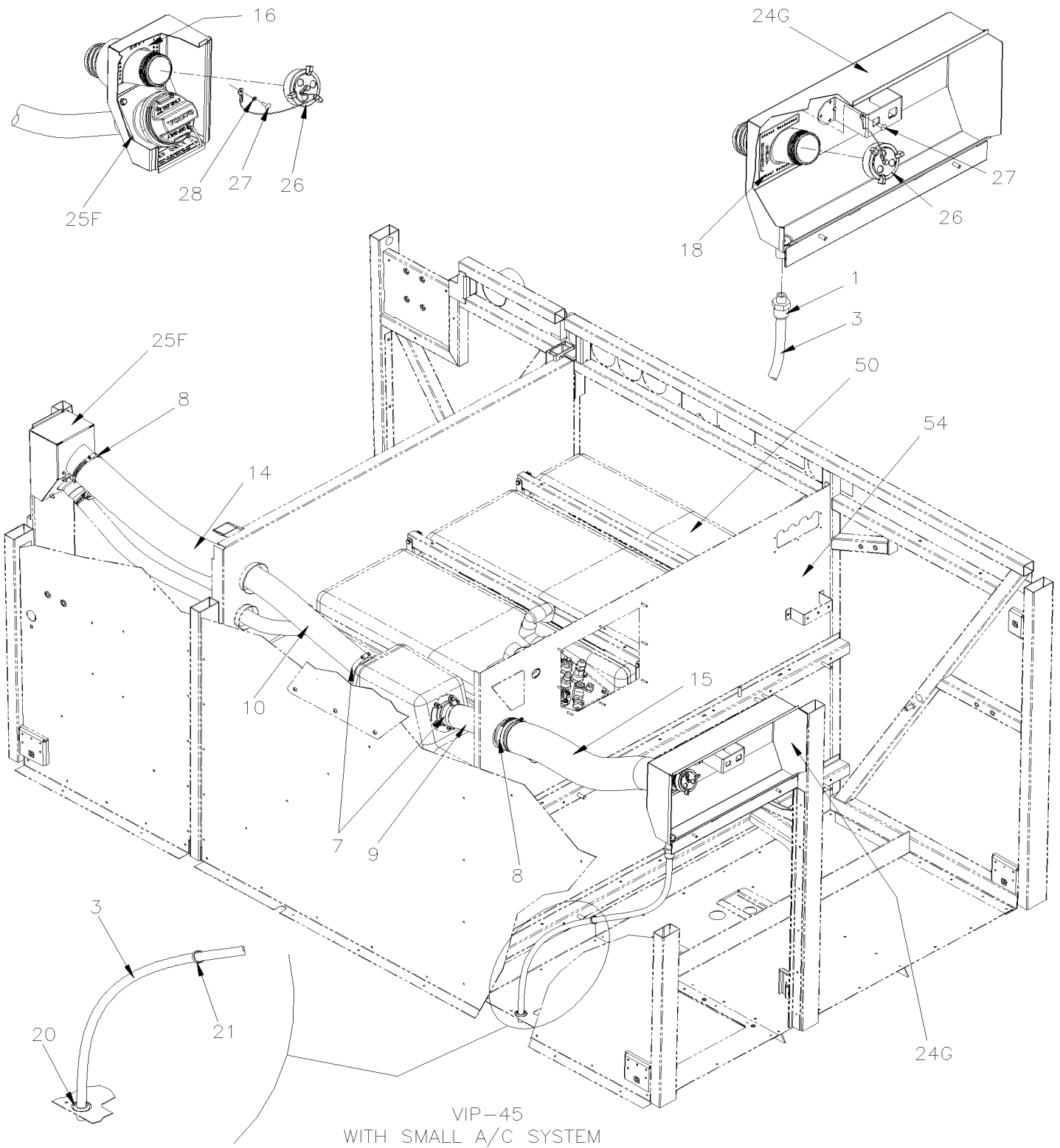
PAGE:VIP-0310-10

FUEL FILLING CAP



VIP-45
WITH LARGE A/C SYSTEM
FROM D-2452

FUEL FILLING CAP



| | | |
|-------------------------|---------------------|-------------------------|
| From K-0295 | Date:07/2024 | PAGE:VIP-0310-10 |
| FUEL FILLING CAP | | |

| Item# | Part | Description | QTY | Notes |
|-------|--------------------|--|-----|-------|
| 1 | 641602 | MALE CONNECTOR / PUSH-IN FITTING / #10x3/8NPT-M BR | 2 | |
| 2 | 641366 | MALE ELBOW 45° NON-SWIVEL / PUSH-IN FITTING / #6x1/4NPT-M BR | 1 | |
| 3 | 503540 | TUBE, NYLON 5/8 O.D. / BLACK S.L. | AR | |
| 4 | 504768 | CABLE TIE / 3/16" 14.7" / DOUBLE LOOP HEAD | 1 | |
| 4 | 504421 | GROMMET / .625x.875x.187x.437x1.125 | 1 | |
| 5 | 952629 | CLAMP / 5/8" I.D. | AR | |
| 6 | 500957 | SCREW TP BDG PH #10x3/4 N500 | AR | |
| 7 | 504562 | HOSE CLAMP / 2"3/4-3"5/8 / C.T. 350 | 4 | |
| 8 | 504235 | HOSE CLAMP / 3"9/16"-4"1/2 SS / HS-64 | 4 | |
| 9 | 032819 | HOSE 2 1/2" I.D. x 840MM | 1 | |
| 9 | 503475 | . HOSE / FUEL / 2 1/2" I.D. / S.L. | AR | |
| 10 | 032820 | HOSE 2 1/2" I.D. x 1085MM | 1 | |
| 10 | 503475 | . HOSE / FUEL / 2 1/2" I.D. / S.L. | AR | |
| 14 | 032568 | HOSE FLEXIBLE 3 1/2" I.D. X 530MM | 1 | |
| 14 | 032821 | HOSE FLEXIBLE 3 1/2" I.D. X 645MM | 1 | |
| 14 | 503746 | . HOSE FLEXIBLE / AIR DUCT 3 1/2" I.D. X 12' / PLASTIC | AR | |
| NS | 688022 | SEALANT FLEXTEC 5510 183 LITERS | AR | |
| 15 | 032828 | HOSE FLEXIBLE 3 1/2" I.D. X 600MM | 1 | |
| 15 | 503746 | . HOSE FLEXIBLE / AIR DUCT 3 1/2" I.D. X 12' / PLASTIC | AR | |
| 16 | 030031 | DECAL "DIESEL ONLY" | 1 | |
| 17 | 030037 | DECAL "DIESEL ONLY" | 1 | B |
| 18 | 030038 | DECAL "DIESEL ONLY" | 1 | A |
| 19 | 501330 | STREET ELBOW 45° / PIPE FITTING / 3/8NPT-Mx3/8NPT-F BR | 1 | B |
| 20 | 504356 | GROMMET / .625x.875x.062x.312x1.125 | 1 | A |
| 21 | 504637 | CABLE TIE / 3/16" x 13" | 1 | A |
| 24E | 033011 | FILLING CAP BOX ASSY R.H. / SCREW TYPE CAP | 1 | B |
| 24G | 217478 | FILLING CAP BOX ASSY R.H. / SCREW TYPE CAP | 1 | A |
| 25E | 033947 | FILLING CAP BOX ASSY L.H. / SCREW TYPE CAP | 1 | B |
| 25F | 218644 | FILLING CAP BOX ASSY L.H. / SCREW TYPE CAP | 1 | A |
| 26 | 531424 | FUEL FILLING CAP / SCREW TYPE CAP | 1 | |
| . NS | 530133 | . REPLACEMENT GASKET FOR 2" FEMALE CAP | 1 | |
| 26 | 531424 | FUEL FILLING CAP / SCREW TYPE CAP | 1 | A |
| . NS | 530133 | . REPLACEMENT GASKET FOR 2" FEMALE CAP | 1 | A |
| 27 | 500572 | SCREW MA TR PH #10-24x1/2 SS BK | 1 | |
| 28 | 500470 | WASHER LO SPT .193x.334x.047 Z050 | 1 | |
| | | | | |
| 50 | VIP-0305-00 | FUEL TANK PLASTIC | | |
| 52 | VIP-1865-22 | EVAPORATOR & CONDENSOR WALL INSTALLATION | | |
| 54 | VIP-1865-52 | PANEL WALL BAGGAGE INSTALLATION WITH SMALL A/C SYSTEM | | |
| | | | | |
| | | | | |
| | | | | |

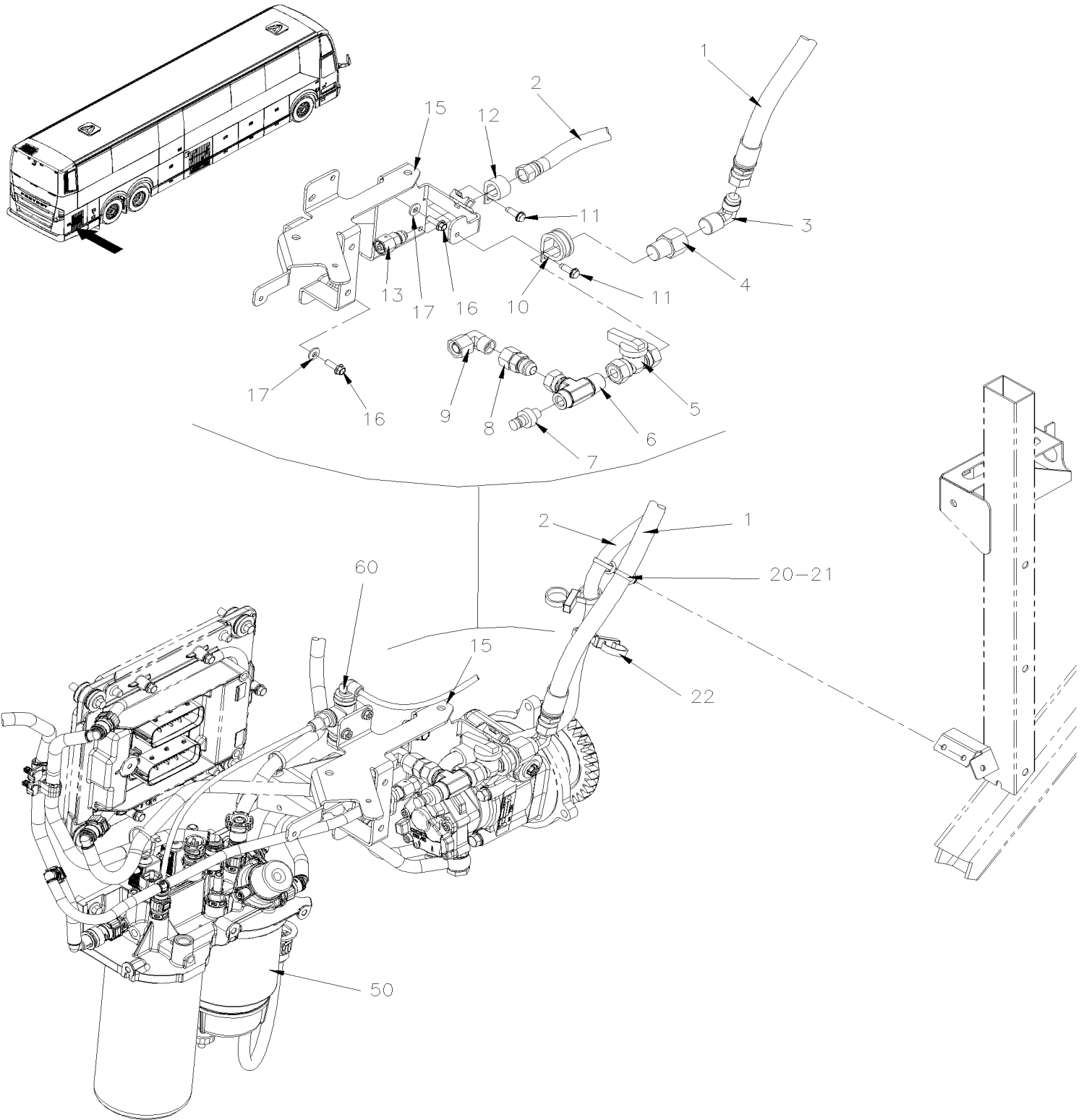
| From K-0295 | | Date:07/2024 | PAGE:VIP-0310-10 | |
|-------------------------|------|-------------------|------------------|-------|
| FUEL FILLING CAP | | | | |
| Item# | Part | Description | QTY | Notes |
| | | A) WITH SMALL A/C | | |
| | | B) WITH LARGE A/C | | |

From K-0295

Date:07/2024

PAGE:VIP-0311-02

FUEL FILTER - PRIMARY & SECONDARY WITH VOLVO D13 - GHG17



| | | | |
|---|--|--------------|------------------|
| From K-0295 | | Date:07/2024 | PAGE:VIP-0311-02 |
| FUEL FILTER - PRIMARY & SECONDARY WITH VOLVO D13 - GHG17 | | | |

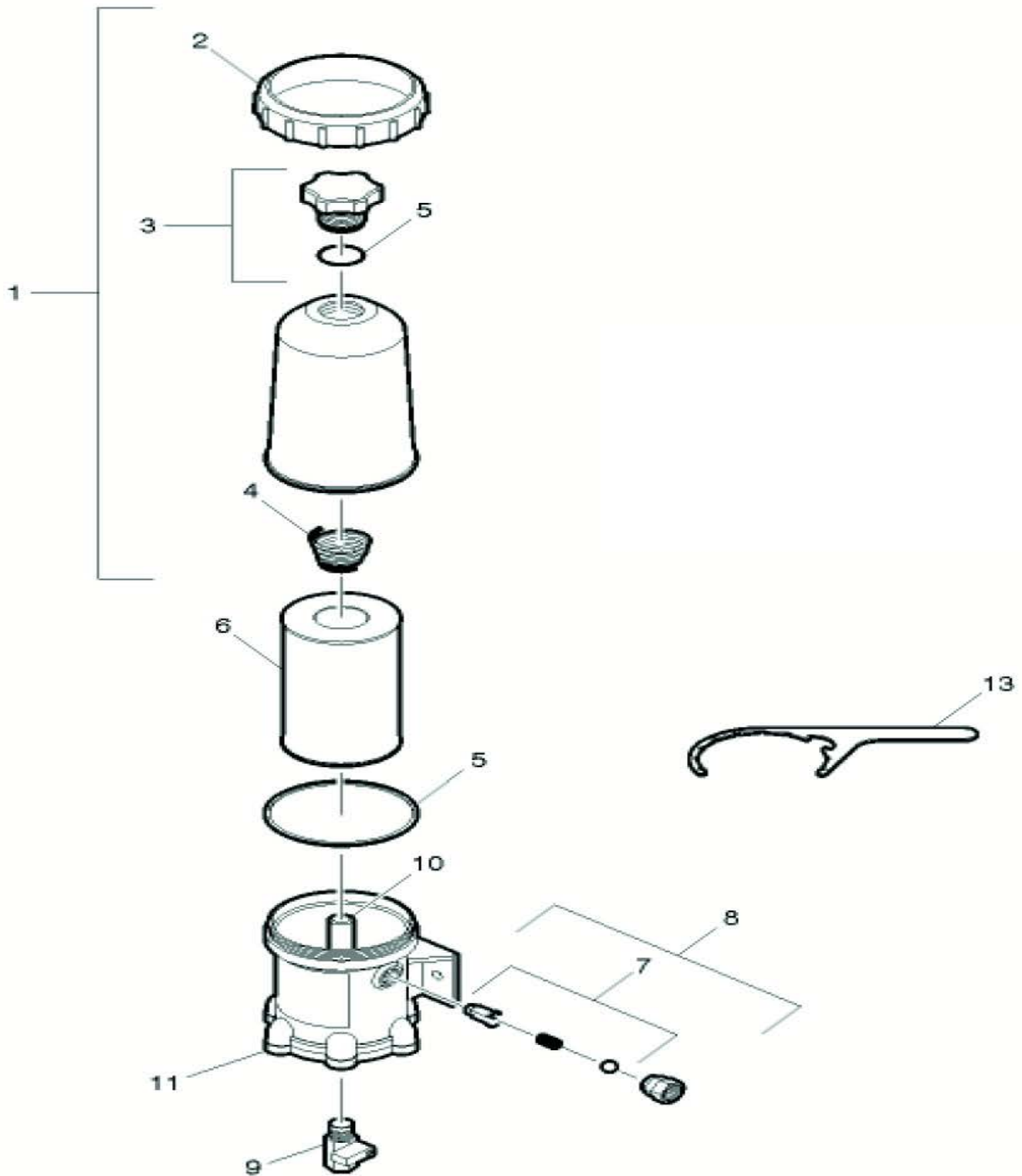
| Item# | Part | Description | QTY | Notes |
|-------|--------------------|--|-----|-------|
| 1 | 032756 | HOSE ASSY / #8 5985MM To P-1424 | 1 | |
| 1 | 033249 | HOSE ASSY / #8 5985MM From P-1425 | 1 | |
| 2 | 033018 | HOSE ASSY / #6 6230MM | 1 | |
| 3 | 501612 | MALE ELBOW 90° / SAE 45° FITTING / #8FL-Mx1/2NPT-M BR | 1 | |
| 4 | 5011119 | ADAPTER / PIPE FITTING / 1/2NPT-Fx1/2NPT-M BR | 1 | |
| 5 | 530096 | BALL VALVE 1/2" NPT 1/2 NPT F x 1/2 NPT F | 1 | |
| 6 | 5001677 | SWIVEL NUT ADAPTER TEE / JIC 37° FITTING / #8JIC-Fx1/2NPT-Mx1/4NTP-F STL | 1 | |
| 7 | 504706 | NIPPLE / QUICK DISCONNECT "SAE J1502" / #4x1/4NPT-M STL W/DUST CAP | 1 | |
| NS | 195533 | DUST CAP / QUICK DISCONNECT "SAE J1502" / #4 | 1 | |
| 8 | 507659 | MALE CONNECTOR SWIVEL / JIC 37° @ METRIC24° / #8JIC-MxM18-1.5 W/24° O-RING-F | 1 | |
| 9 | 964016 | ELBOW To R-1843 | 1 | |
| 9 | 940177 | ELBOW From R-1844 | 1 | |
| 10 | 952635 | CLAMP / 1" I.D. | 1 | |
| 11 | 502848 | SCREW TC CAP HEXF 1/4-20x3/4 N500 | 2 | |
| NS | 680098 | THREAD SEALANT LOCTITE #567 / WHITE / 250ml | AR | |
| 12 | 952629 | CLAMP / 5/8" I.D. | 1 | |
| 13 | 507662 | MALE CONNECTOR SWIVEL / JIC 37° @ METRIC24° / #6JIC-MxM16-1.5 W/24° O-RING-F | 1 | |
| 15 | 010043 | SUPPORT FUEL LINE | 1 | |
| 16 | 5001643 | SCREW CAP HEXF M8-1.25x25 G8.8 G500 | 3 | |
| 17 | 500321 | WASHER BEL SPR .331x.827x.098 N500 | 3 | |
| NS | 5001931 | NUT HEXF NYRT M8-1.25 G8.8 N500 | 1 | |
| NS | 680038 | THREAD LOCKER LOCTITE #243 / BLUE / 50ml | AR | |
| 20 | 509815 | TIE MOUNT / ATTACHMENT W/TREE MOUNT | 2 | |
| 21 | 504637 | CABLE TIE / 3/16" x 13" | AR | |
| 22 | 504768 | CABLE TIE / 3/16" 14.7" / DOUBLE LOOP HEAD | AR | |
| 50 | Refer To Volvo | HOUSING FUEL FILTER ASSY W/PRIMER PUMP | 1 | V |
| 60 | VIP-0405-12 | 7TH INJECTOR / "AHI" / EXHAUST VOLVO D13 | | |
| | | | | |
| | | | | |
| | | | | |
| | | | | |
| | | V) SEE IMPACT OR CALL ORDER DESK | | |

From K-0295 To N-1239

Date:07/2024

PAGE:VIP-0311-16

FUEL FILTER / "PRO 382"



R1103003

| | | |
|--------------------------------|--------------|------------------|
| From K-0295 To N-1239 | Date:07/2024 | PAGE:VIP-0311-16 |
| FUEL FILTER / "PRO 382" | | |

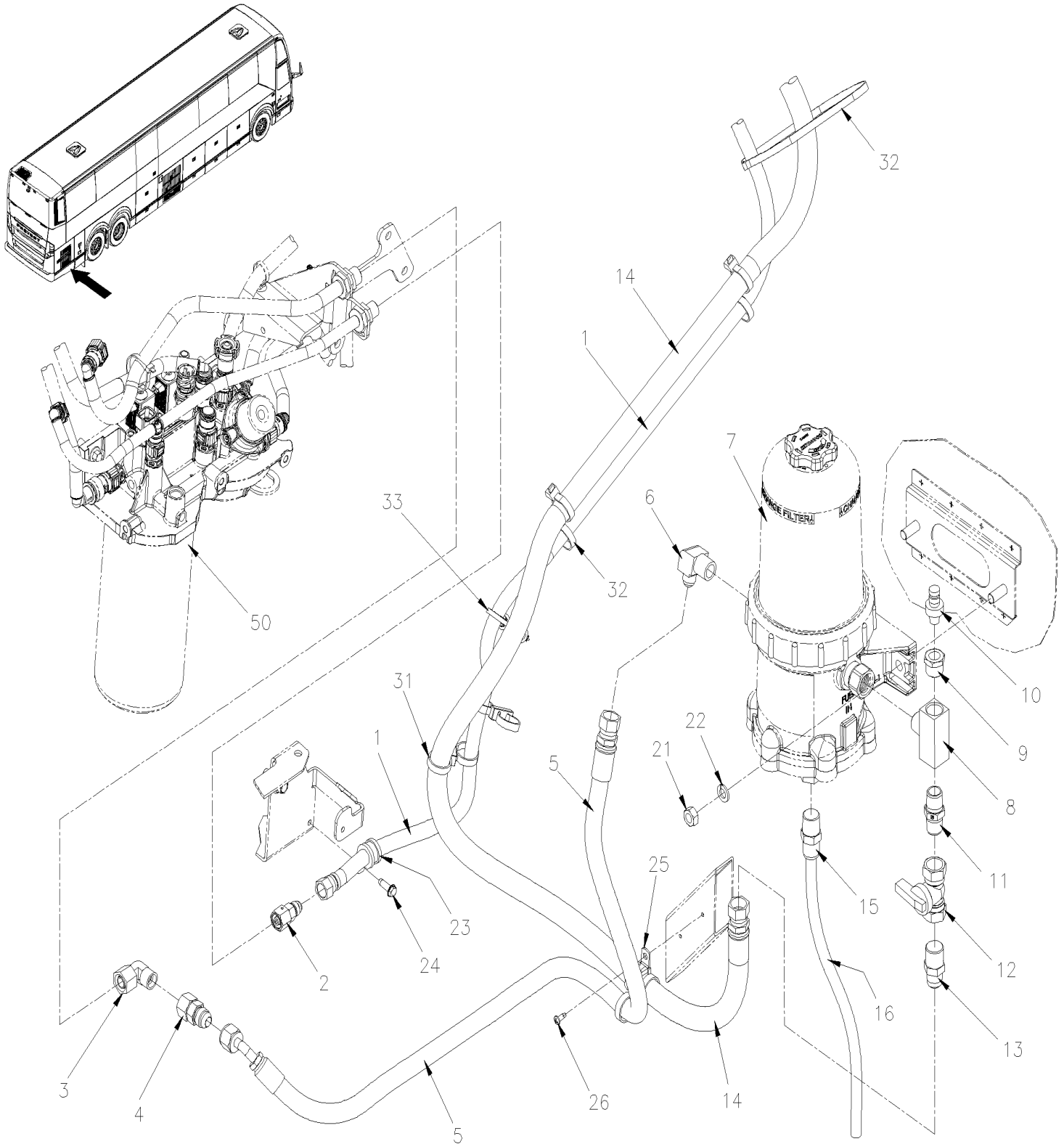
| Item# | Part | Description | QTY | Notes |
|-------|----------|--|-----|-------|
| | 22188830 | FILTER ASSY "FUEL PRO 382" UNHEATED | 1 | |
| 1 | 530217 | . COVER ASSEMBLY INCLUDES ITEMS 1, 2, 3, 4 | 1 | |
| 2 | 531441 | . COLLAR, COVER | 1 | |
| 3 | 530218 | . VENT CAP SERVICE KIT | 1 | |
| 4 | 3099140 | . SPRING | 1 | |
| 5 | 3946029 | . O-RING SET | 1 | |
| . A | N.S.S. | . . ANTI TAMPER SEAL | 1 | 1 |
| . B | N.S.S. | . . O-RING | 1 | 1 |
| 6 | 530219 | . FILTER ELEMENT 25 MICRON | 1 | |
| 7 | 530220 | . CHECK VALVE SERVICE KIT | 1 | |
| 8 | 530221 | . CHECK VALVE ASSEMBLY INCLUDES ITEM 7 | 1 | |
| 9 | G1093949 | . DRAIN VALVE | 1 | |
| 10 | 19506118 | . STUD 13/16-12 X 7/8-14 | 1 | |
| 11 | 530222 | . BOTTOM PLATE | 1 | |
| 13 | 530224 | . WRENCH | 1 | |
| | | | | |
| | | | | |
| | | | | |
| | | 1) NOT SOLD SEPARATELY | | |

From K-0295

Date:07/2024

PAGE:VIP-0312-12

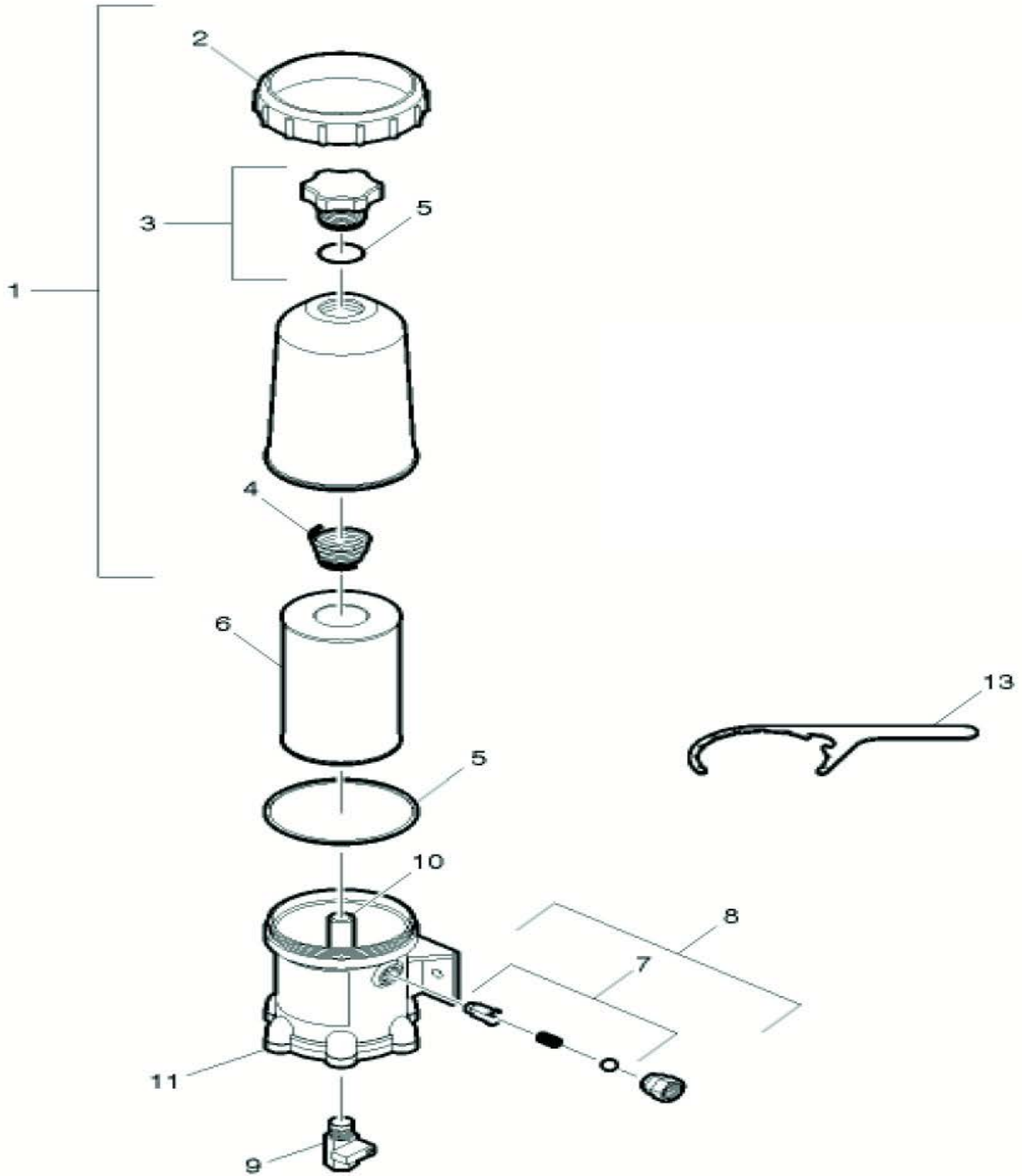
FUEL PRO - INSTALLATION WITH VOLVO D13



| | | | |
|---|--|--------------|------------------|
| From K-0295 | | Date:07/2024 | PAGE:VIP-0312-12 |
| FUEL PRO - INSTALLATION WITH VOLVO D13 | | | |

| Item# | Part | Description | QTY | Notes |
|-------|-----------------|--|-----|-------|
| 1 | 033018 | HOSE ASSY / #6 6230MM | 1 | |
| 2 | 507662 | MALE CONNECTOR SWIVEL / JIC 37° @ METRIC24° / #6JIC-MxM16-1.5 W/24° O-RING-F | 1 | |
| 3 | 964016 | ELBOW To R-1843 | 1 | |
| 3 | 940177 | ELBOW From R-1844 | 1 | |
| 4 | 507659 | MALE CONNECTOR SWIVEL / JIC 37° @ METRIC24° / #8JIC-MxM18-1.5 W/24° O-RING-F | 1 | |
| 5 | 032757 | HOSE ASSY / #8 825MM To N-1239 | 1 | |
| 5 | 033251 | HOSE ASSY / #8 830MM To N-1239 | 1 | A |
| 5 | 030223 | HOSE ASSY / #8 725MM From N-1240 To P-1424 | 1 | |
| 5 | 033250 | HOSE ASSY / #8 705MM From P-1425 | 1 | |
| 6 | 501719 | MALE ELBOW 90° / JIC 37° FITTING / #8JIC-Mx1/2NPT-M BR | 1 | |
| 7 | 22188830 | FILTER ASSY "FUEL PRO 382" UNHEATED To N-1239 | | |
| 7 | 530021 | FILTER ASSY "FUEL PRO 386" UNHEATED From N-1240 To P-1356 | 1 | |
| 7 | 530069 | FILTER ASSY "FUEL PRO 386" UNHEATED From P-1357 | 1 | |
| 8 | 507556 | MALE BRANCHE TEE / PIPE FITTING / 1/2NPT-Fx1/2NPT-Fx1/2NPT-M BR | 1 | |
| 9 | 501316 | BUSHING REDUCER / PIPE FITTING / 1/2NPT-Mx1/4NPT-F BR | 1 | |
| 10 | 504706 | NIPPLE / QUICK DISCONNECT "SAE J1502" / #4x1/4NPT-M STL W/DUST CAP | 1 | |
| NS | 195533 | DUST CAP / QUICK DISCONNECT "SAE J1502" / #4 | 1 | |
| 11 | 5011067 | NIPPLE HEX / PIPE FITTING / 1/2NPT-Mx1/2NPT-Mx1 13/16 BR | 1 | |
| 12 | 530096 | BALL VALVE 1/2" NPT 1/2 NPT F x 1/2 NPT F | 1 | |
| 13 | 501616 | MALE CONNECTOR / SAE 45° FITTING / #8FL-Mx1/2NPT-M BR | 1 | |
| 14 | 032144 | HOSE ASSY / #8 6402MM To P-1424 | 1 | |
| 14 | 033248 | HOSE ASSY / #8 6402MM From P-1425 | 1 | |
| 15 | 641383 | MALE CONNECTOR / PUSH-IN FITTING / #8x1/2NPT-M BR To P-1356 | 1 | |
| 15 | 504018 | HOSE CLAMP / 7/16"-1" SS / HS-8 From P-1357 | 1 | |
| 16 | 503488 | TUBE, NYLON 1/2 O.D. / BLACK S.L./ To P-1356 | AR | |
| 16 | 503523 | HOSE SILICONE 1PLY 3/4" I.D. x 100' / S.L. From P-1357 | 1 | |
| 21 | 500847 | NUT HEX M10-1.5 N500 | 2 | |
| 22 | 5001767 | WASHER FL 13.0x24.0x2.0 Z050 | 2 | |
| 23 | 952629 | CLAMP / 5/8" I.D. | 1 | |
| 24 | 502848 | SCREW TC CAP HEXF 1/4-20x3/4 N500 | 1 | |
| 25 | 952631 | CLAMP / 3/4" I.D. | 1 | |
| 26 | 500623 | SCREW TC PAN PH #10-24x3/4 N500 | 1 | |
| 31 | 504768 | CABLE TIE / 3/16" 14.7" / DOUBLE LOOP HEAD | AR | |
| 32 | 504016 | CABLE TIE / 5/16" X 14"1/2 | AR | |
| 32 | 504751 | ROTATIF SPACER DOUBLE / SMALL | AR | |
| 33 | 8631155 | CABLE TIE / 4.6MM x 200 / CHRISTMAS TREE | AR | |
| 50 | Refer To Volvo | ENGINE FUEL FILTER | 1 | V |
| | | | | |
| | | | | |
| | | | | |
| | | A) SERVICE ONLY | | |
| | | V) SEE IMPACT OR CALL ORDER DESK | | |

| | | |
|-------------------------------------|--------------|---------------|
| To N-1239 | Date:07/2024 | PAGE:22188830 |
| FILTER ASSY "FUEL PRO 382" UNHEATED | | |



| | | |
|-----------|--------------|---------------|
| To N-1239 | Date:07/2024 | PAGE:22188830 |
|-----------|--------------|---------------|

FILTER ASSY "FUEL PRO 382" UNHEATED

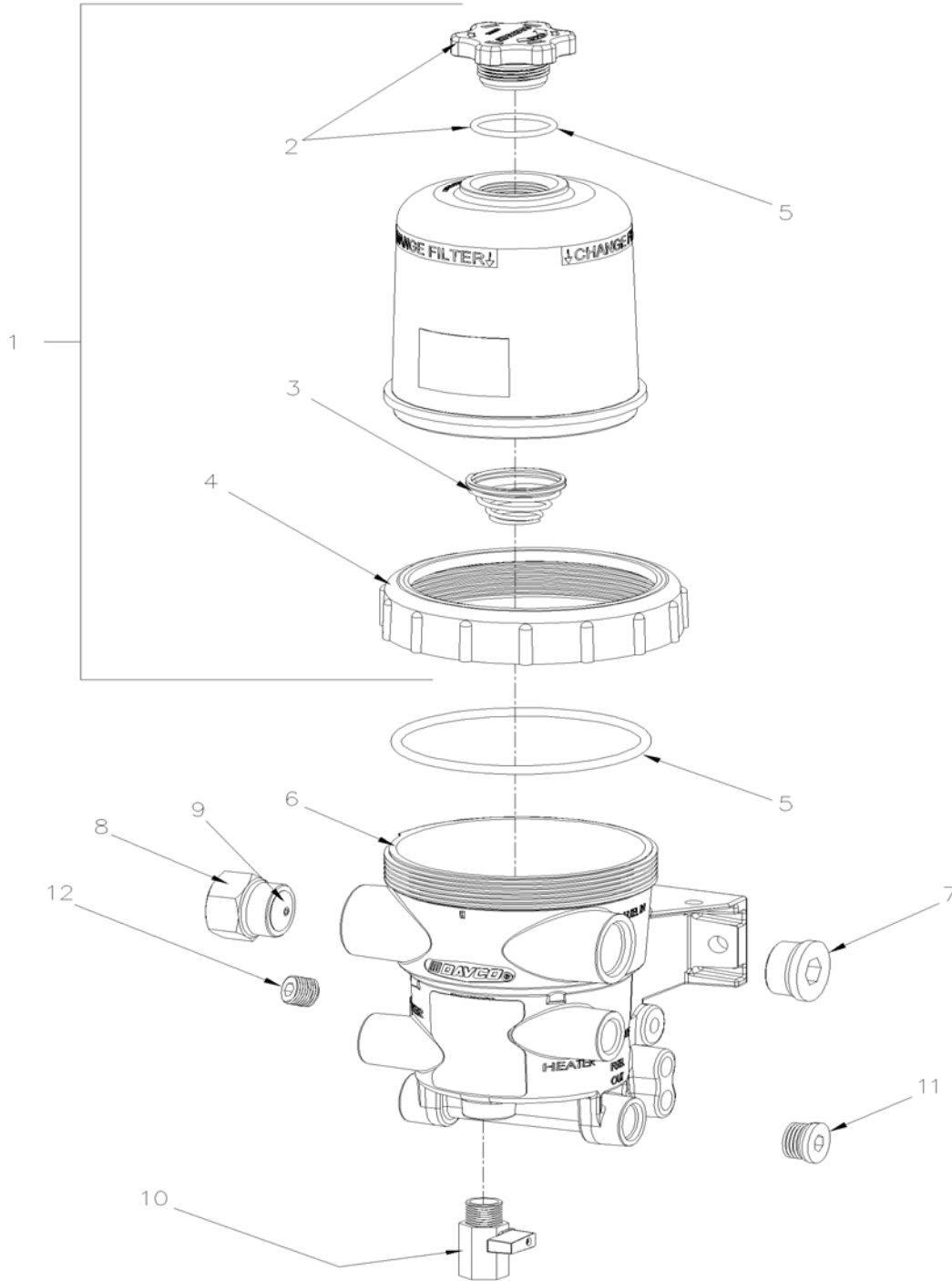
| Item# | Part | Description | QTY | Notes |
|-------|----------|--|-----|-------|
| 1 | 530217 | COVER ASSEMBLY INCLUDES ITEMS 1, 2, 3, 4 | 1 | |
| 2 | 531441 | COLLAR, COVER | 1 | |
| 3 | 530218 | VENT CAP SERVICE KIT | 1 | |
| 4 | 3099140 | SPRING | 1 | |
| 5 | 3946029 | O-RING SET | 1 | |
| . A | N.S.S. | . ANTI TAMPER SEAL | 1 | 1 |
| . B | N.S.S. | . O-RING | 1 | 1 |
| 6 | 530219 | FILTER ELEMENT 25 MICRON | 1 | |
| 7 | 530220 | CHECK VALVE SERVICE KIT | 1 | |
| 8 | 530221 | CHECK VALVE ASSEMBLY INCLUDES ITEM 7 | 1 | |
| 9 | G1093949 | DRAIN VALVE | 1 | |
| 10 | 19506118 | STUD 13/16-12 X 7/8-14 | 1 | |
| 11 | 530222 | BOTTOM PLATE | 1 | |
| 13 | 530224 | WRENCH | 1 | |
| | | | | |
| | | | | |
| | | | | |
| | | 1) NOT SOLD SEPARATELY | | |

From N-1240 To P-1356

Date:07/2024

PAGE:530021

FILTER ASSY "FUEL PRO 386" UNHEATED



| | | |
|--|--------------|-------------|
| From N-1240 To P-1356 | Date:07/2024 | PAGE:530021 |
| FILTER ASSY "FUEL PRO 386" UNHEATED | | |

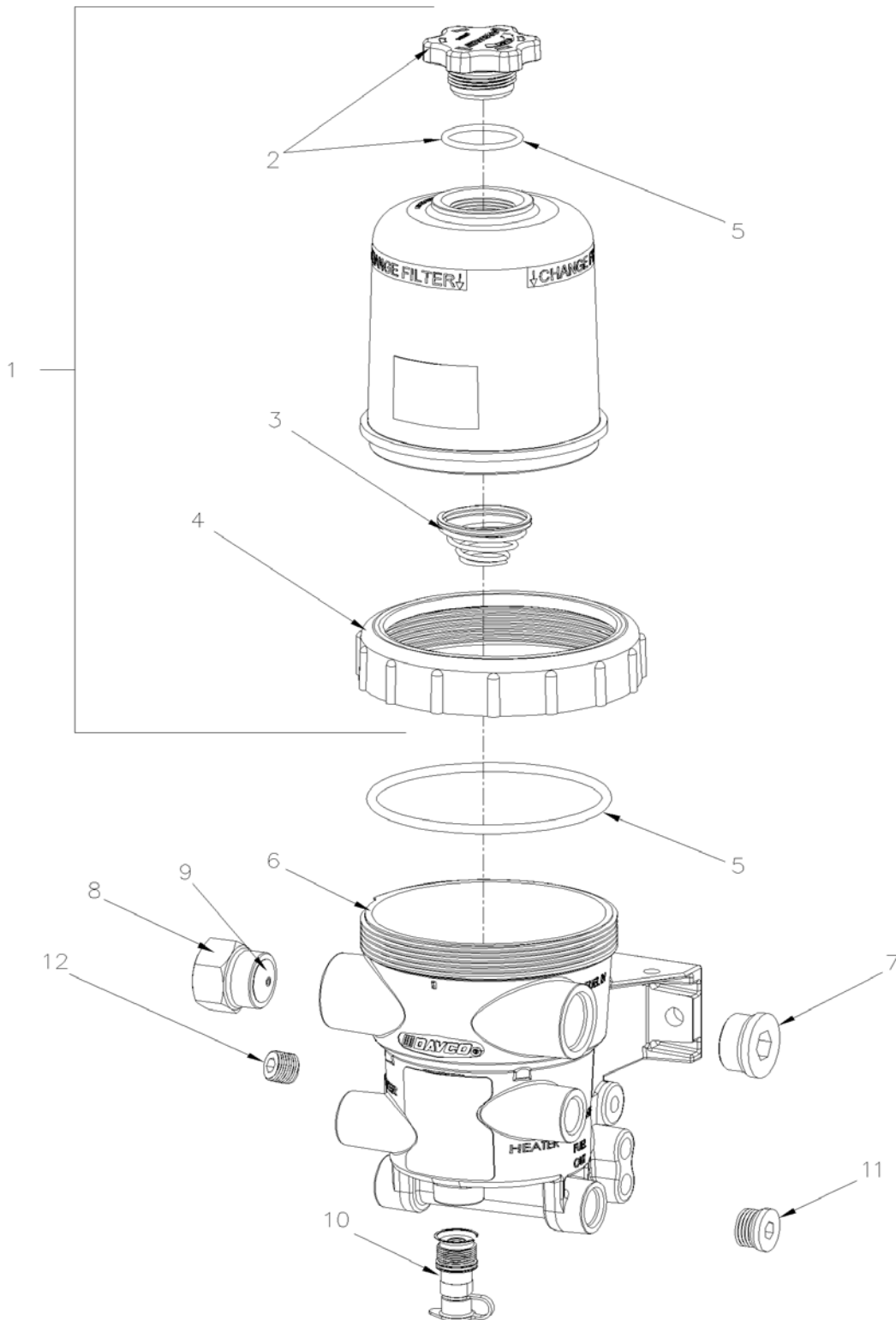
| Item# | Part | Description | QTY | Notes |
|-------|--------|---------------------------------|-----|-------|
| 1 | 530031 | COVER SERVICE KIT | 1 | |
| 2 | 530063 | . VENT CAP & O-RING SERVICE KIT | 1 | |
| 3 | 530062 | . SPRING FILTER | 1 | |
| 4 | 530033 | . COLLAR | 1 | |
| 5 | 530034 | O-RING SERVICE KIT | 1 | |
| 6 | | HOUSING | 1 | |
| 7 | 530040 | PLUG (FUEL-IN) | 1 | |
| 8 | 530044 | CHECK VALVE 1/2NPT | 1 | |
| 9 | 530045 | UMBRELLA VALVE | 1 | |
| 10 | 530048 | DRAIN VALVE 1/2NPT | 1 | |
| 11 | 530064 | PLUG 7/8-14 | 1 | |
| 12 | 530054 | PLUG | 1 | |
| NS | 530057 | FILTER ELEMENT 10 MICRON | 1 | |
| | | | | |
| NS | 530055 | COMPOSITE WRENCH | 1 | |
| NS | 530056 | METAL WRENCH WITH HANDLE | 1 | |
| NS | 530065 | HEAVY DUTY WRENCH | 1 | |

From P-1357

Date:07/2024

PAGE:530069

FILTER ASSY "FUEL PRO 386" UNHEATED



| | | |
|-------------|--------------|-------------|
| From P-1357 | Date:07/2024 | PAGE:530069 |
|-------------|--------------|-------------|

FILTER ASSY "FUEL PRO 386" UNHEATED

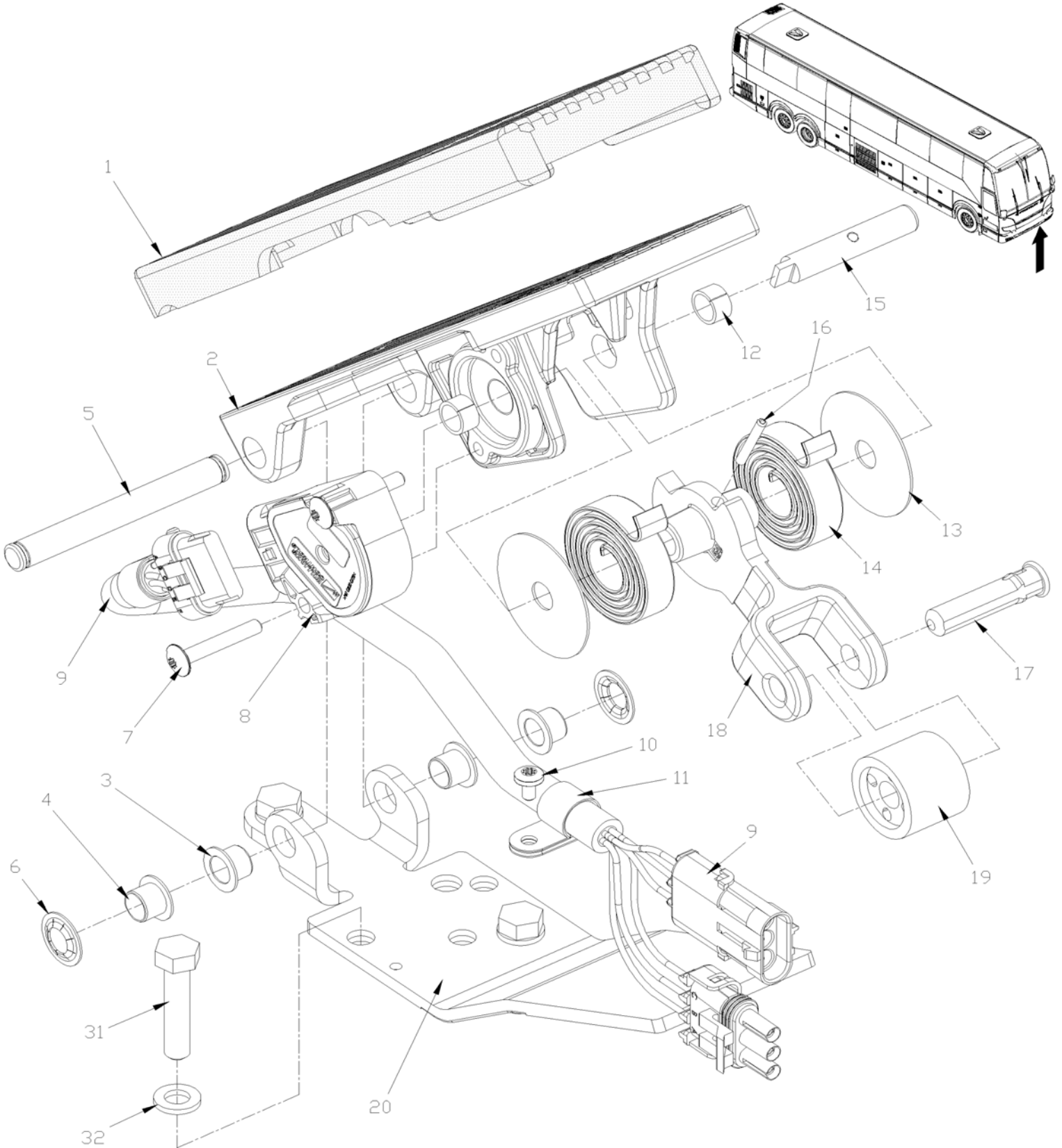
| Item# | Part | Description | QTY | Notes |
|-------|--------|---------------------------------|-----|-------|
| 1 | 530031 | COVER SERVICE KIT | 1 | |
| 2 | 530063 | . VENT CAP & O-RING SERVICE KIT | 1 | |
| 3 | 530062 | . SPRING FILTER | 1 | |
| 4 | 530033 | . COLLAR | 1 | |
| 5 | 530034 | O-RING SERVICE KIT | 1 | |
| 6 | | HOUSING | 1 | |
| 7 | 530040 | PLUG (FUEL-IN) | 1 | |
| 8 | 530044 | CHECK VALVE 1/2NPT | 1 | |
| 9 | 530045 | UMBRELLA VALVE | 1 | |
| 10 | 530083 | KIT, DRAIN SERVICE | 1 | |
| 11 | 530064 | PLUG 7/8-14 | 1 | |
| 12 | 530054 | PLUG | 1 | |
| NS | 530057 | FILTER ELEMENT 10 MICRON | 1 | |
| | | | | |
| NS | 530055 | COMPOSITE WRENCH | 1 | |
| NS | 530056 | METAL WRENCH WITH HANDLE | 1 | |
| NS | 530065 | HEAVY DUTY WRENCH | 1 | |

From K-0295

Date:07/2024

PAGE:VIP-0315-10

ACCELERATOR PEDAL - ELECTRONIC



| | | | |
|-------------|--|--------------|------------------|
| From K-0295 | | Date:07/2024 | PAGE:VIP-0315-10 |
|-------------|--|--------------|------------------|

ACCELERATOR PEDAL - ELECTRONIC

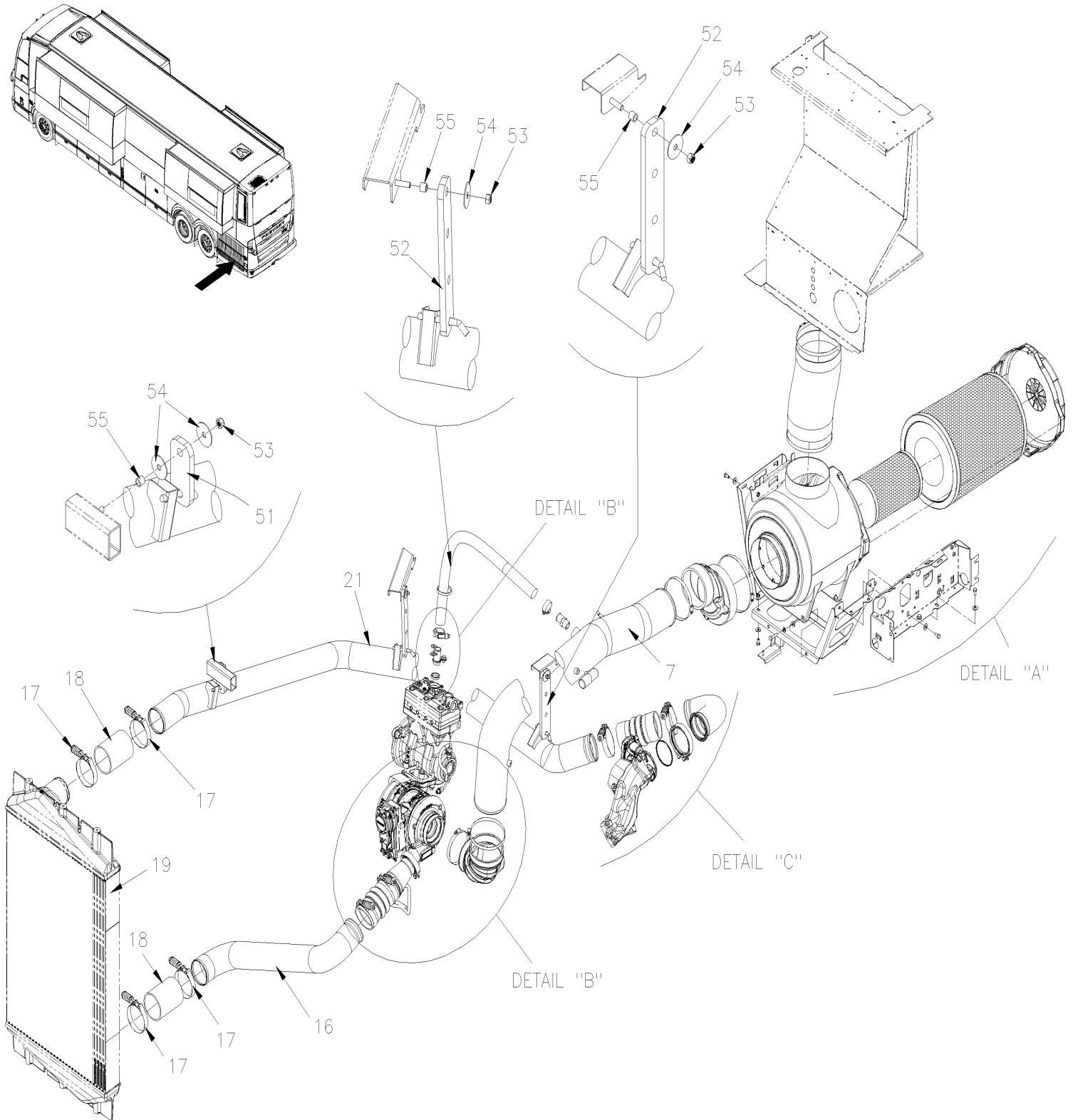
| Item# | Part | Description | QTY | Notes |
|-------|----------|--|-----|-------|
| | 531487 | ACCELERATOR PEDAL ASSY / W0-32V SENSOR "VOLVO" "VOLVO" | 1 | W |
| 1 | 531401 | . THREADLE COVER | 1 | |
| 2 | N.S.S. | . THREADLE | 1 | 1 |
| 3 | N.S.S. | . BUSHING, INNER | 2 | 1 |
| 4 | 507260 | . BUSHING NYLINER W/SHOULDER .375x.437x.375x.594 | 2 | |
| 5 | N.S.S. | . PIN, THREADLE | 1 | 1 |
| 6 | N.S.S. | . RING, SNAP 5/16" I.D. | 3 | 1 |
| 7 | 500427 | . SCREW MA RND PH #10-32x1 1/4 ZP | 2 | |
| 8 | 568084 | . POTENTIOMETER PEDAL SENSOR 0-32V "VOLVO" | 1 | W |
| 9 | N8887087 | . WIRE HARNESS | 1 | |
| 10 | 500883 | . . SCREW TC PAN PH #8-32x3/8 Z050 | 2 | |
| 11 | N.S.S. | . . CLIP | 2 | 1 |
| 12 | N.S.S. | . BUSHING, GARLOCK | 2 | 1 |
| 13 | N.S.S. | . THRUST, WASHER-OUTER | 2 | 1 |
| 13 | N.S.S. | . THRUST, WASHER-INNER | 2 | 1 |
| 14 | N.S.S. | . SPRING | 2 | 1 |
| 15 | N.S.S. | . SHAFT SENSOR DRIVE | 1 | 1 |
| 16 | 505208 | . SPRING, PIN 1/8 X 7/8 | 1 | |
| 17 | N.S.S. | . ROLLER, PIN | 1 | 1 |
| 18 | N.S.S. | . LEVER, THREADLE | 1 | 1 |
| 19 | N.S.S. | . ROLLER | 1 | 1 |
| 20 | 531462 | . BASE PLATE / (includes item #5) | 1 | |
| NS | 531393 | KIT REPAIR / LOWER THREADLE PIN | 1 | A |
| NS | 531394 | KIT REPAIR / ROLLER | 1 | B |
| 31 | 5001992 | SCREW CAP HEX SLO 5/16-18x1 1/2 SS | 3 | |
| 32 | 5001341 | WASHER FL 8.4x17.0x1.6 SS | 3 | |
| NS | 680067 | SEALANT TAPE BUTYL / BLACK / 1/8"x3/4"x25' / 75211E760 | AR | |
| NS | 509815 | TIE MOUNT / ATTACHMENT W/TREE MOUNT | 2 | |
| NS | 504637 | CABLE TIE / 3/16" x 13" | 2 | |
| | | | | |
| | | | | |
| | | | | |
| | | | | |
| | | A) INCLUDES ITEMS 3-4-5-6 | | |
| | | B) INCLUDES ITEMS 6-18-19 | | |
| | | W) SEE "WARRANTY" BULLETIN # 10-3 | | |
| | | 1) NOT SOLD SEPARATELY | | |

From K-0295

Date:07/2024

PAGE:VIP-0330-03

AIR FILTER & INTAKE - INSTALLATION WITH VOLVO D13

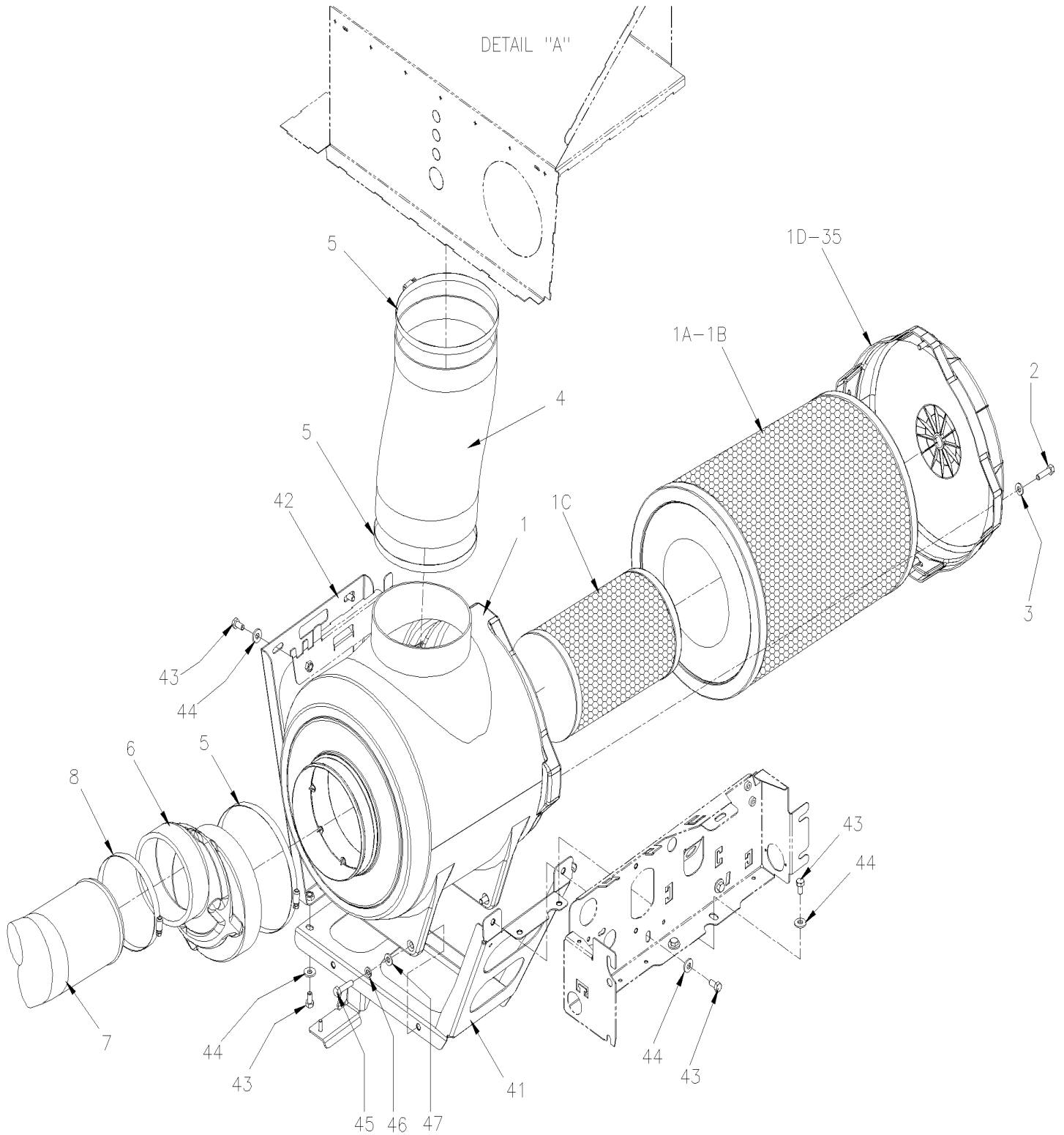


From K-0295

Date:07/2024

PAGE:VIP-0330-03

AIR FILTER & INTAKE - INSTALLATION WITH VOLVO D13

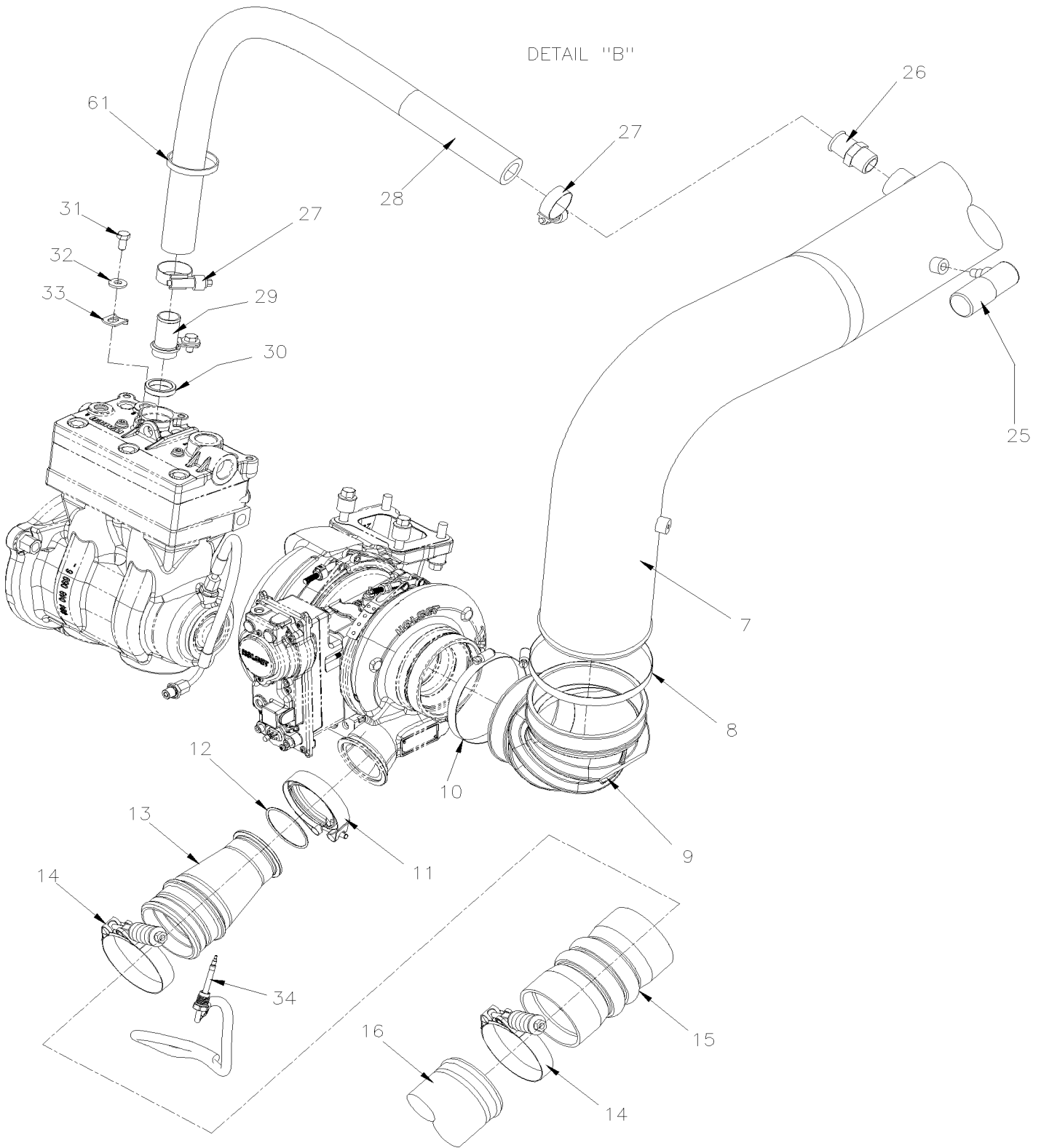


From K-0295

Date:07/2024

PAGE:VIP-0330-03

AIR FILTER & INTAKE - INSTALLATION WITH VOLVO D13



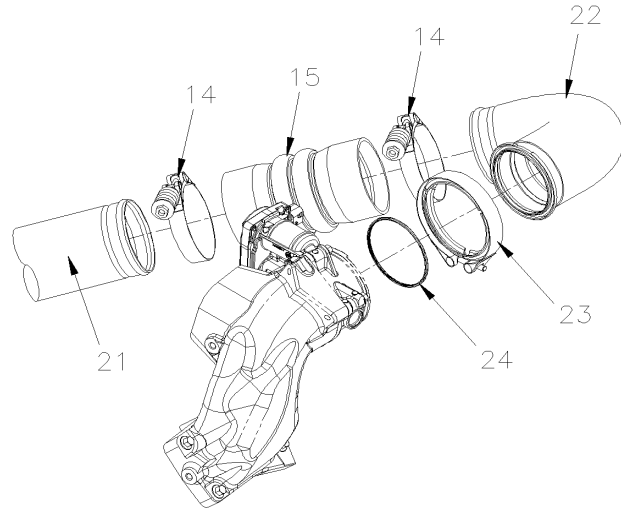
From K-0295

Date:07/2024

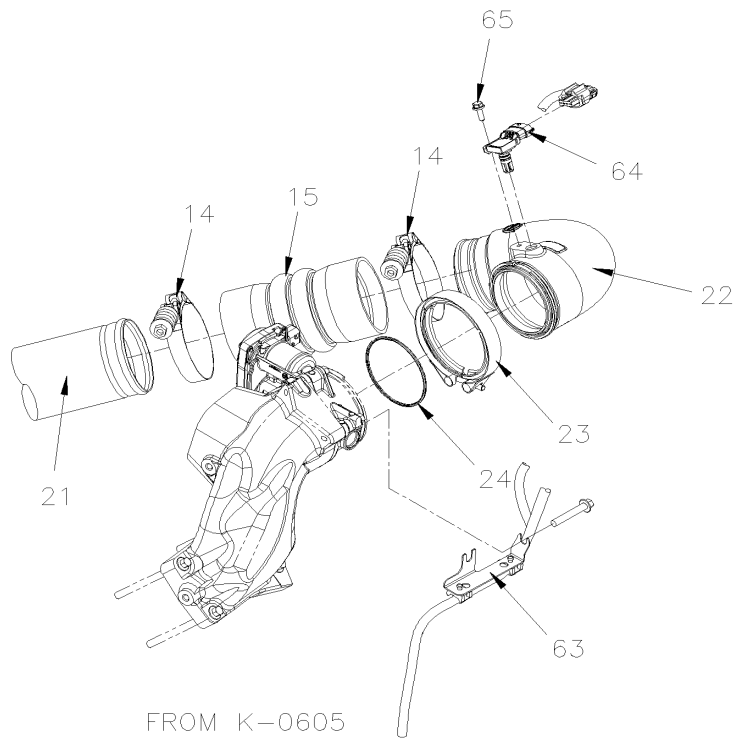
PAGE:VIP-0330-03

AIR FILTER & INTAKE - INSTALLATION WITH VOLVO D13

DETAIL "C"



UP TO K-0604



FROM K-0605

| | | | |
|--|--|--------------|------------------|
| From K-0295 | | Date:07/2024 | PAGE:VIP-0330-03 |
| AIR FILTER & INTAKE - INSTALLATION WITH VOLVO D13 | | | |

| Item# | Part | Description | QTY | Notes |
|-------|--------------------|---|-----|-------|
| 1 | 531493 | AIR FILTER, INTAKE MOTOR | 1 | |
| A | 531359 | FILTER , AIR STANDARD | 1 | |
| B | 531360 | FILTER, AIR HEAVY DUTY | 1 | |
| C | 531361 | FILTER, SAFETY | 1 | |
| D | 531362 | COVER, ACCES | 1 | |
| NS | N24423 | DRAIN BOOT 1 1/4" O.D. X 1" O.D. X .125 | 1 | |
| NS | N8881935 | SCREW AND FASTENER KIT FOR COVER | 1 | |
| 2 | 5001990 | SCREW CAP HEX M8-1.25x30 NYL BK | 4 | |
| 3 | 5001736 | WASHER FL 8.4x18.0x2.0 N500 | 4 | |
| 4 | 033994 | HOSE 7" I.D. X 300MM | 1 | |
| 4 | 503236 | HOSE FLEXIBLE / AIR DUCT 7" I.D. X 12' LINEN RUBBER | 1 | |
| 5 | 504229 | HOSE CLAMP / 6"1/2-8"1/2 SS / HS-100 | 3 | |
| 6 | 531363 | OFFSET REDUCING / 7 TO 5 IN, ENGINE | 1 | |
| 7 | 030053 | PIPE 5" O.D. / AIR FILTER & TURBO To R-1918 | 1 | |
| 7 | 030341 | PIPE 5" O.D. / AIR FILTER & TURBO From R-1919 | 1 | |
| 8 | 504324 | HOSE CLAMP / 4"1/2-6"1/2 SS / HS-96 | 2 | |
| 9 | 21659720 | ELBOW INLET, RUBBER | 1 | |
| 10 | 504257 | HOSE CLAMP / 4"1/16-5" SS / HS-72 | 1 | |
| 11 | 20592787 | V-CLAMP / 81.7MM I.D. | 1 | |
| 12 | 21096684 | GASKET 60MM I.D. | 1 | |
| 13 | 053662 | COUPLING TURBO | 1 | |
| 14 | 21490630 | HOSE CLAMP SPRING LOAD / HEAVY DUTY 3"5/8-3"15/16 | 4 | |
| 15 | 20550690 | HOSE 86MM I.D. X 162.5MM To K-0244 | 2 | |
| 15 | 030096 | HOSE 86MM I.D. X 162.5MM From K-0245 | 2 | |
| 16 | 050045 | PIPE 3 1/2" O.D. / AIR COOLER & TURBO | 1 | |
| 16 | 050389 | PIPE 3 1/2" O.D. / AIR COOLER & TURBO SS304 | 1 | C |
| 17 | 21490630 | HOSE CLAMP SPRING LOAD / HEAVY DUTY 3"5/8-3"15/16 | 4 | |
| 18 | 531490 | HOSE 3 1/2" I.D./ CAC | 2 | |
| 19 | VIP-0505-01 | RADIATOR ASSY | | |
| 21 | 050044 | PIPE 3 1/2" O.D. / AIR COOLER & HOSE To K-0604 | 1 | |
| 21 | 050185 | PIPE 3 1/2" O.D. / AIR COOLER & HOSE From K-0605 | 1 | |
| 21 | 050383 | PIPE 3 1/2" O.D. / AIR COOLER & HOSE SS304 | 1 | C |
| 22 | 053067 | ELBOW 4" O.D. To K-0604 | 1 | |
| 22 | 050167 | ELBOW 4" O.D./ W / SENSOR INLET From K-0605 | 1 | |
| 23 | 20592783 | V-CLAMP / (USE W GASKET) 107.7MM I.D. | 1 | |
| 24 | 1675066 | GASKET 107.7MM I.D. V-CLAMP | 1 | |
| 25 | 530161 | GAUGE AIR RESTRICTION 20" H2O 1/8" NPT | 1 | |
| 26 | 5011240 | MALE CONNECTOR / BEADED HOSE BARB / #16x3/4NPT-M BR | 1 | |
| 26 | 680098 | THREAD SEALANT LOCTITE #567 / WHITE / 250ml | AR | |
| 27 | 504291 | HOSE CLAMP / 1"1/8-1"3/4 SS / E.T. 20 | 2 | |
| 28 | 503739 | HOSE (SUCTION) / 1" I.D. X 250' / C.T.L. | AR | |
| 29 | 032763 | PIPE AIR INLET COMPRESSOR 25.5 O.D. x 52MM / W/FLANGE 28MM O.D. | 1 | |

| | | | |
|--|--|--------------|------------------|
| From K-0295 | | Date:07/2024 | PAGE:VIP-0330-03 |
| AIR FILTER & INTAKE - INSTALLATION WITH VOLVO D13 | | | |

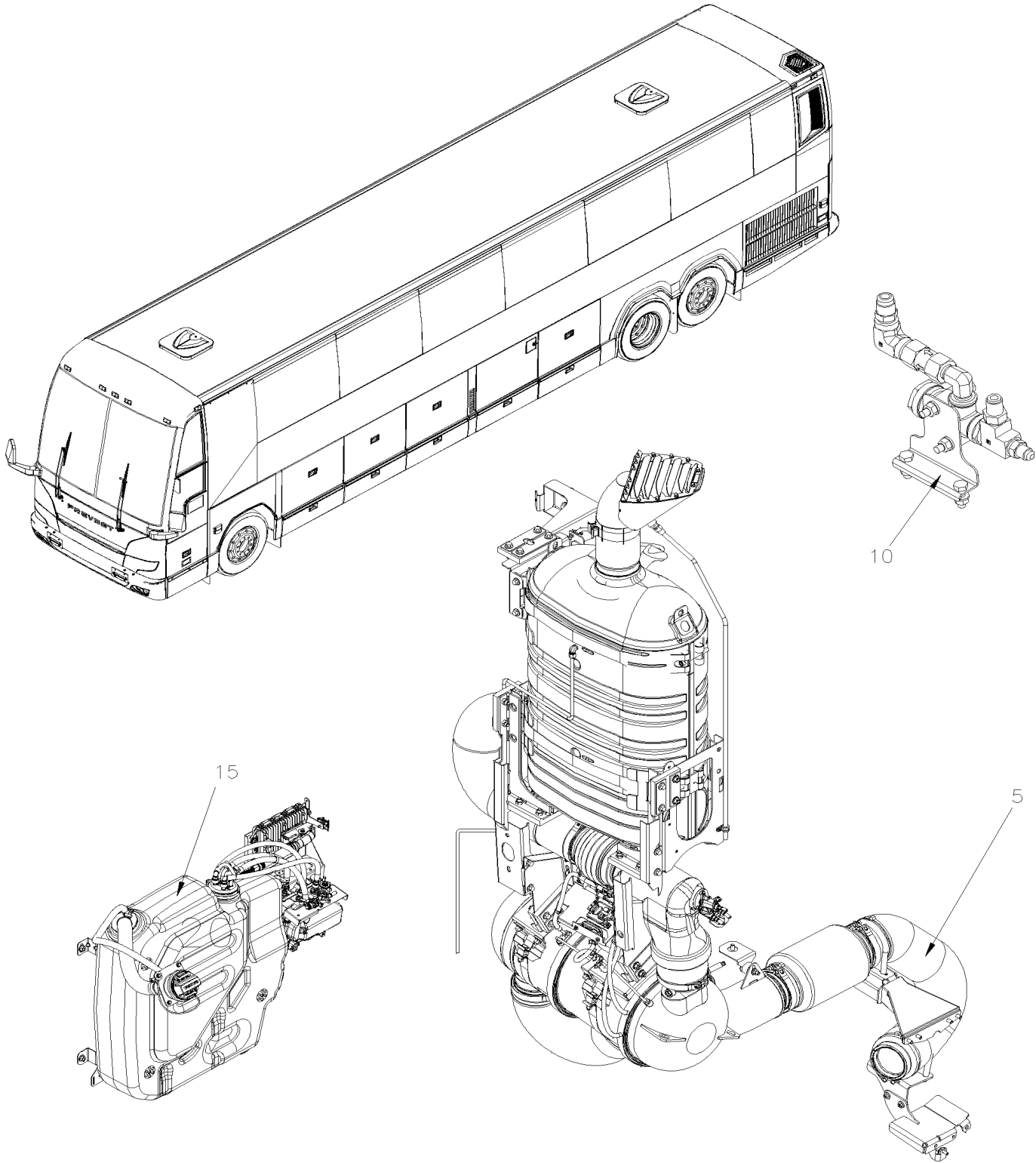
| Item# | Part | Description | QTY | Notes |
|-------|----------|---|-----|-------|
| 30 | 504738 | RUBBER JOINT | 1 | |
| 31 | 5001527 | SCREW CAP HEX M8-1.25x16 SS BK | 2 | |
| 32 | 5001848 | WASHER BEL SPR .827 x .331 x .098 th SS | 2 | |
| 33 | 1546531 | ANGLE RETAINER 13MM I.D. | 2 | |
| 34 | 21164792 | SENSOR TEMPEARATURE | 1 | |
| NS | 504637 | CABLE TIE / 3/16" x 13" | 2 | |
| NS | 509815 | TIE MOUNT / ATTACHMENT W/TREE MOUNT | 2 | |
| | | | | |
| 35 | 030045 | DECAL "NE PAS UTILISER D'ETHER OU LIQUIDE DE DEMARRAGE" FRENCH / ONLY | | |
| 35 | 030046 | DECAL "DO NOT USE ETHER OR STARTING FLUID" ENGLISH / ONLY | 1 | |
| 35 | 030047 | DECAL "NO USE ETER O FLUIDO PARA ARRANCAR" SPANISH / ONLY | 1 | |
| 35 | 034005 | DECAL "PLASTIC BOLT TORQUE" ENGLISH / FRENCH | 1 | |
| | | | | |
| 41 | 034004 | SUPPORT, AIR CLEANER (WELED) | 1 | |
| 42 | 030062 | SUPPORT, AIR CLEANER (WELED) | 1 | |
| NS | 509815 | TIE MOUNT / ATTACHMENT W/TREE MOUNT | 13 | |
| NS | 564542 | TREE MOUNT CLIP FOR PED CONNECTOR | 8 | |
| 43 | 5001527 | SCREW CAP HEX M8-1.25x16 SS BK | 8 | |
| 44 | 5001848 | WASHER BEL SPR .827 x .331 x .098 th SS | 8 | |
| 45 | 502836 | SCREW CAP HEX M8-1.25x35 G8.8 N500 | 4 | |
| 46 | 500942 | WASHER LO SPT 8.1x14.8x2.0 N500 | 4 | |
| 47 | 5001736 | WASHER FL 8.4x18.0x2.0 N500 | 4 | |
| | | | | |
| 51 | 032541 | RUBBER SUPPORT 106.5 x 48 / 2 Holes 72MM C/C | 1 | |
| 52 | 053577 | RUBBER SUPPORT 260 x 48 / 4 Holes | 1 | |
| 53 | 5001983 | NUT HEX NYRT M8-1.25 SS SS BK | 3 | |
| 54 | 500462 | WASHER FL .343x1.500x.083 SS | 4 | |
| 55 | 032540 | SPACER 1/2" O.D.X 12MM SS | 3 | |
| 61 | 504016 | CABLE TIE / 5/16" X 14"1/2 To L-0826 | 3 | |
| 61 | 5040100 | CABLE TIE /OUTSIDE SERRATED 5/16" X 14"1/2 From L-0827 | 3 | |
| 63 | 061497 | SUPPORT FOR HARNESS From K-0605 | 1 | |
| NS | 504013 | TIE MOUNT / 1/4" X 1/4" I.D. From K-0605 | 2 | |
| NS | 504379 | RIVET POP DOME OE 3/16x1/4 SS From K-0605 | 2 | |
| NS | 504637 | CABLE TIE / 3/16" x 13" From K-0605 | 2 | |
| 64 | 23182832 | SENSOR TEMPERATURE , CAC OUT From K-0605 To R-1818 | 1 | |
| 64 | 24275000 | SENSOR TEMPERATURE , CAC OUT From R-1819 | 1 | |
| 65 | 5001730 | SCREW CAP HEXF M6-1.0x16 G10.9 N500 From K-0605 | 1 | |
| | | | | |
| | | | | |
| | | | | |
| | | C) SPECIAL OPTION SS304 | | |

From K-0295

Date:07/2024

VIP-04

EXHAUST



| | | |
|-------------|--------------|--------|
| From K-0295 | Date:07/2024 | VIP-04 |
|-------------|--------------|--------|

EXHAUST

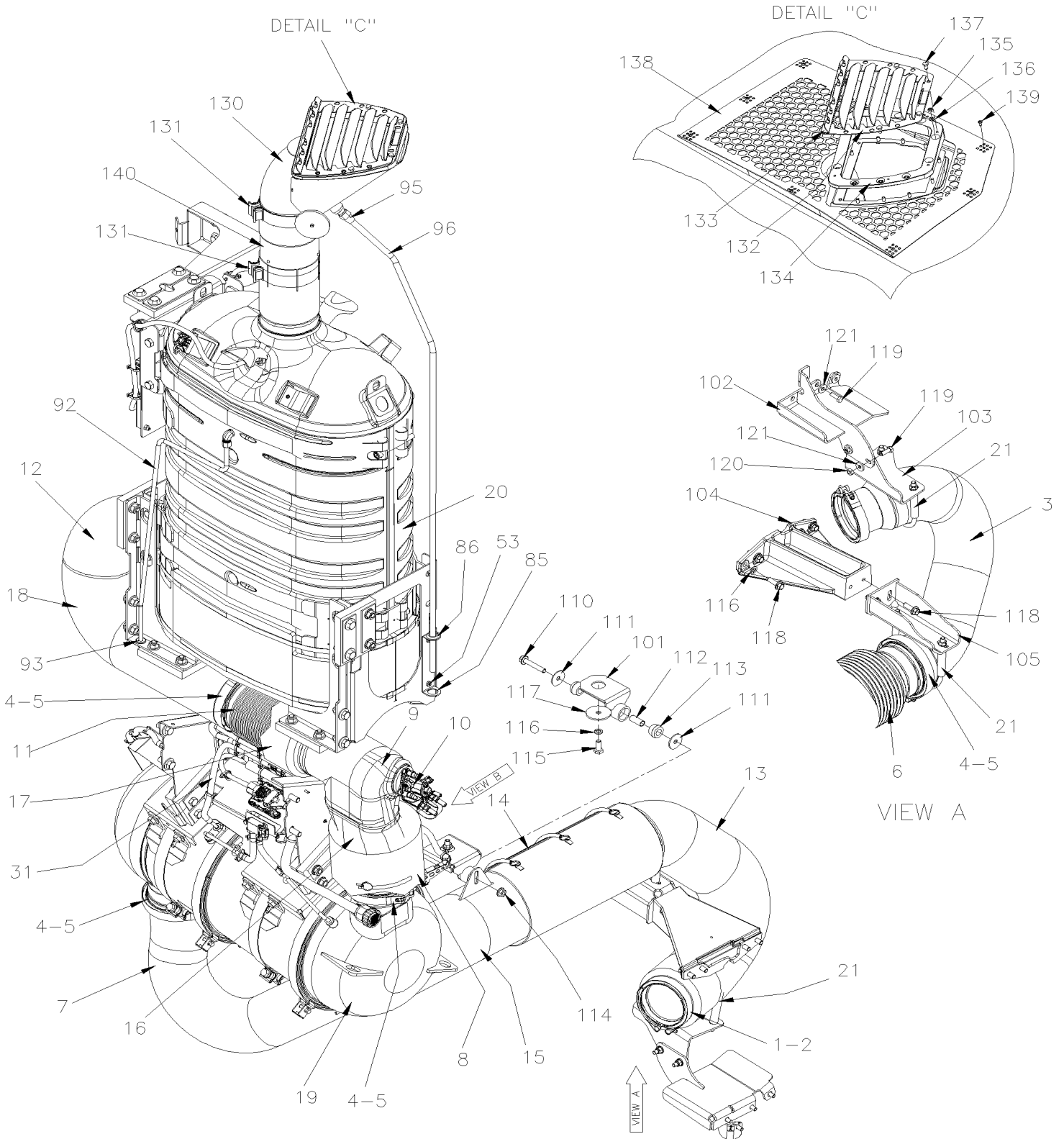
| Item# | Part | Description | QTY | Notes |
|-------|-------------|--|-----|-------|
| 5 | VIP-0405-02 | MUFFLER - INSTALLATION WITH DPF & SCR WITH VOLVO D13 From K-0295 To P-1347 | | |
| 5 | VIP-0405-03 | MUFFLER - INSTALLATION WITH DPF & SCR WITH VOLVO D13 From P-1348 | | |
| 10 | VIP-0405-12 | 7TH INJECTOR / "AHI" / EXHAUST VOLVO D13 From K-0295 | | |
| 15 | VIP-0410-00 | UREA RESERVOIR ASSY From K-0295 | | |

From K-0295 To P-1347

Date:07/2024

PAGE:VIP-0405-02

MUFFLER - INSTALLATION WITH DPF & SCR WITH VOLVO D13

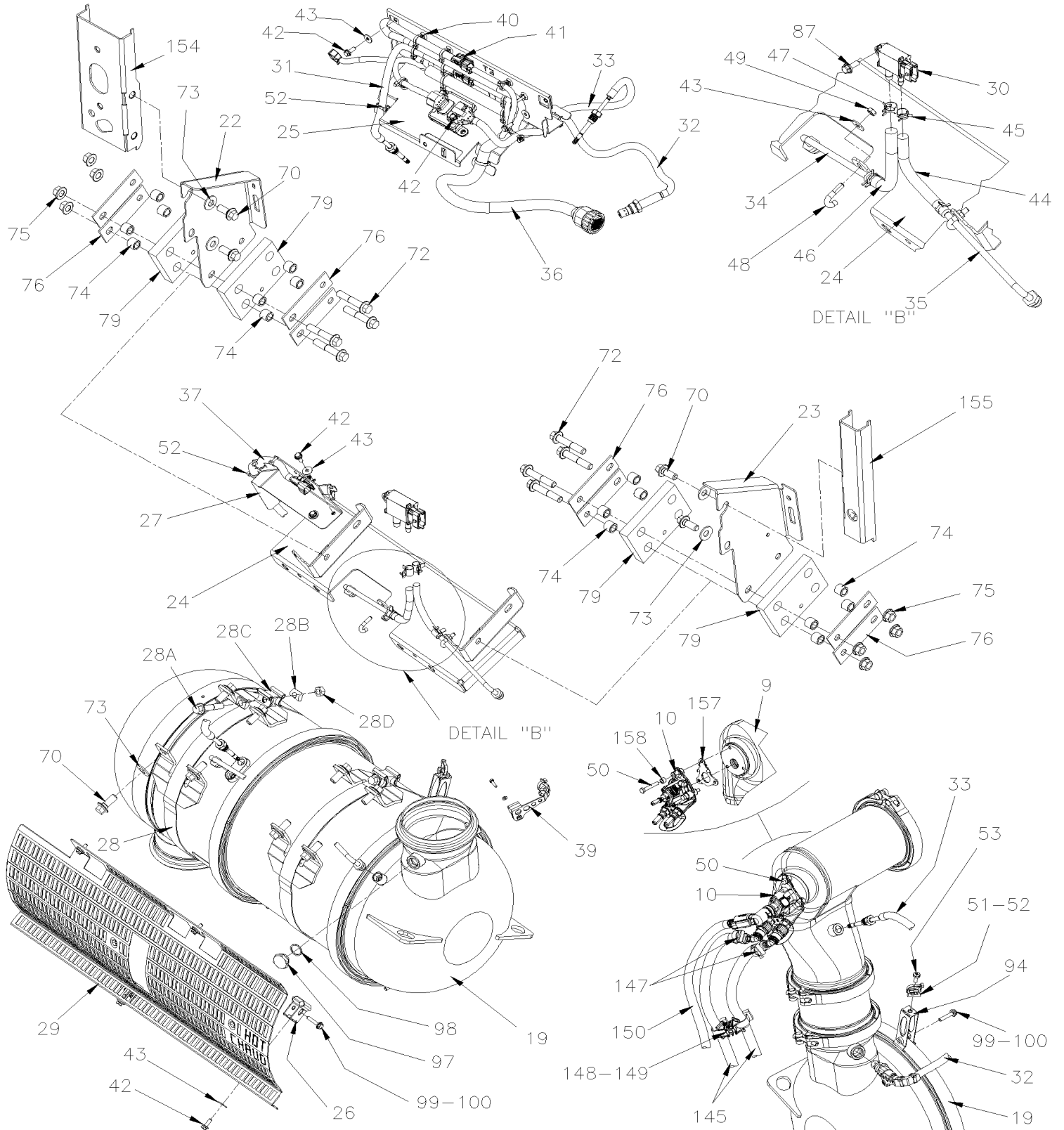


From K-0295 To P-1347

Date:07/2024

PAGE:VIP-0405-02

MUFFLER - INSTALLATION WITH DPF & SCR WITH VOLVO D13

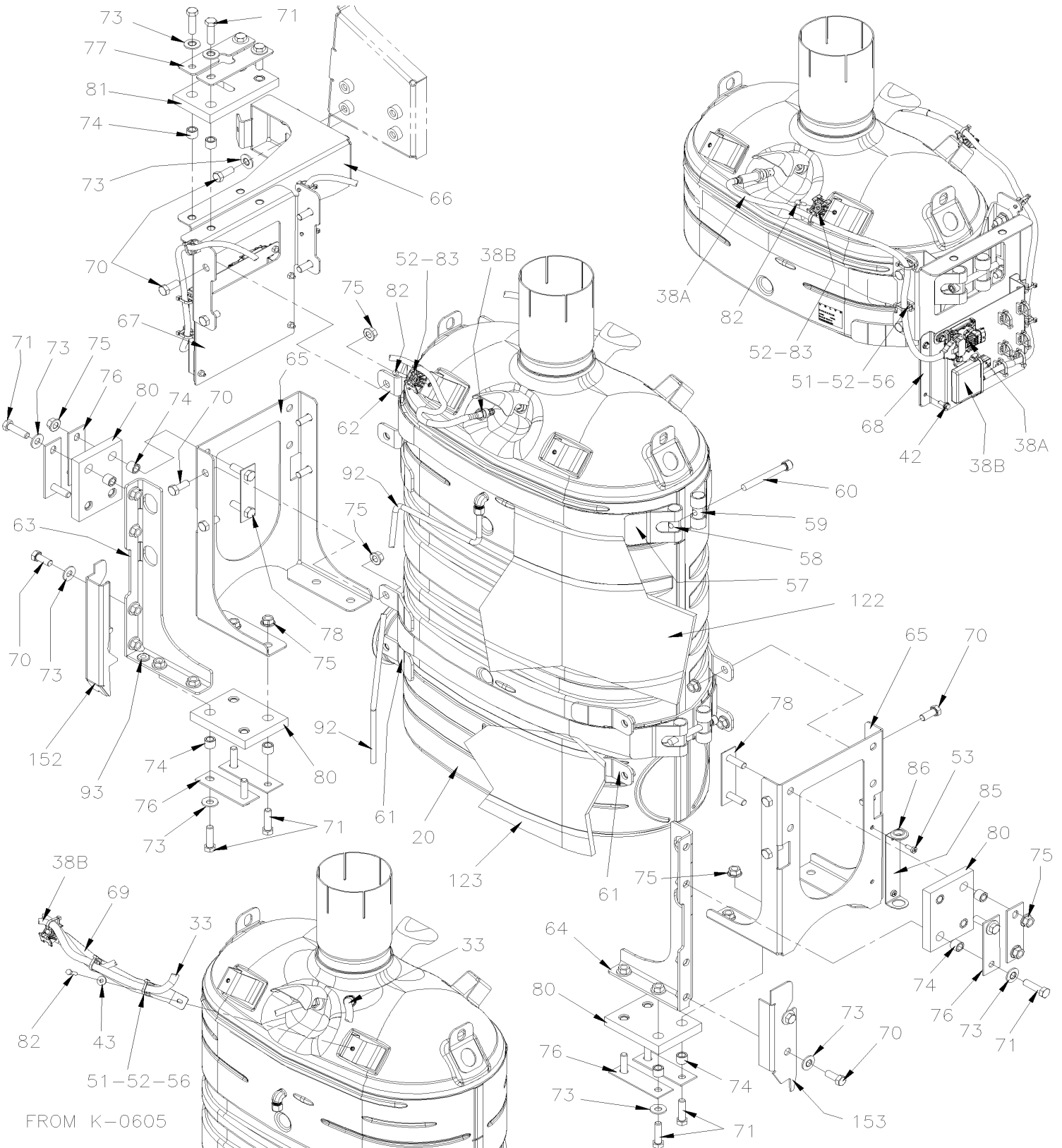


From K-0295 To P-1347

Date:07/2024

PAGE:VIP-0405-02

MUFFLER - INSTALLATION WITH DPF & SCR WITH VOLVO D13

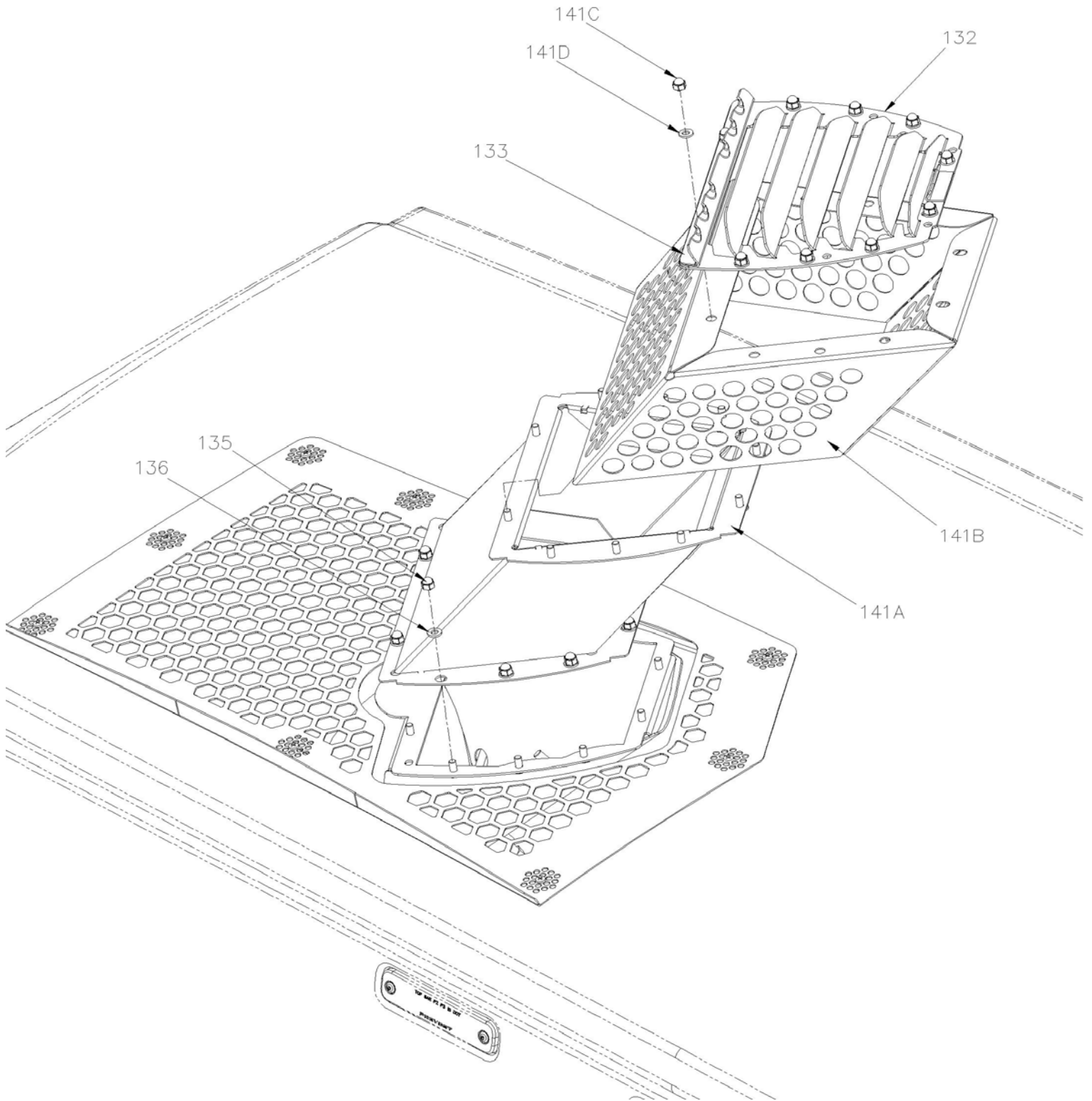


From K-0295 To P-1347

Date:07/2024

PAGE:VIP-0405-02

MUFFLER - INSTALLATION WITH DPF & SCR WITH VOLVO D13



| | | |
|---|--------------|------------------|
| From K-0295 To P-1347 | Date:07/2024 | PAGE:VIP-0405-02 |
| MUFFLER - INSTALLATION WITH DPF & SCR WITH VOLVO D13 | | |

| Item# | Part | Description | QTY | Notes |
|-------|-----------------|--|-----|-------|
| 1 | 21060426 | V-CLAMP / (USE W GASKET) 4.81" I.D. | 1 | |
| 2 | 21095721 | GASKET | 1 | |
| 3 | 040651 | PIPE, EXHAUST "U" | 1 | |
| 4 | 21021850 | V-CLAMP / (USE W GASKET) 5.91" I.D. | 8 | |
| 5 | 21095726 | GASKET | 8 | |
| 6 | 540071 | BELLOWS - EXHAUST 5" I.D. x 14.49" | 1 | |
| 7 | 040014 | PIPE DPF INLET | 1 | |
| 8 | 040826 | PIPE EXHAUST | 1 | |
| 9 | 23041035 | SWIRL PIPE | 1 | |
| NS | 21209156 | TIE WRAP STAINLESS STEEL | 4 | |
| 10 | 22757225 | NOZZLE UREA, 2.5 | 1 | |
| 11 | 540072 | BELLOWS - EXHAUST | 1 | |
| 12 | 040777 | PIPE EXHAUST | 1 | |
| 13 | 041115 | INSULATED BLANKET / PIPE TURBO W/SPRING ATTACHMENT | 1 | |
| 14 | 041095 | INSULATED BLANKET / BELLOW W/SPRING ATTACHMENT | 1 | |
| 15 | 040015 | INSULATED BLANKET / PIPE DPF INLET W/SPRING ATTACHMENT | 1 | |
| 16 | 040016 | INSULATED BLANKET / PIPE SWIRL | 1 | |
| 17 | 041119 | INSULATED BLANKET / BELLOW W/SPRING ATTACHMENT | 1 | |
| 18 | 041126 | INSULATED BLANKET / PIPE EXHAUST W/SPRING ATTACHMENT | 1 | |
| 19 | 22058307 | MUFFLER DPF EXHAUST FILTER | 1 | |
| 19 | Refer To Volvo | MUFFLER DPF EXHAUST FILTER | 1 | V |
| 20 | 21970125 | MUFFLER SCR EXHAUST FILTER To K-0590 | 1 | |
| 20 | 23190006 | MUFFLER SCR EXHAUST FILTER From K-0591 To K-0604 | 1 | |
| 20 | 23196231 | MUFFLER SCR EXHAUST FILTER From K-0605 | 1 | |
| 21 | 540018 | U-CLAMP / (GUILLOTINE TYPE) / 5" I.D. | 2 | |
| 22 | 040789 | ATTACHMENT DPF VOLVO To L-0973 | 1 | |
| 22 | 040063 | ATTACHMENT DPF VOLVO From L-0974 | 1 | |
| 23 | 040829 | ATTACHMENT DPF VOLVO | 1 | |
| 24 | 040790 | ATTACHMENT LOWER DPF | 1 | |
| 25 | 040982 | SUPPORT CABLE DPF To N-1255 | 1 | |
| 25 | 040090 | SUPPORT CABLE DPF From N-1256 | 1 | |
| 26 | 040861 | CABLE SUPPORT | 2 | |
| 27 | 040898 | SUPPORT CABLE DPF To L-0973 | 1 | |
| 27 | 040080 | SUPPORT CABLE DPF From L-0974 | 1 | |
| NS | 509490 | ATTACHMENT DOUBLE USE WITH CABLE TIE From L-0974 | 2 | |
| NS | 504610 | RIVET MGLP PRDG 1/4x5/8 SS From L-0974 | 2 | |
| 28 | 040986 | CLAMP SUPPORT ASSY | 2 | |
| 28A | 5001801 | SCREW CAP HEXF M10-1.5x55 G10.9 N500 | AR | |
| 28B | 540085 | SPACER / HALF MOON SHAPE | AR | |
| 28C | 540086 | SPACER / ANVIL SHAPE | AR | |
| 28D | 5001758 | NUT HEX STO M10-1.5 N500 | AR | |
| 29 | 040953 | GRILLE PROTECTOR OVER DPF | 1 | |

| | | |
|---|---------------------|-------------------------|
| From K-0295 To P-1347 | Date:07/2024 | PAGE:VIP-0405-02 |
| MUFFLER - INSTALLATION WITH DPF & SCR WITH VOLVO D13 | | |

| Item# | Part | Description | QTY | Notes |
|-------|---------------|---|-----|-------|
| 30 | 21403962 | SENSOR PRESSURE "DELTA" To N-1255 | 1 | |
| 30 | 040096 | KIT SENSOR PRESSURE DPF To N-1255 | 1 | |
| 30 | 23488881 | SENSOR PRESSURE "DELTA" From N-1256 | 1 | |
| 31 | 21673931 | SENSOR TEMPEARATURE "T2" | 1 | |
| 32 | 22303390 | SENSOR "NOX" / DPF FILTER | 1 | |
| 33 | 21412472 | SENSOR TEMPEARATURE "T3" To K-0604 | 1 | |
| 33 | 21412472 | SENSOR TEMPEARATURE "T3" From K-0605 | 2 | |
| 34 | 040911 | PIPE, DP HIGH PRESSURE | 1 | |
| 35 | 040912 | PIPE, DP LOW PRESSURE To N-1255 | 1 | |
| 35 | 040093 | PIPE, DP LOW PRESSURE From N-1256 | 1 | |
| 36 | 060746 | HARNESS DPF "VOLVO" | 1 | |
| 37 | 21225020 | SENSOR TEMPEARATURE "T1" | 1 | |
| 38A | 22303391 | SENSOR "NOX" / SCR FILTER | 1 | |
| 38B | 060327 | SENSOR "PM" / SCR FILTER ASSY To L-1023 | 1 | |
| 38B | 0610356 | SENSOR "PM" / SCR FILTER ASSY From L-1024 To P-1341 | 1 | |
| 38B | 0600086 | SENSOR "PM" / SCR FILTER ASSY From P-1342 | 1 | |
| 38B | 22835170 | . SENSOR "PM" / SCR FILTER To K-0244 | 1 | |
| 38B | 22946032 | . SENSOR "PM" / SCR FILTER From K-0245 To L-1023 | 1 | |
| 38B | 23320447 | . SENSOR "PM" / SCR FILTER From L-1024 To P-1341 | 1 | |
| 38B | 24191736 | . SENSOR "PM" / SCR FILTER From P-1342 | 1 | |
| 39 | 040954 | GUIDE, WIRING | 1 | |
| 39 | 502556 | WASHER FL 4.3x9.0x0.8 SS | 1 | |
| 39 | 502799 | SCREW CAP HEX M4-0.7X16 G8.8 N500 | 1 | |
| 40 | 564108 | SELF MOUNTING STUD // DEUTSCH 1011-310-0205 | 4 | |
| 41 | 8631155 | CABLE TIE / 4.6MM x 200 / CHRISTMAS TREE | 13 | |
| 42 | 5001730 | SCREW CAP HEXF M6-1.0x16 G10.9 N500 | 16 | |
| 43 | 5001833 | WASHER BEL SPR 6.1x18x1.27 SS | 10 | |
| 44 | 040913 | HOSE To N-1255 | 1 | |
| 44 | 040914 | HOSE From N-1256 | 1 | |
| 44 | 503776 | . HOSE SILICONE 1/4" I.D. x 10' / S.L. To N-1255 | AR | |
| 44 | 503775 | . HOSE SILICONE 5/16" I.D. x 10' / S.L. From N-1256 | AR | |
| 45 | 21283793 | SPRING HOSE CLAMP 5/16" | 2 | |
| 46 | 040914 | HOSE | 1 | |
| 46 | 503775 | . HOSE SILICONE 5/16" I.D. x 10' / S.L. | AR | |
| 47 | 21283796 | SPRING HOSE CLAMP 1/4" To N-1255 | 2 | |
| 47 | 21283793 | SPRING HOSE CLAMP 5/16" From N-1256 | 2 | |
| 48 | 040916 | J-HOOK / M6-1.0 x 33 SS | 2 | |
| 49 | 502854 | NUT HEX M6-1.0 N500 | 2 | |
| 50 | 5000310 | SCREW CAP HEX M6-1.0x40 BK | 3 | |
| 51 | 504013 | TIE MOUNT / 1/4" X 1/4" I.D. | AR | |
| 52 | 504637 | CABLE TIE / 3/16" x 13" | AR | |
| 53 | 502817 | SCREW MA PAN PH M6-1.0x16 N500 | AR | |

| | | |
|---|--------------|------------------|
| From K-0295 To P-1347 | Date:07/2024 | PAGE:VIP-0405-02 |
| MUFFLER - INSTALLATION WITH DPF & SCR WITH VOLVO D13 | | |

| Item# | Part | Description | QTY | Notes |
|-------|----------|---|-----|-------|
| 56 | 504379 | RIVET POP DOME OE 3/16x1/4 SS | AR | |
| 57 | 21282895 | STRAP SCR To P-1318 | 4 | |
| 57 | 041159 | STRAP SCR From P-1319 | 4 | |
| 58 | 21321221 | BAR THREAD SCR | 2 | |
| 59 | 20974254 | BAR ROUND SCR | 4 | |
| 60 | 509892 | SCREW CAP HEXS M12-1.75x100 G8.8 N500 | 4 | |
| 61 | 040786 | ATTACHMENT, LOWER, SCR VOLVO | 2 | |
| 62 | 040855 | ATTACHMENT, UPPER, SCR VOLVO | 1 | |
| 63 | 040847 | SUPPORT SCR VOLVO / STREET SIDE | 1 | |
| 64 | 040848 | SUPPORT SCR VOLVO / CUBRE SIDE | 1 | |
| 65 | 040827 | SUPPORT, LOWER, SCR VOLVO | 2 | |
| 66 | 040852 | SUPPORT, UPPER, SCR VOLVO | 1 | |
| 67 | 041157 | ATTACHMENT UPPER | 1 | |
| 68 | 041156 | SUPPORT, UPPER, SCR VOLVO | 1 | |
| 69 | 040079 | BRACKET, T4 SENSOR HARNESS From K-0605 | 1 | |
| 70 | 5001866 | SCREW CAP HEX M12-1.75x30 G10.9 N500 | 32 | |
| 71 | 5001338 | SCREW CAP HEX M12-1.75x45 G10.9 N500 | 18 | |
| 72 | 5001861 | SCREW CAP HEX M12-1.75x60 G10.9 N500 | 8 | |
| 73 | 500967 | WASHER BEL SPR .512x1.142x.098 N500 | 32 | |
| 74 | 040937 | SPACER 3/4" O.D. X 16MM ST | 36 | |
| 75 | 5001774 | NUT HEXF STO M12-1.75 MAGNI G500 | 28 | |
| 76 | 21138255 | PLATE ATTACHMENT 120MM X 40MM | 16 | |
| 77 | 040783 | PLATE ATTACHMENT 120MM X 40MM | 2 | |
| 78 | 040844 | PLATE ATTACHMENT 120MM X 34MM / W/2 M12-1.75x40 | 2 | |
| 79 | 22227002 | MUFFLER CONNECTION RUBBER 135MM x 93MM | 4 | |
| 80 | 041069 | MUFFLER CONNECTION RUBBER 135MM x 107MM | 4 | |
| 81 | 041070 | MUFFLER CONNECTION RUBBER 170MM x 93MM | 1 | |
| 82 | 502737 | SCREW CAP HEX M6-1.0x25 SS BK | 2 | |
| 83 | 509490 | ATTACHMENT DOUBLE USE WITH CABLE TIE | 2 | |
| 85 | 040918 | SUPPORT / DRAIN | 1 | |
| 86 | 504356 | GROMMET / .625x.875x.062x.312x1.125 | 1 | |
| 87 | 5001730 | SCREW CAP HEXF M6-1.0x16 G10.9 N500 To N-1255 | 1 | |
| 87 | 5001815 | SCREW CAP HEXF M6-1.0x30 G 8.8 N500 From N-1256 | 1 | |
| 92 | 040965 | HOSE DRAIN SCR | 1 | |
| 93 | 504070 | GROMMET / .375x.625x.156x.406x1.000 | 1 | |
| 94 | 21468325 | CABLE SUPPORT | 1 | |
| 95 | 640873 | MALE CONNECTOR / AB FITTING / #8x1/2NPT-M BR | 1 | |
| NS | 680098 | THREAD SEALANT LOCTITE #567 / WHITE / 250ml | AR | |
| 96 | 040863 | PIPE DRAIN | 1 | |
| 97 | 20565546 | PLUG / DPF To L-0906 | 1 | |
| 97 | 040004 | PLUG / DPF / S.STEEL From L-0907 | 1 | |
| 98 | 947625 | SEAL COPPER / DPF | 1 | |

| | | |
|---|---------------------|-------------------------|
| From K-0295 To P-1347 | Date:07/2024 | PAGE:VIP-0405-02 |
| MUFFLER - INSTALLATION WITH DPF & SCR WITH VOLVO D13 | | |

| Item# | Part | Description | QTY | Notes |
|-------|---------------|--|-----|-------|
| 99 | 502868 | SCREW TC TR PH #10-16x1/2 N500 | AR | |
| 100 | 501833 | MALE CONNECTOR / POLY-TITE FITTING / #2x1/16NPT-M BR | AR | |
| 101 | 040892 | ANGLE PIPE SUPPORT | 1 | |
| 102 | 21589669 | SUPPORT EXHAUSTST PIPE | 1 | |
| 103 | 040952 | SUPPORT PIPE | 1 | |
| 104 | 041006 | SUPPORT PRIMARY / EXHAUST PIPE | 1 | |
| 105 | 040969 | SUPPORT SECONDARY / EXHAUST PIPE | 1 | |
| 110 | 5001595 | SCREW CAP HEXF M10-1.5x60 G8.8 G500 | 1 | |
| 111 | 500261 | WASHER FL .390x1.500x.083 N500 | 2 | |
| 112 | 505217 | SPACER 7/16" X 1 1/4" | 1 | |
| 113 | 661074 | BUSHING / RUBBER 3/4" x 5/8" I.D. | 2 | |
| 114 | 5001727 | NUT HEXF NYRT M10-1.5 N500 | 1 | |
| 115 | 5001741 | SCREW CAP HEXF M10-1.5x30 G8.8 N500 | 1 | |
| 116 | 5001834 | WASHER BEL SPR 10.5X23X2.5 N500 | 4 | |
| 117 | 040627 | WASHER FL 10.5x54x11GA SS | 1 | |
| 118 | 5001644 | SCREW CAP HEXF M10-1.5x30 G8.8 G500 | 6 | |
| 119 | 5001745 | SCREW CAP HEX M8-1.25x25 G8.8 N500 | 2 | |
| 120 | 5001740 | NUT HEX STO M8-1.25 N500 | 2 | |
| 121 | 500401 | WASHER FL .343x.875x.125 N500 | 4 | |
| 122 | 23090827 | INSULATED BLANKET / SCR UPPER To K-0604 | 1 | |
| . NS | 22998036 | . TIE WRAP STAINLESS STEEL 1905MM To K-0604 | 1 | |
| 123 | 23090830 | INSULATED BLANKET / SCR LOWER To K-0604 | 1 | |
| . NS | 22998036 | . TIE WRAP STAINLESS STEEL 1905MM To K-0604 | 2 | |
| 130 | 21603076 | DIFFUSOR ASSY | 1 | |
| NS | 041139 | KIT, REPLACEMENT SHUTTER OF DIFFUSOR | 1 | |
| 131 | 540067 | CLAMP BAND SEAL / LAP JOINT / 5" I.D.x1.25" | 1 | |
| 132 | 21139384 | GRILL DIFFUSOR | 1 | |
| 133 | 21139388 | PLATE "WARNING" THIS DIFFUSOR MUST BE FLUSH.. | 1 | |
| 134 | 040906 | SPACER / DIFFUSOR GRILL | 1 | |
| 135 | 502854 | NUT HEX M6-1.0 N500 | 10 | |
| 136 | 500877 | WASHER FL .250x.562x.065 N500 | 10 | |
| 137 | 5001181 | SCREW CAP HEX M6-1.0x12 SS | 6 | |
| 138 | 478748 | GRILL ROOF | 1 | |
| 139 | 500952 | SCREW TP BDG PH #8x1/2 SS | 9 | |
| 140 | 040617 | PIPE 5" O.D. X 226MM | 1 | |
| 141 | 040100 | KIT EXTENSION DIFFUSOR / 5 1/2" | 1 | |
| . A | 040116 | . EXTENTION DIFFUSOR / 5 1/2" | 1 | |
| . B | 040101 | . PROTECTOR GRILL EXTENTION / 5 1/2" | 1 | |
| . C | 5001684 | . NUT HEX CAP M6-1.0 SS | 10 | |
| . D | 502573 | . WASHER FL 6.4x12.5x1.6 SS | 10 | |
| 141 | 040955 | KIT EXTENSION DIFFUSOR / 6 5/8" | 1 | |
| . A | 040677 | . EXTENTION DIFFUSOR / 6 5/8" | 1 | |

| | | |
|---|--------------|------------------|
| From K-0295 To P-1347 | Date:07/2024 | PAGE:VIP-0405-02 |
| MUFFLER - INSTALLATION WITH DPF & SCR WITH VOLVO D13 | | |

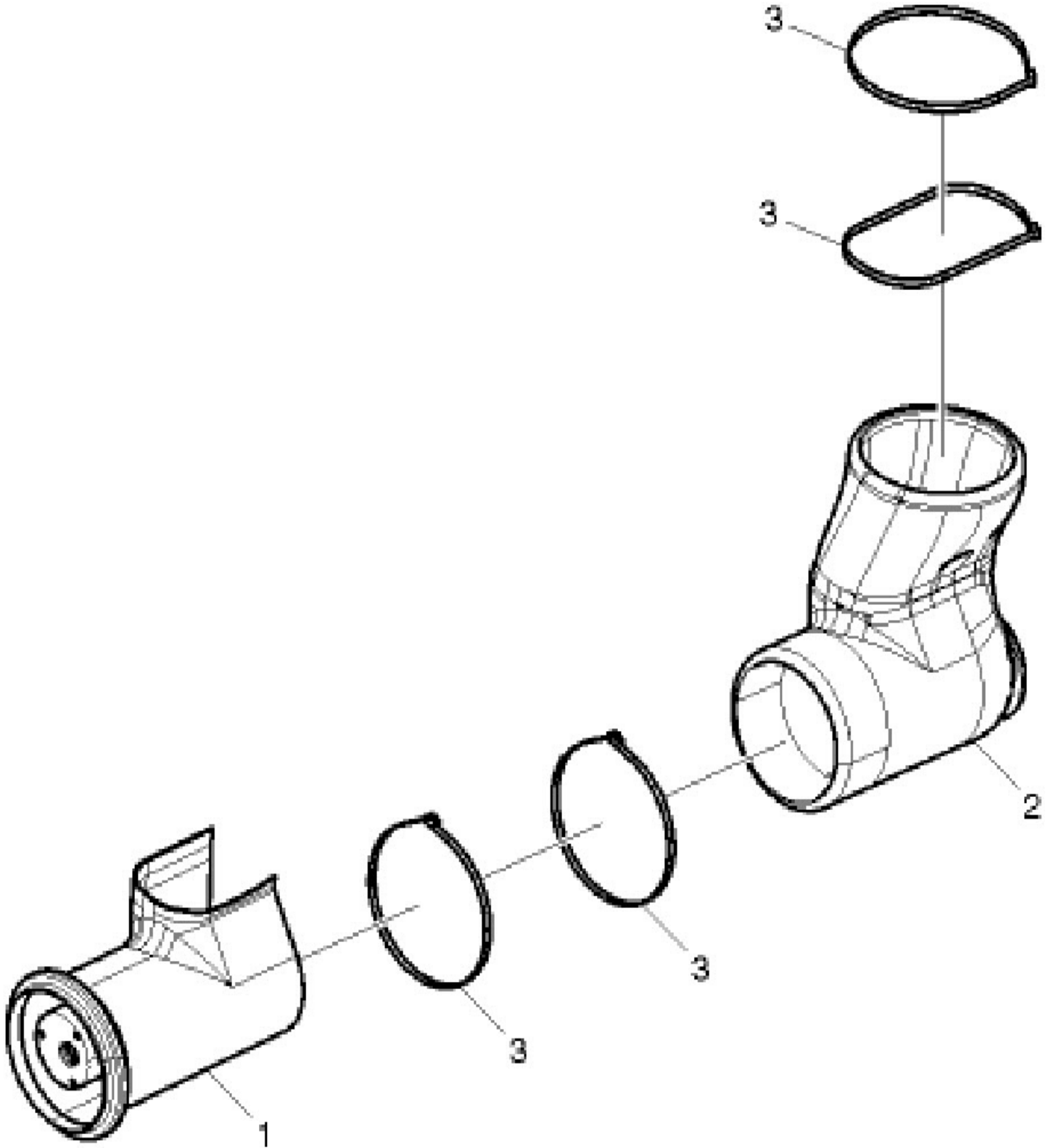
| Item# | Part | Description | QTY | Notes |
|-------|--------------------|--|-----|-------|
| . B | 040958 | . PROTECTOR GRILL EXTENTION / 6 5/8" | 1 | |
| . C | 5001684 | . NUT HEX CAP M6-1.0 SS | 10 | |
| . D | 502573 | . WASHER FL 6.4x12.5x1.6 SS | 10 | |
| 141 | 040956 | KIT EXTENSION DIFFUSOR / 9" | 1 | |
| . A | 040648 | . EXTENTION DIFFUSOR / 9" | 1 | |
| . B | 040957 | . PROTECTOR GRILL EXTENTION / 9" | 1 | |
| . C | 5001684 | . NUT HEX CAP M6-1.0 SS | 10 | |
| . D | 502573 | . WASHER FL 6.4x12.5x1.6 SS | 10 | |
| 145 | 503821 | HOSE SILICONE 4 PLY / NOMEX-ARAMID 3/8" x 144" | AR | |
| NS | 053008 | RESTRICTION / ALU. TUBE 20MM X 9.05MM O.D. W/3.05MM HOLE | 1 | |
| 146 | 21312072 | QUICK CONNECTOR 45° 10MM | 2 | |
| 147 | 992081 | HOSE CLAMP / 12MM/22MM | 2 | |
| 148 | 509490 | ATTACHMENT DOUBLE USE WITH CABLE TIE | AR | |
| NS | 504751 | ROTATIF SPACER DOUBLE / SMALL | AR | |
| 149 | 509491 | CABLE TIE / 13MM x 383MM | AR | |
| 150 | 041122 | HOSE HEATED ASSY 9400MM | 1 | |
| . NS | N8902118 | . CONNECTOR CLIP - 5/16" | 2 | |
| 150 | VIP-0410-00 | UREA RESERVOIR ASSY | | |
| 152 | 272444 | ATTACHMENT, LOWER, SCR VOLVO STREET SIDE | 1 | |
| 153 | 272429 | ATTACHMENT, LOWER, SCR VOLVO CURBE SIDE To L-0825 | 1 | |
| 153 | 273238 | ATTACHMENT, LOWER, SCR VOLVO CURBE SIDE From L-0826 | 1 | |
| 154 | 272496 | ATTACHMENT, DPF VOLVO STREET SIDE | 1 | |
| 155 | 272431 | ATTACHMENT, DPF VOLVO CURBE SIDE | 1 | |
| 156 | 218503 | ATTACHMENT, SUPPORT EXHAUST PIPE | 1 | |
| 157 | 22677399 | GASKET NOZZLE UREA | 1 | |
| 158 | 22757141 | SPACER | 1 | |
| | | | | |
| | | | | |
| | | | | |
| | | V) SEE IMPACT OR CALL ORDER DESK | | |

From K-0295 To P-1347

Date:07/2024

PAGE:23041035

SWIRL PIPE



| | | | |
|-----------------------|--|--------------|---------------|
| From K-0295 To P-1347 | | Date:07/2024 | PAGE:23041035 |
|-----------------------|--|--------------|---------------|

SWIRL PIPE

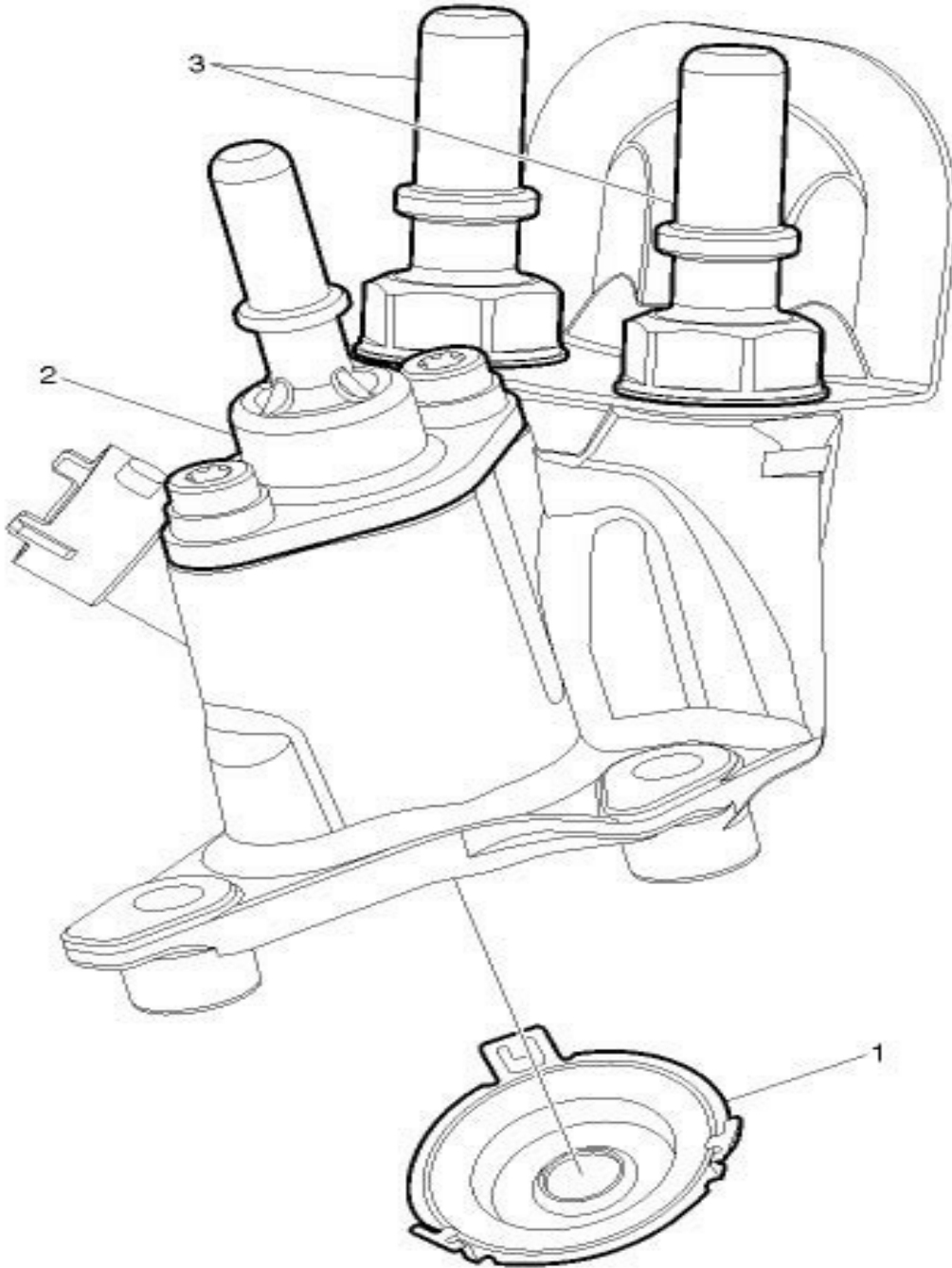
| Item# | Part | Description | QTY | Notes |
|-------|----------|--------------------------|-----|-------|
| 1 | 21403611 | SWIRL PIPE | 1 | |
| 2 | 23041032 | HEAT SHEILD | 1 | |
| 3 | 21209156 | TIE WRAP STAINLESS STEEL | 4 | |

From K-0295 To P-1347

Date:07/2024

PAGE:22757225

NOZZLE UREA, 2.5



| | | | |
|-----------------------|--|--------------|---------------|
| From K-0295 To P-1347 | | Date:07/2024 | PAGE:22757225 |
|-----------------------|--|--------------|---------------|

NOZZLE UREA, 2.5

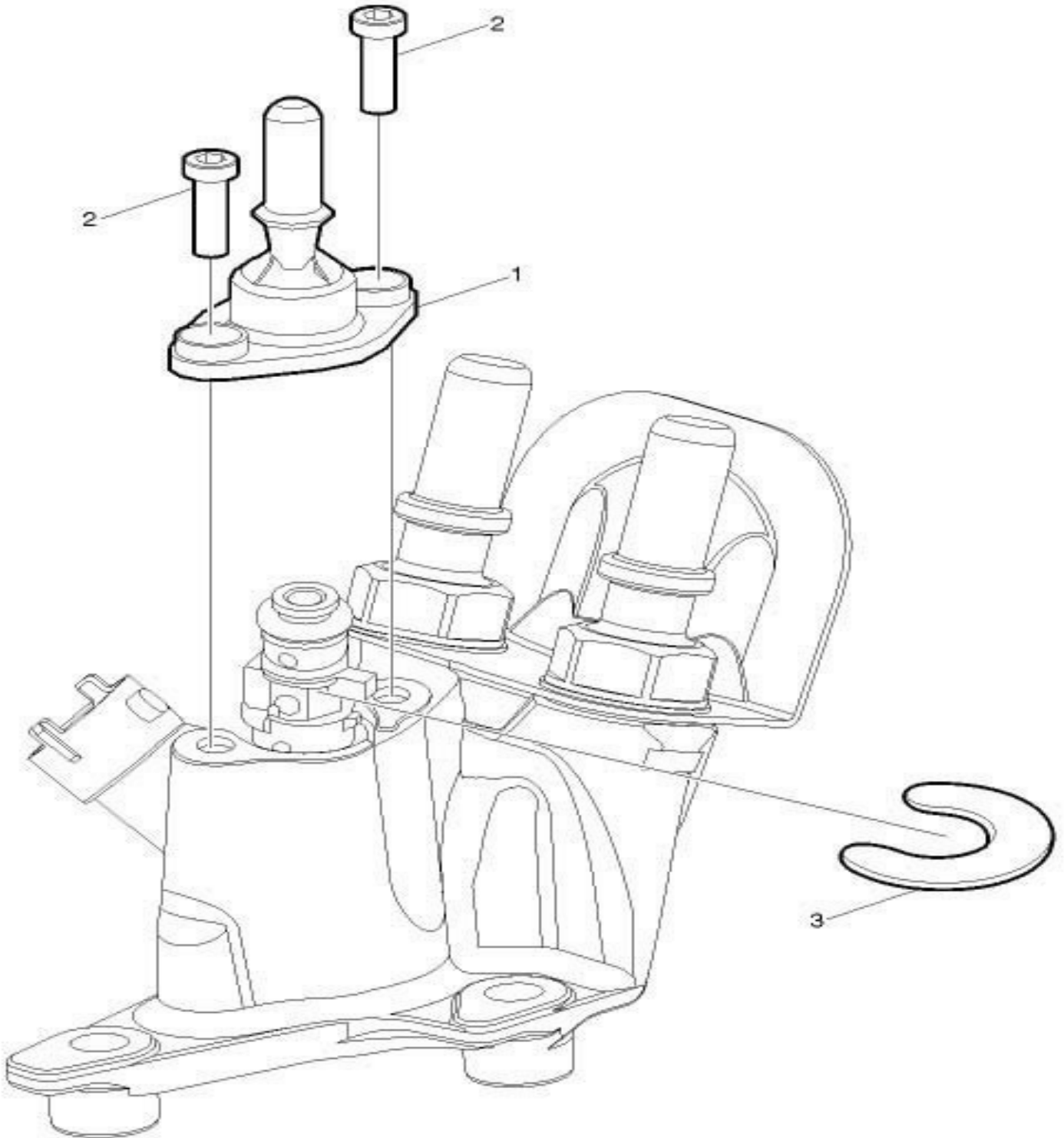
| Item# | Part | Description | QTY | Notes |
|-------|----------|-------------------------------|-----|-------|
| 1 | 21376801 | SEALING PLATE | 1 | |
| 2 | N.S.S. | CONNECTOR UREA TB-129663345-1 | 1 | 1 |
| 3 | 21376813 | CONNECTOR COOLING | 1 | |
| | | | | |
| | | | | |
| | | 1) NOT SOLD SEPARATELY | | |

From K-0295 To P-1347

Date:07/2024

PAGE:21579080

CONNECTOR UREA TB-129663345-1



R1045189

| | | | |
|--------------------------------------|--|--------------|---------------|
| From K-0295 To P-1347 | | Date:07/2024 | PAGE:21579080 |
| CONNECTOR UREA TB-129663345-1 | | | |

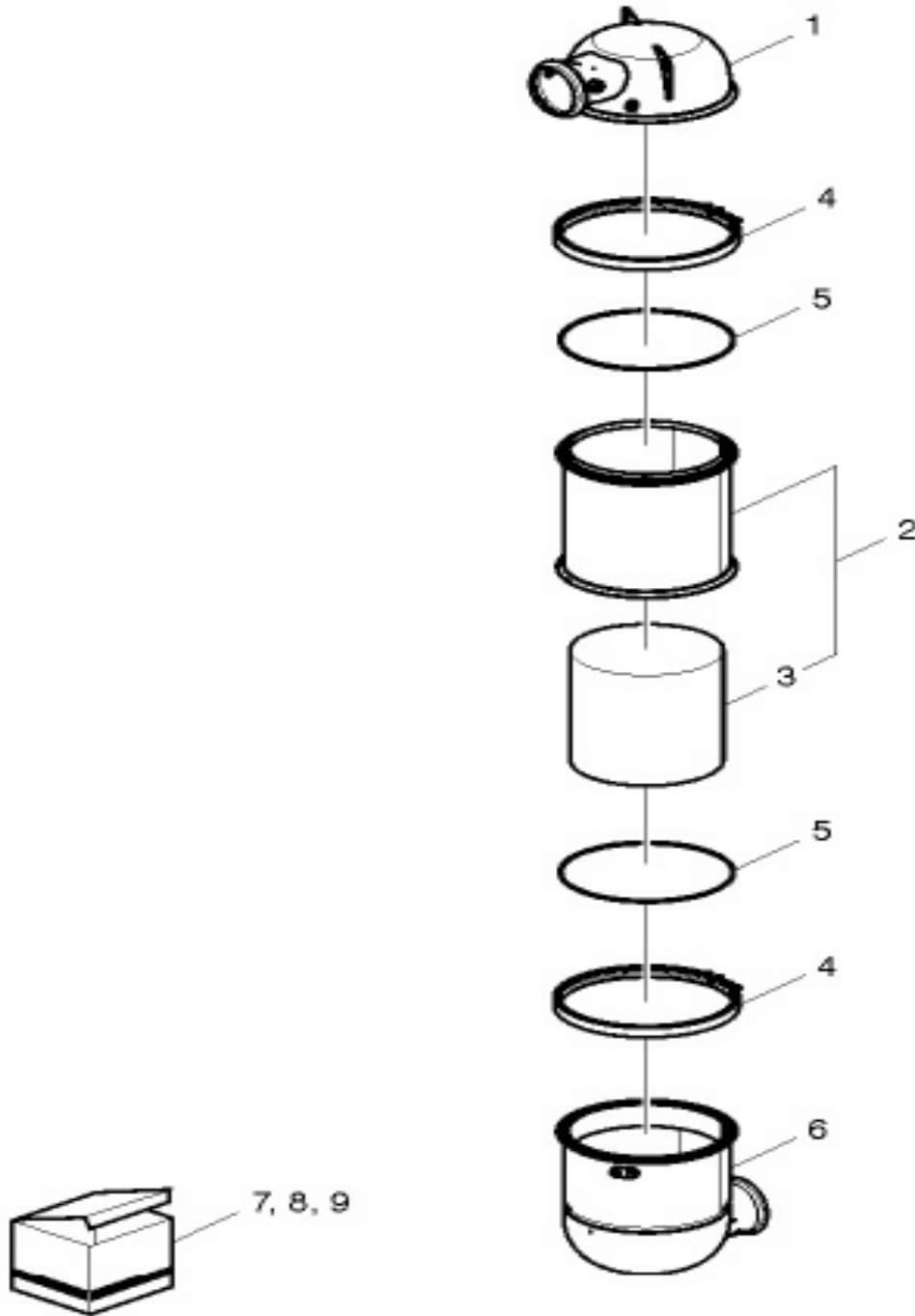
| Item# | Part | Description | QTY | Notes |
|-------|--------|------------------------|-----|-------|
| | N.S.S. | | X | 1 |
| | N.S.S. | | X | 1 |
| | N.S.S. | | X | 1 |
| | | | | |
| | | | | |
| | | | | |
| | | 1) NOT SOLD SEPARATELY | | |

From K-0295 To P-1347

Date:07/2024

PAGE:22058307

MUFFLER DPF EXHAUST FILTER



| | | |
|-----------------------|--------------|---------------|
| From K-0295 To P-1347 | Date:07/2024 | PAGE:22058307 |
|-----------------------|--------------|---------------|

MUFFLER DPF EXHAUST FILTER

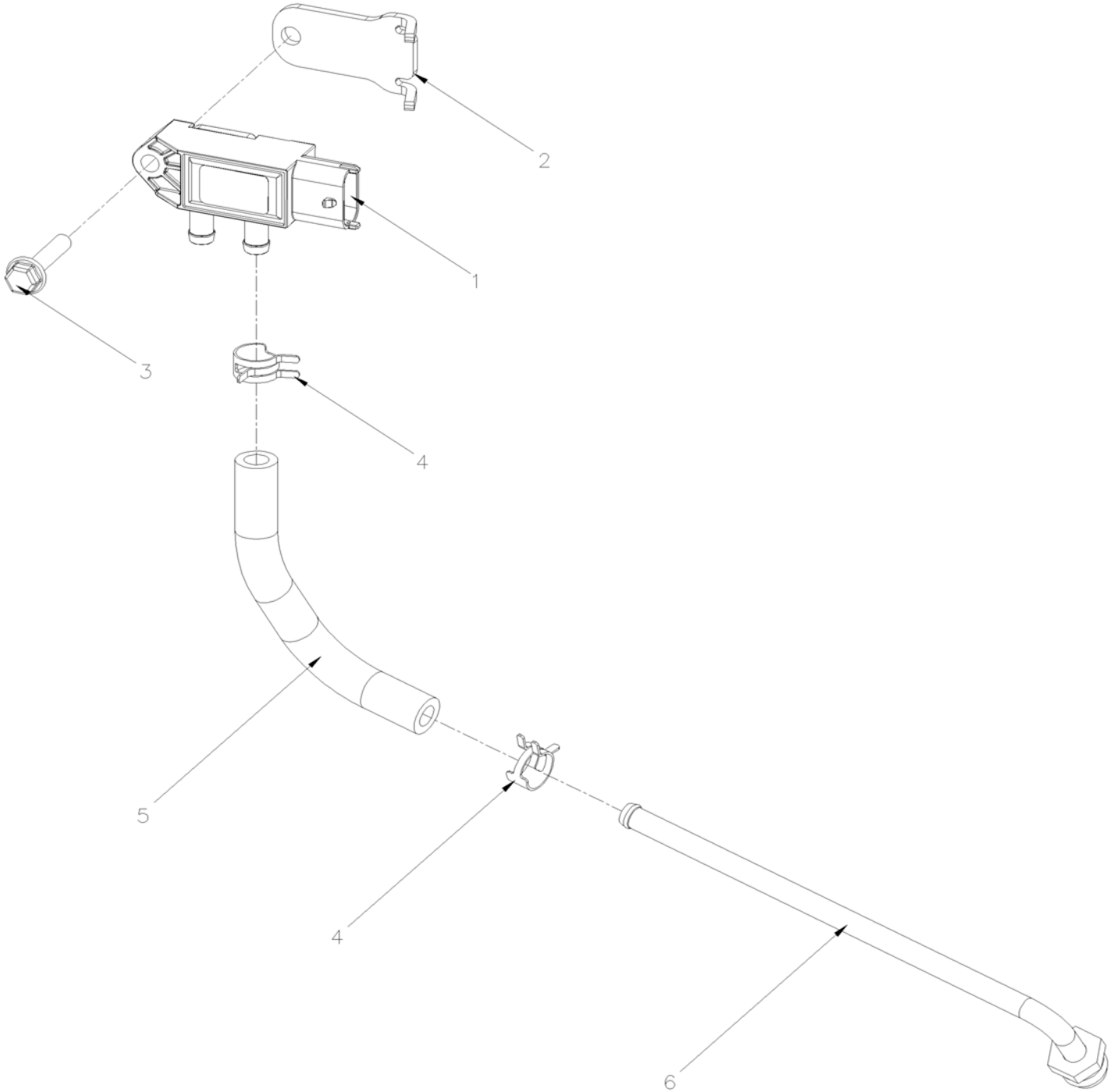
| Item# | Part | Description | QTY | Notes |
|-------|----------|------------------------|-----|-------|
| 1 | N.S.S. | MODULE | 1 | 1 |
| 2 | 22342601 | MODULE | 1 | |
| 3 | N.S.S. | . PARTICULATE FILTER | 1 | 1 |
| 4 | 21048521 | V-CLAMP | 2 | |
| 5 | N.S.S. | GASKET | 2 | 1 |
| 6 | N.S.S. | MODULE | 1 | 1 |
| 7 | 22776216 | KIT | 1 | |
| 8 | 85124654 | KIT | 1 | |
| | | | | |
| | | | | |
| | | 1) NOT SOLD SEPARATELY | | |

To N-1255

Date:07/2024

PAGE:040096

KIT SENSOR PRESSURE DPF



| | | |
|-----------|--------------|-------------|
| To N-1255 | Date:07/2024 | PAGE:040096 |
|-----------|--------------|-------------|

KIT SENSOR PRESSURE DPF

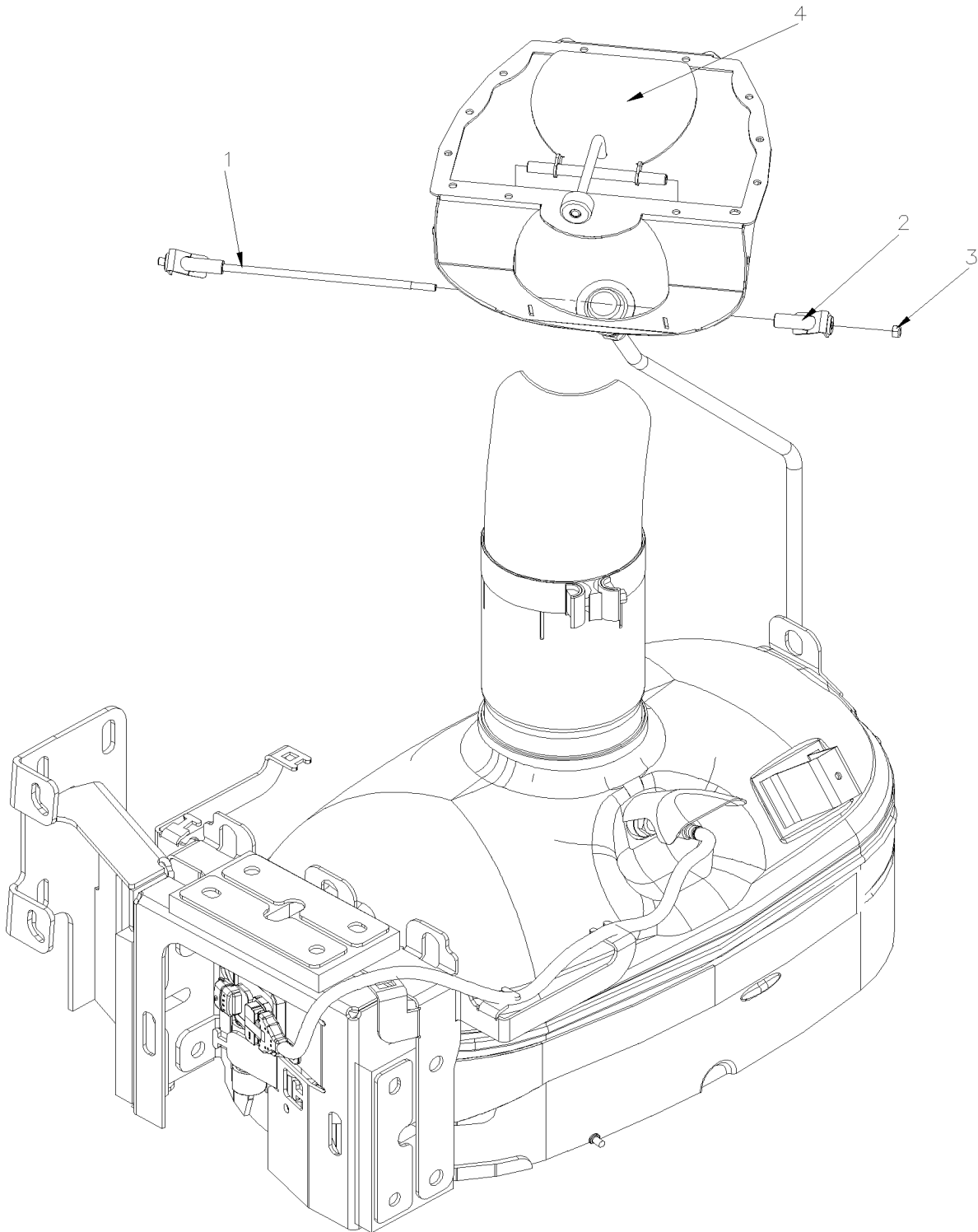
| Item# | Part | Description | QTY | Notes |
|-------|----------|-------------------------------------|-----|-------|
| 1 | 23488881 | SENSOR PRESSURE "DELTA" | 1 | |
| 2 | 040097 | SPACER, FOR SENSOR OF PRESSURE | 1 | |
| 3 | 5001815 | SCREW CAP HEXF M6-1.0x30 G 8.8 N500 | 1 | |
| 4 | 21283793 | SPRING HOSE CLAMP 5/16" | 2 | |
| 5 | 040914 | HOSE | 1 | |
| 6 | 040093 | PIPE, DP LOW PRESSURE | 1 | |

From K-0295 To P-1347

Date:07/2024

PAGE:041139

KIT, REPLACEMENT SHUTTER OF DIFFUSOR

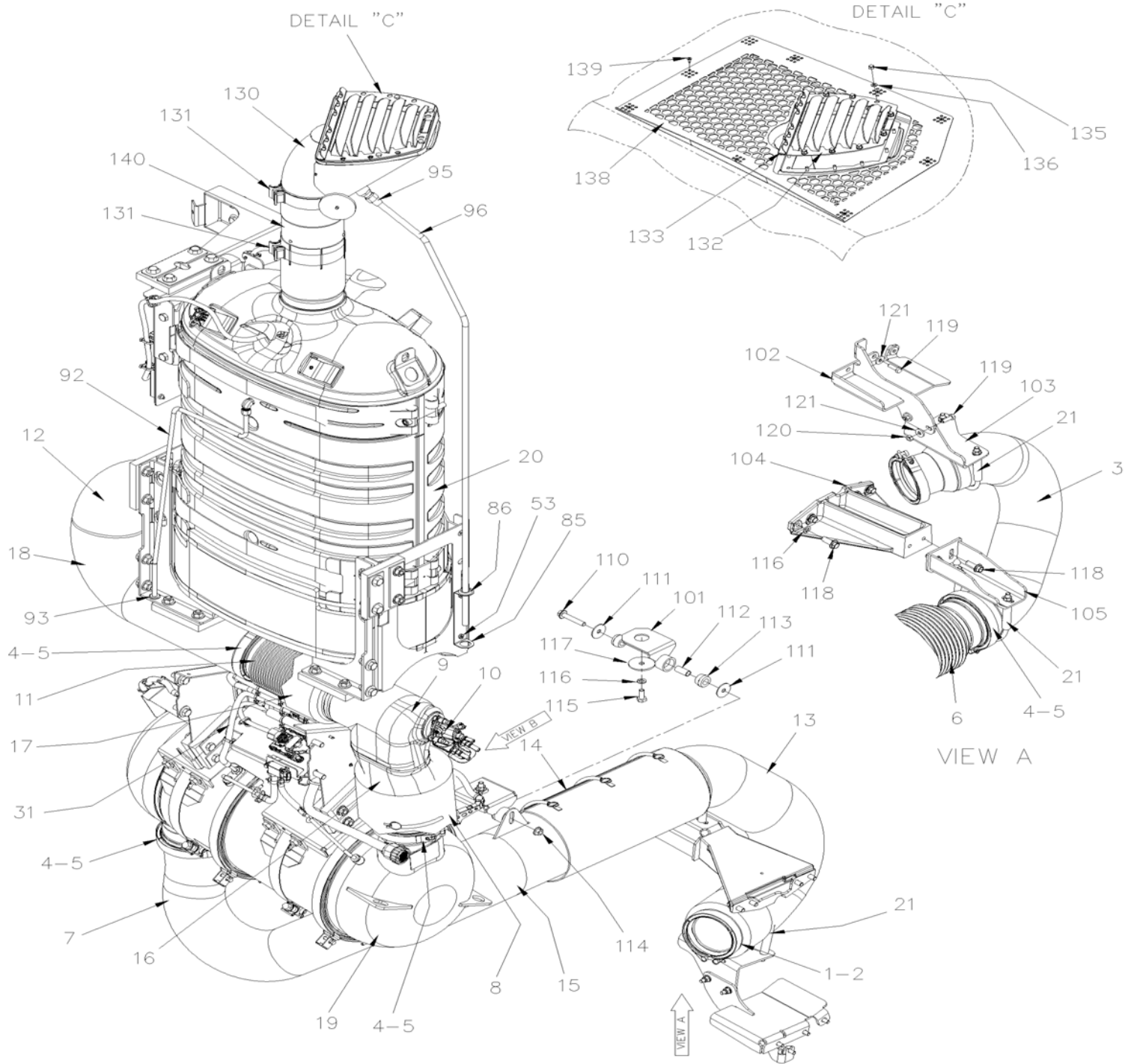


| | | | |
|-----------------------|--|--------------|-------------|
| From K-0295 To P-1347 | | Date:07/2024 | PAGE:041139 |
|-----------------------|--|--------------|-------------|

KIT, REPLACEMENT SHUTTER OF DIFFUSOR

| Item# | Part | Description | QTY | Notes |
|-------|--------|-------------------------|-----|-------|
| 1 | 041137 | PIVOT, LATERAL, ASSY | 1 | |
| 2 | 041134 | PIVOT, LATERAL, ASSY | 1 | |
| 3 | 502860 | NUT HEX STO M6-1.0 N500 | 1 | |
| 4 | 041130 | SHUTTER ASSY | 1 | |

MUFFLER - INSTALLATION WITH DPF & SCR WITH VOLVO D13

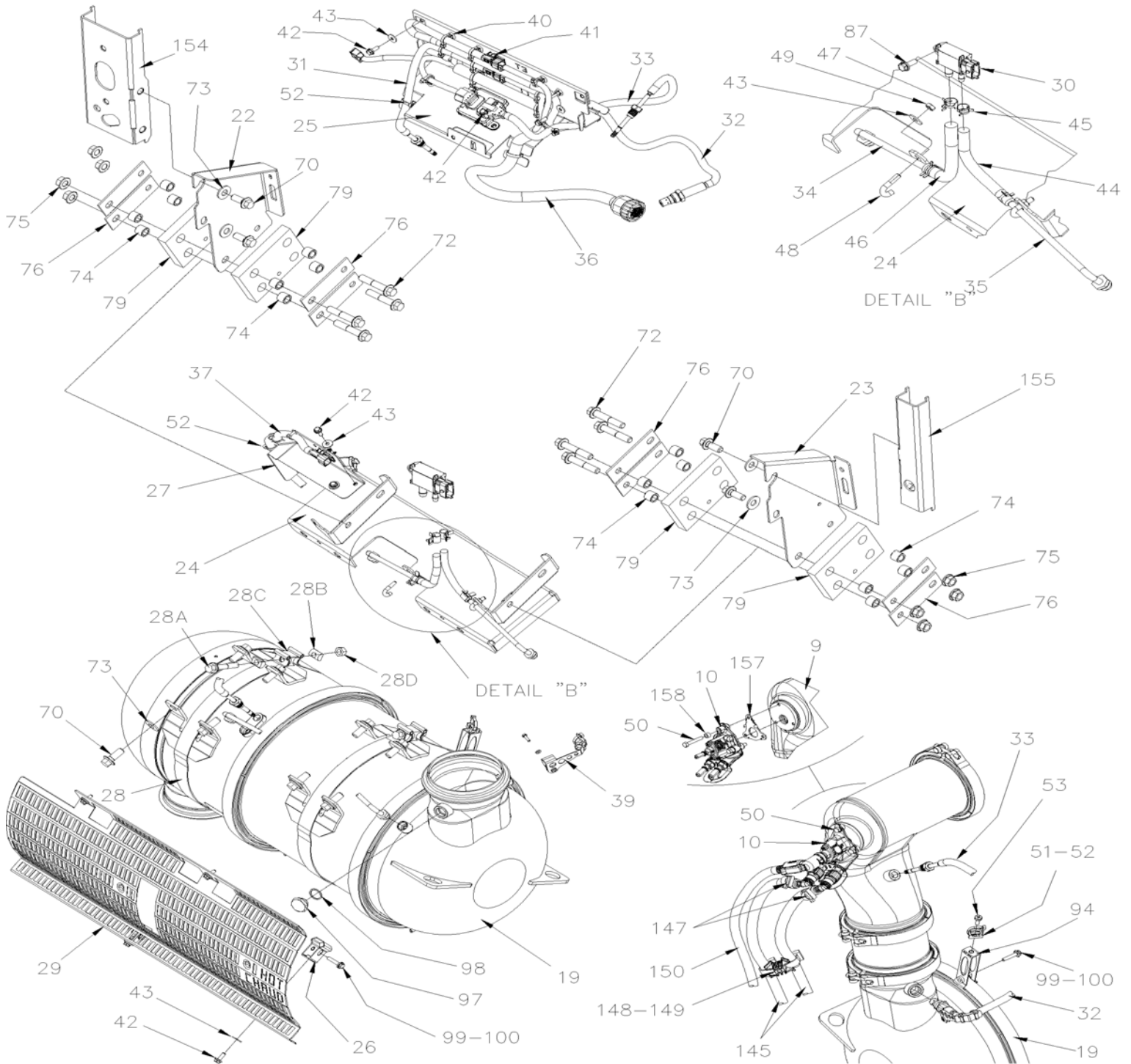


From P-1348

Date:07/2024

PAGE:VIP-0405-03

MUFFLER - INSTALLATION WITH DPF & SCR WITH VOLVO D13

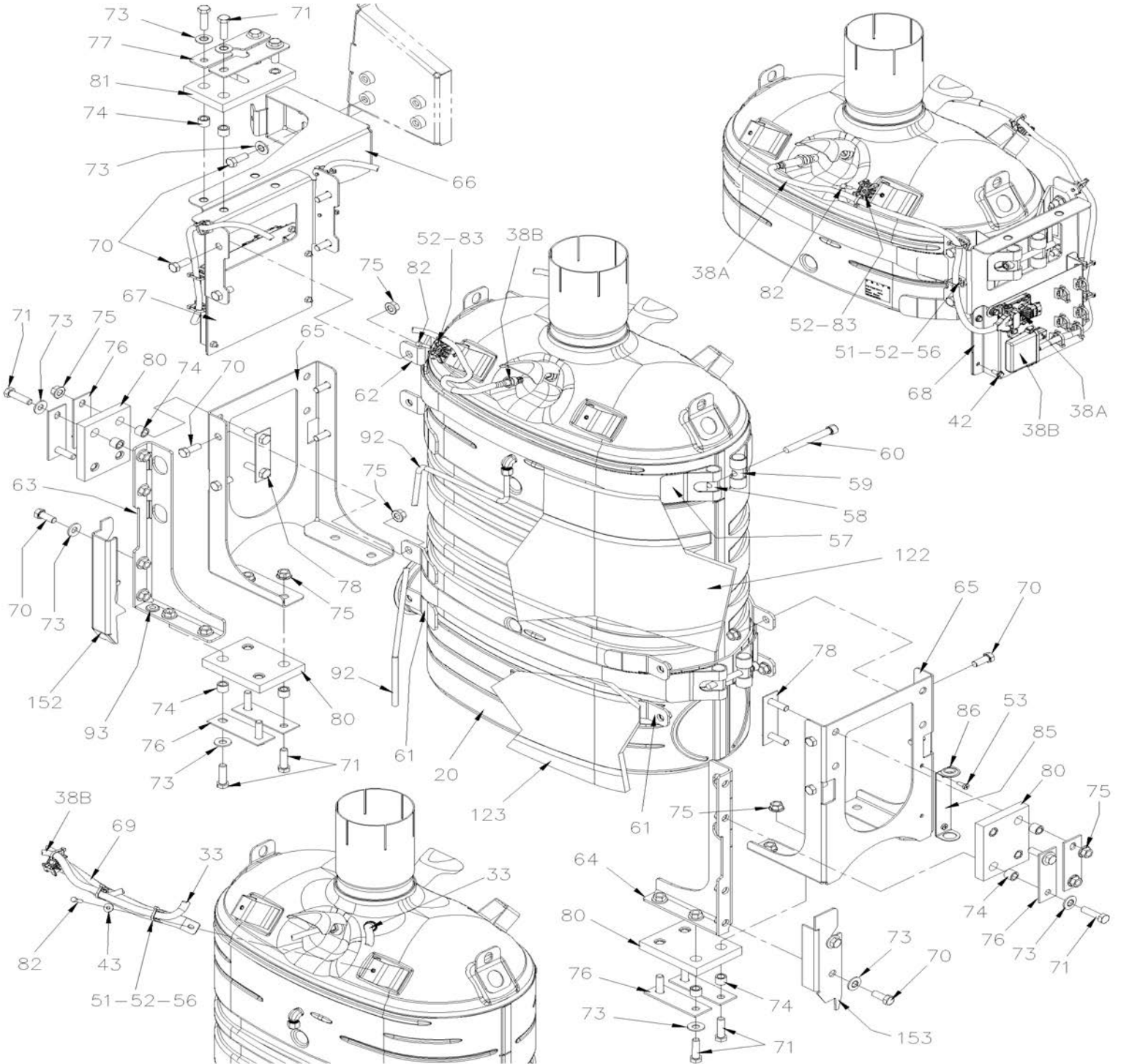


From P-1348

Date:07/2024

PAGE:VIP-0405-03

MUFFLER - INSTALLATION WITH DPF & SCR WITH VOLVO D13

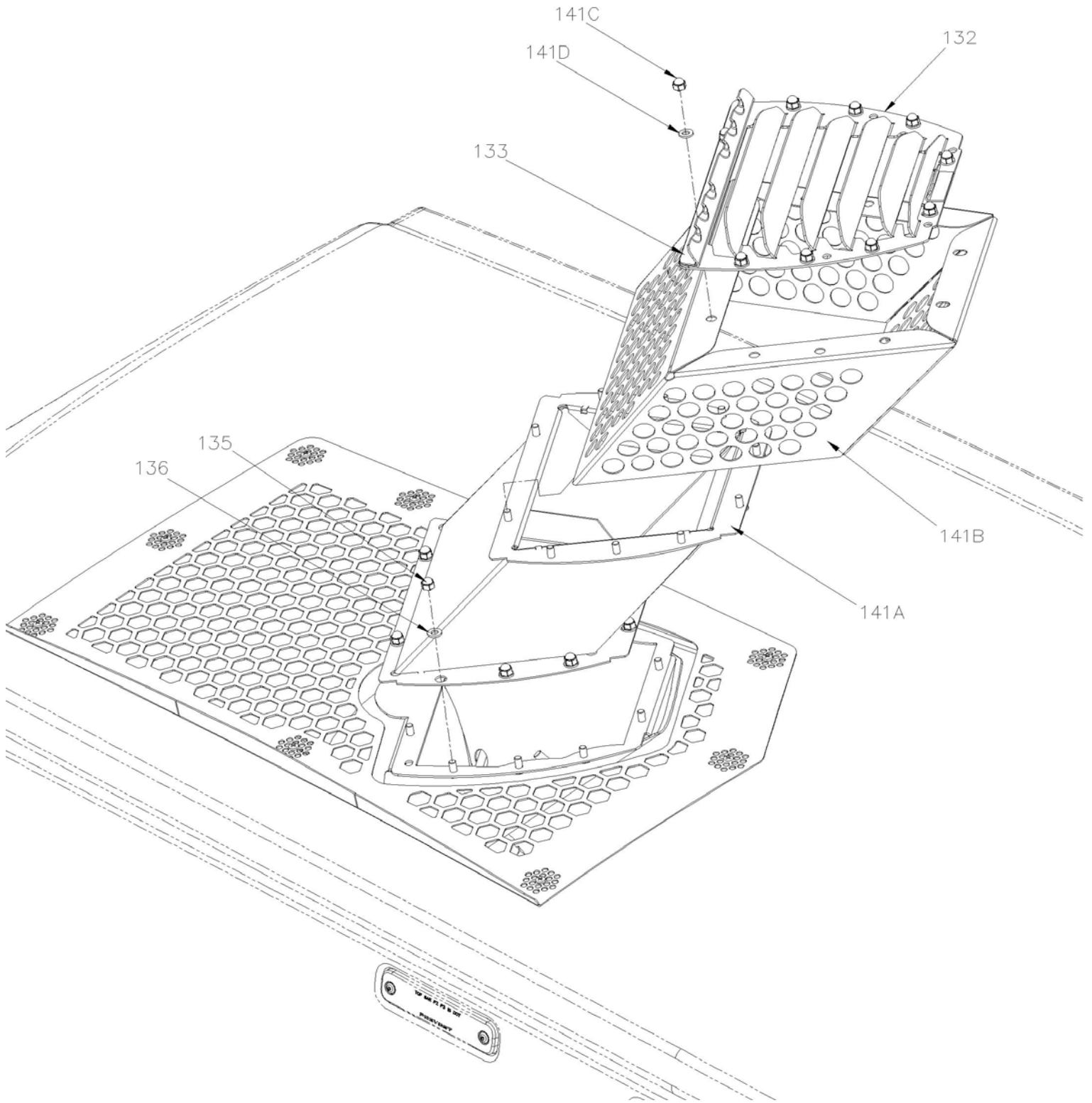


From P-1348

Date:07/2024

PAGE:VIP-0405-03

MUFFLER - INSTALLATION WITH DPF & SCR WITH VOLVO D13



| | | | |
|---|--|--------------|------------------|
| From P-1348 | | Date:07/2024 | PAGE:VIP-0405-03 |
| MUFFLER - INSTALLATION WITH DPF & SCR WITH VOLVO D13 | | | |

| Item# | Part | Description | QTY | Notes |
|-------|-----------------|--|-----|-------|
| 1 | 21060426 | V-CLAMP / (USE W GASKET) 4.81" I.D. | 1 | |
| 2 | 21095721 | GASKET | 1 | |
| 3 | 040651 | PIPE, EXHAUST "U" | 1 | |
| 4 | 21021850 | V-CLAMP / (USE W GASKET) 5.91" I.D. | 8 | |
| 5 | 21095726 | GASKET | 8 | |
| 6 | 540071 | BELLOWS - EXHAUST 5" I.D. x 14.49" | 1 | |
| 7 | 040014 | PIPE DPF INLET | 1 | |
| 8 | 040826 | PIPE EXHAUST | 1 | |
| 9 | 23041035 | SWIRL PIPE | 1 | |
| NS | 21209156 | TIE WRAP STAINLESS STEEL | 4 | |
| 10 | 22757225 | NOZZLE UREA, 2.5 | 1 | |
| 11 | 540072 | BELLOWS - EXHAUST | 1 | |
| 12 | 040777 | PIPE EXHAUST | 1 | |
| 13 | 041115 | INSULATED BLANKET / PIPE TURBO W/SPRING ATTACHMENT | 1 | |
| 14 | 041095 | INSULATED BLANKET / BELLOW W/SPRING ATTACHMENT | 1 | |
| 15 | 040015 | INSULATED BLANKET / PIPE DPF INLET W/SPRING ATTACHMENT | 1 | |
| 16 | 040016 | INSULATED BLANKET / PIPE SWIRL | 1 | |
| 17 | 041119 | INSULATED BLANKET / BELLOW W/SPRING ATTACHMENT | 1 | |
| 18 | 041126 | INSULATED BLANKET / PIPE EXHAUST W/SPRING ATTACHMENT | 1 | |
| 19 | 22058307 | MUFFLER DPF EXHAUST FILTER | 1 | |
| 20 | 23196231 | MUFFLER SCR EXHAUST FILTER | 1 | |
| 21 | 540018 | U-CLAMP / (GUILLOTINE TYPE) / 5" I.D. | 2 | |
| 22 | 040063 | ATTACHMENT DPF VOLVO | 1 | |
| 23 | 040829 | ATTACHMENT DPF VOLVO | 1 | |
| 24 | 040790 | ATTACHMENT LOWER DPF | 1 | |
| 25 | 040090 | SUPPORT CABLE DPF | 1 | |
| 26 | 040861 | CABLE SUPPORT | 2 | |
| 27 | 040080 | SUPPORT CABLE DPF | 1 | |
| NS | 509490 | ATTACHMENT DOUBLE USE WITH CABLE TIE | 2 | |
| NS | 504610 | RIVET MGLP PRDG 1/4x5/8 SS | 2 | |
| 28 | 040986 | CLAMP SUPPORT ASSY | 2 | |
| 28A | 5001801 | SCREW CAP HEXF M10-1.5x55 G10.9 N500 | AR | |
| 28B | 540085 | SPACER / HALF MOON SHAPE | AR | |
| 28C | 540086 | SPACER / ANVIL SHAPE | AR | |
| 28D | 5001758 | NUT HEX STO M10-1.5 N500 | AR | |
| 29 | 040953 | GRILLE PROTECTOR OVER DPF | 1 | |
| 30 | 23488881 | SENSOR PRESSURE "DELTA" | 1 | |
| 31 | 21673931 | SENSOR TEMPEARATURE "T2" | 1 | |
| 32 | 22303390 | SENSOR "NOX" / DPF FILTER | 1 | |
| 33 | 21412472 | SENSOR TEMPEARATURE "T3" | 2 | |
| 34 | 040911 | PIPE, DP HIGH PRESSURE | 1 | |
| 35 | 040093 | PIPE, DP LOW PRESSURE | 1 | |

| | | |
|---|--------------|------------------|
| From P-1348 | Date:07/2024 | PAGE:VIP-0405-03 |
| MUFFLER - INSTALLATION WITH DPF & SCR WITH VOLVO D13 | | |

| Item# | Part | Description | QTY | Notes |
|-------|----------|---|-----|-------|
| 36 | 060746 | HARNES DPF "VOLVO" | 1 | |
| 37 | 21225020 | SENSOR TEMPEARATURE "T1" | 1 | |
| 38A | 22303391 | SENSOR "NOX" / SCR FILTER | 1 | |
| 38B | 0610356 | SENSOR "PM" / SCR FILTER ASSY To P-1341 | 1 | |
| 38B | 0600086 | SENSOR "PM" / SCR FILTER ASSY From P-1342 To R-1915 | 1 | |
| 38B | 0600228 | SENSOR "PM" / SCR FILTER ASSY From R-1916 | 1 | |
| 38B | 23320447 | . SENSOR "PM" / SCR FILTER To P-1341 | 1 | |
| 38B | 24191736 | . SENSOR "PM" / SCR FILTER From P-1342 To R-1915 | 1 | |
| 38B | 24307015 | . SENSOR "PM" / SCR FILTER From R-1916 | 1 | |
| 39 | 040954 | GUIDE, WIRING | 1 | |
| 39 | 502556 | WASHER FL 4.3x9.0x0.8 SS | 1 | |
| 39 | 502799 | SCREW CAP HEX M4-0.7X16 G8.8 N500 | 1 | |
| 40 | 564108 | SELF MOUNTING STUD // DEUTSCH 1011-310-0205 | 4 | |
| 41 | 8631155 | CABLE TIE / 4.6MM x 200 / CHRISTMAS TREE | 13 | |
| 42 | 5001730 | SCREW CAP HEXF M6-1.0x16 G10.9 N500 | 16 | |
| 43 | 5001833 | WASHER BEL SPR 6.1x18x1.27 SS | 10 | |
| 44 | 040914 | HOSE | 1 | |
| 44 | 503775 | . HOSE SILICONE 5/16" I.D. x 10' / S.L. | AR | |
| 45 | 21283793 | SPRING HOSE CLAMP 5/16" | 2 | |
| 46 | 040914 | HOSE | 1 | |
| 46 | 503775 | . HOSE SILICONE 5/16" I.D. x 10' / S.L. | AR | |
| 47 | 21283793 | SPRING HOSE CLAMP 5/16" | 2 | |
| 48 | 040916 | J-HOOK / M6-1.0 x 33 SS | 2 | |
| 49 | 502854 | NUT HEX M6-1.0 N500 | 2 | |
| 50 | 5000310 | SCREW CAP HEX M6-1.0x40 BK | 3 | |
| 51 | 504013 | TIE MOUNT / 1/4" X 1/4" I.D. | AR | |
| 52 | 504637 | CABLE TIE / 3/16" x 13" | AR | |
| 53 | 502817 | SCREW MA PAN PH M6-1.0x16 N500 | AR | |
| 56 | 504379 | RIVET POP DOME OE 3/16x1/4 SS | AR | |
| 57 | 041159 | STRAP SCR | 4 | |
| 58 | 21321221 | BAR THREAD SCR | 2 | |
| 59 | 20974254 | BAR ROUND SCR | 4 | |
| 60 | 509892 | SCREW CAP HEXS M12-1.75x100 G8.8 N500 | 4 | |
| 61 | 040786 | ATTACHMENT, LOWER, SCR VOLVO | 2 | |
| 62 | 040855 | ATTACHMENT, UPPER, SCR VOLVO | 1 | |
| 63 | 040847 | SUPPORT SCR VOLVO / STREET SIDE | 1 | |
| 64 | 040848 | SUPPORT SCR VOLVO / CUBRE SIDE | 1 | |
| 65 | 040827 | SUPPORT, LOWER, SCR VOLVO | 2 | |
| 66 | 040086 | SUPPORT, UPPER, SCR VOLVO | 1 | |
| 67 | 041157 | ATTACHMENT UPPER | 1 | |
| 68 | 041156 | SUPPORT, UPPER, SCR VOLVO | 1 | |
| 69 | 040079 | BRACKET, T4 SENSOR HARNESS | 1 | |

| | | | |
|---|--|---------------------|-------------------------|
| From P-1348 | | Date:07/2024 | PAGE:VIP-0405-03 |
| MUFFLER - INSTALLATION WITH DPF & SCR WITH VOLVO D13 | | | |

| Item# | Part | Description | QTY | Notes |
|-------|----------|--|-----|-------|
| 70 | 5001866 | SCREW CAP HEX M12-1.75x30 G10.9 N500 | 32 | |
| 71 | 5001338 | SCREW CAP HEX M12-1.75x45 G10.9 N500 | 18 | |
| 72 | 5001861 | SCREW CAP HEX M12-1.75x60 G10.9 N500 | 8 | |
| 73 | 500967 | WASHER BEL SPR .512x1.142x.098 N500 | 32 | |
| 74 | 040937 | SPACER 3/4" O.D. X 16MM ST | 36 | |
| 75 | 5001774 | NUT HEXF STO M12-1.75 MAGNI G500 | 28 | |
| 76 | 21138255 | PLATE ATTACHMENT 120MM X 40MM | 16 | |
| 77 | 040783 | PLATE ATTACHMENT 120MM X 40MM | 2 | |
| 78 | 040844 | PLATE ATTACHMENT 120MM X 34MM / W/2 M12-1.75x40 | 2 | |
| 79 | 22227002 | MUFFLER CONNECTION RUBBER 135MM x 93MM | 4 | |
| 80 | 041069 | MUFFLER CONNECTION RUBBER 135MM x 107MM | 4 | |
| 81 | 041070 | MUFFLER CONNECTION RUBBER 170MM x 93MM | 1 | |
| 82 | 502737 | SCREW CAP HEX M6-1.0x25 SS BK | 2 | |
| 83 | 509490 | ATTACHMENT DOUBLE USE WITH CABLE TIE | 2 | |
| 85 | 040918 | SUPPORT / DRAIN | 1 | |
| 86 | 504356 | GROMMET / .625x.875x.062x.312x1.125 | 1 | |
| 87 | 5001815 | SCREW CAP HEXF M6-1.0x30 G 8.8 N500 | 1 | |
| 92 | 040965 | HOSE DRAIN SCR | 1 | |
| 93 | 504070 | GROMMET / .375x.625x.156x.406x1.000 | 1 | |
| 94 | 21468325 | CABLE SUPPORT | 1 | |
| 94 | 032540 | SPACER 1/2" O.D.X 12MM SS From P-1416 | 1 | |
| 95 | 640873 | MALE CONNECTOR / AB FITTING / #8x1/2NPT-M BR | 1 | |
| NS | 680098 | THREAD SEALANT LOCTITE #567 / WHITE / 250ml | AR | |
| 96 | 040863 | PIPE DRAIN | 1 | |
| 97 | 040004 | PLUG / DPF / S.STEEL | 1 | |
| 98 | 947625 | SEAL COPPER / DPF | 1 | |
| 99 | 502868 | SCREW TC TR PH #10-16x1/2 N500 | AR | |
| 100 | 501833 | MALE CONNECTOR / POLY-TITE FITTING / #2x1/16NPT-M BR | AR | |
| 101 | 040892 | ANGLE PIPE SUPPORT | 1 | |
| 102 | 21589669 | SUPPORT EXHAUST PIPE | 1 | |
| 103 | 040952 | SUPPORT PIPE | 1 | |
| 104 | 041006 | SUPPORT PRIMARY / EXHAUST PIPE | 1 | |
| 105 | 040969 | SUPPORT SECONDARY / EXHAUST PIPE | 1 | |
| 110 | 5001595 | SCREW CAP HEXF M10-1.5x60 G8.8 G500 | 1 | |
| 111 | 500261 | WASHER FL .390x1.500x.083 N500 | 2 | |
| 112 | 505217 | SPACER 7/16" X 1 1/4" | 1 | |
| 113 | 661074 | BUSHING / RUBBER 3/4" x 5/8" I.D. | 2 | |
| 114 | 5001727 | NUT HEXF NYRT M10-1.5 N500 | 1 | |
| 115 | 5001741 | SCREW CAP HEXF M10-1.5x30 G8.8 N500 | 1 | |
| 116 | 5001834 | WASHER BEL SPR 10.5X23X2.5 N500 | 4 | |
| 117 | 040627 | WASHER FL 10.5x54x11GA SS | 1 | |
| 118 | 5001644 | SCREW CAP HEXF M10-1.5x30 G8.8 G500 | 6 | |

| | | | |
|---|--|--------------|------------------|
| From P-1348 | | Date:07/2024 | PAGE:VIP-0405-03 |
| MUFFLER - INSTALLATION WITH DPF & SCR WITH VOLVO D13 | | | |

| Item# | Part | Description | QTY | Notes |
|-------|--------------------|--|-----|-------|
| 119 | 5001745 | SCREW CAP HEX M8-1.25x25 G8.8 N500 | 2 | |
| 120 | 5001740 | NUT HEX STO M8-1.25 N500 | 2 | |
| 121 | 500401 | WASHER FL .343x.875x.125 N500 | 4 | |
| 130 | 21603076 | DIFFUSOR ASSY | 1 | |
| NS | 041139 | KIT, REPLACEMENT SHUTTER OF DIFFUSOR | 1 | |
| 131 | 540067 | CLAMP BAND SEAL / LAP JOINT / 5" I.D.x1.25" | 1 | |
| 132 | 21139384 | GRILL DIFFUSOR To R-1849 | 1 | |
| 132 | 040131 | DIFFUSER, GRILL From R-1850 | 1 | A |
| 133 | 21139388 | PLATE "WARNING" THIS DIFFUSOR MUST BE FLUSH.. | 1 | |
| 135 | 5001684 | NUT HEX CAP M6-1.0 SS | 10 | |
| 136 | 502573 | WASHER FL 6.4x12.5x1.6 SS | 10 | |
| 138 | 478748 | GRILL ROOF | 1 | |
| 139 | 500952 | SCREW TP BDG PH #8x1/2 SS | 9 | |
| 140 | 040007 | PIPE 5" O.D. X 270MM | 1 | |
| 141 | 040100 | KIT EXTENSION DIFFUSOR / 5 1/2" | 1 | |
| . A | 040116 | . EXTENTION DIFFUSOR / 5 1/2" | 1 | |
| . B | 040101 | . PROTECTOR GRILL EXTENTION / 5 1/2" | 1 | |
| . C | 5001684 | . NUT HEX CAP M6-1.0 SS | 10 | |
| . D | 502573 | . WASHER FL 6.4x12.5x1.6 SS | 10 | |
| 141 | 040955 | KIT EXTENSION DIFFUSOR / 6 5/8" | 1 | |
| . A | 040677 | . EXTENTION DIFFUSOR / 6 5/8" | 1 | |
| . B | 040958 | . PROTECTOR GRILL EXTENTION / 6 5/8" | 1 | |
| . C | 5001684 | . NUT HEX CAP M6-1.0 SS | 10 | |
| . D | 502573 | . WASHER FL 6.4x12.5x1.6 SS | 10 | |
| NS | 040956 | KIT EXTENSION DIFFUSOR / 9" | 1 | |
| . A | 040648 | . EXTENTION DIFFUSOR / 9" | 1 | |
| . B | 040957 | . PROTECTOR GRILL EXTENTION / 9" | 1 | |
| . C | 5001684 | . NUT HEX CAP M6-1.0 SS | 10 | |
| . D | 502573 | . WASHER FL 6.4x12.5x1.6 SS | 10 | |
| 145 | 503821 | HOSE SILICONE 4 PLY / NOMEX-ARAMID 3/8" x 144" | AR | |
| NS | 053008 | RESTRICTION / ALU. TUBE 20MM X 9.05MM O.D. W/3.05MM HOLE | 1 | |
| 146 | 21312072 | QUICK CONNECTOR 45° 10MM | 2 | |
| 147 | 992081 | HOSE CLAMP / 12MM/22MM | 2 | |
| 148 | 509490 | ATTACHMENT DOUBLE USE WITH CABLE TIE | AR | |
| NS | 504751 | ROTATIF SPACER DOUBLE / SMALL | AR | |
| 149 | 509491 | CABLE TIE / 13MM x 383MM | AR | |
| 150 | 041122 | HOSE HEATED ASSY 9400MM | 1 | |
| . NS | N8902118 | . CONNECTOR CLIP - 5/16" | 2 | |
| 150 | VIP-0410-00 | UREA RESERVOIR ASSY | | |
| 152 | 272444 | ATTACHMENT, LOWER, SCR VOLVO STREET SIDE | 1 | |
| 153 | 273238 | ATTACHMENT, LOWER, SCR VOLVO CURBE SIDE | 1 | |
| 154 | 272496 | ATTACHMENT, DPF VOLVO STREET SIDE | 1 | |

| | | |
|---|--------------|------------------|
| From P-1348 | Date:07/2024 | PAGE:VIP-0405-03 |
| MUFFLER - INSTALLATION WITH DPF & SCR WITH VOLVO D13 | | |

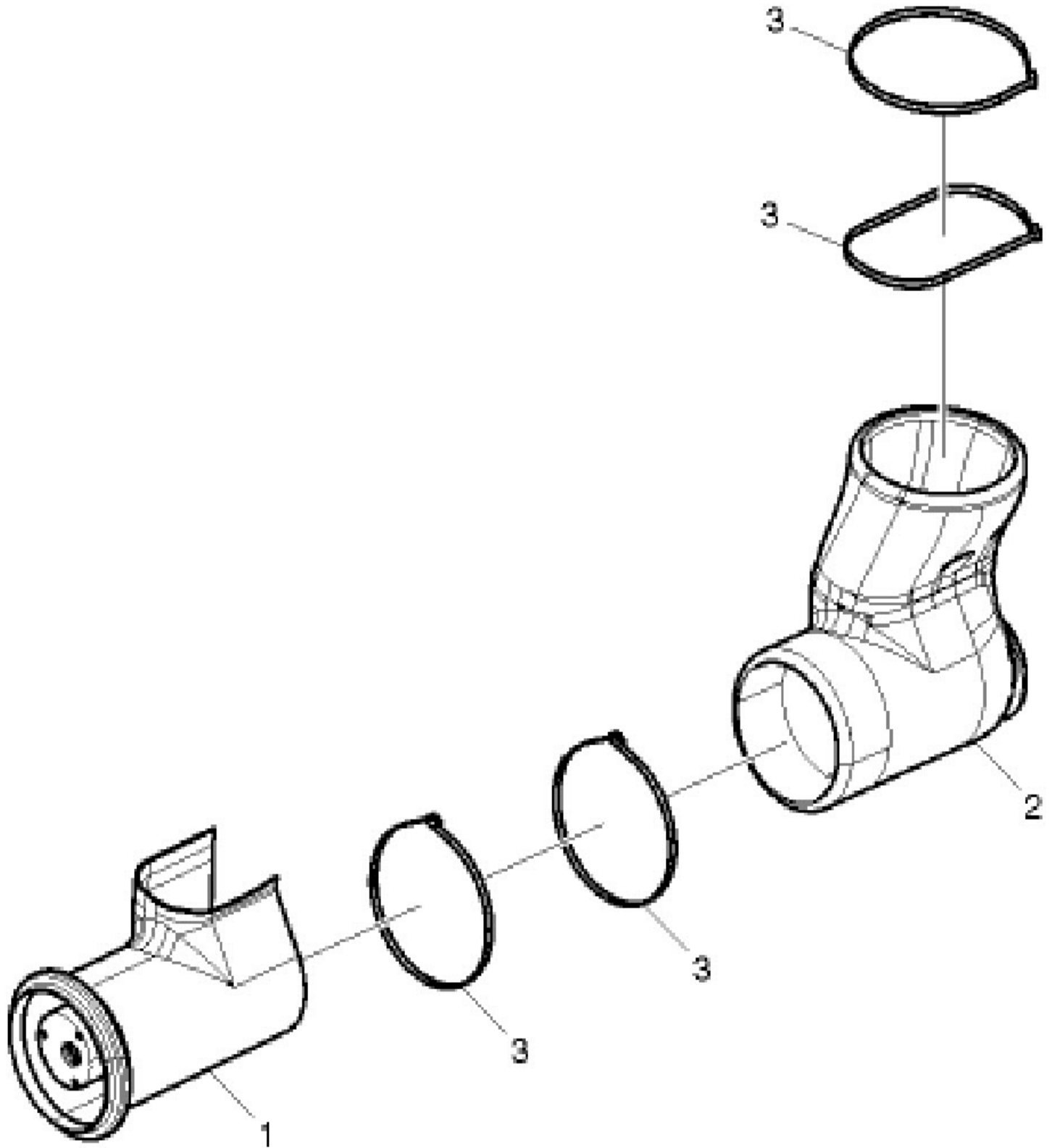
| Item# | Part | Description | QTY | Notes |
|-------|----------|---|-----|-------|
| 155 | 272431 | ATTACHMENT, DPF VOLVO CURBE SIDE | 1 | |
| 156 | 218503 | ATTACHMENT, SUPPORT EXHAUST PIPE | 1 | |
| 157 | 22677399 | GASKET NOZZLE UREA | 1 | |
| 158 | 22757141 | SPACER | 1 | |
| | | | | |
| | | | | |
| | | | | |
| | | A) INCLUDES WARNING MESSAGE "THIS DIFFUSER MUST BE FLUSH" | | |

From P-1348

Date:07/2024

PAGE:23041035

SWIRL PIPE



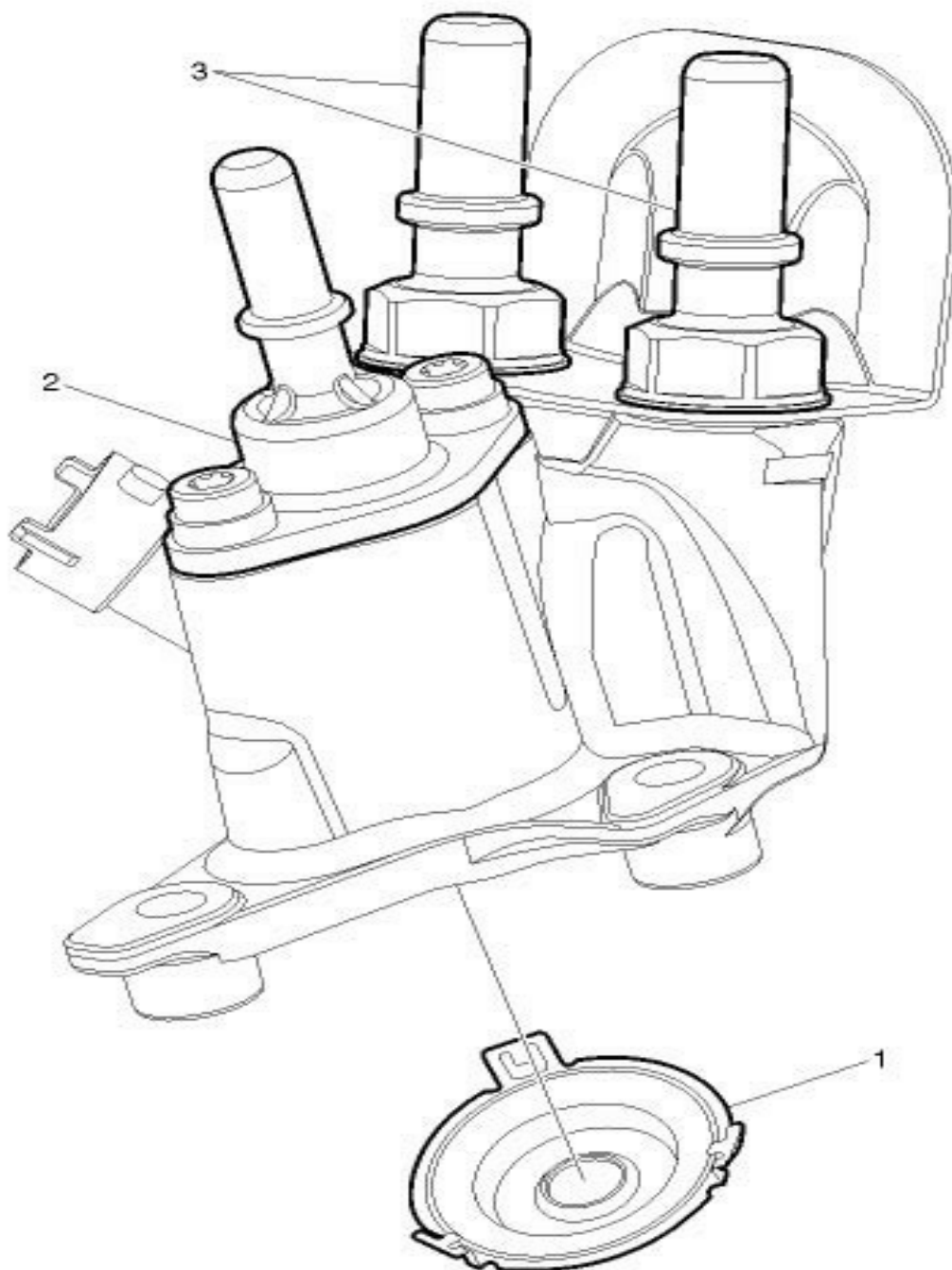
| From P-1348 | | Date:07/2024 | PAGE:23041035 | |
|-------------------|----------|--------------------------|---------------|-------|
| SWIRL PIPE | | | | |
| Item# | Part | Description | QTY | Notes |
| 1 | 21403611 | SWIRL PIPE | 1 | |
| 2 | 23041032 | HEAT SHEILD | 1 | |
| 3 | 21209156 | TIE WRAP STAINLESS STEEL | 4 | |

From P-1348

Date:07/2024

PAGE:22757225

NOZZLE UREA, 2.5

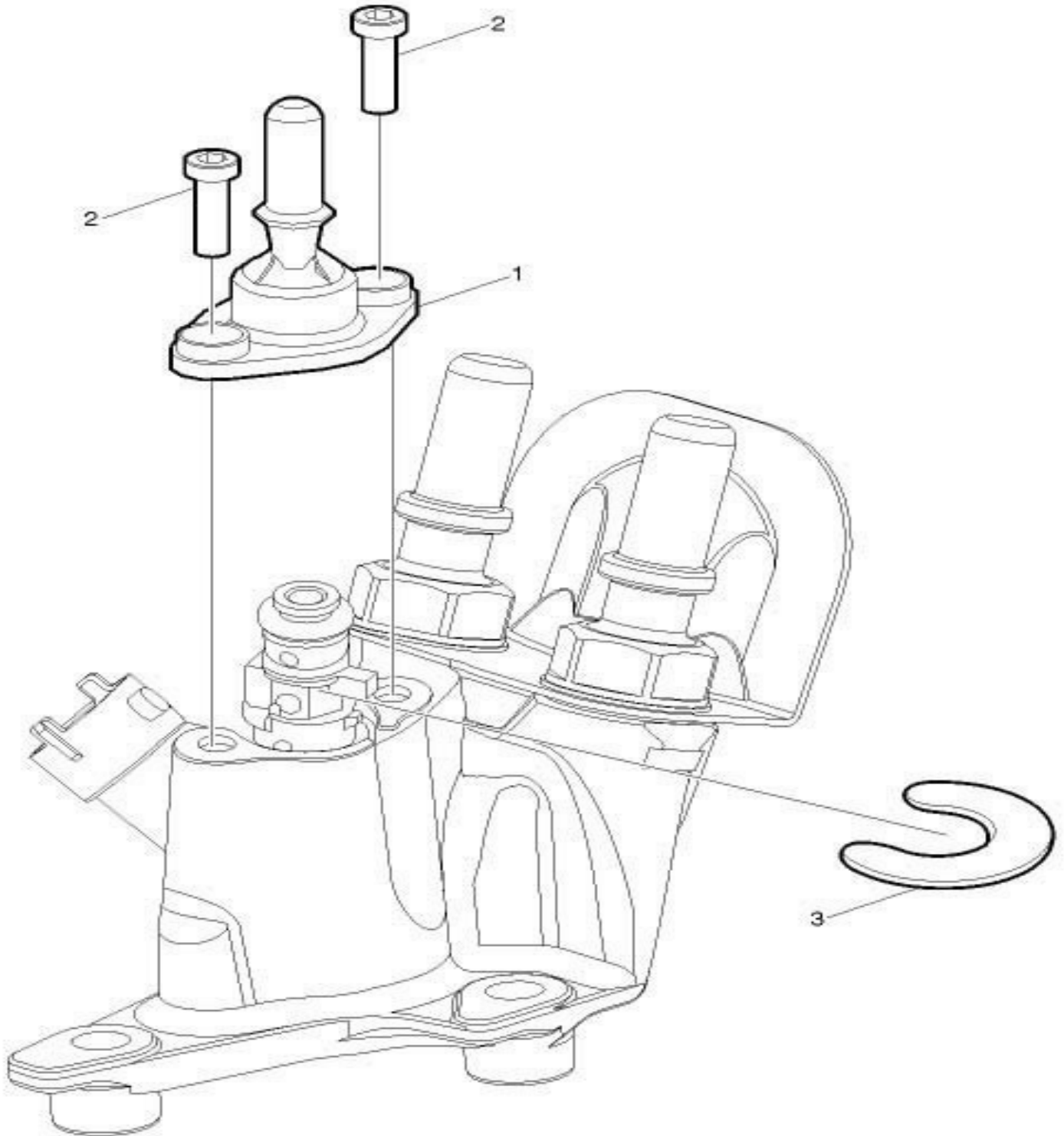


R1045156

| | | |
|-------------------------|--------------|---------------|
| From P-1348 | Date:07/2024 | PAGE:22757225 |
| NOZZLE UREA, 2.5 | | |

| Item# | Part | Description | QTY | Notes |
|-------|----------|-------------------------------|-----|-------|
| 1 | 21376801 | SEALING PLATE | 1 | |
| 2 | N.S.S. | CONNECTOR UREA TB-129663345-1 | 1 | 1 |
| 3 | 21376813 | CONNECTOR COOLING | 1 | |
| | | | | |
| | | | | |
| | | | | |
| | | 1) NOT SOLD SEPARATELY | | |

| | | |
|-------------------------------|--------------|---------------|
| From P-1348 | Date:07/2024 | PAGE:21579080 |
| CONNECTOR UREA TB-129663345-1 | | |



| | | |
|--------------------------------------|--------------|---------------|
| From P-1348 | Date:07/2024 | PAGE:21579080 |
| CONNECTOR UREA TB-129663345-1 | | |

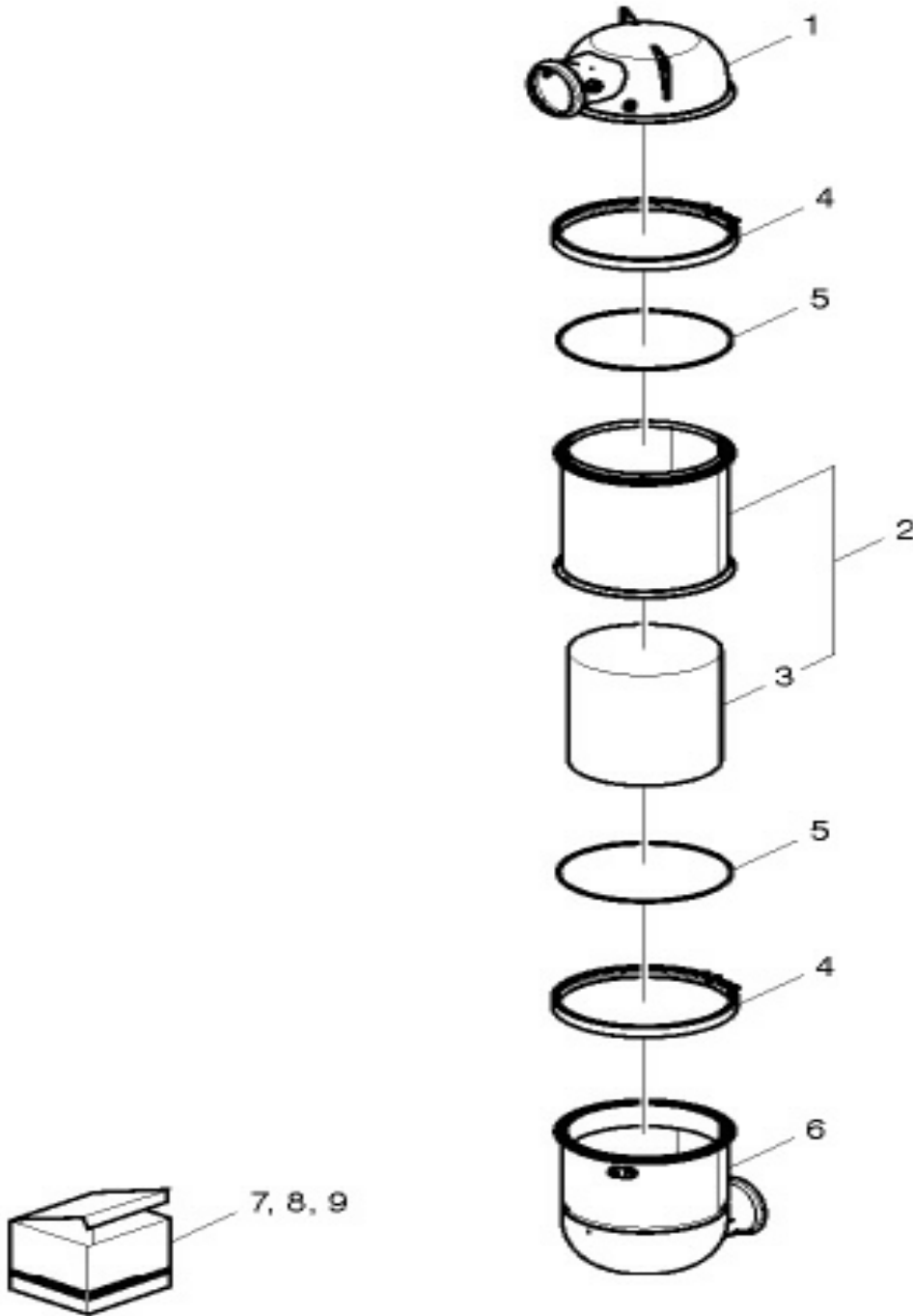
| Item# | Part | Description | QTY | Notes |
|-------|--------|------------------------|-----|-------|
| | N.S.S. | | X | 1 |
| | N.S.S. | | X | 1 |
| | N.S.S. | | X | 1 |
| | | | | |
| | | | | |
| | | | | |
| | | 1) NOT SOLD SEPARATELY | | |

From P-1348

Date:07/2024

PAGE:22058307

MUFFLER DPF EXHAUST FILTER



| | | |
|-------------|--------------|---------------|
| From P-1348 | Date:07/2024 | PAGE:22058307 |
|-------------|--------------|---------------|

MUFFLER DPF EXHAUST FILTER

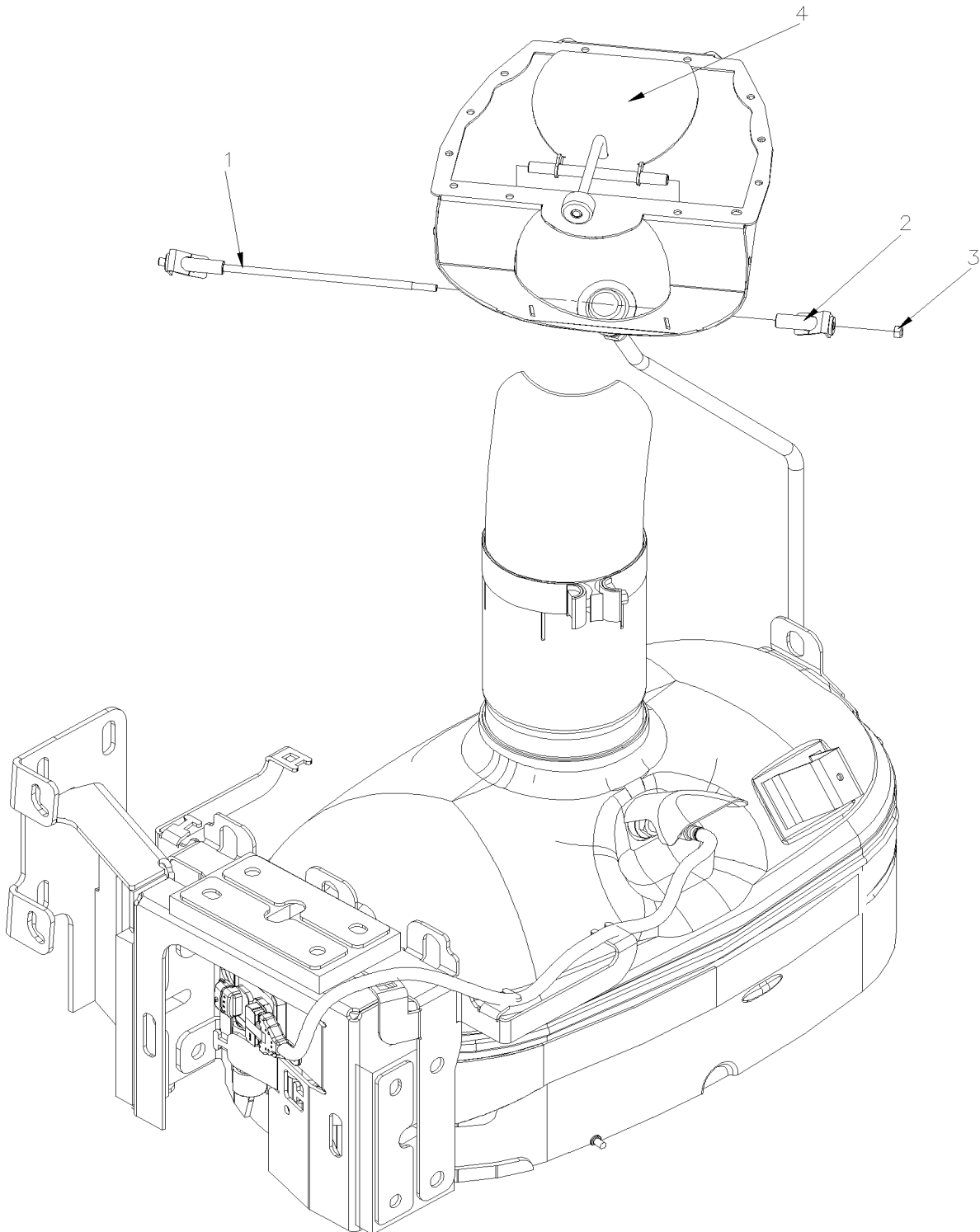
| Item# | Part | Description | QTY | Notes |
|-------|----------|------------------------|-----|-------|
| 1 | N.S.S. | MODULE | 1 | 1 |
| 2 | 22342601 | MODULE | 1 | |
| 3 | N.S.S. | . PARTICULATE FILTER | 1 | 1 |
| 4 | 21048521 | V-CLAMP | 2 | |
| 5 | N.S.S. | GASKET | 2 | 1 |
| 6 | N.S.S. | MODULE | 1 | 1 |
| 7 | 22776216 | KIT | 1 | |
| 8 | 85124654 | KIT | 1 | |
| | | | | |
| | | | | |
| | | | | |
| | | 1) NOT SOLD SEPARATELY | | |

From P-1348

Date:07/2024

PAGE:041139

KIT, REPLACEMENT SHUTTER OF DIFFUSOR



| | | | |
|-------------|--|--------------|-------------|
| From P-1348 | | Date:07/2024 | PAGE:041139 |
|-------------|--|--------------|-------------|

KIT, REPLACEMENT SHUTTER OF DIFFUSOR

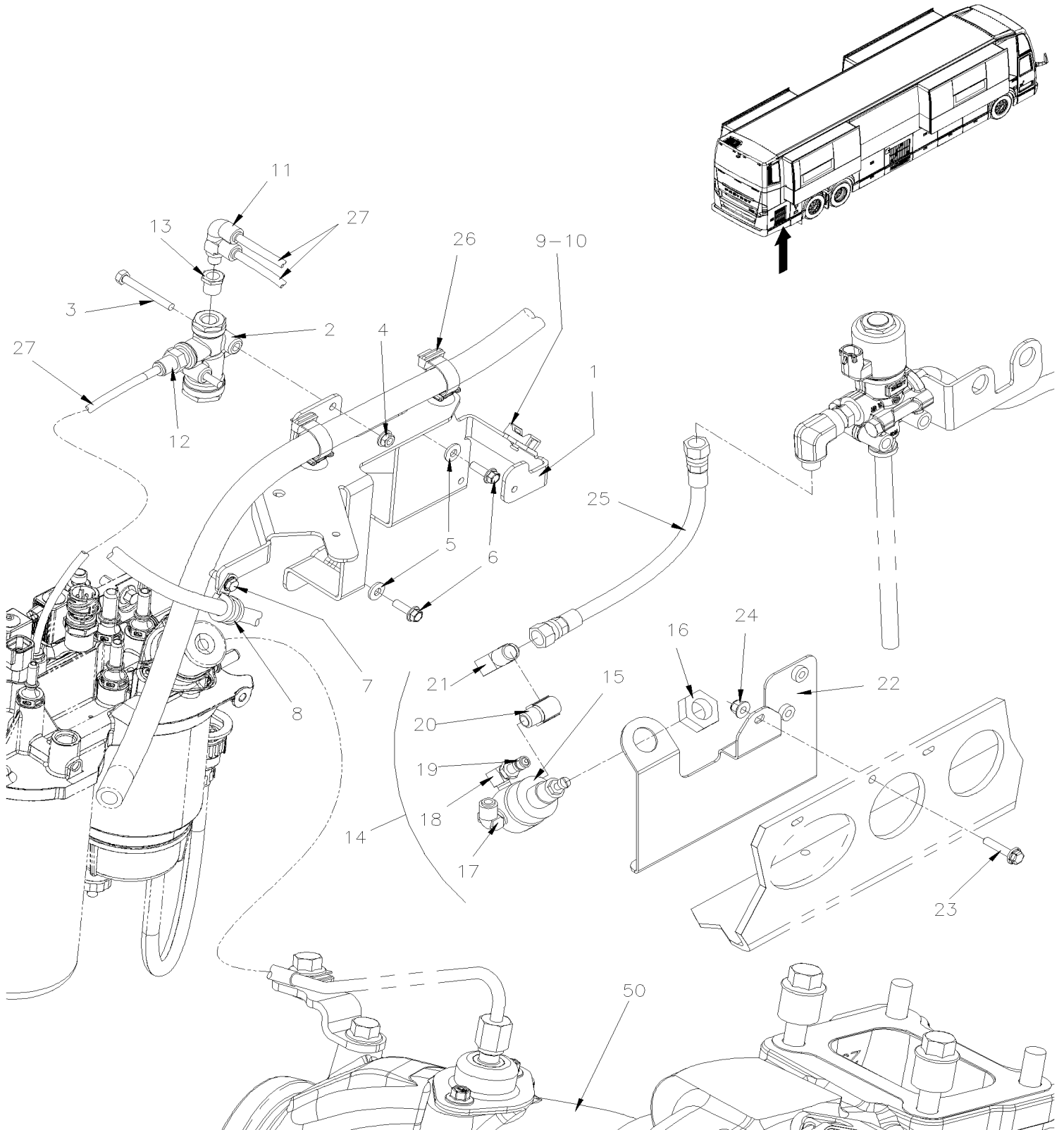
| Item# | Part | Description | QTY | Notes |
|-------|--------|-------------------------|-----|-------|
| 1 | 041137 | PIVOT, LATERAL, ASSY | 1 | |
| 2 | 041134 | PIVOT, LATERAL, ASSY | 1 | |
| 3 | 502860 | NUT HEX STO M6-1.0 N500 | 1 | |
| 4 | 041130 | SHUTTER ASSY | 1 | |

From K-0295

Date:07/2024

PAGE:VIP-0405-12

7TH INJECTOR / "AHI" / EXHAUST VOLVO D13



| | | | |
|---|--|--------------|------------------|
| From K-0295 | | Date:07/2024 | PAGE:VIP-0405-12 |
| 7TH INJECTOR / "AHI" / EXHAUST VOLVO D13 | | | |

| Item# | Part | Description | QTY | Notes |
|-------|-----------------|--|-----|-------|
| | Call order desk | VALVE ASSY RV-3 W/SUPPORT | 1 | P |
| | Call order desk | VALVE ASSY RV-3 W/SUPPORT | 1 | P WO |
| 1 | 010043 | SUPPORT FUEL LINE | 1 | |
| 2 | 21243502 | VALVE PRESSURE REDUCER RV-3 / K028993 | 1 | |
| 3 | 5001923 | SCREW CAP HEX M6-1.0x45 SS BK | 2 | |
| 4 | 5001857 | NUT HEXF M6-1.0 N500 | 2 | |
| NS | 680098 | THREAD SEALANT LOCTITE #567 / WHITE / 250ml | AR | |
| 5 | 500321 | WASHER BEL SPR .331x.827x.098 N500 | 3 | |
| 6 | 5001643 | SCREW CAP HEXF M8-1.25x25 G8.8 G500 | 3 | |
| NS | 5001931 | NUT HEXF NYRT M8-1.25 G8.8 N500 | 1 | |
| 7 | 502848 | SCREW TC CAP HEXF 1/4-20x3/4 N500 | 1 | |
| 8 | 952627 | CLAMP / 1/2" I.D. | 1 | |
| 9 | 504488 | RIVET MGLP PRDG 3/16x17/64 SS | 1 | |
| 10 | 504013 | TIE MOUNT / 1/4" X 1/4" I.D. | 1 | |
| 11 | 642127 | MALE ELBOW 90° SWIVEL DUAL PORT / PUSH-IN / #4x#4x1/8NPT-M BR | 1 | W |
| 11 | 641371 | MALE ELBOW 90° NON-SWIVEL / PUSH-IN FITTING / #4x1/4NPT-M BR | 1 | WO |
| 12 | 641332 | MALE CONNECTOR / PUSH-IN FITTING / #4x1/4NPT-M BR | 1 | |
| 13 | 501312 | BUSHING REDUCER / PIPE FITTING / 1/4NTP-Mx1/8NPT-F BR | 1 | |
| 14 | Call order desk | AIR REGULATOR TRANS. ALLISON / | 1 | P W |
| 15 | 641472 | . AIR PRESSURE REGULATOR 1/4" NPT / COPPER | 1 | |
| 16 | 500734 | . NUT HEX JAM 3/4-16 Z050 | 1 | |
| 17 | 641371 | . MALE ELBOW 90° NON-SWIVEL / PUSH-IN FITTING / #4x1/4NPT-M BR | 1 | |
| 18 | 501331 | . STREET ELBOW 90° / PIPE FITTING / 1/8NPT-Mx1/8NPT-F BR | 1 | |
| 19 | 640488 | . VALVE, AIR FILL 1/8" NPT | 1 | |
| . NS | 650164 | . . CAP VALVE / CHROME | 1 | |
| 20 | 501332 | . STREET ELBOW 90° / PIPE FITTING / 1/4NPT-Mx1/4NPT-F BR | 1 | |
| NS | 680098 | . THREAD SEALANT LOCTITE #567 / WHITE / 250ml | AR | |
| 21 | 501695 | . MALE ELBOW 90° / JIC 37° FITTING / #6JIC-Mx1/4NPT-M STL | 1 | |
| 22 | 143278 | . SUPPORT VALVE | 1 | |
| 23 | 5001815 | . SCREW CAP HEXF M6-1.0x30 G 8.8 N500 | 1 | |
| 24 | 5001932 | . NUT HEXF NYRT M6-1.0 G8.8 N500 | AR | |
| 25 | 070063 | HOSE ASSY TEFLON #6 285MM | AR | W |
| NS | 507664 | CABLE TIE / 3/16" 11" / DOUBLE LOOP HEAD | 1 | |
| 26 | 504750 | CABLE TIE / 1/2" x 15" / CHRISTMAS TREE | AR | |
| 27 | 503402 | TUBE, NYLON 1/4 O.D. / BLACK S.L. | AR | |
| 50 | Refer To Volvo | SEE IMPACT OR CALL ORDER DESK | 1 | V |
| | | | | |
| | | | | |
| | | W) WITH RETARDER ONLY | | |
| | | WO) WITHOUT RETARDER | | |
| | | P) CALL ORDER DESK FOR SPECIFIC APPLICATION (V.I.N.) | | |

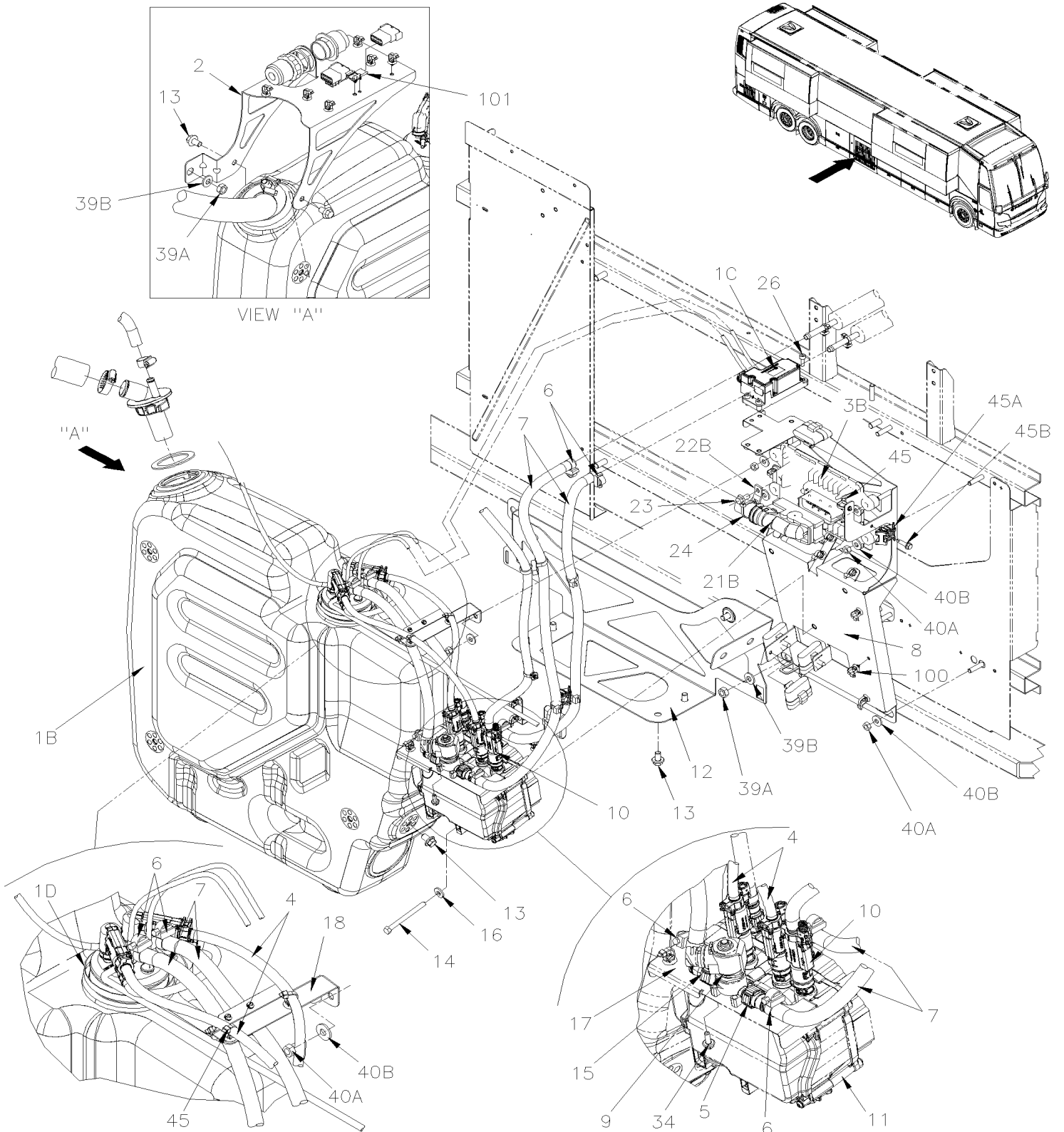
| From K-0295 | | Date:07/2024 | PAGE:VIP-0405-12 | |
|--|------|----------------------------------|------------------|-------|
| 7TH INJECTOR / "AHI" / EXHAUST VOLVO D13 | | | | |
| Item# | Part | Description | QTY | Notes |
| | | V) SEE IMPACT OR CALL ORDER DESK | | |

From K-0295

Date:07/2024

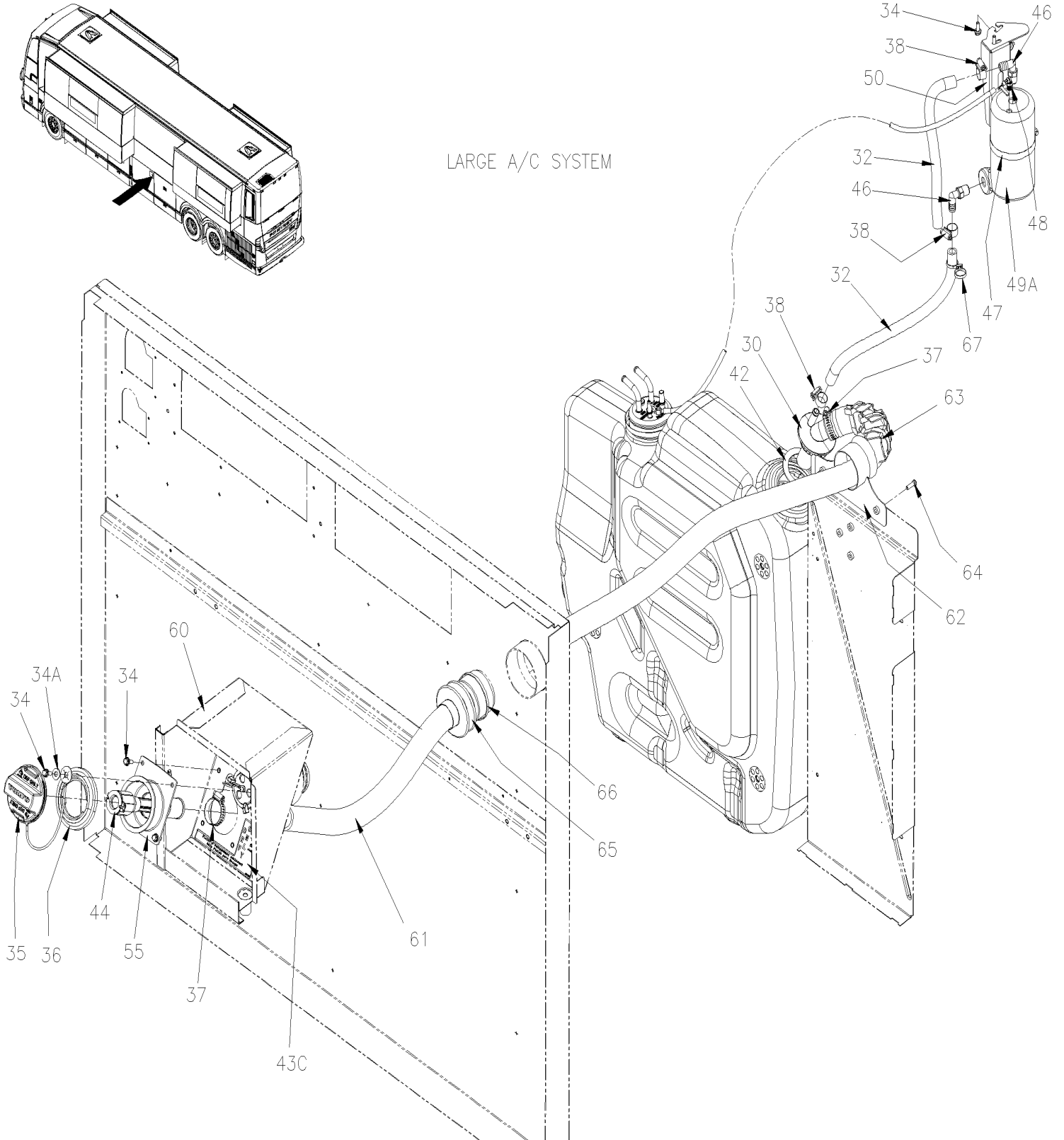
PAGE:VIP-0410-00

UREA RESERVOIR ASSY



| | | |
|---------------------|--------------|------------------|
| From K-0295 | Date:07/2024 | PAGE:VIP-0410-00 |
| UREA RESERVOIR ASSY | | |

LARGE A/C SYSTEM



| | | | |
|----------------------------|--|--------------|------------------|
| From K-0295 | | Date:07/2024 | PAGE:VIP-0410-00 |
| UREA RESERVOIR ASSY | | | |

| Item# | Part | Description | QTY | Notes |
|-------|----------|--|-----|-------|
| 1B | 21967924 | RESERVOIR UREA 60Liters To L-0874 | 1 | |
| 1B | 540010 | RESERVOIR UREA 60Liters From L-0875 To P-1268 | 1 | |
| 1B | 24176948 | RESERVOIR UREA From P-1271 | 1 | |
| 1C | 22997058 | HEATER AND SENSOR To N-1177 | 1 | |
| . NS | 22406383 | . FILTER KIT To N-1177 | 1 | |
| 1C | 23635292 | HEATER AND SENSOR From N-1178 To P-1268 | 1 | |
| . NS | 22406383 | . FILTER KIT From N-1178 To P-1268 | 1 | |
| 1C | 24076036 | HEATER AND SENSOR From P-1271 | 1 | |
| 1D | 992091 | HOSE CLAMP / 80MM/100MM To N-1240 | 1 | |
| 1D | 504145 | HOSE CLAMP / 80-100MM C.T. From N-1241 | 1 | |
| NS | 685328 | UREA 2 GALLONS US | AR | |
| NS | 685329 | UREA 55 GALLONS US | AR | |
| NS | 680753 | UREA 1250 LITER SQ | AR | |
| 2 | 041158 | SUPPORT UPPER BACKWARD | 1 | |
| 3B | 22449432 | UNIT CONTROL "ACM" To K-0604 | 1 | |
| 3B | 23252913 | UNIT CONTROL "ACM" From K-0605 | 1 | |
| 4 | 040901 | HOSE HEATER ASSY "H" STYLE | 1 | |
| . NS | 540089 | . CONNECTOR CLIP - 3/8" | 3 | |
| . NS | N8902118 | . CONNECTOR CLIP - 5/16" | 1 | |
| 5 | 20805109 | QUICK CONECTOR 10MM | 2 | |
| 6 | 992081 | HOSE CLAMP / 12MM/22MM | 8 | |
| 7 | 503821 | HOSE SILICONE 4 PLY / NOMEX-ARAMID 3/8" x 144" | AR | |
| NS | 504671 | GROMMET / .687x1.000x.125x.437x1.312 | 2 | S |
| 7 | 040935 | CLOSING PLATE AROUND 3 HOSES 130MM x 98MM SS | 1 | S |
| NS | 502868 | SCREW TC TR PH #10-16x1/2 N500 | 2 | S |
| 8 | 041087 | SUPPORT PUMP & UNIT CONTROL To P-1268 | 1 | |
| 8 | 040098 | SUPPORT PUMP & UNIT CONTROL From P-1271 | 1 | |
| 9 | 21314741 | SOLENOID VALVE | 1 | |
| 10 | 041122 | HOSE HEATED ASSY 9400MM | 1 | |
| . NS | N8902118 | . CONNECTOR CLIP - 5/16" | 2 | |
| NS | 506205 | PIPE INSULATING / 5/8" I.D. X 1/2" TH. X 72 / SPLIT ADHESIVE | AR | |
| NS | 957022 | TAPE ELASTOMERIC 1/8" X 2" X 30" | AR | |
| NS | 509490 | ATTACHMENT DOUBLE USE WITH CABLE TIE | 2 | |
| NS | 500266 | SCREW TC CAP HEX 1/4-20x1 N500 | 2 | |
| NS | 504016 | CABLE TIE / 5/16" X 14"1/2 | AR | |
| NS | 507664 | CABLE TIE / 3/16" 11" / DOUBLE LOOP HEAD | AR | |
| NS | 504013 | TIE MOUNT / 1/4" X 1/4" I.D. | 4 | |
| NS | 502868 | SCREW TC TR PH #10-16x1/2 N500 | 3 | |
| NS | 504379 | RIVET POP DOME OE 3/16x1/4 SS | 1 | |
| NS | 504768 | CABLE TIE / 3/16" 14.7" / DOUBLE LOOP HEAD | AR | |
| NS | 504751 | ROTATIF SPACER DOUBLE / SMALL | 1 | |
| NS | 504750 | CABLE TIE / 1/2" x 15" / CHRISTMAS TREE | AR | |

| | | |
|----------------------------|--------------|------------------|
| From K-0295 | Date:07/2024 | PAGE:VIP-0410-00 |
| UREA RESERVOIR ASSY | | |

| Item# | Part | Description | QTY | Notes |
|-------|-----------------|---|-----|-------|
| NS | 504637 | CABLE TIE / 3/16" x 13" | AR | |
| NS | 504622 | GROMMET / 1.500x1.750x.062x.437x2.125 | 1 | |
| NS | 504579 | GROMMET / .750x1.625x.125x.437x2.000 | 1 | |
| NS | 684517 | ADHESIVE SIMSON #ISR 70-03 / GREY / 310ml CARTRIDGE | AR | |
| 11 | 21576178 | PUMP ASSY UREA TB-129684310-1 To N-1190 | 1 | |
| 11 | 23753841 | PUMP ASSY UREA From N-1191 To R-1909 | 1 | |
| 11 | 24169188 | PUMP UNIT UREA DOSING SYSTEM From R-1910 | 1 | |
| 12 | 040895 | SUPPORT RESERVOIR UREA | 1 | |
| 13 | 5001729 | SCREW CAP HEXF M10-1.5x16 G8.8 N500 | 10 | |
| 14 | 5001186 | SCREW CAP HEX M8-1.25x90 SS BK | 3 | |
| 15 | 20805110 | QUICK CONNECTOR 90° 10MM | 2 | |
| 16 | 500321 | WASHER BEL SPR .331x.827x.098 N500 | 3 | |
| 17 | 040893 | SUPPORT WATER VALVE | 1 | |
| 18 | 040944 | SUPPORT HOSE UREA To P-1268 | 1 | |
| 18 | 040099 | SUPPORT HOSE UREA From P-1271 | 1 | |
| 21 | 0610590 | WIRING HARNESS / UREA SYSTEM From P-1271 | 1 | |
| 21B | 060725 | WIRING HARNESS / UREA SYSTEM To K-0604 | 1 | |
| 21B | 0610019 | WIRING HARNESS / UREA SYSTEM From K-0605 To L-1054 | 1 | |
| 21B | 0611008 | WIRING HARNESS / UREA SYSTEM From L-1055 To P-1268 | 1 | |
| 22B | 040974 | PLATE / ATTACHMENT CABLE | 1 | |
| 23 | 5001780 | SCREW CAP HEXF M8-1.25x16 G8.8 N500 | 1 | |
| 24 | 504637 | CABLE TIE / 3/16" x 13" | AR | |
| 26 | 5001648 | SCREW CAP HEXS M6-1.0x18 SS BK To N-1269 | 4 | |
| 27 | 564542 | TREE MOUNT CLIP FOR PED CONNECTOR | 1 | |
| 30 | 040838 | ADAPTOR FILLER HOSE & VENT | 1 | |
| NS | 040968 | FILTER / UREA | 1 | |
| 30 | 680066 | ADHESIVE / ADBOND #5014 / 23.6ML BOTTLE | AR | |
| 32 | 503772 | HOSE (GREEN STRIPE) 1/2" I.D. x 50' | AR | |
| 34 | 5001730 | SCREW CAP HEXF M6-1.0x16 G10.9 N500 | 4 | |
| 34A | 502638 | WASHER FL .312x.734x.065 N500 | 1 | |
| 35 | 21148722 | CAP FILLER UREA | 1 | |
| 35 | 21148725 | CAP FILLER UREA / WITH LOCK | 1 | |
| 36 | 540083 | RING FILLER NECK | 1 | |
| 37 | 504022 | HOSE CLAMP / 3/4"-1"3/4 SS / HS-20 | 2 | |
| 38 | 504019 | HOSE CLAMP / 9/16"-1"1/16 SS / HS-10 | 2 | |
| 39A | 500847 | NUT HEX M10-1.5 N500 | 3 | |
| 39B | 5001834 | WASHER BEL SPR 10.5X23X2.5 N500 | 3 | |
| 40A | 502851 | NUT HEX M8-1.25 N500 | 5 | |
| 40B | 500321 | WASHER BEL SPR .331x.827x.098 N500 | 5 | |
| 42 | 540084 | GASKET, UREA TANK To K-0424 | 1 | |
| 42 | 040057 | GASKET, UREA TANK From K-0425 | 1 | |
| 43C | 030036 | DECAL "DEF ONLY" | 1 | |

| | | | |
|----------------------------|--|--------------|------------------|
| From K-0295 | | Date:07/2024 | PAGE:VIP-0410-00 |
| UREA RESERVOIR ASSY | | | |

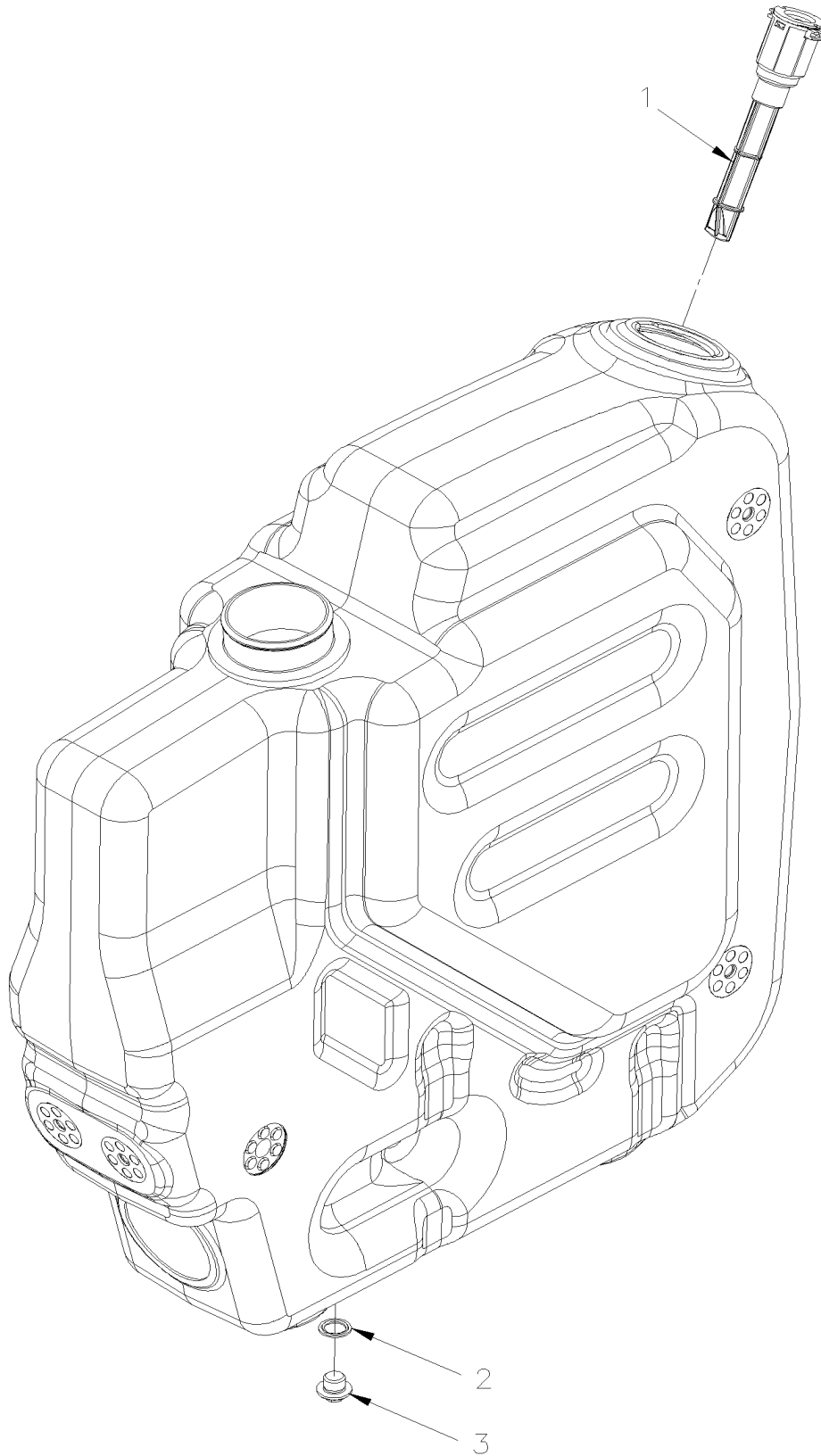
| Item# | Part | Description | QTY | Notes |
|-------|--------------------|--|-----|-------|
| 43D | 21467930 | DECAL, UREA FILLING | 1 | S |
| 44 | 82269261 | FILTER | 1 | |
| 45 | 8631155 | CABLE TIE / 4.6MM x 200 / CHRISTMAS TREE | AR | |
| 45A | 509490 | ATTACHMENT DOUBLE USE WITH CABLE TIE | 1 | |
| 45B | 500266 | SCREW TC CAP HEX 1/4-20x1 N500 | 1 | |
| 46 | 5011292 | MALE ELBOW 90° / HOSE BARB FITTING / #8x3/8NPT-M POLY | 2 | |
| NS | 680110 | SEALANT TAPE / TEFLON / 1/2" | AR | |
| 47 | 504026 | HOSE CLAMP / 2"13/16-3"3/4 SS / HS-52 | 1 | |
| 48 | 501099 | MALE ELBOW 90° / HOSE BARB FITTING / #3x1/8NPT-M NYL From K-0425 | 1 | |
| 49A | 040964 | TANK, VENT UREA To K-0424 | 1 | |
| 49A | 040964 | TANK, VENT UREA To K-0424 | 1 | |
| 49A | 040075 | TANK, VENT UREA From K-0425 | 1 | |
| 49B | 040964 | TANK, VENT UREA To K-0424 | 1 | |
| 49B | 040964 | TANK, VENT UREA To K-0424 | 1 | |
| 49B | 040076 | TANK, VENT UREA From K-0425 | 1 | S |
| 50 | 374590 | SUPPORT, UREA VENT TANK | 1 | |
| 50 | 040973 | SUPPORT, UREA VENT TANK | 1 | S |
| NS | 509815 | TIE MOUNT / ATTACHMENT W/TREE MOUNT | 1 | |
| NS | 504637 | CABLE TIE / 3/16" x 13" | 1 | |
| 55 | 041014 | FILLER NECK ASSY | 1 | |
| 56 | 506268 | TAPE RUB ADH1 URE 3/8" x 1/2" x 25' / GREY 1820 | AR | |
| 60 | VIP-0310-10 | FUEL FILLING CAP | | |
| 60 | VIP-1865-22 | EVAPORATOR & CONDENSOR WALL INSTALLATION | | |
| 61 | 503811 | HOSE / EPDM 1 PLY 1 1/4 I.D. | AR | |
| 62 | 040989 | BRACKET HOSE | 1 | |
| 63 | 040013 | SUPPORT HOSE | 1 | |
| 63 | 509491 | CABLE TIE / 13MM x 383MM | 3 | |
| 64 | 502568 | SCREW MA PAN PH M6-1.0x20 EMN | 2 | |
| 65 | 504385 | CUFF END BELLOW / 1 1/2" I.D. x 2 1/2" x 4" | 2 | |
| 66 | 504637 | CABLE TIE / 3/16" x 13" | AR | |
| 67 | 507664 | CABLE TIE / 3/16" 11" / DOUBLE LOOP HEAD | AR | |
| | | | | |
| 100 | 8631155 | CABLE TIE / 4.6MM x 200 / CHRISTMAS TREE | AR | |
| 101 | 564108 | SELF MOUNTING STUD // DEUTSCH 1011-310-0205 | 2 | |
| | | | | |
| | | | | |
| | | A) AVIALABLE END OF DECEMBER 2010 | | |
| | | S) WITH SMALL A/C SYSTEM | | |

To L-0874

Date:07/2024

PAGE:21967924

RESERVOIR UREA 60Liters



| | | |
|-----------|--------------|---------------|
| To L-0874 | Date:07/2024 | PAGE:21967924 |
|-----------|--------------|---------------|

RESERVOIR UREA 60Liters

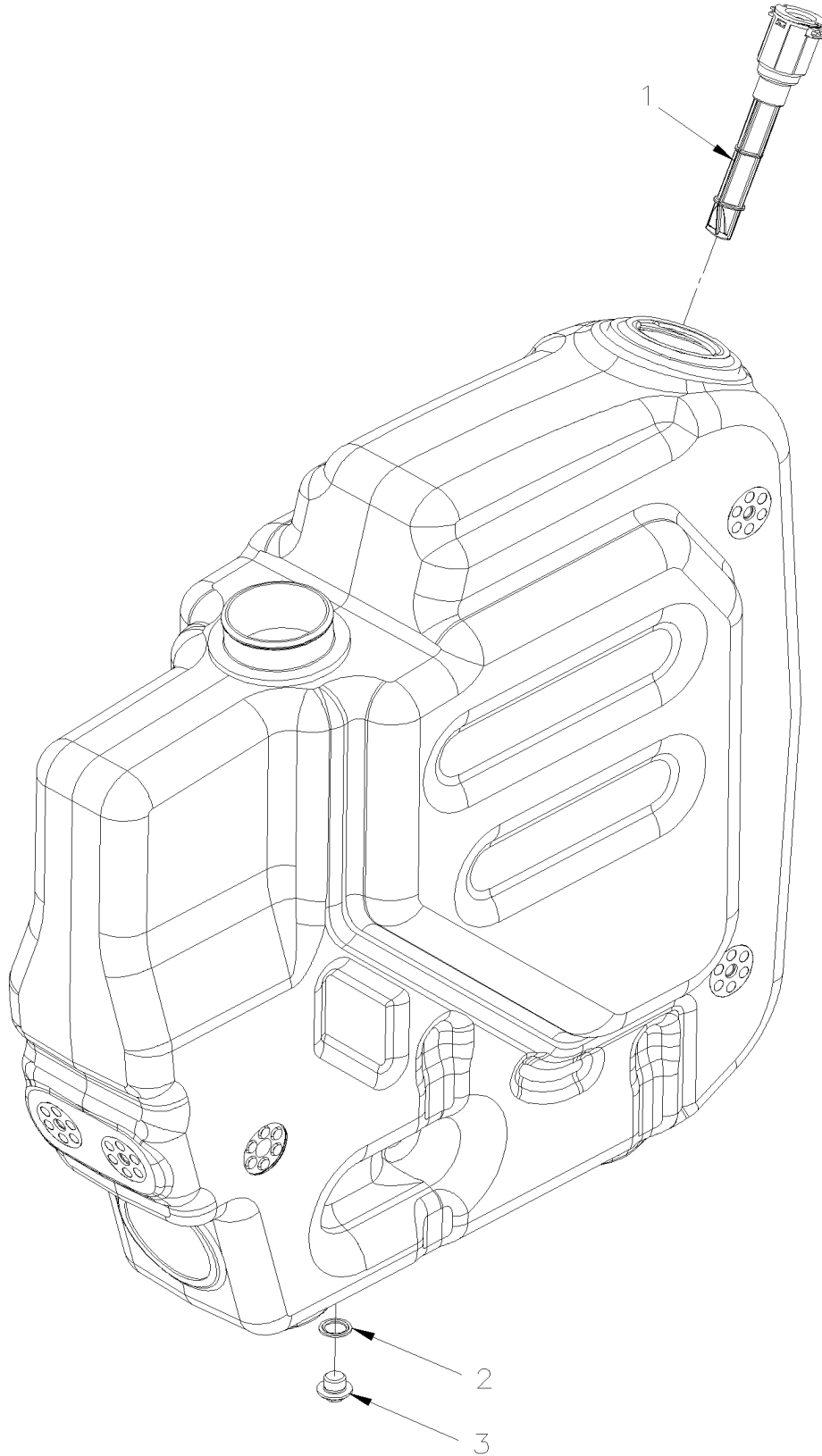
| Item# | Part | Description | QTY | Notes |
|-------|----------|----------------|-----|-------|
| | | RESERVOIR UREA | 1 | |
| 1 | 82269261 | . FILTER | 1 | |
| 2 | 982724 | . GASKET M16x6 | 1 | |
| 3 | 20562668 | . DRAIN PLUG | 1 | |

From L-0875 To P-1268

Date:07/2024

PAGE:540010

RESERVOIR UREA 60Liters



| | | | |
|-----------------------|--|--------------|-------------|
| From L-0875 To P-1268 | | Date:07/2024 | PAGE:540010 |
|-----------------------|--|--------------|-------------|

RESERVOIR UREA 60Liters

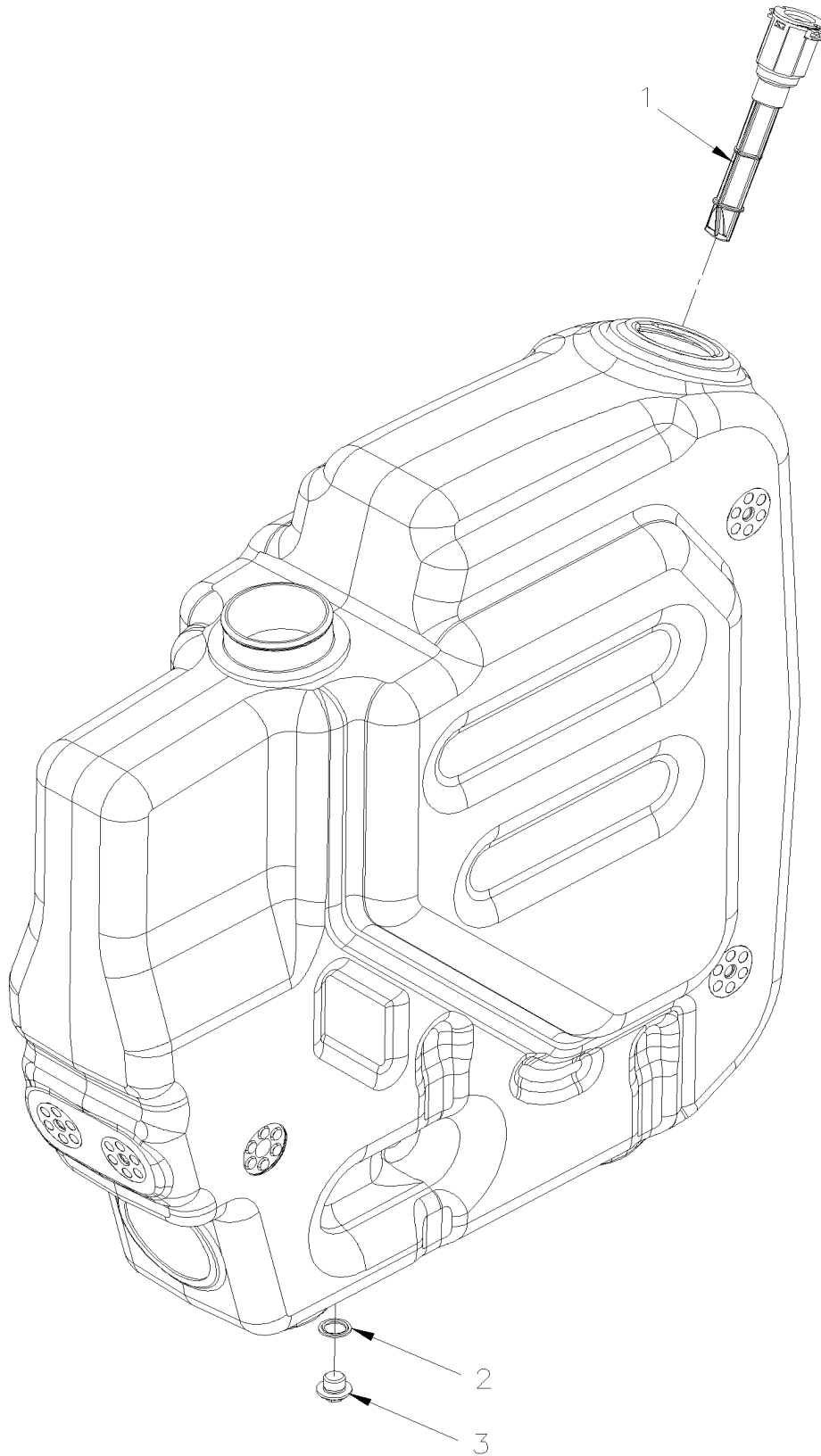
| Item# | Part | Description | QTY | Notes |
|-------|----------|----------------|-----|-------|
| | | RESERVOIR UREA | 1 | |
| 1 | 82269261 | . FILTER | 1 | |
| 2 | 982724 | . GASKET M16x6 | 1 | |
| 3 | 20562668 | . DRAIN PLUG | 1 | |

From P-1271

Date:07/2024

PAGE:24176948

RESERVOIR UREA

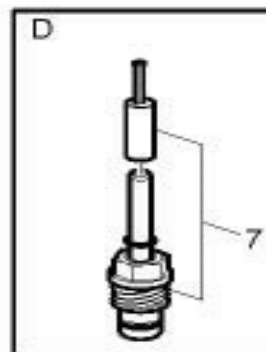
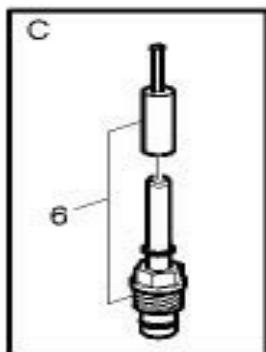
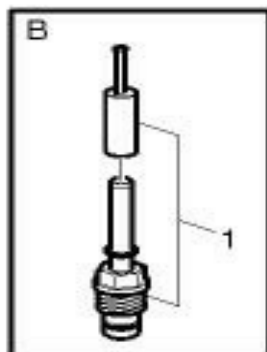
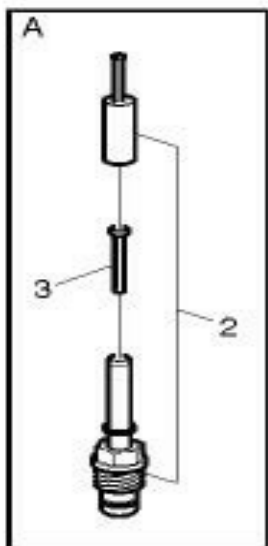
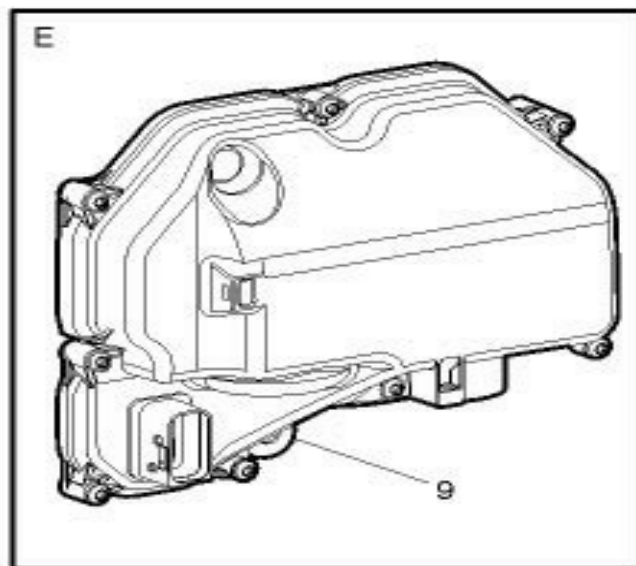
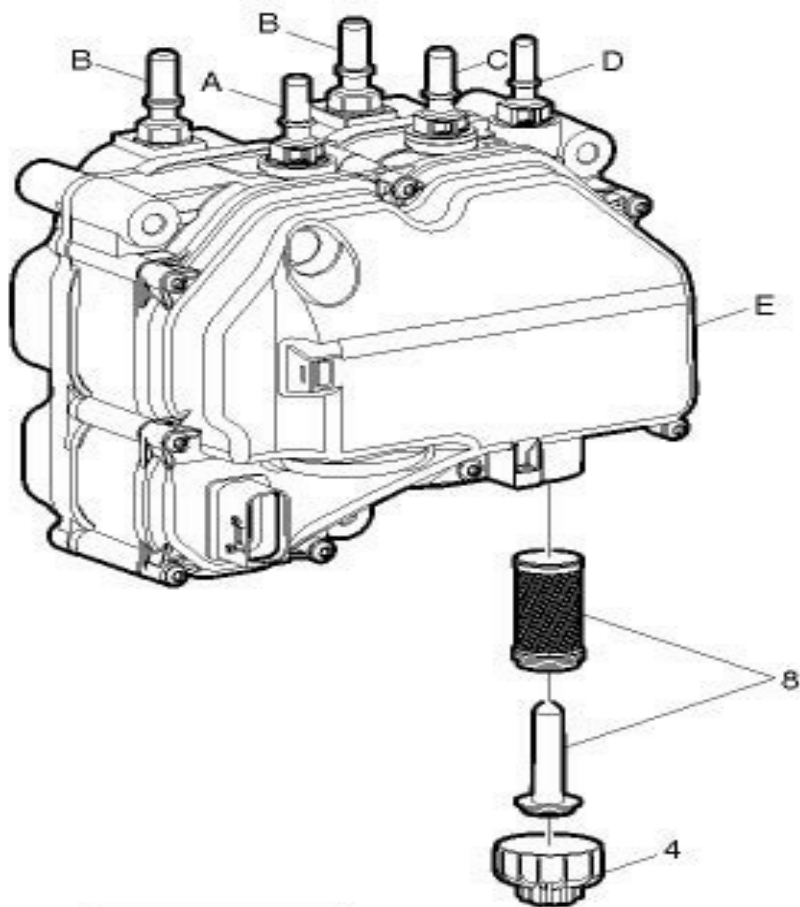


| | | |
|-------------|--------------|---------------|
| From P-1271 | Date:07/2024 | PAGE:24176948 |
|-------------|--------------|---------------|

RESERVOIR UREA

| Item# | Part | Description | QTY | Notes |
|-------|----------|----------------|-----|-------|
| | | RESERVOIR UREA | 1 | |
| 1 | 82269261 | . FILTER | 1 | |
| 2 | 982724 | . GASKET M16x6 | 1 | |
| 3 | 20562668 | . DRAIN PLUG | 1 | |

| | | |
|-------------------------------|--------------|---------------|
| To N-1190 | Date:07/2024 | PAGE:21576178 |
| PUMP ASSY UREA TB-129684310-1 | | |

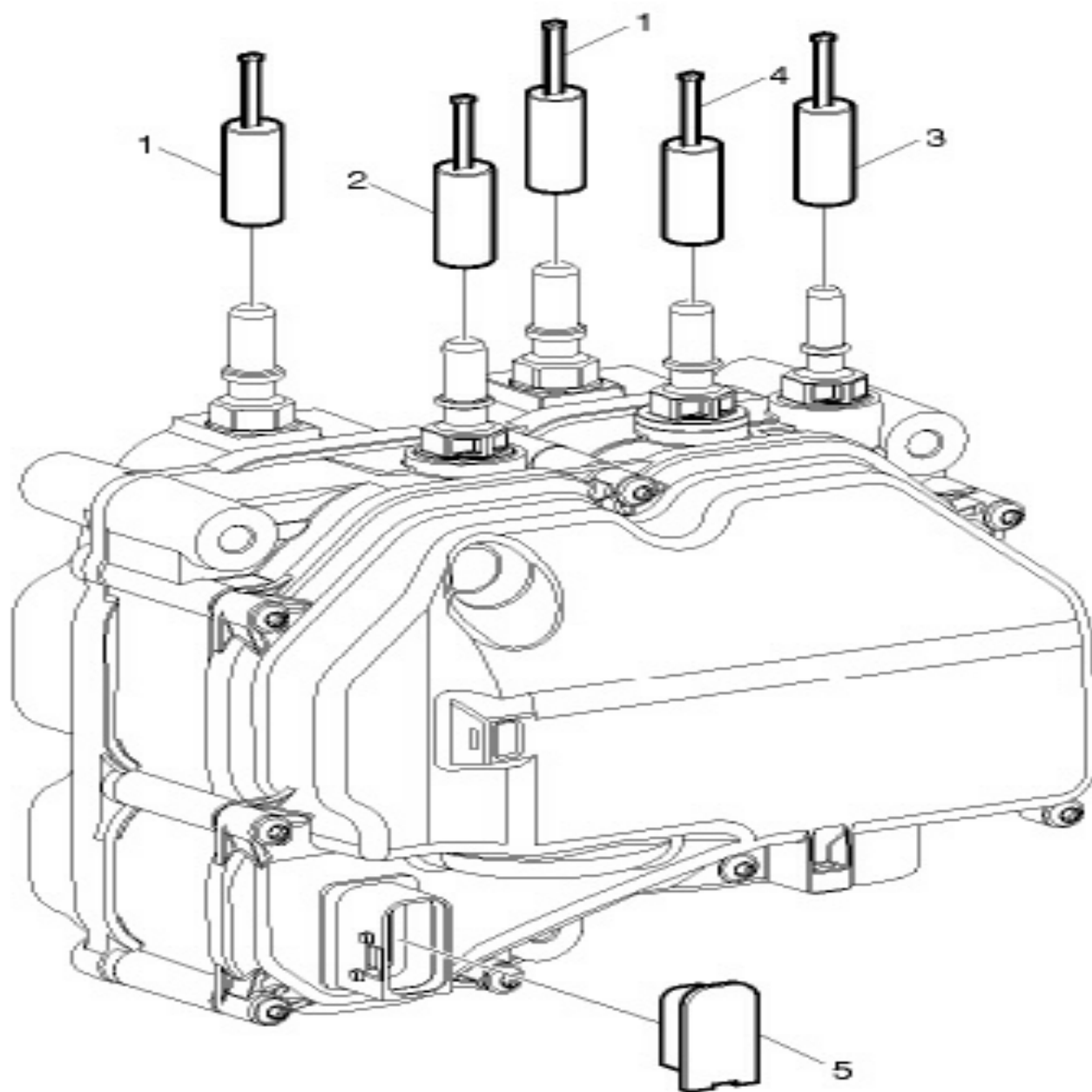


| | | |
|-----------|--------------|---------------|
| To N-1190 | Date:07/2024 | PAGE:21576178 |
|-----------|--------------|---------------|

PUMP ASSY UREA TB-129684310-1

| Item# | Part | Description | QTY | Notes |
|-------|-----------------|-----------------------|-----|-------|
| 1 | 21376749 | CONNECTOR / HEATER | 2 | |
| 2 | 21376721 | CONNECTOR / INLET | 1 | |
| 3 | 21954674 | . STRAINER | 1 | |
| 4 | 21376707 | FILTER CAP | 1 | |
| 5 | 21376772 | CAP PLUG | 1 | |
| 6 | 21376746 | CONNECTEUR / BACKFLOW | 1 | |
| 7 | 21376731 | CONNECTEUR / OUTLET | 1 | |
| 8 | 21516229 | FILTER | 1 | |
| 9 | 21378032 | COVER | 1 | |

| | | |
|-----------|--------------|---------------|
| To N-1190 | Date:07/2024 | PAGE:21376772 |
| CAP PLUG | | |



| | | |
|-----------|--------------|---------------|
| To N-1190 | Date:07/2024 | PAGE:21376772 |
|-----------|--------------|---------------|

CAP PLUG

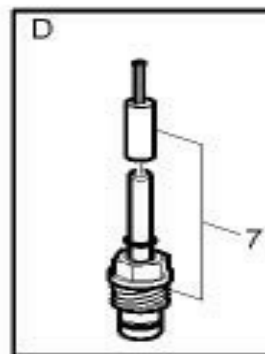
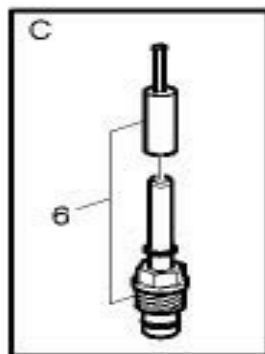
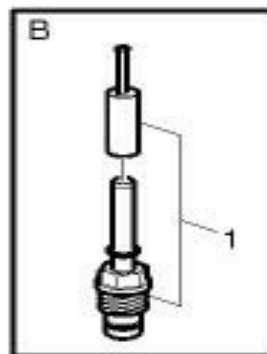
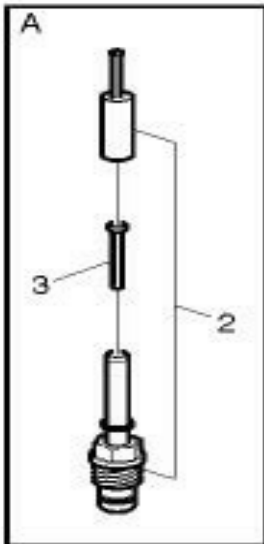
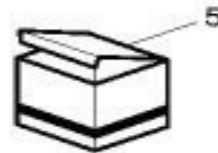
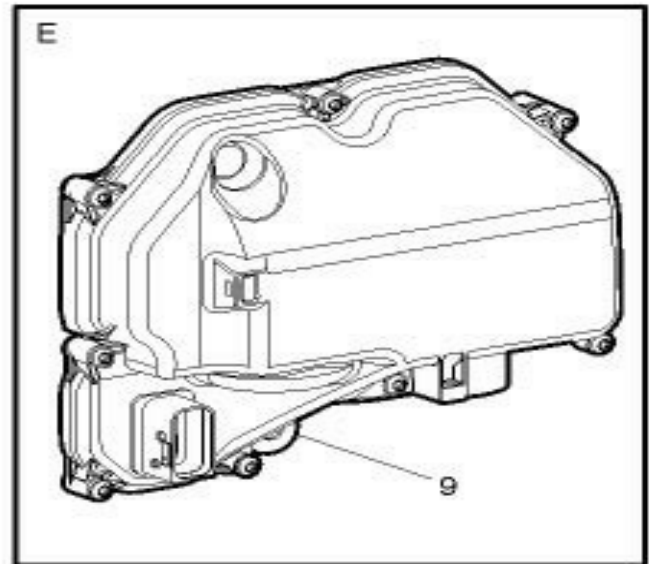
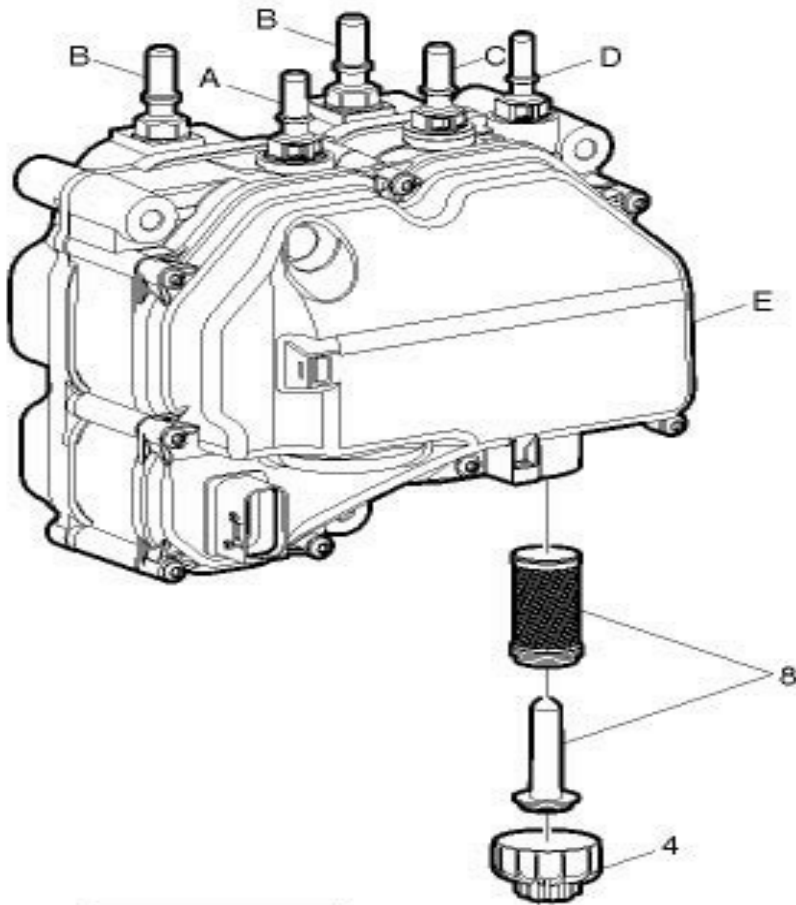
| Item# | Part | Description | QTY | Notes |
|-------|--------|------------------------|-----|-------|
| 1 | N.S.S. | COOLANT | 1 | 1 |
| 2 | N.S.S. | INLET | 1 | 1 |
| 3 | N.S.S. | BACKFLOW | 1 | 1 |
| 4 | N.S.S. | OUTLET | 1 | 1 |
| 5 | N.S.S. | ELECTRICAL | 1 | 1 |
| | | | | |
| | | | | |
| | | | | |
| | | 1) NOT SOLD SEPARATELY | | |

From N-1191 To R-1909

Date:07/2024

PAGE:23753841

PUMP ASSY UREA



| | | |
|-----------------------|--------------|---------------|
| From N-1191 To R-1909 | Date:07/2024 | PAGE:23753841 |
|-----------------------|--------------|---------------|

PUMP ASSY UREA

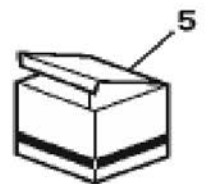
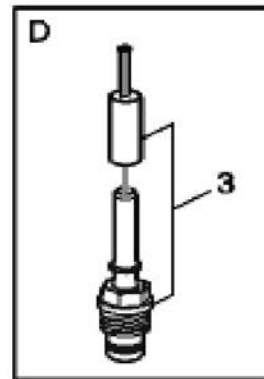
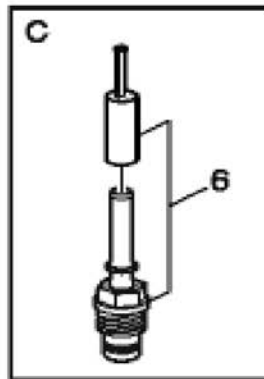
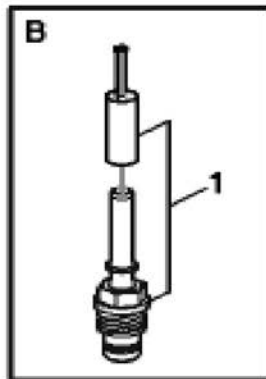
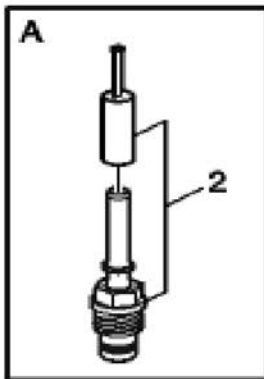
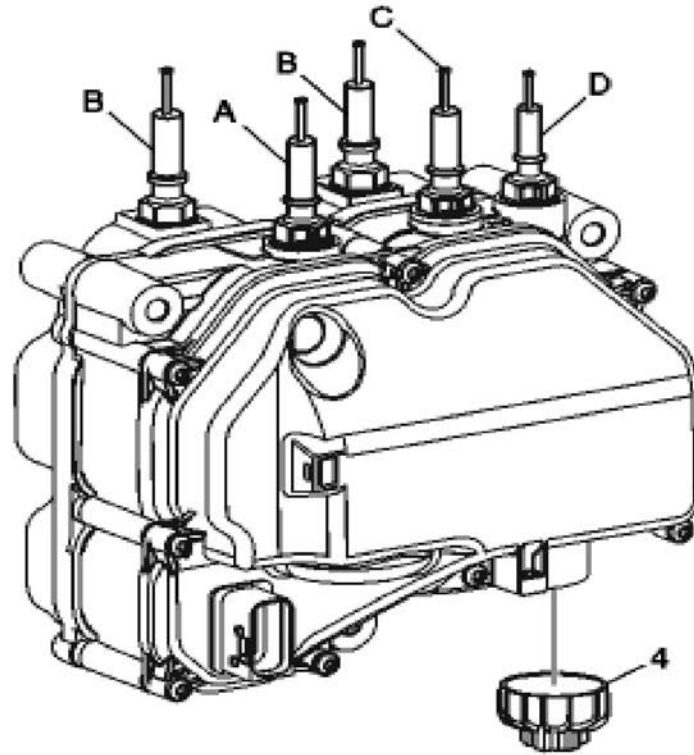
| Item# | Part | Description | QTY | Notes |
|-------|-----------------|-----------------------|-----|-------|
| 1 | 21376749 | CONNECTOR / HEATER | 2 | |
| 2 | 21376721 | CONNECTOR / INLET | 1 | |
| 3 | 21954674 | . STRAINER | 1 | |
| 4 | 21376707 | FILTER CAP | 1 | |
| 5 | 21376772 | CAP PLUG | 1 | |
| 6 | 21376746 | CONNECTEUR / BACKFLOW | 1 | |
| 7 | 21376731 | CONNECTEUR / OUTLET | 1 | |
| 8 | 23381562 | FILTER | 1 | |
| 9 | 21378032 | COVER | 1 | |

From R-1910

Date:07/2024

PAGE:24169188

PUMP UNIT UREA DOSING SYSTEM



| | | |
|-------------|--------------|---------------|
| From R-1910 | Date:07/2024 | PAGE:24169188 |
|-------------|--------------|---------------|

PUMP UNIT UREA DOSING SYSTEM

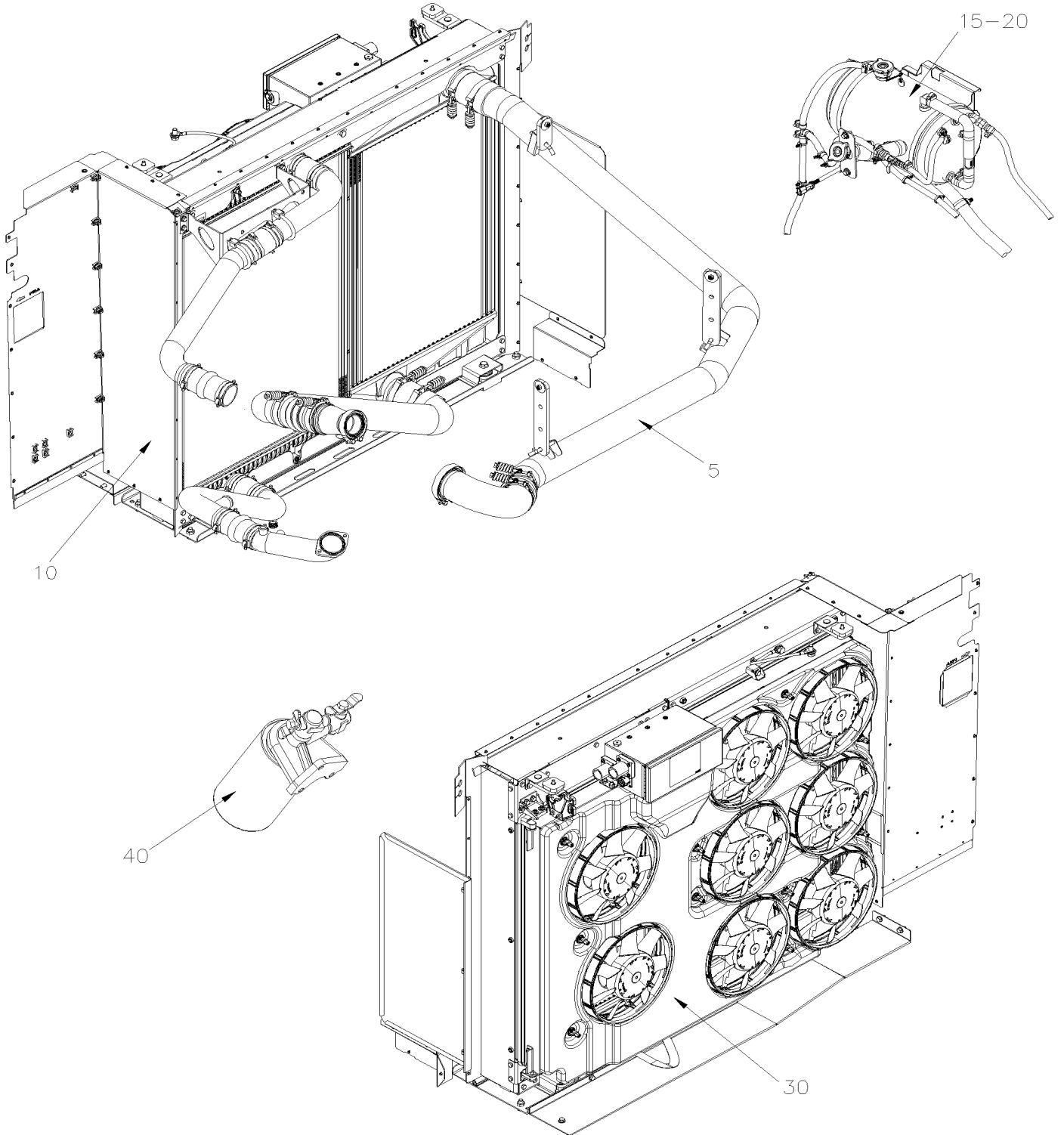
| Item# | Part | Description | QTY | Notes |
|-------|-----------------|--|-----|-------|
| 1 | 21376749 | CONNECTOR / HEATER | 1 | |
| 2 | 21376721 | CONNECTOR / INLET | 1 | |
| 3 | 21376731 | CONNECTEUR / OUTLET | 1 | |
| 4 | 24472550 | FILTER CAP, UREA DOSING SYSTEM | 1 | |
| 5 | 21376772 | CAP PLUG | 1 | |
| 6 | 24204464 | CONNECTOR, UREA DOSING SYSTEM BACKFLOW | 1 | |

From K-0295

Date:07/2024

VIP-05

COOLING

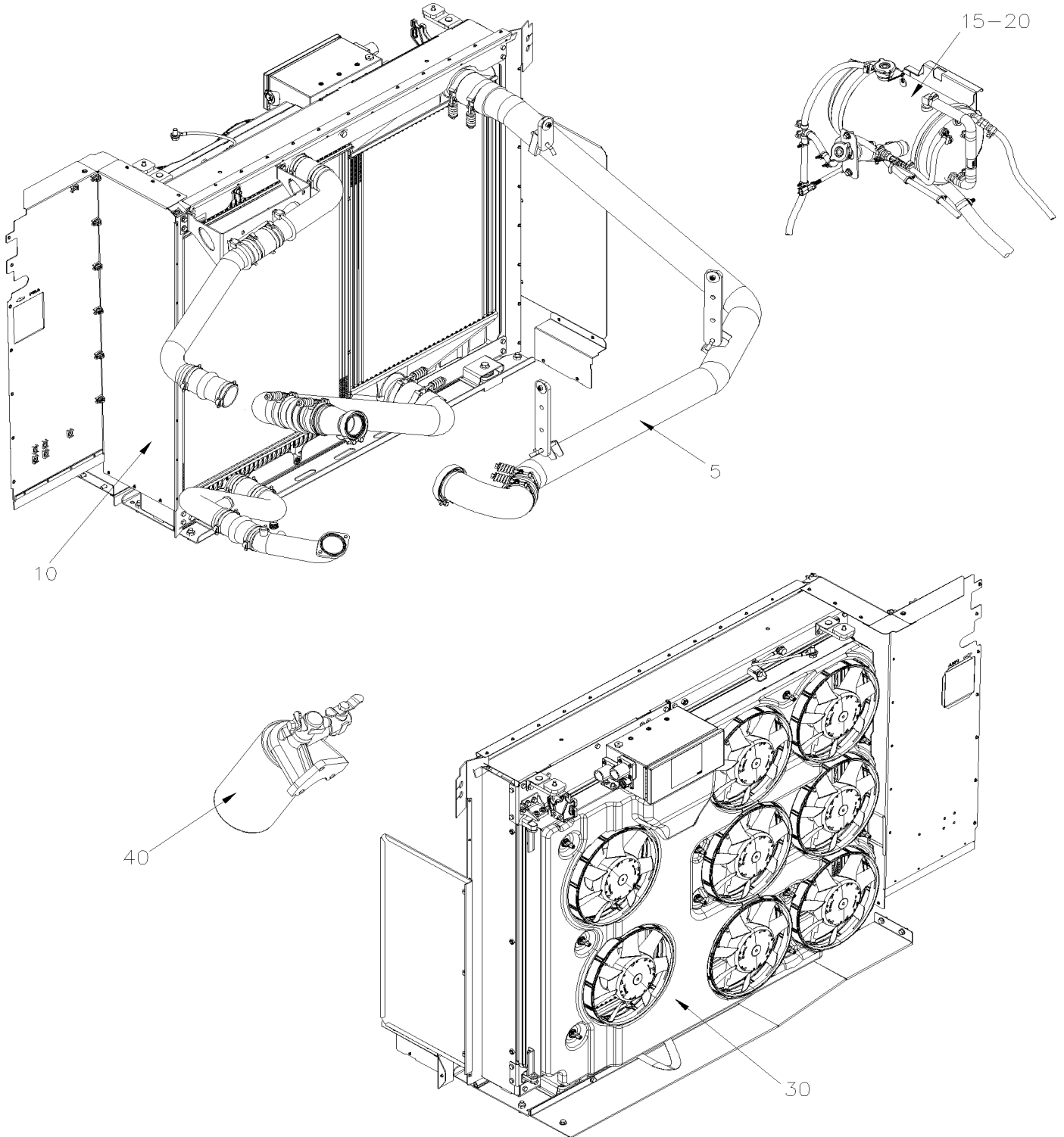


From K-0295

Date:07/2024

VIP-05

COOLING

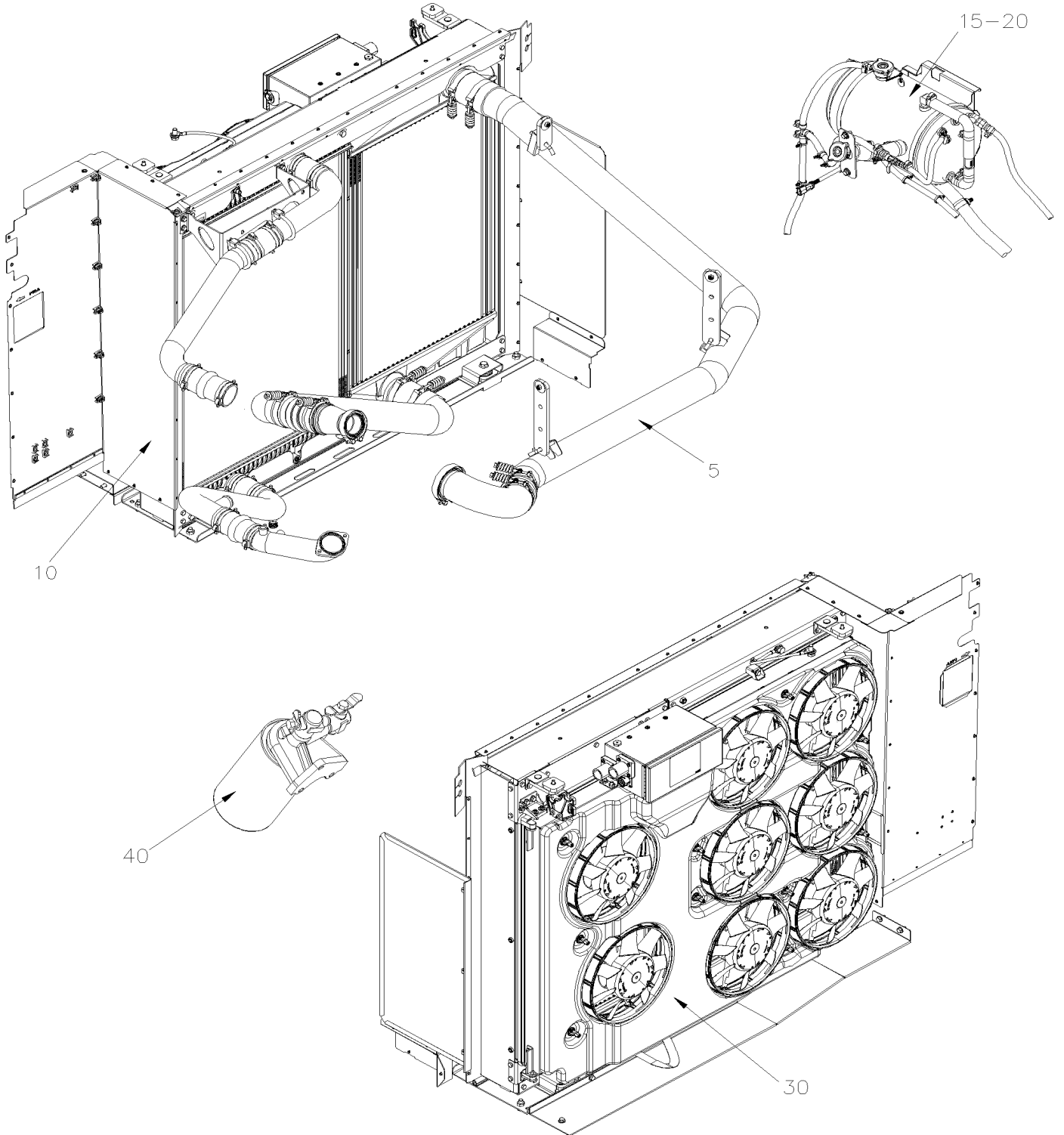


From K-0295

Date:07/2024

VIP-05

COOLING

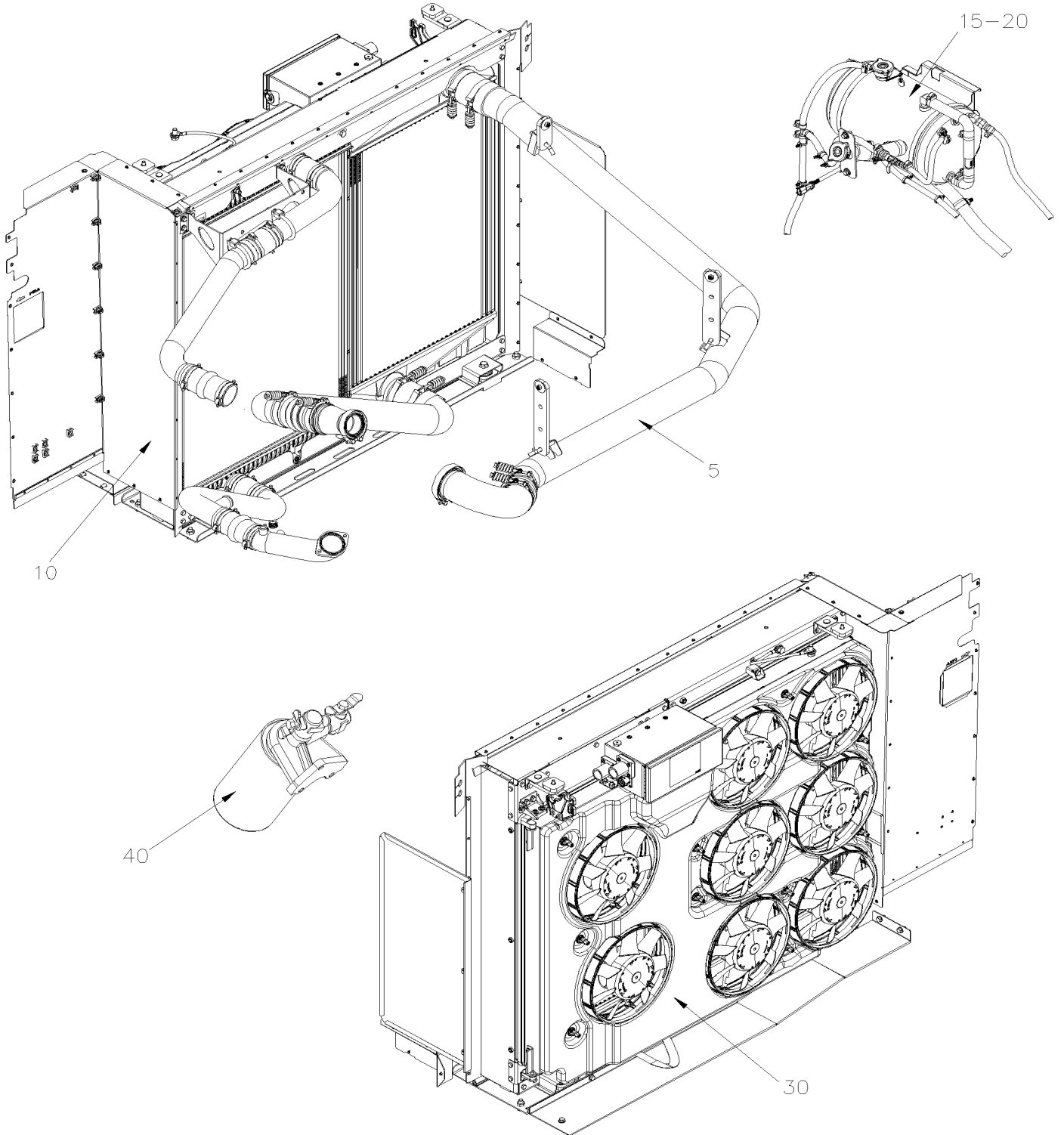


From K-0295

Date:07/2024

VIP-05

COOLING

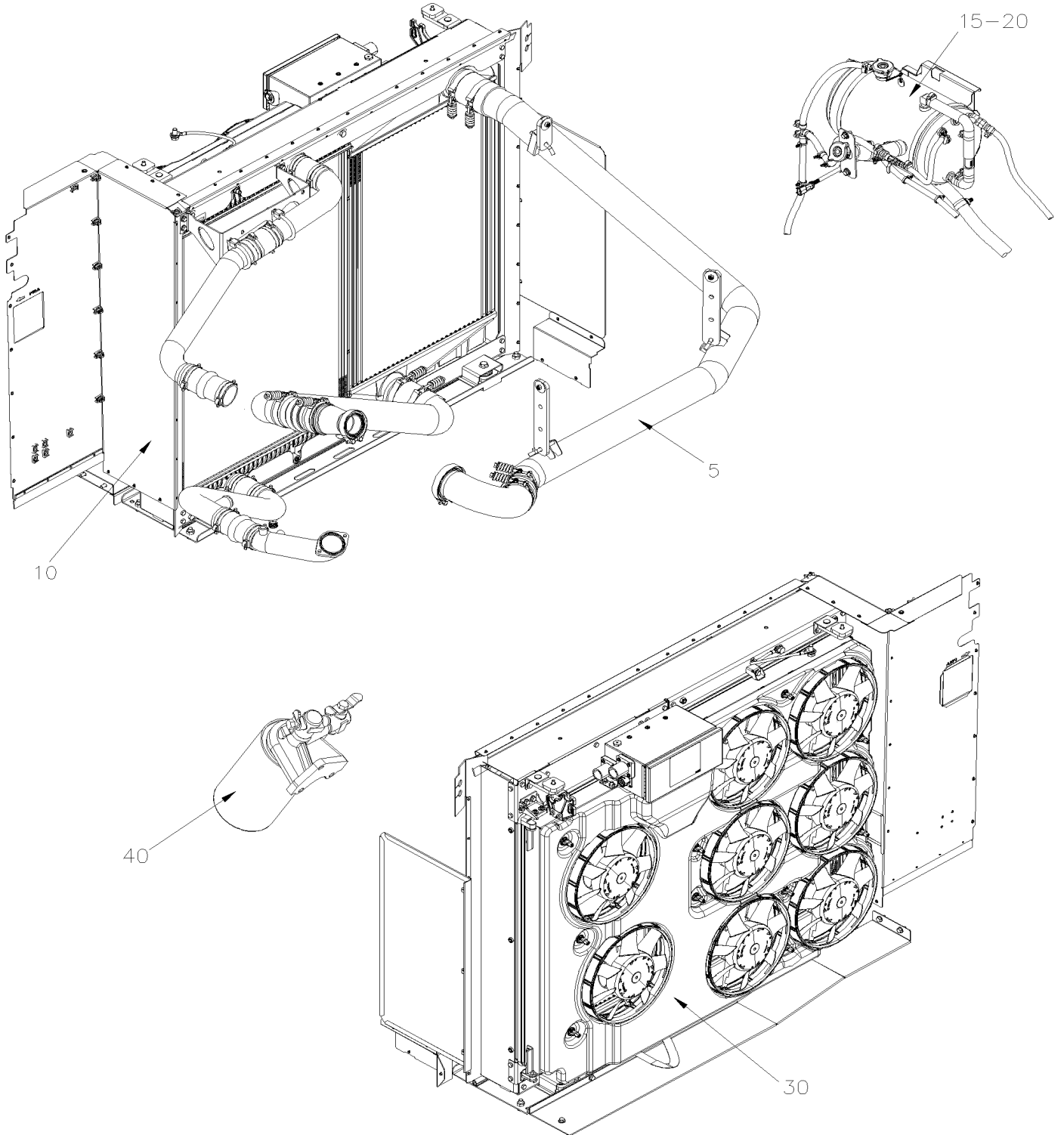


From K-0295

Date:07/2024

VIP-05

COOLING

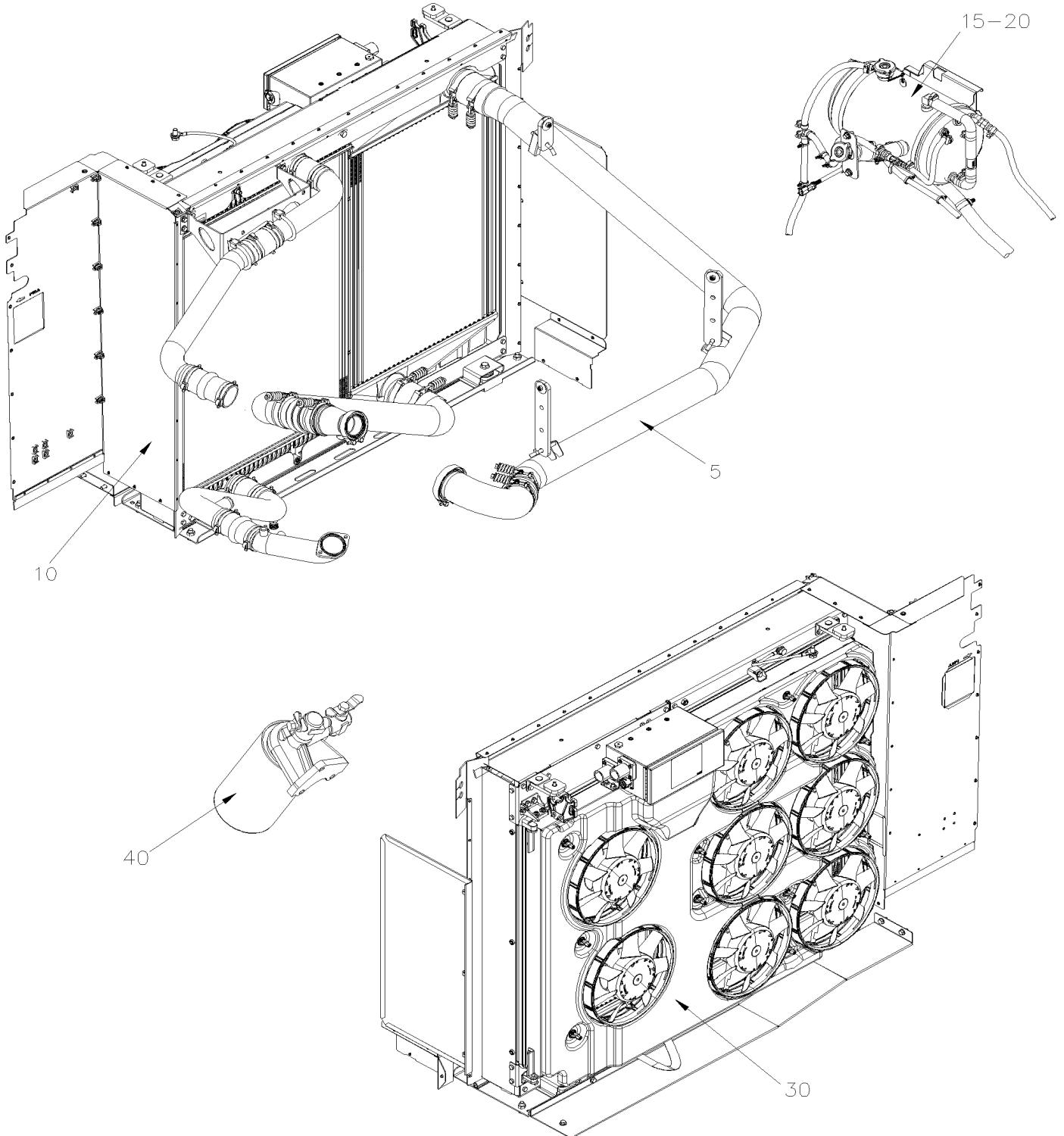


From K-0295

Date:07/2024

VIP-05

COOLING



| | | |
|-------------|--------------|--------|
| From K-0295 | Date:07/2024 | VIP-05 |
|-------------|--------------|--------|

COOLING

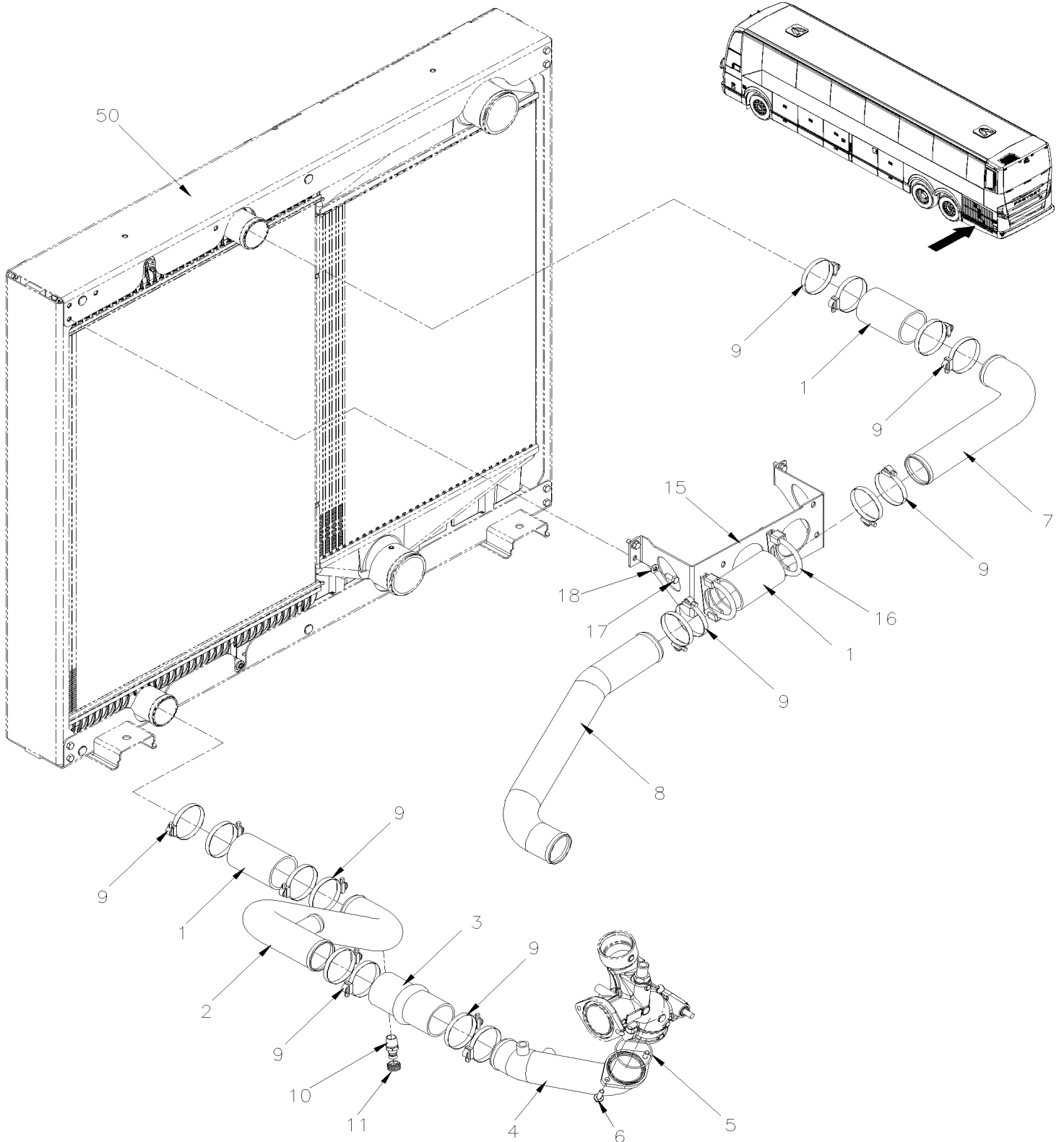
| Item# | Part | Description | QTY | Notes |
|-------|-------------|--|-----|-------|
| 5 | VIP-0500-02 | COOLANT PIPING WITH VOLVO D13 From K-0295 | | |
| 10 | VIP-0505-01 | RADIATOR ASSY From K-0295 | | |
| 15 | VIP-0510-03 | SURGE TANK From K-0295 To L-0973 | | |
| 15 | VIP-0510-04 | SURGE TANK From L-0974 | | |
| 20 | VIP-0510-10 | RECOVERY TANK From L-0974 | | |
| 30 | VIP-0520-02 | ELECTRICAL FANS - INSTALLATION From K-0295 | | |
| 40 | VIP-0530-03 | COOLANT FILTER - INSTALLATION WITH VOLVO D13 From K-0295 | | |

From K-0295

Date:07/2024

PAGE:VIP-0500-02

COOLANT PIPING WITH VOLVO D13

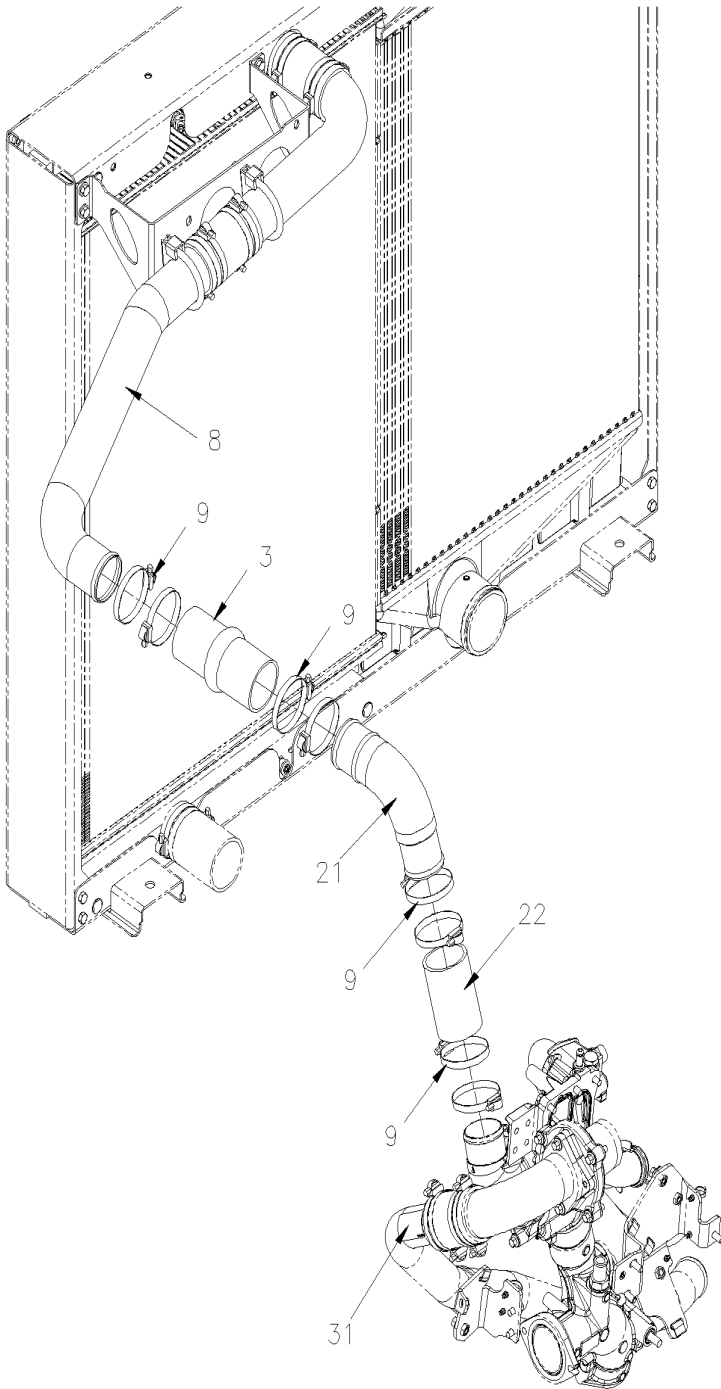


From K-0295

Date:07/2024

PAGE:VIP-0500-02

COOLANT PIPING WITH VOLVO D13



WITH ALISON TRANSMISSION

| | | | |
|--------------------------------------|--|--------------|------------------|
| From K-0295 | | Date:07/2024 | PAGE:VIP-0500-02 |
| COOLANT PIPING WITH VOLVO D13 | | | |

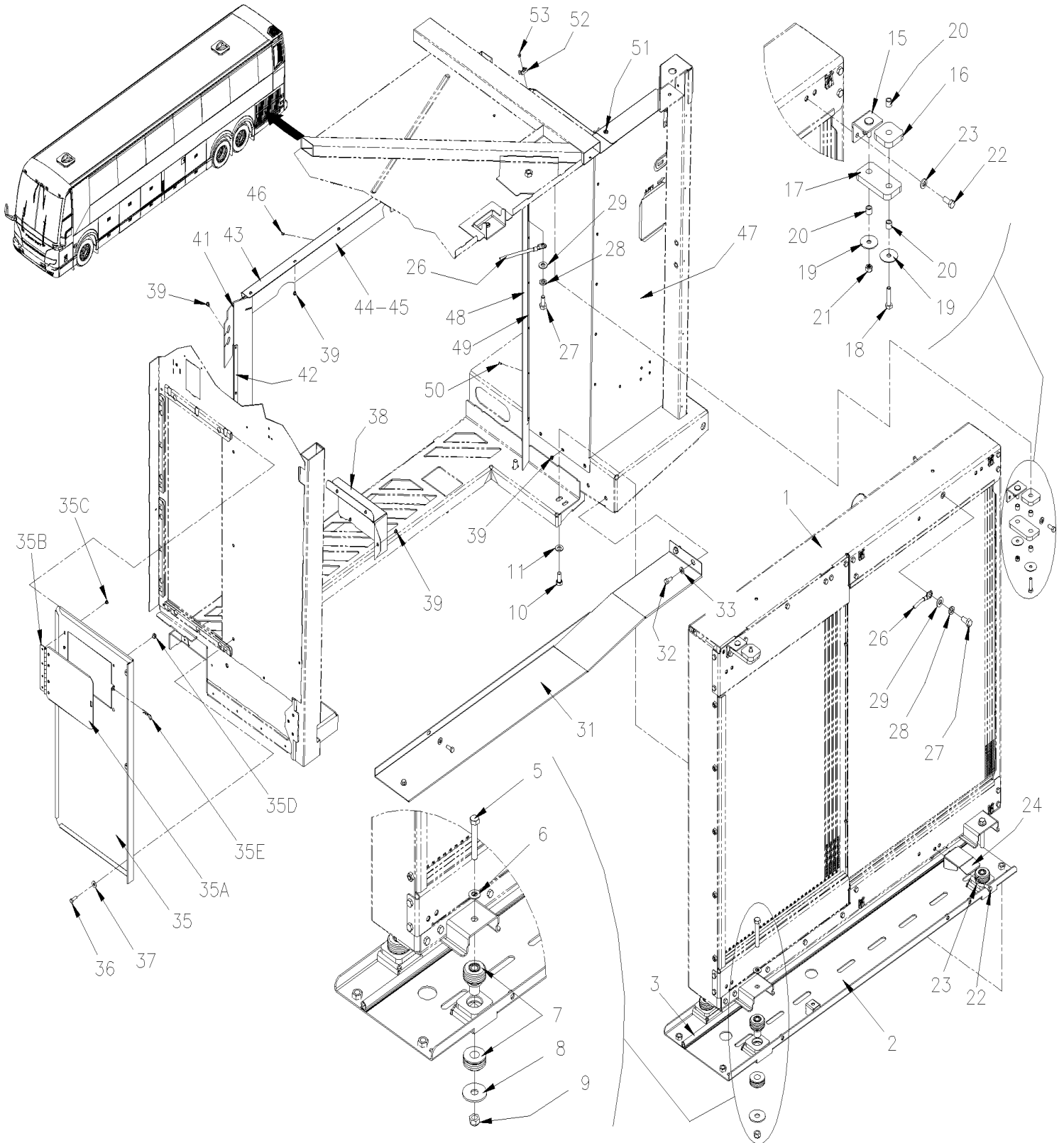
| Item# | Part | Description | QTY | Notes |
|-------|--------------------|--|-----|-------|
| 1 | 053617 | HOSE SILICONE / NOMEX 2 1/2" I.D. 105MM | 2 | |
| . NS | 503786 | . HOSE SILICONE 4 PLY / NOMEX-ARAMID 2 1/2" I.D. x 6' | 1 | |
| 2 | 050048 | WATER PIPE OUTLET RADIATOR To P-1452 | 1 | |
| 2 | 050587 | WATER PIPE OUTLET RADIATOR From P-1453 | 1 | |
| 2 | 050388 | WATER PIPE OUTLET RADIATOR SS304 To P-1452 | 1 | C |
| 2 | 050591 | WATER PIPE OUTLET RADIATOR SS304 From P-1453 | 1 | C |
| 3 | 551013 | WATER HOSE SILICON WITH HUMP | 2 | |
| 4 | 053088 | WATER PIPE RADIATOR To P-1452 | 1 | |
| 4 | 050584 | WATER PIPE RADIATOR From P-1453 | 1 | |
| 4 | 050384 | WATER PIPE RADIATOR SS304 To P-1452 | 1 | C |
| 4 | 050589 | WATER PIPE RADIATOR SS304 From P-1453 | 1 | |
| 5 | 975675 | O-RING 64.5 MM X 3MM | 1 | |
| 6 | 946671 | SCREW CAP HEXF M8-1.25x30 G8.8 ZG603 | 2 | |
| 7 | 050046 | WATER PIPE INLET RADIATOR | 1 | |
| 7 | 050401 | WATER PIPE INLET RADIATOR SS304 | 1 | C |
| 8 | 050047 | WATER PIPE INLET RADIATOR | 1 | |
| 8 | 050399 | WATER PIPE INLET RADIATOR SS304 | 1 | C |
| 9 | 992089 | HOSE CLAMP / 60MM/80MM | AR | |
| 10 | 1675641 | NIPPLE / QUICK DISCONNECT "VOLVO" / 1/2NPT-M | 1 | |
| . NS | V476279 | . DUST CAP / QUICK DISCONNECT "VOLVO" / | 1 | |
| . NS | 507666 | . DUST CAP / QUICK DISCONNECT "VOLVO" / | 1 | |
| NS | 680098 | THREAD SEALANT LOCTITE #567 / WHITE / 250ml | AR | |
| 11 | 507666 | DUST CAP / QUICK DISCONNECT "VOLVO" / | 1 | |
| 15 | 050117 | PIPE HOLDER To L-0973 | 1 | |
| 15 | 050435 | PIPE HOLDER From L-0974 | 1 | |
| 16 | 505535 | U BOLT 2 1/2" I.D. SS | 2 | |
| 17 | 500119 | SCREW CAP HEX M8X1.25X20 BK | 3 | |
| 18 | 5001868 | WASHER BEL SPR 8.4x18x2 SS | 3 | |
| 21 | 050107 | WATER PIPE MOTOR /W/ALLISON TRANSMISSION | 1 | A |
| 21 | 050481 | WATER PIPE MOTOR /W/ALLISON TRANSMISSION SS304 | 1 | A C |
| 22 | 070039 | HOSE SILICONE 4PLY / NOMEX-ARAMID 2 3/8" x 100MM | 1 | A |
| . NS | 503785 | . HOSE SILICONE 4PLY / NOMEX-ARAMID 2 3/8" I.D. x 6' | AR | A |
| 31 | 069356 | DECAL "DO NOT POWER WASH ALTERNATORS" ENGLISH To L-1014 | 1 | |
| 31 | 0610176 | DECAL "DO NOT POWER WASH ALTERNATORS" ENGLISH From L-1015 | 1 | |
| 31 | 0610181 | DECAL "DO NOT POWER WASH ALTERNATORS" ENGLISH / FRANCAIS From L-1015 | 1 | |
| 50 | VIP-0505-01 | RADIATOR ASSY | 1 | |
| | | | | |
| | | | | |
| | | A) WITH ALISON TRANSMISSION | | |
| | | C) SPECIAL OPTION SS04 | | |

From K-0295

Date:07/2024

PAGE:VIP-0505-01

RADIATOR ASSY



| | | | |
|----------------------|--|--------------|------------------|
| From K-0295 | | Date:07/2024 | PAGE:VIP-0505-01 |
| RADIATOR ASSY | | | |

| Item# | Part | Description | QTY | Notes |
|-------|---------|---|-----|-------|
| 1 | 550994 | RADIATOR & AIR COOLER To K-0279 | 1 | |
| 1 | 501063 | . MALE ELBOW 45° / SAE 45° FITTING / #4FL-Mx1/4NPT-M BR To K-0279 | 1 | |
| 1 | 550048 | RADIATOR & AIR COOLER From K-0280 To L-1009 | 1 | |
| 1 | 550081 | RADIATOR & AIR COOLER From L-1010 To M-1137 | 1 | |
| 1 | 550091 | RADIATOR & AIR COOLER From M-1138 | 1 | |
| 1 | 501027 | . MALE CONNECTOR / SAE 45° FITTING / #4FL-Mx1/4NPT-M BR From K-0280 | 1 | |
| 2 | 261618 | FLOOR PLATE FOR RADIATOR | 1 | |
| 3 | 5060103 | RUBBER SEAL 6.56FT LONG 6.56 ft To L-0928 | 1 | |
| 3 | 509042 | RUBBER SEAL 51.38"+0-0.25 From L-0929 | 1 | |
| 5 | 5001987 | SCREW CAP HEX M12-1.75x75 SS BK | 4 | |
| 6 | 5001877 | WASHER BEL SPR .512x1.000x.073 SS | 4 | |
| 7 | 551010 | VIBRATION ISOLATOR TOW PIECES | 4 | |
| 8 | 052765 | WASHER FL 12.5MMx52MMx3MM | 4 | |
| NS | 680064 | OIL ANTICORROSIVE GREY (TECTYL) (20 LITERS) | AR | |
| 9 | 5001988 | NUT HEX NYRT M12-1.75 SS BK | 4 | |
| 10 | 5001979 | SCREW CAP HEX M12-1.75x25 SS BK | 4 | |
| 11 | 5001877 | WASHER BEL SPR .512x1.000x.073 SS | 4 | |
| 15 | 053102 | CORNER BRACKET | 2 | |
| 16 | 053110 | RUBBER SPACER | 1 | |
| 17 | 053105 | VIBRATION ABSORBER RUBBER PLATE | 2 | |
| 18 | 502836 | SCREW CAP HEX M8-1.25x35 G8.8 N500 | 2 | |
| 19 | 500462 | WASHER FL .343x1.500x.083 SS | 4 | |
| 20 | 032540 | SPACER 1/2" O.D.X 12MM SS | 6 | |
| 21 | 5001983 | NUT HEX NYRT M8-1.25 SS SS BK | 2 | |
| 22 | 500119 | SCREW CAP HEX M8X1.25X20 BK | 6 | |
| 23 | 5001868 | WASHER BEL SPR 8.4x18x2 SS | 6 | |
| 24 | 053081 | GUIDE FOR FAN'S DOOR | 1 | |
| | | | | |
| 26 | 069279 | RADIATOR GROUND HARNESS | 1 | |
| NS | 509815 | TIE MOUNT / ATTACHMENT W/TREE MOUNT | 1 | |
| NS | 504637 | CABLE TIE / 3/16" x 13" | 1 | |
| 27 | 5001565 | SCREW CAP HEX 1/2-13x1 G5 N500 | 1 | |
| NS | 684013 | RUBBER PROTECTOR / COLOR GUARD 14.5oz | AR | |
| 28 | 5001534 | WASHER LO SPT .509x.873x.125 SS | 2 | |
| 29 | 500958 | WASHER FL .531x1.062x.095 SS | 2 | |
| | | | | |
| 31 | 260072 | DEFLECTOR FLOOR RADIATOR | 1 | |
| 32 | 500119 | SCREW CAP HEX M8X1.25X20 BK | 5 | |
| 33 | 5001868 | WASHER BEL SPR 8.4x18x2 SS | 5 | |
| 35 | 050055 | ACCES PANEL RADIATOR To N-1189 | 1 | |
| 35 | 050567 | ACCES PANEL RADIATOR ASSY From N-1190 | 1 | |
| 35 | 050560 | . ACCES PANEL RADIATOR From N-1190 | 1 | |

| | | | |
|----------------------|--|--------------|------------------|
| From K-0295 | | Date:07/2024 | PAGE:VIP-0505-01 |
| RADIATOR ASSY | | | |

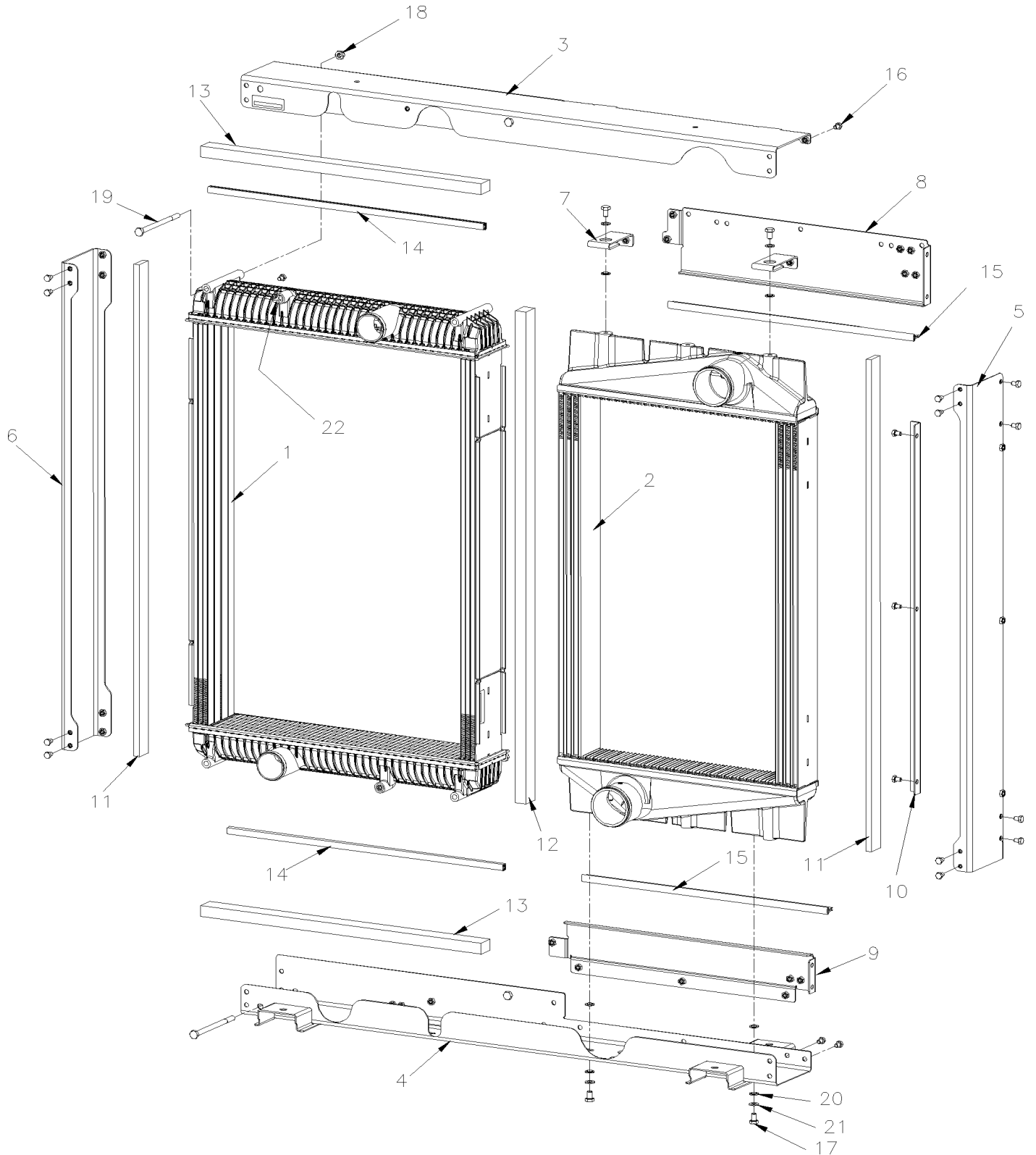
| Item# | Part | Description | QTY | Notes |
|-------|---------|--|-----|-------|
| 35A | 050561 | . ACCESS DOOR From N-1190 | 1 | |
| 35B | 050564 | . HINGE From N-1190 | 1 | |
| 35C | 504488 | . RIVET MGLP PRDG 3/16x17/64 SS From N-1190 | 8 | |
| 35D | 313678 | . RUBBER BUMPER From N-1190 | 2 | |
| 35E | 502017 | . PIN HITCH CLIP .08 x 3/8 SS From N-1190 | 1 | |
| 36 | 502622 | SCREW CAP HEX M6-1.0x20 SS BK | 3 | |
| 37 | 5001833 | WASHER BEL SPR 6.1x18x1.27 SS | 3 | |
| 38 | 210135 | CAP | 1 | |
| 39 | 504488 | RIVET MGLP PRDG 3/16x17/64 SS | AR | |
| NS | 682175 | UNDERCOATING BLACK PROTECTOR (GRAVELGUARD) 567gr To N-1261 | AR | |
| NS | 685413 | RUBBERIZED UNDERCOAT (GRAVELGUARD) 560gr From N-1262 | AR | |
| 41 | 050038 | STRIP SEAL 1164MM | 1 | |
| 42 | 050059 | RETAINER 1001MM | 1 | |
| 43 | 050041P | STRIP SEAL ASSY | 1 | |
| 43 | 050040 | . ANGULAR 1244MM | 1 | |
| 44 | 050039 | . STRIP SEAL 1275MM | 1 | |
| 45 | 050042 | . RETAINER 1244MM | 1 | |
| 46 | 504717 | . RIVET POP DOME OE 1/8x1/4 SS | 8 | |
| 47 | 050063P | STRIP SEAL ASSY | 1 | |
| 47 | 050082 | . PANEL ASSY To K-0604 | 1 | |
| 47 | 050241 | . PANEL ASSY From K-0605 | 1 | |
| 48 | 050065 | . STRIP SEAL 1160MM | 1 | |
| NS | 050131 | . STRIP SEAL 348MM | 1 | |
| 49 | 059081 | . RETAINER 1001MM | 1 | |
| NS | 050133 | . RETAINER 336MM | 1 | |
| 50 | 504717 | . RIVET POP DOME OE 1/8x1/4 SS | 12 | |
| 51 | 504069 | . GROMMET / .281x.375x.062x.250x.562 | 1 | |
| 52 | 504013 | . TIE MOUNT / 1/4" X 1/4" I.D. | AR | |
| 53 | 504379 | . RIVET POP DOME OE 3/16x1/4 SS | AR | |
| NS | 504637 | . CABLE TIE / 3/16" x 13" | 6 | |
| NS | 509490 | . ATTACHMENT DOUBLE USE WITH CABLE TIE From L-0974 | AR | |
| NS | 504610 | . RIVET MGLP PRDG 1/4x5/8 SS From L-0974 | AR | |

To K-0279

Date:07/2024

PAGE:550994

RADIATOR & AIR COOLER



| | | |
|----------------------------------|--------------|-------------|
| To K-0279 | Date:07/2024 | PAGE:550994 |
| RADIATOR & AIR COOLER | | |

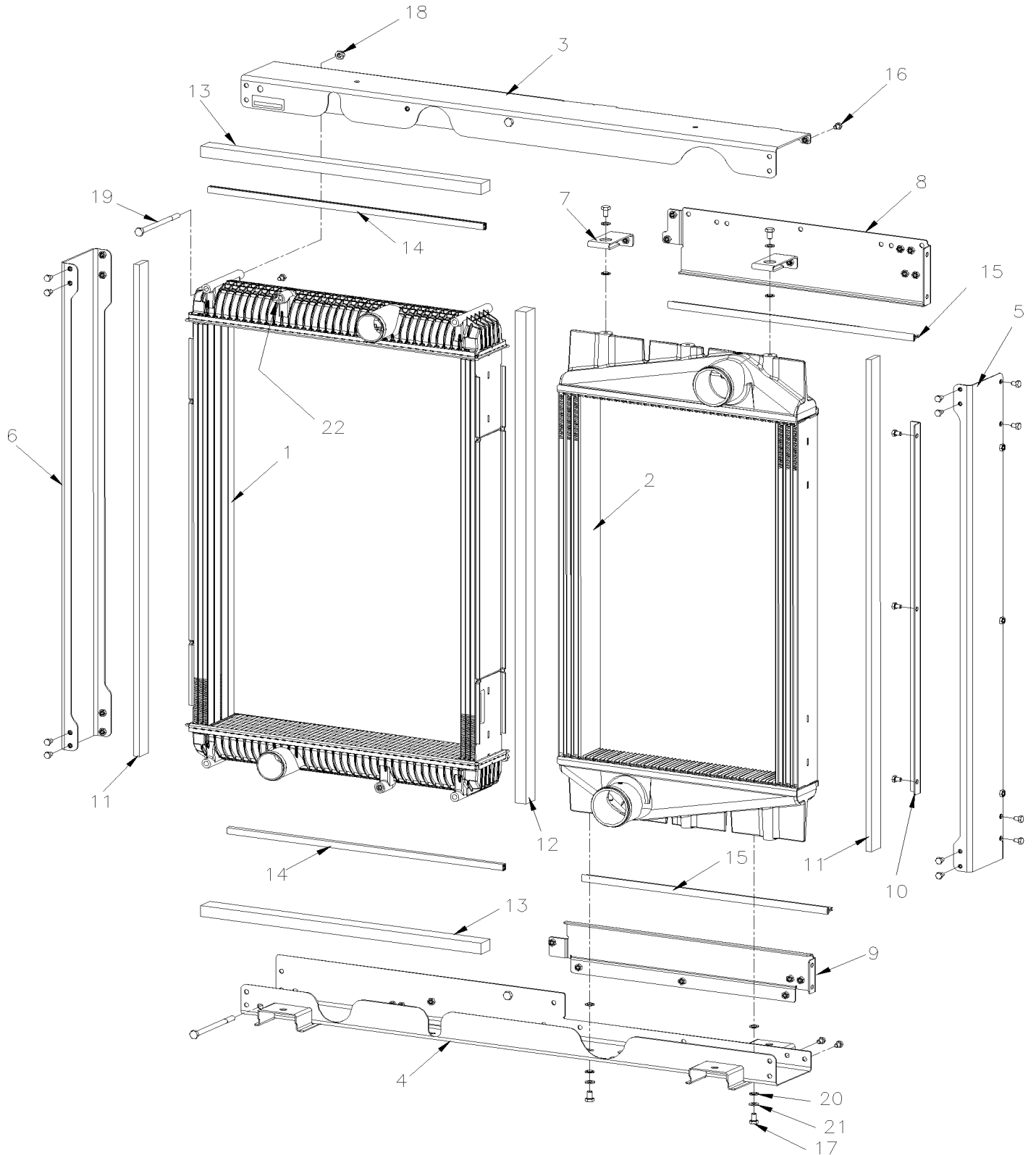
| Item# | Part | Description | QTY | Notes |
|-------|--------|---|-----|-------|
| 1 | 551011 | RADIATOR ALUMINUM | 1 | |
| 2 | 551012 | CHARGE AIR COOLER ALUMINUM | 1 | |
| 3 | 550006 | FRAME, TOP | 1 | |
| 4 | 550007 | FRAME, BOTTOM | 1 | |
| 5 | 550008 | FRAME, LEFT | 1 | |
| 6 | 550009 | FRAME, RIGHT | 1 | |
| 7 | 550014 | BRACKET TOP CAC | 1 | |
| 8 | 550015 | COVER PANEL TOP | 1 | |
| 9 | 550017 | COVER PANEL BOTTOM | 1 | |
| 10 | 550019 | ANGLE | 1 | |
| 11 | 550021 | SEALING STRIP | 1 | |
| 12 | 550028 | SEALING PROFIL | 1 | |
| 13 | 550029 | SEALING PROFIL | 2 | |
| 14 | 550030 | SEALING PROFIL | 2 | |
| 15 | 550031 | SEALING PROFIL | 2 | |
| 16 | 550053 | HEX HEAD SCREW SS M8 X 12 | 36 | |
| 17 | 550054 | HEX HEAD SCREW SS M10 X 16 | 4 | |
| 18 | 550050 | NUT LOCK SS/NYLON M10 | 4 | |
| 19 | 550051 | HEX HEAD SCREW SS M10 X 160 | 4 | |
| 20 | 550032 | WASHER, SHOULDER NYLON .45X.620X.75" | 8 | |
| 21 | N87290 | WASHER SS 10.5MM X 20MM X2.2MM | 4 | |
| 22 | 501063 | MALE ELBOW 45° / SAE 45° FITTING / #4FL-Mx1/4NPT-M BR | 1 | |

From K-0280 To L-1009

Date:07/2024

PAGE:550048

RADIATOR & AIR COOLER



| | | | |
|----------------------------------|--|--------------|-------------|
| From K-0280 To L-1009 | | Date:07/2024 | PAGE:550048 |
| RADIATOR & AIR COOLER | | | |

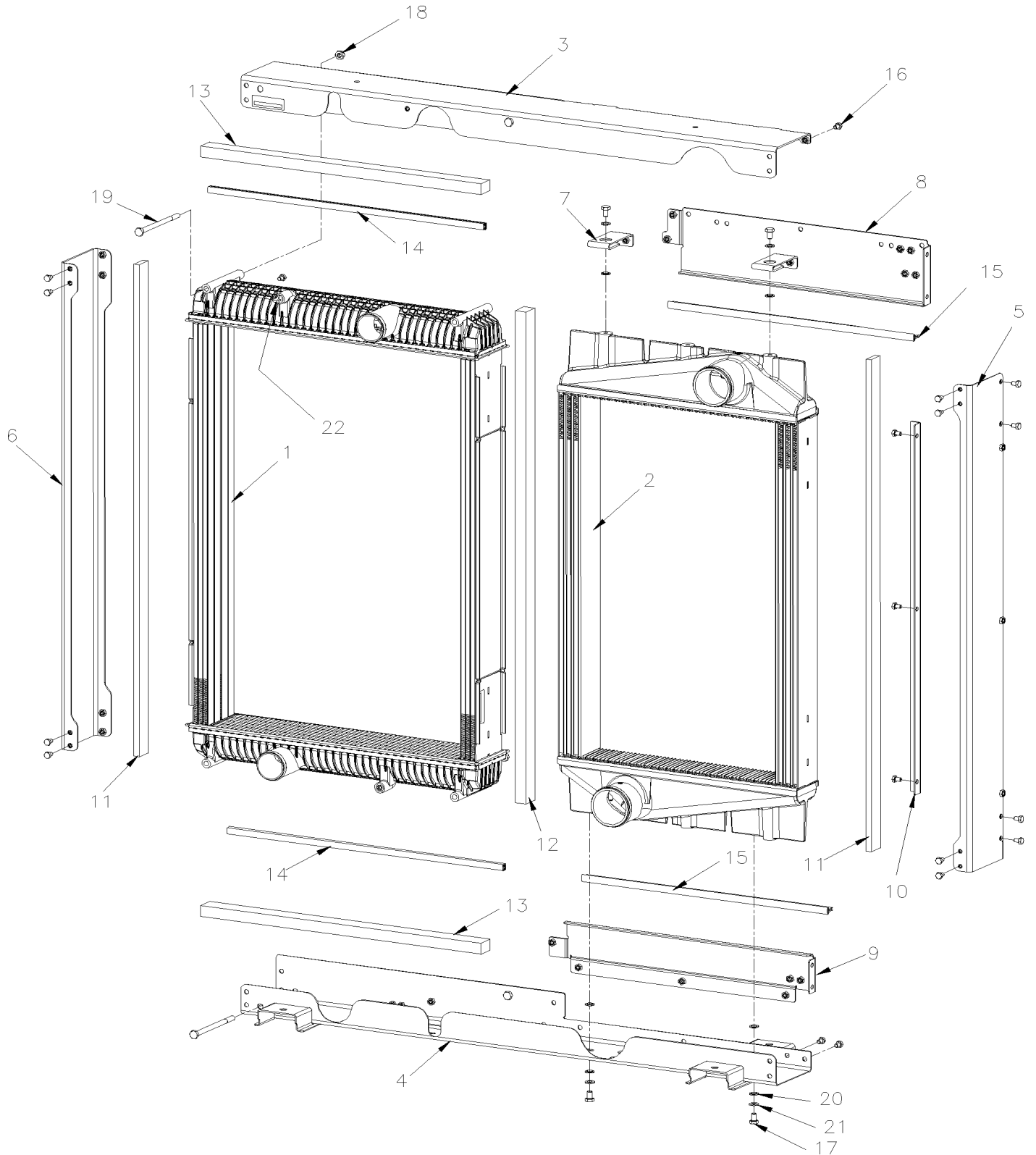
| Item# | Part | Description | QTY | Notes |
|-------|--------|---|-----|-------|
| 1 | 550049 | RADIATOR | 1 | |
| 2 | 551012 | CHARGE AIR COOLER ALUMINUM | 1 | |
| 3 | 550006 | FRAME, TOP | 1 | |
| 4 | 550007 | FRAME, BOTTOM | 1 | |
| 5 | 550008 | FRAME, LEFT | 1 | |
| 6 | 550009 | FRAME, RIGHT | 1 | |
| 7 | 550014 | BRACKET TOP CAC | 1 | |
| 8 | 550015 | COVER PANEL TOP | 1 | |
| 9 | 550017 | COVER PANEL BOTTOM | 1 | |
| 10 | 550019 | ANGLE | 1 | |
| 11 | 550021 | SEALING STRIP | 1 | |
| 12 | 550028 | SEALING PROFIL | 1 | |
| 13 | 550029 | SEALING PROFIL | 2 | |
| 14 | 550030 | SEALING PROFIL | 2 | |
| 15 | 550031 | SEALING PROFIL | 2 | |
| 16 | 550053 | HEX HEAD SCREW SS M8 X 12 | 36 | |
| 17 | 550054 | HEX HEAD SCREW SS M10 X 16 | 4 | |
| 18 | 550050 | NUT LOCK SS/NYLON M10 | 4 | |
| 19 | 550051 | HEX HEAD SCREW SS M10 X 160 | 4 | |
| 20 | 550032 | WASHER, SHOULDER NYLON .45X.620X.75" | 8 | |
| 21 | N87290 | WASHER SS 10.5MM X 20MM X2.2MM | 4 | |
| 22 | 501027 | MALE CONNECTOR / SAE 45° FITTING / #4FL-Mx1/4NPT-M BR | 1 | |

From L-1010 To M-1137

Date:07/2024

PAGE:550081

RADIATOR & AIR COOLER



| | | |
|----------------------------------|--------------|-------------|
| From L-1010 To M-1137 | Date:07/2024 | PAGE:550081 |
| RADIATOR & AIR COOLER | | |

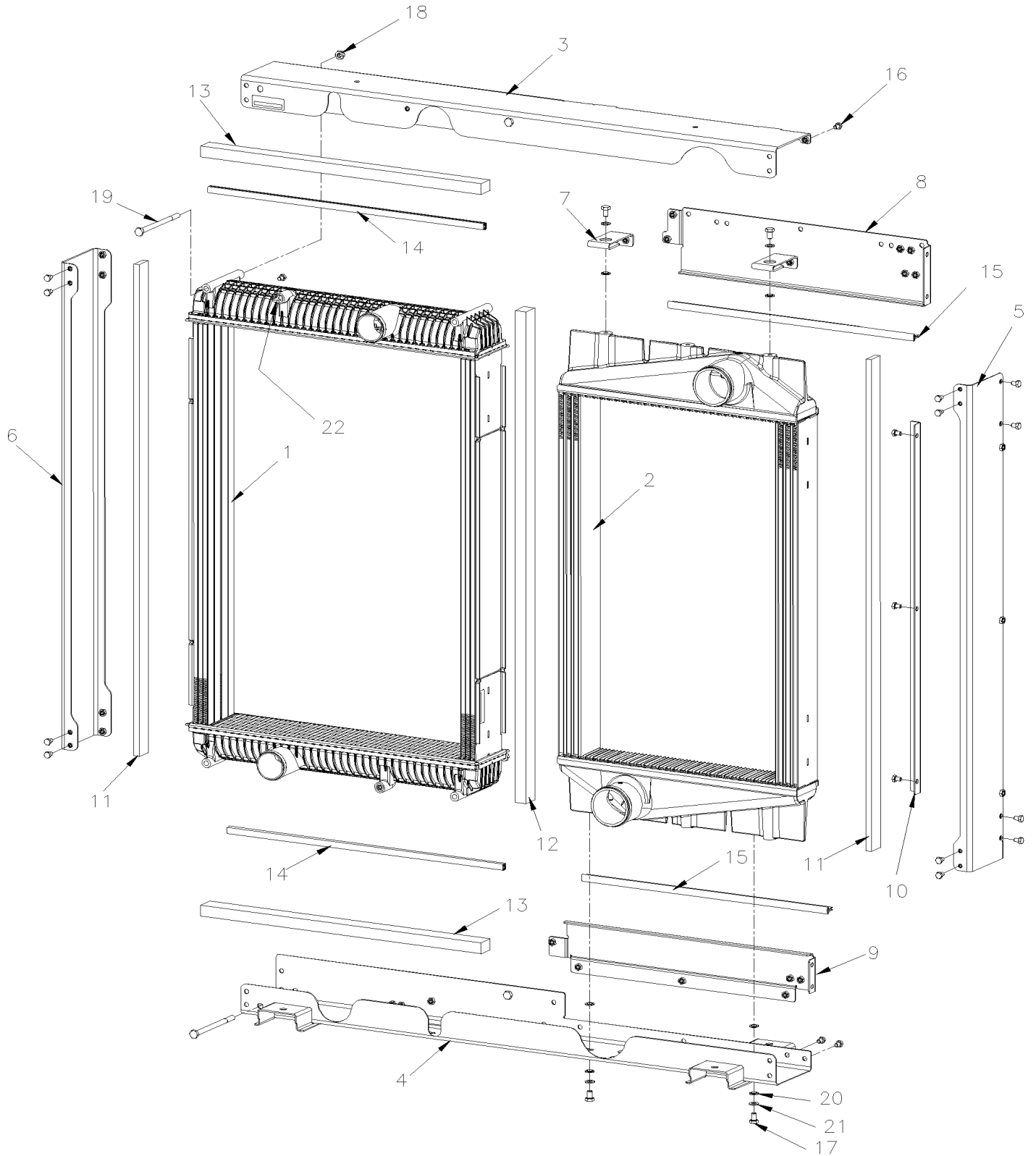
| Item# | Part | Description | QTY | Notes |
|-------|--------|---|-----|-------|
| 1 | 550063 | RADIATOR | 1 | |
| 2 | 550060 | CHARGE AIR COOLER ALUMINUM | 1 | |
| 3 | 550006 | FRAME, TOP | 1 | |
| 4 | 550007 | FRAME, BOTTOM | 1 | |
| 5 | 550008 | FRAME, LEFT | 1 | |
| 6 | 550009 | FRAME, RIGHT | 1 | |
| 7 | 550014 | BRACKET TOP CAC | 1 | |
| 8 | 550015 | COVER PANEL TOP | 1 | |
| 9 | 550017 | COVER PANEL BOTTOM | 1 | |
| 10 | 550019 | ANGLE | 1 | |
| 11 | 550021 | SEALING STRIP | 1 | |
| 12 | 550028 | SEALING PROFIL | 1 | |
| 13 | 550029 | SEALING PROFIL | 2 | |
| 14 | 550030 | SEALING PROFIL | 2 | |
| 15 | 550031 | SEALING PROFIL | 2 | |
| 16 | 550053 | HEX HEAD SCREW SS M8 X 12 | 36 | |
| 17 | 550054 | HEX HEAD SCREW SS M10 X 16 | 4 | |
| 18 | 550050 | NUT LOCK SS/NYLON M10 | 4 | |
| 19 | 550051 | HEX HEAD SCREW SS M10 X 160 | 4 | |
| 20 | 550032 | WASHER, SHOULDER NYLON .45X.620X.75" | 8 | |
| 21 | N87290 | WASHER SS 10.5MM X 20MM X2.2MM | 4 | |
| 22 | 501027 | MALE CONNECTOR / SAE 45° FITTING / #4FL-Mx1/4NPT-M BR | 1 | |

From M-1138

Date:07/2024

PAGE:550091

RADIATOR & AIR COOLER



| | | |
|----------------------------------|--------------|-------------|
| From M-1138 | Date:07/2024 | PAGE:550091 |
| RADIATOR & AIR COOLER | | |

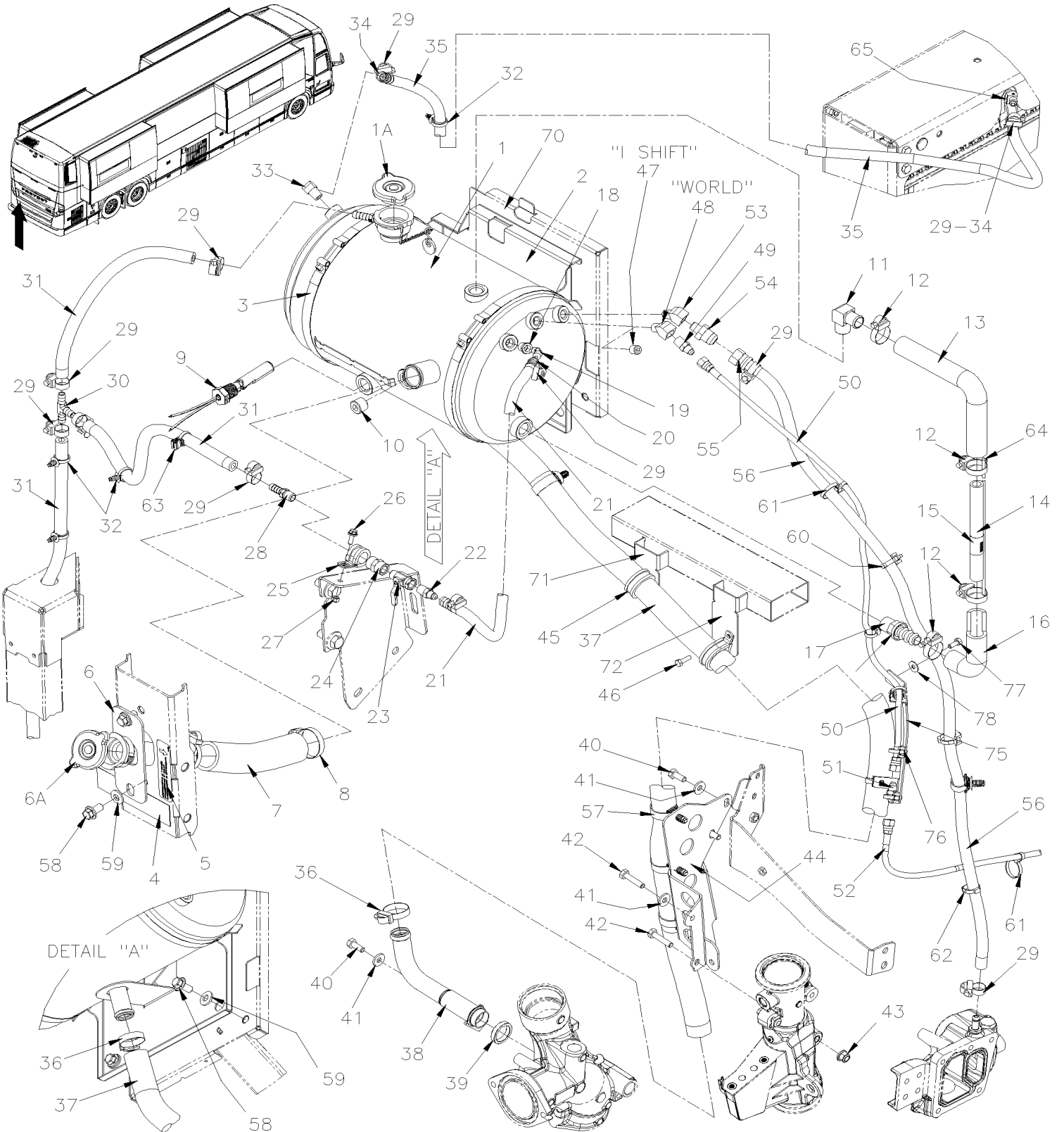
| Item# | Part | Description | QTY | Notes |
|-------|-----------------|---|-----|-------|
| 1 | 550084 | RADIATOR | 1 | |
| 2 | 550077 | CHARGE AIR COOLER ALUMINUM | 1 | |
| 3 | 550006 | FRAME, TOP | 1 | |
| 4 | 550007 | FRAME, BOTTOM | 1 | |
| 5 | 550008 | FRAME, LEFT | 1 | |
| 6 | 550009 | FRAME, RIGHT | 1 | |
| 7 | 550014 | BRACKET TOP CAC | 1 | |
| 8 | 550015 | COVER PANEL TOP | 1 | |
| 9 | 550017 | COVER PANEL BOTTOM | 1 | |
| 10 | 550019 | ANGLE | 1 | |
| 11 | 550021 | SEALING STRIP | 1 | |
| 12 | 550028 | SEALING PROFIL | 1 | |
| 13 | 550106 | SEALING PROFIL | 2 | |
| 14 | Call order desk | SEALING PROFIL | 2 | P |
| 15 | 550031 | SEALING PROFIL | 2 | |
| 16 | 550053 | HEX HEAD SCREW SS M8 X 12 | 36 | |
| 17 | 550054 | HEX HEAD SCREW SS M10 X 16 | 4 | |
| 18 | 550050 | NUT LOCK SS/NYLON M10 | 4 | |
| 19 | 550051 | HEX HEAD SCREW SS M10 X 160 | 4 | |
| 20 | 550032 | WASHER, SHOULDER NYLON .45X.620X.75" | 8 | |
| 21 | N87290 | WASHER SS 10.5MM X 20MM X2.2MM | 4 | |
| 22 | 501027 | MALE CONNECTOR / SAE 45° FITTING / #4FL-Mx1/4NPT-M BR | 1 | |
| | | | | |
| | | | | |
| | | | | |
| | | P) CALL ORDER DESK FOR SPECIFIC APPLICATION (V.I.N.) | | |

From K-0295 To L-0973

Date:07/2024

PAGE:VIP-0510-03

SURGE TANK



| | | | |
|-----------------------|--|--------------|------------------|
| From K-0295 To L-0973 | | Date:07/2024 | PAGE:VIP-0510-03 |
| SURGE TANK | | | |

| Item# | Part | Description | QTY | Notes |
|-------|----------|--|-----|-------|
| 1 | 053642 | SURGE TANK ALUMINIUM | 1 | |
| 1A | 21528785 | . CAP PRESSURE / OVER 13 LBS | 1 | |
| 2 | 050060 | SUPPORT ASSY / SURGE TANK | 1 | |
| 3 | 504775 | T-BOLT BAND CLAMP/ 9.69" ID | 2 | |
| 4 | 053597 | DECAL SPEC / ANTIFREEZE / W/ "VOLVO" ENGINE FRANCAIS / ENGLISH / SPANISH | 1 | |
| 5 | 053060 | DECAL, M3 MOT COOLANT DEPRES. FR / ENG / SPANISH | 1 | |
| NS | 012702 | DECAL "OIL SPEC" 10W/40 / ENGLISH & FRANCAIS / SPANISH | 1 | |
| 6 | 053646 | FILLER NECK "COOLANT" ASS | 1 | |
| 6A | 550047 | . PRESSURE CAP, WO/SPRING | 1 | |
| 7 | 503392 | HOSE SILICONE 4PLY 1 3/8" I.D. x 4' To K-0552 | AR | |
| 7 | 503783 | HOSE SILICONE 4PLY / NOMEX-ARAMID 34MM I.D. x 6' From K-0553 | AR | |
| 8 | 992086 | HOSE CLAMP / 32MM/52MM | 2 | |
| 8 | 504692 | HOSE CLAMP STEPLESS SPRING SS / OETIKER / 1.5-1.8 | 2 | C |
| 9 | 069812 | SENSOR PROBE "LOW LEVEL COOLANT" ASSY / 1/2" NPT | 1 | |
| . NS | 560058 | . SENSOR PROBE "LOW LEVEL COOLANT" / 1/2" NPT | 1 | |
| . NS | 563764 | . CONNECTOR / CPC SERIES 3 / PH 3C / PED 15300002 | 1 | |
| . NS | 563763 | . PIN TERMINAL / 14-12 / PED 12129497 | 2 | |
| . NS | 561786 | . CABLE SEAL / GRAY / PED 15324980 | 2 | |
| . NS | 562387 | . CONVOLUTED TUBING / SLIT / BLACK / .250" | AR | |
| . NS | 562388 | . SECONDARY LOCK / METRI-PACK 280 / 2C / BLUE / PED 15300014 | 1 | |
| 10 | 501966 | PLUG HEXS / PIPE FITTING / 1/2NPT-M STL | 1 | |
| 11 | 5011038 | MALE ELBOW 90° / BEADED HOSE BARB / #12x1/2NPT-M | 1 | |
| 12 | 992084 | HOSE CLAMP / 23MM/35MM | 4 | |
| 12 | 504569 | HOSE CLAMP STEPLESS SPRING / HC12-20 / 1" | 4 | C |
| 13 | 503804 | ELBOW SILICONE / 3/4" I.D. / NOMEX-ARAMID | 1 | |
| 14 | 053647 | TUBE PYREX | 1 | |
| 15 | 053055 | DECAL / SURGE TANK LEVEL | 1 | |
| 16 | 503805 | ELBOW SILICONE / 3/4" I.D. / NOMEX-ARAMID | 1 | |
| 17 | 507605 | MALE CONNECTOR / HOSE BARB FITTING / #12x1/2NPT-M BR | 1 | |
| 18 | 501312 | BUSHING REDUCER / PIPE FITTING / 1/4NTP-Mx1/8NPT-F BR | 1 | |
| 19 | 501808 | MALE ELBOW 45° / SAE 45° FITTING / #4FL-Mx1/8NPT-M BR | 1 | |
| 20 | 501347 | FEMALE CONNECTOR SWIVEL / PUSH-LOK FITTING #4JIC-Fx#4 BR | 2 | |
| 21 | 503789 | HOSE SILICONE 1 PLY / NOMEX-ARAMID 1/4" X 25' | AR | |
| 22 | 501027 | MALE CONNECTOR / SAE 45° FITTING / #4FL-Mx1/4NPT-M BR | 1 | |
| 23 | 642194 | BALL VALVE 1/4 NPT M x 1/4 NPT F | 1 | |
| 24 | 501318 | COUPLING / PIPE FITTING / 1/4NPT-Fx1/4NPT-F BR | 1 | |
| 25 | 977742 | CLAMP / 3/4" I.D. | 1 | |
| 26 | 5001730 | SCREW CAP HEXF M6-1.0x16 G10.9 N500 | 1 | |
| 27 | 502681 | NUT HEX NYRT M6-1.0 N500 G8 | 1 | |
| 28 | 642196 | MALE CONNECTOR / HOSE BARB FITTING / #6x1/4NPT-M BR | 1 | |
| 29 | 992081 | HOSE CLAMP / 12MM/22MM | AR | |
| 30 | 501071 | UNION TEE / HOSE BARB FITTING / #6x#6x#6 BR | 1 | |

| | | |
|-----------------------|--------------|------------------|
| From K-0295 To L-0973 | Date:07/2024 | PAGE:VIP-0510-03 |
| SURGE TANK | | |

| Item# | Part | Description | QTY | Notes |
|-------|--------------------|---|-----|-------|
| 31 | 503702 | HOSE / (SAFETY STRIPE) / 3/8" I.D. 50' / S.L. | AR | |
| 32 | 509815 | TIE MOUNT / ATTACHMENT W/TREE MOUNT | AR | |
| 32 | 504637 | CABLE TIE / 3/16" x 13" | AR | |
| 33 | 501037 | MALE ELBOW 90° / SAE 45° FITTING / #4FL-Mx1/4NPT-M BR | 2 | |
| 34 | Call order desk | HOSE ASSY / 1/4 x 1075MM To K-0279 | 1 | P |
| 34 | Call order desk | HOSE ASSY / 1/4 x 1145MM From K-0280 | 1 | P |
| 34 | 501347 | FEMALE CONNECTOR SWIVEL / PUSH-LOK FITTING #4JIC-Fx#4 BR | 2 | |
| 35 | 503706 | HOSE FC-332-4 #4 | AR | |
| 36 | 992084 | HOSE CLAMP / 23MM/35MM | 2 | |
| 36 | 504687 | HOSE CLAMP STEPLESS SPRING SS / OETIKER / 1.2-1.4 | 2 | C |
| 37 | 503788 | HOSE SILICONE 4 PLY / NOMEX-ARAMID 1" I.D. x 54" | AR | |
| 38 | 053709 | PIPE ASSY, WATER PUMP | 1 | |
| 39 | 504738 | RUBBER JOINT | 1 | |
| 40 | 502862 | SCREW CAP HEX M8-1.25x20 G8.8 N500 | 3 | |
| 41 | 500321 | WASHER BEL SPR .331x.827x.098 N500 | 4 | |
| 42 | 502836 | SCREW CAP HEX M8-1.25x35 G8.8 N500 | 2 | |
| 43 | 5001931 | NUT HEXF NYRT M8-1.25 G8.8 N500 | 1 | |
| 44 | 050061 | SUPPORT / WATER HOSE | 1 | |
| 45 | 952641 | CLAMP P STL ZP RUB 34.9 ID | 2 | |
| 46 | 502830 | SCREW CAP HEX M6-1.0x20 G8.8 N500 | 2 | |
| 47 | 501800 | PLUG HEXS / PIPE FITTING / 1/4NPT-M STL | 1 | |
| 48 | 501329 | STREET ELBOW 45° / PIPE FITTING / 1/4NPT-Mx1/4NPT-F BR | 1 | R |
| 49 | 501027 | MALE CONNECTOR / SAE 45° FITTING / #4FL-Mx1/4NPT-M BR | 1 | R |
| 50 | 053594P | HOSE ASSY TEFLON #4 875MM To K-0574 | 1 | R |
| 50 | Call order desk | HOSE ASSY TEFLON #4 775MM From K-0575 | 1 | P R |
| NS | 504637 | CABLE TIE / 3/16" x 13" | 2 | |
| NS | 509815 | TIE MOUNT / ATTACHMENT W/TREE MOUNT | 2 | |
| 51 | 501017 | UNION / SAE 45° FITTING / #4FL-Mx#4FL-M BR | 1 | R |
| 52 | VIP-0750-04 | AUTOMATIC TRANSMISSION - "WORLD" WITH VOLVO D13 | | |
| 53 | 501329 | STREET ELBOW 45° / PIPE FITTING / 1/4NPT-Mx1/4NPT-F BR | 1 | |
| 54 | 501033 | MALE CONNECTOR / SAE 45° FITTING / #8FL-Mx1/4NPT-M BR | 1 | |
| 55 | 5011260 | FEMALE CONNECTOR SWIVEL / PUSH-LOK FITTING / #8FL-Fx#6 BR | 1 | |
| 56 | 503821 | HOSE SILICONE 4 PLY / NOMEX-ARAMID 3/8" x 144" | AR | |
| 57 | 050089 | SUPPORT, WATER HOSE | 1 | R |
| 58 | 5001307 | SCREW CAP HEXF M10-1.5x20 8.8 N500 | 4 | |
| 59 | 5001834 | WASHER BEL SPR 10.5X23X2.5 N500 | 4 | |
| 60 | 504013 | TIE MOUNT / 1/4" X 1/4" I.D. | 3 | |
| 60 | 502868 | SCREW TC TR PH #10-16x1/2 N500 | 1 | |
| 60 | 504488 | RIVET MGLP PRDG 3/16x17/64 SS | 2 | |
| 60 | 504016 | CABLE TIE / 5/16" X 14"1/2 | 3 | |
| 61 | 507664 | CABLE TIE / 3/16" 11" / DOUBLE LOOP HEAD | AR | |
| 62 | 504016 | CABLE TIE / 5/16" X 14"1/2 | AR | |

| | | |
|-----------------------|--------------|------------------|
| From K-0295 To L-0973 | Date:07/2024 | PAGE:VIP-0510-03 |
| SURGE TANK | | |

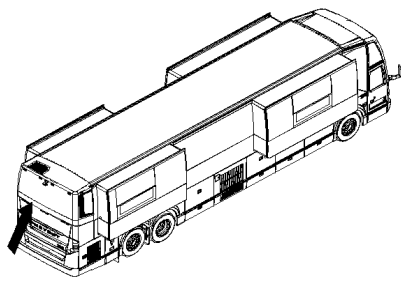
| Item# | Part | Description | QTY | Notes |
|-------|--------------------|--|-----|-------|
| 63 | 564204 | CABLE TIE / WITH EDGE CLIP / T50REC4A 10MMx200MM | 1 | |
| 64 | 053039 | HOLDING STRIP SS 24GA. 6X120MM From K-0337 | 1 | |
| 65 | VIP-0505-01 | RADIATOR ASSY | | |
| 70 | 210122 | SUPPORT SURGE TANK | 1 | |
| 71 | 050085 | SUPPORT, HOSE | 1 | |
| 72 | 050070 | SUPPORT, HOSE To K-0456 | 1 | |
| 72 | 050187 | SUPPORT, HOSE From K-0457 | 1 | |
| 75 | 050188 | SUPPORT, HOSE From K-0457 | 1 | |
| 76 | 504013 | TIE MOUNT / 1/4" X 1/4" I.D. From K-0457 | 4 | |
| 76 | 504379 | RIVET POP DOME OE 3/16x1/4 SS From K-0457 | 4 | |
| 76 | 504637 | CABLE TIE / 3/16" x 13" From K-0457 | 4 | |
| 77 | 5001697 | SCREW CAP HEX M6-1.0x16 SS BK From K-0457 | 1 | |
| 78 | 5001833 | WASHER BEL SPR 6.1x18x1.27 SS From K-0457 | 1 | |
| NS | 680098 | THREAD SEALANT LOCTITE #567 / WHITE / 250ml | AR | |
| | | | | |
| | | | | |
| | | | | |
| | | C) WITH OPTION "OETIKER" HOSE CLAMP | | |
| | | R) WITH "WORLD" TRANSMISSION WITH RETARDER | | |
| | | P) CALL ORDER DESK FOR SPECIFIC APPLICATION (V.I.N.) | | |

From L-0974

Date:07/2024

PAGE:VIP-0510-04

SURGE TANK



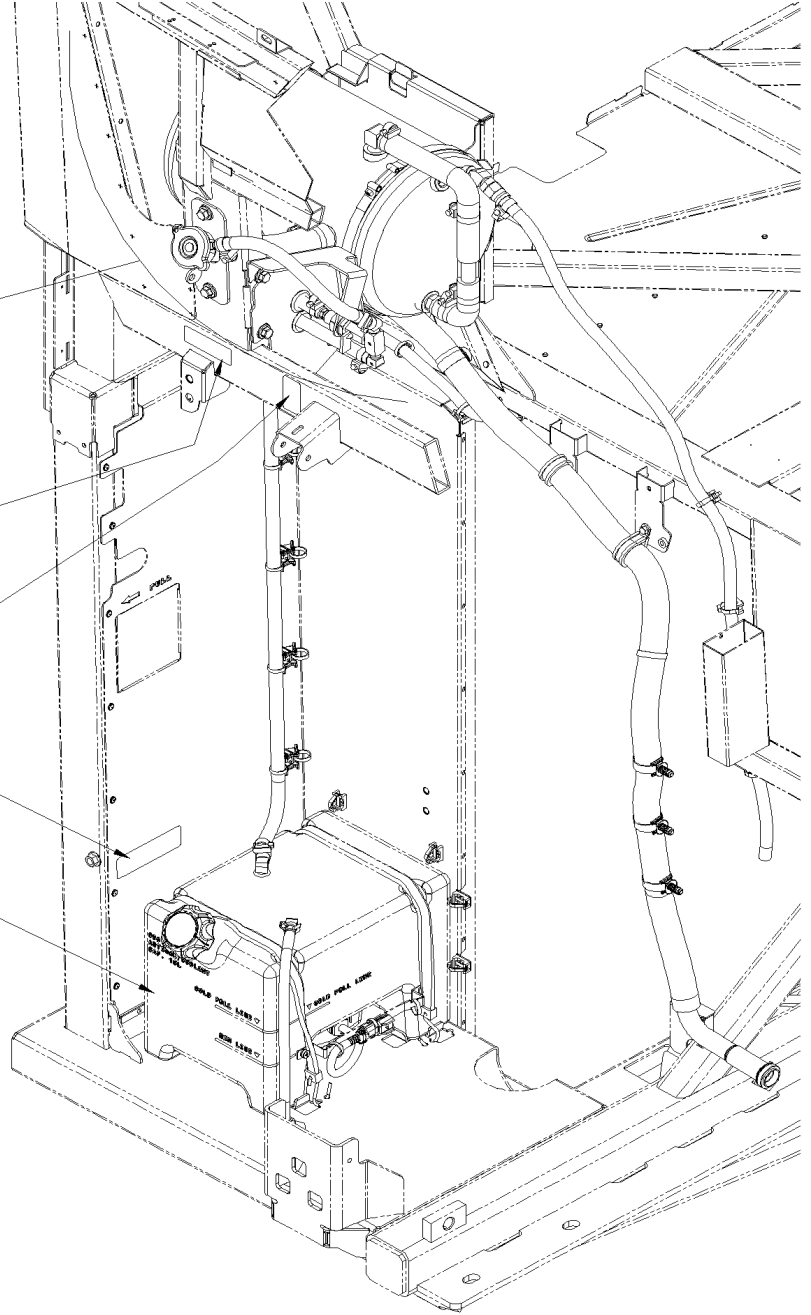
DETAIL "A"

50

51

52

80

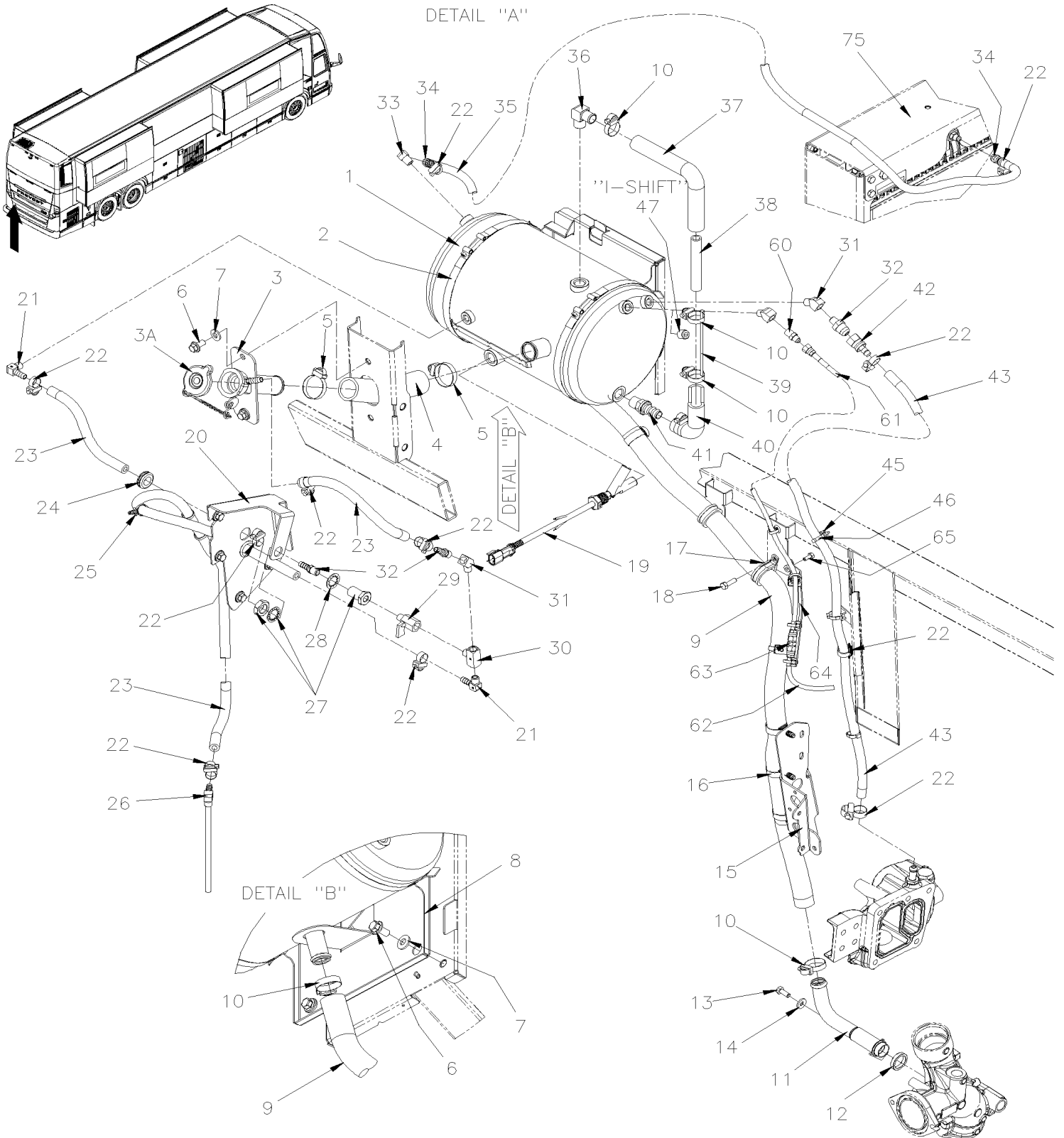


From L-0974

Date:07/2024

PAGE:VIP-0510-04

SURGE TANK



| | | | |
|-------------------|--|--------------|------------------|
| From L-0974 | | Date:07/2024 | PAGE:VIP-0510-04 |
| SURGE TANK | | | |

| Item# | Part | Description | QTY | Notes |
|-------|---------|---|-----|-------|
| 1 | 050239 | SURGE TANK / ALUMINUM | 1 | |
| 2 | 504775 | T-BOLT BAND CLAMP/ 9.69" ID | 2 | |
| 3 | 050240 | FILLER NECK "COOLANT" ASS | 1 | |
| 3A | 550047 | PRESSURE CAP, WO/SPRING | 1 | |
| 4 | 503783 | HOSE SILICONE 4PLY / NOMEX-ARAMID 34MM I.D. x 6' | AR | |
| 5 | 992086 | HOSE CLAMP / 32MM/52MM | 2 | |
| 6 | 5001307 | SCREW CAP HEXF M10-1.5x20 8.8 N500 | 4 | |
| 7 | 5001834 | WASHER BEL SPR 10.5X23X2.5 N500 | 4 | |
| 8 | 050060 | SUPPORT ASSY / SURGE TANK | 1 | |
| 9 | 503788 | HOSE SILICONE 4 PLY / NOMEX-ARAMID 1" I.D. x 54" | AR | |
| 10 | 992084 | HOSE CLAMP / 23MM/35MM | AR | |
| 11 | 053709 | PIPE ASSY, WATER PUMP | 1 | |
| 12 | 504738 | RUBBER JOINT | 1 | |
| 13 | 502862 | SCREW CAP HEX M8-1.25x20 G8.8 N500 | 1 | |
| 14 | 500321 | WASHER BEL SPR .331x.827x.098 N500 | 1 | |
| 15 | 050061 | SUPPORT / WATER HOSE | 1 | |
| 16 | 504750 | CABLE TIE / 1/2" x 15" / CHRISTMAS TREE | AR | |
| 17 | 952641 | CLAMP P STL ZP RUB 34.9 ID | 2 | |
| 18 | 502830 | SCREW CAP HEX M6-1.0x20 G8.8 N500 | 2 | |
| 19 | 069812 | SENSOR PROBE "LOW LEVEL COOLANT" ASSY / 1/2" NPT | 1 | |
| . NS | 560058 | . SENSOR PROBE "LOW LEVEL COOLANT" / 1/2" NPT | 1 | |
| . NS | 563764 | . CONNECTOR / CPC SERIES 3 / PH 3C / PED 15300002 | 1 | |
| . NS | 563763 | . PIN TERMINAL / 14-12 / PED 12129497 | 2 | |
| . NS | 561786 | . CABLE SEAL / GRAY / PED 15324980 | 2 | |
| . NS | 562387 | . CONVOLUTED TUBING / SLIT / BLACK / .250" | AR | |
| . NS | 562388 | . SECONDARY LOCK / METRI-PACK 280 / 2C / BLUE / PED 15300014 | 1 | |
| 20 | 040063 | ATTACHMENT DPF VOLVO | 1 | |
| 21 | 501088 | MALE ELBOW 90° / HOSE BARB FITTING / #6x1/4NPT-M BR | 1 | |
| 22 | 992081 | HOSE CLAMP / 12MM/22MM | 1 | |
| 23 | 503702 | HOSE / (SAFETY STRIPE) / 3/8" I.D. 50' / S.L. | AR | |
| 24 | 504671 | GROMMET / .687x1.000x.125x.437x1.312 | 2 | |
| 25 | 509815 | TIE MOUNT / ATTACHMENT W/TREE MOUNT | AR | |
| 26 | 050340 | ANKLE ASSY | 1 | |
| 27 | 501711 | BULKHEAD COUPLING / PIPE FITTING / 1/4NPT-Fx1/4NPT-Fx1 1/2 BR | 1 | |
| 28 | 500858 | WASHER LO INT .769x1.245x.055 Z050 | 1 | |
| 29 | 641936 | BALL VALVE 1/4 NPT M x 1/4 NPT F | 1 | |
| 30 | 501894 | MALE BRANCHE TEE / PIPE FITTING / 1/4NPT-Fx1/4NPT-Fx1/4NPT-M BR | 1 | |
| 31 | 501329 | STREET ELBOW 45° / PIPE FITTING / 1/4NPT-Mx1/4NPT-F BR | 2 | |
| 32 | 642196 | MALE CONNECTOR / HOSE BARB FITTING / #6x1/4NPT-M BR | 2 | |
| 33 | 501037 | MALE ELBOW 90° / SAE 45° FITTING / #4FL-Mx1/4NPT-M BR | 1 | |
| 34 | 501347 | FEMALE CONNECTOR SWIVEL / PUSH-LOK FITTING #4JIC-Fx#4 BR | 2 | |
| 35 | 503706 | HOSE FC-332-4 #4 | AR | |

| | | | |
|-------------------|--|--------------|------------------|
| From L-0974 | | Date:07/2024 | PAGE:VIP-0510-04 |
| SURGE TANK | | | |

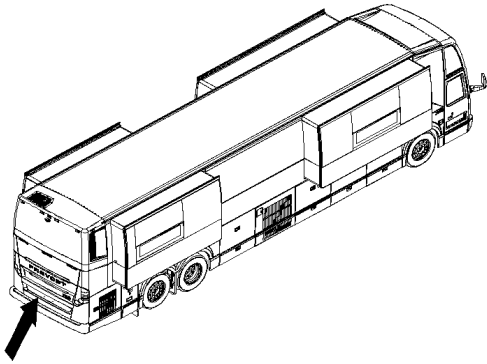
| Item# | Part | Description | QTY | Notes |
|-------|--------------------|--|-----|-------|
| 36 | 5011038 | MALE ELBOW 90° / BEADED HOSE BARB / #12x1/2NPT-M | 1 | |
| 37 | 503804 | ELBOW SILICONE / 3/4" I.D. / NOMEX-ARAMID | 1 | |
| 38 | 053647 | TUBE PYREX | 1 | |
| 39 | 053039 | HOLDING STRIP SS 24GA. 6X120MM | 1 | |
| 40 | 503805 | ELBOW SILICONE / 3/4" I.D. / NOMEX-ARAMID | 1 | |
| 41 | 507605 | MALE CONNECTOR / HOSE BARB FITTING / #12x1/2NPT-M BR | 1 | |
| 42 | 5011260 | FEMALE CONNECTOR SWIVEL / PUSH-LOK FITTING / #8FL-Fx#6 BR | 1 | |
| 43 | 503821 | HOSE SILICONE 4 PLY / NOMEX-ARAMID 3/8" x 144" | AR | |
| 45 | 504013 | TIE MOUNT / 1/4" X 1/4" I.D. | AR | |
| NS | 504488 | RIVET MGLP PRDG 3/16x17/64 SS | AR | |
| 46 | 504016 | CABLE TIE / 5/16" X 14"1/2 | AR | |
| 47 | 501800 | PLUG HEXS / PIPE FITTING / 1/4NPT-M STL | 1 | A |
| 50 | 050147 | DECAL "CAUTION NEVER OPEN..." ENGLISH / FRANCAIS To L-1014 | 1 | |
| 50 | 050462 | DECAL "CAUTION NEVER OPEN..." ENGLISH / FRANCAIS From L-1015 To R-1909 | 1 | |
| 50 | 050138 | DECAL "CAUTION NEVER OPEN..." ENGLISH To L-1014 | 1 | |
| 50 | 050463 | DECAL "CAUTION NEVER OPEN..." ENGLISH From L-1015 To R-1909 | 1 | |
| 50 | 050617 | DECAL, COOLANT VOLVO VCS-2B "CAUTION NEVER OPEN..." ENGLISH / FRANCAIS / ESPANOL From R-1910 | 1 | |
| 51 | 050158 | DECAL "OPERATIONAL MODE" ENGLISH / FRANCAIS | 1 | |
| 51 | 050465 | DECAL "OPERATIONAL MODE" ENGLISH / FRANCAIS From L-1015 | 1 | |
| 51 | 050163 | DECAL "OPERATIONAL MODE" ENGLISH To L-1014 | 1 | |
| 51 | 050466 | DECAL "OPERATIONAL MODE" ENGLISH From L-1015 | 1 | |
| 52 | 050333 | DECAL "COOLANT" / ENGLISH & FRANCAIS To R-1909 | 1 | |
| 52 | 050335 | DECAL "COOLANT" / ENGLISH To R-1909 | 1 | |
| 52 | 050628 | DECAL, COOLANT VOLVO VCS-2B (ENGLISH-FRANCAIS-ESPANOL) From R-1910 | 1 | |
| 60 | 501027 | MALE CONNECTOR / SAE 45° FITTING / #4FL-Mx1/4NPT-M BR | 1 | R |
| 61 | Call order desk | HOSE ASSY TEFLON #4 775MM | 1 | P R |
| 62 | Call order desk | HOSE ASSY TEFLON #4 1905MM | 1 | P R |
| 63 | 501017 | UNION / SAE 45° FITTING / #4FL-Mx#4FL-M BR | 1 | R |
| 64 | 050186 | CABLE SUPPORT | 1 | R |
| NS | 504013 | TIE MOUNT / 1/4" X 1/4" I.D. | AR | R |
| NS | 504637 | CABLE TIE / 3/16" x 13" | AR | R |
| 64 | 504379 | RIVET POP DOME OE 3/16x1/4 SS | AR | R |
| 65 | 5001697 | SCREW CAP HEX M6-1.0x16 SS BK | 1 | R |
| 75 | VIP-0505-01 | RADIATOR ASSY | | |
| 80 | VIP-0510-10 | RECOVERY TANK | | |
| | | | | |
| | | | | |
| | | | | |
| | | A) WITH "WORLD" TRANSMISSION WITHOUT RETARDER | | |
| | | R) WITH "WORLD" TRANSMISSION WITH RETARDER | | |
| | | P) CALL ORDER DESK FOR SPECIFIC APPLICATION (V.I.N.) | | |

From L-0974

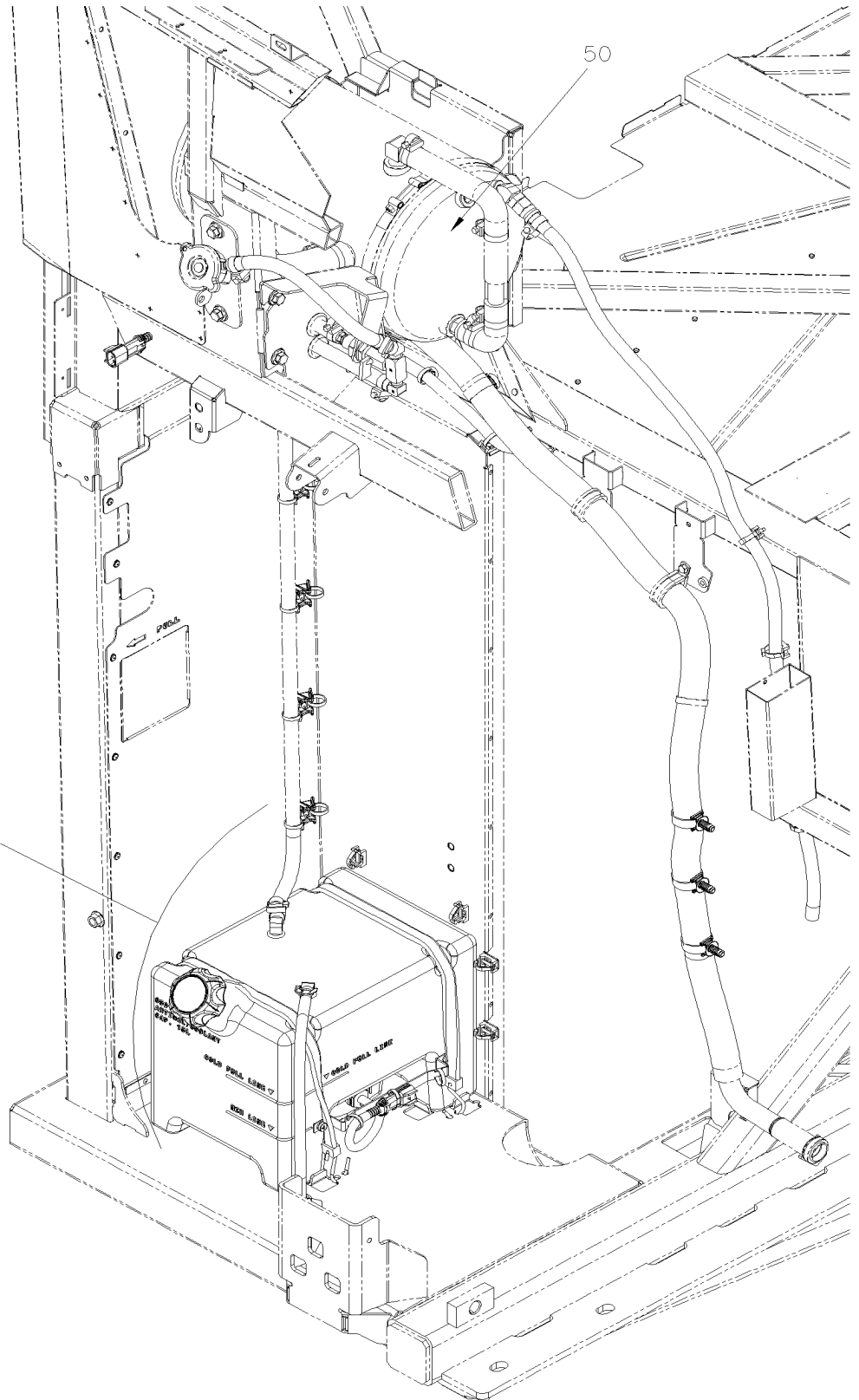
Date:07/2024

PAGE:VIP-0510-10

RECOVERY TANK



DETAIL "A"



| | | |
|----------------------|--------------|------------------|
| From L-0974 | Date:07/2024 | PAGE:VIP-0510-10 |
| RECOVERY TANK | | |

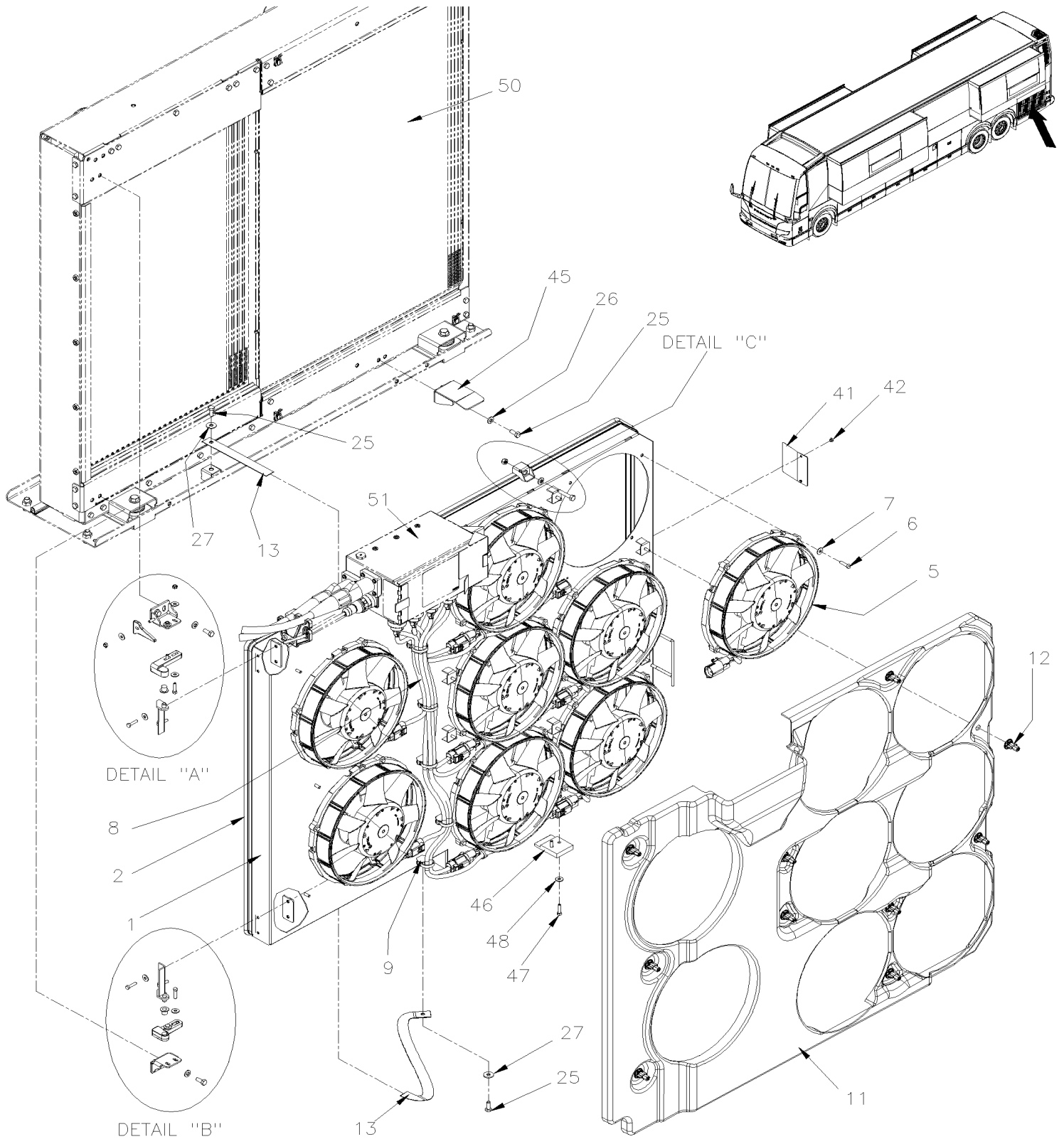
| Item# | Part | Description | QTY | Notes |
|-------|--------------------|--|-----|-------|
| 1 | 050189 | RECOVERY TANK To R-1928 | 1 | |
| 1 | 050615 | RECOVERY TANK From R-1929 | 1 | |
| 2 | 5041100 | CAP NON VENTED | 1 | |
| 3 | 503789 | HOSE SILICONE 1 PLY / NOMEX-ARAMID 1/4" X 25' | AR | |
| 4 | 504421 | GROMMET / .625x.875x.187x.437x1.125 | 1 | |
| 5 | 21283796 | SPRING HOSE CLAMP 1/4" | 1 | |
| 6 | 501089 | MALE ELBOW 90° / HOSE BARB FITTING / #4x1/4NPT-M BR | 1 | |
| 7 | 504116 | RUBBER TIE DOWN W/HOOK / 25" | 2 | |
| 8 | 050112 | BRACKET, RECOVERY TANK | 1 | |
| 9 | 502570 | WASHER LO SPT 6.1x11.8x1.6 SS | 2 | |
| 10 | 502817 | SCREW MA PAN PH M6-1.0x16 N500 | 2 | |
| 11 | 069812 | SENSOR PROBE "LOW LEVEL COOLANT" ASSY / 1/2" NPT | 1 | |
| . NS | 560058 | . SENSOR PROBE "LOW LEVEL COOLANT" / 1/2" NPT | 1 | |
| . NS | 563764 | . CONNECTOR / CPC SERIES 3 / PH 3C / PED 15300002 | 1 | |
| . NS | 563763 | . PIN TERMINAL / 14-12 / PED 12129497 | 2 | |
| . NS | 561786 | . CABLE SEAL / GRAY / PED 15324980 | 2 | |
| . NS | 562387 | . CONVOLUTED TUBING / SLIT / BLACK / .250" | AR | |
| . NS | 562388 | . SECONDARY LOCK / METRI-PACK 280 / 2C / BLUE / PED 15300014 | 1 | |
| 12 | 504637 | CABLE TIE / 3/16" x 13" | AR | |
| 50 | VIP-0510-04 | SURGE TANK | | |

From K-0295

Date:07/2024

PAGE:VIP-0520-02

ELECTRICAL FANS - INSTALLATION

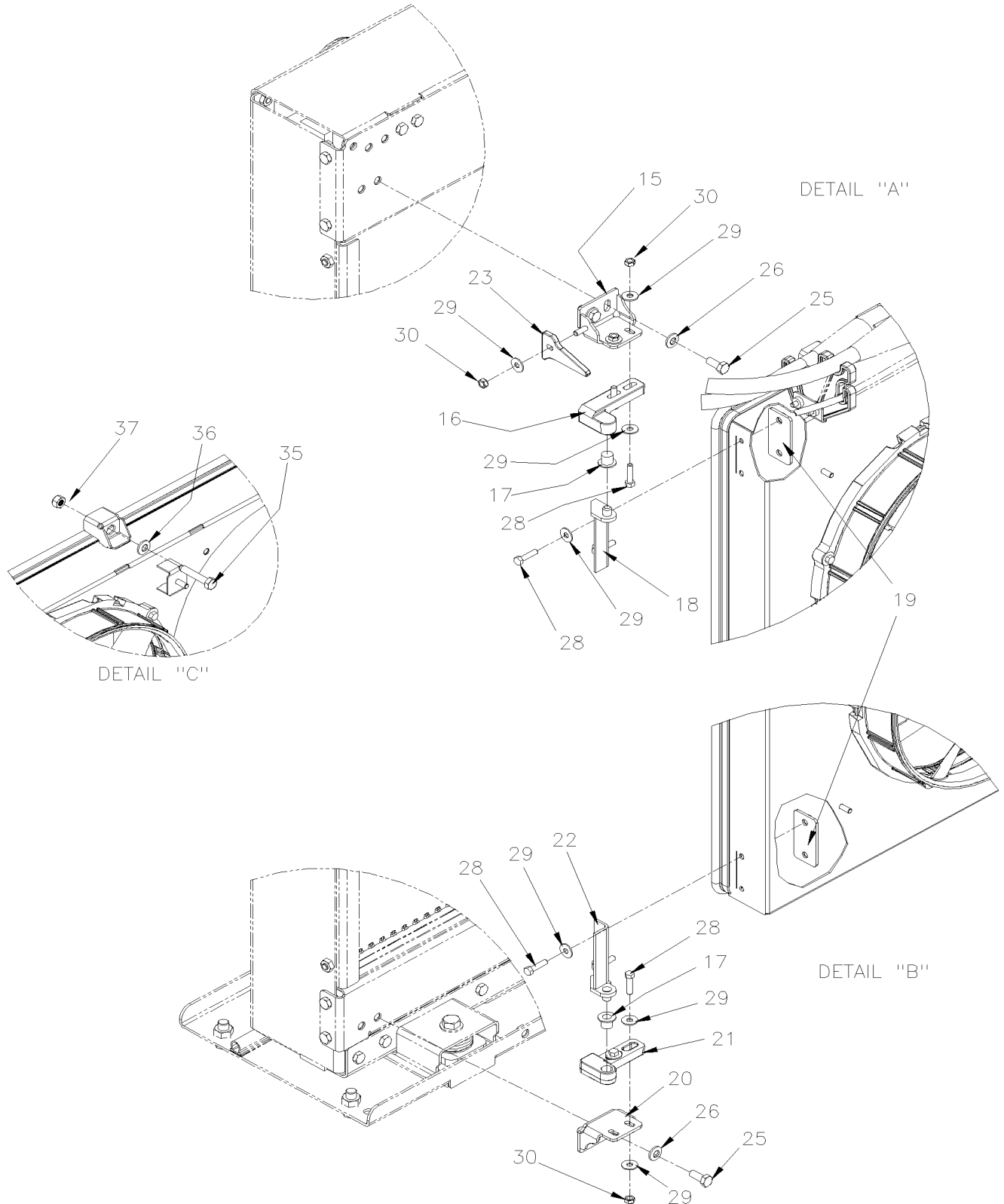


From K-0295

Date:07/2024

PAGE:VIP-0520-02

ELECTRICAL FANS - INSTALLATION



| | | | |
|-------------|--|--------------|------------------|
| From K-0295 | | Date:07/2024 | PAGE:VIP-0520-02 |
|-------------|--|--------------|------------------|

ELECTRICAL FANS - INSTALLATION

| Item# | Part | Description | QTY | Notes |
|-------|---------|--|-----|-------|
| 1 | 053075 | DOOR / FANS HOLDER FOR RADIATOR & CAC (WELDED) | 1 | |
| 2 | 506303 | RUBBER SEAL EXTRUSION | AR | |
| 5 | 565191 | ELECTRIC FAN FOR RADIATOR & CAC To M-1138 | 8 | |
| . NS | 568092 | . CONNECTOR / PH 4C / YAZAKI 7282-8497-90 To M-1138 | 1 | |
| . NS | 560009 | . CONNECTOR CLIP / HELLERMAN TYTON 155-30702 To M-1138 | 1 | |
| 5 | 564312 | ELECTRIC FAN FOR RADIATOR & CAC From M-1139 | 1 | |
| . NS | 568092 | . CONNECTOR / PH 4C / YAZAKI 7282-8497-90 From M-1139 | 1 | |
| . NS | 560009 | . CONNECTOR CLIP / HELLERMAN TYTON 155-30702 From M-1139 | 1 | |
| 6 | 502737 | SCREW CAP HEX M6-1.0x25 SS BK | AR | |
| 7 | 5001833 | WASHER BEL SPR 6.1x18x1.27 SS | AR | |
| 8 | 068820 | HARNESS FAN DRIVE | 1 | |
| NS | 8631155 | CABLE TIE / 4.6MM x 200 / CHRISTMAS TREE | 4 | |
| 9 | 509492 | CABLE TIE MOUNT FOR THREADED STUD 1/4 | 7 | |
| 9 | 504016 | CABLE TIE / 5/16" X 14"1/2 | 7 | |
| 11 | 053714 | FINISH PANEL RADIATORS | 1 | |
| 12 | 491237 | NUT WING / PLASTIC M6-1.0 x 23 | 10 | |
| 13 | 053113 | STRAP NYLON 1" WIDE 545MM | 1 | |
| 13 | 505507 | . STRAP NYLON 1" WIDE / S.L. | AR | |
| 15 | 050090 | BRACKET FOR HINGE / UPPER | 1 | |
| 16 | 286129 | HINGE / | 1 | |
| 17 | 284607 | BUSHING, NYLON / (NOT INCLUDE W/HINGE) | 2 | |
| 18 | 289150 | ARM ASSY | 1 | |
| 19 | 053080 | ATTACHEMENT / HINGE | 2 | |
| 20 | 053073 | BRACKET FOR HINGE | 1 | |
| 21 | 286085 | HINGE / | 1 | |
| 22 | 289149 | ARM ASSY | 1 | |
| 23 | 050086 | BRACKET | 1 | |
| 25 | 500119 | SCREW CAP HEX M8X1.25X20 BK | 8 | |
| 26 | 5001868 | WASHER BEL SPR 8.4x18x2 SS | 6 | |
| 27 | 5001849 | WASHER FL 8.4x24.0x2.0 SS | 2 | |
| 28 | 502737 | SCREW CAP HEX M6-1.0x25 SS BK | 8 | |
| 29 | 5001833 | WASHER BEL SPR 6.1x18x1.27 SS | 13 | |
| 30 | 502565 | NUT HEX M6-1.0 SS | 5 | |
| 35 | 5002012 | SCREW CAP HEX W/DOG M8-1.25x45 SS | 2 | |
| 35 | 680335 | ANTIGRIP MIXTURE | AR | |
| 36 | 5001868 | WASHER BEL SPR 8.4x18x2 SS | 2 | |
| 37 | 5001983 | NUT HEX NYRT M8-1.25 SS SS BK | 2 | |

| | | |
|-------------|--------------|------------------|
| From K-0295 | Date:07/2024 | PAGE:VIP-0520-02 |
|-------------|--------------|------------------|

ELECTRICAL FANS - INSTALLATION

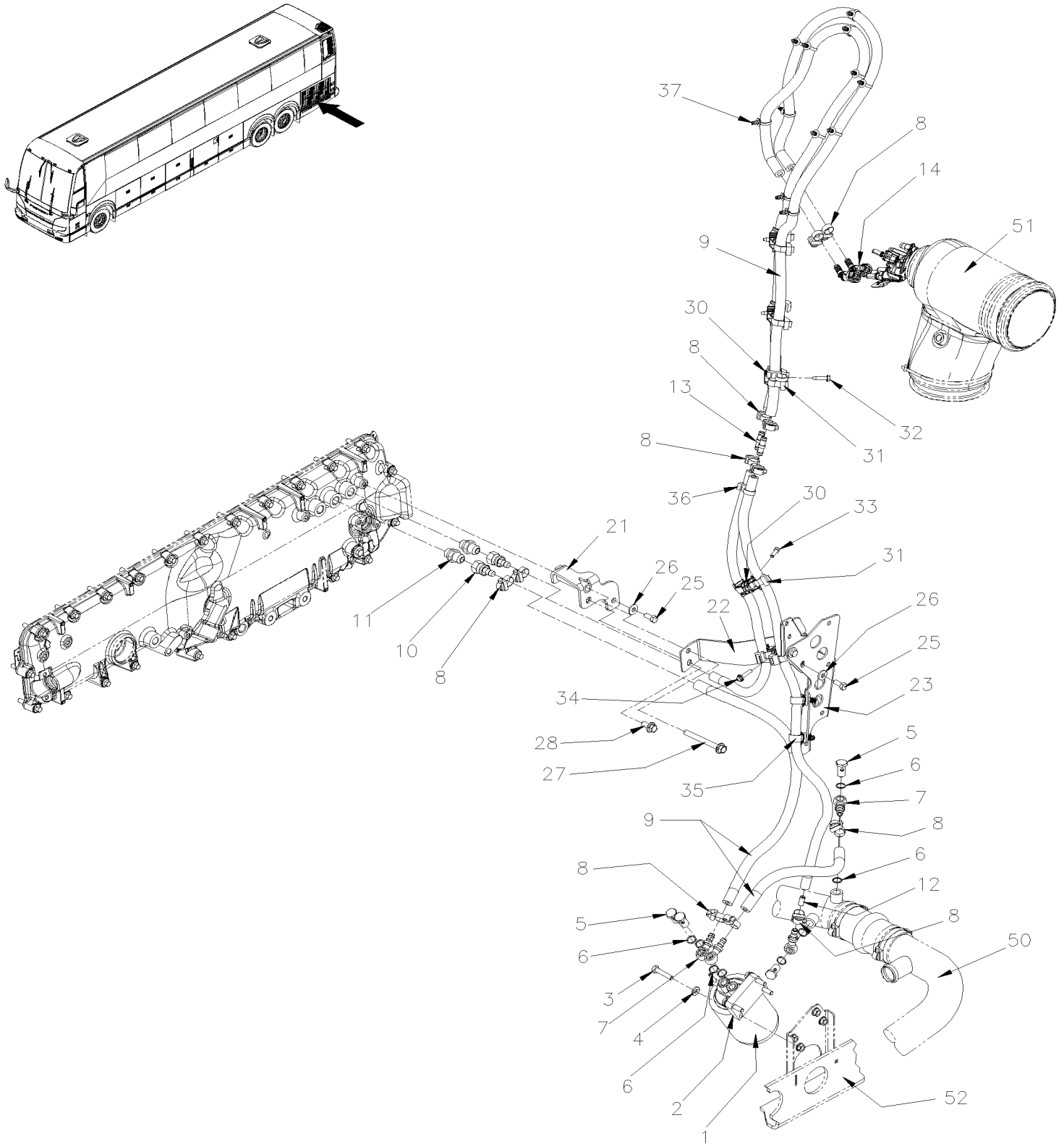
| Item# | Part | Description | QTY | Notes |
|-------|-------------|--|-----|-------|
| 41 | 053111 | PLATE, PROTECTION FOR RUBBER | 1 | |
| 42 | 504379 | RIVET POP DOME OE 3/16x1/4 SS | 2 | |
| 45 | 053081 | GUIDE FOR FAN'S DOOR | 1 | |
| 46 | 053082 | SKATE, FANS DOOR RAD. & CAC | 1 | |
| 47 | 502737 | SCREW CAP HEX M6-1.0x25 SS BK | 2 | |
| 48 | 5001833 | WASHER BEL SPR 6.1x18x1.27 SS | 2 | |
| 50 | VIP-0505-01 | RADIATOR ASSY | | |
| 51 | VIP-0622-00 | POWER BOX FOR RADIATORS FANS VOLVO D13 - GHG17 | | |

From K-0295

Date:07/2024

PAGE:VIP-0530-03

COOLANT FILTER - INSTALLATION WITH VOLVO D13



| | | | |
|---|--|---------------------|-------------------------|
| From K-0295 | | Date:07/2024 | PAGE:VIP-0530-03 |
| COOLANT FILTER - INSTALLATION WITH VOLVO D13 | | | |

| Item# | Part | Description | QTY | Notes |
|-------|--------------------|---|-----|-------|
| 1 | 21937327 | CARTRIGE "MAINTENANCE" COOLANT LONG LIFE "WITH D13 ENGINE" | 1 | |
| 2 | 3979836 | ADAPTOR HEAD, COOLANT FILTER | 1 | |
| 3 | 5001989 | SCREW CAP HEX M8-1.25x40 BK | 4 | |
| 4 | 5001868 | WASHER BEL SPR 8.4x18x2 SS | 4 | |
| 5 | 507655 | BANJO BOLT / M14-1.5 | 4 | |
| 6 | 507657 | BANJO WASHER / M14 | 8 | |
| 7 | 507653 | BANJO UNION / 14MMx#6HOSE | 4 | |
| 8 | 992081 | HOSE CLAMP / 12MM/22MM | 10 | |
| 9 | 503821 | HOSE SILICONE 4 PLY / NOMEX-ARAMID 3/8" x 144" | AR | |
| 10 | 5011260 | FEMALE CONNECTOR SWIVEL / PUSH-LOK FITTING / #8FL-Fx#6 BR | 2 | |
| 11 | 5011192 | MALE CONNECTOR / JIC 37° FITTING / #8JIC-MxM18-1.5-M STL | 2 | |
| . NS | N.P.N. | . O-RING | 1 | 4 |
| . NS | N.P.N. | . WASHER RET | 1 | 4 |
| 12 | 053008 | RESTRICTION / ALU. TUBE 20MM X 9.05MM O.D. W/3.05MM HOLE | 1 | |
| 13 | 5011340 | UNION / MINI BARB FITTING / #8x#8 BR | 2 | |
| 14 | 21312072 | QUICK CONNECTOR 45° 10MM | 2 | |
| | | | | |
| 21 | 053485 | ATTACHMENT ENGINE BLOCK | 1 | |
| 22 | 050073 | SUPPORT,WATER HOSE To R-1918 | 1 | |
| 22 | 050616 | SUPPORT,WATER HOSE From R-1919 | 1 | |
| 23 | 050061 | SUPPORT / WATER HOSE | 1 | |
| 25 | 502862 | SCREW CAP HEX M8-1.25x20 G8.8 N500 | 3 | |
| 26 | 500321 | WASHER BEL SPR .331x.827x.098 N500 | 1 | |
| 27 | 5001784 | SCREW CAP HEXF M10-1.5x90 G8.8 AD N500 | 1 | |
| 28 | 5001307 | SCREW CAP HEXF M10-1.5x20 8.8 N500 | 1 | |
| | | | | |
| 30 | 509490 | ATTACHMENT DOUBLE USE WITH CABLE TIE | 5 | |
| 31 | 509491 | CABLE TIE / 13MM x 383MM | AR | |
| 32 | 500266 | SCREW TC CAP HEX 1/4-20x1 N500 | 3 | |
| 33 | 502737 | SCREW CAP HEX M6-1.0x25 SS BK | 1 | |
| 34 | 5001815 | SCREW CAP HEXF M6-1.0x30 G 8.8 N500 | 1 | |
| 35 | 504750 | CABLE TIE / 1/2" x 15" / CHRISTMAS TREE | 3 | |
| 36 | 504768 | CABLE TIE / 3/16" 14.7" / DOUBLE LOOP HEAD | 2 | |
| 37 | 509815 | TIE MOUNT / ATTACHMENT W/TREE MOUNT | AR | |
| 37 | 504637 | CABLE TIE / 3/16" x 13" | AR | |
| | | | | |
| 50 | VIP-0500-02 | COOLANT PIPING WITH VOLVO D13 | | |
| 51 | VIP-0405-02 | MUFFLER - INSTALLATION WITH DPF & SCR WITH VOLVO D13 To P-1347 | | |
| 51 | VIP-0405-03 | MUFFLER - INSTALLATION WITH DPF & SCR WITH VOLVO D13 From P-1348 | | |
| 52 | VIP-0150-03 | ENGINE CRADLE - WITH VOLVO D13 | | |
| | | | | |
| | | | | |

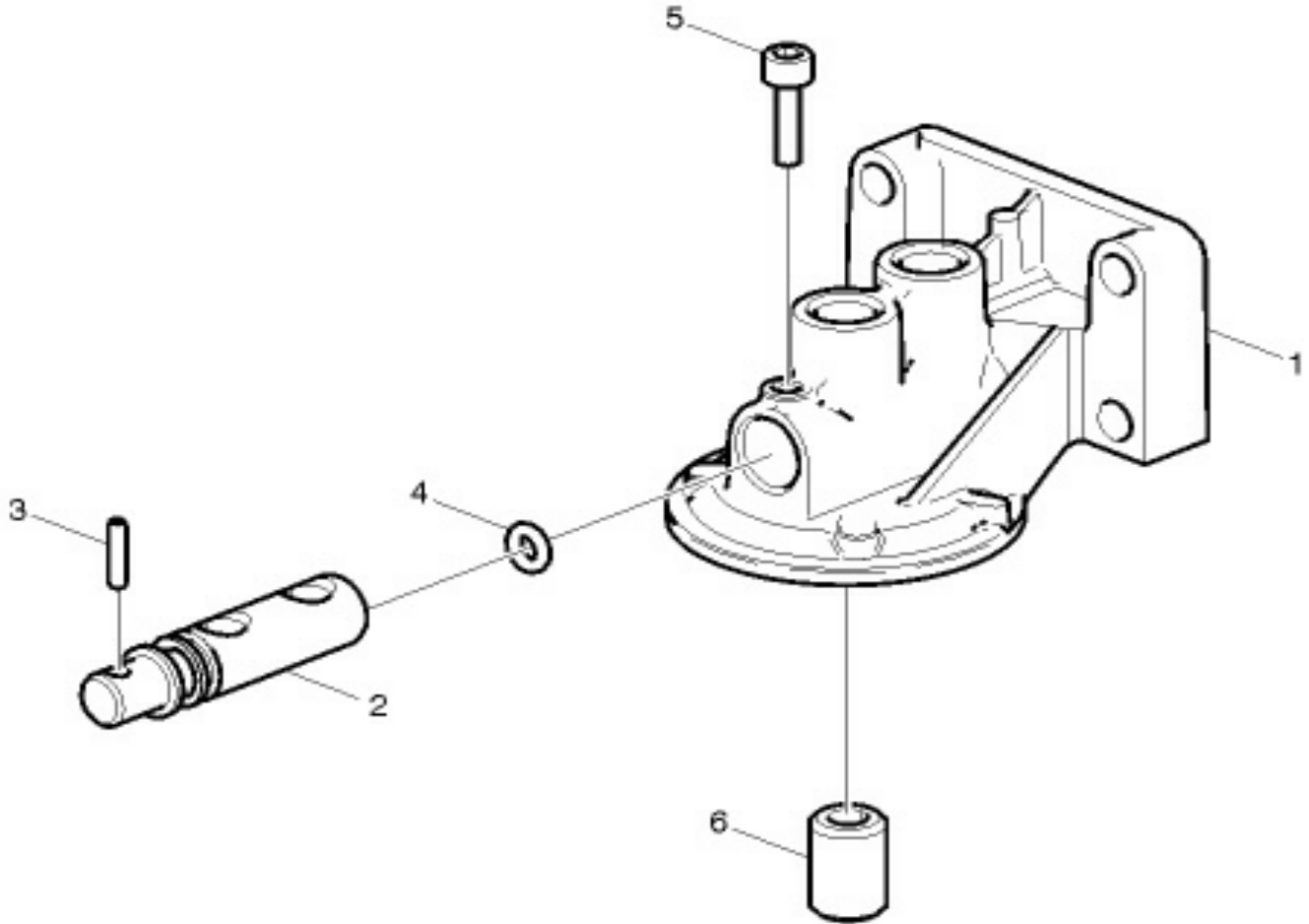
| From K-0295 | | Date:07/2024 | PAGE:VIP-0530-03 | |
|--|------|--------------------|------------------|-------|
| COOLANT FILTER - INSTALLATION WITH VOLVO D13 | | | | |
| Item# | Part | Description | QTY | Notes |
| | | | | |
| | | 4) NO PARTS NUMBER | | |

From K-0295

Date:07/2024

PAGE:3979836

ADAPTOR HEAD, COOLANT FILTER



| | | |
|-------------|--------------|--------------|
| From K-0295 | Date:07/2024 | PAGE:3979836 |
|-------------|--------------|--------------|

ADAPTOR HEAD, COOLANT FILTER

| Item# | Part | Description | QTY | Notes |
|-------|---------|-----------------------|-----|-------|
| 1 | 1661683 | HOUSING | 1 | |
| 2 | 1661686 | SPINDLE | 1 | |
| 3 | 951972 | SPRING PIN | 1 | |
| 4 | 968725 | O-RING 11.3X2.4 | 1 | |
| 5 | 963692 | HEX. SOCKET SCREW | 1 | |
| 6 | 1676554 | NIPPLE COOLANT FILTER | 1 | |

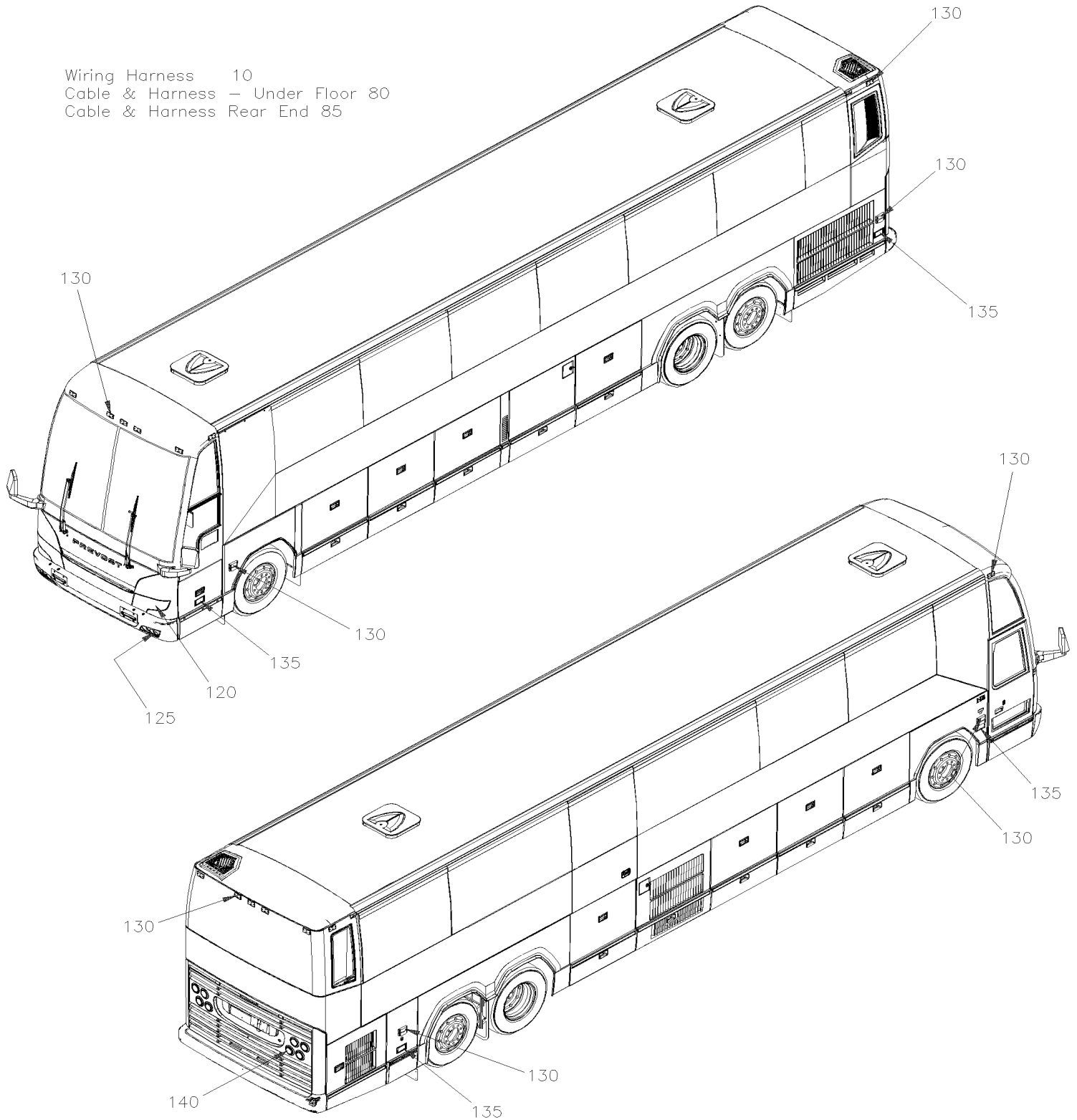
From K-0295

Date:07/2024

VIP-06

ELECTRICAL

Wiring Harness 10
Cable & Harness — Under Floor 80
Cable & Harness Rear End 85



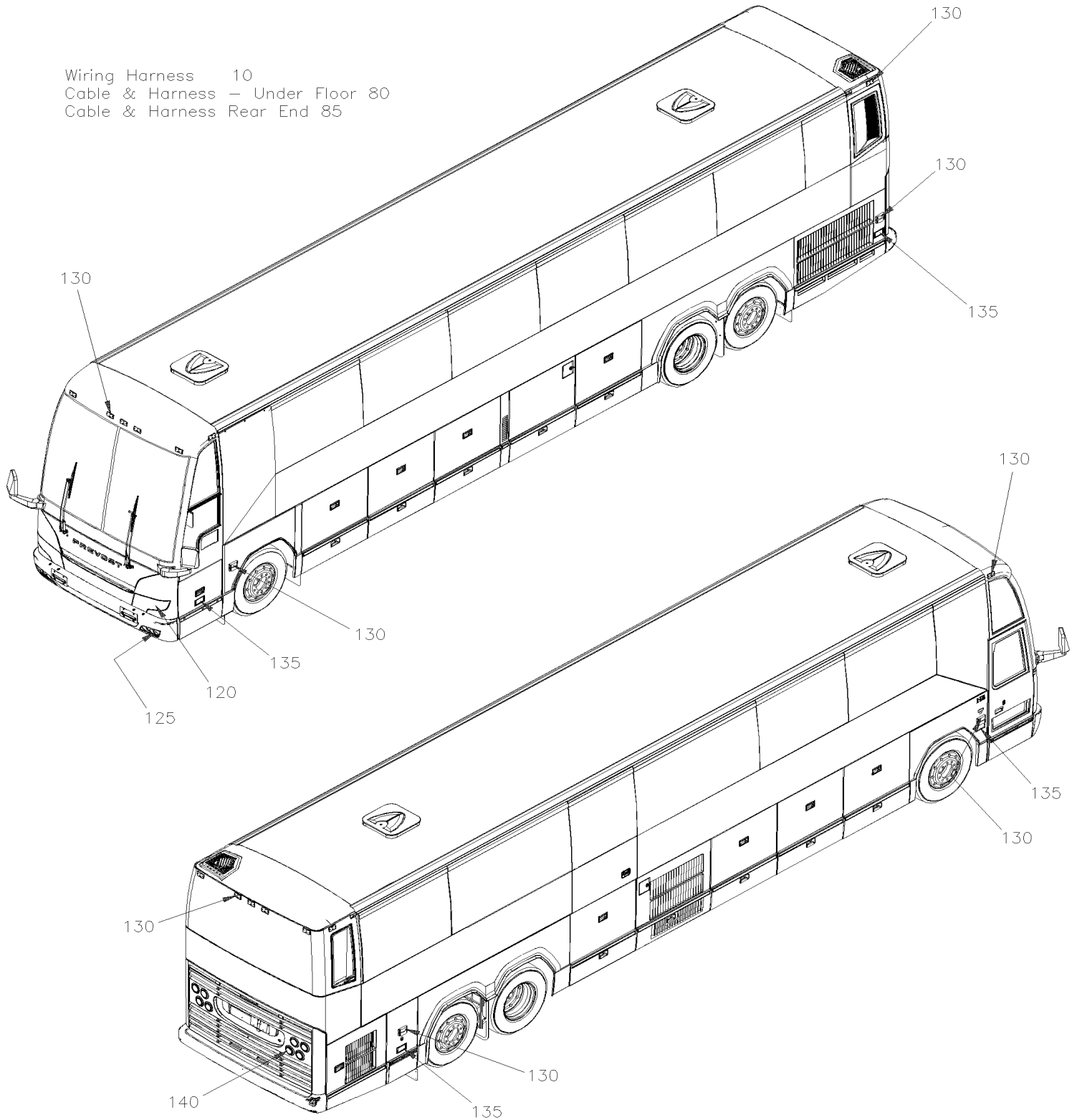
From K-0295

Date:07/2024

VIP-06

ELECTRICAL

Wiring Harness 10
Cable & Harness — Under Floor 80
Cable & Harness Rear End 85



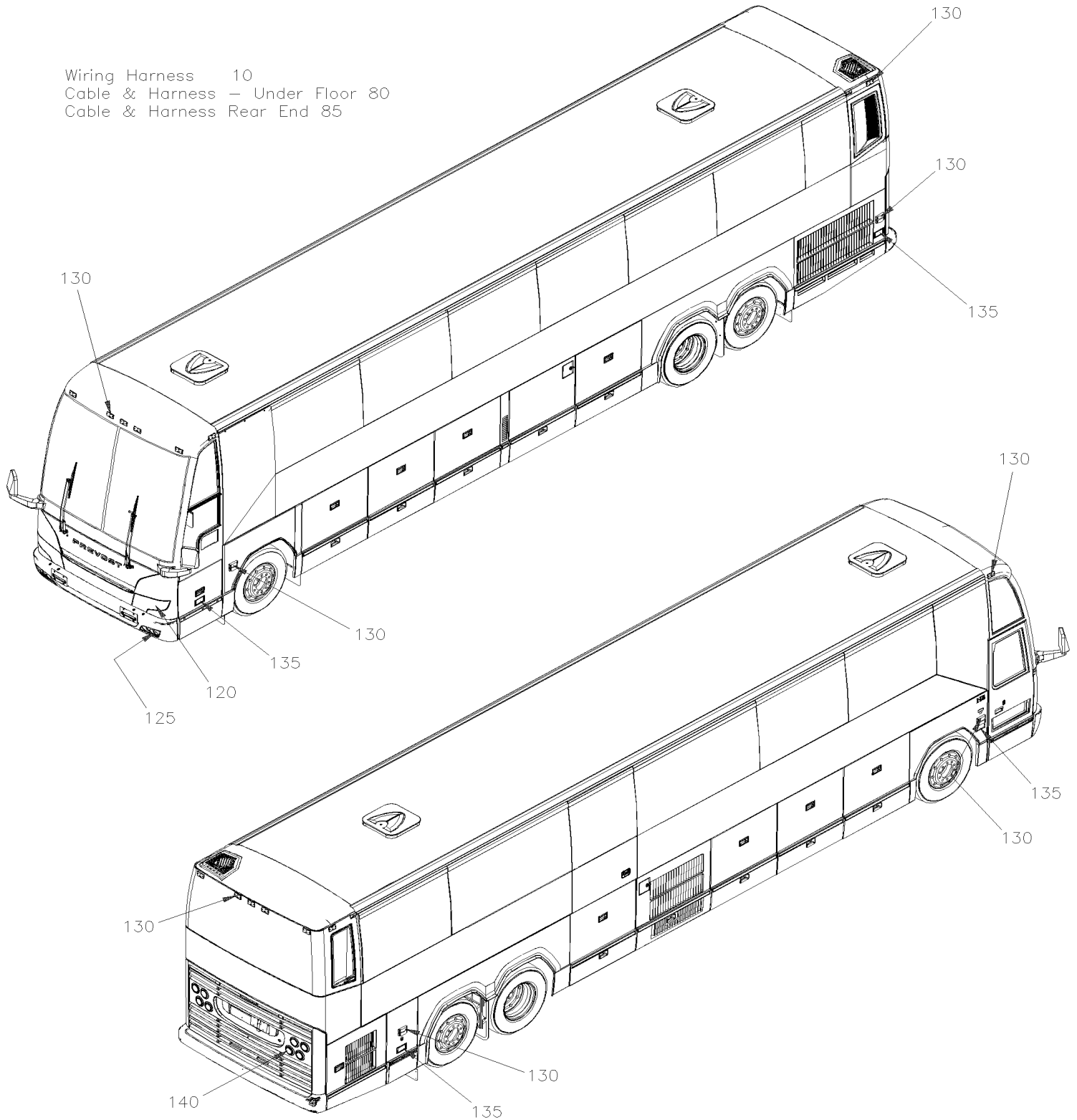
From K-0295

Date:07/2024

VIP-06

ELECTRICAL

Wiring Harness 10
Cable & Harness — Under Floor 80
Cable & Harness Rear End 85



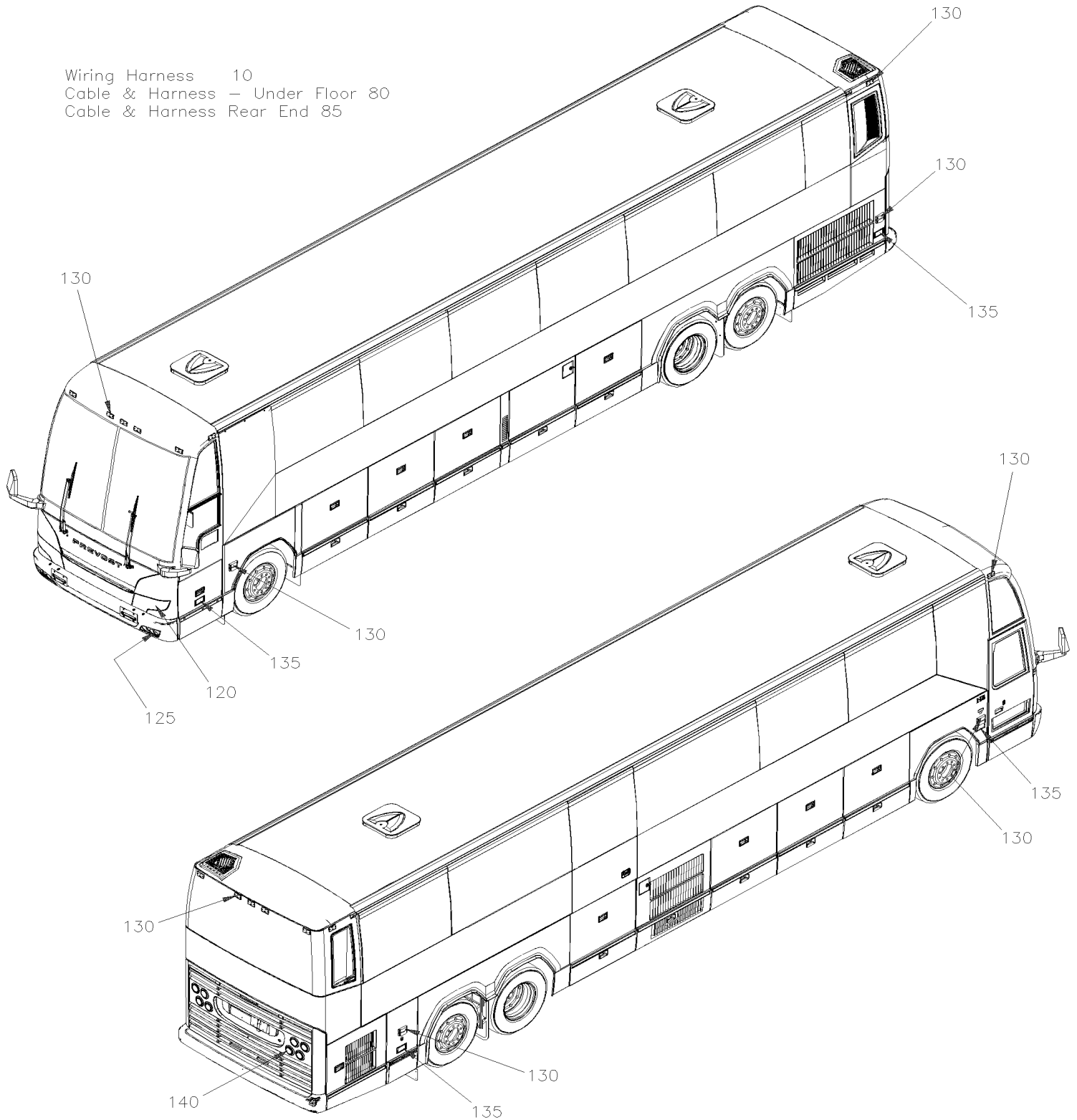
From K-0295

Date:07/2024

VIP-06

ELECTRICAL

Wiring Harness 10
Cable & Harness — Under Floor 80
Cable & Harness Rear End 85



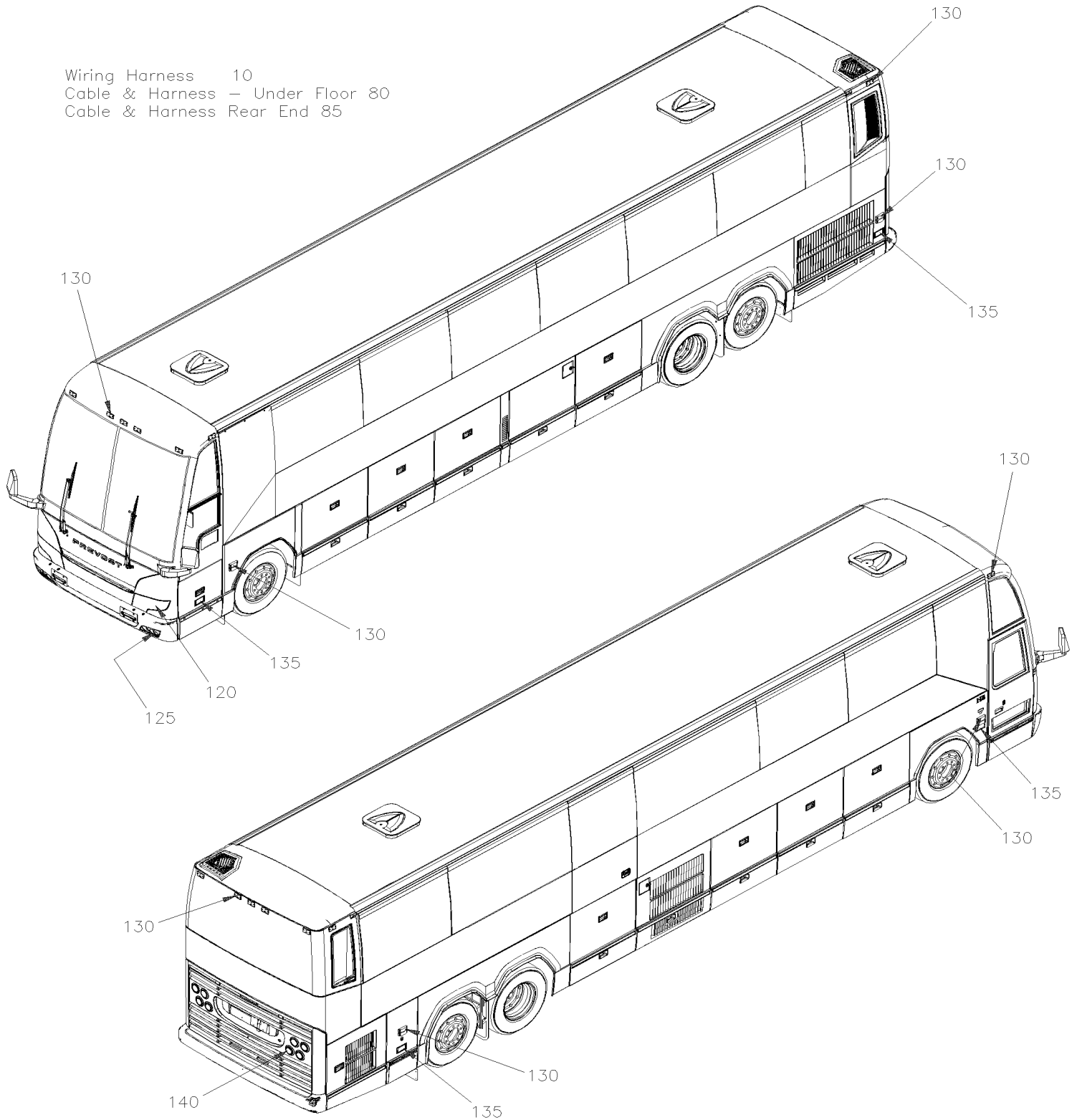
From K-0295

Date:07/2024

VIP-06

ELECTRICAL

Wiring Harness 10
Cable & Harness - Under Floor 80
Cable & Harness Rear End 85



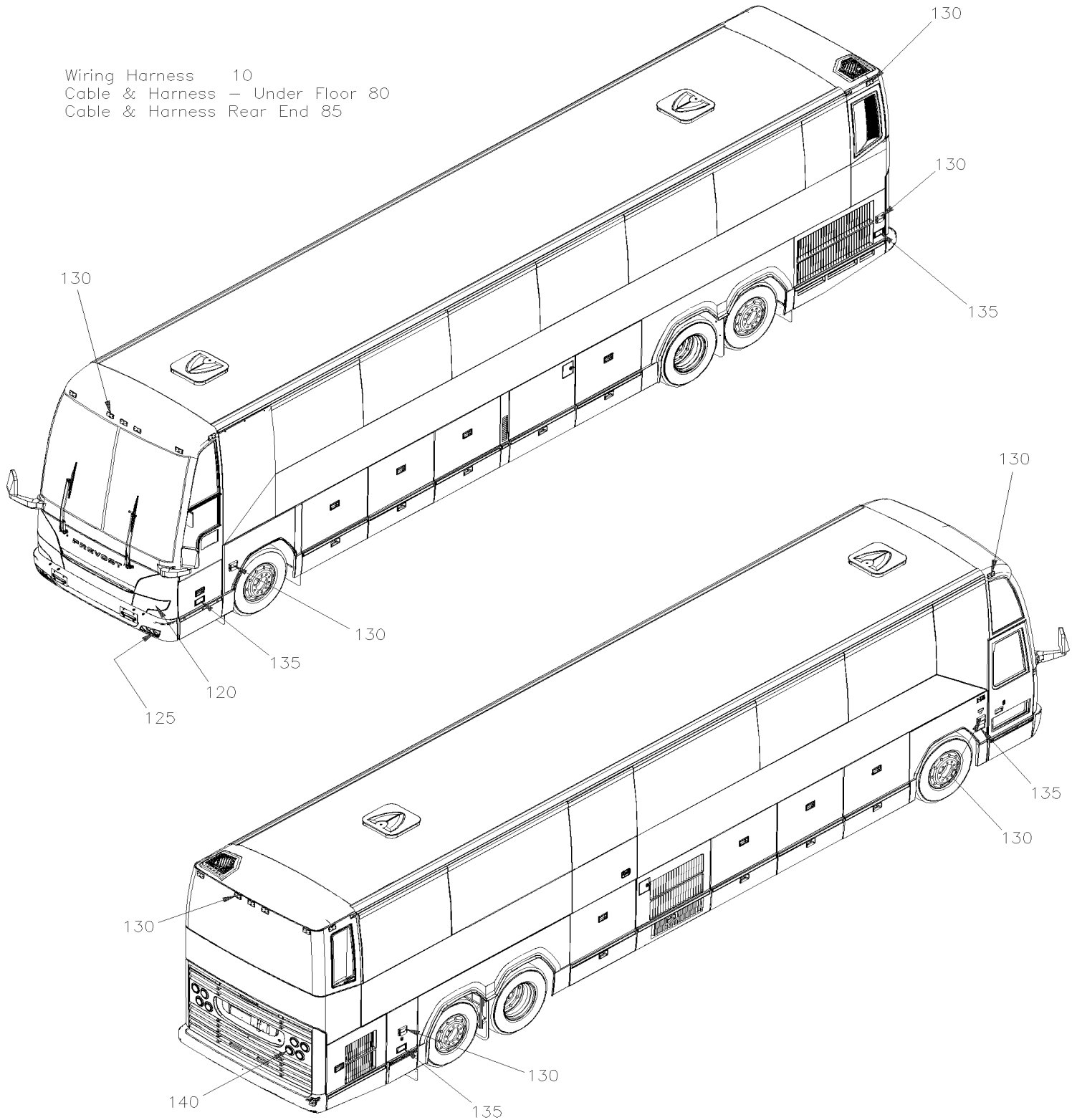
From K-0295

Date:07/2024

VIP-06

ELECTRICAL

Wiring Harness 10
Cable & Harness - Under Floor 80
Cable & Harness Rear End 85

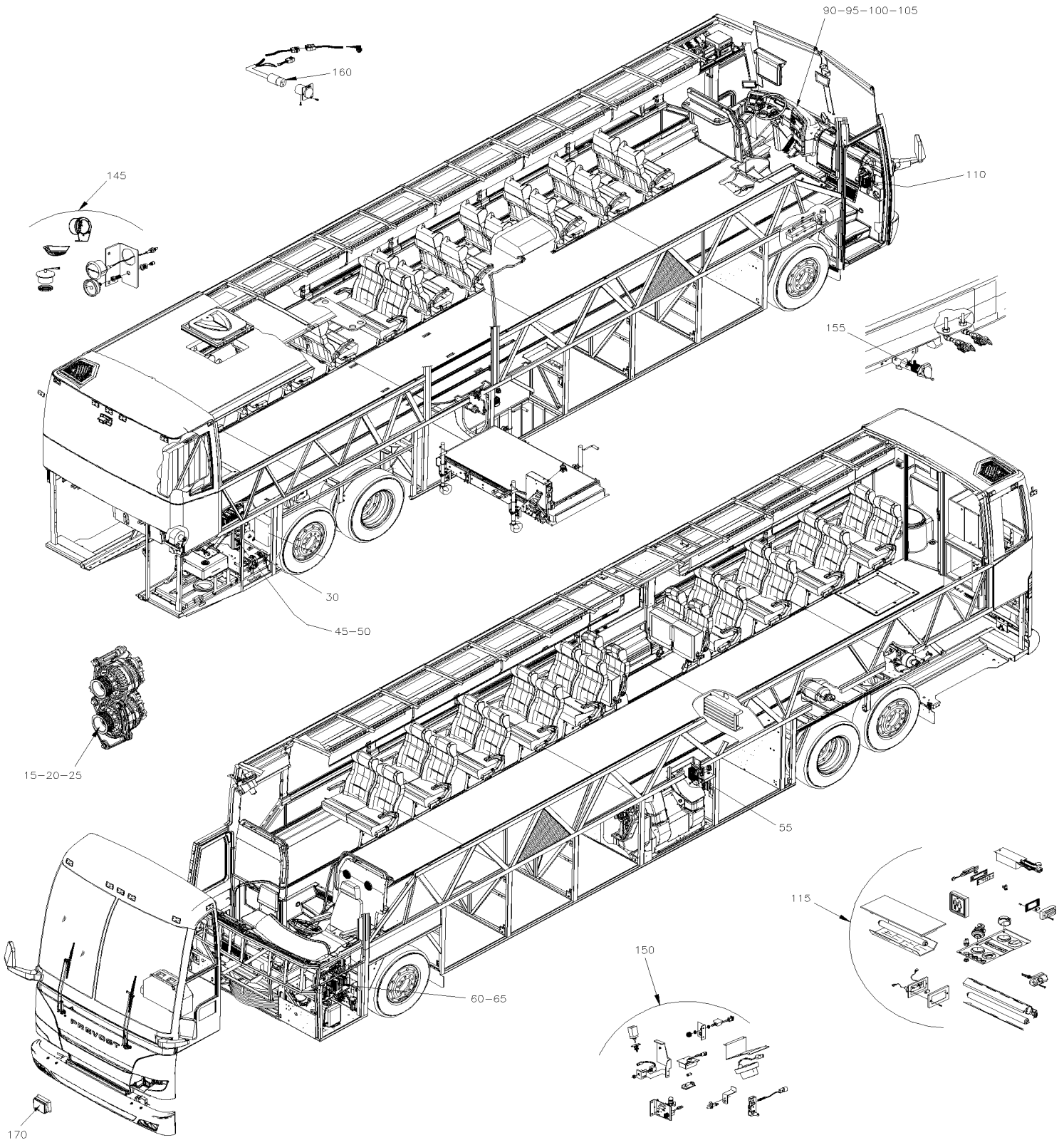


From K-0295

Date:07/2024

VIP-06

ELECTRICAL

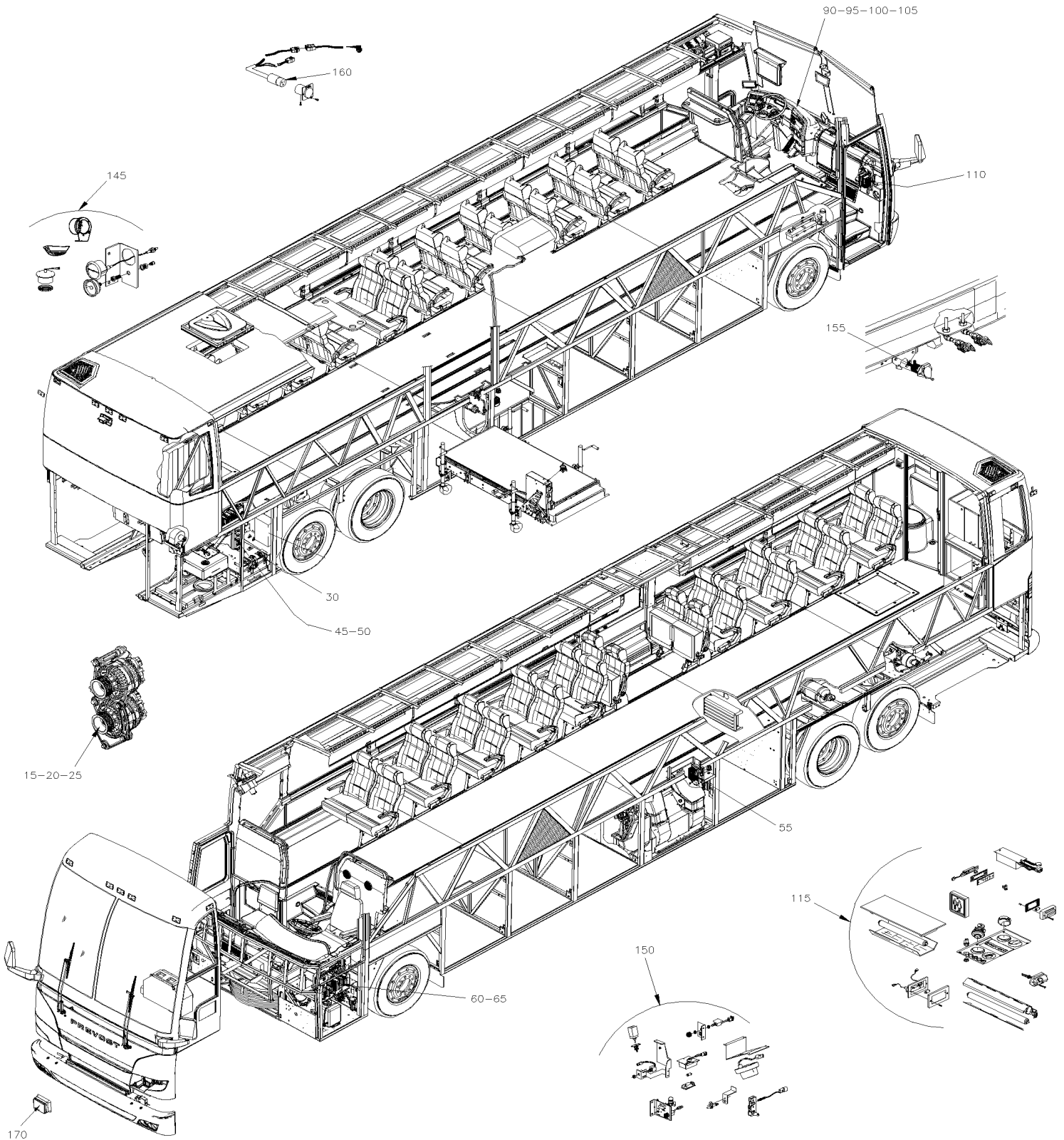


From K-0295

Date:07/2024

VIP-06

ELECTRICAL

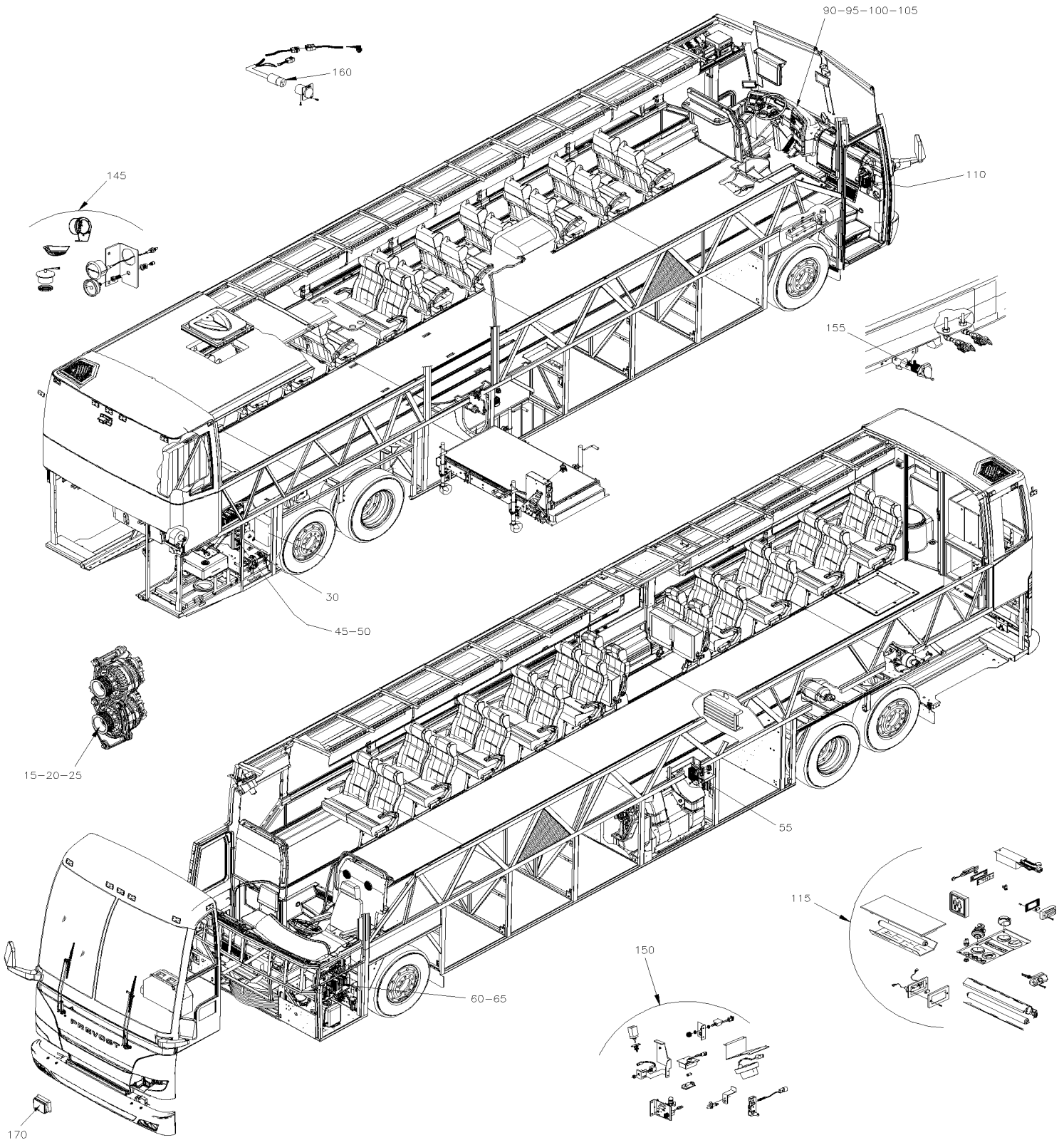


From K-0295

Date:07/2024

VIP-06

ELECTRICAL

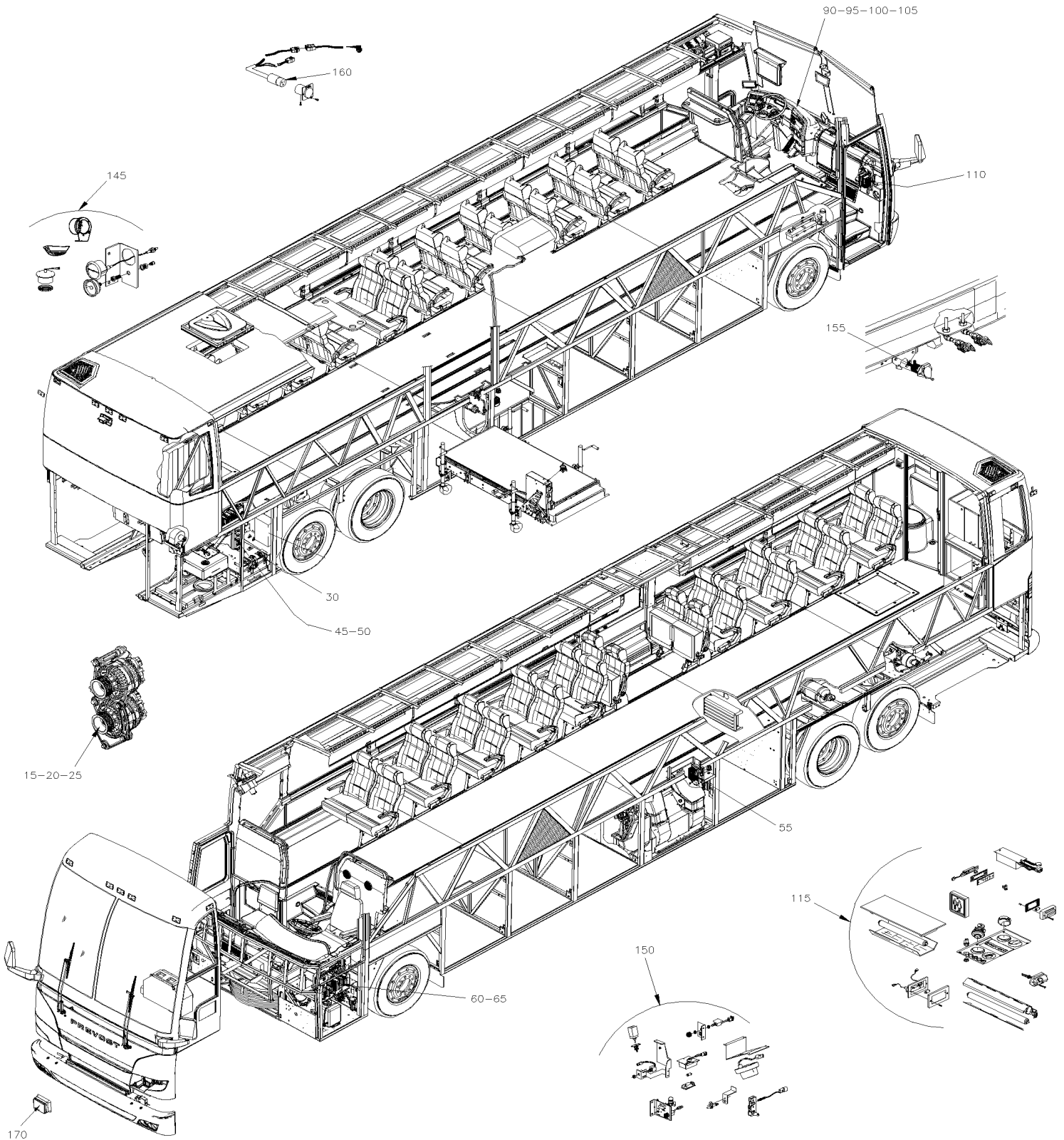


From K-0295

Date:07/2024

VIP-06

ELECTRICAL

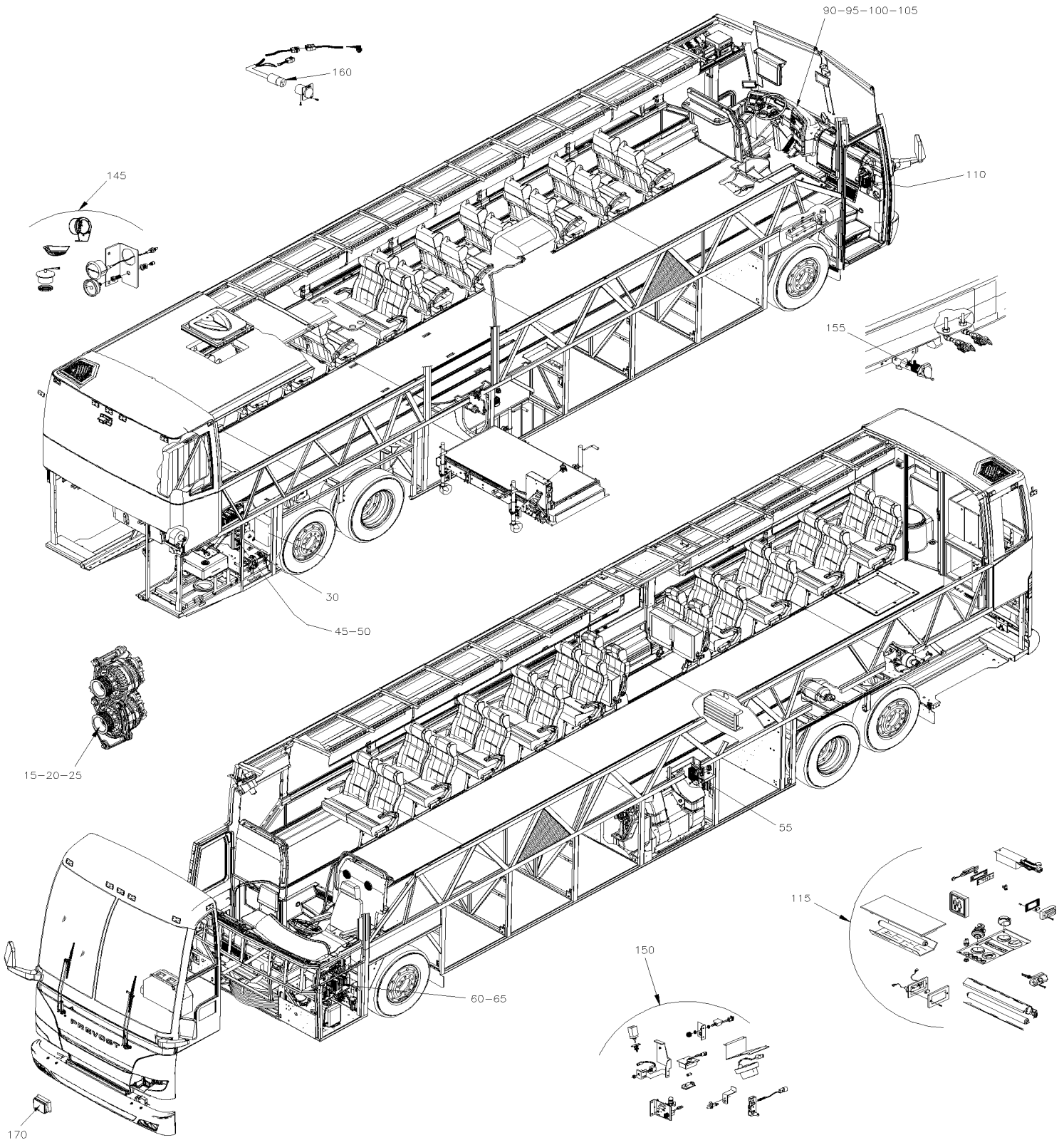


From K-0295

Date:07/2024

VIP-06

ELECTRICAL

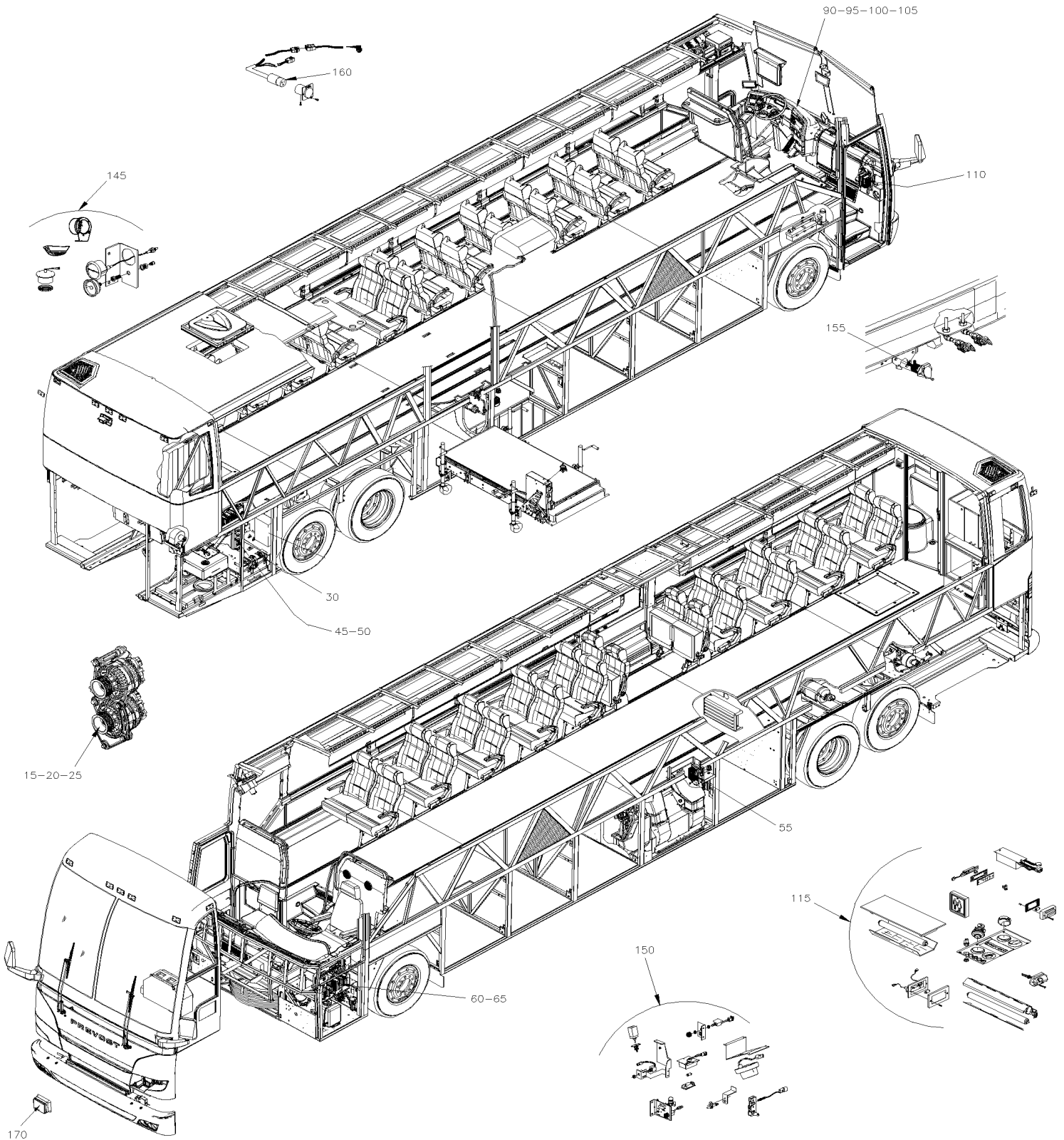


From K-0295

Date:07/2024

VIP-06

ELECTRICAL



| | | | |
|-------------|--|--------------|--------|
| From K-0295 | | Date:07/2024 | VIP-06 |
|-------------|--|--------------|--------|

ELECTRICAL

| Item# | Part | Description | QTY | Notes |
|-------|-------------|--|-----|-------|
| 10 | VIP-0600-50 | WIRING HARNESS - V.I.P. DIAGRAM D-061760 - C1 From K-0295 To P-1452 | | |
| 10 | VIP-0600-51 | WIRING HARNESS - V.I.P. DIAGRAM D-062160-C1 From R-1453 | | |
| 15 | VIP-0605-02 | ALTERNATOR 24V/150 AMPS / "BOSCH" From K-0295 | | |
| 15 | VIP-0605-12 | ALTERNATOR 24V/150 AMPS / "BOSCH" From K-0295 | | |
| 15 | VIP-0605-52 | ALTERNATOR 12V/200 AMPS / "BOSCH" From K-0295 | | |
| 20 | VIP-0610-30 | ALTERNATOR MOUNTING / CURBSIDE WITH TWO ALTERNATOR VOLVO D13 From K-0295 | | |
| 20 | VIP-0610-40 | ALTERNATOR MOUNTING / STREET SIDE WITH TWO ALTERNATOR VOLVO D13 From K-0295 | | |
| 25 | VIP-0610-51 | ALTERNATOR MOUNTING / CURB-SIDE WITH ONE ALTERNATOR / W /SMALL A/C VOLVO D13 From K-0295 | | |
| 25 | VIP-0610-62 | ALTERNATOR MOUNTING - A/C COMPRESSOR SUPPORT / W/SMALL A/C VOLVO D13 From K-0295 | | |
| 25 | VIP-0610-70 | ALTERNATOR MOUNTING - W/SMALL A/C WITH "VOLTA" ALTERNATOR From K-0295 | | |
| 25 | VIP-0610-75 | ALTERNATOR MOUNTING - W/LARGE A/C WITH "VOLTA" ALTERNATOR From K-0295 | | |
| 30 | VIP-0615-02 | BATTERIES - INSTALLATION From K-0295 | | |
| 30 | VIP-0615-10 | BATTERIES COMPARTMENT - INSTALLATION From K-0295 | | |
| 45 | VIP-0616-12 | BREAKER PANEL From K-0295 To P-1347 | | |
| 45 | VIP-0616-13 | BREAKER PANEL From P-1348 | | |
| 50 | VIP-0620-02 | REAR JUNCTION BOX ASSY From K-0295 | | |
| 55 | VIP-0621-12 | A/C ELECTRICAL PANEL ASSY / EVAPORATOR COMPARTMENT From K-0295 | | |
| 55 | VIP-0621-80 | MODULE WCL ASSY From K-0295 | | |
| 59 | VIP-0622-00 | POWER BOX FOR RADIATORS FANS VOLVO D13 - GHG17 From K-0295 | | |
| 60 | VIP-0625-01 | FRONT JUNCTION PANEL From K-0295 To P-1347 | | |
| 60 | VIP-0625-02 | FRONT JUNCTION PANEL From P-1348 | | |
| 65 | VIP-0625-50 | FRONT JUNCTION BOX - INSTALLATION From K-0295 To P-1347 | | |
| 65 | VIP-0625-51 | FRONT JUNCTION BOX - INSTALLATION From P-1348 | | |
| 67 | VIP-0630-00 | CABLE & HARNESS - UNDER FLOOR - W/MUX From K-0295 | | |
| 70 | VIP-0635-00 | ELECTRIC SYSTEM FRONT MODULE INST From P-1348 | | |
| 80 | VIP-0640-00 | CABLE & HARNESS - FRONT END INSTALLATION From K-0295 | | |
| 80 | VIP-0640-10 | CABLE HARNESS - PIPE INSTALLATION From K-0295 | | |
| 80 | VIP-0640-80 | CABLE & HARNESS - W.C.L. From K-0295 To P-1347 | | |
| 85 | VIP-0641-01 | CABLE & HARNESS - REAR END INSTALLATION From K-0295 | | |

| | | | |
|-------------|--|--------------|--------|
| From K-0295 | | Date:07/2024 | VIP-06 |
|-------------|--|--------------|--------|

ELECTRICAL

| Item# | Part | Description | QTY | Notes |
|-------|-------------|---|-----|-------|
| 90 | VIP-0645-05 | SWITCHES L.H. CONSOLE - V.I.P. From K-0295 To P-1347 | | |
| 90 | VIP-0645-06 | SWITCHES L.H. CONSOLE - V.I.P. From P-1348 | | |
| 95 | VIP-0645-10 | L.H. DASHBOARD PANEL From K-0295 To P-1347 | | |
| 95 | VIP-0645-11 | L.H. DASHBOARD PANEL From P-1348 | | |
| 100 | VIP-0645-21 | CENTER DASHBOARD PANEL WITH "EPA 2010" From K-0295 To P-1347 | | |
| 100 | VIP-0645-22 | CENTER DASHBOARD PANEL From P-1348 | | |
| 105 | VIP-0645-30 | R.H. DASHBOARD PANEL From K-0295 To P-1347 | | |
| 105 | VIP-0645-31 | R.H. DASHBOARD PANEL From P-1348 | | |
| 110 | VIP-0650-50 | ENTRANCE DOOR MODULE - V.I.P. From K-0295 To P-1347 | | |
| 115 | VIP-0655-01 | INTERIOR LIGHTING LED From K-0295 | | |
| 115 | VIP-0655-02 | INTERIOR LIGHTING From P-1348 | | |
| 120 | VIP-0660-02 | HEADLAMP & FRONT DIRECTIONAL LAMPS From K-0295 To P-1347 | | |
| 120 | VIP-0660-03 | HEADLAMP & FRONT DIRECTIONAL LAMPS From P-1348 | | |
| 125 | VIP-0661-00 | FOG LAMP From K-0295 To K-0614 | | |
| 125 | VIP-0661-01 | FOG LAMP / LED From K-0615 To P-1347 | | |
| 125 | VIP-0661-02 | FOG LAMP / LED From P-1348 | | |
| 130 | VIP-0662-00 | CLEARANCE & MARKER LIGHT From K-0295 To P-1347 | | |
| 130 | VIP-0662-01 | CLEARANCE & MARKER LIGHT From P-1348 | | |
| 135 | VIP-0663-00 | DOCK & CORNERING LIGHT From K-0295 To P-1347 | | |
| 135 | VIP-0663-01 | DOCK & CORNERING LIGHT From P-1348 | | |
| 135 | VIP-0663-30 | PERIMETER LIGHTS ON ROOF From P-1348 | | |
| 140 | VIP-0664-01 | REAR EXTERIOR LIGHTS & PLATE HOLDER From K-0295 | | |
| 145 | VIP-0665-02 | ENGINE COMPARTMENT - ELECTRIC COMPONENTS From K-0295 | | |
| 150 | VIP-0665-11 | SWITCHES, LIGHTS, AJAR - UNDER FLOOR & ENGINE COMPARTMENT From K-0295 To P-1347 | | |
| 150 | VIP-0665-12 | SWITCHES, LIGHTS, AJAR - UNDER FLOOR & ENGINE COMPARTMENT From P-1348 | | |
| 155 | VIP-0665-21 | CABLE TRAILER - INSTALLATION From K-0295 | | |
| 160 | VIP-0666-00 | BLOCK HEATER RECEPTACLE From K-0295 | | |
| 165 | VIP-0670-10 | BATTERIES CHARGER - INSTALLATION From P-1348 | | |
| 180 | VIP-0675-06 | SYSTEM - ADAPTIVE CRUISE CONTROL ACB - "BENDIX FLR21" From K-0295 To P-1347 | | |

| | | | |
|-------------|--|--------------|--------|
| From K-0295 | | Date:07/2024 | VIP-06 |
|-------------|--|--------------|--------|

ELECTRICAL

| Item# | Part | Description | QTY | Notes |
|-------|-------------|--|-----|-------|
| 180 | VIP-0675-07 | SYSTEM - ADAPTIVE CRUISE CONTROL ACB - "BENDIX FLR21" From P-1348 | | |
| 185 | VIP-0675-20 | SYSTEM CAMERA & HUD - "PREVOST DRIVER ASSIT" From M-1110 To P-1347 | | |
| 185 | VIP-0675-21 | SYSTEM CAMERA & HUD - "PREVOST DRIVER ASSIT" From P-1348 | | |

From K-0295 To P-1452

Date:07/2024

PAGE:VIP-0600-50

WIRING HARNESS - V.I.P. DIAGRAM D-061760 - C1



From K-0295 To P-1452

Date:07/2024

PAGE:VIP-0600-50

WIRING HARNESS - V.I.P. DIAGRAM D-061760 - C1



| | | |
|--|---------------------|-------------------------|
| From K-0295 To P-1452 | Date:07/2024 | PAGE:VIP-0600-50 |
| WIRING HARNESS - V.I.P. DIAGRAM D-061760 - C1 | | |

| Item# | Part | Description | QTY | Notes |
|-------|---------|---|-----|-------|
| | | SEE DRAWING TO FIND YOUR PART NUMBER | | |
| 1 | 060124 | CABLE ASSY / FRONT "ABS" SENSOR & VALVE / MUX & EPS | 1 | |
| 2 | 060672 | CABLE ADAPTIVE CRUISE CONTROL | 1 | |
| 3 | 0610245 | CABLE ADAPTIVE CRUISE CONTROL | 1 | |
| 4 | 060014 | HARNESS ALTERNATOR BATTERY UR | 1 | |
| 5 | 060013 | ALTERNATOR BATTERY HARNESS | 1 | |
| 6 | 060407 | ALTERNATOR CONTROL RIGHT HARNESS MTH | 1 | |
| 7 | 060406 | ALTERNATOR CONTROL LEFT HARNESS MTH | 1 | |
| 8 | 060417 | CABLE GROUND MOTOR TO BODY /ALT. EXTREME RIGHT | 1 | |
| 9 | 069504 | HARNESS LH GROUND ALTERNATOR | 1 | |
| 10 | 060264 | HARNESS ALTERNATOR GROUND BODY | 1 | |
| 11 | 060414 | GROUND FRAME ALTERNATOR UP LEFT HARNESS | 1 | |
| 12 | 060413 | ALTERNATORS JUMPER POWER HARNESS | 1 | |
| 13 | 061489 | CABLE ASSY / POWER AWNING EXTENTION | 1 | |
| 14 | 060012 | CABLE ASSY / TO DRIVER'S A/C UNIT | 1 | |
| 15 | 060686 | CABLE BATTERIES 12VD | 1 | |
| 16 | 060691 | HARNESS BATTERY 24VD | 1 | |
| 17 | 062371 | CABLE ASSY / B + TO B + | 1 | |
| 18 | 060693 | HARNESS BATTERY ELECTRONIC GROUND | 1 | |
| 19 | 063592 | CABLE ASSY / B - TO GROUND | 1 | |
| 20 | 0610143 | WIRING HARNESS / FRT JCT BOX & ANTENNA | 1 | |
| 21 | 060045 | WIRING HARNESS / ECU FRT JCT BOX & ACCES.. | 1 | |
| 22 | 0610142 | WIRING HARNESS / ECU FRT JCT BOX & ACCES.. | 1 | |
| 23 | 060692 | HARNESS POSITIVE BOOSTER | 1 | |
| 24 | 061180 | CABLE ASSY / B - TO B - | 1 | |
| 25 | 061482 | CABLE ASSY / A/C COMPRESSOR W/LARGE SYSTEM | 1 | |
| 26 | 0610550 | CABLE ASSY / A/C COMPRESSOR W/LARGE SYSTEM | 1 | |
| 27 | 060382 | CABLE ASSY / A/C COMPRESSOR W/SMALL SYSTEM | 1 | |
| 28 | 060011 | WIRING HARNESS DASHBOARD CENTRAL MODULE | 1 | |
| 29 | 0610238 | WIRING HARNESS DASHBOARD CENTRAL MODULE | 1 | |
| 30 | 0610357 | WIRING HARNESS DASHBOARD CENTRAL MODULE | 1 | |
| 31 | 0610477 | WIRING HARNESS DASHBOARD CENTRAL MODULE | 1 | |
| 32 | 060744 | CABLE HARNESS / CLEARANCE LIGHT REAR STREETSIDE | 1 | |
| 33 | 060745 | CABLE ASSY DPF DOOR LIGHTS | 1 | |
| 34 | 060746 | HARNESS DPF "VOLVO" | 1 | |
| 35 | 060074 | HARNESS / HORN & CONNECTOR | 1 | |
| 36 | 060010 | CABLE ASSY / WITH "ALISSON" TRANSMISSION | 1 | |
| 37 | 060009 | CABLE HARNESS / ENGINE ACCESSORIES | 1 | |
| 38 | 0610020 | CABLE HARNESS / ENGINE ACCESSORIES | 1 | |
| 39 | 060306 | CABLE GROUND MOTOR TO BODY | 1 | |

| | | |
|--|---------------------|-------------------------|
| From K-0295 To P-1452 | Date:07/2024 | PAGE:VIP-0600-50 |
| WIRING HARNESS - V.I.P. DIAGRAM D-061760 - C1 | | |

| Item# | Part | Description | QTY | Notes |
|-------|---------|--|-----|-------|
| 40 | 060748 | CABLE ASSY LAMP / REAR ENGINE DOOR | 1 | |
| 41 | 0610126 | CABLE ASSY / 110V BLOCK HEATER | 1 | |
| 42 | 069738 | CABLE THERMO DETECTOR (LINEAR FIRE CABLE) / 2.46M / 168C/180C // 334F/356F | 1 | |
| 43 | 060855 | CABLE HARNESS / EQUALIZER | 1 | |
| 44 | 060008 | HVAC CONTROL HARNESS | 1 | |
| 45 | 060007 | EVAPORATOR POWER BREAKER HARNESS | 1 | |
| 46 | 060527 | EVAPORATOR POWER HARNESS GROUND | 1 | |
| 47 | 060529 | EVAPORATOR POWER HARNESS | 1 | |
| 48 | 068820 | HARNESS FAN DRIVE | 1 | |
| 49 | 069245 | HARNESS PWR FAN DRIVE | 1 | |
| 50 | 069246 | HARNESS GROUND FAN DRIVE | 1 | |
| 51 | 061286 | WIRING HARNESS FRONT JUNCTION BOX | 1 | |
| 52 | 069917 | WIRING HARNESS FRONT JUNCTION BOX | 1 | |
| 53 | 069793 | WIRING HARNESS FRONT JUNCTION BOX | 1 | |
| 54 | 0610358 | WIRING HARNESS FRONT JUNCTION BOX | 1 | |
| 55 | 0610467 | WIRING HARNESS FRONT JUNCTION BOX | 1 | |
| 56 | 060397 | CABLE ASSY / FIRE DETECTOR FRT JCT BOX | 1 | |
| 57 | 060542 | CABLE ASSY FRT JCT BOX WORLD TRANSMISSION | 1 | |
| 58 | 069901 | CABLE ASSY FRT JCT BOX WORLD TRANSMISSION | 1 | |
| 59 | 0610096 | CABLE ASSY FRT JCT BOX WORLD TRANSMISSION | 1 | |
| 60 | 061046 | HARNESS EXTENSION, FLAME DETECTOR | 1 | |
| 61 | 060006 | CABLE HARNESS / FRONT ROOF | 1 | |
| 62 | 060005 | WIRING HARNESS FJB TO MAJOR FRT ACCESSORIES | 1 | |
| 63 | 0610359 | WIRING HARNESS FJB TO MAJOR FRT ACCESSORIES | 1 | |
| 64 | 0610485 | WIRING HARNESS FJB TO MAJOR FRT ACCESSORIES | 1 | |
| 65 | 060087 | CABLE HARNESS / FUEL TANK / MUX | 1 | |
| 66 | 060083 | CABLE ASSY / RESISTANCE MODULE & SWITCH / MUX | 1 | |
| 67 | 061036 | CABLE ASSY / B - TO B - | 1 | |
| 68 | 060004 | DOOR HARNESS | 1 | |
| 69 | 060003 | WIRING HARNESS DASHBOARD LEFT MODULE | 1 | |
| 70 | 0610478 | WIRING HARNESS DASHBOARD LEFT MODULE | 1 | |
| 71 | 069175 | CABLE THERMO DETECTOR (LINEAR FIRE CABLE) / 0.9M / 168C/180C // 334F/356F | 1 | |
| 72 | 060002 | CABLE ASSY / BAGGAGES COMPARTMENT | 1 | |
| 73 | 061459 | CABLE HARNESS ASSY PANTOGRAPH DOOR | 1 | |
| 74 | 061468 | CABLE HARNESS ASSY LATERAL PANTOGRAPH DOOR | 1 | |
| 75 | 061466 | CABLE HARNESS ASSY HINGE DOOR | 1 | |
| 76 | 060367 | CABLE ASSY LEVEL-LOW | 1 | |
| . A | 641385 | . CONNECTOR / SOCKET HOUSING ASSY 3C / PNEUMAC 54934-01 | 1 | |
| . B | 564045 | . CONNECTOR / FEMALE W2 WIRES x 2.5 METER / LEONI 220768600 | 1 | |
| . C | 563159 | . CONNECTOR / METRI-PACK 150 / SH 3C / PED 12065287 | 1 | |
| . D | 561566 | . CONNECTOR / WEATHER PACK / PH 2C / BLACK / PED 12010973 | 1 | |
| . E | 568109 | . CONNECTOR / HDP20 SERIES / SH 31C / DEUTSCH HDP24-24-31SE-L017 | 1 | |

| | | |
|--|---------------------|-------------------------|
| From K-0295 To P-1452 | Date:07/2024 | PAGE:VIP-0600-50 |
| WIRING HARNESS - V.I.P. DIAGRAM D-061760 - C1 | | |

| Item# | Part | Description | QTY | Notes |
|-------|---------|--|-----|-------|
| 77 | 0610468 | CABLE ASSY LEVEL-LOW | 1 | |
| . A | 641385 | . CONNECTOR / SOCKET HOUSING ASSY 3C / PNEUMAC 54934-01 | 1 | |
| . B | 564045 | . CONNECTOR / FEMALE W2 WIRES x 2.5 METER / LEONI 220768600 | 1 | |
| . C | 563159 | . CONNECTOR / METRI-PACK 150 / SH 3C / PED 12065287 | 2 | |
| . D | 561566 | . CONNECTOR / WEATHER PACK / PH 2C / BLACK / PED 12010973 | 1 | |
| . E | 568109 | . CONNECTOR / HDP20 SERIES / SH 31C / DEUTSCH HDP24-24-31SE-L017 | 1 | |
| 78 | 069699 | CABLE POWER / RJB TO FJB | 1 | |
| 79 | 060378 | CABLE ASSY TO STEERING SPEED SIGNAL ECU | 1 | |
| 80 | 060870 | HARNESS POWER VECR | 1 | |
| 81 | 060872 | CABLE HEATER ELEMENT RELAY | 1 | |
| 82 | 060308 | CABLE NEG HEATER ELEMENT | 1 | |
| 83 | 061153 | HARNESS RADIATOR DOOR | 1 | |
| 84 | 069279 | RADIATOR GROUND HARNESS | 1 | |
| 85 | 069729 | CABLE ASSY "ABS" PREMIUM & E.S.P. | 1 | |
| 86 | 0610473 | CABLE ASSY "ABS" PREMIUM & E.S.P. | 1 | |
| 87 | 069542 | HARNESS RELAY MELCO BATTERY | 1 | |
| 88 | 060931 | WIRING HARNESS DASHBOARD RIGHT MODULE | 1 | |
| 89 | 069791 | WIRING HARNESS DASHBOARD RIGHT MODULE | 1 | |
| 90 | 069792 | WIRING HARNESS RH CONSOLE SWITCH LUGGAGE. LIGHTS | 1 | |
| 91 | 069756 | CABLE ASSY / REAR JUNCTION BOX WITH ALLISON | 1 | |
| 92 | 069924 | CABLE ASSY / REAR JUNCTION BOX WITH ALLISON | 1 | |
| 93 | 0610068 | CABLE ASSY / REAR JUNCTION BOX WITH ALLISON | 1 | |
| 94 | 0610285 | CABLE ASSY / REAR JUNCTION BOX WITH ALLISON | 1 | |
| 95 | 0610476 | CABLE ASSY / REAR JUNCTION BOX WITH ALLISON | 1 | |
| 96 | 069757 | HARNESS / REAR JUNCTION BOX CONTROL | 1 | |
| 97 | 0610085 | HARNESS / REAR JUNCTION BOX CONTROL | 1 | |
| 98 | 0611013 | HARNESS / REAR JUNCTION BOX CONTROL | 1 | |
| 99 | 0610479 | HARNESS / REAR JUNCTION BOX CONTROL | 1 | |
| 100 | 069758 | CABLE HARNESS / CLEARANCE LIGHT REAR CURBSIDE | 1 | |
| 101 | 069759 | WIRING HARNESS SLIDE-OUT FRONT LEFT | 1 | |
| 102 | 069760 | WIRING HARNESS SLIDE-OUT FRONT RIGHT | 1 | |
| 103 | 069761 | WIRING HARNESS SLIDE-OUT REAR LEFT | 1 | |
| 104 | 069762 | WIRING HARNESS SLIDE-OUT REAR RIGHT | 1 | |
| 105 | 060392 | HARNESS SMALL AIR CONDITIONNING FRONT | 1 | |
| 106 | 060307 | HARNESS GND STRARTER TO BODY | 1 | |
| 107 | 060711 | HARNESS STARTER RELAY MELCO | 1 | |
| 108 | 060712 | HARNESS STARTER BATTERY | 1 | |
| 109 | 069764 | CABLE ASSY / TRAILER W/ELECTRICAL BRAKE | 1 | |
| 110 | 069765 | CABLE ASSY / TRAILER W/ELECTRICAL BRAKE CONNECTOR | 1 | |
| . A | 560478 | . TRAILER CONNECTOR 7PINS(BLADES) / RV STYLE | 1 | |
| 111 | 069766 | CABLE FRT JCT BOX TO RR JCT BOX W/ LARGE A/C | 1 | |
| 112 | 069921 | CABLE FRT JCT BOX TO RR JCT BOX W/ LARGE A/C | 1 | |

| | | |
|--|---------------------|-------------------------|
| From K-0295 To P-1452 | Date:07/2024 | PAGE:VIP-0600-50 |
| WIRING HARNESS - V.I.P. DIAGRAM D-061760 - C1 | | |

| Item# | Part | Description | QTY | Notes |
|--------------|-------------|--|------------|--------------|
| 113 | 0610021 | CABLE FRT JCT BOX TO RR JCT BOX W/ LARGE A/C | 1 | |
| 114 | 0610284 | CABLE FRT JCT BOX TO RR JCT BOX W/ LARGE A/C | 1 | |
| 115 | 0610474 | CABLE FRT JCT BOX TO RR JCT BOX W/ LARGE A/C | 1 | |
| 116 | 069767 | CABLE FRT JCT BOX TO RR JCT BOX W/ SMALL A/C | 1 | |
| 117 | 069923 | CABLE FRT JCT BOX TO RR JCT BOX W/ SMALL A/C | 1 | |
| 118 | 0610022 | CABLE FRT JCT BOX TO RR JCT BOX W/ SMALL A/C | 1 | |
| 119 | 0611009 | CABLE FRT JCT BOX TO RR JCT BOX W/ SMALL A/C | 1 | |
| 120 | 0610475 | CABLE FRT JCT BOX TO RR JCT BOX W/ SMALL A/C | 1 | |
| 121 | 069778 | CABLE HARNESS / SENSOR WTEC W/OUT RETARDER | 1 | |
| 122 | 0610588 | CABLE HARNESS / SENSOR WTEC W/OUT RETARDER | 1 | |
| 123 | 069777 | CABLE HARNESS / SENSOR WTEC W/RETARDER | 1 | |
| 124 | 0610586 | CABLE HARNESS / SENSOR WTEC W/RETARDER | 1 | |
| 125 | 060725 | WIRING HARNESS / UREA SYSTEM | 1 | |
| 126 | 0610019 | WIRING HARNESS / UREA SYSTEM | 1 | |
| 127 | 0611008 | WIRING HARNESS / UREA SYSTEM | 1 | |
| 128 | 0610590 | WIRING HARNESS / UREA SYSTEM | 1 | |
| 129 | 060726 | HARNESS WCL IOE CONTROL | 1 | |
| 130 | 061505 | HARNESS WCL IOE CONTROL | 1 | |
| 131 | 060728 | CABLE POWER / ACCESSORIES & W.C.L. "RICON" | 1 | |
| 132 | 061248 | HARNESS WCL LAMP | 1 | |
| 133 | 069065 | JUMPER, WCL LIGHTING | 1 | |
| 134 | 069768 | HARNESS, UPPER WCL DOOR | 1 | |
| 135 | 060782 | CABLE ASSY / POWER / W.C.L. "RICON" | 1 | |
| 136 | 069744 | CABLE ASSY / POWER / W.C.L. "RICON" | 1 | |

From R-1453

Date:07/2024

PAGE:VIP-0600-51

WIRING HARNESS - V.I.P. DIAGRAM D-062160-C1



From R-1453

Date:07/2024

PAGE:VIP-0600-51

WIRING HARNESS - V.I.P. DIAGRAM D-062160-C1



| | | | |
|--|--|--------------|------------------|
| From R-1453 | | Date:07/2024 | PAGE:VIP-0600-51 |
| WIRING HARNESS - V.I.P. DIAGRAM D-062160-C1 | | | |

| Item# | Part | Description | QTY | Notes |
|-------|---------|--|-----|-------|
| | | SEE DRAWING TO FIND YOUR PART NUMBER | | |
| 1 | 0610245 | CABLE ADAPTIVE CRUISE CONTROL | 1 | |
| 2 | 060014 | HARNESS ALTERNATOR BATTERY UR | 1 | |
| 3 | 060013 | ALTERNATOR BATTERY HARNESS | 1 | |
| 4 | 0600128 | ALTERNATOR CONTROL RIGHT HARNESS | 1 | |
| 5 | 0600129 | ALTERNATOR CONTROL LEFT HARNESS | 1 | |
| 6 | 060417 | CABLE GROUND MOTOR TO BODY /ALT. EXTREME RIGHT | 1 | |
| 7 | 069504 | HARNESS LH GROUND ALTERNATOR | 1 | |
| 8 | 060264 | HARNESS ALTERNATOR GROUND BODY | 1 | |
| 9 | 060414 | GROUND FRAME ALTERNATOR UP LEFT HARNESS | 1 | |
| 10 | 060413 | ALTERNATORS JUMPER POWER HARNESS | 1 | |
| 11 | 061489 | CABLE ASSY / POWER AWNING EXTENTION | 1 | |
| 12 | 0610571 | HARNESS,BACKUP CAMERA READY | 1 | |
| 13 | 060686 | CABLE BATTERIES 12VD | 1 | |
| 14 | 060691 | HARNESS BATTERY 24VD | 1 | |
| 15 | 062371 | CABLE ASSY / B + TO B + | 1 | |
| 16 | 060693 | HARNESS BATTERY ELECTRONIC GROUND | 1 | |
| 17 | 063592 | CABLE ASSY / B - TO GROUND | 1 | |
| 18 | 060692 | HARNESS POSITIVE BOOSTER | 1 | |
| 19 | 0600025 | FRONT BUMPER HARNESS ACB/FOG | 1 | |
| 20 | 0600026 | FRONT BUMPER HARNESS ACB | 1 | |
| 21 | 061180 | CABLE ASSY / B - TO B - | 1 | |
| 22 | 061482 | CABLE ASSY / A/C COMPRESSOR W/LARGE SYSTEM | 1 | |
| 23 | 0610550 | CABLE ASSY / A/C COMPRESSOR W/LARGE SYSTEM | 1 | |
| 24 | 060382 | CABLE ASSY / A/C COMPRESSOR W/SMALL SYSTEM | 1 | |
| 25 | 0600125 | CONVERTER LUGGAGE & LIGHT SWITCH EXTENSION | 1 | |
| 26 | 0600124 | CONVERTER LUGGAGE & LIGHT SWITCH EXTENSION 300MM | 1 | |
| 27 | 0600091 | WIRING HARNESS DASHBOARD | 1 | |
| . A | 566040 | . POWER BOX SMALL VEC 15305 | 1 | |
| . B | 563269 | . RELAY 24V S.P.D.T. W/RESISTOR / | 2 | |
| . C | 564399 | . MINI BREAKER / 20 AMPS / SERIES 233 | 4 | |
| . D | 564340 | . MINI BREAKER / 15 AMPS / SERIES 233 | 1 | |
| . E | 564747 | . MINI BREAKER / 10 AMPS / SERIES 223 | 2 | |
| . F | 564746 | . MINI BREAKER / 5 AMPS / SERIES 223 | 3 | |
| 28 | 0600031 | CABLE HARNESS / CLEARANCE LIGHT REAR STREETSIDE | 1 | |
| 29 | 0600046 | CABLE ASSY DPF DOOR LIGHTS | 1 | |
| 30 | 060746 | HARNESS DPF "VOLVO" | 1 | |
| 31 | 0600109 | ELECTRIC HORN HARNESS | 1 | |
| 32 | 0610559 | ELECTRONIC MIRROR HARNESS VISION SYSTEM | 1 | |
| 33 | 0600126 | CABLE ASSY / WITH "ALISSON" TRANSMISSION | 1 | |

| | | |
|--|--------------|------------------|
| From R-1453 | Date:07/2024 | PAGE:VIP-0600-51 |
| WIRING HARNESS - V.I.P. DIAGRAM D-062160-C1 | | |

| Item# | Part | Description | QTY | Notes |
|-------|---------|--|-----|-------|
| 34 | 0600127 | CABLE HARNESS / ENGINE ACCESSORIES | 1 | |
| 35 | 060306 | CABLE GROUND MOTOR TO BODY | 1 | |
| 36 | 060748 | CABLE ASSY LAMP / REAR ENGINE DOOR | 1 | |
| 37 | 0610126 | CABLE ASSY / 110V BLOCK HEATER | 1 | |
| 38 | 069738 | CABLE THERMO DETECTOR (LINEAR FIRE CABLE) / 2.46M / 168C/180C // 334F/356F | 1 | |
| 39 | 060855 | CABLE HARNESS / EQUALIZER | 1 | |
| 40 | 060008 | HVAC CONTROL HARNESS | 1 | |
| 41 | 060007 | EVAPORATOR POWER BREAKER HARNESS | 1 | |
| 42 | 060527 | EVAPORATOR POWER HARNESS GROUND | 1 | |
| 43 | 060529 | EVAPORATOR POWER HARNESS | 1 | |
| 44 | 068820 | HARNESS FAN DRIVE | 1 | |
| 45 | 069245 | HARNESS PWR FAN DRIVE | 1 | |
| 46 | 069246 | HARNESS GROUND FAN DRIVE | 1 | |
| 47 | 0600092 | WIRING HARNESS FRONT JUNCTION BOX | 1 | |
| 48 | 0600099 | AFSS INTERFACE HARNESS | 1 | |
| 49 | 061046 | HARNESS EXTENSION, FLAME DETECTOR | 1 | |
| 50 | 0600094 | FRONT CLEARANCE HARNESS VIP | 1 | |
| 51 | 0600093 | FRONT HARNESS | 1 | |
| 52 | 0600122 | FRONT HARNESS INTERFACE VIP | 1 | |
| 53 | 060087 | CABLE HARNESS / FUEL TANK / MUX | 1 | |
| 54 | 061036 | CABLE ASSY / B - TO B - | 1 | |
| 55 | 0600098 | KEYLESS DOOR HARNESS VIP | 1 | |
| 56 | 069175 | CABLE THERMO DETECTOR (LINEAR FIRE CABLE) / 0.9M / 168C/180C // 334F/356F | 1 | |
| 57 | 0600118 | CABLE ASSY / BAGGAGES COMPARTMENT | 1 | |
| 58 | 061459 | CABLE HARNESS ASSY PANTOGRAPH DOOR | 1 | |
| 59 | 061468 | CABLE HARNESS ASSY LATERAL PANTOGRAPH DOOR | 1 | |
| 60 | 061466 | CABLE HARNESS ASSY HINGE DOOR | 1 | |
| 61 | 0600103 | PNEUMATIC PANEL HARNESS | 1 | |
| . A | 641385 | . CONNECTOR / SOCKET HOUSING ASSY 3C / PNEUMAC 54934-01 | 6 | |
| . B | 562848 | . CONNECTOR / SOCKET HOUSING ASSY 3C / PNEUMAC 54933-05 | 2 | |
| . C | 563159 | . CONNECTOR / METRI-PACK 150 / SH 3C / PED 12065287 | 4 | |
| . E | 561566 | . CONNECTOR / WEATHER PACK / PH 2C / BLACK / PED 12010973 | 1 | |
| 62 | 0600005 | PNEUMATIC JUMPER CONNECTOR | 1 | |
| 63 | 0600104 | CABLE POWER / RJB TO FJB | 1 | |
| 64 | 0600015 | POWER STEERING CONTROLE HARNESS | 1 | |
| 65 | 060870 | HARNESS POWER VECR | 1 | |
| 66 | 060872 | CABLE HEATER ELEMENT RELAY | 1 | |
| 67 | 060308 | CABLE NEG HEATER ELEMENT | 1 | |
| 68 | 061153 | HARNESS RADIATOR DOOR | 1 | |
| 69 | 069279 | RADIATOR GROUND HARNESS | 1 | |
| 70 | 069542 | HARNESS RELAY MELCO BATTERY | 1 | |
| 71 | 0600106 | CABLE ASSY / REAR JUNCTION BOX WITH ALLISON | 1 | |

| | | |
|--|--------------|------------------|
| From R-1453 | Date:07/2024 | PAGE:VIP-0600-51 |
| WIRING HARNESS - V.I.P. DIAGRAM D-062160-C1 | | |

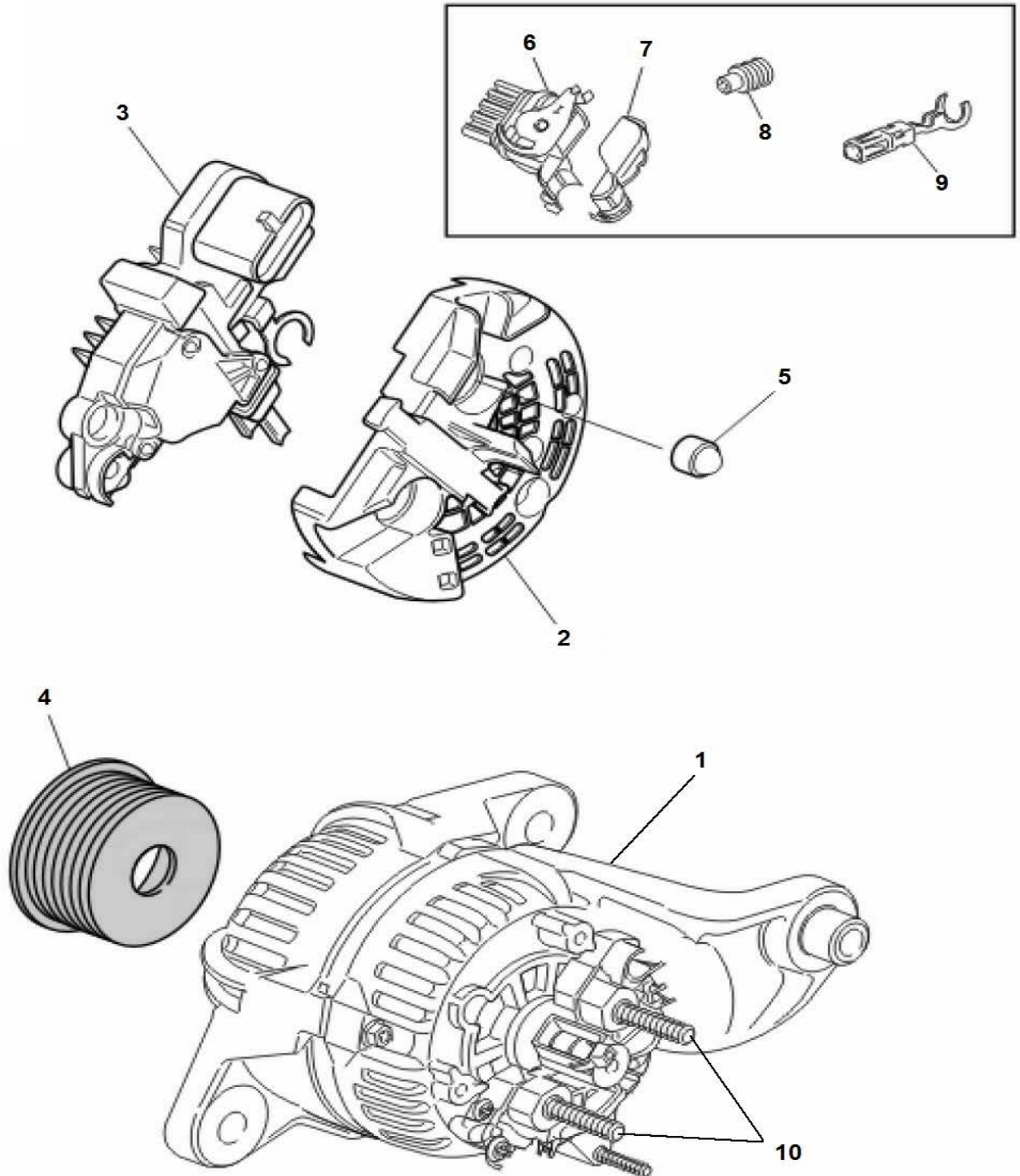
| Item# | Part | Description | QTY | Notes |
|-------|---------|---|-----|-------|
| 72 | 0600116 | HARNESS / REAR JUNCTION BOX CONTROL | 1 | |
| 73 | 0600095 | CABLE HARNESS / CLEARANCE LIGHT REAR CURBSIDE | 1 | |
| 74 | 0600012 | SERVICE DOOR HARNESS | 1 | |
| 75 | 0600100 | WIRING HARNESS SLIDE-OUT FRONT LEFT | 1 | |
| 76 | 069760 | WIRING HARNESS SLIDE-OUT FRONT RIGHT | 1 | |
| 77 | 0600101 | WIRING HARNESS SLIDE-OUT REAR LEFT | 1 | |
| 78 | 0600102 | WIRING HARNESS SLIDE-OUT REAR RIGHT | 1 | |
| 79 | 0610544 | HARNESS, SOUND SYSTEM AUX | 1 | |
| 80 | 0610543 | HARNESS, SOUND SYSTEM | 1 | |
| 81 | 060307 | HARNESS GND STRARTER TO BODY | 1 | |
| 82 | 060711 | HARNESS STARTER RELAY MELCO | 1 | |
| 83 | 060712 | HARNESS STARTER BATTERY | 1 | |
| 84 | 0600008 | WIRING HARNESS / FRT JCT BOX & ANTENNA | 1 | |
| 85 | 0600105 | CABLE ASSY / TRAILER W/ELECTRICAL BRAKE | 1 | |
| 86 | 069765 | CABLE ASSY / TRAILER W/ELECTRICAL BRAKE CONNECTOR | 1 | |
| . A | 560478 | . TRAILER CONNECTOR 7PINS(BLADES) / RV STYLE | 1 | |
| 87 | 0600119 | CABLE FRT JCT BOX TO RR JCT BOX W/ LARGE A/C | 1 | |
| 88 | 0600097 | CABLE FRT JCT BOX TO RR JCT BOX W/ SMALL A/C | 1 | |
| 89 | 0610588 | CABLE HARNESS / SENSOR WTEC W/OUT RETARDER | 1 | |
| 90 | 0610586 | CABLE HARNESS / SENSOR WTEC W/RETARDER | 1 | |
| 91 | 0610590 | WIRING HARNESS / UREA SYSTEM | 1 | |
| 92 | 061505 | HARNESS WCL IOE CONTROL | 1 | |
| 93 | 060728 | CABLE POWER / ACCESSORIES & W.C.L. "RICON" | 1 | |
| 94 | 0600107 | HARNESS, UPPER WCL DOOR | 1 | |
| 95 | 069744 | CABLE ASSY / POWER / W.C.L. "RICON" | 1 | |
| 96 | 0600019 | CABLE INTERFACE WINDSHEILD WASHER | 1 | |

From K-0295

Date:07/2024

PAGE:VIP-0605-02

ALTERNATOR 24V/150 AMPS / "BOSCH"



| | | |
|--|--------------|------------------|
| From K-0295 | Date:07/2024 | PAGE:VIP-0605-02 |
| ALTERNATOR 24V/150 AMPS / "BOSCH" | | |

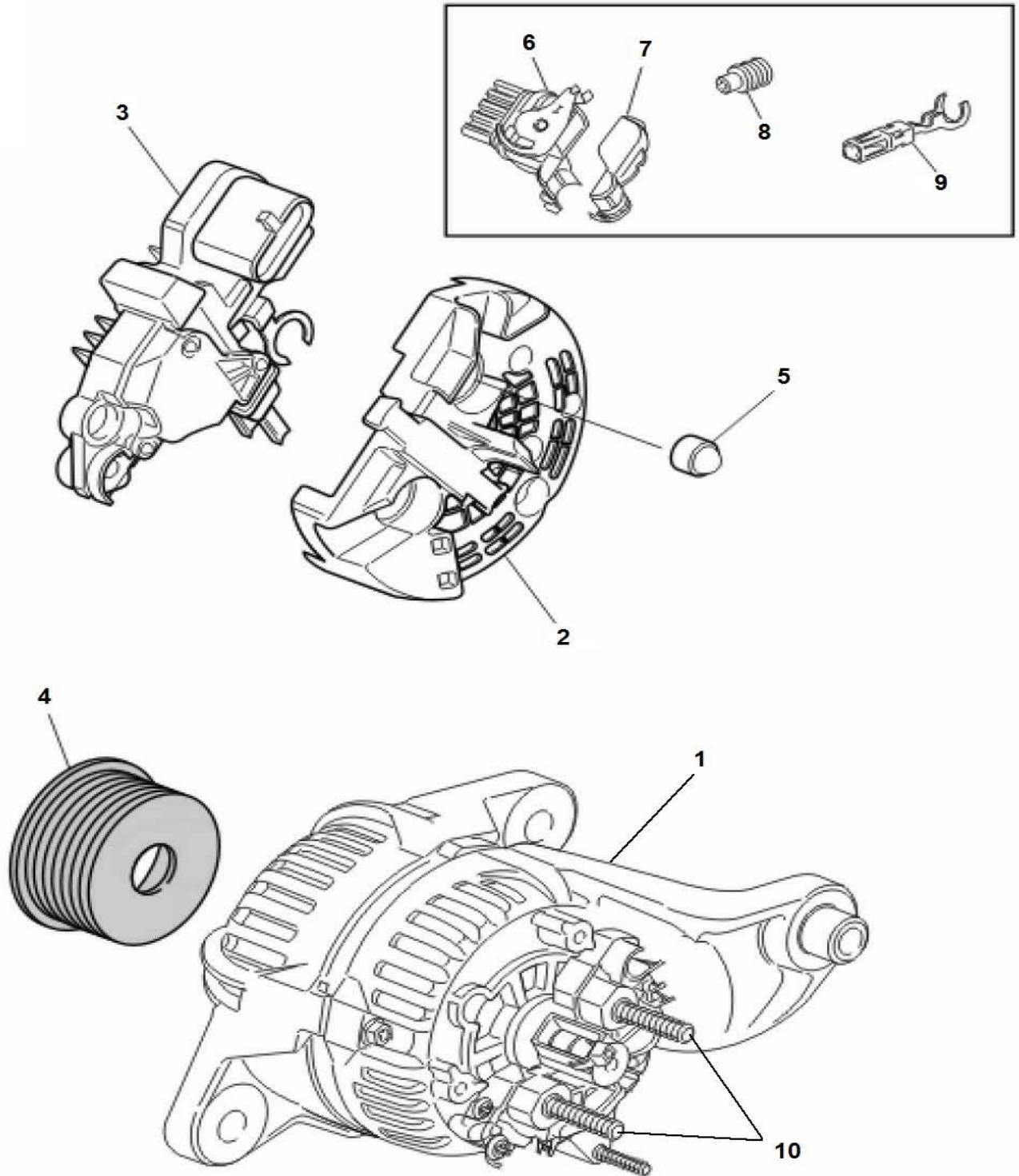
| Item# | Part | Description | QTY | Notes |
|-------|--------------------|---|-----|-------|
| 1 | 564593 | ALTERNATOR ASSY 24V/150 AMPS / W/OUT PULLEY To L-0726 | 1 | |
| 1 | 560748 | ALTERNATOR ASSY 24V/150 AMPS / W/OUT PULLEY From L-0727 To R-1873 | 1 | |
| 1 | 564683 | ALTERNATOR ASSY 24V/150 AMPS / W/OUT PULLEY From R-1874 | 1 | |
| 2 | 20523388 | . COVER | 1 | |
| 3 | 20523391 | . BRUSH ASSY W/CHARGE REGULATOR / 24VOLT | 1 | |
| 4 | 0600264 | PULLEY ALTERNATOR / "BOSCH" / 83MM DOB x 8 RIB | 1 | C |
| 4 | 069556 | PULLEY ALTERNATOR / "BOSCH" / 73MM DOB x 10 RIB To K-0404 | 1 | S |
| 4 | 0600265 | PULLEY ALTERNATOR / "BOSCH" / 73MM DOB x 10 RIB From K-0405 | 1 | S |
| 4 | 21429955 | FLANGE NUT | 1 | |
| 5 | 20576874 | NUT, CAP PROTECTOR | 1 | |
| 6 | 564469 | CONNECTOR / MKR-PLUS / SH 5C / G&H 18241 000 000 | 1 | |
| 6 | 20429872 | CONNECTOR / MKR-PLUS / SH 5C | 1 | |
| 7 | 564470 | COVER / MKR-PLUS | 1 | |
| 7 | 20429873 | COVER / MKR-PLUS | 1 | |
| 8 | 564473 | CABLE SEAL / BLUE // G&H 16695 627 642 | 1 | |
| 8 | 3944654 | CABLE SEAL / BLUE / | 1 | |
| 8 | 564474 | CABLE SEAL / RED // G&H 16694 627 626 | 1 | |
| 9 | 564471 | SOCKET TERMINAL / 18-16 / G&H 26780 | 1 | |
| 10 | 060297 | ADAPTOR STUD M8 Male x M8 Female + FLANGE M8-1.25 x 18MM SS | 2 | |
| 50 | VIP-0100-50 | ENGINE WIRING HARNESS - INSTALLATION WITH VOLVO D13 | | |
| | | | | |
| | | | | |
| | | | | |
| | | C) CURBSIDE | | |
| | | S) STREET SIDE | | |

From K-0295

Date:07/2024

PAGE:VIP-0605-12

ALTERNATOR 24V/150 AMPS / "BOSCH"



| | | |
|--|---------------------|-------------------------|
| From K-0295 | Date:07/2024 | PAGE:VIP-0605-12 |
| ALTERNATOR 24V/150 AMPS / "BOSCH" | | |

| Item# | Part | Description | QTY | Notes |
|--------------|--------------------|---|------------|--------------|
| 1 | 564593 | ALTERNATOR ASSY 24V/150 AMPS / W/OUT PULLEY To K-0726 | 1 | |
| 1 | 560748 | ALTERNATOR ASSY 24V/150 AMPS / W/OUT PULLEY From K-0727 To R-1873 | 1 | |
| 1 | 564683 | ALTERNATOR ASSY 24V/150 AMPS / W/OUT PULLEY From R-1874 | 1 | |
| 2 | 20523388 | . COVER | 1 | |
| 3 | 20523391 | . BRUSH ASSY W/CHARGE REGULATOR / 24VOLT | 1 | |
| 4 | 0600264 | PULLEY ALTERNATOR / "BOSCH" / 83MM DOB x 8 RIB | 1 | |
| 4 | 21429955 | FLANGE NUT | 1 | |
| 5 | 20576874 | NUT, CAP PROTECTOR | 1 | |
| 6 | 564469 | CONNECTOR / MKR-PLUS / SH 5C / G&H 18241 000 000 | 1 | |
| 6 | 20429872 | CONNECTOR / MKR-PLUS / SH 5C | 1 | |
| 7 | 564470 | COVER / MKR-PLUS | 1 | |
| 7 | 20429873 | COVER / MKR-PLUS | 1 | |
| 8 | 564473 | CABLE SEAL / BLUE // G&H 16695 627 642 | 1 | |
| 8 | 3944654 | CABLE SEAL / BLUE / | 1 | |
| 8 | 564474 | CABLE SEAL / RED // G&H 16694 627 626 | 1 | |
| 9 | 564471 | SOCKET TERMINAL / 18-16 / G&H 26780 | 1 | |
| 10 | 060297 | ADAPTOR STUD M8 Male x M8 Female + FLANGE M8-1.25 x 18MM SS | 2 | |
| 50 | VIP-0100-50 | ENGINE WIRING HARNESS - INSTALLATION WITH VOLVO D13 | | |

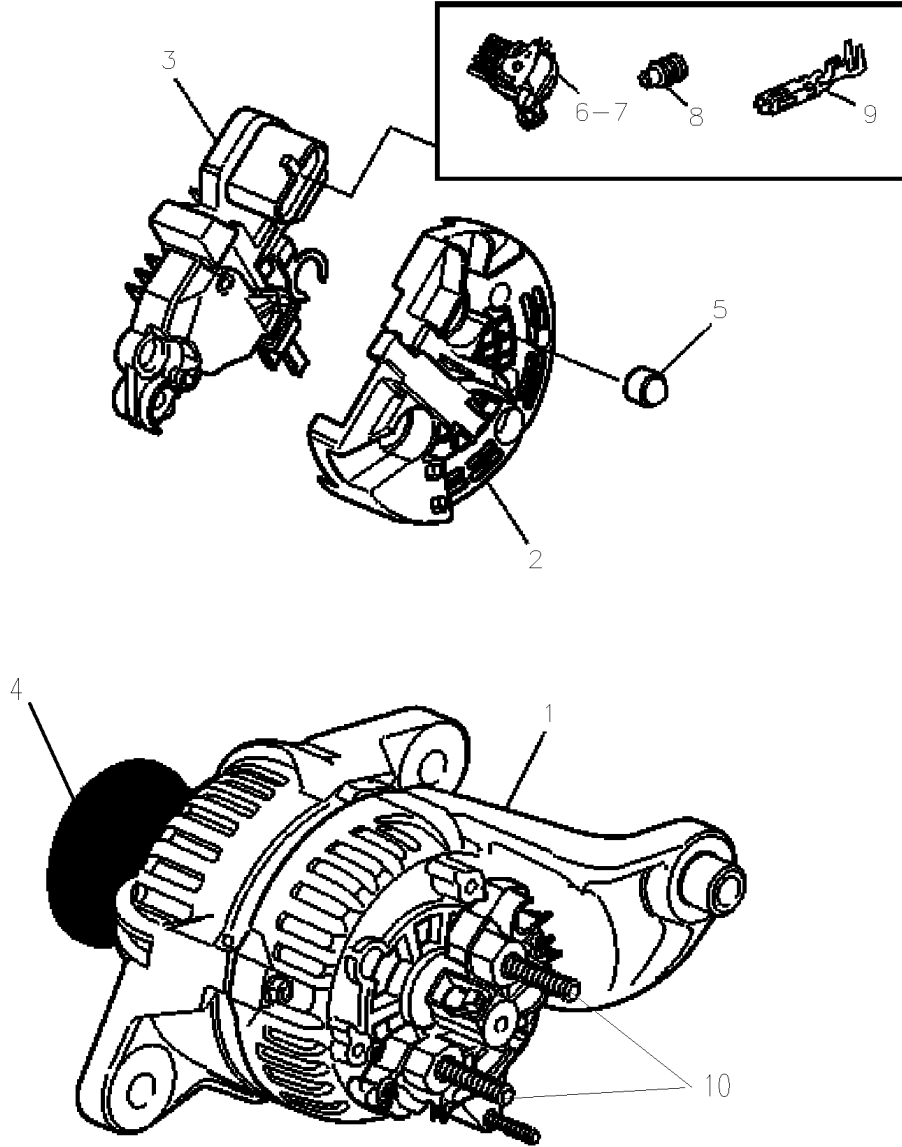
From K-0295

Date:07/2024

PAGE:VIP-0605-52

ALTERNATOR 12V/200 AMPS / "BOSCH"

HARNESS INSTALLATION 50



| | | |
|--|--------------|------------------|
| From K-0295 | Date:07/2024 | PAGE:VIP-0605-52 |
| ALTERNATOR 12V/200 AMPS / "BOSCH" | | |

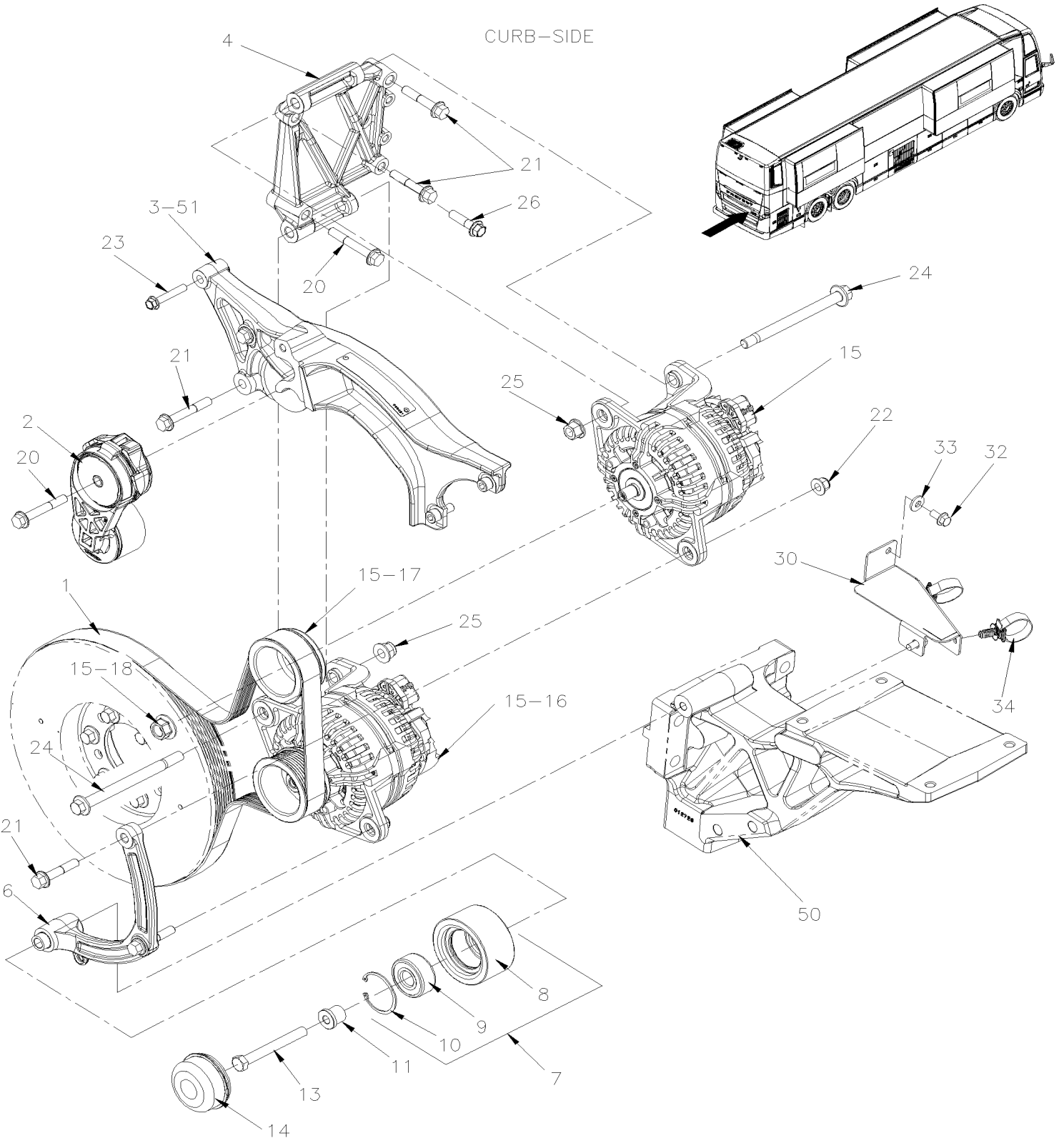
| Item# | Part | Description | QTY | Notes |
|-------|--------------------|---|-----|-------|
| 1 | 564492 | ALTERNATOR ASSY 12V/200 AMPS / W/OUT PULLEY To R-1873 | 1 | |
| 1 | 564684 | ALTERNATOR ASSY 12V/200 AMPS / W/OUT PULLEY From R-1874 | 1 | |
| 2 | N.P.N. | . COVER | 1 | 4 |
| 3 | N.P.N. | . CHARGE REGULATOR / 12VOLT | 1 | 4 |
| 4 | VIP-0610-30 | ALTERNATOR MOUNTING / CURBSIDE WITH TWO ALTERNATOR VOLVO D13 | 1 | |
| 4 | VIP-0610-51 | ALTERNATOR MOUNTING / CURB-SIDE WITH ONE ALTERNATOR / W /SMALL A/C VOLVO D13 | 1 | |
| 4 | VIP-0610-62 | ALTERNATOR MOUNTING - A/C COMPRESSOR SUPPORT / W/SMALL A/C VOLVO D13 | 1 | |
| 5 | 20576874 | NUT, CAP PROTECTOR | 1 | |
| 6 | 564469 | CONNECTOR / MKR-PLUS / SH 5C / G&H 18241 000 000 | 1 | |
| 6 | 20429872 | CONNECTOR / MKR-PLUS / SH 5C | 1 | |
| 7 | 564470 | COVER / MKR-PLUS | 1 | |
| 7 | 20429873 | COVER / MKR-PLUS | 1 | |
| 8 | 564473 | CABLE SEAL / BLUE // G&H 16695 627 642 | 1 | |
| 8 | 3944654 | CABLE SEAL / BLUE / | 1 | |
| 8 | 564474 | CABLE SEAL / RED // G&H 16694 627 626 | 1 | |
| 9 | 564471 | SOCKET TERMINAL / 18-16 / G&H 26780 | 1 | |
| 10 | 060297 | ADAPTOR STUD M8 Male x M8 Female + FLANGE M8-1.25 x 18MM SS | 2 | |
| NS | 068013 | PROTECTION PLATE ASSY W/"VOLVO" ENGINE | 1 | |
| 50 | VIP-0100-50 | ENGINE WIRING HARNESS - INSTALLATION WITH VOLVO D13 | | |
| | | | | |
| | | | | |
| | | 4) NO PARTS NUMBER | | |

From K-0295

Date:07/2024

PAGE:VIP-0610-30

ALTERNATOR MOUNTING / CURBSIDE WITH TWO ALTERNATOR VOLVO D13



| | | | |
|-------------|--|--------------|------------------|
| From K-0295 | | Date:07/2024 | PAGE:VIP-0610-30 |
|-------------|--|--------------|------------------|

ALTERNATOR MOUNTING / CURBSIDE WITH TWO ALTERNATOR VOLVO D13

| Item# | Part | Description | QTY | Notes |
|-------|--------------------|---|-----|-------|
| 1 | 5060129 | . MULTI V-BELT / 8 RIB 62" (1575MM) 8PK1575 QT | 1 | |
| 1 | 5060130 | . MULTI V-BELT / 8 RIB 62" (1575MM) 8PK1575 SEVERE DUTY | 1 | H |
| 1 | 5060131 | MULTI V-BELT / 8 RIB 59.5" (1512MM) 8PK1512 QT | 1 | E |
| 2 | 510991 | AUTOMATIC TENSIONER ASSY | 1 | |
| 3 | 457750 | SUPPORT, TENSIONNER CASTING To K-0604 | 1 | |
| 3 | 450580 | SUPPORT, TENSIONNER CASTING From K-0605 To N-1268 | 1 | |
| 3 | 454767 | SUPPORT, TENSIONNER CASTING From N-1269 | 1 | |
| 4 | 20995657 | ALTERNATOR MOUNT UPPER | 1 | |
| 6 | 21134692 | SUPPORT ASSY IDLER PULLEY & ALTERNATOR | 1 | |
| 7 | 012349 | PULLEY ASSY W/BEARING / 48MM x 90MM O.D. | 1 | |
| 8 | 012958 | . PULLEY / 48MM x 90MM O.D. | 1 | |
| 9 | 509952 | . BALL BEARING 25 ID x 62 OD x 25.4 W HI-TEMP | 1 | |
| 10 | 504040 | . RING RETAINER / INT 2.440 x 1.860 x 0.078 STL BLK | 1 | |
| 11 | 060137 | GUIDE, BUSHING | 1 | |
| 11 | 680038 | THREAD LOCKER LOCTITE #243 / BLUE / 50ml | AR | |
| 13 | 5001688 | SCREW CAP HEX M12-1.75x100 G10.9 G500 | 1 | |
| 14 | 453076 | CAP, DUST | 1 | |
| 15 | VIP-0605-02 | ALTERNATOR 24V/150 AMPS / "BOSCH" | AR | |
| 15 | VIP-0605-52 | ALTERNATOR 12V/200 AMPS / "BOSCH" | AR | |
| 16 | 068347 | SHIM 26GA | AR | |
| 16 | 068346 | SHIM 20GA | AR | |
| 17 | 060249 | PULLEY ALTERNATOR / "BOSCH" / 65MM O.D. x 8 PK | AR | 12V |
| 17 | 0600264 | PULLEY ALTERNATOR / "BOSCH" / 83MM DOB x 8 RIB | AR | 24V |
| NS | 060264 | HARNESS ALTERNATOR GROUND BODY | 1 | |
| NS | 068570 | CABLE ASSY / GROUND | 2 | |
| 18 | 21429955 | FLANGE NUT | AR | |
| 20 | 5001799 | SCREW CAP HEXF M10-1.5x70 G10.9 N500 | 2 | |
| 21 | 5001801 | SCREW CAP HEXF M10-1.5x55 G10.9 N500 | 4 | |
| 22 | 5001930 | NUT HEXF NYRT M10-1.5 N500 G10.9 | 2 | |
| 23 | 500796 | SCREW CAP HEXF M8-1.25x50 G10.9 N500 | 1 | |
| 24 | 502950 | SCREW SHR CAP HEXF 13x135 (M12x1.75 G10.9 N500 | 2 | |
| 25 | 5001774 | NUT HEXF STO M12-1.75 MAGNI G500 | 2 | |
| 26 | 5001308 | SCREW CAP HEXF M10-1.5x40 G10.9 N500 | 1 | |
| 30 | 068541 | SUPPORT CABLE GROUND ALTERNATOR | 1 | |
| 32 | 5001780 | SCREW CAP HEXF M8-1.25x16 G8.8 N500 | 3 | |
| 33 | 500321 | WASHER BEL SPR .331x.827x.098 N500 | 3 | |
| 34 | 504750 | CABLE TIE / 1/2" x 15" / CHRISTMAS TREE | 2 | |
| | | | | |
| 50 | VIP-0150-03 | ENGINE CRADLE - WITH VOLVO D13 | | |
| 51 | VIP-0120-50 | DRIVE PULLEY, BELTS & TENSIONER WITH VOLVO D13 | | |
| | | | | |
| | | | | |

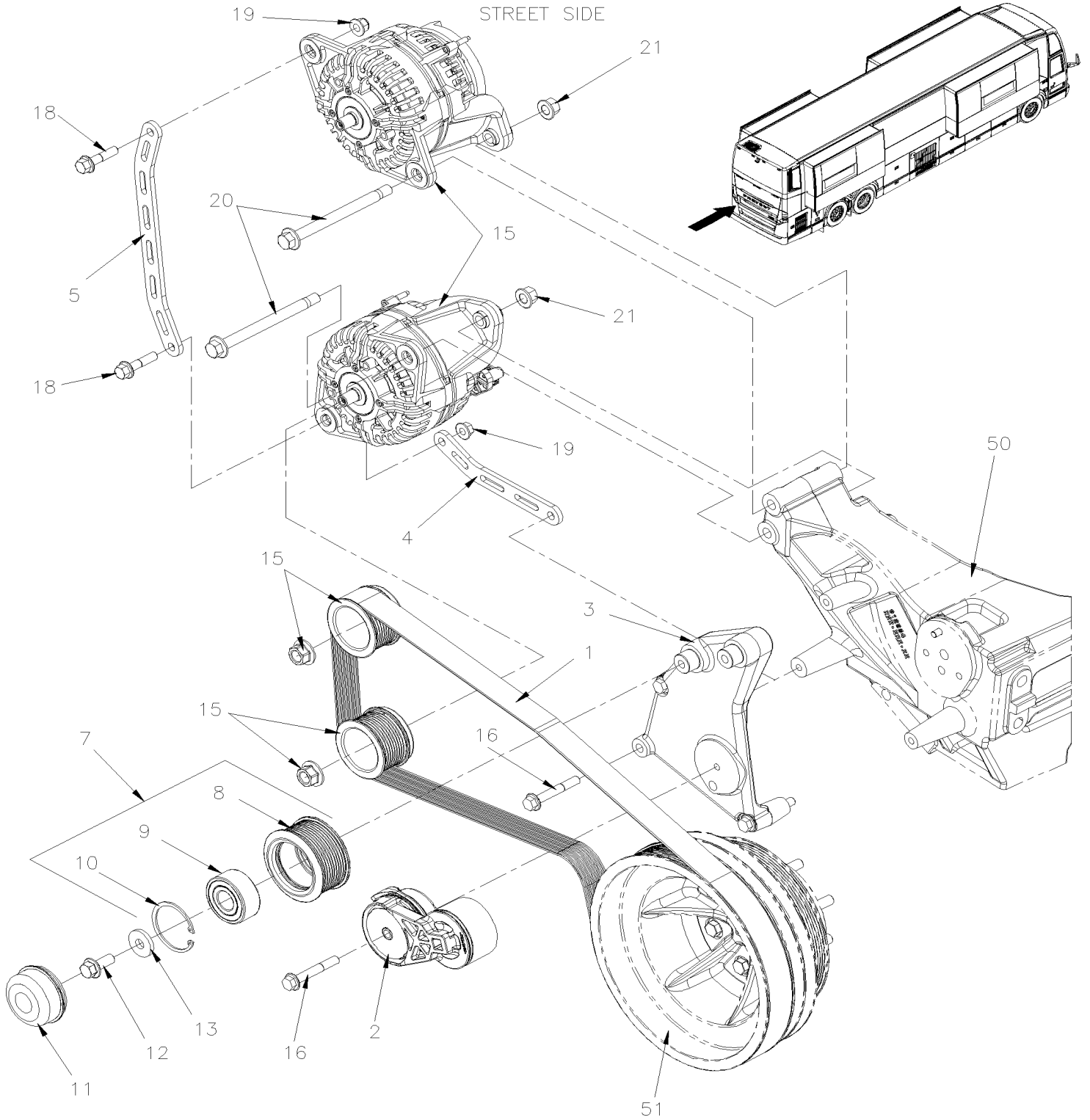
| From K-0295 | | Date:07/2024 | PAGE:VIP-0610-30 | |
|---|------|---|------------------|-------|
| ALTERNATOR MOUNTING / CURBSIDE WITH TWO ALTERNATOR VOLVO D13 | | | | |
| Item# | Part | Description | QTY | Notes |
| | | | | |
| | | 12V) 12V | | |
| | | 24V) 24V | | |
| | | E) USE ON EMERGENCY WITH ONE ALTERNATOR | | |
| | | H) SEVERE DUTY | | |

From K-0295

Date:07/2024

PAGE:VIP-0610-40

ALTERNATOR MOUNTING / STREET SIDE WITH TWO ALTERNATOR VOLVO D13



| | | |
|-------------|--------------|------------------|
| From K-0295 | Date:07/2024 | PAGE:VIP-0610-40 |
|-------------|--------------|------------------|

ALTERNATOR MOUNTING / STREET SIDE WITH TWO ALTERNATOR VOLVO D13

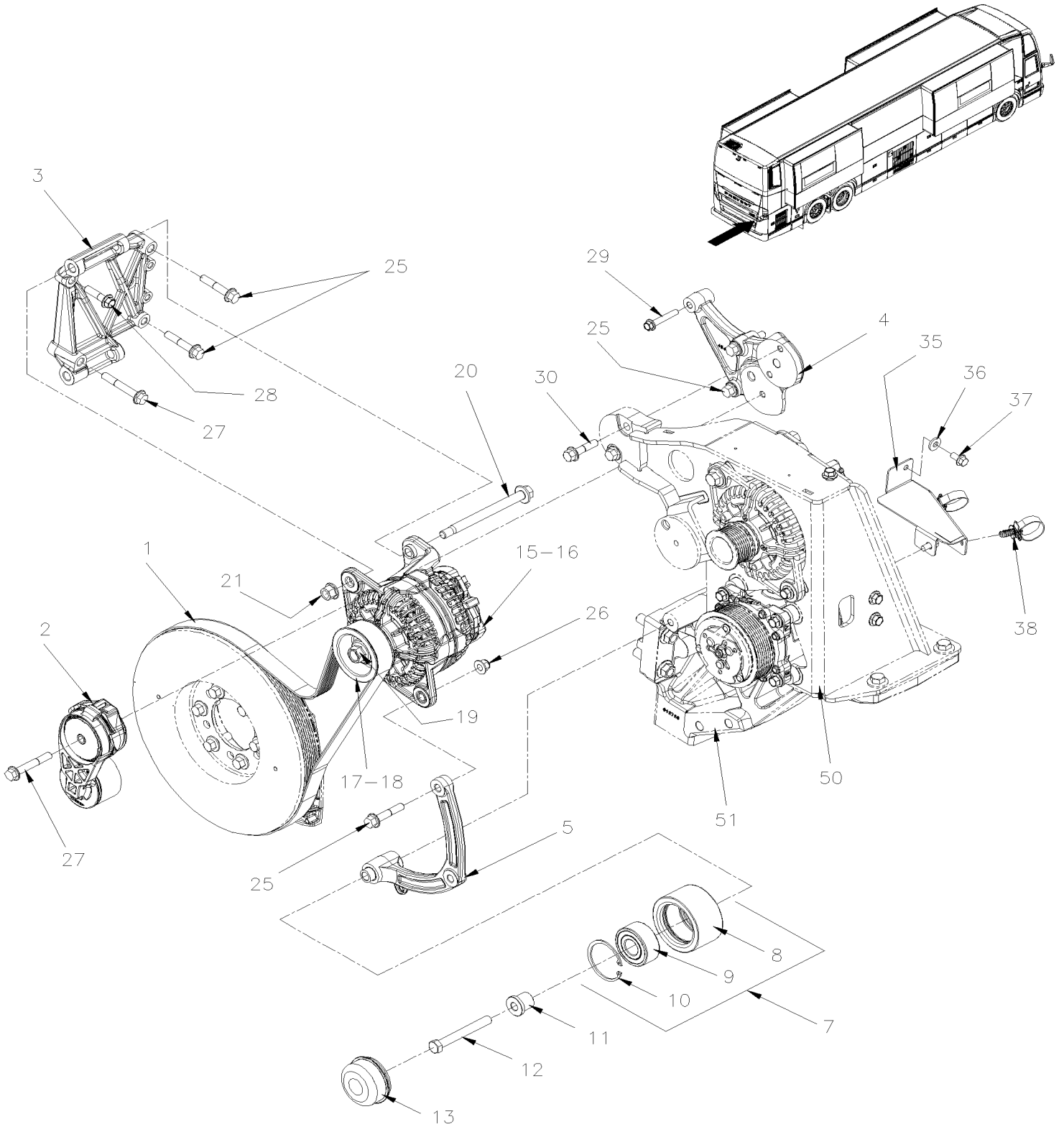
| Item# | Part | Description | QTY | Notes |
|-------|--------------------|---|-----|-------|
| 1 | 505605 | MULTI V-BELT / 10 RIB (1892MM) 10PK1892 STANDARD DUTY | 1 | |
| 2 | 510991 | AUTOMATIC TENSIONER ASSY | 1 | |
| 3 | 012943 | IDLER SUPPORT To K-0704 | 1 | |
| 3 | 011213 | IDLER SUPPORT From K-0705 | 1 | |
| 4 | 060102 | ALTERNATOR, LOWER BRACKET | 1 | |
| 5 | 060891 | ALTERNATOR, SIDE BRACKET | 1 | |
| 7 | 012344 | PULLEY ASSY W/BEARING / 10 RIB | 1 | |
| 8 | 012959 | . PULLEY / 10 RIB 48MM x 90MM O.D. | 1 | |
| 9 | 509952 | . BALL BEARING 25 ID x 62 OD x 25.4 W HI-TEMP | 1 | |
| 10 | 504040 | . RING RETAINER / INT 2.440 x 1.860 x 0.078 STL BLK | 1 | |
| 11 | 453076 | CAP, DUST | 1 | |
| 12 | 5001786 | SCREW CAP HEXF M12-1.75x30 G8.8 N500 | 1 | |
| NS | 680038 | THREAD LOCKER LOCTITE #243 / BLUE / 50ml | AR | |
| 13 | 5002008 | WASHER FL 13.0x35.0x5.0 N500 | 2 | |
| 15 | VIP-0605-02 | ALTERNATOR 24V/150 AMPS / "BOSCH" | 2 | |
| NS | 060406 | ALTERNATOR CONTROL LEFT HARNESS MTH To P-1347 | 1 | |
| 15 | 0600129 | ALTERNATOR CONTROL LEFT HARNESS From P-1348 | 1 | |
| NS | 060413 | ALTERNATORS JUMPER POWER HARNESS | 1 | |
| NS | 060414 | GROUND FRAME ALTERNATOR UP LEFT HARNESS | 1 | |
| NS | 060415 | ALTERNATOR BOTTOM LEFT BATTERY HARNESS | 1 | |
| 16 | 5001799 | SCREW CAP HEXF M10-1.5x70 G10.9 N500 | 4 | |
| 18 | 5001308 | SCREW CAP HEXF M10-1.5x40 G10.9 N500 | 2 | |
| 19 | 5001930 | NUT HEXF NYRT M10-1.5 N500 G10.9 | 2 | |
| 20 | 502950 | SCREW SHR CAP HEXF 13x135 (M12x1.75 G10.9 N500 | 2 | |
| 21 | 5001774 | NUT HEXF STO M12-1.75 MAGNI G500 | 2 | |
| 50 | VIP-0150-03 | ENGINE CRADLE - WITH VOLVO D13 | | |
| 51 | VIP-0120-50 | DRIVE PULLEY, BELTS & TENSIONER WITH VOLVO D13 | | |

From K-0295

Date:07/2024

PAGE:VIP-0610-51

ALTERNATOR MOUNTING / CURB-SIDE WITH ONE ALTERNATOR / W /SMALL A/C VOLVO D13



| | | | |
|--------------------|--|---------------------|-------------------------|
| From K-0295 | | Date:07/2024 | PAGE:VIP-0610-51 |
|--------------------|--|---------------------|-------------------------|

ALTERNATOR MOUNTING / CURB-SIDE WITH ONE ALTERNATOR / W /SMALL A/C VOLVO D13

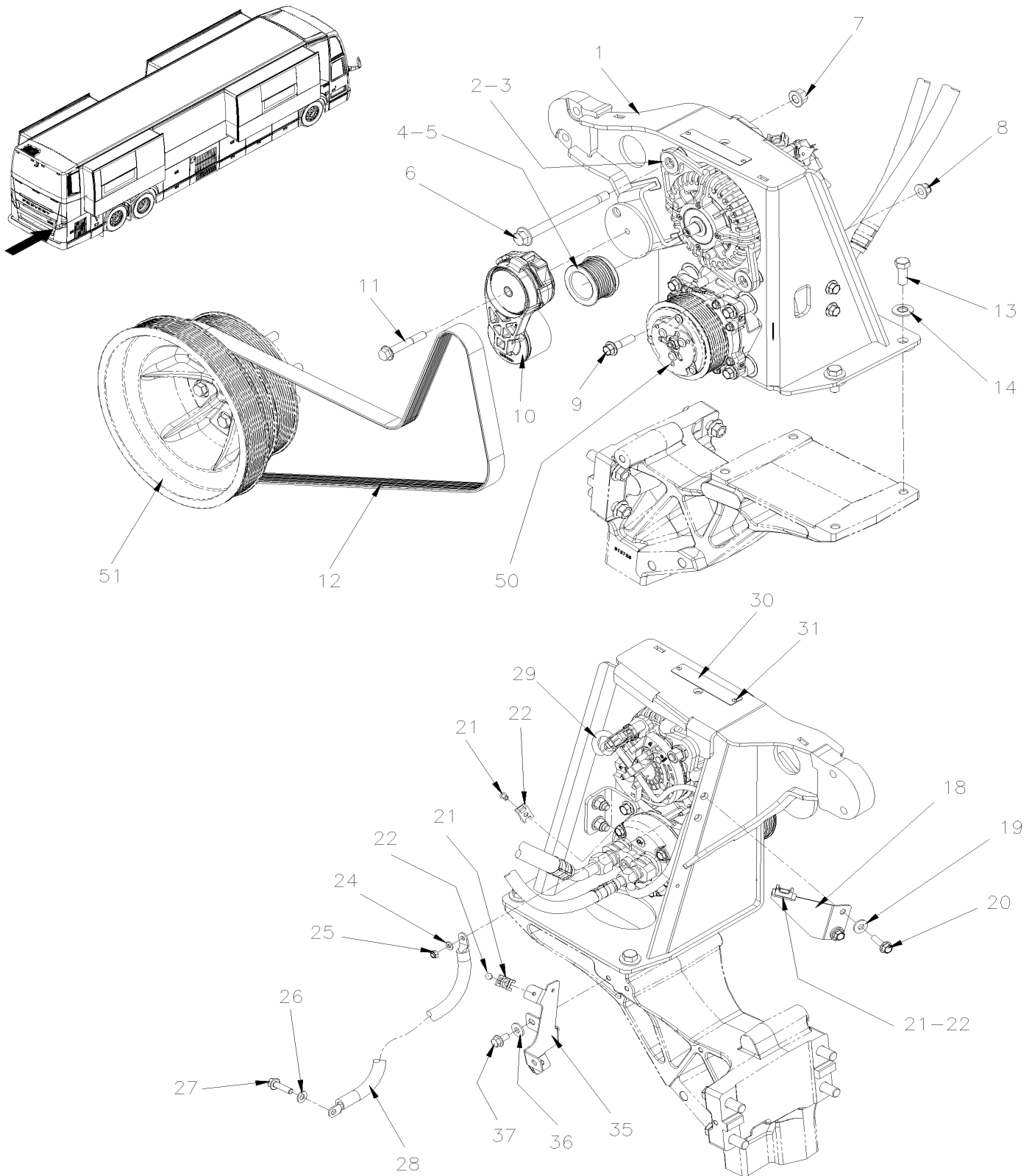
| Item# | Part | Description | QTY | Notes |
|-------|--------------------|---|-----|-------|
| 1 | 5060131 | MULTI V-BELT / 8 RIB 59.5" (1512MM) 8PK1512 QT | 1 | |
| 2 | 510991 | AUTOMATIC TENSIONER ASSY | 1 | |
| 3 | 20995657 | ALTERNATOR MOUNT UPPER | 1 | |
| 4 | 454779 | SUPPORT PULLEY ALT & A/C WELDED | 1 | |
| 5 | 21134692 | SUPPORT ASSY IDLER PULLEY & ALTERNATOR | 1 | |
| 7 | 012349 | PULLEY ASSY W/BEARING / 48MM x 90MM O.D. | 1 | |
| 8 | 012958 | . PULLEY / 48MM x 90MM O.D. | 1 | |
| 9 | 509952 | . BALL BEARING 25 ID x 62 OD x 25.4 W HI-TEMP | 1 | |
| 10 | 504040 | . RING RETAINER / INT 2.440 x 1.860 x 0.078 STL BLK | 1 | |
| 11 | 060137 | GUIDE, BUSHING | 1 | |
| 12 | 5001688 | SCREW CAP HEX M12-1.75x100 G10.9 G500 | 1 | |
| 13 | 453076 | CAP, DUST | 1 | |
| 15 | VIP-0605-52 | ALTERNATOR 12V/200 AMPS / "BOSCH" | 1 | 12 V |
| 15 | VIP-0605-02 | ALTERNATOR 24V/150 AMPS / "BOSCH" | 1 | 24 V |
| 16 | 068347 | SHIM 26GA | 1 | |
| 16 | 068346 | SHIM 20GA | 1 | |
| 17 | 564511 | PULLEY ALTERNATOR / "BOSCH" / 83MM O.D. x 8 RIB | 1 | 12 V |
| 18 | 0600264 | PULLEY ALTERNATOR / "BOSCH" / 83MM DOB x 8 RIB | 1 | 24 V |
| 19 | 21429955 | FLANGE NUT | AR | |
| 20 | 502950 | SCREW SHR CAP HEXF 13x135 (M12x1.75 G10.9 N500 | 1 | |
| 21 | 5001774 | NUT HEXF STO M12-1.75 MAGNI G500 | 1 | |
| 25 | 5001801 | SCREW CAP HEXF M10-1.5x55 G10.9 N500 | 5 | |
| 26 | 5001930 | NUT HEXF NYRT M10-1.5 N500 G10.9 | 1 | |
| 27 | 5001799 | SCREW CAP HEXF M10-1.5x70 G10.9 N500 | 2 | |
| 28 | 5001308 | SCREW CAP HEXF M10-1.5x40 G10.9 N500 | 1 | |
| 29 | 500796 | SCREW CAP HEXF M8-1.25x50 G10.9 N500 | 1 | |
| 30 | 5001800 | SCREW CAP HEXF M10-1.5x45 G10.9 N500 | 2 | |
| 35 | 068541 | SUPPORT CABLE GROUND ALTERNATOR To K-0604 | 1 | |
| 36 | 500321 | WASHER BEL SPR .331x.827x.098 N500 To K-0604 | 3 | |
| 37 | 5001780 | SCREW CAP HEXF M8-1.25x16 G8.8 N500 To K-0604 | 3 | |
| 38 | 504750 | CABLE TIE / 1/2" x 15" / CHRISTMAS TREE To K-0604 | 2 | |
| 50 | VIP-0610-62 | ALTERNATOR MOUNTING - A/C COMPRESSOR SUPPORT / W/SMALL A/C VOLVO D13 To K-0604 | 1 | |
| 51 | VIP-0150-03 | ENGINE CRADLE - WITH VOLVO D13 To K-0604 | 1 | |
| | | | | |
| | | | | |
| | | | | |
| | | | | |
| | | 12 V) USE WITH 12 VOLT ALTERNATOR | | |
| | | 24 V) USE WITH 24 VOLT ALTERNATOR | | |

From K-0295

Date:07/2024

PAGE:VIP-0610-62

ALTERNATOR MOUNTING - A/C COMPRESSOR SUPPORT / W/SMALL A/C VOLVO D13



| | | | |
|--------------------|--|---------------------|-------------------------|
| From K-0295 | | Date:07/2024 | PAGE:VIP-0610-62 |
|--------------------|--|---------------------|-------------------------|

ALTERNATOR MOUNTING - A/C COMPRESSOR SUPPORT / W/SMALL A/C VOLVO D13

| Item# | Part | Description | QTY | Notes |
|-------|-------------|---|-----|-------|
| 1 | 450332 | COMPRESSOR SUPPORT | 1 | |
| 2 | VIP-0605-02 | ALTERNATOR 24V/150 AMPS / "BOSCH" | 1 | 24V |
| 2 | VIP-0605-52 | ALTERNATOR 12V/200 AMPS / "BOSCH" | 1 | 12V |
| 3 | 068347 | SHIM 26GA | 1 | |
| 3 | 068346 | SHIM 20GA | 1 | |
| 4 | 564493 | PULLEY ALTERNATOR / "BOSCH" / 59MM O.D. x 8 RIB To K-0294 | 1 | 24V |
| 4 | 0600262 | PULLEY ALTERNATOR / "BOSCH" / 59MM O.D. x 8 RIB From K-0295 | 1 | 24V |
| 5 | 564510 | PULLEY ALTERNATOR / "BOSCH" / 59MM O.D. x 8 RIB | 1 | 12V |
| NS | 060269 | SHIM 26GA (0.476 MM) | 1 | |
| NS | 060278 | SHIM 20GA (0.953 MM) | 1 | |
| NS | 500449 | WASHER FL .625x1.500 SS To K-0294 | 1 | 24V |
| 6 | 502950 | SCREW SHR CAP HEXF 13x135 (M12x1.75 G10.9 N500 | 1 | |
| 7 | 5001774 | NUT HEXF STO M12-1.75 MAGNI G500 | 1 | |
| 8 | 5001930 | NUT HEXF NYRT M10-1.5 N500 G10.9 | 1 | |
| 9 | 5001308 | SCREW CAP HEXF M10-1.5x40 G10.9 N500 | 1 | |
| 10 | 510991 | AUTOMATIC TENSIONER ASSY | 1 | |
| 11 | 5001799 | SCREW CAP HEXF M10-1.5x70 G10.9 N500 | 1 | |
| 12 | 505602 | MULTI V-BELT / 8 RIB 72.4" (1840MM) 8PK1840 STANDARD DUTY | 1 | |
| 13 | 5001866 | SCREW CAP HEX M12-1.75x30 G10.9 N500 | 4 | |
| 14 | 500967 | WASHER BEL SPR .512x1.142x.098 N500 | 4 | |
| 18 | 060581 | BRACKET, ALTERNATOR CABLE | 1 | |
| 19 | 500321 | WASHER BEL SPR .331x.827x.098 N500 | AR | |
| 20 | 5001742 | SCREW CAP HEXF M8-1.25x30 G8.8 N500 | AR | |
| 21 | 504013 | TIE MOUNT / 1/4" X 1/4" I.D. | AR | |
| 22 | 504379 | RIVET POP DOME OE 3/16x1/4 SS | AR | |
| NS | 504016 | CABLE TIE / 5/16" X 14"1/2 | AR | |
| 24 | 502573 | WASHER FL 6.4x12.5x1.6 SS | 1 | |
| 25 | 5001182 | NUT HEX NYRT M6-1.0 SS | 1 | |
| 26 | 5001341 | WASHER FL 8.4x17.0x1.6 SS To K-0604 | 1 | |
| 26 | 560811 | WASHER, ELECTRICAL CONDUCTOR M8/5/16 From K-0605 | 1 | |
| 27 | 5001527 | SCREW CAP HEX M8-1.25x16 SS BK | 1 | |
| 28 | 060417 | CABLE GROUND MOTOR TO BODY /ALT. EXTREME RIGHT | 1 | |
| NS | 504016 | CABLE TIE / 5/16" X 14"1/2 To L-0826 | AR | |
| 28 | 5040100 | CABLE TIE /OUTSIDE SERRATED 5/16" X 14"1/2 From L-0827 | AR | |
| NS | 504013 | TIE MOUNT / 1/4" X 1/4" I.D. | AR | |
| NS | 504379 | RIVET POP DOME OE 3/16x1/4 SS | AR | |
| NS | 504637 | CABLE TIE / 3/16" x 13" | AR | |
| 29 | 068570 | CABLE ASSY / GROUND | 1 | |
| 30 | 069421 | DECAL "DO NOT POWER WASH ALTERNATORS" | 1 | |
| 31 | 504339 | RIVET POP DOME OE 1/8x3/8 SS | 2 | |
| 35 | 010069 | SUPPORT DIPSTICK From K-0605 | 1 | |
| 36 | 500321 | WASHER BEL SPR .331x.827x.098 N500 From K-0605 | 2 | |

| | | |
|-------------|--------------|------------------|
| From K-0295 | Date:07/2024 | PAGE:VIP-0610-62 |
|-------------|--------------|------------------|

ALTERNATOR MOUNTING - A/C COMPRESSOR SUPPORT / W/SMALL A/C VOLVO D13

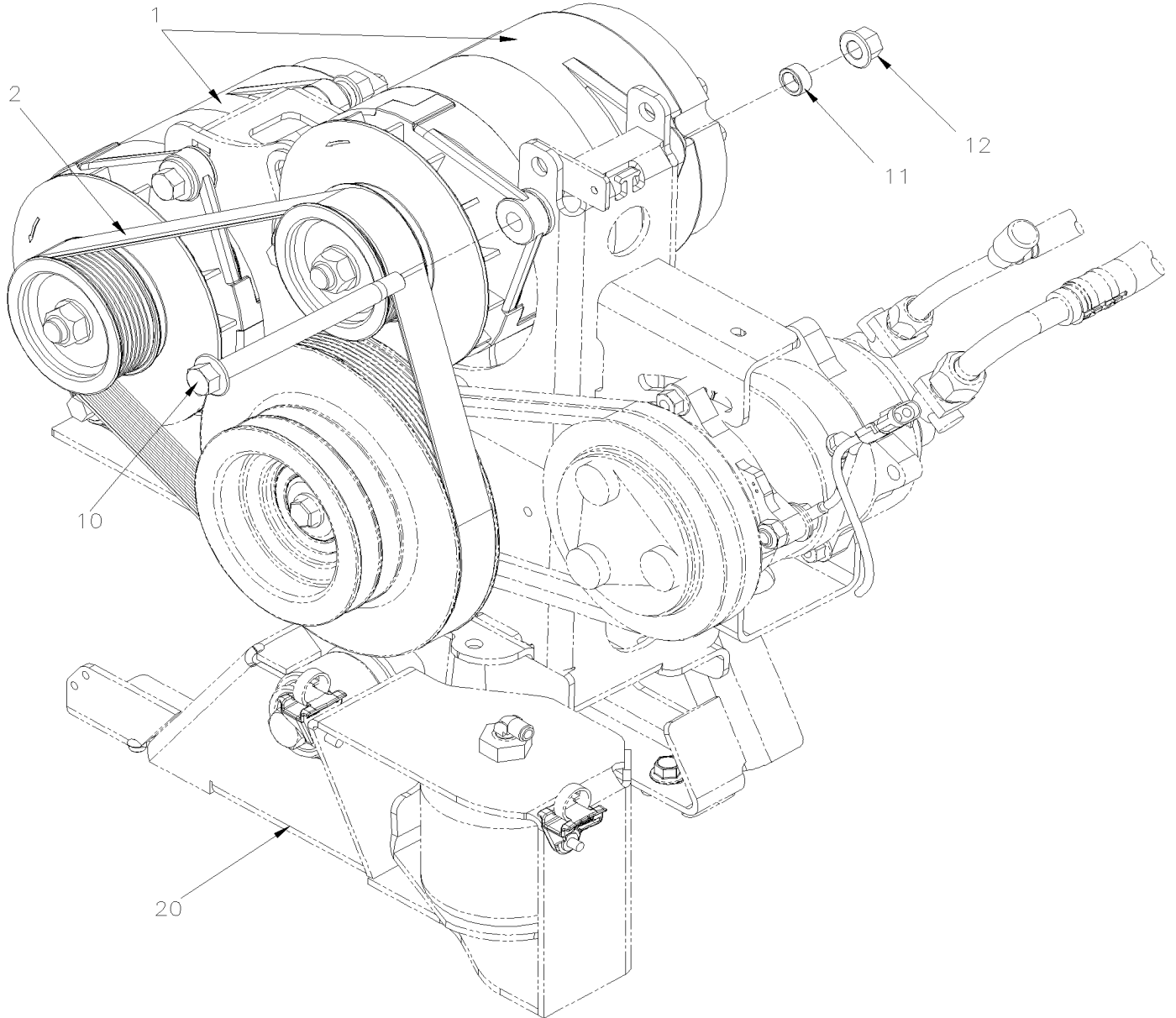
| Item# | Part | Description | QTY | Notes |
|-------|-------------|---|-----|-------|
| 37 | 5001780 | SCREW CAP HEXF M8-1.25x16 G8.8 N500 From K-0605 | 2 | |
| 50 | VIP-2245-52 | A/C COMPRESSOR SMALL - INSTALLATION | | |
| 51 | VIP-0120-50 | DRIVE PULLEY, BELTS & TENSIONER WITH VOLVO D13 | | |
| | | | | |
| | | | | |
| | | 12V) 12 VOLTS | | |
| | | 24V) 24V VOLTS | | |

From K-0295

Date:07/2024

PAGE:VIP-0610-70

ALTERNATOR MOUNTING - W/SMALL A/C WITH "VOLTA" ALTERNATOR



| | | |
|-------------|--------------|------------------|
| From K-0295 | Date:07/2024 | PAGE:VIP-0610-70 |
|-------------|--------------|------------------|

ALTERNATOR MOUNTING - W/SMALL A/C WITH "VOLTA" ALTERNATOR

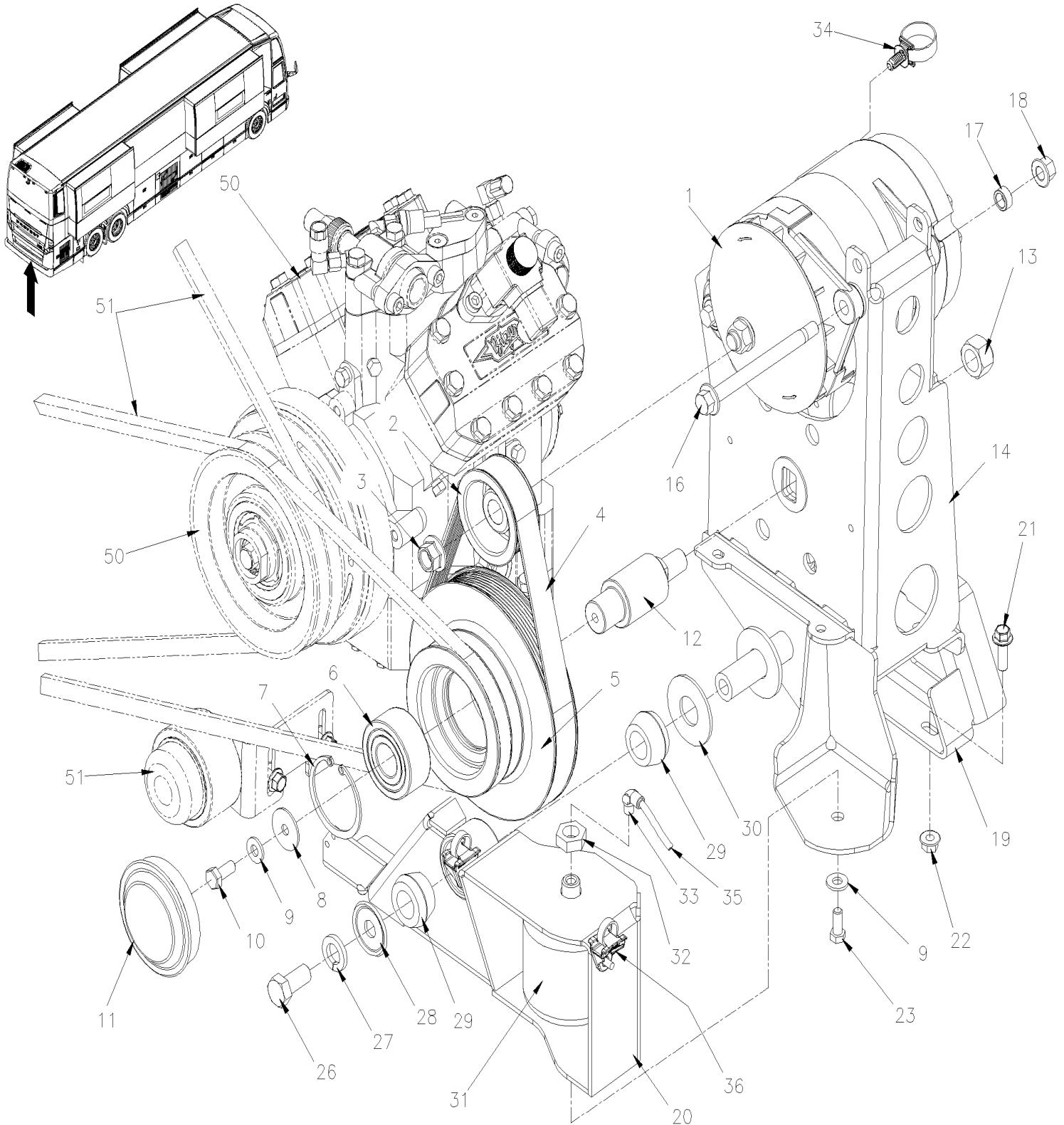
| Item# | Part | Description | QTY | Notes |
|-------|-------------|---|-----|-------|
| 1 | N.P.N. | ALTERNATOR ASSY "VOLTA" | 1 | 4 A |
| 2 | N.P.N. | MULTI V-BELT / 8 RIB | 1 | 4 A |
| 10 | 502950 | SCREW SHR CAP HEXF 13x135 (M12x1.75 G10.9 N500 | 2 | |
| 11 | 061155 | SLEEVE, ALTERNATOR PIVOT DOUILLE, PIVOT D'ALTERNATEUR | 2 | |
| 12 | 5001774 | NUT HEXF STO M12-1.75 MAGNI G500 | 2 | |
| 20 | VIP-2245-60 | A/C COMPRESSOR SMALL - INSTALLATION WITH "VOLTA" ALTERNATOR | | |
| 20 | VIP-0120-50 | DRIVE PULLEY, BELTS & TENSIONER WITH VOLVO D13 | | |
| | | | | |
| | | | | |
| | | A) SUPPLY BY CONVERTER | | |
| | | 4) NO PARTS NUMBER | | |

From K-0295

Date:07/2024

PAGE:VIP-0610-75

ALTERNATOR MOUNTING - W/LARGE A/C WITH "VOLTA" ALTERNATOR



51

11

10

9

8

7

6

5

4

3

2

1

12

16

13

14

17

18

19

21

22

23

24

25

26

27

28

29

30

31

32

33

34

35

36

| | | | |
|--------------------|--|---------------------|-------------------------|
| From K-0295 | | Date:07/2024 | PAGE:VIP-0610-75 |
|--------------------|--|---------------------|-------------------------|

ALTERNATOR MOUNTING - W/LARGE A/C WITH "VOLTA" ALTERNATOR

| Item# | Part | Description | QTY | Notes |
|-------|---------|---|-----|-------|
| 1 | N.P.N. | ALTERNATOR ASSY "VOLTA" | 1 | 4 A |
| 2 | N.P.N. | PULLEY ALTERNATOR | 1 | 4 A |
| 3 | N.P.N. | NUT | 1 | 4 A |
| 4 | N.P.N. | MULTI V-BELT / 8 RIB | 1 | 4 A |
| 5 | 457530 | PULLEY / W/4 GROOVE & 8 RIB 2/B + 8 RIB + 2/A | 1 | |
| 6 | 509953 | BALL BEARING 30MM x 72MM x 30.2 W HI-TEMP | 1 | |
| 7 | 504736 | RING RETAINER / INT 72 x 75 x 2.5MM | 1 | |
| 8 | 500261 | WASHER FL .390x1.500x.083 N500 | 1 | |
| 9 | 5001834 | WASHER BEL SPR 10.5X23X2.5 N500 | 2 | |
| 10 | 502804 | SCREW CAP HEX M10-1.5x25 G8.8 N500 | 1 | |
| 11 | 950471 | CAP, DUST | 1 | |
| 12 | 457474 | SHAFT PULLEY | 1 | |
| 13 | 5001252 | NUT HEX STO M20-2.5 DP | 1 | |
| 14 | 060800 | SUPPORT ASSY / ALTERNATOR W/ "VOLTA" To K-0574 | 1 | |
| . NS | 061155 | . SLEEVE, ALTERNATOR PIVOT DOUILLE, PIVOT D'ALTERNATEUR To K-0574 | 2 | |
| 14 | 0610032 | SUPPORT ASSY / ALTERNATOR W/ "VOLTA" From K-0575 To M-1109 | 1 | |
| . NS | 061155 | . SLEEVE, ALTERNATOR PIVOT DOUILLE, PIVOT D'ALTERNATEUR From K-0575 To M-1109 | 2 | |
| 14 | 0611005 | SUPPORT ASSY / ALTERNATOR W/ "VOLTA" From M-1110 | 1 | |
| 15 | 457491 | ATTACHMENT ALTERNATOR | 1 | |
| 16 | 502950 | SCREW SHR CAP HEXF 13x135 (M12x1.75 G10.9 N500 | 1 | |
| 17 | 061155 | SLEEVE, ALTERNATOR PIVOT DOUILLE, PIVOT D'ALTERNATEUR | 1 | |
| 18 | 5001774 | NUT HEXF STO M12-1.75 MAGNI G500 | 1 | |
| 19 | 457528 | SUPPORT OPPOSITE PULLEY SIDE | 1 | |
| 20 | 457529 | SUPPORT ASSY To K-0574 | 1 | |
| 20 | 450742 | SUPPORT ASSY From K-0575 To M-1109 | 1 | |
| 20 | 453668 | SUPPORT ASSY From M-1110 | 1 | |
| 21 | 5000343 | SCREW CAP HEXF M10-1.5x30 G10.9 N500 | 4 | |
| 22 | 5001930 | NUT HEXF NYRT M10-1.5 N500 G10.9 | 4 | |
| 23 | 502926 | SCREW CAP HEX 3/8-16x7/8 G5 N500 | 1 | |
| 26 | 5001896 | SCREW CAP HEX M16-2.0x35 G10.9 N500 | 2 | |
| 27 | 502884 | WASHER LO SPT 16.2x27.4x3.5 N500 | 2 | |
| 28 | 5001151 | WASHER CON 16.5x50.0x4.5 ZP | 2 | |
| 29 | 630002 | BUSHING / RUBBER / (TWO PIECES) 1" x 1.005" I.D. | 4 | |
| 30 | 500997 | WASHER FL 1.062x2.500x.125 SS | 2 | |
| 31 | 550840 | BELLOW ASSY / BELT TENSIONER / 4" O.D. | 1 | |
| 32 | 502917 | NUT HEX JAM 3/4-16 G2 N500 | 1 | |
| NS | 680038 | THREAD LOCKER LOCTITE #243 / BLUE / 50ml | AR | |
| 33 | 641369 | MALE ELBOW 90° NON-SWIVEL / PUSH-IN FITTING / #4x1/8NPT-M BR | 1 | |
| NS | 680098 | THREAD SEALANT LOCTITE #567 / WHITE / 250ml | AR | |
| 34 | 504750 | CABLE TIE / 1/2" x 15" / CHRISTMAS TREE | 1 | |
| 35 | 503402 | TUBE, NYLON 1/4 O.D. / BLACK S.L. | AR | |
| 36 | 504772 | ATTACHMENT USE WITH CABLE TIE 5/16 BOLT | 2 | |

| From K-0295 | | Date:07/2024 | PAGE:VIP-0610-75 | |
|--|-------------|--|------------------|-------|
| ALTERNATOR MOUNTING - W/LARGE A/C WITH "VOLTA" ALTERNATOR | | | | |
| Item# | Part | Description | QTY | Notes |
| 36 | 504016 | CABLE TIE / 5/16" X 14"1/2 | 2 | |
| 36 | 504610 | RIVET MGLP PRDG 1/4x5/8 SS | 2 | |
| 50 | VIP-2245-02 | A/C COMPRESSOR "BITZER" - INSTALLATION | | |
| 51 | VIP-0120-50 | DRIVE PULLEY, BELTS & TENSIONER WITH VOLVO D13 | | |
| | | | | |
| | | | | |
| | | A) SUPPLY BY CONVERTER | | |
| | | 4) NO PARTS NUMBER | | |

| | | | |
|---------------------------------|--|--------------|------------------|
| From K-0295 | | Date:07/2024 | PAGE:VIP-0615-02 |
| BATTERIES - INSTALLATION | | | |

| Item# | Part | Description | QTY | Notes |
|-------|----------|--|-----|-------|
| 1 | 21258363 | BATTERY AGM - 12V GR31 800 CCA To R-1758 | 4 | |
| 1 | 23825207 | BATTERY AGM - 12V 925 CCA 190 RC From R-1759 | 4 | |
| NS | 067977 | DECAL BATTERIES MANAGEMENT | 1 | D |
| 2 | 060855 | CABLE HARNESS / EQUALIZER | 1 | |
| 3 | 061180 | CABLE ASSY / B - TO B - | 2 | |
| 4 | 060691 | HARNESS BATTERY 24VD | 1 | |
| 5 | 062371 | CABLE ASSY / B + TO B + | 2 | |
| 6 | 060686 | CABLE BATTERIES 12VD | 1 | |
| 7 | 063592 | CABLE ASSY / B - TO GROUND | 1 | |
| 8 | 060693 | HARNESS BATTERY ELECTRONIC GROUND | 1 | |
| 9 | 061036 | CABLE ASSY / B - TO B - | 1 | |
| 10 | 060692 | HARNESS POSITIVE BOOSTER | 1 | |
| 11 | 5001936 | NUT HEX NYRT 3/8-16 SS | 1 | |
| 12 | 5001935 | WASHER FL 10.5x18.0x1.6 SS | 1 | |
| 15 | 380671 | TRAY, BATTERIES | 1 | |
| 16 | 382499 | BATTERIES SUPPORT | 1 | |
| 16 | 506350 | TAPE RUB ADH1 NEO 3/16" x 1" x 25' / BLACK | AR | |
| 17 | 504650 | GROMMET / .375x.625x.062x.313x.875 | 1 | |
| 18 | 381602 | RACK BATTERIES | 1 | |
| 19 | 381660 | BATTERY SUP. HOOK 38-16x280MM SS | 4 | |
| 20 | 5001522 | NUT HEXF LO 3/8-16 SS To L-1040 | 8 | |
| 20 | 5002134 | NUT HEXF LO 3/8-16 SS NSS From L-1041 | 8 | |
| 21 | 067952 | SENSOR VOLT AND TEMP - VANNER | 1 | |
| 22 | 067954 | SENSOR 80/600AMP - VANNER | 2 | |
| 23 | 5001694 | SCREW MA PAN PH M4-0.7x40 SS BK | 4 | |
| 24 | 382494 | SUPPORT / SENSOR | 1 | |
| NS | 509815 | TIE MOUNT / ATTACHMENT W/TREE MOUNT | 5 | |
| NS | 504637 | CABLE TIE / 3/16" x 13" | 5 | |
| NS | 564108 | SELF MOUNTING STUD // DEUTSCH 1011-310-0205 | 2 | |
| 25 | 502854 | NUT HEX M6-1.0 N500 | 3 | |
| 26 | 5001833 | WASHER BEL SPR 6.1x18x1.27 SS | 3 | |
| 27 | 5001522 | NUT HEXF LO 3/8-16 SS To L-1032 | 8 | |
| 27 | 5002134 | NUT HEXF LO 3/8-16 SS NSS From L-1033 | 8 | |
| 28 | 560492 | EQUALIZER "VANNER" 100AMPS WITH ISM FUNCTION To K-0400 | 1 | |
| 28 | 560758 | EQUALIZER "VANNER" 100AMPS WITH ISM FUNCTION From K-0401 To M-1162 | 1 | |
| 28 | 564363 | EQUALIZER "VANNER" 100AMPS WITH ISM FUNCTION WITH EWD From M-1163 | 1 | |
| 29 | 502888 | SCREW CAP HEX M6-1.0x35 G8.8 N500 | 4 | |
| 30 | 5001833 | WASHER BEL SPR 6.1x18x1.27 SS | 4 | |
| 31 | 069756 | CABLE ASSY / REAR JUNCTION BOX WITH ALLISON To K-0367 | 1 | |
| 31 | 069924 | CABLE ASSY / REAR JUNCTION BOX WITH ALLISON From K-0368 To K-0604 | 1 | |
| 31 | 0610068 | CABLE ASSY / REAR JUNCTION BOX WITH ALLISON From K-0605 To L-1054 | 1 | |
| 31 | 0610285 | CABLE ASSY / REAR JUNCTION BOX WITH ALLISON From L-1055 To M-1153 | 1 | |

| | | | |
|-------------|--|--------------|------------------|
| From K-0295 | | Date:07/2024 | PAGE:VIP-0615-02 |
|-------------|--|--------------|------------------|

BATTERIES - INSTALLATION

| Item# | Part | Description | QTY | Notes |
|-------|--------------------|--|-----|-------|
| 31 | 0610476 | CABLE ASSY / REAR JUNCTION BOX WITH ALLISON From M-1154 To P-1347 | 1 | |
| NS | 0600106 | CABLE ASSY / REAR JUNCTION BOX WITH ALLISON From P-1348 | 1 | |
| 32 | 069757 | HARNESS / REAR JUNCTION BOX CONTROL | 1 | |
| 38 | 504606 | GROMMET / 3.000x3.500x.062x.500x4.000 | 1 | |
| 39 | 5002028 | NUT HEX NYRT M10-1.5 SS | 2 | |
| 39 | 5001935 | WASHER FL 10.5x18.0x1.6 SS | 2 | |
| 40 | 502595 | NUT HEX NYRT 1/2-13 Z050 | 1 | |
| 41 | 500958 | WASHER FL .531x1.062x.095 SS | 1 | |
| 45 | Call order desk | COVER BATTERIES ASSY / W/2 LATCH | 1 | P |
| 45 | 380125P | COVER BATTERIES ASSY / W/2 LATCH From R-1453 To R-1782 | 1 | |
| 45A | 504203 | . SPRING LATCH / KNURLED STEEL KNOB | 2 | |
| 45B | 504717 | . RIVET POP DOME OE 1/8x1/4 SS | 4 | |
| 45C | 382511 | . COVER PANEL | 1 | |
| NS | 506738 | . TAPE RUB ADH1 CC POL 1/8" x 1" x 50' / GREY 2520 | AR | |
| 45E | 382512 | . PLATE, DECAL | 1 | |
| 45F | 382513 | . PLATE, DECAL | 1 | |
| 45G | 504619 | . CLIP CHRISTMAS TREE / BLACK 7/32"O.D.x1/2" HOLE 3/16 | 10 | |
| 47 | 160295 | . DECAL / "IT FORBIDDEN TO STOCK ANYTING IN TH. / ENGLISH & FRANCAIS | 1 | |
| 47 | 161191 | . DECAL / "IT FORBIDDEN TO STOCK ANYTING IN TH. / ENGLISH & SPANISH | 1 | |
| 48 | 062385 | . DECAL REAR JCT BOX To K-0604 | 1 | |
| 48 | 0610123 | . DECAL REAR JCT BOX From K-0605 To L-1054 | 1 | |
| 48 | 0610298 | . DECAL REAR JCT BOX From L-1055 To M-1153 | 1 | |
| 48 | 0610516 | . DECAL REAR JCT BOX From M-1154 To P-1347 | 1 | |
| 48 | 0610630 | DECAL REAR JCT BOX From P-1348 To R-1783 | 1 | |
| 48 | 0610655 | DECAL M4, EL, RJB VIP From R-1784 | 1 | |
| 50 | VIP-0615-10 | BATTERIES COMPARTMENT - INSTALLATION | | |
| 51 | VIP-0620-02 | REAR JUNCTION BOX ASSY | | |
| 52 | VIP-0616-12 | BREAKER PANEL To P-1347 | | |
| NS | VIP-0616-13 | BREAKER PANEL From P-1348 | | |
| 53 | VIP-0665-11 | SWITCHES, LIGHTS, AJAR - UNDER FLOOR & ENGINE COMPARTMENT To P-1347 | | |
| 53 | VIP-0665-12 | SWITCHES, LIGHTS, AJAR - UNDER FLOOR & ENGINE COMPARTMENT From P-1348 | | |
| NS | 066436 | DECAL / "CAUTION" BEFORE WELDING...." // ENGLISH | 1 | |
| NS | 062403 | DECAL / "CAUTION" BEFORE WELDING...." // ENGLISH & FRANCAIS | 1 | |
| NS | 067067 | DECAL / "CAUTION" BEFORE WELDING...." // ENGLISH & SPANISH | 1 | |
| NS | 067969 | DECAL / "BOOSTER BLOCK" - GRD PICTOGRAM | 1 | |
| NS | 067968 | DECAL / "BOOSTER BLOCK" + 24 PICTOGRAM | 1 | |
| NS | 405638 | DECAL / "ALWAYS DISCONNECT..." / ENGLISH & SPANISH | 1 | |
| NS | 062304 | DECAL BATTERIES MANAGEMENT | 1 | |
| | | | | |
| | | | | |
| | | | | |
| | | D) FIX INSIDE SERVICE DOOR | | |

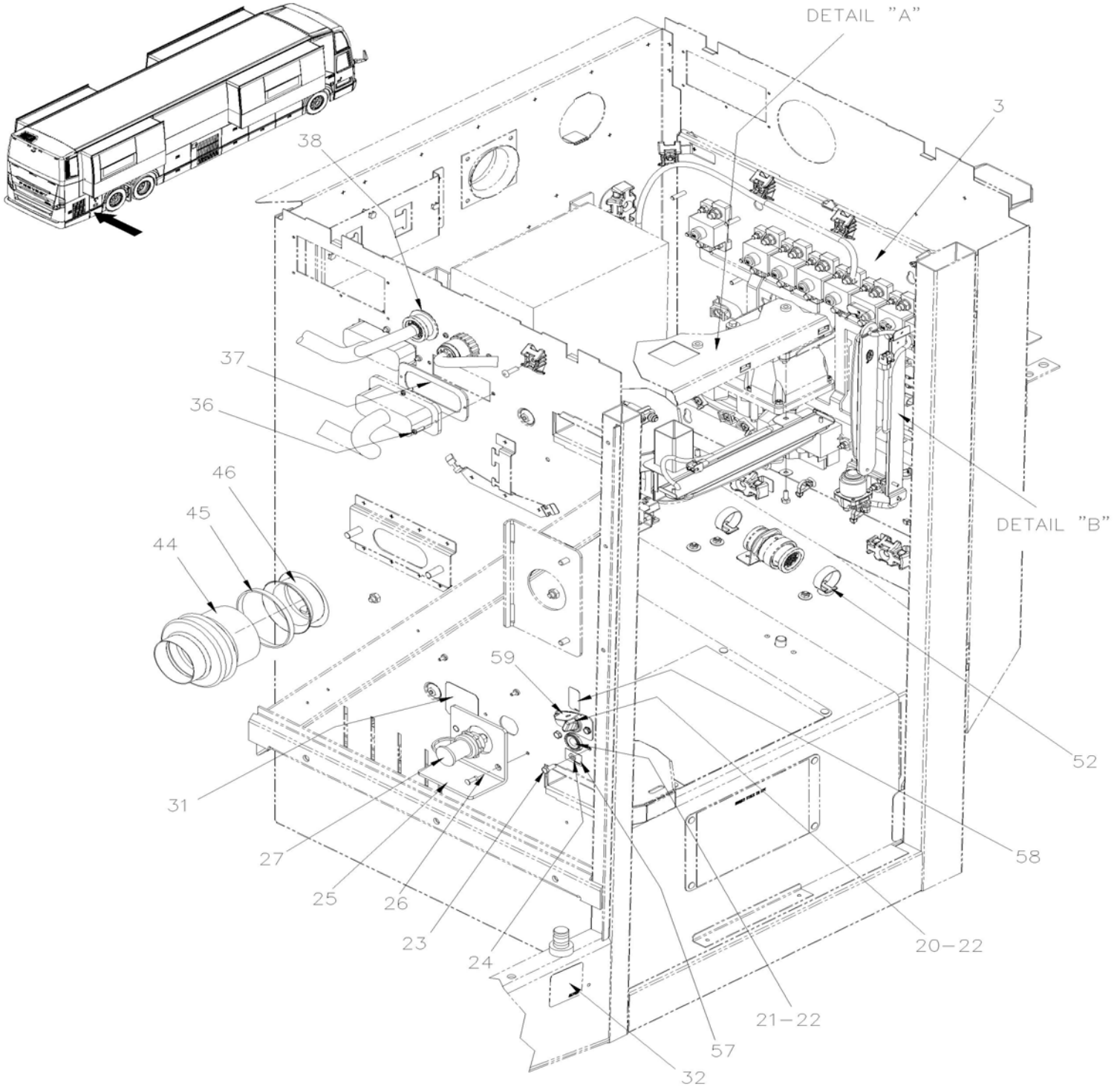
| From K-0295 | | Date:07/2024 | PAGE:VIP-0615-02 | |
|---------------------------------|------|--|------------------|-------|
| BATTERIES - INSTALLATION | | | | |
| Item# | Part | Description | QTY | Notes |
| | | P) CALL ORDER DESK FOR SPECIFIC APPLICATION (V.I.N.) | | |

From K-0295

Date:07/2024

PAGE:VIP-0615-10

BATTERIES COMPARTMENT - INSTALLATION

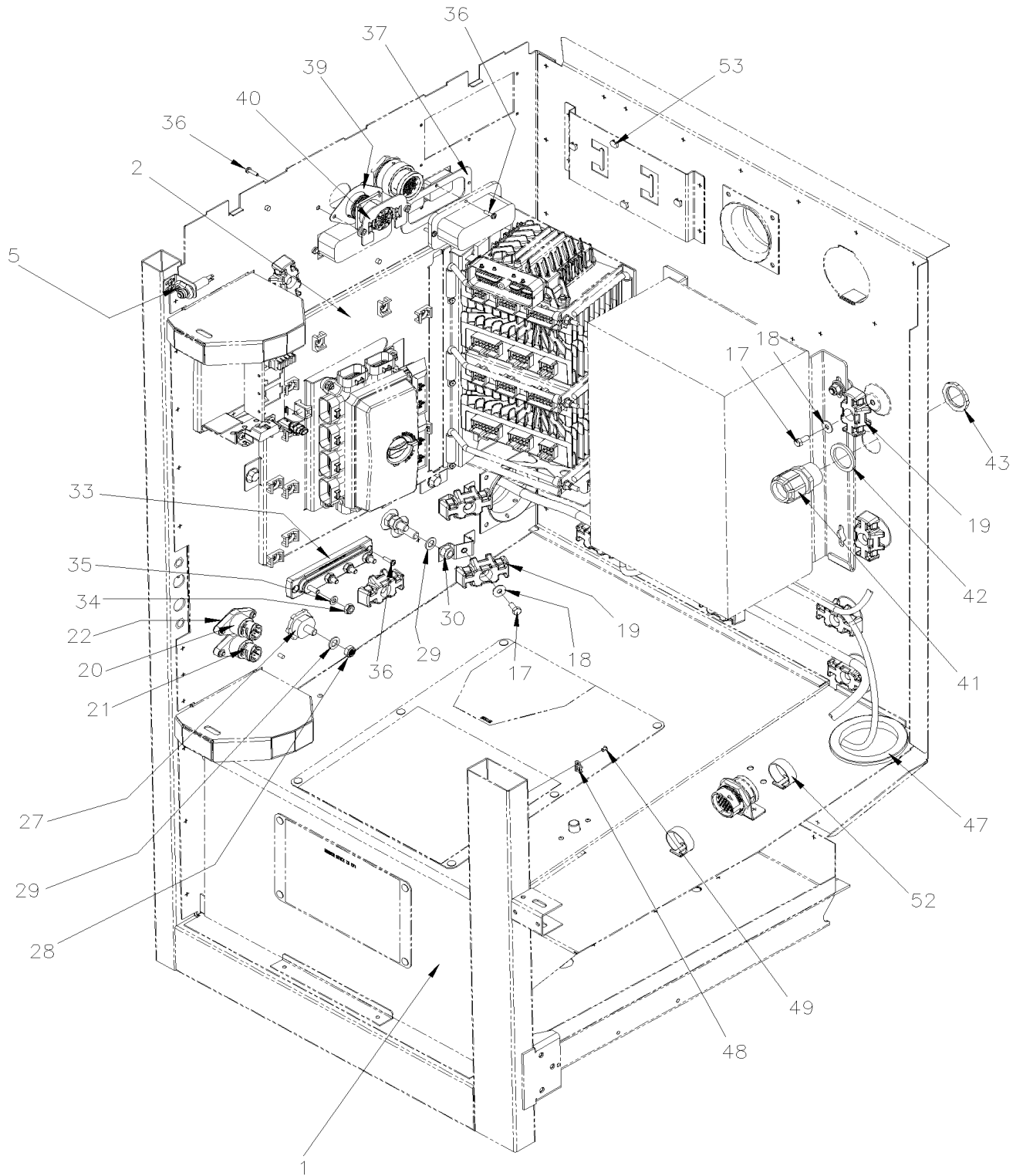


From K-0295

Date:07/2024

PAGE:VIP-0615-10

BATTERIES COMPARTMENT - INSTALLATION

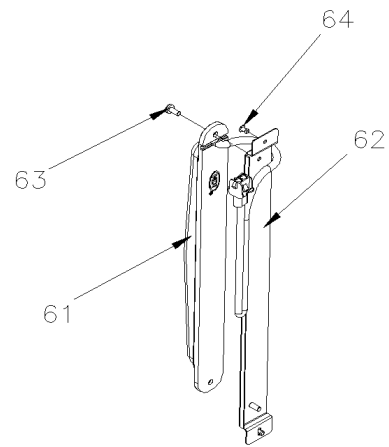
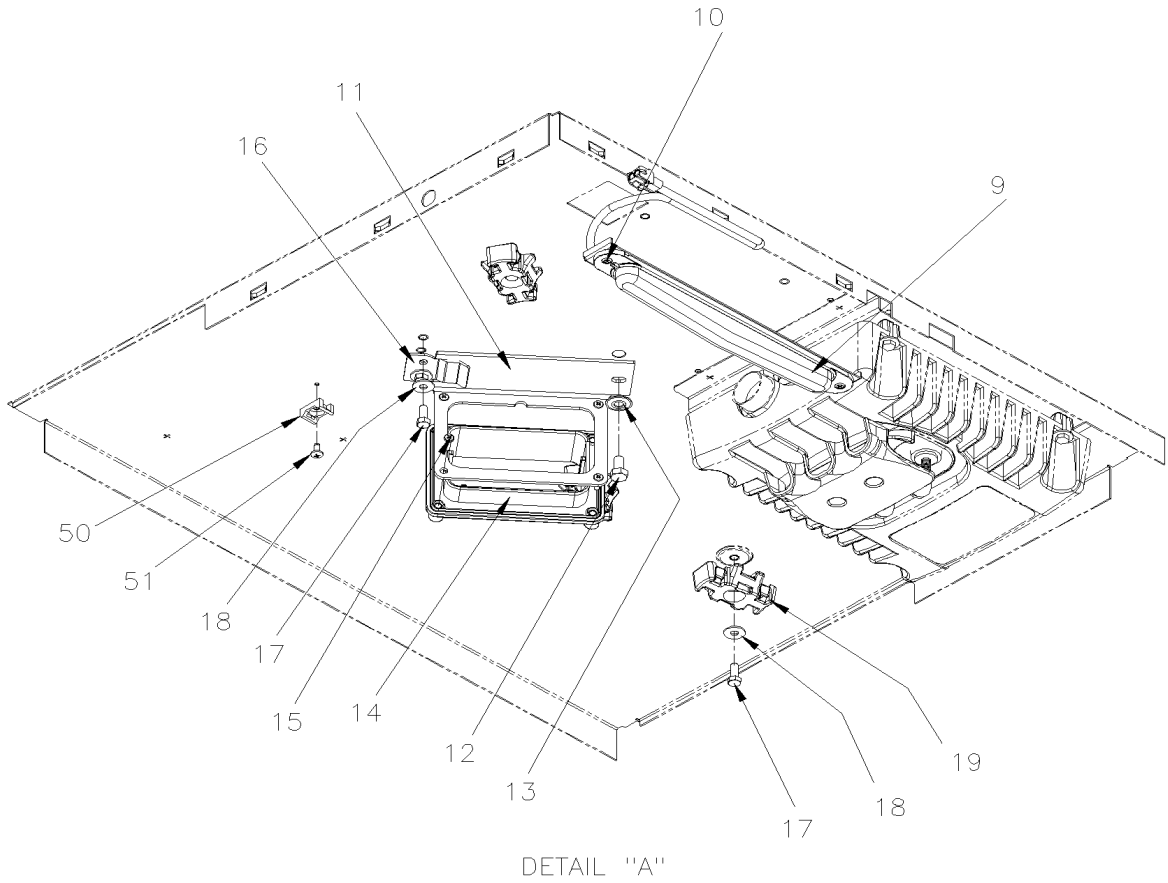


From K-0295

Date:07/2024

PAGE:VIP-0615-10

BATTERIES COMPARTMENT - INSTALLATION



VIP ONLY
DETAIL "B"

| | | | |
|-------------|--|--------------|------------------|
| From K-0295 | | Date:07/2024 | PAGE:VIP-0615-10 |
|-------------|--|--------------|------------------|

BATTERIES COMPARTMENT - INSTALLATION

| Item# | Part | Description | QTY | Notes |
|-------|-------------|---|-----|-------|
| 1 | VIP-0615-02 | BATTERIES - INSTALLATION | | |
| 2 | VIP-0620-02 | REAR JUNCTION BOX ASSY | | |
| 3 | VIP-0616-12 | BREAKER PANEL To P-1347 | | |
| NS | VIP-0616-13 | BREAKER PANEL From P-1348 | | |
| 5 | VIP-0665-11 | SWITCHES, LIGHTS, AJAR - UNDER FLOOR & ENGINE COMPARTMENT To P-1347 | | |
| 5 | VIP-0665-12 | SWITCHES, LIGHTS, AJAR - UNDER FLOOR & ENGINE COMPARTMENT From P-1348 | | |
| 9 | 830008 | LAMP ASSY 24V / LED | 1 | |
| NS | 561248 | CONNECTOR / UNIVERSAL MATE-N-LOK / PH 2C / AMP 1-480699-0 | 1 | |
| 10 | 500799 | SCREW TC PAN PH #8-32x3/8 N500 | 2 | |
| 11 | 061148 | SUPPORT CONNECTOR 102 PIN | 1 | |
| 12 | 5001527 | SCREW CAP HEX M8-1.25x16 SS BK | 1 | |
| 13 | 5001699 | WASHER BEL SPR 8.2x22x1.4 N500 | 1 | |
| 14 | 560208 | FLANGE CONNECTOR / DRB SERIES / 102C / DEUTSCH DRBF-1A | 1 | |
| 15 | 502653 | SCREW MA PAN PH M5-0.8x16 SS | 4 | |
| 16 | 061145 | SUPPORT CONNECTOR | 1 | |
| 17 | 5001697 | SCREW CAP HEX M6-1.0x16 SS BK | 23 | |
| 18 | 5001833 | WASHER BEL SPR 6.1x18x1.27 SS | 23 | |
| 19 | 504051 | ATTACHMENT 3-WAY USE WITH CABLE TIE | 19 | |
| 20 | 560012 | ROTARY SWITCH DS SERIES | 1 | |
| 21 | 560038 | PUSH BUTTON / 2 POLES BLACK | 1 | |
| 22 | 061166 | GASKET, FOR BOUTTON | 2 | |
| 23 | 5001530 | SCREW CAP HEX M6-1.0x16 SS | 4 | |
| 24 | 502570 | WASHER LO SPT 6.1x11.8x1.6 SS | 4 | |
| 25 | 381210 | SEPARATOR / FIBERGLASS RED | 1 | |
| 26 | 504488 | RIVET MGLP PRDG 3/16x17/64 SS | 2 | |
| 27 | 561856 | BOOSTER BLOCK, REMOTE / RED | 1 | |
| 28 | 5001935 | WASHER FL 10.5x18.0x1.6 SS | 3 | |
| 29 | 5001936 | NUT HEX NYRT 3/8-16 SS | 1 | |
| 30 | 5001628 | NUT HEX NYRT M10-1.5 SS | 2 | |
| 31 | 067968 | DECAL / "BOOSTER BLOCK" + 24 PICTOGRAM | 1 | |
| 32 | 067969 | DECAL / "BOOSTER BLOCK" - GRD PICTOGRAM | 1 | |
| 33 | 560224 | JUNCTION BLOCK W/4 STUDS | 1 | |
| 34 | 5001251 | NUT HEX NYRT 1/4-20 SS | 4 | |
| 35 | 502573 | WASHER FL 6.4x12.5x1.6 SS | 4 | |
| 36 | 502698 | SCREW MA PAN PH M4-0.7x16 SS BK | 12 | |
| 37 | 564198 | GASKET / DRC SERIES / 70C, ADHESIVE BACK / DEUTSCH DRC70-GKT AD | 2 | |
| 38 | 061225 | GASKET, CONNECTOR DEUTSH 31C | 1 | |
| 39 | 068713 | GASKET, CONNECTOR 16POS CPC | 1 | |
| 40 | 382505 | PLATE, FIXATION | 1 | |
| 41 | 069468 | TIGHT STRAIN RELIEF FITTING 0.7"-0.95" | 1 | |
| 42 | 069470 | SEAL 32MMX42X3.3 NITRILE 60-70 DURO | 1 | |
| 43 | 069469 | LOCK NUT 1" STAINLESS STEEL | 1 | |

| | | |
|-------------|--------------|------------------|
| From K-0295 | Date:07/2024 | PAGE:VIP-0615-10 |
|-------------|--------------|------------------|

BATTERIES COMPARTMENT - INSTALLATION

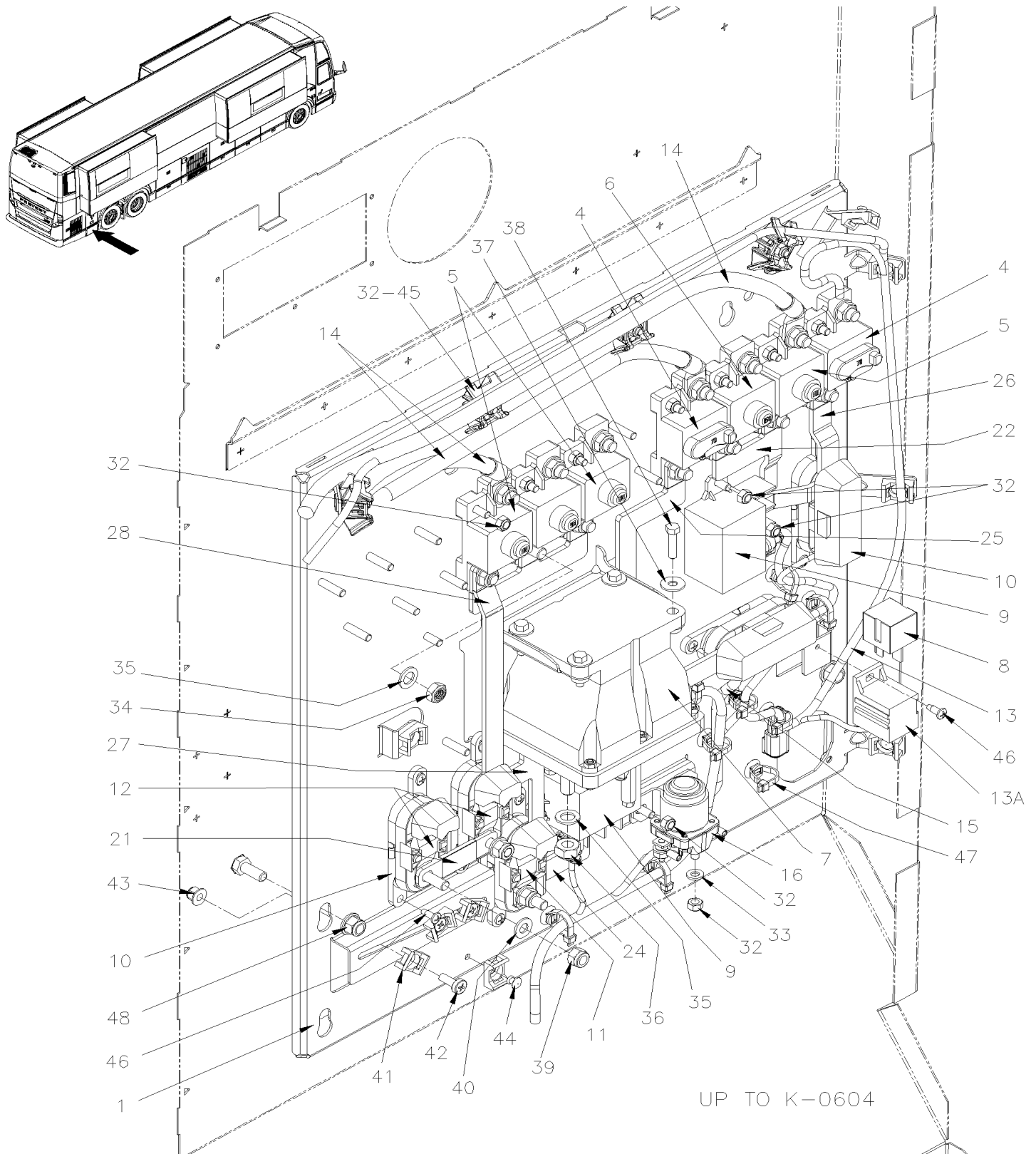
| Item# | Part | Description | QTY | Notes |
|-------|---------|---|-----|-------|
| 44 | 504499 | CUFF END BELLOW / 2 7/8" I.D. x 3 5/8" x 4 7/16 | 1 | |
| NS | 504026 | HOSE CLAMP / 2"13/16-3"3/4 SS / HS-52 | 1 | |
| 45 | 504737 | CABLE TIE / .300" X 30"1/2 | 1 | |
| 46 | 068050 | PANEL ASSY / PASS CABLE LOWER SIDE BOX | 1 | |
| 47 | 504606 | GROMMET / 3.000x3.500x.062x.500x4.000 | 1 | |
| 48 | 504531 | TIE MOUNT / 3/16" #10 SCREW / TA1S8-C | 2 | |
| 49 | 504340 | RIVET POP DOME OE 1/8x3/16 SS | 2 | |
| 50 | 504013 | TIE MOUNT / 1/4" X 1/4" I.D. | 1 | |
| 51 | 500209 | SCREW TC BDG PH #10-24x3/8 N500 | 1 | |
| 52 | 504750 | CABLE TIE / 1/2" x 15" / CHRISTMAS TREE | 2 | |
| 53 | 509815 | TIE MOUNT / ATTACHMENT W/TREE MOUNT | 4 | |
| NS | 680532 | SEALANT SIKA #221 / GREY / 310ml CARTRIDGE | AR | |
| 57 | 065466 | DECAL / LAVATORY PUMP FLUSH / ENGLISH & FRANCAIS | 1 | |
| 58 | 060595 | DECAL ELECTRICAL SHUT-OFF | 1 | |
| 59 | 0600350 | LOCKING PLATE From £-24004 | 1 | |
| 61 | 830008 | LAMP ASSY 24V / LED | 1 | |
| NS | 561248 | CONNECTOR / UNIVERSAL MATE-N-LOK / PH 2C / AMP 1-480699-0 | 1 | |
| 62 | 061441 | LAMP SUPPORT | 1 | |
| 63 | 500799 | SCREW TC PAN PH #8-32x3/8 N500 | 2 | |
| 64 | 504340 | RIVET POP DOME OE 1/8x3/16 SS | 2 | |

From K-0295 To P-1347

Date:07/2024

PAGE:VIP-0616-12

BREAKER PANEL

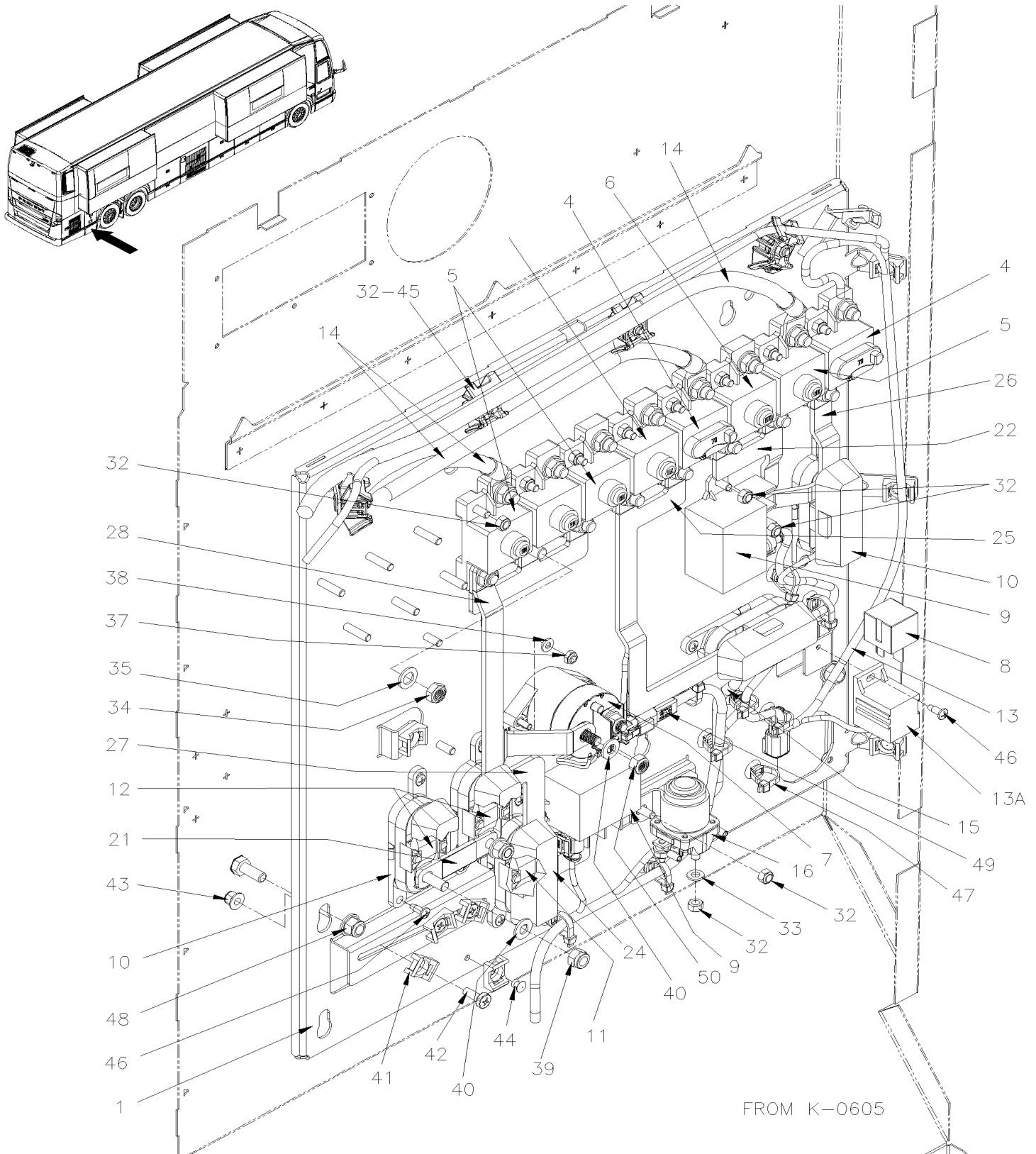


From K-0295 To P-1347

Date:07/2024

PAGE:VIP-0616-12

BREAKER PANEL



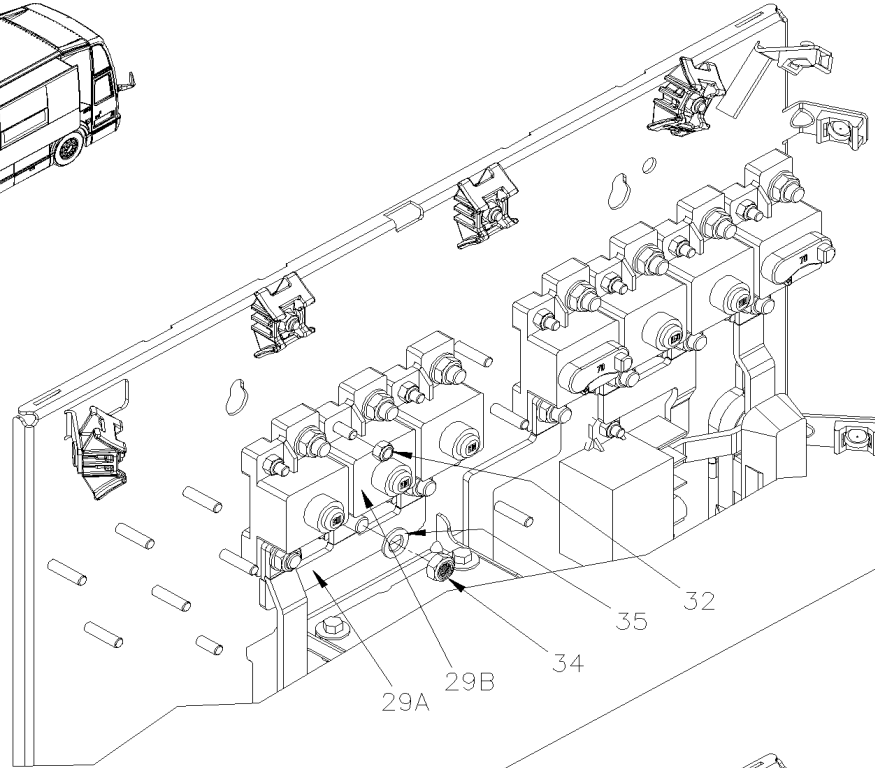
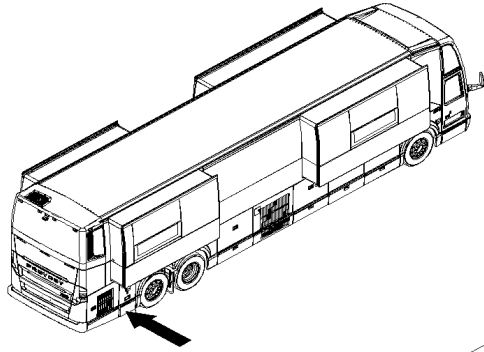
FROM K-0605

From K-0295 To P-1347

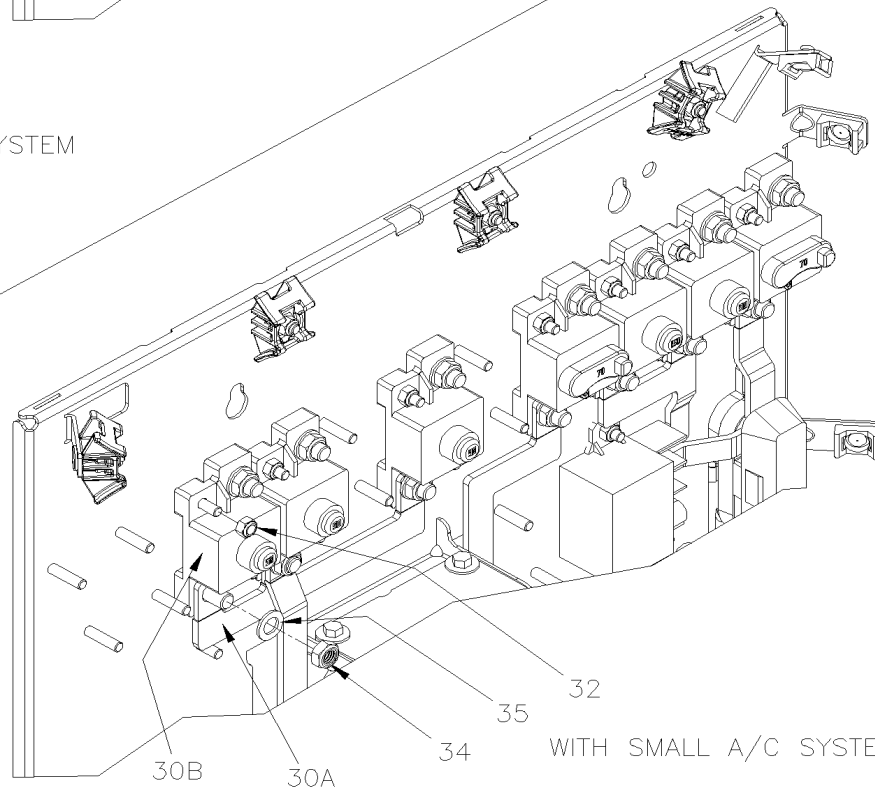
Date:07/2024

PAGE:VIP-0616-12

BREAKER PANEL



WITH LARGE A/C SYSTEM



WITH SMALL A/C SYSTEM

| | | |
|------------------------------|---------------------|-------------------------|
| From K-0295 To P-1347 | Date:07/2024 | PAGE:VIP-0616-12 |
| BREAKER PANEL | | |

| Item# | Part | Description | QTY | Notes |
|-------|---------|--|-----|-------|
| 1 | 067471 | SUPPORT PLATE POWER RJB To K-0314 | 1 | |
| 1 | 061431 | SUPPORT PLATE POWER RJB From K-0315 To K-0604 | 1 | |
| 1 | 0610063 | SUPPORT PLATE POWER RJB From K-0605 To M-1153 | 1 | |
| 1 | 0610451 | SUPPORT PLATE POWER RJB From M-1154 | 1 | |
| 3 | 563707 | BREAKER 70AMPS / 24V / From L-1055 | 1 | |
| 4 | 568113 | BREAKER 70AMPS / 24V / | 2 | |
| 5 | 563708 | BREAKER 90AMPS / 24V / | 3 | |
| 6 | 568114 | BREAKER 150AMPS / 24V / | 1 | |
| 7 | 562364 | RELAY 24V S.P.S.T. / 300 AMPS N.O. // BATTERY DISCONNECT To K-0604 | 1 | |
| 7 | 560843 | RELAY 24V S.P.S.T. / 300 AMPS N.O. // BATTERY DISCONNECT From K-0605 | 1 | |
| 8 | 564218 | RELAY 24V S.P.S.T. / 40 AMPS N.O. To M-1153 | 1 | |
| 8 | 564218 | RELAY 24V S.P.S.T. / 40 AMPS N.O. From M-1154 | 2 | |
| 9 | 563348 | RELAY POWER 24V 200 AMPS / S.P.S.T. N.O. | 2 | |
| . NS | 5001182 | . NUT HEX NYRT M6-1.0 SS | 1 | |
| . NS | 502573 | . WASHER FL 6.4x12.5x1.6 SS | 1 | |
| . NS | 563409 | . CONNECTOR / SUPERSEAL 1.5 SERIES / SH 2C / AMP 282080-1 | 1 | |
| . NS | 562607 | . SOCKET TERMINAL / 20-16 / AMP 183025-1 | 1 | |
| 10 | 563750 | FUSEHOLDER W/RED COVER / MEGA FUSE / | 5 | |
| 11 | 564174 | FUSE / MEGA FUSE / 150 AMPS / ORANGE | 1 | |
| 12 | 564520 | FUSE / MEGA FUSE / 300 AMPS / GREY | 2 | |
| 13 | 069757 | HARNESS / REAR JUNCTION BOX CONTROL To K-0604 | 1 | |
| 13 | 0610085 | HARNESS / REAR JUNCTION BOX CONTROL From K-0605 To L-1054 | 1 | |
| 13 | 0611013 | HARNESS / REAR JUNCTION BOX CONTROL From L-1055 To M-1153 | 1 | |
| 13 | 0610479 | HARNESS / REAR JUNCTION BOX CONTROL From M-1154 | 1 | |
| 13A | 564210 | . RELAY BASE / TAB TERMINAL / COLE HERSEE 99025 To M-1153 | 1 | |
| 13A | 564210 | . RELAY BASE / TAB TERMINAL / COLE HERSEE 99025 From M-1154 | 2 | |
| 14 | 060870 | HARNESS POWER VECR | 1 | |
| 15 | 069542 | HARNESS RELAY MELCO BATTERY | 1 | |
| 16 | 564095 | SMALL STARTOR RELAY To £-22051 | 1 | |
| 16 | 564398 | SMALL STARTOR RELAY From £-22051 | 1 | |
| 21 | 060205 | BUS BAR 81MM, 2 HOLES | 1 | |
| 22 | 060203 | BUS BAR 86,5 x 6MM, 3 HOLES | 1 | |
| 24 | 060204 | BUS BAR 86 x 47MM, 2HOLES | 1 | |
| 25 | 060479 | BUS BAR To K-0604 | 1 | |
| 25 | 0610072 | BUS BAR 213.9x172.4x47.7MM,1 HOL,3 SLO From K-0605 To L-1054 | 1 | |
| 25 | 0610061 | BUS BAR 213x 172MM, 2 HOLES 3 SLOTS From L-1055 | 1 | |
| 26 | 067461 | BUS BAR 156 x 88MM, 2 HOLES 2 SLOTS | 1 | |
| 27 | 067466 | BUS BAR 109 x 52 x 63MM,2 HOLES 1 SLOT To K-0604 | 1 | |
| 27 | 0610060 | BUS BAR 89 x 63MM,2 HOLES From K-0605 | 1 | |
| 28 | 067467 | BUS BAR 214MM LG., 2 HOLES To K-0604 | 1 | |
| 28 | 0610059 | BUS BAR 219 x 70.2MM, 3 HOLES From K-0605 | 1 | |
| 29A | 060477 | BUS BAR 117.2 x 44.2MM, 3 HOLES | 1 | B |

| | | |
|-----------------------|--------------|------------------|
| From K-0295 To P-1347 | Date:07/2024 | PAGE:VIP-0616-12 |
| BREAKER PANEL | | |

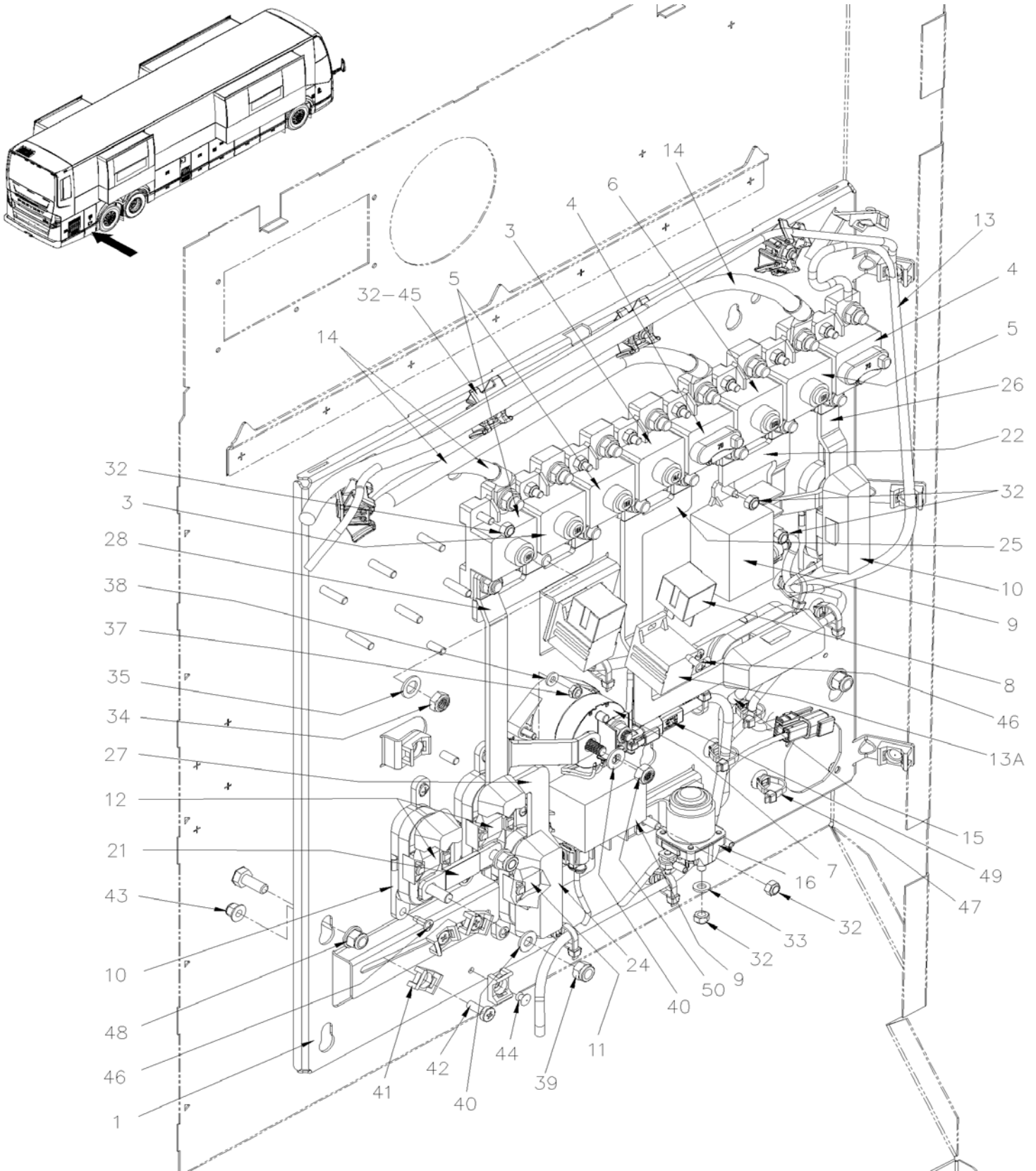
| Item# | Part | Description | QTY | Notes |
|-------|---------|---|-----|-------|
| 29B | 563708 | BREAKER 90AMPS / 24V / | 1 | B |
| 30A | 0600268 | BUS BAR 166.5 MM X 45MM, 3 HOLES | 1 | C |
| 30B | 568127 | BREAKER 50AMPS / 24V / | 1 | C |
| 32 | 502681 | NUT HEX NYRT M6-1.0 N500 G8 | AR | |
| 33 | 502573 | WASHER FL 6.4x12.5x1.6 SS | 4 | |
| 34 | 5001936 | NUT HEX NYRT 3/8-16 SS | 18 | |
| 35 | 5001935 | WASHER FL 10.5x18.0x1.6 SS | AR | |
| 36 | 5001628 | NUT HEX NYRT M10-1.5 SS To K-0604 | 2 | |
| 37 | 502737 | SCREW CAP HEX M6-1.0x25 SS BK To K-0604 | 4 | |
| 37 | 502841 | NUT HEX NYRT M5-0.8 N500 From K-0605 | 2 | |
| 38 | 5001833 | WASHER BEL SPR 6.1x18x1.27 SS To K-0604 | 4 | |
| 38 | 5001137 | WASHER FL .203x.438x.050 SS From K-0605 | 2 | |
| 39 | 5001787 | NUT HEX NYRT M8-1.25 SS | 10 | |
| 40 | 5001341 | WASHER FL 8.4x17.0x1.6 SS | AR | |
| 41 | 504013 | TIE MOUNT / 1/4" X 1/4" I.D. | AR | |
| 42 | 502817 | SCREW MA PAN PH M6-1.0x16 N500 | 3 | |
| 43 | 5001932 | NUT HEXF NYRT M6-1.0 G8.8 N500 | 3 | |
| 44 | 504379 | RIVET POP DOME OE 3/16x1/4 SS | 7 | |
| 45 | 509490 | ATTACHMENT DOUBLE USE WITH CABLE TIE | 4 | |
| 46 | 502868 | SCREW TC TR PH #10-16x1/2 N500 | 11 | |
| 47 | 8631155 | CABLE TIE / 4.6MM x 200 / CHRISTMAS TREE | 10 | |
| 48 | 5001931 | NUT HEXF NYRT M8-1.25 G8.8 N500 | 2 | |
| 49 | 564108 | SELF MOUNTING STUD // DEUTSCH 1011-310-0205 | AR | |
| 50 | 5001789 | NUT HEX NYRT M8-1.25 SS From K-0605 | 2 | |
| | | | | |
| | | | | |
| | | | | |
| | | B) WITH LARGE A/C SYSTEM | | |
| | | C) WITH SMALL A/C SYSTEM | | |

From P-1348

Date:07/2024

PAGE:VIP-0616-13

BREAKER PANEL

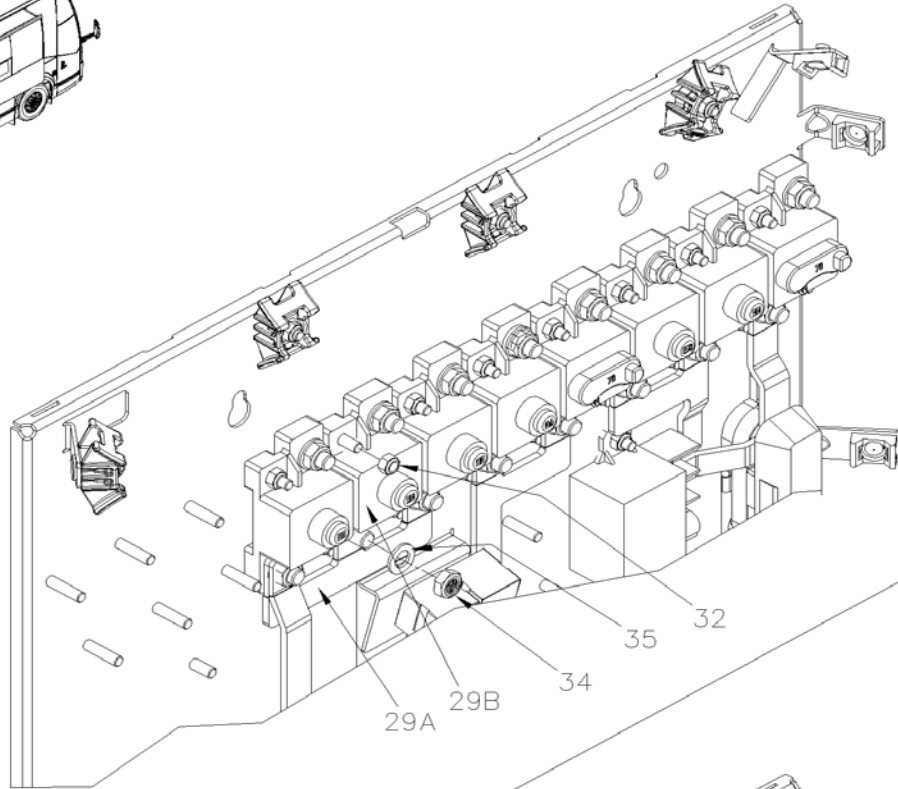
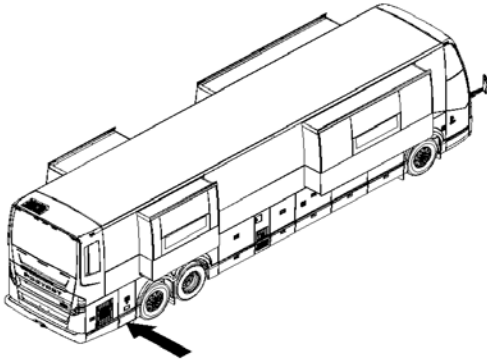


From P-1348

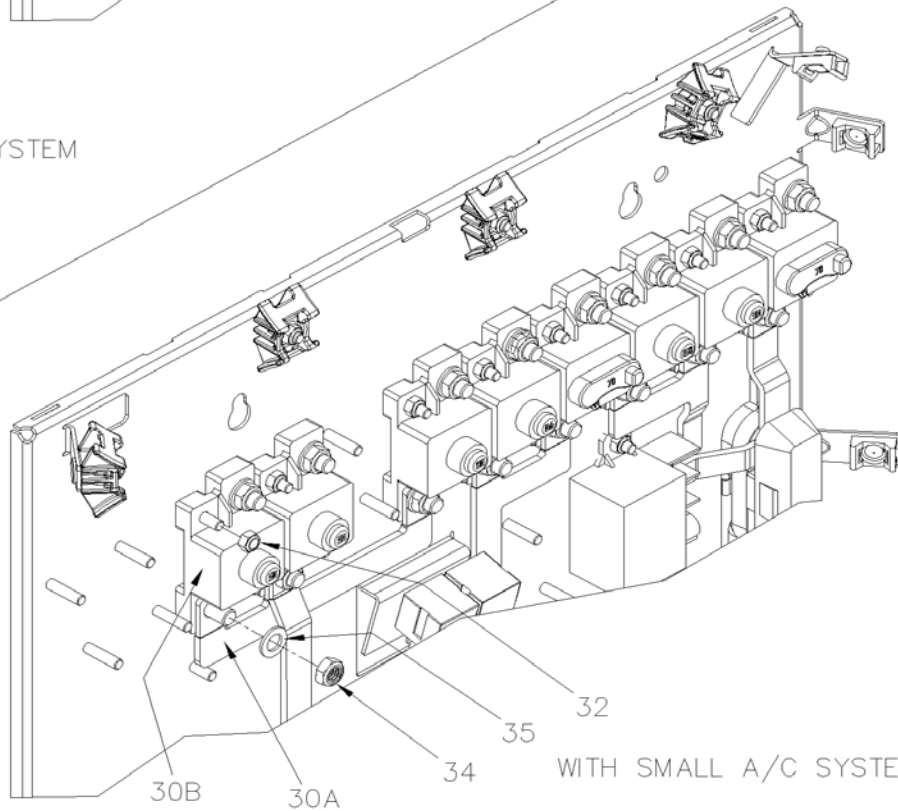
Date:07/2024

PAGE:VIP-0616-13

BREAKER PANEL



WITH LARGE A/C SYSTEM



WITH SMALL A/C SYSTEM

| | | | |
|----------------------|--|--------------|------------------|
| From P-1348 | | Date:07/2024 | PAGE:VIP-0616-13 |
| BREAKER PANEL | | | |

| Item# | Part | Description | QTY | Notes |
|-------|---------|---|-----|-------|
| 1 | 0610451 | SUPPORT PLATE POWER RJB | 1 | |
| 3 | 563705 | BREAKER 40AMPS / 24V / | 1 | |
| 4 | 568113 | BREAKER 70AMPS / 24V / | 2 | |
| 5 | 563708 | BREAKER 90AMPS / 24V / To R-1783 | 3 | |
| 5 | 563708 | BREAKER 90AMPS / 24V / From R-1784 | 2 | |
| 5 | 564902 | BREAKER 120A 3/8 SURFACE MOUNT From R-1784 | 1 | |
| 6 | 568114 | BREAKER 150AMPS / 24V / | 1 | |
| 7 | 560843 | RELAY 24V S.P.S.T. / 300 AMPS N.O. // BATTERY DISCONNECT | 1 | |
| 8 | 564218 | RELAY 24V S.P.S.T. / 40 AMPS N.O. | 2 | |
| 9 | 563348 | RELAY POWER 24V 200 AMPS / S.P.S.T. N.O. | 2 | |
| . NS | 5001182 | . NUT HEX NYRT M6-1.0 SS | 1 | |
| . NS | 502573 | . WASHER FL 6.4x12.5x1.6 SS | 1 | |
| . NS | 563409 | . CONNECTOR / SUPERSEAL 1.5 SERIES / SH 2C / AMP 282080-1 | 1 | |
| . NS | 562607 | . SOCKET TERMINAL / 20-16 / AMP 183025-1 | 1 | |
| 10 | 563750 | FUSEHOLDER W/RED COVER / MEGA FUSE / | 5 | |
| 11 | 564174 | FUSE / MEGA FUSE / 150 AMPS / ORANGE | 1 | |
| 12 | 564520 | FUSE / MEGA FUSE / 300 AMPS / GREY | 2 | |
| 13 | 0600116 | HARNESS / REAR JUNCTION BOX CONTROL | 1 | |
| 13A | 564210 | . RELAY BASE / TAB TERMINAL / COLE HERSEE 99025 | 2 | |
| 14 | 060870 | HARNESS POWER VECR | 1 | |
| 15 | 069542 | HARNESS RELAY MELCO BATTERY | 1 | |
| 16 | 564095 | SMALL STARTOR RELAY To R-1561 | 1 | |
| 16 | 564398 | SMALL STARTOR RELAY From R-1562 | 1 | |
| 21 | 060205 | BUS BAR 81MM, 2 HOLES | 1 | |
| 22 | 060203 | BUS BAR 86,5 x 6MM, 3 HOLES | 1 | |
| 24 | 060204 | BUS BAR 86 x 47MM, 2HOLES | 1 | |
| 25 | 0610061 | BUS BAR 213x 172MM, 2 HOLES 3 SLOTS | 1 | |
| 26 | 067461 | BUS BAR 156 x 88MM, 2 HOLES 2 SLOTS | 1 | |
| 27 | 0610060 | BUS BAR 89 x 63MM,2 HOLES | 1 | |
| 28 | 0610059 | BUS BAR 219 x 70.2MM, 3 HOLES | 1 | |
| 29A | 060477 | BUS BAR 117.2 x 44.2MM, 3 HOLES | 1 | B |
| 29B | 563708 | BREAKER 90AMPS / 24V / | 1 | B |
| 30A | 0600268 | BUS BAR 166.5 MM X 45MM, 3 HOLES | 1 | C |
| 30B | 568127 | BREAKER 50AMPS / 24V / | 1 | C |
| 32 | 502681 | NUT HEX NYRT M6-1.0 N500 G8 | AR | |
| 33 | 502573 | WASHER FL 6.4x12.5x1.6 SS | 4 | |
| 34 | 5001936 | NUT HEX NYRT 3/8-16 SS | 18 | |
| 35 | 5001935 | WASHER FL 10.5x18.0x1.6 SS | AR | |
| 37 | 502841 | NUT HEX NYRT M5-0.8 N500 | 2 | |
| 38 | 5001137 | WASHER FL .203x.438x.050 SS | 2 | |
| 39 | 5001787 | NUT HEX NYRT M8-1.25 SS | 10 | |
| 40 | 5001341 | WASHER FL 8.4x17.0x1.6 SS | AR | |

| | | |
|----------------------|--------------|------------------|
| From P-1348 | Date:07/2024 | PAGE:VIP-0616-13 |
| BREAKER PANEL | | |

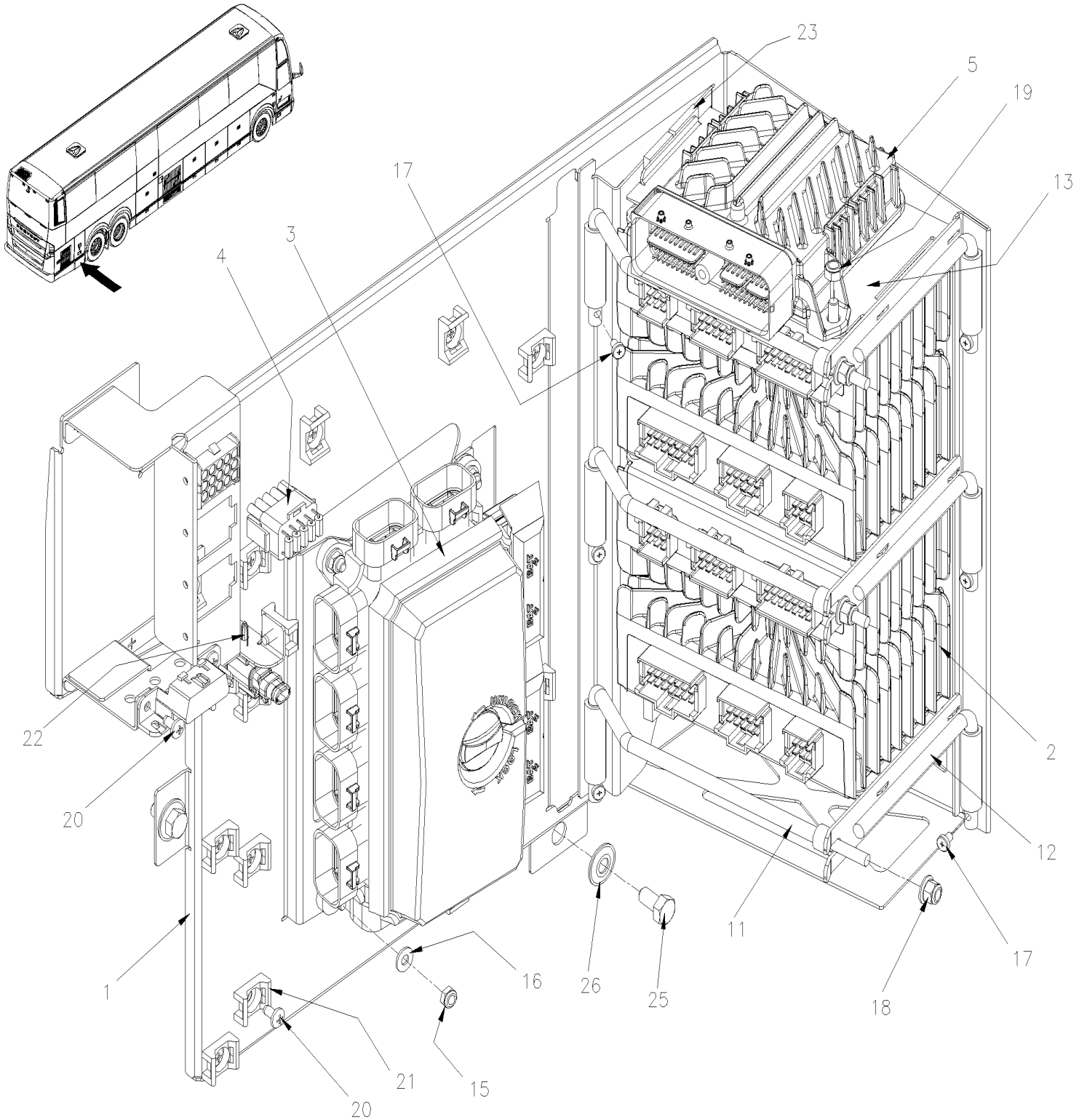
| Item# | Part | Description | QTY | Notes |
|-------|---------|---|-----|-------|
| 41 | 504013 | TIE MOUNT / 1/4" X 1/4" I.D. | AR | |
| 42 | 502817 | SCREW MA PAN PH M6-1.0x16 N500 | 3 | |
| 43 | 5001932 | NUT HEXF NYRT M6-1.0 G8.8 N500 | 3 | |
| 44 | 504379 | RIVET POP DOME OE 3/16x1/4 SS | 7 | |
| 45 | 509490 | ATTACHMENT DOUBLE USE WITH CABLE TIE | 4 | |
| 46 | 502868 | SCREW TC TR PH #10-16x1/2 N500 | 11 | |
| 47 | 8631155 | CABLE TIE / 4.6MM x 200 / CHRISTMAS TREE | 10 | |
| 48 | 5001931 | NUT HEXF NYRT M8-1.25 G8.8 N500 | 2 | |
| 49 | 564108 | SELF MOUNTING STUD // DEUTSCH 1011-310-0205 | AR | |
| 50 | 5001789 | NUT HEX NYRT M8-1.25 SS | 2 | |
| | | | | |
| | | | | |
| | | B) WITH LARGE A/C SYSTEM | | |
| | | C) WITH SMALL A/C SYSTEM | | |

From K-0295

Date:07/2024

PAGE:VIP-0620-02

REAR JUNCTION BOX ASSY



| | | | |
|-------------------------------|--|--------------|------------------|
| From K-0295 | | Date:07/2024 | PAGE:VIP-0620-02 |
| REAR JUNCTION BOX ASSY | | | |

| Item# | Part | Description | QTY | Notes |
|-------|----------|---|-----|-------|
| | 069756 | CABLE ASSY / REAR JUNCTION BOX WITH ALLISON To K-0367 | 1 | |
| | 069924 | CABLE ASSY / REAR JUNCTION BOX WITH ALLISON From K-0368 To K-0604 | 1 | |
| | 0610068 | CABLE ASSY / REAR JUNCTION BOX WITH ALLISON From K-0605 To L-1054 | 1 | |
| | 0610285 | CABLE ASSY / REAR JUNCTION BOX WITH ALLISON From L-1055 To M-1153 | 1 | |
| | 0610476 | CABLE ASSY / REAR JUNCTION BOX WITH ALLISON From M-1154 To P-1347 | 1 | |
| | 0600106 | CABLE ASSY / REAR JUNCTION BOX WITH ALLISON From P-1348 | 1 | |
| 1 | 060964 | SUPPORT PLATE CTRL RJB H To P-1535 | 1 | |
| 1 | 0600165 | SUPPORT PLATE CTRL RJB From P-1536 | 1 | |
| 2 | 22722850 | I/O B E-MODULE VOLVO MULTIPLEX / ALUMINUM To M-1139 | 4 | |
| 2 | 23824204 | I/O B E-MODULE VOLVO MULTIPLEX / ALUMINUM From M-1138 | 4 | |
| 3 | 560471 | DVEC DISTRIBUTION MODULE / REAR JCT BOX To L-1054 | 1 | |
| NS | 563280 | FUSE / ATM 5 AMPS AMBER To L-1054 | 8 | |
| NS | 563283 | FUSE / ATM 10 AMPS RED To L-1054 | 11 | |
| NS | 563284 | FUSE / ATM 15 AMPS BLUE To L-1054 | 18 | |
| NS | 563282 | FUSE / ATM 20 AMPS YELLOW To L-1054 | 8 | |
| NS | 563153 | FUSE / ATM 25 AMPS NATURAL To L-1054 | 3 | |
| NS | 563165 | FUSE / ATM 30 AMPS GREEN To L-1054 | 11 | |
| NS | 564342 | MINI BREAKER / 30 AMPS / SERIES 233 To L-1054 | 1 | |
| NS | 563185 | CONNECTOR / SH 8C / BLACK / BUSSMANN 32006-A21 To L-1054 | 1 | |
| NS | 563186 | CONNECTOR / SH 8C / GREY / BUSSMANN 32006-B21 To L-1054 | 1 | |
| NS | 563184 | CONNECTOR / SH 8C / GREEN / BUSSMANN 32006-C21 To L-1054 | 1 | |
| NS | 563181 | CONNECTOR / SH 8C / YELLOW / BUSSMANN 32006-E21 To L-1054 | 1 | |
| NS | 563183 | CONNECTOR / SH 8C / RED / BUSSMANN 32006-F21 To L-1054 | 1 | |
| NS | 563182 | CONNECTOR / SH 8C / ORANGE / BUSSMANN 32006-G21 To L-1054 | 1 | |
| NS | 563187 | CONNECTOR / SH 8C / BROWN / BUSSMANN 32006-H21 To L-1054 | 1 | |
| NS | 563448 | CONNECTOR / SH 8C / BLUE / BUSSMANN 32006-D21 To L-1054 | 1 | |
| NS | 564132 | LOCK CONNECTOR POSITION ASSURANCE / BUSSMANN 32004-CP To L-1054 | AR | |
| NS | 564104 | COVER / VEC BOX To L-1054 | 1 | |
| NS | 19518268 | COVER RUBBER RED To L-1054 | 2 | |
| 3 | 564709 | DVEC DISTRIBUTION MODULE / REAR JCT BOX From L-1055 To M-1153 | 1 | |
| NS | 563280 | FUSE / ATM 5 AMPS AMBER From L-1055 To M-1153 | 8 | |
| NS | 563283 | FUSE / ATM 10 AMPS RED From L-1055 To M-1153 | 11 | |
| NS | 563284 | FUSE / ATM 15 AMPS BLUE From L-1055 To M-1153 | 18 | |
| NS | 563282 | FUSE / ATM 20 AMPS YELLOW From L-1055 To M-1153 | 8 | |
| NS | 563153 | FUSE / ATM 25 AMPS NATURAL From L-1055 To M-1153 | 3 | |
| NS | 563165 | FUSE / ATM 30 AMPS GREEN From L-1055 To M-1153 | 11 | |
| NS | 564342 | MINI BREAKER / 30 AMPS / SERIES 233 From L-1055 To M-1153 | 1 | |
| NS | 563185 | CONNECTOR / SH 8C / BLACK / BUSSMANN 32006-A21 From L-1055 To M-1153 | 1 | |
| NS | 563186 | CONNECTOR / SH 8C / GREY / BUSSMANN 32006-B21 From L-1055 To M-1153 | 1 | |
| NS | 563184 | CONNECTOR / SH 8C / GREEN / BUSSMANN 32006-C21 From L-1055 To M-1153 | 1 | |
| NS | 563181 | CONNECTOR / SH 8C / YELLOW / BUSSMANN 32006-E21 From L-1055 To M-1153 | 1 | |
| NS | 563183 | CONNECTOR / SH 8C / RED / BUSSMANN 32006-F21 From L-1055 To M-1153 | 1 | |

| | | | |
|-------------------------------|--|--------------|------------------|
| From K-0295 | | Date:07/2024 | PAGE:VIP-0620-02 |
| REAR JUNCTION BOX ASSY | | | |

| Item# | Part | Description | QTY | Notes |
|-------|----------|---|-----|-------|
| . NS | 563182 | . CONNECTOR / SH 8C / ORANGE / BUSSMANN 32006-G21 From L-1055 To M-1153 | 1 | |
| . NS | 563187 | . CONNECTOR / SH 8C / BROWN / BUSSMANN 32006-H21 From L-1055 To M-1153 | 1 | |
| . NS | 563448 | . CONNECTOR / SH 8C / BLUE / BUSSMANN 32006-D21 From L-1055 To M-1153 | 1 | |
| . NS | 564132 | . LOCK CONNECTOR POSITION ASSURANCE / BUSSMANN 32004-CP From L-1055 To M-1153 | AR | |
| . NS | 564104 | . COVER / VEC BOX From L-1055 To M-1153 | 1 | |
| . NS | 19518268 | . COVER RUBBER RED From L-1055 To M-1153 | 2 | |
| 3 | 564360 | DVEC DISTRIBUTION MODULE / REAR JCT BOX From M-1154 To R-1783 | 1 | |
| . NS | 563280 | . FUSE / ATM 5 AMPS AMBER From M-1154 To R-1783 | 8 | |
| . NS | 563283 | . FUSE / ATM 10 AMPS RED From M-1154 To R-1783 | 9 | |
| . NS | 563284 | . FUSE / ATM 15 AMPS BLUE From M-1154 To R-1783 | 10 | |
| . NS | 563282 | . FUSE / ATM 20 AMPS YELLOW From M-1154 To R-1783 | 11 | |
| . NS | 563153 | . FUSE / ATM 25 AMPS NATURAL From M-1154 To R-1783 | 3 | |
| . NS | 563165 | . FUSE / ATM 30 AMPS GREEN From M-1154 To R-1783 | 10 | |
| . NS | 564342 | . MINI BREAKER / 30 AMPS / SERIES 233 From M-1154 To R-1783 | 1 | |
| . NS | 563185 | . CONNECTOR / SH 8C / BLACK / BUSSMANN 32006-A21 From M-1154 To R-1783 | 1 | |
| . NS | 563186 | . CONNECTOR / SH 8C / GREY / BUSSMANN 32006-B21 From M-1154 To R-1783 | 1 | |
| . NS | 563184 | . CONNECTOR / SH 8C / GREEN / BUSSMANN 32006-C21 From M-1154 To R-1783 | 1 | |
| . NS | 563181 | . CONNECTOR / SH 8C / YELLOW / BUSSMANN 32006-E21 From M-1154 To R-1783 | 1 | |
| . NS | 563183 | . CONNECTOR / SH 8C / RED / BUSSMANN 32006-F21 From M-1154 To R-1783 | 1 | |
| . NS | 563182 | . CONNECTOR / SH 8C / ORANGE / BUSSMANN 32006-G21 From M-1154 To R-1783 | 1 | |
| . NS | 563187 | . CONNECTOR / SH 8C / BROWN / BUSSMANN 32006-H21 From M-1154 To R-1783 | 1 | |
| . NS | 563448 | . CONNECTOR / SH 8C / BLUE / BUSSMANN 32006-D21 From M-1154 To R-1783 | 1 | |
| . NS | 564132 | . LOCK CONNECTOR POSITION ASSURANCE / BUSSMANN 32004-CP From M-1154 To R-1783 | AR | |
| . NS | 564104 | . COVER / VEC BOX From M-1154 To R-1783 | 1 | |
| . NS | 19518268 | . COVER RUBBER RED From M-1154 To R-1783 | 2 | |
| 3 | 564784 | DVEC DISTRIBUTION MODULE / REAR JCT BOX From R-1784 | 1 | |
| NS | 564399 | MINI BREAKER / 20 AMPS / SERIES 233 | 1 | EB |
| NS | 564342 | MINI BREAKER / 30 AMPS / SERIES 233 | 1 | EB |
| 3 | 564132 | LOCK CONNECTOR POSITION ASSURANCE / BUSSMANN 32004-CP | 8 | |
| 4 | 060324 | DIODE/ RESISTOR BLOCK "1" To P-1347 | 2 | |
| NS | 060324 | DIODE/ RESISTOR BLOCK "1" From P-1348 | 1 | |
| NS | 0600022 | RESISTORS BLOC 620R From P-1348 | 1 | |
| 5 | 570009 | INTERFACE TCM 4000MH 2014 / 500HP WITH ALL RATIOS W/O VAC To K-0367 | 1 | |
| 5 | 570042 | INTERFACE TCM From K-0368 To N-1269 | 1 | |
| 5 | 570181 | INTERFACE TCM From N-1270 To P-1347 | 1 | |
| 5 | 570090 | INTERFACE TCM From P-1348 | 1 | |
| | | | | |
| 11 | 380061 | ROD, I/O B MODULE | 3 | |
| 12 | 384270 | ROD, I/O B MODULE LH ASSY | 3 | |
| 13 | 067772 | PLATE SUPPORT TRANS ECU WORLD | 1 | |
| | | | | |
| 15 | 502841 | NUT HEX NYRT M5-0.8 N500 | 4 | |

| | | |
|-------------------------------|--------------|------------------|
| From K-0295 | Date:07/2024 | PAGE:VIP-0620-02 |
| REAR JUNCTION BOX ASSY | | |

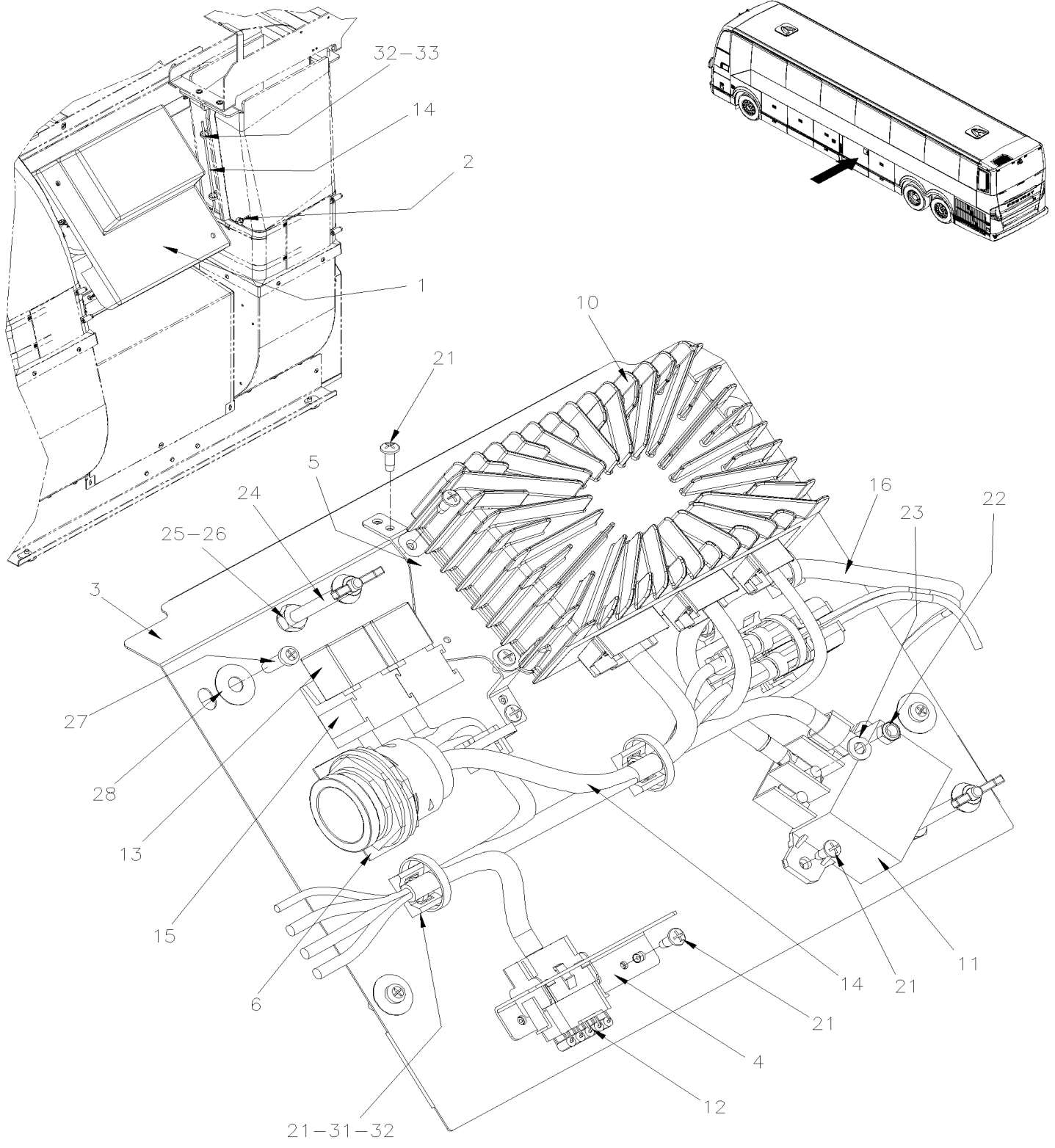
| Item# | Part | Description | QTY | Notes |
|-------|---------|--|-----|-------|
| 16 | 500804 | WASHER FL .203x.500x.047 N500 | 4 | |
| 17 | 500653 | SCREW TC PAN PH #8-32x1/4 Z050 | 6 | |
| 18 | 5001932 | NUT HEXF NYRT M6-1.0 G8.8 N500 | 3 | |
| 19 | 502681 | NUT HEX NYRT M6-1.0 N500 G8 | 3 | |
| 20 | 500209 | SCREW TC BDG PH #10-24x3/8 N500 | AR | |
| 21 | 504013 | TIE MOUNT / 1/4" X 1/4" I.D. | AR | |
| 22 | 564108 | SELF MOUNTING STUD // DEUTSCH 1011-310-0205 | 1 | |
| 23 | 506339 | TAPE RUB ADH1 NIT 1/4" x 1" x 35' / BLACK 1220 | AR | |
| | | | | |
| 25 | 5001527 | SCREW CAP HEX M8-1.25x16 SS BK | 2 | |
| 26 | 5001699 | WASHER BEL SPR 8.2x22x1.4 N500 | 2 | |
| | | | | |
| | | | | |
| | | EB) WITH ELECTRICAL BRAKE ON TRAILER | | |

From K-0295

Date:07/2024

PAGE:VIP-0621-12

A/C ELECTRICAL PANEL ASSY / EVAPORATOR COMPARTMENT



| | | | |
|---|--|---------------------|-------------------------|
| From K-0295 | | Date:07/2024 | PAGE:VIP-0621-12 |
| A/C ELECTRICAL PANEL ASSY / EVAPORATOR COMPARTMENT | | | |

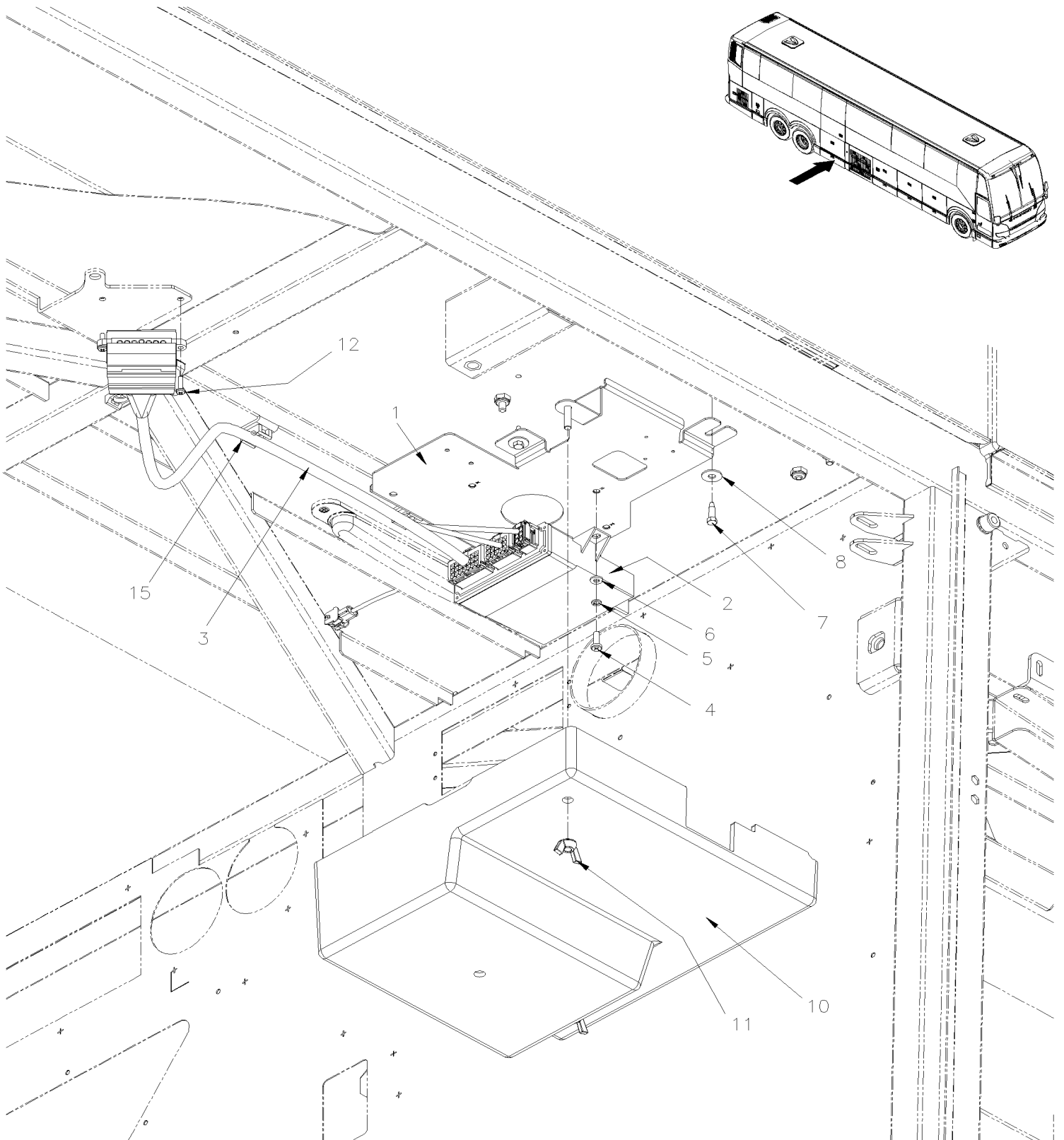
| Item# | Part | Description | QTY | Notes |
|-------|--------------------|--|-----|-------|
| 1 | 380067 | A/C JUNCTION BOX PANEL-COVER | 1 | |
| NS | 069743 | DECAL EVAPORATOR PANEL | 1 | |
| 2 | 5001348 | NUT WING 1/4-20 NYL | 2 | |
| 3 | 450198 | CENTRAL UPPER PANEL PLENUM | 1 | |
| 4 | 457565 | SUPPORT, DIODE CONN. | 1 | |
| 5 | 457566 | SUPPORT IO/B | 2 | |
| 6 | 457574 | SUPPORT, DEUTSCH CONN. | 1 | |
| 10 | 22722850 | I/O B E-MODULE VOLVO MULTIPLEX / ALUMINUM To M-1138 | 1 | |
| 10 | 23824204 | I/O B E-MODULE VOLVO MULTIPLEX / ALUMINUM From M-1139 | 1 | |
| 11 | 563348 | RELAY POWER 24V 200 AMPS / S.P.S.T. N.O. | 1 | |
| NS | 5001182 | NUT HEX NYRT M6-1.0 SS | 1 | |
| NS | 502573 | WASHER FL 6.4x12.5x1.6 SS | 1 | |
| NS | 563409 | CONNECTOR / SUPERSEAL 1.5 SERIES / SH 2C / AMP 282080-1 | 1 | |
| NS | 562607 | SOCKET TERMINAL / 20-16 / AMP 183025-1 | 1 | |
| 12 | 060324 | DIODE/ RESISTOR BLOCK "1" | 1 | |
| 13 | 563332 | RELAY 24V S.P.D.T. W/RESISTOR / "VOLVO" (20374662) | 2 | |
| 14 | 060008 | HVAC CONTROL HARNESS | 1 | |
| 15 | 561183 | RELAY BASE / TAB TERMINAL / BOSCH 3334485008 | 2 | |
| 16 | 060529 | EVAPORATOR POWER HARNESS | 1 | |
| 21 | 502868 | SCREW TC TR PH #10-16x1/2 N500 | AR | |
| 22 | 5001182 | NUT HEX NYRT M6-1.0 SS | 1 | |
| 23 | 502573 | WASHER FL 6.4x12.5x1.6 SS | 1 | |
| 24 | 5001593 | SCREW MA RND SLT 1/4-20x2 3/4 SS | 2 | |
| 25 | 500477 | WASHER LO SPT .262x.489x.062 SS | 2 | |
| 26 | 500771 | NUT HEX 1/4-20 SS | 2 | |
| 27 | 502626 | SCREW MA PAN PH M6-1.0x20 N500 | 4 | |
| 28 | 5001699 | WASHER BEL SPR 8.2x22x1.4 N500 | 4 | |
| 31 | 504013 | TIE MOUNT / 1/4" X 1/4" I.D. | 4 | |
| 32 | 504637 | CABLE TIE / 3/16" x 13" | AR | |
| 33 | 509815 | TIE MOUNT / ATTACHMENT W/TREE MOUNT | 2 | |
| 50 | VIP-2210-06 | HEATER & EVAPORATOR BLOWER - INSTALLATION To P-1347 | | |
| 50 | VIP-2210-07 | HEATER & EVAPORATOR BLOWER - INSTALLATION From P-1348 | | |

From K-0295

Date:07/2024

PAGE:VIP-0621-80

MODULE WCL ASSY



| | | |
|------------------------|--------------|------------------|
| From K-0295 | Date:07/2024 | PAGE:VIP-0621-80 |
| MODULE WCL ASSY | | |

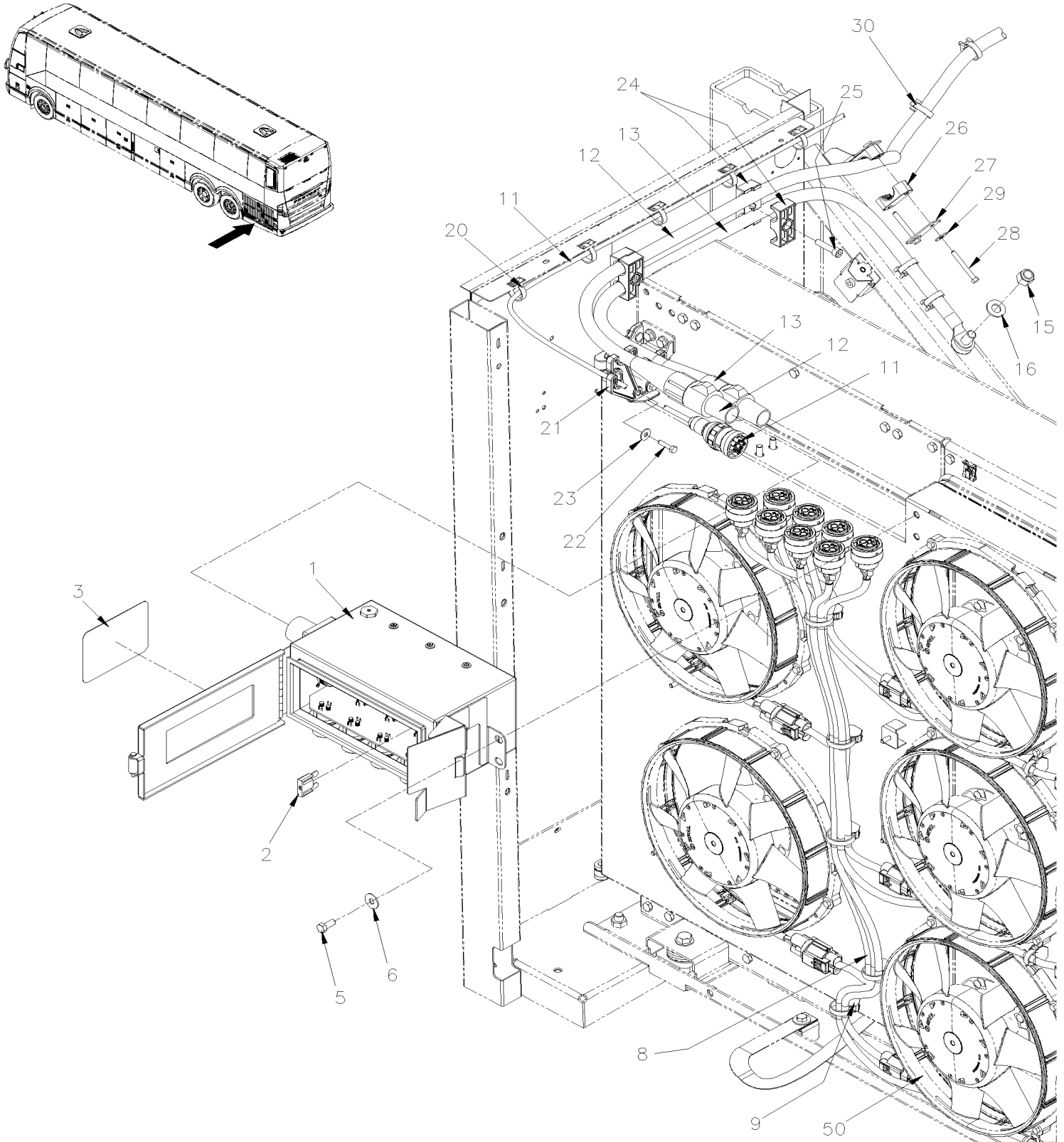
| Item# | Part | Description | QTY | Notes |
|-------|----------|--------------------------------------|-----|-------|
| 1 | 060624 | PLATE ASSY To K-0356 | 1 | |
| 1 | 0601004 | PLATE ASSY From K-0357 | 1 | |
| 2 | 22722846 | I/O A E-MODULE VOLVO MULTIPLEX | 1 | |
| 3 | 061505 | HARNESS WCL IOE CONTROL To P-1347 | 1 | |
| NS | 0600117 | HARNESS WCL IOEA CONTROL From P-1348 | 1 | |
| 4 | 502653 | SCREW MA PAN PH M5-0.8x16 SS | 3 | |
| 5 | 500914 | WASHER LO SPT .193x.334x.047 N500 | 3 | |
| 6 | 5001137 | WASHER FL .203x.438x.050 SS | 3 | |
| 7 | 500526 | SCREW TP CAP HEXW #12x3/4 N500 | 3 | |
| 8 | 5001833 | WASHER BEL SPR 6.1x18x1.27 SS | 3 | |
| 10 | 060169 | LID MODULE WCL | 1 | |
| 10 | 069194 | DECAL "IOB" | 1 | |
| 11 | 5001348 | NUT WING 1/4-20 NYL | 2 | |
| 12 | 502698 | SCREW MA PAN PH M4-0.7x16 SS BK | 2 | |
| 15 | 504013 | TIE MOUNT / 1/4" X 1/4" I.D. | 4 | |
| 15 | 504379 | RIVET POP DOME OE 3/16x1/4 SS | 4 | |
| 15 | 504637 | CABLE TIE / 3/16" x 13" | 4 | |

From K-0295

Date:07/2024

PAGE:VIP-0622-00

POWER BOX FOR RADIATORS FANS VOLVO D13 - GHG17



| | | | |
|---|--|--------------|------------------|
| From K-0295 | | Date:07/2024 | PAGE:VIP-0622-00 |
| POWER BOX FOR RADIATORS FANS VOLVO D13 - GHG17 | | | |

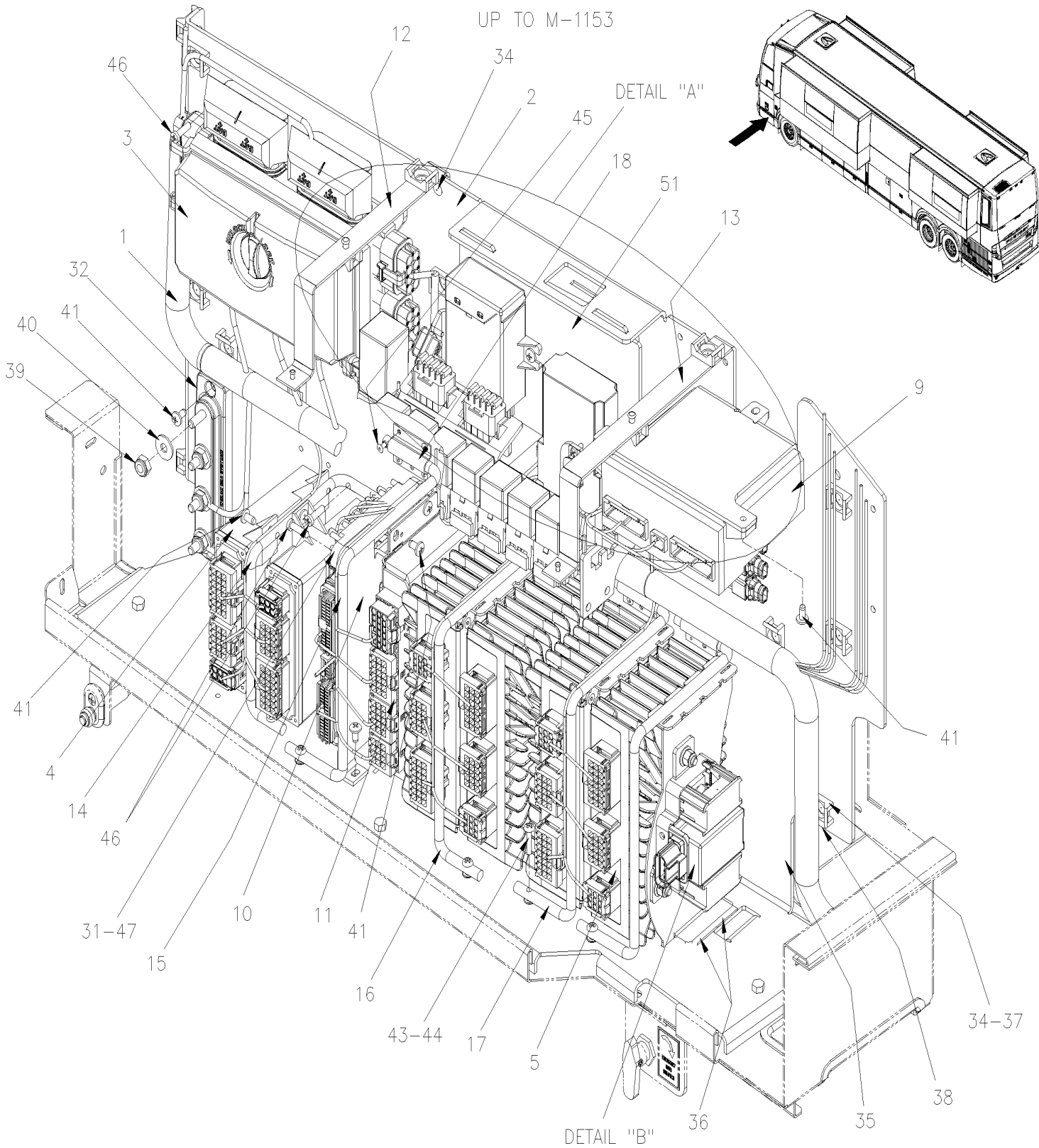
| Item# | Part | Description | QTY | Notes |
|-------|-------------|--|-----|-------|
| 1 | 564612 | POWER BOX, FAN DRIVE | 1 | |
| 2 | 564613 | . BREAKER 50A / 24V / MANUAL WURTH | 8 | |
| 3 | 069205 | DECAL "WARNING FAN" | 1 | |
| | | | | |
| 5 | 500119 | SCREW CAP HEX M8X1.25X20 BK | 4 | |
| 6 | 5001868 | WASHER BEL SPR 8.4x18x2 SS | 4 | |
| | | | | |
| 8 | 068820 | HARNESS FAN DRIVE | 1 | |
| 8 | 8631155 | CABLE TIE / 4.6MM x 200 / CHRISMAS TREE | 4 | |
| 9 | 509492 | CABLE TIE MOUNT FOR THREADED STUD 1/4 | 7 | |
| 9 | 504016 | CABLE TIE / 5/16" X 14"1/2 | 7 | |
| | | | | |
| 11 | 060667 | CABLE HARNESS / ENGINE ACCESSORIES To K-0604 | 1 | |
| 11 | 0610014 | CABLE HARNESS / ENGINE ACCESSORIES From K-0605 | 1 | |
| NS | 560791 | SHRINK TUBING / .940" - .406" / BLACK / ALPHA FIT-321-1-4B | AR | |
| NS | 564542 | TREE MOUNT CLIP FOR PED CONNECTOR | 2 | |
| 12 | 069245 | HARNESS PWR FAN DRIVE | 1 | |
| 13 | 069246 | HARNESS GROUND FAN DRIVE | 1 | |
| | | | | |
| 15 | 5002001 | NUT HEX NYRT 1/2-13 SS BK | 1 | |
| 16 | 500958 | WASHER FL .531x1.062x.095 SS | 1 | |
| | | | | |
| 20 | 504016 | CABLE TIE / 5/16" X 14"1/2 | AR | |
| 21 | 069350 | CABLE SUPPORT FOR POWER BOX | 1 | |
| 22 | 502737 | SCREW CAP HEX M6-1.0x25 SS BK | 2 | |
| 23 | 5001833 | WASHER BEL SPR 6.1x18x1.27 SS | 2 | |
| 24 | 069351 | CLAMP, POWER CABLE | 4 | |
| 25 | 5001661 | SCREW CAP HEXS M8-1.25x35 G10.9 AD MAGNI 565 | 2 | |
| 26 | 140079 | HALF COLLAR 44MM I.D. / TO FIX HOSE | 2 | |
| 27 | 0600271 | PLATE RETAINING / COLLAR | 1 | |
| 28 | 5001636 | SCREW CAP HEX M6-1.0x50 SS BK | 2 | |
| 29 | 5001833 | WASHER BEL SPR 6.1x18x1.27 SS | 2 | |
| 30 | 504013 | TIE MOUNT / 1/4" X 1/4" I.D. | AR | |
| 30 | 504016 | CABLE TIE / 5/16" X 14"1/2 | AR | |
| 30 | 504488 | RIVET MGLP PRDG 3/16x17/64 SS | AR | |
| 50 | VIP-0520-02 | ELECTRICAL FANS - INSTALLATION | | |

From K-0295 To P-1347

Date:07/2024

PAGE:VIP-0625-01

FRONT JUNCTION PANEL

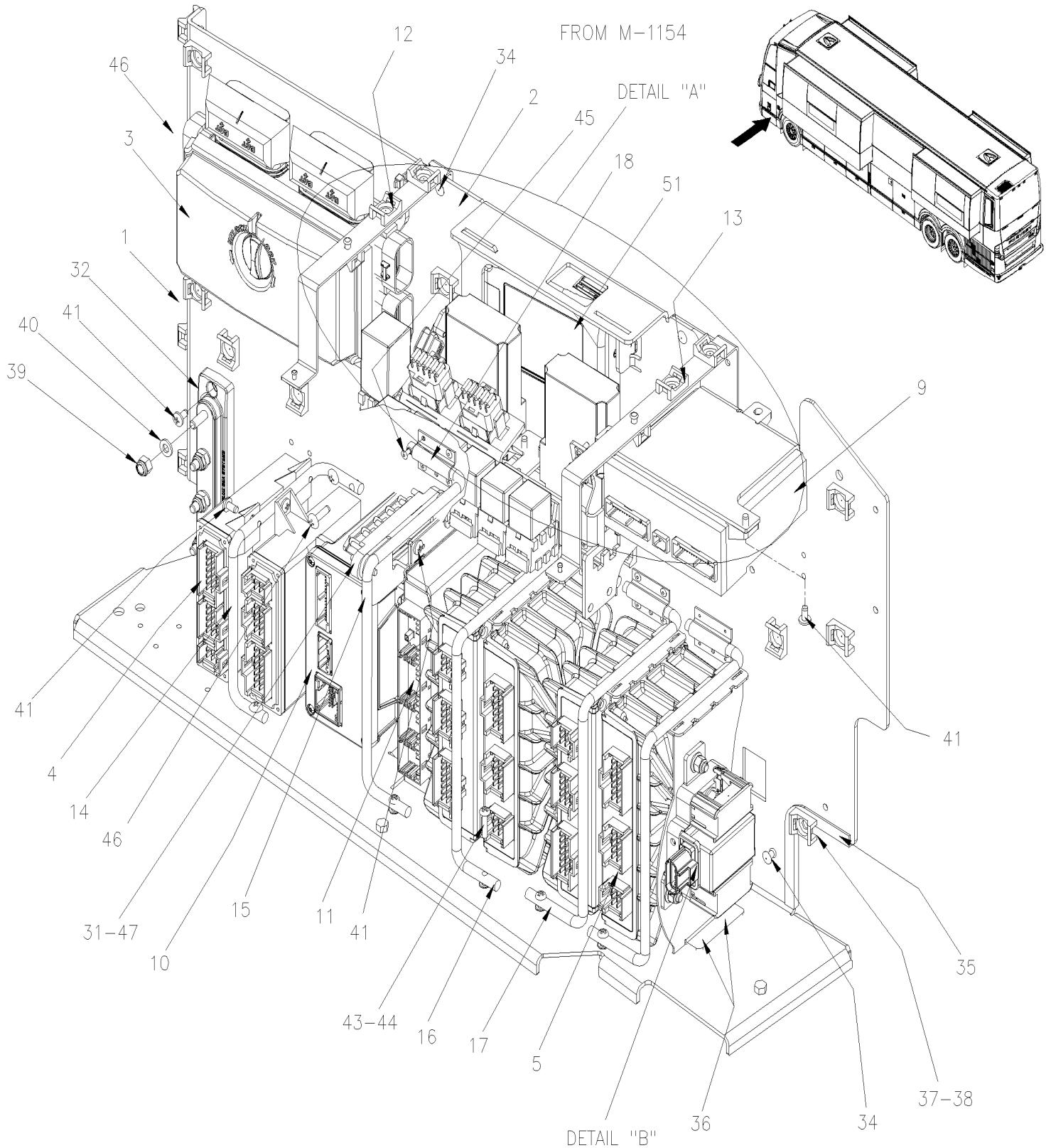


From K-0295 To P-1347

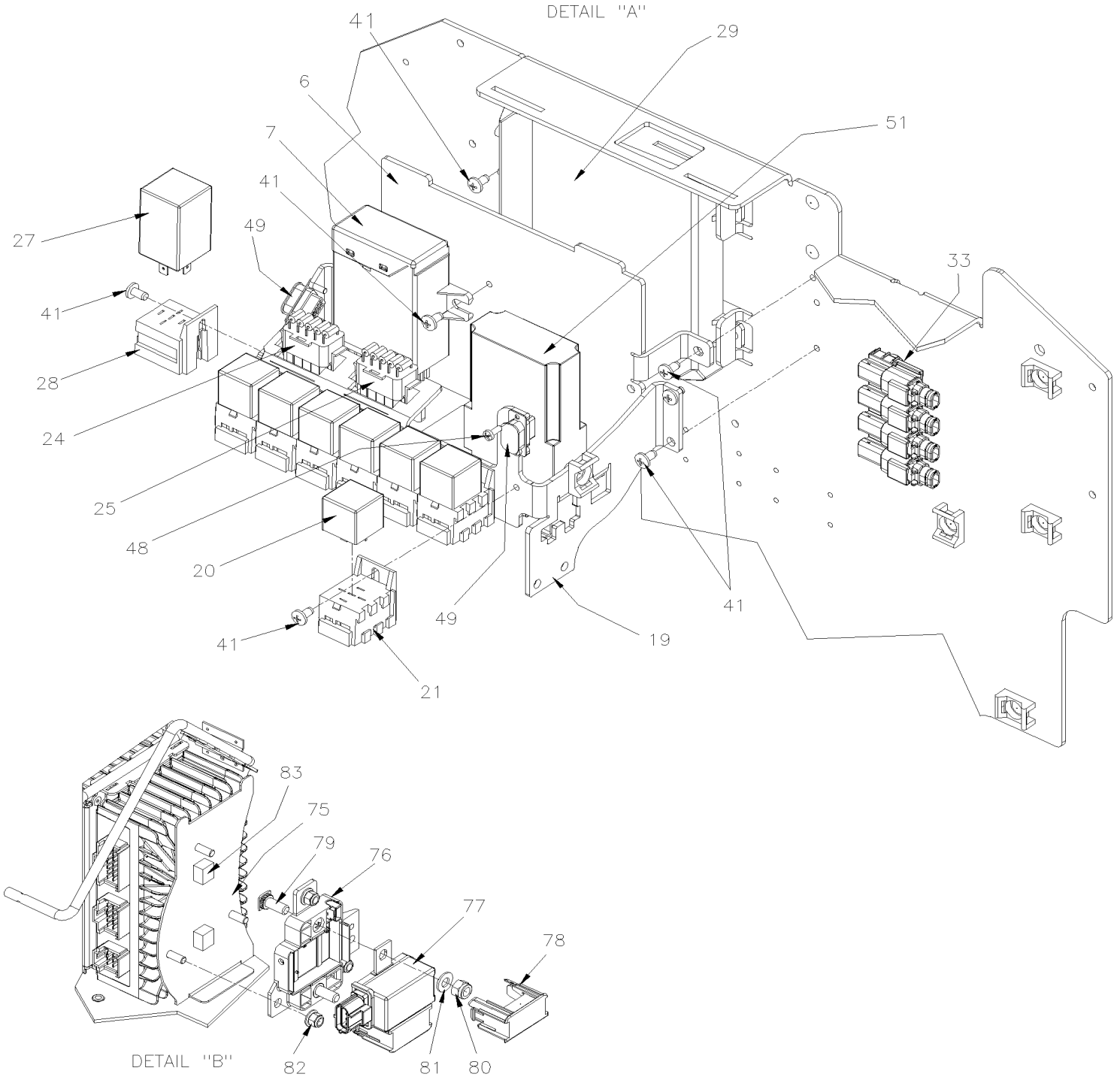
Date:07/2024

PAGE:VIP-0625-01

FRONT JUNCTION PANEL



| | | |
|-----------------------|--------------|------------------|
| From K-0295 To P-1347 | Date:07/2024 | PAGE:VIP-0625-01 |
| FRONT JUNCTION PANEL | | |



| | | |
|------------------------------|---------------------|-------------------------|
| From K-0295 To P-1347 | Date:07/2024 | PAGE:VIP-0625-01 |
|------------------------------|---------------------|-------------------------|

FRONT JUNCTION PANEL

| Item# | Part | Description | QTY | Notes |
|-------|----------|---|-----|-------|
| 1 | 061286 | WIRING HARNESS FRONT JUNCTION BOX To K-0367 | 1 | |
| 1 | 069917 | WIRING HARNESS FRONT JUNCTION BOX From K-0368 To K-0502 | 1 | |
| 1 | 069793 | WIRING HARNESS FRONT JUNCTION BOX From K-0503 To M-1109 | 1 | |
| 1 | 0610358 | WIRING HARNESS FRONT JUNCTION BOX From M-1110 To M-1153 | 1 | |
| 1 | 0610467 | WIRING HARNESS FRONT JUNCTION BOX From M-1154 To N-1236 | 1 | |
| 1 | 0610580 | WIRING HARNESS FRONT JUNCTION BOX From N-1237 | 1 | |
| 1 | 060542 | CABLE ASSY FRT JCT BOX WORLD TRANSMISSION To K-0367 | 1 | |
| 1 | 069901 | CABLE ASSY FRT JCT BOX WORLD TRANSMISSION From K-0368 To K-0604 | 1 | |
| 1 | 0610096 | CABLE ASSY FRT JCT BOX WORLD TRANSMISSION From K-0605 | 1 | |
| 2 | 380108 | FRONT PANEL BOX To M-1153 | 1 | |
| 2 | 380452 | FRONT PANEL BOX From M-1154 | 1 | |
| 3 | 560470 | DVEC DISTRIBUTION MODULE / FRONT JCT BOX | 1 | |
| NS | 563280 | FUSE / ATM 5 AMPS AMBER | 20 | |
| NS | 563283 | FUSE / ATM 10 AMPS RED | 7 | |
| NS | 563284 | FUSE / ATM 15 AMPS BLUE | 12 | |
| NS | 563282 | FUSE / ATM 20 AMPS YELLOW | 3 | |
| NS | 563165 | FUSE / ATM 30 AMPS GREEN | 11 | |
| NS | 564464 | MINI BREAKER / 20 AMPS / SERIES 223 | 1 | |
| NS | 563269 | RELAY 24V S.P.D.T. W/RESISTOR / | 5 | |
| NS | 563185 | CONNECTOR / SH 8C / BLACK / BUSSMANN 32006-A21 | 1 | |
| NS | 563186 | CONNECTOR / SH 8C / GREY / BUSSMANN 32006-B21 | 1 | |
| NS | 563184 | CONNECTOR / SH 8C / GREEN / BUSSMANN 32006-C21 | 1 | |
| NS | 563448 | CONNECTOR / SH 8C / BLUE / BUSSMANN 32006-D21 | 1 | |
| NS | 563181 | CONNECTOR / SH 8C / YELLOW / BUSSMANN 32006-E21 | 1 | |
| NS | 563183 | CONNECTOR / SH 8C / RED / BUSSMANN 32006-F21 | 1 | |
| NS | 563182 | CONNECTOR / SH 8C / ORANGE / BUSSMANN 32006-G21 | 1 | |
| NS | 563187 | CONNECTOR / SH 8C / BROWN / BUSSMANN 32006-H21 | 1 | |
| NS | 564132 | LOCK CONNECTOR POSITION ASSURANCE / BUSSMANN 32004-CP | AR | |
| NS | 564104 | COVER / VEC BOX | 1 | |
| NS | 19518268 | COVER RUBBER RED | 2 | |
| NS | 564132 | LOCK CONNECTOR POSITION ASSURANCE / BUSSMANN 32004-CP | 8 | |
| 3 | 560493 | LACTHING RELAY BDS-A 24V | 1 | |
| 3 | 560529 | BASE FOR LACTHING RELAY BDS-A 24V | 1 | |
| 4 | 22722846 | I/O A E-MODULE VOLVO MULTIPLEX | 2 | |
| 5 | 22722850 | I/O B E-MODULE VOLVO MULTIPLEX / ALUMINUM To M-1138 | 4 | |
| 5 | 23824204 | I/O B E-MODULE VOLVO MULTIPLEX / ALUMINUM From M-1139 | 4 | |
| 7 | 560056 | ECU TIRE PRESSURE To L-0907 | 1 | |
| 7 | 563631 | ECU TIRE PRESSURE From L-0908 To N-1307 | 1 | |
| 7 | 564326 | ECU TIRE PRESSURE From N-1308 | 1 | |
| NS | 060045 | WIRING HARNESS / ECU FRT JCT BOX & ACCES.. To L-0907 | 1 | |
| NS | 0610142 | WIRING HARNESS / ECU FRT JCT BOX & ACCES.. From L-0908 | 1 | |
| 9 | 563851 | MCM - VOLVO MULTIPLEX MODULE To K-0404 | 1 | |

| | | |
|------------------------------|---------------------|-------------------------|
| From K-0295 To P-1347 | Date:07/2024 | PAGE:VIP-0625-01 |
| FRONT JUNCTION PANEL | | |

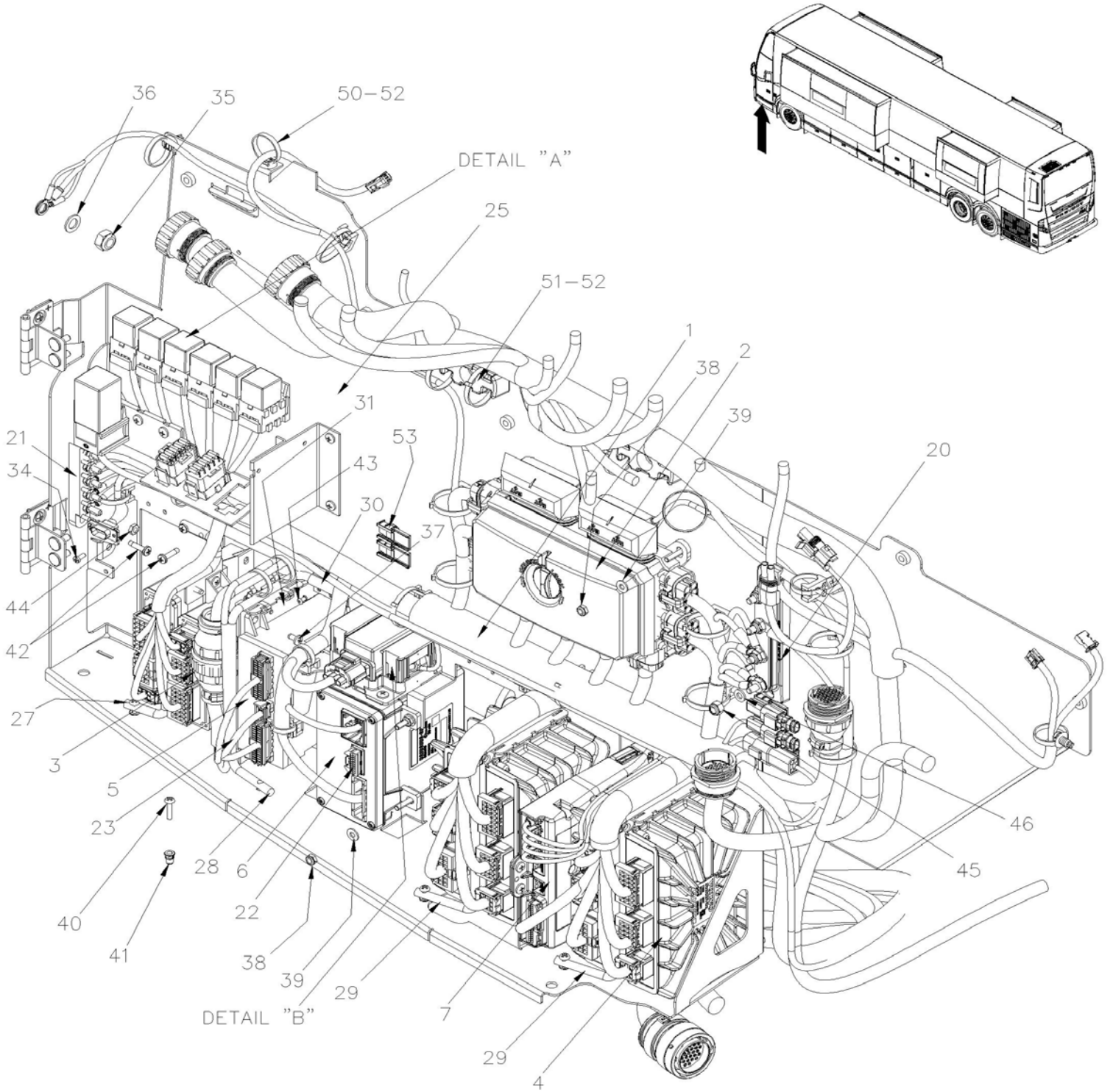
| Item# | Part | Description | QTY | Notes |
|-------|----------|--|-----|-------|
| 9 | 23317365 | MCM - VOLVO MULTIPLEX MODULE From K-0405 To K-0686 | 1 | |
| 9 | 23499009 | MCM - VOLVO MULTIPLEX MODULE From K-0687 | 1 | G |
| 10 | 21720495 | VECU4 MODULE / VOLVO To M-1153 | 1 | |
| 10 | 24066689 | VECU5 MODULE / VOLVO From M-1154 | 1 | |
| NS | 564756 | CONNECTOR / MX34 / SH 20C / JAE MX34020SF1 From M-1154 | 1 | |
| NS | 502508 | SCREW MA PAN PH M6-1.0x40 N050 From M-1154 | 3 | |
| 11 | 640022 | ECU ABS / W/8 CHANNELS / ADVANCED ESP AFTERMARKET | 1 | |
| 12 | 382084 | SUPPORT FRONT PANEL UPPER FORWARD SHORT | 1 | |
| NS | 8631155 | CABLE TIE / 4.6MM x 200 / CHRISTMAS TREE | 1 | |
| 13 | 380128 | SUPPORT FRONT PANEL UPPER BACKWARD LONG | 1 | |
| 14 | 382179 | ROD ATTACHMENT / I/O A MODULE To M-1153 | 1 | |
| 14 | 380482 | ROD ATTACHMENT / I/O A MODULE From M-1154 | 1 | |
| 15 | 382418 | ROD ATTACHMENT CABLE To M-1153 | 1 | |
| 15 | 380454 | ROD ATTACHMENT CABLE From M-1154 | 1 | |
| 16 | 382166 | ROD ATTACHMENT / I/O B MODULE | 1 | |
| 17 | 382417 | ROD ATTACHMENT / I/O B MODULE | 2 | |
| 18 | 382169 | HINGE ROD ATTACHMENT | 4 | |
| 19 | 380110 | SUPPORT / RELAY To L-0907 | 1 | |
| 19 | 380236 | SUPPORT / RELAY From L-0908 | 1 | |
| 20 | 563332 | RELAY 24V S.P.D.T. W/RESISTOR / "VOLVO" (20374662) | 7 | |
| 21 | 564496 | CONNECTOR / METRI-PACK 630 / SH 5C / PED 12033871 | 7 | |
| NS | 060397 | CABLE ASSY / FIRE DETECTOR FRT JCT BOX | 1 | B |
| NS | 564496 | . CONNECTOR / METRI-PACK 630 / SH 5C / PED 12033871 | 1 | B |
| NS | 563332 | RELAY 24V S.P.D.T. W/RESISTOR / "VOLVO" (20374662) | 1 | B |
| 24 | 380047 | DIODE 3 AND 10 AMP CONNECTOR ASSY | 1 | |
| 25 | 060324 | DIODE/ RESISTOR BLOCK "1" | 1 | |
| 27 | 563033 | E.C.U. / W/STEERING ASSIST (STP 272 or 330) ((77//125)) | 1 | |
| 27 | 661170 | E.C.U. / W/STEERING ASSIST (STP 338) ((60//95)) | 1 | C |
| 28 | 060378 | CABLE ASSY TO STEERING SPEED SIGNAL ECU | 1 | |
| 28 | 562929 | . CONNECTOR / TAB TERMINAL 5C / HELLA 87123 | 1 | |
| 29 | 22861158 | ECU VOLVO LINK MODULE To L-0766 | 1 | |
| 29 | 23359380 | ECU VOLVO LINK MODULE From L-0767 To L-1000 | 1 | |
| 29 | 23593814 | ECU VOLVO LINK MODULE From L-1001 | 1 | |
| 29 | 22990242 | SIM CARD VOLVO LINK MODULE | 1 | |
| 31 | 563218 | JUNCTION BLOCK W/5 STUDS | 1 | |
| 32 | 560224 | JUNCTION BLOCK W/4 STUDS | 1 | |
| 33 | 564108 | SELF MOUNTING STUD // DEUTSCH 1011-310-0205 | 4 | |
| | | | | |
| 34 | 504347 | RIVET POP DOME OE 3/16x1/4 AL | AR | |
| 35 | 506025 | RUBBER CHANNEL / 1/18" x 5/16" INT "U" SHAPE / SQUARE C.T.L. | AR | |
| 35 | 680066 | ADHESIVE / ADBOND #5014 / 23.6ML BOTTLE | AR | |
| 36 | 506339 | TAPE RUB ADH1 NIT 1/4" x 1" x 35' / BLACK 1220 | AR | |

From P-1348

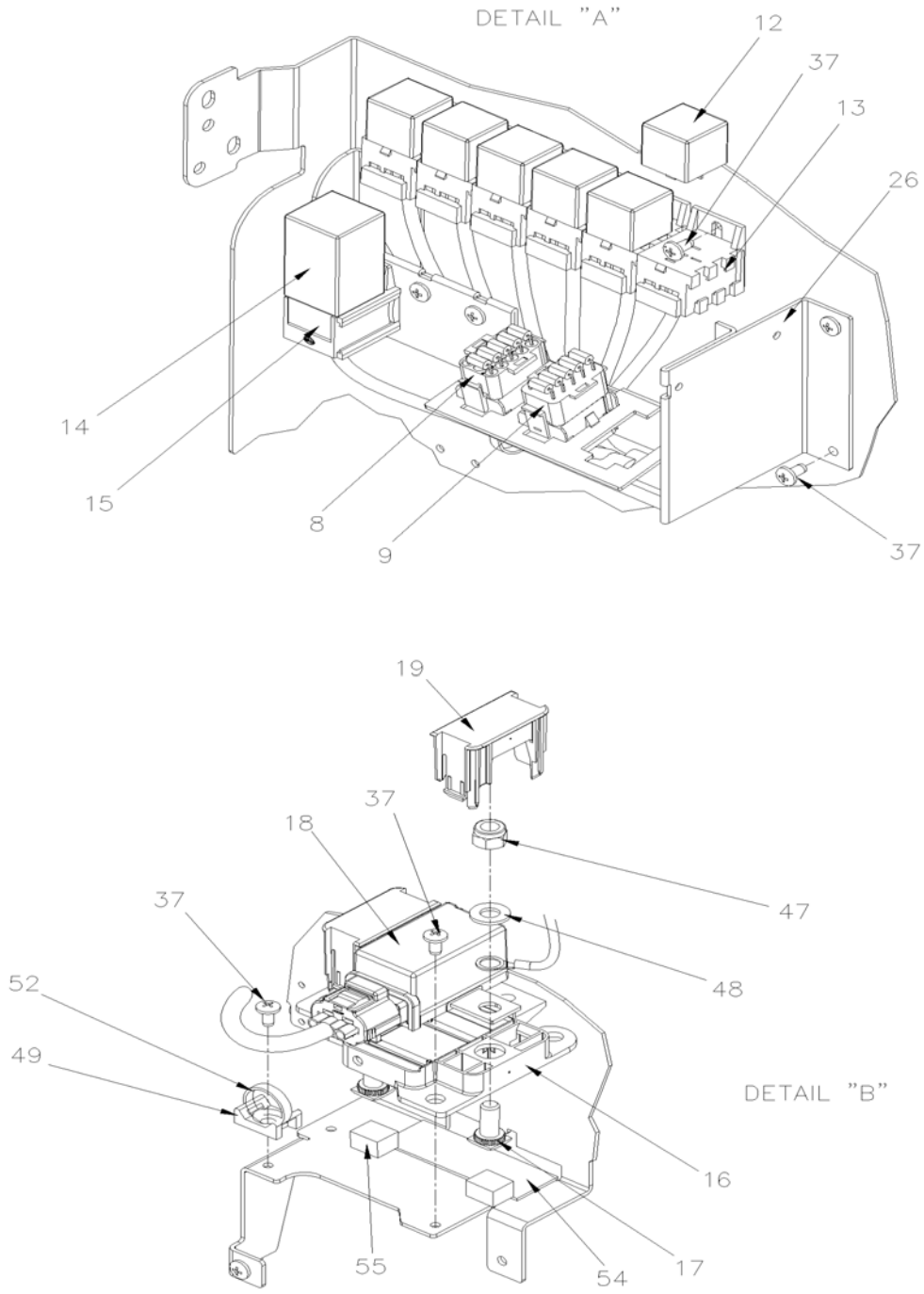
Date:07/2024

PAGE:VIP-0625-02

FRONT JUNCTION PANEL



| | | |
|----------------------|--------------|------------------|
| From P-1348 | Date:07/2024 | PAGE:VIP-0625-02 |
| FRONT JUNCTION PANEL | | |



| | | |
|-----------------------------|--------------|------------------|
| From P-1348 | Date:07/2024 | PAGE:VIP-0625-02 |
| FRONT JUNCTION PANEL | | |

| Item# | Part | Description | QTY | Notes |
|-------|----------|---|-----|-------|
| | 0600006 | RIGHT HAND CONSOLE POWER HARNESS | 1 | |
| 1 | 0600092 | WIRING HARNESS FRONT JUNCTION BOX | 1 | |
| 2 | 564761 | DVEC DISTRIBUTION MODULE / FRONT JCT BOX | 1 | |
| NS | 563280 | FUSE / ATM 5 AMPS AMBER | 20 | |
| NS | 563283 | FUSE / ATM 10 AMPS RED | 7 | |
| NS | 563284 | FUSE / ATM 15 AMPS BLUE | 12 | |
| NS | 563282 | FUSE / ATM 20 AMPS YELLOW | 3 | |
| NS | 563165 | FUSE / ATM 30 AMPS GREEN | 11 | |
| NS | 564464 | MINI BREAKER / 20 AMPS / SERIES 223 | 1 | |
| NS | 563269 | RELAY 24V S.P.D.T. W/RESISTOR / | 5 | |
| NS | 563185 | CONNECTOR / SH 8C / BLACK / BUSSMANN 32006-A21 | 1 | |
| NS | 563186 | CONNECTOR / SH 8C / GREY / BUSSMANN 32006-B21 | 1 | |
| NS | 563184 | CONNECTOR / SH 8C / GREEN / BUSSMANN 32006-C21 | 1 | |
| NS | 563448 | CONNECTOR / SH 8C / BLUE / BUSSMANN 32006-D21 | 1 | |
| NS | 563181 | CONNECTOR / SH 8C / YELLOW / BUSSMANN 32006-E21 | 1 | |
| NS | 563183 | CONNECTOR / SH 8C / RED / BUSSMANN 32006-F21 | 1 | |
| NS | 563182 | CONNECTOR / SH 8C / ORANGE / BUSSMANN 32006-G21 | 1 | |
| NS | 563187 | CONNECTOR / SH 8C / BROWN / BUSSMANN 32006-H21 | 1 | |
| NS | 564132 | LOCK CONNECTOR POSITION ASSURANCE / BUSSMANN 32004-CP | AR | |
| NS | 564104 | COVER / VEC BOX | 1 | |
| NS | 19518268 | COVER RUBBER RED | 2 | |
| 3 | 22722846 | I/O A E-MODULE VOLVO MULTIPLEX | 2 | |
| 4 | 23824204 | I/O B E-MODULE VOLVO MULTIPLEX / ALUMINUM | 4 | |
| 5 | 23499009 | MCM - VOLVO MULTIPLEX MODULE | 1 | |
| 6 | 24066689 | VECU5 MODULE / VOLVO | 1 | |
| 7 | 23593814 | ECU VOLVO LINK MODULE To R-1621 | 1 | |
| 7 | 23163299 | ECU VOLVO LINK MODULE From R-1622 | 1 | |
| NS | 22990242 | SIM CARD VOLVO LINK MODULE To R-1621 | 1 | |
| NS | 23004613 | SIM CARD VOLVO LINK MODULE From R-1622 | 1 | |
| 8 | 060324 | DIODE/ RESISTOR BLOCK "1" | 1 | |
| 9 | 380047 | DIODE 3 AND 10 AMP CONNECTOR ASSY | 1 | |
| 12 | 563332 | RELAY 24V S.P.D.T. W/RESISTOR / "VOLVO" (20374662) | 6 | |
| 13 | 564496 | CONNECTOR / METRI-PACK 630 / SH 5C / PED 12033871 | 6 | |
| 14 | 563033 | E.C.U. / W/STEERING ASSIST (STP 272 or 330) ((77//125)) | 1 | |
| 15 | 0600015 | POWER STEERING CONTROLE HARNESS | 1 | |
| 15 | 562929 | CONNECTOR / TAB TERMINAL 5C / HELLA 87123 | 1 | |
| 16 | 560529 | BASE FOR LACTHING RELAY BDS-A 24V | 1 | |
| 17 | 560539 | SCREW FOR LACTHING RELAY BDS-A 24V / M8 | 2 | |
| 18 | 560493 | LACTHING RELAY BDS-A 24V | 1 | |
| 19 | 560538 | COVER RELAY | 2 | |
| 20 | 560224 | JUNCTION BLOCK W/4 STUDS | 1 | |
| 21 | 563218 | JUNCTION BLOCK W/5 STUDS | 1 | |

| | | | |
|-----------------------------|--|--------------|------------------|
| From P-1348 | | Date:07/2024 | PAGE:VIP-0625-02 |
| FRONT JUNCTION PANEL | | | |

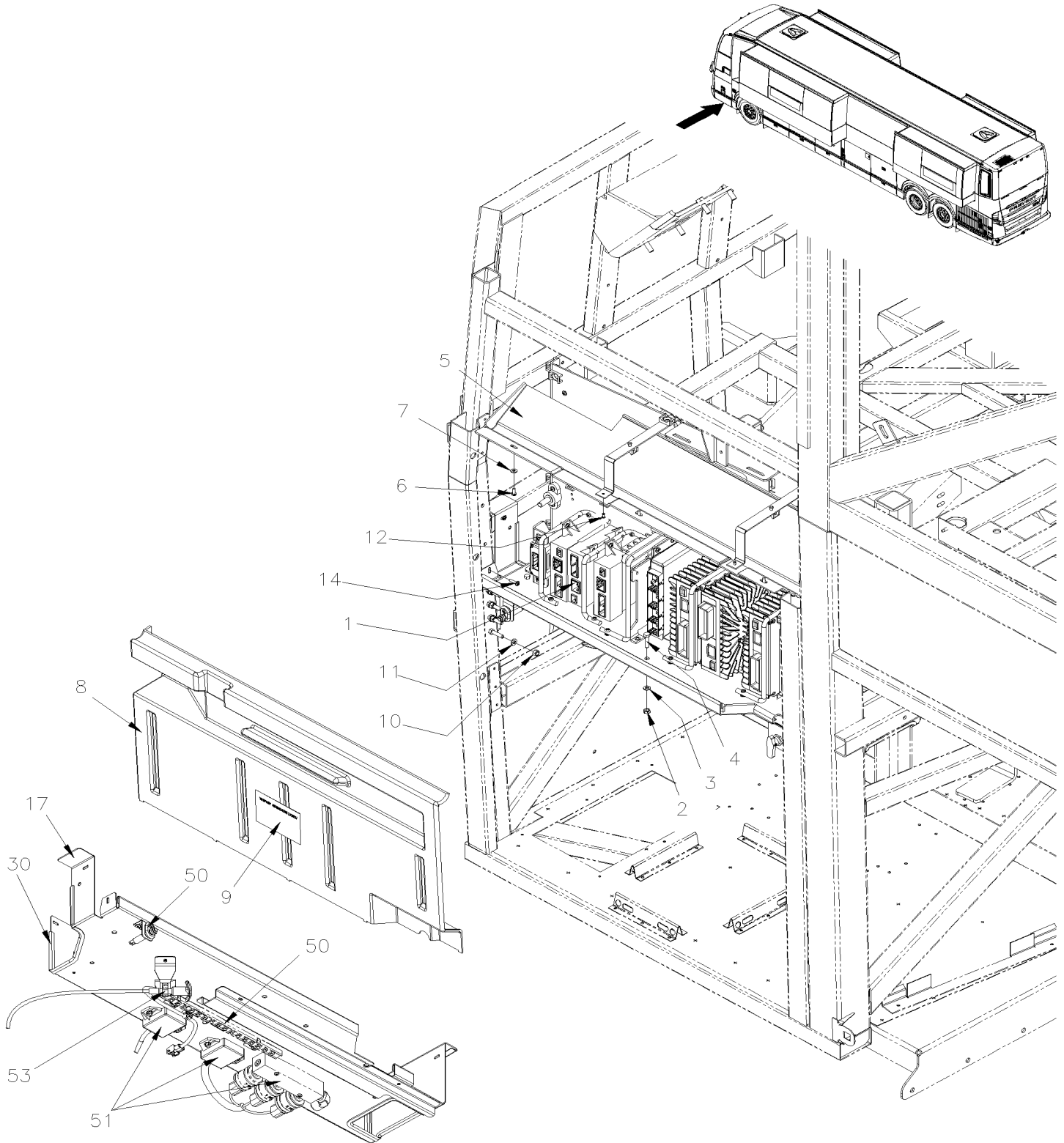
| Item# | Part | Description | QTY | Notes |
|-------|---------|---|-----|-------|
| 22 | 564756 | CONNECTOR / MX34 / SH 20C / JAE MX34020SF1 | 1 | |
| 23 | 0600138 | INTERFACE HARNESS MCM1 | 1 | |
| 25 | 380510 | SUPPORT, CONSOLE FRONT JUNCTION BOX | 1 | |
| 26 | 380226 | RELAY SUPPORT | 1 | |
| 27 | 380436 | ROD, I/O A ASSY. | 1 | |
| 28 | 380502 | ROD MODULE ASSY | 1 | |
| 29 | 380428 | ROD,IOB MODULE ASSY. | 2 | |
| 30 | 382169 | HINGE ROD ATTACHMENT | 3 | |
| 31 | 0610530 | SUPPORT, MCM & I/O A | 1 | |
| 34 | 500601 | SCREW TC PAN PH #6-32x3/8 N500 | 2 | |
| 35 | 5002028 | NUT HEX NYRT M10-1.5 SS | 1 | |
| 36 | 5001935 | WASHER FL 10.5x18.0x1.6 SS | 1 | |
| 37 | 500209 | SCREW TC BDG PH #10-24x3/8 N500 | AR | |
| 38 | 502841 | NUT HEX NYRT M5-0.8 N500 | 7 | |
| 39 | 500804 | WASHER FL .203x.500x.047 N500 | 7 | |
| 40 | 509827 | SCREW MA RND PH M4-0.7x20 SS | 4 | |
| 41 | 504784 | NUT INS FL HEX M4-0.7 0.5-3.0 ZP | 4 | |
| 42 | 500623 | SCREW TC PAN PH #10-24x3/4 N500 | 1 | |
| 43 | 504340 | RIVET POP DOME OE 1/8x3/16 SS | 12 | |
| 44 | 500765 | NUT HEX #10-32 BR | 10 | |
| 45 | 5001251 | NUT HEX NYRT 1/4-20 SS | 4 | |
| 46 | 502573 | WASHER FL 6.4x12.5x1.6 SS | 4 | |
| 47 | 5001787 | NUT HEX NYRT M8-1.25 SS | 2 | |
| 48 | 5001341 | WASHER FL 8.4x17.0x1.6 SS | 2 | |
| 49 | 504013 | TIE MOUNT / 1/4" X 1/4" I.D. | AR | |
| 50 | 509815 | TIE MOUNT / ATTACHMENT W/TREE MOUNT | 4 | |
| 51 | 504051 | ATTACHMENT 3-WAY USE WITH CABLE TIE | 2 | |
| 52 | 504637 | CABLE TIE / 3/16" x 13" | AR | |
| 53 | 564108 | SELF MOUNTING STUD // DEUTSCH 1011-310-0205 | 3 | |
| 54 | 506339 | TAPE RUB ADH1 NIT 1/4" x 1" x 35' / BLACK 1220 | AR | |
| 55 | 506004 | TAPE RUB ADH1 CC POL 3/8" x 1/2" x 20' / GREY 2520X | AR | |

From K-0295 To P-1347

Date:07/2024

PAGE:VIP-0625-50

FRONT JUNCTION BOX - INSTALLATION



| | | |
|--|---------------------|-------------------------|
| From K-0295 To P-1347 | Date:07/2024 | PAGE:VIP-0625-50 |
| FRONT JUNCTION BOX - INSTALLATION | | |

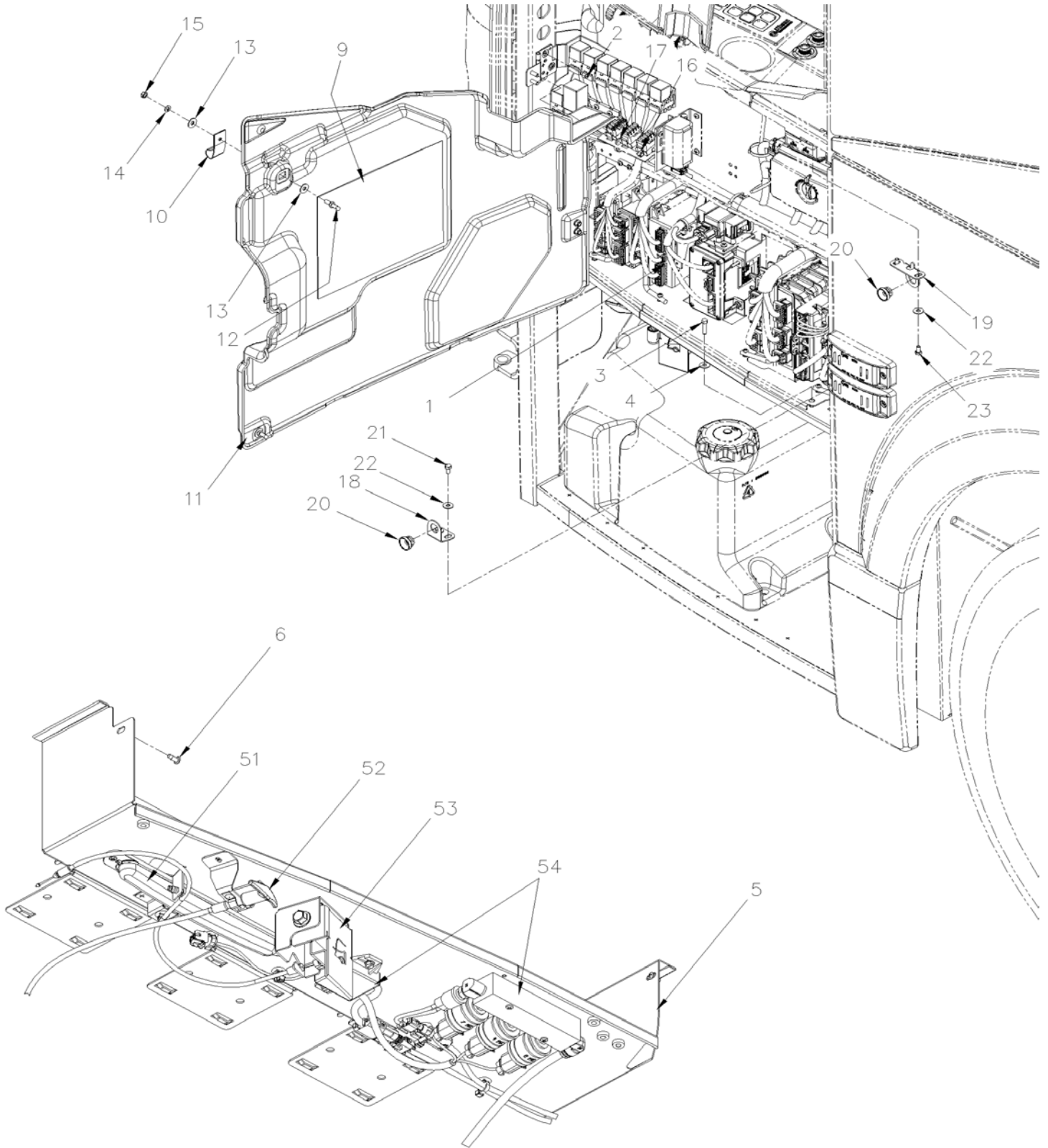
| Item# | Part | Description | QTY | Notes |
|--------------|-------------|---|------------|--------------|
| 1 | VIP-0625-01 | FRONT JUNCTION PANEL | | |
| 2 | 502565 | NUT HEX M6-1.0 SS | 4 | |
| 3 | 502564 | WASHER LO SPT 6.1x11.8x1.6 Z050 | 4 | |
| 4 | 502737 | SCREW CAP HEX M6-1.0x25 SS BK | 4 | |
| 5 | 382107 | DRIP PANEL TOP | 1 | |
| 6 | 500443 | SCREW TP PAN PH #8x1/2 N500 | 3 | |
| 7 | 500855 | WASHER FL .188x.438x.049 N500 | 3 | |
| 8 | 382504 | PROTECTOR PANEL | 1 | |
| 9 | 180246 | DECAL / VEHICULE WHEELHOUSING....TREATED / ENGLISH & FRANCAIS | 1 | |
| 10 | 5001182 | NUT HEX NYRT M6-1.0 SS To N-1318 | 4 | |
| 10 | 5002028 | NUT HEX NYRT M10-1.5 SS From N-1319 | 4 | |
| NS | 684013 | RUBBER PROTECTOR / COLOR GUARD 14.5oz From N-1319 | AR | |
| 11 | 502573 | WASHER FL 6.4x12.5x1.6 SS To N-1318 | 4 | |
| 11 | 5001935 | WASHER FL 10.5x18.0x1.6 SS From N-1319 | 4 | |
| 12 | 504339 | RIVET POP DOME OE 1/8x3/8 SS | 2 | |
| 12 | 504488 | RIVET MGLP PRDG 3/16x17/64 SS | 2 | |
| 14 | 500641 | SCREW TP PAN PH #8x3/4 Z050 | 10 | |
| NS | 500539 | NUT HEX NYRT M4-0.7 N500 | 1 | |
| NS | 500615 | NUT HEX M8-1.25 BR | 1 | |
| 17 | 380106 | SUPPORT FRONT JCT BOX To K-0367 | 1 | |
| 17 | 380151 | SUPPORT FRONT JCT BOX From K-0368 | 1 | |
| 17 | 506227 | TAPE RUB ADH1 CC POL 1/16" x 3/4" x 100' / GREY 2520 | AR | |
| 30 | 506338 | RUBBER CHANNEL / 1/16" x 1/4" INT "U" SHAPE / ROUND C.T.L. | AR | |
| 30 | 680066 | ADHESIVE / ADBOND #5014 / 23.6ML BOTTLE | AR | |
| NS | 8631155 | CABLE TIE / 4.6MM x 200 / CHRISTMAS TREE | 3 | |
| 50 | VIP-0665-11 | SWITCHES, LIGHTS, AJAR - UNDER FLOOR & ENGINE COMPARTMENT | | |
| 51 | VIP-0750-04 | AUTOMATIC TRANSMISSION - "WORLD" WITH VOLVO D13 | | |
| 53 | VIP-1860-11 | SPARE WHEEL DOOR MECHANISM FRONT BUMPER | | |

From P-1348

Date:07/2024

PAGE:VIP-0625-51

FRONT JUNCTION BOX - INSTALLATION

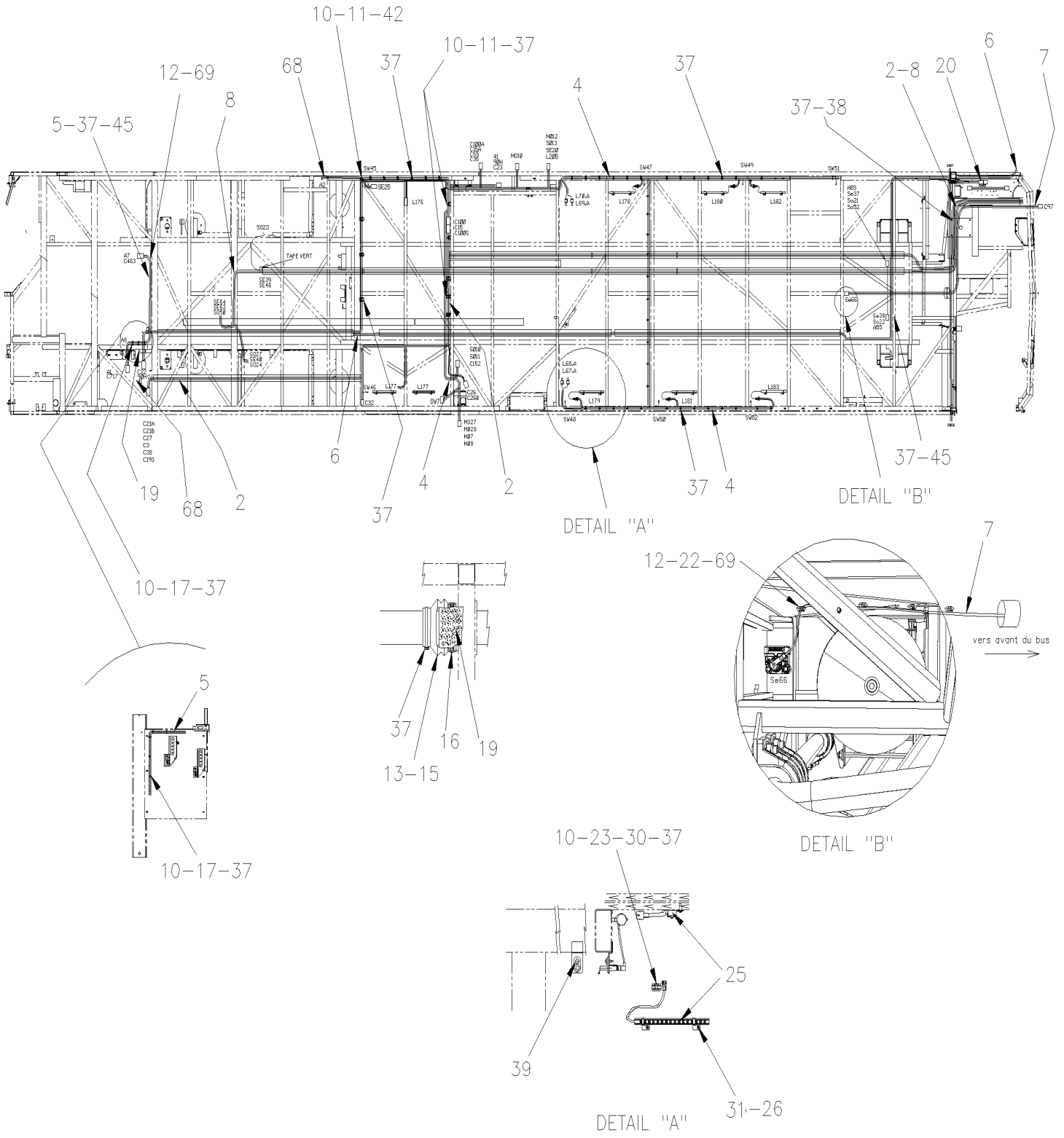


| | | |
|-------------|--------------|------------------|
| From P-1348 | Date:07/2024 | PAGE:VIP-0625-51 |
|-------------|--------------|------------------|

FRONT JUNCTION BOX - INSTALLATION

| Item# | Part | Description | QTY | Notes |
|-------|-------------|---|-----|-------|
| 1 | VIP-0625-02 | FRONT JUNCTION PANEL | | |
| 2 | 502868 | SCREW TC TR PH #10-16x1/2 N500 | 4 | |
| 2 | 500804 | WASHER FL .203x.500x.047 N500 | 4 | |
| 3 | 502737 | SCREW CAP HEX M6-1.0x25 SS BK | 2 | |
| 4 | 5001833 | WASHER BEL SPR 6.1x18x1.27 SS | 2 | |
| 5 | 380001 | SUPPORT, FRONT BOX ASSY To P-1574 | 1 | |
| 5 | 380577 | SUPPORT, FRONT BOX ASSY From R-1575 | 1 | |
| NS | 504348 | GROMMET / .937x1.125x.046x.25x1.375x.046 From R-1575 | 1 | |
| NS | 680042 | GLUE LOCTITE 430 BOTTLE 1OZ From R-1575 | AR | |
| 6 | 502868 | SCREW TC TR PH #10-16x1/2 N500 | 6 | |
| 9 | 0610623 | DECAL "FRT JCT BOX" COMPONENTS | 1 | |
| 10 | 492152 | STRAP | 2 | |
| 11 | 2810394 | PROTECTOR, FRONT ELECTRIC COMPARTMENT | 1 | |
| 12 | 504255 | SNAPLOC STUD | 2 | |
| 13 | 5001976 | WASHER FL .266x.718x.060 SS | 4 | |
| 14 | 502570 | WASHER LO SPT 6.1x11.8x1.6 SS | 2 | |
| 15 | 502565 | NUT HEX M6-1.0 SS | 2 | |
| 16 | 5001182 | NUT HEX NYRT M6-1.0 SS | 4 | |
| 17 | 502573 | WASHER FL 6.4x12.5x1.6 SS | 4 | |
| 18 | 380413 | BRACKET SNAPLOC COUPLING | 1 | |
| 19 | 380415 | BRACKET SNAPLOC COUPLING | 1 | |
| 20 | 504271 | SNAPLOC COUPLING D8 TPC-ET 40D | 2 | |
| 21 | 5001982 | SCREW CAP HEX M6-1.0x12 SS BK | 2 | |
| 22 | 5001833 | WASHER BEL SPR 6.1x18x1.27 SS | 4 | |
| 23 | 5001743 | SCREW CAP HEX M6-1.0x12 G8.8 N500 | 2 | |
| 51 | VIP-0665-12 | SWITCHES, LIGHTS, AJAR - UNDER FLOOR & ENGINE COMPARTMENT | | |
| 52 | VIP-1850-02 | BUMPER FRONT | | |
| 53 | VIP-1879-11 | FRONT SERVICE DOOR INSTALLATION | | |
| 54 | VIP-0750-04 | AUTOMATIC TRANSMISSION - "WORLD" WITH VOLVO D13 | | |

| | | |
|--|--------------|------------------|
| From K-0295 | Date:07/2024 | PAGE:VIP-0630-00 |
| CABLE & HARNESS - UNDER FLOOR - W/MUX | | |



| | | |
|--|--------------|------------------|
| From K-0295 | Date:07/2024 | PAGE:VIP-0630-00 |
| CABLE & HARNESS - UNDER FLOOR - W/MUX | | |

| Item# | Part | Description | QTY | Notes |
|-------|---------|--|-----|-------|
| 2 | 069766 | CABLE FRT JCT BOX TO RR JCT BOX W/ LARGE A/C To K-0367 | 1 | |
| 2 | 069921 | CABLE FRT JCT BOX TO RR JCT BOX W/ LARGE A/C From K-0368 To K-0604 | 1 | |
| 2 | 0610021 | CABLE FRT JCT BOX TO RR JCT BOX W/ LARGE A/C From K-0605 To L-1054 | 1 | |
| 2 | 0610284 | CABLE FRT JCT BOX TO RR JCT BOX W/ LARGE A/C From L-1055 To M-1153 | 1 | |
| 2 | 0610474 | CABLE FRT JCT BOX TO RR JCT BOX W/ LARGE A/C From M-1154 To N-1269 | 1 | |
| 2 | 0610553 | CABLE FRT JCT BOX TO RR JCT BOX W/ LARGE A/C From N-1240 To P-1347 | 1 | |
| 2 | 0600119 | CABLE FRT JCT BOX TO RR JCT BOX W/ LARGE A/C From P-1348 To R-1891 | 1 | |
| 2 | 0600188 | CABLE FRT JCT BOX TO RR JCT BOX W/ LARGE A/C From R-1891 | 1 | |
| 2 | 069767 | CABLE FRT JCT BOX TO RR JCT BOX W/ SMALL A/C To K-0367 | 1 | |
| 2 | 069923 | CABLE FRT JCT BOX TO RR JCT BOX W/ SMALL A/C From K-0368 To K-0604 | 1 | |
| 2 | 0610022 | CABLE FRT JCT BOX TO RR JCT BOX W/ SMALL A/C From K-0605 To L-1054 | 1 | |
| 2 | 0611009 | CABLE FRT JCT BOX TO RR JCT BOX W/ SMALL A/C From L-1055 To M-1153 | 1 | |
| 2 | 0610475 | CABLE FRT JCT BOX TO RR JCT BOX W/ SMALL A/C From M-1154 To P-1347 | 1 | |
| 2 | 0600097 | CABLE FRT JCT BOX TO RR JCT BOX W/ SMALL A/C From P-1348 | 1 | |
| 3 | 0600122 | FRONT HARNESS INTERFACE VIP From P-1348 | 1 | |
| 4 | 060002 | CABLE ASSY / BAGGAGES COMPARTMENT To P-1347 | 1 | |
| 4 | 0600118 | CABLE ASSY / BAGGAGES COMPARTMENT From P-1348 | 1 | |
| 5 | 069756 | CABLE ASSY / REAR JUNCTION BOX WITH ALLISON To K-0367 | 1 | |
| 5 | 069924 | CABLE ASSY / REAR JUNCTION BOX WITH ALLISON From K-0368 To K-0604 | 1 | |
| 5 | 0610068 | CABLE ASSY / REAR JUNCTION BOX WITH ALLISON From K-0605 To L-1054 | 1 | |
| 5 | 0610285 | CABLE ASSY / REAR JUNCTION BOX WITH ALLISON From L-1055 To M-1153 | 1 | |
| 5 | 0610476 | CABLE ASSY / REAR JUNCTION BOX WITH ALLISON From M-1154 To P-1347 | 1 | |
| 5 | 0600106 | CABLE ASSY / REAR JUNCTION BOX WITH ALLISON From P-1348 | 1 | |
| 6 | 069699 | CABLE POWER / RJB TO FJB To P-1347 | 1 | |
| 6 | 0600104 | CABLE POWER / RJB TO FJB From P-1348 | 1 | |
| 7 | 060124 | CABLE ASSY / FRONT "ABS" SENSOR & VALVE / MUX & EPS | 1 | |
| 8 | 069729 | CABLE ASSY "ABS" PREMIUM & E.S.P. To M-1153 | 1 | |
| 8 | 0610473 | CABLE ASSY "ABS" PREMIUM & E.S.P. From M-1154 | 1 | |
| 10 | 504013 | TIE MOUNT / 1/4" X 1/4" I.D. | AR | |
| 11 | 500957 | SCREW TP BDG PH #10x3/4 N500 | AR | |
| 12 | 680096 | SEALANT BUTYL ALUM / GREY / 310ml CARTRIDGE To R-1728 | AR | |
| 12 | 685440 | GLUE ADBOND 1502 WHITE, SAUSAGE 600ML From R-1728 | AR | |
| 13 | 504499 | CUFF END BELLOW / 2 7/8" I.D. x 3 5/8" x 4 7/16 | 1 | |
| 15 | 504499 | CUFF END BELLOW / 2 7/8" I.D. x 3 5/8" x 4 7/16 | 2 | |
| 16 | 504026 | HOSE CLAMP / 2"13/16-3"3/4 SS / HS-52 | 2 | |
| 16 | 504016 | CABLE TIE / 5/16" X 14"1/2 | 3 | |
| 17 | 504379 | RIVET POP DOME OE 3/16x1/4 SS | AR | |
| 19 | 371600 | INSULATING PAD 76.2MM x 374.7MM | AR | |
| 20 | 504016 | CABLE TIE / 5/16" X 14"1/2 | AR | |
| 22 | 504013 | TIE MOUNT / 1/4" X 1/4" I.D. | AR | |
| 23 | 500443 | SCREW TP PAN PH #8x1/2 N500 | AR | |
| NS | 562060 | CLAMP / 1 3/4" I.D. | 1 | |

| | | |
|--|--------------|------------------|
| From K-0295 | Date:07/2024 | PAGE:VIP-0630-00 |
| CABLE & HARNESS - UNDER FLOOR - W/MUX | | |

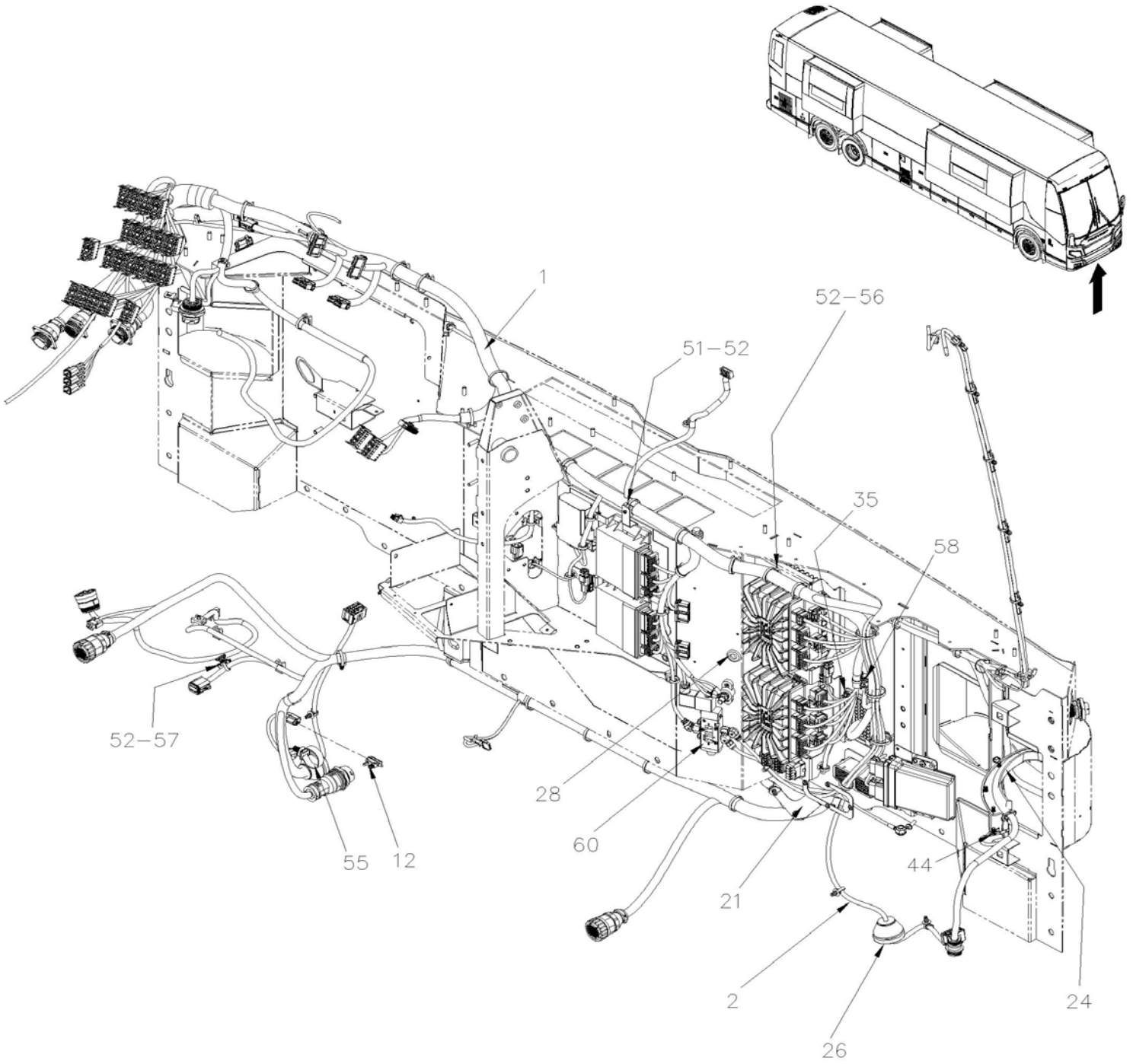
| Item# | Part | Description | QTY | Notes |
|-------|--------|--|-----|-------|
| 25 | 830008 | LAMP ASSY 24V / LED | 8 | |
| NS | 561248 | CONNECTOR / UNIVERSAL MATE-N-LOK / PH 2C / AMP 1-480699-0 | 1 | |
| 26 | 330004 | SUPPORT, LIGHT | 2 | C |
| 30 | 500240 | WASHER LO EXT .195x.410x.025 Z050 | AR | |
| 31 | 500443 | SCREW TP PAN PH #8x1/2 N500 | AR | |
| 37 | 504637 | CABLE TIE / 3/16" x 13" | AR | |
| 37 | 504273 | CABLE TIE / 1/8" X 3"1/2 | AR | |
| 37 | 504750 | CABLE TIE / 1/2" x 15" / CHRISTMAS TREE | AR | |
| 38 | 504013 | TIE MOUNT / 1/4" X 1/4" I.D. | AR | |
| 39 | 500623 | SCREW TC PAN PH #10-24x3/4 N500 | AR | |
| NS | 504751 | ROTATIF SPACER DOUBLE / SMALL | AR | |
| NS | 509490 | ATTACHMENT DOUBLE USE WITH CABLE TIE | AR | |
| 42 | 502868 | SCREW TC TR PH #10-16x1/2 N500 | AR | |
| 45 | 509815 | TIE MOUNT / ATTACHMENT W/TREE MOUNT | AR | |
| NS | 504610 | RIVET MGLP PRDG 1/4x5/8 SS | AR | |
| NS | 504488 | RIVET MGLP PRDG 3/16x17/64 SS | AR | |
| 68 | 680532 | SEALANT SIKA #221 / GREY / 310ml CARTRIDGE | AR | |
| 69 | 680532 | SEALANT SIKA #221 / GREY / 310ml CARTRIDGE | AR | |
| | | | | |
| | | | | |
| | | | | |
| | | C) WHEN YOU MUST REPLACE 563851, YOU MUST ORDER 23317365, BUT YOU MUST GIVE THE SERIAL NUMBER OF YOUR VEHICLE FOR IT TO BE PROGRAM | | |

From P-1348

Date:07/2024

PAGE:VIP-0635-00

ELECTRIC SYSTEM FRONT MODULE INST

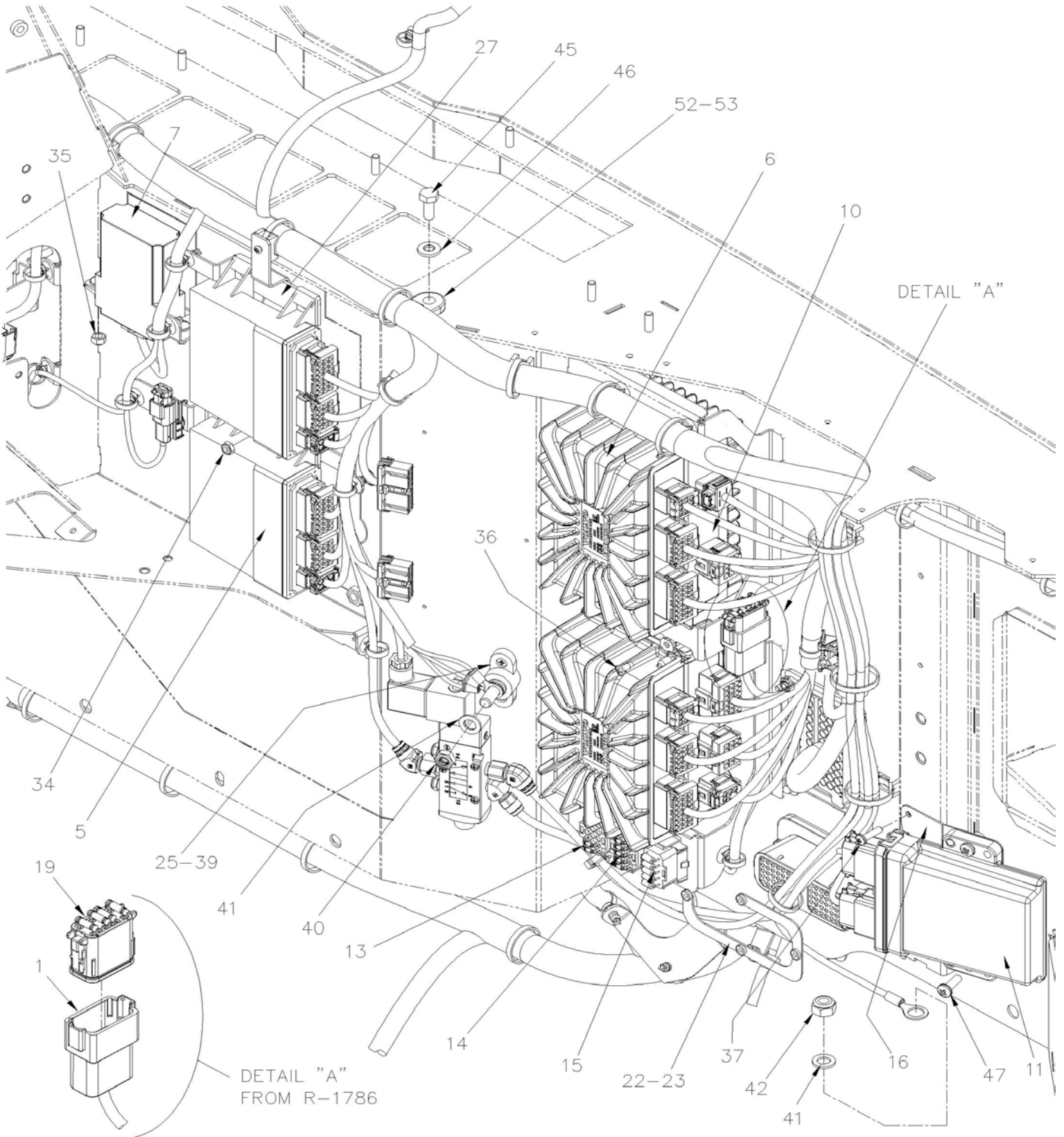


From P-1348

Date:07/2024

PAGE:VIP-0635-00

ELECTRIC SYSTEM FRONT MODULE INST

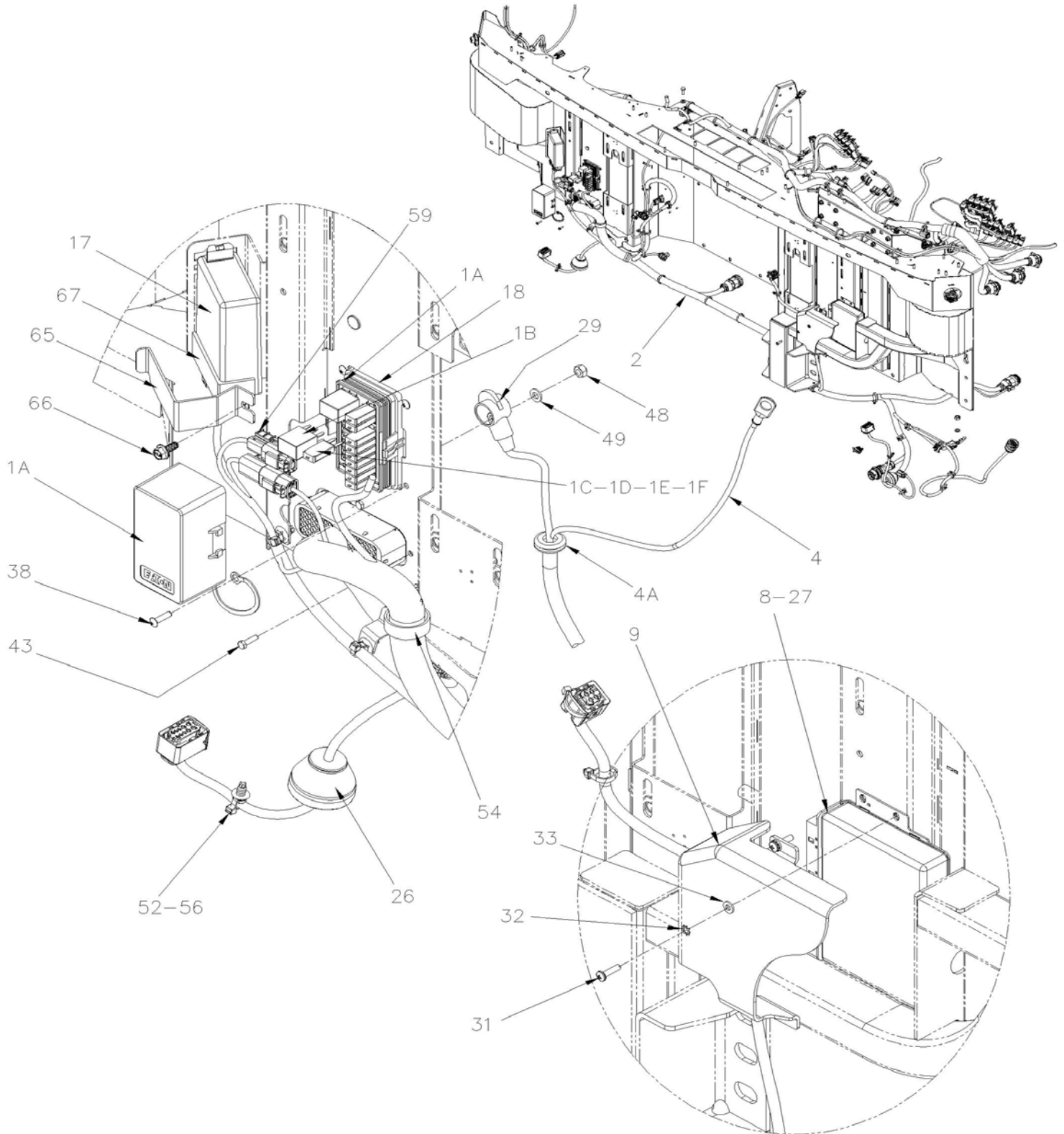


From P-1348

Date:07/2024

PAGE:VIP-0635-00

ELECTRIC SYSTEM FRONT MODULE INST



| | | | |
|--|--|--------------|------------------|
| From P-1348 | | Date:07/2024 | PAGE:VIP-0635-00 |
| ELECTRIC SYSTEM FRONT MODULE INST | | | |

| Item# | Part | Description | QTY | Notes |
|-------|----------|---|-----|-------|
| 1 | 0600091 | WIRING HARNESS DASHBOARD To R-1785 | 1 | |
| A | 566040 | POWER BOX SMALL VEC 15305 To R-1785 | 1 | |
| B | 563269 | RELAY 24V S.P.D.T. W/RESISTOR / To R-1785 | 2 | |
| C | 564399 | MINI BREAKER / 20 AMPS / SERIES 233 To R-1785 | 4 | |
| D | 564340 | MINI BREAKER / 15 AMPS / SERIES 233 To R-1785 | 1 | |
| E | 564747 | MINI BREAKER / 10 AMPS / SERIES 223 To R-1785 | 2 | |
| F | 564746 | MINI BREAKER / 5 AMPS / SERIES 223 To R-1785 | 3 | |
| 1 | 0600194 | WIRING HARNESS DASHBOARD From R-1786 | 1 | |
| A | 566040 | POWER BOX SMALL VEC 15305 From R-1786 | 1 | |
| B | 563269 | RELAY 24V S.P.D.T. W/RESISTOR / From R-1786 | 2 | |
| C | 564399 | MINI BREAKER / 20 AMPS / SERIES 233 From R-1786 | 4 | |
| D | 564340 | MINI BREAKER / 15 AMPS / SERIES 233 From R-1786 | 1 | |
| E | 564747 | MINI BREAKER / 10 AMPS / SERIES 223 From R-1786 | 2 | |
| F | 564746 | MINI BREAKER / 5 AMPS / SERIES 223 From R-1786 | 3 | |
| 2 | 0600093 | FRONT HARNESS To R-1785 | 1 | |
| 2 | 0600195 | FRONT HARNESS From R-1786 | 1 | |
| 4 | 0600006 | RIGHT HAND CONSOLE POWER HARNESS | 1 | |
| 4A | 504555 | GROMMET / .500x.812x.125x.344x1.062x.031 | 1 | |
| 5 | 22722846 | I/O A E-MODULE VOLVO MULTIPLEX | 2 | |
| 6 | 23824204 | I/O B E-MODULE VOLVO MULTIPLEX / ALUMINUM | 3 | |
| 7 | 23888708 | CONTROL UNIT FMS GATEWAY | 1 | |
| 8 | 640022 | ECU ABS / W/8 CHANNELS / ADVANCED ESP AFTERMARKET | 1 | |
| 9 | 0610177 | PROTECTOR MODULE ABS-8 | 1 | |
| 10 | 563534 | ECU WIPER WWS2.1 To P-1473 | 1 | |
| 10 | 564422 | ECU WIPER WWS2.1 (W/O RESISTANCE) From P-1474 | 1 | |
| 11 | 564374 | KEYLESS MODULE To P-1543 | 1 | |
| 11 | 564780 | KEYLESS MODULE From P-1544 | 1 | |
| 12 | 564291 | OUTSIDE TEMPERATURE SENSOR | 1 | |
| 13 | 382599 | BLOC RESISTORS 160R 3W | 1 | |
| 14 | 0600022 | RESISTORS BLOC 620R | 1 | |
| 15 | 381145 | DIODE ASSY / W/5 3AMPS | 1 | |
| 16 | 0610421 | SUPPORT KEYLESS MODULE | 1 | |
| 17 | 564413 | TPMS, SENSATA ECU | 1 | |
| 17 | 562795 | CONNECTOR / JUNIOR POWER TIMER / SH 15C / AMP 964561-2 | 1 | |
| 18 | 0610606 | SEAL MINI-VEC | 1 | |
| 19 | 0600212 | RESISTOR BLOC 0.22 OHM 3W 5% From R-1786 | 1 | |
| NS | 0610637 | DECAL, M1 EL, FRONT VIP | 1 | |
| NS | 0610627 | DECAL / ELECTRICAL COMPONENT RH CONSOL | 1 | |
| | | | | |
| 21 | 251526 | EXT. FRONT FACE CABLE BRACKET | 1 | |
| 22 | 067774 | PLATE RETAINER CONECTORS 70 PINS "J" FORM 60.6MM x 128.5MM | 1 | |
| 23 | 564198 | GASKET / DRC SERIES / 70C, ADHESIVE BACK / DEUTSCH DRC70-GKT AD | 1 | |

| | | | |
|--|--|--------------|------------------|
| From P-1348 | | Date:07/2024 | PAGE:VIP-0635-00 |
| ELECTRIC SYSTEM FRONT MODULE INST | | | |

| Item# | Part | Description | QTY | Notes |
|-------|--------------------|---|-----|-------|
| 24 | 0610312 | WIRE COVER | 1 | |
| 25 | 560422 | BLOCK, TERMINAL / 1 STUD 3/8-16 / BLACK | 1 | |
| 26 | 564462 | GROMMET, TAP 48MM | 2 | |
| 27 | 506339 | TAPE RUB ADH1 NIT 1/4" x 1" x 35' / BLACK 1220 | AR | |
| 28 | 504555 | GROMMET / .500x.812x.125x.344x1.062x.031 | 2 | |
| 29 | 564773 | BOOT / "L SHAPE" / 1 - 2 / RED / VTE WORLD 218N2V02 | 1 | |
| | | | | |
| 31 | 502746 | SCREW MA PAN PH M5-0.8x20 SS BK | 2 | |
| 32 | 5001378 | WASHER LO EXT 5.3x10x0.6 Z050 | 2 | |
| NS | 500804 | WASHER FL .203x.500x.047 N500 | 1 | |
| 33 | 5001137 | WASHER FL .203x.438x.050 SS | 2 | |
| 34 | 5001587 | NUT HEX NYRT M5-0.8 SS | 2 | |
| 35 | 5001182 | NUT HEX NYRT M6-1.0 SS | 3 | |
| 36 | 502868 | SCREW TC TR PH #10-16x1/2 N500 | 8 | |
| 37 | 502746 | SCREW MA PAN PH M5-0.8x20 SS BK | 2 | |
| 38 | 5001543 | SCREW MA PAN PH #10-32x1/2 SS | 4 | |
| NS | 500855 | WASHER FL .188x.438x.049 N500 | 1 | |
| 39 | 502868 | SCREW TC TR PH #10-16x1/2 N500 | 2 | |
| 40 | 5001936 | NUT HEX NYRT 3/8-16 SS | 1 | |
| 41 | 5001935 | WASHER FL 10.5x18.0x1.6 SS | 3 | |
| 42 | 5002028 | NUT HEX NYRT M10-1.5 SS | 2 | |
| 43 | 502799 | SCREW CAP HEX M4-0.7X16 G8.8 N500 | 4 | |
| 44 | 5000353 | SCREW CAP BUT HEXS M6-1.0x12 N500 | 4 | |
| 45 | 5001450 | SCREW CAP HEX M8-1.25x20 G10.9 DP | 2 | |
| 46 | 5001868 | WASHER BEL SPR 8.4x18x2 SS | 2 | |
| 47 | 502626 | SCREW MA PAN PH M6-1.0x20 N500 | 2 | |
| 48 | 5001182 | NUT HEX NYRT M6-1.0 SS | 1 | |
| 49 | 502573 | WASHER FL 6.4x12.5x1.6 SS | 1 | |
| | | | | |
| 51 | 504013 | TIE MOUNT / 1/4" X 1/4" I.D. | AR | |
| 51 | 504379 | RIVET POP DOME OE 3/16x1/4 SS | AR | |
| 52 | 504637 | CABLE TIE / 3/16" x 13" | AR | |
| 53 | 507383 | TIE MOUNT HOLE 3/8" | 2 | |
| 54 | 509491 | CABLE TIE / 13MM x 383MM | 2 | |
| 55 | 504750 | CABLE TIE / 1/2" x 15" / CHRISTMAS TREE | 3 | |
| 56 | 509815 | TIE MOUNT / ATTACHMENT W/TREE MOUNT | | |
| 57 | 504751 | ROTATIF SPACER DOUBLE / SMALL | 1 | |
| 58 | 509490 | ATTACHMENT DOUBLE USE WITH CABLE TIE | 1 | |
| 59 | 564108 | SELF MOUNTING STUD // DEUTSCH 1011-310-0205 | 3 | |
| | | | | |
| 60 | VIP-1802-50 | ENTRANCE DOOR CONTROL | | |
| 65 | 069879 | STRAP TPMS | 1 | |

| | | |
|-------------|--------------|------------------|
| From P-1348 | Date:07/2024 | PAGE:VIP-0635-00 |
|-------------|--------------|------------------|

ELECTRIC SYSTEM FRONT MODULE INST

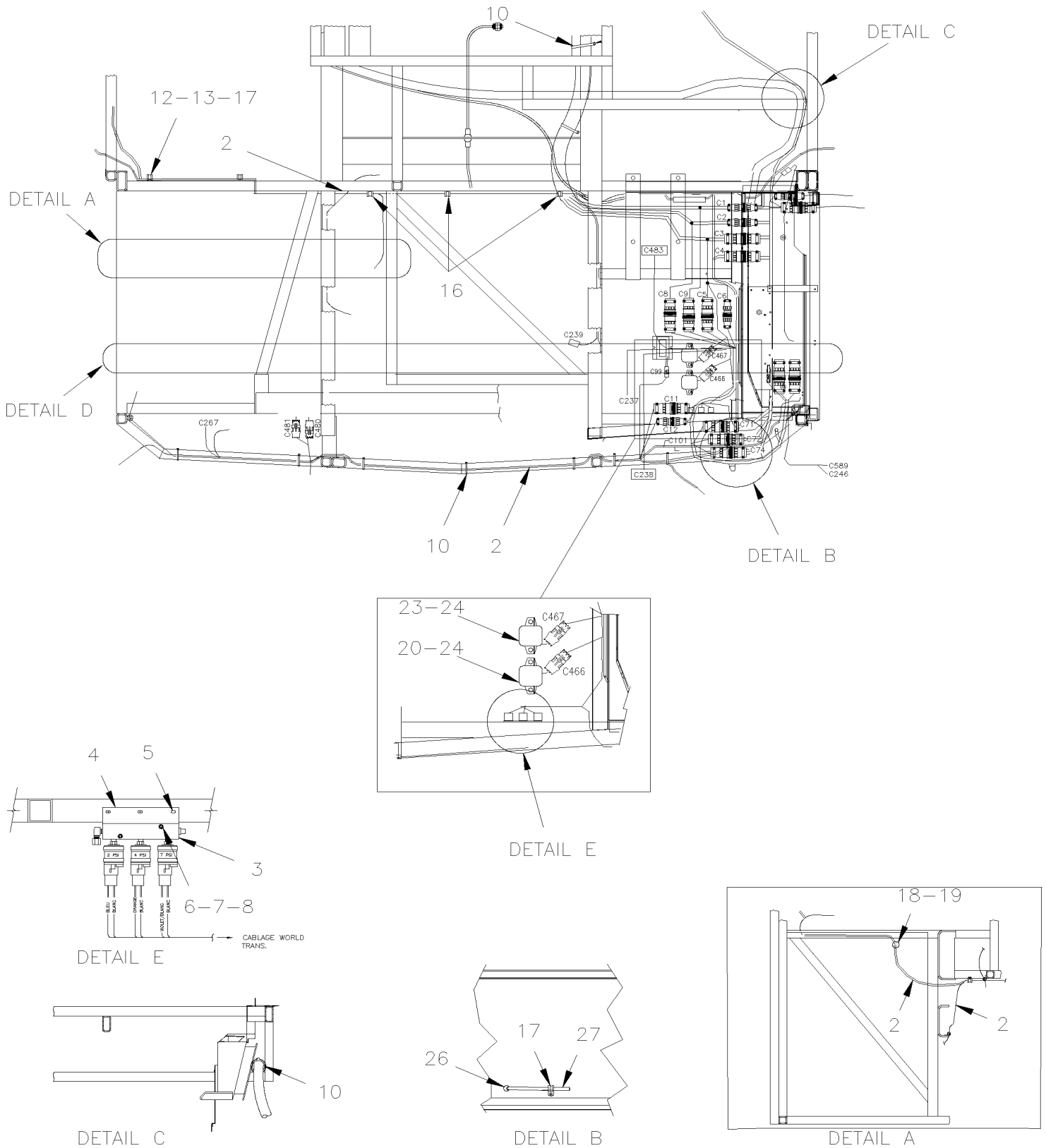
| Item# | Part | Description | QTY | Notes |
|-------|---------|--|-----|-------|
| 66 | 5002027 | SCREW CAP HEXF AD M6-1.0x16 G10.9 N500 | 1 | |
| 67 | 506339 | TAPE RUB ADH1 NIT 1/4" x 1" x 35' / BLACK 1220 | AR | |
| | | | | |
| NS | 0600173 | PARKING LIGHTS ACTIVATED HARNESS | 1 | A |
| NS | 563332 | RELAY 24V S.P.D.T. W/RESISTOR / "VOLVO" (20374662) | 1 | A |
| NS | 381145 | DIODE ASSY / W/5 3AMPS | 1 | A |
| | | | | |
| | | | | |
| | | A) WITH OPTION PARKING LIGHTS ACTIVATED WITH CONVERTER BATTERIES SNAKE | | |

From K-0295

Date:07/2024

PAGE:VIP-0640-00

CABLE & HARNESS - FRONT END INSTALLATION

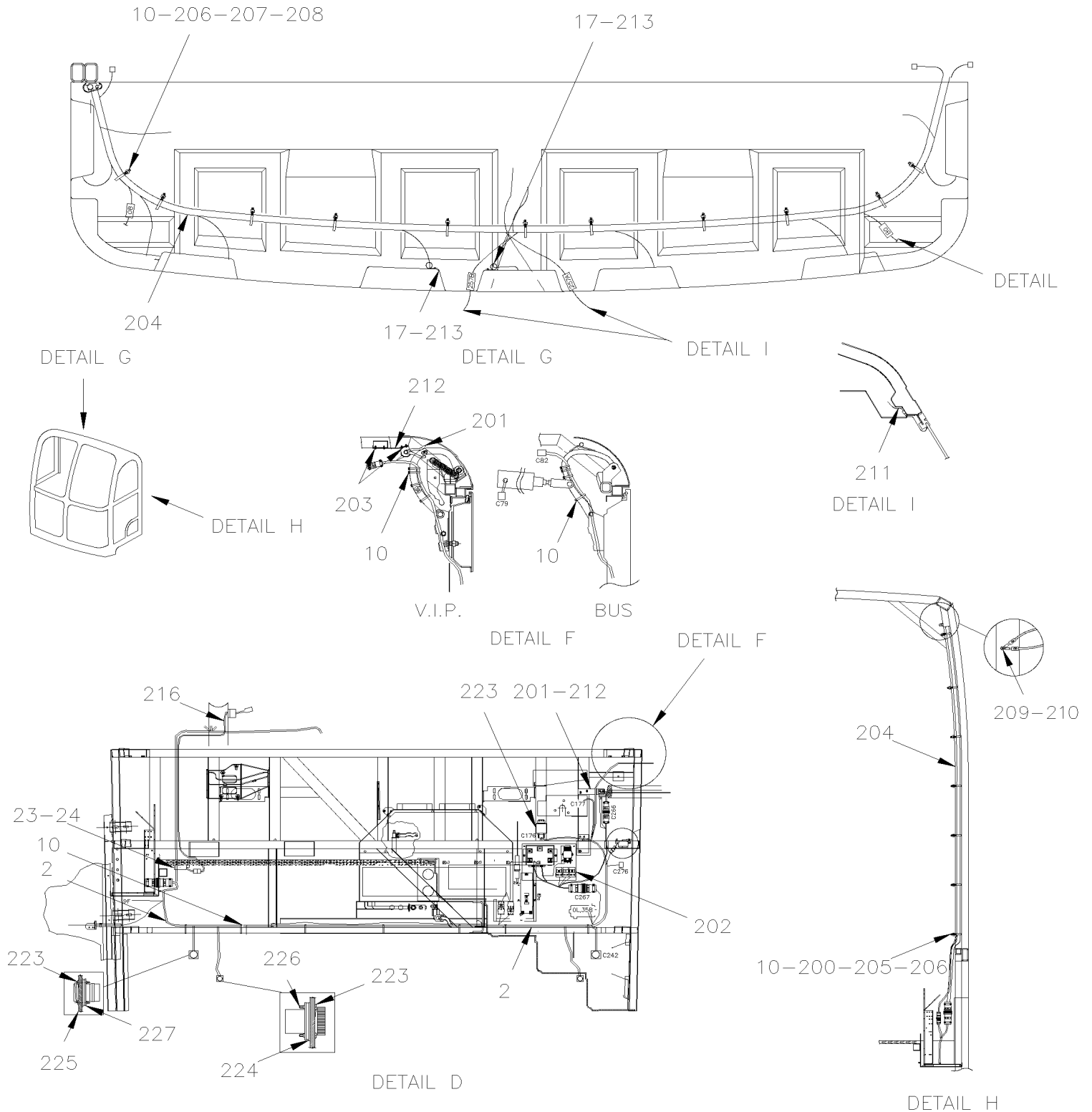


From K-0295

Date:07/2024

PAGE:VIP-0640-00

CABLE & HARNESS - FRONT END INSTALLATION

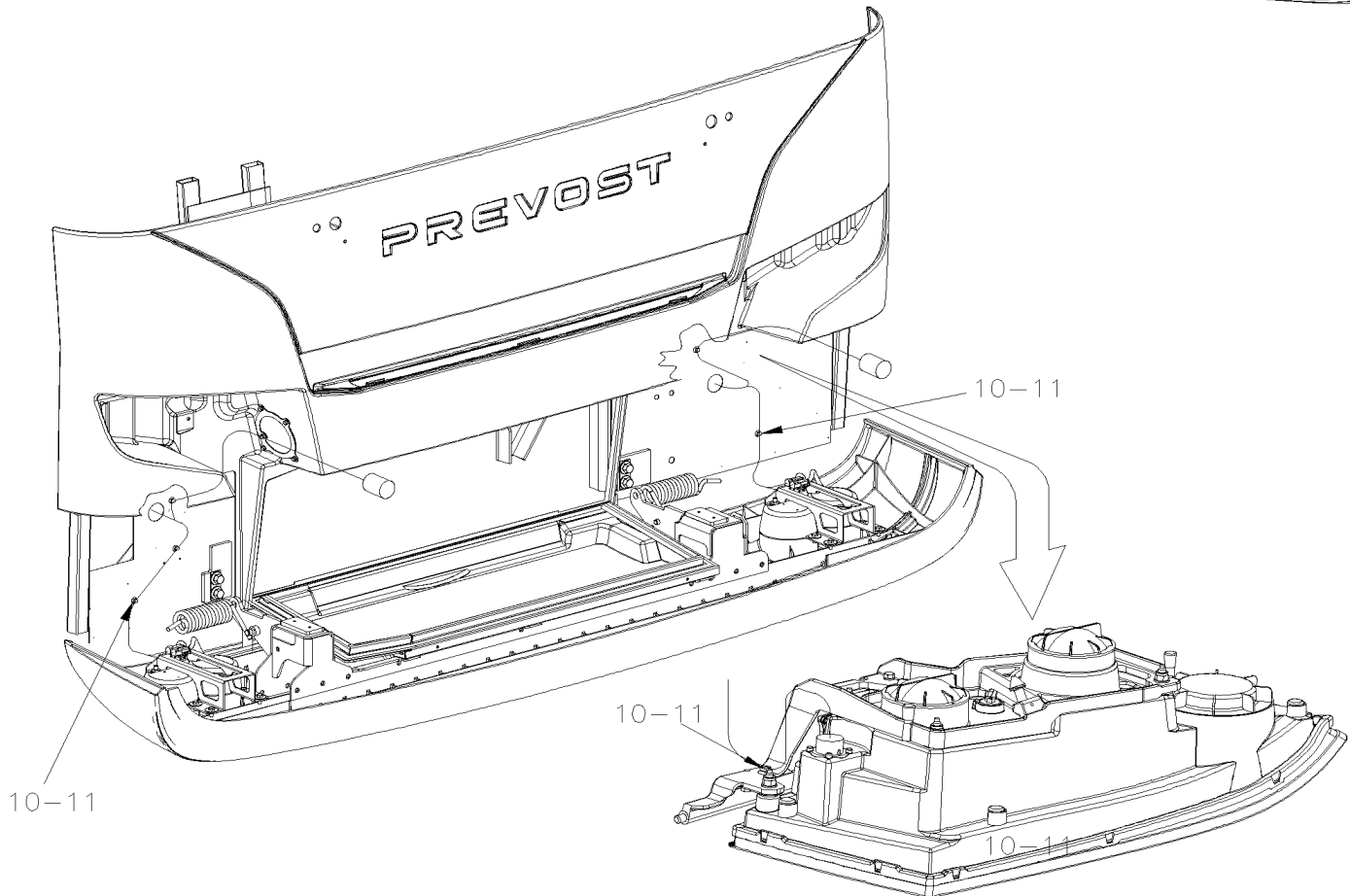
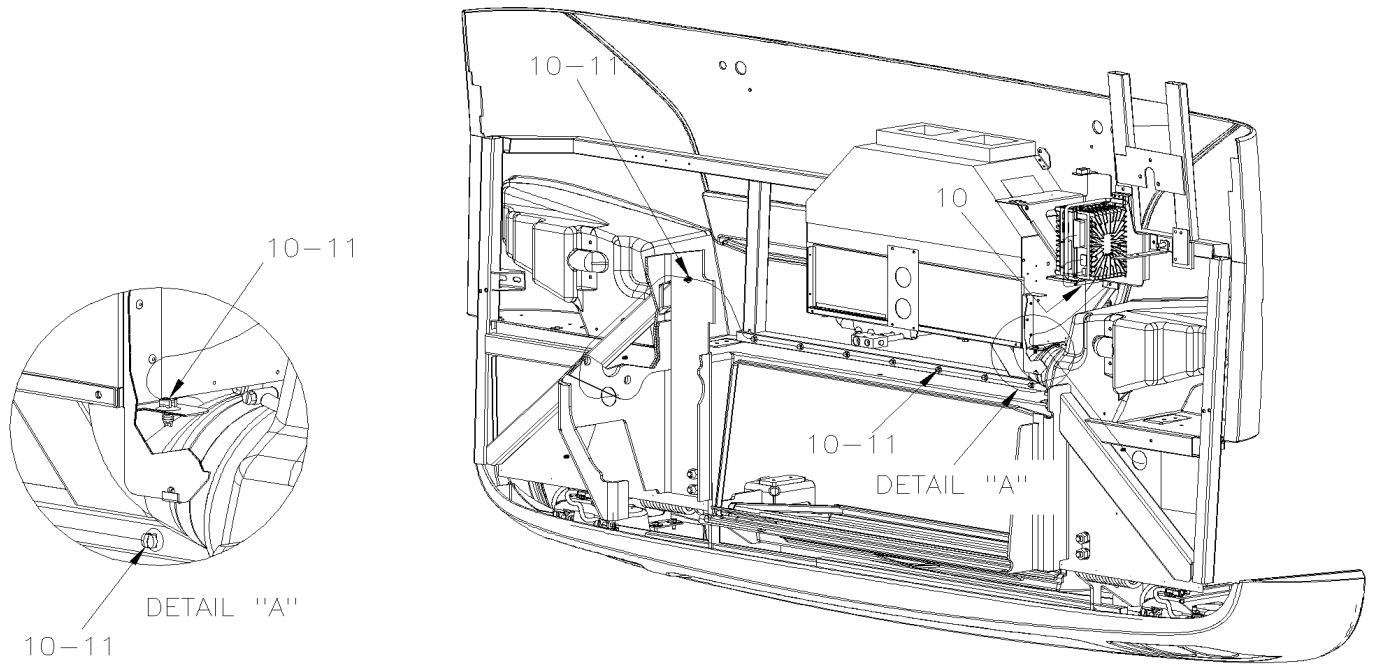


From K-0295

Date:07/2024

PAGE:VIP-0640-00

CABLE & HARNESS - FRONT END INSTALLATION



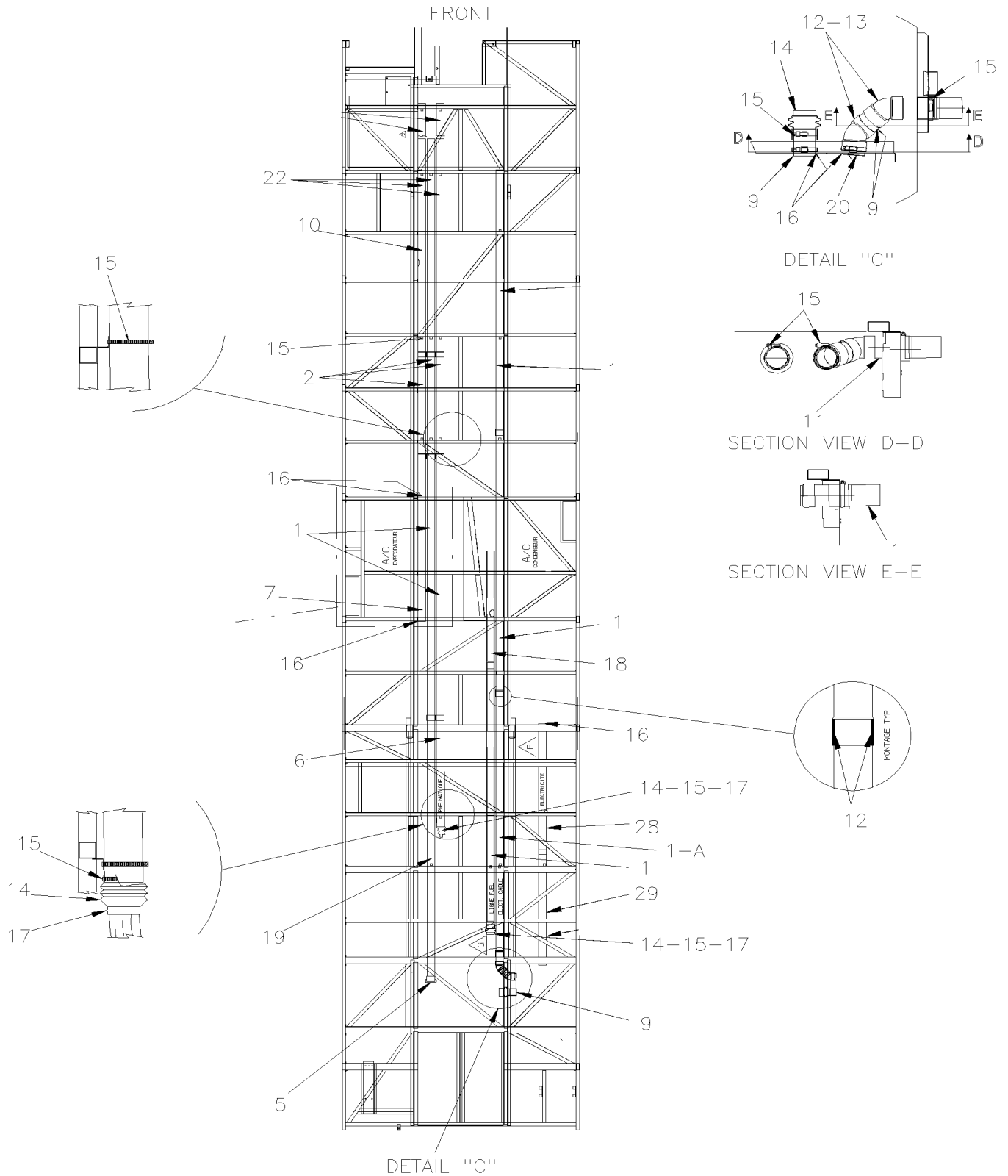
| | | | |
|---|--|--------------|------------------|
| From K-0295 | | Date:07/2024 | PAGE:VIP-0640-00 |
| CABLE & HARNESS - FRONT END INSTALLATION | | | |

| Item# | Part | Description | QTY | Notes |
|-------|--------------------|---|-----|-------|
| 2 | 060005 | WIRING HARNESS FJB TO MAJOR FRT ACCESSORIES To M-1109 | 1 | |
| 2 | 0610359 | WIRING HARNESS FJB TO MAJOR FRT ACCESSORIES From M-1110 To M-1153 | 1 | |
| 2 | 0610485 | WIRING HARNESS FJB TO MAJOR FRT ACCESSORIES From M-1154 To N-1236 | 1 | |
| 2 | 0610578 | WIRING HARNESS FJB TO MAJOR FRT ACCESSORIES From N-1237 | 1 | |
| 2 | 564462 | . GROMMET, TAP 48MM | 1 | |
| 3 | VIP-0750-04 | AUTOMATIC TRANSMISSION - "WORLD" WITH VOLVO D13 | 1 | |
| 4 | 141722 | SUPPORT PRESSURE SWITCH | 1 | |
| 5 | 500611 | SCREW TC PAN PH #10-24x1/2 Z050 | 3 | |
| 6 | 500579 | SCREW MA RND PH #10-24x1 3/4 Z050 | 2 | |
| 7 | 500470 | WASHER LO SPT .193x.334x.047 Z050 | 2 | |
| 8 | 500786 | NUT HEX #10-24 Z050 | 2 | |
| NS | 060392 | HARNESS SMALL AIR CONDITIONNING FRONT | 1 | A |
| 10 | 504637 | CABLE TIE / 3/16" x 13" | AR | |
| 11 | 509815 | TIE MOUNT / ATTACHMENT W/TREE MOUNT | AR | |
| 12 | 502587 | STUD WD WOC M4-0.7x25 SS | AR | |
| 13 | 502557 | NUT HEX NYRT M4-0.7 SS | AR | |
| 16 | 952635 | CLAMP / 1" I.D. | AR | |
| 17 | 952625 | CLAMP / 3/8" I.D. | AR | |
| 18 | 504264 | GROMMET / .750x1.250x.062x.250x1.625 | 1 | |
| 18 | 504398 | GROMMET / 1.000x1.375x.062x.437x1.750 | 1 | |
| 19 | 680096 | SEALANT BUTYL ALUM / GREY / 310ml CARTRIDGE To R-1727 | AR | |
| 19 | 685440 | GLUE ADBOND 1502 WHITE, SAUSAGE 600ML From R-1728 | AR | |
| 20 | 562381 | RESISTANCE MODULE | 1 | |
| 23 | 562357 | RESISTANCE MODULE | 1 | |
| 24 | 500643 | SCREW TP PAN PH #12x3/4 Z050 | 2 | |
| 26 | 504547 | GROMMET / .375x.500x.125x.375x.812 x.625x.125 | 1 | |
| 27 | VIP-2210-50 | AIR MAIN SENSOR | | |
| NS | 069820 | CONNECTOR JUMPER SE51, SEAT BELT ALARM To K-0637 | 1 | |
| 200 | 500437 | WASHER FL .125x.375x.040 Z050 | 7 | |
| 201 | 060338 | SWITCH DOOR LIGHT | 1 | |
| 202 | VIP-0650-50 | ENTRANCE DOOR MODULE - V.I.P. To P-1347 | | |
| 203 | 500657 | SCREW TC TR PH #10-24x1/2 Z050 | 4 | |
| 204 | 060006 | CABLE HARNESS / FRONT ROOF To P-1347 | 1 | |
| NS | 0600094 | FRONT CLEARANCE HARNESS VIP From P-1348 | 1 | |
| 205 | 504473 | RIVET POP DOME OE 1/8x1/4 SS | AR | |
| 206 | 504013 | TIE MOUNT / 1/4" X 1/4" I.D. | AR | |
| 207 | 500510 | SCREW MA BDG PH #10-32x3/4 SS EMN | AR | |
| 208 | 500519 | NUT WELL #10-32x.518 | AR | |
| 209 | 5001182 | NUT HEX NYRT M6-1.0 SS | AR | |
| 210 | 502573 | WASHER FL 6.4x12.5x1.6 SS | AR | |
| 211 | 504448 | CABLE CLIP 1/4" / ADHESIVE | AR | |
| 212 | 064702 | SUPPORT SWITCH | 1 | |

| | | |
|---|--------------|------------------|
| From K-0295 | Date:07/2024 | PAGE:VIP-0640-00 |
| CABLE & HARNESS - FRONT END INSTALLATION | | |

| Item# | Part | Description | QTY | Notes |
|-------|---------|---|-----|-------|
| 213 | 500613 | SCREW TP PAN PH #10x1/2 Z050 | AR | |
| 216 | 063782 | CABLE ASSY / RESISTANCE MODULE & SWITCH | 1 | |
| 223 | 5001454 | SCREW MA BDG PH #4-40x1/2 SS | 16 | |
| 224 | 562945 | GASKET MOUNTING / HD10 SERIES / 3C / DEUTSCH HD10-3-GKT | 2 | |
| 225 | 562946 | GASKET MOUNTING / HD10 SERIES / 5C / DEUTSCH HD10-5-GKT | 2 | |
| 226 | 062268 | NUT, RING #11 / .940" I.D. W/4 4-40 | 2 | |
| 227 | 561820 | NUT, RING #13 / 1.125" I.D. W/4 4-40 | 2 | |
| | | | | |
| | | | | |
| | | A) WITH SMALL A/C SYSTEM | | |

CABLE HARNESS - PIPE INSTALLATION



| | | |
|--|--------------|------------------|
| From K-0295 | Date:07/2024 | PAGE:VIP-0640-10 |
| CABLE HARNESS - PIPE INSTALLATION | | |

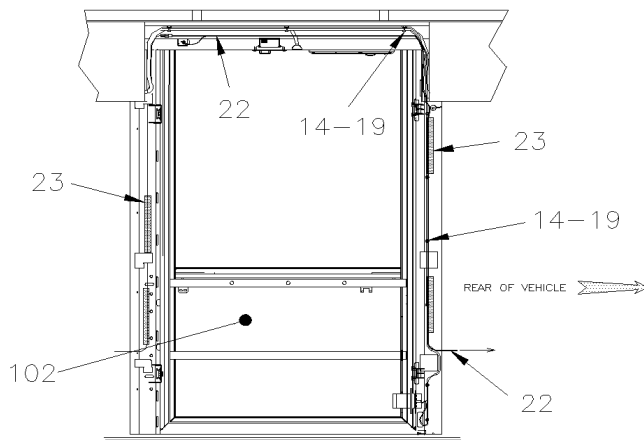
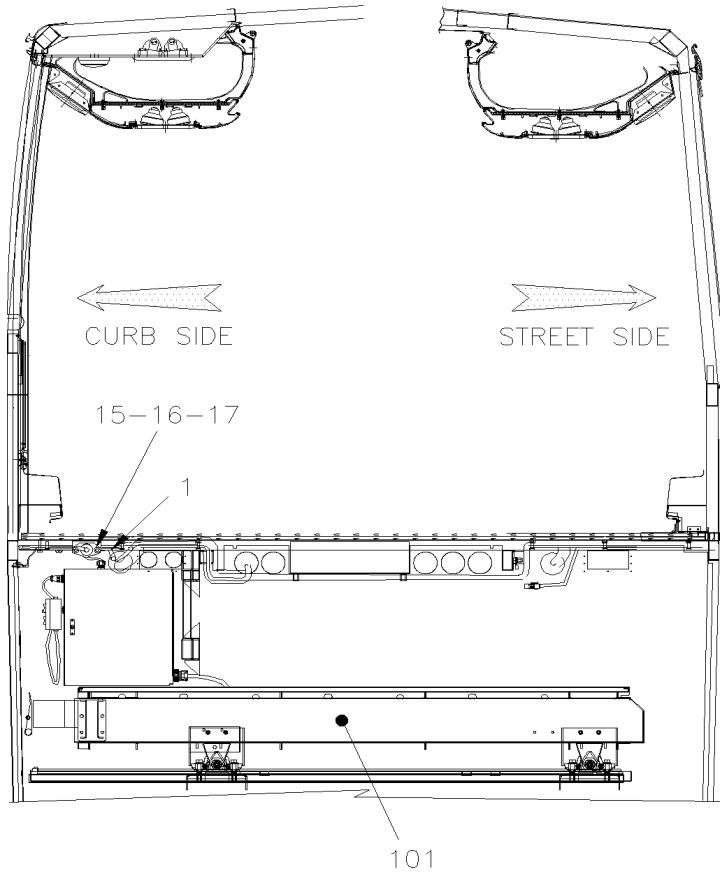
| Item# | Part | Description | QTY | Notes |
|-------|--------|---|-----|-------|
| 1 | 142032 | TUBE PVC / 3" X 3041MM | 5 | |
| 1A | 067866 | TUBE PVC / 3" X 2674MM | 1 | |
| NS | 371600 | INSULATING PAD 76.2MM x 374.7MM | 2 | |
| 2 | 063688 | TUBE PVC / 3" X 1220MM W/F | 3 | |
| 5 | 681278 | CAP PLUG / 3.403" I.D. x 3.518" O.D. | 1 | |
| 6 | 062922 | TUBE PVC / 3" X 1275MM | 1 | |
| 7 | 062439 | TUBE PVC / 3" X 1915MM | 1 | |
| 9 | 063692 | TUBE PVC / 3" X 120MM | 1 | |
| 10 | 066887 | TUBE PVC / WITH 1 HOLE 3" X 2500M | 1 | |
| 11 | 068219 | TUBE PVC / 3" X 150MM | 1 | |
| 12 | 680290 | ADHESIVE PVC / 946ml | AR | |
| 13 | 503800 | UNION ELBOW 45° / PVC PIPE / 3Fx3F PVC | 2 | |
| 14 | 504499 | CUFF END BELLOW / 2 7/8" I.D. x 3 5/8" x 4 7/16 | 3 | |
| 15 | 504026 | HOSE CLAMP / 2"13/16-3"3/4 SS / HS-52 | AR | |
| 15 | 504257 | HOSE CLAMP / 4"1/16-5" SS / HS-72 | AR | |
| 16 | 680532 | SEALANT SIKA #221 / GREY / 310ml CARTRIDGE | AR | |
| 17 | 504637 | CABLE TIE / 3/16" x 13" | AR | |
| 17 | 504273 | CABLE TIE / 1/8" X 3"1/2 | AR | |
| 18 | 067834 | TUBE PVC / 3" X 1350MM W/ HOLE | 1 | |
| 19 | 063691 | TUBE PVC / 3" X 2850MM | 1 | |
| 20 | 068220 | TUBE PVC / 3" X 65MM | 1 | |
| 22 | 063944 | TUBE PVC / 3" X 2500MM W/F | 1 | |
| 28 | 061451 | TUBE PVC / 4" X 1340MM | 1 | |
| 28 | 061452 | TUBE PVC / 4" X 1500MM | 1 | |
| 29 | 060949 | TUBE PVC / 4" X 2768MM | 1 | |
| NS | 503390 | TUBE / PVC PIPE / 3"x10' WHITE PVC | AR | |

From K-0295 To P-1347

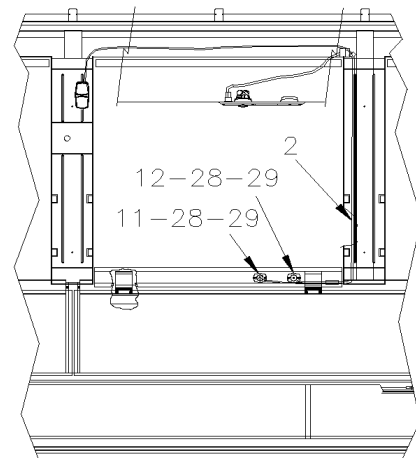
Date:07/2024

PAGE:VIP-0640-80

CABLE & HARNESS - W.C.L.



CURB SIDE



STREET SIDE

| | | |
|-------------------------------------|--------------|------------------|
| From K-0295 To P-1347 | Date:07/2024 | PAGE:VIP-0640-80 |
| CABLE & HARNESS - W.C.L. | | |

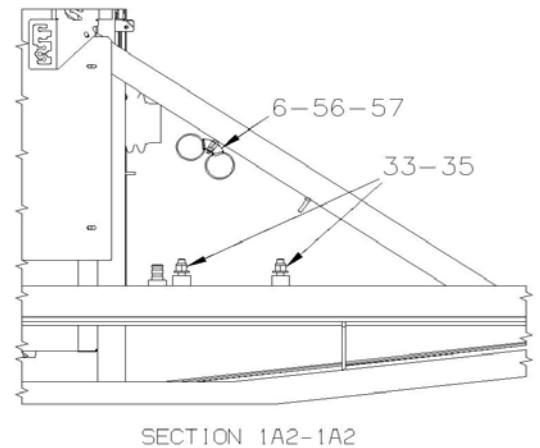
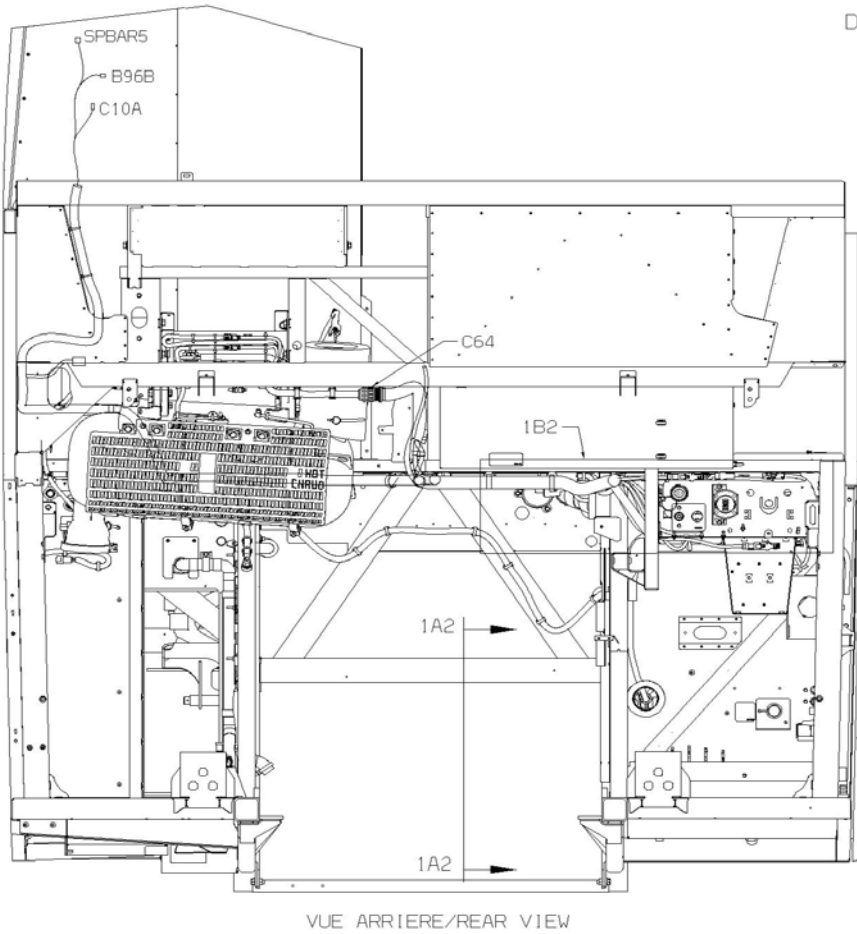
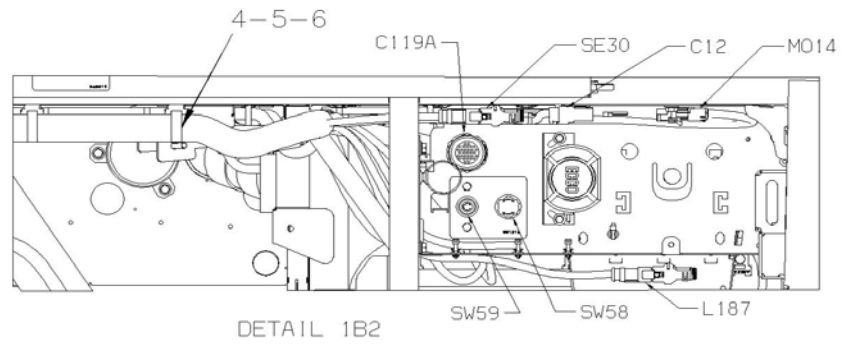
| Item# | Part | Description | QTY | Notes |
|-------|-------------|--|-----|-------|
| 1 | 060728 | CABLE POWER / ACCESSORIES & W.C.L. "RICON" | 1 | |
| 2 | 060310 | CABLE ASSY / TO L.H. WINDOW / W/W.C.L. | 1 | |
| NS | 680067 | SEALANT TAPE BUTYL / BLACK / 1/8"x3/4"x25' / 75211E760 | AR | |
| 11 | 830159 | SWITCH / OFF-M/ON / S.P.S.T. / CHIME | 1 | |
| 12 | 830158 | SWITCH / OFF-ON / S.P.S.T. / READING LIGHT | 1 | |
| 14 | 504637 | CABLE TIE / 3/16" x 13" | 3 | |
| 15 | 502862 | SCREW CAP HEX M8-1.25x20 G8.8 N500 | 2 | |
| 16 | 500942 | WASHER LO SPT 8.1x14.8x2.0 N500 | 2 | |
| 17 | 500332 | WASHER FL .328x.875x.062 N500 | 2 | |
| 19 | 509815 | TIE MOUNT / ATTACHMENT W/TREE MOUNT | 9 | |
| 22 | 060757 | CABLE HARNESS / WCL WINDOW AJAR | 1 | |
| 23 | 680415 | TAPE ADHESIVE 3" WIDE BLUE | AR | |
| 24 | 069768 | HARNESS, UPPER WCL DOOR To P-1347 | 1 | |
| NS | 0600107 | HARNESS, UPPER WCL DOOR From P-1348 | 1 | |
| 28 | 500814 | SCREW TP BDG PH #6x3/4 BK | 4 | |
| 29 | 409259 | PROTECTOR SWITCH / CAP | 2 | |
| NS | 288728 | REINFORCMENT FOR SCREW PROTECTOR CAP | 1 | |
| 101 | VIP-2380-00 | W.C.L. "RICON" REMOVABLE - INSTALLATION MODEL "F9TF" | | |
| 102 | VIP-1862-87 | SLIDING DOOR - INSTALLATION | | |

From K-0295

Date:07/2024

PAGE:VIP-0641-01

CABLE & HARNESS - REAR END INSTALLATION

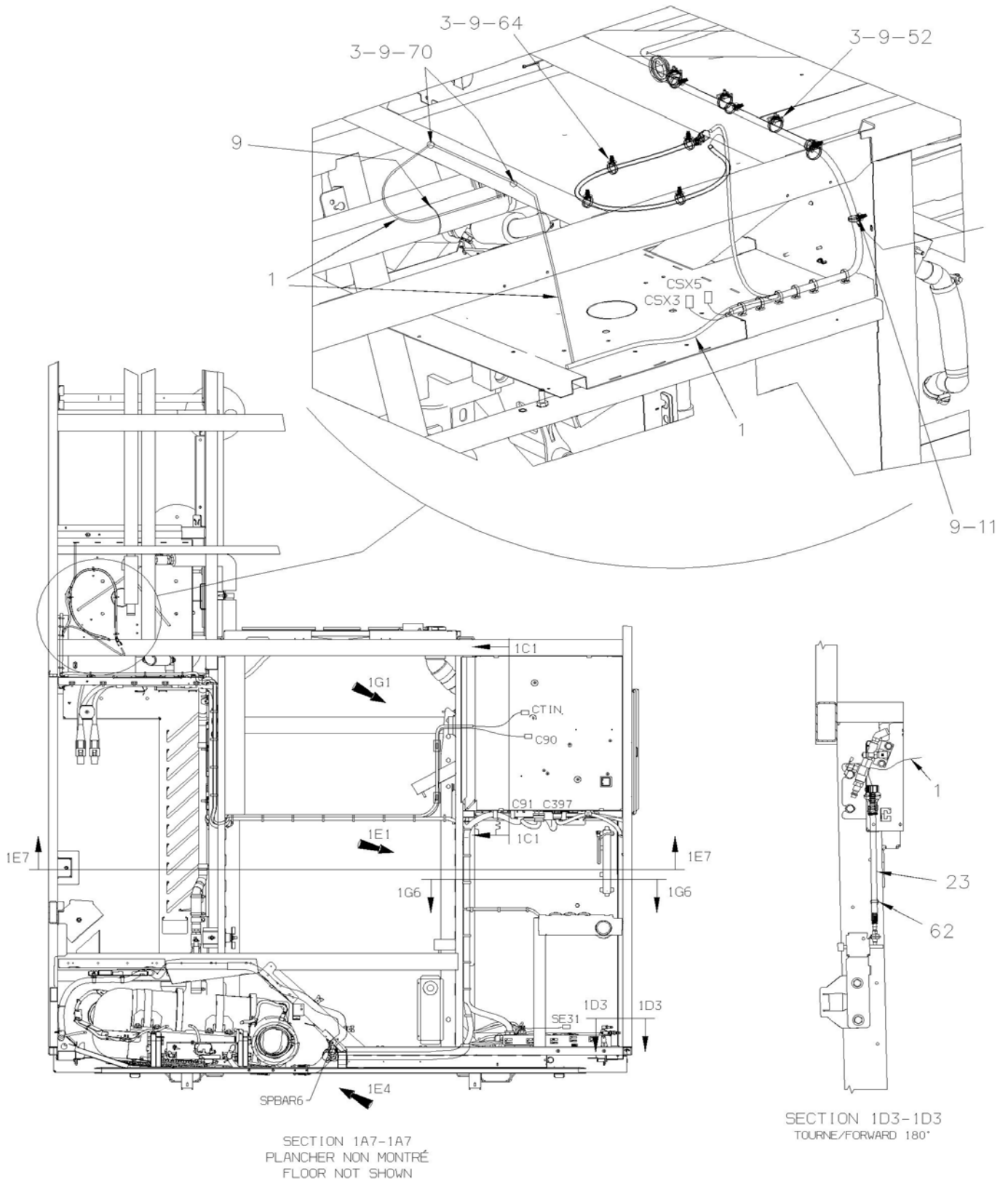


From K-0295

Date:07/2024

PAGE:VIP-0641-01

CABLE & HARNESS - REAR END INSTALLATION

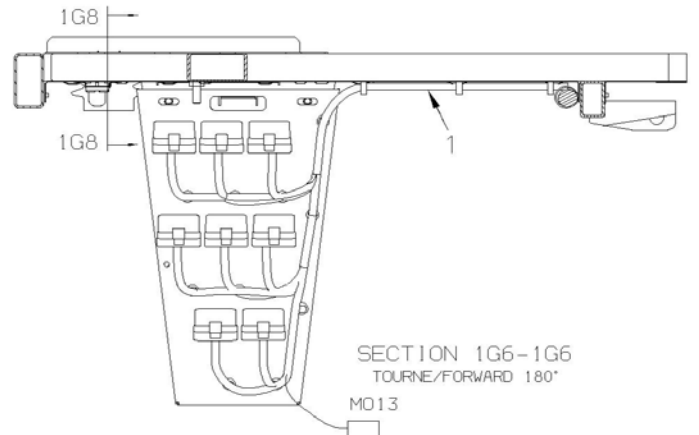
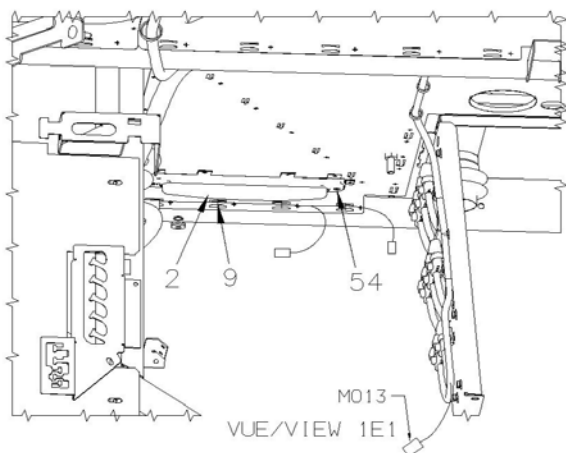
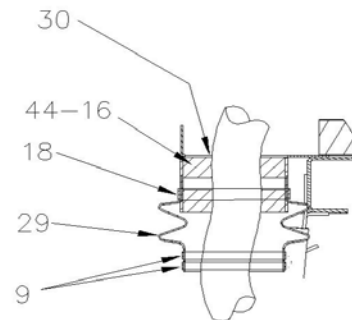
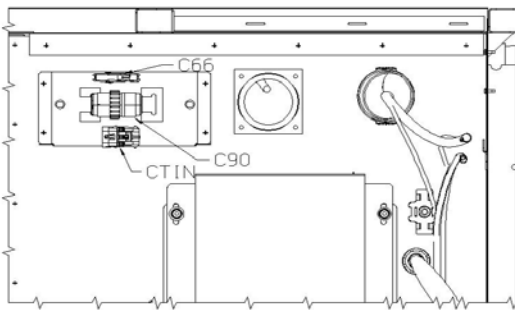
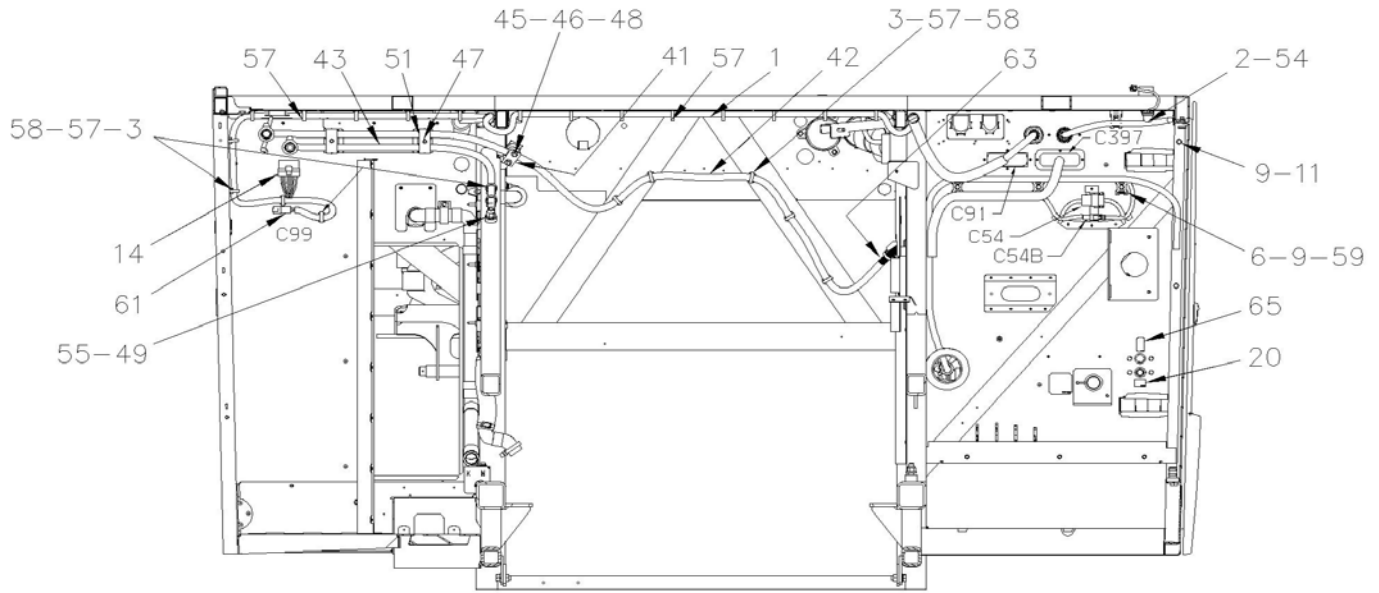


From K-0295

Date:07/2024

PAGE:VIP-0641-01

CABLE & HARNESS - REAR END INSTALLATION

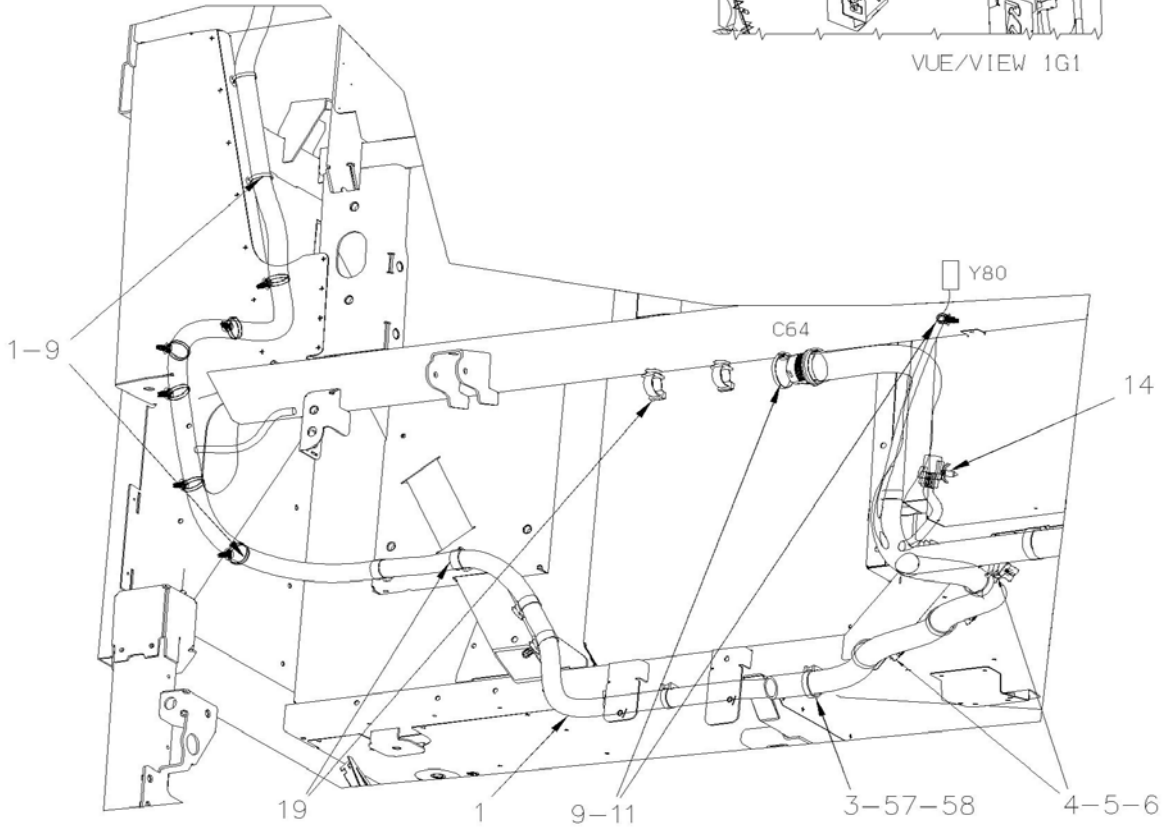
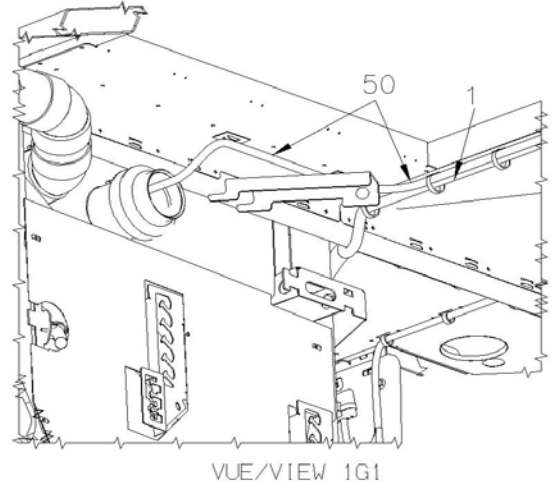
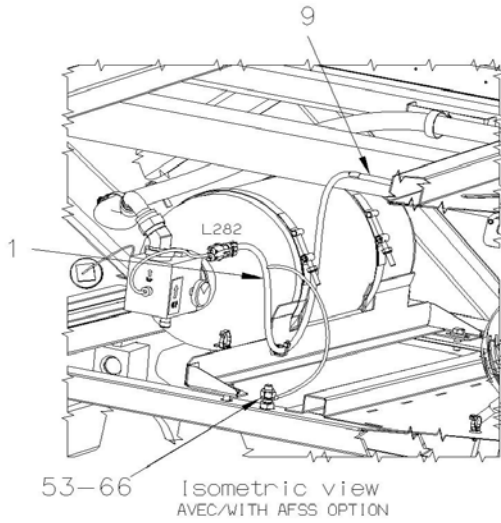


From K-0295

Date:07/2024

PAGE:VIP-0641-01

CABLE & HARNESS - REAR END INSTALLATION



| | | | |
|-------------|--|--------------|------------------|
| From K-0295 | | Date:07/2024 | PAGE:VIP-0641-01 |
|-------------|--|--------------|------------------|

CABLE & HARNESS - REAR END INSTALLATION

| Item# | Part | Description | QTY | Notes |
|-------|---------|---|-----|-------|
| 1 | 060009 | CABLE HARNESS / ENGINE ACCESSORIES To K-0604 | 1 | |
| 1 | 0610020 | CABLE HARNESS / ENGINE ACCESSORIES From K-0605 To P-1347 | 1 | |
| 1 | 0610027 | CABLE HARNESS / ENGINE COMPT & ACCESSORIES From P-1348 | 1 | |
| 2 | 830009 | LAMP ASSY 24V / LED | 1 | |
| . NS | 563589 | . CONNECTOR / DTM SERIES / SH 2C / GRAY / DEUTSCH DTM06-2S-E007 | 1 | |
| 3 | 504013 | TIE MOUNT / 1/4" X 1/4" I.D. | AR | |
| 4 | 509491 | CABLE TIE / 13MM x 383MM | AR | |
| 5 | 500266 | SCREW TC CAP HEX 1/4-20x1 N500 | AR | |
| 6 | 509490 | ATTACHMENT DOUBLE USE WITH CABLE TIE | AR | |
| 9 | 504637 | CABLE TIE / 3/16" x 13" | AR | |
| 10 | 061482 | CABLE ASSY / A/C COMPRESSOR W/LARGE SYSTEM To N-1269 | 1 | |
| 11 | 509815 | TIE MOUNT / ATTACHMENT W/TREE MOUNT | AR | |
| 12 | 502556 | WASHER FL 4.3x9.0x0.8 SS | 4 | |
| 14 | 564542 | TREE MOUNT CLIP FOR PED CONNECTOR | 4 | |
| 15 | 5001743 | SCREW CAP HEX M6-1.0x12 G8.8 N500 | 2 | |
| 16 | 371600 | INSULATING PAD 76.2MM x 374.7MM | 1 | |
| 17 | 502853 | WASHER LO SPT 6.1x11.8x1.6 N500 | 2 | |
| 18 | 504025 | HOSE CLAMP / 2"5/16-3"1/4 SS / HS-44 | 1 | |
| 19 | 504750 | CABLE TIE / 1/2" x 15" / CHRISTMAS TREE | AR | |
| 20 | 065466 | DECAL / LAVATORY PUMP FLUSH / ENGLISH & FRANCAIS | 1 | |
| 23 | 068076 | SWITCH PROXIMITY WITH LED ASSY | 1 | |
| . NS | 564176 | . SWITCH PROXIMITY / S.P.D.T. / W/3 WIRES W/LED | 1 | |
| 29 | 504707 | CUFF END BELLOW / 2 1/2" I.D. x 3 7/8" x 2 5/8" | 1 | |
| 30 | 680096 | SEALANT BUTYL ALUM / GREY / 310ml CARTRIDGE To R-1727 | AR | |
| 30 | 685440 | GLUE ADBOND 1502 WHITE, SAUSAGE 600ML From R-1728 | AR | |
| 33 | 500958 | WASHER FL .531x1.062x.095 SS | 1 | |
| 35 | 502595 | NUT HEX NYRT 1/2-13 Z050 | 1 | |
| 41 | 0600271 | PLATE RETAINING / COLLAR | 1 | |
| 42 | 069245 | HARNESS PWR FAN DRIVE | 1 | |
| 43 | 069246 | HARNESS GROUND FAN DRIVE | 1 | |
| 44 | 506264 | TAPE RUB ADH1 URE 3/4" x 1" x 12.5' / GREY 1820X | AR | |
| 45 | 140079 | HALF COLLAR 44MM I.D. / TO FIX HOSE | 2 | |
| 46 | 5001636 | SCREW CAP HEX M6-1.0x50 SS BK | 2 | |
| 47 | 5001661 | SCREW CAP HEXS M8-1.25x35 G10.9 AD MAGNI 565 | 2 | |
| 48 | 5001833 | WASHER BEL SPR 6.1x18x1.27 SS | 2 | |
| 49 | 5002001 | NUT HEX NYRT 1/2-13 SS BK | 1 | |
| 50 | 067676 | CABLE THERMO DETECTOR (LINEAR FIRE CABLE) / 1M / 168C/180C // 334F/356F | 1 | |
| . NS | 563587 | . MODULE DETECTOR / END CIRCUIT | 1 | |
| 51 | 069351 | CLAMP, POWER CABLE | 4 | |
| 52 | 502868 | SCREW TC TR PH #10-16x1/2 N500 | 4 | |
| 53 | 5002028 | NUT HEX NYRT M10-1.5 SS | 1 | |
| 54 | 500799 | SCREW TC PAN PH #8-32x3/8 N500 | 2 | |

| | | |
|-------------|--------------|------------------|
| From K-0295 | Date:07/2024 | PAGE:VIP-0641-01 |
|-------------|--------------|------------------|

CABLE & HARNESS - REAR END INSTALLATION

| Item# | Part | Description | QTY | Notes |
|-------|-------------|---|-----|-------|
| 55 | 500958 | WASHER FL .531x1.062x.095 SS | 1 | |
| 56 | 502681 | NUT HEX NYRT M6-1.0 N500 G8 | 1 | |
| 57 | 504016 | CABLE TIE / 5/16" X 14"1/2 | AR | |
| 58 | 504488 | RIVET MGLP PRDG 3/16x17/64 SS | AR | |
| 59 | 504610 | RIVET MGLP PRDG 1/4x5/8 SS | 4 | |
| 61 | 564108 | SELF MOUNTING STUD // DEUTSCH 1011-310-0205 | 3 | |
| 62 | 8631155 | CABLE TIE / 4.6MM x 200 / CHRISTMAS TREE | 1 | |
| 63 | 560791 | SHRINK TUBING / .940" - .406" / BLACK / ALPHA FIT-321-1-4B | AR | |
| 65 | 060595 | DECAL ELECTRICAL SHUT-OFF | 1 | |
| 66 | 5001935 | WASHER FL 10.5x18.0x1.6 SS | 1 | |
| 70 | 500957 | SCREW TP BDG PH #10x3/4 N500 | 3 | |
| 201 | 069758 | CABLE HARNESS / CLEARANCE LIGHT REAR CURBSIDE To P-1347 | 1 | |
| 201 | 0600095 | CABLE HARNESS / CLEARANCE LIGHT REAR CURBSIDE From P-1348 | 1 | |
| 203 | 060744 | CABLE HARNESS / CLEARANCE LIGHT REAR STREETSIDE To P-1347 | 1 | |
| 203 | 0600031 | CABLE HARNESS / CLEARANCE LIGHT REAR STREETSIDE From P-1348 | 1 | |
| 222 | 062403 | DECAL / "CAUTION" BEFORE WELDING...." // ENGLISH & FRANCAIS | 1 | |
| 300 | VIP-0665-11 | SWITCHES, LIGHTS, AJAR - UNDER FLOOR & ENGINE COMPARTMENT To P-1347 | | |
| 300 | VIP-0665-12 | SWITCHES, LIGHTS, AJAR - UNDER FLOOR & ENGINE COMPARTMENT From P-1348 | | |

| | | | |
|---------------------------------------|--|--------------|------------------|
| From K-0295 To P-1347 | | Date:07/2024 | PAGE:VIP-0645-05 |
| SWITCHES L.H. CONSOLE - V.I.P. | | | |

| Item# | Part | Description | QTY | Notes |
|-------|--------------------|---|-----|-------|
| 1 | 572155 | SHIFTER, SELECTOR "WORLD" / GEN V To L-0856 | 1 | |
| 1 | 570052 | SHIFTER, SELECTOR "WORLD" / GEN V From L-0857 To P-1268 | 1 | |
| 1 | 570134 | SHIFTER, SELECTOR "WORLD" / GEN VI From P-1271 | 1 | |
| 1 | 060003 | WIRING HARNESS DASHBOARD LEFT MODULE To M-1153 | 1 | |
| 1 | 0610478 | WIRING HARNESS DASHBOARD LEFT MODULE From M-1154 | 1 | |
| 2 | 561491 | LIGHTER ASSY / 12V | 1 | |
| 3 | 890006 | ASHTRAY | 1 | |
| 4 | VIP-1806-15 | L.H. CONSOLE - V.I.P. | | |
| 5 | 562748 | SWITCH, MIRROR / ROUND | AR | |
| 5 | N.P.N. | CLIP RETAINER / MIRROR SWITCH (R2000-1372P) | 2 | 4 |
| NS | 562749 | CONNECTOR / SH 8C / EURAMTEC W-RT8-200 | 2 | |
| NS | 507295 | HOLE PLUG BUTTON / 1.375 O.D. BLACK | AR | |
| 6 | 871464 | TIMER ASSY / W/"SPHEROS" PREHEATER To K-0654 | 1 | |
| 6 | 870070 | TIMER ASSY / W/"HYDRONIC L30" PREHEATER From K-0655 | 1 | |
| NS | 060557 | WIRING HARNESS TIMER PREHEATER | 1 | |
| 8 | VIP-1806-15 | L.H. CONSOLE - V.I.P. | | |
| 9 | 562796 | 12 VOLTS POWER OUTLET | 1 | |
| 10 | 562697 | SWITCH / ON-ON / D.P.D.T. / CH-OVER / W/RED & GREEN LED | AR | |
| 11 | 562698 | SWITCH / OFF-M/ON / D.P.S.T. / W/GREEN LED | AR | |
| 12 | 562699 | SWITCH / M/ON-OFF-M/ON / D.P.D.T. / W/GREEN LED | AR | |
| 13 | 564079 | SWITCH / M/OFF-OFF-M/ON | 1 | |
| 15 | 563012 | SWITCH / ON-ON / D.P.D.T. / CH-OVER / W/GREEN LED | 1 | |
| 20 | 562724 | CAP / CRUISE CONTROL | 1 | |
| 21 | 562731 | CAP / BACK-UP ALARM | 1 | |
| 22 | 564081 | CAP / HORN SELECTOR - ELEC / AIR | 1 | |
| 23 | 562740 | CAP / WINDOW DRIVER'S | 1 | |
| 23 | 402784 | DECAL / "IN CASE OF FIRE..." / ENGLISH From N-1233 | 1 | |
| 24 | 562736 | CAP / LUGGAGE DOOR LOCK | 1 | |
| 25 | 562738 | CAP / UP-DOWN | 1 | |
| 26 | 562713 | CAP / MIRROR HEATER | 1 | |
| 27 | 563456 | BUTTON FIRE / MANUAL OPERATING To M-1167 | 1 | |
| NS | 563462 | SEAL BUTTON FIRE / MANUAL OPERATING To M-1167 | 1 | |
| 27 | 564346 | BUTTON FIRE / MANUAL OPERATING From M-1168 | 1 | |
| NS | 564392 | TAMPER SEAL BUTTON From M-1168 | 1 | |
| NS | 564349 | TAMPER SEAL FOR BUTTON From M-1168 | 1 | |
| NS | 564392 | TAMPER SEAL BUTTON From M-1168 | 1 | |
| 28 | 405725 | DECAL / "IN CASE OF FIRE..." / ENGLISH & FRANCAIS To N-1232 | 1 | |
| 28 | 402941 | DECAL / "IN CASE OF FIRE..." / ENGLISH & FRANCAIS From N-1233 | 1 | |
| 28 | 405724 | DECAL / "IN CASE OF FIRE..." / ENGLISH To N-1233 | 1 | |
| 29 | 563455 | PANEL FIRE PROTECTOR DISPLAY | 1 | |
| 30 | 563086 | SWITCH / 10 AMPS 4 POSITIONS 90° | 1 | |
| 32 | 630075 | LEVEL 5 WAYS | 1 | |

| | | |
|-----------------------|--------------|------------------|
| From K-0295 To P-1347 | Date:07/2024 | PAGE:VIP-0645-05 |
|-----------------------|--------------|------------------|

SWITCHES L.H. CONSOLE - V.I.P.

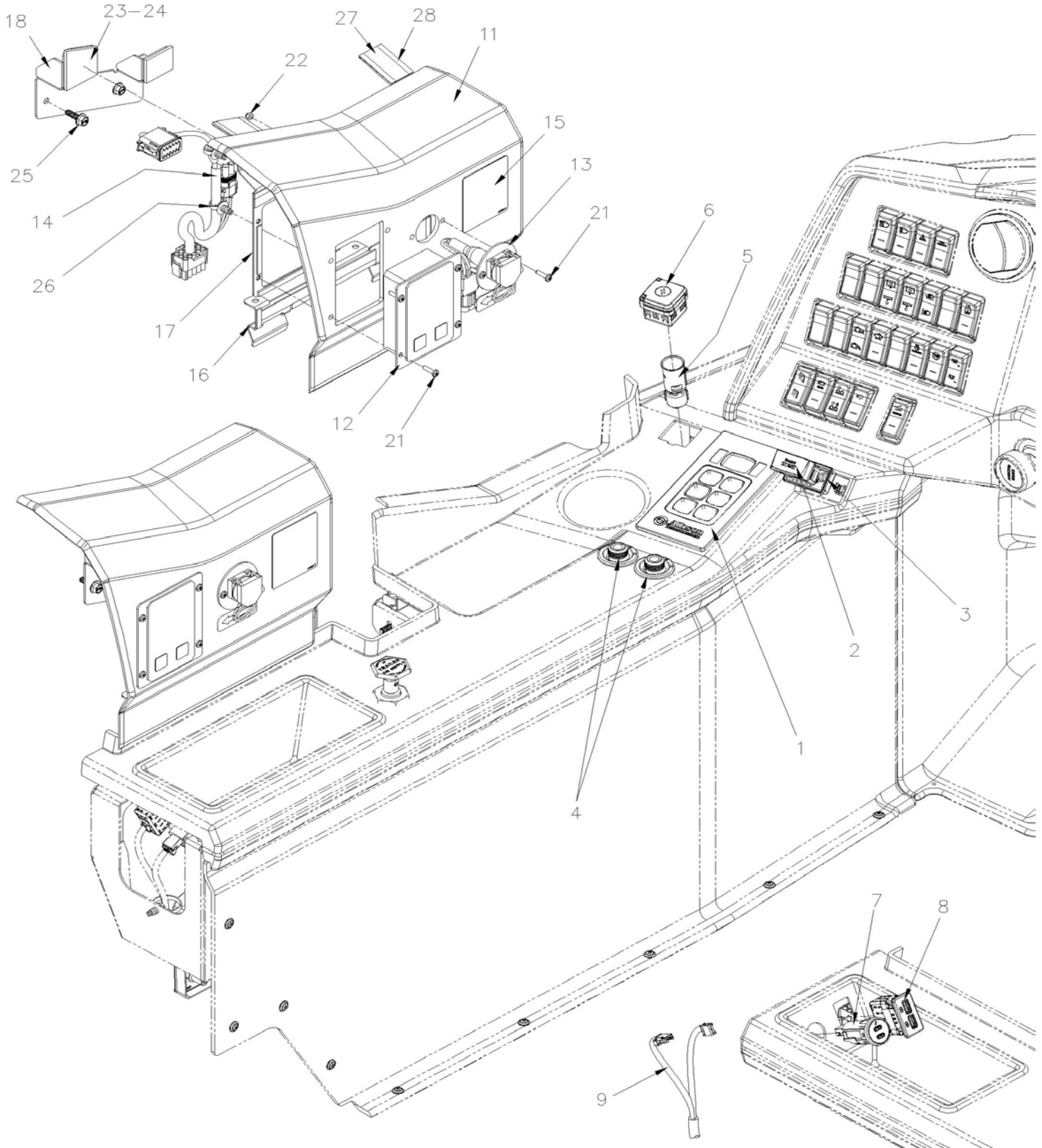
| Item# | Part | Description | QTY | Notes |
|-------|-----------|--|-----|-------|
| 33 | 391827 | BRACKET / TO FIX LEVEL | 1 | |
| 34 | 502162 | SPRING COMPRESSION / .240 O.D. x .312 x .026 | 3 | |
| 35 | 500670 | NUT HEX NYRT #8-32 Z050 | 3 | |
| 36 | 392317 | PLATE PLASTIC "LEVEL LOW" | 1 | |
| 37 | OC2021001 | REFERENCE ONLY OBD21 £-21001 M-6658 / M-7726 From M-1154 | 1 | |
| | | | | |
| | | | | |
| | | | | |
| | | 4) NO PARTS NUMBER | | |

From P-1348

Date:07/2024

PAGE:VIP-0645-06

SWITCHES L.H. CONSOLE - V.I.P.



| | | | |
|---------------------------------------|--|--------------|------------------|
| From P-1348 | | Date:07/2024 | PAGE:VIP-0645-06 |
| SWITCHES L.H. CONSOLE - V.I.P. | | | |

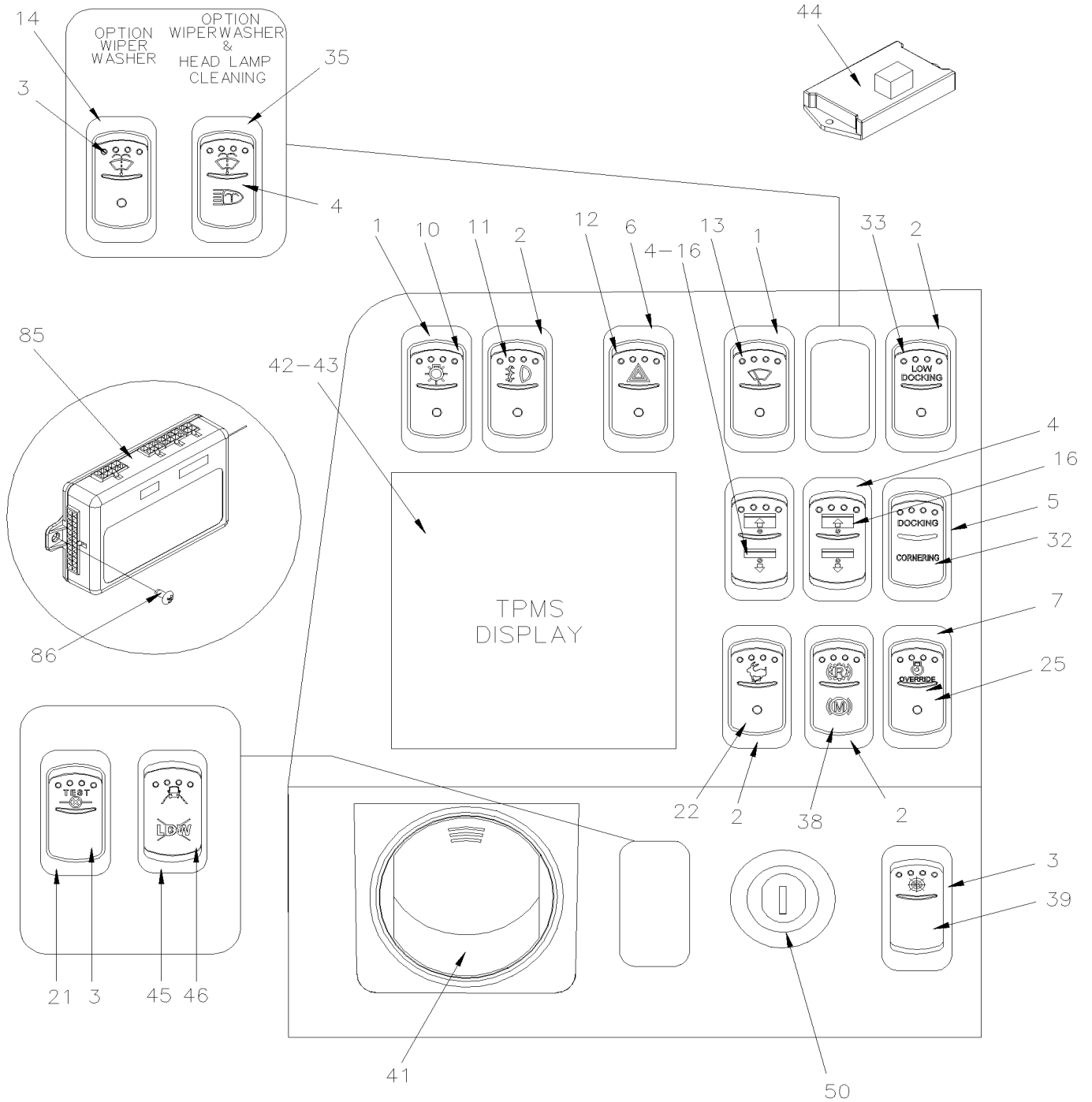
| Item# | Part | Description | QTY | Notes |
|--------|--------------------|--|-----|-------|
| 1 | 570134 | SHIFTER, SELECTOR "WORLD" / GEN VI | 1 | |
| 1 | 392949 | TRANSMISSION SEAL LC | 1 | |
| 2 | 0610622 | SWITCH "ENGINE START" To R-1556 | 1 | |
| 2 | 0600272 | SWITCH "ENGINE START" From R-1557 | 1 | |
| 3 | 392827 | TRIM ENGINE START BUTTON | 1 | |
| 4 | 562748 | SWITCH, MIRROR / ROUND | 2 | |
| 4 | 392861 | GASKET MIROIR SWITCH | 2 | |
| 5 | 22700000 | SOCKET - 12V POWER OUTLET | 1 | |
| 6 | 22699056 | SOCKET - 12V POWER OUTLET | 1 | |
| 7 | 23336685 | USB CHARGING MODULE TYPE C | 1 | |
| 8 | 564723 | CHARGING MODULE DOUBLE USB | 1 | |
| | | | | |
| 11 | 3211576 | PANEL FINISHING W/AFSS | 1 | |
| 12 | 563455 | PANEL FIRE PROTECTOR DISPLAY | 1 | |
| 13 | 564346 | BUTTON FIRE / MANUAL OPERATING | 1 | |
| . NS | 564392 | . TAMPER SEAL BUTTON | 1 | |
| . NS | 564349 | . TAMPER SEAL FOR BUTTON | 1 | |
| . . NS | 564392 | . . TAMPER SEAL BUTTON | 1 | |
| 14 | 0600099 | AFSS INTERFACE HARNESS | 1 | |
| NS | 0600136 | ADAPTOR CONNECTOR W/O AFSS To P-1439 | 1 | A |
| 14 | 0600140 | ADAPTOR CONNECTOR W/O AFSS W/O PREHEAT From P-1440 | 1 | A |
| 15 | 402784 | DECAL / "IN CASE OF FIRE..." / ENGLISH | 1 | |
| 15 | 402941 | DECAL / "IN CASE OF FIRE..." / ENGLISH & FRANCAIS | 1 | |
| 16 | 392866 | BRACKET, CLAMP | 1 | |
| 17 | 392865 | BRACKET, MOUNTING | 1 | |
| 18 | 392869 | BRACKET, CONSOL ATTACH | 1 | |
| | | | | |
| 21 | 502698 | SCREW MA PAN PH M4-0.7x16 SS BK | 6 | |
| 22 | 502557 | NUT HEX NYRT M4-0.7 SS | 2 | |
| 23 | 504211 | SNAPLOC STUD D08 PA6-GF50 | 2 | |
| 24 | 22659911 | HOUSING, COUPLING | 2 | |
| 25 | 5002100 | SCREW CAP HEXF AD M6-1.0x20 G10.9 N500 | 2 | |
| 26 | 509815 | TIE MOUNT / ATTACHMENT W/TREE MOUNT | 2 | |
| 26 | 504637 | CABLE TIE / 3/16" x 13" | 2 | |
| 27 | 685387 | GLUE MS POLYMER TEROSON MS 9399 / 400ml CARTRIDGE | AR | |
| 28 | 506785 | TAPE RUB ADH2 CC POL 1/16" X 1/4" X 200' / BLACK I1C-N-A | AR | |
| | | | | |
| 50 | VIP-1806-16 | L.H. CONSOLE - V.I.P. | | |
| | | | | |
| | | | | |
| | | | | |
| | | A) USE WITHOUT AUTOMATIC FIRE SUPPRESSION SYSTEM | | |

From K-0295 To P-1347

Date:07/2024

PAGE:VIP-0645-10

L.H. DASHBOARD PANEL



| | | |
|------------------------------|---------------------|-------------------------|
| From K-0295 To P-1347 | Date:07/2024 | PAGE:VIP-0645-10 |
|------------------------------|---------------------|-------------------------|

L.H. DASHBOARD PANEL

| Item# | Part | Description | QTY | Notes |
|-------|---------|---|-----|-------|
| 1 | 562696 | SWITCH / OFF-ON-ON SERIES S.P.D.T. / W/RED & GREEN LED | 4 | |
| 2 | 562697 | SWITCH / ON-ON / D.P.D.T. / CH-OVER / W/RED & GREEN LED | AR | |
| 3 | 901568 | CABLE ASSY, EMERGENCY W/SPLITTER / 25' | 1 | F |
| 4 | 562699 | SWITCH / M/ON-OFF-M/ON / D.P.D.T. / W/GREEN LED | 3 | |
| 5 | 562700 | SWITCH / ON-OFF-ON / D.P.D.T. / W/GREEN LED | 1 | |
| 6 | 562854 | SWITCH / ON-ON / D.P.D.T. / CH-OVER / W/RED LED | 1 | |
| 7 | 562855 | SWITCH / OFF-M/ON / D.P.S.T. / W/RED LED | 1 | |
| 8 | 563012 | SWITCH / ON-ON / D.P.D.T. / CH-OVER / W/GREEN LED | 1 | |
| NS | 562763 | CONNECTOR RH 10C / SWITCH / NGR 28-5637-2 | AR | |
| NS | 562768 | SOCKET TERMINAL / 16-14 / PED 12015870 | AR | |
| NS | 562773 | SWITCH / "DUMMY" / PLUG | AR | |
| 10 | 562708 | CAP / HEADLIGHT | 1 | |
| 11 | 562709 | CAP / FOG | 1 | |
| 12 | 562710 | CAP / WARNING LIGHT HAZARD | 1 | |
| 13 | 562711 | CAP / WIPER (UPPER) | 1 | |
| 14 | 562715 | CAP / WINDSHIELD WASHER (UPPER) | 1 | |
| 16 | 562739 | CAP / ROLLER BLIND | 2 | |
| 21 | 562741 | CAP / TELL TALE TEST | 1 | |
| 22 | 562723 | CAP / FAST IDLE | 1 | |
| 25 | 562727 | CAP / ENGINE OVERRIDE | 1 | |
| 28 | 562774 | CAP / W.C.L. | 1 | |
| 32 | 562733 | CAP / DOCKING & CORNERING | 1 | |
| 33 | 562732 | CAP / LIGHT LOW DOCKING | 1 | |
| 35 | 564007 | CAP / WASHER WIDSHIELD & HEADLAMP | 1 | |
| 36 | 564006 | CAP / HEADLAMP WASHER | 1 | HW |
| 38 | 564082 | CAP / "JACOB'S" & RETARDER" | 1 | |
| 38 | 562698 | SWITCH / OFF-M/ON / D.P.S.T. / W/GREEN LED | 1 | G |
| 38 | 564146 | CAP / "JACOB'S" | 1 | G |
| 38 | 564500 | LIGHT, INDICATOR AMBER (28VDC-1W) | 1 | SP |
| NS | 562714 | CAP / PLAIN (W/O DESCRIPTION) | 1 | SP |
| NS | 061383 | CABLE 3RD ALERNATOR | 1 | SP |
| 39 | 564147 | CAP / TCS | 1 | |
| | | | | |
| 41 | 871314 | LOUVER, ADJUSTABLE / ROUND 2 5/8" O.D. | 1 | |
| 42 | 560561 | SCREEN MONITOR TIRE | 1 | |
| 43 | 564084 | PLATE TPMS / FIXED AT CENTRAL BOARD | 1 | |
| 43 | 564086 | PLATE REAR TPMS ON CENTRAL BOARD | 1 | |
| 43 | 564085 | PLATE W/OUT TPMS ON CENTRAL BOARD | 1 | |
| NS | 5001690 | SCREW TC M5 to fix plate | 5 | |
| 44 | 560008 | GATEWAY LIN BUS INTERFACE | 1 | E |
| 45 | 562698 | SWITCH / OFF-M/ON / D.P.S.T. / W/GREEN LED From M-1110 | 1 | C |
| 46 | 563883 | CAP / LDW From M-1110 | 1 | C |

| | | |
|------------------------------|---------------------|-------------------------|
| From K-0295 To P-1347 | Date:07/2024 | PAGE:VIP-0645-10 |
| L.H. DASHBOARD PANEL | | |

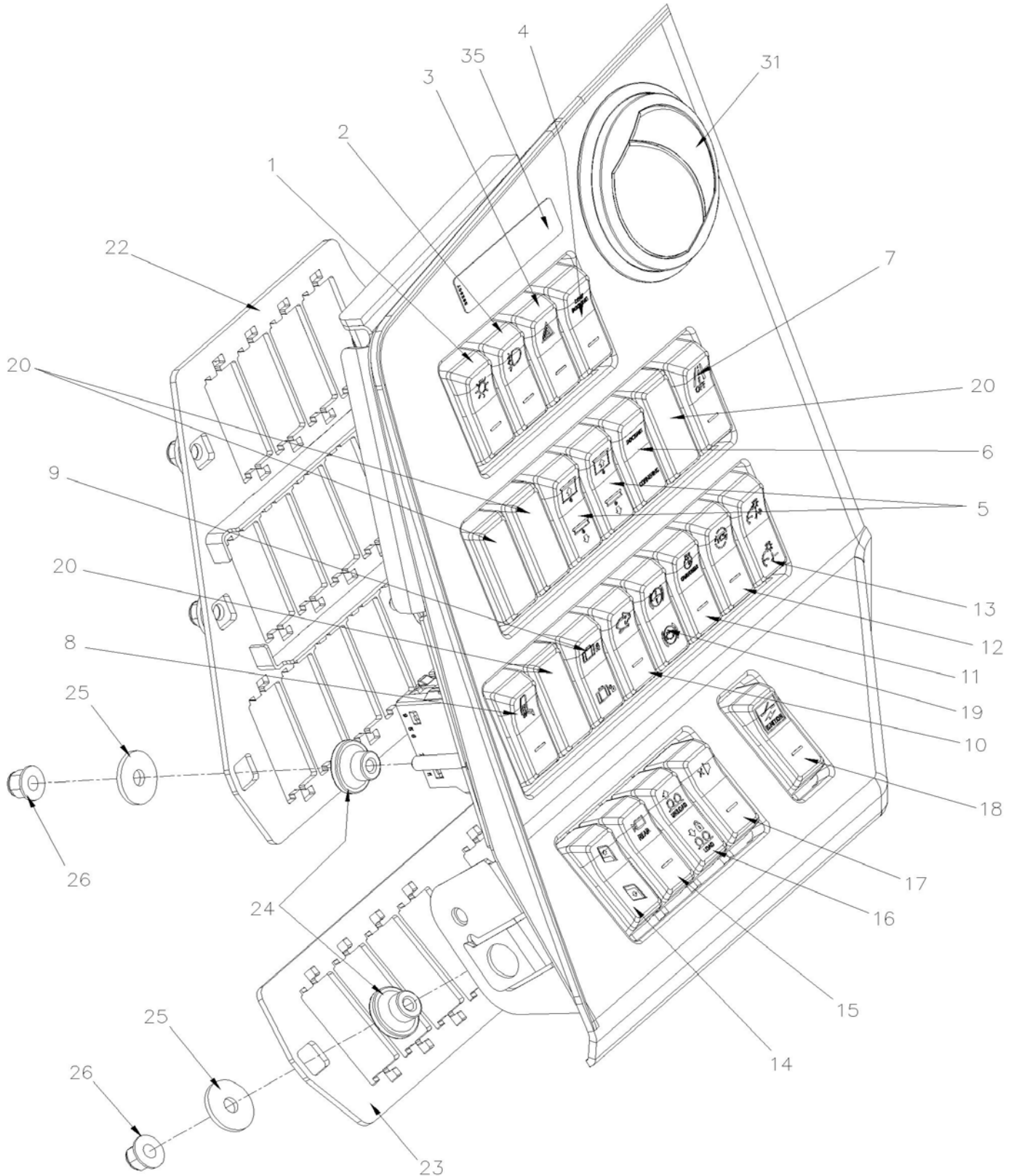
| Item# | Part | Description | QTY | Notes |
|-------|----------|---|-----|-------|
| 50 | 562147 | SWITCH, IGNITION / CODE 801 | 1 | |
| . NS | 780003 | . KEY, IGNITION SWITCH CODE 801 | 1 | |
| 50 | 562148 | SWITCH, IGNITION / CODE 802 | 1 | |
| . NS | 780004 | . KEY, IGNITION SWITCH CODE 802 | 1 | |
| 50 | 562151 | SWITCH, IGNITION / CODE 803 | 1 | |
| . NS | 780006 | . KEY, IGNITION SWITCH CODE 803 | 1 | |
| 50 | 562150 | SWITCH, IGNITION / CODE 804 | 1 | |
| . NS | 780007 | . KEY, IGNITION SWITCH CODE 804 | 1 | |
| 50 | 562152 | SWITCH, IGNITION / CODE 805 | 1 | |
| . NS | 780008 | . KEY, IGNITION SWITCH CODE 805 | 1 | |
| 50 | 562149 | SWITCH, IGNITION / CODE 806 | 1 | |
| . NS | 780009 | . KEY, IGNITION SWITCH CODE 806 | 1 | |
| NS | 562296 | KEY / IGNITION BLANCK UNCUT | AR | |
| 50 | 562146 | SWITCH, IGNITION / KEYLESS (ACC-OFF-IGN-START) | 1 | |
| 50 | 565987 | KEYLESS, FOBS WITH MEDALLIONS | 1 | |
| 50 | 560454 | KEYLESS MODULE | 1 | |
| 85 | 560454 | KEYLESS MODULE | 1 | |
| 86 | 500599 | SCREW TC TR PH #8-32x3/8 ZP | 2 | |
| 90 | IS-14145 | SUNVISOR SWITCHES ON DASHBOARD | 1 | |
| . NS | 069234 | . SUN VISOR SWITCH HARNESS | 1 | |
| . NS | 562699 | . SWITCH / M/ON-OFF-M/ON / D.P.D.T. / W/GREEN LED | 2 | |
| . NS | 562739 | . CAP / ROLLER BLIND | 2 | |
| . NS | 562769 | . SOCKET TERMINAL / 20-18 / PED 12015869 | 3 | |
| . NS | IS14145 | . SEE INSTRUCTION SHEET | 1 | |
| | | | | |
| | | | | |
| | | | | |
| | | C) USE WITH "PREVOST DRIVER ASSIST" | | |
| | | E) THIS INTERFACE IS LOCATED INSIDE OF DASH | | |
| | | F) OPTION FOR SWITCH EMERGENCY ON DESTINATION DISPLAY | | |
| | | G) WITH ENGINE BRAKE WITH AUTOMATIQUE TRANSMISSION WITHOUT RETARDER | | |
| | | HW) WITH VEHICULE WITHOUT UPPER WIPER | | |
| | | SP) SPECIAL OPTION WITH 3RD ALTERNATOR | | |

From P-1348

Date:07/2024

PAGE:VIP-0645-11

L.H. DASHBOARD PANEL



| | | |
|-----------------------------|--------------|------------------|
| From P-1348 | Date:07/2024 | PAGE:VIP-0645-11 |
| L.H. DASHBOARD PANEL | | |

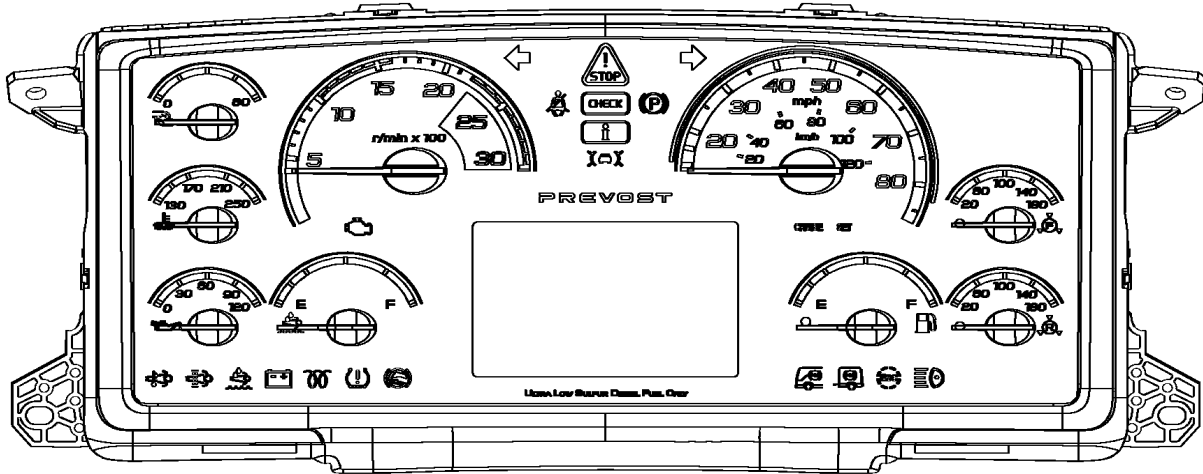
| Item# | Part | Description | QTY | Notes |
|-------|---------|--|-----|-------|
| 1 | 560877 | SWITCH "HEADLIGHTS" | 1 | |
| 2 | 560878 | SWITCH "FOG LIGHTS" | 1 | |
| 3 | 560902 | SWITCH "HAZARD" | 1 | |
| 4 | 561219 | SWITCH "LOW DOCKING" | 1 | |
| 5 | 561981 | SWITCH "SUNSHADE" | 2 | |
| 6 | 561201 | SWITCH "DOCKING/CORNERING LIGHTS" | 1 | |
| 7 | 563928 | SWITCH "LDW" | 1 | |
| 8 | 560909 | SWITCH "MIRROR DEFROSTER" | 1 | |
| 9 | 561173 | SWITCH "LUGGAGE LOCK" | 1 | |
| 10 | 561090 | SWITCH "FAST IDLE" | 1 | |
| 11 | 561129 | SWITCH "ENGINE OVERRIDE" | 1 | |
| 12 | 561175 | SWITCH "TCS" | 1 | |
| 13 | 560995 | SWITCH "DIMMER" | 1 | |
| 14 | 561159 | SWITCH "DRIVER WINDOW" | 1 | |
| 15 | 564285 | SWITCH "BACKUP CAMERA" | 1 | |
| 16 | 564763 | SWITCH "TAG AXLE UNLOAD" | 1 | |
| 17 | 561133 | SWITCH "BACKUP ALARM CANCEL" | 1 | |
| 18 | 564284 | SWITCH "IGNITION" | 1 | |
| 19 | 564304 | SWITCH "ENGINE BRAKE RETARDER" | 1 | A |
| 20 | 0600143 | SWITCH "HOLE PLUG" | AR | |
| NS | 392667 | TOOL, ROCKER SWITCH EXTRACTION | 1 | |
| 22 | 392922 | SUPPORT, ROCKER SWITCH | 1 | |
| 23 | 392615 | SUPPORT, ROCKER SWITCH | 1 | |
| 24 | 392924 | SPACER | 8 | |
| 25 | 500142 | WASHER FL 6.6x22.0x2.0 SS | 8 | |
| 26 | 5001932 | NUT HEXF NYRT M6-1.0 G8.8 N500 | 8 | |
| 31 | 950607 | AIR DIFFUSER | 1 | |
| 31 | 950606 | CONNECTOR, AIR DIFFUSER | 1 | |
| 35 | 392907 | DECAL / VEHICLE HEIGHT 12' 10" / 3.91M | 1 | |
| | | | | |
| | | | | |
| | | | | |
| | | A) WITH RETARDER & JACOB | | |

From K-0295 To P-1347

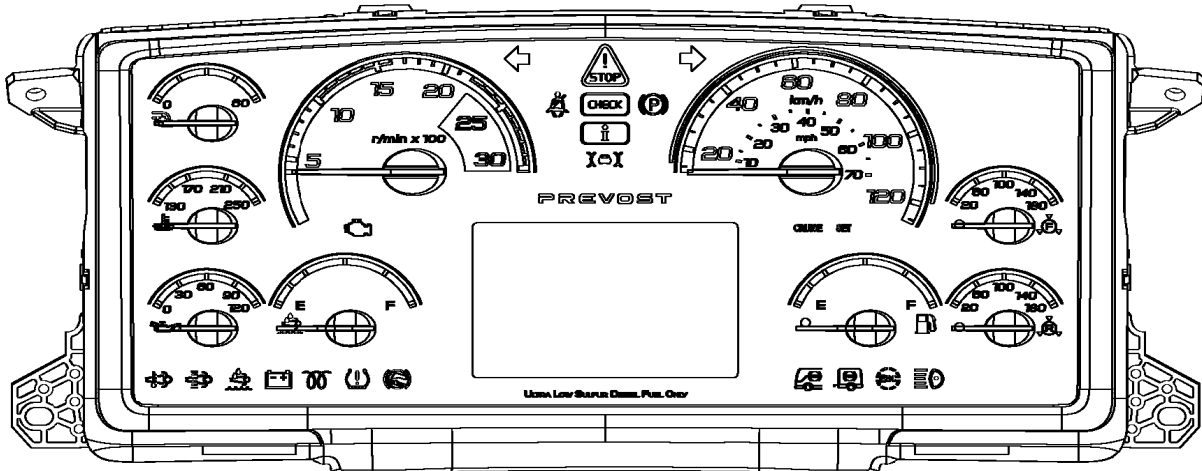
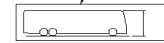
Date:07/2024

PAGE:VIP-0645-21

CENTER DASHBOARD PANEL WITH "EPA 2010"



21



| | | |
|---|--------------|------------------|
| From K-0295 To P-1347 | Date:07/2024 | PAGE:VIP-0645-21 |
| CENTER DASHBOARD PANEL WITH "EPA 2010" | | |

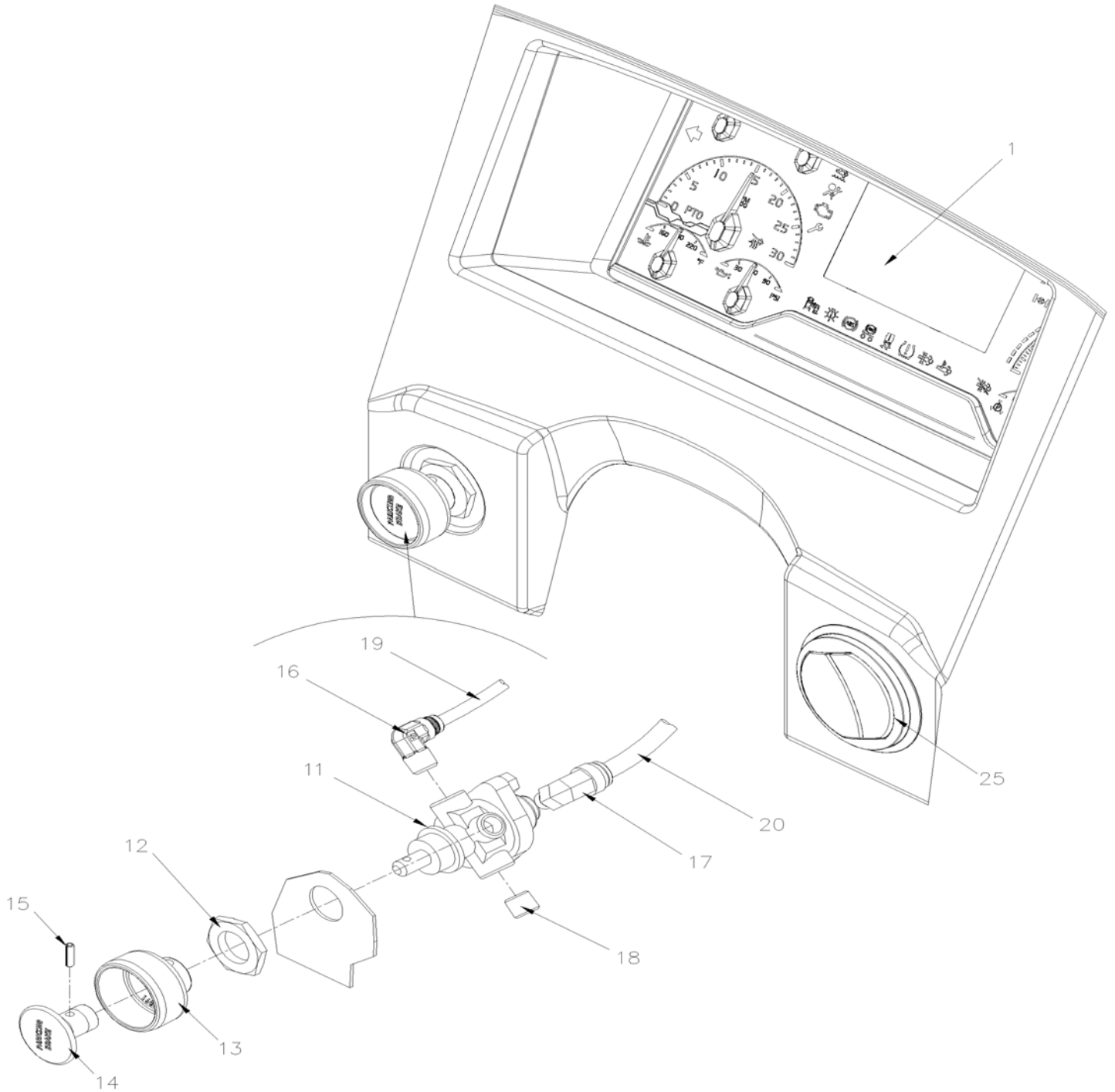
| Item# | Part | Description | QTY | Notes |
|-------|--------------------|--|-----|-------|
| 1 | 22261894 | CLUSTER, MPH To K-0604 | 1 | |
| 1 | 23413703 | CLUSTER, MPH From K-0605 | 1 | |
| 1 | 22261896 | CLUSTER, KPH To K-0604 | 1 | |
| 1 | 23413708 | CLUSTER, KPH From K-0605 | 1 | |
| 1 | N.P.N. | . . GAUGE WATER TEMPERATURE | 1 | 4 |
| 1 | N.P.N. | . . GAUGE OIL TEMPERATURE | 1 | 4 |
| 1 | N.P.N. | . . GAUGE OIL PRESSURE | 1 | 4 |
| 1 | N.P.N. | . . GAUGE VOLTAGE | 1 | 4 |
| 1 | N.P.N. | . . GAUGE FUEL LEVEL | 1 | 4 |
| 1 | N.P.N. | . . TACHOMETER | 1 | 4 |
| 1 | N.P.N. | . . SPEEDOMETER MILES | 1 | 4 |
| 1 | N.P.N. | . . SPEEDOMETER KM | 1 | 4 |
| 1 | N.P.N. | . . ODO LCD | 1 | 4 |
| 1 | N.P.N. | . GAUGE AIR APPLICATION | 1 | 4 |
| 1 | N.P.N. | . GAUGE AIR REAR | 1 | 4 |
| 1 | N.P.N. | . GAUGE AIR FRONT | 1 | 4 |
| NS | 20476992 | TRANSDUCER PRESSURE (0-12Bar / 0-174PSI) | 3 | B |
| 21 | 403830 | DECAL / VEHICLE HEIGHT 12' 10" | 1 | |
| 21 | 408275 | DECAL / VEHICLE HEIGHT 13' 3" W/SATELITE R6DX | 1 | |
| NS | VIP-1806-00 | CENTRAL DASHBOARD PANEL | | |
| | | | | |
| | | | | |
| | | B) THIS TRANSDUCER USE ON ALLS AIR GAUGE APPLICATION | | |
| | | 4) NO PARTS NUMBER | | |

From P-1348

Date:07/2024

PAGE:VIP-0645-22

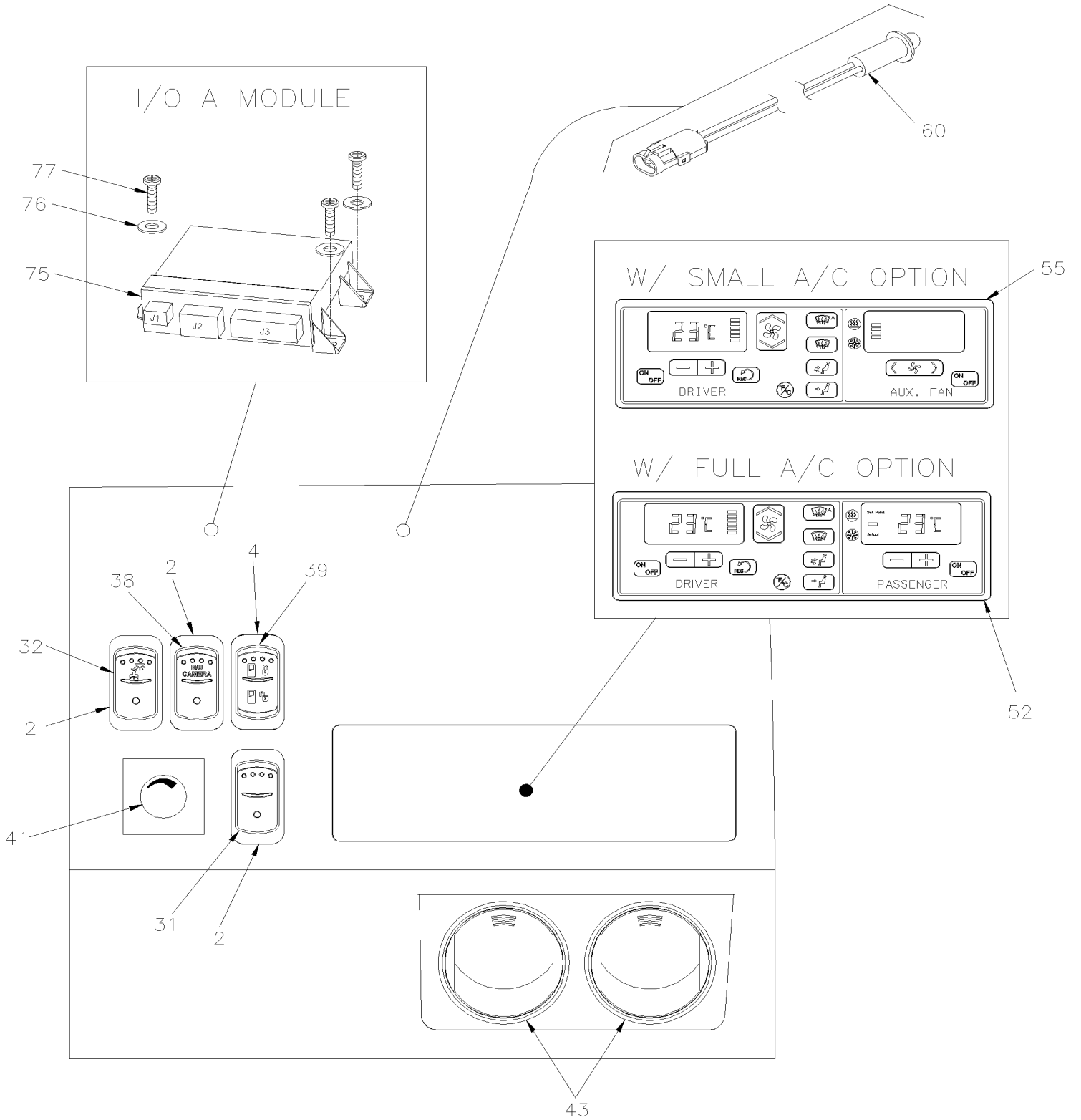
CENTER DASHBOARD PANEL



| | | |
|-------------------------------|--------------|------------------|
| From P-1348 | Date:07/2024 | PAGE:VIP-0645-22 |
| CENTER DASHBOARD PANEL | | |

| Item# | Part | Description | QTY | Notes |
|-------|----------|--|-----|-------|
| 1 | 23887331 | CLUSTER, MPH To £-23024 | 1 | |
| 1 | 24171848 | CLUSTER, MPH From £-23024 | 1 | |
| 1 | 23887332 | CLUSTER, KPH To £-23024 | 1 | |
| 1 | 24171849 | CLUSTER, KPH From £-23024 | 1 | |
| 5 | 392637 | SUPPORT LH, INSTRUMENT CLUSTER | 1 | |
| 6 | 392636 | SUPPORT RH, INSTRUMENT CLUSTER | 1 | |
| 7 | 5002027 | SCREW CAP HEXF AD M6-1.0x16 G10.9 N500 | 8 | |
| 8 | 506282 | TAPE RUB ADH1 CC POL 3/8" x 1" x 20' / GREY 2520 | AR | |
| | | | | |
| 11 | 640037 | VALVE, CONTROL VALVE PP-1 / 60PSI | 1 | |
| 12 | 640297 | NUT | 1 | |
| 13 | 392891 | CASE PROTECTIVE, PARKING BRAKE | 1 | |
| 14 | 640038 | BUTTON, PARKING BRAKE | 1 | |
| 15 | 502025 | COILED SPRING PIN 5/32X3/4 | 1 | |
| 16 | 641371 | MALE ELBOW 90° NON-SWIVEL / PUSH-IN FITTING / #4x1/4NPT-M BR | 1 | |
| 17 | 641370 | MALE ELBOW 90° NON-SWIVEL / PUSH-IN FITTING / #6x1/8NPT-M BR | 1 | |
| 18 | 501800 | PLUG HEXS / PIPE FITTING / 1/4NPT-M STL | 1 | |
| 19 | 503822 | TUBE, NYLON 1/4 O.D. / BROWN S.L. | AR | |
| 20 | 503639 | TUBE, NYLON 3/8 O.D. / BROWN S.L. | AR | |
| | | | | |
| 25 | 950607 | AIR DIFFUSER | 1 | |
| 25 | 950606 | CONNECTOR, AIR DIFFUSER | 1 | |

| | | |
|-----------------------|--------------|------------------|
| From K-0295 To P-1347 | Date:07/2024 | PAGE:VIP-0645-30 |
| R.H. DASHBOARD PANEL | | |



| | | |
|------------------------------|---------------------|-------------------------|
| From K-0295 To P-1347 | Date:07/2024 | PAGE:VIP-0645-30 |
|------------------------------|---------------------|-------------------------|

R.H. DASHBOARD PANEL

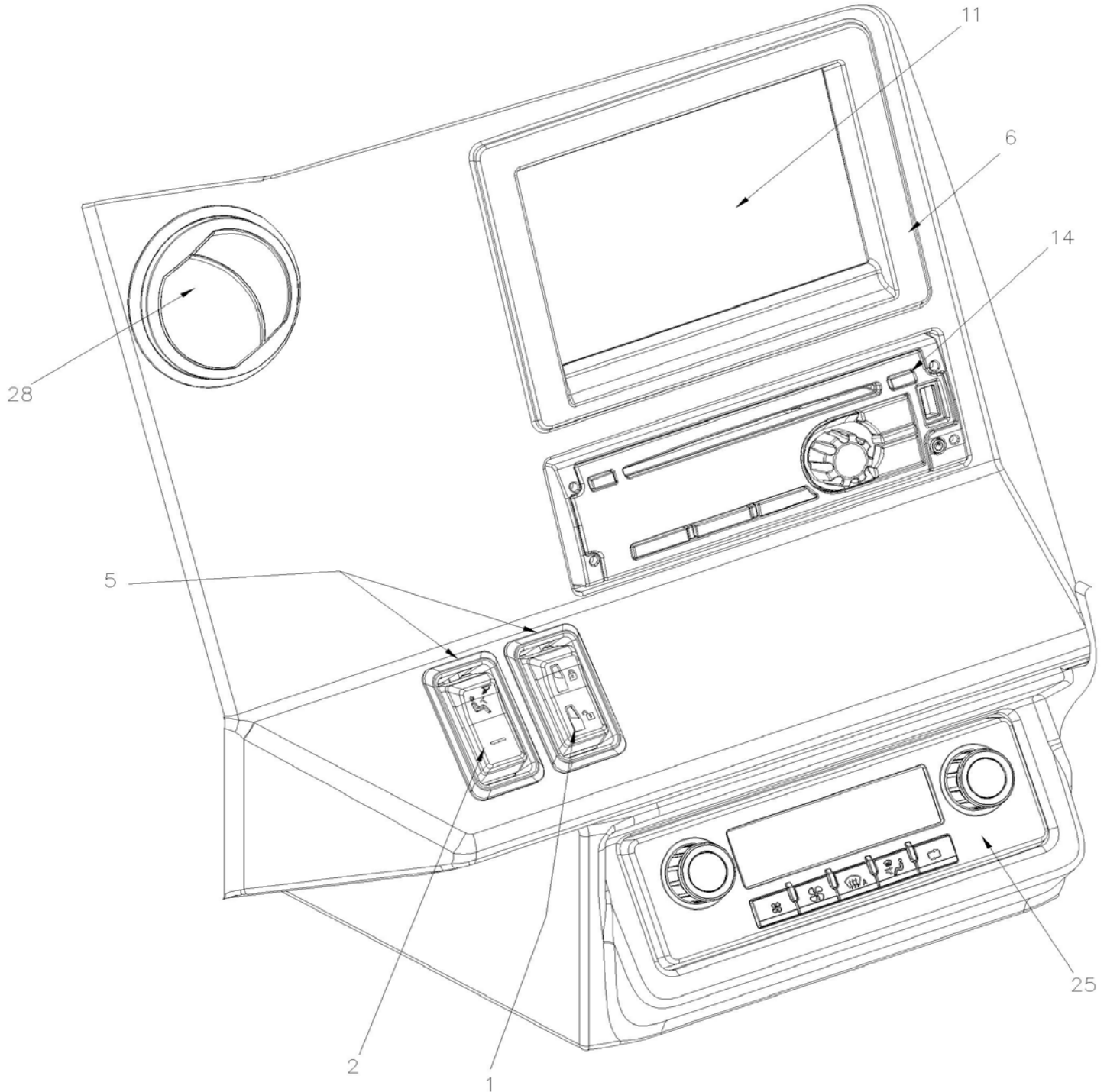
| Item# | Part | Description | QTY | Notes |
|-------|----------|---|-----|-------|
| 1 | 562696 | SWITCH / OFF-ON-ON SERIES S.P.D.T. / W/RED & GREEN LED | AR | |
| 2 | 562697 | SWITCH / ON-ON / D.P.D.T. / CH-OVER / W/RED & GREEN LED | AR | |
| 4 | 562699 | SWITCH / M/ON-OFF-M/ON / D.P.D.T. / W/GREEN LED | 1 | |
| NS | 562773 | SWITCH / "DUMMY" / PLUG | AR | |
| NS | 562763 | CONNECTOR RH 10C / SWITCH / NGR 28-5637-2 | AR | |
| NS | 562768 | SOCKET TERMINAL / 16-14 / PED 12015870 | AR | |
| | | | | |
| 32 | 562716 | CAP / DRIVER'S LAMP | 1 | |
| 33 | 562717 | CAP / INTERIOR LIGHT | 1 | |
| 38 | 562786 | CAP / BACK-UP CAMERA | 1 | |
| 39 | 562831 | CAP / DOOR LOCK | 1 | |
| 39 | 562736 | CAP / LUGGAGE DOOR LOCK | 1 | |
| 41 | 562846 | KNOB / DASH ILLUMINATION To L-0955 | 1 | |
| 41 | 563915 | KNOB / DASH ILLUMINATION From L-0956 To M-1109 | 1 | |
| 41 | 563911 | CAP EATON NGR DIMER From M-1110 | 1 | |
| 41 | 562845 | RHEOSTAT / DASH ILLUMINATION To L-0955 | 1 | |
| 41 | 563881 | RHEOSTAT / DASH ILLUMINATION From L-0956 To M-1109 | 1 | |
| 41 | 562699 | SWITCH / M/ON-OFF-M/ON / D.P.D.T. / W/GREEN LED From M-1110 | 1 | |
| NS | 1212770 | . NUT RND SLT BK M8-.75 To L-0955 | 1 | |
| 41 | 0610318 | SERVICE KIT RHEOSTAT To L-0955 | 1 | |
| . NS | 563881 | . RHEOSTAT / DASH ILLUMINATION To L-0955 | 1 | |
| . NS | 563915 | . KNOB / DASH ILLUMINATION To L-0955 | 1 | |
| 43 | 871315 | LOUVER, ADJUSTABLE / ROUND 2 1/8" O.D. | 2 | |
| 43 | 871314 | LOUVER, ADJUSTABLE / ROUND 2 5/8" O.D. | 2 | |
| | | | | |
| | | | | |
| 52 | 870008 | A/C CONTROL MODULE To M-1171 | 1 | |
| 52 | 870128 | A/C CONTROL MODULE From N-1172 | 1 | |
| NS | 563335 | SENSOR THERMISTOR ASSY / OUTSIDE // PED 15416387 | 1 | |
| 55 | 870010 | A/C CONTROL MODULE / W/SMALL A/C SYSTEM To M-1171 | 1 | |
| 55 | 870130 | A/C CONTROL MODULE / W/SMALL A/C SYSTEM From N-1172 | 1 | |
| 60 | 330238 | TELLTALE ASSY / RED | 1 | |
| 75 | 22722846 | I/O A E-MODULE VOLVO MULTIPLEX | 1 | S |
| 76 | 502690 | WASHER FL 4.3x9.0x0.8 Z050 | 3 | S |
| 77 | 502698 | SCREW MA PAN PH M4-0.7x16 SS BK | 3 | S |
| | | | | |
| | | | | |
| | | O) OPTIONAL | | |
| | | S) ONLY W/ STEERING WHEEL CONTROLS BUTTON | | |

From P-1348

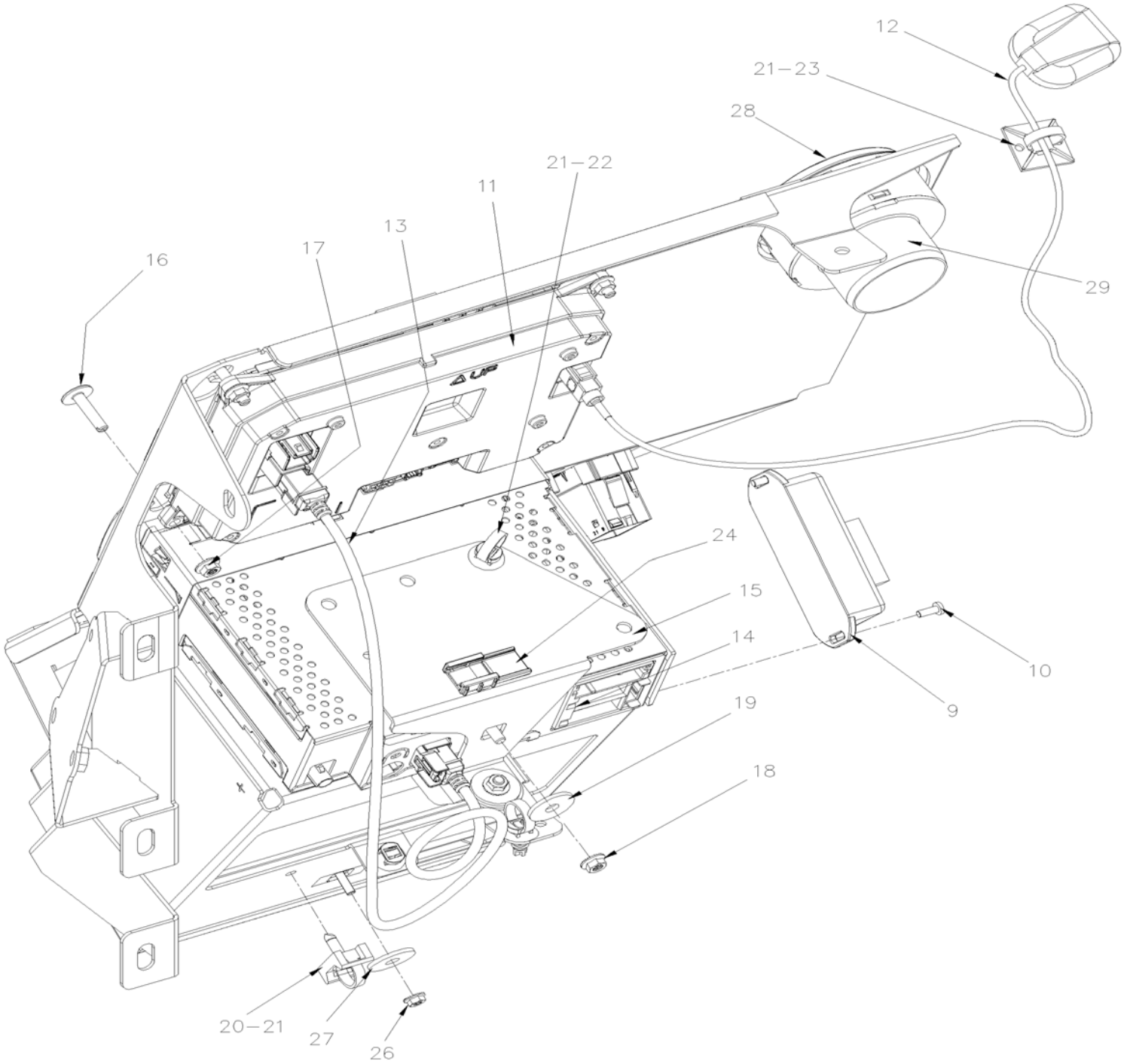
Date:07/2024

PAGE:VIP-0645-31

R.H. DASHBOARD PANEL



| | | |
|----------------------|--------------|------------------|
| From P-1348 | Date:07/2024 | PAGE:VIP-0645-31 |
| R.H. DASHBOARD PANEL | | |



| | | | |
|-------------|--|--------------|------------------|
| From P-1348 | | Date:07/2024 | PAGE:VIP-0645-31 |
|-------------|--|--------------|------------------|

R.H. DASHBOARD PANEL

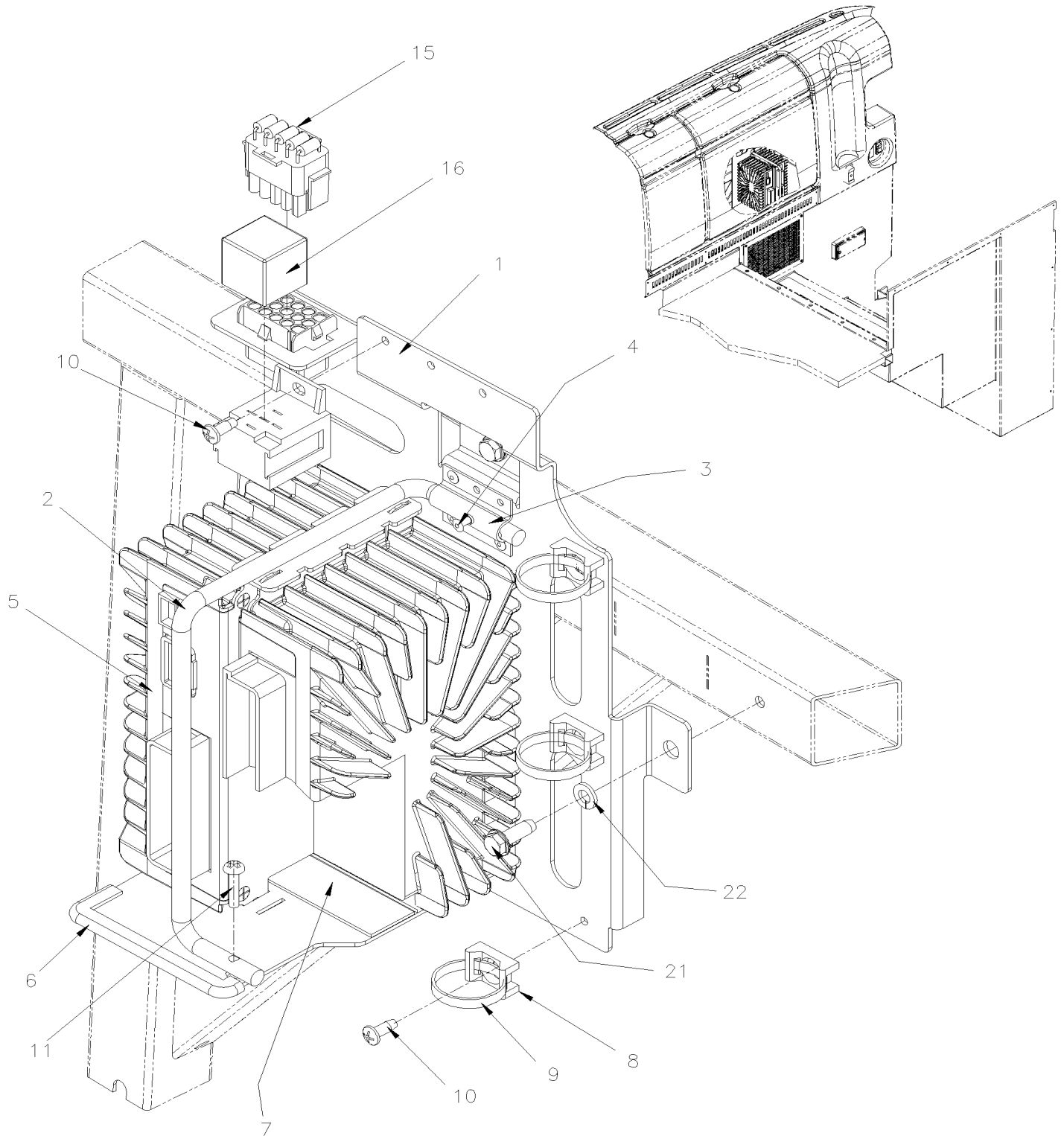
| Item# | Part | Description | QTY | Notes |
|-------|---------|---|-----|-------|
| 1 | 561154 | SWITCH "DOOR LOCK" | 1 | |
| 2 | 564765 | SWITCH "DRIVER LIGHT" | 1 | |
| 5 | 392885 | TRIM, SWITCH | 2 | |
| 6 | 392903 | TRIM, DISPLAY INFOTAINMENT | 1 | A |
| 9 | 564381 | MODULE STEERING VIP GW CAN TO CAN | 1 | B |
| 10 | 500601 | SCREW TC PAN PH #6-32x3/8 N500 | 2 | B |
| 11 | 563643 | DISPLAY, INFOTAINMENT | 1 | A |
| NS | 0610543 | HARNESS, SOUND SYSTEM | 1 | A |
| NS | 0610544 | HARNESS, SOUND SYSTEM AUX | 1 | A |
| 12 | 563644 | ANTENNA GPS | 1 | A |
| 13 | 563854 | CABLE, USB 500MM | 1 | A |
| 14 | 563633 | RADIO, INFOTAINMENT | 1 | A |
| 15 | 392904 | BRACKET, FIXING RADIO | 1 | A |
| 16 | 392726 | SCREW, SCREEN FIXING | 4 | A |
| 17 | 5002243 | NUT HEXF SERR M5-0.8 Z050 | 4 | A |
| 18 | 5002244 | NUT HEXF SERR M4-0.7 Z050 | 2 | A |
| 19 | 5001976 | WASHER FL .266x.718x.060 SS | 2 | A |
| 20 | 504013 | TIE MOUNT / 1/4" X 1/4" I.D. | AR | |
| 20 | 504379 | RIVET POP DOME OE 3/16x1/4 SS | AR | |
| 21 | 504637 | CABLE TIE / 3/16" x 13" | AR | |
| 22 | 509815 | TIE MOUNT / ATTACHMENT W/TREE MOUNT | AR | |
| 23 | 562679 | 4 WAY ADH. BACKED MOUNTS 1.000 x 1.000 x .160 | 1 | A |
| 24 | 564108 | SELF MOUNTING STUD // DEUTSCH 1011-310-0205 | 1 | |
| 25 | 870128 | A/C CONTROL MODULE To R-1785 | 1 | C |
| 25 | 870236 | HVAC, CONTROL MODULE, FULL From R-1786 | 1 | C |
| 25 | 870130 | A/C CONTROL MODULE / W/SMALL A/C SYSTEM To R-1785 | 1 | D |
| 25 | 870239 | HVAC, CONTROL MODULE, AUX FAN From R-1786 | 1 | D |
| 26 | 5002244 | NUT HEXF SERR M4-0.7 Z050 | 1 | |
| 27 | 5001976 | WASHER FL .266x.718x.060 SS | 1 | |
| 28 | 950607 | AIR DIFFUSER | 1 | |
| 29 | 950606 | CONNECTOR, AIR DIFFUSER | 1 | |
| | | | | |
| | | | | |
| | | | | |
| | | A) WITH INFOTAINMENT (VOLVO RADIO) OPTION | | |
| | | B) WITHOUT INFOTAINMENT (VOLVO RADIO) OPTION | | |
| | | C) WITH LARGE A/C | | |
| | | D) WITH SMALL A/C | | |

From K-0295 To P-1347

Date:07/2024

PAGE:VIP-0650-50

ENTRANCE DOOR MODULE - V.I.P.



| | | |
|--------------------------------------|--------------|------------------|
| From K-0295 To P-1347 | Date:07/2024 | PAGE:VIP-0650-50 |
| ENTRANCE DOOR MODULE - V.I.P. | | |

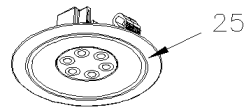
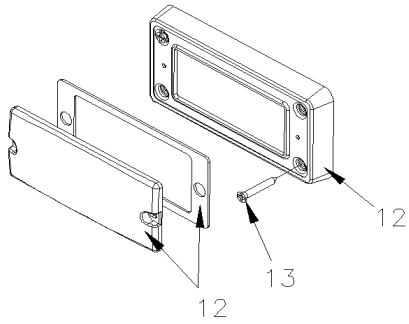
| Item# | Part | Description | QTY | Notes |
|-------|--------------------|--|-----|-------|
| | Call order desk | CONTROL MODULE ASSY | 1 | P |
| 1 | 382164 | . SUPPORT MODULE | 1 | |
| 2 | 382166 | . ROD ATTACHMENT / I/O B MODULE | 1 | |
| 3 | 382169 | . HINGE ROD ATTACHMENT | 1 | |
| 4 | 504340 | . RIVET POP DOME OE 1/8x3/16 SS | 4 | |
| 5 | 22722850 | . I/O B E-MODULE VOLVO MULTIPLEX / ALUMINUM | 2 | |
| 5 | 23824204 | . I/O B E-MODULE VOLVO MULTIPLEX / ALUMINUM | 2 | |
| 6 | 506338 | . RUBBER CHANNEL / 1/16" x 1/4" INT "U" SHAPE / ROUND C.T.L. | AR | |
| 6 | 680066 | . ADHESIVE / ADBOND #5014 / 23.6ML BOTTLE | AR | |
| 7 | 506006 | . TAPE RUB ADH1 CC POL 3/8" x 1 1/4" x 20' / GREY 2520 | AR | |
| 8 | 504013 | . TIE MOUNT / 1/4" X 1/4" I.D. | 3 | |
| 9 | 504637 | . CABLE TIE / 3/16" x 13" | 3 | |
| 10 | 502868 | . SCREW TC TR PH #10-16x1/2 N500 | 4 | |
| 11 | 509827 | . SCREW MA RND PH M4-0.7x20 SS | 1 | |
| | | | | |
| 15 | 381145 | DIODE ASSY / W/5 3AMPS | 1 | |
| NS | 509815 | TIE MOUNT / ATTACHMENT W/TREE MOUNT | 2 | |
| 16 | 563332 | RELAY 24V S.P.D.T. W/RESISTOR / "VOLVO" (20374662) | 1 | |
| | | | | |
| 21 | 502848 | SCREW TC CAP HEXF 1/4-20x3/4 N500 | 3 | |
| 22 | 500473 | WASHER LO SPT .262x.489x.062 Z050 | 3 | |
| 50 | VIP-0625-01 | FRONT JUNCTION PANEL | | |
| | | | | |
| | | | | |
| | | | | |
| | | P) CALL ORDER DESK FOR SPECIFIC APPLICATION (V.I.N.) | | |

From K-0295

Date:07/2024

PAGE:VIP-0655-01

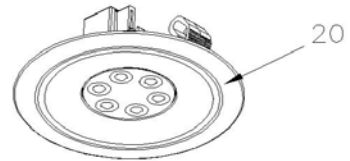
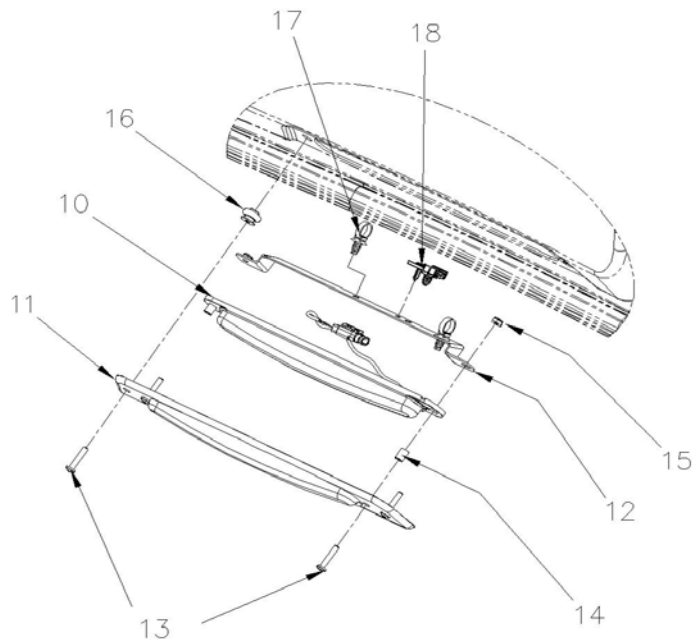
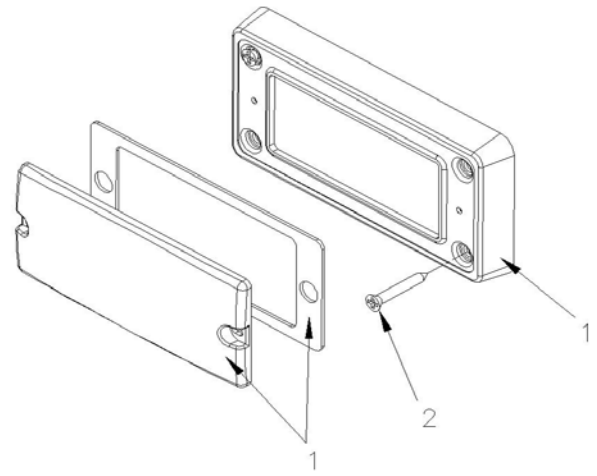
INTERIOR LIGHTING LED



| | | |
|------------------------------|--------------|------------------|
| From K-0295 | Date:07/2024 | PAGE:VIP-0655-01 |
| INTERIOR LIGHTING LED | | |

| Item# | Part | Description | QTY | Notes |
|-------|--------|---|-----|-------|
| | | ENTRANCE DOOR LAMP & STEPWELL LAMP | | |
| 12 | 830197 | LAMP ASSY 24V LEDS | 3 | |
| 13 | 502903 | SCREW TC FL PH #10-24x1 1/4 N500 | 2 | |
| 13 | 502611 | SCREW TP FL PH #6x1/2 Z050 | 4 | A |
| | | DRIVER'S LAMP | | |
| 25 | 830218 | LAMP LED To M-1161 | 2 | |
| 25 | 830012 | LAMP LED / NORMAL & EMERGENCY 24V From M-1162 | 2 | |
| 26 | 330005 | LAMP SUPPORT / DRIVER'S | 2 | |
| NS | 500432 | SCREW TC PAN PH #8-32x3/4 Z050 | 2 | |
| | | A) USE TO FIX LAMP ON STEPWELL | | |

| | | |
|-------------------|--------------|------------------|
| | Date:07/2024 | PAGE:VIP-0655-02 |
| INTERIOR LIGHTING | | |



| | | |
|--------------------------|---------------------|-------------------------|
| | Date:07/2024 | PAGE:VIP-0655-02 |
| INTERIOR LIGHTING | | |

| Item# | Part | Description | QTY | Notes |
|--------------|-------------|---|------------|--------------|
| 1 | | STEPWELL LAMP | | |
| 1 | 830197 | LAMP ASSY 24V LEDS | 4 | |
| 2 | 500632 | SCREW TP OV PH #8x1 1/2 Z050 | 4 | |
| 10 | | ENTRANCE DOOR LAMP | | |
| 10 | 830009 | LAMP ASSY 24V / LED | 1 | |
| NS | 563589 | . CONNECTOR / DTM SERIES / SH 2C / GRAY / DEUTSCH DTM06-2S-E007 | 1 | |
| 11 | 2810641 | BOTTOM LIGHT COVER | 1 | |
| 12 | 2810610 | ATTACHMENT | 1 | |
| 13 | 5001027 | SCREW MA PAN PH #10-32x1 SS EMN | 4 | |
| 14 | 504616 | SPACER 5/16 O.D. x 7/16 x .190 NYL | 2 | |
| 15 | 500423 | NUT HEX NYRT #10-32 SS | 2 | |
| 16 | 502774 | NUT WELL #10-32x.625 | 2 | |
| 17 | 509815 | TIE MOUNT / ATTACHMENT W/TREE MOUNT | 1 | |
| 17 | 504637 | CABLE TIE / 3/16" x 13" | 1 | |
| 18 | 564108 | SELF MOUNTING STUD // DEUTSCH 1011-310-0205 | 1 | |
| 20 | | DRIVER'S LAMP | | |
| 20 | 830012 | LAMP LED / NORMAL & EMERGENCY 24V | 2 | |
| NS | 330040 | CEILING LAMP LEFT BRACKET | 1 | |
| NS | 330041 | CEILING LAMP RIGHT BRACKET | 1 | |
| NS | 5002100 | SCREW CAP HEXF AD M6-1.0x20 G10.9 N500 | 4 | |
| NS | 5001344 | NUT INS FL HEX M6-1.0 0.5-3.0 SS | 4 | |

| | | |
|-----------------------|--------------|------------------|
| From K-0295 To P-1347 | Date:07/2024 | PAGE:VIP-0660-02 |
|-----------------------|--------------|------------------|

HEADLAMP & FRONT DIRECTIONAL LAMPS

| Item# | Part | Description | QTY | Notes |
|-------|------------------|---|-----|-------|
| 1 | 930402 | HEADLAMP "HALOGENE" & FRONT DIRECTIONAL LAMPS L.H. To K-0341 | 1 | L |
| 1 | 930010 | HEADLAMP "HALOGENE" & FRONT DIRECTIONAL LAMPS L.H. From K-0342 | 1 | L |
| 1 | 930403 | HEADLAMP "HALOGENE" & FRONT DIRECTIONAL LAMPS R.H. To K-0341 | 1 | L |
| 1 | 930011 | HEADLAMP "HALOGENE" & FRONT DIRECTIONAL LAMPS R.H. From K-0342 | 1 | L |
| 1 | 930425 | HEADLAMP "XENON" & FRONT DIRECTIONAL LAMPS L.H. W/ KEBODA To K-0341 | 1 | L |
| NS | 930455 | . SCREW, ADJUSTING To K-0341 | 2 | L |
| 1 | 930013 | HEADLAMP "XENON" & FRONT DIRECTIONAL LAMPS L.H. W/ KEBODA From K-0342 To N-1339 | 1 | L |
| NS | 930455 | . SCREW, ADJUSTING From K-0342 To N-1339 | 2 | L |
| 1 | 930426 | HEADLAMP "XENON" & FRONT DIRECTIONAL LAMPS R.H. W/ KEBODA To K-0341 | 1 | L |
| NS | 930455 | . SCREW, ADJUSTING To K-0341 | 2 | L |
| 1 | 930014 | HEADLAMP "XENON" & FRONT DIRECTIONAL LAMPS R.H. W/ KEBODA From K-0342 To N-1339 | 1 | L |
| NS | 930455 | . SCREW, ADJUSTING From K-0342 To N-1339 | 2 | L |
| 1 | 430693 | HEADLAMP SEAL / R.H. / UPPER 360MM | 1 | |
| 1 | 430694 | HEADLAMP SEAL / R.H. / SIDE 255MM | 1 | |
| 2 | 563092 | . BULB / 65WATT-12VOLTS / SAE# H9 | 2 | |
| 3 | 563092 | . BULB / 65WATT-12VOLTS / SAE# H9 | 2 | |
| 3 | 564405 | . BULB / 35WATT / HID D1S To N-1339 | 1 | X |
| 3 | 930004 | . SUPPORT / BULD HID XENON To N-1339 | 1 | X |
| 4 | 930452 | . BALLAST KEBODA To N-1339 | 1 | X |
| 5 | 930409 | . LED AMBER / DIRECTIONAL / FRONT | 1 | |
| 6 | 930410 | . BACK COVER / HEADLAMP | 2 | |
| NS | 930047 | . SEAL COVER | 2 | |
| 7 | 930411 | . BACK COVER / DIRECTIONAL LAMP | 1 | |
| 8 | 930412 | . VENT TUBE ASSY | 1 | |
| | | | | |
| | | | | |
| NS | | TO CHANGE TO LED HEADLAMPS ASK FOR KIT IS23073-1 OR IS23073-2 | | |
| NS | IS23073-1 | H3 SERIES LED HEADLAMPS RETROFIT WITHOUT DAYTIME RUNNING LIGHT, US OPERATORS ONLY | 1 | |
| NS | IS23073-2 | H3 SERIES LED HEADLAMPS RETROFIT MANDATORY FOR CANADIAN OPERATOR, OPTIONAL FOR US OPERATOR | 1 | |
| | | | | |
| 10 | 430650 | SUPPORT HEAD LAMP L.H. | 1 | |
| 10 | 430649 | SUPPORT HEAD LAMP R.H. | 1 | |
| 11 | 430651 | HINGE PIVOT | 2 | |
| 12 | 430656 | PIN STOPPER M10 x 1.5 | 2 | |
| 13 | 478317 | GUIDE ASSY L.H. | 1 | |
| 13 | 478398 | GUIDE ASSY R.H. | 1 | |
| 14 | 430658 | . GUIDE L.H. | 1 | |
| 14 | 430661 | . GUIDE R.H. | 1 | |
| 15 | 472829 | . SPRING COMPRESSION / .610 O.D. x 2.18 x .072 | 1 | |
| 16 | 430654 | . SPRING RETAINER L.H. | 1 | |
| 16 | 430653 | . SPRING RETAINER R.H. | 1 | |
| 17 | 502622 | . SCREW CAP HEX M6-1.0x20 SS BK | 1 | |

| | | |
|---|--------------|------------------|
| From K-0295 To P-1347 | Date:07/2024 | PAGE:VIP-0660-02 |
| HEADLAMP & FRONT DIRECTIONAL LAMPS | | |

| Item# | Part | Description | QTY | Notes |
|-------|---------|---|-----|-------|
| 17 | 5001182 | . NUT HEX NYRT M6-1.0 SS | 1 | |
| 18 | 430662 | . CABLE ASSY 224MM | 1 | |
| 19 | 504379 | . RIVET POP DOME OE 3/16x1/4 SS | 1 | |
| 20 | 504756 | PROTECTOR CAP / BLACK / RUBBER .328 I.D. x .500 x 11/16 | 1 | |
| 21 | 5001787 | NUT HEX NYRT M8-1.25 SS | 10 | |
| 22 | 502912 | SCREW CAP HEXF M8-1.25x25 SS BK | 4 | |
| 24 | 5001341 | WASHER FL 8.4x17.0x1.6 SS | 10 | |
| 25 | 502570 | WASHER LO SPT 6.1x11.8x1.6 SS | 2 | |
| 26 | 502573 | WASHER FL 6.4x12.5x1.6 SS | 2 | |
| 27 | 502574 | SCREW SET HEXS CUP M4-0.7x12 SS | 2 | |
| 28 | 502622 | SCREW CAP HEX M6-1.0x20 SS BK | 8 | |
| 29 | 507260 | BUSHING NYLINER W/SHOULDER .375x.437x.375x.594 | 4 | |
| 30 | 478393 | ADJUSTEMENT PLATE 20MM x 67MM | 1 | |
| 31 | 478394 | ADJUSTEMENT PLATE 20MM x 56MM | 1 | |
| 32 | 5001742 | SCREW CAP HEXF M8-1.25x30 G8.8 N500 | 8 | |
| 33 | 5001849 | WASHER FL 8.4x24.0x2.0 SS | 8 | |
| | | | | |
| | | | | |
| | | | | |
| | | L) TO CHANGE TO LED HEADLAMPS ASK FOR KIT IS22055 | | |
| | | X) WITH "XENON" HEADLAMP | | |

| | | |
|---|--------------|----------------|
| From K-0295 To P-1347 | Date:07/2024 | PAGE:IS23073-1 |
| H3 SERIES LED HEADLAMPS RETROFIT WITHOUT DAYTIME RUNNING LIGHT, US OPERATORS ONLY | | |

PREVOST

Feuille d'instructions

FI-23073-1

**ENSEMBLE DE MISE À NIVEAU DE PHARES À DEL — SÉRIE H3
(Sans feu de jour, opérateurs américains uniquement)**

PREVOST

Instruction Sheet

IS-23073-1

**H3 SERIES LED HEADLAMPS RETROFIT
(Without Daytime Running Light, US Operators only)**

| From K-0295 To P-1347 | | Date:07/2024 | PAGE:IS23073-1 | |
|---|--------|--|----------------|-------|
| H3 SERIES LED HEADLAMPS RETROFIT WITHOUT DAYTIME RUNNING LIGHT, US OPERATORS ONLY | | | | |
| Item# | Part | Description | QTY | Notes |
| NS | 470095 | RUBBER EXTRUSION / RAW MATERIAL | AR | A |
| | | | | |
| | | | | |
| | | | | |
| | | A) 3 FT REQUIRED TO PERFORM IS-23073-1 | | |

From K-0295 To P-1347

Date:07/2024

PAGE:IS23073-2

**H3 SERIES LED HEADLAMPS RETROFIT MANDATORY FOR CANADIAN OPERATOR, OPTIONAL FOR US
OPERATOR*****Feuille d'instructions*****FI-23073-2**

ENSEMBLE DE MISE À NIVEAU DE PHARES À DEL — SÉRIE H3
(Obligatoire pour l'opérateur canadien, facultatif pour l'opérateur
américain)

PREVOST***Instruction Sheet*****IS-23073-2**

H3 SERIES LED HEADLAMPS RETROFIT
(Mandatory for Canadian operator, Optional for US Operator)

| | | |
|-----------------------|--------------|----------------|
| From K-0295 To P-1347 | Date:07/2024 | PAGE:IS23073-2 |
|-----------------------|--------------|----------------|

H3 SERIES LED HEADLAMPS RETROFIT MANDATORY FOR CANADIAN OPERATOR, OPTIONAL FOR US OPERATOR

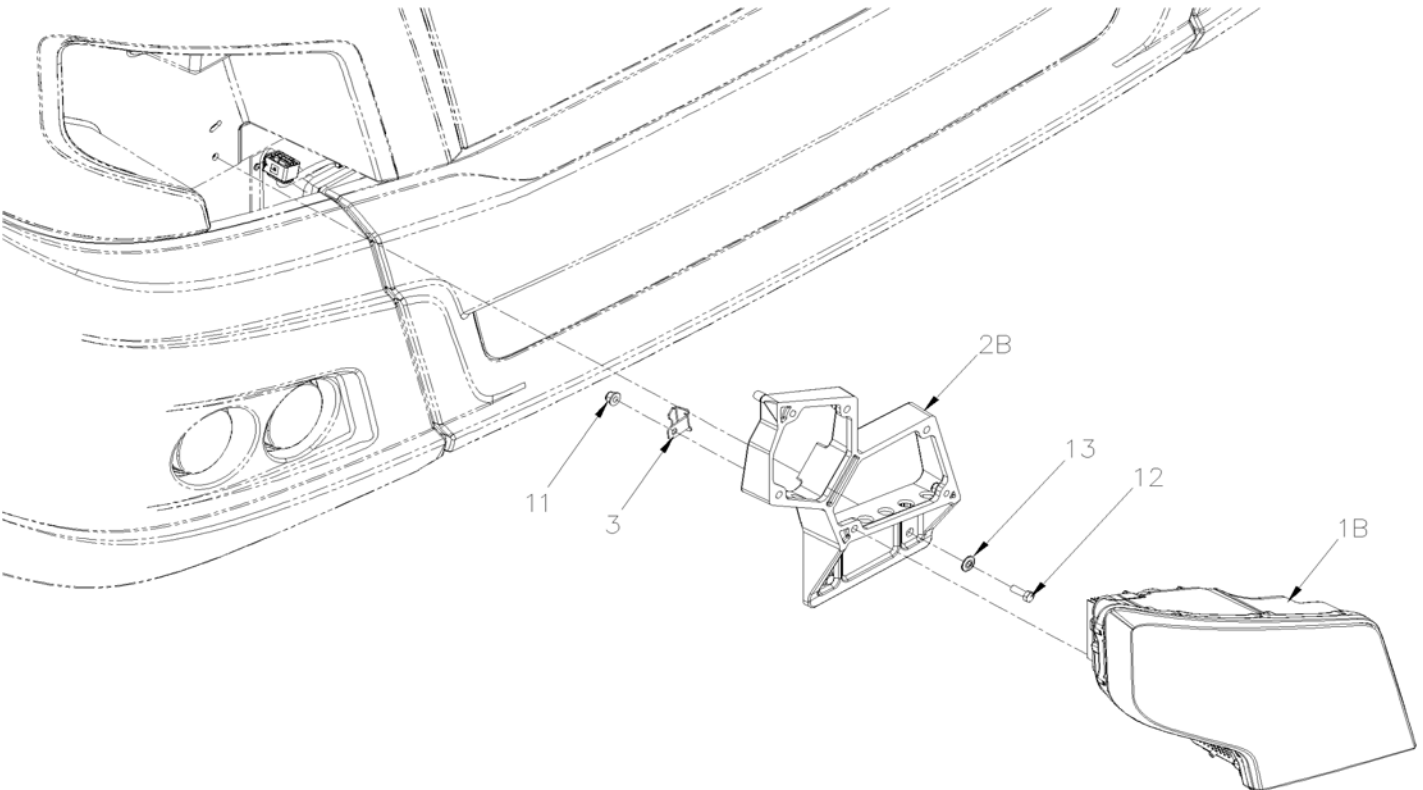
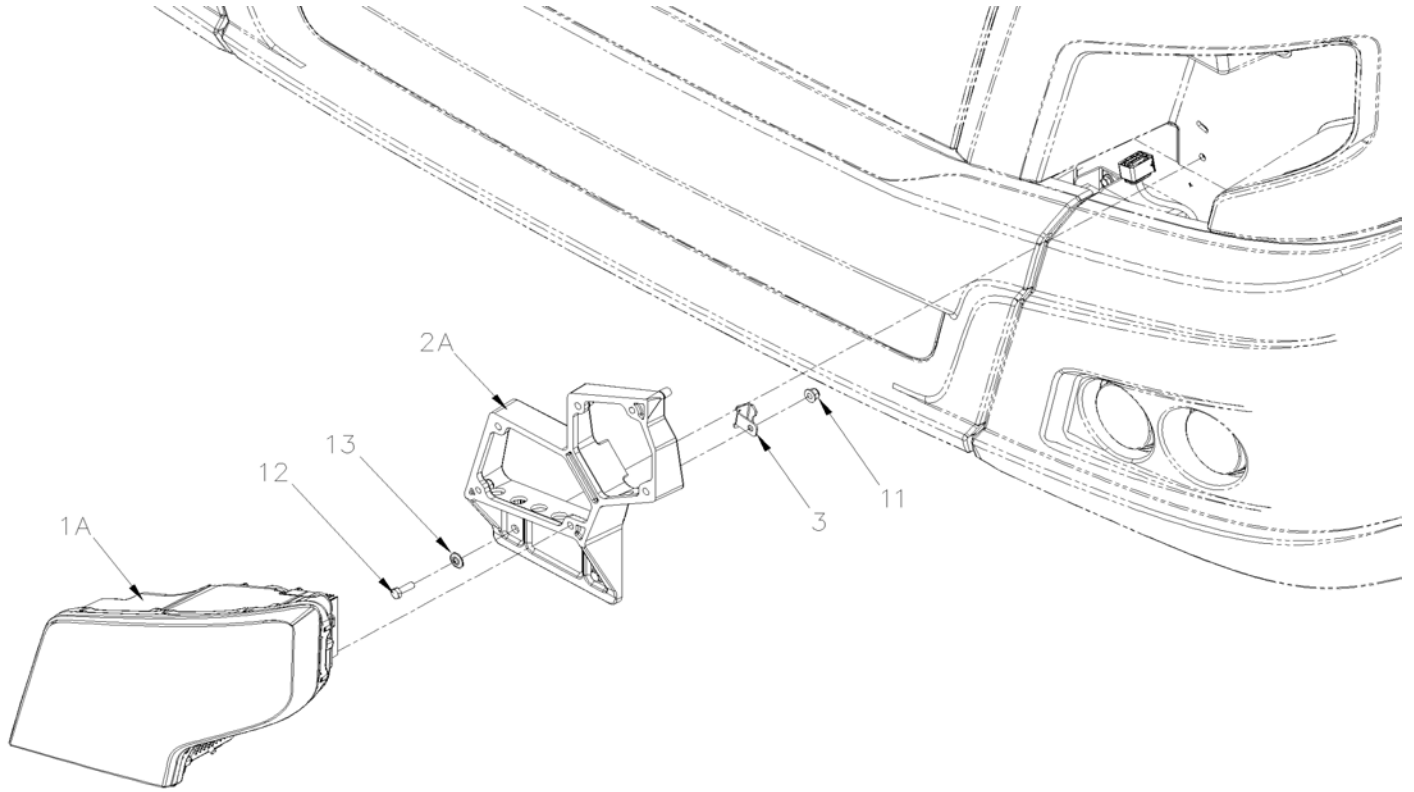
| Item# | Part | Description | QTY | Notes |
|-------|---------|--|-----|-------|
| NS | 470095 | RUBBER EXTRUSION / RAW MATERIAL (3 FEET REQUIRED FOR IS-23073-2) | AR | |
| NS | 0600274 | HARNESS_LOW_BEAM_SAV | 1 | |
| NS | 563332 | RELAY 24V S.P.D.T. W/RESISTOR / "VOLVO" (20374662) | 3 | |
| 4 | 500209 | SCREW TC BDG PH #10-24x3/8 N500 | 2 | |
| NS | 504637 | CABLE TIE / 3/16" x 13" | 15 | |

From P-1348

Date:07/2024

PAGE:VIP-0660-03

HEADLAMP & FRONT DIRECTIONAL LAMPS



| | | |
|-------------|--------------|------------------|
| From P-1348 | Date:07/2024 | PAGE:VIP-0660-03 |
|-------------|--------------|------------------|

HEADLAMP & FRONT DIRECTIONAL LAMPS

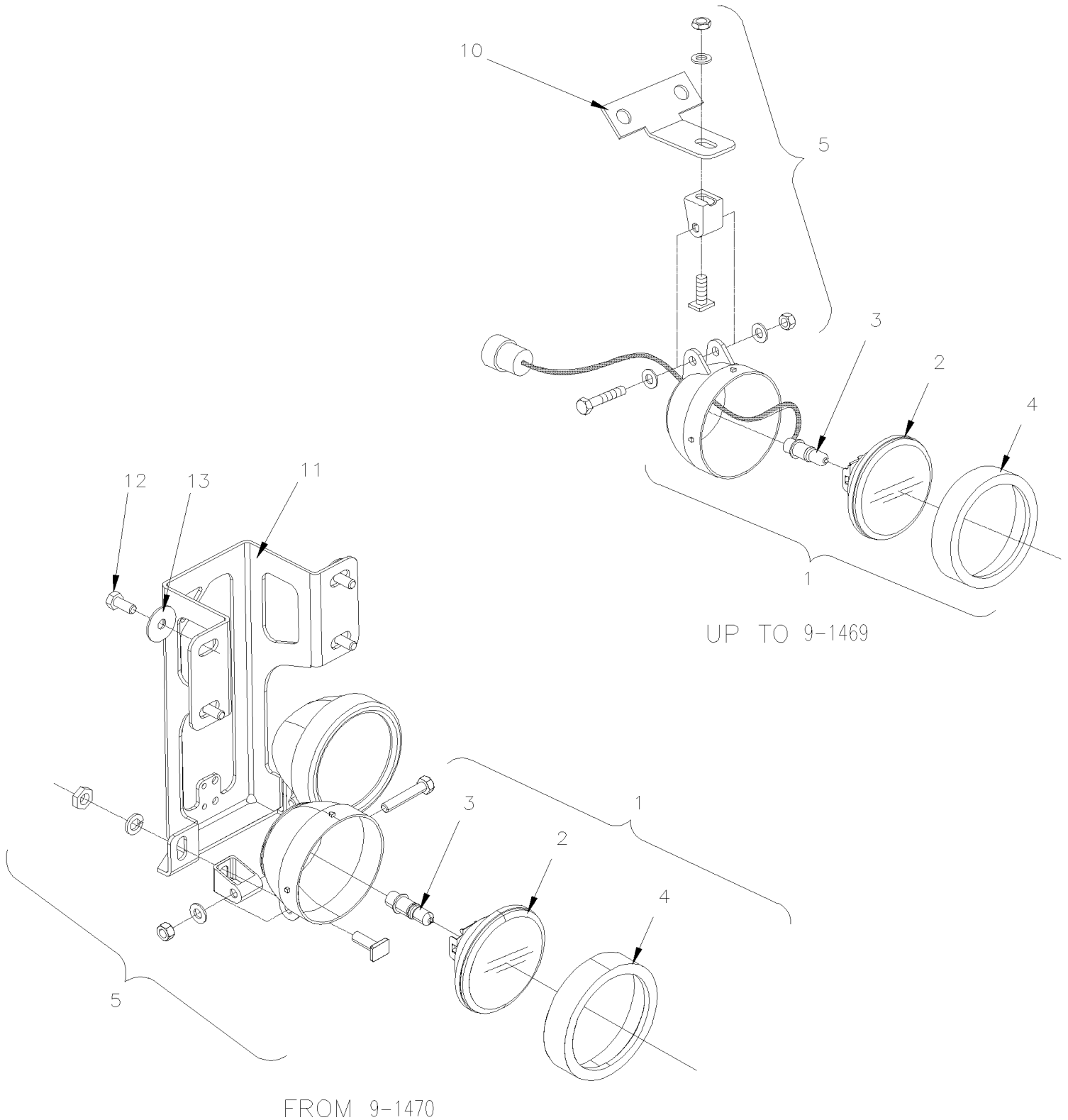
| Item# | Part | Description | QTY | Notes |
|-------|---------|--|-----|-------|
| 1A | 930028 | HEADLAMP LEFT | 1 | |
| . NS | 564680 | . MOUNTING CLIP / HDSCS / YELLOW / AMP 1564562-1 | 1 | |
| . NS | 564641 | . CONNECTOR / HDSCS / PH 10C / AMP 1-1564518-1 | 1 | |
| 1B | 930027 | HEADLAMP RIGHT | 1 | |
| . NS | 564680 | . MOUNTING CLIP / HDSCS / YELLOW / AMP 1564562-1 | 1 | |
| . NS | 564641 | . CONNECTOR / HDSCS / PH 10C / AMP 1-1564518-1 | 1 | |
| 2A | 430084 | SUPPORT HEADLAMP LEFT | 1 | |
| 2B | 430083 | SUPPORT HEADLAMP RIGHT | 1 | |
| 3 | 430223 | GUIDE | 2 | |
| 11 | 5001931 | NUT HEXF NYRT M8-1.25 G8.8 N500 | 12 | |
| 12 | 502780 | SCREW CAP HEX M8-1.25x25 SS BK | 8 | |
| 13 | 5001699 | WASHER BEL SPR 8.2x22x1.4 N500 | 8 | |

From K-0295 To K-0614

Date:07/2024

PAGE:VIP-0661-00

FOG LAMP



| | | |
|------------------------------|---------------------|-------------------------|
| From K-0295 To K-0614 | Date:07/2024 | PAGE:VIP-0661-00 |
| FOG LAMP | | |

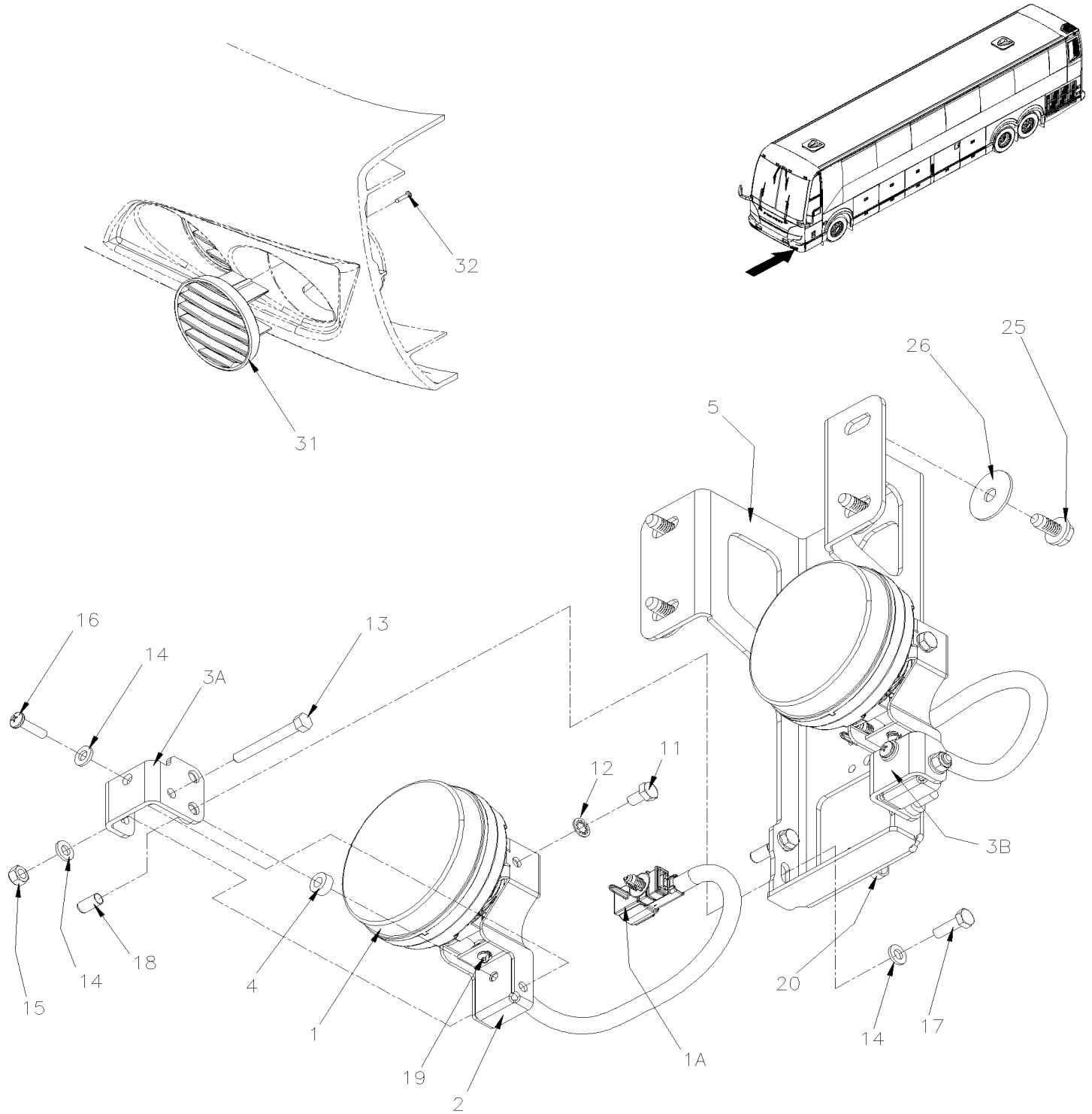
| Item# | Part | Description | QTY | Notes |
|-------|---------------|---|-----|-------|
| | 430707 | FOG LAMP 12 V / "BOSCH" COMPACT 100 / W/CONNECTOR "DEUTSCH" | 4 | |
| 1 | 564475 | . FOG LAMP ASSY | 1 | |
| 2 | 930370 | . GLASS | 1 | |
| 3 | 561882 | . BULB / 55WATT-12VOLTS / SAE# H3 / 64151 | 1 | |
| 3 | 069637 | . WIRING HARNESS, FOG LAMP | 1 | |
| 4 | 930371 | . HOLDER RING | 1 | |
| 5 | 930372 | . KIT HARDWARE | 1 | |
| 10 | 5001542 | SCREW TC CAP HEX 5/16-18X3/4 EMN | 4 | A |
| 10 | 5001467 | WASHER FL .343x1.250x.062 SS18-8 | 4 | A |
| 10 | 952625 | CLAMP / 3/8" I.D. | 2 | B |
| 10 | 500957 | SCREW TP BDG PH #10x3/4 N500 | 2 | B |
| 11 | 411161 | SUPPORT | 1 | |
| 12 | 5001720 | SCREW TC CAP HEX 5/16-18X5/8 EMN | 8 | |
| 13 | 5001467 | WASHER FL .343x1.250x.062 SS18-8 | 8 | |
| NS | 430030 | FOG LAMP / REPLACEMENT KIT 2 LAMPS LED / "H3" & "VIP" / ADVANCED KIT | 1 | C |
| NS | 430209 | FOG LAMP / REPLACEMENT KIT 2 LAMPS / "H3" & "VIP" / BASIC KIT | 1 | D |
| NS | 430027 | FOG LAMP / REPLACEMENT KIT 4 LAMPS LED / "H3" & "VIP" / ADVANCED KIT | 1 | C |
| 20 | 430209 | FOG LAMP / REPLACEMENT KIT 2 LAMPS / "H3" & "VIP" / BASIC KIT | 2 | D |
| | | | | |
| | | | | |
| | | A) TO FIX FOG TO BUMPER | | |
| | | B) TO FIX CABLE TO BODY | | |
| | | C) ADVANCED KIT WITH ADJUSTMENT | | |
| | | D) BASIC KIT WITHOUT ADJUSTMENT | | |

From K-0295 To K-0614

Date:07/2024

PAGE:430030

FOG LAMP / REPLACEMENT KIT 2 LAMPS LED / "H3" & "VIP" / ADVANCED KIT



| | | |
|---|--------------|-------------|
| From K-0295 To K-0614 | Date:07/2024 | PAGE:430030 |
| FOG LAMP / REPLACEMENT KIT 2 LAMPS LED / "H3" & "VIP" / ADVANCED KIT | | |

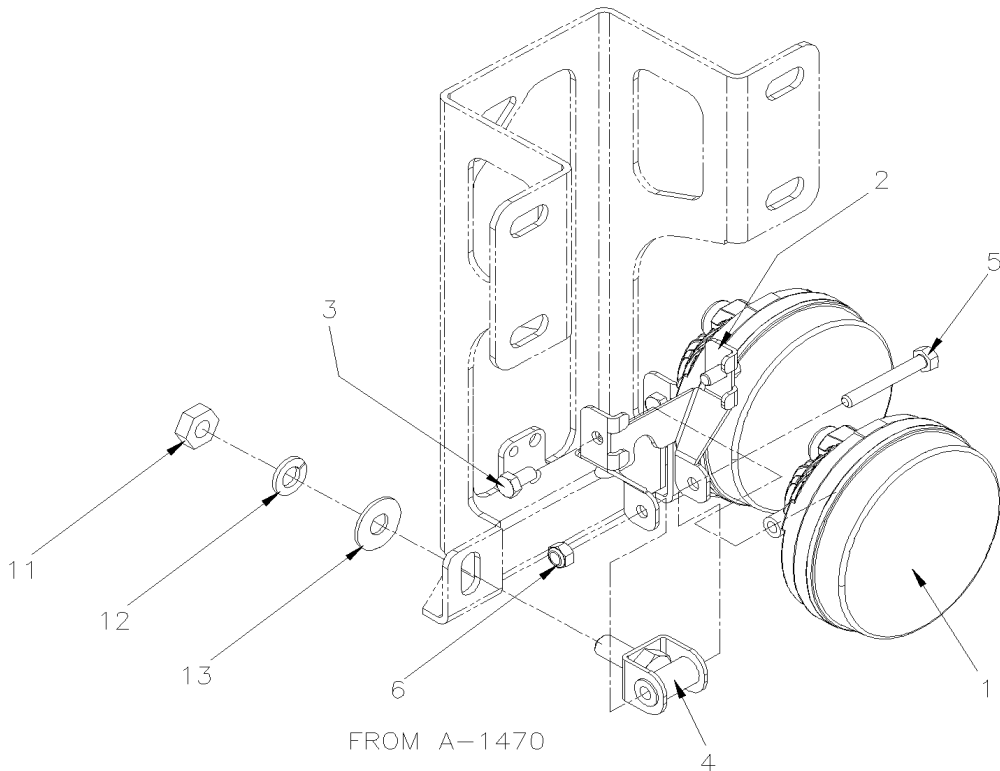
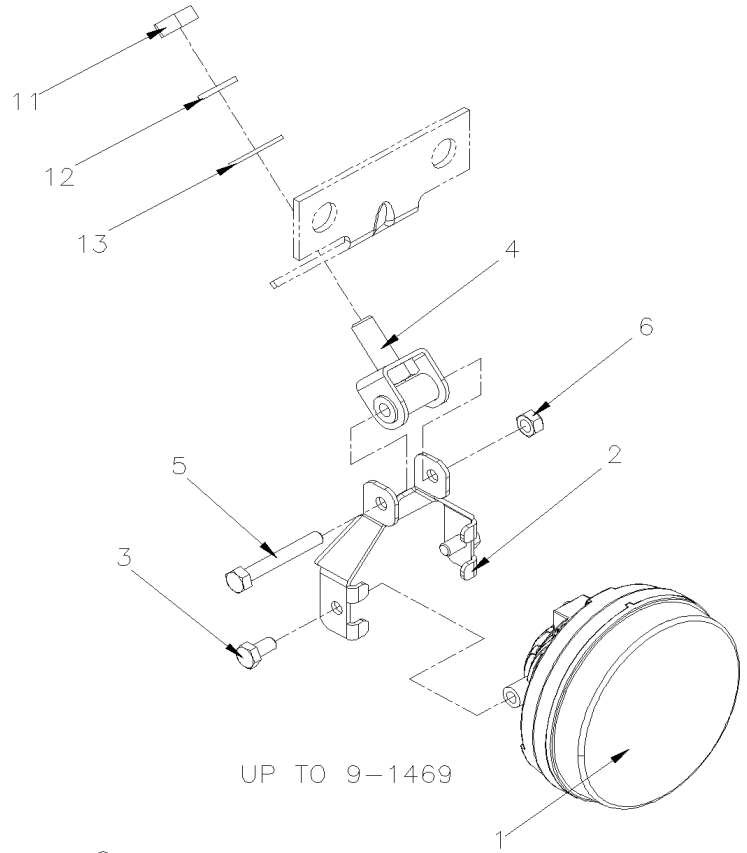
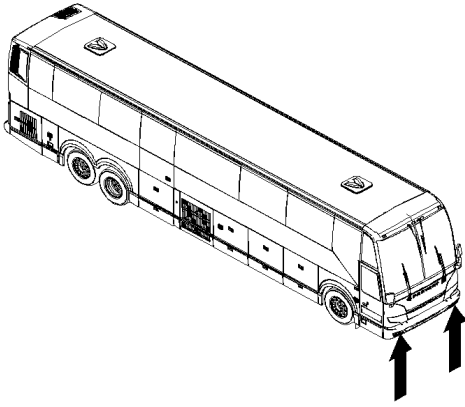
| Item# | Part | Description | QTY | Notes |
|-------|---------|---|-----|-------|
| 1 | 560637 | FOG LAMP / LED | 2 | |
| . A | 564108 | . SELF MOUNTING STUD // DEUTSCH 1011-310-0205 | 1 | |
| 2 | 430024 | SUPPORT, FOG LAMP | 2 | |
| 3A | 430017 | ATTACH, RH FOG LIGHT To FORMER | 1 | |
| 3A | 430111 | ATTACH, RH FOG LIGHT From CURRENT | 1 | |
| 3B | 430010 | ATTACH, LH FOG LIGHT To FORMER | 1 | |
| 3B | 430112 | ATTACH, LH FOG LIGHT From CURRENT | 1 | |
| 4 | 430015 | SPACER | 2 | |
| 5 | 410100 | SUPPORT, FOG LAMP To FORMER | 2 | |
| 5 | 410249 | SUPPORT, FOG LAMP From CURRENT | 2 | |
| 11 | 5001982 | SCREW CAP HEX M6-1.0x12 SS BK | 4 | |
| 12 | 5001432 | WASHER LO INT .256x.478x.028 SS 410 | 4 | |
| 13 | 5001636 | SCREW CAP HEX M6-1.0x50 SS BK | 2 | |
| 14 | 502573 | WASHER FL 6.4x12.5x1.6 SS | 8 | |
| 15 | 5001182 | NUT HEX NYRT M6-1.0 SS | 2 | |
| 16 | 502746 | SCREW MA PAN PH M5-0.8x20 SS BK | 2 | |
| 17 | 502622 | SCREW CAP HEX M6-1.0x20 SS BK | 4 | |
| 18 | 507335 | PROTECTOR CAP / BLACK / .234 I.D. x .500 | 4 | |
| 19 | 8631155 | CABLE TIE / 4.6MM x 200 / CHRISTMAS TREE | 2 | |
| 20 | 509815 | TIE MOUNT / ATTACHMENT W/TREE MOUNT | 1 | |
| 20 | 504637 | CABLE TIE / 3/16" x 13" | 1 | |

From K-0295 To K-0614

Date:07/2024

PAGE:430209

FOG LAMP / REPLACEMENT KIT 2 LAMPS / "H3" & "VIP" / BASIC KIT

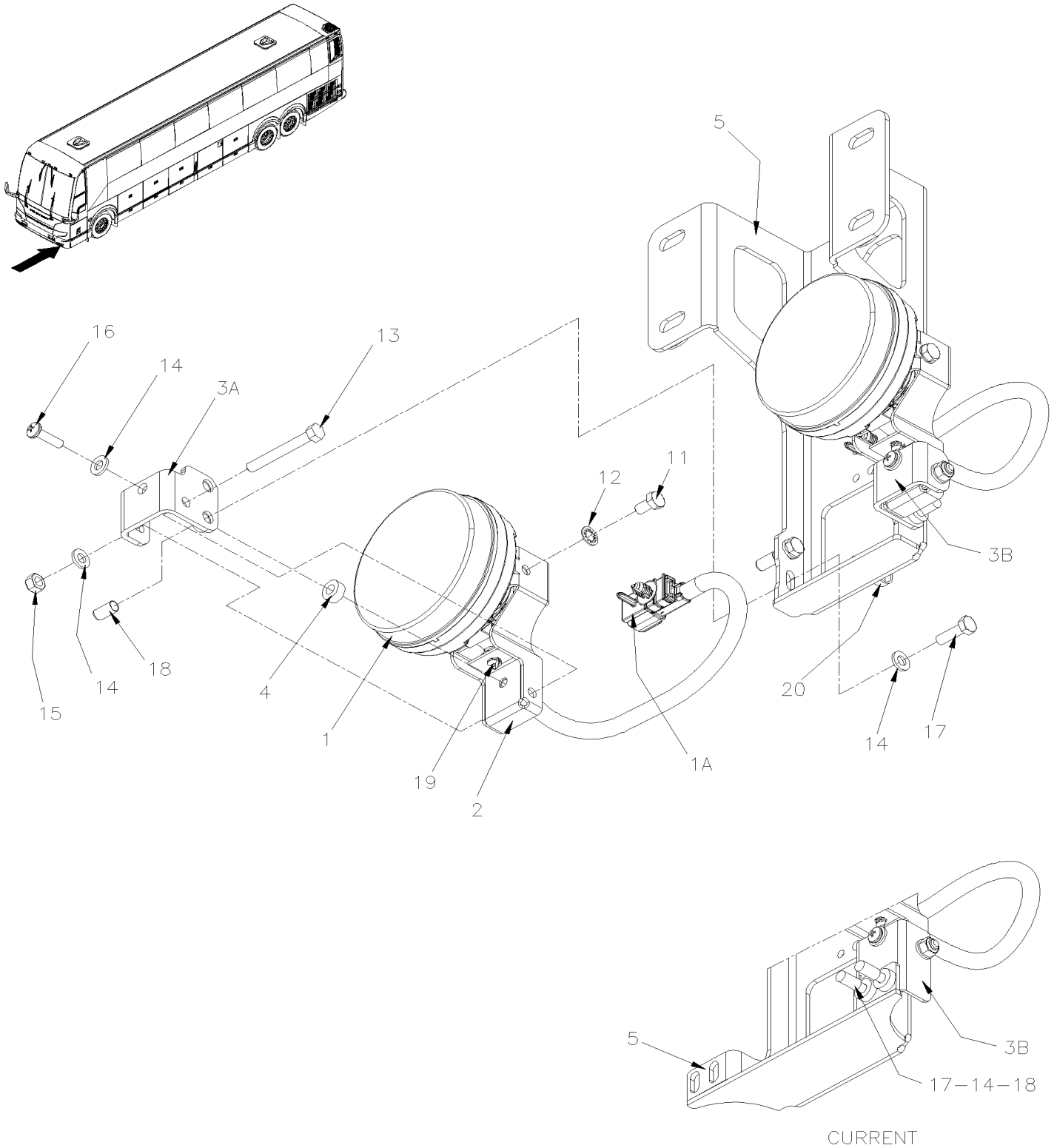


| | | |
|-----------------------|--------------|-------------|
| From K-0295 To K-0614 | Date:07/2024 | PAGE:430209 |
|-----------------------|--------------|-------------|

FOG LAMP / REPLACEMENT KIT 2 LAMPS / "H3" & "VIP" / BASIC KIT

| Item# | Part | Description | QTY | Notes |
|-------|----------|--|-----|-------|
| | | FOR VEHICLES WITH FOUR FOG LAMPS. | 1 | |
| | | YOU HAVE TO ORDER TWO REPLACEMENT SETS | 1 | |
| 1 | 560636 | FOG LAMP LED | 2 | |
| 2 | 430200 | SUPPORT, FOG LIGHT | 2 | |
| 3 | 5001982 | SCREW CAP HEX M6-1.0x12 SS BK | 4 | |
| 4 | 430208 | SUPPORT, FOG LIGHT | 2 | |
| 5 | 5001923 | SCREW CAP HEX M6-1.0x45 SS BK | 2 | |
| 6 | 5001182 | NUT HEX NYRT M6-1.0 SS | 2 | |
| 11 | 502567 | NUT HEX M10-1.5 SS | 2 | |
| 12 | 502616 | WASHER LO SPT 10.2x18.1x2.2 SS | 2 | |
| 13 | 500270 | WASHER FL .406x1.000x.063 SS | 2 | |
| NS | IS-17151 | SEE INSTRUCTION SHEET | 1 | |
| NS | FI-17151 | VOIR FEUILLE D'INSTRUCTION | 1 | |

| | | |
|--|--------------|-------------|
| From K-0295 To K-0614 | Date:07/2024 | PAGE:430027 |
| FOG LAMP / REPLACEMENT KIT 4 LAMPS LED / "H3" & "VIP" / ADVANCED KIT | | |



| | | |
|---|--------------|-------------|
| From K-0295 To K-0614 | Date:07/2024 | PAGE:430027 |
| FOG LAMP / REPLACEMENT KIT 4 LAMPS LED / "H3" & "VIP" / ADVANCED KIT | | |

| Item# | Part | Description | QTY | Notes |
|-------|---------|---|-----|-------|
| 1 | 560637 | FOG LAMP / LED | 4 | |
| . A | 564108 | . SELF MOUNTING STUD // DEUTSCH 1011-310-0205 | 1 | |
| 2 | 430024 | SUPPORT, FOG LAMP | 4 | |
| 3A | 430017 | ATTACH, RH FOG LIGHT To FORMER | 2 | |
| 3A | 430111 | ATTACH, RH FOG LIGHT From CURRENT | 1 | |
| 3B | 430010 | ATTACH, LH FOG LIGHT To FORMER | 2 | |
| 3B | 430112 | ATTACH, LH FOG LIGHT From CURRENT | 1 | |
| 4 | 430015 | SPACER | 4 | |
| 5 | 410100 | SUPPORT, FOG LAMP To FORMER | 2 | |
| 5 | 410249 | SUPPORT, FOG LAMP From CURRENT | 2 | |
| 11 | 5001982 | SCREW CAP HEX M6-1.0x12 SS BK | 8 | |
| 12 | 5001432 | WASHER LO INT .256x.478x.028 SS 410 | 8 | |
| 13 | 5001636 | SCREW CAP HEX M6-1.0x50 SS BK | 4 | |
| 14 | 502573 | WASHER FL 6.4x12.5x1.6 SS | 16 | |
| 15 | 5001182 | NUT HEX NYRT M6-1.0 SS | 4 | |
| 16 | 502746 | SCREW MA PAN PH M5-0.8x20 SS BK | 4 | |
| 17 | 502622 | SCREW CAP HEX M6-1.0x20 SS BK | 8 | |
| 18 | 507335 | PROTECTOR CAP / BLACK / .234 I.D. x .500 | 8 | |
| 19 | 8631155 | CABLE TIE / 4.6MM x 200 / CHRISTMAS TREE | 4 | |
| 20 | 509815 | TIE MOUNT / ATTACHMENT W/TREE MOUNT | 2 | |
| 20 | 504637 | CABLE TIE / 3/16" x 13" | 2 | |

| | | |
|------------------------------|---------------------|-------------------------|
| From K-0615 To P-1347 | Date:07/2024 | PAGE:VIP-0661-01 |
| FOG LAMP / LED | | |

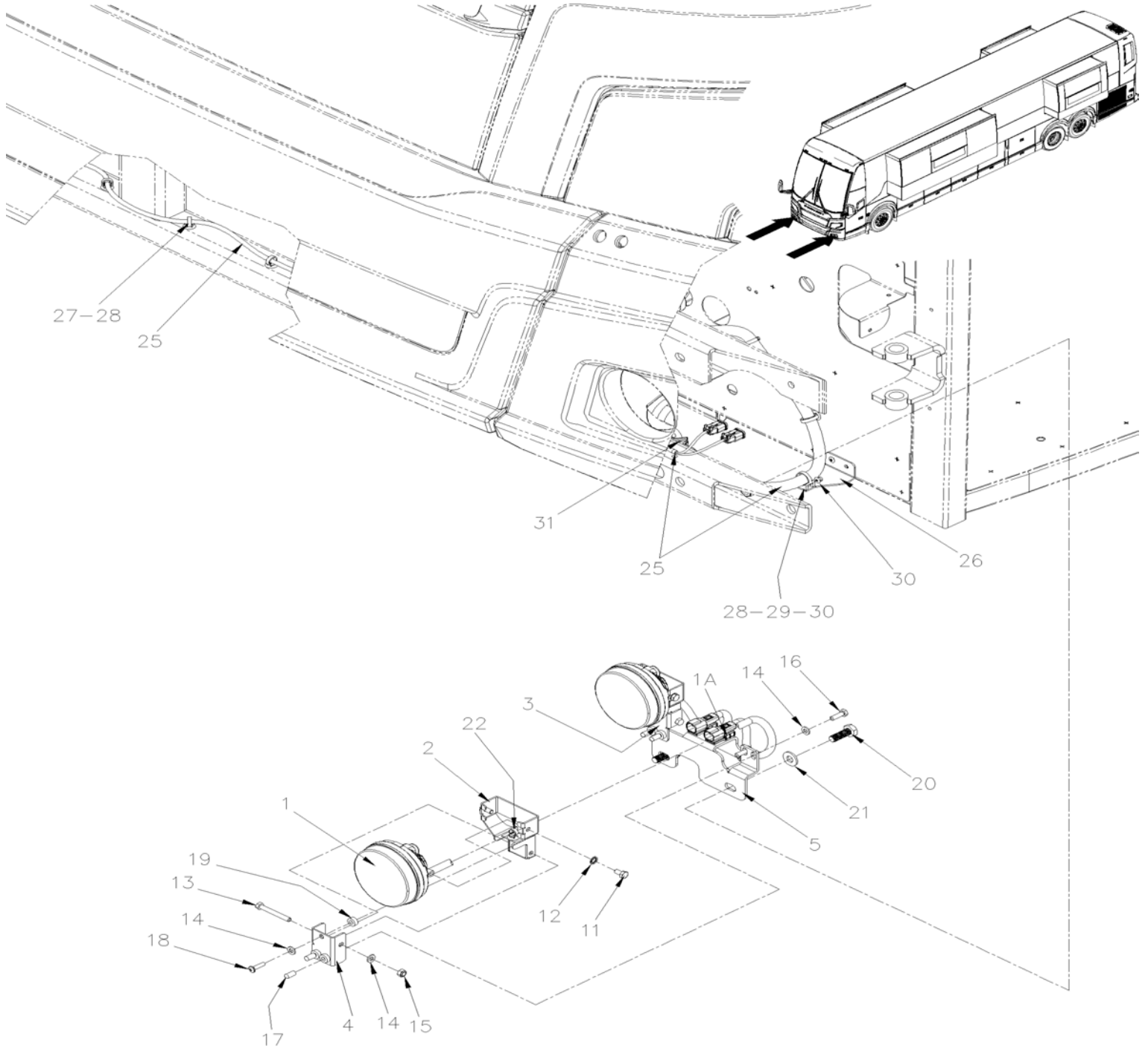
| Item# | Part | Description | QTY | Notes |
|--------------|-------------|---|------------|--------------|
| 1 | 560637 | FOG LAMP / LED | 4 | |
| . A | 564108 | . SELF MOUNTING STUD // DEUTSCH 1011-310-0205 | 1 | |
| 2 | 430024 | SUPPORT, FOG LAMP | 4 | |
| 3A | 430017 | ATTACH, RH FOG LIGHT To L-0850 | 2 | |
| 3A | 430111 | ATTACH, RH FOG LIGHT From L-0851 | 2 | |
| 3B | 430010 | ATTACH, LH FOG LIGHT To L-0850 | 2 | |
| 3B | 430112 | ATTACH, LH FOG LIGHT From L-0851 | 2 | |
| 4 | 430015 | SPACER | 4 | |
| 5 | 410100 | SUPPORT, FOG LAMP To L-0850 | 2 | |
| 5 | 410249 | SUPPORT, FOG LAMP From L-0851 | 1 | |
| 11 | 5001982 | SCREW CAP HEX M6-1.0x12 SS BK | 8 | |
| 12 | 5001432 | WASHER LO INT .256x.478x.028 SS 410 | 8 | |
| 13 | 5001636 | SCREW CAP HEX M6-1.0x50 SS BK | 4 | |
| 14 | 502573 | WASHER FL 6.4x12.5x1.6 SS | 16 | |
| 15 | 5001182 | NUT HEX NYRT M6-1.0 SS | 4 | |
| 16 | 502746 | SCREW MA PAN PH M5-0.8x20 SS BK | 4 | |
| 17 | 502622 | SCREW CAP HEX M6-1.0x20 SS BK | 8 | |
| 18 | 507335 | PROTECTOR CAP / BLACK / .234 I.D. x .500 | 8 | |
| 19 | 8631155 | CABLE TIE / 4.6MM x 200 / CHRISTMAS TREE | 4 | |
| 20 | 509815 | TIE MOUNT / ATTACHMENT W/TREE MOUNT | 2 | |
| 20 | 504637 | CABLE TIE / 3/16" x 13" | 2 | |
| | | | | |
| 25 | 5001720 | SCREW TC CAP HEX 5/16-18X5/8 EMN | 8 | |
| 26 | 5001467 | WASHER FL .343x1.250x.062 SS18-8 | 8 | |
| | | | | |
| 31 | 430645 | PLUG BUMPER / W/O FOG LAMP | AR | |
| 32 | 5001547 | SCREW PTR TR PH M4x20 G500 | AR | |

From P-1348

Date:07/2024

PAGE:VIP-0661-02

FOG LAMP / LED



| | | |
|-----------------------|--------------|------------------|
| From P-1348 | Date:07/2024 | PAGE:VIP-0661-02 |
| FOG LAMP / LED | | |

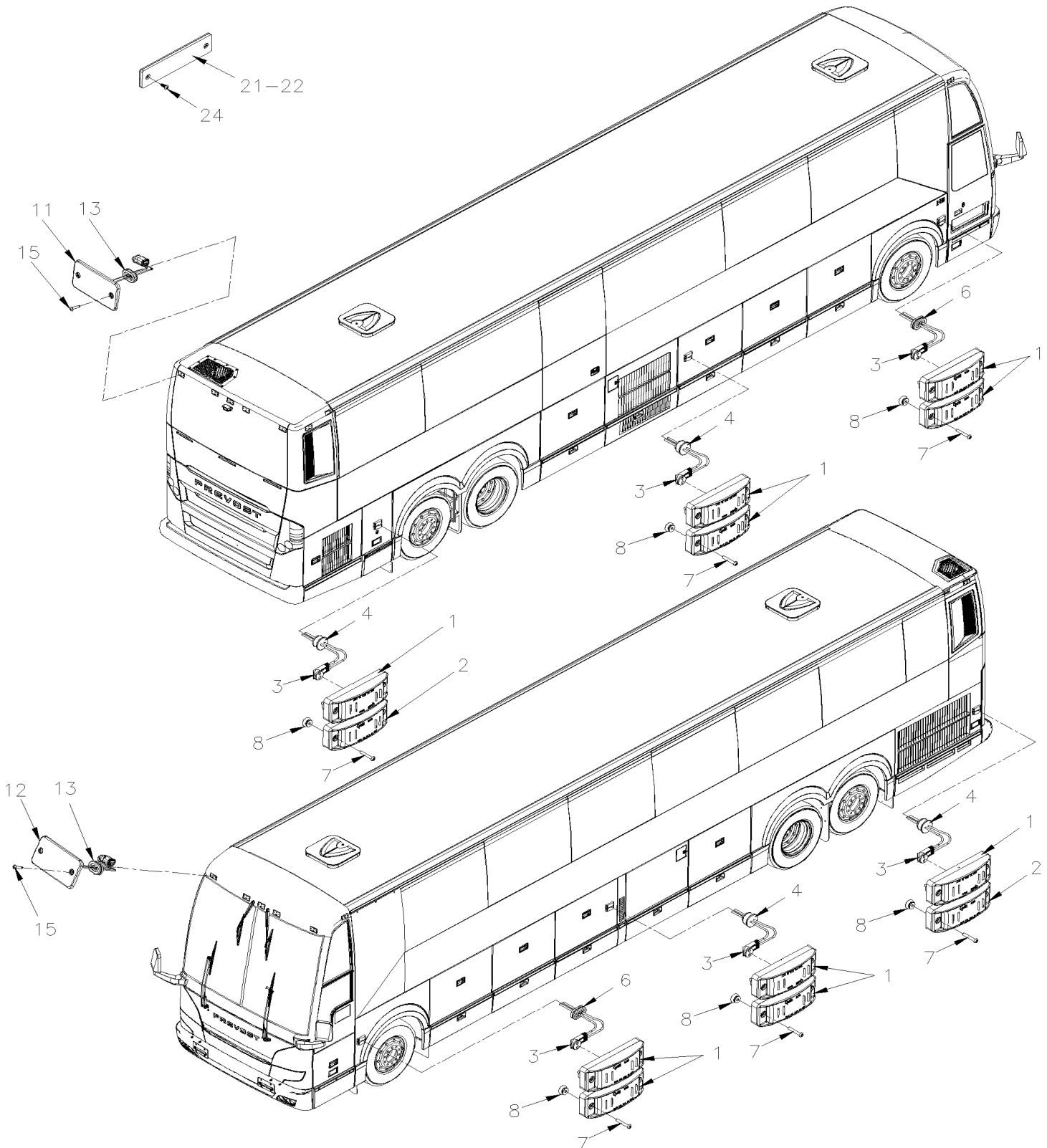
| Item# | Part | Description | QTY | Notes |
|-------|---------|---|-----|-------|
| 1 | 560637 | FOG LAMP / LED | 4 | |
| A | 564108 | SELF MOUNTING STUD // DEUTSCH 1011-310-0205 | 1 | |
| 2 | 430024 | SUPPORT, FOG LAMP | 4 | |
| 3 | 430111 | ATTACH, RH FOG LIGHT | 2 | |
| 4 | 430112 | ATTACH, LH FOG LIGHT | 2 | |
| 5 | 430153 | SUPPORT, LH FOG LIGHT STREETSIDE | 1 | |
| 5 | 430151 | SUPPORT, RH FOG LIGHT CURBSIDE | 1 | |
| 11 | 5001982 | SCREW CAP HEX M6-1.0x12 SS BK | 8 | |
| 12 | 5001432 | WASHER LO INT .256x.478x.028 SS 410 | 8 | |
| 13 | 5001636 | SCREW CAP HEX M6-1.0x50 SS BK | 4 | |
| 14 | 502573 | WASHER FL 6.4x12.5x1.6 SS | 16 | |
| 15 | 5001182 | NUT HEX NYRT M6-1.0 SS | 4 | |
| 16 | 502622 | SCREW CAP HEX M6-1.0x20 SS BK | 8 | |
| 17 | 507335 | PROTECTOR CAP / BLACK / .234 I.D. x .500 | 8 | |
| 18 | 502746 | SCREW MA PAN PH M5-0.8x20 SS BK | 4 | |
| 19 | 430015 | SPACER | 4 | |
| 20 | 5001418 | SCREW CAP HEX M10-1.5x30 SS | 4 | |
| 21 | 5001834 | WASHER BEL SPR 10.5X23X2.5 N500 | 4 | |
| 22 | 8631155 | CABLE TIE / 4.6MM x 200 / CHRISTMAS TREE | 4 | |
| 25 | 0600025 | FRONT BUMBER HARNESS ACB/FOG | 1 | |
| 26 | 0610184 | BRACKET, FRONT BUMPER CABLES | 1 | |
| 27 | 509815 | TIE MOUNT / ATTACHMENT W/TREE MOUNT | AR | |
| 28 | 504637 | CABLE TIE / 3/16" x 13" | AR | |
| 29 | 504013 | TIE MOUNT / 1/4" X 1/4" I.D. | 1 | |
| 30 | 504379 | RIVET POP DOME OE 3/16x1/4 SS | 3 | |
| 31 | 507383 | TIE MOUNT HOLE 3/8" | 1 | |

From K-0295 To P-1347

Date:07/2024

PAGE:VIP-0662-00

CLEARANCE & MARKER LIGHT



| | | |
|-------------------------------------|--------------|------------------|
| From K-0295 To P-1347 | Date:07/2024 | PAGE:VIP-0662-00 |
| CLEARANCE & MARKER LIGHT | | |

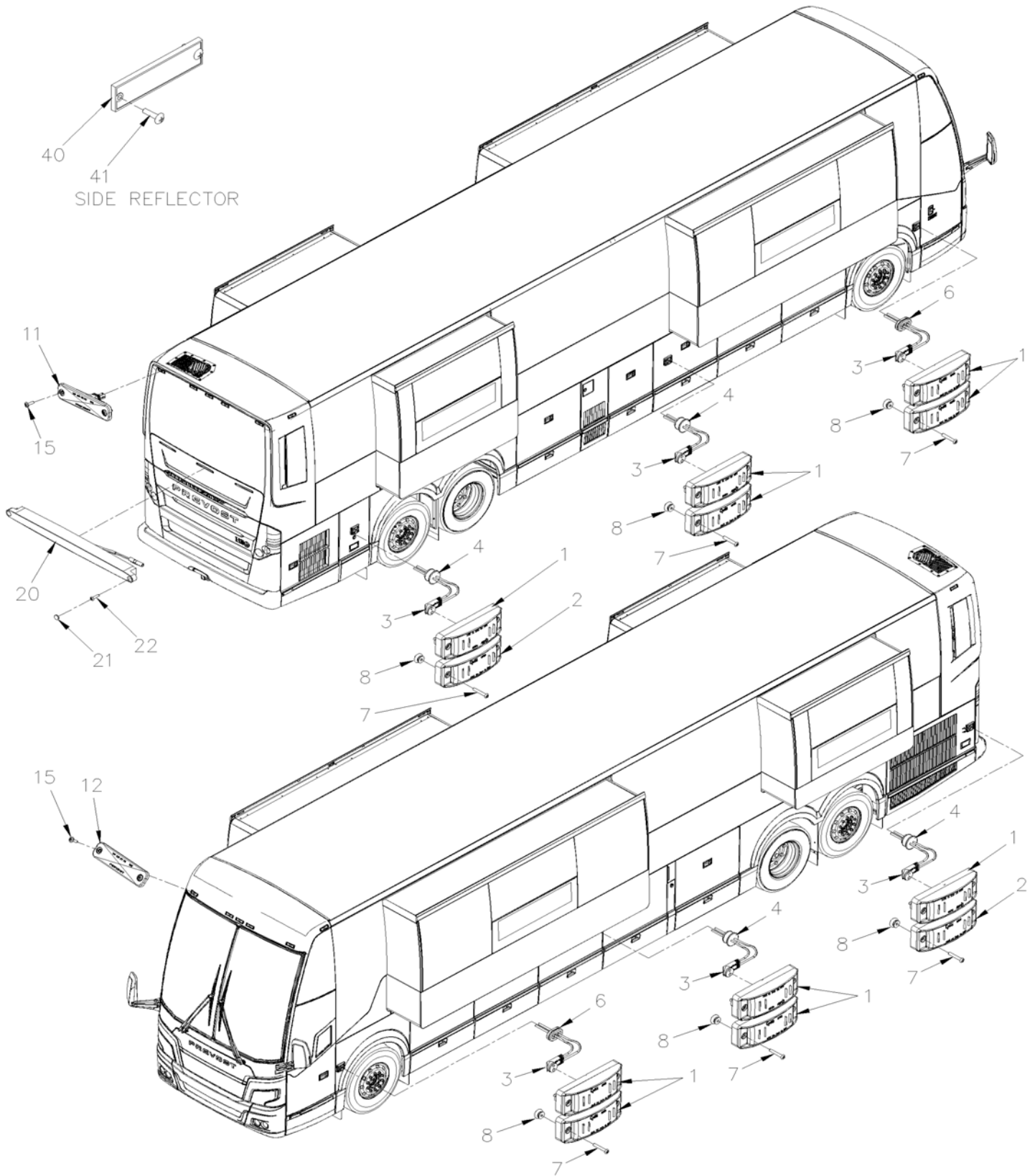
| Item# | Part | Description | QTY | Notes |
|-------|---------|--|-----|-------|
| 1 | 930441 | SIDE MARKER ASSY / AMBER / W/6 LED W/O REFLECTOR | 10 | |
| 2 | 930440 | SIDE MARKER ASSY / RED / W/6 LED W/O REFLECTOR | 2 | |
| 3 | 562155 | CONNECTOR ASSY SEALED 2C / GROTE 6618-G8 | AR | B |
| 4 | 478247 | GROMMET 2 HOLESx1.6x23.5MMx10.5MMx16.5MMx28MM | AR | B |
| 6 | 478900 | GROMMET, MARKER LIGHT | 4 | |
| 7 | 5002021 | SCREW MA TR PH #10-32x1 1/4 SS | 24 | |
| 8 | 502774 | NUT WELL #10-32x.625 | 24 | |
| 11 | 930421 | LAMP ID & CLEAR -3 LED RED | 7 | |
| 12 | 930422 | LAMP ID & CLEAR -3 LED AMBER | 7 | |
| 13 | 478900 | GROMMET, MARKER LIGHT | 14 | B |
| 15 | 5001547 | SCREW PTR TR PH M4x20 G500 | 28 | |
| 15 | 5001055 | NUT WELL M4-0.7x14.5 | 14 | |
| 21 | 930302 | REFLECTOR RED 40MM x 180MM | 2 | |
| 22 | 930374 | REFLECTOR AMBER 40MM x 180MM | 2 | |
| 24 | 5001087 | SCREW TP BDG PH #10x1/2 SS | 8 | |
| 24 | 5001052 | NUT AN #10 NYL | 2 | |
| | | | | |
| | | | | |
| | | | | |
| | | B) PART OF LAMP HARNESS | | |

From P-1348

Date:07/2024

PAGE:VIP-0662-01

CLEARANCE & MARKER LIGHT



| | | | |
|-------------------------------------|--|--------------|------------------|
| From P-1348 | | Date:07/2024 | PAGE:VIP-0662-01 |
| CLEARANCE & MARKER LIGHT | | | |

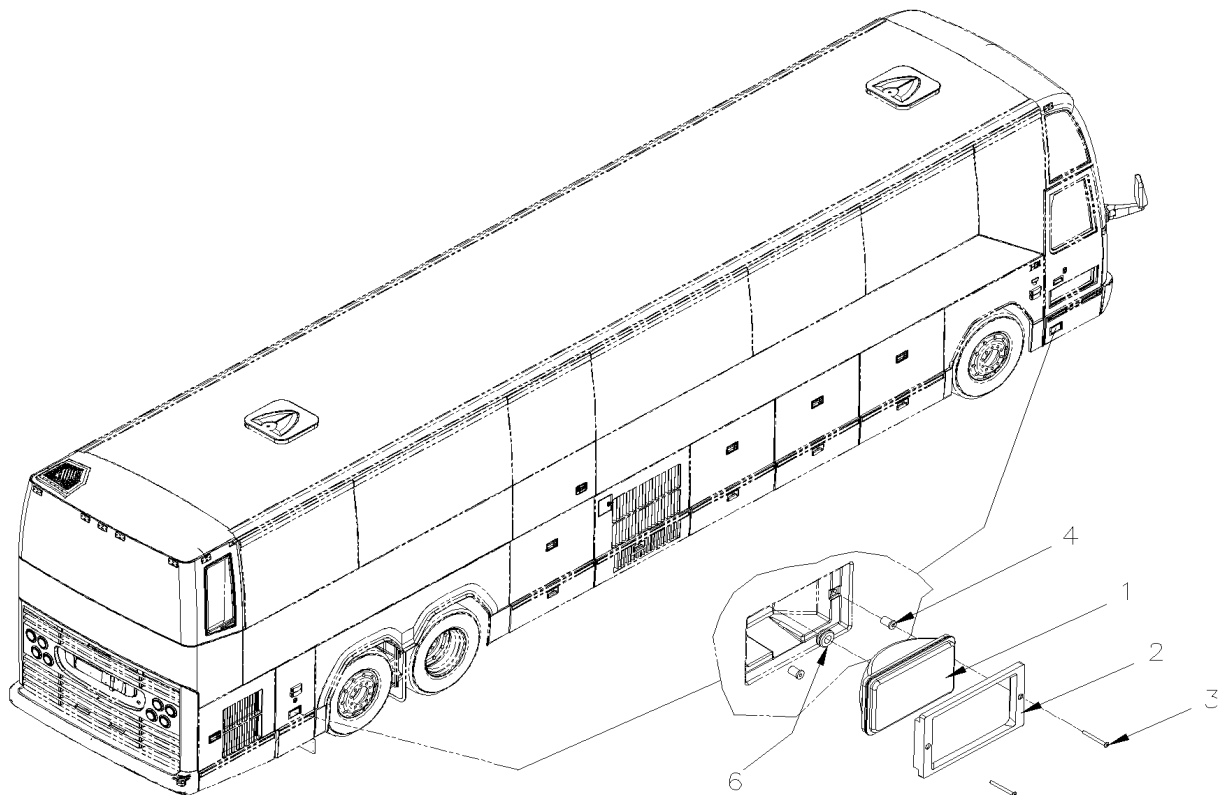
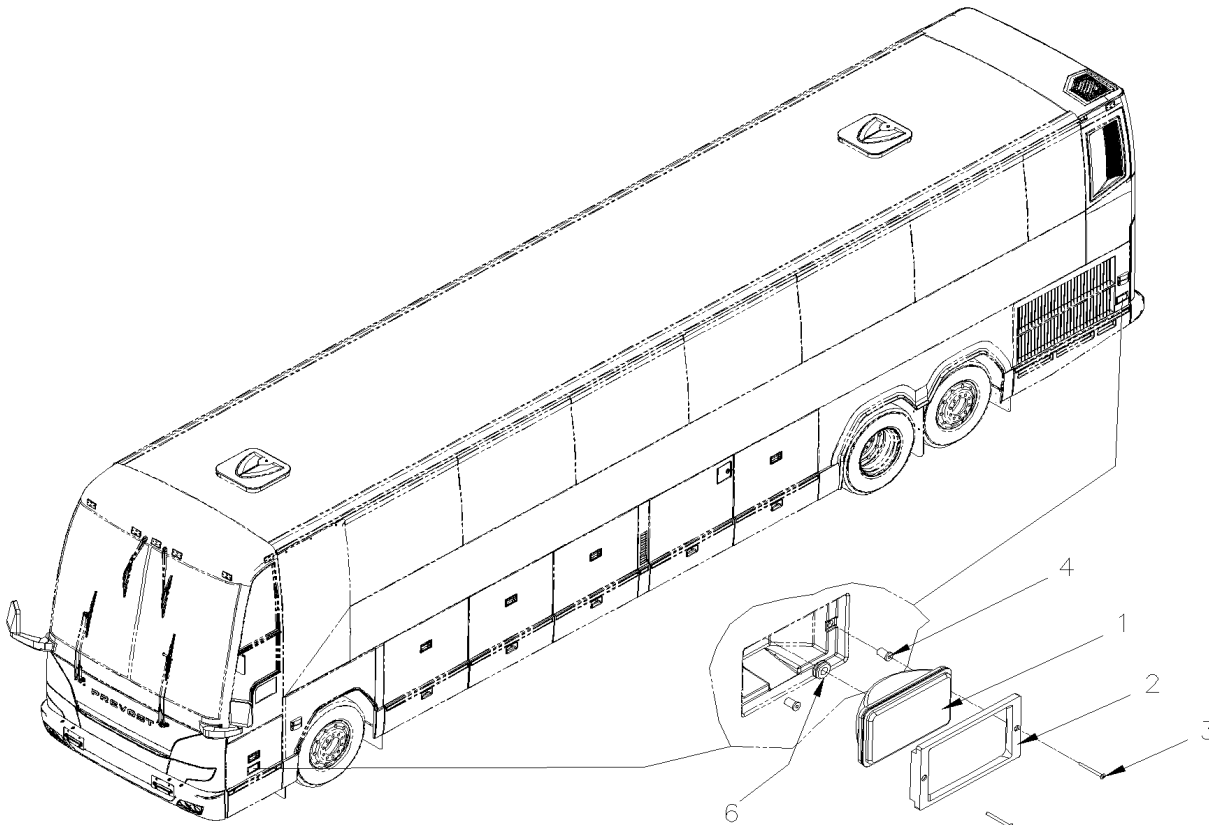
| Item# | Part | Description | QTY | Notes |
|-------|---------|--|-----|-------|
| 1 | 930441 | SIDE MARKER ASSY / AMBER / W/6 LED W/O REFLECTOR | 10 | |
| 2 | 930440 | SIDE MARKER ASSY / RED / W/6 LED W/O REFLECTOR | 2 | |
| 3 | 562155 | CONNECTOR ASSY SEALED 2C / GROTE 6618-G8 | AR | B |
| 4 | 478247 | GROMMET 2 HOLESx1.6x23.5MMx10.5MMx16.5MMx28MM | AR | B |
| 6 | 478900 | GROMMET, MARKER LIGHT | 4 | |
| 7 | 5002021 | SCREW MA TR PH #10-32x1 1/4 SS | 24 | |
| 8 | 502774 | NUT WELL #10-32x.625 | 24 | |
| | | | | |
| 11 | 930009 | LAMP ID & CLEARANCE - 4 LED RED | 7 | |
| 12 | 930005 | LAMP ID & CLEARANCE - 4 LED AMBER | 7 | |
| 15 | 901589 | SCREW FOR LAMP ID & CLEARANCE | 28 | |
| | | | | |
| 20 | 930330 | CYCLOP LAMP | 3 | |
| NS | 930353 | CAP PLUG SCREW | 2 | |
| 21 | 5001040 | SCREW TC PAN PH #6-32x3/4 SS | 6 | |
| 22 | 930353 | CAP PLUG SCREW | 6 | |
| | | | | |
| 40 | 930302 | REFLECTOR RED 40MM x 180MM | 2 | |
| 40 | 930374 | REFLECTOR AMBER 40MM x 180MM | 4 | |
| 41 | 5001243 | SCREW TP PAN PH #10x5/8 SS | 12 | |
| NS | 5001052 | NUT AN #10 NYL | AR | |
| | | | | |
| | | | | |
| | | | | |
| | | B) PART OF LAMP HARNESS | | |

From K-0295 To P-1347

Date:07/2024

PAGE:VIP-0663-00

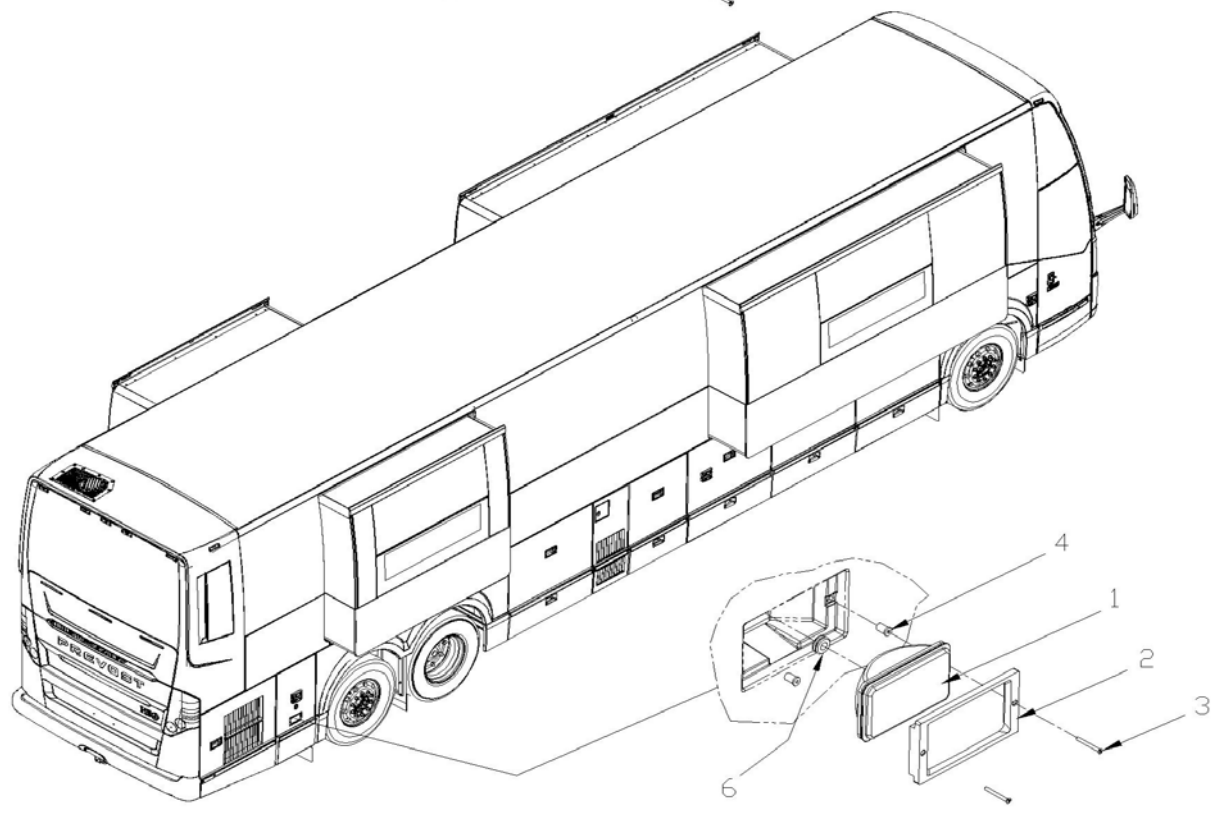
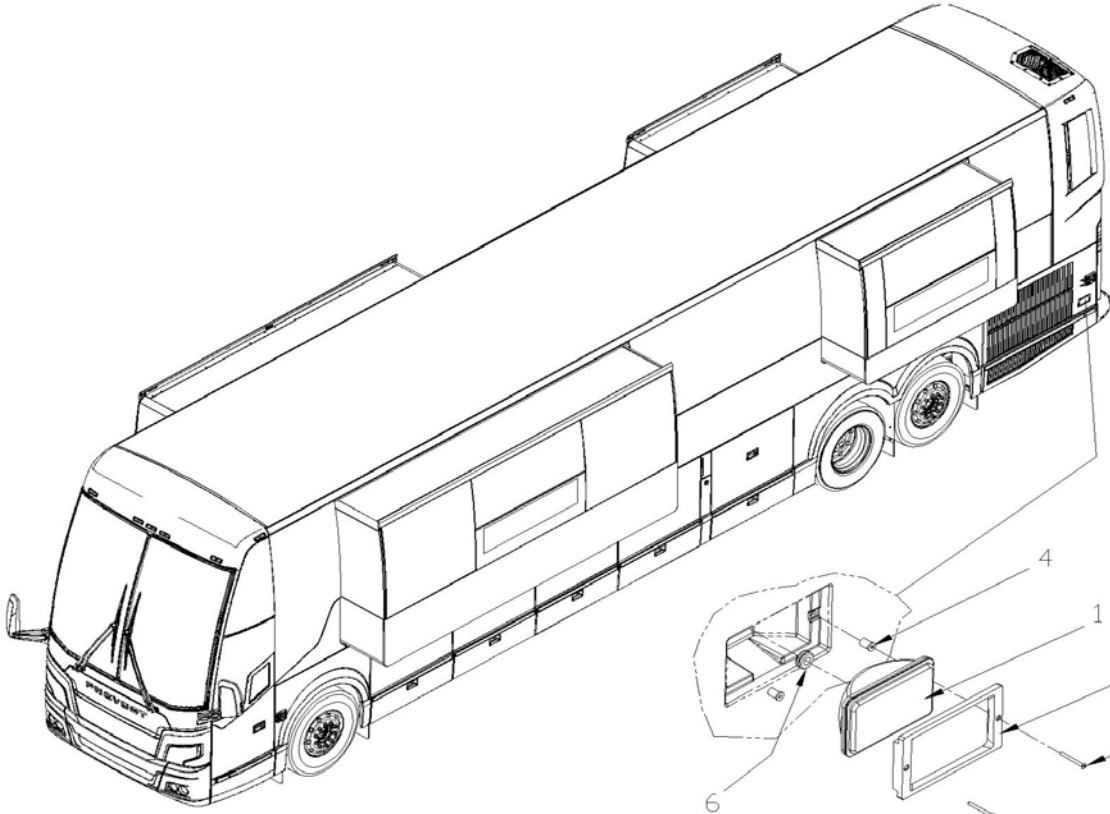
DOCK & CORNERING LIGHT



| | | |
|-----------------------------------|--------------|------------------|
| From K-0295 To P-1347 | Date:07/2024 | PAGE:VIP-0663-00 |
| DOCK & CORNERING LIGHT | | |

| Item# | Part | Description | QTY | Notes |
|-------|----------|---|-----|-------|
| 1 | 930319 | SEAL BEAM / 37.5WATT-12V / SAE# H9415 To K-0396 | 4 | |
| 1 | 930429 | SEAL BEAM / 37.5WATT-12V / SAE# H9415 From K-0397 | 4 | |
| 1 | 19515870 | LAMPE RECTANGLE LED 38WATT | 4 | O |
| NS | 430500 | CLOSING PLATE / USE W/LIGHT FIXED ON PANEL | 1 | |
| NS | 506191 | TAPE RUB ADH1 CC POL 1/8" x 1/4" x 50' / GREY 2520X | AR | |
| 2 | 473424 | BEZEL | 4 | |
| 2 | 479044 | BEZEL | 4 | O |
| 3 | 5001712 | SCREW MA FL PH M4-0.7x30 SS | 8 | |
| 4 | 500589 | NUT WELL M4-0.7x13.5 | 8 | |
| 6 | 504062 | GROMMET / .4375x.687x.125x.375x.937 | 4 | |
| NS | 681095 | GREASE "NYOGEL" ELECTRICAL / 1.1 LBS | AR | |
| NS | 680532 | SEALANT SIKA #221 / GREY / 310ml CARTRIDGE | AR | |
| NS | 684685 | ADHESIVE SIMSON #SR 70-03 / 310ml CARTRIDGE | AR | |
| | | | | |
| | | | | |
| | | | | |
| | | O) OPTION LED | | |

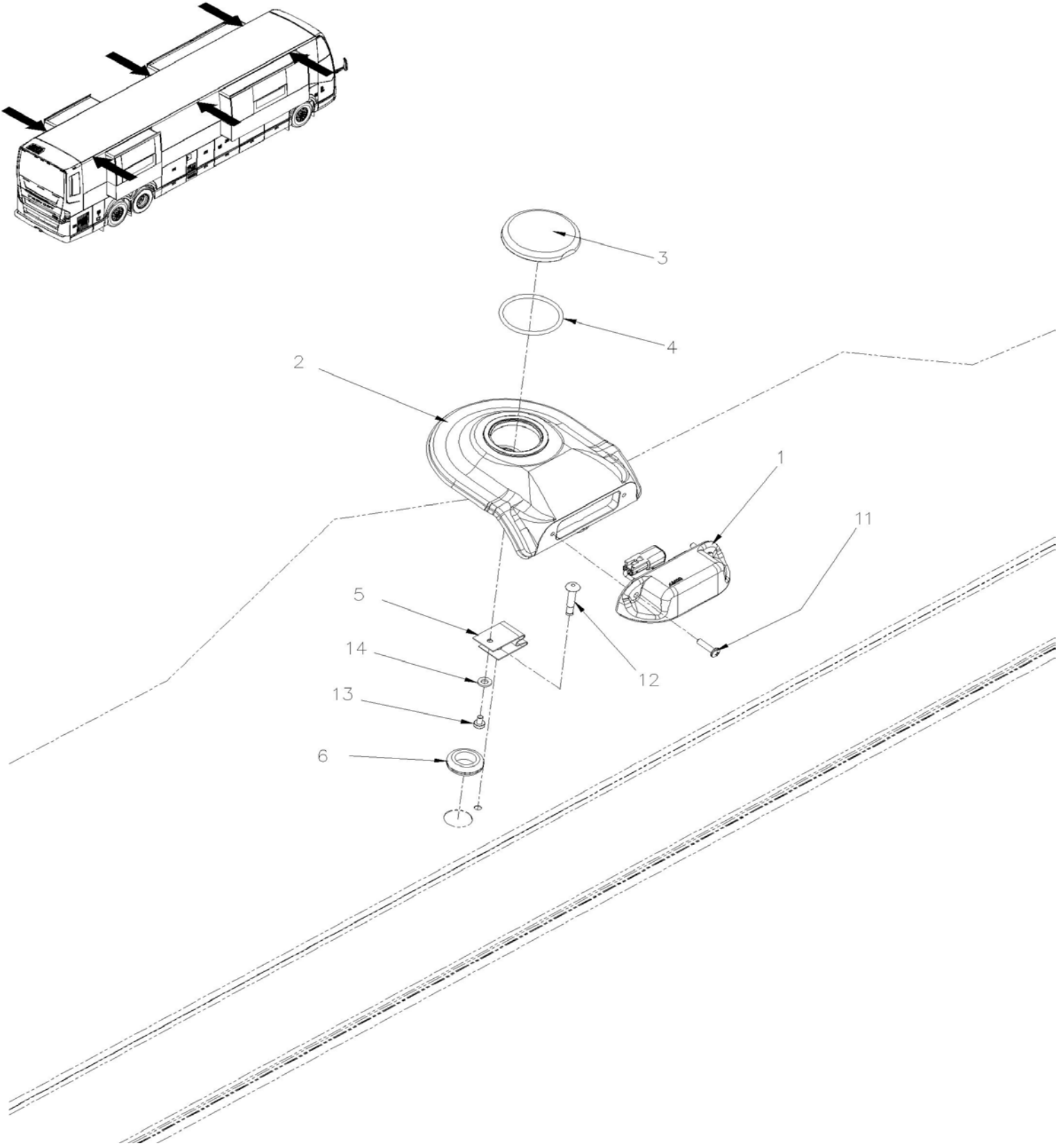
| | | |
|------------------------|--------------|------------------|
| | Date:07/2024 | PAGE:VIP-0663-01 |
| DOCK & CORNERING LIGHT | | |



| | | | |
|-----------------------------------|--|---------------------|-------------------------|
| | | Date:07/2024 | PAGE:VIP-0663-01 |
| DOCK & CORNERING LIGHT | | | |

| Item# | Part | Description | QTY | Notes |
|-------|----------|---|-----|-------|
| 1 | 930429 | SEAL BEAM / 37.5WATT-12V / SAE# H9415 | 2 | |
| 1 | 19515870 | LAMPE RECTANGLE LED 38WATT | 2 | O |
| NS | 430500 | CLOSING PLATE / USE W/LIGHT FIXED ON PANEL | 1 | |
| NS | 506191 | TAPE RUB ADH1 CC POL 1/8" x 1/4" x 50' / GREY 2520X | AR | |
| 2 | 473424 | BEZEL | 2 | |
| 2 | 479044 | BEZEL | 2 | O |
| 3 | 5001712 | SCREW MA FL PH M4-0.7x30 SS | 4 | |
| 4 | 500589 | NUT WELL M4-0.7x13.5 | 4 | |
| 6 | 504062 | GROMMET / .4375x.687x.125x.375x.937 | 2 | |
| NS | 681095 | GREASE "NYOGEL" ELECTRICAL / 1.1 LBS | AR | |
| NS | 680532 | SEALANT SIKA #221 / GREY / 310ml CARTRIDGE | AR | |
| NS | 684685 | ADHESIVE SIMSON #SR 70-03 / 310ml CARTRIDGE | AR | |
| | | | | |
| | | | | |
| | | | | |
| | | O) OPTION LED | | |

| | | |
|--------------------------|--------------|------------------|
| | Date:07/2024 | PAGE:VIP-0663-30 |
| PERIMETER LIGHTS ON ROOF | | |



| | | | |
|---------------------------------|--|---------------------|-------------------------|
| | | Date:07/2024 | PAGE:VIP-0663-30 |
| PERIMETER LIGHTS ON ROOF | | | |

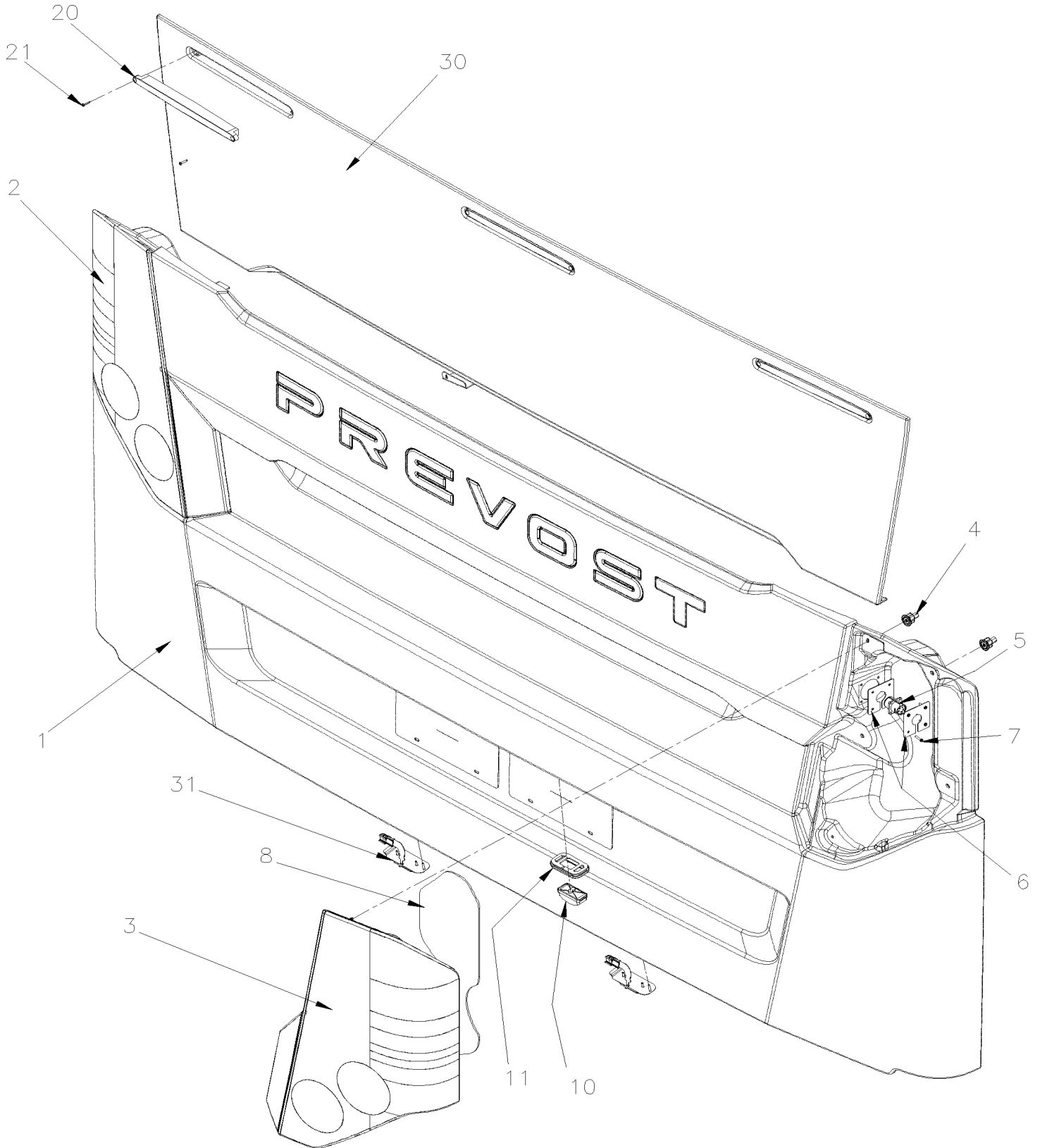
| Item# | Part | Description | QTY | Notes |
|--------------|-------------|--|------------|--------------|
| 1 | 930051 | SEALED LAMP LED / 8-32V | 1 | |
| NS | 0600160 | POWER HARNESS PERIMETER LIGHTS | 1 | |
| NS | 0600161 | PERIMETER LIGHTS HARNESS | 2 | |
| NS | 509815 | TIE MOUNT / ATTACHMENT W/TREE MOUNT | 6 | |
| NS | 504273 | CABLE TIE / 1/8" X 3"1/2 | 6 | |
| 2 | 430101 | PERIMETER LIGHT HOLDER | 6 | |
| NS | 685387 | GLUE MS POLYMER TEROSON MS 9399 / 400ml CARTRIDGE | AR | |
| NS | 684685 | ADHESIVE SIMSON #ISR 70-03 / 310ml CARTRIDGE | AR | |
| NS | 506785 | TAPE RUB ADH2 CC POL 1/16" X 1/4" X 200' / BLACK I1C-N-A | AR | |
| 3 | 491549 | PLUG, SUPPORT ACCESS " BRIGADE" | 6 | |
| 4 | 507022 | O-RING 1.984 ID x 2.262 OD x 0.139 W | 6 | |
| 5 | 491848 | RETAINING STRAP | 6 | |
| 6 | 504066 | GROMMET / .687x1.000x.062x.375x1.312 | 6 | |
| 11 | 502746 | SCREW MA PAN PH M5-0.8x20 SS BK | 12 | |
| 12 | 504787 | RIVET CHY MONOLOK PRDG 1/4x5/8 ZP | 6 | |
| 13 | 5001377 | SCREW MA PAN PH M5-0.8x8 SS | 6 | |
| 14 | 502573 | WASHER FL 6.4x12.5x1.6 SS | 6 | |

From K-0295

Date:07/2024

PAGE:VIP-0664-01

REAR EXTERIOR LIGHTS & PLATE HOLDER



| | | | |
|-------------|--|--------------|------------------|
| From K-0295 | | Date:07/2024 | PAGE:VIP-0664-01 |
|-------------|--|--------------|------------------|

REAR EXTERIOR LIGHTS & PLATE HOLDER

| Item# | Part | Description | QTY | Notes |
|-------|-------------|--|-----|-------|
| 1 | VIP-1870-01 | ENGINE DOOR ASSY | | |
| 2 | 930432 | LAMP ASSY L.H. ENGINE DOOR To P-1401 | 1 | |
| NS | 930435 | DIRECTIONAL LED MODULES To P-1401 | 1 | |
| NS | 930436 | STOP & TAIL LED MODULE To P-1401 | 2 | |
| NS | 564175 | BULB / 16WATT-12VOLTS / SAE# 916 To P-1401 | 1 | |
| NS | 930438 | WIRE HARNESS W/CAP SEAL L.H. To P-1401 | 1 | |
| 2 | 930041 | LAMP ASSY L.H. ENGINE DOOR ACRYLIC From P-1402 To R-1889 | 1 | |
| NS | 930435 | DIRECTIONAL LED MODULES From P-1402 To R-1889 | 1 | |
| NS | 930436 | STOP & TAIL LED MODULE From P-1402 To R-1889 | 2 | |
| NS | 564175 | BULB / 16WATT-12VOLTS / SAE# 916 From P-1402 To R-1889 | 1 | |
| NS | 930438 | WIRE HARNESS W/CAP SEAL L.H. From P-1402 To R-1889 | 1 | |
| 2 | 930056 | TAIL LIGHT - ENGINE DOOR - LEFT SIDE From R-1890 | 1 | |
| NS | 930435 | DIRECTIONAL LED MODULES From R-1890 | 1 | |
| NS | 930436 | STOP & TAIL LED MODULE From R-1890 | 2 | |
| NS | 564175 | BULB / 16WATT-12VOLTS / SAE# 916 From R-1890 | 1 | |
| NS | 930438 | WIRE HARNESS W/CAP SEAL L.H. From R-1890 | 1 | |
| 2 | 930041 | LAMP ASSY L.H. ENGINE DOOR ACRYLIC To P-1401 | 1 | A |
| NS | 930435 | DIRECTIONAL LED MODULES To P-1401 | 1 | A |
| NS | 930436 | STOP & TAIL LED MODULE To P-1401 | 2 | A |
| NS | 564175 | BULB / 16WATT-12VOLTS / SAE# 916 To P-1401 | 1 | A |
| NS | 930438 | WIRE HARNESS W/CAP SEAL L.H. To P-1401 | 1 | A |
| 3 | 930433 | LAMP ASSY R.H. ENGINE DOOR To P-1401 | 1 | |
| NS | 930435 | DIRECTIONAL LED MODULES To P-1401 | 1 | |
| NS | 930436 | STOP & TAIL LED MODULE To P-1401 | 2 | |
| NS | 564175 | BULB / 16WATT-12VOLTS / SAE# 916 To P-1401 | 1 | |
| NS | 930437 | WIRE HARNESS W/CAP SEAL R.H. To P-1401 | 1 | |
| 3 | 930044 | LAMP ASSY R.H. ENGINE DOOR ACRYLIC From P-1402 To R-1889 | 1 | |
| NS | 930435 | DIRECTIONAL LED MODULES From P-1402 To R-1889 | 1 | |
| NS | 930436 | STOP & TAIL LED MODULE From P-1402 To R-1889 | 2 | |
| NS | 564175 | BULB / 16WATT-12VOLTS / SAE# 916 From P-1402 To R-1889 | 1 | |
| NS | 930437 | WIRE HARNESS W/CAP SEAL R.H. From P-1402 To R-1889 | 1 | |
| 3 | 930063 | TAIL LIGHT - ENGINE DOOR - RIGHT SIDE From R-1890 | 1 | |
| NS | 930435 | DIRECTIONAL LED MODULES From R-1890 | 1 | |
| NS | 930436 | STOP & TAIL LED MODULE From R-1890 | 2 | |
| NS | 564175 | BULB / 16WATT-12VOLTS / SAE# 916 From R-1890 | 1 | |
| NS | 930437 | WIRE HARNESS W/CAP SEAL R.H. From R-1890 | 1 | |
| 3 | 930044 | LAMP ASSY R.H. ENGINE DOOR ACRYLIC To P-1401 | 1 | A |
| NS | 930435 | DIRECTIONAL LED MODULES To P-1401 | 1 | A |
| NS | 930436 | STOP & TAIL LED MODULE To P-1401 | 2 | A |
| NS | 564175 | BULB / 16WATT-12VOLTS / SAE# 916 To P-1401 | 1 | A |
| NS | 930437 | WIRE HARNESS W/CAP SEAL R.H. To P-1401 | 1 | A |
| 4 | 491237 | NUT WING / PLASTIC M6-1.0 x 23 | 10 | |

| | | | |
|-------------|--|--------------|------------------|
| From K-0295 | | Date:07/2024 | PAGE:VIP-0664-01 |
|-------------|--|--------------|------------------|

REAR EXTERIOR LIGHTS & PLATE HOLDER

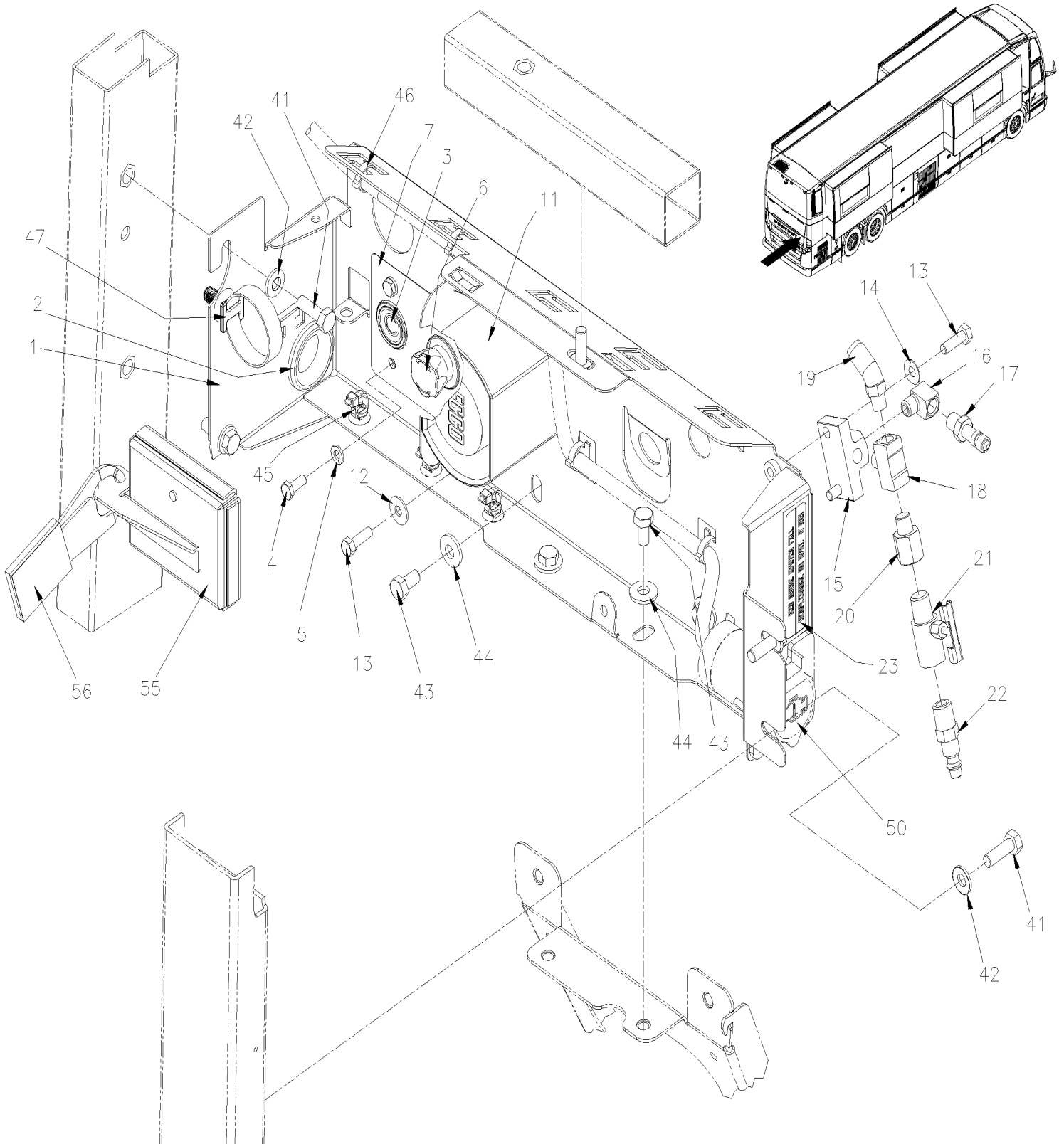
| Item# | Part | Description | QTY | Notes |
|-------|--------------------|--|-----|-------|
| 5 | 060748 | CABLE ASSY LAMP / REAR ENGINE DOOR | 1 | |
| NS | 564108 | SELF MOUNTING STUD // DEUTSCH 1011-310-0205 | 2 | |
| 6 | 289679 | PLATE CONNECTOR RETAINER TYPE 16 70MMx70MM W/SLOT SS | 4 | |
| 7 | 5001040 | SCREW TC PAN PH #6-32x3/4 SS | 8 | |
| 8 | 289813 | INSULATION / BACK REAR LAMP | 2 | |
| 10 | 930368 | SEAL LEDS / W/CONNECTOR LEDS - 12VOLTS | 2 | |
| NS | 12015378 | CONNECTOR / WEATHER PACK / SH 2C / GRAY / PED 12015378 | 1 | |
| NS | N.P.N. | SEAL LEDS / W/CONNECTOR | | 4 |
| NS | 562348 | CONNECTOR / WEATHER PACK / PH 2C / GRAY / PED 12034074 | 1 | |
| NS | 561786 | CABLE SEAL / GRAY / PED 15324980 | 2 | |
| NS | 561568 | PIN TERMINAL / 16-14 / PED 12089305 | 2 | |
| 11 | 930408 | GROMMET RUBBER RETAINER / LICENCE LAMP TL 150702 | 2 | |
| 12 | 502556 | WASHER FL 4.3x9.0x0.8 SS | 16 | |
| 13 | 5001547 | SCREW PTR TR PH M4x20 G500 | 16 | |
| 20 | 930330 | CYCLOP LAMP | 3 | |
| NS | 930353 | CAP PLUG SCREW | 2 | |
| 20 | 060745 | CABLE ASSY DPF DOOR LIGHTS To P-1347 | 1 | |
| 20 | 0600046 | CABLE ASSY DPF DOOR LIGHTS From P-1348 | 1 | |
| 20 | 504448 | CABLE CLIP 1/4" / ADHESIVE | 1 | |
| 21 | 502665 | SCREW TP OV PH #6x3/4 SS EMN | 2 | |
| 30 | VIP-1870-21 | REAR ENGINE UPPER DOOR To P-1347 | | |
| 30 | VIP-1870-22 | REAR ENGINE UPPER DOOR From P-1348 | | |
| 31 | VIP-0665-11 | SWITCHES, LIGHTS, AJAR - UNDER FLOOR & ENGINE COMPARTMENT To P-1347 | | |
| 31 | VIP-0665-12 | SWITCHES, LIGHTS, AJAR - UNDER FLOOR & ENGINE COMPARTMENT From P-1348 | | |
| | | | | |
| | | | | |
| | | A) ACRYLIC OPTION | | |
| | | 4) NO PARTS NUMBER | | |

From K-0295

Date:07/2024

PAGE:VIP-0665-02

ENGINE COMPARTMENT - ELECTRIC COMPONENTS



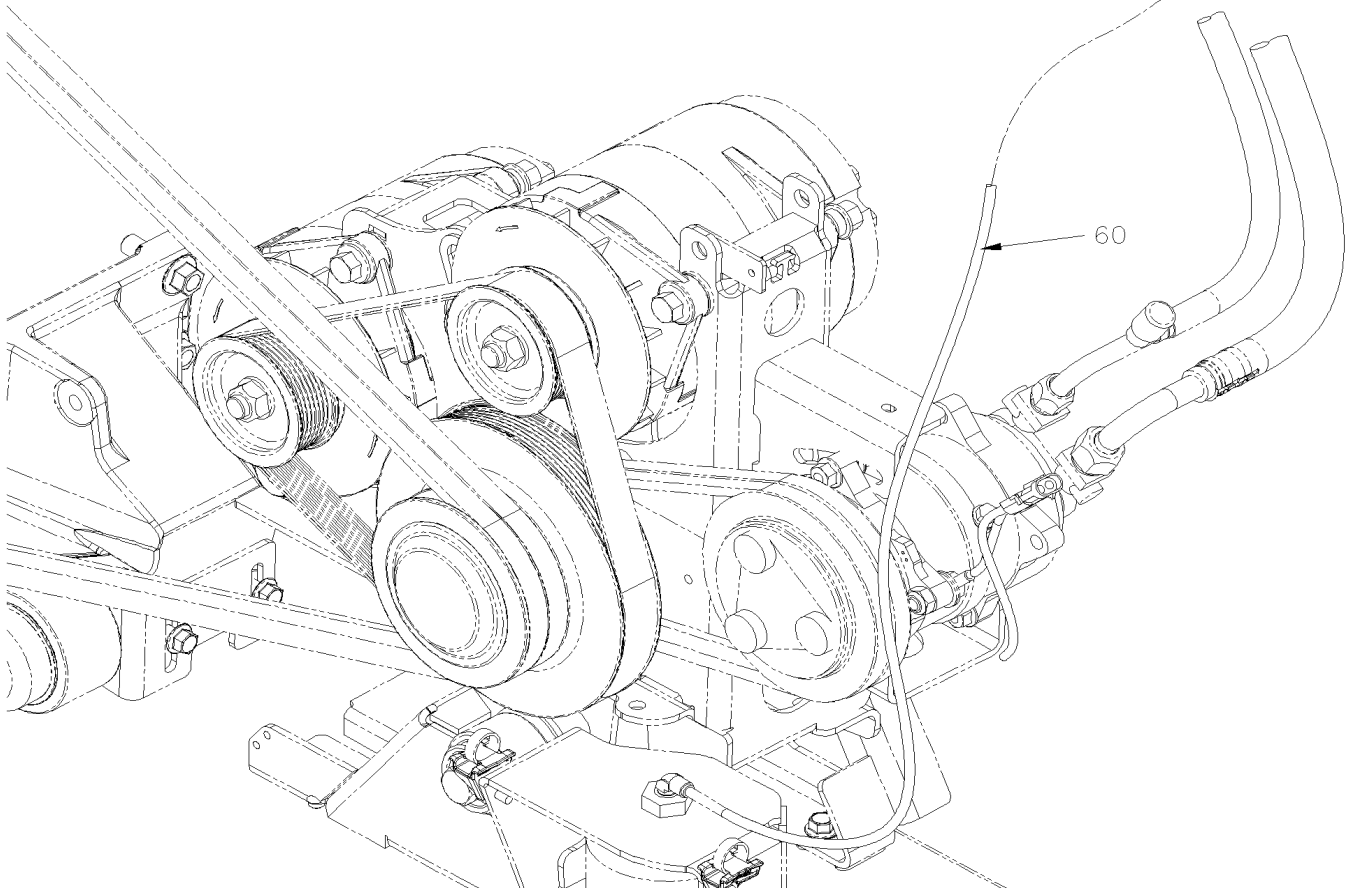
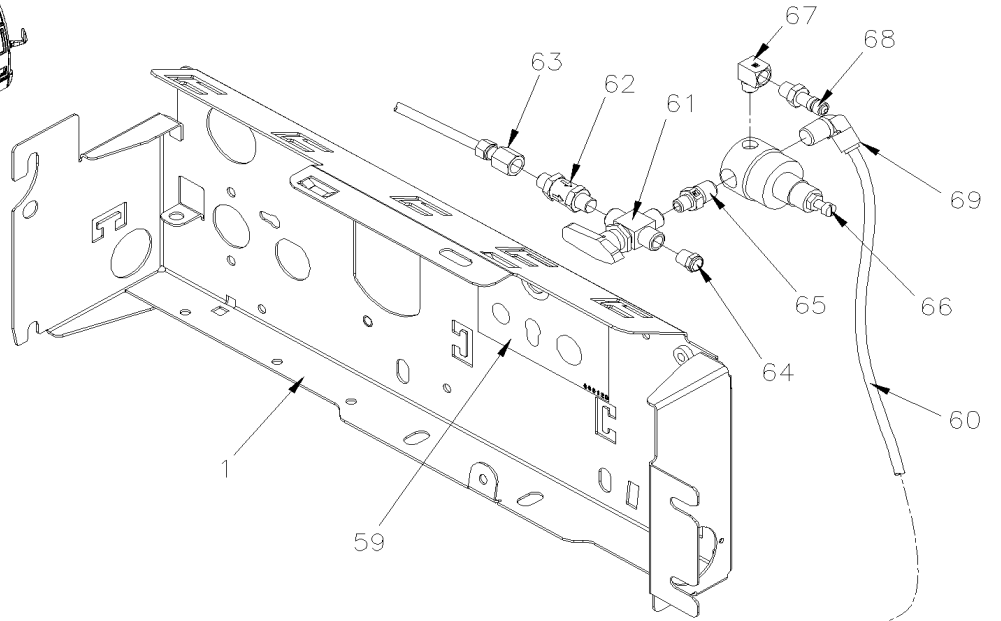
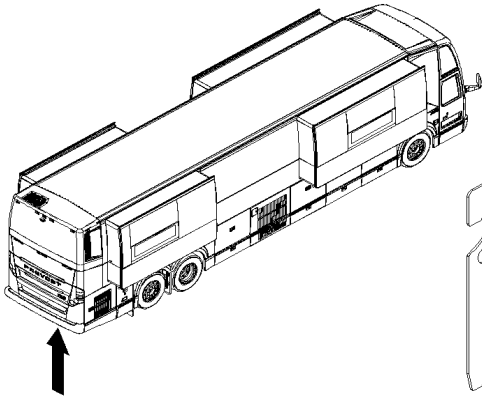
From K-0295

Date:07/2024

PAGE:VIP-0665-02

ENGINE COMPARTMENT - ELECTRIC COMPONENTS

WITH "VOLTA" ALTERNATOR OPTION



| | | | |
|---|--|--------------|------------------|
| From K-0295 | | Date:07/2024 | PAGE:VIP-0665-02 |
| ENGINE COMPARTMENT - ELECTRIC COMPONENTS | | | |

| Item# | Part | Description | QTY | Notes |
|-------|--------------------|--|-----|-------|
| 1 | 380103 | SUPPORT ACCESSORIES To K-0772 | 1 | |
| 1 | 380124 | SUPPORT ACCESSORIES WITH VOLTA | 1 | A |
| 1 | 380255 | SUPPORT ACCESSORIES From K-0773 | 1 | |
| 2 | 504398 | GROMMET / 1.000x1.375x.062x.437x1.750 | 1 | |
| 3 | 560013 | PUSH BUTTON / GREEN WHITH LED, TS SERIES | 1 | |
| 4 | 5001530 | SCREW CAP HEX M6-1.0x16 SS | 2 | |
| 5 | 502570 | WASHER LO SPT 6.1x11.8x1.6 SS | 2 | |
| 6 | 560259 | ENGINE SHUT DOWN SWITCH | 1 | |
| 7 | 061219 | DECAL REAR ENGINE START | 1 | |
| 11 | 563199 | BACK-UP ALARM "ECCO" / 12-36vdc / 107db | 1 | |
| 12 | 5001833 | WASHER BEL SPR 6.1x18x1.27 SS | 2 | |
| 13 | 502622 | SCREW CAP HEX M6-1.0x20 SS BK | 4 | |
| 14 | 5001608 | WASHER BEL SPR 6.2x15.0x0.7 G500 | 2 | |
| 15 | 642021 | DROP-EAR ELBOW 90° / PIPE FITTING / 1/8NPT-F BR | 1 | |
| 16 | 501331 | STREET ELBOW 90° / PIPE FITTING / 1/8NPT-Mx1/8NPT-F BR | 1 | |
| 17 | 640488 | VALVE, AIR FILL 1/8" NPT | 1 | |
| . NS | 650164 | . CAP VALVE / CHROME | 1 | |
| 18 | 507589 | MALE BRANCHE TEE / PIPE FITTING / 1/8NPT-Fx1/8NPT-Fx1/8NPT-M BR | 1 | |
| 19 | 641365 | MALE ELBOW 45° NON-SWIVEL / PUSH-IN FITTING / #4x1/8NPT-M BR To N-1181 | 1 | |
| 19 | 641242 | MALE CONNECTOR / PUSH-IN FITTING / #4x1/8NPT-M BR From N-1182 | 1 | |
| 20 | 501310 | ADAPTER / PIPE FITTING / 1/4NPT-Fx1/8NPT-M BR | 1 | |
| 21 | 5011129 | NEEDLE VALVE 1/4 NPT M x 1/4 NPT F | 1 | |
| 22 | 684613 | NIPPLE / QUICK DISCONNECT "INDUSTRIAL" / #4x1/4NPT-M STL | 1 | |
| 23 | 140381 | DECAL / "AIR BRAKE SYSTEM FILL" // ENGLISH & FRANCAIS | 1 | |
| 23 | 142369 | DECAL / "AIR BRAKE SYSTEM FILL" // ENGLISH & SPANISH | 1 | |
| 41 | 502780 | SCREW CAP HEX M8-1.25x25 SS BK | 5 | |
| 42 | 5001868 | WASHER BEL SPR 8.4x18x2 SS | 5 | |
| 43 | 5001527 | SCREW CAP HEX M8-1.25x16 SS BK | 4 | |
| 44 | 5001848 | WASHER BEL SPR .827 x .331 x .098 th SS | 4 | |
| 45 | 8631155 | CABLE TIE / 4.6MM x 200 / CHRISTMAS TREE | AR | |
| 46 | 504637 | CABLE TIE / 3/16" x 13" | AR | |
| 47 | 504750 | CABLE TIE / 1/2" x 15" / CHRISTMAS TREE | 1 | |
| 50 | VIP-0666-00 | BLOCK HEATER RECEPTACLE | | |
| | | | | |
| 55 | G35890 | LOCKING BOX ASSEMBLY | 1 | |
| 56 | N.S.P. | PADLOCK | 1 | 2 |
| | | | | |
| 59 | 069129 | DECAL / "MOTOR SWITCH REGULATOR" / 30PSI / W/2 SWITCHES To K-0574 | 1 | A |
| 59 | 0610100 | DECAL / "MOTOR SWITCH REGULATOR" / 65PSI From K-0575 To M-1112 | 1 | A |
| 59 | 0610385 | DECAL / "MOTOR SWITCH REGULATOR" / 30PSI From M-1113 | 1 | A |
| 60 | 503402 | TUBE, NYLON 1/4 O.D. / BLACK S.L. | 1 | A |
| 61 | 642161 | VALVE, 3 WAYS 1/8NPT-Fx1/8NPT-Fx1/8NPT-F BR | 1 | A |

| | | |
|---|--------------|------------------|
| From K-0295 | Date:07/2024 | PAGE:VIP-0665-02 |
| ENGINE COMPARTMENT - ELECTRIC COMPONENTS | | |

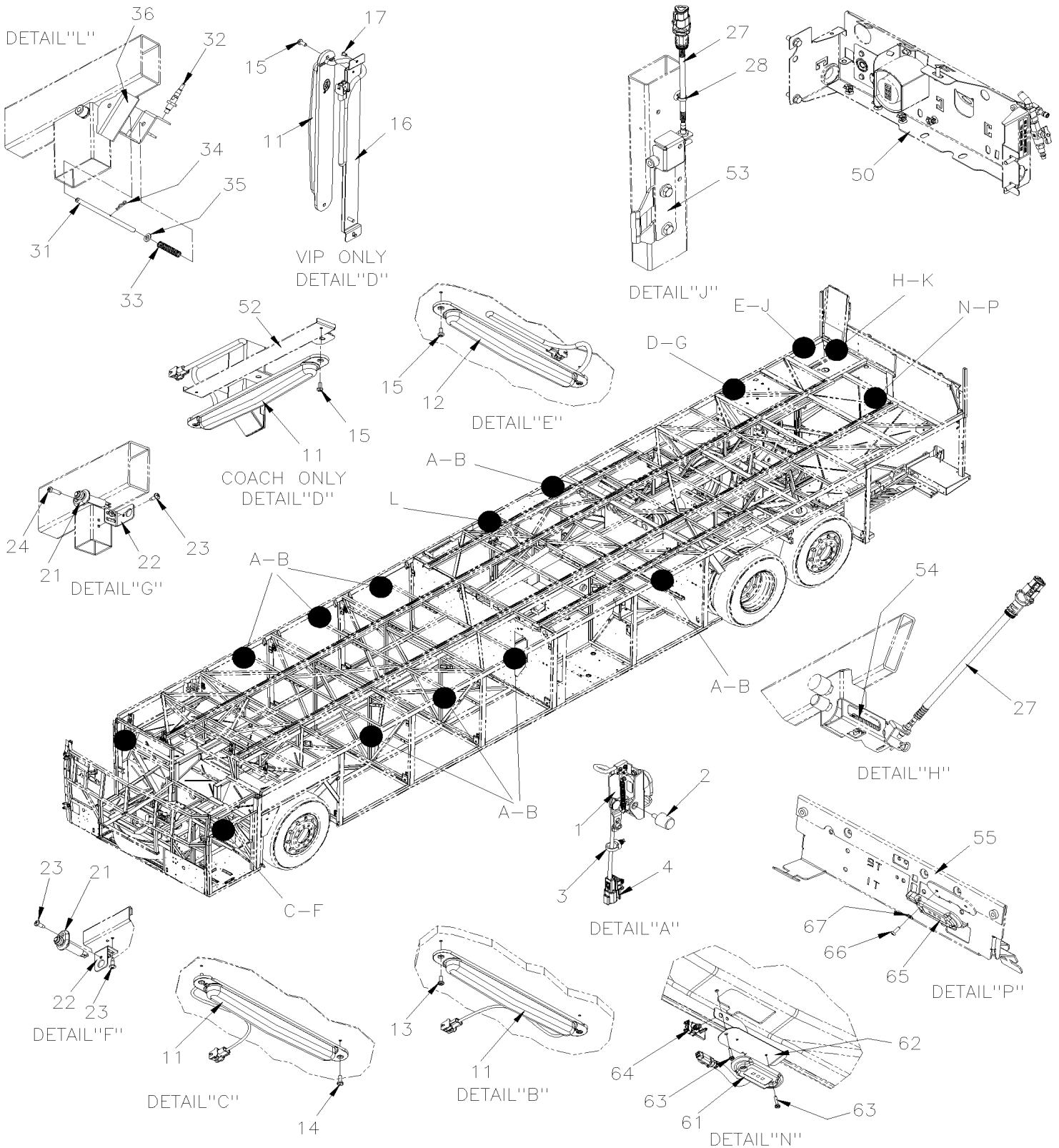
| Item# | Part | Description | QTY | Notes |
|-------|--------------------|---|-----|-------|
| . NS | 642014 | . HANDLE / RED | 1 | A |
| 62 | 530175 | VALVE, CHECK 1/8 NPT | 1 | A |
| 63 | 641013 | FEMALE CONNECTOR / NTA FITTING / #4x1/8NPT-F BR | 1 | A |
| 64 | 641943 | SILENCER / MUFFLER / 1/8NPT-M | 1 | A |
| 65 | 501650 | NIPPLE REDUCER HEX / PIPE FITTING / 1/4NPT-Mx1/8NPT-Mx1 3/16 BR | 1 | A |
| 66 | 641472 | AIR PRESSURE REGULATOR 1/4" NPT / COPPER | 1 | A |
| 67 | 501331 | STREET ELBOW 90° / PIPE FITTING / 1/8NPT-Mx1/8NPT-F BR | 1 | A |
| 68 | 640488 | VALVE, AIR FILL 1/8" NPT | 1 | A |
| . NS | 650164 | . CAP VALVE / CHROME | 1 | A |
| 69 | 641371 | MALE ELBOW 90° NON-SWIVEL / PUSH-IN FITTING / #4x1/4NPT-M BR | 1 | A |
| 70 | VIP-2245-60 | A/C COMPRESSOR SMALL - INSTALLATION WITH "VOLTA" ALTERNATOR | | A |
| | | | | |
| | | | | |
| | | A) USE WITH WITH "VOLTA" ALTERNATOR" OPTION | | |
| | | 2) NOT SOLD BY PREVOST (SEE MANUFACTURING PART NUMBER AT END OF DESCRIPTION LINE) | | |

From K-0295 To P-1347

Date:07/2024

PAGE:VIP-0665-11

SWITCHES, LIGHTS, AJAR - UNDER FLOOR & ENGINE COMPARTMENT



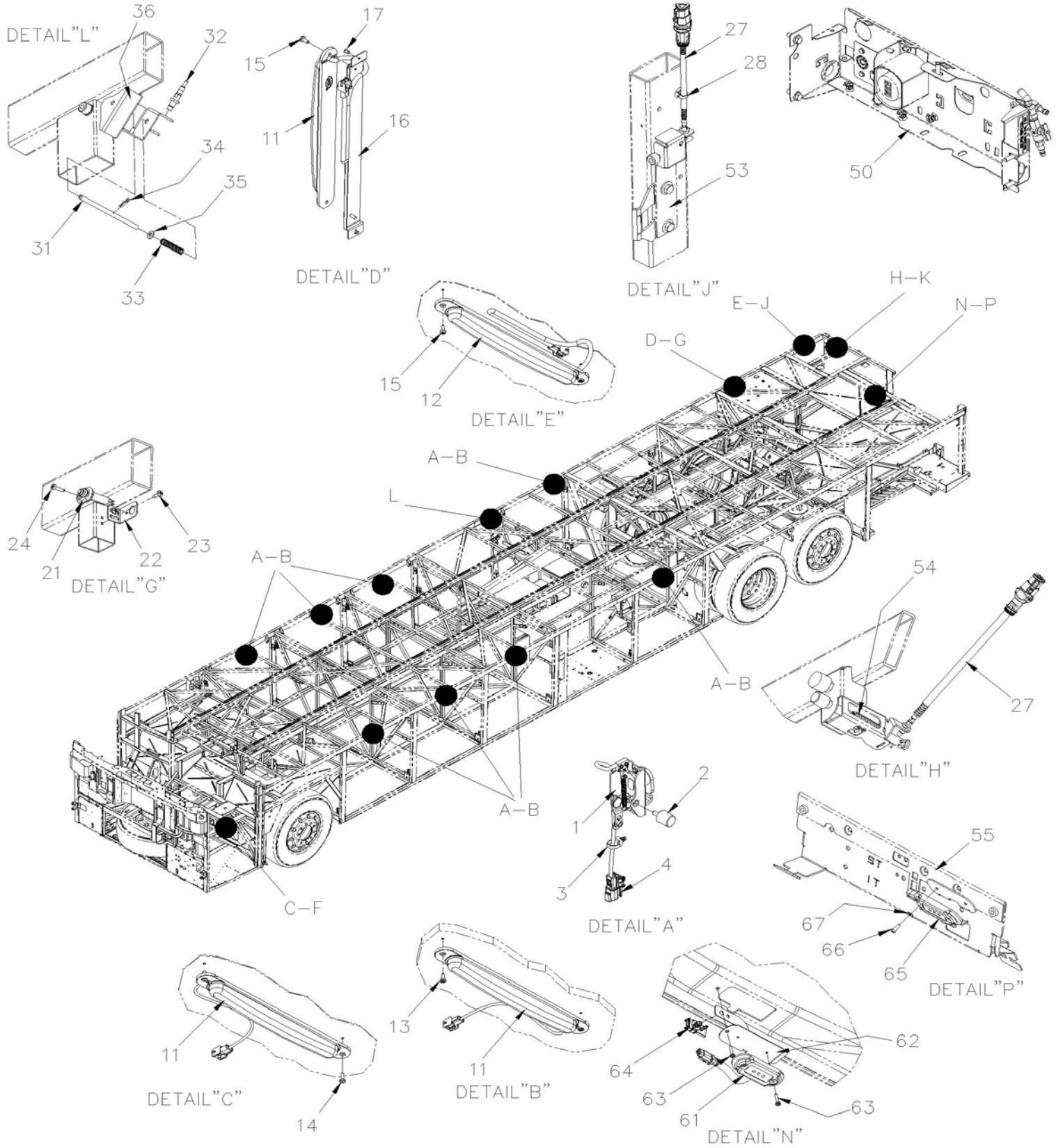
| | | |
|--|--------------|------------------|
| From K-0295 To P-1347 | Date:07/2024 | PAGE:VIP-0665-11 |
| SWITCHES, LIGHTS, AJAR - UNDER FLOOR & ENGINE COMPARTMENT | | |

| Item# | Part | Description | QTY | Notes |
|-------|--------------------|---|-----|-------|
| 1 | 564272 | LOCK SPAGNOLET R.H. / WITH SWITCH BAGGAGE COMPARTMENT ONLY | 8 | |
| . NS | 565205 | . MICRO SWITCH | 1 | |
| . NS | 563864 | . HARDWARES FOR SWITCH | 1 | |
| 2 | 504454 | BUMPER RUBBER BOLT / 20MM ODx20MM TH X M6X15MM STUD | 8 | |
| 3 | 509815 | TIE MOUNT / ATTACHMENT W/TREE MOUNT | AR | |
| 3 | 504637 | CABLE TIE / 3/16" x 13" | AR | |
| 4 | 564108 | SELF MOUNTING STUD // DEUTSCH 1011-310-0205 | 1 | |
| 11 | 830008 | LAMP ASSY 24V / LED | 10 | |
| . NS | 561248 | . CONNECTOR / UNIVERSAL MATE-N-LOK / PH 2C / AMP 1-480699-0 | 1 | |
| 12 | 830009 | LAMP ASSY 24V / LED | 1 | |
| . NS | 563589 | . CONNECTOR / DTM SERIES / SH 2C / GRAY / DEUTSCH DTM06-2S-E007 | 1 | |
| 13 | 500443 | SCREW TP PAN PH #8x1/2 N500 | 16 | |
| 14 | 500965 | SCREW TC BDG PH #8-32x1/2 N500 | 2 | |
| 15 | 500799 | SCREW TC PAN PH #8-32x3/8 N500 | 4 | |
| 16 | 061441 | LAMP SUPPORT | 1 | |
| 17 | 504340 | RIVET POP DOME OE 1/8x3/16 SS | 2 | |
| 21 | 563464 | SWITCH / S.P.S.T. / N.C. / W/RUBBER BOOT | 2 | |
| 22 | 066638 | SWITCH SUPPORT | 2 | |
| 23 | 502868 | SCREW TC TR PH #10-16x1/2 N500 | 5 | |
| 24 | 500623 | SCREW TC PAN PH #10-24x3/4 N500 | 1 | |
| 27 | 068076 | SWITCH PROXIMITY WITH LED ASSY | 2 | |
| . NS | 564176 | . SWITCH PROXIMITY / S.P.D.T. / W/3 WIRES W/LED | 1 | |
| 28 | 8631155 | CABLE TIE / 4.6MM x 200 / CHRISTMAS TREE | 1 | |
| 31 | 289015 | ROD, SWITCH | 1 | J |
| 32 | 068076 | SWITCH PROXIMITY WITH LED ASSY | 1 | J |
| . NS | 564176 | . SWITCH PROXIMITY / S.P.D.T. / W/3 WIRES W/LED | 1 | J |
| 33 | 5021001 | SPRING COMPRESSION / .360 O.D. x 1.5 x .038 | 1 | J |
| 34 | 5001860 | PIN HITCH CLIP .054 x 3/4 SS | 1 | J |
| 35 | 502573 | WASHER FL 6.4x12.5x1.6 SS | 1 | J |
| 36 | 289014 | SUPPORT / SWITCH | 1 | |
| 50 | VIP-0665-02 | ENGINE COMPARTMENT - ELECTRIC COMPONENTS | | |
| 51 | VIP-1864-00 | BAGGAGE COMPARTMENT DOOR | | |
| 52 | VIP-0615-10 | BATTERIES COMPARTMENT - INSTALLATION | | |
| 53 | VIP-1868-01 | A/C COMPRESSOR DOOR ASSY | | |
| 54 | VIP-1870-11 | REAR ENGINE DOOR - INSTALLATION | | |
| 55 | VIP-0405-02 | MUFFLER - INSTALLATION WITH DPF & SCR WITH VOLVO D13 | | |
| 56 | VIP-1862-51 | ENTRANCE DOOR ASSY - V.I.P. | | |

| | | |
|--|--------------|------------------|
| From K-0295 To P-1347 | Date:07/2024 | PAGE:VIP-0665-11 |
| SWITCHES, LIGHTS, AJAR - UNDER FLOOR & ENGINE COMPARTMENT | | |

| Item# | Part | Description | QTY | Notes |
|-------|---------|---|-----|-------|
| 61 | 563845 | LAMP ASSY 24V / W/LEDS | 2 | S |
| . NS | 563589 | . CONNECTOR / DTM SERIES / SH 2C / GRAY / DEUTSCH DTM06-2S-E007 | 1 | S |
| 62 | 287678 | SUPPORT LAMP | 2 | S |
| 63 | 5001040 | SCREW TC PAN PH #6-32x3/4 SS | 6 | S |
| 64 | 564108 | SELF MOUNTING STUD // DEUTSCH 1011-310-0205 | 2 | S |
| 65 | 563845 | LAMP ASSY 24V / W/LEDS | 1 | |
| . NS | 563589 | . CONNECTOR / DTM SERIES / SH 2C / GRAY / DEUTSCH DTM06-2S-E007 | 1 | |
| 66 | 5001676 | . SCREW MA PAN PH M4-0.7x12 MAGNI 565 | 2 | |
| 67 | 502556 | . WASHER FL 4.3x9.0x0.8 SS | 2 | |
| | | | | |
| | | | | |
| | | J) WITH CURB SIDE FUEL DOOR | | |
| | | S) FIX TO ENGINE DOOR | | |

| | | |
|---|--------------|------------------|
| | Date:07/2024 | PAGE:VIP-0665-12 |
| SWITCHES, LIGHTS, AJAR - UNDER FLOOR & ENGINE COMPARTMENT | | |



SWITCHES, LIGHTS, AJAR - UNDER FLOOR & ENGINE COMPARTMENT

| Item# | Part | Description | QTY | Notes |
|-------|-------------|---|-----|-------|
| 1 | 564272 | LOCK SPAGNOLET R.H. / WITH SWITCH BAGGAGE COMPARTMENT ONLY | 8 | |
| . NS | 565205 | . MICRO SWITCH | 1 | |
| . NS | 563864 | . HARDWARES FOR SWITCH | 1 | |
| 2 | 504454 | BUMPER RUBBER BOLT / 20MM ODx20MM TH X M6X15MM STUD | 8 | |
| 3 | 509815 | TIE MOUNT / ATTACHMENT W/TREE MOUNT | AR | |
| 3 | 504637 | CABLE TIE / 3/16" x 13" | AR | |
| 4 | 564108 | SELF MOUNTING STUD // DEUTSCH 1011-310-0205 | 1 | |
| 11 | 830008 | LAMP ASSY 24V / LED | 10 | |
| . NS | 561248 | . CONNECTOR / UNIVERSAL MATE-N-LOK / PH 2C / AMP 1-480699-0 | 1 | |
| 12 | 830009 | LAMP ASSY 24V / LED | 1 | |
| . NS | 563589 | . CONNECTOR / DTM SERIES / SH 2C / GRAY / DEUTSCH DTM06-2S-E007 | 1 | |
| 13 | 500443 | SCREW TP PAN PH #8x1/2 N500 | 16 | |
| 14 | 500965 | SCREW TC BDG PH #8-32x1/2 N500 | 2 | |
| 15 | 500799 | SCREW TC PAN PH #8-32x3/8 N500 | 4 | |
| 16 | 061441 | LAMP SUPPORT | 1 | |
| 17 | 504340 | RIVET POP DOME OE 1/8x3/16 SS | 2 | |
| 21 | 563464 | SWITCH / S.P.S.T. / N.C. / W/RUBBER BOOT | 1 | |
| 22 | 066638 | SWITCH SUPPORT | 1 | |
| 23 | 502868 | SCREW TC TR PH #10-16x1/2 N500 | 2 | |
| 24 | 500623 | SCREW TC PAN PH #10-24x3/4 N500 | 1 | |
| 27 | 068076 | SWITCH PROXIMITY WITH LED ASSY | 2 | |
| . NS | 564176 | . SWITCH PROXIMITY / S.P.D.T. / W/3 WIRES W/LED | 1 | |
| 28 | 8631155 | CABLE TIE / 4.6MM x 200 / CHRISTMAS TREE | 1 | |
| 31 | 289015 | ROD, SWITCH | 1 | J |
| 32 | 068076 | SWITCH PROXIMITY WITH LED ASSY | 1 | J |
| . NS | 564176 | . SWITCH PROXIMITY / S.P.D.T. / W/3 WIRES W/LED | 1 | J |
| 33 | 5021001 | SPRING COMPRESSION / .360 O.D. x 1.5 x .038 | 1 | J |
| 34 | 5001860 | PIN HITCH CLIP .054 x 3/4 SS | 1 | J |
| 35 | 502573 | WASHER FL 6.4x12.5x1.6 SS | 1 | J |
| 36 | 289014 | SUPPORT / SWITCH | 1 | |
| 50 | VIP-0665-02 | ENGINE COMPARTMENT - ELECTRIC COMPONENTS | | |
| 51 | VIP-1864-00 | BAGGAGE COMPARTMENT DOOR | | |
| 52 | VIP-0615-10 | BATTERIES COMPARTMENT - INSTALLATION | | |
| 53 | VIP-1868-01 | A/C COMPRESSOR DOOR ASSY | | |
| 54 | VIP-1870-11 | REAR ENGINE DOOR - INSTALLATION | | |
| 55 | VIP-0405-03 | MUFFLER - INSTALLATION WITH DPF & SCR WITH VOLVO D13 | | |
| 56 | VIP-1862-52 | ENTRANCE DOOR ASSY - V.I.P. | | |

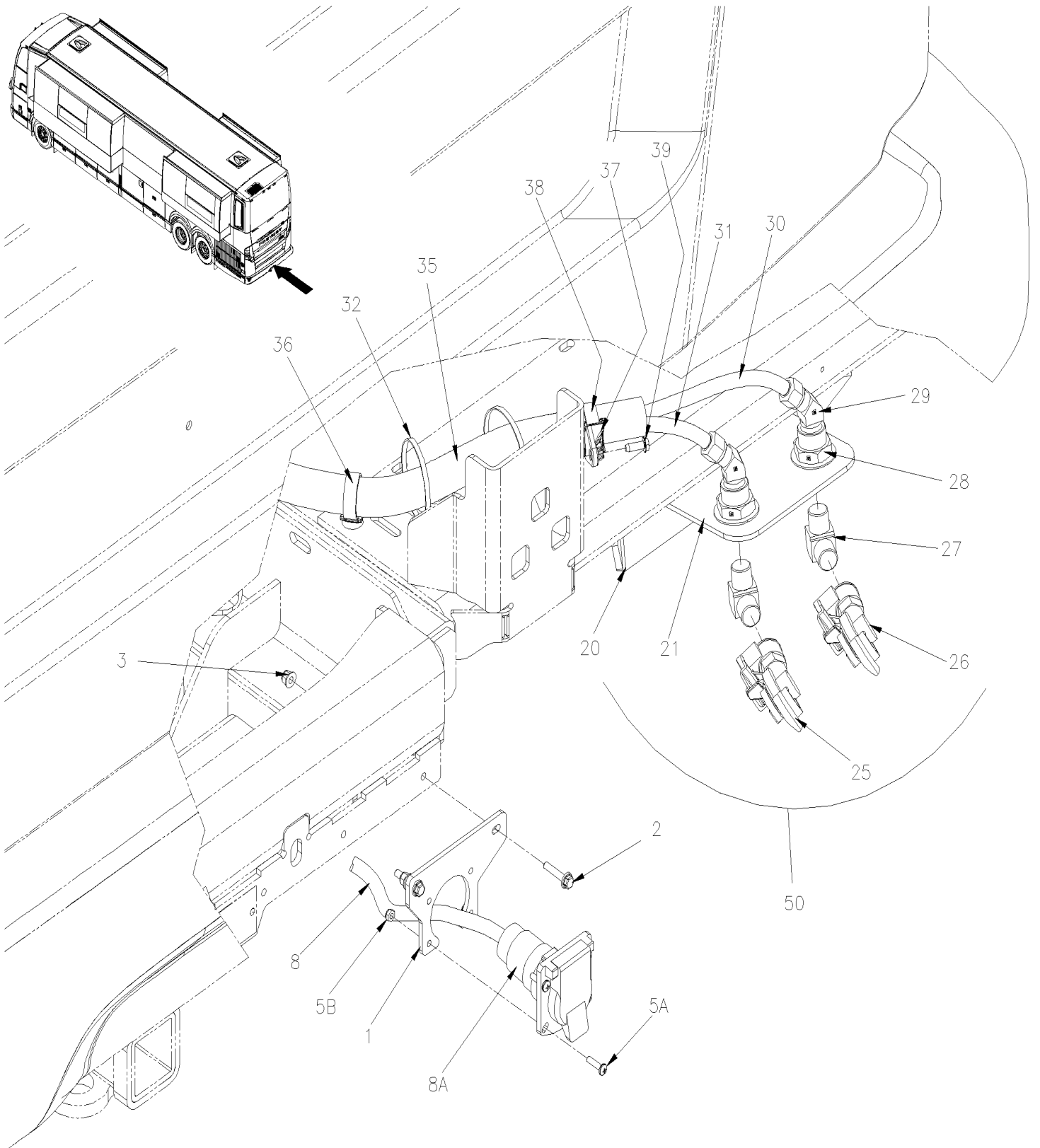
| | | Date:07/2024 | PAGE:VIP-0665-12 | |
|---|---------|---|------------------|-------|
| SWITCHES, LIGHTS, AJAR - UNDER FLOOR & ENGINE COMPARTMENT | | | | |
| Item# | Part | Description | QTY | Notes |
| 61 | 563845 | LAMP ASSY 24V / W/LEDS | 2 | S |
| . NS | 563589 | . CONNECTOR / DTM SERIES / SH 2C / GRAY / DEUTSCH DTM06-2S-E007 | 1 | S |
| 62 | 287678 | SUPPORT LAMP | 2 | S |
| 63 | 5001040 | SCREW TC PAN PH #6-32x3/4 SS | 6 | S |
| 64 | 564108 | SELF MOUNTING STUD // DEUTSCH 1011-310-0205 | 2 | S |
| 65 | 563845 | LAMP ASSY 24V / W/LEDS | 1 | |
| . NS | 563589 | . CONNECTOR / DTM SERIES / SH 2C / GRAY / DEUTSCH DTM06-2S-E007 | 1 | |
| 66 | 5001676 | . SCREW MA PAN PH M4-0.7x12 MAGNI 565 | 2 | |
| 67 | 502556 | . WASHER FL 4.3x9.0x0.8 SS | 2 | |
| | | | | |
| | | | | |
| | | J) WITH CURB SIDE FUEL DOOR | | |
| | | S) FIX TO ENGINE DOOR | | |

From K-0295

Date:07/2024

PAGE:VIP-0665-21

CABLE TRAILER - INSTALLATION

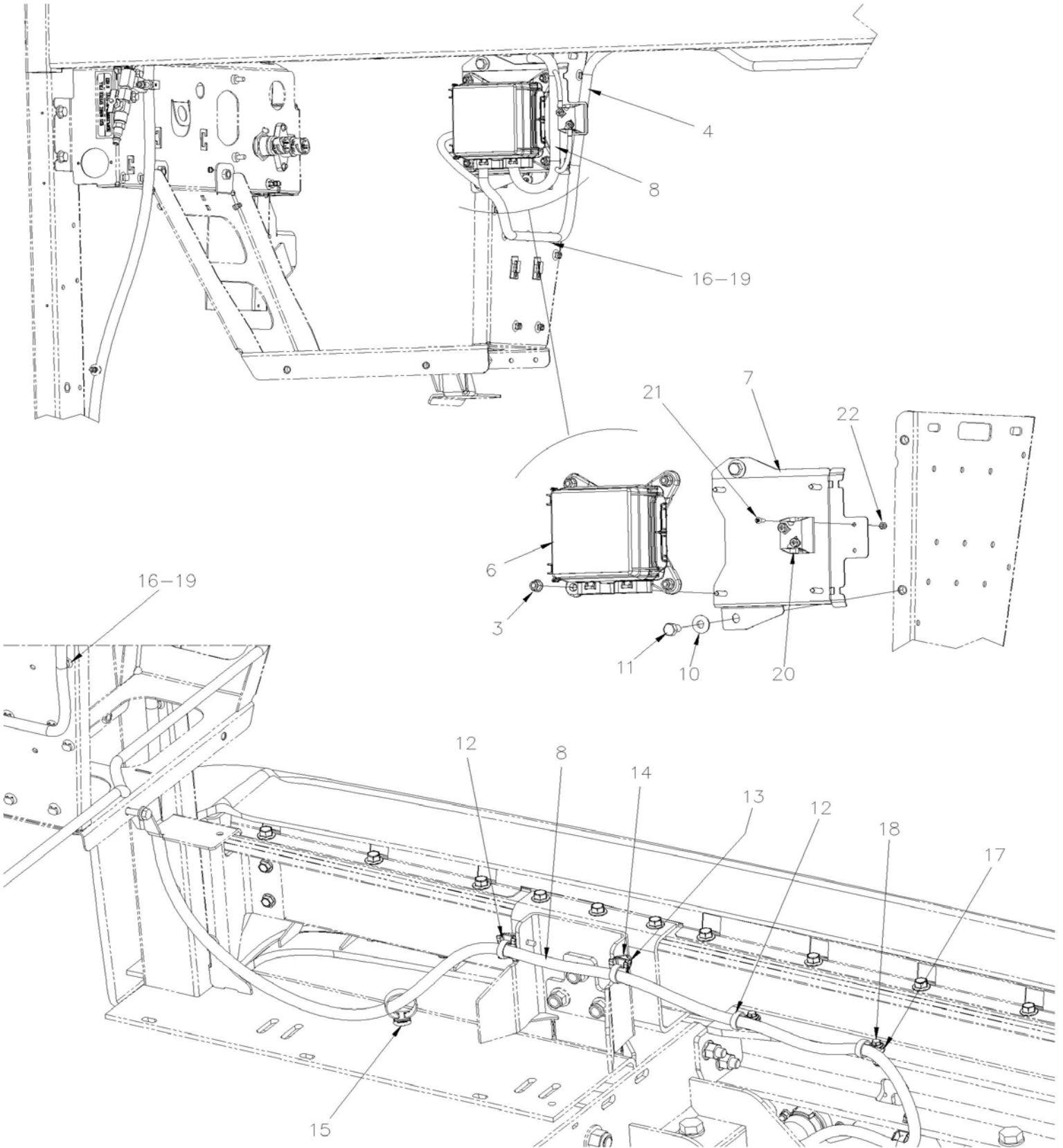


From K-0295

Date:07/2024

PAGE:VIP-0665-21

CABLE TRAILER - INSTALLATION



| | | | |
|-------------------------------------|--|--------------|------------------|
| From K-0295 | | Date:07/2024 | PAGE:VIP-0665-21 |
| CABLE TRAILER - INSTALLATION | | | |

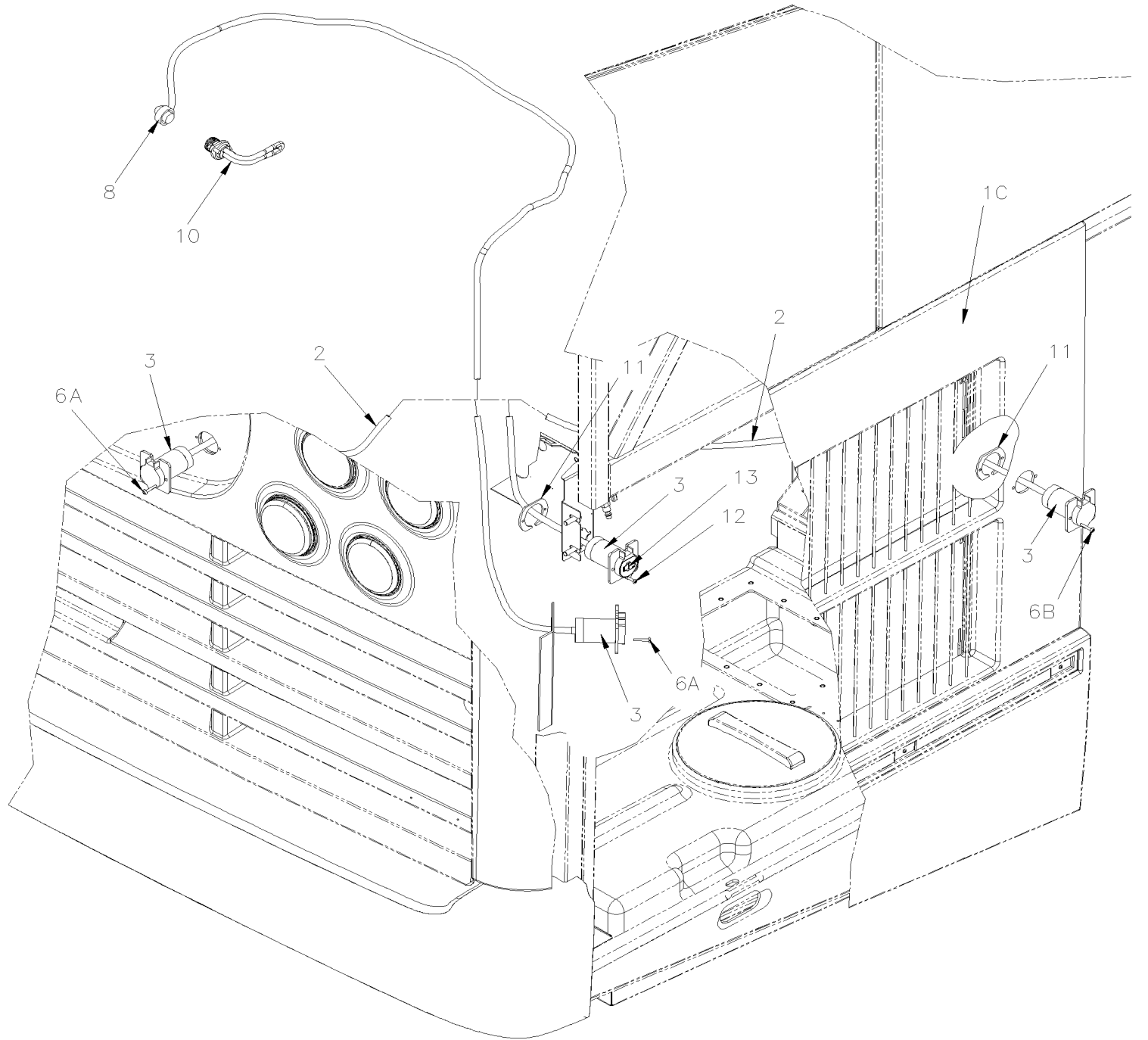
| Item# | Part | Description | QTY | Notes |
|-------|-----------------|---|-----|-------|
| 1 | 410076 | SUPPORT ELECTRICAL CONECTOR | 1 | |
| 2 | 5001815 | SCREW CAP HEXF M6-1.0x30 G 8.8 N500 | 4 | |
| 3 | 5001932 | NUT HEXF NYRT M6-1.0 G8.8 N500 | AR | |
| 4 | 069764 | CABLE ASSY / TRAILER W/ELECTRICAL BRAKE To P-1347 | 1 | |
| 4 | 0600105 | CABLE ASSY / TRAILER W/ELECTRICAL BRAKE From P-1348 | 1 | |
| 5A | 502746 | SCREW MA PAN PH M5-0.8x20 SS BK | 4 | |
| 5B | 5001587 | NUT HEX NYRT M5-0.8 SS | 4 | |
| 6 | 560476 | DVEC DISTRIBUTION MODULE FOR TRAILER W/ELECTRICAL BRAKE | 1 | |
| . NS | 563284 | . FUSE / ATM 15 AMPS BLUE | 1 | |
| . NS | 560490 | . MICRO RELAY 12 VOLTS | 1 | |
| . NS | 564399 | . MINI BREAKER / 20 AMPS / SERIES 233 | 1 | |
| 7 | 061257 | SUPPORT VEC TRAILER To R-1789 | 1 | |
| 7 | 0600202 | SUPPORT VEC TRAILER From R-1790 | 1 | |
| 8 | 069765 | CABLE ASSY / TRAILER W/ELECTRICAL BRAKE CONNECTOR To R-1789 | 1 | |
| . A | 560478 | . TRAILER CONNECTOR 7PINS(BLADES) / RV STYLE To R-1789 | 1 | |
| 8 | 0600203 | CABLE ASSY / TRAILER W/ELECTRICAL BRAKE CONNECTOR From R-1790 | 1 | |
| . A | 560478 | . TRAILER CONNECTOR 7PINS(BLADES) / RV STYLE From R-1790 | 1 | |
| 10 | 5001848 | WASHER BEL SPR .827 x .331 x .098 th SS | 2 | |
| 11 | 5001527 | SCREW CAP HEX M8-1.25x16 SS BK | 2 | |
| 12 | 504016 | CABLE TIE / 5/16" X 14"1/2 To L-0826 | AR | |
| 12 | 5040100 | CABLE TIE /OUTSIDE SERRATED 5/16" X 14"1/2 From L-0827 | AR | |
| 13 | 504610 | RIVET MGLP PRDG 1/4x5/8 SS | 2 | |
| 14 | 504772 | ATTACHMENT USE WITH CABLE TIE 5/16 BOLT | 2 | |
| 15 | 504750 | CABLE TIE / 1/2" x 15" / CHRISTMAS TREE | 4 | |
| 16 | 509815 | TIE MOUNT / ATTACHMENT W/TREE MOUNT | AR | |
| 17 | 509894 | TIE MOUNT HOLE 7.8MM | 3 | |
| 18 | 5001815 | SCREW CAP HEXF M6-1.0x30 G 8.8 N500 | AR | |
| 19 | 504637 | CABLE TIE / 3/16" x 13" | 1 | |
| 20 | 564383 | DIODE SHOTTKY 100V 40AMP From R-1790 | 1 | |
| . NS | Call order desk | . SCREW MA CHE PH M5-0.8 X10 W/WASHER From R-1790 | 1 | P |
| 21 | 5001996 | SCREW MA PAN PH M4-0.7x12 N500 From R-1790 | 2 | |
| 22 | 500539 | NUT HEX NYRT M4-0.7 N500 From R-1790 | 2 | |
| 25 | 641938 | GLANDHAND W/DUST COVER "RED" | 1 | AB |
| 25 | 641957 | GLANDHAND SWING-AWAY "RED" | AR | AB |
| 25 | 644957 | CAP / GLANDHAND SWING-AWAY | 1 | AB |
| 26 | 641939 | GLANDHAND W/DUST COVER "BLUE" | 1 | AB |
| 26 | 641958 | GLANDHAND SWING-AWAY "BLUE" | AR | AB |
| 26 | 644957 | CAP / GLANDHAND SWING-AWAY | 1 | AB |
| 27 | 640992 | MALE CONNECTOR / NTA FITTING / #8x1/2NPT-M BR | 1 | |
| 30 | 503406 | TUBE, NYLON 1/2 O.D. / GREEN S.L. | AR | AB |
| 31 | 503638 | TUBE, NYLON 1/2 O.D. / BROWN S.L. | AR | AB |
| 32 | 504637 | CABLE TIE / 3/16" x 13" | AR | AB |

| | | |
|-------------|--------------|------------------|
| From K-0295 | Date:07/2024 | PAGE:VIP-0665-21 |
|-------------|--------------|------------------|

CABLE TRAILER - INSTALLATION

| Item# | Part | Description | QTY | Notes |
|-------|--------------------|--|-----|-------|
| 35 | 562218 | CONVOLUTED TUBING / UNSLIT / BLACK & GRAY / 1.000" | AR | AB |
| 36 | 504750 | CABLE TIE / 1/2" x 15" / CHRISTMAS TREE | AR | AB |
| NS | 8631155 | CABLE TIE / 4.6MM x 200 / CHRISTMAS TREE | 3 | AB |
| 37 | 504772 | ATTACHMENT USE WITH CABLE TIE 5/16 BOLT | 1 | AB |
| 38 | 509491 | CABLE TIE / 13MM x 383MM | 1 | AB |
| 39 | 502848 | SCREW TC CAP HEXF 1/4-20x3/4 N500 | 1 | AB |
| 50 | VIP-1220-51 | TRAILER VALVE INSTALLATION | | |
| | | | | |
| | | | | |
| | | | | |
| | | AB) WITH AIR BRAKE ON TRAILER | | |
| | | P) CALL ORDER DESK FOR SPECIFIC APPLICATION (V.I.N.) | | |

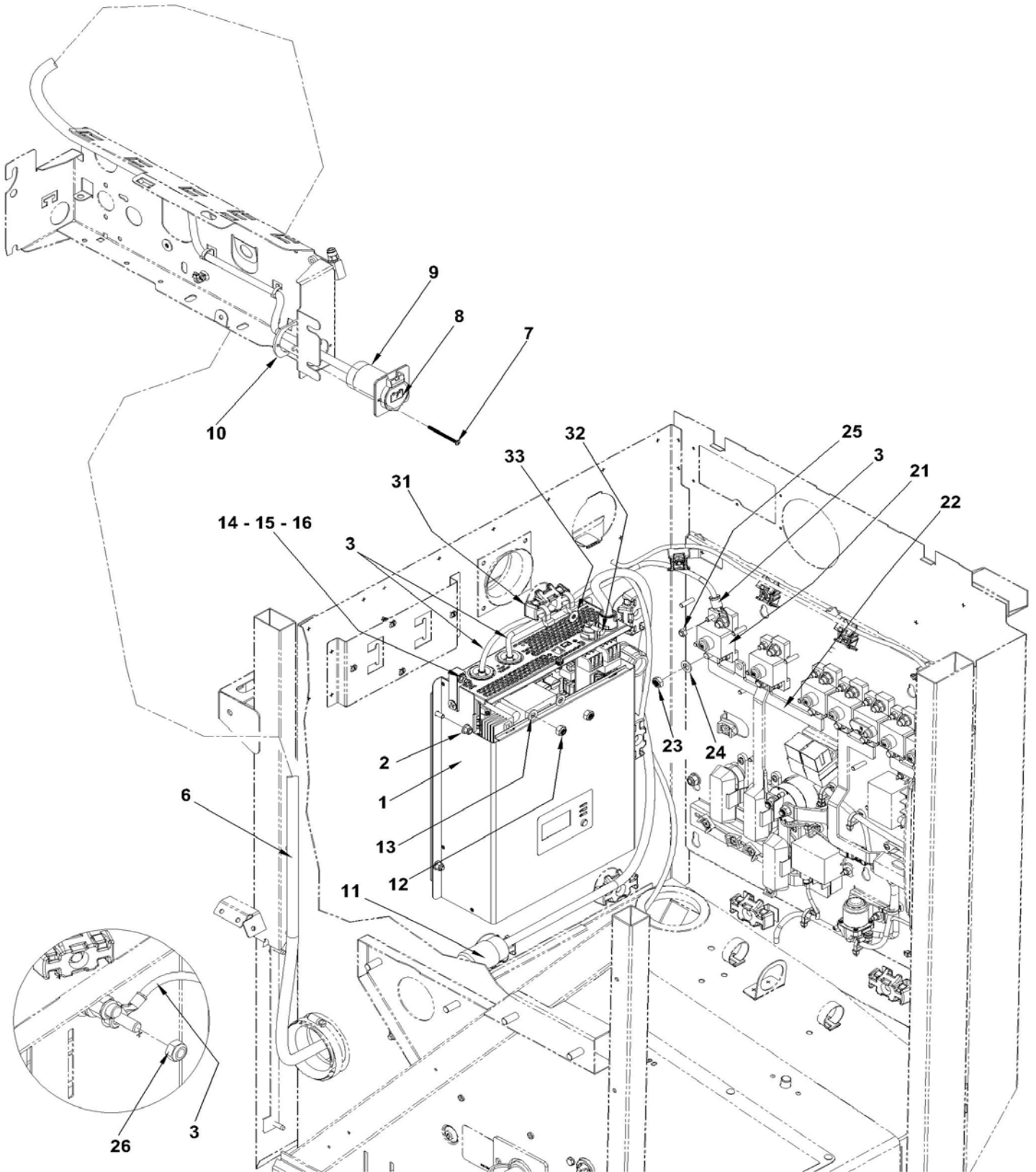
| | | |
|-------------------------|--------------|------------------|
| From K-0295 | Date:07/2024 | PAGE:VIP-0666-00 |
| BLOCK HEATER RECEPTACLE | | |



| | | | |
|--------------------------------|--|---------------------|-------------------------|
| From K-0295 | | Date:07/2024 | PAGE:VIP-0666-00 |
| BLOCK HEATER RECEPTACLE | | | |

| Item# | Part | Description | QTY | Notes |
|-------|----------------|---|-----|-------|
| 1C | VIP-1866-00 | EVAPORATOR DOOR ASSY | | |
| 2 | 068723 | CABLE ASSY / 110V BLOCK HEATER To L-0772 | 1 | |
| 2 | 0610126 | CABLE ASSY / 110V BLOCK HEATER From L-0773 | 1 | |
| 3 | N.S.S. | . RECEPTACLE ASSY W/CORD | 1 | 1 |
| NS | 8631155 | CABLE TIE / 4.6MM x 200 / CHRISTMAS TREE | AR | |
| 6A | 502677 | SCREW MA RND PH M4-0.7x25 SS | 2 | |
| 6B | 5001562 | SCREW MA PAN PH M4-0.7x50 SS | 2 | |
| 8 | 564102 | . HEATER PLUG ASSY | 1 | |
| 8 | 019224 | . DECAL / BLOCK HEATER | 1 | |
| NS | 561681 | . CONVOLUTED TUBING / SLIT / BLACK & GRAY / .350" | AR | |
| 10 | Refer To Volvo | BLOCK HEATER | 1 | V D13 |
| 10 | Refer To Volvo | HEATER, OIL PAN | 1 | V D13 |
| 10 | 21762285 | ENGINE HEATER,120V 1500W | 1 | |
| 10 | 975664 | O-RING, 26,2 X 3 | 1 | |
| 11 | 064388 | FIXATION RING | 1 | |
| 12 | 5001676 | SCREW MA PAN PH M4-0.7x12 MAGNI 565 | 2 | |
| 13 | 019224 | DECAL / BLOCK HEATER | 1 | |
| | | | | |
| | | | | |
| | | | | |
| | | D13) WITH "VOLVO" ENGINE | | |
| | | 1) NOT SOLD SEPARATELY | | |
| | | V) SEE IMPACT OR CALL ORDER DESK | | |

BATTERIES CHARGER - INSTALLATION



Date:07/2024

PAGE:VIP-0670-10

BATTERIES CHARGER - INSTALLATION

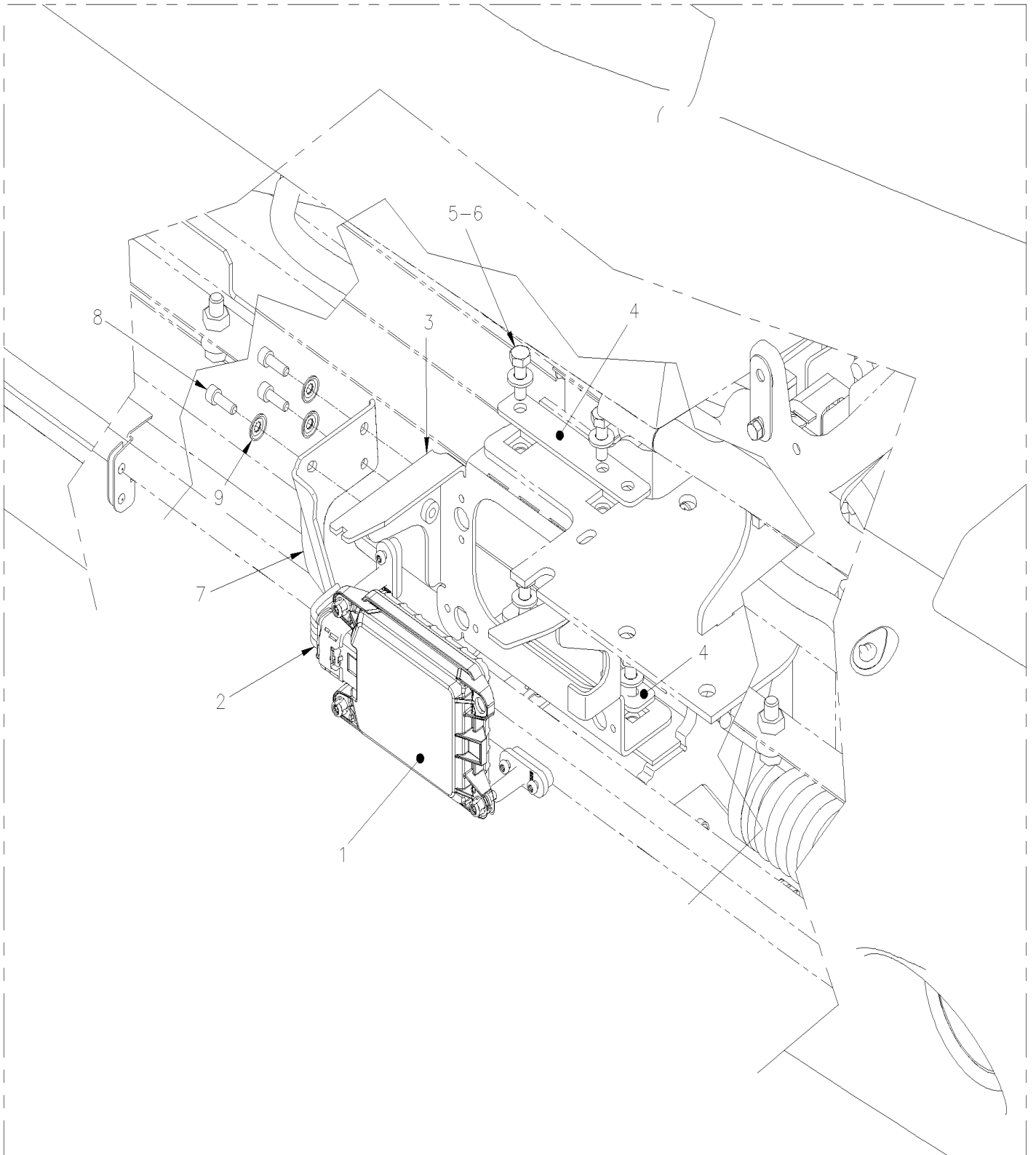
| Item# | Part | Description | QTY | Notes |
|-------|---------|--|-----|-------|
| 1 | 564395 | CHARGER INVERTER XANTREX | 1 | |
| 2 | 5001932 | NUT HEXF NYRT M6-1.0 G8.8 N500 | 4 | |
| 3 | 0600134 | POWER CABLE CHARGER 24V XANTREX | 1 | |
| 4 | 564775 | BATTERY CHARGER CABLE 120V INLET XANTREX | 1 | |
| 5 | 504637 | CABLE TIE / 3/16" x 13" | 14 | |
| 6 | 0600155 | BATTERY CHARGER HARNESS 120V AC INLET | 1 | |
| 7 | 5001562 | . SCREW MA PAN PH M4-0.7x50 SS | 2 | |
| 8 | 068112 | . DECAL / ICON "BATTERY CHARGER" 41.5MM O.D. | 1 | |
| 9 | 561572 | . RECEPTACLE ASSY W/CORD | 1 | |
| 10 | 064388 | . FIXATION RING | 1 | |
| 11 | 561932 | . CONNECTOR / 15 AMPS / HUBBELL 5269-C | 1 | |
| 12 | 5001789 | NUT HEX NYRT M8-1.25 SS | 2 | |
| 13 | 5001341 | WASHER FL 8.4x17.0x1.6 SS | 2 | |
| 14 | 5001182 | NUT HEX NYRT M6-1.0 SS | 1 | |
| 15 | 502573 | WASHER FL 6.4x12.5x1.6 SS | 1 | |
| 16 | 069776 | CABLE, NSS GROUND | 1 | |
| 21 | 563708 | BREAKER 90AMPS / 24V / | 1 | |
| 22 | 0600269 | BUS BAR 216.5 x 45MM, 4 HOLES | 1 | |
| 23 | 5001936 | NUT HEX NYRT 3/8-16 SS | 2 | |
| 24 | 5001935 | WASHER FL 10.5x18.0x1.6 SS | 2 | |
| 25 | 502681 | NUT HEX NYRT M6-1.0 N500 G8 | 2 | |
| 26 | 5002028 | NUT HEX NYRT M10-1.5 SS | 1 | |
| 31 | 504051 | ATTACHMENT 3-WAY USE WITH CABLE TIE | 1 | |
| 31 | 504016 | CABLE TIE / 5/16" X 14"1/2 | 2 | |
| 32 | 5001697 | SCREW CAP HEX M6-1.0x16 SS BK | 1 | |
| 33 | 5001833 | WASHER BEL SPR 6.1x18x1.27 SS | 1 | |

From K-0295 To P-1347

Date:07/2024

PAGE:VIP-0675-06

SYSTEM - ADAPTIVE CRUISE CONTROL ACB - "BENDIX FLR21"



| | | |
|--|--------------|------------------|
| From K-0295 To P-1347 | Date:07/2024 | PAGE:VIP-0675-06 |
| SYSTEM - ADAPTIVE CRUISE CONTROL ACB - "BENDIX FLR21" | | |

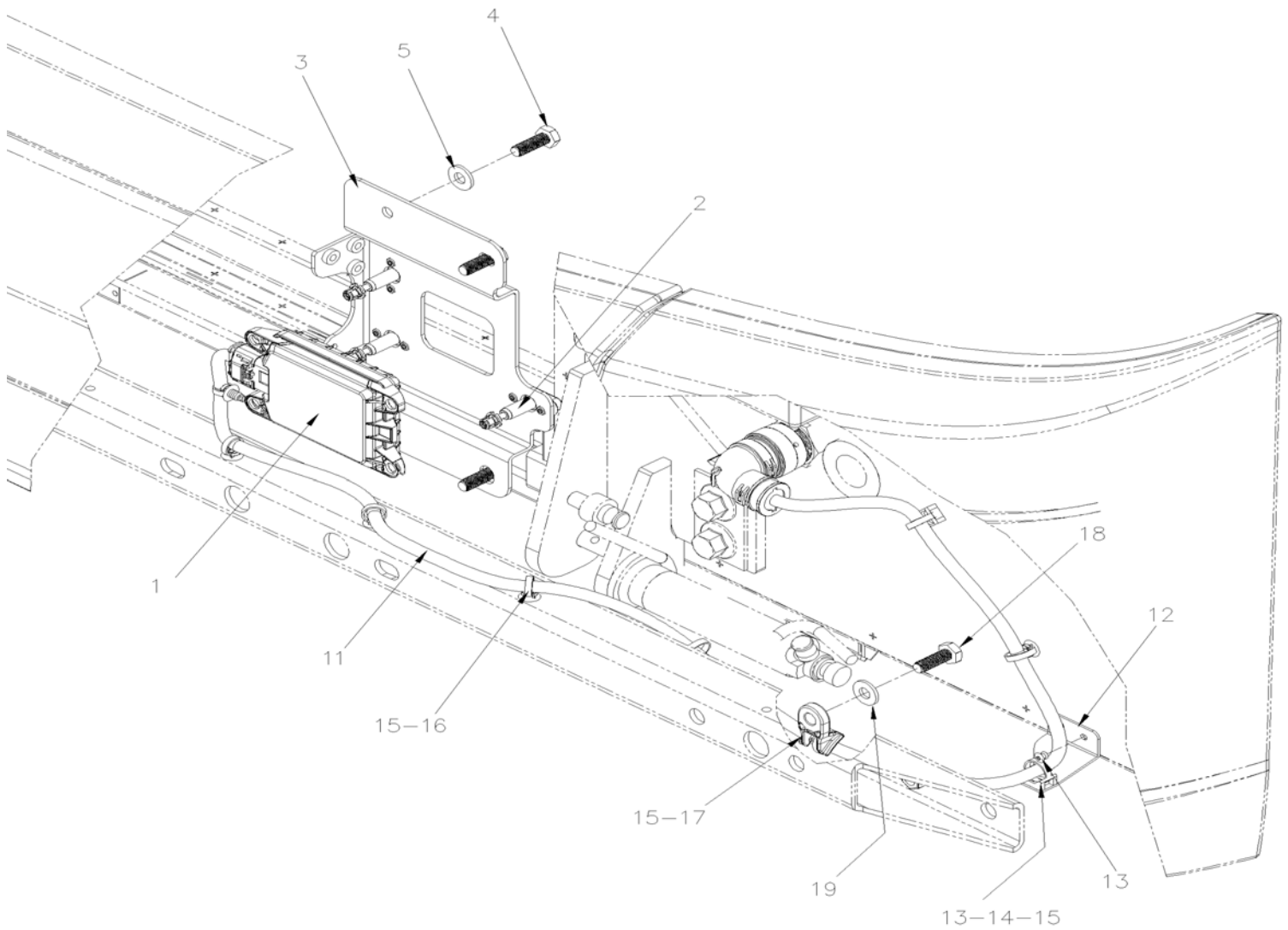
| Item# | Part | Description | QTY | Notes |
|-------|---------|---|-----|-------|
| 1 | 145373 | RADAR ACB ASSY To M-1109 | 1 | |
| NS | 564257 | . FLR20 AJUSTER KIT SET OF 3 To M-1109 | 1 | |
| 1 | 880018 | RADAR From M-1110 | 1 | |
| 2 | 060672 | CABLE ADAPTIVE CRUISE CONTROL To M-1109 | 1 | |
| 2 | 0610245 | CABLE ADAPTIVE CRUISE CONTROL From M-1110 | 1 | |
| 3 | 145225 | SUPPORT RADAR | 1 | |
| 4 | 145223 | SEATING PLATE, RADAR | 2 | |
| 5 | 5001868 | WASHER BEL SPR 8.4x18x2 SS | 4 | |
| 6 | 502780 | SCREW CAP HEX M8-1.25x25 SS BK | 4 | |
| 7 | 145226 | WIRE GUARD, RADAR | 1 | |
| 8 | 5001648 | SCREW CAP HEXS M6-1.0x18 SS BK | 3 | |
| 9 | 500356 | WASHER LO SERR 6.1x16.0x0.9 N500 | 3 | |
| NS | 564108 | SELF MOUNTING STUD // DEUTSCH 1011-310-0205 | 1 | |
| NS | 8631155 | CABLE TIE / 4.6MM x 200 / CHRISTMAS TREE | AR | |
| | | | | |

From P-1348

Date:07/2024

PAGE:VIP-0675-07

SYSTEM - ADAPTIVE CRUISE CONTROL ACB - "BENDIX FLR21"



| | | |
|--|--------------|------------------|
| From P-1348 | Date:07/2024 | PAGE:VIP-0675-07 |
| SYSTEM - ADAPTIVE CRUISE CONTROL ACB - "BENDIX FLR21" | | |

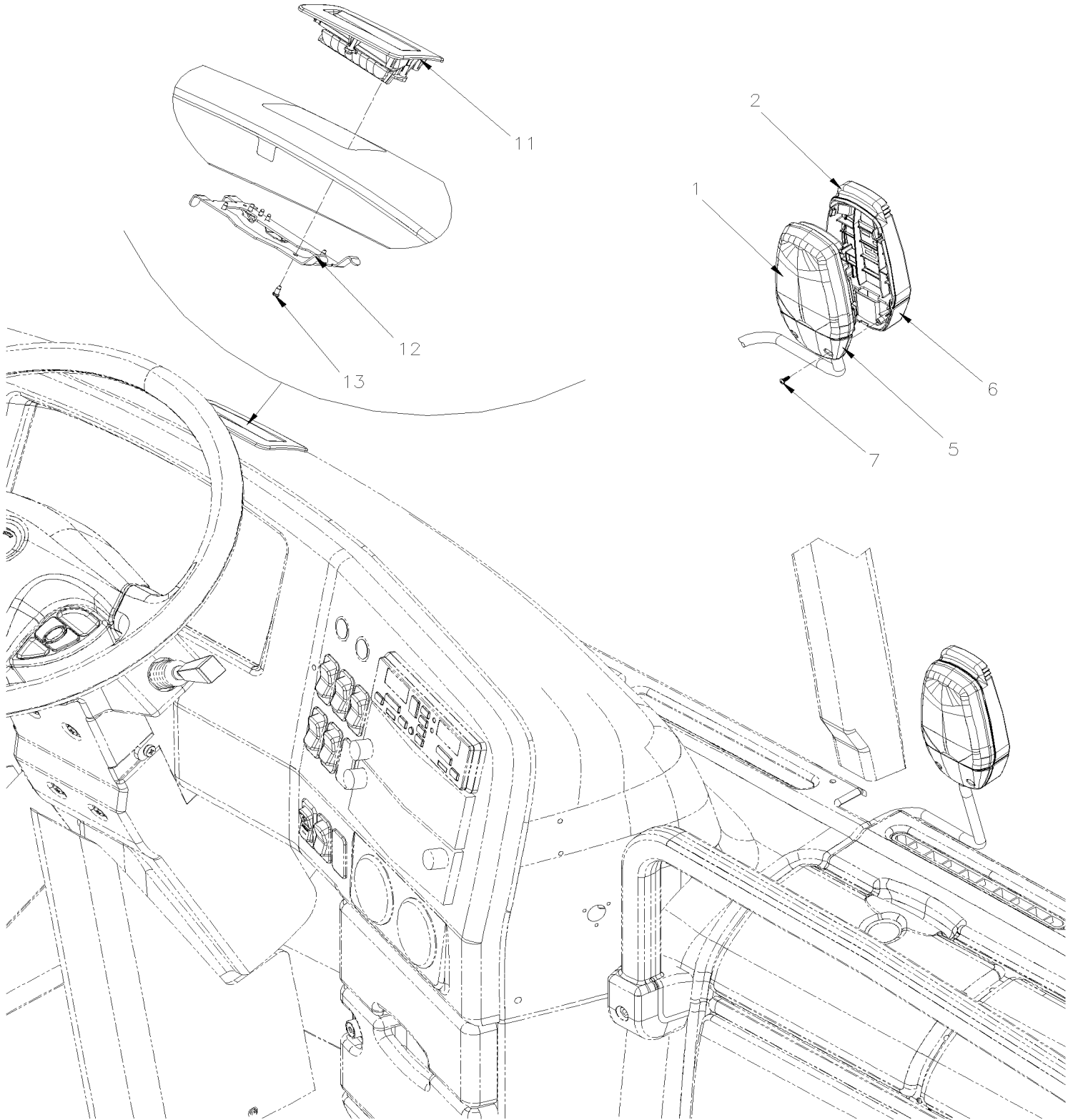
| Item# | Part | Description | QTY | Notes |
|-------|---------|-------------------------------------|-----|-------|
| 1 | 880018 | RADAR | 1 | |
| 2 | 564257 | FLR20 AJUSTER KIT SET OF 3 | 1 | |
| 3 | 140129 | RADAR SUPPORT | 1 | |
| 4 | 5001418 | SCREW CAP HEX M10-1.5x30 SS | 4 | |
| 5 | 5001834 | WASHER BEL SPR 10.5X23X2.5 N500 | 4 | |
| | | | | |
| 11 | 0600026 | FRONT BUMPER HARNESS ACB | 1 | |
| 11 | 0600025 | FRONT BUMPER HARNESS ACB/FOG | 1 | |
| 11 | 0600191 | CAP, RADAR CONNECTOR | 1 | B |
| 12 | 0610184 | BRACKET, FRONT BUMPER CABLES | 1 | |
| 13 | 504379 | RIVET POP DOME OE 3/16x1/4 SS | 3 | |
| 14 | 504013 | TIE MOUNT / 1/4" X 1/4" I.D. | 1 | |
| 15 | 504637 | CABLE TIE / 3/16" x 13" | AR | |
| 16 | 509815 | TIE MOUNT / ATTACHMENT W/TREE MOUNT | 6 | |
| 17 | 507383 | TIE MOUNT HOLE 3/8" | 1 | |
| 18 | 5001418 | SCREW CAP HEX M10-1.5x30 SS | 1 | |
| 19 | 5001834 | WASHER BEL SPR 10.5X23X2.5 N500 | 1 | |
| | | | | |
| | | | | |
| | | | | |
| | | B) USE WITHOUT RADAR | | |

From M-1110 To P-1347

Date:07/2024

PAGE:VIP-0675-20

SYSTEM CAMERA & HUD - "PREVOST DRIVER ASSIT"



| | | |
|---|---------------------|-------------------------|
| From M-1110 To P-1347 | Date:07/2024 | PAGE:VIP-0675-20 |
| SYSTEM CAMERA & HUD - "PREVOST DRIVER ASSIT" | | |

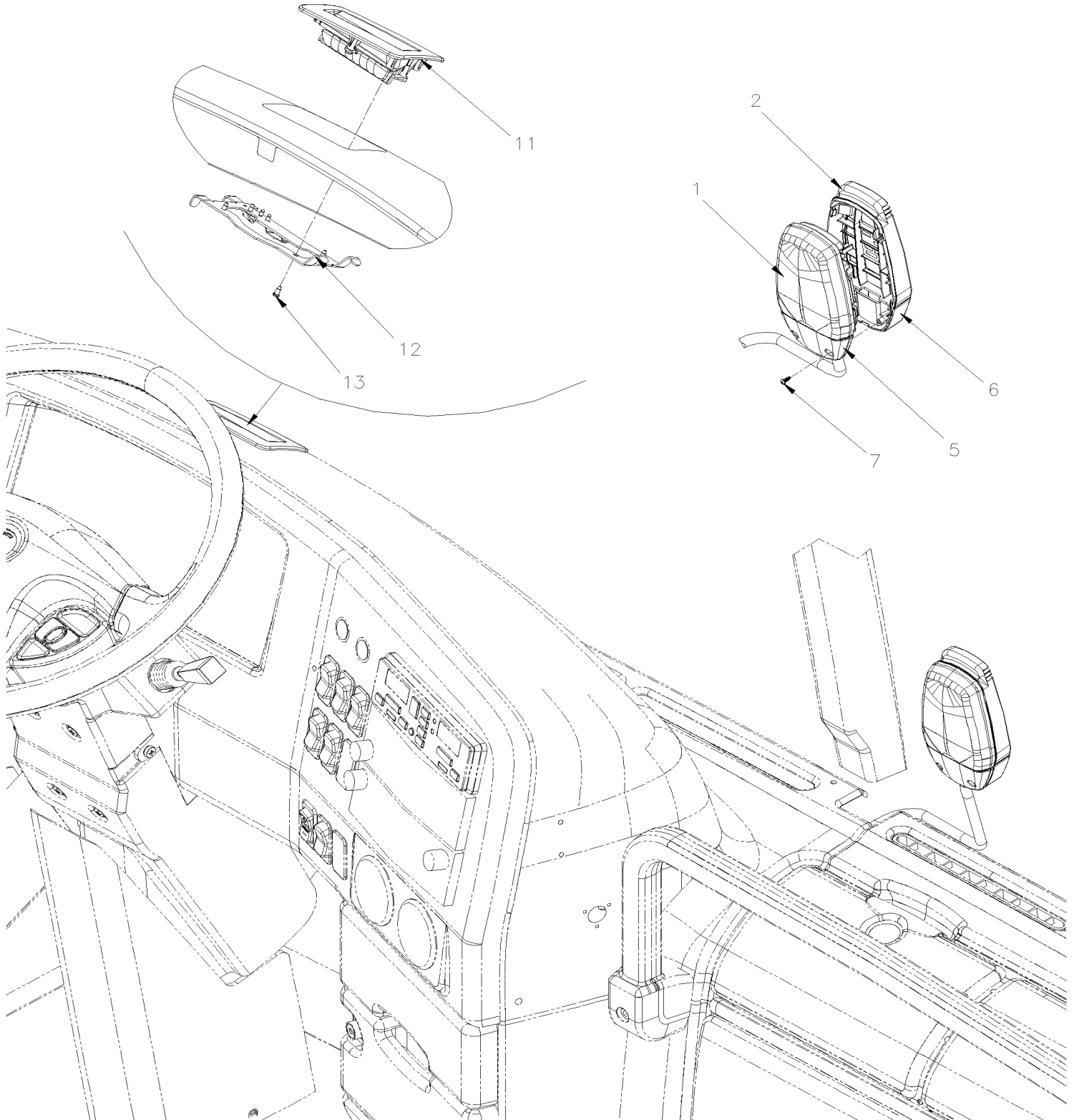
| Item# | Part | Description | QTY | Notes |
|-------|--------------------|---|-----|-------|
| 1 | 880015 | CAMERA "PREVOST DRIVER ASSIT" | 1 | |
| 2 | 880011 | BRACKET WINDSHEILD / CAMERA "PREVOST DRIVER ASSIT" To M-1137 | 1 | |
| 2 | 880060 | BRACKET WINDSHEILD / CAMERA "PREVOST DRIVER ASSIT" From M-1138 | 1 | |
| 2 | G37362 | TEMPLATE, CAMERA POSITION MARKINGS H3 | 1 | C |
| 5 | 3211136 | CABLE COVER "PREVOST DRIVER ASSIT" | 1 | |
| 6 | 3211135 | CABLE COVER "PREVOST DRIVER ASSIT" | 1 | |
| 7 | 5002198 | SCREW TP PAN PH #4-20 X 5/16 Z050 | 2 | |
| | | | | |
| 11 | 380362 | DISPLAY MODULE ASSY "HUD" | 1 | |
| 12 | 380367 | HOLDER ASSY "HUD" | 1 | |
| 13 | 5002199 | SCREW TP PAN PH #4-20 X 5/16 Z050 | 4 | |
| | | | | |
| NS | 640048 | CALIBRATION TEMPLATE | 1 | |
| | | | | |
| 50 | VIP-0675-06 | SYSTEM - ADAPTIVE CRUISE CONTROL ACB - "BENDIX FLR21" | 1 | |
| 51 | VIP-0645-10 | L.H. DASHBOARD PANEL | 1 | |
| | | | | |
| 60 | 0610440 | SYSTEM CAMERA & HUD - "PREVOST DRIVER ASSIT" To M-1109 | 1 | A |
| 61 | 0610462 | BASE SERVICE KIT "PREVOST DRIVER ASSIT" H3-VIP ENS To M-1109 | 1 | A |
| NS | 0610245 | . CABLE ADAPTIVE CRUISE CONTROL To M-1109 | 1 | A |
| NS | 563883 | . CAP / LDW To M-1109 | 1 | A |
| NS | 562698 | . SWITCH / OFF-M/ON / D.P.S.T. / W/GREEN LED To M-1109 | 1 | A |
| NS | IS-19037 | . SEE INSTRUCTION SHEET ENGLISH To M-1109 | 1 | A |
| NS | FI-19037 | . SEE INSTRUCTION SHEET FRANCAIS To M-1109 | 1 | A |
| 62 | 0611016 | SERVICE KIT BEFORE "PREVOST DRIVER ASSIT" H3-VIP To M-1109 | 1 | A |
| NS | 0610405 | . HARNESS ACC LDW SERVICE H3 To M-1109 | 1 | A |
| NS | IS-19037 | . SEE INSTRUCTION SHEET ENGLISH To M-1109 | 1 | A |
| NS | FI-19037 | . SEE INSTRUCTION SHEET FRANCAIS To M-1109 | 1 | A |
| 63 | 0610462 | BASE SERVICE KIT "PREVOST DRIVER ASSIT" H3-VIP ENS From M-1110 | 1 | A |
| NS | 0610245 | . CABLE ADAPTIVE CRUISE CONTROL From M-1110 | 1 | A |
| NS | 563883 | . CAP / LDW From M-1110 | 1 | A |
| NS | 562698 | . SWITCH / OFF-M/ON / D.P.S.T. / W/GREEN LED From M-1110 | 1 | A |
| NS | IS-19037 | . SEE INSTRUCTION SHEET ENGLISH From M-1110 | 1 | A |
| NS | FI-19037 | . SEE INSTRUCTION SHEET FRANCAIS From M-1110 | 1 | A |
| | | | | |
| | | | | |
| | | | | |
| | | A) WHEN YOU INSTALL "PREVOST DRIVER ASSIT" CAMERA SYSTEM ON VEHICLE WITH ACB | | |
| | | B) WHEN YOU INSTALL "PREVOST DRIVER ASSIT" CAMERA SYSTEM ON VEHICLE WITHOUT ACB | | |
| | | C) USE IF WINDSHIELD DOESN'T ALREADY HAVE POSITION MARKINGS | | |

To M-1109

Date:07/2024

PAGE:0610440

SYSTEM CAMERA & HUD - "PREVOST DRIVER ASSIT"

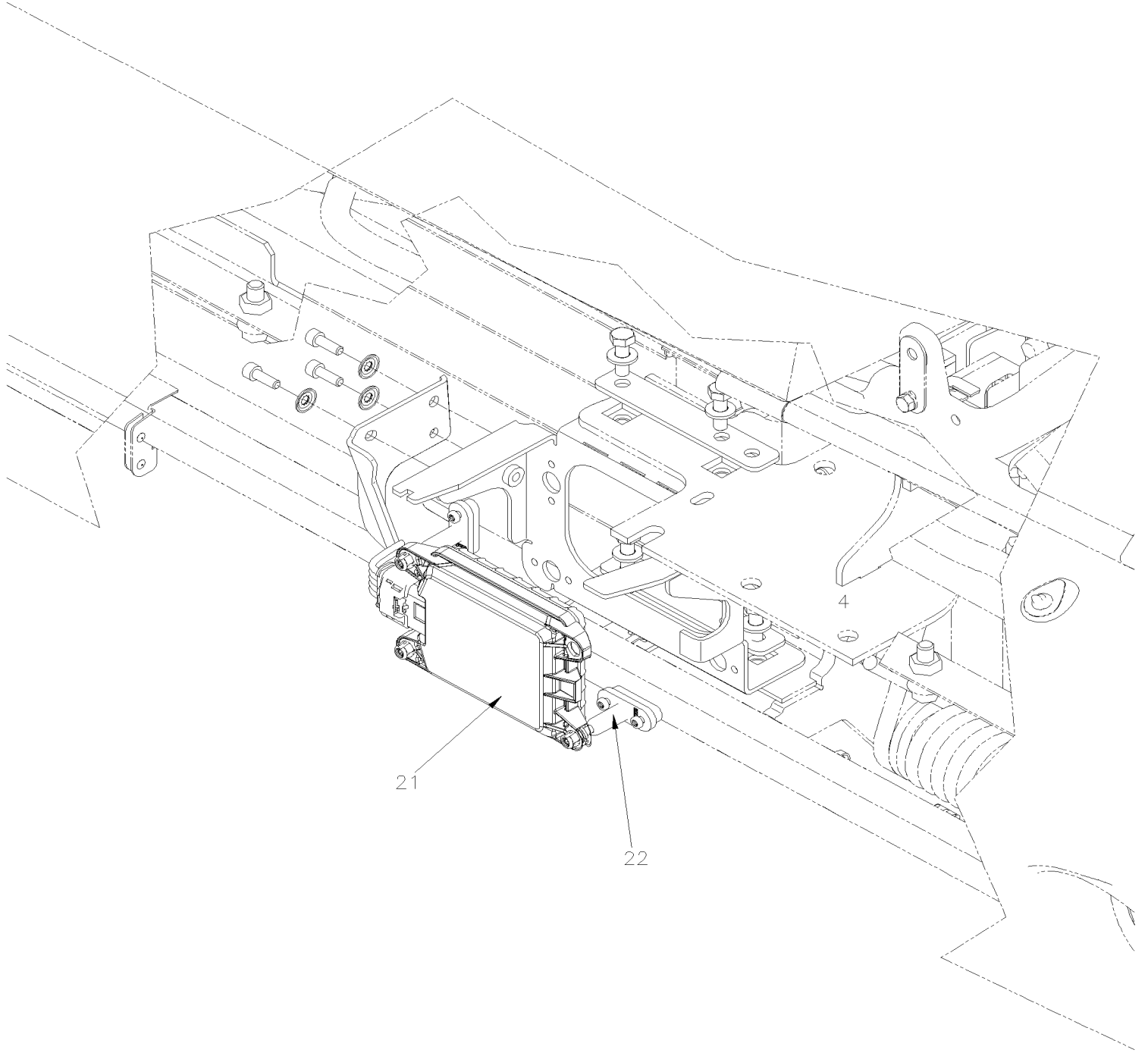


To M-1109

Date:07/2024

PAGE:0610440

SYSTEM CAMERA & HUD - "PREVOST DRIVER ASSIT"



| | | |
|---|--------------|--------------|
| To M-1109 | Date:07/2024 | PAGE:0610440 |
| SYSTEM CAMERA & HUD - "PREVOST DRIVER ASSIT" | | |

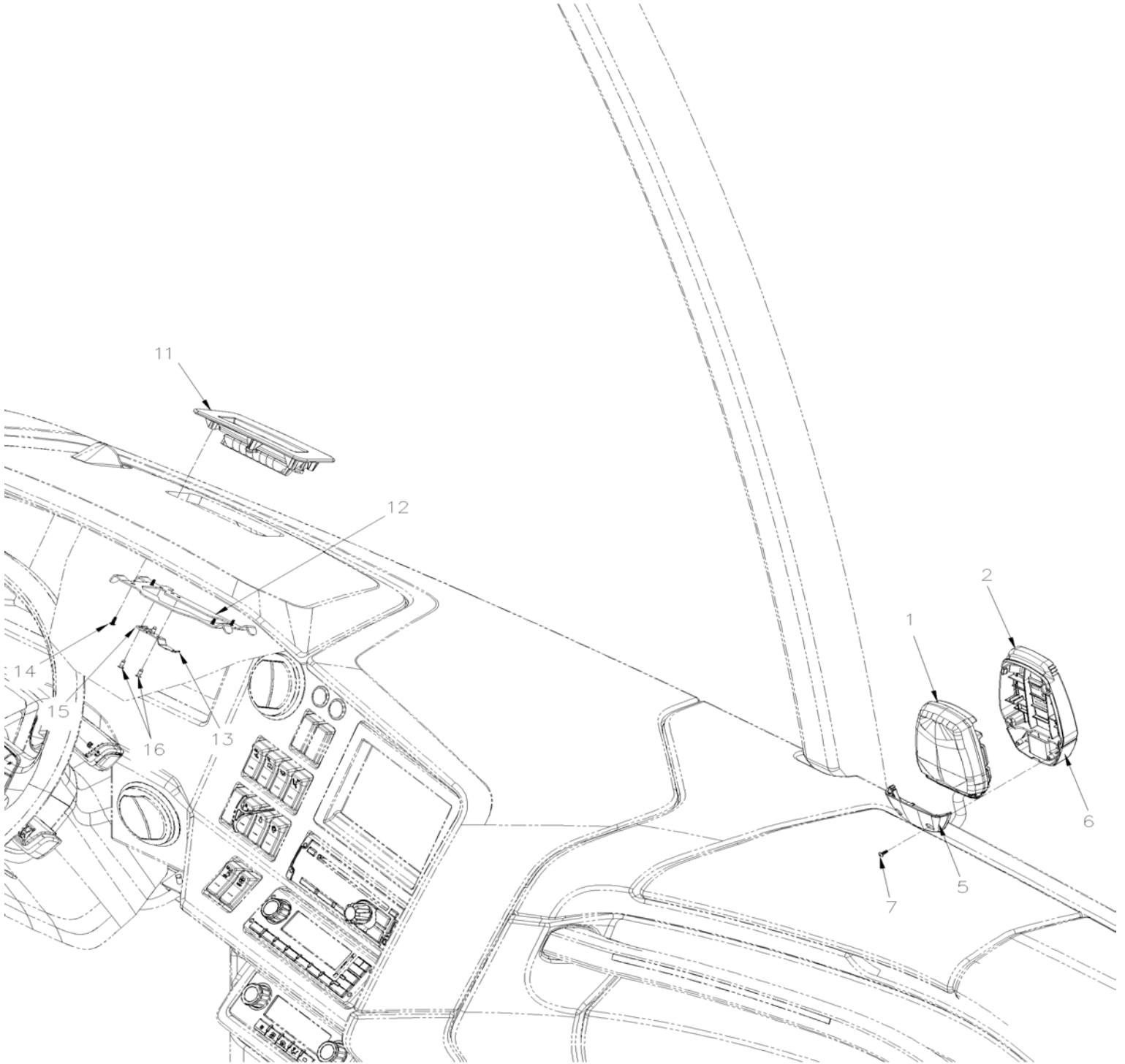
| Item# | Part | Description | QTY | Notes |
|-------|----------|--|-----|-------|
| 1 | 880015 | CAMERA "PREVOST DRIVER ASSIT" | 1 | |
| 2 | 880060 | BRACKET WINDSHEILD / CAMERA "PREVOST DRIVER ASSIT" | 1 | |
| 5 | 3211136 | CABLE COVER "PREVOST DRIVER ASSIT" | 1 | |
| 6 | 3211135 | CABLE COVER "PREVOST DRIVER ASSIT" | 1 | |
| 7 | 5002198 | SCREW TP PAN PH #4-20 X 5/16 Z050 | 2 | |
| | | | | |
| 11 | 380362 | DISPLAY MODULE ASSY "HUD" | 1 | |
| 12 | 380367 | HOLDER ASSY "HUD" | 1 | |
| 13 | 5002198 | SCREW TP PAN PH #4-20 X 5/16 Z050 | 4 | |
| | | | | |
| 21 | 880061 | RADAR | 1 | |
| 22 | 564257 | FLR20 AJUSTER KIT SET OF 3 | 1 | |
| | | | | |
| 31 | IS-19037 | SEE INSTRUCTION SHEET ENGLISH | 1 | |
| 31 | FI-19037 | SEE INSTRUCTION SHEET FRANCAIS | 1 | |

From P-1348

Date:07/2024

PAGE:VIP-0675-21

SYSTEM CAMERA & HUD - "PREVOST DRIVER ASSIST"



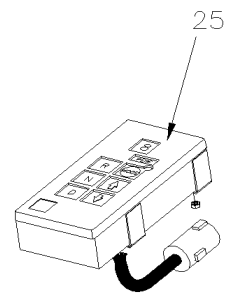
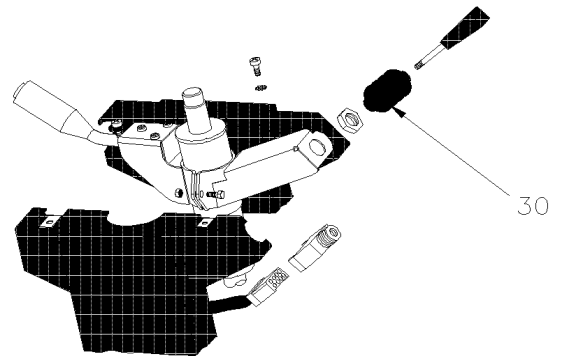
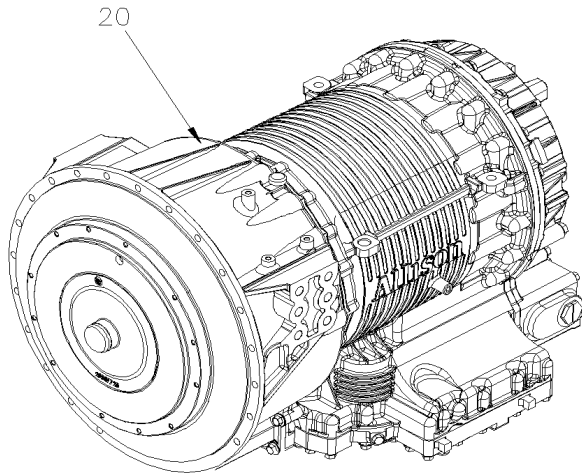
| From P-1348 | | Date:07/2024 | PAGE:VIP-0675-21 | |
|--|-------------|---|------------------|-------|
| SYSTEM CAMERA & HUD - "PREVOST DRIVER ASSIT" | | | | |
| Item# | Part | Description | QTY | Notes |
| 1 | 880015 | CAMERA "PREVOST DRIVER ASSIT" | 1 | |
| 2 | 880060 | BRACKET WINDSHEILD / CAMERA "PREVOST DRIVER ASSIT" | 1 | |
| 5 | 3211136 | CABLE COVER "PREVOST DRIVER ASSIT" | 1 | |
| 6 | 3211135 | CABLE COVER "PREVOST DRIVER ASSIT" | 1 | |
| 7 | 5002198 | SCREW TP PAN PH #4-20 X 5/16 Z050 | 2 | |
| | | | | |
| 11 | 380446 | DISPLAY MODULE ASSY "HUD" | 1 | |
| 12 | 380449 | HOLDER ASSY "HUD" | 1 | |
| 13 | 380448 | HOLDER | 1 | |
| 14 | 5002199 | SCREW TP PAN PH #4-20 X 5/16 Z050 | 4 | |
| 15 | 504531 | TIE MOUNT / 3/16" #10 SCREW / TA1S8-C | 1 | |
| 16 | 504104 | RIVET POP DOME OE 1/8x1/8 SS | 3 | |
| | | | | |
| NS | 640048 | CALIBRATION TEMPLATE | 1 | |
| | | | | |
| 50 | VIP-0675-07 | SYSTEM - ADAPTIVE CRUISE CONTROL ACB - "BENDIX FLR21" | | |
| 51 | VIP-0645-11 | L.H. DASHBOARD PANEL | 1 | |

From K-0295

Date:07/2024

VIP-07

TRANSMISSION

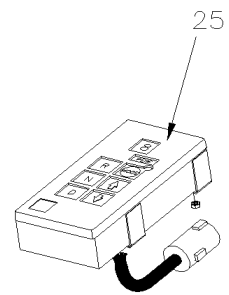
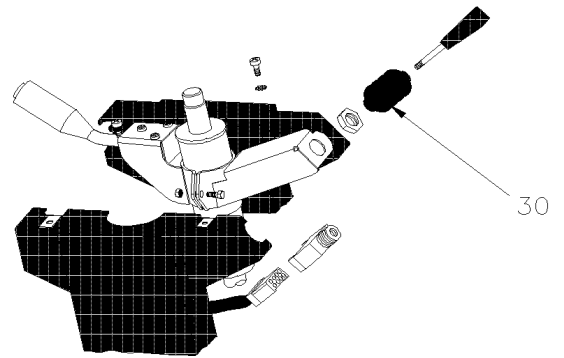
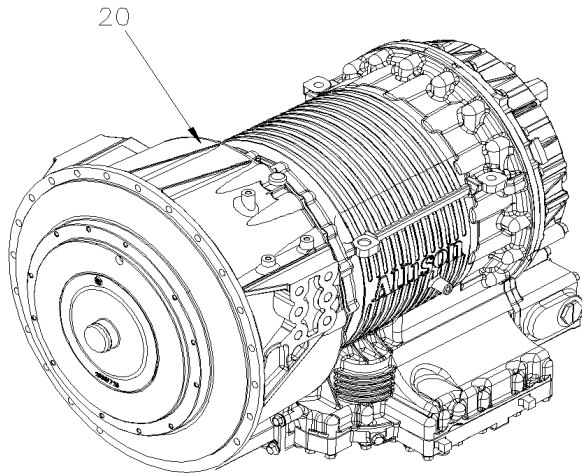


From K-0295

Date:07/2024

VIP-07

TRANSMISSION

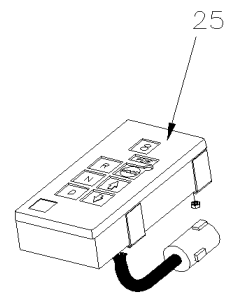
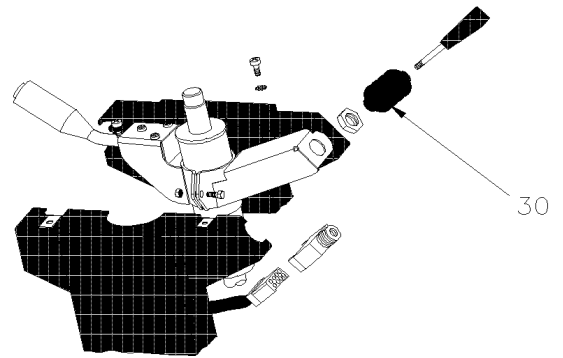
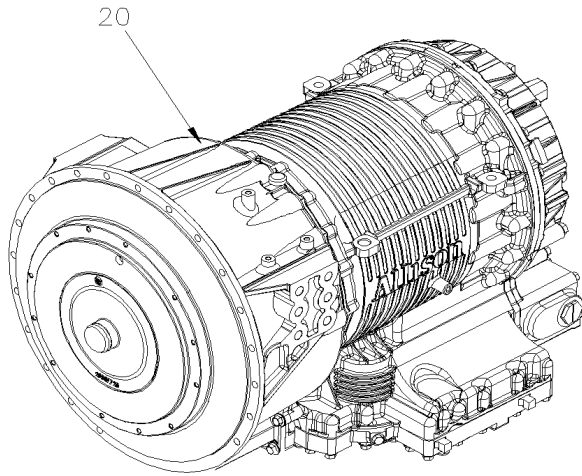


From K-0295

Date:07/2024

VIP-07

TRANSMISSION

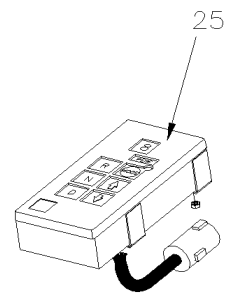
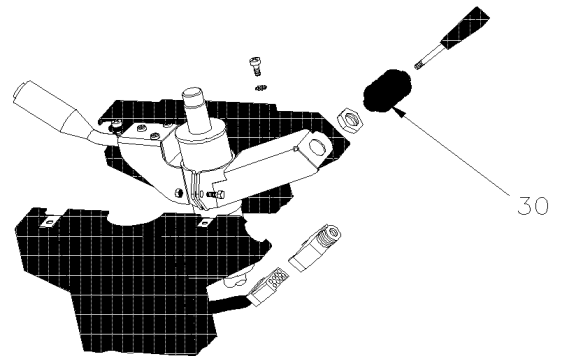
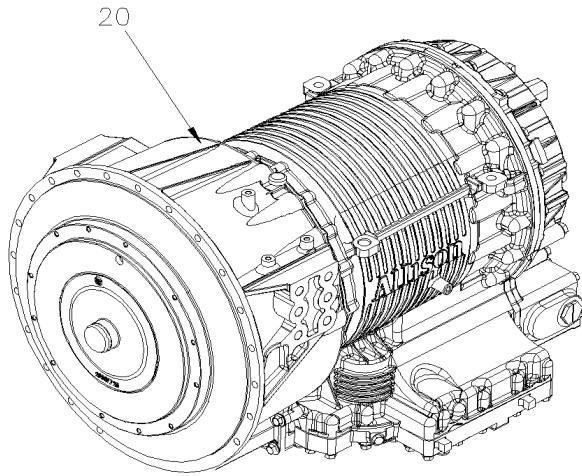


From K-0295

Date:07/2024

VIP-07

TRANSMISSION

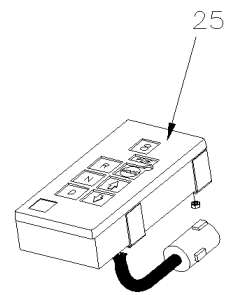
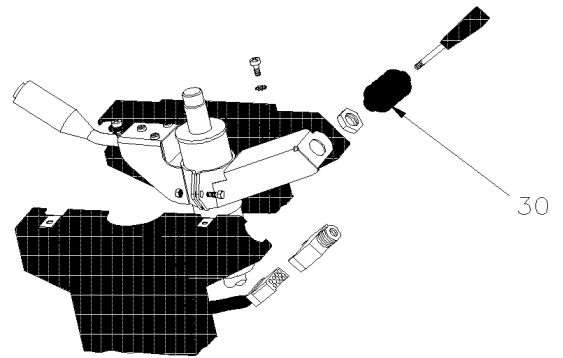
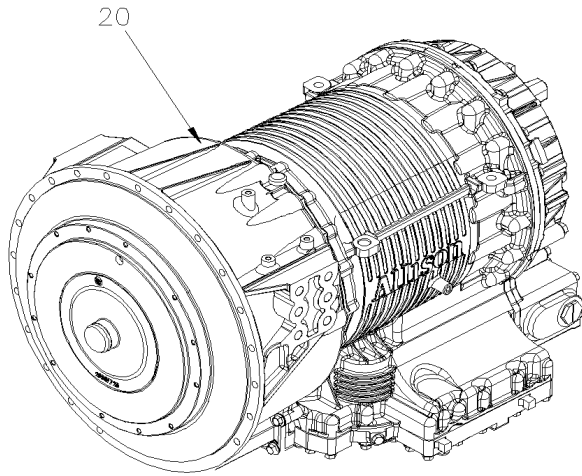


From K-0295

Date:07/2024

VIP-07

TRANSMISSION

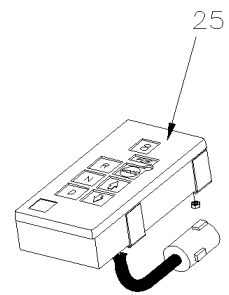
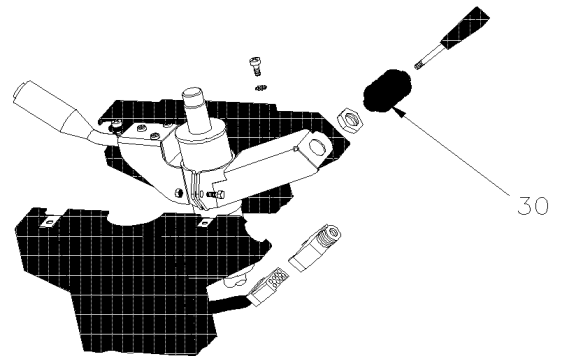
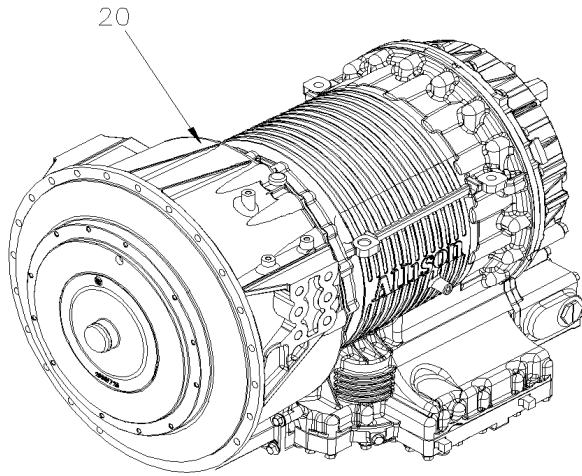


From K-0295

Date:07/2024

VIP-07

TRANSMISSION



| | | | |
|-------------|--|--------------|--------|
| From K-0295 | | Date:07/2024 | VIP-07 |
|-------------|--|--------------|--------|

TRANSMISSION

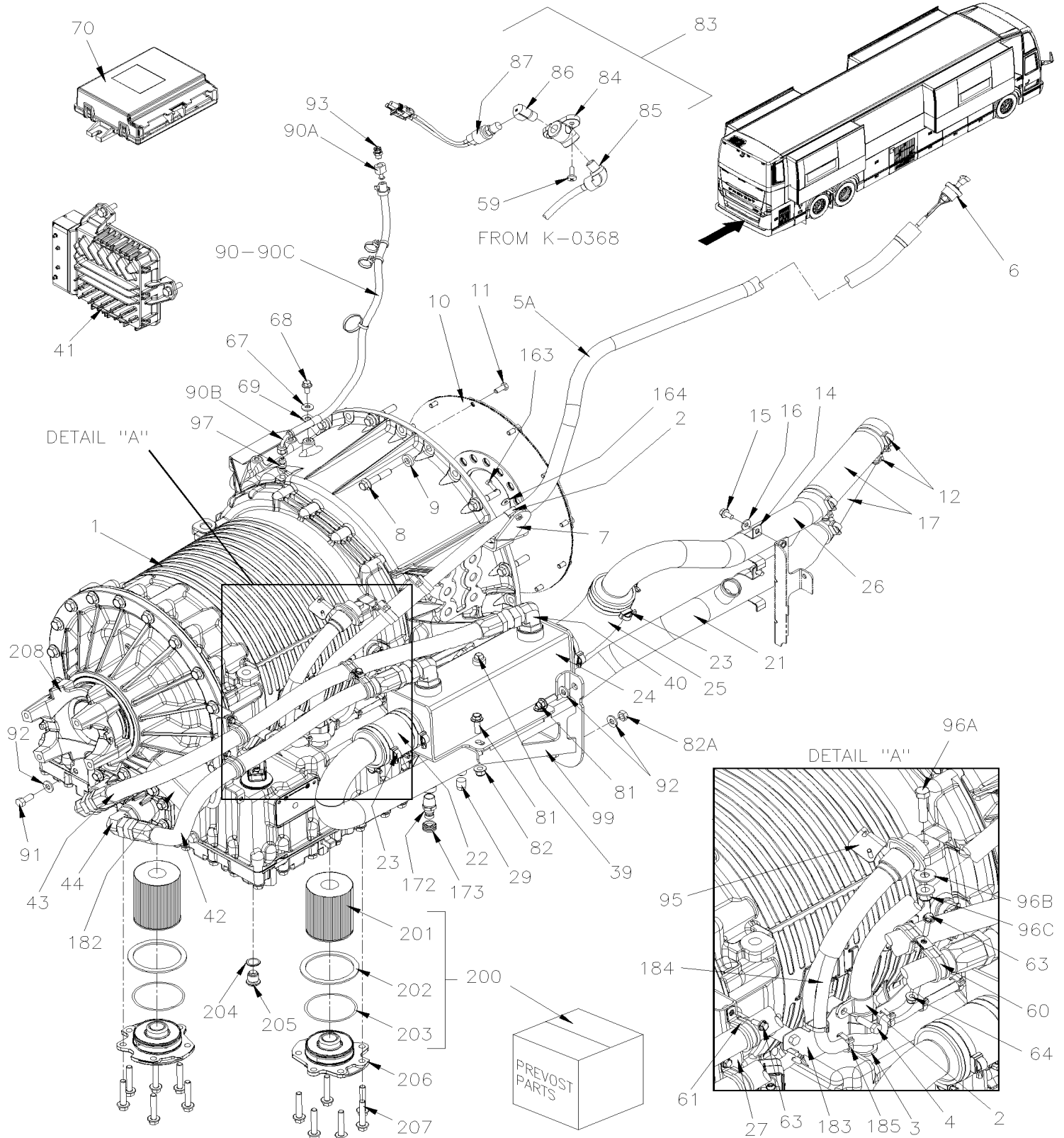
| Item# | Part | Description | QTY | Notes |
|-------|-------------|---|-----|-------|
| 20 | VIP-0750-04 | AUTOMATIC TRANSMISSION - "WORLD" WITH VOLVO D13 From K-0295 | | |
| 25 | VIP-0755-15 | SHIFTER ELECTRONIC - "WORLD" TRANSMISSION From K-0295 | | |
| 30 | VIP-0760-00 | RETARDER SELECTOR SWITCH - "WORLD" From K-0295 To P-1347 | | |
| 30 | VIP-0760-01 | RETARDER SELECTOR SWITCH From P-1348 | | |

From K-0295

Date:07/2024

PAGE:VIP-0750-04

AUTOMATIC TRANSMISSION - "WORLD" WITH VOLVO D13

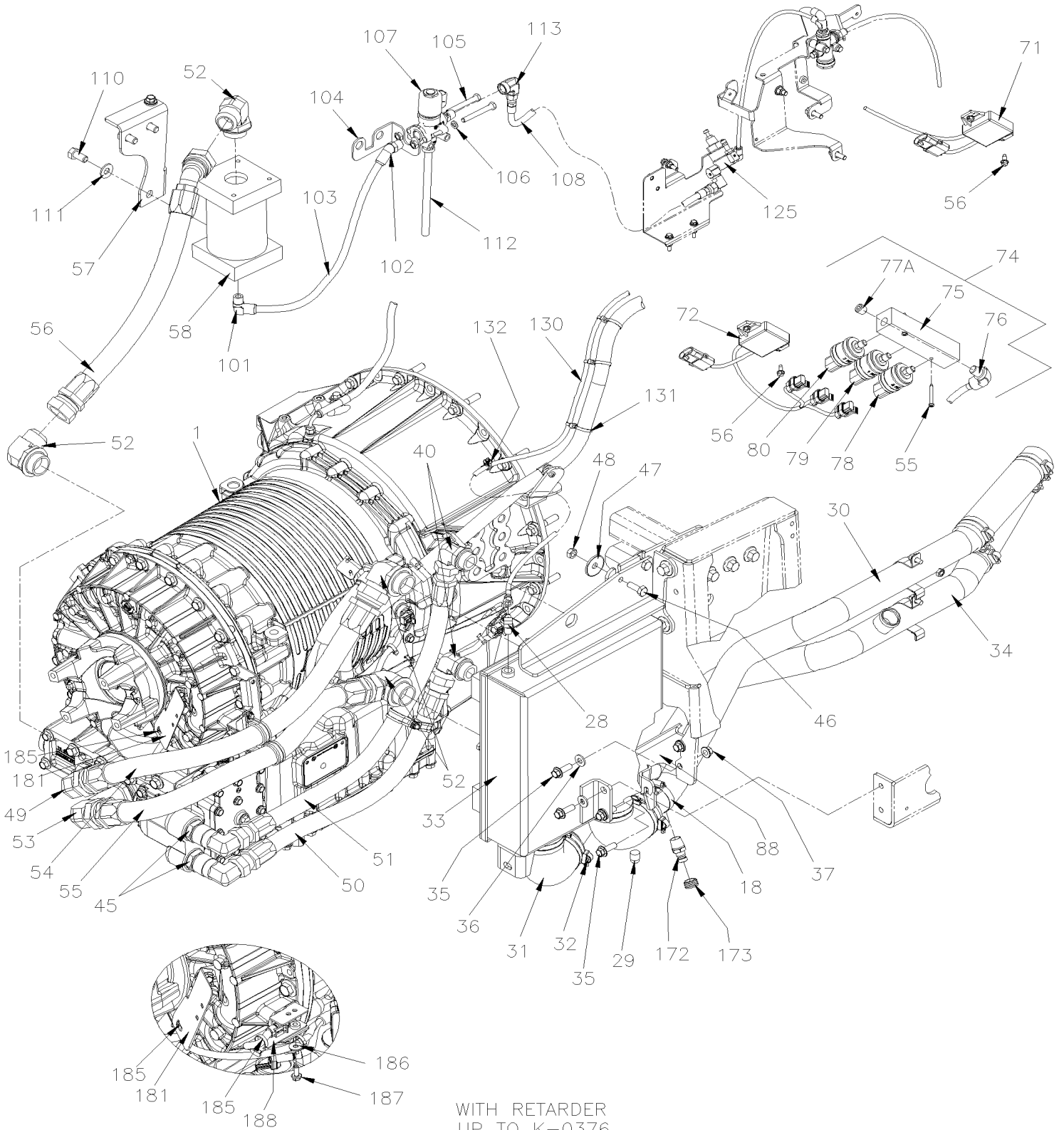


From K-0295

Date:07/2024

PAGE:VIP-0750-04

AUTOMATIC TRANSMISSION - "WORLD" WITH VOLVO D13

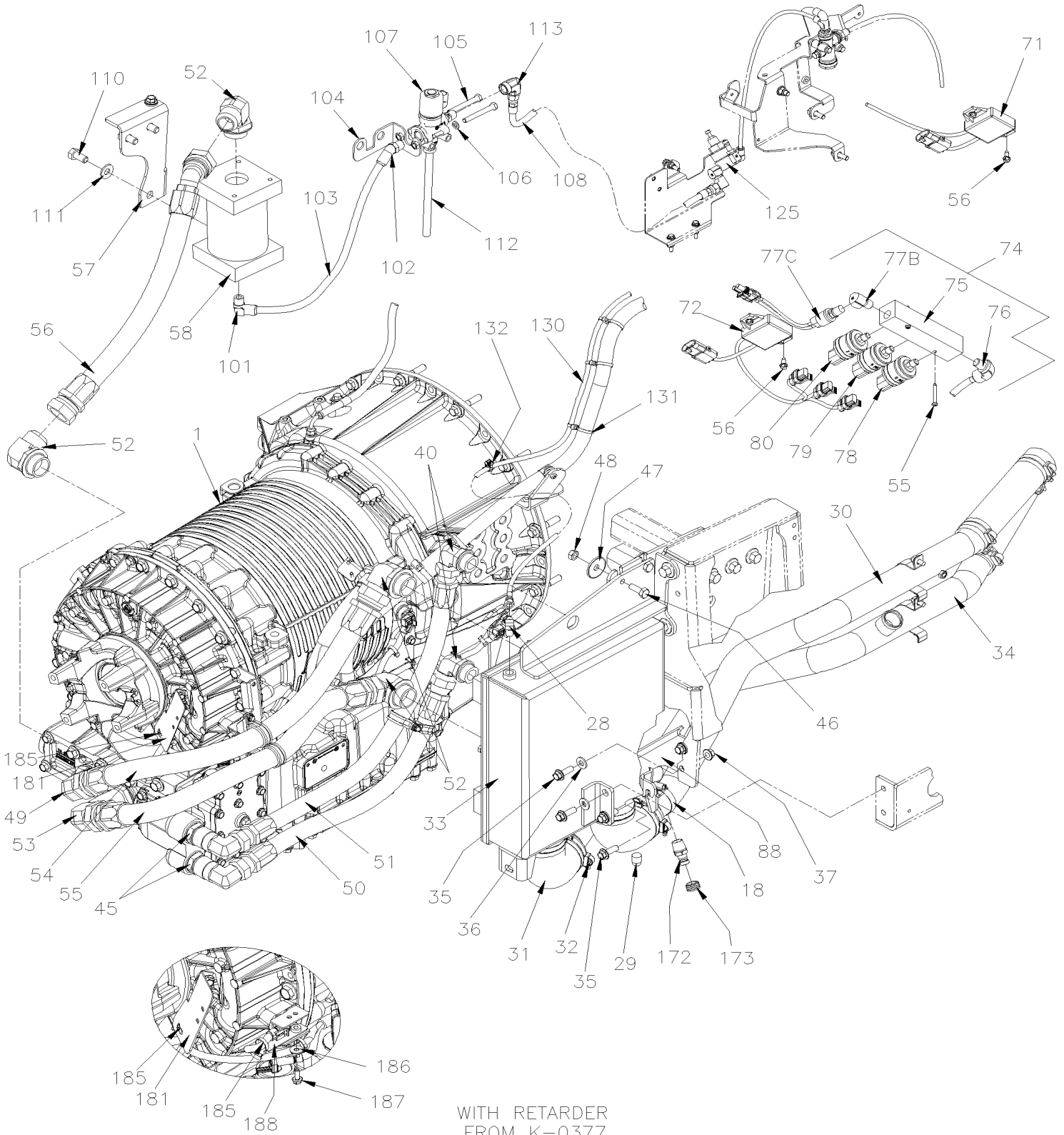


From K-0295

Date:07/2024

PAGE:VIP-0750-04

AUTOMATIC TRANSMISSION - "WORLD" WITH VOLVO D13



WITH RETARDER
FROM K-0377

| | | | |
|-------------|--|--------------|------------------|
| From K-0295 | | Date:07/2024 | PAGE:VIP-0750-04 |
|-------------|--|--------------|------------------|

AUTOMATIC TRANSMISSION - "WORLD" WITH VOLVO D13

| Item# | Part | Description | QTY | Notes |
|-------|----------------|---|-----|-------|
| | | THE NEXT FOLLOWING TRANSMISSION W/O RETARDER | | |
| | | | | |
| | 572138 | TRANSMISSION ASSY B500 / GEN V To P-1268 | 1 | |
| | 570107 | TRANSMISSION ASSY B500 / GEN VI From P-1271 | 1 | |
| | 572136 | TRANSMISSION ASSY4000MH / GEN V To P-1268 | 1 | |
| | 570099 | TRANSMISSION ASSY4000MH / GEN VI From P-1271 | 1 | |
| | | | | |
| | | THE NEXT FOLLOWING TRANSMISSION W/RETARDER | | |
| | | | | |
| | | | | |
| | 572139 | TRANSMISSION ASSY B500R / GEN V To P-1268 | 1 | |
| | 570108 | TRANSMISSION ASSY B500 / GEN VI From P-1271 | 1 | |
| | 572137 | TRANSMISSION ASSY4000MH R / GEN V To P-1268 | 1 | |
| | 570106 | TRANSMISSION ASSY4000MH R / GEN VI From P-1271 | 1 | |
| | | | | |
| | | TRANSMISSION ASSY SEE ABOVE | | |
| NS | 685371 | GREASE / GREY BLACK MOBIL XHP 222 SPECIAL 400 g | AR | |
| NS | 20788933 | SPACER FLY WHEEL HOUSING 21MM | 1 | |
| NS | 684016 | OIL TRANSYND TRANSMISSION "WORLD" To N-1174 | AR | |
| NS | 685391 | OIL TRANSYND TRANSMISSION "WORLD" From N-1175 | AR | |
| 2 | 504602 | CLAMP / 1" I.D. X .375 HOLE | 2 | |
| 3 | 571662 | GROMMET RUBBER / TUBE & TRANS | 1 | |
| 4 | 502513 | SCREW TP CAP HEX 5/16x1 Z050 | 2 | |
| 5A | 070053 | PIPE, TRANSMISSION DIPSTICK 1729MM | 1 | |
| 5A | 070001 | PIPE, TRANSMISSION DIPSTICK 1729MM SS304 | 1 | C |
| 5B | 503788 | HOSE SILICONE 4 PLY / NOMEX-ARAMID 1" I.D. x 54" | AR | |
| 5C | 992084 | HOSE CLAMP / 23MM/35MM | 2 | |
| 5D | 071714 | PIPE, TRANSMISSION DIPSTICK | 1 | |
| 6 | 070055 | TRANS DIPSTICK 2328.5 MM | 1 | |
| NS | 071249 | DECAL "TranSynd OIL ONLY" / ENGLISH & FRANCAIS | 1 | |
| 7 | 071722 | SUPPORT / TUBE DIPSTICK | 1 | |
| 8 | 5001764 | SCREW CAP HEXF 7/16-14x2 1/4 G8 N500 | 12 | |
| 9 | 5001792 | WASHER FL HARD .468x.937x.187 Z050 | 12 | |
| 10 | Refer To Volvo | FLEXPLATE | 1 | V |
| 11 | 5001217 | SCREW CAP HEX M8-1.25x20 G10.9 | 12 | |
| 12 | 992088 | HOSE CLAMP / 50MM/70MM | 8 | |
| 12 | 504769 | HOSE CLAMP STEPLESS SPRING SS / OETIKER / 2.156-2.563 | 4 | A |
| 13 | 071712 | PIPE / THERMOSTAT HOUSING & OIL COOLER | 1 | |
| 13 | 071735 | PIPE / THERMOSTAT HOUSING & OIL COOLER SS304 | 1 | C |
| 14 | 012551 | "U" CLAMP OFFSET 51MM I.D. | 2 | |
| 15 | 5001780 | SCREW CAP HEXF M8-1.25x16 G8.8 N500 | 2 | |
| 16 | 500321 | WASHER BEL SPR .331x.827x.098 N500 | 2 | |

| | | | |
|--|--|--------------|------------------|
| From K-0295 | | Date:07/2024 | PAGE:VIP-0750-04 |
| AUTOMATIC TRANSMISSION - "WORLD" WITH VOLVO D13 | | | |

| Item# | Part | Description | QTY | Notes |
|-------|--------------------|---|-----|-------|
| 17 | 071429 | HOSE SILICONE 4PLY 2" I.D. x 254 MM | 2 | |
| NS | 504024 | HOSE CLAMP / 1"13/16"-2"3/4 SS / HS-36 | 2 | |
| 21 | 071517 | PIPE 2" O.D. INLET x 2 3/4" O.D. OUTLET | 1 | |
| 22 | 071268 | HOSE SILICONE 4 PLY 2 3/4" I.D X 84MM | 1 | |
| 22 | 503787 | HOSE SILICONE 4 PLY / NOMEX-ARAMID 2 3/4" I.D. x 6' | 1 | |
| 23 | 992090 | HOSE CLAMP / 70MM/90MM | 8 | |
| 23 | 504686 | HOSE CLAMP STEPLESS SPRING SS / OETIKER / 2.8-3.1 | 4 | A |
| 24 | 570014 | OIL COOLER "MODINE" / SINGLE / SS | 1 | |
| 25 | 053696 | ELBOW 90° X 2 3/4" I.D. / 110MM x 110MM C/C / SILICONE ARAMID | 1 | |
| 26 | 070056 | PIPE 2 3/4" I.D. INLET x 2" O.D. OUTLET | 1 | |
| 26 | 071740 | PIPE 2 3/4" I.D. INLET x 2" O.D. OUTLET SS304 | 1 | C |
| 27 | 071407 | SUPPORT HOSE | 1 | |
| 28 | 501037 | MALE ELBOW 90° / SAE 45° FITTING / #4FL-Mx1/4NPT-M BR | 1 | |
| 29 | 501305 | PLUG SQUARE HEAD / PIPE FITTING / 3/8NPT-M BR | 1 | |
| 30 | 071692 | PIPE 2" O.D. INLET x 2 3/4" O.D. OUTLET | 1 | |
| 30 | 071741 | PIPE 2" O.D. INLET x 2 3/4" O.D. OUTLET SS304 | 1 | C |
| 31 | 053696 | ELBOW 90° X 2 3/4" I.D. / 110MM x 110MM C/C / SILICONE ARAMID | 1 | |
| 32 | 992090 | HOSE CLAMP / 70MM/90MM | 8 | |
| 33 | 572154 | OIL COOLER "MODINE" / DOUBLE | 1 | |
| 34 | 071691 | PIPE ELBOW 2 3/4" I.D. INLET x 2" O.D. OUTLET | 1 | |
| 34 | 071742 | PIPE ELBOW 2 3/4" I.D. INLET x 2" O.D. OUTLET SS304 | 1 | C |
| 35 | 5001741 | SCREW CAP HEXF M10-1.5x30 G8.8 N500 | 5 | |
| 36 | 5001834 | WASHER BEL SPR 10.5X23X2.5 N500 | 4 | |
| 37 | 5001930 | NUT HEXF NYRT M10-1.5 N500 G10.9 | 1 | |
| 39 | 501304 | PLUG SQUARE HEAD / PIPE FITTING / 1/4NPT-M BR | 1 | |
| 40 | 5001917 | MALE ELBOW 90° / JIC 37° FITTING / #16JIC-Mx#16ORB-M STL VITON | 2 | |
| 41 | VIP-0620-02 | REAR JUNCTION BOX ASSY | | |
| 42 | 071566 | HOSE ASSY / #16 725MM | 1 | |
| 42 | 071652 | HOSE ASSY / BRAIDED SS #16 725MM | 1 | O |
| 43 | 071567 | HOSE ASSY / #16 1045MM | 1 | |
| 43 | 071653 | HOSE ASSY / BRAIDED SS #16 1045MM | 1 | O |
| 44 | 5001917 | MALE ELBOW 90° / JIC 37° FITTING / #16JIC-Mx#16ORB-M STL VITON | 2 | |
| 45 | 5001919 | MALE ELBOW 90° LONG / JIC 37° FITTING / #16JIC-M x#16ORB-Mx3.72 STL VITON | 2 | |
| 46 | 500065 | SCREW CAP HEX M10-1.5x30 G10.9 DP | 2 | |
| 47 | 500494 | WASHER BEL SPR .470x1.680x.125 N500 | 2 | |
| 48 | 500847 | NUT HEX M10-1.5 N500 | 2 | |
| 49 | 5011065 | MALE ELBOW 90° / JIC 37° FITTING / #20JIC-Mx#20ORB-M STL VITON | 1 | |
| 50 | 071663P | HOSE ASSY / #16 495MM | 1 | |
| 51 | 071664P | HOSE ASSY / #16 663MM | 1 | |
| 52 | 5011065 | MALE ELBOW 90° / JIC 37° FITTING / #20JIC-Mx#20ORB-M STL VITON | 4 | |
| 53 | 501074 | MALE ELBOW 90° LONG / JIC 37° FITTING / #20JIC-M x#20ORB-Mx4.41 STL VITON | 1 | |
| 54 | 071666P | HOSE ASSY / #20 718M | 1 | |

| | | | |
|--|--|--------------|------------------|
| From K-0295 | | Date:07/2024 | PAGE:VIP-0750-04 |
| AUTOMATIC TRANSMISSION - "WORLD" WITH VOLVO D13 | | | |

| Item# | Part | Description | QTY | Notes |
|-------|--------------------|--|-----|-------|
| 55 | 071665P | HOSE ASSY / #20 609MM | 1 | |
| 56 | 071595 | HOSE ASSY / #20 493MM | 1 | |
| 57 | 071672 | SUPPORT ACCUMULATOR | 1 | |
| 58 | 572030 | ACCUMULATOR & SOLENOID / GEN IV To M-1153 | 1 | |
| 58 | 570058 | ACCUMULATOR & SOLENOID / GEN IV From M-1154 | 1 | |
| 59 | 502526 | SCREW TC BDG PH #12-24x3/4 Z050 | 1 | |
| 60 | 504778 | CLAMP / SS / SILICONE RUBBER / 1 1/8" I.D. x .281 HOLE | 2 | |
| 61 | 504004 | CLAMP / SS / SILICONE RUBBER / 1 1/4" I.D. x .281 HOLE | 2 | B |
| 61 | 504785 | CLAMP / SS / SILICONE RUBBER / 1 1/2" I.D. x .281 HOLE | 2 | R |
| 63 | 5001815 | SCREW CAP HEXF M6-1.0x30 G 8.8 N500 | 3 | |
| 64 | 5001932 | NUT HEXF NYRT M6-1.0 G8.8 N500 | 1 | |
| 66 | 5001245 | SCREW TC CAP HEXW SLT #12-24x1/2 Z050 | 4 | |
| 67 | 500321 | WASHER BEL SPR .331x.827x.098 N500 | 1 | |
| 68 | 5001780 | SCREW CAP HEXF M8-1.25x16 G8.8 N500 | 1 | |
| 69 | 504601 | CLAMP / 5/16" I.D. x .375 HOLE To K-0326 | 1 | |
| 69 | 504072 | CLAMP / 5/8" I.D. x .375 HOLE From K-0327 | 1 | |
| 70 | VIP-0625-01 | FRONT JUNCTION PANEL To P-1347 | 1 | |
| 70 | VIP-0625-02 | FRONT JUNCTION PANEL From P-1348 | | |
| 71 | 562357 | RESISTANCE MODULE | 1 | |
| 72 | 562381 | RESISTANCE MODULE | 1 | |
| 74 | 070902 | PRESSURES SWITCH ASSY W/MANIFOLD To K-0367 | 1 | |
| 74 | 070012 | PRESSURES SWITCH ASSY W/MANIFOLD From K-0368 | 1 | |
| 75 | 070903 | . MANIFOLD | 1 | |
| 76 | 641372 | . MALE ELBOW 90° NON-SWIVEL / PUSH-IN FITTING / #6x1/4NPT-M BR | 1 | |
| 77A | 501800 | . PLUG HEXS / PIPE FITTING / 1/4NPT-M STL To K-0367 | 1 | |
| 77B | 501332 | . STREET ELBOW 90° / PIPE FITTING / 1/4NPT-Mx1/4NPT-F BR From K-0368 | 1 | |
| 77C | 070013 | . PRESSURE SWITCH ASSY From K-0368 | 1 | |
| . NS | 950590 | . . PRESSURE SWITCH N.O. 30-15 From K-0368 | 1 | |
| . NS | 561690 | . . CONNECTOR / WEATHER PACK / SH 2C / BLACK / PED 12015792 From K-0368 | 1 | |
| . NS | 561578 | . . SOCKET TERMINAL / 16-14 / PED 12010182 From K-0368 | 2 | |
| . NS | 561840 | . . CABLE SEAL / BLUE / PED 15324981 From K-0368 | 2 | |
| 78 | 562358 | . PRESSURE SWITCH N.O. 2PSI / 1/8NPT | 1 | |
| 79 | 562384 | . PRESSURE SWITCH N.O. 4PSI / 1/8NPT | 1 | |
| 80 | 562385 | . PRESSURE SWITCH N.O. 7PSI / 1/8NPT | 1 | |
| 81 | 5001741 | SCREW CAP HEXF M10-1.5x30 G8.8 N500 | 5 | |
| 82 | 5001930 | NUT HEXF NYRT M10-1.5 N500 G10.9 | 4 | |
| 82A | 500847 | NUT HEX M10-1.5 N500 | 2 | |
| 83 | 070015 | PRESSURES SWITCH ASSY | 1 | |
| 84 | 640643 | . ANCHOR ELBOW / PIPE FITTING / 1/4NPT-Fx1/4NPT-F STL From K-0368 | 1 | |
| 85 | 641372 | . MALE ELBOW 90° NON-SWIVEL / PUSH-IN FITTING / #6x1/4NPT-M BR From K-0368 | 1 | |
| 86 | 501332 | . STREET ELBOW 90° / PIPE FITTING / 1/4NPT-Mx1/4NPT-F BR From K-0368 | 1 | |
| 87 | 070013 | . PRESSURE SWITCH ASSY From K-0368 | 1 | |

| | | | |
|--|--|--------------|------------------|
| From K-0295 | | Date:07/2024 | PAGE:VIP-0750-04 |
| AUTOMATIC TRANSMISSION - "WORLD" WITH VOLVO D13 | | | |

| Item# | Part | Description | QTY | Notes |
|-------|--------------------|---|-----|-------|
| . NS | 950590 | . . PRESSURE SWITCH N.O. 30-15 From K-0368 | 1 | |
| . NS | 561690 | . . CONNECTOR / WEATHER PACK / SH 2C / BLACK / PED 12015792 From K-0368 | 1 | |
| . NS | 561578 | . . SOCKET TERMINAL / 16-14 / PED 12010182 From K-0368 | 2 | |
| . NS | 561840 | . . CABLE SEAL / BLUE / PED 15324981 From K-0368 | 2 | |
| 88 | 071676 | SUPPORT HOSE W/RETARDER | 1 | |
| 90 | 071500 | HOSE ASSY / #4 610MM To K-0376 | 1 | |
| . A | 071167 | . FEMALE CONNECTOR / HOSE BARB @ METRIC / #4x M10-1.5-F BR To K-0376 | 1 | |
| . B | 5011303 | . FEMALE ELBOW 90° SWIVEL / PUSH-LOK FITTING / #4FL-Fx#4 BR To K-0376 | 1 | |
| . C | 503706 | . HOSE FC-332-4 #4 To K-0376 | AR | |
| 90 | 070075 | HOSE ASSY / #6 640 MM From K-0377 | 1 | |
| . A | 501085 | . FEMALE CONNECTOR / HOSE BARB @ METRIC / #6x M10-1.5-F BR From K-0377 | 1 | |
| . B | 501118 | . FEMALE ELBOW 90° SWIVEL / PUSH-LOK FITTING / #4FL-Fx#6 BR From K-0377 | 1 | |
| . C | 503728 | . HOSE FC-332-6 #6 From K-0377 | 1 | |
| 91 | 502655 | SCREW CAP HEX M10-1.5x25 SS BK | 2 | |
| 92 | 5001834 | WASHER BEL SPR 10.5X23X2.5 N500 | 5 | |
| 93 | 571763 | BREATHER | 1 | |
| 95 | 071721 | SUPPORT, TRANSMISSION WIRING | 1 | |
| NS | 502830 | SCREW CAP HEX M6-1.0x20 G8.8 N500 | 1 | |
| NS | 5001833 | WASHER BEL SPR 6.1x18x1.27 SS | 1 | |
| NS | 504013 | TIE MOUNT / 1/4" X 1/4" I.D. | 4 | |
| NS | 504379 | RIVET POP DOME OE 3/16x1/4 SS | 4 | |
| NS | 504637 | CABLE TIE / 3/16" x 13" | 4 | |
| 96A | 500829 | SCREW CAP HEX M10-1.5x40 G8.8 | 1 | |
| 96B | 5001751 | WASHER FL 10.5x26.0x2.0 N500 | 1 | |
| 96C | 5001930 | NUT HEXF NYRT M10-1.5 N500 G10.9 | 1 | |
| 97 | 071497 | MALE CONNECTOR / SAE 45° @ METRIC / #4FL-Mx M10-1.5 M BR | 1 | |
| 99 | 071713 | SUPPORT OIL COOLER W/O RETARDER | 1 | |
| 101 | 641376 | MALE ELBOW 90° NON-SWIVEL / PUSH-IN FITTING / #8x3/8NPT-M BR | 1 | |
| 102 | 641368 | MALE ELBOW 45° NON-SWIVEL / PUSH-IN FITTING / #8x3/8NPT-M BR | 1 | |
| 103 | 503488 | TUBE, NYLON 1/2 O.D. / BLACK S.L./ | AR | |
| 104 | 071690 | SUPPORT SOLENOID | 1 | |
| 105 | 5001347 | SCREW CAP HEX M8-1.25x70 SS | 2 | |
| 106 | 500035 | WASHER LO SPT .317x.586x.078 SS | 2 | |
| 107 | 571708 | VALVE SOLENOID 12V | 1 | |
| 108 | 070063 | HOSE ASSY TEFLON #6 285MM | 1 | |
| 110 | 5001565 | SCREW CAP HEX 1/2-13x1 G5 N500 | 3 | |
| 111 | 500967 | WASHER BEL SPR .512x1.142x.098 N500 | 3 | |
| 112 | 560384 | PLASTIC TUBING / 3/8" / CLEAR | AR | |
| 113 | 5011112 | FEMALE ELBOW 90° / JIC 37° FITTING / #6JIC-Mx3/8NPT-F STL | 1 | |
| 125 | VIP-0405-12 | 7TH INJECTOR / "AHI" / EXHAUST VOLVO D13 | 1 | |
| 128 | 501017 | UNION / SAE 45° FITTING / #4FL-Mx#4FL-M BR | 1 | RS |
| 129 | 053594P | HOSE ASSY TEFLON #4 875MM To K-0574 | 1 | RS |

| | | | |
|--|--|---------------------|-------------------------|
| From K-0295 | | Date:07/2024 | PAGE:VIP-0750-04 |
| AUTOMATIC TRANSMISSION - "WORLD" WITH VOLVO D13 | | | |

| Item# | Part | Description | QTY | Notes |
|-------|-----------------|--|-----|-------|
| 129 | Call order desk | HOSE ASSY TEFLON #4 775MM From K-0575 | 1 | P R S |
| 130 | Call order desk | HOSE ASSY TEFLON #4 1855MM To K-0574 | 1 | P R S |
| 130 | Call order desk | HOSE ASSY TEFLON #4 1905MM From K-0575 | 1 | P R S |
| 131 | 507664 | CABLE TIE / 3/16" 11" / DOUBLE LOOP HEAD | AR | |
| 132 | 509815 | TIE MOUNT / ATTACHMENT W/TREE MOUNT | 1 | |
| 132 | 504637 | CABLE TIE / 3/16" x 13" | 1 | |
| 141 | 070068 | SUPPORT,TRANSMISSION DIPSTICK | 1 | |
| 143 | 504809 | U-BOLT 1" I.D. x 2 x 1/4-20 GLV | 1 | |
| 143 | 500877 | WASHER FL .250x.562x.065 N500 | 2 | |
| 145 | 069356 | DECAL "DO NOT POWER WASH ALTERNATORS" ENGLISH To L-1014 | 1 | |
| 145 | 0610176 | DECAL "DO NOT POWER WASH ALTERNATORS" ENGLISH From L-1015 | 1 | |
| 145 | 0610181 | DECAL "DO NOT POWER WASH ALTERNATORS" ENGLISH / FRANCAIS From L-1015 | 1 | |
| 150 | 071697 | PIPE / OIL COOLER TO HOSE REDUCER | 1 | |
| 150 | 071736 | PIPE / OIL COOLER TO HOSE REDUCER SS304 | 1 | C |
| 151 | 012551 | "U" CLAMP OFFSET 51MM I.D. | 4 | |
| 152 | 5001780 | SCREW CAP HEXF M8-1.25x16 G8.8 N500 | 4 | |
| 153 | 500321 | WASHER BEL SPR .331x.827x.098 N500 | 6 | |
| 154 | 010070 | SUPPORT OIL COOLER PIPE | 1 | |
| 155 | 071708 | SUPPORT OIL COOLER PIPE | 1 | |
| 156 | 070039 | HOSE SILICONE 4PLY / NOMEX-ARAMID 2 3/8" x 100MM | 2 | |
| . NS | 503785 | . HOSE SILICONE 4PLY / NOMEX-ARAMID 2 3/8" I.D. x 6' | AR | |
| 157 | 992089 | HOSE CLAMP / 60MM/80MM | 8 | |
| 157 | 504770 | HOSE CLAMP STEPLESS SPRING SS / OETIKER / 2.563-2.938 | 4 | A |
| 158 | 509815 | TIE MOUNT / ATTACHMENT W/TREE MOUNT | AR | |
| 158 | 504637 | CABLE TIE / 3/16" x 13" | AR | |
| 163 | 502830 | SCREW CAP HEX M6-1.0x20 G8.8 N500 | 1 | |
| 164 | 5001833 | WASHER BEL SPR 6.1x18x1.27 SS | 1 | |
| 165 | 5001780 | SCREW CAP HEXF M8-1.25x16 G8.8 N500 To R-1455 | 2 | |
| 165 | 502862 | SCREW CAP HEX M8-1.25x20 G8.8 N500 From R-1456 | 2 | |
| 172 | 1675641 | NIPPLE / QUICK DISCONNECT "VOLVO" / 1/2NPT-M | 1 | |
| . NS | V476279 | . DUST CAP / QUICK DISCONNECT "VOLVO" / | 1 | |
| . NS | 507666 | . DUST CAP / QUICK DISCONNECT "VOLVO" / | 1 | |
| 173 | 507666 | DUST CAP / QUICK DISCONNECT "VOLVO" / | 1 | |
| 181 | 071097 | PROTECTOR SUPPORT SS 102MM X 90MM | 1 | |
| 182 | 079022 | PROTECTOR SUPPORT SS "V" SHAPE 74MM HIGH | 1 | |
| 183 | 071581 | SUPPORT CABLE HARNESS | 1 | |
| 184 | 069778 | CABLE HARNESS / SENSOR WTEC W/OUT RETARDER To P-1268 | 1 | |
| 184 | 0610588 | CABLE HARNESS / SENSOR WTEC W/OUT RETARDER From P-1271 | 1 | |
| 184 | 069777 | CABLE HARNESS / SENSOR WTEC W/RETARDER To P-1268 | 1 | |
| 184 | 0610586 | CABLE HARNESS / SENSOR WTEC W/RETARDER From P-1271 | 1 | |
| 185 | 504637 | CABLE TIE / 3/16" x 13" | AR | |

| | | | |
|--|--|--------------|------------------|
| From K-0295 | | Date:07/2024 | PAGE:VIP-0750-04 |
| AUTOMATIC TRANSMISSION - "WORLD" WITH VOLVO D13 | | | |

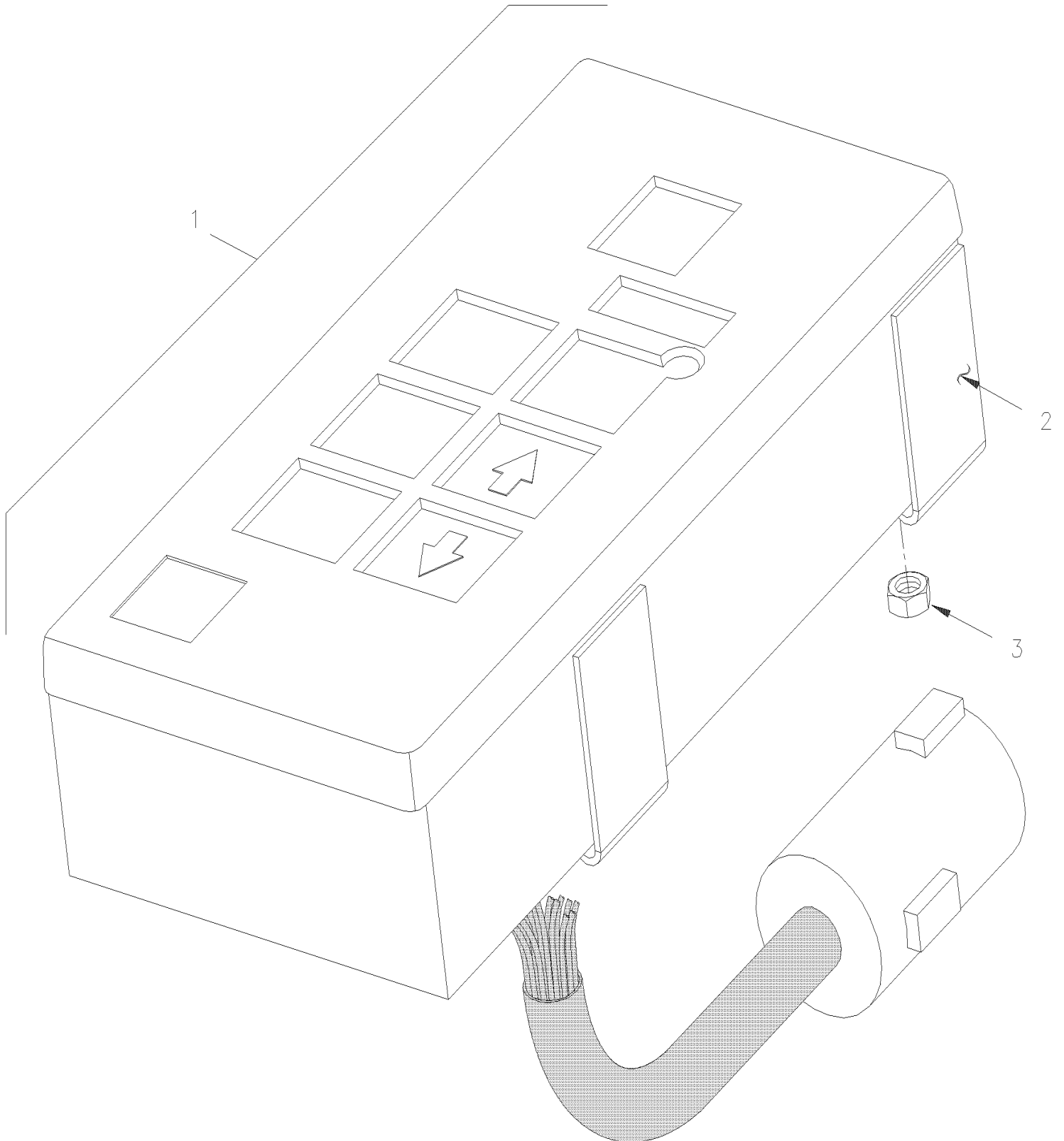
| Item# | Part | Description | QTY | Notes |
|-------|---------|---|-----|-------|
| 186 | 5001833 | WASHER BEL SPR 6.1x18x1.27 SS | 1 | |
| 187 | 5001730 | SCREW CAP HEXF M6-1.0x16 G10.9 N500 | 1 | |
| 188 | 065398 | SUPPORT RETARDER TEMPERATURE SENSOR | 1 | |
| | | | | |
| 200 | 572050 | TRANSMISSION FILTER / MAINTENANCE KIT | 1 | |
| . NS | 571692 | . O-RING / (LARGE SQUARE CUT) | 2 | |
| . NS | 571693 | . O-RING / (SMALL) | 2 | |
| . NS | 571694 | . O-RING / DRAIN PLUG | 2 | |
| . NS | 571695 | . DRAIN PLUG ASSY W/O-RING | 1 | |
| 201 | N.S.S. | . FILTER | 2 | 1 |
| 202 | 571692 | . O-RING / (LARGE SQUARE CUT) | 2 | |
| 203 | 571693 | . O-RING / (SMALL) | 2 | |
| 204 | 571694 | . O-RING / DRAIN PLUG | 2 | |
| 205 | 571695 | . DRAIN PLUG ASSY W/O-RING | 1 | |
| NS | 684016 | OIL TRANSYND TRANSMISSION "WORLD" To N-1174 | AR | |
| NS | 685391 | OIL TRANSYND TRANSMISSION "WORLD" From N-1175 | AR | |
| 206 | N.S.P. | COVER FILTER / (29507434) | 2 | 2 |
| 207 | N.S.P. | BOLT M10-1.5 x 55M / (2954186) | AR | 2 |
| 208 | N.S.P. | YOKE (1810) HALF ROUND | 1 | 2 |
| 208 | N.S.P. | STRAP LOCK PLATE | 1 | 2 |
| 208 | N.S.P. | BOLT M10-1.5 X 30MM GR 10.9 | 2 | 2 |
| 208 | N.S.P. | SEAL OUTPUT / (29515621) | 1 | 2 |
| | | | | |
| | | | | |
| | | | | |
| | | A) WITH OPTION "OETIKER" HOSE CLAMP | | |
| | | B) WITHOUT RETARDER | | |
| | | C) SPECIAL OPTION SS304 | | |
| | | O) OPTION | | |
| | | R) WITH RETARDER | | |
| | | S) TO SURGE TANK | | |
| | | 1) NOT SOLD SEPARATELY | | |
| | | 2) NOT SOLD BY PREVOST (SEE MANUFACTURING PART NUMBER AT END OF DESCRIPTION LINE) | | |
| | | P) CALL ORDER DESK FOR SPECIFIC APPLICATION (V.I.N.) | | |
| | | V) SEE IMPACT OR CALL ORDER DESK | | |

From K-0295

Date:07/2024

PAGE:VIP-0755-15

SHIFTER ELECTRONIC - "WORLD" TRANSMISSION



| | | |
|--|--------------|------------------|
| From K-0295 | Date:07/2024 | PAGE:VIP-0755-15 |
| SHIFTER ELECTRONIC - "WORLD" TRANSMISSION | | |

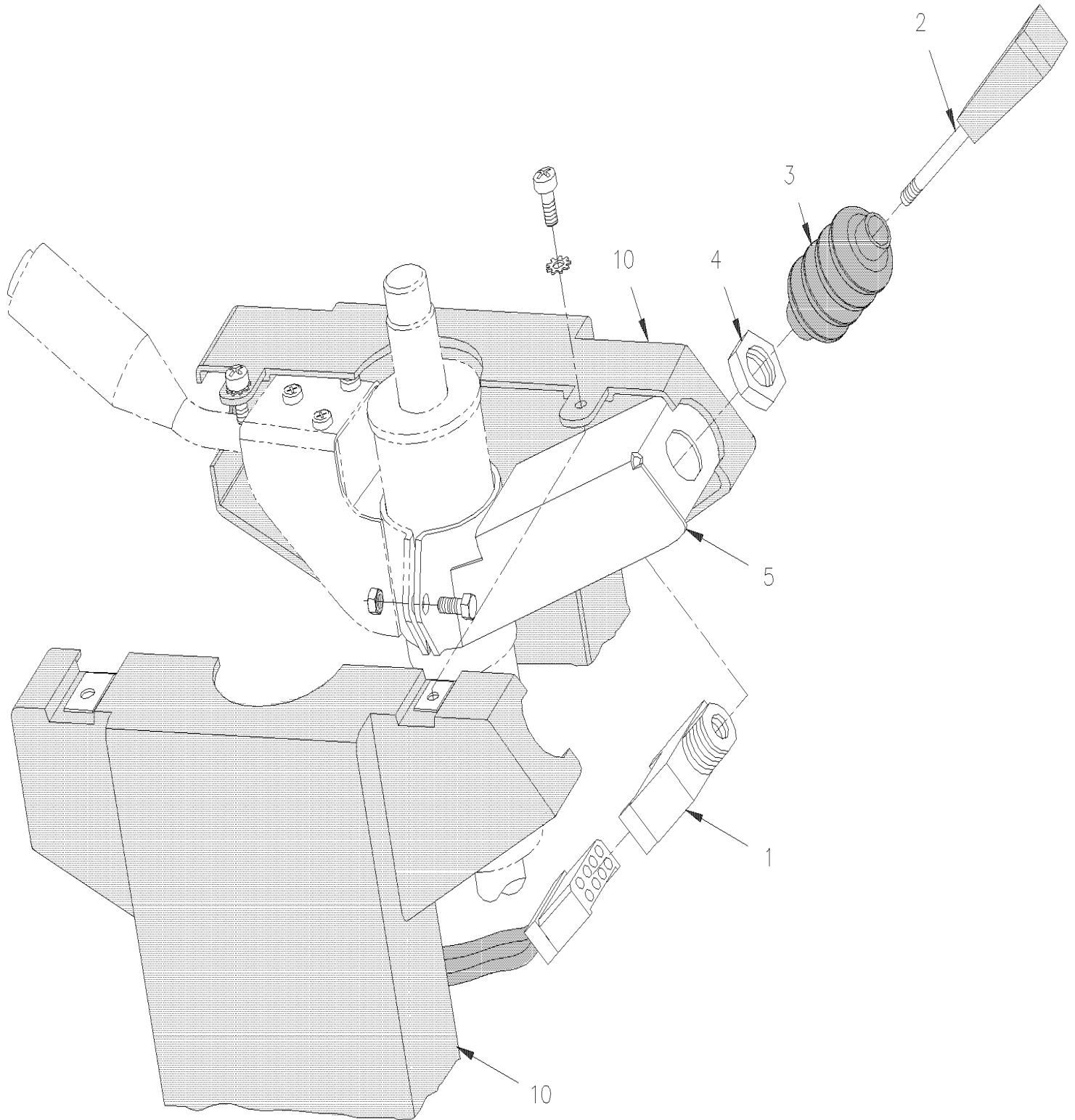
| Item# | Part | Description | QTY | Notes |
|-------|--------|---|-----|-------|
| 1 | 572155 | SHIFTER, SELECTOR "WORLD" / GEN V To L-0856 | 1 | |
| 1 | 570052 | SHIFTER, SELECTOR "WORLD" / GEN V From L-0857 To N-1268 | 1 | |
| 1 | 570134 | SHIFTER, SELECTOR "WORLD" / GEN VI From N-1269 | 1 | |
| 2 | N.S.S. | . BRACKET | 2 | 1 |
| 3 | 500423 | . NUT HEX NYRT #10-32 SS | 4 | |
| | | | | |
| | | | | |
| | | | | |
| | | 1) NOT SOLD SEPARATELY | | |

From K-0295 To P-1347

Date:07/2024

PAGE:VIP-0760-00

RETARDER SELECTOR SWITCH - "WORLD"

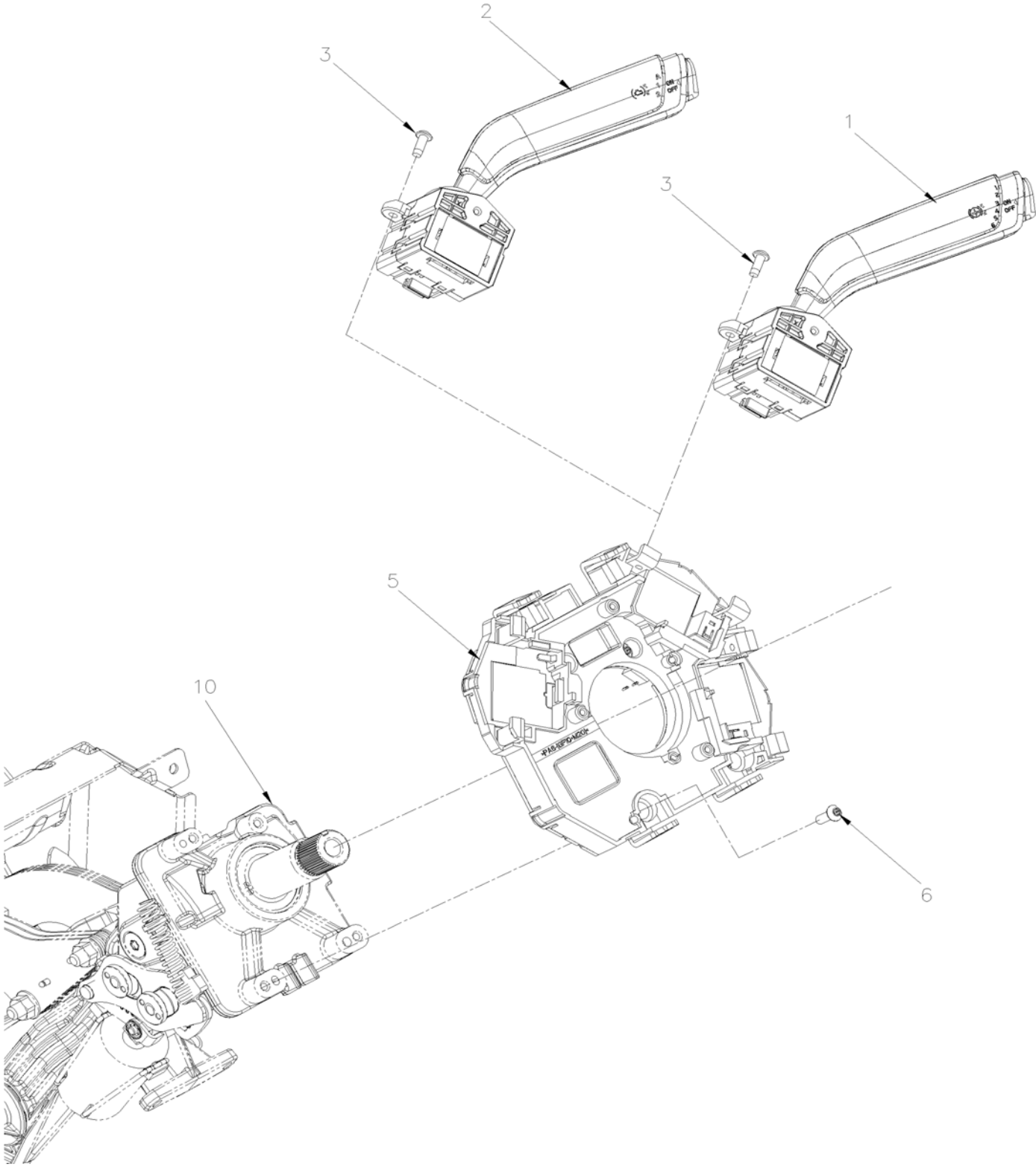


| | | |
|-----------------------|--------------|------------------|
| From K-0295 To P-1347 | Date:07/2024 | PAGE:VIP-0760-00 |
|-----------------------|--------------|------------------|

RETARDER SELECTOR SWITCH - "WORLD"

| Item# | Part | Description | QTY | Notes |
|-------|-------------|--|-----|-------|
| 1 | 562356 | SWITCH ASSY / W/LEVER & BOOT / 6 POSITIONS | 1 | |
| 2 | N.S.S. | . LEVER | 1 | 1 |
| 3 | N.S.S. | . BOOT | 1 | 1 |
| 4 | N.S.S. | . NUT JAM | 1 | 1 |
| 5 | | SUPPORT CONTROL SWITCH | 1 | |
| 10 | VIP-1407-00 | STEERING COLUMN & COVER - INSTALLATION | | |
| | | | | |
| | | | | |
| | | 1) NOT SOLD SEPARATELY | | |

| | | |
|--------------------------|--------------|------------------|
| | Date:07/2024 | PAGE:VIP-0760-01 |
| RETARDER SELECTOR SWITCH | | |



| | | | | |
|---------------------------------|--|--------------|------------------|--|
| | | Date:07/2024 | PAGE:VIP-0760-01 | |
| RETARDER SELECTOR SWITCH | | | | |

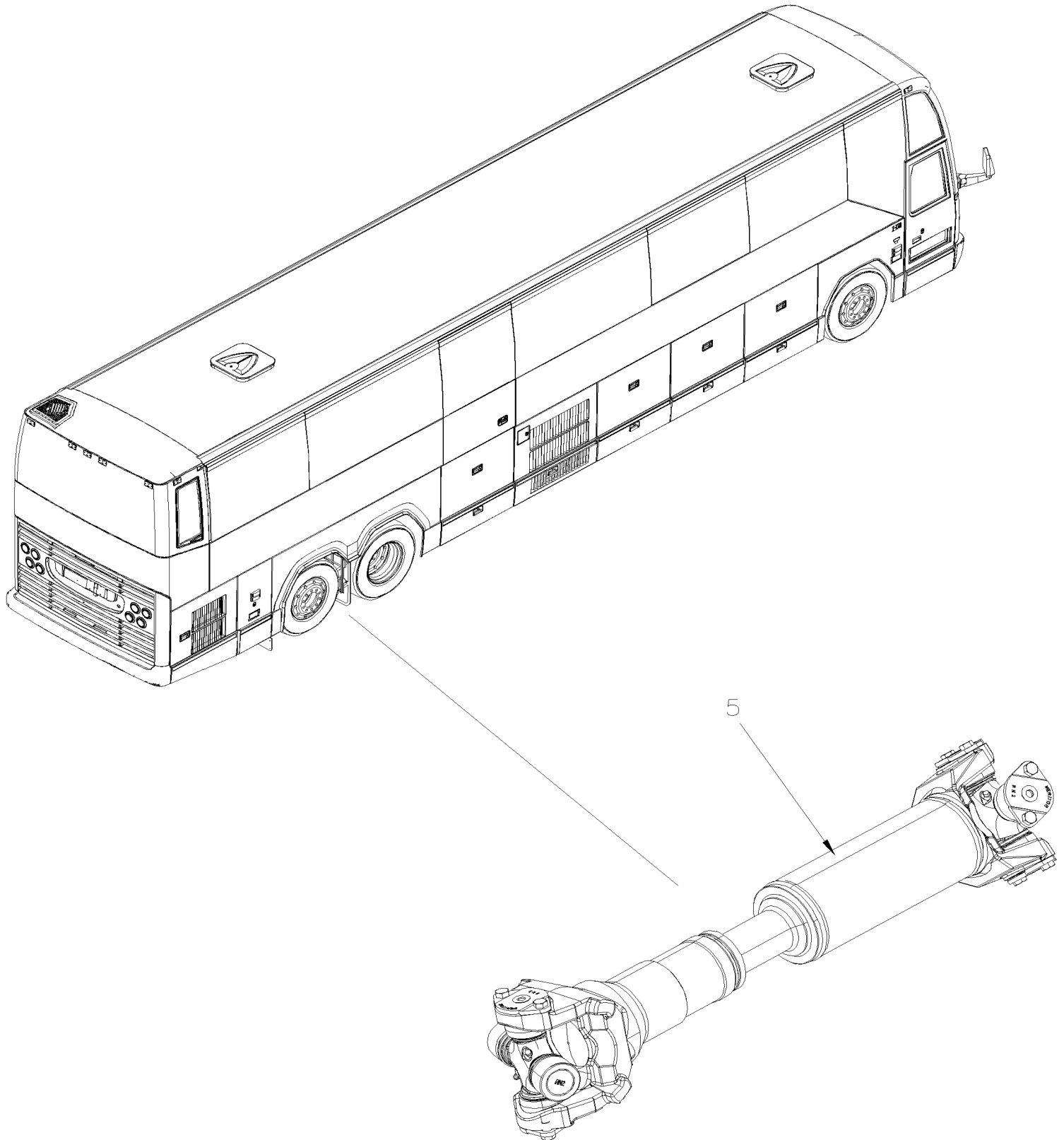
| Item# | Part | Description | QTY | Notes |
|-------|-------------|--|-----|-------|
| 1 | 23190596 | ARM,TRANSMISSION RETARDER | 1 | A |
| 2 | 660063 | ARM,ENGIN BRAKE A-1-2-OFF | 1 | B |
| 3 | 500611 | SCREW TC PAN PH #10-24x1/2 Z050 | 2 | |
| 5 | 23796630 | BASE, RETARDER ARM | 1 | A |
| 5 | 23796627 | BASE, ENGIN BRAKE ARM | 1 | |
| 6 | 994780 | SIX POINT SOCKET PAN HEAD SCREWS | 4 | |
| 10 | VIP-1405-02 | STEERING WHEEL & COLUMN ASSY WITH CONTROL SWITCHES | | |
| | | | | |
| | | | | |
| | | A) WITH RETARDER | | |
| | | B) WITHOUT RETARDER WITH ENGINE BRAKE | | |

From K-0295

Date:07/2024

VIP-09

PROPELLER SHAFT



| | | | |
|-------------|--|--------------|--------|
| From K-0295 | | Date:07/2024 | VIP-09 |
|-------------|--|--------------|--------|

PROPELLER SHAFT

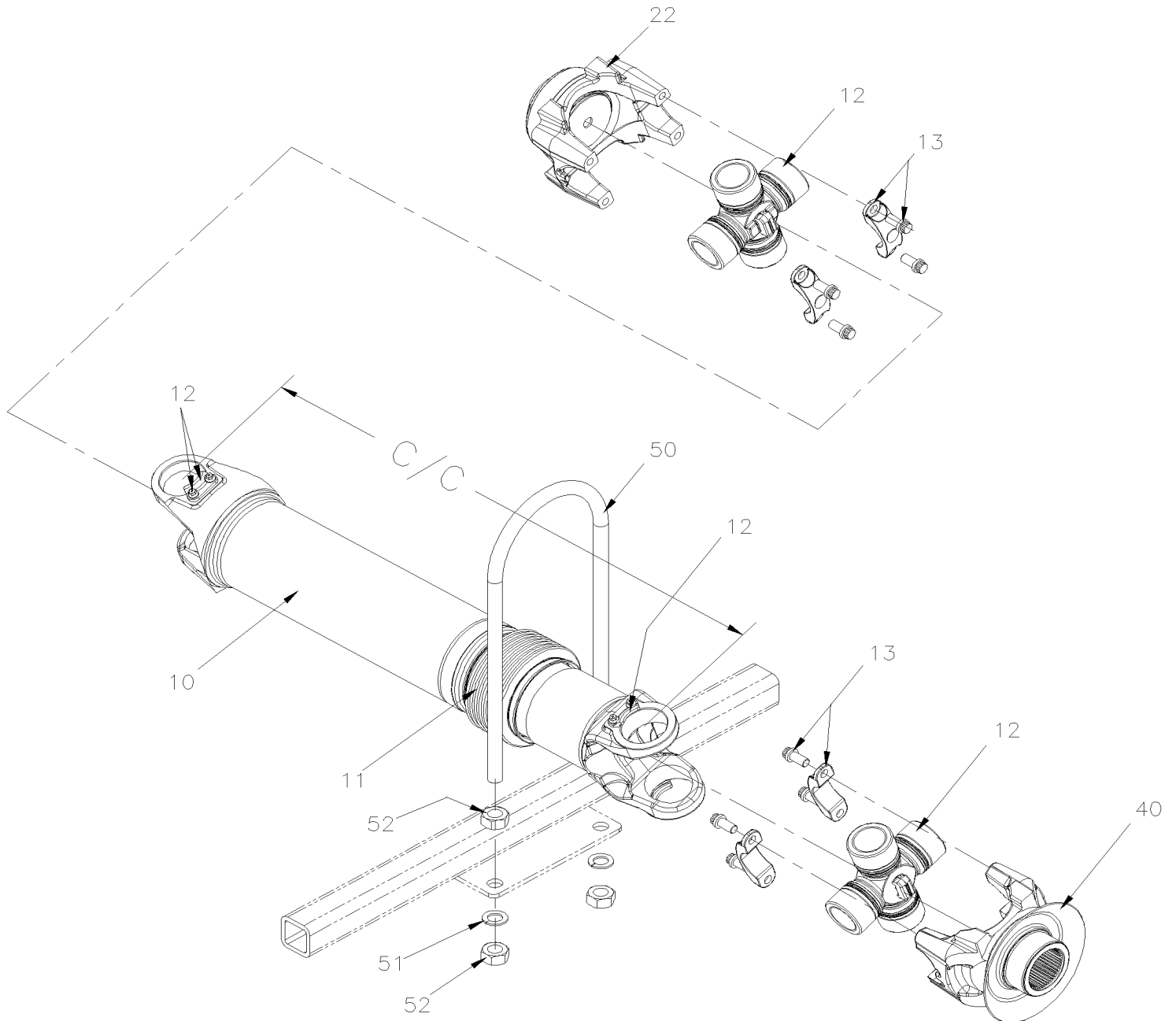
| Item# | Part | Description | QTY | Notes |
|-------|-------------|-----------------------------|-----|-------|
| 5 | VIP-0905-01 | PROPELLER SHAFT From K-0295 | | |

From K-0295

Date:07/2024

PAGE:VIP-0905-01

PROPELLER SHAFT



| | | |
|------------------------|--------------|------------------|
| From K-0295 | Date:07/2024 | PAGE:VIP-0905-01 |
| PROPELLER SHAFT | | |

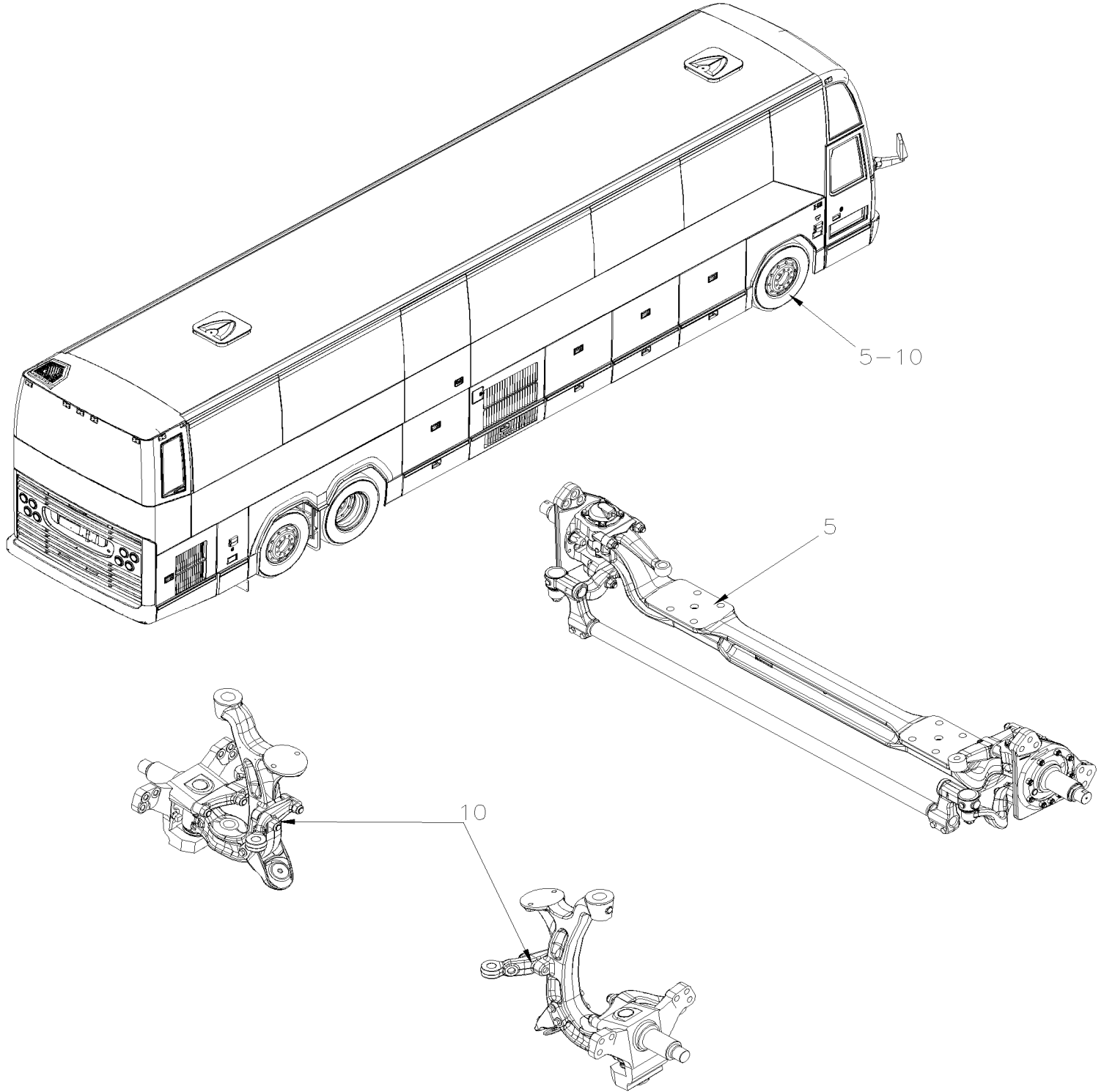
| Item# | Part | Description | QTY | Notes |
|-------|----------|--|-----|-------|
| | | PROPELLER SHAFT SERIES SLP250 | | |
| 10 | 580087 | SHAFT ASSY 935MM C/C / SLP250-935MM WORLD TRANS | 1 | |
| 11 | 3947801 | . KIT BOOT & CLIPS SPL250X | 1 | |
| 12 | 19511258 | . KIT, CROSS & BEARING SPL250-3X | 2 | |
| . NS | 3095735 | . . GREASE FITTING | 1 | |
| 13 | 3947800 | . KIT STRAP & BOLT SPL250-70-18X To M-1160 | 1 | |
| 13 | 85133971 | . KIT STRAP & BOLT From M-1161 | 1 | |
| | | NEXT FOLLOWING YOKE ARE PART OF TRANSMISSION | | |
| 22 | N.P.N. | YOKE SERIES 250 HALF ROUND / W/"WORLD" TRANS | 1 | 4 |
| | | NEXT FOLLOWING YOKE ARE PART OF DIFERENTIAL | | |
| 40 | 621833 | YOKE SERIES 250 HALF ROUND | 1 | |
| . NS | 621501 | . DEFLECTOR, OIL | 1 | |
| . NS | 621492 | . SPEEDY SLEEVE 3.250" I.D. / TO REPAIR OIL LEAK ON YOKE | 1 | |
| 50 | 121909 | PROTECTOR GUARD PROPELLER SHAFT 433.5MM x 169MM | 1 | |
| 51 | 500488 | WASHER LO SPT .760x1.271x.188 Z050 | 2 | |
| 52 | 500733 | NUT HEX 3/4-16 Z050 | 4 | |
| NS | 682175 | UNDERCOATING BLACK PROTECTOR (GRAVELGUARD) 567gr To N-1261 | AR | |
| NS | 685413 | RUBBERRIZED UNDERCOAT (GRAVELGUARD) 560gr From N-1262 | AR | |
| | | 4) NO PARTS NUMBER | | |

From K-0295

Date:07/2024

VIP-10

FRONT AXLE



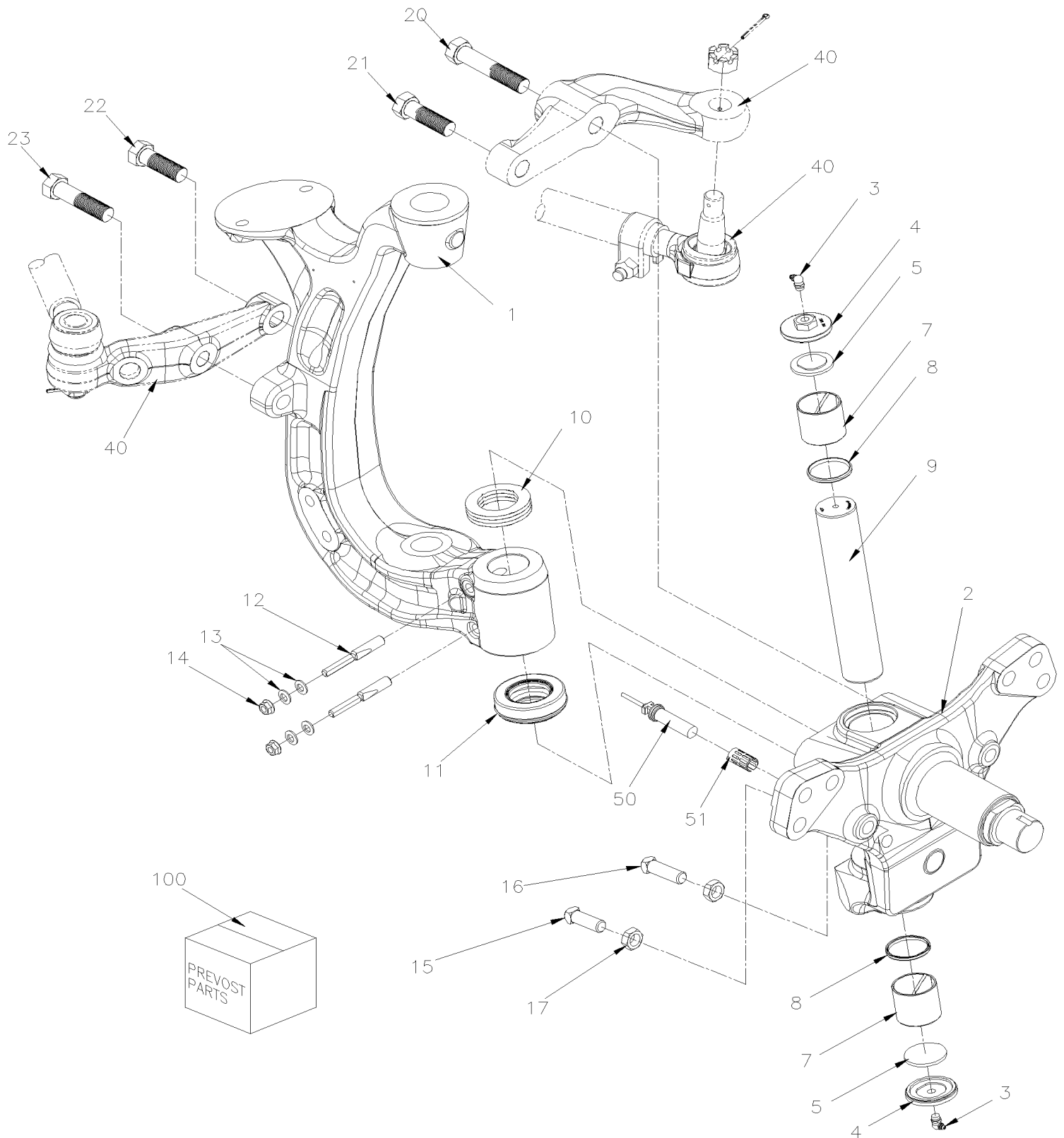
| From K-0295 | | Date:07/2024 | VIP-10 | |
|-------------------|-------------|--|--------|-------|
| FRONT AXLE | | | | |
| Item# | Part | Description | QTY | Notes |
| 10 | VIP-1005-51 | FRONT AXLE - INDEPENDENT MODEL "NDIFS80P" / 19000LBS From K-0295 | | |

From K-0295

Date:07/2024

PAGE:VIP-1005-51

FRONT AXLE - INDEPENDENT MODEL "NDIFS80P" / 19000LBS



| | | | |
|---|--|--------------|------------------|
| From K-0295 | | Date:07/2024 | PAGE:VIP-1005-51 |
| FRONT AXLE - INDEPENDENT MODEL "NDIFS80P" / 19000LBS | | | |

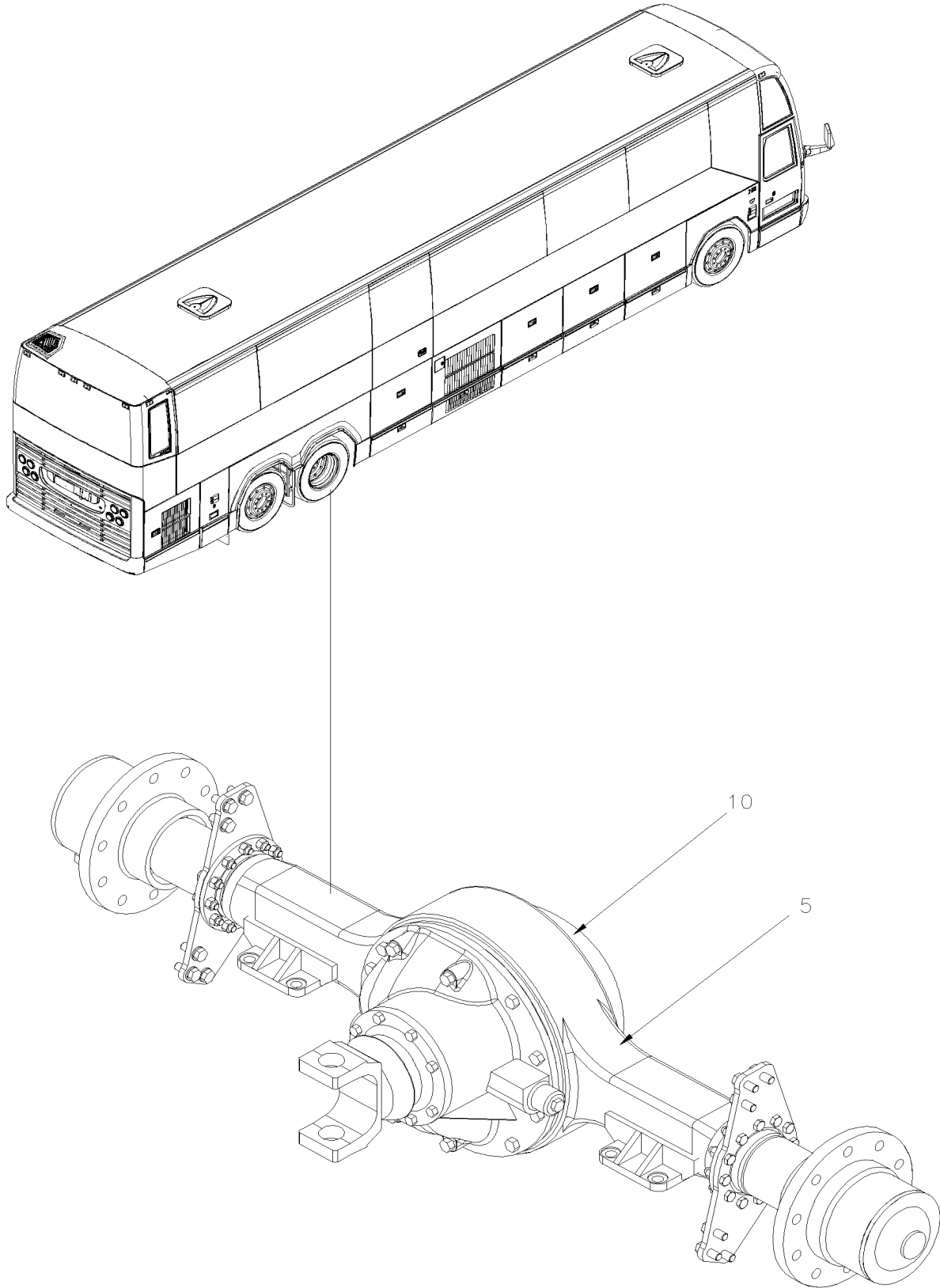
| Item# | Part | Description | QTY | Notes |
|-------|--------------------|---|-----|-------|
| | 610020 | AXLE ASSY L.H. & R.H. / NDIFS80P / 19K To M-1153 | 1 | |
| | 610063 | AXLE ASSY L.H. & R.H. / NDIFS80P / 19K From M-1154 | 1 | |
| 1 | 612377 | . AXLE L.H. / W/DOUBLE LOCK ON KING PIN / 19K | 1 | |
| 1 | 612376 | . AXLE R.H. / W/DOUBLE LOCK ON KING PIN / 19K | 1 | |
| 2 | 612361 | . KNUCKEL L.H. & R.H. | 2 | |
| 3 | 501490 | . GREASE FITTING / 1/8 NPT | 2 | |
| 4 | 611283 | . CAP UPPER & LOWER | 2 | |
| 5 | 611939 | . FOAM INSERT | 2 | |
| 7 | N.S.S. | . BUSHING (STD) | 2 | 1 |
| 8 | 611936 | . OIL SEAL | 2 | |
| 9 | N.S.S. | . KING PIN | 2 | 1 |
| 10 | 611956 | . SHIM 0.013 | AR | |
| 10 | 611957 | . SHIM 0.025 | AR | |
| 11 | N.S.S. | . THRUST BEARING | 2 | 1 |
| 12 | N.S.S. | . DRAW KEY | 4 | 1 |
| 13 | N.S.S. | . WASHER - DRAW KEY | 8 | 1 |
| 14 | N.S.S. | . NUT - DRAW KEY | 4 | 1 |
| 15 | 611288 | . LOCKSTOP SCREW FRONT | 2 | |
| 16 | 611288 | . LOCKSTOP SCREW BACK | 2 | |
| 17 | 612393 | . NUT - LOCKSTOP | 4 | |
| 20 | 612359 | . SCREW CAP HEX M22-2.5x100 G12.9 | 1 | |
| 21 | 612360 | . SCREW CAP HEX M22-2.5x65 G12.9 | 1 | |
| 22 | 611305 | . SCREW CAP HEX M20-2.5x60 G12.9 | 1 | |
| 23 | 611307 | . SCREW CAP HEX M20-2.5x80 G12.9 | 1 | |
| 40 | VIP-1410-51 | STEERING RODS - INSTALLATION W/INDEPENDENT "NDIFS80P" / 19000LBS | | |
| 50 | 642085 | SENSOR ABS - OEM | 2 | |
| 50 | 642184 | SENSOR ABS - AFTER MARKET | 2 | |
| 51 | 641096 | CLIP, SPRING / TO FIX SENSOR | 2 | |
| 100 | 611132 | KIT REPAIR / STEERING KNUCKLE BUSHING (STD) / (REQUIRE 2 KITS) | 1 | A |
| . NS | SB07_03 | . NSDIFS80P - KINGPIN KITS | 1 | A |
| | | | | |
| | | | | |
| | | | | |
| | | A) THIS KIT INCLUDES ITEMS 3, 4, 5, 7, 8, 9, 10, 11, 12, 13, 14 | | |
| | | 1) NOT SOLD SEPARATELY | | |

From K-0295

Date:07/2024

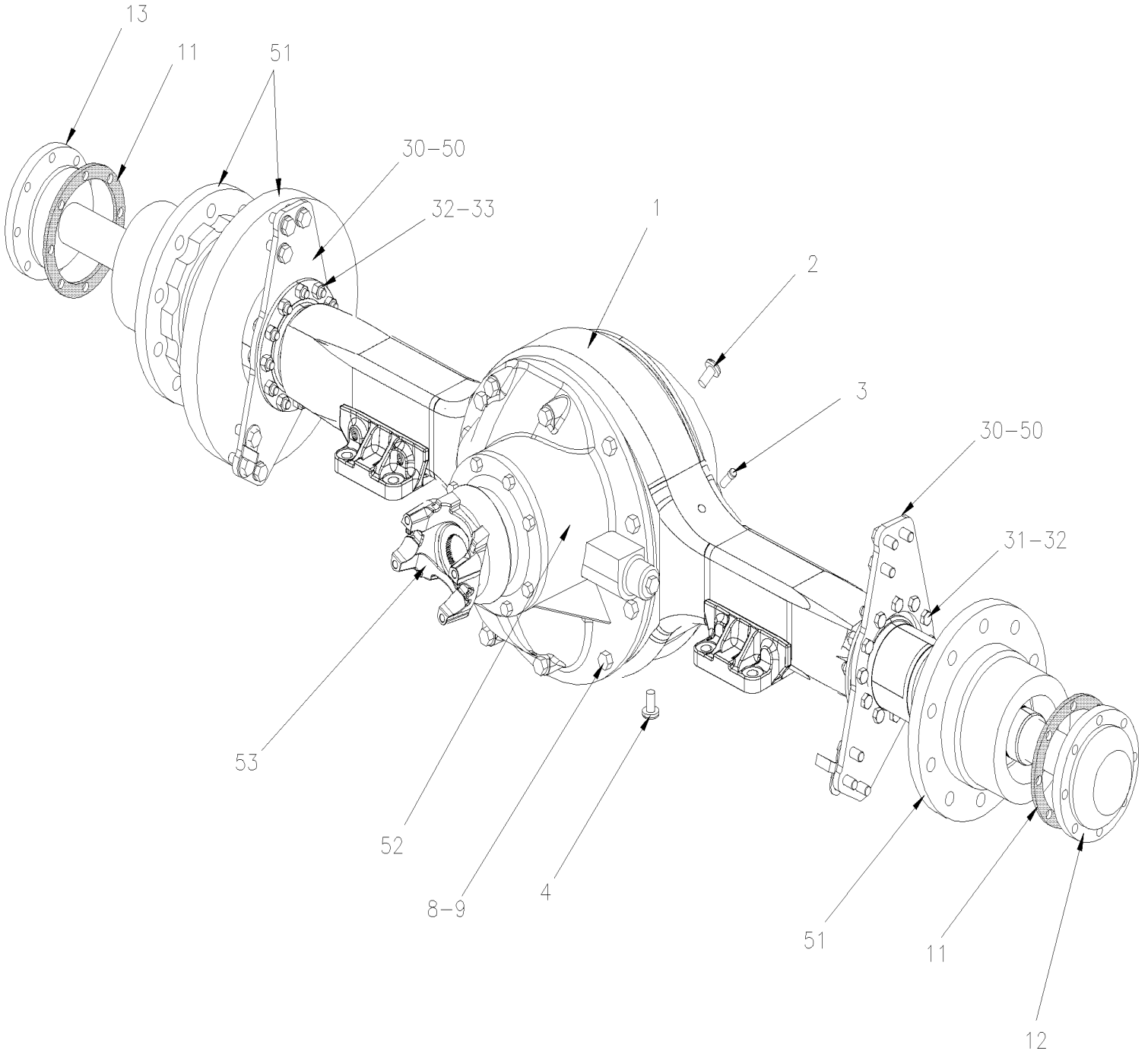
VIP-11

REAR AXLE



| From K-0295 | | Date:07/2024 | VIP-11 | |
|------------------|-------------|---|--------|-------|
| REAR AXLE | | | | |
| Item# | Part | Description | QTY | Notes |
| 5 | VIP-1105-00 | REAR AXLE - MODEL "RC23165" From K-0295 | | |
| 10 | VIP-1110-00 | CARRIER ASSY From K-0295 | | |

| | | |
|-----------------------------|--------------|------------------|
| From K-0295 | Date:07/2024 | PAGE:VIP-1105-00 |
| REAR AXLE - MODEL "RC23165" | | |



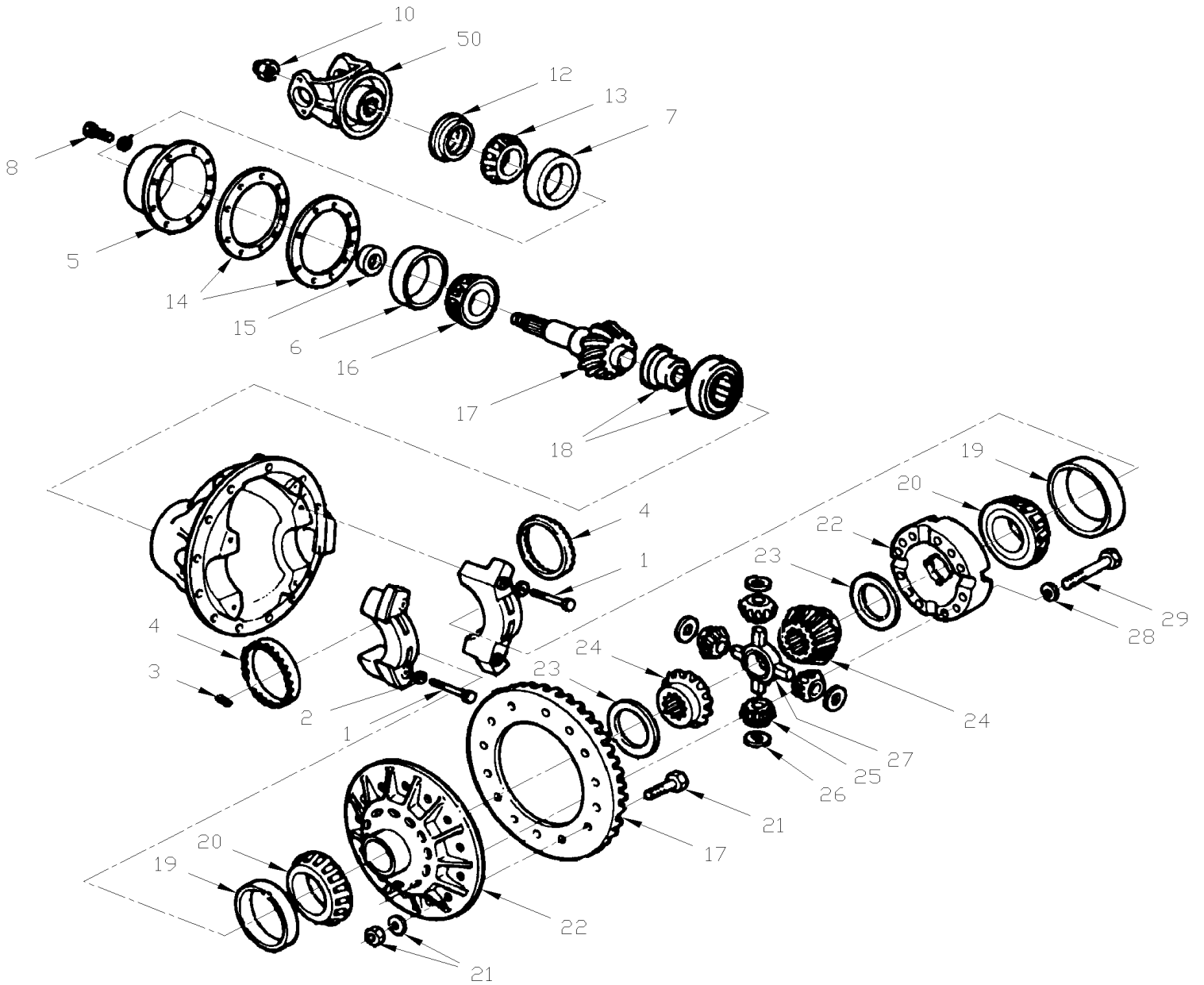
| | | | |
|------------------------------------|--|--------------|------------------|
| From K-0295 | | Date:07/2024 | PAGE:VIP-1105-00 |
| REAR AXLE - MODEL "RC23165" | | | |

| Item# | Part | Description | QTY | Notes |
|-------|---------|--|-----|-------|
| | | AXLE ASSY WITHOUT WHEELS STUD | | |
| | 621909 | REAR AXLE ASSY / 3.58 RATIO To M-1153 | 1 | V |
| | 620084 | REAR AXLE ASSY / 3.58 RATIO From M-1154 | 1 | V |
| | 621903 | REAR AXLE ASSY / 3.58 RATIO / SUPER SINGLE To M-1153 | 1 | V |
| | 620076 | REAR AXLE ASSY / 3.58 RATIO / SUPER SINGLE From M-1154 | 1 | V |
| | 621910 | REAR AXLE ASSY / 4.10 RATIO To M-1153 | 1 | V |
| | 620085 | REAR AXLE ASSY / 4.10 RATIO From M-1154 | 1 | V |
| | 621905 | REAR AXLE ASSY / 4.10 RATIO / SUPER SINGLE To M-1153 | 1 | V |
| | 620079 | REAR AXLE ASSY / 4.10 RATIO / SUPER SINGLE From M-1154 | 1 | V |
| | | | | |
| 1 | 620047 | HOUSING ASSY W/BRACKET WELDED | 1 | D |
| 1 | 621752 | HOUSING ASSY W/BRACKET WELDED / SUPER SINGLE | 1 | S |
| NS | 680053 | . SILICONE TUBE RTV103 / BLACK / 3 oz | 2 | |
| 2 | 620317 | . PLUG FILLER | 1 | |
| 3 | 621871 | . BREATHER AND TUBE | 1 | |
| 4 | 621615 | . PLUG MAGNETIC | 1 | |
| 8 | 5001422 | . SCREW CAP HEX 5/8-11x2 1/2 G8 ZP | 12 | |
| 8 | 5001423 | . SCREW CAP HEX 5/8-11x4 G8 ZP | 4 | |
| 8 | 621221 | . SCREW CAP HEX 5/8-11x1 3/4 G8 ZP | AR | |
| 9 | 620474 | . WASHER HARDENED / 5/8" I.D. | 18 | |
| 10 | 500742 | . NUT HEX STO 7/8-14 ZP | 18 | |
| 11 | 621640 | . GASKET / AXLE SHAFT W/8 STUDS | 2 | |
| 12 | 620022 | . SHAFT, AXLE / 41.41" (STP 2394) (INSTALL RH CURBSIDE) | 1 | D |
| 12 | 621755 | . SHAFT, AXLE / 46.30" (stp 1998) / SUPER SINGLE (INSTALL RH CURBSIDE) | 1 | S |
| 13 | 620020 | . SHAFT, AXLE / 39.41" (STP 2393) (INSTALL LH STREET SIDE) | 1 | D |
| 13 | 621756 | . SHAFT, AXLE / 44.37"(stp 1999) / SUPER SINGLE (INSTALL LH STREET SIDE) | 1 | S |
| NS | 686082 | OIL DIFERENTIAL S.A.E. 140 GL5 85-140W (VRAC) | AR | |
| | | | | |
| | | NEXT FOLLOWING ITEMS ARE RELATED | | |
| | | WITH "OPTION" DIFFERENTIAL LOCK | | |
| | | | | |
| NS | 624216 | DECAL "CAUTION" DIFFERENTIAL LOCK..." | 1 | |
| NS | 562697 | SWITCH / ON-ON / D.P.D.T. / CH-OVER / W/RED & GREEN LED | 1 | |
| NS | 564013 | CAP / DIFFERENTIAL LOCK | 1 | |
| NS | 142364 | HOSE ASSY / DIFF & STRUCTURE / #6 695MM | 1 | |
| NS | 172589 | SUPPORT HOSE / (WELDED TO STRUCTURE) | 1 | |
| NS | 641937 | VALVE, 3 WAYS, 2 POSITIONS N.C. / W/MAN OVERRIDE | 1 | |
| . NS | 641929 | . COIL 24V | 1 | |
| . NS | 641385 | . CONNECTOR / SOCKET HOUSING ASSY 3C / PNEUMAC 54934-01 | 1 | |
| NS | 641934 | SILENCER / MUFFLER / 3/8NPT-M | 1 | |
| | | | | |
| 30 | 621868 | CALIPER MOUNTING BRACKET L.H. & R.H. W/OUT BUSHING | 2 | |

| | | |
|------------------------------------|--------------|------------------|
| From K-0295 | Date:07/2024 | PAGE:VIP-1105-00 |
| REAR AXLE - MODEL "RC23165" | | |

| Item# | Part | Description | QTY | Notes |
|-------|-------------|---|-----|-------|
| 30 | 621869 | BUSHING - ABS SENSOR | 2 | |
| 31 | 621636 | SCREW CAP HEX / TO FIX BRACKET TO AXLE 9/16-18 X 2 GR 8 | 12 | |
| 32 | 621365 | WASHER (HARD) .59IDX.97ODX.09 | 24 | |
| 33 | 621638 | NUT HEX 9/16-18 GR8 | 12 | |
| 50 | VIP-1235-02 | BRAKE PARTS - DRIVE AXLE "KNORR-BREMSE" SN7 SERIES W/N2G ADJUSTER | | |
| 51 | VIP-1305-00 | HUB & ROTOR - DRIVE AXLE | | |
| 52 | VIP-1110-00 | CARRIER ASSY | | |
| 53 | VIP-0905-01 | PROPELLER SHAFT | | |
| 54 | OC2020059 | REFERENCE ONLY M-1154 M-6658 M-7832 £-20059 From M-1154 | | |
| | | | | |
| | | | | |
| | | D) WITH DOUBLE WHEEL ONLY | | |
| | | S) WITH SUPPER SINGLE ONLY | | |
| | | V) WITH "VOLVO 2010 ENGINE ONLY | | |

| | | |
|--------------|--------------|------------------|
| From K-0295 | Date:07/2024 | PAGE:VIP-1110-00 |
| CARRIER ASSY | | |



| | | | |
|---------------------|--|--------------|------------------|
| From K-0295 | | Date:07/2024 | PAGE:VIP-1110-00 |
| CARRIER ASSY | | | |

| Item# | Part | Description | QTY | Notes |
|-------|--------|---|-----|-------|
| | 621242 | CARRIER ASSY / 3.58 RATIO | 1 | |
| | 621249 | CARRIER ASSY / 4.10 RATIO | 1 | |
| | N.S.P. | CASE CARRIER | 1 | 2 |
| 1 | 621418 | SCREW, CAP | 4 | |
| 2 | 621417 | WASHER | 4 | |
| 3 | 505128 | SPRING, PIN 1/4 X 2 | 2 | |
| 4 | 621479 | RING, ADJUSTING / W/MODEL 3200-P-1706 | 2 | |
| 5 | 621419 | CASE & CUP ASSY / PINION BEARING | 1 | |
| 6 | 621420 | CUP BEARING / INNER BEARING | 1 | |
| 7 | 621421 | CUP BEARING / OUTER BEARING | 1 | |
| 8 | 621439 | SCREW, CAP | 8 | |
| 10 | 621418 | SCREW, CAP | 4 | |
| 10 | 621445 | NUT / DRIVE PINION | 1 | |
| 12 | 621424 | SEAL, OIL | 1 | |
| NS | 195671 | SEAL INSTALLER TOOL / CARRIER DRIVE PINION (2731T1) | 1 | I |
| 13 | 621423 | CONE BEARING / OUTER | 1 | |
| 14 | 621438 | SHIM 0.020 | AR | |
| 14 | 621437 | SHIM 0.008 | AR | |
| 14 | 621436 | SHIM 0.005 | AR | |
| 14 | 621435 | SHIM 0.003 | AR | |
| 15 | 621434 | SPACER .263 | AR | |
| 15 | 621433 | SPACER .262 | AR | |
| 15 | 621432 | SPACER .261 | AR | |
| 15 | 621431 | SPACER .260 | AR | |
| 15 | 621430 | SPACER .256 | AR | |
| 15 | 621429 | SPACER .254 | AR | |
| 15 | 621428 | SPACER .253 | AR | |
| 15 | 621427 | SPACER .252 | AR | |
| 15 | 621426 | SPACER .251 | AR | |
| 15 | 621425 | SPACER .250 | AR | |
| 16 | 621422 | CONE BEARING / INNER | 1 | |
| | | | | |
| | | FOLLOWING SET, GEAR DRIVE & PINION ARE | | |
| | | USED ONLY WITH CARRIER MODEL 3200-P-1706 | | |
| | | | | |
| 17 | 621718 | SET, GEAR DRIVE & PINION / 3.58 RATIO | 1 | |
| 17 | 621710 | SET, GEAR DRIVE & PINION / 4.10 RATIO | 1 | |
| 18 | 621481 | BEARING SPIGOT / INNER & OUTER / W/3200-P-1706 | 1 | |
| NS | 621482 | RING, SNAP / TO FIX SPIGOT BEARING | 1 | |
| 19 | 621210 | CUP BEARING | 2 | A |
| 20 | 621209 | CONE BEARING | 2 | A |
| 21 | 621444 | BOLT, NUT & WASHER / (KIT OF 12) | 1 | |

| | | |
|---------------------|--------------|------------------|
| From K-0295 | Date:07/2024 | PAGE:VIP-1110-00 |
| CARRIER ASSY | | |

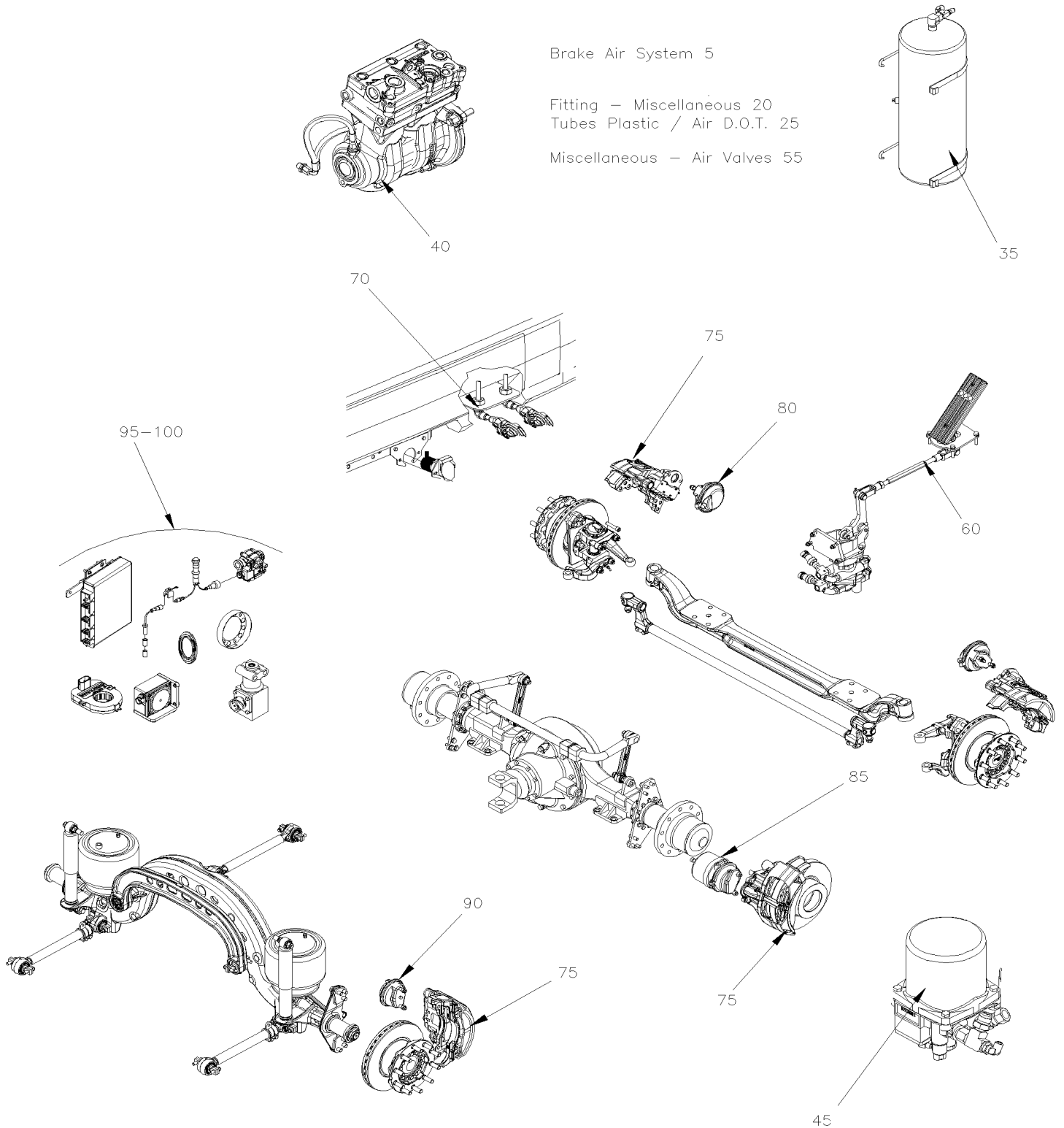
| Item# | Part | Description | QTY | Notes |
|-------|--------|---|-----|-------|
| | | FOLLOWING CASES ASSY | | |
| | | DO NOT INCLUDE ITEMS #23 TO 27 | | |
| | | FOR CARRIER MODEL 3200-P-1706 | | |
| | | WITH ABS SENSOR MOUNTED ON HUB WHEEL. | | |
| 22 | 621488 | . CASE ASSY / W/RATIO 3.91, 4.10, 4.30 & 4.56 | 1 | |
| 22 | 621539 | . CASE ASSY / W/RATIO 4.89 | 1 | |
| 23 | 621449 | . WASHER, THRUST / SIDE GEAR | 2 | |
| 24 | 621450 | . GEAR, SIDE | 4 | |
| 25 | 621452 | . GEAR, PINION | 4 | |
| 26 | 621453 | . WASHER, GEAR PINION | 4 | |
| 27 | 621451 | . SPIDER | 1 | |
| 28 | 621447 | . WASHER | 12 | |
| 29 | 621448 | . SCREW, CAP | 12 | |
| NS | 621653 | KIT, CUP & CONE | 1 | A |
| 50 | 621833 | YOKE SERIES 250 HALF ROUND | 1 | |
| . NS | 621501 | . DEFLECTOR, OIL | 1 | |
| . NS | 621492 | . SPEEDY SLEEVE 3.250" I.D. / TO REPAIR OIL LEAK ON YOKE | 1 | |
| | | | | |
| | | | | |
| | | A) ALSO SOLD IN KIT #621653 KIT BEARING #403 | | |
| | | 1) THIS TOOL INSTALLER ARE USE WITH NEW SEAL STAMPED A1205A2731 | | |
| | | 2) NOT SOLD BY PREVOST (SEE MANUFACTURING PART NUMBER AT END OF DESCRIPTION LINE) | | |

From K-0295

Date:07/2024

VIP-12

BRAKE



Brake Air System 5

Fitting — Miscellaneous 20
Tubes Plastic / Air D.O.T. 25

Miscellaneous — Air Valves 55

| | | |
|-------------|--------------|--------|
| From K-0295 | Date:07/2024 | VIP-12 |
|-------------|--------------|--------|

BRAKE

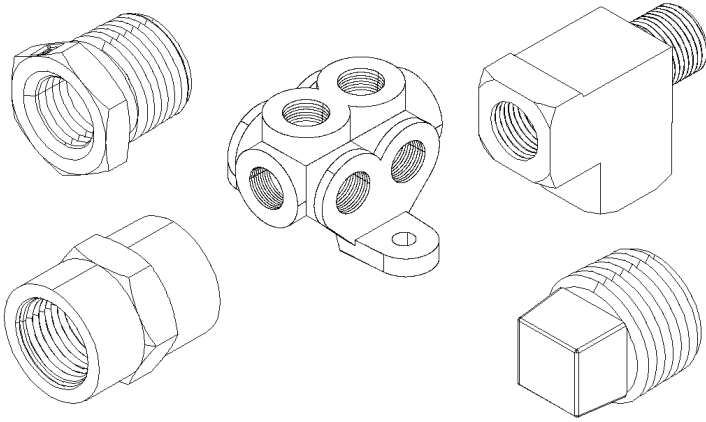
| Item# | Part | Description | QTY | Notes |
|-------|-------------|---|-----|-------|
| 5 | VIP-1200-01 | BRAKE AIR SYSTEM From K-0295 | | |
| 20 | VIP-1201-00 | FITTING - MISCELLANEOUS From K-0295 | | |
| 25 | VIP-1202-00 | TUBES PLASTIC / AIR D.O.T. From K-0295 | | |
| 35 | VIP-1203-01 | AIR TANK - INSTALLATION From K-0295 | | |
| 40 | VIP-1205-11 | AIR COMPRESSOR - "WABCO" 636CC - WITH VOLVO D13 From K-0295 | | |
| 45 | VIP-1215-03 | AIR DRYER - "WABCO" / SUB FRAME INSTALLATION From K-0295 | | |
| 45 | VIP-1215-10 | AIR DRYER TUBE - INSTALLATION From K-0295 | | |
| 55 | VIP-1220-00 | MISCELLANEOUS AIR VALVE From K-0295 | | |
| 60 | VIP-1220-11 | BRAKE PEDAL VALVE - "BENDIX" E-8P From K-0295 To P-1347 | | |
| 60 | VIP-1220-12 | BRAKE PEDAL VALVE - "BENDIX" E-8P From P-1348 | | |
| 70 | VIP-1220-51 | TRAILER VALVE INSTALLATION From K-0295 | | |
| 75 | VIP-1225-02 | BRAKE PARTS - FRONT & TAG AXLE "KNORR-BREMSE" SN7 SERIES W/N2G ADJUSTER From K-0295 | | |
| 80 | VIP-1225-50 | BRAKE CHAMBER - FRONT AXLE TYPE 27 From K-0295 | | |
| 85 | VIP-1235-02 | BRAKE PARTS - DRIVE AXLE "KNORR-BREMSE" SN7 SERIES W/N2G ADJUSTER From K-0295 | | |
| 85 | VIP-1235-10 | BRAKE CHAMBER - DRIVE AXLE TYPE 24/24 From K-0295 | | |
| 90 | VIP-1245-11 | BRAKE CHAMBER - TAG AXLE TYPE 20 From K-0295 | | |
| 95 | VIP-1250-01 | ABS & ESP CONTROL From K-0295 | | |
| 100 | VIP-1250-11 | ABS/ESP BRAKE VALVE - INSTALLATION From K-0295 | | |

From K-0295

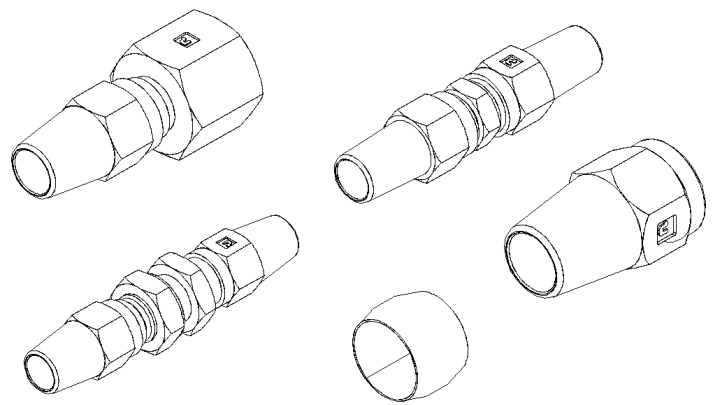
Date:07/2024

PAGE:VIP-1201-00

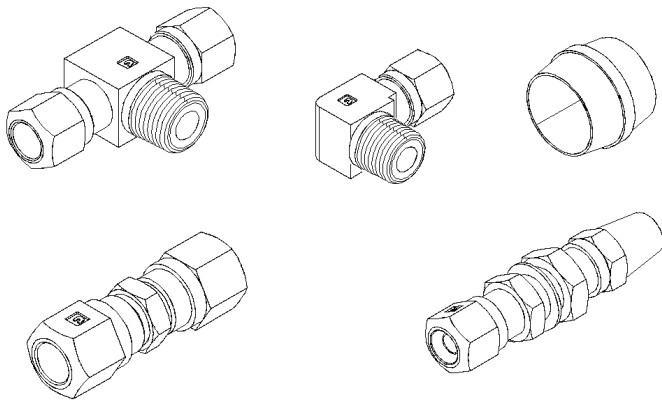
FITTING - MISCELLANEOUS



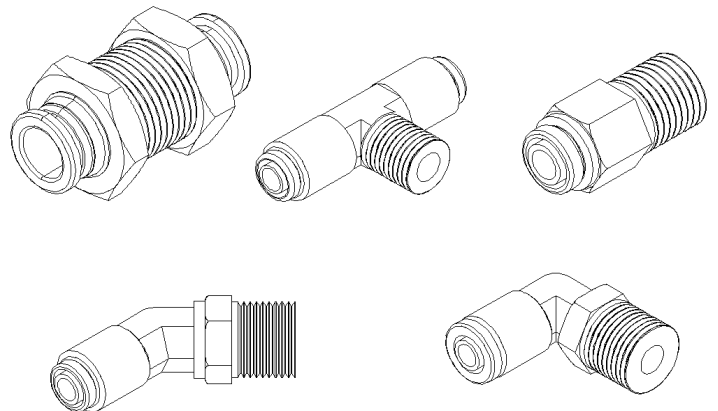
FITTING PIPE "NPT"
1



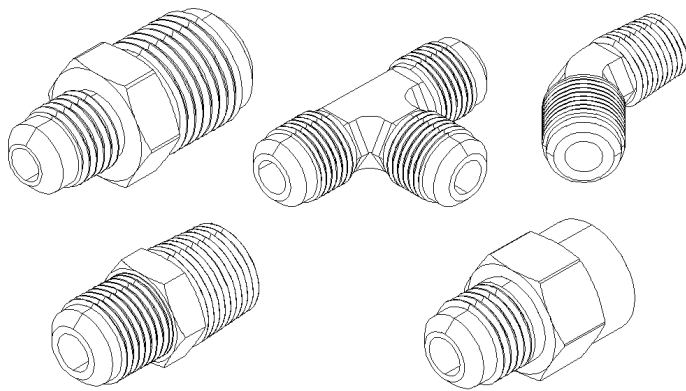
FITTING BRAKE "AB"
2



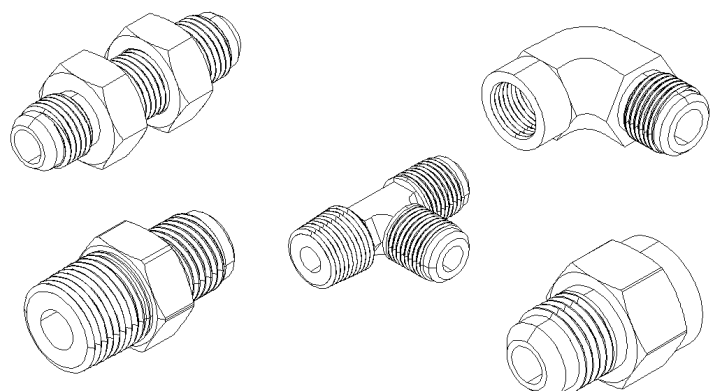
FITTING BRAKE "NTA"
3



FITTING BRAKE "PUSH-IN"
4



FITTING "SAE 45°"
5



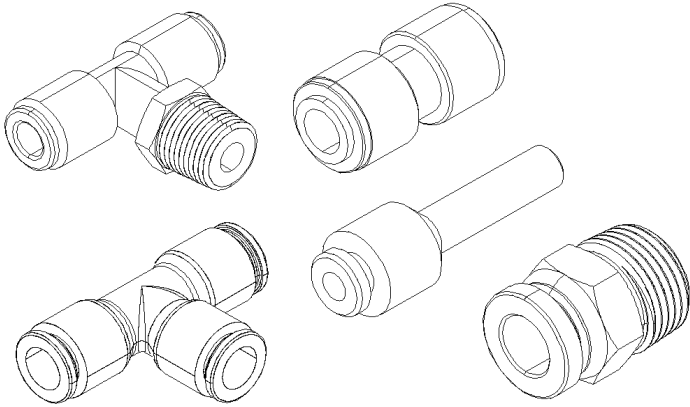
FITTING "JIC 37°"
6

From K-0295

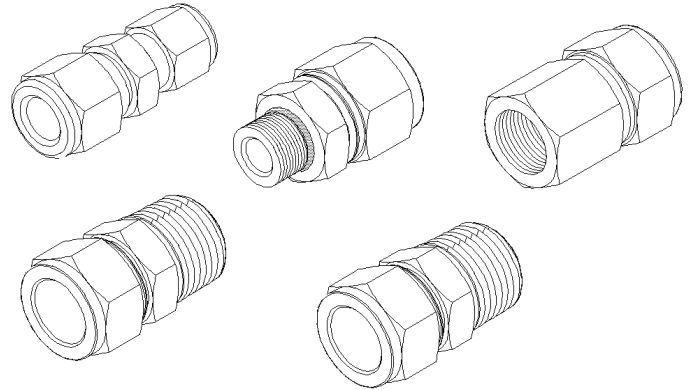
Date:07/2024

PAGE:VIP-1201-00

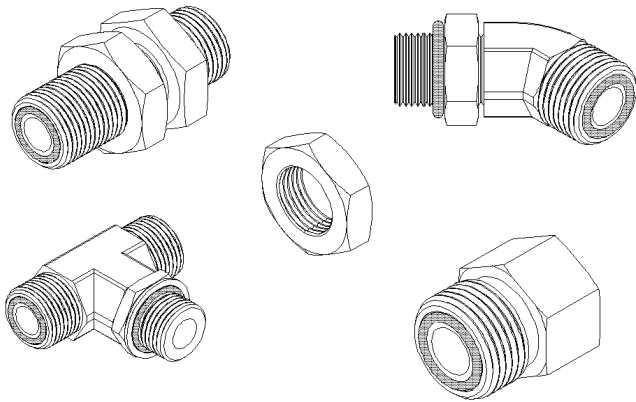
FITTING - MISCELLANEOUS



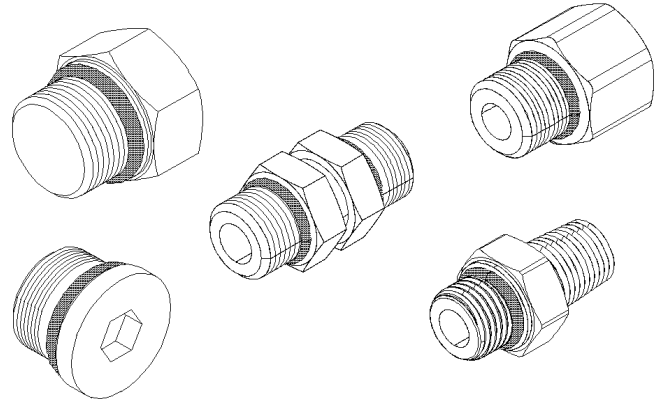
FITTING "PUSH-IN"
7



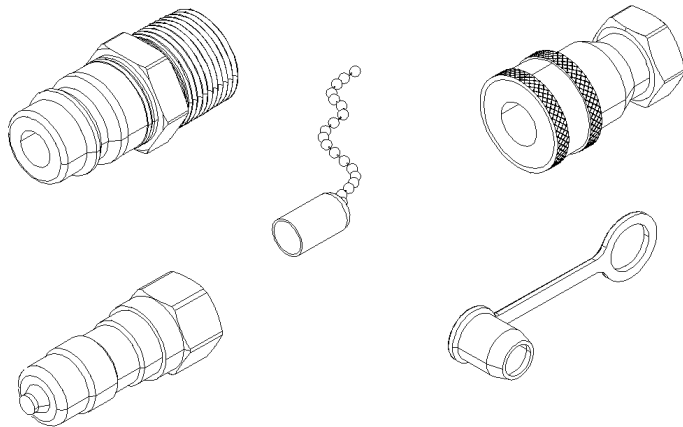
FITTING "A-LOK"
8



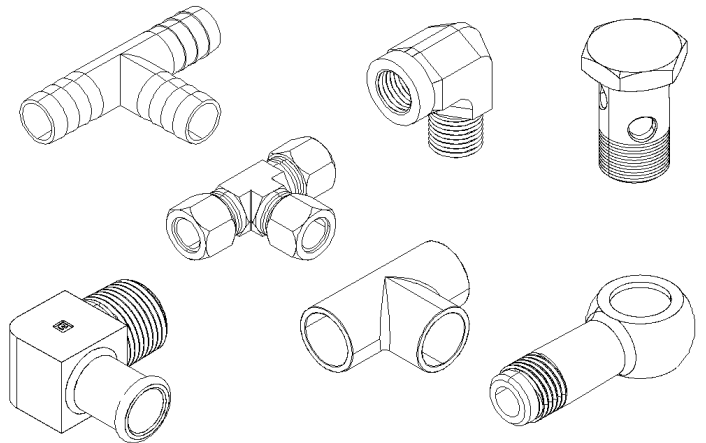
FITTING "ORS"
9



FITTING "ORB"
10



FITTING "QUICK DISCONNECT"
11



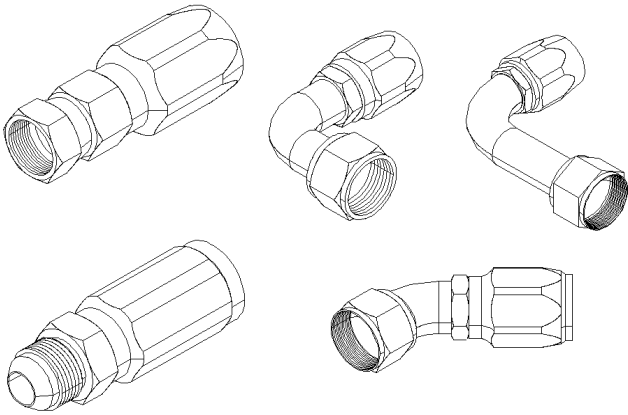
FITTING "MISCELANOUS"
12

From K-0295

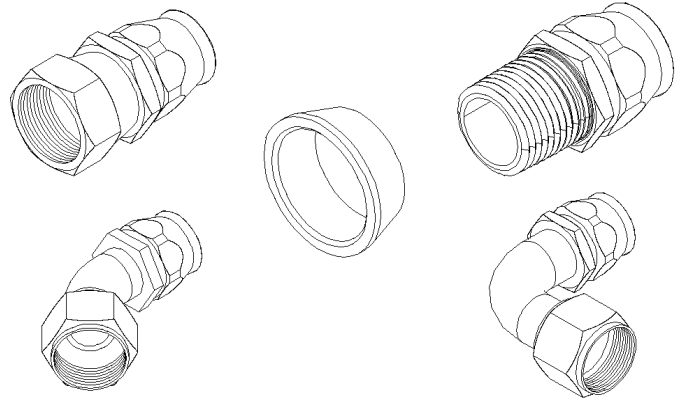
Date:07/2024

PAGE:VIP-1201-00

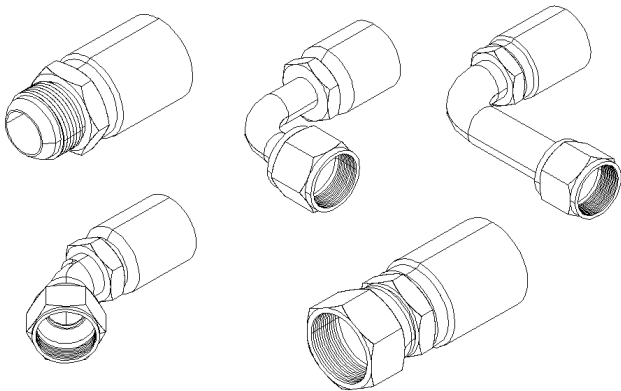
FITTING - MISCELLANEOUS



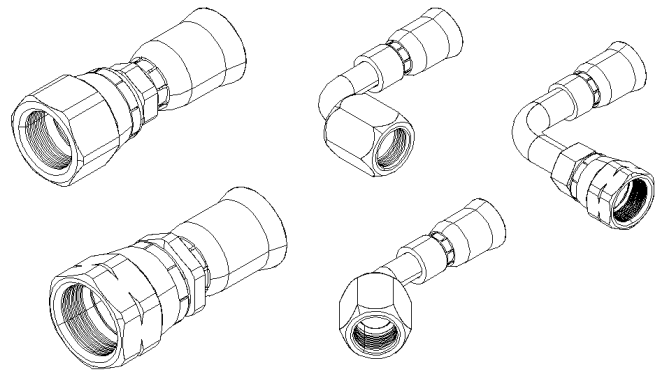
FITTING "HOSE END REUSABLE"
13



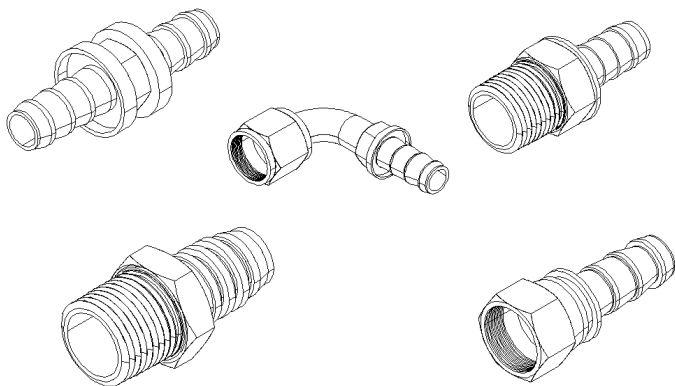
FITTING "HOSE END REUSABLE"
TEFLON
14



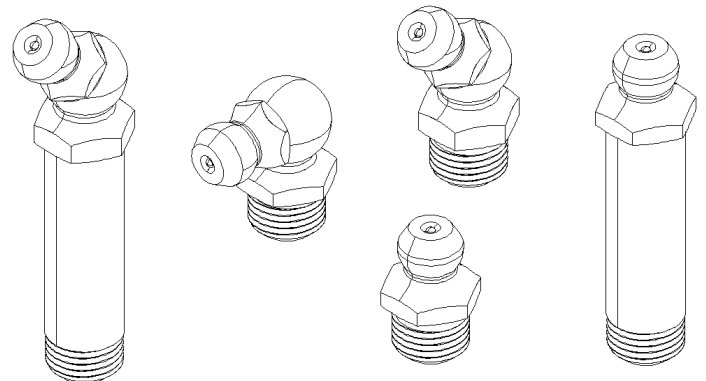
FITTING "HOSE END CRIMP"
15



FITTING "HOSE END CRIMP"
TEFLON
16



FITTING "HOSE END"
"PUSH-LOK & COLLAR"
17



FITTING "GREASE"
30

| | | | |
|-------------|--|--------------|------------------|
| From K-0295 | | Date:07/2024 | PAGE:VIP-1201-00 |
|-------------|--|--------------|------------------|

FITTING - MISCELLANEOUS

| Item# | Part | Description | QTY | Notes |
|-------|------------|--|-----|-------|
| | | ... BRAKE | | |
| 1 | FM-00FM-00 | FITTING NPT PIPE - MISCELANOUS | | |
| 2 | FM-00FM-01 | FITTING BRAKE "AB" - MISCELANOUS (D.O.T.) | | |
| 3 | FM-00FM-02 | FITTING BRAKE "NTA" - MISCELANOUS (D.O.T.) | | |
| 4 | FM-00FM-03 | FITTING BRAKE "PUSH-IN" - MISCELANOUS (D.O.T.) | | |
| | | ... SAE & JIC | | |
| 5 | FM-00FM-04 | FITTING "SAE 45°" - MISCELANOUS | | |
| 6 | FM-00FM-05 | FITTING "JIC 37°" - MISCELANOUS | | |
| 7 | FM-00FM-06 | FITTING "PUSH-IN" - MISCELANOUS | | |
| 8 | FM-00FM-07 | FITTING "A-LOK" - MISCELANOUS (SWAGLELOK) | | |
| | | ... ORS & ORB | | |
| 9 | FM-00FM-08 | FITTING "ORS" - MISCELANOUS | | |
| 10 | FM-00FM-09 | FITTING "ORB" - MISCELANOUS | | |
| | | ... QUICK DISCONNECT | | |
| 11 | FM-00FM-10 | FITTING "QUICK DISCONNECT" - MISCELANOUS | | |
| 12 | FM-00FM-11 | FITTING "MISCELANOUS" | | |
| | | ... HOSE END FITTING | | |
| 13 | FM-00FM-12 | FITTING "HOSE END REUSABLE" - MISCELANOUS | | |
| 14 | FM-00FM-13 | FITTING "HOSE END REUSABLE TEFLON" - MISCELANOUS | | |
| 15 | FM-00FM-14 | FITTING "HOSE END CRIMP" - MISCELANOUS | | |
| 16 | FM-00FM-15 | FITTING "HOSE END CRIMP TEFLON" - MISCELANOUS | | |
| 17 | FM-00FM-00 | FITTING NPT PIPE - MISCELANOUS | | |
| 30 | FM-00GF-00 | GREASE FITTING | | |

From K-0295

Date:07/2024

PAGE:VIP-1202-00

TUBES PLASTIC / AIR D.O.T.

ILLUSTRATION NOT
AVAILABLE AT TIME OF
PRINTING

| | | | |
|-----------------------------------|--|--------------|------------------|
| From K-0295 | | Date:07/2024 | PAGE:VIP-1202-00 |
| TUBES PLASTIC / AIR D.O.T. | | | |

| Item# | Part | Description | QTY | Notes |
|-------|----------|---|-----|-------|
| | | ADAPTER, 90HT, MALE (PUSH IN TUBE FITTINGS) | | |
| | 503747 | TUBE, NYLON 6MM O.D. / BLACK S.L. | | |
| | 503529 | TUBE, NYLON 8MM O.D. / BLACK S.L. | | |
| | 503563 | TUBE, NYLON 6MM O.D. / WHITE S.L. | | |
| | 503566 | TUBE, NYLON 1/4 O.D. / BLUE S.L. | | |
| | 503471 | TUBE, NYLON 3/8 O.D. / BLUE S.L. | | |
| | 503517 | TUBE, NYLON 1/2 O.D. / BLUE S.L. | | |
| | 503536 | TUBE, NYLON 1/8 O.D. / BLACK S.L. | | |
| | 503402 | TUBE, NYLON 1/4 O.D. / BLACK S.L. | | |
| | 503404 | TUBE, NYLON 3/8 O.D. / BLACK S.L. | | |
| | 503488 | TUBE, NYLON 1/2 O.D. / BLACK S.L./ | | |
| | 503540 | TUBE, NYLON 5/8 O.D. / BLACK S.L. | | |
| | 503541 | TUBE, NYLON 3/4" O.D. / BLACK S.L | | |
| | 503548 | TUBE, NYLON 1/4 O.D. / YELLOW S.L. | | |
| | 503470 | TUBE, NYLON 3/8 O.D. / YELLOW S.L. | | |
| | 503533 | TUBE, NYLON 1/2 O.D. / YELLOW S.L. | | |
| NS | 19514092 | TUBE, NYLON 1/2 O.D. / YELLOW / 100FT ROLL | | |
| | 503466 | TUBE, NYLON 1/4 O.D. / RED S.L. | | |
| | 503467 | TUBE, NYLON 3/8 O.D. / RED S.L. | | |
| | 503468 | TUBE, NYLON 1/2 O.D. / RED S.L. | | |
| | 503469 | TUBE, NYLON 5/8 O.D. / RED S.L. | | |
| | 503464 | TUBE, NYLON 1/4 O.D. / GREEN S.L. | | |
| | 503463 | TUBE, NYLON 3/8 O.D. / GREEN S.L. | | |
| | 503406 | TUBE, NYLON 1/2 O.D. / GREEN S.L. | | |
| | 503408 | TUBE, NYLON 5/8 O.D. / GREEN S.L. | | |
| | 503465 | TUBE, NYLON 3/4 O.D. / GREEN S.L. | | |
| | 503472 | TUBE, NYLON 3/8 O.D. / GREY S.L. | | |
| | 503822 | TUBE, NYLON 1/4 O.D. / BROWN S.L. | | |
| | 503639 | TUBE, NYLON 3/8 O.D. / BROWN S.L. | | |
| | 503638 | TUBE, NYLON 1/2 O.D. / BROWN S.L. | | |
| NS | 683355 | TOOL PLASTIC TUBE CUTTER / PLASTIC | | |
| NS | 681625 | TOOL PLASTIC TUBE CUTTER / METAL | | |

| | | |
|-------------|--------------|------------------|
| From K-0295 | Date:07/2024 | PAGE:VIP-1203-01 |
|-------------|--------------|------------------|

AIR TANK - INSTALLATION

| Item# | Part | Description | QTY | Notes |
|-------|--------------------|--|-----|-------|
| | | ACCESSORIES AIR TANK | | |
| 2 | 141834 | AIR TANK / 1303 IN° / 8" O.D. X 27"1/2 | 1 | I |
| | | KNEELING AIR TANK | | |
| 4 | 641583 | AIR TANK / 1508 IN° / 9" 1/2 O.D. X 24" | 1 | I |
| | | SECONDARY AIR TANK | | |
| 5 | 641583 | AIR TANK / 1508 IN° / 9" 1/2 O.D. X 24" | 1 | |
| 6 | 141834 | AIR TANK / 1303 IN° / 8" O.D. X 27"1/2 | 1 | |
| | | WET AIR TANK | | |
| 8 | 642000 | AIR TANK / 1791 IN° / 9 1/2" O.D. X 27" | 1 | |
| 9 | 642210 | SAFETY VALVE 153 PSI X 1/4 NPT OEM | 1 | |
| 9 | 19511125 | SAFETY VALVE 153 PSI X 1/4 NPT AFTER-MARKET | 1 | |
| | | PRIMARY AIR TANK | | |
| 10 | 641411 | AIR TANK / 2370 IN° / 12" O.D. X 24" | 1 | |
| | | AIR BELLOW EXPANSION TANK | | |
| 11 | 642110 | AIR TANK / 290 IN° / 6" O.D. X 12" / W/(3) 1/2" NPT | 2 | |
| 12 | 641424 | AIR TANK / 288 IN° / 7" O.D. X 9 1/4" / W/(3) 1/2" NPT | 4 | |
| | | PING AIR TANK | | |
| 13 | VIP-1215-10 | AIR DRYER TUBE - INSTALLATION | | |
| 19 | 145007 | SUPPORT / WET AIR TANK / FORWARD | 1 | |
| 20 | 145051 | BAND CLAMPS 245MM I.D. | 2 | |
| 21 | 145026 | SUPPORT PRIMARY TANK REAR | 1 | |
| 22 | 145025 | SUPPORT PRIMARY TANK FRONT | 1 | |
| 23 | 145067 | COLLAR PRIMARY TANK | 2 | |
| 24 | 141835 | ROD / TO USE W/8" O.D. TANK / "U" SHAPE | 4 | |
| 25 | 131610 | STRAP / TO USE W/9"1/2 O.D. TANK / "O" SHAPE To L-0876 | 2 | |
| 25 | 504775 | T-BOLT BAND CLAMP/ 9.69" ID From L-0877 | 2 | |
| 26 | 173481 | SUPPORT / AIR TANK | 2 | |
| 26 | 506758 | TAPE RUB ADH1 NEO 1/16"X 1 1/2"X50' | AR | |

| | | | |
|--------------------------------|--|--------------|------------------|
| From K-0295 | | Date:07/2024 | PAGE:VIP-1203-01 |
| AIR TANK - INSTALLATION | | | |

| Item# | Part | Description | QTY | Notes |
|-------|--------|--|-----|-------|
| 27 | 504649 | HOSE CLAMP / 4"5/8-7"1/2 SS | 8 | |
| 28 | 504324 | HOSE CLAMP / 4"1/2-6"1/2 SS / HS-96 | 4 | |
| 30 | 641043 | DRAIN VALVE 1/4 NPT M | AR | |
| 31 | 641137 | VALVE, PRESSURE PROTECTION TYPE PR-4 70PSI | 1 | |
| 32 | 640123 | VALVE, CHECK 1/2 NPT SC-1 | AR | |
| NS | 641401 | VALVE, CHECK 1/2 NPT SC-1 | 1 | |
| NS | 507557 | STREET ELBOW 90° / PIPE FITTING / 1/2NPT-Mx1/2NPT-F BR | AR | |
| 34 | 640135 | VALVE, CHECK 1/4 NPT | AR | |
| 35 | 501966 | PLUG HEXS / PIPE FITTING / 1/2NPT-M STL | AR | |
| 36 | 501800 | PLUG HEXS / PIPE FITTING / 1/4NPT-M STL | AR | |
| 37 | 501449 | PLUG HEXS / PIPE FITTING / 3/8NPT-M STL | AR | |
| 38 | 642069 | MALE ELBOW 45° NON-SWIVEL / PUSH-IN FITTING / #10x1/2NPT-M BR | AR | |
| 39 | 501473 | MALE RUN TEE / PIPE FITTING / 1/2NPT-Mx1/2NPT-Fx1/2NPT-F BR | AR | |
| 40 | 501316 | BUSHING REDUCER / PIPE FITTING / 1/2NPT-Mx1/4NPT-F BR | AR | |
| 41 | 641410 | MALE ELBOW 90° NON-SWIVEL / PUSH-IN FITTING / #12x1/2NPT-M BR | AR | |
| 42 | 507557 | STREET ELBOW 90° / PIPE FITTING / 1/2NPT-Mx1/2NPT-F BR | AR | |
| 43 | 641378 | MALE ELBOW 90° / PUSH-IN FITTING / #8x1/2NPT-M BRASS | AR | |
| 44 | 641379 | MALE ELBOW 90° NON-SWIVEL / PUSH-IN FITTING / #10x1/2NPT-M BR | AR | |
| 45 | 640994 | MALE CONNECTOR / NTA FITTING / #10x1/2NPT-M BR | 1 | |
| 46 | 641175 | MALE ELBOW 90° / NTA FITTING / #6x1/2NPT-M BR | AR | |
| 47 | 501534 | BUSHING REDUCER / PIPE FITTING / 1/2NPT-Mx3/8NPT-F BR | AR | |
| 48 | 642128 | MALE ELBOW 90° SWIVEL DUAL PORT / PUSH-IN / #6x#6x3/8NPT-M BR | AR | |
| 49 | 507556 | MALE BRANCHE TEE / PIPE FITTING / 1/2NPT-Fx1/2NPT-Fx1/2NPT-M BR | AR | |
| 50 | 501316 | BUSHING REDUCER / PIPE FITTING / 1/2NPT-Mx1/4NPT-F BR | AR | |
| 51 | 641999 | MALE ELBOW 90° / PIPE FITTING / 3/8NPT-Mx3/8NPT-M BR | AR | |
| 52 | 641331 | MALE CONNECTOR / PUSH-IN FITTING / #6x1/4NPT-M BR | AR | |
| 53 | 501332 | STREET ELBOW 90° / PIPE FITTING / 1/4NPT-Mx1/4NPT-F BR | AR | |
| 54 | 641389 | MALE RUN TEE SWIVEL / PUSH-IN FITTING / #6x#6x1/4NPT-M BR | AR | |
| 55 | 641372 | MALE ELBOW 90° NON-SWIVEL / PUSH-IN FITTING / #6x1/4NPT-M BR | AR | |
| 56 | 641376 | MALE ELBOW 90° NON-SWIVEL / PUSH-IN FITTING / #8x3/8NPT-M BR | AR | |
| 57 | 640994 | MALE CONNECTOR / NTA FITTING / #10x1/2NPT-M BR | AR | |
| 58A | 640995 | MALE CONNECTOR / NTA FITTING / #12x1/2NPT-M BR | AR | |
| 58B | 501528 | STREET ELBOW 45° / PIPE FITTING / 1/2NPT-Mx1/2NPT-F BR | AR | |
| 59 | 641379 | MALE ELBOW 90° NON-SWIVEL / PUSH-IN FITTING / #10x1/2NPT-M BR | AR | |
| 60 | 501333 | STREET ELBOW 90° / PIPE FITTING / 3/8NPT-Mx3/8NPT-F BR | AR | |
| 61 | 501749 | NIPPLE REDUCER HEX / PIPE FITTING / 3/8NPT-Mx1/4NPT-Mx1 13/32 BR | AR | |
| NS | 680098 | THREAD SEALANT LOCTITE #567 / WHITE / 250ml | AR | |
| 65 | 175124 | SUPPORT / AIR TANK / BACKWARD / (WELDED TO FRAME) | 2 | |
| 66 | 175125 | SUPPORT / WET AIR TANK / FORWAD / (WELDED TO FRAME) | 1 | |
| 67 | 175147 | SUPPORT / PRIMARY AIR TANK / FOWARD / (WELDED TO FRAME) | 1 | |
| 68 | 172704 | SUPPORT AIR TANK / LOWER | 1 | |
| 69 | 173724 | SUPPORT AIR TANK / UPPER | 1 | |

| | | |
|-------------|--------------|------------------|
| From K-0295 | Date:07/2024 | PAGE:VIP-1203-01 |
|-------------|--------------|------------------|

AIR TANK - INSTALLATION

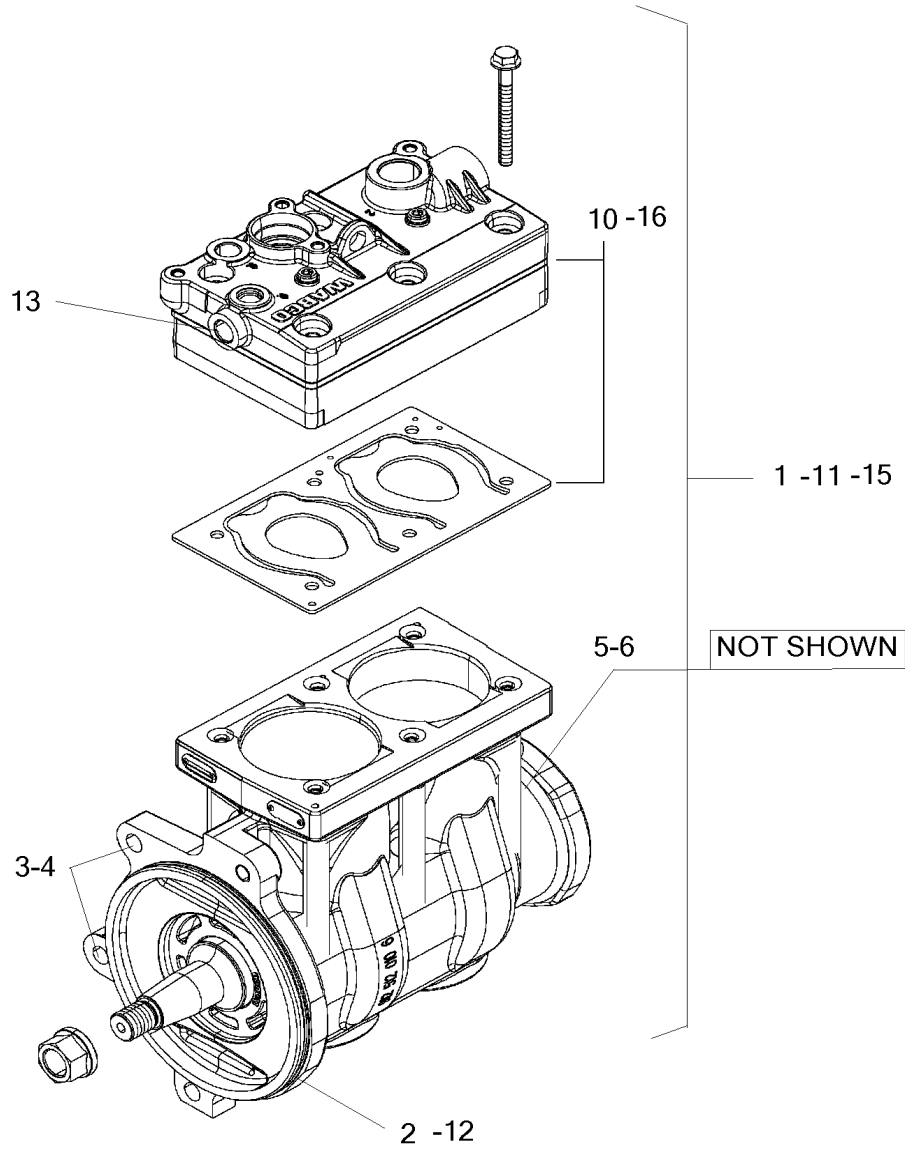
| Item# | Part | Description | QTY | Notes |
|-------|---------|---|-----|-------|
| 70 | 131747 | SUPPORT L.H. "KNEELING" TANK | 1 | |
| 71 | 131748 | SUPPORT R.H. "KNEELING" TANK | 1 | |
| 72 | 171974 | SUPPORT / (WELDED TO FRAME) | 2 | |
| 73 | 175073 | SUPPORT / AIR TANK (WELDED AT STRUCTURE) | 2 | |
| 74 | 173506 | SUPPORT / AIR TANK W/6" TANK | 2 | |
| 75 | 138639 | SUPPORT, SUSPENSION TUBE ASSY | 2 | |
| NS | 504398 | GROMMET / 1.000x1.375x.062x.437x1.750 | 1 | |
| 76 | 5001780 | SCREW CAP HEXF M8-1.25x16 G8.8 N500 | 2 | |
| 77 | 5001931 | NUT HEXF NYRT M8-1.25 G8.8 N500 | 2 | |
| 80 | 502847 | NUT HEX NYRT M8-1.25 N500 | AR | |
| 81 | 5001780 | SCREW CAP HEXF M8-1.25x16 G8.8 N500 | AR | |
| 82 | 500321 | WASHER BEL SPR .331x.827x.098 N500 | AR | |
| 83 | 500381 | WASHER FL 8.4x25.0x2.0 N500 | AR | |
| 84 | 502927 | SCREW CAP HEX M8-1.25x50 G8.8 N500 | AR | |
| 85 | 500874 | WASHER FL 8.4x17.0x1.6 Z050 | AR | |
| 86 | 5001319 | SCREW CAP HEX M8-1.25x40 SS | AR | |
| 87 | 5001643 | SCREW CAP HEXF M8-1.25x25 G8.8 G500 | AR | |
| 100 | 501473 | MALE RUN TEE / PIPE FITTING / 1/2NPT-Mx1/2NPT-Fx1/2NPT-F BR | 1 | |
| 101 | 641378 | MALE ELBOW 90° / PUSH-IN FITTING / #8x1/2NPT-M BRASS | 1 | |
| 102 | 641384 | MALE CONNECTOR / PUSH-IN FITTING / #10x1/2NPT-M BR | 1 | |
| | | | | |
| | | | | |
| | | | | |
| | | I) WITH INDEPENDANTE SUSPENSION | | |

From K-0295

Date:07/2024

PAGE:VIP-1205-11

AIR COMPRESSOR - "WABCO" 636CC - WITH VOLVO D13



| | | |
|--|--------------|------------------|
| From K-0295 | Date:07/2024 | PAGE:VIP-1205-11 |
| AIR COMPRESSOR - "WABCO" 636CC - WITH VOLVO D13 | | |

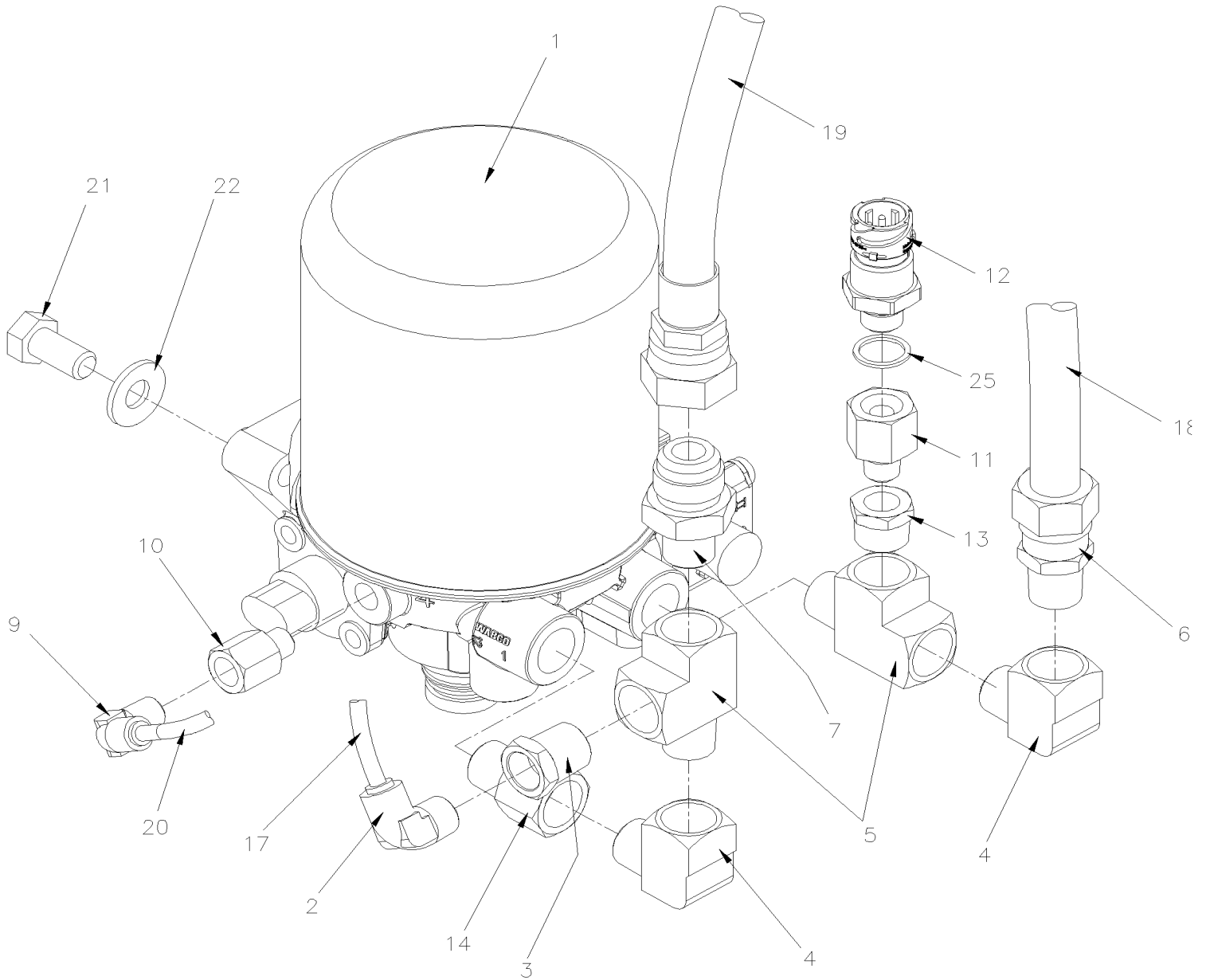
| Item# | Part | Description | QTY | Notes |
|-------|----------------|--|-----|-------|
| 1 | Refer To Volvo | AIR COMPRESSOR 636CC ASSY | 1 | V |
| 2 | Refer To Volvo | O-RING 164.3 | 1 | V |
| 3 | Refer To Volvo | STUD TO FIX COMPRESSOR M12x65x43 | 2 | V |
| 4 | Refer To Volvo | FLANGE NUT M12x19.8 | 3 | V |
| 5 | Refer To Volvo | NIPPLE (OIL HOSE) | 2 | V |
| 6 | Refer To Volvo | HOSE ASSEMBLY M12-1.5x340MM | 1 | V |
| | | | | |
| 10 | Refer To Volvo | KIT COMPRESSOR EXCHANGE WABCO | 1 | V |
| 11 | Refer To Volvo | . AIR COMPRESSOR 636CC ASSY / EXCHANGE | 1 | V |
| 12 | Refer To Volvo | . O-RING 164.3 | 1 | V |
| 13 | Refer To Volvo | . O-RING | 1 | V |
| NS | Refer To Volvo | . HOSE CLAMP | 1 | V |
| 15 | Refer To Volvo | . COMPRESSOR WABCO | 1 | V |
| 16 | Refer To Volvo | . KIT REPAIR WABCO | 1 | V |
| | | | | |
| | | | | |
| | | | | |
| | | V) SEE IMPACT OR CALL ORDER DESK | | |

From K-0295

Date:07/2024

PAGE:VIP-1215-03

AIR DRYER - "WABCO" / SUB FRAME INSTALLATION



| | | |
|---|--------------|------------------|
| From K-0295 | Date:07/2024 | PAGE:VIP-1215-03 |
| AIR DRYER - "WABCO" / SUB FRAME INSTALLATION | | |

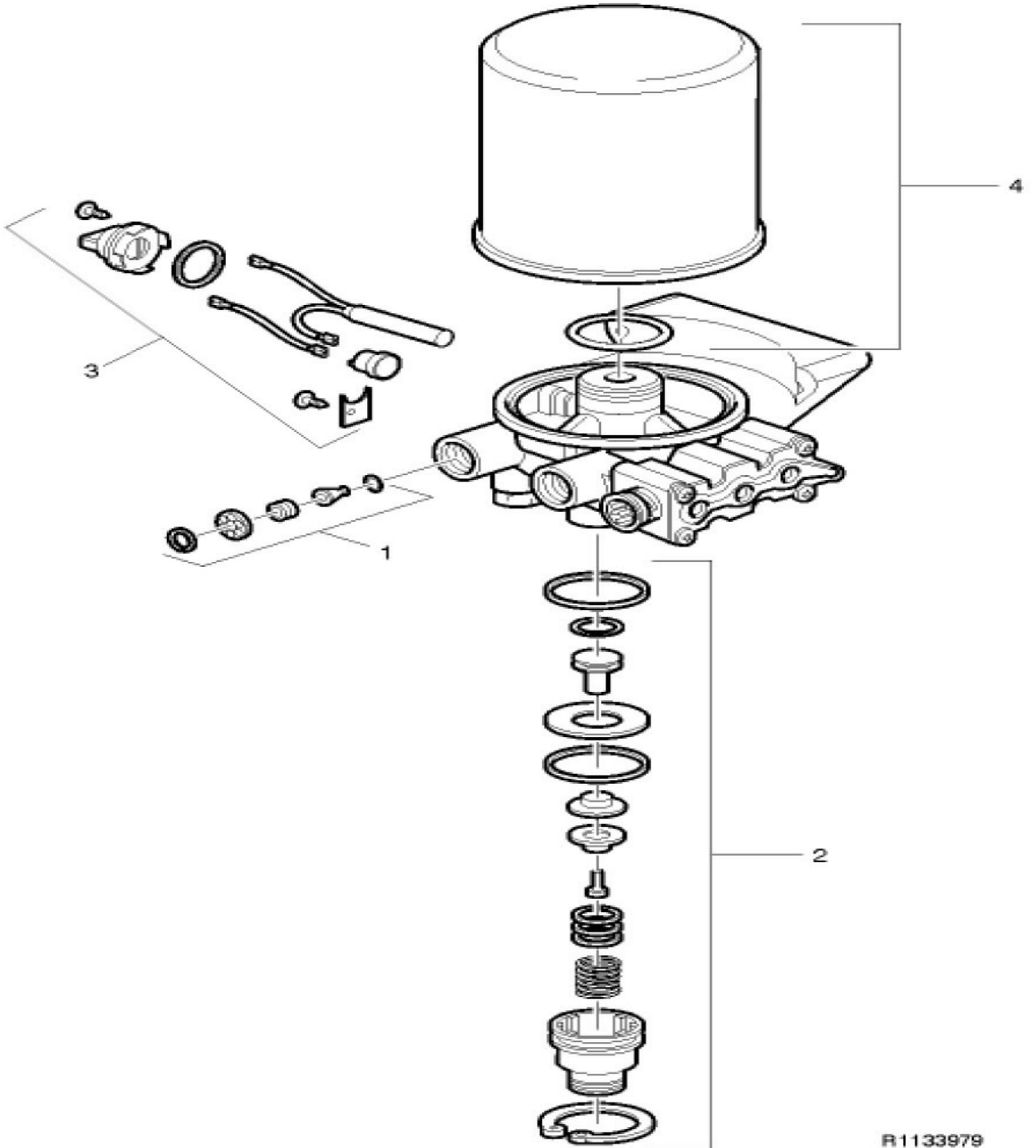
| Item# | Part | Description | QTY | Notes |
|-------|----------|--|-----|-------|
| 1 | 21440978 | AIR DRYER "WABCO" 12 VOLTS | 1 | |
| 2 | 641374 | MALE ELBOW 90° NON-SWIVEL / PUSH-IN FITTING / #4x3/8NPT-M BR | 1 | |
| 3 | 501534 | BUSHING REDUCER / PIPE FITTING / 1/2NPT-Mx3/8NPT-F BR | 1 | |
| 4 | 507557 | STREET ELBOW 90° / PIPE FITTING / 1/2NPT-Mx1/2NPT-F BR | 2 | |
| 5 | 501473 | MALE RUN TEE / PIPE FITTING / 1/2NPT-Mx1/2NPT-Fx1/2NPT-F BR | 2 | |
| 6 | 640995 | MALE CONNECTOR / NTA FITTING / #12x1/2NPT-M BR | 1 | |
| 7 | 501600 | MALE CONNECTOR / JIC 37° FITTING / #12JIC-Mx1/2NPT-M STL | 1 | |
| 9 | 641371 | MALE ELBOW 90° NON-SWIVEL / PUSH-IN FITTING / #4x1/4NPT-M BR | 1 | |
| 10 | 501308 | ADAPTER / PIPE FITTING / 1/4NPT-Fx1/4NPT-M BR | 1 | |
| 11 | 647893 | ADAPTER / PIPE FITTING / 1/4NPT-MxM16-F STL | 1 | |
| 12 | 20829689 | SENSOR PRESSURE / 0-15bar | 1 | |
| 13 | 501316 | BUSHING REDUCER / PIPE FITTING / 1/2NPT-Mx1/4NPT-F BR | 1 | |
| 14 | 5011119 | ADAPTER / PIPE FITTING / 1/2NPT-Fx1/2NPT-M BR | 1 | |
| NS | 680098 | THREAD SEALANT LOCTITE #567 / WHITE / 250ml | AR | |
| 17 | 503548 | TUBE, NYLON 1/4 O.D. / YELLOW S.L. | AR | |
| 18 | 503465 | TUBE, NYLON 3/4 O.D. / GREEN S.L. | AR | |
| 19 | 145098 | HOSE ASSY TEFLON #12 3670MM | 1 | |
| 20 | 503464 | TUBE, NYLON 1/4 O.D. / GREEN S.L. | AR | |
| 21 | 5001565 | SCREW CAP HEX 1/2-13x1 G5 N500 | 3 | |
| 22 | 500967 | WASHER BEL SPR .512x1.142x.098 N500 | 3 | |
| 25 | 504789 | RETAINING RING | 1 | |

From K-0295

Date:07/2024

PAGE:21440978

AIR DRYER "WABCO" 12 VOLTS



R1133979

| | | |
|-------------|--------------|---------------|
| From K-0295 | Date:07/2024 | PAGE:21440978 |
|-------------|--------------|---------------|

AIR DRYER "WABCO" 12 VOLTS

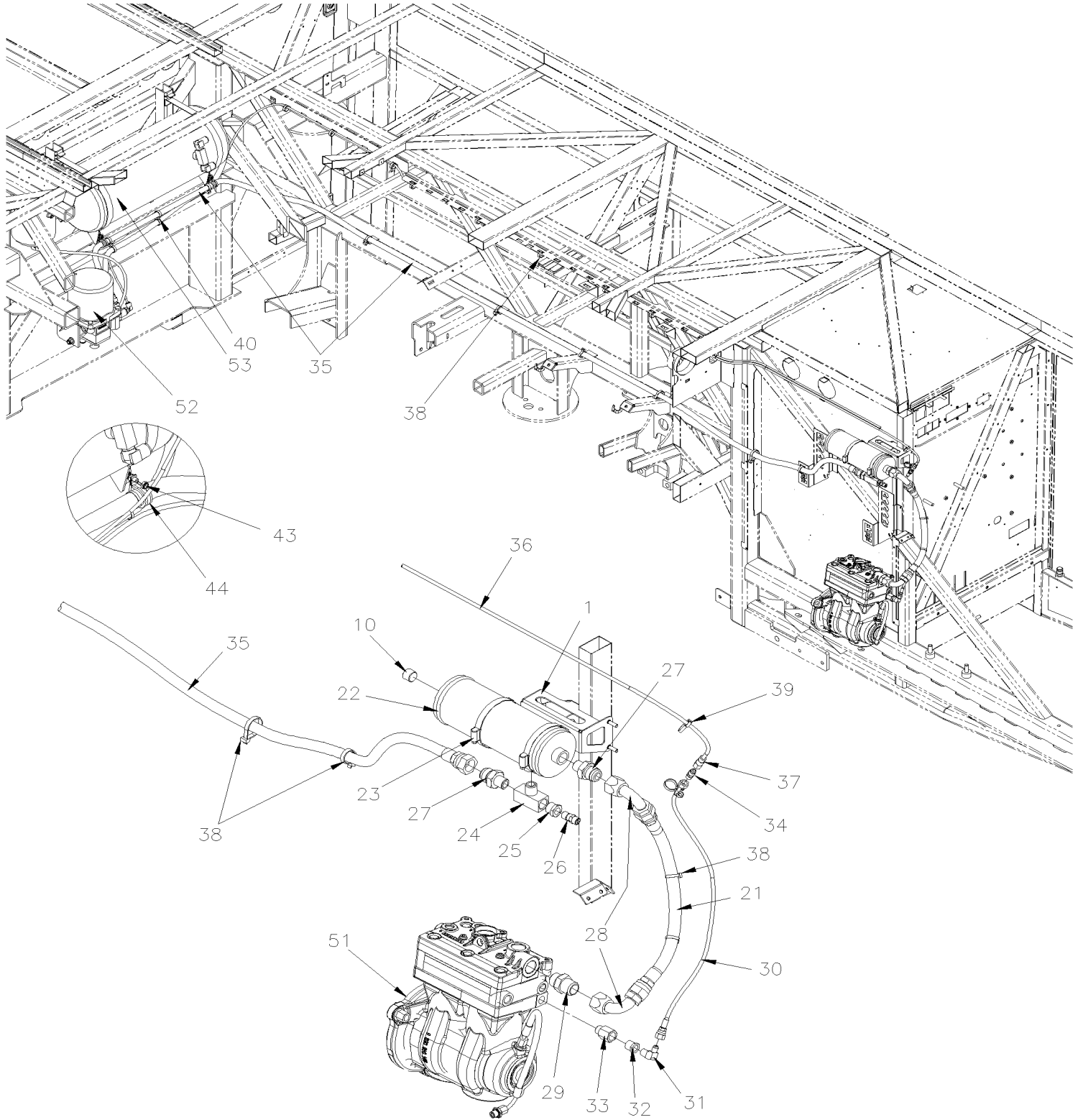
| Item# | Part | Description | QTY | Notes |
|-------|---------|---|-----|-------|
| 1 | 641281 | OUTLET CHECK VALVE KIT | 1 | |
| 2 | 641283 | PURGE VALVE KIT | 1 | |
| 3 | 3918354 | HEATER ASSY KIT 12 VOLTS | 1 | |
| . NS | 562251 | . CONNECTOR / METRI-PACK 280 / SH 2C / PED 12020599 | 1 | |
| . NS | 562101 | . SOCKET TERMINAL / 14-12 / PED 12129493 | 2 | |
| 4 | 642123 | DESICANT CARTRIDGE / "WABCO" / SS-1200UP | 1 | |
| 4 | 640045 | DESICANT CARTRIDGE / "WABCO" | 1 | |

From K-0295

Date:07/2024

PAGE:VIP-1215-10

AIR DRYER TUBE - INSTALLATION



| | | | |
|-------------|--|--------------|------------------|
| From K-0295 | | Date:07/2024 | PAGE:VIP-1215-10 |
|-------------|--|--------------|------------------|

AIR DRYER TUBE - INSTALLATION

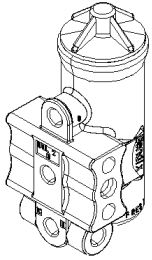
| Item# | Part | Description | QTY | Notes |
|-------|--------------------|--|-----|-------|
| 1 | 149000 | SUPPORT PING AIR TANK | 1 | |
| 10 | 501966 | PLUG HEXS / PIPE FITTING / 1/2NPT-M STL | 1 | |
| 21 | 144940 | HOSE ASSY TEFLON #12 375MM | 1 | D13 |
| 22 | 641982 | AIR TANK / 96 IN° / 3 1/2" O.D. X 10" | 1 | D13 |
| 23 | 504026 | HOSE CLAMP / 2"13/16-3"3/4 SS / HS-52 | 2 | D13 |
| 24 | 507556 | MALE BRANCHE TEE / PIPE FITTING / 1/2NPT-Fx1/2NPT-Fx1/2NPT-M BR | 1 | D13 |
| 25 | 501316 | BUSHING REDUCER / PIPE FITTING / 1/2NPT-Mx1/4NPT-F BR | 1 | D13 |
| 26 | 642109 | SAFETY VALVE 200 PSI x 1/4 NPT / ST-4 | 1 | D13 |
| 27 | 501600 | MALE CONNECTOR / JIC 37° FITTING / #12JIC-Mx1/2NPT-M STL | 2 | D13 |
| 28 | 507544 | SWIVEL NUT ELBOW 90° SHORT / JIC 37° FITTING/ #12JIC-Fx#12JIC-Mx1.82 STL | 2 | D13 |
| 29 | 507647 | MALE CONNECTOR W/ED SEAL / JIC 37° FITTING / #12JIC-MxM26-1.5-M STL | 1 | D13 |
| 30 | 031147 | HOSE ASSY TEFLON #4 522MM | 1 | D13 |
| 31 | 501037 | MALE ELBOW 90° / SAE 45° FITTING / #4FL-Mx1/4NPT-M BR | 1 | D13 |
| 32 | 501314 | BUSHING REDUCER / PIPE FITTING / 3/8NTP-Mx1/4NPT-F BR | 1 | D13 |
| 33 | 5011205 | FEMALE CONNECTOR / PIPE @ METRIC / 3/8NPT-FxM16-1.5-M ZP | 1 | D13 |
| . NS | 641297 | . O-RING 13.1MM I.D. X 2.6 TH | 1 | D13 |
| . NS | 641298 | . WASHER FL 17MM I.D x 22MM O.D. x 1.5MM | 1 | D13 |
| 34 | 501026 | MALE CONNECTOR / SAE 45° FITTING / #4FL-Mx1/8NPT-M BR | 1 | D13 |
| 35 | 143119 | HOSE ASSY TEFLON #12 4000MM | 1 | D13 |
| 35 | 143113 | HOSE ASSY TEFLON #12 5060MM | 1 | D13 B |
| 35 | 149024 | HOSE ASSY TEFLON #12 4400MM | 1 | D13 G |
| 36 | 503548 | TUBE, NYLON 1/4 O.D. / YELLOW S.L. | AR | D13 |
| 37 | 642080 | FEMALE CONNECTOR / PUSH-IN FITTING / #4x1/8NPT-F NP | 1 | D13 |
| 38 | 504016 | CABLE TIE / 5/16" X 14"1/2 | AR | |
| 39 | 507664 | CABLE TIE / 3/16" 11" / DOUBLE LOOP HEAD | AR | |
| 40 | 504768 | CABLE TIE / 3/16" 14.7" / DOUBLE LOOP HEAD | AR | |
| 43 | 949997 | CLAMP 31.8MM | 2 | |
| 44 | 500381 | WASHER FL 8.4x25.0x2.0 N500 | 2 | |
| 44 | 502847 | NUT HEX NYRT M8-1.25 N500 | 2 | |
| 51 | VIP-1205-11 | AIR COMPRESSOR - "WABCO" 636CC - WITH VOLVO D13 | | |
| 52 | VIP-1215-03 | AIR DRYER - "WABCO" / SUB FRAME INSTALLATION | | |
| 53 | VIP-1203-01 | AIR TANK - INSTALLATION | | |
| | | | | |
| | | | | |
| | | | | |
| | | | | |
| | | B) WITH "WABCO" AIR DRYER | | |
| | | D13) WITH VOLVO ENGINE D-13 | | |
| | | G) WITH AIR DRYER IN LOWER SECTION OF BAGGAGE COMPARTMENT | | |

From K-0295

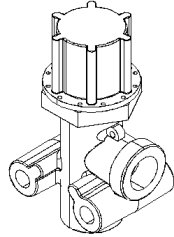
Date:07/2024

PAGE:VIP-1220-00

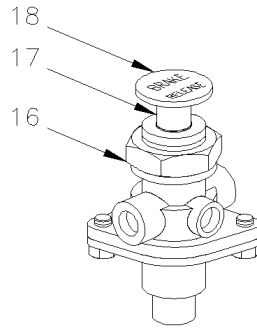
MISCELLANEOUS AIR VALVE



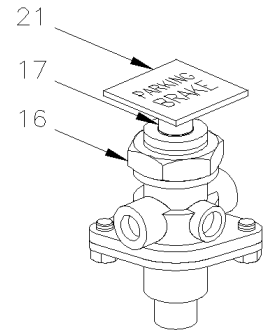
5



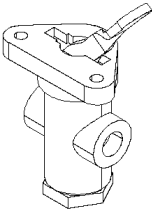
10



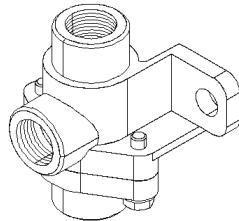
15



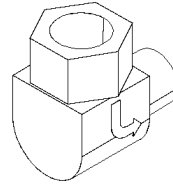
20



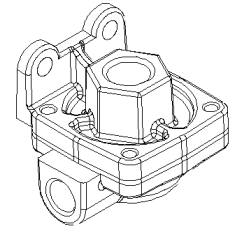
25



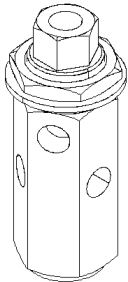
30



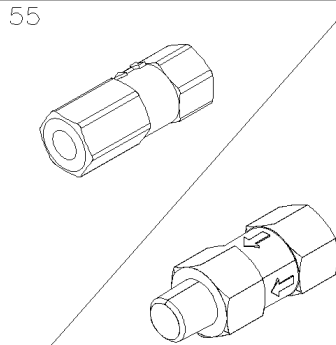
35



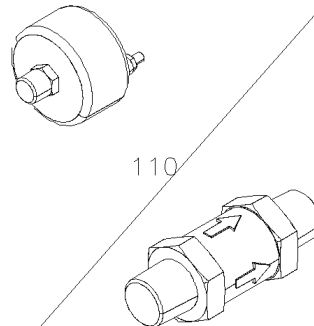
40



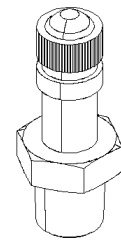
45



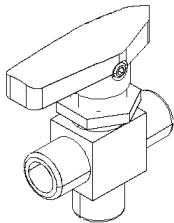
55



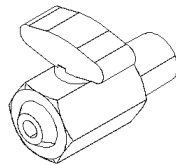
110



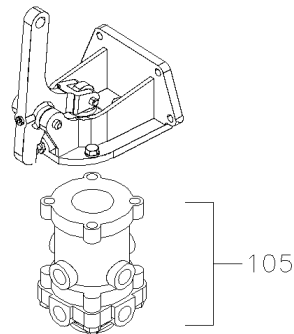
70



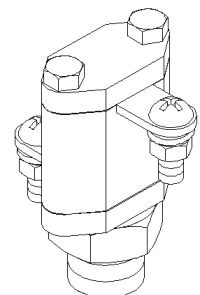
75



90



100



85

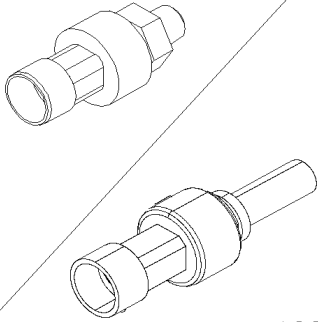
From K-0295

Date:07/2024

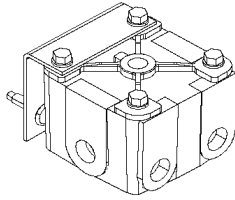
PAGE:VIP-1220-00

MISCELLANEOUS AIR VALVE

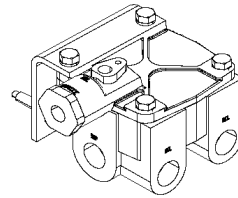
121



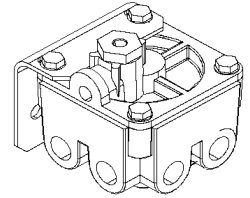
120



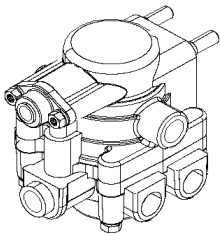
125



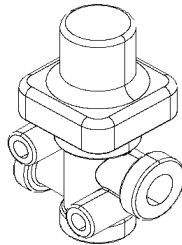
130



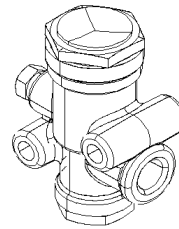
135



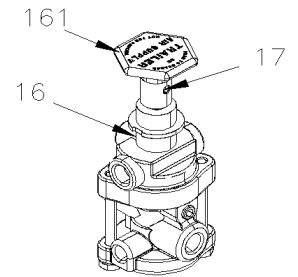
145



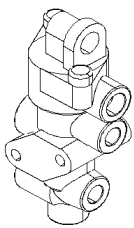
150



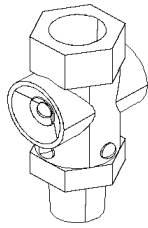
155



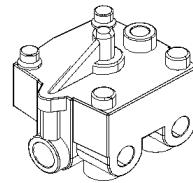
160



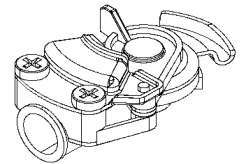
170



175

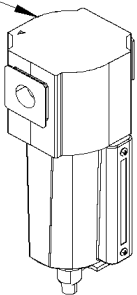


180



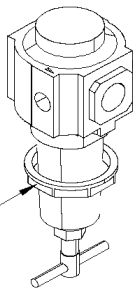
185-190

231

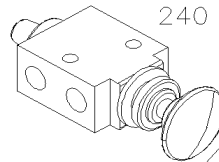


230

236

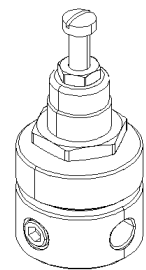
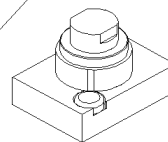


235



240

241



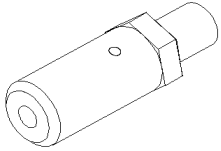
245

From K-0295

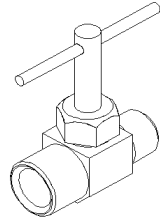
Date:07/2024

PAGE:VIP-1220-00

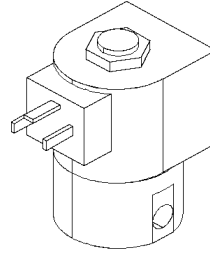
MISCELLANEOUS AIR VALVE



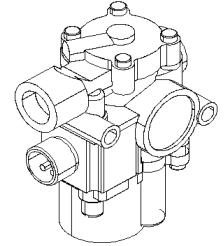
250



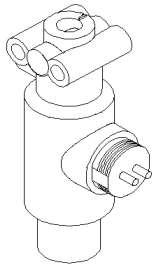
260



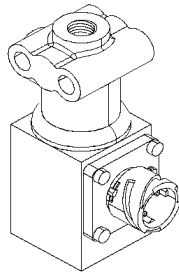
275



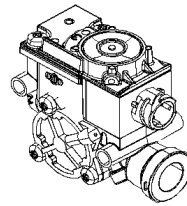
300



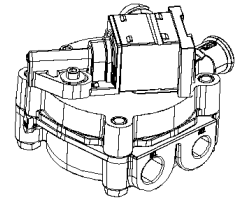
305



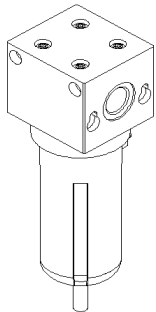
310



322



323



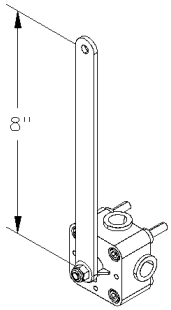
330

From K-0295

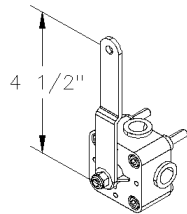
Date:07/2024

PAGE:VIP-1220-00

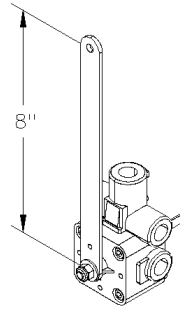
MISCELLANEOUS AIR VALVE



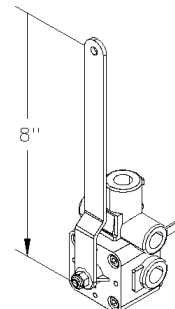
350



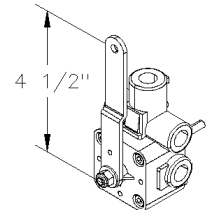
355



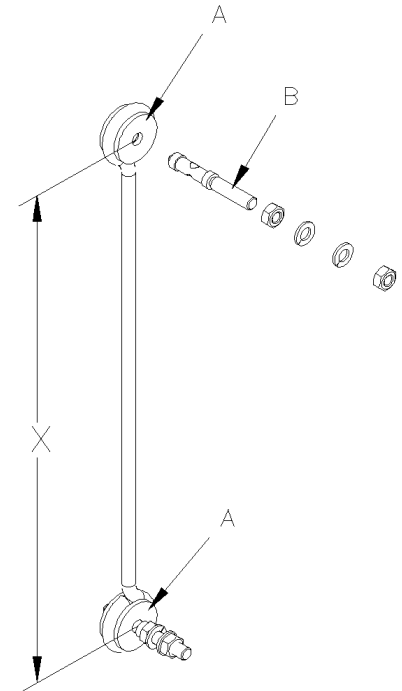
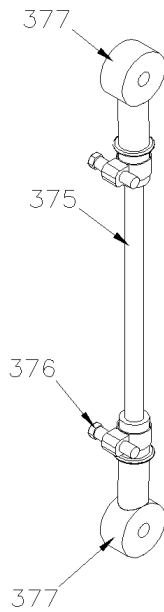
360



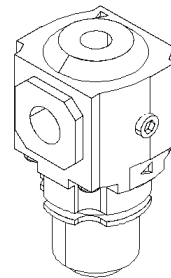
362



365



385



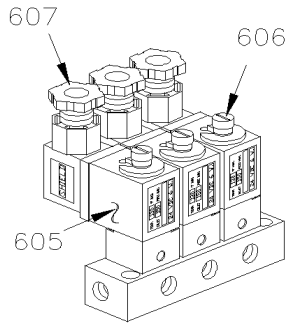
397

From K-0295

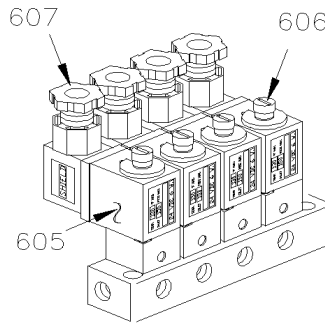
Date:07/2024

PAGE:VIP-1220-00

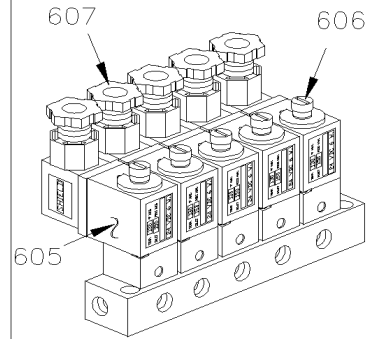
MISCELLANEOUS AIR VALVE



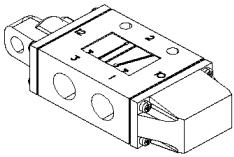
601



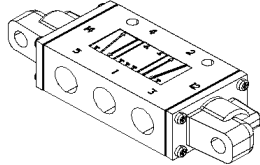
602



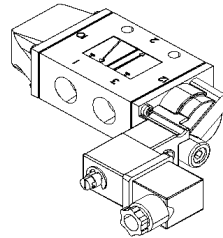
603



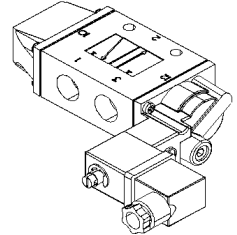
610



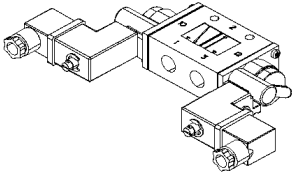
615



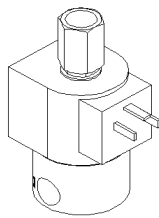
620



625



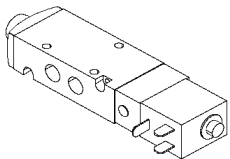
630



635

640

645



650

| | | | |
|--------------------------------|--|--------------|------------------|
| From K-0295 | | Date:07/2024 | PAGE:VIP-1220-00 |
| MISCELLANEOUS AIR VALVE | | | |

| Item# | Part | Description | QTY | Notes |
|-------|----------|---|-----|-------|
| 16 | 640297 | NUT | 1 | |
| 17 | 640286 | PIN ROLLER | 1 | |
| 18 | 641155 | BUTTON, OVERRULE ROUND BLACK | 1 | |
| NS | 640394 | BUTTON, PARKING BRAKE ROUND BLACK / 1" | 1 | |
| 20 | 642169 | VALVE, CONTROL VALVE PP-1 / 60PSI | 1 | |
| . NS | 641154 | . REPAIR KIT / PP-1 & RD-3 | 1 | |
| . NS | 641149 | . BUTTON, PARKING BRAKE DIAMOND YELLOW / 1" | 1 | |
| 21 | 641149 | BUTTON, PARKING BRAKE DIAMOND YELLOW / 1" | 1 | |
| 25 | 640136 | VALVE, CONTROL TW-1 | 1 | |
| . NS | 641156 | . REPAIR KIT / TW-1 | 1 | |
| 30 | 641564 | VALVE, DOUBLE CHECK DC-4 | 1 | |
| 35 | 641172 | VALVE, CHECK ELBOW 90° 1/2 NPT | 1 | |
| 40 | 641429 | VALVE, QUICK RELEASE QR-1 / 3/8NPTx3/8NPTx3/8NPT | 1 | |
| . NS | 640924 | . REPAIR KIT / QR-1 | 1 | |
| 45 | 640442 | VALVE, INVERSION TR-2 | 1 | |
| 50 | 640135 | VALVE, CHECK 1/4 NPT | 1 | |
| 55 | 640123 | VALVE, CHECK 1/2 NPT SC-1 | 1 | |
| . NS | 641401 | . VALVE, CHECK 1/2 NPT SC-1 | 1 | |
| 55 | 641401 | VALVE, CHECK 1/2 NPT SC-1 | 1 | |
| 60 | 530175 | VALVE, CHECK 1/8 NPT | 1 | |
| 70 | 640488 | VALVE, AIR FILL 1/8" NPT | 1 | |
| . NS | 650164 | . CAP VALVE / CHROME | 1 | |
| 75 | 641417 | VALVE, 3 WAYS 1/8NPT-Fx1/8NPT-Fx1/8NPT-F BR | 1 | |
| . NS | 642014 | . HANDLE / RED | 1 | |
| 75 | 642161 | VALVE, 3 WAYS 1/8NPT-Fx1/8NPT-Fx1/8NPT-F BR / SERVICE | 1 | |
| . NS | 642014 | . HANDLE / RED | 1 | |
| 85 | 640975 | PRESSURE SWITCH N.C. 66PSI / 1/4NPT LP-3 | 1 | |
| 85 | 641174 | PRESSURE SWITCH N.C. 30PSI / 1/4NPT LP-2 | 1 | |
| 90 | 641043 | DRAIN VALVE 1/4 NPT M | 1 | |
| 100 | 641856 | BRAKE VALVE ASSY W/BRACKET / MODEL E-10P | 1 | |
| . NS | 19507993 | . BOOT PLUNGER | 1 | |
| . NS | 19510779 | . PLUNGER | 1 | |
| . NS | 2222120 | . MOUNTING BRACKET COUPLING D-1 | 1 | |
| 105 | 641925 | . VALVE SUB ASSY / MODEL E-10P | 1 | |
| 110 | 641462 | PRESSURE SWITCH N.O. 4PSI / 1/4NPT W/10-32 / SL-5 BRAKE | 1 | |
| 120 | 642075 | TRANSDUCER PRESSURE | 1 | |
| . NS | 563159 | . CONNECTOR / METRI-PACK 150 / SH 3C / PED 12065287 | 1 | |
| 125 | 641088 | VALVE, RELAY R-12 HORIZONTAL PORT | 1 | |
| 125 | 642068 | VALVE, RELAY R-12 HORIZONTAL PORT / W/OUT SUPPORT | 1 | |
| 130 | 641120 | VALVE, RELAY R-14 HORIZONTAL PORT 4psi Crack | 1 | |
| . NS | 10508267 | . KIT, REPAIR | 1 | |
| 135 | 641991 | VALVE, RELAY R-14 "WABCO" | 1 | |

| | | | |
|--------------------------------|--|--------------|------------------|
| From K-0295 | | Date:07/2024 | PAGE:VIP-1220-00 |
| MISCELLANEOUS AIR VALVE | | | |

| Item# | Part | Description | QTY | Notes |
|-------|---------------|---|-----|-------|
| 145 | 643384 | VALVE / SPRING BRAKE SR-7 | 1 | |
| . NS | 642119 | . VALVE / SPRING BRAKE SR-7 | 1 | |
| 150 | 641137 | VALVE, PRESSURE PROTECTION TYPE PR-4 70PSI | 1 | |
| 155 | 640471 | VALVE, INVERSION TR-3 25-40LBS | 1 | |
| 155 | 21243502 | VALVE PRESSURE REDUCER RV-3 / K028993 | 1 | |
| 160 | 641397 | TRAILER SUPPLY VALVE PP-7 | 1 | |
| 161 | 641935 | BUTTON RED / FOR TRAILER VALVE PP-7 | 1 | |
| 170 | 641495 | TRACTOR PROTECTION VALVE TP-3 DC | 1 | |
| 175 | 642088 | VALVE, QUICK RELEASE QR-L / IN LINE | 1 | |
| 180 | 641399 | VALVE, RELAY R-12 P SUPPERSEDED 642097 | 1 | |
| 185 | 641939 | GLANDHAND W/DUST COVER "BLUE" | 1 | |
| 185 | 641938 | GLANDHAND W/DUST COVER "RED" | 1 | |
| 230 | 641338 | AIR FILTER ASSY | 1 | |
| 231 | 641339 | SUPPORT / AIR FILTER | 1 | |
| 235 | 641352 | AIR PRESSURE REGULATOR 1/2" NPT | 1 | |
| 236 | 641506 | NUT RING / AIR REGULATOR RETAINING | 1 | |
| 241 | 642173 | VALVE, 3 WAYS, 2 POSITIONS MECHANICAL | 1 | |
| 245 | 641472 | AIR PRESSURE REGULATOR 1/4" NPT / COPPER | 1 | |
| 250 | 642022 | SAFETY VALVE 150 PSI X 3/8 NPT / ST-3 | 1 | |
| 260 | 501354 | NEEDLE VALVE 1/8 NPT M x 1/8 NPT F | 1 | |
| 275 | 562804 | VALVE, 2 WAYS N.C. | 1 | |
| . NS | 562848 | . CONNECTOR / SOCKET HOUSING ASSY 3C / PNEUMAC 54933-05 | 1 | |
| 300 | 641951 | VALVE, "ABS" 12VOLT | 1 | |
| 305 | 641460 | VALVE, "ATC" 24VOLT | 1 | |
| 305 | 641950 | VALVE, "ATC" 12VOLT | 1 | |
| 310 | 642079 | VALVE, "ATC" 12VOLT | 1 | |
| 322 | 640228 | VALVE, "ABS" 12VOLT / M-40QR | 1 | |
| 330 | 642192 | AIR FILTER | 1 | |
| 350 | 630156 | VALVE, HEIGHT CONTROL "BARKSDALE" 8" | 1 | |
| 355 | 630237 | VALVE, HEIGHT CONTROL "BARKSDALE" / FRONT 4½" | 1 | |
| 375 | 131351 | ROD LINK / 140MM | 1 | |
| 375 | 131308 | ROD LINK / 305MM x .250" | 1 | |
| 376 | 504014 | . HOSE CLAMP / 1/4"-5/8" SS / HM-4 | AR | |
| 377 | 630133 | . ROD END / BLACK RUBBER 1/4" I.D. | | |
| 385 | 630231 | LINK ASSY 185MM C/C 7 1/4" | 1 | |
| . A | N8889244 | . GROMMET / LINK | 2 | |
| . B | 630250 | . STUD RETAINER 1/4-20 X 1" | 2 | |
| . C | 500247 | . NUT HEX 1/4-20 N500 | 4 | |
| . D | 500473 | . WASHER LO SPT .262x.489x.062 Z050 | 4 | |
| 603 | 641205 | MANIFOLD VALVE / W/5 SOLENOID | 1 | |
| . NS | 641928 | . KIT, MANIFOLD REPAIR / N.C. | 5 | |
| . NS | 641107 | . COIL 24V | 5 | |

| | | |
|--------------------------------|--------------|------------------|
| From K-0295 | Date:07/2024 | PAGE:VIP-1220-00 |
| MISCELLANEOUS AIR VALVE | | |

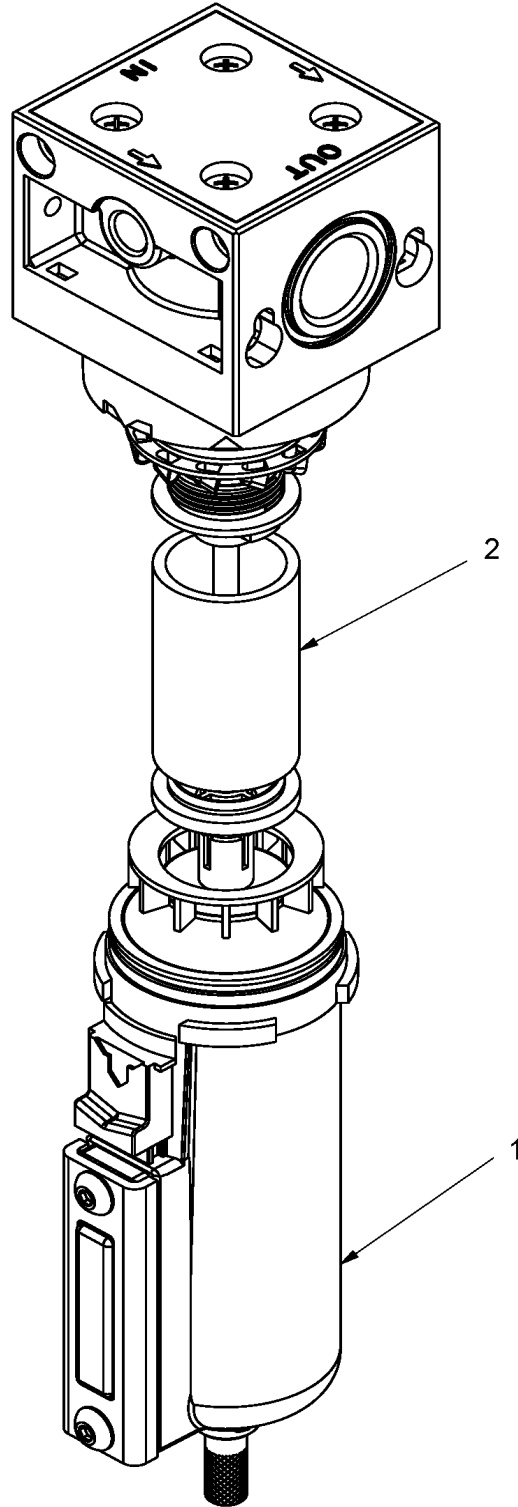
| Item# | Part | Description | QTY | Notes |
|-------|--------|---|-----|-------|
| 610 | 641274 | VALVE, 3 WAYS, 2 POSITIONS N.C. | 1 | |
| 615 | 641531 | VALVE, 5 WAYS, 3 POSITIONS | 1 | |
| . NS | 641186 | . SPOOL | 1 | |
| 620 | 641937 | VALVE, 3 WAYS, 2 POSITIONS N.C. / W/MAN OVERRIDE | 1 | |
| . NS | 641929 | . COIL 24V | 1 | |
| . NS | 641385 | . CONNECTOR / SOCKET HOUSING ASSY 3C / PNEUMAC 54934-01 | 1 | |
| 630 | 641530 | VALVE, 3 WAYS, 2 POSITIONS / 2 SOLONOIDS | 1 | |
| . NS | 641929 | . COIL 24V | 1 | |
| . NS | 641169 | . SPOOL | 1 | |
| . NS | 641385 | . CONNECTOR / SOCKET HOUSING ASSY 3C / PNEUMAC 54934-01 | 1 | |
| 635 | 642227 | VALVE, 3 WAYS, 2 POSITIONS N.C. | 1 | |
| . NS | 195765 | . SOLENOIDE 24 VOLTS | 1 | |
| 650 | 642023 | VALVE, 5 WAYS, 2 POSITIONS 24V / MODEL V19 | 1 | |
| . NS | 641385 | . CONNECTOR / SOCKET HOUSING ASSY 3C / PNEUMAC 54934-01 | 1 | |

From K-0295

Date:07/2024

PAGE:642192

AIR FILTER



| | | |
|-------------------|--------------|-------------|
| From K-0295 | Date:07/2024 | PAGE:642192 |
| AIR FILTER | | |

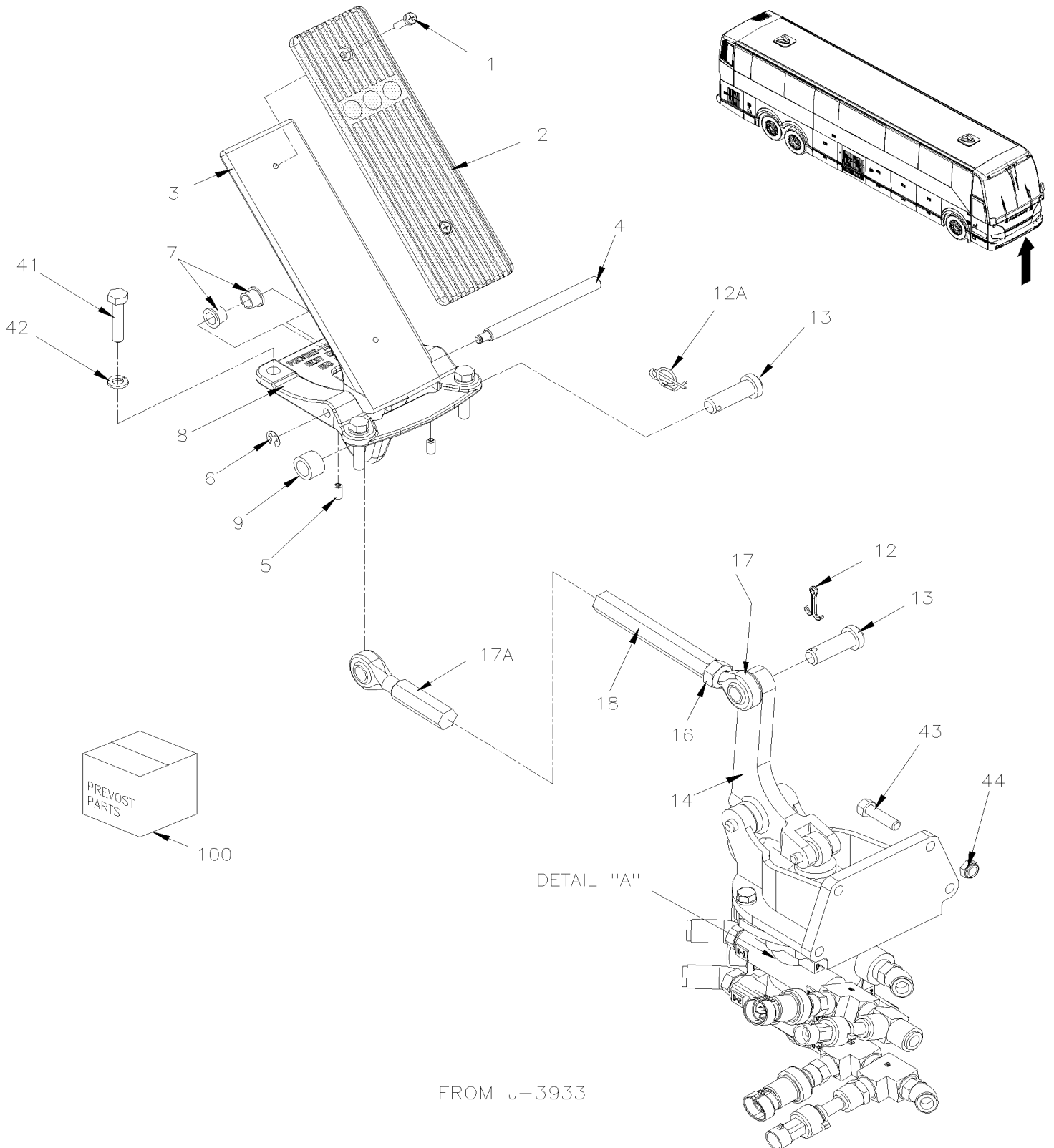
| Item# | Part | Description | QTY | Notes |
|-------|--------|---|-----|-------|
| 1 | 642219 | METAL BOWL MANUAL DRAIN | 1 | |
| 2 | 642220 | FILTER ELEMENT | 1 | |
| NS | 642221 | SERVICE KIT AIR FILTER | 1 | A |
| . NS | N.S.S. | . FILTER SIDE PLATE | 2 | 1 A |
| . NS | N.S.S. | . SCREW CAP BUT | 2 | 1 A |
| . NS | N.S.S. | . PLUG | 1 | 1 A |
| . NS | N.S.S. | . O-RING | 1 | 1 A |
| . NS | N.S.S. | . GREASE PACKET | 1 | 1 A |
| | | | | |
| | | | | |
| | | A) CONTAIN SIDE COVER 2X / SCREW X2 / PLUG 1X / O-RING 1X / GREASE PACKAGE 1X | | |
| | | 1) NOT SOLD SEPARATELY | | |

From K-0295 To P-1347

Date:07/2024

PAGE:VIP-1220-11

BRAKE PEDAL VALVE - "BENDIX" E-8P



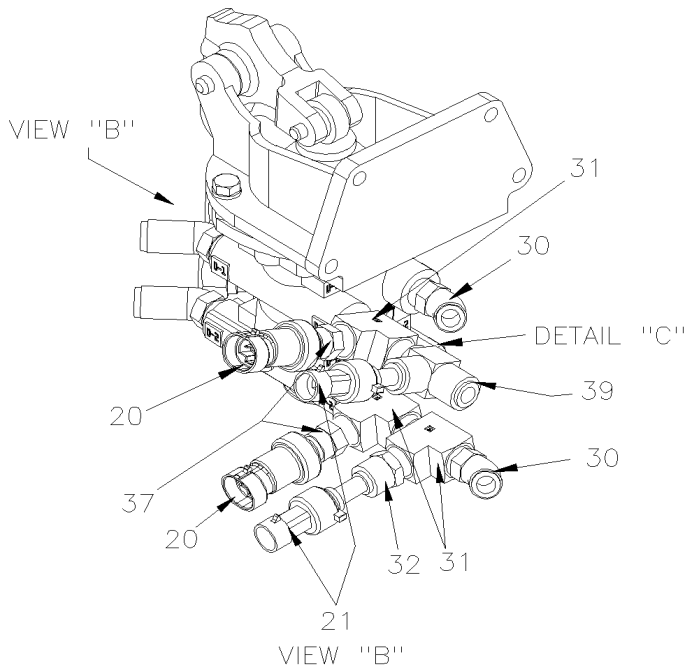
From K-0295 To P-1347

Date:07/2024

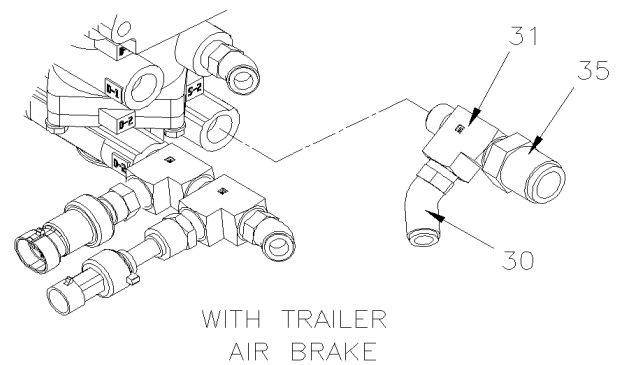
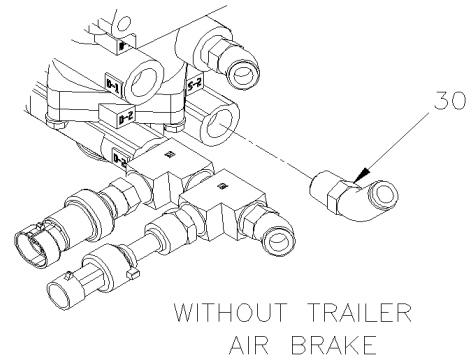
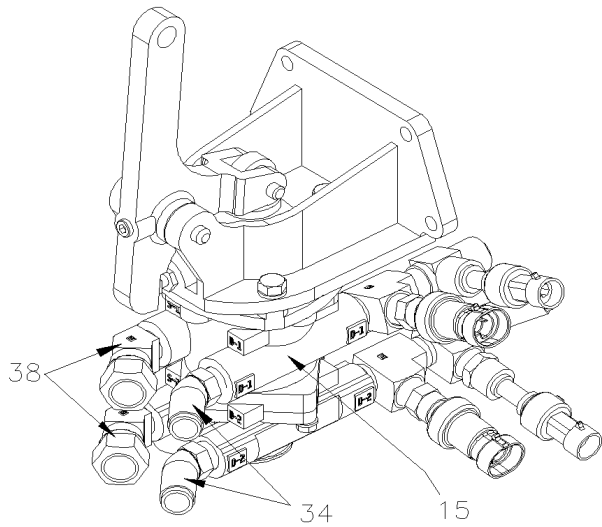
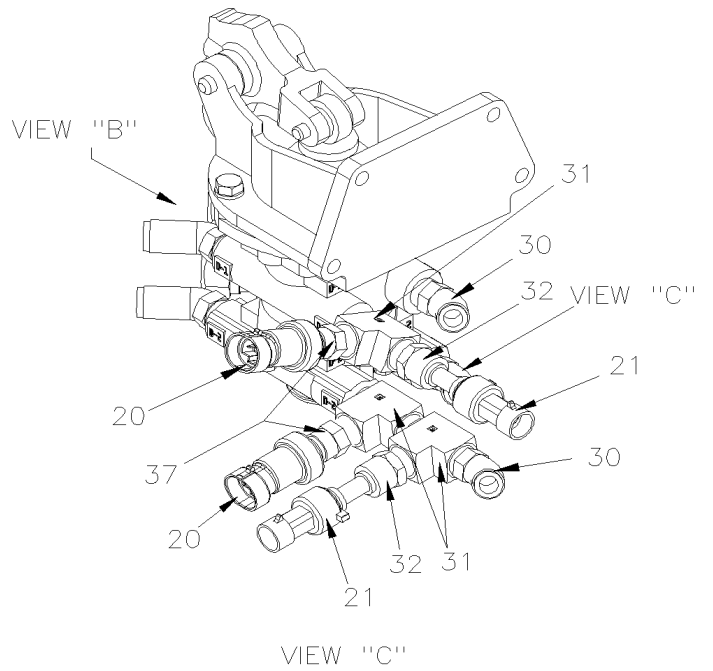
PAGE:VIP-1220-11

BRAKE PEDAL VALVE - "BENDIX" E-8P

DETAIL "A"
WITHOUT RETARDER



DETAIL "A"
WITH RETARDER



| | | |
|-----------------------|--------------|------------------|
| From K-0295 To P-1347 | Date:07/2024 | PAGE:VIP-1220-11 |
|-----------------------|--------------|------------------|

BRAKE PEDAL VALVE - "BENDIX" E-8P

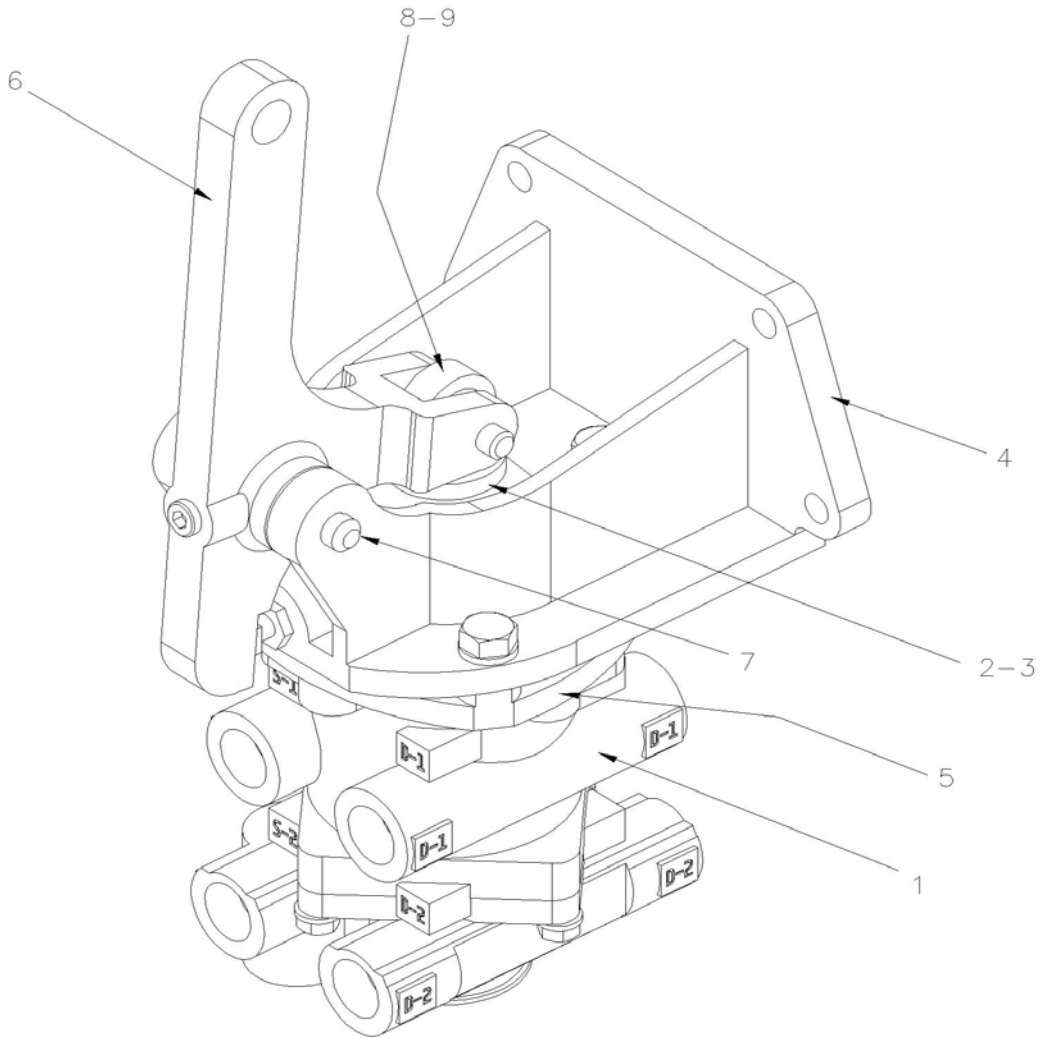
| Item# | Part | Description | QTY | Notes |
|-------|---------------|---|-----|-------|
| | 145262 | PEDAL ASSY | 1 | |
| 1 | 502746 | . SCREW MA PAN PH M5-0.8x20 SS BK | 2 | |
| 2 | 142842 | . THREADLE COVER / W/STEEL BACKING | 1 | |
| 3 | 145309 | . PEDAL BRAKE | 1 | |
| 4 | 145311 | . SHAFT, BRAKE PEDAL | 1 | |
| 5 | 5001634 | . SCREW SET HEXS CUP M6-1.0X12MM Z050 | 2 | |
| 6 | 504699 | . RING RETAINER / EXT .250 x .207 x .025" / SS | 1 | |
| 7 | 507297 | . FLANGE BUSHING | 2 | |
| 8 | 145310 | . SUPPORT ASSY / TO FIX BRAKE PEDAL | 1 | |
| 9 | 507307 | . BUSHING OIL 1/2 I.D. X 3/4 O.D. X 1/2 | 1 | |
| 12 | 502102 | PIN, COTTER 1/8 x 1 | 1 | |
| 12A | 502107 | PIN, WRAP-AROUND LOCKING To L-0973 | 1 | |
| 12A | 502018 | LOCK PIN 3/32 X 1 5/8 SS From L-0974 | 1 | |
| 13 | 140050 | PIN, CLEVIS 4 x 40 SS | 2 | |
| 14 | 642211 | BRAKE VALVE ASSY W/BRACKET / MODEL E-8P | 1 | |
| 15 | 642212 | . VALVE SUB ASSY / MODEL E-8P | 1 | |
| . NS | 640943 | . . REPAIR KIT / MINOR / VALVE MODEL E-8P | 1 | |
| . NS | 6987220 | . . REPAIR KIT / MAJOR / VALVE MODEL E-8P | 1 | |
| 16 | 5001757 | NUT HEX M12-1.75 N500 | 1 | |
| 17 | 502252 | ROD END MALE M12-1.75 / 12MM I.D. | 1 | |
| 17A | 502253 | ROD END MALE L.H. M12-1.75-L.HH / 12MM I.D. | 1 | |
| 18 | 140049 | SHAFT THREADED W/R.H. & L.H. THREAD 304MM To P-1342 | 1 | |
| 18 | 140513 | SHAFT THREADED W/R.H. & L.H. THREAD 271MM From P-1343 | 1 | |
| 20 | 642072 | PRESSURE SWITCH N.C. 2-6 PSI / 1/4" TUBE | 2 | |
| . NS | 563677 | . CONNECTOR / METRI-PACK 150 / SH 4C / PED 12065402 | 1 | |
| 21 | 642075 | TRANSDUCER PRESSURE | 2 | |
| . NS | 563159 | . CONNECTOR / METRI-PACK 150 / SH 3C / PED 12065287 | 1 | |
| 30 | 641367 | MALE ELBOW 45° NON-SWIVEL / PUSH-IN FITTING / #6x3/8NPT-M BR | AR | |
| 31 | 501699 | MALE RUN TEE / PIPE FITTING / 3/8NPT-Mx3/8NPT-Fx3/8NPT-F BR | AR | |
| 32 | 641330 | MALE CONNECTOR / PUSH-IN FITTING / #6x3/8NPT-M BR | AR | |
| 34 | 641368 | MALE ELBOW 45° NON-SWIVEL / PUSH-IN FITTING / #8x3/8NPT-M BR | AR | |
| 35 | 641602 | MALE CONNECTOR / PUSH-IN FITTING / #10x3/8NPT-M BR | AR | |
| 37 | 641347 | MALE CONNECTOR / PUSH-IN FITTING / #4x3/8NPT-M BR | AR | |
| 38 | 641921 | MALE ELBOW 45° / NTA FITTING / #10x3/8NPT-M BR | AR | |
| 39 | 641388 | MALE RUN TEE NON-SWIVEL / PUSH-IN FITTING / #6x#6x3/8NPT-M BR | AR | |
| 41 | 5001992 | SCREW CAP HEX SLO 5/16-18x1 1/2 SS | 4 | |
| 42 | 5001341 | WASHER FL 8.4x17.0x1.6 SS | 4 | |
| 43 | 502836 | SCREW CAP HEX M8-1.25x35 G8.8 N500 | 4 | |
| 44 | 502692 | NUT HEXF STO M8-1.25 Z050 | 4 | |
| 100 | 640943 | REPAIR KIT / MINOR / VALVE MODEL E-8P | 1 | |
| 100 | 6987220 | REPAIR KIT / MAJOR / VALVE MODEL E-8P | 1 | |

From K-0295 To P-1347

Date:07/2024

PAGE:642211

BRAKE VALVE ASSY W/BRACKET / MODEL E-8P



| | | |
|-----------------------|--------------|-------------|
| From K-0295 To P-1347 | Date:07/2024 | PAGE:642211 |
|-----------------------|--------------|-------------|

BRAKE VALVE ASSY W/BRACKET / MODEL E-8P

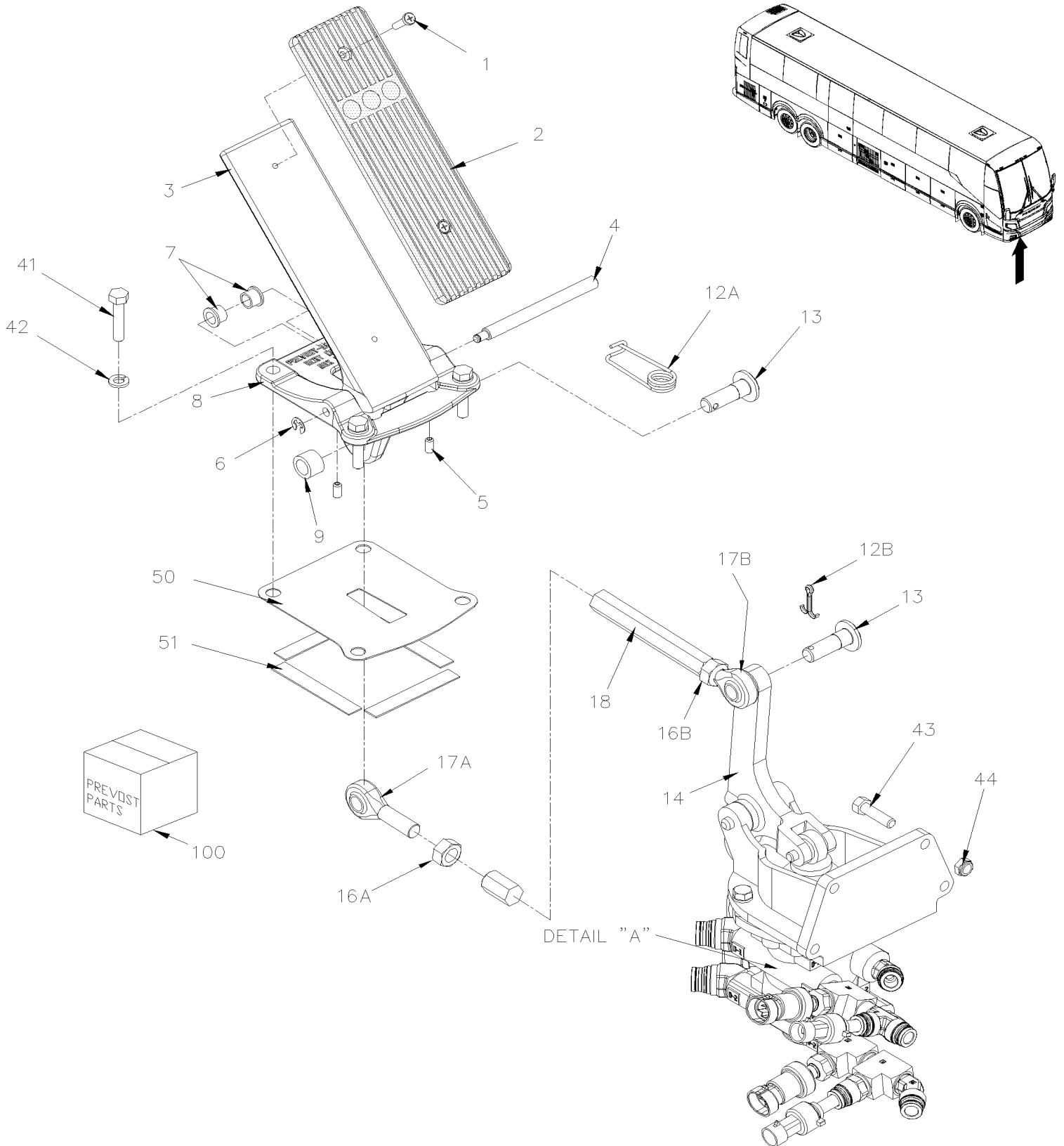
| Item# | Part | Description | QTY | Notes |
|-------|----------|---|-----|-------|
| 1 | 642212 | VALVE SUB ASSY / MODEL E-8P | 1 | |
| . NS | 640943 | . REPAIR KIT / MINOR / VALVE MODEL E-8P | 1 | |
| . NS | 6987220 | . REPAIR KIT / MAJOR / VALVE MODEL E-8P | 1 | |
| 2 | 19507993 | BOOT PLUNGER | 1 | |
| 3 | 19510779 | PLUNGER | 1 | |
| 4 | 2222120 | MOUNTING BRACKET COUPLING D-1 | 1 | |
| 5 | 19512957 | PLATE, TOP ADAPTER | 1 | |
| 6 | 195554 | LEVER | 1 | |
| 7 | 19510780 | PIN | 1 | |
| 8 | 2054524 | ROLLER | 1 | |
| 9 | 640027 | CLEVIS PIN | 1 | |

From P-1348

Date:07/2024

PAGE:VIP-1220-12

BRAKE PEDAL VALVE - "BENDIX" E-8P

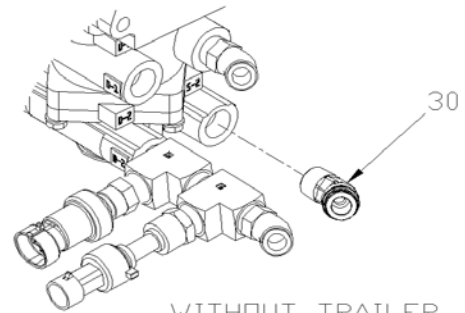
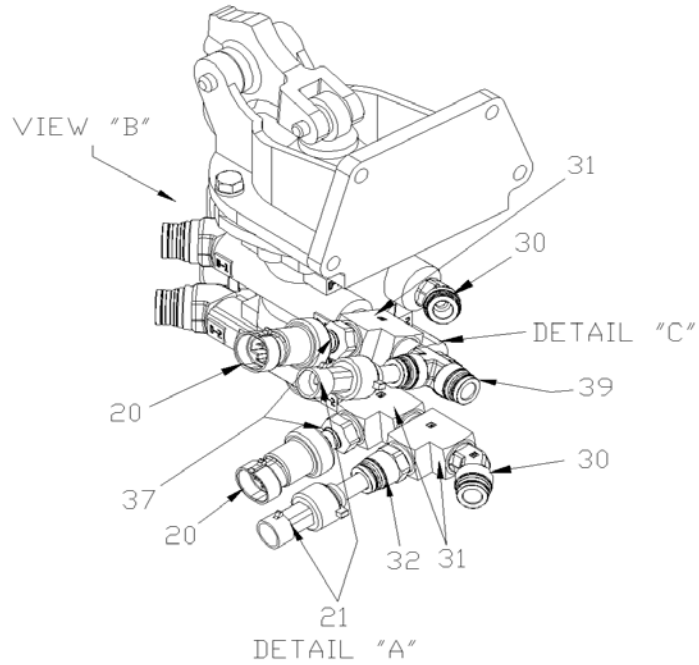


From P-1348

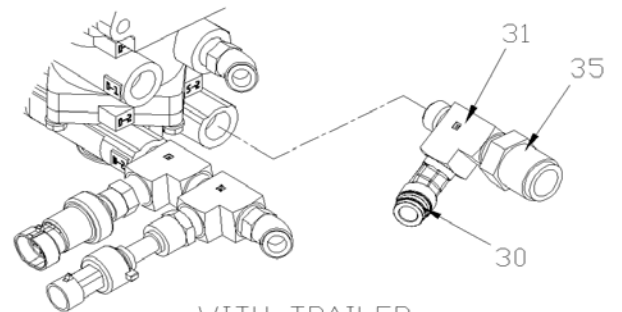
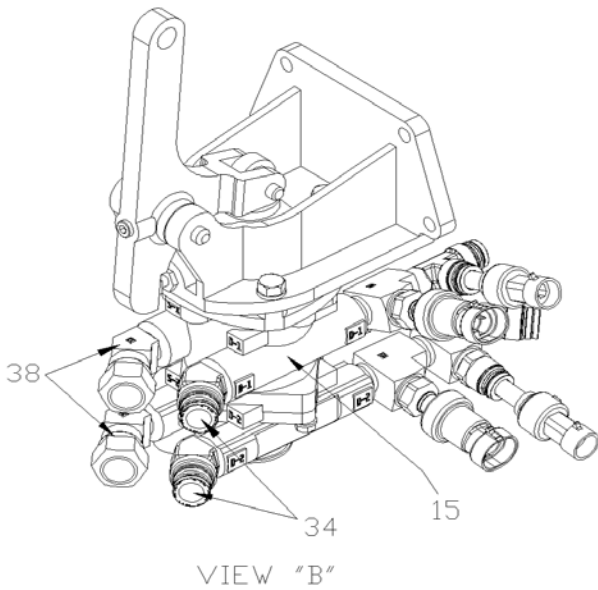
Date:07/2024

PAGE:VIP-1220-12

BRAKE PEDAL VALVE - "BENDIX" E-8P



WITHOUT TRAILER
AIR BRAKE



WITH TRAILER
AIR BRAKE
VIEW "C"

| | | | |
|--|--|--------------|------------------|
| From P-1348 | | Date:07/2024 | PAGE:VIP-1220-12 |
| BRAKE PEDAL VALVE - "BENDIX" E-8P | | | |

| Item# | Part | Description | QTY | Notes |
|-------|---------------|---|-----|-------|
| | 145262 | PEDAL ASSY | 1 | |
| 1 | 502746 | . SCREW MA PAN PH M5-0.8x20 SS BK | 2 | |
| 2 | 142842 | . THREADLE COVER / W/STEEL BACKING | 1 | |
| 3 | 145309 | . PEDAL BRAKE | 1 | |
| 4 | 145311 | . SHAFT, BRAKE PEDAL | 1 | |
| 5 | 5001634 | . SCREW SET HEXS CUP M6-1.0X12MM Z050 | 2 | |
| 6 | 504699 | . RING RETAINER / EXT .250 x .207 x .025" / SS | 1 | |
| 7 | 507297 | . FLANGE BUSHING | 2 | |
| 8 | 145310 | . SUPPORT ASSY / TO FIX BRAKE PEDAL | 1 | |
| 9 | 507307 | . BUSHING OIL 1/2 I.D. X 3/4 O.D. X 1/2 | 1 | |
| 12A | 502018 | LOCK PIN 3/32 X 1 5/8 SS | 1 | |
| 12B | 502111 | PIN, COTTER 1/8 x 1 1/2 SS | 1 | |
| 13 | 140050 | PIN, CLEVIS 4 x 40 SS | 2 | |
| 14 | 642211 | BRAKE VALVE ASSY W/BRACKET / MODEL E-8P | 1 | |
| 15 | 642212 | . VALVE SUB ASSY / MODEL E-8P | 1 | |
| . NS | 640943 | . . REPAIR KIT / MINOR / VALVE MODEL E-8P | 1 | |
| . NS | 6987220 | . . REPAIR KIT / MAJOR / VALVE MODEL E-8P | 1 | |
| 16A | 5001466 | NUT HEX LH M12-1.75 N500 | 1 | |
| 16B | 5001757 | NUT HEX M12-1.75 N500 | 1 | |
| 17A | 502253 | ROD END MALE L.H. M12-1.75-L.HH / 12MM I.D. | 1 | |
| 17B | 502252 | ROD END MALE M12-1.75 / 12MM I.D. | 1 | |
| 18 | 140513 | SHAFT THREADED W/R.H. & L.H. THREAD 271MM | 1 | |
| 20 | 642072 | PRESSURE SWITCH N.C. 2-6 PSI / 1/4" TUBE | 2 | |
| . NS | 563677 | . CONNECTOR / METRI-PACK 150 / SH 4C / PED 12065402 | 1 | |
| 21 | 642075 | TRANSDUCER PRESSURE | 2 | |
| . NS | 563159 | . CONNECTOR / METRI-PACK 150 / SH 3C / PED 12065287 | 1 | |
| 30 | 641367 | MALE ELBOW 45° NON-SWIVEL / PUSH-IN FITTING / #6x3/8NPT-M BR | AR | |
| 31 | 501699 | MALE RUN TEE / PIPE FITTING / 3/8NPT-Mx3/8NPT-Fx3/8NPT-F BR | AR | |
| 32 | 641330 | MALE CONNECTOR / PUSH-IN FITTING / #6x3/8NPT-M BR | AR | |
| 34 | 641368 | MALE ELBOW 45° NON-SWIVEL / PUSH-IN FITTING / #8x3/8NPT-M BR | AR | |
| 35 | 641602 | MALE CONNECTOR / PUSH-IN FITTING / #10x3/8NPT-M BR | AR | |
| 37 | 641347 | MALE CONNECTOR / PUSH-IN FITTING / #4x3/8NPT-M BR | AR | |
| 38 | 641921 | MALE ELBOW 45° / NTA FITTING / #10x3/8NPT-M BR | AR | |
| 39 | 641388 | MALE RUN TEE NON-SWIVEL / PUSH-IN FITTING / #6x#6x3/8NPT-M BR | AR | |
| 41 | 5001992 | SCREW CAP HEX SLO 5/16-18x1 1/2 SS | 4 | |
| 42 | 5001341 | WASHER FL 8.4x17.0x1.6 SS | 4 | |
| 43 | 502836 | SCREW CAP HEX M8-1.25x35 G8.8 N500 | 4 | |
| 44 | 502692 | NUT HEXF STO M8-1.25 Z050 | 4 | |
| 50 | 140258 | DUST GUARD BRAKE PEDAL | 1 | |
| . NS | 506092 | . PAD NATURAL RUBBER / 6" x 0.030" TH AMBER | AR | |
| 51 | 680437 | TAPE TRANSFER ADH2 CLEAR 12.7MM x 55M / TRM950-0500 | AR | |
| 100 | 640943 | REPAIR KIT / MINOR / VALVE MODEL E-8P | 1 | |

| | | | |
|-------------|--|--------------|------------------|
| From P-1348 | | Date:07/2024 | PAGE:VIP-1220-12 |
|-------------|--|--------------|------------------|

BRAKE PEDAL VALVE - "BENDIX" E-8P

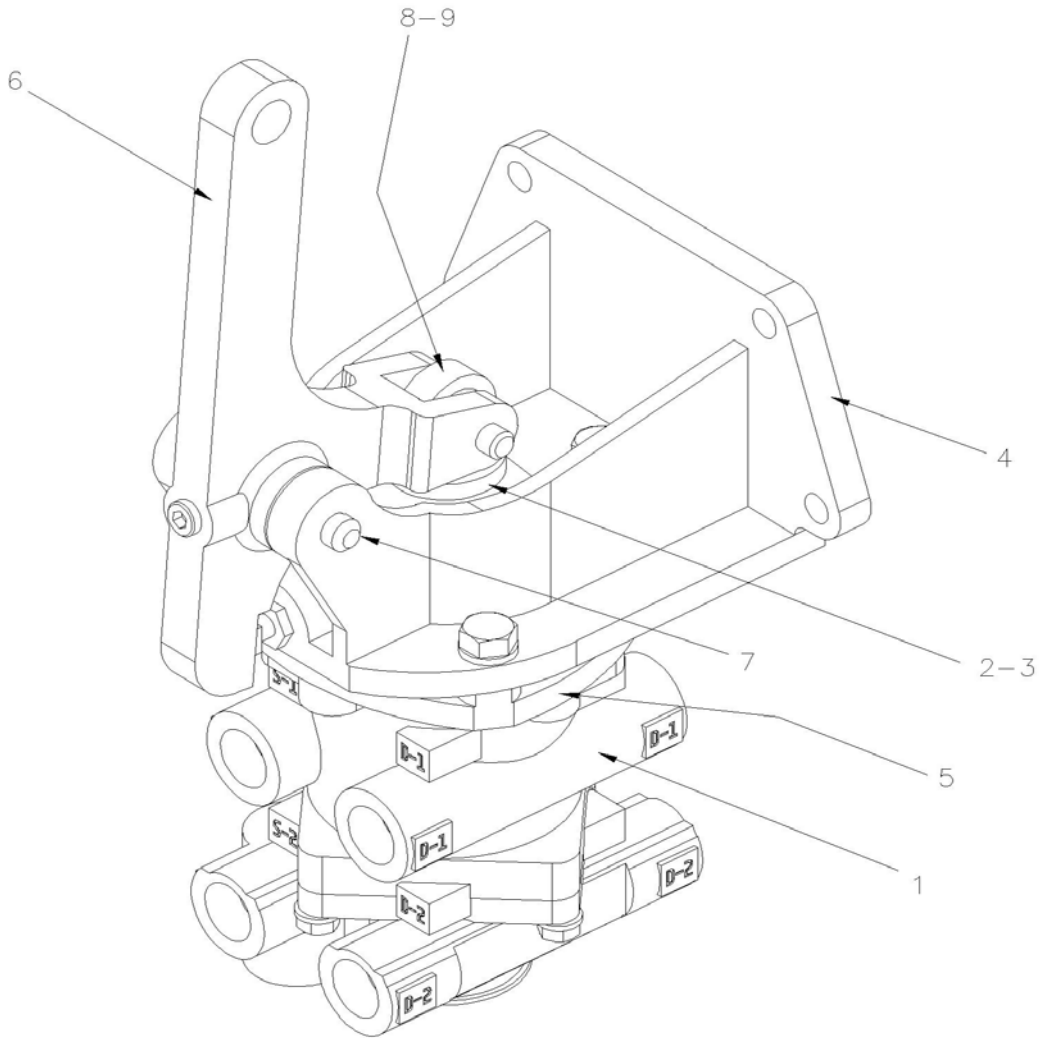
| Item# | Part | Description | QTY | Notes |
|-------|---------|---|-----|-------|
| 100 | 6987220 | REPAIR KIT / MAJOR / VALVE MODEL E-8P | 1 | |
| 100 | IS22040 | BRAKE PEDAL SEAL PLATE INSTALLATION KIT | | K |
| | | | | |
| | | | | |
| | | | | |
| | | K) SERVICE KIT SEAL PLATE BRAKE PEDAL | | |

From P-1348

Date:07/2024

PAGE:642211

BRAKE VALVE ASSY W/BRACKET / MODEL E-8P



| | | |
|-------------|--------------|-------------|
| From P-1348 | Date:07/2024 | PAGE:642211 |
|-------------|--------------|-------------|

BRAKE VALVE ASSY W/BRACKET / MODEL E-8P

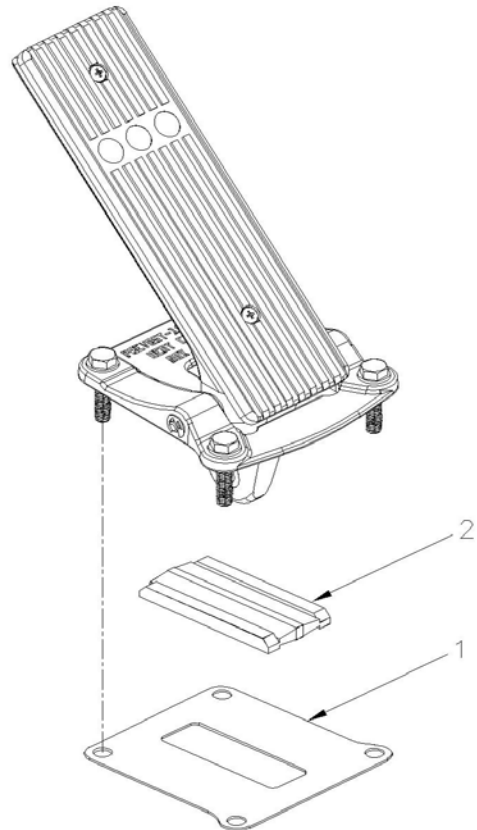
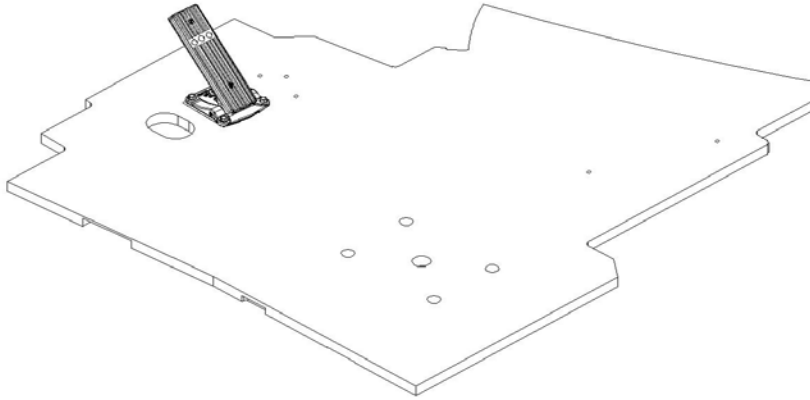
| Item# | Part | Description | QTY | Notes |
|-------|----------|---|-----|-------|
| 1 | 642212 | VALVE SUB ASSY / MODEL E-8P | 1 | |
| . NS | 640943 | . REPAIR KIT / MINOR / VALVE MODEL E-8P | 1 | |
| . NS | 6987220 | . REPAIR KIT / MAJOR / VALVE MODEL E-8P | 1 | |
| 2 | 19507993 | BOOT PLUNGER | 1 | |
| 3 | 19510779 | PLUNGER | 1 | |
| 4 | 2222120 | MOUNTING BRACKET COUPLING D-1 | 1 | |
| 5 | 19512957 | PLATE, TOP ADAPTER | 1 | |
| 6 | 195554 | LEVER | 1 | |
| 7 | 19510780 | PIN | 1 | |
| 8 | 2054524 | ROLLER | 1 | |
| 9 | 640027 | CLEVIS PIN | 1 | |

From P-1348

Date:07/2024

PAGE:IS22040

BRAKE PEDAL SEAL PLATE INSTALLATION KIT

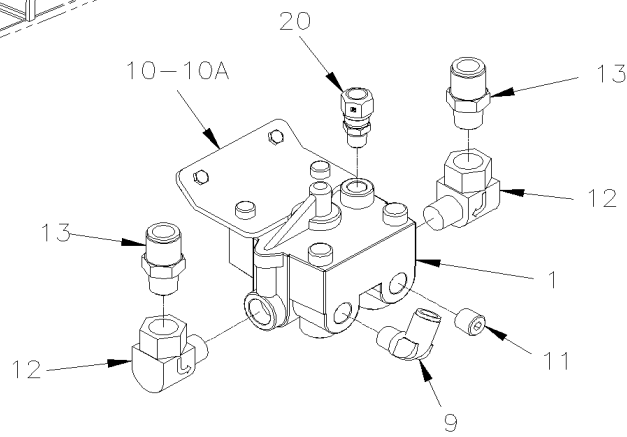
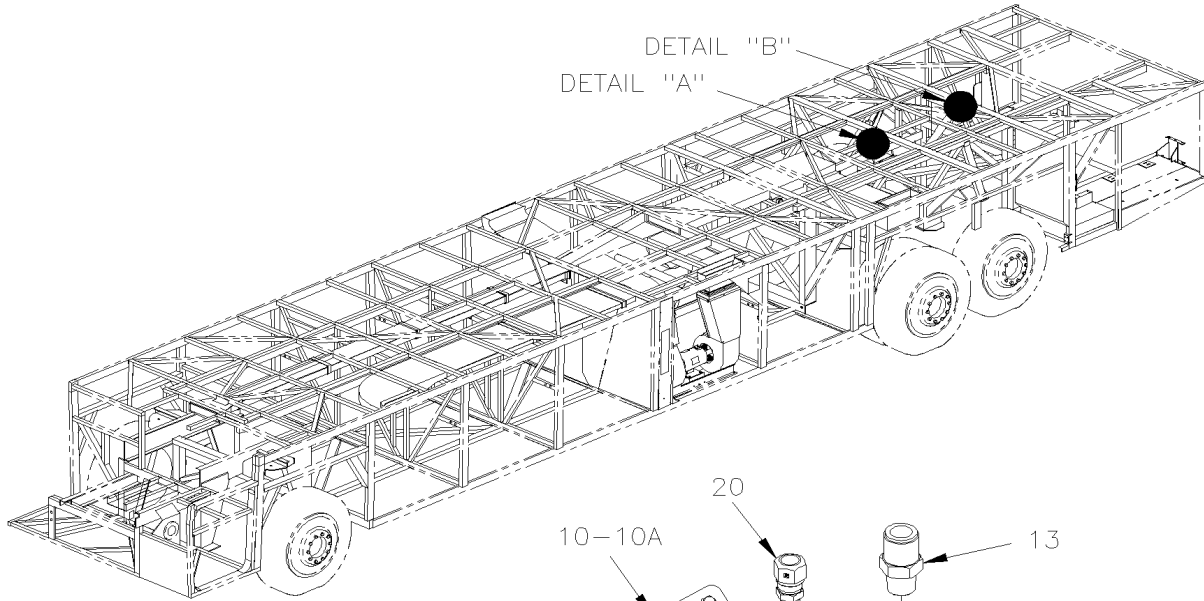


| | | | |
|-------------|--|--------------|--------------|
| From P-1348 | | Date:07/2024 | PAGE:IS22040 |
|-------------|--|--------------|--------------|

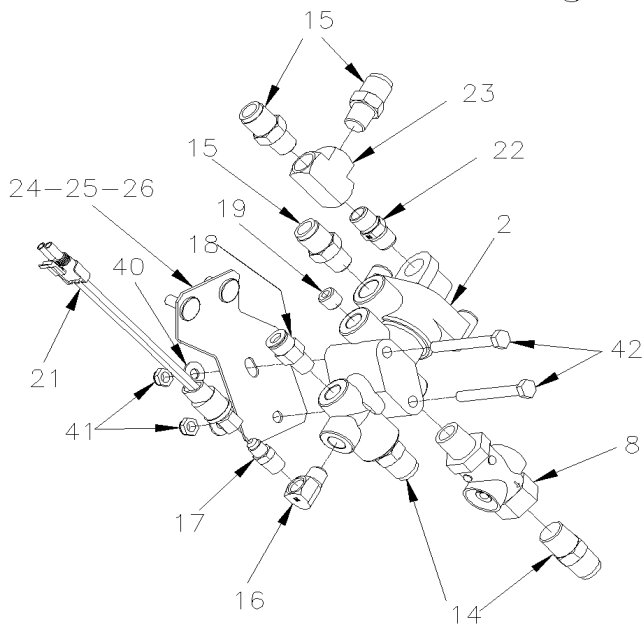
| | | | | |
|--|--|--|--|--|
| BRAKE PEDAL SEAL PLATE INSTALLATION KIT | | | | |
|--|--|--|--|--|

| Item# | Part | Description | QTY | Notes |
|-------|--------|---------------------|-----|-------|
| | 140526 | SEAL PLATE ASM | 1 | |
| 1 | 140527 | . PLATE | 1 | |
| 2 | 140528 | . TIGHT-SEAL BRUSHE | 1 | |

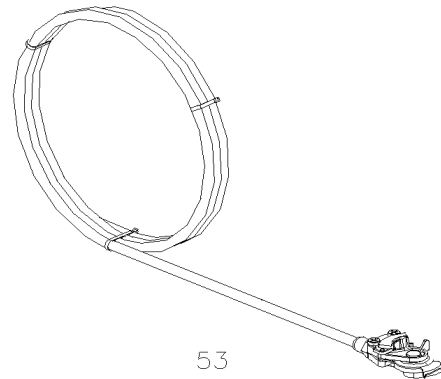
| | | |
|----------------------------|--------------|------------------|
| From K-0295 | Date:07/2024 | PAGE:VIP-1220-51 |
| TRAILER VALVE INSTALLATION | | |



DETAIL "B"



DETAIL "A"

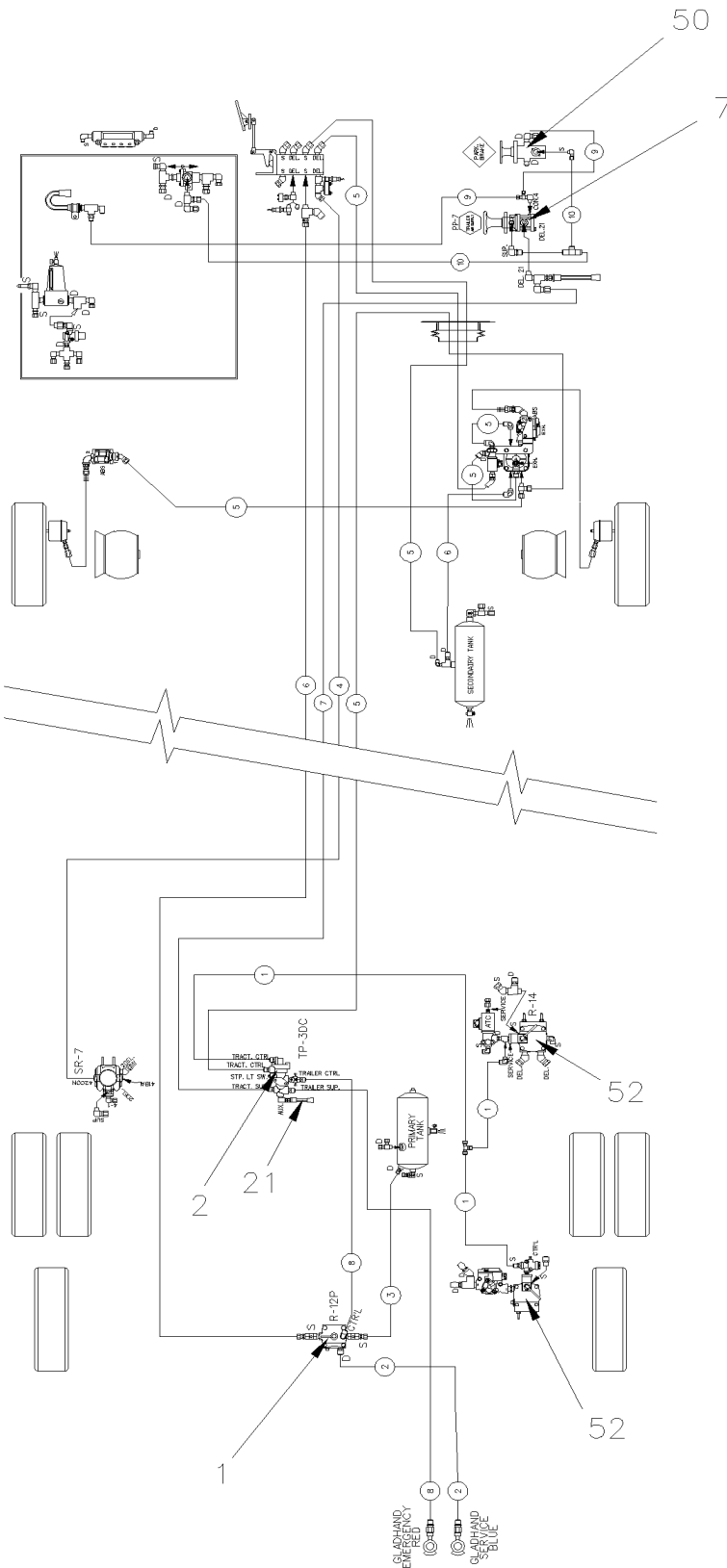


From K-0295

Date:07/2024

PAGE:VIP-1220-51

TRAILER VALVE INSTALLATION



| CODE | TUBE |
|------|------------------|
| #1 | 3/8" O.D. GREEN |
| #2 | 1/2" O.D. GREEN |
| #3 | 5/8" O.D. GREEN |
| #4 | 3/8" O.D. RED |
| #5 | 1/2" O.D. RED |
| #6 | 5/8" O.D. RED |
| #7 | 3/8" O.D. BROWN |
| #8 | 1/2" O.D. BROWN |
| #9 | 1/4" O.D. YELLOW |
| #10 | 3/8" O.D. YELLOW |

| TUBE COLOR CODING | | |
|-------------------|--------|------------------|
| ACTIVE | COLOR | CIRCUIT |
| — | RED | SECONDARY |
| — | GREEN | PRIMARY & SUPPLY |
| — | YELLOW | PARKING BRAKE |
| — | BLACK | ACCESSORIES |
| — | BROWN | TRAILER |

| | | | |
|-----------------------------------|--|--------------|------------------|
| From K-0295 | | Date:07/2024 | PAGE:VIP-1220-51 |
| TRAILER VALVE INSTALLATION | | | |

| Item# | Part | Description | QTY | Notes |
|-------|--------------------|---|-----|-------|
| 1 | 641399 | VALVE, RELAY R-12 P SUPPERSEDED 642097 | 1 | |
| 2 | 641495 | TRACTOR PROTECTION VALVE TP-3 DC | 1 | |
| 7 | 641397 | TRAILER SUPPLY VALVE PP-7 | 1 | |
| 8 | 642088 | VALVE, QUICK RELEASE QR-L / IN LINE | 1 | |
| 9 | 641376 | MALE ELBOW 90° NON-SWIVEL / PUSH-IN FITTING / #8x3/8NPT-M BR | 1 | |
| 10 | 142850 | SUPPORT VALVE R-12P | 1 | |
| 10A | 502681 | NUT HEX NYRT M6-1.0 N500 G8 | 2 | |
| 11 | 501449 | PLUG HEXS / PIPE FITTING / 3/8NPT-M STL | 3 | |
| 12 | 641172 | VALVE, CHECK ELBOW 90° 1/2 NPT To K-0230 | 1 | |
| 12 | 640123 | VALVE, CHECK 1/2 NPT SC-1 From K-0231 | 1 | |
| . NS | 641401 | . VALVE, CHECK 1/2 NPT SC-1 From K-0231 | 1 | |
| NS | 641172 | VALVE, CHECK ELBOW 90° 1/2 NPT From K-0231 | 1 | |
| 13 | 641384 | MALE CONNECTOR / PUSH-IN FITTING / #10x1/2NPT-M BR | AR | |
| 14 | 641383 | MALE CONNECTOR / PUSH-IN FITTING / #8x1/2NPT-M BR | AR | |
| 15 | 641381 | MALE CONNECTOR / PUSH-IN FITTING / #8x3/8NPT-M BR | AR | |
| 16 | 501332 | STREET ELBOW 90° / PIPE FITTING / 1/4NPT-Mx1/4NPT-F BR | AR | |
| 17 | 501027 | MALE CONNECTOR / SAE 45° FITTING / #4FL-Mx1/4NPT-M BR | AR | |
| 18 | 641331 | MALE CONNECTOR / PUSH-IN FITTING / #6x1/4NPT-M BR | AR | |
| 19 | 501800 | PLUG HEXS / PIPE FITTING / 1/4NPT-M STL | AR | |
| 20 | 641173 | MALE CONNECTOR / NTA FITTING / #8x1/4NPT-M BR | AR | |
| 21 | 950245 | PRESSURE SWITCH N.C. 20-30 LO-UNLOAD W/WIRE BLACK | 1 | |
| 22 | 501322 | NIPPLE HEX / PIPE FITTING / 3/8NPT-Mx3/8NPT-Mx1 13/32 BR | 1 | |
| 23 | 501527 | FEMALE UNION TEE / PIPE FITTING / 3/8NPT-Fx3/8NPT-Fx3/8NPT-F BR | 1 | |
| 24 | 145117 | SUPPORT, TP3 VALVE ASSY | 1 | |
| 25 | 500381 | WASHER FL 8.4x25.0x2.0 N500 | 2 | |
| 26 | 502847 | NUT HEX NYRT M8-1.25 N500 | 2 | |
| NS | 680098 | THREAD SEALANT LOCTITE #567 / WHITE / 250ml | AR | |
| | | | | |
| 40 | 502638 | WASHER FL .312x.734x.065 N500 | AR | |
| 41 | 500868 | NUT HEX NYRT M8-1.25 Z050 | AR | |
| 42 | 502650 | SCREW CAP HEX M8-1.25x80 G8.8 Z050 | AR | |
| 45 | Call order desk | SUPPORTS VALVES | 1 | P |
| 50 | VIP-1806-15 | L.H. CONSOLE - V.I.P. To P-1347 | | |
| 50 | VIP-1806-16 | L.H. CONSOLE - V.I.P. From P-1348 | | |
| 51 | VIP-1202-00 | TUBES PLASTIC / AIR D.O.T. | | |
| 52 | VIP-1250-11 | ABS/ESP BRAKE VALVE - INSTALLATION | | |
| 53 | VIP-0665-21 | CABLE TRAILER - INSTALLATION | | |
| NS | 143039 | DECAL / TRAILER FRENCH | 1 | |
| NS | 143040 | DECAL / TRAILER ENGLISH | 1 | |
| NS | 143065 | DECAL / TRAILER SPANISH | 1 | |
| | | | | |
| | | | | |

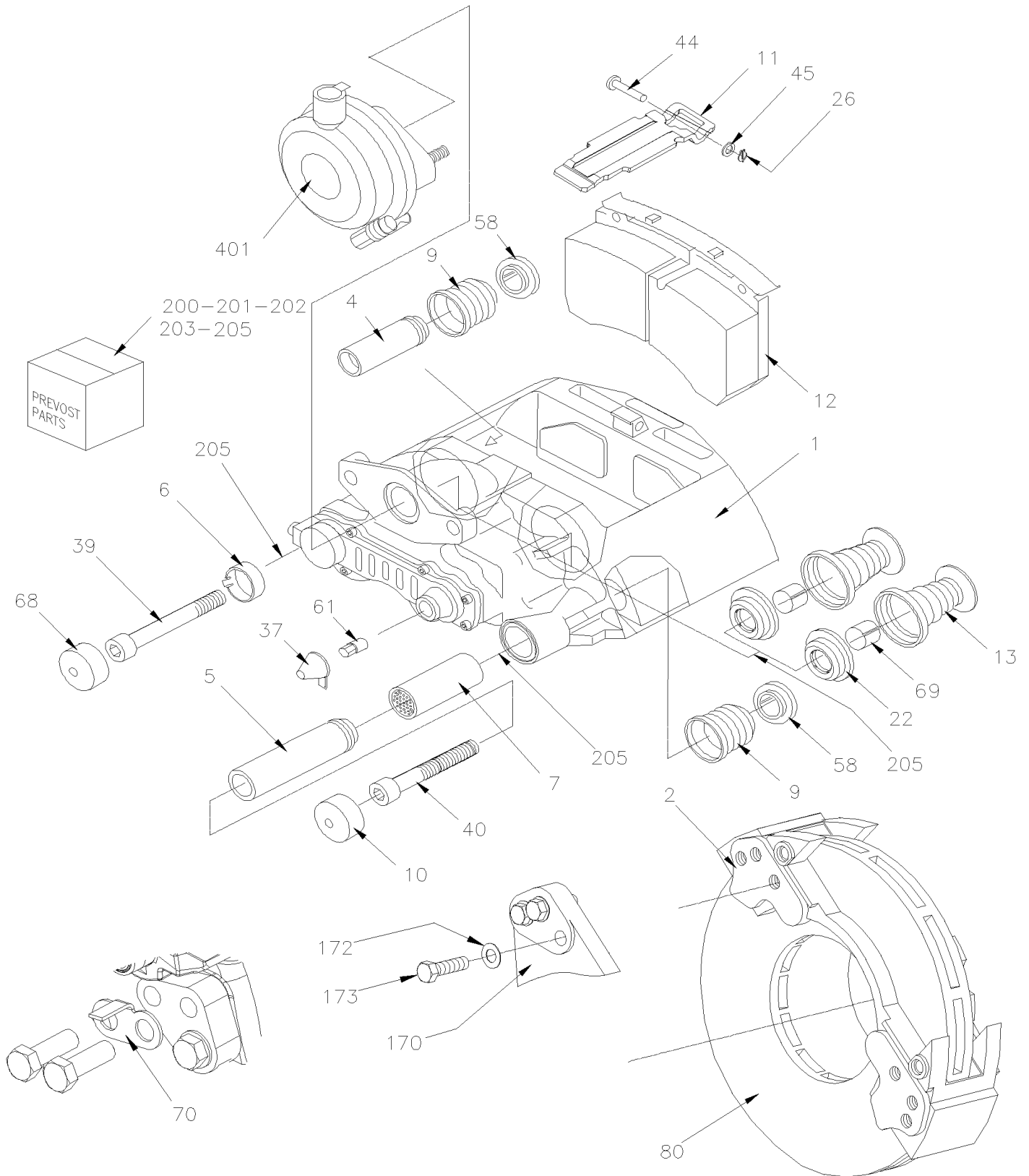
| From K-0295 | | | Date:07/2024 | PAGE:VIP-1220-51 | | |
|-----------------------------------|------|--|--------------|------------------|-----|-------|
| TRAILER VALVE INSTALLATION | | | | | | |
| Item# | Part | Description | | | QTY | Notes |
| | | | | | | |
| | | P) CALL ORDER DESK FOR SPECIFIC APPLICATION (V.I.N.) | | | | |

From K-0295

Date:07/2024

PAGE:VIP-1225-02

BRAKE PARTS - FRONT & TAG AXLE "KNORR-BREMSE" SN7 SERIES W/N2G ADJUSTER



| | | | |
|-------------|--|--------------|------------------|
| From K-0295 | | Date:07/2024 | PAGE:VIP-1225-02 |
|-------------|--|--------------|------------------|

BRAKE PARTS - FRONT & TAG AXLE "KNORR-BREMSE" SN7 SERIES W/N2G ADJUSTER

| Item# | Part | Description | QTY | Notes |
|-------|--------------------|--|-----|-------|
| | 642186 | CALIPER ASSY R.H. FRONT & TAG OR L.H. DRIVE AXLE / W/O POTENTIOMETER SN7 To M-1153 | 1 | |
| | 640071 | CALIPER ASSY R.H. FRONT & TAG OR L.H. DRIVE AXLE / W/O POTENTIOMETER SN7 From M-1154 | 1 | |
| | 642187 | CALIPER ASSY L.H. FRONT & TAG OR R.H. DRIVE AXLE / W/O POTENTIOMETER SN7 To M-1153 | 1 | |
| | 640076 | CALIPER ASSY L.H. FRONT & TAG OR R.H. DRIVE AXLE / W/O POTENTIOMETER SN7 From M-1154 | 1 | |
| 1 | N.S.S. | . CALIPER HOUSING | 1 | 1 |
| 2 | 611960 | . BRAKE CARRIER / W/6 HOLES BOLT RETAINERS M20-1.5 | 1 | |
| 4 | N.S.S. | . . GUIDE BUSHING / SHORT | 1 | 1 |
| 5 | N.S.S. | . . GUIDE BUSHING / LONG | 1 | 1 |
| 6 | N.S.S. | . . GUIDE BUSHING / DU | 1 | 1 |
| 7 | | . . BUSHING / BRASS | 1 | |
| 9 | N.S.S. | . . BELLOW GUIDE BUSHING / RED | 2 | 1 |
| 10 | N.S.S. | . . STEEL CAP | 1 | 1 |
| 11 | N.S.S. | . . BRAKE PAD BRACKET | 1 | 1 |
| 12 | 642188 | . . LINING SET STD / To M-1153 | 1 | B |
| . 11 | N.S.S. | . . . BRAKE PAD BRACKET To M-1153 | 1 | 1 B |
| . 26 | N.S.S. | . . . SPRING SPLIT PIN To M-1153 | 1 | 1 B |
| . 37 | 642034 | . . . KIT, PLUG CAP W/AJUSTING DEVICE (PACK of 10x #37, #37a & 61) To M-1153 | 1 | B |
| . 44 | N.S.S. | . . . CLEVIS PIN To M-1153 | 1 | 1 B |
| . 45 | N.S.S. | . . . WASHER To M-1153 | 1 | 1 B |
| . 61 | N.S.S. | . . . SHEAR ADAPTER To M-1153 | 1 | 1 B |
| 12 | 610072 | LINING SET STD / TX3054 From M-1154 | 1 | |
| 13 | N.S.S. | . . TAPPET WITH BOOT ASSY | 2 | 1 |
| 22 | N.S.S. | . . BOOT | 2 | 1 |
| 26 | N.S.S. | . . SPRING SPLINT PIN | 1 | 1 |
| 37 | N.S.S. | . . PLUG CAP / ADJUSTING DEVICE | 1 | 1 |
| 39 | N.S.S. | . . SCREW CAP HEXS ZP M16-1.5 GR10.9 | 1 | 1 |
| 40 | N.S.S. | . . SCREW CAP HEXS ZP M16-1.5 GR10.9 | 1 | 1 |
| 44 | N.S.S. | . . CLEVIS PIN | 1 | 1 |
| 45 | N.S.S. | . . WASHER | 1 | 1 |
| 58 | N.S.S. | . . RING | 2 | 1 |
| 61 | N.S.S. | . . SHEAR ADAPTER | 1 | 1 |
| 68 | N.S.S. | . . CAP | 1 | 1 |
| 69 | N.S.S. | . . RING RETAINING | 2 | 1 |
| 70 | 110786 | BRAKE WEAR INDICATOR MECHANICAL / 44MM | AR | |
| 70 | 142907 | BRAKE WEAR INDICATOR WITH HOLE MECHANICAL | AR | TG |
| 80 | VIP-1300-50 | HUB & ROTOR - FRONT AXLE MODEL "NDIFS80P" | | |
| 80 | VIP-1310-00 | HUB & ROTOR - TAG AXLE TYPE TS8U | | |
| 170 | VIP-1005-51 | FRONT AXLE - INDEPENDENT MODEL "NDIFS80P" / 19000LBS | | |
| 170 | VIP-1615-01 | TAG AXLE - INSTALL SUSPENSION ONE PIECE | | |
| 172 | 502558 | WASHER FL 21.0x37.0x3.0 G500 | 6 | |
| 173 | 5001529 | SCREW CAP HEX M20-1.5x60 G10.9 G500 | 6 | |
| 200 | 19509429 | KIT, TAPPET W/BOOT | AR | C |

| | | | |
|-------------|--|--------------|------------------|
| From K-0295 | | Date:07/2024 | PAGE:VIP-1225-02 |
|-------------|--|--------------|------------------|

BRAKE PARTS - FRONT & TAG AXLE "KNORR-BREMSE" SN7 SERIES W/N2G ADJUSTER

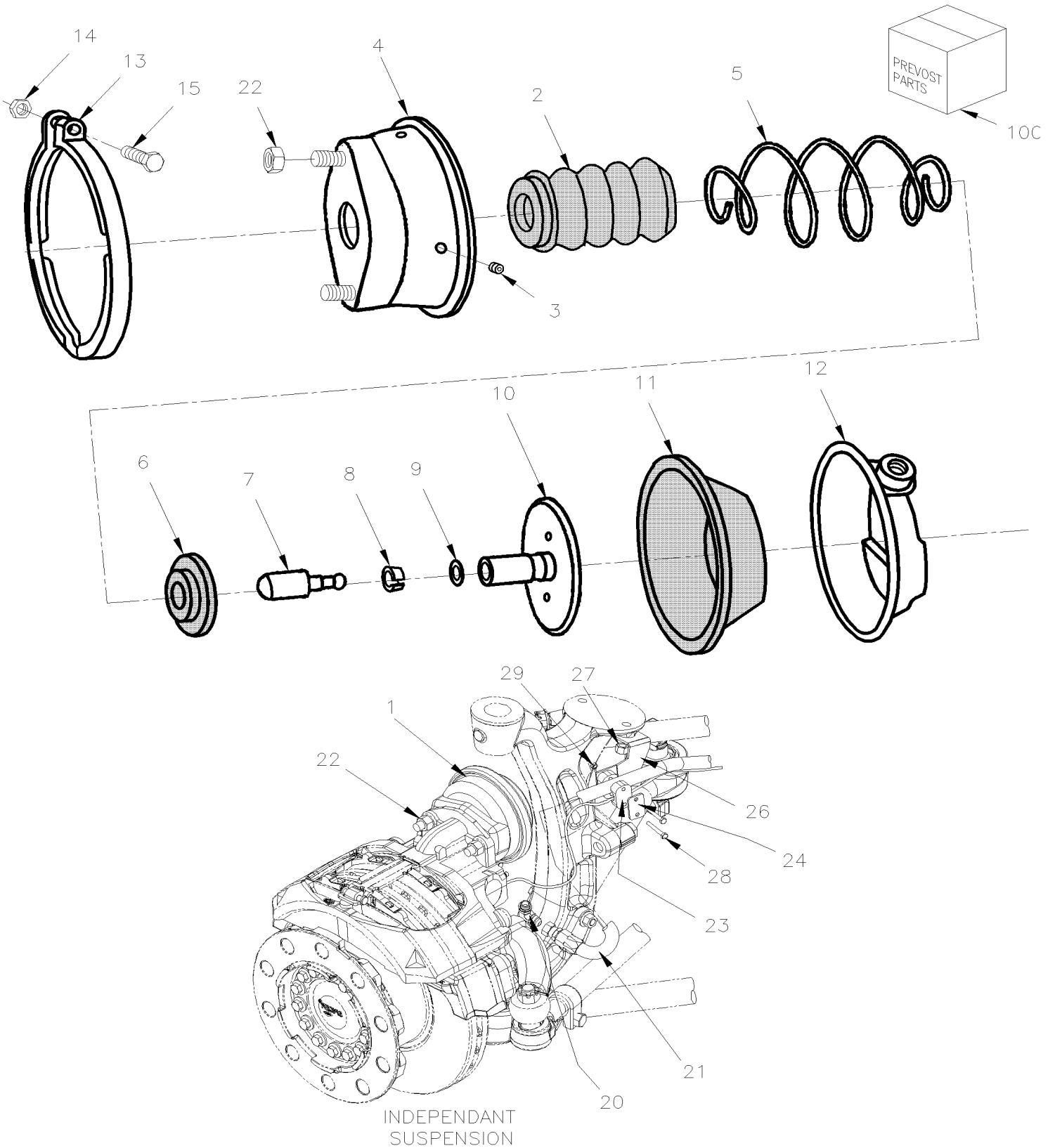
| Item# | Part | Description | QTY | Notes |
|-------|--------------------|--|-----|-------|
| 201 | 640019 | KIT, GUIDANCE PINS & BELLOW / SN W/ GUIDE SLEEVE BUSHING END | AR | E |
| 202 | 642034 | KIT, PLUG CAP W/AJUSTING DEVICE (PACK of 10x #37, #37a & 61) | AR | S |
| 203 | 641402 | KIT, PAD HOLDER | AR | H |
| . 26 | N.S.S. | . SPRING SPLIT PIN | 1 | 1 H |
| . 44 | N.S.S. | . CLEVIS PIN | 1 | 1 H |
| . 45 | N.S.S. | . WASHER | 1 | 1 H |
| 205 | 683345 | GREASE WHITE / 5GR | AR | K |
| 205 | 641930 | GREASE WHITE / 500GR | AR | K |
| 300 | 642214 | KIT TOOL TO REPAIR BRAKE N2G | 1 | |
| 401 | VIP-1225-50 | BRAKE CHAMBER - FRONT AXLE TYPE 27 | | |
| 403 | VIP-1245-11 | BRAKE CHAMBER - TAG AXLE TYPE 20 | | |
| | | | | |
| | | | | |
| | | B) INCLUDES ITEMS #11, 26, 37, 44, 45 & 61 | | |
| | | C) INCLUDES 2 OF ITEMS #13, 22 & 69 | | |
| | | E) INCLUDES ITEMS #4, 5, 6, 7, 9, 10, 39, 40, 58 & 68 | | |
| | | H) INCLUDES ITEMS #11,26,44 & 45 | | |
| | | K) FOR ITEMS #5 & 7 | | |
| | | S) INCLUDES 10 ITEMS #37 AND 61 | | |
| | | TG) TAG AXLE ONLY | | |
| | | 1) NOT SOLD SEPARATELY | | |
| | | 1) NOT SOLD SEPARATELY | | |

From K-0295

Date:07/2024

PAGE:VIP-1225-50

BRAKE CHAMBER - FRONT AXLE TYPE 27



| | | | |
|---|--|--------------|------------------|
| From K-0295 | | Date:07/2024 | PAGE:VIP-1225-50 |
| BRAKE CHAMBER - FRONT AXLE TYPE 27 | | | |

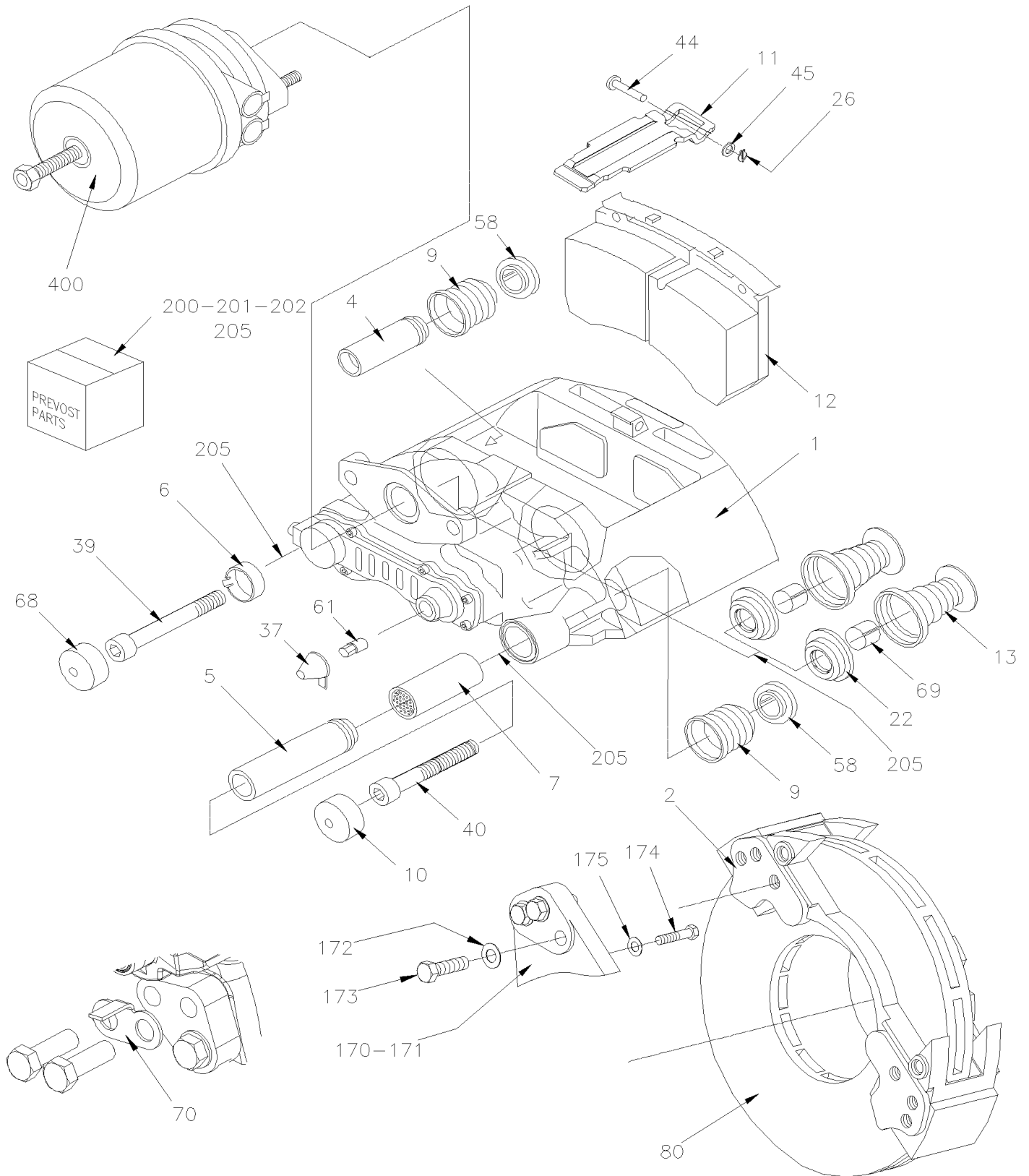
| Item# | Part | Description | QTY | Notes |
|-------|--------------------|--|-----|-------|
| 1 | 611276 | BRAKE CHAMBER ASSY R.H. / TYPE 27 | 1 | I |
| NS | 611277 | BRAKE CHAMBER ASSY L.H. / TYPE 27 | 1 | I |
| 2 | N.S.S. | . BOOT | 1 | 1 |
| 3 | N.S.S. | . HOLE PLUG | 1 | 1 |
| 4 | N.S.S. | . CHAMBER , NO-PRESSURE | 1 | 1 |
| 5 | | . SPRING, COMP. | 1 | |
| 6 | N.S.S. | . SPRING SEAT | 1 | 1 |
| 7 | N.S.S. | . PUSH ROD END | 1 | 1 |
| 8 | N.S.S. | . RETAINER | 1 | 1 |
| 9 | N.S.S. | . RING | 1 | 1 |
| 10 | N.S.S. | . PUSH ROD | 1 | 1 |
| 11 | N.S.S. | . DIAPHRAGM / TYPE 27 | 1 | 1 |
| 12 | N.S.S. | . CHAMBER PRESSURE PLATE | 1 | 1 |
| 13 | N.S.S. | . CLAMP W/BOLT & NUT | 1 | 1 |
| 14 | 502543 | . . NUT HEX M8-1.25 Z050 | 1 | |
| 15 | 5001021 | . . SCREW CAP HEXS M8-1.25x60 G8.8 PT | 1 | |
| 20 | 660914 | MALE ELBOW 90° / JIC 37° FITTING / #8JIC-MxM16-1.5-M STL | 2 | |
| . NS | 641297 | . O-RING 13.1MM I.D. X 2.6 TH | 1 | |
| . NS | 641298 | . WASHER FL 17MM I.D x 22MM O.D. x 1.5MM | 1 | |
| 21 | 641903 | HOSE BRAKE #8 1090MM (43") | 2 | |
| 22 | 5001523 | NUT HEXF LO 1/2-13 SS | 4 | |
| 23 | 140079 | HALF COLLAR 44MM I.D. / TO FIX HOSE | 8 | |
| 24 | 504614 | PLATE RETAINING / COLLAR | 2 | |
| 26 | 142353 | HOSE SUPPORT L.H. To L-0907 | 1 | |
| 26 | 140152 | HOSE SUPPORT L.H. From L-0908 | 1 | |
| 26 | 142352 | HOSE SUPPORT R.H. To L-0907 | 1 | |
| 26 | 140151 | HOSE SUPPORT R.H. From L-0908 | 1 | |
| 27 | 500276 | NUT HEX STO 1/2-13 N500 | 2 | |
| 28 | 502656 | SCREW CAP HEX M6-1.0x50 SS | 4 | |
| 29 | 502565 | NUT HEX M6-1.0 SS | 4 | |
| 50 | VIP-1250-11 | ABS/ESP BRAKE VALVE - INSTALLATION | | |
| 100 | N.P.N. | KIT REPAIR | 1 | 4 A |
| | | | | |
| | | | | |
| | | A) INCLUDED ITEMS #2,3,6,8,9 & 11 | | |
| | | I) V.I.P. 45' WITH INDEPENDANTE SUSPENSION | | |
| | | 1) NOT SOLD SEPARATELY | | |
| | | 4) NO PARTS NUMBER | | |

From K-0295

Date:07/2024

PAGE:VIP-1235-02

BRAKE PARTS - DRIVE AXLE "KNORR-BREMSE" SN7 SERIES W/N2G ADJUSTER



| | | | |
|-------------|--|--------------|------------------|
| From K-0295 | | Date:07/2024 | PAGE:VIP-1235-02 |
|-------------|--|--------------|------------------|

BRAKE PARTS - DRIVE AXLE "KNORR-BREMSE" SN7 SERIES W/N2G ADJUSTER

| Item# | Part | Description | QTY | Notes |
|-------|--------------------|--|-----|-------|
| | 642186 | CALIPER ASSY R.H. FRONT & TAG OR L.H. DRIVE AXLE / W/O POTENTIOMETER SN7 To M-1153 | 1 | |
| | 640071 | CALIPER ASSY R.H. FRONT & TAG OR L.H. DRIVE AXLE / W/O POTENTIOMETER SN7 From M-1154 | 1 | |
| | 642187 | CALIPER ASSY L.H. FRONT & TAG OR R.H. DRIVE AXLE / W/O POTENTIOMETER SN7 To M-1153 | 1 | |
| | 640076 | CALIPER ASSY L.H. FRONT & TAG OR R.H. DRIVE AXLE / W/O POTENTIOMETER SN7 From M-1154 | 1 | |
| 1 | N.S.S. | . CALIPER HOUSING | 1 | 1 |
| 2 | 611960 | . BRAKE CARRIER / W/6 HOLES BOLT RETAINERS M20-1.5 | 1 | |
| 4 | N.S.S. | . . GUIDE BUSHING / SHORT | 1 | 1 |
| 5 | N.S.S. | . . GUIDE BUSHING / LONG | 1 | 1 |
| 6 | N.S.S. | . . GUIDE BUSHING / DU | 1 | 1 |
| 7 | | . . BUSHING / BRASS | 1 | |
| 9 | N.S.S. | . . BELLOW GUIDE BUSHING / RED | 2 | 1 |
| 10 | N.S.S. | . . STEEL CAP | 1 | 1 |
| 11 | N.S.S. | . . BRAKE PAD BRACKET | 1 | 1 |
| 12 | 642188 | . . LINING SET STD / To M-1153 | 1 | B |
| . 11 | N.S.S. | . . . BRAKE PAD BRACKET To M-1153 | 1 | 1 B |
| . 26 | N.S.S. | . . . SPRING SPLIT PIN To M-1153 | 1 | 1 B |
| . 37 | 642034 | . . . KIT, PLUG CAP W/AJUSTING DEVICE (PACK of 10x #37, #37a & 61) To M-1153 | 1 | B |
| . 44 | N.S.S. | . . . CLEVIS PIN To M-1153 | 1 | 1 B |
| . 45 | N.S.S. | . . . WASHER To M-1153 | 1 | 1 B |
| . 61 | N.S.S. | . . . SHEAR ADAPTER To M-1153 | 1 | 1 B |
| 12 | 610072 | . . LINING SET STD / TX3054 From M-1154 | 1 | |
| 13 | N.S.S. | . . TAPPET WITH BOOT ASSY | 2 | 1 |
| 22 | N.S.S. | . . BOOT | 2 | 1 |
| 26 | N.S.S. | . . SPRING SPLINT PIN | 1 | 1 |
| 37 | N.S.S. | . . PLUG CAP / ADJUSTING DEVICE | 1 | 1 |
| 39 | N.S.S. | . . SCREW CAP HEXS ZP M16-1.5 GR10.9 | 1 | 1 |
| 40 | N.S.S. | . . SCREW CAP HEXS ZP M16-1.5 GR10.9 | 1 | 1 |
| 44 | N.S.S. | . . CLEVIS PIN | 1 | 1 |
| 45 | N.S.S. | . . WASHER | 1 | 1 |
| 58 | N.S.S. | . . RING | 2 | 1 |
| 61 | N.S.S. | . . SHEAR ADAPTER | 1 | 1 |
| 68 | N.S.S. | . . CAP | 1 | 1 |
| 69 | N.S.S. | . . RING RETAINING | 2 | 1 |
| 70 | 110786 | BRAKE WEAR INDICATOR MECHANICAL / 44MM | AR | |
| 80 | VIP-1305-00 | HUB & ROTOR - DRIVE AXLE | | |
| 80 | VIP-1305-99 | ROTOR (SPLINED DISC) PRODUCT IMPROVMENT | | |
| 170 | VIP-1105-00 | REAR AXLE - MODEL "RC23165" | | |
| 171 | 621868 | CALIPER MOUNTING BRACKET L.H. & R.H. W/OUT BUSHING | 1 | D |
| 172 | N8889049 | WASHER | 6 | |
| 173 | 5001529 | SCREW CAP HEX M20-1.5x60 G10.9 G500 | 6 | |
| 174 | 621636 | SCREW CAP HEX / TO FIX BRACKET TO AXLE 9/16-18 X 2 GR 8 | 24 | D |
| 175 | 621365 | WASHER (HARD) .59IDX.97ODX.09 | 24 | D |

| | | |
|-------------|--------------|------------------|
| From K-0295 | Date:07/2024 | PAGE:VIP-1235-02 |
|-------------|--------------|------------------|

BRAKE PARTS - DRIVE AXLE "KNORR-BREMSE" SN7 SERIES W/N2G ADJUSTER

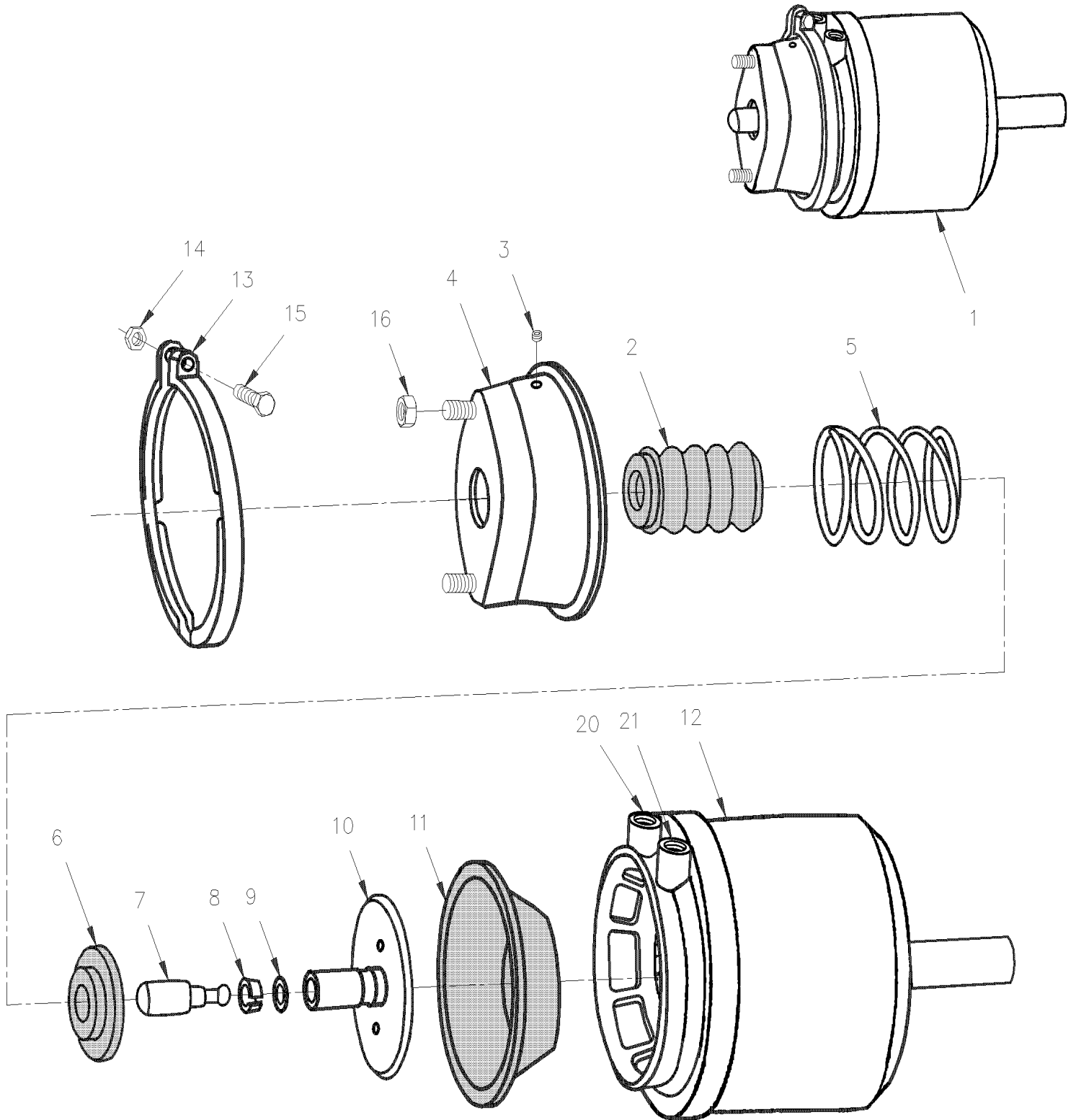
| Item# | Part | Description | QTY | Notes |
|-------|--------------------|--|-----|-------|
| 200 | 19509429 | KIT, TAPPET W/BOOT | AR | C |
| 201 | 640019 | KIT, GUIDANCE PINS & BELLOW / SN W/ GUIDE SLEEVE BUSHING END | AR | E |
| 202 | 642034 | KIT, PLUG CAP W/AJUSTING DEVICE (PACK of 10x #37, #37a & 61) | AR | S |
| 205 | 683345 | GREASE WHITE / 5GR | AR | K |
| 205 | 641930 | GREASE WHITE / 500GR | AR | K |
| 300 | 642214 | KIT TOOL TO REPAIR BRAKE N2G | 1 | |
| 400 | VIP-1235-10 | BRAKE CHAMBER - DRIVE AXLE TYPE 24/24 | | |
| 401 | OC2020059 | REFERENCE ONLY M-1154 M-6658 M-7832 £-20059 From M-1154 | 1 | |
| | | | | |
| | | | | |
| | | B) INCLUDES ITEMS #11, 26, 37, 44, 45 & 61 | | |
| | | C) INCLUDES 2 OF ITEMS #13, 22 & 69 | | |
| | | D) ON DRIVE AXLE ONLY | | |
| | | E) INCLUDES ITEMS #4, 5, 6, 7, 9, 10, 39, 40, 58 & 68 | | |
| | | K) FOR ITEMS #5 & 7 | | |
| | | S) INCLUDES 10 ITEMS #37 AND 61 | | |
| | | 1) NOT SOLD SEPARATELY | | |
| | | 1) NOT SOLD SEPARATELY | | |

From K-0295

Date:07/2024

PAGE:VIP-1235-10

BRAKE CHAMBER - DRIVE AXLE TYPE 24/24

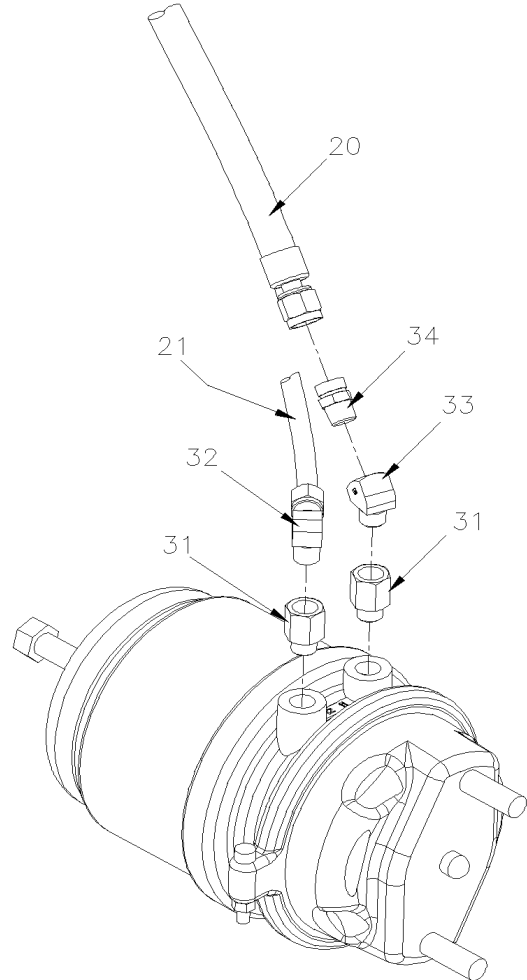


From K-0295

Date:07/2024

PAGE:VIP-1235-10

BRAKE CHAMBER - DRIVE AXLE TYPE 24/24



USE WITH 2 TIRES

| | | | |
|--|--|--------------|------------------|
| From K-0295 | | Date:07/2024 | PAGE:VIP-1235-10 |
| BRAKE CHAMBER - DRIVE AXLE TYPE 24/24 | | | |

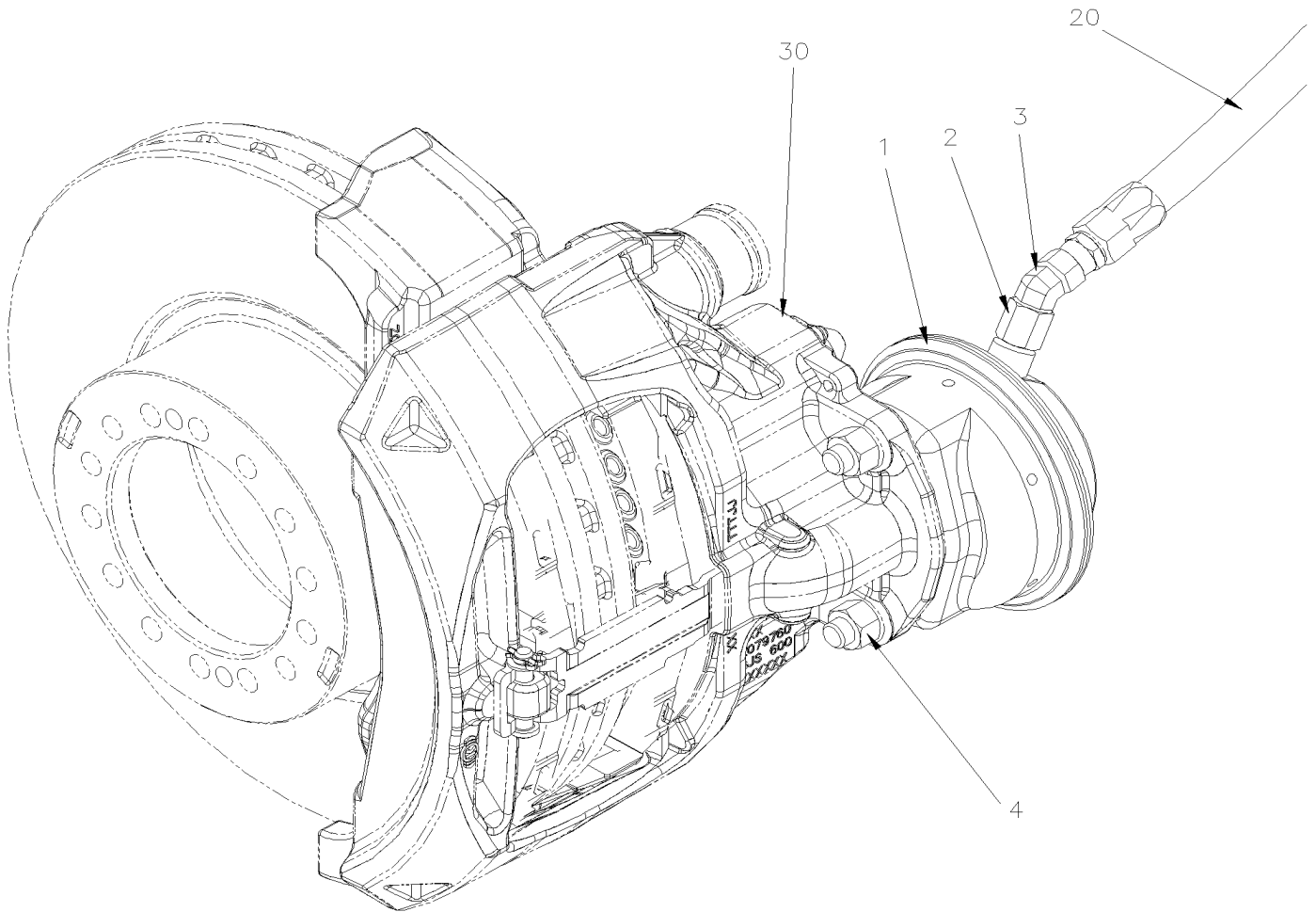
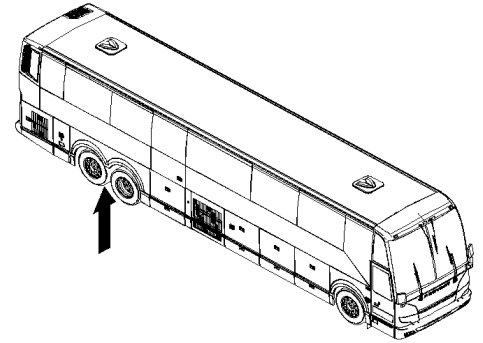
| Item# | Part | Description | QTY | Notes |
|-------|---------|--|-----|-------|
| 1 | 642057 | BRAKE CHAMBER ASSY L.H. / TYPE 24/24 (SEALED) | 1 | |
| 1 | 642058 | BRAKE CHAMBER ASSY R.H. / TYPE 24/24 (SEALED) | 1 | |
| 2 | N.S.S. | . BOOT | 1 | 1 |
| 3 | N.S.S. | . HOLE PLUG | 1 | 1 |
| 4 | N.S.S. | . CHAMBER , NO-PRESSURE | 1 | 1 |
| 5 | N.S.S. | . SPRING | 1 | 1 |
| 6 | N.S.S. | . SPRING SEAT | 1 | 1 |
| 7 | N.S.S. | . PUSH ROD END | 1 | 1 |
| 8 | N.S.S. | . RETAINER | 1 | 1 |
| 9 | N.S.S. | . RING | 1 | 1 |
| 10 | N.S.S. | . PUSH ROD | 1 | 1 |
| 11 | N.S.S. | . DIAPHRAGM | 1 | 1 |
| 12 | N.S.S. | . CASING | 1 | 1 |
| 13 | N.S.S. | . CLAMP | 1 | 1 |
| 14 | | . NUT | 1 | |
| 15 | N.S.S. | . BOLT | 1 | 1 |
| 16 | 5001253 | NUT HEX STO M16-1.5 G500 | 2 | |
| | | | | |
| | | HOSE SERVICE BRAKE | | |
| | | | | |
| 20 | 641477 | HOSE BRAKE #8 813MM (32") | 2 | A |
| 20 | 642203 | HOSE BRAKE #8 970MM (38-3/16") | 2 | |
| | | | | |
| | | HOSE EMERGENCY BRAKE | | |
| | | | | |
| 21 | 503488 | TUBE, NYLON 1/2 O.D. / BLACK S.L./ | AR | |
| | | | | |
| 31 | 5011205 | FEMALE CONNECTOR / PIPE @ METRIC / 3/8NPT-FxM16-1.5-M ZP | 4 | |
| . NS | 641297 | . O-RING 13.1MM I.D. X 2.6 TH | 1 | |
| . NS | 641298 | . WASHER FL 17MM I.D x 22MM O.D. x 1.5MM | 1 | |
| 32 | 641040 | MALE ELBOW 90° / NTA FITTING / #8x3/8NPT-M BR | 2 | |
| 33 | 501330 | STREET ELBOW 45° / PIPE FITTING / 3/8NPT-Mx3/8NPT-F BR | 2 | |
| 34 | 501842 | ADAPTER / AIR BRAKE HOSE FITTING / 3/4-20-Mx3/8NPT-M STL | 2 | |
| | | | | |
| | | | | |
| | | A) L.H. & R.H. | | |
| | | 1) NOT SOLD SEPARATELY | | |

From K-0295

Date:07/2024

PAGE:VIP-1245-11

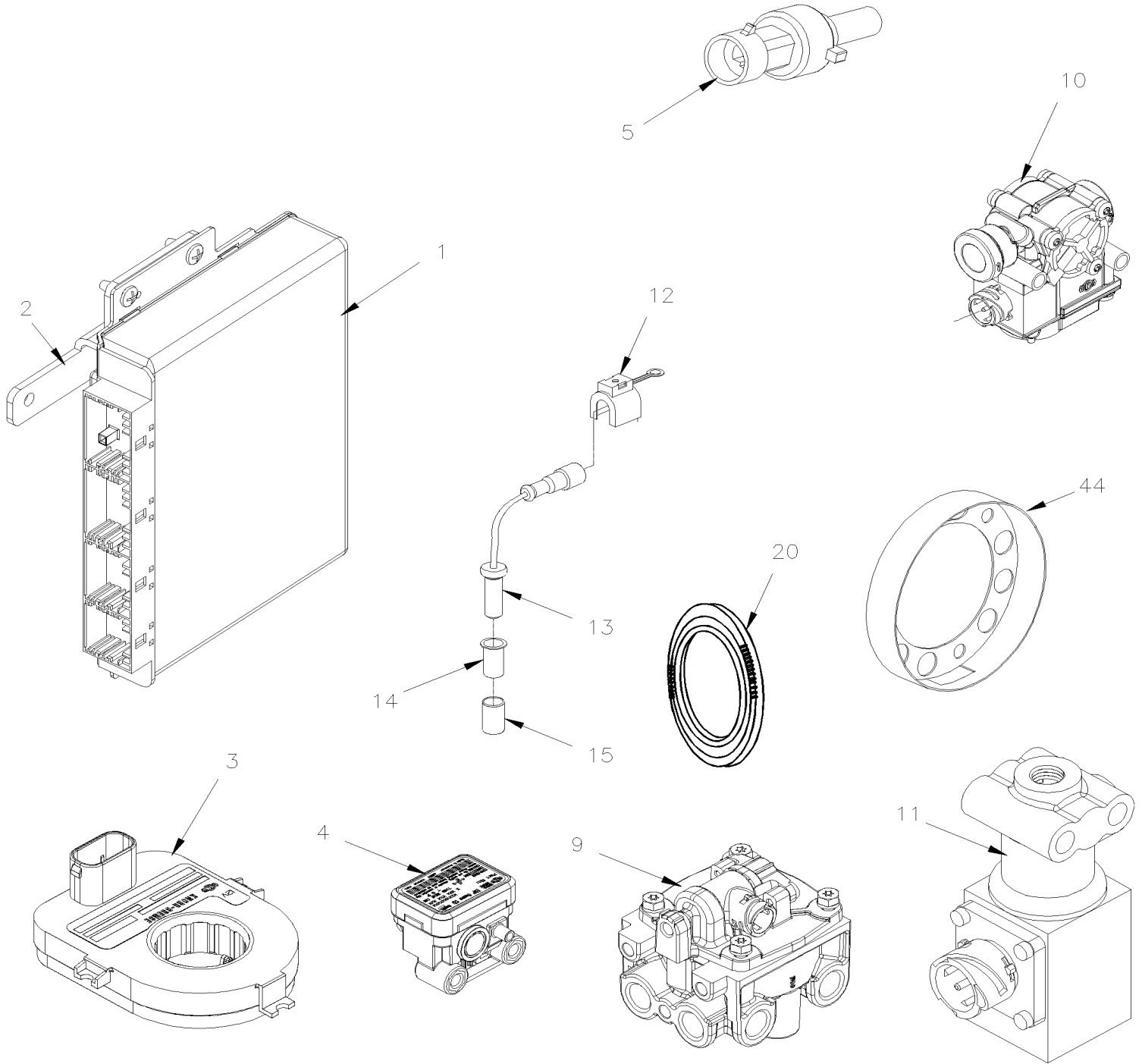
BRAKE CHAMBER - TAG AXLE TYPE 20



| | | |
|---|--------------|------------------|
| From K-0295 | Date:07/2024 | PAGE:VIP-1245-11 |
| BRAKE CHAMBER - TAG AXLE TYPE 20 | | |

| Item# | Part | Description | QTY | Notes |
|-------|-------------|---|-----|-------|
| 1 | 640016 | BRAKE CHAMBER ASSY / TYPE 20 / SEALED | 1 | |
| 2 | 5011205 | FEMALE CONNECTOR / PIPE @ METRIC / 3/8NPT-FxM16-1.5-M ZP | 1 | |
| . NS | 641297 | . O-RING 13.1MM I.D. X 2.6 TH | 1 | |
| . NS | 641298 | . WASHER FL 17MM I.D x 22MM O.D. x 1.5MM | 1 | |
| 3 | 501291 | MALE ELBOW 45° / JIC 37° FITTING / #8JIC-Mx3/8NPT-M STL | 1 | |
| 4 | 5001253 | NUT HEX STO M16-1.5 G500 | 2 | |
| 20 | VIP-1250-11 | ABS/ESP BRAKE VALVE - INSTALLATION | | |
| 30 | VIP-1225-02 | BRAKE PARTS - FRONT & TAG AXLE "KNORR-BREMSE" SN7 SERIES W/N2G ADJUSTER | | |

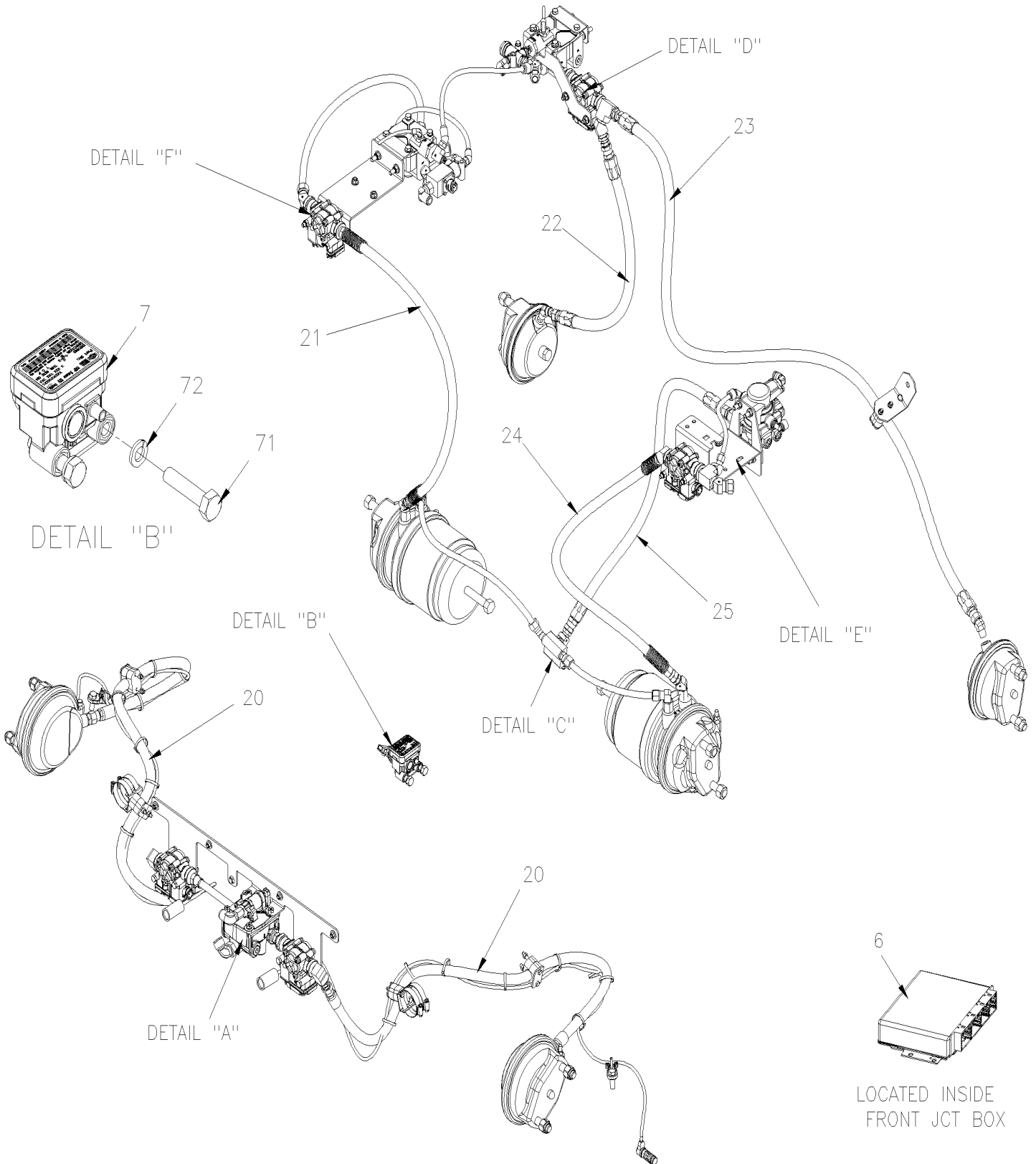
| | | |
|-------------------|--------------|------------------|
| From K-0295 | Date:07/2024 | PAGE:VIP-1250-01 |
| ABS & ESP CONTROL | | |



| | | | |
|------------------------------|--|---------------------|-------------------------|
| From K-0295 | | Date:07/2024 | PAGE:VIP-1250-01 |
| ABS & ESP CONTROL | | | |

| Item# | Part | Description | QTY | Notes |
|-------|--------------------|--|-----|-------|
| 1 | 642146 | ECU ABS / W/6 CHANNELS / ADVANCED ESP UNPROGRAMMED / NON-PROGRAMME To K-0294 | 1 | |
| 1 | 640022 | ECU ABS / W/8 CHANNELS / ADVANCED ESP AFTERMARKET From K-0295 | 1 | |
| 2 | 382468 | SUPPORT ECU | 1 | |
| 3 | 661148 | SENSOR ANGLE POSITION DETECTOR | 1 | |
| . NS | 564042 | . CONNECTOR / BOSCH 1 928 404 025 | 1 | |
| 4 | 642151 | SENSOR "YAW" To R-1717 | 1 | |
| 4 | 640150 | SENSOR, YAW From R-1718 | 1 | |
| 4 | 640151 | SENSOR, YAW / SERVICE | 1 | |
| 5 | 642075 | TRANSDUCER PRESSURE | 1 | |
| . NS | 563159 | . CONNECTOR / METRI-PACK 150 / SH 3C / PED 12065287 | 1 | |
| 9 | 640018 | VALVE, RELAY & ATC / ATR-6 | 1 | |
| 10 | 640228 | VALVE, "ABS" 12VOLT / M-40QR | AR | |
| 11 | 642079 | VALVE, "ATC" 12VOLT | 1 | |
| 12 | 561115 | CLAMP W/ 3 & 4 / ITT CANNON 029-0262-000 | AR | |
| 13 | 642084 | SENSOR ABS 90° ANGLE - OEM | 2 | R |
| 13 | 642085 | SENSOR ABS - OEM | 2 | I |
| 13 | 642085 | SENSOR ABS - OEM | 2 | A |
| 13 | 642085 | SENSOR ABS - OEM | 2 | T |
| 13 | 504637 | CABLE TIE / 3/16" x 13" | AR | |
| 14 | 641096 | CLIP, SPRING / TO FIX SENSOR | AR | |
| 15 | 621869 | BUSHING - ABS SENSOR | 2 | A |
| 15 | 121912 | BUSHING ABS SENSOR MOUNTING TAG AXLE ONE PIECE | 2 | T |
| 20 | 611473 | TOOTH WHEEL / FRONT AXLE & TAG W/ "FAG" 143.90MM I.D. | 1 | ID |
| 20 | 611473 | TOOTH WHEEL / FRONT AXLE & TAG W/ "FAG" 143.90MM I.D. | 1 | T |
| 20 | 611457 | ROTOR VENTED (W/TOOTH WHEEL / DRIVE AXLE) | 1 | |
| 20 | 621801 | TOOTH WHEEL / TAG AXLE W/CAST TAG | 1 | T |
| 44 | 621870 | ABS SHIELD PROTECTOR | 2 | |
| 50 | VIP-0625-01 | FRONT JUNCTION PANEL To P-1347 | | |
| 50 | VIP-0625-02 | FRONT JUNCTION PANEL From P-1348 | | |
| | | | | |
| | | | | |
| | | | | |
| | | A) DRIVE AXLE | | |
| | | D) WITH HUB "FAG" | | |
| | | I) WITH INDEPENDENT SUSPENSION | | |
| | | R) WITH I BEAM SUSPENSION | | |
| | | T) ON TAG AXLE | | |

ABS/ESP BRAKE VALVE - INSTALLATION



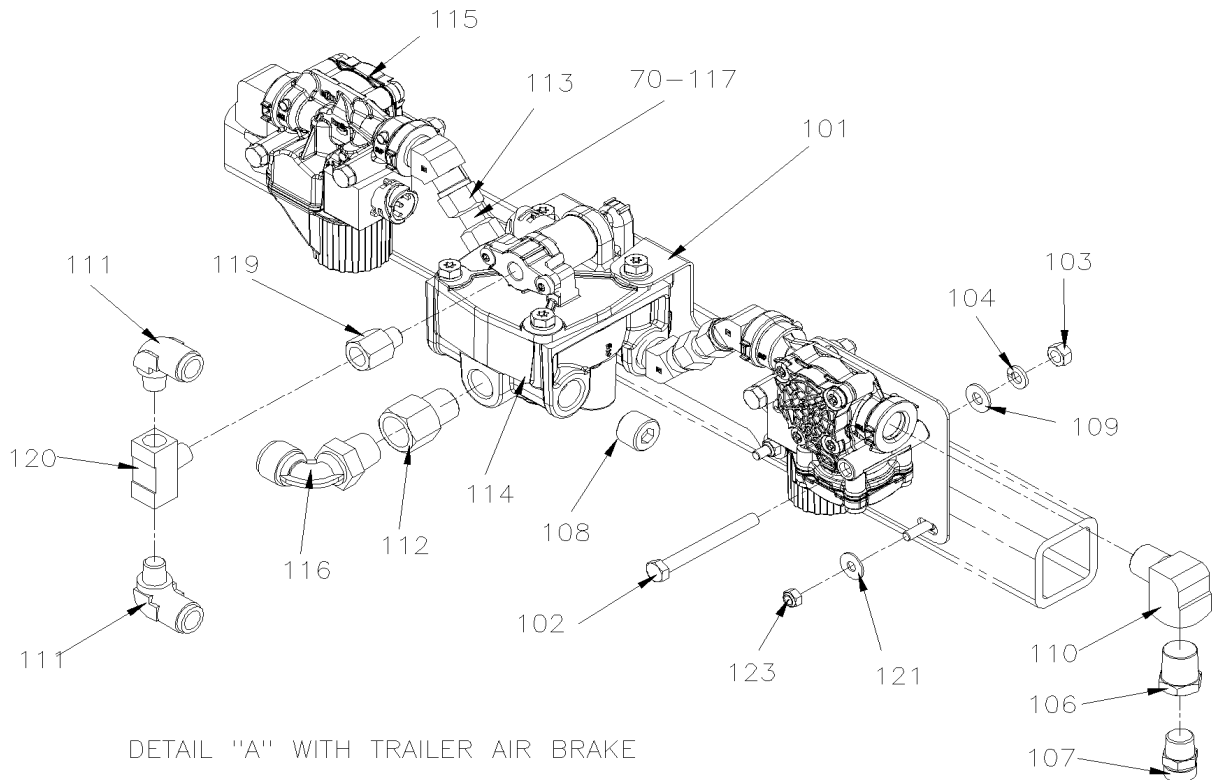
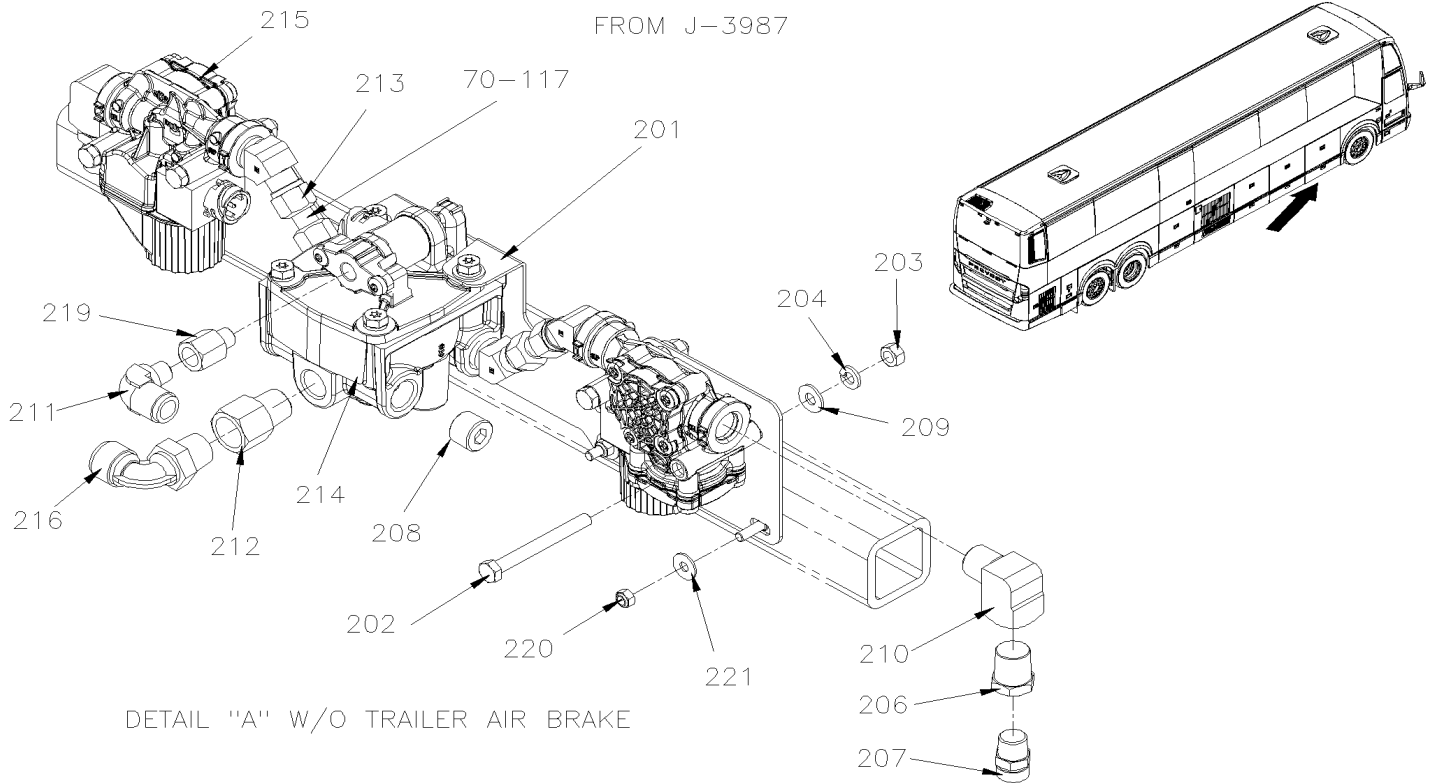
LOCATED INSIDE FRONT JCT BOX

From K-0295

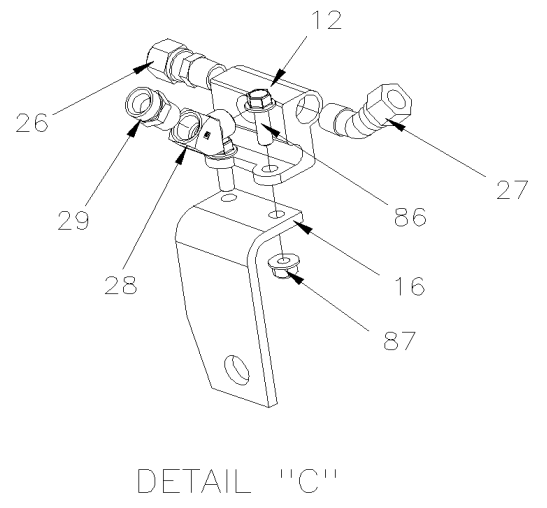
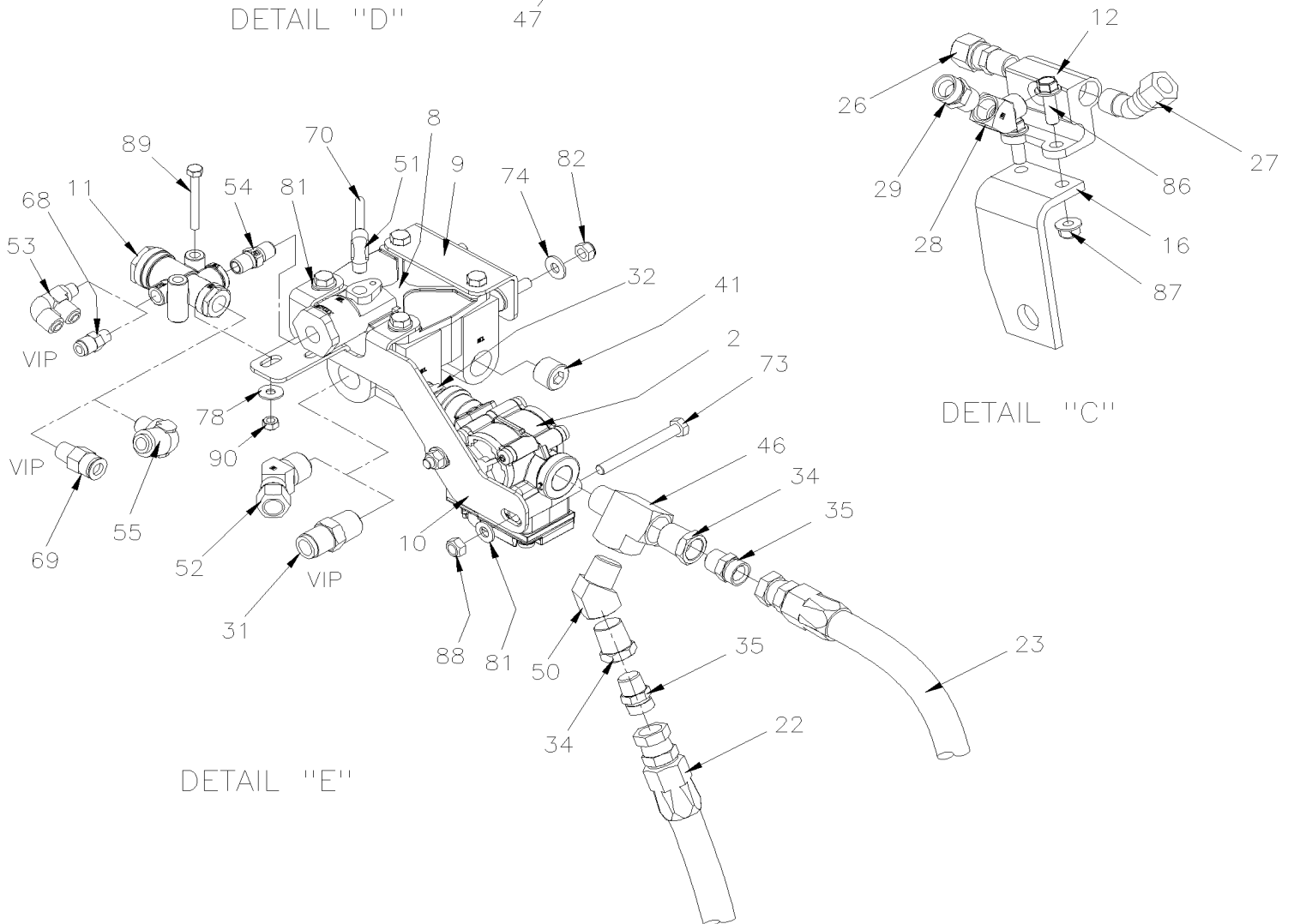
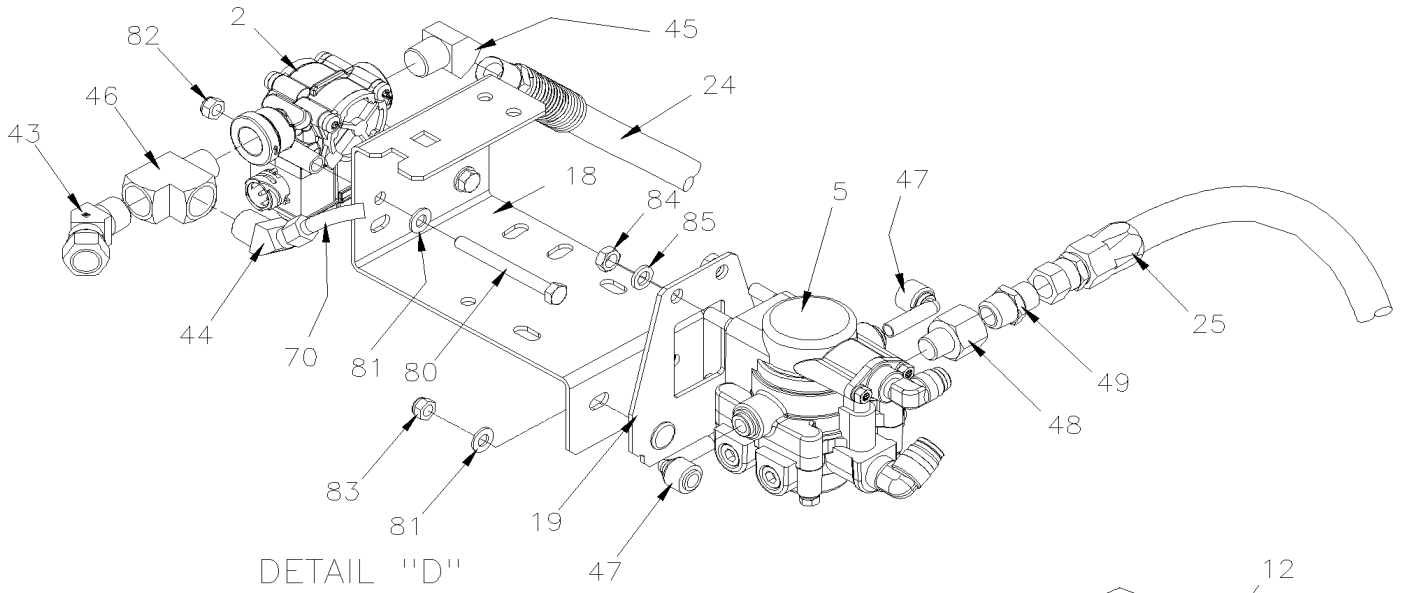
Date:07/2024

PAGE:VIP-1250-11

ABS/ESP BRAKE VALVE - INSTALLATION



ABS/ESP BRAKE VALVE - INSTALLATION

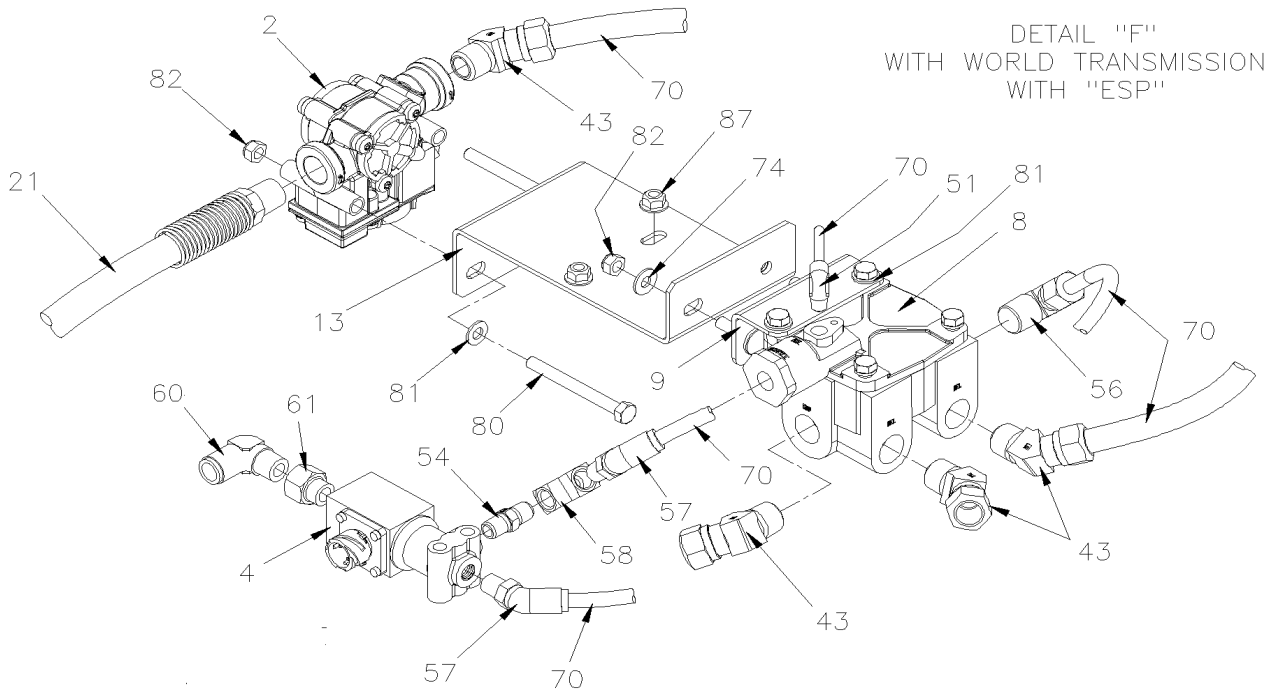


From K-0295

Date:07/2024

PAGE:VIP-1250-11

ABS/ESP BRAKE VALVE - INSTALLATION



| | | | |
|---|--|--------------|------------------|
| From K-0295 | | Date:07/2024 | PAGE:VIP-1250-11 |
| ABS/ESP BRAKE VALVE - INSTALLATION | | | |

| Item# | Part | Description | QTY | Notes |
|-------|----------|--|-----|-------|
| 2 | 640228 | VALVE, "ABS" 12VOLT / M-40QR | AR | |
| 4 | 642079 | VALVE, "ATC" 12VOLT | 1 | |
| 5 | 643384 | VALVE / SPRING BRAKE SR-7 | 1 | |
| . NS | 642119 | . VALVE / SPRING BRAKE SR-7 | 1 | |
| 6 | 642146 | ECU ABS / W/6 CHANNELS / ADVANCED ESP UNPROGRAMMED / NON-PROGRAMME To K-0294 | 1 | |
| 6 | 640022 | ECU ABS / W/8 CHANNELS / ADVANCED ESP AFTERMARKET From K-0295 | 1 | |
| 7 | 642151 | SENSOR "YAW" To R-1717 | 1 | |
| 7 | 640150 | SENSOR, YAW From R-1718 | 1 | |
| 7 | 640151 | SENSOR, YAW / SERVICE | 1 | |
| 8 | 641120 | VALVE, RELAY R-14 HORIZONTAL PORT To K-0294 | 1 | |
| . NS | 10508267 | . KIT, REPAIR To K-0294 | 1 | |
| 8 | 640013 | VALVE, RELAY R-14 HORIZONTAL PORT From K-0295 | 1 | |
| 8 | 680098 | THREAD SEALANT LOCTITE #567 / WHITE / 250ml | AR | |
| 10 | 142540 | SUPPORT VALVE R-14 & "ABS" REAR | 1 | |
| 11 | 640471 | VALVE, INVERSION TR-3 25-40LBS | 1 | |
| 12 | 641136 | ANCHOR TEE / PIPE FITTING / 3/8NPT-Fx3/8NPT-Fx3/8NPT-F ZP | 1 | |
| 13 | 143263 | SUPPORT VALVE | 1 | |
| 16 | 121444 | SUPPORT / ANCHOR TEE / WITH MERITOR DRIVE AXLE | 1 | |
| 18 | 143097 | SUPPORT VALVE "Z" SHAPE | 1 | |
| 19 | 142475 | SUPPORT SPRING BRAKE VALVE | 1 | |
| 20 | 641903 | HOSE BRAKE #8 1090MM (43") | 2 | I |
| 21 | 642203 | HOSE BRAKE #8 970MM (38-3/16") | 1 | |
| 22 | 641903 | HOSE BRAKE #8 1090MM (43") | 1 | |
| 23 | 642089 | HOSE BRAKE #8 1625.6MM (64") | 1 | |
| 24 | 642203 | HOSE BRAKE #8 970MM (38-3/16") | 1 | |
| 25 | 641905 | HOSE BRAKE #8 952MM (37 1/2") | 1 | |
| 26 | 640991 | MALE CONNECTOR / NTA FITTING / #8x3/8NPT-M BR | AR | |
| 27 | 641010 | MALE ELBOW 45° / NTA FITTING / #8x3/8NPT-M BR | AR | |
| 28 | 501330 | STREET ELBOW 45° / PIPE FITTING / 3/8NPT-Mx3/8NPT-F BR | AR | |
| 29 | 501842 | ADAPTER / AIR BRAKE HOSE FITTING / 3/4-20-Mx3/8NPT-M STL | AR | |
| 31 | 641383 | MALE CONNECTOR / PUSH-IN FITTING / #8x1/2NPT-M BR | AR | |
| 32 | 5011067 | NIPPLE HEX / PIPE FITTING / 1/2NPT-Mx1/2NPT-Mx1 13/16 BR | AR | |
| 34 | 501534 | BUSHING REDUCER / PIPE FITTING / 1/2NPT-Mx3/8NPT-F BR | AR | |
| 35 | 501842 | ADAPTER / AIR BRAKE HOSE FITTING / 3/4-20-Mx3/8NPT-M STL | AR | |
| 41 | 501966 | PLUG HEXS / PIPE FITTING / 1/2NPT-M STL | AR | |
| 43 | 641027 | MALE ELBOW 45° / NTA FITTING / #10x1/2NPT-M BR | AR | |
| 44 | 641119 | MALE ELBOW 45° / NTA FITTING / #6x1/2NPT-M BR | AR | |
| 45 | 501528 | STREET ELBOW 45° / PIPE FITTING / 1/2NPT-Mx1/2NPT-F BR | AR | |
| 46 | 501473 | MALE RUN TEE / PIPE FITTING / 1/2NPT-Mx1/2NPT-Fx1/2NPT-F BR | AR | |
| 47 | 647894 | ELBOW 90° STEM / PUSH-IN FITTING / #6x#6STEM PLAS | AR | |
| 48 | 501810 | ADAPTER / PIPE FITTING / 3/8NPT-Mx1/2NPT-F STL | AR | |
| 49 | 501739 | MALE CONNECTOR / JIC 37° FITTING / #8JIC-Mx1/2NPT-M STL | AR | |

| | | | |
|-------------|--|--------------|------------------|
| From K-0295 | | Date:07/2024 | PAGE:VIP-1250-11 |
|-------------|--|--------------|------------------|

ABS/ESP BRAKE VALVE - INSTALLATION

| Item# | Part | Description | QTY | Notes |
|-------|--------------------|---|-----|-------|
| 50 | 501528 | STREET ELBOW 45° / PIPE FITTING / 1/2NPT-Mx1/2NPT-F BR | AR | |
| 51 | 641369 | MALE ELBOW 90° NON-SWIVEL / PUSH-IN FITTING / #4x1/8NPT-M BR | AR | |
| 52 | 642069 | MALE ELBOW 45° NON-SWIVEL / PUSH-IN FITTING / #10x1/2NPT-M BR | AR | |
| 53 | 642127 | MALE ELBOW 90° SWIVEL DUAL PORT / PUSH-IN / #4x#4x1/8NPT-M BR | AR | |
| 54 | 501321 | NIPPLE HEX / PIPE FITTING / 1/4NPT-Mx1/4NPT-Mx1 3/8 BR | AR | |
| 55 | 641372 | MALE ELBOW 90° NON-SWIVEL / PUSH-IN FITTING / #6x1/4NPT-M BR | AR | |
| 56 | 641175 | MALE ELBOW 90° / NTA FITTING / #6x1/2NPT-M BR | AR | |
| 57 | 641366 | MALE ELBOW 45° NON-SWIVEL / PUSH-IN FITTING / #6x1/4NPT-M BR | AR | |
| 58 | 501338 | MALE RUN TEE / PIPE FITTING / 1/4NPT-Mx1/4NPT-Fx1/4NPT-F BR | AR | |
| 60 | 641376 | MALE ELBOW 90° NON-SWIVEL / PUSH-IN FITTING / #8x3/8NPT-M BR | AR | |
| 61 | 5001660 | REDUCER COUPLING / PIPE FITTING / 3/8NPT-Fx1/8NPT-F BR | AR | |
| 68 | 641242 | MALE CONNECTOR / PUSH-IN FITTING / #4x1/8NPT-M BR | 1 | |
| 69 | 641331 | MALE CONNECTOR / PUSH-IN FITTING / #6x1/4NPT-M BR | 1 | |
| | | | | |
| 70 | VIP-1202-00 | TUBES PLASTIC / AIR D.O.T. | | |
| | | | | |
| 71 | 5001316 | SCREW CAP HEX M10-1.5x45 SS | 2 | |
| 72 | 502616 | WASHER LO SPT 10.2x18.1x2.2 SS | 2 | |
| 73 | 500187 | SCREW CAP HEX 5/16-18x3 G5 Z050 To L-1048 | AR | |
| 73 | 502650 | SCREW CAP HEX M8-1.25x80 G8.8 Z050 From L-1049 | 1 | |
| 74 | 502638 | WASHER FL .312x.734x.065 N500 | AR | |
| 78 | 500411 | WASHER FL .260x.697x.050 SS | AR | |
| 80 | 502650 | SCREW CAP HEX M8-1.25x80 G8.8 Z050 | AR | |
| 81 | 5001341 | WASHER FL 8.4x17.0x1.6 SS | AR | |
| 82 | 502847 | NUT HEX NYRT M8-1.25 N500 | AR | |
| 83 | 500685 | NUT HEX NYRT 5/16-18 SS | AR | |
| 84 | 500783 | NUT HEX 3/8-16 Z050 | AR | |
| 85 | 500478 | WASHER LO SPT .380x.683x.094 Z050 | AR | |
| 86 | 5001643 | SCREW CAP HEXF M8-1.25x25 G8.8 G500 | 2 | |
| 87 | 502837 | NUT HEXF STO M8-1.25 N500 | 2 | |
| 88 | 500248 | NUT HEX STO 5/16-18 N500 To L-1048 | AR | |
| 88 | 502847 | NUT HEX NYRT M8-1.25 N500 From L-1049 | AR | |
| 89 | 502656 | SCREW CAP HEX M6-1.0x50 SS | 2 | |
| 90 | 502681 | NUT HEX NYRT M6-1.0 N500 G8 | 2 | |
| NS | 504637 | CABLE TIE / 3/16" x 13" | AR | |
| NS | 5001178 | SCREW CAP HEX M8-1.25x60 SS BK | 2 | |
| NS | 504013 | TIE MOUNT / 1/4" X 1/4" I.D. | AR | |
| NS | 502868 | SCREW TC TR PH #10-16x1/2 N500 | AR | |
| NS | 509490 | ATTACHMENT DOUBLE USE WITH CABLE TIE | AR | |
| NS | 504568 | GROMMET / .437x.687x.250x.500x1.000 | AR | |
| NS | 504068 | GROMMET / .500x.750x.062x.312x1.062 | AR | |
| NS | 509491 | CABLE TIE / 13MM x 383MM | AR | |

| | | | |
|-------------|--|--------------|------------------|
| From K-0295 | | Date:07/2024 | PAGE:VIP-1250-11 |
|-------------|--|--------------|------------------|

ABS/ESP BRAKE VALVE - INSTALLATION

| Item# | Part | Description | QTY | Notes |
|-------|---------|--|-----|-------|
| NS | 509493 | ATTACHMENT DOUBLE USE WITH CABLE TIE CHRISTMAS TREE | AR | |
| 101 | 140083 | SUPPORT VALVE FRONT | 1 | |
| 102 | 500187 | SCREW CAP HEX 5/16-18x3 G5 Z050 To L-1048 | 4 | |
| 102 | 502650 | SCREW CAP HEX M8-1.25x80 G8.8 Z050 From L-1049 | 4 | |
| 103 | 500778 | NUT HEX 5/16-18 N500 To L-1048 | 4 | |
| 103 | 502847 | NUT HEX NYRT M8-1.25 N500 From L-1049 | 4 | |
| 104 | 500942 | WASHER LO SPT 8.1x14.8x2.0 N500 To L-1048 | 4 | |
| 106 | 501534 | BUSHING REDUCER / PIPE FITTING / 1/2NPT-Mx3/8NPT-F BR | 2 | |
| 107 | 501842 | ADAPTER / AIR BRAKE HOSE FITTING / 3/4-20-Mx3/8NPT-M STL | 2 | |
| 108 | 501966 | PLUG HEXS / PIPE FITTING / 1/2NPT-M STL | 2 | |
| 109 | 502638 | WASHER FL .312x.734x.065 N500 To L-1048 | 4 | |
| 109 | 5001341 | WASHER FL 8.4x17.0x1.6 SS From L-1049 | 4 | |
| 110 | 507557 | STREET ELBOW 90° / PIPE FITTING / 1/2NPT-Mx1/2NPT-F BR | 2 | |
| 111 | 641373 | MALE ELBOW 90° NON-SWIVEL / PUSH-IN FITTING / #8x1/4NPT-M BR | 2 | |
| 112 | 5011119 | ADAPTER / PIPE FITTING / 1/2NPT-Fx1/2NPT-M BR | 1 | |
| 113 | 641089 | MALE ELBOW 45° / NTA FITTING / #8x1/2NPT-M BR | 4 | |
| 114 | 640018 | VALVE, RELAY & ATC / ATR-6 | 1 | |
| 115 | 640228 | VALVE, "ABS" 12VOLT / M-40QR | 2 | |
| 116 | 642098 | MALE ELBOW 90° NON-SWIVEL / PUSH-IN FITTING / #10x1/2NPT-M COMPOSITE | 1 | |
| 117 | 503468 | TUBE, NYLON 1/2 O.D. / RED S.L. | AR | |
| NS | 680098 | THREAD SEALANT LOCTITE #567 / WHITE / 250ml | AR | |
| 119 | 501308 | ADAPTER / PIPE FITTING / 1/4NPT-Fx1/4NPT-M BR | 1 | |
| 120 | 501894 | MALE BRANCHE TEE / PIPE FITTING / 1/4NPT-Fx1/4NPT-Fx1/4NPT-M BR | 1 | |
| 121 | 500411 | WASHER FL .260x.697x.050 SS | 4 | |
| 123 | 502681 | NUT HEX NYRT M6-1.0 N500 G8 | 4 | |
| 201 | 140083 | SUPPORT VALVE FRONT | 1 | |
| 202 | 500187 | SCREW CAP HEX 5/16-18x3 G5 Z050 To L-1048 | 4 | |
| 202 | 502650 | SCREW CAP HEX M8-1.25x80 G8.8 Z050 From L-1049 | 4 | |
| 203 | 500778 | NUT HEX 5/16-18 N500 To L-1048 | 4 | |
| 203 | 502847 | NUT HEX NYRT M8-1.25 N500 From L-1049 | 4 | |
| 204 | 500942 | WASHER LO SPT 8.1x14.8x2.0 N500 To L-1048 | 4 | |
| 206 | 501534 | BUSHING REDUCER / PIPE FITTING / 1/2NPT-Mx3/8NPT-F BR | 2 | |
| 207 | 501842 | ADAPTER / AIR BRAKE HOSE FITTING / 3/4-20-Mx3/8NPT-M STL | 2 | |
| 208 | 501966 | PLUG HEXS / PIPE FITTING / 1/2NPT-M STL | 2 | |
| 209 | 502638 | WASHER FL .312x.734x.065 N500 To L-1048 | 4 | |
| 209 | 5001341 | WASHER FL 8.4x17.0x1.6 SS From L-1049 | 4 | |
| 210 | 507557 | STREET ELBOW 90° / PIPE FITTING / 1/2NPT-Mx1/2NPT-F BR | 2 | |
| 211 | 641373 | MALE ELBOW 90° NON-SWIVEL / PUSH-IN FITTING / #8x1/4NPT-M BR | 1 | |
| 212 | 5011119 | ADAPTER / PIPE FITTING / 1/2NPT-Fx1/2NPT-M BR | 1 | |
| 213 | 641089 | MALE ELBOW 45° / NTA FITTING / #8x1/2NPT-M BR | 2 | |
| 214 | 640018 | VALVE, RELAY & ATC / ATR-6 | 1 | |
| 215 | 640228 | VALVE, "ABS" 12VOLT / M-40QR | 2 | |

| | | |
|-------------|--------------|------------------|
| From K-0295 | Date:07/2024 | PAGE:VIP-1250-11 |
|-------------|--------------|------------------|

ABS/ESP BRAKE VALVE - INSTALLATION

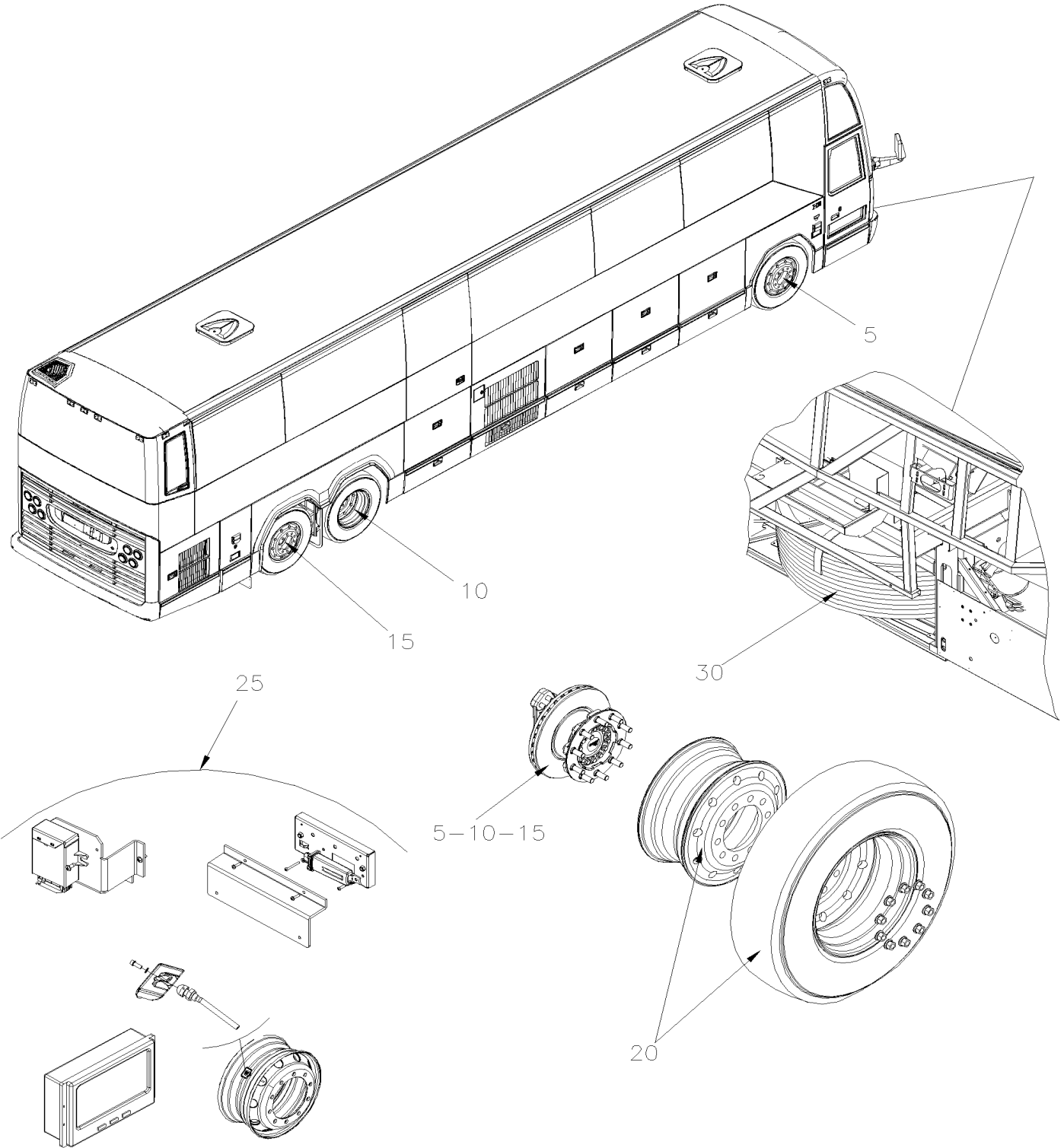
| Item# | Part | Description | QTY | Notes |
|-------|--------|--|-----|-------|
| 216 | 642098 | MALE ELBOW 90° NON-SWIVEL / PUSH-IN FITTING / #10x1/2NPT-M COMPOSITE | 1 | |
| 219 | 501308 | ADAPTER / PIPE FITTING / 1/4NPT-Fx1/4NPT-M BR | 1 | |
| 220 | 502681 | NUT HEX NYRT M6-1.0 N500 G8 | 4 | |
| 221 | 500411 | WASHER FL .260x.697x.050 SS | 4 | |
| | | | | |
| | | | | |
| | | | | |
| | | I) WITH INDEPENDENT SUSPENSION | | |

From K-0295

Date:07/2024

VIP-13

WHEELS, HUBS & TIRES



| | | |
|-------------|--------------|--------|
| From K-0295 | Date:07/2024 | VIP-13 |
|-------------|--------------|--------|

WHEELS, HUBS & TIRES

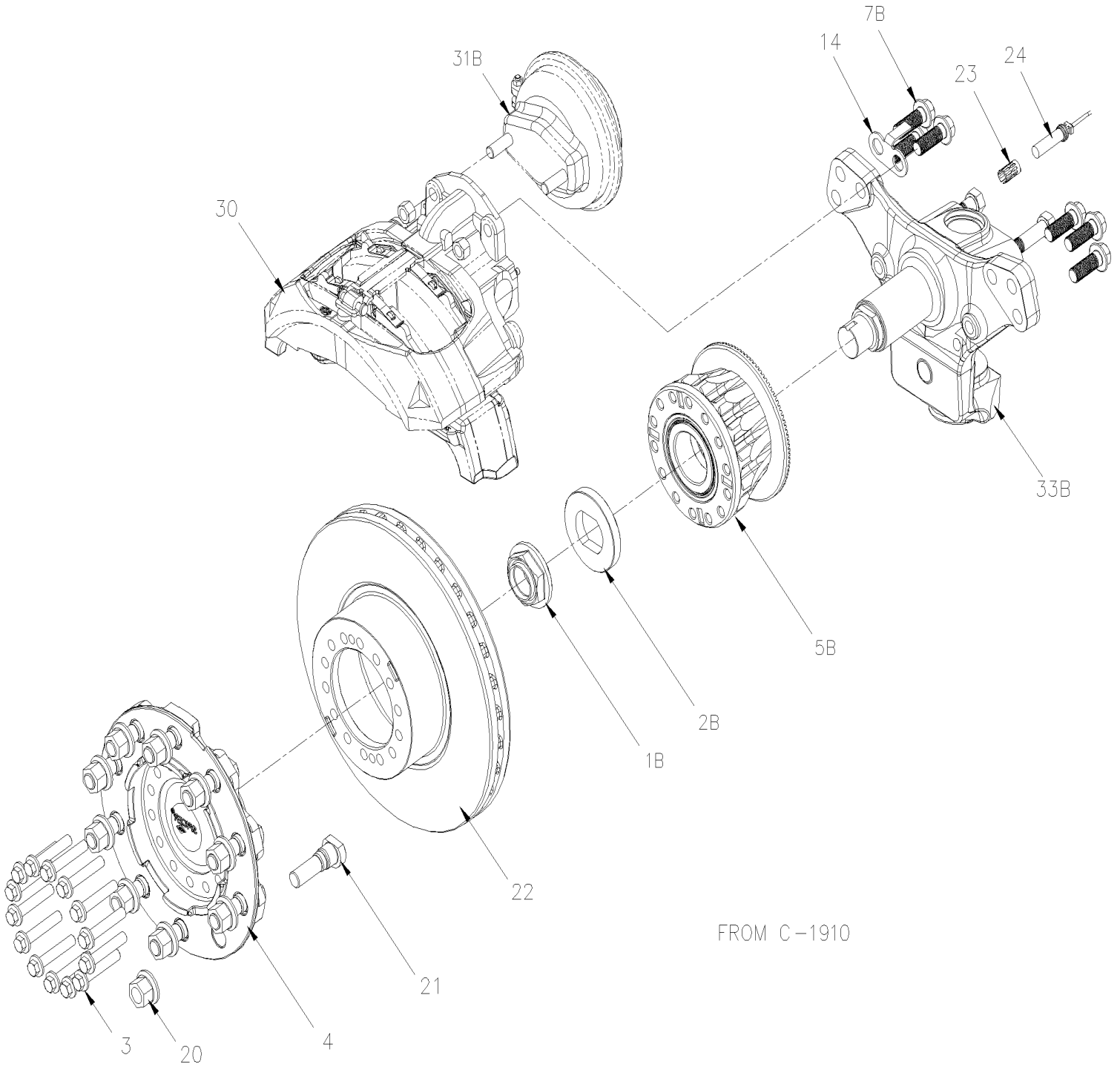
| Item# | Part | Description | QTY | Notes |
|-------|-------------|--|-----|-------|
| 5 | VIP-1300-50 | HUB & ROTOR - FRONT AXLE MODEL "NDIFS80P" From K-0295 | | |
| 10 | VIP-1305-00 | HUB & ROTOR - DRIVE AXLE From K-0295 | | |
| 10 | VIP-1305-99 | ROTOR (SPLINED DISC) PRODUCT IMPROVMENT From K-0295 | | |
| 15 | VIP-1310-00 | HUB & ROTOR - TAG AXLE TYPE TS8U From K-0295 | | |
| 20 | VIP-1318-00 | WHEELS & COMPONENTS - TRUCK MOUNT (METRIC) From K-0295 | | |
| 25 | VIP-1318-11 | TIRE MONITOR - PRESSURE - "BERU" From K-0295 To P-1347 | | |
| 25 | VIP-1318-12 | TIRE MONITOR PRESSURE - "SENSATA" From P-1348 | | |
| 30 | VIP-1325-01 | SPARE WHEEL - INSTALLATION From K-0295 | | |

From K-0295

Date:07/2024

PAGE:VIP-1300-50

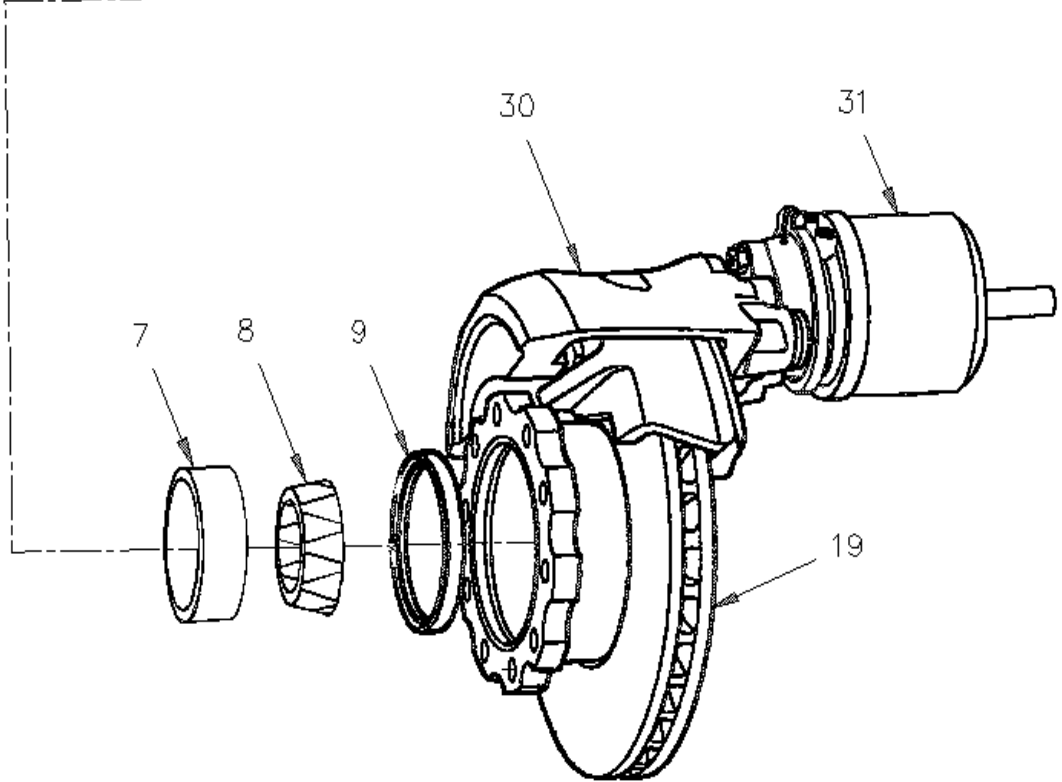
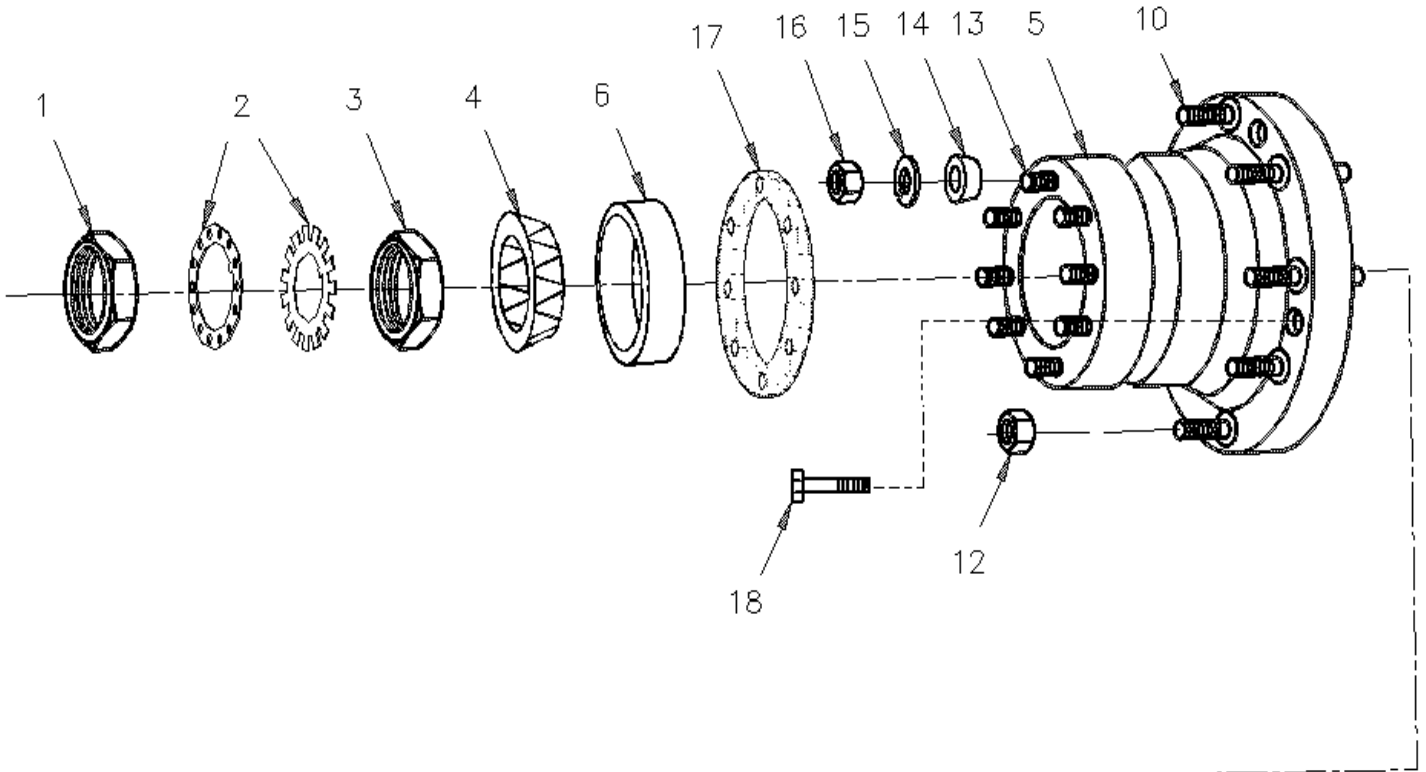
HUB & ROTOR - FRONT AXLE MODEL "NDIFS80P"



| | | |
|--|--------------|------------------|
| From K-0295 | Date:07/2024 | PAGE:VIP-1300-50 |
| HUB & ROTOR - FRONT AXLE MODEL "NDIFS80P" | | |

| Item# | Part | Description | QTY | Notes |
|-------|-------------|---|-----|-------|
| 1B | 612357 | HUB NUT M42-2.0 | 1 | B |
| 2B | 612358 | THRUST WASHER | 1 | B |
| 3 | 611955 | SCREW CAP HEXF M14-1.5x78 G12.9 N500 | 14 | S |
| 4 | 611301 | HUB FLANGE | 1 | |
| 5B | 611360 | BEARING HOUSING ASSY / UNITISED L.H. & R.H. "FAG" ASSY W/"ABS" RING | 1 | B S |
| . NS | N.S.S. | . HUB ASSY / UNITISED L.H. & R.H. "FAG" | 1 | 1 B S |
| . NS | N.S.S. | . TOOTH WHEEL | 1 | 1 B S |
| NS | 491115 | TOOL, HUB INSTALLER W/UNITISED BEARING / 70MM | 1 | |
| . NS | NDS8 | . MAINTENANCE INSTRUCTION | 1 | |
| 6 | 611044 | WASHER FL HARD 21.0x37.0x3.0 N500 | 4 | A |
| 7B | 612362 | SCREW CAP HEXF M20-1.5x55 G10.9 | 6 | B |
| 14 | 110786 | BRAKE WEAR INDICATOR MECHANICAL / 44MM | 1 | |
| 20 | 20434082 | NUT R.H. / W/HUB-MOUNT WHEEL M22-1.5 / 27 MM TH | 10 | |
| 21 | 611207 | STUD / R.H. / W/HUB-MOUNT WHEEL M22-1.5 x 81MM | 10 | |
| 22 | 611300 | ROTOR VENTED To M-1153 | 1 | |
| 22 | 611359 | ROTOR VENTED From M-1154 | 1 | |
| 23 | 641096 | CLIP, SPRING / TO FIX SENSOR | 1 | |
| 24 | 642085 | SENSOR ABS - OEM | 1 | |
| 24 | 642184 | SENSOR ABS - AFTER MARKET | 1 | |
| 30 | VIP-1225-02 | BRAKE PARTS - FRONT & TAG AXLE "KNORR-BREMSE" SN7 SERIES W/N2G ADJUSTER | | |
| 31B | VIP-1225-50 | BRAKE CHAMBER - FRONT AXLE TYPE 27 | | |
| 33B | VIP-1005-51 | FRONT AXLE - INDEPENDENT MODEL "NDIFS80P" / 19000LBS | | |
| | | | | |
| | | A) WITH 18,000LBS INDEPENDANTE SUSPENSION | | |
| | | B) WITH 19,000LBS INDEPENDANTE SUSPENSION | | |
| | | S) INSPECTED ALL BOLTS FOR DAMAGE TO THE THREAD AND ON THE SURFACE BELOW THE HEAD WHEN YOU DISASSEMBLED OR UNSCREWED THE HUB AND REPLACE IF NECESSARY | | |
| | | 1) NOT SOLD SEPARATELY | | |

| | | |
|--------------------------|--------------|------------------|
| From K-0295 | Date:07/2024 | PAGE:VIP-1305-00 |
| HUB & ROTOR - DRIVE AXLE | | |



| | | | |
|-------------------------------------|--|--------------|------------------|
| From K-0295 | | Date:07/2024 | PAGE:VIP-1305-00 |
| HUB & ROTOR - DRIVE AXLE | | | |

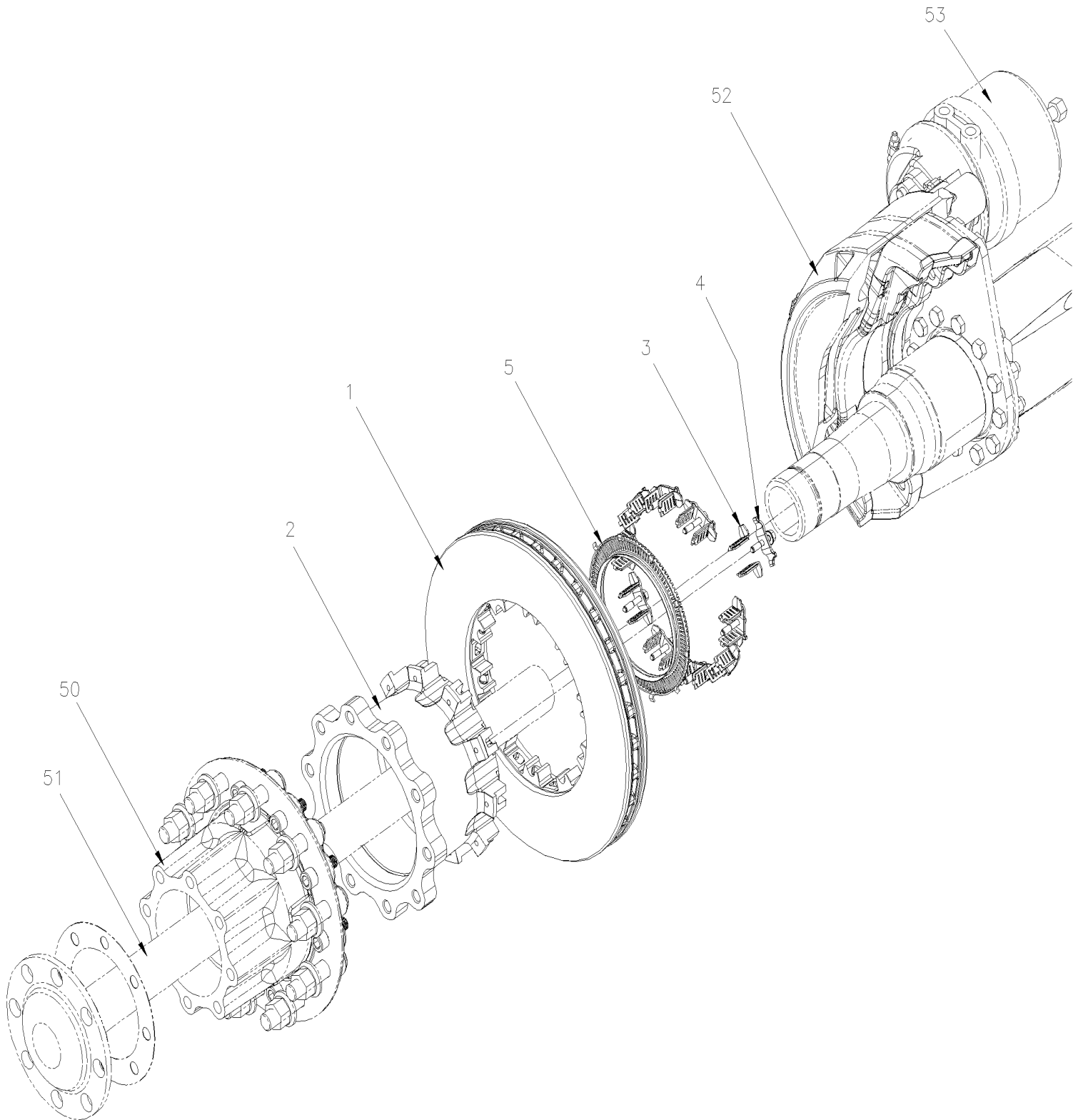
| Item# | Part | Description | QTY | Notes |
|-------|--------------------|--|-----|-------|
| 1 | 620275 | NUT OUTER / WHEEL BEARING | 1 | |
| 2 | 621624 | WASHER LOCK / KIT | 1 | |
| 3 | 620279 | NUT INNER / WHEEL BEARING | 1 | |
| 4 | 620034 | CONE BEARING / OUTER WHEEL BEARING | 1 | A |
| 5 | 621617 | HUB & CUPS ASSY | 2 | |
| 6 | 620032 | . CUP BEARING | 1 | A |
| 7 | 621210 | . CUP BEARING | 1 | B |
| 8 | 621209 | CONE BEARING | 1 | B |
| 9 | 621916 | SEAL OIL | 1 | |
| NS | 684646 | SEAL INSTALLER TOOL / DRIVE W/DISC | 1 | |
| 10 | 620027 | STUD / R.H. / W/HUB-MOUNT WHEEL M22-1.5 x 98.5 MM | 10 | |
| 10 | 620028 | STUD / R.H. / W/HUB-MOUNT WHEEL M22-1.5 x 109.5 MM | AR | D |
| 12 | 20434082 | NUT R.H. / W/HUB-MOUNT WHEEL M22-1.5 / 27 MM TH | 10 | |
| 13 | 621730 | STUD / 5/8-11x 5/8-18 x 2 7/8" | 8 | |
| 14 | 621627 | DOWEL 5/8" I.D. | 8 | |
| 15 | 5001518 | WASHER LO EXT .625x1.070x.055 ZP | 8 | |
| 16 | 500723 | NUT HEX 5/8-18 ZP | 8 | |
| 17 | 621640 | GASKET / AXLE SHAFT W/8 STUDS | AR | |
| 18 | 621628 | SCREW CAP HEXS 5/8-18x1 3/4 GR8 | 10 | |
| 19 | 611457 | ROTOR VENTED (W/TOOTH WHEEL / DRIVE AXLE) | 1 | |
| NS | 621652 | KIT, CUP & CONE | 1 | |
| NS | 621653 | KIT, CUP & CONE | 1 | |
| 30 | VIP-1235-02 | BRAKE PARTS - DRIVE AXLE "KNORR-BREMSE" SN7 SERIES W/N2G ADJUSTER | | |
| 31 | VIP-1235-10 | BRAKE CHAMBER - DRIVE AXLE TYPE 24/24 | | |
| | | | | |
| | | | | |
| | | | | |
| | | A) ALSO AVAILABLE IN KIT #621652 | | |
| | | B) ALSO AVAILABLE IN KIT #621653 | | |
| | | D) WITH 2 ALUMINUM WHEELS | | |

From K-0295

Date:07/2024

PAGE:VIP-1305-99

ROTOR (SPLINED DISC) PRODUCT IMPROVMENT



| | | |
|--|--------------|------------------|
| From K-0295 | Date:07/2024 | PAGE:VIP-1305-99 |
| ROTOR (SPLINED DISC) PRODUCT IMPROVMENT | | |

| Item# | Part | Description | QTY | Notes |
|-------|--------------------|--|-----|-------|
| | 144982 | KIT SPLINED BRAKE DISC ON DRIVE AXLE | 1 | |
| NS | IS-09085 | SEE INSTRUCTION SHEET | 1 | |
| 1 | 144984 | ROTOR / "SPLINED DISC" | 1 | |
| 2 | 144983 | ROTOR ADAPTOR / "SPLINED DISC" | 1 | |
| 3 | 144986 | PIECE INTERMEDIATE / "SPLINED DISC" | 20 | |
| 4 | 144985 | SPRING ELEMENT / "SPLINED DISC" | 10 | |
| 5 | 124921 | TOOTH WHEEL / DRIVE AXLE / "SPLINED DISC" | 1 | |
| NS | 680754 | GREASE, ANTI-SEIZE PERMATEX COPPER (454GR) | AR | |
| 50 | VIP-1305-00 | HUB & ROTOR - DRIVE AXLE | | |
| 51 | VIP-1105-00 | REAR AXLE - MODEL "RC23165" | | |
| 52 | VIP-1235-02 | BRAKE PARTS - DRIVE AXLE "KNORR-BREMSE" SN7 SERIES W/N2G ADJUSTER | | |
| 53 | VIP-1235-10 | BRAKE CHAMBER - DRIVE AXLE TYPE 24/24 | | |

| | | | |
|---|--|---------------------|-------------------------|
| From K-0295 | | Date:07/2024 | PAGE:VIP-1310-00 |
| HUB & ROTOR - TAG AXLE TYPE TS8U | | | |

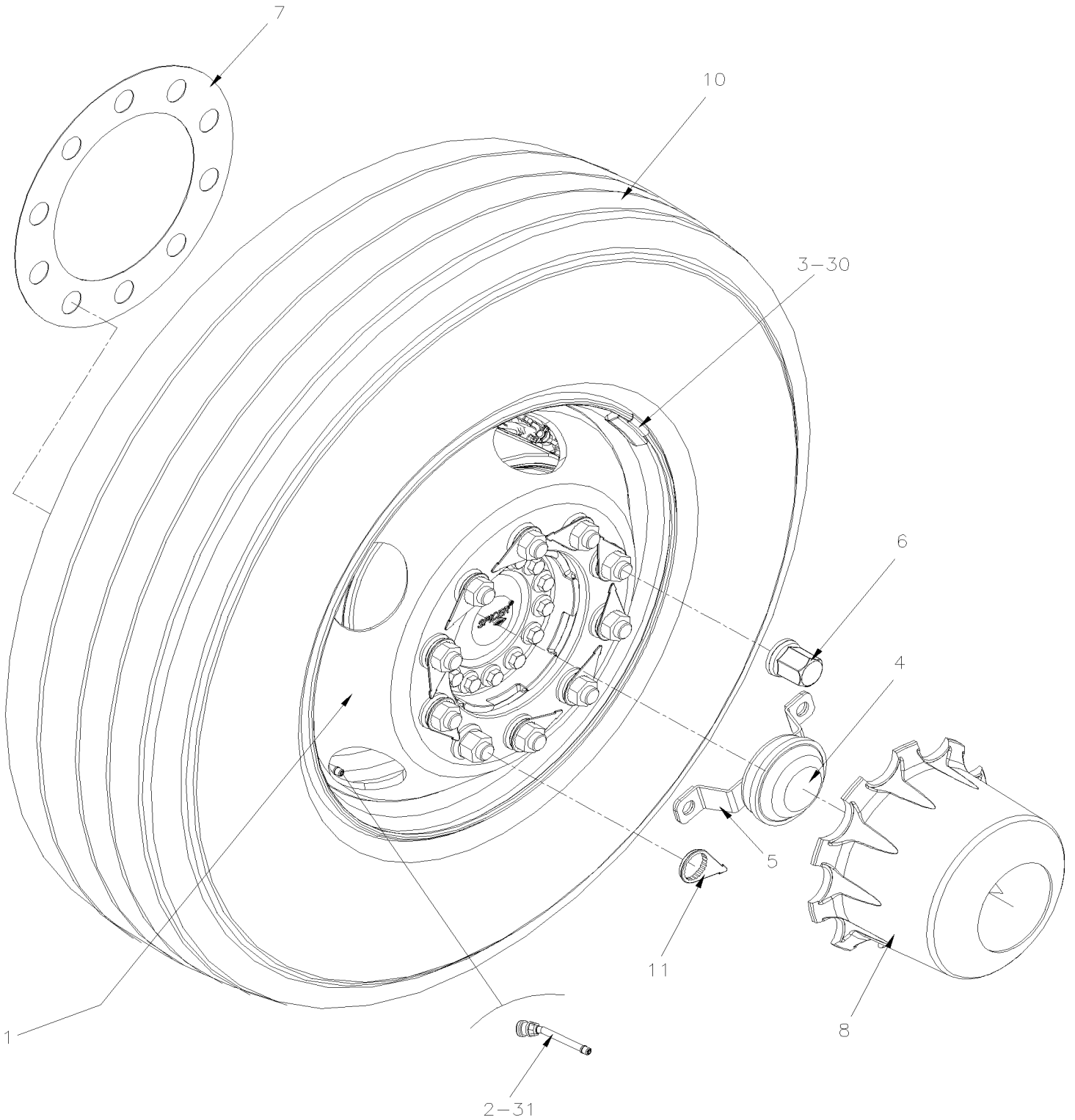
| Item# | Part | Description | QTY | Notes |
|--------|--------------------|--|-----|-------|
| 1 | 621967 | HUB NUT 1 3/4-8 | 1 | |
| 2 | 611948 | THRUST WASHER | 1 | |
| 2 | 621810 | THRUST WASHER | 1 | |
| 3 | 5001842 | SCREW CAP HEXF M14-1.5x75 G10.9 SERR G500 | 14 | S |
| 4 | 621809 | HUB FLANGE | 1 | |
| 5 | 621816P | HUB ASSY / UNITISED L.H. & R.H. "FAG" WITH TOOTH WHEEL | 1 | S |
| . NS | 621807 | . HUB ASSY / UNITISED L.H. & R.H. "FAG" | 1 | S |
| . . NS | 621894 | . . O-RING | 1 | S |
| . NS | 621801 | . TOOTH WHEEL / TAG AXLE W/CAST TAG | 1 | S |
| NS | G32950 | TOOL, HUB INSTALLER W/UNITISED BEARING / 82MM | 1 | |
| 6 | 611044 | WASHER FL HARD 21.0x37.0x3.0 N500 | 6 | |
| 7 | 5001529 | SCREW CAP HEX M20-1.5x60 G10.9 G500 | 6 | |
| 10 | 621808 | TAG AXLE / FORGE | 1 | |
| 11 | 121912 | BUSHING ABS SENSOR MOUNTING TAG AXLE ONE PIECE | 1 | |
| 12 | 621801 | TOOTH WHEEL / TAG AXLE W/CAST TAG | 1 | |
| 14 | 142907 | BRAKE WEAR INDICATOR WITH HOLE MECHANICAL | 1 | |
| 20 | 20434082 | NUT R.H. / W/HUB-MOUNT WHEEL M22-1.5 / 27 MM TH | 10 | |
| 21 | 20515515 | STUD / R.H. / W/HUB-MOUNT WHEEL M22-1.5 x 88MM To R-1821 | 10 | |
| 21 | 24075971 | WHEEL STUD M22X1.5X88 From R-1822 | 10 | |
| 22 | 611300 | ROTOR VENTED To M-1153 | 1 | |
| 22 | 611359 | ROTOR VENTED From M-1154 | 1 | |
| 23 | 641096 | CLIP, SPRING / TO FIX SENSOR | 1 | |
| 24 | 642085 | SENSOR ABS - OEM | 1 | |
| 24 | 642184 | SENSOR ABS - AFTER MARKET | 1 | |
| 30 | VIP-1225-02 | BRAKE PARTS - FRONT & TAG AXLE "KNORR-BREMSE" SN7 SERIES W/N2G ADJUSTER | | |
| 31 | VIP-1245-11 | BRAKE CHAMBER - TAG AXLE TYPE 20 | | |
| | | | | |
| NS | MI08-04 | SEE MAINTENANCE INFORMATION | | |
| | | | | |
| | | | | |
| | | | | |
| | | S) REPLACED ALL BOLTS EACH TIME WHEN YOU DISASSEMBLED OR UNSCREWED THE HUB | | |

From K-0295

Date:07/2024

PAGE:VIP-1318-00

WHEELS & COMPONENTS - TRUCK MOUNT (METRIC)



| | | | |
|-------------|--|--------------|------------------|
| From K-0295 | | Date:07/2024 | PAGE:VIP-1318-00 |
|-------------|--|--------------|------------------|

WHEELS & COMPONENTS - TRUCK MOUNT (METRIC)

| Item# | Part | Description | QTY | Notes |
|-------|--------|---|-----|-------|
| | | STEEL WHEELS / HUB-MOUNTED | | |
| 1 | 650486 | WHEEL, STEEL HUB 22.5 X 9.00 / SILVER / POWDER COAT | AR | |
| 1 | 650485 | WHEEL, STEEL HUB 22.5 X 9.00 / WHITE / POWDER COAT | AR | |
| | | ALUMINIUM WHEELS / HUB-MOUNTED | | |
| 1 | 650488 | WHEEL, ALU. HUB 22.5 X 9.00 / INSIDE POLISH | AR | C |
| 1 | 650489 | WHEEL, ALU. HUB 22.5 X 9.00 / OUTSIDE POLISH | AR | C |
| 1 | 650490 | WHEEL, ALU. HUB 22.5 X 9.00 / BOTH SIDE POLISH | AR | C |
| 1 | 650491 | WHEEL, ALU. HUB 22.5 X 9.00 / BOTH SIDE MACHINED | AR | C |
| 1 | 650587 | WHEEL, ALU. HUB 22.5 X 9.00 / BOTH SIDE DURA-BRIGHT | AR | C |
| 1 | 650601 | WHEEL, ALU. HUB 22.5 X 9.00 / INSIDE DURA BRIGHT | AR | C |
| 1 | 650602 | WHEEL, ALU. HUB 22.5 X 9.00 / OUTSIDE DURA-BRIGHT | AR | C |
| 1 | 650047 | WHEEL, ALU. HUB 22.5 X 10.5 / BOTH SIDE DURA-BRIGHT EVO | AR | C |
| 1 | 650443 | WHEEL, ALU. HUB 22.5 X 10.5 / OUTSIDE POLISH | AR | C |
| 1 | 650958 | WHEEL, ALU. HUB 22.5 X 9.00 / BOTH SIDE MACHINED | AR | H |
| 1 | 650038 | WHEEL, ALU. HUB 22.5 X 9.00 / OUTSIDE POLISH | AR | H |
| 1 | 650044 | WHEEL, ALU. HUB 22.5 X 9.00 / OUTSIDE DURA-BRIGHT EVO | AR | H |
| 1 | 650039 | WHEEL, ALU. HUB 22.5 X 9.00 / INSIDE POLISH | AR | H |
| 1 | 650045 | WHEEL, ALU. HUB 22.5 X 9.00 / INSIDE DURA BRIGHT EVO | AR | H |
| 1 | 650043 | WHEEL, ALU. HUB 22.5 X 9.00 / BOTH SIDE POLISH | AR | H |
| 1 | 650046 | WHEEL, ALU. HUB 22.5 X 9.00 / BOTH SIDE DURA-BRIGHT EVO | AR | H |
| 1 | 650048 | WHEEL, ALU. HUB 22.5 X 14.00 / INSIDE POLISH To R-1474 | 2 | S |
| 1 | 651264 | WHEEL, ALU. HUB 22.5 X 14.00 / INSIDE POLISH From R-1475 | 2 | S |
| 1 | 650049 | WHEEL, ALU. HUB 22.5 X 14.00 / INSIDE DURA BRIGHT EVO To R-1474 | 2 | S |
| 1 | 651263 | WHEEL, ALU. HUB 22.5 X 14.00 / INSIDE DURA BRIGHT EVO From R-1475 | 2 | S |
| NS | 683527 | SEALANT "ALLUMINUM WHEEL" / SPRAY 13 OZ. | AR | |
| NS | 683528 | POLISH "ALLUMINUM WHEEL" / WAX 16 OZ. | AR | |
| NS | 683529 | CLEANER "ALUMINUM WHEEL" / SPRAY 22 OZ. | AR | |
| | | VALVES - VALVE EXTENTION & HOLDER | | |
| 2 | 150293 | VALVE / W/STEEL WHEEL / "KNORR-BREMSE " BRAKE - | AR | A |
| 2 | 650194 | VALVE / W/ALUMINUM WHEEL / 1.38" LG W/60 deg | AR | |
| 2 | 650744 | VALVE / W/ALUMINUM WHEEL / 1.26" LG | AR | |
| 2 | 651078 | VALVE / W/ALUMINUM WHEEL / 2.31" LG | AR | |
| 2 | 651114 | VALVE / W/ALUMINUM WHEEL / 2.60" LG W/60 deg | AR | |
| NS | 650164 | . CAP VALVE / CHROME | AR | |
| NS | 650151 | . CAP VALVE / STD | AR | |
| NS | 650151 | . CAP VALVE / STD | AR | |
| NS | 650008 | . SPRING VALVE | AR | |

| | | | |
|---|--|---------------------|-------------------------|
| From K-0295 | | Date:07/2024 | PAGE:VIP-1318-00 |
| WHEELS & COMPONENTS - TRUCK MOUNT (METRIC) | | | |

| Item# | Part | Description | QTY | Notes |
|-------|--------|---|-----|-------|
| 2 | 650745 | EXTENSION VALVE 3/4" LG | AR | |
| 2 | 650201 | EXTENSION VALVE 1 3/8" LG | AR | |
| NS | 650188 | EXTENSION VALVE / 7" LG | AR | |
| NS | 651064 | RUBBER HOLDER / 2" O.D. / EXTENSION VALVE To N-1219 | AR | |
| NS | 651181 | RUBBER HOLDER / 2" O.D. / EXTENSION VALVE From N-1220 | AR | |
| NS | 650205 | SPRING VALVE 21116 | AR | B |
| | | | | |
| | | WEIGHTS | | |
| | | | | |
| 3 | 650030 | WEIGHT BALANCING / 0.5 OZ / WEIGHT FREE LEAD | AR | |
| 3 | 650003 | WEIGHT BALANCING / W/STEEL WHEEL / 1 OZ / WEIGHT FREE LEAD | AR | |
| 3 | 650062 | WEIGHT BALANCING / W/STEEL WHEEL / 2 OZ | AR | |
| 3 | 650005 | WEIGHT BALANCING / W/STEEL WHEEL / 2 OZ / WEIGHT FREE LEAD | AR | |
| 3 | 650063 | WEIGHT BALANCING / W/STEEL WHEEL / 3 OZ | AR | |
| 3 | 650006 | WEIGHT BALANCING / W/STEEL WHEEL / 3 OZ / WEIGHT FREE LEAD | AR | |
| 3 | 650064 | WEIGHT BALANCING / W/STEEL WHEEL / 4 OZ | AR | |
| 3 | 650010 | WEIGHT BALANCING / W/STEEL WHEEL / 4 OZ / WEIGHT FREE LEAD | AR | |
| 3 | 650011 | WEIGHT BALANCING / W/STEEL WHEEL / 5 OZ / WEIGHT FREE LEAD | AR | |
| 3 | 650065 | WEIGHT BALANCING / W/STEEL WHEEL / 6 OZ | AR | |
| 3 | 650012 | WEIGHT BALANCING / W/STEEL WHEEL / 6 OZ / WEIGHT FREE LEAD | AR | |
| 3 | 650066 | WEIGHT BALANCING / W/STEEL WHEEL / 8 OZ | AR | |
| 3 | 650032 | WEIGHT BALANCING / W/STEEL WHEEL / 8 OZ / WEIGHT FREE LEAD | AR | |
| 3 | 650067 | WEIGHT BALANCING / W/STEEL WHEEL / 10 OZ | AR | |
| 3 | 650068 | WEIGHT BALANCING / W/STEEL WHEEL / 12 OZ | AR | |
| 3 | 650069 | WEIGHT BALANCING / W/STEEL WHEEL / 14 OZ | AR | |
| 3 | 650070 | WEIGHT BALANCING / W/STEEL WHEEL / 16 OZ | AR | |
| 3 | 650030 | WEIGHT BALANCING / 0.5 OZ / WEIGHT FREE LEAD | AR | |
| 3 | 650175 | WEIGHT BALANCING / W/ALUMINUM WHEEL / INT. & EXT. / 2 OZ | AR | |
| 3 | 650025 | WEIGHT BALANCING / W/ALUMINUM WHEEL / 2 OZ / WEIGHT FREE LEAD | AR | |
| 3 | 650109 | WEIGHT BALANCING / W/ALUMINUM WHEEL / INT. & EXT. / 3 OZ | AR | |
| 3 | 650026 | WEIGHT BALANCING / W/ALUMINUM WHEEL / 3 OZ / WEIGHT FREE LEAD | AR | |
| 3 | 650110 | WEIGHT BALANCING / W/ALUMINUM WHEEL / EXT. ON 4 OZ | AR | |
| 3 | 650114 | WEIGHT BALANCING / W/ALUMINUM WHEEL / INT. ON 4 OZ | AR | |
| 3 | 650027 | WEIGHT BALANCING / W/ALUMINUM WHEEL / 4 OZ / WEIGHT FREE LEAD | AR | |
| 3 | 650060 | WEIGHT BALANCING / W/ALUMINUM WHEEL / 5 OZ / WEIGHT FREE LEAD | AR | |
| 3 | 650111 | WEIGHT BALANCING / W/ALUMINUM WHEEL / EXT. ON 6 OZ | AR | |
| 3 | 650115 | WEIGHT BALANCING / W/ALUMINUM WHEEL / INT. ON 6 OZ | AR | |
| 3 | 650192 | WEIGHT BALANCING / W/ALUMINUM WHEEL / W/ADHES 6 OZ | AR | |
| 3 | 650028 | WEIGHT BALANCING / W/ALUMINUM WHEEL / 6 OZ / WEIGHT FREE LEAD | AR | |
| 3 | 650116 | WEIGHT BALANCING / W/ALUMINUM WHEEL / INT. ON 8 OZ | AR | |
| 3 | 650112 | WEIGHT BALANCING / W/ALUMINUM WHEEL / EXT. ON 8 OZ | AR | |
| 3 | 650029 | WEIGHT BALANCING / W/ALUMINUM WHEEL / 8 OZ / WEIGHT FREE LEAD | AR | |

| | | |
|-------------|--------------|------------------|
| From K-0295 | Date:07/2024 | PAGE:VIP-1318-00 |
|-------------|--------------|------------------|

WHEELS & COMPONENTS - TRUCK MOUNT (METRIC)

| Item# | Part | Description | QTY | Notes |
|-------|-------------|--|-----|-------|
| 3 | 650206 | WEIGHT BALANCING / POWDER (12 OZ BAG) | AR | |
| | | HUBODOMETER | | |
| 4 | 650002 | HUBODOMETER, COMPLETE 11 X 20 & 12 X 22.5 MPH / STEMCO | AR | |
| 4 | 650117 | HUBODOMETER, COMPLETE 11 X 20 & 12 X 22.5 KM/H / STEMCO | AR | |
| 4 | 590216 | HUBODOMETER, COMPLETE 11 X 20 & 12 X 22.5 KM/H / V.D.O. | AR | |
| 4 | 650174 | HUBODOMETER, COMPLETE / FOR 295/80 KM/H | AR | |
| 5 | 650145 | HUBODOMETER BRACKET / W/8 STUDS AXLE SHAFT | AR | |
| 5 | 150015 | HUBODOMETER BRACKET / USE WITH 14" WHEEL ONLY | AR | |
| | | OTHERS | | |
| 6 | 5001339 | CAP, PLASTIC CHROME / WHEEL NUT / HUB MOUNT / PUSH-ON TYPE | 60 | E |
| 7 | 650134 | WHEEL GUARD MYLAR / WHEEL & HUB | AR | |
| 8 | 652236 | HUB CAP PLASTIC CHROME / HUB MOUNT / METRIC ONE SET OF 2 | 1 | G |
| . NS | 652238 | . RETENTION NUT, PACK OF 10 | 1 | G |
| . NS | 652237 | . RETENTION NUT, PACK OF 50 | 1 | G |
| 8 | 621753 | HUB CAP PLASTIC CHROME W/NUT / HUB MOUNT / METRIC | 2 | G |
| . NS | 624215 | . CAP NUT COVER WRENCH | 1 | G |
| 8 | 150662 | HUB CAP PLASTIC CHROME / HUB MOUNT / USE WITH HUBODOMETER WITH 9" WHEEL | 1 | G |
| 8 | 150016 | HUB CAP PLASTIC CHROME / HUB MOUNT / USE WITH HUBODOMETER WITH 14" WHEEL | 1 | G |
| 8 | 652235 | HUB CAP PLASTIC CHROME W/NUT / HUB MOUNT / METRIC ONE SET OF 2 | 2 | D |
| 8 | 611470 | HUB CAP PLASTIC CHROME W/NUT / HUB MOUNT / METRIC | 2 | D |
| . NS | 624215 | . CAP NUT COVER WRENCH | 1 | D |
| 10 | 650447 | TIRE MICHELIN 455/55 R22.5 X-ONE-XTE SUMMER TIRE | 1 | |
| 10 | 651099 | TIRE MICHELIN 455/55 R22.5 XD-N2 WINTER TIRE To K-0413 | 1 | |
| 10 | 651166 | TIRE MICHELIN 455/55 R22.5 X-ONE LINE GRIP D WINTER TIRE From K-0414 To N-1266 | 1 | |
| 10 | 651203 | TIRE MICHELIN 455/55 R22.5 X-ONE LINE GRIP D WINTER TIRE From N-1267 | 1 | |
| 10 | 651131 | TIRE BRIDGESTONE 315/80R22.5 R249BZ | 1 | |
| 10 | 651148 | TIRE CONTINENTAL 315/80R22.5 HA3 | 1 | |
| NS | 652066 | WHEEL NUT FLAG, ORANGE | AR | |
| 11 | 651163 | WHEEL NUT FLAG, WHITE | AR | |
| | | VALVES - WITH TIRE PRESSURE SENSOR | | |
| 30 | 066446 | DECAL / "WARNING DETECTOR INSIDE" / ENGLISH & FRANCAIS To L-0944 | 1 | |
| 30 | 066445 | DECAL / "WARNING DETECTOR INSIDE" / ENGLISH To L-0944 | 1 | |
| 31 | VIP-1318-11 | TIRE MONITOR - PRESSURE - "BERU" To P-1347 | | |
| NS | VIP-1318-12 | TIRE MONITOR PRESSURE - "SENSATA" From P-1348 | | |
| NS | MI02-17 | SEE MAINTENANCE INFORMATION | 1 | |
| NS | MI03-26A | SEE MAINTENANCE INFORMATION | 1 | |

| | | |
|-------------|--------------|------------------|
| From K-0295 | Date:07/2024 | PAGE:VIP-1318-00 |
|-------------|--------------|------------------|

WHEELS & COMPONENTS - TRUCK MOUNT (METRIC)

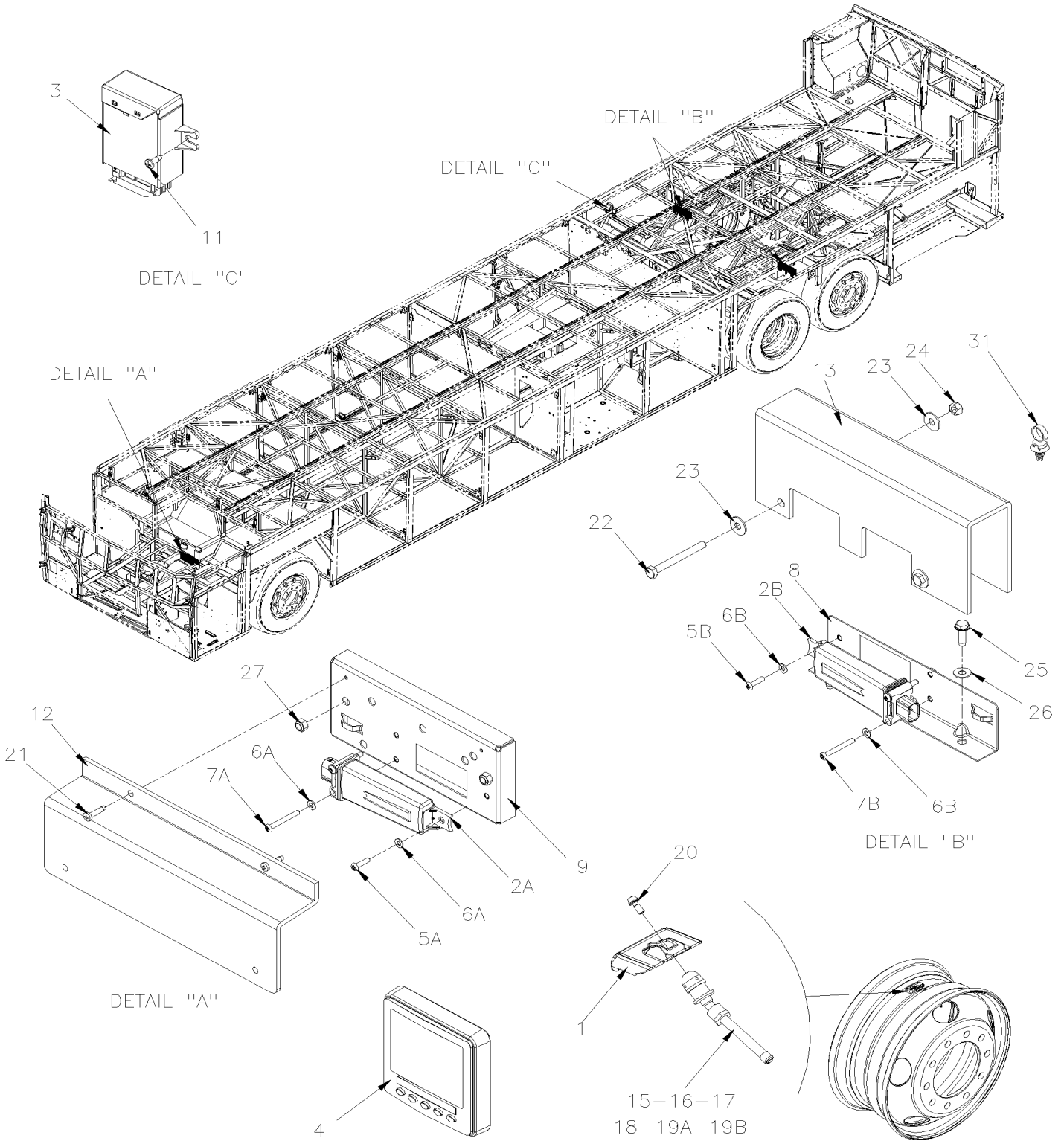
| Item# | Part | Description | QTY | Notes |
|-------|------|---|-----|-------|
| | | | | |
| | | | | |
| | | A) USE THIS VALVE WITH ALLS STEEL WHEELS MOUNTED WITH "KNORR-BREMSE" BRAKE SYSTEM | | |
| | | B) USE THIS EXTENSION WITH POWDER BALANCING WEIGHT | | |
| | | C) USE WITH 650178 RUBBER HOLDER | | |
| | | D) TO USE WITH FRONT & TAG AXLE | | |
| | | E) TO USE WITH NUT 22MM X 33MM THICK (611189) | | |
| | | G) TO USE WITH DRIVE AXLE WHEEL | | |
| | | H) USE WITH 651064 RUBBER HOLDER | | |
| | | S) USE ONLY WITH SUPER SINGLE TIRE (650447) | | |

From K-0295 To P-1347

Date:07/2024

PAGE:VIP-1318-11

TIRE MONITOR - PRESSURE - "BERU"

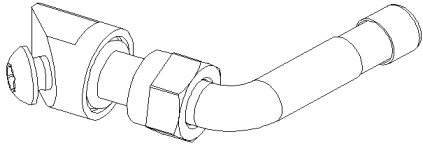


From K-0295 To P-1347

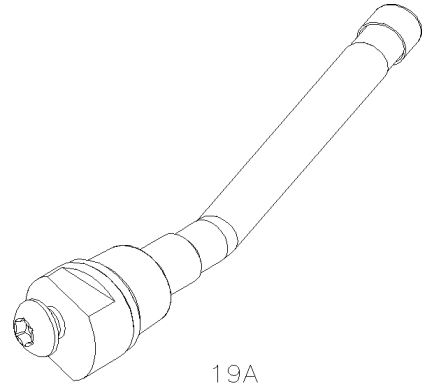
Date:07/2024

PAGE:VIP-1318-11

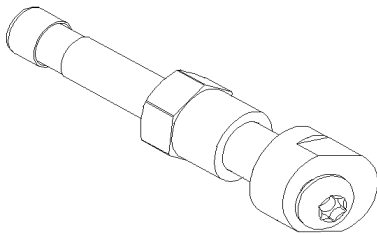
TIRE MONITOR - PRESSURE - "BERU"



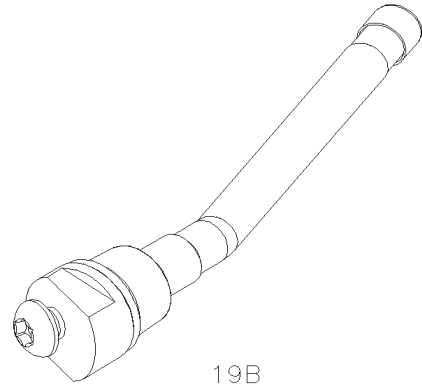
15



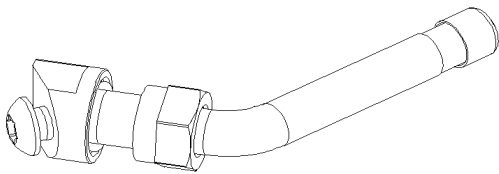
19A



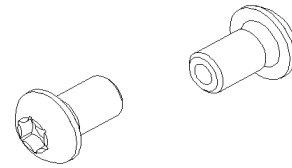
16



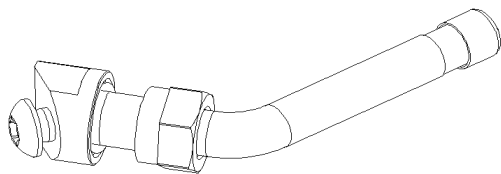
19B



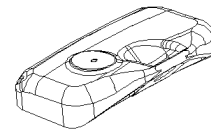
17



20



18



1

| | | |
|---|---------------------|-------------------------|
| From K-0295 To P-1347 | Date:07/2024 | PAGE:VIP-1318-11 |
| TIRE MONITOR - PRESSURE - "BERU" | | |

| Item# | Part | Description | QTY | Notes |
|-------|---------|---|-----|-------|
| 1 | 560279 | SENSOR TIRE PRESSURE - "BERU" To K-0418 | 9 | |
| 1 | 560749 | SENSOR TIRE PRESSURE - "BERU" From K-0419 To N-1188 | 9 | |
| 1 | 564327 | SENSOR TIRE PRESSURE - "BERU" From N-1189 | 9 | |
| NS | 066445 | DECAL / "WARNING DETECTOR INSIDE" / ENGLISH To L-0944 | AR | |
| NS | 066446 | DECAL / "WARNING DETECTOR INSIDE" / ENGLISH & FRANCAIS To L-0944 | AR | |
| 2A | 564077 | ANTENNA - TIRE PRESSURE To L-0907 | 1 | |
| 2A | 564077 | ANTENNA - TIRE PRESSURE To L-0907 | 1 | |
| NS | 563758 | CONNECTOR / MICRO-QUADLOK-SYSTEM / SH 4C / AMP 1-967640-1 To L-0907 | 1 | |
| NS | 564074 | CONNECTOR CAP 90° / MICRO-QUADLOK-SYSTEM / SCH 7806880-K To L-0907 | 1 | |
| NS | 563759 | SOCKET TERMINAL / 24-20 / AMP 963727-1 To L-0907 | 1 | |
| NS | 563761 | SEAL PLUG CAVITY / BLUE / AMP 967056-1 To L-0907 | 1 | |
| 2A | 563520 | FRONT ANTENNA - TIRE PRESSURE From L-0908 | 1 | |
| 2B | 564077 | ANTENNA - TIRE PRESSURE To L-0907 | 2 | |
| 2B | 564077 | ANTENNA - TIRE PRESSURE To L-0907 | 2 | |
| NS | 563758 | CONNECTOR / MICRO-QUADLOK-SYSTEM / SH 4C / AMP 1-967640-1 To L-0907 | 1 | |
| NS | 564074 | CONNECTOR CAP 90° / MICRO-QUADLOK-SYSTEM / SCH 7806880-K To L-0907 | 1 | |
| NS | 563759 | SOCKET TERMINAL / 24-20 / AMP 963727-1 To L-0907 | 1 | |
| NS | 563761 | SEAL PLUG CAVITY / BLUE / AMP 967056-1 To L-0907 | 1 | |
| 2B | 563521 | REAR RIGHT ANTENNA - TIRE PRESSURE From L-0908 | 1 | |
| 2B | 563522 | REAR LEFT ANTENNA - TIRE PRESSURE From L-0908 | 1 | |
| 3 | 560056 | ECU TIRE PRESSURE To L-0907 | 1 | |
| 3 | 563631 | ECU TIRE PRESSURE From L-0908 To N-1300 | 1 | |
| 3 | 564326 | ECU TIRE PRESSURE From N-1308 | 1 | |
| 4 | 565912 | SCREEN MONITOR TIRE To K-0226 | 1 | |
| 4 | 560561 | SCREEN MONITOR TIRE From K-0227 | 1 | |
| NS | 564084 | PLATE TPMS / FIXED AT CENTRAL BOARD | 1 | |
| NS | 564086 | PLATE REAR TPMS ON CENTRAL BOARD | 1 | |
| NS | 5001690 | SCREW TC M5 | 3 | |
| NS | 564085 | PLATE W/OUT TPMS ON CENTRAL BOARD | 1 | |
| 4 | 060143 | WIRING HARNESS / FRT JCT BOX & ANTENNA To L-0907 | 1 | |
| 4 | 0610143 | WIRING HARNESS / FRT JCT BOX & ANTENNA From L-0908 | 1 | |
| 4 | 060045 | WIRING HARNESS / ECU FRT JCT BOX & ACCES.. To L-0907 | 1 | |
| 4 | 0610142 | WIRING HARNESS / ECU FRT JCT BOX & ACCES.. From L-0908 | 1 | |
| NS | 5001694 | SCREW MA PAN PH M4-0.7x40 SS BK | 6 | |
| 5A | 502698 | SCREW MA PAN PH M4-0.7x16 SS BK | 1 | |
| 5B | 5001332 | SCREW MA PAN PH M4-0.7x16 SS To L-0907 | 2 | |
| 5B | 500032 | SCREW CAP HEX M5-0.8x16 BK From L-0908 | 2 | |
| 6A | 502556 | WASHER FL 4.3x9.0x0.8 SS | 3 | |
| 6A | 502556 | WASHER FL 4.3x9.0x0.8 SS | 3 | |
| 6B | 502556 | WASHER FL 4.3x9.0x0.8 SS To L-0907 | 6 | |
| 6B | 502556 | WASHER FL 4.3x9.0x0.8 SS To L-0907 | 6 | |
| 6B | 5001137 | WASHER FL .203x.438x.050 SS From L-0908 | 6 | |

| | | |
|---|---------------------|-------------------------|
| From K-0295 To P-1347 | Date:07/2024 | PAGE:VIP-1318-11 |
| TIRE MONITOR - PRESSURE - "BERU" | | |

| Item# | Part | Description | QTY | Notes |
|--------|---------|---|-----|-------|
| 7A | 5001694 | SCREW MA PAN PH M4-0.7x40 SS BK | 2 | |
| 7B | 5001696 | SCREW MA PAN PH M4-0.7x35 SS To L-0907 | 4 | |
| 7B | 502708 | SCREW CAP HEX M5-0.8x35 SS From L-0908 | 4 | |
| 8 | 406121 | SUPPORT ANTENNA TIRE PRESSURE To L-0907 | 2 | |
| 8 | 401257 | SUPPORT ANTENNA TIRE PRESSURE From L-0908 | 2 | |
| NS | 509815 | TIE MOUNT / ATTACHMENT W/TREE MOUNT From L-0908 | 5 | |
| NS | 564108 | SELF MOUNTING STUD // DEUTSCH 1011-310-0205 From L-0908 | 1 | |
| 9 | 406085 | SUPPORT ANTENNA TIRE PRESSURE | 1 | |
| 11 | 500601 | SCREW TC PAN PH #6-32x3/8 N500 | 2 | |
| 11 | 500804 | WASHER FL .203x.500x.047 N500 | 2 | |
| 12 | 406119 | PROTECTOR ANTENNA / AL "Z" SHAPE | 1 | |
| 13 | 406122 | PROTECTOR ANTENNA / AL "U" SHAPE To L-0907 | 2 | |
| 13 | 401364 | PROTECTOR ANTENNA / AL "U" SHAPE From L-0908 | 1 | |
| 15 | 650635 | KIT VALVE 60DEG / W/AL / 14" | 1 | |
| 15 | 150030 | KIT VALVE 60DEG / W/AL / 14" W/SENSOR To K-0418 | 1 | |
| . NS | 650635 | . KIT VALVE 60DEG / W/AL / 14" To K-0418 | 1 | |
| . NS | 560279 | . SENSOR TIRE PRESSURE - "BERU" To K-0418 | 1 | |
| 15 | 150009 | KIT VALVE 60DEG / W/AL / 14" W/SENSOR From K-0419 To N-1188 | 1 | |
| . NS | 650635 | . KIT VALVE 60DEG / W/AL / 14" From K-0419 To N-1188 | 1 | |
| . NS | 560749 | . SENSOR TIRE PRESSURE - "BERU" From K-0419 To N-1188 | 1 | |
| 15 | 150001 | KIT VALVE 60DEG / W/AL / 14" W/SENSOR From N-1189 | 1 | |
| . NS | 650635 | . KIT VALVE 60DEG / W/AL / 14" From N-1189 | 1 | |
| . NS | 564327 | . SENSOR TIRE PRESSURE - "BERU" From N-1189 | 1 | |
| 16 | 650636 | KIT VALVE / W/AL / 10.5" | 1 | |
| 16 | 150031 | KIT VALVE / W/AL / 10.5" / W/SENSOR To K-0418 | 1 | |
| . NS | 650636 | . KIT VALVE / W/AL / 10.5" To K-0418 | 1 | |
| . NS | 560279 | . SENSOR TIRE PRESSURE - "BERU" To K-0418 | 1 | |
| 16 | 150110 | KIT VALVE / W/AL / 10.5" / W/SENSOR From K-0419 To N-1188 | 1 | |
| . NS | 650636 | . KIT VALVE / W/AL / 10.5" From K-0419 To N-1188 | 1 | |
| . NS | 560749 | . SENSOR TIRE PRESSURE - "BERU" From K-0419 To N-1188 | 1 | |
| 16 | 150002 | KIT VALVE / W/AL / 10.5" / W/SENSOR From N-1189 | 1 | |
| . NS | 650636 | . KIT VALVE / W/AL / 10.5" From N-1189 | 1 | |
| . NS | 564327 | . SENSOR TIRE PRESSURE - "BERU" From N-1189 | 1 | |
| 17 | 650634 | KIT VALVE 40DEG / W/AL / 9" | 1 | |
| . NS | 650019 | . SCREW MA BUT TORX W/HOLE M5 | 1 | |
| . NS | 651191 | . NUT | 1 | |
| . NS | 651267 | . GROMMET V9-10-6 BLACK, TPMS VALVE | 1 | |
| 17 | 150032 | KIT VALVE 40DEG / W/AL / 9" /W/SENSOR To K-0418 | 1 | |
| . NS | 650634 | . KIT VALVE 40DEG / W/AL / 9" To K-0418 | 1 | |
| . . NS | 650019 | . . SCREW MA BUT TORX W/HOLE M5 To K-0418 | 1 | |
| . . NS | 651191 | . . NUT To K-0418 | 1 | |
| . . NS | 651267 | . . GROMMET V9-10-6 BLACK, TPMS VALVE To K-0418 | 1 | |

| | | |
|---|---------------------|-------------------------|
| From K-0295 To P-1347 | Date:07/2024 | PAGE:VIP-1318-11 |
| TIRE MONITOR - PRESSURE - "BERU" | | |

| Item# | Part | Description | QTY | Notes |
|--------|--------|--|-----|-------|
| . NS | 560279 | . SENSOR TIRE PRESSURE - "BERU" To K-0418 | 1 | |
| 17 | 150111 | KIT VALVE 40DEG / W/WAL / 9" /W/SENSOR From K-0419 To N-1188 | 1 | |
| . NS | 650634 | . KIT VALVE 40DEG / W/WAL / 9" From K-0419 To N-1188 | 1 | |
| . . NS | 650019 | . . SCREW MA BUT TORX W/HOLE M5 From K-0419 To N-1188 | 1 | |
| . . NS | 651191 | . . NUT From K-0419 To N-1188 | 1 | |
| . . NS | 651267 | . . GROMMET V9-10-6 BLACK, TPMS VALVE From K-0419 To N-1188 | 1 | |
| . NS | 560279 | . SENSOR TIRE PRESSURE - "BERU" From K-0419 To N-1188 | 1 | |
| 17 | 150003 | KIT VALVE 40DEG / W/WAL / 9" /W/SENSOR From N-1189 | 1 | |
| . NS | 650634 | . KIT VALVE 40DEG / W/WAL / 9" From N-1189 | 1 | |
| . . NS | 650019 | . . SCREW MA BUT TORX W/HOLE M5 From N-1189 | 1 | |
| . . NS | 651191 | . . NUT From N-1189 | 1 | |
| . . NS | 651267 | . . GROMMET V9-10-6 BLACK, TPMS VALVE From N-1189 | 1 | |
| . NS | 564327 | . SENSOR TIRE PRESSURE - "BERU" From N-1189 | 1 | |
| 18 | 650634 | KIT VALVE 40DEG / W/WAL / 9" | 1 | |
| . NS | 650019 | . SCREW MA BUT TORX W/HOLE M5 | 1 | |
| . NS | 651191 | . NUT | 1 | |
| . NS | 651267 | . GROMMET V9-10-6 BLACK, TPMS VALVE | 1 | |
| 18 | 150032 | KIT VALVE 40DEG / W/WAL / 9" /W/SENSOR To K-0418 | 1 | |
| . NS | 650634 | . KIT VALVE 40DEG / W/WAL / 9" To K-0418 | 1 | |
| . . NS | 650019 | . . SCREW MA BUT TORX W/HOLE M5 To K-0418 | 1 | |
| . . NS | 651191 | . . NUT To K-0418 | 1 | |
| . . NS | 651267 | . . GROMMET V9-10-6 BLACK, TPMS VALVE To K-0418 | 1 | |
| . NS | 560279 | . SENSOR TIRE PRESSURE - "BERU" To K-0418 | 1 | |
| 18 | 150111 | KIT VALVE 40DEG / W/WAL / 9" /W/SENSOR From K-0419 To N-1188 | 1 | |
| . NS | 650634 | . KIT VALVE 40DEG / W/WAL / 9" From K-0419 To N-1188 | 1 | |
| . . NS | 650019 | . . SCREW MA BUT TORX W/HOLE M5 From K-0419 To N-1188 | 1 | |
| . . NS | 651191 | . . NUT From K-0419 To N-1188 | 1 | |
| . . NS | 651267 | . . GROMMET V9-10-6 BLACK, TPMS VALVE From K-0419 To N-1188 | 1 | |
| . NS | 560279 | . SENSOR TIRE PRESSURE - "BERU" From K-0419 To N-1188 | 1 | |
| 18 | 150003 | KIT VALVE 40DEG / W/WAL / 9" /W/SENSOR From N-1189 | 1 | |
| . NS | 650634 | . KIT VALVE 40DEG / W/WAL / 9" From N-1189 | 1 | |
| . . NS | 650019 | . . SCREW MA BUT TORX W/HOLE M5 From N-1189 | 1 | |
| . . NS | 651191 | . . NUT From N-1189 | 1 | |
| . . NS | 651267 | . . GROMMET V9-10-6 BLACK, TPMS VALVE From N-1189 | 1 | |
| . NS | 564327 | . SENSOR TIRE PRESSURE - "BERU" From N-1189 | 1 | |
| 19A | 650018 | KIT VALVE 20DEG / W/STEEL WHEELS 9" To K-0554 | 1 | 9.0 |
| . NS | 650019 | . SCREW MA BUT TORX W/HOLE M5 To K-0554 | 1 | 9.0 |
| . NS | 651119 | . SEAL VALVE / STEEL "VITON" GREEN To K-0554 | 1 | 9.0 |
| 19A | 650016 | KIT VALVE 20DEG / W/STEEL WHEELS 9" From K-0555 | 1 | 9.0 |
| . NS | 650019 | . SCREW MA BUT TORX W/HOLE M5 From K-0555 | 1 | 9.0 |
| . NS | 651119 | . SEAL VALVE / STEEL "VITON" GREEN From K-0555 | 1 | 9.0 |
| 19A | 150034 | KIT VALVE 20DEG / W/STEEL WHEELS 9" / W/SENSOR To K-0418 | 1 | 9.0 |

| | | |
|---|---------------------|-------------------------|
| From K-0295 To P-1347 | Date:07/2024 | PAGE:VIP-1318-11 |
| TIRE MONITOR - PRESSURE - "BERU" | | |

| Item# | Part | Description | QTY | Notes |
|--------|---------|---|-----|-------|
| . NS | 650018 | . KIT VALVE 20DEG / W/STEEL WHEELS 9" To K-0418 | 1 | 9.0 |
| . . NS | 650019 | . . SCREW MA BUT TORX W/HOLE M5 To K-0418 | 1 | 9.0 |
| . . NS | 651119 | . . SEAL VALVE / STEEL "VITON" GREEN To K-0418 | 1 | 9.0 |
| . NS | 560279 | . SENSOR TIRE PRESSURE - "BERU" To K-0418 | 1 | 9.0 |
| 19A | 150114 | KIT VALVE 20DEG / W/STEEL WHEELS 9" / W/SENSOR From K-0419 To N-1188 | 1 | 9.0 |
| . NS | 650016 | . KIT VALVE 20DEG / W/STEEL WHEELS 9" From K-0419 To N-1188 | 1 | 9.0 |
| . . NS | 650019 | . . SCREW MA BUT TORX W/HOLE M5 From K-0419 To N-1188 | 1 | 9.0 |
| . . NS | 651119 | . . SEAL VALVE / STEEL "VITON" GREEN From K-0419 To N-1188 | 1 | 9.0 |
| . NS | 560749 | . SENSOR TIRE PRESSURE - "BERU" From K-0419 To N-1188 | 1 | 9.0 |
| 19A | 150005 | KIT VALVE 20DEG / W/STEEL WHEELS 9" / W/SENSOR From N-1189 | 1 | 9.0 |
| . NS | 650016 | . KIT VALVE 20DEG / W/STEEL WHEELS 9" From N-1189 | 1 | 9.0 |
| . . NS | 650019 | . . SCREW MA BUT TORX W/HOLE M5 From N-1189 | 1 | 9.0 |
| . . NS | 651119 | . . SEAL VALVE / STEEL "VITON" GREEN From N-1189 | 1 | 9.0 |
| . NS | 564327 | . SENSOR TIRE PRESSURE - "BERU" From N-1189 | 1 | 9.0 |
| 19B | 650017 | KIT VALVE 20DEG / W/STEEL WHEELS 8.25" | 1 | 8.25 |
| . NS | 650019 | . SCREW MA BUT TORX W/HOLE M5 | 1 | 8.25 |
| . NS | 651119 | . SEAL VALVE / STEEL "VITON" GREEN | 1 | 8.25 |
| 19B | 150033 | KIT VALVE 20DEG / W/STEEL WHEELS 8.25" / W/SENSOR To K-0418 | 1 | 8.25 |
| . NS | 650017 | . KIT VALVE 20DEG / W/STEEL WHEELS 8.25" To K-0418 | 1 | 8.25 |
| . . NS | 650019 | . . SCREW MA BUT TORX W/HOLE M5 To K-0418 | 1 | 8.25 |
| . . NS | 651119 | . . SEAL VALVE / STEEL "VITON" GREEN To K-0418 | 1 | 8.25 |
| . NS | 560279 | . SENSOR TIRE PRESSURE - "BERU" To K-0418 | 1 | 8.25 |
| 19B | 150112 | KIT VALVE 20DEG / W/STEEL WHEELS 8.25" / W/SENSOR From K-0419 To N-1188 | 1 | 8.25 |
| . NS | 650017 | . KIT VALVE 20DEG / W/STEEL WHEELS 8.25" From K-0419 To N-1188 | 1 | 8.25 |
| . . NS | 650019 | . . SCREW MA BUT TORX W/HOLE M5 From K-0419 To N-1188 | 1 | 8.25 |
| . . NS | 651119 | . . SEAL VALVE / STEEL "VITON" GREEN From K-0419 To N-1188 | 1 | 8.25 |
| . NS | 560749 | . SENSOR TIRE PRESSURE - "BERU" From K-0419 To N-1188 | 1 | 8.25 |
| 19B | 150033 | KIT VALVE 20DEG / W/STEEL WHEELS 8.25" / W/SENSOR From N-1189 | 1 | 8.25 |
| . NS | 650017 | . KIT VALVE 20DEG / W/STEEL WHEELS 8.25" From N-1189 | 1 | 8.25 |
| . . NS | 650019 | . . SCREW MA BUT TORX W/HOLE M5 From N-1189 | 1 | 8.25 |
| . . NS | 651119 | . . SEAL VALVE / STEEL "VITON" GREEN From N-1189 | 1 | 8.25 |
| . NS | 560279 | . SENSOR TIRE PRESSURE - "BERU" From N-1189 | 1 | 8.25 |
| 20 | 650019 | . SCREW MA BUT TORX W/HOLE M5 | 1 | |
| NS | 685324 | GREASE "PERMATEX" DIELECTRIC TUBE 3 OZ | AR | S |
| NS | 680038 | THREAD LOCKER LOCTITE #243 / BLUE / 50ml | AR | |
| 21 | 500952 | SCREW TP BDG PH #8x1/2 SS | 2 | |
| 22 | 5001681 | SCREW CAP HEX M6-1.0x60 SS | 4 | |
| 23 | 500411 | WASHER FL .260x.697x.050 SS | 8 | |
| 24 | 502681 | NUT HEX NYRT M6-1.0 N500 G8 | 4 | |
| 25 | 502848 | SCREW TC CAP HEXF 1/4-20x3/4 N500 | 4 | |
| 26 | 5001608 | WASHER BEL SPR 6.2x15.0x0.7 G500 | 4 | |
| 27 | 5001182 | NUT HEX NYRT M6-1.0 SS | 2 | |

| | | |
|---|--------------|------------------|
| From K-0295 To P-1347 | Date:07/2024 | PAGE:VIP-1318-11 |
| TIRE MONITOR - PRESSURE - "BERU" | | |

| Item# | Part | Description | QTY | Notes |
|-------|---------|--|-----|-------|
| 31 | 509815 | TIE MOUNT / ATTACHMENT W/TREE MOUNT | AR | |
| 31 | 504637 | CABLE TIE / 3/16" x 13" | AR | |
| | | | | |
| NS | IS21070 | KIT TPMS ANTENNAS REPLACEMENT | | |
| | | | | |
| | | | | |
| | | 8.25) USE WITH STEEL WHEEL 8.25" | | |
| | | 9.0) USE WITH STEEL WHEEL 9.0" | | |
| | | S) USE TO PREVENT CORROSION WITH ALUMINUM WHEELS | | |

PREVOST

Feuille d'instructions

FI-21070

REPLACEMENT ANTENNES TPMS OBSOLÈTE

PREVOST

Instruction Sheet

IS-21070

OBSOLETE TPMS ANTENNAS REPLACEMENT

| | | |
|--------------------------------------|---------------------|---------------------|
| From K-0295 To P-1347 | Date:07/2024 | PAGE:IS21070 |
| KIT TPMS ANTENNAS REPLACEMENT | | |

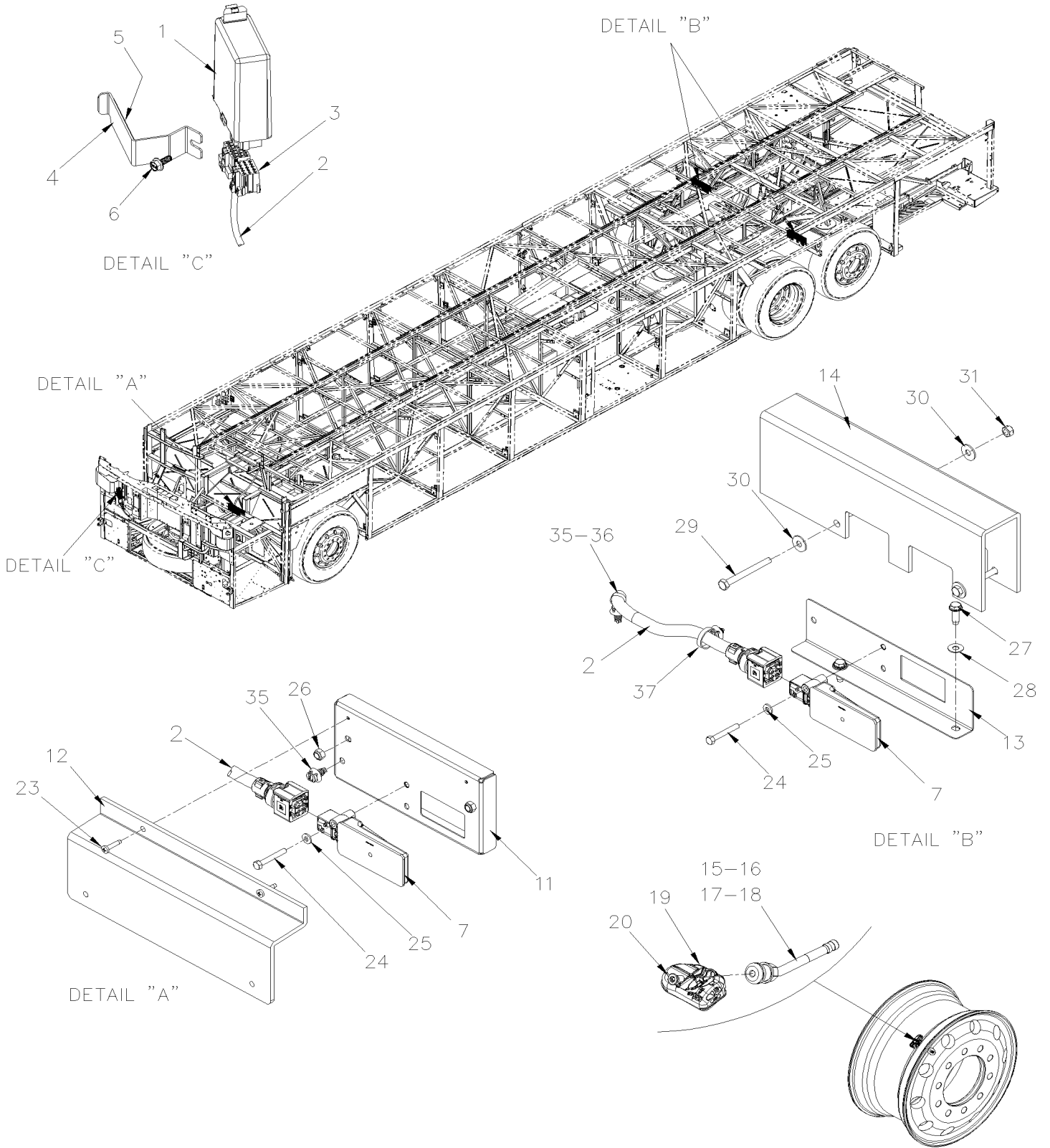
| Item# | Part | Description | QTY | Notes |
|-------|----------|--|-----|-------|
| NS | 564305 | ANTENNA, TPMS "SENSATA" | 3 | |
| NS | 564413 | TPMS, SENSATA ECU | 1 | |
| NS | 380252 | SUPPORT / RELAY | 1 | |
| NS | 406762 | SUPPORT, ANTENNA | 1 | |
| NS | 406119 | PROTECTOR ANTENNA / AL "Z" SHAPE | 1 | |
| NS | 401333 | SUPPORT, ANTENNA | 2 | |
| NS | 406764 | PROTECTOR, ANTENNA | 2 | |
| NS | 0610632 | WIRING HARNESS / ECU FRT JCT BOX & ACCES.. | 1 | |
| NS | 504622 | GROMMET / 1.500x1.750x.062x.437x2.125 | 1 | |
| NS | 0610631 | WIRING HARNESS / FRT JCT BOX & ANTENNA | 1 | |
| NS | 562795 | CONNECTOR / JUNIOR POWER TIMER / SH 15C / AMP 964561-2 | 1 | |
| NS | 5001182 | NUT HEX NYRT M6-1.0 SS | 2 | |
| NS | 502708 | SCREW CAP HEX M5-0.8x35 SS | 3 | |
| NS | 5001137 | WASHER FL .203x.438x.050 SS | 3 | |
| NS | 502848 | SCREW TC CAP HEXF 1/4-20x3/4 N500 | 4 | |
| NS | 5001608 | WASHER BEL SPR 6.2x15.0x0.7 G500 | 4 | |
| NS | 5001681 | SCREW CAP HEX M6-1.0x60 SS | 4 | |
| NS | 500411 | WASHER FL .260x.697x.050 SS | 8 | |
| NS | 502681 | NUT HEX NYRT M6-1.0 N500 G8 | 4 | |
| NS | 502868 | SCREW TC TR PH #10-16x1/2 N500 | 2 | |
| NS | 500804 | WASHER FL .203x.500x.047 N500 | 2 | |
| NS | 509815 | TIE MOUNT / ATTACHMENT W/TREE MOUNT | 17 | |
| NS | 504637 | CABLE TIE / 3/16" x 13" | 20 | |
| NS | 8631155 | CABLE TIE / 4.6MM x 200 / CHRISTMAS TREE | 2 | |
| NS | 504013 | TIE MOUNT / 1/4" X 1/4" I.D. | 2 | |
| NS | 504347 | RIVET POP DOME OE 3/16x1/4 AL | 2 | |
| NS | IS-21070 | SEE ENGLISH INSTRUCTION SHEET | 1 | |
| NS | FI-21070 | SEE FRENCH INSTRUCTION SHEET | 1 | |
| NS | | PARTS BELOW NOT INCLUDED IN KIT IS21070 | | |
| NS | | STEEL WHEEL 9" | | |
| NS | 150006 | KIT VALVE & SENSOR / FOR WHEEL STEEL 9" | 1 | |
| NS | | ALUMINIUM WHEEL 9" | | |
| NS | 150201 | KIT VALVE & SENSOR / FOR WHEEL AL 9" | 1 | |
| NS | | ALUMINIUM WHEEL 10.5" | | |
| NS | 150149 | KIT VALVE & SENSOR / FOR WHEEL AL 10.5" | 1 | |
| NS | | ALUMINIUM WHEEL 14" | | |
| NS | 150177 | KIT VALVE & SENSOR / FOR WHEEL AL 14" | 1 | |

| | | | |
|-----------------------|--|--------------|--------------|
| From K-0295 To P-1347 | | Date:07/2024 | PAGE:IS21070 |
|-----------------------|--|--------------|--------------|

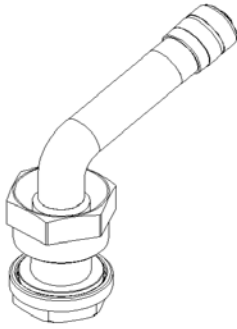
KIT TPMS ANTENNAS REPLACEMENT

| Item# | Part | Description | QTY | Notes |
|-------|--------|--|-----|-------|
| | | | | |
| | | | | |
| NS | 684517 | ADHESIVE SIMSON #SR 70-03 / GREY / 310ml CARTRIDGE | 1 | |
| NS | 680038 | THREAD LOCKER LOCTITE #243 / BLUE / 50ml | 1 | |
| NS | 685324 | GREASE "PERMATEX" DIELECTRIC TUBE 3 OZ | 1 | |

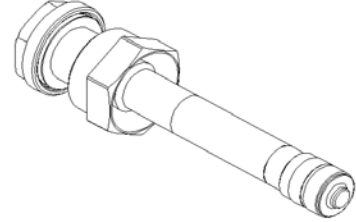
| | | |
|-----------------------------------|--------------|------------------|
| | Date:07/2024 | PAGE:VIP-1318-12 |
| TIRE MONITOR PRESSURE - "SENSATA" | | |



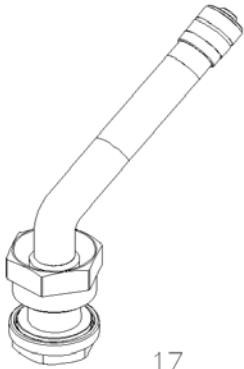
| | | |
|--|--------------|------------------|
| | Date:07/2024 | PAGE:VIP-1318-12 |
| TIRE MONITOR PRESSURE - "SENSATA" | | |



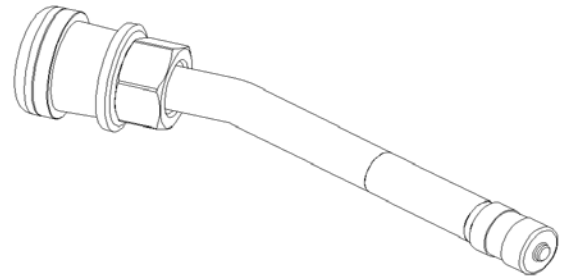
15



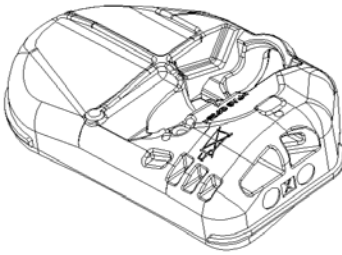
16



17



18



19



20

Date:07/2024

PAGE:VIP-1318-12

TIRE MONITOR PRESSURE - "SENSATA"

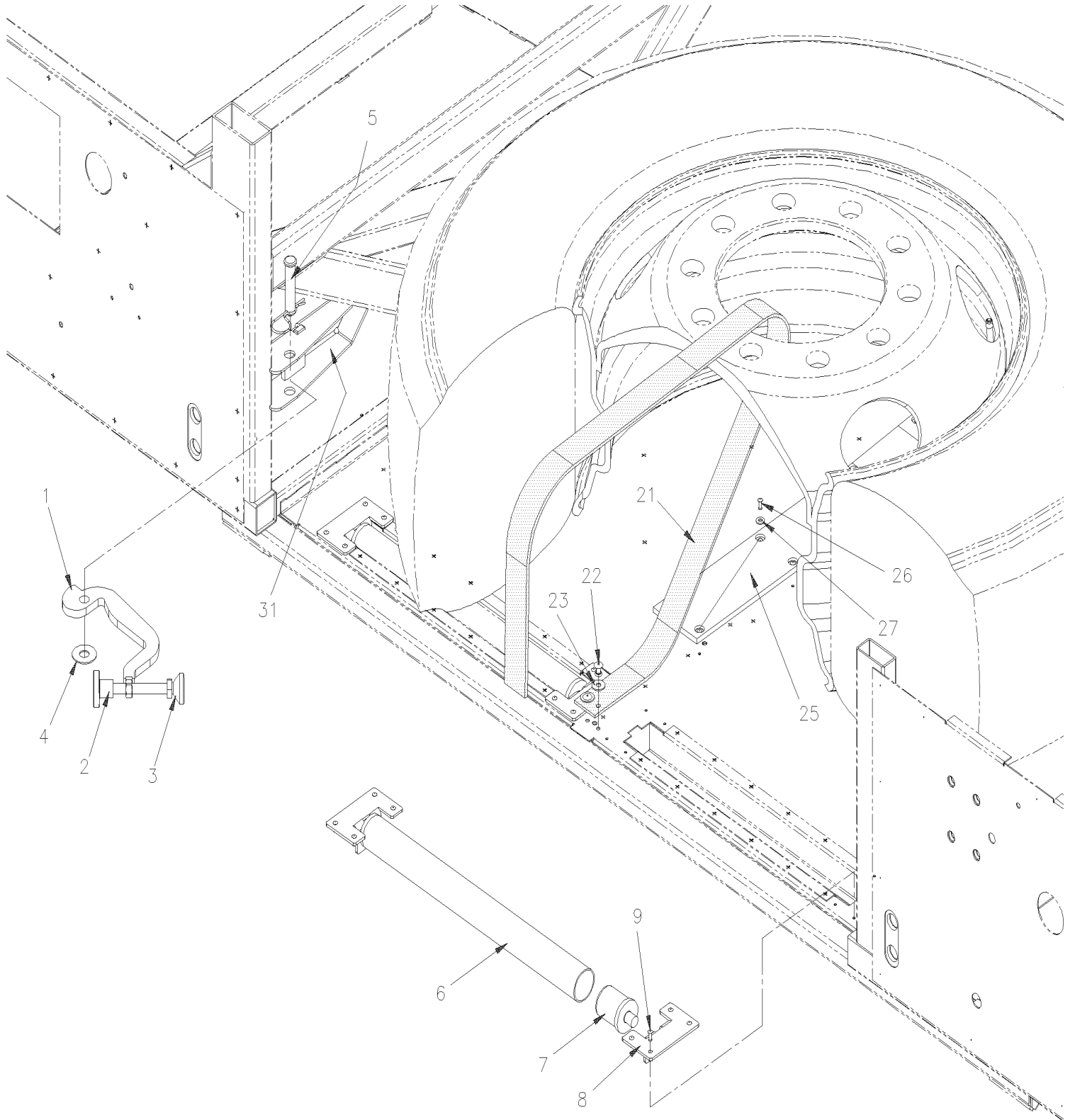
| Item# | Part | Description | QTY | Notes |
|-------|---------|--|-----|-------|
| 1 | 564413 | TPMS, SENSATA ECU | 1 | |
| 2 | 0600008 | WIRING HARNESS / FRT JCT BOX & ANTENNA | 1 | |
| 3 | 562795 | CONNECTOR / JUNIOR POWER TIMER / SH 15C / AMP 964561-2 | 1 | |
| 4 | 069879 | STRAP TPMS | 1 | |
| 5 | 506339 | TAPE RUB ADH1 NIT 1/4" x 1" x 35' / BLACK 1220 | AR | |
| 6 | 5002027 | SCREW CAP HEXF AD M6-1.0x16 G10.9 N500 | 1 | |
| 7 | 564305 | ANTENNA, TPMS "SENSATA" | 3 | |
| | | | | |
| 11 | 406762 | SUPPORT, ANTENNA | 1 | |
| 12 | 406119 | PROTECTOR ANTENNA / AL "Z" SHAPE | 1 | |
| 13 | 401333 | SUPPORT, ANTENNA | 2 | |
| 14 | 406764 | PROTECTOR, ANTENNA | 2 | |
| | | | | |
| 15 | 651194 | VALVE, ALUMINIUM WHEEL 14" | AR | |
| 15 | 150177 | KIT VALVE & SENSOR / FOR WHEEL AL 14" | AR | |
| 16 | 651195 | VALVE, ALUMINIUM WHEEL 10.5" | AR | |
| 16 | 150149 | KIT VALVE & SENSOR / FOR WHEEL AL 10.5" | AR | |
| 17 | 651196 | VALVE, ALUMINIUM WHEEL 9" | AR | |
| 17 | 150201 | KIT VALVE & SENSOR / FOR WHEEL AL 9" | AR | |
| 18 | 651198 | VALVE, STEEL WHEEL 9" | AR | |
| 18 | 150006 | KIT VALVE & SENSOR / FOR WHEEL STEEL 9" | AR | |
| 19 | 564307 | SENSOR TPMS "SENSATA" | AR | |
| 20 | 651200 | SCREW MA TORX AD M6-1.0x10 "SENSATA" | AR | |
| | | | | |
| 23 | 502868 | SCREW TC TR PH #10-16x1/2 N500 | 2 | |
| 24 | 502708 | SCREW CAP HEX M5-0.8x35 SS | 3 | |
| 25 | 5001137 | WASHER FL .203x.438x.050 SS | 3 | |
| 26 | 5001182 | NUT HEX NYRT M6-1.0 SS | 2 | |
| 27 | 502848 | SCREW TC CAP HEXF 1/4-20x3/4 N500 | 4 | |
| 28 | 5001608 | WASHER BEL SPR 6.2x15.0x0.7 G500 | 4 | |
| 29 | 5001681 | SCREW CAP HEX M6-1.0x60 SS | 4 | |
| 30 | 500411 | WASHER FL .260x.697x.050 SS | 8 | |
| 31 | 502681 | NUT HEX NYRT M6-1.0 N500 G8 | 4 | |
| | | | | |
| 35 | 509815 | TIE MOUNT / ATTACHMENT W/TREE MOUNT | AR | |
| 36 | 504637 | CABLE TIE / 3/16" x 13" | AR | |
| 37 | 8631155 | CABLE TIE / 4.6MM x 200 / CHRISTMAS TREE | 2 | |

From K-0295

Date:07/2024

PAGE:VIP-1325-01

SPARE WHEEL - INSTALLATION



| | | |
|-----------------------------------|--------------|------------------|
| From K-0295 | Date:07/2024 | PAGE:VIP-1325-01 |
| SPARE WHEEL - INSTALLATION | | |

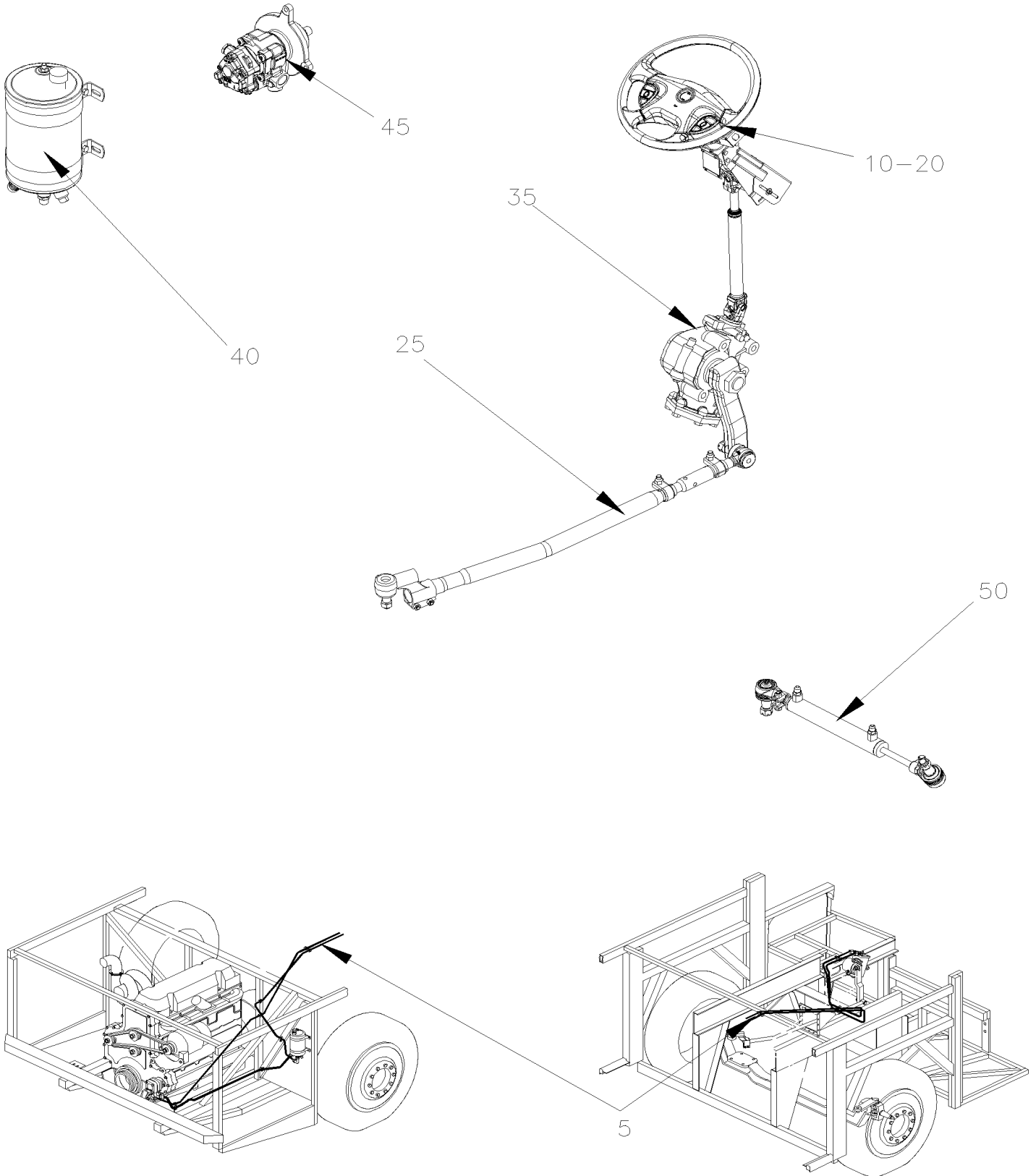
| Item# | Part | Description | QTY | Notes |
|-------|---------|--|-----|-------|
| 1 | 411302 | STOPPER ASSY | 1 | |
| 2 | 5001701 | BUTTON SS M10-1.5 SS | 1 | |
| 3 | 5001702 | NUT SW M10-1.5 SS | 1 | |
| 4 | 5001233 | WASHER FL .500x1.250x.062 NYL | 1 | |
| 5 | 5001703 | PIN, CLEVIS 1/2 x 2 1/2 SS | 1 | |
| 6 | 150318 | TUBE | 2 | |
| 7 | 150314 | AXLE SHAFT | 4 | |
| 8 | 150797 | ANGLE SUPPORT | 4 | |
| 9 | 504339 | RIVET POP DOME OE 1/8x3/8 SS | 24 | |
| NS | 680343 | GREASE CLEAR SPRAY BOTTLE 283GR | 1 | |
| NS | 682175 | UNDERCOATING BLACK PROTECTOR (GRAVELGUARD) 567gr To N-1261 | AR | |
| NS | 685413 | RUBBERIZED UNDERCOAT (GRAVELGUARD) 560gr From N-1262 | AR | |
| | | | | |
| 21 | 157734 | STRAP | 1 | |
| 22 | 504793 | RIVET MNB OE LARGE HEAD 3/16x7/16 SS | 2 | |
| 23 | 500411 | WASHER FL .260x.697x.050 SS | 2 | |
| 25 | 150798 | SLIDE TRACK | 1 | |
| 26 | 504339 | RIVET POP DOME OE 1/8x3/8 SS | 9 | |
| 27 | 5001137 | WASHER FL .203x.438x.050 SS | 9 | |
| 31 | 173970 | STOPPER / SPARE TIRE ARM To P-1347 | 1 | |
| 31 | 251476 | TUBE ASS. From P-1348 | 1 | |

From K-0295

Date:07/2024

VIP-14

STEERING



| | | |
|-------------|--------------|--------|
| From K-0295 | Date:07/2024 | VIP-14 |
|-------------|--------------|--------|

STEERING

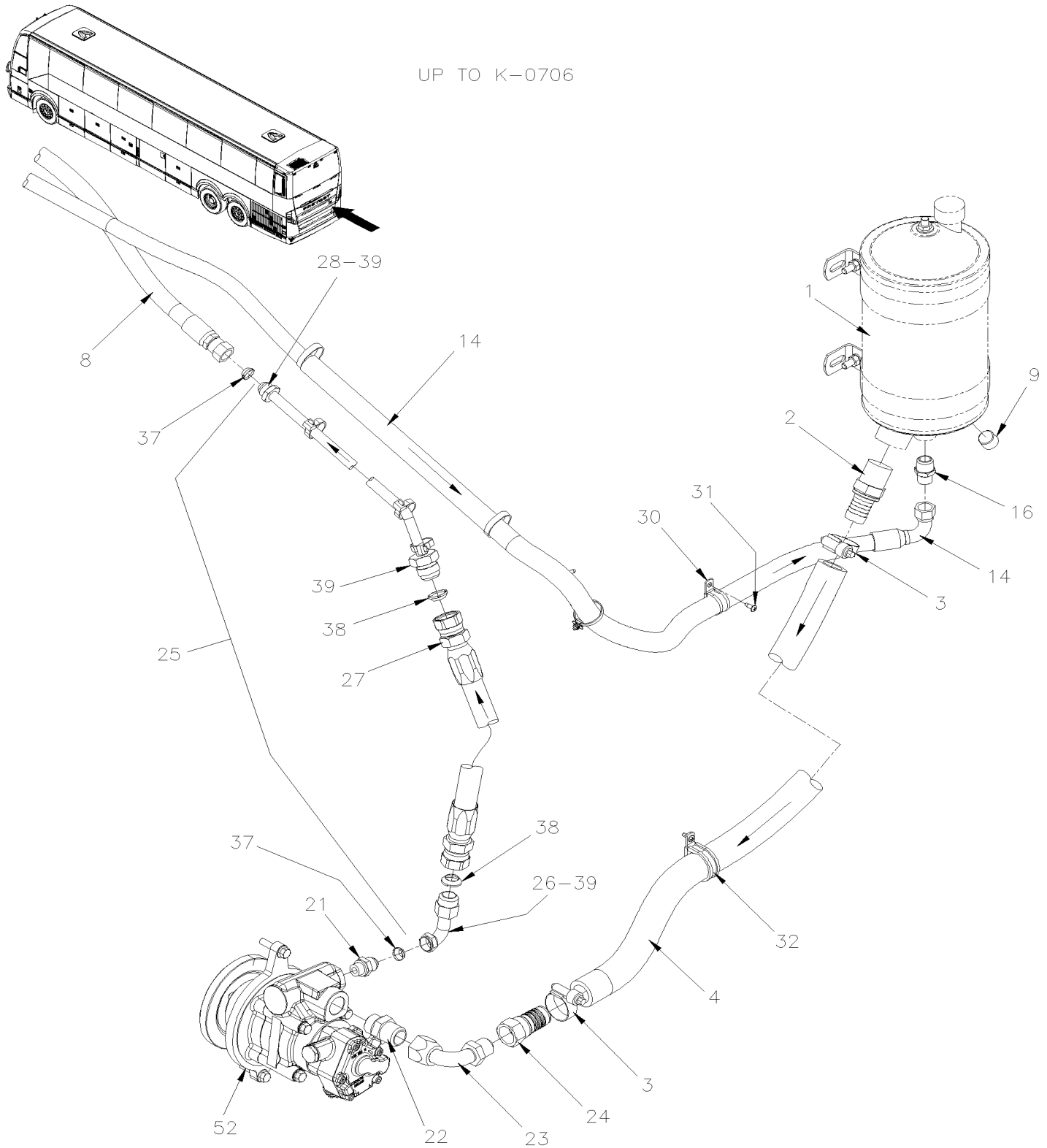
| Item# | Part | Description | QTY | Notes |
|-------|----------------|--|-----|-------|
| 5 | VIP-1400-01 | POWER STEERING HOSE - INSTALLATION From K-0295 | | |
| 10 | VIP-1405-01 | STEERING WHEEL & COLUMN ASSY WITH CONTROL SWITCHES From K-0295 To P-1347 | | |
| 10 | VIP-1405-02 | STEERING WHEEL & COLUMN ASSY WITH CONTROL SWITCHES From P-1348 | | |
| 20 | VIP-1407-00 | STEERING COLUMN & COVER - INSTALLATION From K-0295 To P-1347 | | |
| 20 | VIP-1407-01 | STEERING COLUMN & COVER - INSTALLATION From P-1348 | | |
| 25 | VIP-1410-00 | STEERING GEAR BOX & DRAG LINK - INSTALLATION From K-0295 | | |
| 25 | VIP-1410-51 | STEERING RODS - INSTALLATION W/INDEPENDENT "NDIFS80P" / 19000LBS From K-0295 | | |
| 35 | VIP-1415-50 | STEERING GEARBOX - "ZF" - W/INDEPENDENT From K-0295 | | |
| 40 | VIP-1420-00 | POWER STEERING TANK - 4 QT U.S. From K-0295 To K-0706 | | |
| 40 | VIP-1420-10 | POWER STEERING TANK - ZF From K-0707 | | |
| 45 | Refer To Volvo | POWER STEERING PUMP - "VOLVO" D13 From K-0295 | | V |
| 50 | VIP-1430-50 | CYLINDER POWER STEERING From K-0295 | | |
| | | | | |
| | | | | |
| | | | | |
| | | V) SEE IMPACT OR CALL ORDER DESK | | |

From K-0295

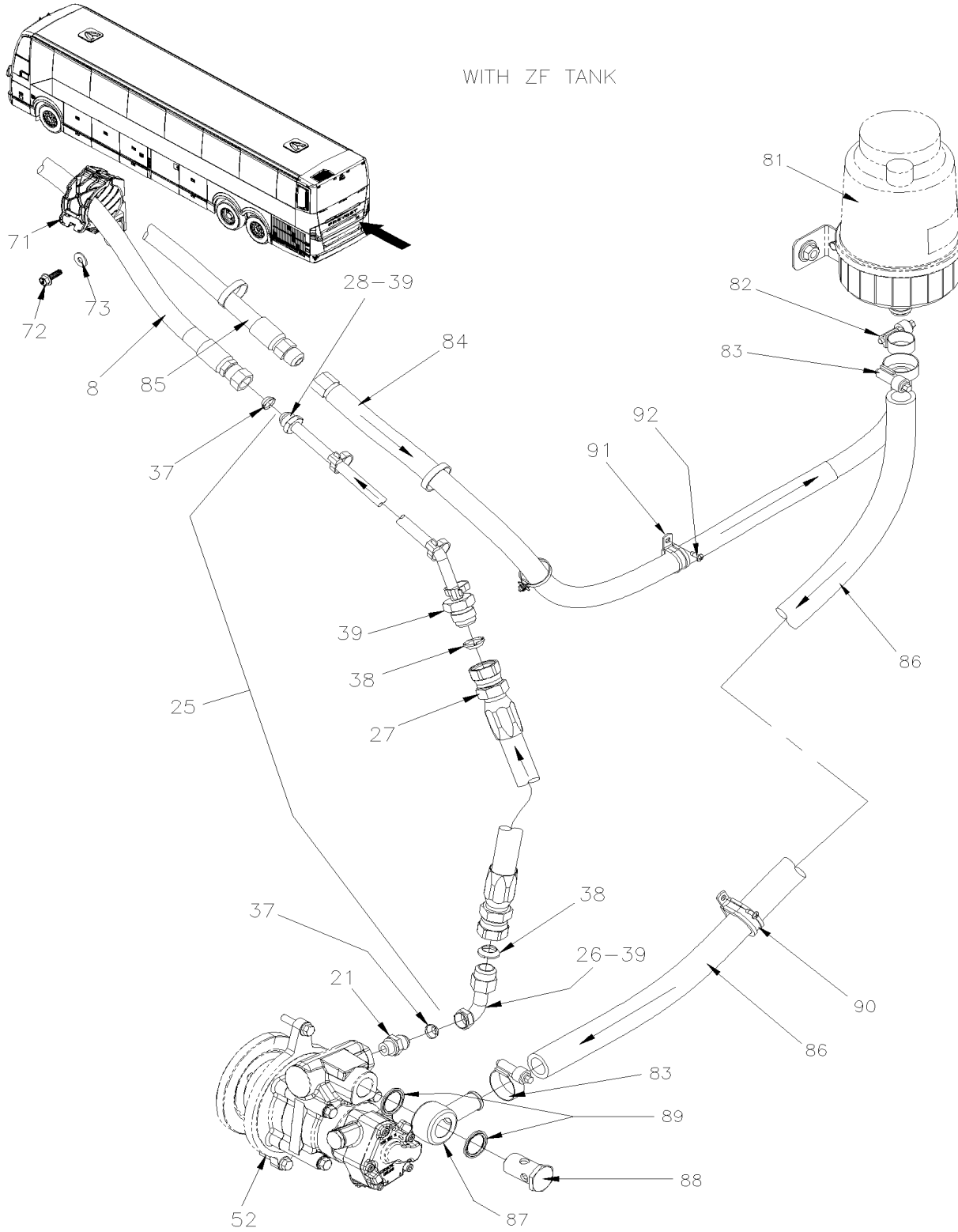
Date:07/2024

PAGE:VIP-1400-01

POWER STEERING HOSE - INSTALLATION



POWER STEERING HOSE - INSTALLATION

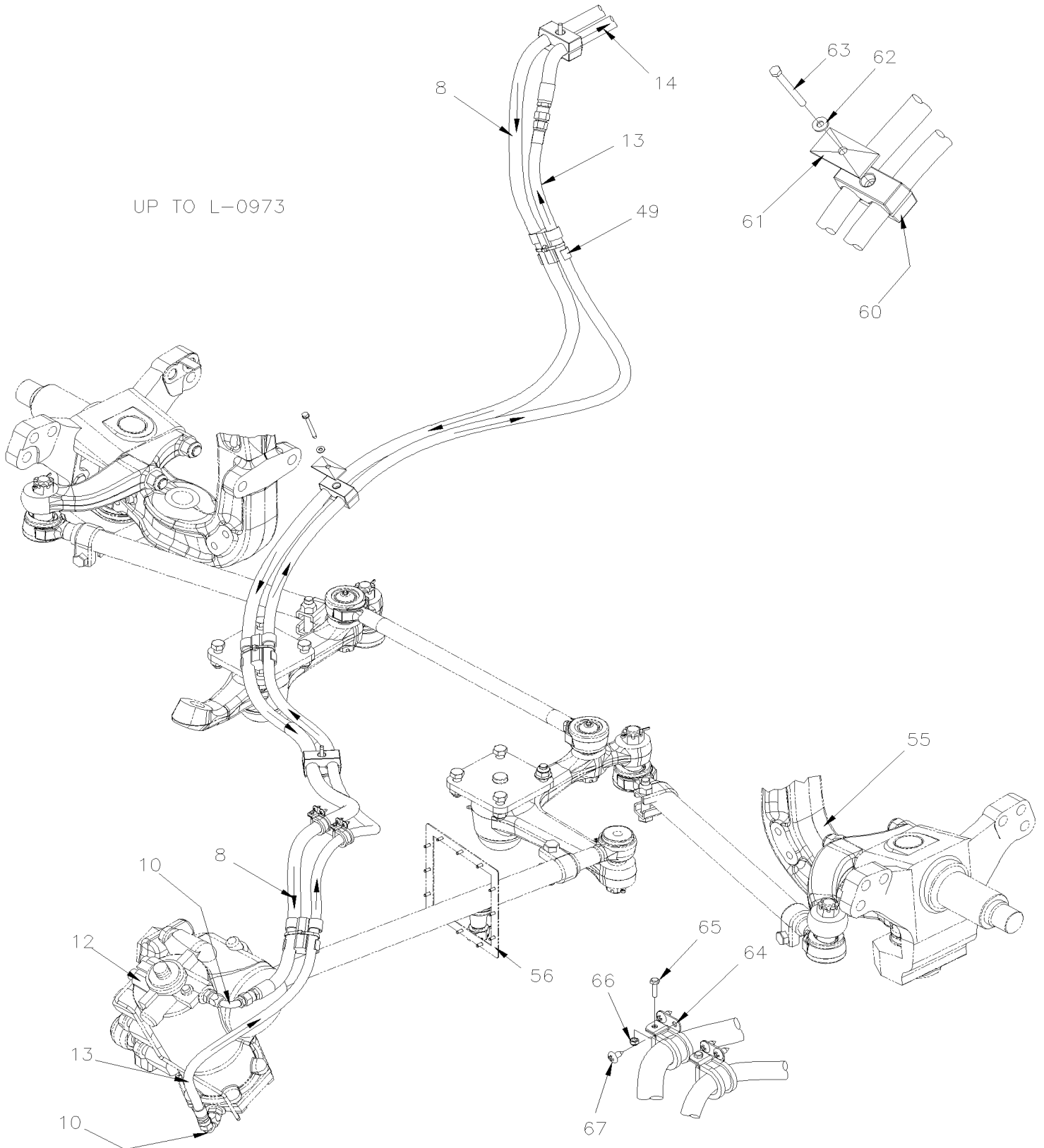


From K-0295

Date:07/2024

PAGE:VIP-1400-01

POWER STEERING HOSE - INSTALLATION

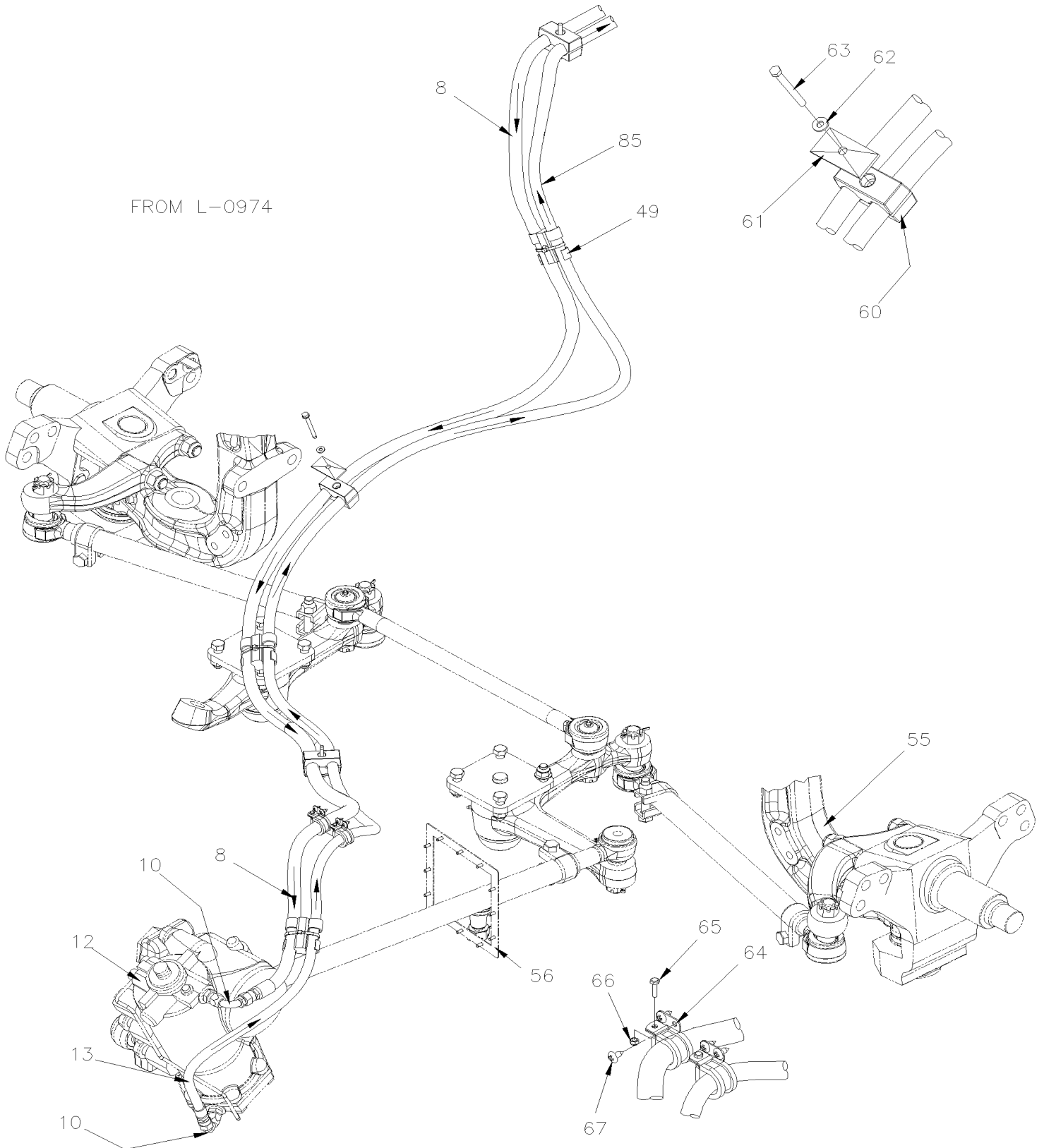


From K-0295

Date:07/2024

PAGE:VIP-1400-01

POWER STEERING HOSE - INSTALLATION



| | | | |
|---|--|--------------|------------------|
| From K-0295 | | Date:07/2024 | PAGE:VIP-1400-01 |
| POWER STEERING HOSE - INSTALLATION | | | |

| Item# | Part | Description | QTY | Notes |
|-------|-----------------|--|-----|-------|
| 1 | VIP-1420-00 | POWER STEERING TANK - 4 QT U.S. To K-0706 | | |
| 2 | 5011086 | MALE CONNECTOR / PUSH-LOK FITTING / 1NPT-Mx#16 STL To K-0706 | 1 | |
| 3 | 504291 | HOSE CLAMP / 1"1/8-1"3/4 SS / E.T. 20 To K-0706 | AR | |
| 4 | 163485 | HOSE / FEED LINE TO TANK / #16 870MM To K-0706 | 1 | |
| 4 | 503577 | . HOSE #16 / S.L. To K-0706 | AR | |
| 8 | 163491P | HOSE ASSY / #8 12420MM To L-0973 | 1 | |
| 8 | 160108 | HOSE ASSY / #8 12490MM From L-0974 | 1 | |
| NS | 503748 | . HOSE PROTECTOR / YELLOW / .838 I.D. To L-0973 | AR | |
| NS | 160203 | KIT, POWER STEERING PUMP DISCHARGE HOSE (PRESSURE) H3-45,VIP-45 To L-0973 | 1 | |
| . NS | 160108 | . HOSE ASSY / #8 12490MM To L-0973 | 1 | |
| . NS | 170758 | . SUPPORT To L-0973 | 1 | |
| . NS | 5001730 | . SCREW CAP HEXF M6-1.0x16 G10.9 N500 To L-0973 | 1 | |
| . NS | 5001833 | . WASHER BEL SPR 6.1x18x1.27 SS To L-0973 | 1 | |
| . NS | | . FLARETITE SEAL ARE NO LONGER USED IN PRODUCTION AND SERVICE To L-0973 | 1 | |
| . NS | 504189 | . CLAMP DOUBLE ASS / SPLIT BLOC / 22MM/19MM x 67MM POLYA To L-0973 | 1 | |
| . NS | 504204 | . CLAMP P SS PA ID. 36-51 To L-0973 | 1 | |
| . NS | IS-19040 | . INSTRUCTION SHEET To L-0973 | 1 | |
| . NS | FI-19040 | . VOIR FEUILLE D'INSTRUCTION To L-0973 | 1 | |
| 9 | 501966 | PLUG HEXS / PIPE FITTING / 1/2NPT-M STL To K-0706 | 1 | |
| 10 | 501845 | SWIVEL NUT ELBOW 90° LONG / JIC 37° FITTING / #8JIC-Fx#8JIC-Mx1.86 STL | 2 | |
| 11 | 5011192 | MALE CONNECTOR / JIC 37° FITTING / #8JIC-MxM18-1.5-M STL | 2 | |
| . NS | N.P.N. | . O-RING | 1 | 4 |
| . NS | N.P.N. | . WASHER RET | 1 | 4 |
| NS | 688910 | THREAD LOCKER LOCTITE #262 / RED / 250ml | AR | |
| 12 | VIP-1415-50 | STEERING GEARBOX - "ZF" - W/INDEPENDENT | | |
| 13 | Call order desk | HOSE PHANTOM SUPPERSEDED BY # 161291 & # 161295 To K-0706 | 1 | P |
| . NS | 161291 | . HOSE ASSY / #8 10580MM To K-0706 | 1 | |
| . NS | 161295 | . HOSE ASSY / #6 3000MM To K-0706 | 1 | |
| 13 | 161295 | HOSE ASSY / #6 3000MM To L-0973 | 1 | |
| NS | 505181 | . COIL PROTECTOR / PLASTIC / #8 To L-0973 | AR | |
| 14 | 161291 | HOSE ASSY / #8 10580MM To K-0706 | 1 | |
| 16 | 501739 | MALE CONNECTOR / JIC 37° FITTING / #8JIC-Mx1/2NPT-M STL To K-0706 | 1 | |
| 21 | 641294 | MALE CONNECTOR / JIC 37° FITTING / #8JIC-MxM16-1.5-M STL | 1 | |
| . NS | 641297 | . O-RING 13.1MM I.D. X 2.6 TH | 1 | |
| . NS | 641298 | . WASHER FL 17MM I.D x 22MM O.D. x 1.5MM | 1 | |
| 22 | 507647 | MALE CONNECTOR W/ED SEAL / JIC 37° FITTING / #12JIC-MxM26-1.5-M STL To K-0706 | 1 | |
| 23 | 507544 | SWIVEL NUT ELBOW 90° SHORT / JIC 37° FITTING/ #12JIC-Fx#12JIC-Mx1.82 STL To K-0706 | 1 | |
| 24 | 507646 | FEMALE CONNECTOR SWIVEL / COLLAR FITTING / #12JIC-Fx#16 STL To K-0706 | 1 | |
| 25 | 163596 | HOSE ASSY WITH NOISE ATENUATOR TUBE To £-20086 | 1 | |
| 25 | 163606 | HOSE ASSY WITH NOISE ATENUATOR TUBE From £-20086 | 1 | |
| . NS | 163607 | . HOSE ASSY #12 380MM From £-20086 | 1 | |
| . NS | 163608 | . PIPE ASSY From £-20086 | 1 | |

| | | | |
|---|--|--------------|------------------|
| From K-0295 | | Date:07/2024 | PAGE:VIP-1400-01 |
| POWER STEERING HOSE - INSTALLATION | | | |

| Item# | Part | Description | QTY | Notes |
|-------|--------------------|---|-----|-------|
| . NS | 5011342 | . SWIVEL NUT ELBOW 90° LONG / JIC 37° FITTING / #12JIC-Mx#8JIC-F STL From £-20086 | 1 | |
| 26 | 5011342 | . SWIVEL NUT ELBOW 90° LONG / JIC 37° FITTING / #12JIC-Mx#8JIC-F STL | 1 | D13 |
| 27 | 163606 | . HOSE ASSY WITH NOISE ATENUATOR TUBE | 1 | |
| . NS | 163607 | . . HOSE ASSY #12 380MM | 1 | |
| . NS | 163608 | . . PIPE ASSY | 1 | |
| . NS | 5011342 | . . SWIVEL NUT ELBOW 90° LONG / JIC 37° FITTING / #12JIC-Mx#8JIC-F STL | 1 | |
| 28 | 163608 | . PIPE ASSY | 2 | |
| 30 | 952631 | CLAMP / 3/4" I.D. To K-0706 | AR | |
| 30 | 952634 | CLAMP / 15/16" I.D. To K-0706 | AR | |
| 31 | 500613 | SCREW TP PAN PH #10x1/2 Z050 To K-0706 | AR | |
| 32 | 952641 | CLAMP P STL ZP RUB 34.9 ID To K-0706 | 1 | |
| 32 | 502868 | SCREW TC TR PH #10-16x1/2 N500 To K-0706 | 1 | |
| 37 | 501031 | SEAL / JIC 37° FITTING / #8 To R-1993 | 2 | |
| 37 | | FLARETITES SEALS ARE NO LONGER USED. ECN 2024006 From R-1994 | | |
| 38 | 501059 | SEAL / JIC 37° FITTING / #12 To R-4104 | 2 | |
| 38 | | FLARETITES SEALS ARE NO LONGER USED. From R-4105 | 1 | |
| 39 | 688910 | THREAD LOCKER LOCTITE #262 / RED / 250ml | AR | |
| 49 | 504634 | T-CLIP / 7/8" - 1" | AR | |
| NS | 504637 | CABLE TIE / 3/16" x 13" | AR | |
| NS | 500620 | SCREW TP FL PH #10x1 1/2 Z050 | AR | |
| 49 | 509815 | TIE MOUNT / ATTACHMENT W/TREE MOUNT | 1 | |
| 52 | Refer To Volvo | POWER STEERING PUMP - "VOLVO" D13 | 1 | V |
| 55 | VIP-1005-51 | FRONT AXLE - INDEPENDENT MODEL "NDIFS80P" / 19000LBS | | |
| 56 | VIP-1410-00 | STEERING GEAR BOX & DRAG LINK - INSTALLATION | | |
| 60 | 504727 | CLAMP DOUBLE ASS / 2 HOSE SIZE 3/8" | AR | |
| 61 | 504728 | PLATE RETAINER | AR | |
| 62 | 500440 | WASHER FL .250x.562x.065 Z050 | AR | |
| 63 | 500107 | SCREW TC CAP HEXW 1/4-20x2 1/2 Z050 | AR | |
| 63 | 500085 | SCREW DR HEXW 1/4-14x5 PT N500 | 1 | |
| 64 | 562036 | CLAMP / 7/8" I.D. X 90° | AR | |
| 65 | 502550 | SCREW CAP HEX M4-0.7x16 G8.8 Z050 | AR | |
| 66 | 500590 | NUT HEX NYRT M4-0.7 Z050 | AR | |
| 67 | 500657 | SCREW TC TR PH #10-24x1/2 Z050 | AR | |
| 71 | 504204 | CLAMP P SS PA ID. 36-51 From L-0974 | 1 | |
| 72 | 5002105 | SCREW CAP HEXF M6-1.0x20 G10.9 N500 From L-0974 | 1 | |
| 73 | 5001833 | WASHER BEL SPR 6.1x18x1.27 SS From L-0974 | 1 | |
| 81 | VIP-1420-10 | POWER STEERING TANK - ZF | | |
| 82 | 992082 | HOSE CLAMP / 16MM/27MM From K-0707 | 1 | ZF |
| 83 | 992084 | HOSE CLAMP / 23MM/35MM From K-0707 | 2 | ZF |
| 84 | 163497 | HOSE ASSY / #10 1010MM From K-0707 To L-0973 | 1 | |

| | | |
|---|--------------|------------------|
| From K-0295 | Date:07/2024 | PAGE:VIP-1400-01 |
| POWER STEERING HOSE - INSTALLATION | | |

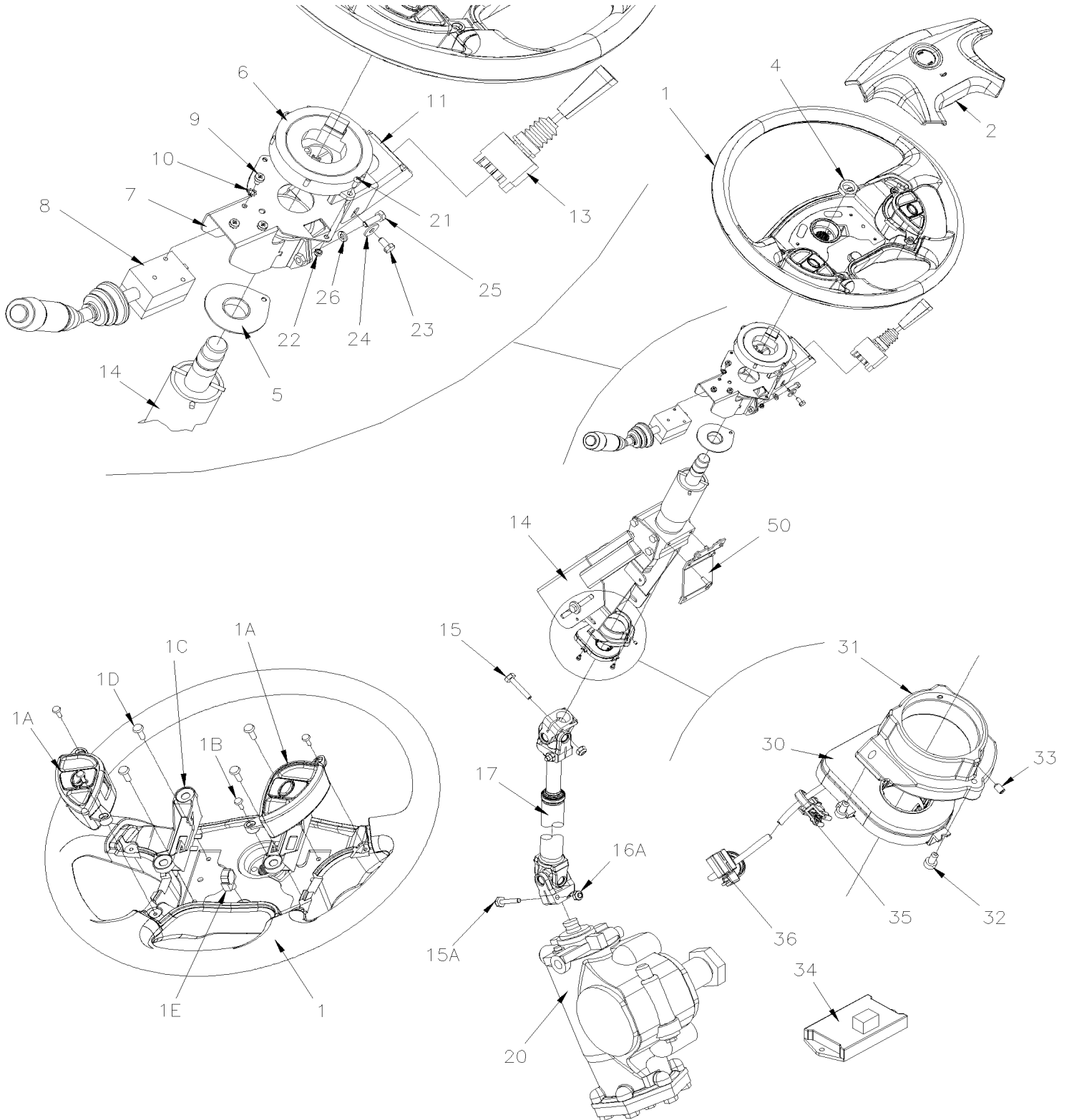
| Item# | Part | Description | QTY | Notes |
|-------|--------|--|-----|-------|
| 84 | 160110 | HOSE ASSY / #10 1034MM From L-0974 | 1 | ZF |
| 85 | 163496 | HOSE ASSY / #8 9800MM From K-0707 To L-0973 | 1 | |
| 85 | 160202 | HOSE ASSY / #8 12796MM From L-0974 | 1 | ZF |
| 86 | 503809 | HOSE, LOW PRESSURE 22 I.D. From K-0707 | AR | ZF |
| 87 | 507680 | BANJO UNION / 26MMx22MMHOSE From K-0707 | 1 | ZF |
| 88 | 507681 | BANJO BOLT / M26-1.5 From K-0707 | 1 | ZF |
| 89 | 507682 | BANJO WASHER / M26 From K-0707 To N-1176 | 2 | ZF |
| 89 | 507037 | BANJO WASHER / M26 From N-1177 | 2 | |
| 90 | 952641 | CLAMP P STL ZP RUB 34.9 ID From K-0707 To K-0706 | 1 | ZF |
| 90 | 952639 | CLAMP / 1"1/4 I.D. From K-0707 | 1 | ZF |
| 91 | 952635 | CLAMP / 1" I.D. From K-0707 | 1 | ZF |
| 92 | 502868 | SCREW TC TR PH #10-16x1/2 N500 From K-0707 | 2 | ZF |
| | | | | |
| | | | | |
| | | | | |
| | | | | |
| | | D13) WITH VOLVO ENGINE D13 | | |
| | | ZF) WITH ZF OIL TANK | | |
| | | P) CALL ORDER DESK FOR SPECIFIC APPLICATION (V.I.N.) | | |
| | | V) SEE IMPACT OR CALL ORDER DESK | | |
| | | 4) NO PARTS NUMBER | | |

From K-0295 To P-1347

Date:07/2024

PAGE:VIP-1405-01

STEERING WHEEL & COLUMN ASSY WITH CONTROL SWITCHES



| | | |
|---|--------------|------------------|
| From K-0295 To P-1347 | Date:07/2024 | PAGE:VIP-1405-01 |
| STEERING WHEEL & COLUMN ASSY WITH CONTROL SWITCHES | | |

| Item# | Part | Description | QTY | Notes |
|-------|---------|---|-----|-------|
| 1 | 661172 | STEERING WHEEL URHETHANE | 1 | |
| . A | 661204 | . SWITCH ASSY / W/OUT TRANS SHIFTER | 1 | |
| . B | 661159 | . SCREW MA BUT M4-0.7x8 | 4 | |
| . C | 661157 | . HORN PAD BASE | 2 | |
| . D | 661160 | . SCREW MA M5-0.8x8 | 4 | |
| . E | 661158 | . CLIP WIRE RETAINER | 1 | |
| 1 | 661174 | STEERING WHEEL LEATHER | 1 | |
| . A | 661204 | . SWITCH ASSY / W/OUT TRANS SHIFTER | 1 | |
| . B | 661159 | . SCREW MA BUT M4-0.7x8 | 4 | |
| . C | 661157 | . HORN PAD BASE | 2 | |
| . D | 661160 | . SCREW MA M5-0.8x8 | 4 | |
| . E | 661158 | . CLIP WIRE RETAINER | 1 | |
| 1 | 661176 | STEERING WHEEL LEATHER & WOOD | 1 | |
| . A | 661204 | . SWITCH ASSY / W/OUT TRANS SHIFTER | 1 | |
| . B | 661159 | . SCREW MA BUT M4-0.7x8 | 4 | |
| . C | 661157 | . HORN PAD BASE | 2 | |
| . D | 661160 | . SCREW MA M5-0.8x8 | 4 | |
| . E | 661158 | . CLIP WIRE RETAINER | 1 | |
| 1 | 661177 | STEERING WHEEL LEATHER & WOOD BLACK | 1 | |
| . A | 661204 | . SWITCH ASSY / W/OUT TRANS SHIFTER | 1 | |
| . B | 661159 | . SCREW MA BUT M4-0.7x8 | 4 | |
| . C | 661157 | . HORN PAD BASE | 2 | |
| . D | 661160 | . SCREW MA M5-0.8x8 | 4 | |
| . E | 661158 | . CLIP WIRE RETAINER | 1 | |
| 2 | 661149 | HORN BUTTON CUSHION PAD W PROVOST EMBLEM | 1 | |
| . NS | N.S.S. | . SPRING HORN | 4 | 1 |
| . NS | 661162 | . SPRING RETAINER / HORN SPRING | 4 | |
| . NS | 661163 | . HORN CONTACT | 1 | |
| 4 | 661051 | NUT | 1 | |
| 5 | 161273 | RING TURN SIGNAL CANCELING | 1 | |
| NS | 502506 | SCREW SET HEXS CUP M4-0.7x16 | 2 | |
| 6 | 660012 | ROTATING CONTACT / CLOCK SPRING To N-1300 | 1 | |
| 6 | 661224 | ROTATING CONTACT / CLOCK SPRING From N-1301 | 1 | |
| NS | 067214 | EXTENSION, CLOCK SPRING | 1 | |
| NS | 161249 | GUIDE ROTATING CONTACT | 1 | |
| NS | 504742 | RING RETAINER / EXT 1.562 x 1.446 x 0.62 | 1 | |
| 7 | 161212 | SUPPORT, DIRECTIONAL SWITCH | 1 | |
| 8 | 661075 | LEVER ASSY / MULTIFONCTINAL | 1 | |
| . NS | 660781 | . CAP PLEATED RUBBER | 1 | |
| 8 | 504804 | RING RETAINER / EXT 1 3/4 | 1 | |
| 9 | 5001377 | SCREW MA PAN PH M5-0.8x8 SS | 3 | |
| 10 | 5001378 | WASHER LO EXT 5.3x10x0.6 Z050 | 3 | |

| | | |
|---|--------------|------------------|
| From K-0295 To P-1347 | Date:07/2024 | PAGE:VIP-1405-01 |
| STEERING WHEEL & COLUMN ASSY WITH CONTROL SWITCHES | | |

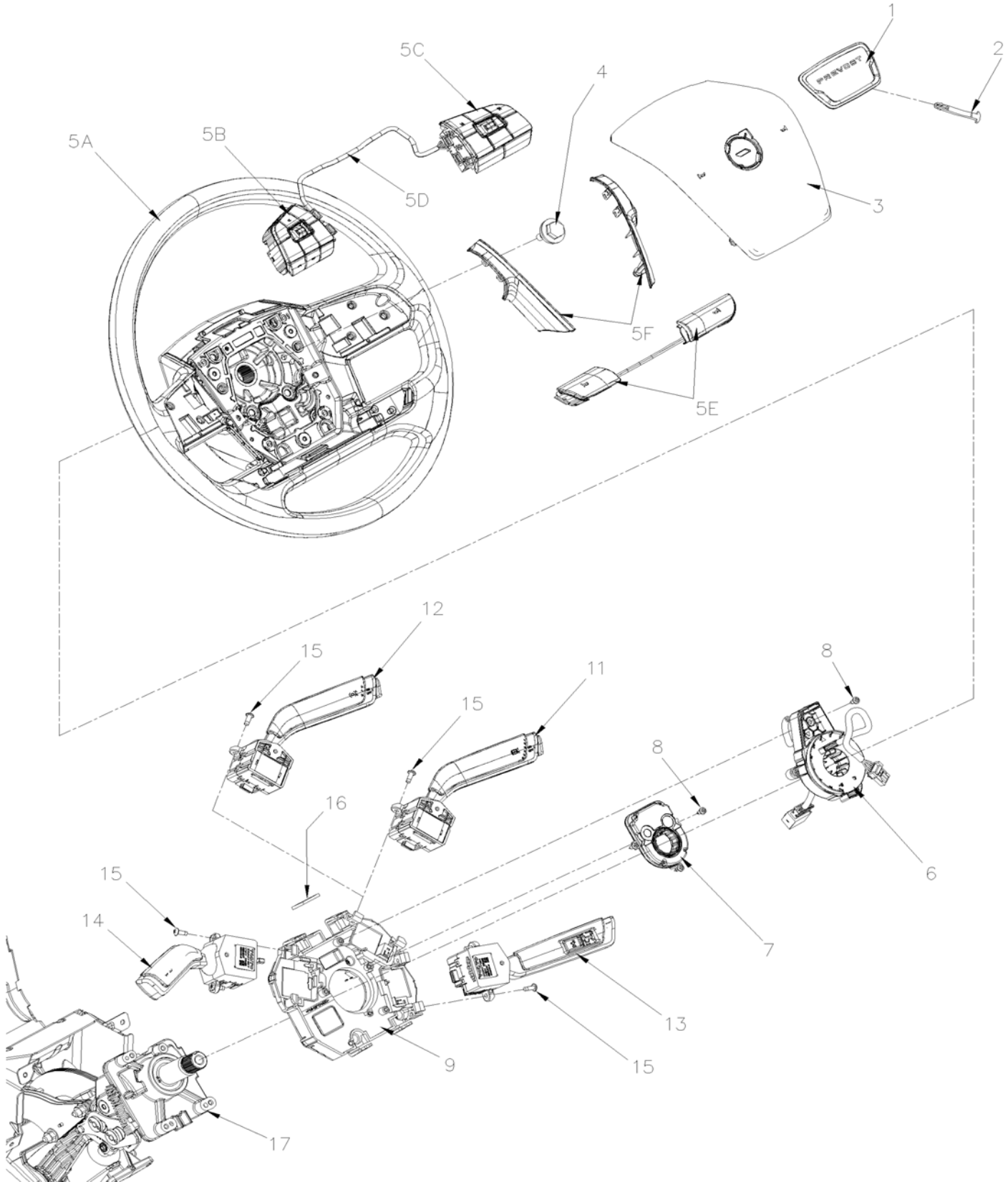
| Item# | Part | Description | QTY | Notes |
|-------|--------------------|---|-----|-------|
| 11 | 161211 | COLLAR W/SWITCH SUPPORT | 1 | |
| 13 | 562356 | SWITCH ASSY / W/LEVER & BOOT / 6 POSITIONS | 1 | |
| 14 | 661147 | STEERING COLUMN ASSY W/E.C.S. 36SPL / 66SPL LOWER | 1 | |
| NS | 161220 | DECAL "WARNING" STREERING SYSTEM CALIBRA.." | 1 | |
| NS | 641242 | MALE CONNECTOR / PUSH-IN FITTING / #4x1/8NPT-M BR | 1 | |
| 15 | 661195 | SCREW "SPECIAL" STEERING SHAFT "ZF" | 1 | |
| 15A | 502946 | SCREW CAP HEX M10-1.5x50 G10.9 N500 | 1 | |
| 16A | 502859 | NUT HEX NYRT M10-1.5 N500 | 1 | |
| 17 | 660770 | SHAFT ASSY STEERING W/E.C.S. 66SPL / 79SPL LOWER | 1 | |
| NS | 661195 | SCREW "SPECIAL" STEERING SHAFT "ZF" | 1 | |
| NS | 161220 | DECAL "WARNING" STREERING SYSTEM CALIBRA.." | 1 | |
| 20 | VIP-1415-50 | STEERING GEARBOX - "ZF" - W/INDEPENDENT | | |
| 21 | 500344 | SCREW MA RND PH M4-0.7x12 Z050 | 2 | |
| 22 | 500590 | NUT HEX NYRT M4-0.7 Z050 | 2 | |
| 23 | 502563 | SCREW CAP HEX M6-1.0x12 G8.8 Z050 | 2 | |
| 24 | 5001462 | WASHER FL 6.4x18.0x1.6 Z050 | 2 | |
| 25 | 502631 | SCREW CAP HEX M6-1.0x20 G8.8 Z050 | 2 | |
| 26 | 500356 | WASHER LO SERR 6.1x16.0x0.9 N500 | 2 | |
| 30 | 661148 | SENSOR ANGLE POSITION DETECTOR | 1 | |
| NS | 564042 | CONNECTOR / BOSCH 1 928 404 025 | 1 | |
| 31 | 161265 | SUPPORT SENSOR ANGLE POSITION STEERING | 1 | |
| 32 | 5001670 | SCREW CAP HEXS M4-0.7x8 G8.8 Z050 | 3 | |
| 33 | 500587 | SCREW SET HEXS CUP M4-0.7x6 | 3 | |
| 34 | 560008 | GATEWAY LIN BUS INTERFACE | 1 | A |
| 35 | 564204 | CABLE TIE / WITH EDGE CLIP / T50REC4A 10MMx200MM | 1 | |
| 36 | 564534 | CABLE TIE / WITH EDGE CLIP / T50REC5A 10 MM x 200 MM | 1 | |
| 50 | VIP-1407-00 | STEERING COLUMN & COVER - INSTALLATION | | |
| | | | | |
| | | | | |
| | | | | |
| | | | | |
| | | A) THIS INTERFACE BOX ARE LOCATED INSIDE OF DASH ON L.H. SIDE | | |
| | | 1) NOT SOLD SEPARATELY | | |

To P-1423

Date:07/2024

PAGE:VIP-1405-02

STEERING WHEEL & COLUMN ASSY WITH CONTROL SWITCHES

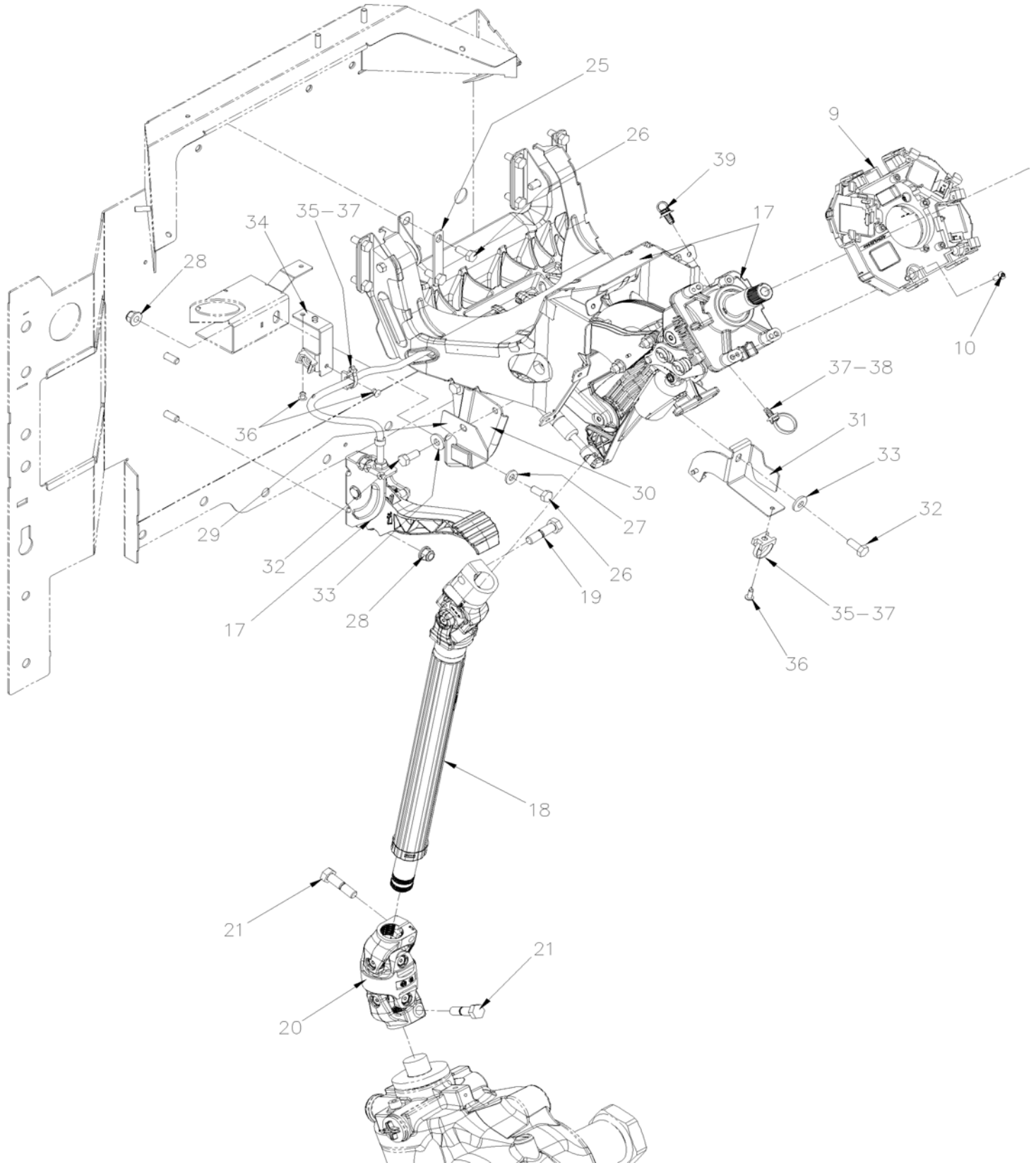


To P-1423

Date:07/2024

PAGE:VIP-1405-02

STEERING WHEEL & COLUMN ASSY WITH CONTROL SWITCHES



| | | | |
|---|--|---------------------|-------------------------|
| To P-1423 | | Date:07/2024 | PAGE:VIP-1405-02 |
| STEERING WHEEL & COLUMN ASSY WITH CONTROL SWITCHES | | | |

| Item# | Part | Description | QTY | Notes |
|-------|-----------------|---|-----|-------|
| 1 | 160151 | STEERING WHEEL CREST | 1 | |
| 2 | 660081 | PIN WHEEL COVER | 1 | |
| 3 | 660080 | STEERING WHEEL COVER | 1 | |
| 4 | 82735908 | FLANGE SCREW | 1 | |
| 5 | 660035 | STEERING WHEEL LEATHER WITH PHONE | 1 | |
| . A | 23608654 | . STEERING WHEEL | 1 | |
| . B | 82779777 | . SWITCH LEFT / CRUISE CONTROL & LIGHTS WITH PHONE | 1 | |
| . C | 82761983 | . SWITCH RIGHT / RADIO CONTROL | 1 | |
| . D | 21207195 | . CABLE STEERING WHEEL SWTICH | 1 | |
| . E | 82755011 | . SWITCH / CITY HORN | 1 | |
| . F | 82975959 | . INSERT | 1 | |
| 5 | 660060 | STEERING WHEEL LEATHER WITHOUT PHONE | 1 | |
| . A | 23608654 | . STEERING WHEEL | 1 | |
| . B | 82779772 | . SWITCH LEFT / CRUISE CONTROL & LIGHTS WITHOUT PHONE | 1 | |
| . C | 82761983 | . SWITCH RIGHT / RADIO CONTROL | 1 | |
| . D | 21207195 | . CABLE STEERING WHEEL SWTICH | 1 | |
| . E | 82755011 | . SWITCH / CITY HORN | 1 | |
| . F | 82975959 | . INSERT | 1 | |
| 6 | 22071586 | CLOCK SPRING | 1 | |
| 7 | 23374360 | STEERING ANGLE SENSOR | 1 | |
| 8 | 500409 | SCREW TP PAN PH #8x1/2 BK | 6 | |
| 9 | 23796630 | BASE, RETARDER ARM | 1 | |
| 9 | 23796627 | BASE, ENGIN BRAKE ARM | 1 | |
| 10 | 994780 | SIX POINT SOCKET PAN HEAD SCREWS | 4 | |
| 11 | 23190596 | ARM,TRANSMISSION RETARDER | 1 | |
| 12 | 660063 | ARM,ENGIN BRAKE A-1-2-OFF | 1 | |
| 13 | 22860372 | WIPER STALK ARM | 1 | |
| 14 | 22943668 | STALK ARM DIRECTION INDICATEUR | 1 | |
| 15 | 500611 | SCREW TC PAN PH #10-24x1/2 Z050 | 6 | |
| 16 | 506738 | TAPE RUB ADH1 CC POL 1/8" x 1" x 50' / GREY 2520 | AR | |
| 17 | 23568151 | STEERING COLUMN ASSY To P-1423 | 1 | |
| 17 | 24012700 | STEERING COLUMN ASSY From P-1424 | 1 | |
| 18 | 660019 | SHAFT, STEERING | 1 | |
| 19 | 660072 | BOLT SPECIAL,STEERING SHAFT | 1 | |
| NS | 685353 | TORQUE SEAL | AR | |
| 20 | 660045 | DOUBLE JOINT 1X79 ZGN | 1 | |
| 21 | 660072 | BOLT SPECIAL,STEERING SHAFT | 2 | |
| NS | 685353 | TORQUE SEAL | AR | |
| 25 | 3981065 | ANCHORAGE, STEERING COLUMN | 4 | |
| 26 | 5001450 | SCREW CAP HEX M8-1.25x20 G10.9 DP | 9 | |
| 27 | 5001736 | WASHER FL 8.4x18.0x2.0 N500 | 1 | |
| 28 | 5001931 | NUT HEXF NYRT M8-1.25 G8.8 N500 | 3 | |

| | | |
|---|--------------|------------------|
| To P-1423 | Date:07/2024 | PAGE:VIP-1405-02 |
| STEERING WHEEL & COLUMN ASSY WITH CONTROL SWITCHES | | |

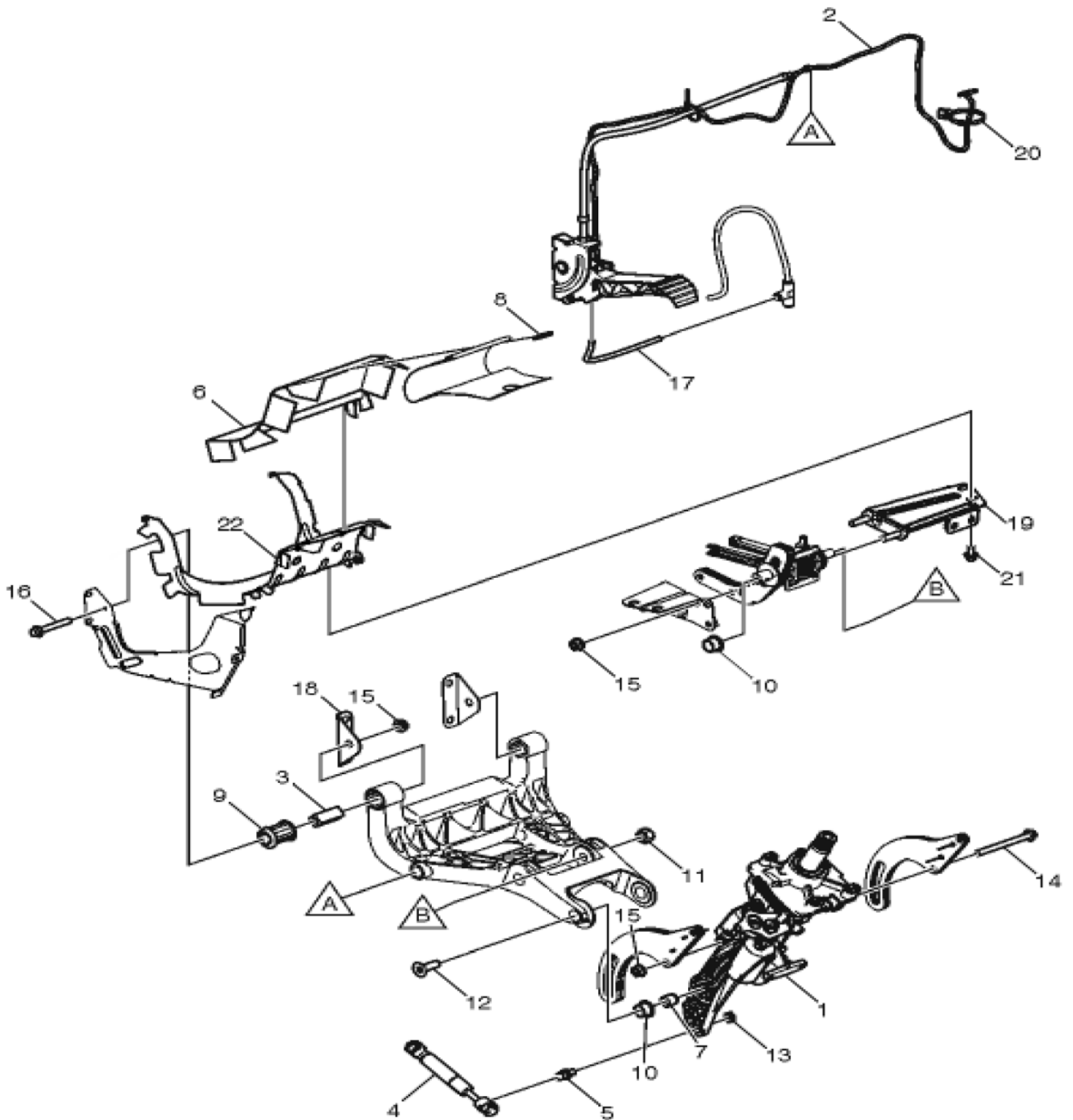
| Item# | Part | Description | QTY | Notes |
|-------|----------|--|-----|-------|
| 29 | 160083 | STIFFENER, STEERING COLUMN COVER | 1 | |
| NS | 505538 | TAPE DUAL LOCK 1" x 50 YARD / BLACK SJ3551 | AR | |
| 30 | 82193011 | ATTACHING BRACKET | 1 | |
| 31 | 160068 | STIFFENER, STEERING COLUMN COVER | 1 | |
| NS | 505538 | TAPE DUAL LOCK 1" x 50 YARD / BLACK SJ3551 | AR | |
| 32 | 5001450 | SCREW CAP HEX M8-1.25x20 G10.9 DP | 3 | |
| 33 | 500321 | WASHER BEL SPR .331x.827x.098 N500 | 3 | |
| 34 | 160076 | SUPPORT, STEERING COLUMN CABLE | 1 | |
| 35 | 504013 | TIE MOUNT / 1/4" X 1/4" I.D. | 4 | |
| 36 | 504379 | RIVET POP DOME OE 3/16x1/4 SS | 6 | |
| 37 | 504637 | CABLE TIE / 3/16" x 13" | 4 | |
| 38 | 509815 | TIE MOUNT / ATTACHMENT W/TREE MOUNT | 1 | |
| 39 | 504259 | CABLE TIE W/FIR TREE MOUNT OVAL (50LBS) | 2 | |

To P-1423

Date:07/2024

PAGE:23568151

STEERING COLUMN ASSY



R1373984

| | | |
|-----------------------------|--------------|---------------|
| To P-1423 | Date:07/2024 | PAGE:23568151 |
| STEERING COLUMN ASSY | | |

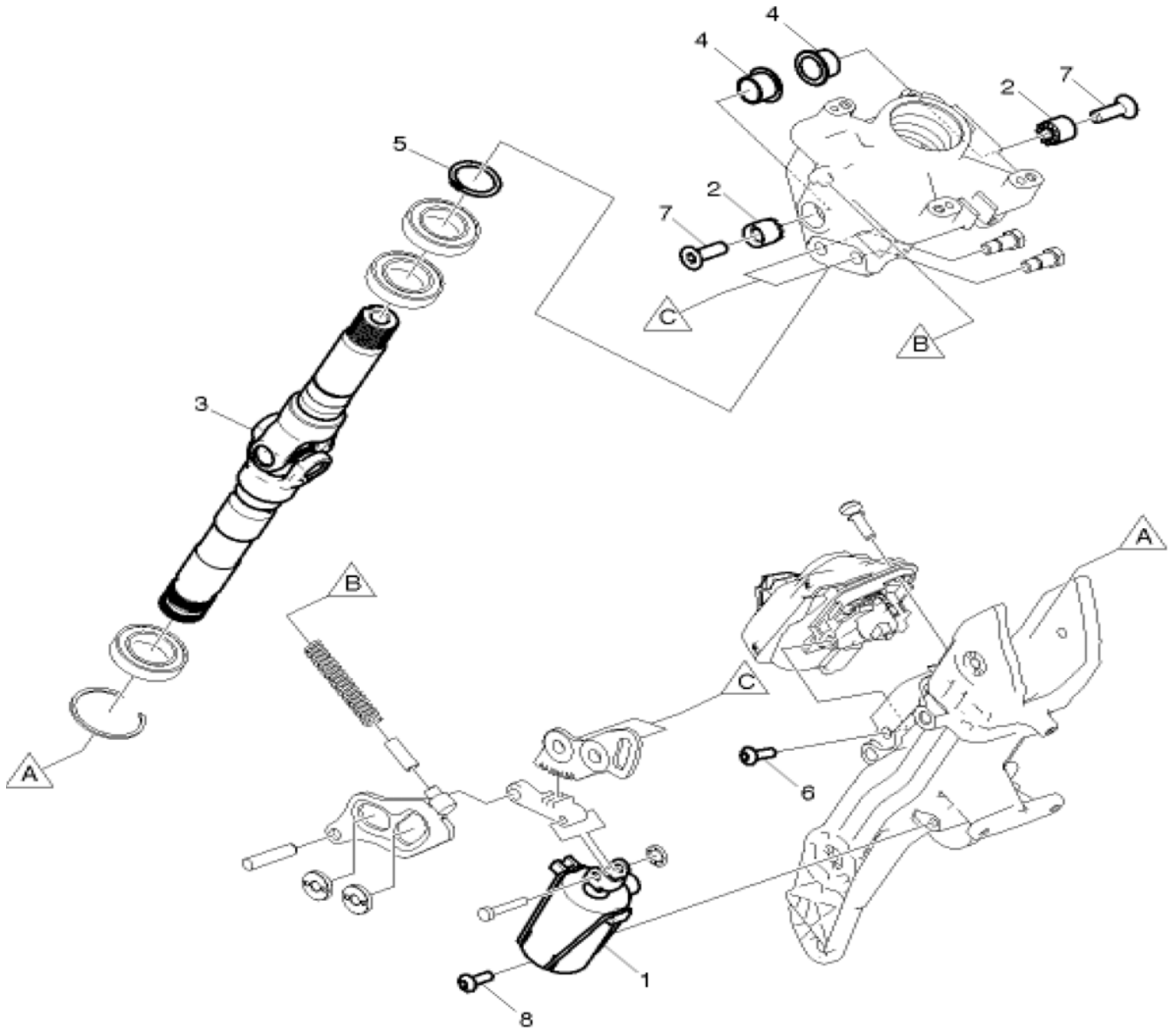
| Item# | Part | Description | QTY | Notes |
|-------|----------|------------------------------|-----|-------|
| 1 | 23568154 | HOUSING | 1 | |
| 2 | 82759162 | PEDAL ARRANGEMENT | 1 | |
| 3 | 1099528 | TUBE | 2 | |
| 4 | 3176306 | GAS SPRING | 1 | |
| 5 | 8191260 | BALL STUD | 2 | |
| 6 | 8189990 | COVER | 1 | |
| 7 | 8144273 | SPACER | 2 | |
| 8 | 8189578 | RETAINER 1,9-2,5MM | 2 | |
| 9 | 1096331 | RUBBER BUSHING | 2 | |
| 10 | 1096655 | BUSHING | 3 | |
| 11 | 990990 | LOCK NUT M12X12 | 1 | |
| 12 | 994934 | SIX POINT SOCKET SCREW M8X25 | 2 | |
| 13 | 994515 | HEXAGON NUT M8X5 | 1 | |
| 14 | 984743 | FLANGE SCREW | 2 | |
| 15 | 990950 | FLANGE LOCK NUT | 6 | |
| 16 | 994386 | FLANGE SCREW M8X55 | 2 | |
| 17 | 84708799 | PIPE | 1 | |
| 18 | 1099412 | BRACKET | 2 | |
| 19 | 1096350 | BRACKET | 1 | |
| 20 | 983022 | CABLE TIE; BLACK M22 | 1 | |
| 20 | 995180 | CABLE TIE | 1 | |
| 21 | 984725 | FLANGE SCREW M6-1.0x16 G8.8 | 1 | |
| 21 | 995648 | FLANGE SCREW M8X16 | 1 | |
| 22 | 20360839 | BRACKET | 1 | |

To P-1423

Date:07/2024

PAGE:23568154

HOUSING



| | | |
|-----------|--------------|---------------|
| To P-1423 | Date:07/2024 | PAGE:23568154 |
|-----------|--------------|---------------|

HOUSING

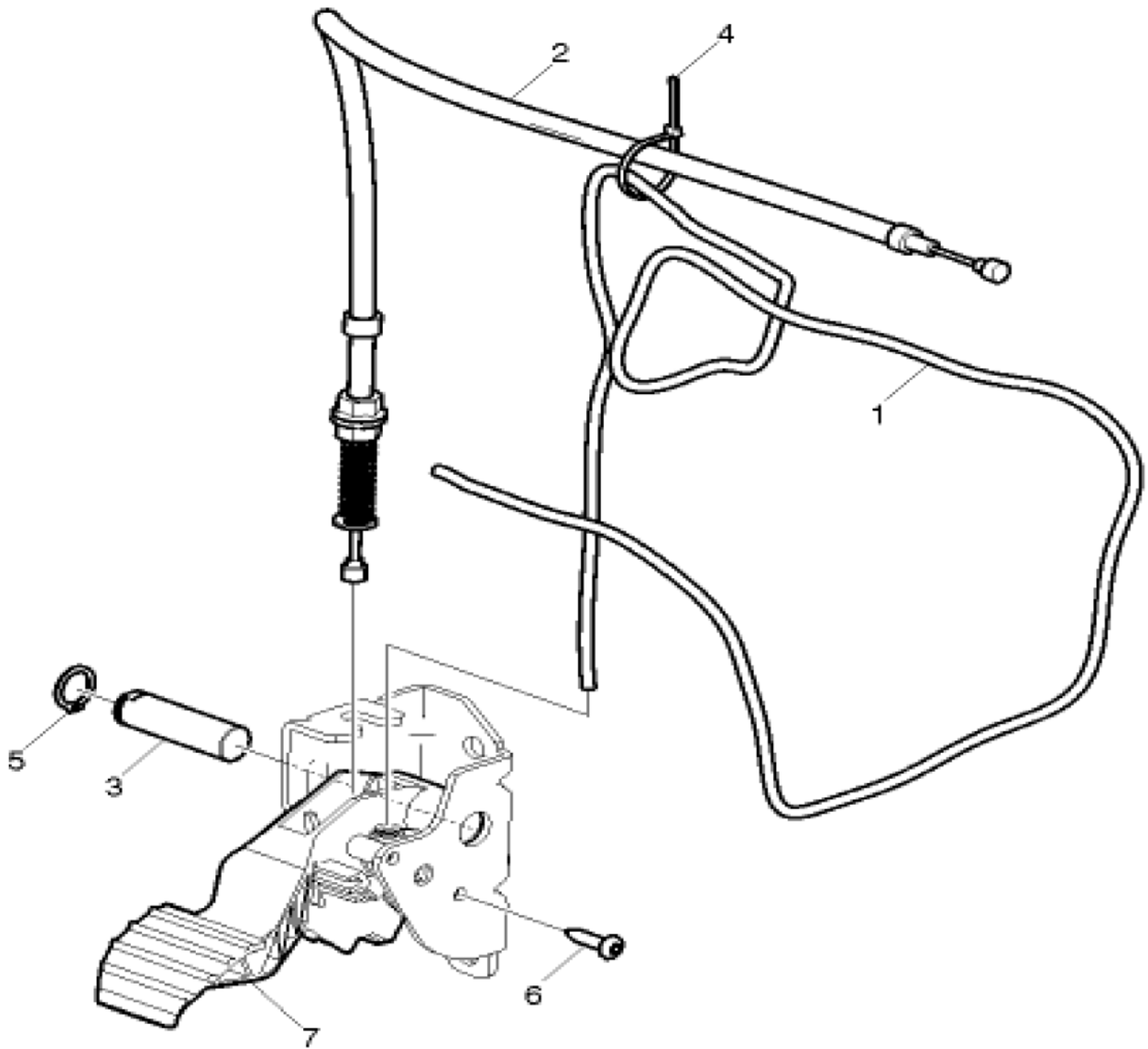
| Item# | Part | Description | QTY | Notes |
|-------|----------|-------------------------------------|-----|-------|
| 1 | 84193095 | AIR CYLINDER | 1 | |
| 2 | 8144273 | SPACER | 2 | |
| 3 | N.S.S. | SHAFT | 1 | 1 |
| 4 | 1096655 | BUSHING | 2 | |
| 5 | 914459 | SNAP RING | 1 | |
| 6 | 969418 | SIX POINT SOCKET SCREW M6X8 | 1 | |
| 7 | 969843 | SIX POINT SOCKET SCREW M8X25 | 2 | |
| 8 | 994785 | SIX POINT SOCKET SCREW; BLACK M6X16 | 1 | |
| | | | | |
| | | | | |
| | | 1) NOT SOLD SEPARATELY | | |

To P-1423

Date:07/2024

PAGE:82759162

PEDAL ARRANGEMENT



| | | |
|-----------|--------------|---------------|
| To P-1423 | Date:07/2024 | PAGE:82759162 |
|-----------|--------------|---------------|

PEDAL ARRANGEMENT

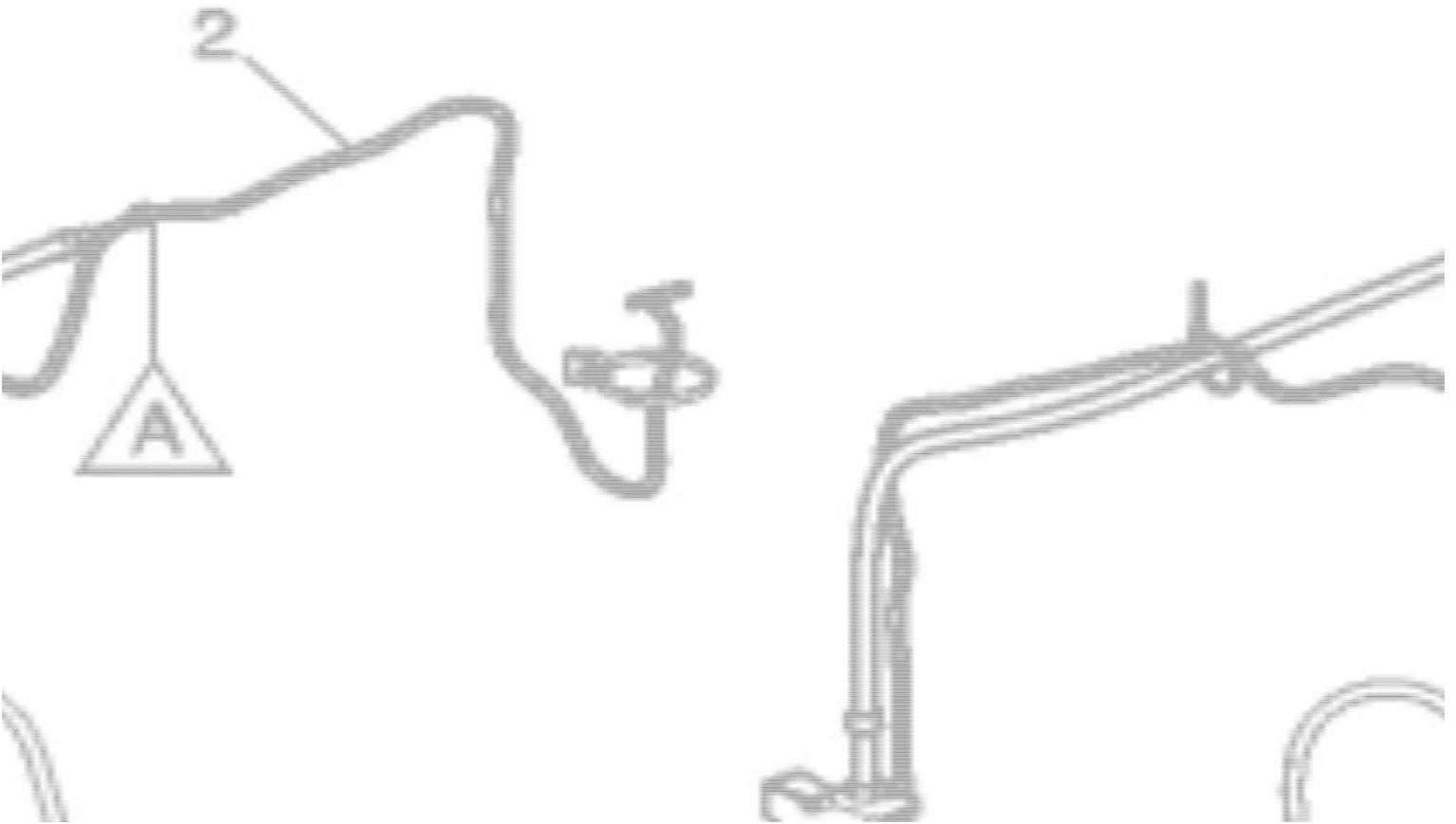
| Item# | Part | Description | QTY | Notes |
|-------|----------|---------------------------------|-----|-------|
| 1 | 84227291 | PIPE AIR | 1 | |
| 2 | 84716335 | CABLE STEERING COLUMN | 1 | |
| 3 | 82356671 | SLEEVE | 1 | |
| 4 | 948702 | CABLE TIE; BLACK 03/20 2.5 | 1 | |
| 5 | 914448 | SNAP RING 13X14X1 | 1 | |
| 6 | 969476 | SIX POINT SOCKET SCREW ST4.8X19 | 2 | |
| 7 | 82756924 | PEDAL | 1 | |

From P-1424

Date:07/2024

PAGE:24012700

STEERING COLUMN ASSY



| | | |
|-------------|--------------|---------------|
| From P-1424 | Date:07/2024 | PAGE:24012700 |
|-------------|--------------|---------------|

STEERING COLUMN ASSY

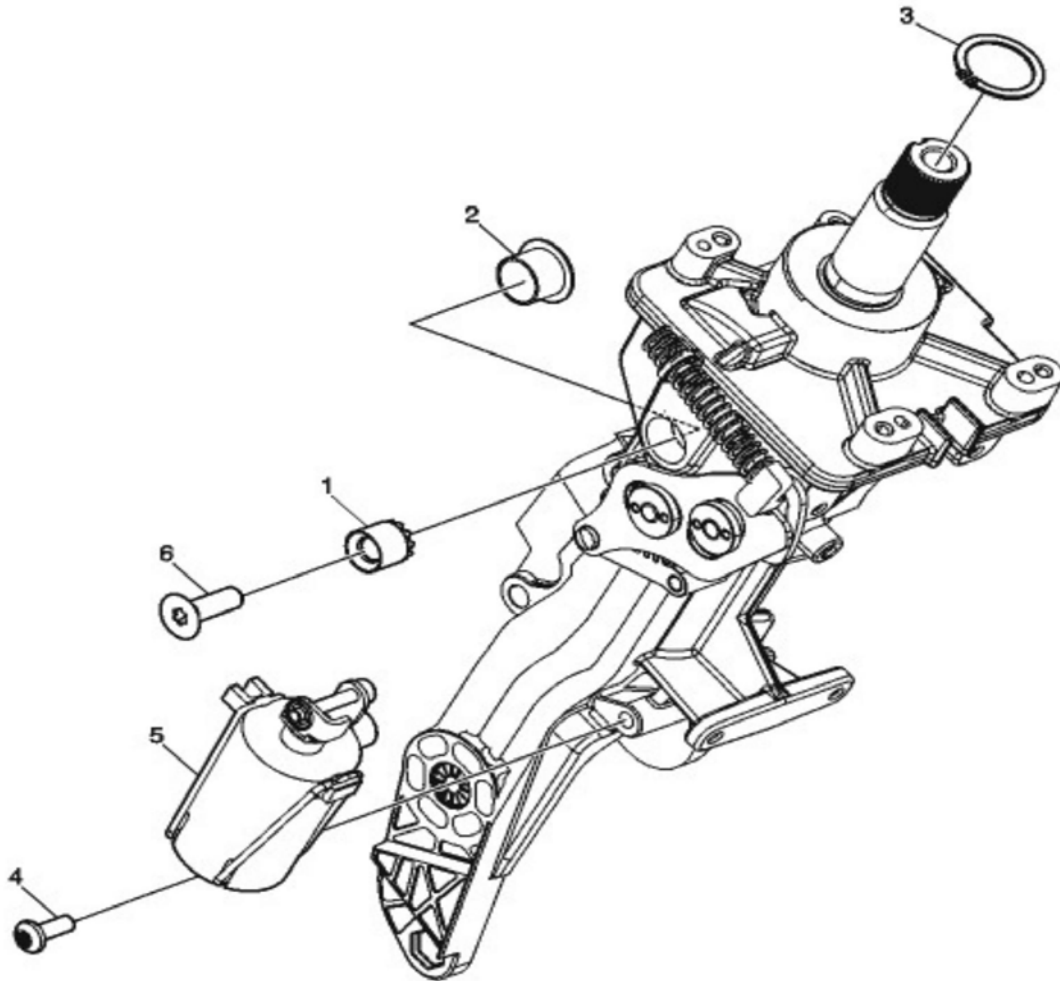
| Item# | Part | Description | QTY | Notes |
|-------|----------|------------------------------|-----|-------|
| 1 | 24013984 | HOUSING | 1 | |
| 2 | 82759162 | PEDAL ARRANGEMENT | 1 | |
| 3 | 1099528 | TUBE | 2 | |
| 4 | 24013908 | COVER | 1 | |
| 5 | 8191260 | BALL STUD | 2 | |
| 6 | 24013960 | COVER | 2 | |
| 7 | 8144273 | SPACER | 2 | |
| 8 | 24121816 | RETAINER | 2 | |
| 9 | 1096331 | RUBBER BUSHING | 2 | |
| 10 | 1096655 | BUSHING | 3 | |
| 11 | 990990 | LOCK NUT M12X12 | 1 | |
| 12 | 994934 | SIX POINT SOCKET SCREW M8X25 | 2 | |
| 13 | 994515 | HEXAGON NUT M8X5 | 1 | |
| 14 | 984743 | FLANGE SCREW | 2 | |
| 15 | 990950 | FLANGE LOCK NUT | 6 | |
| 16 | 994386 | FLANGE SCREW M8X55 | 2 | |
| 17 | 84708799 | PIPE | 1 | |
| 18 | 1099412 | BRACKET | 2 | |
| 19 | 1096350 | BRACKET | 1 | |

From P-1424

Date:07/2024

PAGE:24013984

HOUSING



R1432171

| | | |
|----------------|--------------|---------------|
| From P-1424 | Date:07/2024 | PAGE:24013984 |
| HOUSING | | |

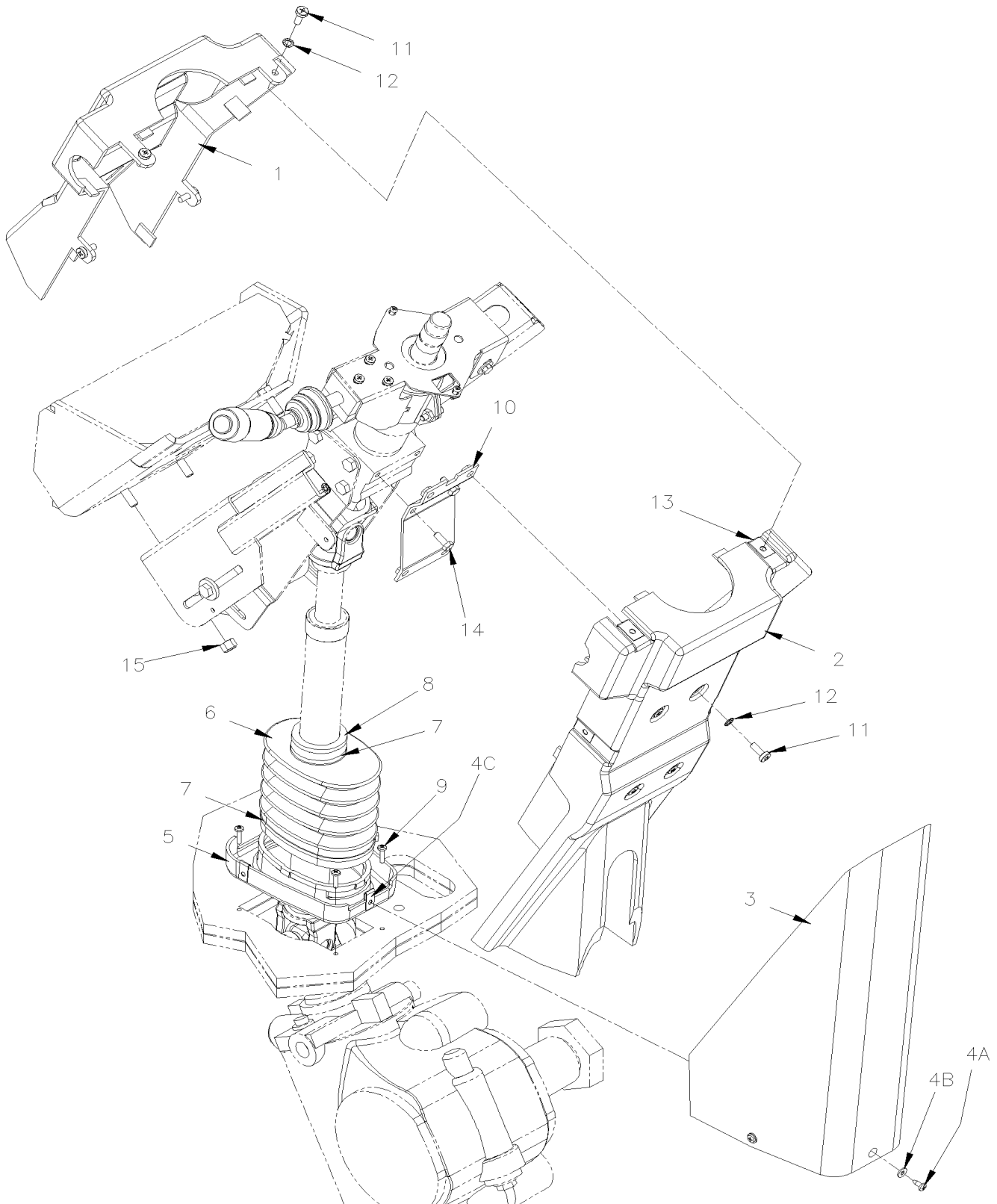
| Item# | Part | Description | QTY | Notes |
|-------|----------|-------------------------------------|-----|-------|
| 1 | 8144273 | SPACER | 2 | |
| 2 | 1096655 | BUSHING | 2 | |
| 3 | 914459 | SNAP RING | 1 | |
| 4 | 994785 | SIX POINT SOCKET SCREW; BLACK M6X16 | 1 | |
| 5 | 84193095 | AIR CYLINDER | 1 | |
| 6 | 994934 | SIX POINT SOCKET SCREW M8X25 | 2 | |

From K-0295 To P-1347

Date:07/2024

PAGE:VIP-1407-00

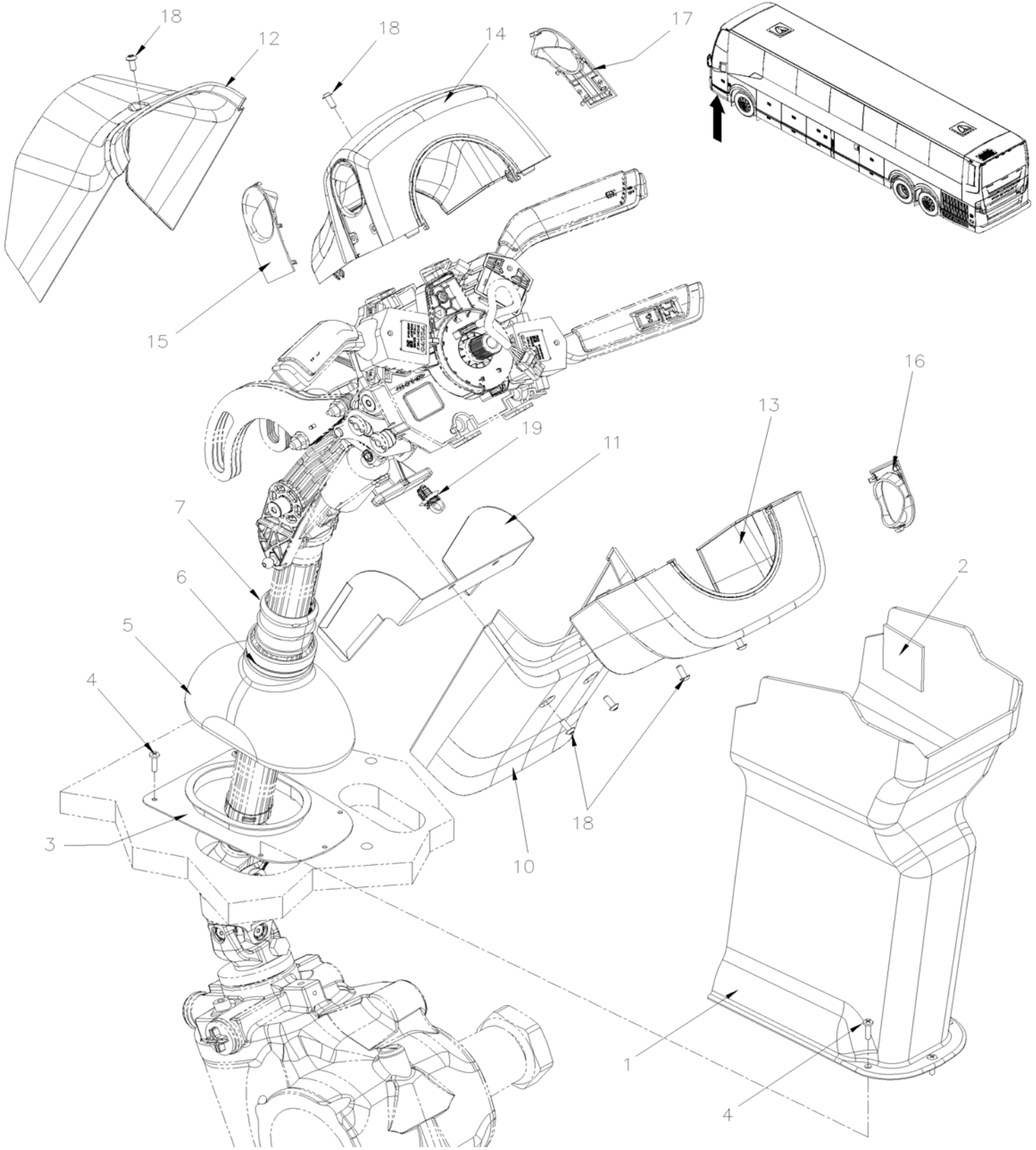
STEERING COLUMN & COVER - INSTALLATION



| | | |
|---|--------------|------------------|
| From K-0295 To P-1347 | Date:07/2024 | PAGE:VIP-1407-00 |
| STEERING COLUMN & COVER - INSTALLATION | | |

| Item# | Part | Description | QTY | Notes |
|-------|--------|--|-----|-------|
| 1 | 161358 | COVER / W/RETARDER / BLACK | 1 | |
| 1 | 161356 | COVER / W/O RETARDER / BLACK | 1 | |
| 2 | 161357 | COVER / W/RETARDER / BLACK | 1 | |
| 2 | 161267 | COVER / W/O RETARDER / MID CHARCOALD | 1 | |
| 2 | 161355 | COVER / W/O RETARDER / BLACK | 1 | |
| 3 | 160881 | COVER, LOWER / BLACK | 1 | |
| 4A | 500443 | SCREW TP PAN PH #8x1/2 N500 To K-0626 | 3 | |
| 4A | 500957 | SCREW TP BDG PH #10x3/4 N500 From K-0627 | 3 | |
| 4B | 500855 | WASHER FL .188x.438x.049 N500 | 3 | |
| 4C | 500684 | NUT SPR U #8A .025-.064 | 3 | |
| 5 | 391974 | PLATE SUPPORT | 1 | |
| 6 | 660981 | BELLOW | 1 | |
| 7 | 504637 | CABLE TIE / 3/16" x 13" | 2 | |
| 8 | 391930 | COLLAR | 1 | |
| 9 | 500641 | SCREW TP PAN PH #8x3/4 Z050 | 4 | |
| 10 | 161068 | ATTACHMENT | 1 | |
| 11 | 502569 | SCREW MA PAN PH M6-1.0x16 BK | 8 | |
| 12 | 500472 | WASHER LO INT .256x.478x.028 Z050 | 8 | |
| 13 | 504669 | RIVET DRV BDG .187x.609 NYL | 2 | |
| 14 | 502531 | SCREW CAP HEX M6-1.0x16 G8.8 Z050 | 2 | |
| 15 | 502600 | NUT HEX NYRT 5/16-18 Z050 | 4 | |

| | | |
|--|--------------|------------------|
| | Date:07/2024 | PAGE:VIP-1407-01 |
| STEERING COLUMN & COVER - INSTALLATION | | |



| | | | |
|---|--|---------------------|-------------------------|
| | | Date:07/2024 | PAGE:VIP-1407-01 |
| STEERING COLUMN & COVER - INSTALLATION | | | |

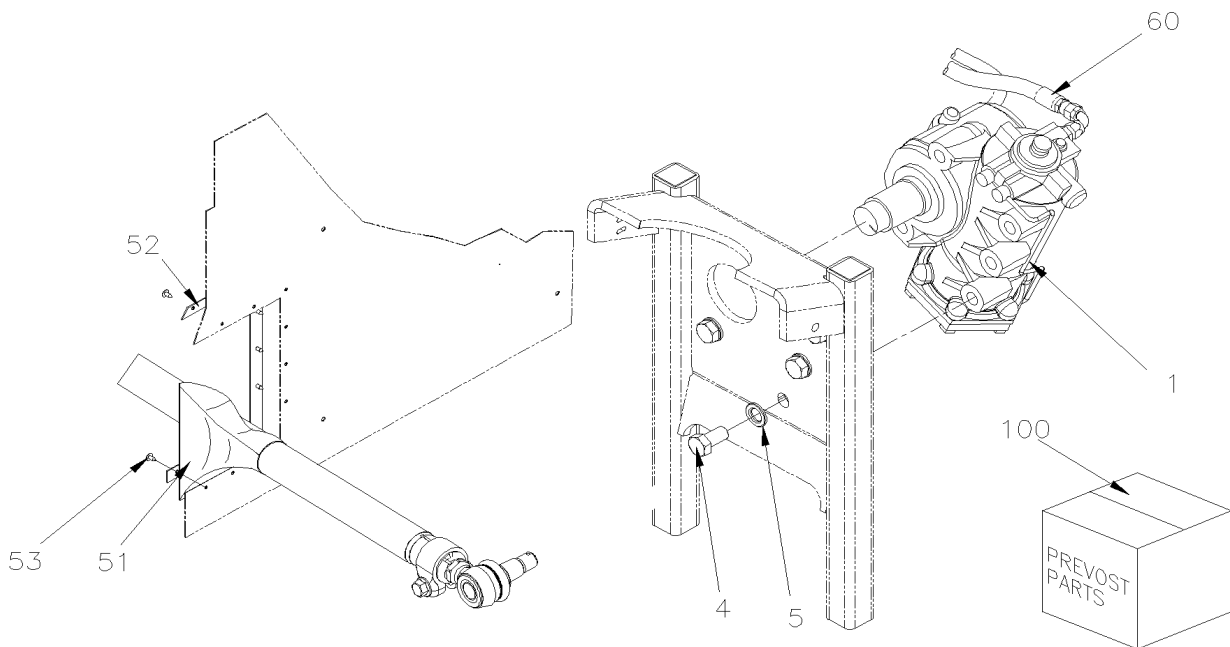
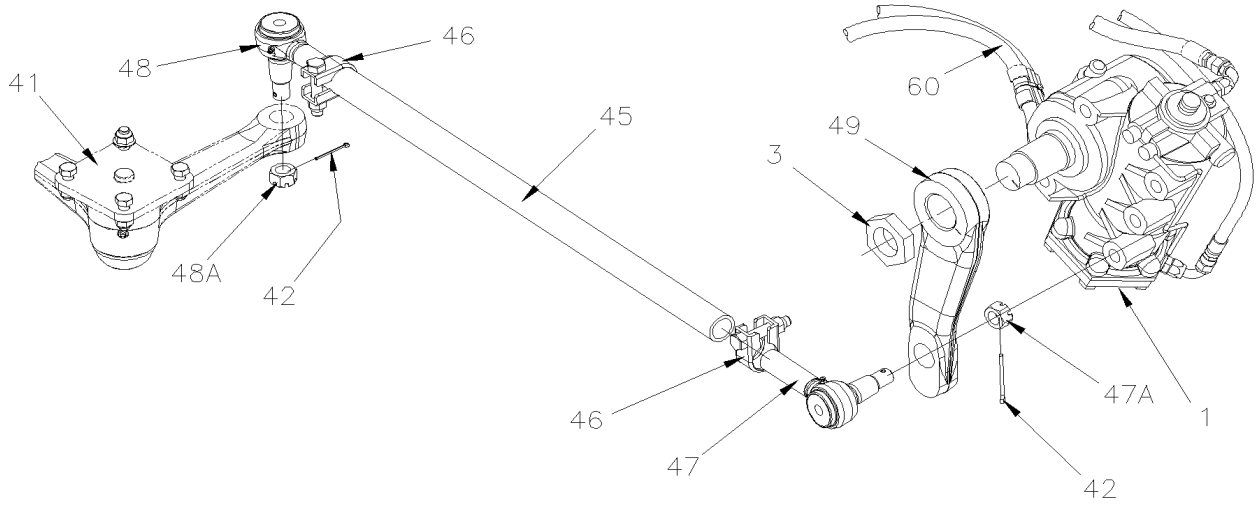
| Item# | Part | Description | QTY | Notes |
|--------------|-------------|--|------------|--------------|
| 1 | 160123 | COVER, STEERING COLUMN | 1 | |
| 2 | 505537 | TAPE DUAL LOCK 2" X 50 YARD / BLACK SJ3551 | AR | |
| 3 | 23003744 | SUPPORT - STEERING SHAFT COVER | 1 | |
| 4 | 5001119 | SCREW TP BDG PH #8x3/4 SS | 5 | |
| 5 | 9520949 | BELLOWS STEERING SHAFT | 1 | |
| 6 | 504637 | CABLE TIE / 3/16" x 13" | 1 | |
| 7 | 82828997 | BUSHING, STEERING SHAFT | 2 | |
| 10 | 82219174 | COVER, STEERING COLUMN | 1 | |
| 11 | 160007 | HOOK, COVER | 1 | |
| 12 | 82225568 | COVER, STEERING COLUMN | 1 | |
| 13 | 82225570 | COVER, STEERING COLUMN | 1 | |
| 14 | 82219172 | COVER, STEERING COLUMN | 1 | |
| 15 | 82269596 | PANEL, STEERING COLUMN | 1 | |
| 16 | 82270010 | PANEL, STEERING COLUMN | 1 | |
| 17 | 82269596 | PANEL, STEERING COLUMN | 1 | A C |
| 17 | 84202031 | PANEL, STEERING COLUMN | 1 | B |
| 18 | 5002179 | SCREW CAP BUT TORX M5-0.8x12 SS | 7 | |
| 19 | 504259 | CABLE TIE W/FIR TREE MOUNT OVAL (50LBS) | 2 | |
| | | | | |
| | | | | |
| | | | | |
| | | A) WITH RETARDER | | |
| | | B) WITHOUT RETARDER | | |
| | | C) WITHOUT RETARDER WITH ENGINE BRAKE | | |

From K-0295

Date:07/2024

PAGE:VIP-1410-00

STEERING GEAR BOX & DRAG LINK - INSTALLATION



| | | | |
|-------------|--|--------------|------------------|
| From K-0295 | | Date:07/2024 | PAGE:VIP-1410-00 |
|-------------|--|--------------|------------------|

STEERING GEAR BOX & DRAG LINK - INSTALLATION

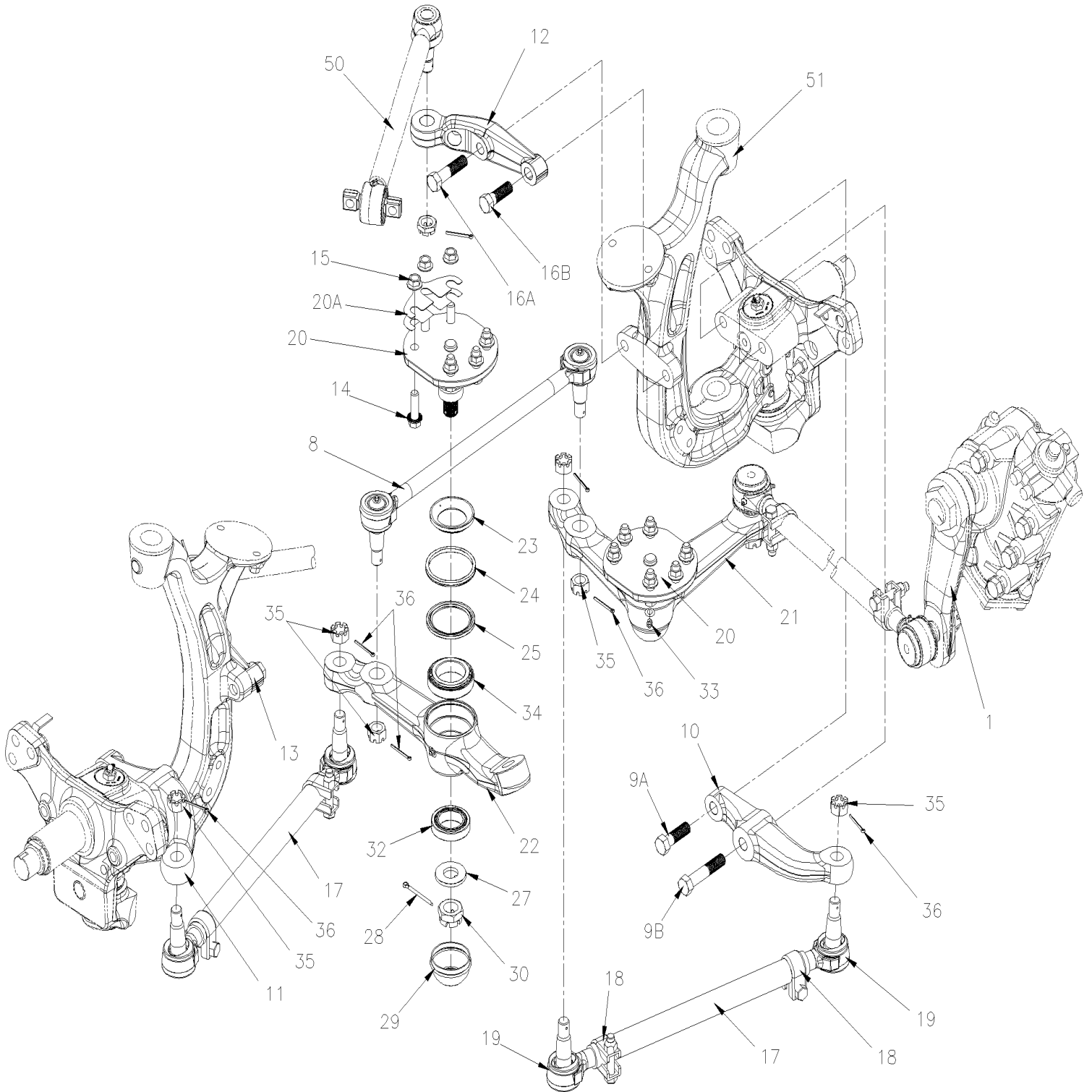
| Item# | Part | Description | QTY | Notes |
|-------|-------------|--|-----|-------|
| 1 | VIP-1415-50 | STEERING GEARBOX - "ZF" - W/INDEPENDENT | | |
| 3 | 661050 | LOCKNUT M45X1.5 GEARBOX ZF | 1 | |
| 4 | 5001442 | SCREW CAP HEX M20-1.5x40 G10.9 N500 | 5 | |
| 5 | 611044 | WASHER FL HARD 21.0x37.0x3.0 N500 | 5 | |
| NS | 682175 | UNDERCOATING BLACK PROTECTOR (GRAVELGUARD) 567gr To N-1261 | AR | |
| NS | 685413 | RUBBERIZED UNDERCOAT (GRAVELGUARD) 560gr From N-1262 | AR | |
| | | WITH INDEPENDENT FRONT SUSPENSION | | |
| 41 | VIP-1410-51 | STEERING RODS - INSTALLATION W/INDEPENDENT "NDIFS80P" / 19000LBS | | |
| 42 | 502109 | PIN, COTTER 6.3MM x 71MM Z50 | 2 | |
| NS | 684420 | SCREW MARKER LOCK 90ml | AR | |
| 45 | 661203 | DRAG LINK ASSY / 1046 MM C/C / 19000LBS | 1 | |
| 45 | N.S.S. | . ROD | 1 | 1 |
| 46 | 661133 | . COLLAR ASSY / W/BOLT & NUT & STOPPER 1 5/8" I.D. | 2 | |
| . NS | 500231 | . . SCREW CAP HEX 5/8-11x3 G5 ZP | 1 | |
| . NS | 500683 | . . NUT HEX STO 5/8-11 ZP | 1 | |
| 47 | 661200 | . TIE ROD END R.H. THREAD 1 1/4-12 / 19000LBS | 1 | |
| 47A | 661207 | . . NUT HEX CSL THN 1 1/8-12 | 1 | |
| 48 | 661202 | . TIE ROD END L.H. THREAD 1 1/4-12 / 19000LBS | 1 | |
| 48A | 661207 | . . NUT HEX CSL THN 1 1/8-12 | 1 | |
| 49 | 660735 | ARM, PITMAN 9" / (PAINTED BLACK) | 1 | |
| 51 | 160112 | SHIELD RUBBER | 1 | I |
| 51 | 680066 | ADHESIVE / ADBOND #5014 / 23.6ML BOTTLE | AR | |
| 52 | 161993 | COLLAR SHIELD RETAINER | 1 | I |
| 52 | 680066 | ADHESIVE / ADBOND #5014 / 23.6ML BOTTLE | AR | |
| 53 | 5001966 | SCREW TC BDG PH #10-24x1/2 SS410 ZINC | AR | |
| NS | 504089 | BLACK NYLON RETAINER 13 x 5 16 mm Lg | 2 | |
| NS | 500855 | WASHER FL .188x.438x.049 N500 | 2 | |
| NS | 500805 | WASHER FL .218x.875x.062 N500 | 4 | |
| 60 | VIP-1400-01 | POWER STEERING HOSE - INSTALLATION | | |
| | | I) WITH INDEPENDANT SUSPENSION ONLY | | |
| | | 1) NOT SOLD SEPARATELY | | |

From K-0295

Date:07/2024

PAGE:VIP-1410-51

STEERING RODS - INSTALLATION W/INDEPENDENT "NDIFS80P" / 19000LBS



| | | | |
|---|--|---------------------|-------------------------|
| From K-0295 | | Date:07/2024 | PAGE:VIP-1410-51 |
| STEERING RODS - INSTALLATION W/INDEPENDENT "NDIFS80P" / 19000LBS | | | |

| Item# | Part | Description | QTY | Notes |
|-------|-------------|--|-----|-------|
| 1 | VIP-1410-00 | STEERING GEAR BOX & DRAG LINK - INSTALLATION | | |
| 8 | 661183 | ROD ASSY / 591.8MM C/C CENTER | 1 | |
| 9A | 612360 | SCREW CAP HEX M22-2.5x65 G12.9 | 1 | |
| 9B | 612359 | SCREW CAP HEX M22-2.5x100 G12.9 | 1 | |
| 10 | 612389 | STEERING ARM L.H. / 19000LBS | 1 | |
| 11 | 612390 | STEERING ARM R.H. / 19000LBS | 1 | |
| 12 | 612380 | UPRIGHT ARM L.H | 1 | |
| 13 | 612381 | UPRIGHT ARM R.H | 1 | |
| 14 | 5001859 | SCREW CAP HEXF SERR M16-2.0x50 G10.9 | 12 | |
| 15 | 5001844 | NUT HEXF SERR M16-2.0 G500 | 12 | |
| 16A | 611307 | SCREW CAP HEX M20-2.5x80 G12.9 | 1 | |
| 16B | 611305 | SCREW CAP HEX M20-2.5x60 G12.9 | 1 | |
| 17 | 661182 | ROD ASSY / 657MM C/C | 2 | |
| 17 | N.P.N. | . ROD | 1 | 4 |
| 18 | 661133 | . COLLAR ASSY / W/BOLT & NUT & STOPPER 1 5/8" I.D. | 2 | |
| . NS | 500231 | . . SCREW CAP HEX 5/8-11x3 G5 ZP | 1 | |
| . NS | 500683 | . . NUT HEX STO 5/8-11 ZP | 1 | |
| 19 | 661199 | . TIE ROD END R.H. THREAD 1 1/4-12 | 1 | |
| 19 | 661201 | . TIE ROD END L.H. THREAD 1 1/4-12 | 1 | |
| 20 | 661186 | SPINDLE SHAFT / 19K To N-1182 | 1 | |
| 20 | 660076 | SPINDLE SHAFT / 19K From N-1183 To P-1476 | 1 | |
| 20 | 660082 | SPINDLE SHAFT / 19K From P-1477 | 1 | |
| NS | 682175 | UNDERCOATING BLACK PROTECTOR (GRAVELGUARD) 567gr From N-1183 To N-1261 | AR | |
| NS | 685413 | RUBBERIZED UNDERCOAT (GRAVELGUARD) 560gr From N-1262 | AR | |
| 20A | 161343 | SHIM 26GAGE 105MM C/C x 18MM slot | AR | |
| 20A | 161344 | SHIM 20GAGE 105MM C/C x 18MM slot | AR | |
| 21 | 661185 | LEVER L.H. / 19000LBS | 1 | |
| 22 | 661184 | LEVER R.H. / 19000LBS | 1 | |
| 23 | 160115 | SLEEVE WIPER 77.2MM O.D. | 2 | |
| 24 | 507673 | DUST SEAL 3.470 I.D. X 4.085 O.D. | 2 | |
| 24 | 685371 | GREASE / GREY BLACK MOBIL XHP 222 SPECIAL 400 g | AR | |
| 25 | 507674 | OIL SEAL | 2 | |
| 27 | 161338 | WASHER FL / W/ INTERIOR KEY 30.5x63.05x6.3 | 2 | |
| 28 | 502115 | PIN, COTTER 3/16 x 2 1/2 | 2 | |
| 29 | 661014 | COVER | 2 | |
| 30 | 5001218 | NUT HEX CSL M30-1.5 | 2 | |
| 32 | 507353 | KIT, CUP & CONE BEARING | 2 | |
| 33 | 501490 | GREASE FITTING / 1/8 NPT | 2 | |
| 34 | 507672 | KIT, CUP & CONE BEARING / 19K | 2 | |
| 35 | 5001345 | NUT HEX CSL THN 7/8-14 | 6 | |
| 36 | 502104 | PIN, COTTER 5/32 x 2 | 6 | |
| 50 | VIP-1605-51 | FRONT AXLE - INSTALL W/INDEPENDENT "NDIFS80P" / 19000LBS | | |

| | | |
|-------------|--------------|------------------|
| From K-0295 | Date:07/2024 | PAGE:VIP-1410-51 |
|-------------|--------------|------------------|

STEERING RODS - INSTALLATION W/INDEPENDENT "NDIFS80P" / 19000LBS

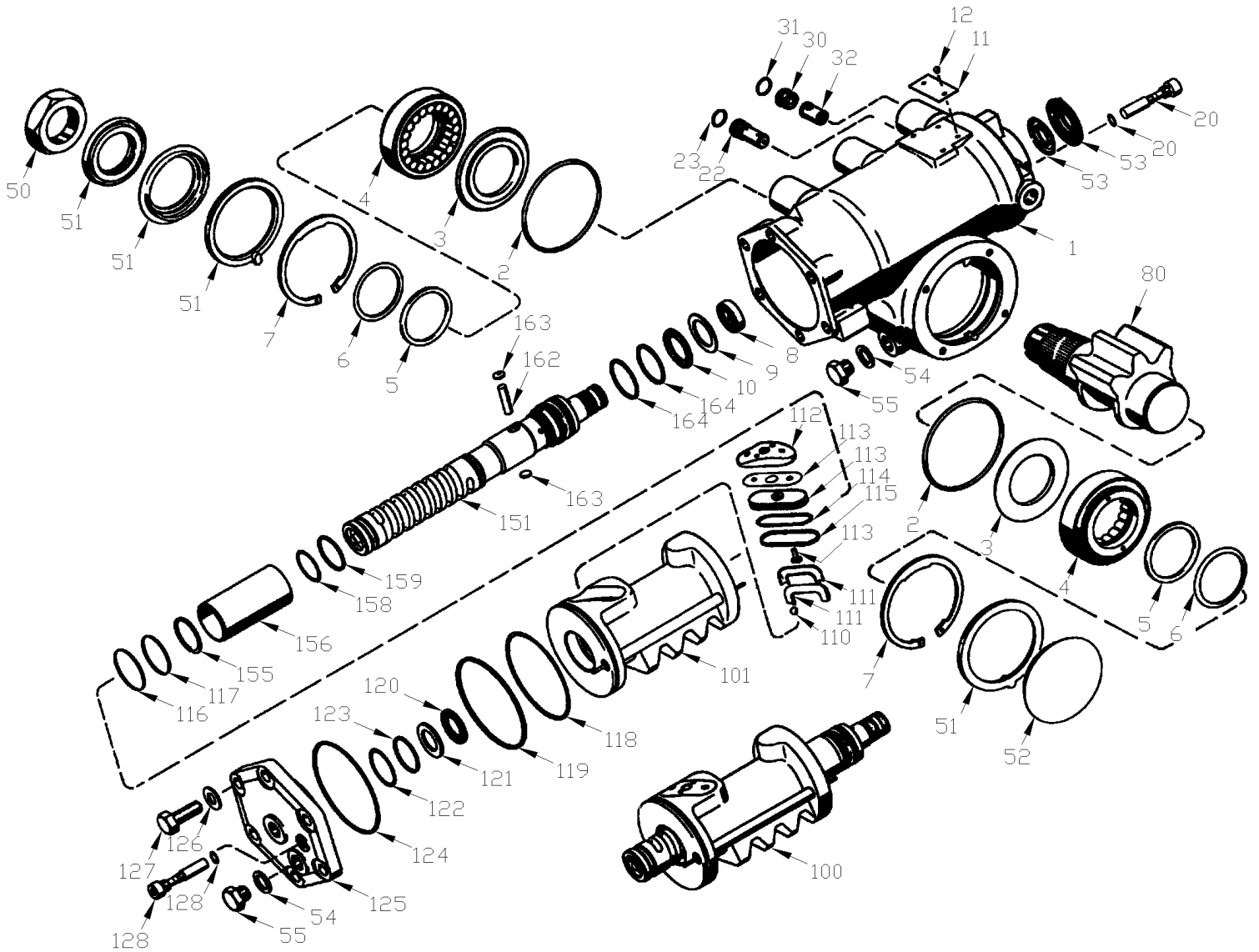
| Item# | Part | Description | QTY | Notes |
|-------|-------------|--|-----|-------|
| 51 | VIP-1005-51 | FRONT AXLE - INDEPENDENT MODEL "NDIFS80P" / 19000LBS | | |
| | | | | |
| | | | | |
| | | | | |
| | | 4) NO PARTS NUMBER | | |

From K-0295

Date:07/2024

PAGE:VIP-1415-50

STEERING GEARBOX - "ZF" - W/INDEPENDENT



MODEL "ZF" - SEVOCOM

| | | |
|--|--------------|------------------|
| From K-0295 | Date:07/2024 | PAGE:VIP-1415-50 |
| STEERING GEARBOX - "ZF" - W/INDEPENDENT | | |

| Item# | Part | Description | QTY | Notes |
|-------|--------|--|-----|-------|
| | 661191 | GEARBOX STEERING "ZF"® / W/SERVOCOMTRONIC To £-23042 | 1 | |
| | 661190 | GEARBOX STEERING "ZF"® | 1 | |
| 1 | N.P.N. | . HOUSING | 1 | 4 |
| 2 | N.P.N. | . O-RING | 1 | 4 |
| 3 | N.P.N. | . WASHER | 1 | 4 |
| 4 | N.P.N. | . HOUSING COVER | 1 | 4 |
| 5 | N.P.N. | . GASKET | 1 | 4 |
| 6 | N.P.N. | . SUPPORT RING | 1 | 4 |
| 7 | N.P.N. | . RETAINING RING | 1 | 4 |
| 8 | N.P.N. | . SHAFT SEAL | 1 | 4 |
| 9 | N.P.N. | . AXIAL-, WASHER | 1 | 4 |
| 10 | N.P.N. | . NEEDLE CAGE | 1 | 4 |
| 11 | N.P.N. | . TYPE PLATE | 1 | 4 |
| 12 | N.P.N. | . GROOVED STUD | 1 | 4 |
| 20 | 661057 | . SET SCREW / ADJUSTING SCREW / SCREW | 1 | |
| 20 | N.P.N. | . O-RING | 1 | 4 |
| 21 | N.P.N. | . COLLAR NUT | 1 | 4 |
| 22 | N.P.N. | . VALVE INSERT | 1 | 4 |
| 23 | N.P.N. | . O-RING | 1 | 4 |
| 30 | N.P.N. | . SCREW | 1 | 4 |
| 31 | N.P.N. | . O-RING | 1 | 4 |
| 32 | N.P.N. | . VALVE INSERT | 1 | 4 |
| 50 | 661050 | . LOCKNUT M45X1.5 GEARBOX ZF | 1 | |
| 51 | N.P.N. | . DUST SEAL | 1 | 4 |
| 51 | N.P.N. | . STOP-RING | 1 | 4 |
| 51 | N.P.N. | . GASKET | 1 | 4 |
| 51 | N.P.N. | . DUST SEAL | 1 | 4 |
| 52 | N.P.N. | . PLUG | 1 | 4 |
| 53 | N.P.N. | . PROTECTING CAP | 1 | 4 |
| 53 | N.P.N. | . GASKET | 1 | 4 |
| 54 | N.P.N. | . SEALING RING | 1 | 4 |
| 55 | N.P.N. | . SCREW PLUG | 1 | 4 |
| 56 | N.P.N. | . PROTECTING SLEEVE | 1 | 4 |
| 57 | N.P.N. | . BREATHER | 1 | 4 |
| 58 | N.P.N. | . PROTECTING CAP | 1 | 4 |
| 80 | 661102 | . SECTOR SHAFT | 1 | |
| 100 | 661103 | . PISTON | 1 | |
| 100 | 661104 | . PISTON | 1 | A |
| 101 | N.P.N. | . PISTON | 1 | 4 |
| 110 | N.P.N. | . BALL SET | 1 | 4 |
| 111 | N.P.N. | . RECIRCULATING HALF TUBE | 1 | 4 |
| 112 | N.P.N. | . GASKET / PLUG | 1 | 4 |

| | | |
|--|--------------|------------------|
| From K-0295 | Date:07/2024 | PAGE:VIP-1415-50 |
| STEERING GEARBOX - "ZF" - W/INDEPENDENT | | |

| Item# | Part | Description | QTY | Notes |
|-------|--------|---|-----|-------|
| 113 | N.P.N. | . GASKET | 1 | 4 |
| 113 | N.P.N. | . COMPENSATING PLATE | 1 | 4 |
| 113 | N.P.N. | . PIN | 1 | 4 |
| 114 | N.P.N. | . O-RING | 1 | 4 |
| 115 | N.P.N. | . SEALING RING | 1 | 4 |
| 116 | N.P.N. | . SEALING RING | 1 | 4 |
| 117 | N.P.N. | . SEALING RING | 1 | 4 |
| 118 | N.P.N. | . O-RING | 1 | 4 |
| 119 | N.P.N. | . GASKET | 1 | 4 |
| 120 | N.P.N. | . NEEDLE CAGE | 1 | 4 |
| 121 | N.P.N. | . WASHER | 1 | 4 |
| 122 | N.P.N. | . O-RING | 1 | 4 |
| 123 | N.P.N. | . SEALING RING | 1 | 4 |
| 124 | N.P.N. | . O-RING | 1 | 4 |
| 125 | N.P.N. | . CYLINDER COVER | 1 | 4 |
| 126 | N.P.N. | . WASHER | 1 | 4 |
| 127 | N.P.N. | . HEXAGON SCREW | 1 | 4 |
| 128 | N.P.N. | . SET SCREW / SCREW | 1 | 4 |
| 128 | N.P.N. | . O-RING | 1 | 4 |
| 129 | N.P.N. | . COLLAR NUT | 1 | 4 |
| 130 | N.P.N. | . PIPE | 1 | 4 |
| 131 | N.P.N. | . REACTION PISTON | 1 | 4 |
| 132 | N.P.N. | . O-RING | 1 | 4 |
| 133 | N.P.N. | . SEALING RING | 1 | 4 |
| 151 | N.P.N. | . WORM | 1 | 4 |
| 155 | N.P.N. | . SNAP RING | 1 | 4 |
| 156 | N.P.N. | . SLIDING TUBE | 1 | 4 |
| 158 | N.P.N. | . O-RING | 1 | 4 |
| 159 | N.P.N. | . SEALING RING | 1 | 4 |
| 162 | N.P.N. | . PIN | 1 | 4 |
| 163 | N.P.N. | . PLUG | 1 | 4 |
| 164 | N.P.N. | . SEALING RING | 1 | 4 |
| 210 | 661105 | . O-RING | 1 | A |
| 211 | 661106 | . UNION SCREW | 1 | A |
| 212 | 661107 | . PIPE | 1 | A |
| 401 | N.P.N. | . CAP SCREW | 1 | 4 A |
| 402 | 661108 | . CONVERTER | 1 | A |
| 403 | N.P.N. | . O-RING | 1 | 4 A |
| 404 | N.P.N. | . O-RING | 1 | 4 A |
| 405 | N.P.N. | . OIL SCREEN | 1 | 4 A |
| 480 | 563033 | E.C.U. / W/STEERING ASSIST (STP 272 or 330) ((77//125)) | 1 | A |
| 480 | 661170 | E.C.U. / W/STEERING ASSIST (STP 338) ((60//95)) | 1 | A C |

| | | |
|-------------|--------------|------------------|
| From K-0295 | Date:07/2024 | PAGE:VIP-1415-50 |
|-------------|--------------|------------------|

STEERING GEARBOX - "ZF" - W/INDEPENDENT

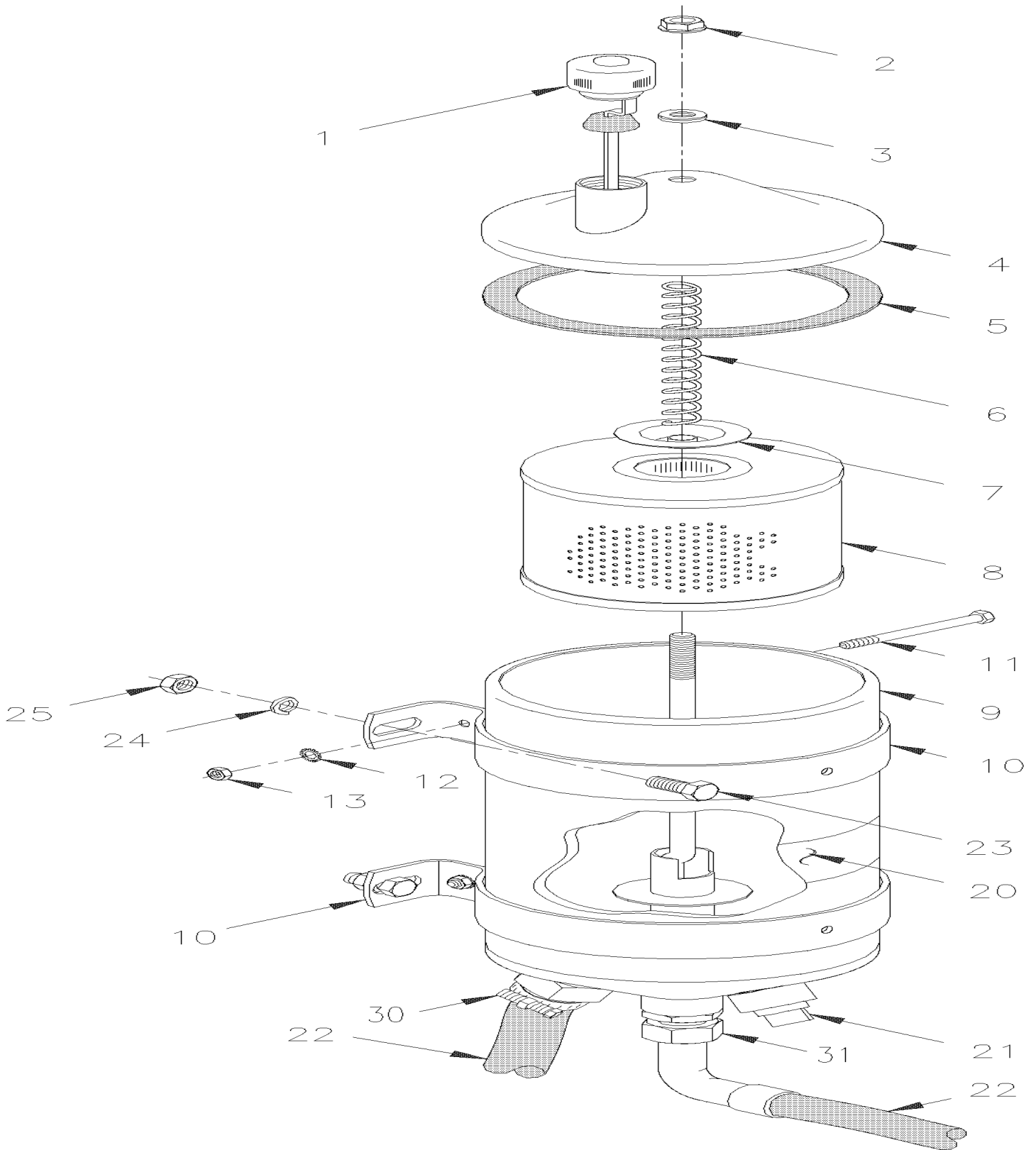
| Item# | Part | Description | QTY | Notes |
|-------|----------|--|-----|-------|
| NS | 661109 | KIT, SEAL REPAIR MAJOR | 1 | |
| . NS | 85109281 | . KIT, SEAL REPAIR MAJOR | 1 | |
| NS | 661110 | KIT, SEAL REPAIR MAJOR / W/SERVOCOMTRONIC | 1 | A |
| . NS | 85109291 | . KIT, SEAL REPAIR MAJOR / W/SERVOCOMTRONIC | 1 | A |
| | | | | |
| | | | | |
| | | A) WITH "ZF" SERVOCOMTRONIC | | |
| | | C) THIS E.C.U. GIVE LESS ASSISTANCE AT LOW SPEED | | |
| | | 4) NO PARTS NUMBER | | |

From K-0295 To K-0706

Date:07/2024

PAGE:VIP-1420-00

POWER STEERING TANK - 4 QT U.S.



| | | |
|--|---------------------|-------------------------|
| From K-0295 To K-0706 | Date:07/2024 | PAGE:VIP-1420-00 |
| POWER STEERING TANK - 4 QT U.S. | | |

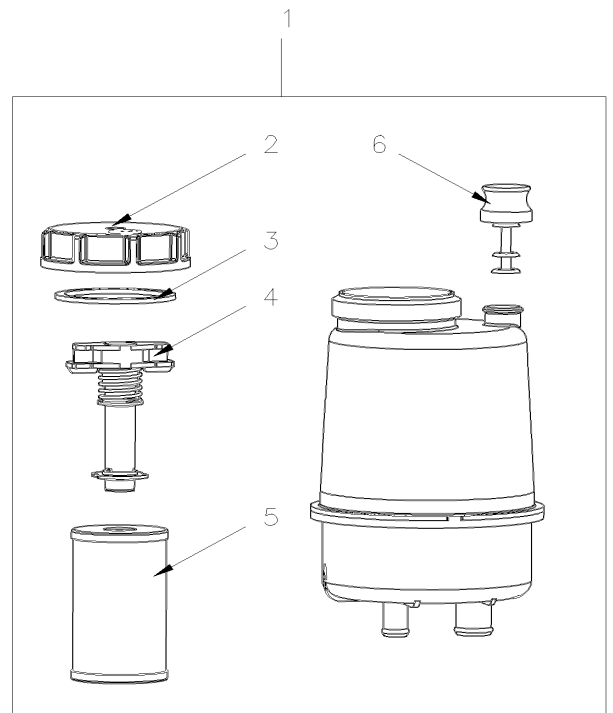
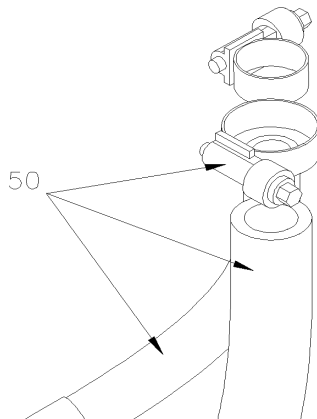
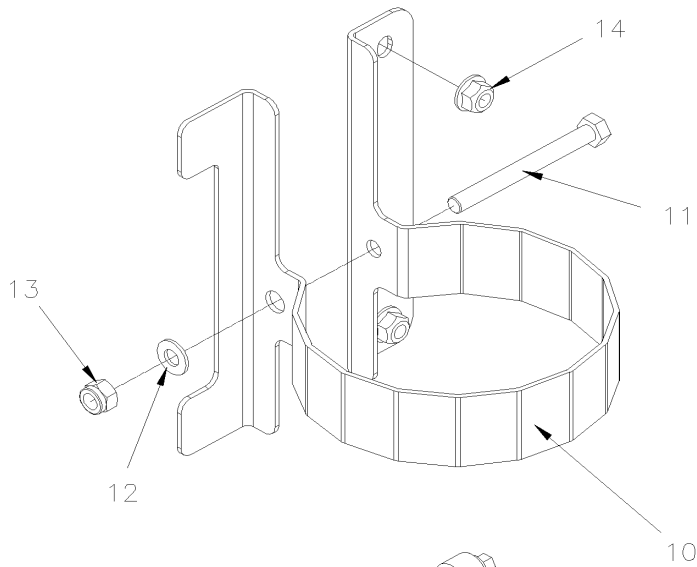
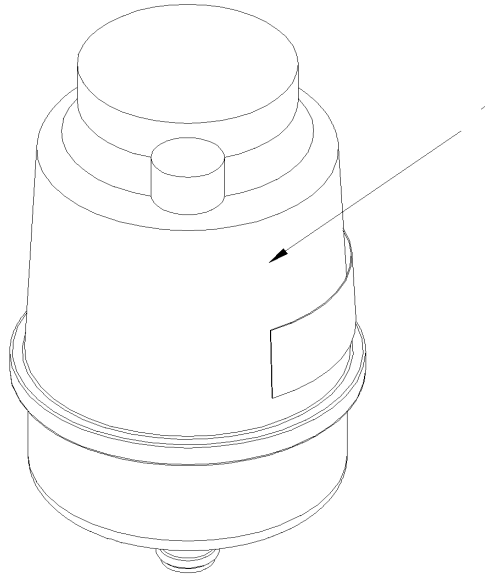
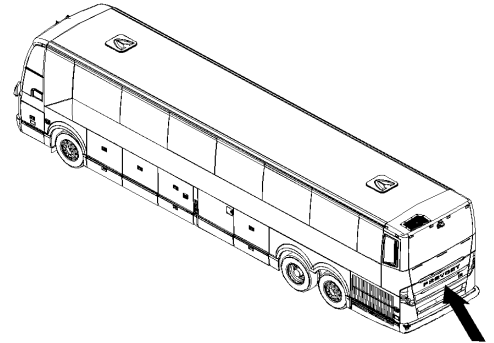
| Item# | Part | Description | QTY | Notes |
|-------|--------------------|---|-----|-------|
| | 660982 | TANK ASSY 4QT U.S. | 1 | |
| | 661060 | TANK ASSY 4QT US / WITH SIGHT GLASS | 1 | A |
| 1 | 660985 | . DIPSTICK | 1 | |
| 2 | N.S.A. | . WING NUT 3/8-16 | 1 | 3 |
| 3 | 19512588 | . WASHER | 1 | |
| 4 | 660989 | . COVER ASSY | 1 | |
| 5 | 660986 | . GASKET | 1 | |
| 6 | 660991 | . SPRING, COMP. | 1 | |
| 7 | N8886469 | . WASHER, RETAINER | 1 | |
| 8 | 660987 | . ELEMENT FILTER | 1 | |
| 9 | N.S.P. | . TANK | 1 | 2 |
| 10 | 660988 | . ATTACHMENT SUPPORT | 2 | |
| 11 | 500187 | . . SCREW CAP HEX 5/16-18x3 G5 Z050 | 1 | |
| 12 | 500942 | . . WASHER LO SPT 8.1x14.8x2.0 N500 | 1 | |
| 13 | 500778 | . . NUT HEX 5/16-18 N500 | 1 | |
| 20 | 160044 | DECAL "OIL DEXTRON" | 1 | |
| 21 | 667586 | PLUG HEXS / PIPE FITTING / MAGNETIC / 1/2NPT-M STL | 1 | |
| 22 | VIP-1400-01 | POWER STEERING HOSE - INSTALLATION | | |
| 23 | 502804 | SCREW CAP HEX M10-1.5x25 G8.8 N500 | 4 | |
| 24 | 502644 | WASHER FL 10.5x30.0x2.5 Z050 | 4 | |
| NS | 3852496 | WASHER LO SPT 10.2x18.1x2.2 ZG603 | 4 | |
| 25 | 500256 | NUT HEX M10-1.5 Z050 | 4 | |
| 30 | 5011086 | MALE CONNECTOR / PUSH-LOK FITTING / 1NPT-Mx#16 STL | 1 | |
| 30 | 992086 | HOSE CLAMP / 32MM/52MM | 1 | |
| 31 | 501739 | MALE CONNECTOR / JIC 37° FITTING / #8JIC-Mx1/2NPT-M STL | 1 | |
| 31 | 992086 | HOSE CLAMP / 32MM/52MM | 1 | |
| | | | | |
| | | | | |
| | | A) OPTION AMERICAN COACH LINES | | |
| | | 2) NOT SOLD BY PREVOST (SEE MANUFACTURING PART NUMBER AT END OF DESCRIPTION LINE) | | |
| | | 3) NOT SOLD ASSEMBLY | | |

From K-0707

Date:07/2024

PAGE:VIP-1420-10

POWER STEERING TANK - ZF

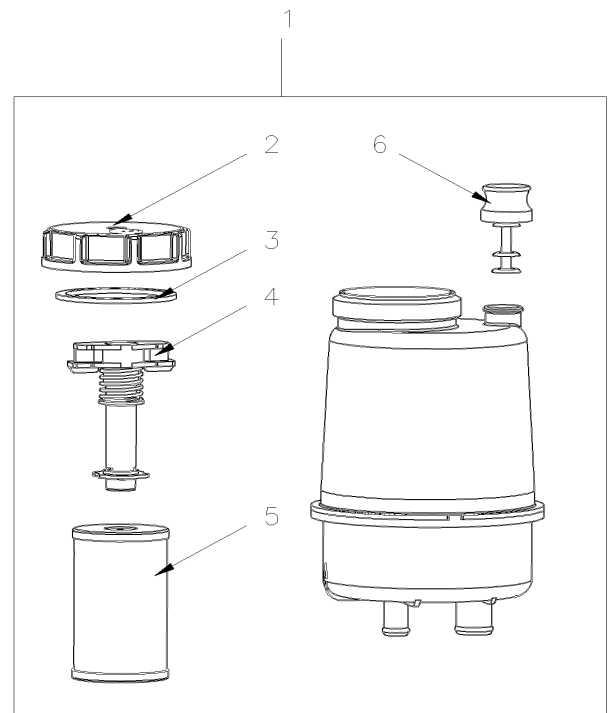
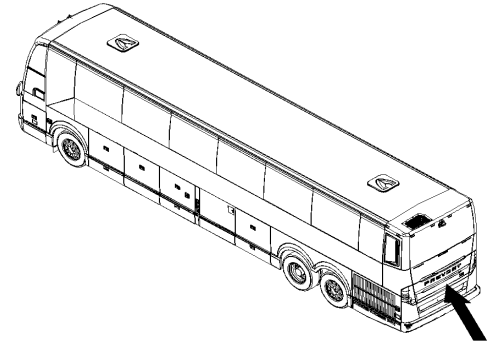
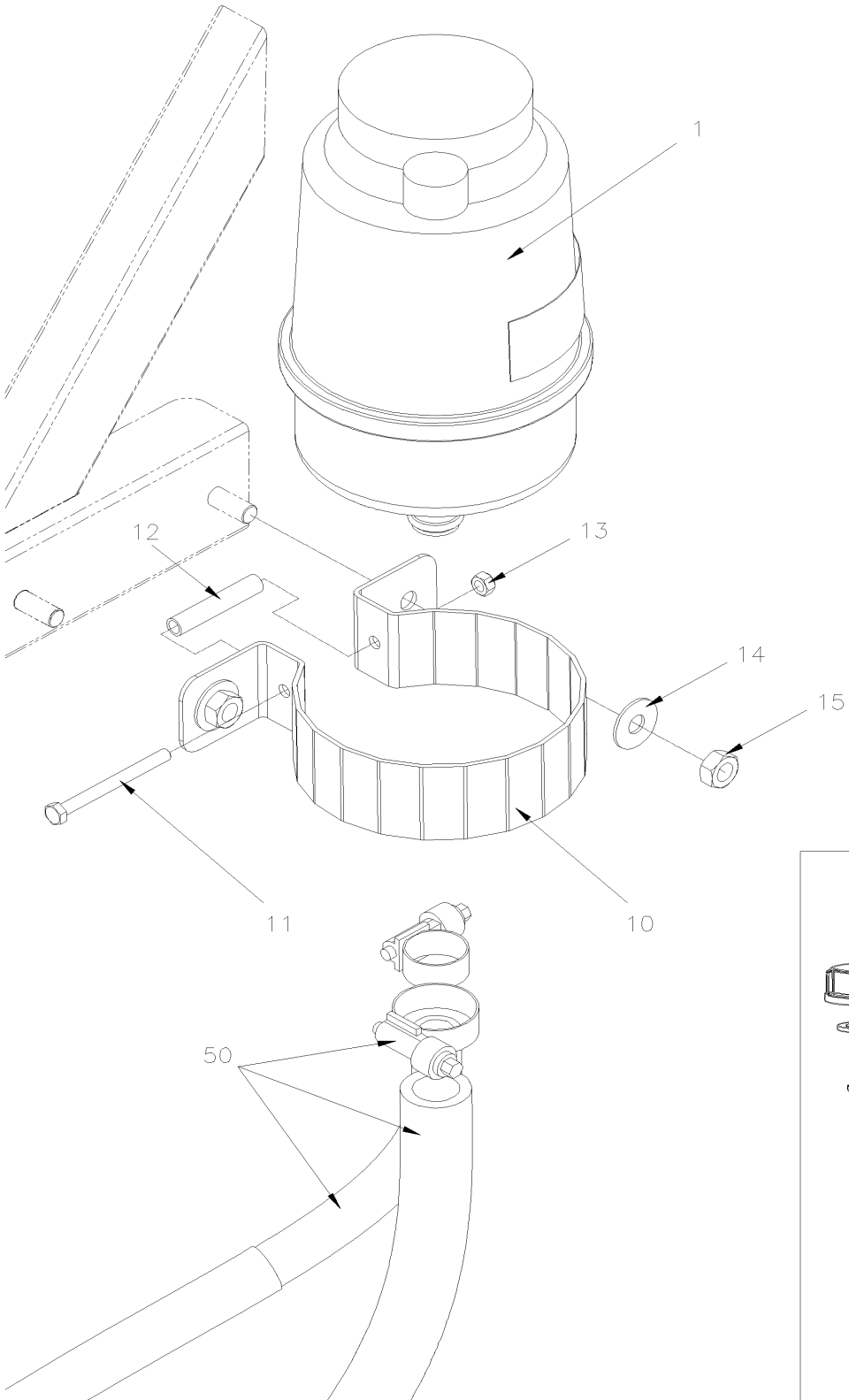


From K-0707

Date:07/2024

PAGE:VIP-1420-10

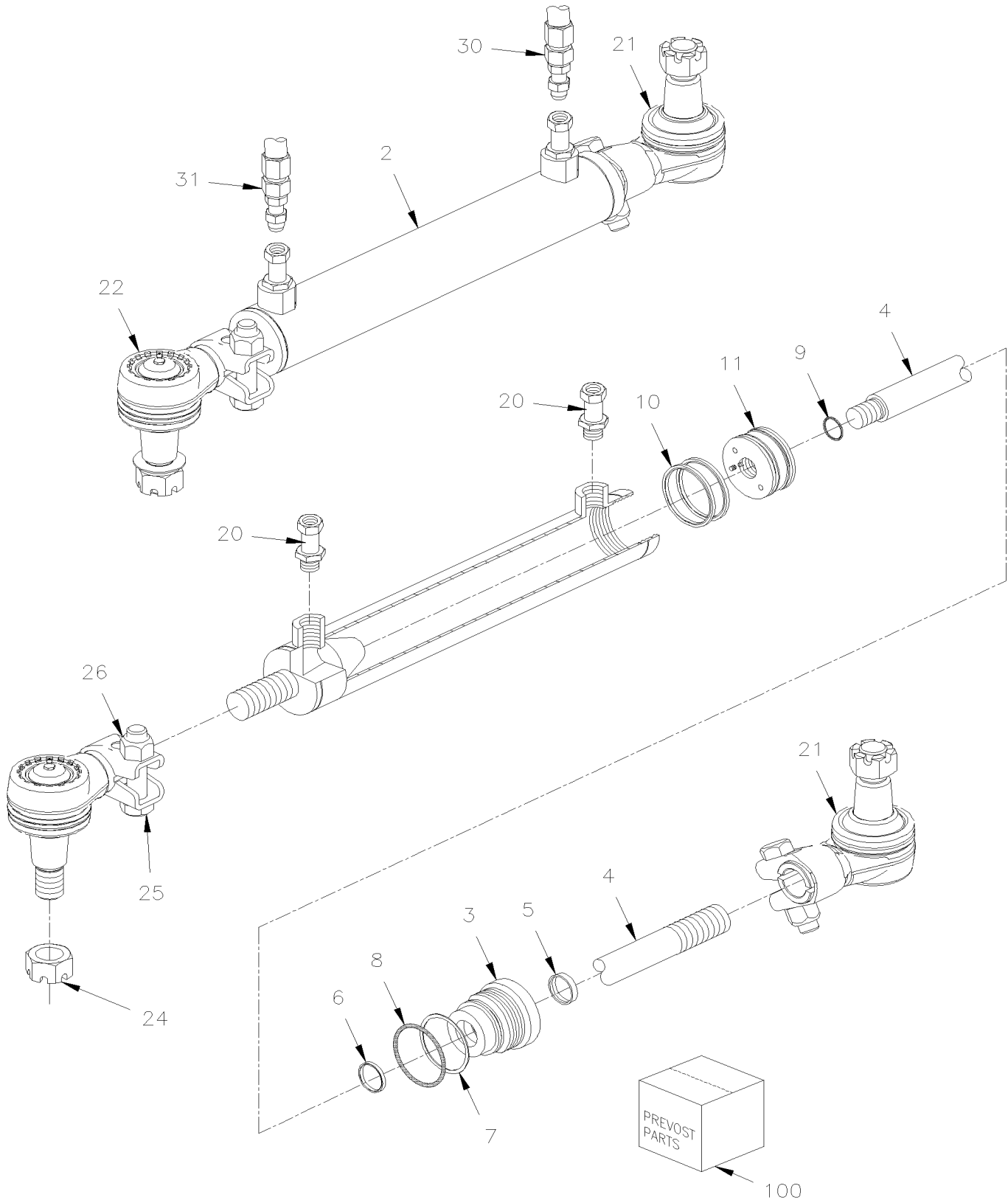
POWER STEERING TANK - ZF



| | | |
|---------------------------------|--------------|------------------|
| From K-0707 | Date:07/2024 | PAGE:VIP-1420-10 |
| POWER STEERING TANK - ZF | | |

| Item# | Part | Description | QTY | Notes |
|-------|--------------------|--|-----|-------|
| 1 | 669400 | TANK ASSY ZF | 1 | |
| 2 | 660086 | . CAP OIL TANK ZF | 1 | |
| 3 | 1696360 | . SEALING RING | 1 | |
| 4 | 1696359 | . BOLT OIL TANK ZF | 1 | |
| 5 | 661221 | . FILTER OIL TANK ZF | 1 | |
| 6 | 661222 | . DIPSTICK OIL TANK ZF | 1 | |
| 10 | 160048 | SUPPORT / OIL TANK ZF To K-0706 | 1 | |
| 10 | 160026 | CLAMP / OIL TANK ZF From K-0707 | 1 | |
| 11 | 5001185 | SCREW CAP HEX M8-1.25x80 SS BK To K-0706 | 1 | |
| 11 | 5001667 | SCREW CAP HEX M6-1.0x70 BK From K-0707 | 1 | |
| 12 | 5001341 | WASHER FL 8.4x17.0x1.6 SS To K-0706 | 1 | |
| 12 | 160027 | SPACER From K-0707 | 1 | |
| 13 | 5001787 | NUT HEX NYRT M8-1.25 SS To K-0706 | 1 | |
| 13 | 502681 | NUT HEX NYRT M6-1.0 N500 G8 From K-0707 | 1 | |
| 14 | 502837 | NUT HEXF STO M8-1.25 N500 To K-0706 | 2 | |
| 14 | 5001718 | WASHER BEL SPR 10.2x27x1.6 MAGNI 565 From K-0707 | 2 | |
| 15 | 500847 | NUT HEX M10-1.5 N500 From K-0707 | 2 | |
| 16 | 160044 | DECAL "OIL DEXTRON" | 1 | |
| 50 | VIP-1400-01 | POWER STEERING HOSE - INSTALLATION | | |

| | | |
|-------------------------|--------------|------------------|
| From K-0295 | Date:07/2024 | PAGE:VIP-1430-50 |
| CYLINDER POWER STEERING | | |

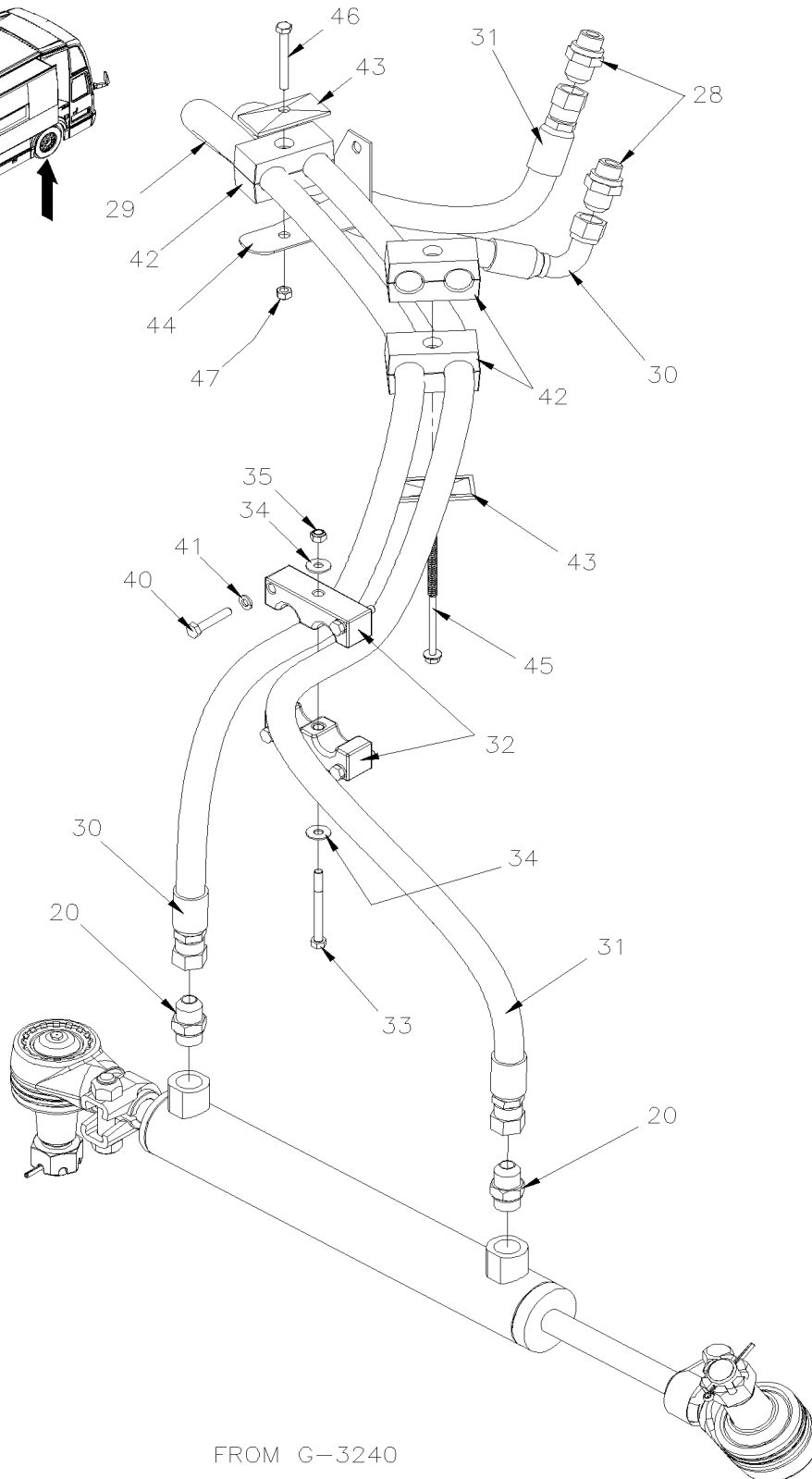
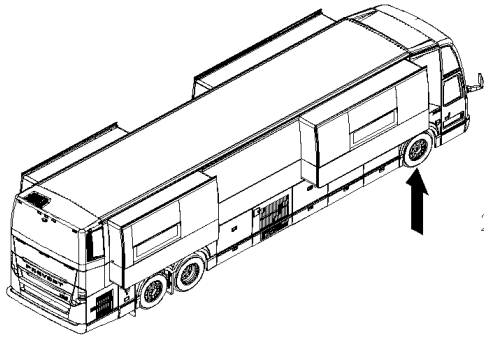


From K-0295

Date:07/2024

PAGE:VIP-1430-50

CYLINDER POWER STEERING



FROM G-3240

| | | | |
|--------------------------------|--|--------------|------------------|
| From K-0295 | | Date:07/2024 | PAGE:VIP-1430-50 |
| CYLINDER POWER STEERING | | | |

| Item# | Part | Description | QTY | Notes |
|-------|---------|--|-----|-------|
| 1 | 661194 | CYLINDER ASSY PRESSURE 170bar | 1 | |
| 2 | N.S.S. | . TUBE | 1 | 1 |
| 3 | 661098 | . HEAD | 1 | |
| 4 | 661097 | . ROD | 1 | |
| 5 | N.S.S. | . WIPER ROD | 1 | 1 |
| 6 | N.S.S. | . SEAL ROD | 1 | 1 |
| 7 | N.S.S. | . BACK-UP | 1 | 1 |
| 8 | N.S.S. | . O-RING | 1 | 1 |
| 9 | N.S.S. | . O-RING | 1 | 1 |
| 10 | N.S.S. | . SEAL PISTON | 2 | 1 |
| 11 | 661099 | . PISTON | 1 | |
| 20 | 501593 | . MALE CONNECTOR / JIC 37° FITTING / #8JIC-Mx#8ORB-M STL | 2 | |
| 21 | 611275 | . END ASSY / STRUCTURE SIDE | 1 | |
| 22 | 611469 | . END ASSY / ROD SIDE | 1 | |
| 24 | 5001345 | . NUT HEX CSL THN 7/8-14 | 1 | |
| 25 | N.P.N. | . SCREW CAP HEX ZP 1/2-20X2.25 G8 | 2 | 4 |
| 26 | N.P.N. | . NUT 1/2-20 G8 | 2 | 4 |
| 28 | 5011192 | MALE CONNECTOR / JIC 37° FITTING / #8JIC-MxM18-1.5-M STL | 2 | |
| . NS | N.P.N. | . O-RING | 1 | 4 |
| . NS | N.P.N. | . WASHER RET | 1 | 4 |
| 29 | 505110 | COIL PROTECTOR / PLASTIC / #12 | AR | |
| 30 | 163470 | HOSE ASSY / #8 1648MM | 1 | |
| 31 | 163469 | HOSE ASSY / #8 1648MM | 1 | |
| 32 | 160033 | HOSE RETAINER BLOCK CLAMP | 2 | |
| 33 | 502541 | SCREW CAP HEX M6-1.0x65 G8.8 Z050 | 1 | |
| 34 | 500411 | WASHER FL .260x.697x.050 SS | 2 | |
| 35 | 5001182 | NUT HEX NYRT M6-1.0 SS | 1 | |
| 40 | 502888 | SCREW CAP HEX M6-1.0x35 G8.8 N500 | 4 | |
| 41 | 502570 | WASHER LO SPT 6.1x11.8x1.6 SS | 4 | |
| 42 | 504727 | CLAMP DOUBLE ASS / 2 HOSE SIZE 3/8" | 3 | |
| 43 | 504728 | PLATE RETAINER | 2 | |
| 44 | 161379 | SUPPORT / HOSE | 1 | |
| 45 | 500085 | SCREW DR HEXW 1/4-14x5 PT N500 | 1 | |
| 46 | 509839 | SCREW CAP HEX M6-1.0x60 G8.8 ZP | 1 | |
| 46 | 500877 | WASHER FL .250x.562x.065 N500 | 1 | |
| 47 | 502681 | NUT HEX NYRT M6-1.0 N500 G8 | 1 | |
| 100 | 661100 | SEAL KIT, REPAIR | 1 | A |
| | | | | |
| | | | | |
| | | | | |
| | | A) INCLUDES ITEMS 5, 6, 7, 8, 9, 10 | | |
| | | 1) NOT SOLD SEPARATELY | | |

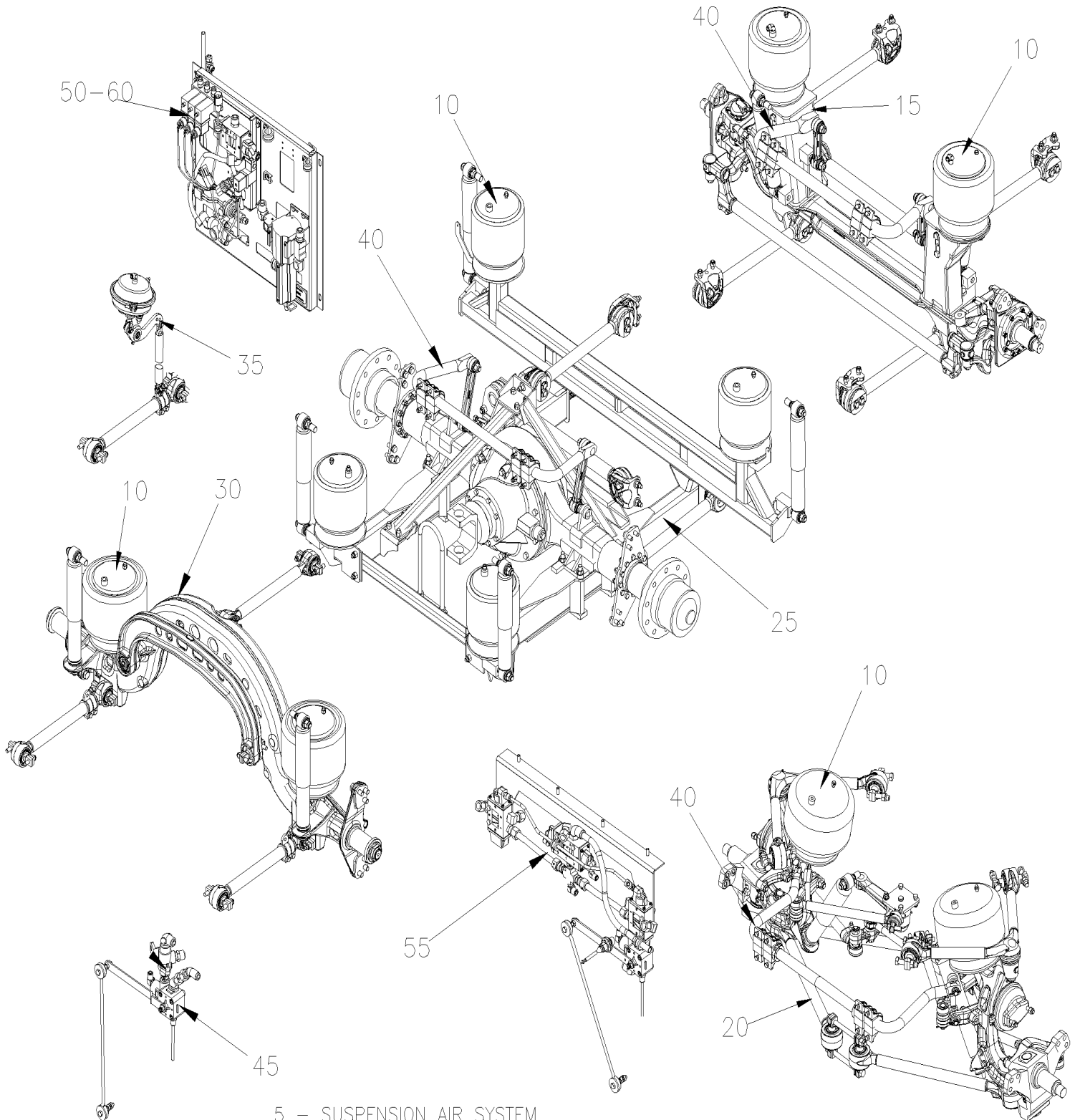
| From K-0295 | | | Date:07/2024 | PAGE:VIP-1430-50 | | |
|--------------------------------|------|--------------------|--------------|------------------|-----|-------|
| CYLINDER POWER STEERING | | | | | | |
| Item# | Part | Description | | | QTY | Notes |
| | | 4) NO PARTS NUMBER | | | | |
| | | 4) NO PARTS NUMBER | | | | |

From K-0295

Date:07/2024

VIP-16

SUSPENSION



5 - SUSPENSION AIR SYSTEM

| | | |
|-------------|--------------|--------|
| From K-0295 | Date:07/2024 | VIP-16 |
|-------------|--------------|--------|

SUSPENSION

| Item# | Part | Description | QTY | Notes |
|-------|-------------|--|-----|-------|
| 5 | VIP-1600-01 | SUSPENSION AIR SYSTEM From K-0295 | | |
| 10 | VIP-1601-00 | BELLOWS - AIR SUSPENSION From K-0295 | | |
| 20 | VIP-1605-51 | FRONT AXLE - INSTALL W/INDEPENDENT "NDIFS80P" / 19000LBS From K-0295 | | |
| 25 | VIP-1610-01 | REAR AXLE - INSTALL SUSPENSION From K-0295 | | |
| 30 | VIP-1615-01 | TAG AXLE - INSTALL SUSPENSION ONE PIECE From K-0295 | | |
| 35 | VIP-1615-10 | TAG AXLE - LIFTING From K-0295 | | |
| 40 | VIP-1616-01 | SWAY BAR From K-0295 To R-1917 | | |
| 41 | VIP-1616-02 | SWAY BAR From R-1918 | | |
| 45 | VIP-1620-51 | HEIGHT CONTROL VALVE - V.I.P. From K-0295 To P-1347 | | |
| 45 | VIP-1620-52 | HEIGHT CONTROL VALVE - V.I.P. From P-1348 | | |
| 60 | VIP-1640-51 | LEVEL-LOW - CONTROL PANEL & VALVES From K-0295 To P-1347 | | |
| 60 | VIP-1640-52 | LEVEL-LOW - CONTROL PANEL & VALVES From P-1348 | | |

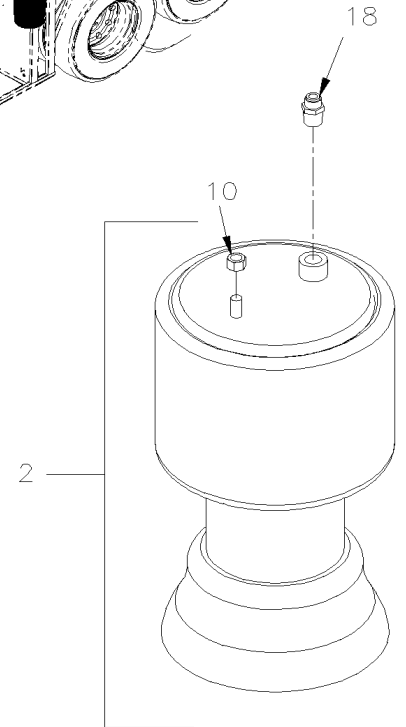
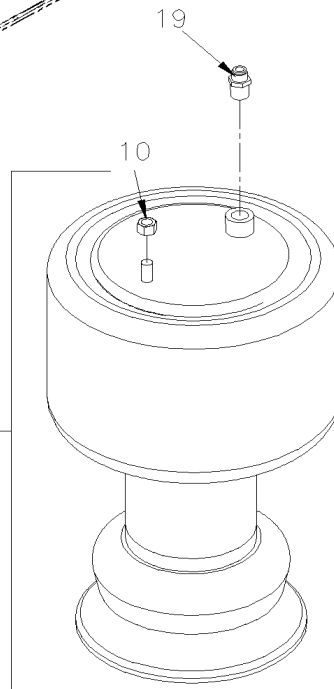
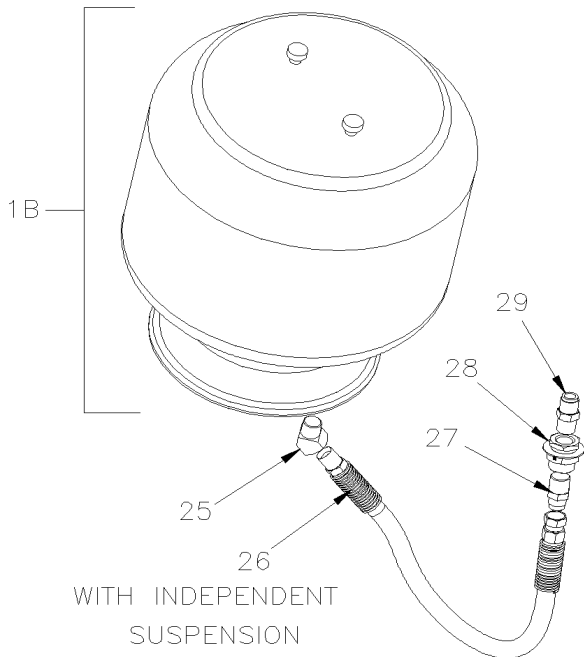
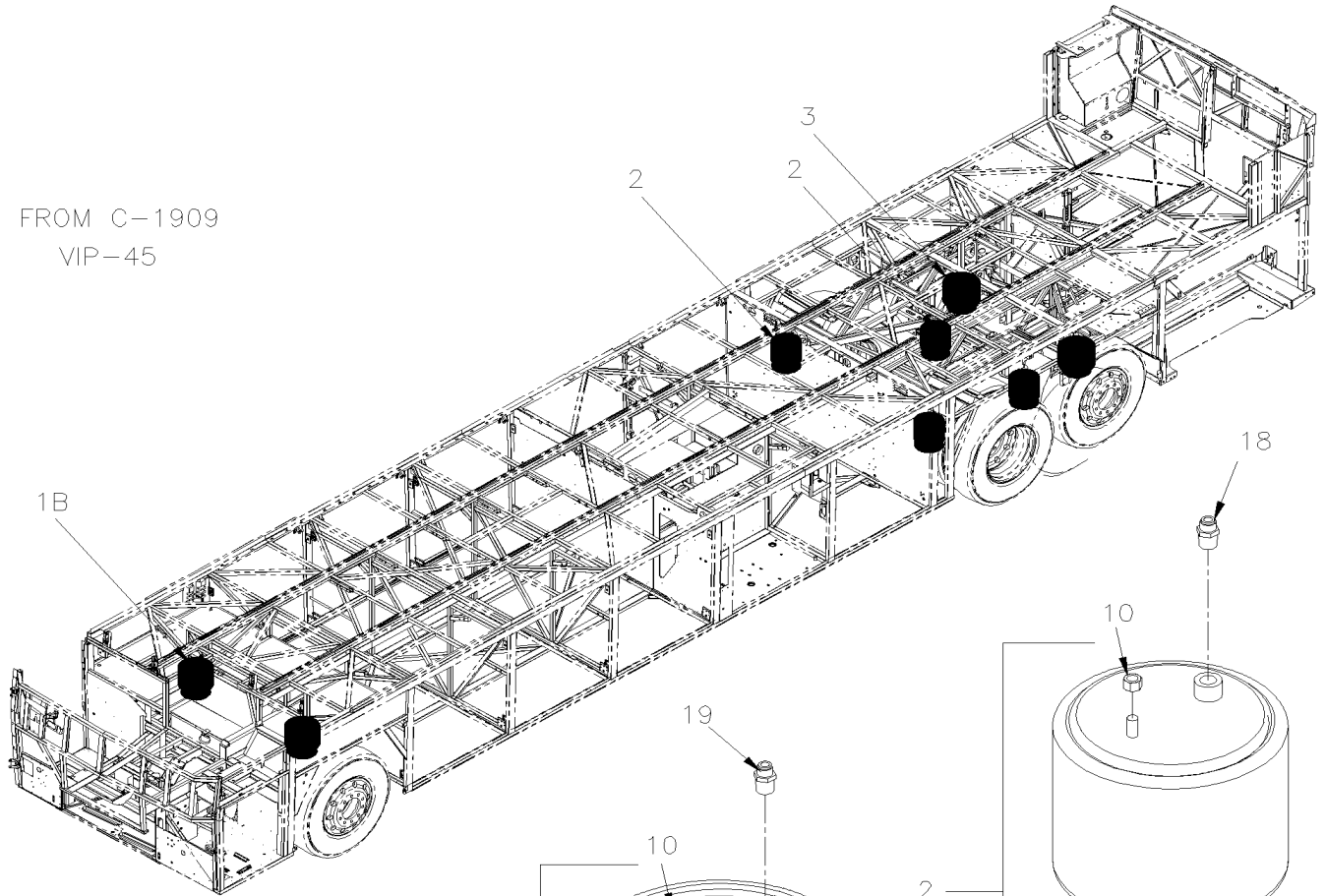
From K-0295

Date:07/2024

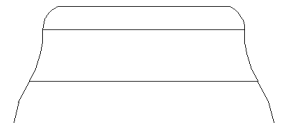
PAGE:VIP-1601-00

BELLOWS - AIR SUSPENSION

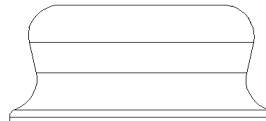
FROM C-1909
VIP-45



TYPE DOUBLE FLARE



TYPE MAE WEST



| | | | |
|---------------------------------|--|--------------|------------------|
| From K-0295 | | Date:07/2024 | PAGE:VIP-1601-00 |
| BELLOWS - AIR SUSPENSION | | | |

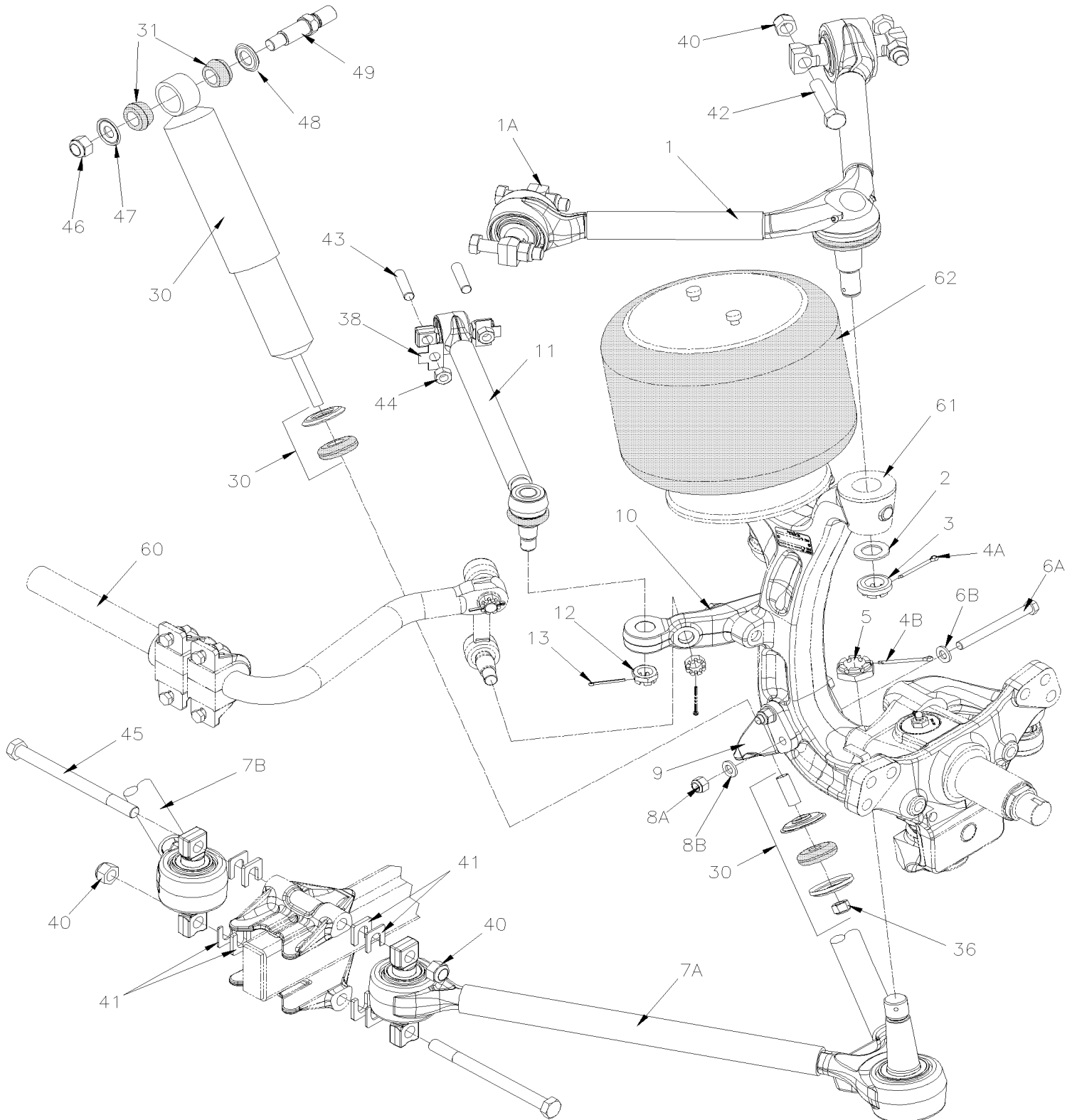
| Item# | Part | Description | QTY | Notes |
|-------|---------|--|-----|-------|
| | | FRONT AXLE BELLOW | | |
| 1B | 630280 | BELLOW ASSY / MODEL 1400 M.W. / 19000lbs | 2 | I |
| | | DRIVE AXLE BELLOW | | |
| 2 | 630260 | BELLOW ASSY / MODEL 1100 D.F. | 4 | |
| | | TAG AXLE BELLOW | | |
| 3 | 630286 | BELLOW ASSY / MODEL 1200 M.W. | 2 | |
| 10 | 500276 | NUT HEX STO 1/2-13 N500 | AR | |
| 11 | 5001041 | NUT HEX THN 1 1/4-12x1/2 | AR | |
| 12 | 641382 | MALE CONNECTOR / PUSH-IN FITTING / #6x1/2NPT-M BR | 4 | |
| 16 | 641378 | MALE ELBOW 90° / PUSH-IN FITTING / #8x1/2NPT-M BRASS | 2 | |
| 18 | 642069 | MALE ELBOW 45° NON-SWIVEL / PUSH-IN FITTING / #10x1/2NPT-M BR | 2 | |
| 18 | 642124 | MALE ELBOW 90° NON-SWIVEL / PUSH-IN FITTING / #12x1/2NPT-M COMPOSITE | 2 | |
| 19 | 640994 | MALE CONNECTOR / NTA FITTING / #10x1/2NPT-M BR | 2 | |
| 25 | 501528 | STREET ELBOW 45° / PIPE FITTING / 1/2NPT-Mx1/2NPT-F BR | 2 | I |
| 26 | 642153 | HOSE ASSY / #8 22" | 2 | I |
| 27 | 501616 | MALE CONNECTOR / SAE 45° FITTING / #8FL-Mx1/2NPT-M BR | 2 | I |
| 28 | 501796 | BULKHEAD COUPLING / PIPE FITTING / 1/2NPT-Fx1/2NPT-Fx1 1/2 BR | 2 | I |
| 29 | 641383 | MALE CONNECTOR / PUSH-IN FITTING / #8x1/2NPT-M BR | 2 | |
| | | | | |
| | | | | |
| | | I) WITH INDEPENDANT SUSPENSION | | |

From K-0295

Date:07/2024

PAGE:VIP-1605-51

FRONT AXLE - INSTALL W/INDEPENDENT "NDIFS80P" / 19000LBS



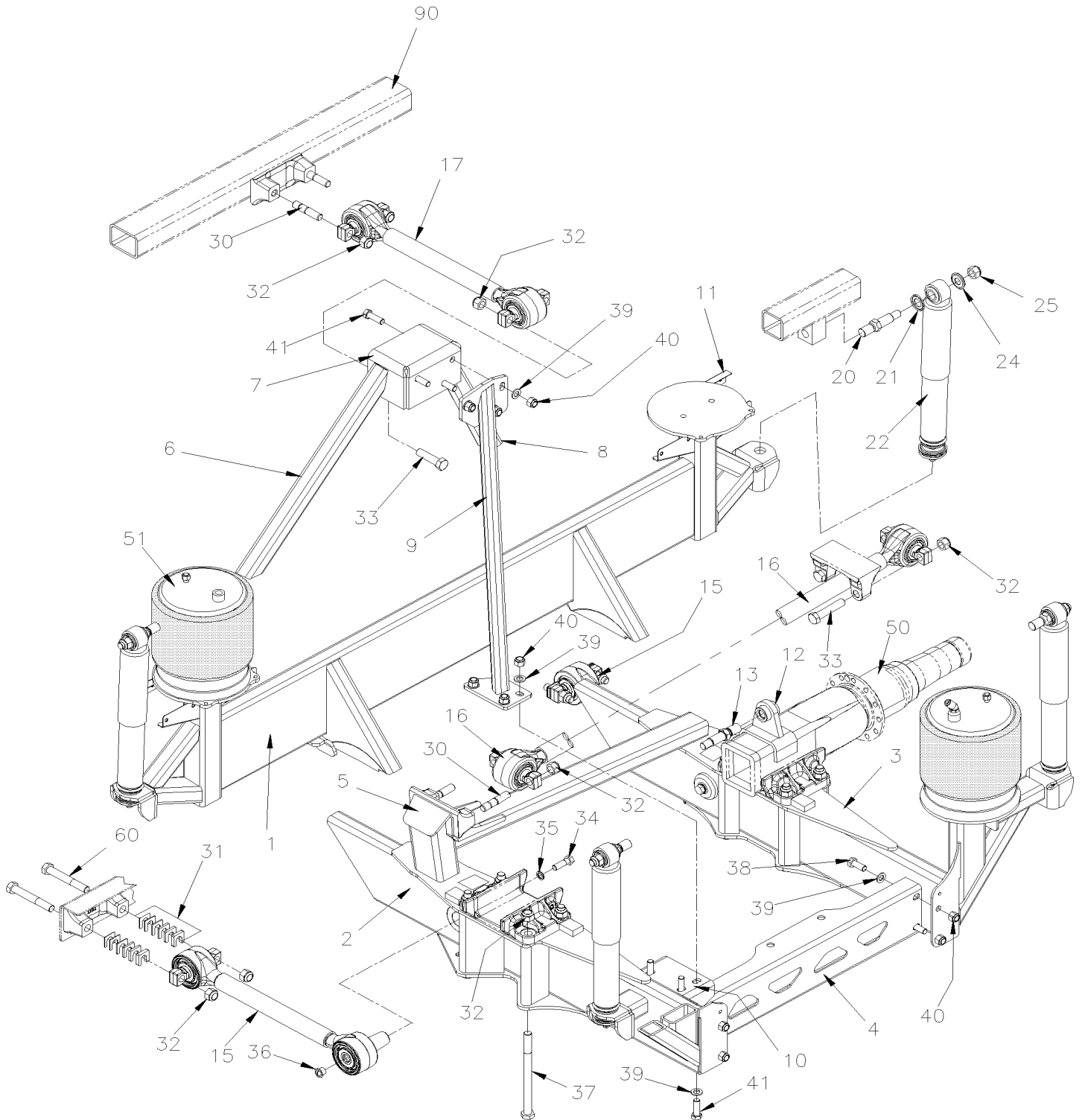
| | | | |
|---|--|--------------|------------------|
| From K-0295 | | Date:07/2024 | PAGE:VIP-1605-51 |
| FRONT AXLE - INSTALL W/INDEPENDENT "NDIFS80P" / 19000LBS | | | |

| Item# | Part | Description | QTY | Notes |
|-------|---------|--|-----|-------|
| 1 | 611270 | UPPER ARM ASSY / L.H. & R.H. | 2 | |
| . A | 611346 | . BUSHING BAR PIN / 20MM 150mm c/c 85MM O.D. x 72MM wide | 2 | |
| . A1 | 611358 | . BUSHING BAR PIN / 20MM 150mm c/c 85MM O.D. x 72MM wide | 2 | |
| 2 | 5001255 | WASHER FL 31.75x54.77x3.175 | 2 | |
| 3 | 5001321 | NUT HEX CSL M30-1.5 17TH CJ | 2 | |
| 4A | 502115 | PIN, COTTER 3/16 x 2 1/2 | 2 | |
| 4B | 502109 | PIN, COTTER 6.3MM x 71MM Z50 | 2 | |
| 5 | 5001333 | NUT HEX CSL M36-1.5 17TH CJ | 2 | |
| 6A | 5002000 | SCREW CAP HEX M14-2.0x150 G10.9 PT N500 | 2 | |
| 6B | 5001995 | WASHER FL 15.0x28.0x3.5 N500 | 2 | |
| 7A | 610008 | LOWER ARM ASSY / R.H / 19K | 1 | |
| . NS | 610009 | . BUSHING BAR PIN / REPAIR KIT FRAME SIDE | 2 | |
| . NS | 610010 | . BALL ASSY / REPAIR KIT WHEEL SIDE | 1 | |
| 7B | 610007 | LOWER ARM ASSY / L.H / 19K | 1 | |
| . NS | 610009 | . BUSHING BAR PIN / REPAIR KIT FRAME SIDE | 2 | |
| . NS | 610010 | . BALL ASSY / REPAIR KIT WHEEL SIDE | 1 | |
| 8A | 5001994 | NUT HEX NYRT M14-2.0 NX500 | 2 | |
| 8B | 5001995 | WASHER FL 15.0x28.0x3.5 N500 | 2 | |
| 9 | 110821 | ATTACHMENT / SHOCK ABSORBER | 2 | |
| 10 | 612380 | UPRIGHT ARM L.H | 1 | |
| 10 | 612381 | UPRIGHT ARM R.H | 1 | |
| 11 | 661111 | ROD ASSY / 5TH / W/58 Deg | 2 | |
| 12 | 5001325 | . NUT HEX CSL M24-1.5 15TH CJ | 1 | |
| 13 | 661215 | . PIN, COTTER 5MMx40MM | 1 | |
| 30 | 630292 | SHOCK ABSORBER / SACHS | 1 | M |
| . NS | 630255 | . KIT WASHER & RUBBER BUSHING | 1 | M |
| . NS | 630291 | . BUSHING / RUBBER / (TWO PIECES) 1" x 1.005" I.D. | 1 | M |
| 31 | 630291 | BUSHING / RUBBER / (TWO PIECES) 1" x 1.005" I.D. | 2 | |
| 36 | 5001579 | NUT HEX NYRT M16-1.5 Z050 | 2 | |
| 38 | 131961 | TAB LOCK | 4 | |
| 40 | 5001663 | NUT HEX NYRT M20-2.5 G10 Z050 | 12 | |
| 41 | 661219 | SHIM "U" 0.79 x 39.5MM x 38MM x 20 i.d. | AR | |
| 41 | 661101 | SHIM "U" 1.52 x 39.5MM x 38MM x 20 i.d. | AR | |
| 41 | 160993 | SHIM "U" 3.175x 39.5MM x 38MM x 20 i.d. | AR | |
| 41 | 661094 | SHIM "U" 4.76 x 39.5MM x 38MM x 20 i.d. | AR | |
| 41 | 160992 | SHIM "U" 6.35 x 39.5MM x 38MM x 20 i.d. | AR | |
| 41 | 163599 | SHIM "U" 9.53 x 39.5MM x 38MM x 20 i.d. | AR | |
| 42 | 5001525 | SCREW CAP HEX M20-2.5x100 G10.9 N500 | 4 | |
| 43 | 5000308 | STUD M16-2.0x50 G10.9 N500 | 4 | |
| 44 | 5001662 | NUT HEX NYRT M16-2.0 G10 Z050 | 4 | |
| 45 | 5001561 | SCREW CAP HEX M20-2.5x250 G10.9 ZP | 8 | |
| 46 | 5001663 | NUT HEX NYRT M20-2.5 G10 Z050 | 2 | |

| | | |
|---|--------------|------------------|
| From K-0295 | Date:07/2024 | PAGE:VIP-1605-51 |
| FRONT AXLE - INSTALL W/INDEPENDENT "NDIFS80P" / 19000LBS | | |

| Item# | Part | Description | QTY | Notes |
|-------|--------------------|---|-----|-------|
| 47 | 5001152 | WASHER CON 21.0x50.0x4.5 ZP | 2 | |
| 48 | 5001153 | WASHER CON 25.5x50.0x4.5 ZP | 2 | |
| 49 | 131424 | PIN W/TAPER ATTACHMENT M20-2.5 | 2 | |
| NS | 682175 | UNDERCOATING BLACK PROTECTOR (GRAVELGUARD) 567gr To N-1261 | AR | |
| NS | 685413 | RUBBERIZED UNDERCOAT (GRAVELGUARD) 560gr From N-1262 | 1 | |
| 60 | VIP-1616-01 | SWAY BAR | | |
| 61 | VIP-1005-51 | FRONT AXLE - INDEPENDENT MODEL "NDIFS80P" / 19000LBS | | |
| 62 | VIP-1601-00 | BELLOWS - AIR SUSPENSION | | |
| | | | | |
| | | | | |
| | | | | |
| | | M) METAL SLEEVE FROM KIT 630255 NOT USED | | |

| | | |
|--------------------------------|--------------|------------------|
| From K-0295 | Date:07/2024 | PAGE:VIP-1610-01 |
| REAR AXLE - INSTALL SUSPENSION | | |



| | | | |
|---------------------------------------|--|--------------|------------------|
| From K-0295 | | Date:07/2024 | PAGE:VIP-1610-01 |
| REAR AXLE - INSTALL SUSPENSION | | | |

| Item# | Part | Description | QTY | Notes |
|-------|-----------------|---|-----|-------|
| | Call order desk | REAR DIFFERENTIAL CARRIER ASSY WELDED | 1 | P |
| 1 | 122053 | . FRONT FRAME ASSY / W/AXLE | 1 | |
| 2 | 121967 | . BEAM ASSY / L.H. | 1 | |
| 3 | 121968 | . BEAM ASSY / R.H. | 1 | |
| 4 | 122000 | . CROSS MEMBER ASSY | 1 | |
| 5 | 121990 | . PANHARD ATTACHMENT, CARRIER FRAME To P-1358 | 1 | |
| 5 | 120115 | . PANHARD ATTACHMENT, CARRIER FRAME From P-1359 | 1 | |
| 6 | 121998 | BRACE / FRONT L.H. | 1 | |
| 7 | 122065 | TOP TRIPOD ASSY WELDED | 1 | |
| 8 | 121997 | BRACE / FRONT R.H. | 1 | |
| 9 | 121980 | TRIPOD ASSY WELDED | 1 | |
| 10 | 122023 | PLATE SUPPORT | 1 | |
| 11 | 122013 | ACTUATOR SUPPORT / TO FIX LINK / (WELDED) | 2 | |
| 12 | 121467 | ATTACHMENT PIN SWAY BAR / (WELDED TO HOUSING) | 2 | |
| 13 | 131522 | PIN W/TAPER ATTACHMENT M20-2.5 / SWAY-BAR | 2 | |
| 15 | 621899 | ROD ASSY / 594MM | 2 | |
| . NS | 630275 | . BALL PIN BUSHING / REPAIR KIT 85MM O.D. | 1 | |
| 16 | 621873 | ROD ASSY / 889MM | 1 | |
| . NS | 621890 | . BALL PIN BUSHING / REPAIR KIT 70MM O.D. / 130MM C/C | 2 | |
| 17 | 621900 | ROD ASSY / 594MM | 1 | |
| 20 | 131424 | PIN W/TAPER ATTACHMENT M20-2.5 | 4 | |
| NS | 171032 | SUPPORT 1"-14 / SHOCK ABSORBER / 55MM | 2 | |
| NS | 173777 | SUPPORT 1"-14 / SHOCK ABSORBER / 50.8MM | 2 | |
| 21 | 5001153 | WASHER CON 25.5x50.0x4.5 ZP | 4 | |
| 22 | 630294 | SHOCK ABSORBER / SACHS | 4 | M |
| . NS | 630291 | . BUSHING / RUBBER / (TWO PIECES) 1" x 1.005" I.D. | 1 | M |
| . NS | 630255 | . KIT WASHER & RUBBER BUSHING | 1 | M |
| 24 | 5001152 | WASHER CON 21.0x50.0x4.5 ZP | 4 | |
| 25 | 5001663 | NUT HEX NYRT M20-2.5 G10 Z050 | 4 | |
| 30 | 5001897 | STUD M20-2.5x70 G10.9 N500 | 4 | |
| 31 | 661219 | SHIM "U" 0.79 x 39.5MM x 38MM x 20 i.d. | AR | |
| 31 | 661101 | SHIM "U" 1.52 x 39.5MM x 38MM x 20 i.d. | AR | |
| 31 | 161351 | SHIM "U" 2.28 x 39.5MM x 38MM x 20 i.d. | AR | |
| 31 | 160993 | SHIM "U" 3.175x 39.5MM x 38MM x 20 i.d. | AR | |
| 31 | 661094 | SHIM "U" 4.76 x 39.5MM x 38MM x 20 i.d. | AR | |
| 31 | 160992 | SHIM "U" 6.35 x 39.5MM x 38MM x 20 i.d. | AR | |
| 31 | 163599 | SHIM "U" 9.53 x 39.5MM x 38MM x 20 i.d. | AR | |
| 32 | 5001663 | NUT HEX NYRT M20-2.5 G10 Z050 | 20 | |
| 33 | 5001225 | SCREW CAP HEX M20-2.5x80 G10.9 G500 | 4 | |
| 34 | 5001899 | SCREW CAP HEX M16-1.5x50 G10.9 N500 | 2 | |
| 35 | 630278 | WASHER "NORD-LOCK" 17.0x25.4x3.4 YP | 2 | |
| 36 | 621832 | PULL PLUG DIA. 23MM | 2 | |

| | | |
|-------------|--------------|------------------|
| From K-0295 | Date:07/2024 | PAGE:VIP-1610-01 |
|-------------|--------------|------------------|

REAR AXLE - INSTALL SUSPENSION

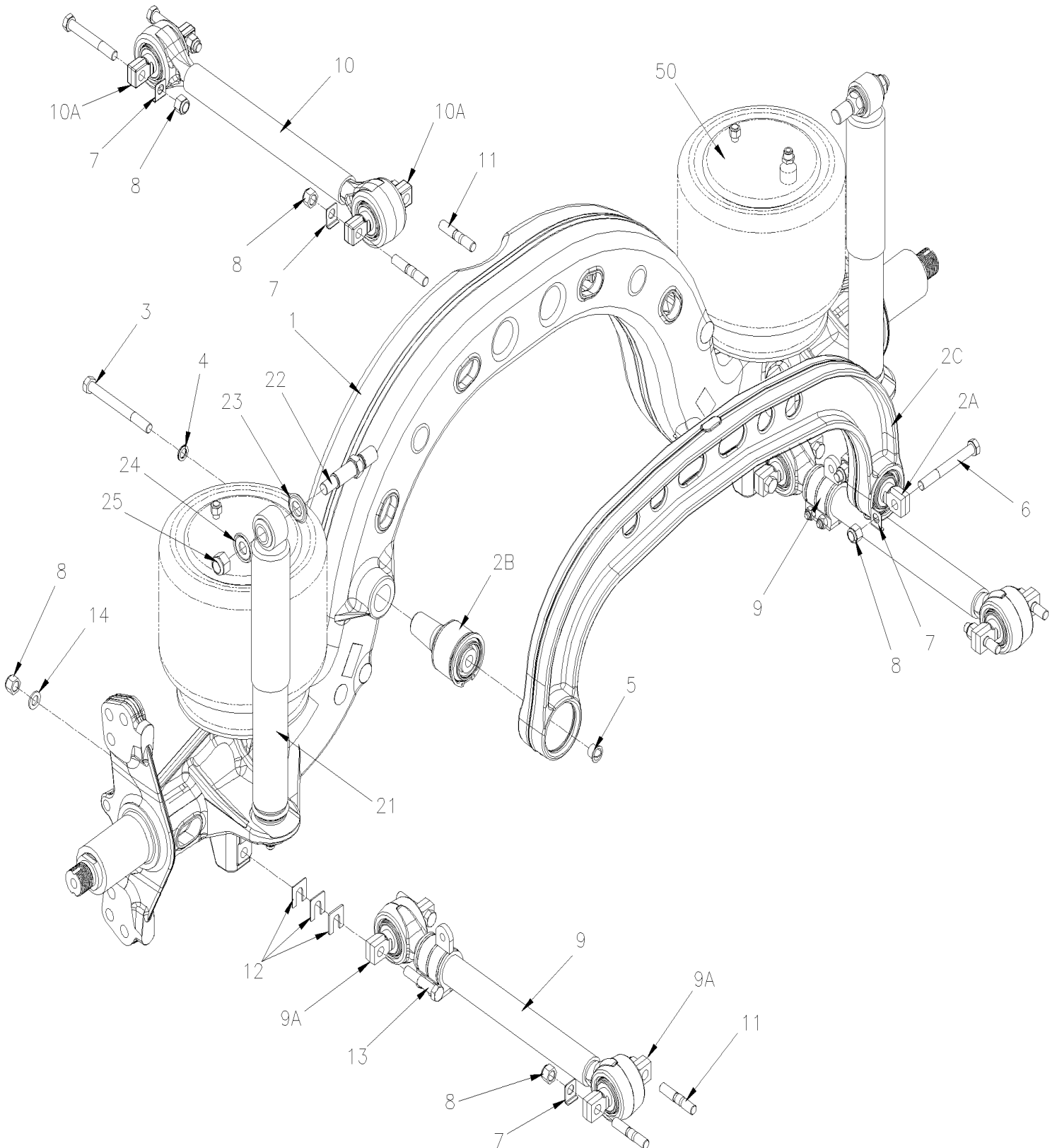
| Item# | Part | Description | QTY | Notes |
|-------|--------------------|--|-----|-------|
| 37 | 5001898 | SCREW CAP HEX M20-2.5x275 G10.9 N500 | 8 | |
| 38 | 5001590 | SCREW CAP HEX M16-2.0x40 G10.9 N500 | 4 | |
| 39 | 5001150 | WASHER FL 17.0x30.0x3.0 N500 | 13 | |
| 40 | 5001662 | NUT HEX NYRT M16-2.0 G10 Z050 | 10 | |
| 41 | 5001372 | SCREW CAP HEX M16-2.0x50 G10.9 N500 | 6 | |
| NS | 680038 | THREAD LOCKER LOCTITE #243 / BLUE / 50ml | AR | |
| NS | 688910 | THREAD LOCKER LOCTITE #262 / RED / 250ml | AR | |
| NS | 680098 | THREAD SEALANT LOCTITE #567 / WHITE / 250ml | AR | |
| NS | 680064 | OIL ANTICOROSIVE GREY (TECTYL) (20 LITERS) | AR | |
| NS | 682175 | UNDERCOATING BLACK PROTECTOR (GRAVELGUARD) 567gr To N-1261 | AR | |
| NS | 685413 | RUBBERIZED UNDERCOAT (GRAVELGUARD) 560gr From N-1262 | AR | |
| 50 | VIP-1105-00 | REAR AXLE - MODEL "RC23165" | | |
| 51 | VIP-1601-00 | BELLOWS - AIR SUSPENSION | | |
| 60 | 5001934 | SCREW CAP HEX M20-2.5x140 G10.9 N500 | 4 | |
| NS | 502558 | WASHER FL 21.0x37.0x3.0 G500 | 4 | |
| 90 | 170117 | CROSSMEMBER REAR SUB-FRAM To P-1403 | 1 | |
| 90 | 174146 | CROSSMEMBER REAR SUB-FRAM From P-1404 | 1 | |
| | | | | |
| | | | | |
| | | M) METAL SLEEVE FROM KIT 630255 NOT USED | | |
| | | P) CALL ORDER DESK FOR SPECIFIC APPLICATION (V.I.N.) | | |

From K-0295

Date:07/2024

PAGE:VIP-1615-01

TAG AXLE - INSTALL SUSPENSION ONE PIECE



| | | | |
|-------------|--|--------------|------------------|
| From K-0295 | | Date:07/2024 | PAGE:VIP-1615-01 |
|-------------|--|--------------|------------------|

TAG AXLE - INSTALL SUSPENSION ONE PIECE

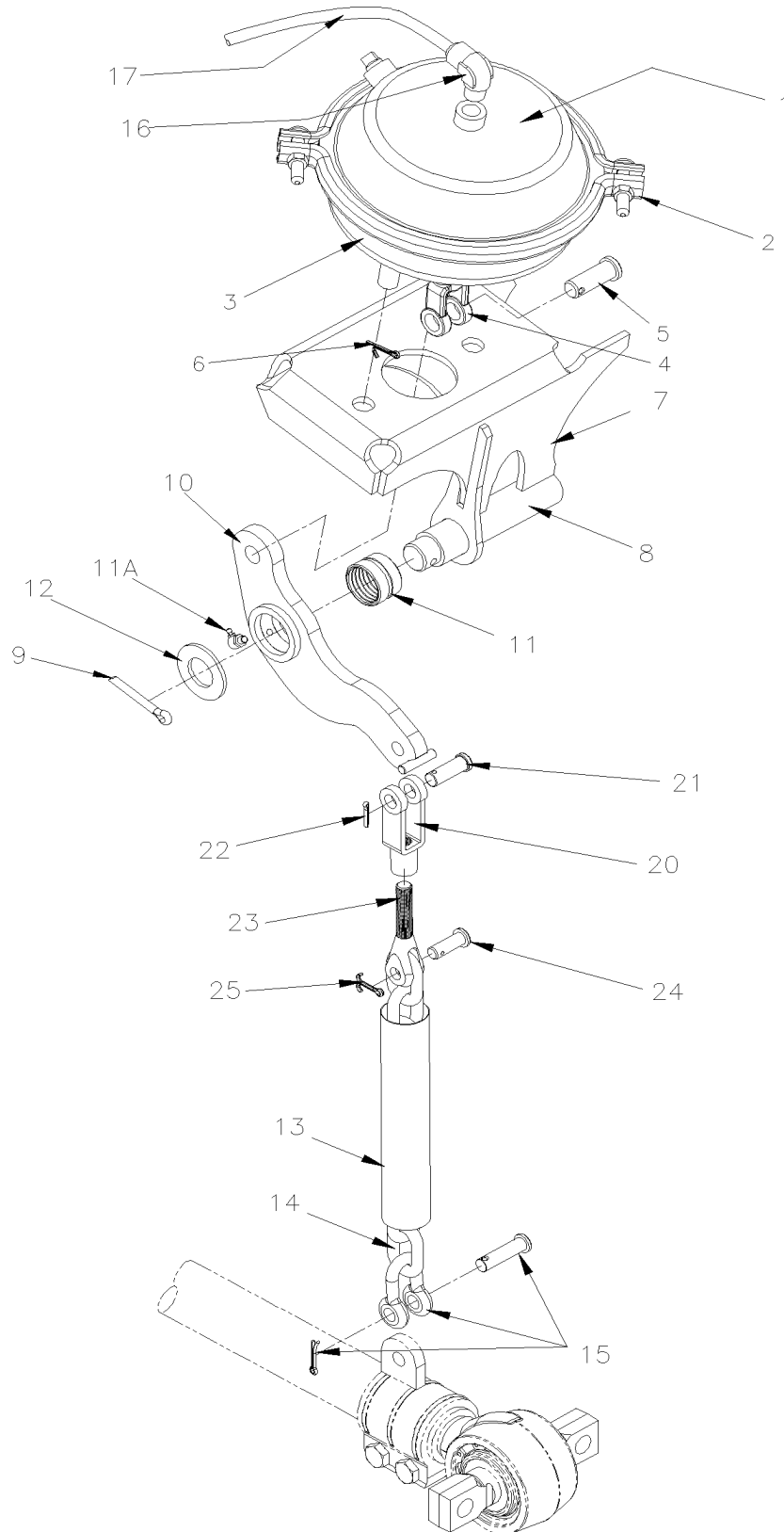
| Item# | Part | Description | QTY | Notes |
|-------|--------------------|--|-----|-------|
| 1 | 621808 | TAG AXLE / FORGE | 1 | |
| 2 | 630272 | ROD ASSY WITH / 35" C/C (889MM) / CASTING | 1 | |
| . A | 630274 | . BALL PIN BUSHING / REPAIR KIT 75MM O.D. / 130MM C/C | 1 | |
| . B | 630275 | . BALL PIN BUSHING / REPAIR KIT 85MM O.D. | 1 | |
| . C | 630273 | . ROD 35" C/C (889MM) / CASTING | 1 | |
| NS | G32952 | TOOL REMOVER TAG PANHARD FROM AXLE | 1 | |
| 3 | 5001795 | SCREW CAP HEX M16-1.5x160 G10.9 N500 | 1 | |
| 4 | 630278 | WASHER "NORD-LOCK" 17.0x25.4x3.4 YP | 1 | |
| 5 | 621832 | PULL PLUG DIA. 23MM | 1 | |
| 6 | 5001828 | SCREW CAP HEX M16-2.0x140 G10.9 N500 | 2 | |
| 7 | 131961 | TAB LOCK | 10 | |
| 8 | 5001662 | NUT HEX NYRT M16-2.0 G10 Z050 | 14 | |
| 9 | 621803 | ROD ASSY / 23.38" (594.1MM) / 130MM / M16 | 2 | |
| . A | 630274 | . BALL PIN BUSHING / REPAIR KIT 75MM O.D. / 130MM C/C | 2 | |
| 10 | 621806 | ROD ASSY / 23.38" (594.1MM) / 130MM / M16 | 1 | |
| . A | 630274 | . BALL PIN BUSHING / REPAIR KIT 75MM O.D. / 130MM C/C | 2 | |
| 11 | 5000308 | STUD M16-2.0x50 G10.9 N500 | 6 | |
| 12 | 661220 | SHIM "U" 0.79 x39.5MM x 38MM x17 i.d. | AR | |
| 12 | 621830 | SHIM "U" 1.59 x 39.5MM x 38MM x17 i.d. | AR | |
| 12 | 161352 | SHIM "U" 2.28 x39.5MM x 38MM x17 i.d. | AR | |
| 12 | 621831 | SHIM "U" 3.175 x39.5MM x 38MM x17 i.d. | AR | |
| 13 | 5001830 | SCREW CAP HEX M16-2.0x80 G10.9 N500 | 4 | |
| 14 | 5001722 | WASHER FL 17.0x30.0x3.0 SS | 4 | |
| 15 | 5001827 | SCREW CAP HEX M16-2.0x120 G10.9 N500 | 2 | |
| 21 | 630295 | SHOCK ABSORBER / SACHS | 2 | M |
| . NS | 630255 | . KIT WASHER & RUBBER BUSHING | 1 | M |
| . NS | 630291 | . BUSHING / RUBBER / (TWO PIECES) 1" x 1.005" I.D. | 1 | M |
| 22 | 131424 | PIN W/TAPER ATTACHMENT M20-2.5 | 1 | |
| 23 | 5001153 | WASHER CON 25.5x50.0x4.5 ZP | 2 | |
| 24 | 5001152 | WASHER CON 21.0x50.0x4.5 ZP | 2 | |
| 25 | 5001663 | NUT HEX NYRT M20-2.5 G10 Z050 | 2 | |
| NS | 682175 | UNDERCOATING BLACK PROTECTOR (GRAVELGUARD) 567gr To N-1261 | AR | |
| NS | 685413 | RUBBERIZED UNDERCOAT (GRAVELGUARD) 560gr From N-1262 | AR | |
| 50 | VIP-1601-00 | BELLOWS - AIR SUSPENSION | | |
| | | | | |
| | | | | |
| | | | | |
| | | M) METAL SLEEVE FROM KIT 630255 NOT USED | | |

From K-0295

Date:07/2024

PAGE:VIP-1615-10

TAG AXLE - LIFTING



| | | | |
|---------------------------|--|--------------|------------------|
| From K-0295 | | Date:07/2024 | PAGE:VIP-1615-10 |
| TAG AXLE - LIFTING | | | |

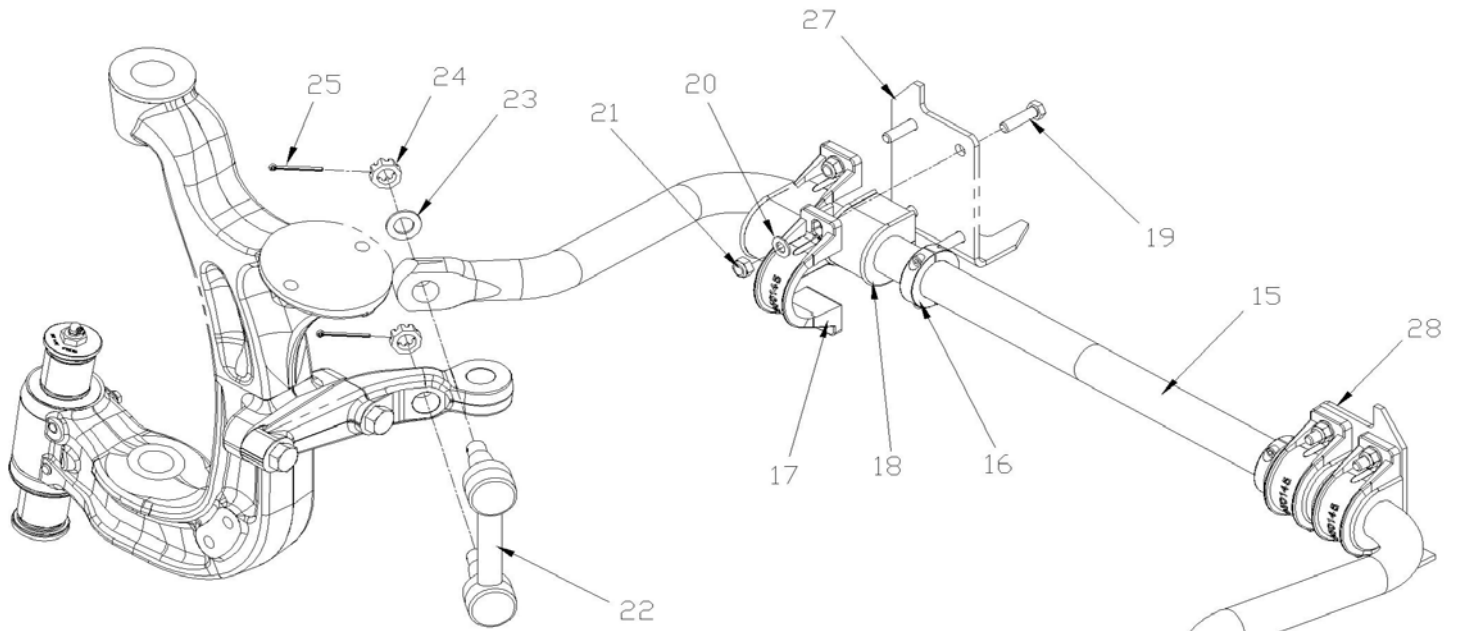
| Item# | Part | Description | QTY | Notes |
|-------|---------|---|-----|-------|
| 1 | 641425 | BRAKE CHAMBER ASSY / TYPE 36 | 2 | |
| 2 | 641067 | . CLAMP TYPE 36 | 1 | |
| 3 | 640979 | . DIAPHRAGM / TYPE 36 | 1 | |
| 3 | 641066 | . BOOT RUBBER | 1 | |
| 4 | 640130 | . YOKE 5/8-18x1 3/8 C/Lx9/16Wx5/8 | 1 | |
| 5 | 502028 | . . PIN, CLEVIS 5/8 x 3/4 | 1 | |
| 6 | 502102 | . . PIN, COTTER 1/8 x 1 | 1 | |
| NS | 641426 | . . SHIELD, ROD CENTER HOLE | 1 | |
| 7 | 175143 | BRACKET / L.H. | 1 | |
| 7 | 175144 | BRACKET / R.H. | 1 | |
| 8 | 175141 | PIVOT PIN | 1 | |
| 9 | 502106 | PIN, COTTER 1/4 x 2 | 1 | |
| 10 | 132007 | LEVER ASSY | 1 | |
| 11 | 131791 | . BUSHING BRASS / W/GROOVE INSIDE 38.17 O.D. x 32.2 I.D. x 25.4 | 1 | |
| 11A | 501500 | . GREASE FITTING 90° / 1/4-28 | 1 | |
| 12 | 500456 | WASHER FL 1.062x2.000x.134 Z050 | 1 | |
| 13 | 121850 | TUBE COVERING CHAIN 140MM | 1 | |
| . NS | 5001503 | . TUBE, PVC / CLEAR / 1 1/2" I.D./ S.L. | AR | |
| 14 | 121930 | CHAIN / 243MM | 1 | |
| 15 | 505064 | SHACKLE CHAIN 3/8 | 1 | |
| 16 | 641375 | MALE ELBOW 90° NON-SWIVEL / PUSH-IN FITTING / #6x3/8NPT-M BR | 1 | |
| 17 | 503404 | TUBE, NYLON 3/8 O.D. / BLACK S.L. | AR | |
| 20 | 5021002 | CLEVIS ROD END 1/2 | 1 | |
| 21 | 502035 | . PIN, CLEVIS 1/2 x 1 3/8 Z050 | 1 | |
| 22 | 502103 | . PIN, COTTER 1/8 x 2 | 1 | |
| 23 | 5021003 | CLEVIS ROD END 7/16 | 1 | |
| 24 | 5021004 | PIN, CLEVIS 7/16 x 1 1/4 ZP | 1 | |
| 25 | 502102 | PIN, COTTER 1/8 x 1 | 1 | |

From K-0295 To R-1917

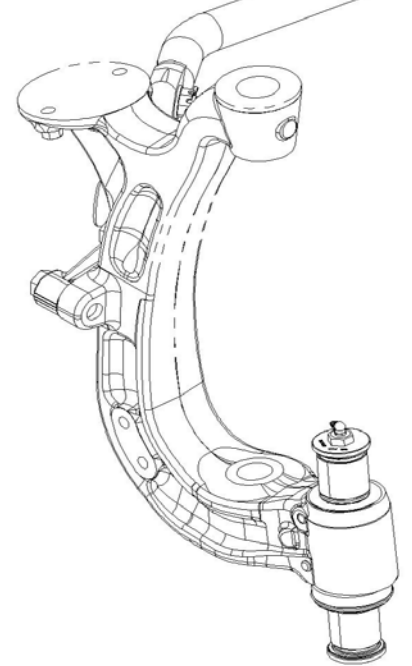
Date:07/2024

PAGE:VIP-1616-01

SWAY BAR



WITH INDEPENDANTE SUSPENSION



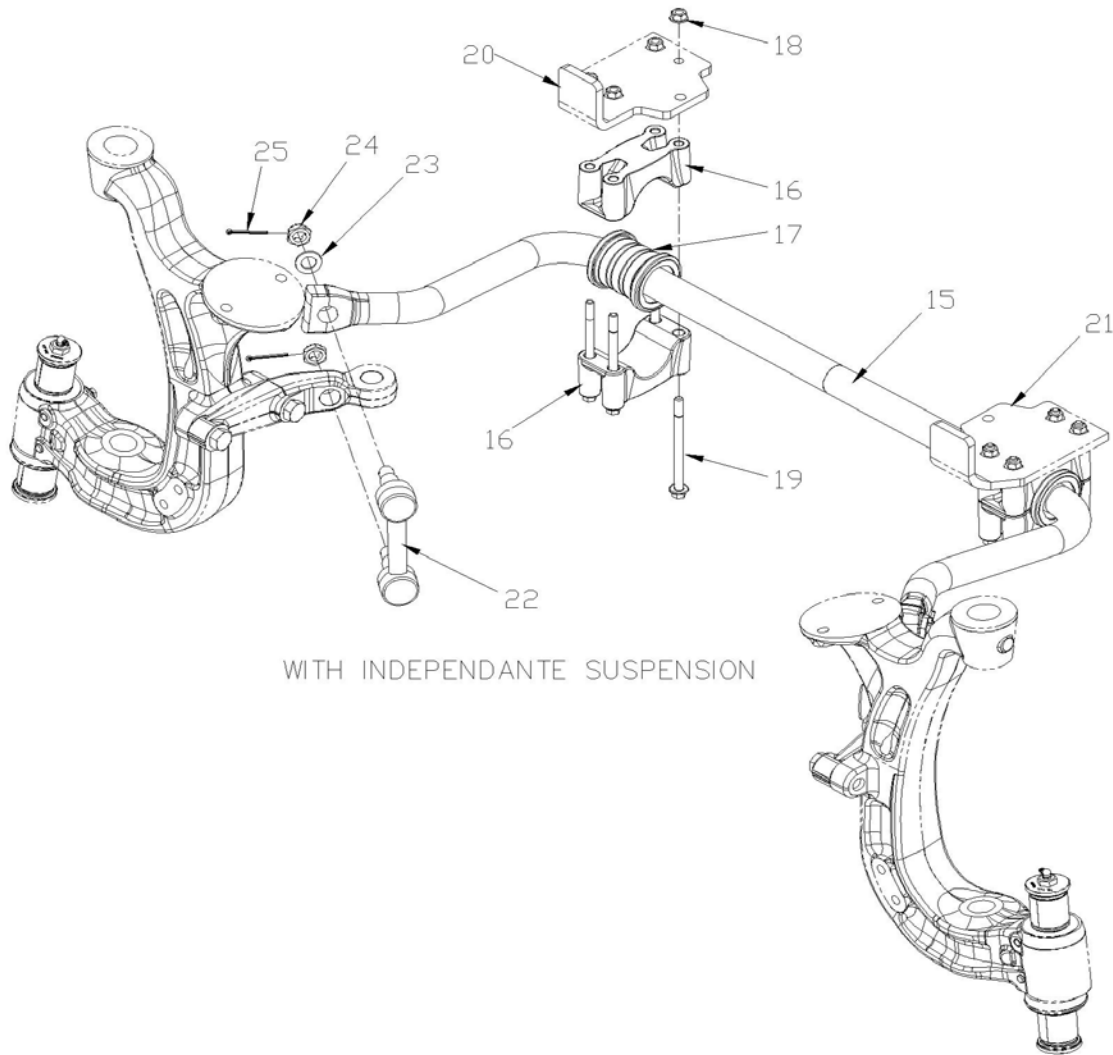
| | | |
|------------------------------|---------------------|-------------------------|
| From K-0295 To R-1917 | Date:07/2024 | PAGE:VIP-1616-01 |
| SWAY BAR | | |

| Item# | Part | Description | QTY | Notes |
|-------|----------|--|-----|-------|
| 15 | 131623 | SWAY BAR 2" O.D. 1175MM / W/19000LBS / W/58 Deg To K-0426 | 1 | I |
| 15 | 130018 | SWAY BAR 51 MM O.D. 1175MM / W/19000LBS / W/58 Deg From K-0427 | 1 | I |
| 16 | 502942 | COLLAR 2" I.D. | 2 | I |
| 17 | 630145 | COLLAR / IRON / 2x.472" HOLE 4 5/8 C/C | 4 | I |
| NS | 130079 | SERV. KIT SWAYBAR COLLAR 51MM, 2" DIA. | 1 | |
| NS | 130076 | MACHINED NODULAR COLLAR | 4 | |
| NS | 131355 | BUSHING / RUBBER 2" I.D. | 4 | |
| NS | 5001688 | SCREW CAP HEX M12-1.75x100 G10.9 G500 | 8 | |
| NS | 5001695 | NUT HEX NYRT M12-1.75 Z050 | 8 | |
| NS | 5002008 | WASHER FL 13.0x35.0x5.0 N500 | 8 | |
| NS | IS-23019 | SEE ENGLISH INSTRUCTION SHEET | 1 | |
| NS | FI-23019 | SEE FRENCH INSTRUCTION SHEET | 1 | |
| 18 | 630020 | BUSHING / RUBBER / USE WITH SWAY BAR 1 3/4" To K-0426 | 4 | I |
| 18 | 131355 | BUSHING / RUBBER 2" I.D. From K-0427 | 4 | I |
| 19 | 5001885 | SCREW CAP HEX M12-1.75X40 G10.9 N500 | 8 | I |
| 20 | 500011 | WASHER FL / HARDENED 13.0x24.0x3.0 STL | 8 | I |
| 21 | 5001695 | NUT HEX NYRT M12-1.75 Z050 | 8 | I |
| 22 | 630246 | LINK ASSY / 150MM C/C / W/18000LBS | 2 | I |
| 23 | 502558 | WASHER FL 21.0x37.0x3.0 G500 | 2 | I |
| 24 | 5001553 | NUT HEX CSL M20-1.5 N500 | 4 | I |
| 25 | 502104 | PIN, COTTER 5/32 x 2 | 4 | I |
| | | | | |
| 27 | 170002 | ATTACHMENT SWAY BAR CURBSIDE | 1 | |
| 28 | 170003 | ATTACHMENT SWAY BAR STREETSIDE | 1 | |
| | | | | |
| 31 | 131398 | SWAY BAR ASSY / 2" O.D. X 848MM | 1 | R |
| A | 131520 | STUD 1 1/4" O.D. | 2 | R |
| 32 | 630145 | COLLAR / IRON / 2x.472" HOLE 4 5/8 C/C | 4 | R |
| NS | 130079 | SERV. KIT SWAYBAR COLLAR 51MM, 2" DIA. | 1 | |
| NS | 130076 | MACHINED NODULAR COLLAR | 4 | |
| NS | 131355 | BUSHING / RUBBER 2" I.D. | 4 | |
| NS | 5001688 | SCREW CAP HEX M12-1.75x100 G10.9 G500 | 8 | |
| NS | 5001695 | NUT HEX NYRT M12-1.75 Z050 | 8 | |
| NS | 5002008 | WASHER FL 13.0x35.0x5.0 N500 | 8 | |
| NS | IS-23019 | SEE ENGLISH INSTRUCTION SHEET | 1 | |
| NS | FI-23019 | SEE FRENCH INSTRUCTION SHEET | 1 | |
| 33 | 131355 | BUSHING / RUBBER 2" I.D. | 4 | R |
| 34 | 5001885 | SCREW CAP HEX M12-1.75X40 G10.9 N500 | 8 | R |
| 35 | 500011 | WASHER FL / HARDENED 13.0x24.0x3.0 STL | 8 | R |
| 36 | 5001695 | NUT HEX NYRT M12-1.75 Z050 | 8 | R |
| 37 | 131522 | PIN W/TAPER ATTACHMENT M20-2.5 / SWAY-BAR | 2 | R B |
| 38 | 121467 | ATTACHMENT PIN SWAY BAR / (WELDED TO HOUSING) | 2 | R |

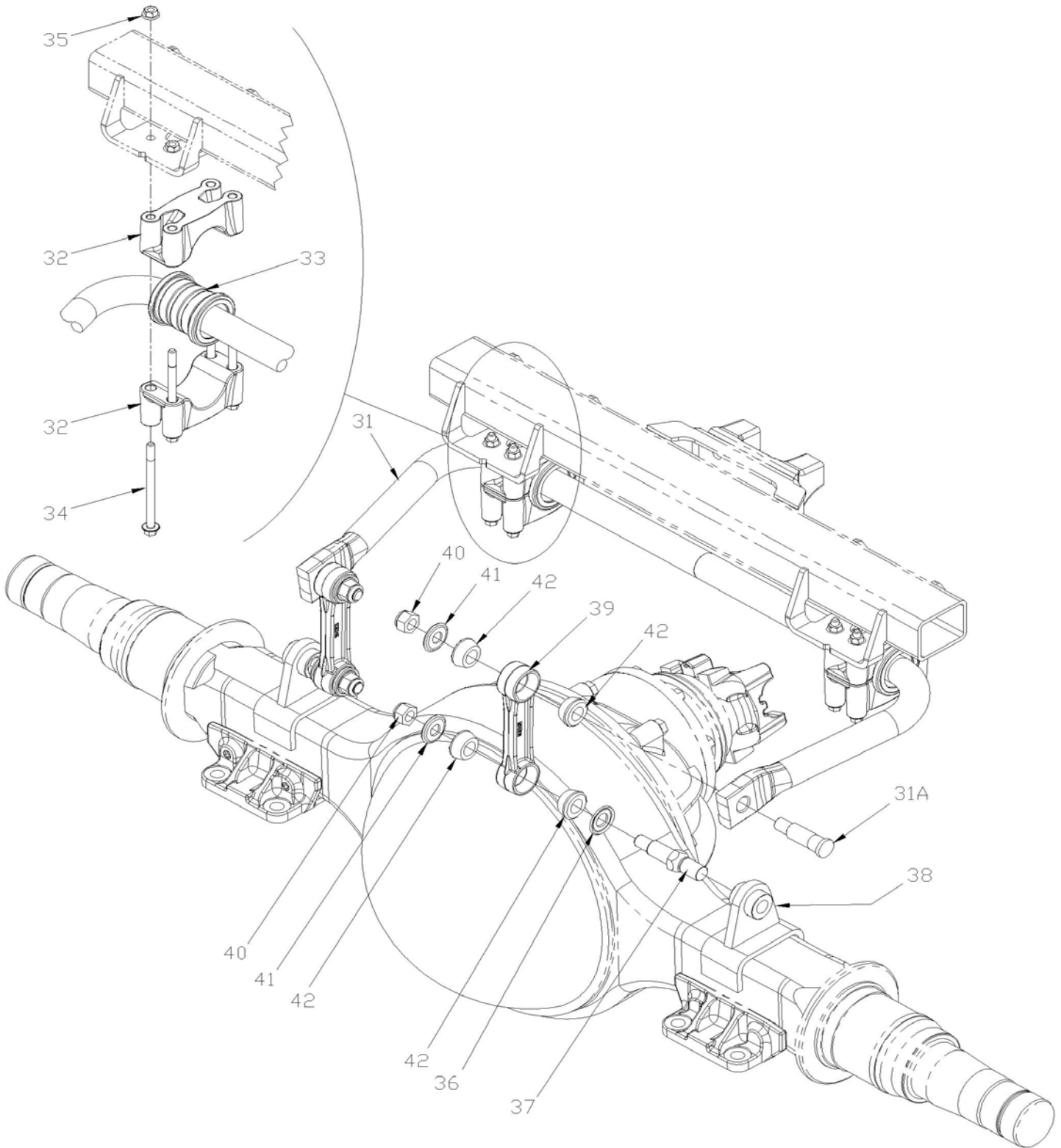
| | | |
|-----------------------|--------------|------------------|
| From K-0295 To R-1917 | Date:07/2024 | PAGE:VIP-1616-01 |
| SWAY BAR | | |

| Item# | Part | Description | QTY | Notes |
|-------|---------|--|-----|-------|
| 39 | 630146 | LINK ASSY / 7" C/C / IRON | 2 | R |
| 40 | 5001663 | NUT HEX NYRT M20-2.5 G10 Z050 | 4 | R |
| 41 | 5001152 | WASHER CON 21.0x50.0x4.5 ZP | 4 | R |
| 42 | 506678 | BUSHING / POLYURETHANE / (TWO PIECES) RED 1" x 1.005" I.D. | 8 | R |
| 43 | 5001153 | WASHER CON 25.5x50.0x4.5 ZP | 2 | R |
| NS | 682175 | UNDERCOATING BLACK PROTECTOR (GRAVELGUARD) 567gr To N-1261 | AR | |
| NS | 685413 | RUBBERIZED UNDERCOAT (GRAVELGUARD) 560gr From N-1262 | AR | |
| | | | | |
| | | | | |
| | | B) THIS PIN IS 3MM SHORTER ON BUSHING SIDE AND BLACK PAINTED FOR EASY IDENTIFICATION | | |
| | | I) INDEPENDANT SUSPENSION | | |
| | | R) REAR SUSPENSION | | |

SWAY BAR



SWAY BAR



Date:07/2024

PAGE:VIP-1616-02

SWAY BAR

| Item# | Part | Description | QTY | Notes |
|-------|---------|--|-----|-------|
| 15 | 130018 | SWAY BAR 51 MM O.D. 1175MM / W/19000LBS / W/58 Deg | 1 | I |
| 16 | 9522629 | ANCHORAGE STABILIZER REAR | 4 | I |
| 17 | 9959304 | RUBBER BUSHING DIAM 50, STABILIZER | 2 | I |
| 18 | 5001086 | NUT HEXF M12-1.75 DP | 8 | I |
| 19 | 5001723 | SCREW CAP HEXF M12-1.75x160 G10.9 N500 | 8 | I |
| 20 | 174153 | SUPPORT ANTI ROLL BAR RH | 1 | I |
| 21 | 174154 | SUPPORT ANTI ROLL BAR LH | 1 | I |
| 22 | 630246 | LINK ASSY / 150MM C/C / W/18000LBS | 2 | I |
| 23 | 502558 | WASHER FL 21.0x37.0x3.0 G500 | 2 | I |
| 24 | 5001553 | NUT HEX CSL M20-1.5 N500 | 4 | I |
| 25 | 502104 | PIN, COTTER 5/32 x 2 | 4 | I |
| 31 | 131398 | SWAY BAR ASSY / 2" O.D. X 848MM | 1 | R |
| A | 131520 | STUD 1 1/4" O.D. | 2 | R |
| 32 | 9522629 | ANCHORAGE STABILIZER REAR | 4 | R |
| 33 | 9959304 | RUBBER BUSHING DIAM 50, STABILIZER | 2 | R |
| 34 | 5001723 | SCREW CAP HEXF M12-1.75x160 G10.9 N500 | 8 | R |
| 35 | 5001086 | NUT HEXF M12-1.75 DP | 8 | R |
| 36 | 5001153 | WASHER CON 25.5x50.0x4.5 ZP | 2 | R |
| 37 | 131522 | PIN W/TAPER ATTACHMENT M20-2.5 / SWAY-BAR | 2 | B R |
| 38 | 121467 | ATTACHMENT PIN SWAY BAR / (WELDED TO HOUSING) | 2 | R |
| 39 | 630146 | LINK ASSY / 7" C/C / IRON | 2 | R |
| 40 | 5001663 | NUT HEX NYRT M20-2.5 G10 Z050 | 4 | R |
| 41 | 5001152 | WASHER CON 21.0x50.0x4.5 ZP | 4 | R |
| 42 | 506678 | BUSHING / POLYURETHANE / (TWO PIECES) RED 1" x 1.005" I.D. | 8 | R |
| NS | 685413 | RUBBERIZED UNDERCOAT (GRAVELGUARD) 560gr | AR | |
| | | | | |
| | | | | |
| | | B) THIS PIN IS 3MM SHORTER ON BUSHING SIDE AND BLACK PAINTED FOR EASY IDENTIFICATION | | |
| | | I) INDEPENDANT SUSPENSION | | |
| | | R) REAR SUSPENSION | | |

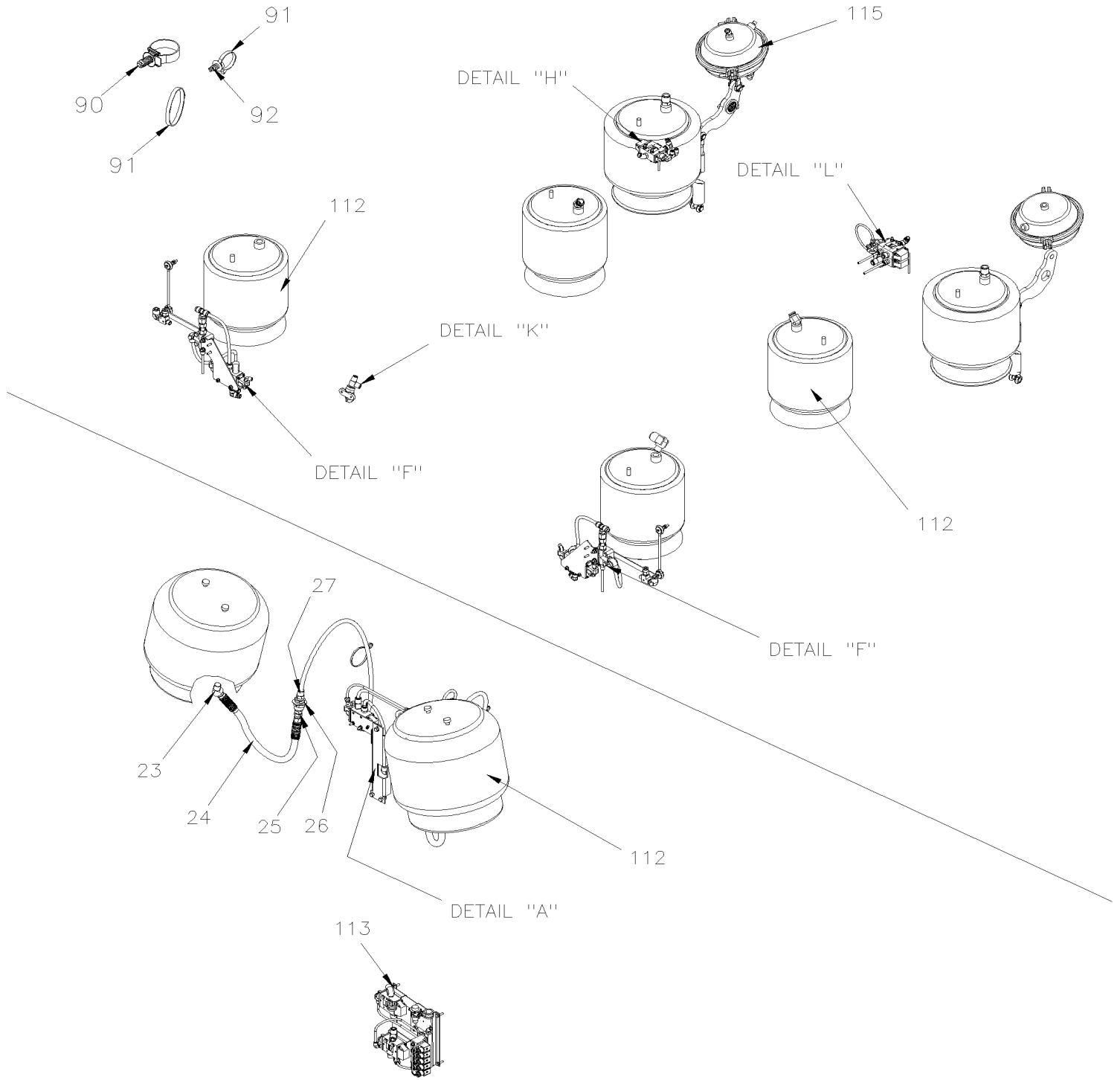
From K-0295 To P-1347

Date:07/2024

PAGE:VIP-1620-51

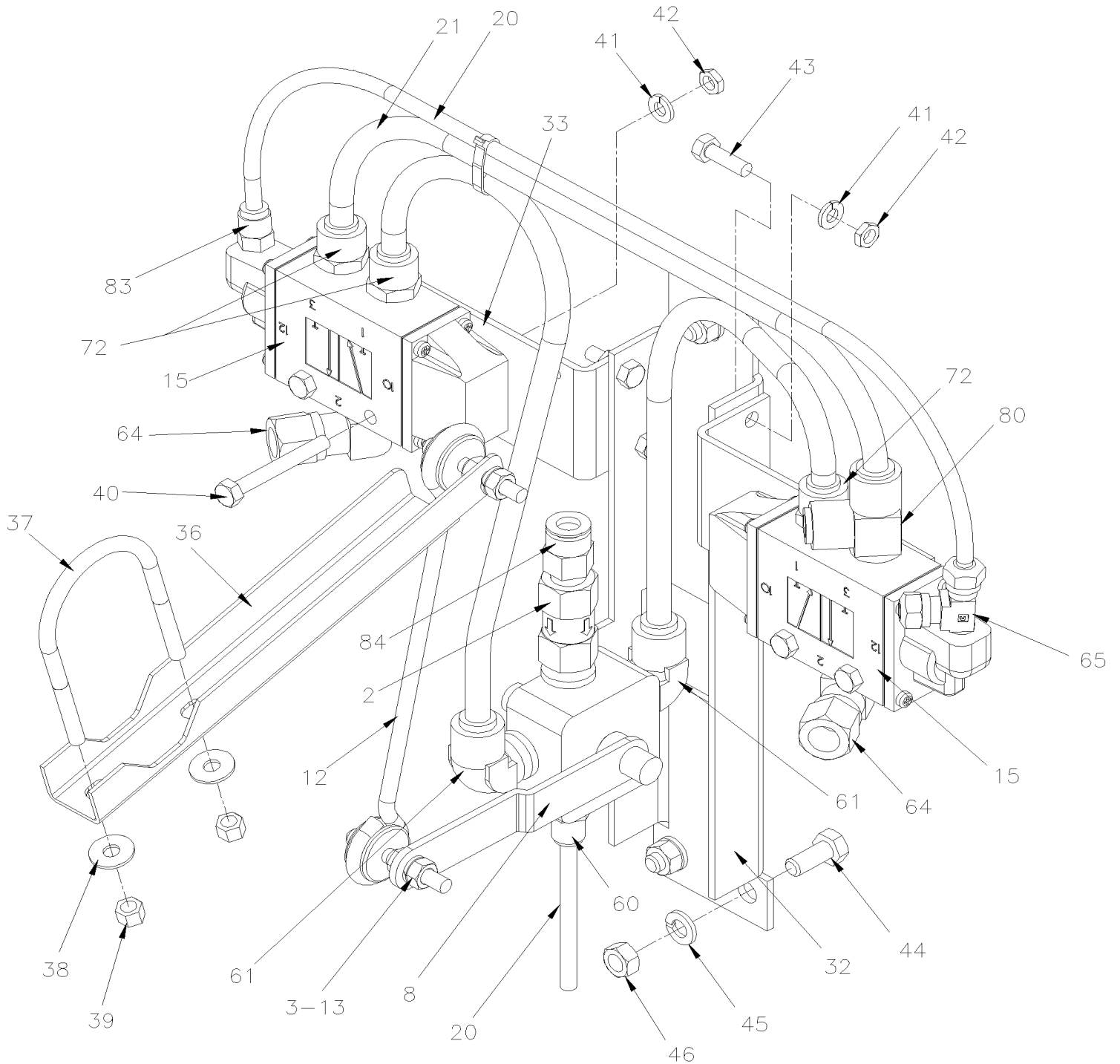
HEIGHT CONTROL VALVE - V.I.P.

REAR AND TAG AXLE



INDEPENDANT SUSPENSION

HEIGHT CONTROL VALVE - V.I.P.



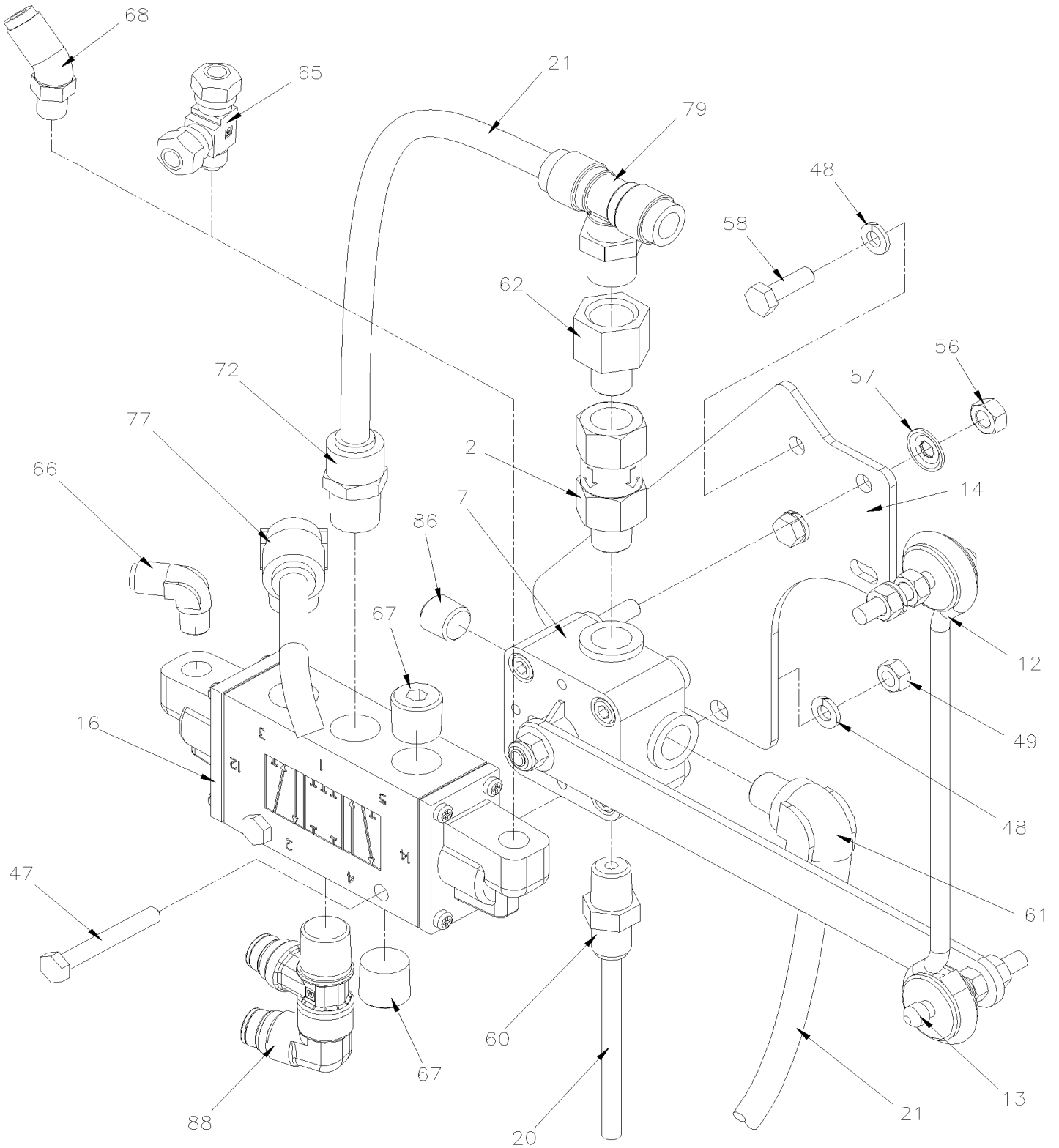
DETAIL "A"

From K-0295 To P-1347

Date:07/2024

PAGE:VIP-1620-51

HEIGHT CONTROL VALVE - V.I.P.



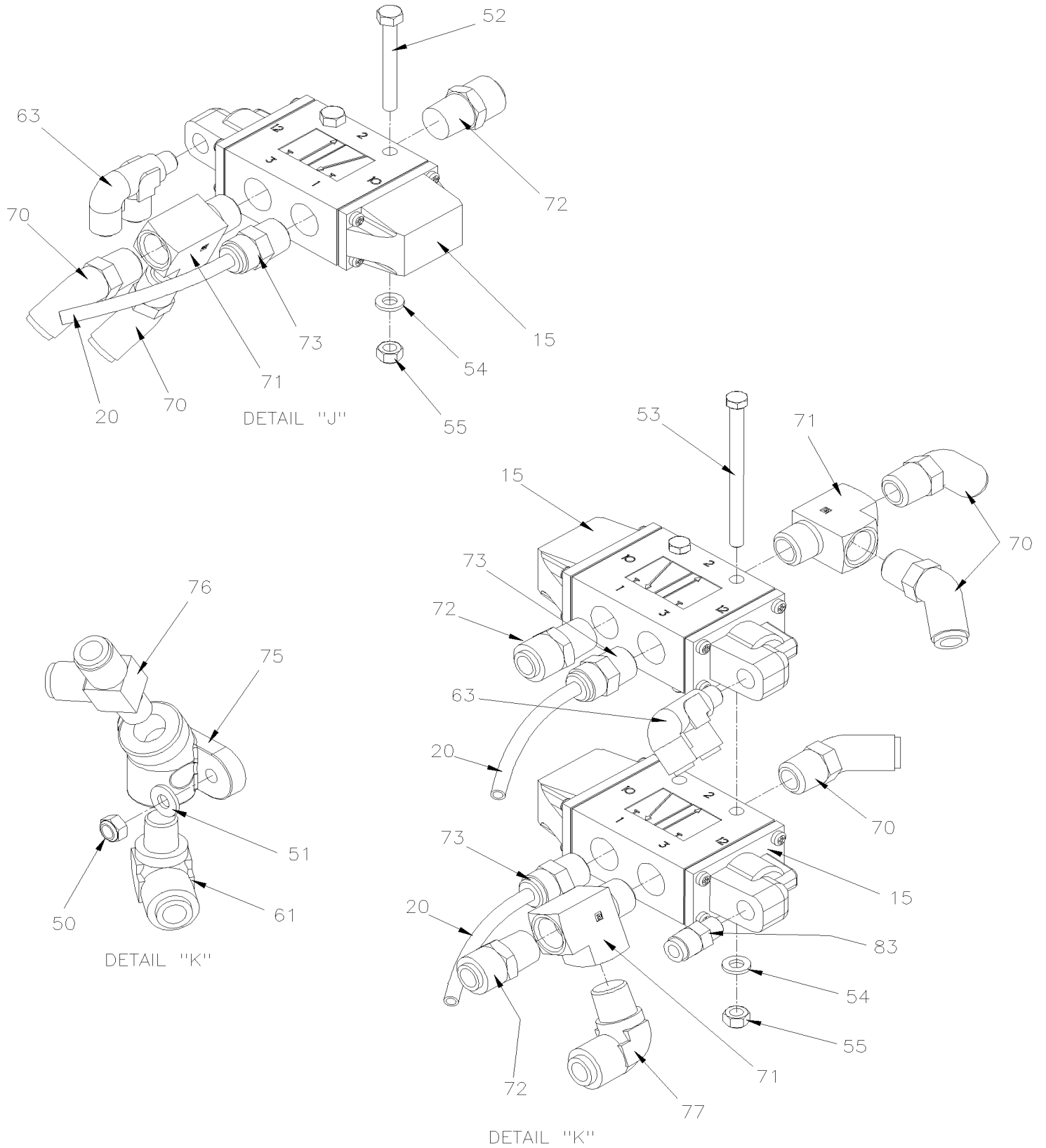
DETAIL "F"

From K-0295 To P-1347

Date:07/2024

PAGE:VIP-1620-51

HEIGHT CONTROL VALVE - V.I.P.



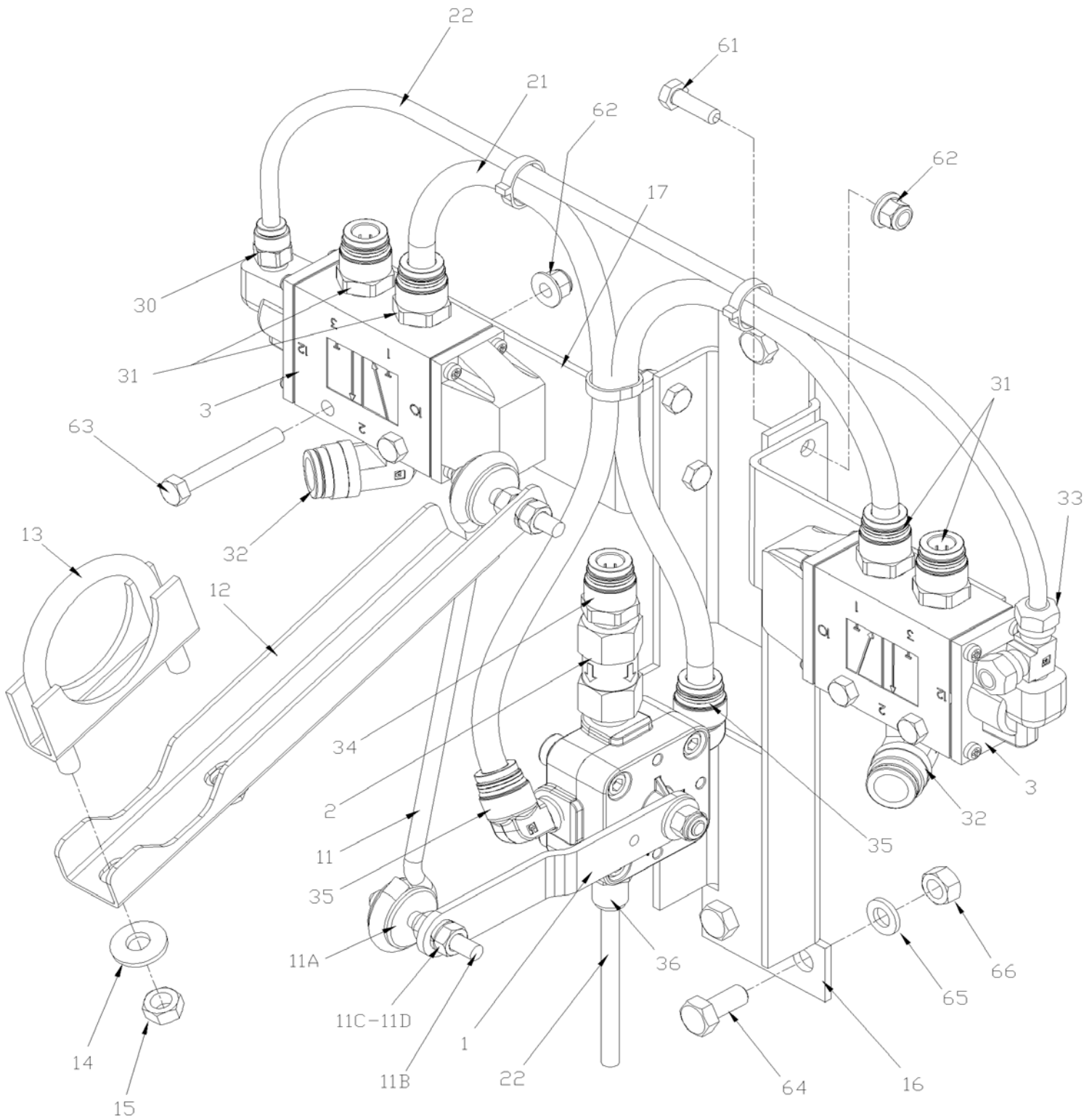
| | | |
|--------------------------------------|---------------------|-------------------------|
| From K-0295 To P-1347 | Date:07/2024 | PAGE:VIP-1620-51 |
| HEIGHT CONTROL VALVE - V.I.P. | | |

| Item# | Part | Description | QTY | Notes |
|-------|----------|---|-----|-------|
| 2 | 640135 | VALVE, CHECK 1/4 NPT | 1 | |
| 3 | 500769 | NUT HEX 1/4-20 Z050 | 2 | |
| 7 | 630156 | VALVE, HEIGHT CONTROL "BARKSDALE" | 2 | |
| 8 | 630237 | VALVE, HEIGHT CONTROL "BARKSDALE" / FRONT | 1 | |
| 8 | 500247 | NUT HEX 1/4-20 N500 | 2 | |
| 8 | 500473 | WASHER LO SPT .262x.489x.062 Z050 | 2 | |
| 12 | 630231 | LINK ASSY 185MM C/C 7 1/4" | 1 | |
| . A | N8889244 | . GROMMET / LINK | 2 | |
| . B | 630250 | . STUD RETAINER 1/4-20 X 1" | 2 | |
| . C | 500247 | . NUT HEX 1/4-20 N500 | 4 | |
| . D | 500473 | . WASHER LO SPT .262x.489x.062 Z050 | 4 | |
| 13 | 630250 | STUD RETAINER 1/4-20 X 1" | 2 | |
| 14 | 131980 | SUPPORT VALVE | 1 | |
| 15 | 641274 | VALVE, 3 WAYS, 2 POSITIONS N.C. | 2 | |
| 16 | 641531 | VALVE, 5 WAYS, 3 POSITIONS | 2 | |
| . NS | 641186 | . SPOOL | 1 | |
| 20 | 503402 | TUBE, NYLON 1/4 O.D. / BLACK S.L. | AR | |
| 21 | 503471 | TUBE, NYLON 3/8 O.D. / BLUE S.L. | AR | |
| 23 | 501528 | STREET ELBOW 45° / PIPE FITTING / 1/2NPT-Mx1/2NPT-F BR | 2 | |
| 24 | 642153 | HOSE ASSY / #8 22" | 2 | |
| 25 | 501616 | MALE CONNECTOR / SAE 45° FITTING / #8FL-Mx1/2NPT-M BR | 2 | |
| 26 | 501796 | BULKHEAD COUPLING / PIPE FITTING / 1/2NPT-Fx1/2NPT-Fx1 1/2 BR | 2 | |
| 27 | 641383 | MALE CONNECTOR / PUSH-IN FITTING / #8x1/2NPT-M BR | 2 | |
| 32 | 131468 | SUPPORT HEIGHT CONTROL VALVE | 1 | |
| 33 | 131319 | SUPPORT VALVE | 2 | |
| 36 | 110679 | ACTUATOR LEVER To M-1135 | 1 | |
| 36 | 110065 | ACTUATOR LEVER From M-1136 | 1 | |
| 37 | 503399 | U-CLAMP / 2" I.D. X 1/4-20 To M-1135 | 1 | |
| 37 | 504220 | U-CLAMP / 2" I.D. x 5/16-18 From M-1136 | 1 | |
| 38 | 5001848 | WASHER BEL SPR .827 x .331 x .098 th SS | 2 | |
| 39 | 500769 | NUT HEX 1/4-20 Z050 To M-1135 | 2 | |
| 39 | 500701 | NUT HEX 5/16-18 ZP From M-1136 | 2 | |
| 40 | 502656 | SCREW CAP HEX M6-1.0x50 SS | 4 | |
| 41 | 502570 | WASHER LO SPT 6.1x11.8x1.6 SS | 8 | |
| 42 | 502565 | NUT HEX M6-1.0 SS | 8 | |
| 43 | 502622 | SCREW CAP HEX M6-1.0x20 SS BK | 4 | |
| 44 | 500836 | SCREW CAP HEX 5/16-18x3/4 G5 N500 | 3 | |
| 45 | 500942 | WASHER LO SPT 8.1x14.8x2.0 N500 | 3 | |
| 46 | 500778 | NUT HEX 5/16-18 N500 | 3 | |
| 47 | 502843 | SCREW CAP HEX M6-1.0x45 G8.8 N500 | 4 | |
| 48 | 502853 | WASHER LO SPT 6.1x11.8x1.6 N500 | 4 | |
| 49 | 502860 | NUT HEX STO M6-1.0 N500 | 4 | |

| | | |
|--------------------------------------|---------------------|-------------------------|
| From K-0295 To P-1347 | Date:07/2024 | PAGE:VIP-1620-51 |
| HEIGHT CONTROL VALVE - V.I.P. | | |

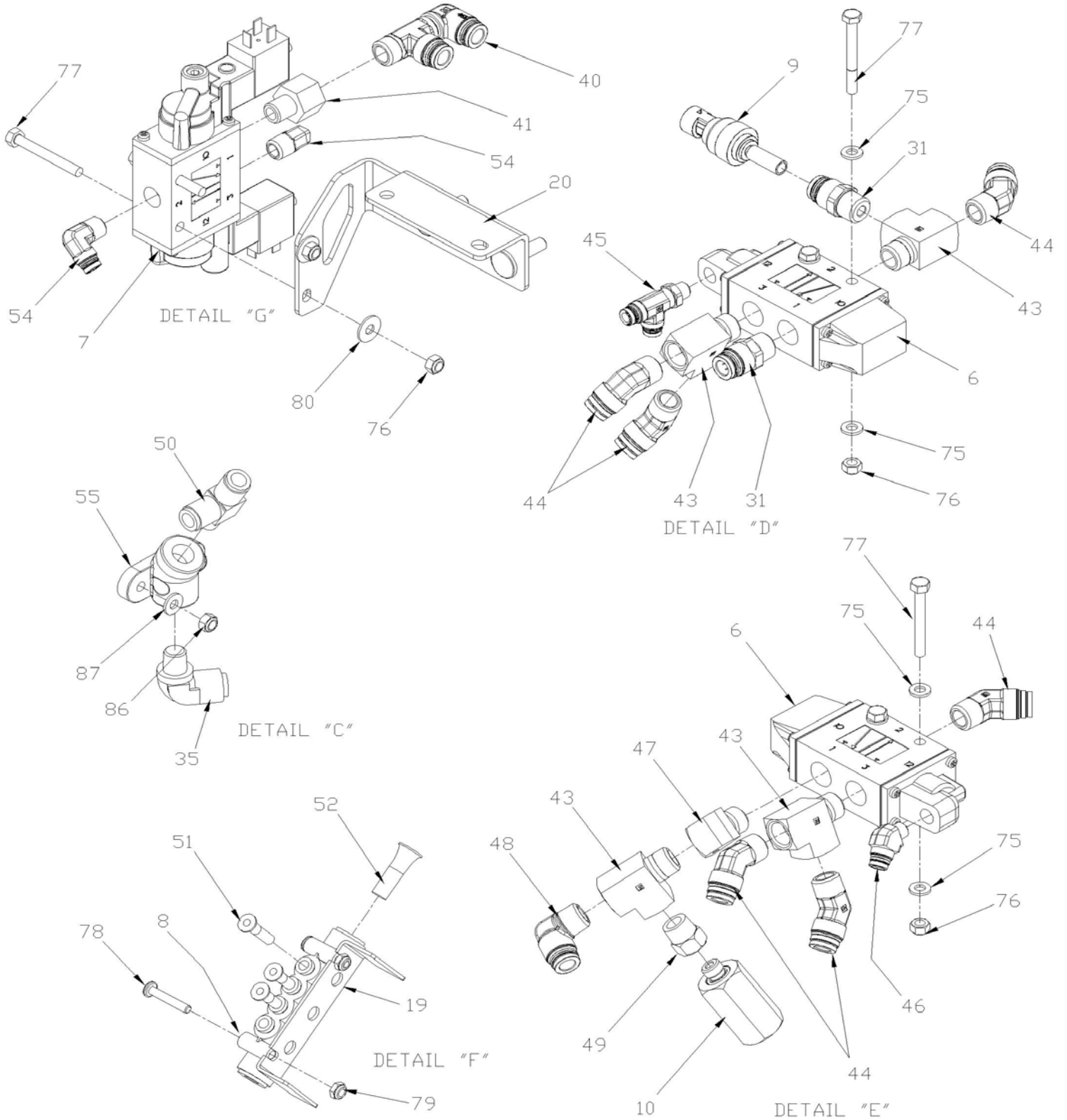
| Item# | Part | Description | QTY | Notes |
|-------|--------------------|---|-----|-------|
| 50 | 502681 | NUT HEX NYRT M6-1.0 N500 G8 | 2 | |
| 51 | 500877 | WASHER FL .250x.562x.065 N500 | 2 | |
| 52 | 502656 | SCREW CAP HEX M6-1.0x50 SS | 2 | |
| 53 | 5001682 | SCREW CAP HEX M6-1.0x80 SS | 2 | |
| 54 | 502573 | WASHER FL 6.4x12.5x1.6 SS | 4 | |
| 55 | 502681 | NUT HEX NYRT M6-1.0 N500 G8 | 4 | |
| 56 | 500247 | NUT HEX 1/4-20 N500 | 2 | |
| 57 | 502582 | WASHER LO SERR 6.1x16.2x0.9 Z050 | 2 | |
| 58 | 502830 | SCREW CAP HEX M6-1.0x20 G8.8 N500 | 2 | |
| 60 | 641332 | MALE CONNECTOR / PUSH-IN FITTING / #4x1/4NPT-M BR | AR | |
| 61 | 641372 | MALE ELBOW 90° NON-SWIVEL / PUSH-IN FITTING / #6x1/4NPT-M BR | AR | |
| 62 | 501311 | ADAPTER / PIPE FITTING / 3/8NPT-Fx1/4NPT-M BR | AR | |
| 63 | 642127 | MALE ELBOW 90° SWIVEL DUAL PORT / PUSH-IN / #4x#4x1/8NPT-M BR | AR | |
| 64 | 641040 | MALE ELBOW 90° / NTA FITTING / #8x3/8NPT-M BR To £-18032 | AR | |
| 65 | 641002 | MALE RUN TEE / NTA FITTING / #4x#4x1/8NPT-M BR | AR | |
| 66 | 641369 | MALE ELBOW 90° NON-SWIVEL / PUSH-IN FITTING / #4x1/8NPT-M BR | AR | |
| 67 | 501449 | PLUG HEXS / PIPE FITTING / 3/8NPT-M STL | AR | |
| 68 | 641365 | MALE ELBOW 45° NON-SWIVEL / PUSH-IN FITTING / #4x1/8NPT-M BR | AR | |
| 69 | 641374 | MALE ELBOW 90° NON-SWIVEL / PUSH-IN FITTING / #4x3/8NPT-M BR | AR | |
| 70 | 641367 | MALE ELBOW 45° NON-SWIVEL / PUSH-IN FITTING / #6x3/8NPT-M BR | AR | |
| 71 | 501699 | MALE RUN TEE / PIPE FITTING / 3/8NPT-Mx3/8NPT-Fx3/8NPT-F BR | AR | |
| 72 | 641330 | MALE CONNECTOR / PUSH-IN FITTING / #6x3/8NPT-M BR | AR | |
| 73 | 641347 | MALE CONNECTOR / PUSH-IN FITTING / #4x3/8NPT-M BR | AR | |
| 75 | 640643 | ANCHOR ELBOW / PIPE FITTING / 1/4NPT-Fx1/4NPT-F STL | AR | |
| 76 | 641389 | MALE RUN TEE SWIVEL / PUSH-IN FITTING / #6x#6x1/4NPT-M BR | AR | |
| 77 | 641375 | MALE ELBOW 90° NON-SWIVEL / PUSH-IN FITTING / #6x3/8NPT-M BR | AR | |
| 79 | 642090 | MALE BRANCH TEE / PUSH-IN FITTING / #6x#6x1/4NPT-M COMPOSITE | AR | |
| 80 | 641367 | MALE ELBOW 45° NON-SWIVEL / PUSH-IN FITTING / #6x3/8NPT-M BR | AR | |
| 83 | 641242 | MALE CONNECTOR / PUSH-IN FITTING / #4x1/8NPT-M BR | AR | |
| 84 | 641331 | MALE CONNECTOR / PUSH-IN FITTING / #6x1/4NPT-M BR | AR | |
| 86 | 501800 | PLUG HEXS / PIPE FITTING / 1/4NPT-M STL | AR | |
| 88 | 642128 | MALE ELBOW 90° SWIVEL DUAL PORT / PUSH-IN / #6x#6x3/8NPT-M BR | AR | |
| 90 | 504750 | CABLE TIE / 1/2" x 15" / CHRISTMAS TREE | AR | |
| 91 | 504637 | CABLE TIE / 3/16" x 13" | AR | |
| 92 | 509815 | TIE MOUNT / ATTACHMENT W/TREE MOUNT | AR | |
| 112 | VIP-1601-00 | BELLOWS - AIR SUSPENSION | | |
| 113 | VIP-1640-51 | LEVEL-LOW - CONTROL PANEL & VALVES | | |
| 115 | VIP-1615-10 | TAG AXLE - LIFTING | | |

| | | |
|-------------------------------|--------------|------------------|
| | Date:07/2024 | PAGE:VIP-1620-52 |
| HEIGHT CONTROL VALVE - V.I.P. | | |



DETAIL "A"

| | | |
|-------------------------------|--------------|------------------|
| | Date:07/2024 | PAGE:VIP-1620-52 |
| HEIGHT CONTROL VALVE - V.I.P. | | |



Date:07/2024

PAGE:VIP-1620-52

HEIGHT CONTROL VALVE - V.I.P.

| Item# | Part | Description | QTY | Notes |
|-------|----------|---|-----|-------|
| 1 | 630237 | VALVE, HEIGHT CONTROL "BARKSDALE" / FRONT | 1 | |
| NS | 5001251 | NUT HEX NYRT 1/4-20 SS | 2 | |
| 2 | 640135 | VALVE, CHECK 1/4 NPT | 3 | |
| 3 | 641274 | VALVE, 3 WAYS, 2 POSITIONS N.C. | 2 | |
| 4 | 630156 | VALVE, HEIGHT CONTROL "BARKSDALE" | 2 | |
| 5 | 641531 | VALVE, 5 WAYS, 3 POSITIONS | 2 | |
| . NS | 641186 | . SPOOL | 1 | |
| 6 | 641274 | VALVE, 3 WAYS, 2 POSITIONS N.C. | 2 | |
| 7 | 641530 | VALVE, 3 WAYS, 2 POSITIONS / 2 SOLENOIDS | 1 | |
| . NS | 641929 | . COIL 24V | 1 | |
| . NS | 641169 | . SPOOL | 1 | |
| . NS | 641385 | . CONNECTOR / SOCKET HOUSING ASSY 3C / PNEUMAC 54934-01 | 1 | |
| 8 | 641897 | MANIFOLD / PUSH-IN FITTING / 2x#6 / 4x#4 PLAS | 1 | |
| 9 | 22443498 | TRANSDUCER PRESSURE (0-12 BAR, 0-174 PSI) | 1 | |
| 10 | 21551555 | NON-RETURN VALVE | 1 | |
| 11 | 630231 | LINK ASSY 185MM C/C 7 1/4" | 3 | |
| . A | N8889244 | . GROMMET / LINK | 2 | |
| . B | 630250 | . STUD RETAINER 1/4-20 X 1" | 2 | |
| . C | 500247 | . NUT HEX 1/4-20 N500 | 4 | |
| . D | 500473 | . WASHER LO SPT .262x.489x.062 Z050 | 4 | |
| 12 | 110065 | ACTUATOR LEVER | 1 | |
| 13 | 504220 | U-CLAMP / 2" I.D. x 5/16-18 | 1 | |
| 14 | 5001848 | WASHER BEL SPR .827 x .331 x .098 th SS | 2 | |
| 15 | 500701 | NUT HEX 5/16-18 ZP | 2 | |
| 16 | 131468 | SUPPORT HEIGHT CONTROL VALVE | 1 | |
| 17 | 131319 | SUPPORT VALVE | 2 | |
| 18 | 131980 | SUPPORT VALVE | 1 | |
| 19 | 178847 | SUPPORT MANIFOLD | 1 | |
| 20 | 130047 | SUPPORT VALVE R-14 | 1 | |
| 21 | 503471 | TUBE, NYLON 3/8 O.D. / BLUE S.L. | AR | |
| 22 | 503402 | TUBE, NYLON 1/4 O.D. / BLACK S.L. | AR | |
| 23 | 501528 | STREET ELBOW 45° / PIPE FITTING / 1/2NPT-Mx1/2NPT-F BR | 2 | |
| 24 | 642153 | HOSE ASSY / #8 22" | 2 | |
| 25 | 501616 | MALE CONNECTOR / SAE 45° FITTING / #8FL-Mx1/2NPT-M BR | 2 | |
| 26 | 501796 | BULKHEAD COUPLING / PIPE FITTING / 1/2NPT-Fx1/2NPT-Fx1 1/2 BR | 2 | |
| 27 | 641383 | MALE CONNECTOR / PUSH-IN FITTING / #8x1/2NPT-M BR | 2 | |
| 30 | 641242 | MALE CONNECTOR / PUSH-IN FITTING / #4x1/8NPT-M BR | 1 | |
| 31 | 641330 | MALE CONNECTOR / PUSH-IN FITTING / #6x3/8NPT-M BR | 10 | |
| 32 | 641376 | MALE ELBOW 90° NON-SWIVEL / PUSH-IN FITTING / #8x3/8NPT-M BR | 2 | |

| | | | |
|--------------------------------------|--|---------------------|-------------------------|
| | | Date:07/2024 | PAGE:VIP-1620-52 |
| HEIGHT CONTROL VALVE - V.I.P. | | | |

| Item# | Part | Description | QTY | Notes |
|-------|---------|---|-----|-------|
| 33 | 641002 | MALE RUN TEE / NTA FITTING / #4x#4x1/8NPT-M BR | 1 | |
| 34 | 641331 | MALE CONNECTOR / PUSH-IN FITTING / #6x1/4NPT-M BR | 1 | |
| 35 | 641372 | MALE ELBOW 90° NON-SWIVEL / PUSH-IN FITTING / #6x1/4NPT-M BR | 5 | |
| 36 | 641332 | MALE CONNECTOR / PUSH-IN FITTING / #4x1/4NPT-M BR | 1 | |
| 37 | 641369 | MALE ELBOW 90° NON-SWIVEL / PUSH-IN FITTING / #4x1/8NPT-M BR | 3 | |
| 38 | 642127 | MALE ELBOW 90° SWIVEL DUAL PORT / PUSH-IN / #4x#4x1/8NPT-M BR | 1 | |
| 39 | 501449 | PLUG HEXS / PIPE FITTING / 3/8NPT-M STL | 4 | |
| 40 | 642128 | MALE ELBOW 90° SWIVEL DUAL PORT / PUSH-IN / #6x#6x3/8NPT-M BR | 4 | |
| 41 | 501311 | ADAPTER / PIPE FITTING / 3/8NPT-Fx1/4NPT-M BR | 2 | |
| 42 | 501800 | PLUG HEXS / PIPE FITTING / 1/4NPT-M STL | 2 | |
| 43 | 501699 | MALE RUN TEE / PIPE FITTING / 3/8NPT-Mx3/8NPT-Fx3/8NPT-F BR | 4 | |
| 44 | 641367 | MALE ELBOW 45° NON-SWIVEL / PUSH-IN FITTING / #6x3/8NPT-M BR | 6 | |
| 45 | 641909 | MALE RUN TEE SWIVEL / PUSH-IN FITTING / #4x#4x1/8NPT-M BR | 1 | |
| 46 | 641365 | MALE ELBOW 45° NON-SWIVEL / PUSH-IN FITTING / #4x1/8NPT-M BR | 1 | |
| 47 | 501330 | STREET ELBOW 45° / PIPE FITTING / 3/8NPT-Mx3/8NPT-F BR | 1 | |
| 48 | 641375 | MALE ELBOW 90° NON-SWIVEL / PUSH-IN FITTING / #6x3/8NPT-M BR | 1 | |
| 49 | 140521 | ADAPTER / PIPE FITTING / 3/8NPT-MxM12-F SS | 1 | |
| 50 | 641389 | MALE RUN TEE SWIVEL / PUSH-IN FITTING / #6x#6x1/4NPT-M BR | 1 | |
| 51 | 641416 | PLUG STEM / PUSH-IN FITTING / #4 PLAS | 3 | |
| 52 | 640043 | PLUG STEM / PUSH-IN FITTING / #6 PLAS | 1 | |
| 54 | 641371 | MALE ELBOW 90° NON-SWIVEL / PUSH-IN FITTING / #4x1/4NPT-M BR | 2 | |
| 55 | 640643 | ANCHOR ELBOW / PIPE FITTING / 1/4NPT-Fx1/4NPT-F STL | 1 | |
| | | | | |
| 59 | 502681 | NUT HEX NYRT M6-1.0 N500 G8 | 2 | |
| 60 | 500877 | WASHER FL .250x.562x.065 N500 | 2 | |
| 61 | 502622 | SCREW CAP HEX M6-1.0x20 SS BK | 4 | |
| 62 | 5001932 | NUT HEXF NYRT M6-1.0 G8.8 N500 | 8 | |
| 63 | 502656 | SCREW CAP HEX M6-1.0x50 SS | 4 | |
| 64 | 500836 | SCREW CAP HEX 5/16-18x3/4 G5 N500 | 3 | |
| 65 | 500942 | WASHER LO SPT 8.1x14.8x2.0 N500 | 3 | |
| 66 | 500778 | NUT HEX 5/16-18 N500 | 3 | |
| 67 | 502843 | SCREW CAP HEX M6-1.0x45 G8.8 N500 | 4 | |
| 68 | 502853 | WASHER LO SPT 6.1x11.8x1.6 N500 | 4 | |
| 69 | 502860 | NUT HEX STO M6-1.0 N500 | 4 | |
| 70 | 500247 | NUT HEX 1/4-20 N500 | 2 | |
| 71 | 502582 | WASHER LO SERR 6.1x16.2x0.9 Z050 | 4 | |
| 72 | 502830 | SCREW CAP HEX M6-1.0x20 G8.8 N500 | 4 | |
| 73 | 502853 | WASHER LO SPT 6.1x11.8x1.6 N500 | 4 | |
| 74 | 5001710 | SCREW CAP HEX M6-1.0x55 SS | 2 | |
| 75 | 502573 | WASHER FL 6.4x12.5x1.6 SS | 8 | |
| 76 | 502681 | NUT HEX NYRT M6-1.0 N500 G8 | 4 | |
| 77 | 502656 | SCREW CAP HEX M6-1.0x50 SS | 2 | |

| | | | |
|--------------------------------------|--|---------------------|-------------------------|
| | | Date:07/2024 | PAGE:VIP-1620-52 |
| HEIGHT CONTROL VALVE - V.I.P. | | | |

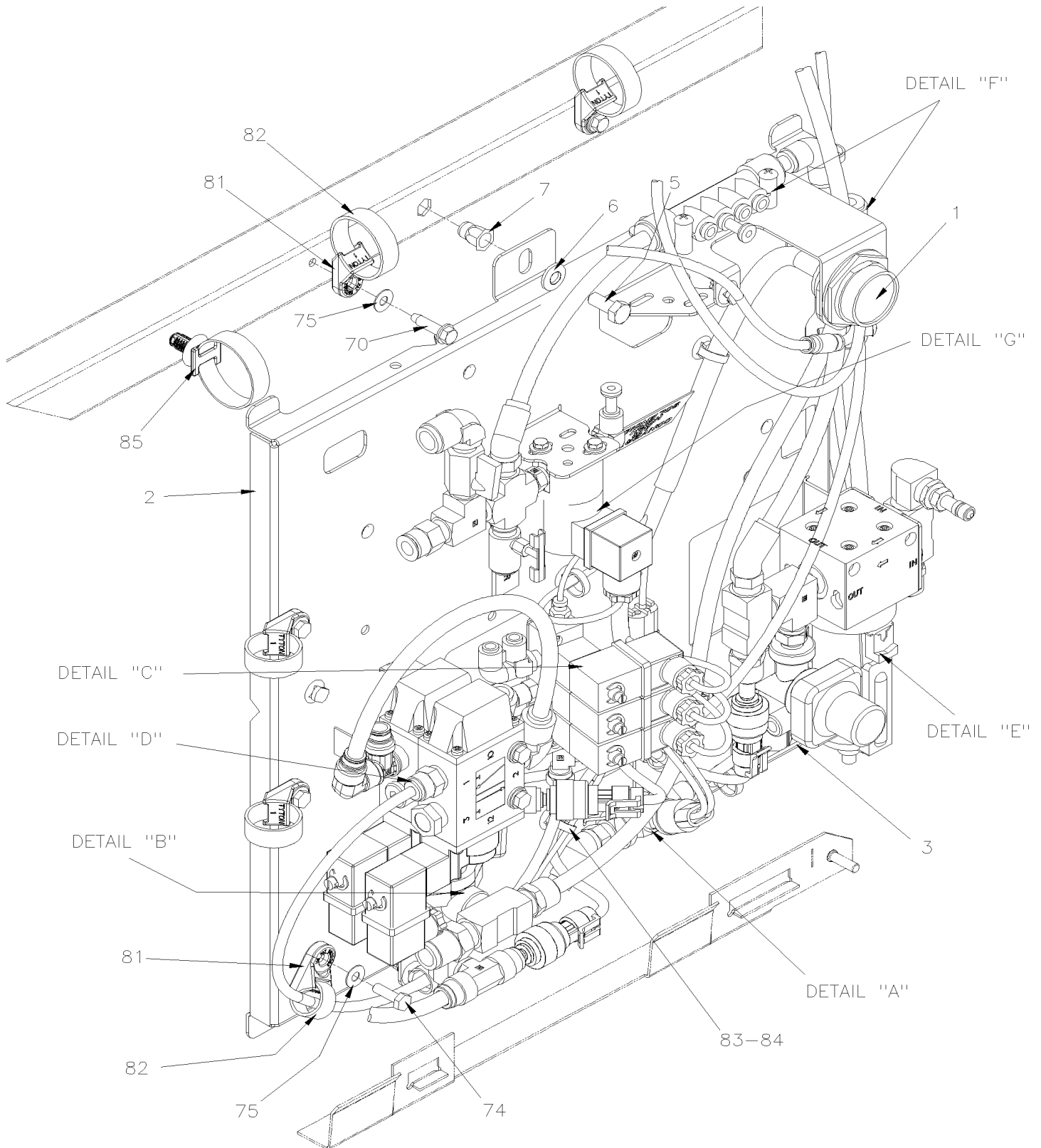
| Item# | Part | Description | QTY | Notes |
|--------------|--------------------|---|------------|--------------|
| 78 | 5001991 | SCREW MA RND PH M5-0.8x30 SS | 2 | |
| 79 | 5001587 | NUT HEX NYRT M5-0.8 SS | 2 | |
| 80 | 500411 | WASHER FL .260x.697x.050 SS | 2 | |
| | | | | |
| 81 | 504750 | CABLE TIE / 1/2" x 15" / CHRISTMAS TREE | AR | |
| 82 | 504637 | CABLE TIE / 3/16" x 13" | AR | |
| | | | | |
| 86 | 502565 | NUT HEX M6-1.0 SS | 2 | |
| 87 | 500877 | WASHER FL .250x.562x.065 N500 | 2 | |
| | | | | |
| 90 | VIP-1601-00 | BELLOWS - AIR SUSPENSION | | |

From K-0295 To P-1347

Date:07/2024

PAGE:VIP-1640-51

LEVEL-LOW - CONTROL PANEL & VALVES

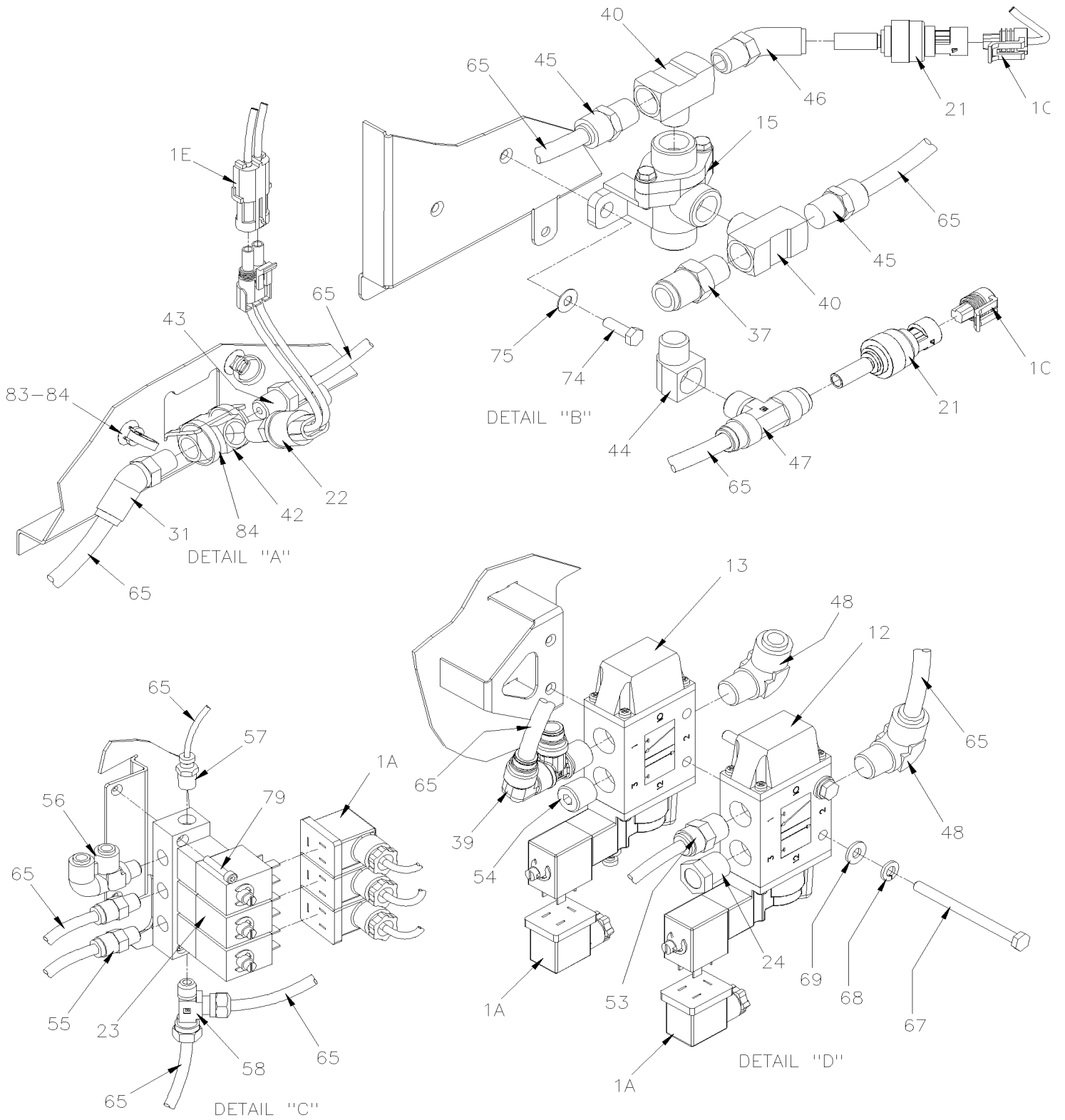


From K-0295 To P-1347

Date:07/2024

PAGE:VIP-1640-51

LEVEL-LOW - CONTROL PANEL & VALVES



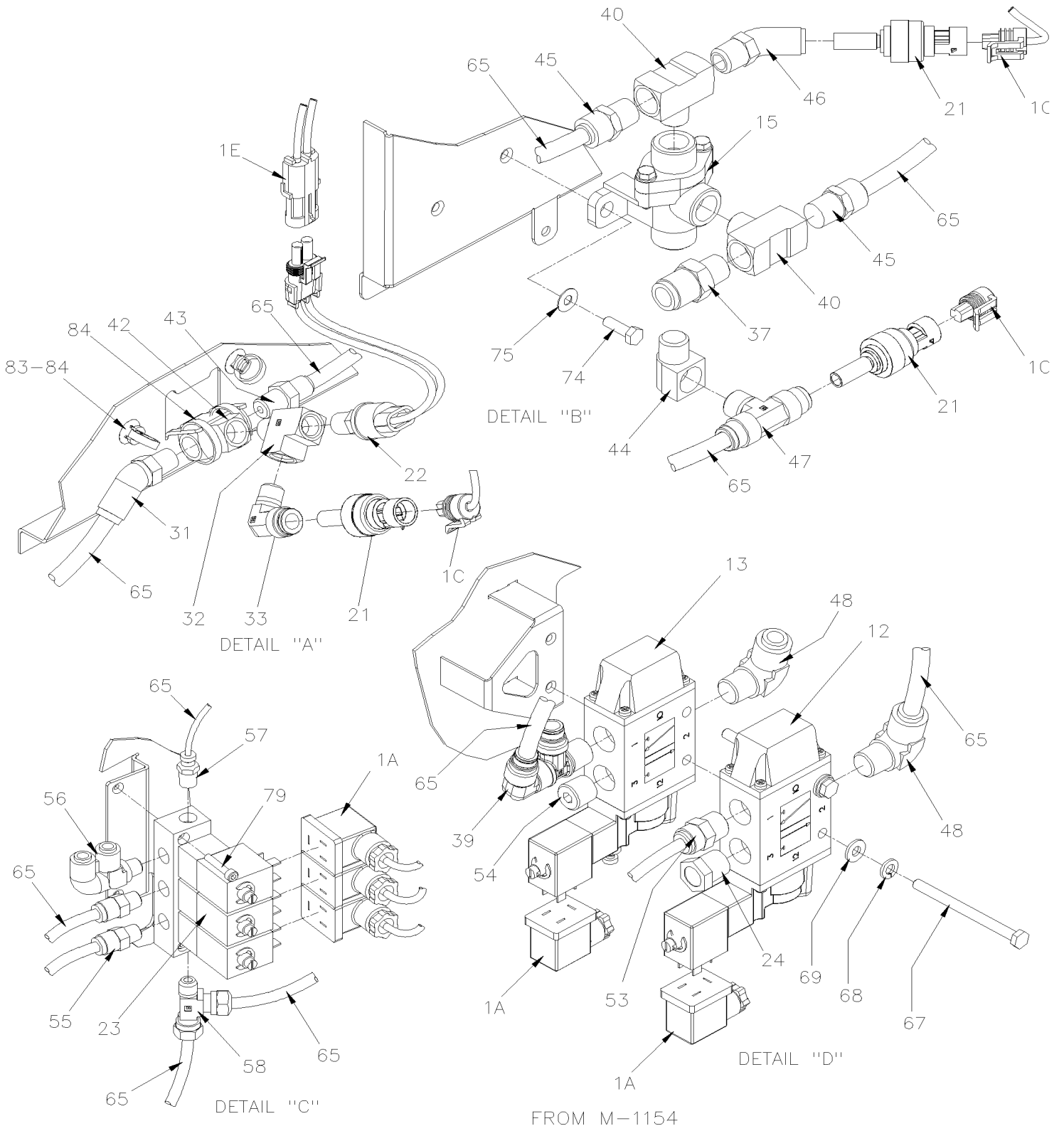
UP TO M-1153

From K-0295 To P-1347

Date:07/2024

PAGE:VIP-1640-51

LEVEL-LOW - CONTROL PANEL & VALVES

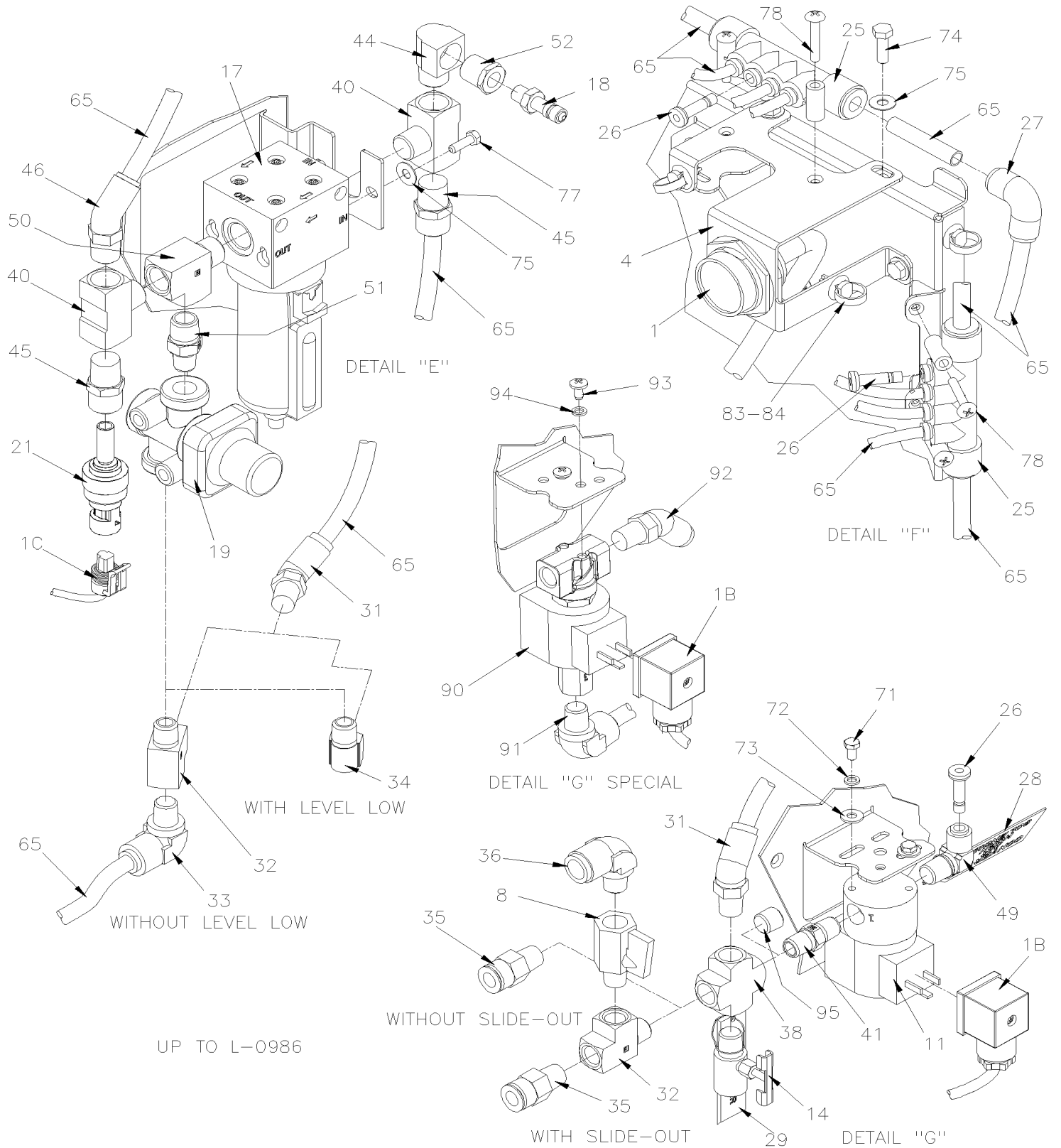


From K-0295 To P-1347

Date:07/2024

PAGE:VIP-1640-51

LEVEL-LOW - CONTROL PANEL & VALVES

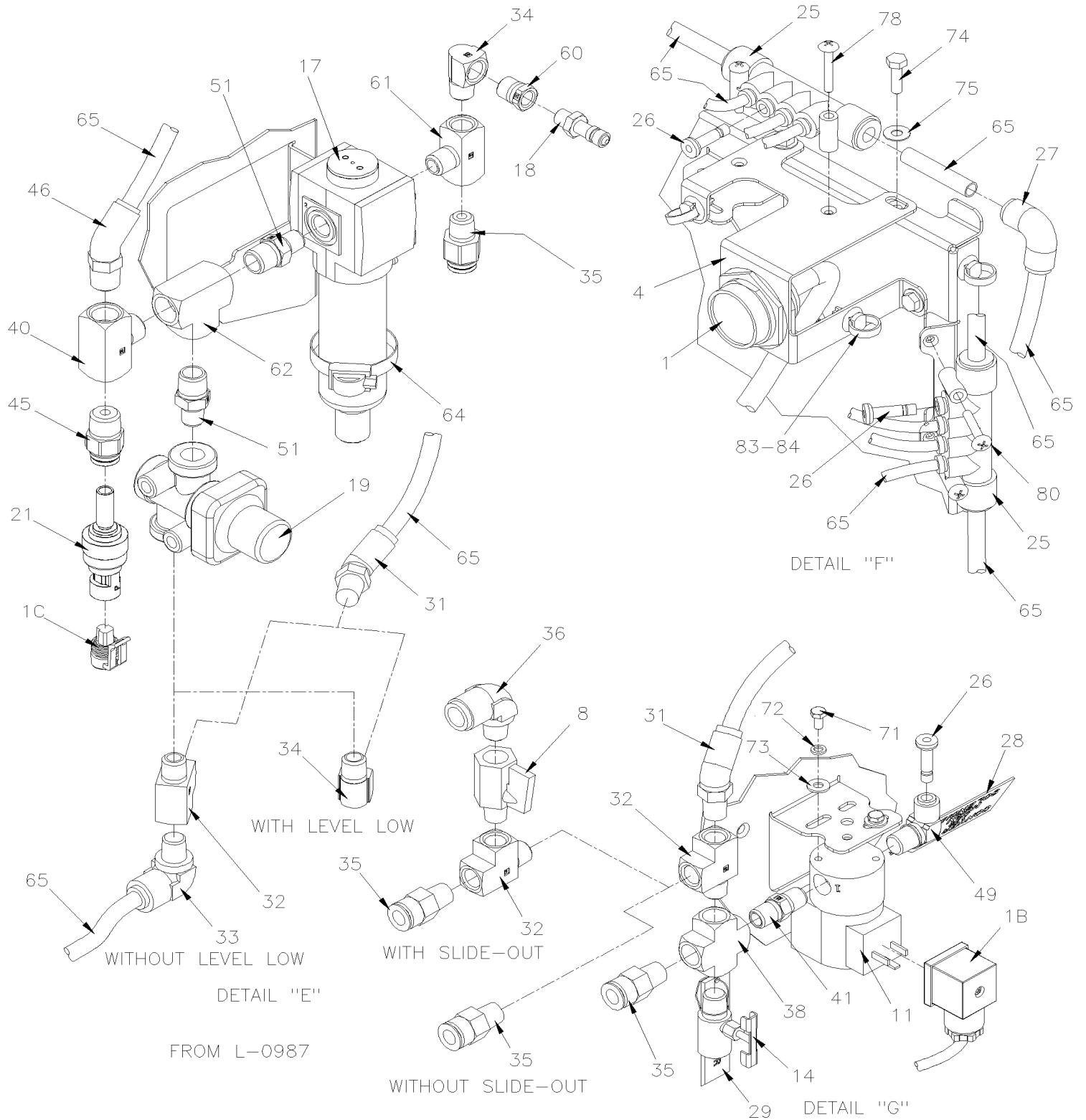


From K-0295 To P-1347

Date:07/2024

PAGE:VIP-1640-51

LEVEL-LOW - CONTROL PANEL & VALVES



| | | |
|---|---------------------|-------------------------|
| From K-0295 To P-1347 | Date:07/2024 | PAGE:VIP-1640-51 |
| LEVEL-LOW - CONTROL PANEL & VALVES | | |

| Item# | Part | Description | QTY | Notes |
|-------|---------|--|-----|-------|
| 1 | 069533 | CABLE ASSY LEVEL-LOW To K-0319 | 1 | |
| A | 641385 | CONNECTOR / SOCKET HOUSING ASSY 3C / PNEUMAC 54934-01 To K-0319 | 1 | |
| B | 562848 | CONNECTOR / SOCKET HOUSING ASSY 3C / PNEUMAC 54933-05 To K-0319 | 1 | |
| C | 563159 | CONNECTOR / METRI-PACK 150 / SH 3C / PED 12065287 To K-0319 | 1 | |
| D | 568109 | CONNECTOR / HDP20 SERIES / SH 31C / DEUTSCH HDP24-24-31SE-L017 To K-0319 | 1 | |
| E | 561566 | CONNECTOR / WEATHER PACK / PH 2C / BLACK / PED 12010973 To K-0319 | 1 | |
| 1 | 060367 | CABLE ASSY LEVEL-LOW From K-0320 To M-1153 | 1 | |
| A | 641385 | CONNECTOR / SOCKET HOUSING ASSY 3C / PNEUMAC 54934-01 From K-0320 To M-1153 | 1 | |
| B | 564045 | CONNECTOR / FEMALE W2 WIRES x 2.5 METER / LEONI 220768600 From K-0320 To M-1153 | 1 | |
| C | 563159 | CONNECTOR / METRI-PACK 150 / SH 3C / PED 12065287 From K-0320 To M-1153 | 1 | |
| D | 561566 | CONNECTOR / WEATHER PACK / PH 2C / BLACK / PED 12010973 From K-0320 To M-1153 | 1 | |
| E | 568109 | CONNECTOR / HDP20 SERIES / SH 31C / DEUTSCH HDP24-24-31SE-L017 From K-0320 To M-1153 | 1 | |
| 1 | 0610468 | CABLE ASSY LEVEL-LOW From M-1154 To N-1236 | 1 | |
| A | 641385 | CONNECTOR / SOCKET HOUSING ASSY 3C / PNEUMAC 54934-01 From M-1154 To N-1236 | 1 | |
| B | 564045 | CONNECTOR / FEMALE W2 WIRES x 2.5 METER / LEONI 220768600 From M-1154 To N-1236 | 1 | |
| C | 563159 | CONNECTOR / METRI-PACK 150 / SH 3C / PED 12065287 From M-1154 To N-1236 | 2 | |
| D | 561566 | CONNECTOR / WEATHER PACK / PH 2C / BLACK / PED 12010973 From M-1154 To N-1236 | 1 | |
| E | 568109 | CONNECTOR / HDP20 SERIES / SH 31C / DEUTSCH HDP24-24-31SE-L017 From M-1154 To N-1236 | 1 | |
| 1 | 0610579 | CABLE ASSY LEVEL-LOW From N-1237 | 1 | |
| A | 641385 | CONNECTOR / SOCKET HOUSING ASSY 3C / PNEUMAC 54934-01 From N-1237 | 1 | |
| B | 564045 | CONNECTOR / FEMALE W2 WIRES x 2.5 METER / LEONI 220768600 From N-1237 | 1 | |
| C | 563159 | CONNECTOR / METRI-PACK 150 / SH 3C / PED 12065287 From N-1237 | 2 | |
| D | 561566 | CONNECTOR / WEATHER PACK / PH 2C / BLACK / PED 12010973 From N-1237 | 1 | |
| E | 568109 | CONNECTOR / HDP20 SERIES / SH 31C / DEUTSCH HDP24-24-31SE-L017 From N-1237 | 1 | |
| 2 | 140038 | VALVE SUPPORT ASSY To L-0986 | 1 | |
| 2 | 140221 | VALVE SUPPORT ASSY From L-0987 | 1 | |
| 3 | 140227 | DECAL / ACC AIR FILTER DRAIN / ENGLISH & FRANCAIS | 1 | |
| 4 | 140039 | CABLE SUPPORT | 1 | |
| 5 | 502862 | SCREW CAP HEX M8-1.25x20 G8.8 N500 | 1 | |
| 6 | 5001868 | WASHER BEL SPR 8.4x18x2 SS | 1 | |
| 7 | 5001692 | NUT INS FL HEX M8-1.25 0.5-3.0 SS | 1 | |
| 8 | 641936 | BALL VALVE 1/4 NPT M x 1/4 NPT F | 1 | |
| | | | | |
| 11 | 562804 | VALVE, 2 WAYS N.C. | 1 | |
| NS | 562848 | CONNECTOR / SOCKET HOUSING ASSY 3C / PNEUMAC 54933-05 | 1 | |
| 12 | 641937 | VALVE, 3 WAYS, 2 POSITIONS N.C. / W/MAN OVERRIDE | 1 | |
| NS | 641929 | COIL 24V | 1 | |
| NS | 641385 | CONNECTOR / SOCKET HOUSING ASSY 3C / PNEUMAC 54934-01 | 1 | |
| 13 | 642224 | VALVE, 3 WAYS, 2 POSITIONS N.C. | 1 | |
| NS | 641929 | COIL 24V | 1 | |
| NS | 641385 | CONNECTOR / SOCKET HOUSING ASSY 3C / PNEUMAC 54934-01 | 1 | |
| 14 | 5011129 | NEEDLE VALVE 1/4 NPT M x 1/4 NPT F | 1 | |

| | | |
|---|---------------------|-------------------------|
| From K-0295 To P-1347 | Date:07/2024 | PAGE:VIP-1640-51 |
| LEVEL-LOW - CONTROL PANEL & VALVES | | |

| Item# | Part | Description | QTY | Notes |
|-------|---------------|--|-----|-------|
| 14 | 680408 | CAP PLUG (ID 0.402, OD 0.471) | 1 | |
| 15 | 641564 | VALVE, DOUBLE CHECK DC-4 | 1 | |
| 17 | 642192 | AIR FILTER To L-0986 | 1 | |
| 17 | 640031 | AIR FILTER From L-0987 | 1 | |
| . NS | 640050 | . AIR FILTER From L-0987 | 1 | |
| . NS | 640049 | . BOWL FILTER From L-0987 | 1 | |
| 17 | 140259 | SERVICE KIT AIR FILTER PNEUMATIC To L-0986 | 1 | |
| 18 | 640488 | VALVE, AIR FILL 1/8" NPT | 1 | |
| . NS | 650164 | . CAP VALVE / CHROME | 1 | |
| 19 | 641137 | VALVE, PRESSURE PROTECTION TYPE PR-4 70PSI | 1 | |
| 21 | 560005 | TRANSDUCER PRESSURE (0-12 BAR, 0-174 PSI) To M-1153 | 3 | |
| 21 | 22443498 | TRANSDUCER PRESSURE (0-12 BAR, 0-174 PSI) From M-1154 | 4 | |
| 22 | 287234 | PRESSURE SWITCH N.C. 30-10 20PS001AB030E010E | 1 | |
| 23 | 641180 | MANIFOLD VALVE / W/3 SOLENOID | 1 | |
| . NS | 641928 | . KIT, MANIFOLD REPAIR / N.C. | 3 | |
| . NS | 641107 | . COIL 24V | 1 | |
| 24 | 641934 | SILENCER / MUFFLER / 3/8NPT-M | 1 | |
| 25 | 641897 | MANIFOLD / PUSH-IN FITTING / 2x#6 / 4x#4 PLAS | 2 | |
| 26 | 641416 | PLUG STEM / PUSH-IN FITTING / #4 PLAS | AR | |
| 27 | 641436 | UNION ELBOW 90° / PUSH-IN FITTING / #6x#6 BR | 1 | |
| 28 | 142042 | PLATE CONVERTER AIR HORN SOLENOID | 1 | |
| 29 | 391812 | IDENTIFICATION PLATE (CONVERTER) | 1 | |
| 29 | 504273 | CABLE TIE / 1/8" X 3"1/2 | 1 | |
| | | | | |
| 31 | 641366 | MALE ELBOW 45° NON-SWIVEL / PUSH-IN FITTING / #6x1/4NPT-M BR | 3 | |
| 32 | 501338 | MALE RUN TEE / PIPE FITTING / 1/4NPT-Mx1/4NPT-Fx1/4NPT-F BR To M-1153 | 3 | |
| 32 | 501338 | MALE RUN TEE / PIPE FITTING / 1/4NPT-Mx1/4NPT-Fx1/4NPT-F BR From M-1154 | 4 | |
| 33 | 641372 | MALE ELBOW 90° NON-SWIVEL / PUSH-IN FITTING / #6x1/4NPT-M BR To M-1153 | 1 | |
| 33 | 641372 | MALE ELBOW 90° NON-SWIVEL / PUSH-IN FITTING / #6x1/4NPT-M BR From M-1154 | 2 | |
| 34 | 501332 | STREET ELBOW 90° / PIPE FITTING / 1/4NPT-Mx1/4NPT-F BR To L-0986 | 1 | |
| 34 | 501332 | STREET ELBOW 90° / PIPE FITTING / 1/4NPT-Mx1/4NPT-F BR From L-0987 | 2 | |
| 35 | 641331 | MALE CONNECTOR / PUSH-IN FITTING / #6x1/4NPT-M BR To L-0986 | 2 | |
| 35 | 641331 | MALE CONNECTOR / PUSH-IN FITTING / #6x1/4NPT-M BR From L-0987 | 3 | |
| 36 | 641373 | MALE ELBOW 90° NON-SWIVEL / PUSH-IN FITTING / #8x1/4NPT-M BR | 1 | |
| 37 | 641381 | MALE CONNECTOR / PUSH-IN FITTING / #8x3/8NPT-M BR | 1 | |
| 38 | 501902 | CROSS / PIPE FITTING / 1/4NPT-Fx1/4NPT-Fx 1/4NPT-Fx1/4NPT-F BR | 1 | |
| 39 | 642128 | MALE ELBOW 90° SWIVEL DUAL PORT / PUSH-IN / #6x#6x3/8NPT-M BR | 1 | |
| 40 | 501737 | MALE BRANCHE TEE / PIPE FITTING / 3/8NPT-Fx3/8NPT-Fx3/8NPT-M BR | 4 | |
| 41 | 501321 | NIPPLE HEX / PIPE FITTING / 1/4NPT-Mx1/4NPT-Mx1 3/8 BR | 1 | |
| 42 | 501337 | FEMALE UNION TEE / PIPE FITTING / 1/4NPT-Fx1/4NPT-Fx1/4NPT-F BR | 1 | |
| 43 | 641332 | MALE CONNECTOR / PUSH-IN FITTING / #4x1/4NPT-M BR | 1 | |
| 44 | 501333 | STREET ELBOW 90° / PIPE FITTING / 3/8NPT-Mx3/8NPT-F BR | 2 | |

| | | |
|---|--------------|------------------|
| From K-0295 To P-1347 | Date:07/2024 | PAGE:VIP-1640-51 |
| LEVEL-LOW - CONTROL PANEL & VALVES | | |

| Item# | Part | Description | QTY | Notes |
|-------|--------------------|--|-----|-------|
| 45 | 641330 | MALE CONNECTOR / PUSH-IN FITTING / #6x3/8NPT-M BR | 4 | |
| 46 | 641367 | MALE ELBOW 45° NON-SWIVEL / PUSH-IN FITTING / #6x3/8NPT-M BR | 2 | |
| 47 | 649942 | MALE BRANCH TEE / PUSH-IN FITTING / #6x#6x3/8NPT-M BR | 1 | |
| 48 | 641375 | MALE ELBOW 90° NON-SWIVEL / PUSH-IN FITTING / #6x3/8NPT-M BR | 2 | |
| 49 | 641371 | MALE ELBOW 90° NON-SWIVEL / PUSH-IN FITTING / #4x1/4NPT-M BR | 1 | |
| 50 | 501699 | MALE RUN TEE / PIPE FITTING / 3/8NPT-Mx3/8NPT-Fx3/8NPT-F BR | 1 | |
| 51 | 501749 | NIPPLE REDUCER HEX / PIPE FITTING / 3/8NPT-Mx1/4NPT-Mx1 13/32 BR To L-0986 | 1 | |
| 51 | 501749 | NIPPLE REDUCER HEX / PIPE FITTING / 3/8NPT-Mx1/4NPT-Mx1 13/32 BR From L-0987 | 2 | |
| 52 | 501313 | BUSHING REDUCER / PIPE FITTING / 3/8NPT-Mx1/8NPT-F BR | 1 | |
| 53 | 641347 | MALE CONNECTOR / PUSH-IN FITTING / #4x3/8NPT-M BR | 1 | |
| 54 | 501449 | PLUG HEXS / PIPE FITTING / 3/8NPT-M STL | 1 | |
| 55 | 641242 | MALE CONNECTOR / PUSH-IN FITTING / #4x1/8NPT-M BR | 2 | |
| 56 | 642127 | MALE ELBOW 90° SWIVEL DUAL PORT / PUSH-IN / #4x#4x1/8NPT-M BR | 1 | |
| 57 | 641126 | MALE CONNECTOR / PUSH-IN FITTING / #2x1/8NPT-M BR | 1 | |
| 58 | 641002 | MALE RUN TEE / NTA FITTING / #4x#4x1/8NPT-M BR | 1 | |
| NS | 680098 | THREAD SEALANT LOCTITE #567 / WHITE / 250ml | AR | |
| 60 | 501312 | BUSHING REDUCER / PIPE FITTING / 1/4NPT-Mx1/8NPT-F BR From L-0987 | 1 | |
| 61 | 501894 | MALE BRANCH TEE / PIPE FITTING / 1/4NPT-Fx1/4NPT-Fx1/4NPT-M BR From L-0987 | 1 | |
| 62 | 501527 | FEMALE UNION TEE / PIPE FITTING / 3/8NPT-Fx3/8NPT-Fx3/8NPT-F BR From L-0987 | 1 | |
| 63 | 680098 | THREAD SEALANT LOCTITE #567 / WHITE / 250ml | AR | |
| 64 | 992086 | HOSE CLAMP / 32MM/52MM From L-0987 | 1 | |
| 65 | VIP-1202-00 | TUBES PLASTIC / AIR D.O.T. | | |
| 67 | 5001826 | SCREW CAP HEX M6-1.0x80 FT Z050 | 2 | |
| 68 | 500473 | WASHER LO SPT .262x.489x.062 Z050 | 2 | |
| 69 | 500877 | WASHER FL .250x.562x.065 N500 | 2 | |
| 70 | 500266 | SCREW TC CAP HEX 1/4-20x1 N500 | 2 | |
| 71 | 502751 | SCREW CAP HEX #10-32x3/8 Z050 | 2 | |
| 72 | 500470 | WASHER LO SPT .193x.334x.047 Z050 | 2 | |
| 73 | 500964 | WASHER FL .203x.500x.047 Z050 | 2 | |
| 74 | 502830 | SCREW CAP HEX M6-1.0x20 G8.8 N500 | AR | |
| 75 | 5001608 | WASHER BEL SPR 6.2x15.0x0.7 G500 | AR | |
| 77 | 500032 | SCREW CAP HEX M5-0.8x16 BK | 2 | |
| 78 | 5001991 | SCREW MA RND PH M5-0.8x30 SS | 4 | |
| 79 | 500671 | SCREW CAP HEXS #8-32x7/8 | 2 | |
| 81 | 509894 | TIE MOUNT HOLE 7.8MM | 5 | |
| 82 | 509491 | CABLE TIE / 13MM x 383MM | 5 | |
| 83 | 509815 | TIE MOUNT / ATTACHMENT W/TREE MOUNT | AR | |
| 84 | 504637 | CABLE TIE / 3/16" x 13" | AR | |
| 85 | 504750 | CABLE TIE / 1/2" x 15" / CHRISTMAS TREE | AR | |

| | | |
|---|--------------|------------------|
| From K-0295 To P-1347 | Date:07/2024 | PAGE:VIP-1640-51 |
| LEVEL-LOW - CONTROL PANEL & VALVES | | |

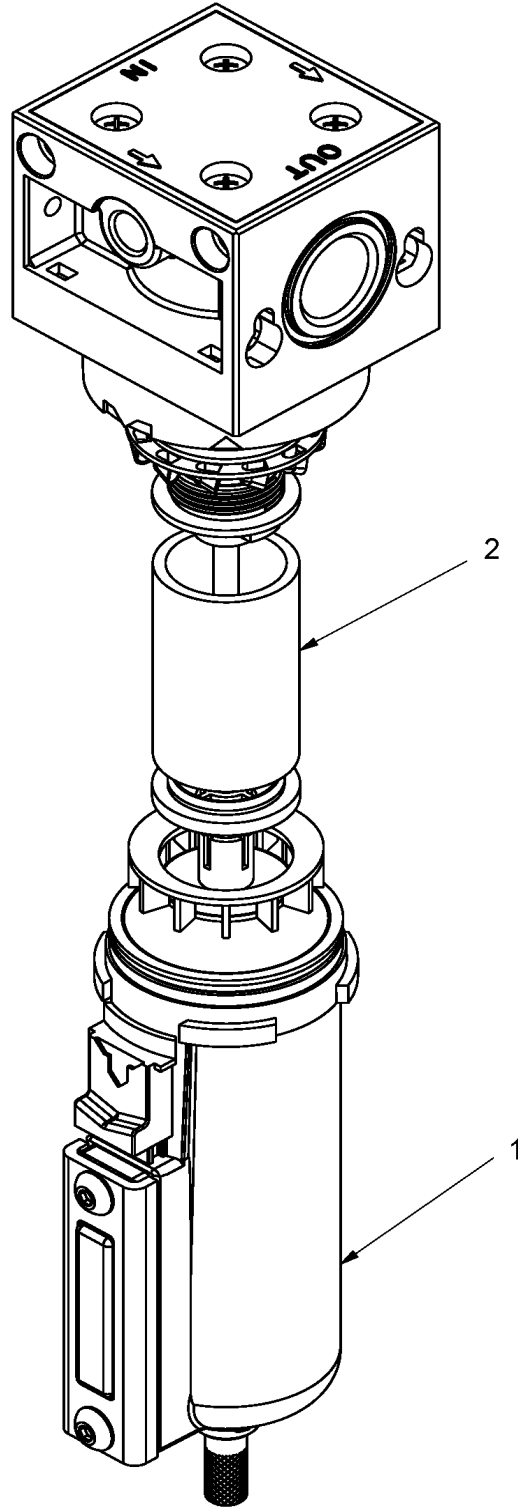
| Item# | Part | Description | QTY | Notes |
|-------|--------|--|-----|-------|
| 90 | 642227 | VALVE, 3 WAYS, 2 POSITIONS N.C. | 1 | SP |
| 91 | 195765 | SOLENOIDE 24 VOLTS | 1 | SP |
| 91 | 641372 | MALE ELBOW 90° NON-SWIVEL / PUSH-IN FITTING / #6x1/4NPT-M BR | 1 | SP |
| 92 | 641366 | MALE ELBOW 45° NON-SWIVEL / PUSH-IN FITTING / #6x1/4NPT-M BR | 1 | SP |
| 93 | 500393 | SCREW TC PAN PH #10-24x3/8 Z050 | 2 | SP |
| 94 | 500470 | WASHER LO SPT .193x.334x.047 Z050 | 2 | SP |
| 95 | 501800 | PLUG HEXS / PIPE FITTING / 1/4NPT-M STL | 1 | SP |
| | | | | |
| | | | | |
| | | | | |
| | | SP) SPECIAL | | |

To L-0986

Date:07/2024

PAGE:642192

AIR FILTER



| | | |
|-------------------|--------------|-------------|
| To L-0986 | Date:07/2024 | PAGE:642192 |
| AIR FILTER | | |

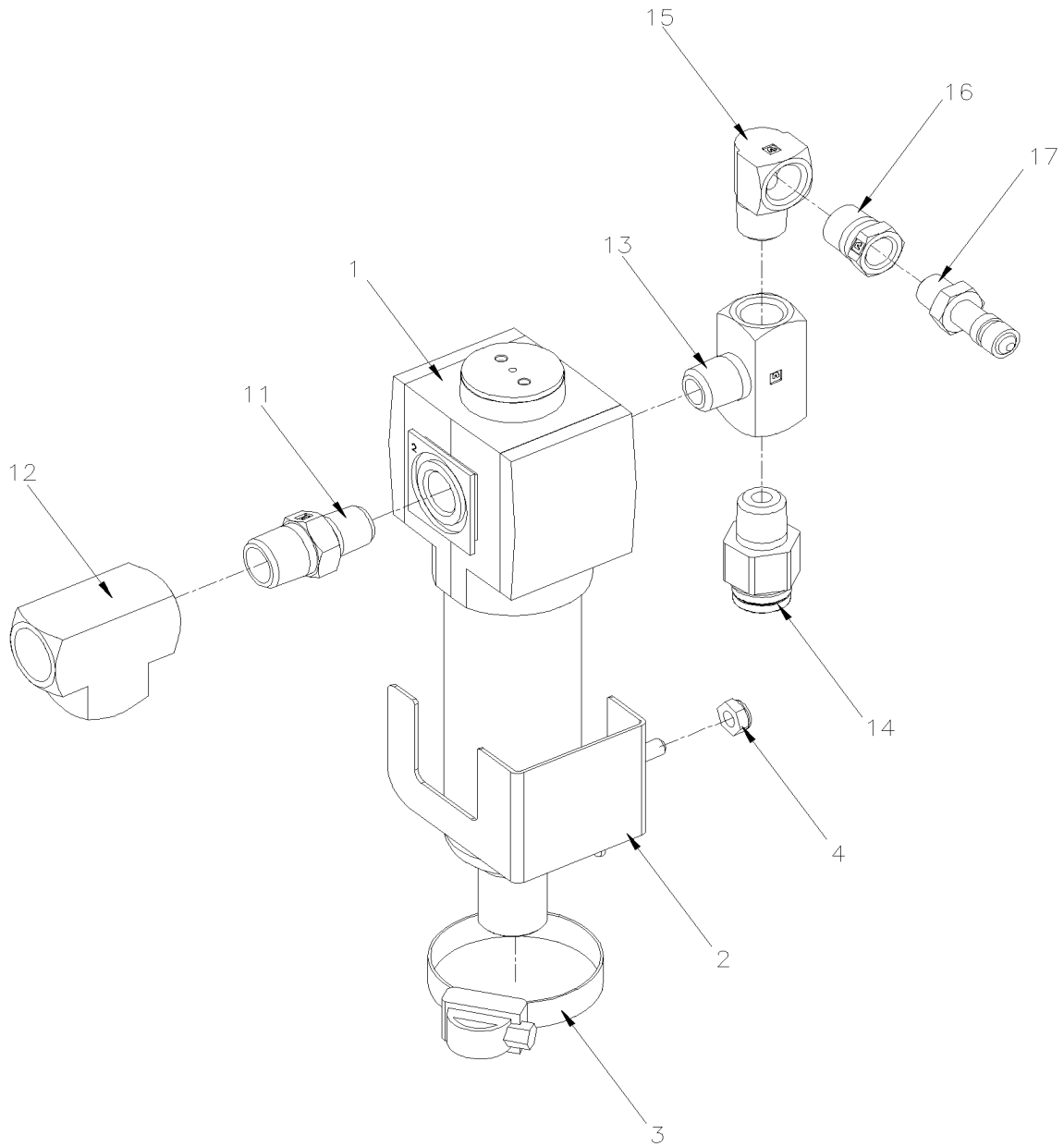
| Item# | Part | Description | QTY | Notes |
|-------|--------|---|-----|-------|
| 1 | 642219 | METAL BOWL MANUAL DRAIN | 1 | |
| 2 | 642220 | FILTER ELEMENT | 1 | |
| NS | 642221 | SERVICE KIT AIR FILTER | 1 | A |
| . NS | N.S.S. | . FILTER SIDE PLATE | 2 | 1 A |
| . NS | N.S.S. | . SCREW CAP BUT | 2 | 1 A |
| . NS | N.S.S. | . PLUG | 1 | 1 A |
| . NS | N.S.S. | . O-RING | 1 | 1 A |
| . NS | N.S.S. | . GREASE PACKET | 1 | 1 A |
| | | | | |
| | | | | |
| | | A) CONTAIN SIDE COVER 2X / SCREW X2 / PLUG 1X / O-RING 1X / GREASE PACKAGE 1X | | |
| | | 1) NOT SOLD SEPARATELY | | |

To L-0986

Date:07/2024

PAGE:140259

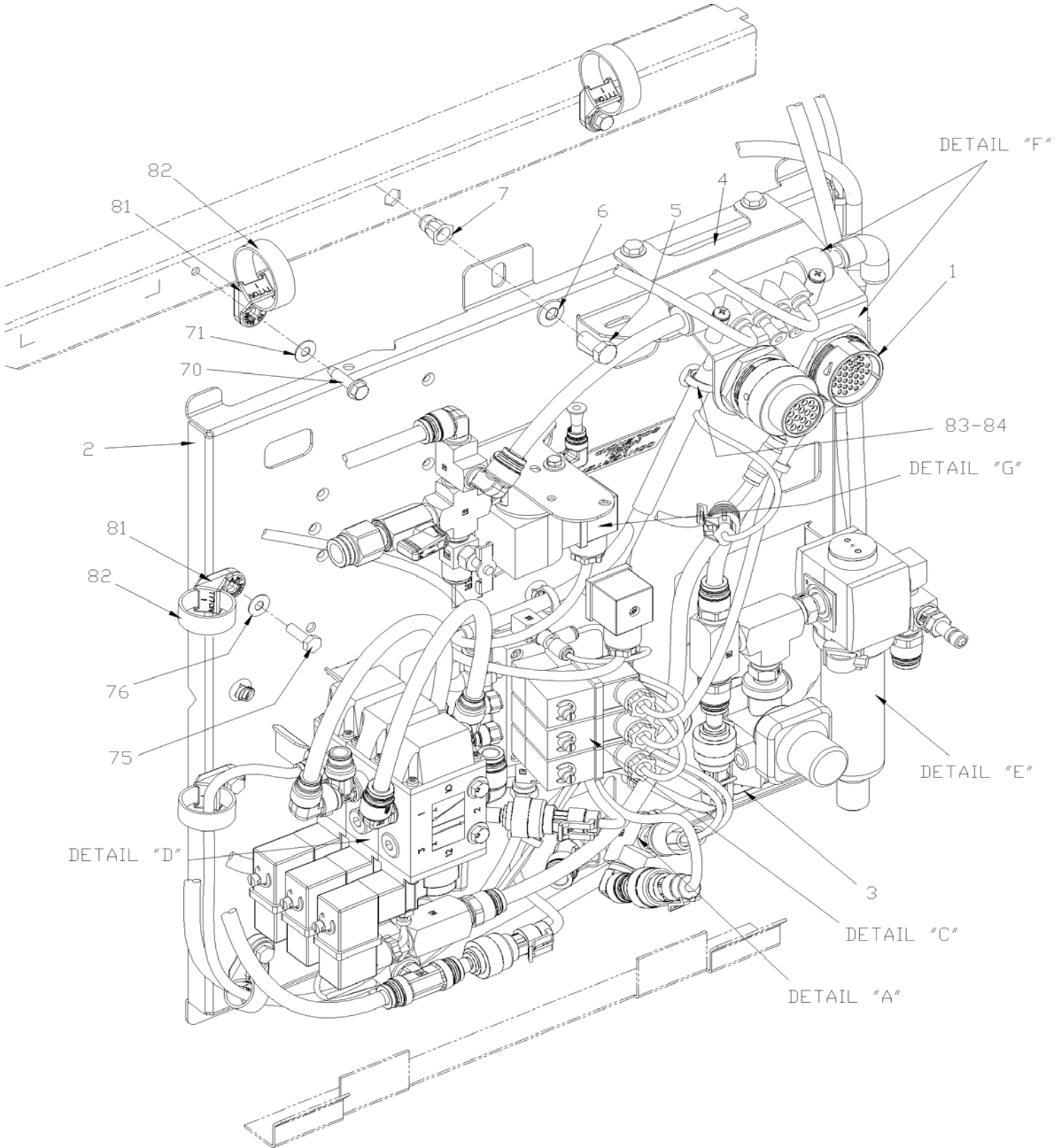
SERVICE KIT AIR FILTER PNEUMATIC



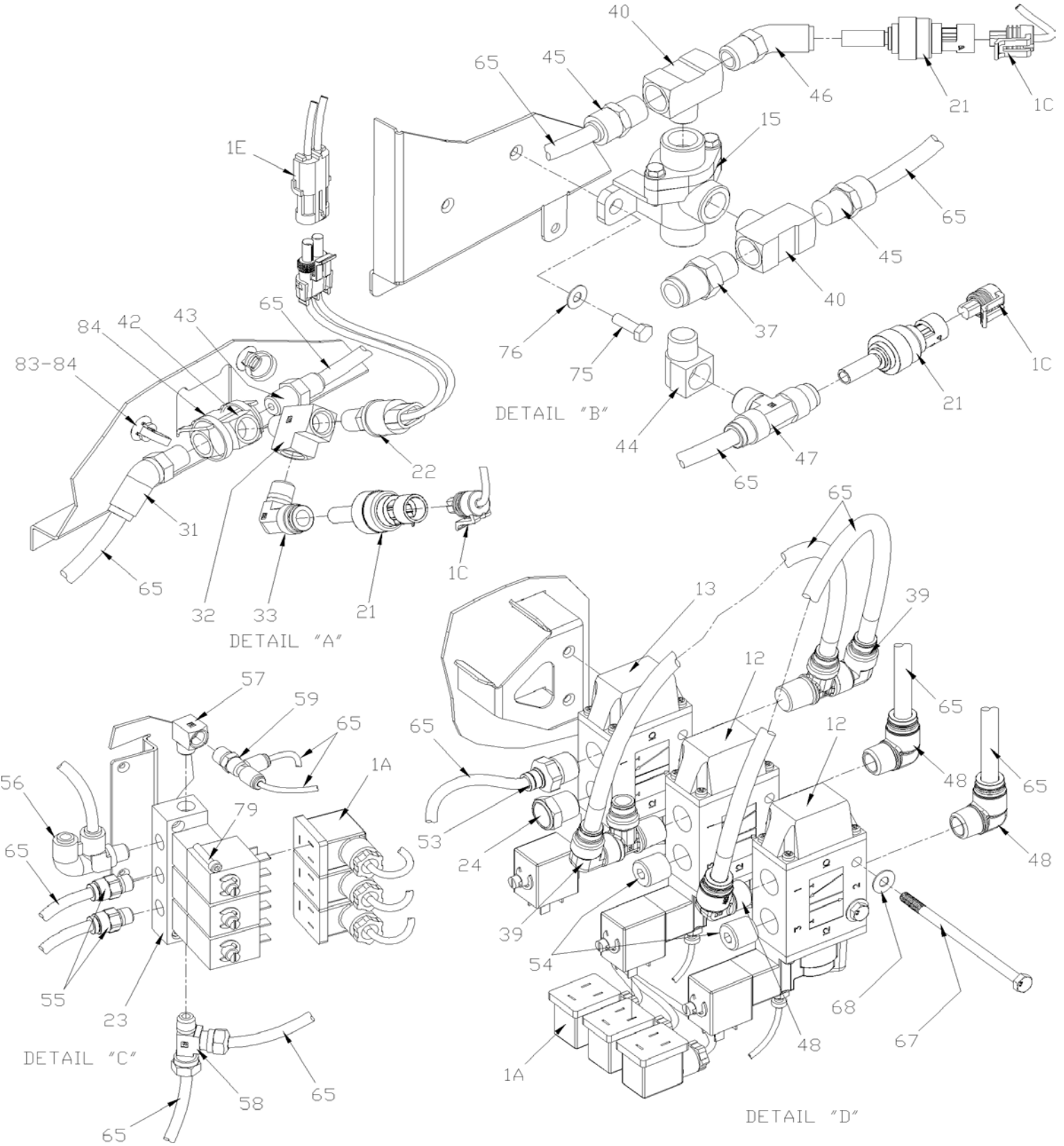
| | | |
|---|--------------|-------------|
| To L-0986 | Date:07/2024 | PAGE:140259 |
| SERVICE KIT AIR FILTER PNEUMATIC | | |

| Item# | Part | Description | QTY | Notes |
|-------|----------|--|-----|-------|
| 1 | 640031 | AIR FILTER | 1 | |
| . NS | 640050 | . AIR FILTER | 1 | |
| . NS | 640049 | . BOWL FILTER | 1 | |
| 2 | 140219 | BRACKET, AIR FILTER | 1 | |
| 3 | 992086 | HOSE CLAMP / 32MM/52MM | 1 | |
| 4 | 502841 | NUT HEX NYRT M5-0.8 N500 | 2 | |
| 11 | 501749 | NIPPLE REDUCER HEX / PIPE FITTING / 3/8NPT-Mx1/4NPT-Mx1 13/32 BR | 1 | |
| 12 | 501527 | FEMALE UNION TEE / PIPE FITTING / 3/8NPT-Fx3/8NPT-Fx3/8NPT-F BR | 1 | |
| 13 | 501894 | MALE BRANCHE TEE / PIPE FITTING / 1/4NPT-Fx1/4NPT-Fx1/4NPT-M BR | 1 | |
| 14 | 641331 | MALE CONNECTOR / PUSH-IN FITTING / #6x1/4NPT-M BR | 1 | |
| 15 | 501332 | STREET ELBOW 90° / PIPE FITTING / 1/4NPT-Mx1/4NPT-F BR | 1 | |
| 16 | 501312 | BUSHING REDUCER / PIPE FITTING / 1/4NTP-Mx1/8NPT-F BR | 1 | |
| 17 | 640488 | VALVE, AIR FILL 1/8" NPT | 1 | |
| . NS | 650164 | . CAP VALVE / CHROME | 1 | |
| 18 | IS-19084 | SEE INSTRUCTION SHEET | 1 | |

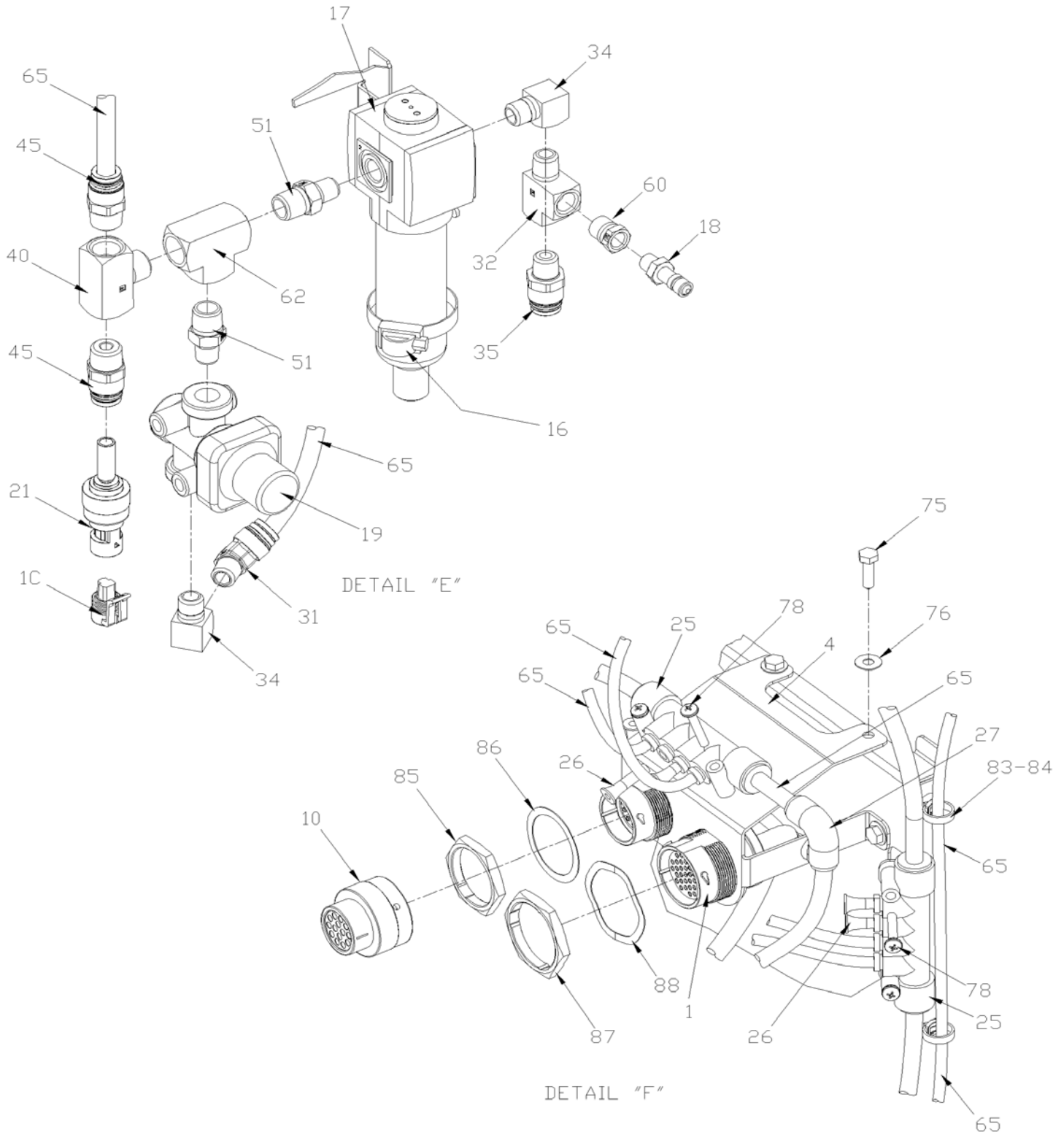
| | | |
|------------------------------------|--------------|------------------|
| | Date:07/2024 | PAGE:VIP-1640-52 |
| LEVEL-LOW - CONTROL PANEL & VALVES | | |



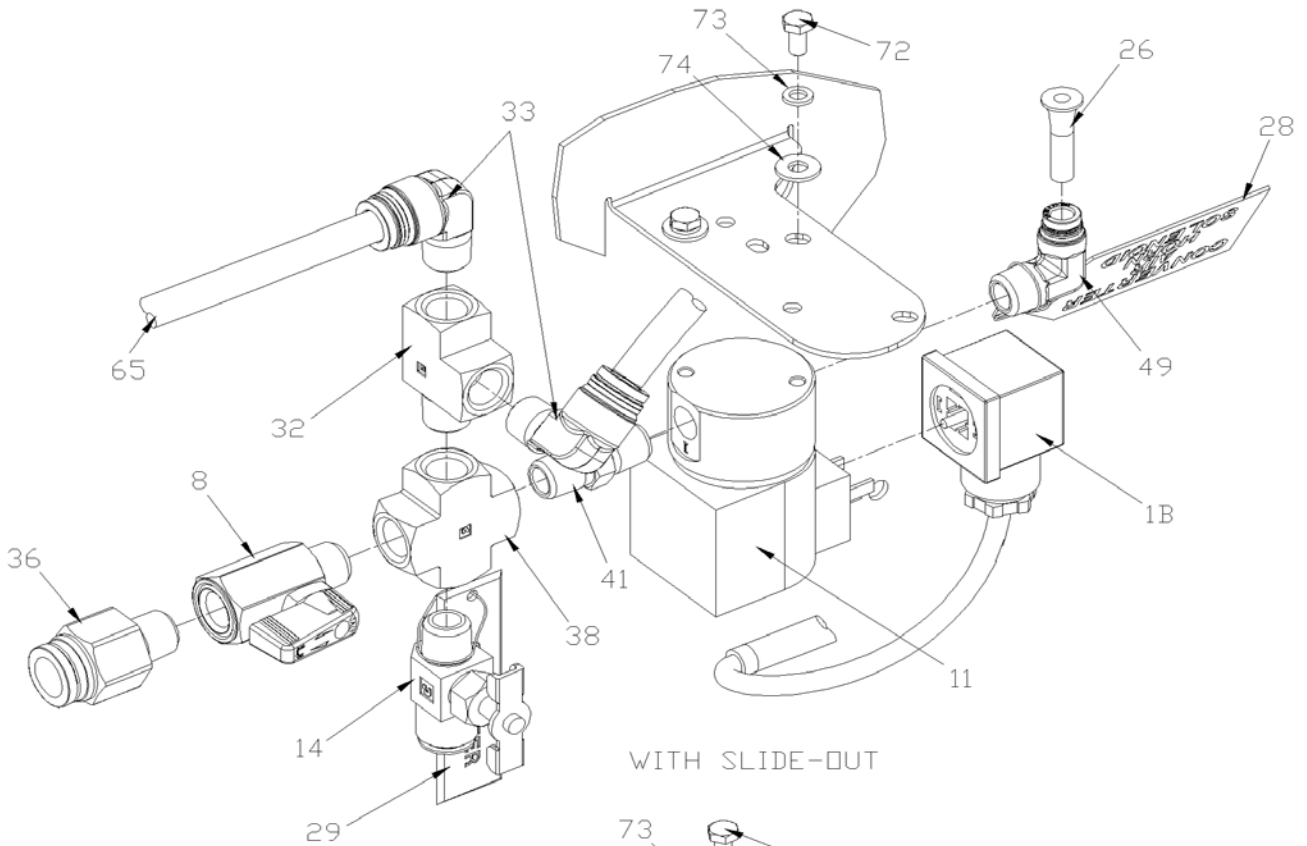
| | | |
|------------------------------------|--------------|------------------|
| | Date:07/2024 | PAGE:VIP-1640-52 |
| LEVEL-LOW - CONTROL PANEL & VALVES | | |



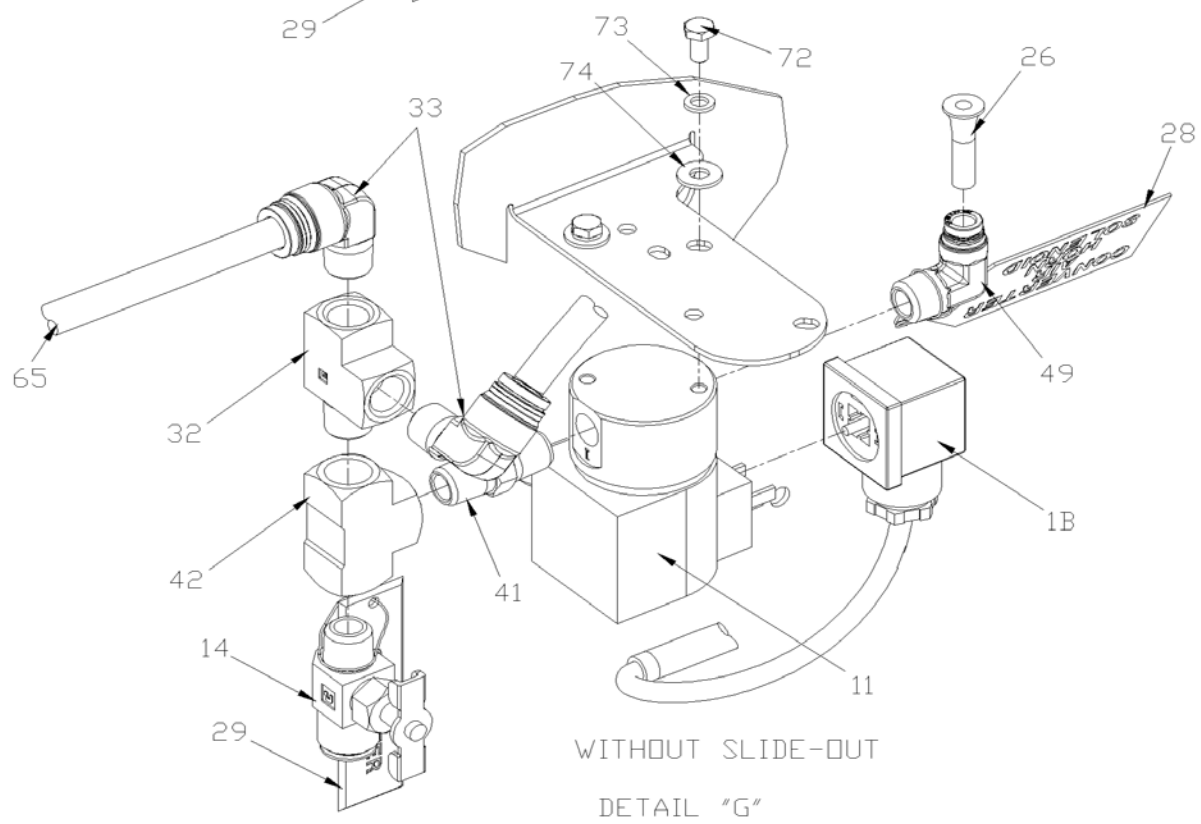
| | | |
|------------------------------------|--------------|------------------|
| | Date:07/2024 | PAGE:VIP-1640-52 |
| LEVEL-LOW - CONTROL PANEL & VALVES | | |



| | | |
|------------------------------------|--------------|------------------|
| | Date:07/2024 | PAGE:VIP-1640-52 |
| LEVEL-LOW - CONTROL PANEL & VALVES | | |



WITH SLIDE-OUT



WITHOUT SLIDE-OUT
DETAIL "G"

Date:07/2024

PAGE:VIP-1640-52

LEVEL-LOW - CONTROL PANEL & VALVES

| Item# | Part | Description | QTY | Notes |
|-------|----------|---|-----|-------|
| 1 | 0600103 | PNEUMATIC PANEL HARNESS | 1 | |
| . A | 641385 | . CONNECTOR / SOCKET HOUSING ASSY 3C / PNEUMAC 54934-01 | 6 | |
| . B | 562848 | . CONNECTOR / SOCKET HOUSING ASSY 3C / PNEUMAC 54933-05 | 2 | |
| . C | 563159 | . CONNECTOR / METRI-PACK 150 / SH 3C / PED 12065287 | 4 | |
| . E | 561566 | . CONNECTOR / WEATHER PACK / PH 2C / BLACK / PED 12010973 | 1 | |
| 2 | 140466 | PLATE ASSY,FRONT PNEUMATIC UNIT | 1 | |
| 3 | 140227 | DECAL / ACC AIR FILTER DRAIN / ENGLISH & FRANCAIS | 1 | |
| 4 | 140137 | SUPPORT | 1 | |
| 5 | 502862 | SCREW CAP HEX M8-1.25x20 G8.8 N500 | 1 | |
| 6 | 5001868 | WASHER BEL SPR 8.4x18x2 SS | 1 | |
| 7 | 5001692 | NUT INS FL HEX M8-1.25 0.5-3.0 SS | 1 | |
| 8 | 641936 | BALL VALVE 1/4 NPT M x 1/4 NPT F | 1 | |
| 10 | 0600005 | PNEUMATIC JUMPER CONNECTOR | 1 | |
| 11 | 562804 | VALVE, 2 WAYS N.C. | 1 | |
| . NS | 562848 | . CONNECTOR / SOCKET HOUSING ASSY 3C / PNEUMAC 54933-05 | 1 | |
| 12 | 641937 | VALVE, 3 WAYS, 2 POSITIONS N.C. / W/MAN OVERRIDE | 1 | |
| . NS | 641929 | . COIL 24V | 1 | |
| . NS | 641385 | . CONNECTOR / SOCKET HOUSING ASSY 3C / PNEUMAC 54934-01 | 1 | |
| 13 | 642224 | VALVE, 3 WAYS, 2 POSITIONS N.C. | 2 | |
| . NS | 641929 | . COIL 24V | 1 | |
| . NS | 641385 | . CONNECTOR / SOCKET HOUSING ASSY 3C / PNEUMAC 54934-01 | 1 | |
| 14 | 5011129 | NEEDLE VALVE 1/4 NPT M x 1/4 NPT F | 1 | |
| 14 | 680408 | CAP PLUG (ID 0.402, OD 0.471) | 1 | |
| 15 | 641564 | VALVE, DOUBLE CHECK DC-4 | 1 | |
| 16 | 992086 | HOSE CLAMP / 32MM/52MM | 1 | |
| 17 | 640031 | AIR FILTER | 1 | |
| . NS | 640050 | . AIR FILTER | 1 | |
| . NS | 640049 | . BOWL FILTER | 1 | |
| 18 | 640488 | VALVE, AIR FILL 1/8" NPT | 1 | |
| . NS | 650164 | . CAP VALVE / CHROME | 1 | |
| 19 | 641137 | VALVE, PRESSURE PROTECTION TYPE PR-4 70PSI | 1 | |
| 21 | 22443498 | TRANSDUCER PRESSURE (0-12 BAR, 0-174 PSI) | 4 | |
| 22 | 287234 | PRESSURE SWITCH N.C. 30-10 20PS001AB030E010E | 1 | |
| 23 | 641180 | MANIFOLD VALVE / W/3 SOLENOID | 1 | |
| . NS | 641928 | . KIT, MANIFOLD REPAIR / N.C. | 3 | |
| . NS | 641107 | . COIL 24V | 1 | |
| 24 | 641934 | SILENCER / MUFFLER / 3/8NPT-M | 1 | |
| 25 | 641897 | MANIFOLD / PUSH-IN FITTING / 2x#6 / 4x#4 PLAS | 2 | |
| 26 | 641416 | PLUG STEM / PUSH-IN FITTING / #4 PLAS | 5 | |
| 27 | 641436 | UNION ELBOW 90° / PUSH-IN FITTING / #6x#6 BR | 1 | |
| 28 | 142042 | PLATE CONVERTER AIR HORN SOLENOID | 1 | |

| | | | |
|---|--|---------------------|-------------------------|
| | | Date:07/2024 | PAGE:VIP-1640-52 |
| LEVEL-LOW - CONTROL PANEL & VALVES | | | |

| Item# | Part | Description | QTY | Notes |
|--------------|-------------------|--|------------|--------------|
| 29 | 391812 | IDENTIFICATION PLATE (CONVERTER) | 1 | |
| 29 | 504273 | CABLE TIE / 1/8" X 3"1/2 | 1 | |
| 31 | 641366 | MALE ELBOW 45° NON-SWIVEL / PUSH-IN FITTING / #6x1/4NPT-M BR | 2 | |
| 32 | 501338 | MALE RUN TEE / PIPE FITTING / 1/4NPT-Mx1/4NPT-Fx1/4NPT-F BR | 3 | |
| 33 | 641372 | MALE ELBOW 90° NON-SWIVEL / PUSH-IN FITTING / #6x1/4NPT-M BR | 3 | |
| 34 | 501332 | STREET ELBOW 90° / PIPE FITTING / 1/4NPT-Mx1/4NPT-F BR | 2 | |
| 35 | 641331 | MALE CONNECTOR / PUSH-IN FITTING / #6x1/4NPT-M BR | 1 | |
| 36 | 641380 | MALE CONNECTOR / PUSH-IN FITTING / #8x1/4NPT-M BR | 1 | |
| 37 | 641381 | MALE CONNECTOR / PUSH-IN FITTING / #8x3/8NPT-M BR | 1 | |
| 38 | 501902 | CROSS / PIPE FITTING / 1/4NPT-Fx1/4NPT-Fx 1/4NPT-Fx1/4NPT-F BR | 1 | |
| 39 | 642128 | MALE ELBOW 90° SWIVEL DUAL PORT / PUSH-IN / #6x#6x3/8NPT-M BR | 2 | |
| 40 | 501737 | MALE BRANCHE TEE / PIPE FITTING / 3/8NPT-Fx3/8NPT-Fx3/8NPT-M BR | 3 | |
| 41 | 501321 | NIPPLE HEX / PIPE FITTING / 1/4NPT-Mx1/4NPT-Mx1 3/8 BR | 1 | |
| 42 | 501337 | FEMALE UNION TEE / PIPE FITTING / 1/4NPT-Fx1/4NPT-Fx1/4NPT-F BR | 2 | |
| 42 | 501337 | FEMALE UNION TEE / PIPE FITTING / 1/4NPT-Fx1/4NPT-Fx1/4NPT-F BR | 2 | |
| 43 | 641332 | MALE CONNECTOR / PUSH-IN FITTING / #4x1/4NPT-M BR | 1 | |
| 44 | 501333 | STREET ELBOW 90° / PIPE FITTING / 3/8NPT-Mx3/8NPT-F BR | 1 | |
| 45 | 641330 | MALE CONNECTOR / PUSH-IN FITTING / #6x3/8NPT-M BR | 4 | |
| 46 | 641367 | MALE ELBOW 45° NON-SWIVEL / PUSH-IN FITTING / #6x3/8NPT-M BR | 1 | |
| 47 | 649942 | MALE BRANCH TEE / PUSH-IN FITTING / #6x#6x3/8NPT-M BR | 1 | |
| 48 | 641375 | MALE ELBOW 90° NON-SWIVEL / PUSH-IN FITTING / #6x3/8NPT-M BR | 3 | |
| 49 | 641371 | MALE ELBOW 90° NON-SWIVEL / PUSH-IN FITTING / #4x1/4NPT-M BR | 1 | |
| 51 | 501749 | NIPPLE REDUCER HEX / PIPE FITTING / 3/8NPT-Mx1/4NPT-Mx1 13/32 BR | 2 | |
| 53 | 641347 | MALE CONNECTOR / PUSH-IN FITTING / #4x3/8NPT-M BR | 1 | |
| 54 | 501449 | PLUG HEXS / PIPE FITTING / 3/8NPT-M STL | 2 | |
| 55 | 641242 | MALE CONNECTOR / PUSH-IN FITTING / #4x1/8NPT-M BR | 2 | |
| 56 | 642127 | MALE ELBOW 90° SWIVEL DUAL PORT / PUSH-IN / #4x#4x1/8NPT-M BR | 1 | |
| 57 | 501331 | STREET ELBOW 90° / PIPE FITTING / 1/8NPT-Mx1/8NPT-F BR | 1 | |
| 58 | 641002 | MALE RUN TEE / NTA FITTING / #4x#4x1/8NPT-M BR | 1 | |
| 59 | 640094 | MALE RUN TEE / PUSH-IN FITTING / #2x#2x1/4NPT-M COMPOSITE | 1 | |
| 60 | 501312 | BUSHING REDUCER / PIPE FITTING / 1/4NPT-Mx1/8NPT-F BR | 1 | |
| 62 | 501527 | FEMALE UNION TEE / PIPE FITTING / 3/8NPT-Fx3/8NPT-Fx3/8NPT-F BR | 1 | |
| NS | 680098 | THREAD SEALANT LOCTITE #567 / WHITE / 250ml | | |
| 65 | H9-1202-00 | TUBES PLASTIC / AIR D.O.T. | | |
| 67 | 5002136 | SCREW CAP HEX M6-1.0x110 PT SS | 2 | |
| 68 | 5001608 | WASHER BEL SPR 6.2x15.0x0.7 G500 | 2 | |
| 70 | 500266 | SCREW TC CAP HEX 1/4-20x1 N500 | 2 | |
| 71 | 5001608 | WASHER BEL SPR 6.2x15.0x0.7 G500 | 2 | |
| 72 | 502751 | SCREW CAP HEX #10-32x3/8 Z050 | 2 | |
| 73 | 500470 | WASHER LO SPT .193x.334x.047 Z050 | 2 | |

| | | | |
|---|--|---------------------|-------------------------|
| | | Date:07/2024 | PAGE:VIP-1640-52 |
| LEVEL-LOW - CONTROL PANEL & VALVES | | | |

| Item# | Part | Description | QTY | Notes |
|--------------|-------------|--|------------|--------------|
| 74 | 500964 | WASHER FL .203x.500x.047 Z050 | 2 | |
| 75 | 502830 | SCREW CAP HEX M6-1.0x20 G8.8 N500 | 7 | |
| 76 | 5001608 | WASHER BEL SPR 6.2x15.0x0.7 G500 | 7 | |
| 78 | 5001991 | SCREW MA RND PH M5-0.8x30 SS | 4 | |
| 79 | 500671 | SCREW CAP HEXS #8-32x7/8 | 2 | |
| 81 | 509894 | TIE MOUNT HOLE 7.8MM | 5 | |
| 82 | 509491 | CABLE TIE / 13MM x 383MM | 5 | |
| 83 | 509815 | TIE MOUNT / ATTACHMENT W/TREE MOUNT | | |
| 84 | 504637 | CABLE TIE / 3/16" x 13" | | |
| 85 | 566004 | PANEL NUT / HDP20 SERIES / DEUTSCH 2411-002-1805 | 1 | |
| 86 | 566006 | LOCK WASHER / HDP20 SERIES / DEUTSCH 2414-002-1886 | 1 | |
| 87 | 566003 | PANEL NUT / HDP20 SERIES / DEUTSCH 2411-001-2405 | 1 | |
| 88 | 566005 | LOCK WASHER / HDP20 SERIES / DEUTSCH 2414-001-2486 | 1 | |

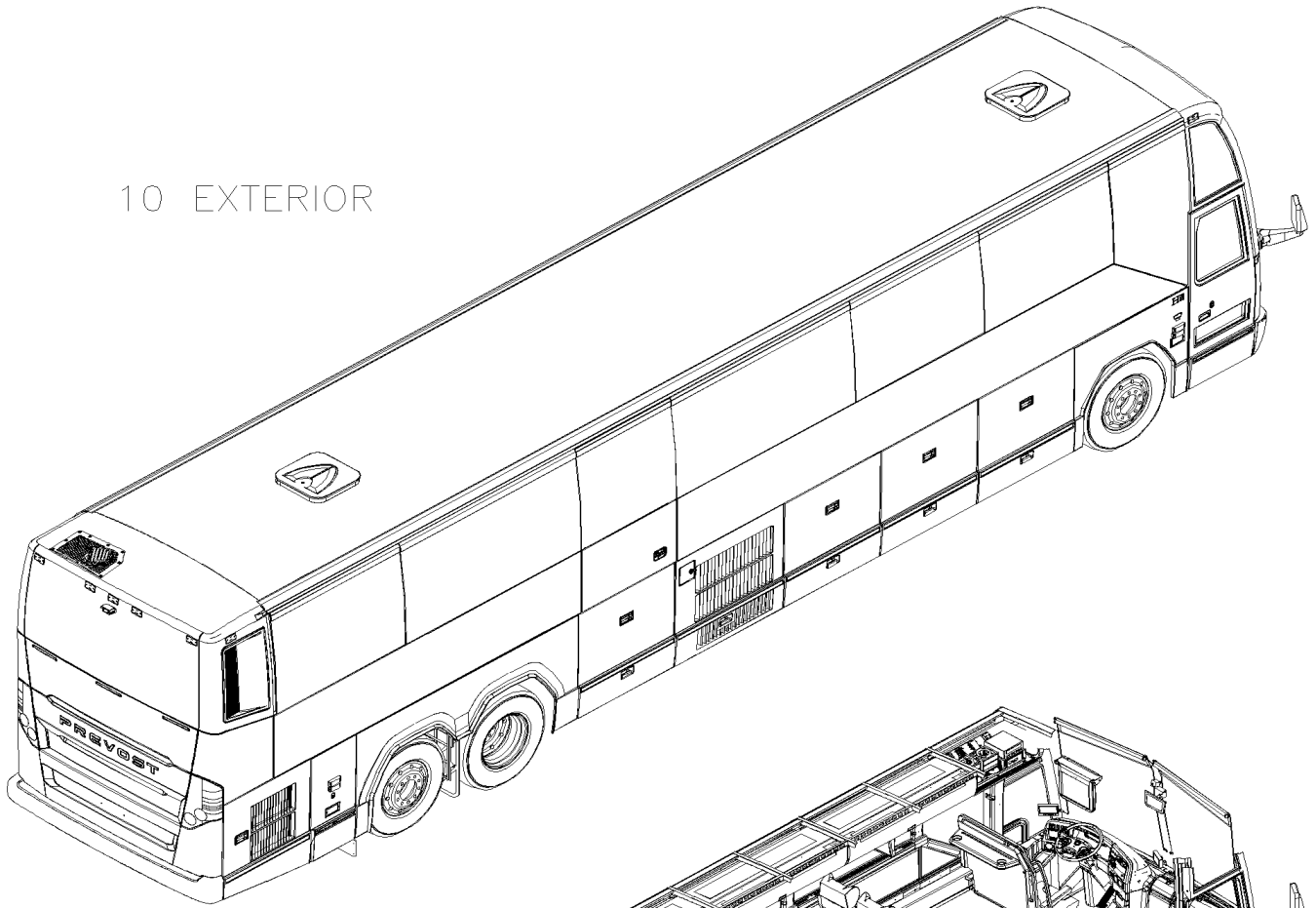
From K-0295

Date:07/2024

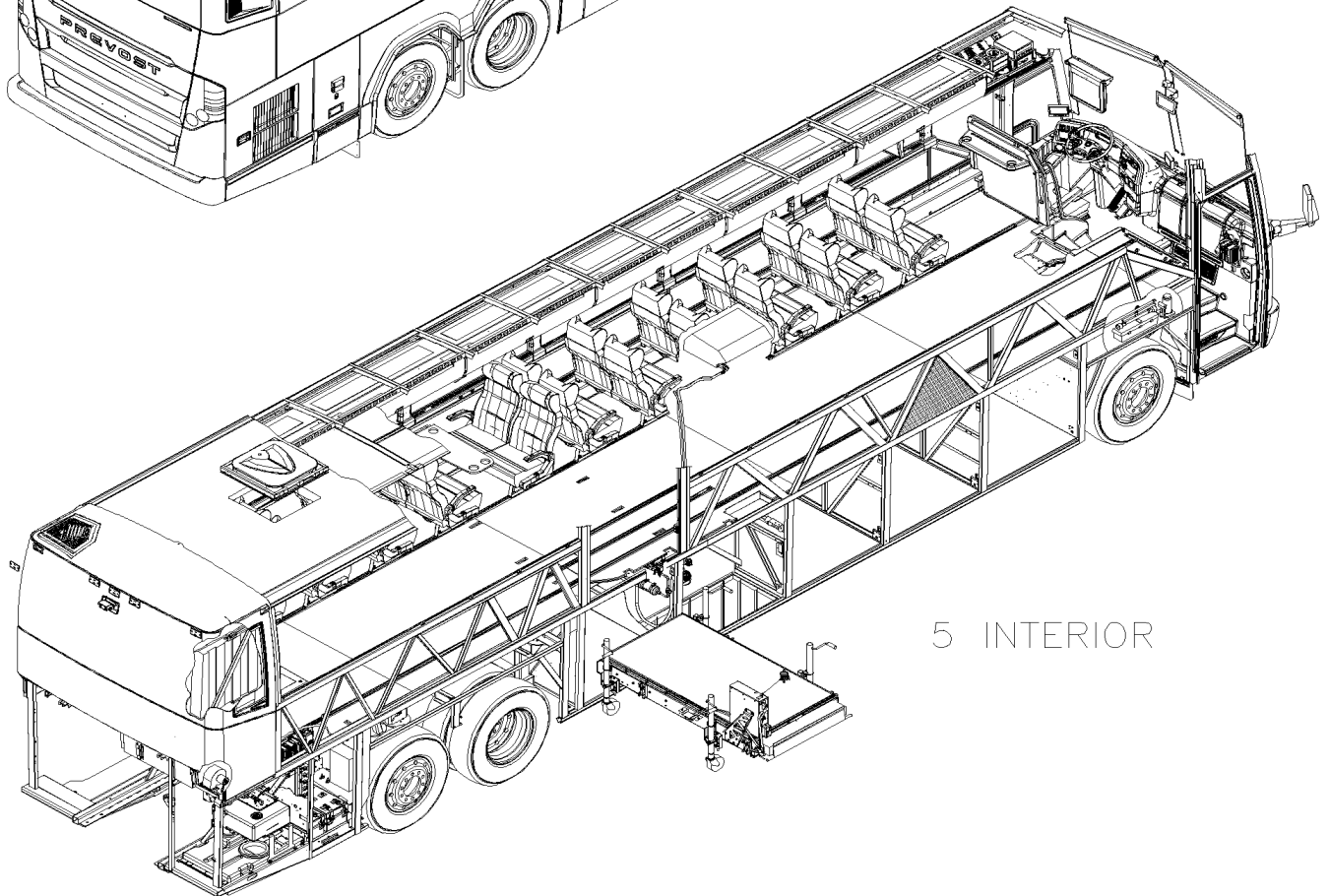
VIP-18

BODY

10 EXTERIOR



5 INTERIOR



| | | |
|-------------|--------------|--------|
| From K-0295 | Date:07/2024 | VIP-18 |
|-------------|--------------|--------|

BODY

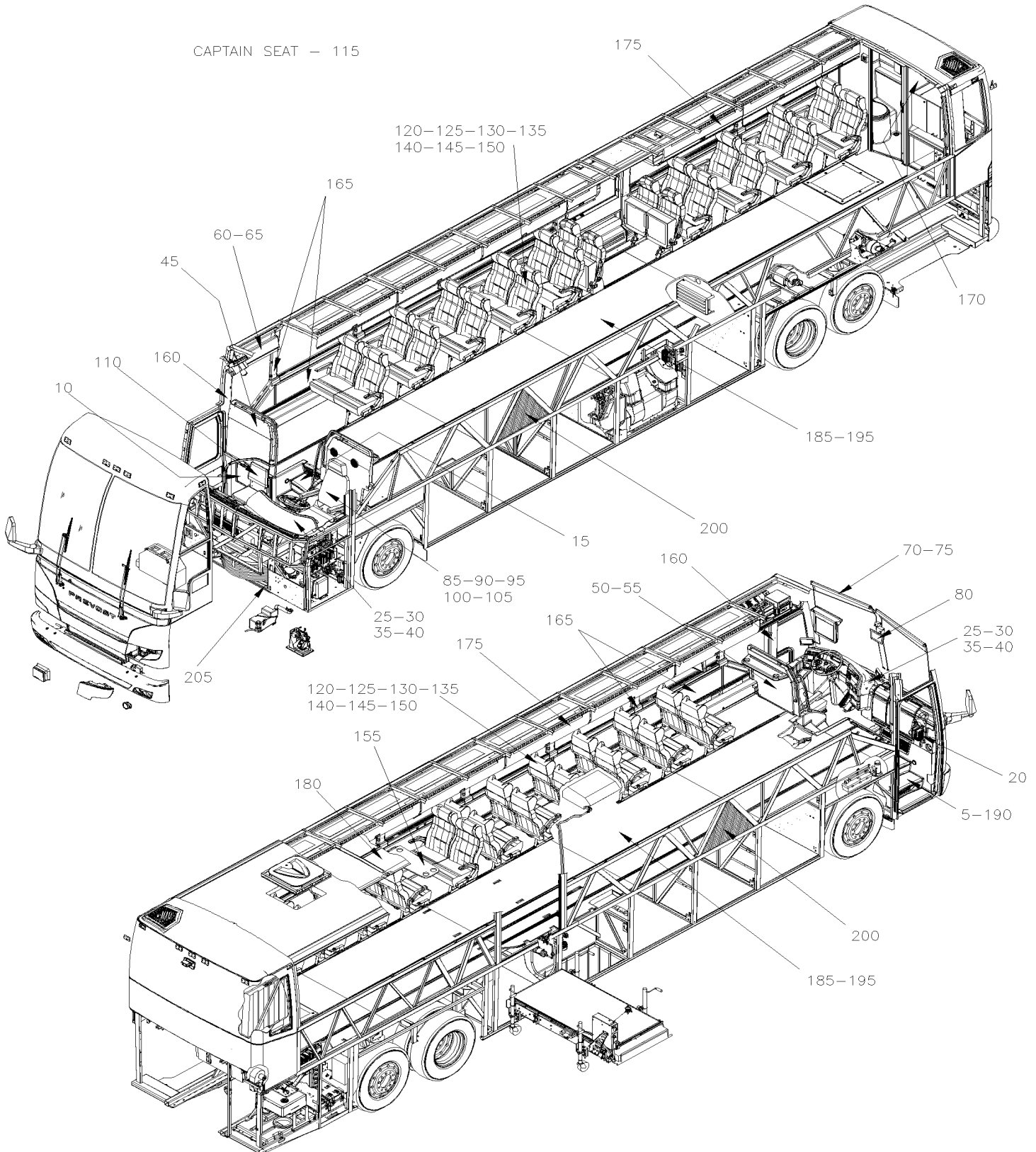
| Item# | Part | Description | QTY | Notes |
|-------|------------|---------------------------|-----|-------|
| 5 | VIP-18-INT | BODY INTERIOR From K-0295 | | |
| 10 | VIP-18-EXT | BODY EXTERIOR From K-0295 | | |

From K-0295

Date:07/2024

PAGE:VIP-18-INT

BODY INTERIOR



| | | |
|----------------------|--------------|-----------------|
| From K-0295 | Date:07/2024 | PAGE:VIP-18-INT |
| BODY INTERIOR | | |

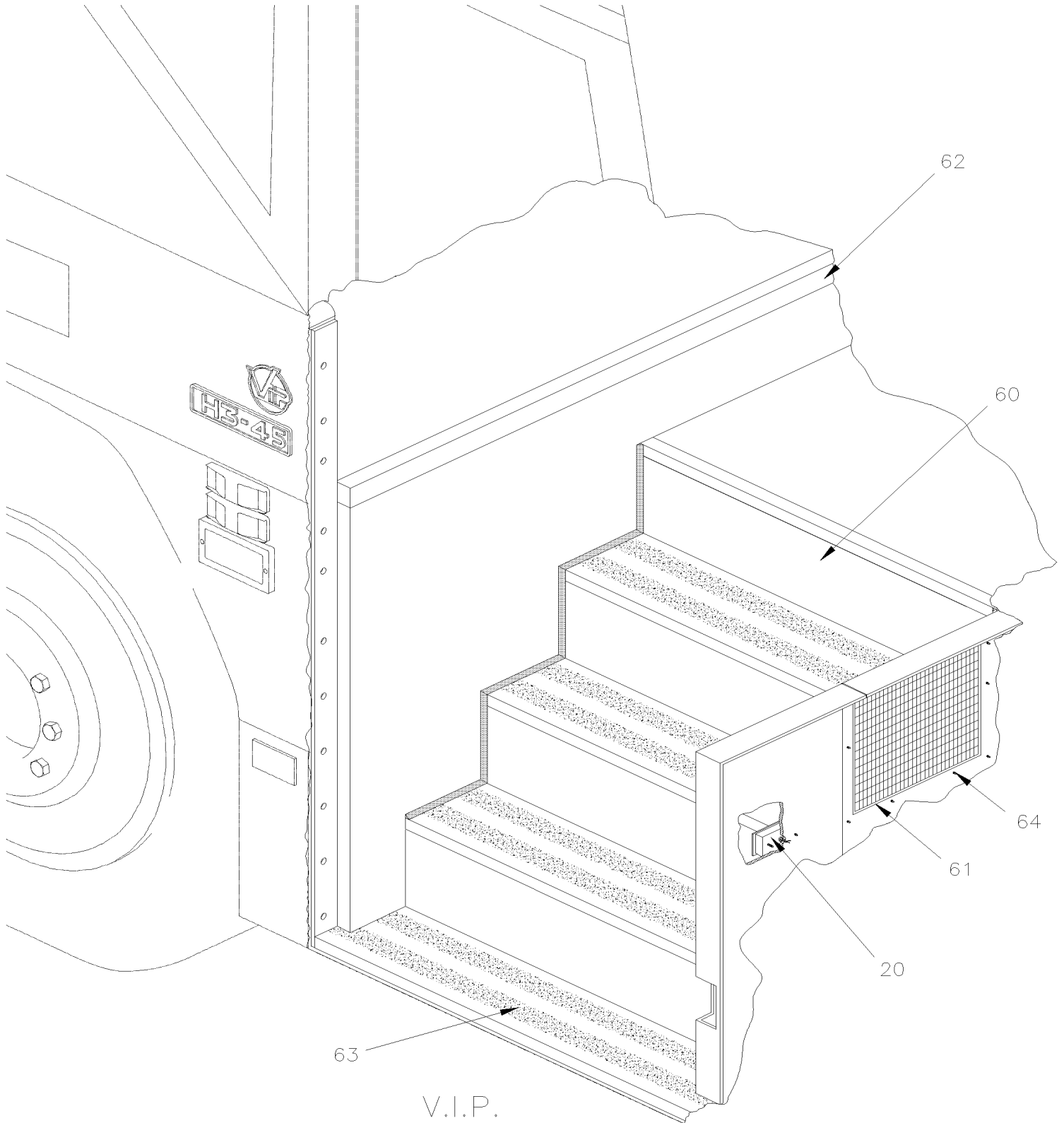
| Item# | Part | Description | QTY | Notes |
|-------|-------------|---|-----|-------|
| 20 | VIP-1800-00 | FRONT STEPWELL - INSTALLATION From K-0295 To P-1347 | | |
| 20 | VIP-1800-01 | FRONT STEPWELL - INSTALLATION From P-1348 | | |
| 25 | VIP-1806-00 | CENTRAL DASHBOARD PANEL From K-0295 To P-1347 | | |
| 25 | VIP-1806-01 | CENTRAL DASHBOARD PANEL From P-1348 | | |
| 27 | VIP-1802-50 | ENTRANCE DOOR CONTROL From P-1348 | | |
| 35 | VIP-1806-15 | L.H. CONSOLE - V.I.P. From K-0295 To P-1347 | | |
| 35 | VIP-1806-16 | L.H. CONSOLE - V.I.P. From P-1348 | | |
| 40 | VIP-1806-20 | DASHBOARD PANEL From K-0295 To P-1347 | | |
| 40 | VIP-1806-21 | DASHBOARD PANEL From P-1348 | | |
| 70 | VIP-1816-00 | ROLLER BLIND - DRIVER' S & WINDSHIELD From K-0295 To P-1347 | | |
| 90 | VIP-1822-01 | DRIVER'S SEAT - "ISRI" - 6832/872 From K-0295 | | |
| 160 | VIP-1832-01 | FRONT FINISHING CAP From K-0295 To P-1347 | | |
| 180 | VIP-1837-50 | CEILING PANELS & MOULDING - V.I.P. From K-0295 To P-1347 | | |
| 190 | VIP-1837-80 | CEILING PANELS WCL From K-0295 To P-1347 | | |
| 200 | VIP-1839-01 | INSULATING SIDE WALL - LOWER PANEL From K-0295 To P-1347 | | |
| 200 | VIP-1839-05 | INSULATING REAR BATTERIES COMPARTMENT From K-0295 To P-1347 | | |
| 200 | VIP-1839-17 | INSULATING FRONT - SUBFRAME From K-0295 To P-1347 | | |
| 200 | VIP-1839-21 | INSULATING REAR ENGINE COMPARTMENT From K-0295 To P-1347 | | |
| 200 | VIP-1839-25 | INSULATING REAR END From K-0295 To P-1347 | | |
| 200 | VIP-1839-31 | INSULATING ROOF PANELS From K-0295 To P-1347 | | |
| 200 | VIP-1839-90 | INSULATING - "SLIDE-OUT" From K-0295 To P-1347 | | |
| 205 | VIP-1840-00 | CLOSING PANEL SPARE COMPARTMENT From K-0295 To P-1347 | | |

From K-0295 To P-1347

Date:07/2024

PAGE:VIP-1800-00

FRONT STEPWELL - INSTALLATION



| | | |
|--------------------------------------|---------------------|-------------------------|
| From K-0295 To P-1347 | Date:07/2024 | PAGE:VIP-1800-00 |
| FRONT STEPWELL - INSTALLATION | | |

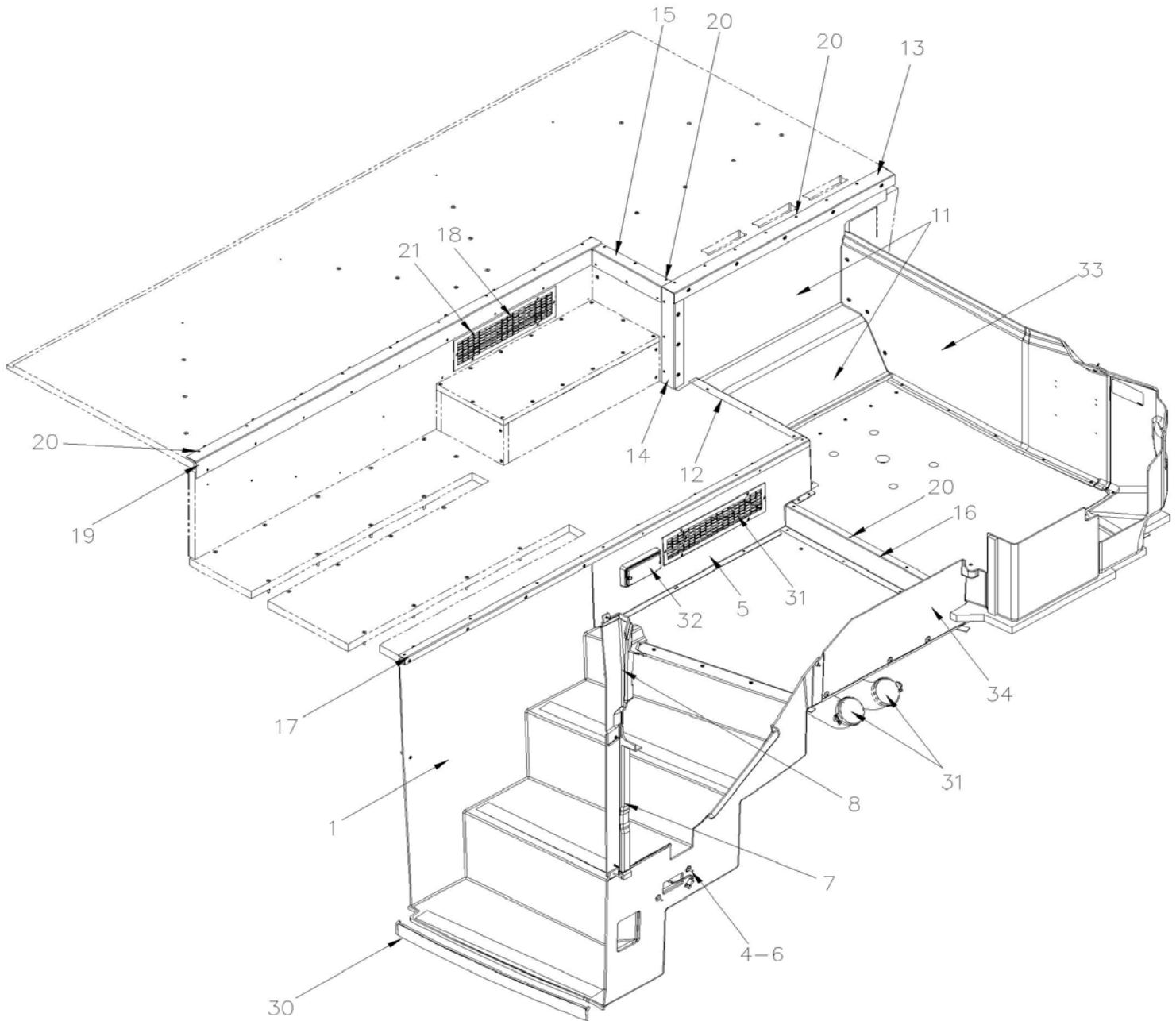
| Item# | Part | Description | QTY | Notes |
|--------------|-------------|--|------------|--------------|
| 42 | 3201343 | DRIVER`S FLOOR | 1 | |
| 60 | 3200090 | STEPWELL / FRONT | 1 | |
| 61 | 453105 | GRILL AIR / FRONT STEPWELL / RETURN | 1 | |
| 62 | 326404 | MOULDING / FRONT FINISHING FLOOR / "Z" SHAPE / 1614MM SS | 1 | |
| 63 | 900515 | TAPE ANTISKID ADH / GREY / 1" X 60' | AR | |
| 64 | 5001119 | SCREW TP BDG PH #8x3/4 SS | 4 | |

From P-1348

Date:07/2024

PAGE:VIP-1800-01

FRONT STEPWELL - INSTALLATION

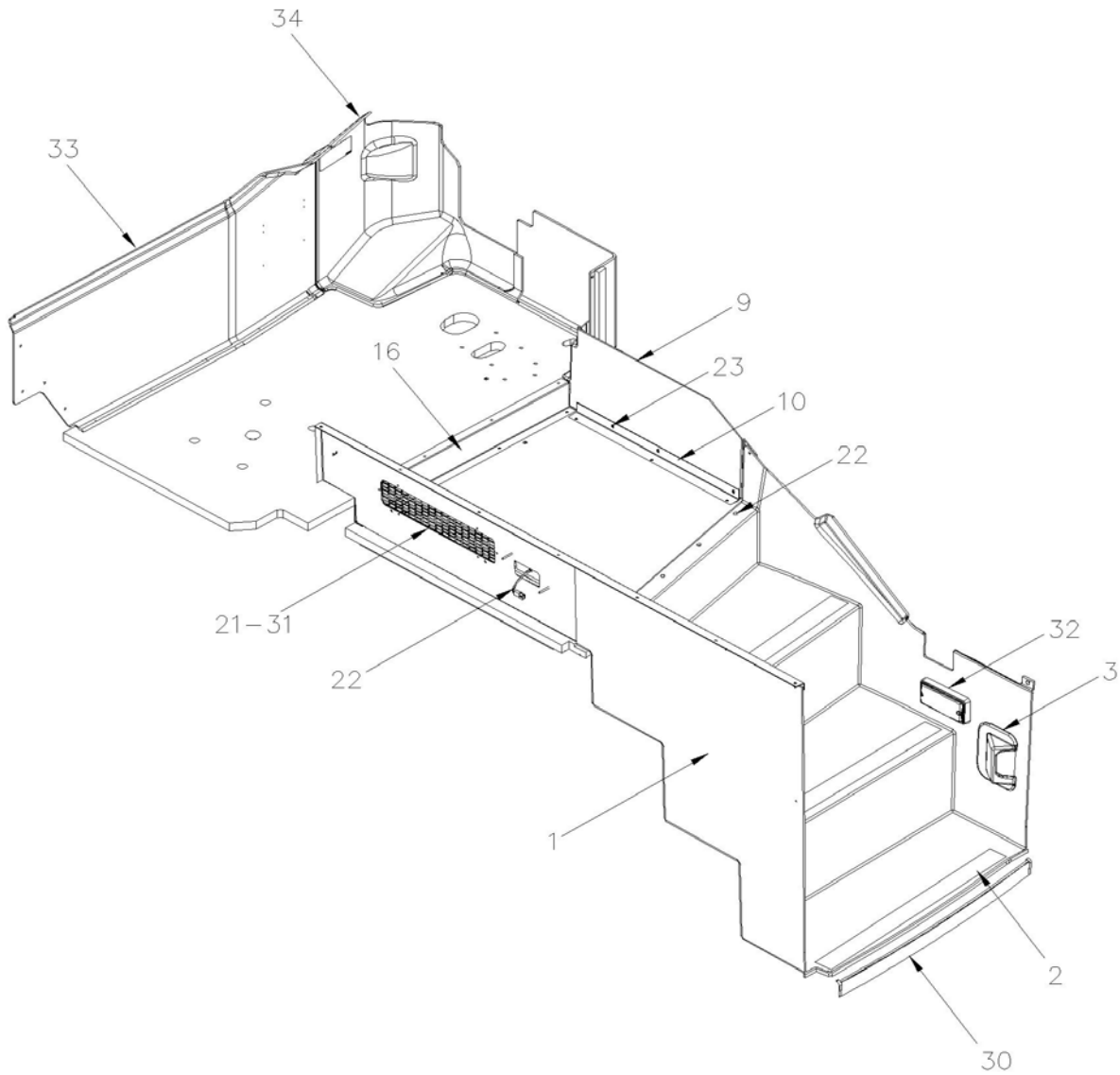


From P-1348

Date:07/2024

PAGE:VIP-1800-01

FRONT STEPWELL - INSTALLATION



| | | |
|--------------------------------------|--------------|------------------|
| From P-1348 | Date:07/2024 | PAGE:VIP-1800-01 |
| FRONT STEPWELL - INSTALLATION | | |

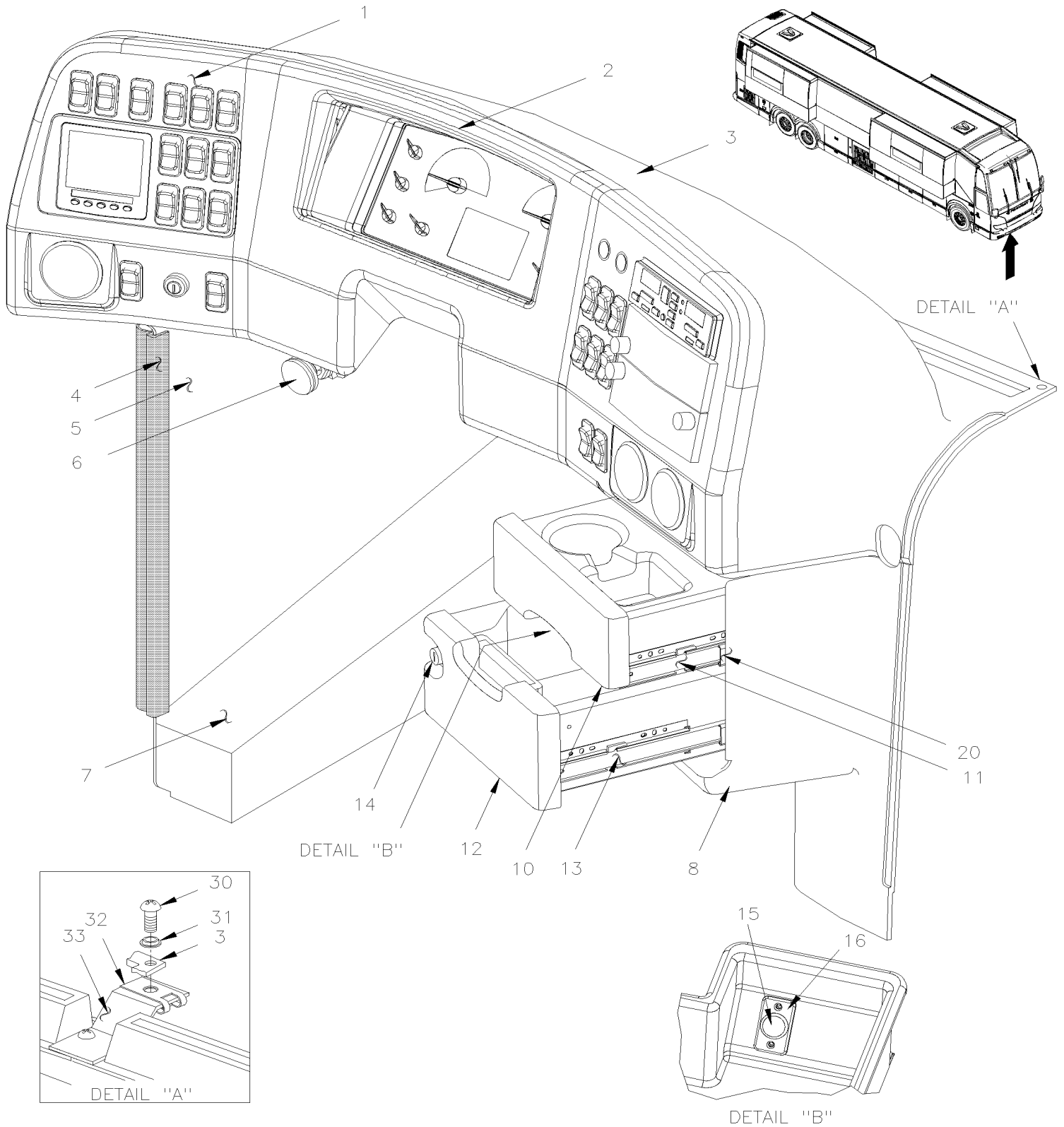
| Item# | Part | Description | QTY | Notes |
|-------|--------------------|---|-----|-------|
| 1 | 3211519 | ENTRANCE STAIRS VIP | 1 | |
| 2 | 680502 | TAPE ANTISKID ADH / BLACK / 2" X 60' / 5215 | 3 | |
| 3 | 3211314 | HINGE COVER | 1 | |
| 3 | 680537 | GLUE, PLEXUS MA830 380 ML | AR | |
| 4 | 283438 | WASHER | 2 | |
| 5 | 3211529 | PANEL, AIR RETURN WELDED | 1 | |
| 5 | 3211528 | SOUND INSULATION | 1 | |
| 6 | 500632 | SCREW TP OV PH #8x1 1/2 Z050 | 2 | |
| 7 | 3211206 | LOWER RIGHT PILLAR COVER | 1 | |
| 8 | 3211415 | LOWER RIGHT PILLAR | 1 | |
| 9 | 3211535 | PANEL, STAIR LOWER | 1 | |
| 10 | 3211537 | MOULDING FLOOR | 1 | |
| 11 | 3211559 | DRIVER SEAT MOULDING VIP | 1 | |
| NS | 3211591 | INSULATION | 1 | |
| 12 | 3211560 | MOULDING | 1 | |
| 13 | 3211561 | MOULDING | 1 | |
| 14 | 3211562 | MOULDING | 1 | |
| 15 | 3211563 | MOULDING | 1 | |
| 16 | 3211613 | MOULDING FLOOR | 1 | |
| 17 | 3211696 | MOULDING | 1 | |
| 18 | 322598 | GRILL AIR / AISLE STEPWELL / RETURN | 1 | |
| 19 | 326091 | STEP MOULDING | 1 | |
| 20 | 5001118 | SCREW TP FL PH #8x1 SS410 | AR | |
| 21 | 5001119 | SCREW TP BDG PH #8x3/4 SS | 6 | |
| 22 | 500620 | SCREW TP FL PH #10x1 1/2 Z050 | 11 | |
| 23 | 500952 | SCREW TP BDG PH #8x1/2 SS | 3 | |
| 24 | 5002093 | SCREW DR SEMS FN OV PH #8X3/4" Z050 | AR | |
| | | | | |
| 30 | VIP-1862-61 | ENTRANCE DOOR - INSTALLATION | | |
| 31 | VIP-2230-01 | DEFROSTER - INSTALLATION | | |
| 32 | VIP-0655-01 | INTERIOR LIGHTING LED | | |
| 33 | VIP-1806-16 | L.H. CONSOLE - V.I.P. | | |
| 34 | VIP-1806-01 | CENTRAL DASHBOARD PANEL | | |

From K-0295 To P-1347

Date:07/2024

PAGE:VIP-1806-00

CENTRAL DASHBOARD PANEL



| | | |
|--------------------------------|---------------------|-------------------------|
| From K-0295 To P-1347 | Date:07/2024 | PAGE:VIP-1806-00 |
| CENTRAL DASHBOARD PANEL | | |

| Item# | Part | Description | QTY | Notes |
|-------|--------------------|--|-----|-------|
| 1 | 392482 | PANEL / FRONT INSTRUMENTATION To M-1109 | 1 | |
| 1 | 392850 | PANEL / FRONT INSTRUMENTATION From M-1110 | 1 | |
| 1 | 5001411 | SCREW MA FL PH M4-0.7x20 BK | AR | |
| 1 | 500345 | WASHER FN CKF .187x.500x.090 BR BK | AR | |
| 2 | VIP-0645-10 | L.H. DASHBOARD PANEL | | |
| 2 | VIP-0645-21 | CENTER DASHBOARD PANEL WITH "EPA 2010" | | |
| 2 | VIP-0645-30 | R.H. DASHBOARD PANEL | | |
| 3 | 392215 | COVER, DASHBOARD PANEL / V.I.P. / BLACK To M-1109 | 1 | H |
| 3 | 392215 | COVER, DASHBOARD PANEL / V.I.P. / BLACK From M-1110 | 1 | H |
| 3 | 392877 | COVER, DASHBOARD PANEL / V.I.P. / BLACK WITH "PREVOST DRIVER ASSIST" From M-1110 | 1 | H |
| 3 | 392216 | COVER, DASHBOARD PANEL / V.I.P. / BLACK To M-1109 | 1 | A |
| 3 | 392216 | COVER, DASHBOARD PANEL / V.I.P. / BLACK From M-1110 | 1 | A |
| 3 | 392878 | COVER, DASHBOARD PANEL / V.I.P. / BLACK WITH "PREVOST DRIVER ASSIST" From M-1110 | 1 | A |
| 4 | 504675 | RUBBER EXTRUSION TRIM SEAL / GRIP .040/.070 / 5/8" HOLLOW BULB C.T.L. | AR | |
| 5 | 392507 | STRUCTURE / L.H. / W/TPMS W/O HANDRAIL To M-1171 | 1 | A |
| 5 | 392933 | STRUCTURE / L.H. / W/TPMS W/O HANDRAIL From N-1172 | 1 | A |
| 5 | 392480 | STRUCTURE / L.H. / W/TPMS W/HANDRAIL To M-1171 | 1 | |
| 5 | 392934 | STRUCTURE / L.H. / W/TPMS W/HANDRAIL From N-1172 | 1 | |
| NS | 392073 | ACCESS PANEL / FOR WIPER REPAIR | 1 | |
| NS | 562360 | CONNECTOR / HD10 SERIES / PH 6C / BLACK / DEUTSCH HD10-6-12P-BLACK | 1 | B |
| NS | 562492 | TYPE A COUPLING | 1 | B |
| 5 | 562493 | CHAIN / C.T.L. | 1 | B |
| 5 | 562494 | RING / ATTACHMENT END | 1 | B |
| 6 | 642173 | VALVE, 3 WAYS, 2 POSITIONS MECHANICAL | 1 | |
| NS | 5001036 | SCREW MA PAN PH M4-0.7x10 Z050 | 2 | |
| NS | 500539 | NUT HEX NYRT M4-0.7 N500 | 2 | |
| NS | 501307 | ADAPTER / PIPE FITTING / 1/8NPT-Fx1/8NPT-M BR | 1 | |
| NS | 641365 | MALE ELBOW 45° NON-SWIVEL / PUSH-IN FITTING / #4x1/8NPT-M BR | 2 | |
| 7 | 392013 | FOOT REST / SUPPORT | 1 | |
| NS | 5001036 | SCREW MA PAN PH M4-0.7x10 Z050 | 4 | |
| 8 | 391936 | UNDER DASH PANEL / BLACK | 1 | H |
| 8 | 392354 | UNDER DASH PANEL / TAN | 1 | H |
| 8 | 392199 | UNDER DASH PANEL / BLACK | 1 | A |
| 8 | 392372 | UNDER DASH PANEL / TAN | 1 | A |
| 10 | 391932 | DRAWER, UPPER / BLACK To L-1116 | 1 | |
| NS | 392237 | SUPPORT MAGNETIC LOCK / UPPER DRAWER To L-1116 | 1 | |
| NS | 392241 | CATCH MAGNETIC LOCK LOWER DRAWER To L-1116 | 1 | |
| NS | 504733 | KIT SLIDE TRACK / FIXED AT DRAWER To L-1116 | 1 | |
| 10 | 392712 | DRAWER, UPPER / BLACK From L-1117 | 1 | |
| NS | 392708 | SUPPORT MAGNETIC LOCK / UPPER DRAWER From L-1117 | 1 | |
| NS | 504673 | CATCH MAGNETIC From L-1117 | 2 | |
| NS | 504677 | RAIL ASSY 8" / (SET) From L-1117 | 1 | |

| | | |
|--------------------------------|---------------------|-------------------------|
| From K-0295 To P-1347 | Date:07/2024 | PAGE:VIP-1806-00 |
| CENTRAL DASHBOARD PANEL | | |

| Item# | Part | Description | QTY | Notes |
|-------|--------|--|-----|-------|
| 10 | 392352 | DRAWER, UPPER / TAN To L-1116 | 1 | |
| . NS | 392237 | . SUPPORT MAGNETIC LOCK / UPPER DRAWER To L-1116 | 1 | |
| . NS | 392241 | . CATCH MAGNETIC LOCK LOWER DRAWER To L-1116 | 1 | |
| . NS | 504733 | . KIT SLIDE TRACK / FIXED AT DRAWER To L-1116 | 1 | |
| 10 | 392713 | DRAWER, UPPER / TAN From L-1117 | 1 | |
| . NS | 392708 | . SUPPORT MAGNETIC LOCK / UPPER DRAWER From L-1117 | 1 | |
| . NS | 504673 | . CATCH MAGNETIC From L-1117 | 2 | |
| . NS | 504677 | . RAIL ASSY 8" / (SET) From L-1117 | 2 | |
| 11 | 504677 | . RAIL ASSY 8" / (SET) | 1 | |
| NS | 504673 | CATCH MAGNETIC | 2 | |
| 12 | 391933 | DRAWER, LOWER / BLACK To L-1116 | 1 | |
| . NS | 392238 | . SUPPORT MAGNETIC LOCK / LOWER DRAWER To L-1116 | 1 | |
| . NS | 392240 | . CATCH MAGNETIC LOCK LOWER DRAWER To L-1116 | 1 | |
| . NS | 504733 | . KIT SLIDE TRACK / FIXED AT DRAWER To L-1116 | 1 | |
| 12 | 392714 | DRAWER, LOWER / BLACK From L-1117 | 1 | |
| . NS | 392707 | . SUPPORT MAGNETIC LOCK / LOWER DRAWER From L-1117 | 1 | |
| . NS | 504673 | . CATCH MAGNETIC From L-1117 | 2 | |
| . NS | 504678 | . RAIL ASSY 10" / (SET) From L-1117 | 1 | |
| 12 | 390019 | DRAWER, LOWER / BLACK W/12VOLTS OUTLET To L-1116 | 1 | |
| . NS | 392238 | . SUPPORT MAGNETIC LOCK / LOWER DRAWER To L-1116 | 1 | |
| . NS | 392240 | . CATCH MAGNETIC LOCK LOWER DRAWER To L-1116 | 1 | |
| . NS | 504733 | . KIT SLIDE TRACK / FIXED AT DRAWER To L-1116 | 1 | |
| 12 | 392353 | DRAWER, LOWER / TAN To L-1116 | 1 | |
| . NS | 392238 | . SUPPORT MAGNETIC LOCK / LOWER DRAWER To L-1116 | 1 | |
| . NS | 392240 | . CATCH MAGNETIC LOCK LOWER DRAWER To L-1116 | 1 | |
| . NS | 504733 | . KIT SLIDE TRACK / FIXED AT DRAWER To L-1116 | 1 | |
| 12 | 392716 | DRAWER, LOWER / TAN From L-1117 | 1 | |
| . NS | 392707 | . SUPPORT MAGNETIC LOCK / LOWER DRAWER From L-1117 | 1 | |
| . NS | 504673 | . CATCH MAGNETIC From L-1117 | 2 | |
| . NS | 504678 | . RAIL ASSY 10" / (SET) From L-1117 | 2 | |
| . NS | 562796 | . 12 VOLTS POWER OUTLET From L-1117 | 1 | |
| 12 | 390011 | DRAWER, LOWER / TAN W/12 VOLTS OUTLET To L-1116 | 1 | |
| . NS | 392238 | . SUPPORT MAGNETIC LOCK / LOWER DRAWER To L-1116 | 1 | |
| . NS | 392240 | . CATCH MAGNETIC LOCK LOWER DRAWER To L-1116 | 1 | |
| . NS | 504733 | . KIT SLIDE TRACK / FIXED AT DRAWER To L-1116 | 1 | |
| 13 | 504678 | . RAIL ASSY 10" / (SET) | 1 | |
| NS | 504673 | CATCH MAGNETIC | 2 | |
| 14 | 504672 | LATCH ASSY W/2 KEYS | 1 | |
| . NS | 810084 | . KEY / (CH751) | 1 | |
| 14 | 810084 | . KEY / (CH751) | 2 | |
| 15 | 562796 | 12 VOLTS POWER OUTLET | 1 | |
| 16 | 500343 | SCREW MA FL PH M4-0.7x16 ZP | 2 | |

| | | |
|--------------------------------|--------------|------------------|
| From K-0295 To P-1347 | Date:07/2024 | PAGE:VIP-1806-00 |
| CENTRAL DASHBOARD PANEL | | |

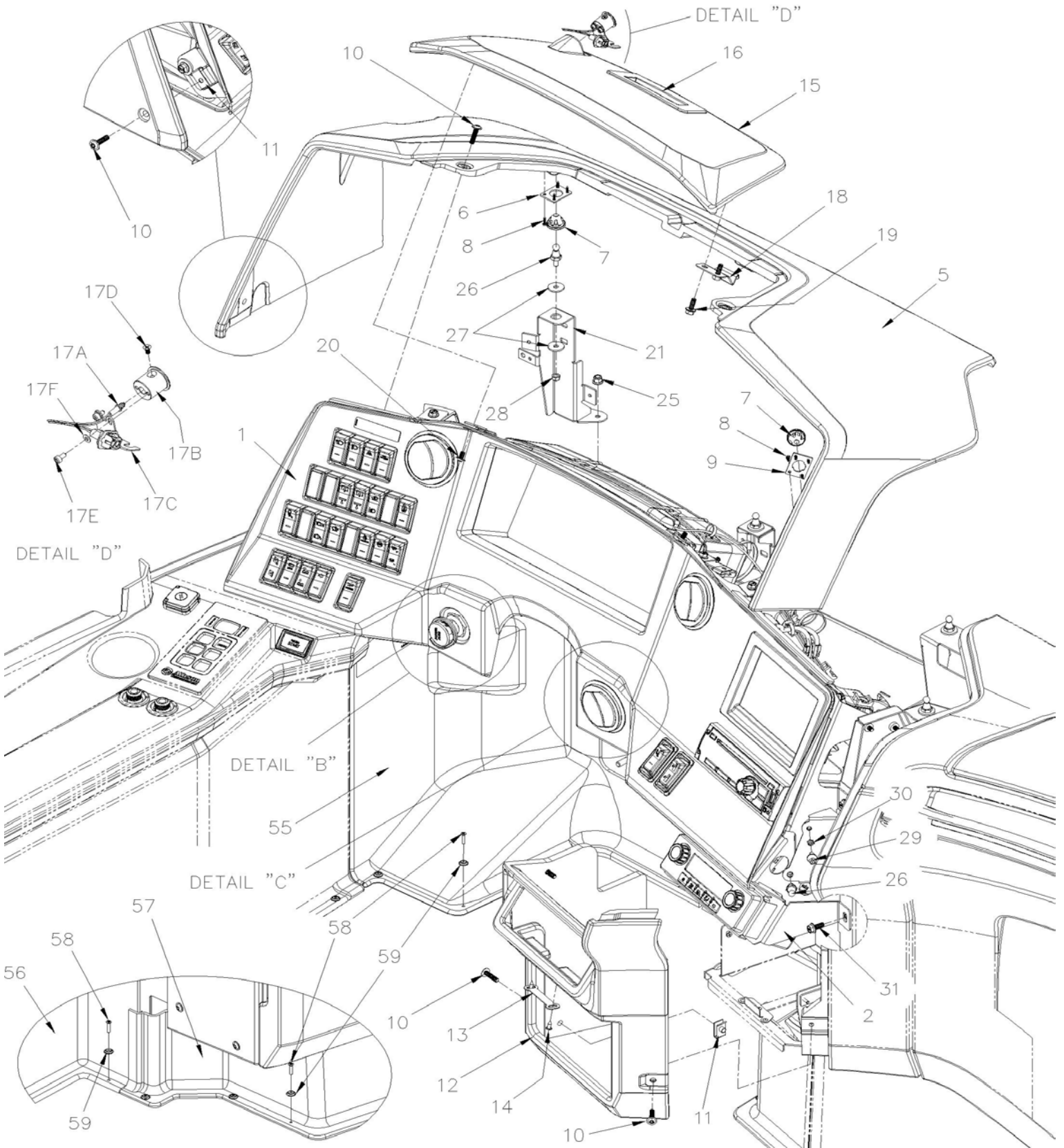
| Item# | Part | Description | QTY | Notes |
|-------|--------------------|---|-----|-------|
| NS | 500590 | NUT HEX NYRT M4-0.7 Z050 | 2 | |
| 20 | 392012 | MOUNTING PLATE / DRAWER | 4 | |
| NS | 5001413 | SCREW MA FL PH M4-0.7x20 Z050 / BLACK | AR | |
| 30 | 5001411 | SCREW MA FL PH M4-0.7x20 BK / TAN | AR | |
| 30 | 5001711 | SCREW MA FL PH M4-0.7x20 SS | AR | |
| 31 | 500345 | WASHER FN CKF .187x.500x.090 BR BK / BLACK | AR | |
| 31 | 500463 | WASHER FN CKF .187x.500x.090 BR Z050 / TAN | AR | |
| 32 | 5001406 | NUT SPR U M4-0.7 0.8-4.0x13.5 | AR | |
| 33 | VIP-2230-00 | DEFROSTER - INSTALLATION | | |
| 34 | 563063 | SENSOR THERMISTOR ASSY / TEMPERATURE / ("DELPHI") | 1 | |
| NS | 373792 | BOX SENSOR PROTECTOR | 1 | |
| NS | 503707 | HOSE / PVC REINFORCED 1/2" I.D. 100' / S.L. | AR | |
| 51 | 060011 | WIRING HARNESS DASHBOARD CENTRAL MODULE To L-0955 | 1 | |
| 51 | 0610238 | WIRING HARNESS DASHBOARD CENTRAL MODULE From L-0956 To M-1109 | 1 | |
| 51 | 0610357 | WIRING HARNESS DASHBOARD CENTRAL MODULE From M-1110 To M-1153 | 1 | |
| 51 | 0610477 | WIRING HARNESS DASHBOARD CENTRAL MODULE From M-1154 To N-1236 | 1 | |
| 51 | 0610581 | WIRING HARNESS DASHBOARD CENTRAL MODULE From N-1237 | 1 | |
| 57 | | REFERENCE ONLY From N-1237 | 1 | |
| | | | | |
| | | | | |
| | | | | |
| | | A) USE WITHOUT HANDRAIL | | |
| | | B) ITEMS ARE RELATED WITH DIAGNOSTIC "DDEC" | | |
| | | H) WITH HANDRAIL | | |

From P-1348

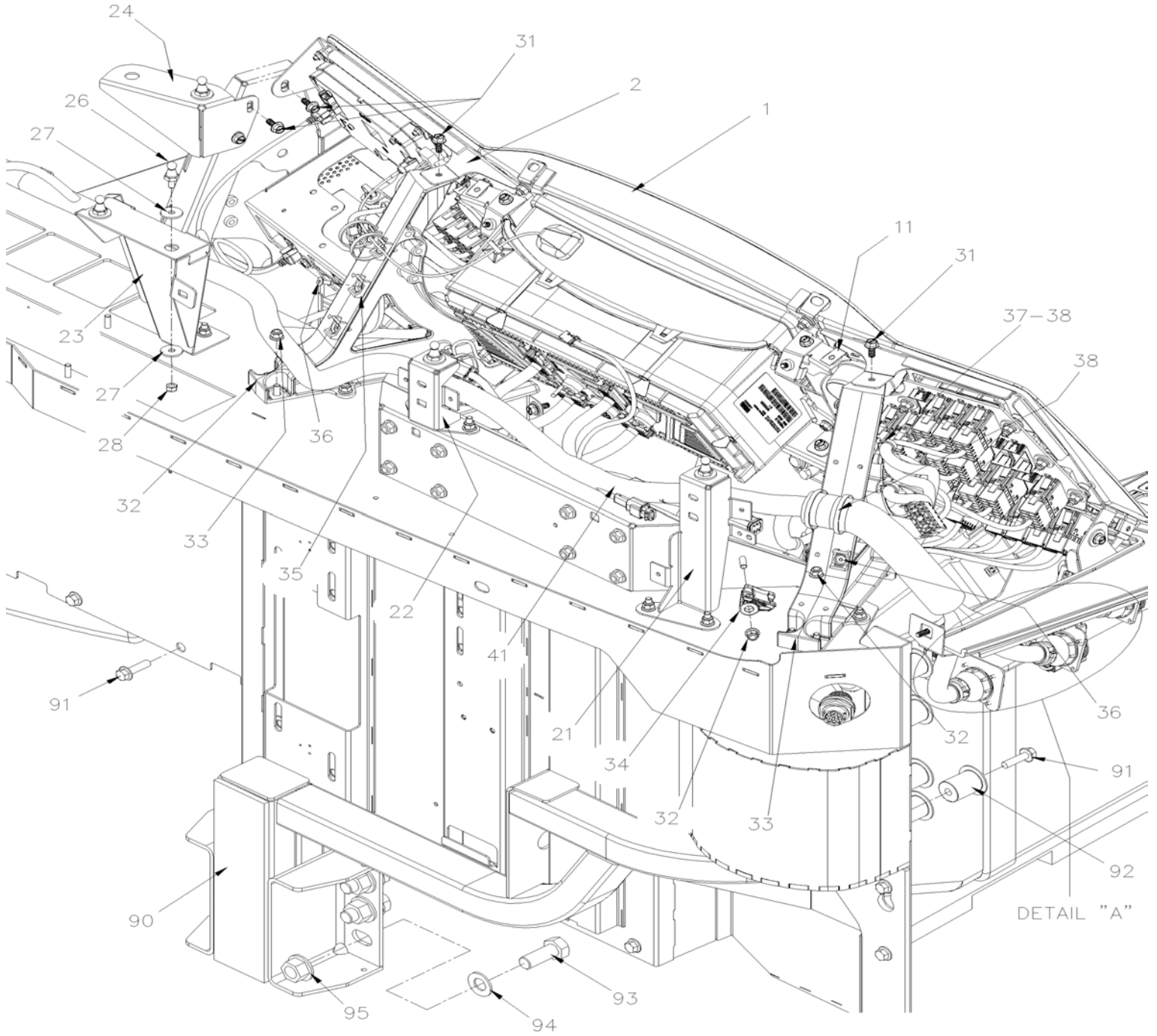
Date:07/2024

PAGE:VIP-1806-01

CENTRAL DASHBOARD PANEL



| | | |
|-------------------------|--------------|------------------|
| From P-1348 | Date:07/2024 | PAGE:VIP-1806-01 |
| CENTRAL DASHBOARD PANEL | | |

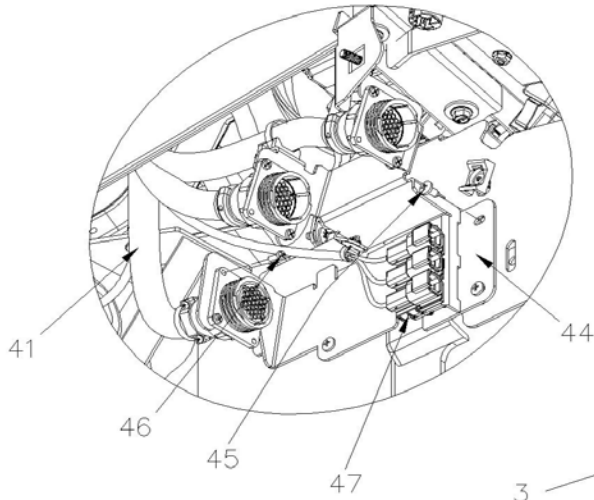
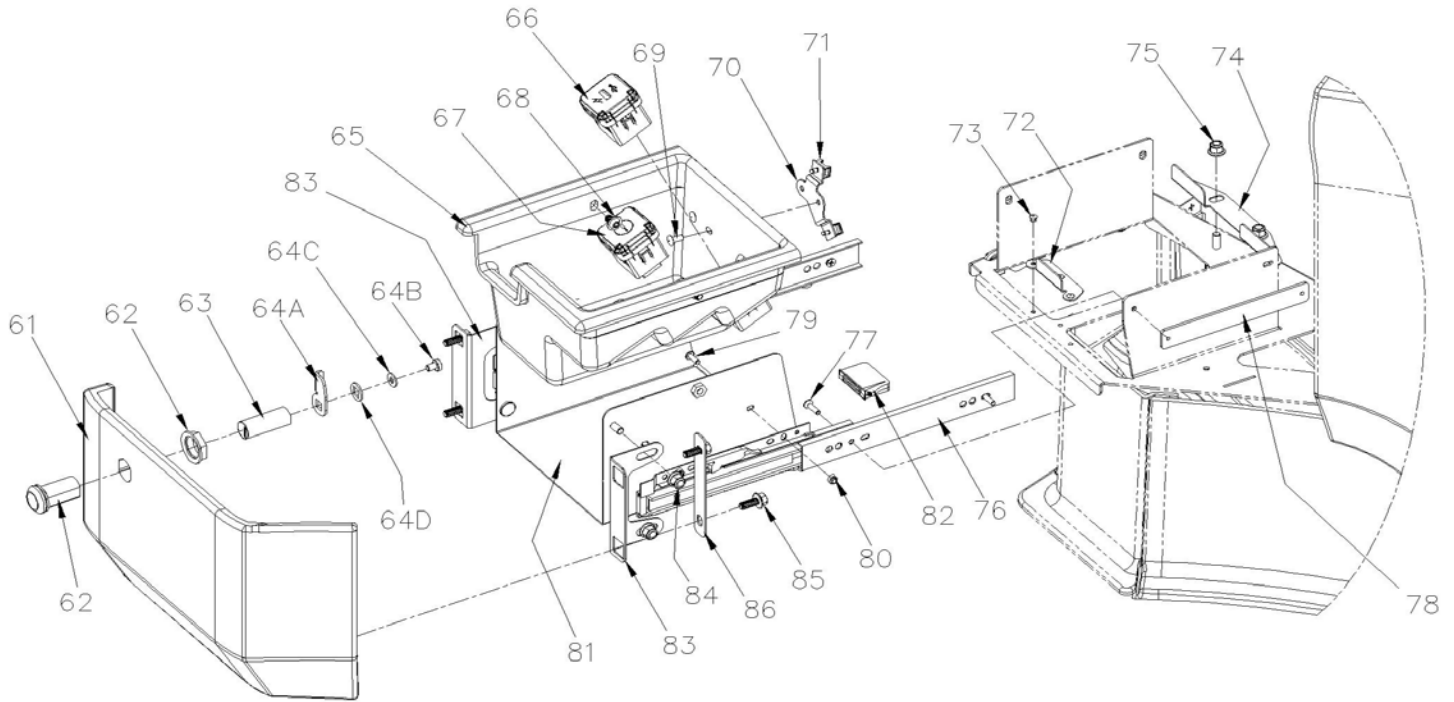


From P-1348

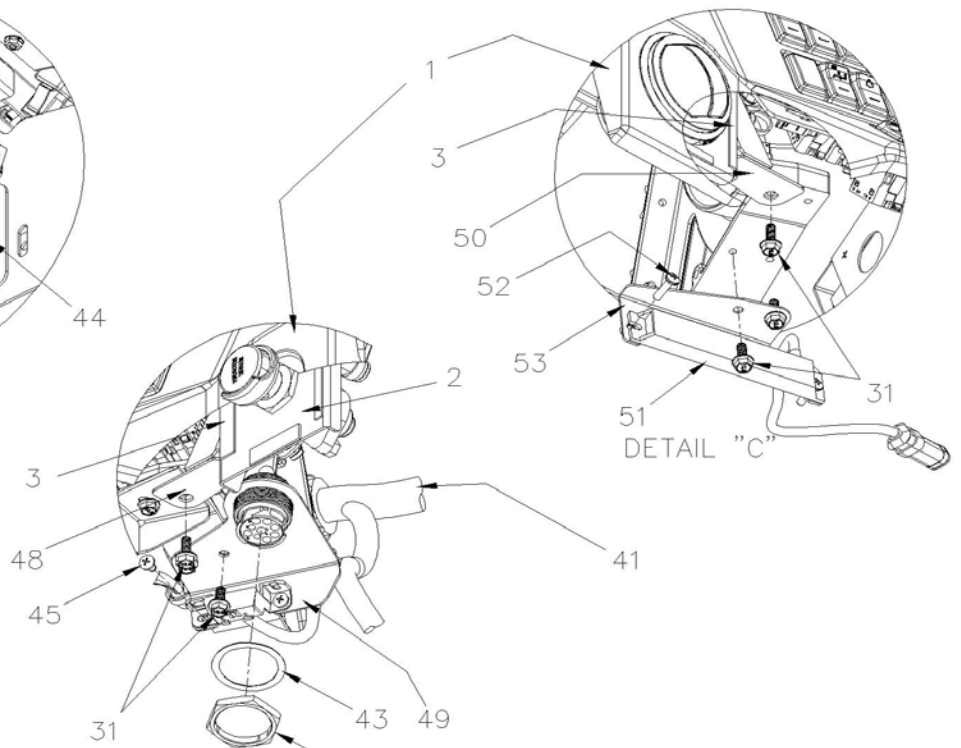
Date:07/2024

PAGE:VIP-1806-01

CENTRAL DASHBOARD PANEL



DETAIL "A"

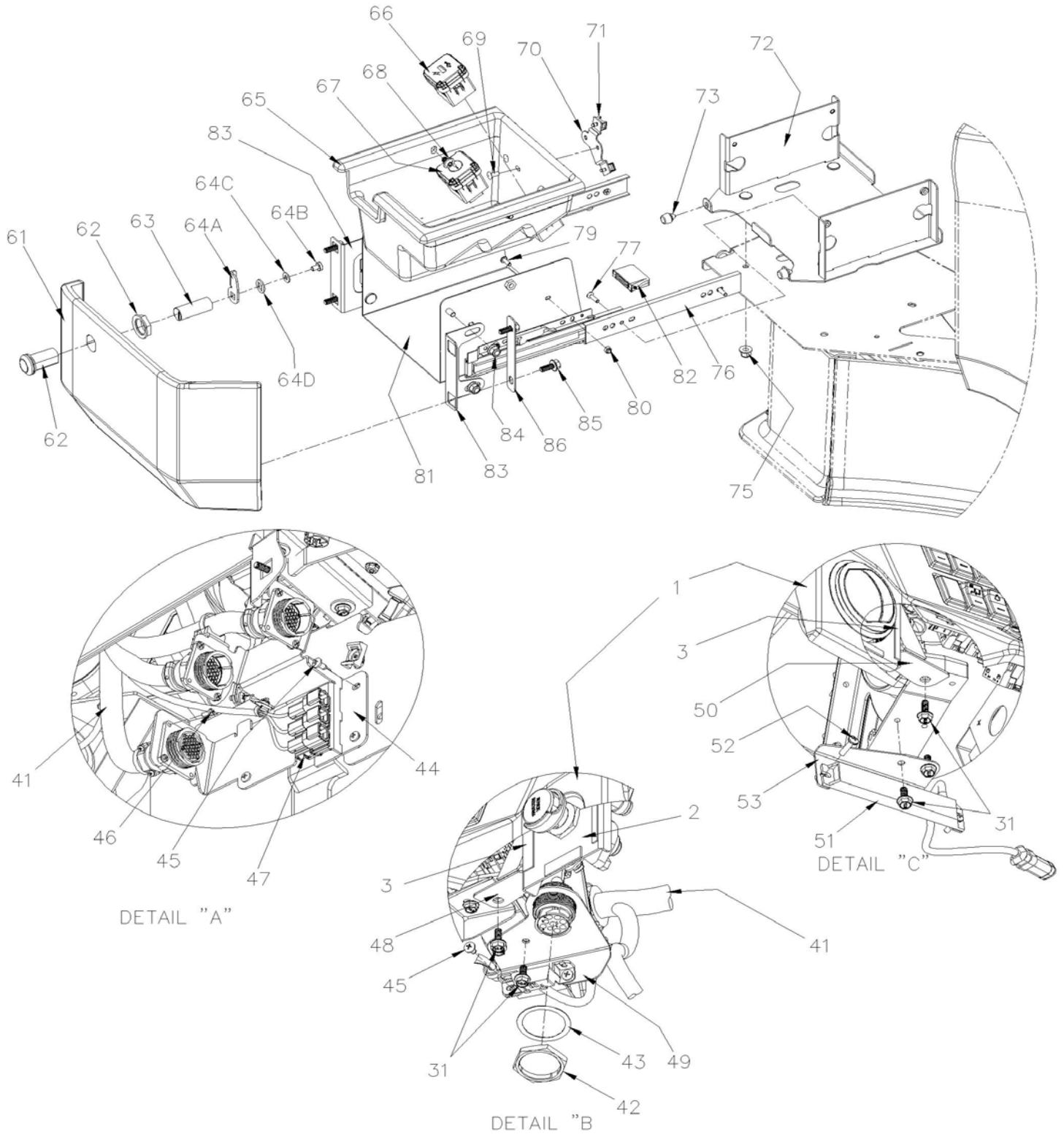


DETAIL "B"

DETAIL "C"

| | | |
|-------------------------|--------------|------------------|
| From P-1348 | Date:07/2024 | PAGE:VIP-1806-01 |
| CENTRAL DASHBOARD PANEL | | |

FROM R-1608



| | | | |
|--------------------------------|--|--------------|------------------|
| From P-1348 | | Date:07/2024 | PAGE:VIP-1806-01 |
| CENTRAL DASHBOARD PANEL | | | |

| Item# | Part | Description | QTY | Notes |
|-------|--------------------|---|-----|-------|
| 1 | 392896 | FASCIA, DASHBOARD W/INFOTAINMENT ASSY | 1 | A |
| 1 | 392895 | FASCIA, DASHBOARD W/O INFOTAINMENT ASSY | 1 | B |
| 2 | 392899 | SUPPORT, DASHBOARD | 1 | |
| 3 | 685393 | TAPE AD2 VHB N/A BK 0.063 X 1/2" X36YD | AR | |
| 5 | 390459 | CAP, CENTRAL CONSOLE | 1 | |
| 6 | 22358135 | . PLATE, MOUNTING | 4 | |
| 7 | 22659911 | . HOUSING, COUPLING | 5 | |
| 8 | 5002131 | . SCREW TP RND PH ST2.9x13SS | 20 | |
| 9 | 392941 | . PLATE, MOUNTING | 1 | |
| 10 | 5002129 | SCREW CAP BUTF HEXS M6-1.0x25 N050 | 7 | |
| 11 | 5001965 | NUT SPR U M6-1.0 0.6-4.0 N500 | 5 | |
| 12 | 390469 | PANEL BOTTOM, CENTRAL CONSOLE | 1 | |
| NS | 22358135 | . PLATE, MOUNTING | 1 | |
| NS | 22659911 | . HOUSING, COUPLING | 1 | |
| NS | 5002131 | . SCREW TP RND PH ST2.9x13SS | 4 | |
| 13 | 392767 | STOPPER, DRAWER LATCH | 1 | |
| 14 | 500638 | SCREW TP PAN PH #8x1/2 Z050 | 2 | |
| 15 | 390470 | PANEL ACCESS, CENTRAL CONSOLE W/O HUD | 1 | |
| 15 | 392916 | PANEL ACCESS, CENTRAL CONSOLE W/HUD | 1 | |
| 16 | VIP-0675-21 | SYSTEM CAMERA & HUD - "PREVOST DRIVER ASSIT" | | |
| 17A | 330238 | TELLTALE ASSY / RED | 1 | |
| 17B | 392953 | RING, RED PILOT LAMP | 1 | |
| 17C | 406818 | BRACKET, MOUNTING | 1 | |
| 17D | 500371 | SCREW MA FL PH M4-0.7x8 N500 | 1 | |
| 17E | 5001670 | SCREW CAP HEXS M4-0.7x8 G8.8 Z050 | 2 | |
| 17F | 502690 | WASHER FL 4.3x9.0x0.8 Z050 | 2 | |
| 18 | 392748 | CLIP, FASTENING | 2 | |
| 19 | 5002027 | SCREW CAP HEXF AD M6-1.0x16 G10.9 N500 | 4 | |
| 20 | 5002130 | SCREW CAP BUTF HEXS M6-1.0x10 N050 | 2 | |
| 21 | 370249 | SUPPORT WINDSHIELD VENTILATION DUCT | 1 | |
| 22 | 370254 | SUPPORT WINDSHIELD VENTILATION DUCT | 1 | |
| 23 | 370251 | SUPPORT WINDSHIELD VENTILATION DUCT | 1 | |
| 24 | 392744 | SUPPORT | 1 | |
| 25 | 5001932 | NUT HEXF NYRT M6-1.0 G8.8 N500 | 6 | |
| 26 | 22374334 | PIN, COUPLING | 4 | |
| 27 | 500142 | WASHER FL 6.6x22.0x2.0 SS | 8 | |
| 28 | 502681 | NUT HEX NYRT M6-1.0 N500 G8 | 4 | |
| 29 | 392935 | PIN, COUPLING | 1 | |
| 30 | 502816 | NUT HEX M5-0.8 N500 | 1 | |
| 31 | 5002027 | SCREW CAP HEXF AD M6-1.0x16 G10.9 N500 | 13 | |
| 32 | 392660 | PILLAR, DASHBOARD | 2 | |
| 33 | 5001932 | NUT HEXF NYRT M6-1.0 G8.8 N500 | 9 | |

| | | | |
|--------------------------------|--|--------------|------------------|
| From P-1348 | | Date:07/2024 | PAGE:VIP-1806-01 |
| CENTRAL DASHBOARD PANEL | | | |

| Item# | Part | Description | QTY | Notes |
|-------|---------|--|-----|-------|
| 34 | 504772 | ATTACHMENT USE WITH CABLE TIE 5/16 BOLT | 1 | |
| 35 | 504013 | TIE MOUNT / 1/4" X 1/4" I.D. | 8 | |
| 36 | 504379 | RIVET POP DOME OE 3/16x1/4 SS | 8 | |
| 37 | 509815 | TIE MOUNT / ATTACHMENT W/TREE MOUNT | AR | |
| 38 | 504637 | CABLE TIE / 3/16" x 13" | AR | |
| 41 | 0600091 | WIRING HARNESS DASHBOARD To R-1785 | 1 | |
| . A | 566040 | . POWER BOX SMALL VEC 15305 To R-1785 | 1 | |
| . B | 563269 | . RELAY 24V S.P.D.T. W/RESISTOR / To R-1785 | 2 | |
| . C | 564399 | . MINI BREAKER / 20 AMPS / SERIES 233 To R-1785 | 4 | |
| . D | 564340 | . MINI BREAKER / 15 AMPS / SERIES 233 To R-1785 | 1 | |
| . E | 564747 | . MINI BREAKER / 10 AMPS / SERIES 223 To R-1785 | 2 | |
| . F | 564746 | . MINI BREAKER / 5 AMPS / SERIES 223 To R-1785 | 3 | |
| 41 | 0600194 | WIRING HARNESS DASHBOARD From R-1786 | 1 | |
| . A | 566040 | . POWER BOX SMALL VEC 15305 From R-1786 | 1 | |
| . B | 563269 | . RELAY 24V S.P.D.T. W/RESISTOR / From R-1786 | 2 | |
| . C | 564399 | . MINI BREAKER / 20 AMPS / SERIES 233 From R-1786 | 4 | |
| . D | 564340 | . MINI BREAKER / 15 AMPS / SERIES 233 From R-1786 | 1 | |
| . E | 564747 | . MINI BREAKER / 10 AMPS / SERIES 223 From R-1786 | 2 | |
| . F | 564746 | . MINI BREAKER / 5 AMPS / SERIES 223 From R-1786 | 3 | |
| 42 | 566004 | . PANEL NUT / HDP20 SERIES / DEUTSCH 2411-002-1805 | 1 | |
| 43 | 566006 | . LOCK WASHER / HDP20 SERIES / DEUTSCH 2414-002-1886 | 1 | |
| 44 | 0610166 | CONNECTOR BRACKET | 1 | |
| 45 | 500209 | SCREW TC BDG PH #10-24x3/8 N500 | 5 | |
| 46 | 500601 | SCREW TC PAN PH #6-32x3/8 N500 | 9 | |
| 47 | 504108 | RIVET POP DOME OE 1/8x1/2 AL | 1 | |
| 48 | 392634 | SUPPORT FIXING LH, DASHBOARD | 1 | |
| 49 | 392638 | SUPPORT, CONNECTOR | 1 | |
| 50 | 392633 | SUPPORT FIXING RH, DASHBOARD | 1 | |
| 51 | 564375 | KEYLESS, LOW FREQUENCY ANTENNA | 1 | |
| 52 | 502746 | SCREW MA PAN PH M5-0.8x20 SS BK | 2 | |
| 53 | 0610422 | SUPPORT, KEYLESS ANTENNA | 1 | |
| 55 | 3211284 | FOOT REST MOLDING | 1 | |
| 56 | 3211341 | BEHIND PEDALS CONSOLE MOLDING | 1 | |
| 57 | 3211535 | PANEL, STAIR LOWER | 1 | |
| 58 | 502664 | SCREW TP PAN PH #8x1 SS EMN | 5 | |
| 59 | 392970 | PIN COUPLING | 1 | |
| | | | | |
| 61 | 392669 | DRAWER FRONT | 1 | |
| 62 | 780745 | CYLINDER LOCK BODY | 1 | |
| 63 | 780691 | CYLINDER LOCK / NS 8888 | 1 | |
| . NS | 780660 | . KEY / NS 8888 | 1 | |
| 63 | 780692 | CYLINDER LOCK / NS 8701 | 1 | |

| | | |
|--------------------------------|--------------|------------------|
| From P-1348 | Date:07/2024 | PAGE:VIP-1806-01 |
| CENTRAL DASHBOARD PANEL | | |

| Item# | Part | Description | QTY | Notes |
|-------|--------|-------------------------|-----|-------|
| . NS | 780661 | . KEY / NS 8701 | 1 | |
| 63 | 780693 | CYLINDER LOCK / NS 8702 | 1 | |
| . NS | 780662 | . KEY / NS 8702 | 1 | |
| 63 | 780694 | CYLINDER LOCK / NS 8703 | 1 | |
| . NS | 780663 | . KEY / NS 8703 | 1 | |
| 63 | 780695 | CYLINDER LOCK / NS 8704 | 1 | |
| . NS | 780664 | . KEY / NS 8704 | 1 | |
| 63 | 780696 | CYLINDER LOCK / NS 8705 | 1 | |
| . NS | 780665 | . KEY / NS 8705 | 1 | |
| 63 | 780697 | CYLINDER LOCK / NS 8707 | 1 | |
| . NS | 780667 | . KEY / NS 8707 | 1 | |
| 63 | 780698 | CYLINDER LOCK / NS 8708 | 1 | |
| . NS | 780668 | . KEY / NS 8708 | 1 | |
| 63 | 780699 | CYLINDER LOCK / NS 8709 | 1 | |
| . NS | 780669 | . KEY / NS 8709 | 1 | |
| 63 | 780700 | CYLINDER LOCK / NS 8710 | 1 | |
| . NS | 780670 | . KEY / NS 8710 | 1 | |
| 63 | 780701 | CYLINDER LOCK / NS 8711 | 1 | |
| . NS | 780671 | . KEY / NS 8711 | 1 | |
| 63 | 780702 | CYLINDER LOCK / NS 8712 | 1 | |
| . NS | 780672 | . KEY / NS 8712 | 1 | |
| 63 | 780703 | CYLINDER LOCK / NS 8713 | 1 | |
| . NS | 780673 | . KEY / NS 8713 | 1 | |
| 63 | 780704 | CYLINDER LOCK / NS 8714 | 1 | |
| . NS | 780674 | . KEY / NS 8714 | 1 | |
| 63 | 780705 | CYLINDER LOCK / NS 8715 | 1 | |
| . NS | 780675 | . KEY / NS 8715 | 1 | |
| 63 | 780706 | CYLINDER LOCK / NS 8716 | 1 | |
| . NS | 780676 | . KEY / NS 8716 | 1 | |
| 63 | 780707 | CYLINDER LOCK / NS 8717 | 1 | |
| . NS | 780677 | . KEY / NS 8717 | 1 | |
| 63 | 780708 | CYLINDER LOCK / NS 8718 | 1 | |
| . NS | 780678 | . KEY / NS 8718 | 1 | |
| 63 | 780709 | CYLINDER LOCK / NS 8719 | 1 | |
| . NS | 780679 | . KEY / NS 8719 | 1 | |
| 63 | 780710 | CYLINDER LOCK / NS 8720 | 1 | |
| . NS | 780680 | . KEY / NS 8720 | 1 | |
| 63 | 780666 | CYLINDER LOCK / NS 8721 | 1 | |
| . NS | 780681 | . KEY / NS 8721 | 1 | |
| 63 | 780726 | CYLINDER LOCK / NS 8722 | 1 | |
| . NS | 780682 | . KEY / NS 8722 | 1 | |
| 63 | 780727 | CYLINDER LOCK / NS 8723 | 1 | |

| | | | |
|--------------------------------|--|--------------|------------------|
| From P-1348 | | Date:07/2024 | PAGE:VIP-1806-01 |
| CENTRAL DASHBOARD PANEL | | | |

| Item# | Part | Description | QTY | Notes |
|-------|----------|---|-----|-------|
| . NS | 780683 | . KEY / NS 8723 | 1 | |
| 63 | 780728 | CYLINDER LOCK / NS 8724 | 1 | |
| . NS | 780684 | . KEY / NS 8724 | 1 | |
| 63 | 780729 | CYLINDER LOCK / NS 8725 | 1 | |
| . NS | 780685 | . KEY / NS 8725 | 1 | |
| 63 | 780730 | CYLINDER LOCK / NS 8726 | 1 | |
| . NS | 780686 | . KEY / NS 8726 | 1 | |
| 63 | 780731 | CYLINDER LOCK / NS 8727 | 1 | |
| . NS | 780687 | . KEY / NS 8727 | 1 | |
| 63 | 780732 | CYLINDER LOCK / NS 8728 | 1 | |
| . NS | 780688 | . KEY / NS 8728 | 1 | |
| 63 | 780733 | CYLINDER LOCK / NS 8729 | 1 | |
| . NS | 780689 | . KEY / NS 8729 | 1 | |
| 63 | 780734 | CYLINDER LOCK / NS 8730 | 1 | |
| . NS | 780690 | . KEY / NS 8730 | 1 | |
| 63 | 780735 | CYLINDER LOCK / NS 8731 | 1 | |
| . NS | 780716 | . KEY / NS 8731 | 1 | |
| 63 | 780736 | CYLINDER LOCK / NS 8732 | 1 | |
| . NS | 780717 | . KEY / NS 8732 | 1 | |
| 63 | 780737 | CYLINDER LOCK / NS 8733 | 1 | |
| . NS | 780718 | . KEY / NS 8733 | 1 | |
| 63 | 780738 | CYLINDER LOCK / NS 8734 | 1 | |
| . NS | 780719 | . KEY / NS 8734 | 1 | |
| 63 | 780739 | CYLINDER LOCK / NS 8735 | 1 | |
| . NS | 780720 | . KEY / NS 8735 | 1 | |
| 63 | 780740 | CYLINDER LOCK / NS 8736 | 1 | |
| . NS | 780721 | . KEY / NS 8736 | 1 | |
| 63 | 780741 | CYLINDER LOCK / NS 8737 | 1 | |
| . NS | 780722 | . KEY / NS 8737 | 1 | |
| 63 | 780742 | CYLINDER LOCK / NS 8738 | 1 | |
| . NS | 780723 | . KEY / NS 8738 | 1 | |
| 63 | 780743 | CYLINDER LOCK / NS 8739 | 1 | |
| . NS | 780724 | . KEY / NS 8739 | 1 | |
| 63 | 780744 | CYLINDER LOCK / NS 8740 | 1 | |
| . NS | 780725 | . KEY / NS 8740 | 1 | |
| 64A | 392766 | LATCH | 1 | |
| 64B | 5001377 | SCREW MA PAN PH M5-0.8x8 SS | 1 | |
| 64C | 500964 | WASHER FL .203x.500x.047 Z050 | 1 | |
| 64D | 288806 | SPACER / 8MM SQ X 17MM O.D X 16GA | 1 | |
| 65 | 392906 | DRAWER, INNER SKIN WITH INFOTAINMENT | 1 | A |
| 65 | 392905 | DRAWER, INNER SKIN WITHOUT INFOTAINMENT | 1 | B |
| 66 | 22805420 | JACK USB AUX | 1 | |

| | | | |
|--------------------------------|--|--------------|------------------|
| From P-1348 | | Date:07/2024 | PAGE:VIP-1806-01 |
| CENTRAL DASHBOARD PANEL | | | |

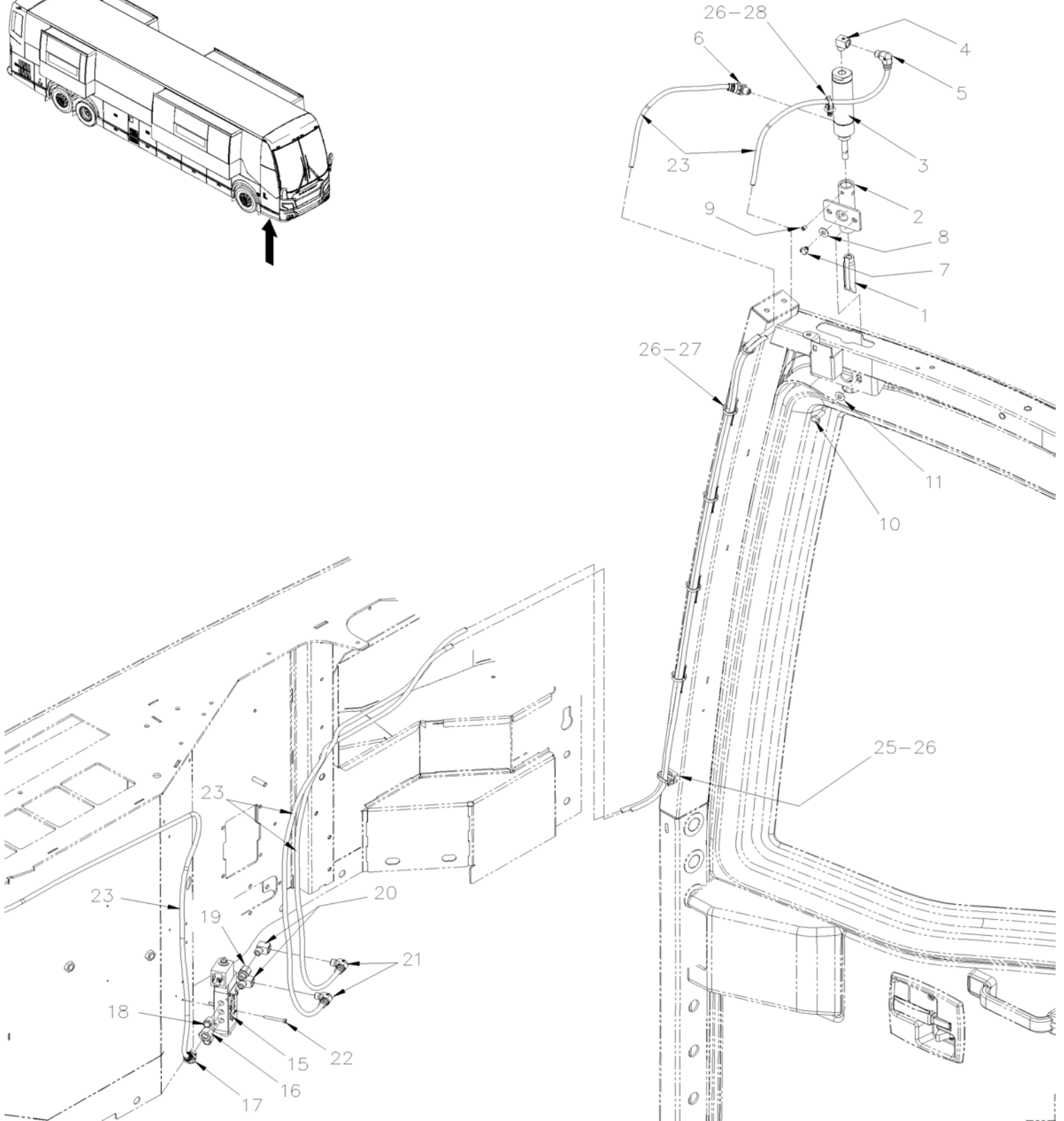
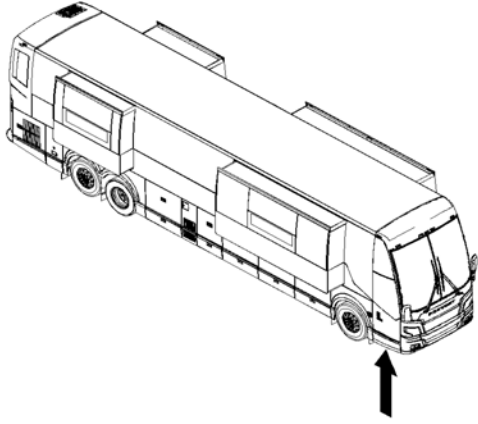
| Item# | Part | Description | QTY | Notes |
|-------|----------|---|-----|-------|
| 67 | 22529879 | AUDIO JACK 3.5 MM | 1 | |
| 68 | 5002130 | SCREW CAP BUTF HEXS M6-1.0x10 N050 | 2 | |
| 69 | 504582 | RIVET POP DOME OE 3/16x1/4 SS BK | 2 | |
| 70 | 392804 | SUPPORT, HARNESS | 1 | |
| 71 | 504810 | TIE MOUNT / #8 | 2 | |
| 71 | 504104 | RIVET POP DOME OE 1/8x1/8 SS | 2 | A |
| 72 | 392773 | STOPPER, DRAWER To R-1607 | 1 | |
| 72 | 392963 | SUPPORT,DRAWER From R-1608 | 1 | |
| 73 | 504104 | RIVET POP DOME OE 1/8x1/8 SS To R-1607 | 2 | |
| 73 | 506499 | BUMPER PLUG / .500ODx.312THx.250HOLEx.093 From R-1608 | 2 | |
| 74 | 392753 | SUPPORT, MAGNETIC LATCH To R-1607 | 1 | |
| 75 | 5001932 | NUT HEXF NYRT M6-1.0 G8.8 N500 To R-1607 | 2 | |
| 75 | 5001932 | NUT HEXF NYRT M6-1.0 G8.8 N500 From R-1608 | 4 | |
| 76 | 504677 | RAIL ASSY 8" / (SET) | 1 | |
| 77 | 5001414 | SCREW MA FL PH M4-0.7x16 BK | 4 | |
| 78 | 392711 | MOUNTING PLATE / DRAWER To R-1607 | 2 | |
| 79 | 500344 | SCREW MA RND PH M4-0.7x12 Z050 | 4 | |
| 80 | 502557 | NUT HEX NYRT M4-0.7 SS | 4 | |
| 81 | 392749 | STRUCTURE, DRAWER | 1 | |
| 82 | 504673 | CATCH MAGNETIC | 3 | |
| 83 | 392752 | BRACKET, MOUNTING | 1 | |
| 84 | 5001932 | NUT HEXF NYRT M6-1.0 G8.8 N500 | 4 | |
| 85 | 5002027 | SCREW CAP HEXF AD M6-1.0x16 G10.9 N500 | 4 | |
| 86 | 392960 | PLATE, MOUNTING | 2 | |
| 90 | 251441 | FRONT STRUCTURAL SHEET To R-1607 | 1 | |
| 90 | 251830 | FRONT STRUCTURAL SHEET From R-1608 | 1 | |
| NS | 353890 | INSULATION KIT | 1 | |
| 91 | 5002109 | SCREW CAP HEXF SERR M8-1.25x30 SS NSS | AR | |
| 92 | 251530 | SLEEVE | 8 | |
| 93 | 5001590 | SCREW CAP HEX M16-2.0x40 G10.9 N500 | 6 | |
| 94 | 5002082 | WASHER BEL SPR 16.3x31.0x2.0 N500 | 6 | |
| 95 | 5001474 | NUT HEXF M16-2.0 DP | 6 | |
| | | | | |
| | | | | |
| | | | | |
| | | | | |
| | | A) WITH INFOTAINMENT | | |
| | | B) WITHOUT INFOTAINMENT | | |

From P-1348

Date:07/2024

PAGE:VIP-1802-50

ENTRANCE DOOR CONTROL



| | | | |
|------------------------------|--|--------------|------------------|
| From P-1348 | | Date:07/2024 | PAGE:VIP-1802-50 |
| ENTRANCE DOOR CONTROL | | | |

| Item# | Part | Description | QTY | Notes |
|-------|---------|--|-----|-------|
| 1 | 2810339 | BOLT LOCK, DOOR | 1 | |
| NS | 685371 | GREASE / GREY BLACK MOBIL XHP 222 SPECIAL 400 g | AR | |
| 2 | 2810340 | MOUNTING PLATE ASSY | 1 | |
| 3 | 640030 | CYLINDER 1 1/16 X 1 | 1 | |
| 4 | 501331 | STREET ELBOW 90° / PIPE FITTING / 1/8NPT-Mx1/8NPT-F BR | 1 | |
| 5 | 641369 | MALE ELBOW 90° NON-SWIVEL / PUSH-IN FITTING / #4x1/8NPT-M BR | 1 | |
| 6 | 641365 | MALE ELBOW 45° NON-SWIVEL / PUSH-IN FITTING / #4x1/8NPT-M BR | 1 | |
| NS | 680098 | THREAD SEALANT LOCTITE #567 / WHITE / 250ml | AR | |
| 7 | 5002143 | SCREW CAP HEX M6-1.0x6 G8.8 Z050 | 1 | |
| NS | 680038 | THREAD LOCKER LOCTITE #243 / BLUE / 50ml | AR | |
| 8 | 5001608 | WASHER BEL SPR 6.2x15.0x0.7 G500 | 1 | |
| 9 | 502634 | SCREW SET HEXS CUP M6-1.0x6 | 1 | |
| 10 | 502622 | SCREW CAP HEX M6-1.0x20 SS BK | 2 | |
| 11 | 5001608 | WASHER BEL SPR 6.2x15.0x0.7 G500 | 2 | |
| | | | | |
| 15 | 642023 | VALVE, 5 WAYS, 2 POSITIONS 24V / MODEL V19 | 1 | |
| NS | 641385 | CONNECTOR / SOCKET HOUSING ASSY 3C / PNEUMAC 54934-01 | 1 | |
| 16 | 140485 | RESTRICTION W/0.80" HOLE / W/FLANGE | 1 | |
| 17 | 641365 | MALE ELBOW 45° NON-SWIVEL / PUSH-IN FITTING / #4x1/8NPT-M BR | 1 | |
| 18 | 641943 | SILENCER / MUFFLER / 1/8NPT-M | 2 | |
| 19 | 501307 | ADAPTER / PIPE FITTING / 1/8NPT-Fx1/8NPT-M BR | 1 | |
| 20 | 501331 | STREET ELBOW 90° / PIPE FITTING / 1/8NPT-Mx1/8NPT-F BR | 2 | |
| 21 | 641369 | MALE ELBOW 90° NON-SWIVEL / PUSH-IN FITTING / #4x1/8NPT-M BR | 2 | |
| NS | 680098 | THREAD SEALANT LOCTITE #567 / WHITE / 250ml | AR | |
| 22 | 5001085 | SCREW TP PAN PH #6x1 1/4 Z050 | 3 | |
| 23 | 503402 | TUBE, NYLON 1/4 O.D. / BLACK S.L. | AR | |
| | | | | |
| 25 | 504013 | TIE MOUNT / 1/4" X 1/4" I.D. | 1 | |
| 25 | 504379 | RIVET POP DOME OE 3/16x1/4 SS | 1 | |
| 26 | 504637 | CABLE TIE / 3/16" x 13" | AR | |
| 27 | 504262 | BUNDLING TAPE CLIP WITH FIR TREE | 5 | |
| 28 | 509815 | TIE MOUNT / ATTACHMENT W/TREE MOUNT | 1 | |

| | | | |
|------------------------------|--|--------------|------------------|
| From K-0295 | | Date:07/2024 | PAGE:VIP-1806-15 |
| L.H. CONSOLE - V.I.P. | | | |

| Item# | Part | Description | QTY | Notes |
|-------|---------|---|-----|-------|
| 1 | 391990 | CONSOLE / W/ASHTRAY & LIGHTER / BLACK | 1 | |
| 1 | 392375 | CONSOLE / W/ASHTRAY & LIGHTER / MID CHARCOALD | 1 | |
| 1 | 392412 | CONSOLE / W/ASHTRAY & LIGHTER FIRE SUPPRESSOR / BLACK | 1 | |
| 1 | 392410 | CONSOLE / W/ASHTRAY & LIGHTER FIRE SUPPRESSOR / MID CHARCOALD | 1 | |
| 1 | 392076 | CONSOLE / W/OUT TIMER & W/OUT ASHTRAY / BLACK | 1 | |
| 1 | 392374 | CONSOLE / W/OUT TIMER & W/OUT ASHTRAY / MID CHARCOALD | 1 | |
| 2 | 391993 | STRUCTURE ASSY | 1 | |
| 3 | 5001405 | NUT SPR U M4-0.7 0.8-4.0x9.5 | 10 | |
| 4 | 5001414 | SCREW MA FL PH M4-0.7x16 BK | 10 | |
| 4 | 5001413 | SCREW MA FL PH M4-0.7x20 Z050 | AR | |
| 4 | 5001711 | SCREW MA FL PH M4-0.7x20 SS | AR | |
| 4 | 5001220 | SCREW MA FL PH M4-0.7x25 ZP | AR | |
| 4 | 5001712 | SCREW MA FL PH M4-0.7x30 SS | AR | |
| 5 | 500345 | WASHER FN CKF .187x.500x.090 BR BK | AR | |
| 5 | 500463 | WASHER FN CKF .187x.500x.090 BR Z050 | AR | |
| 6 | 506493 | TAPE DUAL LOCK 1/2" x 150' / BLACK SJ3541 | AR | |
| 7 | 504674 | BUMPER RUBBER / 1/4X13/32X13/32X1/8 | 2 | |
| 9 | 391939 | COVER ASSY / BLACK | 1 | |
| 9 | 392357 | COVER ASSY W/HINGE / MID CHARCOALD | 1 | |
| 10 | 392525 | HINGE | 1 | |
| 11 | 504672 | LATCH ASSY W/2 KEYS | 1 | |
| . NS | 810084 | . KEY / (CH751) | 1 | |
| NS | 810084 | . KEY / (CH751) | 1 | |
| 12 | 504676 | STRAP RETAINER | 1 | |
| 14 | 391991 | PANEL / W/AUTOMATIC TRANSMISSION | 1 | |
| 15 | 642169 | VALVE, CONTROL VALVE PP-1 / 60PSI | 1 | |
| . NS | 641154 | . REPAIR KIT / PP-1 & RD-3 | 1 | |
| . NS | 641149 | . BUTTON, PARKING BRAKE DIAMOND YELLOW / 1" | 1 | |
| 16 | 641149 | . BUTTON, PARKING BRAKE DIAMOND YELLOW / 1" | 1 | |
| 20 | 640136 | VALVE, CONTROL TW-1 | 1 | |
| . NS | 641156 | . REPAIR KIT / TW-1 | 1 | |
| 21 | 500572 | SCREW MA TR PH #10-24x1/2 SS BK | 2 | |
| 22 | 391992 | DECAL "TAG" | 1 | |
| 23 | 562518 | PRESSURE SWITCH N.O. 4PSI / 1/8NPT W/2 SCREWS / TAG | 1 | |
| NS | 064657 | CABLE ASSY / W/"LEVEL LOW" | 1 | |
| 24 | 391994 | DECAL "LEVEL LOW" | 1 | |
| 29 | 641242 | MALE CONNECTOR / PUSH-IN FITTING / #4x1/8NPT-M BR | 1 | |
| 30 | 501331 | STREET ELBOW 90° / PIPE FITTING / 1/8NPT-Mx1/8NPT-F BR | 3 | |
| 31 | 641369 | MALE ELBOW 90° NON-SWIVEL / PUSH-IN FITTING / #4x1/8NPT-M BR | 3 | |
| 35 | 641349 | MALE CONNECTOR / PUSH-IN FITTING / #6x1/8NPT-M BR | 1 | |
| 36 | 501800 | PLUG HEXS / PIPE FITTING / 1/4NPT-M STL | 1 | |
| 37 | 641371 | MALE ELBOW 90° NON-SWIVEL / PUSH-IN FITTING / #4x1/4NPT-M BR | 1 | |

| | | |
|------------------------------|--------------|------------------|
| From K-0295 | Date:07/2024 | PAGE:VIP-1806-15 |
| L.H. CONSOLE - V.I.P. | | |

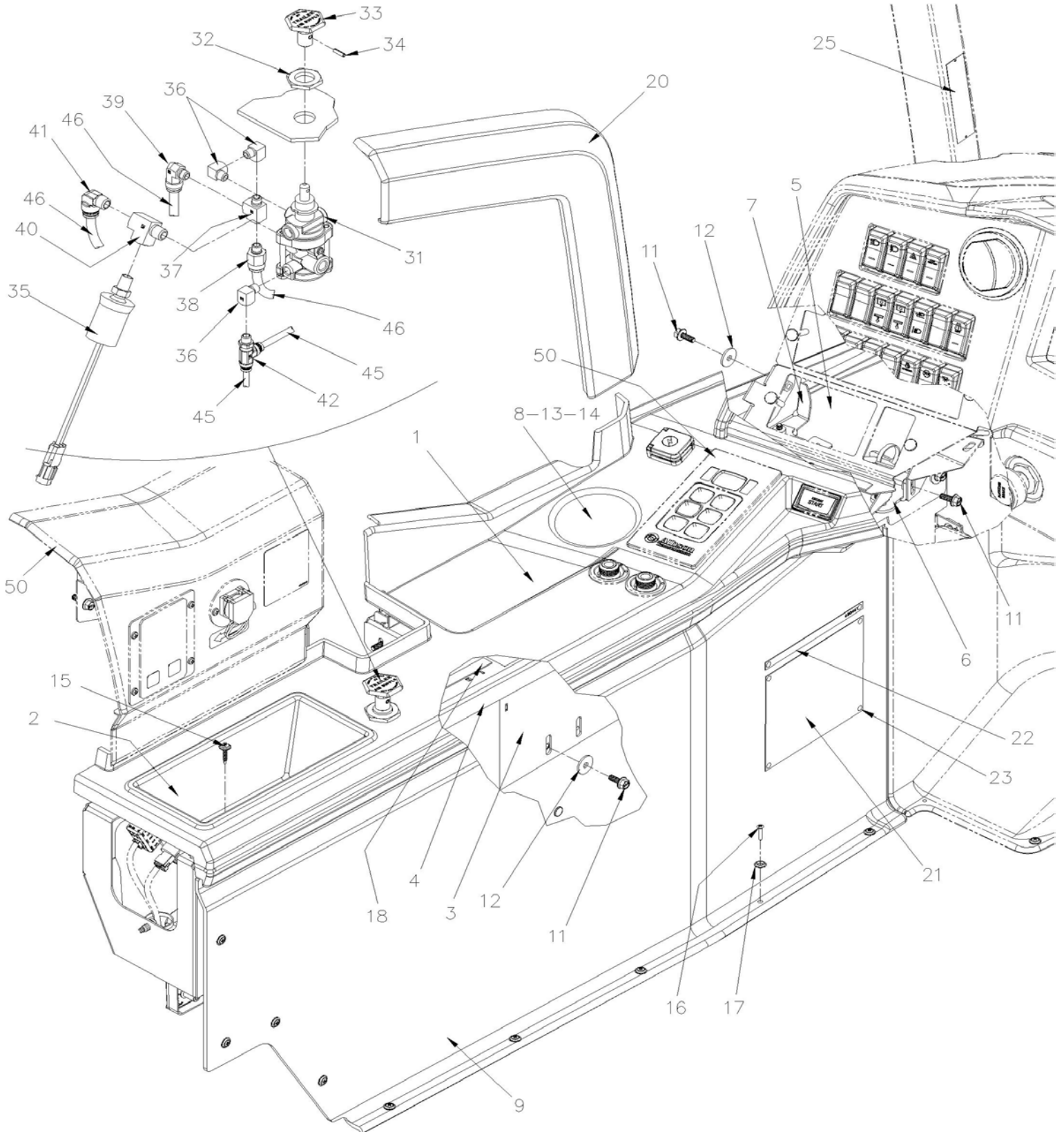
| Item# | Part | Description | QTY | Notes |
|-------|--------------------|--|-----|-------|
| 38 | 641372 | MALE ELBOW 90° NON-SWIVEL / PUSH-IN FITTING / #6x1/4NPT-M BR | 1 | |
| 39 | 641002 | MALE RUN TEE / NTA FITTING / #4x#4x1/8NPT-M BR | 1 | |
| 40 | 391727 | PROTECTOR BOX ASSY / OVER PARKING BRAKE VALVE | 1 | |
| 40 | 391725 | . BOX | 1 | |
| 41 | 391726 | . COVER / CLEAR PLASTIC | 1 | |
| 42 | 505221 | . SPRING, PIN 1/8 X 3/8 | 1 | |
| 43 | 506035 | . TAPE RUB ADH1 NEO 1/2" x 1" x 15' / BLACK 1220X | 1 | |
| 44 | 641922 | UNION TEE / PUSH-IN FITTING / #6x#6x#6 BR | 1 | |
| 51 | VIP-0645-05 | SWITCHES L.H. CONSOLE - V.I.P. | | |
| 52 | VIP-1202-00 | TUBES PLASTIC / AIR D.O.T. | | |
| 55 | Call order desk | PLATE / V.I.N. | 1 | P |
| 70 | 641935 | BUTTON RED / FOR TRAILER VALVE PP-7 | 1 | |
| 71 | 641397 | TRAILER SUPPLY VALVE PP-7 | 1 | |
| NS | 452043 | PRESSURE SWITCH N.O. 60-35 20SP001AA060E035E | 1 | |
| 73 | 640297 | NUT | 1 | |
| 74 | 640286 | PIN ROLLER | 1 | |
| NS | Call order desk | PLATE / V.I.N. | 1 | P |
| 90 | Call order desk | PLATE / V.I.N. | 1 | P |
| | | | | |
| | | | | |
| | | P) CALL ORDER DESK FOR SPECIFIC APPLICATION (V.I.N.) | | |

From P-1348

Date:07/2024

PAGE:VIP-1806-16

L.H. CONSOLE - V.I.P.



| | | | |
|------------------------------|--|--------------|------------------|
| From P-1348 | | Date:07/2024 | PAGE:VIP-1806-16 |
| L.H. CONSOLE - V.I.P. | | | |

| Item# | Part | Description | QTY | Notes |
|-------|---------|--|-----|-------|
| 1 | 392887 | LEFT CONSOLE VIP W / TRAILER HITCH | 1 | |
| 1 | 392888 | LEFT CONSOLE VIP W/O / TRAILER HITCH | 1 | |
| 2 | 392817 | LEFT STORAGE CONSOLE | 1 | |
| 3 | 380223 | STRUCTURE,FRONT JUNCTION BOX | 1 | |
| 4 | 392776 | BRACKET, LEFT CONSOLE | 1 | |
| 5 | 392777 | BRACKET, LEFT CONSOLE | 1 | |
| 6 | 380026 | SUPPORT, CONSOLE FRONT JUNCTION BOX | 1 | |
| 7 | 380435 | SUPPORT, CONSOLE FRONT JUNCTION BOX | 1 | |
| 8 | 392945 | BRACKET, CUP HOLDER | 1 | |
| 9 | 3211287 | LEFT HANDSIDE PANEL, CONSOLE | 1 | |
| | | | | |
| 11 | 5002027 | SCREW CAP HEXF AD M6-1.0x16 G10.9 N500 | 17 | |
| 12 | 500142 | WASHER FL 6.6x22.0x2.0 SS | 17 | |
| 13 | 5001743 | SCREW CAP HEX M6-1.0x12 G8.8 N500 | 2 | |
| 14 | 5001833 | WASHER BEL SPR 6.1x18x1.27 SS | 2 | |
| 15 | 5002083 | SCREW DR SEMS FN OV PH #8X1 N050 | 2 | |
| 16 | 5002083 | SCREW DR SEMS FN OV PH #8X1 N050 | 4 | |
| 17 | 5002071 | NUT SPR U #8 .110-.187 BK | 4 | |
| 18 | 685393 | TAPE AD2 VHB N/A BK 0.063 X 1/2" X36YD | AR | |
| 19 | 502664 | SCREW TP PAN PH #8x1 SS EMN | 5 | |
| | | | | |
| 20 | 3211399 | DRIVER WINDOW COVER | 1 | |
| 20 | 505537 | TAPE DUAL LOCK 2" X 50 YARD / BLACK SJ3551 | AR | |
| | | | | |
| 21 | 406838 | PLATE / V.I.N. | 1 | |
| 21 | 408340 | PLATE / V.I.N. | 1 | |
| 22 | 400457 | CONFORMITY PLATE ICES-2 | 1 | |
| 23 | 504107 | RIVET POP DOME OE 1/8x5/16 AL | 6 | |
| | | | | |
| 25 | 400640 | PLATE / V.I.N. | 1 | |
| 25 | 506790 | TAPE RUB ADH2 CC POL 1/16" x 1/2" x 200' / BLACK I1C-N-A | AR | |
| | | | | |
| 31 | 641397 | TRAILER SUPPLY VALVE PP-7 | 1 | |
| 32 | 640297 | NUT | 1 | |
| 33 | 641935 | BUTTON RED / FOR TRAILER VALVE PP-7 | 1 | |
| 34 | 640286 | PIN ROLLER | 1 | |
| 35 | 452043 | PRESSURE SWITCH N.O. 60-35 20SP001AA060E035E | 1 | |
| 36 | 501331 | STREET ELBOW 90° / PIPE FITTING / 1/8NPT-Mx1/8NPT-F BR | 3 | |
| 37 | 501653 | MALE RUN TEE / PIPE FITTING / 1/8NPT-Mx1/8NPT-Fx1/8NPT-F BR | 1 | |
| 38 | 641349 | MALE CONNECTOR / PUSH-IN FITTING / #6x1/8NPT-M BR | 1 | |
| 39 | 641370 | MALE ELBOW 90° NON-SWIVEL / PUSH-IN FITTING / #6x1/8NPT-M BR | 1 | |
| 40 | 501338 | MALE RUN TEE / PIPE FITTING / 1/4NPT-Mx1/4NPT-Fx1/4NPT-F BR | 1 | |

| | | |
|-------------|--------------|------------------|
| From P-1348 | Date:07/2024 | PAGE:VIP-1806-16 |
|-------------|--------------|------------------|

L.H. CONSOLE - V.I.P.

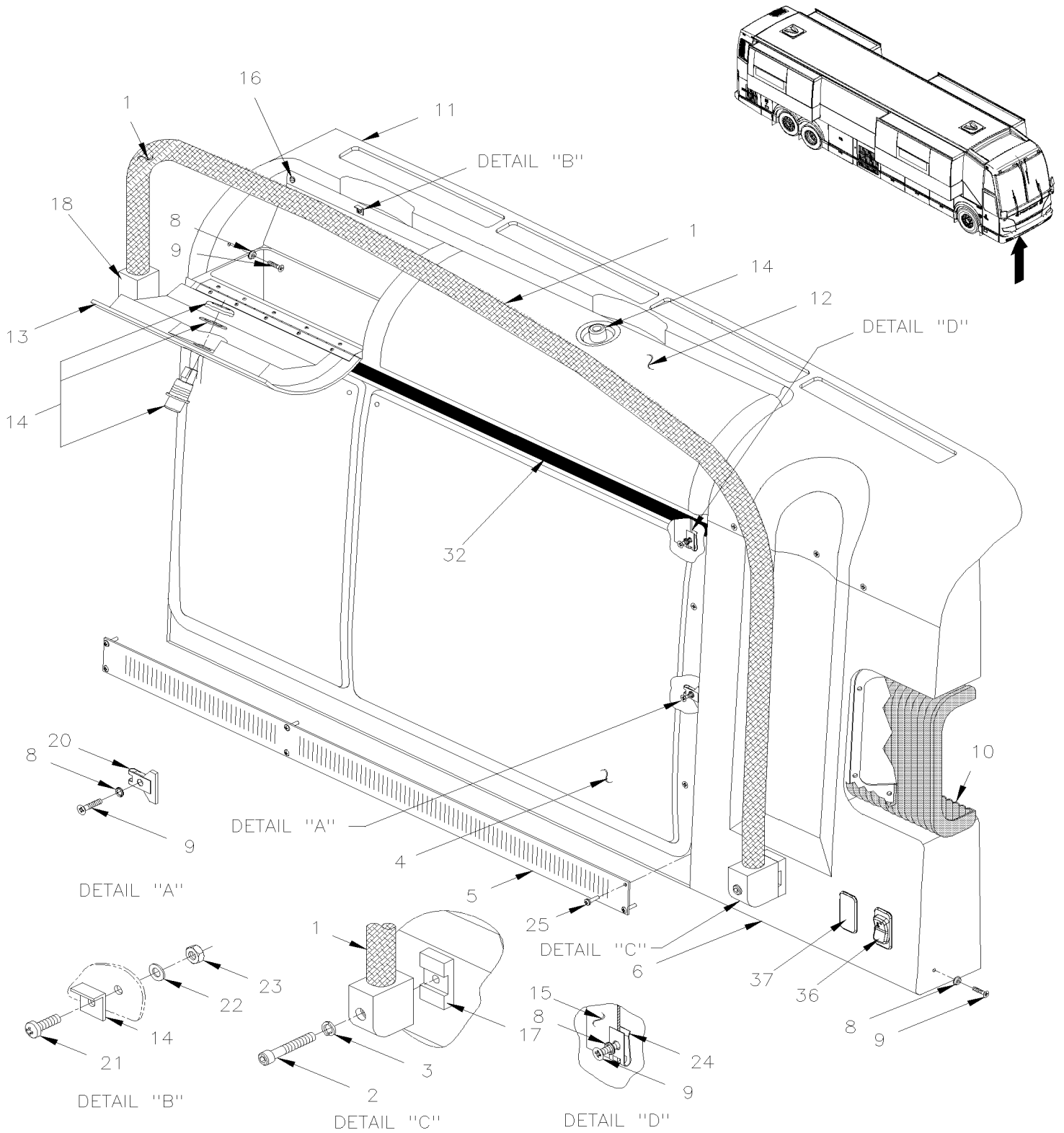
| Item# | Part | Description | QTY | Notes |
|-------|-------------|--|-----|-------|
| 41 | 641372 | MALE ELBOW 90° NON-SWIVEL / PUSH-IN FITTING / #6x1/4NPT-M BR | 1 | |
| 42 | 641909 | MALE RUN TEE SWIVEL / PUSH-IN FITTING / #4x#4x1/8NPT-M BR | 1 | |
| NS | 680098 | THREAD SEALANT LOCTITE #567 / WHITE / 250ml | AR | |
| 45 | 503822 | TUBE, NYLON 1/4 O.D. / BROWN S.L. | 1 | |
| 46 | 503639 | TUBE, NYLON 3/8 O.D. / BROWN S.L. | 1 | |
| 50 | VIP-0645-06 | SWITCHES L.H. CONSOLE - V.I.P. | | |

From K-0295 To P-1347

Date:07/2024

PAGE:VIP-1806-20

DASHBOARD PANEL



| | | | |
|-----------------------|--|--------------|------------------|
| From K-0295 To P-1347 | | Date:07/2024 | PAGE:VIP-1806-20 |
|-----------------------|--|--------------|------------------|

DASHBOARD PANEL

| Item# | Part | Description | QTY | Notes |
|-------|--------------------|--|-----|-------|
| 1 | 392266 | HAND RAIL / BLACK | 1 | D |
| 1 | 3202061 | KIT SERVICE METAL BLACK RAMP DASHBOARD | 1 | |
| 2 | 5001598 | SCREW CAP HEXS M8-1.25x30 SS | 1 | |
| 2 | 5001380 | SCREW CAP HEXS M8-1.25x100 SS | 1 | |
| 3 | 500475 | WASHER LO INT .320x.610x.034 Z050 | 2 | |
| 4 | 392128 | PANEL / SERVICING / BLACK | 1 | |
| 4 | 392351 | PANEL / SERVICING / TAN | 1 | |
| 4 | 060935 | DECAL RIGHT HAND CONSOLE To M-1153 | 1 | |
| 4 | 0610532 | DECAL RIGHT HAND CONSOLE From M-1154 | 1 | |
| 5 | 391959 | GRILLE / LOWER SS / BLACK | 1 | |
| 5 | 392349 | GRILLE / LOWER SS / TAN | 1 | |
| 6 | 392202 | COVER / ENTRANCE DOOR MECHANISM / WITHOUT HANDRAIL / BLACK | 1 | A |
| 6 | 392370 | COVER / ENTRANCE DOOR MECHANISM / WITHOUT HANDRAIL / TAN | 1 | A |
| 6 | 392377 | COVER / ENTRANCE DOOR MECHANISM / WITH HANDRAIL / BLACK | 1 | |
| 6 | 392376 | COVER / ENTRANCE DOOR MECHANISM / WITH HANDRAIL / TAN | 1 | |
| 8 | 500345 | WASHER FN CKF .187x.500x.090 BR BK | AR | |
| 8 | 500463 | WASHER FN CKF .187x.500x.090 BR Z050 | AR | |
| 9 | 5001429 | SCREW MA FL PH M4-0.7x25 BK | AR | |
| 9 | 5001413 | SCREW MA FL PH M4-0.7x20 Z050 | AR | |
| 9 | 5001711 | SCREW MA FL PH M4-0.7x20 SS | AR | |
| 9 | 5001220 | SCREW MA FL PH M4-0.7x25 ZP | AR | |
| 9 | 5001712 | SCREW MA FL PH M4-0.7x30 SS | AR | |
| 10 | VIP-1862-60 | ENTRANCE DOOR FRAME - INSTALLATION | | |
| 11 | 391995 | PANEL R.H. / TOP W/2 BASKETS / BLACK | 1 | |
| 12 | 391954 | COVER R.H. / BLACK | 1 | |
| 13 | 391955 | COVER L.H. / BLACK | 1 | |
| 13 | 504676 | STRAP RETAINER | 1 | |
| 14 | 504672 | LATCH ASSY W/2 KEYS | AR | |
| NS | 810084 | . KEY / (CH751) | 1 | |
| NS | 810084 | . KEY / (CH751) | 2 | |
| 15 | 391996 | STRUCTURE / R.H. | 1 | |
| 15 | 392203 | STRUCTURE / R.H. WITHOUT HANDRAIL | 1 | A |
| 16 | 504674 | BUMPER RUBBER / 1/4X13/32X13/32X1/8 | 4 | |
| 17 | 392489 | RAMP BLOCK SUPPORT WELD TO DASH STRUCTURE | 1 | |
| 18 | 392116 | RAMP SUPPORT WELD TO DASH STRUCTURE | 1 | |
| 20 | 5001406 | NUT SPR U M4-0.7 0.8-4.0x13.5 | 4 | |
| 21 | 5001398 | SCREW MA CHE PH M3-0.5x10 SS | 1 | |
| 22 | | WASHER | 4 | |
| 23 | 5001408 | NUT HEX STO M3-0.5 ZP | 4 | |
| 24 | 5001405 | NUT SPR U M4-0.7 0.8-4.0x9.5 | 14 | |
| 25 | 5001410 | SCREW MA CHE PH M4-0.7x16 SS | 6 | |
| 32 | 392383 | MOULDING DECORATIVE / ALL. BRUSHING | 1 | |

| | | |
|-----------------------|--------------|------------------|
| From K-0295 To P-1347 | Date:07/2024 | PAGE:VIP-1806-20 |
|-----------------------|--------------|------------------|

DASHBOARD PANEL

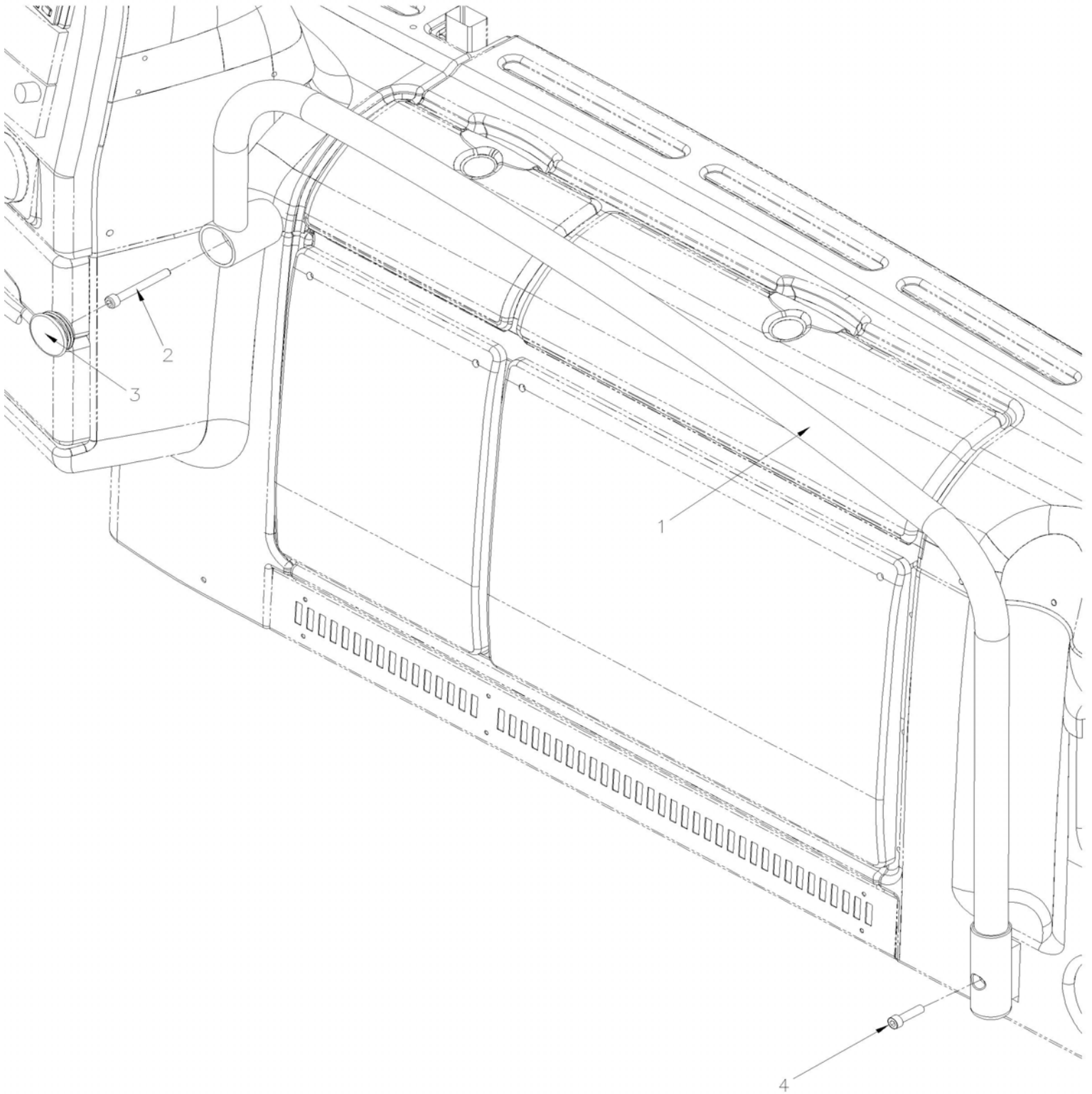
| Item# | Part | Description | QTY | Notes |
|-------|---------|--|-----|-------|
| 36 | 562697 | SWITCH / ON-ON / D.P.D.T. / CH-OVER / W/RED & GREEN LED | 1 | |
| 36 | 562716 | CAP / DRIVER'S LAMP | 1 | |
| NS | 562697 | SWITCH / ON-ON / D.P.D.T. / CH-OVER / W/RED & GREEN LED | 1 | B C |
| NS | 566038 | CAP NGR, LUGGAGES LIGHT | 1 | C |
| NS | 562717 | CAP / INTERIOR LIGHT | 1 | B |
| NS | 562699 | SWITCH / M/ON-OFF-M/ON / D.P.D.T. / W/GREEN LED | 1 | B C |
| NS | 562736 | CAP / LUGGAGE DOOR LOCK | 1 | B C |
| NS | 060931 | WIRING HARNESS DASHBOARD RIGHT MODULE To K-0502 | 1 | B |
| NS | 069791 | WIRING HARNESS DASHBOARD RIGHT MODULE From K-0503 | 1 | B |
| NS | 560931 | DIODE / 3AMPS From K-0503 | 1 | B |
| NS | 563622 | BUTT SPLICE / 22-18 / RED / W/THERMORETRAC / PANDUIT BSH18-Q From K-0503 | 2 | B |
| NS | 562499 | SHRINK TUBING / .250" - .125" / CLEAR / ALPHA FIT 221-1/4 From K-0503 | AR | B |
| NS | 563332 | RELAY 24V S.P.D.T. W/RESISTOR / "VOLVO" (20374662) | 1 | B C |
| NS | 561918 | SHRINK TUBING / .125" - .062" / BLACK / ALPHA FIT-221-1/8-4-B | AR | B C |
| NS | 504637 | CABLE TIE / 3/16" x 13" | AR | B C |
| NS | 069792 | WIRING HARNESS RH CONSOLE SWITCH LUGGAGE. LIGHTS | 1 | C |
| NS | 0610040 | CUST.ADAPT. RH CONS. SW. / D82 ASSY | 1 | C |
| NS | 069794 | DECAL, SPEC. M1 EL BTE JCT.AV. MTH/V5 | 1 | C |
| 37 | 562773 | SWITCH / "DUMMY" / PLUG | 1 | |
| | | | | |
| | | | | |
| | | | | |
| | | A) USE WITHOUT HANDRAIL | | |
| | | B) USE WITH SWITCH FOR DRIVER LIGHT & LUGGAGE LOCK | | |
| | | C) USE WITH SWITCH FOR LUGGAGE LIGHT & LUGGAGE LOCK | | |
| | | D) FOR SOLUTION IN SERVICE, SEE SERVICE KIT 3202061 | | |

From K-0295 To P-1347

Date:07/2024

PAGE:3202061

KIT SERVICE METAL BLACK RAMP DASHBOARD



| | | | |
|-----------------------|--|--------------|--------------|
| From K-0295 To P-1347 | | Date:07/2024 | PAGE:3202061 |
|-----------------------|--|--------------|--------------|

KIT SERVICE METAL BLACK RAMP DASHBOARD

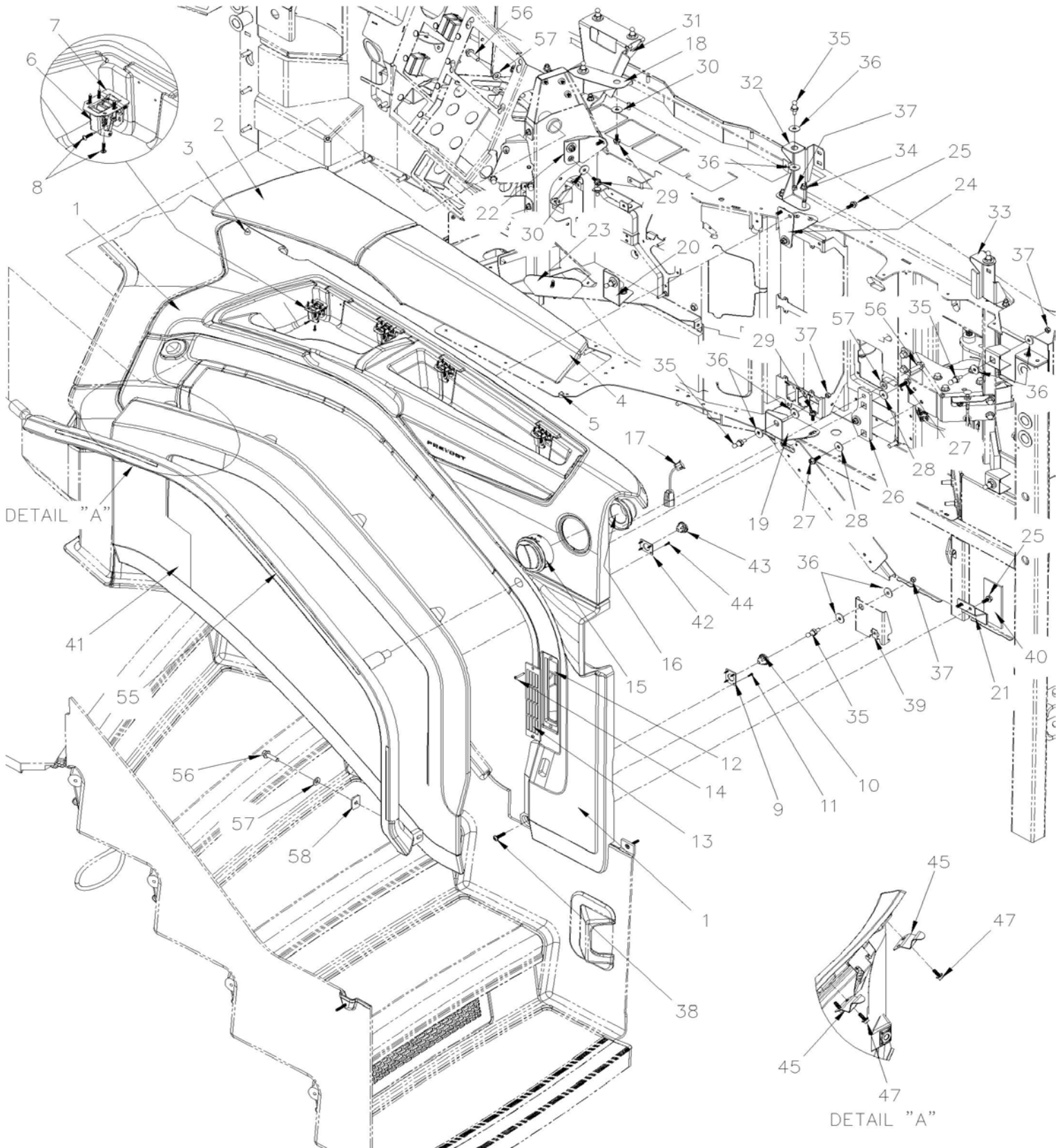
| Item# | Part | Description | QTY | Notes |
|-------|---------|-------------------------------------|-----|-------|
| 1 | 3202048 | METAL HANDRAIL BLACK DASHBOARD | 1 | |
| 2 | 5001604 | SCREW CAP HEXS M8-1.25x70 G8.8 G500 | 1 | |
| 3 | 504513 | PLUG BUTTON / 1.9 X 0.58 POL BK | 1 | |
| 4 | 5001598 | SCREW CAP HEXS M8-1.25x30 SS | 1 | |

From P-1348

Date:07/2024

PAGE:VIP-1806-21

DASHBOARD PANEL



| | | | |
|------------------------|--|--------------|------------------|
| From P-1348 | | Date:07/2024 | PAGE:VIP-1806-21 |
| DASHBOARD PANEL | | | |

| Item# | Part | Description | QTY | Notes |
|-------|----------|--|-----|-------|
| 1 | 390462 | PANEL, RH CONSOLE ASSY | 1 | |
| NS | 392770 | TRIM, RH CONSOLE LOGO PREVOST | 1 | |
| 2 | 390463 | DOOR (SMALL), STORAGE RH CONSOLE | 1 | |
| 3 | 890027 | BUMPER, RUBBER | 1 | |
| 4 | 390464 | DOOR (LARGE), STORAGE RH CONSOLE | 1 | |
| 5 | 890027 | BUMPER, RUBBER | 1 | |
| 6 | 780047 | HINGE | 4 | |
| 7 | 392819 | HINGE STOP | 2 | |
| 8 | 5002131 | SCREW TP RND PH ST2.9x13SS | 32 | |
| 9 | 22358135 | PLATE, MOUNTING | 6 | |
| 10 | 22659911 | HOUSING, COUPLING | 6 | |
| 11 | 5002131 | SCREW TP RND PH ST2.9x13SS | 24 | |
| 12 | 370248 | STAIR AIR NOZZLE | 1 | |
| 13 | 870118 | AIR GRID, STAIR H | 1 | |
| 14 | 5001145 | SCREW TP BDG PH #6x1 BK | 2 | |
| 15 | 950607 | AIR DIFFUSER | 1 | |
| 16 | 950606 | CONNECTOR, AIR DIFFUSER | 1 | |
| 17 | 563863 | SENSOR PHOTODIODE | 1 | |
| 18 | 392744 | SUPPORT | 1 | |
| 19 | 392747 | SUPPORT | 1 | |
| 20 | 392746 | SUPPORT | 1 | |
| 21 | 392740 | SUPPORT | 1 | |
| 21 | 340036 | TAPE DUAL LOCK 1" x 70MM / BLACK SJ3551 | 1 | |
| 22 | 392743 | SUPPORT | 1 | |
| 23 | 392745 | SUPPORT | 1 | |
| 24 | 392795 | SUPPORT | 1 | |
| 25 | 5002027 | SCREW CAP HEXF AD M6-1.0x16 G10.9 N500 | 6 | |
| 26 | 392741 | SUPPORT | 1 | |
| 27 | 5002100 | SCREW CAP HEXF AD M6-1.0x20 G10.9 N500 | 3 | |
| 28 | 500142 | WASHER FL 6.6x22.0x2.0 SS | 3 | |
| 29 | 5002027 | SCREW CAP HEXF AD M6-1.0x16 G10.9 N500 | 7 | |
| 30 | 500142 | WASHER FL 6.6x22.0x2.0 SS | 4 | |
| 31 | 370251 | SUPPORT WINDSHIELD VENTILATION DUCT | 1 | |
| 32 | 370252 | SUPPORT WINDSHIELD VENTILATION DUCT | 1 | |
| 33 | 370253 | SUPPORT WINDSHIELD VENTILATION DUCT | 1 | |
| 34 | 5001932 | NUT HEXF NYRT M6-1.0 G8.8 N500 | 6 | |
| 35 | 22374334 | PIN, COUPLING | 9 | |
| 36 | 500142 | WASHER FL 6.6x22.0x2.0 SS | 18 | |
| 37 | 502681 | NUT HEX NYRT M6-1.0 N500 G8 | 9 | |
| 38 | 5002129 | SCREW CAP BUTF HEXS M6-1.0x25 N050 | 1 | |
| 39 | 5001965 | NUT SPR U M6-1.0 0.6-4.0 N500 | 1 | |
| 40 | 340038 | TAPE DUAL LOCK 2" x 110MM / BLACK SJ3551 | 1 | |

| | | |
|------------------------|--------------|------------------|
| From P-1348 | Date:07/2024 | PAGE:VIP-1806-21 |
| DASHBOARD PANEL | | |

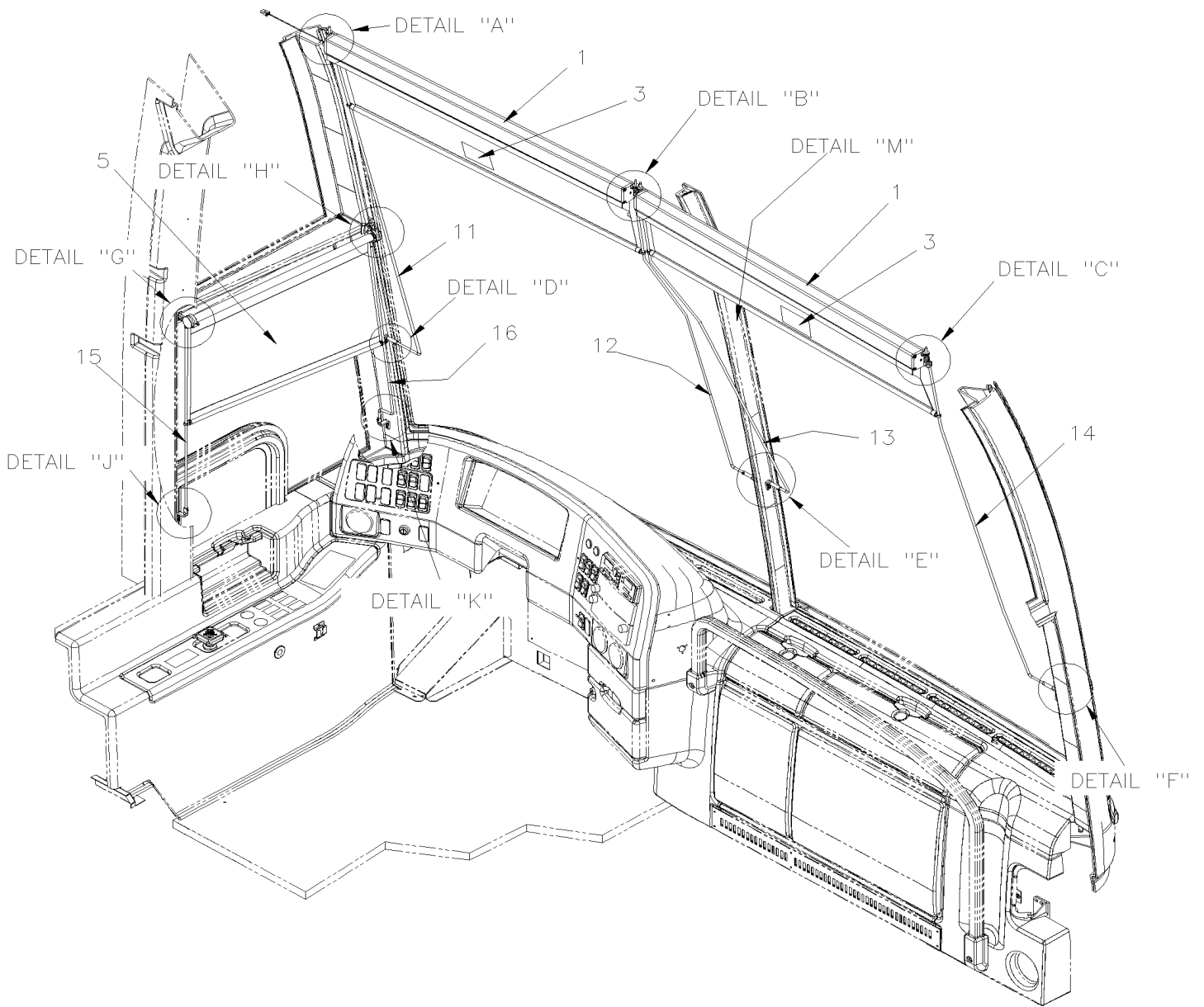
| Item# | Part | Description | QTY | Notes |
|-------|----------|---|-----|-------|
| . NS | 505537 | . TAPE DUAL LOCK 2" X 50 YARD / BLACK SJ3551 | AR | |
| 41 | 390466 | PANEL ACCESS, RH CONSOLE | 1 | |
| 41 | 0610627 | DECAL / ELECTRICAL COMPONENT RH CONSOL | 1 | |
| 42 | 22358135 | . PLATE, MOUNTING | 3 | |
| 43 | 22659911 | . HOUSING, COUPLING | 3 | |
| 44 | 5002131 | . SCREW TP RND PH ST2.9x13SS | 12 | |
| 45 | 392748 | CLIP, FASTENING | 4 | |
| 47 | 5002027 | SCREW CAP HEXF AD M6-1.0x16 G10.9 N500 | 8 | |
| 55 | 392666 | HANDRAIL ENTRY, RH CONSOLE | 1 | |
| 56 | 5001742 | SCREW CAP HEXF M8-1.25x30 G8.8 N500 | 3 | |
| 57 | 5001868 | WASHER BEL SPR 8.4x18x2 SS | 3 | |
| 58 | 392967 | PLATE, BOTTOM FIXING | 1 | |
| NS | 564765 | SWITCH "DRIVER LIGHT" | 1 | A |
| NS | 561173 | SWITCH "LUGGAGE LOCK" | 1 | A |
| NS | 392885 | TRIM, SWITCH | 2 | A |
| NS | 0600125 | CONVERTER LUGGAGE & LIGHT SWITCH EXTENSION | 1 | A |
| NS | 0600124 | CONVERTER LUGGAGE & LIGHT SWITCH EXTENSION 300MM | 1 | A |
| NS | 509815 | TIE MOUNT / ATTACHMENT W/TREE MOUNT | AR | A |
| NS | 504637 | CABLE TIE / 3/16" x 13" | AR | A |
| | | | | |
| | | | | |
| | | | | |
| | | A) USE WITH SWITCH NOT INSTALL ON THE MAIN DASHBOARD SWITCH | | |

From K-0295 To P-1347

Date:07/2024

PAGE:VIP-1816-00

ROLLER BLIND - DRIVER'S & WINDSHIELD

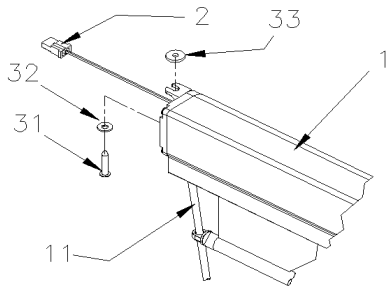


From K-0295 To P-1347

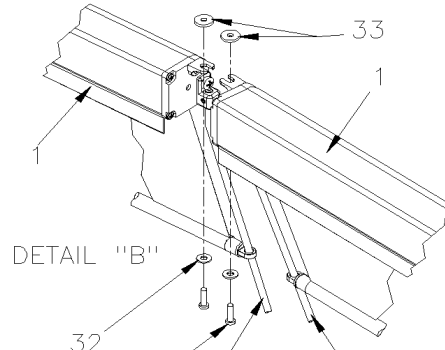
Date:07/2024

PAGE:VIP-1816-00

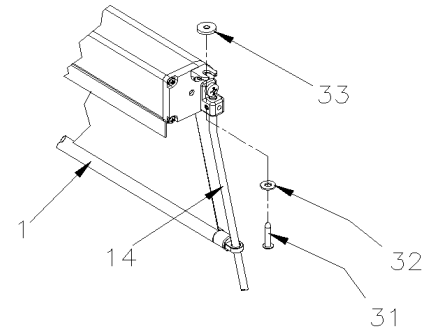
ROLLER BLIND - DRIVER' S & WINDSHIELD



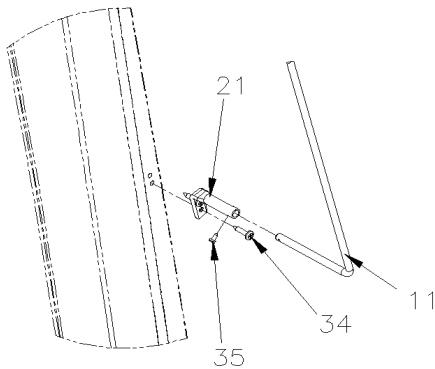
DETAIL "A"



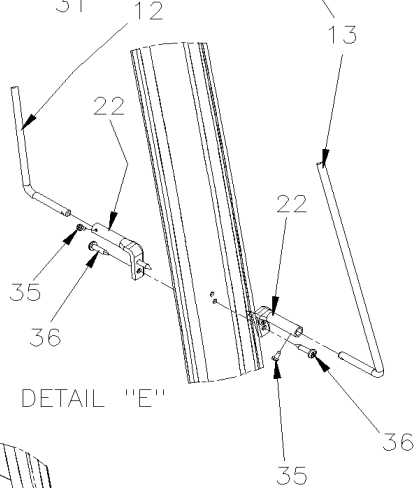
DETAIL "B"



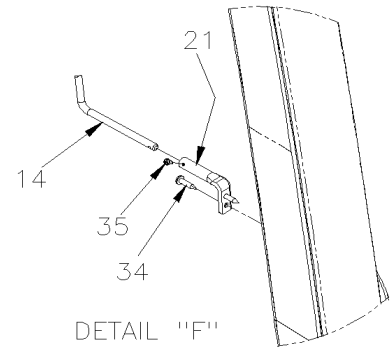
DETAIL "C"



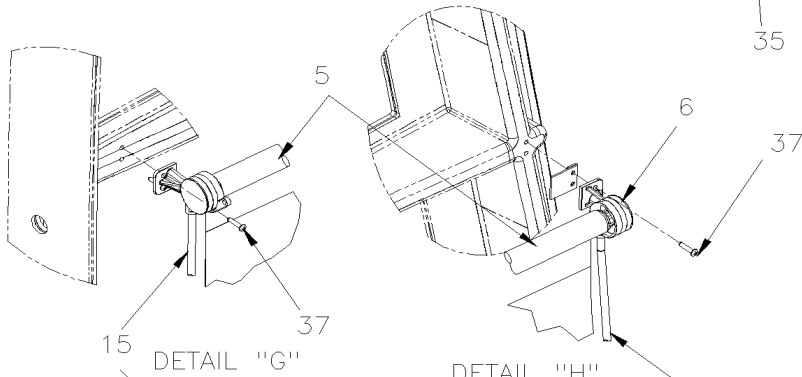
DETAIL "D"



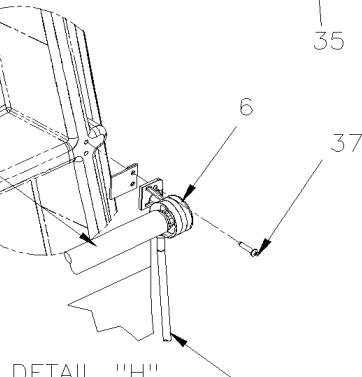
DETAIL "E"



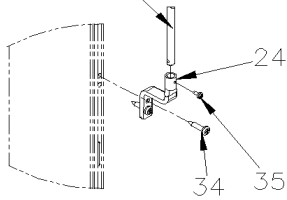
DETAIL "F"



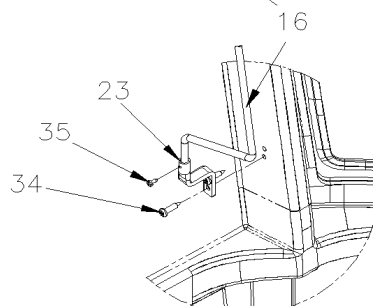
DETAIL "G"



DETAIL "H"



DETAIL "J"



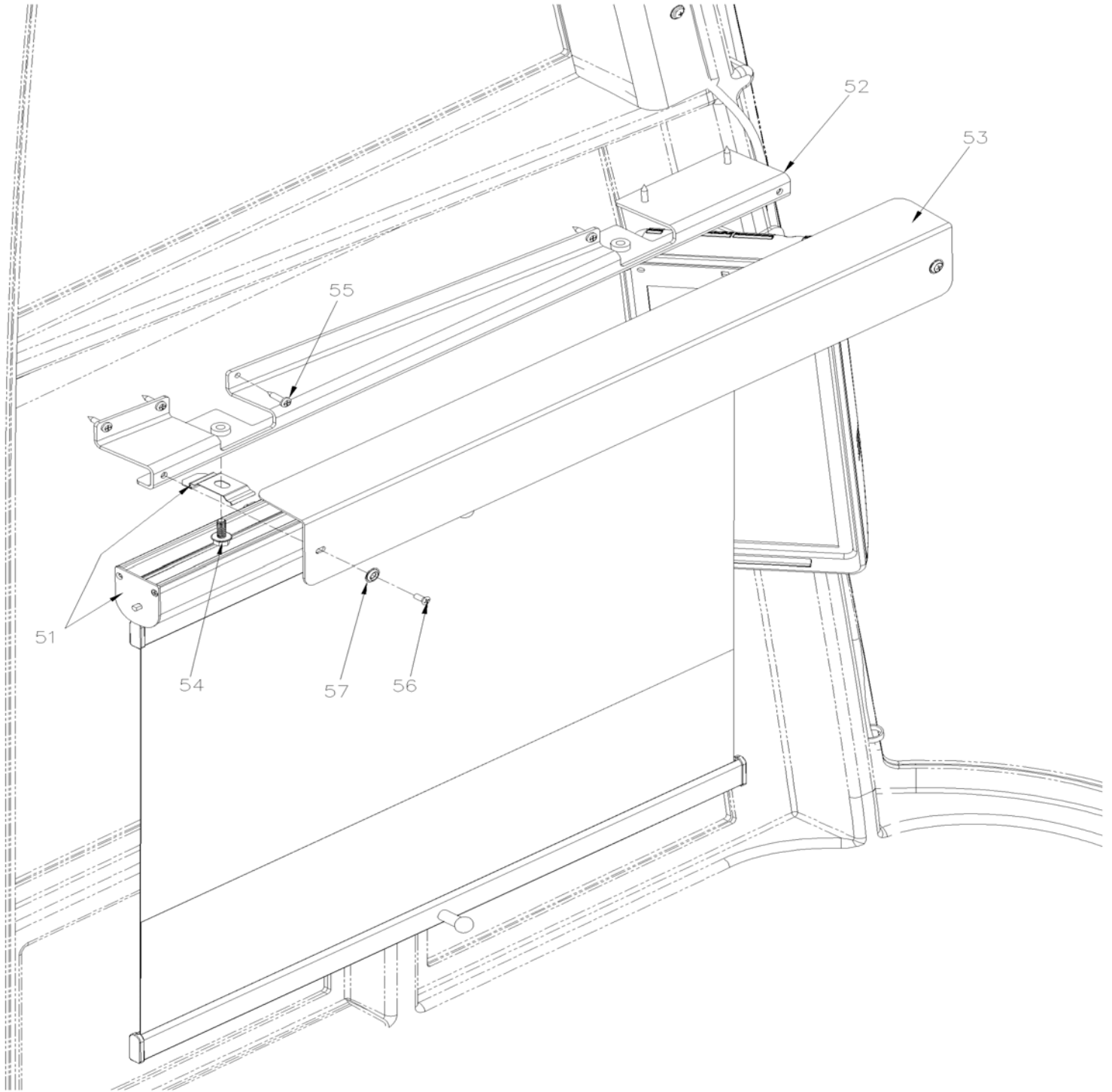
DETAIL "K"

From K-0295 To P-1347

Date:07/2024

PAGE:VIP-1816-00

ROLLER BLIND - DRIVER' S & WINDSHIELD



| | | |
|--|--------------|------------------|
| From K-0295 To P-1347 | Date:07/2024 | PAGE:VIP-1816-00 |
| ROLLER BLIND - DRIVER' S & WINDSHIELD | | |

| Item# | Part | Description | QTY | Notes |
|-------|---------|---|-----|-------|
| 1 | 900043 | ROLLER BLIND ASSY / ELECTRIC | 2 | |
| 2 | 560898 | CONNECTOR / COM. MATE-N-LOCK / SH 2C / AMP 1-480318-0 | 1 | |
| 2 | 560854 | SOCKET TERMINAL / 24-18 / AMP 60617-1 | 2 | |
| 3 | 402952 | . DECAL | 1 | |
| NS | 562169 | DIODE / 1AMP | AR | |
| 5 | 901374 | BLIND ROLLER / CHARCOAL / 593MM | 1 | G |
| . NS | 5001999 | . SCREW SET HEXS CUP M4-0.7x5 | 2 | G |
| . NS | 901562 | . BRACKET W/O SHAFT & RATCHED LEVER | 1 | G |
| . NS | 901560 | . BRACKET W/SHAFT & RATCHED LEVER | 1 | G |
| 6 | 900478 | BEARING HOLDER / R.H. / BLACK CASTING | 1 | |
| NS | 900591 | BLIND MATERIAL TISSUS / 1000MM WIDE / C.T.L. | AR | |
| | | | | |
| 11 | 403568 | ROD GUIDE / L.H. | 1 | |
| 12 | 403567 | ROD GUIDE / R.H. | 1 | |
| 13 | 403568 | ROD GUIDE / L.H. | 1 | |
| 14 | 403567 | ROD GUIDE / R.H. | 1 | |
| 14 | 440461 | GUIDE RH SUN VISOR W/EMIRROR | 1 | A |
| 14 | 401531 | BRACKET, HOOK SUN-SHADE "E-MIRROR" | 1 | A |
| 14 | 401059 | ROD HOLDER / BLACK / STEEL "L" SHAPE / 2 HOLES | 1 | A |
| 14 | 5001091 | SCREW TC PAN PH #4-40x1/4 BK | 1 | A |
| 14 | 5001155 | SCREW TP PAN PH #8X3/4 N050 | 4 | A |
| 15 | 402689 | ROD REAR 625MM | 1 | |
| 16 | 402671 | ROD FRONT 695MMM X 96MM | 1 | |
| | | | | |
| 21 | 401059 | ROD HOLDER / BLACK / STEEL "L" SHAPE / 2 HOLES | 2 | |
| 22 | 401059 | ROD HOLDER / BLACK / STEEL "L" SHAPE / 2 HOLES | 2 | |
| 23 | 401060 | ROD HOLDER / BLACK / PLASTIC "S" SHAPE / 2 HOLES | 1 | |
| 24 | 401060 | ROD HOLDER / BLACK / PLASTIC "S" SHAPE / 2 HOLES | 1 | |
| | | | | |
| 31 | 500879 | SCREW TP PAN PH #10x1 Z050 | AR | |
| 32 | 500964 | WASHER FL .203x.500x.047 Z050 | AR | |
| 33 | 500950 | WASHER FL .187x.625x.094 RUB | AR | |
| 34 | 5001155 | SCREW TP PAN PH #8X3/4 N050 | AR | |
| 35 | 5001091 | SCREW TC PAN PH #4-40x1/4 BK | 6 | |
| 36 | 500409 | SCREW TP PAN PH #8x1/2 BK | 4 | |
| 37 | 500814 | SCREW TP BDG PH #6x3/4 BK | 4 | |
| | | | | |
| 51 | 901574 | ROLLER BLIND / DRIVER / MANUAL / 22" | 1 | A |
| . NS | 901838 | . SUPPORT, SUN BLIND | 2 | A |
| 52 | 402129 | BRACKET, DRIVER SUN SHADE EMIRROR | 1 | A |
| 53 | 402130 | TRIM, DRIVER SUN SHADE EMIRROR | 1 | A |
| 54 | 5002027 | SCREW CAP HEXF AD M6-1.0x16 G10.9 N500 | 2 | A |

| | | |
|--|--------------|------------------|
| From K-0295 To P-1347 | Date:07/2024 | PAGE:VIP-1816-00 |
| ROLLER BLIND - DRIVER' S & WINDSHIELD | | |

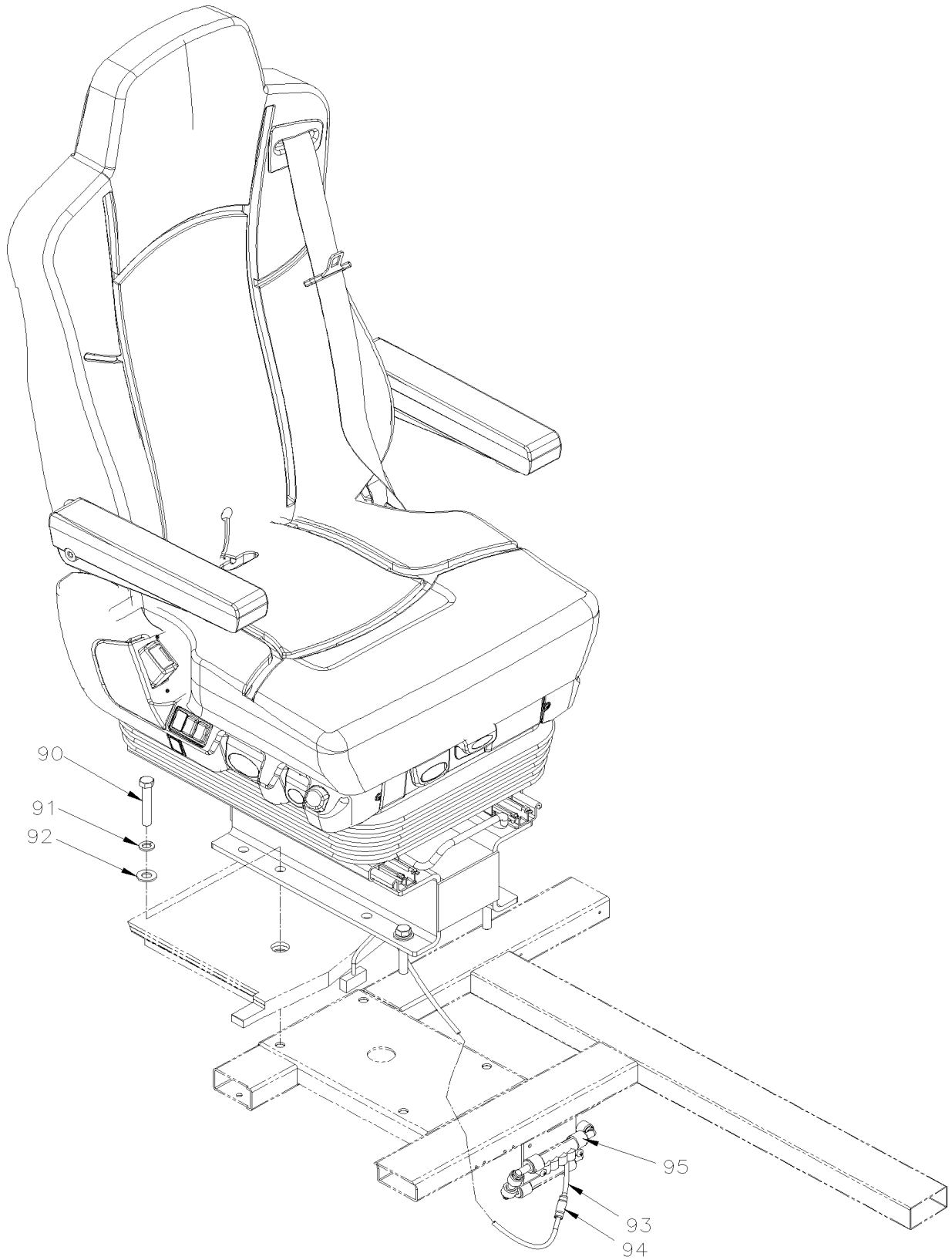
| Item# | Part | Description | QTY | Notes |
|-------|---------|--------------------------------------|-----|-------|
| 55 | 5001155 | SCREW TP PAN PH #8X3/4 N050 | 6 | A |
| 56 | 502725 | SCREW MA OV PH M4-0.7x10 SS EMN | 2 | A |
| 57 | 500463 | WASHER FN CKF .187x.500x.090 BR Z050 | 2 | A |
| | | | | |
| | | | | |
| | | A) USE WITH E-MIRROR | | |
| | | G) DRIVER'S SIDE WINDOW | | |

From K-0295

Date:07/2024

PAGE:VIP-1822-01

DRIVER'S SEAT - "ISRI" - 6832/872



| | | | |
|--|--|--------------|------------------|
| From K-0295 | | Date:07/2024 | PAGE:VIP-1822-01 |
| DRIVER'S SEAT - "ISRI" - 6832/872 | | | |

| Item# | Part | Description | QTY | Notes |
|-------|-----------------|--|-----|-------|
| | 864413 | DRIVER'S SEAT - "ISRI" - MODEL 6832/872 / WITH HEATING / W/O COVERING To K-0438 | 1 | |
| | 860102 | DRIVER'S SEAT - "ISRI" - MODEL 6832/872 / WITH HEATING / W/O COVERING From K-0439 To N-1191 | 1 | |
| | 8601000 | DRIVER'S SEAT - "ISRI" - MODEL 6832/872 / WITH HEATING / W/O COVERING From N-1192 | 1 | |
| | 864373 | DRIVER'S SEAT - "ISRI" - MODEL 6832/872 / W/ACTIVE CLIMATE CONTROL / W/COVERING BLACK / NOIR To K-0438 | 1 | |
| | 860189 | DRIVER'S SEAT - "ISRI" - MODEL 6832/872 / W/ACTIVE CLIMATE CONTROL / W/COVERING BLACK / NOIR From K-0439 To N-1191 | 1 | |
| | 8601003 | DRIVER'S SEAT - "ISRI" - MODEL 6832/872 / W/ACTIVE CLIMATE CONTROL / W/COVERING BLACK / NOIR From N-1192 | 1 | |
| | 864374 | DRIVER'S SEAT - "ISRI" - MODEL 6832/872 / W/O ACTIVE CLIMATE CONTROL / W/COVERING BLACK / NOIR To K-0438 | 1 | |
| | 860193 | DRIVER'S SEAT - "ISRI" - MODEL 6832/872 / W/O ACTIVE CLIMATE CONTROL / W/COVERING BLACK / NOIR From K-0439 To N-1191 | 1 | |
| | 8601004 | DRIVER'S SEAT - "ISRI" - MODEL 6832/872 / W/O ACTIVE CLIMATE CONTROL / W/COVERING BLACK / NOIR From N-1192 | 1 | |
| 1 | 865236 | . RISER | 1 | |
| 2 | 866273 | . BACKREST ASSEMBLY LH | 1 | |
| 3 | 364310 | . COVERING BACKREST ASSY / S.C.C. / DRIVER'S "ISRI" / 6832/872 | 1 | C |
| 3 | 364311 | . COVERING BACKREST ASSY / S.C.C. / DRIVER'S "ISRI" / 6832/872 | 1 | |
| 4 | 864418 | . . BELT GUIDE LH/RH | 1 | |
| 6 | 864419 | . . 3 POINT SAFETY BELT, LH To K-0438 | 1 | |
| 6 | 860332 | . SEAT BELT ASS / W/BUCKLE W/SENSOR From K-0439 | 1 | |
| 8 | 864420 | . . LUMBAR AIR CHAMBERS | 1 | |
| 10 | Call order desk | . SUSPENSION / SEAT FRAME ASSEMBLY | 1 | P S |
| 14 | N8904018 | . SCREWS FOR BACKREST PIVOT | 1 | |
| 15 | 861652 | . GLIDE - SEAT PAN | 1 | |
| 16 | 864421 | . BELT BUCKLE To K-0438 | 1 | |
| 16 | 860332 | . SEAT BELT ASS / W/BUCKLE W/SENSOR From K-0439 | 1 | |
| 17 | 864845 | . RH COVER (CONTROL SIDE) | 1 | |
| 19 | 866274 | . BACKREST RECLINE MECH. | 1 | |
| 21 | N8904020 | . BACKREST HANDLE LH | 1 | |
| 22 | 861708 | . LH COVER - (NON CONTROL SIDE) | 1 | |
| 26 | 864422 | . LUMBAR CONTROL VALVE, RH 2 BUTTONS | 1 | |
| 26 | N8911085 | . LUMBAR CONTROL VALVE 3 BUTTONS | 1 | |
| 26 | 868936 | . SWITCH UNIT RH ACTIVE CLIMATE CONTROL | 1 | E |
| 27 | 864423 | . HANDLE/CABLE FOR SHOCK ABSORBER | 1 | |
| 28 | 865718 | . TILT GLIDER | 1 | |
| 29 | 864424 | . HANDLE/CABLE FOR HEIGHT ADJUSTMENT | 1 | |
| 30 | 864425 | . QUICK AIR RELEASE VALVE, RH | 1 | |
| 31 | Call order desk | . FRONT COVER | 1 | P |
| 32 | 865389 | . REAR COVER | 1 | |
| 41 | 864426 | . SHOCK ABSORBER | 1 | |
| 42 | 864427 | . AIR SPRING | 1 | |
| 43 | 864428 | . HEIGHT CONTROL VALVE | 1 | |
| 48 | Call order desk | . RUBBER BELLOW | 1 | P |
| 49 | Call order desk | . BELLOW FASTENERS | 1 | P |
| 50 | 866109 | . SLIDE SET | 1 | |
| 51 | 866037 | . . SLIDE HANDLE | 1 | |

| | | | |
|--|--|--------------|------------------|
| From K-0295 | | Date:07/2024 | PAGE:VIP-1822-01 |
| DRIVER'S SEAT - "ISRI" - 6832/872 | | | |

| Item# | Part | Description | QTY | Notes |
|-------|-----------------|--|-----|-------|
| 55 | N8903231 | . SEAT CUSHION ASSEMBLY / WITHOUT COVERING | 1 | |
| 55 | 868157 | . CUSHION FOAM WITH W/ACTIVE CLIMATE CONTROL From N-1192 | 1 | |
| 55 | 868158 | . CUSHION FOAM WITHOUT W/ACTIVE CLIMATE CONTROL From N-1192 | 1 | |
| 55 | Call order desk | . SEAT CUSHION ASSEMBLY / WITH COVERING | 1 | P |
| 56 | 364309 | . COVERING SEATREST ASSY / S.C.C. / DRIVER'S "ISRI" / 6832/872 To N-1191 | 1 | |
| 56 | 360105 | . COVERING SEATREST ASSY / S.C.C. / DRIVER'S "ISRI" / 6832/872 From N-1192 | 1 | |
| 56 | N8903232 | . COVERING SEATREST ASSY / BLACK To N-1191 | 1 | |
| 56 | 868156 | . COVERING SEATREST ASSY / BLACK From N-1192 | 1 | |
| 58 | 864429 | . CUSHION ADJUSTMENT HANDLE To N-1192 | 1 | |
| 62 | 864430 | . PLASTIC VALVE STOP | 1 | |
| 80 | 864411 | . ARMREST LH / S.C.C. 13" | 1 | |
| 80 | 866245 | . ARMREST LH / LONG 14" | 1 | |
| 81 | 864412 | . ARMREST RH / S.C.C. 13" | 1 | |
| 81 | 866246 | . ARMREST RH / LONG 14" | 1 | |
| NS | 865350 | . KIT PNEUMATIC COMPONENTS | 1 | |
| NS | 867958 | . ADAPTOR | 1 | |
| 83 | 7771643 | . FITTING CONNECTOR "Y" | 1 | |
| NS | 868125 | . UNION 4MM/4MM | 1 | |
| NS | 868128 | . UNION 6MM/4MM | 1 | |
| NS | 868460 | . HOSE AIR KIT | 1 | |
| NS | 868833 | . AIR PIPE CONNECTOR SML | AR | |
| | | | | |
| 85 | 069705 | HARNESS FASTENED SEAT BELT SENSOR | 1 | A |
| | | | | |
| 87 | 068369 | HARNESS DRIVER SEAT W/HEATING To L-0804 | 1 | |
| 87 | 0610165 | HARNESS DRIVER SEAT W/HEATING From L-0805 | 1 | |
| | | | | |
| 90 | 5001862 | SCREW CAP HEX M12-1.75x70 G10.9 N500 | 4 | |
| NS | 362549 | SPACER / STRUCTURE & BASE / 27MM To P-1347 | 4 | |
| 90 | 360089 | SPACER / 29MM From P-1348 | 4 | |
| 91 | 500747 | WASHER LO SPT 12.2x21.1x2.5 N500 | 4 | |
| 92 | 500958 | WASHER FL .531x1.062x.095 SS | 4 | |
| 93 | 503402 | TUBE, NYLON 1/4 O.D. / BLACK S.L. | AR | |
| NS | 504016 | CABLE TIE / 5/16" X 14"1/2 | 1 | |
| 93 | 504637 | CABLE TIE / 3/16" x 13" | 1 | |
| 94 | 641507 | UNION / PUSH-IN FITTING / #4 x 6MM NP | 1 | |
| 100 | IS17039 | ISRI SEAT BELT WITH SENSOR INSTALLATION To K-0446 | 1 | |
| . NS | 860332 | . SEAT BELT ASS / W/BUCKLE W/SENSOR To K-0446 | 1 | |
| . NS | IS-17039 | . SEE INSTRUCTION SHEET To K-0446 | 1 | |
| | | | | |
| | | | | |
| | | | | |

| | | | |
|-------------|--|--------------|------------------|
| From K-0295 | | Date:07/2024 | PAGE:VIP-1822-01 |
|-------------|--|--------------|------------------|

DRIVER'S SEAT - "ISRI" - 6832/872

| Item# | Part | Description | QTY | Notes |
|-------|------|--|-----|-------|
| | | A) WITH FASTENED SEAT BELT SENSOR | | |
| | | C) WITH CHOICE BACKREST BACK COLOR | | |
| | | E) USE WITH SEAT WITH ACTIVE CLIMATE CONTROL | | |
| | | S) INCLUDES 15, 19, 21, 27, 28, 41, 42, 43, 48, 49, 50, 62 | | |
| | | P) CALL ORDER DESK FOR SPECIFIC APPLICATION (V.I.N.) | | |

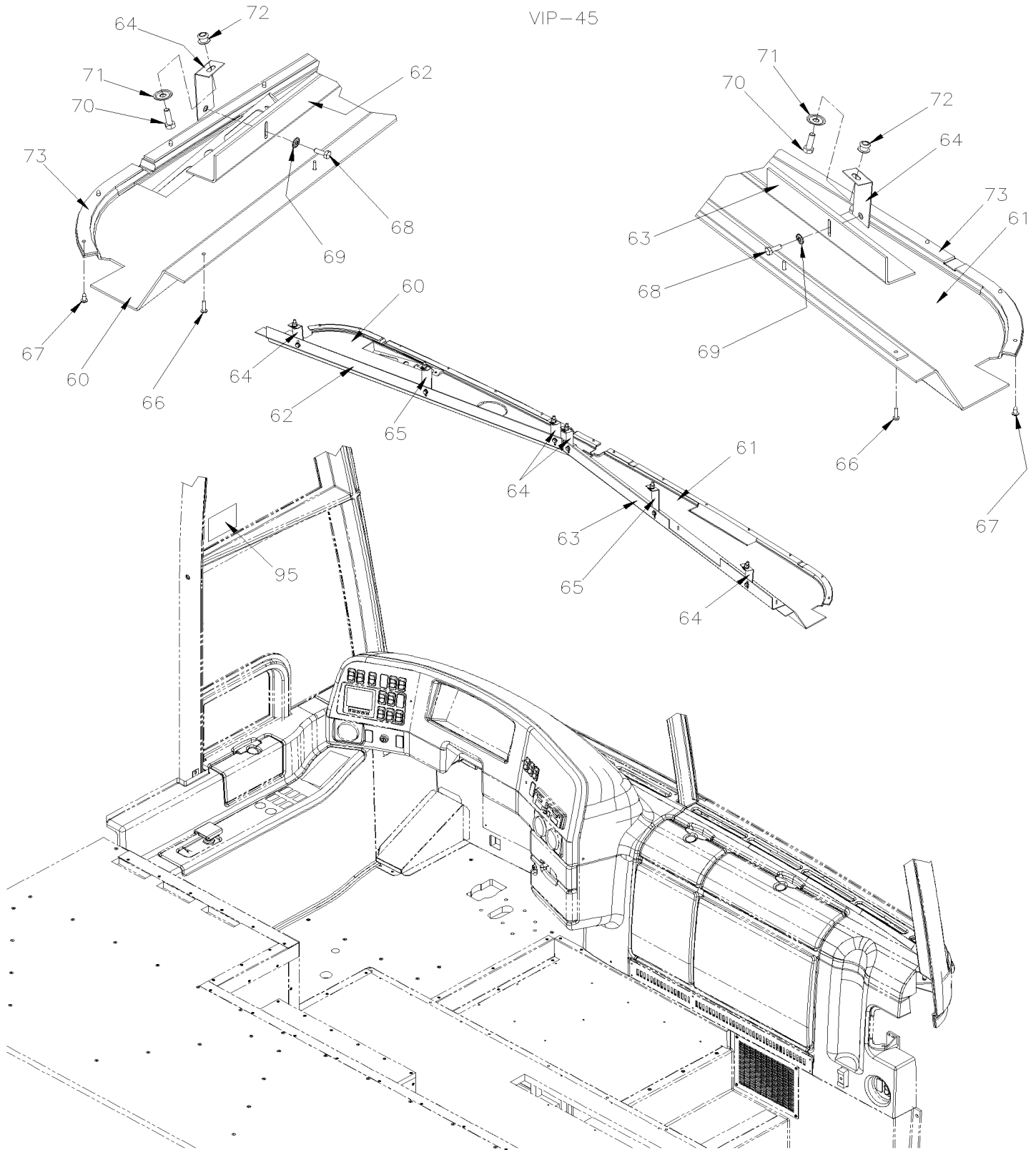
From K-0295 To P-1347

Date:07/2024

PAGE:VIP-1832-01

FRONT FINISHING CAP

VIP-45



| | | | |
|----------------------------|--|--------------|------------------|
| From K-0295 To P-1347 | | Date:07/2024 | PAGE:VIP-1832-01 |
| FRONT FINISHING CAP | | | |

| Item# | Part | Description | QTY | Notes |
|-------|---------|---|-----|-------|
| 60 | 341177 | PANEL, UPPER WINDSHIELD L.H. To K-0484 | 1 | |
| 60 | 340716 | PANEL, UPPER WINDSHIELD L.H. From K-0485 | 1 | |
| 61 | 341176 | PANEL, UPPER WINDSHIELD R.H. To K-0484 | 1 | |
| 61 | 340715 | PANEL, UPPER WINDSHIELD R.H. From K-0485 | 1 | |
| 62 | 340767 | BRACKET, L.H. / TO FIX ITEM 5 / 1150MM | 1 | |
| 63 | 340766 | BRACKET, R.H. / TO FIX ITEM 6 / 1150MM | 1 | |
| 64 | 340753 | ANGLE ASSY / W/2 WELD NUT 1/4-20 / TO FIX ITEMS 5-6 | 4 | |
| 65 | 340754 | ANGLE ASSY / W/WELD NUT 1/4-20 / TO FIX ITEMS 5-6 | 2 | |
| 66 | 500641 | SCREW TP PAN PH #8x3/4 Z050 | 14 | |
| 67 | 500613 | SCREW TP PAN PH #10x1/2 Z050 | 14 | |
| 68 | 5001746 | SCREW CAP HEX 1/4-20x3/4 G5 N500 | 6 | |
| 69 | 502582 | WASHER LO SERR 6.1x16.2x0.9 Z050 | 6 | |
| 70 | 5001747 | SCREW CAP HEX 5/16-18x1 G5 N500 | 6 | |
| 71 | 502584 | WASHER LO SERR 8.2x26.3x1.8 Z050 | 6 | |
| 72 | 500277 | RIVET NUT FL KNURLED OKS 5/16-18 .150-.312 | 6 | |
| 73 | 506001 | TAPE RUB ADH1 CC POL 1/8" x 3/4" x 50' / GREY 2520X | AR | |
| 95 | 0691001 | DECAL EMISSION WARNING CALIFORNIA | 1 | A |
| | | | | |
| | | | | |
| | | | | |
| | | A) REGULATIONS OF CALIFORNIA | | |

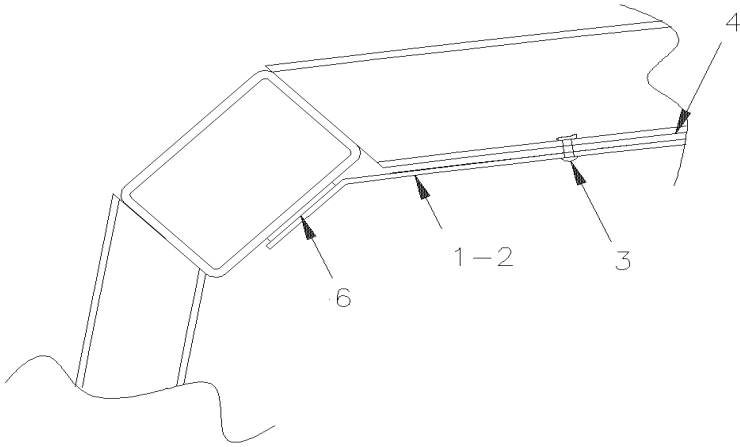
From K-0295 To P-1347

Date:07/2024

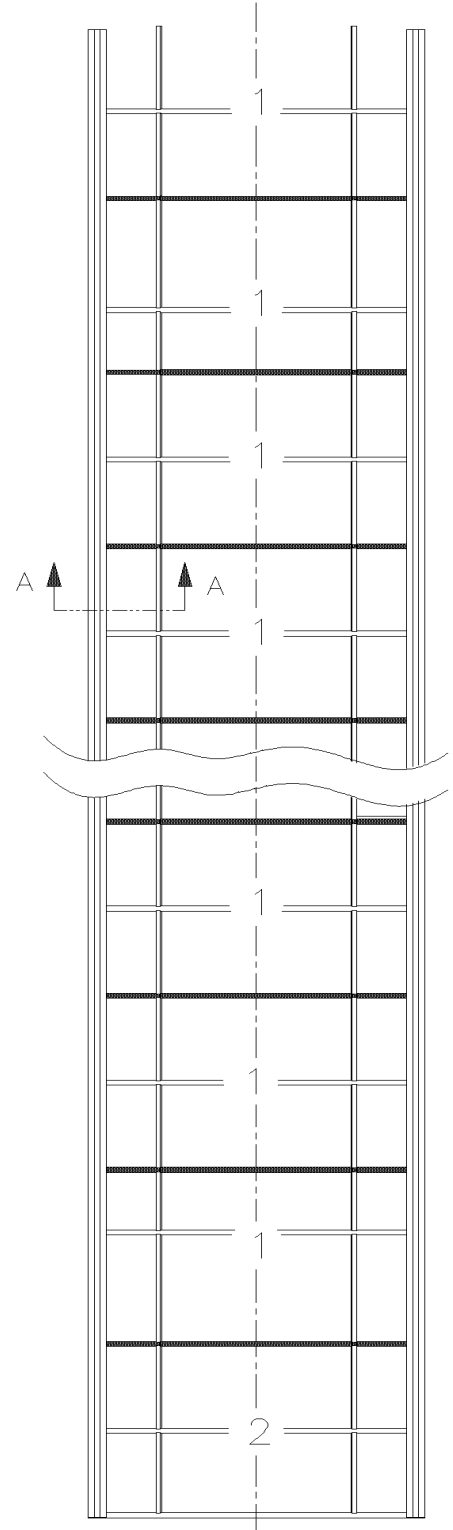
PAGE:VIP-1837-50

CEILING PANELS & MOULDING - V.I.P.

FRONT



SECTION A-A



| | | |
|-----------------------|--------------|------------------|
| From K-0295 To P-1347 | Date:07/2024 | PAGE:VIP-1837-50 |
|-----------------------|--------------|------------------|

CEILING PANELS & MOULDING - V.I.P.

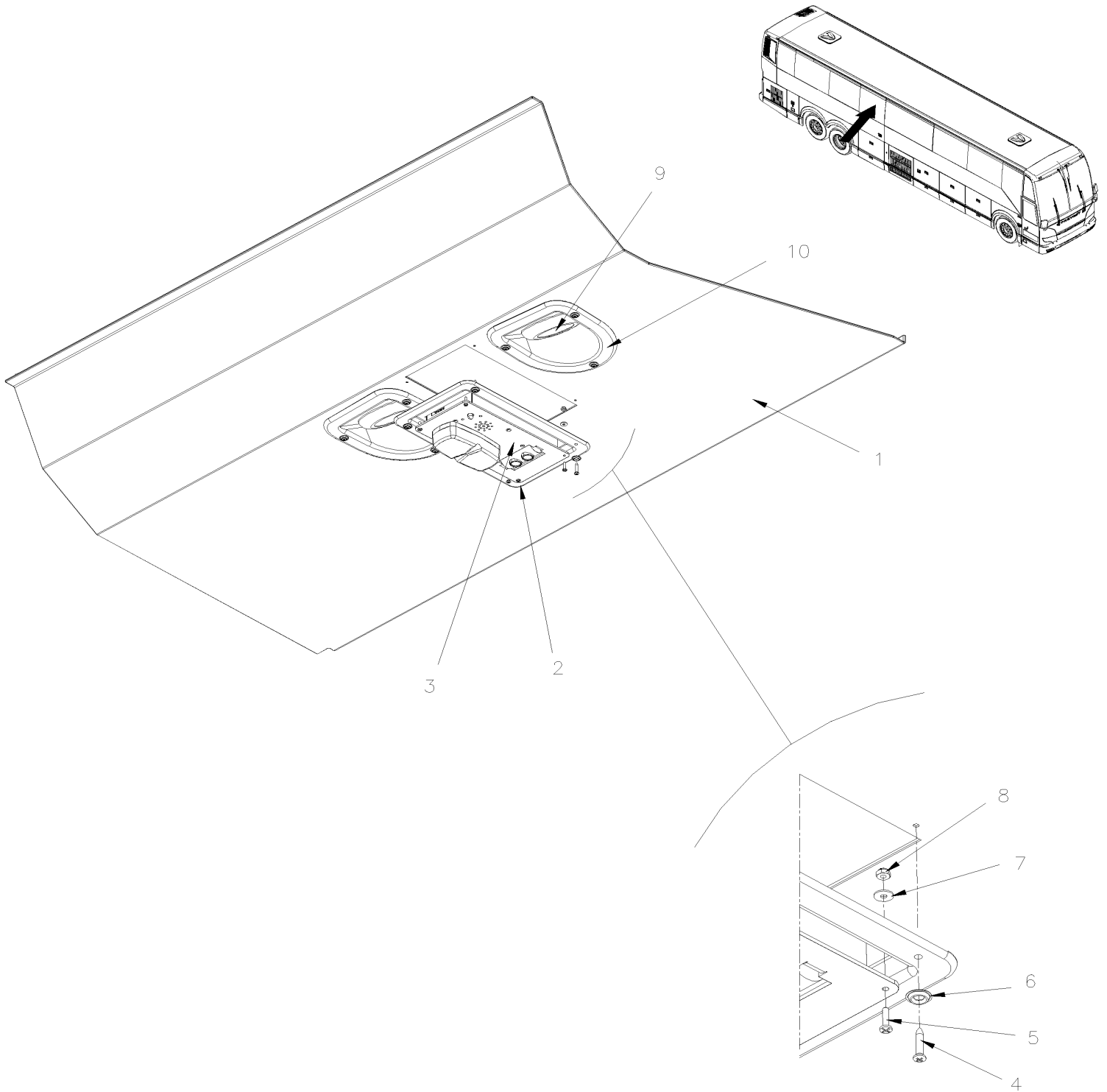
| Item# | Part | Description | QTY | Notes |
|-------|--------|---|-----|-------|
| 1 | 340966 | ALUMINUM CEILING PANEL | 12 | |
| 2 | 340967 | ALUMINUM CEILING PANEL | 1 | |
| 3 | 504339 | RIVET POP DOME OE 1/8x3/8 SS | AR | |
| 4 | 506466 | TAPE RUB ADH1 CC POL 1/16" x 1 1/2" x 100 / GREY 2520 | AR | |
| 6 | 680532 | SEALANT SIKA #221 / GREY / 310ml CARTRIDGE | 5 | |

From K-0295 To P-1347

Date:07/2024

PAGE:VIP-1837-80

CEILING PANELS WCL

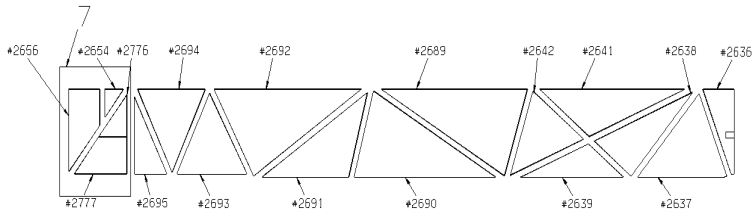


| | | |
|-----------------------|--------------|------------------|
| From K-0295 To P-1347 | Date:07/2024 | PAGE:VIP-1837-80 |
|-----------------------|--------------|------------------|

CEILING PANELS WCL

| Item# | Part | Description | QTY | Notes |
|-------|--------|---------------------------------------|-----|-------|
| 1 | 344229 | CEILING, PARCEL RACK WCL | 1 | |
| 2 | 341120 | SUPPORT DETECTOR MODULE TWU | 1 | |
| 3 | 563592 | MODULE ALARM DETECTOR W.C.L. TWU | 1 | |
| 4 | 500333 | SCREW TP OV PH #6x3/4 BK | 22 | |
| 5 | 500518 | SCREW MA BDG PH #4-40x1/2 Z050 | 4 | |
| 6 | 500345 | WASHER FN CKF .187x.500x.090 BR BK | 10 | |
| 7 | 500157 | WASHER FL .125x.375x.032 SS | 4 | |
| 8 | 500425 | NUT HEX NYRT #4-40 SS | 4 | |
| 9 | 830191 | LAMP ASSY / LAVATORY "FRILIGHT" BLACK | 2 | |
| NS | 830196 | BULB / 20 WATTS-12V/SAE#Q20MR16/FL40D | 1 | |
| 10 | 341227 | SUPPORT, LIGHT, INS ANGLE | 2 | |

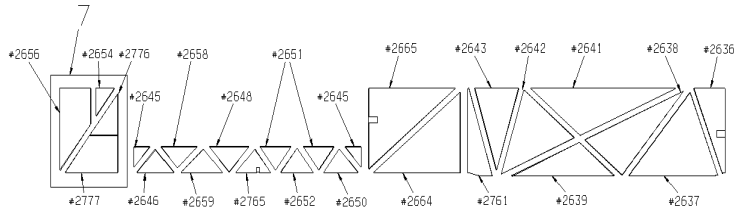
| | | |
|------------------------------------|--------------|------------------|
| From K-0295 To P-1347 | Date:07/2024 | PAGE:VIP-1839-01 |
| INSULATING SIDE WALL - LOWER PANEL | | |



STREET SIDE VIP-45 WITH FRONT SLIDE-OUT



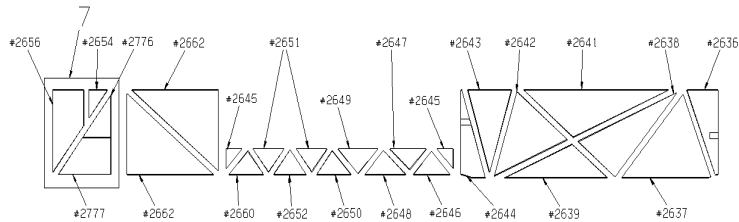
8



STREET SIDE VIP-45 WITH FRONT SLIDE-OUT AND REAR SLIDE-OUT BACKWARD



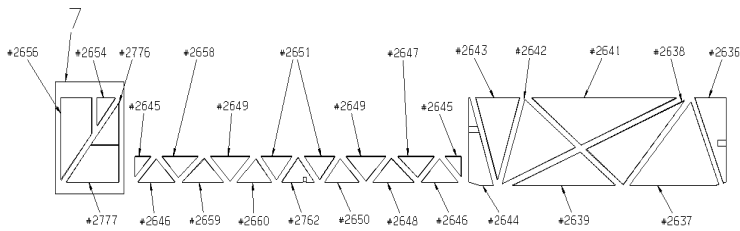
9



STREET SIDE VIP-45 WITH FRONT SLIDE-OUT AND REAR SLIDE-OUT FORWARD



10

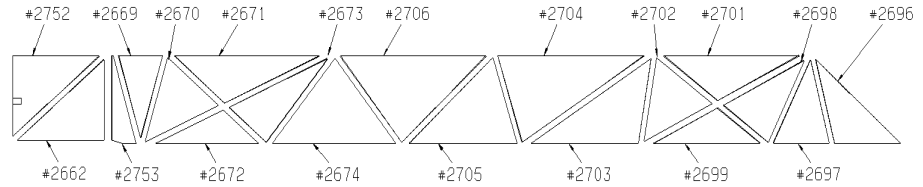


STREET SIDE VIP-45 WITH FRONT SLIDE-OUT AND REAR LARGE SLIDE-OUT



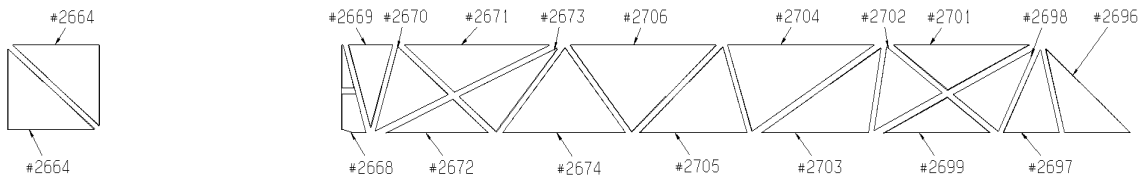
11

| | | |
|---|--------------|------------------|
| From K-0295 To P-1347 | Date:07/2024 | PAGE:VIP-1839-01 |
| INSULATING SIDE WALL - LOWER PANEL | | |



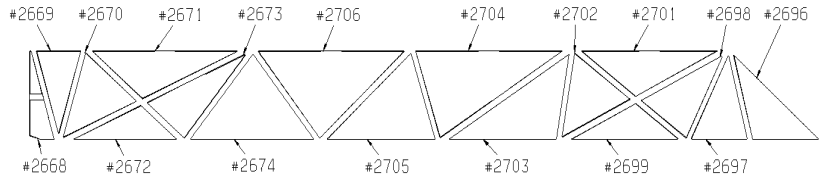
12

CURB SIDE VIP-45 WITH REAR SLIDE-OUT BACKWARD



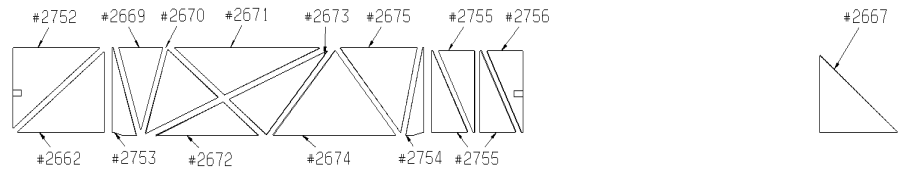
13

CURB SIDE VIP-45 WITH REAR SLIDE-OUT FORWARD



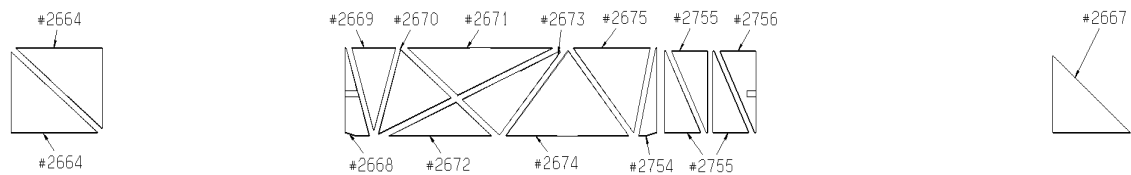
14

CURB SIDE VIP-45 WITH REAR SLIDE-OUT LARGE



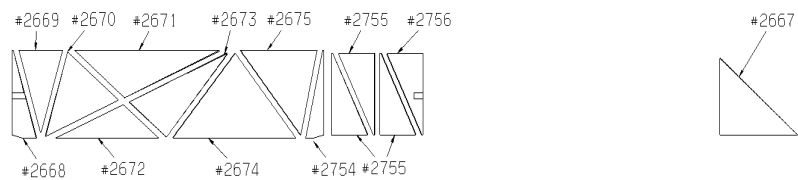
15

CURB SIDE VIP-45 WITH FRONT SLIDE-OUT & REAR SLIDE-OUT BACKWARD



16

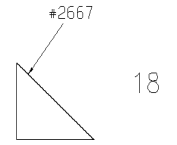
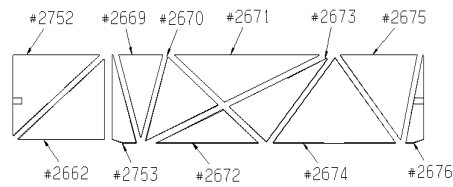
CURB SIDE VIP-45 WITH FRONT SLIDE-OUT & REAR SLIDE-OUT BACKWARD



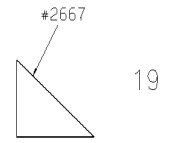
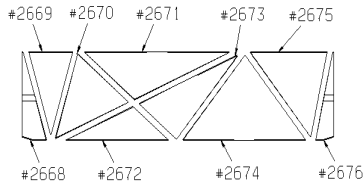
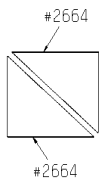
17

CURB SIDE VIP-45 WITH FRONT SLIDE-OUT & REAR SLIDE-OUT LARGE

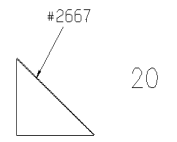
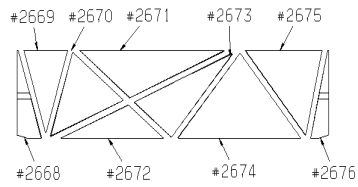
| | | |
|---|--------------|------------------|
| From K-0295 To P-1347 | Date:07/2024 | PAGE:VIP-1839-01 |
| INSULATING SIDE WALL - LOWER PANEL | | |



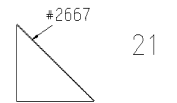
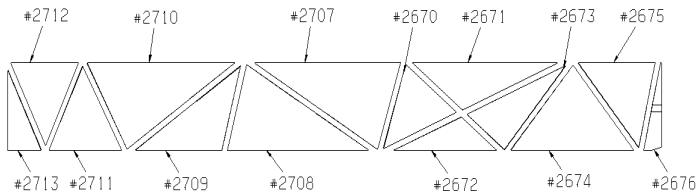
CURB SIDE VIP-45 WITH FRONT LARGE SLIDE-OUT & REAR SLIDE-OUT BACKWARD



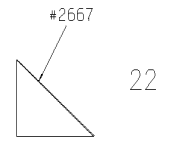
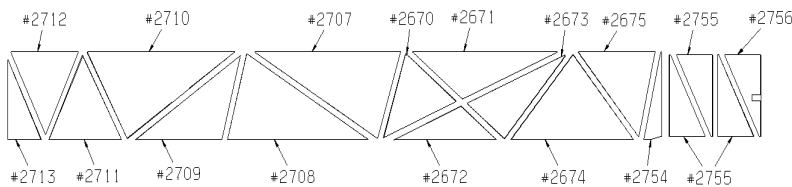
CURB SIDE VIP-45 WITH FRONT LARGE SLIDE-OUT & REAR SLIDE-OUT FORWARD



CURB SIDE VIP-45 WITH FRONT LARGE SLIDE-OUT & REAR LARGE SLIDE-OUT



CURB SIDE VIP-45 WITH FRONT LARGE SLIDE-OUT



CURB SIDE VIP-45 WITH FRONT SLIDE-OUT

| | | | |
|-----------------------|--|--------------|------------------|
| From K-0295 To P-1347 | | Date:07/2024 | PAGE:VIP-1839-01 |
|-----------------------|--|--------------|------------------|

INSULATING SIDE WALL - LOWER PANEL

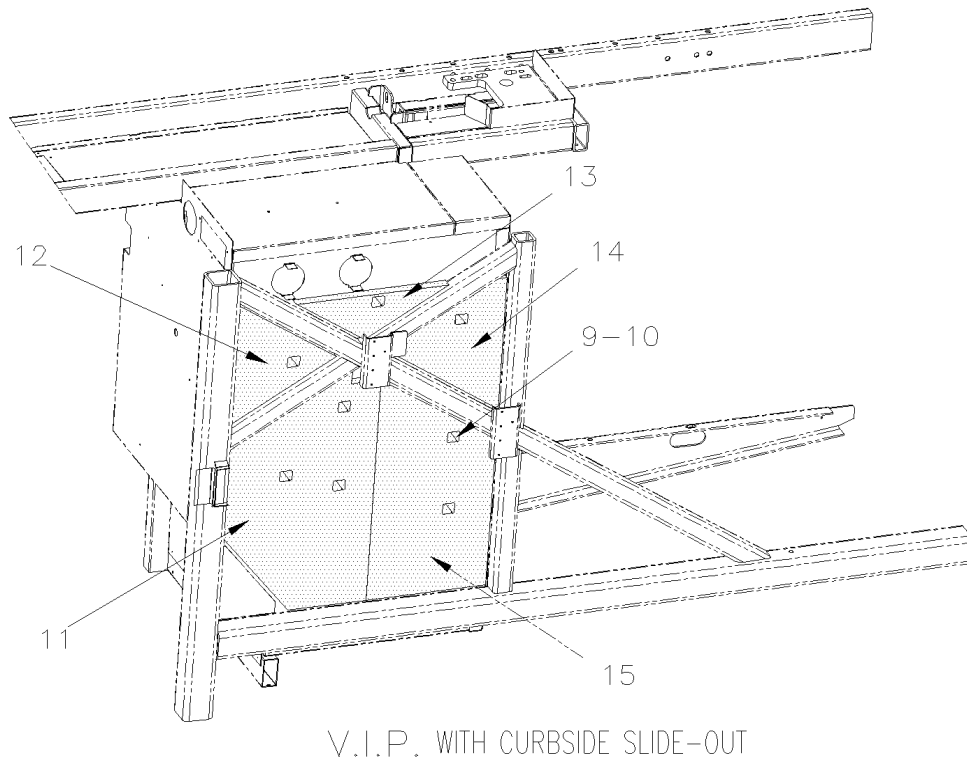
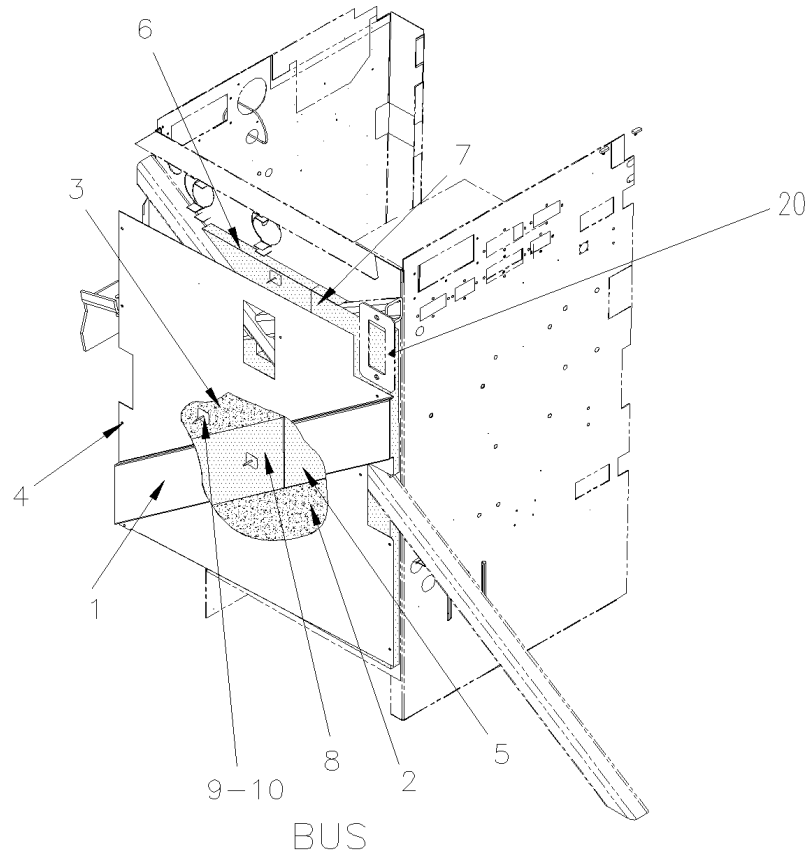
| Item# | Part | Description | QTY | Notes |
|-------|--------|--|-----|-------|
| 1 | 352677 | KIT INSULATING LOWER SIDE WALL STREET SIDE W/OUT SLIDE OUT | 1 | |
| 2 | 352700 | KIT INSULATING LOWER SIDE WALL CURB SIDE W/OUT SLIDE OUT | 1 | |
| 7 | 352899 | KIT INSULATING LOWER SIDE WALL STREET SIDE | 1 | |
| 8 | 353351 | KIT INSULATING LOWER SIDE WALL STREET SIDE W/ 1 SLIDE-OUT To M-1126 | 1 | |
| 8 | 353953 | KIT INSULATING LOWER SIDE WALL STREET SIDE W/ 1 SLIDE-OUT From M-1127 | 1 | |
| 10 | 353317 | KIT INSULATING LOWER SIDE WALL STREET SIDE W/ 2 SLIDE-OUT FOWARD To M-1126 | 1 | |
| 10 | 353955 | KIT INSULATING LOWER SIDE WALL STREET SIDE W/ 2 SLIDE-OUT FOWARD From M-1127 | 1 | |
| 10 | 353421 | KIT INSULATING LOWER SIDE WALL STREET SIDE W/ 2 SLIDE-OUT FOWARD To M-1126 | 1 | |
| 10 | 353962 | KIT INSULATING LOWER SIDE WALL STREET SIDE W/ 2 SLIDE-OUT FOWARD From M-1127 | 1 | |
| 11 | 353350 | KIT INSULATING LOWER SIDE WALL STREET SIDE W/ 2 SLIDE-OUT LARGE REAR To M-1126 | 1 | |
| 11 | 353965 | KIT INSULATING LOWER SIDE WALL STREET SIDE W/ 2 SLIDE-OUT LARGE REAR From M-1127 | 1 | |
| 13 | 353335 | KIT INSULATING LOWER SIDE WALL CURB SIDE W/ 1 REAR SLIDE-OUT FOWARD To M-1126 | 1 | |
| 13 | 353967 | KIT INSULATING LOWER SIDE WALL CURB SIDE W/ 1 REAR SLIDE-OUT FOWARD From M-1127 | 1 | |
| 13 | 353455 | KIT INSULATING LOWER SIDE WALL CURB SIDE W/ 1 REAR SLIDE-OUT FOWARD To M-1126 | 1 | |
| 13 | 353969 | KIT INSULATING LOWER SIDE WALL CURB SIDE W/ 1 REAR SLIDE-OUT FOWARD From M-1127 | 1 | |
| 14 | 352744 | KIT INSULATING LOWER SIDE WALL CURB SIDE W/ 1 REAR LARGE SLIDE-OUT To M-1126 | 1 | |
| 14 | 353968 | KIT INSULATING LOWER SIDE WALL CURB SIDE W/ 1 REAR LARGE SLIDE-OUT From M-1127 | 1 | |
| 16 | 353422 | KIT INSULATING LOWER SIDE WALL CURB SIDE W/ 2 SLIDE-OUT FOWARD To M-1126 | 1 | |
| 16 | 353960 | KIT INSULATING LOWER SIDE WALL CURB SIDE W/ 2 SLIDE-OUT FOWARD From M-1127 | 1 | |
| 19 | 353316 | KIT INSULATING LOWER SIDE WALL CURB SIDE W/ 1 FRONT LARGE SLIDE-OUT To M-1126 | 1 | |
| 19 | 353957 | KIT INSULATING LOWER SIDE WALL CURB SIDE W/ 1 FRONT LARGE SLIDE-OUT From M-1127 | 1 | |
| 20 | 353382 | KIT INSULATING LOWER SIDE WALL CURB SIDE W/ 2 SLIDE-OUT LARGE To M-1126 | 1 | |
| 20 | 353964 | KIT INSULATING LOWER SIDE WALL CURB SIDE W/ 2 SLIDE-OUT LARGE From M-1127 | 1 | |
| 21 | 352750 | KIT INSULATING LOWER SIDE WALL CURB SIDE W/ 1 FRONT LARGE SLIDE-OUT To M-1126 | 1 | |
| 21 | 353970 | KIT INSULATING LOWER SIDE WALL CURB SIDE W/ 1 FRONT LARGE SLIDE-OUT From M-1127 | 1 | |
| NS | 683084 | SEALANT SIKA #221 / GREY / 600 ml SAUSAGE | AR | |
| NS | 850092 | WHITE WALL COVERING ADHESIVE / 28 3/8" X 448" | 2 | |
| NS | 850097 | WHITE WALL COVERING ADHESIVE / 29" X 300" | 2 | |
| NS | 684196 | PRIMER ELASTOCOL # 593 | AR | |

From K-0295 To P-1347

Date:07/2024

PAGE:VIP-1839-05

INSULATING REAR BATTERIES COMPARTMENT

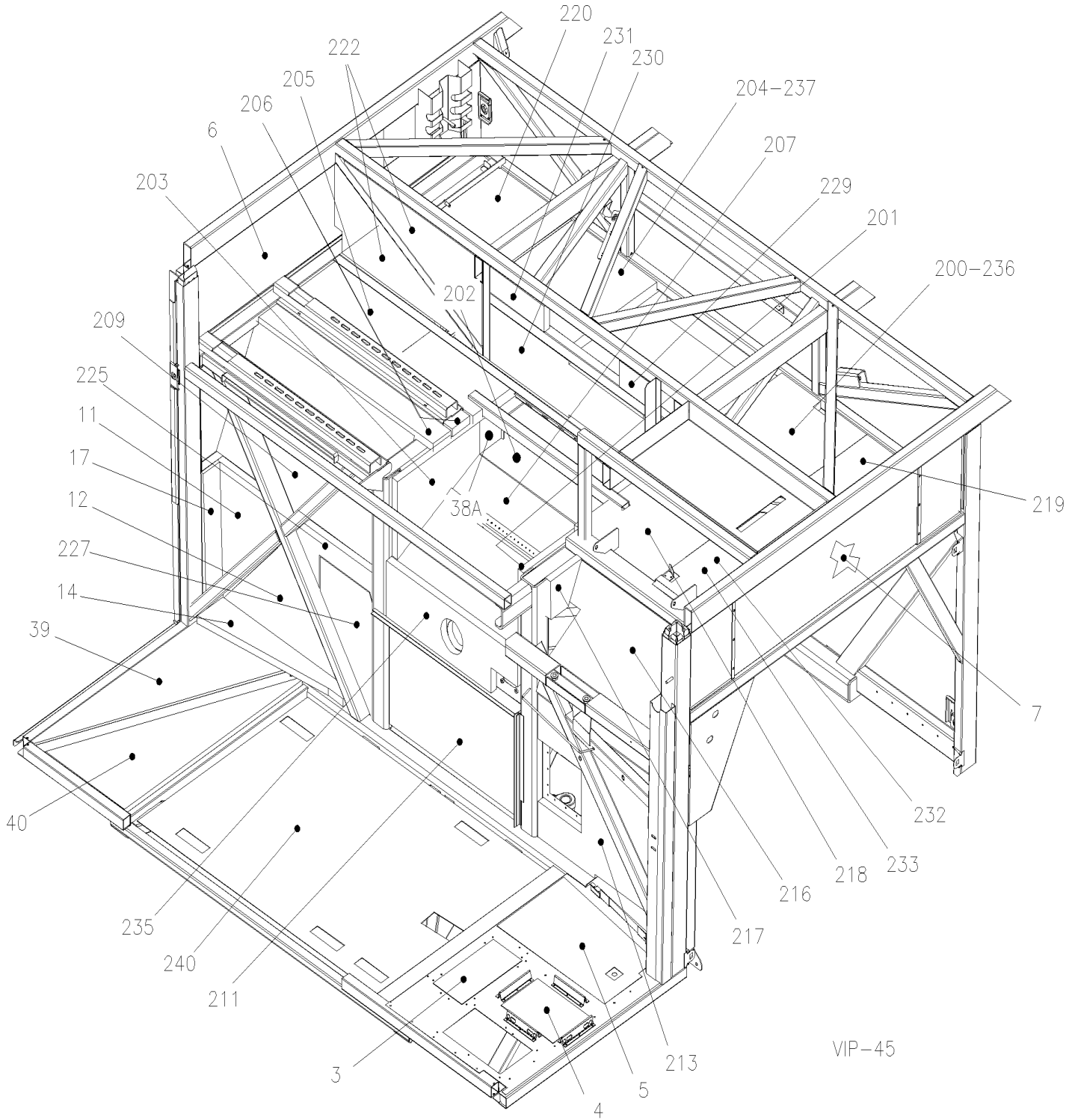


| | | |
|-----------------------|--------------|------------------|
| From K-0295 To P-1347 | Date:07/2024 | PAGE:VIP-1839-05 |
|-----------------------|--------------|------------------|

INSULATING REAR BATTERIES COMPARTMENT

| Item# | Part | Description | QTY | Notes |
|-------|--------|---|-----|-------|
| 1 | 210758 | PROTECTOR PANEL R.H.ELECTRICAL BOX | 1 | |
| 2 | 353160 | PANEL INSULATION PANEL LOWER | 1 | |
| 3 | 351425 | PANEL INSULATION PANEL UPPER 1/16" | 1 | |
| 4 | 504488 | RIVET MGLP PRDG 3/16x17/64 SS | AR | |
| 4 | 353161 | KIT INSULATING PANEL | 1 | A |
| 5 | 351517 | . INSULATION PANEL LOWER BACKWARD | 1 | |
| 6 | 351515 | . INSULATION PANEL UPPER FORWARD | 1 | |
| 7 | 351518 | . INSULATION PANEL UPPER BACKWARD | 1 | |
| 8 | 353163 | . INSULATION PANEL LOWER FORWARD | 1 | |
| 9 | 500748 | WASHER INSU G.10x1.125x1.250 Z050 | AR | |
| 10 | 503550 | ANCHOR SELF-STICK 2" SS | AR | |
| NS | 351888 | KIT INSULATING PANEL VIP W/CURBSIDE SLIDE OUT | 1 | |
| 11 | 351889 | . INSULATION PANEL LOWER FORWARD | 1 | SC |
| 12 | 351890 | . INSULATION PANEL UPPER FORWARD | 1 | SC |
| 13 | 351891 | . INSULATION PANEL UPPER TOP CENTER | 1 | SC |
| 14 | 351892 | . INSULATION PANEL UPPER BACKWARD | 1 | SC |
| 15 | 351893 | . INSULATION PANEL LOWER BACKWARD | 1 | SC |
| 20 | 142151 | SUPPORT PING AIR TANK | 1 | |
| 20 | 149000 | SUPPORT PING AIR TANK | 1 | |
| | | | | |
| | | | | |
| | | | | |
| | | A) INCLUDE ITEMS # 5,6,7 & 10 | | |
| | | SC) WITH V.I.P. WITH CURBSIDE SLIDE-OUT ONLY | | |

| | | |
|------------------------------------|--------------|------------------|
| From K-0295 To P-1347 | Date:07/2024 | PAGE:VIP-1839-17 |
| INSULATING FRONT - SUBFRAME | | |



| | | |
|-----------------------|--------------|------------------|
| From K-0295 To P-1347 | Date:07/2024 | PAGE:VIP-1839-17 |
|-----------------------|--------------|------------------|

INSULATING FRONT - SUBFRAME

| Item# | Part | Description | QTY | Notes |
|-------|---------|------------------------------------|-----|-------|
| 3 | 351776 | SOUND INSULATOR PANEL | 1 | |
| 4 | 350219 | SOUND INSULATOR PANEL | 1 | |
| 5 | 357376 | SOUND INSULATOR PANEL | 1 | |
| 6 | 350196 | SOUND INSULATOR PANEL | 1 | |
| 6 | 351779 | SOUND INSULATOR PANEL To P-1347 | 1 | S |
| 7 | 350347 | SOUND INSULATOR PANEL | 1 | |
| 7 | 350720 | SOUND INSULATOR PANEL To P-1347 | 2 | A |
| 7 | 351779 | SOUND INSULATOR PANEL To P-1347 | 1 | S |
| 7 | 351776 | SOUND INSULATOR PANEL | 1 | B |
| 11 | 357378 | INSULATING PAD 1" 1/16 | 1 | |
| 12 | 357379 | INSULATING PAD 1" 1/16 | 1 | |
| 14 | 357386 | INSULATING PAD 1" 1/16 To K-0428 | 1 | |
| 14 | 353560 | INSULATING PAD 1" 1/16 From K-0429 | 1 | |
| 14 | 353561 | INSULATING PAD 1" 1/16 From K-0429 | 1 | |
| 17 | 353089 | INSULATING PAD | 1 | |
| 38A | 3201196 | INSULATING PAD | 2 | |
| 39 | 352628 | INSULATING PAD | 1 | |
| 40 | 352629 | INSULATING PAD | 1 | |
| 44 | 351779 | SOUND INSULATOR PANEL To P-1347 | 1 | |
| 200 | 352531 | INSULATING PAD 1" 1/16 | 1 | |
| 201 | 3201198 | INSULATING PAD NOISE 1" | 1 | |
| 202 | 3201195 | INSULATING PAD 1"1/16 | 1 | |
| 203 | 3201199 | INSULATING PAD NOISE 1" | 1 | |
| 204 | 352530 | INSULATING PAD 1" 1/16 | 1 | |
| 205 | 357396 | INSULATING PAD 1" 1/16 | 1 | |
| 206 | 357395 | INSULATING PAD 1" 1/16 | 2 | |
| 207 | 356520 | SOUND INSULATOR PANEL | 1 | |
| 209 | 357391 | INSULATING PAD 1" 1/16 | 1 | |
| 211 | 351488 | INSULATING PAD 1" | 1 | |
| 213 | 353089 | INSULATING PAD | 1 | |
| 216 | 357398 | INSULATING PAD 1" 1/16 | 1 | |
| 217 | 326082 | INSULATING PAD 1" 1/16 | 1 | |
| 218 | 352527 | INSULATING PAD 1" 1/16 | 1 | |
| 219 | 326253 | INSULATING PAD 1" 1/16 | 1 | |
| 220 | 326124 | INSULATING PAD 1" 1/16 | 1 | |
| 222 | 357402 | INSULATING PAD 1" 1/16 | 1 | |
| 222 | 357403 | INSULATING PAD 1" 1/16 | 1 | R |
| 222 | 356303 | INSULATING PAD 1" 1/16 | 1 | L |
| 225 | 357401 | INSULATING PAD 1" 1/16 | 1 | |
| 227 | 357400 | INSULATING PAD 1" 1/16 | 1 | |
| 229 | 326414 | INSULATING PAD 1" 1/16 | 1 | |
| 230 | 352525 | INSULATING PAD 1" 1/16 | 1 | |

| | | |
|------------------------------------|--------------|------------------|
| From K-0295 To P-1347 | Date:07/2024 | PAGE:VIP-1839-17 |
| INSULATING FRONT - SUBFRAME | | |

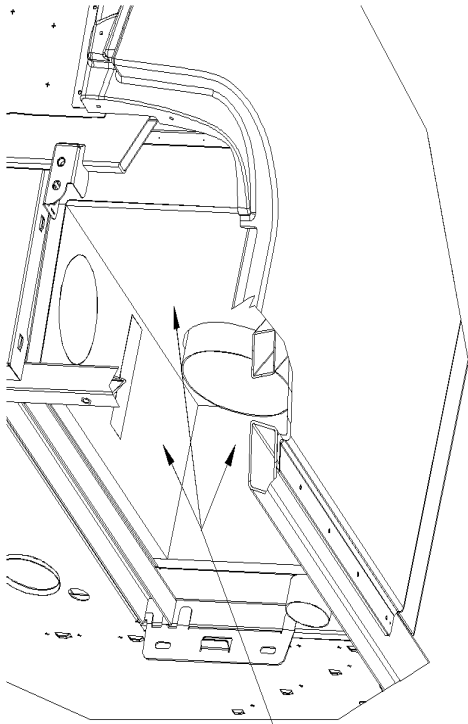
| Item# | Part | Description | QTY | Notes |
|-------|---------|---|-----|-------|
| 231 | 326415 | INSULATING PAD 1" 1/16 | 1 | |
| 232 | 326684 | INSULATING PAD 1" 1/16 | 1 | |
| 233 | 326683 | INSULATING PAD 1" 1/16 To P-1347 | 1 | |
| 233 | 3211663 | INSULATING PAD From P-1348 | 1 | |
| 235 | 351496 | INSULATING PAD 1" 1/16 | 1 | |
| 236 | 352529 | INSULATING PAD 1" 1/16 W/SLIDE-OUT | 1 | L |
| 237 | 352528 | INSULATING PAD 1" 1/16 W/SLIDE-OUT | 1 | L |
| 237 | 351927 | INSULATING PAD 1" 1/16 W/SLIDE-OUT | 1 | R |
| 240 | 357399 | SOUND INSULATOR PANEL | 1 | |
| NS | 850024 | INSULATING PAD NOISE ADH1 1/16" x 40" x 54" | AR | |
| NS | 850030 | INSULATING PAD NOISE ADH1 1" x 54" x 72" | AR | |
| NS | 850059 | INSULATING PAD NOISE ADH1 5/16" X 40" X 54" | AR | |
| | | | | |
| | | | | |
| | | A) WITH SMALL A/C SYSTEM | | |
| | | B) WITH LARGE A/C SYSTEM | | |
| | | L) WITH STREET SIDE SLIDE OUT | | |
| | | R) WITH BOTH FRONT SIDE SLIDE OUT | | |
| | | S) WITH SLIDE OUT | | |

From K-0295 To P-1347

Date:07/2024

PAGE:VIP-1839-21

INSULATING REAR ENGINE COMPARTMENT



DETAIL "A" 18-19-20

| | | |
|-----------------------|--------------|------------------|
| From K-0295 To P-1347 | Date:07/2024 | PAGE:VIP-1839-21 |
|-----------------------|--------------|------------------|

INSULATING REAR ENGINE COMPARTMENT

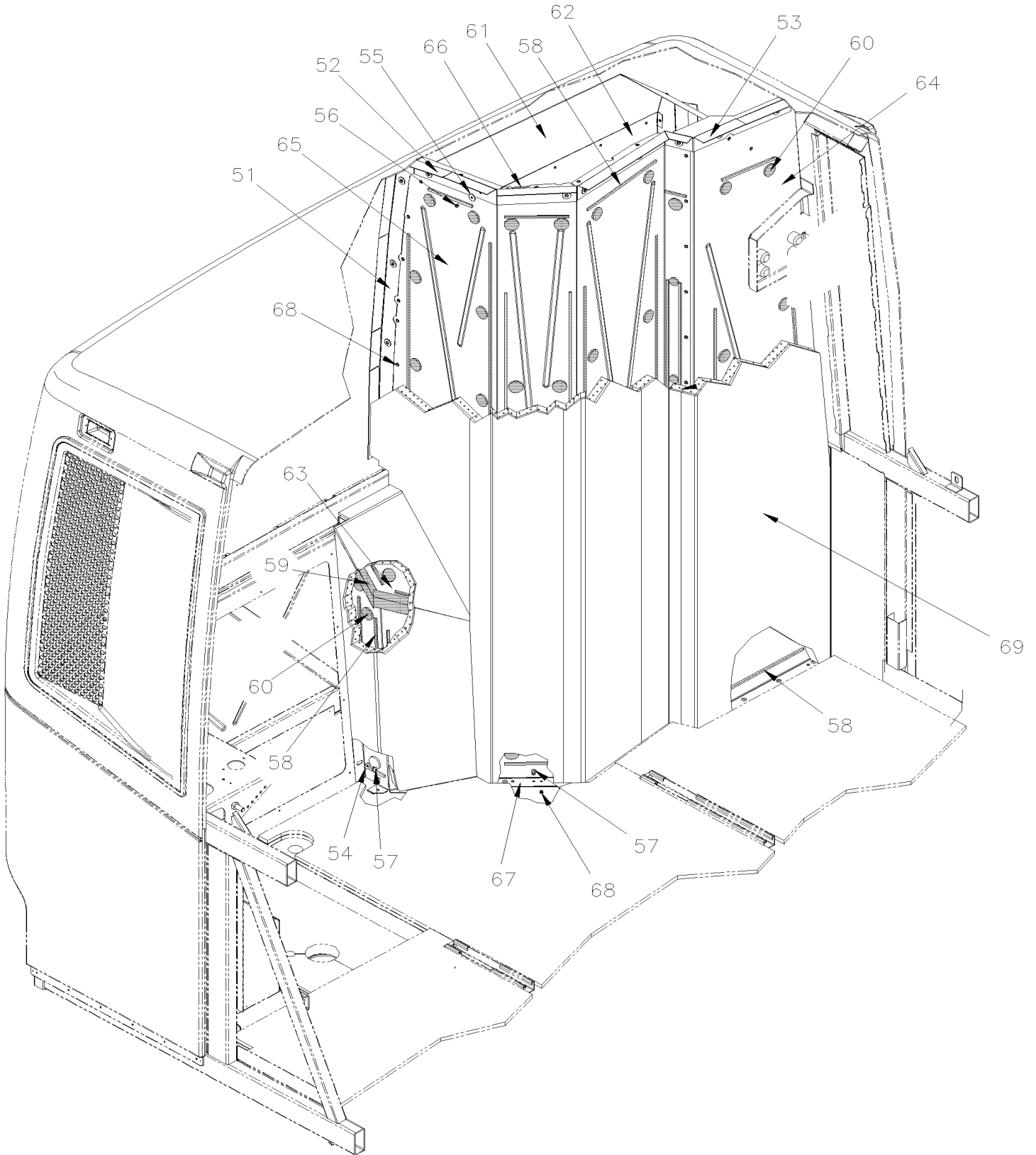
| Item# | Part | Description | QTY | Notes |
|-------|--------|---|-----|-------|
| 18 | 352911 | INSULATION KIT | 1 | |
| 19 | 680397 | CONTACT GLUE / AEROSOL 17oz | AR | |
| 20 | 682484 | TAPE ALUMINUM ADH1 .005" x 3" x 300' ALUMINUM FSK3" | AR | |
| 21 | 353159 | INSULATION KIT | 1 | |
| 21 | 353155 | INSULATION KIT | 1 | |

From K-0295 To P-1347

Date:07/2024

PAGE:VIP-1839-25

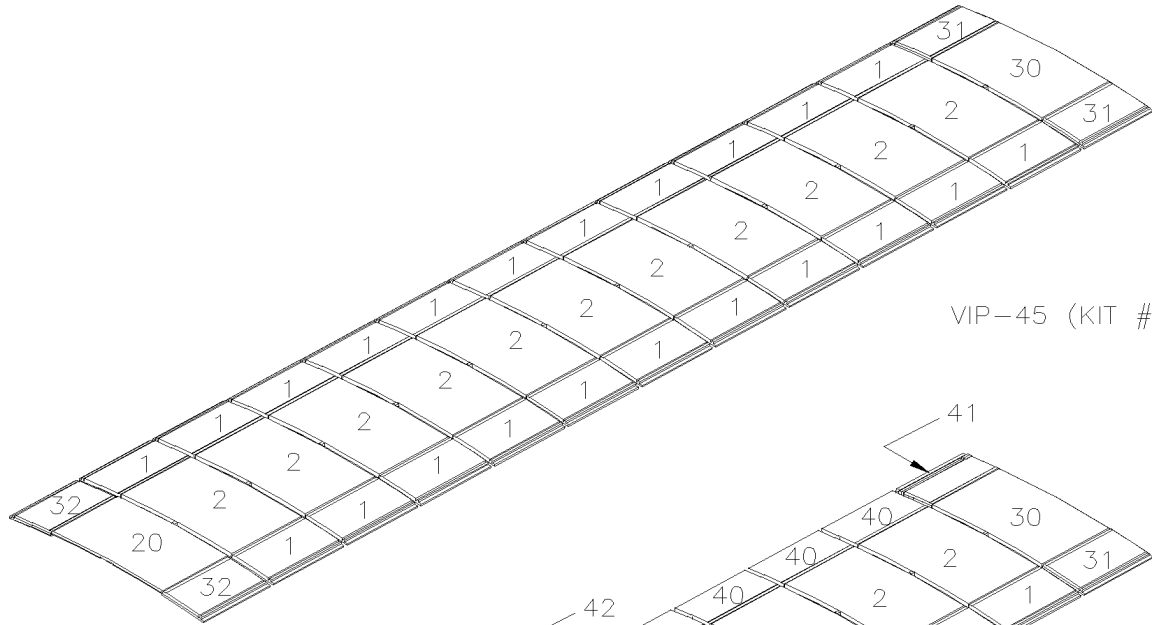
INSULATING REAR END



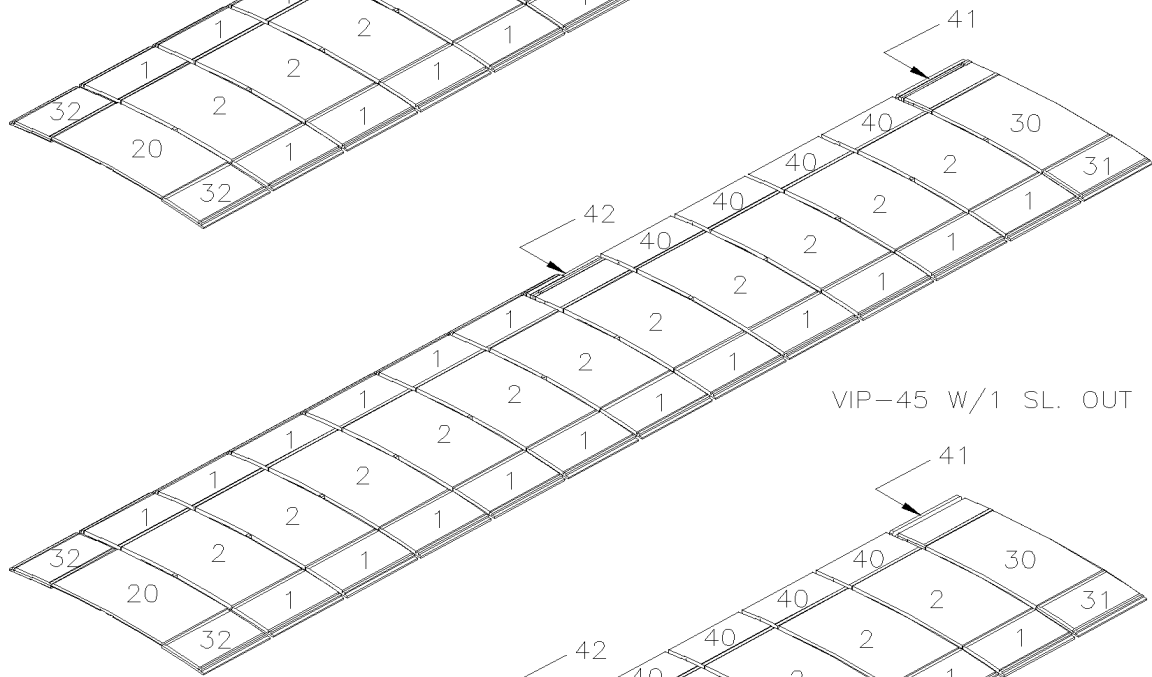
| | | |
|----------------------------|--------------|------------------|
| From K-0295 To P-1347 | Date:07/2024 | PAGE:VIP-1839-25 |
| INSULATING REAR END | | |

| Item# | Part | Description | QTY | Notes |
|-------|---------|---|-----|-------|
| 51 | 352164 | ANGLE SEALING / REAR CAP | 1 | |
| 52 | 352393 | ANGLE SEALING / REAR CAP | 1 | |
| 53 | 352394 | ANGLE SEALING / REAR CAP | 1 | |
| 54 | 5001976 | WASHER FL .266x.718x.060 SS | AR | |
| 55 | 500805 | WASHER FL .218x.875x.062 N500 | 12 | |
| 56 | 504488 | RIVET MGLP PRDG 3/16x17/64 SS | 12 | |
| 57 | 504735 | RIVET HKL PRDG 1/4x3/8 STL | AR | |
| 58 | 507000 | TAPE RUB ADH2 POL 3/16" x 1/4" x 50' / BLACK V2206 | AR | |
| 59 | 680257 | TAPE ALUMINUM ADH1 .005" x 2" x 300' TRM425-2 | AR | |
| 60 | 684517 | ADHESIVE SIMSON #ISR 70-03 / GREY / 310ml CARTRIDGE | AR | |
| 60 | 685126 | ADHESIVE SIMSON #ISR 70-03 / GREY / 600ml SAUSAGE | AR | |
| 61 | 352170 | PANEL FIRE WALL To L-1101 | 1 | |
| 61 | 353991 | PANEL FIRE WALL From L-1102 | 1 | |
| 62 | 353274 | PANEL FIRE WALL To L-1101 | 1 | |
| 62 | 353990 | PANEL FIRE WALL From L-1102 | 1 | |
| 63 | 352842 | BOX / SWIRL PIPE | 1 | |
| 63 | 352841 | SUPPORT / COOLANT HOSE | 1 | |
| 63 | 504488 | RIVET MGLP PRDG 3/16x17/64 SS | AR | |
| 64 | 352391 | WALL SHEET PANEL / SCR | 1 | |
| NS | 477213 | SUPPORT ATTACHMENT ROD | 1 | |
| NS | 504734 | ATTACHMENT ROD | 1 | |
| 65 | 352392 | WALL SHEET PANEL / SCR | 1 | |
| NS | 506191 | TAPE RUB ADH1 CC POL 1/8" x 1/4" x 50' / GREY 2520X | AR | |
| 66 | 352395 | CONFORMATOR / PANEL SCR | 1 | |
| 67 | 352396 | CONFORMATOR / PANEL SCR | 1 | |
| 68 | 504488 | RIVET MGLP PRDG 3/16x17/64 SS | AR | |
| 69 | 352166 | INSULATING KIT | 1 | |

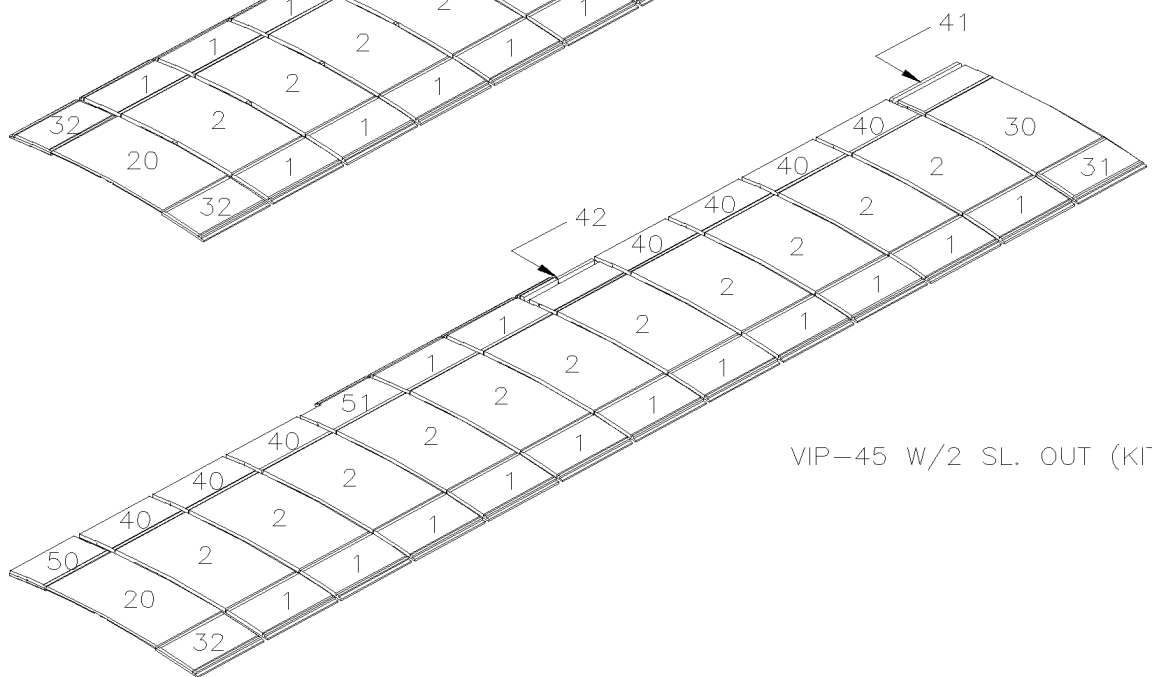
| | | |
|------------------------|--------------|------------------|
| From K-0295 To P-1347 | Date:07/2024 | PAGE:VIP-1839-31 |
| INSULATING ROOF PANELS | | |



VIP-45 (KIT #5)



VIP-45 W/1 SL. OUT (KIT #6)



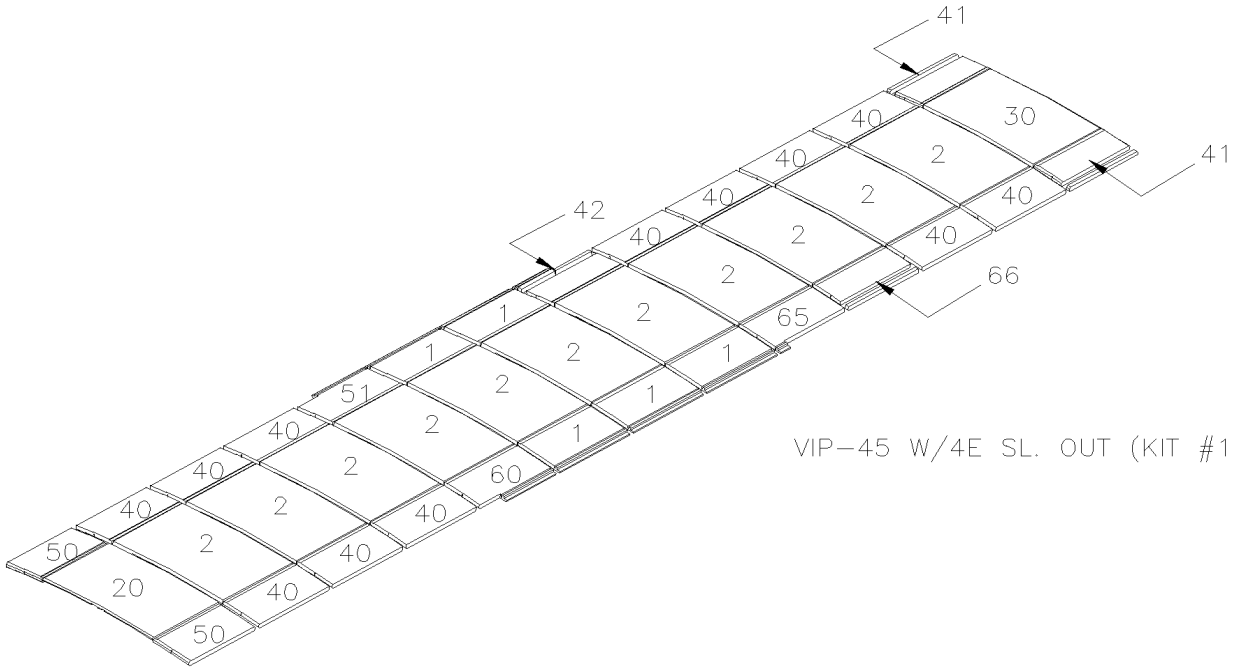
VIP-45 W/2 SL. OUT (KIT #7)

From K-0295 To P-1347

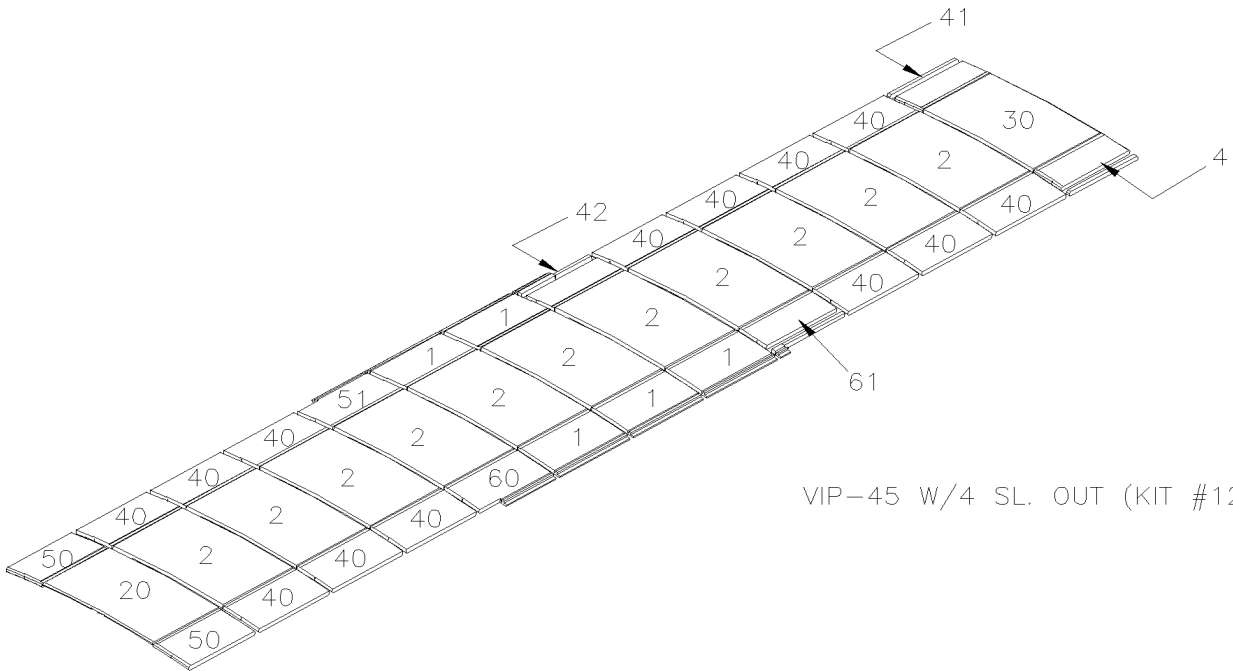
Date:07/2024

PAGE:VIP-1839-31

INSULATING ROOF PANELS



VIP-45 W/4E SL. OUT (KIT #11)



VIP-45 W/4 SL. OUT (KIT #12)

| | | |
|-------------------------------|--------------|------------------|
| From K-0295 To P-1347 | Date:07/2024 | PAGE:VIP-1839-31 |
| INSULATING ROOF PANELS | | |

| Item# | Part | Description | QTY | Notes |
|-------|--------|---|-----|-------|
| 5 | 356222 | KIT INSULATING ROOF PANEL To K-0520 | | |
| .01 | 356220 | . ROOF INSULATION PANEL To K-0520 | 22 | |
| .02 | 356219 | . ROOF INSULATION PANEL To K-0520 | 11 | |
| .20 | 356224 | . ROOF INSULATION PANEL To K-0520 | 1 | |
| .30 | 356235 | . ROOF INSULATION PANEL To K-0520 | 1 | |
| .41 | 356234 | . ROOF INSULATION PANEL To K-0520 | 2 | |
| .50 | 356236 | . ROOF INSULATION PANEL To K-0520 | 2 | |
| 5 | 353534 | KIT INSULATING ROOF PANEL From K-0521 To N-1232 | | |
| .01 | 356220 | . ROOF INSULATION PANEL From K-0521 To N-1232 | 22 | |
| .01 | 356220 | . ROOF INSULATION PANEL From K-0521 To N-1232 | 22 | |
| .02 | 356219 | . ROOF INSULATION PANEL From K-0521 To N-1232 | 11 | |
| .20 | 356224 | . ROOF INSULATION PANEL From K-0521 To N-1232 | 1 | |
| .30 | 353529 | . ROOF INSULATION PANEL From K-0521 To N-1232 | 1 | |
| .41 | 356234 | . ROOF INSULATION PANEL From K-0521 To N-1232 | 2 | |
| .50 | 356236 | . ROOF INSULATION PANEL From K-0521 To N-1232 | 2 | |
| 5 | 354290 | KIT INSULATING ROOF PANEL From N-1233 | 1 | |
| 6 | 356222 | KIT INSULATING ROOF PANEL To K-0520 | | |
| .01 | 356220 | . ROOF INSULATION PANEL To K-0520 | 22 | |
| .02 | 356219 | . ROOF INSULATION PANEL To K-0520 | 11 | |
| .20 | 356224 | . ROOF INSULATION PANEL To K-0520 | 1 | |
| .30 | 356235 | . ROOF INSULATION PANEL To K-0520 | 1 | |
| .41 | 356234 | . ROOF INSULATION PANEL To K-0520 | 2 | |
| .50 | 356236 | . ROOF INSULATION PANEL To K-0520 | 2 | |
| 6 | 353534 | KIT INSULATING ROOF PANEL From K-0521 To N-1232 | | |
| .01 | 356220 | . ROOF INSULATION PANEL From K-0521 To N-1232 | 22 | |
| .01 | 356220 | . ROOF INSULATION PANEL From K-0521 To N-1232 | 22 | |
| .02 | 356219 | . ROOF INSULATION PANEL From K-0521 To N-1232 | 11 | |
| .20 | 356224 | . ROOF INSULATION PANEL From K-0521 To N-1232 | 1 | |
| .30 | 353529 | . ROOF INSULATION PANEL From K-0521 To N-1232 | 1 | |
| .41 | 356234 | . ROOF INSULATION PANEL From K-0521 To N-1232 | 2 | |
| .50 | 356236 | . ROOF INSULATION PANEL From K-0521 To N-1232 | 2 | |
| 6 | 354290 | KIT INSULATING ROOF PANEL From N-1233 | 1 | |
| 7 | 356222 | KIT INSULATING ROOF PANEL To K-0520 | | |
| .01 | 356220 | . ROOF INSULATION PANEL To K-0520 | 22 | |
| .02 | 356219 | . ROOF INSULATION PANEL To K-0520 | 11 | |
| .20 | 356224 | . ROOF INSULATION PANEL To K-0520 | 1 | |
| .30 | 356235 | . ROOF INSULATION PANEL To K-0520 | 1 | |
| .41 | 356234 | . ROOF INSULATION PANEL To K-0520 | 2 | |
| .50 | 356236 | . ROOF INSULATION PANEL To K-0520 | 2 | |
| 7 | 353534 | KIT INSULATING ROOF PANEL From K-0521 To N-1232 | | |
| .01 | 356220 | . ROOF INSULATION PANEL From K-0521 To N-1232 | 22 | |
| .01 | 356220 | . ROOF INSULATION PANEL From K-0521 To N-1232 | 22 | |

| | | | |
|-------------------------------|--|--------------|------------------|
| From K-0295 To P-1347 | | Date:07/2024 | PAGE:VIP-1839-31 |
| INSULATING ROOF PANELS | | | |

| Item# | Part | Description | QTY | Notes |
|-------|--------|---|-----|-------|
| . 02 | 356219 | . ROOF INSULATION PANEL From K-0521 To N-1232 | 11 | |
| . 20 | 356224 | . ROOF INSULATION PANEL From K-0521 To N-1232 | 1 | |
| . 30 | 353529 | . ROOF INSULATION PANEL From K-0521 To N-1232 | 1 | |
| . 41 | 356234 | . ROOF INSULATION PANEL From K-0521 To N-1232 | 2 | |
| . 50 | 356236 | . ROOF INSULATION PANEL From K-0521 To N-1232 | 2 | |
| 7 | 354290 | KIT INSULATING ROOF PANEL From N-1233 | 1 | |
| 8 | 356222 | KIT INSULATING ROOF PANEL To K-0520 | | |
| . 01 | 356220 | . ROOF INSULATION PANEL To K-0520 | 22 | |
| . 02 | 356219 | . ROOF INSULATION PANEL To K-0520 | 11 | |
| . 20 | 356224 | . ROOF INSULATION PANEL To K-0520 | 1 | |
| . 30 | 356235 | . ROOF INSULATION PANEL To K-0520 | 1 | |
| . 41 | 356234 | . ROOF INSULATION PANEL To K-0520 | 2 | |
| . 50 | 356236 | . ROOF INSULATION PANEL To K-0520 | 2 | |
| 8 | 353534 | KIT INSULATING ROOF PANEL From K-0521 To N-1232 | | |
| . 01 | 356220 | . ROOF INSULATION PANEL From K-0521 To N-1232 | 22 | |
| . 01 | 356220 | . ROOF INSULATION PANEL From K-0521 To N-1232 | 22 | |
| . 02 | 356219 | . ROOF INSULATION PANEL From K-0521 To N-1232 | 11 | |
| . 20 | 356224 | . ROOF INSULATION PANEL From K-0521 To N-1232 | 1 | |
| . 30 | 353529 | . ROOF INSULATION PANEL From K-0521 To N-1232 | 1 | |
| . 41 | 356234 | . ROOF INSULATION PANEL From K-0521 To N-1232 | 2 | |
| . 50 | 356236 | . ROOF INSULATION PANEL From K-0521 To N-1232 | 2 | |
| 8 | 354290 | KIT INSULATING ROOF PANEL From N-1233 | 1 | |
| 9 | 356222 | KIT INSULATING ROOF PANEL To K-0520 | | |
| . 01 | 356220 | . ROOF INSULATION PANEL To K-0520 | 22 | |
| . 02 | 356219 | . ROOF INSULATION PANEL To K-0520 | 11 | |
| . 20 | 356224 | . ROOF INSULATION PANEL To K-0520 | 1 | |
| . 30 | 356235 | . ROOF INSULATION PANEL To K-0520 | 1 | |
| . 41 | 356234 | . ROOF INSULATION PANEL To K-0520 | 2 | |
| . 50 | 356236 | . ROOF INSULATION PANEL To K-0520 | 2 | |
| 9 | 353534 | KIT INSULATING ROOF PANEL From K-0521 To N-1232 | | |
| . 01 | 356220 | . ROOF INSULATION PANEL From K-0521 To N-1232 | 22 | |
| . 01 | 356220 | . ROOF INSULATION PANEL From K-0521 To N-1232 | 22 | |
| . 02 | 356219 | . ROOF INSULATION PANEL From K-0521 To N-1232 | 11 | |
| . 20 | 356224 | . ROOF INSULATION PANEL From K-0521 To N-1232 | 1 | |
| . 30 | 353529 | . ROOF INSULATION PANEL From K-0521 To N-1232 | 1 | |
| . 41 | 356234 | . ROOF INSULATION PANEL From K-0521 To N-1232 | 2 | |
| . 50 | 356236 | . ROOF INSULATION PANEL From K-0521 To N-1232 | 2 | |
| 9 | 354290 | KIT INSULATING ROOF PANEL From N-1233 | 1 | |
| 10 | 356222 | KIT INSULATING ROOF PANEL To K-0520 | | |
| . 01 | 356220 | . ROOF INSULATION PANEL To K-0520 | 22 | |
| . 02 | 356219 | . ROOF INSULATION PANEL To K-0520 | 11 | |
| . 20 | 356224 | . ROOF INSULATION PANEL To K-0520 | 1 | |

| | | |
|-------------------------------|--------------|------------------|
| From K-0295 To P-1347 | Date:07/2024 | PAGE:VIP-1839-31 |
| INSULATING ROOF PANELS | | |

| Item# | Part | Description | QTY | Notes |
|-------|--------|---|-----|-------|
| . 30 | 356235 | . ROOF INSULATION PANEL To K-0520 | 1 | |
| . 41 | 356234 | . ROOF INSULATION PANEL To K-0520 | 2 | |
| . 50 | 356236 | . ROOF INSULATION PANEL To K-0520 | 2 | |
| 10 | 353534 | KIT INSULATING ROOF PANEL From K-0521 To N-1232 | | |
| . 01 | 356220 | . ROOF INSULATION PANEL From K-0521 To N-1232 | 22 | |
| . 01 | 356220 | . ROOF INSULATION PANEL From K-0521 To N-1232 | 22 | |
| . 02 | 356219 | . ROOF INSULATION PANEL From K-0521 To N-1232 | 11 | |
| . 20 | 356224 | . ROOF INSULATION PANEL From K-0521 To N-1232 | 1 | |
| . 30 | 353529 | . ROOF INSULATION PANEL From K-0521 To N-1232 | 1 | |
| . 41 | 356234 | . ROOF INSULATION PANEL From K-0521 To N-1232 | 2 | |
| . 50 | 356236 | . ROOF INSULATION PANEL From K-0521 To N-1232 | 2 | |
| 10 | 354290 | KIT INSULATING ROOF PANEL From N-1233 | 1 | |
| 11 | 356254 | KIT INSULATING ROOF PANEL / W/4E SL. OUT | | |
| . 01 | 356220 | . ROOF INSULATION PANEL | 5 | |
| . 02 | 356219 | . ROOF INSULATION PANEL | 11 | |
| . 20 | 356224 | . ROOF INSULATION PANEL | 1 | |
| . 30 | 356235 | . ROOF INSULATION PANEL | 1 | |
| . 40 | 356240 | . ROOF INSULATING PANEL | 12 | |
| . 41 | 356248 | . ROOF INSULATION PANEL | 2 | |
| . 42 | 356249 | . ROOF INSULATION PANEL | 1 | |
| . 50 | 356258 | . ROOF INSULATION PANEL | 2 | |
| . 51 | 356259 | . ROOF INSULATION PANEL | 1 | |
| . 60 | 356239 | . ROOF INSULATION PANEL | 1 | |
| . 65 | 356241 | . ROOF INSULATION PANEL | 1 | |
| . 66 | 356244 | . ROOF INSULATING PANEL | 1 | |
| 11 | 353452 | KIT INSULATING ROOF PANEL / W/WCL To K-0520 | | |
| . 01 | 356220 | . ROOF INSULATION PANEL To K-0520 | 19 | |
| . 02 | 356219 | . ROOF INSULATION PANEL To K-0520 | 11 | |
| . 03 | 356224 | . ROOF INSULATION PANEL To K-0520 | 1 | |
| . 04 | 356243 | . ROOF INSULATION PANEL To K-0520 | 1 | |
| . 05 | 356245 | . ROOF INSULATING PANEL To K-0520 | 1 | |
| . 06 | 356246 | . ROOF INSULATION PANEL To K-0520 | 1 | |
| . 07 | 356242 | . ROOF INSULATING PANEL To K-0520 | 1 | |
| . 08 | 356234 | . ROOF INSULATION PANEL To K-0520 | 2 | |
| . 09 | 356235 | . ROOF INSULATION PANEL To K-0520 | 1 | |
| . 10 | 356236 | . ROOF INSULATION PANEL To K-0520 | 2 | |
| 11 | 353535 | KIT INSULATING ROOF PANEL / W/WCL From K-0521 To N-1232 | | |
| . 01 | 356220 | . ROOF INSULATION PANEL From K-0521 To N-1232 | 19 | |
| . 02 | 356219 | . ROOF INSULATION PANEL From K-0521 To N-1232 | 11 | |
| . 03 | 356224 | . ROOF INSULATION PANEL From K-0521 To N-1232 | 1 | |
| . 04 | 356243 | . ROOF INSULATION PANEL From K-0521 To N-1232 | 1 | |
| . 05 | 356245 | . ROOF INSULATING PANEL From K-0521 To N-1232 | 1 | |

| | | |
|-------------------------------|--------------|------------------|
| From K-0295 To P-1347 | Date:07/2024 | PAGE:VIP-1839-31 |
| INSULATING ROOF PANELS | | |

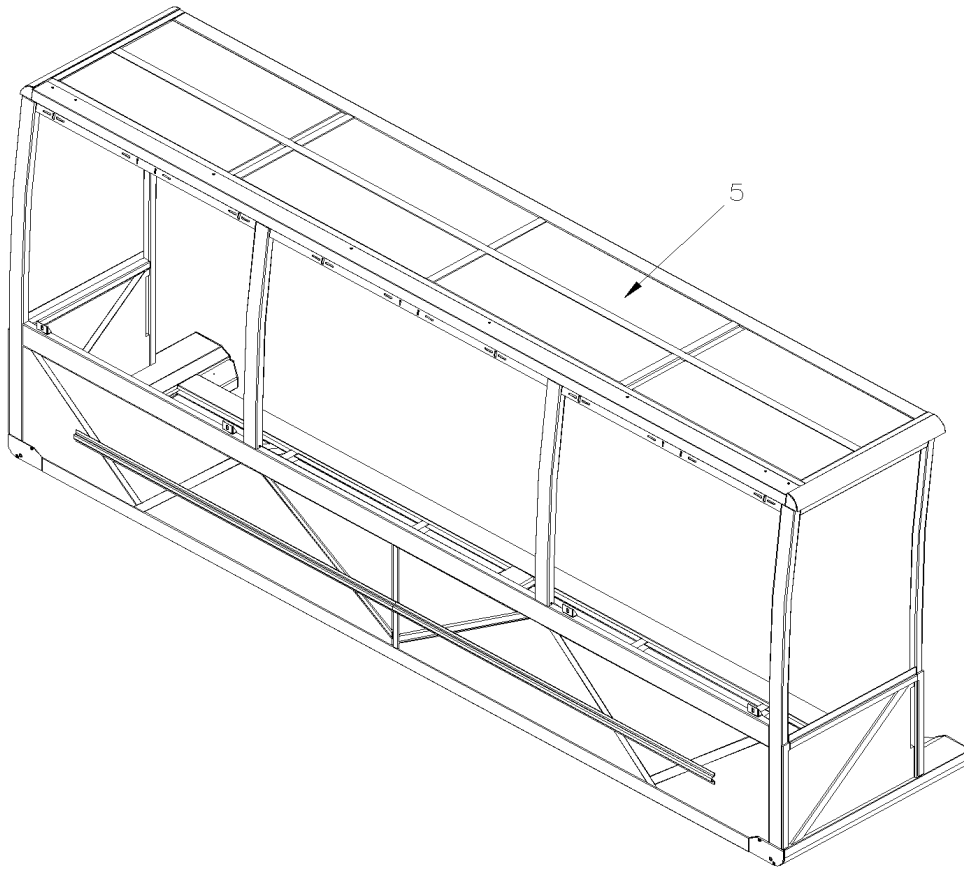
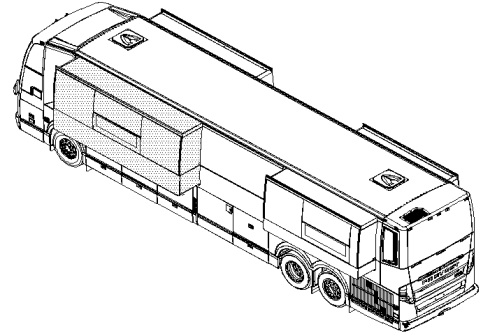
| Item# | Part | Description | QTY | Notes |
|-------|--------|---|-----|-------|
| . 06 | 356246 | . ROOF INSULATION PANEL From K-0521 To N-1232 | 1 | |
| . 07 | 356242 | . ROOF INSULATING PANEL From K-0521 To N-1232 | 1 | |
| . 08 | 356234 | . ROOF INSULATION PANEL From K-0521 To N-1232 | 2 | |
| . 09 | 353529 | . ROOF INSULATION PANEL From K-0521 To N-1232 | 1 | |
| . 10 | 356236 | . ROOF INSULATION PANEL From K-0521 To N-1232 | 2 | |
| 11 | 354308 | KIT INSULATING ROOF PANEL / W/WCL From N-1233 | 1 | |
| . 01 | 354268 | . ROOF INSULATION PANEL From N-1233 | 19 | |
| . 02 | 354267 | . ROOF INSULATION PANEL From N-1233 | 11 | |
| . 03 | 354276 | . ROOF INSULATION PANEL From N-1233 | 1 | |
| . 04 | 354280 | . ROOF INSULATION PANEL From N-1233 | 1 | |
| . 05 | 354278 | . ROOF INSULATION PANEL From N-1233 | 1 | |
| . 06 | 354279 | . ROOF INSULATION PANEL From N-1233 | 1 | |
| . 07 | 354277 | . ROOF INSULATION PANEL From N-1233 | 1 | |
| . 08 | 354288 | . ROOF INSULATION PANEL From N-1233 | 2 | |
| . 09 | 354287 | . ROOF INSULATION PANEL From N-1233 | 1 | |
| . 10 | 354289 | . ROOF INSULATION PANEL From N-1233 | 2 | |
| 12 | 356222 | KIT INSULATING ROOF PANEL To K-0520 | | |
| . 01 | 356220 | . ROOF INSULATION PANEL To K-0520 | 22 | |
| . 02 | 356219 | . ROOF INSULATION PANEL To K-0520 | 11 | |
| . 20 | 356224 | . ROOF INSULATION PANEL To K-0520 | 1 | |
| . 30 | 356235 | . ROOF INSULATION PANEL To K-0520 | 1 | |
| . 41 | 356234 | . ROOF INSULATION PANEL To K-0520 | 2 | |
| . 50 | 356236 | . ROOF INSULATION PANEL To K-0520 | 2 | |
| 12 | 353534 | KIT INSULATING ROOF PANEL From K-0521 To N-1232 | | |
| . 01 | 356220 | . ROOF INSULATION PANEL From K-0521 To N-1232 | 22 | |
| . 01 | 356220 | . ROOF INSULATION PANEL From K-0521 To N-1232 | 22 | |
| . 02 | 356219 | . ROOF INSULATION PANEL From K-0521 To N-1232 | 11 | |
| . 20 | 356224 | . ROOF INSULATION PANEL From K-0521 To N-1232 | 1 | |
| . 30 | 353529 | . ROOF INSULATION PANEL From K-0521 To N-1232 | 1 | |
| . 41 | 356234 | . ROOF INSULATION PANEL From K-0521 To N-1232 | 2 | |
| . 50 | 356236 | . ROOF INSULATION PANEL From K-0521 To N-1232 | 2 | |
| 12 | 354290 | KIT INSULATING ROOF PANEL From N-1233 | 1 | |
| NS | 352769 | INSULATOR SUPPORT | AR | |
| NS | 683084 | SEALANT SIKA #221 / GREY / 600 ml SAUSAGE | AR | |
| NS | 683083 | ADHESIVE SIKA #252 / BLACK / 600 ml SAUSAGE | AR | |

From K-0295

Date:07/2024

PAGE:VIP-1839-90

INSULATING - "SLIDE-OUT"

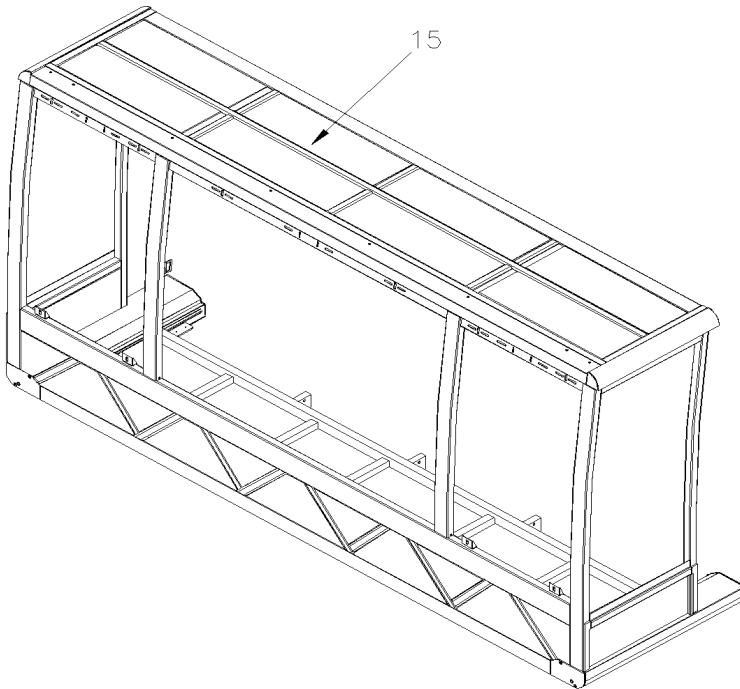
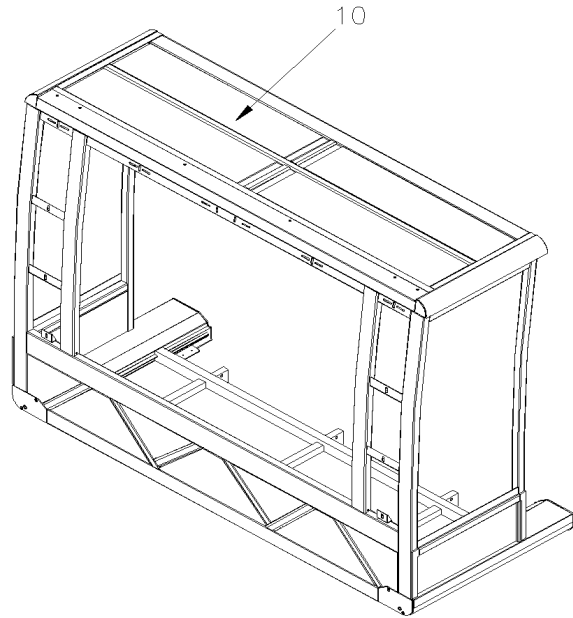
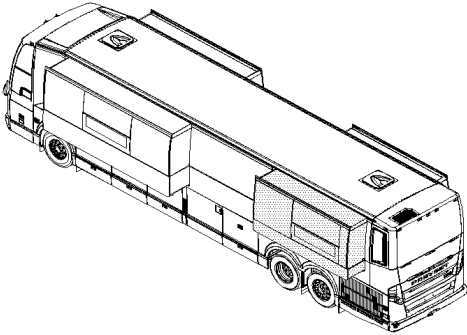


From K-0295

Date:07/2024

PAGE:VIP-1839-90

INSULATING - "SLIDE-OUT"

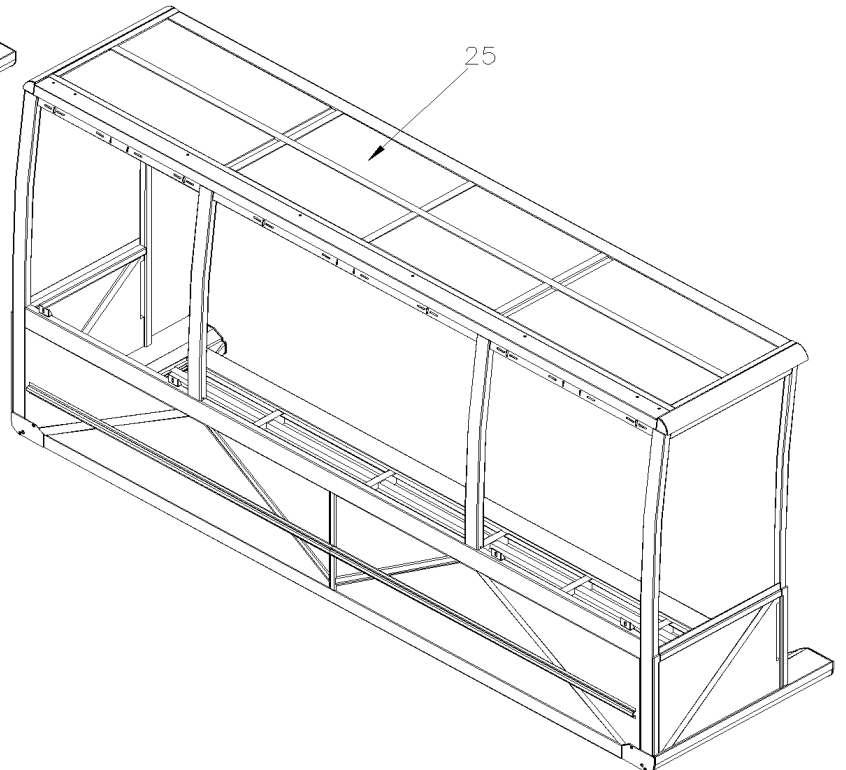
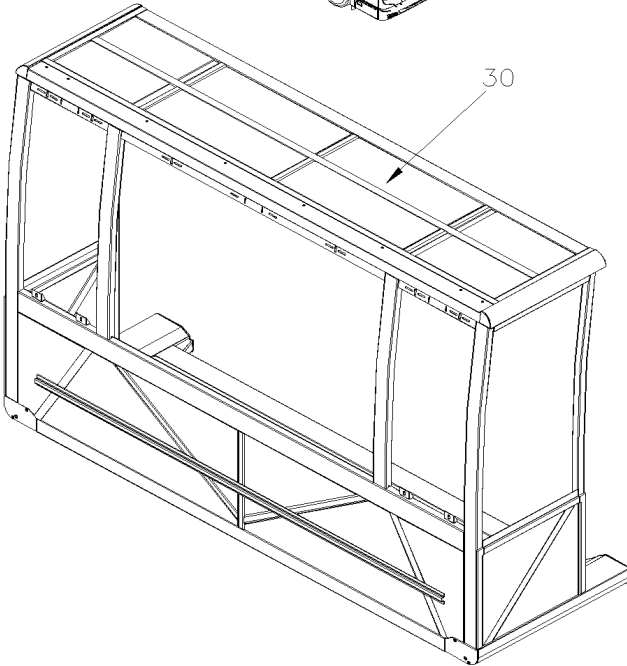
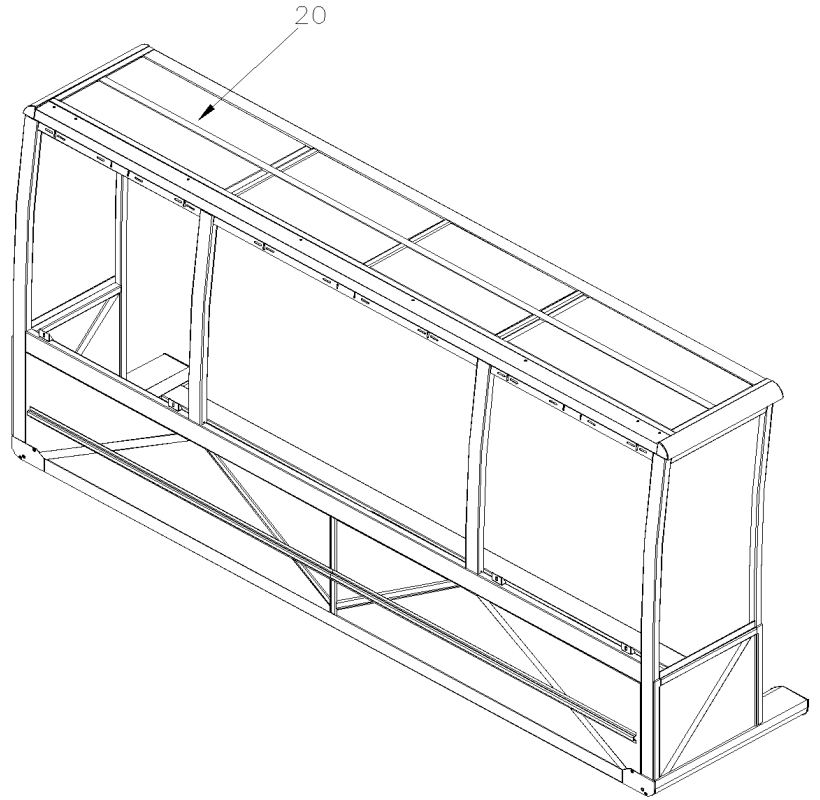
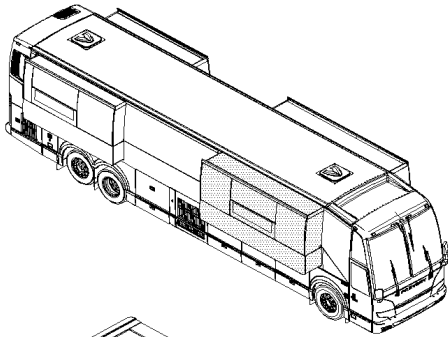


From K-0295

Date:07/2024

PAGE:VIP-1839-90

INSULATING - "SLIDE-OUT"

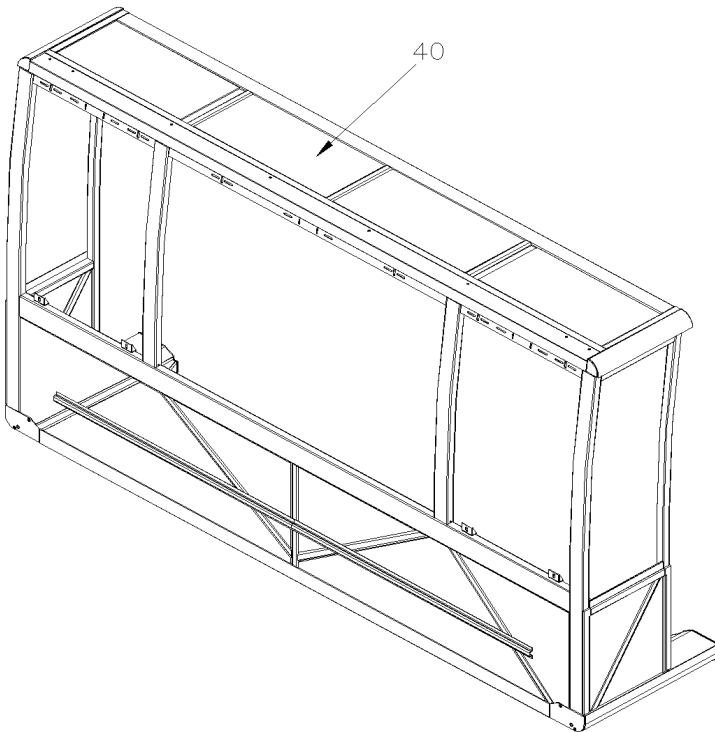
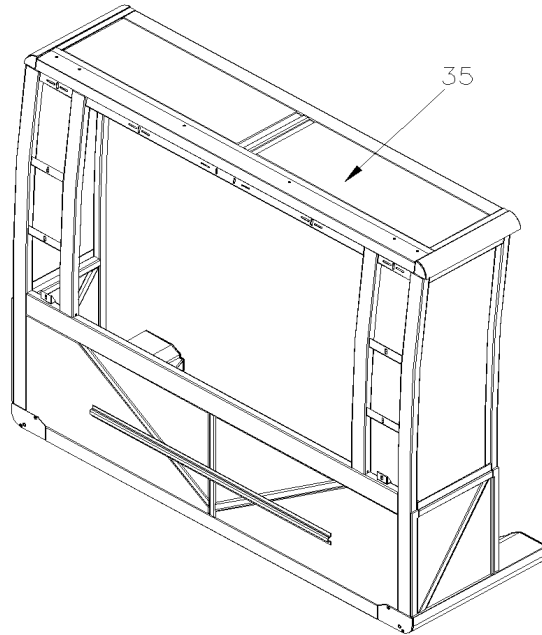
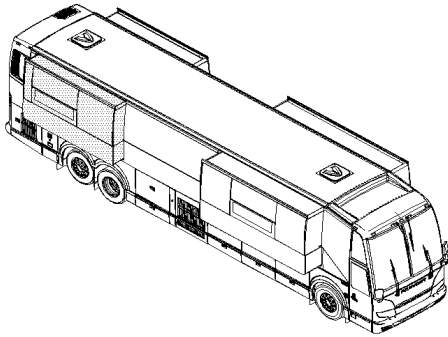


From K-0295

Date:07/2024

PAGE:VIP-1839-90

INSULATING - "SLIDE-OUT"



| | | |
|---------------------------------|--------------|------------------|
| From K-0295 | Date:07/2024 | PAGE:VIP-1839-90 |
| INSULATING - "SLIDE-OUT" | | |

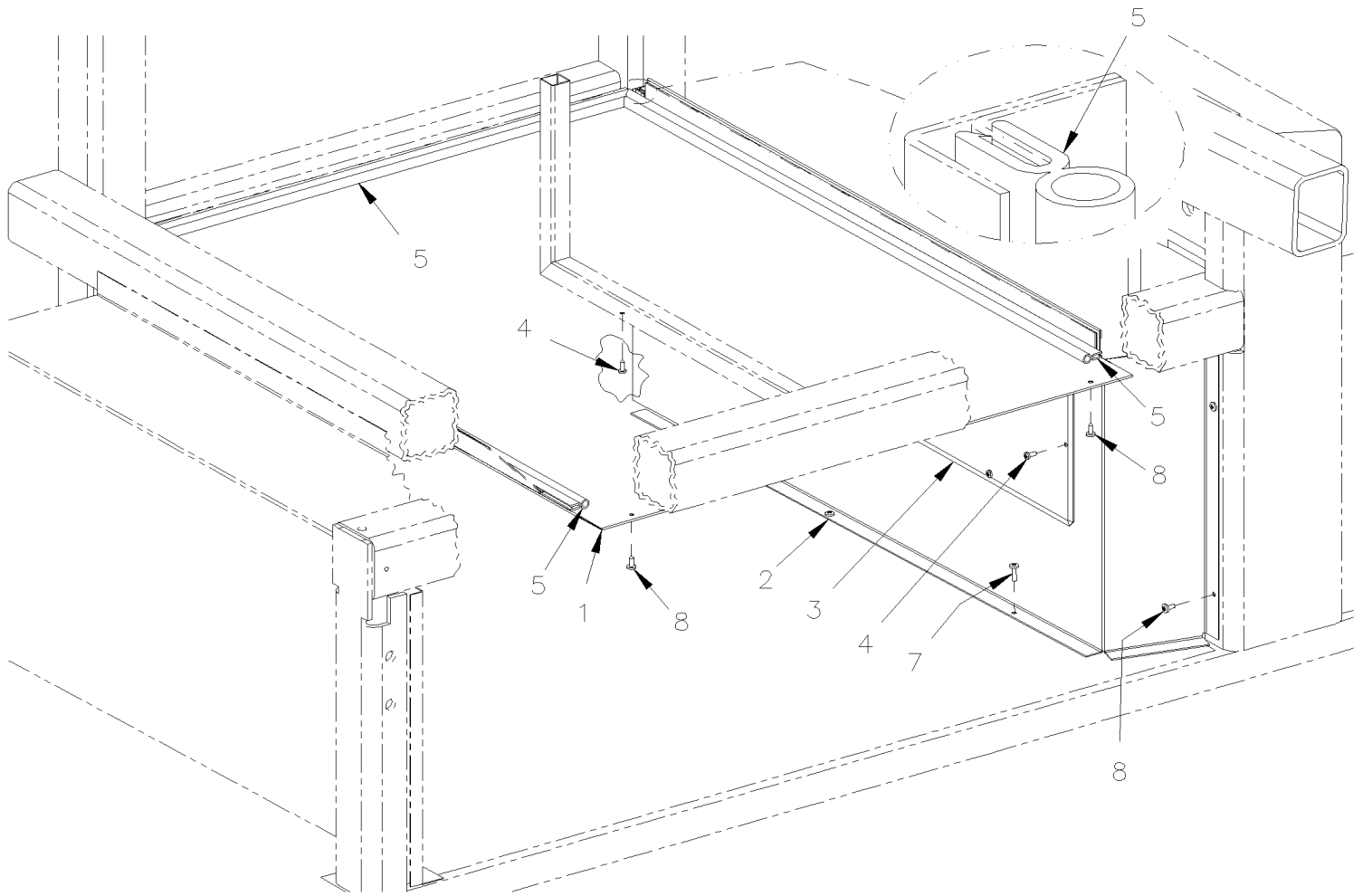
| Item# | Part | Description | QTY | Notes |
|-------|--------|--|-----|--------|
| 5 | 353256 | KIT INSULATION / FRONT STREET SIDE SLIDE OUT | 1 | |
| 10 | 353324 | KIT INSULATION / REAR STREET SIDE SLIDE OUT | 1 | 7.5 |
| 15 | 353363 | KIT INSULATION / REAR STREET SIDE SLIDE OUT | 1 | 10.5 A |
| 15 | 353416 | KIT INSULATION / REAR STREET SIDE SLIDE OUT | 1 | 10.5 B |
| 20 | 352903 | KIT INSULATION / FRONT CURBSIDE SLIDE OUT | 1 | |
| 35 | 353310 | KIT INSULATION / REAR CURBSIDE SLIDE OUT | 1 | 7.5 |
| 40 | 353358 | KIT INSULATION / REAR CURBSIDE SLIDE OUT | 1 | 10.5 A |
| 40 | 353434 | KIT INSULATION / REAR CURBSIDE SLIDE OUT | 1 | 10.5 B |
| NS | 680415 | TAPE ADHESIVE 3" WIDE BLUE | AR | |
| NS | 680532 | SEALANT SIKA #221 / GREY / 310ml CARTRIDGE | AR | |
| NS | 684196 | PRIMER ELASTOCOL # 593 | AR | |
| NS | 685124 | ADHESIVE SIMSON #ISR 70-03 / BLACK / 600ml SAUSAGE | AR | |
| NS | 850100 | WHITE WALL COVERING ADHESIVE / 25" X 465" | AR | |
| 50 | 850101 | WHITE WALL COVERING ADHESIVE / 14 1/2" x 360" | AR | |
| | | | | |
| | | | | |
| | | | | |
| | | 10.5) WITH 10.5 FEET SLIDE-OUT ONLY | | |
| | | 7.5) WITH 7.5 FEET SLIDE-OUT ONLY | | |
| | | A) WITH BACKWARD SLIDE-OUT | | |
| | | B) WITH FOWARD SLIDE-OUT | | |

From K-0295 To P-1347

Date:07/2024

PAGE:VIP-1840-00

CLOSING PANEL SPARE COMPARTMENT



| | | |
|-----------------------|--------------|------------------|
| From K-0295 To P-1347 | Date:07/2024 | PAGE:VIP-1840-00 |
|-----------------------|--------------|------------------|

CLOSING PANEL SPARE COMPARTMENT

| Item# | Part | Description | QTY | Notes |
|-------|--------|---|-----|-------|
| 1 | 350654 | PANEL CLOSING / W/IND SUSPENTION / 955MM X 728MM | 1 | |
| 2 | 357373 | PANEL ASSY SIDE / W/IND SUSPENTION | 1 | |
| 3 | 350225 | PANEL ACCESS / STEERING BOX | 1 | |
| 4 | 500638 | SCREW TP PAN PH #8x1/2 Z050 | 5 | |
| 5 | 506302 | RUBBER EXTRUSION TRIM SEAL / GRIP .024 / 7/16" HOLLOW BULB C.T.L. | AR | |
| 6 | 680096 | SEALANT BUTYL ALUM / GREY / 310ml CARTRIDGE | AR | |
| 7 | 500642 | SCREW TP PAN PH #10x3/4 Z050 | 2 | |
| 8 | 500657 | SCREW TC TR PH #10-24x1/2 Z050 | 5 | |

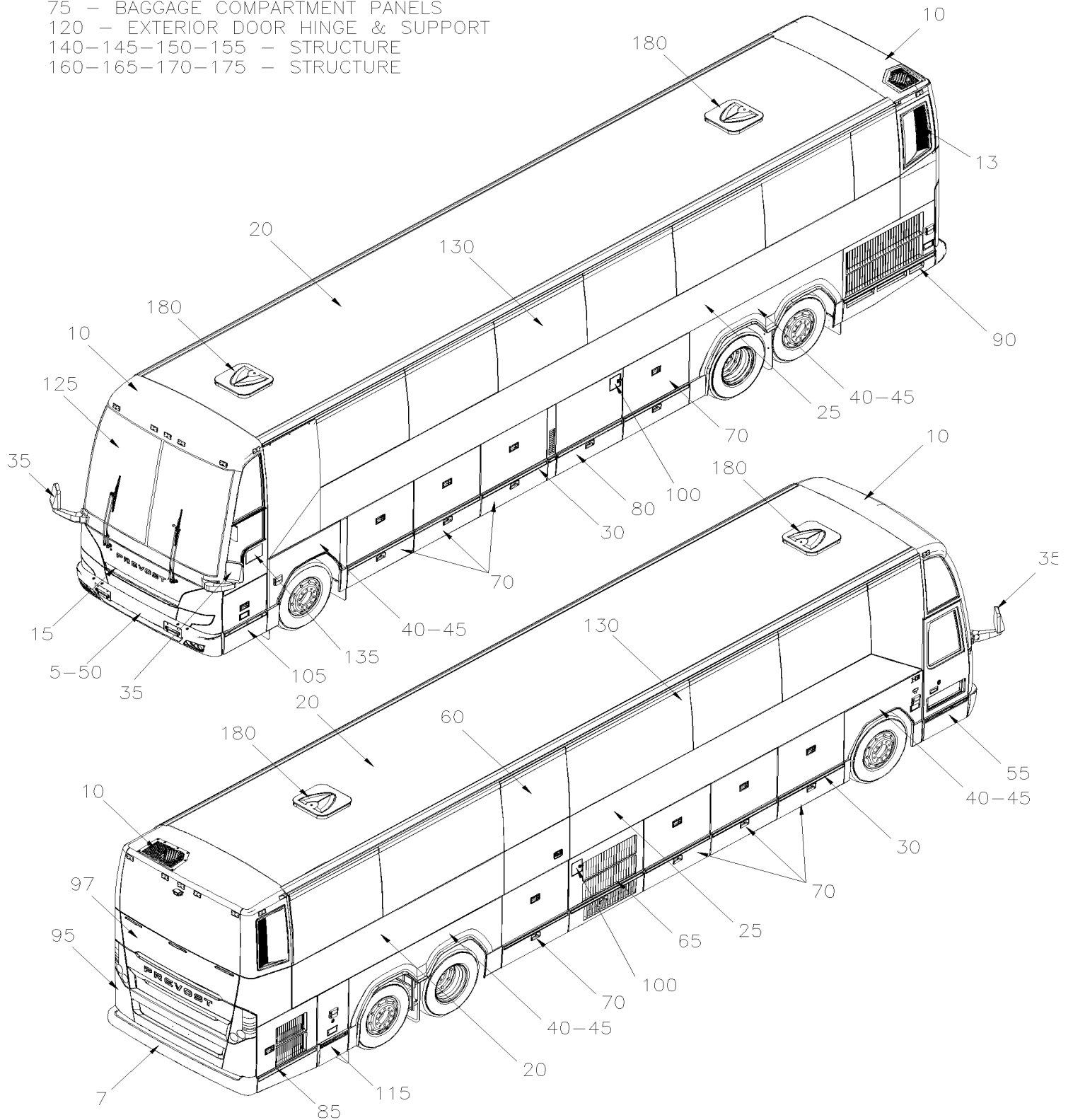
From K-0295

Date:07/2024

PAGE:VIP-18-EXT

BODY EXTERIOR

- 75 - BAGGAGE COMPARTMENT PANELS
- 120 - EXTERIOR DOOR HINGE & SUPPORT
- 140-145-150-155 - STRUCTURE
- 160-165-170-175 - STRUCTURE



| | | | |
|----------------------|--|--------------|-----------------|
| From K-0295 | | Date:07/2024 | PAGE:VIP-18-EXT |
| BODY EXTERIOR | | | |

| Item# | Part | Description | QTY | Notes |
|-------|-------------|---|-----|-------|
| 5 | VIP-1850-01 | BUMPER FRONT From K-0295 To P-1347 | | |
| NS | VIP-1850-02 | BUMPER FRONT From P-1348 | | |
| 7 | VIP-1850-10 | BUMPER REAR From K-0295 | | |
| 10 | VIP-1851-02 | CAP - FRONT & REAR - INSTALLATION From K-0295 To P-1347 | | |
| NS | VIP-1851-03 | FRONT CAP - INSTALLATION From P-1348 | | |
| 13 | VIP-1851-05 | REAR CAP - DOOR DPF & SCR From K-0295 To P-1347 | | |
| NS | VIP-1851-06 | REAR CAP - DOOR DPF & SCR From P-1348 | | |
| 15 | VIP-1851-11 | FRONT PANEL - INSTALLATION From K-0295 To P-1347 | | |
| NS | VIP-1851-15 | FRONT CAP - ACCESS PANEL From P-1348 | | |
| NS | VIP-1851-20 | REAR CAP - INSTALLATION From P-1348 | | |
| 20 | VIP-1852-00 | ROOF PANELS From K-0295 To P-1347 | | |
| NS | VIP-1852-01 | ROOF PANELS From P-1348 | | |
| 25 | VIP-1854-50 | SIDE PANELS - V.I.P. From K-0295 To P-1347 | | |
| NS | VIP-1854-51 | SIDE PANELS - V.I.P. From P-1348 | | |
| 25 | VIP-1854-55 | SIDE PANELS - WITH "SLIDE-OUT" / BY "CONVERTER" From K-0295 To P-1347 | | |
| 25 | VIP-1854-60 | SIDE PANELS - WITH "SLIDE-OUT" "PREVOST" From K-0295 To P-1347 | | |
| NS | VIP-1854-61 | SIDE PANELS - WITH "SLIDE-OUT" "PREVOST" From P-1348 | 1 | |
| 25 | VIP-1854-81 | SIDE PANELS - FRONT STREET SIDE - "SLIDE-OUT" From K-0295 To P-1347 | | |
| NS | VIP-1854-82 | SIDE PANELS - FRONT STREET SIDE - "SLIDE-OUT" From P-1348 | | |
| 25 | VIP-1854-86 | SIDE PANELS - REAR STREET SIDE - "SLIDE-OUT" From K-0295 To P-1347 | | |
| NS | VIP-1854-87 | SIDE PANELS - REAR STREET SIDE - "SLIDE-OUT" From P-1348 | | |
| 25 | VIP-1854-91 | SIDE PANELS - FRONT CURBSIDE - "SLIDE-OUT" From K-0295 To P-1347 | | |
| NS | VIP-1854-92 | SIDE PANELS - FRONT CURBSIDE - "SLIDE-OUT" From P-1348 | | |
| 25 | VIP-1854-96 | SIDE PANELS - REAR CURBSIDE - "SLIDE-OUT" From K-0295 To P-1347 | | |
| NS | VIP-1854-97 | SIDE PANELS - REAR CURBSIDE - "SLIDE-OUT" From P-1348 | | |
| 30 | VIP-1855-00 | EXTERIOR TRIMS & CREST From K-0295 To P-1347 | | |
| 30 | VIP-1855-01 | EXTERIOR TRIMS & CREST From P-1348 | | |
| NS | VIP-1856-01 | MIRROR 2 GLASSES / CHROME From P-1348 | | |
| 35 | VIP-1856-10 | "E-MIRROR" INSTALLATION From K-0295 To P-1347 | | |
| NS | VIP-1856-11 | "E-MIRROR" INSTALLATION From P-1348 | | |
| 35 | VIP-1856-50 | MIRROR "RAMCO" FLAT GLASS / CHROME From K-0295 To P-1347 | | |
| 35 | VIP-1856-51 | MIRROR "RAMCO" FLAT GLASS / CHROME WITH DIRECTIONAL From K-0295 To P-1347 | | |
| 35 | VIP-1856-60 | MIRROR "RAMCO" 2 GLASSES / CHROME From K-0295 To P-1347 | | |
| NS | VIP-1856-90 | MIRRORS - EMERGENCY From P-1348 | | |
| 40 | VIP-1857-02 | FENDERS From K-0295 To P-1347 | | |
| NS | VIP-1857-03 | FENDERS From P-1348 | | |
| 45 | VIP-1859-01 | SPLASH GUARD - FRONT & REAR From K-0295 | | |
| 50 | VIP-1860-11 | SPARE WHEEL DOOR MECHANISM FRONT BUMPER From K-0295 To P-1347 | | |
| NS | VIP-1860-12 | SPARE WHEEL DOOR MECHANISM FRONT BUMPER From P-1348 | 1 | |
| 50 | VIP-1860-50 | BUMPER DOOR FRONT - V.I.P. From K-0295 To P-1347 | | |
| 55 | VIP-1862-51 | ENTRANCE DOOR ASSY - V.I.P. From K-0295 To P-1347 | | |
| NS | VIP-1862-52 | ENTRANCE DOOR ASSY - V.I.P. From P-1348 | 1 | |

| | | | |
|----------------------|--|--------------|-----------------|
| From K-0295 | | Date:07/2024 | PAGE:VIP-18-EXT |
| BODY EXTERIOR | | | |

| Item# | Part | Description | QTY | Notes |
|-------|-------------|---|-----|-------|
| 55 | VIP-1862-60 | ENTRANCE DOOR FRAME - INSTALLATION From K-0295 To P-1347 | | |
| NS | VIP-1862-61 | ENTRANCE DOOR - INSTALLATION From P-1348 | | |
| 60 | VIP-1862-82 | ENTRANCE DOOR SLIDING - WCL From K-0295 To P-1347 | | |
| 60 | VIP-1862-87 | SLIDING DOOR - INSTALLATION From K-0295 To P-1347 | | |
| 65 | VIP-1863-01 | CONDENSOR DOOR ASSY "EPA 2010" From K-0295 | | |
| 65 | VIP-1863-50 | CONDENSOR PANEL INSTALLATION / SMALL A/C From K-0295 | | |
| 70 | VIP-1864-00 | BAGGAGE COMPARTMENT DOOR From K-0295 | | |
| 70 | VIP-1864-31 | HANDLE LOCK & KEYS - TYPE "NS" From K-0295 To P-1347 | | |
| 70 | VIP-1864-32 | HANDLE LOCK & KEYS - TYPE "NS" From P-1348 | | |
| 70 | VIP-1864-35 | BAGGAGE COMPARTMENT ELECTRICAL LOCK - V.I.P From K-0295 | | |
| 70 | VIP-1864-55 | BAGGAGE DOOR ASSY - V.I.P. - "GRILL" STYLE From K-0295 | | |
| 70 | VIP-1864-60 | BAGGAGE COMPARTMENT DOOR SMALL WITH SMALL A/C From K-0295 | | |
| 70 | VIP-1864-91 | BAGGAGE DOOR - W/"SLIDE-OUT" INSTALLTION From K-0295 | | |
| 70 | VIP-1864-95 | BAGGAGE DOOR - W/"SLIDE-OUT" PANTOGRAPH INSTALLTION From K-0295 | | |
| 75 | VIP-1865-00 | BAGGAGE COMPARTMENT PANELS From K-0295 | | |
| 76 | VIP-1865-22 | EVAPORATOR & CONDENSOR WALL INSTALLATION From K-0295 | | |
| 76 | VIP-1865-52 | PANEL WALL BAGGAGE INSTALLATION WITH SMALL A/C SYSTEM From K-0295 | | |
| 80 | VIP-1866-00 | EVAPORATOR DOOR ASSY From K-0295 | | |
| 85 | VIP-1868-01 | A/C COMPRESSOR DOOR ASSY From K-0295 | | |
| 90 | VIP-1869-01 | RADIATOR DOOR ASSY From K-0295 | | |
| 95 | VIP-1870-01 | ENGINE DOOR ASSY From K-0295 | | |
| 95 | VIP-1870-11 | REAR ENGINE DOOR - INSTALLATION From K-0295 | | |
| 97 | VIP-1870-21 | REAR ENGINE UPPER DOOR From K-0295 To P-1347 | | |
| NS | VIP-1870-22 | REAR ENGINE UPPER DOOR From P-1348 | | |
| 100 | VIP-1875-01 | FUEL TANK & UREA FILLING DOOR From K-0295 | | |
| 100 | VIP-1875-51 | FUEL TANK FILLING DOOR - V.I.P. WITH SMALL A/C From K-0295 | | |
| 105 | VIP-1879-00 | FRONT SERVICE DOOR ASSY From K-0295 To P-1347 | | |
| NS | VIP-1879-01 | FRONT SERVICE DOOR ASSY From P-1348 | 1 | |
| 105 | VIP-1879-10 | FRONT SERVICE DOOR - INSTALLATION From K-0295 To P-1347 | | |
| NS | VIP-1879-11 | FRONT SERVICE DOOR INSTALLATION From P-1348 | | |
| 115 | VIP-1879-60 | REAR SIDE SERVICE DOOR ASSY R.H. From K-0295 | | |
| 120 | VIP-1879-90 | EXTERIOR DOOR HINGE AND SUPPORT From K-0295 | | |
| 125 | VIP-1880-01 | WINDSHIELD & CHANNEL From K-0295 To P-1347 | | |
| NS | VIP-1880-02 | WINDSHIELD & CHANNEL From P-1348 | | |
| 130 | VIP-1884-50 | SIDE WINDOWS - V.I.P. From K-0295 To P-1347 | | |
| NS | VIP-1884-51 | SIDE WINDOWS - V.I.P. From P-1348 | 1 | |
| 130 | VIP-1884-65 | ELECTRICAL AWNING WINDOW ASSY From K-0295 | | |
| 130 | VIP-1884-80 | ELECTRICAL SLIDING WINDOW ASSY From K-0295 To R-1597 | | |
| 130 | VIP-1884-81 | ELECTRICAL SLIDING WINDOW ASSY From R-1598 | | |
| 130 | VIP-1884-90 | SIDE WINDOW - "SLIDE-OUT" From K-0295 To P-1347 | | |
| NS | VIP-1884-91 | SIDE WINDOW - "SLIDE-OUT" From P-1348 | | |
| 135 | VIP-1886-00 | POWER WINDOW - ELECTRICAL INSTALLATION From K-0295 To P-1347 | | |

| | | |
|-------------|--------------|-----------------|
| From K-0295 | Date:07/2024 | PAGE:VIP-18-EXT |
|-------------|--------------|-----------------|

BODY EXTERIOR

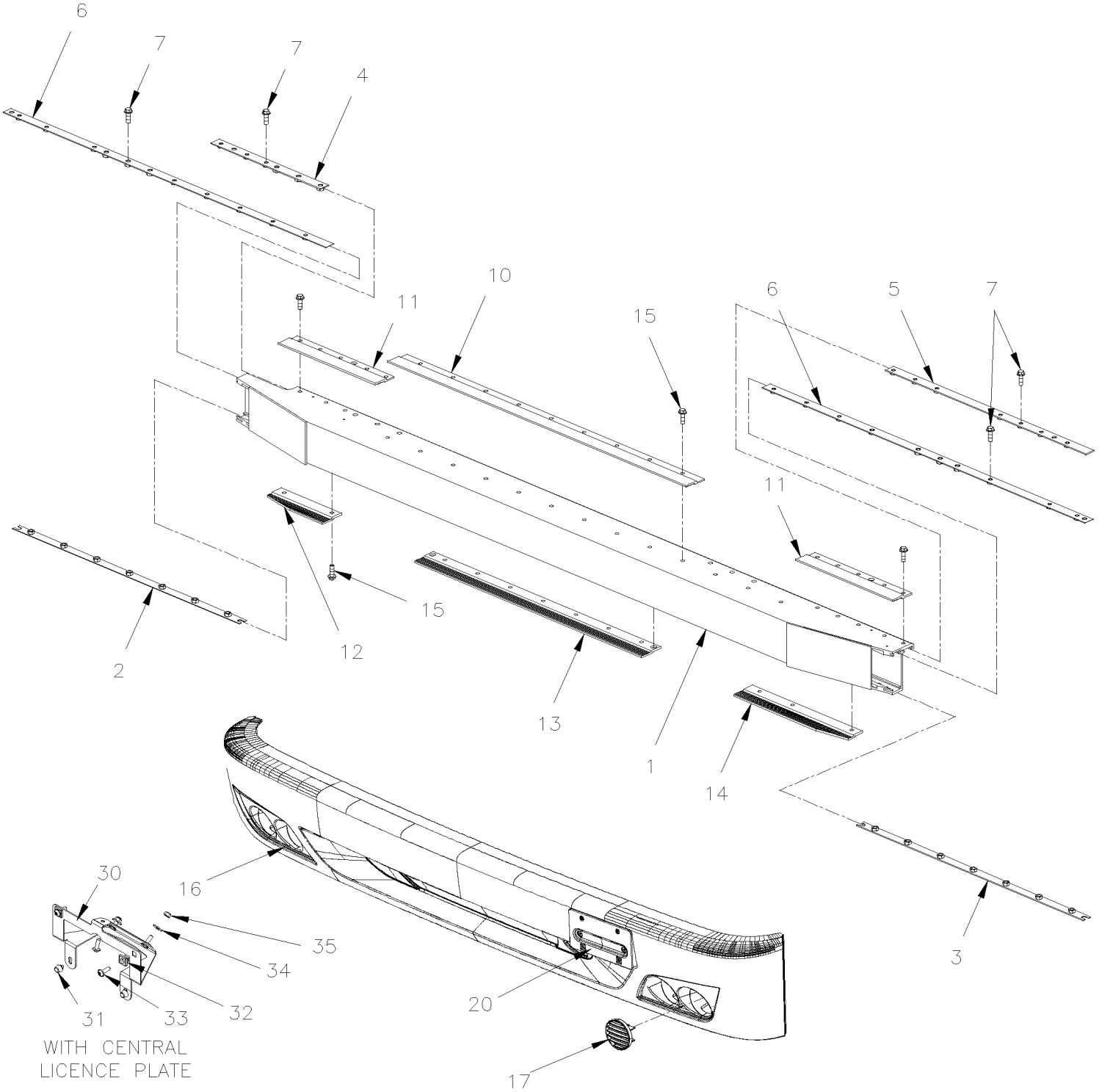
| Item# | Part | Description | QTY | Notes |
|-------|-------------|--|-----|-------|
| NS | VIP-1886-01 | POWER WINDOW - ELECTRICAL INSTALLATION From P-1348 | | |
| 140 | VIP-189X-XX | STRUCTURE / CALL ORDER DESK From K-0295 | | |
| 180 | VIP-1898-00 | ESCAPE HATCH - INSTALLATION From K-0295 To P-1347 | | |
| 180 | VIP-1898-01 | ESCAPE HATCH - INSTALLATION - VENTILATION From P-1347 | | |
| 180 | VIP-1898-10 | ESCAPE HATCH - INSTALLATION - VENTILATION "OPTION" From K-0295 To P-1347 | | |

From K-0295 To P-1347

Date:07/2024

PAGE:VIP-1850-01

BUMPER FRONT



| | | |
|------------------------------|---------------------|-------------------------|
| From K-0295 To P-1347 | Date:07/2024 | PAGE:VIP-1850-01 |
| BUMPER FRONT | | |

| Item# | Part | Description | QTY | Notes |
|-------|---------|--|-----|-------|
| | 411201 | BUMPER FRONT ASSY / V.I.P. W/HEADLAMP WASHER & W/OUT ACB | 1 | |
| | 411203 | BUMPER FRONT ASSY / V.I.P. / W/OUT WASHER & W/OUT ACB | 1 | |
| | 410029 | BUMPER FRONT ASSY / V.I.P. W/HEADLAMP WASHER & W/ACB | 1 | |
| 1 | 411133 | . BEAM ASSY / FRONT | 1 | |
| 2 | 411164 | . ATTACHMENT 1139MM | 1 | |
| 3 | 411165 | . ATTACHMENT 1201MM | 1 | |
| 4 | 411065 | . ATTACHMENT 400MM | 1 | |
| 5 | 411064 | . ATTACHMENT 735MM | 1 | |
| 6 | 411086 | . ATTACHMENT 400MM | 2 | |
| 7 | 5001742 | . SCREW CAP HEXF M8-1.25x30 G8.8 N500 | 4 | |
| 10 | 411087 | . EXTRUSION ALLUMINUM 831MM | 2 | |
| 11 | 411069 | . EXTRUSION ALLUMINUM 355MM | 2 | |
| 12 | 411071 | . EXTRUSION ALUMINUM 220MM | 1 | |
| 13 | 411080 | . EXTRUSION ALUMINUM 1090MM | 1 | |
| 13 | 5001533 | . SCREW TC FL PH #10-24x1 1/4 Z050 SS410 | 4 | |
| 14 | 411070 | . EXTRUSION ALLUMINUM 402MM | 1 | |
| 15 | 946472 | . SCREW CAP HEXF M10-1.5x30 G8.8 ZG603 | 12 | |
| 16 | 411370 | . BUMPER SKIN, FRONT VIP WITHOUT ACB SYSTEM | 1 | |
| 16 | 411371 | . BUMPER SKIN, FRONT VIP W/OUT HEAD-LAMP WASHER | 1 | |
| 16 | 411369 | . BUMPER SKIN, FRONT VIP WITH ACB SYSTEM | 1 | |
| 16 | 411348 | . BUMPER SKIN, FRONT BUS WITH ACB SYSTEM From L-0778 | 1 | A |
| 16 | 411368 | . BUMPER SKIN, FRONT BUS | 1 | B |
| NS | 411168 | . SUPPORT BOTTOM BUMPER SKIN | 1 | |
| NS | 411001 | . PLATE | 2 | |
| NS | 504339 | . RIVET POP DOME OE 1/8x3/8 SS | 4 | |
| 17 | 430645 | PLUG BUMPER / W/O FOG LAMP | 4 | |
| 17 | 5001547 | SCREW PTR TR PH M4x20 G500 | 8 | |
| 20 | 411162 | LICENSE PLATE HOLDER | 1 | |
| NS | 5001009 | NUT AN 1/4 NYL | 2 | |
| NS | 5001630 | SCREW TP BUTF TORX M6x20 SS | 6 | |
| | | | | |
| 30 | 411381 | LICENSE PLATE HOLDER | 1 | |
| 31 | 506499 | BUMPER PLUG / .500ODx.312THx.250HOLEx.093 | 2 | |
| 32 | 5001009 | NUT AN 1/4 NYL | 2 | |
| 33 | 5001630 | SCREW TP BUTF TORX M6x20 SS | 3 | |
| 34 | 500411 | WASHER FL .260x.697x.050 SS | 2 | |
| 35 | 502681 | NUT HEX NYRT M6-1.0 N500 G8 | 2 | |
| 35 | 5061020 | TAPE RUB ADH1 CC POL 1/32" x 1/2" x 50' / BLACK H1C-N | AR | |
| | | | | |
| | | | | |
| | | | | |
| | | A) OPTION UNITED COACHWORKS | | |

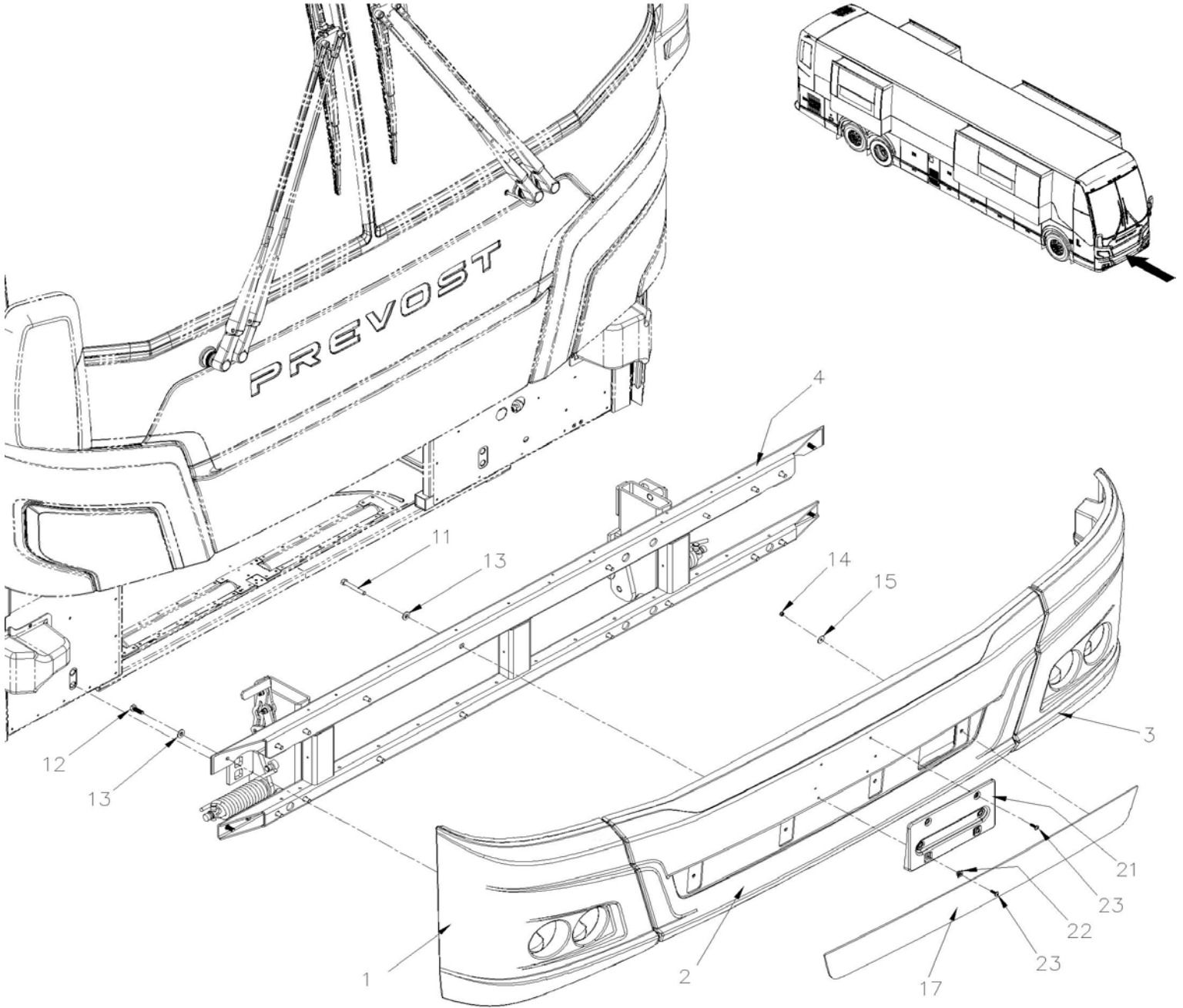
| From K-0295 To P-1347 | | Date:07/2024 | PAGE:VIP-1850-01 | |
|-----------------------|------|----------------------|------------------|-------|
| BUMPER FRONT | | | | |
| Item# | Part | Description | QTY | Notes |
| | | B) W/O ACB, W/O HOLE | | |

From P-1348

Date:07/2024

PAGE:VIP-1850-02

BUMPER FRONT



| | | |
|---------------------|--------------|------------------|
| From P-1348 | Date:07/2024 | PAGE:VIP-1850-02 |
| BUMPER FRONT | | |

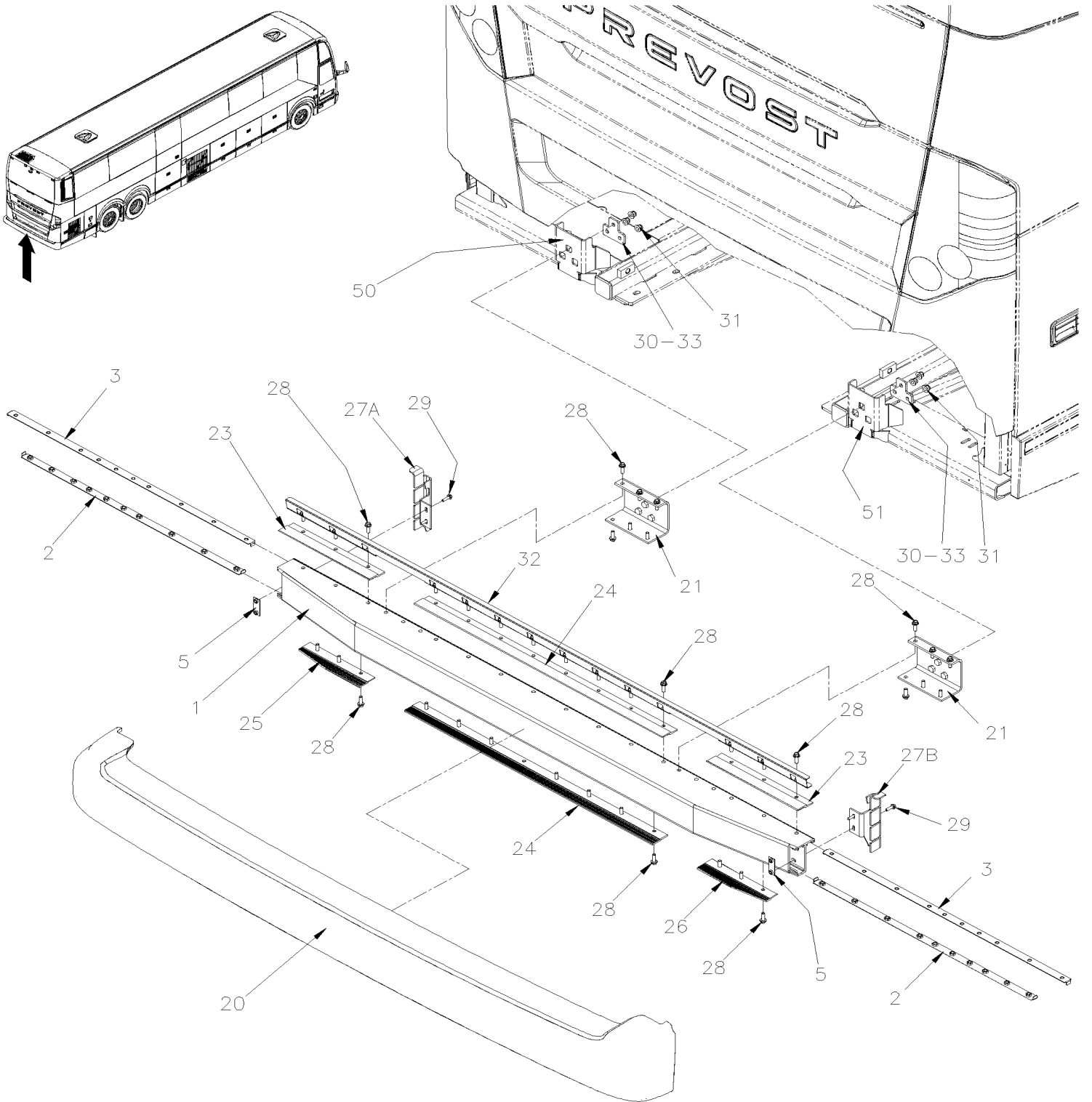
| Item# | Part | Description | QTY | Notes |
|-------|--------------------|--|-----|-------|
| | 410150P | FRONT BUMPER ASSY | 1 | |
| 1 | 411453 | . BUMPER FRONT / RIGHT | 1 | |
| 2 | 411454 | . FRONT BUMPER / CENTER | 1 | |
| 3 | 411455 | . BUMPER FRONT / LEFT | 1 | |
| 4 | 410141 | . BUMPER ASSY | 1 | |
| 11 | 5001493 | . SCREW CAP HEX M10-1.5x70 SS | 16 | |
| 12 | 5001418 | . SCREW CAP HEX M10-1.5x30 SS | 4 | |
| 13 | 5001834 | . WASHER BEL SPR 10.5X23X2.5 N500 | 20 | |
| 14 | 5001182 | . NUT HEX NYRT M6-1.0 SS | 4 | |
| 15 | 500142 | . WASHER FL 6.6x22.0x2.0 SS | 4 | |
| | | | | |
| 17 | 410025 | BUMPER TRIM WITH OPENING | 1 | A C |
| 17 | 411456 | BUMPER TRIM WITHOUT HOLE | 1 | A C |
| | | | | |
| 21 | 410251 | LICENSE PLATE HOLDER ASS | 1 | |
| 21 | 410250 | . LICENSE PLATE HOLDER | 1 | |
| 22 | 5001009 | . NUT AN 1/4 NYL | 2 | |
| 23 | 5001630 | . SCREW TP BUTF TORX M6x20 SS | 6 | |
| 51 | VIP-1860-12 | SPARE WHEEL DOOR MECHANISM FRONT BUMPER | | |
| | | | | |
| | | | | |
| | | A) WITH "ACB" | | |
| | | C) NOT INCLUDE WITH BUMPER ASSEMBLY | | |

From K-0295

Date:07/2024

PAGE:VIP-1850-10

BUMPER REAR



| | | | |
|--------------------|--|--------------|------------------|
| From K-0295 | | Date:07/2024 | PAGE:VIP-1850-10 |
| BUMPER REAR | | | |

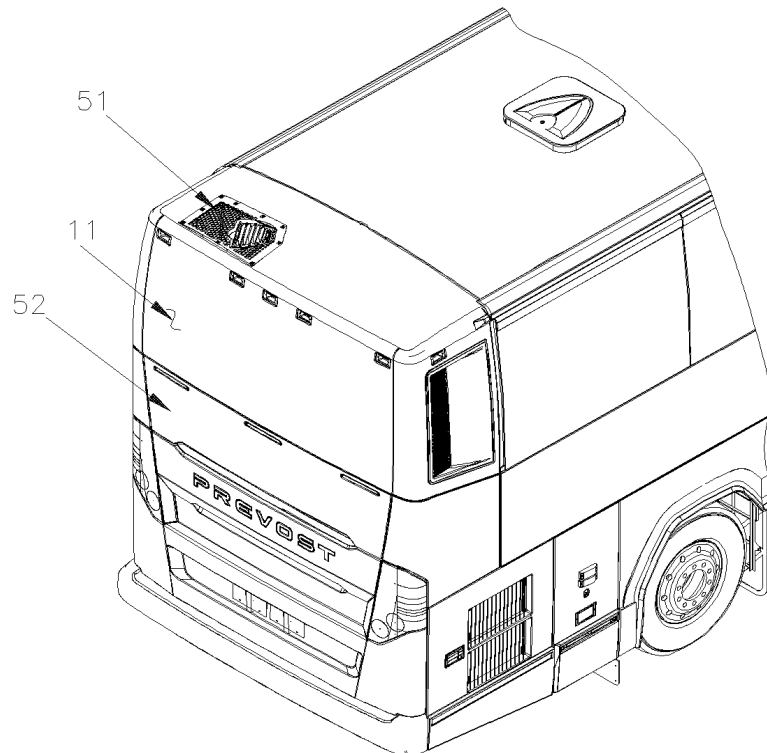
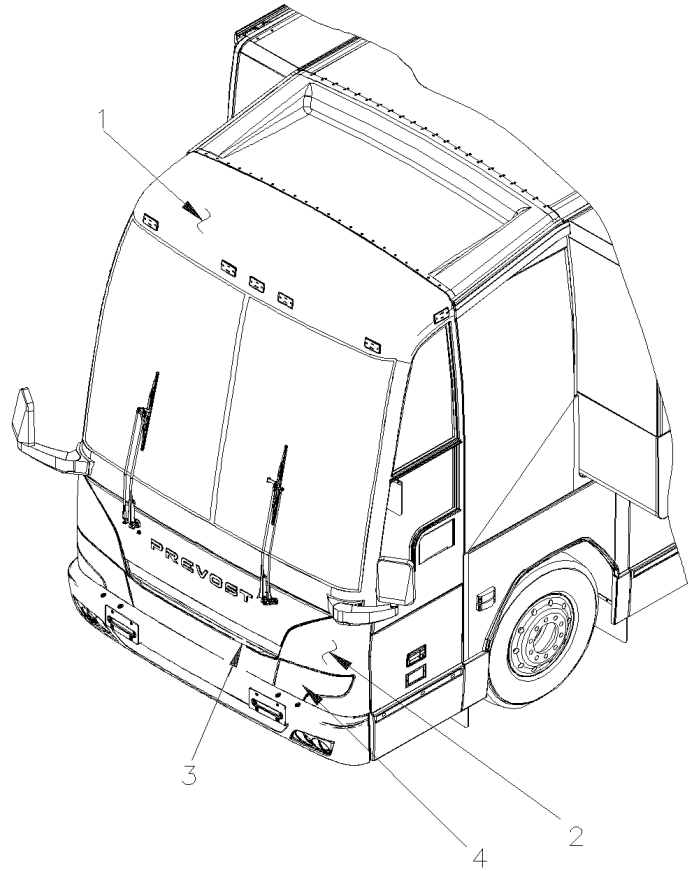
| Item# | Part | Description | QTY | Notes |
|-------|---------|--|-----|-------|
| | 411119 | BUMPER REAR ASSY / VIP | 1 | |
| 1 | 411074 | . BEAM ASSY REAR | 1 | |
| 2 | 411072 | . ATTACHMENT 1033MM | 2 | |
| 3 | 411073 | . ATTACHMENT 1143MM | 2 | |
| 5 | 410939 | . ATTACHMENT 69MM | 2 | |
| 20 | 410988 | . BUMPER SKIN, REAR VIP To £-17026 | 1 | |
| 20 | 410043 | . BUMPER SKIN, REAR VIP From £-17026 | 1 | |
| 21 | 410865 | . SUPPORT REAR | 2 | |
| 23 | 411076 | . EXTRUSION ALUMINUM 420MM | 2 | |
| 24 | 411075 | . EXTRUSION ALUMINUM 1144MM | 2 | |
| 25 | 411078 | . EXTRUSION ALUMINUM 300MM | 1 | |
| 26 | 411077 | . EXTRUSION ALUMINUM 300MM | 1 | |
| 27A | 411265 | . REINFORCEMENT / STREET SIDE | 1 | |
| 27B | 411264 | . REINFORCEMENT / CURBSIDE | 1 | |
| 28 | 5001741 | . SCREW CAP HEXF M10-1.5x30 G8.8 N500 | 40 | |
| 29 | 5001742 | . SCREW CAP HEXF M8-1.25x30 G8.8 N500 | 4 | |
| 30 | 410923 | . PLATE ATTACHMENT | 2 | |
| 31 | 5001761 | . NUT HEXF NYRT M12-1.75 G8 N500 | 6 | |
| 32 | 411079 | . REINFORCEMENT | 1 | |
| 33 | 411447 | SHIM From M-1167 | AR | |
| | | | | |
| 50 | 216819 | BRACKET BUMPER L.H. & R.H. / WELDED TO STRUCTURE | 1 | |
| 51 | 216819 | BRACKET BUMPER L.H. & R.H. / WELDED TO STRUCTURE | 1 | |
| | | | | |

From K-0295 To P-1347

Date:07/2024

PAGE:VIP-1851-02

CAP - FRONT & REAR - INSTALLATION

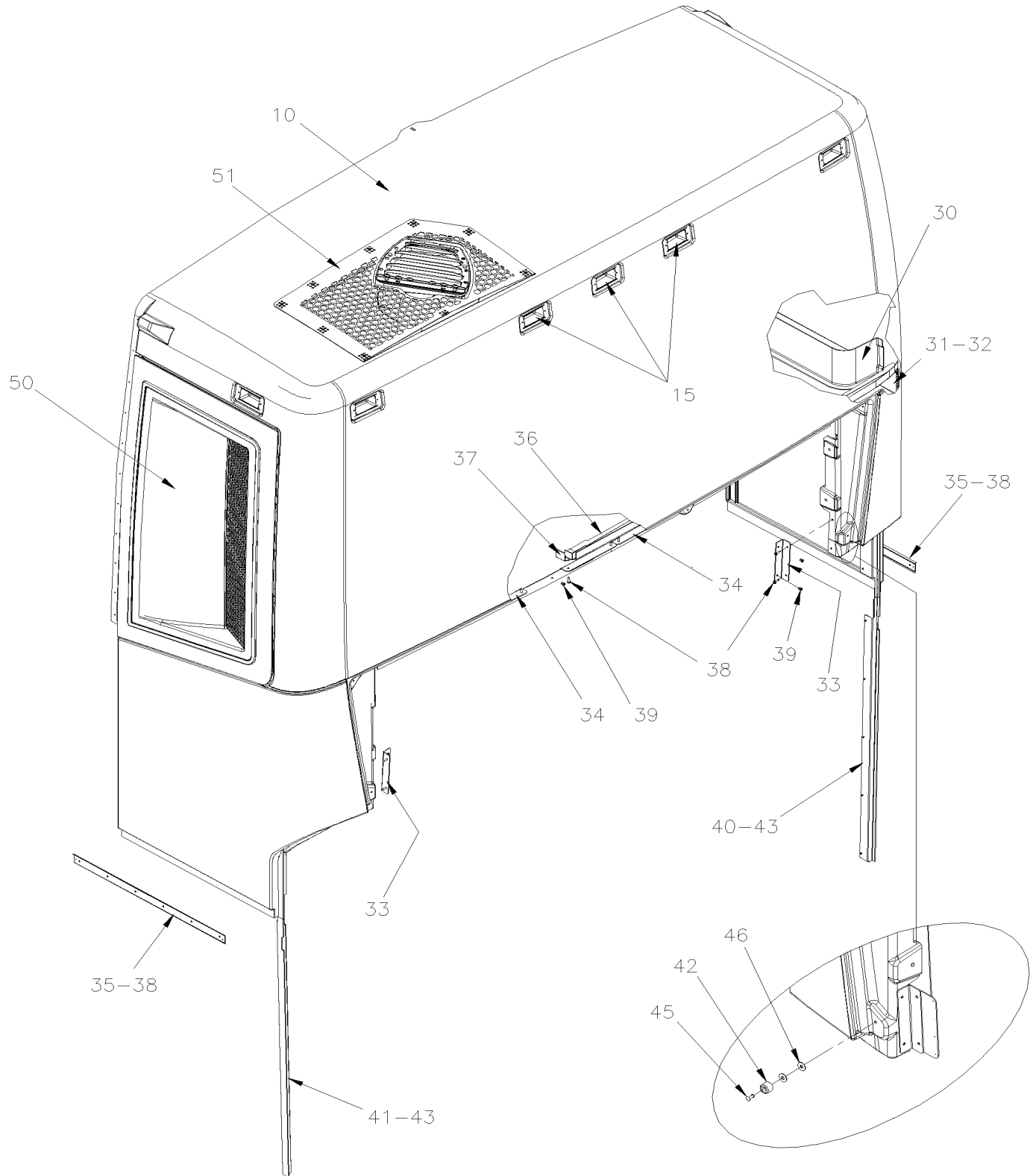


From K-0295 To P-1347

Date:07/2024

PAGE:VIP-1851-02

CAP - FRONT & REAR - INSTALLATION



| | | |
|-----------------------|--------------|------------------|
| From K-0295 To P-1347 | Date:07/2024 | PAGE:VIP-1851-02 |
|-----------------------|--------------|------------------|

CAP - FRONT & REAR - INSTALLATION

| Item# | Part | Description | QTY | Notes |
|-------|--------------------|---|-----|-------|
| 1 | 471220 | FRONT CAP ASSY / VIP W/THERMO GLASS / W/O UPPER WIPER HOLES | 1 | B |
| 1 | 470501P | . CAP, FRONT / PAINTED MIDNIGHT CHARCOALD / W/O UPPER WIPER HOLES | 1 | |
| 2 | 478444 | FRONT LOWER PANEL ASSY / W/LIGHTS & CONNECTOR / W/HALOGENE LIGHT | 1 | |
| 2 | 478445 | FRONT LOWER PANEL ASSY / W/LIGHTS & CONNECTOR / W/XENON LIGHT | 1 | |
| 2 | 4705136 | FRONT LOWER PANEL ASSY / W/O LIGHTS | 1 | A |
| 2 | 478401P | . PANEL LOWER FACE / FIBERGLASS / painted | 1 | |
| 2 | 471198 | . . PANEL LOWER FACE / FIBERGLASS / | 1 | |
| 3 | 478747 | . MOULDING "U" SS CHOME FINISH / HEADLAMP 1332MM | 1 | |
| NS | 684685 | . ADHESIVE SIMSON #ISR 70-03 / 310ml CARTRIDGE | AR | |
| 3 | 681283 | . TAPE RUB ADH2 ACRYLIC .045" x 1/2" x 108' / WHITE 4945 | AR | |
| NS | 475707 | KIT STONE PROTECTOR / VINYL FILM / "H3 FACE LIFT | 1 | |
| 4 | VIP-0660-02 | HEADLAMP & FRONT DIRECTIONAL LAMPS | | |
| 10 | 470518 | CAP, REAR / V.I.P. | 1 | |
| 11 | 502761 | SCREW TP BDG PH #10x3/4 SS BK From M-1110 | 4 | C |
| 15 | VIP-0662-00 | CLEARANCE & MARKER LIGHT | | |
| 30 | 478449 | ANGLE FIBERGLASS SEALING LOWER AIR INLET | 1 | |
| 31 | 478462 | ANGLE SEALING LOWER AIR INLET 737MM | 1 | |
| 32 | 478463 | ANGULAR DOUBLE CLOSING FRT AIR INLET 28MM WIDE | 1 | |
| 33 | 479296 | SUPPORT ANGLE 154MM X 30MM X 30MM | 2 | |
| 34 | 479297 | SUPPORT / LOWER REAR CAP SIDE / ANGLE 950MM X 38MM 30MM | 2 | |
| 35 | 473364 | SUPPORT / LOWER REAR CAP EACH SIDE / 633 MM | 2 | |
| 36 | 478464 | ANGULAR DOUBLE CLOSING CENTER CAP 1424MM | 1 | |
| 37 | 478467 | ANGULAR DOUBLE CLOSING CENTER CAP 58MM WIDE | 1 | |
| NS | 504487 | RIVET MGLP PRDG 3/16x7/16 SS | AR | |
| 38 | 504248 | RIVET CHY Q PRDG 3/16x1/4 SS | AR | |
| 39 | 500414 | SCREW TP BDG PH #10x3/4 SS | AR | |
| 40 | 478589 | MOULDING REAR R.H. 1259MM SS | 1 | |
| 41 | 478588 | MOULDING REAR L.H. 1259MM SS | 1 | |
| 42 | 5001168 | BUMPER RUBBER / .750 OD x .562 TH x .187 HOLE To K-0337 | 2 | |
| 42 | 5002023 | BUMPER NEOPRENE / .750 OD x .562 TH x .187 HOLE From K-0338 | 2 | |
| 43 | 504340 | RIVET POP DOME OE 1/8x3/16 SS | AR | |
| 45 | 504416 | RIVET POP DOME OE 3/16x5/8 SS | 2 | |
| 46 | 500411 | WASHER FL .260x.697x.050 SS | 2 | |
| 50 | VIP-1851-05 | REAR CAP - DOOR DPF & SCR | | |
| 51 | VIP-0405-02 | MUFFLER - INSTALLATION WITH DPF & SCR WITH VOLVO D13 | | |
| 52 | VIP-1870-21 | REAR ENGINE UPPER DOOR | | |
| 53 | VIP-1854-50 | SIDE PANELS - V.I.P. | | |

| | | | |
|-----------------------|--|--------------|------------------|
| From K-0295 To P-1347 | | Date:07/2024 | PAGE:VIP-1851-02 |
|-----------------------|--|--------------|------------------|

CAP - FRONT & REAR - INSTALLATION

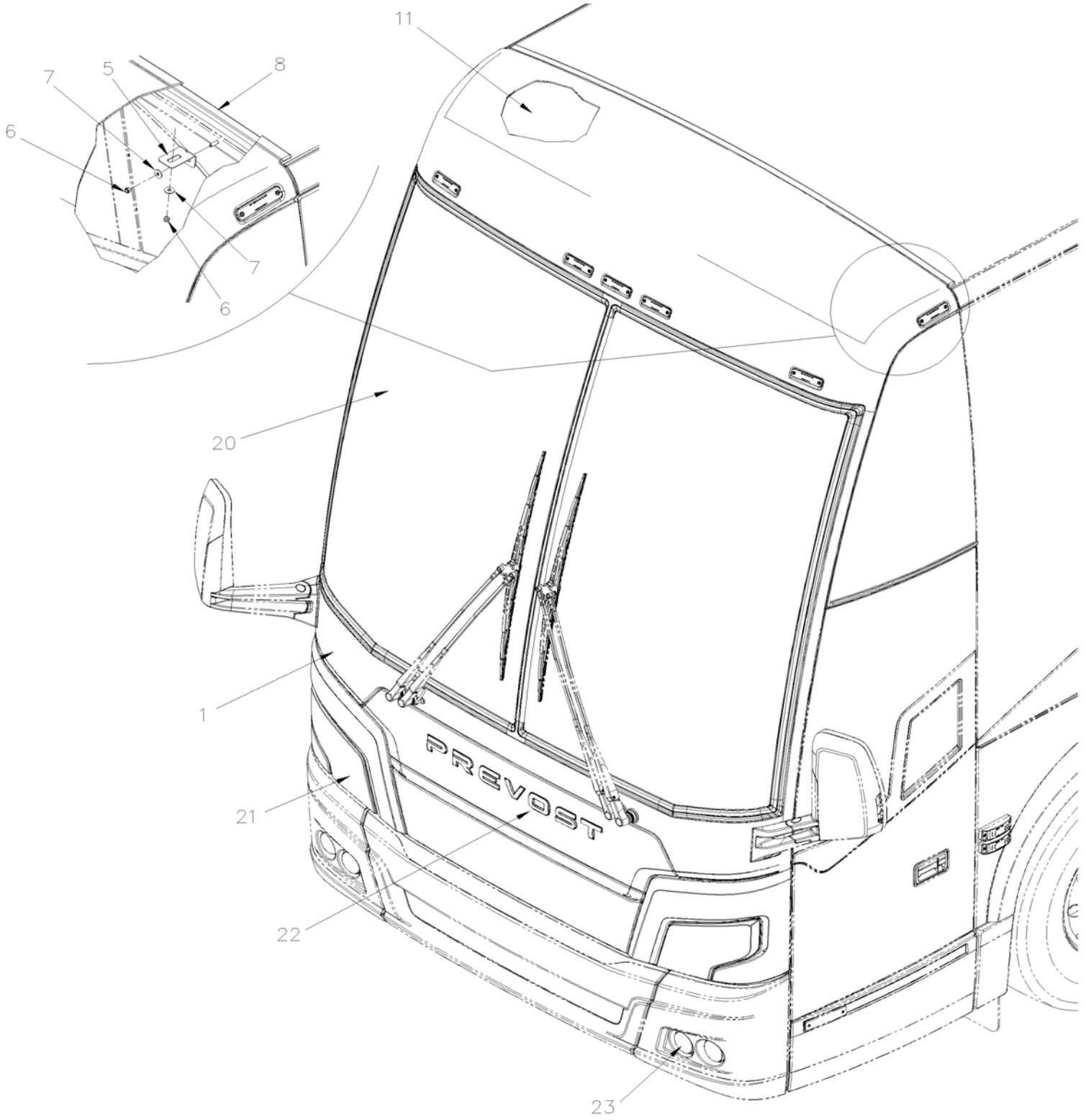
| Item# | Part | Description | QTY | Notes |
|-------|------|--|-----|-------|
| | | | | |
| | | | | |
| | | | | |
| | | A) ORDER LOWER ASSEMBLY PANEL WITHOUT LIGHTS AND ORDER LIGHT NEEDED: HALLOGENE: 930010 L.H. & 930011 R.H. / XENON: 930013 L.H. & 930014 R.H. | | |
| | | B) THOSE FRONT CAP ASSY INCLUDE 2 UPPER SIDE WINDOW & DRIVER'S WINDOW | | |
| | | C) USE TO FIXE AIR INTAKE | | |

From P-1348

Date:07/2024

PAGE:VIP-1851-03

FRONT CAP - INSTALLATION



| | | |
|---------------------------------|--------------|------------------|
| From P-1348 | Date:07/2024 | PAGE:VIP-1851-03 |
| FRONT CAP - INSTALLATION | | |

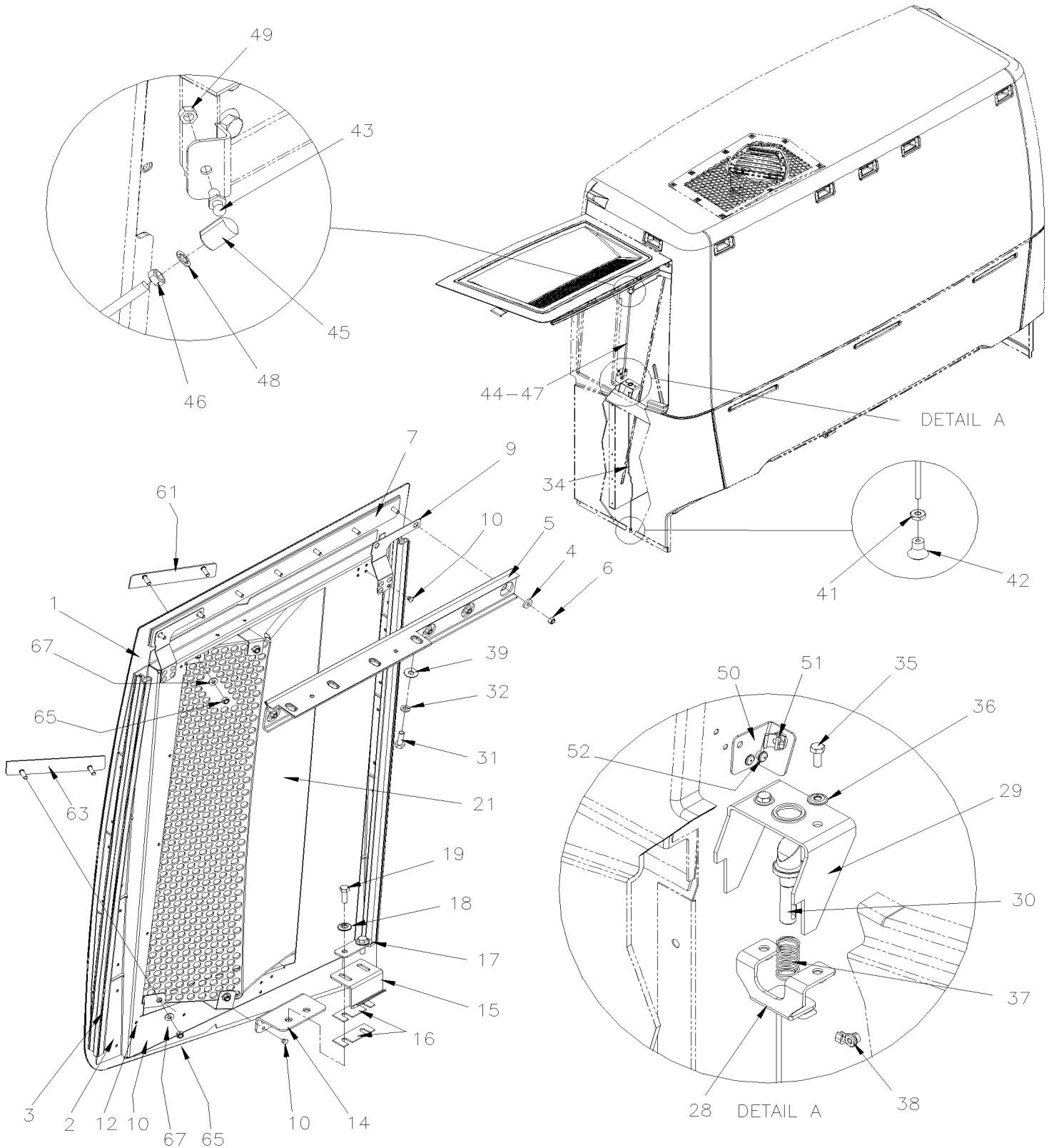
| Item# | Part | Description | QTY | Notes |
|-------|-------------|--|-----|-------|
| 1 | 479935 | FRONT CAP | 1 | |
| 5 | 4710284 | BONDING BRACKET | 2 | |
| 6 | 502847 | NUT HEX NYRT M8-1.25 N500 | 4 | |
| 7 | 5001849 | WASHER FL 8.4x24.0x2.0 SS | 4 | |
| 8 | 685385 | GLUE MS POLYMER TEROSON MS 9399 / "A" 14.8 Liters | AR | |
| 8 | 685386 | GLUE MS POLYMER TEROSON MS 9399 / "B" 14.8 Liters | AR | |
| 8 | 685387 | GLUE MS POLYMER TEROSON MS 9399 / 400ml CARTRIDGE | AR | |
| 8 | 685124 | ADHESIVE SIMSON #ISR 70-03 / BLACK / 600ml SAUSAGE | AR | |
| 11 | 354154 | FRONT CAP LH CEILING INSULATION | 1 | |
| 11 | 354155 | FRONT CAP RH CEILING INSULATION | 1 | |
| 20 | VIP-1880-02 | WINDSHIELD & CHANNEL | | |
| 21 | VIP-0660-03 | HEADLAMP & FRONT DIRECTIONAL LAMPS | | |
| 22 | VIP-1851-15 | FRONT CAP - ACCESS PANEL | | |
| 23 | VIP-0661-02 | FOG LAMP / LED | | |

From K-0295 To P-1347

Date:07/2024

PAGE:VIP-1851-05

REAR CAP - DOOR DPF & SCR



| | | |
|--------------------------------------|---------------------|-------------------------|
| From K-0295 To P-1347 | Date:07/2024 | PAGE:VIP-1851-05 |
| REAR CAP - DOOR DPF & SCR | | |

| Item# | Part | Description | QTY | Notes |
|-------|---------|---|-----|-------|
| | 477176 | DOOR ASSY / D.P.F. | 1 | |
| 1 | 479194 | . PANEL DOOR / PRIMER | 1 | |
| . NS | 479182 | . . PANEL DOOR / UNPAINT | 1 | |
| 1 | 478287 | . GRILLE FIBERGLASS / AIR INLET VIP | 1 | |
| . NS | 478273 | . . GRILLE FIBERGLASS / AIR INLET VIP / UNPAINT | 1 | |
| 2 | 479543 | . FRAME DOOR | 1 | |
| 3 | 506303 | . RUBBER SEAL EXTRUSION | AR | |
| 4 | 5001654 | . WASHER FL 6.4x17.0x3.0 SS | 7 | |
| 5 | 478177 | . HINGE 549MM | 1 | |
| 6 | 502681 | . NUT HEX NYRT M6-1.0 N500 G8 | AR | |
| 7 | 478175 | . ATTACHMENT PLATE ASSY W/STUD 7 | 1 | |
| 9 | 479243 | . ATTACHMENT PLATE "L" SHAPE | 1 | |
| 10 | 504379 | . RIVET POP DOME OE 3/16x1/4 SS | AR | |
| 12 | 506191 | . TAPE RUB ADH1 CC POL 1/8" x 1/4" x 50' / GREY 2520X | AR | |
| NS | 680066 | . ADHESIVE / ADBOND #5014 / 23.6ML BOTTLE | AR | |
| 14 | 471147 | . ANGLE ATTACMENT CATCH RETAINER | 1 | |
| 15 | 289463 | . CATCH PIN / RETAINER 49.8MMx43MM 90° | 1 | |
| 16 | 287452 | . SHIM SPACER 70MM X 25 X 14GA | AR | |
| 17 | 288088 | . PLATE RETAINER 66MM X 25.4MM | 1 | |
| 18 | 502857 | . WASHER LO SERR 8.2x26.3x1.8 N500 | 2 | |
| 19 | 940142 | . SCREW CAP HEX M8-1.25x30 G8.8 ZG603 | 2 | |
| NS | 684743 | . GLUE METHACRYLATE PLEXUS MA832GB 380 ml | AR | |
| 21 | 478287 | . GRILLE FIBERGLASS / AIR INLET VIP | 1 | |
| . NS | 478273 | . . GRILLE FIBERGLASS / AIR INLET VIP / UNPAINT | 1 | |
| 28 | 288061 | SUPPORT CATCH PIN | 1 | |
| 29 | 478193 | STOPPER CATCH PIN 90MM HEIGHT | 1 | |
| 30 | 2801056 | CATCH PIN BLACK ACETAL | 1 | |
| 31 | 502780 | SCREW CAP HEX M8-1.25x25 SS BK | 4 | |
| 32 | 5001161 | WASHER LO SPT 8.1x14.8x2.0 SS-304 | 4 | |
| 33 | 504488 | RIVET MGLP PRDG 3/16x17/64 SS | 1 | |
| 34 | 470941 | ROD OPENING P.D.F. DOOR 858MM | 1 | |
| 35 | 955271 | SCREW CAP HEX M6-1.0x16 G8.8 ZG603 | 2 | |
| 36 | 500356 | WASHER LO SERR 6.1x16.0x0.9 N500 | 2 | |
| 37 | 502910 | SPRING COMPRESSION / .720 O.D. 1.75 x .055 | 1 | |
| 38 | 780340 | CLIP, RETAINER ROD | 1 | |
| 39 | 5001448 | WASHER FL .343x.875x.062 SS18-8 | 4 | |
| 41 | 500986 | NUT HEX #8-32 N500 | 1 | |
| 42 | 505504 | KNOB, PULL / 8-32 | 1 | |
| 43 | 980015 | BALL STUD / W/10 MM X M8-1.25 / 29.18 MM | 1 | |
| 44 | 478292 | ROD DOOR SUPPORT ASS | 1 | |
| 44 | 478293 | . ROD DOOR SUPPORT | 1 | |
| 45 | 502937 | . BALL SOCKET FITTING 10MM X M8-1.25 | 1 | |

| | | |
|-----------------------|--------------|------------------|
| From K-0295 To P-1347 | Date:07/2024 | PAGE:VIP-1851-05 |
|-----------------------|--------------|------------------|

REAR CAP - DOOR DPF & SCR

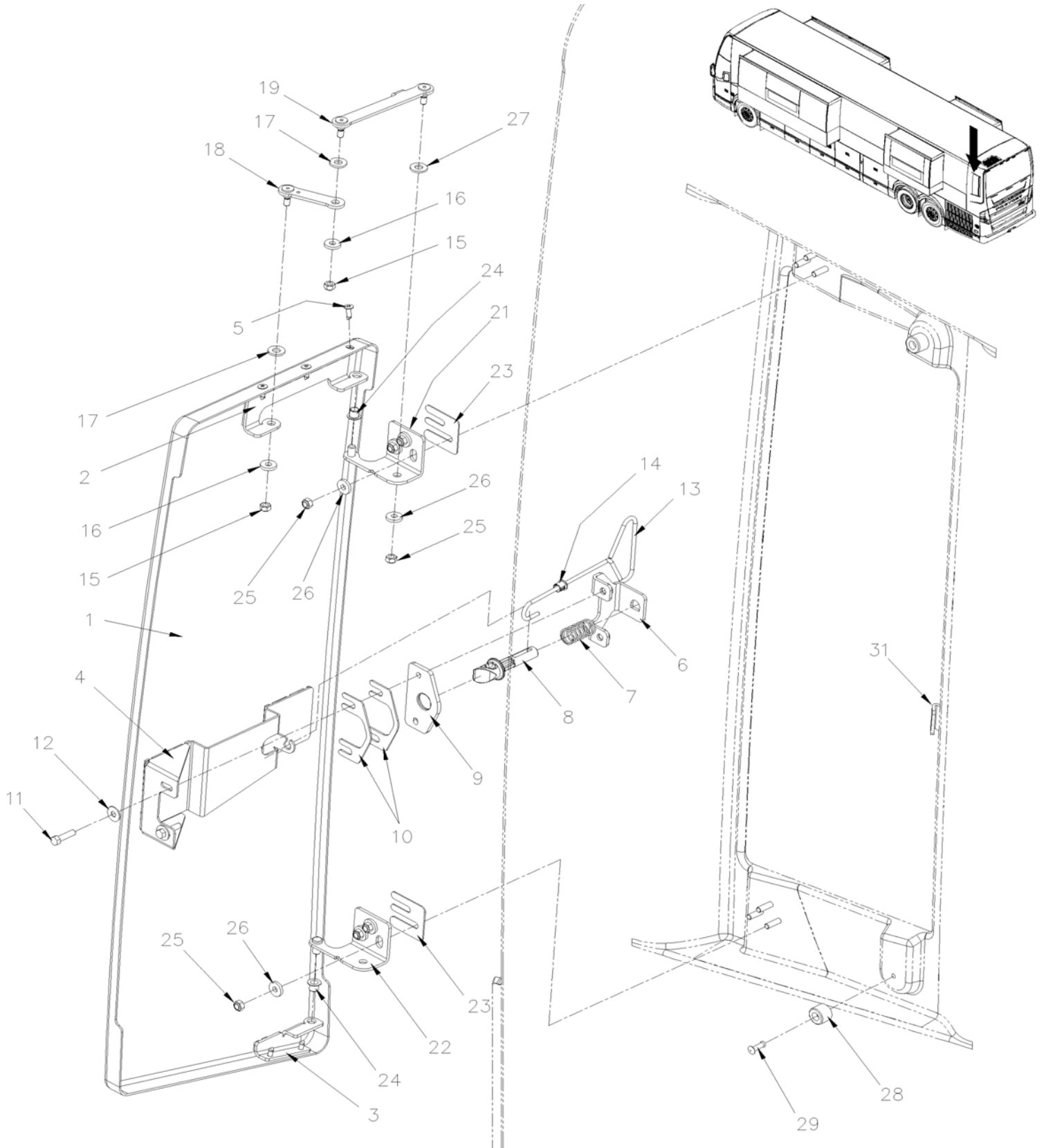
| Item# | Part | Description | QTY | Notes |
|-------|---------|-------------------------------------|-----|-------|
| 46 | 5001188 | . NUT HEX M8-1.25 SS | 1 | |
| 47 | 5001654 | . WASHER FL 6.4x17.0x3.0 SS | 1 | |
| 48 | 500475 | . WASHER LO INT .320x.610x.034 Z050 | 1 | |
| 49 | 502838 | NUT HEX TWAY M8-1.25 N500 | 1 | |
| 50 | 477213 | SUPPORT ATTACHMENT ROD | 1 | |
| 51 | 504734 | ATTACHMENT ROD | 1 | |
| 52 | 504488 | RIVET MGLP PRDG 3/16x17/64 SS | 2 | |
| 61 | 478972 | UPPER PLATE | 1 | |
| 63 | 478973 | LOWER PLATE | 1 | |
| 65 | 5001851 | NUT HEX M6-1.0 SS BK | 4 | |
| 67 | 500877 | WASHER FL .250x.562x.065 N500 | 4 | |

From P-1348

Date:07/2024

PAGE:VIP-1851-06

REAR CAP - DOOR DPF & SCR



| | | | |
|--------------------------------------|--|--------------|------------------|
| From P-1348 | | Date:07/2024 | PAGE:VIP-1851-06 |
| REAR CAP - DOOR DPF & SCR | | | |

| Item# | Part | Description | QTY | Notes |
|-------|---------|--|-----|-------|
| 1 | 2810261 | DOOR ACCESS, ASS | 1 | |
| 2 | 283341 | . SUPPORT, TOP HINGE | 1 | |
| NS | 685387 | . GLUE MS POLYMER TEROSON MS 9399 / 400ml CARTRIDGE | AR | |
| NS | 506785 | . TAPE RUB ADH2 CC POL 1/16" X 1/4" X 200' / BLACK I1C-N-A | AR | |
| 3 | 283288 | . SUPPORT, BOTTOM HINGE | 1 | |
| NS | 685387 | . GLUE MS POLYMER TEROSON MS 9399 / 400ml CARTRIDGE | AR | |
| NS | 506785 | . TAPE RUB ADH2 CC POL 1/16" X 1/4" X 200' / BLACK I1C-N-A | AR | |
| 4 | 283078 | . SUPPORT, DOOR LATCH | 1 | |
| NS | 685387 | . GLUE MS POLYMER TEROSON MS 9399 / 400ml CARTRIDGE | AR | |
| NS | 506785 | . TAPE RUB ADH2 CC POL 1/16" X 1/4" X 200' / BLACK I1C-N-A | AR | |
| 5 | 504379 | . RIVET POP DOME OE 3/16x1/4 SS | 5 | |
| 6 | 283223 | . SUPPORT, LATCH | 1 | |
| 7 | 502910 | . SPRING COMPRESSION / .720 O.D. 1.75 x .055 | 1 | |
| 8 | 2801056 | . CATCH PIN BLACK ACETAL | 1 | |
| 9 | 283126 | . GUIDE, LATCH | 1 | |
| 10 | 287878 | . SHIM | 2 | |
| 11 | 502737 | . SCREW CAP HEX M6-1.0x25 SS BK | 2 | |
| 12 | 5001833 | . WASHER BEL SPR 6.1x18x1.27 SS | 2 | |
| 13 | 283287 | . ROD, DOOR OPENING | 1 | |
| 14 | 504083 | . SNAP BUSHING / .250x.468.406 | 1 | |
| 15 | 5001182 | . NUT HEX NYRT M6-1.0 SS | 2 | |
| 16 | 5001654 | . WASHER FL 6.4x17.0x3.0 SS | 2 | |
| 17 | 5001850 | . WASHER FL 8.4 x 18 x 2 NYL | 2 | |
| 18 | 283401 | . ARM, LOCKING (SHORT) ASSY. | 1 | |
| 19 | 283399 | . ARM, LOCKING (LONG) ASSY. | 1 | |
| | | | | |
| 21 | 283352 | HINGE, TOP | 1 | |
| 22 | 283353 | HINGE, BOTTOM | 1 | |
| 23 | 283396 | SHIM | 2 | |
| 24 | 507378 | BUSHING W/SHOULDER | 2 | |
| 25 | 5001182 | NUT HEX NYRT M6-1.0 SS | 7 | |
| 26 | 5001654 | WASHER FL 6.4x17.0x3.0 SS | 7 | |
| 27 | 5001850 | WASHER FL 8.4 x 18 x 2 NYL | 1 | |
| 28 | 5002023 | BUMPER NEOPRENE / .750 OD x .562 TH x .187 HOLE | 2 | |
| 29 | 504416 | RIVET POP DOME OE 3/16x5/8 SS | 2 | |
| | | | | |
| 31 | 471140 | LATCH, DOOR 1 | 1 | |
| 31 | 685387 | GLUE MS POLYMER TEROSON MS 9399 / 400ml CARTRIDGE | AR | |
| 31 | 506785 | TAPE RUB ADH2 CC POL 1/16" X 1/4" X 200' / BLACK I1C-N-A | AR | |

| | | |
|-----------------------------------|---------------------|-------------------------|
| From K-0295 To P-1347 | Date:07/2024 | PAGE:VIP-1851-11 |
| FRONT PANEL - INSTALLATION | | |

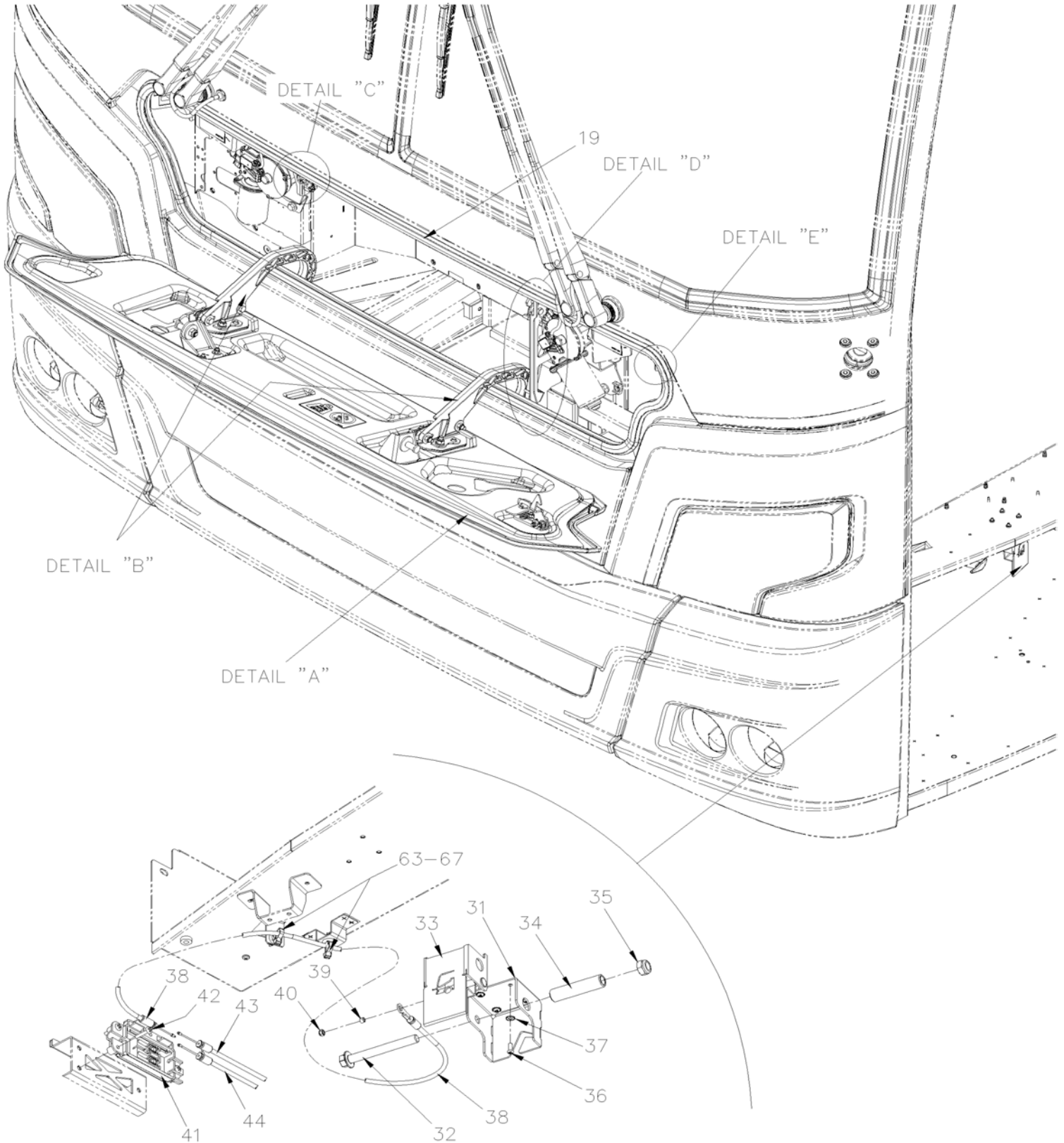
| Item# | Part | Description | QTY | Notes |
|-------|--------------------|---|-----|-------|
| 1 | 475140 | RUBBER SEAL EXTRUSION 13.0x5.5 | AR | A |
| 3 | 476595 | PLATE REINFORCEMENT | 6 | |
| 5 | 472141 | ANGLE RETAINER / ABOVE FRONT DOOR | 1 | |
| 6 | 283917 | ANGLE RETAINER & SUPPORT | 3 | |
| 7 | 472142 | ANGLE RETAINER / BOTTOM OF LOWER WINDSHIELD | 2 | |
| 9 | 473716 | ANGLE RETAINER / BOTTOM OF DRIVER'S WINDOW | 6 | |
| NS | 500310 | SCREW TC FL PH #10-24x1 1/4 SS410 | 4 | |
| NS | 502582 | WASHER LO SERR 6.1x16.2x0.9 Z050 | 4 | |
| NS | 506644 | TAPE RUB ADH1 CC NEO 1/8" x 21" x 25" / BLACK 1220SC | AR | |
| 13 | 285334 | ANGLE / TO FIX FRONT CAP | 1 | |
| 14 | 504339 | RIVET POP DOME OE 1/8x3/8 SS | AR | |
| 19 | 500642 | SCREW TP PAN PH #10x3/4 Z050 | 6 | |
| 20 | 502600 | NUT HEX NYRT 5/16-18 Z050 | 6 | |
| 21 | 504488 | RIVET MGLP PRDG 3/16x17/64 SS | 18 | |
| 22 | 500638 | SCREW TP PAN PH #8x1/2 Z050 | 12 | |
| NS | 685124 | ADHESIVE SIMSON #ISR 70-03 / BLACK / 600ml SAUSAGE | AR | |
| NS | 684685 | ADHESIVE SIMSON #ISR 70-03 / 310ml CARTRIDGE | AR | |
| NS | 685126 | ADHESIVE SIMSON #ISR 70-03 / GREY / 600ml SAUSAGE | AR | |
| NS | 687961 | GLUE MS POLYMER TEROSON MS 9399 / "A" 21 Liters To M-1153 | AR | |
| NS | 685385 | GLUE MS POLYMER TEROSON MS 9399 / "A" 14.8 Liters From M-1154 | AR | |
| NS | 687962 | GLUE MS POLYMER TEROSON MS 9399 / "B" 21 Liters To M-1153 | AR | |
| NS | 685386 | GLUE MS POLYMER TEROSON MS 9399 / "B" 14.8 Liters From M-1154 | AR | |
| NS | 687957 | GLUE MS POLYMER TEROSON MS 9399 / 400ml CARTRIDGE To M-1153 | AR | |
| NS | 685387 | GLUE MS POLYMER TEROSON MS 9399 / 400ml CARTRIDGE From M-1154 | AR | |
| NS | 680067 | SEALANT TAPE BUTYL / BLACK / 1/8"x3/4"x25' / 75211E760 | 8 | |
| NS | 683084 | SEALANT SIKA #221 / GREY / 600 ml SAUSAGE | 3 | |
| 27 | 287245 | COVER LOWER HINGE / REAR OF BUMPER | 1 | |
| 28 | 504443 | SNAP-IN PLUG / 1.500 O.D. | 1 | |
| 29 | 504581 | RIVET MGLP PRDG 3/16x7/16 SS BK | AR | |
| 30 | VIP-1851-02 | CAP - FRONT & REAR - INSTALLATION | | |
| 31 | VIP-0660-02 | HEADLAMP & FRONT DIRECTIONAL LAMPS | | |
| 50 | 356076 | INSULATING PAD | 1 | |
| 51 | 356075 | INSULATING PAD | 1 | |
| 52 | 356074 | INSULATING PAD | 1 | |
| NS | 682525 | GLUE, CONTACT ADBOND 8399 (205 LI) 205 LITER | AR | |
| | | | | |
| | | | | |
| | | | | |
| | | A) QUANTITY REQUIED 5 METERS | | |

From P-1348

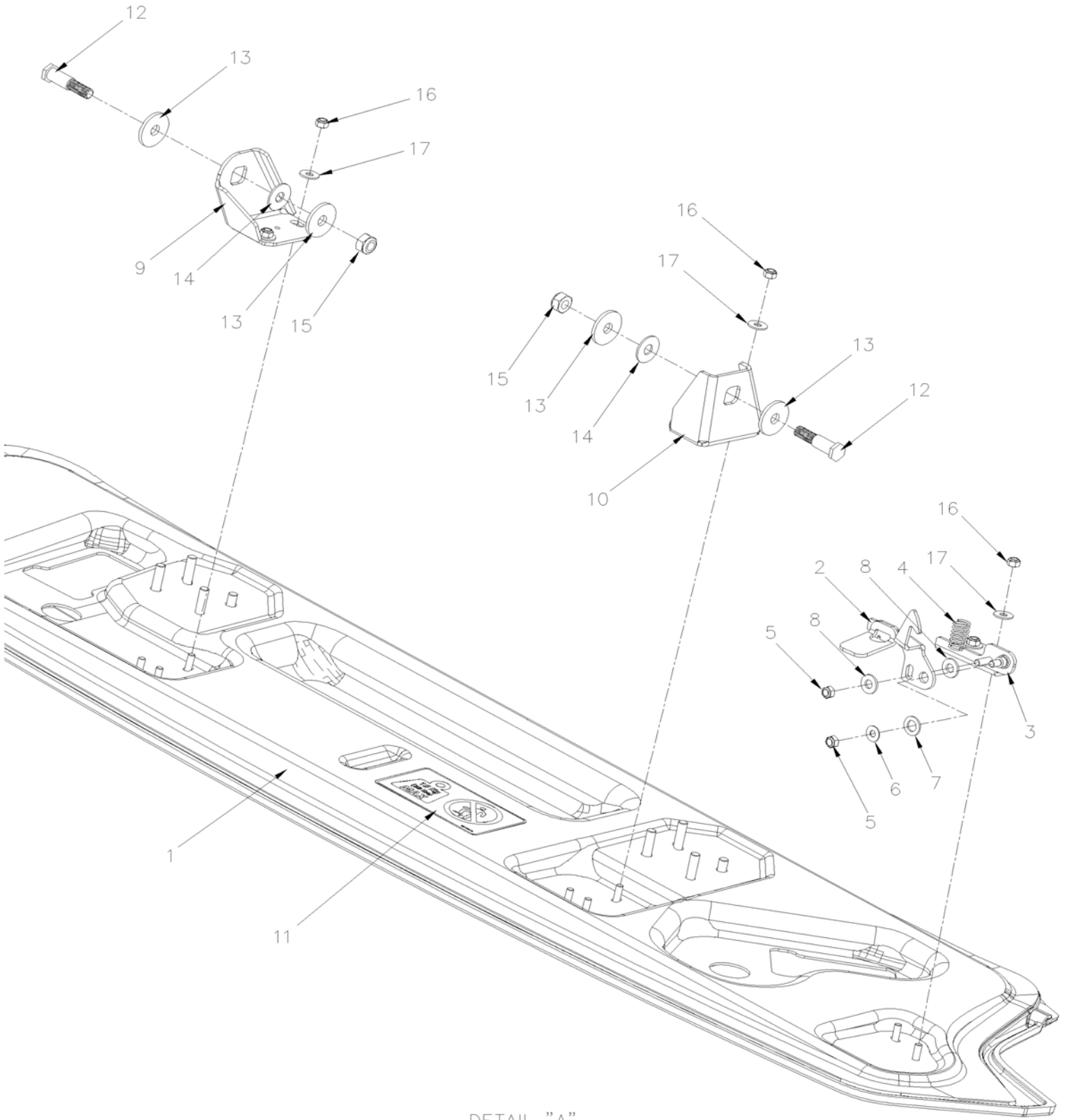
Date:07/2024

PAGE:VIP-1851-15

FRONT CAP - ACCESS PANEL



| | | |
|--------------------------|--------------|------------------|
| From P-1348 | Date:07/2024 | PAGE:VIP-1851-15 |
| FRONT CAP - ACCESS PANEL | | |



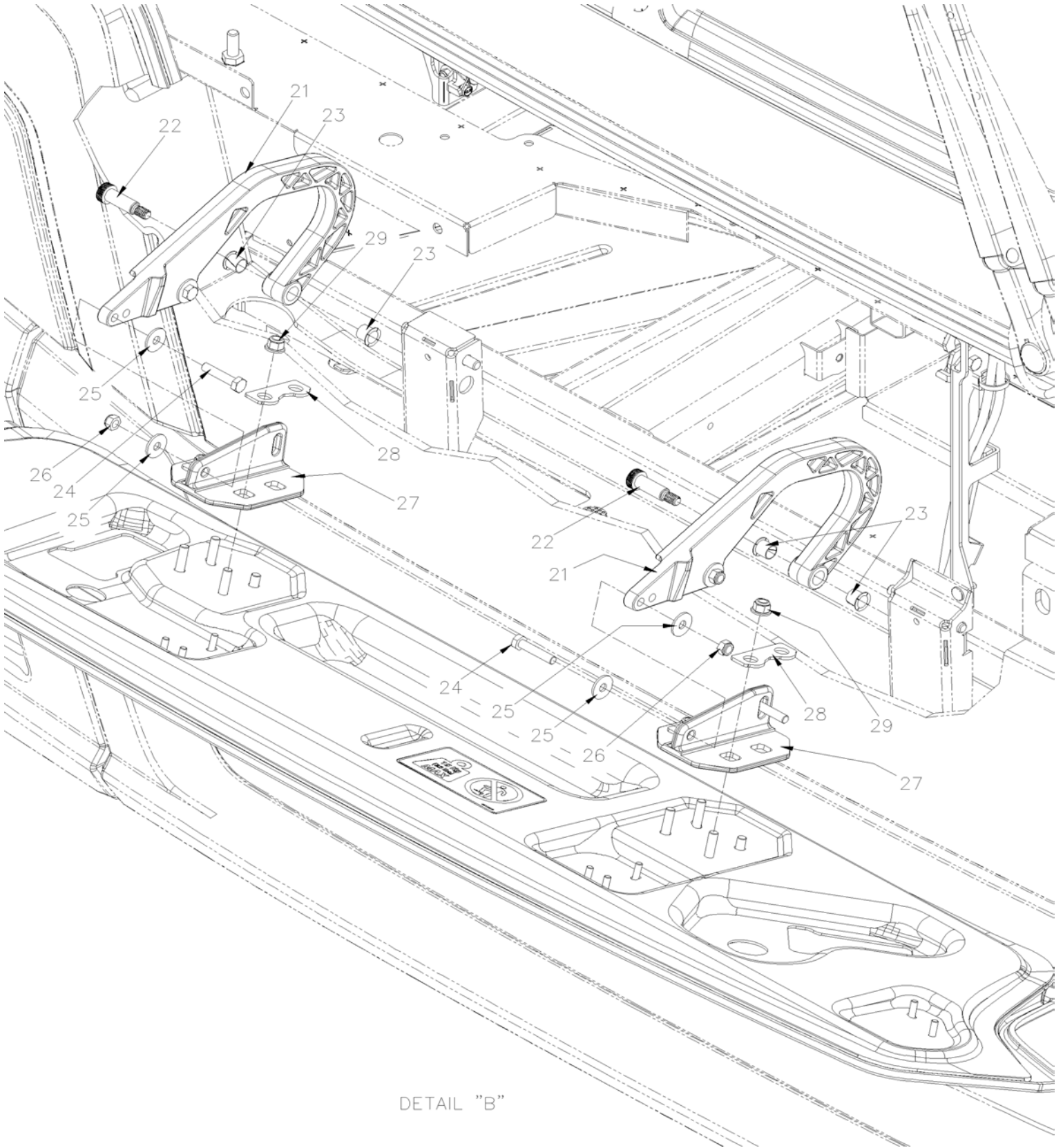
DETAIL "A"

From P-1348

Date:07/2024

PAGE:VIP-1851-15

FRONT CAP - ACCESS PANEL

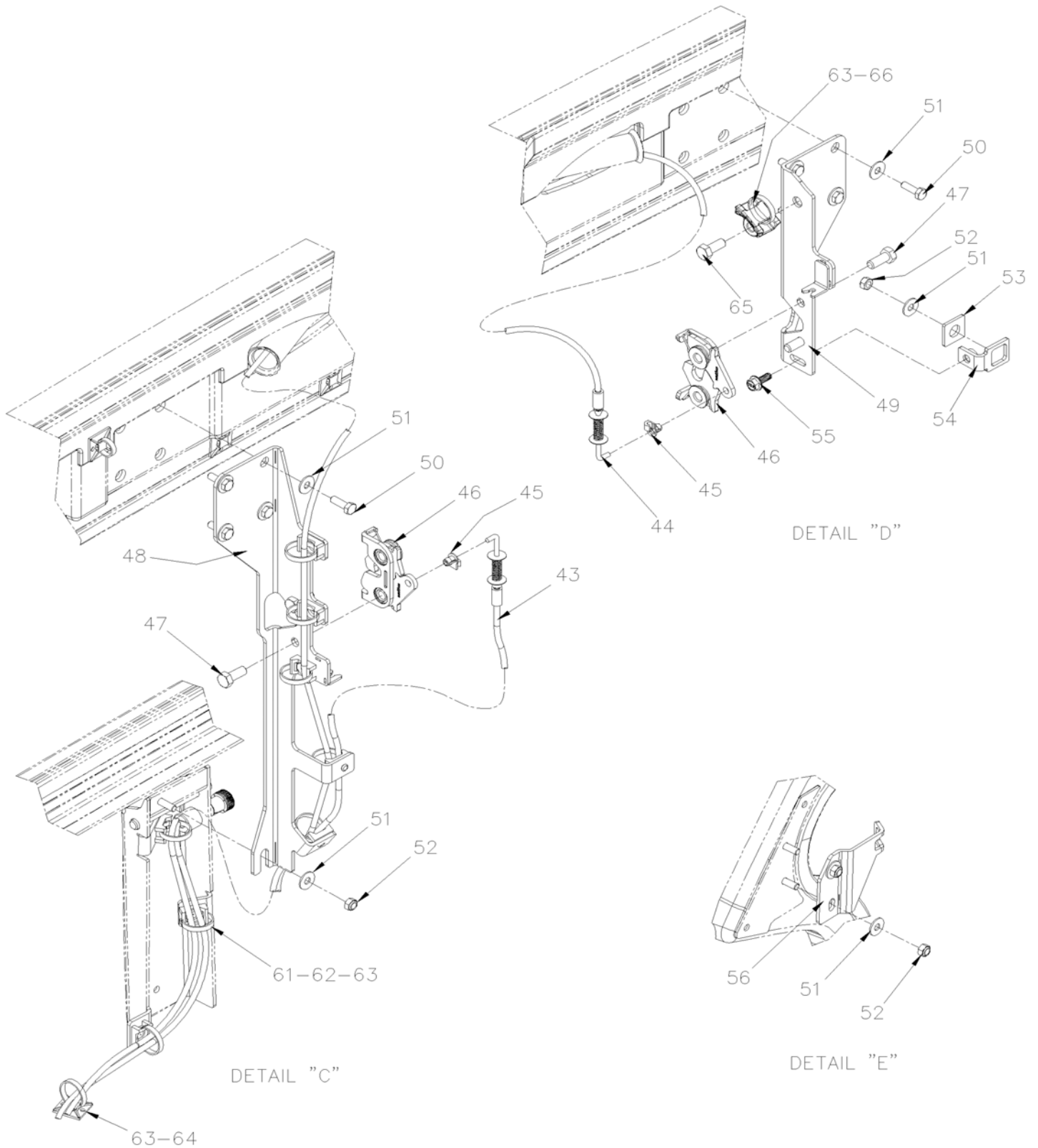


From P-1348

Date:07/2024

PAGE:VIP-1851-15

FRONT CAP - ACCESS PANEL



| | | | |
|---------------------------------|--|--------------|------------------|
| From P-1348 | | Date:07/2024 | PAGE:VIP-1851-15 |
| FRONT CAP - ACCESS PANEL | | | |

| Item# | Part | Description | QTY | Notes |
|-------|-----------------|--|-----|-------|
| | Call order desk | FRONT SERVICE PANEL ASS | 0 | P |
| 1 | 2810652 | . FRONT SERVICE PANEL | 1 | |
| 2 | 2810365 | . . LATCH HANDLE | 1 | |
| 2 | Call order desk | . LATCH ASSY | 0 | P |
| 3 | 2810369 | . . LATCH HANDLE | 1 | |
| 4 | 502245 | . . SPRING COMPRESSION / .600 O.D. x 1.25 x .059 | 1 | |
| 5 | 502681 | . . NUT HEX NYRT M6-1.0 N500 G8 | 1 | |
| 6 | 5001608 | . . WASHER BEL SPR 6.2x15.0x0.7 G500 | 1 | |
| 7 | 5001935 | . . WASHER FL 10.5x18.0x1.6 SS | 1 | |
| 8 | 5001850 | . . WASHER FL 8.4 x 18 x 2 NYL | 2 | |
| 9 | 478862 | . RIGHT MOBILE LATCH BRACKET To P-1574 | 1 | |
| 9 | 4705194 | . RIGHT MOBILE LATCH BRACKET From R-1575 | 1 | |
| 10 | 478864 | . LEFT MOBILE LATCH BRACKET To P-1574 | 1 | |
| 10 | 4705193 | . LEFT MOBILE LATCH BRACKET From R-1575 | 1 | |
| 11 | 2810612 | . DECAL, FRONT SERVICE PANEL | 1 | |
| 12 | 780057 | . STRIKER PIN | 2 | |
| 13 | 2810659 | . WASHER FLAT 10.4 X 34 X 3.2 SS To P-1574 | 4 | |
| 13 | 2800698 | . WASHER FLAT 10.4 X 34 X 3.2 SS From R-1575 | 4 | |
| 14 | 5001718 | . WASHER BEL SPR 10.2x27x1.6 MAGNI 565 | 2 | |
| 15 | 502859 | . NUT HEX NYRT M10-1.5 N500 | 2 | |
| 16 | 502681 | . NUT HEX NYRT M6-1.0 N500 G8 | 8 | |
| 17 | 5001833 | . WASHER BEL SPR 6.1x18x1.27 SS | 8 | |
| 19 | 2810547 | WEATHER STRIP, FRONT SERVICE PANEL 3295MM | 1 | |
| 21 | 2810562 | HINGE DOOR | 2 | |
| 22 | 5002161 | SCREW SHR HEXS 1/2x1 1/4 {3/8-16} SS | 2 | |
| 23 | 507142 | BUSHING, NYLINER W/SHOULDER (8-L-8-F) | 4 | |
| 24 | 5001319 | SCREW CAP HEX M8-1.25x40 SS | 4 | |
| 25 | 5001849 | WASHER FL 8.4x24.0x2.0 SS | 8 | |
| 26 | 502847 | NUT HEX NYRT M8-1.25 N500 | 4 | |
| 27 | 2810452 | SUPPORT FRONT SERVICE PANEL | 2 | |
| 28 | 2810650 | SPACER, FRONT SERVICE PANEL | 4 | |
| 29 | 5001931 | NUT HEXF NYRT M8-1.25 G8.8 N500 | 6 | |
| 31 | 411442 | HOUSING, FRONT SERVICE PANEL RELEASE | 1 | |
| 32 | 5001784 | SCREW CAP HEXF M10-1.5x90 G8.8 AD N500 | 1 | |
| 33 | 411443 | ACTUATOR, FRONT SERVICE PANEL RELEASE | 1 | |
| 34 | 287337 | SPACER / BEARING FLANGE | 1 | |
| 35 | 502859 | NUT HEX NYRT M10-1.5 N500 | 1 | |
| 36 | 5001996 | SCREW MA PAN PH M4-0.7x12 N500 | 4 | |
| 37 | 5001544 | WASHER LO EXT .195x.410x.025 SS | 4 | |
| 38 | 780070 | CABLE, PULL LATCH HANDLE | 1 | |
| 39 | 5002252 | SPACER 4.2ID X 6OD X 4 LG | 1 | |
| 40 | 500539 | NUT HEX NYRT M4-0.7 N500 | 1 | |

| | | |
|---------------------------------|--------------|------------------|
| From P-1348 | Date:07/2024 | PAGE:VIP-1851-15 |
| FRONT CAP - ACCESS PANEL | | |

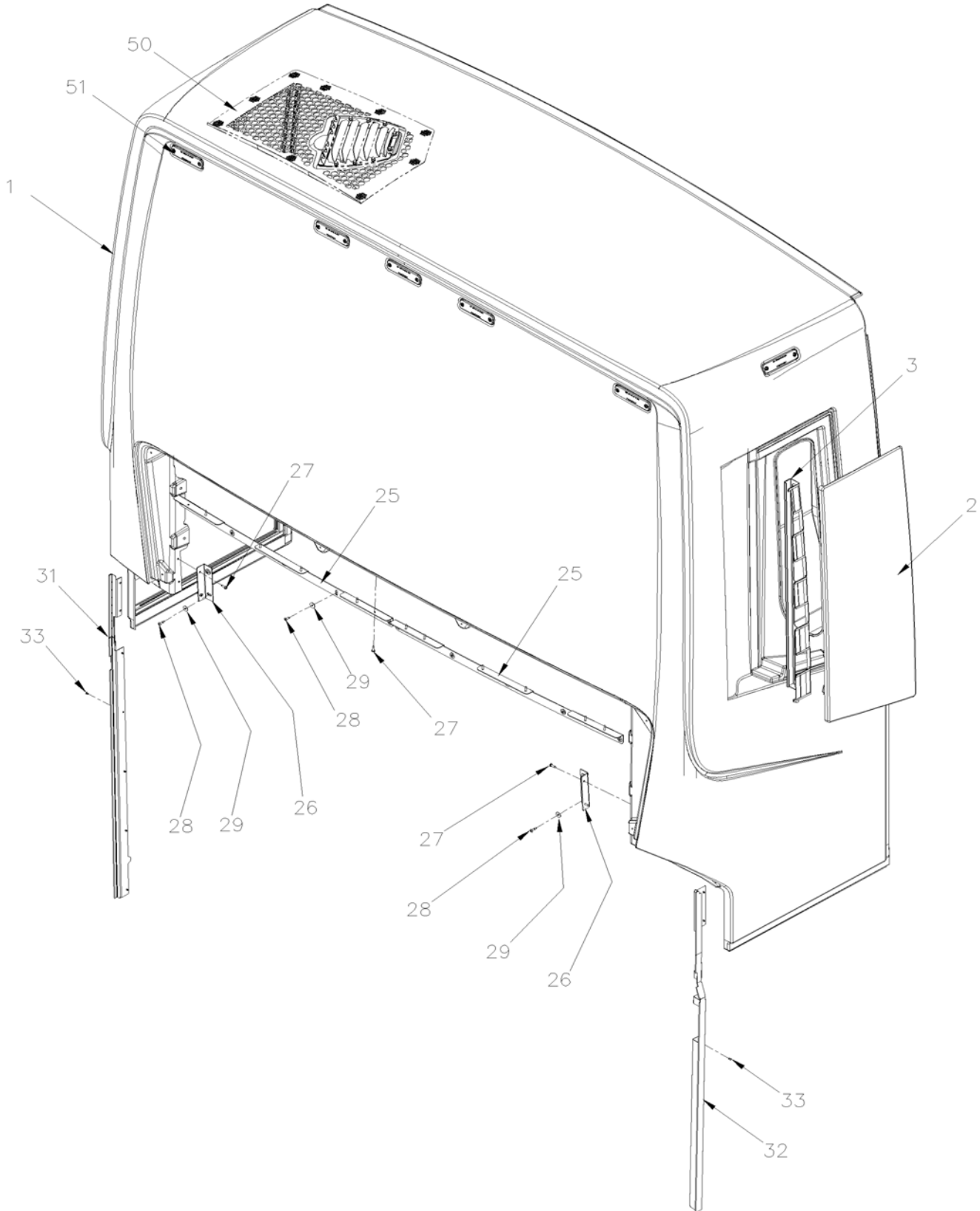
| Item# | Part | Description | QTY | Notes |
|-------|---------|--|-----|-------|
| 41 | 780049 | CABLE SPLITTER, LATCH | 1 | |
| 42 | 509827 | SCREW MA RND PH M4-0.7x20 SS | 3 | |
| 43 | 780052 | CABLE, FRONT SERVICE PANEL LEFT LATCH | 1 | |
| 44 | 780051 | CABLE, FRONT SERVICE PANEL RIGHT LATCH | 1 | |
| 45 | 780054 | CABLE CLIP, LATCH | 2 | |
| 46 | 780048 | LATCH CLOSING LATCH | 2 | |
| 47 | 502862 | SCREW CAP HEX M8-1.25x20 G8.8 N500 | 4 | |
| 48 | 4710027 | LATCH SUPPORT LH, FRONT SERVICE PANEL | 1 | |
| 49 | 4710025 | LATCH SUPPORT RH, FRONT SERVICE PANEL | 1 | |
| 50 | 502737 | SCREW CAP HEX M6-1.0x25 SS BK | 8 | |
| 51 | 5001833 | WASHER BEL SPR 6.1x18x1.27 SS | 12 | |
| 52 | 502681 | NUT HEX NYRT M6-1.0 N500 G8 | 4 | |
| 53 | 4710249 | SPACER, LATCH SUPPORT | 1 | |
| 54 | 4710247 | STIFFENER, RH LATCH SUPPORT | 1 | |
| 55 | 5002027 | SCREW CAP HEXF AD M6-1.0x16 G10.9 N500 | 1 | |
| 56 | 2810370 | STOPPER, FRONT PANEL | 1 | |
| 61 | 504013 | TIE MOUNT / 1/4" X 1/4" I.D. | 8 | |
| 62 | 504114 | RIVET POP DOME OE 3/16x1/4 AL | 8 | |
| 63 | 504637 | CABLE TIE / 3/16" x 13" | | |
| 64 | 562679 | 4 WAY ADH. BACKED MOUNTS 1.000 x 1.000 x .160 | | |
| 65 | 502862 | SCREW CAP HEX M8-1.25x20 G8.8 N500 | 1 | |
| 66 | 504772 | ATTACHMENT USE WITH CABLE TIE 5/16 BOLT | 1 | |
| 67 | 509815 | TIE MOUNT / ATTACHMENT W/TREE MOUNT | | |
| | | | | |
| | | | | |
| | | | | |
| | | | | |
| | | P) CALL ORDER DESK FOR SPECIFIC APPLICATION (V.I.N.) | | |

From P-1348

Date:07/2024

PAGE:VIP-1851-20

REAR CAP - INSTALLATION

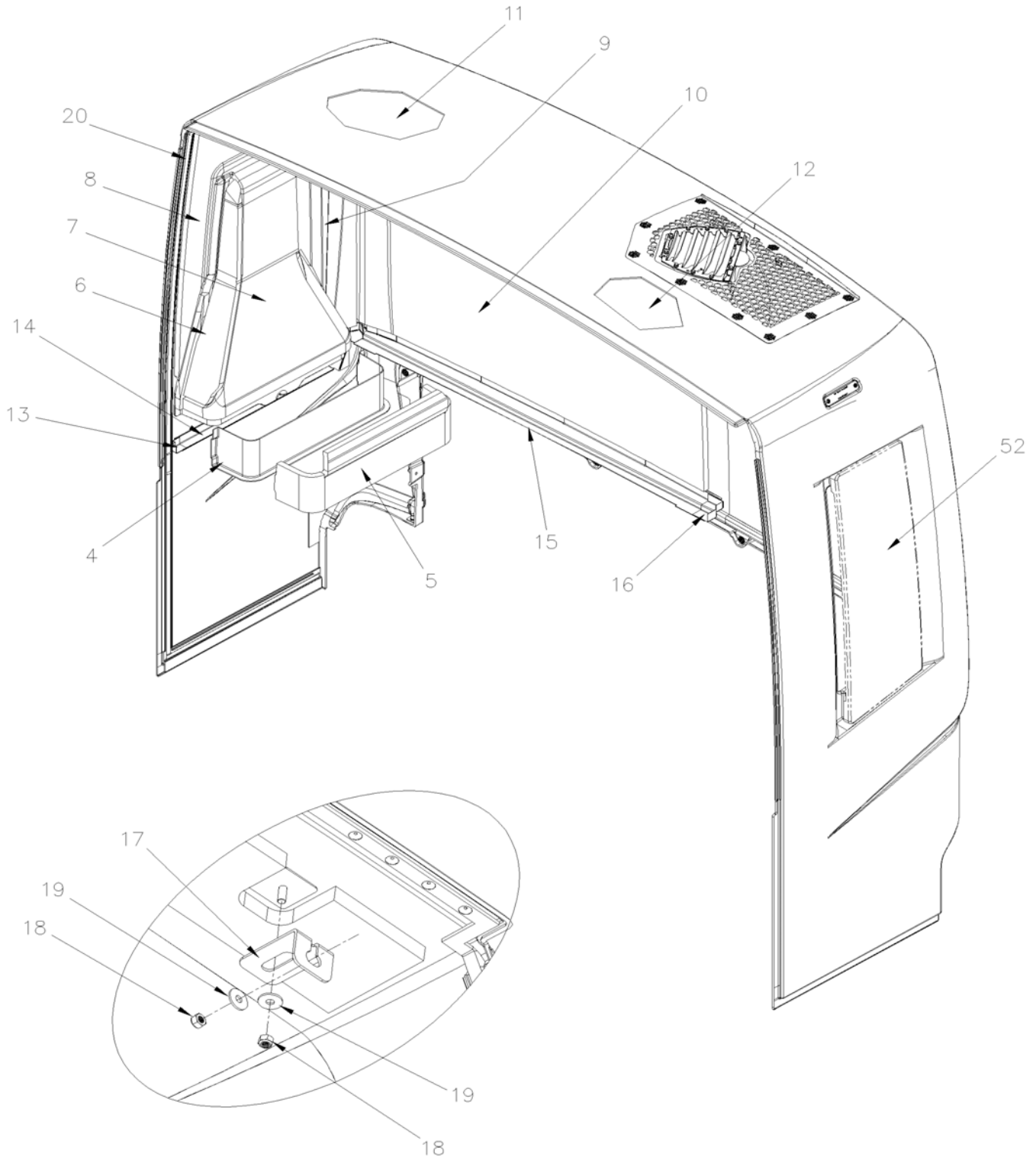


From P-1348

Date:07/2024

PAGE:VIP-1851-20

REAR CAP - INSTALLATION



| | | | |
|-------------|--|--------------|------------------|
| From P-1348 | | Date:07/2024 | PAGE:VIP-1851-20 |
|-------------|--|--------------|------------------|

REAR CAP - INSTALLATION

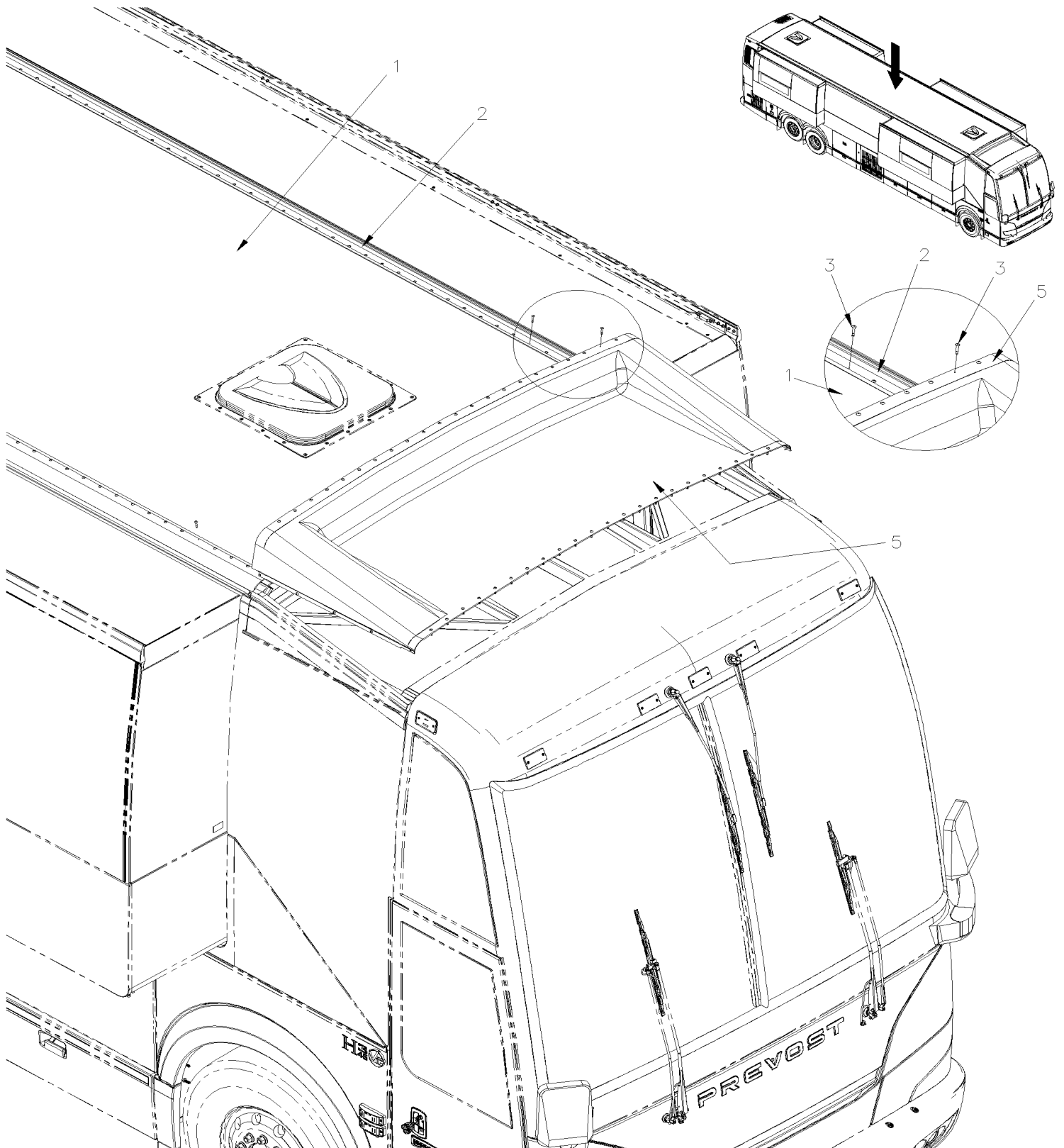
| Item# | Part | Description | QTY | Notes |
|-------|--------------------|---|-----|-------|
| 1 | 478868 | REAR CAPE VIP | 1 | |
| NS | 685124 | ADHESIVE SIMSON #ISR 70-03 / BLACK / 600ml SAUSAGE | AR | |
| NS | 685387 | GLUE MS POLYMER TEROSON MS 9399 / 400ml CARTRIDGE | AR | |
| NS | 562679 | 4 WAY ADH. BACKED MOUNTS 1.000 x 1.000 x .160 | AR | |
| NS | 504637 | CABLE TIE / 3/16" x 13" | AR | |
| 2 | 478870 | PANEL AIR TAKE | 1 | |
| NS | 506785 | TAPE RUB ADH2 CC POL 1/16" X 1/4" X 200' / BLACK I1C-N-A | AR | |
| NS | 685387 | GLUE MS POLYMER TEROSON MS 9399 / 400ml CARTRIDGE | AR | |
| 3 | 479732 | BRACKET AIR TAKE PANEL | 1 | |
| 4 | 479755 | SEALING JOINT | 1 | |
| 5 | 353878 | REAR CAP INSULATION | 1 | |
| 6 | 353877 | REAR CAP INSULATION | 1 | |
| 7 | 353876 | REAR CAP INSULATION | 1 | |
| 8 | 354064 | REAR CAP INSULATION | 1 | |
| 9 | 354065 | REAR CAP INSULATION | 1 | |
| 10 | 354063 | REAR CAP INSULATION | 1 | |
| 11 | 354352 | REAR CAP INSULATION | 1 | |
| 12 | 354066 | REAR CAP INSULATION | 1 | |
| 13 | 478463 | ANGULAR DOUBLE CLOSING FRT AIR INLET 28MM WIDE | 1 | |
| 14 | 479441 | ANGLE, SEALING | 1 | |
| 15 | 479440 | SEALING ANGLE | 1 | |
| 16 | 478467 | ANGULAR DOUBLE CLOSING CENTER CAP 58MM WIDE | 1 | |
| 17 | 4710284 | BONDING BRACKET | 2 | |
| 18 | 5001983 | NUT HEX NYRT M8-1.25 SS SS BK | 4 | |
| 19 | 5001849 | WASHER FL 8.4x24.0x2.0 SS | 4 | |
| 20 | 290586 | SEAL, VERTICAL WINDOW 1258MM | 2 | |
| 25 | 479446 | SUPPORT, REAR CAP | 2 | |
| 26 | 479752 | SUPPORT, REAR CAP | 2 | |
| 27 | 500414 | SCREW TP BDG PH #10x3/4 SS | 16 | |
| 28 | 504379 | RIVET POP DOME OE 3/16x1/4 SS | 14 | |
| 29 | 508401 | WASHER FL .218x.875x.062 SS XL BK | 14 | |
| 31 | 478588 | MOULDING REAR L.H. 1259MM SS | 1 | |
| 32 | 478589 | MOULDING REAR R.H. 1259MM SS | 1 | |
| 33 | 504340 | RIVET POP DOME OE 1/8x3/16 SS | 14 | |
| 50 | VIP-0405-03 | MUFFLER - INSTALLATION WITH DPF & SCR WITH VOLVO D13 | | |
| 51 | VIP-0662-01 | CLEARANCE & MARKER LIGHT | | |
| 52 | VIP-1851-06 | REAR CAP - DOOR DPF & SCR | | |

From K-0295 To P-1347

Date:07/2024

PAGE:VIP-1852-00

ROOF PANELS



| | | |
|-----------------------|--------------|------------------|
| From K-0295 To P-1347 | Date:07/2024 | PAGE:VIP-1852-00 |
|-----------------------|--------------|------------------|

ROOF PANELS

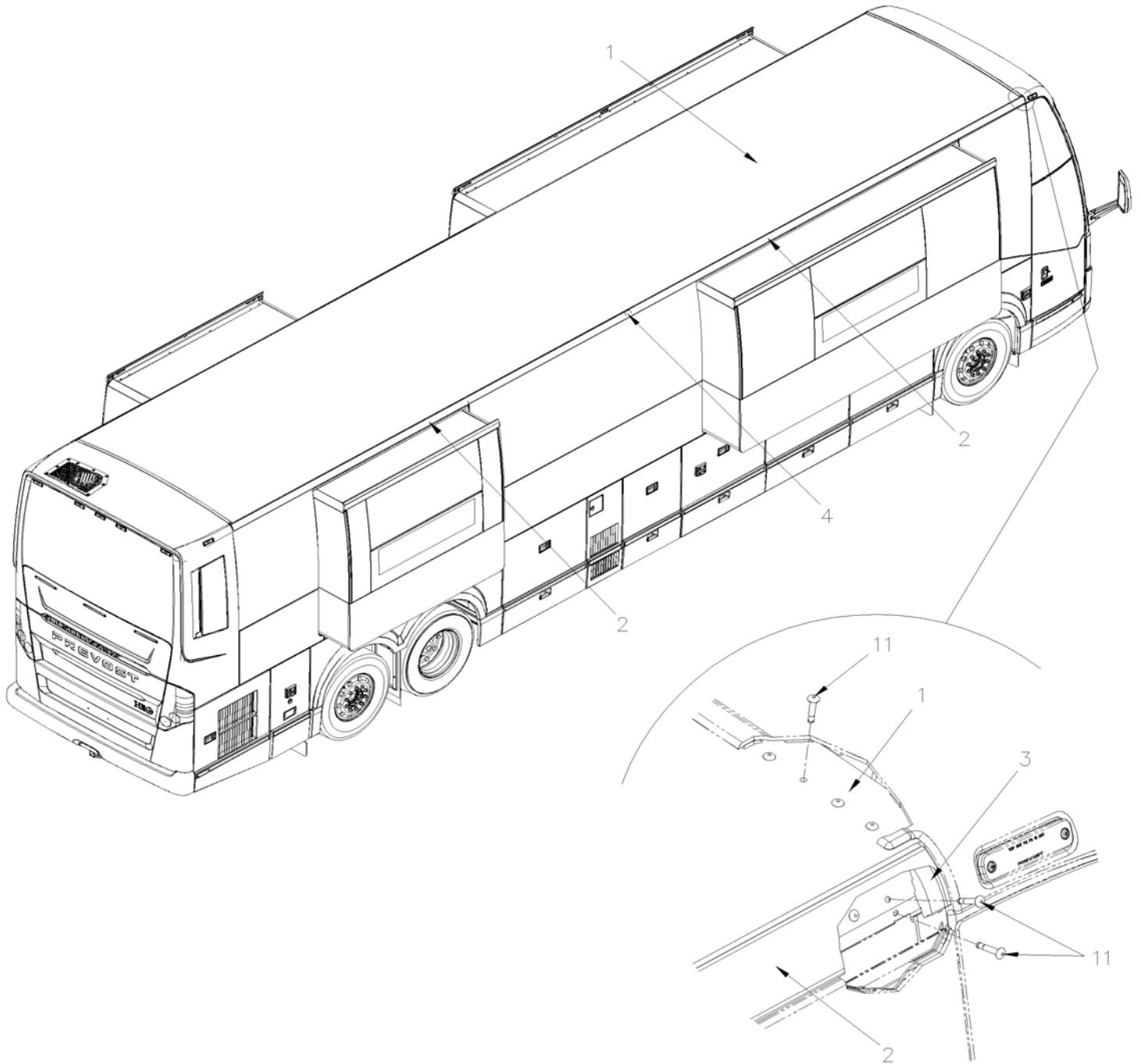
| Item# | Part | Description | QTY | Notes |
|-------|---------|--|-----|-------|
| 1 | 472940P | SHEET, ALUMINUM / ROOF | 1 | |
| NS | 683084 | SEALANT SIKA #221 / GREY / 600 ml SAUSAGE | AR | |
| NS | 685124 | ADHESIVE SIMSON #ISR 70-03 / BLACK / 600ml SAUSAGE | AR | |
| 2 | 297198 | EXTRUSION ALUMINUM 10802MM | 2 | |
| 3 | 504787 | RIVET CHY MONOLOK PRDG 1/4x5/8 ZP | AR | |
| 3 | 500353 | SCREW TP FL PH #8x3/4 BK | 4 | |
| 5 | 475206 | ROOF TRANSITION / FIBERGLASS | 1 | |
| 5 | 683084 | SEALANT SIKA #221 / GREY / 600 ml SAUSAGE | AR | |

From P-1348

Date:07/2024

PAGE:VIP-1852-01

ROOF PANELS



| | | |
|--------------------|--------------|------------------|
| From P-1348 | Date:07/2024 | PAGE:VIP-1852-01 |
| ROOF PANELS | | |

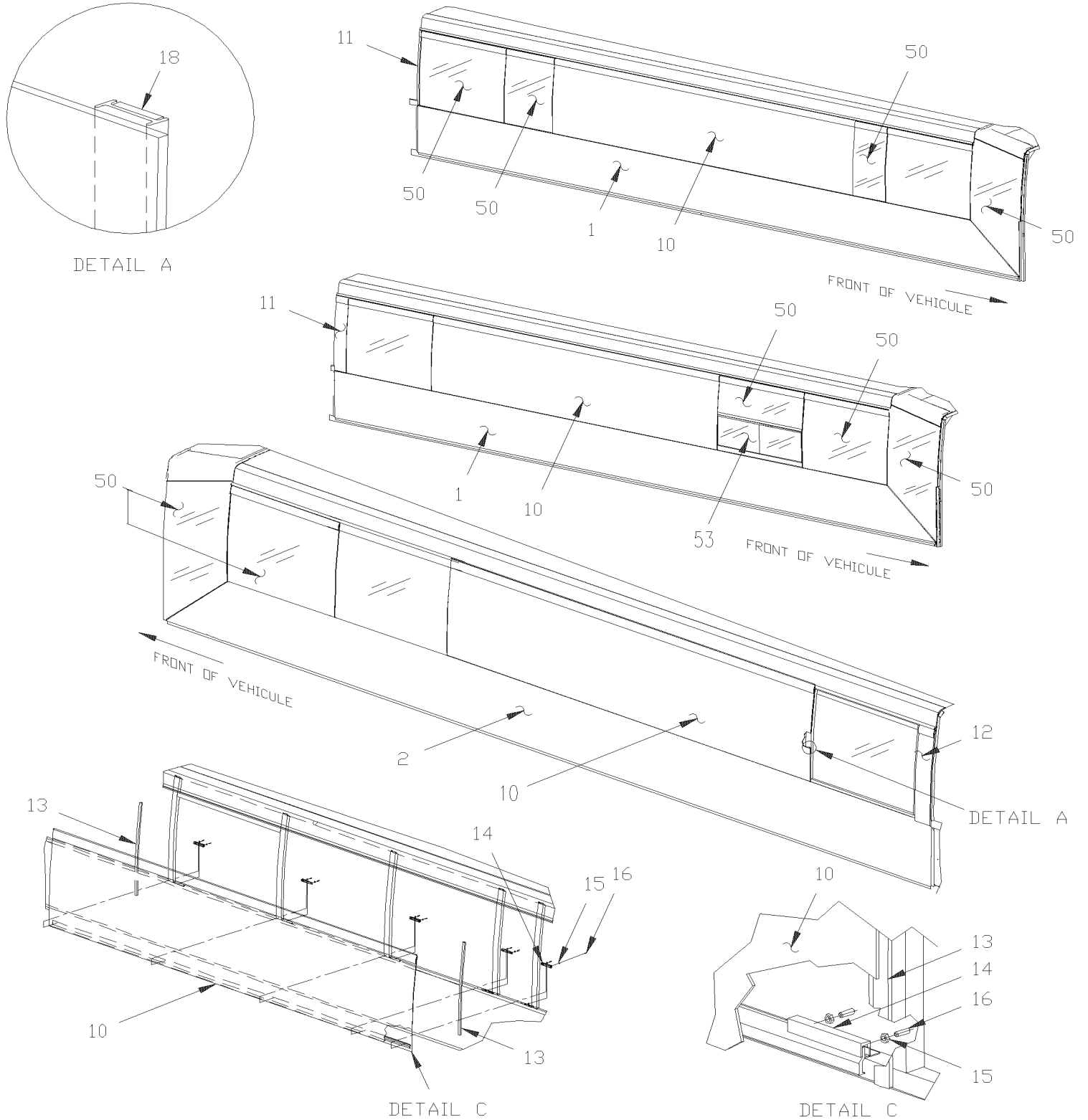
| Item# | Part | Description | QTY | Notes |
|-------|--------|--|-----|-------|
| 1 | 970003 | ALUMINUM SHEET 5052 WHITE 18GA X 94 1/2" | AR | |
| 1 | 685385 | GLUE MS POLYMER TEROSON MS 9399 / "A" 14.8 Liters | AR | |
| 1 | 685386 | GLUE MS POLYMER TEROSON MS 9399 / "B" 14.8 Liters | AR | |
| 1 | 683084 | SEALANT SIKA #221 / GREY / 600 ml SAUSAGE | AR | |
| 2 | 290781 | EXTRUSION, ROOF | 4 | |
| 3 | 290255 | PLUG | 8 | |
| 3 | 680066 | ADHESIVE / ADBOND #5014 / 23.6ML BOTTLE | AR | |
| 4 | 479765 | ROOF EXTRUSION SEAL MOLDING | 2 | |
| . NS | 290256 | . ROOF EXTRUSION SEAL MOLDING | 1 | |
| . NS | 506869 | . TAPE RUB ADH2 POL .031" X 1/4" X 300' / BLACK | AR | |
| 4 | 685124 | ADHESIVE SIMSON #ISR 70-03 / BLACK / 600ml SAUSAGE | AR | |
| 11 | 504787 | RIVET CHY MONOLOK PRDG 1/4x5/8 ZP | AR | |

From K-0295 To P-1347

Date:07/2024

PAGE:VIP-1854-50

SIDE PANELS - V.I.P.

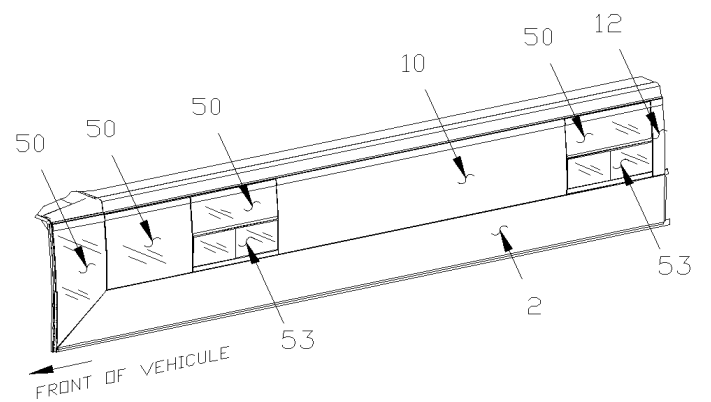
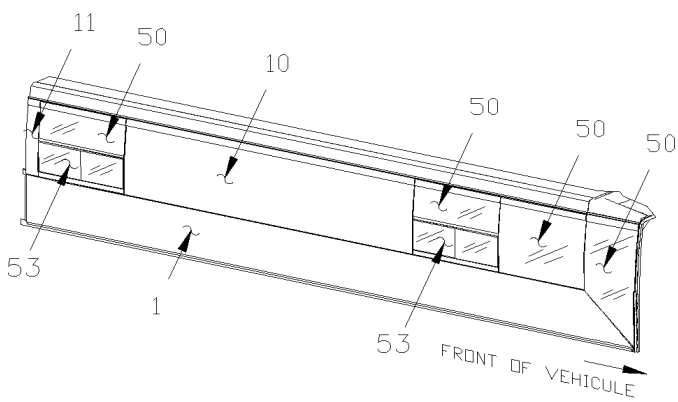
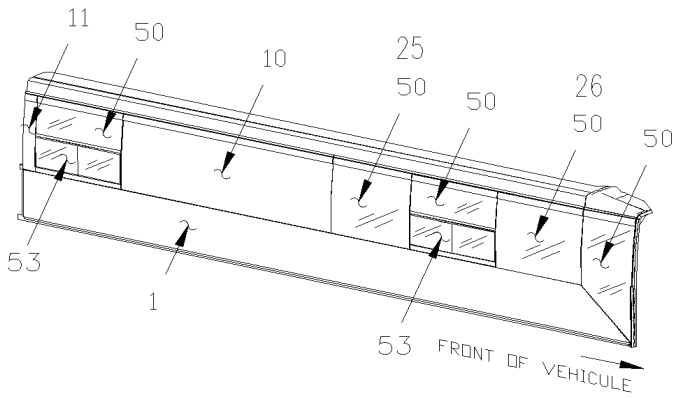
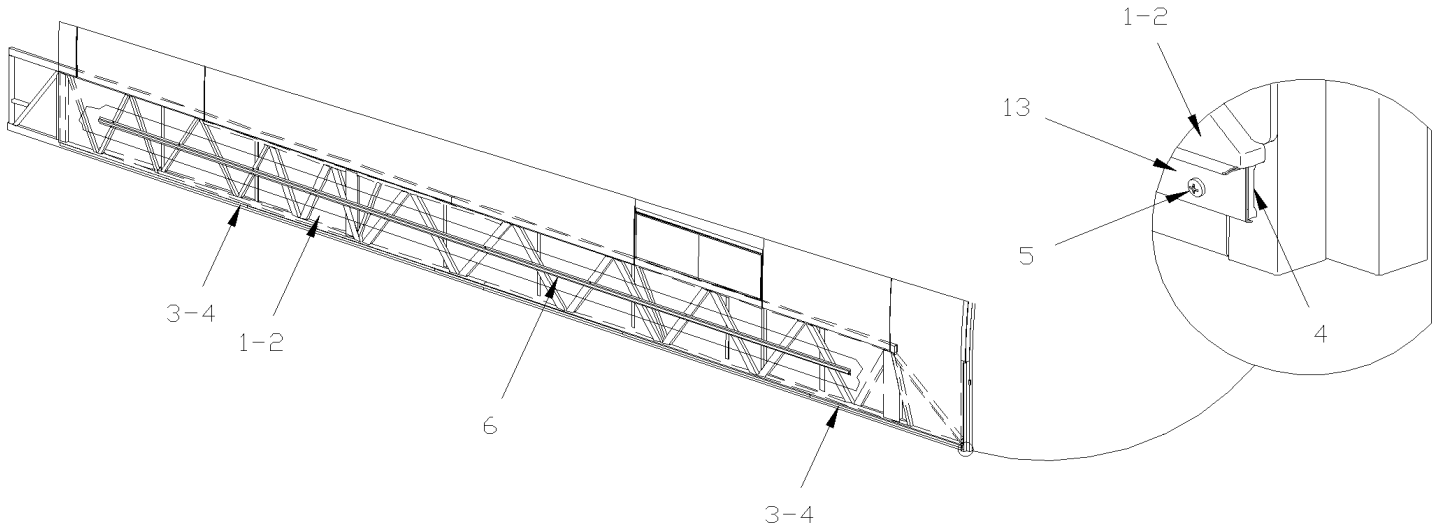


From K-0295 To P-1347

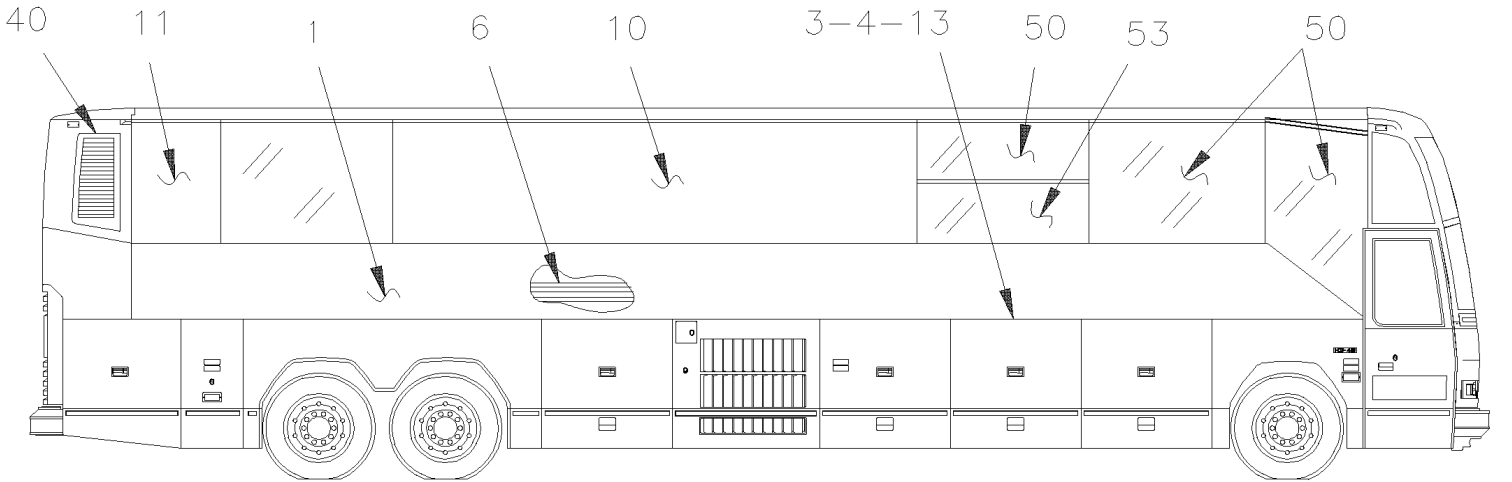
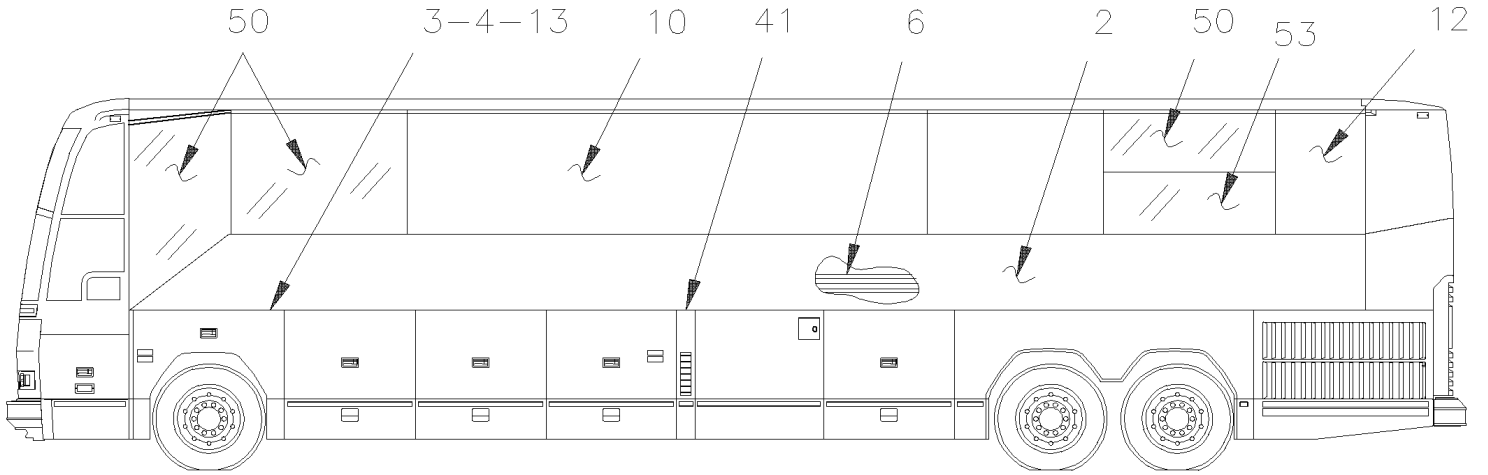
Date:07/2024

PAGE:VIP-1854-50

SIDE PANELS - V.I.P.



| | | |
|-----------------------|--------------|------------------|
| From K-0295 To P-1347 | Date:07/2024 | PAGE:VIP-1854-50 |
| SIDE PANELS - V.I.P. | | |



VIP-45

| | | |
|------------------------------|---------------------|-------------------------|
| From K-0295 To P-1347 | Date:07/2024 | PAGE:VIP-1854-50 |
| SIDE PANELS - V.I.P. | | |

| Item# | Part | Description | QTY | Notes |
|-------|--------------------|--|-----|-------|
| | | "WARNING" "WARNING" "WARNING" | | |
| | | NEXT FOLLOWING PANELS ARE RELATED WITH | | |
| | | SIDE PANELING WITHOUT ANY SLIDE OUT INSTALL | | |
| | | FOR SIDE PANELING WITH SLIDE-OUT | | |
| | | SEE RESPECTIVE PAGES | | |
| | VIP-1854-81 | SIDE PANELS - FRONT STREET SIDE - "SLIDE-OUT" | | |
| | VIP-1854-86 | SIDE PANELS - REAR STREET SIDE - "SLIDE-OUT" | | |
| | VIP-1854-91 | SIDE PANELS - FRONT CURBSIDE - "SLIDE-OUT" | | |
| | VIP-1854-96 | SIDE PANELS - REAR CURBSIDE - "SLIDE-OUT" | | |
| | VIP-1854-55 | SIDE PANELS - WITH "SLIDE-OUT" / BY "CONVERTER" | | |
| | VIP-1854-60 | SIDE PANELS - WITH "SLIDE-OUT" "PREVOST" | | |
| 1 | 475156 | PANEL R.H. | 1 | |
| 1 | 475156 | PANEL R.H. | 1 | |
| 2 | 476643 | PANEL L.H. | 1 | |
| 3 | 479691 | DRIP MOULDING 2438MM SS ADH | 4 | |
| NS | 680108 | . TAPE RUB ADH2 VHB 1" x .045" x 108' | AR | |
| 3 | 479684 | DRIP MOULDING | 1 | |
| 3 | 479697 | SUPPORT LOWER / L.H. & R.H. / 2438MM SS | AR | T |
| 3 | 479689 | SUPPORT LOWER 1973.5MM SS | AR | T |
| 4 | 473715 | FORMICA STRIP 20MM X 2438MM | AR | T |
| 5 | 502903 | SCREW TC FL PH #10-24x1 1/4 N500 | AR | T |
| 6 | 473165 | SUPPORT / 9754MM | 2 | |
| NS | 504340 | RIVET POP DOME OE 1/8x3/16 SS | AR | |
| NS | 506282 | TAPE RUB ADH1 CC POL 3/8" x 1" x 20' / GREY 2520 | AR | |
| | | FOLLOWING PANELS ARE LOCATED BETWEEN | | |
| | | ANY TWO SIDE WINDOWS ANY LAYOUT MODELS | | |
| 10 | 470173 | PANEL UPPER 2459MM | 1 | |
| 10 | 477389 | PANEL UPPER 2866.5MM | 1 | |
| 10 | 478199 | PANEL UPPER 2947.5MM | 1 | C |
| 10 | 476765 | PANEL UPPER 3151MM | 1 | |
| 10 | 477225 | PANEL UPPER 3207.5MM | 1 | |
| 10 | 477003 | PANEL UPPER 3218MM | 1 | |
| 10 | 478611 | PANEL UPPER 3312MM | 1 | |
| 10 | 476731 | PANEL UPPER 3361MM | 1 | |
| 10 | 478203 | PANEL UPPER 3457MM | 1 | |
| 10 | 478406 | PANEL UPPER 3643MM | 1 | |

| | | |
|-----------------------------|--------------|------------------|
| From K-0295 To P-1347 | Date:07/2024 | PAGE:VIP-1854-50 |
| SIDE PANELS - V.I.P. | | |

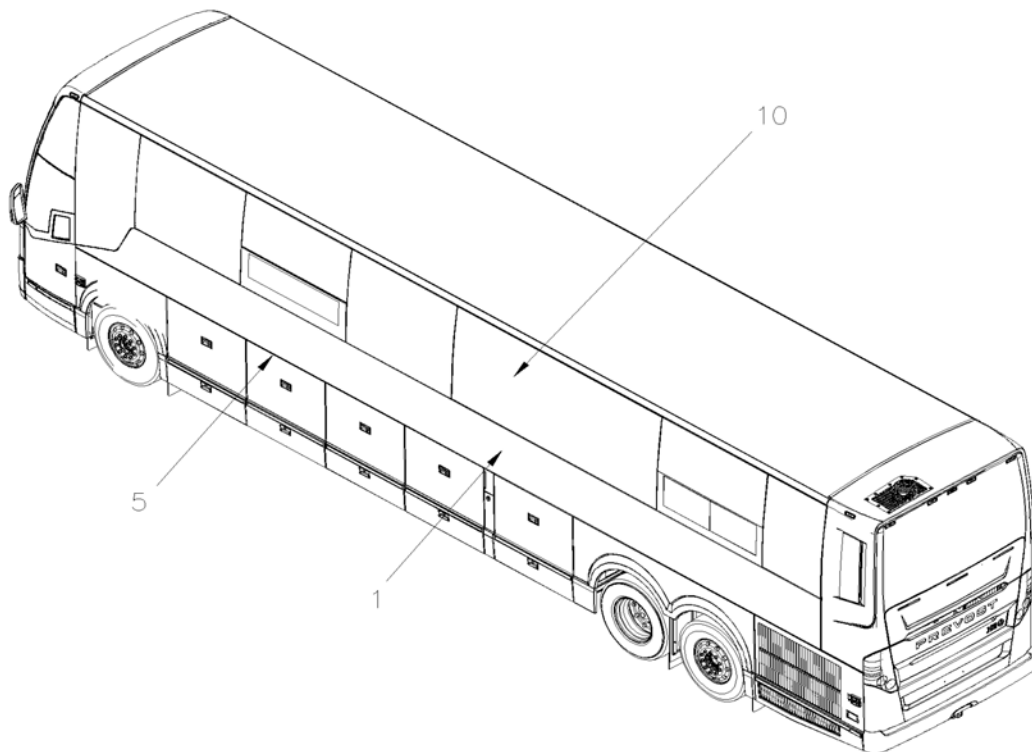
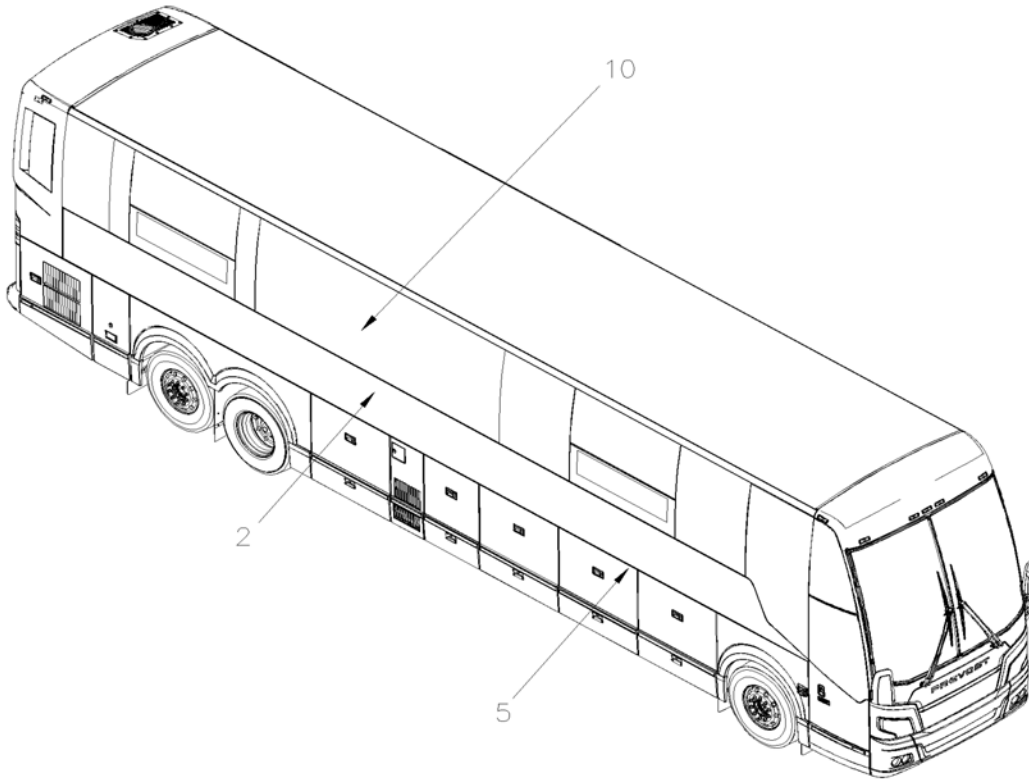
| Item# | Part | Description | QTY | Notes |
|-------|--------|--------------------------------------|-----|-------|
| 10 | 476726 | PANEL UPPER 3659MM | 1 | |
| 10 | 478613 | PANEL UPPER 3956MM | 1 | |
| 10 | 476891 | PANEL UPPER 4119MM | 1 | |
| 10 | 478610 | PANEL UPPER 4162MM | 1 | |
| 10 | 479887 | PANEL UPPER 4174MM | 1 | |
| 10 | 478201 | PANEL UPPER 4200MM | 1 | C |
| 10 | 479266 | PANEL UPPER 4302MM | 1 | |
| 10 | 477197 | PANEL UPPER 4611MM | 1 | |
| 10 | 477184 | PANEL UPPER 4710MM | 1 | |
| 10 | 476789 | PANEL UPPER 4811MM | 1 | |
| 10 | 478781 | PANEL UPPER 4998MM | 1 | |
| 10 | 478196 | PANEL UPPER 5319MM | 1 | |
| 10 | 477217 | PANEL UPPER 5779MM | 1 | |
| 10 | 477136 | PANEL UPPER 9140MM | 1 | |
| 10 | 476812 | PANEL UPPER STREETSIDE 10748MM | 1 | W |
| 10 | 478198 | PANEL UPPER CURBSIDE 10800MM | 1 | W |
| 10 | 478779 | PANEL UPPER CURBSIDE 10748MM | 1 | W |
| 10 | 476981 | PANEL UPPER 2322MM | 1 | F |
| 10 | 477280 | PANEL UPPER 2342MM | 1 | F |
| 10 | 477223 | PANEL UPPER 3595MM | 1 | F |
| 10 | 477297 | PANEL UPPER 3694MM | 1 | F |
| | | | | |
| 11 | 478249 | PANEL UPPER R.H. BACKWARD / 16MM | 1 | |
| 11 | 479888 | PANEL UPPER R.H. BACKWARD / 363.9MM | 1 | |
| 11 | 478197 | PANEL UPPER R.H. BACKWARD / 492MM | 1 | |
| 11 | 478202 | PANEL UPPER R.H. BACKWARD / 670MM | 1 | C |
| 11 | 478204 | PANEL UPPER R.H. BACKWARD / 695MM | 1 | |
| 11 | 476975 | PANEL UPPER R.H. BACKWARD / 840MM | 1 | |
| 11 | 477002 | PANEL UPPER R.H. BACKWARD / 934MM | 1 | |
| 11 | 476790 | PANEL UPPER R.H. BACKWARD / 1001MM | 1 | |
| 11 | 476732 | PANEL UPPER R.H. BACKWARD / 1509MM | 1 | |
| 11 | 478200 | PANEL UPPER R.H. BACKWARD / 1922.5MM | 1 | C |
| 11 | 476980 | PANEL UPPER R.H. BACKWARD / 5820MM | 1 | |
| 11 | 478321 | PANEL UPPER R.H. BACKWARD / 7481MM | 1 | |
| 11 | 477024 | PANEL UPPER R.H. BACKWARD / 9140MM | 1 | |
| | | | | |
| 12 | 478225 | PANEL UPPER L.H. BACKWARD / 16MM | 1 | |
| 12 | 477021 | PANEL UPPER L.H. BACKWARD / 203MM | 1 | |
| 12 | 477224 | PANEL UPPER L.H. BACKWARD / 294MM | 1 | |
| 12 | 477001 | PANEL UPPER L.H. BACKWARD / 934MM | 1 | |
| 12 | 478407 | PANEL UPPER L.H. BACKWARD / 1001MM | 1 | |
| 12 | 478657 | PANEL UPPER L.H. BACKWARD / 1509MM | 1 | |

From P-1348

Date:07/2024

PAGE:VIP-1854-51

SIDE PANELS - V.I.P.

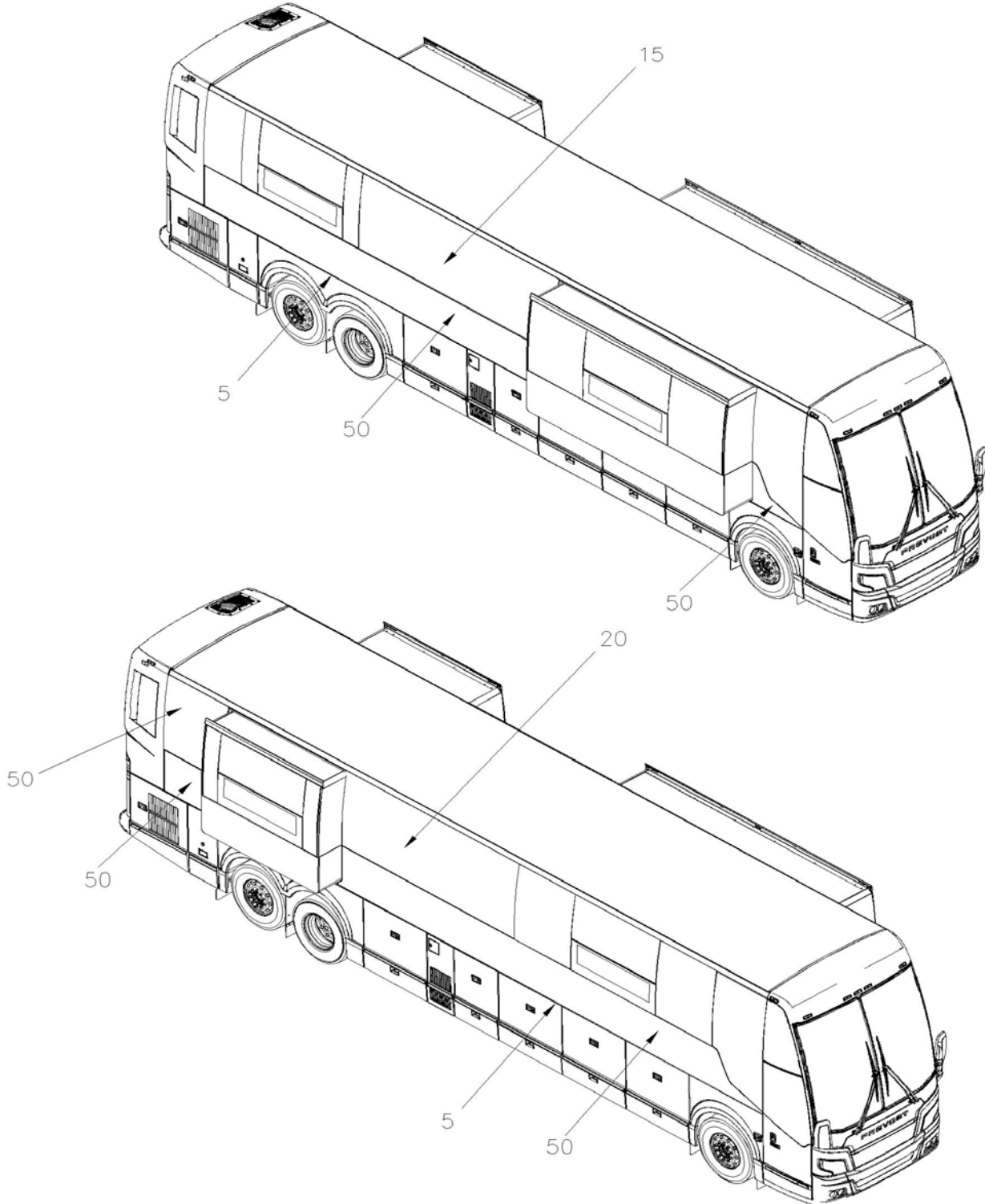


From P-1348

Date:07/2024

PAGE:VIP-1854-51

SIDE PANELS - V.I.P.



| | | | |
|-----------------------------|--|---------------------|-------------------------|
| From P-1348 | | Date:07/2024 | PAGE:VIP-1854-51 |
| SIDE PANELS - V.I.P. | | | |

| Item# | Part | Description | QTY | Notes |
|-------|--------------------|--|-----|-------|
| 1 | 4710162 | PANEL L.H. | 1 | |
| 2 | 4710165 | PANEL R.H. | 1 | |
| NS | 685385 | GLUE MS POLYMER TEROSON MS 9399 / "A" 14.8 Liters | AR | |
| NS | 685386 | GLUE MS POLYMER TEROSON MS 9399 / "B" 14.8 Liters | AR | |
| NS | 685124 | ADHESIVE SIMSON #ISR 70-03 / BLACK / 600ml SAUSAGE | 1 | |
| NS | 506738 | TAPE RUB ADH1 CC POL 1/8" x 1" x 50' / GREY 2520 | AR | |
| NS | 506761 | TAPE RUB ADH2 POL 1/16" x 3/8" x 200' / BLACK | AR | |
| | | | | |
| 5 | 479691 | DRIP MOULDING 2438MM SS ADH | 4 | |
| NS | 680108 | TAPE RUB ADH2 VHB 1" x .045" x 108' | AR | |
| 5 | 479808 | DRIP MOULDING 1312.7MM SS ADH | 2 | |
| NS | 680108 | TAPE RUB ADH2 VHB 1" x .045" x 108' | AR | |
| | | | | |
| 10 | 4710178 | UPPER PANEL / 1489.9MM | 1 | |
| 10 | 4710298 | UPPER PANEL / 3311MM | 1 | |
| 10 | 479904 | UPPER PANEL / 4088.6MM | 1 | |
| 10 | 4710179 | UPPER PANEL / 4302.1MM | 1 | |
| 10 | 4710192 | UPPER PANEL / 5748.3MM | 1 | |
| 10 | 471768 | UPPER PANEL / 6631MM | 1 | |
| 10 | 4710299 | UPPER PANEL / 821MM | 1 | |
| 10 | 4705127 | UPPER PANEL / 344.9MM | 1 | |
| 10 | 4710142 | UPPER PANEL / 981.9MM | 1 | |
| 10 | 4705225 | UPPER PANEL / 2012.2MM | 1 | |
| 10 | 4710141 | UPPER PANEL / 3150.1MM | 1 | |
| 10 | 4705224 | UPPER PANEL / 3779.8MM | 1 | |
| 10 | 4705126 | UPPER PANEL / 4173.1MM | 1 | |
| 10 | 4705206 | UPPER PANEL / 4971MM | 1 | |
| 15 | 4705156 | UPPER PANEL / 3693.7MM | 1 | |
| | | | | |
| 20 | 4710193 | UPPER PANEL / 2965.7MM | 1 | |
| | | | | |
| NS | 290808 | SEAL, WINDOW BOTTOM | AR | |
| | | | | |
| 50 | VIP-1854-61 | SIDE PANELS - WITH "SLIDE-OUT" "PREVOST" | | |

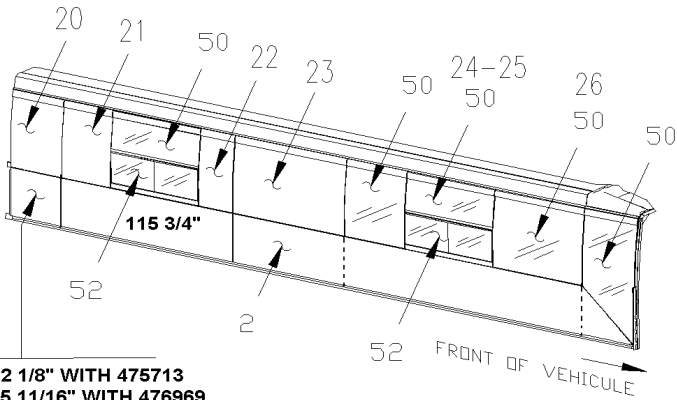
From K-0295

Date:07/2024

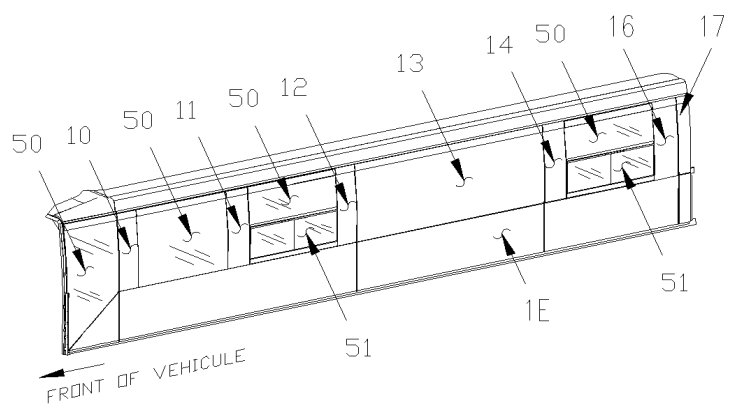
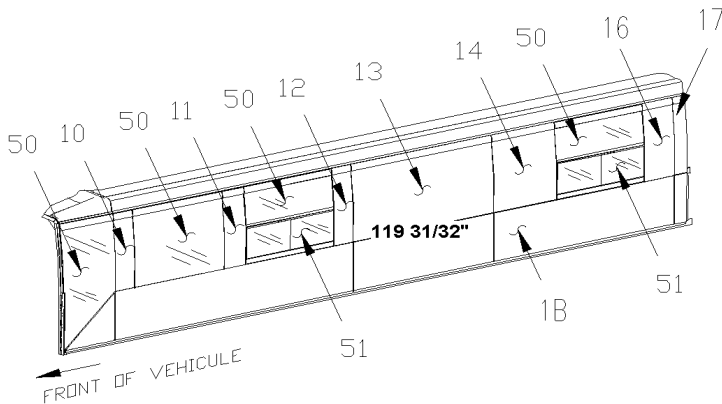
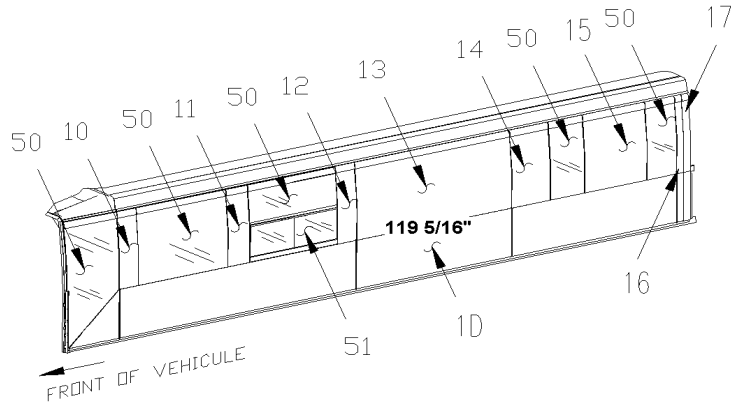
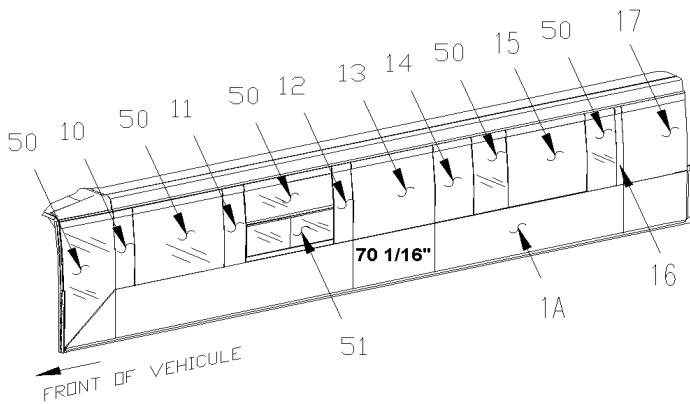
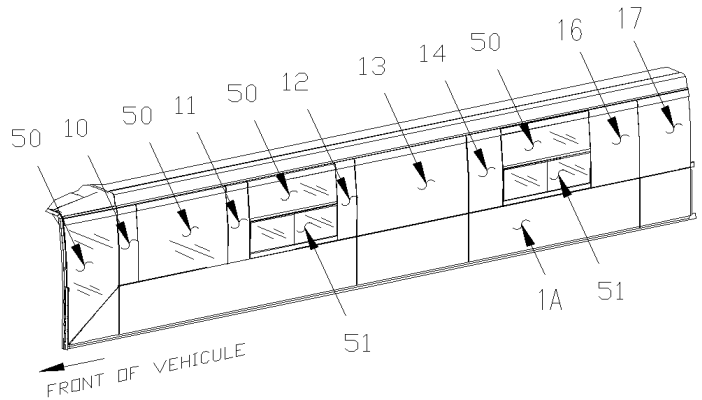
PAGE:VIP-1854-55

SIDE PANELS - WITH "SLIDE-OUT" / BY "CONVERTER"

FOR SIDE PANELING WHITOUT SLIDE-OUT SEE PAGE H7-1854-50



22 1/8" WITH 475713
55 11/16" WITH 476969
58 3/8" WITH 476908



NOTE.: REAR SLIDE-OUT WINDOW LAYOUT MAY BE MIXED FROM DRAWING

| | | | |
|--|--|--------------|------------------|
| From K-0295 | | Date:07/2024 | PAGE:VIP-1854-55 |
| SIDE PANELS - WITH "SLIDE-OUT" / BY "CONVERTER" | | | |

| Item# | Part | Description | QTY | Notes |
|-------|--------------------|--|-----|-------|
| | | "WARNING" "WARNING" "WARNING" | | |
| | | NEXT FOLLOWING PANELS ARE RELATED WITH | | |
| | | SIDE PANELING WITH "SLIDE OUT" BY CONVERTER INSTALLATION | | |
| | | | | |
| | | FOR SIDE PANELING WITHOUT SLIDE-OUT | | |
| | | SEE RESPECTIVE PAGES | | |
| | VIP-1854-50 | SIDE PANELS - V.I.P. | | |
| | | | | |
| 2 | 475713 | KIT LOWER PANEL R.H. W/1SLIDE OUT AT 22 1/8" FROM REAR | 1 | |
| . NS | 475712 | . PANEL LOWER BACKWARD 562MM | 1 | |
| . NS | 475711 | . PANEL LOWER REAR SLIDE-OUT 2940.1MM | 1 | |
| . NS | 475714 | . PANEL LOWER FRONT SECTION 8223.5MM | 1 | |
| 2 | 476908 | KIT LOWER PANEL R.H. W/1SLIDE OUT AT 58 3/8" FROM REAR | 1 | |
| . NS | 476909 | . PANEL LOWER BACKWARD 1483MM | 1 | |
| . NS | 476910 | . PANEL LOWER REAR SLIDE-OUT 2940.1MM | 1 | |
| . NS | 476911 | . PANEL LOWER FRONT SECTION 7302.5MM | 1 | |
| 2 | 477138 | KIT LOWER PANEL R.H. W/1SLIDE OUT FRONT / 4235MM FRT SO | 1 | |
| . NS | 476970 | . PANEL LOWER TRIANGULAR CURBSIDE | 1 | |
| . NS | 475501 | . PANEL LOWER FRONT SLIDE-OUT 4235MM | 1 | |
| . NS | 477139 | . PANEL LOWER REAR SLIDE-OUT 6561MM | 1 | |
| 2 | 476969 | KIT LOWER PANEL R.H. W/2 SLIDE OUT / 70 1/16" BETWEEN | 1 | |
| . NS | 476970 | . PANEL LOWER TRIANGULAR CURBSIDE | 1 | |
| . NS | 475501 | . PANEL LOWER FRONT SLIDE-OUT 4235MM | 1 | |
| . NS | 475515 | . PANEL LOWER SLIDE OUT 1780MM | 1 | |
| . NS | 475516 | . PANEL LOWER REAR SLIDE-OUT 3355MM | 1 | |
| . NS | 476971 | . PANEL LOWER BACKWARD 1414MM | 1 | |
| 2 | 477147 | KIT LOWER PANEL R.H. W/2 SLIDE OUT / 119 15/16" BETWEEN | 1 | |
| . NS | 476970 | . PANEL LOWER TRIANGULAR CURBSIDE | 1 | |
| . NS | 475501 | . PANEL LOWER FRONT SLIDE-OUT 4235MM | 1 | |
| . NS | 475710 | . PANEL LOWER SLIDE OUT 3047MM | 1 | |
| . NS | 475516 | . PANEL LOWER REAR SLIDE-OUT 3355MM | 1 | |
| . NS | 477148 | . PANEL LOWER BACKWARD 146.4MM | 1 | |
| 10 | 476778 | PANEL UPPER 283MM | 1 | |
| 10 | 478593 | PANEL UPPER 504MM | 1 | |
| 10 | 477266 | PANEL UPPER 842.5MM | 1 | |
| 11 | 476779 | PANEL UPPER 383MM | 1 | |
| 12 | 476780 | PANEL UPPER 231MM | 1 | |
| 12 | 477266 | PANEL UPPER 842.5MM | 1 | |
| 13 | 478592 | PANEL UPPER 1183MM | 1 | |
| 13 | 476781 | PANEL UPPER 1780MM | 1 | |
| 13 | 477261 | PANEL UPPER 1780MM | 1 | |
| 13 | 476874 | PANEL UPPER 3030MM | 1 | |

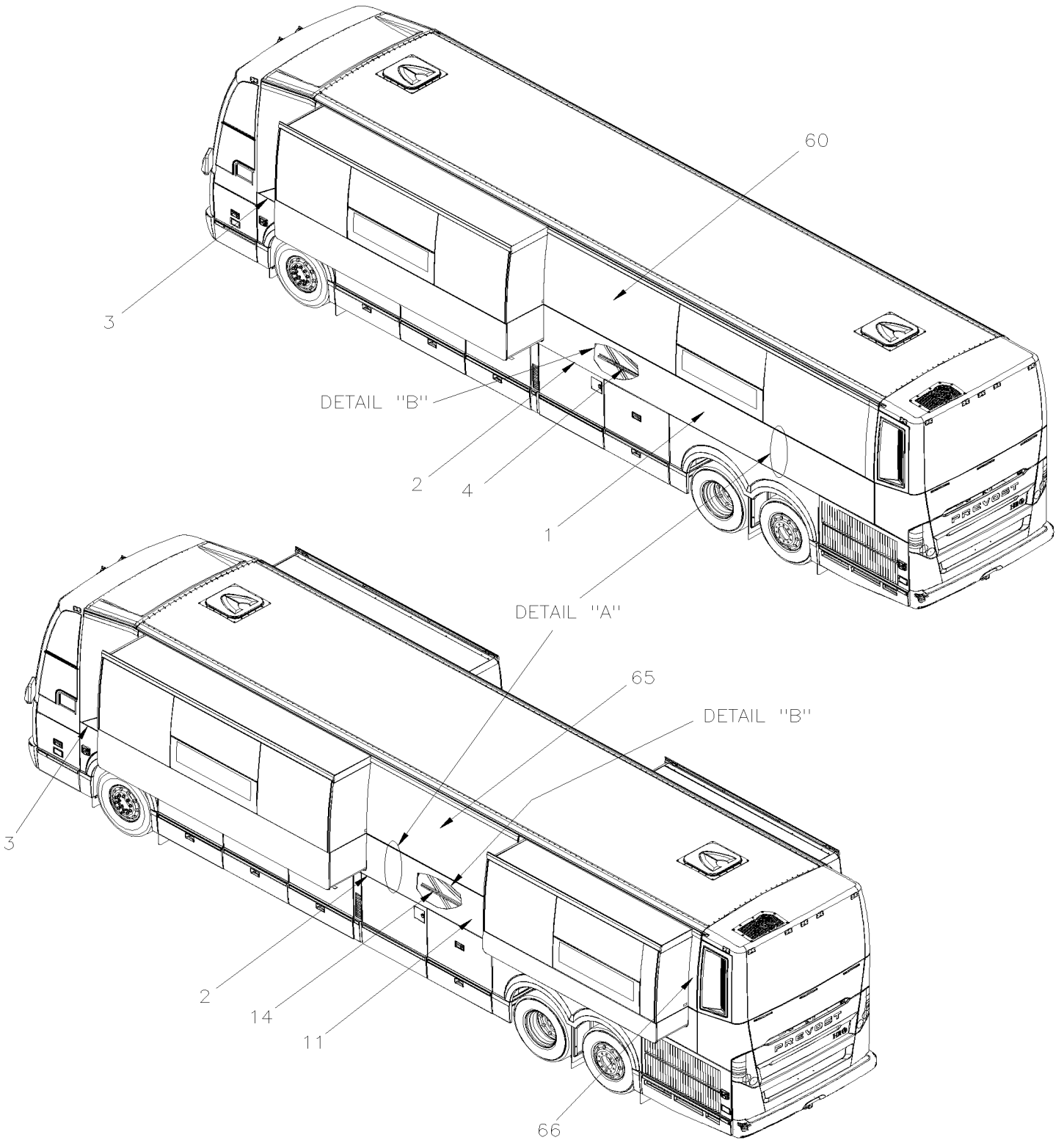
| | | |
|--|--------------|------------------|
| From K-0295 | Date:07/2024 | PAGE:VIP-1854-55 |
| SIDE PANELS - WITH "SLIDE-OUT" / BY "CONVERTER" | | |

| Item# | Part | Description | QTY | Notes |
|-------|-------------|--------------------------------------|-----|-------|
| 13 | 476851 | PANEL UPPER 3047MM | 1 | |
| 13 | 478594 | PANEL UPPER 3355MM | 1 | |
| 14 | 476852 | PANEL UPPER L.H. / 266MM | 1 | |
| 14 | 476782 | PANEL UPPER L.H. / 805.5MM | 1 | |
| 14 | 476875 | PANEL UPPER L.H. / 808MM | 1 | |
| 14 | 477262 | PANEL UPPER L.H. / 843.5MM | 1 | |
| 14 | 478600 | PANEL UPPER L.H. / 466MM | 1 | |
| 15 | 476783 | PANEL UPPER 1133MM | 1 | |
| 15 | 477263 | PANEL UPPER 843.5MM | 1 | |
| 16 | 476784 | PANEL UPPER R.H. / 125MM | 1 | |
| 16 | 476853 | PANEL UPPER R.H. / 252MM | 1 | |
| 16 | 477264 | PANEL UPPER R.H. / 842.5MM | 1 | |
| 16 | 478601 | PANEL UPPER R.H. / 466MM | 1 | |
| 17 | 477143 | PANEL UPPER L.H. BACKWARD / 146MM | 1 | S2 |
| 17 | 476876 | PANEL UPPER L.H. BACKWARD / 163MM | 1 | |
| 17 | 476854 | PANEL UPPER L.H. BACKWARD / 562MM | 1 | |
| 17 | 476785 | PANEL UPPER L.H. BACKWARD / 1415MM | 1 | |
| 17 | 477265 | PANEL UPPER L.H. BACKWARD / 2328.5MM | 1 | |
| | | | | |
| 20 | 477141 | PANEL UPPER R.H. BACKWARD / 654.2MM | 1 | SA |
| 20 | 476858 | PANEL UPPER R.H. BACKWARD / 562MM | 1 | |
| 20 | 477141 | PANEL UPPER R.H. BACKWARD / 654.2MM | 1 | |
| NS | 478202 | PANEL UPPER R.H. BACKWARD / 670MM | 1 | S |
| 20 | 476914 | PANEL UPPER R.H. BACKWARD / 1482.5MM | 1 | |
| 20 | 476968 | PANEL UPPER 1415MM | 1 | |
| 21 | 476857 | PANEL UPPER L.H. / 636MM | 1 | |
| 21 | 476915 | PANEL UPPER L.H. / 438.5MM | 1 | |
| 21 | 476967 | PANEL UPPER 502.5MM | 1 | S1 |
| 22 | 476856 | PANEL UPPER R.H. / 636MM | 1 | |
| 22 | 476917 | PANEL UPPER R.H. / 833.5MM | 1 | |
| 22 | 476965 | PANEL UPPER 1184.5MM | 1 | S1 |
| 23 | 476855 | PANEL UPPER 3024MM | 1 | |
| 23 | 476916 | PANEL UPPER 2113MM | 1 | |
| 23 | 477140 | PANEL UPPER 4237MM | 1 | |
| 23 | 476781 | PANEL UPPER 1780MM | 1 | S1 |
| 23 | 477261 | PANEL UPPER 1780MM | 1 | |
| 24 | 476966 | PANEL UPPER 231MM | 1 | S1 |
| 25 | 476779 | PANEL UPPER 383MM | 1 | S1 |
| 26 | 476964 | PANEL UPPER 283MM | 1 | S1 |
| | | | | |
| 50 | VIP-1884-50 | SIDE WINDOWS - V.I.P. | | |
| 51 | VIP-1884-80 | ELECTRICAL SLIDING WINDOW ASSY | | |

| | | |
|--|--------------|------------------|
| From K-0295 | Date:07/2024 | PAGE:VIP-1854-55 |
| SIDE PANELS - WITH "SLIDE-OUT" / BY "CONVERTER" | | |

| Item# | Part | Description | QTY | Notes |
|-------|-------------|--|-----|-------|
| 52 | VIP-1884-80 | ELECTRICAL SLIDING WINDOW ASSY | | |
| 53 | VIP-1854-50 | SIDE PANELS - V.I.P. | | |
| 1A | 475514 | KIT LOWER PANEL L.H. W/SLIDE OUT / 70 1/16" BETWEEN | 1 | |
| . NS | 475488 | . PANEL LOWER TRIANGULAR STREETSIDE | 1 | |
| . NS | 475501 | . PANEL LOWER FRONT SLIDE-OUT 4235MM | 1 | |
| . NS | 475515 | . PANEL LOWER SLIDE OUT 1780MM | 1 | |
| . NS | 475516 | . PANEL LOWER REAR SLIDE-OUT 3355MM | 1 | |
| . NS | 475517 | . PANEL LOWER BACKWARD 1414MM | 1 | |
| 1D | 477144 | KIT LOWER PANEL L.H. WSLIDE OUT / 119 15/16" BETWEEN | 1 | |
| . NS | 475488 | . PANEL LOWER TRIANGULAR STREETSIDE | 1 | |
| . NS | 475501 | . PANEL LOWER FRONT SLIDE-OUT 4235MM | 1 | |
| . NS | 475710 | . PANEL LOWER SLIDE OUT 3047MM | 1 | |
| . NS | 475516 | . PANEL LOWER REAR SLIDE-OUT 3355MM | 1 | |
| . NS | 477145 | . PANEL LOWER BACKWARD 146MM | 1 | |
| | | | | |
| | | | | |
| | | S) WITHOUT CURBSIDE SLIDE OUT | | |
| | | S1) WITH 2 SLIDE-OUT KIT PANEL # 476969 | | |
| | | S2) FIXED WITH 2 SLIDE-OUT KIT PANEL # 477144 | | |
| | | SA) FIXED WITH 2 SLIDE-OUT KIT PANEL # 477147 | | |

| | | |
|--|--------------|------------------|
| From K-0295 | Date:07/2024 | PAGE:VIP-1854-60 |
| SIDE PANELS - WITH "SLIDE-OUT" "PREVOST" | | |

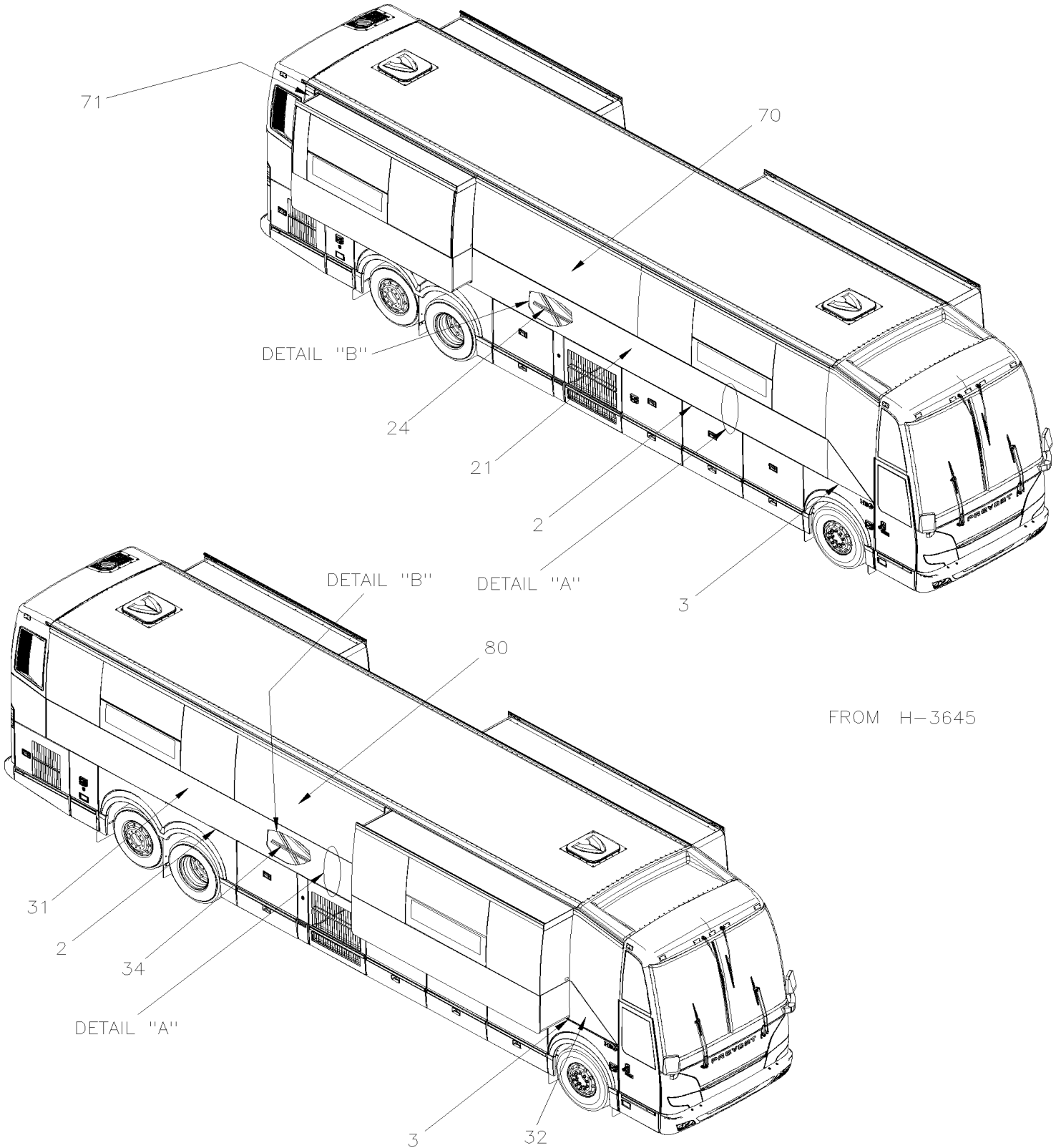


From K-0295

Date:07/2024

PAGE:VIP-1854-60

SIDE PANELS - WITH "SLIDE-OUT" "PREVOST"

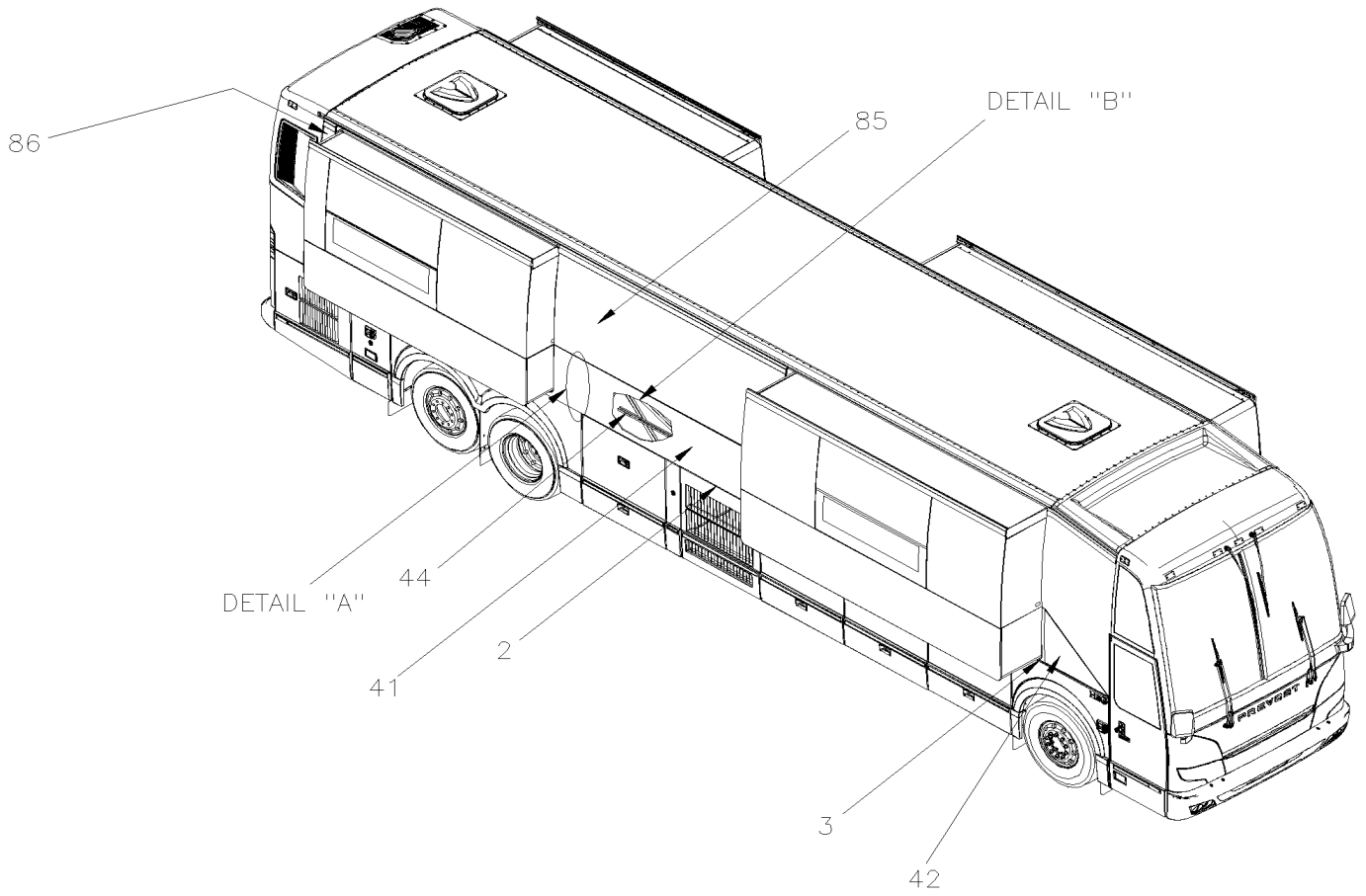


From K-0295

Date:07/2024

PAGE:VIP-1854-60

SIDE PANELS - WITH "SLIDE-OUT" "PREVOST"



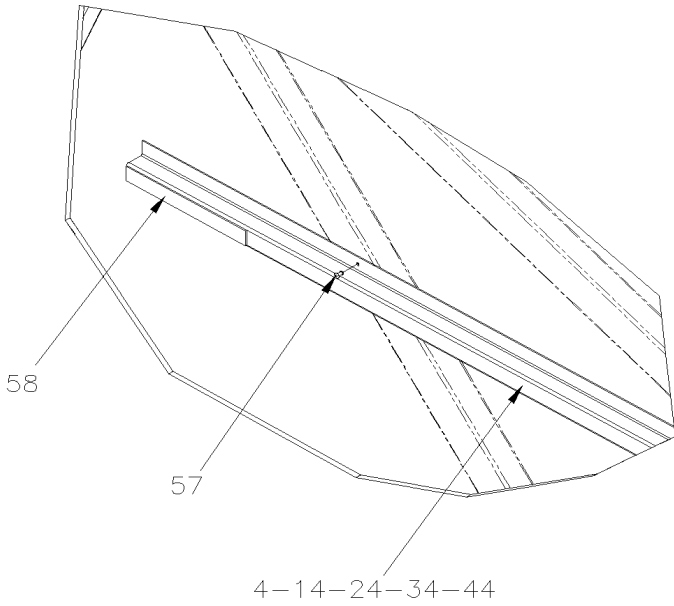
FROM H-3645

From K-0295

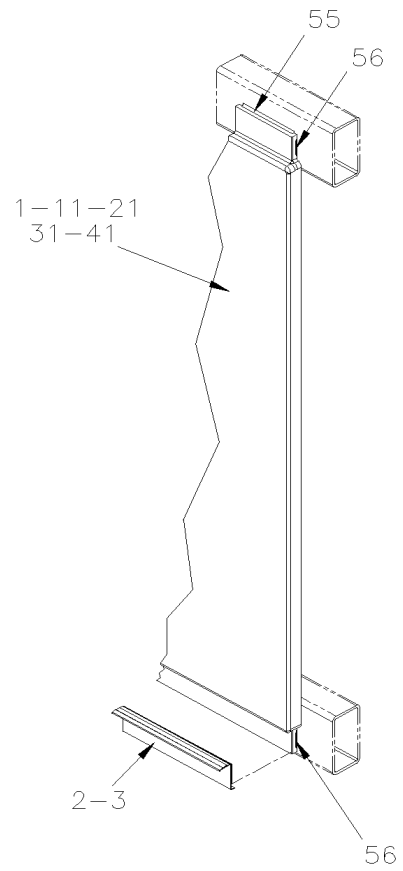
Date:07/2024

PAGE:VIP-1854-60

SIDE PANELS - WITH "SLIDE-OUT" "PREVOST"



DETAIL "B"



DETAIL "A"

| | | | |
|-------------|--|--------------|------------------|
| From K-0295 | | Date:07/2024 | PAGE:VIP-1854-60 |
|-------------|--|--------------|------------------|

SIDE PANELS - WITH "SLIDE-OUT" "PREVOST"

| Item# | Part | Description | QTY | Notes |
|-------|--------|--|-----|--------|
| 1 | 476265 | PANEL 11738MM / W/1 FRONT SLIDE-OUT | 1 | |
| 2 | 479691 | DRIP MOULDING 2438MM SS ADH | 4 | |
| NS | 680108 | . TAPE RUB ADH2 VHB 1" x .045" x 108' | AR | |
| 2 | 683621 | . TAPE RUB ADH2 ACRYLIC .045" x 1" x 108' / WHITE 4945 | 1 | |
| 3 | 479695 | SUPPORT LOWER / FRONT L.H. & R.H. / 1973MM SS ADH | 1 | |
| 3 | 683621 | . TAPE RUB ADH2 ACRYLIC .045" x 1" x 108' / WHITE 4945 | AR | |
| 4 | 479548 | SUPPORT 2948MM | 1 | |
| 4 | 479551 | SUPPORT 2354MM | 1 | |
| | | | | |
| 11 | 476666 | PANEL 11738MM / W/2 SLIDE-OUT / W/2814MM SLIDE-OUT | 1 | 10.5 C |
| 11 | 471355 | PANEL 11738MM / W/2 SLIDE-OUT / W/1798MM SLIDE-OUT | 1 | 10.5 D |
| 11 | 476671 | PANEL 11738MM / W/2 SLIDE-OUT / W/2814MM SLIDE-OUT | 1 | 7.5 |
| 14 | 470053 | SUPPORT 1800MM | 1 | 10.5 C |
| 14 | 471455 | SUPPORT 997MM | 1 | 10.5 D |
| 14 | 479538 | SUPPORT 1875MM | 1 | 7.5 |
| | | | | |
| 21 | 476806 | PANEL 11738MM / W/1 10 3/4 FEET SLIDE-OUT | 1 | 10.5 C |
| 21 | 471366 | PANEL 11738MM / W/1 10 3/4 FEET SLIDE-OUT | 1 | 10.5 D |
| 21 | 476802 | PANEL 11738MM / W/1 7.5 FEET FORWARD | 1 | 7.5 |
| 24 | 479547 | REINFORCEMENT / PANEL 1875MM | 1 | 10.5 C |
| 24 | 471664 | REINFORCEMENT / PANEL 996MM | 1 | 10.5 D |
| 24 | 479549 | REINFORCEMENT / PANEL 2648MM | 1 | 10.5 |
| 24 | 479550 | REINFORCEMENT / PANEL 2188MM | 1 | 10.5 |
| 24 | 479547 | REINFORCEMENT / PANEL 1875MM | 1 | 7.5 |
| 24 | 479549 | REINFORCEMENT / PANEL 2648MM | 1 | 7.5 |
| 24 | 479550 | REINFORCEMENT / PANEL 2188MM | 1 | 7.5 |
| | | | | |
| 31 | 470317 | PANEL 6900MM / W/1 3884.6MM SLIDE-OUT | 1 | 12 |
| 31 | 470292 | REAR SIDE PANEL R.H. 3952MM | 1 | A |
| 31 | 471547 | PANEL 1687MM / W/1 SLIDE-OUT | 1 | A |
| 32 | 470316 | PANEL FOWARD OF FRONT CURBSIDE SLIDE-OUT | 1 | |
| 34 | 479540 | REINFORCEMENT / PANEL 2789MM | 1 | 12 |
| 34 | 479541 | REINFORCEMENT / PANEL 3169MM | 1 | 12 |
| | | | | |
| 41 | 470313 | PANEL 6900MM / W/2 SLIDE-OUT / W/3373MM SLIDE-OUT | 1 | 7.5 |
| 41 | 470315 | PANEL 6900MM / W/2 SLIDE-OUT / W/3373MM SLIDE-OUT | 1 | 10.5 C |
| 41 | 471357 | PANEL 6900MM / W/2 SLIDE-OUT / W/2357MM SLIDE-OUT | 1 | 10.5 D |
| 42 | 470316 | PANEL FOWARD OF FRONT CURBSIDE SLIDE-OUT | 1 | |
| 44 | 479537 | REINFORCEMENT / PANEL 2430MM | 1 | 7.5 |
| 44 | 477146 | REINFORCEMENT / PANEL 2355MM | 1 | 10.5 C |
| 44 | 471427 | REINFORCEMENT / PANEL 1552MM | 1 | 10.5 D |
| | | | | |

| | | | |
|-------------|--|--------------|------------------|
| From K-0295 | | Date:07/2024 | PAGE:VIP-1854-60 |
|-------------|--|--------------|------------------|

SIDE PANELS - WITH "SLIDE-OUT" "PREVOST"

| Item# | Part | Description | QTY | Notes |
|-------|--------|---|-----|--------|
| 55 | 685124 | ADHESIVE SIMSON #ISR 70-03 / BLACK / 600ml SAUSAGE | AR | |
| 56 | 687957 | GLUE MS POLYMER TEROSON MS 9399 / 400ml CARTRIDGE To M-1153 | AR | |
| 56 | 685387 | GLUE MS POLYMER TEROSON MS 9399 / 400ml CARTRIDGE From M-1154 | AR | |
| 57 | 504340 | RIVET POP DOME OE 1/8x3/16 SS | AR | |
| 58 | 506738 | TAPE RUB ADH1 CC POL 1/8" x 1" x 50' / GREY 2520 | AR | |
| 58 | 506207 | TAPE RUB ADH1 CC POL 3/16" x 1" x 50' / GREY 2520X | AR | |
| | | | | |
| 60 | 478658 | PANEL UPPER 3135MM | 1 | |
| 60 | 477223 | PANEL UPPER 3595MM | 1 | |
| 60 | 477280 | PANEL UPPER 2342MM | 1 | |
| 60 | 477197 | PANEL UPPER 4611MM | 1 | |
| 60 | 478406 | PANEL UPPER 3643MM | 1 | |
| 60 | 476979 | PANEL UPPER L.H. BACKWARD / 6312MM | 1 | |
| | | | | |
| 65 | 478192 | PANEL UPPER / SLIDE-OUT 2814MM | 1 | 10.5 C |
| 65 | 471420 | PANEL UPPER / SLIDE-OUT | 1 | 10.5 D |
| 65 | 478192 | PANEL UPPER / SLIDE-OUT 2814MM | 1 | 7.5 |
| 66 | 478189 | PANEL UPPER L.H. BACKWARD / 172MM | 1 | 10.5 C |
| 66 | 478191 | PANEL UPPER L.H. BACKWARD / 1189MM | 1 | 10.5 D |
| 66 | 478191 | PANEL UPPER L.H. BACKWARD / 1189MM | 1 | 7.5 |
| | | | | |
| 70 | 476981 | PANEL UPPER 2322MM | 1 | |
| 70 | 479734 | PANEL UPPER 2965MM | 1 | |
| 70 | 477161 | PANEL UPPER 3040MM | 1 | |
| 70 | 477374 | PANEL UPPER 3337MM | 1 | |
| 70 | 476934 | PANEL UPPER 3982MM | 1 | |
| 70 | 478781 | PANEL UPPER 4998MM | 1 | |
| 71 | 476882 | PANEL UPPER R.H. BACKWARD / 172MM | 1 | 10.5 C |
| 71 | 476883 | PANEL UPPER R.H. BACKWARD / 1188MM | 1 | 10.5 D |
| 71 | 476883 | PANEL UPPER R.H. BACKWARD / 1188MM | 1 | 7.5 |
| | | | | |
| 80 | 477297 | PANEL UPPER 3694MM | 1 | |
| 80 | 477184 | PANEL UPPER 4710MM | 1 | |
| 80 | 470204 | PANEL UPPER 1687MM | 1 | A |
| 80 | 478612 | PANEL UPPER 3954.5MM | 1 | A |
| | | | | |
| 85 | 477134 | PANEL UPPER / SLIDE-OUT 3377MM | 1 | 10.5 C |
| 85 | 471422 | PANEL UPPER / SLIDE-OUT 2354MM | 1 | 10.5 D |
| 85 | 477134 | PANEL UPPER / SLIDE-OUT 3377MM | 1 | 7.5 |
| 86 | 476882 | PANEL UPPER R.H. BACKWARD / 172MM | 1 | 10.5 C |
| 86 | 476883 | PANEL UPPER R.H. BACKWARD / 1188MM | 1 | 10.5 D |
| 86 | 476883 | PANEL UPPER R.H. BACKWARD / 1188MM | 1 | 7.5 |

| | | |
|-------------|--------------|------------------|
| From K-0295 | Date:07/2024 | PAGE:VIP-1854-60 |
|-------------|--------------|------------------|

SIDE PANELS - WITH "SLIDE-OUT" "PREVOST"

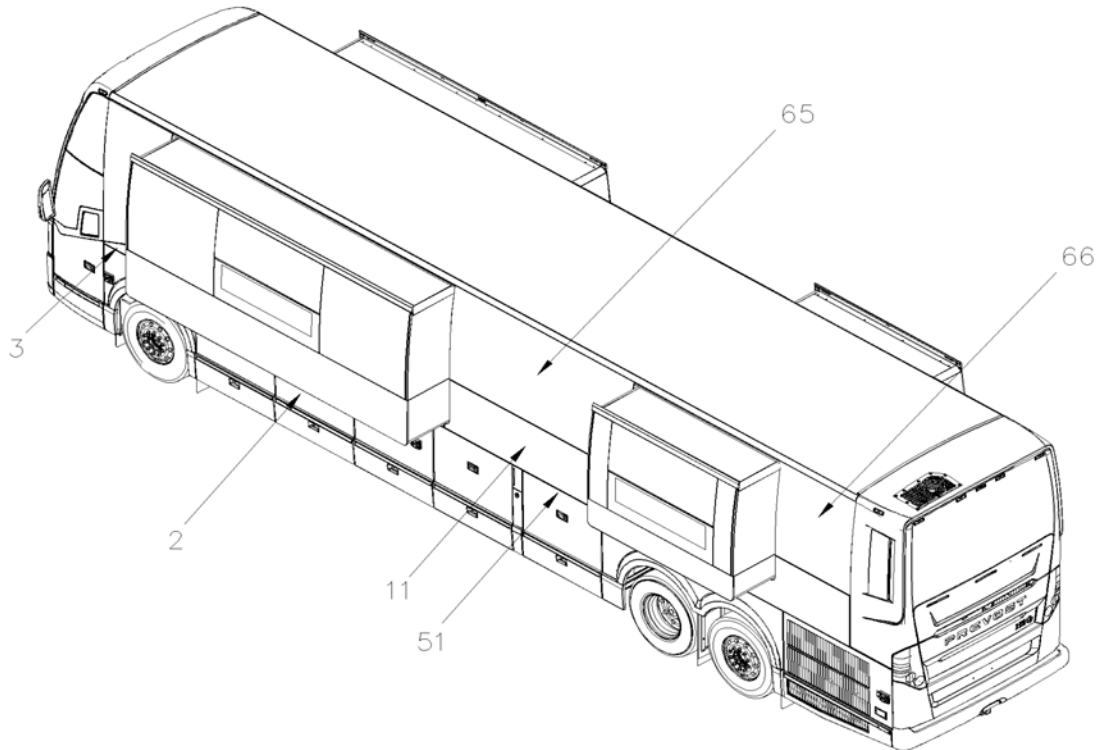
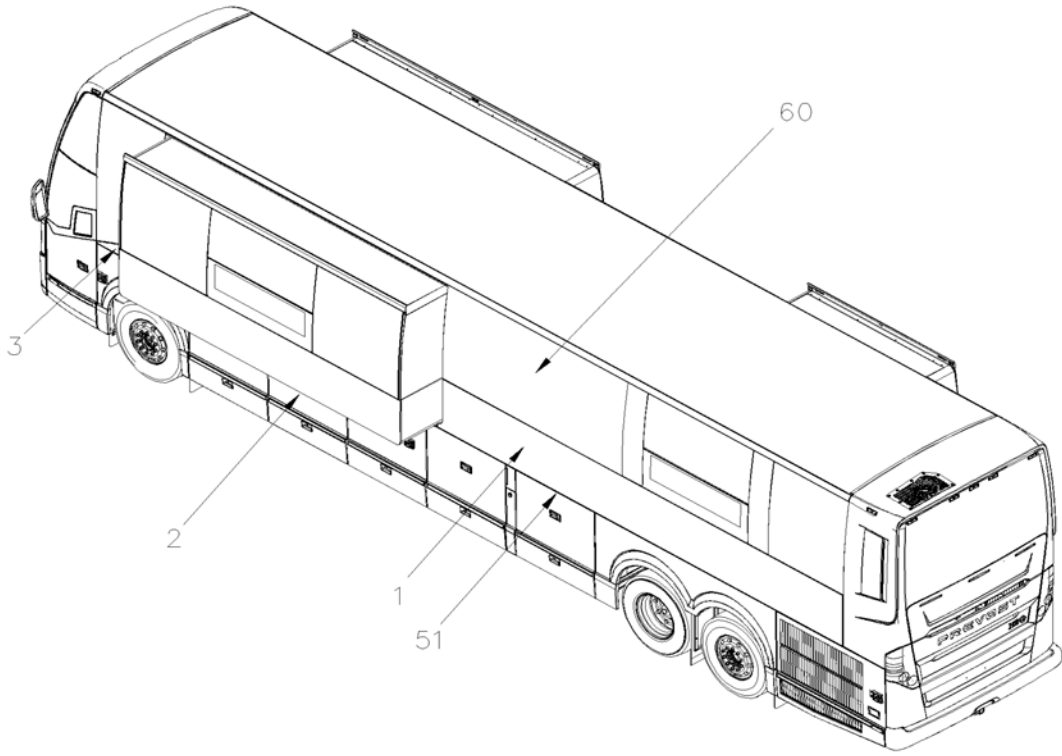
| Item# | Part | Description | QTY | Notes |
|-------|------|-------------------------------------|-----|-------|
| | | | | |
| | | | | |
| | | | | |
| | | 10.5) USE WITH 10.5 FEET SLIDE-OUT | | |
| | | 12) USE WITH 12 FEET SLIDE-OUT ONLY | | |
| | | 7.5) USE WITH 7.5 FEET SLIDE-OUT | | |
| | | A) WITH SLIDING DOOR | | |
| | | C) WITH BACKWARD SLIDE-OUT | | |
| | | D) WITH FOWARD SLIDE-OUT | | |

From P-1348

Date:07/2024

PAGE:VIP-1854-61

SIDE PANELS - WITH "SLIDE-OUT" "PREVOST"

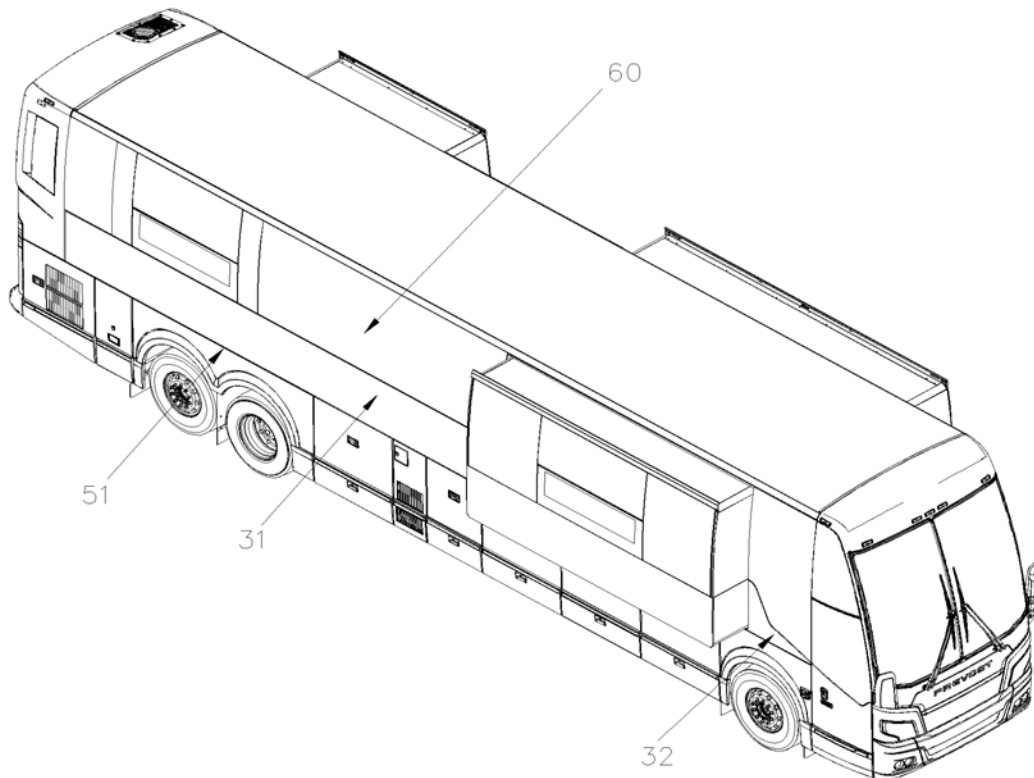
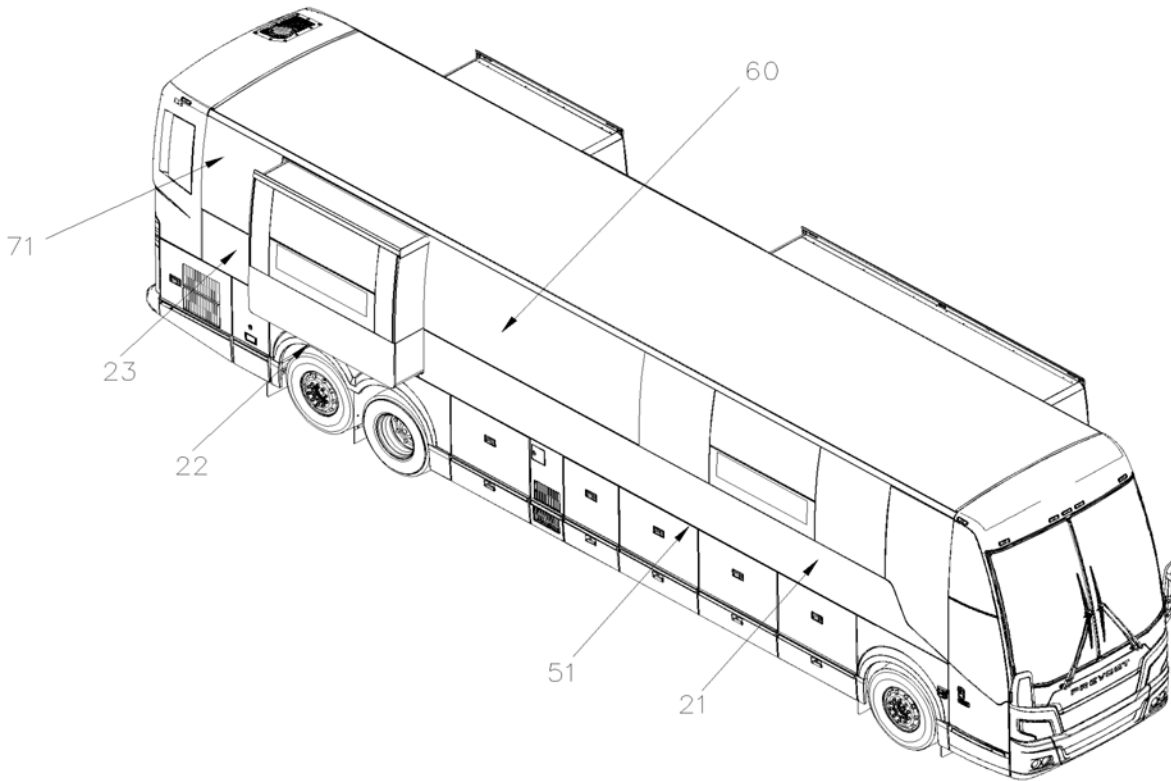


From P-1348

Date:07/2024

PAGE:VIP-1854-61

SIDE PANELS - WITH "SLIDE-OUT" "PREVOST"

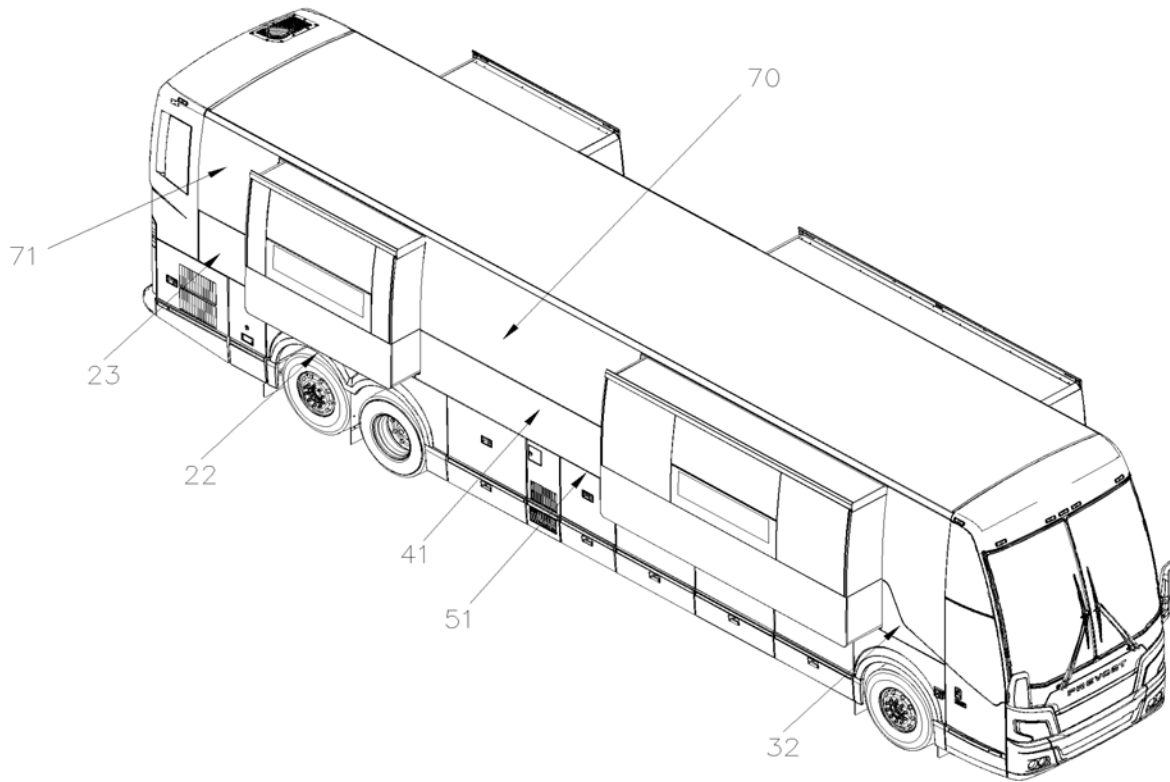


From P-1348

Date:07/2024

PAGE:VIP-1854-61

SIDE PANELS - WITH "SLIDE-OUT" "PREVOST"



| | | | |
|---|--|--------------|------------------|
| From P-1348 | | Date:07/2024 | PAGE:VIP-1854-61 |
| SIDE PANELS - WITH "SLIDE-OUT" "PREVOST" | | | |

| Item# | Part | Description | QTY | Notes |
|-------|--------------------|--|-----|--------|
| 1 | 4710223 | PANEL ASSY / W/1 LH FRONT SLIDE-OUT 6369MM | 1 | |
| 2 | 4710140 | PANEL ASSY UNDER LH FRONT SLIDE-OUT 4275MM | 1 | |
| 3 | 4710139 | PANEL ASSY FOWARD LH FRONT SLIDE-OUT | 1 | |
| | | | | |
| 11 | 4710232 | PANEL ASSY / W/2 LH SLIDE-OUT 6369MM | 1 | 7.5 |
| 11 | 4710097 | PANEL ASSY / W/2 LH SLIDE-OUT 6369MM | 1 | 10.5 C |
| 11 | 4710156 | PANEL ASSY / W/2 LH SLIDE-OUT 6369MM | 1 | 10.5 D |
| | | | | |
| 21 | 4710217 | PANEL ASSY / W/1 RH REAR SLIDE-OUT 8321MM | 1 | 7.5 |
| 21 | 4710170 | PANEL ASSY / W/1 RH REAR SLIDE-OUT 7305MM | 1 | 10.5 C |
| 21 | 4710217 | PANEL ASSY / W/1 RH REAR SLIDE-OUT 8321MM | 1 | 10.5 D |
| 22 | 4710235 | PANEL ASSY UNDER RH REAR SLIDE-OUT 2142MM | 1 | 7.5 |
| 22 | 4710136 | PANEL ASSY UNDER RH REAR SLIDE-OUT 3158MM | 1 | 10.5 |
| 23 | 4710138 | PANEL ASSY BACKWARD RH REAR SLIDE-OUT 1244MM | 1 | 7.5 |
| 23 | 4710215 | PANEL ASSY BACKWARD RH REAR SLIDE-OUT 228MM | 1 | 10.5 C |
| 23 | 4710138 | PANEL ASSY BACKWARD RH REAR SLIDE-OUT 1244MM | 1 | 10.5 D |
| | | | | |
| 31 | 4710220 | PANEL ASSY / W/1 RH FRONT SLIDE-OUT 6880MM | 1 | |
| 32 | 4710133 | PANEL ASSY FOWARD RH FRONT SLIDE-OUT | 1 | |
| | | | | |
| 41 | 4710135 | PANEL ASSY / W/2 RH SLIDE-OUT 3476MM | 1 | 7.5 |
| 41 | 4710135 | PANEL ASSY / W/2 RH SLIDE-OUT 3476MM | 1 | 10.5 C |
| 41 | 4710137 | PANEL ASSY / W/2 RH SLIDE-OUT 2460MM | 1 | 10.5 D |
| | | | | |
| 51 | 479691 | DRIP MOULDING 2438MM SS ADH | 8 | |
| . NS | 680108 | . TAPE RUB ADH2 VHB 1" x .045" x 108' | AR | |
| 51 | 479808 | DRIP MOULDING 1312.7MM SS ADH | 4 | |
| . NS | 680108 | . TAPE RUB ADH2 VHB 1" x .045" x 108' | AR | |
| | | | | |
| 55 | 506738 | TAPE RUB ADH1 CC POL 1/8" x 1" x 50' / GREY 2520 | AR | |
| 55 | 506761 | TAPE RUB ADH2 POL 1/16" x 3/8" x 200' / BLACK | AR | |
| 55 | 506790 | TAPE RUB ADH2 CC POL 1/16" x 1/2" x 200' / BLACK I1C-N-A | AR | |
| 55 | 685124 | ADHESIVE SIMSON #ISR 70-03 / BLACK / 600ml SAUSAGE | AR | |
| 55 | 685385 | GLUE MS POLYMER TEROSON MS 9399 / "A" 14.8 Liters | AR | |
| 55 | 685386 | GLUE MS POLYMER TEROSON MS 9399 / "B" 14.8 Liters | AR | |
| | | | | |
| 60 | VIP-1854-51 | SIDE PANELS - V.I.P. | | |
| | | | | |
| 65 | 4710150 | PANEL UPPER / SLIDE-OUT 2814MM | 1 | 7.5 |
| 65 | 4710150 | PANEL UPPER / SLIDE-OUT 2814MM | 1 | 10.5 C |
| 65 | 4710180 | PANEL UPPER / SLIDE-OUT 1798MM | 1 | 10.5 D |
| 66 | 4710181 | PANEL UPPER 1169MM | 1 | 7.5 |

| | | |
|---|--------------|------------------|
| From P-1348 | Date:07/2024 | PAGE:VIP-1854-61 |
| SIDE PANELS - WITH "SLIDE-OUT" "PREVOST" | | |

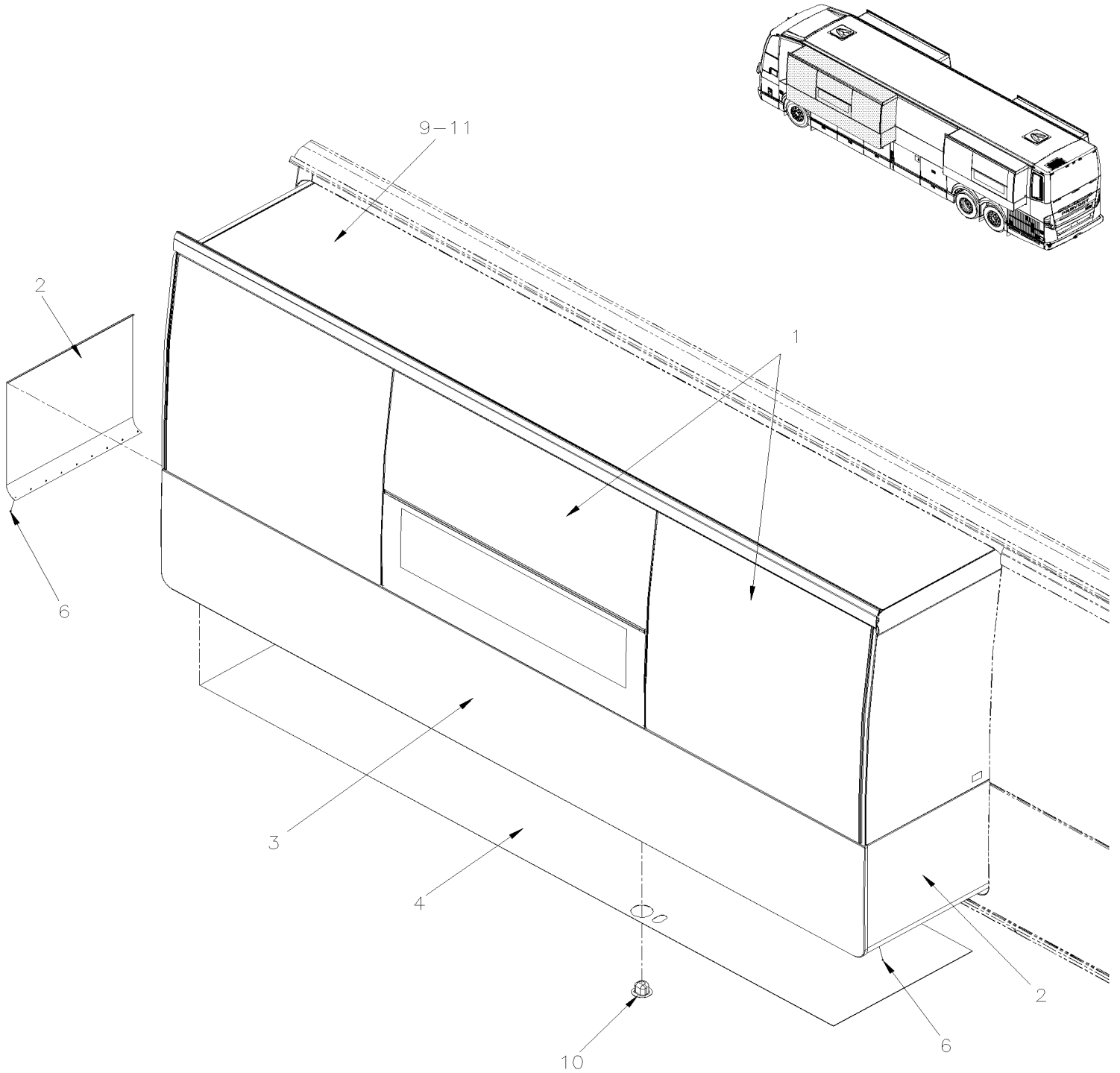
| Item# | Part | Description | QTY | Notes |
|-------|---------|------------------------------------|-----|--------|
| 66 | 4710151 | PANEL UPPER 153MM | 1 | 10.5 C |
| 66 | 4710181 | PANEL UPPER 1169MM | 1 | 10.5 D |
| 70 | 4705124 | PANEL UPPER / SLIDE-OUT 3372.MM | 1 | 7.5 |
| 70 | 4705124 | PANEL UPPER / SLIDE-OUT 3372.MM | 1 | 10.5 C |
| 70 | 4710196 | PANEL UPPER / SLIDE-OUT 2357MM | 1 | 10.5 D |
| 71 | 4710195 | PANEL UPPER 1169MM | 1 | 7.5 |
| 71 | 4705130 | PANEL UPPER 152.8MM | 1 | 10.5 C |
| 71 | 4710195 | PANEL UPPER 1169MM | 1 | 10.5 D |
| | | | | |
| | | | | |
| | | | | |
| | | 10.5) USE WITH 10.5 FEET SLIDE-OUT | | |
| | | 7.5) USE WITH 7.5 FEET SLIDE-OUT | | |
| | | C) WITH BACKWARD SLIDE-OUT | | |
| | | D) WITH FOWARD SLIDE-OUT | | |

From K-0295

Date:07/2024

PAGE:VIP-1854-81

SIDE PANELS - FRONT STREET SIDE - "SLIDE-OUT"



| | | |
|--|--------------|------------------|
| From K-0295 | Date:07/2024 | PAGE:VIP-1854-81 |
| SIDE PANELS - FRONT STREET SIDE - "SLIDE-OUT" | | |

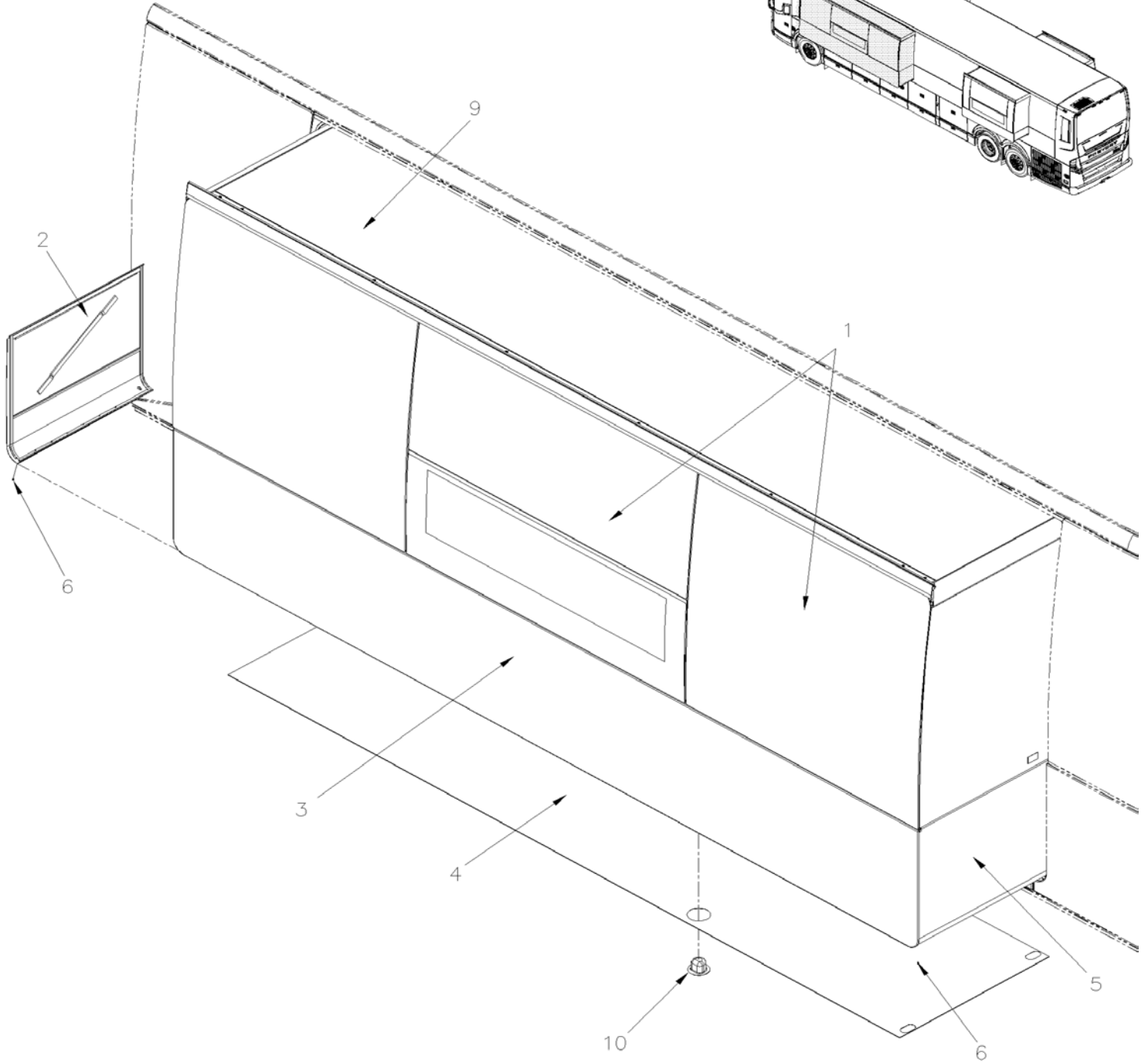
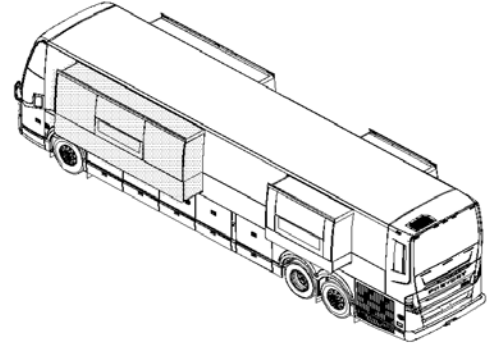
| Item# | Part | Description | QTY | Notes |
|-------|-------------|---|-----|-------|
| 1 | VIP-1884-90 | SIDE WINDOW - "SLIDE-OUT" | | |
| 2 | 470579 | END PANEL SS | 2 | |
| NS | 5060044 | TAPE RUB ADH2 CC POL 1/4" X 1/4" X 50' / BLACK I1C-N-A | AR | |
| NS | 506785 | TAPE RUB ADH2 CC POL 1/16" X 1/4" X 200' / BLACK I1C-N-A | AR | |
| 3 | 478205 | SIDE PANEL FRONT / 4426MM FIBERGLASS | 1 | |
| NS | 687957 | GLUE MS POLYMER TEROSON MS 9399 / 400ml CARTRIDGE To M-1153 | AR | |
| NS | 685387 | GLUE MS POLYMER TEROSON MS 9399 / 400ml CARTRIDGE From M-1154 | AR | |
| NS | 685124 | ADHESIVE SIMSON #ISR 70-03 / BLACK / 600ml SAUSAGE | AR | |
| NS | 506738 | TAPE RUB ADH1 CC POL 1/8" x 1" x 50' / GREY 2520 | AR | |
| 4 | 470685 | UNDER FLOOR PANEL AL. | 1 | |
| 6 | 502872 | RIVET POP CK OE 1/8x3/16 SS | AR | |
| 9 | 478064 | ROOF PANEL AL. | 1 | |
| 10 | 477902 | CAP PLASTIC BLACK / ROD LOOK | 1 | |
| NS | 685124 | ADHESIVE SIMSON #ISR 70-03 / BLACK / 600ml SAUSAGE | AR | |
| 11 | 687957 | GLUE MS POLYMER TEROSON MS 9399 / 400ml CARTRIDGE To M-1153 | AR | |
| 11 | 685387 | GLUE MS POLYMER TEROSON MS 9399 / 400ml CARTRIDGE From M-1154 | AR | |
| 11 | 506785 | TAPE RUB ADH2 CC POL 1/16" X 1/4" X 200' / BLACK I1C-N-A | AR | |
| 11 | 5060038 | TAPE RUB ADH1 CC POL 1/4" x 1" x 35' / BLACK H1C | AR | |
| 11 | 506207 | TAPE RUB ADH1 CC POL 3/16" x 1" x 50' / GREY 2520X | AR | |
| 50 | VIP-1854-60 | SIDE PANELS - WITH "SLIDE-OUT" "PREVOST" | | |

From P-1348

Date:07/2024

PAGE:VIP-1854-82

SIDE PANELS - FRONT STREET SIDE - "SLIDE-OUT"



| | | |
|-------------|--------------|------------------|
| From P-1348 | Date:07/2024 | PAGE:VIP-1854-82 |
|-------------|--------------|------------------|

SIDE PANELS - FRONT STREET SIDE - "SLIDE-OUT"

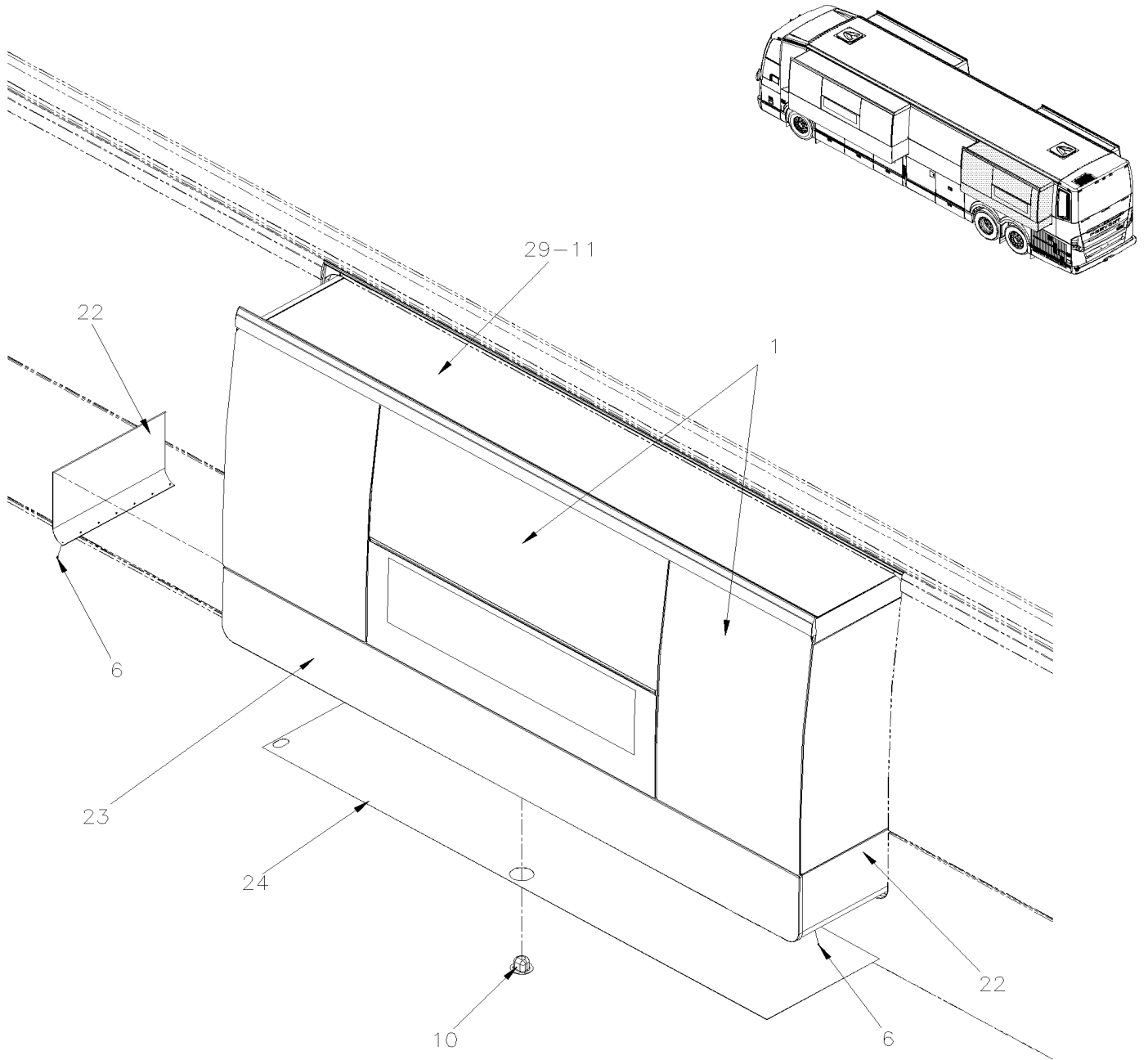
| Item# | Part | Description | QTY | Notes |
|-------|-------------|--|-----|-------|
| 1 | VIP-1884-91 | SIDE WINDOW - "SLIDE-OUT" | | |
| 2 | 4710143 | END PANEL SS | 1 | |
| NS | 506207 | TAPE RUB ADH1 CC POL 3/16" x 1" x 50' / GREY 2520X | AR | |
| NS | 506785 | TAPE RUB ADH2 CC POL 1/16" X 1/4" X 200' / BLACK I1C-N-A | AR | |
| NS | 685387 | GLUE MS POLYMER TEROSON MS 9399 / 400ml CARTRIDGE | AR | |
| 3 | 4710147 | SIDE PANEL FRONT / 4426MM | 1 | |
| NS | 685387 | GLUE MS POLYMER TEROSON MS 9399 / 400ml CARTRIDGE | AR | |
| NS | 685124 | ADHESIVE SIMSON #ISR 70-03 / BLACK / 600ml SAUSAGE | AR | |
| NS | 506790 | TAPE RUB ADH2 CC POL 1/16" x 1/2" x 200' / BLACK I1C-N-A | AR | |
| 4 | 479889 | UNDER FLOOR PANEL AL. | 1 | |
| NS | 685387 | GLUE MS POLYMER TEROSON MS 9399 / 400ml CARTRIDGE | AR | |
| NS | 685124 | ADHESIVE SIMSON #ISR 70-03 / BLACK / 600ml SAUSAGE | AR | |
| NS | 506785 | TAPE RUB ADH2 CC POL 1/16" X 1/4" X 200' / BLACK I1C-N-A | AR | |
| 5 | 479885 | END PANEL SS | 1 | |
| NS | 506207 | TAPE RUB ADH1 CC POL 3/16" x 1" x 50' / GREY 2520X | AR | |
| NS | 506785 | TAPE RUB ADH2 CC POL 1/16" X 1/4" X 200' / BLACK I1C-N-A | AR | |
| NS | 685387 | GLUE MS POLYMER TEROSON MS 9399 / 400ml CARTRIDGE | AR | |
| 6 | 502872 | RIVET POP CK OE 1/8x3/16 SS | AR | |
| 9 | 478064 | ROOF PANEL AL. | 1 | |
| NS | 685387 | GLUE MS POLYMER TEROSON MS 9399 / 400ml CARTRIDGE | AR | |
| NS | 506785 | TAPE RUB ADH2 CC POL 1/16" X 1/4" X 200' / BLACK I1C-N-A | AR | |
| NS | 685124 | ADHESIVE SIMSON #ISR 70-03 / BLACK / 600ml SAUSAGE | AR | |
| 10 | 477902 | CAP PLASTIC BLACK / ROD LOOK | 1 | |
| NS | 685124 | ADHESIVE SIMSON #ISR 70-03 / BLACK / 600ml SAUSAGE | AR | |

From K-0295

Date:07/2024

PAGE:VIP-1854-86

SIDE PANELS - REAR STREET SIDE - "SLIDE-OUT"



| | | | |
|-------------|--|--------------|------------------|
| From K-0295 | | Date:07/2024 | PAGE:VIP-1854-86 |
|-------------|--|--------------|------------------|

SIDE PANELS - REAR STREET SIDE - "SLIDE-OUT"

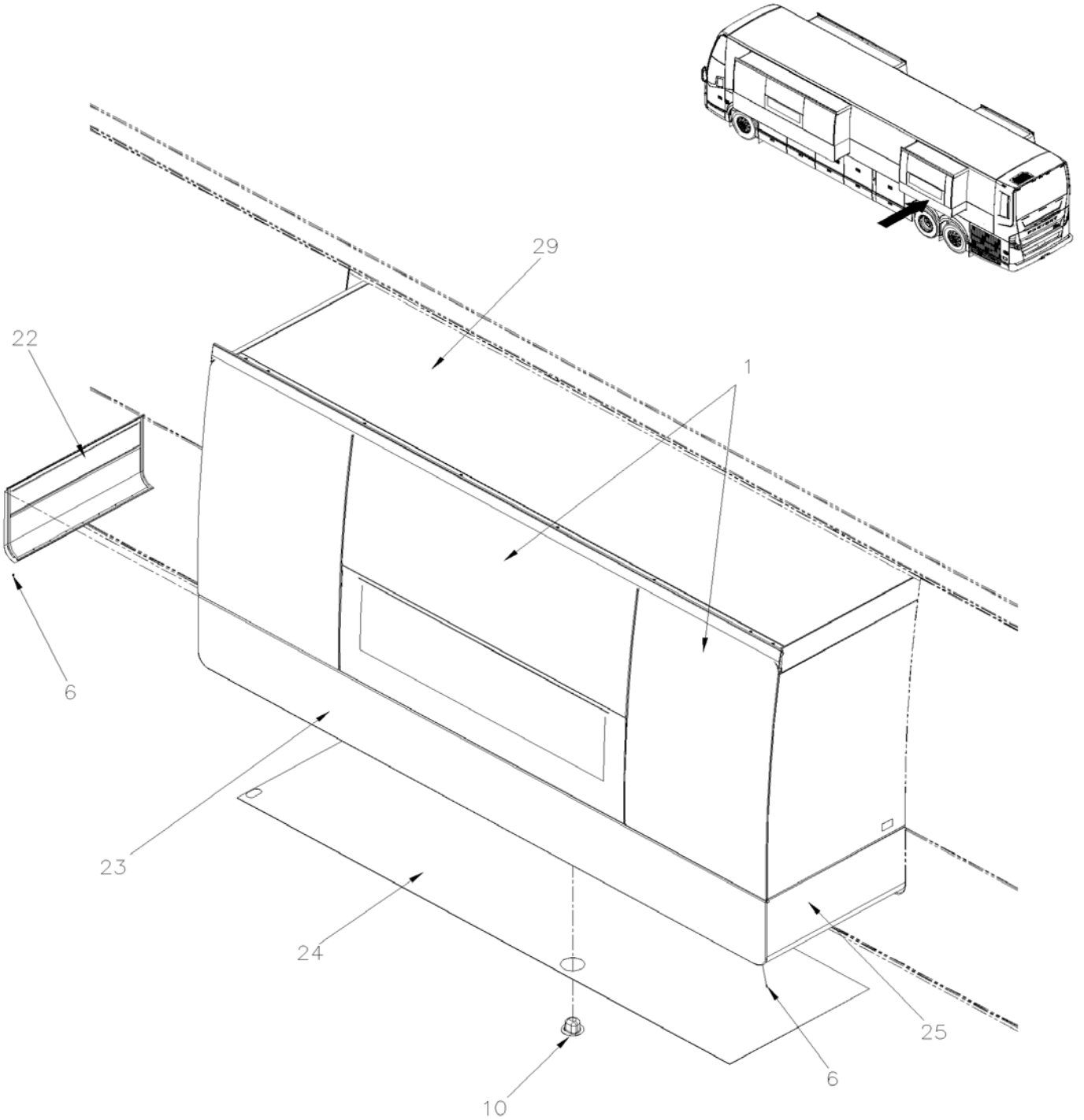
| Item# | Part | Description | QTY | Notes |
|-------|-------------|---|-----|--------|
| 1 | VIP-1884-90 | SIDE WINDOW - "SLIDE-OUT" | | |
| 6 | 502872 | RIVET POP CK OE 1/8x3/16 SS | AR | |
| 10 | 477902 | CAP PLASTIC BLACK / ROD LOOK | 1 | |
| NS | 685124 | ADHESIVE SIMSON #ISR 70-03 / BLACK / 600ml SAUSAGE | AR | |
| 11 | 687957 | GLUE MS POLYMER TEROSON MS 9399 / 400ml CARTRIDGE To M-1153 | AR | |
| NS | 685387 | GLUE MS POLYMER TEROSON MS 9399 / 400ml CARTRIDGE From M-1154 | AR | |
| 11 | 506785 | TAPE RUB ADH2 CC POL 1/16" X 1/4" X 200' / BLACK I1C-N-A | AR | |
| 11 | 5060038 | TAPE RUB ADH1 CC POL 1/4" x 1" x 35' / BLACK H1C | AR | |
| 11 | 506207 | TAPE RUB ADH1 CC POL 3/16" x 1" x 50' / GREY 2520X | AR | |
| 22 | 471135 | END PANEL SS | 2 | |
| NS | 5060044 | TAPE RUB ADH2 CC POL 1/4" X 1/4" X 50' / BLACK I1C-N-A | AR | |
| NS | 506785 | TAPE RUB ADH2 CC POL 1/16" X 1/4" X 200' / BLACK I1C-N-A | AR | |
| 23 | 478211 | SIDE PANEL REAR SLIDE OUT 2293MM FIBERGLASS | 1 | 7.5 |
| 23 | 478209 | SIDE PANEL REAR SLIDE OUT 3309MM FIBERGLASS | 1 | 10.5 A |
| 23 | 471350 | SIDE PANEL REAR SLIDE OUT 3309MM FIBERGLASS | 1 | 10.5 B |
| NS | 687957 | GLUE MS POLYMER TEROSON MS 9399 / 400ml CARTRIDGE To M-1153 | AR | |
| NS | 685387 | GLUE MS POLYMER TEROSON MS 9399 / 400ml CARTRIDGE From M-1154 | AR | |
| NS | 685124 | ADHESIVE SIMSON #ISR 70-03 / BLACK / 600ml SAUSAGE | AR | |
| NS | 506738 | TAPE RUB ADH1 CC POL 1/8" x 1" x 50' / GREY 2520 | AR | |
| 24 | 471153 | UNDER FLOOR PANEL AL. | 1 | 7.5 |
| NS | 471237 | UNDER FLOOR PANEL AL. | 1 | 10.5 A |
| 24 | 471421 | UNDER FLOOR PANEL AL. | 1 | 10.5 B |
| 29 | 471154 | ROOF PANEL AL. | 1 | 7.5 |
| 29 | 471253 | ROOF PANEL AL. | 1 | 10.5 |
| 50 | VIP-1854-60 | SIDE PANELS - WITH "SLIDE-OUT" "PREVOST" | | |
| | | | | |
| | | | | |
| | | 10.5) USE WITH 10.5 FEET SLIDE-OUT ONLY | | |
| | | 7.5) USE WITH 7.5 FEET SLIDE-OUT ONLY | | |
| | | A) WITH BACKWARD SLIDE-OUT | | |
| | | B) WITH FOWARD SLIDE-OUT | | |

From P-1348

Date:07/2024

PAGE:VIP-1854-87

SIDE PANELS - REAR STREET SIDE - "SLIDE-OUT"



| | | |
|---|--------------|------------------|
| From P-1348 | Date:07/2024 | PAGE:VIP-1854-87 |
| SIDE PANELS - REAR STREET SIDE - "SLIDE-OUT" | | |

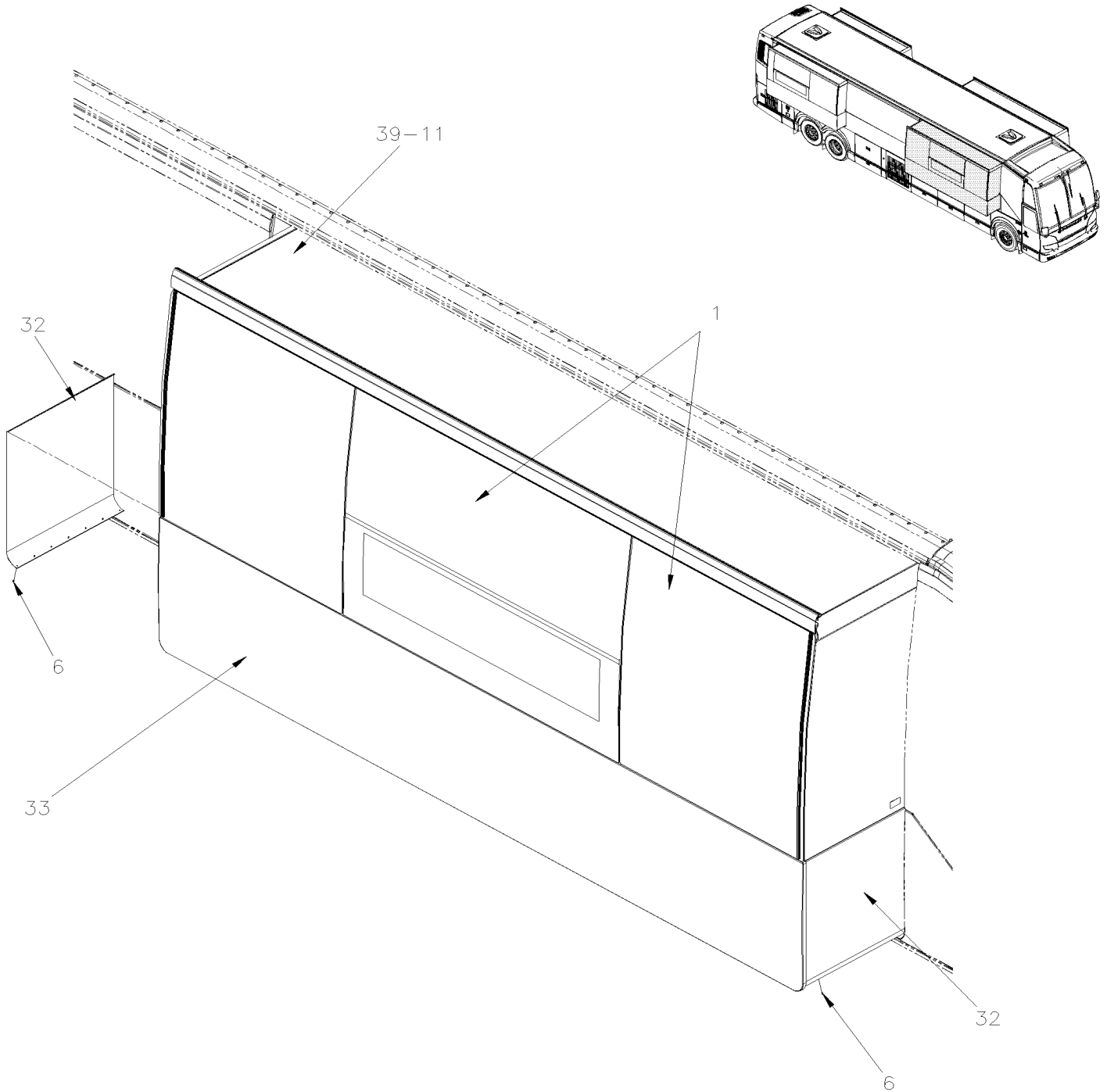
| Item# | Part | Description | QTY | Notes |
|-------|-------------|--|-----|--------|
| 1 | VIP-1884-91 | SIDE WINDOW - "SLIDE-OUT" | | |
| 6 | 502872 | RIVET POP CK OE 1/8x3/16 SS | AR | |
| 10 | 477902 | CAP PLASTIC BLACK / ROD LOOK | 1 | |
| NS | 685124 | ADHESIVE SIMSON #ISR 70-03 / BLACK / 600ml SAUSAGE | AR | |
| 22 | 4710145 | END PANEL SS | 1 | |
| NS | 685387 | GLUE MS POLYMER TEROSON MS 9399 / 400ml CARTRIDGE | AR | |
| NS | 685124 | ADHESIVE SIMSON #ISR 70-03 / BLACK / 600ml SAUSAGE | AR | |
| NS | 506785 | TAPE RUB ADH2 CC POL 1/16" X 1/4" X 200' / BLACK I1C-N-A | AR | |
| 23 | 4710227 | SIDE PANEL REAR SLIDE OUT 2293MM | 1 | 7.5 |
| 23 | 4710148 | SIDE PANEL REAR SLIDE OUT 3309 | 1 | 10.5 |
| NS | 685387 | GLUE MS POLYMER TEROSON MS 9399 / 400ml CARTRIDGE | AR | |
| NS | 685124 | ADHESIVE SIMSON #ISR 70-03 / BLACK / 600ml SAUSAGE | AR | |
| NS | 506790 | TAPE RUB ADH2 CC POL 1/16" x 1/2" x 200' / BLACK I1C-N-A | AR | |
| 24 | 4710239 | UNDER FLOOR PANEL AL. | 1 | 7.5 |
| 24 | 492055 | UNDER FLOOR PANEL AL. | 1 | 10.5 A |
| 24 | 492068 | UNDER FLOOR PANEL AL. | 1 | 10.5 B |
| NS | 685387 | GLUE MS POLYMER TEROSON MS 9399 / 400ml CARTRIDGE | AR | |
| NS | 506785 | TAPE RUB ADH2 CC POL 1/16" X 1/4" X 200' / BLACK I1C-N-A | AR | |
| NS | 685124 | ADHESIVE SIMSON #ISR 70-03 / BLACK / 600ml SAUSAGE | AR | |
| 25 | 4710144 | END PANEL SS | 1 | |
| NS | 685387 | GLUE MS POLYMER TEROSON MS 9399 / 400ml CARTRIDGE | AR | |
| NS | 685124 | ADHESIVE SIMSON #ISR 70-03 / BLACK / 600ml SAUSAGE | AR | |
| NS | 506785 | TAPE RUB ADH2 CC POL 1/16" X 1/4" X 200' / BLACK I1C-N-A | AR | |
| 29 | 471154 | ROOF PANEL AL. | 1 | 7.5 |
| 29 | 471253 | ROOF PANEL AL. | 1 | 10.5 |
| NS | 685387 | GLUE MS POLYMER TEROSON MS 9399 / 400ml CARTRIDGE | AR | |
| NS | 506785 | TAPE RUB ADH2 CC POL 1/16" X 1/4" X 200' / BLACK I1C-N-A | AR | |
| 50 | VIP-1854-61 | SIDE PANELS - WITH "SLIDE-OUT" "PREVOST" | | |
| | | | | |
| | | | | |
| | | 10.5) USE WITH 10.5 FEET SLIDE-OUT ONLY | | |
| | | 7.5) USE WITH 7.5 FEET SLIDE-OUT ONLY | | |
| | | A) WITH BACKWARD SLIDE-OUT | | |
| | | B) WITH FOWARD SLIDE-OUT | | |

From K-0295

Date:07/2024

PAGE:VIP-1854-91

SIDE PANELS - FRONT CURBSIDE - "SLIDE-OUT"



| | | |
|---|--------------|------------------|
| From K-0295 | Date:07/2024 | PAGE:VIP-1854-91 |
| SIDE PANELS - FRONT CURBSIDE - "SLIDE-OUT" | | |

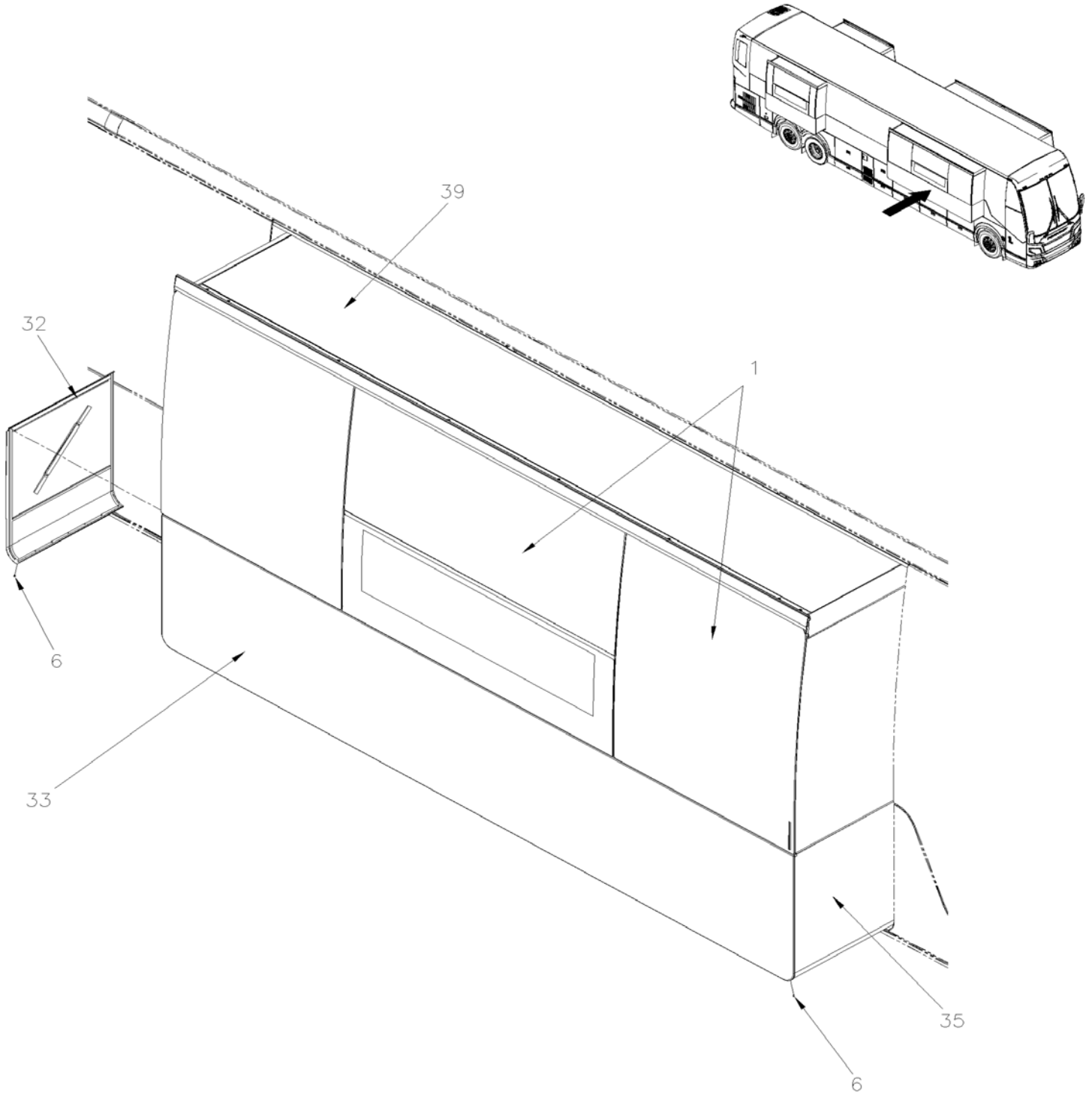
| Item# | Part | Description | QTY | Notes |
|-------|-------------|---|-----|-------|
| 1 | VIP-1884-90 | SIDE WINDOW - "SLIDE-OUT" | | |
| 6 | 502872 | RIVET POP CK OE 1/8x3/16 SS | AR | |
| 11 | 687957 | GLUE MS POLYMER TEROSON MS 9399 / 400ml CARTRIDGE To M-1153 | AR | |
| 11 | 685387 | GLUE MS POLYMER TEROSON MS 9399 / 400ml CARTRIDGE From M-1154 | AR | |
| 11 | 506785 | TAPE RUB ADH2 CC POL 1/16" X 1/4" X 200' / BLACK I1C-N-A | AR | |
| 11 | 5060038 | TAPE RUB ADH1 CC POL 1/4" x 1" x 35' / BLACK H1C | AR | |
| 11 | 506207 | TAPE RUB ADH1 CC POL 3/16" x 1" x 50' / GREY 2520X | AR | |
| 32 | 470374 | END PANEL SS | 2 | |
| NS | 5060044 | TAPE RUB ADH2 CC POL 1/4" X 1/4" X 50' / BLACK I1C-N-A | AR | |
| NS | 506785 | TAPE RUB ADH2 CC POL 1/16" X 1/4" X 200' / BLACK I1C-N-A | AR | |
| 33 | 470318 | SIDE PANEL FRONT 3867MM | 1 | |
| NS | 687957 | GLUE MS POLYMER TEROSON MS 9399 / 400ml CARTRIDGE To M-1153 | AR | |
| NS | 685387 | GLUE MS POLYMER TEROSON MS 9399 / 400ml CARTRIDGE From M-1154 | AR | |
| NS | 685124 | ADHESIVE SIMSON #ISR 70-03 / BLACK / 600ml SAUSAGE | AR | |
| 33 | 506738 | TAPE RUB ADH1 CC POL 1/8" x 1" x 50' / GREY 2520 | AR | |
| 39 | 477120 | ROOF PANEL AL. 598MM x 3722MM | 1 | |
| 50 | VIP-1854-60 | SIDE PANELS - WITH "SLIDE-OUT" "PREVOST" | | |

From P-1348

Date:07/2024

PAGE:VIP-1854-92

SIDE PANELS - FRONT CURBSIDE - "SLIDE-OUT"



| | | | |
|-------------|--|--------------|------------------|
| From P-1348 | | Date:07/2024 | PAGE:VIP-1854-92 |
|-------------|--|--------------|------------------|

SIDE PANELS - FRONT CURBSIDE - "SLIDE-OUT"

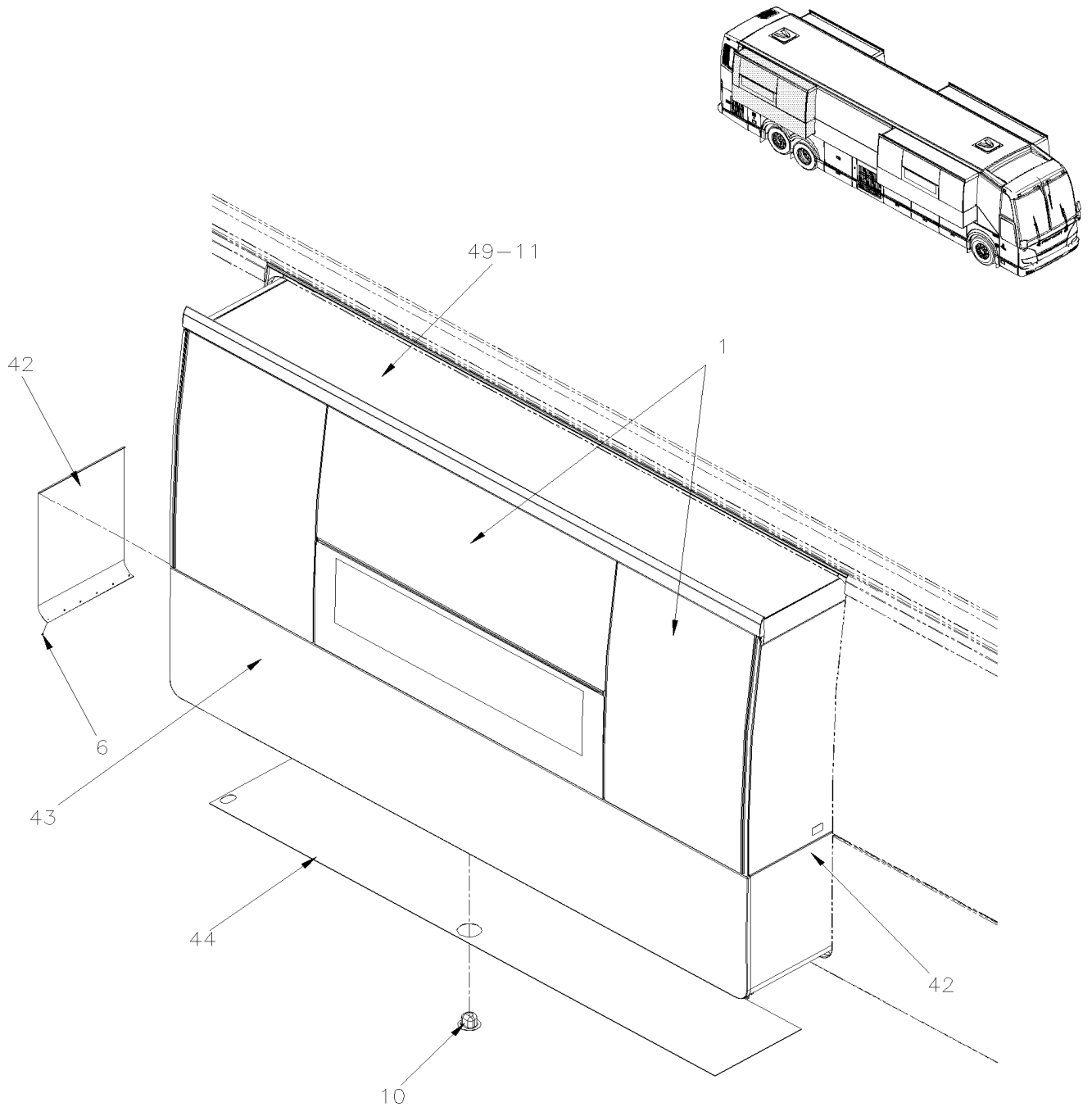
| Item# | Part | Description | QTY | Notes |
|-------|-------------|--|-----|-------|
| 1 | VIP-1884-91 | SIDE WINDOW - "SLIDE-OUT" | | |
| 6 | 502872 | RIVET POP CK OE 1/8x3/16 SS | AR | |
| 32 | 4710152 | END PANEL SS | 1 | |
| NS | 506207 | TAPE RUB ADH1 CC POL 3/16" x 1" x 50' / GREY 2520X | AR | |
| NS | 506785 | TAPE RUB ADH2 CC POL 1/16" X 1/4" X 200' / BLACK I1C-N-A | AR | |
| NS | 685387 | GLUE MS POLYMER TEROSON MS 9399 / 400ml CARTRIDGE | AR | |
| 33 | 4710128 | SIDE PANEL FRONT 3867MM | 1 | |
| NS | 685387 | GLUE MS POLYMER TEROSON MS 9399 / 400ml CARTRIDGE | AR | |
| NS | 685124 | ADHESIVE SIMSON #ISR 70-03 / BLACK / 600ml SAUSAGE | AR | |
| NS | 506785 | TAPE RUB ADH2 CC POL 1/16" X 1/4" X 200' / BLACK I1C-N-A | AR | |
| 35 | 4710146 | END PANEL SS | 1 | |
| NS | 506207 | TAPE RUB ADH1 CC POL 3/16" x 1" x 50' / GREY 2520X | AR | |
| NS | 506785 | TAPE RUB ADH2 CC POL 1/16" X 1/4" X 200' / BLACK I1C-N-A | AR | |
| NS | 685387 | GLUE MS POLYMER TEROSON MS 9399 / 400ml CARTRIDGE | AR | |
| 39 | 477120 | ROOF PANEL AL. 598MM x 3722MM | 1 | |
| NS | 685387 | GLUE MS POLYMER TEROSON MS 9399 / 400ml CARTRIDGE | AR | |
| NS | 506785 | TAPE RUB ADH2 CC POL 1/16" X 1/4" X 200' / BLACK I1C-N-A | AR | |
| NS | 685124 | ADHESIVE SIMSON #ISR 70-03 / BLACK / 600ml SAUSAGE | AR | |
| 50 | VIP-1854-61 | SIDE PANELS - WITH "SLIDE-OUT" "PREVOST" | | |

From K-0295

Date:07/2024

PAGE:VIP-1854-96

SIDE PANELS - REAR CURBSIDE - "SLIDE-OUT"



| | | | |
|-------------|--|--------------|------------------|
| From K-0295 | | Date:07/2024 | PAGE:VIP-1854-96 |
|-------------|--|--------------|------------------|

SIDE PANELS - REAR CURBSIDE - "SLIDE-OUT"

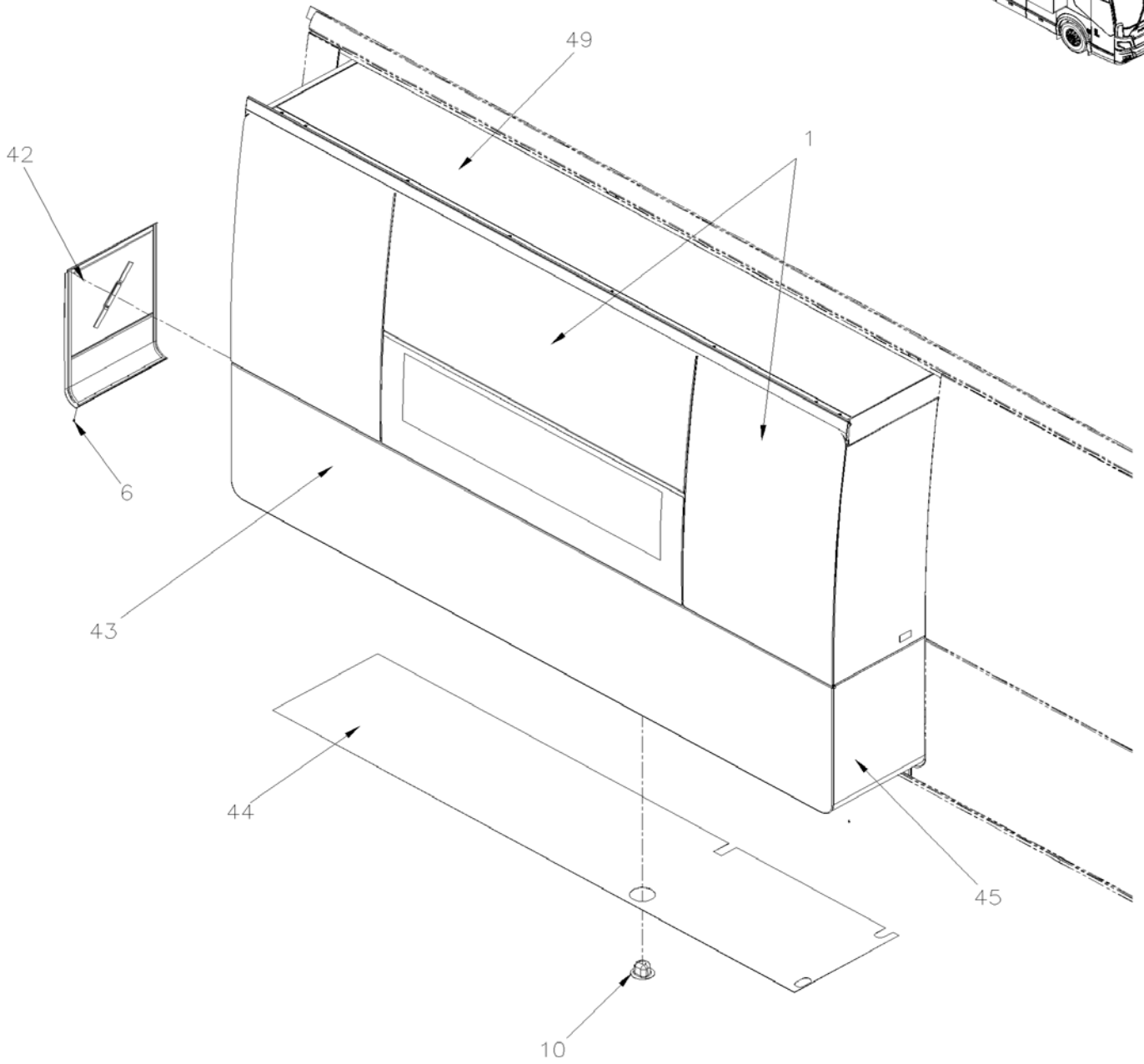
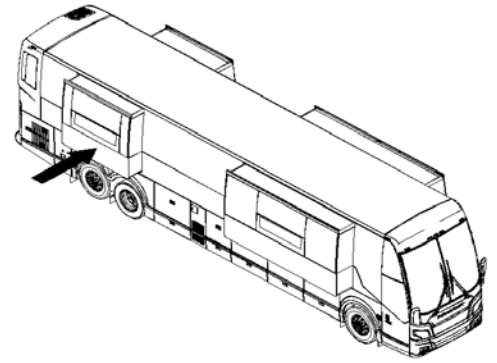
| Item# | Part | Description | QTY | Notes |
|-------|-------------|---|-----|--------|
| 1 | VIP-1884-90 | SIDE WINDOW - "SLIDE-OUT" | | |
| 6 | 502872 | RIVET POP CK OE 1/8x3/16 SS | AR | |
| 10 | 477902 | CAP PLASTIC BLACK / ROD LOOK | 1 | |
| NS | 685124 | ADHESIVE SIMSON #ISR 70-03 / BLACK / 600ml SAUSAGE | AR | |
| NS | 687957 | GLUE MS POLYMER TEROSON MS 9399 / 400ml CARTRIDGE To M-1153 | AR | |
| NS | 685387 | GLUE MS POLYMER TEROSON MS 9399 / 400ml CARTRIDGE From M-1154 | AR | |
| NS | 506785 | TAPE RUB ADH2 CC POL 1/16" X 1/4" X 200' / BLACK I1C-N-A | AR | |
| NS | 5060038 | TAPE RUB ADH1 CC POL 1/4" x 1" x 35' / BLACK H1C | AR | |
| NS | 506207 | TAPE RUB ADH1 CC POL 3/16" x 1" x 50' / GREY 2520X | AR | |
| 11 | 506738 | TAPE RUB ADH1 CC POL 1/8" x 1" x 50' / GREY 2520 | AR | |
| 42 | 470588 | END PANEL SS | 2 | |
| NS | 5060044 | TAPE RUB ADH2 CC POL 1/4" X 1/4" X 50' / BLACK I1C-N-A | AR | |
| NS | 506785 | TAPE RUB ADH2 CC POL 1/16" X 1/4" X 200' / BLACK I1C-N-A | AR | |
| 43 | 476803 | SIDE PANEL REAR / 2293MM FIBERGLASS | 1 | 7.5 |
| 43 | 476807 | SIDE PANEL REAR / 3309MM FIBERGLASS | 1 | 10.5 A |
| 43 | 471349 | SIDE PANEL REAR / 3309MM FIBERGLASS | 1 | 10.5 B |
| NS | 687957 | GLUE MS POLYMER TEROSON MS 9399 / 400ml CARTRIDGE To M-1153 | AR | |
| NS | 685387 | GLUE MS POLYMER TEROSON MS 9399 / 400ml CARTRIDGE From M-1154 | AR | |
| NS | 685124 | ADHESIVE SIMSON #ISR 70-03 / BLACK / 600ml SAUSAGE | AR | |
| NS | 506738 | TAPE RUB ADH1 CC POL 1/8" x 1" x 50' / GREY 2520 | AR | |
| 44 | 470879 | UNDER FLOOR PANEL AL. | 1 | 7.5 |
| 44 | 470808 | UNDER FLOOR PANEL AL. | 1 | 10.5 A |
| 44 | 471468 | UNDER FLOOR PANEL AL. | 1 | 10.5 B |
| 49 | 476888 | ROOF PANEL AL. | 1 | 7.5 |
| 49 | 476885 | ROOF PANEL AL. | 1 | 10.5 |
| 50 | VIP-1854-60 | SIDE PANELS - WITH "SLIDE-OUT" "PREVOST" | | |
| | | | | |
| | | | | |
| | | 10.5) USE WITH 10.5 FEET SLIDE-OUT ONLY | | |
| | | 7.5) USE WITH 7.5 FEET SLIDE-OUT ONLY | | |
| | | A) WITH BACKWARD SLIDE-OUT | | |
| | | B) WITH FOWARD SLIDE-OUT | | |

From P-1348

Date:07/2024

PAGE:VIP-1854-97

SIDE PANELS - REAR CURBSIDE - "SLIDE-OUT"



| | | | |
|-------------|--|--------------|------------------|
| From P-1348 | | Date:07/2024 | PAGE:VIP-1854-97 |
|-------------|--|--------------|------------------|

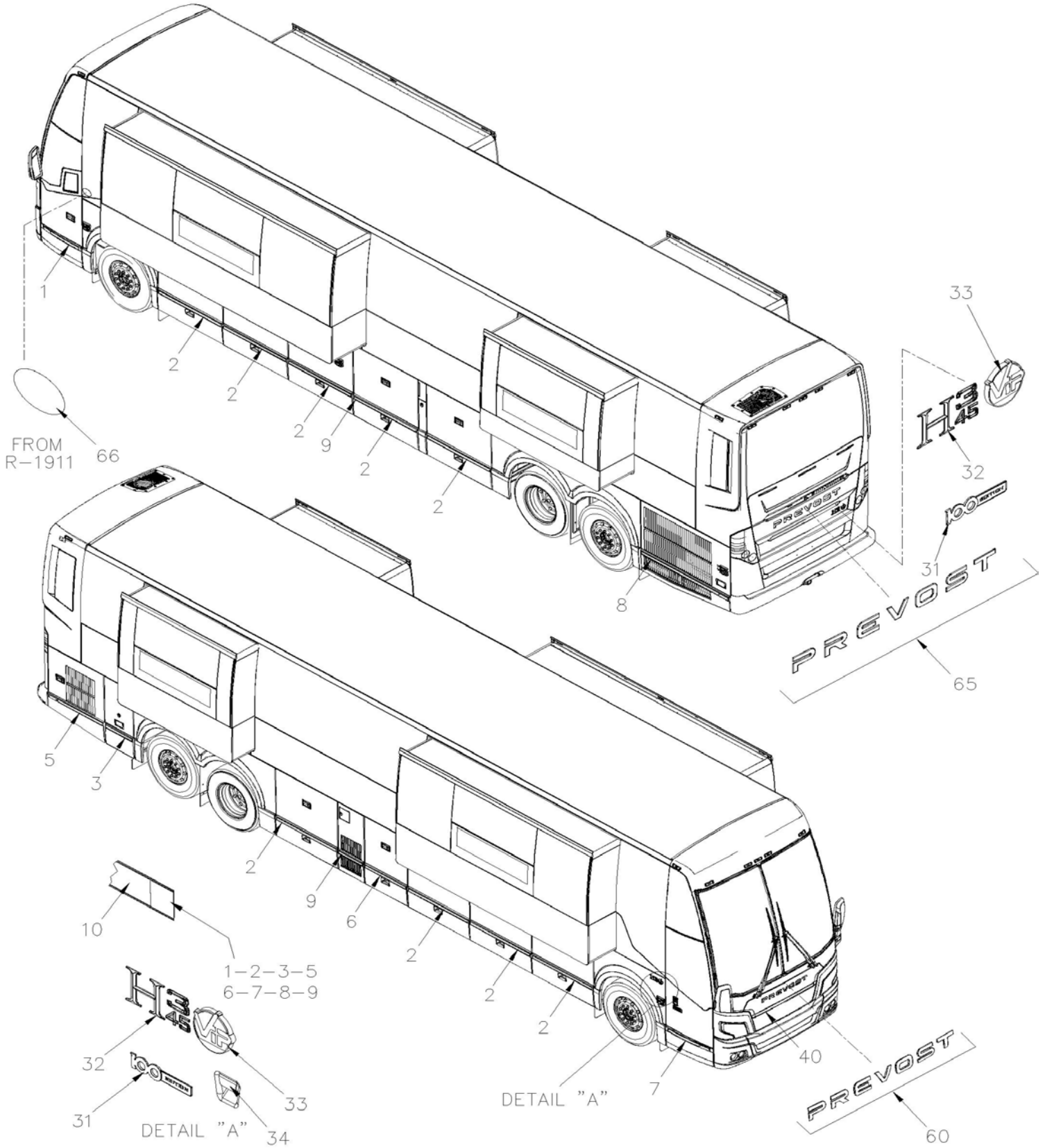
SIDE PANELS - REAR CURBSIDE - "SLIDE-OUT"

| Item# | Part | Description | QTY | Notes |
|-------|-------------|--|-----|--------|
| 1 | VIP-1884-91 | SIDE WINDOW - "SLIDE-OUT" | | |
| 6 | 502872 | RIVET POP CK OE 1/8x3/16 SS | AR | |
| 10 | 477902 | CAP PLASTIC BLACK / ROD LOOK | 1 | |
| NS | 685124 | ADHESIVE SIMSON #ISR 70-03 / BLACK / 600ml SAUSAGE | AR | |
| 42 | 4710154 | END PANEL SS | 1 | |
| NS | 685387 | GLUE MS POLYMER TEROSON MS 9399 / 400ml CARTRIDGE | AR | |
| NS | 685124 | ADHESIVE SIMSON #ISR 70-03 / BLACK / 600ml SAUSAGE | AR | |
| NS | 506785 | TAPE RUB ADH2 CC POL 1/16" X 1/4" X 200' / BLACK I1C-N-A | AR | |
| 43 | 4710231 | SIDE PANEL REAR / 2293MM | 1 | 7.5 |
| 43 | 4710131 | SIDE PANEL REAR / 3309MM | 1 | 10.5 |
| NS | 685387 | GLUE MS POLYMER TEROSON MS 9399 / 400ml CARTRIDGE | AR | |
| NS | 685124 | ADHESIVE SIMSON #ISR 70-03 / BLACK / 600ml SAUSAGE | AR | |
| NS | 506790 | TAPE RUB ADH2 CC POL 1/16" x 1/2" x 200' / BLACK I1C-N-A | AR | |
| 44 | 4710240 | UNDER FLOOR PANEL AL. | 1 | 7.5 |
| 44 | 4710254 | UNDER FLOOR PANEL AL. | 1 | 10.5 A |
| 44 | 4710214 | UNDER FLOOR PANEL AL. | 1 | 10.5 B |
| NS | 685387 | GLUE MS POLYMER TEROSON MS 9399 / 400ml CARTRIDGE | AR | |
| NS | 685124 | ADHESIVE SIMSON #ISR 70-03 / BLACK / 600ml SAUSAGE | AR | |
| NS | 506785 | TAPE RUB ADH2 CC POL 1/16" X 1/4" X 200' / BLACK I1C-N-A | AR | |
| 45 | 4710153 | END PANEL SS | 1 | |
| NS | 685387 | GLUE MS POLYMER TEROSON MS 9399 / 400ml CARTRIDGE | AR | |
| NS | 685124 | ADHESIVE SIMSON #ISR 70-03 / BLACK / 600ml SAUSAGE | AR | |
| NS | 506785 | TAPE RUB ADH2 CC POL 1/16" X 1/4" X 200' / BLACK I1C-N-A | AR | |
| 49 | 476888 | ROOF PANEL AL. | 1 | 7.5 |
| 49 | 476885 | ROOF PANEL AL. | 1 | 10.5 |
| NS | 685387 | GLUE MS POLYMER TEROSON MS 9399 / 400ml CARTRIDGE | AR | |
| NS | 506785 | TAPE RUB ADH2 CC POL 1/16" X 1/4" X 200' / BLACK I1C-N-A | AR | |
| 50 | VIP-1854-61 | SIDE PANELS - WITH "SLIDE-OUT" "PREVOST" | | |
| | | | | |
| | | | | |
| | | 10.5) USE WITH 10.5 FEET SLIDE-OUT ONLY | | |
| | | 7.5) USE WITH 7.5 FEET SLIDE-OUT ONLY | | |
| | | A) WITH BACKWARD SLIDE-OUT | | |
| | | B) WITH FOWARD SLIDE-OUT | | |

| | | |
|-----------------------------------|---------------------|-------------------------|
| From K-0295 To P-1347 | Date:07/2024 | PAGE:VIP-1855-00 |
| EXTERIOR TRIMS & CREST | | |

| Item# | Part | Description | QTY | Notes |
|--------|---------|---|-----|-------|
| 1 | 280230 | EXTRUSION BACKING ASSY W/REFLECTOR 759MM / THIN EXTRUSION .090" | 1 | |
| . NS | 280120 | . EXTRUSION 759MM | 1 | |
| 2 | 280237 | EXTRUSION BACKING ASSY W/REFLECTOR 1185MM | 8 | |
| . NS | 280116 | . EXTRUSION 1185MM | 1 | |
| 3 | 280229 | EXTRUSION BACKING ASSY W/REFLECTOR 511MM | 1 | |
| . NS | 280121 | . EXTRUSION 511MM | 1 | |
| 5 | 280234 | EXTRUSION BACKING ASSY W/REFLECTOR 1070MM | 1 | |
| . NS | 280119 | . EXTRUSION 1070MM | 1 | |
| 6 | 280222 | EXTRUSION BACKING ASSY W/REFLECTOR 1114MM | 1 | C |
| . NS | 280123 | . EXTRUSION 1114MM | 1 | C |
| 6 | 287867 | EXTRUSION BACKING ASSY W/REFLECTOR 816MM | 1 | A |
| . NS | 287866 | . EXTRUSION | 1 | A |
| . NS | 780277 | . STRIPE, REFLECTIVE WHITE / 38MM X 150' ROLL | AR | A |
| 6 | 287871 | EXTRUSION BACKING ASSY W/REFLECTOR 468MM | 1 | B |
| . NS | 287870 | . EXTRUSION | 1 | B |
| . NS | 283100 | . STRIPE, REFLECTIVE WHITE / 38MM X 15' ROLL | AR | B |
| . . NS | 780277 | . . STRIPE, REFLECTIVE WHITE / 38MM X 150' ROLL | AR | B |
| 7 | 280235 | EXTRUSION BACKING ASSY W/REFLECTOR 768MM | 1 | |
| . NS | 280118 | . EXTRUSION 768MM | 1 | |
| 8 | 287877 | EXTRUSION BACKING ASSY W/REFLECTOR 1664MM | 1 | |
| . NS | 287876 | . EXTRUSION 1664MM | 1 | |
| 9 | 280221 | EXTRUSION BACKING ASSY W/REFLECTOR 154MM | 1 | |
| . NS | 280124 | . EXTRUSION 154MM | 1 | |
| 10 | 283100 | STRIPE, REFLECTIVE WHITE / 38MM X 15' ROLL | AR | |
| . NS | 780277 | . STRIPE, REFLECTIVE WHITE / 38MM X 150' ROLL | AR | |
| NS | 283100 | . STRIPE, REFLECTIVE WHITE / 38MM X 15' ROLL | AR | |
| . NS | 780277 | . . STRIPE, REFLECTIVE WHITE / 38MM X 150' ROLL | AR | |
| NS | 684685 | ADHESIVE SIMSON #ISR 70-03 / 310ml CARTRIDGE | AR | |
| 32 | 491072 | CREST "H3-45" / SELF ADHESIVE | 2 | |
| 33 | 491471 | CREST "V.I.P." / SELF ADHESIVE | 2 | |
| 34 | 5000342 | SCREW TC PAN PH #6-32x3/8 SS | 2 | |
| 60 | 491167 | CREST "PREVOST" CHROME | 1 | |
| 65 | 491236 | CREST "PREVOST" BLACK REAR | 1 | |
| 65 | 491247 | CREST "PREVOST" SILVER REAR | 1 | |
| NS | 684685 | ADHESIVE SIMSON #ISR 70-03 / 310ml CARTRIDGE | AR | |
| | | | | |
| | | | | |
| | | A) WITH SMALL BAGGAGE DOOR WITH SMALL A/C | | |
| | | B) WITH SMALL CONDENSOR PANEL WITH SMALL A/C SYSTEM | | |
| | | C) WITH LARGE A/C SYSTEM | | |

| | | |
|------------------------|--------------|------------------|
| From P-1348 | Date:07/2024 | PAGE:VIP-1855-01 |
| EXTERIOR TRIMS & CREST | | |



| | | | |
|-----------------------------------|--|--------------|------------------|
| From P-1348 | | Date:07/2024 | PAGE:VIP-1855-01 |
| EXTERIOR TRIMS & CREST | | | |

| Item# | Part | Description | QTY | Notes |
|--------|----------|---|-----|-------|
| 1 | 2810624 | EXTRUSION, SERVICE DOOR ASSY | 1 | |
| . NS | 780277 | . STRIPE, REFLECTIVE WHITE / 38MM X 150' ROLL | AR | |
| 2 | 280237 | EXTRUSION BACKING ASSY W/REFLECTOR 1185MM | 8 | |
| . NS | 280116 | . EXTRUSION 1185MM | 1 | |
| 3 | 280229 | EXTRUSION BACKING ASSY W/REFLECTOR 511MM | 1 | |
| . NS | 280121 | . EXTRUSION 511MM | 1 | |
| 5 | 280234 | EXTRUSION BACKING ASSY W/REFLECTOR 1070MM | 1 | |
| . NS | 280119 | . EXTRUSION 1070MM | 1 | |
| 6 | 280222 | EXTRUSION BACKING ASSY W/REFLECTOR 1114MM | 1 | C |
| . NS | 280123 | . EXTRUSION 1114MM | 1 | C |
| 6 | 287867 | EXTRUSION BACKING ASSY W/REFLECTOR 816MM | 1 | A |
| . NS | 287866 | . EXTRUSION | 1 | A |
| . NS | 780277 | . STRIPE, REFLECTIVE WHITE / 38MM X 150' ROLL | AR | A |
| 6 | 287871 | EXTRUSION BACKING ASSY W/REFLECTOR 468MM | 1 | B |
| . NS | 287870 | . EXTRUSION | 1 | B |
| . NS | 283100 | . STRIPE, REFLECTIVE WHITE / 38MM X 15' ROLL | AR | B |
| . . NS | 780277 | . . STRIPE, REFLECTIVE WHITE / 38MM X 150' ROLL | AR | B |
| 7 | 2810613 | EXTRUSION ASSY | 1 | |
| . NS | 780277 | . STRIPE, REFLECTIVE WHITE / 38MM X 150' ROLL | AR | |
| 8 | 287877 | EXTRUSION BACKING ASSY W/REFLECTOR 1664MM | 1 | |
| . NS | 287876 | . EXTRUSION 1664MM | 1 | |
| 9 | 280221 | EXTRUSION BACKING ASSY W/REFLECTOR 154MM | 1 | |
| . NS | 280124 | . EXTRUSION 154MM | 1 | |
| 10 | 283100 | STRIPE, REFLECTIVE WHITE / 38MM X 15' ROLL | AR | |
| . NS | 780277 | . STRIPE, REFLECTIVE WHITE / 38MM X 150' ROLL | AR | |
| NS | 283100 | . STRIPE, REFLECTIVE WHITE / 38MM X 15' ROLL | AR | |
| . NS | 780277 | . . STRIPE, REFLECTIVE WHITE / 38MM X 150' ROLL | AR | |
| NS | 684685 | ADHESIVE SIMSON #ISR 70-03 / 310ml CARTRIDGE | AR | |
| 31 | 492176 | LOGO 100E EDITION From R-1576 | 2 | L |
| 32 | 491072 | CREST "H3-45" / SELF ADHESIVE | 2 | |
| 33 | 491471 | CREST "V.I.P." / SELF ADHESIVE | 2 | |
| 34 | 479716 | SWITCH COVER | 1 | |
| 34 | 5000342 | SCREW TC PAN PH #6-32x3/8 SS | 2 | |
| 40 | 478872 | TRIM FRONT | 1 | |
| 60 | 491167 | CREST "PREVOST" CHROME | 1 | |
| 65 | 491236 | CREST "PREVOST" BLACK REAR | 1 | |
| 65 | 491247 | CREST "PREVOST" SILVER REAR | 1 | |
| 66 | 21127346 | DECAL, LOW NOX (CARB) From R-1910 | 1 | |
| NS | 684685 | ADHESIVE SIMSON #ISR 70-03 / 310ml CARTRIDGE | AR | |
| | | | | |
| | | | | |
| | | | | |

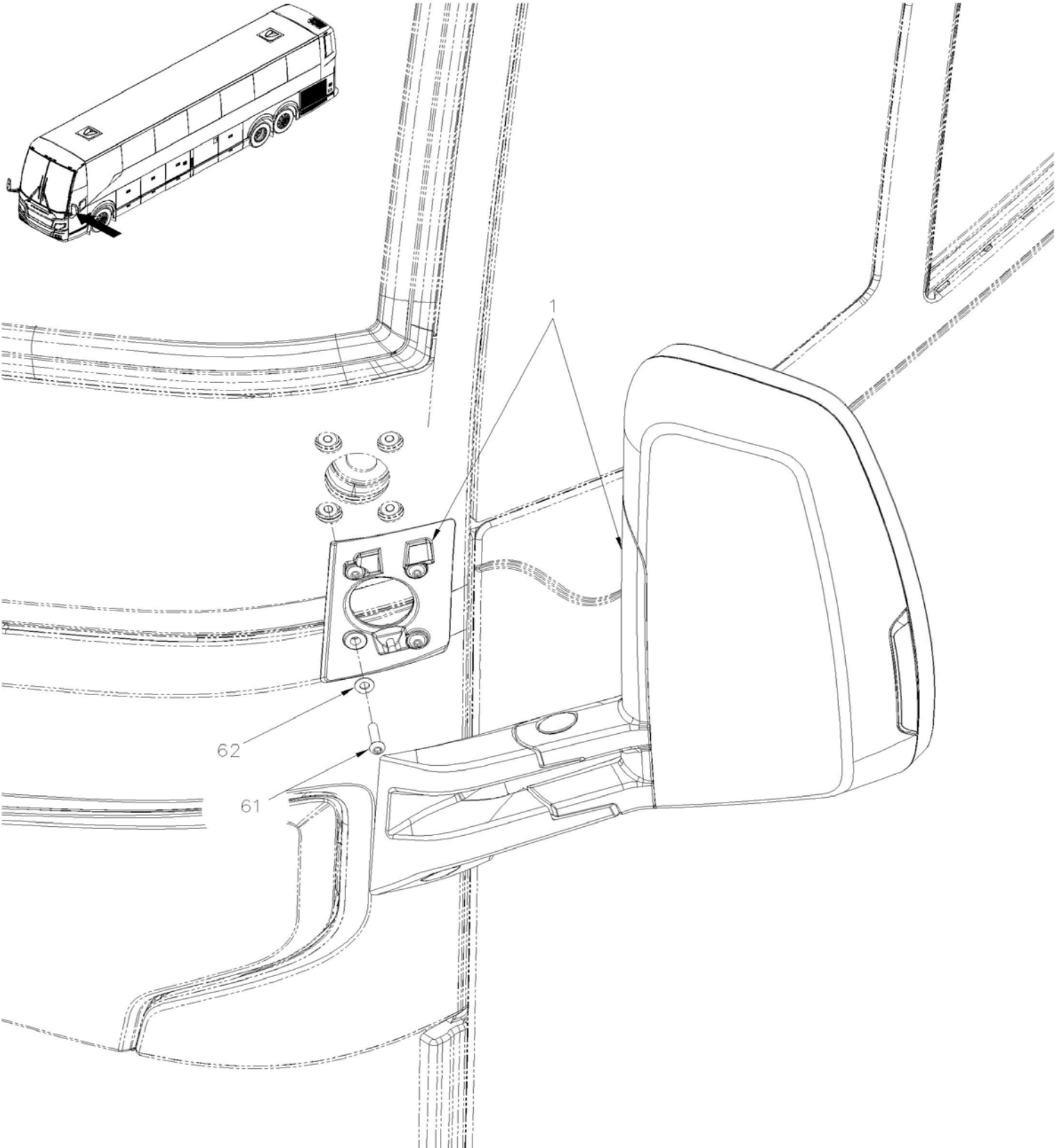
| From P-1348 | | Date:07/2024 | PAGE:VIP-1855-01 | |
|-----------------------------------|------|---|------------------|-------|
| EXTERIOR TRIMS & CREST | | | | |
| Item# | Part | Description | QTY | Notes |
| | | A) WITH SMALL BAGGAGE DOOR WITH SMALL A/C | | |
| | | B) WITH SMALL CONDENSOR PANEL WITH SMALL A/C SYSTEM | | |
| | | C) WITH LARGE A/C SYSTEM | | |
| | | L) FOR VEHICLE 2024 ONLY | | |

From P-1348

Date:07/2024

PAGE:VIP-1856-01

MIRROR 2 GLASSES / CHROME

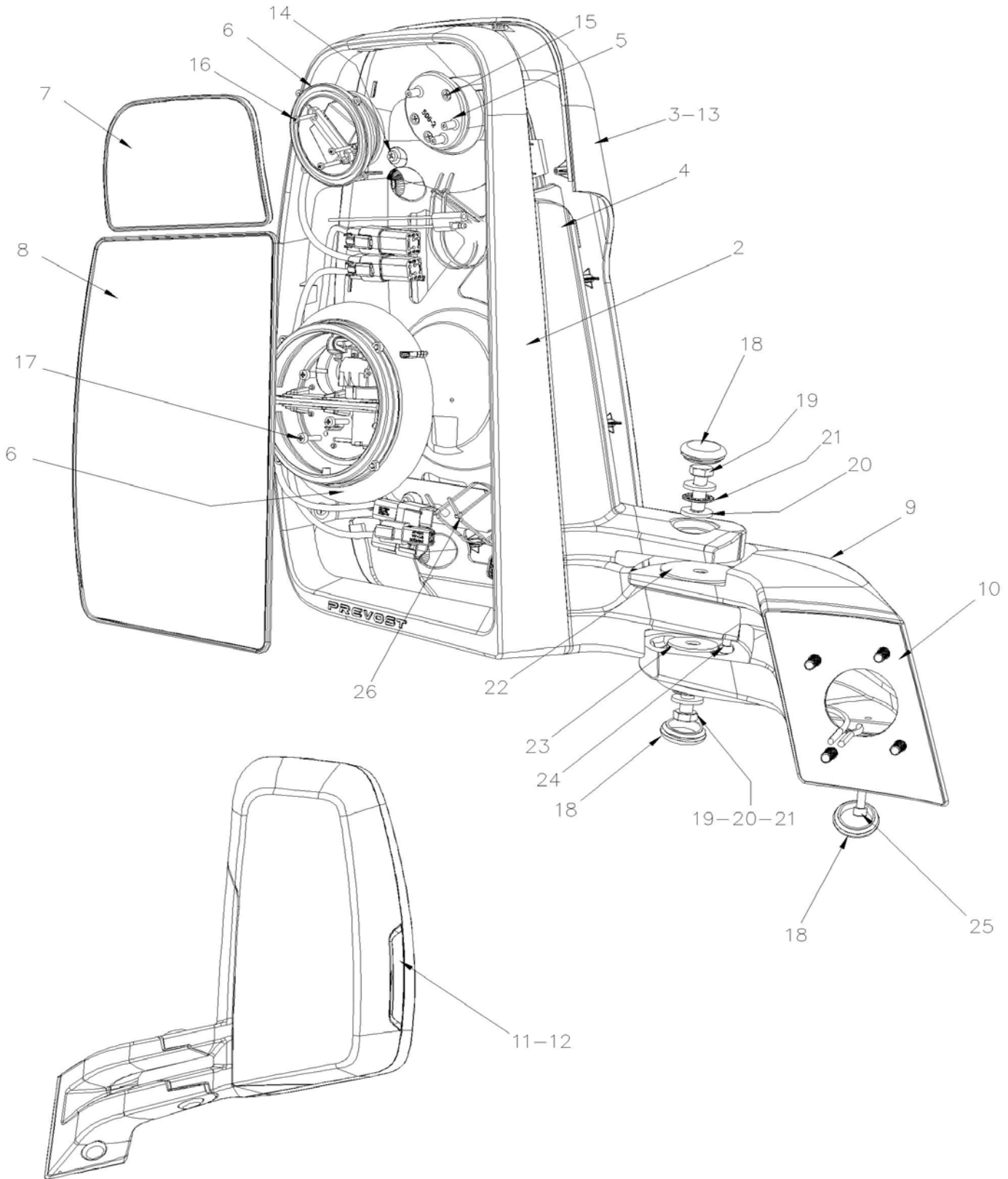


From P-1348

Date:07/2024

PAGE:VIP-1856-01

MIRROR 2 GLASSES / CHROME

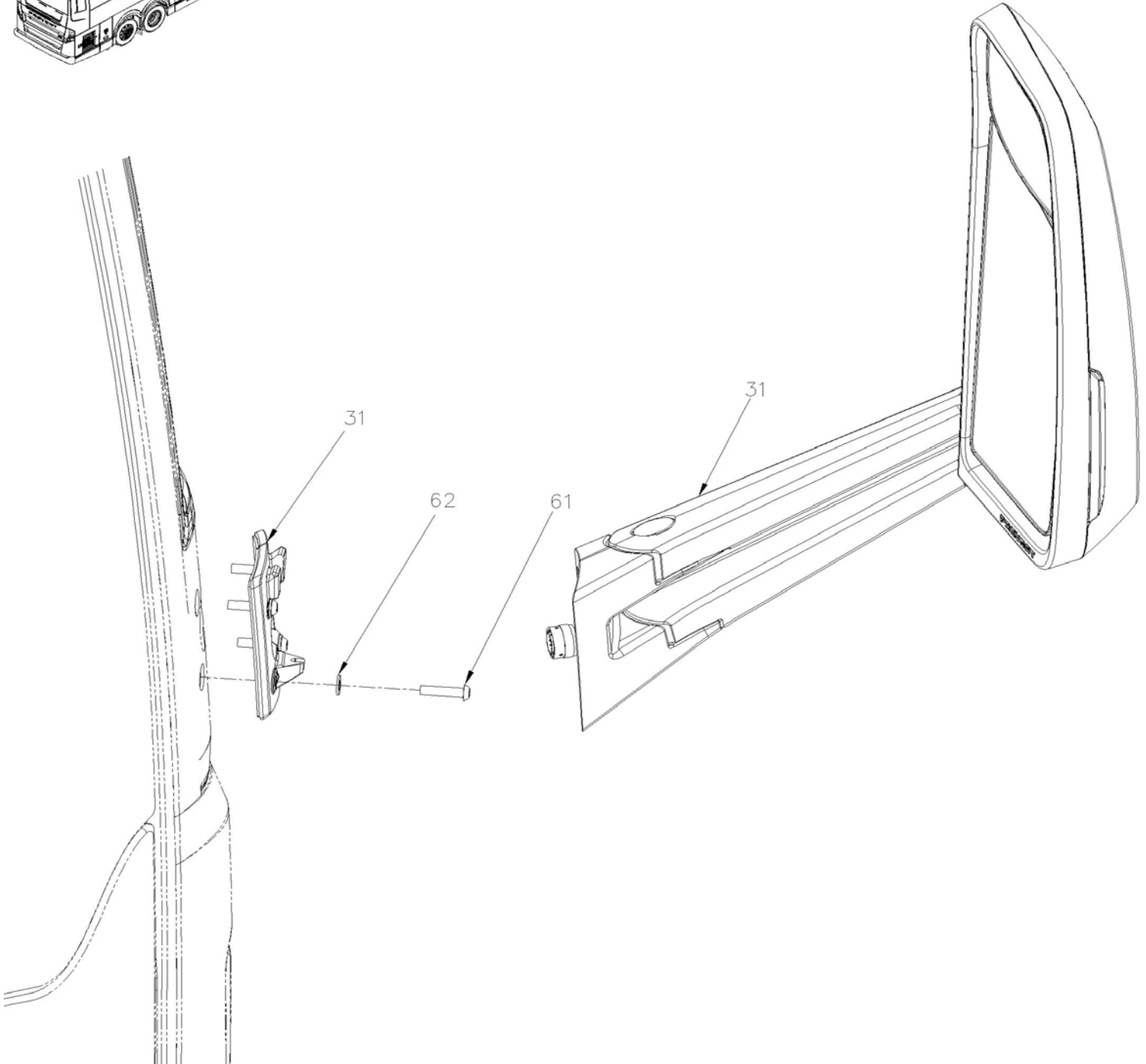
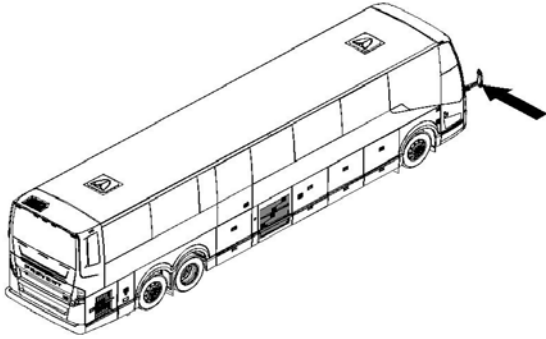


From P-1348

Date:07/2024

PAGE:VIP-1856-01

MIRROR 2 GLASSES / CHROME

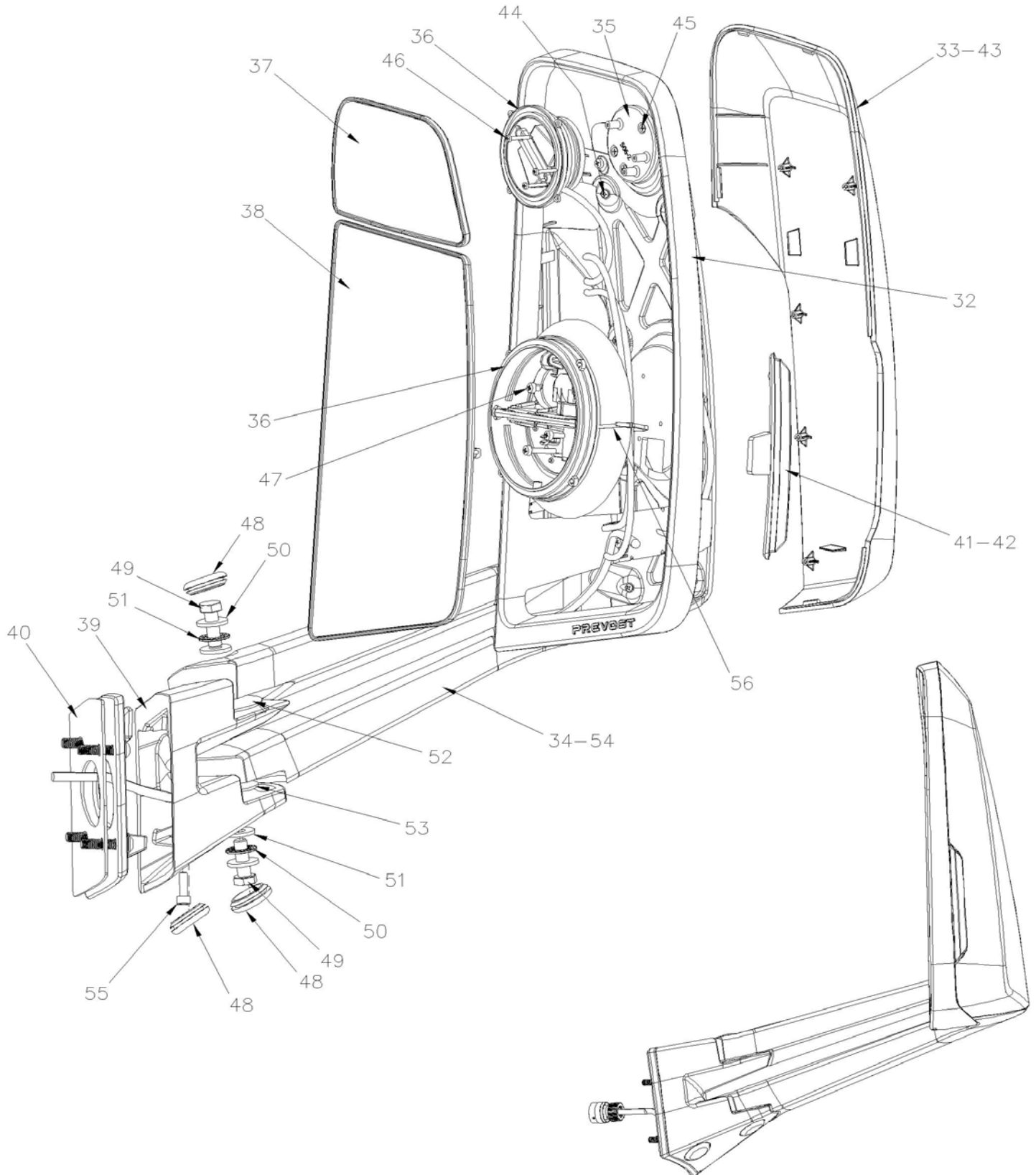


From P-1348

Date:07/2024

PAGE:VIP-1856-01

MIRROR 2 GLASSES / CHROME



| | | | |
|----------------------------------|--|--------------|------------------|
| From P-1348 | | Date:07/2024 | PAGE:VIP-1856-01 |
| MIRROR 2 GLASSES / CHROME | | | |

| Item# | Part | Description | QTY | Notes |
|-------|-----------------|--|-----|-------|
| 1 | 990569 | REARVIEW MIRROR, LH, H-SERIES, CHROME To R-1622 | 1 | |
| 1 | 990636 | REARVIEW MIRROR, LH, H-SERIES, CHROME From R-1623 | 1 | |
| 2 | 492091 | . BEZEL, LH REARVIEW MIRROR | 1 | |
| 3 | 492089 | . COVER,CHROMED LH REARVIEW MIRROR | 1 | |
| 4 | 492090 | . ARM, LH REARVIEW MIRROR | 1 | |
| 5 | 990647 | . MOTOR PLATE | 1 | |
| 6 | 990640 | . MOTOR LARGE & SMALL / 24V | 1 | |
| 7 | 492094 | . CONVEX GLASS ASM, LH R-VIEW MIRROR | 1 | |
| 8 | 492093 | . FLAT GLASS ASM, LH REARVIEW MIRROR | 1 | |
| 9 | Call order desk | . BASE W/HARNESS, LH REARVIEW MIRROR | 1 | P |
| 10 | 492139 | . ANCHOR PLATE ASSY, REARVIEW MIRROR LH | 1 | |
| 11 | 492092 | . TURN SIGNAL, LH REARVIEW MIRROR | 1 | |
| 12 | Call order desk | . SCREW MA FL PH #8-32x3/8 | 2 | P |
| 13 | Call order desk | . SCREW TP PAN PH #6x5/8 BLK | 6 | P |
| 14 | Call order desk | . SCREW TC PAN PH #8-32x3/8 BLK | 4 | P |
| 15 | Call order desk | . SCREW TC FL PH #8-32x1/2 | 3 | P |
| 16 | Call order desk | . SCREW TP PAN PH #4x7/8 | 3 | P |
| 17 | Call order desk | . SCREW TP PAN PH #8x1 1/2 STL | 3 | P |
| 18 | 990623 | . BLACK PLASTIC CAP | 3 | |
| 19 | Call order desk | . SCREW CAP HEX M10-1.25x30 | 2 | P |
| 20 | Call order desk | . WASHER THRUST BEARING M10 | 4 | P |
| 21 | Call order desk | . WASHER THRUST BEARING M10 | 2 | P |
| 22 | Call order desk | . WASHER FRICTION LARGE 33GF NYL | 1 | P |
| 23 | Call order desk | . WASHER FRICTION SMALL 33GF NYL | 1 | P |
| 24 | Call order desk | . SCREW CAP HEXS M6-1.0x12 | 1 | P |
| 25 | Call order desk | . SCREW CAP HEXS M6-1.0x20 | 1 | P |
| 26 | Call order desk | . CABLE TIE 5.5" BLACK | 8 | P |
| | | | | |
| 31 | 990570 | REARVIEW MIRROR, RH, H-SERIES, CHROMED To R-1622 | 1 | |
| 31 | 990637 | REARVIEW MIRROR, RH, H-SERIES, CHROMED From R-1623 | 1 | |
| 32 | 492079 | . BEZEL, RH REARVIEW MIRROR | 1 | |
| 33 | 492078 | . COVER,CHROMED RH REARVIEW MIRROR | 1 | |
| 34 | 492081 | . ARM, RH REARVIEW MIRROR | 1 | |
| 35 | 990647 | . MOTOR PLATE | 1 | |
| 36 | 990640 | . MOTOR LARGE & SMALL / 24V | 1 | |
| 37 | 492084 | . CONVEX GLASS ASM, RH R-VIEW MIRROR | 1 | |
| 38 | 492083 | . FLAT GLASS ASM, RH REARVIEW MIRROR | 1 | |
| 39 | Call order desk | . BASE W/HARNESS, RH REARVIEW MIRROR | 1 | P |
| 40 | 492138 | . ANCHOR PLATE ASSY, REARVIEW MIRROR RH | 1 | |
| 41 | 492085 | . TURN SIGNAL, RH REARVIEW MIRROR | 1 | |
| 42 | Call order desk | . SCREW MA FL PH #8-32x3/8 | 2 | P |
| 43 | Call order desk | . SCREW TP PAN PH #6x5/8 BLK | 6 | P |

| | | |
|----------------------------------|--------------|------------------|
| From P-1348 | Date:07/2024 | PAGE:VIP-1856-01 |
| MIRROR 2 GLASSES / CHROME | | |

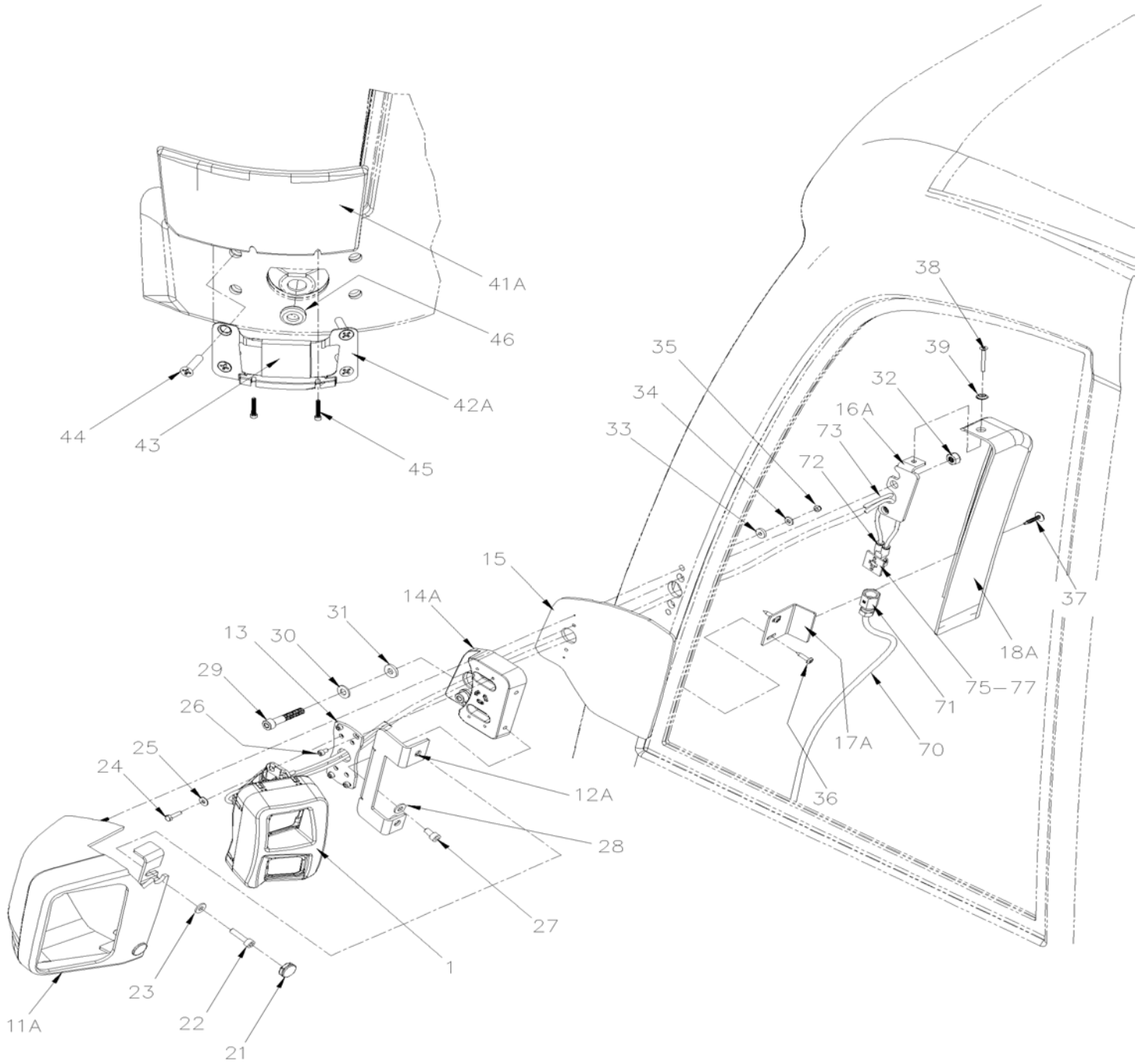
| Item# | Part | Description | QTY | Notes |
|-------|-----------------|--|-----|-------|
| 44 | Call order desk | . SCREW TC PAN PH #8-32x3/8 BLK | 4 | P |
| 45 | Call order desk | . SCREW TC FL PH #8-32x1/2 | 3 | P |
| 46 | Call order desk | . SCREW TP PAN PH #4x7/8 | 3 | P |
| 47 | Call order desk | . SCREW TP PAN PH #8x1 1/2 STL | 3 | P |
| 48 | 990623 | . BLACK PLASTIC CAP | 3 | |
| 49 | Call order desk | . SCREW CAP HEX M10-1.25x30 | 2 | P |
| 50 | Call order desk | . WASHER THRUST BEARING M10 | 4 | P |
| 51 | Call order desk | . WASHER THRUST BEARING M10 | 2 | P |
| 52 | Call order desk | . WASHER FRICTION LARGE 33GF NYL | 1 | P |
| 53 | Call order desk | . WASHER FRICTION SMALL 33GF NYL | 1 | P |
| 54 | Call order desk | . SCREW CAP HEXS M6-1.0x12 | 1 | P |
| 55 | Call order desk | . SCREW CAP HEXS M6-1.0x20 | 1 | P |
| 56 | Call order desk | . CABLE TIE 5.5" BLACK | 8 | P |
| 61 | 5002142 | SCREW CAP BUT HEXS M8-1.25x35 SS | 8 | |
| 62 | 5001341 | WASHER FL 8.4x17.0x1.6 SS | 8 | |
| | | | | |
| | | | | |
| | | P) CALL ORDER DESK FOR SPECIFIC APPLICATION (V.I.N.) | | |

From K-0295 To P-1347

Date:07/2024

PAGE:VIP-1856-10

"E-MIRROR" INSTALLATION

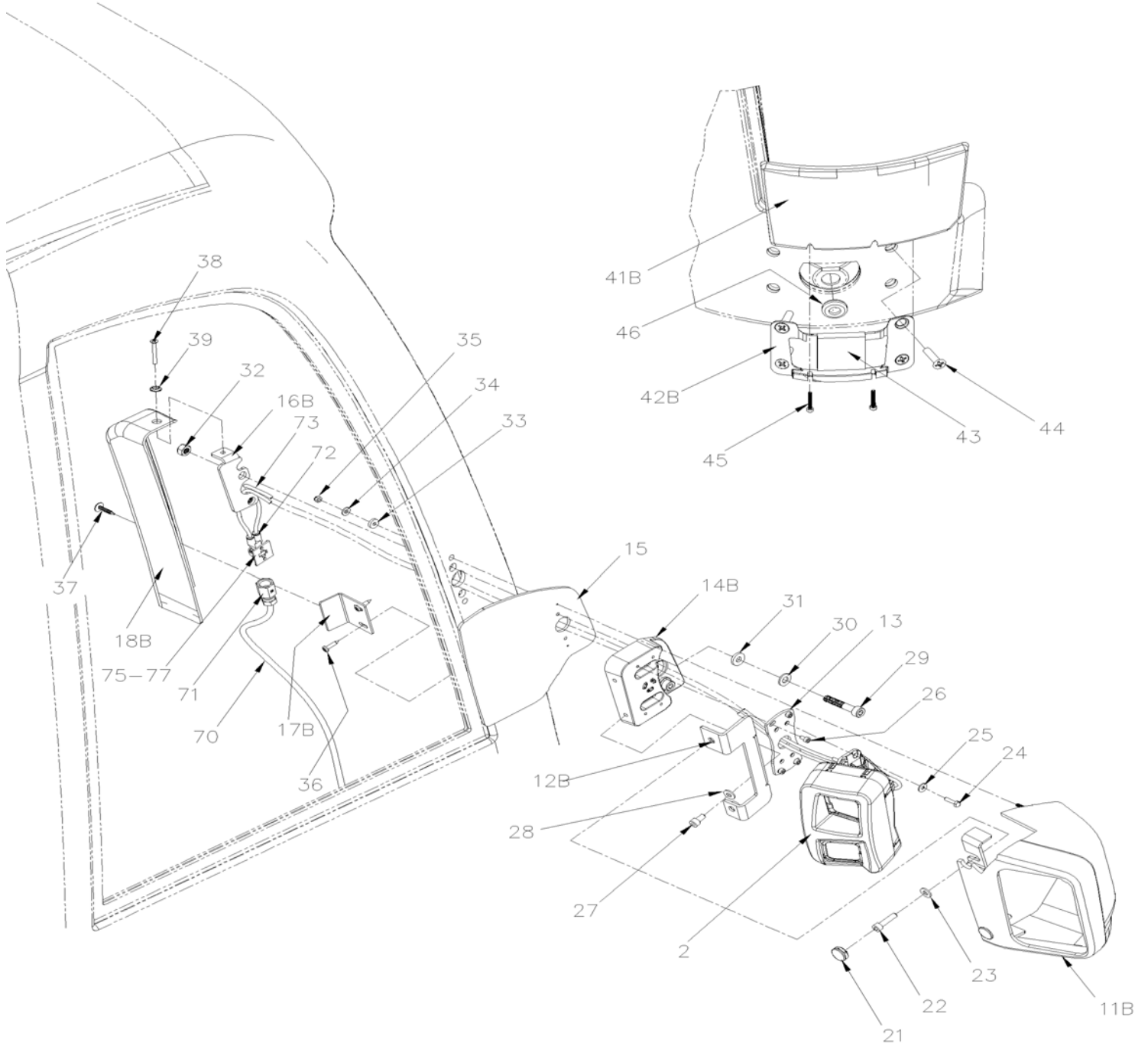


From K-0295 To P-1347

Date:07/2024

PAGE:VIP-1856-10

"E-MIRROR" INSTALLATION

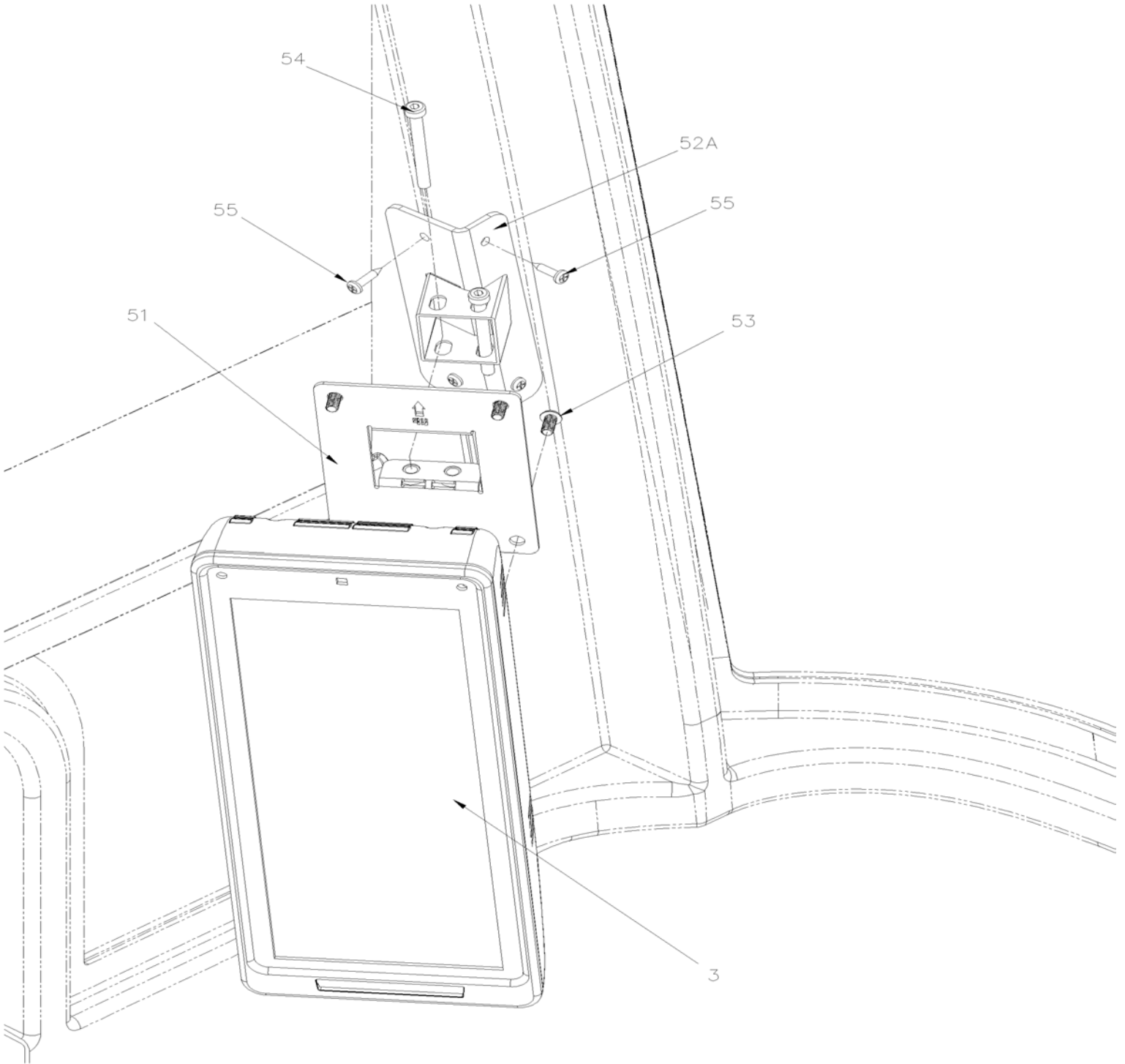


From K-0295 To P-1347

Date:07/2024

PAGE:VIP-1856-10

"E-MIRROR" INSTALLATION

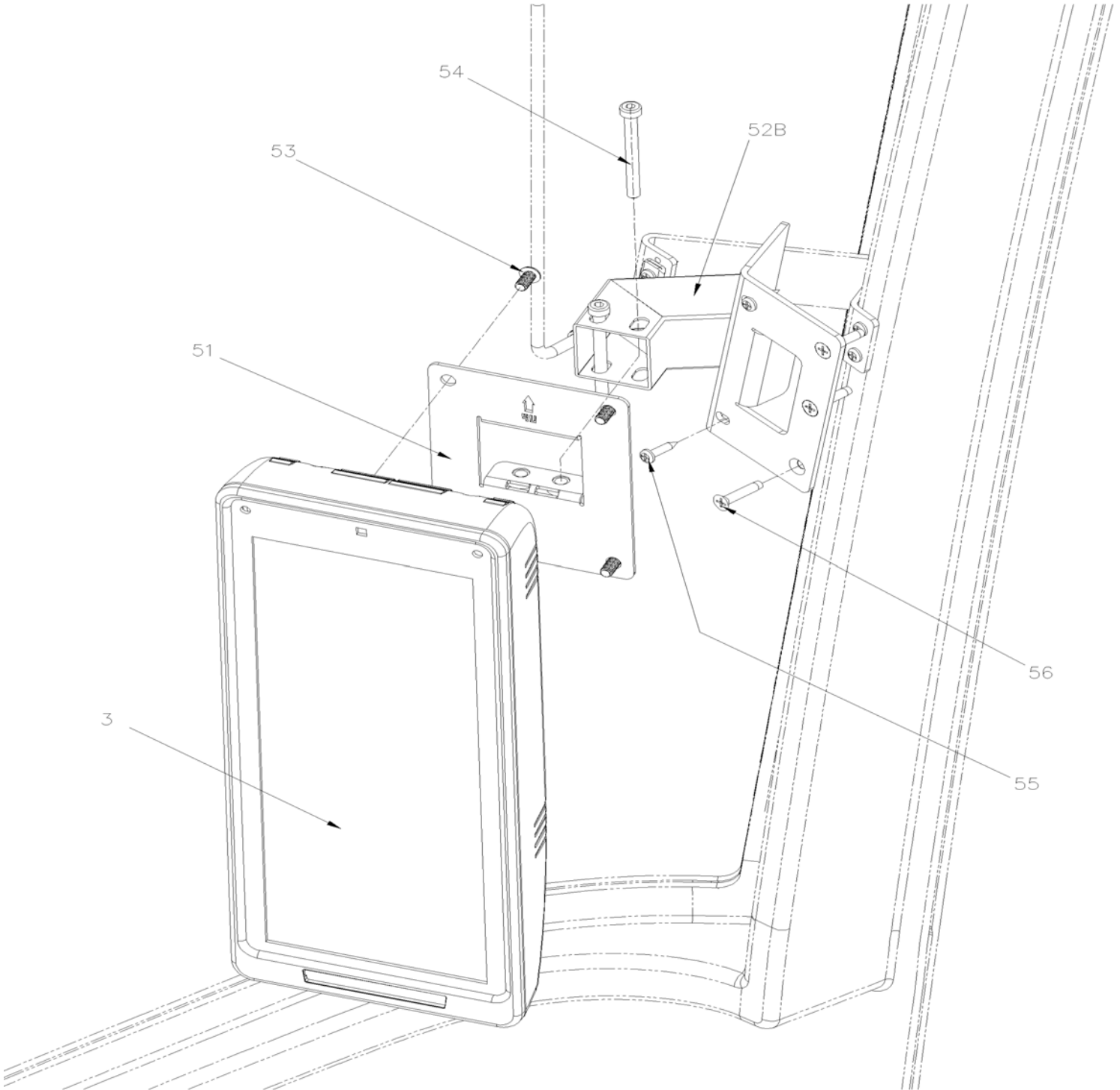


From K-0295 To P-1347

Date:07/2024

PAGE:VIP-1856-10

"E-MIRROR" INSTALLATION

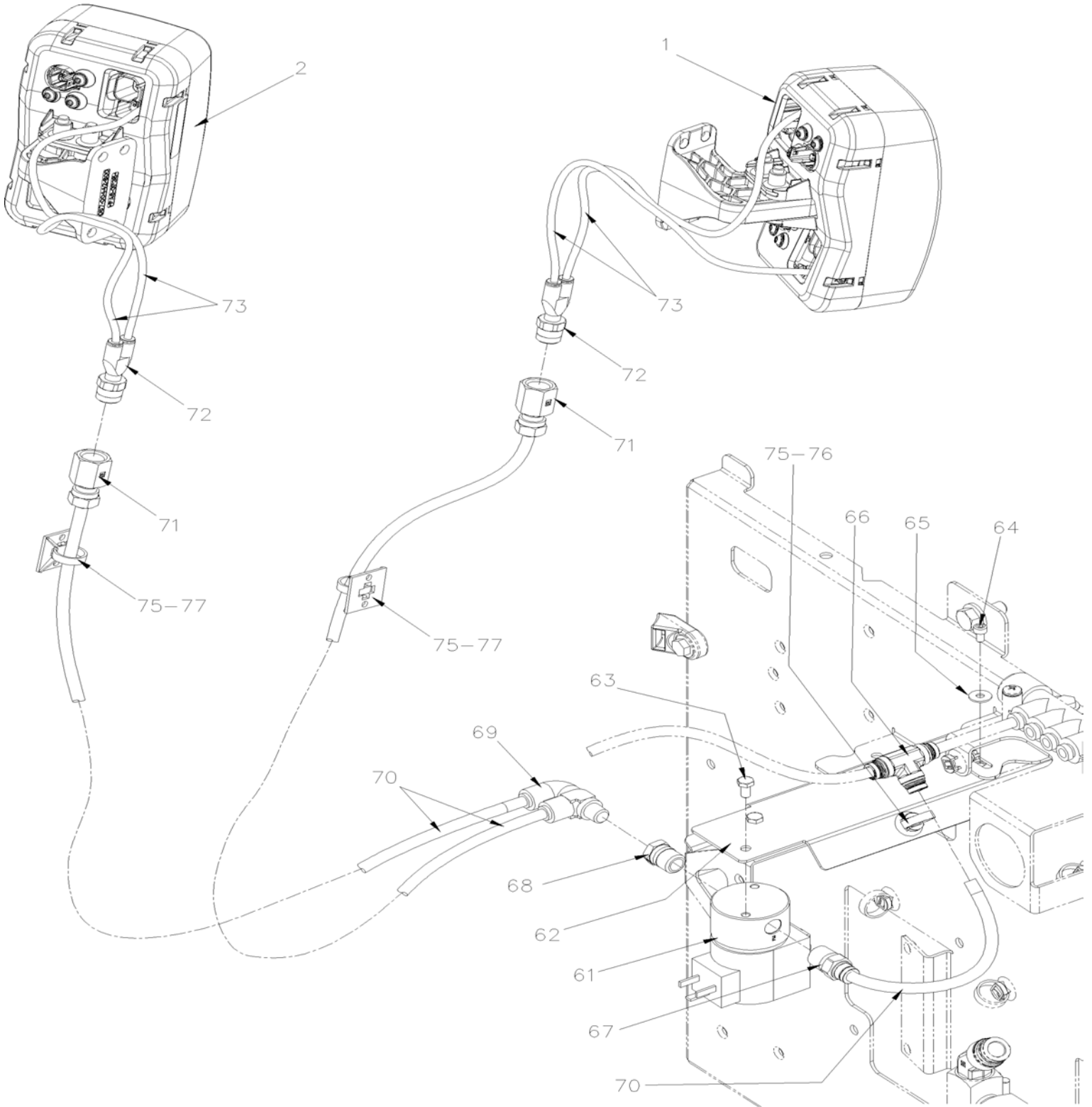


From K-0295 To P-1347

Date:07/2024

PAGE:VIP-1856-10

"E-MIRROR" INSTALLATION



| | | |
|--------------------------------|---------------------|-------------------------|
| From K-0295 To P-1347 | Date:07/2024 | PAGE:VIP-1856-10 |
| "E-MIRROR" INSTALLATION | | |

| Item# | Part | Description | QTY | Notes |
|-------|---------|---|-----|-------|
| 1 | 901812 | CAMERA LEFT "E-MIRROR" | 1 | |
| 2 | 901814 | CAMERA RIGHT "E-MIRROR" | 1 | |
| 3 | 901815 | MONITOR 12" "E-MIRROR" | 1 | |
| NS | 901816 | CABLE BLACK "E-MIRROR" | 1 | |
| NS | 901817 | CABLE WHITE "E-MIRROR" | 1 | |
| NS | 901895 | CABLE VIDEO EMIRROR WHITE 4M | 1 | |
| NS | 901896 | CABLE VIDEO EMIRROR BLACK 4M | 1 | |
| NS | 901897 | POWER CABLE EMIRRORS 2M | 2 | |
| NS | 901901 | CABLE Y HEATER EMIRROR | 2 | |
| NS | 0610559 | ELECTRONIC MIRROR HARNESS VISION SYSTEM | 1 | |
| | | | | |
| 11A | 420005 | COVER LF EMIRROR H345 | 1 | |
| 11B | 420006 | COVER RH EMIRROR H345 | 1 | |
| 12A | 491980 | BRACKET, LF COVER EMIRROR | 1 | |
| 12B | 491972 | BRACKET, RH COVER EMIRROR | 1 | |
| 13 | 491971 | PLATE, EMIRROR ANGULAR ADJUSTMENT | 2 | |
| 14A | 420069 | SUPPORT, LH CAMERA EMIRROR H345 | 1 | |
| 14B | 420040 | SUPPORT, RH CAMERA EMIRROR H345 | 1 | |
| 15 | 420107 | SEAL CAMERA BASE EMIRROR H345 | 2 | |
| 16A | 491921 | BRACKET, INSIDE CAMERA LH | 1 | |
| 16B | 491920 | BRACKET, INSIDE CAMERA RH | 1 | |
| 17A | 491974 | BRACKET, MOLDING WINDOW EMIRROR H345 | 1 | |
| 17B | 491973 | BRACKET, MOLDING WINDOW EMIRROR H345 | 1 | |
| 18A | 3211309 | MOULDING, FIN WINDOW LF EMIRROR | 1 | |
| 18B | 3211308 | MOULDING, FIN WINDOW RH EMIRROR | 1 | |
| | | | | |
| 21 | 5002204 | PLUG SNAPIN1 POL BK .625X8GA | 4 | |
| 22 | 5001610 | SCREW CAP HEXS M6-1.0x25 SS EMN | 4 | |
| 23 | 500877 | WASHER FL .250x.562x.065 N500 | 4 | |
| 24 | 502799 | SCREW CAP HEX M4-0.7X16 G8.8 N500 | 8 | |
| 25 | 5002031 | WASHER FL 4.3X12X1 SS | 8 | |
| 26 | 5001670 | SCREW CAP HEXS M4-0.7x8 G8.8 Z050 | 8 | |
| 27 | 5001025 | SCREW CAP HEXS M6-1.0x12 G8.8 | 4 | |
| 28 | 500877 | WASHER FL .250x.562x.065 N500 | 4 | |
| 29 | 5002178 | SCREW CAP HEXS M8-1.25x45MM PT SS | 4 | |
| 30 | 5001341 | WASHER FL 8.4x17.0x1.6 SS | 4 | |
| 31 | 5002205 | WASHER FL RUB .290x.688x.090 | 4 | |
| 32 | 5001983 | NUT HEX NYRT M8-1.25 SS SS BK | 4 | |
| 33 | 5002203 | WASHER FL RUB .170x.500x.090 | 4 | |
| 34 | 5001137 | WASHER FL .203x.438x.050 SS | 4 | |
| 35 | 502557 | NUT HEX NYRT M4-0.7 SS | 4 | |
| 36 | 5001155 | SCREW TP PAN PH #8X3/4 N050 | 4 | |

| | | |
|--------------------------------|---------------------|-------------------------|
| From K-0295 To P-1347 | Date:07/2024 | PAGE:VIP-1856-10 |
| "E-MIRROR" INSTALLATION | | |

| Item# | Part | Description | QTY | Notes |
|-------|---------|---|-----|-------|
| 37 | 5002083 | SCREW DR SEMS FN OV PH #8X1 N050 | 2 | |
| 38 | 5002026 | SCREW MA OV PH M4-0.7x35 SS XLN | 2 | |
| 39 | 500463 | WASHER FN CKF .187x.500x.090 BR Z050 | 2 | |
| | | | | |
| 41A | 420015 | MIRROR COVER LEFT H345 | 1 | |
| 41B | 420016 | MIRROR COVER RIGHT H345 | 1 | |
| 42A | 420108 | BASE MIRROR COVER LEFT H345 | 1 | |
| 42B | 420109 | BASE MIRROR COVER RIGHT H345 | 1 | |
| 43 | 420112 | SEAL MIRROR COVER | 2 | |
| 44 | 5000361 | SCREW MA FL PH M8-1.25x35 SS | 8 | |
| 45 | 5002211 | SCREW CAP HEXS M4-0.7x25MM G12.9 | 4 | |
| 46 | 504555 | GROMMET / .500x.812x.125x.344x1.062x.031 | 2 | |
| | | | | |
| 51 | 401975 | MOUNTING PLATE, EMIRROR SCREEN | 2 | |
| 52A | 402119 | BRACKET, LF EMIRROR SCREEN H345 | 1 | |
| 52B | 402118 | BRACKET, RH EMIRROR SCREEN H345 | 1 | |
| 53 | 5000353 | SCREW CAP BUT HEXS M6-1.0x12 N500 | 8 | |
| 54 | 5001698 | SCREW CAP HEXS M6-1.0x60 SS XYLAN | 4 | |
| 55 | 5001155 | SCREW TP PAN PH #8X3/4 N050 | 6 | |
| 56 | 500168 | SCREW TC FL PH #10-24x1 Z050 SS410 | 3 | |
| | | | | |
| 61 | 562804 | VALVE, 2 WAYS N.C. | 1 | |
| . NS | 562848 | . CONNECTOR / SOCKET HOUSING ASSY 3C / PNEUMAC 54933-05 | 1 | |
| 61 | 0611001 | WIRING HARNESS SPECIAL E-MIRRORS ON X3 To M-1153 | 1 | |
| 62 | 140374 | SUPPORT SOLENOID EMIRROR | 1 | |
| 63 | 502751 | SCREW CAP HEX #10-32x3/8 Z050 | 2 | |
| 64 | 5001670 | SCREW CAP HEXS M4-0.7x8 G8.8 Z050 | 2 | |
| 65 | 5002031 | WASHER FL 4.3X12X1 SS | 2 | |
| 66 | 641955 | UNION TEE / PUSH-IN FITTING / #4x#4x#4 BR To M-1153 | 1 | |
| 67 | 641332 | MALE CONNECTOR / PUSH-IN FITTING / #4x1/4NPT-M BR | 1 | |
| 68 | 501312 | BUSHING REDUCER / PIPE FITTING / 1/4NTP-Mx1/8NPT-F BR | 1 | |
| 69 | 642127 | MALE ELBOW 90° SWIVEL DUAL PORT / PUSH-IN / #4x#4x1/8NPT-M BR | 1 | |
| 70 | 503402 | TUBE, NYLON 1/4 O.D. / BLACK S.L. | AR | |
| 71 | 641028 | FEMALE CONNECTOR / NTA FITTING / #4x1/4NPT-F BR | 2 | |
| 72 | 640058 | MALE BRANCH "Y" / PUSH-IN FITTING / 4MMx4MMx1/4NPT-M | 2 | |
| 73 | 503420 | TUBE, NYLON 4MM O.D. / BLACK S.L. | AR | |
| | | | | |
| 75 | 504637 | CABLE TIE / 3/16" x 13" | AR | |
| 76 | 509815 | TIE MOUNT / ATTACHMENT W/TREE MOUNT | 1 | |
| 77 | 562679 | 4 WAY ADH. BACKED MOUNTS 1.000 x 1.000 x .160 | AR | |
| | | | | |
| NS | 563332 | RELAY 24V S.P.D.T. W/RESISTOR / "VOLVO" (20374662) To M-1153 | 2 | |

| | | | |
|--------------------------------|--|---------------------|-------------------------|
| From K-0295 To P-1347 | | Date:07/2024 | PAGE:VIP-1856-10 |
| "E-MIRROR" INSTALLATION | | | |

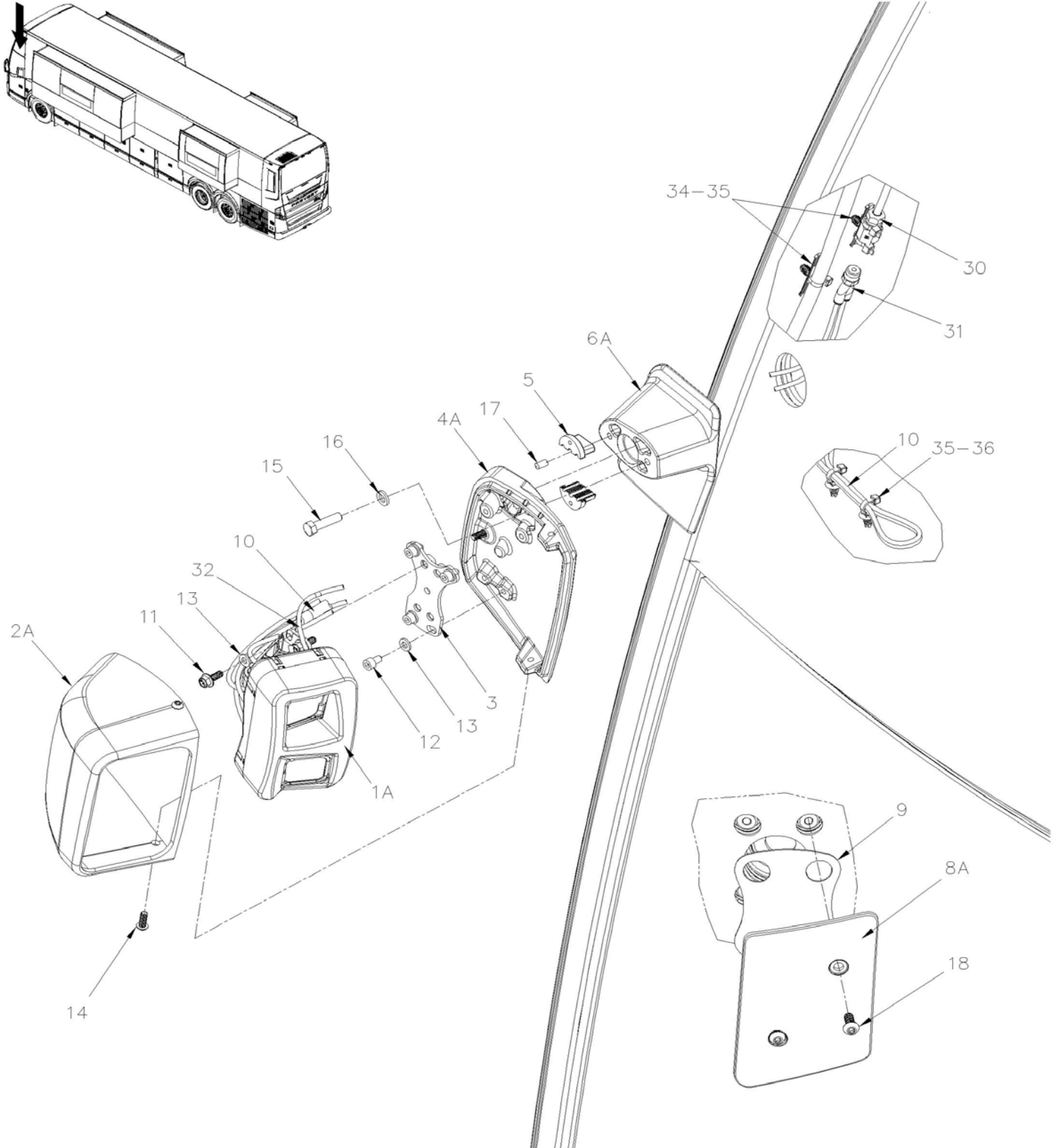
| Item# | Part | Description | QTY | Notes |
|--------------|-------------|--|------------|--------------|
| NS | 563337 | RELAY 12V S.P.D.T. W/RESISTOR / To M-1153 | 1 | |
| NS | 563622 | BUTT SPLICE / 22-18 / RED / W/THERMORETRAC / PANDUIT BSH18-Q To M-1153 | 6 | |
| NS | 562698 | SWITCH / OFF-M/ON / D.P.S.T. / W/GREEN LED To M-1153 | 1 | |
| NS | 563855 | CAP, COMMANDE SWITCH ON OFF, NGR To M-1153 | 1 | |
| | | | | |
| NS | 680038 | THREAD LOCKER LOCTITE #243 / BLUE / 50ml | AR | |
| NS | 680110 | SEALANT TAPE / TEFLON / 1/2" | AR | |
| NS | 680323 | LUBRICANT DOOR EASE 47.6 GR. | AR | |
| NS | 684685 | ADHESIVE SIMSON #SR 70-03 / 310ml CARTRIDGE | AR | |

From P-1348

Date:07/2024

PAGE:VIP-1856-11

"E-MIRROR" INSTALLATION

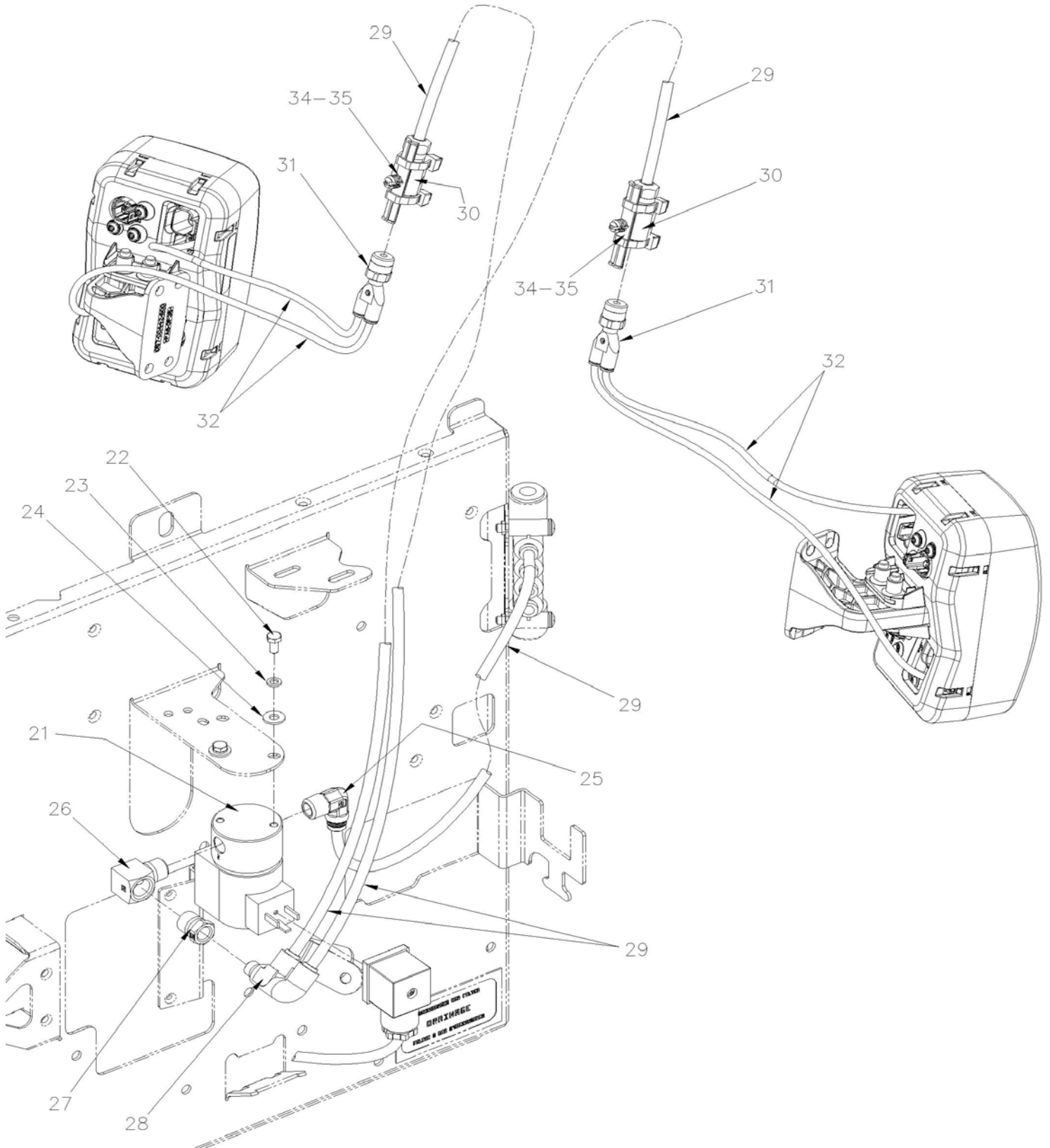


From P-1348

Date:07/2024

PAGE:VIP-1856-11

"E-MIRROR" INSTALLATION

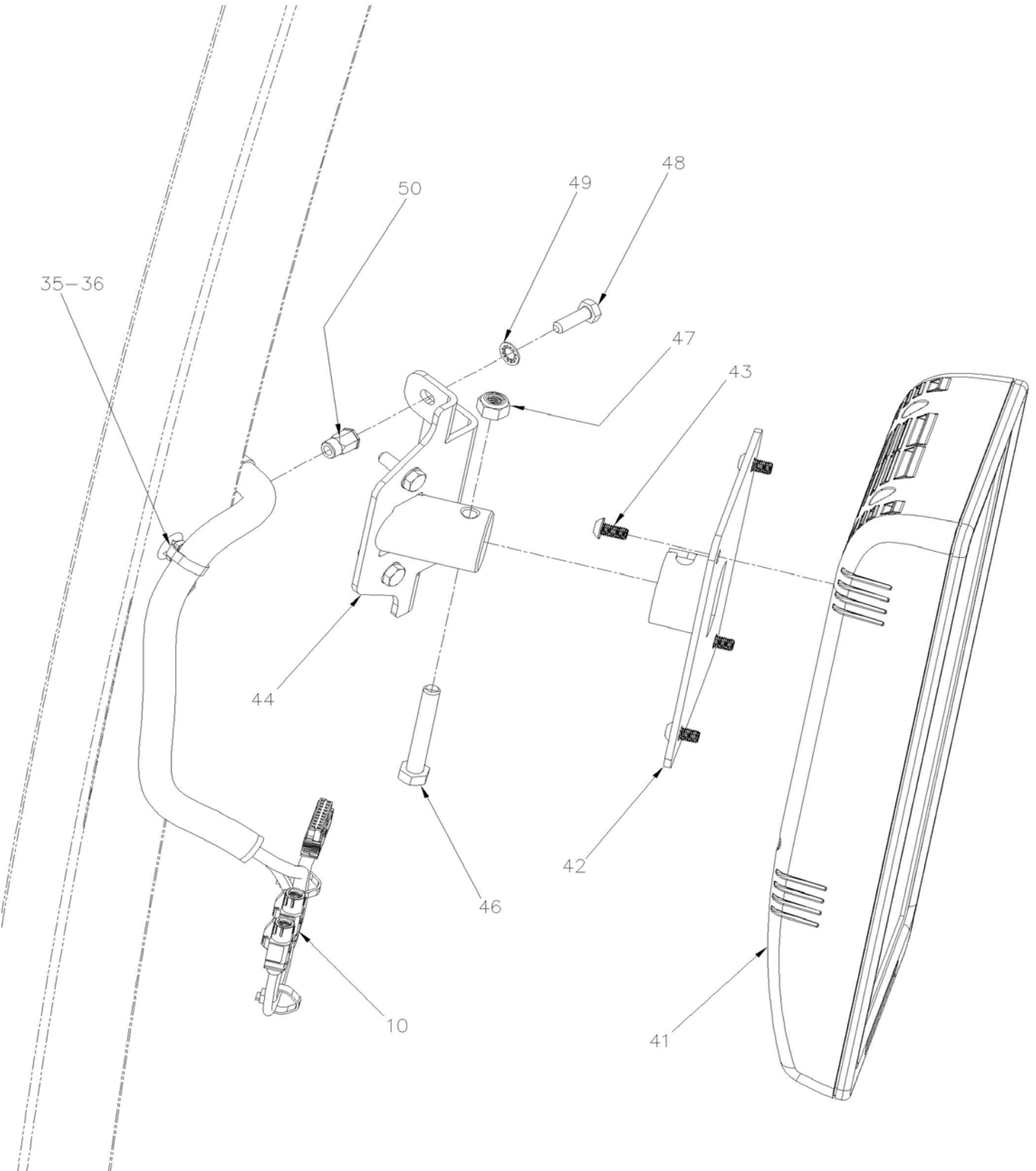


From P-1348

Date:07/2024

PAGE:VIP-1856-11

"E-MIRROR" INSTALLATION

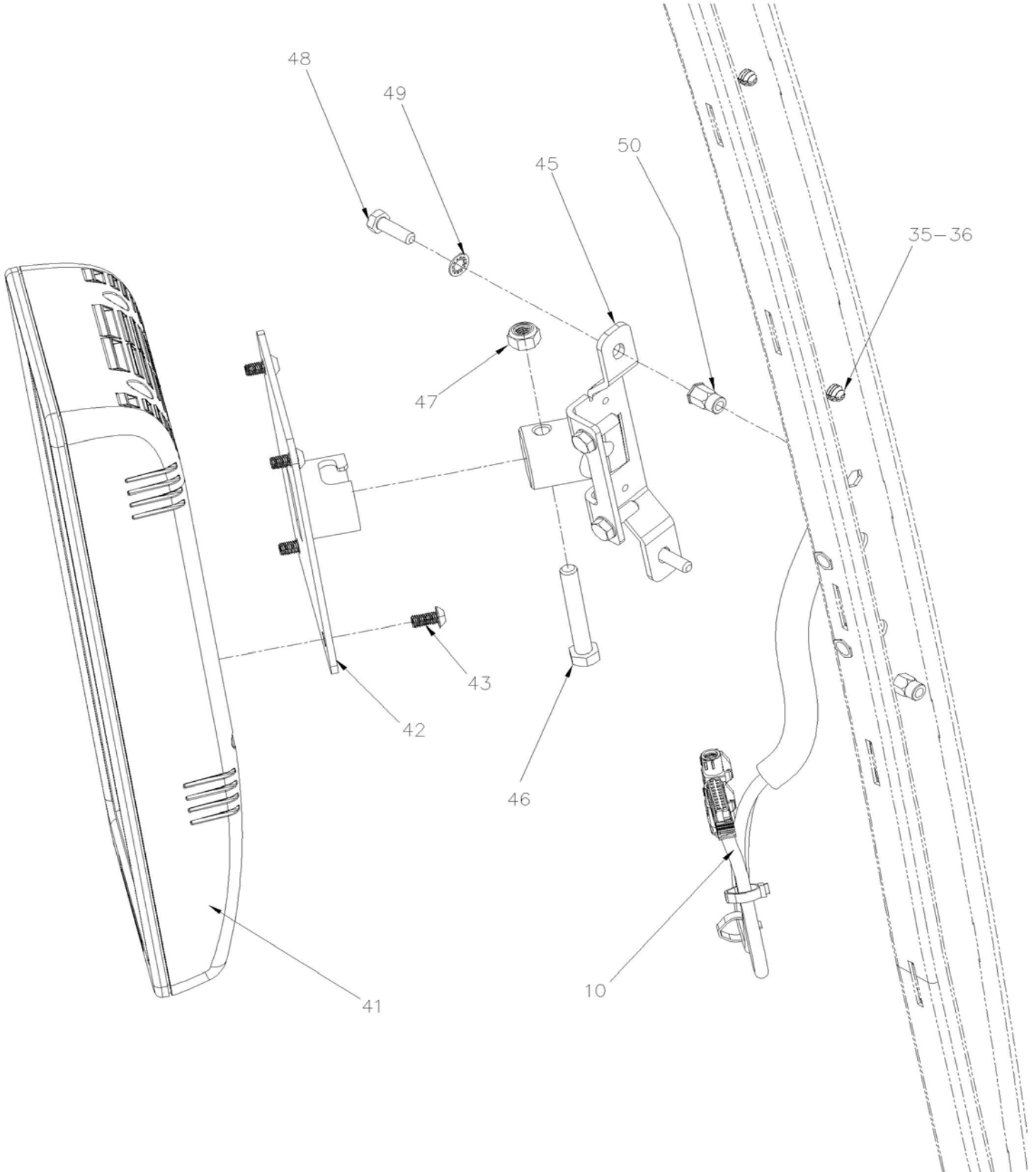


From P-1348

Date:07/2024

PAGE:VIP-1856-11

"E-MIRROR" INSTALLATION



| | | | |
|--------------------------------|--|--------------|------------------|
| From P-1348 | | Date:07/2024 | PAGE:VIP-1856-11 |
| "E-MIRROR" INSTALLATION | | | |

| Item# | Part | Description | QTY | Notes |
|-------|---------|---|-----|-------|
| 1A | 901812 | CAMERA LEFT "E-MIRROR" | 1 | |
| 1B | 901814 | CAMERA RIGHT "E-MIRROR" | 1 | |
| 2A | 492119 | COVER LH | 1 | |
| 2B | 492128 | COVER RH | 1 | |
| 3 | 492113 | PLATE ANGULAR AJUSTEMENT | 2 | |
| 3 | 492178 | SPACER | AR | |
| 4A | 492118 | SUPPORT WING LH | 1 | |
| 4B | 492115 | SUPPORT WING RH | 1 | |
| 5 | 492112 | GROMMET | 4 | |
| 6A | 492114 | SUPPORT BASE RH | 1 | |
| 6B | 492117 | SUPPORT BASE LH | 1 | |
| NS | 685387 | GLUE MS POLYMER TEROSON MS 9399 / 400ml CARTRIDGE | AR | |
| NS | 506785 | TAPE RUB ADH2 CC POL 1/16" X 1/4" X 200' / BLACK I1C-N-A | AR | |
| 8A | 420117 | MIRROR COVER LH | 1 | |
| 8B | 420115 | MIRROR COVER RH | 1 | |
| 9 | 420120 | GASKET, MIRROR BASE COVER PLATE | 2 | |
| 10 | 0610486 | ELECTRONIC MIRROR HARNESS | 1 | |
| 11 | 5002027 | SCREW CAP HEXF AD M6-1.0x16 G10.9 N500 | 8 | |
| 12 | 5002245 | SCREW CAP HEXS M6-10.0x10 FT AD SS NSS | 8 | |
| 13 | 502573 | WASHER FL 6.4x12.5x1.6 SS | 16 | |
| 14 | 5002236 | SCREW CAP BUT HEXS M6-1 X 16 SS NSS | 6 | |
| 15 | 5001912 | SCREW CAP HEX M8-1.25x30 SS BK | 2 | |
| 16 | 5001161 | WASHER LO SPT 8.1x14.8x2.0 SS-304 | 2 | |
| 17 | 403848 | SCREEN SUPPORT ASSY | 2 | |
| 18 | 5000002 | SCREW CAP BUT HEXS M8-1.25X20 AD NSS | 4 | |
| | | | | |
| 21 | 562804 | VALVE, 2 WAYS N.C. | 1 | |
| NS | 562848 | CONNECTOR / SOCKET HOUSING ASSY 3C / PNEUMAC 54933-05 | 1 | |
| 22 | 502751 | SCREW CAP HEX #10-32x3/8 Z050 | 2 | |
| 23 | 500470 | WASHER LO SPT .193x.334x.047 Z050 | 2 | |
| 24 | 500964 | WASHER FL .203x.500x.047 Z050 | 2 | |
| 25 | 641371 | MALE ELBOW 90° NON-SWIVEL / PUSH-IN FITTING / #4x1/4NPT-M BR | 1 | |
| 26 | 501332 | STREET ELBOW 90° / PIPE FITTING / 1/4NPT-Mx1/4NPT-F BR | 1 | |
| 27 | 501312 | BUSHING REDUCER / PIPE FITTING / 1/4NPT-Mx1/8NPT-F BR | 1 | |
| 28 | 642127 | MALE ELBOW 90° SWIVEL DUAL PORT / PUSH-IN / #4x#4x1/8NPT-M BR | 1 | |
| 29 | 503402 | TUBE, NYLON 1/4 O.D. / BLACK S.L. | AR | |
| 30 | 641028 | FEMALE CONNECTOR / NTA FITTING / #4x1/4NPT-F BR | 1 | |
| 31 | 640058 | MALE BRANCH "Y" / PUSH-IN FITTING / 4MMx4MMx1/4NPT-M | 1 | |
| 32 | 503420 | TUBE, NYLON 4MM O.D. / BLACK S.L. | AR | |
| NS | 680098 | THREAD SEALANT LOCTITE #567 / WHITE / 250ml | AR | |
| 34 | 504262 | BUNDLING TAPE CLIP WITH FIR TREE | AR | |
| 35 | 504637 | CABLE TIE / 3/16" x 13" | AR | |

| | | |
|--------------------------------|--------------|------------------|
| From P-1348 | Date:07/2024 | PAGE:VIP-1856-11 |
| "E-MIRROR" INSTALLATION | | |

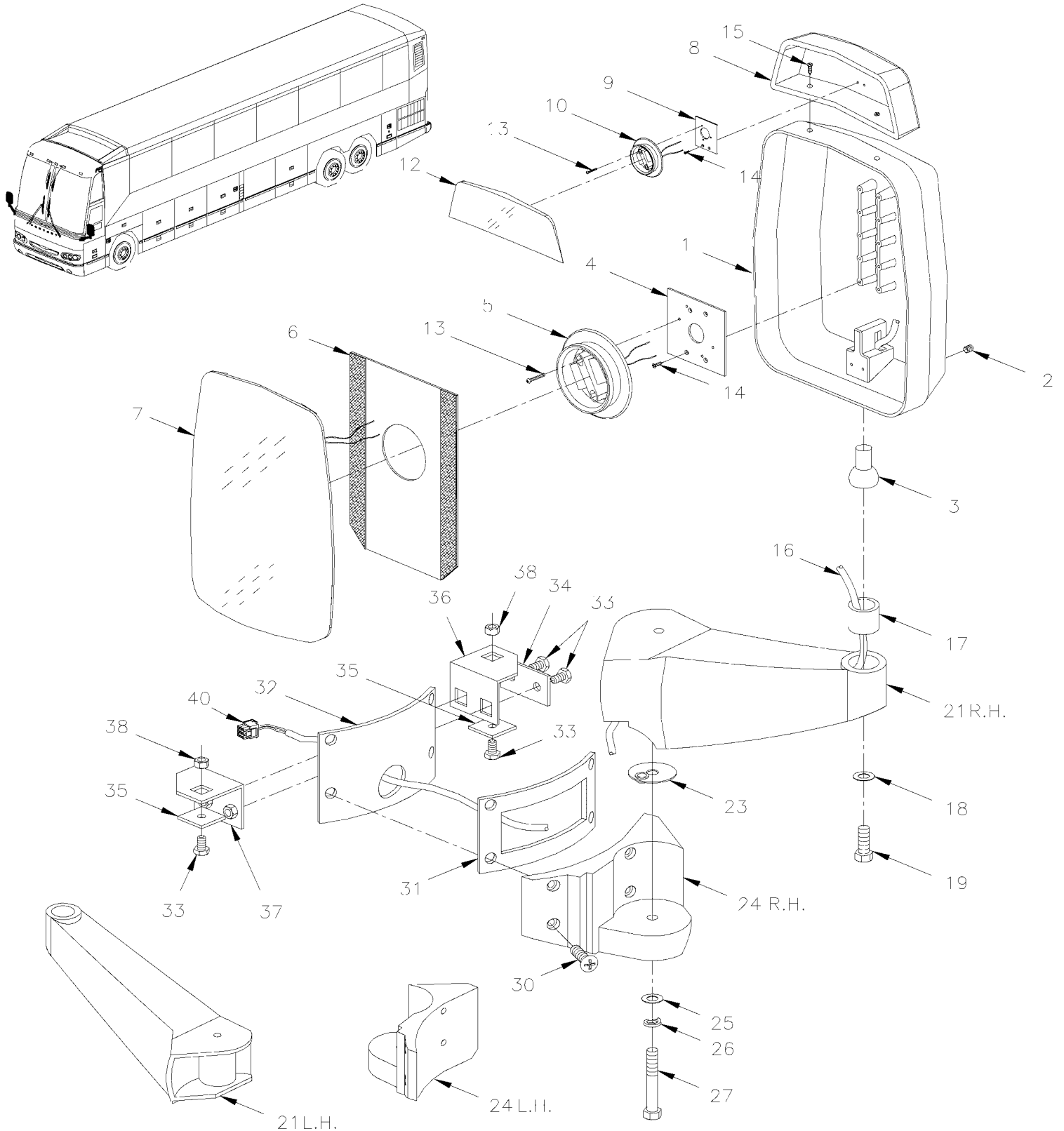
| Item# | Part | Description | QTY | Notes |
|-------|-------------------|-------------------------------------|-----|-------|
| 36 | 509815 | TIE MOUNT / ATTACHMENT W/TREE MOUNT | AR | |
| 41 | 901902 | MONITOR 12.3 IN E-MIRROR | 2 | |
| 42 | 502006 | PIN DOWEL 6x10 SS | 2 | |
| 43 | 5000353 | SCREW CAP BUT HEXS M6-1.0x12 N500 | 8 | |
| 44 | 406737 | FIXATION ASSY LH | 1 | |
| 45 | 405289 | FIXATION CENTER | 1 | |
| 46 | 502927 | SCREW CAP HEX M8-1.25x50 G8.8 N500 | 2 | |
| 47 | 5001983 | NUT HEX NYRT M8-1.25 SS SS BK | 2 | |
| 48 | 502622 | SCREW CAP HEX M6-1.0x20 SS BK | 8 | |
| 49 | 5001432 | WASHER LO INT .256x.478x.028 SS 410 | 8 | |
| 50 | 5001344 | NUT INS FL HEX M6-1.0 0.5-3.0 SS | 8 | |
| 70 | H9-1856-90 | MIRRORS - EMERGENCY | | |
| NS | 492177 | KIT, RETROFIT ELECTRONIC MIRROR VIP | 1 | |

From K-0295 To P-1347

Date:07/2024

PAGE:VIP-1856-50

MIRROR "RAMCO" FLAT GLASS / CHROME



| | | |
|---|--------------|------------------|
| From K-0295 To P-1347 | Date:07/2024 | PAGE:VIP-1856-50 |
| MIRROR "RAMCO" FLAT GLASS / CHROME | | |

| Item# | Part | Description | QTY | Notes |
|-------|---------|--|-----|-------|
| | 990022 | MIRROR ASSY, R.H. / W/CONVEX ELECTRIC / W/9 PINS CONNECTOR | 1 | |
| | 990458 | MIRROR ASSY, L.H. / W/CONVEX ELECTRIC / W/9 PINS CONNECTOR | 1 | |
| 1 | 990516 | . HEAD ASSY / W/CONVEX ELECTRIC / W/9 PINS CONNECTOR | 1 | |
| . NS | 060776 | . . CABLE ASSY / W/CONNECTOR 9PIN 54" | 1 | |
| 2 | 502812 | . . SCREW SET HEXS CUP 3/8-16X3/8 SS | 1 | |
| 3 | 990478 | . . STUD, BALL | 1 | |
| 4 | 990272 | . . NOTCHED BACK MOUNTING PLATE (2" X 3") | 1 | |
| 5 | 990349 | . . MOTOR 12V / MEDIUM / BLACK / 108MM / 4 1/4" O.D. | 1 | |
| . NS | 564494 | . . . TAB TERMINAL / 20-16 / AMP 63138-1 | 4 | |
| 6 | 990268 | . . VELCRO PLATE / 8" X 8" | 1 | |
| 7 | 990199 | . . GLASS ASSY W/HEATER 12V | 1 | |
| 8 | 990302 | . MIRROR ASSY / CONVEX ELECTRIC | 1 | |
| 9 | 990295 | . . PLATE, TOP MOTOR MOUNTING | 1 | |
| 10 | 990219 | . . MOTOR 12V / SMALL / BLACK / 85MM / 3 5/16" O.D. | 1 | |
| . NS | 564494 | . . . TAB TERMINAL / 20-16 / AMP 63138-1 | 4 | |
| 12 | 990339 | . . GLASS CONVEX ASSY W/HEATER 12V | 1 | |
| 13 | N.P.N. | . . SCREW TC FL PH ZP 6-32 X 1 1/8" | 3 | 4 |
| 14 | 500660 | . . SCREW TC FL PH #6-32x3/8 Z050 | 2 | |
| 15 | 990530 | . . SCREW CAP HEX #10-24x1" SS | 2 | |
| NS | 500787 | . . NUT HEX #10-24 SS | 2 | |
| 16 | N.P.N. | . . CABLE ASSY / W/CONNECTOR / SEE ITEM # 40 | 1 | 4 |
| 17 | 990379 | . . CUP, BALL STUD RETAINER / ONE PIECE | 1 | |
| 18 | 500270 | . . WASHER FL .406x1.000x.063 SS | 1 | |
| 19 | N.P.N. | . . SCREW CAP HEX SS 3/8-24 X 1.250 | 1 | 4 |
| 21 | 990316 | . ARM, R.H. | 1 | |
| 21 | 990401 | . ARM, L.H. / DIRTY FREE | 1 | |
| 23 | 990265 | . WASHER ALUMINUM / 2 " O.D. | 1 | |
| NS | 504082 | . . SNAP BUSHING / .125x.312x.312 | 1 | |
| 24 | 990310 | . BRACKET, MOUNTING R.H. | 1 | |
| 24 | 990312 | . BRACKET, MOUNTING L.H. | 1 | |
| 25 | 500958 | . WASHER FL .531x1.062x.095 SS | 1 | |
| 26 | 500035 | . WASHER LO SPT .317x.586x.078 SS | 1 | |
| 27 | 990500 | . SCREW 1/2-13x2 HHCS SS | 1 | |
| 30 | 5001581 | SCREW CAP BUT HEXS M8-1.25x40 SS To M-1135 | 4 | |
| 30 | 5002142 | SCREW CAP BUT HEXS M8-1.25x35 SS From M-1136 | 4 | |
| NS | 5001341 | WASHER FL 8.4x17.0x1.6 SS | 4 | |
| 30 | 5001461 | SCREW MA FL PH M8-1.25x40 SS To M-1135 | 4 | |
| 30 | 5000361 | SCREW MA FL PH M8-1.25x35 SS From M-1136 | 4 | |
| 31 | 490873 | GASKET, RH | 1 | |
| 31 | 490894 | GASKET, LH | 1 | |
| 32 | 490102 | ANCHOR PLATE R.H. | 1 | A |
| 32 | 490103 | ANCHOR PLATE L.H. | 1 | A |

| | | |
|---|--------------|------------------|
| From K-0295 To P-1347 | Date:07/2024 | PAGE:VIP-1856-50 |
| MIRROR "RAMCO" FLAT GLASS / CHROME | | |

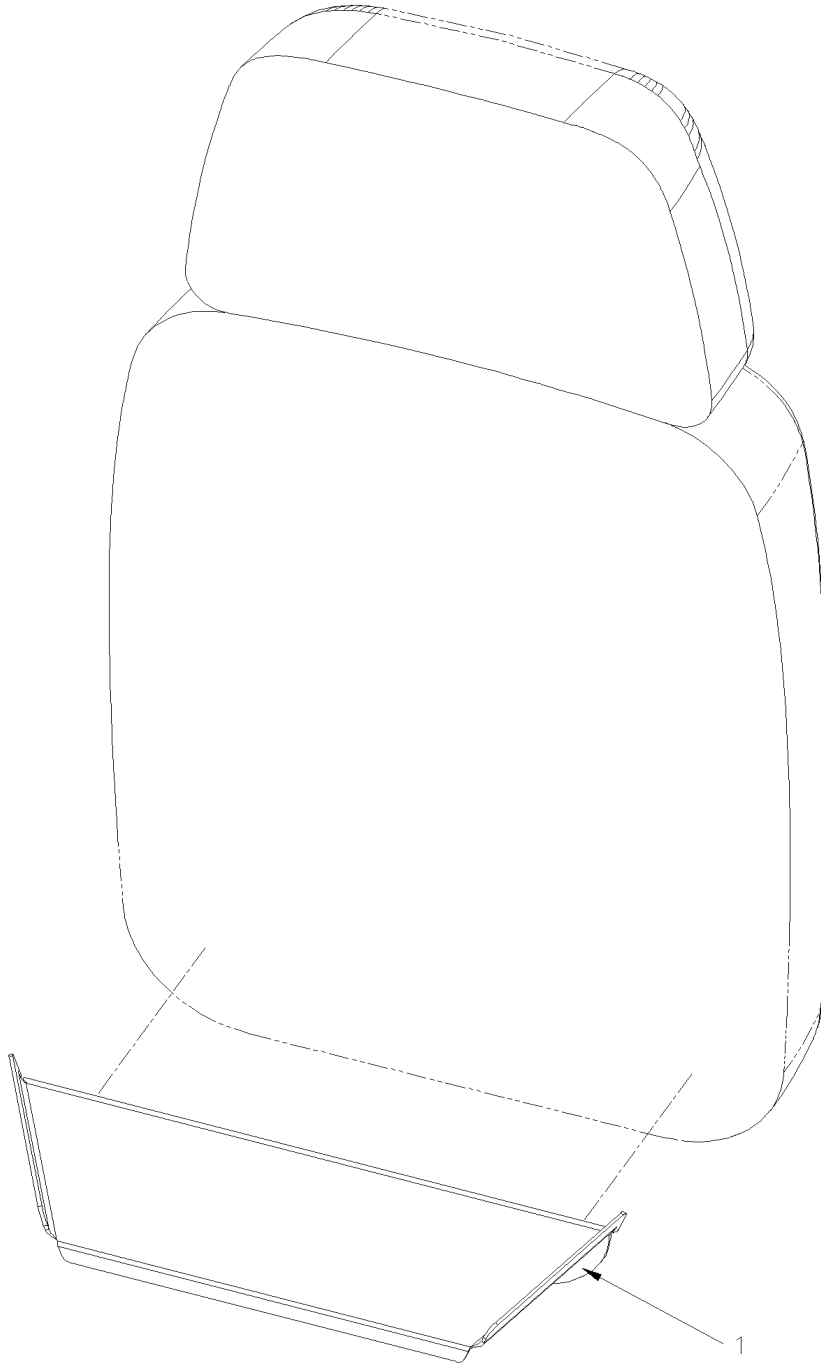
| Item# | Part | Description | QTY | Notes |
|-------|----------------|--|-----|-------|
| 33 | 502589 | SCREW CAP HEX M8-1.25x25 G8.8 Z050 | 8 | |
| 34 | 490940 | PLATE | 2 | |
| 35 | 490951 | PLATE | 4 | |
| 36 | 490906 | ANGLE | 2 | |
| 37 | 490907 | ANGLE W/NUT | 2 | |
| 38 | 5001337 | NUT INS FL HEX M8-1.25 0.5-3.0 Z050 | 2 | B |
| 40 | 563802 | CONNECTOR / W 45" CABLE ASSY / PH 9C | 2 | |
| NS | 563801 | CONNECTOR / MULTI CON X / SH 9C / CONXALL 4280-9SG-300 | 2 | C |
| NS | MI16-28 | DRIP EDGE ADDITION ON FRONT MIRRORS / PRODUCT IMPROVMENT | 1 | |
| | | | | |
| | | | | |
| | | A) PART OF FRONT LOWER CAP | | |
| | | B) FIXED INSIDE OF TUBE | | |
| | | C) THIS CONNECTOR IT USED ON CABLE HARNESS FROM INSIDE OF VEHICULE | | |
| | | 4) NO PARTS NUMBER | | |

From K-0295 To P-1347

Date:07/2024

PAGE:MI16-28

DRIP EDGE ADDITION ON FRONT MIRRORS / PRODUCT IMPROVMENT



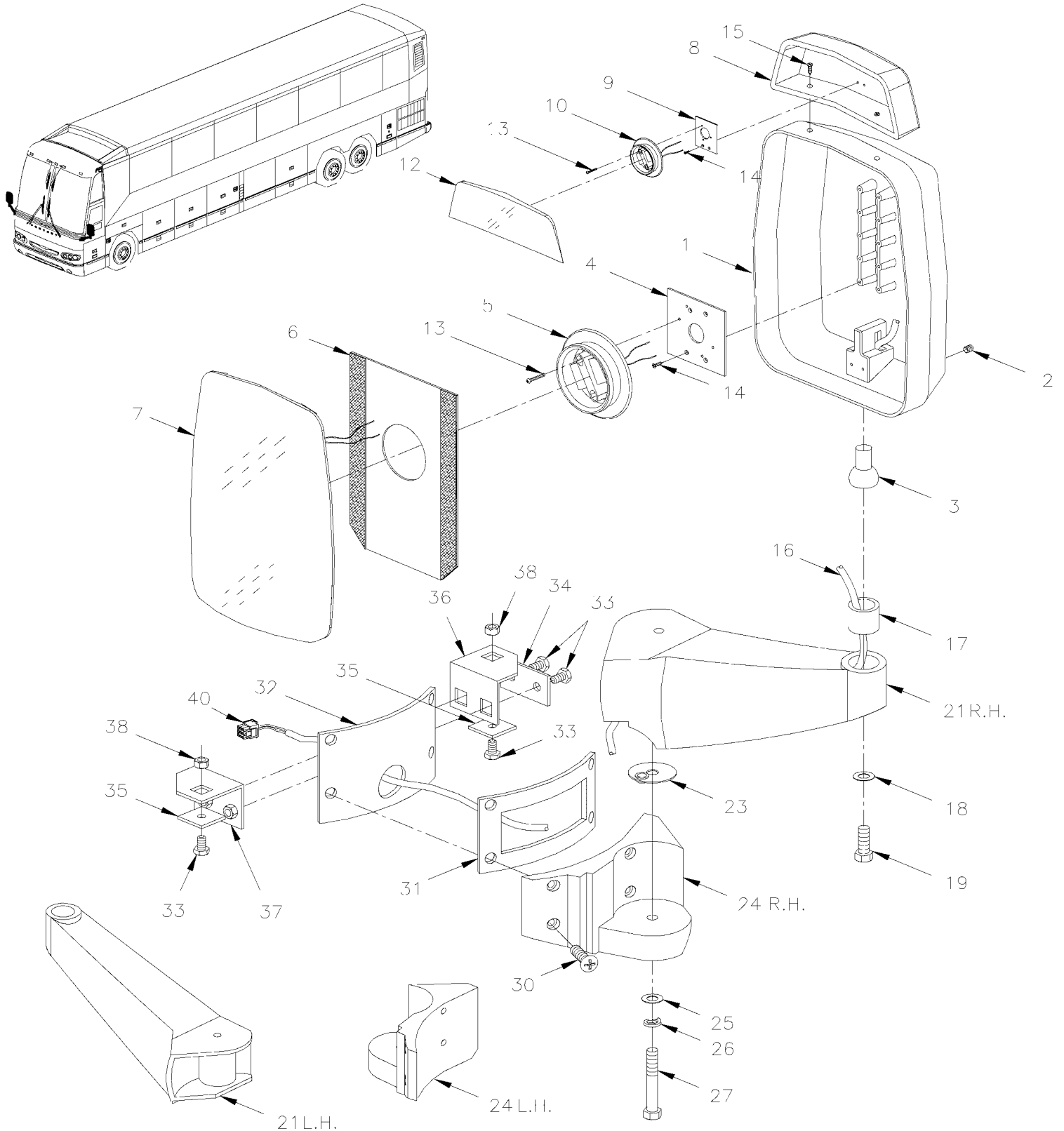
| From K-0295 To P-1347 | | Date:07/2024 | PAGE:MI16-28 | |
|---|--------|-------------------------------|--------------|-------|
| DRIP EDGE ADDITION ON FRONT MIRRORS / PRODUCT IMPROVMENT | | | | |
| Item# | Part | Description | QTY | Notes |
| 1 | 491507 | MIRROR EXT. DRIP MOLDING ASSY | 2 | |
| 2 | | MAINTENANCE INFORMATION | 1 | |

From K-0295 To P-1347

Date:07/2024

PAGE:VIP-1856-51

MIRROR "RAMCO" FLAT GLASS / CHROME WITH DIRECTIONAL



| | | |
|-----------------------|--------------|------------------|
| From K-0295 To P-1347 | Date:07/2024 | PAGE:VIP-1856-51 |
|-----------------------|--------------|------------------|

MIRROR "RAMCO" FLAT GLASS / CHROME WITH DIRECTIONAL

| Item# | Part | Description | QTY | Notes |
|-------|---------|---|-----|-------|
| | 990467 | MIRROR ASSY, R.H. / DIRECTIONAL / W/CONVEX / W/9 PINS CONNECTOR | 1 | |
| | 990470 | MIRROR ASSY, L.H. / DIRECTIONAL / W/CONVEX / W/9 PINS CONNECTOR | 1 | |
| 1 | 990520 | . HEAD ASSY / ELECTRIC L.H. / W/9 PINS CONNECTOR | 1 | |
| . NS | 060776 | . . CABLE ASSY / W/CONNECTOR 9PIN 54" | 1 | |
| 1 | 990518 | . HEAD ASSY / ELECTRIC R.H. / W/9 PINS CONNECTOR | 1 | |
| . NS | 060776 | . . CABLE ASSY / W/CONNECTOR 9PIN 54" | 1 | |
| 2 | 502812 | . . SCREW SET HEXS CUP 3/8-16X3/8 SS | 1 | |
| 3 | 990478 | . . STUD, BALL | 1 | |
| 4 | 990272 | . . NOTCHED BACK MOUNTING PLATE (2" X 3") | 1 | |
| 5 | 990349 | . . MOTOR 12V / MEDIUM / BLACK / 108MM / 4 1/4" O.D. | 1 | |
| . NS | 564494 | . . . TAB TERMINAL / 20-16 / AMP 63138-1 | 4 | |
| 6 | 990474 | . . VELCRO PLATE / 8" X 8" / W/RECESS FOR FLASHER | 1 | |
| 7 | 990427 | . . GLASS ASSY W/DIRECTIONAL ARROW L.H. | 1 | |
| 7 | 990428 | . . GLASS ASSY W/DIRECTIONAL ARROW R.H. | 1 | |
| 8 | 990302 | . MIRROR ASSY / CONVEX ELECTRIC | 1 | |
| 9 | 990295 | . . PLATE, TOP MOTOR MOUNTING | 1 | |
| 10 | 990219 | . . MOTOR 12V / SMALL / BLACK / 85MM / 3 5/16" O.D. | 1 | |
| . NS | 564494 | . . . TAB TERMINAL / 20-16 / AMP 63138-1 | 4 | |
| 12 | 990339 | . . GLASS CONVEX ASSY W/HEATER 12V | 1 | |
| 13 | N.P.N. | . . SCREW TC FL PH ZP 6-32 X 1 1/8" | 3 | 4 |
| 14 | 500660 | . . SCREW TC FL PH #6-32x3/8 Z050 | 2 | |
| 15 | 990530 | . . SCREW CAP HEX #10-24x1" SS | 2 | |
| NS | 500787 | . . NUT HEX #10-24 SS | 2 | |
| 16 | N.P.N. | . . CABLE ASSY / W/CONNECTOR / SEE ITEM # 40 | 1 | 4 |
| 17 | 990379 | . . CUP, BALL STUD RETAINER / ONE PIECE | 1 | |
| 18 | 500270 | . . WASHER FL .406x1.000x.063 SS | 1 | |
| 19 | N.P.N. | . . SCREW CAP HEX SS 3/8-24 X 1.250 | 1 | 4 |
| 21 | 990316 | . ARM, R.H. | 1 | |
| 21 | 990401 | . ARM, L.H. / DIRTY FREE | 1 | |
| 23 | 990265 | . WASHER ALUMINUM / 2 " O.D. | 1 | |
| NS | 504082 | . . SNAP BUSHING / .125x.312x.312 | 1 | |
| 24 | 990310 | . BRACKET, MOUNTING R.H. | 1 | |
| 24 | 990312 | . BRACKET, MOUNTING L.H. | 1 | |
| 25 | 500958 | . WASHER FL .531x1.062x.095 SS | 1 | |
| 26 | 500035 | . WASHER LO SPT .317x.586x.078 SS | 1 | |
| 27 | 990500 | . SCREW 1/2-13x2 HHCS SS | 1 | |
| | | | | |
| 30 | 5001581 | SCREW CAP BUT HEXS M8-1.25x40 SS To M-1126 | 4 | |
| 30 | 5002142 | SCREW CAP BUT HEXS M8-1.25x35 SS From M-1127 | 4 | |
| NS | 5001341 | WASHER FL 8.4x17.0x1.6 SS | 4 | |
| 30 | 5001461 | SCREW MA FL PH M8-1.25x40 SS | 4 | |
| 31 | 490873 | GASKET, RH | 1 | |

| | | |
|--|--------------|------------------|
| From K-0295 To P-1347 | Date:07/2024 | PAGE:VIP-1856-51 |
| MIRROR "RAMCO" FLAT GLASS / CHROME WITH DIRECTIONAL | | |

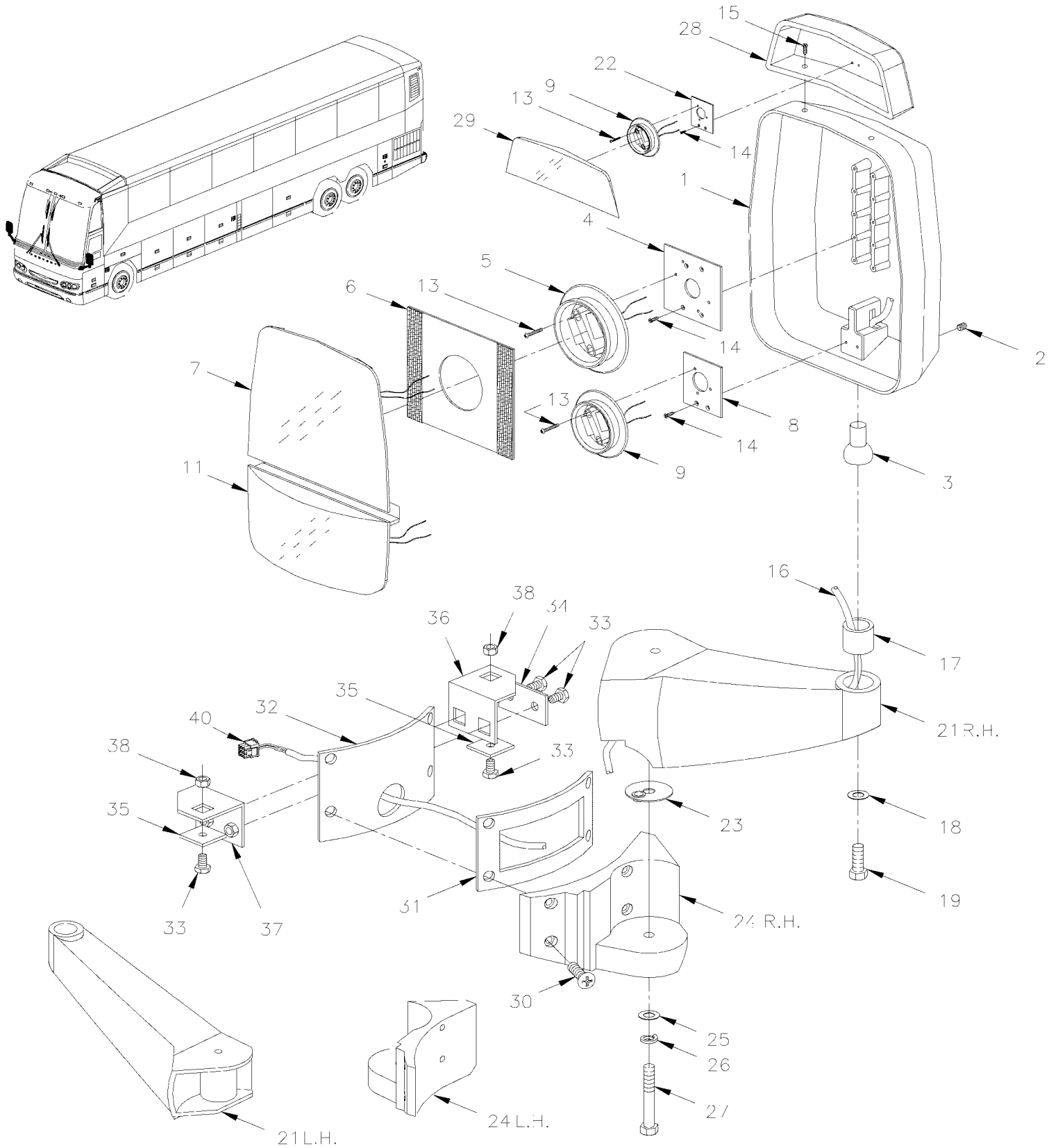
| Item# | Part | Description | QTY | Notes |
|-------|----------------|--|-----|-------|
| 31 | 490894 | GASKET, LH | 1 | |
| 32 | 490102 | ANCHOR PLATE R.H. | 1 | A |
| 32 | 490103 | ANCHOR PLATE L.H. | 1 | A |
| 33 | 502589 | SCREW CAP HEX M8-1.25x25 G8.8 Z050 | 8 | |
| 34 | 490940 | PLATE | 2 | |
| 35 | 490951 | PLATE | 4 | |
| 36 | 490906 | ANGLE | 2 | |
| 37 | 490907 | ANGLE W/NUT | 2 | |
| 38 | 5001337 | NUT INS FL HEX M8-1.25 0.5-3.0 Z050 | 2 | B |
| 40 | 563802 | CONNECTOR / W 45" CABLE ASSY / PH 9C | 2 | |
| NS | 563801 | CONNECTOR / MULTI CON X / SH 9C / CONXALL 4280-9SG-300 | 2 | C |
| NS | MI16-28 | DRIP EDGE ADDITION ON FRONT MIRRORS / PRODUCT IMPROVMENT | 1 | |
| | | | | |
| | | | | |
| | | | | |
| | | A) PART OF FRONT LOWER CAP | | |
| | | B) FIXED INSIDE OF TUBE | | |
| | | C) THIS CONNECTOR IT USED ON CABLE HARNESS FROM INSIDE OF VEHICULE | | |
| | | 4) NO PARTS NUMBER | | |

From K-0295 To P-1347

Date:07/2024

PAGE:VIP-1856-60

MIRROR "RAMCO" 2 GLASSES / CHROME



| | | |
|--|---------------------|-------------------------|
| From K-0295 To P-1347 | Date:07/2024 | PAGE:VIP-1856-60 |
| MIRROR "RAMCO" 2 GLASSES / CHROME | | |

| Item# | Part | Description | QTY | Notes |
|-------|---------|--|-----|-------|
| | 990510 | MIRROR ASSY, R.H. / ELECTRIC / W/9 PINS CONNECTOR | 1 | |
| | 990512 | MIRROR ASSY, L.H. / ELECTRIC / W/9 PINS CONNECTOR | 1 | |
| 1 | 990524 | . HEAD ASSY / ELECTRIC / W/9 PINS CONNECTOR | 1 | |
| . NS | 060776 | . . CABLE ASSY / W/CONNECTOR 9PIN 54" | 1 | |
| 2 | 502812 | . . SCREW SET HEXS CUP 3/8-16X3/8 SS | 1 | |
| 3 | 990478 | . . STUD, BALL | 1 | |
| 4 | 990272 | . . NOTCHED BACK MOUNTING PLATE (2" X 3") | 1 | |
| 5 | 990349 | . . MOTOR 12V / MEDIUM / BLACK / 108MM / 4 1/4" O.D. | 1 | |
| . NS | 564494 | . . . TAB TERMINAL / 20-16 / AMP 63138-1 | 4 | |
| 6 | 990266 | . . VELCRO PLATE / 6" X 7" | 1 | |
| 7 | 990182 | . . FLAT GLASS ASSY W/HEATER 12V | 1 | |
| 8 | 990273 | . . POWER CONVEX MOTOR BASE PLATE | 1 | |
| 9 | 990219 | . . MOTOR 12V / SMALL / BLACK / 85MM / 3 5/16" O.D. | 1 | |
| . NS | 564494 | . . . TAB TERMINAL / 20-16 / AMP 63138-1 | 4 | |
| 11 | 990338 | . . CONVEX GLASS ASSY W/HEATER 12V | 1 | |
| 13 | N.P.N. | . . SCREW TC FL PH ZP 6-32 X 1 1/8" | 3 | 4 |
| 14 | 500660 | . . SCREW TC FL PH #6-32x3/8 Z050 | 2 | |
| 15 | 990530 | . . SCREW CAP HEX #10-24x1" SS | 2 | |
| 16 | N.P.N. | . . CABLE ASSY / W/CONNECTOR / SEE ITEM # 40 | 1 | 4 |
| 17 | 990379 | . . CUP, BALL STUD RETAINER / ONE PIECE | 1 | |
| 18 | 500270 | . . WASHER FL .406x1.000x.063 SS | 1 | |
| 19 | N.P.N. | . . SCREW CAP HEX 3/8-24 X 1 1/4 SS | 1 | 4 |
| 20 | 990295 | . PLATE, TOP MOTOR MOUNTING | 1 | C |
| 21 | 990316 | . ARM, R.H. | 1 | |
| 21 | 990401 | . ARM, L.H. / DIRTY FREE | 1 | |
| 22 | 990219 | . MOTOR 12V / SMALL / BLACK / 85MM / 3 5/16" O.D. | 1 | C |
| . NS | 564494 | . . TAB TERMINAL / 20-16 / AMP 63138-1 | 4 | C |
| 23 | 990265 | . WASHER ALUMINUM / 2 " O.D. | 1 | |
| NS | 504082 | . . SNAP BUSHING / .125x.312x.312 | 1 | |
| 24 | 990310 | . BRACKET, MOUNTING R.H. | 1 | |
| 24 | 990312 | . BRACKET, MOUNTING L.H. | 1 | |
| 25 | 500958 | . WASHER FL .531x1.062x.095 SS | 1 | |
| 26 | 500035 | . WASHER LO SPT .317x.586x.078 SS | 1 | |
| 27 | 990500 | . SCREW 1/2-13x2 HHCS SS | 1 | |
| 28 | 990302 | . MIRROR ASSY / CONVEX ELECTRIC | 1 | C |
| 29 | 990339 | . GLASS CONVEX ASSY W/HEATER 12V | 1 | C |
| 30 | 5001581 | SCREW CAP BUT HEXS M8-1.25x40 SS To M-1135 | 4 | |
| 30 | 5002142 | SCREW CAP BUT HEXS M8-1.25x35 SS From M-1136 | 4 | |
| NS | 5001341 | WASHER FL 8.4x17.0x1.6 SS | 4 | |
| 30 | 5001461 | SCREW MA FL PH M8-1.25x40 SS To M-1135 | 4 | |
| 30 | 5000361 | SCREW MA FL PH M8-1.25x35 SS From M-1136 | 4 | |
| 31 | 490873 | GASKET, RH | 1 | |

| | | |
|--|--------------|------------------|
| From K-0295 To P-1347 | Date:07/2024 | PAGE:VIP-1856-60 |
| MIRROR "RAMCO" 2 GLASSES / CHROME | | |

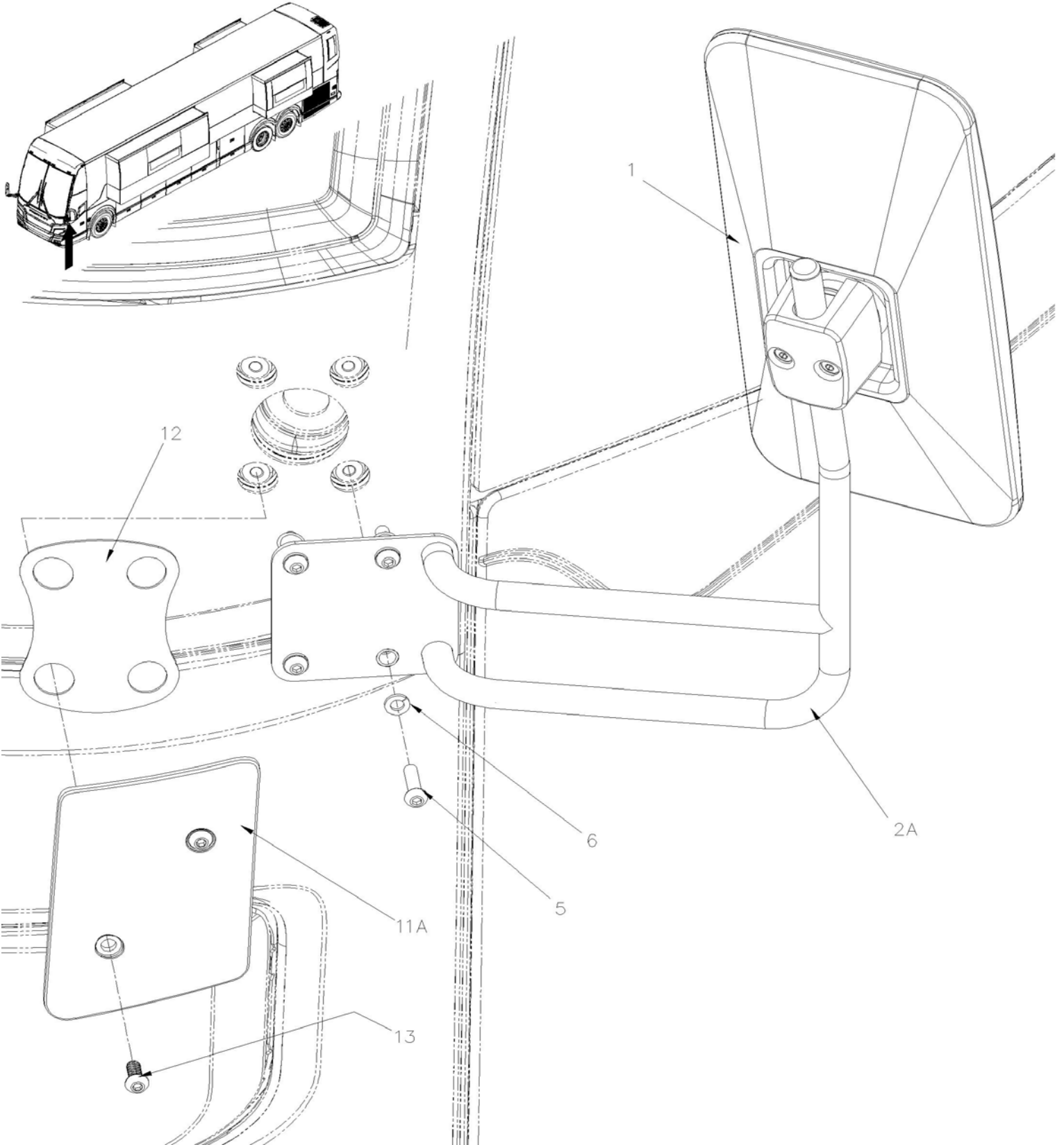
| Item# | Part | Description | QTY | Notes |
|-------|---------|--|-----|-------|
| 31 | 490894 | GASKET, LH | 1 | |
| 32 | 490102 | ANCHOR PLATE R.H. | 1 | A |
| 32 | 490103 | ANCHOR PLATE L.H. | 1 | A |
| 33 | 502589 | SCREW CAP HEX M8-1.25x25 G8.8 Z050 | 8 | |
| 34 | 490940 | PLATE | 2 | |
| 35 | 490951 | PLATE | 4 | |
| 36 | 490906 | ANGLE | 2 | |
| 37 | 490907 | ANGLE W/NUT | 2 | |
| 38 | 5001337 | NUT INS FL HEX M8-1.25 0.5-3.0 Z050 | 2 | B |
| 40 | 563802 | CONNECTOR / W 45" CABLE ASSY / PH 9C | 2 | |
| 41 | 563801 | CONNECTOR / MULTI CON X / SH 9C / CONXALL 4280-9SG-300 | 2 | D |
| | | | | |
| | | | | |
| | | A) PART OF FRONT LOWER CAP | | |
| | | B) FIXED INSIDE OF TUBE | | |
| | | C) WITH ELECTRICAL CONVEX OVER HEAD | | |
| | | D) THIS CONNECTOR IT USED ON CABLE HARNESS FROM INSIDE OF VEHICULE | | |
| | | 4) NO PARTS NUMBER | | |

From P-1348

Date:07/2024

PAGE:VIP-1856-90

MIRRORS - EMERGENCY

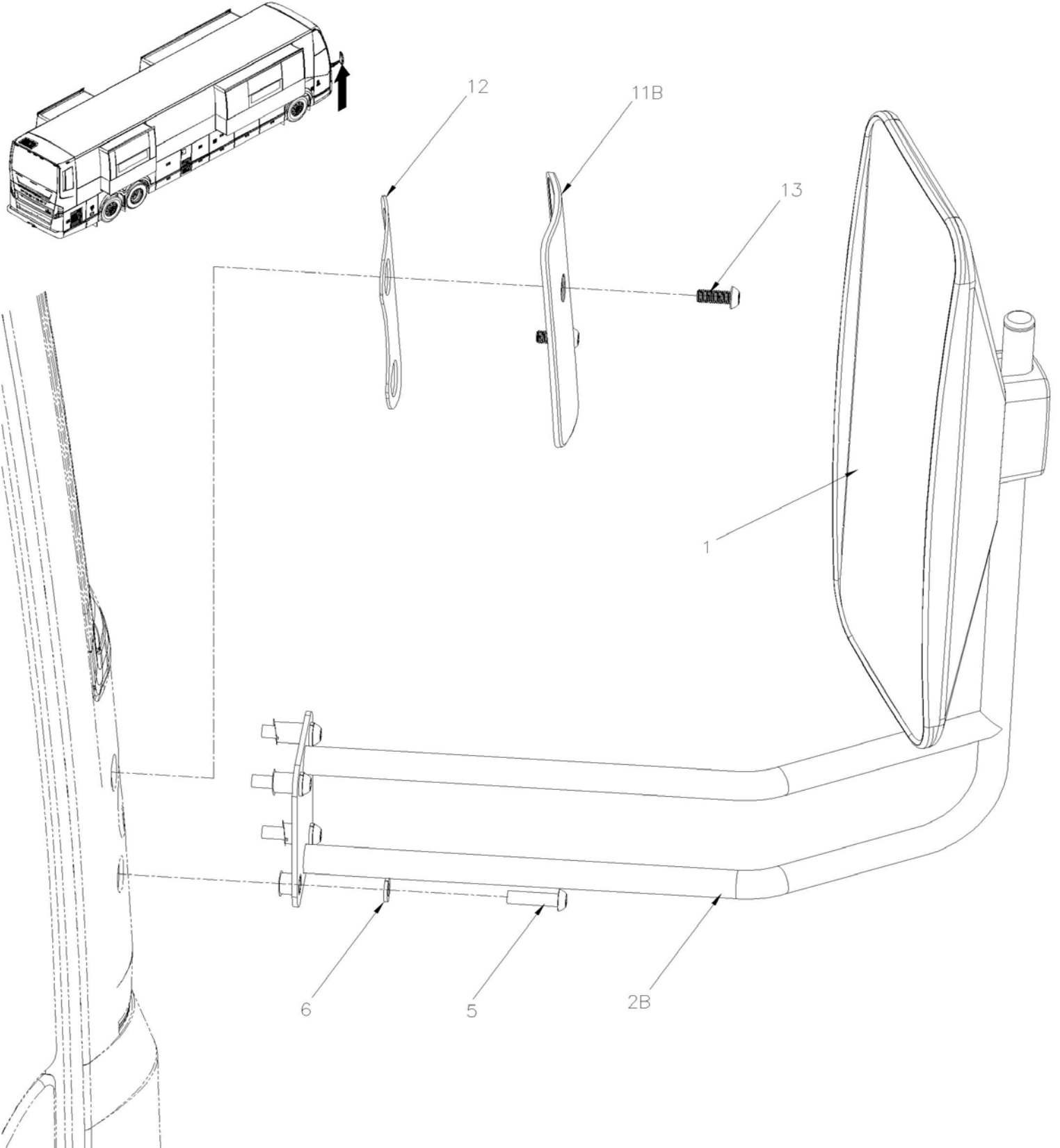


From P-1348

Date:07/2024

PAGE:VIP-1856-90

MIRRORS - EMERGENCY



| | | |
|-------------|--------------|------------------|
| From P-1348 | Date:07/2024 | PAGE:VIP-1856-90 |
|-------------|--------------|------------------|

MIRRORS - EMERGENCY

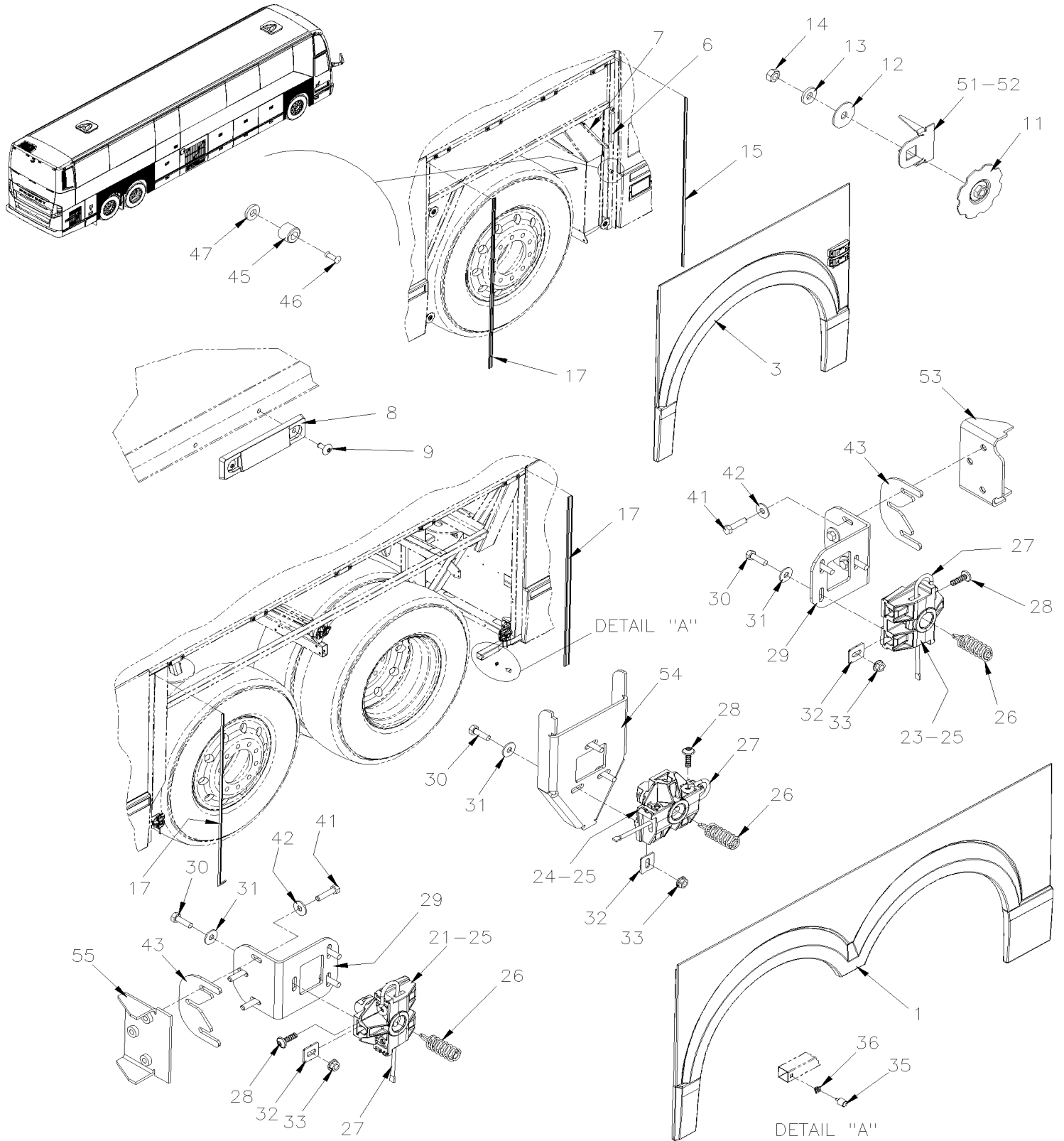
| Item# | Part | Description | QTY | Notes |
|-------|---------|--------------------------------------|-----|-------|
| | 492144 | KIT EMERGENCY MIRRORS | 1 | |
| 1 | 990625 | . EMERGENCY MIRROR | 2 | |
| 2A | 492145 | . LEFT MIRROR BRACKET | 1 | |
| 2B | 492146 | . RIGHT MIRROR BRACKET | 1 | |
| 5 | | . SCREW CAP BUT HEXS M8-1.25X30 | 8 | |
| 6 | 5001161 | . WASHER LO SPT 8.1x14.8x2.0 SS-304 | 8 | |
| | | | | |
| 11A | 420117 | MIRROR COVER LH | 1 | |
| 11B | 420115 | MIRROR COVER RH | 1 | |
| 12 | 420120 | GASKET, MIRROR BASE COVER PLATE | 2 | |
| 13 | 5000002 | SCREW CAP BUT HEXS M8-1.25X20 AD NSS | 4 | |

From K-0295 To P-1347

Date:07/2024

PAGE:VIP-1857-02

FENDERS

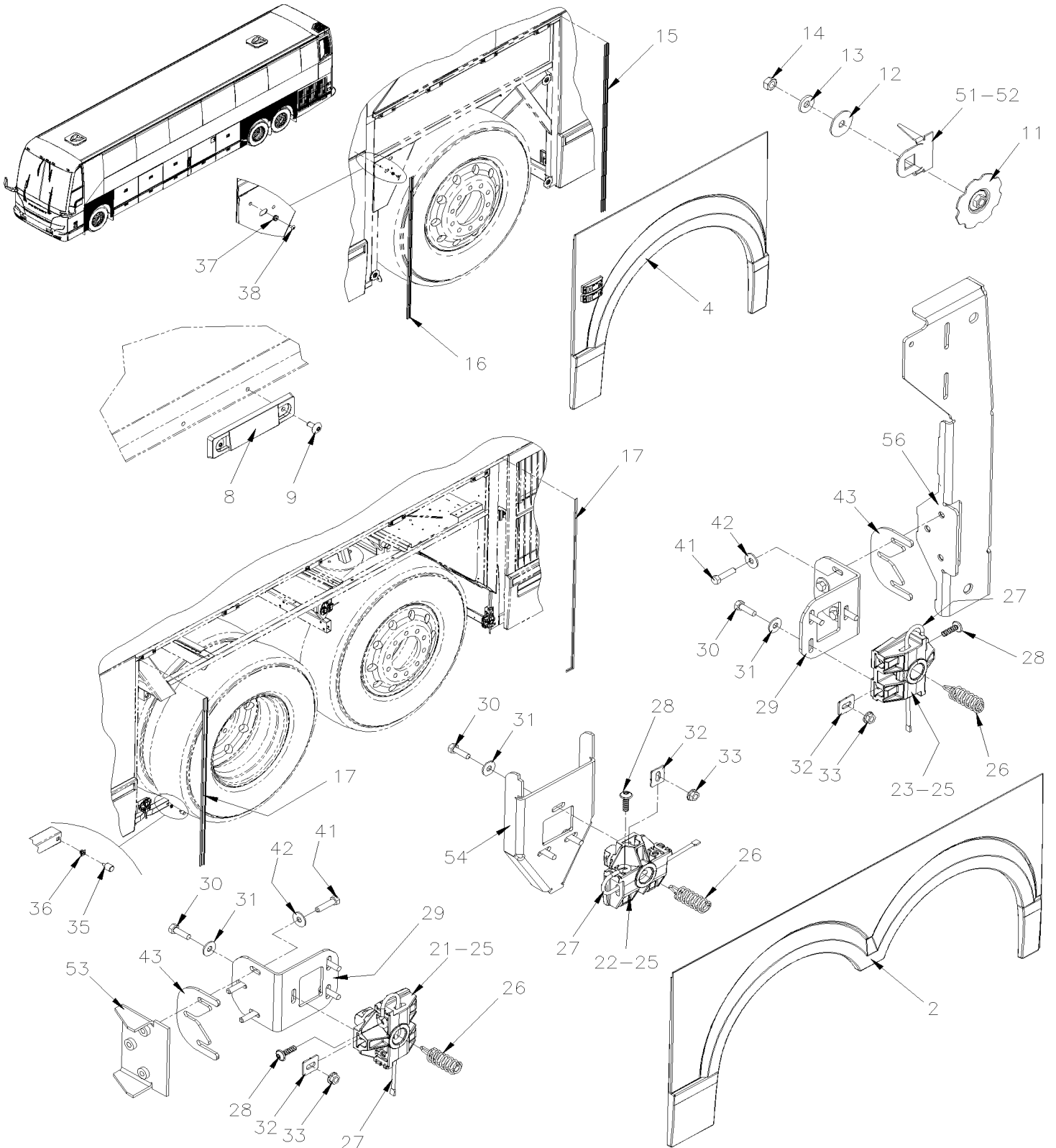


From K-0295 To P-1347

Date:07/2024

PAGE:VIP-1857-02

FENDERS



| | | |
|-----------------------|--------------|------------------|
| From K-0295 To P-1347 | Date:07/2024 | PAGE:VIP-1857-02 |
| FENDERS | | |

| Item# | Part | Description | QTY | Notes |
|-------|---------|--|-----|-------|
| 1 | 479657 | FENDER ALUMINUM R.H. REAR | 1 | |
| . NS | 479666 | . PIN ASSEMBLY / UPPER | 1 | |
| . NS | 479669 | . PIN ASSEMBLY / LOWER | 2 | |
| . NS | 479664 | . BRACKET UPPER FENDER | 1 | |
| 2 | 479656 | FENDER ALUMINUM L.H. REAR | 1 | |
| . NS | 479666 | . PIN ASSEMBLY / UPPER | 1 | |
| . NS | 479669 | . PIN ASSEMBLY / LOWER | 2 | |
| . NS | 479664 | . BRACKET UPPER FENDER | 1 | |
| . NS | 506225 | . TAPE RUB ADH1 CC POL 1/16" x 1/4" x 100' / GREY 2520 | AR | |
| . NS | 685126 | . ADHESIVE SIMSON #ISR 70-03 / GREY / 600ml SAUSAGE | AR | |
| . NS | 687957 | . GLUE MS POLYMER TEROSON MS 9399 / 400ml CARTRIDGE | AR | |
| 3 | 479659 | FENDER ALUMINUM R.H. FRONT | 1 | |
| . NS | 479660 | . PIN ASSEMBLY / UPPER | 1 | |
| . NS | 479661 | . PIN ASSEMBLY / LOWER | 2 | |
| . NS | 479663 | . BRACKET UPPER FENDER | 1 | |
| . NS | 506225 | . TAPE RUB ADH1 CC POL 1/16" x 1/4" x 100' / GREY 2520 | AR | |
| . NS | 685126 | . ADHESIVE SIMSON #ISR 70-03 / GREY / 600ml SAUSAGE | AR | |
| . NS | 687957 | . GLUE MS POLYMER TEROSON MS 9399 / 400ml CARTRIDGE | 1 | |
| NS | 479716 | SWITCH COVER | 1 | |
| NS | 5000342 | SCREW TC PAN PH #6-32x3/8 SS | 2 | |
| 4 | 479658 | FENDER ALUMINUM L.H. FRONT | 1 | |
| . NS | 479660 | . PIN ASSEMBLY / UPPER | 1 | |
| . NS | 479661 | . PIN ASSEMBLY / LOWER | 1 | |
| . NS | 479662 | . BRACKET UPPER FENDER | 1 | |
| . NS | 506225 | . TAPE RUB ADH1 CC POL 1/16" x 1/4" x 100' / GREY 2520 | AR | |
| . NS | 685126 | . ADHESIVE SIMSON #ISR 70-03 / GREY / 600ml SAUSAGE | AR | |
| . NS | 687957 | . GLUE MS POLYMER TEROSON MS 9399 / 400ml CARTRIDGE | AR | |
| 6 | 506007 | TAPE RUB ADH1 CC NEO 3/4" x 1" x 10' / BLACK 1220 | AR | |
| 6 | 506035 | TAPE RUB ADH1 NEO 1/2" x 1" x 15' / BLACK 1220X | AR | |
| 7 | 479423 | CAOUTCHOUC 315 MM | 1 | |
| 8 | 470880 | RETAINER PLASTIC | 18 | |
| 9 | 504793 | RIVET MNB OE LARGE HEAD 3/16x7/16 SS | 36 | |
| 11 | 478432 | NUT "SPECIAL" ADJUSTEMENT M8-1.25 SS | 6 | |
| 12 | 5001467 | WASHER FL .343x1.250x.062 SS18-8 | 6 | |
| 13 | 5001848 | WASHER BEL SPR .827 x .331 x .098 th SS | 6 | |
| 14 | 5001852 | NUT HEX M8-1.25 SS BK | 6 | |
| 15 | 280419 | LATERAL EXTRUSION | 2 | |
| 16 | 280421 | LATERAL EXTRUSION | 1 | |
| 17 | 289558 | LATERAL EXTRUSION 31MM x 1203MM | 5 | |

| | | |
|------------------------------|---------------------|-------------------------|
| From K-0295 To P-1347 | Date:07/2024 | PAGE:VIP-1857-02 |
| FENDERS | | |

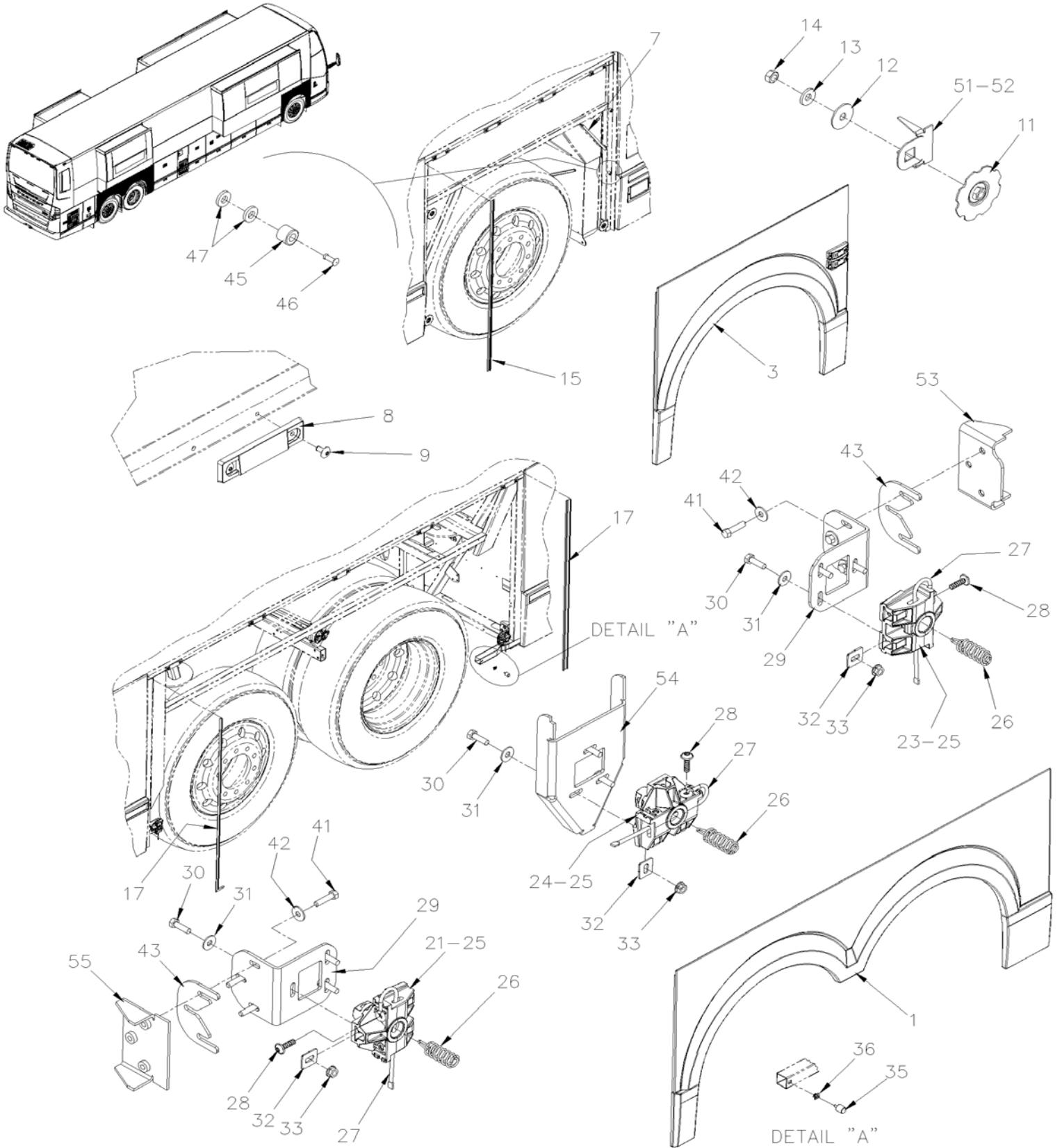
| Item# | Part | Description | QTY | Notes |
|-------|---------|--|-----|-------|
| 21 | 478472P | RECEPTACLE ASSY W/ANGLE SUPPORT | 2 | |
| 22 | 478473P | RECEPTACLE ASSY W/O SUPPORT / CENTRAL STREET SIDE | 1 | |
| 23 | 478474P | RECEPTACLE ASSY W/ANGLE SUPPORT | 2 | |
| 24 | 478481P | RECEPTACLE ASSY W/O SUPPORT / CENTRAL CURBSIDE | 1 | |
| 25 | 479311 | . GUIDE PIN RECEPTACLE / PLASTIC To K-0674 | 1 | |
| 25 | 471795 | . GUIDE PIN RECEPTACLE / PLASTIC From K-0675 | 1 | |
| 26 | 472829 | . SPRING COMPRESSION / .610 O.D. x 2.18 x .072 | 1 | |
| 27 | 472830 | . SPRING GUIDE HOLDER | 1 | |
| 28 | 5001630 | . SCREW TP BUTF TORX M6x20 SS | 1 | |
| 29 | 479320 | . ANGLE SUPPORT / TO FIX FENDER TO FRAME | 1 | |
| 30 | 502622 | . SCREW CAP HEX M6-1.0x20 SS BK | 3 | |
| 31 | 5001833 | . WASHER BEL SPR 6.1x18x1.27 SS | 3 | |
| 32 | 479321 | . REINFORCMENT PLATE 20.2MMx22MM SS To K-0674 | 3 | |
| 32 | 471787 | . REINFORCMENT PLATE 20.2MMx22MMx10MM SS From K-0675 | 3 | |
| 33 | 5001835 | . NUT HEXF M6-1.0 SS | 3 | |
| | | | | |
| 35 | 504454 | BUMPER RUBBER BOLT / 20MM ODx20MM TH X M6X15MM STUD | 2 | |
| 36 | 5001009 | NUT AN 1/4 NYL | 2 | |
| 37 | 504529 | GROMMET / .250x.375x.062x.281x.625 | 1 | |
| 38 | 504793 | RIVET MNB OE LARGE HEAD 3/16x7/16 SS | 1 | |
| | | | | |
| 41 | 502622 | SCREW CAP HEX M6-1.0x20 SS BK | 12 | |
| 42 | 5001833 | WASHER BEL SPR 6.1x18x1.27 SS | 12 | |
| 43 | 289816 | SHIM | AR | |
| | | | | |
| 45 | 5002023 | BUMPER NEOPRENE / .750 OD x .562 TH x .187 HOLE | 2 | |
| 46 | 504416 | RIVET POP DOME OE 3/16x5/8 SS | 2 | |
| 47 | 5001869 | WASHER FL .343x.750x.12 SS | 4 | |
| | | | | |
| 51 | 218495 | ATTACHMENT UPPER (WELDED AT STRUCTURE) | 2 | |
| 52 | 218433 | ATTACHMENT LOWER (WELDED AT STRUCTURE) | 4 | |
| 53 | 218539 | SUPPORT RECEPTACLE ASSY (WELDED AT STRUCTURE) | 2 | |
| 54 | 170009 | SUPPORT RECEPTACLE ASSY / CENTER (WELDED AT STRUCTURE) | 2 | |
| 55 | 218467 | SUPPORT RECEPTACLE ASSY (WELDED AT STRUCTURE) | 1 | |
| 56 | 218483 | SUPPORT RECEPTACLE ASSY (WELDED AT STRUCTURE) | 1 | |

From P-1348

Date:07/2024

PAGE:VIP-1857-03

FENDERS

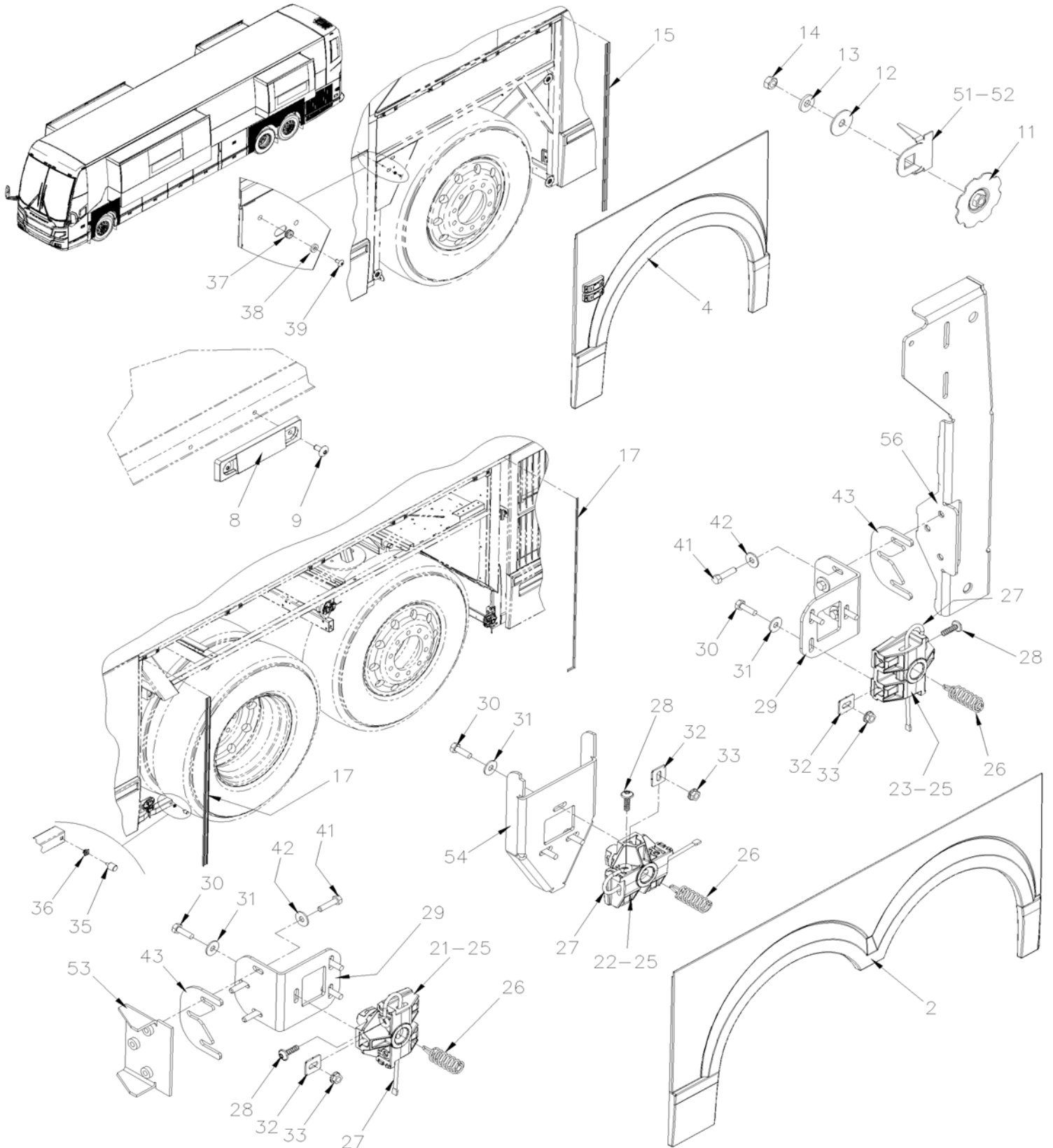


From P-1348

Date:07/2024

PAGE:VIP-1857-03

FENDERS



| | | | |
|----------------|--|--------------|------------------|
| From P-1348 | | Date:07/2024 | PAGE:VIP-1857-03 |
| FENDERS | | | |

| Item# | Part | Description | QTY | Notes |
|-------|---------|--|-----|-------|
| 1 | 479657 | FENDER ALUMINUM R.H. REAR | 1 | |
| NS | 479666 | PIN ASSEMBLY / UPPER | 1 | |
| NS | 479669 | PIN ASSEMBLY / LOWER | 2 | |
| NS | 479664 | BRACKET UPPER FENDER | 1 | |
| 2 | 479656 | FENDER ALUMINUM L.H. REAR | 1 | |
| NS | 479666 | PIN ASSEMBLY / UPPER | 1 | |
| NS | 479669 | PIN ASSEMBLY / LOWER | 2 | |
| NS | 479664 | BRACKET UPPER FENDER | 1 | |
| NS | 506225 | TAPE RUB ADH1 CC POL 1/16" x 1/4" x 100' / GREY 2520 | AR | |
| NS | 685126 | ADHESIVE SIMSON #ISR 70-03 / GREY / 600ml SAUSAGE | AR | |
| NS | 687957 | GLUE MS POLYMER TEROSON MS 9399 / 400ml CARTRIDGE | AR | |
| 3 | 478992 | FENDER ALUMINUM R.H. FRONT | 1 | |
| NS | 479660 | PIN ASSEMBLY / UPPER | 1 | |
| NS | 479661 | PIN ASSEMBLY / LOWER | 2 | |
| NS | 479663 | BRACKET UPPER FENDER | 1 | |
| NS | 506225 | TAPE RUB ADH1 CC POL 1/16" x 1/4" x 100' / GREY 2520 | AR | |
| NS | 685126 | ADHESIVE SIMSON #ISR 70-03 / GREY / 600ml SAUSAGE | AR | |
| NS | 687957 | GLUE MS POLYMER TEROSON MS 9399 / 400ml CARTRIDGE | 1 | |
| NS | 479716 | SWITCH COVER | 1 | |
| NS | 5000342 | SCREW TC PAN PH #6-32x3/8 SS | 2 | |
| 4 | 478993 | FENDER ALUMINUM L.H. FRONT | 1 | |
| NS | 479660 | PIN ASSEMBLY / UPPER | 1 | |
| NS | 479661 | PIN ASSEMBLY / LOWER | 1 | |
| NS | 479662 | BRACKET UPPER FENDER | 1 | |
| NS | 506225 | TAPE RUB ADH1 CC POL 1/16" x 1/4" x 100' / GREY 2520 | AR | |
| NS | 685126 | ADHESIVE SIMSON #ISR 70-03 / GREY / 600ml SAUSAGE | AR | |
| NS | 687957 | GLUE MS POLYMER TEROSON MS 9399 / 400ml CARTRIDGE | AR | |
| | | | | |
| 7 | 479423 | CAOUTCHOUC 315 MM | 1 | |
| 8 | 470880 | RETAINER PLASTIC | 18 | |
| 9 | 504793 | RIVET MNB OE LARGE HEAD 3/16x7/16 SS | 36 | |
| 11 | 478432 | NUT "SPECIAL" ADJUSTEMENT M8-1.25 SS | 6 | |
| 12 | 5001467 | WASHER FL .343x1.250x.062 SS18-8 | 6 | |
| 13 | 5001848 | WASHER BEL SPR .827 x .331 x .098 th SS | 6 | |
| 14 | 5001852 | NUT HEX M8-1.25 SS BK | 6 | |
| | | | | |
| 15 | 280419 | LATERAL EXTRUSION | 2 | |
| 17 | 289558 | LATERAL EXTRUSION 31MM x 1203MM | 5 | |
| | | | | |
| 21 | 478472P | RECEPTACLE ASSY W/ANGLE SUPPORT | 2 | |
| 22 | 478473P | RECEPTACLE ASSY W/O SUPPORT / CENTRAL STREET SIDE | 1 | |
| 23 | 478474P | RECEPTACLE ASSY W/ANGLE SUPPORT | 2 | |

| | | |
|--------------------|---------------------|-------------------------|
| From P-1348 | Date:07/2024 | PAGE:VIP-1857-03 |
| FENDERS | | |

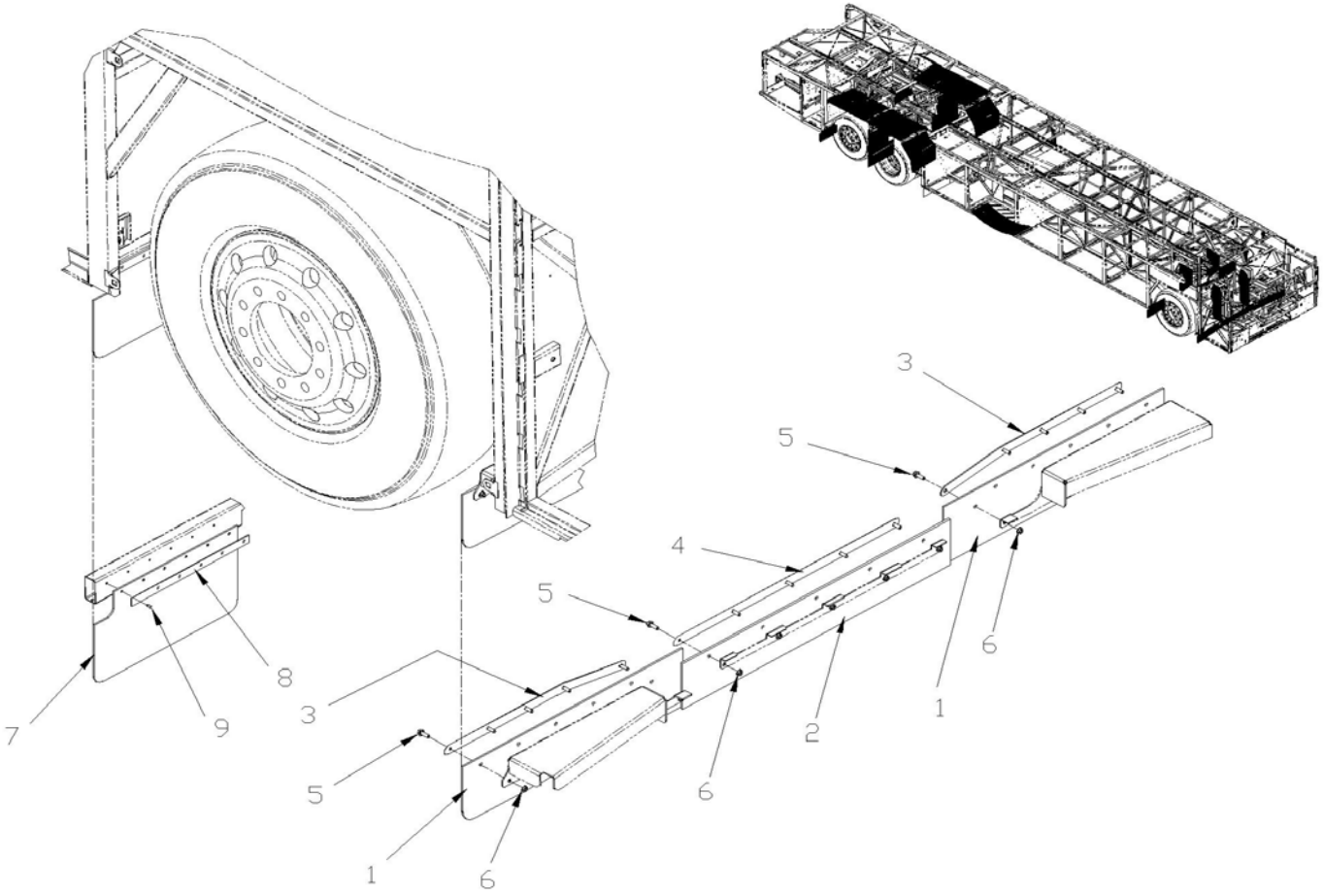
| Item# | Part | Description | QTY | Notes |
|-------|---------|--|-----|-------|
| 24 | 478481P | RECEPTACLE ASSY W/O SUPPORT / CENTRAL CURBSIDE | 1 | |
| 25 | 471795 | . GUIDE PIN RECEPTACLE / PLASTIC | 1 | |
| 26 | 472829 | . SPRING COMPRESSION / .610 O.D. x 2.18 x .072 | 1 | |
| 27 | 472830 | . SPRING GUIDE HOLDER | 1 | |
| 28 | 5001630 | . SCREW TP BUTF TORX M6x20 SS | 1 | |
| 29 | 479320 | . ANGLE SUPPORT / TO FIX FENDER TO FRAME | 1 | |
| 30 | 502622 | . SCREW CAP HEX M6-1.0x20 SS BK | 3 | |
| 31 | 5001833 | . WASHER BEL SPR 6.1x18x1.27 SS | 3 | |
| 32 | 471787 | . REINFORCMENT PLATE 20.2MMx22MMx10MM SS | 3 | |
| 33 | 5001835 | . NUT HEXF M6-1.0 SS | 3 | |
| | | | | |
| 35 | 504454 | BUMPER RUBBER BOLT / 20MM ODx20MM TH X M6X15MM STUD | 2 | |
| 36 | 5001009 | NUT AN 1/4 NYL | 2 | |
| 37 | 504529 | GROMMET / .250x.375x.062x.281x.625 | 1 | |
| 38 | 502571 | WASHER FL SEAL .281x.625x20GA SS | 1 | |
| 39 | 504793 | RIVET MNB OE LARGE HEAD 3/16x7/16 SS | 1 | |
| | | | | |
| 41 | 502622 | SCREW CAP HEX M6-1.0x20 SS BK | 12 | |
| 42 | 5001833 | WASHER BEL SPR 6.1x18x1.27 SS | 12 | |
| 43 | 289816 | SHIM | AR | |
| | | | | |
| 45 | 5002023 | BUMPER NEOPRENE / .750 OD x .562 TH x .187 HOLE | 2 | |
| 46 | 504416 | RIVET POP DOME OE 3/16x5/8 SS | 2 | |
| 47 | 5001869 | WASHER FL .343x.750x.12 SS | 4 | |
| | | | | |
| 51 | 218495 | ATTACHMENT UPPER (WELDED AT STRUCTURE) | 2 | |
| 52 | 218433 | ATTACHMENT LOWER (WELDED AT STRUCTURE) | 4 | |
| 53 | 218539 | SUPPORT RECEPTACLE ASSY (WELDED AT STRUCTURE) | 2 | |
| 54 | 170009 | SUPPORT RECEPTACLE ASSY / CENTER (WELDED AT STRUCTURE) | 2 | |
| 55 | 218467 | SUPPORT RECEPTACLE ASSY (WELDED AT STRUCTURE) | 1 | |
| 56 | 218483 | SUPPORT RECEPTACLE ASSY (WELDED AT STRUCTURE) | 1 | |

From K-0295

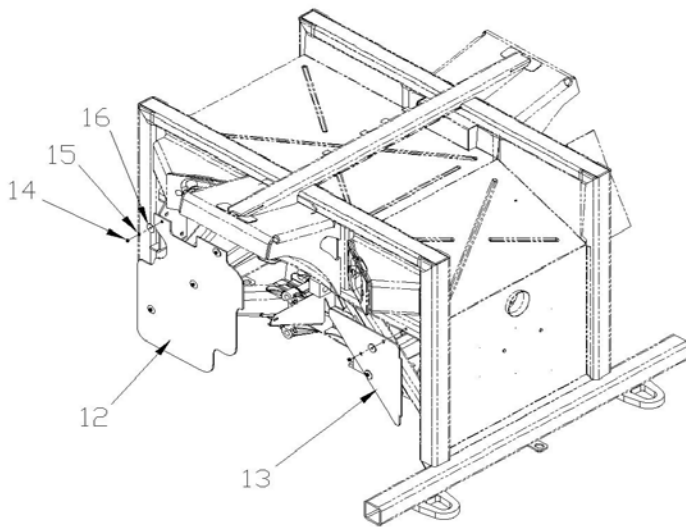
Date:07/2024

PAGE:VIP-1859-01

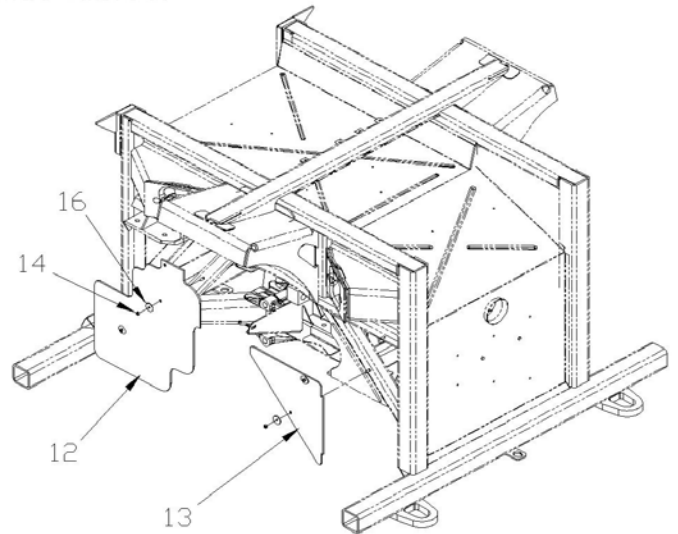
SPLASH GUARD - FRONT & REAR



INDEPENDANTE SUSPENSION



UP TO



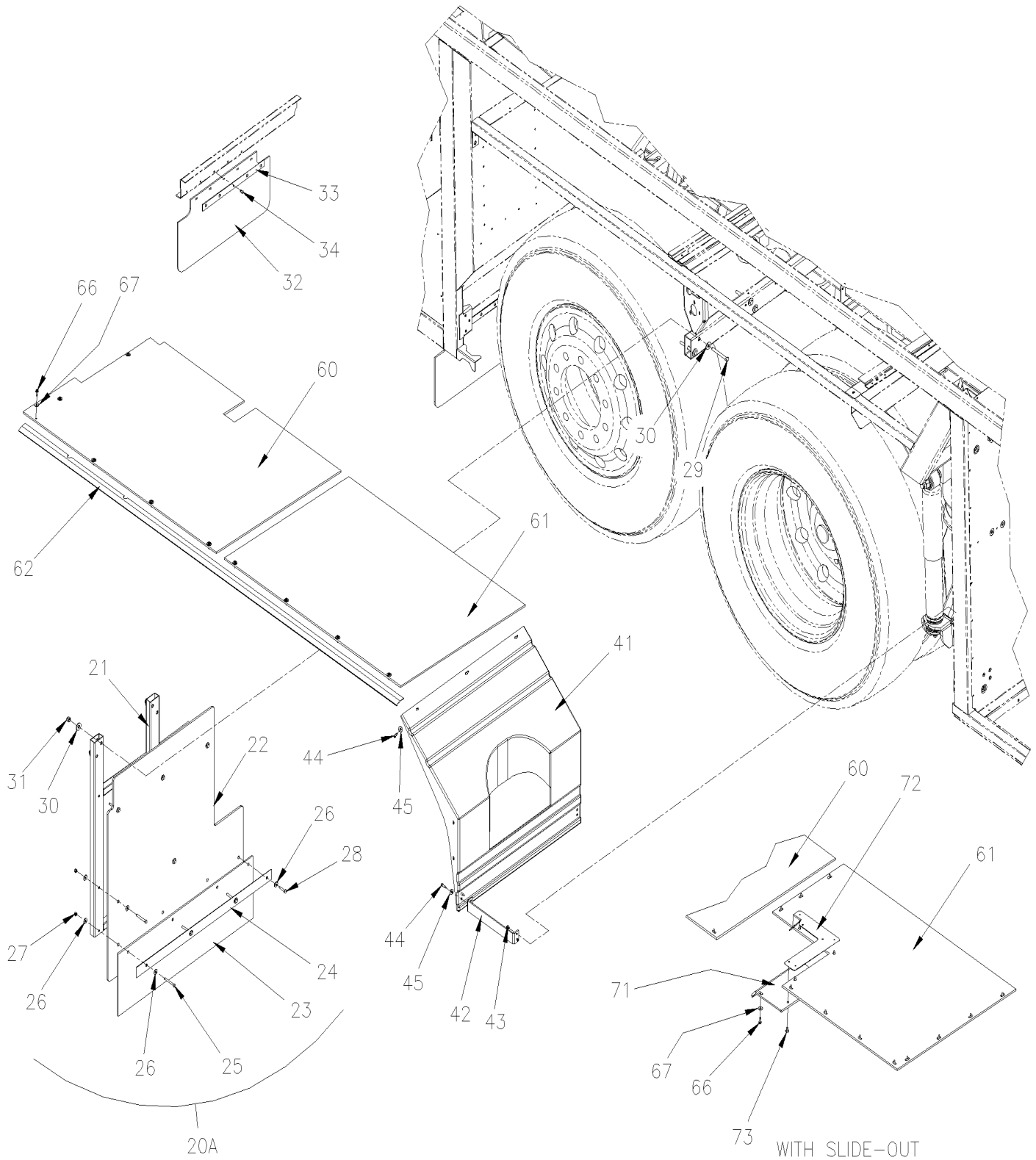
FROM

From K-0295

Date:07/2024

PAGE:VIP-1859-01

SPLASH GUARD - FRONT & REAR

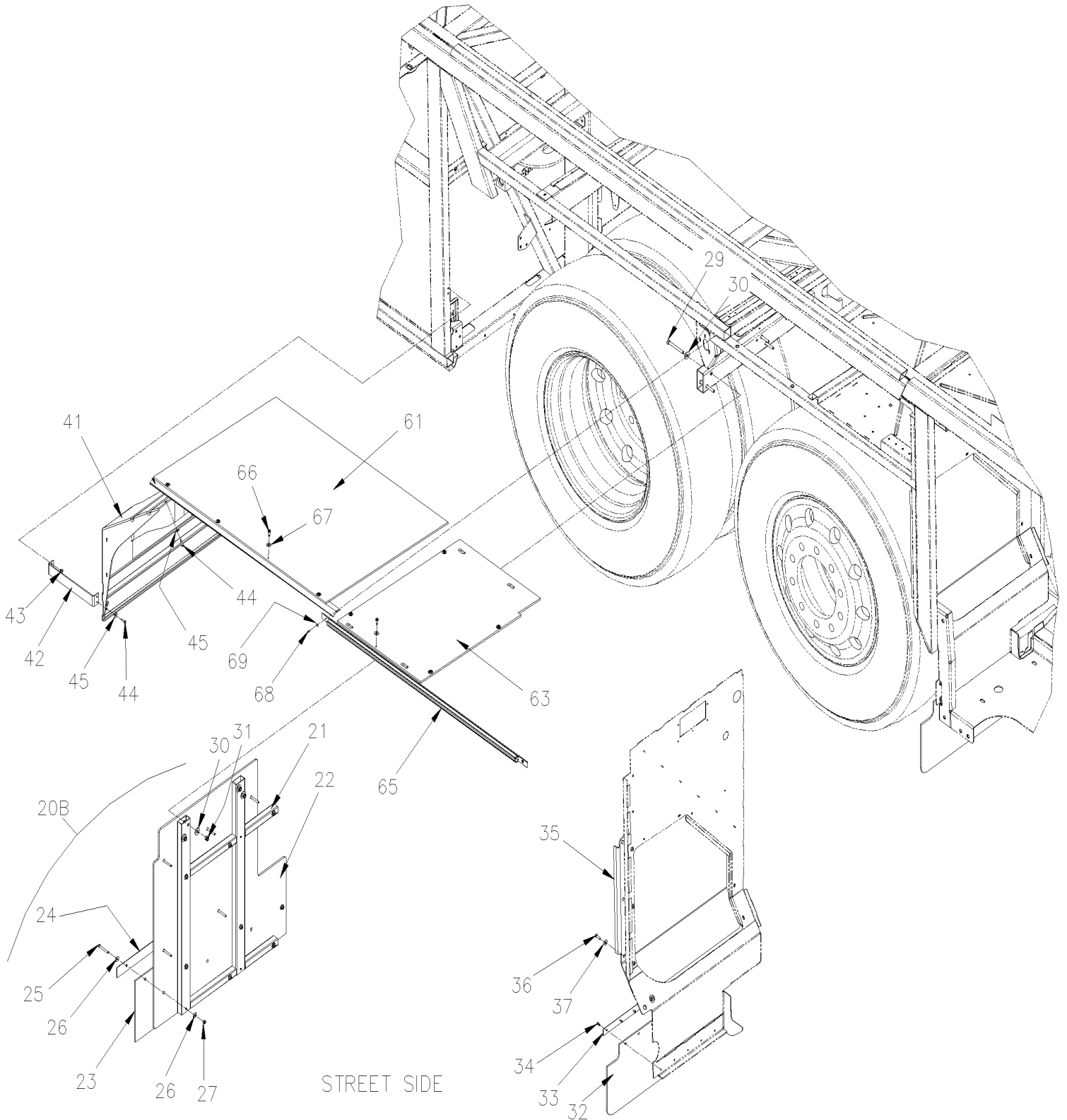


From K-0295

Date:07/2024

PAGE:VIP-1859-01

SPLASH GUARD - FRONT & REAR



| | | | |
|--|--|--------------|------------------|
| From K-0295 | | Date:07/2024 | PAGE:VIP-1859-01 |
| SPLASH GUARD - FRONT & REAR | | | |

| Item# | Part | Description | QTY | Notes |
|-------|---------|---|-----|-------|
| 1 | 460443 | AIR SHIELD DEFLECTOR | 2 | |
| 2 | 460444 | AIR SHIELD DEFLECTOR / CENTER | 1 | |
| 3 | 464731 | STRIP DEFELECTOR 645MM | 2 | |
| 4 | 464732 | STRIP DEFELECTOR 804MM | 1 | |
| 5 | 502911 | NUT HEXF M8-1.25 SS | AR | |
| 6 | 502912 | SCREW CAP HEXF M8-1.25x25 SS BK | AR | |
| 7 | 460599 | SPLASH GUARD FRONT | 2 | |
| 8 | 460601 | PLATE REINFORCEMENT 418MM | 2 | |
| 9 | 504416 | RIVET POP DOME OE 3/16x5/8 SS | AR | |
| NS | | UP TO £-22037 | | |
| NS | | FROM £-22037 | | |
| 12 | 460001 | DEFLECTOR, INDEPENDENT FRONT SUSPENSION To R-1917 | 2 | |
| 12 | 460196 | DEFLECTOR, INDEPENDENT FRONT SUSPENSION From R-1918 | 2 | |
| 13 | 460456 | DEFLECTOR, FRONT | 2 | |
| 14 | 502565 | NUT HEX M6-1.0 SS To R-1917 | AR | |
| 14 | 5001182 | NUT HEX NYRT M6-1.0 SS From R-1918 | AR | |
| 15 | 502570 | WASHER LO SPT 6.1x11.8x1.6 SS To R-1917 | AR | |
| 16 | 500913 | WASHER FL .281x1.250x.065 N500 To R-1917 | AR | |
| 16 | 5001467 | WASHER FL .343x1.250x.062 SS18-8 From R-1918 | AR | |
| 20A | 460566P | SPLASH GUARD / R.H. DRIVE & TAG | 1 | |
| 20B | 460565P | SPLASH GUARD / L.H. DRIVE & TAG | 1 | |
| 21 | 460561 | . SUPPORT L.H. & R.H. | 1 | |
| 22 | 460562 | . PAD L.H. & R.H. 749MM x 762MM | 1 | |
| 23 | 460563 | . PAD LOWER 749MM x 237MM | 1 | |
| 24 | 460564 | . REINFORCMENT STRIP SS 749MM x 38MM | 1 | |
| 25 | 5001636 | . SCREW CAP HEX M6-1.0x50 SS BK | 8 | |
| 26 | 500411 | . WASHER FL .260x.697x.050 SS | 18 | |
| 27 | 5001182 | . NUT HEX NYRT M6-1.0 SS | 9 | |
| 28 | 502686 | . SCREW CAP HEX M6-1.0x30 SS BK | 1 | |
| 29 | 5001185 | SCREW CAP HEX M8-1.25x80 SS BK | 8 | |
| 30 | 500270 | WASHER FL .406x1.000x.063 SS | 16 | |
| 31 | 5001787 | NUT HEX NYRT M8-1.25 SS | 8 | |
| 32 | 466964 | SPLASH GUARD TAG To M-1153 | 2 | |
| 32 | 460109 | SPLASH GUARD TAG From M-1154 | 2 | |
| 33 | 460030 | PLATE REINFORCEMENT 380MM W/4 HOLES | 2 | |
| 34 | 504416 | RIVET POP DOME OE 3/16x5/8 SS | AR | |
| 35 | 053558 | FENDER ACCESS PANEL PLASTIC BLACK | 1 | |
| 36 | 502830 | SCREW CAP HEX M6-1.0x20 G8.8 N500 | 4 | |
| 37 | 5001833 | WASHER BEL SPR 6.1x18x1.27 SS | 4 | |
| 41 | 464755 | SPLASH GUARD / DRIVE | 1 | |
| 42 | 460711 | SUPPORT | 1 | |
| 43 | 504793 | RIVET MNB OE LARGE HEAD 3/16x7/16 SS | 4 | |

| | | |
|--|--------------|------------------|
| From K-0295 | Date:07/2024 | PAGE:VIP-1859-01 |
| SPLASH GUARD - FRONT & REAR | | |

| Item# | Part | Description | QTY | Notes |
|-------|---------|---|-----|-------|
| 44 | 5001169 | SCREW TP CAP HEXW #12x3/4 SS410 | 14 | |
| 45 | 500411 | WASHER FL .260x.697x.050 SS | 14 | |
| 60 | 460728 | SPLASH GUARD PANEL 1072MM X 694MM To P-1347 | 1 | |
| 60 | 460145 | SPLASH GUARD PANEL 1071MM X 694MM From P-1348 | 1 | |
| 60 | 460732 | SPLASH GUARD PANEL 1029MM X 655MM | 1 | S |
| NS | 504568 | GROMMET / .437x.687x.250x.500x1.000 | AR | |
| 61 | 460712 | SPLASH GUARD PANEL 978MM X 694MM | 1 | |
| 61 | 460069 | SPLASH GUARD PANEL 948MM X 656MM | 1 | S |
| 62 | 460724 | SEAL RUBBER EXTRUSION EPDM 2400MM | 1 | |
| 62 | 460724 | SEAL RUBBER EXTRUSION EPDM 2400MM | 1 | SR |
| 63 | 460739 | SPLASH GUARD PANEL 1074MM X 694MM To K-0377 | 1 | |
| 63 | 460074 | SPLASH GUARD PANEL 1074MM X 694MM From K-0378 To P-1347 | 1 | |
| 63 | 460153 | SPLASH GUARD PANEL 1075MM X 694MM From P-1348 | 1 | |
| 63 | 504568 | GROMMET / .437x.687x.250x.500x1.000 | AR | |
| 65 | 460724 | SEAL RUBBER EXTRUSION EPDM 2400MM | 1 | |
| 66 | 500526 | SCREW TP CAP HEXW #12x3/4 N500 | AR | |
| 66 | 507333 | PROTECTOR CAP / BLACK / .172 I.D. x .500 | AR | |
| 67 | 500411 | WASHER FL .260x.697x.050 SS | AR | |
| 68 | 504339 | RIVET POP DOME OE 1/8x3/8 SS | AR | |
| 69 | 500157 | WASHER FL .125x.375x.032 SS | AR | |
| 71 | 460097 | HATCH | 1 | S |
| 72 | 460096 | SUPPORT, HATCH | 1 | S |
| 73 | 504793 | RIVET MNB OE LARGE HEAD 3/16x7/16 SS | 4 | S |
| | | | | |
| | | | | |
| | | S) WITH CURBSIDE SLIDE-OUT | | |
| | | SR) WITH CURBSIDE SLIDE-OUT | | |

| | | |
|--|---------------------|-------------------------|
| From K-0295 To P-1347 | Date:07/2024 | PAGE:VIP-1860-11 |
| SPARE WHEEL DOOR MECHANISM FRONT BUMPER | | |

| Item# | Part | Description | QTY | Notes |
|-------|---------|---|-----|-------|
| 1 | 411349 | SUPPORT ASSY | 1 | |
| 2 | 411128P | SPARE WHEEL DOOR ASSEMBLY WITH HARDWARE | 1 | C |
| 2 | 411181 | SPARE WHEEL DOOR ASSEMBLY WITHOUT HARDWARE | 1 | B |
| 2 | 411129 | . FRAME ASSY | 1 | |
| 3 | 411215 | . PANEL CLOSING / SPARE COMPARTMENT / PLASTIC | 1 | |
| NS | 502939 | . NUT AN 1/4 NYL | 3 | |
| 4 | 410901 | RUBBER PAD 75MM X 106MM | 2 | |
| NS | 504416 | RIVET POP DOME OE 3/16x5/8 SS | 4 | |
| 5 | 411341 | BRACKET ASSY / R.H. | 1 | |
| 6 | 411340 | BRACKET ASSY / L.H. | 1 | |
| 7 | 410984 | SPRING / L.H. | 1 | A |
| 8 | 410983 | SPRING / R.H. | 1 | A |
| 9 | 410975 | BUSHING TEFLON 1" I.D. X 1 1/2" O.D. X 5" | 2 | |
| 10 | 507362 | BUSHING TEFLON 1" I.D. X 1 1/2" O.D. X 3/4" | 2 | |
| 11 | 410648 | SPACER WASHER | 2 | |
| 12 | 410640 | STOPPER | 4 | |
| 13 | 411171 | SUPPORT MOBILE "L" SHAPE | 1 | |
| 14 | 411174 | SUPPORT MOBILE | 1 | |
| 15 | 411176 | LEVER LOCK W/PIN | 1 | |
| 16 | 500975 | WASHER FL .378x.620x.094 NYL | 5 | |
| 17 | 5001233 | WASHER FL .500x1.250x.062 NYL | 4 | |
| 18 | 5001787 | NUT HEX NYRT M8-1.25 SS To N-1179 | 5 | |
| 18 | 5001983 | NUT HEX NYRT M8-1.25 SS SS BK From N-1180 | 1 | |
| 19 | 946472 | SCREW CAP HEXF M10-1.5x30 G8.8 ZG603 | 15 | |
| 20 | 411167 | SUPPORT STREET SIDE | 1 | |
| 21 | 411166 | SUPPORT CURBSIDE | 1 | |
| 22 | 5001697 | SCREW CAP HEX M6-1.0x16 SS BK | 6 | |
| 23 | 502570 | WASHER LO SPT 6.1x11.8x1.6 SS | 6 | |
| 24 | 502573 | WASHER FL 6.4x12.5x1.6 SS | 6 | |
| 25 | 411083 | ATTACHMENT "U" SHAPE | 2 | |
| 26 | 502780 | SCREW CAP HEX M8-1.25x25 SS BK | 2 | |
| 27 | 411271 | RUBBER SEAL EXTRUSION // SPARE WHEEL DOOR | 1 | |
| 28 | 411168 | SUPPORT BOTTOM BUMPER SKIN | 1 | |
| 28 | 411001 | PLATE | 2 | |
| 28 | 504339 | RIVET POP DOME OE 1/8x3/8 SS | 4 | |
| 29 | 502567 | NUT HEX M10-1.5 SS | 3 | |
| 30 | 411120 | CABLE HANDLE ASSY | 1 | |
| . NS | 504777 | . CLAMP | 1 | |
| 31 | 411347 | SUPPORT / HANDLE / WELDED | 1 | |
| 32 | 287290 | DECAL / "UNLATCH FRONT BUMPER" / ENGLISH & FRANCAIS | 1 | |
| 32 | 288199 | DECAL / "UNLATCH FRONT BUMPER" / ENGLISH & SPANISH | 1 | |
| 33 | 411005 | GUIDE PIN PLATE | 1 | |

| | | |
|--|--------------|------------------|
| From K-0295 To P-1347 | Date:07/2024 | PAGE:VIP-1860-11 |
| SPARE WHEEL DOOR MECHANISM FRONT BUMPER | | |

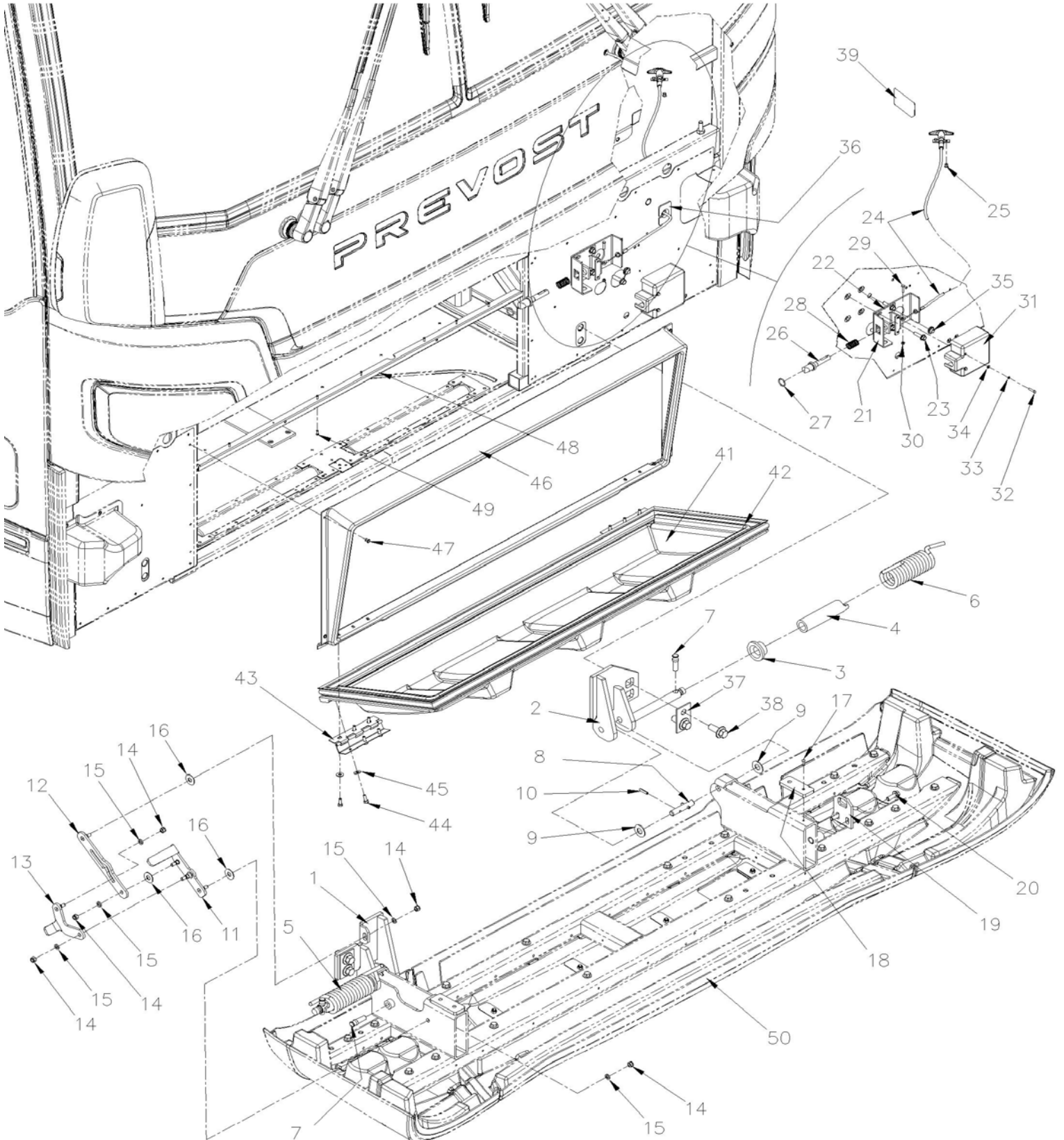
| Item# | Part | Description | QTY | Notes |
|-------|--------------------|--|-----|-------|
| 34 | 287391 | CATCH PIN SS / 90.5MM | 1 | |
| 35 | 411007 | GUIDE PIN WELDED | 1 | |
| 36 | 410895 | COVER GUIDE PIN / PLASTIC | 1 | |
| 37 | 410921 | CATCH PIN LOCK PLATE | 1 | |
| 38 | 502910 | SPRING COMPRESSION / .720 O.D. 1.75 x .055 | 3 | |
| 39 | 507212 | O-RING | 3 | |
| 40 | 502685 | SCREW CAP HEX M4-0.7x20 SS EMN | 3 | |
| 41 | 502557 | NUT HEX NYRT M4-0.7 SS | 1 | |
| 42 | 502556 | WASHER FL 4.3x9.0x0.8 SS | 4 | |
| 43 | 955917 | WASHER LO SPT 4.1x7.1x0.9 ZP | 2 | |
| 44 | 5001742 | SCREW CAP HEXF M8-1.25x30 G8.8 N500 | 8 | |
| 45 | 410460 | PLATE 76MM X 30MM | 2 | |
| 46 | 968435 | SCREW CAP HEXF M16-2.0x40 G8.8 BKC | 4 | |
| 47 | 946472 | SCREW CAP HEXF M10-1.5x30 G8.8 ZG603 | 2 | |
| 48 | 410968 | CLOSING CAP / PLASTIC | 1 | |
| 49 | 504379 | RIVET POP DOME OE 3/16x1/4 SS | 2 | |
| 50 | 509843 | SPRING, PIN 1/4 x 1 1/8 SS | 2 | |
| 51 | 500449 | WASHER FL .625x1.500 SS | 4 | |
| 60 | VIP-1850-01 | BUMPER FRONT | | |
| 100 | 410671 | KIT TOOL BUMPER SPRING INSTALLATION | 1 | |
| . NS | IS-97064 | . SEE INSTRUCTION SHEET | 1 | |
| | | | | |
| | | | | |
| | | A) FOR SPRING INSTALLATION USE KIT #410671 | | |
| | | B) INCLUS ITEMS 2,3 & 27 | | |
| | | C) INCLUS ITEMS 2,3, 22,23,24 & 27 | | |

From P-1348

Date:07/2024

PAGE:VIP-1860-12

SPARE WHEEL DOOR MECHANISM FRONT BUMPER

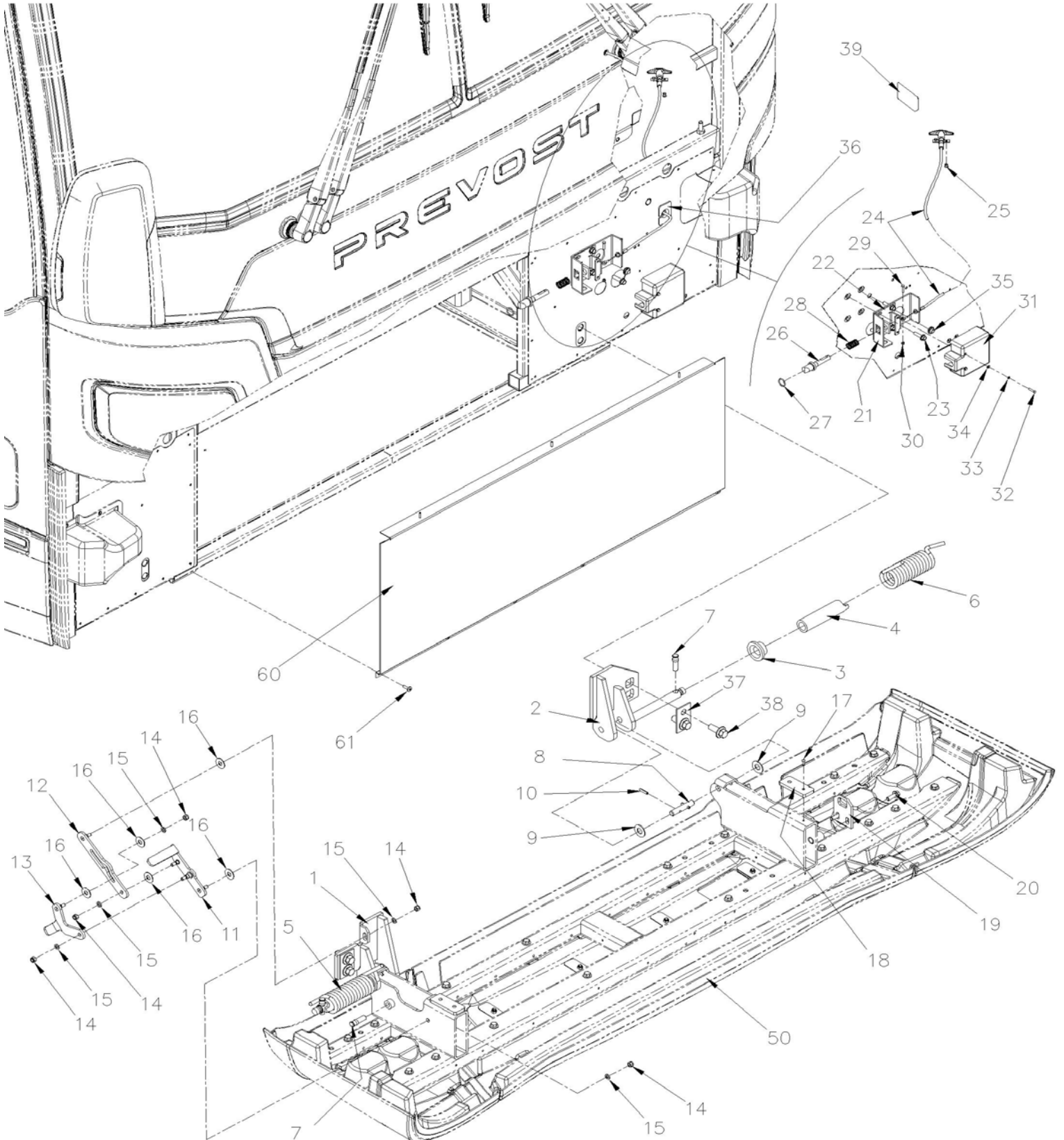


From P-1348

Date:07/2024

PAGE:VIP-1860-12

SPARE WHEEL DOOR MECHANISM FRONT BUMPER



| | | | |
|--|--|--------------|------------------|
| From P-1348 | | Date:07/2024 | PAGE:VIP-1860-12 |
| SPARE WHEEL DOOR MECHANISM FRONT BUMPER | | | |

| Item# | Part | Description | QTY | Notes |
|-------|---------|--|-----|-------|
| 1 | 410155 | BRACE RIGHT (WELDED) | 1 | |
| 2 | 410167 | BRACE LEFT (WELDED) | 1 | |
| 3 | 410160 | BUSHING | 2 | |
| 4 | 410975 | BUSHING TEFLON 1" I.D. X 1 1/2" O.D. X 5" | 2 | |
| 5 | 410983 | SPRING / R.H. | 1 | |
| 6 | 410984 | SPRING / L.H. | 1 | |
| 7 | 410640 | STOPPER To P-1528 | 4 | |
| 7 | 411477 | STOPPER From P-1529 | 4 | |
| 8 | 410229 | HINGE AXIS To P-1528 | 2 | |
| 8 | 411478 | HINGE AXIS From P-1529 | 2 | |
| 9 | 500449 | WASHER FL .625x1.500 SS | 4 | |
| 10 | 509843 | SPRING, PIN 1/4 x 1 1/8 SS | 4 | |
| 11 | 411171 | SUPPORT MOBILE "L" SHAPE | 1 | |
| 12 | 411174 | SUPPORT MOBILE | 1 | |
| 13 | 411176 | LEVER LOCK W/PIN | 1 | |
| 14 | 5001787 | NUT HEX NYRT M8-1.25 SS | 5 | |
| 15 | 500975 | WASHER FL .378x.620x.094 NYL | 5 | |
| 16 | 5001233 | WASHER FL .500x1.250x.062 NYL | 5 | |
| 17 | 410011 | RUBBER PAD, FRONT BUMPER | 2 | |
| 18 | 504416 | RIVET POP DOME OE 3/16x5/8 SS | 4 | |
| 19 | 410921 | CATCH PIN LOCK PLATE | 1 | |
| 20 | 5001307 | SCREW CAP HEXF M10-1.5x20 8.8 N500 | 2 | |
| 21 | 411007 | GUIDE PIN WELDED | 1 | |
| 22 | 411005 | GUIDE PIN PLATE | 1 | |
| 23 | 5001742 | SCREW CAP HEXF M8-1.25x30 G8.8 N500 | 4 | |
| 24 | 411450 | CABLE HANDLE ASSY | 1 | |
| NS | 504637 | CABLE TIE / 3/16" x 13" | 1 | |
| 25 | 504379 | RIVET POP DOME OE 3/16x1/4 SS | 2 | |
| 26 | 287391 | CATCH PIN SS / 90.5MM | 1 | |
| 27 | 507212 | O-RING | 1 | |
| 28 | 502910 | SPRING COMPRESSION / .720 O.D. 1.75 x .055 | 1 | |
| 29 | 502685 | SCREW CAP HEX M4-0.7x20 SS EMN | 1 | |
| 30 | 502557 | NUT HEX NYRT M4-0.7 SS | 1 | |
| 31 | 410895 | COVER GUIDE PIN / PLASTIC | 1 | |
| 32 | 502685 | SCREW CAP HEX M4-0.7x20 SS EMN | 2 | |
| 33 | 502636 | WASHER LO SPT 4.1x7.6x0.9 Z050 | 2 | |
| 34 | 502556 | WASHER FL 4.3x9.0x0.8 SS | 2 | |
| 35 | 974683 | GROMMET / 19.7x15x12.7x2.2x11 | 1 | |
| 36 | 410968 | CLOSING CAP / PLASTIC | 1 | |
| 37 | 410214 | SUPPORT. PLATE | 2 | |
| 38 | 5001753 | SCREW CAP HEXF M16-2.0x40 G8.8 BKC | 4 | |
| 39 | 2800685 | DECAL / "UNLATCH FRONT BUMPER" | 1 | |

| | | |
|--|--------------|------------------|
| From P-1348 | Date:07/2024 | PAGE:VIP-1860-12 |
| SPARE WHEEL DOOR MECHANISM FRONT BUMPER | | |

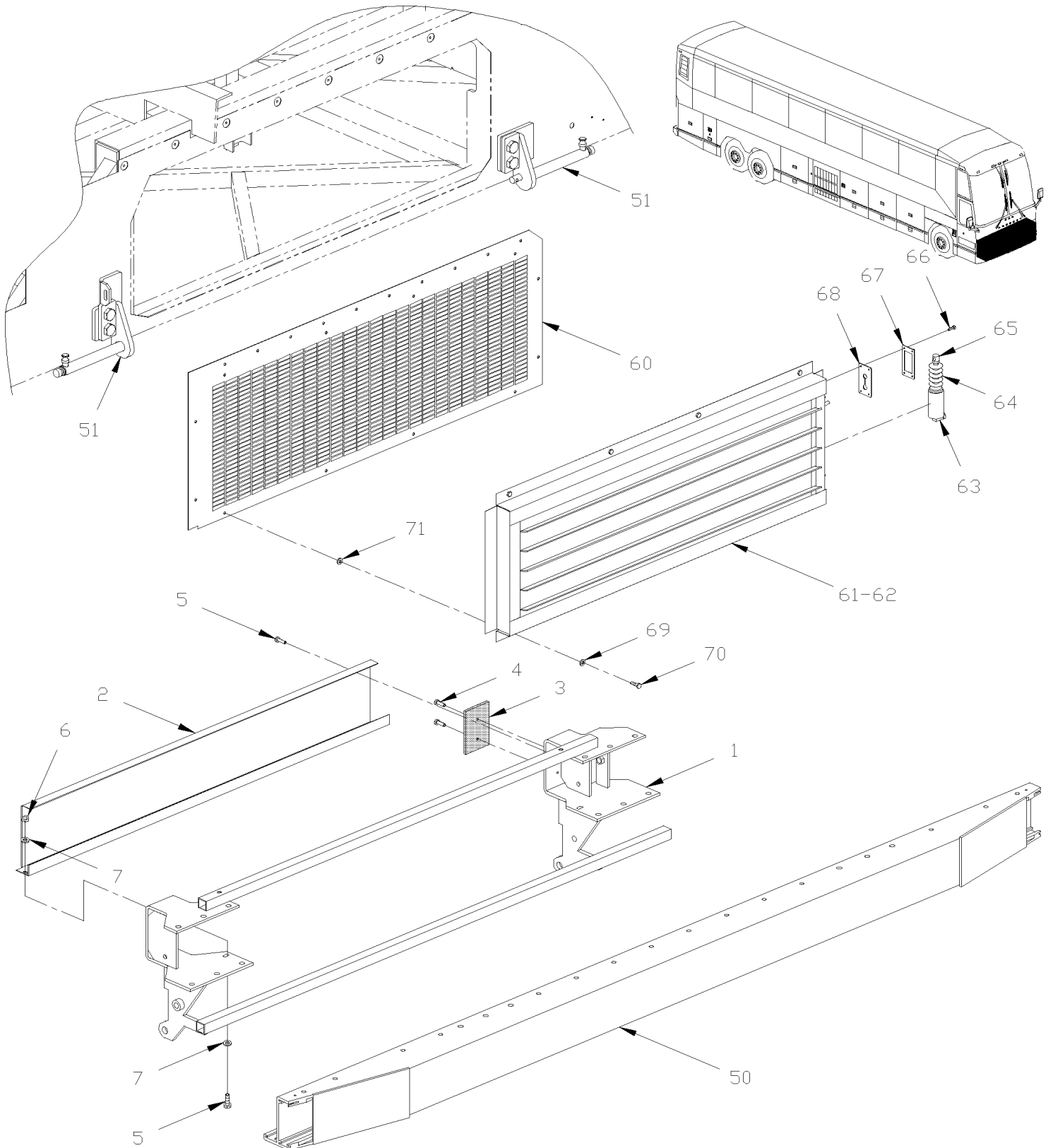
| Item# | Part | Description | QTY | Notes |
|-------|--------------------|--|-----|-------|
| 40 | 411476 | SPACER, FRONT BUMPER From P-1529 | AR | |
| 41 | 410328P | DOOR, ACCES, SPARE-WHEEL ASSY | 1 | |
| 41 | 410240 | . SPARE WHEEL COVER | 1 | |
| 42 | 410356 | . RUBBER SEAL | 1 | |
| NS | 684685 | . ADHESIVE SIMSON #ISR 70-03 / 310ml CARTRIDGE | AR | |
| 43 | 410337 | HINGE | 2 | |
| 44 | 5001697 | SCREW CAP HEX M6-1.0x16 SS BK | 12 | |
| 45 | 5001833 | WASHER BEL SPR 6.1x18x1.27 SS | 12 | |
| 46 | 410241 | FRAMING | 1 | |
| 47 | 504581 | RIVET MGLP PRDG 3/16x7/16 SS BK | 4 | |
| 48 | 251532 | ANGLE | 1 | |
| 49 | 504339 | RIVET POP DOME OE 1/8x3/8 SS | 7 | |
| NS | 680739 | GREASE SYNTHETIC / RED 20KG | AR | |
| NS | 685124 | ADHESIVE SIMSON #ISR 70-03 / BLACK / 600ml SAUSAGE | AR | |
| 50 | VIP-1850-02 | BUMPER FRONT | | |
| | | | | |
| 60 | 410572 | PANEL, PLAIN | 1 | A |
| 61 | 502896 | SCREW TC BDG PH #12-24x3/4 N500 | 6 | A |
| | | | | |
| | | | | |
| | | A) WITHOUT SPARE TIRE | | |

From K-0295 To P-1347

Date:07/2024

PAGE:VIP-1860-50

BUMPER DOOR FRONT - V.I.P.



| | | |
|-----------------------------------|--------------|------------------|
| From K-0295 To P-1347 | Date:07/2024 | PAGE:VIP-1860-50 |
| BUMPER DOOR FRONT - V.I.P. | | |

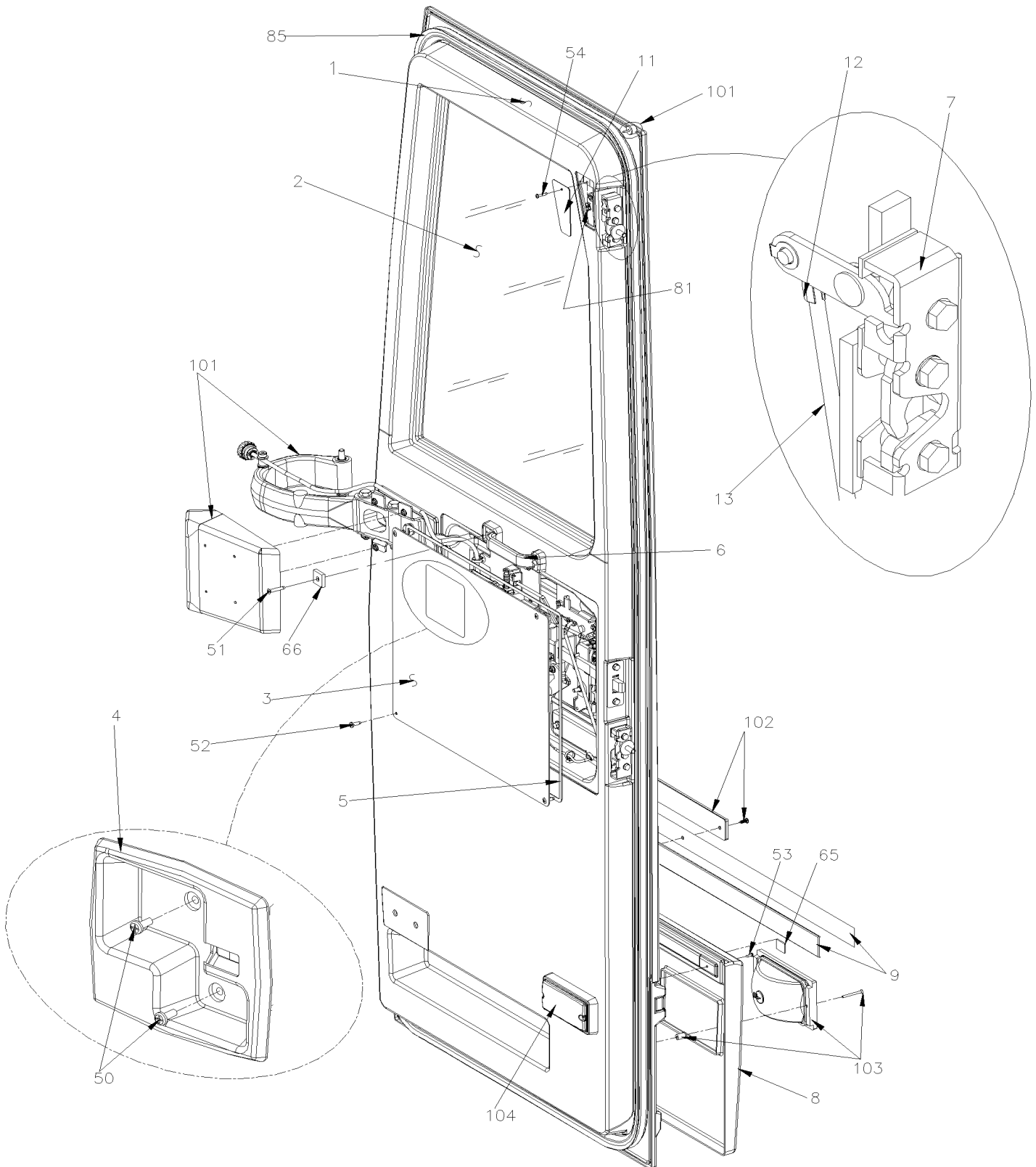
| Item# | Part | Description | QTY | Notes |
|-------|--------------------|--|-----|-------|
| 1 | 410941 | SUPPORT ASSY | 1 | |
| 1 | 411349 | SUPPORT ASSY | 1 | |
| 2 | 410945 | PLATE ANTI SKID | 1 | |
| 3 | 410901 | RUBBER PAD 75MM X 106MM | 2 | |
| 4 | 504416 | RIVET POP DOME OE 3/16x5/8 SS | 4 | |
| 5 | 502622 | SCREW CAP HEX M6-1.0x20 SS BK | 2 | |
| 6 | 5001182 | NUT HEX NYRT M6-1.0 SS | 2 | |
| 7 | 500411 | WASHER FL .260x.697x.050 SS | 2 | |
| 50 | VIP-1850-01 | BUMPER FRONT | | |
| 51 | VIP-1860-11 | SPARE WHEEL DOOR MECHANISM FRONT BUMPER | | |
| 60 | 411343 | PANEL / W/HOLES | 1 | |
| 60 | 411344 | PANEL / PLAIN | 1 | |
| 61 | 051570 | SHUTTER ASSY | 1 | |
| . NS | 550568 | . CYLINDER AIR / SHUTTER / W/4" MOUNT | 1 | |
| . NS | 550569 | . BOOT RUBBER | 1 | |
| . NS | 550577 | . SPRING EXTENSION / .350 O.D. x 6.875 x .069 | 1 | |
| . NS | 550179 | . BUSHING 5/16" I.D. / NYLON | AR | |
| 62 | 550577 | . SPRING EXTENSION / .350 O.D. x 6.875 x .069 | 1 | |
| 63 | 550568 | . CYLINDER AIR / SHUTTER / W/4" MOUNT | 1 | |
| 64 | 550569 | . . BOOT RUBBER | 1 | |
| 65 | 550179 | . . BUSHING 5/16" I.D. / NYLON | 2 | |
| 66 | 504340 | RIVET POP DOME OE 1/8x3/16 SS | 4 | |
| 67 | 282953 | PLATE, CLOSING | 1 | |
| 68 | 282954 | GASKET | 1 | |
| 69 | 5001341 | WASHER FL 8.4x17.0x1.6 SS | 8 | |
| 70 | 5001542 | SCREW TC CAP HEX 5/16-18X3/4 EMN | 8 | |
| 71 | 502761 | SCREW TP BDG PH #10x3/4 SS BK | 13 | |

From K-0295 To P-1347

Date:07/2024

PAGE:VIP-1862-51

ENTRANCE DOOR ASSY - V.I.P.

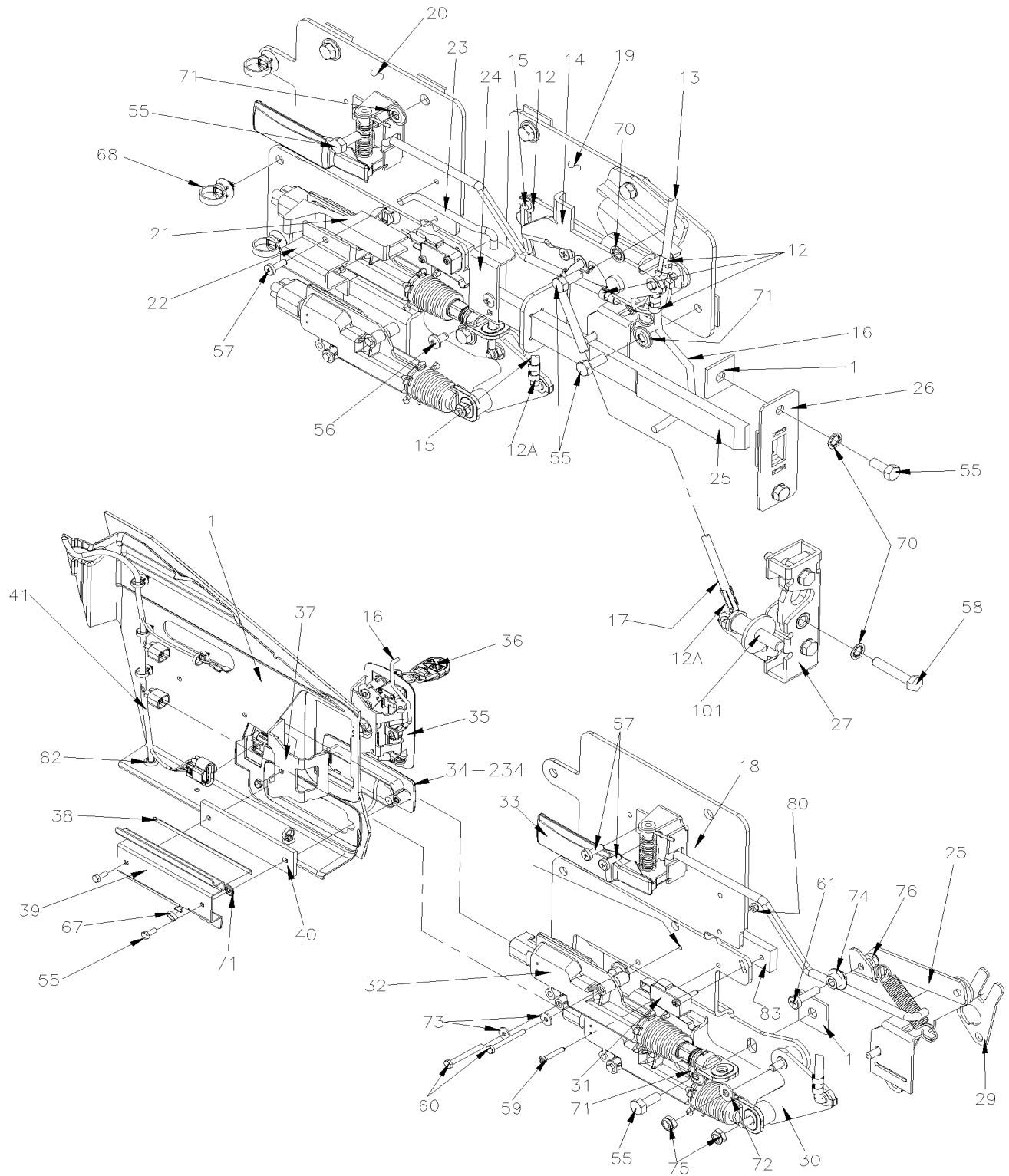


From K-0295 To P-1347

Date:07/2024

PAGE:VIP-1862-51

ENTRANCE DOOR ASSY - V.I.P.



| | | |
|------------------------------------|---------------------|-------------------------|
| From K-0295 To P-1347 | Date:07/2024 | PAGE:VIP-1862-51 |
| ENTRANCE DOOR ASSY - V.I.P. | | |

| Item# | Part | Description | QTY | Notes |
|-------|-----------------|---|-----|-------|
| | Call order desk | ENTRANCE DOOR ASSY / V.I.P. | 1 | P |
| 1 | Call order desk | . DOOR MOULDED / FIBERGLASS PAINTED | 1 | P |
| 2 | 290094 | . GLASS, THERMOS | 1 | |
| NS | 681092 | . ADHESIVE SIKA #255FC / BLACK / 310ml CARTRIDGE | AR | |
| NS | 506962 | . RUB POL 1/4 X 7/16 X 1 LG | AR | |
| NS | 681091 | . PRIMER SIKA #206 / BLACK / 250ml | AR | |
| NS | 506769 | . TAPE RUB ADH2 CC POL 1/8" x 1/4" x 60' / BLACK H1CC-N-#14 | AR | |
| NS | 684685 | . ADHESIVE SIMSON #ISR 70-03 / 310ml CARTRIDGE | AR | |
| 3 | 2800468 | . PLATE, CLOSING | 1 | |
| 4 | 780890 | . BEZEL | 1 | |
| NS | 283769 | . DECAL / "LOCK" | 1 | |
| 5 | 506225 | . TAPE RUB ADH1 CC POL 1/16" x 1/4" x 100' / GREY 2520 | AR | |
| 6 | 860422 | . HANDLE | 1 | |
| 7 | 289302 | . LATCH / R.H. | 1 | |
| 8 | 289597 | . PROTECTOR PANEL / SH W/DUCT LAMP | 1 | |
| NS | 681348 | . TAPE RUB ADH2 ACRYLIC .045" x 1" x 108' / VHB4952 | AR | |
| NS | 685124 | . ADHESIVE SIMSON #ISR 70-03 / BLACK / 600ml SAUSAGE | AR | |
| 9 | 280238 | . EXTRUSION BACKING ASSY W/REFLECTOR 698MM | 1 | |
| NS | 280115 | . . EXTRUSION BACKING 698MM | 1 | |
| NS | 685126 | . ADHESIVE SIMSON #ISR 70-03 / GREY / 600ml SAUSAGE | AR | |
| 11 | 288900 | . PLATE, CLOSING UPPER LOCK | 1 | |
| 12 | 504541 | . CLIP ROD 1/4" R.H. | 7 | |
| NS | 504243 | . CLIP ROD 1/4" L.H. | 2 | |
| 13 | 280001 | . ROD 7/32" O.D. | 1 | |
| 14 | 2801053 | . RELEASE MECHAN. ASSY | 1 | |
| 15 | 2801051 | . ROD 7/32" O.D. | 1 | |
| 16 | 2800636 | . CONNECTING ROD | 1 | |
| 17 | 284076 | . ROD 259MM C/C | 1 | |
| 18 | 283387 | . ROD | 1 | |
| 19 | 2800623 | . MOUNTING PLATE | 1 | |
| 20 | 2800626 | . MOUNTING PLATE ASSY | 1 | |
| 21 | 284127 | . BUTTON | 1 | |
| 22 | 780483 | . CLAMP | 1 | |
| 23 | 2800628 | . ROD LINK | 1 | |
| 24 | 2800627 | . CLIP | 1 | |
| 25 | 2800631 | . BAR, RIVETED ASSY | 1 | |
| NS | 2800621 | . . LATCH BOLT ASSY | 1 | |
| NS | 504542 | . . RIVET SHR FL 9/32x3/32 STL | 1 | |
| NS | 502156 | . SPRING EXTENSION / .437 O.D. x 2 x .041 | 1 | |
| NS | 680739 | . GREASE SYNTHETIC / RED 20KG | AR | |
| 26 | 283397 | . GUIDE ASSY | 1 | |
| 27 | 283491 | . LATCH / L.H. | 1 | |

| | | |
|------------------------------------|---------------------|-------------------------|
| From K-0295 To P-1347 | Date:07/2024 | PAGE:VIP-1862-51 |
| ENTRANCE DOOR ASSY - V.I.P. | | |

| Item# | Part | Description | QTY | Notes |
|-------|----------|--|-----|-------|
| 29 | 2800634 | . LEVER | 1 | |
| 30 | 2800633 | . PIVOT ASSY | 1 | |
| 31 | 562096 | . MICRO SWITCH | 1 | |
| 32 | 2800049 | . LOCK ACTUATOR / 12V | 2 | |
| 33 | 780891 | . LEVER, RELEASE | 1 | |
| 34 | 560455 | . KEYLESS, KEYPAD KIT | 1 | |
| NS | 560454 | KEYLESS MODULE | 1 | |
| 35 | 780906 | . HANDLE WITH KEY CYLINDER | 1 | |
| . NS | 19518570 | . . KEY / "TRIMARK" BLANK | 1 | |
| 36 | 565987 | . KEYLESS, FOBS WITH MEDALLIONS | 2 | |
| NS | 504273 | . CABLE TIE / 1/8" X 3"1/2 | 1 | |
| 37 | 2800661 | . PLATE | 1 | |
| 38 | 506191 | . TAPE RUB ADH1 CC POL 1/8" x 1/4" x 50' / GREY 2520X | AR | |
| 39 | 2800618 | . PLATE HOLDER KEYBOARD | 1 | |
| 40 | 2800635 | . SEAL | 1 | |
| 41 | 060004 | . DOOR HARNESS | 1 | |
| NS | 430500 | . CLOSING PLATE / USE W/LIGHT FIXED ON PANEL | 1 | |
| NS | 684685 | . ADHESIVE SIMSON #ISR 70-03 / 310ml CARTRIDGE | AR | |
| NS | 683083 | . ADHESIVE SIKA #252 / BLACK / 600 ml SAUSAGE | 1 | |
| 50 | 500443 | . SCREW TP PAN PH #8x1/2 N500 | 2 | |
| 51 | 502903 | . SCREW TC FL PH #10-24x1 1/4 N500 | 2 | |
| 52 | 502761 | . SCREW TP BDG PH #10x3/4 SS BK | 4 | |
| 53 | 500952 | . SCREW TP BDG PH #8x1/2 SS | 4 | |
| 54 | 500862 | . SCREW TC PAN PH #6-32x3/4 Z050 | 1 | |
| NS | 682175 | . UNDERCOATING BLACK PROTECTOR (GRAVELGUARD) 567gr To N-1261 | 1 | |
| NS | 685413 | RUBBERIZED UNDERCOAT (GRAVELGUARD) 560gr From N-1262 | AR | |
| 55 | 5001744 | . SCREW CAP HEX M6-1.0x16 G8.8 N500 | 13 | |
| 56 | 500393 | . SCREW TC PAN PH #10-24x3/8 Z050 | 2 | |
| 57 | 500654 | . SCREW TC BDG PH #8-32x1/2 Z050 | 4 | |
| NS | 680038 | . THREAD LOCKER LOCTITE #243 / BLUE / 50ml | AR | |
| 58 | 502888 | . SCREW CAP HEX M6-1.0x35 G8.8 N500 | 6 | |
| 59 | 5001888 | . SCREW TP CAP TORX M3X18 SS | 2 | |
| 60 | 5001100 | . SCREW CAP HEX M3-0.5x30 G8.8 ZP | 4 | |
| 61 | 502746 | . SCREW MA PAN PH M5-0.8x20 SS BK | 1 | |
| 65 | 682348 | . TAPE, DOUBLE COATED ACRYLIC | AR | |
| 66 | 284049 | . PLUG / SQUARE / BLACK | 1 | |
| 67 | 504637 | . CABLE TIE / 3/16" x 13" | 3 | |
| 68 | 8631155 | . CABLE TIE / 4.6MM x 200 / CHRISTMAS TREE | 7 | |
| 70 | 500454 | . WASHER LO INT .256x.478x.028 N500 | 10 | |
| 71 | 5001833 | . WASHER BEL SPR 6.1x18x1.27 SS | 9 | |
| 72 | 500804 | . WASHER FL .203x.500x.047 N500 | 1 | |
| 73 | 500437 | . WASHER FL .125x.375x.040 Z050 | 4 | |

| | | |
|------------------------------------|---------------------|-------------------------|
| From K-0295 To P-1347 | Date:07/2024 | PAGE:VIP-1862-51 |
| ENTRANCE DOOR ASSY - V.I.P. | | |

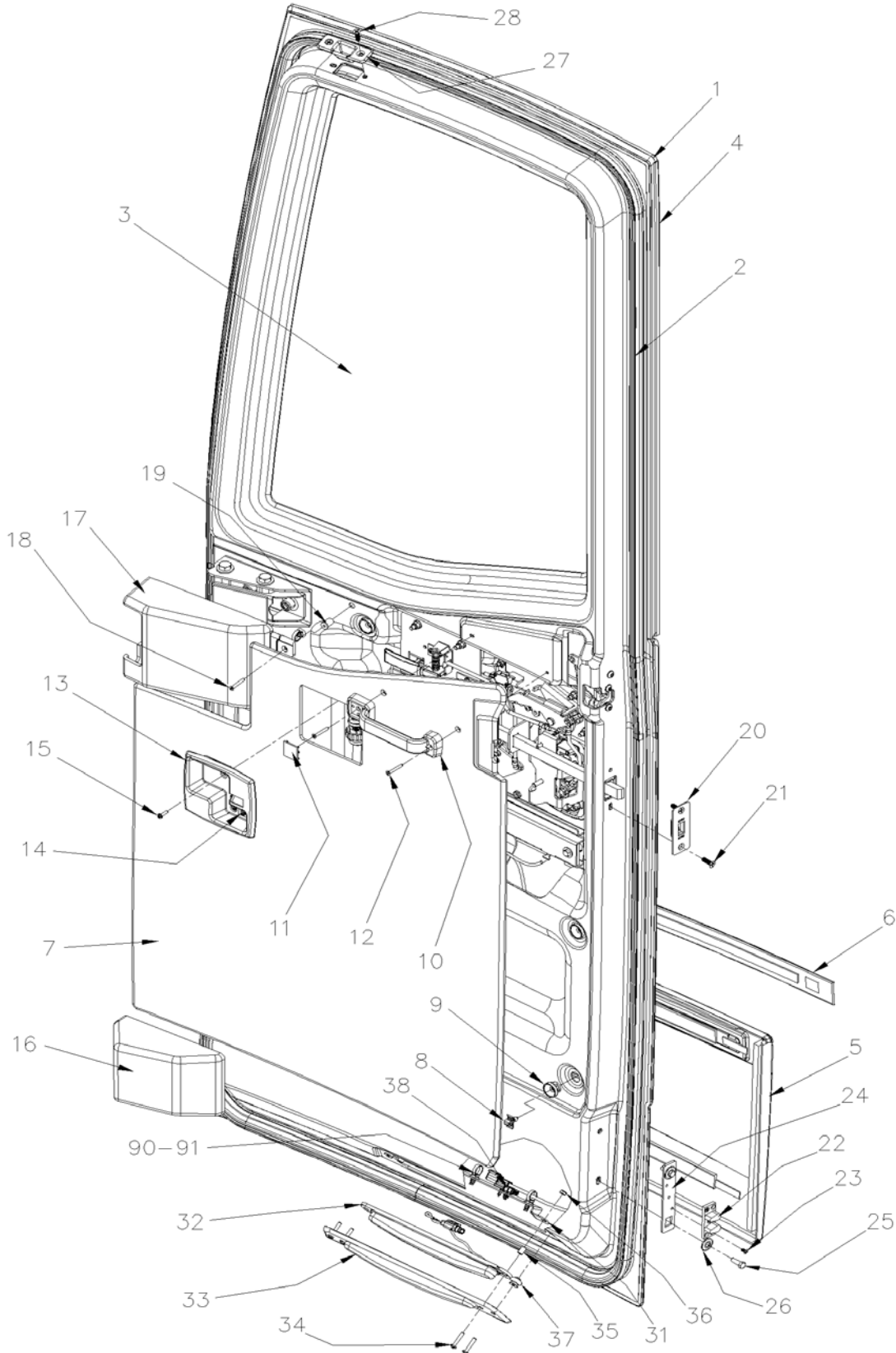
| Item# | Part | Description | QTY | Notes |
|-------|--------------------|--|-----|-------|
| 74 | 285546 | . STOPPER | 1 | |
| 75 | 5001587 | . NUT HEX NYRT M5-0.8 SS | 2 | |
| 76 | 502841 | . NUT HEX NYRT M5-0.8 N500 | 1 | |
| 80 | 5001408 | . NUT HEX STO M3-0.5 ZP | 4 | |
| 81 | 500385 | . NUT SPR U #6-32 .135-.150 N500 | 1 | |
| 82 | 504465 | . GROMMET / .375x.500x.250x.500x.750 | 1 | |
| 83 | 2800615 | . BLOCK RETAINING | 1 | |
| 85 | 2800115 | . RUBBER SEAL EXTRUSION 5800MM | 1 | |
| NS | 680066 | . ADHESIVE / ADBOND #5014 / 23.6ML BOTTLE | AR | |
| 101 | VIP-1862-60 | ENTRANCE DOOR FRAME - INSTALLATION | 1 | |
| 102 | VIP-0662-00 | CLEARANCE & MARKER LIGHT | 1 | |
| 103 | VIP-0663-00 | DOCK & CORNERING LIGHT | 1 | |
| 104 | VIP-0655-01 | INTERIOR LIGHTING LED | 1 | |
| | | | | |
| | | | | |
| | | | | |
| | | P) CALL ORDER DESK FOR SPECIFIC APPLICATION (V.I.N.) | | |

From P-1348

Date:07/2024

PAGE:VIP-1862-52

ENTRANCE DOOR ASSY - V.I.P.

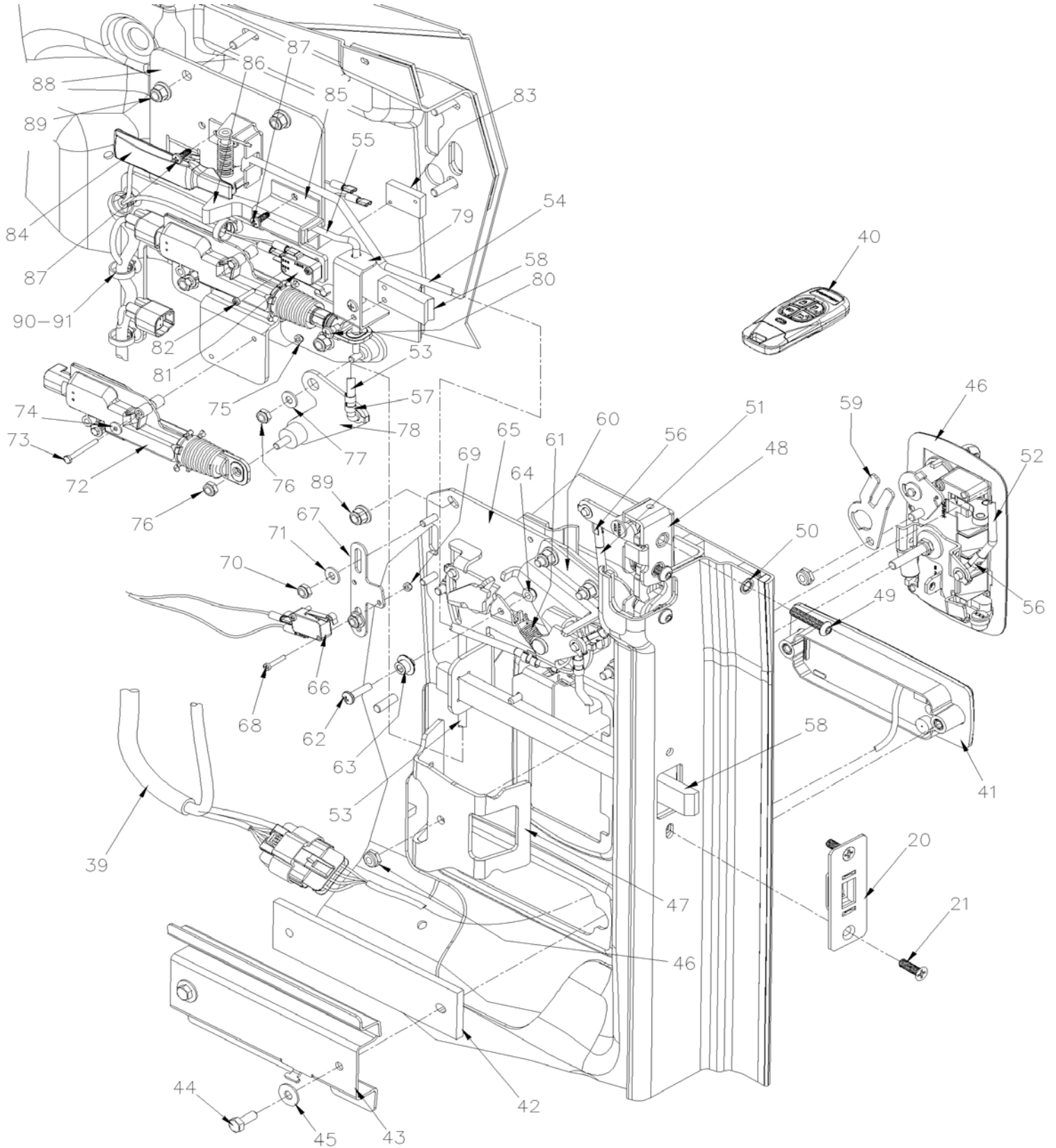


From P-1348

Date:07/2024

PAGE:VIP-1862-52

ENTRANCE DOOR ASSY - V.I.P.



| | | | |
|------------------------------------|--|--------------|------------------|
| From P-1348 | | Date:07/2024 | PAGE:VIP-1862-52 |
| ENTRANCE DOOR ASSY - V.I.P. | | | |

| Item# | Part | Description | QTY | Notes |
|-------|---------|---|-----|-------|
| | 2800787 | ENTRANCE DOOR ASSY / V.I.P. | 1 | |
| 1 | 2810376 | . FRONT DOOR V5 ASSY. GLUED, | 1 | |
| 2 | 2810101 | . RUBBER SEAL, EXTRUSION | 1 | |
| NS | 685387 | . GLUE MS POLYMER TEROSON MS 9399 / 400ml CARTRIDGE | AR | |
| NS | 506191 | . TAPE RUB ADH1 CC POL 1/8" x 1/4" x 50' / GREY 2520X | AR | |
| NS | 684685 | . ADHESIVE SIMSON #ISR 70-03 / 310ml CARTRIDGE | AR | |
| 3 | 290395 | . ENTRANCE DOOR TOP WINDOW To £-21133 | 1 | |
| 3 | 290945 | . ENTRANCE DOOR TOP WINDOW From £-21133 | 1 | |
| NS | 790392 | . RUBBER BLOCK ADJUSTEMENT 1" x 5/16" x 1/8" 80DURO | 9 | |
| 4 | 2810100 | . REAR MOLDING ENTRANCE DOOR | 1 | |
| NS | 680914 | . TAPE RUB ADH2 ACRYLIQUE 1/2x.045x36YARD | AR | |
| 5 | 2810223 | . PROTECTOR, ENTRANCE DOOR | 1 | |
| NS | 685393 | . TAPE AD2 VHB N/A BK 0.063 X 1/2" X36YD | AR | |
| 5 | 685387 | . GLUE MS POLYMER TEROSON MS 9399 / 400ml CARTRIDGE | | |
| 6 | 2810613 | . EXTRUSION ASSY | 1 | |
| NS | 780277 | . . STRIPE, REFLECTIVE WHITE / 38MM X 150' ROLL | AR | |
| NS | 682348 | . TAPE, DOUBLE COATED ACRYLIC | AR | |
| NS | 684685 | . ADHESIVE SIMSON #ISR 70-03 / 310ml CARTRIDGE | AR | |
| 7 | 2810557 | . REMOVABLE PANEL | 1 | |
| 8 | 504211 | . SNAPLOC STUD D08 PA6-GF50 | 7 | |
| 9 | 504271 | . SNAPLOC COUPLING D8 TPC-ET 40D | 7 | |
| 10 | 860422 | . HANDLE | 1 | |
| 11 | 284049 | . PLUG / SQUARE / BLACK | 1 | |
| 12 | 5002233 | . SCREW MA FL PH M4-0.7X30 N500 | 2 | |
| 13 | 780890 | . BEZEL | 1 | |
| 14 | 283769 | . DECAL / "LOCK" | 1 | |
| 15 | 502698 | . SCREW MA PAN PH M4-0.7x16 SS BK | 2 | |
| 16 | 2810202 | . BOTTOM HINGE COVER | 1 | |
| 17 | 2810601 | . TOP HINGE COVER VIP | 1 | |
| 18 | 5002233 | . SCREW MA FL PH M4-0.7X30 N500 | 1 | |
| 19 | 500589 | . NUT WELL M4-0.7x13.5 | 1 | |
| 20 | 2810385 | . GUIDE | 1 | |
| 21 | 5002238 | . SCREW MA FL PH M6-1.0X20 N500 | 2 | |
| 22 | 780496 | . DOVETAIL, MALE | 1 | |
| 23 | 500371 | . SCREW MA FL PH M4-0.7x8 N500 | 3 | |
| 24 | 283929 | . PLATE / TO FIX DOVETAIL | 1 | |
| 25 | 502622 | . SCREW CAP HEX M6-1.0x20 SS BK | 2 | |
| 26 | 5001699 | . WASHER BEL SPR 8.2x22x1.4 N500 | 2 | |
| 27 | 2810182 | . BUMPER PLATE | 1 | |
| 28 | 5002238 | . SCREW MA FL PH M6-1.0X20 N500 | 4 | |
| 31 | 2810610 | . ATTACHMENT | 1 | |
| 32 | 830009 | . LAMP ASSY 24V / LED | 1 | |

| | | | |
|------------------------------------|--|--------------|------------------|
| From P-1348 | | Date:07/2024 | PAGE:VIP-1862-52 |
| ENTRANCE DOOR ASSY - V.I.P. | | | |

| Item# | Part | Description | QTY | Notes |
|-------|----------|---|-----|-------|
| . NS | 563589 | . . CONNECTOR / DTM SERIES / SH 2C / GRAY / DEUTSCH DTM06-2S-E007 | 1 | |
| 33 | 2810641 | . BOTTOM LIGHT COVER | 1 | |
| 34 | 5001027 | . SCREW MA PAN PH #10-32x1 SS EMN | 4 | |
| 35 | 504616 | . SPACER 5/16 O.D. x 7/16 x .190 NYL | 2 | |
| 36 | 500423 | . NUT HEX NYRT #10-32 SS | 2 | |
| 37 | 502774 | . NUT WELL #10-32x.625 | 2 | |
| 38 | 564108 | . SELF MOUNTING STUD // DEUTSCH 1011-310-0205 | 1 | |
| 39 | 0600098 | . KEYLESS DOOR HARNESS VIP | 1 | |
| 40 | 564376 | . KEYLESS, FOBS WITH MEDALLIONS To P-1543 | 1 | |
| 40 | 564781 | KEYLESS, FOBS WITH MEDALLIONS From P-1544 | 1 | |
| 41 | 0610620 | . KEYLESS, KEYPAD KIT ENCRYPTED | 1 | |
| 42 | 2800635 | . SEAL | 1 | |
| 43 | 2800618 | . PLATE HOLDER KEYBOARD | 1 | |
| 44 | 502830 | . SCREW CAP HEX M6-1.0x20 G8.8 N500 | 2 | |
| 45 | 5001833 | . WASHER BEL SPR 6.1x18x1.27 SS | 2 | |
| 46 | 780906 | . HANDLE WITH KEY CYLINDER | 1 | |
| . NS | 19518570 | . . KEY / "TRIMARK" BLANK | 1 | |
| 47 | 2810583 | . PLATE | 1 | |
| 48 | 780065 | . LATCH, VIP DOOR | 1 | |
| 49 | 5002237 | . SCREW CAP BUT HEXS 1/4-20X1 1/4 N500 | 3 | |
| 50 | 500454 | . WASHER LO INT .256x.478x.028 N500 | 3 | |
| 51 | 2810593 | . ROD, DOOR | 1 | |
| 52 | 2810626 | . ROD | 1 | |
| 53 | 2801051 | . ROD 7/32" O.D. | 1 | |
| 54 | 2810627 | . ROD | 1 | |
| 55 | 2800628 | . ROD LINK | 1 | |
| 56 | 504541 | . CLIP ROD 1/4" R.H. | 6 | |
| 57 | 504243 | . CLIP ROD 1/4" L.H. | 1 | |
| 58 | 2810584 | . BAR, RIVETED ASSY | 1 | |
| 59 | 2800634 | . LEVER | 1 | |
| 60 | 2810597 | . RELEASE MECHAN. ASSY | 1 | |
| 61 | 502156 | . SPRING EXTENSION / .437 O.D. x 2 x .041 | 1 | |
| 62 | 502746 | . SCREW MA PAN PH M5-0.8x20 SS BK | 1 | |
| 63 | 285546 | . STOPPER | 1 | |
| 64 | 502841 | . NUT HEX NYRT M5-0.8 N500 | 1 | |
| 65 | 2810556 | . MOUNTING PLATE | 1 | |
| 66 | 562096 | . MICRO SWITCH | 1 | |
| 67 | 2810599 | . DOOR SWITCH HOLDER, VIP | 1 | |
| 68 | 502825 | . SCREW MA PAN PH M3-0.5x16 N500 | 2 | |
| 69 | 5001408 | . NUT HEX STO M3-0.5 ZP | 2 | |
| 70 | 502841 | . NUT HEX NYRT M5-0.8 N500 | 2 | |
| 71 | 500804 | . WASHER FL .203x.500x.047 N500 | 2 | |

| | | | |
|------------------------------------|--|--------------|------------------|
| From P-1348 | | Date:07/2024 | PAGE:VIP-1862-52 |
| ENTRANCE DOOR ASSY - V.I.P. | | | |

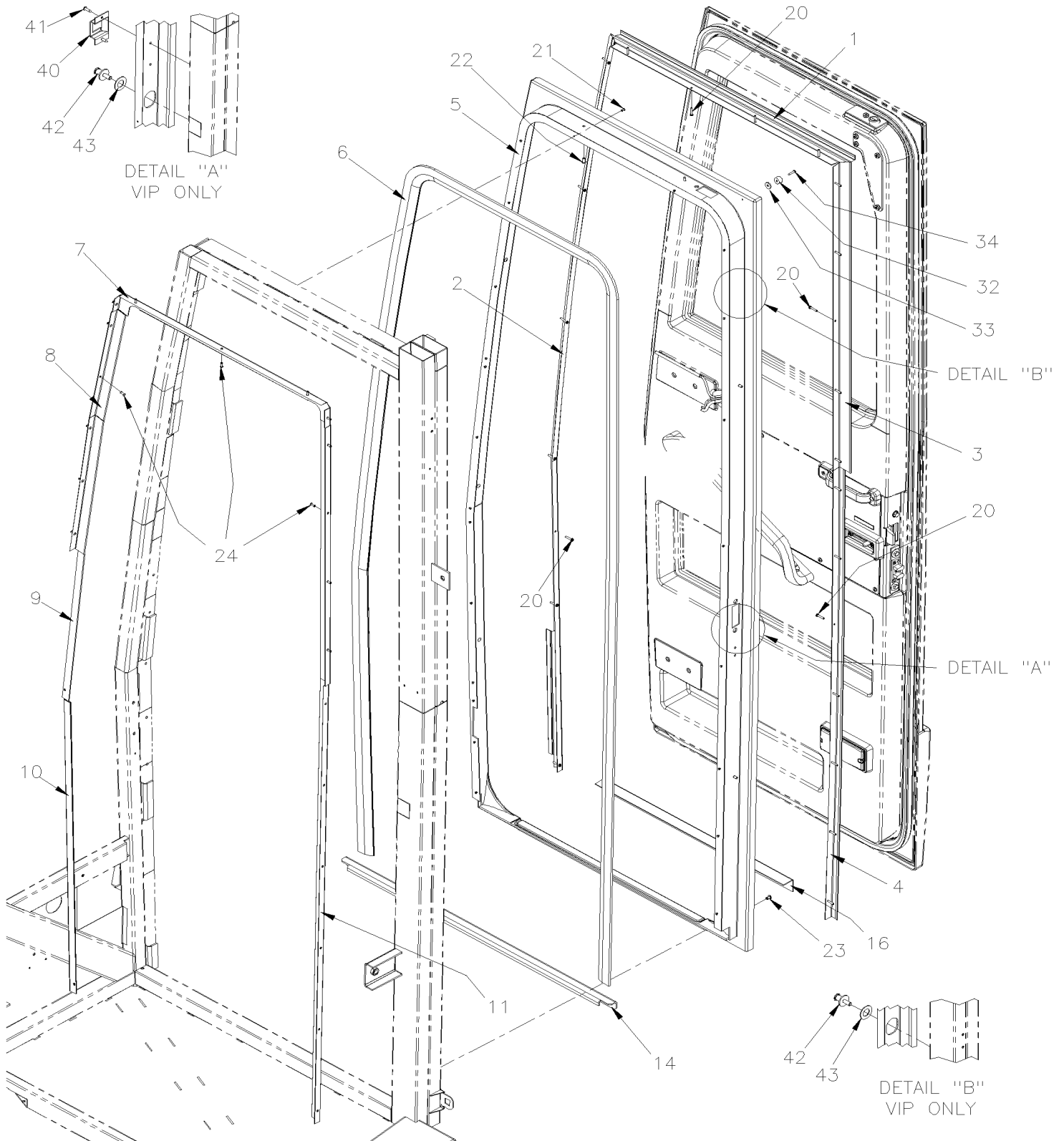
| Item# | Part | Description | QTY | Notes |
|-------|---------|--|-----|-------|
| 72 | 2800049 | . LOCK ACTUATOR / 12V | 2 | |
| 73 | 5001100 | . SCREW CAP HEX M3-0.5x30 G8.8 ZP | 4 | |
| 74 | 500437 | . WASHER FL .125x.375x.040 Z050 | 4 | |
| 75 | 5001408 | . NUT HEX STO M3-0.5 ZP | 4 | |
| 76 | 502841 | . NUT HEX NYRT M5-0.8 N500 | 2 | |
| 77 | 500804 | . WASHER FL .203x.500x.047 N500 | 1 | |
| 78 | 2800633 | . PIVOT ASSY | 1 | |
| 79 | 2800627 | . CLIP | 1 | |
| 80 | 500393 | . SCREW TC PAN PH #10-24x3/8 Z050 | 2 | |
| 81 | 562096 | . MICRO SWITCH | 1 | |
| 82 | 5001888 | . SCREW TP CAP TORX M3X18 SS | 2 | |
| 83 | 2800615 | . BLOCK RETAINING | 1 | |
| 84 | 780891 | . LEVER, RELEASE | 1 | |
| 85 | 780483 | . CLAMP | 1 | |
| 86 | 284127 | . BUTTON | 1 | |
| 87 | 500654 | . SCREW TC BDG PH #8-32x1/2 Z050 | 4 | |
| 88 | 2810603 | . MOUNTING PLATE ASSY | 1 | |
| 89 | 5001932 | . NUT HEXF NYRT M6-1.0 G8.8 N500 | 9 | |
| 90 | 509815 | . TIE MOUNT / ATTACHMENT W/TREE MOUNT | AR | |
| 91 | 504637 | . CABLE TIE / 3/16" x 13" | AR | |
| NS | 680038 | . THREAD LOCKER LOCTITE #243 / BLUE / 50ml | AR | |
| NS | 683652 | . GREASE SYNTHETIC / RED BOX 50 TUBE | AR | |
| NS | 680038 | . THREAD LOCKER LOCTITE #243 / BLUE / 50ml | AR | |
| NS | 680739 | . GREASE SYNTHETIC / RED 20KG | AR | |

From K-0295 To P-1347

Date:07/2024

PAGE:VIP-1862-60

ENTRANCE DOOR FRAME - INSTALLATION

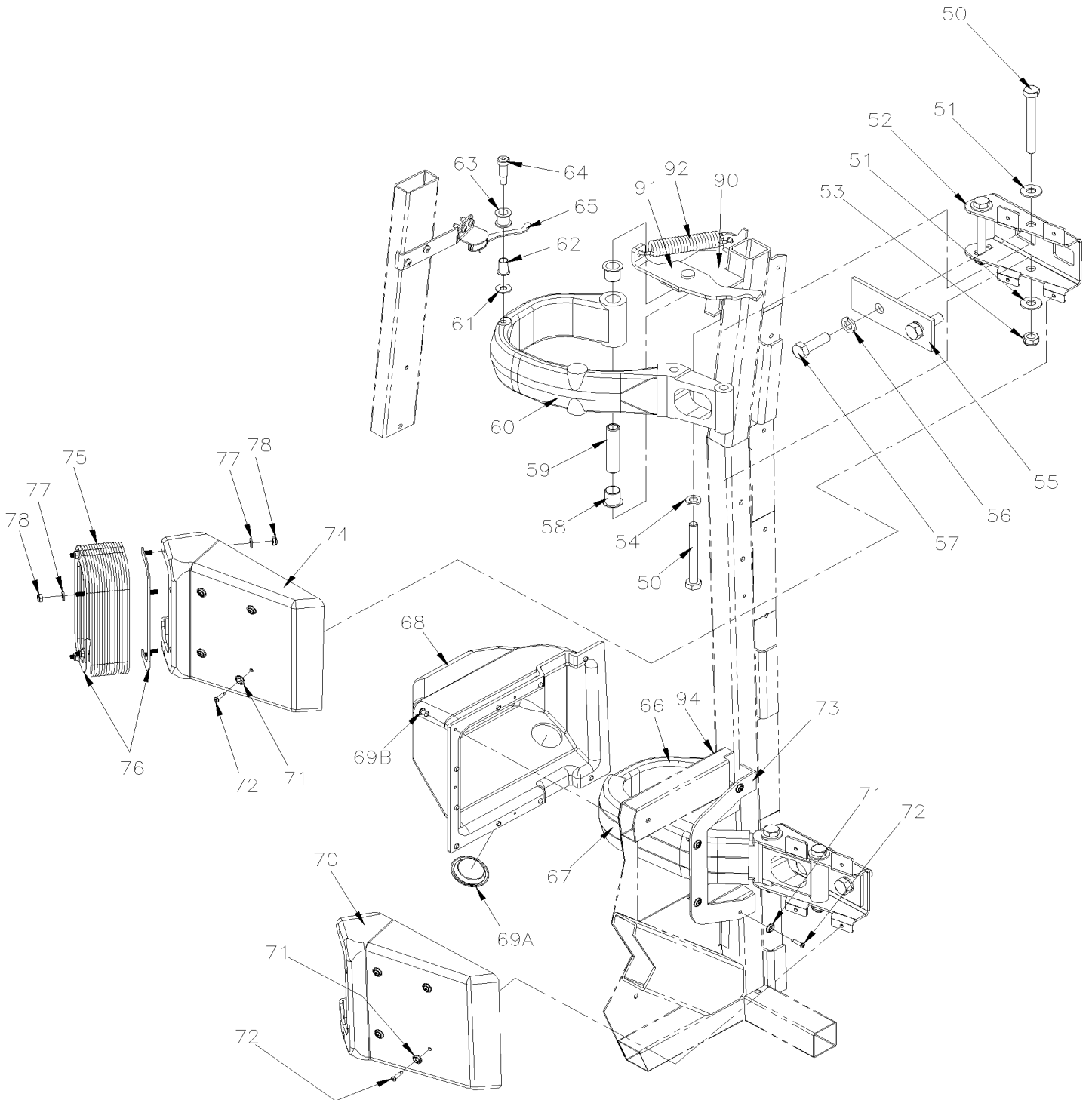


From K-0295 To P-1347

Date:07/2024

PAGE:VIP-1862-60

ENTRANCE DOOR FRAME - INSTALLATION



| | | |
|---|---------------------|-------------------------|
| From K-0295 To P-1347 | Date:07/2024 | PAGE:VIP-1862-60 |
| ENTRANCE DOOR FRAME - INSTALLATION | | |

| Item# | Part | Description | QTY | Notes |
|-------|---------|---|-----|-------|
| 1 | 285893 | DRIP MOULDING | 1 | |
| 2 | 288724 | FINISHING MOULDING FRONT | 1 | |
| 3 | 285894 | FINISHING MOULDING REAR / UPPER SECTION | 1 | |
| 4 | 280446 | FINISHING MOULDING REAR / LOWER SECTION | 1 | |
| 5 | 285660 | FRAME, MOULDED | 1 | |
| 5 | 680437 | TAPE TRANSFER ADH2 CLEAR 12.7MM x 55M / TRM950-0500 | AR | |
| 5 | 680066 | ADHESIVE / ADBOND #5014 / 23.6ML BOTTLE | AR | |
| 6 | 280151 | SEAL, INTERIOR | 1 | |
| 7 | 283507 | SEAL RETAINER / TOP / 662MM | 1 | |
| 8 | 283510 | SEAL RETAINER / FRONT UPPER / 758MM | 1 | |
| 9 | 283779 | SEAL RETAINER / FRONT CENTER / 439MM | 1 | |
| 10 | 283781 | SEAL RETAINER / FRONT LOWER / 808MM | 1 | |
| 11 | 283509 | SEAL RETAINER / REAR / 1993MM | 1 | |
| 14 | 214075 | FRAME SUPPORT | 1 | |
| 16 | 285666 | ANGLE S/S | 1 | |
| 20 | 5001040 | SCREW TC PAN PH #6-32x3/4 SS | 20 | |
| 21 | 504263 | RIVET POP DOME OE 1/8x3/8 AL | 23 | |
| 22 | 504582 | RIVET POP DOME OE 3/16x1/4 SS BK | 8 | |
| 23 | 504581 | RIVET MGLP PRDG 3/16x7/16 SS BK | 2 | |
| 24 | 504339 | RIVET POP DOME OE 1/8x3/8 SS | AR | |
| 32 | 504334 | BUMPER RUBBER / .625 OD x .406 TH x .156 HOLE To K-0337 | 1 | |
| 32 | 5002025 | BUMPER NEOPRENE / .625 OD x .406 TH x .156 HOLE From K-0338 | 1 | |
| 33 | 500950 | WASHER FL .187x.625x.094 RUB | AR | |
| 34 | 500235 | SCREW TP BDG PH #6x3/4 N500 | 1 | |
| 40 | 283368 | STRIKING PLATE | 1 | |
| 41 | 500642 | SCREW TP PAN PH #10x3/4 Z050 | 2 | |
| 42 | 780415 | BOLT STRIKER | 2 | |
| 43 | 283355 | SPACER | 4 | |
| 50 | 502890 | SCREW CAP HEX M10-1.5x90 G8.8 N500 | 6 | |
| 51 | 500897 | WASHER FL .437x1.000x.083 N500 | 8 | |
| 52 | 284040 | ATTACHMENT | 2 | |
| 53 | 502859 | NUT HEX NYRT M10-1.5 N500 | 4 | |
| 54 | 5001737 | WASHER LO SPT 10.2x18.1x2.2 N500 | 2 | |
| 55 | 286998 | SUPPORT PLATE 134MM X 48MM | 2 | |
| 56 | 500747 | WASHER LO SPT 12.2x21.1x2.5 N500 | 4 | |
| 57 | 5001885 | SCREW CAP HEX M12-1.75X40 G10.9 N500 | 4 | |
| 58 | 507326 | BEARING FLANGE | 2 | |
| NS | 680739 | GREASE SYNTHETIC / RED 20KG | AR | |
| 59 | 287337 | SPACER / BEARING FLANGE | 2 | |
| 60 | 287472 | HINGE UPPER | 1 | |
| 61 | 502638 | WASHER FL .312x.734x.065 N500 | 1 | |
| 62 | 507628 | BUSHING NYLINER | 1 | |

| | | |
|------------------------------|---------------------|-------------------------|
| From K-0295 To P-1347 | Date:07/2024 | PAGE:VIP-1862-60 |
|------------------------------|---------------------|-------------------------|

ENTRANCE DOOR FRAME - INSTALLATION

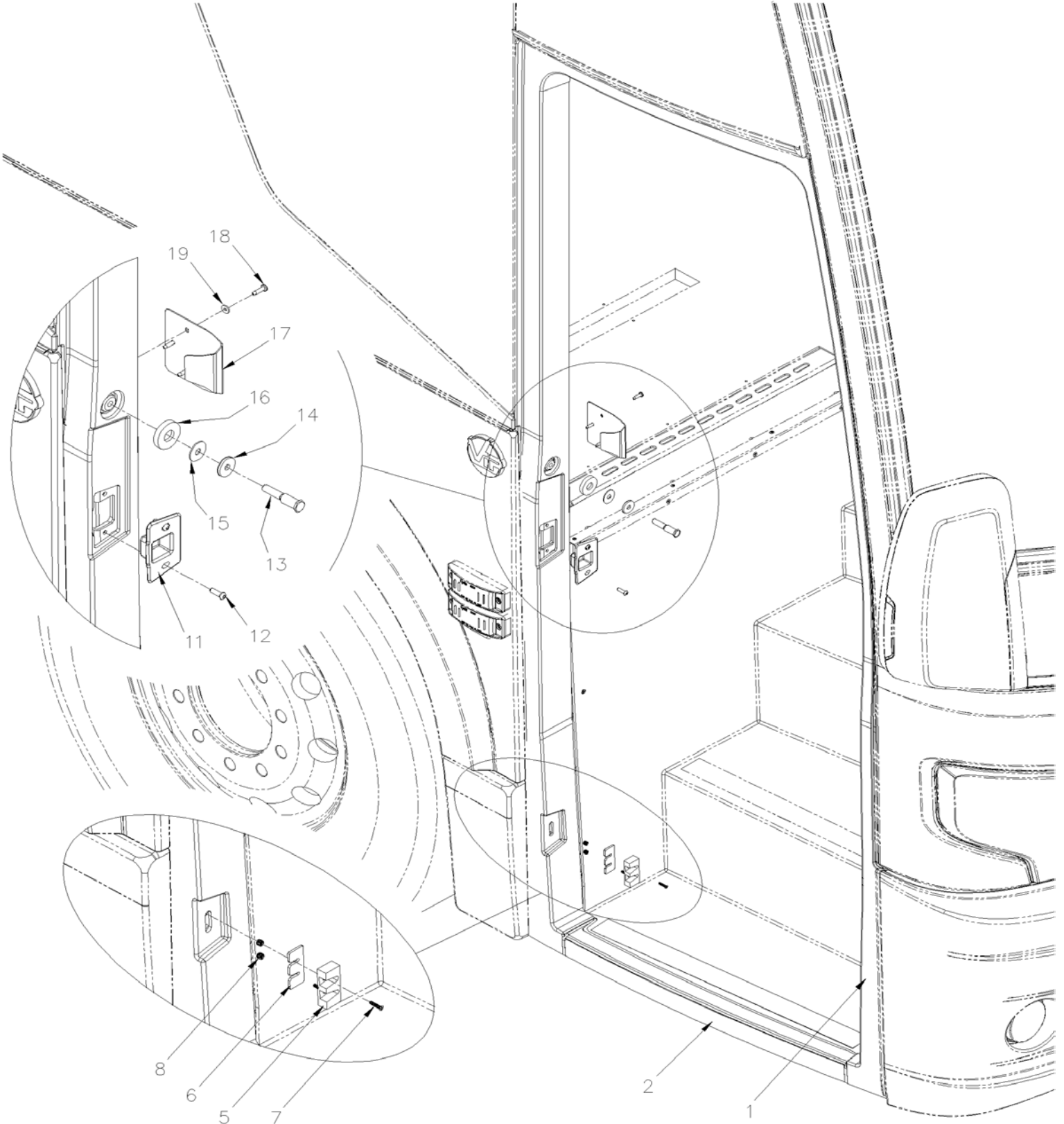
| Item# | Part | Description | QTY | Notes |
|-------|--------------------|---|-----|-------|
| 62 | 680739 | GREASE SYNTHETIC / RED 20KG | AR | |
| 63 | 287405 | ROLLER SS 11MM I.D.x14.5 O.D. 19Flx17Th | 1 | |
| 64 | 500876 | SCREW SHR HEXS 3/8x3/4 {5/16-18 | 1 | |
| 65 | 060338 | SWITCH DOOR LIGHT | 1 | |
| 65 | VIP-0640-00 | CABLE & HARNESS - FRONT END INSTALLATION | 1 | |
| 66 | 287341 | HINGE | 1 | |
| 67 | 329602 | COVER HINGE LOWER / PLASTIC | 1 | |
| NS | 680437 | TAPE TRANSFER ADH2 CLEAR 12.7MM x 55M / TRM950-0500 | AR | |
| 68 | 287245 | COVER LOWER HINGE / REAR OF BUMPER | 1 | |
| 69A | 504443 | SNAP-IN PLUG / 1.500 O.D. | 1 | |
| 69B | 504581 | RIVET MGLP PRDG 3/16x7/16 SS BK | 10 | |
| 70 | 329601 | CAP COVER LOWER | 1 | |
| 71 | 500950 | WASHER FL .187x.625x.094 RUB | 12 | |
| 72 | 500409 | SCREW TP PAN PH #8x1/2 BK | 12 | |
| 73 | 329603 | PANEL FINISHING LOWER | 1 | |
| 74 | 329604 | CAP COVER UPPER | 1 | |
| 75 | 285492 | BELLOWS / RUBBER To N-1267 | 1 | |
| 75 | 285492 | BELLOWS / RUBBER From N-1268 | 1 | |
| 76 | 285491 | PLATE BELLOW RETAINER | 2 | |
| 77 | 500964 | WASHER FL .203x.500x.047 Z050 | 8 | |
| 78 | 502841 | NUT HEX NYRT M5-0.8 N500 | 8 | |
| 90 | 215328 | LEVER AND SUPPORT ASSY SS (WELDED TO FRAME) | 1 | |
| NS | 504543 | . RIVET SHR FL 3/8x3/16 STL | 1 | |
| 91 | 214664 | . DOOR STOPPER | 1 | |
| 92 | 502191 | SPRING EXTENSION / .814 O.D. x 3.975 x .148 | 1 | |
| 93 | 211984 | HINGE SUPPORT / (WELDED TO STRUCTURE) | 1 | |
| 93 | 211992 | PLATE | 1 | |
| NS | 212099 | GUSSET / 50 X 45 | 1 | |
| 94 | 211983 | HINGE SUPPORT / (WELDED TO STRUCTURE) | 1 | |
| 94 | 211992 | PLATE | 2 | |
| 94 | 211987 | PLATE / "V" SHAPE 48MM X 57MM 45° | 1 | |

From P-1348

Date:07/2024

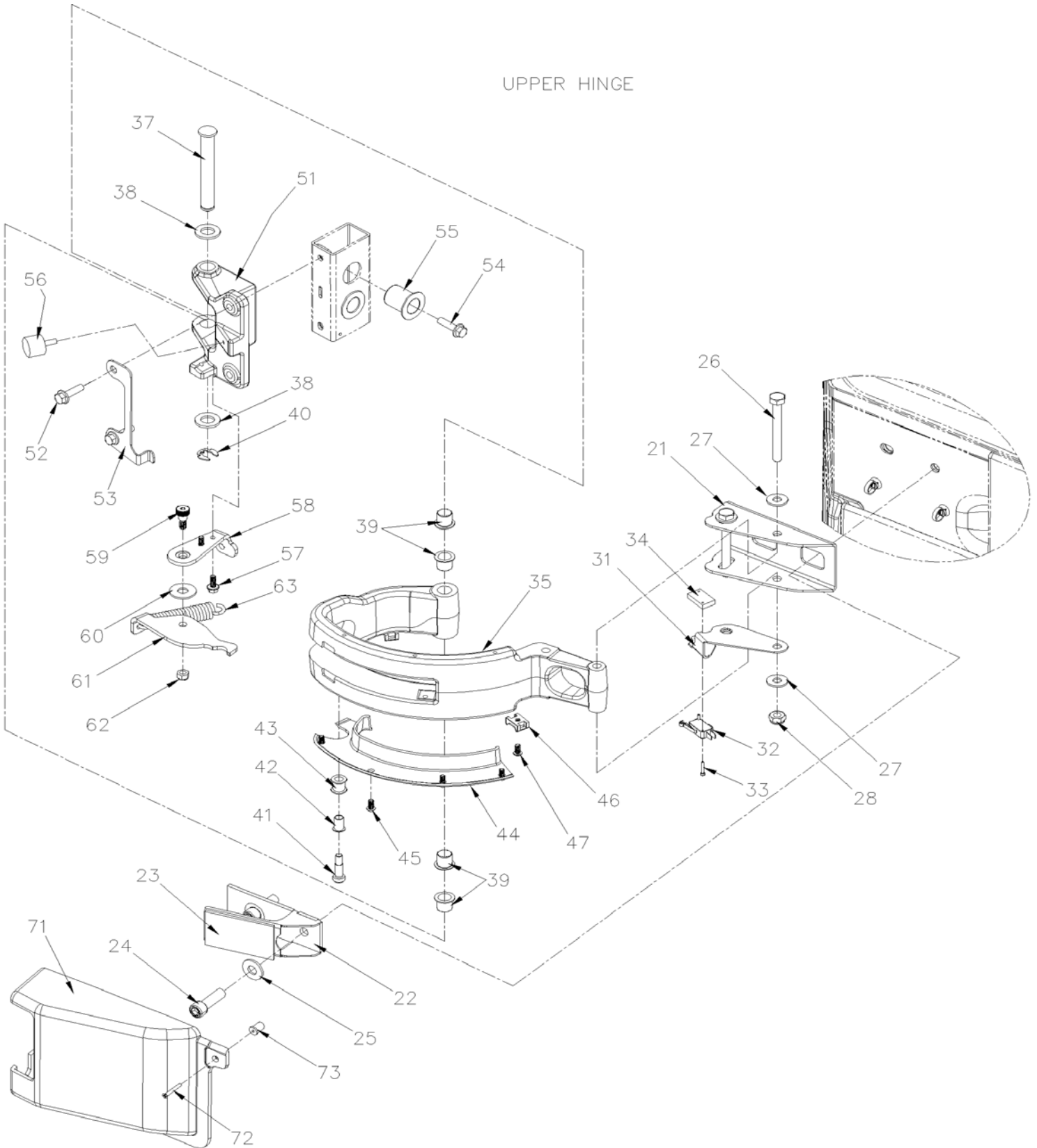
PAGE:VIP-1862-61

ENTRANCE DOOR - INSTALLATION



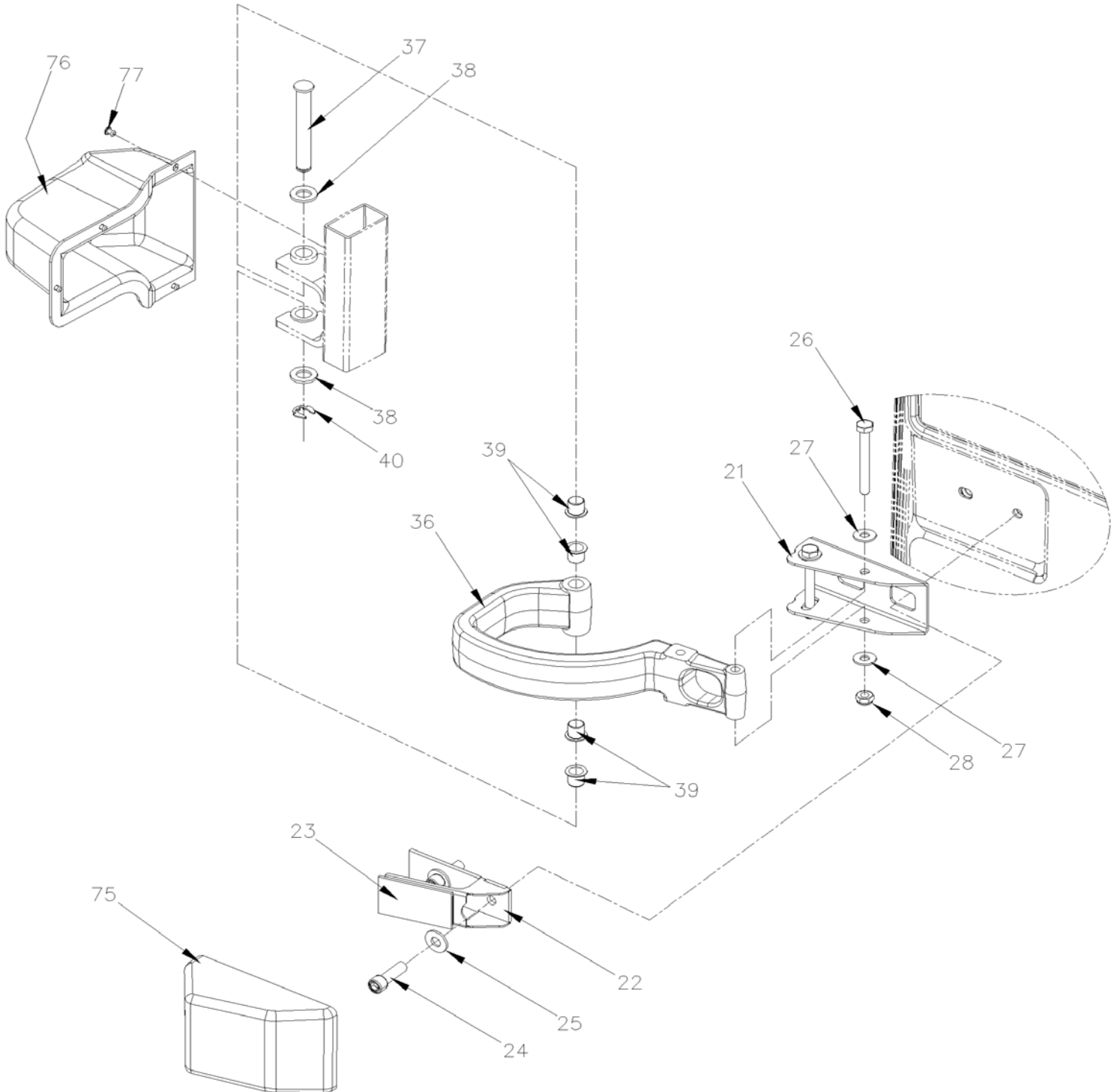
ENTRANCE DOOR - INSTALLATION

UPPER HINGE



| | | |
|------------------------------|--------------|------------------|
| From P-1348 | Date:07/2024 | PAGE:VIP-1862-61 |
| ENTRANCE DOOR - INSTALLATION | | |

LOWER HINGE



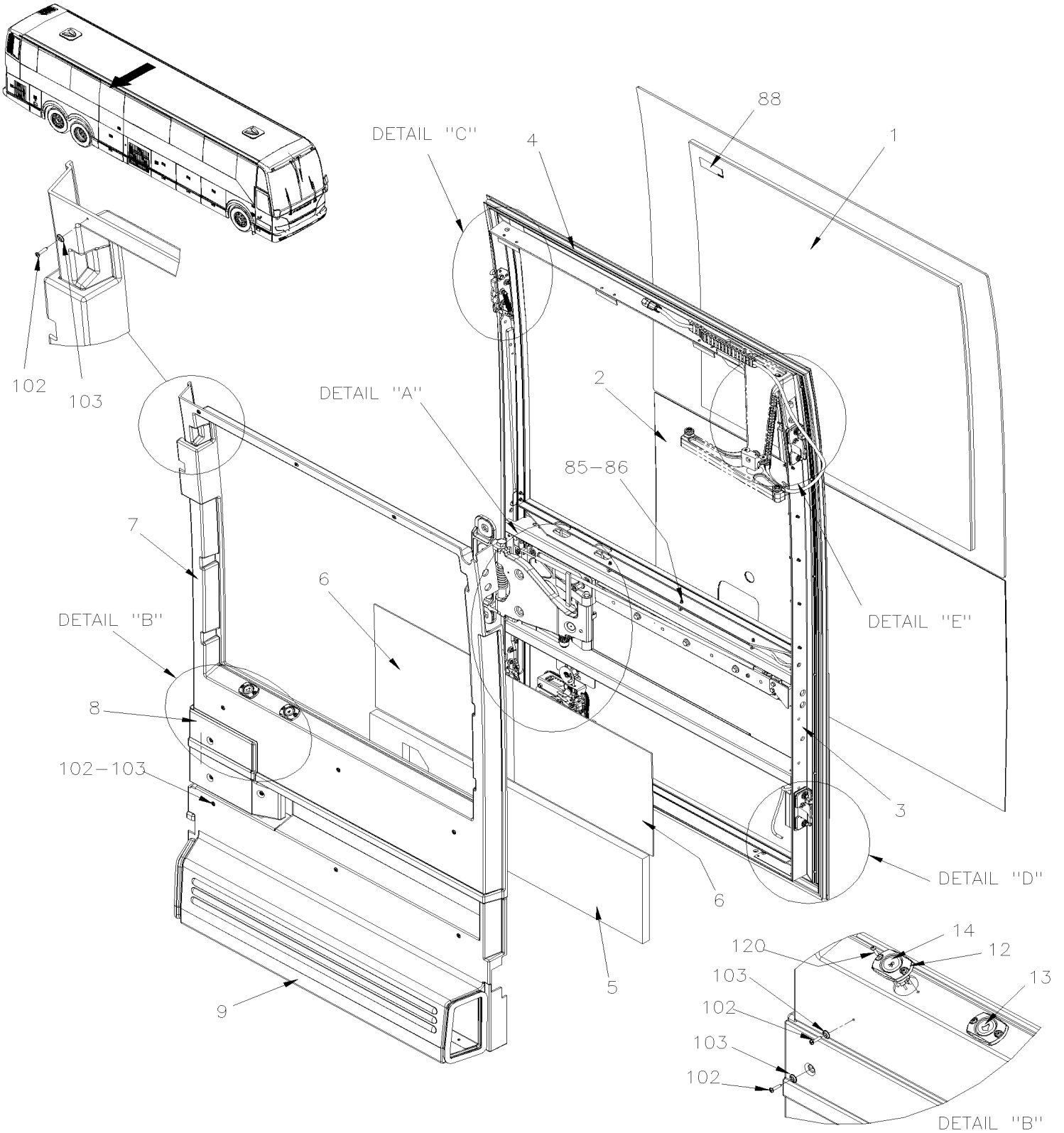
| | | | |
|-------------------------------------|--|--------------|------------------|
| From P-1348 | | Date:07/2024 | PAGE:VIP-1862-61 |
| ENTRANCE DOOR - INSTALLATION | | | |

| Item# | Part | Description | QTY | Notes |
|-------|---------|--|-----|-------|
| 1 | 2810435 | FRAME VIP | 1 | |
| NS | 685387 | GLUE MS POLYMER TEROSON MS 9399 / 400ml CARTRIDGE | AR | |
| NS | 506191 | TAPE RUB ADH1 CC POL 1/8" x 1/4" x 50' / GREY 2520X | AR | |
| 2 | 3211656 | SPACER,DOOR STEP | 1 | |
| NS | 685387 | GLUE MS POLYMER TEROSON MS 9399 / 400ml CARTRIDGE | AR | |
| NS | 506769 | TAPE RUB ADH2 CC POL 1/8" x 1/4" x 60' / BLACK H1CC-N#14 | AR | |
| 5 | 780497 | DOVETAIL, FEMALE / FIXED ON STRUCTURE | 1 | |
| 6 | 2800587 | SPACER | 1 | |
| 7 | 5001411 | SCREW MA FL PH M4-0.7x20 BK | 2 | |
| 8 | 5002127 | NUT AN INS THREADED M4-07 / M8-1.25 SS | 2 | |
| 11 | 2810602 | STRIKE | 1 | |
| 12 | 5002242 | SCREW CAP BUT HEXS M6-1.0X20 N500 | 2 | |
| 13 | 780056 | STRIKER BOLT, VIP DOOR | 1 | |
| 14 | 780066 | WASHER, VIP DOOR | 1 | |
| 15 | 283355 | SPACER | 1 | |
| 16 | 2811009 | WASHER, VIP DOOR | 1 | |
| 17 | 2810608 | PLATE, STRIKER BOLT, VIP DOOR | 1 | |
| 18 | 500623 | SCREW TC PAN PH #10-24x3/4 N500 | 3 | |
| 19 | 500804 | WASHER FL .203x.500x.047 N500 | 3 | |
| 21 | 2810138 | BRACE | 2 | |
| 22 | 2810348 | COVER BRACE ASSY. | 2 | |
| 23 | 505537 | TAPE DUAL LOCK 2" X 50 YARD / BLACK SJ3551 | AR | |
| 23 | 505538 | TAPE DUAL LOCK 1" x 50 YARD / BLACK SJ3551 | AR | |
| 24 | 5001589 | SCREW CAP HEXS M12-1.75x40 G8.8 Z050 | 4 | |
| 24 | 5001589 | SCREW CAP HEXS M12-1.75x40 G8.8 Z050 | 4 | |
| 25 | 500967 | WASHER BEL SPR .512x1.142x.098 N500 | 4 | |
| 26 | 502890 | SCREW CAP HEX M10-1.5x90 G8.8 N500 To R-1878 | 4 | |
| 26 | 5000017 | SCREW CAP HEX M10-1.5X90 G10.9 N500 From R-1879 | 4 | |
| 27 | 500897 | WASHER FL .437x1.000x.083 N500 | 8 | |
| 28 | 502859 | NUT HEX NYRT M10-1.5 N500 | 4 | |
| 31 | 2810595 | SWITHCH SUPPORT, HINGE, VIP DOOR | 1 | |
| 32 | 562096 | MICRO SWITCH | 1 | |
| 33 | 5001888 | SCREW TP CAP TORX M3X18 SS | 2 | |
| 34 | 2800615 | BLOCK RETAINING | 1 | |
| 35 | 2810112 | HINGE, MACHINED | 1 | |
| 36 | 2810113 | HINGE, MACHINED | 1 | |
| 37 | 2810532 | HINGE AXLE | 2 | |
| 38 | 5002164 | WASHER FL 17X30X3.0 NYL | 4 | |
| 39 | 507021 | FLANGE BEARING ID 16MM OD 18MM | 8 | |
| 40 | 508398 | RING RETAINER / EXT .625 x .500 x .050" / SS | 2 | |
| 41 | 500876 | SCREW SHR HEXS 3/8x3/4 {5/16-18 | 1 | |
| 42 | 507628 | BUSHING NYLINER | 1 | |

| | | | |
|-------------------------------------|--|--------------|------------------|
| From P-1348 | | Date:07/2024 | PAGE:VIP-1862-61 |
| ENTRANCE DOOR - INSTALLATION | | | |

| Item# | Part | Description | QTY | Notes |
|-------|---------|---|-----|-------|
| 43 | 287405 | ROLLER SS 11MM I.D.x14.5 O.D. 19Flx17Th | 1 | |
| 44 | 0610312 | WIRE COVER | 1 | |
| 45 | 5000353 | SCREW CAP BUT HEXS M6-1.0x12 N500 | 4 | |
| 46 | 504013 | TIE MOUNT / 1/4" X 1/4" I.D. | 2 | |
| NS | 504637 | CABLE TIE / 3/16" x 13" | 2 | |
| 47 | 5000353 | SCREW CAP BUT HEXS M6-1.0x12 N500 | 2 | |
| 51 | 2810111 | HINGE RETAINER | 1 | |
| 52 | 5002109 | SCREW CAP HEXF SERR M8-1.25x30 SS NSS | 2 | |
| 53 | 2810596 | SWITCH STOP, DOOR, VIP | 1 | |
| 54 | 5002109 | SCREW CAP HEXF SERR M8-1.25x30 SS NSS | 2 | |
| 55 | 251530 | SLEEVE | 2 | |
| 56 | 504790 | BUMPER RUBBER BOLT / 25.5MM ODx20MM TH M6X18MM STUD | 1 | |
| 57 | 5002027 | SCREW CAP HEXF AD M6-1.0x16 G10.9 N500 | 2 | |
| 58 | 2810539 | SUPPORT DOOR STOPPER | 1 | |
| 59 | 5002104 | SCREW SHR HEXS 10x10 (M8-1.25 SS | 1 | |
| 60 | 5001233 | WASHER FL .500x1.250x.062 NYL | 1 | |
| 61 | 2810636 | DOOR STOPPER VIP | 1 | |
| 62 | 502847 | NUT HEX NYRT M8-1.25 N500 | 1 | |
| 63 | 502191 | SPRING EXTENSION / .814 O.D. x 3.975 x .148 | 1 | |
| 71 | 2810601 | TOP HINGE COVER VIP | 1 | |
| 72 | 5002233 | SCREW MA FL PH M4-0.7X30 N500 | 1 | |
| 73 | 500589 | NUT WELL M4-0.7x13.5 | 1 | |
| 75 | 2810202 | BOTTOM HINGE COVER | 1 | |
| 76 | 2810153 | HINGE COVER, RIGHT | 1 | |
| 77 | 504581 | RIVET MGLP PRDG 3/16x7/16 SS BK | 4 | |
| 77 | 5001137 | WASHER FL .203x.438x.050 SS | 4 | |
| NS | 680100 | THREAD LOCKER LOCTITE #271 / RED / 250ml | AR | |
| NS | 680038 | THREAD LOCKER LOCTITE #243 / BLUE / 50ml | AR | |

ENTRANCE DOOR SLIDING - WCL

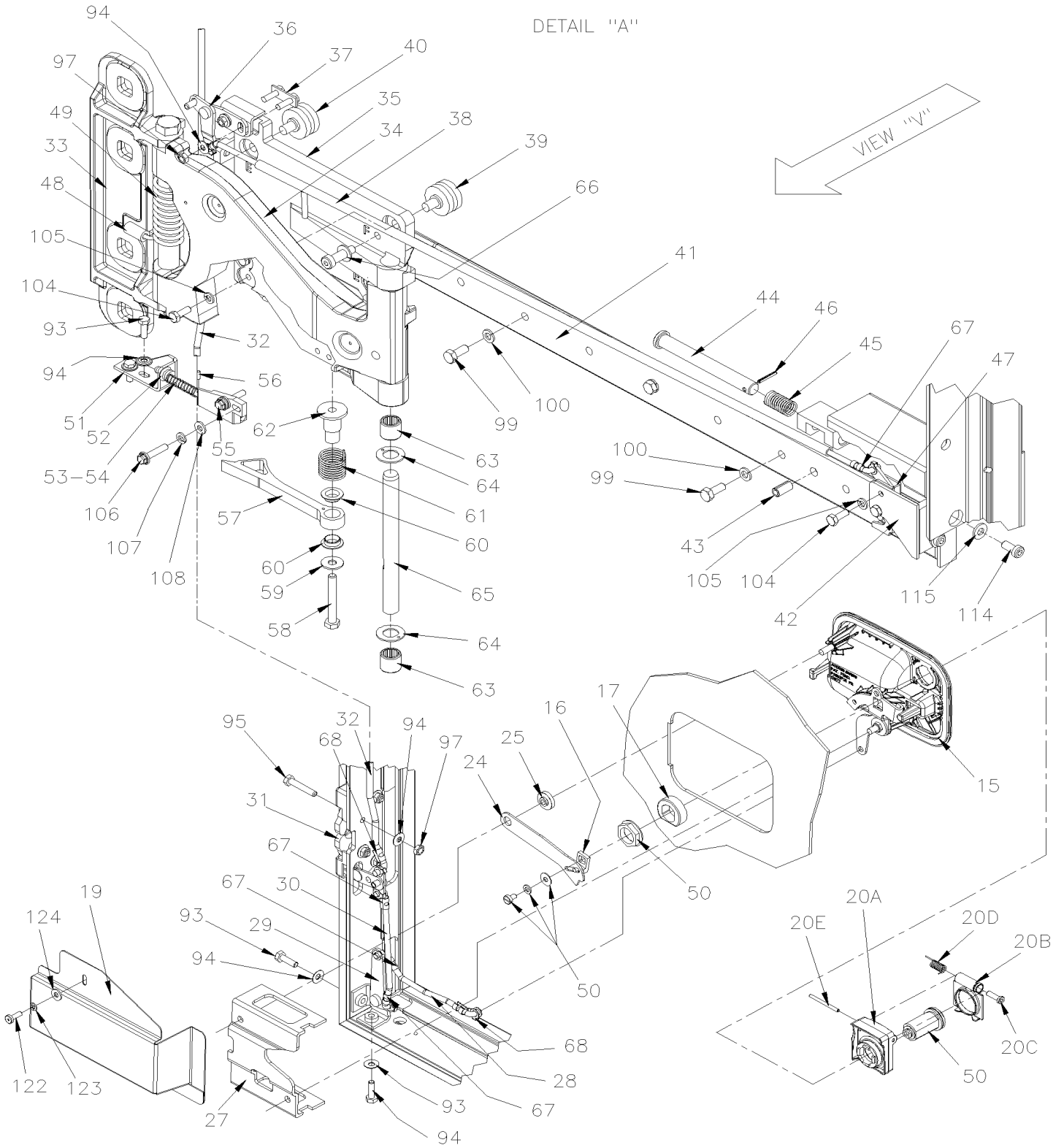


From K-0295 To P-1347

Date:07/2024

PAGE:VIP-1862-82

ENTRANCE DOOR SLIDING - WCL



| | | |
|------------------------------------|---------------------|-------------------------|
| From K-0295 To P-1347 | Date:07/2024 | PAGE:VIP-1862-82 |
| ENTRANCE DOOR SLIDING - WCL | | |

| Item# | Part | Description | QTY | Notes |
|-------|---------|---|-----|-------|
| | 2810019 | DOOR S ASSY W.C.L. DOOR SLIDING | | |
| 1 | 293797 | GLASS, THERMOS 13% W.C.L. DOOR SLIDING | 1 | |
| NS | 287501 | UPPER EXTRUSION, SLIDING DOOR | 1 | |
| NS | 506769 | TAPE RUB ADH2 CC POL 1/8" x 1/4" x 60' / BLACK H1CC-N#14 | AR | |
| NS | 506785 | TAPE RUB ADH2 CC POL 1/16" X 1/4" X 200' / BLACK I1C-N-A | AR | |
| NS | 687957 | GLUE MS POLYMER TEROSON MS 9399 / 400ml CARTRIDGE To M-1153 | AR | |
| 1 | 685387 | GLUE MS POLYMER TEROSON MS 9399 / 400ml CARTRIDGE From M-1154 | AR | |
| NS | 684685 | ADHESIVE SIMSON #ISR 70-03 / 310ml CARTRIDGE | AR | |
| 2 | 288749 | PANEL LOWER 1215.5MM x 891.6MM | 1 | |
| 2 | 7770343 | PANEL COMPLETE DOOR 1215.5MM x 2045MM | 1 | C |
| 3 | 2810001 | FRAME DOOR To M-1129 | 1 | |
| 3 | 2810402 | FRAME DOOR From M-1130 | 1 | |
| 4 | 2800145 | RUBBER SEAL EXTRUSION / 1974MM X 1111MM | 1 | |
| 5 | 289907 | INSULATING LOWER | 1 | |
| 6 | 289906 | INSULATING UPPER | 2 | |
| 7 | 281797 | CAP FINISHING | 1 | |
| NS | 506466 | TAPE RUB ADH1 CC POL 1/16" x 1 1/2" x 100 / GREY 2520 | 1 | |
| 8 | 3200791 | CAP FINISHING WITH ONE PIECE CASTING | 1 | |
| 9 | 281449 | DUCT DOOR / PLASTIC | 1 | |
| 10 | 288648 | ANGLE 18MM x 18MM x 76MM | 3 | |
| 11 | 068192 | PLATE ANGLE 50MM x 25MM | 1 | |
| 11 | 506785 | TAPE RUB ADH2 CC POL 1/16" X 1/4" X 200' / BLACK I1C-N-A | AR | |
| 11 | 684685 | ADHESIVE SIMSON #ISR 70-03 / 310ml CARTRIDGE | AR | |
| 12 | 409259 | PROTECTOR SWITCH / CAP | 2 | |
| NS | 288728 | REINFORCMENT FOR SCREW PROTECTOR CAP | 1 | |
| 13 | 830159 | SWITCH / OFF-M/ON / S.P.S.T. / CHIME | 1 | |
| 14 | 830158 | SWITCH / OFF-ON / S.P.S.T. / READING LIGHT | 1 | |
| 15 | 288652 | HANDLE ASSY W"HAPPITCH" NS SERIES KEY | 1 | |
| 15 | 780785 | HANDLE BODY W"HAPPITCH" NS SERIES KEY | 1 | |
| 15 | 780823 | HANDLE W.C.L. DOOR PLASTIC | 1 | |
| 15 | 288653 | PLATE REINFORCMENT 19MM x 6.35MM x 11GA | 1 | |
| 15 | 680038 | THREAD LOCKER LOCTITE #243 / BLUE / 50ml | AR | |
| 16 | 280014 | ACTUATOR ROD | 1 | |
| 17 | 289321 | SPACER CYLINDER KEY | 1 | |
| 17 | 506869 | TAPE RUB ADH2 POL .031" X 1/4" X 300' / BLACK | AR | |
| 17 | 684743 | GLUE METHACRYLATE PLEXUS MA832GB 380 ml | AR | |
| 19 | 2800060 | PLATE, SEALING HANDLE | 1 | |
| 19 | 684685 | ADHESIVE SIMSON #ISR 70-03 / 310ml CARTRIDGE | AR | |
| 19 | 506004 | TAPE RUB ADH1 CC POL 3/8" x 1/2" x 20' / GREY 2520X | AR | |
| 19 | 506001 | TAPE RUB ADH1 CC POL 1/8" x 3/4" x 50' / GREY 2520X | AR | |
| 20 | 280020 | LOCK COVER ASSEMBLY | 1 | |

| | | |
|------------------------------------|---------------------|-------------------------|
| From K-0295 To P-1347 | Date:07/2024 | PAGE:VIP-1862-82 |
| ENTRANCE DOOR SLIDING - WCL | | |

| Item# | Part | Description | QTY | Notes |
|-------|--------------------|---|-----|-------|
| A | N.S.S. | RECEIVER | 1 | 1 |
| B | N.S.S. | COVER | 1 | 1 |
| C | N.S.S. | GUIDE, SPRING | 1 | 1 |
| D | N.S.S. | SPRING | 1 | 1 |
| E | N.S.S. | AXLE | 1 | 1 |
| 24 | 289317 | ACTUATOR LEVER | 1 | |
| 25 | 289322 | SPACER W/SHOULDER FOR BE | 1 | |
| 27 | 780787 | SUPPORT HANDLE | 1 | |
| 28 | 289314 | ROD LOWER 123MM | 1 | |
| 29 | 289910 | PIVOT ASSY | 1 | |
| 30 | 289922 | ROD LOWER 152MM | 1 | |
| 31 | 289916 | LOCK LOWER / FORWARD | 1 | |
| 32 | 289919 | ROD UPPER 1229MM | 1 | |
| 33 | 2800194 | HINGE / POST SECTION / MACHINED ONE PIECE CASTING | 1 | |
| 34 | 2800193 | HINGE / MOVABLE SECTION ONE PIECE CASTING | 1 | |
| 35 | 289996 | HINGE / RAIL SECTION ONE PIECE CASTING | 1 | |
| 36 | 289913 | PIVOT ASSY | 1 | |
| 37 | 289924 | ATTACHMENT PLATE | 1 | |
| 38 | 289920 | ROD UPPER 937MM | 1 | |
| NS | 289929 | TUBE REINFORCMENT 9.5 Diam x 800 MM | 1 | |
| 39 | 780782 | WHEEL "V" | 2 | |
| 40 | 780783 | WHEEL "V" W/ECCENTRIC | 2 | |
| 41 | 285614 | RAIL TRACK | 1 | |
| 42 | 280213 | SUPPORT RAIL SLIDING / FIXED AT DOOR FRAME | 1 | |
| 43 | 504719 | SPRING, PIN M10 X 20 | 2 | |
| 44 | 289901 | BUMPER PIN | 1 | |
| 45 | 502181 | SPRING COMPRESSION / .720 O.D. x 3 x .067 | 1 | |
| 46 | 505513 | SPRING, PIN M3 x 24 SS | 1 | |
| 47 | 780778 | LOCK L.H. | 2 | |
| 48 | 285576 | BUSHING 12.7 O.D. x 6.6 I.D. x 24MM | 1 | |
| 49 | 2800348 | SPRING, TORSION / 1.061" I.D. x 3.23 x .162 | 1 | |
| 50 | VIP-1864-31 | HANDLE LOCK & KEYS - TYPE "NS" To P-1347 | | |
| 50 | VIP-1864-32 | HANDLE LOCK & KEYS - TYPE "NS" From P-1348 | | |
| 51 | 289325 | BUMPER ANGLE | 1 | |
| 52 | 504718 | RIVET DRV BDG 1/4X1/2 NYL | 1 | |
| 53 | 289324 | PLUNGER | 1 | |
| 54 | 289326 | SPRING , COMPRESSION | 1 | |
| 55 | 289323 | PLATE SLIDING DOOR | 1 | |
| 56 | 505221 | SPRING, PIN 1/8 X 3/8 | 1 | |
| 57 | 288499 | STOPPER BUMPER | 1 | |
| 58 | 5001178 | SCREW CAP HEX M8-1.25x60 SS BK | 1 | |
| 59 | 500332 | WASHER FL .328x.875x.062 N500 | 1 | |

| | | |
|------------------------------------|---------------------|-------------------------|
| From K-0295 To P-1347 | Date:07/2024 | PAGE:VIP-1862-82 |
| ENTRANCE DOOR SLIDING - WCL | | |

| Item# | Part | Description | QTY | Notes |
|-------|---------|---|-----|-------|
| 60 | 507379 | BUSHING FLANGE 14MM I.D. x 16MM O.D. x 6MM L x SHOULDER 22MM O.D. | 2 | |
| 61 | 286237 | SPRING, TORSION / 25MM I.D. x 25.2 x .068 | 1 | |
| 62 | 288498 | BUSHING 8MM ID x 14MM OD x 20MM OD | 1 | |
| 63 | 507374 | NEEDLES BEARING 5/8 I.D. x 13/16 O.D. x 3/4 | 2 | |
| 64 | 507377 | WASHER 5/8x1 1/8x.0585 | 2 | |
| 65 | 286524 | AXE 178MM | 1 | |
| 66 | 780779 | BOLT, STRIKER ASSY. | 1 | |
| 67 | 504243 | CLIP ROD 1/4" L.H. | 6 | |
| 68 | 504541 | CLIP ROD 1/4" R.H. | 5 | |
| 69A | 289923 | PIVOT | 1 | |
| 69B | 289917 | ROD CARRIER 188MM | 1 | |
| 70 | 280028 | KEY DRAW | 1 | |
| 70 | 5001835 | NUT HEXF M6-1.0 SS | 1 | |
| 71 | 780776 | LOCK UPPER / FORWARD | 1 | |
| 72 | 502156 | SPRING EXTENSION / .437 O.D. x 2 x .041 | 1 | |
| 73 | 2800056 | GUIDE | 1 | |
| 74 | 504069 | GROMMET / .281x.375x.062x.250x.562 | 1 | |
| 75 | 286151 | AXE BOLT SPECIAL 250MM | 1 | |
| 76 | 507376 | BUSHING FLANGE | 2 | |
| 77 | 502859 | NUT HEX NYRT M10-1.5 N500 | 1 | |
| 78 | 287520 | BUSHING 16MM I.D. x 21MM O.D. x 122MM | 1 | |
| 79 | 289926 | ATTACHMENT | 1 | |
| 80 | 289825 | CATCH SLIDING DOOR | 2 | |
| 81 | 2800296 | SPACER 44MM x 132MM x 24GA | AR | |
| 81 | 288588 | SPACER 44MM x 132MM x 18GA | AR | |
| 82 | 470568 | REINFORCMENT | 2 | |
| 83 | 280481 | PLATE UPPER SLIDING DOOR | 1 | |
| 83 | 504013 | TIE MOUNT / 1/4" X 1/4" I.D. | 1 | |
| 83 | 5001377 | SCREW MA PAN PH M5-0.8x8 SS | 1 | |
| 83 | 5001587 | NUT HEX NYRT M5-0.8 SS | 1 | |
| 84 | 288470 | PLATE ATTACHMENT 136MM x 35MM | 1 | |
| 85 | 509815 | TIE MOUNT / ATTACHMENT W/TREE MOUNT | AR | |
| 86 | 504637 | CABLE TIE / 3/16" x 13" | AR | |
| 87 | 060694 | WCL RICON SLIDING DOOR HARNESS To K-0574 | 1 | |
| 87 | 069992 | WCL RICON SLIDING DOOR HARNESS From K-0575 | 1 | |
| 88 | 408203 | DECAL EMERGENCY >>>> PICTOGRAPM RIGHT>>>> | 1 | |
| | | | | |
| 91 | 5001815 | SCREW CAP HEXF M6-1.0x30 G 8.8 N500 | 4 | |
| 92 | 500142 | WASHER FL 6.6x22.0x2.0 SS | 4 | |
| 93 | 502830 | SCREW CAP HEX M6-1.0x20 G8.8 N500 | 4 | |
| 94 | 5001833 | WASHER BEL SPR 6.1x18x1.27 SS | 21 | |
| 95 | 502888 | SCREW CAP HEX M6-1.0x35 G8.8 N500 | 7 | |

| | | |
|------------------------------------|---------------------|-------------------------|
| From K-0295 To P-1347 | Date:07/2024 | PAGE:VIP-1862-82 |
| ENTRANCE DOOR SLIDING - WCL | | |

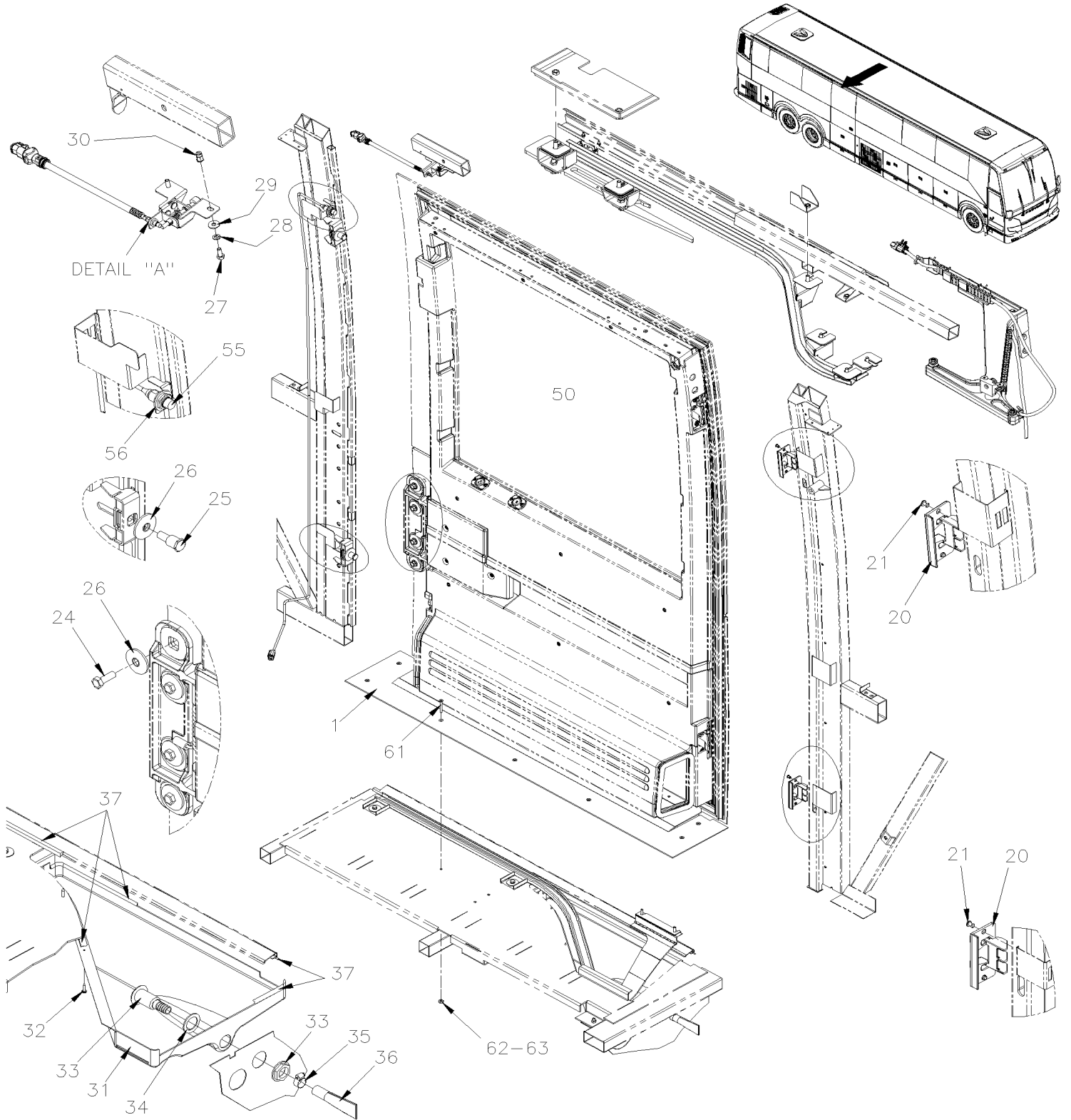
| Item# | Part | Description | QTY | Notes |
|-------|--------------------|---|-----|-------|
| 97 | 502854 | NUT HEX M6-1.0 N500 | 11 | |
| 98 | 502843 | SCREW CAP HEX M6-1.0x45 G8.8 N500 | 1 | |
| 99 | 502862 | SCREW CAP HEX M8-1.25x20 G8.8 N500 | 6 | |
| 100 | 5001161 | WASHER LO SPT 8.1x14.8x2.0 SS-304 To L-1099 | 6 | |
| 100 | 5001848 | WASHER BEL SPR .827 x .331 x .098 th SS From L-1098 | 6 | |
| 102 | 500333 | SCREW TP OV PH #6x3/4 BK | AR | |
| 103 | 500345 | WASHER FN CKF .187x.500x.090 BR BK | AR | |
| 104 | 5001746 | SCREW CAP HEX 1/4-20x3/4 G5 N500 | 4 | |
| 105 | 5001749 | WASHER LO SPT 6.5x11.5x1.6 N500 | 4 | |
| 106 | 5001815 | SCREW CAP HEXF M6-1.0x30 G 8.8 N500 | AR | |
| 107 | 5001749 | WASHER LO SPT 6.5x11.5x1.6 N500 | AR | |
| 108 | 500877 | WASHER FL .250x.562x.065 N500 | 2 | |
| 110 | 504581 | RIVET MGLP PRDG 3/16x7/16 SS BK | 8 | |
| 111 | 504339 | RIVET POP DOME OE 1/8x3/8 SS | 8 | |
| 112 | 5001745 | SCREW CAP HEX M8-1.25x25 G8.8 N500 | 2 | |
| 113 | 5001848 | WASHER BEL SPR .827 x .331 x .098 th SS | 2 | |
| 114 | 5001573 | SCREW CAP HEXS M8-1.25x18 G8.8 | 6 | |
| 115 | 5001736 | WASHER FL 8.4x18.0x2.0 N500 | 6 | |
| 116 | 500942 | WASHER LO SPT 8.1x14.8x2.0 N500 | 2 | |
| 117 | 500539 | NUT HEX NYRT M4-0.7 N500 | 2 | |
| 118 | 502556 | WASHER FL 4.3x9.0x0.8 SS | 2 | |
| 119 | VIP-1862-87 | SLIDING DOOR - INSTALLATION | | |
| 120 | 500814 | SCREW TP BDG PH #6x3/4 BK | 4 | |
| 121 | 5001606 | SCREW SHR HEXS 1/4x3/16 {#10-24 SS | 1 | |
| 122 | 500965 | SCREW TC BDG PH #8-32x1/2 N500 | 1 | |
| 123 | 502834 | WASHER LO SPT 4.1x7.6x0.9 N500 | 1 | |
| 124 | 504357 | WASHER FL .187x.437x.050 SS | 1 | |
| 126 | 479570 | WELD PLATE NUT ASSY | 1 | |
| 127 | 500117 | SCREW CAP FL HEXS M8-1.25x40 GR10.9 BK | 1 | |
| 128 | 5001188 | NUT HEX M8-1.25 SS | 1 | |
| 129 | 5001868 | WASHER BEL SPR 8.4x18x2 SS | 1 | |
| NS | 680038 | THREAD LOCKER LOCTITE #243 / BLUE / 50ml | AR | |
| NS | 680122 | TUBE, LUBRIPLATE 10 OZ. | AR | |
| NS | 680397 | CONTACT GLUE / AEROSOL 17oz | AR | |
| NS | 680739 | GREASE SYNTHETIC / RED 20KG | AR | |
| | | | | |
| | | | | |
| | | | | |
| | | | | |
| | | C) TO FIX SUPPORT | | |
| | | 1) NOT SOLD SEPARATELY | | |

From K-0295 To P-1347

Date:07/2024

PAGE:VIP-1862-87

SLIDING DOOR - INSTALLATION

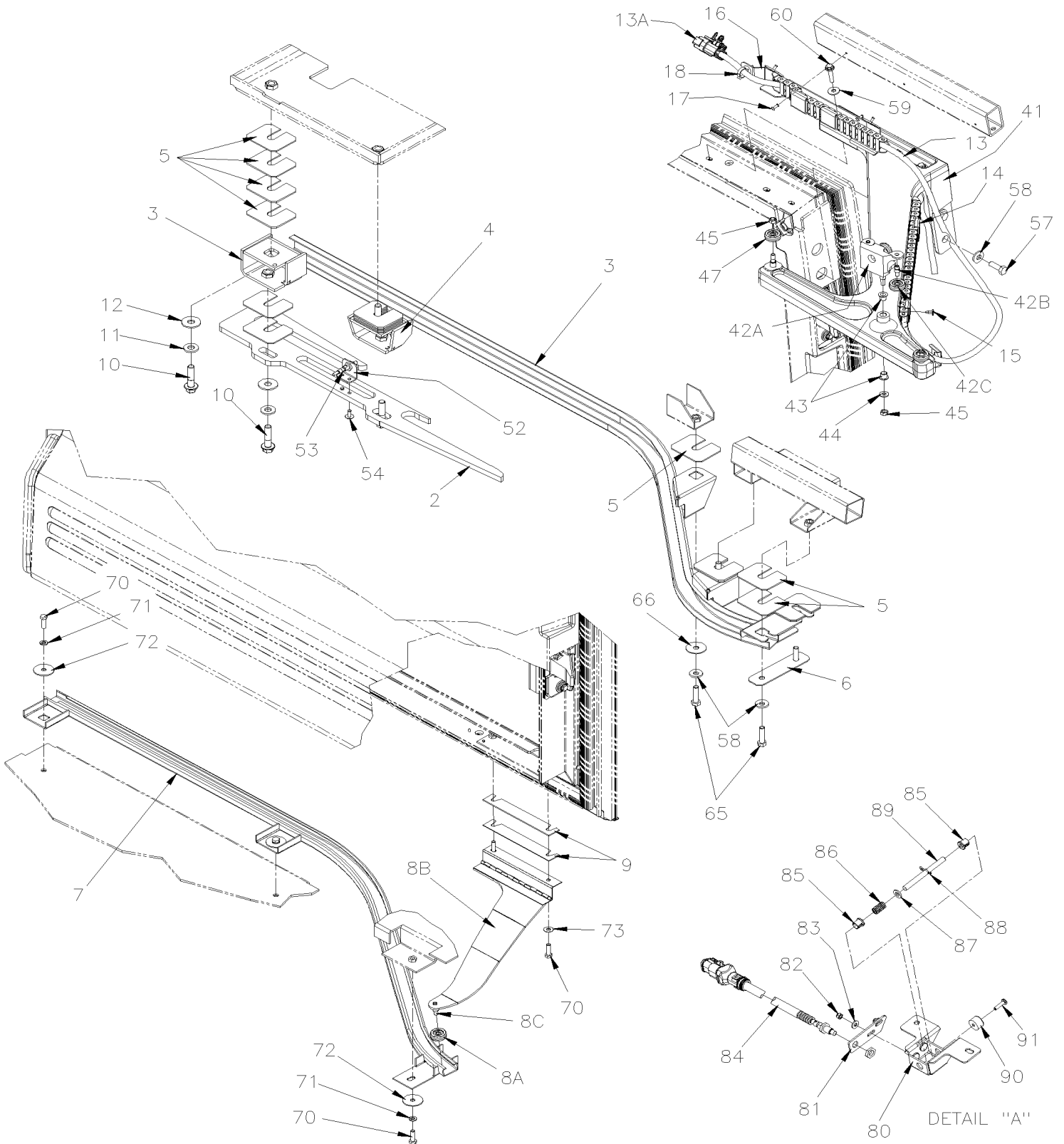


From K-0295 To P-1347

Date:07/2024

PAGE:VIP-1862-87

SLIDING DOOR - INSTALLATION



| | | |
|------------------------------------|---------------------|-------------------------|
| From K-0295 To P-1347 | Date:07/2024 | PAGE:VIP-1862-87 |
| SLIDING DOOR - INSTALLATION | | |

| Item# | Part | Description | QTY | Notes |
|-------|---------|---|-----|-------|
| 1 | 288488 | STEP PROTECTOR 1340 x 255 MM To K-0356 | 1 | |
| 1 | 283878 | STEP PROTECTOR 1340 x 255 MM From K-0357 | 1 | |
| 2 | 2800088 | DOOR SUPPORT | 1 | |
| 3 | 2800235 | TRACK UPPER ASSY | 1 | |
| 4 | 288489 | SUPPORT | 1 | |
| 5 | 286421 | SPACER "U" 54MM X 66MM X 14GA | AR | |
| 6 | 2800242 | REINFORCEMENT PLATE | 1 | |
| 7 | 288482 | TRACK LOWER ASSY | 1 | |
| 8 | 289012P | LOWER ARM ASSY / W/BEARING / W/BEARING | 1 | |
| . A | 288460 | . WHEEL ASSY W/BEARING | 1 | |
| . B | 288472 | . LOWER ARM ASSY | 1 | |
| . C | 288468 | . RIVET | 1 | |
| 9 | 288471 | SPACER 22MM x 146MM x 16GA | 2 | |
| 10 | 5001308 | SCREW CAP HEXF M10-1.5x40 G10.9 N500 | AR | |
| 11 | 5001834 | WASHER BEL SPR 10.5X23X2.5 N500 | AR | |
| 12 | 502644 | WASHER FL 10.5x30.0x2.5 Z050 | AR | |
| 13 | 060694 | WCL RICON SLIDING DOOR HARNESS To K-0574 | 1 | |
| 13 | 069992 | WCL RICON SLIDING DOOR HARNESS From K-0575 | 1 | |
| 13A | 564108 | SELF MOUNTING STUD // DEUTSCH 1011-310-0205 | 1 | |
| 14 | 280461 | RAIL SUPPORT ON ARM To K-0574 | 2 | |
| 14 | 2810007 | RAIL SUPPORT ON ARM From K-0575 | 2 | |
| 14 | 288752 | RAIL SUPPORT ON ARM To K-0574 | 1 | |
| 14 | 2810008 | RAIL SUPPORT ON ARM From K-0575 | 1 | |
| 15 | 5001440 | SCREW TP RND PH WSHR HD #8x1/2 To K-0432 | AR | |
| 15 | 500654 | SCREW TC BDG PH #8-32x1/2 Z050 From K-0433 | AR | |
| 16 | 280462 | CABLE PAST BRACKET 310 x 43.4 x 23.2 MM To K-0574 | 1 | |
| 16 | 289164 | CABLE PAST BRACKET From K-0575 | 1 | |
| 17 | 504339 | RIVET POP DOME OE 1/8x3/8 SS | AR | |
| 18 | 8631155 | CABLE TIE / 4.6MM x 200 / CHRISTMAS TREE | AR | |
| 20 | 280080 | CATCH | 2 | |
| 21 | 504581 | RIVET MGLP PRDG 3/16x7/16 SS BK | 4 | |
| 24 | 5001308 | SCREW CAP HEXF M10-1.5x40 G10.9 N500 | 8 | |
| 25 | 780809 | STRIKER PIN .675 O.D. x 1.715 -7/16-14 | 2 | |
| NS | 500496 | WASHER FL .437x.750x.054 Z050 To L-0978 | 2 | |
| 25 | 5000106 | WASHER FL .454X.913X.106 ECOGUARD From L-0979 | 2 | |
| 26 | 500494 | WASHER BEL SPR .470x1.680x.125 N500 | 6 | |
| 27 | 502799 | SCREW CAP HEX M4-0.7X16 G8.8 N500 | 2 | |
| 28 | 502834 | WASHER LO SPT 4.1x7.6x0.9 N500 | 2 | |
| 29 | 502556 | WASHER FL 4.3x9.0x0.8 SS | 2 | |
| 30 | 5001344 | NUT INS FL HEX M6-1.0 0.5-3.0 SS | 2 | |
| 31 | 288462 | DRIP PAN To K-0356 | 1 | |
| 31 | 283879 | DRIP PAN From K-0357 | 1 | |

| | | |
|------------------------------------|---------------------|-------------------------|
| From K-0295 To P-1347 | Date:07/2024 | PAGE:VIP-1862-87 |
| SLIDING DOOR - INSTALLATION | | |

| Item# | Part | Description | QTY | Notes |
|-------|--------------------|--|-----|-------|
| 32 | 5001155 | SCREW TP PAN PH #8X3/4 N050 | 2 | |
| 33 | 900280 | THRU HULL, CONNECTOR / PLASTIC | 1 | |
| 34 | 409038 | GASKET | 1 | |
| 35 | 504018 | HOSE CLAMP / 7/16"-1" SS / HS-8 | 1 | |
| 36 | 590286 | DRAIN BOOT 1 1/4" I.D. X 4" / FLAT | 1 | |
| 37 | 684685 | ADHESIVE SIMSON #ISR 70-03 / 310ml CARTRIDGE | AR | |
| 41 | 280491 | ARM ASSY (CASTING) | 1 | |
| 42 | 281454 | UP CARRIAGE DOOR ASSY | 1 | |
| . A | 281410 | . CARRIER ASSY | 1 | |
| . B | 288469 | . RIVET W/DOUBLE SHOULDER | 3 | |
| . C | 288460 | . WHEEL ASSY W/BEARING | 3 | |
| 43 | 507378 | BUSHING W/SHOULDER | 2 | |
| 44 | 500877 | WASHER FL .250x.562x.065 N500 | 1 | |
| 45 | 502681 | NUT HEX NYRT M6-1.0 N500 G8 | 3 | |
| 47 | 288460 | WHEEL ASSY W/BEARING | 5 | |
| 50 | VIP-1862-82 | ENTRANCE DOOR SLIDING - WCL | | |
| 52 | 068417 | BRACKET, PROXIMITY SENSOR | 1 | |
| 53 | 068358 | PROXIMITY SENSOR, NO ENTRANCE DOOR ASS. | 1 | |
| . NS | 564163 | . SWITCH PROXIMITY / S.P.D.T. / W/3 WIRES | 1 | |
| . NS | 564099 | . TAPE ADHESIF ELECTRICAL TISSUS / BLACK 838MM | 1 | |
| . NS | 562387 | . CONVOLUTED TUBING / SLIT / BLACK / .250" | 1 | |
| . NS | 562477 | . CONNECTOR / DT SERIES / SH 4C / GRAY / DEUTSCH DT06-4S | 1 | |
| . NS | 562478 | . SECONDARY LOCK / DT SERIES / SH 4C / DEUTSCH W4S | 1 | |
| . NS | 561608 | . SOCKET TERMINAL / 18-16 / DEUTSCH 0462-201-16141 | 3 | |
| . NS | 563606 | . SEALING PLUG TYPE 20 / DEUTSCH 0413-204-2005 | 1 | |
| 54 | 504793 | RIVET MNB OE LARGE HEAD 3/16x7/16 SS | 2 | |
| 55 | 068991 | PROXIMITY SWITCH ASSY | 1 | |
| 56 | 500126 | WASHER FL 19.0x34.0x3.0 SS | 1 | |
| 57 | 5001745 | SCREW CAP HEX M8-1.25x25 G8.8 N500 | 2 | |
| 58 | 5001848 | WASHER BEL SPR .827 x .331 x .098 th SS | 2 | |
| 59 | 5001833 | WASHER BEL SPR 6.1x18x1.27 SS | 21 | |
| 60 | 5001815 | SCREW CAP HEXF M6-1.0x30 G 8.8 N500 | 2 | |
| 61 | 5001626 | SCREW MA FL PH 1/4-20x1 3/4 SS To K-0356 | 6 | |
| 61 | 502748 | SCREW TP FL PH #14x1 1/4 EMN To K-0356 | 1 | |
| 61 | 5001626 | SCREW MA FL PH 1/4-20x1 3/4 SS From K-0357 | 7 | |
| 62 | 5001251 | NUT HEX NYRT 1/4-20 SS To K-0356 | 3 | |
| 62 | 502874 | NUT HEX NYRT 1/4-20 N500 From K-0357 | 7 | |
| 63 | 502638 | WASHER FL .312x.734x.065 N500 From K-0357 | 7 | |
| | | | | |
| 65 | 5001738 | SCREW CAP HEX M8-1.25x30 G8.8 N500 | 4 | |
| 66 | 5001467 | WASHER FL .343x1.250x.062 SS18-8 | AR | |
| 70 | 502830 | SCREW CAP HEX M6-1.0x20 G8.8 N500 | 3 | |

| | | |
|------------------------------------|---------------------|-------------------------|
| From K-0295 To P-1347 | Date:07/2024 | PAGE:VIP-1862-87 |
| SLIDING DOOR - INSTALLATION | | |

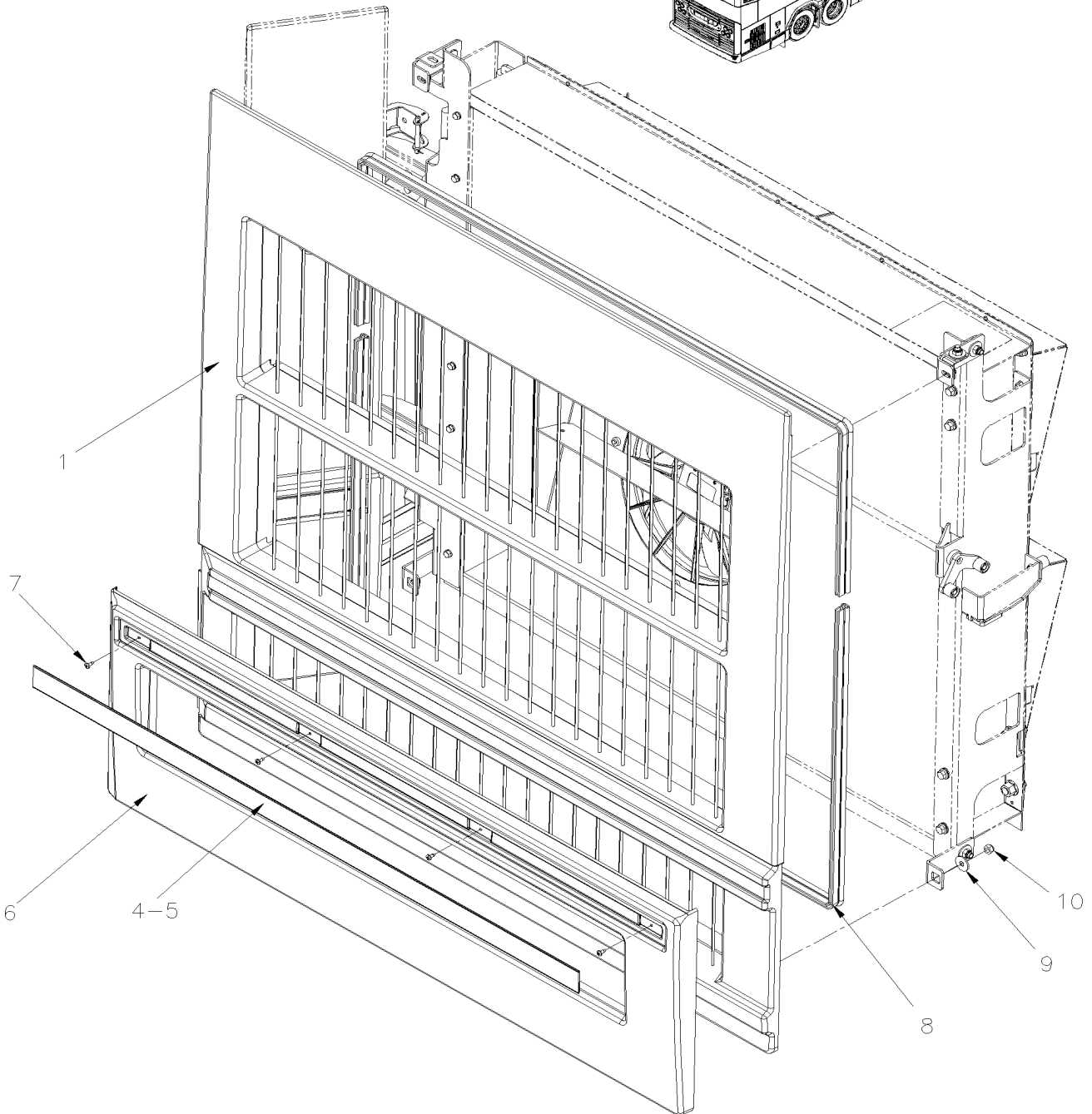
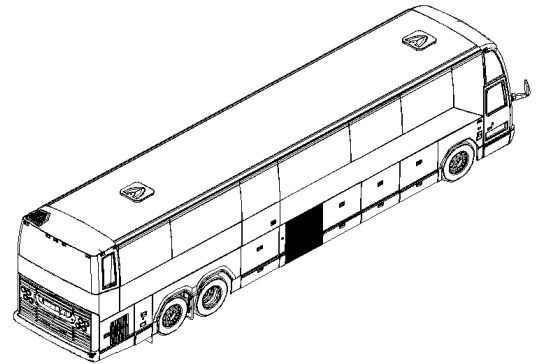
| Item# | Part | Description | QTY | Notes |
|-------|---------|---|-----|-------|
| 71 | 502853 | WASHER LO SPT 6.1x11.8x1.6 N500 | 3 | |
| 72 | 500913 | WASHER FL .281x1.250x.065 N500 | 3 | |
| 73 | 5001608 | WASHER BEL SPR 6.2x15.0x0.7 G500 | 2 | |
| 80 | 062316P | DETECTOR WCL DOOR ASSEMBLY /SAV To L-1086 | 1 | |
| 80 | 060608 | DETECTOR WCL DOOR ASSEMBLY From L-1087 | 1 | |
| 80 | 062317 | . SUPPORT SWITCH To L-1086 | 1 | |
| 80 | 060599 | . SUPPORT SWITCH From L-1087 | 1 | |
| 81 | 060928 | . SUPPORT PLATE SWITCH | 1 | |
| 82 | 500539 | . NUT HEX NYRT M4-0.7 N500 | 2 | |
| 83 | 500855 | . WASHER FL .188x.438x.049 N500 | 2 | |
| 84 | 068076 | . SWITCH PROXIMITY WITH LED ASSY | 1 | |
| . NS | 564176 | . . SWITCH PROXIMITY / S.P.D.T. / W/3 WIRES W/LED | 1 | |
| 85 | 504083 | . SNAP BUSHING / .250x.468.406 | 2 | |
| 86 | 5021001 | . SPRING COMPRESSION / .360 O.D. x 1.5 x .038 | 1 | |
| 87 | 502573 | . WASHER FL 6.4x12.5x1.6 SS | 1 | |
| 88 | 5001860 | . PIN HITCH CLIP .054 x 3/4 SS | 1 | |
| 89 | 060600 | . SWITCH ROD | 1 | |
| 90 | 504334 | . BUMPER RUBBER / .625 OD x .406 TH x .156 HOLE To K-0337 | 1 | |
| 90 | 5002025 | . BUMPER NEOPRENE / .625 OD x .406 TH x .156 HOLE From K-0338 | 1 | |
| 91 | 502698 | . SCREW MA PAN PH M4-0.7x16 SS BK | 1 | |

From K-0295

Date:07/2024

PAGE:VIP-1863-01

CONDENSOR DOOR ASSY "EPA 2010"



| | | |
|---------------------------------------|--------------|------------------|
| From K-0295 | Date:07/2024 | PAGE:VIP-1863-01 |
| CONDENSOR DOOR ASSY "EPA 2010" | | |

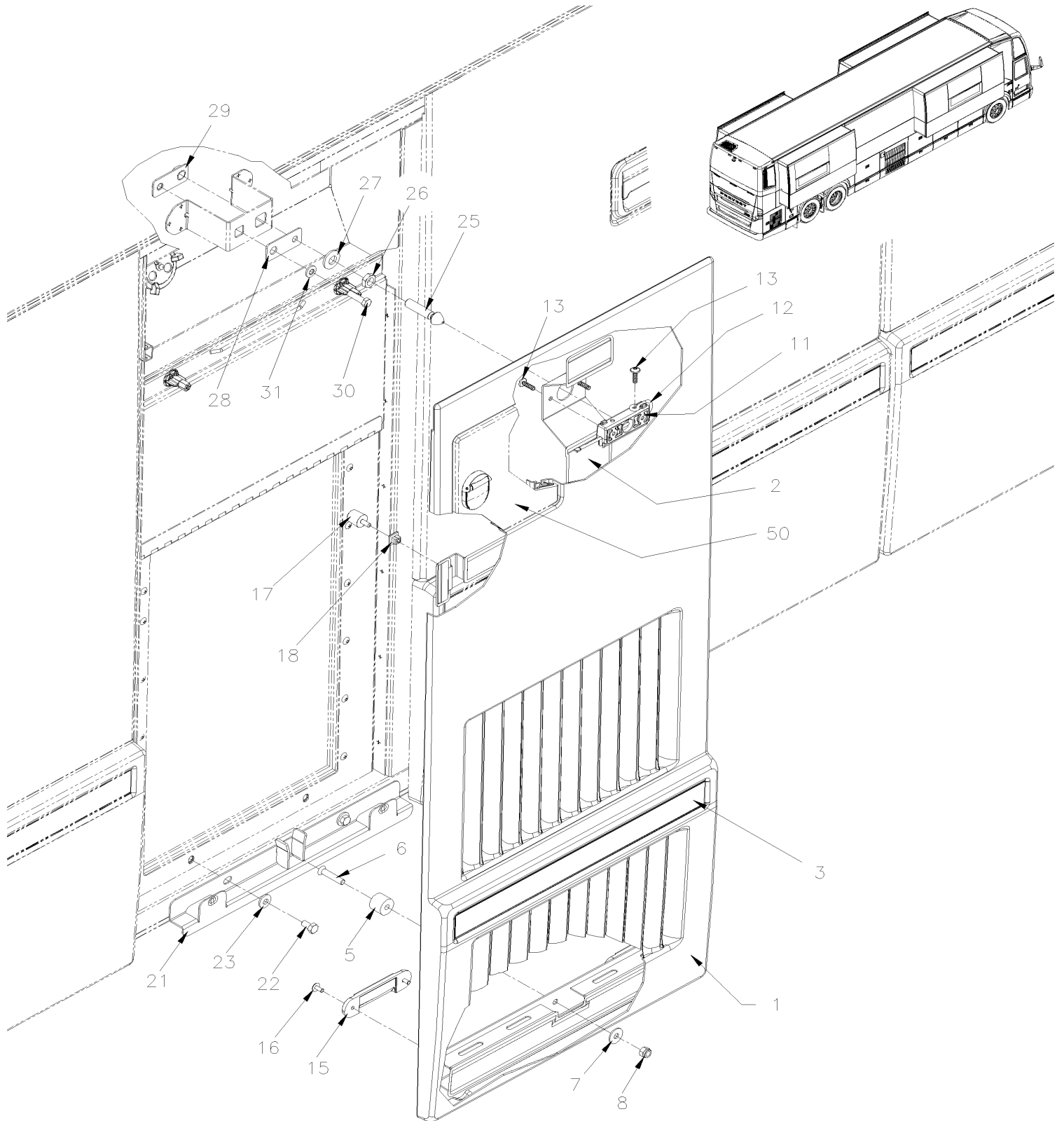
| Item# | Part | Description | QTY | Notes |
|-------|--------------------|---|-----|-------|
| 1 | 289576 | CONDENSOR DOOR ASSY 1118MM | 1 | |
| . NS | 288096 | . LOUVER ROD 37 1/4" | AR | |
| 4 | 280222 | EXTRUSION BACKING ASSY W/REFLECTOR 1114MM | 1 | |
| . NS | 280123 | . EXTRUSION 1114MM | 1 | |
| 5 | 283100 | . STRIPE, REFLECTIVE WHITE / 38MM X 15' ROLL | AR | |
| . NS | 780277 | . . STRIPE, REFLECTIVE WHITE / 38MM X 150' ROLL | AR | |
| NS | 684685 | ADHESIVE SIMSON #ISR 70-03 / 310ml CARTRIDGE | AR | |
| 6 | 289580 | PROTECTOR PANEL / SH 1180.7MM | 1 | |
| NS | 682462 | ADHESIVE SIKA #252 / BLACK / 310ml CARTRIDGE | AR | B |
| 7 | 500952 | SCREW TP BDG PH #8x1/2 SS | 4 | |
| 8 | 506302 | RUBBER EXTRUSION TRIM SEAL / GRIP .024 / 7/16" HOLLOW BULB C.T.L. | 16 | |
| 9 | 5001443 | WASHER FL 10.3x38.0x3.0 SS | 4 | |
| 10 | 502847 | NUT HEX NYRT M8-1.25 N500 | 4 | |
| NS | 780884 | DECAL "BE SURE TO CLOSE..." / ENGLISH & FRANCAIS | 1 | |
| NS | 780885 | DECAL "BE SURE TO CLOSE..." / ENGLISH | 1 | |
| 50 | VIP-1875-01 | FUEL TANK & UREA FILLING DOOR | | |
| | | | | |
| | | | | |
| | | | | |
| | | B) TO FIX PANELS | | |

From K-0295

Date:07/2024

PAGE:VIP-1863-50

CONDENSOR PANEL INSTALLATION / SMALL A/C



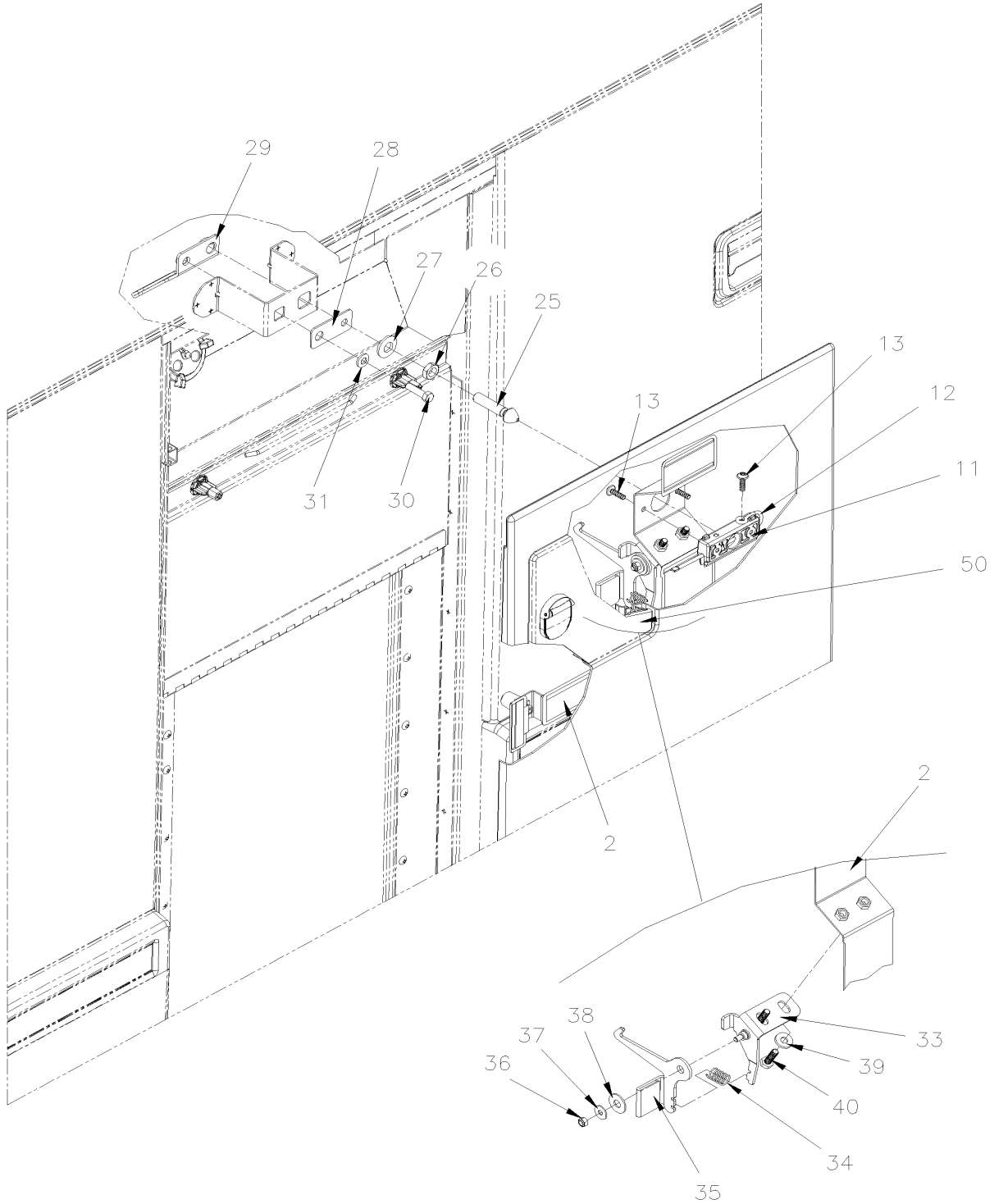
From K-0295

Date:07/2024

PAGE:VIP-1863-50

CONDENSOR PANEL INSTALLATION / SMALL A/C

FROM K-0681



| | | | |
|---|--|--------------|------------------|
| From K-0295 | | Date:07/2024 | PAGE:VIP-1863-50 |
| CONDENSOR PANEL INSTALLATION / SMALL A/C | | | |

| Item# | Part | Description | QTY | Notes |
|--------|---------|---|-----|-------|
| 1 | 281834 | CONDENSOR PANEL ASSY To L-0734 | 1 | |
| 1 | 2811003 | CONDENSOR PANEL ASSY From L-0735 | 1 | |
| NS | 470973 | . INSULATOR SUPPORT | 2 | |
| 2 | 282510 | . SUPPORT ASSEMBLY To L-0734 | 1 | |
| 2 | 2821001 | . SUPPORT ASSEMBLY From L-0735 | 1 | |
| NS | 685124 | . . ADHESIVE SIMSON #ISR 70-03 / BLACK / 600ml SAUSAGE | AR | |
| NS | 687957 | . . GLUE MS POLYMER TEROSON MS 9399 / 400ml CARTRIDGE To M-1153 | AR | |
| NS | 685387 | . . GLUE MS POLYMER TEROSON MS 9399 / 400ml CARTRIDGE From M-1154 | AR | |
| 3 | 287871 | EXTRUSION BACKING ASSY W/REFLECTOR 468MM | 1 | |
| . NS | 287870 | . EXTRUSION | 1 | |
| . NS | 283100 | . STRIPE, REFLECTIVE WHITE / 38MM X 15' ROLL | AR | |
| . . NS | 780277 | . . STRIPE, REFLECTIVE WHITE / 38MM X 150' ROLL | AR | |
| 3 | 684685 | ADHESIVE SIMSON #ISR 70-03 / 310ml CARTRIDGE | AR | |
| 5 | 280589 | ROLLER | 1 | |
| 6 | 5001461 | SCREW MA FL PH M8-1.25x40 SS | 1 | |
| 7 | 5001849 | WASHER FL 8.4x24.0x2.0 SS | 1 | |
| 8 | 5001787 | NUT HEX NYRT M8-1.25 SS | 1 | |
| 11 | 477399 | RECEPTACLE | 1 | |
| 12 | 472830 | SPRING GUIDE HOLDER | 1 | |
| 13 | 5001630 | SCREW TP BUTF TORX M6x20 SS To K-0337 | 3 | |
| 13 | 5002054 | SCREW TP BUTF TORX M6x20 SS From K-0338 | 3 | |
| 15 | 470880 | RETAINER PLASTIC | 2 | |
| 16 | 504793 | RIVET MNB OE LARGE HEAD 3/16x7/16 SS | 4 | |
| 17 | 504454 | BUMPER RUBBER BOLT / 20MM ODx20MM TH X M6X15MM STUD | 2 | |
| 18 | 5001009 | NUT AN 1/4 NYL | 2 | |
| 21 | 282387 | SUPPORT ASSY | 1 | |
| 22 | 5001527 | SCREW CAP HEX M8-1.25x16 SS BK | 2 | |
| 23 | 5001848 | WASHER BEL SPR .827 x .331 x .098 th SS | 2 | |
| 25 | 282421 | STOPPER | 1 | |
| 26 | 5001623 | NUT HEX JAM M12x1.75 SS | 1 | |
| 27 | 5000358 | WASHER BEL SPR 13.0x29x3 SS | 1 | |
| 28 | 2801031 | PLATE 65X25MM | 1 | |
| 29 | 2801030 | RETAINING PLATE ASSY 65X25MM To L-0734 | 1 | |
| 29 | 2801086 | RETAINING PLATE ASSY From L-0735 | 1 | |
| 30 | 5001912 | SCREW CAP HEX M8-1.25x30 SS BK | 1 | |
| 31 | 5001868 | WASHER BEL SPR 8.4x18x2 SS | 1 | |
| 33 | 2810054 | LOCKING DEVICE ASSEMBLY From L-0735 | 1 | |
| 34 | 502245 | SPRING COMPRESSION / .600 O.D. x 1.25 x .059 From L-0735 | 1 | |
| 35 | 2811001 | HOOK From L-0735 | 1 | |
| 36 | 5001182 | NUT HEX NYRT M6-1.0 SS From L-0735 | 1 | |
| 37 | 5001833 | WASHER BEL SPR 6.1x18x1.27 SS From L-0735 | 1 | |
| 38 | 500270 | WASHER FL .406x1.000x.063 SS From L-0735 | 1 | |

| | | |
|---|--------------|------------------|
| From K-0295 | Date:07/2024 | PAGE:VIP-1863-50 |
| CONDENSOR PANEL INSTALLATION / SMALL A/C | | |

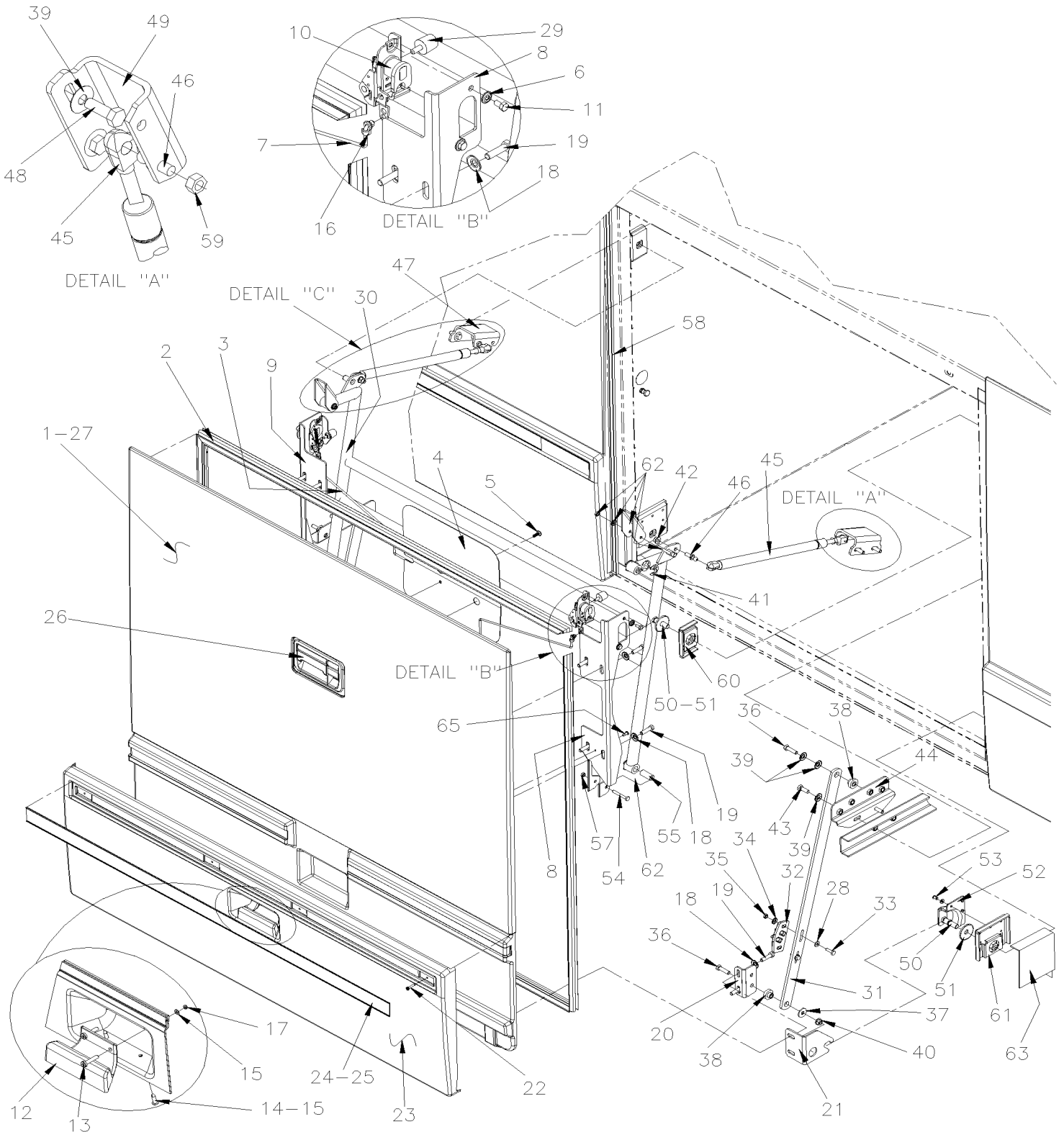
| Item# | Part | Description | QTY | Notes |
|-------|--------------------|---|-----|-------|
| 39 | 500321 | WASHER BEL SPR .331x.827x.098 N500 From L-0735 | 2 | |
| 40 | 5001745 | SCREW CAP HEX M8-1.25x25 G8.8 N500 From L-0735 | 2 | |
| 50 | VIP-1875-51 | FUEL TANK FILLING DOOR - V.I.P. WITH SMALL A/C From L-0735 | | |
| 51 | 2810080 | SERVICE KIT , LOCK PANEL SMALL AC To L-0734 | 1 | |
| . NS | 2810054 | . LOCKING DEVICE ASSEMBLY To L-0734 | 1 | |
| . NS | 2811001 | . HOOK To L-0734 | 1 | |
| . NS | 2801086 | . RETAINING PLATE ASSY To L-0734 | 1 | |
| . NS | 502245 | . SPRING COMPRESSION / .600 O.D. x 1.25 x .059 To L-0734 | 1 | |
| . NS | 5001745 | . SCREW CAP HEX M8-1.25x25 G8.8 N500 To L-0734 | 2 | |
| . NS | 500321 | . WASHER BEL SPR .331x.827x.098 N500 To L-0734 | 2 | |
| . NS | 502851 | . NUT HEX M8-1.25 N500 To L-0734 | 2 | |

From K-0295

Date:07/2024

PAGE:VIP-1864-00

BAGGAGE COMPARTMENT DOOR



| | | | |
|---------------------------------|--|--------------|------------------|
| From K-0295 | | Date:07/2024 | PAGE:VIP-1864-00 |
| BAGGAGE COMPARTMENT DOOR | | | |

| Item# | Part | Description | QTY | Notes |
|-------|----------|---|-----|-------|
| | 285633 | BAGGAGE DOOR ASSY 48" W/ELEC | 1 | |
| | 286036P | DOOR ASSY 48" W/1.78 SQF PERFORATED AREA | 1 | |
| 1 | 286972 | . DOOR MOULDED / FIBERGLASS "SMC" | 1 | |
| 1 | 286971 | . DOOR 48" W/1.78 SQF PERFORATED AREA / FIBERGLASS "SMC" | 2 | |
| 1 | 286975 | . DOOR MOULDED / FIBERGLASS "SMC" | 1 | G |
| 1 | 286974 | . DOOR MOULDED / FIBERGLASS "SMC" | 1 | H |
| 2 | 2800122 | . RUBBER SEAL EXTRUSION / 1152MM X 1121MM To L-1003 | 1 | |
| 2 | IS19064 | . BAGGAGE DOOR SEAL REPLACEMENT To L-1003 | 1 | |
| . NS | 2810326 | . . RUBBER SEAL EXTRUSION / 1152MM X 1121MM To L-1003 | 1 | |
| . NS | 506004 | . . TAPE RUB ADH1 CC POL 3/8" x 1/2" x 20' / GREY 2520X To L-1003 | AR | |
| . NS | IS-19064 | . . SEE INSTRUCTION SHEET To L-1003 | 1 | |
| . NS | FI-19064 | . . FEUILLE D'INSTRUCTION To L-1003 | 1 | |
| 2 | 2810326 | . RUBBER SEAL EXTRUSION / 1152MM X 1121MM From L-1004 | 1 | |
| 2 | 684685 | . ADHESIVE SIMSON #ISR 70-03 / 310ml CARTRIDGE | 1 | |
| 3 | 289333 | . ROD L.H. 529.8MM | 1 | |
| 4 | 287833 | . PLATE CLOSING / 289MM X 314MM | 1 | |
| 4 | 506071 | . TAPE RUB ADH1 CC POL 1/8" x 1/2" x 50' / GREY 2520X | AR | |
| 5 | 5002054 | . SCREW TP BUTF TORX M6x20 SS | 4 | |
| 6 | 5002015 | . WASHER BEL SPR 6.65x17.4x0.9 SS | 4 | |
| 7 | 289337 | . ROD R.H. 497MM | 1 | |
| 8 | 280081 | . FIXTURE R.H. | 1 | |
| 9 | 280073 | . FIXTURE L.H. | 1 | |
| 10 | 780839 | . LOCK SPAGNOLET L.H. | 1 | |
| 10 | 564272 | . LOCK SPAGNOLET R.H. / WITH SWITCH | 1 | |
| . NS | 565205 | . . MICRO SWITCH | 1 | |
| . NS | 563864 | . . HARDWARES FOR SWITCH | 1 | |
| 10 | 509815 | . TIE MOUNT / ATTACHMENT W/TREE MOUNT | 5 | B |
| 10 | 504637 | . CABLE TIE / 3/16" x 13" | 2 | B |
| 10 | 564108 | . SELF MOUNTING STUD // DEUTSCH 1011-310-0205 | 1 | B |
| 10 | 504013 | . TIE MOUNT / 1/4" X 1/4" I.D. | 2 | B |
| 10 | 504488 | . RIVET MGLP PRDG 3/16x17/64 SS | 2 | B |
| 10 | 5001137 | . WASHER FL .203x.438x.050 SS | 2 | B |
| 11 | 5001697 | . SCREW CAP HEX M6-1.0x16 SS BK | 4 | |
| 12 | 282562 | . HANDLE / DOOR | 1 | |
| 12 | 680025 | . CAULKING STRIP 3/16" O.D. X 14' | AR | |
| 13 | 502532 | . SCREW MA PAN PH M5-0.8x25 SS EMN | 2 | |
| 14 | 500957 | . SCREW TP BDG PH #10x3/4 N500 | 2 | |
| 15 | 500804 | . WASHER FL .203x.500x.047 N500 | 4 | |
| 16 | 780340 | . CLIP, RETAINER ROD | 3 | |
| 17 | 502841 | . NUT HEX NYRT M5-0.8 N500 | 2 | |

| | | | |
|---------------------------------|--|---------------------|-------------------------|
| From K-0295 | | Date:07/2024 | PAGE:VIP-1864-00 |
| BAGGAGE COMPARTMENT DOOR | | | |

| Item# | Part | Description | QTY | Notes |
|-------|------------------------|--|-----|-------|
| 18 | 5001848 | . WASHER BEL SPR .827 x .331 x .098 th SS | AR | |
| 19 | 5001912 | . SCREW CAP HEX M8-1.25x30 SS BK | 12 | |
| 20 | 285543 | . FASTNER | 2 | |
| 21 | 289114 | . LOWER HOOK R.H. | 1 | |
| 21 | 289122 | . LOWER HOOK L.H. | 1 | |
| 22 | 500952 | . SCREW TP BDG PH #8x1/2 SS | 4 | |
| 23 | 285504 | . PROTECTOR PANEL / SH | 1 | |
| 23 | 285800 | . PROTECTOR PANEL / WITH GRAVEL GUARD / SH | 1 | A |
| 23 | 682462 | . ADHESIVE SIKA #252 / BLACK / 310ml CARTRIDGE | AR | E |
| 23 | 681348 | . TAPE RUB ADH2 ACRYLIC .045" x 1" x 108' / VHB4952 | AR | |
| 23 | 682348 | . TAPE, DOUBLE COATED ACRYLIC | AR | |
| 24 | 280237 | . EXTRUSION BACKING ASSY W/REFLECTOR 1185MM | 1 | |
| . NS | 280116 | . . EXTRUSION 1185MM | 1 | |
| 25 | 283100 | . . STRIPE, REFLECTIVE WHITE / 38MM X 15' ROLL | AR | |
| . NS | 780277 | . . . STRIPE, REFLECTIVE WHITE / 38MM X 150' ROLL | AR | |
| NS | 684685 | . ADHESIVE SIMSON #ISR 70-03 / 310ml CARTRIDGE | AR | |
| NS | 683083 | . ADHESIVE SIKA #252 / BLACK / 600 ml SAUSAGE | AR | |
| 26 | VIP-1864-31 | HANDLE LOCK & KEYS - TYPE "NS" To P-1347 | | |
| 26 | VIP-1864-32 | HANDLE LOCK & KEYS - TYPE "NS" From P-1348 | | |
| 26 | VIP-1864-35 | BAGGAGE COMPARTMENT ELECTRICAL LOCK - V.I.P | | |
| 27 | Call order desk | BAGGAGE DOOR 48" W/1.78 SQF PERFORATED AREA | | P |
| 28 | 500411 | WASHER FL .260x.697x.050 SS | 4 | |
| 29 | 504454 | BUMPER RUBBER BOLT / 20MM ODx20MM TH X M6X15MM STUD | 2 | O |
| 30 | 287839 | ARM PANTOGRAPH | 1 | |
| 30 | 502868 | SCREW TC TR PH #10-16x1/2 N500 | 2 | |
| 30 | 680343 | GREASE CLEAR SPRAY BOTTLE 283GR | AR | |
| 31 | 283236 | ARM AUXILIARY 638MM C/C | 2 | |
| 32 | 288012 | DOOR STOPPER L.H. | 1 | |
| 32 | 288011 | DOOR STOPPER R.H. | 1 | |
| 32 | 288794 | SPACER SS DOOR STOPER | 1 | |
| 33 | 502737 | SCREW CAP HEX M6-1.0x25 SS BK | 4 | |
| 34 | 5001833 | WASHER BEL SPR 6.1x18x1.27 SS | 4 | |
| 35 | 502581 | NUT HEX M6-1.0 Z050 | 4 | |
| 35 | 5001851 | NUT HEX M6-1.0 SS BK | 4 | |
| 36 | 5001912 | SCREW CAP HEX M8-1.25x30 SS BK | 4 | |
| 37 | 5001849 | WASHER FL 8.4x24.0x2.0 SS | AR | |
| 38 | 286716 | SPACER BUSHING FLANGE / AUX. ARM & SUPPORT ACETAL 8.3MM I.D. | 4 | |
| 39 | 5001848 | WASHER BEL SPR .827 x .331 x .098 th SS | AR | |
| 40 | 5001787 | NUT HEX NYRT M8-1.25 SS | AR | |
| 41 | 504660 | RING RETAINER / EXT .750 x 0575 x .050" | AR | |
| 42 | 502686 | SCREW CAP HEX M6-1.0x30 SS BK | 2 | |
| 43 | 502780 | SCREW CAP HEX M8-1.25x25 SS BK | 8 | |

| | | | |
|---------------------------------|--|--------------|------------------|
| From K-0295 | | Date:07/2024 | PAGE:VIP-1864-00 |
| BAGGAGE COMPARTMENT DOOR | | | |

| Item# | Part | Description | QTY | Notes |
|-------|--------------------|---|-----|-------|
| 44 | 288882 | SUPPORT / 24MM OFFSET | 8 | W |
| 44 | 2800013 | SUPPORT / 42MM OFFSET | 2 | W |
| 44 | 2800011 | SUPPORT / 62MM OFFSET | 6 | W |
| 45 | 980030 | CYLINDER GAZ / 669/409MM C/C / 210LBS | 2 | |
| 45 | 192226 | CYLINDER GAZ / 669/409MM C/C / 200LBS HD | AR | |
| NS | 980017 | CLIP BALL STUD 10MM RETAINER | 2 | |
| 45 | 7770081 | CYLINDER GAZ / 669/409MM C/C / 300LBS | AR | J |
| 46 | 980015 | BALL STUD / W/10 MM X M8-1.25 / 29.18 MM | 4 | |
| 47 | 287070 | SUPPORT / LUGGAGE DOOR CYLINDER W/WCL | 1 | K |
| 48 | 502780 | SCREW CAP HEX M8-1.25x25 SS BK | AR | |
| 49 | 289826 | CYLINDER FIXATION | 2 | |
| 50 | 284438 | PIN STRIKER | 4 | |
| 50 | 680025 | CAULKING STRIP 3/16" O.D. X 14' | AR | |
| 51 | 284447 | WASHERS BELLEVILLE | 4 | D |
| 52 | 288009 | PROTECTOR L.H. | 1 | |
| 52 | 288010 | PROTECTOR R.H. | 1 | |
| 53 | 504416 | RIVET POP DOME OE 3/16x5/8 SS | 6 | |
| 53 | 5001137 | WASHER FL .203x.438x.050 SS | 6 | |
| 54 | 5001923 | SCREW CAP HEX M6-1.0x45 SS BK | 4 | |
| 55 | 285710 | BUSHING SPACER ACETAL 6.5MM I.D. x 14.15MM O.D. x 31 | 2 | |
| 57 | 5001182 | NUT HEX NYRT M6-1.0 SS | 4 | |
| 58 | 289558 | LATERAL EXTRUSION 31MM x 1203MM | 8 | |
| 58 | 2810492 | LATERAL EXTRUSION 25MM x 1203MM From N-1185 | AR | L |
| 59 | 502838 | NUT HEX TWAY M8-1.25 N500 | 2 | |
| 60 | 287943 | FLOATING NUT ASSY WITH CASE | AR | |
| 61 | 287903 | SUPPORT LOWER / (WELDED TO STRUCTURE) | 1 | |
| 62 | VIP-1879-90 | EXTERIOR DOOR HINGE AND SUPPORT | | |
| 63 | 482777 | SPLASH PROTECTOR PLASTIC / REAR LOWER / 123MM X 192MM X 30MM | 2 | |
| 63 | 482778 | SPLASH PROTECTOR PLASTIC / REAR UPPER / 66MM X 184MM X 30MM | 2 | |
| 63 | 482779 | SPLASH PROTECTOR PLASTIC / FRONT LOWER / 142MM X 142MM X 36MM | 2 | |
| 63 | 688022 | SEALANT FLEXTEC 5510 183 LITERS | AR | |
| 65 | 502868 | SCREW TC TR PH #10-16x1/2 N500 | 2 | |
| | | | | |
| | | | | |
| | | | | |
| | | A) THIS PROTECTOR ASSY WITH HANDLE IS COATED WITH GRAVEL GUARD AND IS BLACK PAINTED, READY TO INSTALL | | |
| | | B) TO FIX CABLE OF THE SWITCH | | |
| | | D) STRIKER & BODY | | |
| | | E) TO FIX PANELS | | |
| | | G) THOSE DOORS HAVE HOLES FOR MARKER LIGHT LH SIDE OF HANDLE | | |
| | | H) THOSE DOORS HAVE HOLES FOR MARKER LIGHT RH SIDE OF HANDLE | | |
| | | J) USE WITH DOOR WITH ACCESSORIES | | |

| | | | |
|-------------|--|--------------|------------------|
| From K-0295 | | Date:07/2024 | PAGE:VIP-1864-00 |
|-------------|--|--------------|------------------|

BAGGAGE COMPARTMENT DOOR

| Item# | Part | Description | QTY | Notes |
|-------|------|--|-----|-------|
| | | K) USE WITH WHEEL CHAIR LIFT MODULE | | |
| | | L) USE WITH LATERAL HINGE | | |
| | | O) USE TO PREVENT CONTACT WITH GLASS WINDOW "OPTION" | | |
| | | W) USE WITH "ELECTRICAL AWNING WINDOW" | | |
| | | P) CALL ORDER DESK FOR SPECIFIC APPLICATION (V.I.N.) | | |

| | | |
|---|--------------|------------------|
| From K-0295 To P-1347 | Date:07/2024 | PAGE:VIP-1864-31 |
| HANDLE LOCK & KEYS - TYPE "NS" | | |

| Item# | Part | Description | QTY | Notes |
|-------|--------|-------------------------|-----|-------|
| 6 | 780691 | CYLINDER LOCK / NS 8888 | AR | |
| . NS | 780660 | . KEY / NS 8888 | 1 | |
| 6 | 780692 | CYLINDER LOCK / NS 8701 | AR | |
| . NS | 780661 | . KEY / NS 8701 | 1 | |
| 6 | 780693 | CYLINDER LOCK / NS 8702 | AR | |
| . NS | 780662 | . KEY / NS 8702 | 1 | |
| 6 | 780694 | CYLINDER LOCK / NS 8703 | AR | |
| . NS | 780663 | . KEY / NS 8703 | 1 | |
| 6 | 780695 | CYLINDER LOCK / NS 8704 | AR | |
| . NS | 780664 | . KEY / NS 8704 | 1 | |
| 6 | 780696 | CYLINDER LOCK / NS 8705 | AR | |
| . NS | 780665 | . KEY / NS 8705 | 1 | |
| 6 | 780697 | CYLINDER LOCK / NS 8707 | AR | |
| . NS | 780667 | . KEY / NS 8707 | 1 | |
| 6 | 780698 | CYLINDER LOCK / NS 8708 | AR | |
| . NS | 780668 | . KEY / NS 8708 | 1 | |
| 6 | 780699 | CYLINDER LOCK / NS 8709 | AR | |
| . NS | 780669 | . KEY / NS 8709 | 1 | |
| 6 | 780700 | CYLINDER LOCK / NS 8710 | AR | |
| . NS | 780670 | . KEY / NS 8710 | 1 | |
| 6 | 780701 | CYLINDER LOCK / NS 8711 | AR | |
| . NS | 780671 | . KEY / NS 8711 | 1 | |
| 6 | 780702 | CYLINDER LOCK / NS 8712 | AR | |
| . NS | 780672 | . KEY / NS 8712 | 1 | |
| 6 | 780703 | CYLINDER LOCK / NS 8713 | AR | |
| . NS | 780673 | . KEY / NS 8713 | 1 | |
| 6 | 780704 | CYLINDER LOCK / NS 8714 | AR | |
| . NS | 780674 | . KEY / NS 8714 | 1 | |
| 6 | 780705 | CYLINDER LOCK / NS 8715 | AR | |
| . NS | 780675 | . KEY / NS 8715 | 1 | |
| 6 | 780706 | CYLINDER LOCK / NS 8716 | AR | |
| . NS | 780676 | . KEY / NS 8716 | 1 | |
| 6 | 780707 | CYLINDER LOCK / NS 8717 | AR | |
| . NS | 780677 | . KEY / NS 8717 | 1 | |
| 6 | 780708 | CYLINDER LOCK / NS 8718 | AR | |
| . NS | 780678 | . KEY / NS 8718 | 1 | |
| 6 | 780709 | CYLINDER LOCK / NS 8719 | AR | |
| . NS | 780679 | . KEY / NS 8719 | 1 | |
| 6 | 780710 | CYLINDER LOCK / NS 8720 | AR | |
| . NS | 780680 | . KEY / NS 8720 | 1 | |
| 6 | 780666 | CYLINDER LOCK / NS 8721 | AR | |
| . NS | 780681 | . KEY / NS 8721 | 1 | |

| | | |
|---|---------------------|-------------------------|
| From K-0295 To P-1347 | Date:07/2024 | PAGE:VIP-1864-31 |
| HANDLE LOCK & KEYS - TYPE "NS" | | |

| Item# | Part | Description | QTY | Notes |
|-------|--------|---------------------------------|-----|-------|
| 6 | 780726 | CYLINDER LOCK / NS 8722 | AR | |
| . NS | 780682 | . KEY / NS 8722 | 1 | |
| 6 | 780727 | CYLINDER LOCK / NS 8723 | AR | |
| . NS | 780683 | . KEY / NS 8723 | 1 | |
| 6 | 780728 | CYLINDER LOCK / NS 8724 | AR | |
| . NS | 780684 | . KEY / NS 8724 | 1 | |
| 6 | 780729 | CYLINDER LOCK / NS 8725 | AR | |
| . NS | 780685 | . KEY / NS 8725 | 1 | |
| 6 | 780730 | CYLINDER LOCK / NS 8726 | AR | |
| . NS | 780686 | . KEY / NS 8726 | 1 | |
| 6 | 780731 | CYLINDER LOCK / NS 8727 | AR | |
| . NS | 780687 | . KEY / NS 8727 | 1 | |
| 6 | 780732 | CYLINDER LOCK / NS 8728 | AR | |
| . NS | 780688 | . KEY / NS 8728 | 1 | |
| 6 | 780733 | CYLINDER LOCK / NS 8729 | AR | |
| . NS | 780689 | . KEY / NS 8729 | 1 | |
| 6 | 780734 | CYLINDER LOCK / NS 8730 | AR | |
| . NS | 780690 | . KEY / NS 8730 | 1 | |
| 6 | 780735 | CYLINDER LOCK / NS 8731 | AR | |
| . NS | 780716 | . KEY / NS 8731 | 1 | |
| 6 | 780736 | CYLINDER LOCK / NS 8732 | AR | |
| . NS | 780717 | . KEY / NS 8732 | 1 | |
| 6 | 780737 | CYLINDER LOCK / NS 8733 | AR | |
| . NS | 780718 | . KEY / NS 8733 | 1 | |
| 6 | 780738 | CYLINDER LOCK / NS 8734 | AR | |
| . NS | 780719 | . KEY / NS 8734 | 1 | |
| 6 | 780739 | CYLINDER LOCK / NS 8735 | AR | |
| . NS | 780720 | . KEY / NS 8735 | 1 | |
| 6 | 780740 | CYLINDER LOCK / NS 8736 | AR | |
| . NS | 780721 | . KEY / NS 8736 | 1 | |
| 6 | 780741 | CYLINDER LOCK / NS 8737 | AR | |
| . NS | 780722 | . KEY / NS 8737 | 1 | |
| 6 | 780742 | CYLINDER LOCK / NS 8738 | AR | |
| . NS | 780723 | . KEY / NS 8738 | 1 | |
| 6 | 780743 | CYLINDER LOCK / NS 8739 | AR | |
| . NS | 780724 | . KEY / NS 8739 | 1 | |
| 6 | 780744 | CYLINDER LOCK / NS 8740 | AR | |
| . NS | 780725 | . KEY / NS 8740 | 1 | |
| 7 | 780780 | KEY, UNCUT / NS SERIE NS SERIES | AR | |
| 7 | 780660 | KEY / NS 8888 | AR | |
| 7 | 780661 | KEY / NS 8701 | AR | |
| 7 | 780662 | KEY / NS 8702 | AR | |

| | | |
|---|--------------|------------------|
| From K-0295 To P-1347 | Date:07/2024 | PAGE:VIP-1864-31 |
| HANDLE LOCK & KEYS - TYPE "NS" | | |

| Item# | Part | Description | QTY | Notes |
|-------|---------|-----------------------------|-----|-------|
| 7 | 780663 | KEY / NS 8703 | AR | |
| 7 | 780664 | KEY / NS 8704 | AR | |
| 7 | 780665 | KEY / NS 8705 | AR | |
| 7 | 780667 | KEY / NS 8707 | AR | |
| 7 | 780668 | KEY / NS 8708 | AR | |
| 7 | 780669 | KEY / NS 8709 | AR | |
| 7 | 780670 | KEY / NS 8710 | AR | |
| 7 | 780671 | KEY / NS 8711 | AR | |
| 7 | 780672 | KEY / NS 8712 | AR | |
| 7 | 780673 | KEY / NS 8713 | AR | |
| 7 | 780674 | KEY / NS 8714 | AR | |
| 7 | 780675 | KEY / NS 8715 | AR | |
| 7 | 780676 | KEY / NS 8716 | AR | |
| 7 | 780677 | KEY / NS 8717 | AR | |
| 7 | 780678 | KEY / NS 8718 | AR | |
| 7 | 780679 | KEY / NS 8719 | AR | |
| 7 | 780680 | KEY / NS 8720 | AR | |
| 7 | 780681 | KEY / NS 8721 | AR | |
| 7 | 780682 | KEY / NS 8722 | AR | |
| 7 | 780683 | KEY / NS 8723 | AR | |
| 7 | 780684 | KEY / NS 8724 | AR | |
| 7 | 780685 | KEY / NS 8725 | AR | |
| 7 | 780686 | KEY / NS 8726 | AR | |
| 7 | 780687 | KEY / NS 8727 | AR | |
| 7 | 780688 | KEY / NS 8728 | AR | |
| 7 | 780689 | KEY / NS 8729 | AR | |
| 7 | 780690 | KEY / NS 8730 | AR | |
| 7 | 780716 | KEY / NS 8731 | AR | |
| 7 | 780717 | KEY / NS 8732 | AR | |
| 7 | 780718 | KEY / NS 8733 | AR | |
| 7 | 780719 | KEY / NS 8734 | AR | |
| 7 | 780720 | KEY / NS 8735 | AR | |
| 7 | 780721 | KEY / NS 8736 | AR | |
| 7 | 780722 | KEY / NS 8737 | AR | |
| 7 | 780723 | KEY / NS 8738 | AR | |
| 7 | 780724 | KEY / NS 8739 | AR | |
| 7 | 780725 | KEY / NS 8740 | AR | |
| 9 | 780745 | CYLINDER LOCK BODY | AR | |
| NS | 5001377 | SCREW MA PAN PH M5-0.8x8 SS | AR | |
| 10 | 280011 | LOCK COVER ASSEMBLY | 1 | |
| . A | N.S.S. | . RECEIVER | 1 | 1 |
| . B | N.S.S. | . COVER | 1 | 1 |

| | | |
|---|--------------|------------------|
| From K-0295 To P-1347 | Date:07/2024 | PAGE:VIP-1864-31 |
| HANDLE LOCK & KEYS - TYPE "NS" | | |

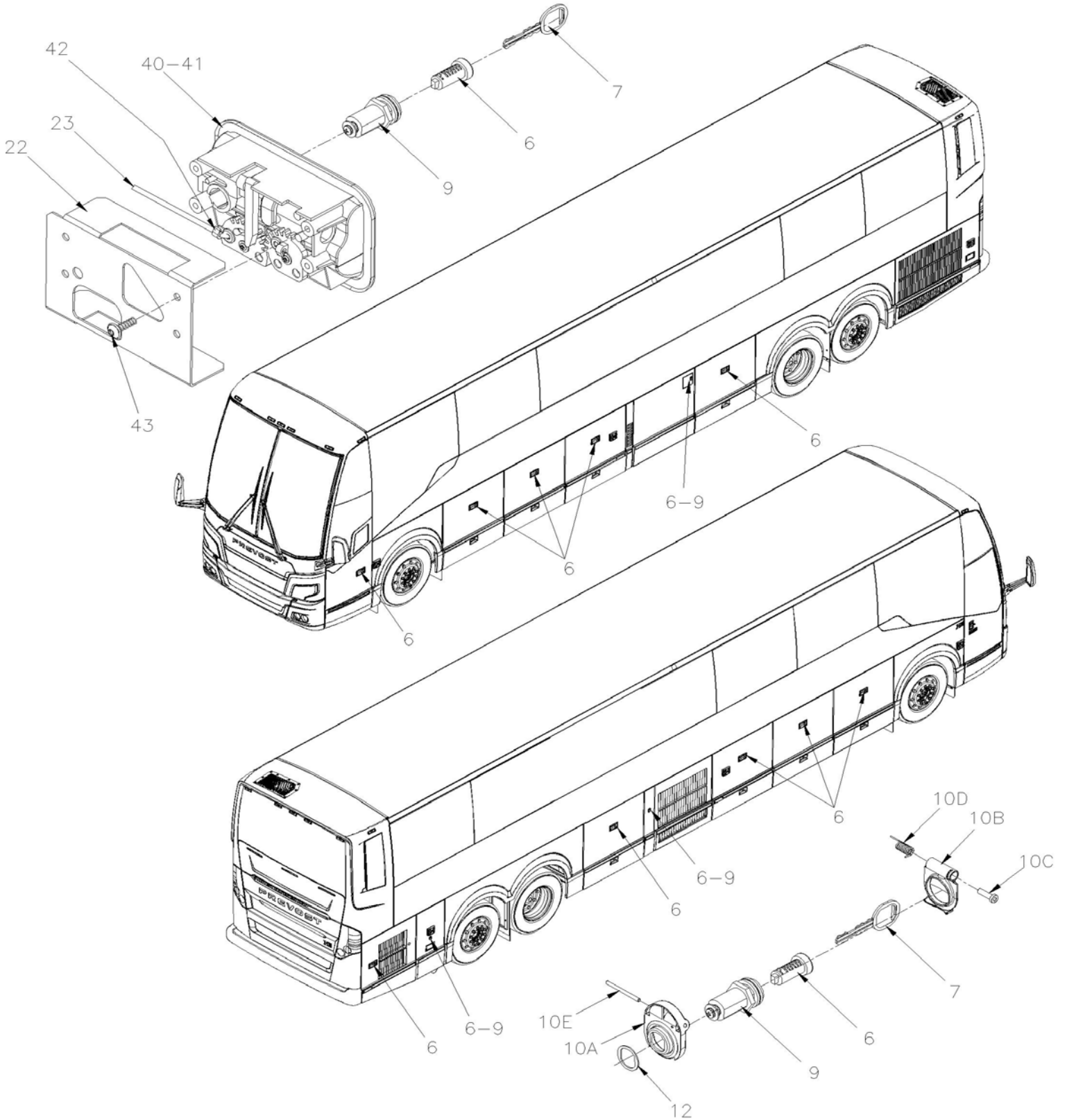
| Item# | Part | Description | QTY | Notes |
|-------|---------|--|-----|-------|
| . C | N.S.S. | . GUIDE, SPRING | 1 | 1 |
| . D | N.S.S. | . SPRING | 1 | 1 |
| . E | N.S.S. | . AXLE | 1 | 1 |
| 12 | 280015 | SPACER / LOCK COVER | 1 | E |
| 12 | 280013 | SPACER / LOCK COVER | 1 | B |
| 22 | 289340 | SUPPORT, HANDLE | AR | |
| 23 | | FOR RODS SEE RESPECTIVE PAGES FOR APPLICATION | 1 | |
| 30 | 780803 | CYLINDER LOCK ASSY W/2 KEYS / "SCHLAGE" | 1 | |
| . NS | 780902 | . KEY / "SCHLAGE" BLANK | 1 | |
| 31 | 780562 | KEY / "CORBIN" BLANK | 1 | |
| 40 | 780794 | HANDLE ASSY / MANUAL TYPE "NS" | AR | A |
| . NS | 780340 | . CLIP, RETAINER ROD | 2 | A |
| 41 | 780303 | . GASKET | 1 | |
| 42 | 780340 | . CLIP, RETAINER ROD | 1 | |
| 43 | 5002054 | SCREW TP BUTF TORX M6x20 SS | 4 | |
| 44 | 288652 | HANDLE ASSY W"HAPPITCH" NS SERIES KEY | 1 | WCL |
| 44 | 780785 | . HANDLE BODY W"HAPPITCH" NS SERIES KEY | 1 | WCL |
| 44 | 780823 | . HANDLE W.C.L. DOOR PLASTIC | 1 | WCL |
| 44 | 288653 | . PLATE REINFORCMENT 19MM x 6.35MM x 11GA | 1 | WCL |
| 44 | 680038 | . THREAD LOCKER LOCTITE #243 / BLUE / 50ml | AR | WCL |
| | | | | |
| | | | | |
| | | A) MANUAL OR ELECTRIC | | |
| | | B) USE ONLY WITH FUEL DOOR STREET SIDE WITH SMALL A/C SYSTEM | | |
| | | E) USE ONLY WITH FUEL DOOR STREET SIDE WITH BUS & LARGE A/C SYSTEM | | |
| | | WCL) USE WITH WHEEL CHAIR ENTRANCE DOOR ONLY | | |
| | | 1) NOT SOLD SEPARATELY | | |

From P-1348

Date:07/2024

PAGE:VIP-1864-32

HANDLE LOCK & KEYS - TYPE "NS"



| | | | |
|---|--|---------------------|-------------------------|
| From P-1348 | | Date:07/2024 | PAGE:VIP-1864-32 |
| HANDLE LOCK & KEYS - TYPE "NS" | | | |

| Item# | Part | Description | QTY | Notes |
|-------|--------|-------------------------|-----|-------|
| 6 | 780691 | CYLINDER LOCK / NS 8888 | AR | |
| . NS | 780660 | . KEY / NS 8888 | 1 | |
| 6 | 780692 | CYLINDER LOCK / NS 8701 | AR | |
| . NS | 780661 | . KEY / NS 8701 | 1 | |
| 6 | 780693 | CYLINDER LOCK / NS 8702 | AR | |
| . NS | 780662 | . KEY / NS 8702 | 1 | |
| 6 | 780694 | CYLINDER LOCK / NS 8703 | AR | |
| . NS | 780663 | . KEY / NS 8703 | 1 | |
| 6 | 780695 | CYLINDER LOCK / NS 8704 | AR | |
| . NS | 780664 | . KEY / NS 8704 | 1 | |
| 6 | 780696 | CYLINDER LOCK / NS 8705 | AR | |
| . NS | 780665 | . KEY / NS 8705 | 1 | |
| 6 | 780697 | CYLINDER LOCK / NS 8707 | AR | |
| . NS | 780667 | . KEY / NS 8707 | 1 | |
| 6 | 780698 | CYLINDER LOCK / NS 8708 | AR | |
| . NS | 780668 | . KEY / NS 8708 | 1 | |
| 6 | 780699 | CYLINDER LOCK / NS 8709 | AR | |
| . NS | 780669 | . KEY / NS 8709 | 1 | |
| 6 | 780700 | CYLINDER LOCK / NS 8710 | AR | |
| . NS | 780670 | . KEY / NS 8710 | 1 | |
| 6 | 780701 | CYLINDER LOCK / NS 8711 | AR | |
| . NS | 780671 | . KEY / NS 8711 | 1 | |
| 6 | 780702 | CYLINDER LOCK / NS 8712 | AR | |
| . NS | 780672 | . KEY / NS 8712 | 1 | |
| 6 | 780703 | CYLINDER LOCK / NS 8713 | AR | |
| . NS | 780673 | . KEY / NS 8713 | 1 | |
| 6 | 780704 | CYLINDER LOCK / NS 8714 | AR | |
| . NS | 780674 | . KEY / NS 8714 | 1 | |
| 6 | 780705 | CYLINDER LOCK / NS 8715 | AR | |
| . NS | 780675 | . KEY / NS 8715 | 1 | |
| 6 | 780706 | CYLINDER LOCK / NS 8716 | AR | |
| . NS | 780676 | . KEY / NS 8716 | 1 | |
| 6 | 780707 | CYLINDER LOCK / NS 8717 | AR | |
| . NS | 780677 | . KEY / NS 8717 | 1 | |
| 6 | 780708 | CYLINDER LOCK / NS 8718 | AR | |
| . NS | 780678 | . KEY / NS 8718 | 1 | |
| 6 | 780709 | CYLINDER LOCK / NS 8719 | AR | |
| . NS | 780679 | . KEY / NS 8719 | 1 | |
| 6 | 780710 | CYLINDER LOCK / NS 8720 | AR | |
| . NS | 780680 | . KEY / NS 8720 | 1 | |
| 6 | 780666 | CYLINDER LOCK / NS 8721 | AR | |
| . NS | 780681 | . KEY / NS 8721 | 1 | |

| | | | |
|---|--|--------------|------------------|
| From P-1348 | | Date:07/2024 | PAGE:VIP-1864-32 |
| HANDLE LOCK & KEYS - TYPE "NS" | | | |

| Item# | Part | Description | QTY | Notes |
|-------|--------|---------------------------------|-----|-------|
| 6 | 780726 | CYLINDER LOCK / NS 8722 | AR | |
| . NS | 780682 | . KEY / NS 8722 | 1 | |
| 6 | 780727 | CYLINDER LOCK / NS 8723 | AR | |
| . NS | 780683 | . KEY / NS 8723 | 1 | |
| 6 | 780728 | CYLINDER LOCK / NS 8724 | AR | |
| . NS | 780684 | . KEY / NS 8724 | 1 | |
| 6 | 780729 | CYLINDER LOCK / NS 8725 | AR | |
| . NS | 780685 | . KEY / NS 8725 | 1 | |
| 6 | 780730 | CYLINDER LOCK / NS 8726 | AR | |
| . NS | 780686 | . KEY / NS 8726 | 1 | |
| 6 | 780731 | CYLINDER LOCK / NS 8727 | AR | |
| . NS | 780687 | . KEY / NS 8727 | 1 | |
| 6 | 780732 | CYLINDER LOCK / NS 8728 | AR | |
| . NS | 780688 | . KEY / NS 8728 | 1 | |
| 6 | 780733 | CYLINDER LOCK / NS 8729 | AR | |
| . NS | 780689 | . KEY / NS 8729 | 1 | |
| 6 | 780734 | CYLINDER LOCK / NS 8730 | AR | |
| . NS | 780690 | . KEY / NS 8730 | 1 | |
| 6 | 780735 | CYLINDER LOCK / NS 8731 | AR | |
| . NS | 780716 | . KEY / NS 8731 | 1 | |
| 6 | 780736 | CYLINDER LOCK / NS 8732 | AR | |
| . NS | 780717 | . KEY / NS 8732 | 1 | |
| 6 | 780737 | CYLINDER LOCK / NS 8733 | AR | |
| . NS | 780718 | . KEY / NS 8733 | 1 | |
| 6 | 780738 | CYLINDER LOCK / NS 8734 | AR | |
| . NS | 780719 | . KEY / NS 8734 | 1 | |
| 6 | 780739 | CYLINDER LOCK / NS 8735 | AR | |
| . NS | 780720 | . KEY / NS 8735 | 1 | |
| 6 | 780740 | CYLINDER LOCK / NS 8736 | AR | |
| . NS | 780721 | . KEY / NS 8736 | 1 | |
| 6 | 780741 | CYLINDER LOCK / NS 8737 | AR | |
| . NS | 780722 | . KEY / NS 8737 | 1 | |
| 6 | 780742 | CYLINDER LOCK / NS 8738 | AR | |
| . NS | 780723 | . KEY / NS 8738 | 1 | |
| 6 | 780743 | CYLINDER LOCK / NS 8739 | AR | |
| . NS | 780724 | . KEY / NS 8739 | 1 | |
| 6 | 780744 | CYLINDER LOCK / NS 8740 | AR | |
| . NS | 780725 | . KEY / NS 8740 | 1 | |
| 7 | 780780 | KEY, UNCUT / NS SERIE NS SERIES | AR | |
| 7 | 780660 | KEY / NS 8888 | AR | |
| 7 | 780661 | KEY / NS 8701 | AR | |
| 7 | 780662 | KEY / NS 8702 | AR | |

| | | |
|---|--------------|------------------|
| From P-1348 | Date:07/2024 | PAGE:VIP-1864-32 |
| HANDLE LOCK & KEYS - TYPE "NS" | | |

| Item# | Part | Description | QTY | Notes |
|-------|---------|-----------------------------|-----|-------|
| 7 | 780663 | KEY / NS 8703 | AR | |
| 7 | 780664 | KEY / NS 8704 | AR | |
| 7 | 780665 | KEY / NS 8705 | AR | |
| 7 | 780667 | KEY / NS 8707 | AR | |
| 7 | 780668 | KEY / NS 8708 | AR | |
| 7 | 780669 | KEY / NS 8709 | AR | |
| 7 | 780670 | KEY / NS 8710 | AR | |
| 7 | 780671 | KEY / NS 8711 | AR | |
| 7 | 780672 | KEY / NS 8712 | AR | |
| 7 | 780673 | KEY / NS 8713 | AR | |
| 7 | 780674 | KEY / NS 8714 | AR | |
| 7 | 780675 | KEY / NS 8715 | AR | |
| 7 | 780676 | KEY / NS 8716 | AR | |
| 7 | 780677 | KEY / NS 8717 | AR | |
| 7 | 780678 | KEY / NS 8718 | AR | |
| 7 | 780679 | KEY / NS 8719 | AR | |
| 7 | 780680 | KEY / NS 8720 | AR | |
| 7 | 780681 | KEY / NS 8721 | AR | |
| 7 | 780682 | KEY / NS 8722 | AR | |
| 7 | 780683 | KEY / NS 8723 | AR | |
| 7 | 780684 | KEY / NS 8724 | AR | |
| 7 | 780685 | KEY / NS 8725 | AR | |
| 7 | 780686 | KEY / NS 8726 | AR | |
| 7 | 780687 | KEY / NS 8727 | AR | |
| 7 | 780688 | KEY / NS 8728 | AR | |
| 7 | 780689 | KEY / NS 8729 | AR | |
| 7 | 780690 | KEY / NS 8730 | AR | |
| 7 | 780716 | KEY / NS 8731 | AR | |
| 7 | 780717 | KEY / NS 8732 | AR | |
| 7 | 780718 | KEY / NS 8733 | AR | |
| 7 | 780719 | KEY / NS 8734 | AR | |
| 7 | 780720 | KEY / NS 8735 | AR | |
| 7 | 780721 | KEY / NS 8736 | AR | |
| 7 | 780722 | KEY / NS 8737 | AR | |
| 7 | 780723 | KEY / NS 8738 | AR | |
| 7 | 780724 | KEY / NS 8739 | AR | |
| 7 | 780725 | KEY / NS 8740 | AR | |
| 9 | 780745 | CYLINDER LOCK BODY | AR | |
| 9 | 5001377 | SCREW MA PAN PH M5-0.8x8 SS | AR | |
| 10 | 280011 | LOCK COVER ASSEMBLY | 1 | |
| . A | N.S.S. | . RECEIVER | 1 | 1 |
| . B | N.S.S. | . COVER | 1 | 1 |

| | | |
|---|--------------|------------------|
| From P-1348 | Date:07/2024 | PAGE:VIP-1864-32 |
| HANDLE LOCK & KEYS - TYPE "NS" | | |

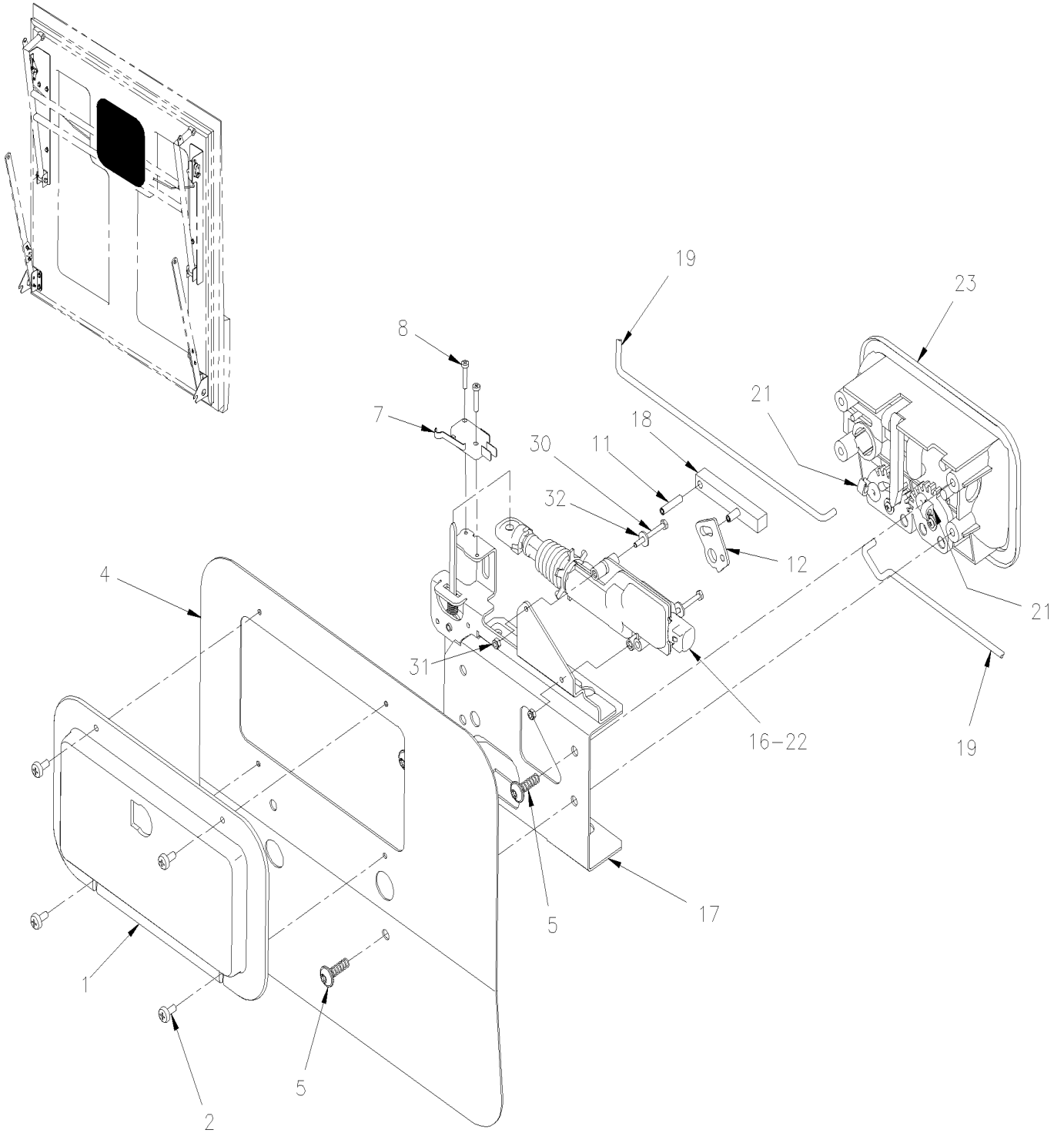
| Item# | Part | Description | QTY | Notes |
|-------|---------|--|-----|-------|
| . C | N.S.S. | . GUIDE, SPRING | 1 | 1 |
| . D | N.S.S. | . SPRING | 1 | 1 |
| . E | N.S.S. | . AXLE | 1 | 1 |
| 12 | 280015 | SPACER / LOCK COVER | 1 | E |
| 12 | 280013 | SPACER / LOCK COVER | 1 | B |
| 22 | 289340 | SUPPORT, HANDLE | AR | |
| 23 | | FOR RODS SEE RESPECTIVE PAGES FOR APPLICATION | 1 | |
| 40 | 780794 | HANDLE ASSY / MANUAL TYPE "NS" | AR | A |
| . NS | 780340 | . CLIP, RETAINER ROD | 2 | A |
| 41 | 780303 | . GASKET | 1 | |
| 42 | 780340 | . CLIP, RETAINER ROD | 1 | |
| 43 | 5002054 | SCREW TP BUTF TORX M6x20 SS | 4 | |
| | | | | |
| | | | | |
| | | A) MANUAL OR ELECTRIC | | |
| | | B) USE ONLY WITH FUEL DOOR STREET SIDE WITH SMALL A/C SYSTEM | | |
| | | E) USE ONLY WITH FUEL DOOR STREET SIDE WITH BUS & LARGE A/C SYSTEM | | |
| | | 1) NOT SOLD SEPARATELY | | |

From K-0295

Date:07/2024

PAGE:VIP-1864-35

BAGGAGE COMPARTMENT ELECTRICAL LOCK - V.I.P



| | | |
|--|--------------|------------------|
| From K-0295 | Date:07/2024 | PAGE:VIP-1864-35 |
| BAGGAGE COMPARTMENT ELECTRICAL LOCK - V.I.P | | |

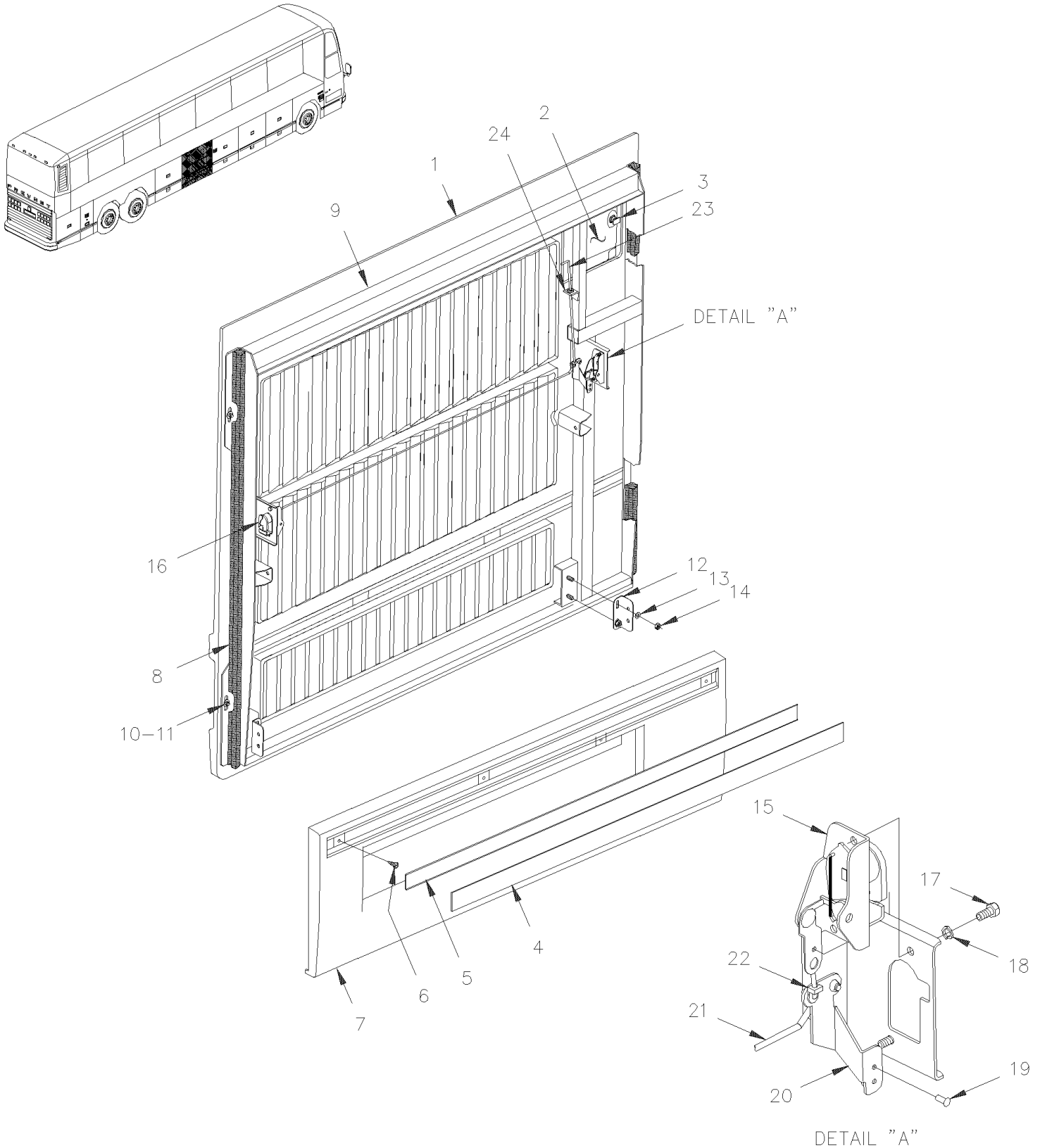
| Item# | Part | Description | QTY | Notes |
|-------|--------------------|---|-----|-------|
| 1 | 283516 | COVER | 1 | |
| 2 | 500799 | SCREW TC PAN PH #8-32x3/8 N500 | 4 | |
| 4 | 287833 | PLATE CLOSING / 289MM X 314MM | 1 | |
| NS | 506071 | TAPE RUB ADH1 CC POL 1/8" x 1/2" x 50' / GREY 2520X | AR | |
| 5 | 5002054 | SCREW TP BUTF TORX M6x20 SS | 4 | |
| 7 | 562096 | MICRO SWITCH | 1 | |
| 8 | 502825 | SCREW MA PAN PH M3-0.5x16 N500 | 2 | |
| 11 | 505420 | SPRING, PIN M4.5 x 20 | 2 | |
| 12 | 288539 | LEVER / W/MANUAL OPERATION & ELECTRIC | 1 | |
| 16 | 2800049 | LOCK ACTUATOR / 12V | 1 | |
| 17 | 2800021P | SUPPORT HANDLE ASSY W/LEVER / W/ELECTRICAL LOCK | 1 | |
| 18 | 283513 | GUIDE | 1 | |
| 19 | | FOR RODS SEE RESPECTIVE PAGES FOR APPLICATION | 1 | |
| 21 | 780340 | CLIP, RETAINER ROD | 2 | |
| 22 | 061466 | CABLE HARNESS ASSY HINGE DOOR | 1 | |
| 22 | 061459 | CABLE HARNESS ASSY PANTOGRAPH DOOR | 1 | |
| 22 | 061468 | CABLE HARNESS ASSY LATERAL PANTOGRAPH DOOR | 1 | |
| 23 | VIP-1864-31 | HANDLE LOCK & KEYS - TYPE "NS" To P-1347 | | |
| 23 | VIP-1864-32 | HANDLE LOCK & KEYS - TYPE "NS" From P-1348 | | |
| 30 | 5001100 | SCREW CAP HEX M3-0.5x30 G8.8 ZP | 2 | |
| 31 | 5001408 | NUT HEX STO M3-0.5 ZP | 2 | |
| 32 | 500437 | WASHER FL .125x.375x.040 Z050 | 2 | |

From K-0295

Date:07/2024

PAGE:VIP-1864-55

BAGGAGE DOOR ASSY - V.I.P. - "GRILL" STYLE



| | | |
|---|--------------|------------------|
| From K-0295 | Date:07/2024 | PAGE:VIP-1864-55 |
| BAGGAGE DOOR ASSY - V.I.P. - "GRILL" STYLE | | |

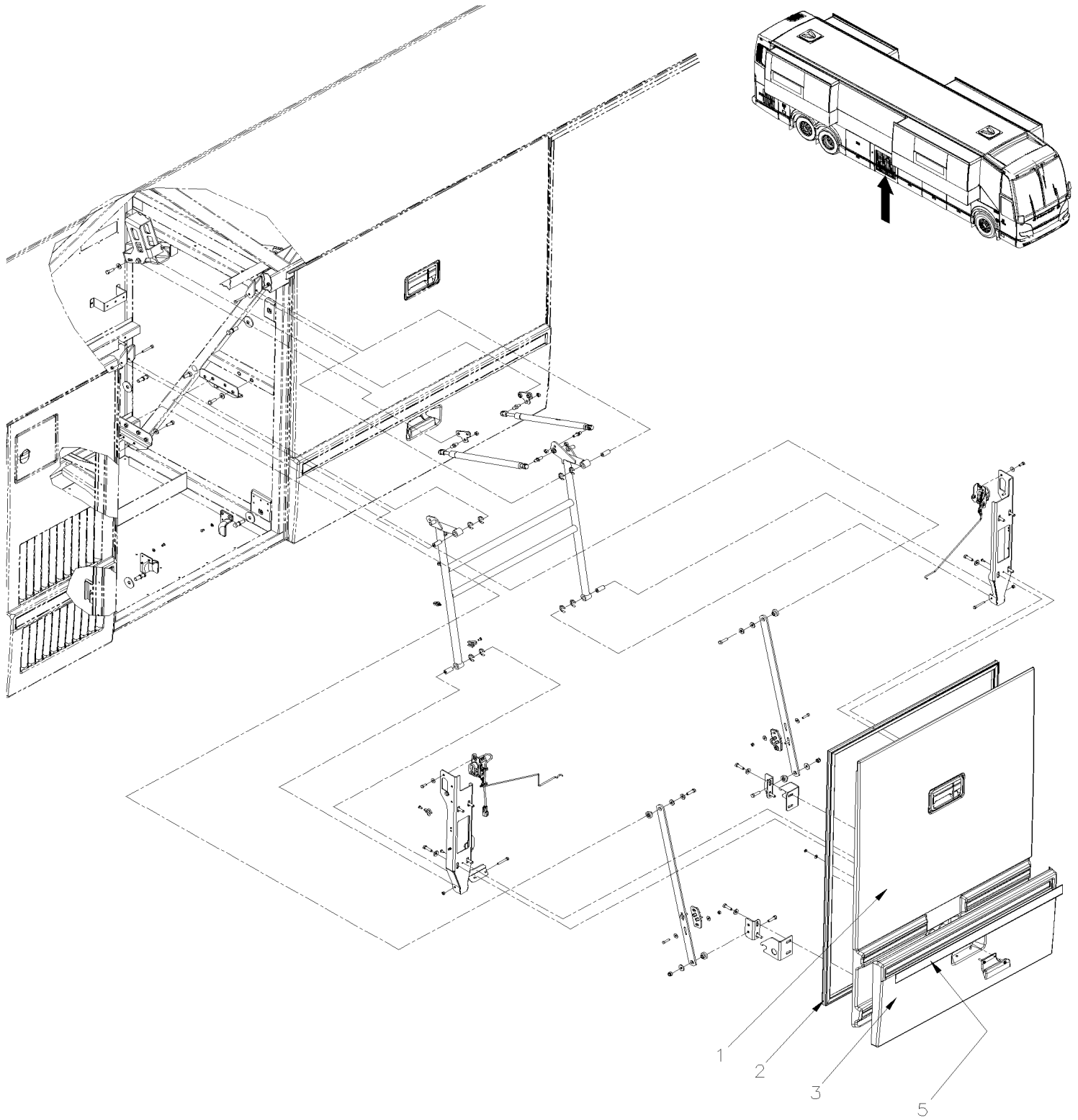
| Item# | Part | Description | QTY | Notes |
|-------|--------------------|---|-----|-------|
| | 286447 | DOOR ASSY W/GRILL | 1 | |
| . NS | 288096 | . LOUVER ROD 37 1/4" | AR | |
| 1 | 288671 | . CONDENSOR DOOR ASSY 1257MM | 1 | |
| . NS | 288096 | . . LOUVER ROD 37 1/4" | 1 | |
| 2 | 285637 | . FUEL DOOR / RH FIXED AT CONDENSOR DOOR | 1 | |
| 3 | VIP-1864-31 | . HANDLE LOCK & KEYS - TYPE "NS" To P-1347 | | |
| 3 | VIP-1864-32 | . HANDLE LOCK & KEYS - TYPE "NS" From P-1348 | | |
| 4 | 283100 | . STRIPE, REFLECTIVE WHITE / 38MM X 15' ROLL | AR | |
| . NS | 780277 | . . STRIPE, REFLECTIVE WHITE / 38MM X 150' ROLL | AR | |
| 5 | 280236 | . EXTRUSION BACKING ASSY W/REFLECTOR 1342MM | 1 | |
| . NS | 280117 | . . EXTRUSION 1342MM | 1 | |
| 5 | 685126 | . ADHESIVE SIMSON #ISR 70-03 / GREY / 600ml SAUSAGE | AR | |
| 6 | 500120 | . SCREW TP BDG PH #6x1/2 SS | 4 | |
| 7 | 285635 | . PROTECTOR PANEL / SH 1396MM | 1 | |
| NS | 682462 | . ADHESIVE SIKA #252 / BLACK / 310ml CARTRIDGE | AR | |
| 8 | 2800143 | . RUBBER SEAL EXTRUSION 2900MM | 1 | |
| NS | 506302 | . RUBBER EXTRUSION TRIM SEAL / GRIP .024 / 7/16" HOLLOW BULB C.T.L. | AR | |
| 9 | 287973 | . FRAME ASSY | 1 | |
| 10 | 500441 | . WASHER FL .312x.734x.065 Z050 | 5 | |
| 11 | 502511 | . NUT HEX NYRT M6-1.0 Z050 | 5 | |
| 12 | 289237 | . FASTNER | 2 | |
| 13 | 502584 | . WASHER LO SERR 8.2x26.3x1.8 Z050 | 4 | |
| 14 | 502543 | . NUT HEX M8-1.25 Z050 | 4 | |
| 15 | 285708 | . LOCK SPAGNOLET L.H. (MODIFIED) | 1 | |
| 16 | 780653 | . LOCK SPAGNOLET R.H. / W/G-FITTING | 1 | |
| . NS | 780340 | . . CLIP, RETAINER ROD | 1 | |
| . NS | 507607 | . . GREASE FITTING / M6-1.00 | 1 | |
| 17 | 502531 | . SCREW CAP HEX M6-1.0x16 G8.8 Z050 | 4 | |
| 18 | 502582 | . WASHER LO SERR 6.1x16.2x0.9 Z050 | 4 | |
| 19 | 504379 | . RIVET POP DOME OE 3/16x1/4 SS | 1 | |
| 20 | 287971 | . PIVOT | 1 | |
| 21 | 286032 | . ROD, TRANSFER | 1 | |
| 22 | 504456 | . CLIP / RETAINER ROD / WHITE OR RED | 1 | |
| 23 | 287979 | . ROD, OPENING | 1 | |
| 24 | 504083 | . SNAP BUSHING / .250x.468.406 | 1 | |

From K-0295

Date:07/2024

PAGE:VIP-1864-60

BAGGAGE COMPARTMENT DOOR SMALL WITH SMALL A/C

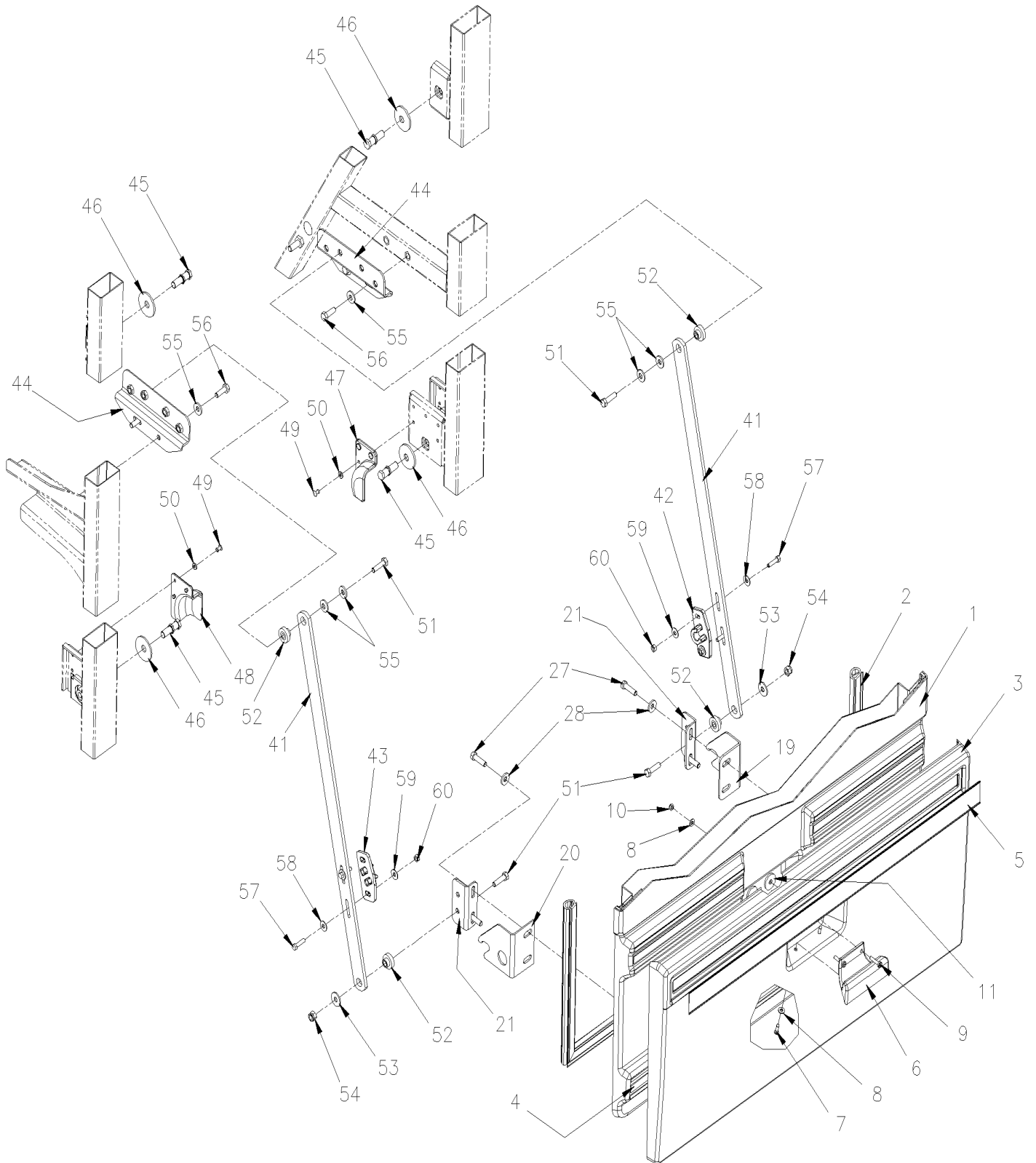


From K-0295

Date:07/2024

PAGE:VIP-1864-60

BAGGAGE COMPARTMENT DOOR SMALL WITH SMALL A/C

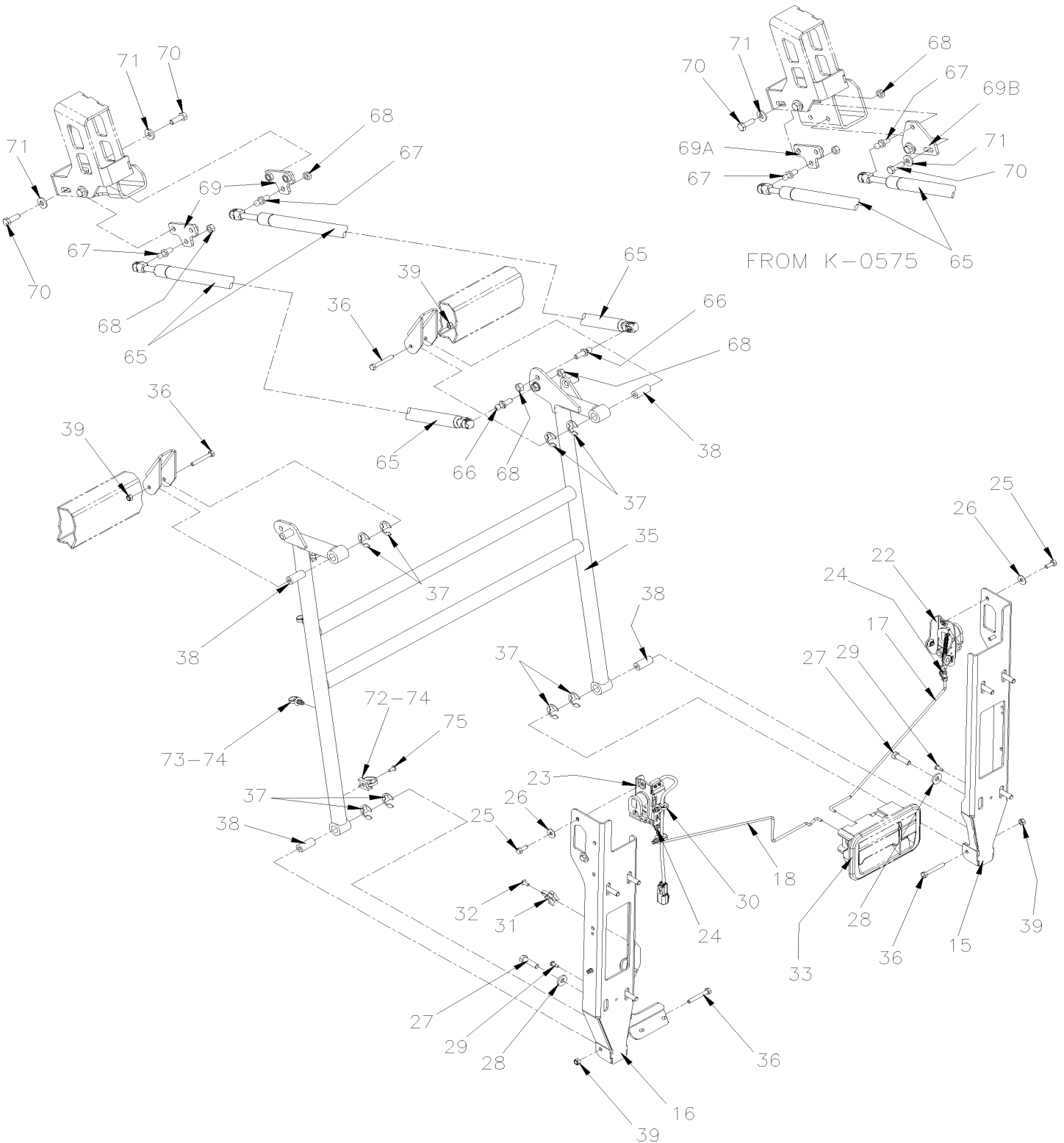


From K-0295

Date:07/2024

PAGE:VIP-1864-60

BAGGAGE COMPARTMENT DOOR SMALL WITH SMALL A/C



| | | | |
|-------------|--|--------------|------------------|
| From K-0295 | | Date:07/2024 | PAGE:VIP-1864-60 |
|-------------|--|--------------|------------------|

BAGGAGE COMPARTMENT DOOR SMALL WITH SMALL A/C

| Item# | Part | Description | QTY | Notes |
|-------|--------------------|--|-----|-------|
| | 281817P | BAGGAGE DOOR ASSY 34" W/ELEC | 1 | |
| 1 | 284710 | . DOOR / ALUMINIUM | 1 | |
| 2 | 287863 | . RUBBER SEAL EXTRUSION / 776.5MM X 1121MM | 1 | |
| 3 | 281455 | . PROTECTOR PANEL | 1 | |
| 4 | 506785 | . TAPE RUB ADH2 CC POL 1/16" X 1/4" X 200' / BLACK I1C-N-A | AR | |
| 4 | 683083 | . ADHESIVE SIKA #252 / BLACK / 600 ml SAUSAGE | AR | |
| 5 | 287867 | . EXTRUSION BACKING ASSY W/REFLECTOR 816MM | 1 | |
| . NS | 287866 | . . EXTRUSION | 1 | |
| . NS | 780277 | . . STRIPE, REFLECTIVE WHITE / 38MM X 150' ROLL | AR | |
| 5 | 684685 | . ADHESIVE SIMSON #ISR 70-03 / 310ml CARTRIDGE | AR | |
| 6 | 282562 | . HANDLE / DOOR | 1 | |
| 6 | 680025 | . CAULKING STRIP 3/16" O.D. X 14' | AR | |
| 7 | 500957 | . SCREW TP BDG PH #10x3/4 N500 | 2 | |
| 8 | 500804 | . WASHER FL .203x.500x.047 N500 | 4 | |
| 9 | 502532 | . SCREW MA PAN PH M5-0.8x25 SS EMN | 2 | |
| 10 | 502841 | . NUT HEX NYRT M5-0.8 N500 | 2 | |
| 11 | 473615 | . WASHER | 2 | |
| 15 | 280081 | . FIXTURE R.H. | 1 | |
| 16 | 280073 | . FIXTURE L.H. | 1 | |
| 17 | 287865 | . ROD R.H. | 1 | |
| 18 | 287864 | . ROD L.H. | 1 | |
| 19 | 289114 | . LOWER HOOK R.H. | 1 | |
| 20 | 289122 | . LOWER HOOK L.H. | 1 | |
| 21 | 285543 | . FASTNER | 2 | |
| 22 | 780839 | . LOCK SPAGNOLET L.H. | 1 | |
| 23 | 564272 | . LOCK SPAGNOLET R.H. / WITH SWITCH | 1 | |
| . NS | 565205 | . . MICRO SWITCH | 1 | |
| . NS | 563864 | . . HARDWARES FOR SWITCH | 1 | |
| 24 | 780340 | . CLIP, RETAINER ROD | 2 | |
| 25 | 5001697 | . SCREW CAP HEX M6-1.0x16 SS BK | 4 | |
| 26 | 5002015 | . WASHER BEL SPR 6.65x17.4x0.9 SS | 4 | |
| 27 | 5001912 | . SCREW CAP HEX M8-1.25x30 SS BK | 12 | |
| 28 | 5001848 | . WASHER BEL SPR .827 x .331 x .098 th SS | 12 | |
| 29 | 502868 | . SCREW TC TR PH #10-16x1/2 N500 | 2 | |
| 30 | 509815 | . TIE MOUNT / ATTACHMENT W/TREE MOUNT | 5 | |
| 30 | 504637 | . CABLE TIE / 3/16" x 13" | 5 | |
| 31 | 504013 | . TIE MOUNT / 1/4" X 1/4" I.D. | 4 | |
| 31 | 504637 | . CABLE TIE / 3/16" x 13" | 4 | |
| 32 | 504488 | . RIVET MGLP PRDG 3/16x17/64 SS | 4 | |
| 33 | VIP-1864-35 | BAGGAGE COMPARTMENT ELECTRICAL LOCK - V.I.P | | |
| | | | | |
| 35 | 281495 | ARM PANTOGRAPH | 1 | |

| | | | |
|--|--|--------------|------------------|
| From K-0295 | | Date:07/2024 | PAGE:VIP-1864-60 |
| BAGGAGE COMPARTMENT DOOR SMALL WITH SMALL A/C | | | |

| Item# | Part | Description | QTY | Notes |
|-------|---------|--|-----|-------|
| 36 | 5001923 | SCREW CAP HEX M6-1.0x45 SS BK | 4 | |
| 37 | 504660 | RING RETAINER / EXT .750 x 0575 x .050" | 8 | |
| 38 | 285710 | BUSHING SPACER ACETAL 6.5MM I.D. x 14.15MM O.D. x 31 | 4 | |
| NS | 680343 | GREASE CLEAR SPRAY BOTTLE 283GR | AR | |
| 39 | 5001182 | NUT HEX NYRT M6-1.0 SS | 4 | |
| 41 | 283236 | ARM AUXILIARY 638MM C/C | 2 | |
| 42 | 288011 | DOOR STOPPER R.H. | 1 | |
| NS | 288794 | SPACER SS DOOR STOPER | AR | |
| 43 | 288012 | DOOR STOPPER L.H. | 1 | |
| NS | 288794 | SPACER SS DOOR STOPER | AR | |
| 44 | 288882 | SUPPORT / 24MM OFFSET | 2 | |
| 45 | 284438 | PIN STRIKER | 4 | |
| 46 | 284447 | WASHERS BELLEVILLE | 4 | |
| 46 | 680025 | CAULKING STRIP 3/16" O.D. X 14' | AR | |
| 47 | 288010 | PROTECTOR R.H. | 1 | |
| 48 | 288009 | PROTECTOR L.H. | 1 | |
| 49 | 504416 | RIVET POP DOME OE 3/16x5/8 SS | 6 | |
| 50 | 5001137 | WASHER FL .203x.438x.050 SS | 6 | |
| 51 | 5001912 | SCREW CAP HEX M8-1.25x30 SS BK | 4 | |
| NS | 680038 | THREAD LOCKER LOCTITE #243 / BLUE / 50ml | AR | |
| 52 | 286716 | SPACER BUSHING FLANGE / AUX. ARM & SUPPORT ACETAL 8.3MM I.D. | 4 | |
| 53 | 5001849 | WASHER FL 8.4x24.0x2.0 SS | 2 | |
| 54 | 5001787 | NUT HEX NYRT M8-1.25 SS | 2 | |
| 55 | 5001848 | WASHER BEL SPR .827 x .331 x .098 th SS | 8 | |
| 56 | 502780 | SCREW CAP HEX M8-1.25x25 SS BK | 4 | |
| 57 | 502737 | SCREW CAP HEX M6-1.0x25 SS BK | 4 | |
| 58 | 500411 | WASHER FL .260x.697x.050 SS | 4 | |
| 59 | 5001833 | WASHER BEL SPR 6.1x18x1.27 SS | 4 | |
| 60 | 5001851 | NUT HEX M6-1.0 SS BK | 4 | |
| | | | | |
| 65 | 980030 | CYLINDER GAZ / 669/409MM C/C / 210LBS | 2 | |
| 66 | 980027 | BALL STUD / W/10 MM X M8-1.25 / 36.5MM | 2 | |
| 67 | 980015 | BALL STUD / W/10 MM X M8-1.25 / 29.18 MM | 2 | |
| 68 | 502838 | NUT HEX TWAY M8-1.25 N500 | 4 | |
| 69 | 288130 | SUPPORT, CYLINDER To K-0574 | 2 | |
| 69 | 288130 | SUPPORT, CYLINDER To K-0574 | 2 | |
| 69A | 288130 | SUPPORT, CYLINDER From K-0575 | 1 | |
| 69A | 288130 | SUPPORT, CYLINDER From K-0575 | 1 | |
| 69B | 2810068 | SUPPORT, CYLINDER From K-0575 | 1 | |
| 70 | 502780 | SCREW CAP HEX M8-1.25x25 SS BK | 4 | |
| 71 | 5001848 | WASHER BEL SPR .827 x .331 x .098 th SS | 4 | |
| 72 | 504013 | TIE MOUNT / 1/4" X 1/4" I.D. | 2 | |

| | | |
|-------------|--------------|------------------|
| From K-0295 | Date:07/2024 | PAGE:VIP-1864-60 |
|-------------|--------------|------------------|

BAGGAGE COMPARTMENT DOOR SMALL WITH SMALL A/C

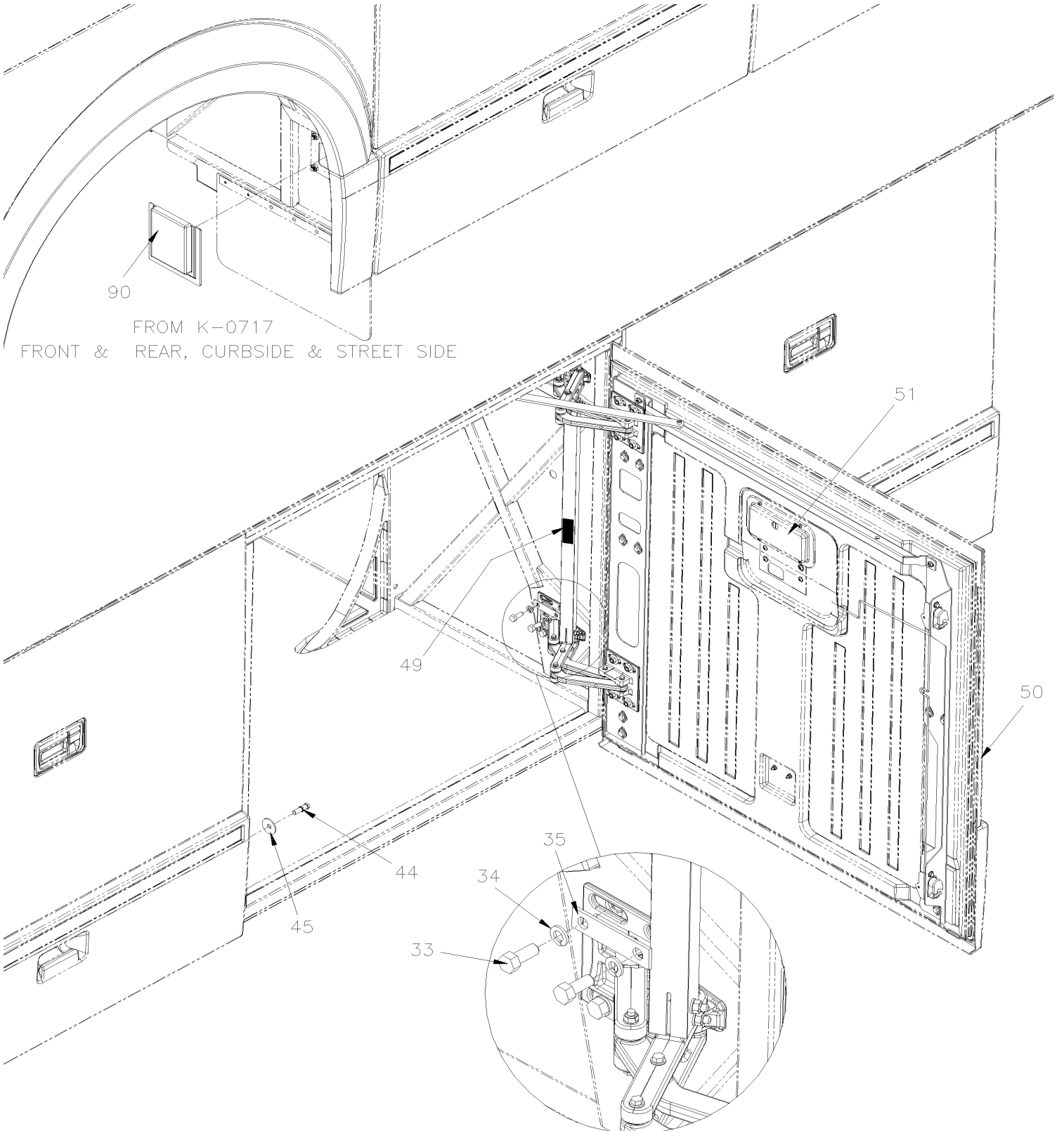
| Item# | Part | Description | QTY | Notes |
|-------|---------|-------------------------------------|-----|-------|
| 73 | 509815 | TIE MOUNT / ATTACHMENT W/TREE MOUNT | 2 | |
| 74 | 504637 | CABLE TIE / 3/16" x 13" | 9 | |
| 75 | 504488 | RIVET MGLP PRDG 3/16x17/64 SS | 2 | |
| 75 | 5001137 | WASHER FL .203x.438x.050 SS | 2 | |

From K-0295

Date:07/2024

PAGE:VIP-1864-91

BAGGAGE DOOR - W/"SLIDE-OUT" INSTALLTION

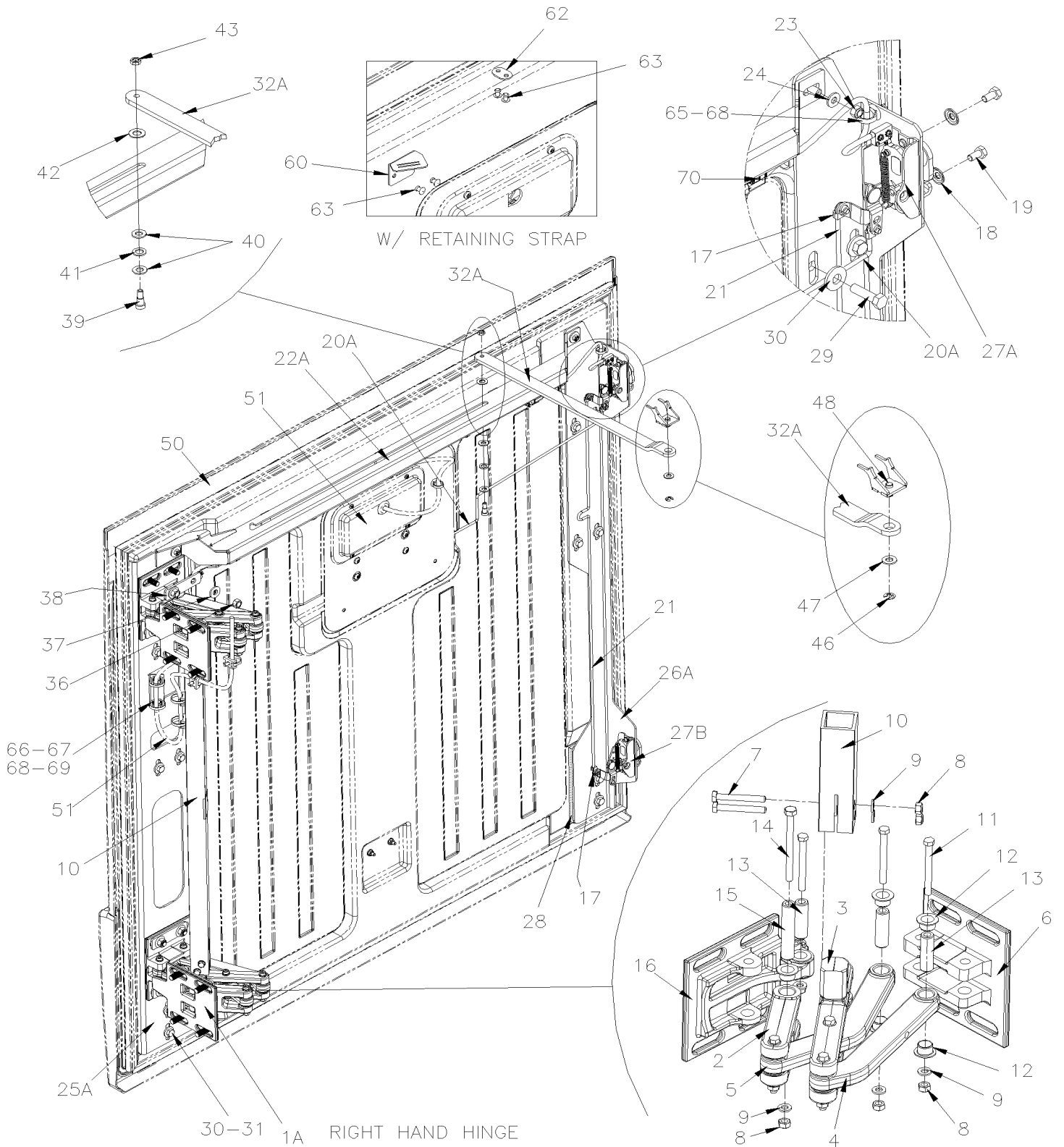


From K-0295

Date:07/2024

PAGE:VIP-1864-91

BAGGAGE DOOR - W/"SLIDE-OUT" INSTALLTION

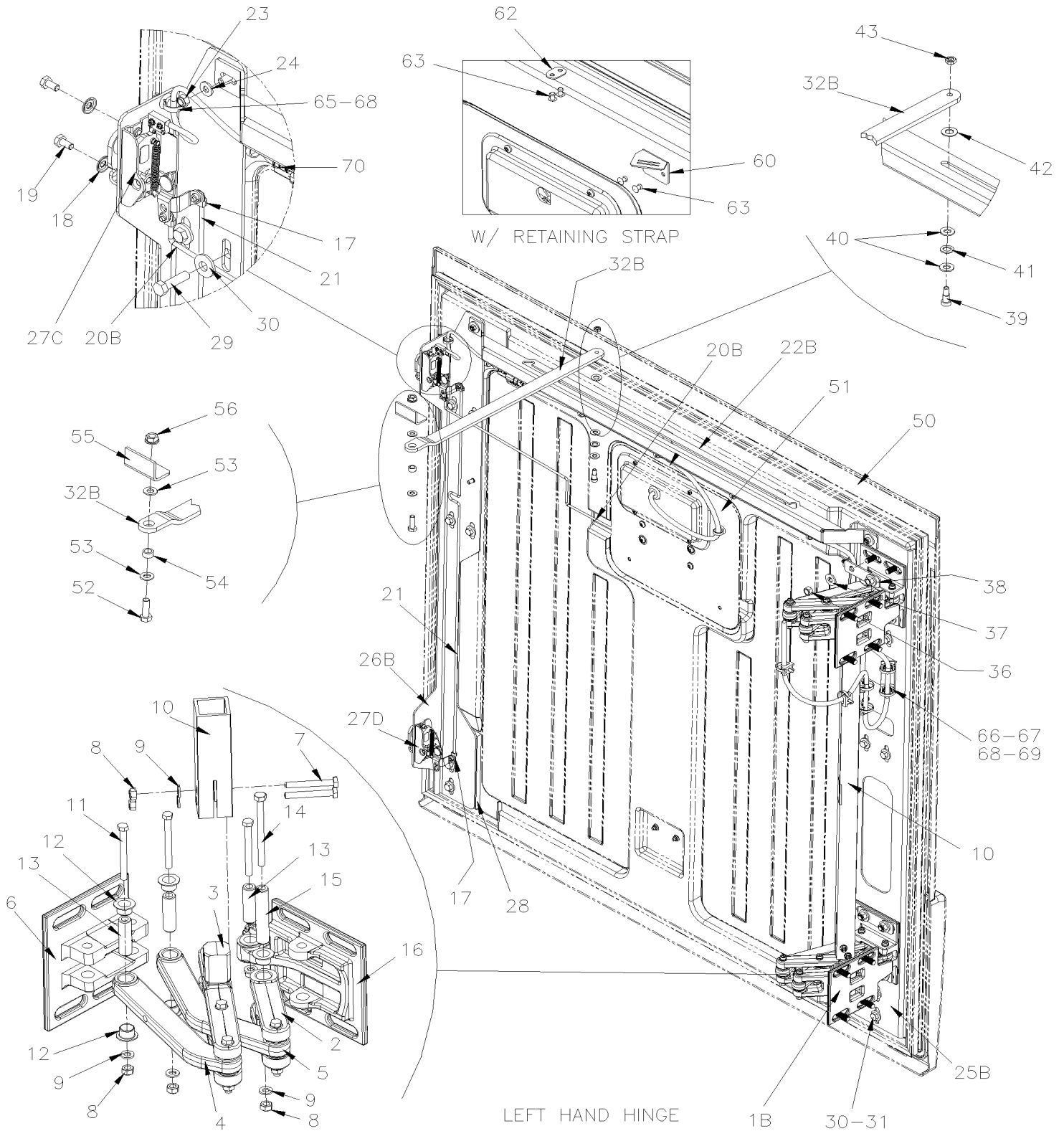


From K-0295

Date:07/2024

PAGE:VIP-1864-91

BAGGAGE DOOR - W/"SLIDE-OUT" INSTALLTION

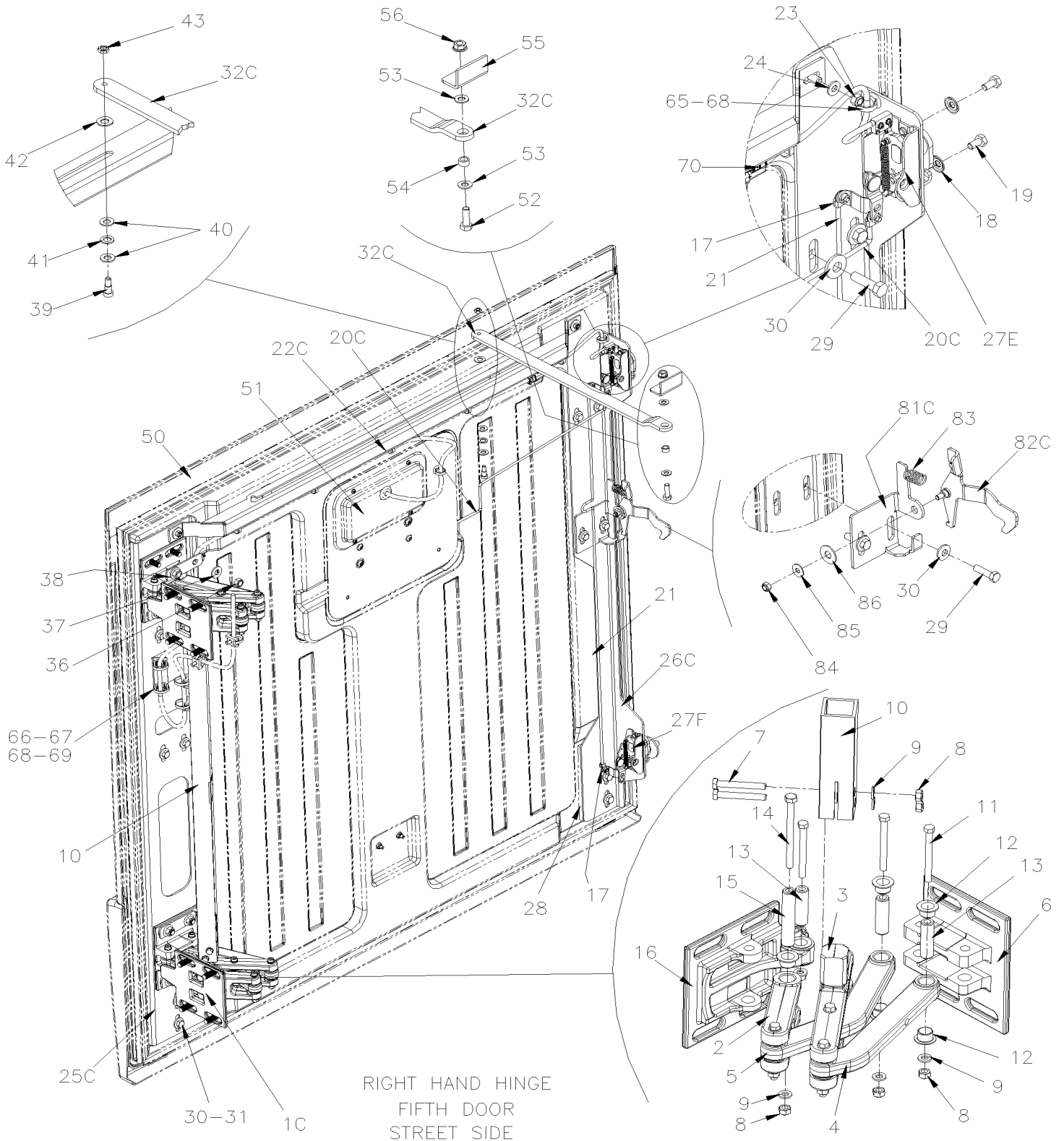


From K-0295

Date:07/2024

PAGE:VIP-1864-91

BAGGAGE DOOR - W/"SLIDE-OUT" INSTALLTION

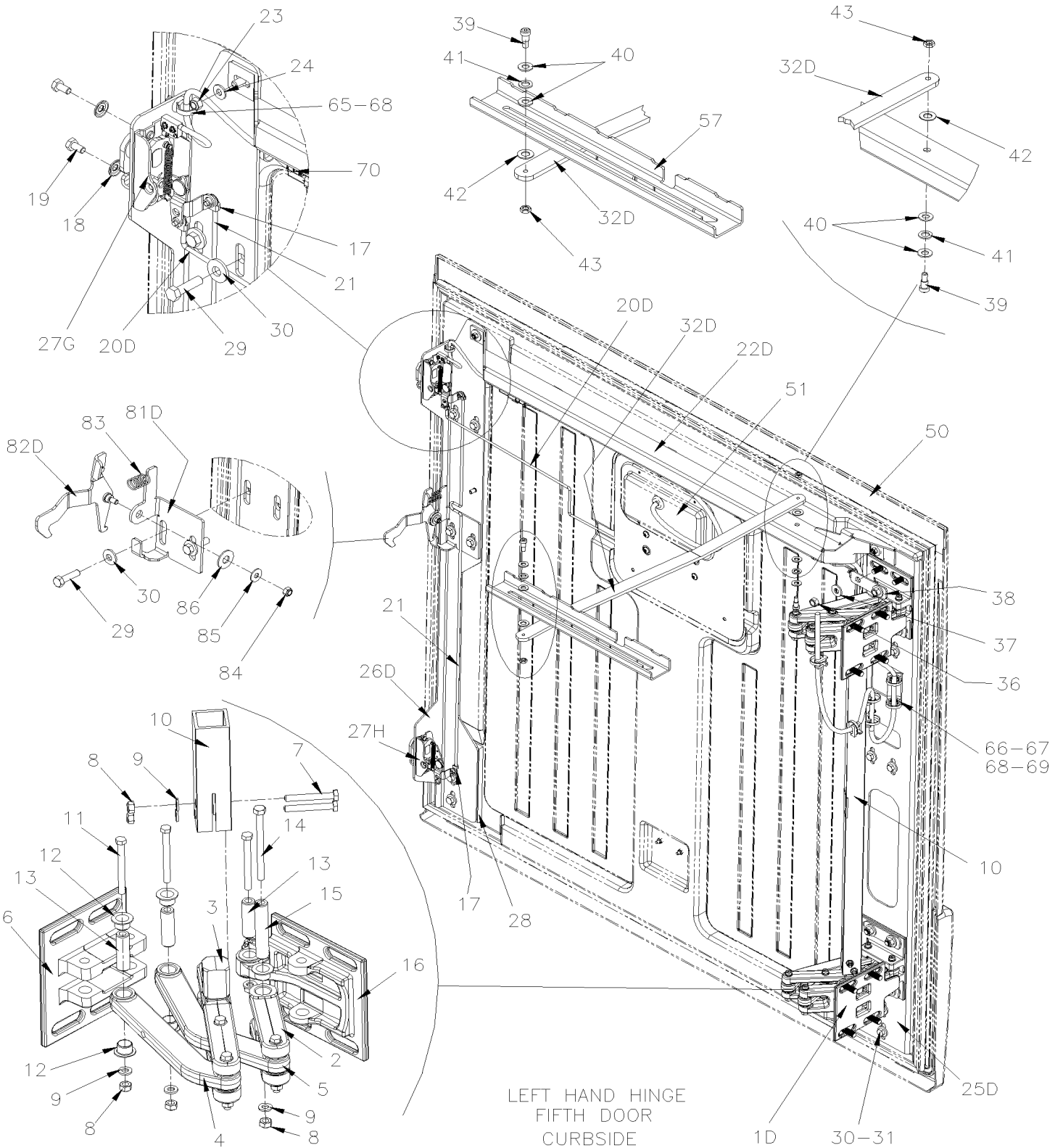


From K-0295

Date:07/2024

PAGE:VIP-1864-91

BAGGAGE DOOR - W/"SLIDE-OUT" INSTALLTION



| | | | |
|-------------|--|--------------|------------------|
| From K-0295 | | Date:07/2024 | PAGE:VIP-1864-91 |
|-------------|--|--------------|------------------|

BAGGAGE DOOR - W/"SLIDE-OUT" INSTALLTION

| Item# | Part | Description | QTY | Notes |
|-------|---------|--|-----|-------|
| | 287823 | BAGGAGE DOOR ASSY 48" / W/RH HINGE CURBSIDE | 1 | C |
| | 2810205 | BAGGAGE DOOR ASSY 48" / W/LH HINGE STREET SIDE | 1 | S |
| | 2800809 | BAGGAGE DOOR ASSY 48" / W/LH HINGE CURBSIDE | 1 | C |
| | 2810670 | BAGGAGE DOOR ASSY 48" / W/RH HINGE STREET SIDE | 1 | S |
| 1A | 282413P | HINGE ASSY W/ TRANSFERT TUBE | 1 | C |
| 1A | 282413P | HINGE ASSY W/ TRANSFERT TUBE | 1 | C |
| 1B | 288875P | HINGE ASSY W/ TRANSFERT TUBE | 1 | S |
| 1B | 288875P | HINGE ASSY W/ TRANSFERT TUBE | 1 | S |
| 1C | 282413P | HINGE ASSY W/ TRANSFERT TUBE | 1 | A S |
| 1C | 282413P | HINGE ASSY W/ TRANSFERT TUBE | 1 | A S |
| 1D | 288875P | HINGE ASSY W/ TRANSFERT TUBE | 1 | A C |
| 1D | 288875P | HINGE ASSY W/ TRANSFERT TUBE | 1 | A C |
| 2 | 288928 | . HINGE ARM "H" SHAPE SMALL | 2 | |
| 3 | 288926 | . HINGE ARM "H" SHAPE LARGE | 2 | |
| 4 | 288930 | . ARM CENTER SECTION / EXTERIOR | 2 | |
| 5 | 288932 | . ARM CENTER SECTION / INTERIOR | 2 | |
| 6 | 288924 | . PLATE HOLDER DOOR SIDE | 2 | |
| 7 | 5001923 | . SCREW CAP HEX M6-1.0x45 SS BK | 4 | |
| 8 | 5001182 | . NUT HEX NYRT M6-1.0 SS | 18 | |
| 9 | 502573 | . WASHER FL 6.4x12.5x1.6 SS | 18 | |
| 10 | 287831 | . SUPPORT TUBE TRANFERT 744MM | 1 | |
| 11 | 5001681 | . SCREW CAP HEX M6-1.0x60 SS | 12 | |
| 12 | 507217 | . FLANGE BEARING 12MM I.D. 20MM O.D. X 10MM | 28 | |
| 13 | 288937 | . PIN DOWEL 12MM O.D. X 41MM | 12 | |
| 14 | 5001682 | . SCREW CAP HEX M6-1.0x80 SS | 2 | |
| 15 | 288936 | . PIN DOWEL 12MM O.D. X 64MM | 2 | |
| 16 | 288934 | . PLATE HOLDER STRUCTURE SIDE | 2 | |
| 17 | 780340 | CLIP, RETAINER ROD | 3 | |
| 18 | 5002015 | WASHER BEL SPR 6.65x17.4x0.9 SS | 4 | |
| 19 | 5001697 | SCREW CAP HEX M6-1.0x16 SS BK | 4 | |
| 20A | 289333 | ROD L.H. 529.8MM | 1 | C |
| 20A | 289333 | ROD L.H. 529.8MM | 1 | C |
| 20B | 289337 | ROD R.H. 497MM | 1 | S |
| 20B | 289337 | ROD R.H. 497MM | 1 | S |
| 20C | 289337 | ROD R.H. 497MM | 1 | A S |
| 20C | 289337 | ROD R.H. 497MM | 1 | A S |
| 20D | 289333 | ROD L.H. 529.8MM | 1 | A C |
| 20D | 289333 | ROD L.H. 529.8MM | 1 | A C |
| 21 | 289248 | ROD 844MM | 1 | |
| 22A | 280087 | SUPPORT DOOR WITH SLIDING TRACK | 1 | C |
| 22B | 287832 | SUPPORT DOOR WITH SLIDING TRACK | 1 | S |
| 22B | 287832 | SUPPORT DOOR WITH SLIDING TRACK | 1 | S |

| | | |
|-------------|--------------|------------------|
| From K-0295 | Date:07/2024 | PAGE:VIP-1864-91 |
|-------------|--------------|------------------|

BAGGAGE DOOR - W/"SLIDE-OUT" INSTALLTION

| Item# | Part | Description | QTY | Notes |
|-------|---------|---------------------------------|-----|-------|
| 22C | 287832 | SUPPORT DOOR WITH SLIDING TRACK | 1 | A S |
| 22C | 287832 | SUPPORT DOOR WITH SLIDING TRACK | 1 | A S |
| 22D | 289855 | SUPPORT DOOR | 1 | A C |
| 23 | 5001182 | NUT HEX NYRT M6-1.0 SS | 2 | |
| 24 | 500142 | WASHER FL 6.6x22.0x2.0 SS | 2 | |
| 25A | 287829 | SUPPORT HINGE & DOOR ASSY | 1 | C |
| 25A | 287829 | SUPPORT HINGE & DOOR ASSY | 1 | C |
| 25B | 287830 | SUPPORT HINGE & DOOR ASSY | 1 | S |
| 25B | 287830 | SUPPORT HINGE & DOOR ASSY | 1 | S |
| 25C | 287829 | SUPPORT HINGE & DOOR ASSY | 1 | A S |
| 25C | 287829 | SUPPORT HINGE & DOOR ASSY | 1 | A S |
| 25D | 287830 | SUPPORT HINGE & DOOR ASSY | 1 | A C |
| 25D | 287830 | SUPPORT HINGE & DOOR ASSY | 1 | A C |
| 26A | 287834 | SUPPORT LATCH | 1 | C |
| 26A | 287834 | SUPPORT LATCH | 1 | C |
| 26B | 287835 | SUPPORT LATCH | 1 | S |
| 26B | 287835 | SUPPORT LATCH | 1 | S |
| 26C | 287834 | SUPPORT LATCH | 1 | A S |
| 26C | 287834 | SUPPORT LATCH | 1 | A S |
| 26D | 287835 | SUPPORT LATCH | 1 | A C |
| 26D | 287835 | SUPPORT LATCH | 1 | A C |
| 27A | 287846 | LOCK SPAGNOLET R.H. WITH SWITCH | 1 | C |
| 27A | 287846 | LOCK SPAGNOLET R.H. WITH SWITCH | 1 | C |
| . NS | 565205 | . MICRO SWITCH | 1 | C |
| . NS | 563864 | . HARDWARES FOR SWITCH | 1 | C |
| 27B | 289835 | LOCK SPAGNOLET | 1 | C |
| 27B | 289835 | LOCK SPAGNOLET | 1 | C |
| . NS | 780840 | . LOCK SPAGNOLET R.H. | 1 | C |
| 27C | 287847 | LOCK SPAGNOLET L.H. WITH SWITCH | 1 | S |
| 27C | 287847 | LOCK SPAGNOLET L.H. WITH SWITCH | 1 | S |
| . NS | 565205 | . MICRO SWITCH | 1 | S |
| . NS | 563864 | . HARDWARES FOR SWITCH | 1 | S |
| 27D | 289836 | LOCK SPAGNOLET | 1 | S |
| 27D | 289836 | LOCK SPAGNOLET | 1 | S |
| . NS | 780839 | . LOCK SPAGNOLET L.H. | 1 | S |
| 27E | 287846 | LOCK SPAGNOLET R.H. WITH SWITCH | 1 | A S |
| 27E | 287846 | LOCK SPAGNOLET R.H. WITH SWITCH | 1 | A S |
| . NS | 565205 | . MICRO SWITCH | 1 | A S |
| . NS | 563864 | . HARDWARES FOR SWITCH | 1 | A S |
| 27F | 289835 | LOCK SPAGNOLET | 1 | A S |
| 27F | 289835 | LOCK SPAGNOLET | 1 | A S |
| . NS | 780840 | . LOCK SPAGNOLET R.H. | 1 | A S |

| | | | |
|-------------|--|--------------|------------------|
| From K-0295 | | Date:07/2024 | PAGE:VIP-1864-91 |
|-------------|--|--------------|------------------|

BAGGAGE DOOR - W/"SLIDE-OUT" INSTALLTION

| Item# | Part | Description | QTY | Notes |
|-------|--------------------|--|-----|-------|
| 27G | 287847 | LOCK SPAGNOLET L.H. WITH SWITCH | 1 | A C |
| 27G | 287847 | LOCK SPAGNOLET L.H. WITH SWITCH | 1 | A C |
| . NS | 565205 | . MICRO SWITCH | 1 | A C |
| . NS | 563864 | . HARDWARES FOR SWITCH | 1 | A C |
| 27H | 289836 | LOCK SPAGNOLET | 1 | A C |
| 27H | 289836 | LOCK SPAGNOLET | 1 | A C |
| . NS | 780839 | . LOCK SPAGNOLET L.H. | 1 | A C |
| 28 | 289260 | SPACER PLASTIC 103MM X 165MM X 10MM | 2 | |
| 29 | 5001912 | SCREW CAP HEX M8-1.25x30 SS BK | 8 | |
| 30 | 5001848 | WASHER BEL SPR .827 x .331 x .098 th SS | 12 | |
| 31 | 5001319 | SCREW CAP HEX M8-1.25x40 SS | 4 | |
| 32A | 2800977 | ARM DOOR RETAINER | 1 | C |
| 32A | 2800977 | ARM DOOR RETAINER | 1 | C |
| 32A | 2800977 | ARM DOOR RETAINER | 1 | C |
| | | | | |
| 32B | 2800977 | ARM DOOR RETAINER | 1 | S |
| 32B | 2800977 | ARM DOOR RETAINER | 1 | S |
| 32B | 2800977 | ARM DOOR RETAINER | 1 | S |
| 32C | 2800977 | ARM DOOR RETAINER | 1 | A S |
| 32C | 2800977 | ARM DOOR RETAINER | 1 | A S |
| 32C | 2800977 | ARM DOOR RETAINER | 1 | A S |
| 32D | 289458 | ARM DOOR RETAINER | 1 | A C |
| 33 | 509856 | SCREW CAP HEX M10-1.5x30 SS XLN BK | 8 | |
| 34 | 5001834 | WASHER BEL SPR 10.5X23X2.5 N500 | 8 | |
| 35 | 288939 | SHIM 21MM X 85MM / W2 HOLES 11MM OD 61MM C/C | 4 | |
| 36 | 500102 | NUT HEX 3/8-16 SS | 8 | |
| 37 | 5001834 | WASHER BEL SPR 10.5X23X2.5 N500 | 8 | |
| 38 | 2800978 | WASHER, HINGE 7 PIVOTS | 4 | |
| 39 | 5001560 | SCREW SHR HEXS 5/16x3/8 {1/4-20 SS | 1 | |
| 40 | 5001341 | WASHER FL 8.4x17.0x1.6 SS | 2 | |
| 41 | 500374 | WASHER FL .375x.625x.062 RUB | 1 | |
| 42 | 502723 | WASHER FL .386x.750x.050 NYL | 1 | |
| 43 | 5001980 | NUT HEX JAM 1/4-20 SS BK | 1 | |
| 44 | 284438 | PIN STRIKER | 2 | |
| 45 | 284447 | WASHERS BELLEVILLE | 2 | |
| 46 | 504699 | RING RETAINER / EXT .250 x .207 x .025" / SS | 1 | C |
| 47 | 5001341 | WASHER FL 8.4x17.0x1.6 SS | 1 | C |
| 48 | 210088 | PIN | 1 | C |
| 49 | 144622 | DECAL / "DO NOT READJUST..." | 1 | |
| 50 | VIP-1864-00 | BAGGAGE COMPARTMENT DOOR | | |
| 51 | VIP-1864-35 | BAGGAGE COMPARTMENT ELECTRICAL LOCK - V.I.P | | |
| 52 | 502780 | SCREW CAP HEX M8-1.25x25 SS BK | 1 | |

| | | | |
|-------------|--|--------------|------------------|
| From K-0295 | | Date:07/2024 | PAGE:VIP-1864-91 |
|-------------|--|--------------|------------------|

BAGGAGE DOOR - W/"SLIDE-OUT" INSTALLTION

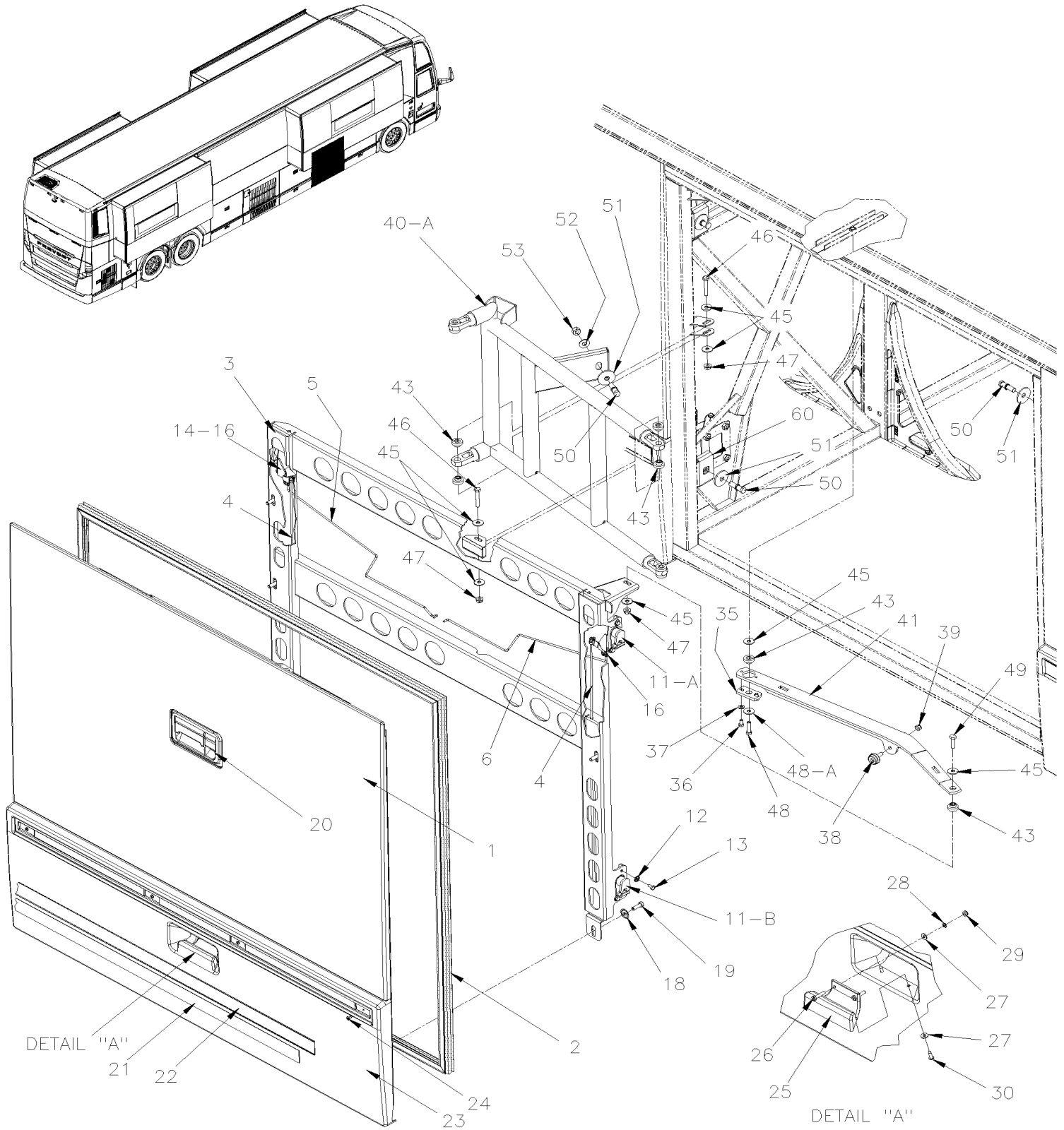
| Item# | Part | Description | QTY | Notes |
|-------|---------|---|-----|-------|
| 53 | 5001341 | WASHER FL 8.4x17.0x1.6 SS | 2 | |
| 54 | 283770 | SPACER / TO FIX RETAINING ARM | 1 | |
| 55 | 212148 | ANGLE W/M8-1.25 (FIXED AT STRUCTURE) | 1 | |
| 56 | 502911 | NUT HEXF M8-1.25 SS | 1 | |
| 57 | 289457 | DOOR SLIDING PLATE | 1 | A C |
| 60 | 287826 | RH SUPPORT, BELT | 1 | |
| 60 | 285224 | LH SUPPORT, BELT | 1 | |
| NS | 505507 | STRAP NYLON 1" WIDE / S.L. | AR | |
| 62 | 284439 | PLATE, STRAP RETAINING / OBLONG 16.5MM x 25.4MM W/2 HOLES | 1 | |
| 63 | 504379 | RIVET POP DOME OE 3/16x1/4 SS | 4 | |
| 65 | 509815 | TIE MOUNT / ATTACHMENT W/TREE MOUNT | AR | |
| 66 | 504488 | RIVET MGLP PRDG 3/16x17/64 SS | AR | |
| 67 | 5001137 | WASHER FL .203x.438x.050 SS | AR | |
| 68 | 504637 | CABLE TIE / 3/16" x 13" | AR | |
| 69 | 504013 | TIE MOUNT / 1/4" X 1/4" I.D. | AR | |
| 70 | 564108 | SELF MOUNTING STUD // DEUTSCH 1011-310-0205 | AR | |
| NS | 562679 | 4 WAY ADH. BACKED MOUNTS 1.000 x 1.000 x .160 | AR | |
| 81C | 289848 | SUPPORT | 1 | A S |
| 81D | 289847 | SUPPORT | 1 | A C |
| 82C | 289846 | LATCH ASSY | 1 | A S |
| 82D | 289844 | LATCH ASSY | 1 | A C |
| 83 | 502245 | SPRING COMPRESSION / .600 O.D. x 1.25 x .059 | 1 | A |
| 84 | 5001182 | NUT HEX NYRT M6-1.0 SS | 1 | A |
| 85 | 5001833 | WASHER BEL SPR 6.1x18x1.27 SS | 1 | A |
| 86 | 500270 | WASHER FL .406x1.000x.063 SS | 1 | A |
| 90 | 460103 | COVER From K-0717 | AR | |
| NS | 688022 | SEALANT FLEXTEC 5510 183 LITERS | AR | |
| | | | | |
| | | | | |
| | | | | |
| | | | | |
| | | A) USE ONLY WITH FIFTH BAGGAGE DOOR WITH 10.5' SLIDE-OUT FORAWD | | |
| | | C) CURBSIDE DOOR | | |
| | | S) STREETSIDE | | |

From K-0295

Date:07/2024

PAGE:VIP-1864-95

BAGGAGE DOOR - W/"SLIDE-OUT" PANTOGRAPH INSTALLTION

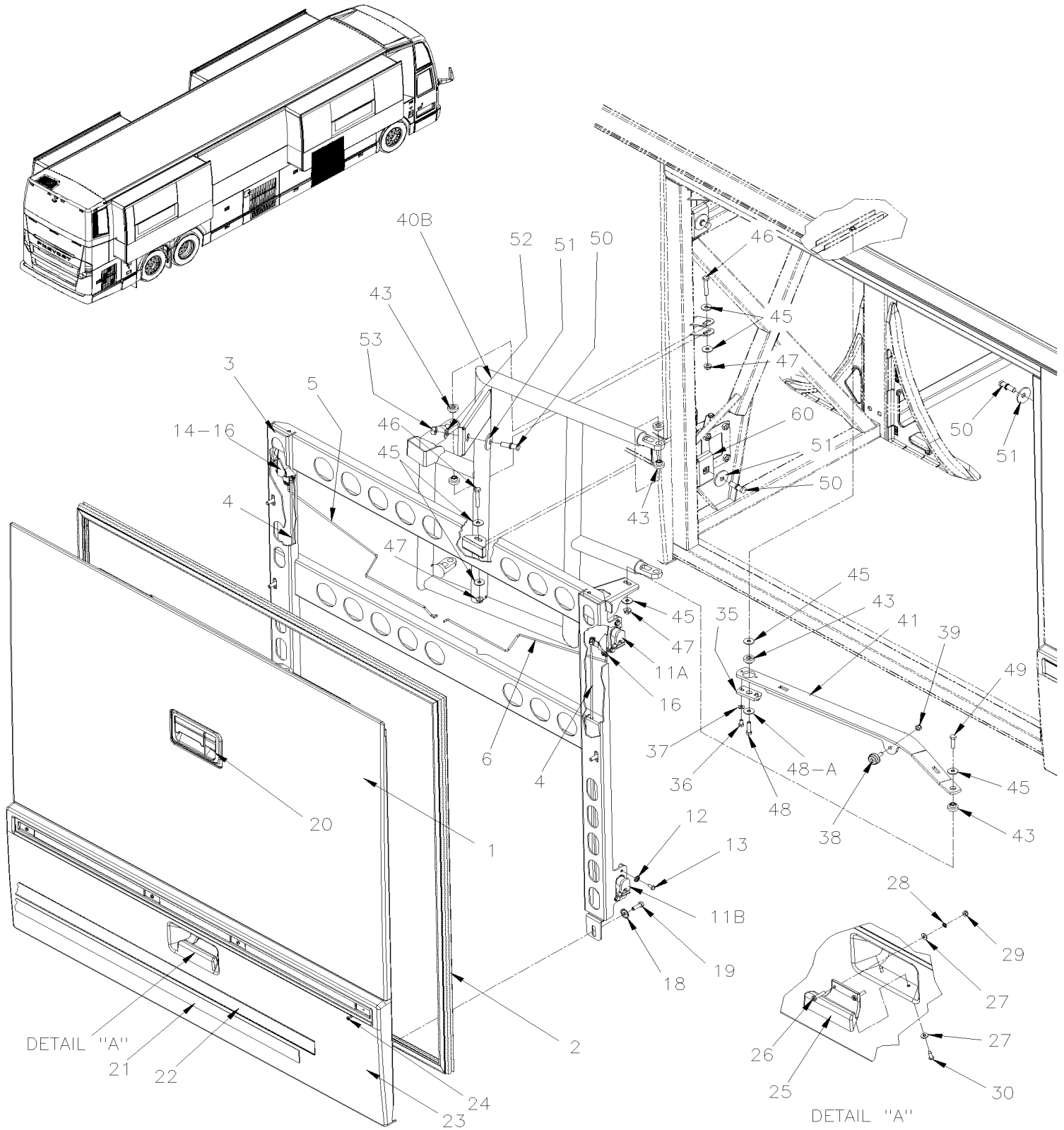


From K-0295

Date:07/2024

PAGE:VIP-1864-95

BAGGAGE DOOR - W/"SLIDE-OUT" PANTOGRAPH INSTALLTION



| | | |
|--|--------------|------------------|
| From K-0295 | Date:07/2024 | PAGE:VIP-1864-95 |
| BAGGAGE DOOR - W/"SLIDE-OUT" PANTOGRAPH INSTALLTION | | |

| Item# | Part | Description | QTY | Notes |
|-------|-----------------|---|-----|-------|
| | Call order desk | DOOR, LATERAL PANTO VIP ASSY / SAV | 1 | P H |
| | Call order desk | DOOR, LATERAL PANTO VIP ASSY / SAV | 1 | P J |
| | Call order desk | BAGGAGE DOOR ASSY | 1 | P |
| 1 | 286972 | . DOOR MOULDED / FIBERGLASS "SMC" | 1 | |
| 2 | 2800122 | . RUBBER SEAL EXTRUSION / 1152MM X 1121MM To L-1003 | 1 | |
| 2 | IS19064 | . BAGGAGE DOOR SEAL REPLACEMENT To L-1003 | 1 | |
| . NS | 2810326 | . . RUBBER SEAL EXTRUSION / 1152MM X 1121MM To L-1003 | 1 | |
| . NS | 506004 | . . TAPE RUB ADH1 CC POL 3/8" x 1/2" x 20' / GREY 2520X To L-1003 | AR | |
| . NS | IS-19064 | . . SEE INSTRUCTION SHEET To L-1003 | 1 | |
| . NS | FI-19064 | . . FEUILLE D'INSTRUCTION To L-1003 | 1 | |
| 2 | 2810326 | . RUBBER SEAL EXTRUSION / 1152MM X 1121MM From L-1004 | 1 | |
| 2 | 684685 | . ADHESIVE SIMSON #ISR 70-03 / 310ml CARTRIDGE | AR | |
| 3 | 287852 | . DOOR FRAME | 1 | F |
| 3 | 280280 | . DOOR FRAME | 1 | J |
| 3 | 287845 | . DOOR FRAME | 1 | G |
| 3 | 280281 | . DOOR FRAME | 1 | H |
| 4 | 288173 | . DOOR ROD L.H. TRANFERT LEVER | 2 | |
| 5 | 289345 | . ROD L.H. 534.8MM | 1 | |
| 6 | 289332 | . ROD R.H. 496.8MM | 1 | |
| 11A | 289836 | . LOCK SPAGNOLET | 1 | F J |
| . NS | 780839 | . . LOCK SPAGNOLET L.H. | 1 | F J |
| 11A | 289835 | . LOCK SPAGNOLET | 1 | G H |
| 11A | 289835 | . LOCK SPAGNOLET | 1 | G H |
| . NS | 780840 | . . LOCK SPAGNOLET R.H. | 1 | G H |
| 11B | 287847 | . LOCK SPAGNOLET L.H. WITH SWITCH | 1 | F J |
| . NS | 565205 | . . MICRO SWITCH | 1 | F J |
| . NS | 563864 | . . HARDWARES FOR SWITCH | 1 | F J |
| 11B | 289835 | . LOCK SPAGNOLET | 1 | G H |
| 11B | 289835 | . LOCK SPAGNOLET | 1 | G H |
| . NS | 780840 | . . LOCK SPAGNOLET R.H. | 1 | G H |
| 11B | 287846 | . LOCK SPAGNOLET R.H. WITH SWITCH | 1 | G H |
| . NS | 565205 | . . MICRO SWITCH | 1 | G H |
| . NS | 563864 | . . HARDWARES FOR SWITCH | 1 | G H |
| NS | 509815 | . TIE MOUNT / ATTACHMENT W/TREE MOUNT | AR | |
| NS | 504637 | . CABLE TIE / 3/16" x 13" | AR | |
| NS | 504013 | . TIE MOUNT / 1/4" X 1/4" I.D. | AR | |
| NS | 504488 | . RIVET MGLP PRDG 3/16x17/64 SS | AR | |
| NS | 5001137 | . WASHER FL .203x.438x.050 SS | AR | |
| NS | 564108 | . SELF MOUNTING STUD // DEUTSCH 1011-310-0205 | AR | |
| 12 | 5002015 | . WASHER BEL SPR 6.65x17.4x0.9 SS | 8 | |
| 13 | 5001697 | . SCREW CAP HEX M6-1.0x16 SS BK | 8 | |
| 14 | 289835 | . LOCK SPAGNOLET | 2 | F J |

| | | | |
|--|--|--------------|------------------|
| From K-0295 | | Date:07/2024 | PAGE:VIP-1864-95 |
| BAGGAGE DOOR - W/"SLIDE-OUT" PANTOGRAPH INSTALLTION | | | |

| Item# | Part | Description | QTY | Notes |
|-------|--------------------|--|-----|-------|
| . NS | 780840 | . . LOCK SPAGNOLET R.H. | 1 | F J |
| 14 | 289836 | . LOCK SPAGNOLET | 2 | G H |
| . NS | 780839 | . . LOCK SPAGNOLET L.H. | 1 | G H |
| 16 | 780340 | . CLIP, RETAINER ROD | 6 | |
| 18 | 5001848 | . WASHER BEL SPR .827 x .331 x .098 th SS | 6 | |
| 19 | 502780 | . SCREW CAP HEX M8-1.25x25 SS BK | 6 | |
| 20 | VIP-1864-31 | . HANDLE LOCK & KEYS - TYPE "NS" To P-1347 | | |
| 20 | VIP-1864-32 | . HANDLE LOCK & KEYS - TYPE "NS" From P-1348 | | |
| 21 | 283100 | . STRIPE, REFLECTIVE WHITE / 38MM X 15' ROLL | AR | |
| . NS | 780277 | . . STRIPE, REFLECTIVE WHITE / 38MM X 150' ROLL | AR | |
| 22 | 285542 | . EXTRUSION BACKING 1189MM | 1 | |
| 22 | 682348 | . TAPE, DOUBLE COATED ACRYLIC | AR | |
| 23 | 285504 | . PROTECTOR PANEL / SH | 1 | |
| 23 | 683083 | . ADHESIVE SIKA #252 / BLACK / 600 ml SAUSAGE | AR | |
| 24 | 500952 | . SCREW TP BDG PH #8x1/2 SS | 4 | |
| 25 | 282562 | . HANDLE / DOOR | 1 | |
| 25 | 680025 | . CAULKING STRIP 3/16" O.D. X 14' | AR | |
| 26 | 502746 | . SCREW MA PAN PH M5-0.8x20 SS BK | 2 | |
| 27 | 500804 | . WASHER FL .203x.500x.047 N500 | 4 | |
| 28 | 500840 | . WASHER LO EXT .195x.410x.025 N500 | 2 | |
| 29 | 502827 | . NUT HEX CAP M5-0.8 N500 | 2 | |
| 30 | 500957 | . SCREW TP BDG PH #10x3/4 N500 | 2 | |
| 35 | 288162 | SUPPORT, FRAME ASSY. | 1 | |
| 36 | 502772 | SCREW CAP HEX 1/4-20x1/2 G5 N500 | 2 | |
| 36 | 680038 | THREAD LOCKER LOCTITE #243 / BLUE / 50ml | AR | |
| 37 | 502573 | WASHER FL 6.4x12.5x1.6 SS | 2 | |
| 38 | 780789 | ADJUSTMENT DEVICE 5/16-18 | 1 | |
| 39 | 500685 | NUT HEX NYRT 5/16-18 SS | 1 | |
| 40A | 287855 | PANTOGRAPH ARM | 1 | F |
| 40A | 280308 | PANTOGRAPH ARM | 1 | J |
| 40A | 280291 | PANTOGRAPH ARM | 1 | H E |
| 40A | 2801089 | PANTOGRAPH ARM | 1 | D |
| 40B | 287849 | PANTOGRAPH ARM / W/OFFSET | 1 | G C |
| 41 | 289024 | ARM AUXILIARY | 1 | F |
| 41 | 280326 | ARM AUXILIARY | 1 | J |
| 41 | 288637 | ARM AUXILIARY | 1 | G |
| 41 | 280325 | ARM AUXILIARY | 1 | H |
| 43 | 286716 | SPACER BUSHING FLANGE / AUX. ARM & SUPPORT ACETAL 8.3MM I.D. | 10 | |
| 45 | 5001849 | WASHER FL 8.4x24.0x2.0 SS | 11 | |
| 46 | 5001981 | SCREW CAP HEX M8-1.25x50 SS BK | 4 | |
| 47 | 5001983 | NUT HEX NYRT M8-1.25 SS SS BK | 5 | |
| 48 | 5001989 | SCREW CAP HEX M8-1.25x40 BK To P-1403 | 1 | |

| | | |
|--|--------------|------------------|
| From K-0295 | Date:07/2024 | PAGE:VIP-1864-95 |
| BAGGAGE DOOR - W/"SLIDE-OUT" PANTOGRAPH INSTALLTION | | |

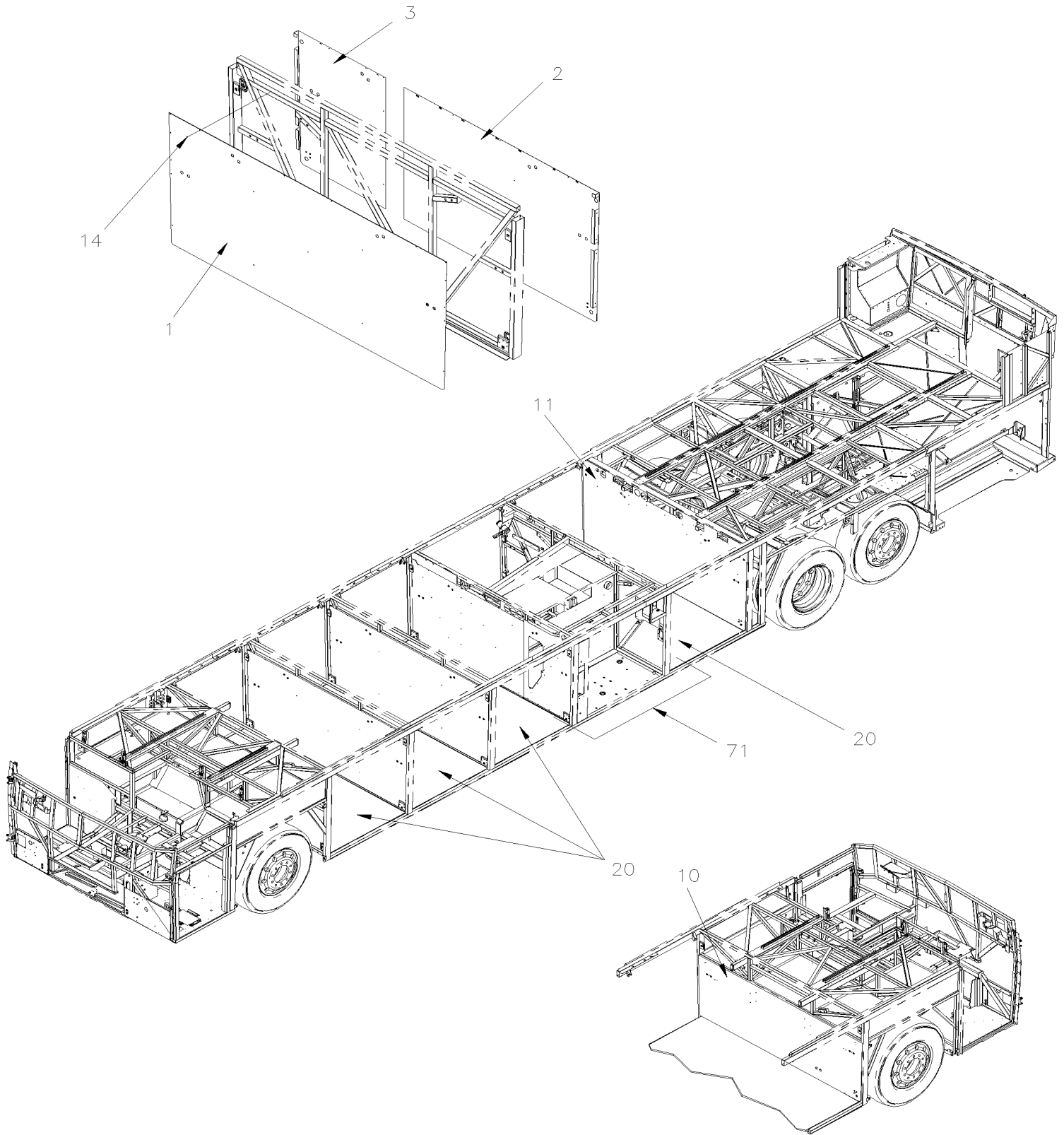
| Item# | Part | Description | QTY | Notes |
|-------|---------|--|-----|-------|
| 48 | 502836 | SCREW CAP HEX M8-1.25x35 G8.8 N500 From P-1404 | 1 | |
| 48A | 5001868 | WASHER BEL SPR 8.4x18x2 SS | 1 | |
| 49 | 5001319 | SCREW CAP HEX M8-1.25x40 SS | 1 | |
| 50 | 284438 | PIN STRIKER | 5 | |
| 51 | 284447 | WASHERS BELLEVILLE | 5 | |
| 52 | 500211 | WASHER FL .531x1.250x.125 N500 | 1 | |
| 53 | 502883 | NUT HEX 7/16-14 N500 | 1 | |
| 60 | 287943 | FLOATING NUT ASSY WITH CASE | 4 | |
| 60 | 287942 | . FLOATING NUT | 1 | |
| | | | | |
| | | | | |
| | | | | |
| | | C) OPTION - UNITED COACHWORKS | | |
| | | D) SECOND BAGGAGE DOOR CURBSIDE WITH FLUSH FLOOR SLIDE-OUT | | |
| | | E) 5TH BAGAGGE DOOR STREET SIDE | | |
| | | F) FIRST BAGGAGE DOOR STREET SIDE | | |
| | | G) SECOND BAGGAGE DOOR STREET SIDE | | |
| | | H) FIRST BAGGAGE DOOR CURBSIDE | | |
| | | J) SECOND BAGGAGE DOOR CURBSIDE | | |
| | | P) CALL ORDER DESK FOR SPECIFIC APPLICATION (V.I.N.) | | |

From K-0295

Date:07/2024

PAGE:VIP-1865-00

BAGGAGE COMPARTMENT PANELS

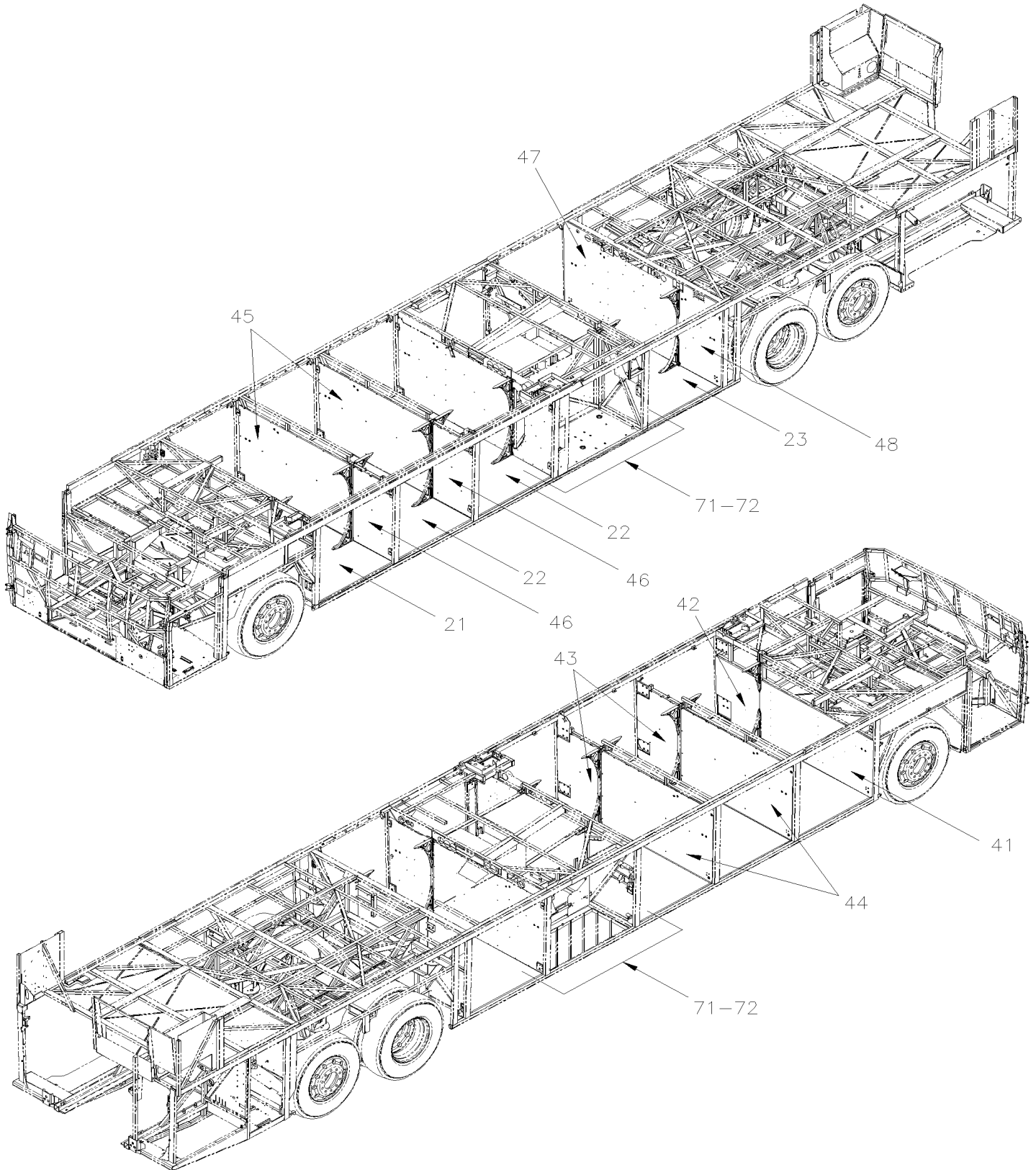


From K-0295

Date:07/2024

PAGE:VIP-1865-00

BAGGAGE COMPARTMENT PANELS

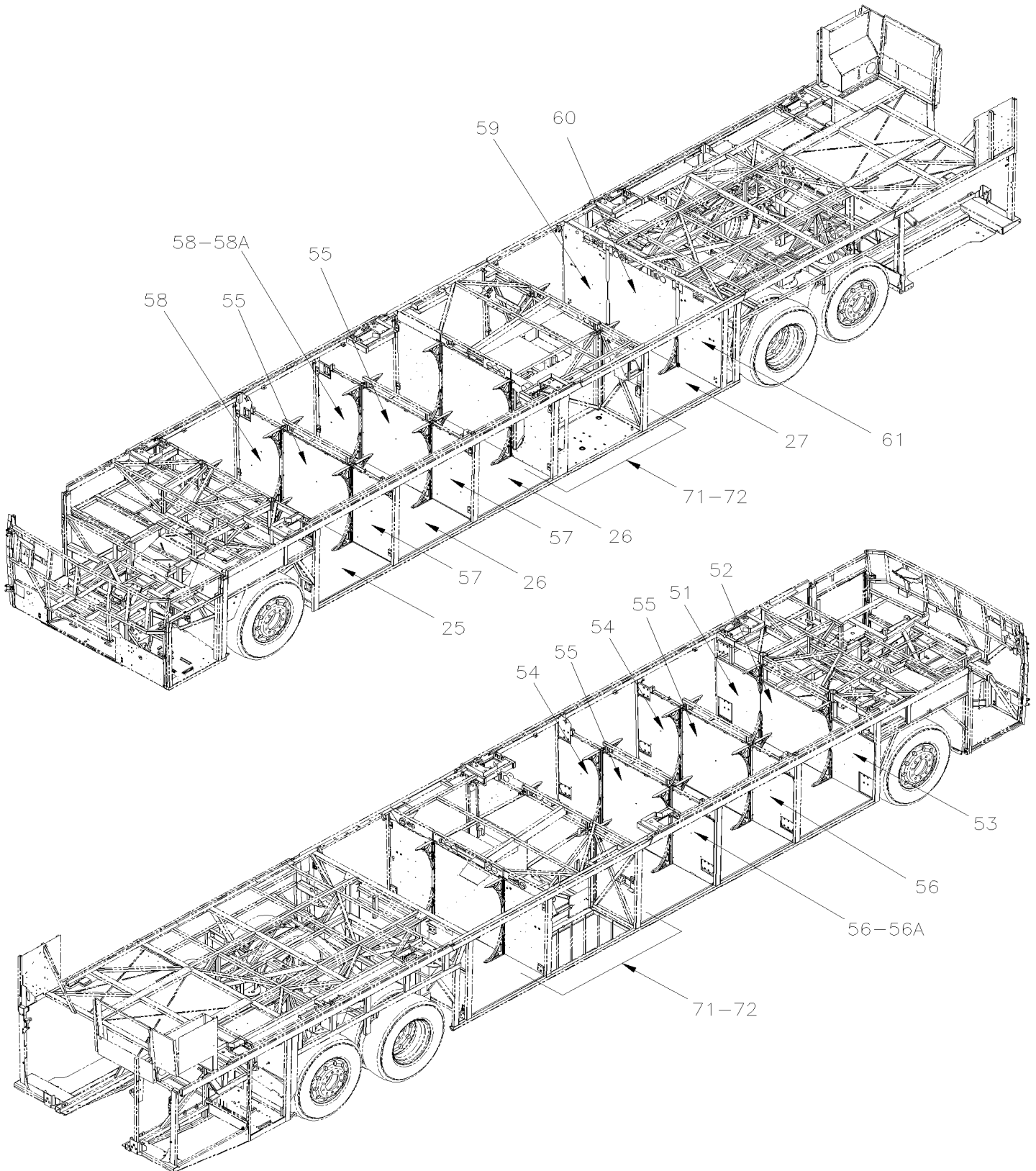


From K-0295

Date:07/2024

PAGE:VIP-1865-00

BAGGAGE COMPARTMENT PANELS



| | | | |
|-------------|--|--------------|------------------|
| From K-0295 | | Date:07/2024 | PAGE:VIP-1865-00 |
|-------------|--|--------------|------------------|

BAGGAGE COMPARTMENT PANELS

| Item# | Part | Description | QTY | Notes |
|-------|----------|--|-----|-------|
| 1 | 482638 | PANEL 2450MM / FRONT OF WALL W/O SLIDE-OUT | 2 | |
| 2 | 482636 | PANEL / REAR OF WALL / 1724MM W/O SLIDE-OUT | 2 | |
| 3 | 482637 | PANEL 770MM / REAR OF WALL W/O SLIDE-OUT | 2 | |
| 10 | 213417 | PANEL / FRONT BAGGAGE COMPARTMENT | 1 | |
| 11 | 216188 | PANEL / REAR W/O SLIDE-OUT | 1 | |
| 14 | 504488 | RIVET MGLP PRDG 3/16x17/64 SS | AR | |
| NS | 680532 | SEALANT SIKA #221 / GREY / 310ml CARTRIDGE | AR | |
| | | | | |
| | | | | |
| 20 | 483689 | PANEL / FLOOR 1181MM WIDE / WOOD W/O SLIDE-OUT | 4 | |
| NS | IS-96037 | SEE INSTRUCTION SHEET | 1 | |
| 20 | 483291 | PANEL / FLOOR / W/O PAINT 1181MM WIDE / WOOD W/O SLIDE-OUT | 4 | |
| NS | 485449 | PANEL / FLOOR 1181MM WIDE W/O SLIDE-OUT | 4 | A |
| 20 | 480219 | PANEL W/ALUMINUM PLATE/ FLOOR BAGGAGE LAST BAGGAGE COMPARTMENT W/O SLIDE-OUT | 1 | A |
| 20 | 483741 | PANEL ALUMINUM / FLOOR BAGGAGE W/O SLIDE-OUT | 3 | A |
| 20 | 482418 | PANEL ALUMINUM / FLOOR BAGGAGE / 2 KNOCK 45MM X 90MM W/O SLIDE-OUT | 1 | A |
| 21 | 484057 | PANEL / FLOOR BAGGAGE # 1 | 1 | S1 |
| 21 | 480074 | PANEL / FLOOR BAGGAGE # 1 / W/O PAINT | 1 | S1 |
| 21 | 484096 | PANEL / FLOOR BAGGAGE # 1 To L-0996 | 1 | A S1 |
| 21 | 484099 | PANEL ALUMINUM / FLOOR BAGGAGE # 1 To L-0996 | 1 | A S1 |
| 21 | 480199 | PANEL ALUMINUM / FLOOR BAGGAGE # 1 ASS From L-0997 | 1 | A S1 |
| 22 | 484059 | PANEL / FLOOR BAGGAGE # 2 & 3 | 2 | S1 |
| 22 | 480075 | PANEL / FLOOR BAGGAGE # 2 & 3 / W/O PAINT | 2 | S1 |
| 22 | 484097 | PANEL / FLOOR BAGGAGE # 2 & 3 To L-0996 | 2 | A S1 |
| 22 | 484100 | PANEL ALUMINUM / FLOOR BAGGAGE # 2 & 3 To L-0996 | 2 | A S1 |
| 22 | 480200 | PANEL ALUMINUM / FLOOR BAGGAGE # 2 & 3 ASS From L-0997 | 2 | A S1 |
| 23 | 484352 | PANEL / FLOOR BAGGAGE # 4 | 1 | S1 |
| 23 | 480071 | PANEL / FLOOR BAGGAGE # 4 / W/O PAINT | 1 | S1 |
| 23 | 485710 | PANEL / FLOOR BAGGAGE # 4 To L-0996 | 1 | A S1 |
| 23 | 485711 | PANEL ALUMINUM / FLOOR BAGGAGE # 4 To L-0996 | 1 | A S1 |
| 23 | 480201 | PANEL ALUMINUM / FLOOR BAGGAGE # 4 ASS From L-0997 | 1 | A S1 |
| 25 | 484113 | PANEL / FLOOR BAGGAGE # 1 | 1 | S2 |
| 25 | 484119 | PANEL / FLOOR BAGGAGE # 1 To L-0996 | 1 | A S2 |
| 25 | 484120 | PANEL ALUMINUM / FLOOR BAGGAGE # 1 To L-0996 | 1 | A S2 |
| 25 | 480206 | PANEL ALUMINUM / FLOOR BAGGAGE # 1 ASS From L-0997 | 1 | A S2 |
| 26 | 484114 | PANEL / FLOOR BAGGAGE # 2 & 3 | 2 | S2 |
| 26 | 484121 | PANEL / FLOOR BAGGAGE # 2 & 3 To L-0996 | 2 | A S2 |
| 26 | 484122 | PANEL ALUMINUM / FLOOR BAGGAGE # 2 & 3 To L-0996 | 2 | A S2 |
| 26 | 480207 | PANEL ALUMINUM / FLOOR BAGGAGE # 2 & 3 ASS From L-0997 | 2 | A S2 |
| 27 | 484353 | PANEL / FLOOR BAGGAGE # 4 | 1 | S2 |
| 27 | 485708 | PANEL / FLOOR BAGGAGE # 4 To L-0996 | 1 | A S2 |
| 27 | 485709 | PANEL ALUMINUM / FLOOR BAGGAGE # 4 To L-0996 | 1 | A S2 |

| | | | |
|--------------------|--|---------------------|-------------------------|
| From K-0295 | | Date:07/2024 | PAGE:VIP-1865-00 |
|--------------------|--|---------------------|-------------------------|

BAGGAGE COMPARTMENT PANELS

| Item# | Part | Description | QTY | Notes |
|-------|-------------|---|-----|-------|
| 27 | 480208 | PANEL ALUMINUM / FLOOR BAGGAGE # 4 ASS From L-0997 | 1 | A S2 |
| 27 | 480113 | PANEL / FLOOR / WCL | 1 | S2 |
| 27 | 480114 | PANEL / FLOOR / WCL | 1 | S2 |
| NS | 790392 | RUBBER BLOCK ADJUSTEMENT 1" x 5/16" x 1/8" 80DURO | AR | |
| NS | 685126 | ADHESIVE SIMSON #ISR 70-03 / GREY / 600ml SAUSAGE | AR | |
| | | | | |
| | | NEXT FOLLOWING ITEMS ARE RELATED | | |
| | | WITH VEHICULE EQUIPPED W/SLIDE-OUT "PRÉVOST" | | |
| | | | | |
| 41 | 218842 | PANEL / FRONT STREETSIDE | 1 | S1 |
| 42 | 216125 | PANEL / FRONT CENTER & CURBSIDE | 1 | S1 |
| 43 | 489219 | PANEL / REAR OF WALL / W/HINGED DOOR STREET SIDE / 656MM | 1 | S1 |
| 44 | 485572 | PANEL / REAR OF WALL / 1753MM | 2 | S1 |
| 45 | 485571 | PANEL / FRONT OF WALL / 1753MM | 1 | S1 |
| 46 | 489218 | PANEL / FRONT OF WALL / W/HINGED DOOR STREET SIDE / 656MM | 2 | S1 |
| 47 | 216189 | PANEL / REAR CENTER & STREETSIDE | 1 | S1 |
| 48 | 216126 | PANEL / REAR STREETSIDE | 1 | S1 |
| NS | 504347 | RIVET POP DOME OE 3/16x1/4 AL | AR | |
| NS | 680532 | SEALANT SIKA #221 / GREY / 310ml CARTRIDGE | AR | |
| | | | | |
| | | | | |
| 51 | 218842 | PANEL / FRONT STREETSIDE | 1 | S2 |
| 52 | 216042 | PANEL / FRONT CENTER | 1 | S2 |
| 53 | 218833 | PANEL / FRONT CURBSIDE | 1 | S2 |
| 54 | 489219 | PANEL / REAR OF WALL / W/HINGED DOOR STREET SIDE / 656MM | 2 | S2 |
| 55 | 481884 | PANEL 1050MM / CENTER OF WALL | 4 | S2 |
| 56 | 480065 | PANEL / REAR OF WALL / 652MM | 1 | S2 |
| 56 | 480191 | PANEL / REAR OF WALL / 652MM | 1 | S2 C |
| 56 | 480063 | PANEL / REAR OF WALL / 652MM | 1 | S2 |
| 56A | 480043 | PANEL / REAR OF WALL / 655MM | 1 | S2 D |
| 57 | 489218 | PANEL / FRONT OF WALL / W/HINGED DOOR STREET SIDE / 656MM | 2 | S2 |
| 58 | 489220 | PANEL / FRONT OF WALL / 657MM | 1 | S2 |
| 58 | 480066 | PANEL / FRONT OF WALL / 657MM | 1 | S2 |
| 58 | 480192 | PANEL / FRONT OF WALL / 657MM | 1 | S2 C |
| 58A | 481887 | PANEL / FRONT OF WALL / 657MM | 1 | S2 B |
| 59 | 216245 | PANEL / REAR CURBSIDE | 1 | S2 |
| 60 | 215923 | PANEL / REAR CENTER | 1 | S2 |
| 61 | 216126 | PANEL / REAR STREETSIDE | 1 | S2 |
| NS | 504347 | RIVET POP DOME OE 3/16x1/4 AL | AR | |
| NS | 680532 | SEALANT SIKA #221 / GREY / 310ml CARTRIDGE | AR | |
| | | | | |
| 71 | VIP-1865-22 | EVAPORATOR & CONDENSOR WALL INSTALLATION | | |

| | | |
|-------------|--------------|------------------|
| From K-0295 | Date:07/2024 | PAGE:VIP-1865-00 |
|-------------|--------------|------------------|

BAGGAGE COMPARTMENT PANELS

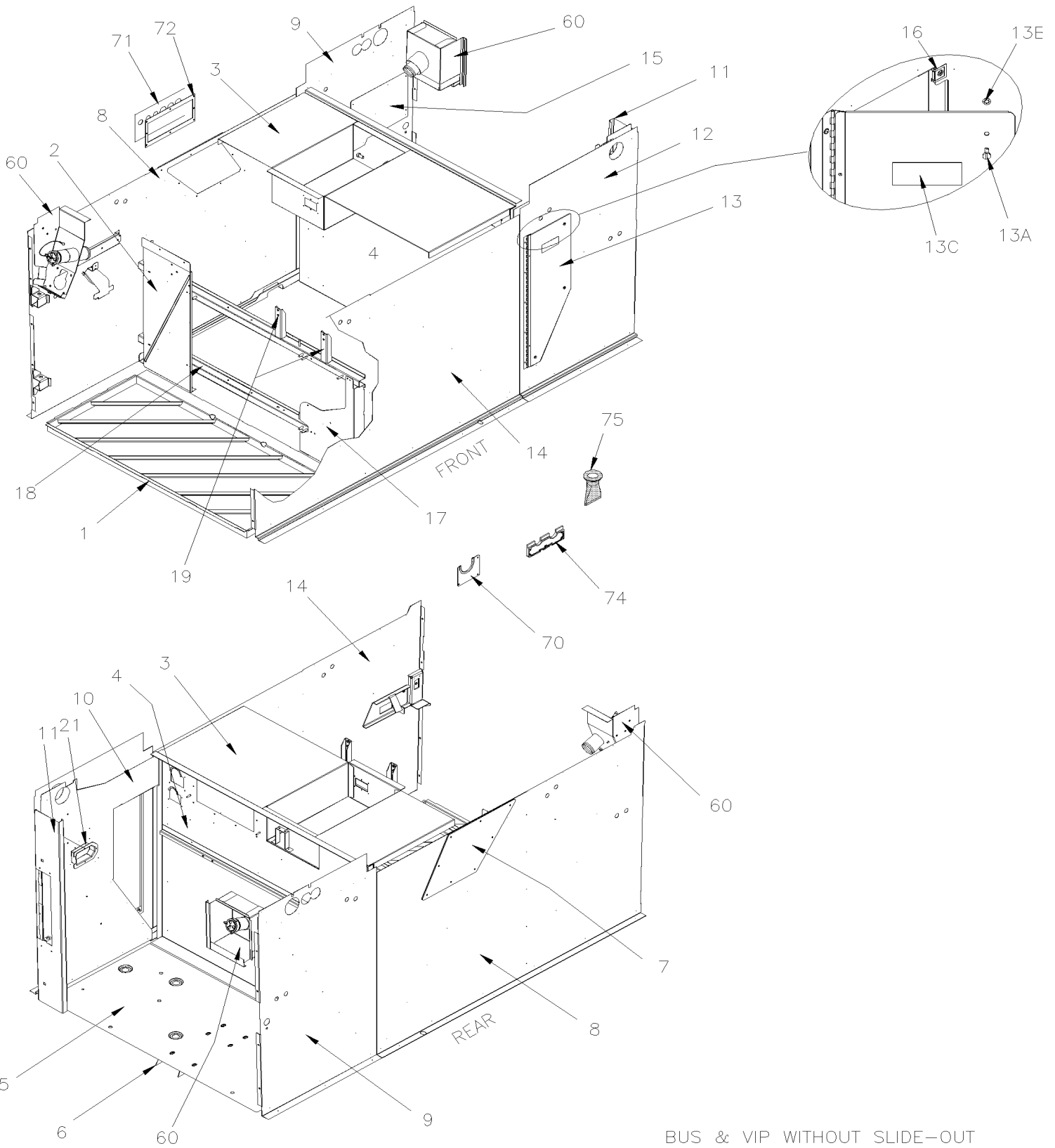
| Item# | Part | Description | QTY | Notes |
|-------|-------------|--|-----|-------|
| 72 | VIP-1865-52 | PANEL WALL BAGGAGE INSTALLATION WITH SMALL A/C SYSTEM | | |
| | | | | |
| | | | | |
| | | A) USE ONLY WITH ALUMINUM FLOOR COVERING PANEL ITEM | | |
| | | B) WITH 9 FEET SLIDE OUT | | |
| | | C) USE WITH REAR FOWARD SLIDE OUT | | |
| | | D) WITH 12 FEET SLIDE OUT | | |
| | | S1) USE ONLY WITH ONE STREETSIDE STRUCTURAL "PRÉVOST" BEAM UNDER BAGGAGE FLOOR | | |
| | | S2) USE WITH BOTH SIDE STRUCTURAL "PRÉVOST" BEAM UNDER BAGGAGE FLOOR | | |

From K-0295

Date:07/2024

PAGE:VIP-1865-22

EVAPORATOR & CONDENSOR WALL INSTALLATION



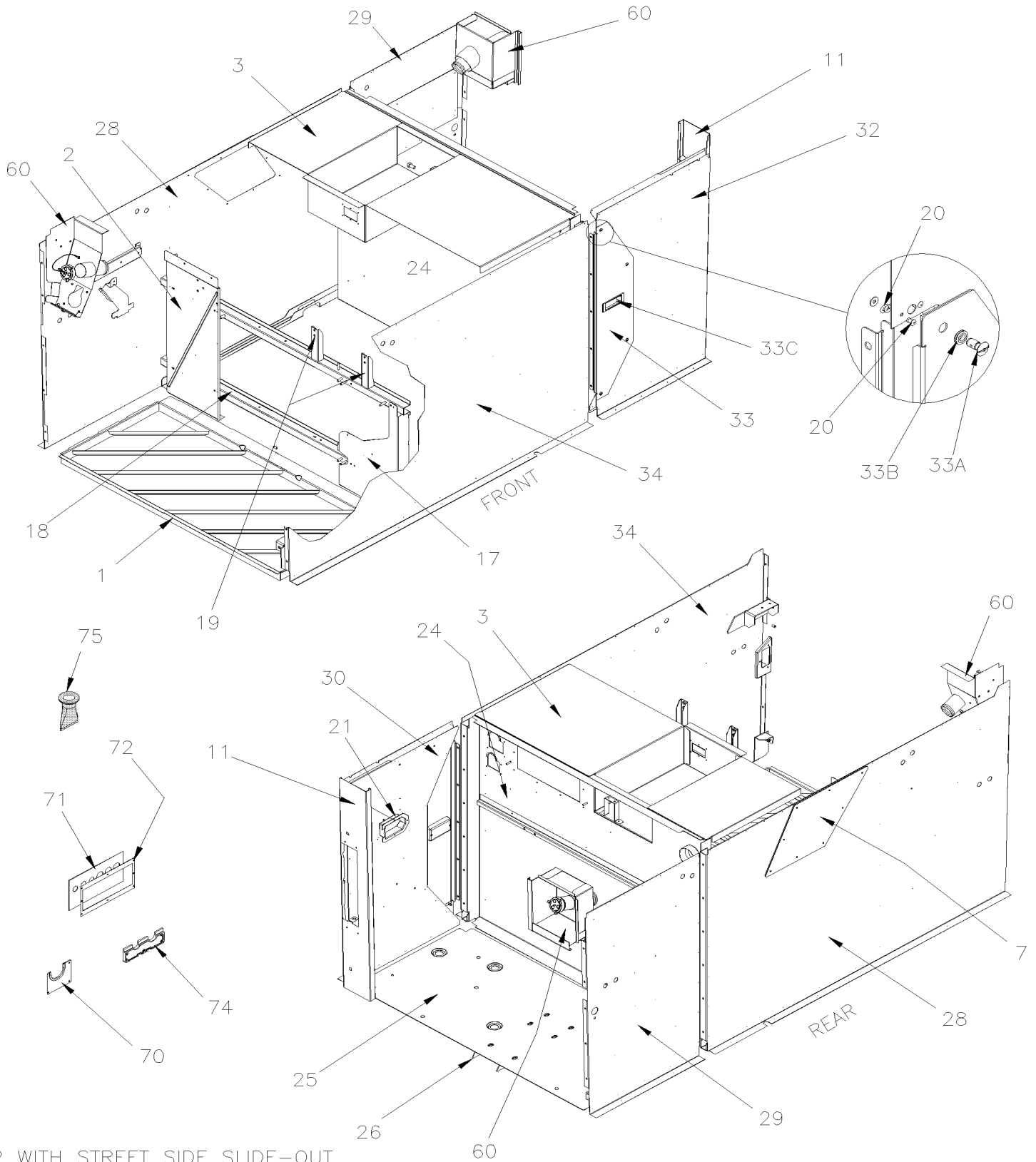
BUS & VIP WITHOUT SLIDE-OUT

From K-0295

Date:07/2024

PAGE:VIP-1865-22

EVAPORATOR & CONDENSOR WALL INSTALLATION



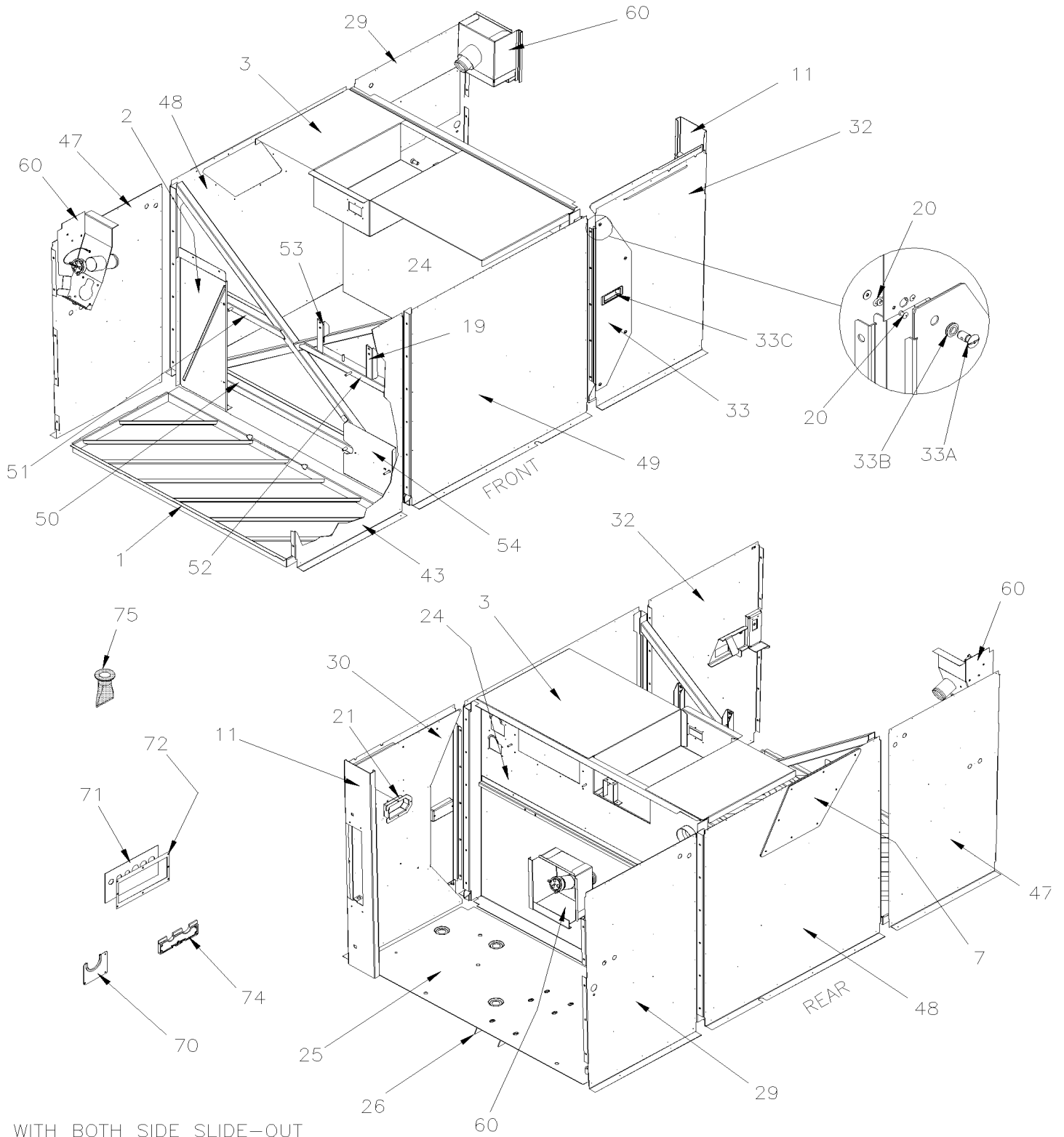
VIP WITH STREET SIDE SLIDE-OUT

From K-0295

Date:07/2024

PAGE:VIP-1865-22

EVAPORATOR & CONDENSOR WALL INSTALLATION



VIP WITH BOTH SIDE SLIDE-OUT

| | | | |
|--------------------|--|---------------------|-------------------------|
| From K-0295 | | Date:07/2024 | PAGE:VIP-1865-22 |
|--------------------|--|---------------------|-------------------------|

EVAPORATOR & CONDENSOR WALL INSTALLATION

| Item# | Part | Description | QTY | Notes |
|-------|---------|--|-----|-------|
| 1 | 217474 | FLOOR PANEL / CONDENSOR | 1 | |
| 2 | 216572 | PANEL REAR WALL CONDENSOR FORWARD | 1 | |
| 2 | 216572 | PANEL REAR WALL CONDENSOR FORWARD | 1 | |
| 3 | 215527 | CLOSING TOP / EVAPORATOR PANEL | 1 | |
| 4 | 218640 | WALL PANEL / EVAP. & FUEL COMPARTMENT | 1 | |
| NS | 850043 | INSULATING RIGID / 5/8" x 24" x 48" / YELLOW & BLACK | AR | |
| NS | 503550 | ANCHOR SELF-STICK 2" SS | AR | |
| NS | 500748 | WASHER INSU G.10x1.125x1.250 Z050 | AR | |
| 5 | 210390 | FLOOR PANEL / EVAPORATOR | 1 | |
| 6 | 216363 | ANGLE SUPPORT 625MM | 2 | |
| 7 | 480098 | ACCESS PANEL | 1 | |
| NS | 031163 | DECAL / "FUEL TANK ACCESS" / ENGLISH | 1 | |
| NS | 032561 | DECAL / "FUEL TANK ACCESS" / ENGLISH & SPANISH | 1 | |
| NS | 5060120 | GROMMET EDGING ADHESIVE .036-.062 | AR | |
| 8 | 218456 | PANEL / FUEL & COND BACKWARD | 1 | |
| 9 | 216367 | PANEL / EVAPORATOR BACKWARD | 1 | |
| 10 | 216369 | PANEL / INTERIOR / FRONT EVAPORATOR | 1 | |
| 11 | 215697 | EXTERIOR PANEL ASSY / W/HINGE SUPPORT | 1 | |
| 12 | 216365 | PANEL / EVAPORATOR FORWARD | 1 | |
| NS | 453070 | INSULATING / CENTER SECTION | 1 | |
| NS | 453069 | INSULATING / LOWER SECTION | 1 | |
| NS | 329650 | INSULATING | 1 | |
| 13 | 374371 | DOOR ASSY FORWARD | 1 | |
| . A | 504603 | . STUD 6 MM (DZUS) | 3 | |
| . B | 504604 | . FASTENER | 3 | |
| . C | 370354 | . DECAL / AIR FILTER / ENGLISH & FRANCAIS | 1 | |
| . C | 370354 | . DECAL / AIR FILTER / ENGLISH & FRANCAIS | 1 | |
| NS | 370354 | DECAL / AIR FILTER / ENGLISH & FRANCAIS | 1 | |
| NS | 374207 | DECAL / AIR FILTER / ENGLISH & SPANISH | 1 | |
| NS | 5060120 | GROMMET EDGING ADHESIVE .036-.062 APPLY ON SHARP EDGES | AR | |
| 14 | 216364 | PANEL / FUEL & COND FORWARD FIINIR | 1 | |
| 15 | 216368 | PLATE SUPPORT MUX BOX | 1 | |
| 16 | 504605 | RECEPTACLE 6 MM | AR | |
| 17 | 216573 | PANEL REAR WALL CONDENSOR BACKWARD | 1 | |
| 18 | 218435 | SUPPORT ASSY / "HAT" SHAPE 1402MM | 2 | |
| 19 | 216604 | SUPPORT ASSY / "C" SHAPE 174MM | 2 | |
| 20 | 504365 | SPRING HOOK / DZUS 5/16 | AR | |
| NS | 504717 | RIVET POP DOME OE 1/8x1/4 SS | AR | |
| NS | 500157 | WASHER FL .125x.375x.032 SS | AR | |
| 21 | 452041 | BOX PLASTIC / HINGE CLEARANCE | 2 | |
| 21 | 504339 | RIVET POP DOME OE 1/8x3/8 SS | 6 | |
| | | | | |

| | | | |
|-------------|--|--------------|------------------|
| From K-0295 | | Date:07/2024 | PAGE:VIP-1865-22 |
|-------------|--|--------------|------------------|

EVAPORATOR & CONDENSOR WALL INSTALLATION

| Item# | Part | Description | QTY | Notes |
|-------|--------------------|--|-----|-------|
| | | PANEL WITH STREETSIDE SLIDE-OUT | | |
| 24 | 218637 | WALL PANEL / EVAPORATOR W/SLIDE-OUT | 1 | |
| NS | 850043 | INSULATING RIGID / 5/8" x 24" x 48" / YELLOW & BLACK | AR | |
| NS | 503550 | ANCHOR SELF-STICK 2" SS | AR | |
| NS | 500748 | WASHER INSU G.10x1.125x1.250 Z050 | AR | |
| 25 | 210389 | FLOOR PANEL / EVAPORATOR | 1 | |
| 26 | 215954 | ANGLE SUPPORT 589MM | 2 | |
| 28 | 218513 | PANEL / FUEL & COND BACKWARD W/SLIDE-OUT | 1 | |
| 29 | 485599 | PANEL / EVAPORATOR BACKWARD W/SLIDE-OUT | 1 | |
| 30 | 485554 | PANEL / INTERIOR / FRONT EVAPORATOR W/SLIDE-OUT | 1 | |
| 32 | 485597 | PANEL / EVAPORATOR FORWARD W/SLIDE-OUT | 1 | |
| 33 | Call order desk | DOOR ASSY W/SLIDE-OUT | 1 | P |
| . A | 504363 | . STUD 5/16 O.D. X 7/16 (DZUS) | 4 | |
| . B | 504353 | . RETAINER, 5/16"DIA. (DZUS) STUD | 4 | |
| . C | 505536 | . HANDLE PLASTIC | 1 | |
| . NS | 370354 | . DECAL / AIR FILTER / ENGLISH & FRANCAIS | 1 | |
| NS | 370354 | DECAL / AIR FILTER / ENGLISH & FRANCAIS | 1 | |
| NS | 374207 | DECAL / AIR FILTER / ENGLISH & SPANISH | 1 | |
| 34 | 485654 | PANEL / FUEL & COND FORWARD W/SLIDE-OUT | 1 | |
| | | PANEL WITH BOTHSIDE SLIDE-OUT | | |
| 43 | 485656 | PANEL / FRONT CONDENSOR | 1 | |
| 47 | 218514 | PANEL / REAR CONDENSOR | 1 | |
| 48 | 240878 | PANEL / REAR FUEL TANK | 1 | |
| 49 | 485545 | PANEL / FRONT FUEL TANK | 1 | |
| 50 | 218442 | SUPPORT ASSY / "HAT" SHAPE 1150MM | 1 | |
| 51 | 218445 | SUPPORT ASSY / "HAT" SHAPE 648MM | 1 | |
| 52 | 218443 | SUPPORT ASSY / "HAT" SHAPE 605MM | 1 | |
| 53 | 218451 | SUPPORT ASSY / "C" SHAPE 171MM | 1 | |
| 54 | 218447 | PANEL REAR WALL CONDENSOR BACKWARD | 1 | |
| 60 | VIP-0310-10 | FUEL FILLING CAP | | |
| 70 | 454325 | CLOSING / PIPE TUNNEL SS 110MM X 95MM | 1 | |
| 70 | 454326 | CLOSING / PIPE TUNNEL SS 100MM X 75MM | 1 | |
| 70 | 5060120 | GROMMET EDGING ADHESIVE .036-.062 | AR | |
| 71 | 485670 | RUBBER CLOSING AROUND 6 TUBES 130MM x 250MM To K-0438 | 1 | |
| 71 | 481899 | RUBBER CLOSING AROUND 6 TUBES 81MM x 244MM From K-0439 | 1 | |
| 72 | 481764 | PLATE HOLDING RUBBER 130MM x 250MM To K-0438 | 1 | |
| 72 | 481889 | PLATE HOLDING RUBBER 81MM x 244MM From K-0439 | 1 | |

| | | |
|---|--------------|------------------|
| From K-0295 | Date:07/2024 | PAGE:VIP-1865-22 |
| EVAPORATOR & CONDENSOR WALL INSTALLATION | | |

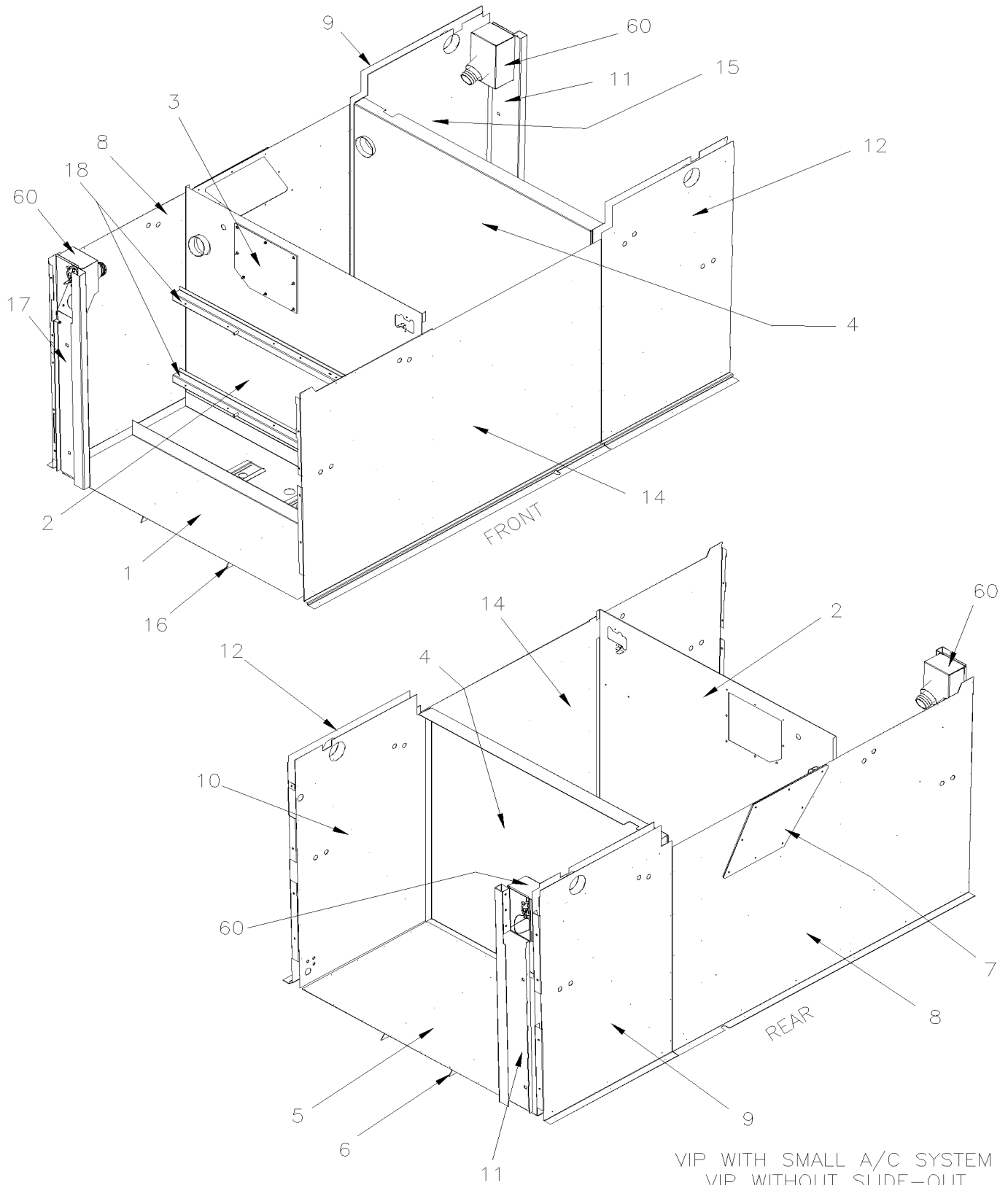
| Item# | Part | Description | QTY | Notes |
|-------|--------|--|-----|-------|
| 72 | 500623 | SCREW TC PAN PH #10-24x3/4 N500 | 8 | |
| 74 | 457424 | CLOSING / PIPE TUNNEL PLASTIC / RH 57.2MM x 181MM | 1 | |
| 74 | 457425 | CLOSING / PIPE TUNNEL PLASTIC / LH 57.2MM x 181MM | 1 | |
| 75 | 414654 | DRAIN BOOT 1" I.D. W/GROOVE 1.5 x 35MM I.D. x 85MM | 3 | |
| NS | 505307 | ANCHOR SELF-STICK | AR | |
| NS | 500748 | WASHER INSU G.10x1.125x1.250 Z050 | AR | |
| | | | | |
| | | | | |
| | | | | |
| | | P) CALL ORDER DESK FOR SPECIFIC APPLICATION (V.I.N.) | | |

From K-0295

Date:07/2024

PAGE:VIP-1865-52

PANEL WALL BAGGAGE INSTALLATION WITH SMALL A/C SYSTEM

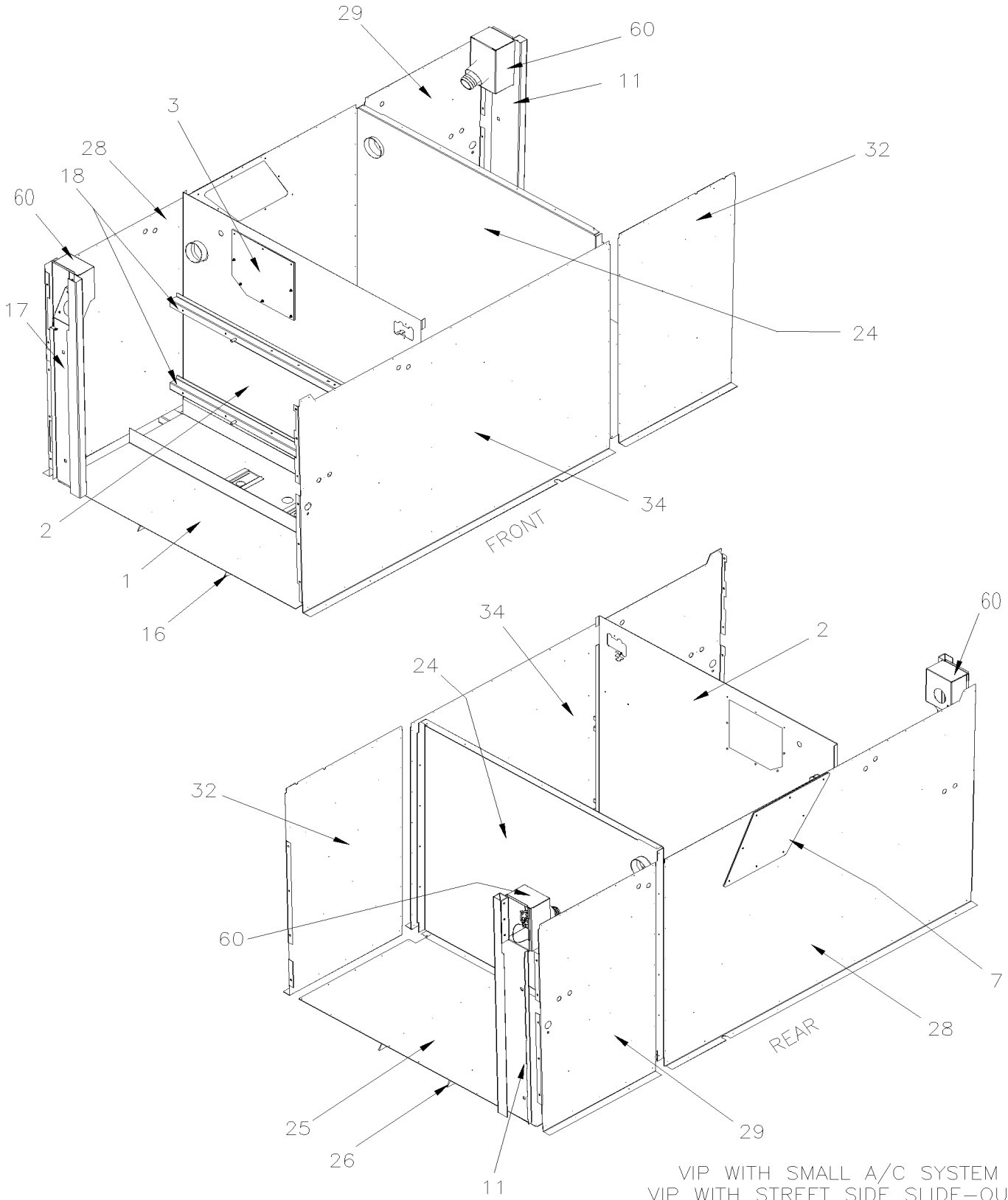


From K-0295

Date:07/2024

PAGE:VIP-1865-52

PANEL WALL BAGGAGE INSTALLATION WITH SMALL A/C SYSTEM



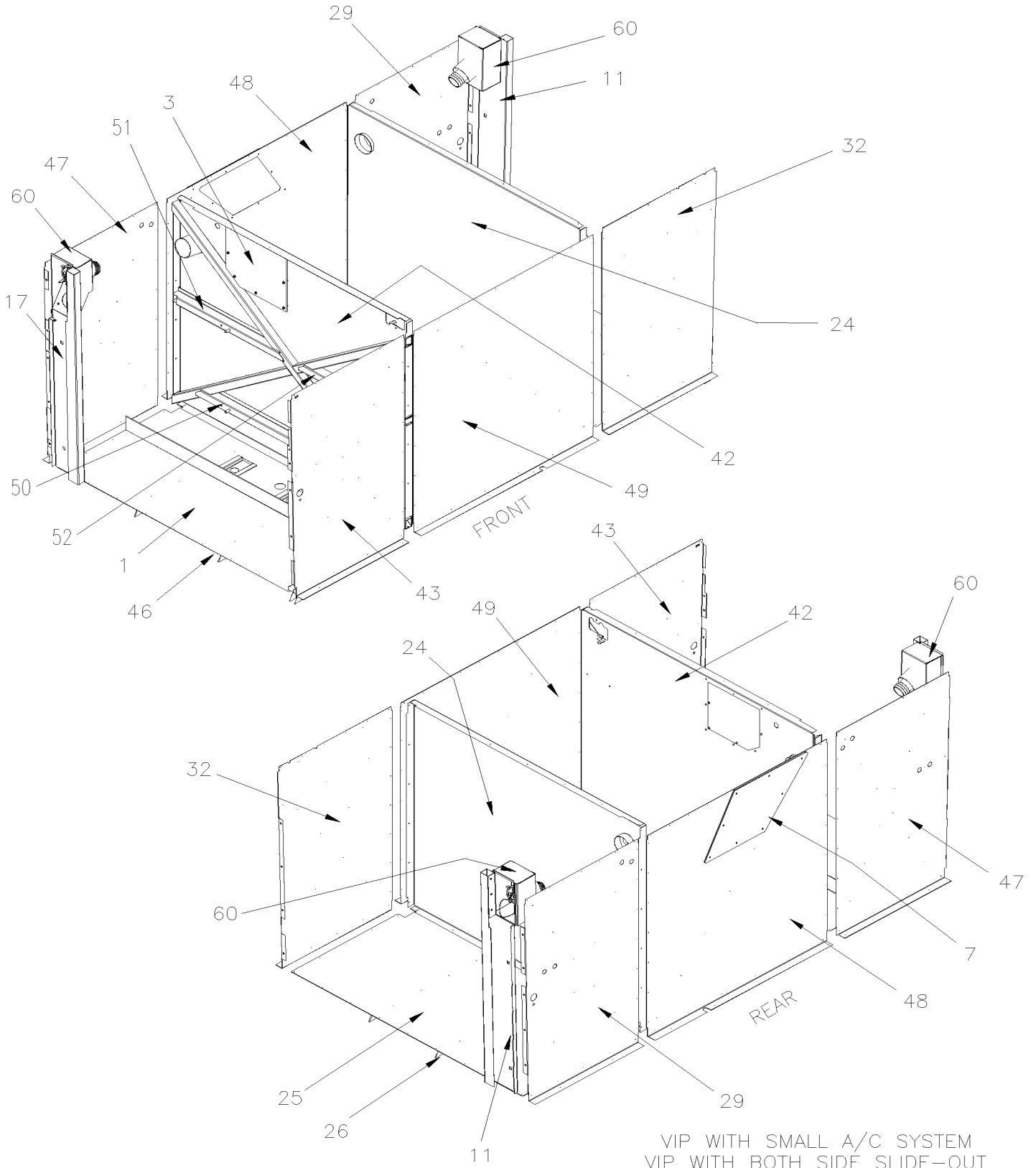
VIP WITH SMALL A/C SYSTEM
VIP WITH STREET SIDE SLIDE-OUT

From K-0295

Date:07/2024

PAGE:VIP-1865-52

PANEL WALL BAGGAGE INSTALLATION WITH SMALL A/C SYSTEM



| | | |
|-------------|--------------|------------------|
| From K-0295 | Date:07/2024 | PAGE:VIP-1865-52 |
|-------------|--------------|------------------|

PANEL WALL BAGGAGE INSTALLATION WITH SMALL A/C SYSTEM

| Item# | Part | Description | QTY | Notes |
|-------|--------|--|-----|-------|
| 1 | 216856 | PANEL / BOTTOM / W/SMALL A/C SYSTEM W/SLIDE-OUT | 1 | |
| 2 | 218648 | PANEL / CENTER / R.H. W/SMALL A/C SYSTEM | 1 | |
| 3 | 031016 | ACCESS PANEL FUEL TANK W/SMALL A/C SYSTEM | 1 | |
| NS | 030999 | INSULATING ACCESS PANEL | 1 | |
| 4 | 218642 | PANEL / CENTER / L.H. W/SMALL A/C SYSTEM | 1 | |
| 5 | 216477 | PANEL / BOTTOM / W/SMALL A/C SYSTEM | 1 | |
| 6 | 216363 | ANGLE SUPPORT 625MM | 2 | |
| 7 | 480098 | ACCESS PANEL | 1 | |
| 8 | 485594 | PANEL / W/SMALL A/C SYSTEM | 1 | |
| 9 | 485595 | PANEL / W/SMALL A/C SYSTEM | 1 | |
| 10 | 240906 | PANEL / INTERIOR REAR | 1 | |
| 11 | 213971 | PANEL / FRONT OF POST STREETSIDE | 1 | |
| 12 | 485593 | PANEL / W/SMALL A/C SYSTEM | 1 | |
| | | | | |
| 14 | 485592 | PANEL / W/SMALL A/C SYSTEM | 1 | |
| 15 | 240907 | PANEL / INTERIOR FRONT | 1 | |
| 16 | 216276 | ANGLE SUPPORT 626MM | 2 | |
| 17 | 216862 | PANEL / FRONT OF POST CURBSIDE | 1 | |
| 18 | 218435 | SUPPORT ASSY / "HAT" SHAPE 1402MM | 2 | |
| | | | | |
| | | PANEL WITH STREETSIDE SLIDE-OUT | | |
| | | | | |
| 24 | 218650 | PANEL / CENTER / L.H. W/SMALL A/C SYSTEM W/SLIDE-OUT | 1 | |
| 25 | 216053 | PANEL / BOTTOM / W/SMALL A/C SYSTEM W/SLIDE-OUT | 1 | |
| 26 | 215954 | ANGLE SUPPORT 589MM | 1 | |
| 28 | 485598 | PANEL / FUEL & COND BACKWARD W/SLIDE-OUT | 1 | |
| 29 | 485599 | PANEL / EVAPORATOR BACKWARD W/SLIDE-OUT | 1 | |
| 32 | 485600 | PANEL / W/SMALL A/C SYSTEM W/SLIDE-OUT | 1 | |
| 34 | 485596 | PANEL / FUEL & COND FORWARD W/SLIDE-OUT | 1 | |
| | | | | |
| | | PANEL WITH BOTHSIDE SLIDE-OUT | | |
| | | | | |
| 42 | 218652 | PANEL / CENTER / R.H. W/SMALL A/C SYSTEM | 1 | |
| 43 | 485543 | PANEL / FRONT CONDENSOR | 1 | |
| 46 | 211035 | ANGLE SUPPORT 589MM | 1 | |
| 47 | 240877 | PANEL / REAR CONDENSOR | 1 | |
| 48 | 240878 | PANEL / REAR FUEL TANK | 1 | |
| 49 | 485545 | PANEL / FRONT FUEL TANK | 1 | |
| 50 | 218442 | SUPPORT ASSY / "HAT" SHAPE 1150MM | 1 | |
| 51 | 218445 | SUPPORT ASSY / "HAT" SHAPE 648MM | 1 | |
| 52 | 218443 | SUPPORT ASSY / "HAT" SHAPE 605MM | 1 | |
| | | | | |

| | | | |
|-------------|--|--------------|------------------|
| From K-0295 | | Date:07/2024 | PAGE:VIP-1865-52 |
|-------------|--|--------------|------------------|

PANEL WALL BAGGAGE INSTALLATION WITH SMALL A/C SYSTEM

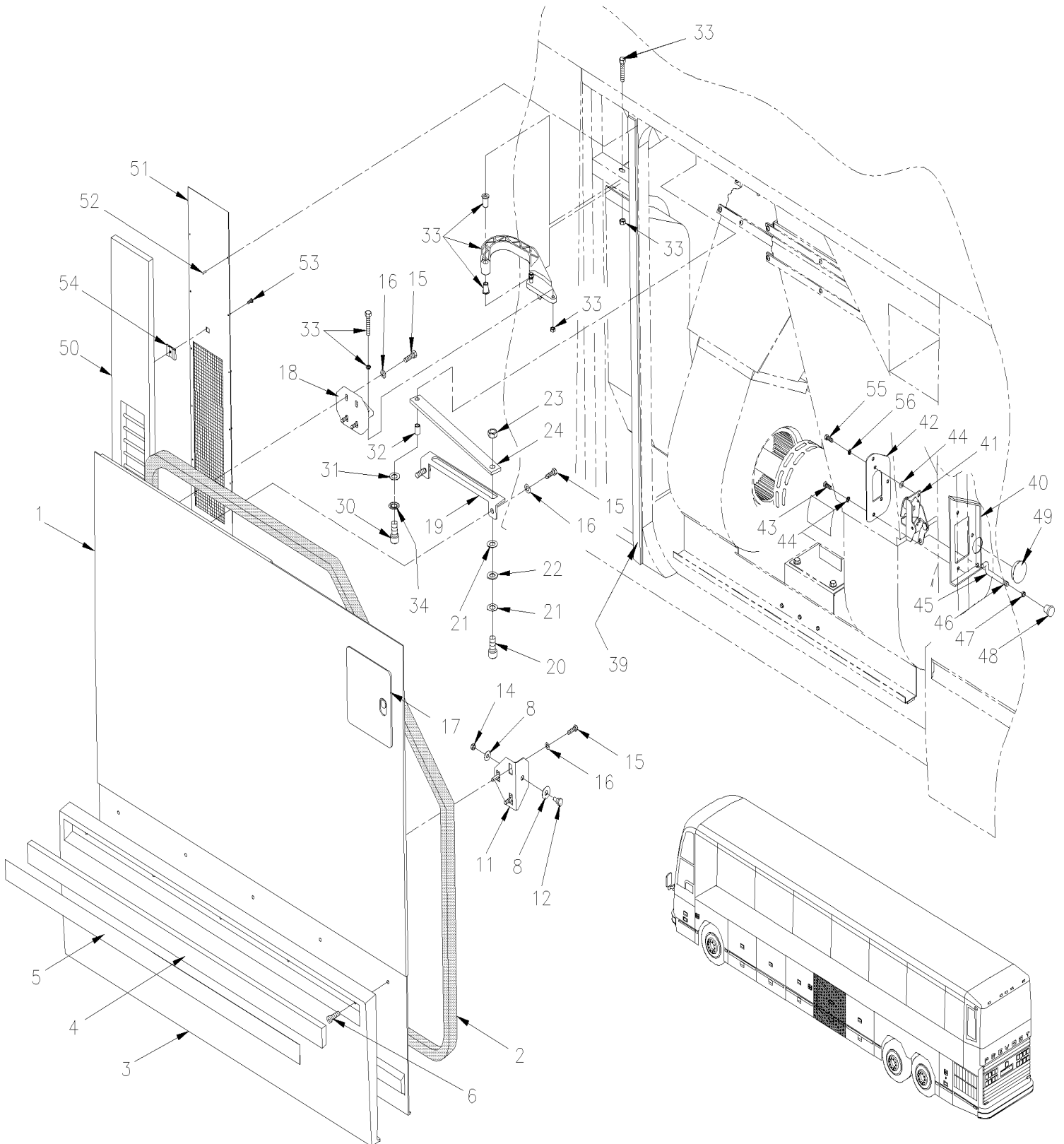
| Item# | Part | Description | QTY | Notes |
|-------|-------------|-----------------------------------|-----|-------|
| 60 | VIP-0310-10 | FUEL FILLING CAP | | |
| NS | 505307 | ANCHOR SELF-STICK | AR | |
| NS | 500748 | WASHER INSU G.10x1.125x1.250 Z050 | AR | |

From K-0295

Date:07/2024

PAGE:VIP-1866-00

EVAPORATOR DOOR ASSY



| | | | |
|-----------------------------|--|--------------|------------------|
| From K-0295 | | Date:07/2024 | PAGE:VIP-1866-00 |
| EVAPORATOR DOOR ASSY | | | |

| Item# | Part | Description | QTY | Notes |
|-------|--------------------|---|-----|-------|
| | 287619 | EVAPORATOR DOOR ASSY | 1 | |
| 1 | 288670 | DOOR MOULDED / FIBERGLASS | 1 | |
| 2 | 2800123 | . RUBBER SEAL EXTRUSION / EVAPORATOR DOOR / 1146MM X 1115MM | 1 | |
| NS | 680066 | . ADHESIVE / ADBOND #5014 / 23.6ML BOTTLE | AR | |
| 3 | 285771 | . PROTECTOR PANEL / SH | 1 | |
| NS | 681348 | . TAPE RUB ADH2 ACRYLIC .045" x 1" x 108' / VHB4952 | AR | |
| NS | 682462 | . ADHESIVE SIKA #252 / BLACK / 310ml CARTRIDGE | AR | |
| 4 | 280237 | . EXTRUSION BACKING ASSY W/REFLECTOR 1185MM | 1 | |
| . NS | 280116 | . . EXTRUSION 1185MM | 1 | |
| NS | 684685 | . ADHESIVE SIMSON #ISR 70-03 / 310ml CARTRIDGE | AR | |
| 5 | 283100 | . . STRIPE, REFLECTIVE WHITE / 38MM X 15' ROLL | AR | |
| . NS | 780277 | . . . STRIPE, REFLECTIVE WHITE / 38MM X 150' ROLL | AR | |
| NS | 680025 | . CAULKING STRIP 3/16" O.D. X 14' | AR | |
| 6 | 500120 | . SCREW TP BDG PH #6x1/2 SS | 5 | |
| 8 | 284447 | . WASHERS BELLEVILLE | 2 | |
| 11 | 285773 | . ANGLE / STRIKER PIN SUPPORT | 1 | |
| 12 | 284438 | . PIN STRIKER | 1 | |
| 14 | 502883 | . NUT HEX 7/16-14 N500 | 1 | |
| 15 | 5001912 | . SCREW CAP HEX M8-1.25x30 SS BK | AR | |
| 16 | 5001848 | . WASHER BEL SPR .827 x .331 x .098 th SS | 13 | |
| 17 | VIP-1875-01 | FUEL TANK & UREA FILLING DOOR | | |
| 18 | VIP-1879-90 | EXTERIOR DOOR HINGE AND SUPPORT | | |
| 19 | 2800914 | . GUIDE RETAINING ARM | 1 | |
| 20 | 502625 | . SCREW SHR HEXS 5/16x3/8 {1/4-20 | 1 | |
| 21 | 5001341 | . WASHER FL 8.4x17.0x1.6 SS | 2 | |
| 22 | 502768 | . WASHER FL RUB .312x.625x.125 NEO | 1 | |
| 23 | 5001980 | . NUT HEX JAM 1/4-20 SS BK | 1 | |
| 24 | 283774 | . ARM RETAINING | 1 | |
| 30 | 502780 | SCREW CAP HEX M8-1.25x25 SS BK | 1 | |
| NS | 5001337 | NUT INS FL HEX M8-1.25 0.5-3.0 Z050 | 1 | |
| 31 | 5001848 | WASHER BEL SPR .827 x .331 x .098 th SS | 1 | |
| 32 | 283770 | SPACER / TO FIX RETAINING ARM | 1 | |
| 33 | VIP-1879-90 | EXTERIOR DOOR HINGE AND SUPPORT | | |
| 34 | 5001848 | WASHER BEL SPR .827 x .331 x .098 th SS | 1 | |
| 39 | 285488 | LATERAL EXTRUSION | 1 | |
| 40 | 282988 | PLATE HOLDER / WELDED TO STRUCTURE | 1 | |
| 41 | 780587 | LOCK SPAGNOLET L.H. / W/G-FITTING | 1 | |
| . NS | 507607 | . GREASE FITTING / M6-1.00 | 1 | |
| 42 | 285765 | PLATE ADAPTOR | 1 | |
| 43 | 5001982 | SCREW CAP HEX M6-1.0x12 SS BK | AR | |
| 44 | 5001833 | WASHER BEL SPR 6.1x18x1.27 SS | AR | |
| 45 | 282984 | ROD OPENING 52MM | 1 | |

| | | |
|-----------------------------|--------------|------------------|
| From K-0295 | Date:07/2024 | PAGE:VIP-1866-00 |
| EVAPORATOR DOOR ASSY | | |

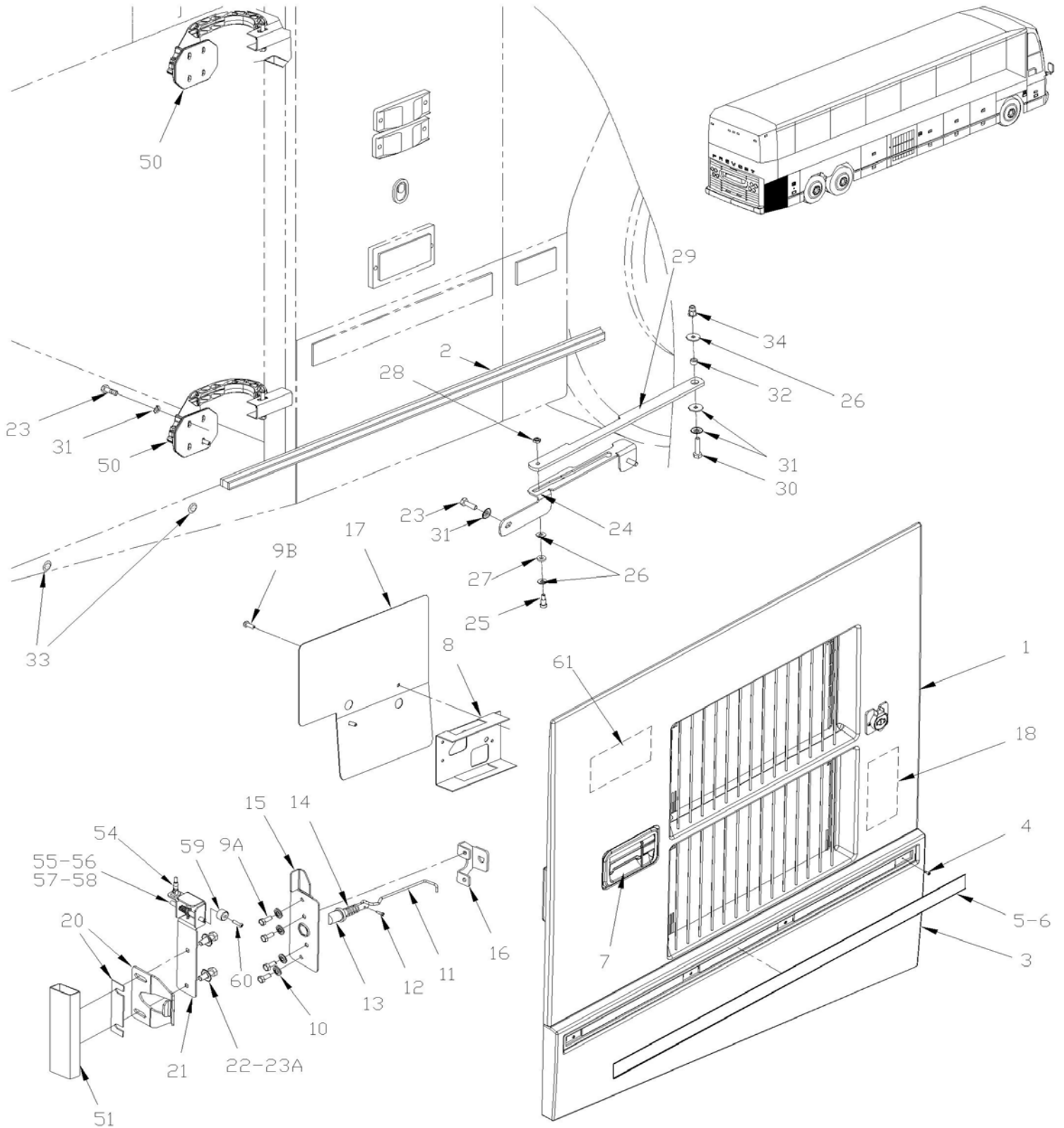
| Item# | Part | Description | QTY | Notes |
|-------|---------|----------------------------------|-----|-------|
| 46 | 504083 | SNAP BUSHING / .250x.468.406 | 1 | |
| 47 | 500764 | NUT HEX #8-32 Z050 | 1 | |
| 48 | 505504 | KNOB, PULL / 8-32 | 1 | |
| 49 | 504393 | SNAP-IN PLUG / 1.200 O.D. | 1 | |
| 50 | 476632 | PANEL AIR INTAKE EVAPORATOR | 1 | |
| NS | 287332 | SUPPORT " L" SHAPE | 1 | S |
| 51 | 213544 | EXTERIOR PANEL SS | 1 | |
| 51 | 215730 | PANEL | 1 | S |
| 52 | 504248 | RIVET CHY Q PRDG 3/16x1/4 SS | AR | |
| 53 | 502622 | SCREW CAP HEX M6-1.0x20 SS BK | AR | |
| NS | 502820 | WASHER FL .187x1.000x.125 RUB BK | AR | |
| 54 | 5001639 | NUT SPR U M6-1.0 0.34-4 MAG565 | AR | |
| 55 | 5001982 | SCREW CAP HEX M6-1.0x12 SS BK | 2 | |
| 56 | 5002015 | WASHER BEL SPR 6.65x17.4x0.9 SS | 2 | |
| | | | | |
| | | | | |
| | | | | |
| | | S) WITH "SLIDE-OUT" | | |

From K-0295

Date:07/2024

PAGE:VIP-1868-01

A/C COMPRESSOR DOOR ASSY



| | | | |
|---------------------------------|--|--------------|------------------|
| From K-0295 | | Date:07/2024 | PAGE:VIP-1868-01 |
| A/C COMPRESSOR DOOR ASSY | | | |

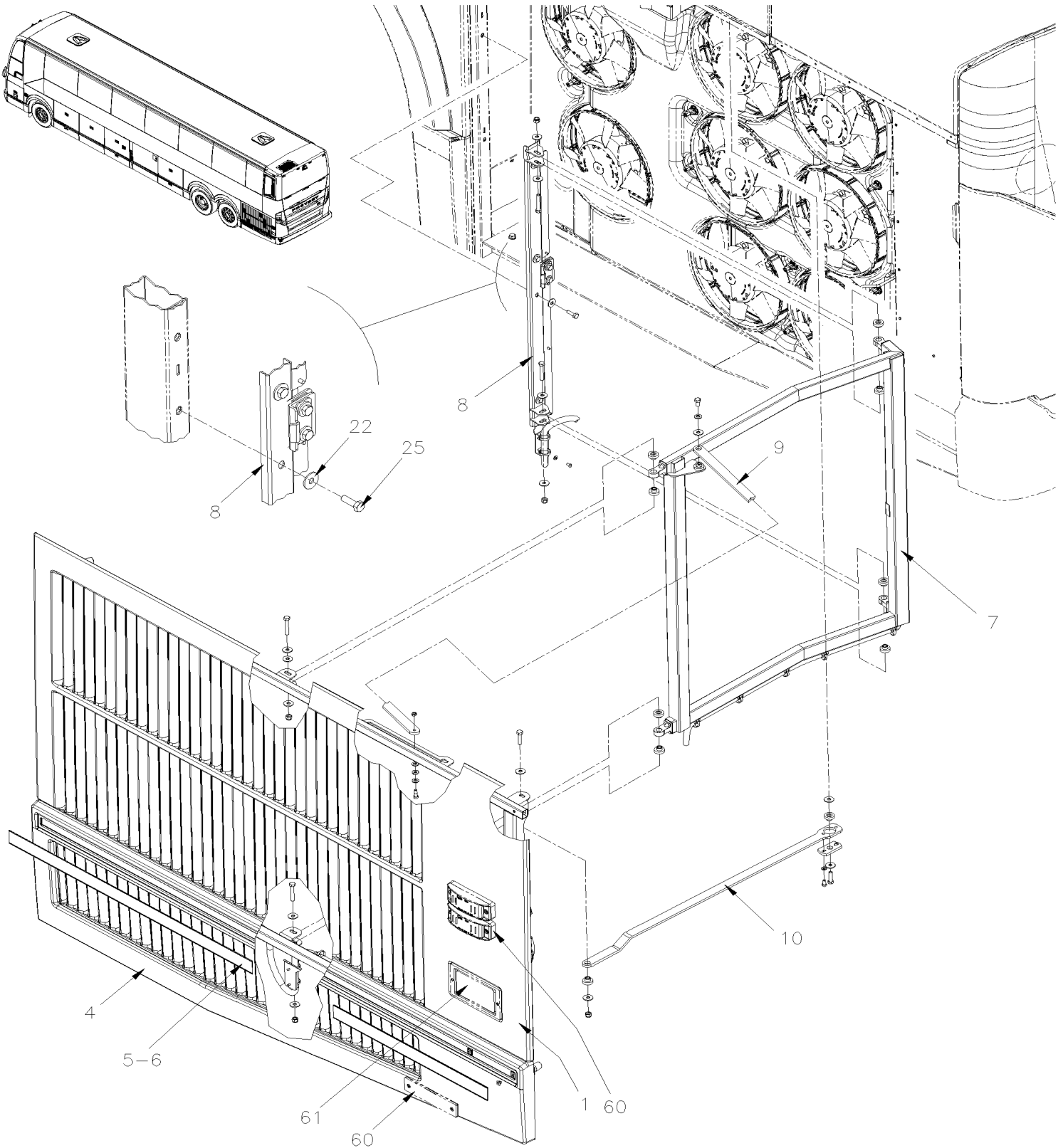
| Item# | Part | Description | QTY | Notes |
|-------|--------------------|---|-----|-------|
| | 286654 | COMPRESSOR DOOR ASSY To L-0944 | 1 | |
| | 2810479 | COMPRESSOR DOOR ASSY From L-0945 | 1 | |
| 1 | 288681 | COMPRESSOR DOOR / FIBERGLASS / VENTED | 1 | |
| NS | 288097 | GRILL PERFORATED SS / INSIDE OF DOOR To L-0944 | 1 | |
| NS | 509805 | SCREW TP PAN PH #10x1/2 BK To L-0944 | 8 | |
| 1 | 504709 | BUMPER PLUG / 9/32X1 1/16 X 5/8 X 1/16 To L-0944 | 2 | |
| 2 | 293281 | RUBBER SEAL EXTRUSION / ADHESIVE / LOWER WINDOW | 1 | |
| 3 | 285863 | PROTECTOR PANEL / SH | 1 | |
| 3 | 286213 | PROTECTOR PANEL / WITH GRAVEL GUARD / SH | 1 | A |
| NS | 683083 | ADHESIVE SIKA #252 / BLACK / 600 ml SAUSAGE | AR | |
| NS | 681348 | TAPE RUB ADH2 ACRYLIC .045" x 1" x 108' / VHB4952 | AR | |
| NS | 683885 | ADHESIVE SIKA TACK ULTRA FAST 2 / BLACK / 325ml | AR | |
| 4 | 500120 | SCREW TP BDG PH #6x1/2 SS | 4 | |
| 5 | 280234 | EXTRUSION BACKING ASSY W/REFLECTOR 1070MM | 1 | |
| NS | 280119 | EXTRUSION 1070MM | 1 | |
| NS | 684685 | ADHESIVE SIMSON #ISR 70-03 / 310ml CARTRIDGE | AR | |
| 6 | 283100 | STRIPE, REFLECTIVE WHITE / 38MM X 15' ROLL | AR | |
| NS | 780277 | STRIPE, REFLECTIVE WHITE / 38MM X 150' ROLL | AR | |
| 7 | VIP-1864-31 | HANDLE LOCK & KEYS - TYPE "NS" To P-1347 | | |
| 7 | VIP-1864-32 | HANDLE LOCK & KEYS - TYPE "NS" From P-1348 | | |
| 8 | 289340 | SUPPORT, HANDLE | 1 | |
| 9A | 5001697 | SCREW CAP HEX M6-1.0x16 SS BK | 4 | |
| 9B | 5002054 | SCREW TP BUTF TORX M6x20 SS | 4 | |
| 10 | 5002015 | WASHER BEL SPR 6.65x17.4x0.9 SS | 4 | |
| 11 | 289334 | ROD / HANDLE & CATCH PIN / 135.1MM | 1 | |
| 12 | 780340 | CLIP, RETAINER ROD | 1 | |
| 13 | 2801056 | CATCH PIN BLACK ACETAL | 1 | |
| 14 | 502910 | SPRING COMPRESSION / .720 O.D. 1.75 x .055 | 1 | |
| 15 | 2800535 | GUIDE PIN PLATE / 60MM X 140MM | 1 | |
| 16 | 288061 | SUPPORT CATCH PIN | 1 | |
| 17 | 288065 | PLATE CLOSING / 309MM X 298MM | 1 | |
| 18 | 405194 | DECAL "OPENING & CLOSING SUMP TANK PICTOGRAM" | 1 | |
| 20 | 289589 | CATCH PIN / RETAINER | 1 | |
| NS | 287452 | SHIM SPACER 70MM X 25 X 14GA | AR | |
| 21 | 2800534 | PLATE RETAINER / W/SWITCH SUPPORT / 66MM X 25.4MM | 1 | |
| 22 | 502857 | WASHER LO SERR 8.2x26.3x1.8 N500 | 2 | |
| 23 | 5001912 | SCREW CAP HEX M8-1.25x30 SS BK | AR | |
| 23A | 502780 | SCREW CAP HEX M8-1.25x25 SS BK To R-1943 | 2 | |
| 23A | 502780 | SCREW CAP HEX M8-1.25x25 SS BK From R-1944 | 4 | |
| 24 | 287043 | GUIDE RETAINING ARM | 1 | |
| 25 | 5001560 | SCREW SHR HEXS 5/16x3/8 {1/4-20 SS | 1 | |
| 26 | 5001341 | WASHER FL 8.4x17.0x1.6 SS | 2 | |

From K-0295

Date:07/2024

PAGE:VIP-1869-01

RADIATOR DOOR ASSY

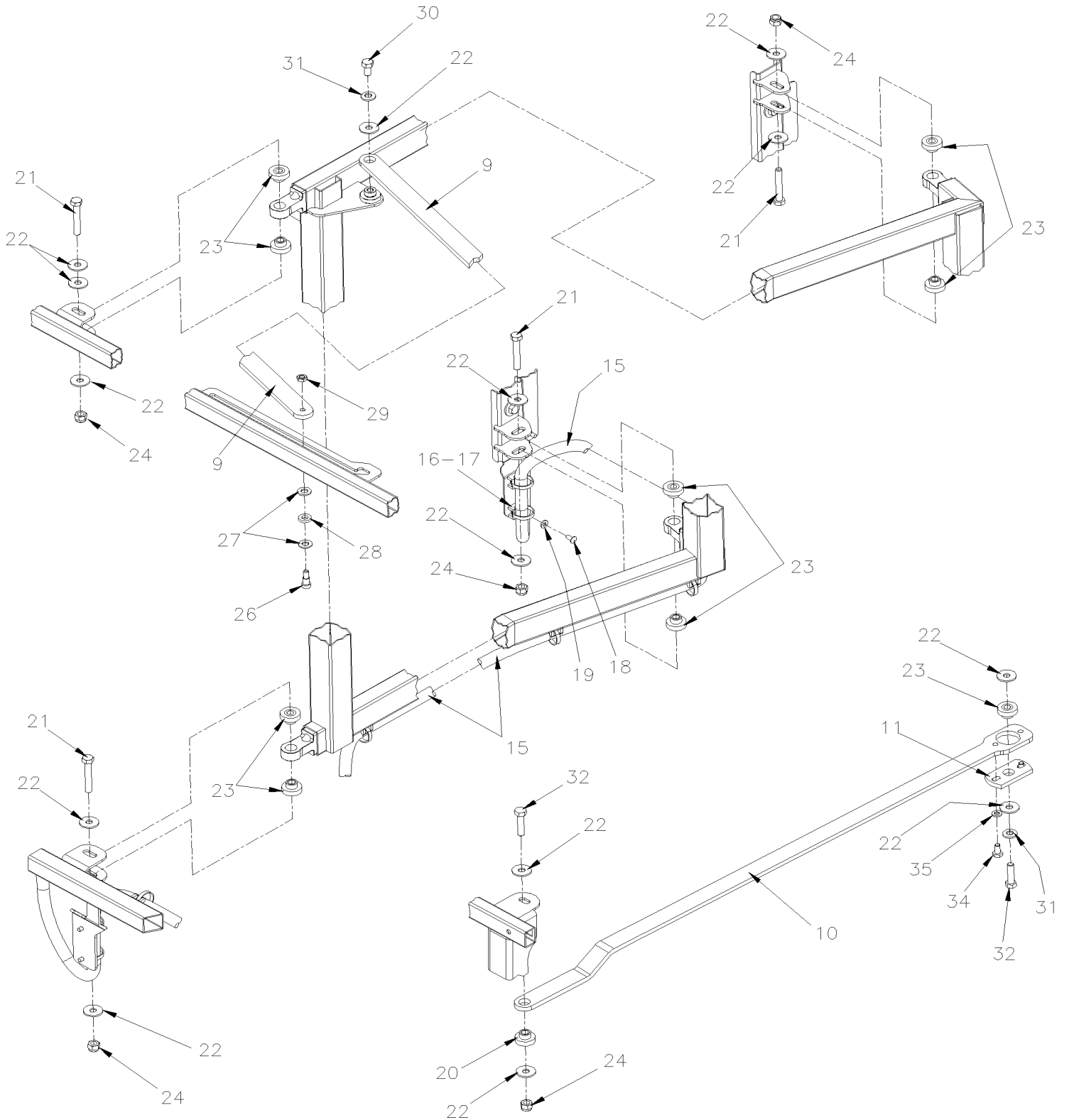


From K-0295

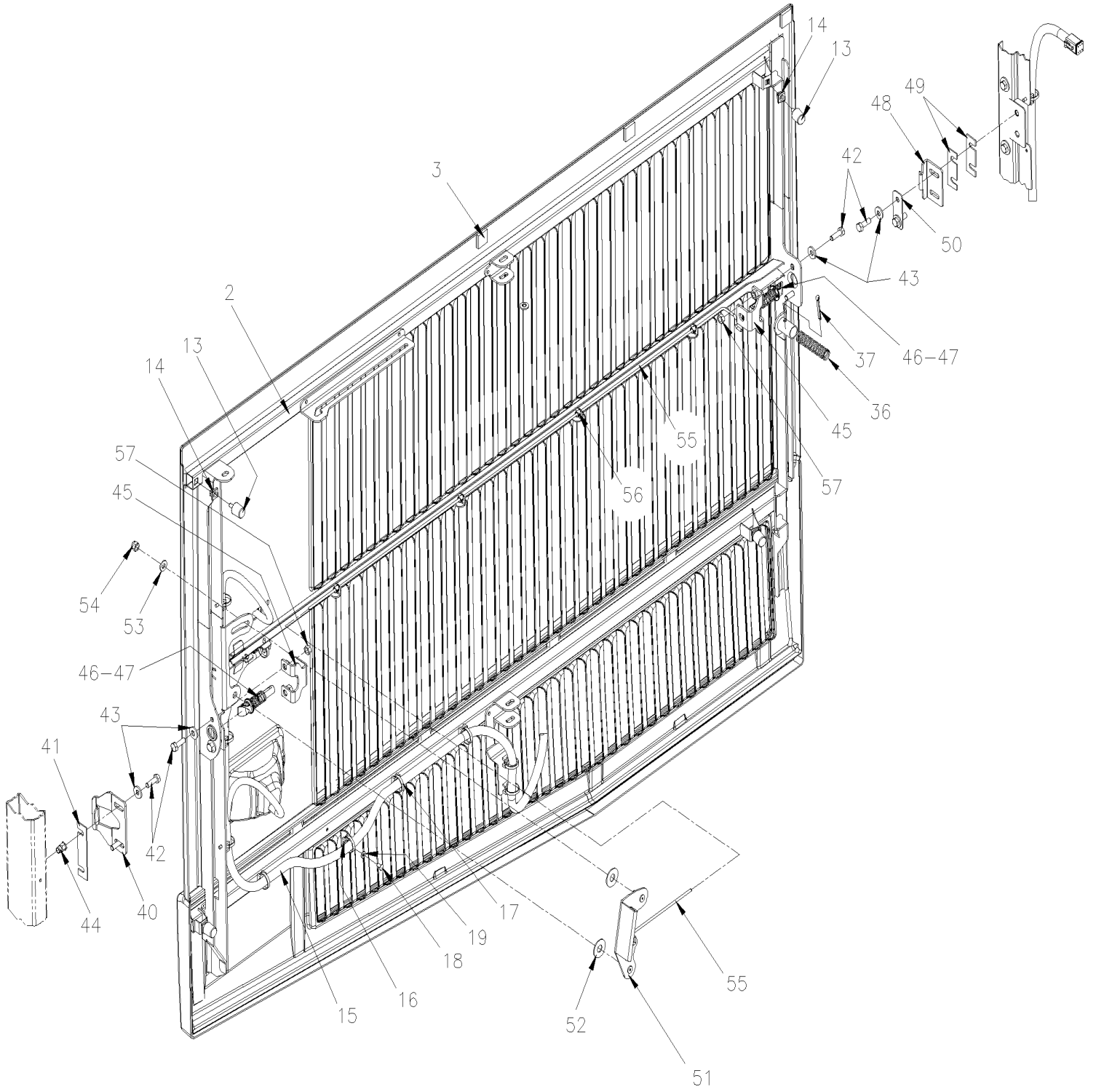
Date:07/2024

PAGE:VIP-1869-01

RADIATOR DOOR ASSY



| | | |
|--------------------|--------------|------------------|
| From K-0295 | Date:07/2024 | PAGE:VIP-1869-01 |
| RADIATOR DOOR ASSY | | |



| | | | |
|---------------------------|--|---------------------|-------------------------|
| From K-0295 | | Date:07/2024 | PAGE:VIP-1869-01 |
| RADIATOR DOOR ASSY | | | |

| Item# | Part | Description | QTY | Notes |
|-------|---------|--|-----|-------|
| | 281311P | RADIATOR DOOR ASSY To L-0958 | 1 | |
| | 2810299 | RADIATOR DOOR ASSY From L-0959 | 1 | |
| 1 | 281573 | . RADIATOR DOOR To L-0958 | 1 | |
| 1 | 2810226 | . RADIATOR DOOR From L-0959 | 1 | |
| NS | 685126 | . . ADHESIVE SIMSON #ISR 70-03 / GREY / 600ml SAUSAGE | AR | |
| NS | 687957 | . . GLUE MS POLYMER TEROSON MS 9399 / 400ml CARTRIDGE To M-1153 | AR | |
| NS | 685387 | . . GLUE MS POLYMER TEROSON MS 9399 / 400ml CARTRIDGE From M-1154 | AR | |
| 2 | 280906 | . . FRAME ASSY / RADIATOR DOOR To L-0958 | 1 | |
| 2 | 2810227 | . . FRAME ASSY / RADIATOR DOOR From L-0959 | 1 | |
| 3 | 470973 | . . INSULATOR SUPPORT | 3 | |
| NS | 501091 | . . FEMALE CONNECTOR / POLY-TITE FITTING / #8x3/8NPT-F BR | AR | |
| 4 | 281300 | . PROTECTOR PANEL | 1 | |
| NS | 506785 | . TAPE RUB ADH2 CC POL 1/16" X 1/4" X 200' / BLACK I1C-N-A | AR | |
| NS | 683083 | . ADHESIVE SIKA #252 / BLACK / 600 ml SAUSAGE | AR | |
| 5 | 287877 | . EXTRUSION BACKING ASSY W/REFLECTOR 1664MM | 1 | |
| . NS | 287876 | . . EXTRUSION 1664MM | 1 | |
| NS | 684685 | . ADHESIVE SIMSON #ISR 70-03 / 310ml CARTRIDGE | AR | |
| 6 | 283100 | . . STRIPE, REFLECTIVE WHITE / 38MM X 15' ROLL | 1 | |
| . NS | 780277 | . . . STRIPE, REFLECTIVE WHITE / 38MM X 150' ROLL | AR | |
| 7 | 280908 | . ARM PANTOGRAPH | 1 | |
| 8 | 281314 | . REMOVABLE SUPPORT | 1 | |
| 9 | 281408 | . STOP BAR To L-0958 | 1 | |
| 9 | 2810217 | . STOP BAR From L-0959 | 1 | |
| 10 | 281305 | . STABILIZER ARM To K-0370 | 1 | |
| 10 | 289859 | . STABILIZER ARM From K-0371 | 1 | |
| 11 | 288162 | . SUPPORT, FRAME ASSY. To K-0370 | 1 | |
| 11 | 289860 | . SUPPORT, FRAME ASSY. From K-0371 | 1 | |
| 13 | 504454 | . BUMPER RUBBER BOLT / 20MM ODx20MM TH X M6X15MM STUD | 4 | |
| 14 | 5001009 | . NUT AN 1/4 NYL | 4 | |
| 15 | 061153 | . HARNESS RADIATOR DOOR | 1 | |
| 16 | 504013 | . TIE MOUNT / 1/4" X 1/4" I.D. | 21 | |
| 17 | 504637 | . CABLE TIE / 3/16" x 13" | 21 | |
| 18 | 504488 | . RIVET MGLP PRDG 3/16x17/64 SS | 21 | |
| 19 | 5001137 | . WASHER FL .203x.438x.050 SS | 21 | |
| 20 | 286716 | . SPACER BUSHING FLANGE / AUX. ARM & SUPPORT ACETAL 8.3MM I.D. To L-0958 | 1 | |
| 20 | 2810218 | . SPACER BUSHING FLANGE / AUX. ARM & SUPPORT ACETAL 8.3MM I.D. 17MM LG From L-0959 | 1 | |
| 21 | 5001981 | . SCREW CAP HEX M8-1.25x50 SS BK | 4 | |
| 22 | 5001849 | . WASHER FL 8.4x24.0x2.0 SS | 14 | |
| 23 | 286716 | . SPACER BUSHING FLANGE / AUX. ARM & SUPPORT ACETAL 8.3MM I.D. | 9 | |
| 24 | 5001787 | . NUT HEX NYRT M8-1.25 SS | 5 | |
| 25 | 502780 | . SCREW CAP HEX M8-1.25x25 SS BK | 4 | |
| 26 | 5001560 | . SCREW SHR HEXS 5/16x3/8 {1/4-20 SS | 1 | |

| | | | |
|---------------------------|--|---------------------|-------------------------|
| From K-0295 | | Date:07/2024 | PAGE:VIP-1869-01 |
| RADIATOR DOOR ASSY | | | |

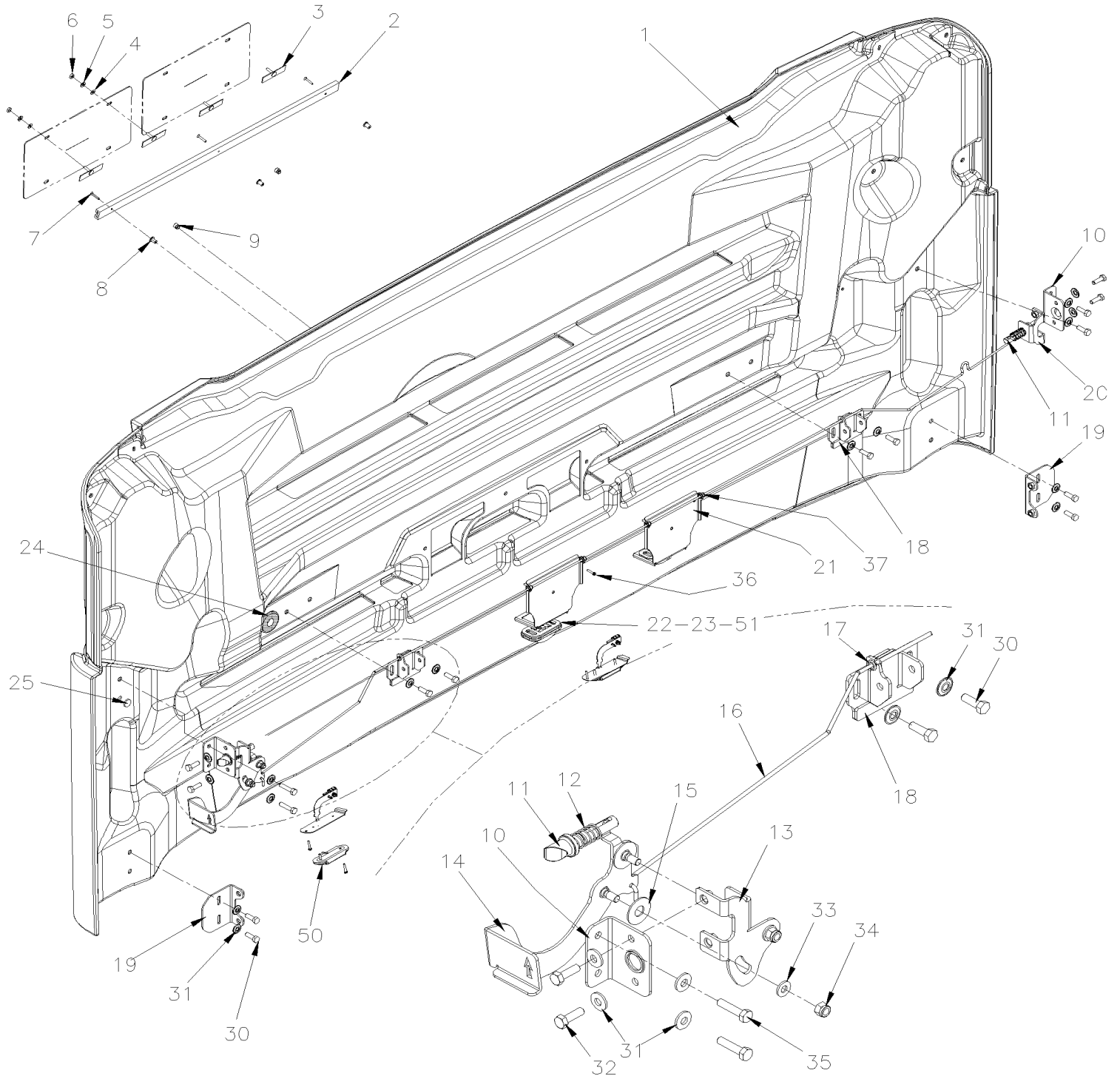
| Item# | Part | Description | QTY | Notes |
|-------|--------------------|---|-----|-------|
| 27 | 5001341 | . WASHER FL 8.4x17.0x1.6 SS | 2 | |
| 28 | 502768 | . WASHER FL RUB .312x.625x.125 NEO | 1 | |
| 29 | 5001980 | . NUT HEX JAM 1/4-20 SS BK | 1 | |
| 30 | 5001527 | . SCREW CAP HEX M8-1.25x16 SS BK | 1 | |
| 31 | 5001868 | . WASHER BEL SPR 8.4x18x2 SS | 2 | |
| 32 | 5001559 | . SCREW CAP HEX M8-1.25x35 SS BK | 2 | |
| 34 | 502772 | . SCREW CAP HEX 1/4-20x1/2 G5 N500 To K-0370 | 2 | |
| 34 | 5001982 | . SCREW CAP HEX M6-1.0x12 SS BK From K-0371 | 2 | |
| 35 | 502573 | . WASHER FL 6.4x12.5x1.6 SS | 2 | |
| 36 | 502181 | . SPRING COMPRESSION / .720 O.D. x 3 x .067 | 1 | |
| 37 | 502013 | . PIN, COTTER 5MM x 32MM SS | 1 | |
| 40 | 2810046 | . PLATE FOR LATCH - RAD. DOOR | 1 | |
| 41 | 289591 | . SPACER | 1 | |
| 42 | 502780 | . SCREW CAP HEX M8-1.25x25 SS BK | 8 | |
| 43 | 5001848 | . WASHER BEL SPR .827 x .331 x .098 th SS | 8 | |
| 44 | 5001692 | . NUT INS FL HEX M8-1.25 0.5-3.0 SS | 2 | |
| 45 | 287856 | . LATCH GUIDE | 2 | |
| 46 | 2801055 | . CATCH PIN BLACK ACETAL | 2 | |
| 47 | 502910 | . SPRING COMPRESSION / .720 O.D. 1.75 x .055 | 2 | |
| 48 | 2810045 | . CATCH PIN / RETAINER | 1 | |
| 49 | 287452 | . SHIM SPACER 70MM X 25 X 14GA | 2 | |
| 50 | 288088 | . PLATE RETAINER 66MM X 25.4MM | 1 | |
| 51 | 281322 | . TRIGGER RADIATOR DOOR | 1 | |
| 52 | 5001233 | . WASHER FL .500x1.250x.062 NYL | 2 | |
| 53 | 5001850 | . WASHER FL 8.4 x 18 x 2 NYL | 2 | |
| 54 | 5001787 | . NUT HEX NYRT M8-1.25 SS | 2 | |
| 55 | 281320 | . ROD FOR OPENING RADDIATOR DOOR | 1 | |
| 56 | 504083 | . SNAP BUSHING / .250x.468.406 | 4 | |
| 57 | 5001852 | . NUT HEX M8-1.25 SS BK | 4 | |
| 60 | VIP-0662-00 | CLEARANCE & MARKER LIGHT To P-1347 | | |
| 60 | VIP-0662-01 | CLEARANCE & MARKER LIGHT From P-1348 | | |
| 61 | VIP-0663-00 | DOCK & CORNERING LIGHT To P-1347 | | |
| 61 | VIP-0663-01 | DOCK & CORNERING LIGHT From P-1348 | | |

From K-0295

Date:07/2024

PAGE:VIP-1870-01

ENGINE DOOR ASSY



| | | | |
|-------------------------|--|--------------|------------------|
| From K-0295 | | Date:07/2024 | PAGE:VIP-1870-01 |
| ENGINE DOOR ASSY | | | |

| Item# | Part | Description | QTY | Notes |
|-------|----------|--|-----|-------|
| | 2810130 | REAR ENGINE DOOR ASSY W/LIGHTS | 1 | |
| 1 | 280137 | . DOOR MOULDED / FIBERGLASS | 1 | |
| 2 | 491388 | . TRACK / LICENCE PLATE HOLDER 678.1 MM | 1 | A |
| 3 | 504286 | . T SCREW 10-24 X 3/4" / SS / PLATE HOLDER | 4 | |
| 3 | 507333 | . PROTECTOR CAP / BLACK / .172 I.D. x .500 | 4 | |
| 4 | 5001137 | . WASHER FL .203x.438x.050 SS | 4 | |
| 5 | 502570 | . WASHER LO SPT 6.1x11.8x1.6 SS | 4 | |
| 6 | 500787 | . NUT HEX #10-24 SS | 4 | |
| 7 | 502666 | . SCREW MA FL PH #6-32x3/4 SS BK | 3 | |
| 8 | 500286 | . NUT WELL #6-32 | 3 | |
| 9 | 504498 | . BUMPER PLUG / .406ODx.218THx.250HOLEx.125 | 2 | |
| 10 | 289644 | . ANGLE SUPPORT CATCH PIN To K-0400 | 2 | |
| 10 | 289216 | . ANGLE SUPPORT CATCH PIN From K-0401 | 2 | |
| 11 | 2801055 | . CATCH PIN BLACK ACETAL | 2 | |
| 12 | 502910 | . SPRING COMPRESSION / .720 O.D. 1.75 x .055 | 2 | |
| 13 | 289727 | . SUPPORT CATCH PIN W/PIVOT To K-0400 | 1 | |
| 13 | 289878 | . SUPPORT CATCH PIN From K-0401 | 1 | |
| 14 | 289730 | . ACTUATOR DOOR LATCH To K-0400 | 1 | |
| 14 | 289879 | . ACTUATOR DOOR LATCH From K-0401 | 1 | |
| NS | 287271 | . RIVET SHR FL 9.95x3.6{4.8x4.8 SS | 1 | |
| 15 | 479302 | . RIVET SHR FL | 1 | |
| 16 | 289637 | . ROD OPENING 2088MM | 1 | |
| 17 | 504462 | . SNAP BUSHING / .187x.375x.312 | 2 | |
| 18 | 289725 | . BRACKET / TO FIX PANTHOGRAPH 116MM WIDE | 2 | |
| 19 | 289638 | . BRACKET ASSY | 2 | |
| 20 | 289674 | . SUPPORT CATCH PIN W/OUT PIVOT | 1 | |
| 21 | 2800462 | . LICENSE PLATE LAMP HOLDER | 2 | |
| 22 | 930208 | . GROMMET RUBBER RETAINER / LICENCE LAMP TL 15700 | 2 | |
| 22 | 930408 | . GROMMET RUBBER RETAINER / LICENCE LAMP TL 150702 | 2 | |
| 23 | 930368 | . SEAL LEDS / W/CONNECTOR LEDS - 12VOLTS | 2 | |
| . NS | 12015378 | . . CONNECTOR / WEATHER PACK / SH 2C / GRAY / PED 12015378 | 1 | |
| . NS | N.P.N. | . . SEAL LEDS / W/CONNECTOR | | 4 |
| . NS | 562348 | . . CONNECTOR / WEATHER PACK / PH 2C / GRAY / PED 12034074 | 1 | |
| . NS | 561786 | . . CABLE SEAL / GRAY / PED 15324980 | 2 | |
| . NS | 561568 | . . PIN TERMINAL / 16-14 / PED 12089305 | 2 | |
| 24 | 504579 | . GROMMET / .750x1.625x.125x.437x2.000 | 2 | |
| 25 | 562949 | . MAGNET ROUND .200x.700 DIA | 1 | |
| 30 | 502780 | . SCREW CAP HEX M8-1.25x25 SS BK | 16 | |
| 31 | 5001868 | . WASHER BEL SPR 8.4x18x2 SS | 16 | |
| 32 | 502780 | . SCREW CAP HEX M8-1.25x25 SS BK | 2 | |
| 33 | 5001850 | . WASHER FL 8.4 x 18 x 2 NYL | 2 | |
| 34 | 5001787 | . NUT HEX NYRT M8-1.25 SS | 1 | |

| | | |
|-------------------------|--------------|------------------|
| From K-0295 | Date:07/2024 | PAGE:VIP-1870-01 |
| ENGINE DOOR ASSY | | |

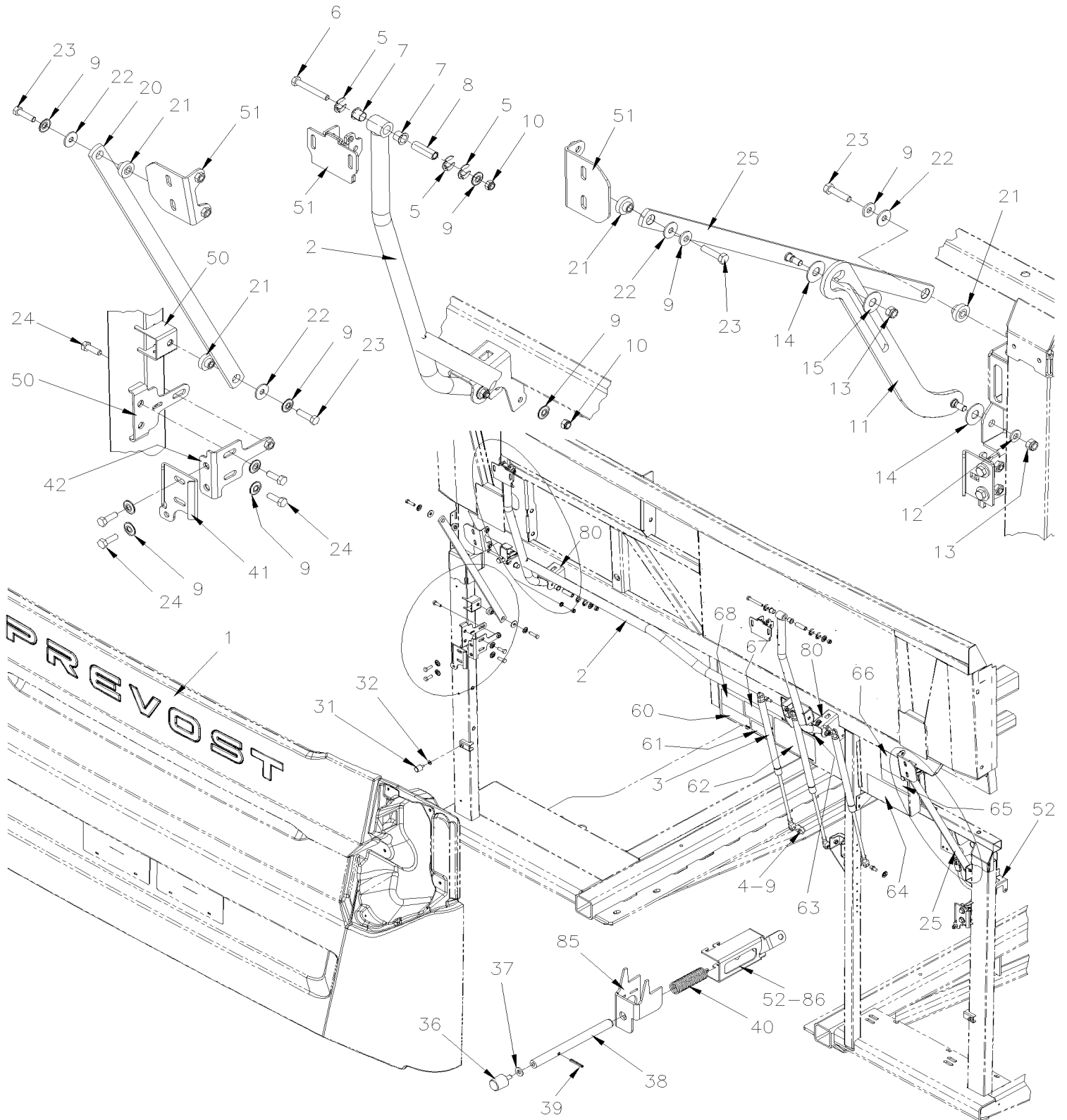
| Item# | Part | Description | QTY | Notes |
|-------|-------------|---|-----|-------|
| 35 | 502780 | . SCREW CAP HEX M8-1.25x25 SS BK | 2 | |
| 36 | 5001040 | . SCREW TC PAN PH #6-32x3/4 SS | 4 | |
| 37 | 504083 | . SNAP BUSHING / .250x.468.406 | 4 | |
| NS | 280722 | KIT LICENSE HOLDER - IMPROVMENT | 1 | |
| . NS | 280616 | . LICENCE SUPPORT ALUMINIUM | 1 | |
| . NS | 5001955 | . SCREW MA RND PH #6-32x1/2 SS | 3 | |
| . NS | 502556 | . WASHER FL 4.3x9.0x0.8 SS | 3 | |
| 50 | VIP-0665-11 | SWITCHES, LIGHTS, AJAR - UNDER FLOOR & ENGINE COMPARTMENT To P-1347 | | |
| 50 | VIP-0665-12 | SWITCHES, LIGHTS, AJAR - UNDER FLOOR & ENGINE COMPARTMENT From P-1348 | | |
| 51 | VIP-0664-01 | REAR EXTERIOR LIGHTS & PLATE HOLDER | | |
| | | | | |
| | | | | |
| | | A) FOR PRODUCT IMPROVMENT ASK KIT#280722 | | |
| | | 4) NO PARTS NUMBER | | |

From K-0295

Date:07/2024

PAGE:VIP-1870-11

REAR ENGINE DOOR - INSTALLATION



| | | | |
|--------------------|--|---------------------|-------------------------|
| From K-0295 | | Date:07/2024 | PAGE:VIP-1870-11 |
|--------------------|--|---------------------|-------------------------|

REAR ENGINE DOOR - INSTALLATION

| Item# | Part | Description | QTY | Notes |
|-------|-------------|---|-----|-------|
| 1 | VIP-1870-01 | ENGINE DOOR ASSY | | |
| 2 | 2800982 | PANTOGRAPH LEVER | 1 | |
| 3 | 980030 | CYLINDER GAZ / 669/409MM C/C / 210LBS | 3 | |
| 3 | 192226 | CYLINDER GAZ / 669/409MM C/C / 200LBS HD | AR | |
| NS | 980017 | CLIP BALL STUD 10MM RETAINER | 2 | |
| 4 | 980015 | BALL STUD / W/10 MM X M8-1.25 / 29.18 MM | 6 | |
| 4 | 680038 | THREAD LOCKER LOCTITE #243 / BLUE / 50ml | AR | |
| 5 | 508398 | RING RETAINER / EXT .625 x .500 x .050" / SS | AR | |
| 6 | 5001847 | SCREW CAP HEX M8-1.25x65 SS To K-0360 | 4 | |
| 6 | 5001178 | SCREW CAP HEX M8-1.25x60 SS BK From K-0361 | 4 | |
| 7 | 507142 | BUSHING, NYLINER W/SHOULDER (8-L-8-F) | 8 | |
| 8 | 289664 | SPACER TUBE 41.4MM x 12.7MM x 8.5MM | 4 | |
| 9 | 5001868 | WASHER BEL SPR 8.4x18x2 SS | AR | |
| 10 | 5001852 | NUT HEX M8-1.25 SS BK | 4 | |
| 11 | 289720 | ARM SAFETY LOCK | 1 | |
| 12 | 5001850 | WASHER FL 8.4 x 18 x 2 NYL | 2 | |
| 13 | 5001787 | NUT HEX NYRT M8-1.25 SS | 2 | |
| 14 | 5001233 | WASHER FL .500x1.250x.062 NYL | 2 | |
| 15 | 5001467 | WASHER FL .343x1.250x.062 SS18-8 | 1 | |
| 20 | 288092 | ARM STABILIZER 627MM C/C / PROTO | 1 | |
| 21 | 286716 | SPACER BUSHING FLANGE / AUX. ARM & SUPPORT ACETAL 8.3MM I.D. | 4 | |
| 22 | 5001869 | WASHER FL .343x.750x.12 SS | 4 | |
| 23 | 5001559 | SCREW CAP HEX M8-1.25x35 SS BK | 4 | |
| 24 | 502780 | SCREW CAP HEX M8-1.25x25 SS BK | 10 | |
| 24 | 5001745 | SCREW CAP HEX M8-1.25x25 G8.8 N500 | 10 | |
| 25 | 289722 | ARM STABILIZER 627MM C/C / PROTO | 1 | |
| | | | | |
| 31 | 504790 | BUMPER RUBBER BOLT / 25.5MM ODx20MM TH M6X18MM STUD | 4 | |
| 32 | 502567 | NUT HEX M10-1.5 SS | 4 | |
| 32 | 287803 | ROD, ADJUSTMENT ENGINE DOOR STOPPER | 4 | |
| 36 | 504454 | BUMPER RUBBER BOLT / 20MM ODx20MM TH X M6X15MM STUD | 2 | |
| 37 | 500877 | WASHER FL .250x.562x.065 N500 | 2 | |
| 38 | 289662 | STOPPER 155MM | 2 | |
| NS | 502180 | PIN HITCH CLIP 3/32 x 1/2 Z050 | 2 | |
| 39 | 505513 | SPRING, PIN M3 x 24 SS | 2 | |
| 40 | 502940 | SPRING COMPRESSION / .720 O.D. x 6 x .067 SS | 2 | |
| 41 | 287051 | CATCH PIN / RETAINER 52MM x 70MM | 2 | |
| 42 | 287052 | DOOR LATCH ADJUSTABLE | 2 | |
| | | | | |
| 50 | VIP-189X-XX | STRUCTURE / CALL ORDER DESK | | |
| 51 | VIP-1870-01 | ENGINE DOOR ASSY | | |
| 52 | VIP-0665-11 | SWITCHES, LIGHTS, AJAR - UNDER FLOOR & ENGINE COMPARTMENT To P-1347 | | |

| | | | |
|-------------|--|--------------|------------------|
| From K-0295 | | Date:07/2024 | PAGE:VIP-1870-11 |
|-------------|--|--------------|------------------|

REAR ENGINE DOOR - INSTALLATION

| Item# | Part | Description | QTY | Notes |
|-------|-----------------|---|-----|-------|
| 52 | VIP-0665-12 | SWITCHES, LIGHTS, AJAR - UNDER FLOOR & ENGINE COMPARTMENT From P-1348 | | |
| 60 | 011229P | DECAL "VEHICLE EMISSION INFORMATION" / CANADA / ENGLISH To L-0930 | 1 | |
| 60 | Call order desk | DECAL "VEHICLE EMISSION INFORMATION" / CANADA / ENGLISH From L-0931 To P-1474 | 1 | P |
| 60 | Call order desk | DECAL "VEHICLE EMISSION INFORMATION" / CANADA / ENGLISH From P-1475 To P-1485 | 1 | P |
| 60 | Call order desk | DECAL "VEHICLE EMISSION INFORMATION" / CANADA / ENGLISH From P-1486 To R-1909 | 1 | P |
| 60 | Call order desk | DECAL "VEHICLE EMISSION INFORMATION" / CANADA / ENGLISH From R-1910 | 1 | P C |
| 60 | Call order desk | DECAL "INFORMATION EMISSIONS VEHICULE" / CANADA / FRANCAIS From R-1910 | 1 | P C |
| 61 | 040011 | DECAL "CLEAN IDLE EXEMPTION" To R-1909 | 1 | |
| 62 | 010060 | DECAL / "BELT ROUTING" | 1 | B |
| 62 | 010049 | DECAL / "BELT ROUTING" W/LARGE AC 2 ALT RH | 1 | B |
| 62 | 010051 | DECAL / "BELT ROUTING" W/SAMLL AC ONE OR 3 ALT RH | 1 | A |
| 62 | 010052 | DECAL / "BELT ROUTING" W/SAMLL AC 2 AC 12 OR 24V ALT RH | 1 | A |
| 62 | 010111 | DECAL / "BELT ROUTING" W/REMY | 1 | R |
| 62 | 010049 | DECAL / "BELT ROUTING" W/LARGE AC 2 ALT RH To N-1199 | 1 | V |
| 62 | 010331 | DECAL / "BELT ROUTING" W/LARGE AC From N-1200 | 1 | V |
| 63 | 143039 | DECAL / TRAILER FRENCH | 1 | |
| 64 | 071249 | DECAL "TranSynd OIL ONLY" / ENGLISH & FRANCAIS | 1 | |
| 65 | 405730 | DECAL THIS VEHICULE EQUIPED ... FIRE SUPPRES / ENGLISH & FRANCAIS | 1 | |
| 66 | 405729 | DECAL THIS VEHICULE EQUIPED ... FIRE SUPPRES / ENGLISH | 1 | |
| 67 | 012824P | DECAL, S3 ENGINE CERTIFICATION FR / ENG To R-1486 | 1 | |
| 67 | Call order desk | DECAL, S3 ENGINE CERTIFICATION From R-1487 To R-1909 | 1 | P |
| 68 | 012702 | DECAL "OIL SPEC" 10W/40 / ENGLISH & FRANCAIS / SPANISH To L-1023 | 1 | |
| 68 | 010315 | DECAL "OIL SPEC" 5W/30 / ENGLISH & FRANCAIS / SPANISH From L-1024 To M-1118 | 1 | |
| 68 | 010329 | DECAL "OIL SPEC" 5W/30 / ENGLISH & FRANCAIS / SPANISH From M-1119 | 1 | |
| 80 | 272518 | ANCHOR BRACKET PANTHOGRAPH LEVER / (WEDED TO STRUCTURE) | 2 | |
| 84 | 060748 | CABLE ASSY LAMP / REAR ENGINE DOOR | 1 | |
| NS | 504531 | TIE MOUNT / 3/16" #10 SCREW / TA1S8-C | 3 | |
| NS | 504104 | RIVET POP DOME OE 1/8x1/8 SS | 3 | |
| NS | 504637 | CABLE TIE / 3/16" x 13" | 4 | |
| NS | 509815 | TIE MOUNT / ATTACHMENT W/TREE MOUNT | 5 | |
| NS | 289679 | PLATE CONNECTOR RETAINER TYPE 16 70MMx70MM W/SLOT SS | 4 | |
| NS | 5001040 | SCREW TC PAN PH #6-32x3/4 SS | 14 | |
| 85 | 272624 | GUIDE PIN (WEDED TO STRUCTURE) To M-1156 | 2 | |
| 85 | 273498 | GUIDE PIN (WEDED TO STRUCTURE) From M-1157 | 2 | |
| 86 | 287709 | GUIDE PIN REMOVABLE To M-1156 | 2 | |
| 86 | 2810510 | GUIDE PIN REMOVABLE From M-1157 | 2 | |
| NS | 507034 | CLIP BEARING 1/2" DIA From M-1157 | 4 | |
| | | | | |
| | | | | |
| | | | | |

| | | |
|-------------|--------------|------------------|
| From K-0295 | Date:07/2024 | PAGE:VIP-1870-11 |
|-------------|--------------|------------------|

REAR ENGINE DOOR - INSTALLATION

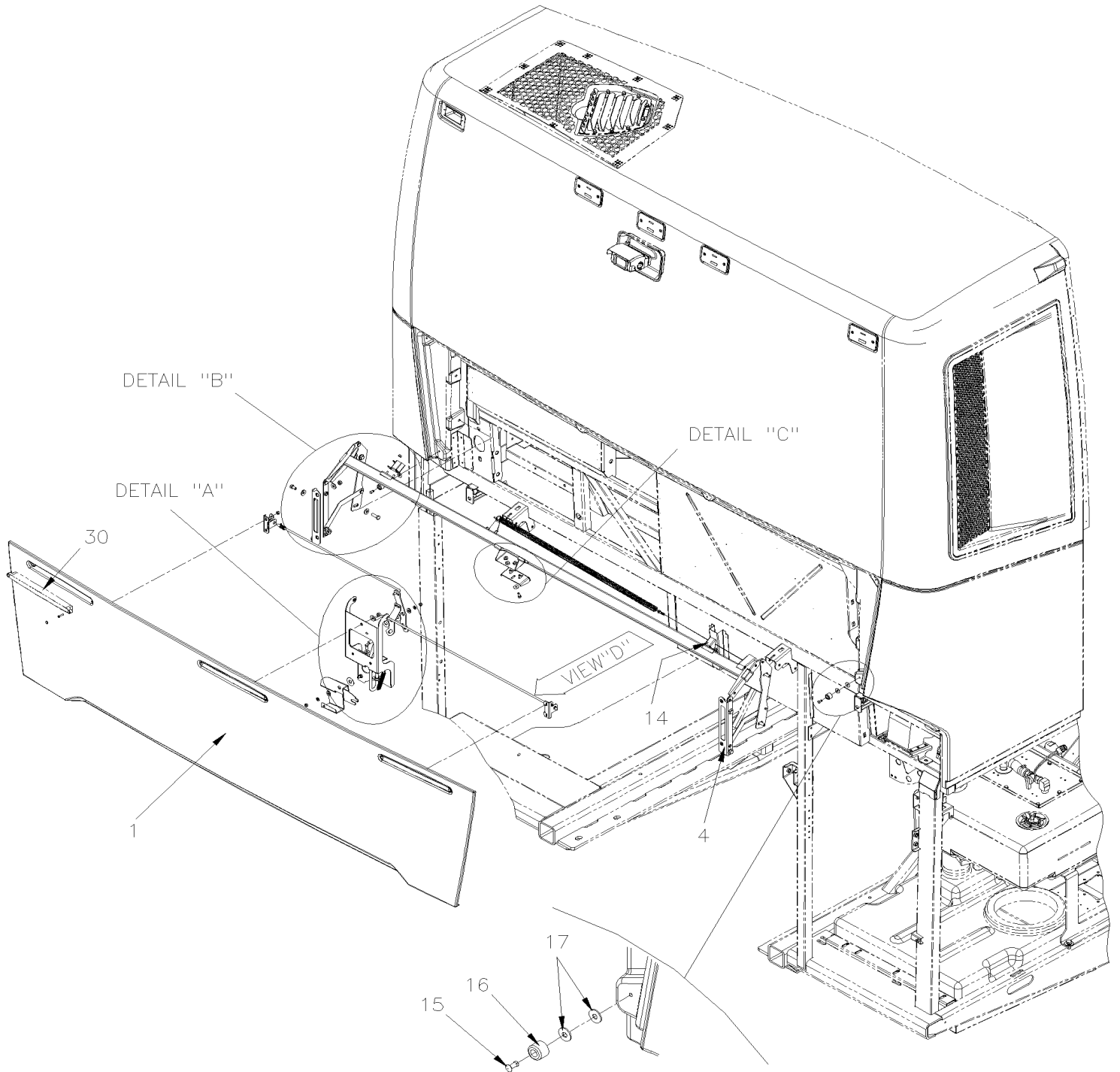
| Item# | Part | Description | QTY | Notes |
|-------|------|--|-----|-------|
| | | A) WITH SMALL A/C SYSTEM | | |
| | | B) WITH LARGE A/C SYSTEM | | |
| | | C) BOTH ENGLISH AND FRENCH DECALS ARE REQUIRED | | |
| | | R) W/ REMY ALTERNATOR | | |
| | | V) WITH VOLTA ALTERNATOR | | |
| | | P) CALL ORDER DESK FOR SPECIFIC APPLICATION (V.I.N.) | | |

From K-0295 To P-1347

Date:07/2024

PAGE:VIP-1870-21

REAR ENGINE UPPER DOOR

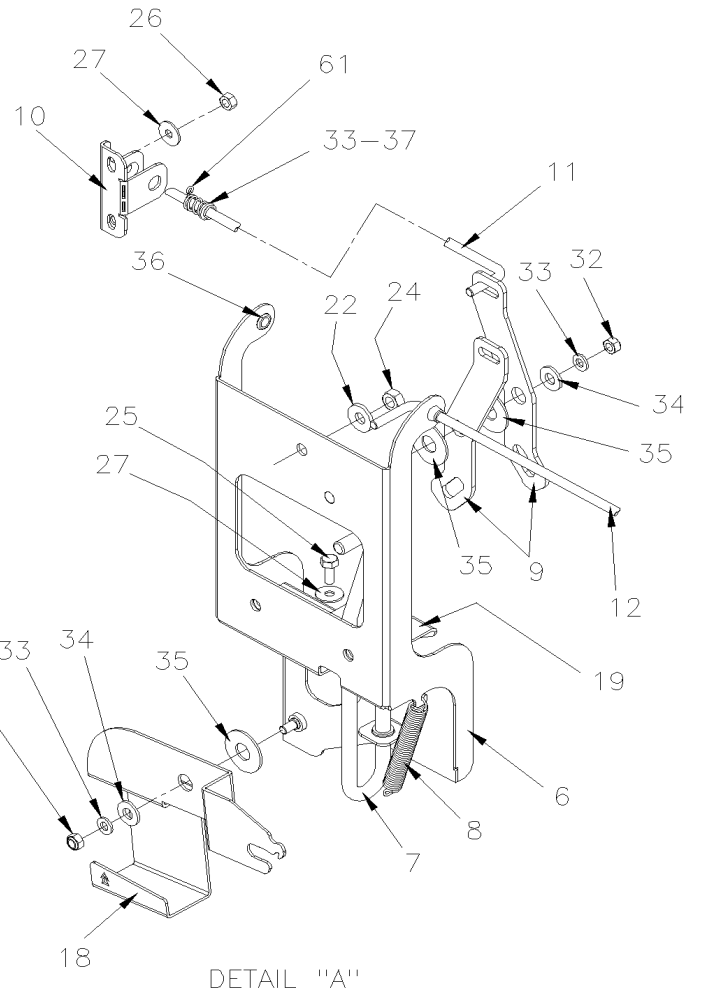
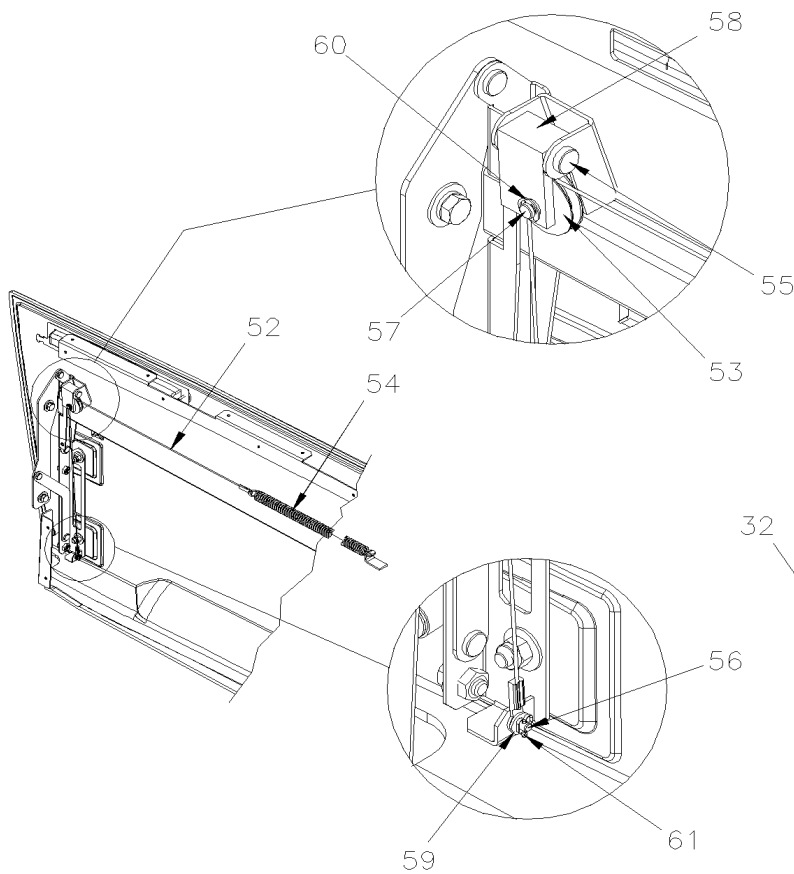
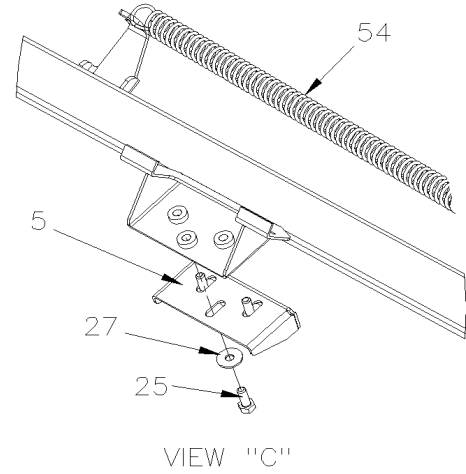
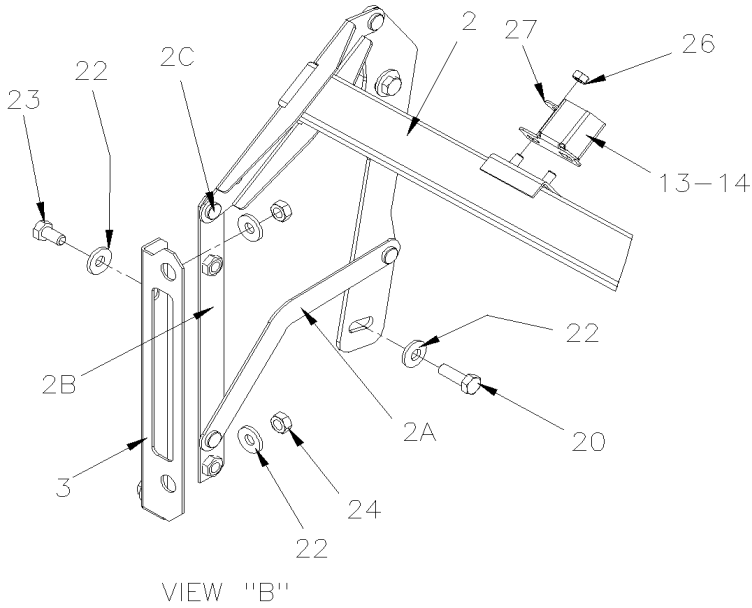


From K-0295 To P-1347

Date:07/2024

PAGE:VIP-1870-21

REAR ENGINE UPPER DOOR



| | | |
|-------------------------------|---------------------|-------------------------|
| From K-0295 To P-1347 | Date:07/2024 | PAGE:VIP-1870-21 |
| REAR ENGINE UPPER DOOR | | |

| Item# | Part | Description | QTY | Notes |
|-------|--------------------|---|-----|-------|
| 1 | 478479 | ENGINE UPPER DOOR | 1 | |
| 2 | 289805 | PANTOGRAPH LEVER | 1 | |
| . A | 289563 | . ARM STABILIZER | 3 | |
| . B | 281151 | . UNION ARM L.H. | 1 | |
| . C | 289343 | . RIVET SHR FL 7.08x2.2{6.2x6 SS | 4 | |
| . D | 287047 | . UNION ARM R.H. | 1 | |
| 3 | 281152 | ATTACH STREET SIDE | 1 | |
| 4 | 289573 | ATTACH CURBSIDE | 1 | |
| 5 | 289572 | PIN STRIKER , ADJUSTABLE | 1 | |
| 6 | 289755 | SUPPORT CENTRAL ASS. | 1 | |
| 7 | 289753 | ROD OPENING "Z" SHAPE 226MM | 1 | |
| 8 | 502147 | SPRING EXTENSION / .500 O.D. 3.5 x .054 | 1 | |
| 9 | 289751 | ARM RELEASE | 2 | |
| 10 | 478480 | GUIDE ROD "U" SHAPE | 2 | |
| 11 | 289798 | ROD "L" SHAPE 835MM x 41MM | 1 | |
| 12 | 289799 | ROD "L" SHAPE 520MM x 36MM | 1 | |
| 13 | 289747 | STRIKER PLATE L.H. | 1 | |
| 14 | 289748 | STRIKER PLATE R.H. | 1 | |
| 15 | 504416 | RIVET POP DOME OE 3/16x5/8 SS To L-0853 | 6 | |
| 15 | 504200 | RIVET POP DOME OE 3/16x3/4 SS From L-0854 | 6 | |
| 16 | 5001168 | BUMPER RUBBER / .750 OD x .562 TH x .187 HOLE To K-0337 | 6 | |
| 16 | 5002023 | BUMPER NEOPRENE / .750 OD x .562 TH x .187 HOLE From K-0338 | 6 | |
| 17 | 500411 | WASHER FL .260x.697x.050 SS | 12 | |
| 18 | 289804 | LEVER CONTROL ROD | 1 | |
| 19 | 289756 | GUIDE ROD ANGLE PLATE W/2 HOLES | 1 | |
| 20 | 502780 | SCREW CAP HEX M8-1.25x25 SS BK | 4 | |
| 22 | 5001848 | WASHER BEL SPR .827 x .331 x .098 th SS To £-13073 | 15 | |
| 22 | 5001868 | WASHER BEL SPR 8.4x18x2 SS From £-13073 | 15 | |
| 23 | 5001527 | SCREW CAP HEX M8-1.25x16 SS BK | 4 | |
| 24 | 5001852 | NUT HEX M8-1.25 SS BK | 7 | |
| 25 | 5001697 | SCREW CAP HEX M6-1.0x16 SS BK | 6 | |
| 26 | 5001851 | NUT HEX M6-1.0 SS BK | 4 | |
| 27 | 5001654 | WASHER FL 6.4x17.0x3.0 SS | 10 | |
| 30 | VIP-0664-01 | REAR EXTERIOR LIGHTS & PLATE HOLDER | | |
| 32 | 502681 | NUT HEX NYRT M6-1.0 N500 G8 | 2 | |
| 33 | 502573 | WASHER FL 6.4x12.5x1.6 SS | 4 | |
| 34 | 5001850 | WASHER FL 8.4 x 18 x 2 NYL | 2 | |
| 35 | 5001233 | WASHER FL .500x1.250x.062 NYL | 3 | |
| 36 | 504083 | SNAP BUSHING / .250x.468.406 | 2 | |
| 37 | 474008 | SPRING COMPRESSION / .360 O.D. x .625 x .035 To K-0558 | 1 | |
| 37 | 471755 | SPRING COMPRESSION / .360 O.D. x .750 x .035 From K-0559 | 1 | |
| 40 | 780816 | DECAL / "CAUTION" MANUPULATE BOTH HAND / ENGLISH & FRANCAIS | 1 | |

| | | | |
|-------------------------------|--|--------------|------------------|
| From K-0295 To P-1347 | | Date:07/2024 | PAGE:VIP-1870-21 |
| REAR ENGINE UPPER DOOR | | | |

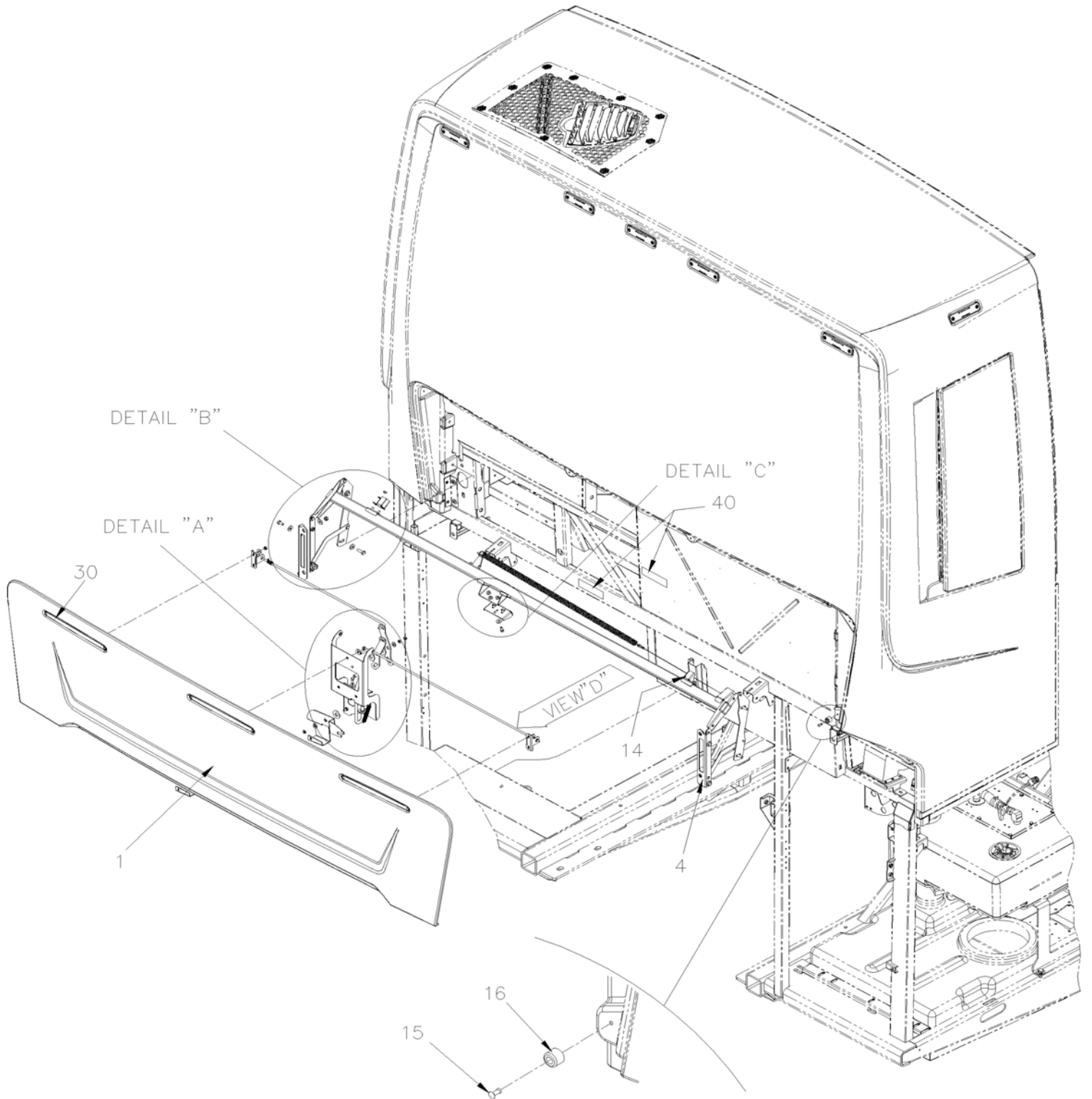
| Item# | Part | Description | QTY | Notes |
|-------|---------|--|-----|-------|
| 41 | 780817 | DECAL / "CAUTION" MANUPULATE BOTH HAND / ENGLISH & SPANISH | 1 | |
| 42 | 780818 | DECAL / "CAUTION" MANUPULATE BOTH HAND / ENGLISH | 1 | |
| 52 | 287539 | CABLE ASSY W/END STAINLESS 825MM | 1 | |
| 53 | 287540 | PULLEY CABLE 36MM O.D. | 1 | |
| 54 | 287541 | SPRING, EXT. / .75 O.D x 15.25 X .0915 | 1 | |
| 55 | 288743 | AXE PIVOT 7.8MM O.D. x 38MM | 1 | |
| 56 | 287698 | AXE PIVOT 4.5MM O.D. x 10MM | 1 | |
| 57 | 288744 | AXE PIVOT 7.8MM O.D. x 24MM | 1 | |
| 58 | 288745 | BLOCK / YOKE 28MM x 45MM x 19MM | 1 | |
| NS | 507301 | BUSHING NYLINER | 1 | |
| 59 | 504357 | WASHER FL .187x.437x.050 SS | 1 | |
| 60 | 504689 | RING RETAINER / EXT .312 x .243 x .025 / SS | 1 | |
| 61 | 5001860 | PIN HITCH CLIP .054 x 3/4 SS | 3 | |

From P-1348

Date:07/2024

PAGE:VIP-1870-22

REAR ENGINE UPPER DOOR

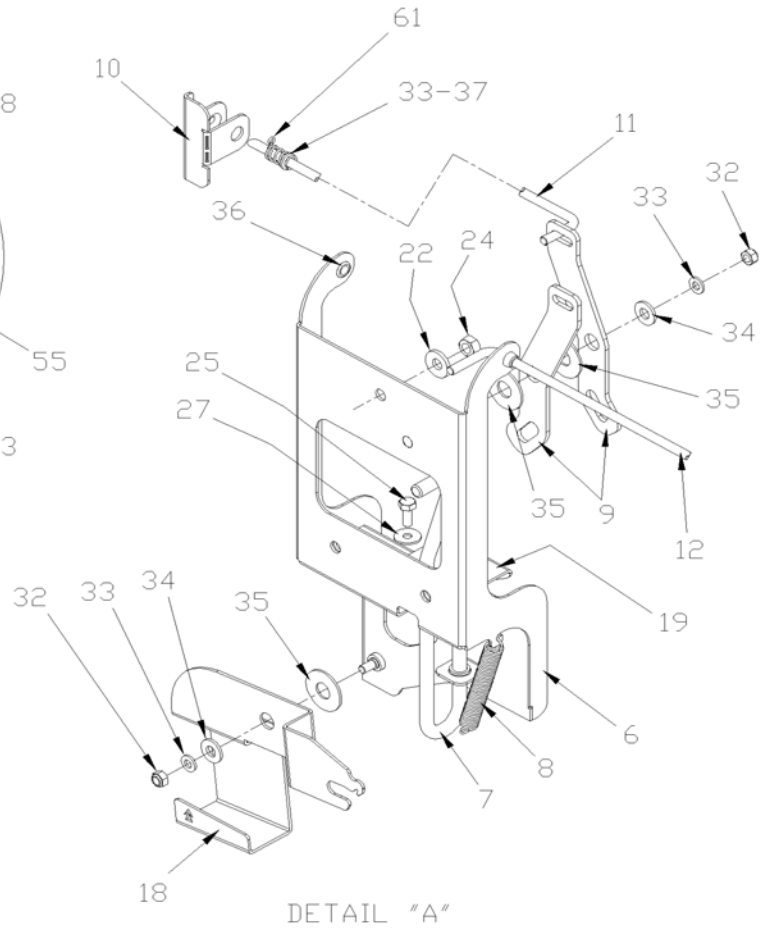
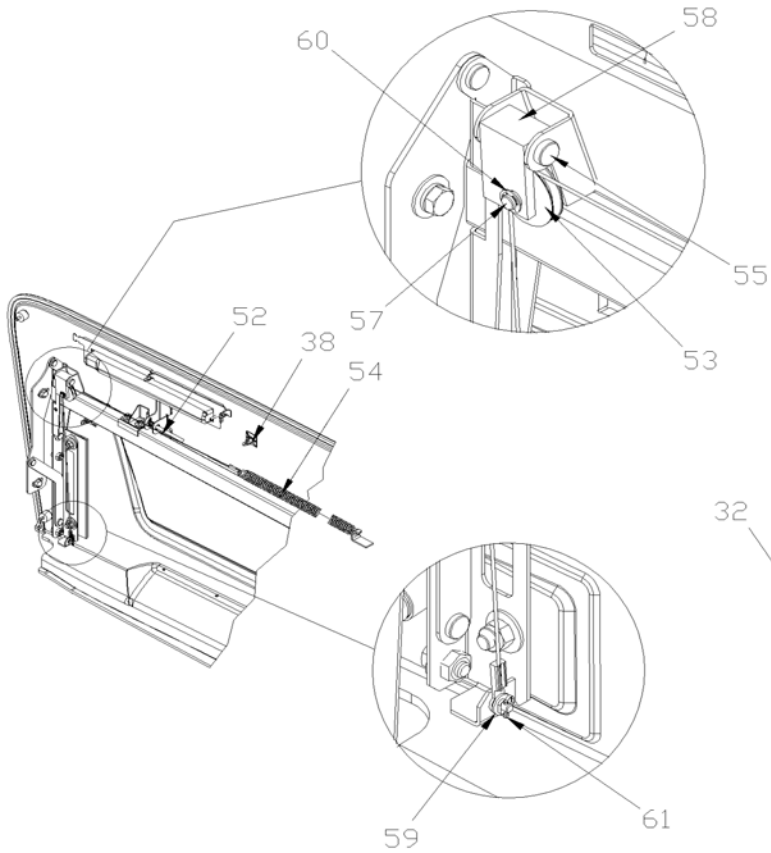
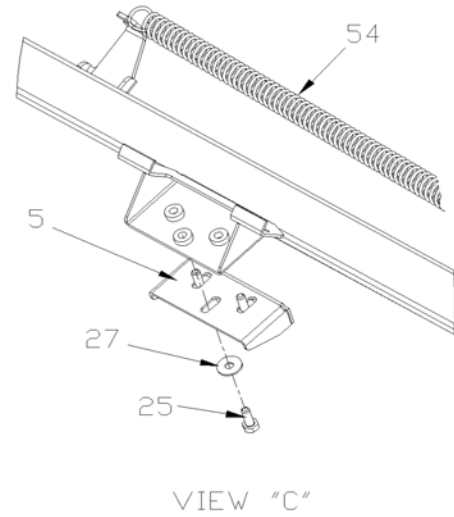
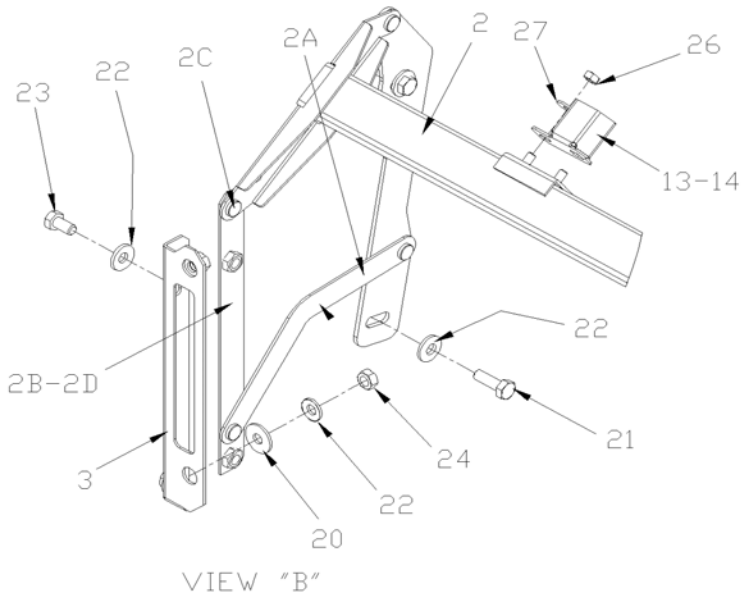


From P-1348

Date:07/2024

PAGE:VIP-1870-22

REAR ENGINE UPPER DOOR



| | | | |
|-------------------------------|--|--------------|------------------|
| From P-1348 | | Date:07/2024 | PAGE:VIP-1870-22 |
| REAR ENGINE UPPER DOOR | | | |

| Item# | Part | Description | QTY | Notes |
|-------|--------------------|---|-----|-------|
| 1 | 479763 | ENGINE UPPER DOOR To P-1536 | 1 | |
| 1 | 4705291 | ACCES PANEL DPF VIP From R-1537 | 1 | |
| NS | 0600046 | CABLE ASSY DPF DOOR LIGHTS | 1 | |
| 2 | 289805 | PANTOGRAPH LEVER | 1 | |
| . A | 289563 | . ARM STABILIZER | 3 | |
| . B | 281151 | . UNION ARM L.H. | 1 | |
| . C | 289343 | . RIVET SHR FL 7.08x2.2{6.2x6 SS | 4 | |
| . D | 287047 | . UNION ARM R.H. | 1 | |
| 3 | 281152 | ATTACH STREET SIDE | 1 | |
| 4 | 289573 | ATTACH CURBSIDE | 1 | |
| 5 | 289572 | PIN STRIKER , ADJUSTABLE | 1 | |
| 6 | 2810268 | SUPPORT CENTRAL ASS. | 1 | |
| 7 | 289753 | ROD OPENING "Z" SHAPE 226MM | 1 | |
| 8 | 502147 | SPRING EXTENSION / .500 O.D. 3.5 x .054 | 1 | |
| 9 | 289751 | ARM RELEASE | 2 | |
| 10 | 478480 | GUIDE ROD "U" SHAPE | 2 | A |
| 11 | 289798 | ROD "L" SHAPE 835MM x 41MM | 1 | |
| 12 | 289799 | ROD "L" SHAPE 520MM x 36MM | 1 | |
| 13 | 289747 | STRIKER PLATE L.H. | 1 | |
| 14 | 289748 | STRIKER PLATE R.H. | 1 | |
| 15 | 504200 | RIVET POP DOME OE 3/16x3/4 SS | 6 | |
| 16 | 5002023 | BUMPER NEOPRENE / .750 OD x .562 TH x .187 HOLE | 6 | |
| 17 | 500411 | WASHER FL .260x.697x.050 SS | 12 | |
| 18 | 289804 | LEVER CONTROL ROD | 1 | |
| 19 | 289756 | GUIDE ROD ANGLE PLATE W/2 HOLES | 1 | |
| 20 | 5001849 | WASHER FL 8.4x24.0x2.0 SS | 4 | |
| 21 | 5001745 | SCREW CAP HEX M8-1.25x25 G8.8 N500 | 4 | |
| 22 | 5001868 | WASHER BEL SPR 8.4x18x2 SS | 15 | |
| 23 | 5001527 | SCREW CAP HEX M8-1.25x16 SS BK | 4 | |
| 24 | 5001852 | NUT HEX M8-1.25 SS BK | 7 | |
| 25 | 5001697 | SCREW CAP HEX M6-1.0x16 SS BK | 6 | |
| 26 | 5001851 | NUT HEX M6-1.0 SS BK | 4 | |
| 27 | 5001833 | WASHER BEL SPR 6.1x18x1.27 SS | 10 | |
| 30 | VIP-0664-01 | REAR EXTERIOR LIGHTS & PLATE HOLDER | | |
| 32 | 502681 | NUT HEX NYRT M6-1.0 N500 G8 | 2 | |
| 33 | 502573 | WASHER FL 6.4x12.5x1.6 SS | 4 | |
| 34 | 5001850 | WASHER FL 8.4 x 18 x 2 NYL | 2 | |
| 35 | 5001233 | WASHER FL .500x1.250x.062 NYL | 3 | |
| 36 | 504083 | SNAP BUSHING / .250x.468.406 | 2 | |
| 37 | 471755 | SPRING COMPRESSION / .360 O.D. x .750 x .035 | 1 | |
| 38 | 562679 | 4 WAY ADH. BACKED MOUNTS 1.000 x 1.000 x .160 | AR | |
| 38 | 504273 | CABLE TIE / 1/8" X 3"1/2 | AR | |

| | | |
|-------------------------------|--------------|------------------|
| From P-1348 | Date:07/2024 | PAGE:VIP-1870-22 |
| REAR ENGINE UPPER DOOR | | |

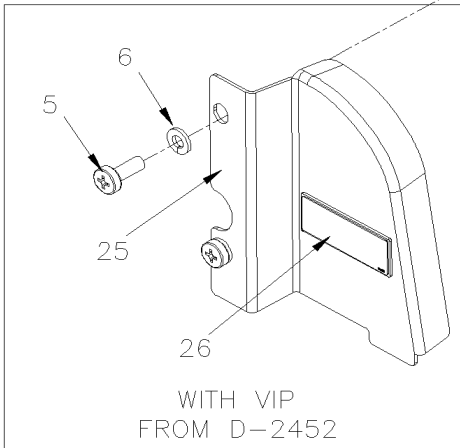
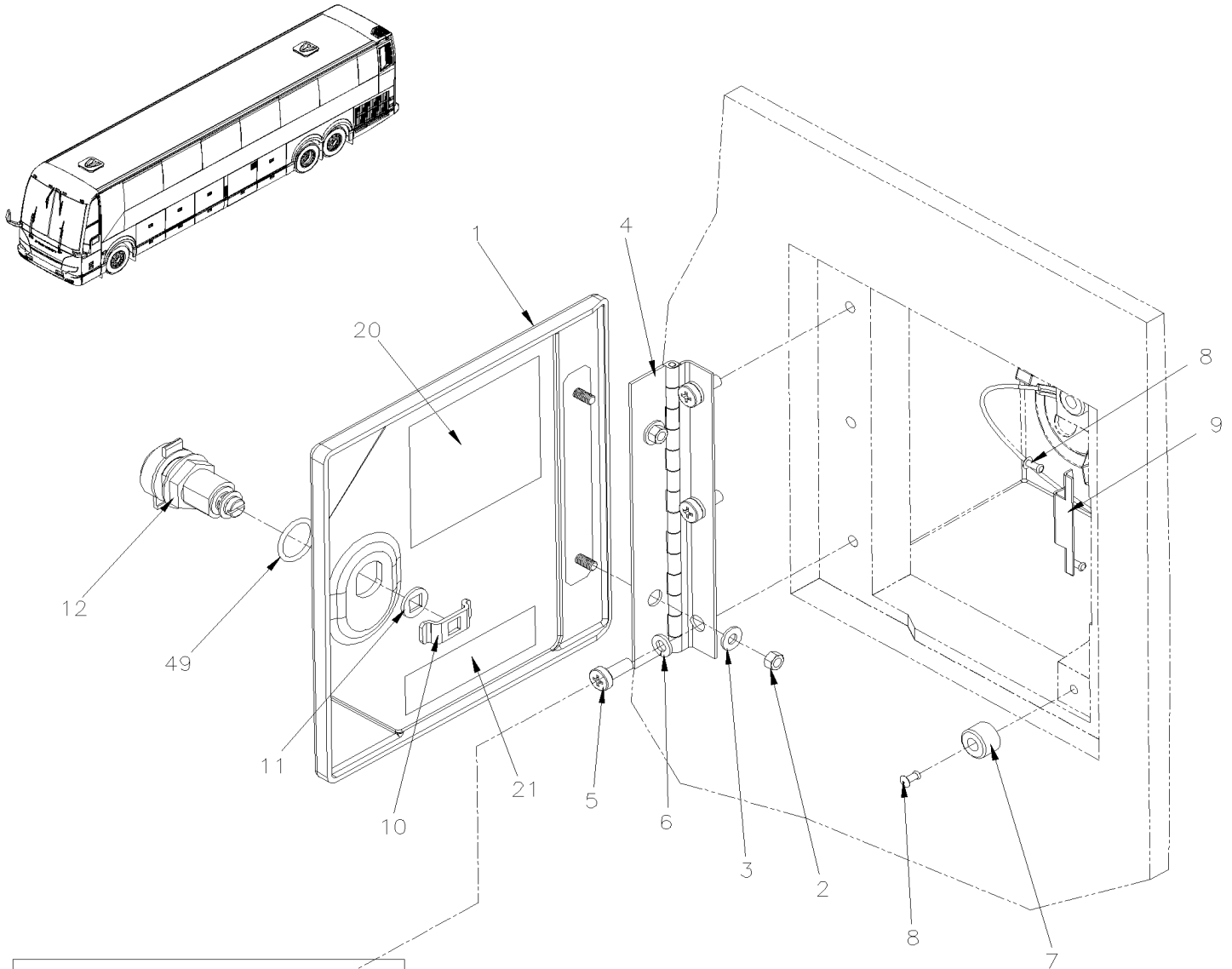
| Item# | Part | Description | QTY | Notes |
|-------|---------|---|-----|-------|
| 40 | 780816 | DECAL / "CAUTION" MANUPULATE BOTH HAND / ENGLISH & FRANCAIS | 1 | |
| 40 | 780817 | DECAL / "CAUTION" MANUPULATE BOTH HAND / ENGLISH & SPANISH | 1 | |
| 40 | 780818 | DECAL / "CAUTION" MANUPULATE BOTH HAND / ENGLISH | 1 | |
| 52 | 287539 | CABLE ASSY W/END STAINLESS 825MM | 1 | |
| 53 | 287540 | PULLEY CABLE 36MM O.D. | 1 | |
| 54 | 287541 | SPRING, EXT. / .75 O.D x 15.25 X .0915 | 1 | |
| 55 | 288743 | AXE PIVOT 7.8MM O.D. x 38MM | 1 | |
| 56 | 287698 | AXE PIVOT 4.5MM O.D. x 10MM | 1 | |
| 57 | 288744 | AXE PIVOT 7.8MM O.D. x 24MM | 1 | |
| 58 | 288745 | BLOCK / YOKE 28MM x 45MM x 19MM | 1 | |
| NS | 507301 | BUSHING NYLINER | 1 | |
| 59 | 504357 | WASHER FL .187x.437x.050 SS | 1 | |
| 60 | 504689 | RING RETAINER / EXT .312 x .243 x .025 / SS | 1 | |
| 61 | 5001860 | PIN HITCH CLIP .054 x 3/4 SS | 3 | |
| | | | | |
| | | | | |
| | | | | |
| | | A) INCLUDE WITH ENGINE UPPER DOOR | | |

From K-0295

Date:07/2024

PAGE:VIP-1875-01

FUEL TANK & UREA FILLING DOOR

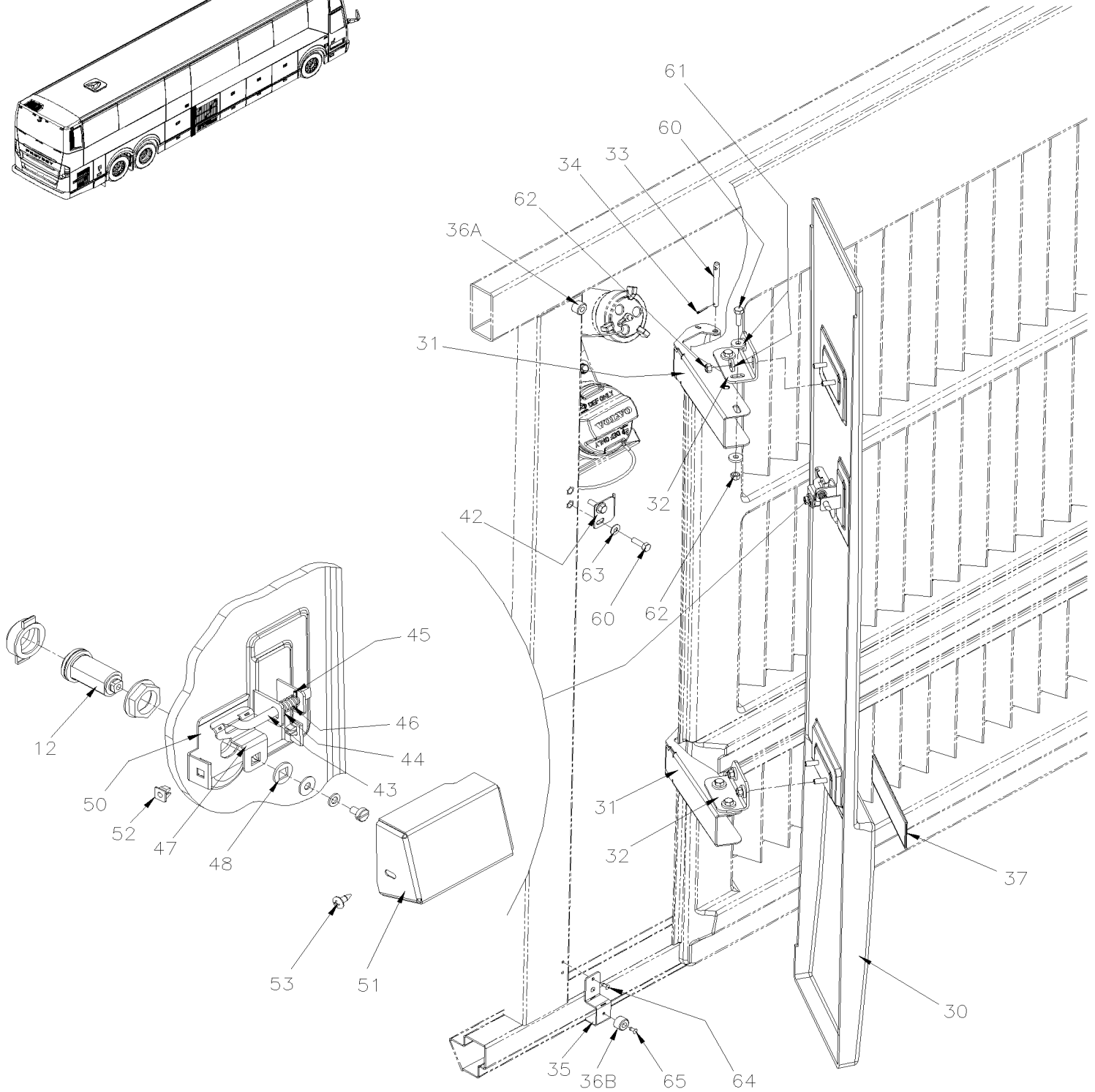
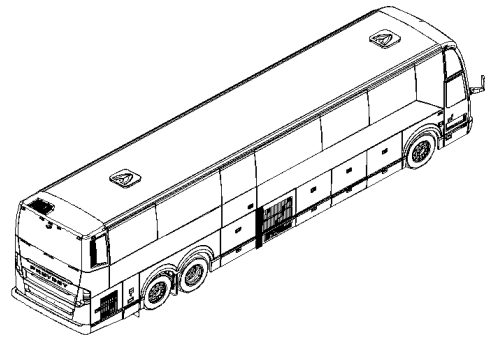


From K-0295

Date:07/2024

PAGE:VIP-1875-01

FUEL TANK & UREA FILLING DOOR



| | | | |
|--|--|--------------|------------------|
| From K-0295 | | Date:07/2024 | PAGE:VIP-1875-01 |
| FUEL TANK & UREA FILLING DOOR | | | |

| Item# | Part | Description | QTY | Notes |
|-------|--------------------|--|-----|-------|
| 1 | 283214 | FUEL DOOR / LH FIXED AT EVAPORATOR DOOR | 1 | |
| 1 | VIP-1875-51 | FUEL TANK FILLING DOOR - V.I.P. WITH SMALL A/C | | |
| 2 | 502841 | NUT HEX NYRT M5-0.8 N500 | 2 | |
| 3 | 500964 | WASHER FL .203x.500x.047 Z050 | 2 | |
| 4 | 282610 | HINGE / FUEL DOOR | 1 | |
| 5 | 502817 | SCREW MA PAN PH M6-1.0x16 N500 | 3 | |
| 6 | 502582 | WASHER LO SERR 6.1x16.2x0.9 Z050 | 3 | |
| 7 | 504334 | BUMPER RUBBER / .625 OD x .406 TH x .156 HOLE To K-0337 | 2 | |
| 7 | 5002025 | BUMPER NEOPRENE / .625 OD x .406 TH x .156 HOLE From K-0338 | 2 | |
| 8 | 504339 | RIVET POP DOME OE 1/8x3/8 SS | 4 | |
| 9 | 289099 | SPRING, CATCH | 1 | |
| 10 | 288807 | PLATE, LOCK / 8MM SQ HOLE | 1 | J |
| 11 | 288806 | SPACER / 8MM SQ X 17MM O.D X 16GA | 1 | |
| 12 | VIP-1864-31 | HANDLE LOCK & KEYS - TYPE "NS" To P-1347 | | |
| 12 | VIP-1864-32 | HANDLE LOCK & KEYS - TYPE "NS" From P-1348 | | |
| 20 | 400052 | DECAL / "TANK CAPACITY" ENGLISH 222 U.S. GALLONS To R-1597 | AR | |
| 20 | 406966 | DECAL / "TANK CAPACITY" ENGLISH 222 U.S. GALLONS From R-1598 | 1 | |
| 20 | 400053 | DECAL / "TANK CAPACITY" ENGLISH / FRENCH 222 U.S. GALLONS | AR | |
| 20 | 400054 | DECAL / "TANK CAPACITY" ENGLISH / SPANISH 222 U.S. GALLONS | AR | |
| 21 | 402789 | DECAL / "CARBURANT" DIESEL #1 | AR | |
| 21 | 032824 | DECAL / ULTRA LOW SULFURE DIESEL / ENGLISH | 1 | |
| 21 | 21298228 | DECAL / ULTRA LOW SULFURE DIESEL (ULSD) / ENGLISH & SPANISH | 1 | |
| 21 | 21298562 | DECAL / ULTRA LOW SULFURE DIESEL / ENGLISH & FRANCAIS | 1 | |
| 25 | 040997 | SHIELD ASSY | 1 | |
| 26 | 040996 | DECAL "CHECK DEF LEVEL" | 1 | |
| 30 | 289577 | FUEL DOOR / RH 211MM x 1257MM | 1 | |
| NS | 780884 | DECAL "BE SURE TO CLOSE..." / ENGLISH & FRANCAIS | 1 | |
| 30 | 780885 | DECAL "BE SURE TO CLOSE..." / ENGLISH | 1 | |
| 31 | 289574 | HINGE, FUEL DOOR | 2 | |
| 32 | 289609 | SUPPORT, FUEL DOOR | 2 | |
| 33 | 289646 | PIN, HINGE 1/4" x 70MM | 2 | |
| 34 | 502094 | PIN, COTTER 1/16 x 1/2 SS | 2 | |
| 35 | 289653 | BRACKET, STOPPER To L-0988 | 1 | |
| 35 | 2810350 | BRACKET, STOPPER From L-0989 | 1 | |
| 35 | 5001009 | NUT AN 1/4 NYL From L-0989 | 1 | |
| 36A | 509828 | BUMPER RUBBER / .750 OD x .312 TH x .125 HOLE To L-0988 | 1 | |
| 36A | 509828 | BUMPER RUBBER / .750 OD x .312 TH x .125 HOLE To L-0988 | 1 | |
| 36A | 504205 | BUMPER RUBBER BOLT / .750 OD x .4375TH x #8-32x3/8 From L-0989 | 1 | |
| 36A | 504717 | RIVET POP DOME OE 1/8x1/4 SS To L-0988 | 1 | |

| | | | |
|--|--|---------------------|-------------------------|
| From K-0295 | | Date:07/2024 | PAGE:VIP-1875-01 |
| FUEL TANK & UREA FILLING DOOR | | | |

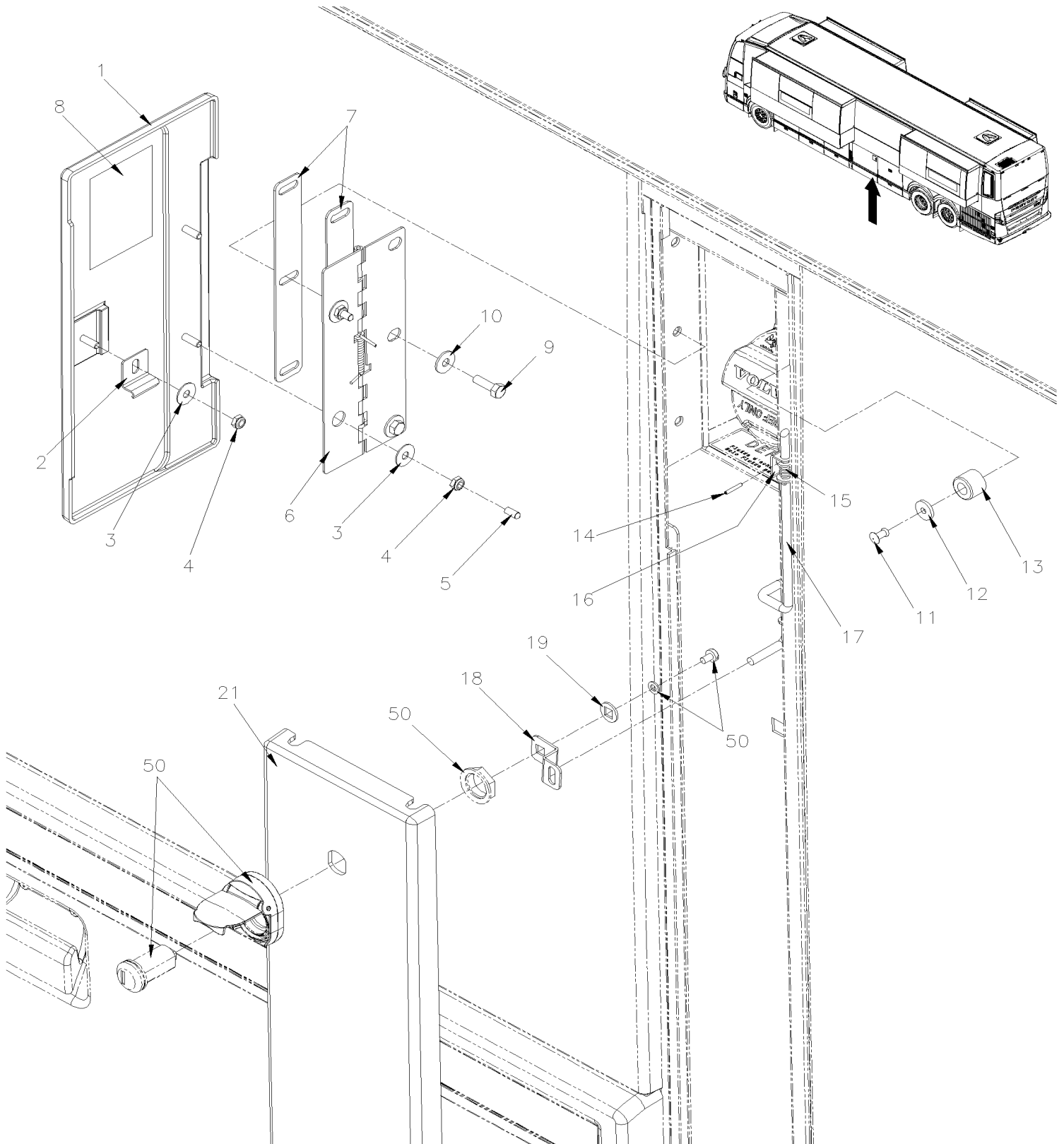
| Item# | Part | Description | QTY | Notes |
|-------|---------|---|-----|-------|
| 36A | 500411 | WASHER FL .260x.697x.050 SS To L-0988 | 2 | |
| 36B | 509828 | BUMPER RUBBER / .750 OD x .312 TH x .125 HOLE To L-0988 | 1 | |
| 36B | 509828 | BUMPER RUBBER / .750 OD x .312 TH x .125 HOLE To L-0988 | 1 | |
| 36B | 504454 | BUMPER RUBBER BOLT / 20MM ODx20MM TH X M6X15MM STUD From L-0989 | 1 | |
| 37 | 280221 | EXTRUSION BACKING ASSY W/REFLECTOR 154MM | 1 | |
| NS | 280124 | EXTRUSION 154MM | 1 | |
| 37 | 685126 | ADHESIVE SIMSON #ISR 70-03 / GREY / 600ml SAUSAGE | AR | |
| 42 | 289632 | STRIKER, PLATE | 1 | |
| 43 | 289800 | ROD | 1 | |
| 44 | 502573 | WASHER FL 6.4x12.5x1.6 SS | 1 | |
| 45 | 505532 | SPRING, PIN 3/32 x 5/8 SS | 1 | |
| 46 | 474008 | SPRING COMPRESSION / .360 O.D. x .625 x .035 To K-0558 | 1 | |
| 46 | 471755 | SPRING COMPRESSION / .360 O.D. x .750 x .035 From K-0559 | 1 | |
| 47 | 289634 | PLATE, LOCK | 1 | |
| 48 | 288806 | SPACER / 8MM SQ X 17MM O.D X 16GA | 1 | |
| 49 | 507212 | O-RING | 1 | |
| 50 | 289698 | SUPPORT HOLDER / BOX PROTECTOR DOOR LOCK | 1 | |
| 51 | 289697 | BOX PROTECTOR DOOR LOCK 92MM x 56MM | 1 | |
| 52 | 502741 | NUT AN #8 NYL | 2 | |
| 53 | 500124 | SCREW TP TR PH #8x1/2 SS | 2 | |
| 60 | 502622 | SCREW CAP HEX M6-1.0x20 SS BK | 6 | |
| 61 | 5002015 | WASHER BEL SPR 6.65x17.4x0.9 SS | 10 | |
| 62 | 502681 | NUT HEX NYRT M6-1.0 N500 G8 | 8 | |
| 63 | 5001608 | WASHER BEL SPR 6.2x15.0x0.7 G500 | 2 | |
| 64 | 504339 | RIVET POP DOME OE 1/8x3/8 SS | 2 | |
| 65 | 504339 | RIVET POP DOME OE 1/8x3/8 SS To L-0988 | 1 | |
| | | | | |
| | | | | |
| | | | | |
| | | | | |
| | | J) SEE KIT AT END OF PAGE HF-1864-32 | | |

From K-0295

Date:07/2024

PAGE:VIP-1875-51

FUEL TANK FILLING DOOR - V.I.P. WITH SMALL A/C

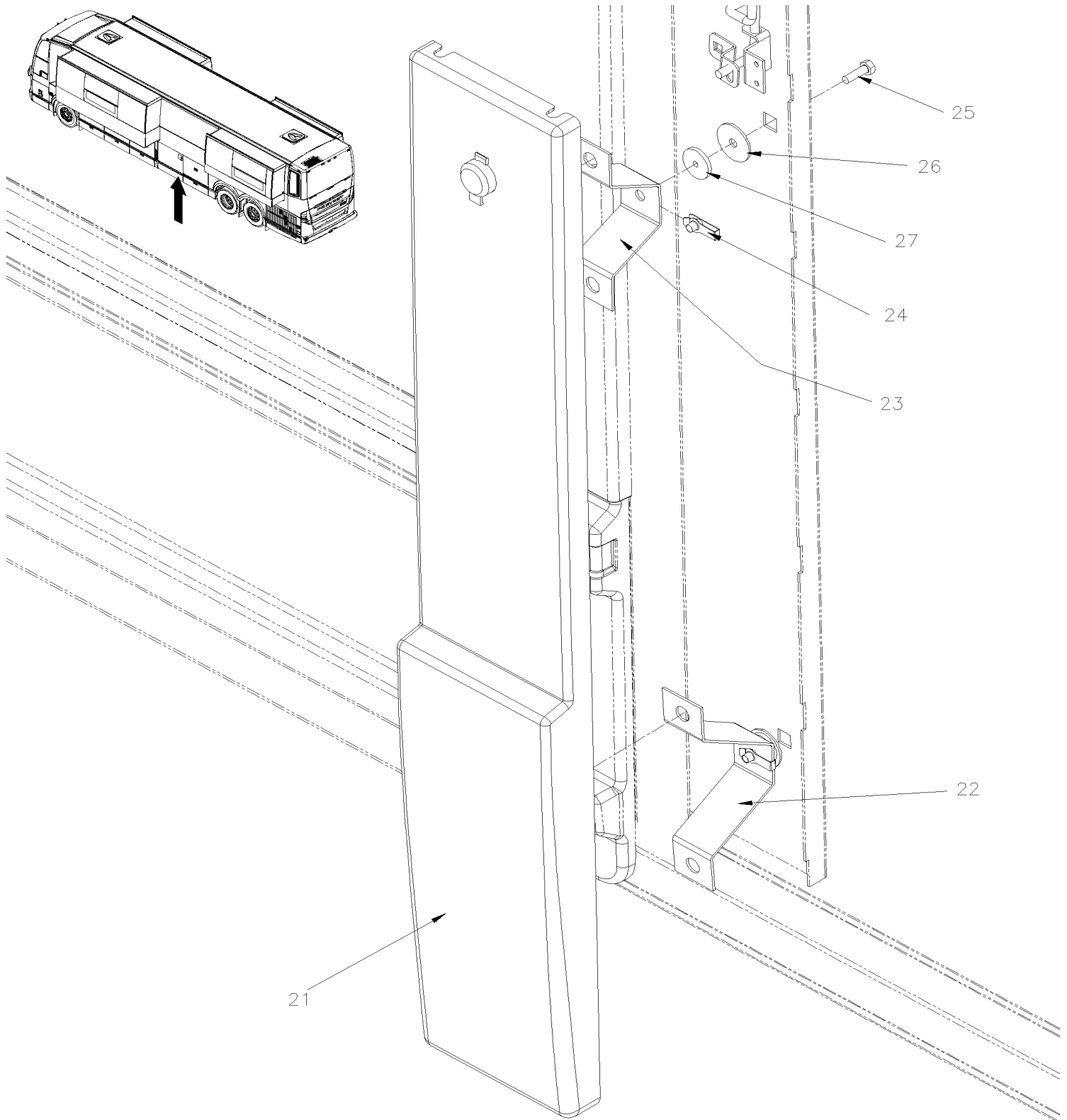


From K-0295

Date:07/2024

PAGE:VIP-1875-51

FUEL TANK FILLING DOOR - V.I.P. WITH SMALL A/C

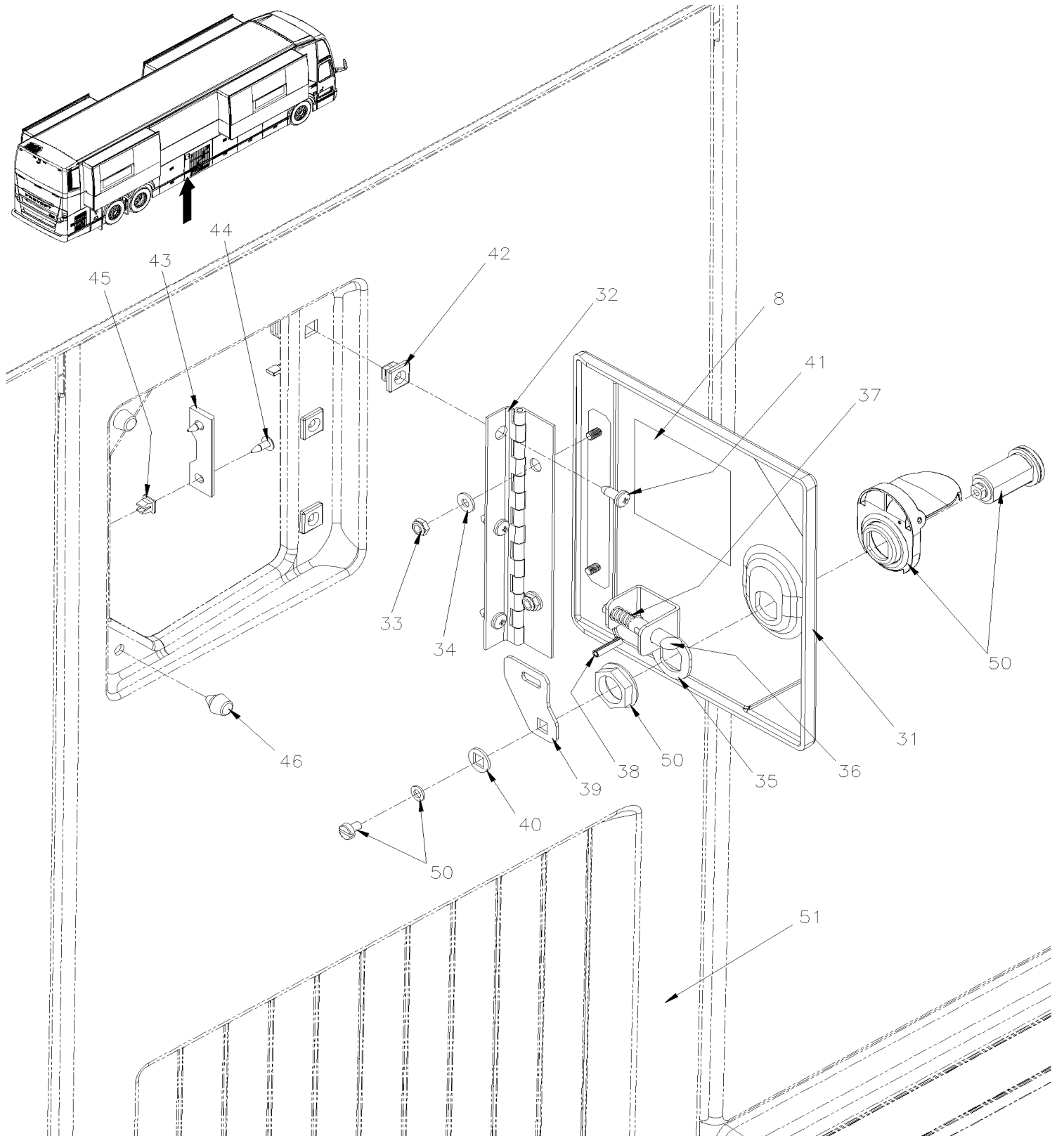


From K-0295

Date:07/2024

PAGE:VIP-1875-51

FUEL TANK FILLING DOOR - V.I.P. WITH SMALL A/C



| | | | |
|---|--|--------------|------------------|
| From K-0295 | | Date:07/2024 | PAGE:VIP-1875-51 |
| FUEL TANK FILLING DOOR - V.I.P. WITH SMALL A/C | | | |

| Item# | Part | Description | QTY | Notes |
|-------|----------|--|-----|-------|
| 1 | 280027 | FUEL DOOR / W/SMALL A/C SYSTEM | 2 | |
| 2 | 473935 | HOOK | 1 | |
| 3 | 5002015 | WASHER BEL SPR 6.65x17.4x0.9 SS | 3 | |
| 4 | 5001587 | NUT HEX NYRT M5-0.8 SS | 3 | |
| 5 | 507331 | PROTECTOR CAP / BLACK / .137 I.D. x .500 | 2 | |
| 6 | 478556 | HINGE / STREET SIDE | 1 | |
| . NS | 473934 | . SPRING, TORSION / 3.19 I.D. x 38.1 x 29GA | 1 | |
| 7 | 280042 | SPACER 38MMx200MM | 1 | |
| 8 | 21467930 | DECAL, UREA FILLING | 1 | |
| 8 | 400052 | DECAL / "TANK CAPACITY" ENGLISH 222 U.S. GALLONS To R-1597 | 1 | |
| 8 | 406966 | DECAL / "TANK CAPACITY" ENGLISH 222 U.S. GALLONS From R-1598 | 1 | |
| 8 | 032824 | DECAL / ULTRA LOW SULFURE DIESEL / ENGLISH | 1 | |
| 9 | 502622 | SCREW CAP HEX M6-1.0x20 SS BK | 3 | |
| 10 | 5002015 | WASHER BEL SPR 6.65x17.4x0.9 SS | 3 | |
| 11 | 504416 | RIVET POP DOME OE 3/16x5/8 SS | 1 | |
| 12 | 500950 | WASHER FL .187x.625x.094 RUB | 1 | |
| 13 | 5001168 | BUMPER RUBBER / .750 OD x .562 TH x .187 HOLE To K-0337 | 1 | |
| 13 | 5002023 | BUMPER NEOPRENE / .750 OD x .562 TH x .187 HOLE From K-0338 | 1 | |
| 14 | 505532 | SPRING, PIN 3/32 x 5/8 SS | 1 | |
| 15 | 474008 | SPRING COMPRESSION / .360 O.D. x .625 x .035 To K-0558 | 1 | |
| 15 | 471755 | SPRING COMPRESSION / .360 O.D. x .750 x .035 From K-0559 | 1 | |
| 15 | 502573 | WASHER FL 6.4x12.5x1.6 SS | 2 | |
| 16 | 478502 | ROD GUIDE | 1 | |
| 17 | 470519 | ROD L.H. | 1 | |
| 18 | 477471 | SHUTTER L.H. / B.A. | 1 | |
| 19 | 288806 | SPACER / 8MM SQ X 17MM O.D X 16GA | 1 | |
| 21 | 280024 | PANEL LOWER FUEL DOOR / W/SMALL A/C STREET SIDE | 1 | |
| 22 | 286197 | . LOWER FASTENER | 1 | |
| 23 | 286198 | . HIGHER FASTENER | 1 | |
| 24 | 5001639 | NUT SPR U M6-1.0 0.34-4 MAG565 | 2 | |
| 25 | 502622 | SCREW CAP HEX M6-1.0x20 SS BK | 2 | |
| 26 | 500913 | WASHER FL .281x1.250x.065 N500 | 2 | A |
| 27 | 502820 | WASHER FL .187x1.000x.125 RUB BK | 2 | |
| | | | | |
| 31 | 283214 | FUEL DOOR / LH FIXED AT EVAPORATOR DOOR | 1 | |
| 32 | 282610 | HINGE / FUEL DOOR | 1 | |
| 33 | 502841 | NUT HEX NYRT M5-0.8 N500 | 2 | |
| 34 | 500804 | WASHER FL .203x.500x.047 N500 | 2 | |
| 35 | 282962 | PLATE | 1 | |
| 36 | 282952 | ROD | 1 | |
| 37 | 474008 | SPRING COMPRESSION / .360 O.D. x .625 x .035 To K-0558 | 1 | |
| 37 | 471755 | SPRING COMPRESSION / .360 O.D. x .750 x .035 From K-0559 | 1 | |

| | | |
|---|--------------|------------------|
| From K-0295 | Date:07/2024 | PAGE:VIP-1875-51 |
| FUEL TANK FILLING DOOR - V.I.P. WITH SMALL A/C | | |

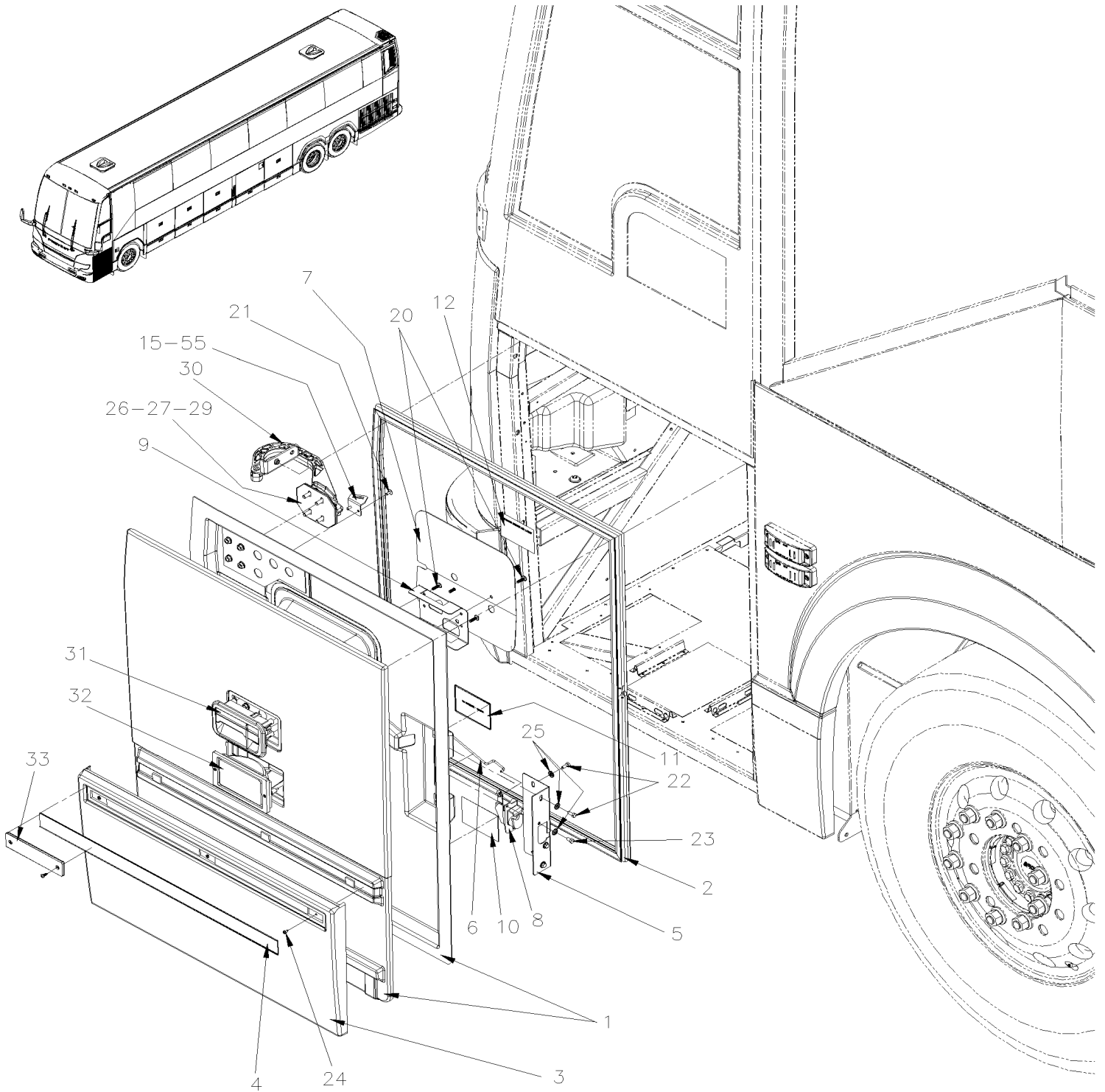
| Item# | Part | Description | QTY | Notes |
|-------|--------------------|---|-----|-------|
| 38 | 505420 | SPRING, PIN M4.5 x 20 | 1 | |
| 39 | 282987 | LEVER, DOOR LOCK | 1 | |
| 40 | 288806 | SPACER / 8MM SQ X 17MM O.D X 16GA | 1 | |
| 41 | 500524 | SCREW TP PAN PH #12x5/8 SS | 3 | |
| 42 | 5001009 | NUT AN 1/4 NYL | 3 | |
| 43 | 282949 | STRIKER, PLATE | 1 | |
| 44 | 500124 | SCREW TP TR PH #8x1/2 SS | 2 | |
| 45 | 502741 | NUT AN #8 NYL | 2 | |
| 46 | 506499 | BUMPER PLUG / .500ODx.312THx.250HOLEx.093 | 1 | |
| 50 | VIP-1864-31 | HANDLE LOCK & KEYS - TYPE "NS" To P-1347 | | |
| 50 | VIP-1864-32 | HANDLE LOCK & KEYS - TYPE "NS" From P-1348 | | |
| 51 | VIP-1863-50 | CONDENSOR PANEL INSTALLATION / SMALL A/C | | |
| | | | | |
| | | | | |
| | | | | |
| | | A) TO FIX LOWER PANEL FUEL DOOR | | |

From K-0295 To P-1347

Date:07/2024

PAGE:VIP-1879-00

FRONT SERVICE DOOR ASSY



| | | |
|--------------------------------|---------------------|-------------------------|
| From K-0295 To P-1347 | Date:07/2024 | PAGE:VIP-1879-00 |
| FRONT SERVICE DOOR ASSY | | |

| Item# | Part | Description | QTY | Notes |
|-------|--------------------|--|-----|-------|
| | 285461 | FRONT SERVICE DOOR ASSY | 1 | |
| 1 | 288678 | . DOOR MOULDED / FIBERGLASS | 1 | |
| 2 | 2800116 | . RUBBER SEAL EXTRUSION / FRONT SERVICE DOOR | 1 | |
| NS | 684685 | . ADHESIVE SIMSON #ISR 70-03 / 310ml CARTRIDGE | AR | |
| NS | 506005 | . TAPE RUB ADH1 CC POL 3/8" x 5/8" x 25' / GREY 2520X | AR | |
| 3 | 287316 | . PROTECTOR PANEL / SH THIN EXTRUSION .090" | 1 | |
| 4 | 280230 | . EXTRUSION BACKING ASSY W/REFLECTOR 759MM / THIN EXTRUSION .090" | 1 | |
| . NS | 280120 | . . EXTRUSION 759MM | 1 | |
| 4 | 682348 | . TAPE, DOUBLE COATED ACRYLIC | AR | |
| 4 | 684685 | . ADHESIVE SIMSON #ISR 70-03 / 310ml CARTRIDGE | AR | |
| 5 | 285766 | . PLATE / LOCK HOLDER / R.H. DOOR | 1 | |
| 6 | 289331 | . ROD / HANDLE & LATCH / 296.8MM | 1 | |
| 7 | 287848 | . PLATE CLOSING / 289MM X 314MM | 1 | |
| 7 | 506071 | . TAPE RUB ADH1 CC POL 1/8" x 1/2" x 50' / GREY 2520X | AR | |
| 8 | 780653 | . LOCK SPAGNOLET R.H. / W/G-FITTING | 1 | |
| . NS | 780340 | . . CLIP, RETAINER ROD | 1 | |
| . NS | 507607 | . . GREASE FITTING / M6-1.00 | 1 | |
| NS | 780340 | . CLIP, RETAINER ROD | 1 | |
| NS | 680739 | . GREASE SYNTHETIC / RED 20KG | AR | |
| 9 | 289340 | . SUPPORT, HANDLE | 1 | |
| 10 | 140095 | . DECAL / COLOR CODE / PNEUMATIC SYSTEM / ENGLISH & FRANCAIS | 1 | |
| 10 | 140096 | . DECAL / COLOR CODE / PNEUMATIC SYSTEM / ENGLISH & SPANISH | 1 | |
| 11 | 160295 | . DECAL / "IT FORBIDDEN TO STOCK ANYTING IN TH. / ENGLISH & FRANCAIS | 1 | |
| 11 | 161191 | . DECAL / "IT FORBIDDEN TO STOCK ANYTING IN TH. / ENGLISH & SPANISH | 1 | |
| 12 | 180246 | . DECAL / VEHICULE WHEELHOUSING....TREATED / ENGLISH & FRANCAIS | 1 | |
| 15 | 285224 | . LH SUPPORT, BELT | 1 | |
| 20 | 5002054 | . SCREW TP BUTF TORX M6x20 SS | 4 | |
| 21 | 504793 | . RIVET MNB OE LARGE HEAD 3/16x7/16 SS | 2 | |
| 22 | 5001697 | . SCREW CAP HEX M6-1.0x16 SS BK | 4 | |
| 23 | 5001982 | . SCREW CAP HEX M6-1.0x12 SS BK | 2 | |
| 24 | 500952 | . SCREW TP BDG PH #8x1/2 SS | 3 | |
| 25 | 5002015 | . WASHER BEL SPR 6.65x17.4x0.9 SS | 6 | |
| 26 | 5001912 | . SCREW CAP HEX M8-1.25x30 SS BK | 8 | |
| 27 | 5001848 | . WASHER BEL SPR .827 x .331 x .098 th SS | 8 | |
| 29 | 285814 | . SUPPORT | 2 | |
| 30 | VIP-1879-90 | . EXTERIOR DOOR HINGE AND SUPPORT | 2 | |
| 31 | VIP-1864-31 | . HANDLE LOCK & KEYS - TYPE "NS" | 1 | |
| 32 | VIP-0663-00 | . DOCK & CORNERING LIGHT | 1 | |
| 33 | VIP-0662-00 | . CLEARANCE & MARKER LIGHT | 1 | |
| NS | 066436 | . DECAL / "CAUTION" BEFORE WELDING...." // ENGLISH | 1 | |
| NS | 062403 | . DECAL / "CAUTION" BEFORE WELDING...." // ENGLISH & FRANCAIS | 1 | |
| NS | 509815 | . TIE MOUNT / ATTACHMENT W/TREE MOUNT | 1 | |

| | | | |
|-----------------------|--|--------------|------------------|
| From K-0295 To P-1347 | | Date:07/2024 | PAGE:VIP-1879-00 |
|-----------------------|--|--------------|------------------|

FRONT SERVICE DOOR ASSY

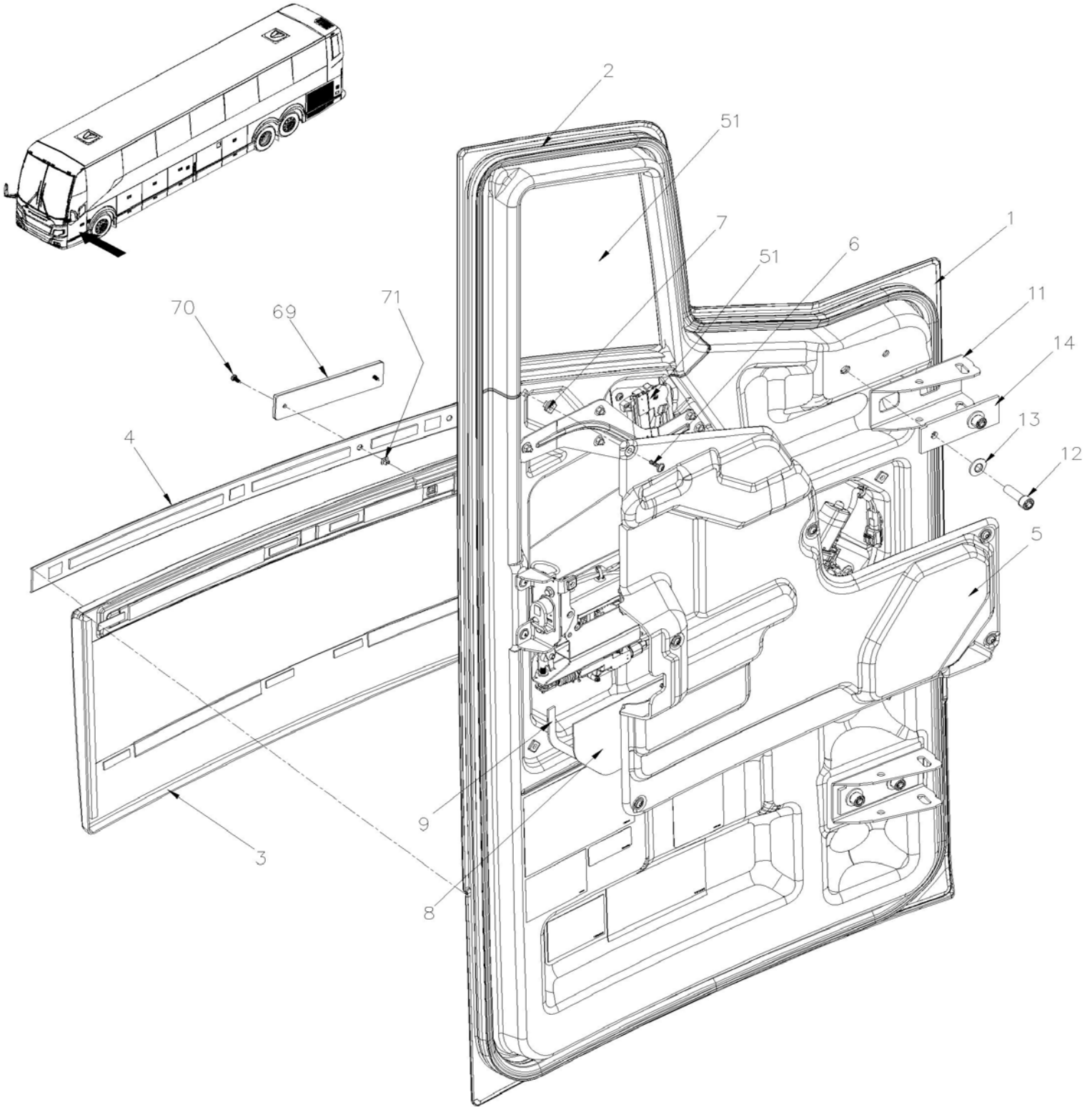
| Item# | Part | Description | QTY | Notes |
|-------|--------|--|-----|-------|
| NS | 180246 | . DECAL / VEHICULE WHEELHOUSING....TREATED / ENGLISH & FRANCAIS | 1 | |
| NS | 180252 | . DECAL / VEHICULE WHEELHOUSING....TREATED / ENGLISH & SPANISH | 1 | |
| NS | 063711 | . DECAL / "WELDING..." / W/SERIES 60 & "WORLD TRANSMISSION / ENGLISH | 1 | |
| NS | 066046 | . DECAL / "WELDING..." / W/SERIES 60 & "WORLD TRANSMISSION / ENGLISH & SPANISH | 1 | |
| NS | 145268 | . DECAL / COLOR CODE / PNEUMATIC SYSTEM / ENGLISH & SPANISH | 1 | |
| 55 | 505507 | STRAP NYLON 1" WIDE / S.L. | AR | |

From P-1348

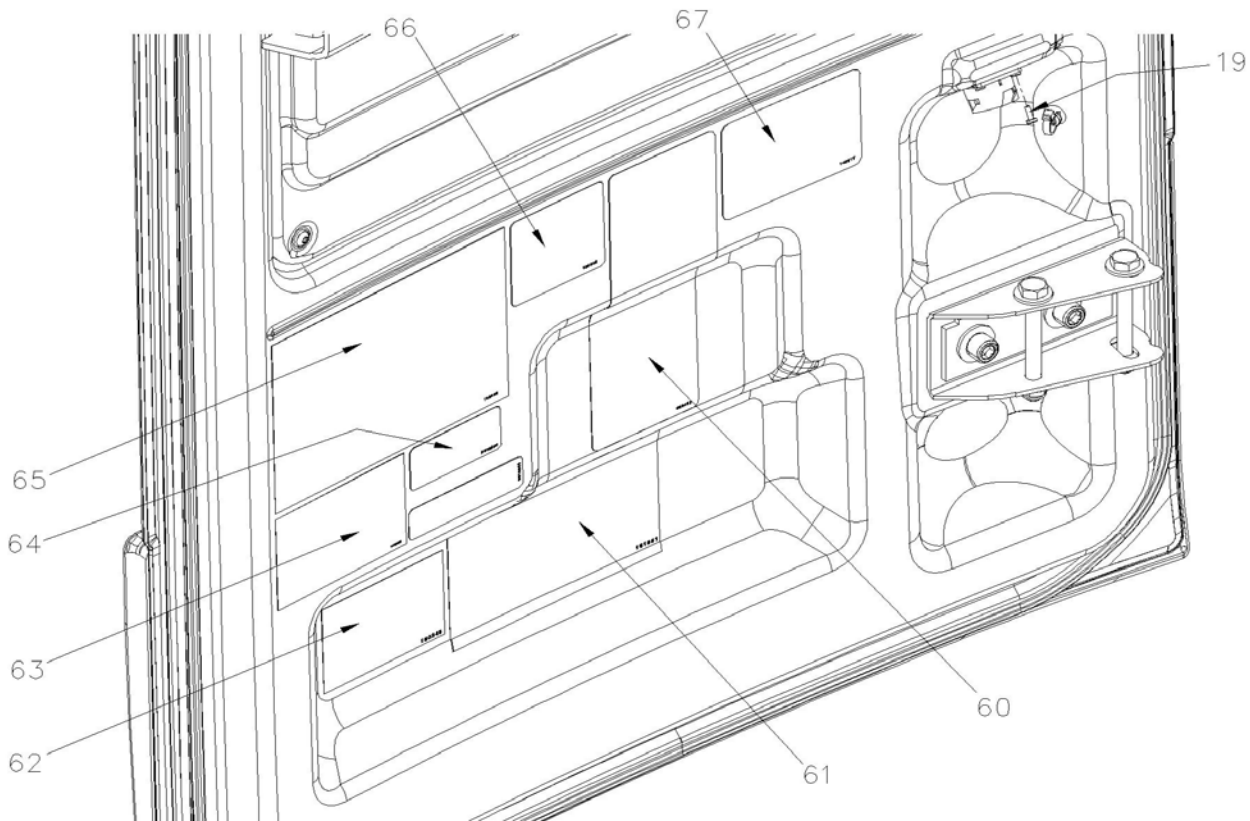
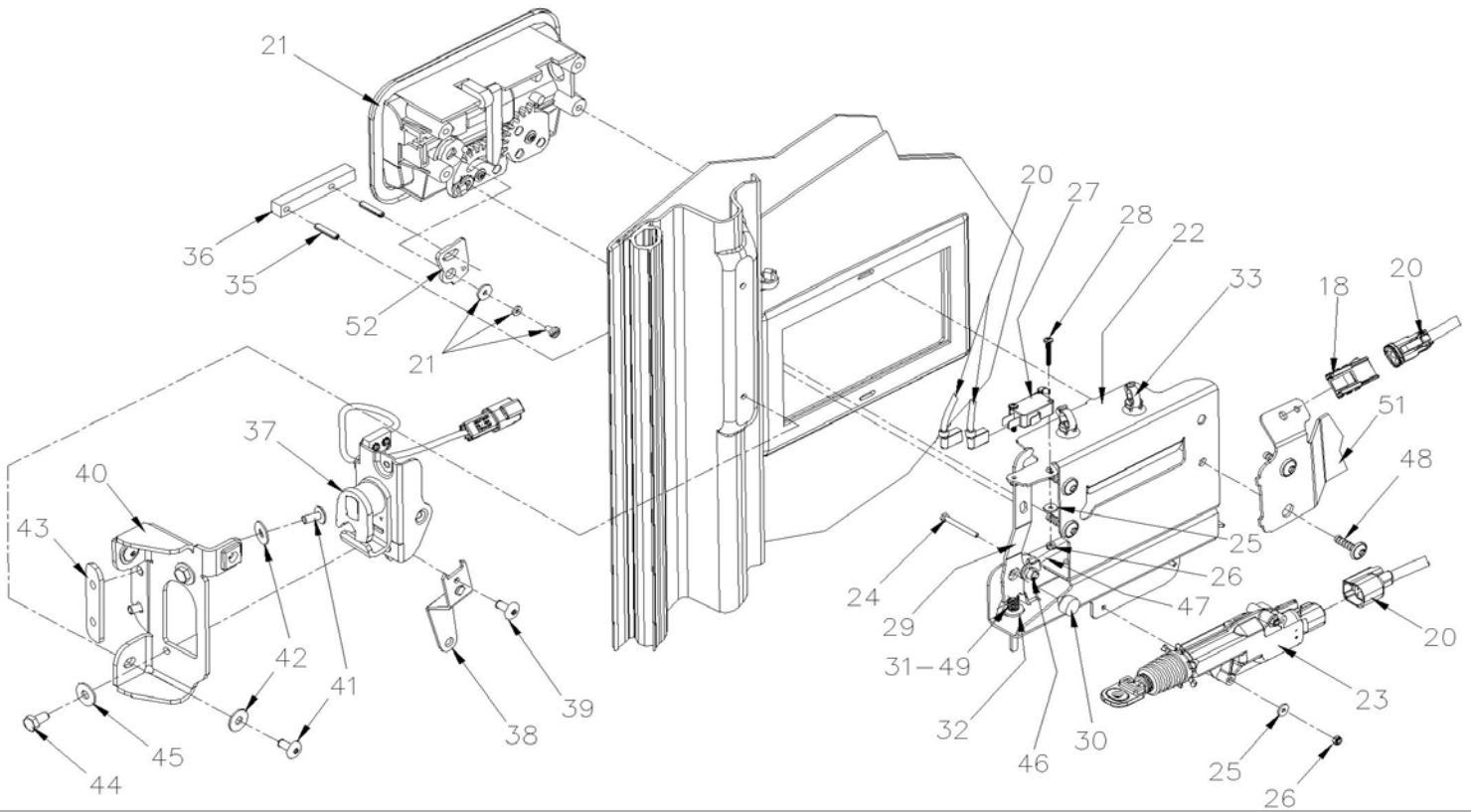
Date:07/2024

PAGE:VIP-1879-01

FRONT SERVICE DOOR ASSY



| | | |
|-------------------------|--------------|------------------|
| From P-1348 | Date:07/2024 | PAGE:VIP-1879-01 |
| FRONT SERVICE DOOR ASSY | | |

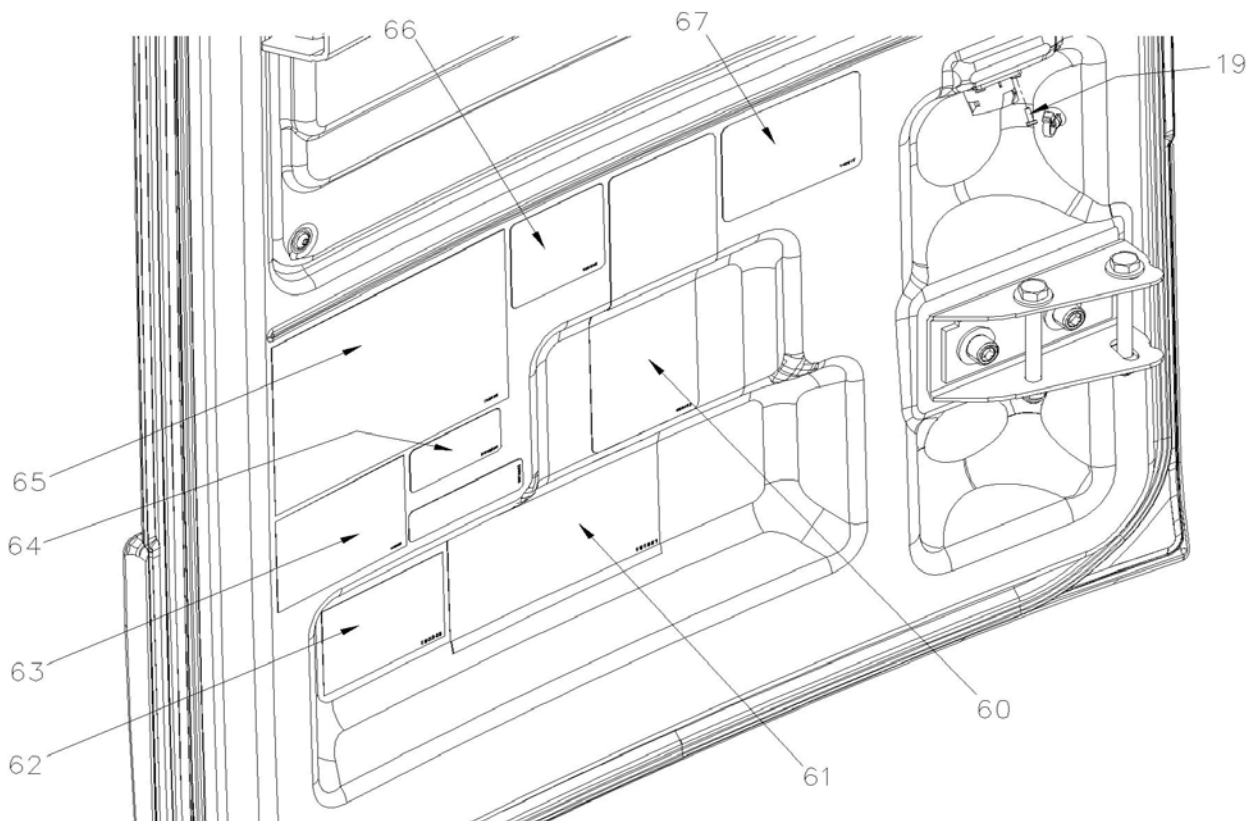
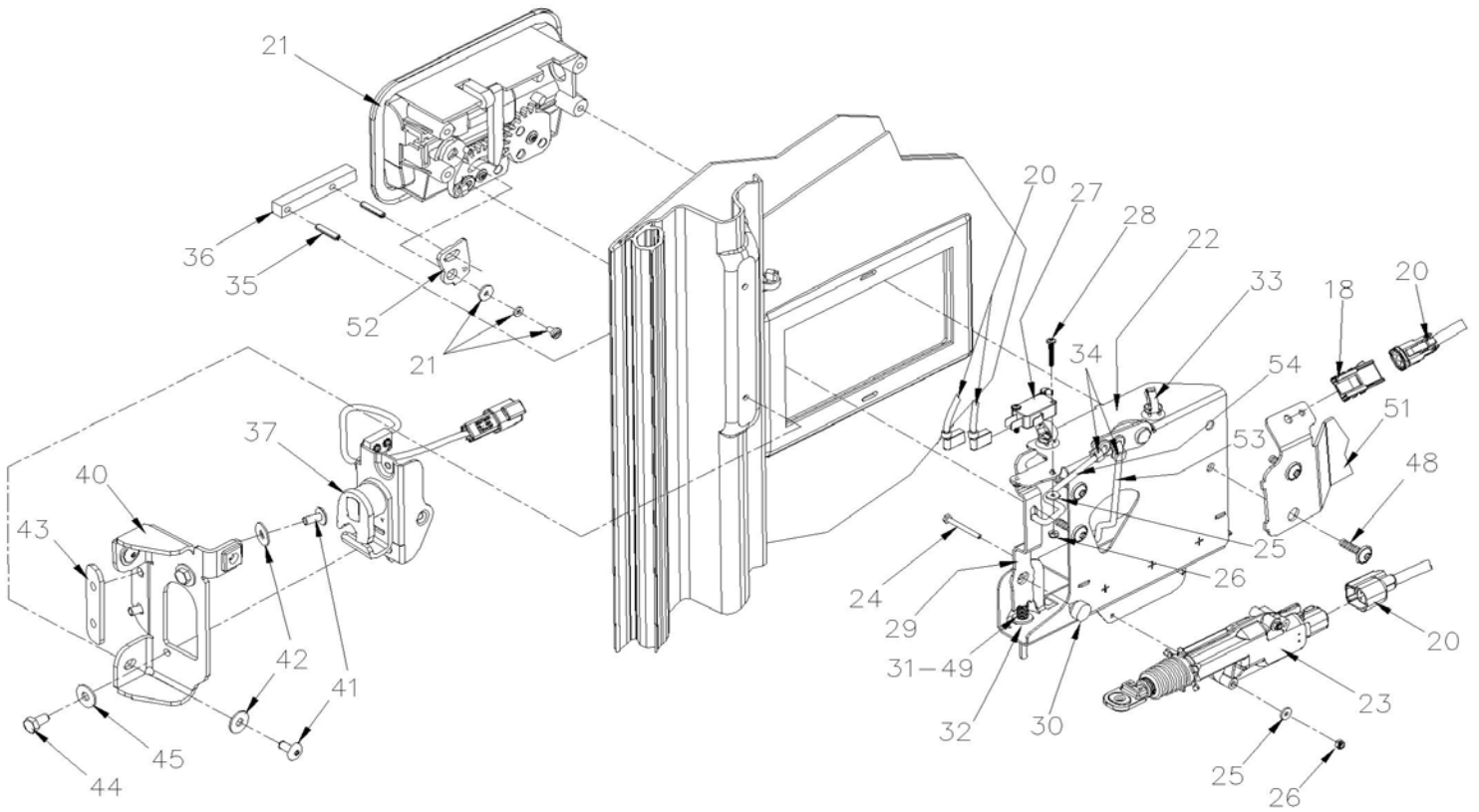


From P-1348

Date:07/2024

PAGE:VIP-1879-01

FRONT SERVICE DOOR ASSY



| | | | |
|--------------------------------|--|--------------|------------------|
| From P-1348 | | Date:07/2024 | PAGE:VIP-1879-01 |
| FRONT SERVICE DOOR ASSY | | | |

| Item# | Part | Description | QTY | Notes |
|-------|-----------------|---|-----|-------|
| | 2800806 | FRONT SERVICE DOOR ASSY | 1 | |
| 1 | 2810099 | SERVICE DOOR ASSEMBLY | 1 | |
| 2 | 2810157 | SEAL SERVICE DOOR | 1 | |
| NS | 680066 | ADHESIVE / ADBOND #5014 / 23.6ML BOTTLE | AR | |
| 3 | 2810225 | PROTECTOR, SERVICE DOOR | 1 | |
| NS | 685387 | GLUE MS POLYMER TEROSON MS 9399 / 400ml CARTRIDGE | AR | |
| NS | 685393 | TAPE AD2 VHB N/A BK 0.063 X 1/2" X36YD | AR | |
| 4 | 2810624 | EXTRUSION, SERVICE DOOR ASSY | 1 | |
| NS | 780277 | STRIPE, REFLECTIVE WHITE / 38MM X 150' ROLL | AR | |
| NS | 682348 | TAPE, DOUBLE COATED ACRYLIC | AR | |
| NS | 684685 | ADHESIVE SIMSON #ISR 70-03 / 310ml CARTRIDGE | AR | |
| 5 | 2810242 | FINISHING PANEL, SERVICE DOOR | 1 | |
| 6 | 5001630 | SCREW TP BUTF TORX M6x20 SS | 2 | |
| 7 | 5001009 | NUT AN 1/4 NYL | 6 | |
| 8 | 2810551 | SERVICE DOOR WATERPROOF PROTECTOR | 1 | |
| 9 | 685382 | SCCELLANT TAPE BLACK 1/8 X 1/2 | AR | |
| 11 | 2810138 | BRACE | 2 | |
| 12 | 5001589 | SCREW CAP HEXS M12-1.75x40 G8.8 Z050 | 4 | |
| 13 | 500967 | WASHER BEL SPR .512x1.142x.098 N500 | 4 | |
| 14 | 2810181 | PLATE | 2 | |
| 18 | 564108 | SELF MOUNTING STUD // DEUTSCH 1011-310-0205 | 1 | |
| 19 | 5000342 | SCREW TC PAN PH #6-32x3/8 SS | 4 | |
| 20 | 0600012 | SERVICE DOOR HARNESS | 1 | |
| 21 | 780794 | HANDLE ASSY / MANUAL TYPE "NS" | 1 | |
| NS | 780340 | CLIP, RETAINER ROD | 2 | |
| 22 | Call order desk | BRACKET, DOOR HANDLE ASSY To P-1482 | 1 | P |
| 22 | 2800700P | BRACKET, DOOR HANDLE ASSY From P-1483 | 1 | |
| 22 | 2810334 | BRACKET, DOOR HANDLE ASSY To P-1482 | 1 | |
| 22 | 2800694 | BRACKET, DOOR HANDLE ASSY From P-1483 | 1 | |
| 23 | 2800049 | LOCK ACTUATOR / 12V | 1 | |
| 24 | 5001100 | SCREW CAP HEX M3-0.5x30 G8.8 ZP | 2 | |
| 25 | 500437 | WASHER FL .125x.375x.040 Z050 | 4 | |
| 26 | 5001408 | NUT HEX STO M3-0.5 ZP | 4 | |
| 27 | 562096 | MICRO SWITCH | 1 | |
| 28 | 5000339 | SCREW MA PAN PH M3-0.5x20 SS | 2 | |
| 29 | 2810335 | LEVER, ACTUATOR To P-1482 | 1 | |
| 29 | 2800691 | LEVER, ACTUATOR From P-1483 | 1 | |
| 30 | 289382 | RIVET SHR FL 9.95x2.2(4.8x3.6 SS | 1 | |
| 31 | 502934 | SPRING COMPRESSION / .300 O.D. x 1 x .026 | 1 | |
| 32 | 500877 | WASHER FL .250x.562x.065 N500 | 1 | |
| 33 | 504637 | CABLE TIE / 3/16" x 13" | 11 | |
| 33 | 509815 | TIE MOUNT / ATTACHMENT W/TREE MOUNT | 9 | |

| | | | |
|--------------------------------|--|--------------|------------------|
| From P-1348 | | Date:07/2024 | PAGE:VIP-1879-01 |
| FRONT SERVICE DOOR ASSY | | | |

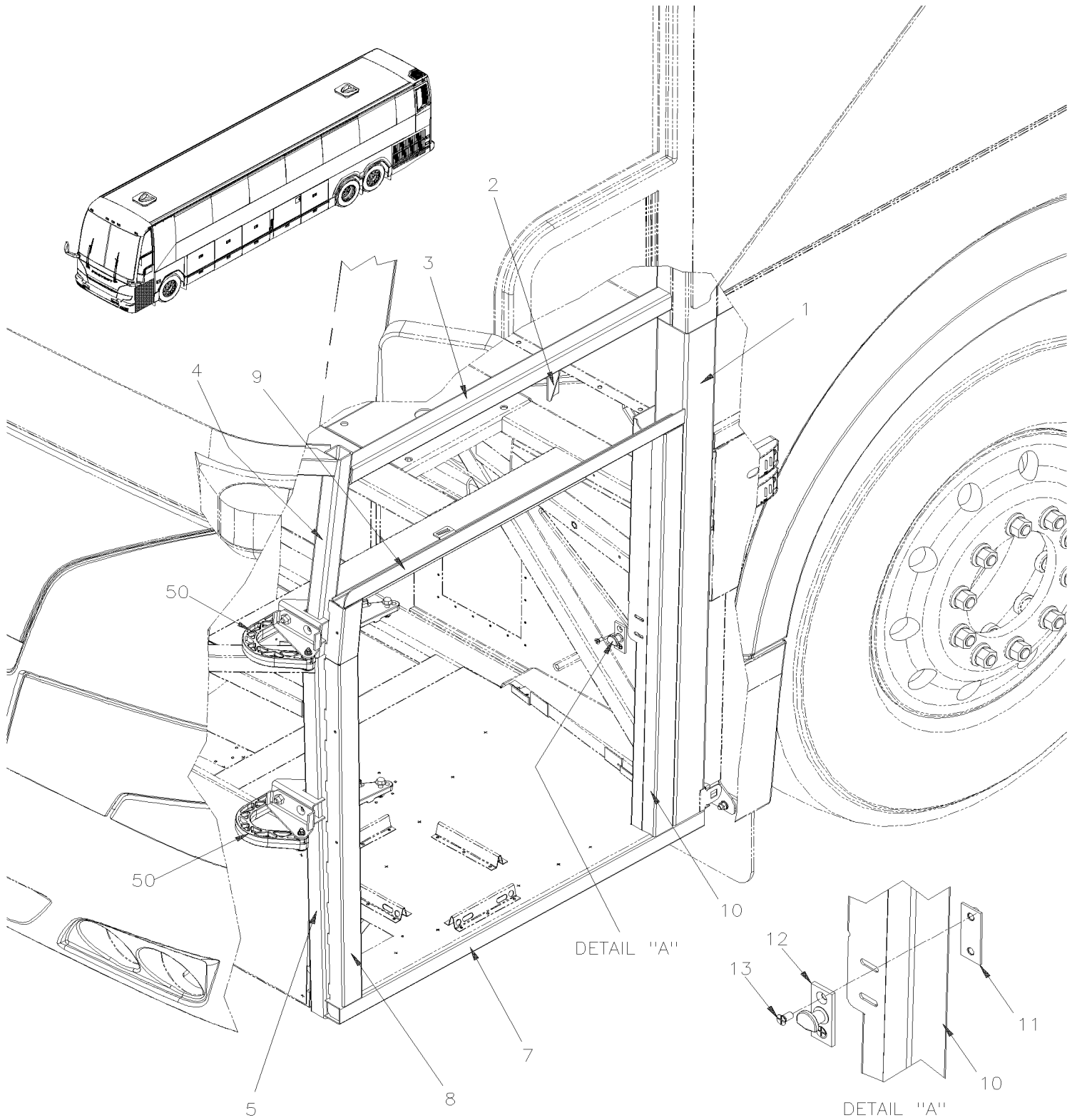
| Item# | Part | Description | QTY | Notes |
|-------|--------------------|--|-----|-------|
| 34 | 780340 | . . CLIP, RETAINER ROD From P-1483 | 2 | |
| 35 | 505420 | . SPRING, PIN M4.5 x 20 | 2 | |
| 36 | 283513 | . GUIDE | 1 | |
| 37 | 564273 | . LATCH WITH SW DOOR LH | 1 | |
| 38 | 2810657 | . LEVER, SERVICE DOOR LOCK ASSY. To P-1482 | 1 | |
| 39 | 504793 | . RIVET MNB OE LARGE HEAD 3/16x7/16 SS To P-1482 | 1 | |
| 40 | 2810186 | . KETCH SUPPORT SERVICE DOOR | 1 | |
| 41 | 504793 | . RIVET MNB OE LARGE HEAD 3/16x7/16 SS | 4 | |
| 42 | 5001833 | . WASHER BEL SPR 6.1x18x1.27 SS | 4 | |
| 43 | 2810488 | . SPACER LATCH BRACKET | 1 | |
| 44 | 5001982 | . SCREW CAP HEX M6-1.0x12 SS BK | 2 | |
| 45 | 5001833 | . WASHER BEL SPR 6.1x18x1.27 SS | 2 | |
| 46 | 780340 | . CLIP, RETAINER ROD | 1 | |
| 47 | 2810243 | . ROD To P-1482 | 1 | |
| 48 | 5001630 | . SCREW TP BUTF TORX M6x20 SS | 2 | |
| 49 | 680739 | . GREASE SYNTHETIC / RED 20KG | AR | |
| 51 | VIP-1886-01 | . POWER WINDOW - ELECTRICAL INSTALLATION | | |
| 52 | 288539 | . LEVER / W/MANUAL OPERATION & ELECTRIC | 1 | |
| 53 | 2800692 | ROD From P-1483 | 1 | |
| 54 | 2800693 | . ROD From P-1483 | 1 | |
| 60 | 062403 | DECAL / "CAUTION" BEFORE WELDING...." // ENGLISH & FRANCAIS | 1 | |
| 61 | 161301 | DECAL "WARNING SPARE TIRE...." BILINGUAL 315/80/R22.5 Tag & Dr125 | 1 | |
| 62 | 180246 | DECAL / VEHICULE WHEELHOUSING....TREATED / ENGLISH & FRANCAIS | 1 | |
| 63 | 140095 | DECAL / COLOR CODE / PNEUMATIC SYSTEM / ENGLISH & FRANCAIS | 1 | |
| 64 | 2810552 | DECAL "ENTRANCE DOOR MANUAL RELEASE" | 1 | |
| 65 | 160295 | DECAL / "IT FORBIDDEN TO STOCK ANYTING IN TH. / ENGLISH & FRANCAIS | 1 | |
| 66 | 130048 | DECAL "CAUTION" TAG LIFTING | 1 | |
| 67 | 142639 | DECAL "CAUTION... THIS VEHICLE EQUIPPED...ELECTRONIC STABILITY...." / ENGLISH | 1 | |
| 67 | 142617 | DECAL "CAUTION... THIS VEHICLE EQUIPPED...ELECTRONIC STABILITY...." / ENGLISH & FRANCAIS | 1 | |
| 69 | 930374 | REFLECTOR AMBER 40MM x 180MM | 1 | |
| 70 | 5001243 | SCREW TP PAN PH #10x5/8 SS | 2 | |
| 71 | 5001052 | NUT AN #10 NYL | 2 | |
| | | | | |
| | | | | |
| | | | | |
| | | | | |
| | | P) CALL ORDER DESK FOR SPECIFIC APPLICATION (V.I.N.) | | |

From K-0295 To P-1347

Date:07/2024

PAGE:VIP-1879-10

FRONT SERVICE DOOR - INSTALLATION



| | | |
|--|--------------|------------------|
| From K-0295 To P-1347 | Date:07/2024 | PAGE:VIP-1879-10 |
| FRONT SERVICE DOOR - INSTALLATION | | |

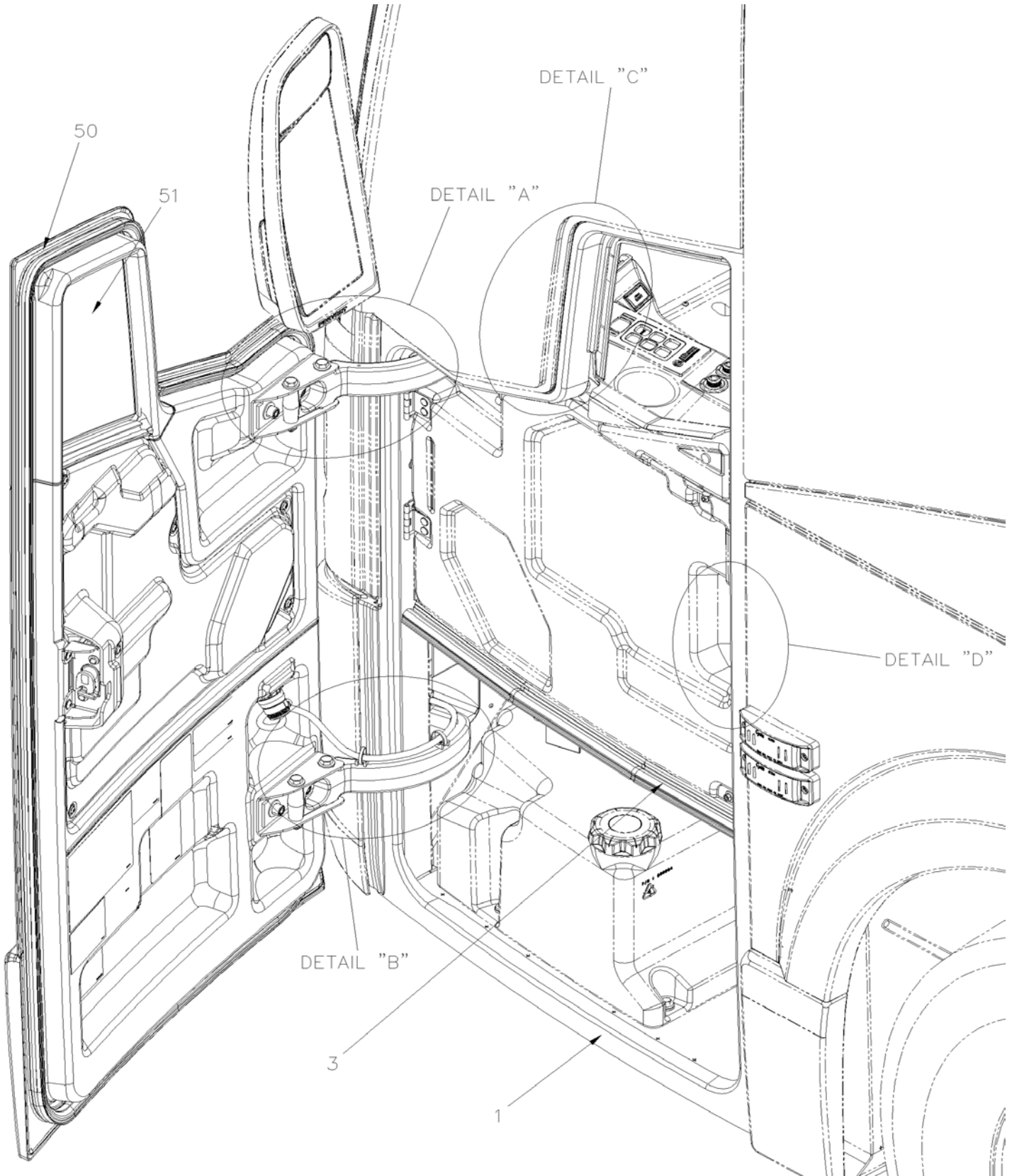
| Item# | Part | Description | QTY | Notes |
|-------|--------------------|--|-----|-------|
| 1 | 217258 | TUBE ASSY | 1 | |
| 2 | 211976 | ANGLE / TO FIX DRIVER'S WINDOW MOTOR | 1 | |
| 3 | 215854 | TUBE | 1 | |
| 4 | 250874 | TUBE | 1 | |
| 5 | 251658 | TUBE ASSY | 1 | |
| 7 | 173947 | TUBE ASSY 900MM | 1 | |
| 8 | 285325 | ANGLE SUPPORT | 1 | |
| 9 | 287504 | ANGLE "J" FORM TOP | 1 | |
| 10 | 218799 | ANGLE POST REAR | 1 | |
| 11 | 284217 | PLATE TIE | 1 | |
| 12 | 780278 | PIN, STRIKER STUD | 1 | |
| 13 | 500541 | SCREW MA FL PH 1/4-20x1/2 SS BK | 2 | |
| NS | 680038 | THREAD LOCKER LOCTITE #243 / BLUE / 50ml | AR | |
| 50 | VIP-1879-90 | EXTERIOR DOOR HINGE AND SUPPORT | | |

From P-1348

Date:07/2024

PAGE:VIP-1879-11

FRONT SERVICE DOOR INSTALLATION

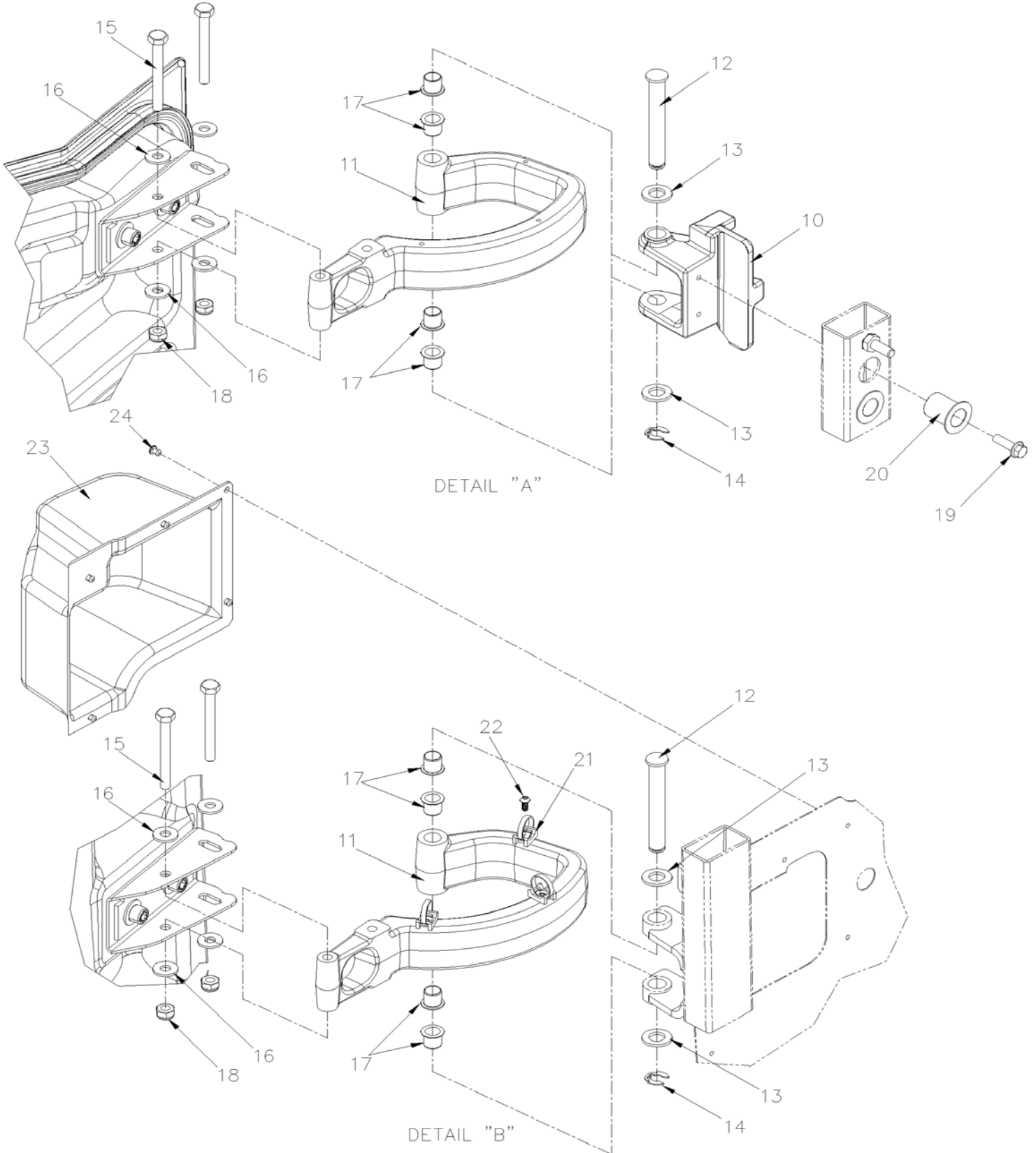


From P-1348

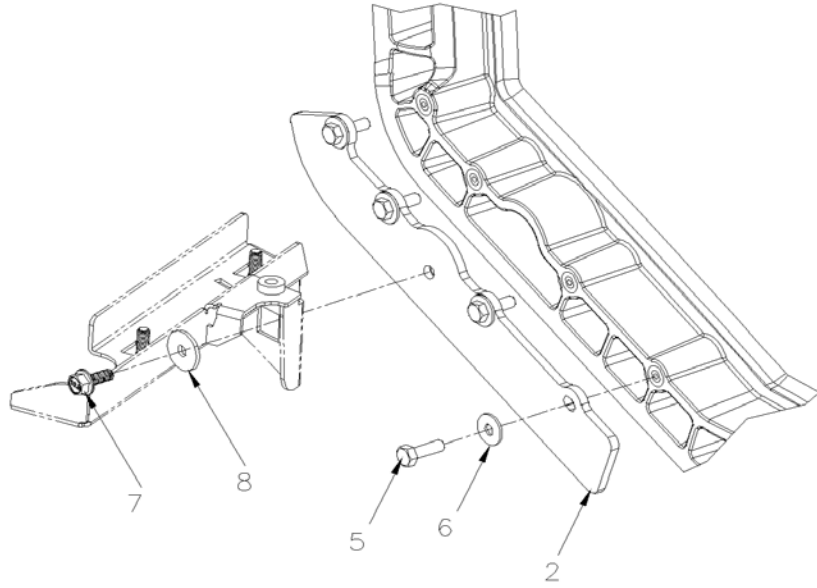
Date:07/2024

PAGE:VIP-1879-11

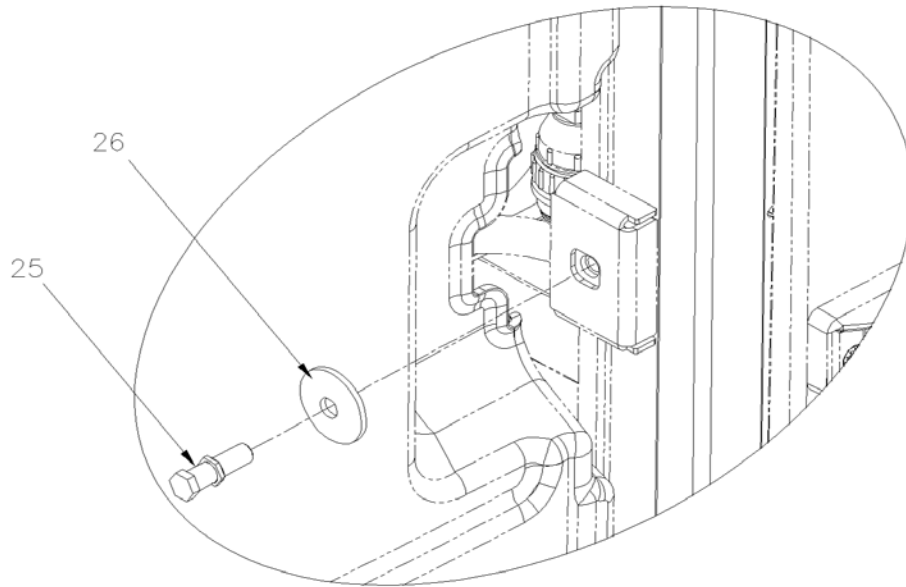
FRONT SERVICE DOOR INSTALLATION



FRONT SERVICE DOOR INSTALLATION



DETAIL "C"



DETAIL "D"

| | | | |
|--------------------|--|---------------------|-------------------------|
| From P-1348 | | Date:07/2024 | PAGE:VIP-1879-11 |
|--------------------|--|---------------------|-------------------------|

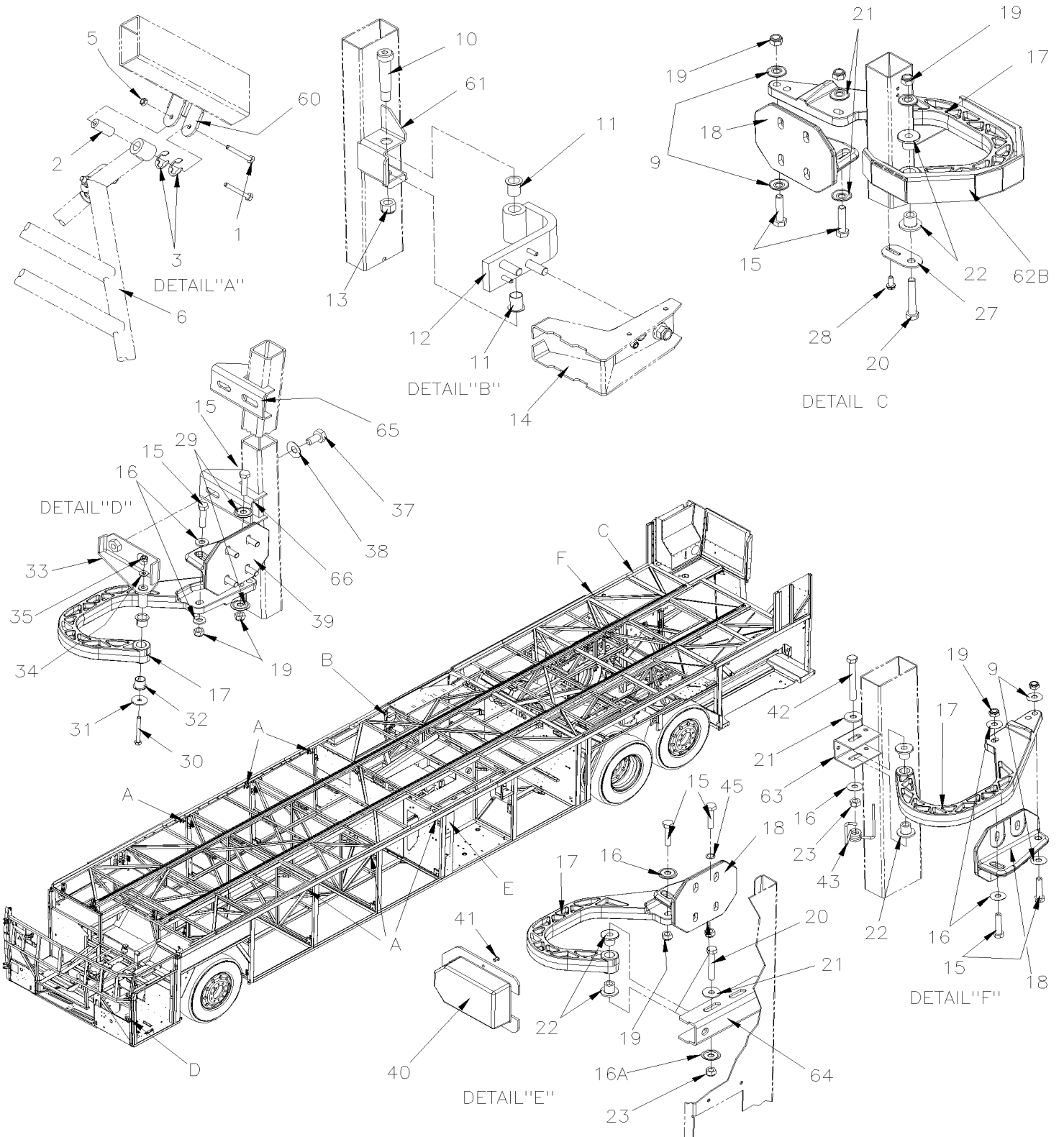
FRONT SERVICE DOOR INSTALLATION

| Item# | Part | Description | QTY | Notes |
|-------|--------------------|---|-----|-------|
| 1 | 2810126 | TRANSITION FRAME SERVICE DOOR | 1 | |
| NS | 685387 | GLUE MS POLYMER TEROSON MS 9399 / 400ml CARTRIDGE | AR | |
| NS | 506191 | TAPE RUB ADH1 CC POL 1/8" x 1/4" x 50' / GREY 2520X | AR | |
| 2 | 2810389 | BRACKET, LEFT CONSOLE | 1 | |
| 3 | 2810548 | SEAL 782MM | 1 | |
| 5 | 502830 | SCREW CAP HEX M6-1.0x20 G8.8 N500 | 4 | |
| 6 | 5001833 | WASHER BEL SPR 6.1x18x1.27 SS | 4 | |
| 7 | 5002027 | SCREW CAP HEXF AD M6-1.0x16 G10.9 N500 | 1 | |
| 8 | 500142 | WASHER FL 6.6x22.0x2.0 SS | 1 | |
| 10 | 2810148 | HINGE RETAINER | 1 | |
| 11 | 2810273 | HINGE, MACHINED | 2 | |
| 12 | 2810532 | HINGE AXLE | 2 | |
| 13 | 5002164 | WASHER FL 17X30X3.0 NYL | 4 | |
| 14 | 508398 | RING RETAINER / EXT .625 x .500 x .050" / SS | 2 | |
| 15 | 502890 | SCREW CAP HEX M10-1.5x90 G8.8 N500 To R-1878 | 4 | |
| 15 | 5000017 | SCREW CAP HEX M10-1.5X90 G10.9 N500 From R-1879 | 4 | |
| 16 | 500897 | WASHER FL .437x1.000x.083 N500 | 8 | |
| 17 | 507021 | FLANGE BEARING ID 16MM OD 18MM | 8 | |
| 18 | 502859 | NUT HEX NYRT M10-1.5 N500 | 4 | |
| 19 | 5002109 | SCREW CAP HEXF SERR M8-1.25x30 SS NSS | 2 | |
| 20 | 251530 | SLEEVE | 2 | |
| 21 | 504013 | TIE MOUNT / 1/4" X 1/4" I.D. | 3 | |
| 21 | 504637 | CABLE TIE / 3/16" x 13" | 3 | |
| 22 | 5000353 | SCREW CAP BUT HEXS M6-1.0x12 N500 | 3 | |
| 23 | 2810154 | HINGE COVER, LEFT | 1 | |
| NS | 684685 | ADHESIVE SIMSON #ISR 70-03 / 310ml CARTRIDGE | AR | |
| 24 | 504581 | RIVET MGLP PRDG 3/16x7/16 SS BK | 5 | |
| 24 | 5001137 | WASHER FL .203x.438x.050 SS | 5 | |
| 25 | 284438 | PIN STRIKER | 1 | |
| 26 | 284447 | WASHERS BELLEVILLE | 1 | |
| | | | | |
| 50 | VIP-1879-01 | FRONT SERVICE DOOR ASSY | | |
| 51 | VIP-1886-01 | POWER WINDOW - ELECTRICAL INSTALLATION | | |

| | | | |
|---|--|--------------|------------------|
| From K-0295 | | Date:07/2024 | PAGE:VIP-1879-60 |
| REAR SIDE SERVICE DOOR ASSY R.H. | | | |

| Item# | Part | Description | QTY | Notes |
|-------|---------|--|-----|-------|
| | 2800994 | REAR SERVICE DOOR ASSY R.H | 1 | |
| 1 | 287483 | . DOOR MOULDED R.H. / FIBERGLASS SMC / W/VENT / W/MUX | 1 | |
| NS | 684685 | . ADHESIVE SIMSON #ISR 70-03 / 310ml CARTRIDGE | AR | |
| NS | 682348 | . TAPE, DOUBLE COATED ACRYLIC | AR | |
| 2 | 2800127 | . RUBBER SEAL EXTRUSION / REAR SERVICE DOOR / 1095MM X 515MM | 1 | |
| 4 | 2801057 | . PROTECTOR PANEL / SH | 1 | |
| NS | 683083 | . ADHESIVE SIKA #252 / BLACK / 600 ml SAUSAGE | AR | |
| NS | 681348 | . TAPE RUB ADH2 ACRYLIC .045" x 1" x 108' / VHB4952 | AR | |
| 5 | 2811036 | . EXTRUSION BACKING ASSY W/REFLECTOR 511MM | 1 | |
| 5 | 684685 | . ADHESIVE SIMSON #ISR 70-03 / 310ml CARTRIDGE | AR | |
| 6 | 283100 | . STRIPE, REFLECTIVE WHITE / 38MM X 15' ROLL | AR | |
| NS | 780277 | . . STRIPE, REFLECTIVE WHITE / 38MM X 150' ROLL | AR | |
| 7 | 500952 | . SCREW TP BDG PH #8x1/2 SS | 3 | |
| 11 | 284440 | . SUPPORT | 1 | |
| 12 | 504793 | . RIVET MNB OE LARGE HEAD 3/16x7/16 SS | 2 | |
| 13 | 505507 | . STRAP NYLON 1" WIDE / S.L. | AR | |
| 14 | 285273 | . SUPPORT | 2 | |
| 15 | 5001848 | . WASHER BEL SPR .827 x .331 x .098 th SS | 4 | |
| 16 | 5001912 | . SCREW CAP HEX M8-1.25x30 SS BK | 4 | |
| 17 | 288806 | . SPACER / 8MM SQ X 17MM O.D X 16GA | 1 | |
| 18 | 288538 | . LEVER / 8MM SQ HOLE | 1 | |
| 19 | 280011 | . LOCK COVER ASSEMBLY | 1 | |
| A | N.S.S. | . . RECEIVER | 1 | 1 |
| B | N.S.S. | . . COVER | 1 | 1 |
| C | N.S.S. | . . GUIDE, SPRING | 1 | 1 |
| D | N.S.S. | . . SPRING | 1 | 1 |
| E | N.S.S. | . . AXLE | 1 | 1 |
| 20 | 780340 | . CLIP, RETAINER ROD | 2 | |
| 21 | 288015 | . ROD LOCK 208MM | 1 | |
| 22 | 780653 | . LOCK SPAGNOLET R.H. / W/G-FITTING | 1 | |
| NS | 780340 | . . CLIP, RETAINER ROD | 1 | |
| NS | 507607 | . . GREASE FITTING / M6-1.00 | 1 | |
| 22 | 680739 | . GREASE SYNTHETIC / RED 20KG | AR | |
| 23 | 285766 | . PLATE / LOCK HOLDER / R.H. DOOR | 1 | |
| 24A | 5001982 | . SCREW CAP HEX M6-1.0x12 SS BK | 2 | |
| 24B | 5002015 | . WASHER BEL SPR 6.65x17.4x0.9 SS | 2 | |
| 25 | 5001697 | . SCREW CAP HEX M6-1.0x16 SS BK | 4 | |
| 26 | 5001833 | . WASHER BEL SPR 6.1x18x1.27 SS | 4 | |
| 27 | 285063 | . SPRING EXTENSION / .287 O.D. x 1.562 x .051 | 1 | |
| 29 | 500293 | . SCREW TP PAN PH #10x1 SS | 2 | |
| 30 | 506250 | . RUBBER BUMPER | 1 | |
| 31 | 509815 | . TIE MOUNT / ATTACHMENT W/TREE MOUNT | 2 | |

EXTERIOR DOOR HINGE AND SUPPORT



| | | | |
|--|--|--------------|------------------|
| From K-0295 | | Date:07/2024 | PAGE:VIP-1879-90 |
| EXTERIOR DOOR HINGE AND SUPPORT | | | |

| Item# | Part | Description | QTY | Notes |
|-------|--------------------|--|-----|-------|
| 1 | 502843 | SCREW CAP HEX M6-1.0x45 G8.8 N500 | 1 | |
| 2 | 285710 | BUSHING SPACER ACETAL 6.5MM I.D. x 14.15MM O.D. x 31 | 2 | |
| 3 | 504660 | RING RETAINER / EXT .750 x 0575 x .050" | AR | |
| 5 | 502681 | NUT HEX NYRT M6-1.0 N500 G8 | 1 | |
| 6 | VIP-1864-00 | BAGGAGE COMPARTMENT DOOR | | |
| 9 | 5001341 | WASHER FL 8.4x17.0x1.6 SS | 4 | |
| 10 | 5000323 | SCREW SHR HEXS 5/8x2 1/4 {1/2-13 SS | 2 | |
| 11 | 507299 | BUSHING NYLINER | 2 | |
| 12 | 287646 | HINGE / CONDENSER DOOR | 2 | |
| 13 | 502595 | NUT HEX NYRT 1/2-13 Z050 | 1 | |
| 14 | VIP-2255-01 | CONDENSOR - INSTALLATION | | |
| 15 | 5001319 | SCREW CAP HEX M8-1.25x40 SS | AR | |
| 16 | 5001849 | WASHER FL 8.4x24.0x2.0 SS | AR | |
| 16A | 5001848 | WASHER BEL SPR .827 x .331 x .098 th SS | 2 | |
| 16B | 5001849 | WASHER FL 8.4x24.0x2.0 SS | 3 | |
| 17 | 285272 | HINGE DOOR To N-1232 | AR | |
| 17 | 2810562 | HINGE DOOR From N-1233 | 1 | |
| 18 | 285273 | SUPPORT | AR | |
| 19 | 5001983 | NUT HEX NYRT M8-1.25 SS SS BK | AR | |
| 20A | 5001981 | SCREW CAP HEX M8-1.25x50 SS BK | AR | |
| 20A | 5001981 | SCREW CAP HEX M8-1.25x50 SS BK | AR | |
| 20B | 5001981 | SCREW CAP HEX M8-1.25x50 SS BK To P-1447 | 2 | |
| 20B | 5001981 | SCREW CAP HEX M8-1.25x50 SS BK To P-1447 | 2 | |
| 20B | 5000004 | SCREW SHR HEXS 8x40 {M6-1.0 SS From P-1448 To R-1832 | 2 | |
| 20B | 5001981 | SCREW CAP HEX M8-1.25x50 SS BK From R-1833 | 2 | |
| 20B | 5001981 | SCREW CAP HEX M8-1.25x50 SS BK From R-1833 | 2 | |
| 21 | 5001849 | WASHER FL 8.4x24.0x2.0 SS | 1 | |
| 22A | 285478 | FLANGE BUSHING | AR | |
| 22A | 285478 | FLANGE BUSHING | AR | |
| 22B | 285478 | FLANGE BUSHING To P-1447 | 4 | |
| 22B | 285478 | FLANGE BUSHING To P-1447 | 4 | |
| 22B | 2800684 | BUSHING From P-1448 To R-1832 | 2 | |
| 22B | 285478 | FLANGE BUSHING From R-1833 | 4 | |
| 22B | 285478 | FLANGE BUSHING From R-1833 | 4 | |
| 23 | 5001852 | NUT HEX M8-1.25 SS BK | 1 | |
| 24 | 285272 | HINGE DOOR To N-1232 | 2 | |
| 24 | 2810562 | HINGE DOOR From N-1233 | 2 | |
| 25 | 5001983 | NUT HEX NYRT M8-1.25 SS SS BK To P-1447 | 2 | |
| 25 | 5001835 | NUT HEXF M6-1.0 SS From P-1448 To R-1832 | 2 | |
| 25 | 5001983 | NUT HEX NYRT M8-1.25 SS SS BK From R-1833 | 2 | |
| 26 | 5001848 | WASHER BEL SPR .827 x .331 x .098 th SS To P-1447 | 2 | |
| 26 | 5001833 | WASHER BEL SPR 6.1x18x1.27 SS From P-1448 To R-1832 | 2 | |

| | | | |
|--|--|--------------|------------------|
| From K-0295 | | Date:07/2024 | PAGE:VIP-1879-90 |
| EXTERIOR DOOR HINGE AND SUPPORT | | | |

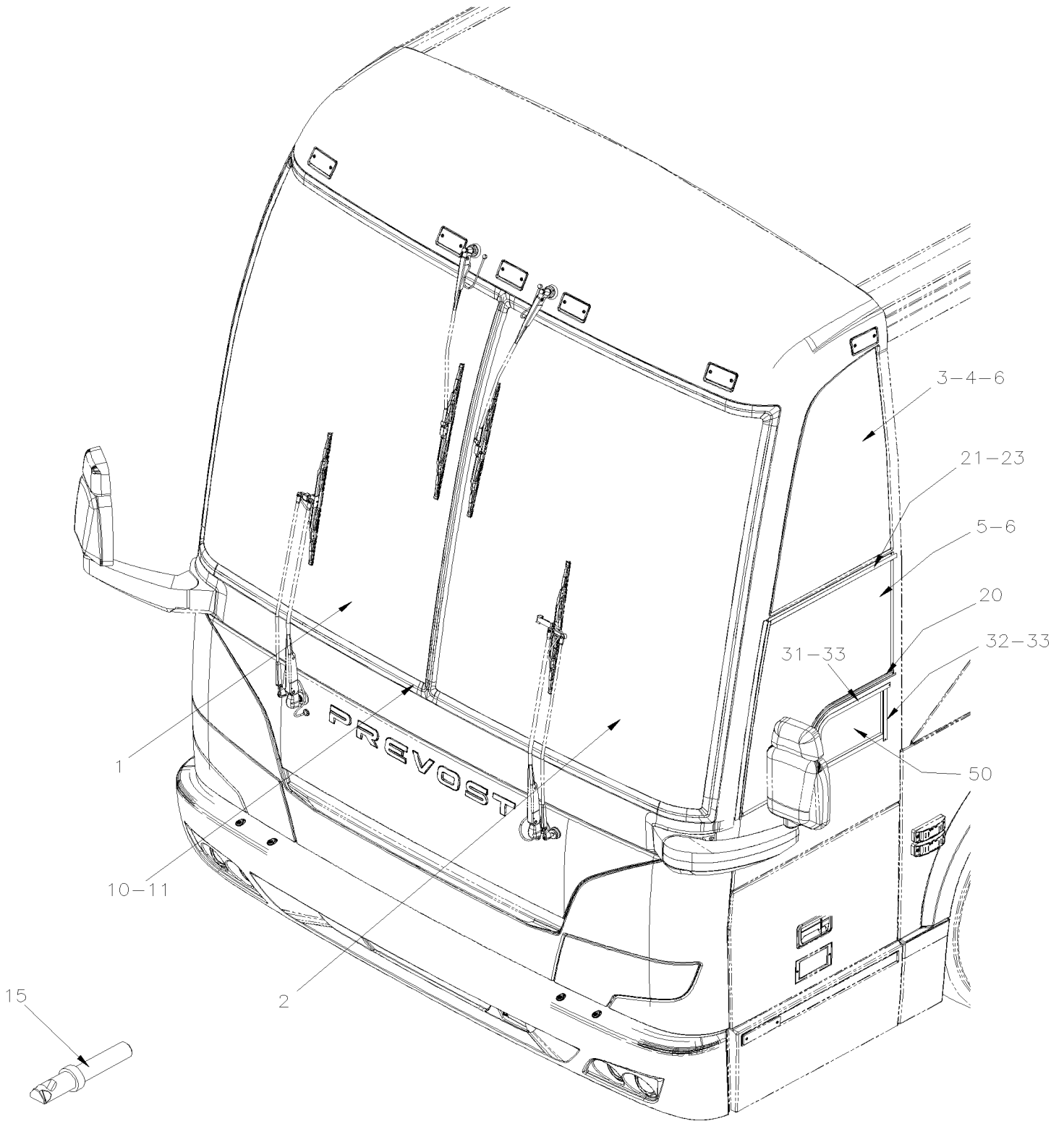
| Item# | Part | Description | QTY | Notes |
|-------|---------|--|-----|-------|
| 27 | 2800381 | BLOCKER, HINGE To P-1447 | 2 | |
| 27 | 2800678 | BLOCKER, HINGE From P-1448 To R-1832 | 2 | |
| 27 | 2800678 | BLOCKER, HINGE From R-1833 | 4 | |
| 28 | 5001017 | SCREW TC CAP HEXW #10-24x1/2 Z050 To P-1447 | 2 | |
| 28 | 5002027 | SCREW CAP HEXF AD M6-1.0x16 G10.9 N500 From P-1448 To R-1832 | 2 | |
| 28 | 5002027 | SCREW CAP HEXF AD M6-1.0x16 G10.9 N500 From R-1833 | 4 | |
| 29 | 5001736 | WASHER FL 8.4x18.0x2.0 N500 | 2 | |
| 29 | 5001849 | WASHER FL 8.4x24.0x2.0 SS | 4 | |
| 30 | 502870 | SCREW CAP HEX M5-0.8x45 G8.8 N500 | 2 | |
| 31 | 500805 | WASHER FL .218x.875x.062 N500 | 2 | |
| 32 | 507142 | BUSHING, NYLINER W/SHOULDER (8-L-8-F) | 4 | |
| 33 | 285333 | SUPPORT UPPER & LOWER | 2 | |
| 34 | 500804 | WASHER FL .203x.500x.047 N500 | 2 | |
| 35 | 502841 | NUT HEX NYRT M5-0.8 N500 | 2 | |
| 37 | 502719 | SCREW CAP HEX M10-1.5x20 SS EMN | 2 | |
| 38 | 502871 | WASHER LO SERR 10.2x26.3x1.4 N500 | 2 | |
| 39 | 285814 | SUPPORT | 2 | |
| 40 | 452041 | BOX PLASTIC / HINGE CLEARANCE | 2 | |
| 41 | 504717 | RIVET POP DOME OE 1/8x1/4 SS | 6 | |
| 42 | 5001347 | SCREW CAP HEX M8-1.25x70 SS | 2 | |
| 43 | 285502 | SPRING, TORSION / .625 O.D. x .629 x .125 | 1 | C |
| 45 | 5001341 | WASHER FL 8.4x17.0x1.6 SS | AR | |
| 60 | 285711 | SUPPORT / (WELDED) | 16 | |
| 61 | 218486 | SUPPORT UPPER W/O W.C.L. | 1 | |
| 61 | 218487 | SUPPORT UPPER W/W.C.L. | 1 | |
| 61 | 289683 | SUPPORT LOWER | 1 | |
| 62B | 217678 | SUPPORT / (WELDED) To P-1447 | 2 | |
| 62B | 218971 | HINGE COVER ASS (WELDED) From P-1448 To R-1832 | 2 | |
| 62B | 219142 | HINGE COVER ASS (WELDED) From R-1833 | 2 | |
| 62B | 210463 | HINGE COVER | 1 | A |
| 62B | 502868 | SCREW TC TR PH #10-16x1/2 N500 | 4 | A |
| 63 | 285399 | SUPPORT / (WELDED) | 4 | |
| 64 | 285768 | SUPPORT / (WELDED) | 2 | |
| 65 | 285332 | SUPPORT UPPER | 1 | |
| 66 | 285323 | SUPPORT LOWER | 1 | |
| | | | | |
| | | | | |
| | | | | |
| | | A) WITH BACKWARD SLIDE-OUT | | |
| | | C) UPPER | | |

From K-0295 To P-1347

Date:07/2024

PAGE:VIP-1880-01

WINDSHIELD & CHANNEL



| | | |
|---------------------------------|---------------------|-------------------------|
| From K-0295 To P-1347 | Date:07/2024 | PAGE:VIP-1880-01 |
| WINDSHIELD & CHANNEL | | |

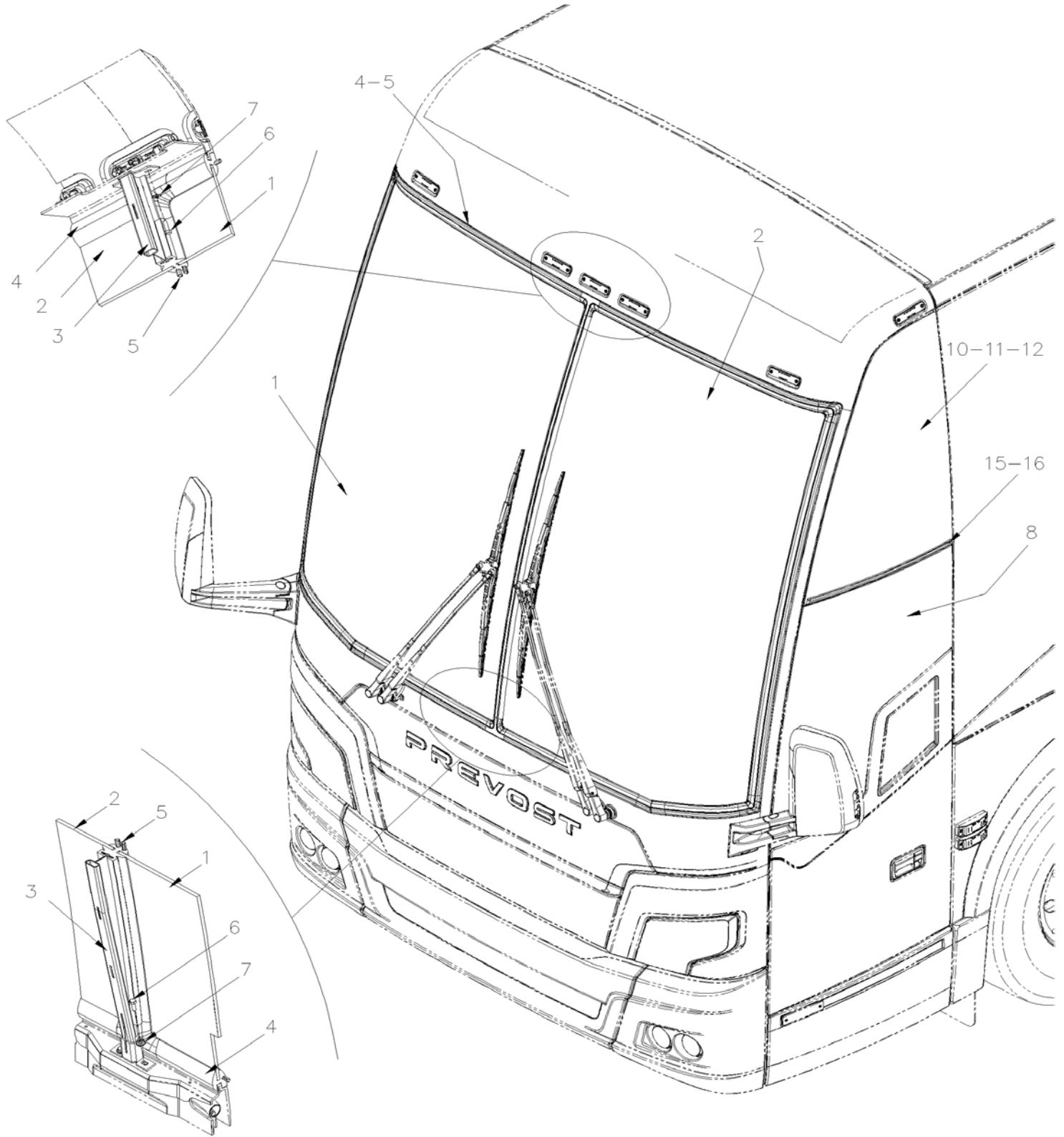
| Item# | Part | Description | QTY | Notes |
|-------|--------------------|---|------|-------|
| 1 | 300010 | WINDSHIELD R.H. To M-1109 | 1 | |
| 1 | 300720 | WINDSHIELD R.H. From M-1110 | 1 | |
| 1 | G37362 | TEMPLATE, CAMERA POSITION MARKINGS H3 | 1 | A |
| 2 | 300009 | WINDSHIELD L.H. | 1 | |
| 3 | 293092 | GLASS UPPER L.H. THERMOS | 1 | |
| 3 | 293093 | GLASS UPPER R.H. THERMOS | 1 | |
| 4 | 506962 | RUB POL 1/4 X 7/16 X 1 LG | AR | |
| 5 | 290075 | GLASS DRIVER'S WINDOW | 1 | |
| 6 | 681092 | ADHESIVE SIKA #255FC / BLACK / 310ml CARTRIDGE | AR | |
| 6 | 5060013 | TAPE RUB ADH2 CC POL 1/8" x 1/8" x 100' / BLACK I1C-N-A | AR | |
| 10 | 300657 | CHANNEL / WINDSHIELD RUBBER | 1 | |
| NS | 800355 | LUBRICANT CLEAR LUBE 32A / 20 LITER | AR | |
| NS | 689819 | LUBRICANT CLEAR LUBE 32A / 2 LBS | AR | |
| NS | 800356 | LUBRICANT CLEAR LUBE 32A / 430 Gr | AR | |
| 10 | 685124 | ADHESIVE SIMSON #ISR 70-03 / BLACK / 600ml SAUSAGE | AR | |
| 11 | 296264 | STRIP, LOCKING / S.L. | 40FT | |
| 15 | 680755 | HANDLE ASSY (TO FIX FRONT GLASS CHANNEL) | 1 | |
| 20 | 293401 | DRIP MOULDING DRIVER'S WINDOW | 1 | |
| 20 | 680066 | ADHESIVE / ADBOND #5014 / 23.6ML BOTTLE | AR | |
| 21 | 290083 | DRIP MOULDING DRIVER'S WINDOW | 1 | |
| 23 | 680796 | TAPE RUB ADH2 ACRYLIQUE 3/4x.045x36YARD | AR | |
| 31 | 299064 | MOULDING, FRAME MASK | 1 | |
| 32 | 299065 | MOULDING, FRAME MASK | 1 | |
| 33 | 507677 | TAPE RUB ADH2 CC POL 1/32" x 3/16" x 300' | AR | |
| 50 | VIP-1886-00 | POWER WINDOW - ELECTRICAL INSTALLATION | | |
| | | | | |
| | | | | |
| | | | | |
| | | A) USE IF WINDSHIELD DOESN'T ALREADY HAVE POSITION MARKINGS | | |

From P-1348

Date:07/2024

PAGE:VIP-1880-02

WINDSHIELD & CHANNEL



| | | | |
|---------------------------------|--|--------------|------------------|
| From P-1348 | | Date:07/2024 | PAGE:VIP-1880-02 |
| WINDSHIELD & CHANNEL | | | |

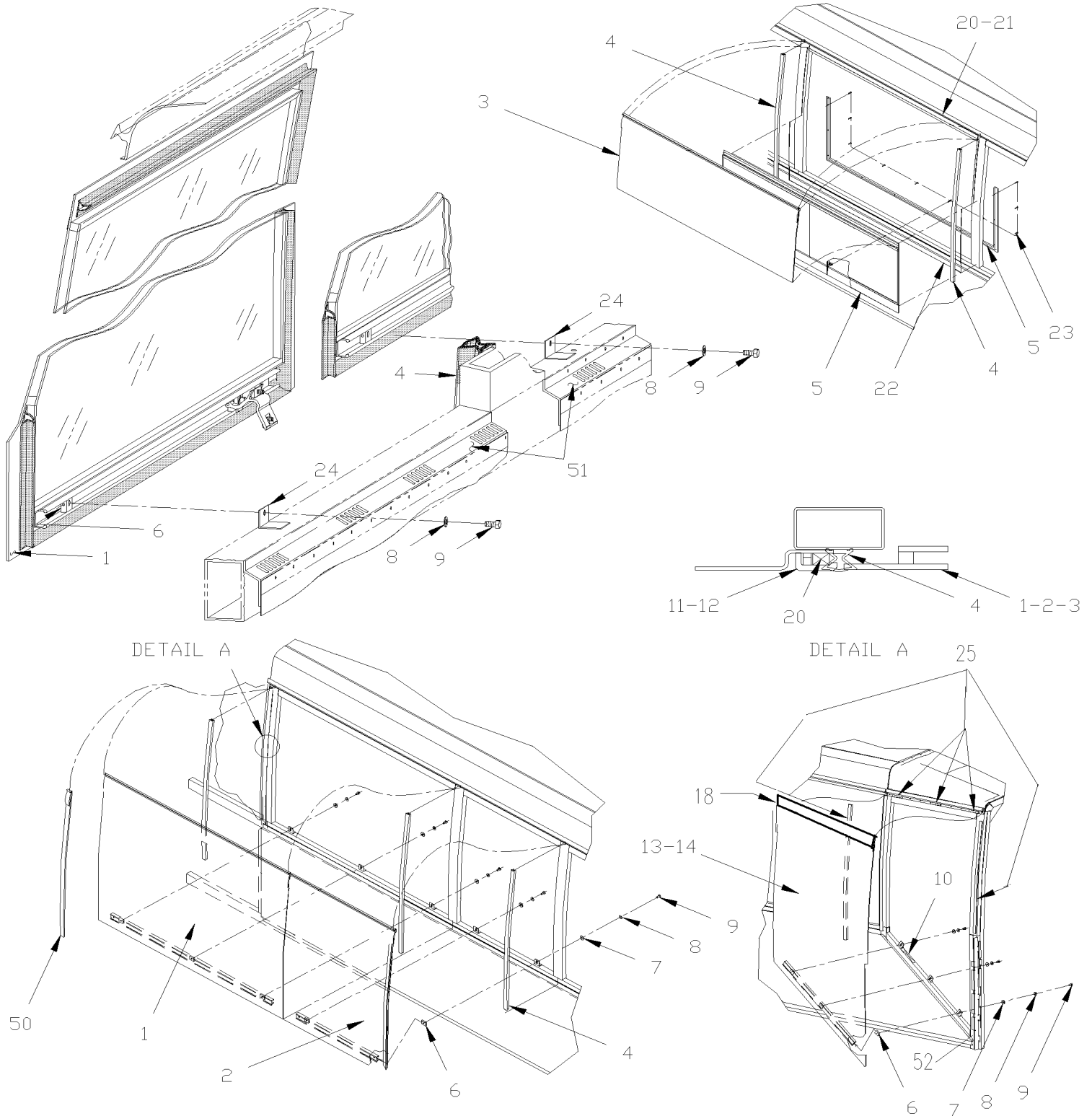
| Item# | Part | Description | QTY | Notes |
|-------|---------|--|-----|-------|
| 1 | 300664 | WINDSHIELD R.H. | 1 | |
| 2 | 300663 | WINDSHIELD L.H. | 1 | |
| 3 | 4710276 | CENTRAL POST | 1 | |
| 4 | 300665 | CHANNEL / WINDSHIELD RUBBER | 1 | |
| 5 | 296264 | STRIP, LOCKING / S.L. | AR | |
| 6 | 502830 | SCREW CAP HEX M6-1.0x20 G8.8 N500 | 4 | |
| 7 | 502582 | WASHER LO SERR 6.1x16.2x0.9 Z050 | 4 | |
| 8 | 290362 | DRIVER'S WINDOW To £-21133 | 1 | |
| 8 | 290952 | DRIVER'S WINDOW From £-21133 | 1 | |
| NS | 506769 | TAPE RUB ADH2 CC POL 1/8" x 1/4" x 60' / BLACK H1CC-N#14 | AR | |
| NS | 684685 | ADHESIVE SIMSON #ISR 70-03 / 310ml CARTRIDGE | AR | |
| NS | 685387 | GLUE MS POLYMER TEROSON MS 9399 / 400ml CARTRIDGE | AR | |
| 10 | 290929 | UPPER LATERAL WINDOW, L.H. W/E-MIRROR To £-21133 | 1 | A |
| 10 | 290647 | UPPER LATERAL WINDOW, L.H. To £-21133 | 1 | |
| 10 | 290966 | UPPER LATERAL WINDOW, L.H. From £-21133 | 1 | |
| 10 | 290969 | UPPER LATERAL WINDOW, L.H. W/E-MIRROR From £-21133 | 1 | A |
| 11 | 290648 | UPPER LATERAL WINDOW, R.H. To £-21133 | 1 | |
| 11 | 290906 | UPPER LATERAL WINDOW, R.H. W/E-MIRROR To £-21133 | 1 | A |
| 11 | 290967 | UPPER LATERAL WINDOW, R.H. From £-21133 | 1 | |
| 11 | 290970 | UPPER LATERAL WINDOW, R.H. W/E-MIRROR From £-21133 | 1 | A |
| 12 | 685387 | GLUE MS POLYMER TEROSON MS 9399 / 400ml CARTRIDGE | AR | |
| | | | | |
| 15 | 290884 | WEATHERSTRIP DRIVER WINDOW | 1 | |
| 16 | 290864 | WEATHERSTRIP ENTRY DOOR | 1 | |
| | | | | |
| NS | 293842 | HANDLE ASSY (TO FIX FRONT GLASS CHANNEL) | 1 | |
| NS | 293843 | END TIP "PRÉVOST" | AR | |
| 22 | 800355 | LUBRICANT CLEAR LUBE 32A / 20 LITER | AR | |
| NS | 689819 | LUBRICANT CLEAR LUBE 32A / 2 LBS | AR | |
| NS | 800356 | LUBRICANT CLEAR LUBE 32A / 430 Gr | AR | |
| NS | 685387 | GLUE MS POLYMER TEROSON MS 9399 / 400ml CARTRIDGE | AR | |
| | | | | |
| | | | | |
| | | | | |
| | | A) WITH E-MIROR | | |

From K-0295 To P-1347

Date:07/2024

PAGE:VIP-1884-50

SIDE WINDOWS - V.I.P.



| | | |
|------------------------------|---------------------|-------------------------|
| From K-0295 To P-1347 | Date:07/2024 | PAGE:VIP-1884-50 |
| SIDE WINDOWS - V.I.P. | | |

| Item# | Part | Description | QTY | Notes |
|-------|--------------------|--|-----|-------|
| 1 | 297111 | GLASS ASSY, THERMOS 13% / FIX TYPE / 1652MM | AR | |
| . NS | 297113 | . WINDOW SEAL / 1258MM X 1619MM | 1 | |
| . NS | 290021 | . WINDOW SEAL / 1258MM X 1619MM | 1 | |
| . NS | 297278 | . WINDOW SEAL / 1258MM X 1619MM | 1 | |
| 1 | 297129 | GLASS ASSY, SINGLE 13% / FIX TYPE / 1652MM | 1 | |
| . NS | 297113 | . WINDOW SEAL / 1258MM X 1619MM | 1 | |
| . NS | 290021 | . WINDOW SEAL / 1258MM X 1619MM | 1 | |
| . NS | 297278 | . WINDOW SEAL / 1258MM X 1619MM | 1 | |
| 1 | 297131 | GLASS ASSY, THERMOS 13% / OPEN TYPE / 1652MM | 1 | |
| . NS | 297113 | . WINDOW SEAL / 1258MM X 1619MM | 1 | |
| . NS | 290021 | . WINDOW SEAL / 1258MM X 1619MM | 1 | |
| . NS | 297278 | . WINDOW SEAL / 1258MM X 1619MM | 1 | |
| 2 | 297135 | GLASS ASSY, THERMOS 13% / 934MM | 1 | |
| . NS | 297137 | . WINDOW SEAL / 1252MM X 895MM | 1 | |
| . NS | 290025 | . WINDOW SEAL / 1252MM X 895MM | 1 | |
| . NS | 297282 | . WINDOW SEAL / 1252MM X 895MM | 1 | |
| 2 | 297132 | GLASS ASSY, THERMOS 13% / FIX TYPE / 29MM | 1 | |
| . NS | 297134 | . WINDOW SEAL / 1252MM X 591MM | 1 | |
| . NS | 290024 | . WINDOW SEAL / 1252MM X 591MM | 1 | |
| . NS | 297281 | . WINDOW SEAL / 1252MM X 591MM | 1 | |
| 3 | 297190 | GLASS ASSY, THERMO 13% / UPPER 1652MM x 784.2MM | 1 | |
| 4 | 297162 | SEAL RUBBER 1286MM | AR | |
| 5 | VIP-1884-65 | ELECTRICAL AWNING WINDOW ASSY | | |
| 5 | VIP-1884-80 | ELECTRICAL SLIDING WINDOW ASSY | | |
| 6 | 290302 | ANCHOR BLOCK W/SCREW M10-1.5 x 30 | AR | |
| 7 | 502644 | WASHER FL 10.5x30.0x2.5 Z050 | AR | |
| 8 | 502585 | WASHER LO SERR 10.2x26.3x1.4 ZP | AR | |
| 8 | 505213 | SHIM 1/16" THICK | AR | |
| 9 | 5001628 | NUT HEX NYRT M10-1.5 SS | AR | |
| 10 | 292949 | DECAL "CAUTION" NOT HINGED WINDOW / ENGLISH & FRANCAIS | AR | |
| 10 | 293795 | DECAL "CAUTION" NOT HINGED WINDOW / ENGLISH & SPANISH | AR | |
| 11 | 478197 | PANEL UPPER R.H. BACKWARD / 492MM | 1 | |
| 11 | 478202 | PANEL UPPER R.H. BACKWARD / 670MM | 1 | |
| 110 | 478200 | PANEL UPPER R.H. BACKWARD / 1922.5MM | 1 | |
| 12 | 478204 | PANEL UPPER R.H. BACKWARD / 695MM | 1 | |
| 12 | 478195 | PANEL UPPER / 1652MM | 1 | |
| 12 | 478199 | PANEL UPPER 2947.5MM | 1 | |
| 12 | 476726 | PANEL UPPER 3659MM | 1 | |
| 12 | 478201 | PANEL UPPER 4200MM | 1 | |
| 12 | 476789 | PANEL UPPER 4811MM | 1 | |
| 12 | 478196 | PANEL UPPER 5319MM | 1 | |
| 13 | 297125 | GLASS ASSY, THERMO 13% / TRAPEZOIDAL / RH VIP | 1 | |

| | | |
|------------------------------|---------------------|-------------------------|
| From K-0295 To P-1347 | Date:07/2024 | PAGE:VIP-1884-50 |
| SIDE WINDOWS - V.I.P. | | |

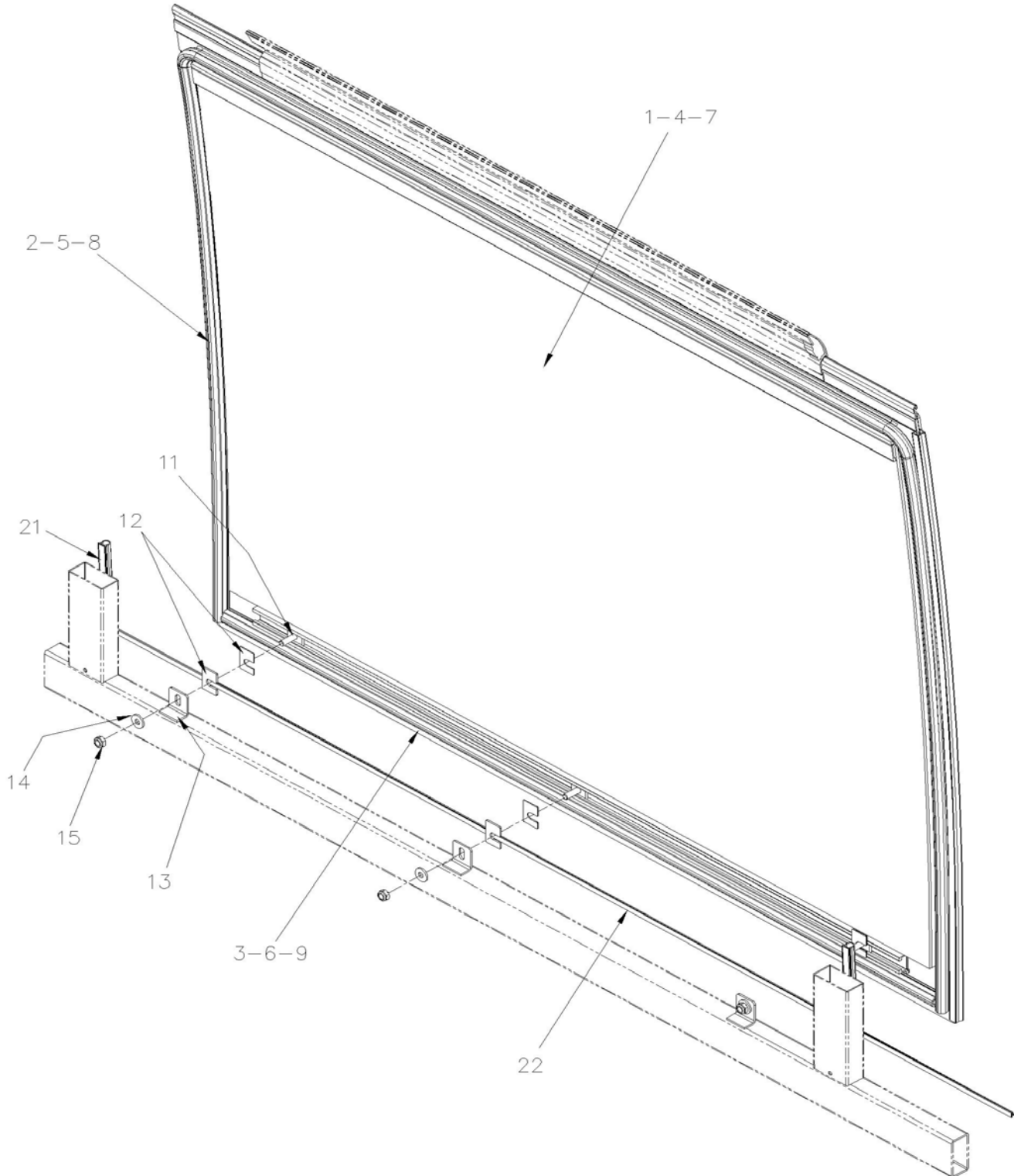
| Item# | Part | Description | QTY | Notes |
|-------|--------------------|---|-----|-------|
| . NS | 297127 | . WINDOW SEAL / TRAPEZOIDAL RH 1826MM X 900MM | 1 | |
| . NS | 290023 | . WINDOW SEAL / TRAPEZOIDAL RH / 1826MM X 900MM / | 1 | |
| 13 | 297213 | GLASS ASSY, THERMO 13% / TRAPEZOIDAL / RH VIP / W/SLIDE-OUT "PRÉVOST" | 1 | A |
| . NS | 297215 | . WINDOW SEAL / TRAPEZOIDAL LH / W/SLIDE-OUT 1159MM X 965MM | 1 | A |
| . NS | 290035 | . WINDOW SEAL / TRAPEZOIDAL LH / W/SLIDE-OUT 1159MM X 965MM | 1 | A |
| 14 | 297138 | GLASS ASSY, THERMO 13% / TRAPEZOIDAL / LH VIP | 1 | |
| . NS | 297105 | . WINDOW SEAL / TRAPEZOIDAL LH 1826MM X 900MM | 1 | |
| . NS | 290020 | . WINDOW SEAL / TRAPEZOIDAL LH 1826MM X 900MM | 1 | |
| . NS | 297277 | . WINDOW SEAL / TRAPEZOIDAL LH 1826MM X 900MM | 1 | |
| 14 | 297108 | GLASS ASSY, THERMO 13% / TRAPEZOIDAL / LH VIP / W/SLIDE-OUT "PRÉVOST" | 1 | A |
| . NS | 297105 | . WINDOW SEAL / TRAPEZOIDAL LH 1826MM X 900MM | 1 | A |
| . NS | 290020 | . WINDOW SEAL / TRAPEZOIDAL LH 1826MM X 900MM | 1 | A |
| . NS | 297277 | . WINDOW SEAL / TRAPEZOIDAL LH 1826MM X 900MM | 1 | A |
| 14 | 790645 | SAFETY ANCHOR W/2 HOLE M6-1.0 / 203MM | 1 | |
| NS | 5001648 | SCREW CAP HEXS M6-1.0x18 SS BK | 1 | |
| NS | 502570 | WASHER LO SPT 6.1x11.8x1.6 SS | 1 | |
| NS | 502573 | WASHER FL 6.4x12.5x1.6 SS | 1 | |
| 18 | 293913 | UPPER MOULDING R.H. / W/OUT SLIDE-OUT / 977.8MM | 1 | |
| 18 | 293910 | UPPER MOULDING R.H. / W/SLIDE-OUT / 1027.6MM | 1 | |
| 18 | 297128 | UPPER MOULDING L.H. / W/OUT SLIDE-OUT / 977.8MM | 1 | |
| 18 | 297110 | UPPER MOULDING L.H. / W/SLIDE-OUT / 1027.6MM | 1 | |
| 19 | 290002 | REINFORCEMENT "Z" 76MM | 2 | |
| NS | 502848 | SCREW TC CAP HEXF 1/4-20x3/4 N500 | 2 | |
| 20 | 683447 | ADHESIVE SIKATAACK PLUS / BLACK / 23 Liters | AR | |
| 21 | 683448 | ACCELERATOR SIKA / 600ml SAUSAGE | AR | |
| 22 | 683288 | ADHESIVE SIKA #255FC / BLACK / 600ml SAUSAGE | AR | |
| 23 | 5001545 | SCREW TP PAN PH #10x7/8 Z050 | 10 | |
| 24 | 292931 | ANGLE / (WELDED) | AR | |
| 25 | 290030 | SEAL RUBBER L.H. ONE PIECE W/SLIDE OUT | 1 | |
| 25 | 290028 | SEAL RUBBER L.H. ONE PIECE W/OUT SLIDE OUT | 1 | |
| 25 | 290031 | SEAL RUBBER R.H. ONE PIECE W/OUT SLIDE OUT | 1 | C |
| 50 | VIP-1854-50 | SIDE PANELS - V.I.P. | | |
| 51 | 320186 | AIR GRILL & SPACER 48"LG / BELOW WINDOW | AR | |
| 52 | 5001168 | BUMPER RUBBER / .750 OD x .562 TH x .187 HOLE To K-0337 | 1 | |
| 52 | 5002023 | BUMPER NEOPRENE / .750 OD x .562 TH x .187 HOLE From K-0338 | 1 | |
| 52 | 680066 | ADHESIVE / ADBOND #5014 / 23.6ML BOTTLE | AR | |
| | | | | |
| | | | | |
| | | | | |
| | | | | |
| | | A) USE WITH "SLIDE-OUT" PREVOST | | |
| | | C) CURBSIDE | | |

From P-1348

Date:07/2024

PAGE:VIP-1884-51

SIDE WINDOWS - V.I.P.

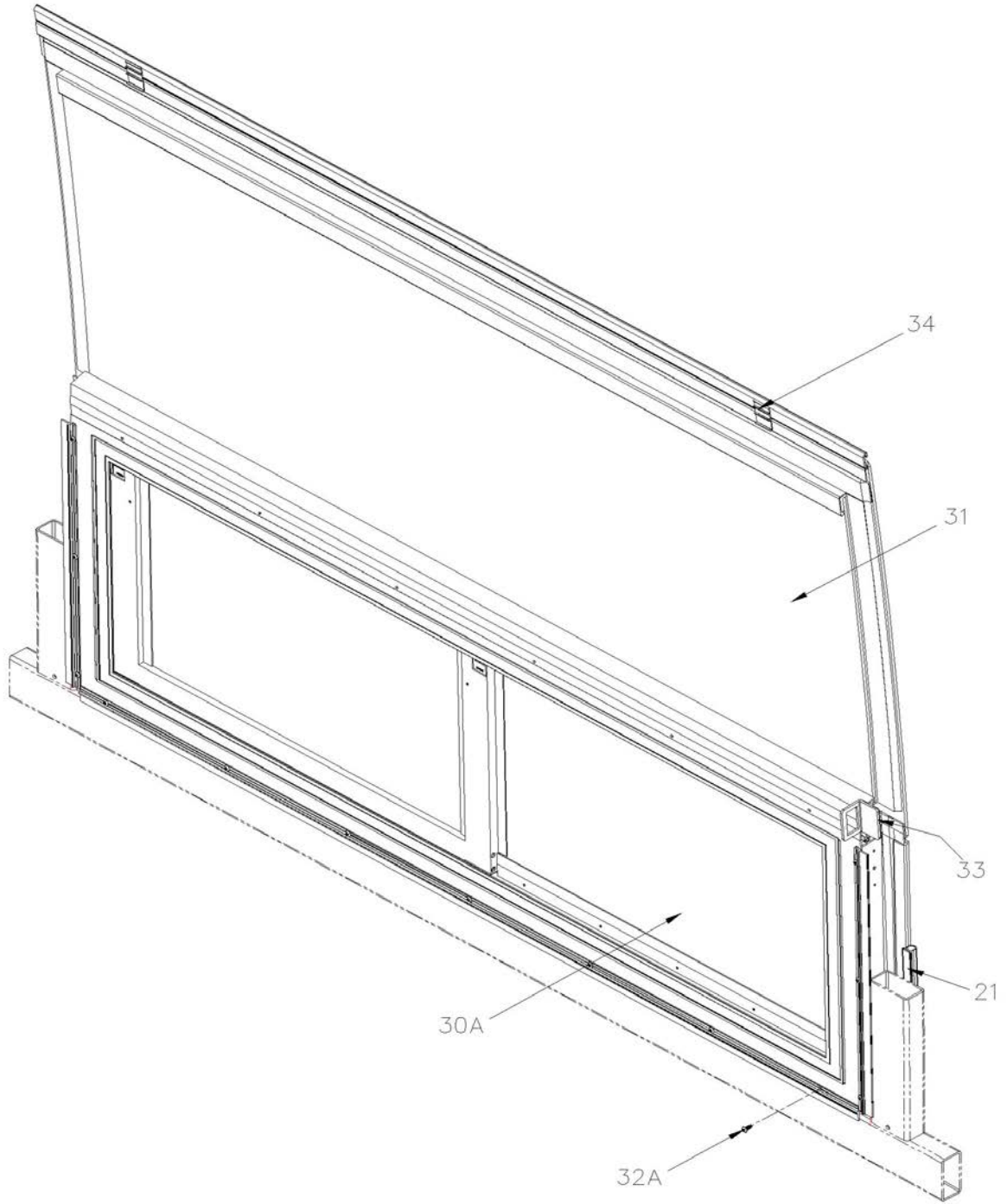


From P-1348

Date:07/2024

PAGE:VIP-1884-51

SIDE WINDOWS - V.I.P.

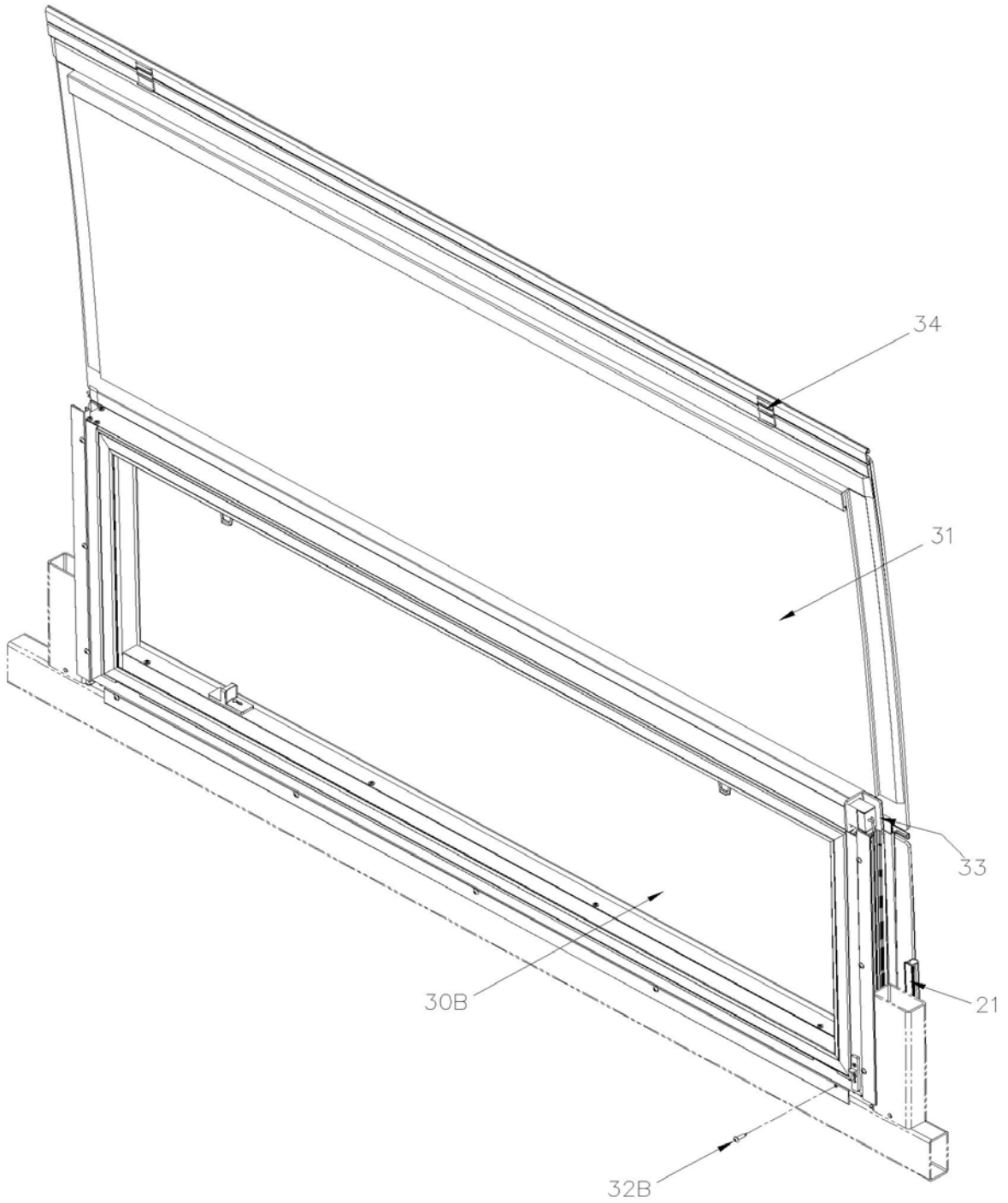


From P-1348

Date:07/2024

PAGE:VIP-1884-51

SIDE WINDOWS - V.I.P.

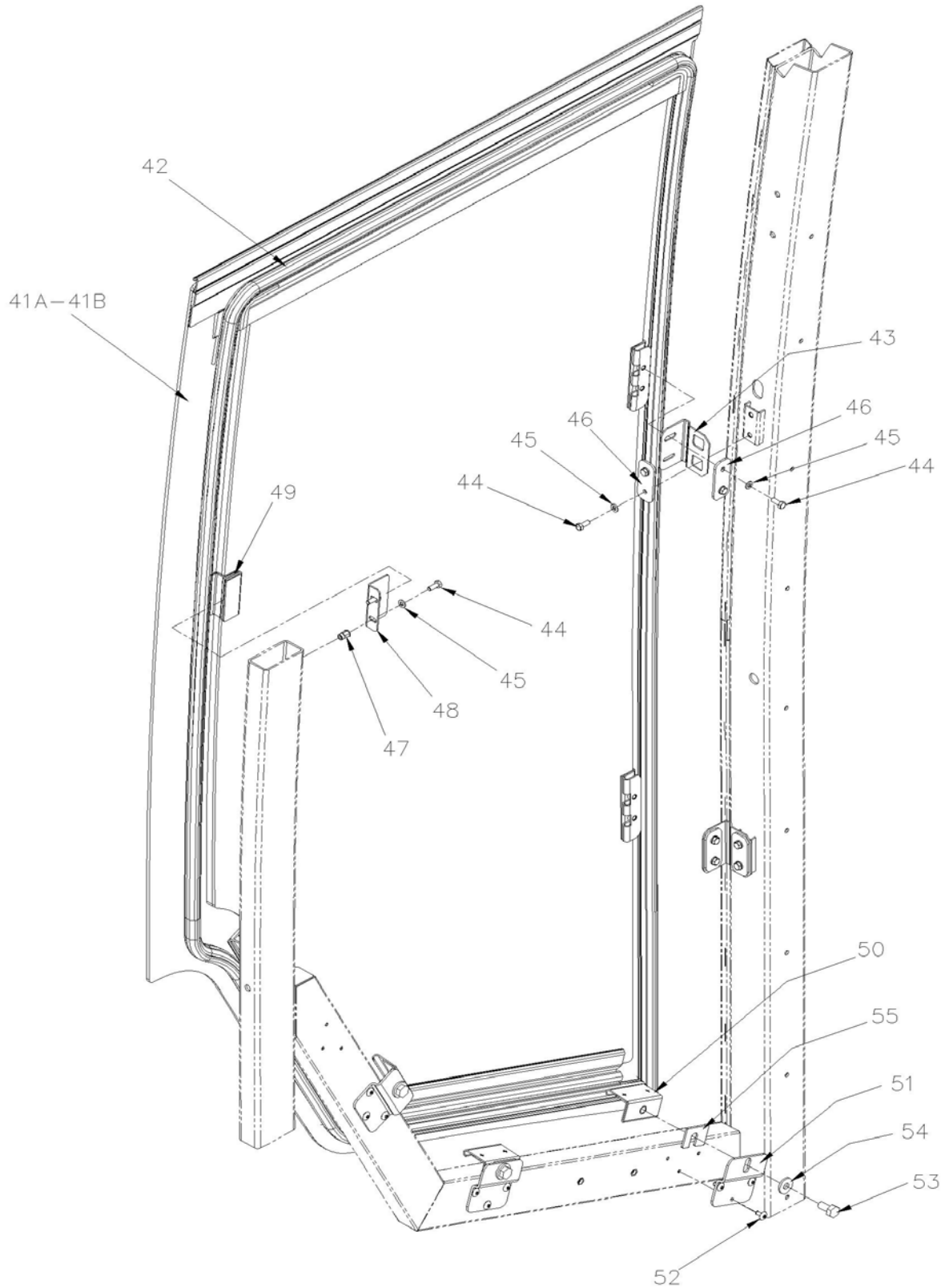


From P-1348

Date:07/2024

PAGE:VIP-1884-51

SIDE WINDOWS - V.I.P.



| | | | |
|------------------------------|--|--------------|------------------|
| From P-1348 | | Date:07/2024 | PAGE:VIP-1884-51 |
| SIDE WINDOWS - V.I.P. | | | |

| Item# | Part | Description | QTY | Notes |
|-------|--------------------|---|-----|-------|
| 1 | 290704 | WINDOW, THERMOS ASSY. 1651MM | 1 | |
| 2 | 290272 | . SEAL, RUBBER 3990MM | 1 | |
| 3 | 290259 | . SEAL, RUBBER 1584MM | 1 | |
| 4 | 290703 | WINDOW, THERMOS ASSY. 933MM | 1 | |
| 5 | 290273 | . SEAL, RUBBER 3270MM | 1 | |
| 6 | 290274 | . SEAL, RUBBER 865MM | 1 | |
| 7 | 290702 | WINDOW, THERMOS ASSY. 628MM | 1 | |
| 8 | 290277 | . SEAL, RUBBER 2965MM | 1 | |
| 9 | 290278 | . SEAL, RUBBER 560MM | 1 | |
| 11 | 290302 | ANCHOR BLOCK W/SCREW M10-1.5 x 30 | 3 | |
| 12 | 505193 | SHIM 1/8" THICK | 3 | |
| 12 | 505213 | SHIM 1/16" THICK | 3 | |
| 13 | 292931 | ANGLE / (WELDED) | 3 | |
| 14 | 5001443 | WASHER FL 10.3x38.0x3.0 SS | 3 | |
| 15 | 502859 | NUT HEX NYRT M10-1.5 N500 | 3 | |
| 21 | 290517 | SEAL, VERTICAL WINDOW 1255MM | 2 | |
| 22 | 290808 | SEAL, WINDOW BOTTOM | AR | |
| NS | 290254 | WINDOW LOCK | 2 | |
| | | | | |
| 30A | VIP-1884-80 | ELECTRICAL SLIDING WINDOW ASSY | | |
| 30B | VIP-1884-65 | ELECTRICAL AWNING WINDOW ASSY | | |
| 31 | 290706 | WINDOW, THERMOS ASSY. 1651MM | 1 | |
| 32A | 500657 | SCREW TC TR PH #10-24x1/2 Z050 | 13 | |
| 32B | 5001545 | SCREW TP PAN PH #10x7/8 Z050 | 11 | |
| 33 | 293854 | SUPPORT SWITCH / REMOTE OPERATIONAL MODEL | 1 | |
| 34 | 290254 | WINDOW LOCK | AR | |
| NS | 790597 | RUBBER BLOCK ADJUSTEMENT 20MM x 31.75MM x 4.7 60 DURO | AR | |
| NS | 790602 | RUBBER BLOCK ADJUSTEMENT 1/2" x 1/2" x 1/8" 80DURO | AR | |
| NS | 685124 | ADHESIVE SIMSON #ISR 70-03 / BLACK / 600ml SAUSAGE | AR | |
| NS | 685385 | GLUE MS POLYMER TEROSON MS 9399 / "A" 14.8 Liters | AR | |
| NS | 685386 | GLUE MS POLYMER TEROSON MS 9399 / "B" 14.8 Liters | AR | |
| NS | 506728 | TAPE RUB ADH1 NEO 1/4" x 3/4" x 10' / BLACK | AR | |
| NS | 506790 | TAPE RUB ADH2 CC POL 1/16" x 1/2" x 200' / BLACK I1C-N-A | AR | |
| | | | | |
| 41A | 290696 | WINDOW, THERMOS ASSY / TRAPEZOIDAL / RH WITH SLIDE-OUT To R-1661 | 1 | |
| 41A | 291031 | WINDOW, THERMOS ASSY / TRAPEZOIDAL / RH WITH SLIDE-OUT From R-1662 | 1 | |
| 41A | 290747 | WINDOW, THERMOS ASSY / TRAPEZOIDAL / RH WITHOUT SLIDE-OUT To R-1661 | 1 | |
| 41A | 291048 | WINDOW, THERMOS ASSY / TRAPEZOIDAL / RH WITHOUT SLIDE-OUT From R-1662 | 1 | |
| 41B | 290697 | WINDOW, THERMOS ASSY / TRAPEZOIDAL / LH WITH SLIDE-OUT To R-1661 | 1 | |
| 41B | 291032 | WINDOW, THERMOS ASSY / TRAPEZOIDAL / LH WITH SLIDE-OUT From R-1662 | 1 | |
| 41B | 290742 | WINDOW, THERMOS ASSY / TRAPEZOIDAL / LH WITHOUT SLIDE-OUT To R-1661 | 1 | |
| 41B | 291046 | WINDOW, THERMOS ASSY / TRAPEZOIDAL / LH WITHOUT SLIDE-OUT From R-1662 | 1 | |

| | | |
|------------------------------|--------------|------------------|
| From P-1348 | Date:07/2024 | PAGE:VIP-1884-51 |
| SIDE WINDOWS - V.I.P. | | |

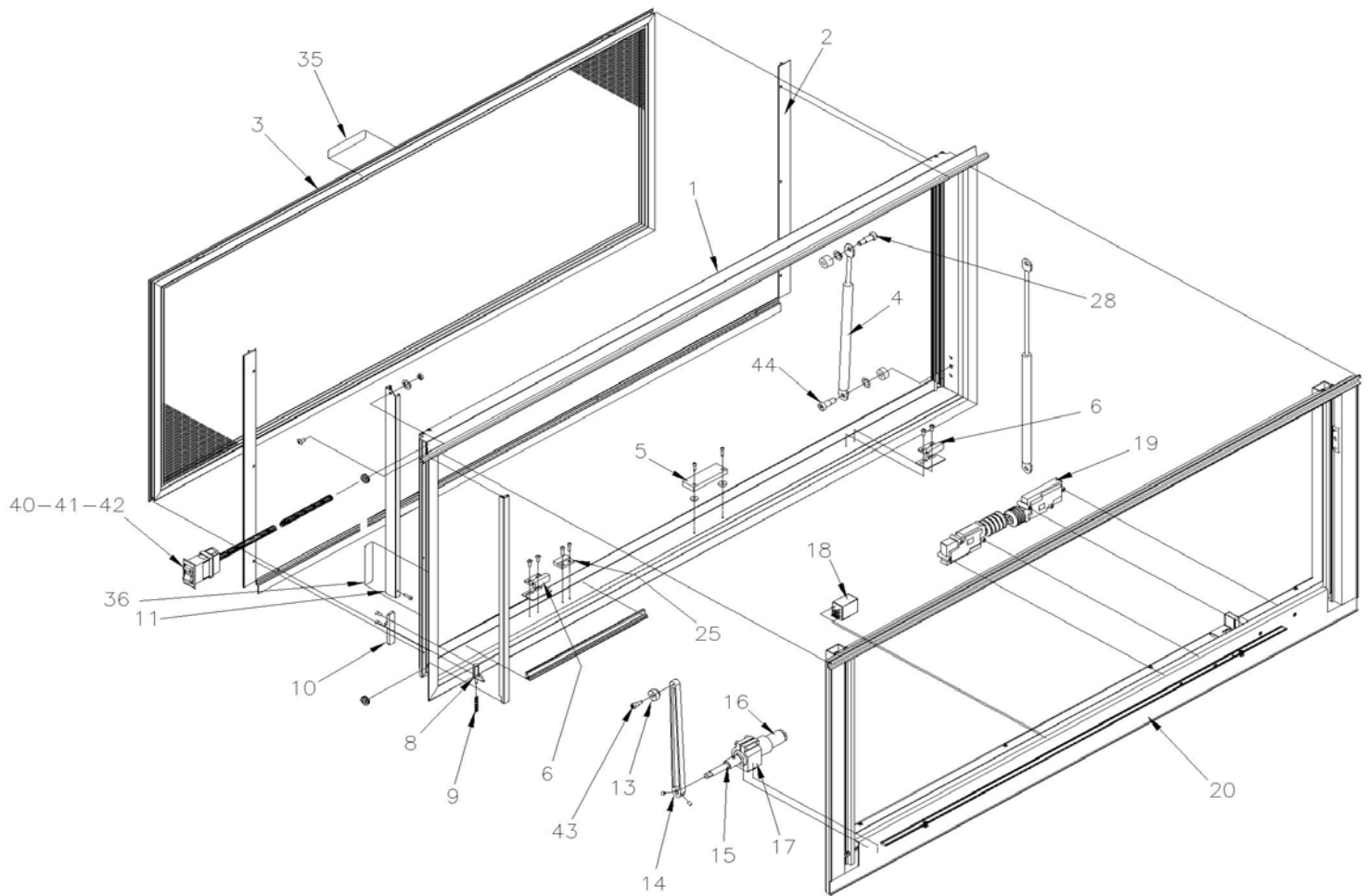
| Item# | Part | Description | QTY | Notes |
|-------|---------|--|-----|-------|
| 42 | 290570 | . SEAL, RUBBER 5142MM | 1 | |
| 43 | 290942 | BRACE, WINDOW TRAPEZE To R-1661 | 2 | |
| 43 | 290942 | BRACE, WINDOW TRAPEZE From R-1662 | 3 | |
| 44 | 5001744 | SCREW CAP HEX M6-1.0x16 G8.8 N500 To R-1661 | 10 | |
| 44 | 5001744 | SCREW CAP HEX M6-1.0x16 G8.8 N500 From R-1662 | 16 | |
| 45 | 502573 | WASHER FL 6.4x12.5x1.6 SS To R-1661 | 10 | |
| 45 | 502573 | WASHER FL 6.4x12.5x1.6 SS From R-1662 | 16 | |
| 46 | 290941 | PLATE To R-1661 | 4 | |
| 46 | 290941 | PLATE From R-1662 | 6 | |
| 47 | 5001344 | NUT INS FL HEX M6-1.0 0.5-3.0 SS | 2 | |
| 48 | 290816 | BRACE, WINDOW TRAPEZE To R-1661 | 1 | |
| 48 | 290816 | BRACE, WINDOW TRAPEZE From R-1662 | 2 | |
| 49 | 506738 | TAPE RUB ADH1 CC POL 1/8" x 1" x 50' / GREY 2520 | AR | |
| 50 | 290530 | MOBILE BRACE | 3 | |
| 51 | 290533 | FIX BRACE | 3 | |
| 52 | 504793 | RIVET MNB OE LARGE HEAD 3/16x7/16 SS | 9 | |
| 53 | 500359 | SCREW CAP HEX M10-1.5x22 G8.8 N500 | 3 | |
| 54 | 5001443 | WASHER FL 10.3x38.0x3.0 SS | 3 | |
| 55 | 505193 | SHIM 1/8" THICK | 3 | |
| NS | 683652 | GREASE SYNTHETIC / RED BOX 50 TUBE | AR | |

From K-0295

Date:07/2024

PAGE:VIP-1884-65

ELECTRICAL AWNING WINDOW ASSY

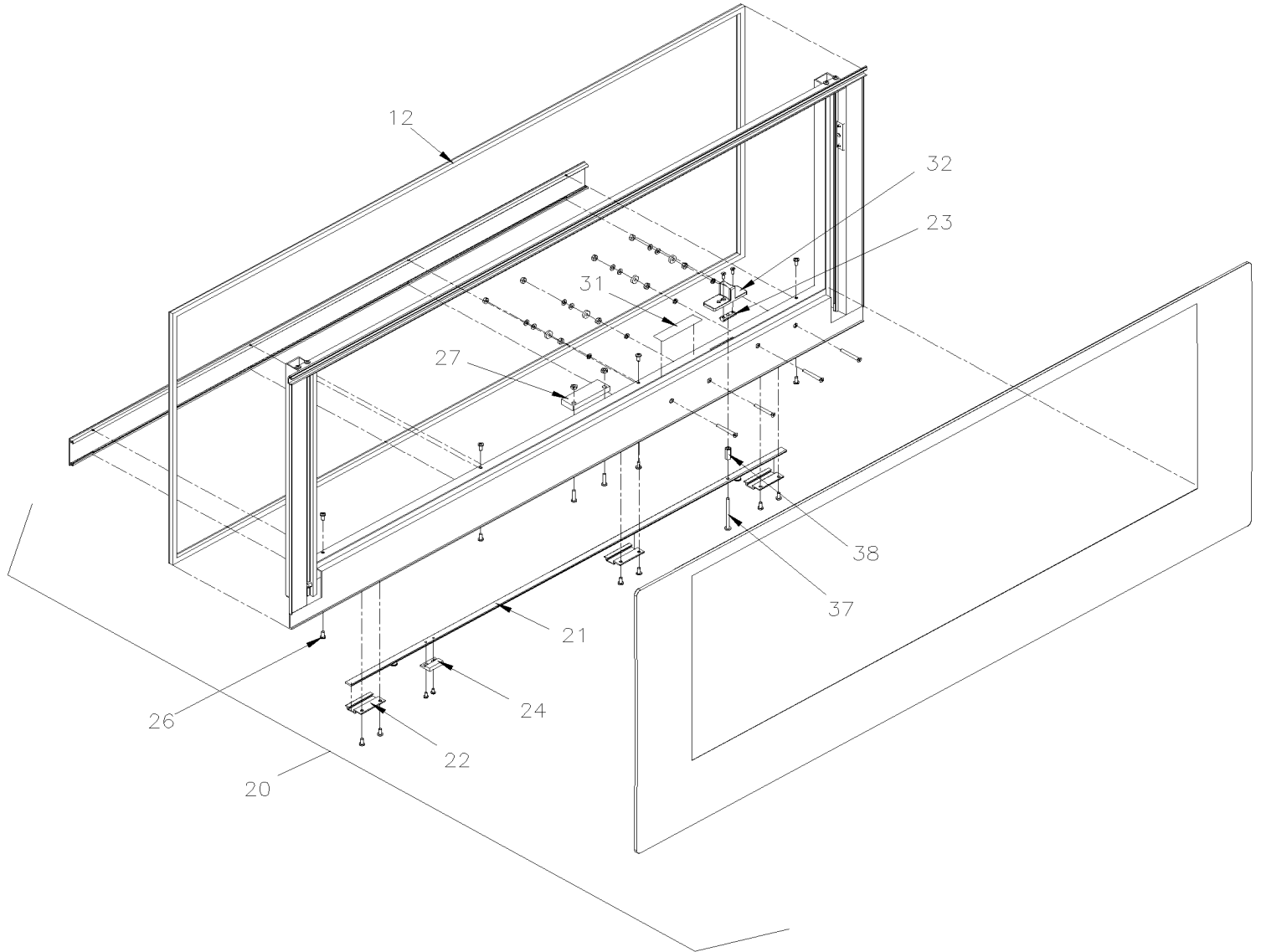


From K-0295

Date:07/2024

PAGE:VIP-1884-65

ELECTRICAL AWNING WINDOW ASSY



| | | | |
|--------------------------------------|--|--------------|------------------|
| From K-0295 | | Date:07/2024 | PAGE:VIP-1884-65 |
| ELECTRICAL AWNING WINDOW ASSY | | | |

| Item# | Part | Description | QTY | Notes |
|-------|----------|--|------|-------|
| | 790612 | AWNING WINDOW ASSY / W/REMOTE SWITCH OPERATING | 1 | |
| . NS | 291204 | . DECAL,SP2 FI (2)OPEN AWNING WIND | 1 | |
| . NS | 291205 | . DECAL, SP2 FI (3)OPEN WINDOW | 1 | |
| 1 | 790617 | . FRAME ASSY | 1 | |
| NS | 790602 | RUBBER BLOCK ADJUSTEMENT ½" x ½" x 1/8" 80DURO | AR | |
| 2 | 790570 | . RETAINING RING | 1 | |
| 3 | 790573 | . SCREEN / V.I.P. 59 ½" x 18 ½" | 1 | |
| 4 | 790578 | . CYLINDER | 1 | |
| 5 | 563442 | . PROXIMITY SWITCH MAGNET | 1 | |
| 6 | 790609 | . TIE BAR KEEPER | 2 | |
| NS | 790611 | . SHIM KEEPER | 2 | |
| 8 | 790574 | . TRACK LATCH | 1 | |
| 9 | 790575 | . SPRING | 1 | |
| 10 | 790582 | . RELEASE LATCH HANDLE / RED / SASH | 1 | |
| 11 | 790581 | . TRACK ROLLER | 1 | |
| 12 | 790579 | . SEAL | 14FT | |
| 13 | 790586 | . ROLLER | 1 | |
| 14 | 790585 | . ARM | 1 | |
| NS | 790045 | . SET SCREW 10-32X1/4 S/S | 2 | |
| 15 | 790587 | . MOTOR COUPLER | 1 | |
| 16 | 790619 | . MOTOR ASSY W/MOTOR MOUNT / SMALL O.D. | 1 | D |
| 16 | N.P.N. | . . MOTOR / SMALL O.D. | 1 | 4 |
| 17 | N.P.N. | . . MOTOR MOUNT / SMALL O.D. | 1 | 4 |
| 18 | 563444 | . RELAY 24V | 1 | |
| 19 | 790623 | . ACTUATOR W/WHITE DECAL | 2 | |
| 20 | 790616 | . GLASS ASSY W/AWNING FRAME | 1 | |
| . NS | 790056 | . . SASH ACTUATOR COVER - H | 1 | |
| 21 | 790590 | . TIE BAR - H | 1 | |
| 22 | 790584 | . GUIDE | 2 | |
| 23 | 790580 | . RELEASE LATCH GUIDE | 1 | |
| 24 | 562641 | . MAGNET | 1 | |
| 25 | 562640 | . SWITCH MAGNETIC | 1 | |
| 25 | 563441 | . . SWITCH / M/ON-OFF-M/ON / S.P.D.T / BLACK | 2 | |
| 26 | N8888119 | . SCREW #8-32 X 0.38 | AR | |
| 27 | 563443 | . PROXIMITY SWITCH SENSOR | 1 | |
| 28 | 790996 | . SHOULDER BOLT 3/8 X 5/8 | 1 | |
| 31 | 299098 | . DECAL / "EMERGENCY EXIT" # 3 | 1 | |
| 32 | 790620 | . RELEASE LATCH HANDLE / RED / FRAME | 1 | |
| 35 | 790599 | . DECAL / "EMERGENCY EXIT" # 1 / PULL SCREEN | 1 | |
| 36 | 790600 | . DECAL / "EMERGENCY EXIT" # 2 | 1 | |
| 37 | 790012 | . SCREW MA PAN PH #10-32x2 1/4 SS | 1 | |
| 38 | 790013 | . COUPLING #10-32x5/16 OD x3/4 ZP | 1 | |

| | | |
|-------------|--------------|------------------|
| From K-0295 | Date:07/2024 | PAGE:VIP-1884-65 |
|-------------|--------------|------------------|

ELECTRICAL AWNING WINDOW ASSY

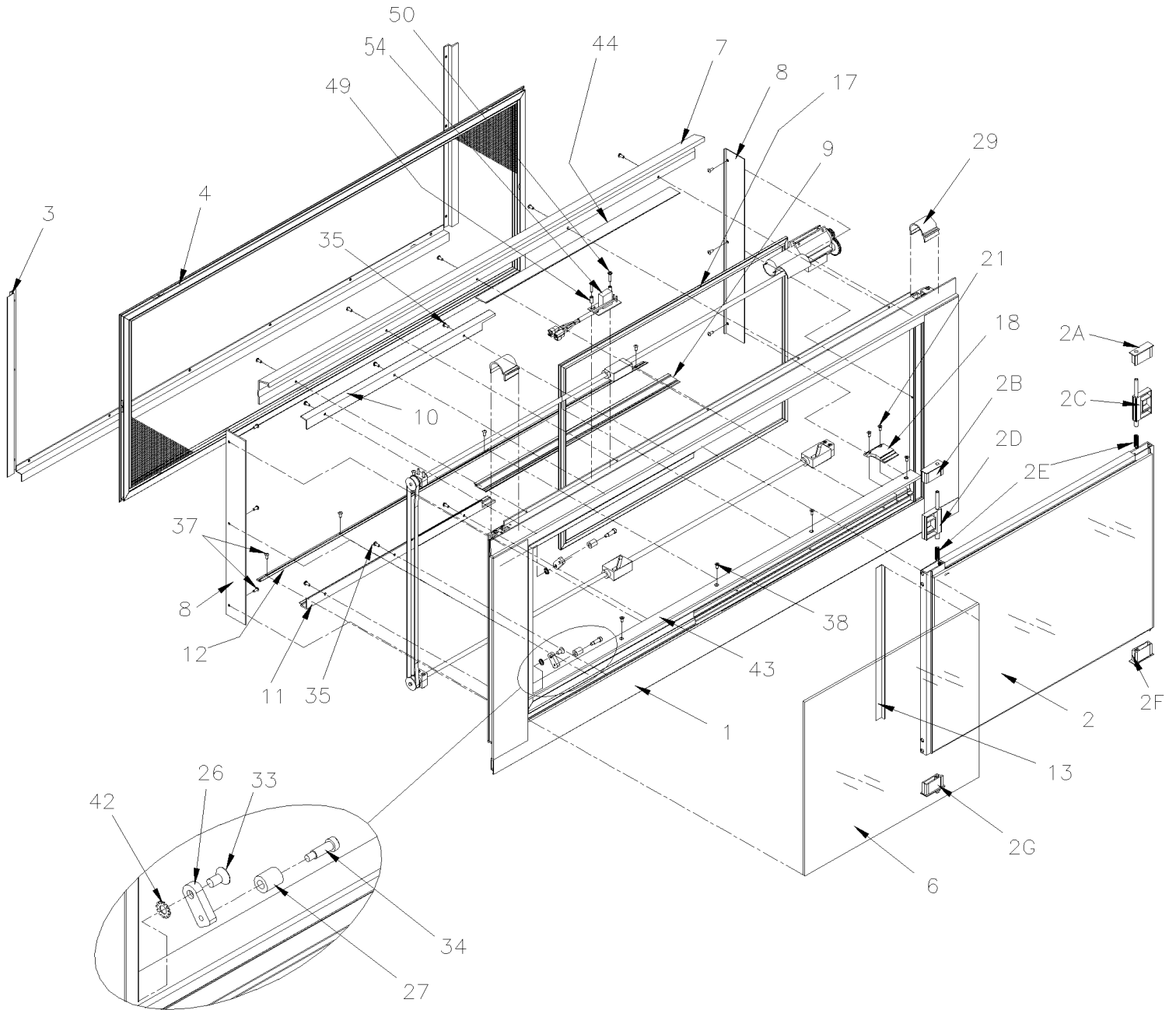
| Item# | Part | Description | QTY | Notes |
|-------|---------|--|-----|-------|
| 40 | 563570 | . CABLE ASSY WITH ROCKER SWITCH AND HARNESS / W/XL2 & H3 | 1 | A |
| NS | 293854 | . SUPPORT SWITCH / REMOTE OPERATIONAL MODEL | 1 | |
| 41 | 563571 | . . SWITCH / M/ON-OFF-M/ON S.P.D.T. | 1 | |
| 42 | 563572 | . . CAP / "OPEN - CLOSE" | 1 | |
| 43 | 790058 | . SHOULDER BOLT SS, 10-24X0.625 | 1 | |
| 44 | 790059 | . SHOULDER BOLT SS, 3/8 X 1/2 | 1 | |
| NS | 061489 | CABLE ASSY / POWER AWNING EXTENTION | 1 | |
| NS | 066029 | CABLE ASSY / POWER AWNING EXTENTION 3M | 1 | |
| NS | 7770423 | MASK FOR WINDOW MTH | 1 | |
| NS | 790597 | RUBBER BLOCK ADJUSTEMENT 20MM x 31.75MM x 4.7 60 DURO | 6 | |
| NS | 790602 | RUBBER BLOCK ADJUSTEMENT 1/2" x 1/2" x 1/8" 80DURO | 4 | |
| NS | 5001545 | SCREW TP PAN PH #10x7/8 Z050 | 11 | |
| NS | 685124 | ADHESIVE SIMSON #ISR 70-03 / BLACK / 600ml SAUSAGE | AR | |
| NS | 506790 | TAPE RUB ADH2 CC POL 1/16" x 1/2" x 200' / BLACK I1C-N-A | AR | |
| NS | 293854 | SUPPORT SWITCH / REMOTE OPERATIONAL MODEL | 1 | |
| | | | | |
| | | | | |
| | | A) THIS SWITCH ASSY COULD BE USE FROM 5-0162 | | |
| | | D) INCLUDE ITEM # 15, 16 & 17 WITH ELECTRICAL CONNECTOR | | |
| | | 4) NO PARTS NUMBER | | |

From K-0295 To R-1597

Date:07/2024

PAGE:VIP-1884-80

ELECTRICAL SLIDING WINDOW ASSY

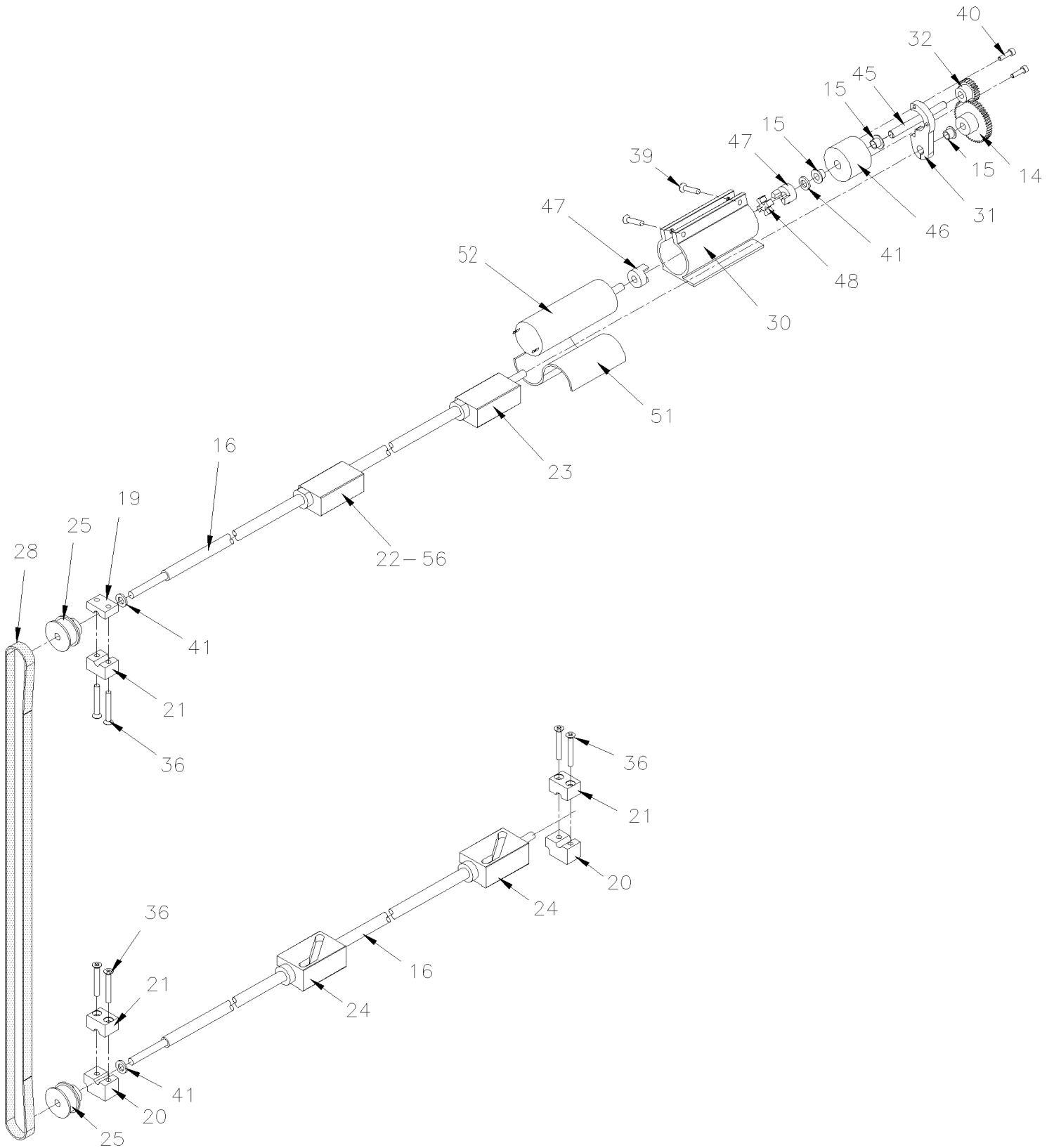


From K-0295 To R-1597

Date:07/2024

PAGE:VIP-1884-80

ELECTRICAL SLIDING WINDOW ASSY



| | | |
|------------------------------|---------------------|-------------------------|
| From K-0295 To R-1597 | Date:07/2024 | PAGE:VIP-1884-80 |
|------------------------------|---------------------|-------------------------|

ELECTRICAL SLIDING WINDOW ASSY

| Item# | Part | Description | QTY | Notes |
|-------|--------|---|-----|-------|
| | 791006 | ELECTRICAL SLIDING WINDOW ASSY | 1 | |
| . NS | 291203 | . DECAL,SP2 FI (2)OPEN SLIDING WIND | 1 | |
| 1 | 790712 | . FRAME COMPONENT ASSY | 1 | |
| 2 | 790715 | . SASH ASSY - 5MM T GRAY/4mm T CLR | 1 | |
| . A | 790751 | . . SASH INSERT - RH UPPER / LH LOWER | 1 | |
| . B | 790750 | . . SASH INSERT - LH UPPER / RH LOWER | 1 | |
| . C | 790728 | . . RELEASE LATCH ASSY - RH | 1 | |
| . D | 790727 | . . RELEASE LATCH ASSY - LH | 1 | |
| . E | 790752 | . . SPRING RELEASE LATCH | 2 | |
| . F | 790732 | . . FIXED SASH INSERT ASSY - RH | 1 | |
| . G | 790730 | . . FIXED SASH INSERT ASSY - LH | 1 | |
| 3 | 790718 | . CLAMPRING ASSY | 1 | |
| 4 | 790720 | . SCREEN ASSY | 1 | |
| 6 | 790708 | . GLASS ASSY-5MM T GRAY/4mm T CLR-H-FIXED | 1 | |
| 7 | 790710 | . COVER HEADER ACCESS | 1 | |
| 8 | 790714 | . JAMB COVER | 2 | |
| 9 | 790731 | . COVER SASH GUIDE - SILL | 2 | |
| 10 | 790735 | . COVER FIXED GUIDE- HEADER | 1 | |
| 11 | 790739 | . COVER FIXED GUIDE- SILL | 1 | |
| 12 | 790759 | . COVER INNER GUIDE | 1 | |
| 13 | 790741 | . FIXED GLAZING ANGLE | 1 | |
| 14 | 790770 | . SPUR GEAR - 1 1/2" - STAINLESS / W/24Volt Motor | 1 | |
| 14 | 790780 | . SPUR GEAR - 1 1/4" - STAINLESS / W/30Volt Motor | 1 | |
| 15 | 790743 | . FLANGE BEARING 0.25" DEPTH | 1 | |
| 16 | 790745 | . DRIVE SHAFT | 2 | |
| 17 | 790778 | . D-SEAL EPDM SPONGE (PER FT) | AR | |
| 18 | 790746 | . SASH END STOP | 1 | |
| 19 | 790747 | . BLOCK BASE SUPPORT SHAFT - UPPER | 1 | |
| 20 | 790748 | . BLOCK BASE SUPPORT SHAFT - LOWER | 2 | |
| 21 | 790749 | . CAP SUPPORT BLOCK SHAFT | 3 | |
| 22 | 790724 | . FOLLOWER CAM ASSY - UPPER w/ MAGNET | 1 | |
| . NS | 790015 | . . BUSHING INSERT | 1 | |
| 23 | 790725 | . FOLLOWER CAM ASSY - UPPER | 1 | |
| . NS | 790015 | . . BUSHING INSERT | 1 | |
| 24 | 790726 | . FOLLOWER CAM ASSY - LOWER | 2 | |
| . NS | 790015 | . . BUSHING INSERT | 1 | |
| 25 | 790753 | . PULLEY | 2 | |
| 26 | 790754 | . BRACKET TENSIONER | 2 | |
| 27 | 790755 | . ROLLER TENSIONER | 2 | |
| 28 | 790756 | . DRIVE BELT | 1 | |
| 29 | 790757 | . COVER, GEAR | 1 | |
| 30 | 790740 | . MOTOR MOUNT | 1 | |

| | | |
|---------------------------------------|---------------------|-------------------------|
| From K-0295 To R-1597 | Date:07/2024 | PAGE:VIP-1884-80 |
| ELECTRICAL SLIDING WINDOW ASSY | | |

| Item# | Part | Description | QTY | Notes |
|--------|--------|--|-----|-------|
| 31 | 790742 | . MOTOR MOUNT END PLATE | 1 | |
| 32 | 790769 | . SPUR GEAR - 3/4" - ACETAL / W/24Volt Motor | 1 | |
| 32 | 790781 | . SPUR GEAR - 1" - ACETAL / W/30Volt Motor | 1 | |
| 33 | N.P.N. | . SCREW CAP FL HEXS 1/4-20 x 1/2 | 2 | 4 |
| 34 | N.P.N. | . SCREW SHR CAP HEX .250x.625 | 2 | 4 |
| 35 | 500883 | . SCREW TC PAN PH #8-32x3/8 Z050 | 6 | |
| 36 | 500887 | . SCREW MA FL PH #8-32x1 1/4 SS | 6 | |
| 37 | 790704 | . SCREW CAP BUT HEXS #8-32x3/8 420 S/S BLACK OX | 19 | |
| 38 | 790702 | . SCREW MA FL PH #8-32x3/8 410 S/S BLACK OX | 7 | |
| 39 | 790703 | . SCREW MA FL PH #8-32x7/8 TYPE 23 410 SS | 2 | |
| 40 | 790773 | . SCREW CAP HEXS M3-0.5x9.5 SS | 2 | |
| 41 | 790774 | . WASHER FL .250x.470x .065 | 2 | |
| 42 | 790775 | . WASHER LO EXT .250x.500x.187 SS | 2 | |
| 43 | 790761 | . STRIP ANTI FRICTION | 1 | |
| 44 | 790763 | . COVER SASH GUIDE - HEADER | 1 | |
| 45 | 790767 | . OUTPUT SHAFT | 1 | |
| 46 | 790768 | . SUPPORT OUTPUT SHAFT | 1 | |
| 47 | 790766 | . JAW COUPLER | 2 | |
| 48 | 790765 | . SPIDER | 1 | |
| 49 | 790772 | . SPACER SLEEVE | 2 | |
| 50 | 790700 | . SCREW MA PAN PH #8-32x7/8 TYPE 23 410 SS | 1 | |
| 51 | 790771 | . PAD VIBRATION DAMPER | 1 | |
| 52 | 790738 | MOTOR ELECTRIC 24V ASSY / W/CABLE | 1 | P |
| 52 | 790779 | . MOTOR ELECTRIC 30V ASSY | 1 | |
| 53 | 790736 | CABLE ASSY W/CAPACITOR / MOTOR 24V | 1 | |
| . NS | 790721 | . FRAME WIRING HARNESS WITH RELAY ASSY | 1 | |
| . . NS | 790002 | . . RELAY | 1 | |
| . NS | 790722 | . POWER WIRING HARNESS ASSY | 1 | |
| . NS | 790738 | . MOTOR ELECTRIC 24V ASSY / W/CABLE | 1 | |
| . NS | 790723 | . PROXIMITY SENSOR ASSY | 2 | |
| . NS | 563570 | . CABLE ASSY WITH ROCKER SWITCH AND HARNESS / W/XL2 & H3 | 1 | |
| . NS | 790764 | . VOLTAGE REGULATOR | 1 | |
| 54 | 790721 | . FRAME WIRING HARNESS WITH RELAY ASSY | 1 | |
| . NS | 790002 | . . RELAY | 1 | |
| 56 | 790723 | PROXIMITY SENSOR ASSY | 1 | |
| NS | 790599 | DECAL / "EMERGENCY EXIT" # 1 / PULL SCREEN | 1 | |
| NS | 790600 | DECAL / "EMERGENCY EXIT" # 2 | 1 | |
| NS | 790597 | RUBBER BLOCK ADJUSTEMENT 20MM x 31.75MM x 4.7 60 DURO | 2 | |
| NS | 790602 | RUBBER BLOCK ADJUSTEMENT 1/2" x 1/2" x 1/8" 80DURO | 4 | |
| NS | 500657 | SCREW TC TR PH #10-24x1/2 Z050 | 13 | |
| NS | 685124 | ADHESIVE SIMSON #ISR 70-03 / BLACK / 600ml SAUSAGE | AR | |

| | | | |
|-----------------------|--|--------------|------------------|
| From K-0295 To R-1597 | | Date:07/2024 | PAGE:VIP-1884-80 |
|-----------------------|--|--------------|------------------|

ELECTRICAL SLIDING WINDOW ASSY

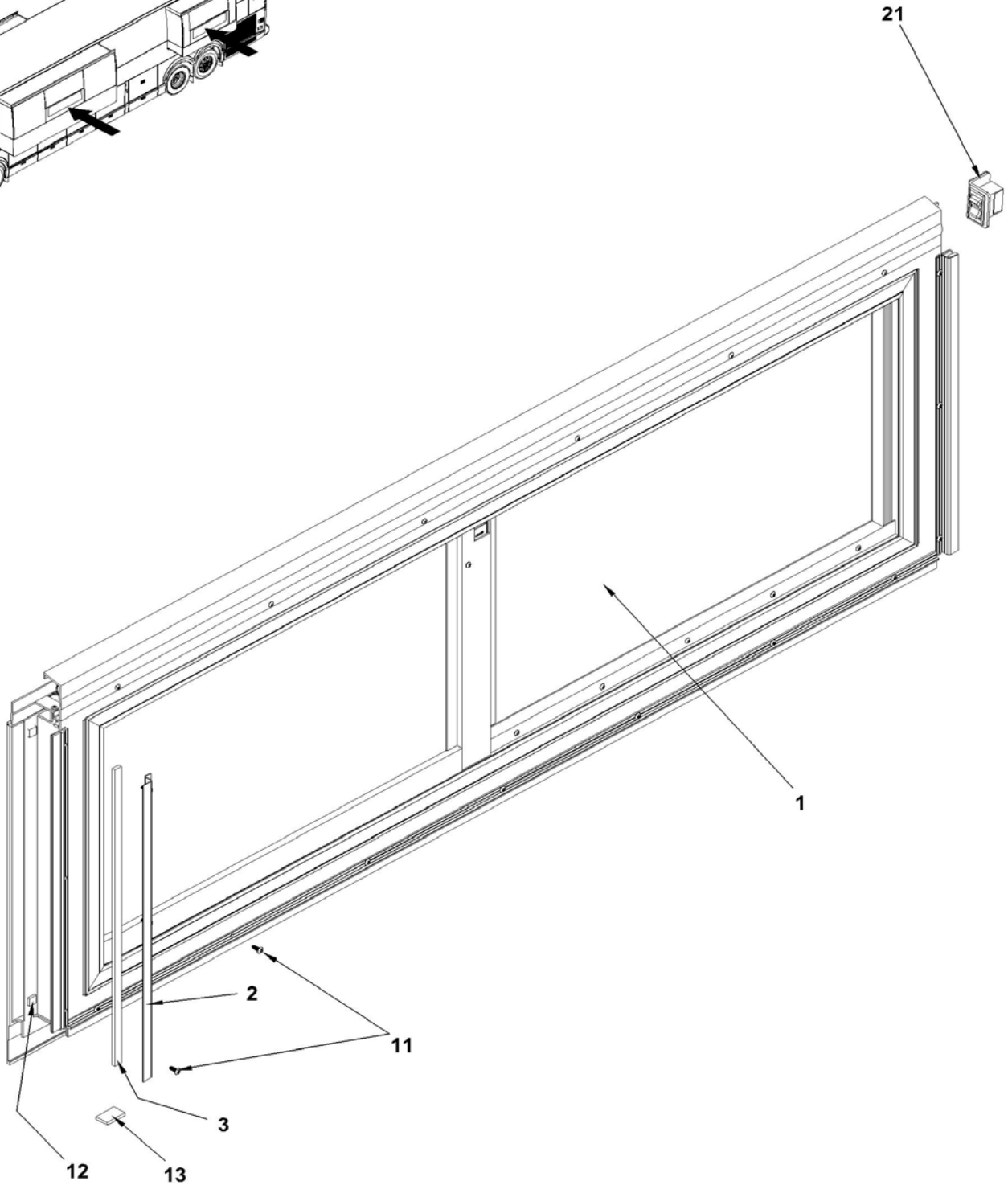
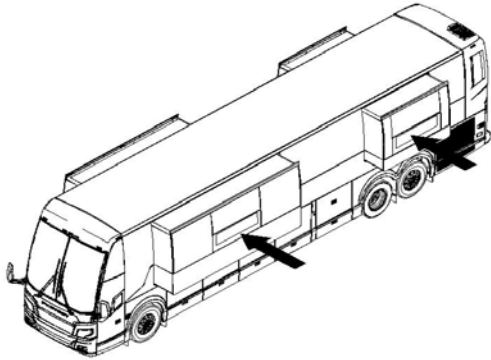
| Item# | Part | Description | QTY | Notes |
|-------|--------|---|-----|-------|
| NS | 506728 | TAPE RUB ADH1 NEO 1/4" x 3/4" x 10' / BLACK | AR | |
| NS | 506790 | TAPE RUB ADH2 CC POL 1/16" x 1/2" x 200' / BLACK I1C-N-A | AR | |
| NS | 293854 | SUPPORT SWITCH / REMOTE OPERATIONAL MODEL | 1 | |
| | | | | |
| | | | | |
| | | P) PRODUCT IMPROVEMENT FOR 30 VOLT MOTOR IT REQUIRE 1x790779 Motor With 1x780780 Gear & 1x780781 Gear | | |
| | | 4) NO PARTS NUMBER | | |

From R-1598

Date:07/2024

PAGE:VIP-1884-81

ELECTRICAL SLIDING WINDOW ASSY

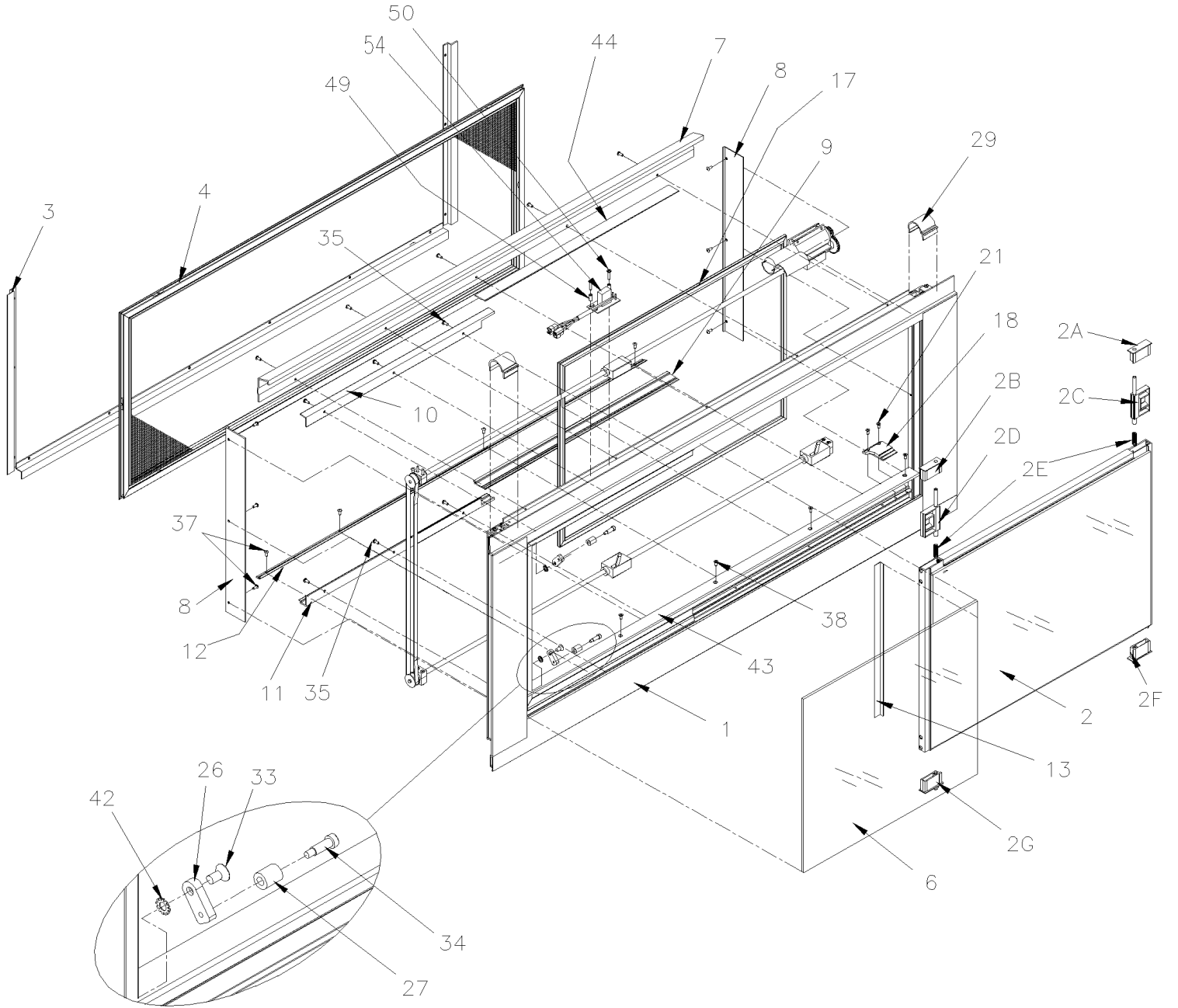


| | | |
|-------------|--------------|------------------|
| From R-1598 | Date:07/2024 | PAGE:VIP-1884-81 |
|-------------|--------------|------------------|

ELECTRICAL SLIDING WINDOW ASSY

| Item# | Part | Description | QTY | Notes |
|-------|--------|--|-----|-------|
| 1 | 790043 | ELECTRICAL SLIDING WINDOW ASSY / 1651MM | 1 | |
| 2 | 290571 | WINDOW FASTENING | 1 | A |
| 3 | 506002 | TAPE RUB ADH1 CC POL 3/16" x 1/2" x 40' / GREY 2520 | AR | A |
| 11 | 500657 | SCREW TC TR PH #10-24x1/2 Z050 | 12 | |
| 12 | 790602 | RUBBER BLOCK ADJUSTEMENT 1/2" x 1/2" x 1/8" 80DURO | 4 | |
| 13 | 790597 | RUBBER BLOCK ADJUSTEMENT 20MM x 31.75MM x 4.7 60 DURO | 4 | |
| NS | 685124 | ADHESIVE SIMSON #ISR 70-03 / BLACK / 600ml SAUSAGE | AR | |
| NS | 685387 | GLUE MS POLYMER TEROSON MS 9399 / 400ml CARTRIDGE | AR | |
| NS | 506962 | RUB POL 1/4 X 7/16 X 1 LG | 6 | |
| NS | 507087 | TAPE RUB ADH1 NEO BLACK 1/4"X3/8"X1/2"LG | AR | |
| NS | 506728 | TAPE RUB ADH1 NEO 1/4" x 3/4" x 10' / BLACK | AR | |
| 21 | 293854 | SUPPORT SWITCH / REMOTE OPERATIONAL MODEL | 1 | |
| NS | 506790 | TAPE RUB ADH2 CC POL 1/16" x 1/2" x 200' / BLACK I1C-N-A | 1 | |
| NS | 060400 | CABLE ASSY / POWER AWNING EXTENTION 3M | 1 | |
| NS | 680415 | TAPE ADHESIVE 3" WIDE BLUE | AR | |
| NS | 682176 | SEALANT SIKA #221 / BLACK / 310ml CARTRIDGE | AR | |
| NS | 562679 | 4 WAY ADH. BACKED MOUNTS 1.000 x 1.000 x .160 | AR | |
| | | | | |
| | | | | |
| | | | | |
| | | A) NOT USE WITH WINDOW INSTALL INSIDE THE SLIDE-OUT | | |

| | | |
|---|--------------|-------------|
| From R-1598 | Date:07/2024 | PAGE:790043 |
| ELECTRICAL SLIDING WINDOW ASSY / 1651MM | | |

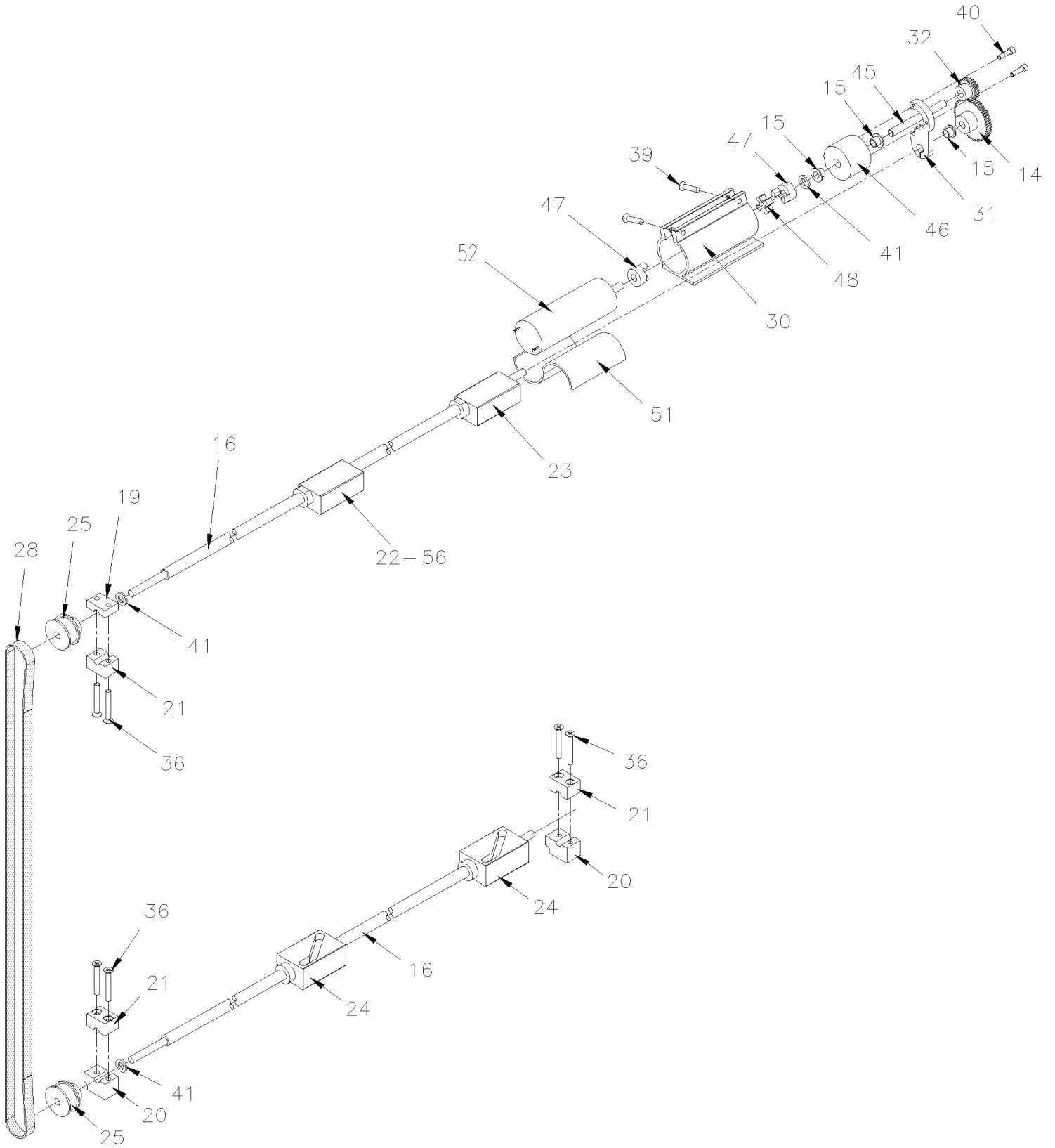


From R-1598

Date:07/2024

PAGE:790043

ELECTRICAL SLIDING WINDOW ASSY / 1651MM



| | | | |
|--|--|--------------|-------------|
| From R-1598 | | Date:07/2024 | PAGE:790043 |
| ELECTRICAL SLIDING WINDOW ASSY / 1651MM | | | |

| Item# | Part | Description | QTY | Notes |
|-------|-----------------|---|-----|-------|
| | | ELECTRICAL SLIDING WINDOW ASSY | 1 | |
| 1 | Call order desk | . FRAME ASSY | 1 | P |
| 2 | 790715 | . SASH ASSY - 5MM T GRAY/4mm T CLR | 1 | |
| . A | 790751 | . . SASH INSERT - RH UPPER / LH LOWER | 1 | |
| . B | 790750 | . . SASH INSERT - LH UPPER / RH LOWER | 1 | |
| . C | 790728 | . . RELEASE LATCH ASSY - RH | 1 | |
| . D | 790727 | . . RELEASE LATCH ASSY - LH | 1 | |
| . E | 790752 | . . SPRING RELEASE LATCH | 2 | |
| . F | 790732 | . . FIXED SASH INSERT ASSY - RH | 1 | |
| . G | 790730 | . . FIXED SASH INSERT ASSY - LH | 1 | |
| 3 | 790718 | . CLAMPRING ASSY | 1 | |
| 4 | 790720 | . SCREEN ASSY | 1 | |
| 6 | Call order desk | . GLASS FIXED ASSY | 1 | P |
| 7 | 790710 | . COVER HEADER ACCESS | 1 | |
| 8 | 790714 | . JAMB COVER | 2 | |
| 9 | 790731 | . COVER SASH GUIDE - SILL | 2 | |
| 10 | 790735 | . COVER FIXED GUIDE- HEADER | 1 | |
| 11 | 790739 | . COVER FIXED GUIDE- SILL | 1 | |
| 12 | 790759 | . COVER INNER GUIDE | 1 | |
| 13 | 790741 | . FIXED GLAZING ANGLE | 1 | |
| 14 | 790770 | . SPUR GEAR - 1 1/2" - STAINLESS / W/24Volt Motor | 1 | |
| 14 | 790780 | . SPUR GEAR - 1 1/4" - STAINLESS / W/30Volt Motor | 1 | |
| 15 | 790743 | . FLANGE BEARING 0.25" DEPTH | 1 | |
| 16 | 790745 | . DRIVE SHAFT | 2 | |
| 17 | 790778 | . D-SEAL EPDM SPONGE (PER FT) | AR | |
| 18 | 790746 | . SASH END STOP | 1 | |
| 19 | 790747 | . BLOCK BASE SUPPORT SHAFT - UPPER | 1 | |
| 20 | 790748 | . BLOCK BASE SUPPORT SHAFT - LOWER | 2 | |
| 21 | 790749 | . CAP SUPPORT BLOCK SHAFT | 3 | |
| 22 | 790724 | . FOLLOWER CAM ASSY - UPPER w/ MAGNET | 1 | |
| . NS | 790015 | . . BUSHING INSERT | 1 | |
| 23 | 790725 | . FOLLOWER CAM ASSY - UPPER | 1 | |
| . NS | 790015 | . . BUSHING INSERT | 1 | |
| 24 | 790726 | . FOLLOWER CAM ASSY - LOWER | 2 | |
| . NS | 790015 | . . BUSHING INSERT | 1 | |
| 25 | 790753 | . PULLEY | 2 | |
| 26 | 790754 | . BRACKET TENSIONER | 2 | |
| 27 | 790755 | . ROLLER TENSIONER | 2 | |
| 28 | 790756 | . DRIVE BELT | 1 | |
| 29 | 790757 | . COVER, GEAR | 1 | |
| 30 | 790740 | . MOTOR MOUNT | 1 | |
| 31 | 790742 | . MOTOR MOUNT END PLATE | 1 | |

| | | | |
|--|--|--------------|-------------|
| From R-1598 | | Date:07/2024 | PAGE:790043 |
| ELECTRICAL SLIDING WINDOW ASSY / 1651MM | | | |

| Item# | Part | Description | QTY | Notes |
|--------|--------|--|-----|-------|
| 32 | 790769 | . SPUR GEAR - 3/4" - ACETAL / W/24Volt Motor | 1 | |
| 32 | 790781 | . SPUR GEAR - 1" - ACETAL / W/30Volt Motor | 1 | |
| 33 | N.P.N. | . SCREW CAP FL HEXS 1/4-20 x 1/2 | 2 | 4 |
| 34 | N.P.N. | . SCREW SHR CAP HEX .250x.625 | 2 | 4 |
| 35 | 500883 | . SCREW TC PAN PH #8-32x3/8 Z050 | 6 | |
| 36 | 500887 | . SCREW MA FL PH #8-32x1 1/4 SS | 6 | |
| 37 | 790704 | . SCREW CAP BUT HEXS #8-32x3/8 420 S/S BLACK OX | 19 | |
| 38 | 790702 | . SCREW MA FL PH #8-32x3/8 410 S/S BLACK OX | 7 | |
| 39 | 790703 | . SCREW MA FL PH #8-32x7/8 TYPE 23 410 SS | 2 | |
| 40 | 790773 | . SCREW CAP HEXS M3-0.5x9.5 SS | 2 | |
| 41 | 790774 | . WASHER FL .250x.470x .065 | 2 | |
| 42 | 790775 | . WASHER LO EXT .250x.500x.187 SS | 2 | |
| 43 | 790761 | . STRIP ANTI FRICTION | 1 | |
| 44 | 790763 | . COVER SASH GUIDE - HEADER | 1 | |
| 45 | 790767 | . OUTPUT SHAFT | 1 | |
| 46 | 790768 | . SUPPORT OUTPUT SHAFT | 1 | |
| 47 | 790766 | . JAW COUPLER | 2 | |
| 48 | 790765 | . SPIDER | 1 | |
| 49 | 790772 | . SPACER SLEEVE | 2 | |
| 50 | 790700 | . SCREW MA PAN PH #8-32x7/8 TYPE 23 410 SS | 1 | |
| 51 | 790771 | . PAD VIBRATION DAMPER | 1 | |
| 52 | 790779 | . MOTOR ELECTRIC 30V ASSY | 1 | |
| 53 | 790736 | . CABLE ASSY W/CAPACITOR / MOTOR 24V | 1 | |
| . NS | 790721 | . . FRAME WIRING HARNESS WITH RELAY ASSY | 1 | |
| . . NS | 790002 | . . . RELAY | 1 | |
| . NS | 790722 | . . POWER WIRING HARNESS ASSY | 1 | |
| . NS | 790738 | . . MOTOR ELECTRIC 24V ASSY / W/CABLE | 1 | |
| . NS | 790723 | . . PROXIMITY SENSOR ASSY | 2 | |
| . NS | 563570 | . . CABLE ASSY WITH ROCKER SWITCH AND HARNESS / W/XL2 & H3 | 1 | |
| . NS | 790764 | . . VOLTAGE REGULATOR | 1 | |
| NS | 790721 | . FRAME WIRING HARNESS WITH RELAY ASSY | 1 | |
| . NS | 790002 | . . RELAY | 1 | |
| 56 | 790723 | PROXIMITY SENSOR ASSY | 1 | |
| NS | 790599 | DECAL / "EMERGENCY EXIT" # 1 / PULL SCREEN | 1 | |
| NS | 790600 | DECAL / "EMERGENCY EXIT" # 2 To R-4014 | 1 | |
| 58 | 790600 | DECAL / "EMERGENCY EXIT" # 2 To R-1813 | 1 | |
| 58 | 291203 | DECAL,SP2 FI (2)OPEN SLIDING WIND From R-4015 | 1 | |
| 58 | 291203 | DECAL,SP2 FI (2)OPEN SLIDING WIND From R-1814 | 1 | |
| | | | | |
| | | | | |
| | | | | |
| | | 4) NO PARTS NUMBER | | |

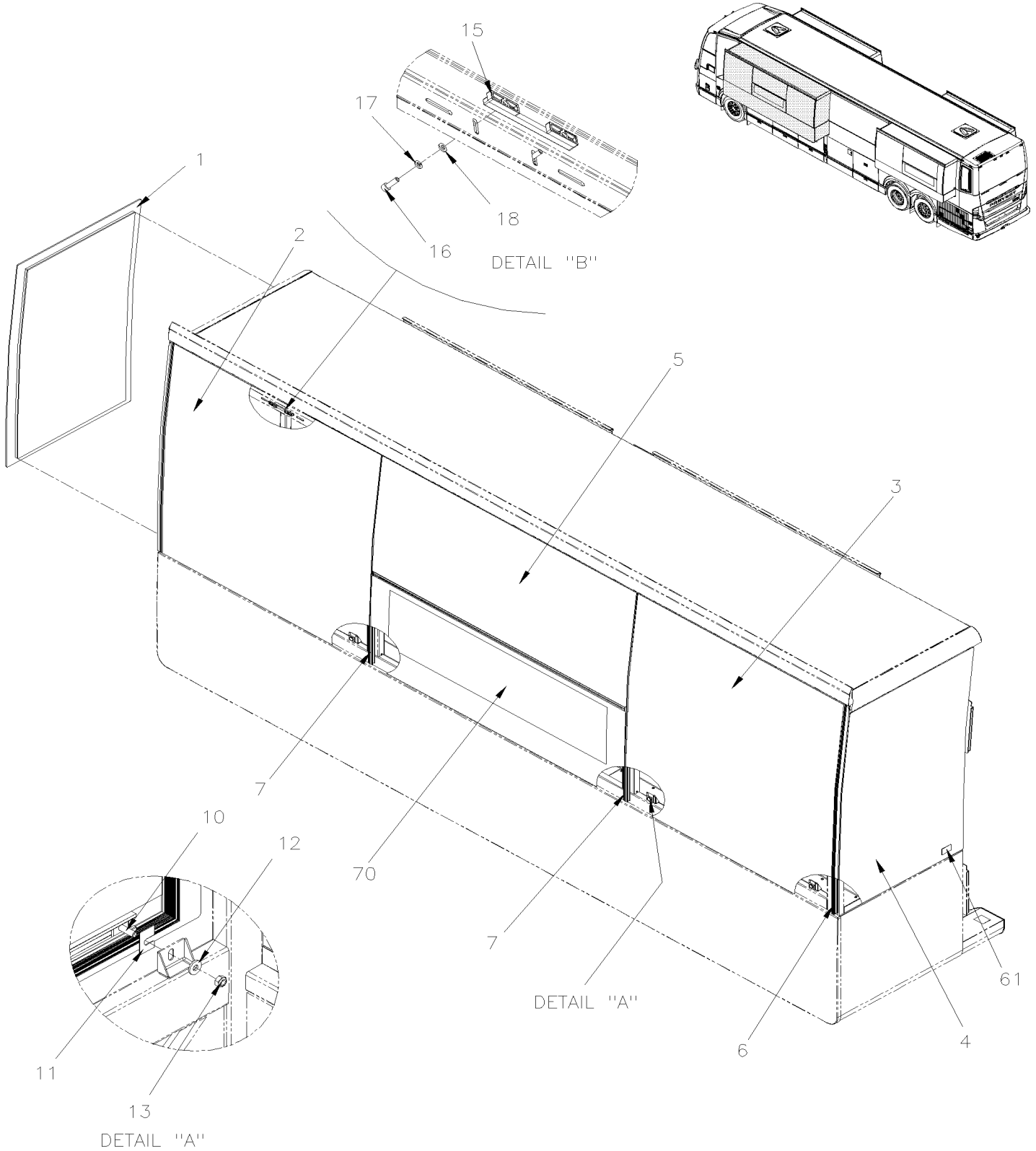
| From R-1598 | | Date:07/2024 | PAGE:790043 | |
|--|------|--|-------------|-------|
| ELECTRICAL SLIDING WINDOW ASSY / 1651MM | | | | |
| Item# | Part | Description | QTY | Notes |
| | | P) CALL ORDER DESK FOR SPECIFIC APPLICATION (V.I.N.) | | |

From K-0295

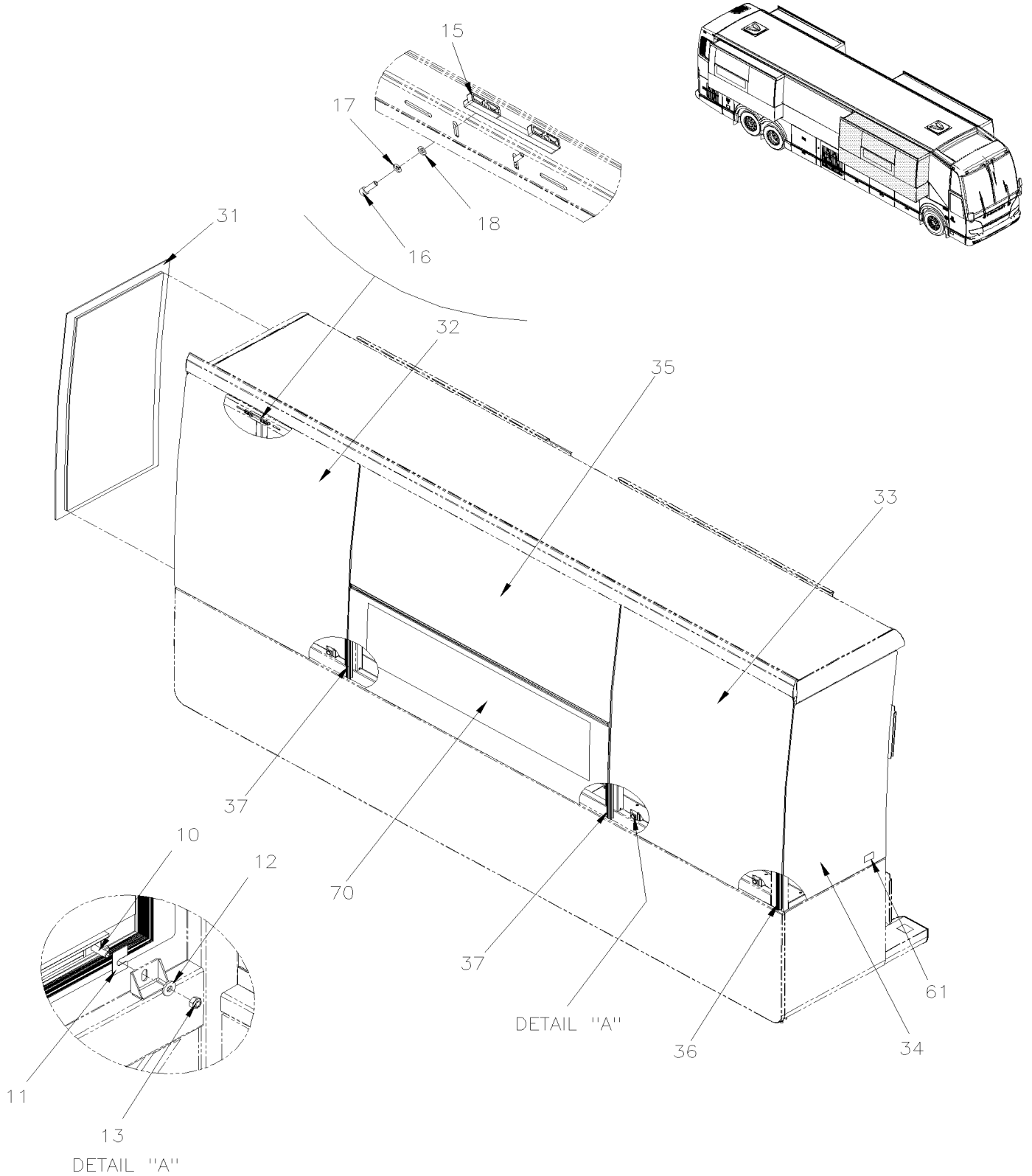
Date:07/2024

PAGE:VIP-1884-90

SIDE WINDOW - "SLIDE-OUT"



| | | |
|---------------------------|--------------|------------------|
| From K-0295 | Date:07/2024 | PAGE:VIP-1884-90 |
| SIDE WINDOW - "SLIDE-OUT" | | |

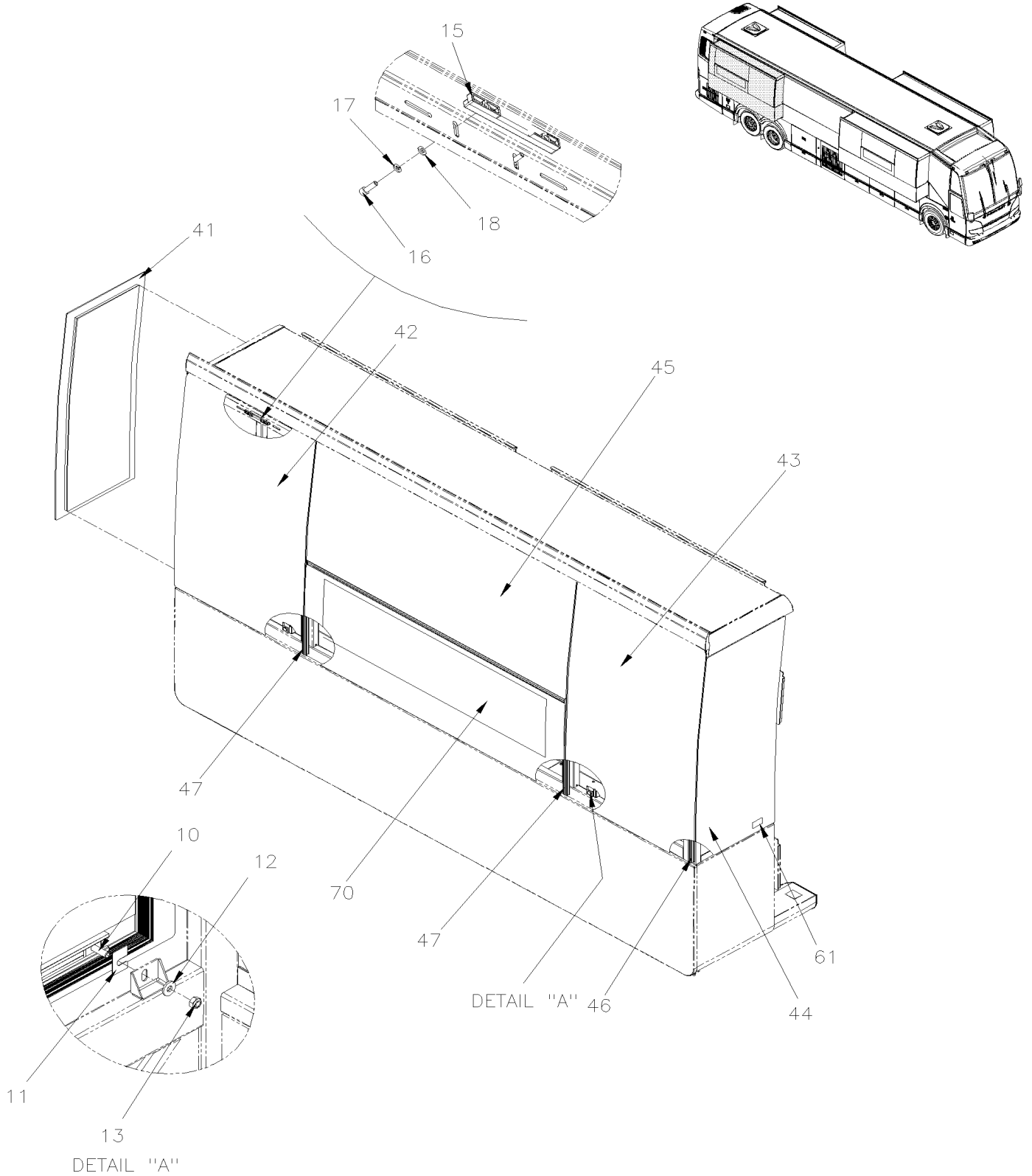


From K-0295

Date:07/2024

PAGE:VIP-1884-90

SIDE WINDOW - "SLIDE-OUT"

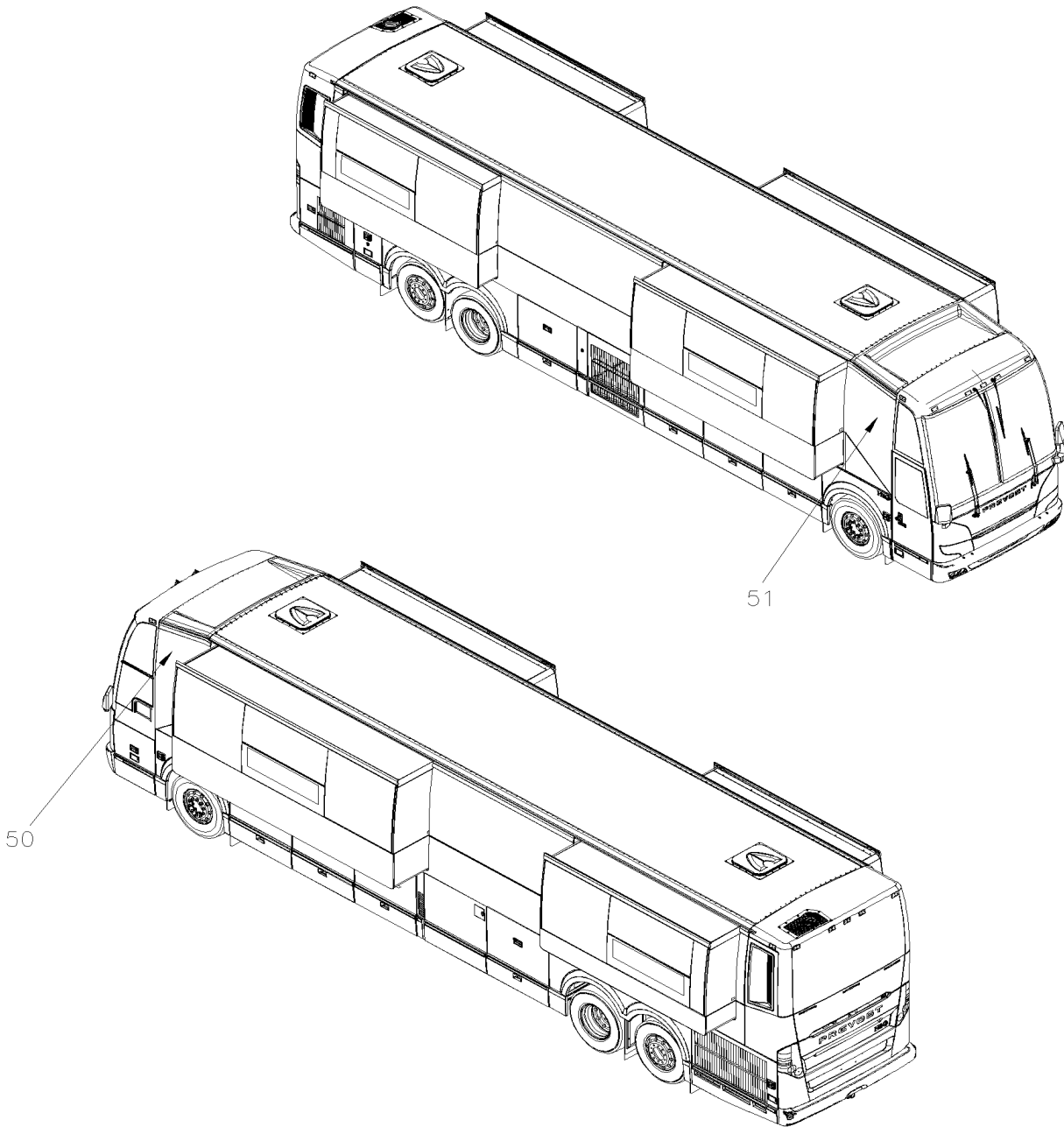


From K-0295

Date:07/2024

PAGE:VIP-1884-90

SIDE WINDOW - "SLIDE-OUT"



| | | | |
|----------------------------------|--|--------------|------------------|
| From K-0295 | | Date:07/2024 | PAGE:VIP-1884-90 |
| SIDE WINDOW - "SLIDE-OUT" | | | |

| Item# | Part | Description | QTY | Notes |
|-------|---------|--|-----|-------|
| 1 | 293865 | GLASS, THERMO / FRONT SIDE | 1 | |
| 2 | 297098 | GLASS, THERMOS / FRONT / 1378MM | 1 | |
| . NS | 297100 | . WINDOW SEAL / 1286MM X 1183MM | 1 | |
| . NS | 297238 | . WINDOW SEAL / 1286MM X 1183MM | 1 | |
| 3 | 297106 | GLASS, THERMOS / REAR / 1378MM | 1 | |
| . NS | 297100 | . WINDOW SEAL / 1286MM X 1183MM | 1 | |
| . NS | 297238 | . WINDOW SEAL / 1286MM X 1183MM | 1 | |
| 4 | 293866 | GLASS, THERMO / REAR SIDE | 1 | |
| 5 | 297101 | GLASS ASSY, THERMOS 13% / UPPER / 1652MM | 1 | |
| NS | 5060044 | TAPE RUB ADH2 CC POL 1/4" X 1/4" X 50' / BLACK I1C-N-A | AR | |
| 6 | 297258 | SEAL RUBBER FRONT SLIDE OUT 4397MM | 1 | S |
| 7 | 297186 | SEAL RUBBER 1244MM | 2 | |
| | | | | |
| 10 | 290302 | ANCHOR BLOCK W/SCREW M10-1.5 x 30 | AR | |
| 10 | 290302 | ANCHOR BLOCK W/SCREW M10-1.5 x 30 | AR | |
| 11 | 505213 | SHIM 1/16" THICK | AR | |
| 11 | 505193 | SHIM 1/8" THICK | AR | |
| 12 | 5001443 | WASHER FL 10.3x38.0x3.0 SS | AR | |
| 13 | 502859 | NUT HEX NYRT M10-1.5 N500 | AR | |
| 15 | 790645 | SAFETY ANCHOR W/2 HOLE M6-1.0 / 203MM | 3 | |
| 16 | 5001648 | SCREW CAP HEXS M6-1.0x18 SS BK | 6 | |
| 17 | 502570 | WASHER LO SPT 6.1x11.8x1.6 SS | 6 | |
| 18 | 502573 | WASHER FL 6.4x12.5x1.6 SS | 6 | |
| | | | | |
| 21 | 293865 | GLASS, THERMO / FRONT SIDE | 1 | |
| 22 | 298930 | GLASS, SINGLE / 312MM | 1 | 7.5 |
| . NS | 297274 | . WINDOW SEAL / 219MM X 1183MM | 1 | 7.5 |
| 22 | 297114 | GLASS, THERMO / FRONT 820MM | 1 | L |
| . NS | 297116 | . WINDOW SEAL / 728MM X 1183MM | 1 | L |
| . NS | 290022 | . WINDOW SEAL / 728MM X 1183MM | 1 | L |
| . NS | 297279 | . WINDOW SEAL / 728MM X 1183MM | 1 | L |
| 22 | 297140 | GLASS, THERMO / FRONT 1328MM | 1 | M |
| . NS | 297142 | . WINDOW SEAL / 1235MM X 1183MM | 1 | M |
| . NS | 290027 | . WINDOW SEAL / 1235MM X 1183MM | 1 | M |
| 22 | 479862 | PANEL / UPPER 1328MM | 1 | M E |
| 23 | 298931 | GLASS, SINGLE / REAR 312MM | 1 | 7.5 |
| . NS | 297274 | . WINDOW SEAL / 219MM X 1183MM | 1 | 7.5 |
| 23 | 297118 | GLASS, THERMO / REAR 820MM | 1 | L |
| . NS | 297116 | . WINDOW SEAL / 728MM X 1183MM | 1 | L |
| . NS | 290022 | . WINDOW SEAL / 728MM X 1183MM | 1 | L |
| . NS | 297279 | . WINDOW SEAL / 728MM X 1183MM | 1 | L |
| 23 | 298931 | GLASS, SINGLE / REAR 312MM | 1 | M |

| | | | |
|----------------------------------|--|---------------------|-------------------------|
| From K-0295 | | Date:07/2024 | PAGE:VIP-1884-90 |
| SIDE WINDOW - "SLIDE-OUT" | | | |

| Item# | Part | Description | QTY | Notes |
|-------|---------|--|-----|-------|
| . NS | 297274 | . WINDOW SEAL / 219MM X 1183MM | 1 | M |
| 24 | 293866 | GLASS, THERMO / REAR SIDE | 1 | |
| 25 | 297101 | GLASS ASSY, THERMOS 13% / UPPER / 1652MM | 1 | |
| 25 | 5060044 | TAPE RUB ADH2 CC POL 1/4" X 1/4" X 50' / BLACK I1C-N-A | AR | |
| 25 | 477025 | PANEL UPPER SLIDE-OUT W/OUT WINDOW 2293MM | 1 | 7.5 |
| 26 | 297259 | SEAL RUBBER REAR LARGE SLIDE OUT 3280MM | 1 | S |
| 26 | 297260 | SEAL RUBBER REAR SMALL SLIDE OUT 2264MM | 1 | S |
| 27 | 297186 | SEAL RUBBER 1244MM | 2 | |
| 28 | 290103 | DOUBLE SHIM 1/16" From L-0823 | AR | |
| 29 | 491824 | SHIM 1/16" From L-0823 | AR | |
| | | | | |
| 31 | 297120 | GLASS, THERMO / FRONT SIDE | 1 | |
| 32 | 297230 | GLASS, THERMOS / REAR / 1099MM | 1 | |
| . NS | 297232 | . WINDOW SEAL / 1190MM X 1012.4MM | 1 | |
| . NS | 290052 | . WINDOW SEAL / 1190MM X 1012.4MM | 1 | |
| . NS | 297291 | . WINDOW SEAL / 1190MM X 1012.4MM | 1 | |
| 33 | 297228 | GLASS, THERMOS / FRONT / 1099MM | 1 | |
| . NS | 297232 | . WINDOW SEAL / 1190MM X 1012.4MM | 1 | |
| . NS | 290052 | . WINDOW SEAL / 1190MM X 1012.4MM | 1 | |
| . NS | 297291 | . WINDOW SEAL / 1190MM X 1012.4MM | 1 | |
| 34 | 297121 | GLASS, THERMO / REAR SIDE | 1 | |
| 35 | 297101 | GLASS ASSY, THERMOS 13% / UPPER / 1652MM | 1 | |
| 35 | 5060044 | TAPE RUB ADH2 CC POL 1/4" X 1/4" X 50' / BLACK I1C-N-A | AR | |
| 36 | 297266 | SEAL RUBBER FRONT SLIDE OUT 3839MM | 1 | |
| 37 | 297186 | SEAL RUBBER 1244MM | 2 | |
| | | | | |
| 41 | 297166 | GLASS, THERMO / REAR SIDE | 1 | |
| 42 | 298930 | GLASS, SINGLE / 312MM | 1 | 7.5 |
| . NS | 297274 | . WINDOW SEAL / 219MM X 1183MM | 1 | 7.5 |
| 42 | 297114 | GLASS, THERMO / FRONT 820MM | 1 | L |
| . NS | 297116 | . WINDOW SEAL / 728MM X 1183MM | 1 | L |
| . NS | 290022 | . WINDOW SEAL / 728MM X 1183MM | 1 | L |
| . NS | 297279 | . WINDOW SEAL / 728MM X 1183MM | 1 | L |
| 42 | 298930 | GLASS, SINGLE / 312MM | 1 | M |
| . NS | 297274 | . WINDOW SEAL / 219MM X 1183MM | 1 | M |
| 43 | 298931 | GLASS, SINGLE / REAR 312MM | 1 | 7.5 |
| . NS | 297274 | . WINDOW SEAL / 219MM X 1183MM | 1 | 7.5 |
| 43 | 297118 | GLASS, THERMO / REAR 820MM | 1 | L |
| . NS | 297116 | . WINDOW SEAL / 728MM X 1183MM | 1 | L |
| . NS | 290022 | . WINDOW SEAL / 728MM X 1183MM | 1 | L |
| . NS | 297279 | . WINDOW SEAL / 728MM X 1183MM | 1 | L |
| 43 | 297172 | GLASS, THERMO / FRONT 1328MM | 1 | M |

| | | | |
|----------------------------------|--|---------------------|-------------------------|
| From K-0295 | | Date:07/2024 | PAGE:VIP-1884-90 |
| SIDE WINDOW - "SLIDE-OUT" | | | |

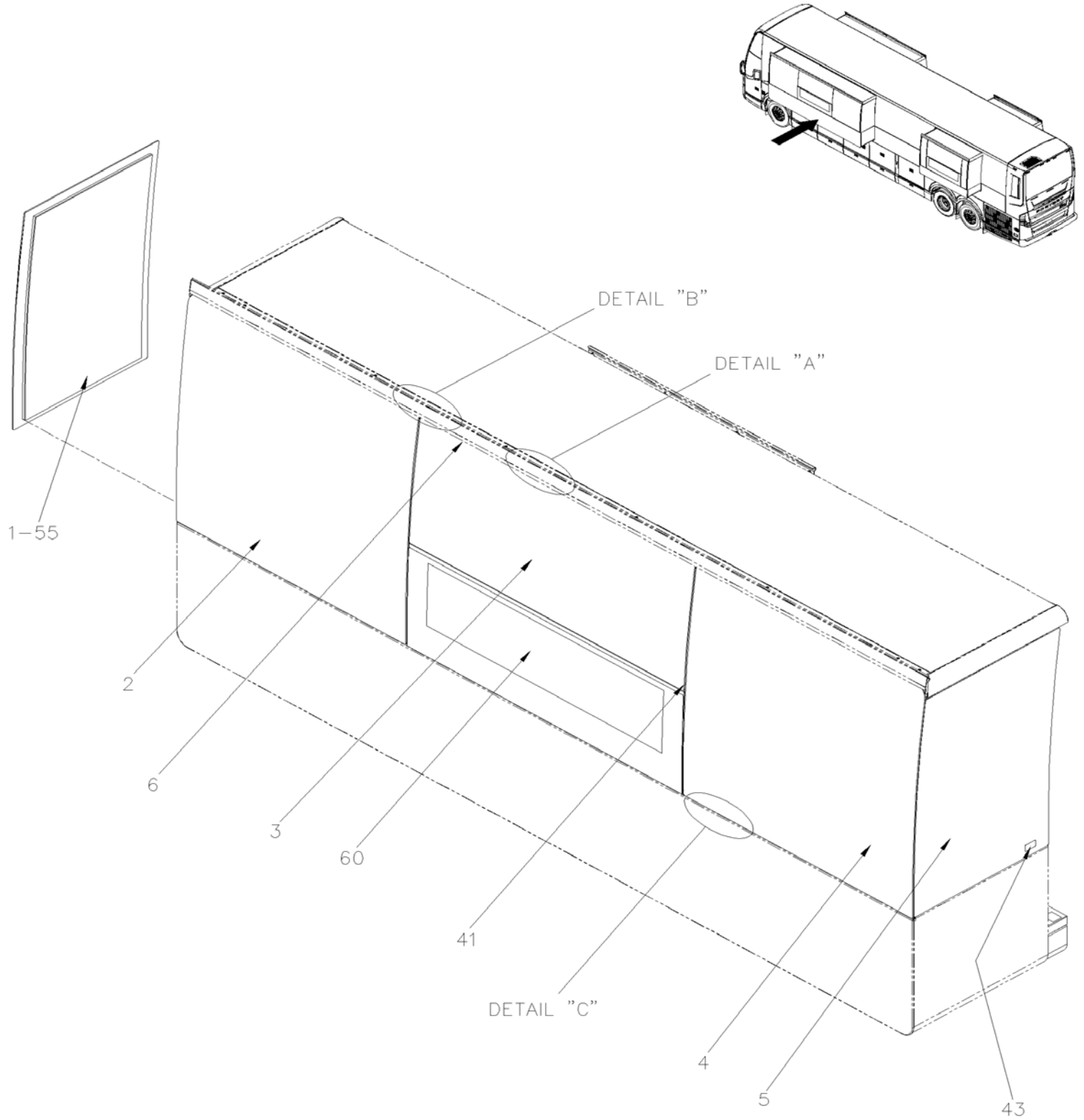
| Item# | Part | Description | QTY | Notes |
|-------|--------------------|---|-----|-------|
| 43 | 479863 | PANEL / UPPER 1328MM | 1 | M E |
| 44 | 297167 | GLASS, THERMO / FRONT SIDE | 1 | |
| 45 | 297101 | GLASS ASSY, THERMOS 13% / UPPER / 1652MM | 1 | |
| 46 | 297260 | SEAL RUBBER REAR SMALL SLIDE OUT 2264MM | 1 | |
| 46 | 297259 | SEAL RUBBER REAR LARGE SLIDE OUT 3280MM | 1 | |
| 47 | 297186 | SEAL RUBBER 1244MM | 1 | |
| 50 | 297108 | GLASS ASSY, THERMO 13% / TRAPEZOIDAL / LH VIP / W/SLIDE-OUT "PRÉVOST" | 1 | |
| . NS | 297105 | . WINDOW SEAL / TRAPEZOIDAL LH 1826MM X 900MM | 1 | |
| . NS | 290020 | . WINDOW SEAL / TRAPEZOIDAL LH 1826MM X 900MM | 1 | |
| . NS | 297277 | . WINDOW SEAL / TRAPEZOIDAL LH 1826MM X 900MM | 1 | |
| 51 | 297213 | GLASS ASSY, THERMO 13% / TRAPEZOIDAL / RH VIP / W/SLIDE-OUT "PRÉVOST" | | |
| . NS | 297215 | . WINDOW SEAL / TRAPEZOIDAL LH / W/SLIDE-OUT 1159MM X 965MM | 1 | |
| . NS | 290035 | . WINDOW SEAL / TRAPEZOIDAL LH / W/SLIDE-OUT 1159MM X 965MM | 1 | |
| NS | 800355 | LUBRICANT CLEAR LUBE 32A / 20 LITER | AR | |
| NS | 689819 | LUBRICANT CLEAR LUBE 32A / 2 LBS | AR | |
| NS | 800356 | LUBRICANT CLEAR LUBE 32A / 430 Gr | AR | |
| 61 | 476130 | DECAL " KEEP HANDS & FINGERS AWAY.." | 2 | |
| 70 | VIP-1884-65 | ELECTRICAL AWNING WINDOW ASSY | | |
| 70 | VIP-1884-80 | ELECTRICAL SLIDING WINDOW ASSY | | |
| | | | | |
| | | | | |
| | | 7.5) USE WITH 7.5 FEET SLIDE-OUT ONLY | | |
| | | E) SPECIAL OPTION WINDOW REPLACE BY A FIBERGLASS PANEL | | |
| | | L) USE WITH SLIDE-OUT 10 1/2 FEET LONG WITH CENTER OPEN WINDOWS | | |
| | | M) USE WITH SLIDE-OUT 10 1/2 FEET LONG WITH BACKWARD OPEN WINDOWS | | |
| | | S) COVERING ALLS WINDOW UPPER & SIDE "U" SHAPE | | |

From P-1348

Date:07/2024

PAGE:VIP-1884-91

SIDE WINDOW - "SLIDE-OUT"

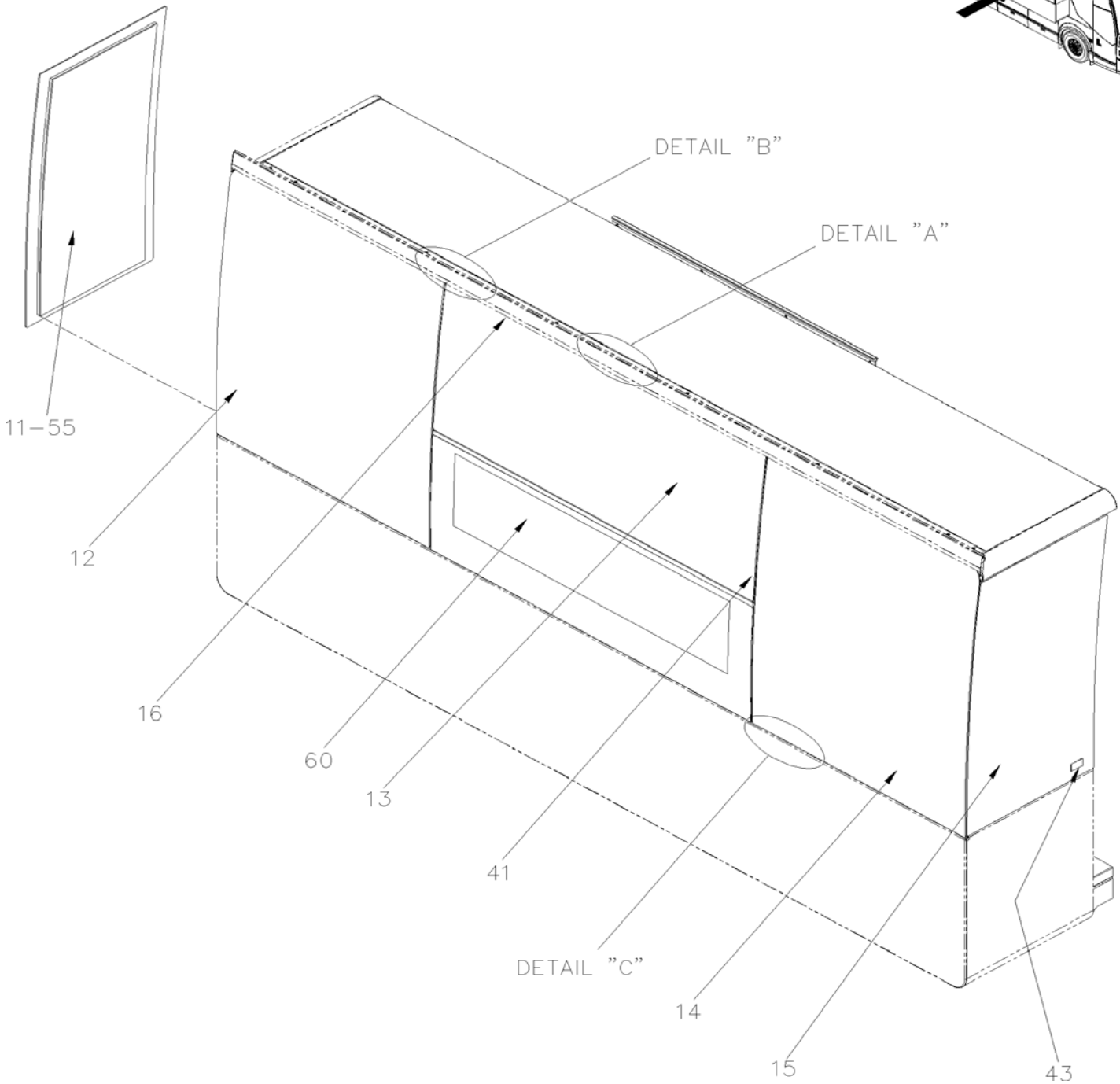
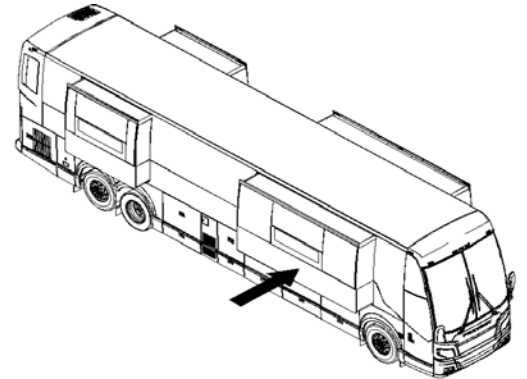


From P-1348

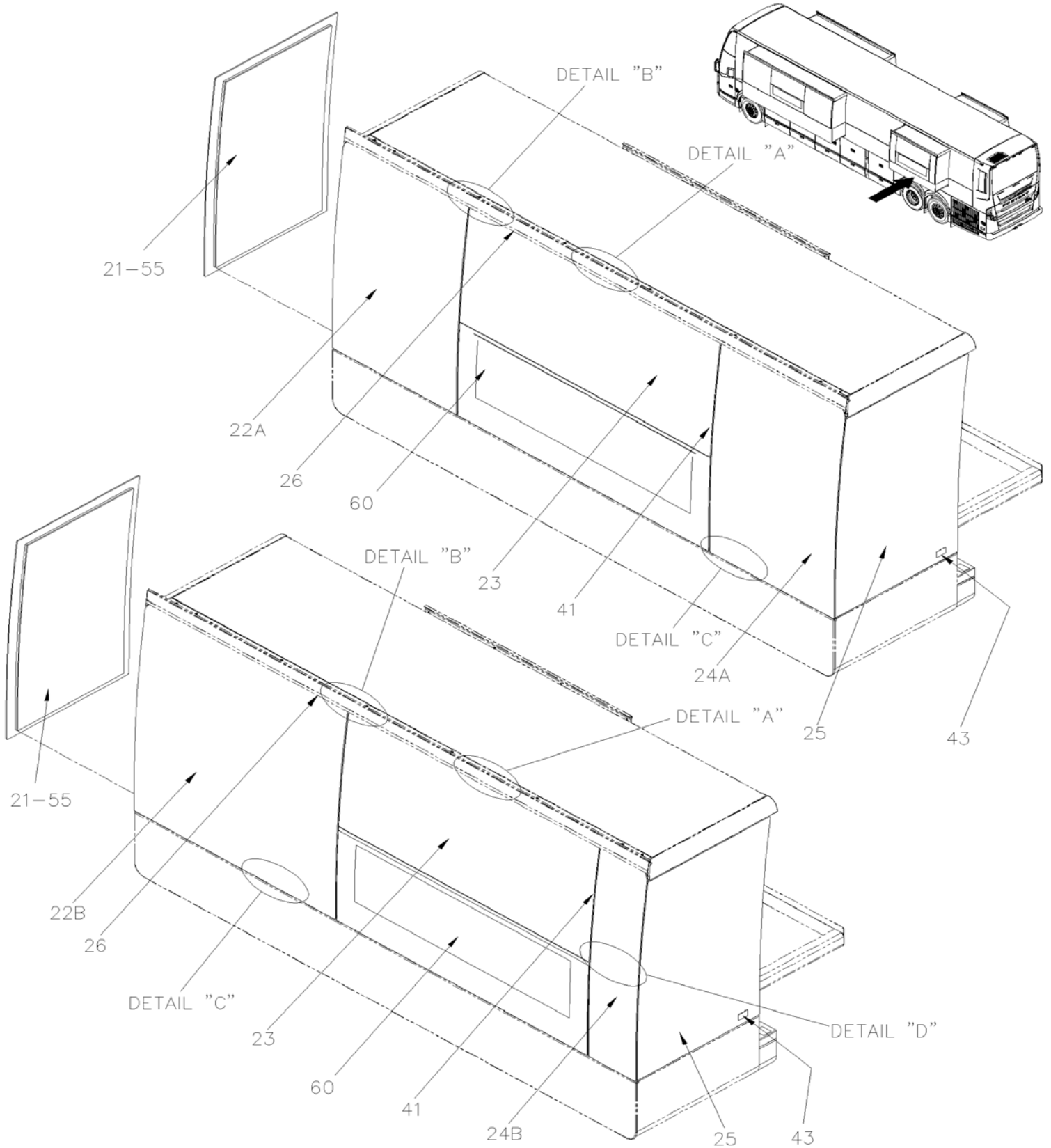
Date:07/2024

PAGE:VIP-1884-91

SIDE WINDOW - "SLIDE-OUT"



| | | |
|---------------------------|--------------|------------------|
| From P-1348 | Date:07/2024 | PAGE:VIP-1884-91 |
| SIDE WINDOW - "SLIDE-OUT" | | |

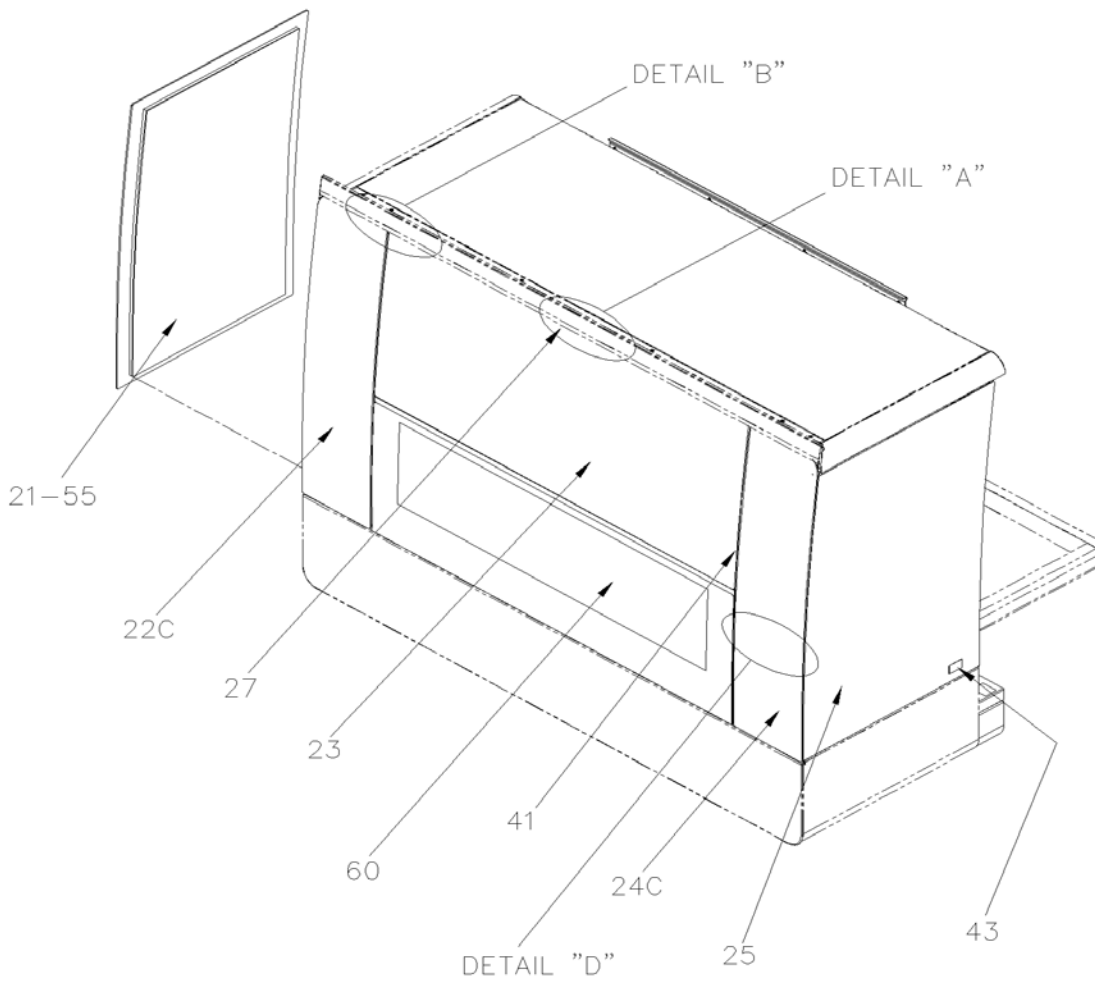
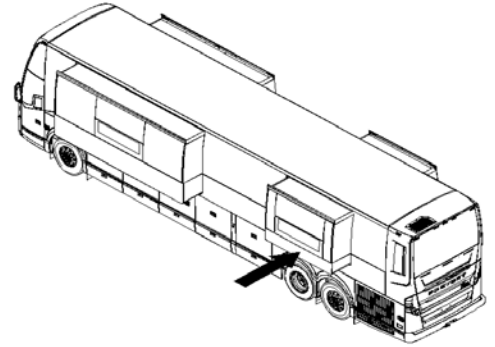


From P-1348

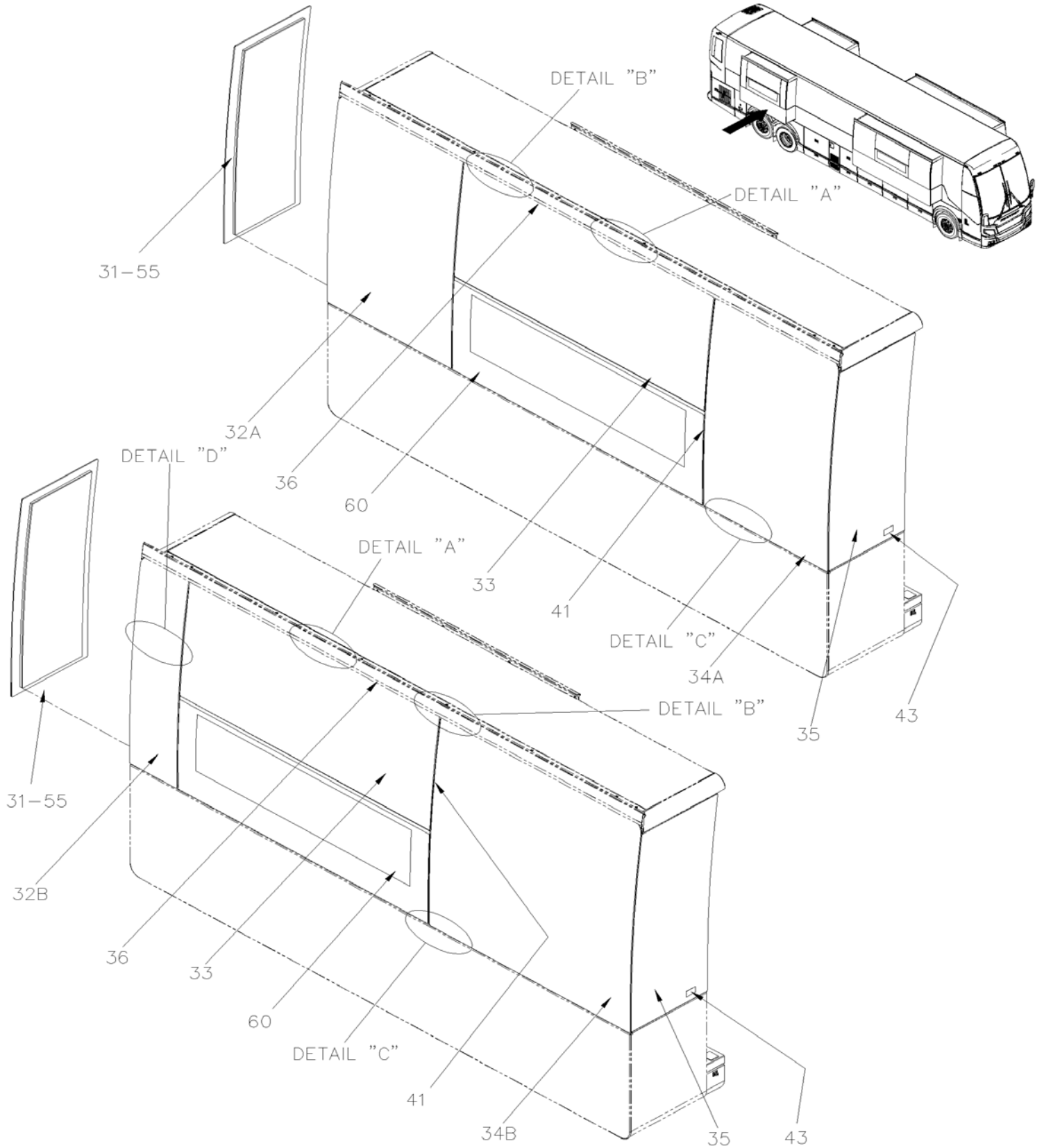
Date:07/2024

PAGE:VIP-1884-91

SIDE WINDOW - "SLIDE-OUT"



| | | |
|---------------------------|--------------|------------------|
| From P-1348 | Date:07/2024 | PAGE:VIP-1884-91 |
| SIDE WINDOW - "SLIDE-OUT" | | |

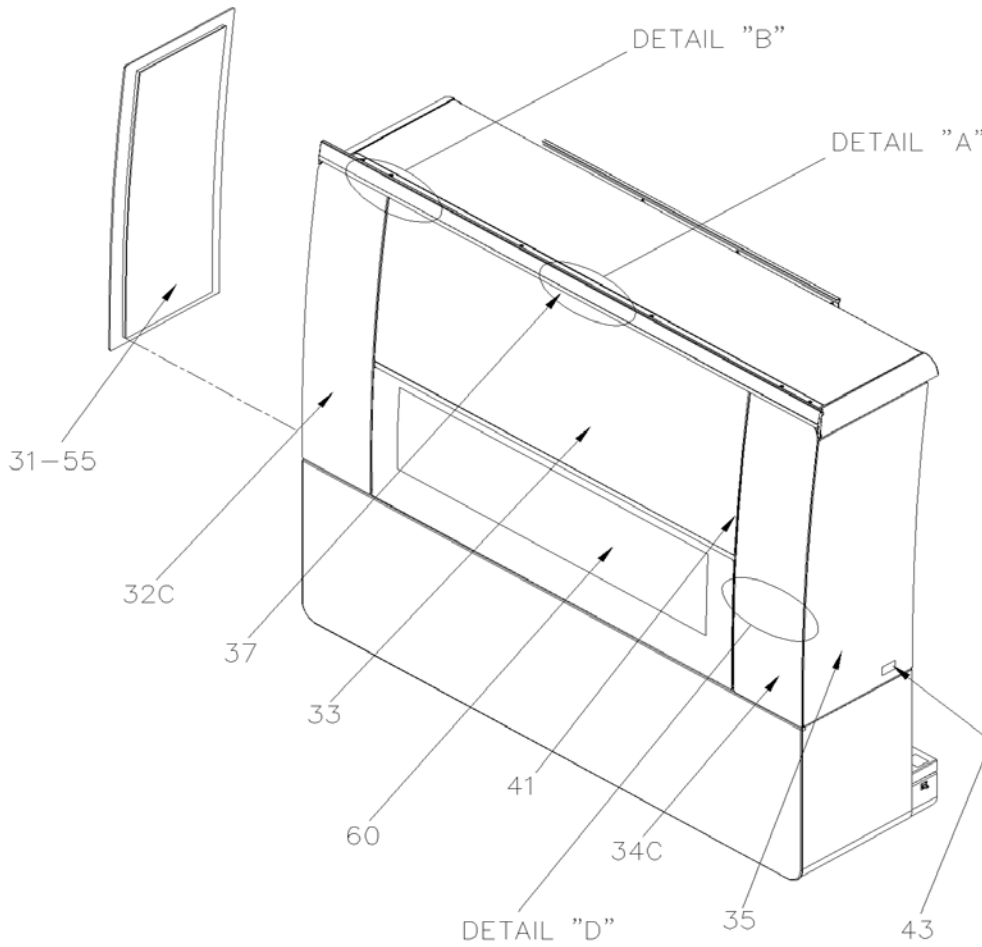
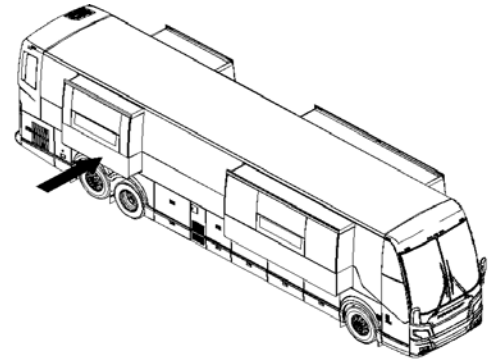


From P-1348

Date:07/2024

PAGE:VIP-1884-91

SIDE WINDOW - "SLIDE-OUT"

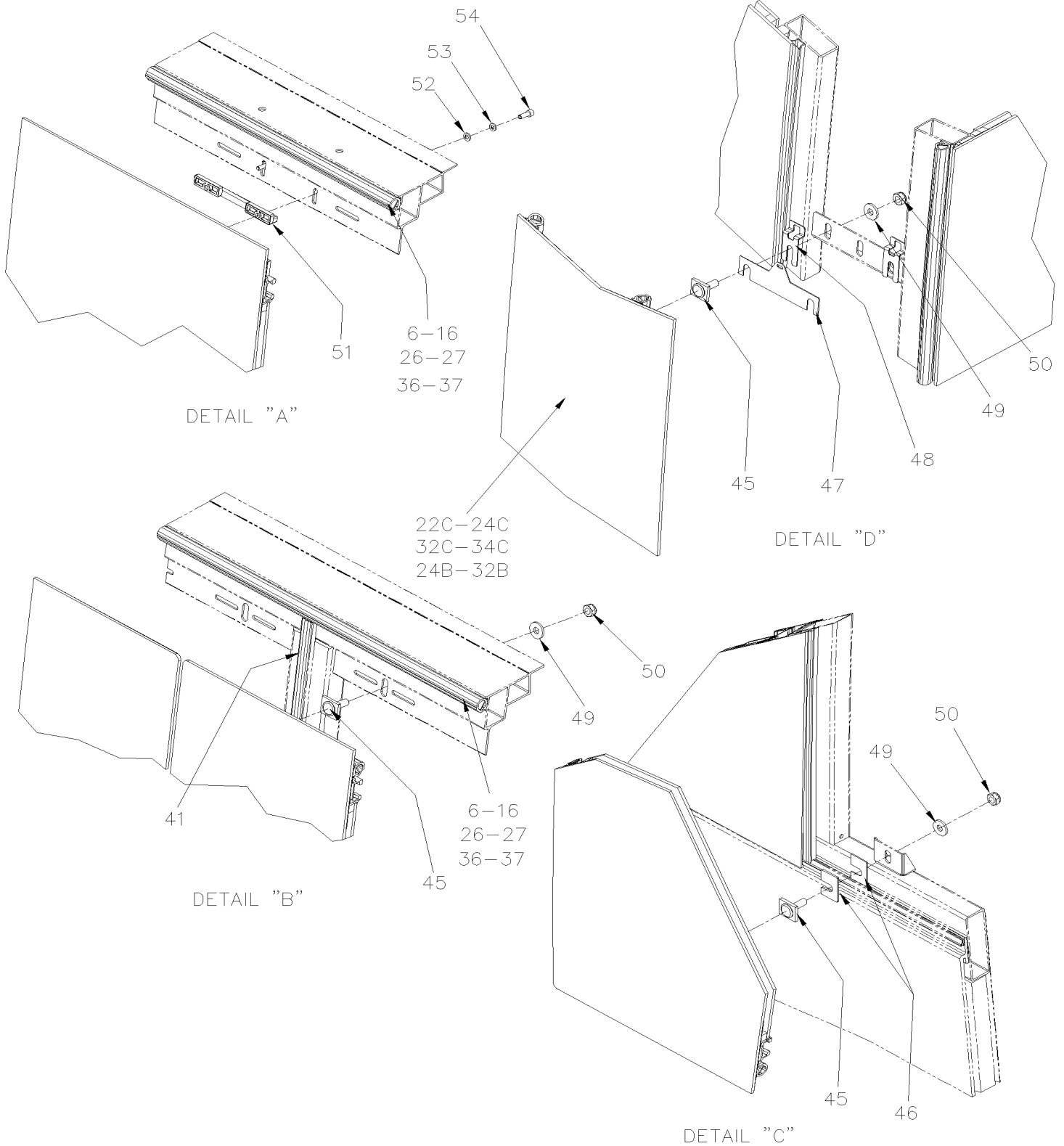


From P-1348

Date:07/2024

PAGE:VIP-1884-91

SIDE WINDOW - "SLIDE-OUT"



| | | | |
|----------------------------------|--|--------------|------------------|
| From P-1348 | | Date:07/2024 | PAGE:VIP-1884-91 |
| SIDE WINDOW - "SLIDE-OUT" | | | |

| Item# | Part | Description | QTY | Notes |
|-------|---------|---------------------------------|-----|-------|
| 1 | 290650 | GLASS, THERMOS / FRONT SIDE / | 1 | |
| 2 | 290656 | GLASS, THERMOS / FRONT / 1378MM | 1 | |
| . NS | 290396 | . SEAL, RUBBER 3560MM | 1 | |
| . NS | 290397 | . SEAL, RUBBER 1256MM | 1 | |
| 3 | 290659 | GLASS THERMOS / UPPER / 1651MM | 1 | |
| 4 | 290661 | GLASS, THERMOS / REAR / 1378MM | 1 | |
| . NS | 290396 | . SEAL, RUBBER 3560MM | 1 | |
| . NS | 290397 | . SEAL, RUBBER 1256MM | 1 | |
| 5 | 290662 | GLASS, THERMOS / REAR SIDE / | 1 | |
| 6 | 290403 | SEAL, RUBBER 6770MM | 1 | |
| | | | | |
| 11 | 290663 | GLASS, THERMOS / REAR SIDE / | 1 | |
| 12 | 290613 | GLASS, THERMOS / REAR / 1099MM | 1 | |
| . NS | 290620 | . SEAL, RUBBER 3280MM | 1 | |
| . NS | 290623 | . SEAL, RUBBER 974MM | 1 | |
| 13 | 290659 | GLASS THERMOS / UPPER / 1651MM | 1 | |
| 14 | 290616 | GLASS, THERMOS / FRONT / 1099MM | 1 | |
| . NS | 290620 | . SEAL, RUBBER 3280MM | 1 | |
| . NS | 290623 | . SEAL, RUBBER 974MM | 1 | |
| 15 | 290651 | GLASS, THERMOS / FRONT SIDE / | 1 | |
| 16 | 290624 | SEAL, RUBBER 6220MM | 1 | |
| | | | | |
| 21 | 290650 | GLASS, THERMOS / FRONT SIDE / | 1 | |
| 22A | 290665 | GLASS, THERMOS / 820MM | 1 | 10 |
| . NS | 290439 | . SEAL, RUBBER 3005MM | 1 | 10 |
| . NS | 290440 | . SEAL, RUBBER 698MM | 1 | 10 |
| 22A | 4710327 | PANEL 820MM | 1 | B 10 |
| 22B | 290671 | GLASS, THERMOS / FRONT / 1328MM | 1 | 10 A |
| . NS | 290479 | . SEAL, RUBBER 3515MM | 1 | 10 A |
| . NS | 290478 | . SEAL, RUBBER 1256MM | 1 | 10 A |
| 22B | 4710272 | PANEL 1328MM | 1 | B 10 |
| 22C | 290686 | GLASS, THERMOS / 312MM | 1 | 7.5 |
| . NS | 290453 | . SEAL, RUBBER 2495MM | 1 | 7.5 |
| . NS | 290456 | . SEAL, RUBBER 190MM | 1 | 7.5 |
| 23 | 290659 | GLASS THERMOS / UPPER / 1651MM | 1 | |
| 24A | 290667 | GLASS, THERMOS / 820MM | 1 | 10 |
| . NS | 290439 | . SEAL, RUBBER 3005MM | 1 | 10 |
| . NS | 290440 | . SEAL, RUBBER 698MM | 1 | 10 |
| 24B | 290679 | GLASS, THERMOS / 312MM | 1 | 10 A |
| 24B | 290679 | GLASS, THERMOS / 312MM | 1 | 10 A |
| . NS | 290453 | . SEAL, RUBBER 2495MM | 1 | 10 A |
| . NS | 290456 | . SEAL, RUBBER 190MM | 1 | 10 A |

| | | |
|----------------------------------|--------------|------------------|
| From P-1348 | Date:07/2024 | PAGE:VIP-1884-91 |
| SIDE WINDOW - "SLIDE-OUT" | | |

| Item# | Part | Description | QTY | Notes |
|-------|---------|--------------------------------------|-----|-------|
| 24C | 290679 | GLASS, THERMOS / 312MM | 1 | 7.5 |
| 24C | 290679 | GLASS, THERMOS / 312MM | 1 | 7.5 |
| . NS | 290453 | . SEAL, RUBBER 2495MM | 1 | 7.5 |
| . NS | 290456 | . SEAL, RUBBER 190MM | 1 | 7.5 |
| 25 | 290662 | GLASS, THERMOS / REAR SIDE / | 1 | |
| 26 | 290441 | SEAL, RUBBER 5698MM | 1 | 10 |
| 27 | 290983 | SEAL, RUBBER 4640MM | 1 | 7.5 |
| | | | | |
| 31 | 290634 | GLASS, THERMOS / REAR SIDE / | 1 | |
| 32A | 290665 | GLASS, THERMOS / 820MM | 1 | 10 |
| . NS | 290439 | . SEAL, RUBBER 3005MM | 1 | 10 |
| . NS | 290440 | . SEAL, RUBBER 698MM | 1 | 10 |
| 32B | 290686 | GLASS, THERMOS / 312MM | 1 | 10 A |
| 32B | 290686 | GLASS, THERMOS / 312MM | 1 | 10 A |
| . NS | 290453 | . SEAL, RUBBER 2495MM | 1 | 10 A |
| . NS | 290456 | . SEAL, RUBBER 190MM | 1 | 10 A |
| 32C | 290686 | GLASS, THERMOS / 312MM | 1 | 7.5 |
| 32C | 290686 | GLASS, THERMOS / 312MM | 1 | 7.5 |
| . NS | 290453 | . SEAL, RUBBER 2495MM | 1 | 7.5 |
| . NS | 290456 | . SEAL, RUBBER 190MM | 1 | 7.5 |
| 33 | 290659 | GLASS THERMOS / UPPER / 1651MM | 1 | |
| 34A | 290667 | GLASS, THERMOS / 820MM | 1 | 10 |
| . NS | 290439 | . SEAL, RUBBER 3005MM | 1 | 10 |
| . NS | 290440 | . SEAL, RUBBER 698MM | 1 | 10 |
| 34A | 4710328 | PANEL 820MM | 1 | B 10 |
| 34B | 290636 | GLASS, THERMOS / FRONT / 1328MM | 1 | 10 A |
| . NS | 290478 | . SEAL, RUBBER 1256MM | 1 | 10 A |
| . NS | 290479 | . SEAL, RUBBER 3515MM | 1 | 10 A |
| 34B | 4710273 | PANEL 1328MM | 1 | B 10 |
| 34C | 290679 | GLASS, THERMOS / 312MM | 1 | 7.5 |
| . NS | 290453 | . SEAL, RUBBER 2495MM | 1 | 7.5 |
| . NS | 290456 | . SEAL, RUBBER 190MM | 1 | 7.5 |
| 35 | 290628 | GLASS, THERMOS / FRONT SIDE / | 1 | |
| 36 | 290441 | SEAL, RUBBER 5698MM | 1 | 10 |
| 37 | 290983 | SEAL, RUBBER 4640MM | 1 | 7.5 |
| | | | | |
| 41 | 290894 | SEAL, VERTICAL WINDOW SLIDE OUT | 2 | |
| | | | | |
| 43 | 476130 | DECAL " KEEP HANDS & FINGERS AWAY.." | AR | |
| | | | | |
| 45 | 290302 | ANCHOR BLOCK W/SCREW M10-1.5 x 30 | AR | |
| 46 | 505213 | SHIM 1/16" THICK | 4 | |

| | | | |
|----------------------------------|--|---------------------|-------------------------|
| From P-1348 | | Date:07/2024 | PAGE:VIP-1884-91 |
| SIDE WINDOW - "SLIDE-OUT" | | | |

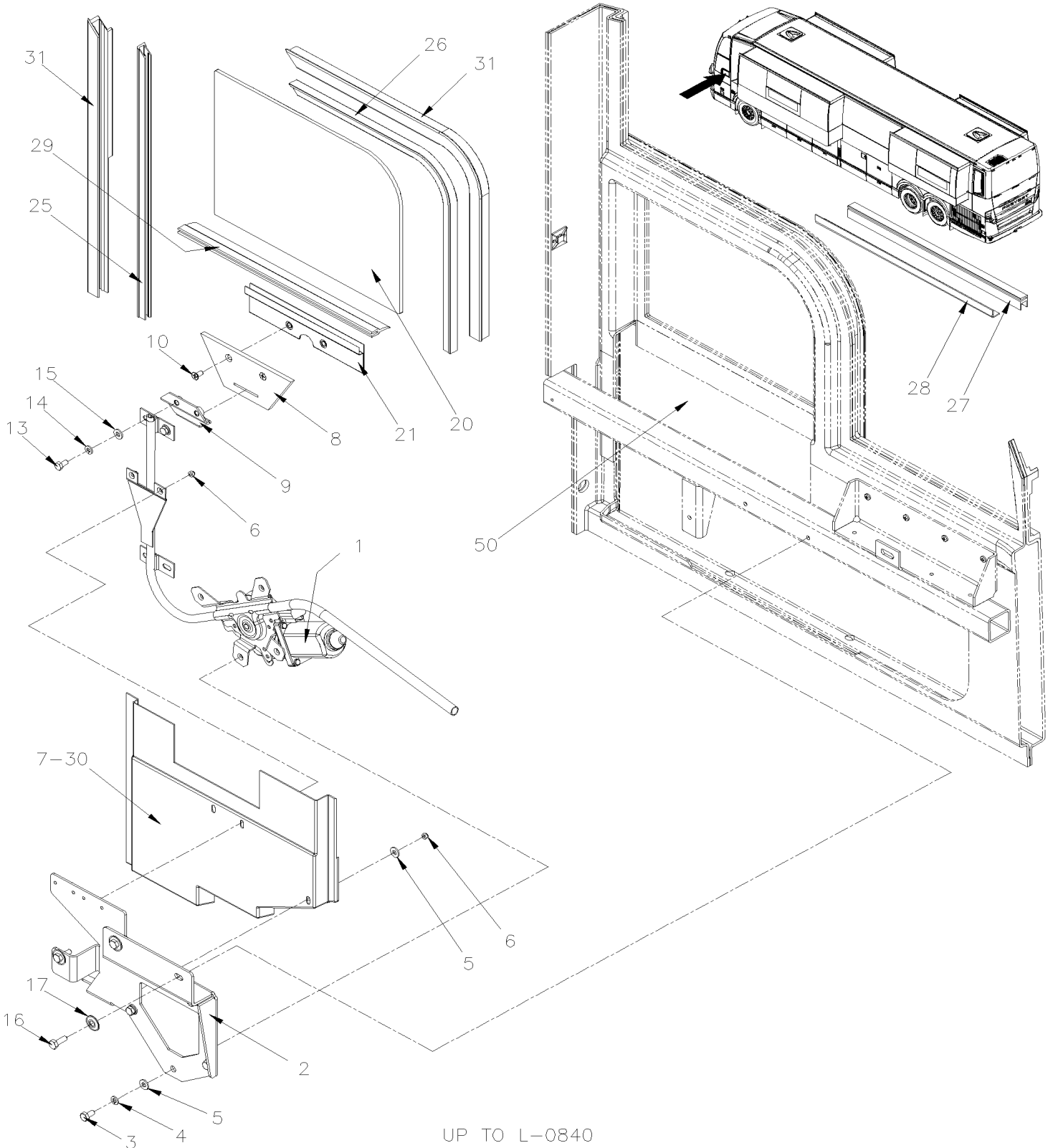
| Item# | Part | Description | QTY | Notes |
|-------|--------------------|--|-----|-------|
| 46 | 505193 | SHIM 1/8" THICK | 4 | |
| 46 | 290803 | SHIM .812MM THICK | 4 | |
| 47 | 290103 | DOUBLE SHIM 1/16" | AR | |
| 48 | 491824 | SHIM 1/16" | AR | |
| 49 | 5001443 | WASHER FL 10.3x38.0x3.0 SS | AR | |
| 50 | 502859 | NUT HEX NYRT M10-1.5 N500 | AR | |
| 51 | 790645 | SAFETY ANCHOR W/2 HOLE M6-1.0 / 203MM | 3 | |
| 52 | 502573 | WASHER FL 6.4x12.5x1.6 SS | 6 | |
| 53 | 502570 | WASHER LO SPT 6.1x11.8x1.6 SS | 6 | |
| 54 | 5001648 | SCREW CAP HEXS M6-1.0x18 SS BK | 6 | |
| 55 | 685124 | ADHESIVE SIMSON #ISR 70-03 / BLACK / 600ml SAUSAGE | AR | |
| 55 | 685387 | GLUE MS POLYMER TEROSON MS 9399 / 400ml CARTRIDGE | AR | |
| 55 | 5060044 | TAPE RUB ADH2 CC POL 1/4" X 1/4" X 50' / BLACK I1C-N-A | AR | |
| NS | 689819 | LUBRICANT CLEAR LUBE 32A / 2 LBS | AR | |
| 60 | VIP-1884-65 | ELECTRICAL AWNING WINDOW ASSY | | |
| 60 | VIP-1884-80 | ELECTRICAL SLIDING WINDOW ASSY | | |
| | | | | |
| | | | | |
| | | | | |
| | | 10) WITH 10' SLIDE-OUT | | |
| | | 7.5) WITH 7.5' SLIDE-OUT | | |
| | | A) USE WITH FRONT LARGE WINDOW ON SLIDE-OUT | | |
| | | B) USE WITH SLIDE-OUT WITH PANEL INSTEAD WINDOW | | |

From K-0295 To P-1347

Date:07/2024

PAGE:VIP-1886-00

POWER WINDOW - ELECTRICAL INSTALLATION

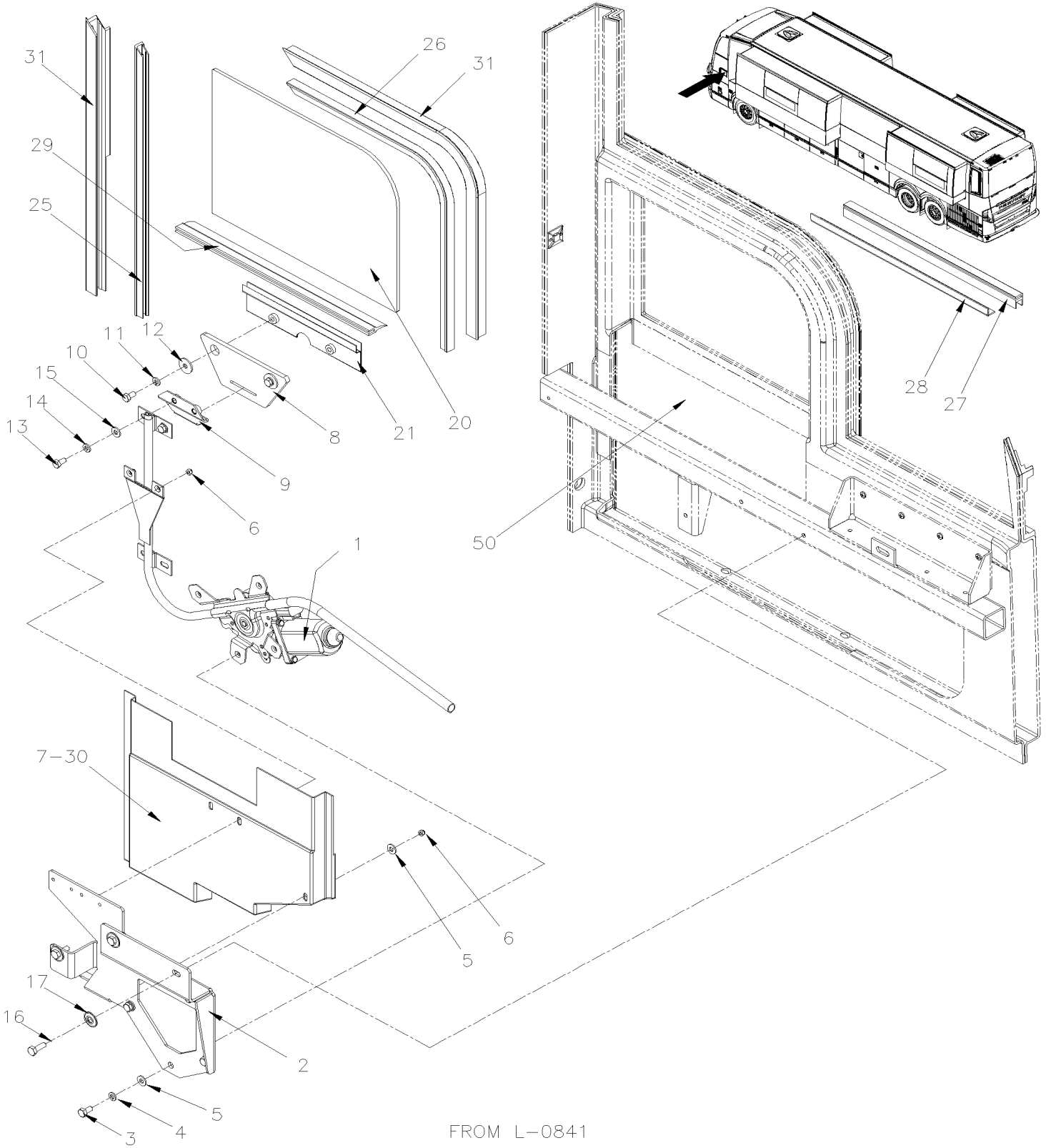


From K-0295 To P-1347

Date:07/2024

PAGE:VIP-1886-00

POWER WINDOW - ELECTRICAL INSTALLATION



| | | |
|---|--------------|------------------|
| From K-0295 To P-1347 | Date:07/2024 | PAGE:VIP-1886-00 |
| POWER WINDOW - ELECTRICAL INSTALLATION | | |

| Item# | Part | Description | QTY | Notes |
|-------|--------------------|---|-----|-------|
| | 293855P | MOTOR ASSY W/SUPPORT | 1 | |
| 1 | 790501 | . MOTOR & REGULATOR ASSY / SERIES "H" | 1 | |
| 2 | 293846 | . SUPPORT ASSY | 1 | |
| 3 | 502772 | . SCREW CAP HEX 1/4-20x1/2 G5 N500 | 4 | |
| 4 | 500270 | . WASHER FL .406x1.000x.063 SS | 4 | |
| 5 | 500877 | . WASHER FL .250x.562x.065 N500 | 5 | |
| 6 | 502557 | . NUT HEX NYRT M4-0.7 SS | 3 | |
| 7 | 293867 | . PROTECTOR, WATER / WHITE PLASTIC | 1 | |
| 8 | 293902 | ADAPTOR TRANSITION ASSY To L-0840 | 1 | B |
| 8 | 290522 | ADAPTOR TRANSITION ASSY From L-0841 | 1 | B |
| 8 | 293899 | . SUPPORT "Z" SHAPE To L-0840 | 1 | |
| 8 | 290523 | . SUPPORT From L-0841 | 1 | |
| 9 | 293898 | . SUPPORT TRANSITION PLASTIC BLACK | 1 | |
| 10 | 5001633 | SCREW MA FL PH M6-1.0x12 Z050 To L-0840 | 2 | |
| 10 | 5001743 | SCREW CAP HEX M6-1.0x12 G8.8 N500 From L-0841 | 2 | |
| NS | 680038 | THREAD LOCKER LOCTITE #243 / BLUE / 50ml | AR | |
| 11 | 502570 | WASHER LO SPT 6.1x11.8x1.6 SS From L-0841 | 2 | |
| 12 | 500142 | WASHER FL 6.6x22.0x2.0 SS From L-0841 | 2 | |
| 13 | 5001743 | SCREW CAP HEX M6-1.0x12 G8.8 N500 | 2 | |
| 14 | 502570 | WASHER LO SPT 6.1x11.8x1.6 SS | 2 | |
| 15 | 500877 | WASHER FL .250x.562x.065 N500 | 2 | |
| 16 | 502848 | SCREW TC CAP HEXF 1/4-20x3/4 N500 To L-0840 | 3 | |
| 16 | 500923 | SCREW TC CAP HEX 1/4-20x3/4 Z050 From L-0841 | 3 | |
| 17 | 5001699 | WASHER BEL SPR 8.2x22x1.4 N500 | 3 | |
| 20 | 291948 | GLASS ASSY To L-0840 | 1 | |
| 20 | 290520 | GLASS ASSY From L-0841 | 1 | |
| 20 | 299045 | . GLASS / DRIVER'S WINDOW | 1 | |
| 21 | 299049 | . SUPPORT ASSY To L-0840 | 1 | |
| 21 | 290521 | . SUPPORT ASSY From L-0841 | 1 | |
| NS | 687957 | . GLUE MS POLYMER TEROSON MS 9399 / 400ml CARTRIDGE To M-1153 | AR | |
| NS | 685387 | . GLUE MS POLYMER TEROSON MS 9399 / 400ml CARTRIDGE From M-1154 | AR | |
| 25 | 291855 | FELT SLIDING 375MM | 1 | |
| 26 | 291854 | FELT SLIDING 610MM | 1 | |
| 27 | 299050 | ALUMINIUM EXTRUSION, DRIVER WINDOW / TO FIX FELT LOWER SEAL | 1 | |
| 28 | 292277 | FLAP SEAL / W/FLOCKING 25MM x 312MM | 1 | |
| 29 | 293085 | SEAL INTERIOR / CONSOLE & GLASS / 340MM | 1 | |
| 30 | 680092 | SEALANT TAPE BUTYL / GREY / 1/16"x3/4x50' / 71011V1760 | AR | |
| 31 | 292798 | ALUMINIUM EXTRUSION / TO FIX SIDE & TOP FELT | 1 | |
| 31 | 506769 | TAPE RUB ADH2 CC POL 1/8" x 1/4" x 60' / BLACK H1CC-N#14 | AR | |
| 50 | VIP-1851-02 | CAP - FRONT & REAR - INSTALLATION | | |
| | | | | |
| | | | | |

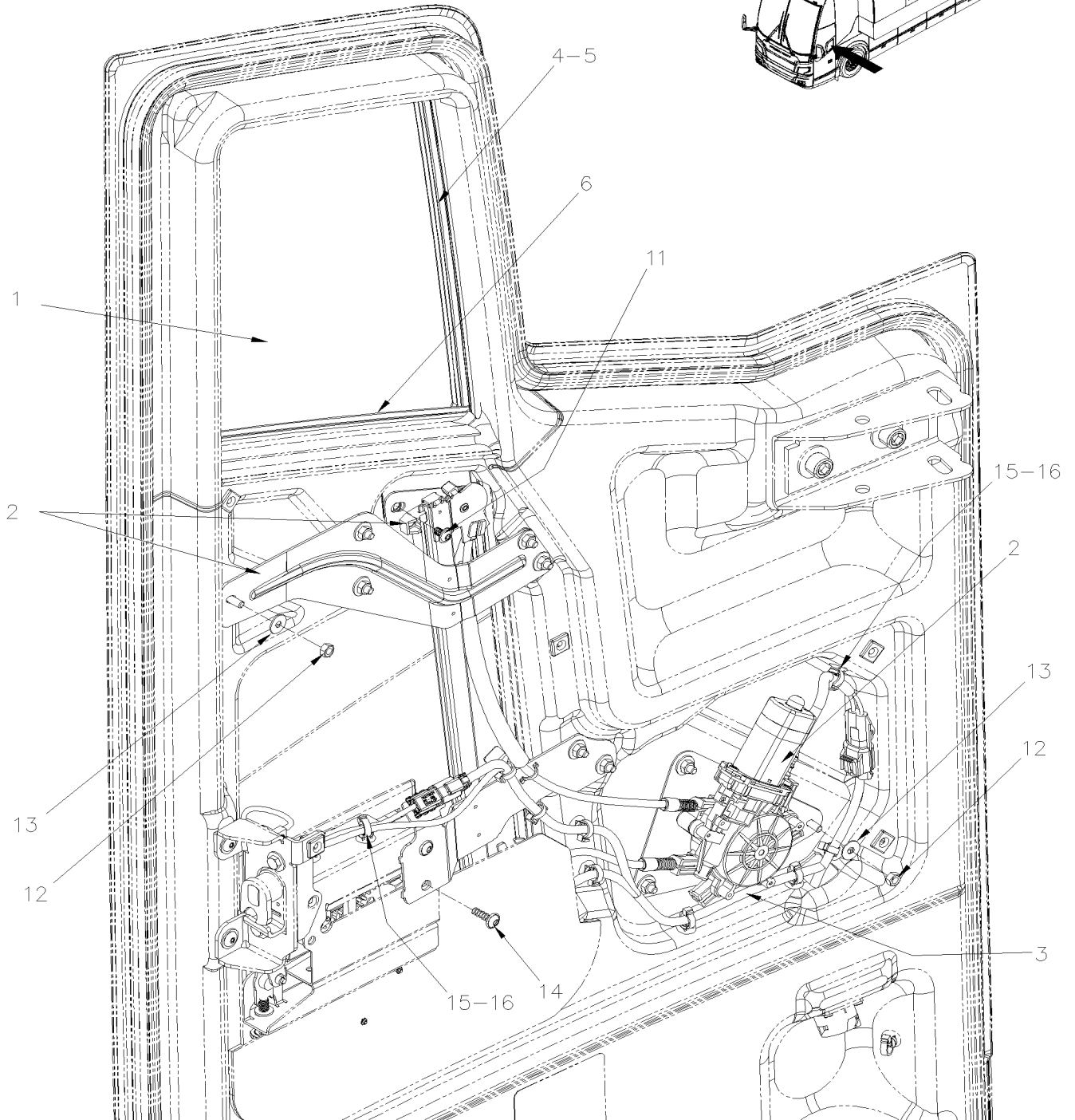
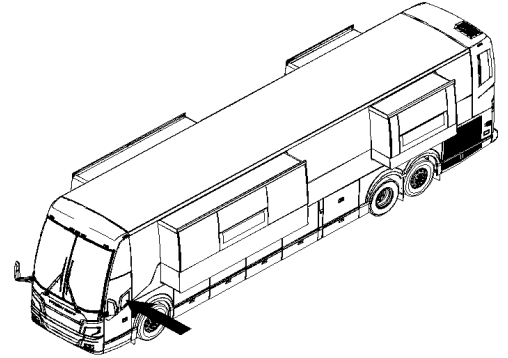
| From K-0295 To P-1347 | | Date:07/2024 | PAGE:VIP-1886-00 | |
|---|------|-----------------------|------------------|-------|
| POWER WINDOW - ELECTRICAL INSTALLATION | | | | |
| Item# | Part | Description | QTY | Notes |
| | | | | |
| | | B) INCLUDE ITEM 8 & 9 | | |

From P-1348

Date:07/2024

PAGE:VIP-1886-01

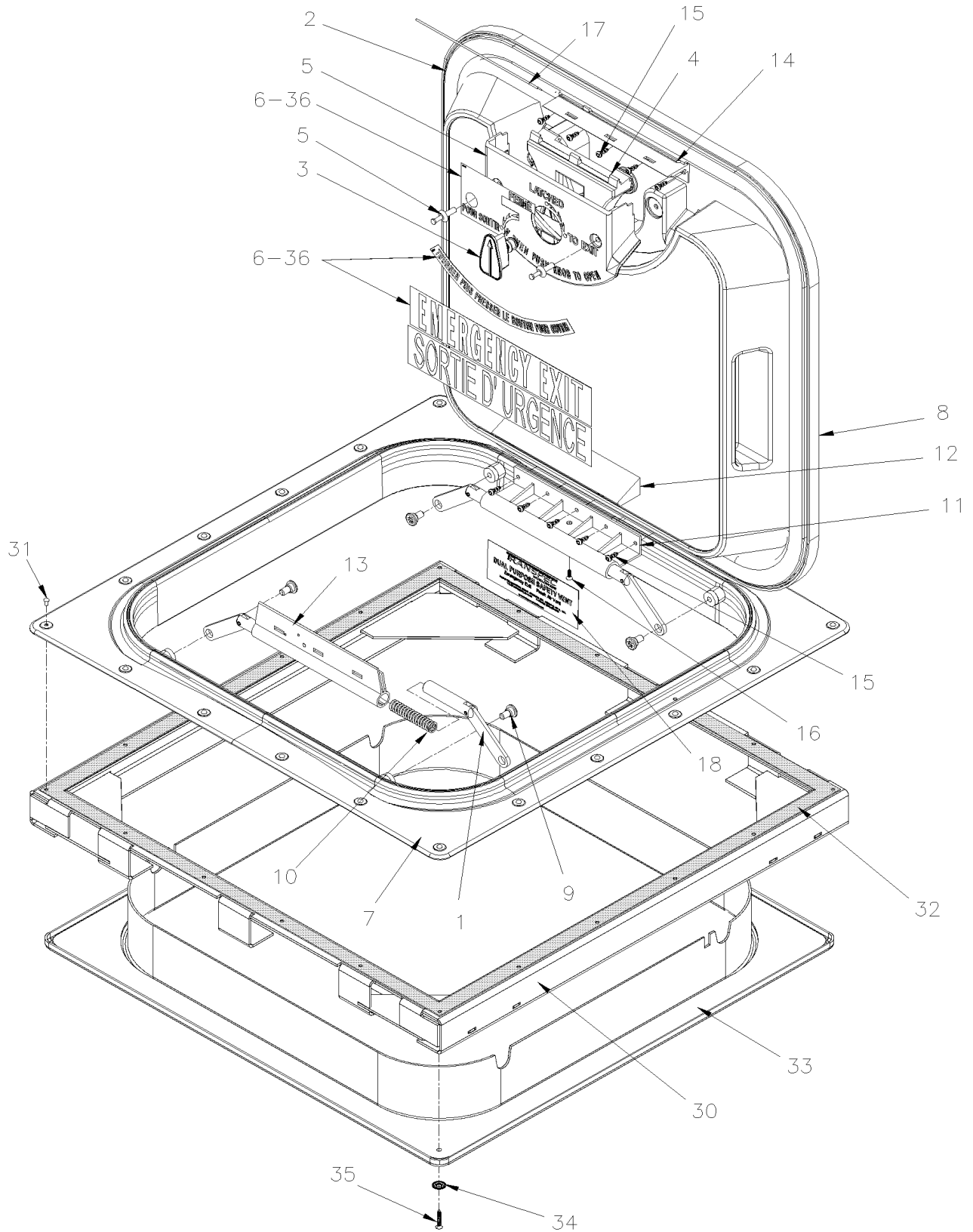
POWER WINDOW - ELECTRICAL INSTALLATION



| | | |
|---|--------------|------------------|
| From P-1348 | Date:07/2024 | PAGE:VIP-1886-01 |
| POWER WINDOW - ELECTRICAL INSTALLATION | | |

| Item# | Part | Description | QTY | Notes |
|-------|---------|--|-----|-------|
| 1 | 2810404 | ELECTRICAL WINDOW, SERVICE DOOR ASSY | 1 | |
| 2 | 2810533 | REGULATOR, WINDOW | 1 | |
| 3 | 0600012 | SERVICE DOOR HARNESS | 1 | |
| 4 | 2810429 | SLIDE, SERVICE DOOR WINDOW | 1 | |
| 5 | 2810515 | EXTRUSION, SERVICE DOOR WINDOW | 1 | |
| 6 | 2810606 | FRAME FINISHING, SERVICE DOOR ASSY | 1 | |
| 11 | 5001630 | SCREW TP BUTF TORX M6x20 SS | 2 | |
| NS | 680038 | THREAD LOCKER LOCTITE #243 / BLUE / 50ml | AR | |
| 12 | 5001851 | NUT HEX M6-1.0 SS BK | 10 | |
| 13 | 5001833 | WASHER BEL SPR 6.1x18x1.27 SS | 10 | |
| 14 | 5002181 | SCREW CAP BUTF TORX M6-1.0X10 SS | 2 | |
| 15 | 509815 | TIE MOUNT / ATTACHMENT W/TREE MOUNT | | |
| 16 | 504637 | CABLE TIE / 3/16" x 13" | | |

ESCAPE HATCH - INSTALLATION



| | | |
|------------------------------|---------------------|-------------------------|
| From K-0295 To P-1347 | Date:07/2024 | PAGE:VIP-1898-00 |
|------------------------------|---------------------|-------------------------|

ESCAPE HATCH - INSTALLATION

| Item# | Part | Description | QTY | Notes |
|-------|---------|---|-----|-------|
| | 950468 | HATCH ASSY / 23" X 23" GREY / LOW PROFILE GREY / ENG & FRENCH To N-1250 | 1 | |
| | 950396 | HATCH ASSY / 23" X 23" GREY / LOW PROFILE GREY / ENG & FRENCH From N-1251 | 1 | |
| | 950556 | HATCH ASSY / 23" X 23" GREY / LOW PROFILE GREY / ENGLISH ONLY To N-1250 | 1 | |
| | 950637 | HATCH ASSY / 23" X 23" GREY / LOW PROFILE GREY / ENGLISH ONLY From N-1251 | 1 | |
| 1 | 790436 | . LINK & LEVER ASSY | 4 | |
| 2 | 950069 | . SEAL, GASKET KIT | 1 | |
| 3 | 790663 | . RELEASE KNOB W/SCREW / RED | 1 | |
| 4 | 950472 | . HANDLE, RELEASE W/SPRING / BEIGE | 1 | |
| 5 | 950476 | . RELEASE HINGE SHIELD ASSY BEIGE | 1 | |
| 6 | 950229 | . DECAL KIT INSTRUCTION / ENGLISH & FRANCAIS | 1 | |
| 6 | 403651 | . DECAL, "EMEREGENCY... JAPAN" | AR | |
| 6 | 405775 | . DECAL / BRAILLE / EMERGENCY EXIT ONLY / ENGLISH & FRANCAIS To P-1369 | AR | |
| 6 | 406847 | . DECAL / BRAILLE / EMERGENCY EXIT ONLY / ENGLISH & FRENCH From P-1370 | 1 | |
| 6 | 500373 | . SCREW TP BDG PH #6x1/2 N500 | 2 | |
| 7 | 950477 | . FRAME ASSY, EXTERIOR FIBERGLASS / 23" X 23" BEIGE | 1 | |
| 8 | 950473 | . COVER ASSY / LOW PROFILE BEIGE To N-1250 | 1 | B |
| 8 | 950464 | . COVER ASSY / LOW PROFILE / GREY ENGLISH & FRENCH From N-1251 | 1 | B |
| 8 | 950480 | . COVER ASSY / LOW PROFILE / THIN / GREY ENGLISH ONLY To N-1250 | 1 | B |
| 8 | 950653 | . COVER ASSY / LOW PROFILE / GREY / ENGLISH ONLY From N-1251 | 1 | B |
| 9 | 790372 | . SCREW SHR HEXS 7/16x3/16 {5/16-18 | 4 | |
| 9 | 950449 | . SCREW CAP BUT TORX 5/16-18x3/4 BK G8 | 4 | |
| NS | 950450 | . SPACER BUSHING 5/16I.D.x 7/16O.D.x 3/16TH | 4 | |
| 10 | 790449 | . SPRING COMPRESSION / .549 O.D. x 2.590 x .078 | 4 | |
| 11 | N.S.S. | . HINGE COVER SECTION | 1 | 1 |
| 12 | 950475 | . HINGE COVER BEIGE | 1 | |
| 13 | 791789 | . RELEASE HANDLE ASSY BEIGE | 1 | |
| 13 | 950472 | . HANDLE, RELEASE W/SPRING / BEIGE | 1 | |
| 14 | 6982866 | . HANDLE BASE | 1 | |
| 15 | 7775131 | . SCREW #10 X .54" TORX HI/LO, SS | 10 | |
| 16 | 7775130 | . SCREW FL PH #8 x 1/2 SS | 1 | |
| 17 | 950693 | . HINGE PIN SS | 1 | |
| 18 | 950699 | DECAL "DUAL PURPOSE SAFETY VENT" | 1 | |
| | | | | |
| 30 | 292398 | FRAME ASSY, MOUNTING 23" X 23" | 1 | |
| NS | 685126 | ADHESIVE SIMSON #ISR 70-03 / GREY / 600ml SAUSAGE | AR | |
| 31 | 504058 | RIVET CHY MONOLOK PRDG 1/4x5/8 AL | 20 | |
| 32 | 680093 | SEALANT TAPE BUTYL / GREY / 1/16"x1 1/2"x50' /71079B11760 | AR | |
| 33 | 291720 | MOULDING, INTERIOR 23" X 23" GREY | 1 | |
| 33 | 340591 | INSULATION FIBERGLASS | AR | |
| 34 | 500464 | WASHER FN CKF .210x.540 SS | 4 | |
| 35 | 500629 | SCREW TP OV PH #8x1 Z050 | 4 | |
| | | | | |

| | | |
|-----------------------|--------------|------------------|
| From K-0295 To P-1347 | Date:07/2024 | PAGE:VIP-1898-00 |
|-----------------------|--------------|------------------|

ESCAPE HATCH - INSTALLATION

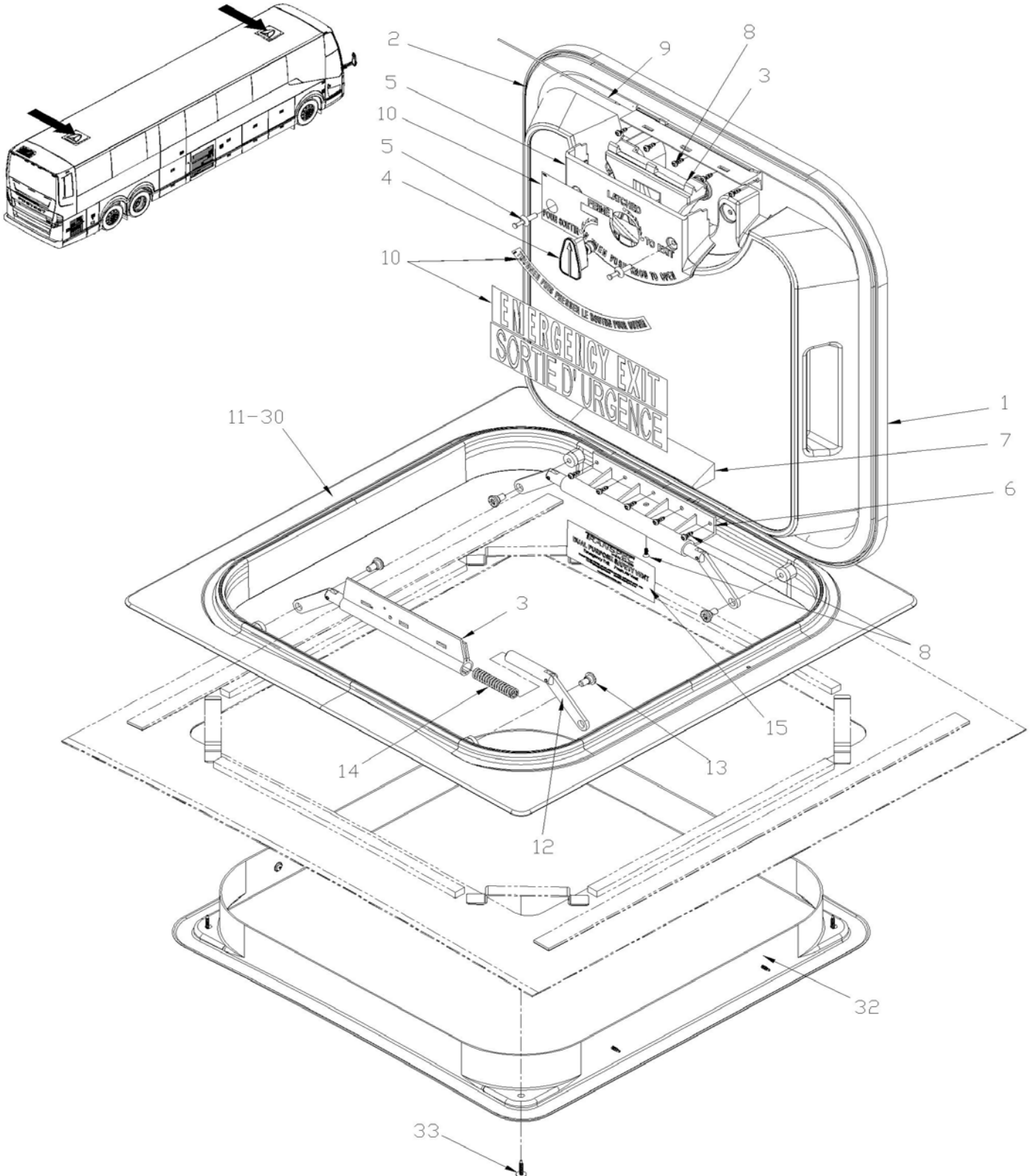
| Item# | Part | Description | QTY | Notes |
|-------|--------|---|-----|-------|
| 36 | 297090 | DECAL / "PARA SALIR" / SPANISH | 1 | |
| 36 | 297089 | DECAL / "CERRADO" / SPANISH | 1 | |
| 36 | 297091 | DECAL / "GIRE Y EMPUHE EL BUTON.. / SPANISH | 1 | |
| 36 | 297092 | DECAL / "EMERGENCY..." / ENGLISH & SPANISH | 1 | |
| 36 | 406161 | DECAL / DO NOT OPEN... MOTION / ENGLISH & SPANISH | 1 | |
| | | | | |
| | | | | |
| | | | | |
| | | B) INCLUDED ITEMS 2-3-4-5-6-8-11-12-15-16-17 | | |
| | | 1) NOT SOLD SEPARATELY | | |

From P-1347

Date:07/2024

PAGE:VIP-1898-01

ESCAPE HATCH - INSTALLATION - VENTILATION



| | | | |
|-------------|--|--------------|------------------|
| From P-1347 | | Date:07/2024 | PAGE:VIP-1898-01 |
|-------------|--|--------------|------------------|

ESCAPE HATCH - INSTALLATION - VENTILATION

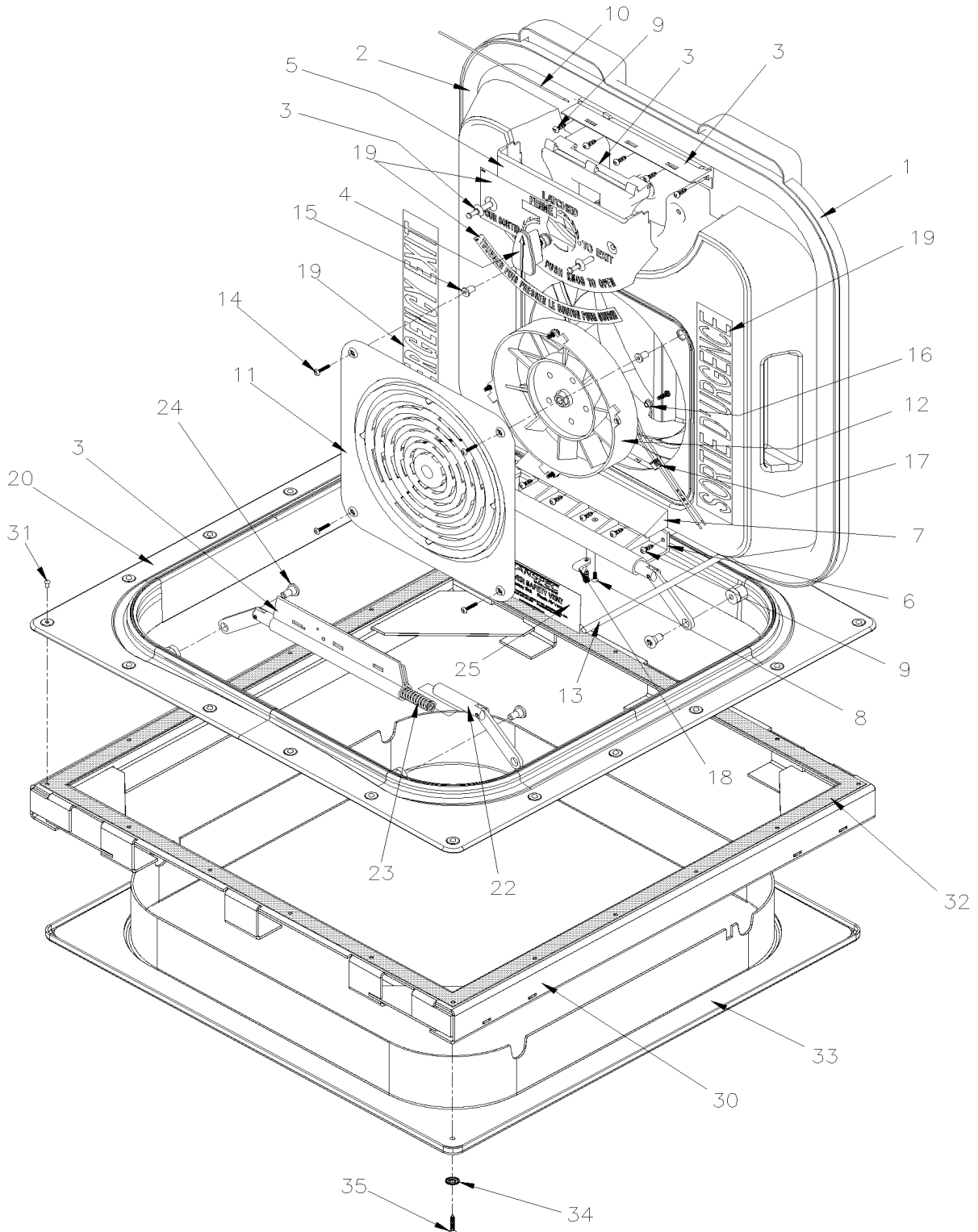
| Item# | Part | Description | QTY | Notes |
|-------|----------|---|-----|-------|
| | 950665 | HATCH ASSY / 23" X 23" GREY / LOW PROFILE GREY / ENG & FRENCH | 1 | |
| 1 | 950464 | . COVER ASSY / LOW PROFILE / GREY ENGLISH & FRENCH | 1 | B |
| 2 | 950069 | . SEAL, GASKET KIT | 1 | |
| 3 | 790664 | . RELEASE HANDLE ASSY GREY | 1 | |
| 4 | 790663 | . RELEASE KNOB W/SCREW / RED | 1 | |
| 5 | N8893808 | . RELEASE HINGE SHIELD ASSY GREY | 1 | |
| 6 | N.S.S. | . HINGE - FIXED | 1 | 1 |
| 7 | 950479 | . HINGE COVER GREY | 1 | |
| 8 | 7775131 | . SCREW #10 X .54" TORX HI/LO, SS | 10 | |
| 9 | 7775132 | . HINGE PIN SS | 1 | |
| 10 | 950690 | . DECAL KIT INSTRUCTION / ENGLISH & FRANCAIS | 1 | |
| 10 | 950698 | . DECAL KIT INSTRUCTION / ENGLISH | 1 | |
| 11 | 950205 | . FRAME ASSY, EXTERIOR FIBERGLASS / 23" X 23" GREY | 1 | |
| 12 | 790436 | . LINK & LEVER ASSY | 4 | |
| 13 | 950680 | . BOLT, 5/16-18 SHOULDER | 4 | |
| 14 | 790449 | . SPRING COMPRESSION / .549 O.D. x 2.590 x .078 | 4 | |
| 15 | N8891500 | DECAL PURPOSE SAFETY VENT | 1 | |
| | | | | |
| 30 | 685126 | ADHESIVE SIMSON #ISR 70-03 / GREY / 600ml SAUSAGE | AR | |
| 30 | 685387 | GLUE MS POLYMER TEROSON MS 9399 / 400ml CARTRIDGE | AR | |
| 30 | 506769 | TAPE RUB ADH2 CC POL 1/8" x 1/4" x 60' / BLACK H1CC-N#14 | AR | |
| 32 | 685126 | ADHESIVE SIMSON #ISR 70-03 / GREY / 600ml SAUSAGE | AR | |
| 33 | 290974 | MOULDING, INTERIOR 23" X 23" GREY | 1 | |
| 33 | 340591 | INSULATION FIBERGLASS | AR | |
| 35 | 5002070 | SCREW DR SEMS FN OV PH #8x1 Z050 | 16 | |
| | | | | |
| | | | | |
| | | B) INCLUDED ITEMS 2-3-4-5-6-8-11-12-15-16-17 | | |
| | | 1) NOT SOLD SEPARATELY | | |

From K-0295 To P-1347

Date:07/2024

PAGE:VIP-1898-10

ESCAPE HATCH - INSTALLATION - VENTILATION "OPTION"



| | | |
|---|---------------------|-------------------------|
| From K-0295 To P-1347 | Date:07/2024 | PAGE:VIP-1898-10 |
| ESCAPE HATCH - INSTALLATION - VENTILATION "OPTION" | | |

| Item# | Part | Description | QTY | Notes |
|-------|----------|---|-----|-------|
| | 950456 | HATCH ASSY / 23" X 23" BEIGE / W/VENTILATION To K-0484 | 1 | |
| | 950583 | HATCH ASSY / 23" X 23" GREY / W/VENTILATION / ENGLISH From K-0485 | 1 | |
| | 950456 | HATCH ASSY / 23" X 23" BEIGE / W/VENTILATION From K-0485 | 1 | O |
| 1 | 951083 | . LID POWER VENT BEIGE | 1 | A |
| 1 | 950684 | . LID POWER VENT GREY / ENGLISH From K-0485 | 1 | A |
| 2 | N8889278 | . SEAL, GASKET KIT | 1 | |
| 3 | 950689 | . RELEASE HANDLE ASSY / WHITE | 1 | |
| 4 | 790663 | . RELEASE KNOB W/SCREW / RED | 1 | |
| 5 | 950688 | . RELEASE HINGE SHIELD / WHITE | 1 | |
| 6 | N.S.S. | . HINGE FIXED | 1 | 1 |
| 7 | N8902738 | . HINGE COVER BEIGE | 1 | |
| 8 | 7775130 | . SCREW FL PH #8 x 1/2 SS | 1 | |
| 9 | N8880007 | . SPECIAL TORX SCREW #10 x 1/2 SS | 14 | |
| 10 | 950693 | . HINGE PIN SS | 1 | |
| 11 | 950682 | . GRILL-POWER VENT BEIGE | 1 | |
| 12 | 950701 | . FAN 8" 24V | 1 | |
| 13 | 951086 | . CORD ASSEMBLY- W/ INSUL. TERMINALS | 1 | |
| 14 | 950703 | . SCREW MA RND PH #6-32x3/4 SS | 4 | |
| 15 | 950702 | . NUT WELL #6-32 | 4 | |
| 16 | 950694 | . WASHER NYLON | 4 | |
| 17 | 950704 | . INSULATING BUSHING | 1 | |
| 18 | 950697 | . CLAMP 5/16" | 2 | |
| 19 | 950698 | . DECAL KIT INSTRUCTION / ENGLISH | 1 | |
| 19 | 950690 | . DECAL KIT INSTRUCTION / ENGLISH & FRANCAIS | 1 | |
| 19 | N8898772 | . DECAL KIT INSTRUCTION / ENGLISH & SPANISH | 1 | |
| 20 | N8893671 | . FRAME ASSY, EXTERIOR FIBERGLASS / 23" X 23" BEIGE | 1 | |
| 22 | 790436 | . LINK & LEVER ASSY | 4 | |
| 23 | 790449 | . SPRING COMPRESSION / .549 O.D. x 2.590 x .078 | 4 | |
| 24 | 790372 | . SCREW SHR HEXS 7/16x3/16 {5/16-18 | 4 | |
| 25 | 950700 | . DECAL "POWER SAFETY VENT" | 1 | |
| NS | N8893675 | . DECAL- "FRONT OF VEHICLE" | 1 | |
| | | | | |
| 30 | 292398 | FRAME ASSY, MOUNTING 23" X 23" | 1 | |
| 30 | 680532 | SEALANT SIKA #221 / GREY / 310ml CARTRIDGE | AR | |
| 31 | 504058 | RIVET CHY MONOLOK PRDG 1/4x5/8 AL | AR | |
| 32 | 680093 | SEALANT TAPE BUTYL / GREY / 1/16"x1 1/2"x50' /71079B11760 | AR | |
| 33 | 293939 | MOULDING, INTERIOR 23" X 23" BEIGE To K-0484 | 1 | |
| 33 | 291720 | MOULDING, INTERIOR 23" X 23" GREY From K-0485 | 1 | |
| 33 | 293939 | MOULDING, INTERIOR 23" X 23" BEIGE From K-0485 | 1 | O |
| 34 | 500464 | WASHER FN CKF .210x.540 SS | 4 | |
| 35 | 500629 | SCREW TP OV PH #8x1 Z050 | 4 | |
| | | | | |

| | | |
|-----------------------|--------------|------------------|
| From K-0295 To P-1347 | Date:07/2024 | PAGE:VIP-1898-10 |
|-----------------------|--------------|------------------|

ESCAPE HATCH - INSTALLATION - VENTILATION "OPTION"

| Item# | Part | Description | QTY | Notes |
|-------|--------|---|-----|-------|
| 40 | 061396 | WIRING HARNESS ROOF HATCH REAR & FAN | 1 | |
| 40 | 061395 | WIRING HARNESS ROOF HATCH & FAN FJB DASH | 1 | |
| | | | | |
| NS | 562697 | SWITCH / ON-ON / D.P.D.T. / CH-OVER / W/RED & GREEN LED | 1 | |
| NS | 562716 | CAP / DRIVER'S LAMP | 1 | |
| NS | 563284 | FUSE / ATM 15 AMPS BLUE | 1 | |
| | | | | |
| | | | | |
| | | A) INCLUDE ITEM 1 TO 19 | | |
| | | O) OPTIONAL | | |
| | | 1) NOT SOLD SEPARATELY | | |

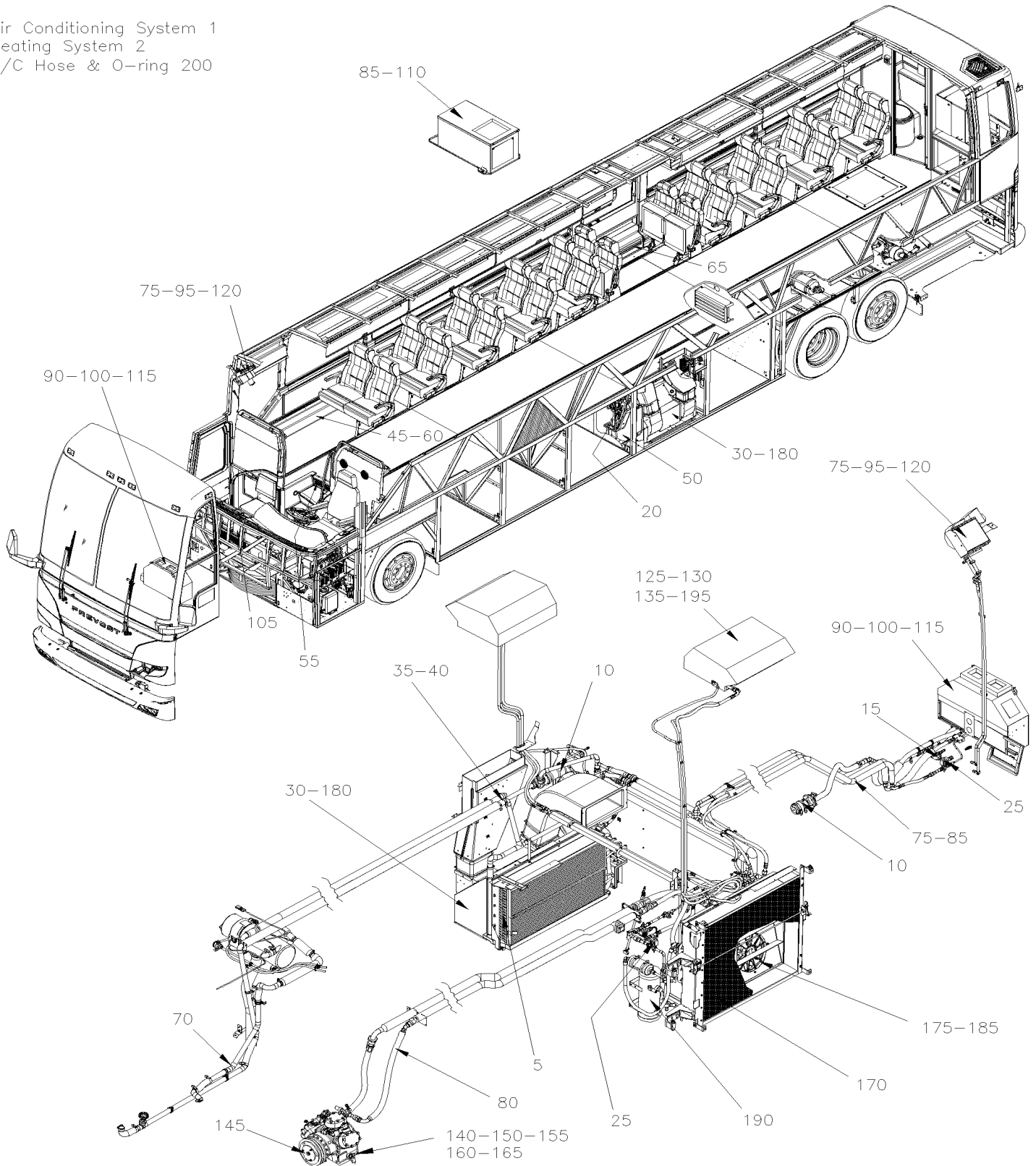
From K-0295

Date:07/2024

VIP-22

HEATING & AIR CONDITIONING

Air Conditioning System 1
Heating System 2
A/C Hose & O-ring 200



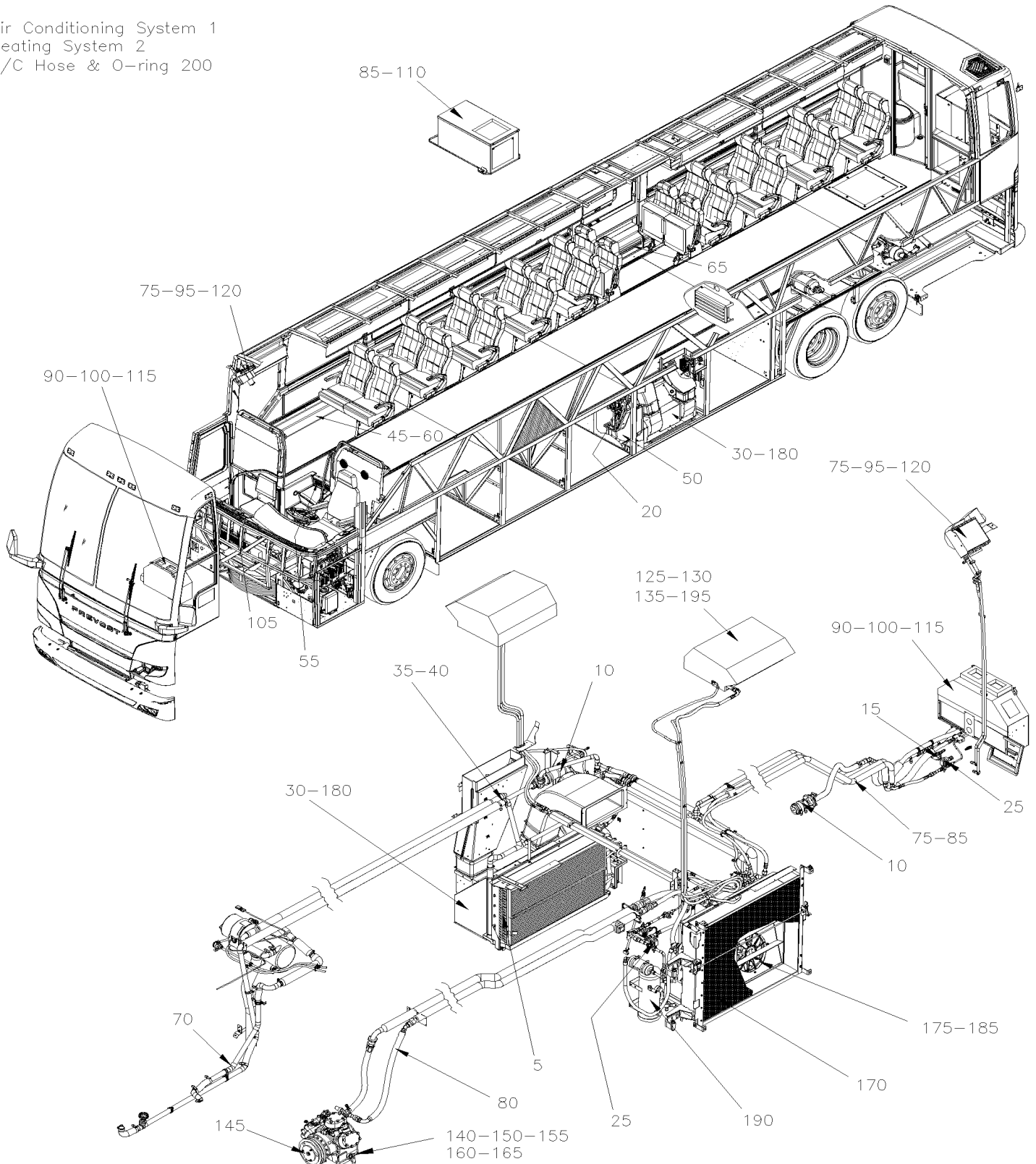
From K-0295

Date:07/2024

VIP-22

HEATING & AIR CONDITIONING

Air Conditioning System 1
Heating System 2
A/C Hose & O-ring 200



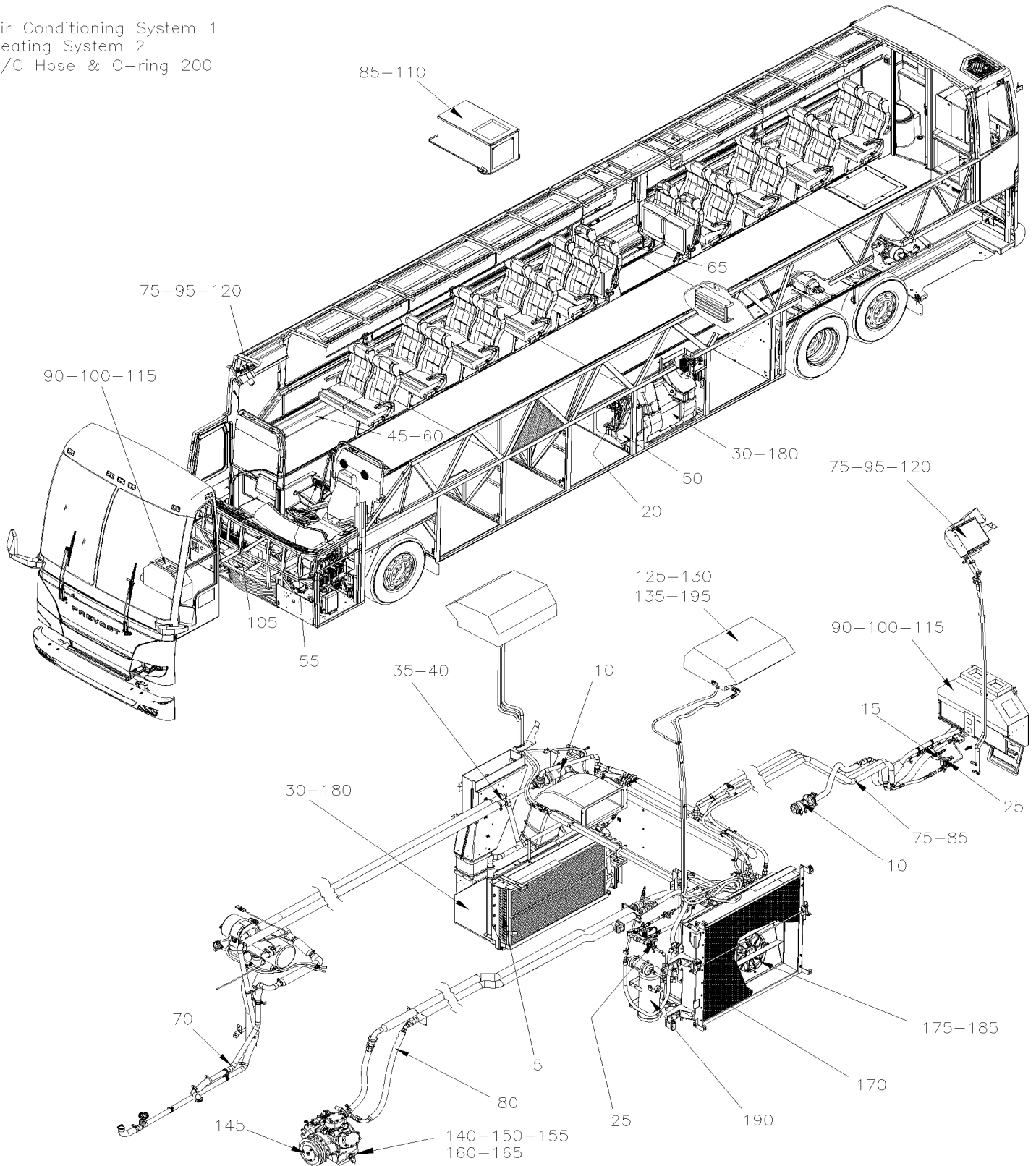
From K-0295

Date:07/2024

VIP-22

HEATING & AIR CONDITIONING

Air Conditioning System 1
Heating System 2
A/C Hose & O-ring 200



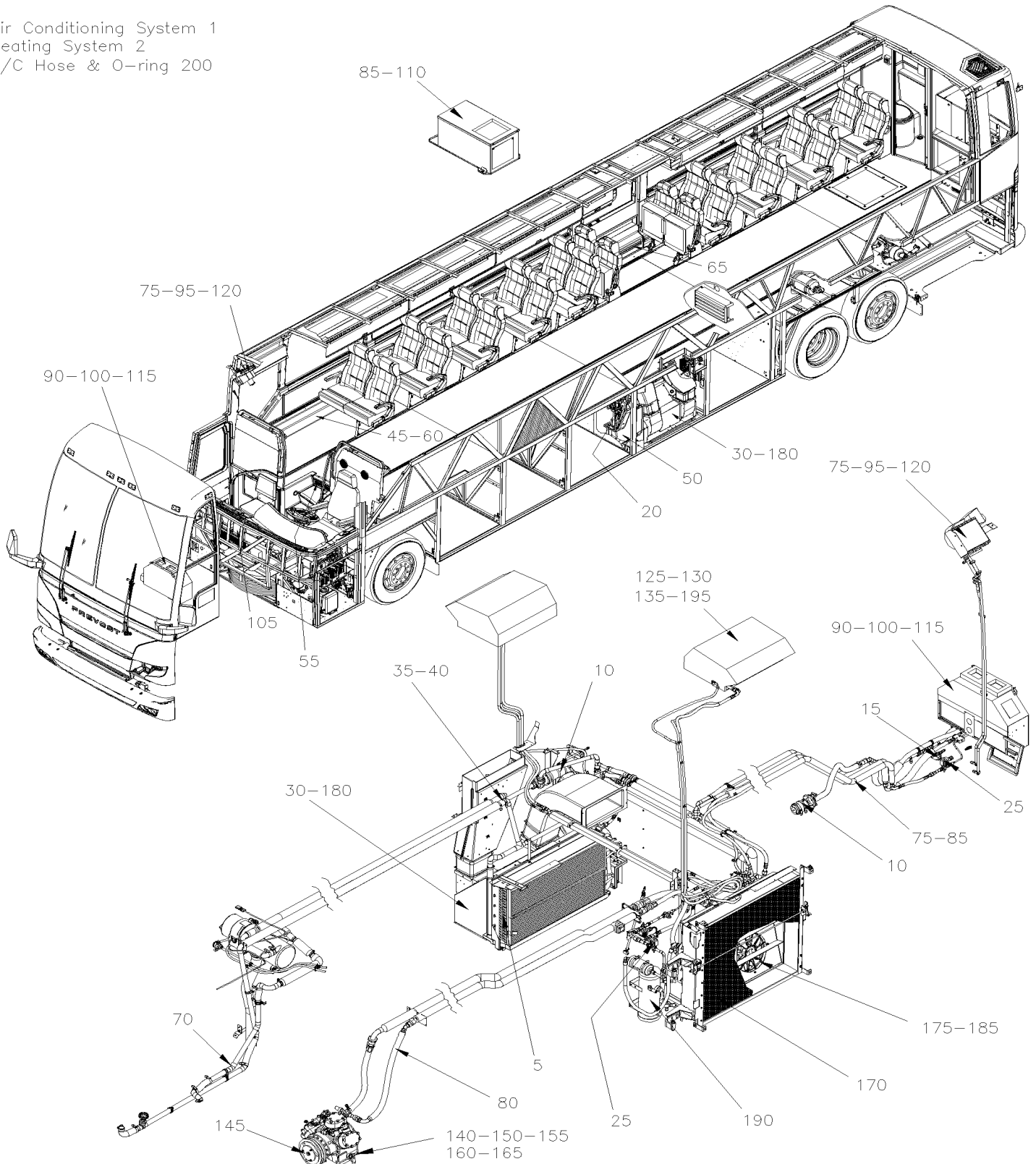
From K-0295

Date:07/2024

VIP-22

HEATING & AIR CONDITIONING

Air Conditioning System 1
Heating System 2
A/C Hose & O-ring 200



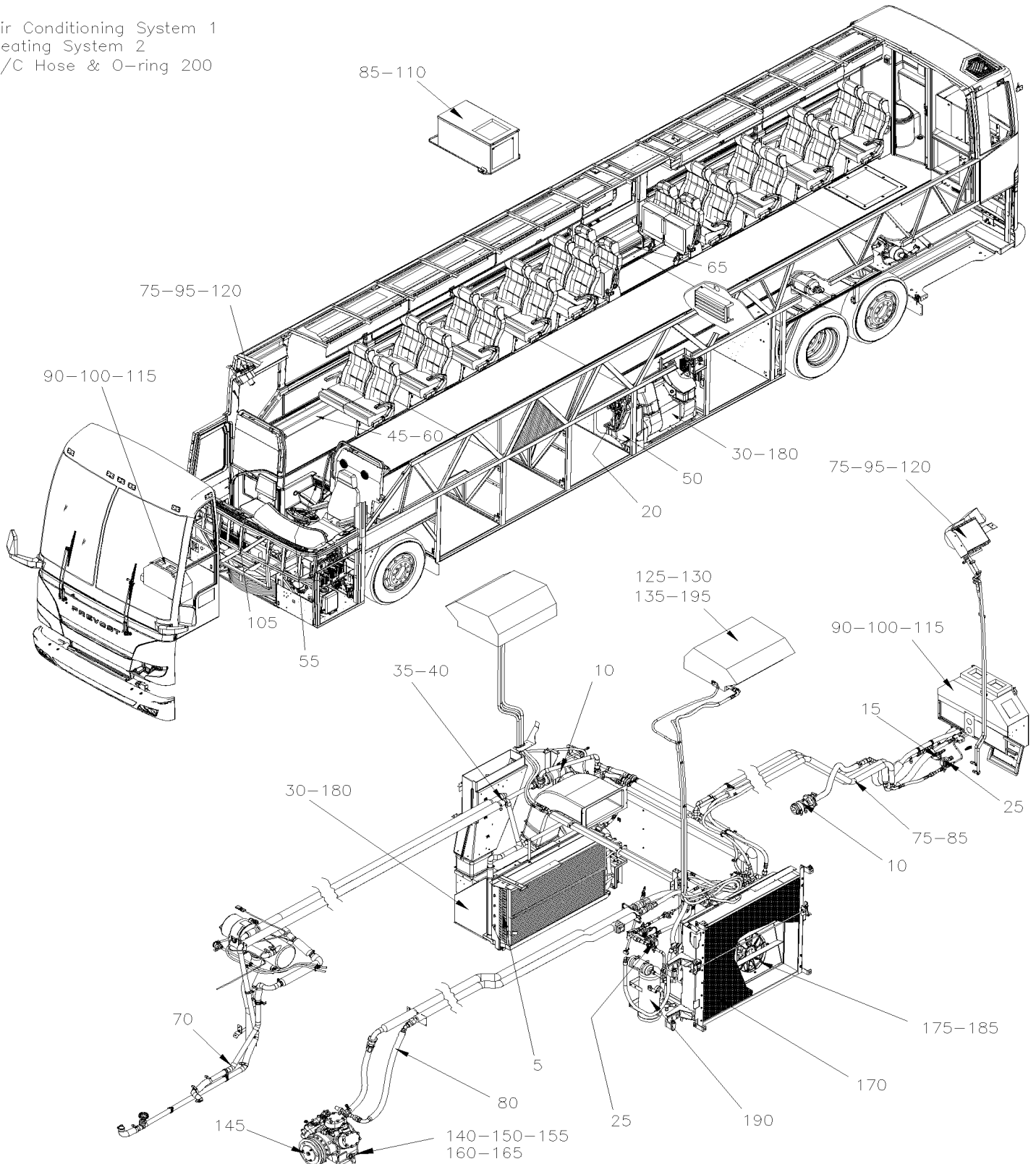
From K-0295

Date:07/2024

VIP-22

HEATING & AIR CONDITIONING

Air Conditioning System 1
Heating System 2
A/C Hose & O-ring 200



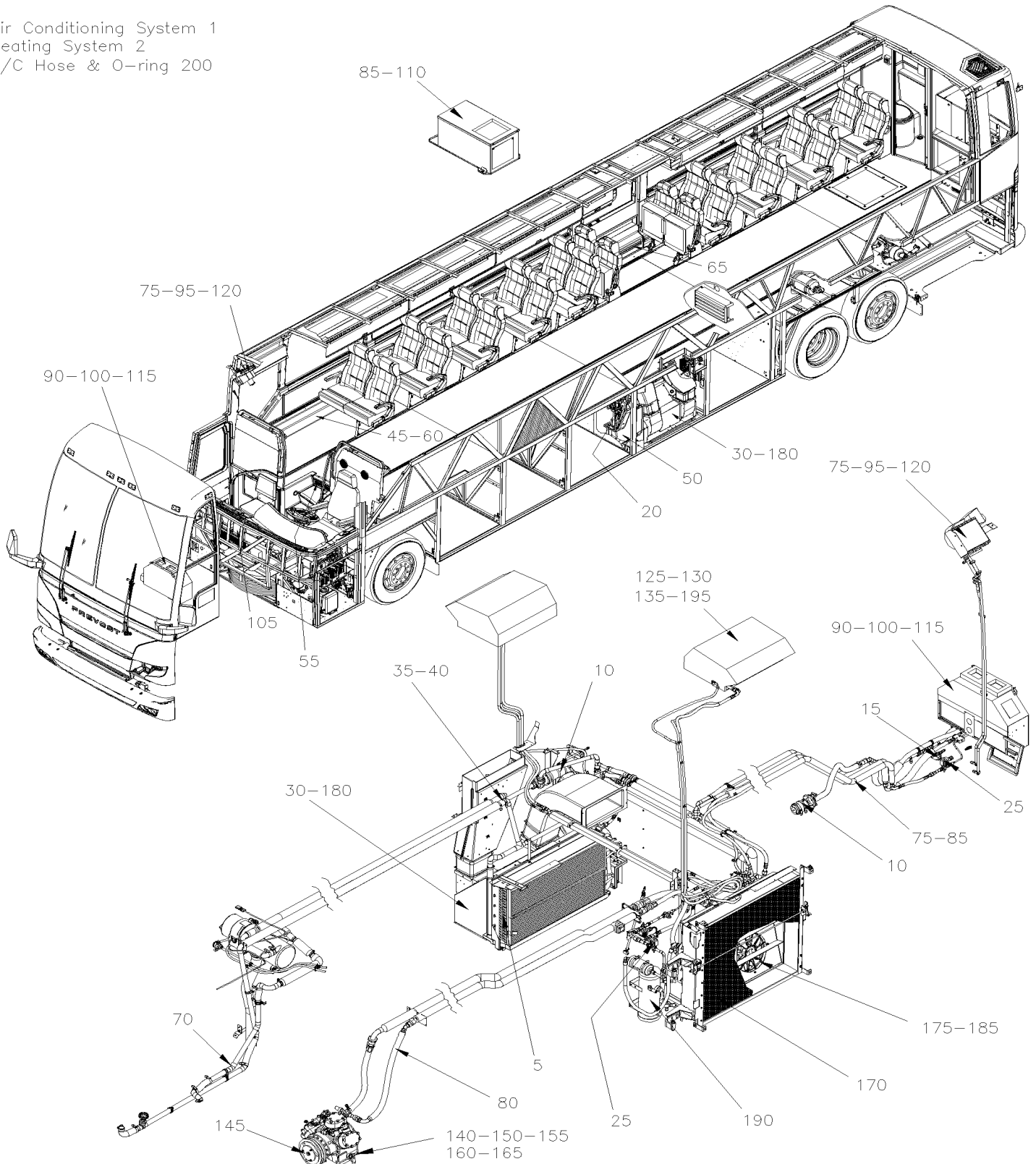
From K-0295

Date:07/2024

VIP-22

HEATING & AIR CONDITIONING

Air Conditioning System 1
Heating System 2
A/C Hose & O-ring 200



| | | | |
|-------------|--|--------------|--------|
| From K-0295 | | Date:07/2024 | VIP-22 |
|-------------|--|--------------|--------|

HEATING & AIR CONDITIONING

| Item# | Part | Description | QTY | Notes |
|-------|-------------|---|-----|-------|
| 1 | VIP-2200-00 | AIR CONDITIONING SYSTEM From K-0295 | | |
| 2 | VIP-2200-05 | HEATING SYSTEM From K-0295 | | |
| 5 | VIP-2205-01 | HEATER & EVAPORATOR COIL - INSTALLATION From K-0295 | | |
| 10 | VIP-2206-03 | WATER PUMP "AMETEK" / SEALLESS & BRUSHLESS From K-0295 To P-1347 | | |
| 10 | VIP-2206-10 | WATER PUMP "AMETEK" / SEALLESS & BRUSHLESS WITH LARGE A/C From P-1348 | | |
| 10 | VIP-2206-20 | WATER PUMP "AMETEK" / SEALLESS & BRUSHLESS WITH SMALL A/C From P-1348 | | |
| 15 | VIP-2207-06 | WATER VALVE - W/2 WAYS From K-0295 To P-1347 | | |
| 15 | VIP-2207-10 | WATER VALVE - W/2 WAYS / WITH LARGE A/C From P-1348 | | |
| 15 | VIP-2207-20 | WATER VALVE - W/2 WAYS / WITH SMALL A/C From P-1348 | | |
| 20 | VIP-2208-00 | A/C EXPANSION VALVE From K-0295 To K-0686 | | |
| 20 | VIP-2208-01 | A/C EXPANSION VALVE From K-0687 | | |
| 25 | VIP-2208-10 | REFRIGERENT SOLENOID VALVE From K-0295 | | |
| 30 | VIP-2210-02 | HEATER & EVAPORATOR BLOWER - INSTALLATION From K-0295 | | |
| 30 | VIP-2210-06 | HEATER & EVAPORATOR BLOWER - INSTALLATION From K-0295 To P-1347 | | |
| 30 | VIP-2210-07 | HEATER & EVAPORATOR BLOWER - INSTALLATION From P-1348 | | |
| 35 | VIP-2210-12 | WATER HEATER PUMP - INSTALLATION From K-0295 To P-1347 | | |
| 35 | VIP-2210-13 | WATER HEATER PUMP - INSTALLATION From P-1348 | | |
| 40 | VIP-2210-20 | WATER HEATER PUMP - INSTALLATION WITH SMALL A/C From K-0295 | | |
| 45 | VIP-2210-50 | AIR MAIN SENSOR From K-0295 | | |
| 50 | VIP-2215-00 | EVAPORATOR & DAMPER CONTROL COMPONENTS From K-0295 | | |
| 55 | VIP-2220-00 | UNDER FLOOR AIR DUCTING From K-0295 To P-1347 | | |
| 55 | VIP-2220-01 | UNDER FLOOR AIR DUCTING From P-1348 | | |
| 60 | VIP-2221-10 | DUCTING HEATER & A/C From K-0295 To P-1347 | | |
| 60 | VIP-2221-11 | DUCTING HEATER & A/C From P-1348 | | |
| 70 | VIP-2222-07 | HEATER LINE REAR SECTION WITH "VOLVO" ENGINE From K-0295 To P-1347 | | |
| 70 | VIP-2222-08 | HEATER LINE REAR SECTION WITH "VOLVO" ENGINE From P-1348 | | |
| 75 | VIP-2222-10 | A/C & HEATING LINE FRONT SECTION From K-0295 To P-1347 | | |
| 75 | VIP-2222-11 | A/C & HEATING LINE FRONT SECTION From P-1348 | | |
| 80 | VIP-2222-16 | A/C LINE REAR SECTION W/"BITZER" From K-0295 | | |

| | | |
|-------------|--------------|--------|
| From K-0295 | Date:07/2024 | VIP-22 |
|-------------|--------------|--------|

HEATING & AIR CONDITIONING

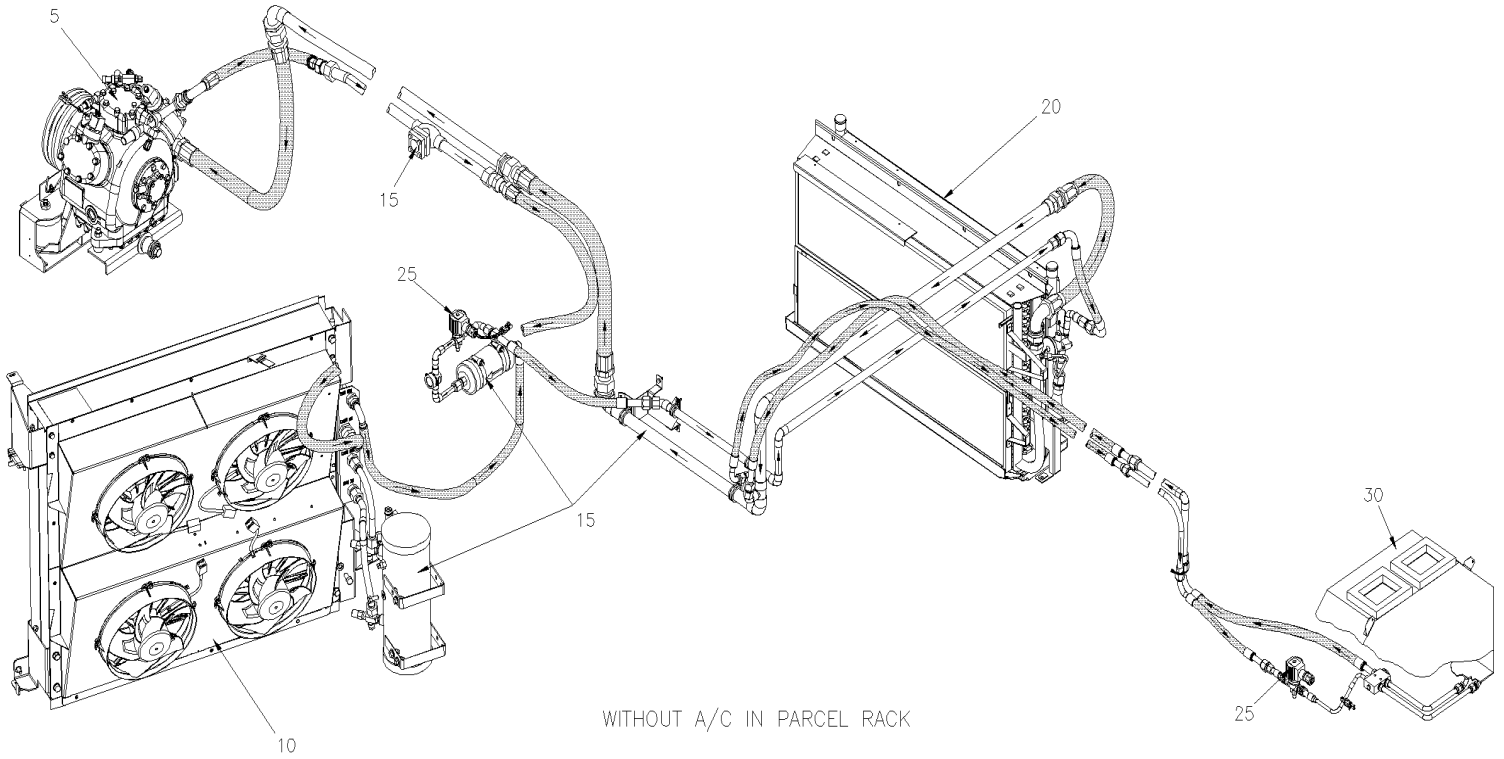
| Item# | Part | Description | QTY | Notes |
|-------|-------------|---|-----|-------|
| 85 | VIP-2222-51 | SMALL A/C LINE & HEATER LINE From K-0295 To P-1347 | | |
| 85 | VIP-2222-52 | SMALL A/C LINE & HEATER LINE From P-1348 | | |
| 85 | VIP-2222-57 | SMALL A/C LINES & HOSES - R134A From K-0295 | | |
| 90 | VIP-2225-01 | DRIVER'S HEATER & DEFROSTER ASSY From K-0295 To K-0492 | | |
| 90 | VIP-2225-02 | DRIVER'S HEATER & DEFROSTER ASSY From K-0493 To P-1347 | | |
| 90 | VIP-2225-03 | DRIVER'S HEATER & DEFROSTER ASSY From P-1348 | 1 | |
| 90 | VIP-2225-10 | DRIVER'S HEATER & DEFROSTER ASSY WITH SMALL A/C From K-0295 | | |
| 100 | VIP-2225-50 | A/C & HEATER AUXILIARY - V.I.P. From K-0295 | | |
| 105 | VIP-2230-00 | DEFROSTER - INSTALLATION From K-0295 To P-1347 | | |
| 105 | VIP-2230-01 | DEFROSTER - INSTALLATION From P-1348 | 1 | |
| 110 | VIP-2230-50 | A/C AUXILIARY V.I.P. - INSTALLATION From K-0295 To P-1347 | | |
| 110 | VIP-2230-51 | A/C AUXILIARY V.I.P. - INSTALLATION From P-1348 | | |
| 140 | VIP-2245-02 | A/C COMPRESSOR "BITZER" - INSTALLATION From K-0295 | | |
| 140 | VIP-2245-20 | A/C COMPRESSOR "BOCK" - INSTALLATION From N-1269 | | |
| 140 | VIP-2245-52 | A/C COMPRESSOR SMALL - INSTALLATION From K-0295 | | |
| 140 | VIP-2245-60 | A/C COMPRESSOR SMALL - INSTALLATION WITH "VOLTA" ALTERNATOR From K-0295 | | |
| 145 | VIP-2246-01 | A/C CLUTCH - WITH "BITZER" COMPRESSOR From K-0295 | | |
| 145 | VIP-2246-20 | A/C CLUTCH - WITH "BOCK" COMPRESSOR From N-1269 | | |
| 150 | VIP-2250-01 | A/C COMPRESSOR "BITZER" 4NFCY From K-0295 | | |
| 155 | VIP-2250-16 | A/C ELECTRIC UNLOADER - WITH "BITZER" COMPRESSOR From K-0295 | | |
| 155 | VIP-2250-35 | A/C ELECTRIC UNLOADER - WITH "BOCK" COMPRESSOR From N-1269 | | |
| 160 | VIP-2250-20 | A/C COMPRESSOR "BOCK" From N-1269 | | |
| 170 | VIP-2255-01 | CONDENSOR - INSTALLATION From K-0295 | | |
| 175 | VIP-2260-01 | CONDENSOR FANS - INSTALLATION W/4 MOTORS From K-0295 | | |
| 180 | VIP-2265-01 | MOTOR - EVAPORATOR BRUSHLESS From K-0295 | | |
| 185 | VIP-2265-51 | MOTOR - CONDENSOR BRUSHLESS From K-0295 | | |
| 190 | VIP-2270-01 | RECEIVER TANK & FILTER DRYER From K-0295 To P-1347 | | |
| 190 | VIP-2270-02 | RECEIVER TANK & FILTER DRYER From P-1348 | | |
| 200 | VIP-2299-00 | A/C HOSE & O-RING - W/R-134A From K-0295 To P-1347 | | |

From K-0295

Date:07/2024

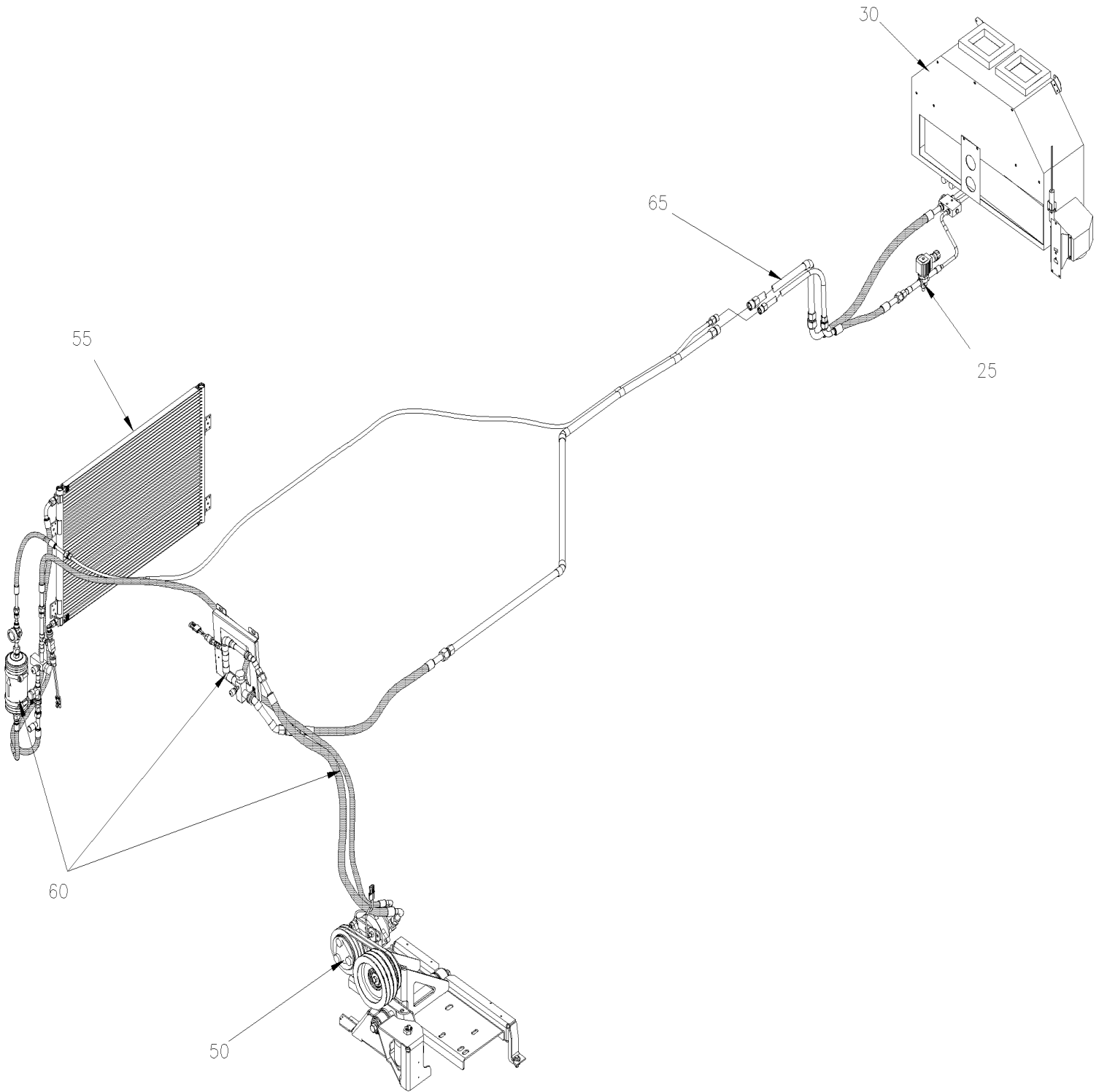
PAGE:VIP-2200-00

AIR CONDITIONING SYSTEM



WITHOUT A/C IN PARCEL RACK

| | | |
|--------------------------------|--------------|------------------|
| From K-0295 | Date:07/2024 | PAGE:VIP-2200-00 |
| AIR CONDITIONING SYSTEM | | |



WITH SMALL A/C SYSTEM

| | | |
|--------------------------------|--------------|------------------|
| From K-0295 | Date:07/2024 | PAGE:VIP-2200-00 |
| AIR CONDITIONING SYSTEM | | |

| Item# | Part | Description | QTY | Notes |
|-------|-------------|--|-----|-------|
| 5 | VIP-2245-02 | A/C COMPRESSOR "BITZER" - INSTALLATION | | |
| 5 | VIP-2245-20 | A/C COMPRESSOR "BOCK" - INSTALLATION From N-1269 | 1 | |
| 5 | VIP-2250-01 | A/C COMPRESSOR "BITZER" 4NFCY | | |
| 5 | VIP-2250-20 | A/C COMPRESSOR "BOCK" From N-1269 | 1 | |
| 10 | VIP-2255-01 | CONDENSOR - INSTALLATION | | |
| 10 | VIP-2260-01 | CONDENSOR FANS - INSTALLATION W/4 MOTORS | | |
| 15 | VIP-2270-01 | RECEIVER TANK & FILTER DRYER To P-1347 | | |
| 15 | VIP-2270-02 | RECEIVER TANK & FILTER DRYER From P-1348 | | |
| 20 | VIP-2205-01 | HEATER & EVAPORATOR COIL - INSTALLATION | | |
| 20 | VIP-2210-06 | HEATER & EVAPORATOR BLOWER - INSTALLATION To P-1347 | | |
| 20 | VIP-2210-07 | HEATER & EVAPORATOR BLOWER - INSTALLATION From P-1348 | | |
| 25 | VIP-2208-10 | REFRIGERENT SOLENOID VALVE | | |
| 30 | VIP-2225-01 | DRIVER'S HEATER & DEFROSTER ASSY To K-0492 | | |
| 30 | VIP-2225-02 | DRIVER'S HEATER & DEFROSTER ASSY From K-0493 To P-1347 | | |
| 30 | VIP-2225-03 | DRIVER'S HEATER & DEFROSTER ASSY From P-1348 | | |
| 30 | VIP-2225-10 | DRIVER'S HEATER & DEFROSTER ASSY WITH SMALL A/C | | |
| 50 | VIP-2245-52 | A/C COMPRESSOR SMALL - INSTALLATION | | |
| 60 | VIP-2222-57 | SMALL A/C LINES & HOSES - R134A | | |
| 65 | VIP-2222-51 | SMALL A/C LINE & HEATER LINE To P-1347 | | |
| 65 | VIP-2222-52 | SMALL A/C LINE & HEATER LINE From P-1348 | | |

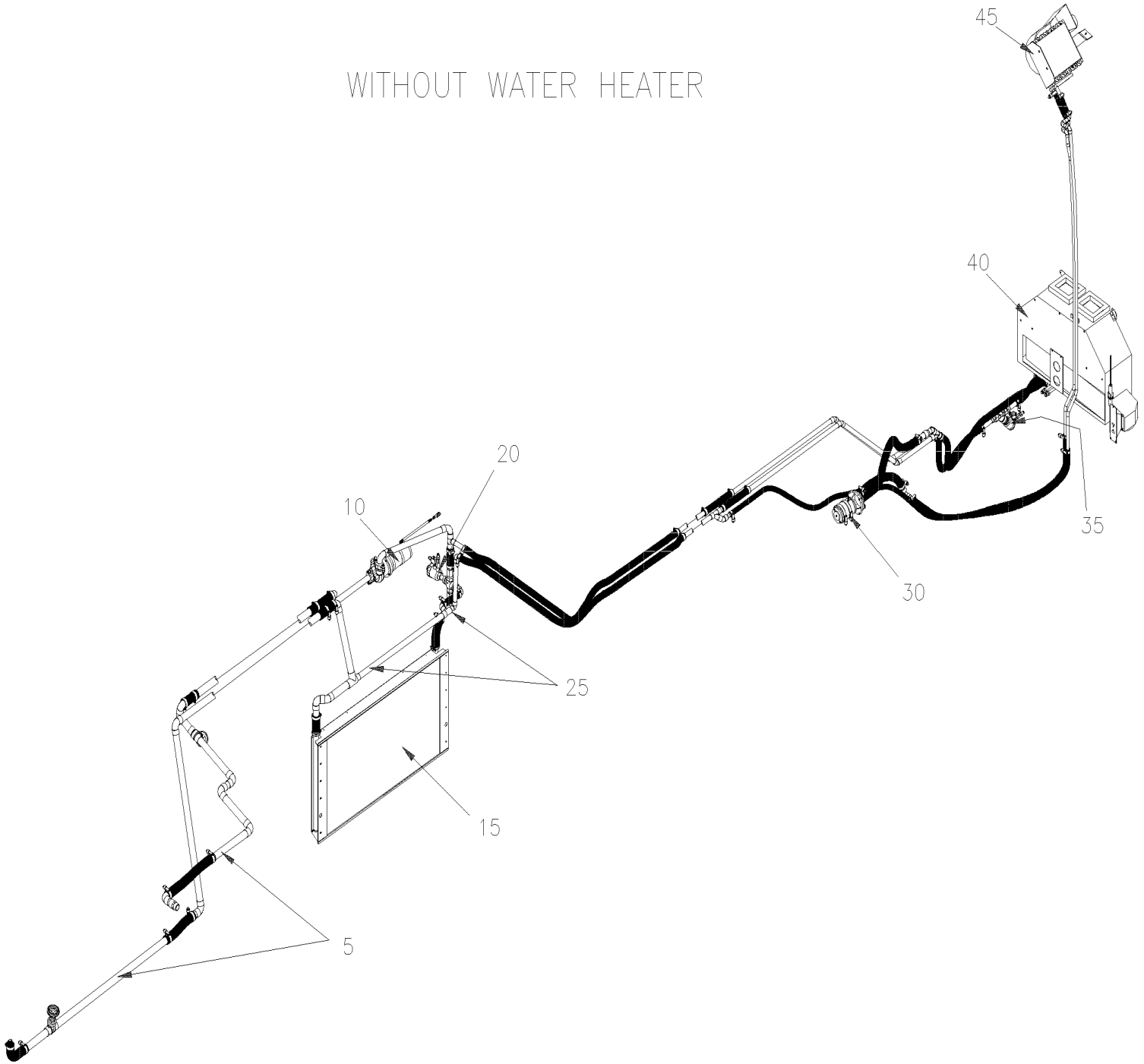
From K-0295

Date:07/2024

PAGE:VIP-2200-05

HEATING SYSTEM

WITHOUT WATER HEATER



| | | |
|-----------------------|--------------|------------------|
| From K-0295 | Date:07/2024 | PAGE:VIP-2200-05 |
| HEATING SYSTEM | | |

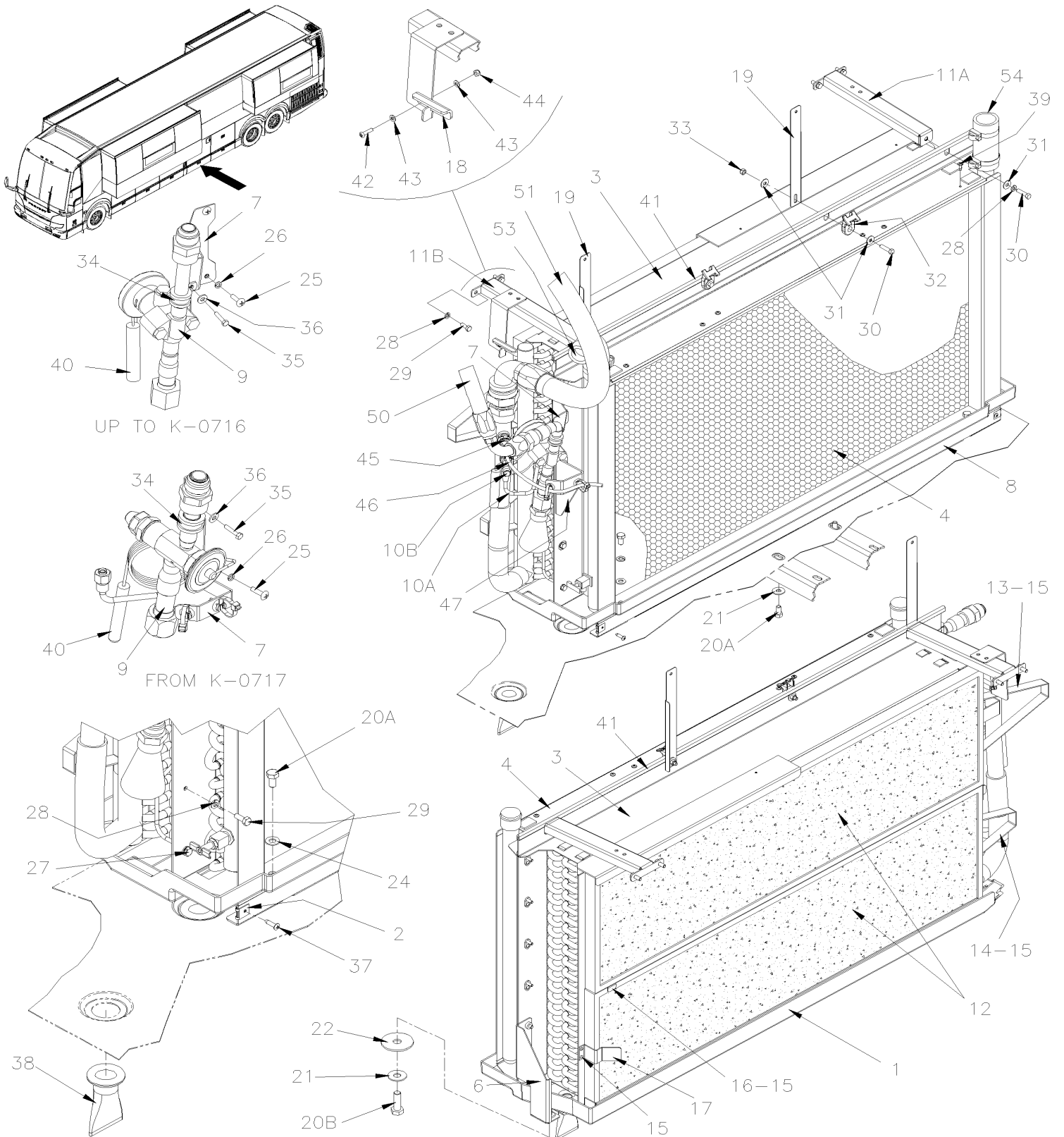
| Item# | Part | Description | QTY | Notes |
|-------|-------------|---|-----|-------|
| 5 | VIP-2222-07 | HEATER LINE REAR SECTION WITH "VOLVO" ENGINE To P-1347 | | |
| 5 | VIP-2222-08 | HEATER LINE REAR SECTION WITH "VOLVO" ENGINE From P-1348 | | |
| 10 | VIP-2206-03 | WATER PUMP "AMETEK" / SEALLESS & BRUSHLESS To P-1347 | | |
| 10 | VIP-2206-10 | WATER PUMP "AMETEK" / SEALLESS & BRUSHLESS WITH LARGE A/C From P-1348 | | |
| 10 | VIP-2206-20 | WATER PUMP "AMETEK" / SEALLESS & BRUSHLESS WITH SMALL A/C From P-1348 | | |
| 15 | VIP-2205-01 | HEATER & EVAPORATOR COIL - INSTALLATION | | |
| 15 | VIP-2210-02 | HEATER & EVAPORATOR BLOWER - INSTALLATION | | |
| 15 | VIP-2210-06 | HEATER & EVAPORATOR BLOWER - INSTALLATION To P-1347 | | |
| 15 | VIP-2210-07 | HEATER & EVAPORATOR BLOWER - INSTALLATION From P-1348 | | |
| 20 | VIP-2207-06 | WATER VALVE - W/2 WAYS To P-1347 | | |
| 20 | VIP-2207-10 | WATER VALVE - W/2 WAYS / WITH LARGE A/C From P-1348 | | |
| 20 | VIP-2207-20 | WATER VALVE - W/2 WAYS / WITH SMALL A/C From P-1348 | | |
| 25 | VIP-2210-12 | WATER HEATER PUMP - INSTALLATION To P-1347 | | |
| 25 | VIP-2210-13 | WATER HEATER PUMP - INSTALLATION From P-1348 | | |
| 30 | VIP-2206-03 | WATER PUMP "AMETEK" / SEALLESS & BRUSHLESS To P-1347 | | |
| 30 | VIP-2206-10 | WATER PUMP "AMETEK" / SEALLESS & BRUSHLESS WITH LARGE A/C From P-1348 | | |
| 30 | VIP-2206-20 | WATER PUMP "AMETEK" / SEALLESS & BRUSHLESS WITH SMALL A/C From P-1348 | | |
| 35 | VIP-2207-06 | WATER VALVE - W/2 WAYS To P-1347 | | |
| 35 | VIP-2207-10 | WATER VALVE - W/2 WAYS / WITH LARGE A/C From P-1348 | | |
| 35 | VIP-2207-20 | WATER VALVE - W/2 WAYS / WITH SMALL A/C From P-1348 | | |
| 40 | VIP-2230-00 | DEFROSTER - INSTALLATION To P-1347 | | |
| 40 | VIP-2230-01 | DEFROSTER - INSTALLATION From P-1348 | | |

From K-0295

Date:07/2024

PAGE:VIP-2205-01

HEATER & EVAPORATOR COIL - INSTALLATION



| | | | |
|-------------|--|--------------|------------------|
| From K-0295 | | Date:07/2024 | PAGE:VIP-2205-01 |
|-------------|--|--------------|------------------|

HEATER & EVAPORATOR COIL - INSTALLATION

| Item# | Part | Description | QTY | Notes |
|-------|--------------------|--|-----|-------|
| 1 | 453994 | DRAIN PAN | 1 | |
| 2 | 500981 | NUT SPR U #10-23/32x5/8 | 2 | |
| 3 | 950584 | COIL EVAPORATOR To P-1319 | 1 | |
| . NS | 501829 | . O-RING / ORS FITTING / #12 NEO To P-1319 | 1 | |
| . NS | 501803 | . O-RING / ORS FITTING / #20 NEO To P-1319 | 1 | |
| 3 | 950650 | COIL EVAPORATOR From P-1320 | 1 | |
| . NS | 501829 | . O-RING / ORS FITTING / #12 NEO From P-1320 | 1 | |
| . NS | 501803 | . O-RING / ORS FITTING / #20 NEO From P-1320 | 1 | |
| 4 | 871372 | COIL HEATER To K-0370 | 1 | |
| 4 | 871465 | COIL HEATER From K-0371 | 1 | |
| . NS | 870125 | . DRAIN COCK 1/4 From K-0371 | 1 | |
| 6 | 453984 | SUPPORT EVAPORATOR / BACKWARD | 1 | |
| 7 | 454257 | SUPPORT VALVE EXPANSION To K-0686 | 1 | |
| 7 | 450971 | SUPPORT VALVE EXPANSION From K-0687 | 1 | |
| NS | 509815 | TIE MOUNT / ATTACHMENT W/TREE MOUNT | AR | |
| NS | 504637 | CABLE TIE / 3/16" x 13" | AR | |
| 8 | 453982 | SUPPORT HEATER CORE | 1 | |
| 9 | VIP-2208-00 | A/C EXPANSION VALVE To K-0686 | | |
| 9 | VIP-2208-01 | A/C EXPANSION VALVE From K-0687 | 1 | |
| 10A | 450078 | TUBE STABILISATOR A/C PRESSURE To K-0686 | 1 | |
| NS | 680869 | THREAD SEALANT LOCTITE #554 / REFRIG. / 250ml To K-0686 | 1 | |
| 10B | 501069 | SWIVEL NUT ELBOW 90° / SAE 45° FITTING / WITH SCHRADER VALVE #4FL-Fx#4FLC-M BR W-VALVE | 1 | |
| 11A | 374368 | SUPPORT ASSY | 1 | |
| 11B | 374369 | SUPPORT ASSY | 1 | |
| 12 | 871383 | FILTER 1" x 38" x 10 1/2" | 2 | |
| 13 | 374228 | HANDLE UPPER W/RETAINER SLOT To N-1219 | 1 | |
| 13 | 370486 | HANDLE UPPER W/RETAINER SLOT From N-1220 | 1 | |
| 14 | 374229 | HANDLE LOWER W/GUIDE | 1 | |
| 15 | 504104 | RIVET POP DOME OE 1/8x1/8 SS To N-1219 | 9 | |
| 15 | 504104 | RIVET POP DOME OE 1/8x1/8 SS From N-1220 | 11 | |
| 16 | 374231 | SLIDING GUIDE 55MM To N-1219 | 1 | |
| 16 | 370487 | SLIDING GUIDE From N-1220 | 1 | |
| 17 | 374232 | SUPPORT LOWER GUIDE | 1 | |
| 18 | 453903 | PLATE FOR FILTER STOPPER A/C | 1 | |
| 19 | 374266 | SUPPORT HEATER PIPE RETURN | 2 | |
| 20A | 5001527 | SCREW CAP HEX M8-1.25x16 SS BK | 6 | |
| 20A | 5001527 | SCREW CAP HEX M8-1.25x16 SS BK | 6 | |
| 20B | 5001527 | SCREW CAP HEX M8-1.25x16 SS BK | 1 | |
| 20B | 5001527 | SCREW CAP HEX M8-1.25x16 SS BK | 1 | |
| 21 | 5001448 | WASHER FL .343x.875x.062 SS18-8 | 6 | |
| 22 | 500462 | WASHER FL .343x1.500x.083 SS | 1 | |
| 24 | 5001848 | WASHER BEL SPR .827 x .331 x .098 th SS | 2 | |

| | | |
|-------------|--------------|------------------|
| From K-0295 | Date:07/2024 | PAGE:VIP-2205-01 |
|-------------|--------------|------------------|

HEATER & EVAPORATOR COIL - INSTALLATION

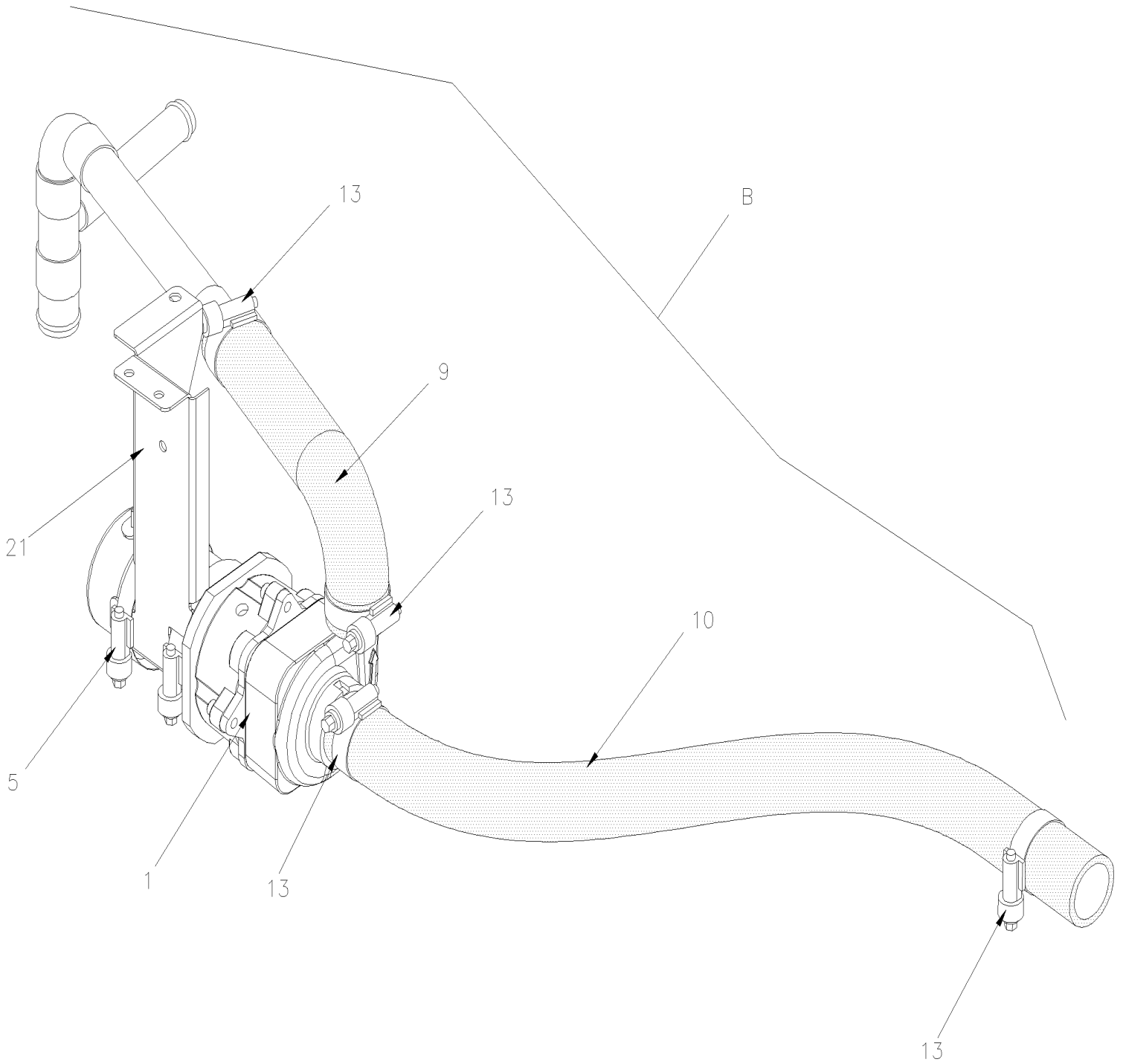
| Item# | Part | Description | QTY | Notes |
|-------|---------|--|-----|-------|
| 25 | 500510 | SCREW MA BDG PH #10-32x3/4 SS EMN | 8 | |
| 26 | 500914 | WASHER LO SPT .193x.334x.047 N500 | 8 | |
| 27 | 5001744 | SCREW CAP HEX M6-1.0x16 G8.8 N500 | 2 | |
| 28 | 502853 | WASHER LO SPT 6.1x11.8x1.6 N500 | 8 | |
| 29 | 5001744 | SCREW CAP HEX M6-1.0x16 G8.8 N500 | 4 | |
| 30 | 502737 | SCREW CAP HEX M6-1.0x25 SS BK | 4 | |
| 31 | 500411 | WASHER FL .260x.697x.050 SS | 6 | |
| 32 | 507383 | TIE MOUNT HOLE 3/8" | 2 | |
| 33 | 502681 | NUT HEX NYRT M6-1.0 N500 G8 | 2 | |
| 34 | 952629 | CLAMP / 5/8" I.D. To K-0686 | 1 | |
| 34 | 952631 | CLAMP / 3/4" I.D. From K-0687 | 1 | |
| 35 | 500588 | SCREW CAP HEX M4-0.7x20 G8.8 Z050 | 1 | |
| 36 | 500964 | WASHER FL .203x.500x.047 Z050 | 1 | |
| 37 | 500957 | SCREW TP BDG PH #10x3/4 N500 | 2 | |
| 38 | 414654 | DRAIN BOOT 1" I.D. W/GROOVE 1.5 x 35MM I.D. x 85MM | 4 | |
| 39 | 502868 | SCREW TC TR PH #10-16x1/2 N500 | 6 | |
| 40 | 680091 | TAPE INSULATING / 1/8" x 2" x 30' / BLACK PT-1 | AR | |
| 41 | 506338 | RUBBER CHANNEL / 1/16" x 1/4" INT "U" SHAPE / ROUND C.T.L. | AR | |
| 42 | 5001332 | SCREW MA PAN PH M4-0.7x16 SS | 1 | |
| 43 | 502556 | WASHER FL 4.3x9.0x0.8 SS | 2 | |
| 44 | 502557 | NUT HEX NYRT M4-0.7 SS | 1 | |
| 45 | 950546 | SENSOR,COMBINED PRESSURE-TEMPERATURE | 1 | |
| 46 | 060804 | HVAC CONTROL HARNESS | 1 | |
| 47 | 370155 | SUPPORT,SENSOR HARNESS To K-0686 | 1 | |
| NS | 500510 | SCREW MA BDG PH #10-32x3/4 SS EMN To K-0686 | 2 | |
| NS | 509815 | TIE MOUNT / ATTACHMENT W/TREE MOUNT To K-0686 | AR | |
| NS | 504637 | CABLE TIE / 3/16" x 13" To K-0686 | AR | |
| 50 | 457724 | HOSE ASSY / #12 402MM To K-0686 | 1 | |
| NS | 507280 | O-RING / ORS FITTING / #12 NEO To K-0686 | 1 | |
| 50 | 450989 | HOSE ASSY / #12 830MM From K-0687 | 1 | |
| NS | 507280 | O-RING / ORS FITTING / #12 NEO From K-0687 | 1 | |
| 50 | 507280 | O-RING / ORS FITTING / #12 NEO | 1 | |
| 51 | 457721 | HOSE ASSY / #20 800MM | 1 | |
| 51 | 501803 | O-RING / ORS FITTING / #20 NEO | 1 | |
| 53 | 374247 | ELBOW 90° REDUCER 1 1/8" I.D.W/3 1/4" x 1 3/8" I.D. W 3 15/16" C/C | 1 | |
| 54 | 051383 | HOSE / W/CENTRAL A/C SYSTEM / 1 3/8" I.D. X 150MM | 1 | |
| 54 | 503783 | HOSE SILICONE 4PLY / NOMEX-ARAMID 34MM I.D. x 6' | AR | |

From K-0295 To P-1347

Date:07/2024

PAGE:VIP-2206-03

WATER PUMP "AMETEK" / SEALLESS & BRUSHLESS



| | | |
|---|---------------------|-------------------------|
| From K-0295 To P-1347 | Date:07/2024 | PAGE:VIP-2206-03 |
| WATER PUMP "AMETEK" / SEALLESS & BRUSHLESS | | |

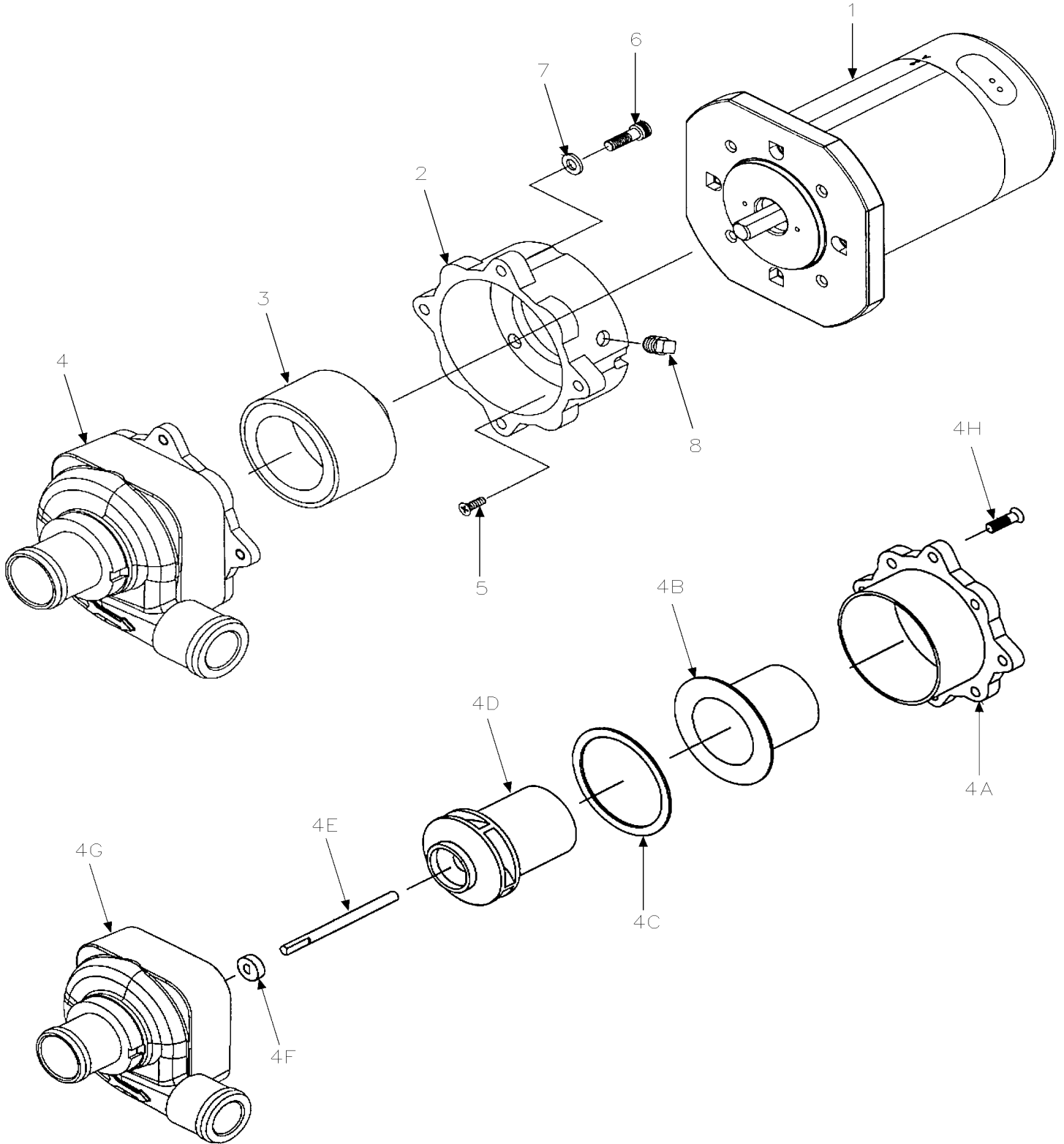
| Item# | Part | Description | QTY | Notes |
|-------|--------------------|--|-----|-------|
| 1 | 874297 | WATER PUMP "AMETEK" / SEALLESS & BRUSHLESS | 1 | |
| NS | 561781 | CONNECTOR / WEATHER PACK / PH 3C / BLACK / PED 12010717 | 1 | |
| NS | 561568 | PIN TERMINAL / 16-14 / PED 12089305 | 2 | |
| NS | 561786 | CABLE SEAL / GRAY / PED 15324980 | 2 | |
| NS | 561783 | SEAL PLUG CAVITY / GREEN / PED 12010300 | 1 | |
| NS | 680319 | TAPE ADHESIF ELECTRIC / BLACK 3/4" | AR | |
| NS | 562387 | CONVOLUTED TUBING / SLIT / BLACK / .250" | AR | |
| 5 | 504026 | HOSE CLAMP / 2"13/16-3"3/4 SS / HS-52 | 2 | |
| 6 | 504235 | HOSE CLAMP / 3"9/16"-4"1/2 SS / HS-64 | 2 | |
| 7 | 506728 | TAPE RUB ADH1 NEO 1/4" x 3/4" x 10' / BLACK | AR | |
| 9 | 378924 | ELBOW 90° X 1 3/8" I.D. / 75MM x 194MM C/C / SILICONE | 1 | |
| 10 | 503783 | HOSE SILICONE 4PLY / NOMEX-ARAMID 34MM I.D. x 6' | AR | |
| 11 | 503783 | HOSE SILICONE 4PLY / NOMEX-ARAMID 34MM I.D. x 6' | AR | |
| 12 | 503803 | HOSE SILICONE 1 PLY / NOMEX-ARAMID 7/8" I.D. x 100' / S.L. | AR | |
| 13 | 992086 | HOSE CLAMP / 32MM/52MM | 4 | |
| 13 | 504692 | HOSE CLAMP STEPLESS SPRING SS / OETIKER / 1.5-1.8 | 4 | A |
| 14 | 992084 | HOSE CLAMP / 23MM/35MM | 2 | |
| 14 | 504693 | HOSE CLAMP STEPLESS SPRING SS / OETIKER / .94-1.1 | 2 | A |
| 15 | 501794 | ADAPTER / COPPER @ PIPE / 1Mx3/4NPT-M To N-1209 | 1 | |
| 15 | 370411 | PIPE, PUMP & VALVE ASS 90DEG From N-1210 | 1 | |
| 16 | 501866 | ADAPTER / COPPER @ PIPE / 3/4Fx3/4NPT-M To N-1209 | 1 | |
| 16 | 370406 | PIPE, VALVE ASSY 68MM From N-1210 | 1 | |
| 17 | VIP-2207-06 | WATER VALVE - W/2 WAYS | | |
| 21 | 374670 | SUPPORT / WATER PUMP | 1 | |
| 22 | 373565 | SUPPORT W/PUMP / OUTPUT To N-1209 | 1 | |
| 22 | 370410 | SUPPORT W/PUMP / OUTPUT From N-1210 | 1 | |
| 23 | 952639 | CLAMP / 1"1/4 I.D. | 2 | |
| 24 | 500658 | SCREW TC PAN PH #10-24x3/4 Z050 | 1 | |
| B | Call order desk | WATER PUMP ASSY WITH PIPE / LARGE A/C | 1 | P |
| B | 370413 | . PIPE, PUMP ASSY From N-1210 | 1 | |
| D | 370153 | WATER PUMP ASSY WITH WATER VALVE / SMALL A/C To N-1209 | 1 | |
| D | Call order desk | WATER PUMP ASSY WITH WATER VALVE / SMALL A/C From N-1210 | 1 | P |
| . NS | 370411 | . PIPE, PUMP & VALVE ASS 90DEG From N-1210 | 1 | |
| . NS | 370406 | . PIPE, VALVE ASSY 68MM From N-1210 | 1 | |
| | | | | |
| | | | | |
| | | A) WITH OPTION "OETIKER" HOSE CLAMP | | |
| | | P) CALL ORDER DESK FOR SPECIFIC APPLICATION (V.I.N.) | | |

From K-0295 To P-1347

Date:07/2024

PAGE:874297

WATER PUMP "AMETEK" / SEALLESS & BRUSHLESS



| | | |
|-----------------------|--------------|-------------|
| From K-0295 To P-1347 | Date:07/2024 | PAGE:874297 |
|-----------------------|--------------|-------------|

WATER PUMP "AMETEK" / SEALLESS & BRUSHLESS

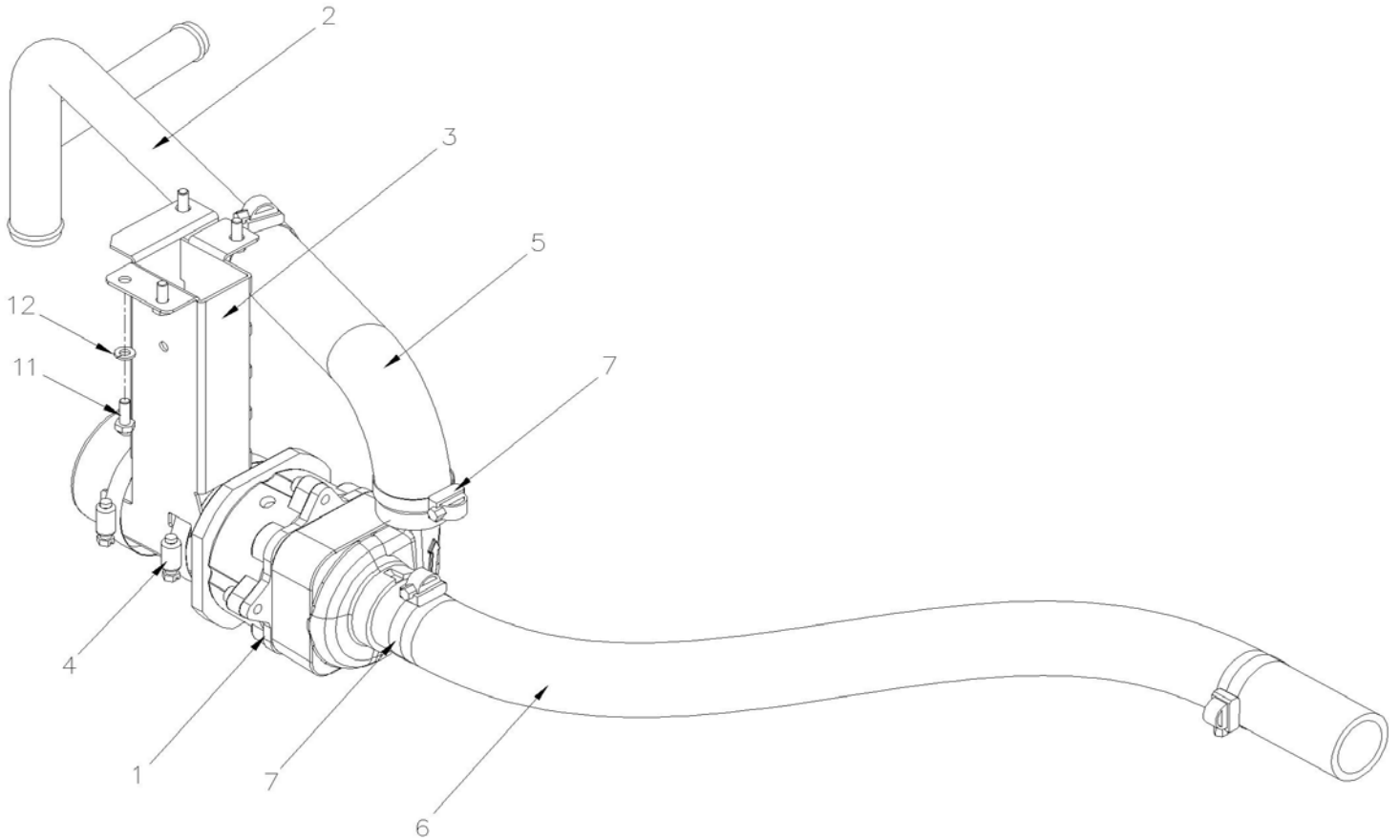
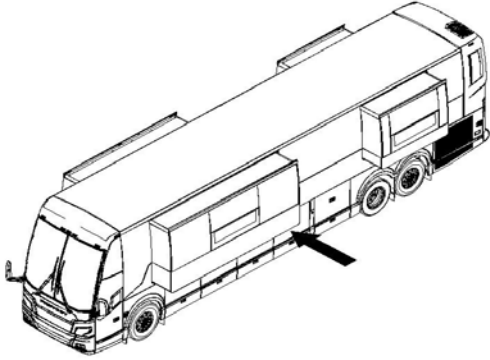
| Item# | Part | Description | QTY | Notes |
|-------|----------|----------------------------------|-----|-------|
| 1 | N.P.N. | MOTOR ASSEMBLY WITHOUT BASEPLATE | 1 | 4 |
| 2 | N8896645 | CONNECTING HOUSING | 1 | |
| 3 | N8896646 | DRIVE MAGNET | 1 | |
| 4 | 19517742 | HOUSING | 1 | |
| 4A | G1091780 | . HOUSING CONNECTOR RING | 1 | |
| 4B | G1091781 | . IMPELLER HOUSING | 1 | |
| 4C | G1091782 | . GASKET ROUND | 1 | |
| 4D | G1091783 | . IMPELLER ASSY | 1 | |
| 4E | G1091785 | . IMPELLER SHAFT | 1 | |
| 4F | G1091784 | . THRUST WASHER | 1 | |
| 4G | 870074 | . PUMP HOUSING BRASS | 1 | |
| 4H | 19508912 | . SCREW FLAT HEAD | 4 | |
| 5 | N.P.N. | SCREW FLAT HEAD | 4 | 4 |
| 6 | N8896647 | SCREW SOCKET HEAD | 4 | |
| 7 | N8896640 | FLAT WASHER | 4 | |
| 8 | 195971 | PLUG, TREATED | 1 | |
| | | | | |
| | | | | |
| | | | | |
| | | 4) NO PARTS NUMBER | | |

From P-1348

Date:07/2024

PAGE:VIP-2206-10

WATER PUMP "AMETEK" / SEALLESS & BRUSHLESS WITH LARGE A/C



| | | |
|--|--------------|------------------|
| From P-1348 | Date:07/2024 | PAGE:VIP-2206-10 |
| WATER PUMP "AMETEK" / SEALLESS & BRUSHLESS WITH LARGE A/C | | |

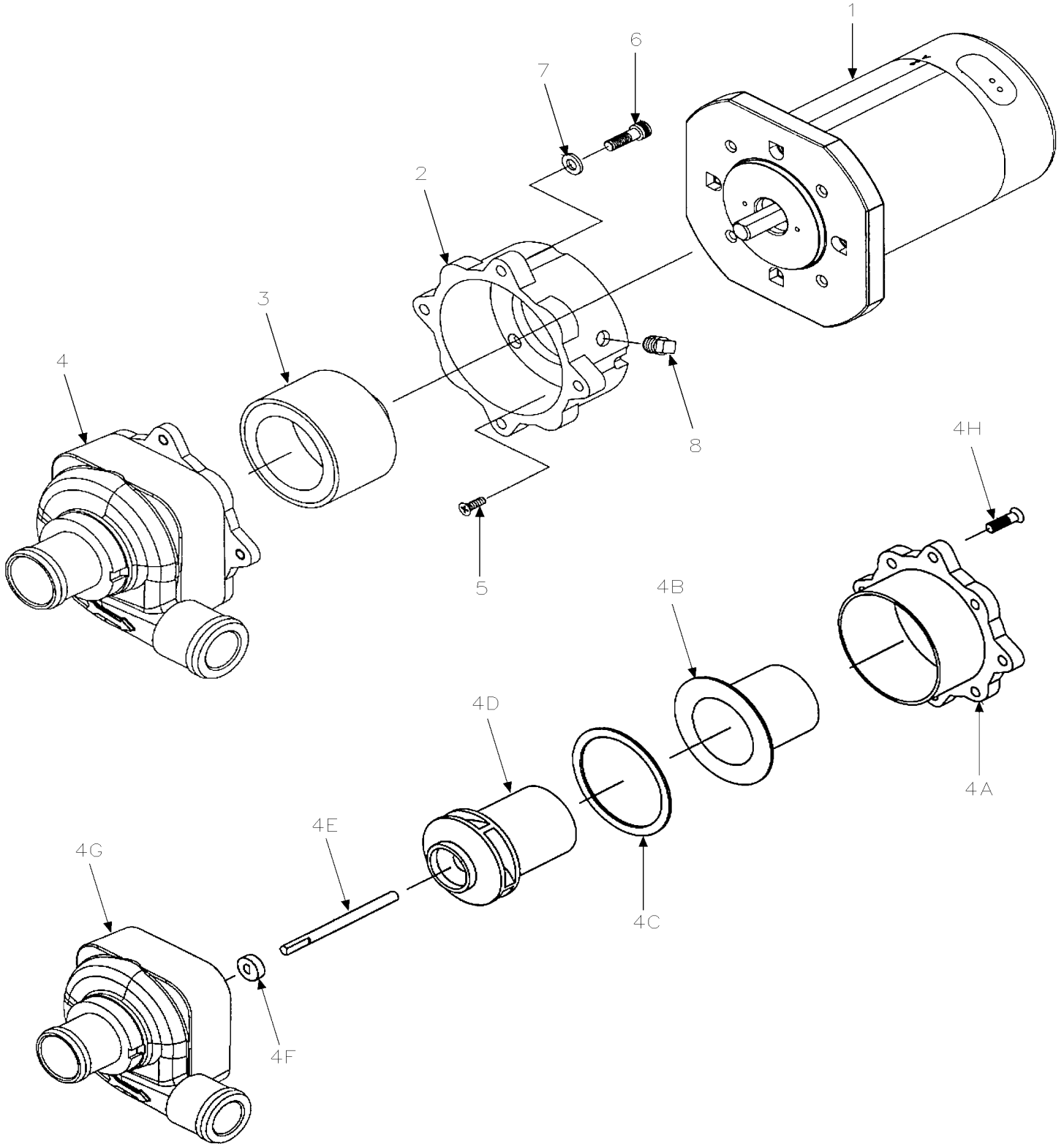
| Item# | Part | Description | QTY | Notes |
|-------|-----------------|--|-----|-------|
| | Call order desk | WATER PUMP ASSY WITH PIPE / LARGE A/C | 1 | P |
| 1 | 874297 | . WATER PUMP "AMETEK" / SEALLESS & BRUSHLESS | 1 | |
| NS | 561781 | .. CONNECTOR / WEATHER PACK / PH 3C / BLACK / PED 12010717 | 1 | |
| NS | 561568 | .. PIN TERMINAL / 16-14 / PED 12089305 | 2 | |
| NS | 561786 | .. CABLE SEAL / GRAY / PED 15324980 | 1 | |
| NS | 561783 | .. SEAL PLUG CAVITY / GREEN / PED 12010300 | 1 | |
| NS | 680319 | .. TAPE ADHESIF ELECTRIC / BLACK 3/4" | AR | |
| NS | 562387 | .. CONVOLUTED TUBING / SLIT / BLACK / .250" | AR | |
| 2 | 370413 | . PIPE, PUMP ASSY | 1 | |
| 3 | 374670 | . SUPPORT / WATER PUMP | 1 | |
| 4 | 504025 | . HOSE CLAMP / 2"5/16-3"1/4 SS / HS-44 | 2 | |
| 5 | 378924 | . ELBOW 90° X 1 3/8" I.D. / 75MM x 194MM C/C / SILICONE | 1 | |
| 6 | 503783 | . HOSE SILICONE 4PLY / NOMEX-ARAMID 34MM I.D. x 6' | AR | |
| 7 | 992086 | . HOSE CLAMP / 32MM/52MM | 4 | |
| | | | | |
| 11 | 5001744 | SCREW CAP HEX M6-1.0x16 G8.8 N500 | 4 | |
| 12 | 502853 | WASHER LO SPT 6.1x11.8x1.6 N500 | 4 | |
| | | | | |
| | | | | |
| | | P) CALL ORDER DESK FOR SPECIFIC APPLICATION (V.I.N.) | | |

From P-1348

Date:07/2024

PAGE:874297

WATER PUMP "AMETEK" / SEALLESS & BRUSHLESS



| | | |
|---|--------------|-------------|
| From P-1348 | Date:07/2024 | PAGE:874297 |
| WATER PUMP "AMETEK" / SEALLESS & BRUSHLESS | | |

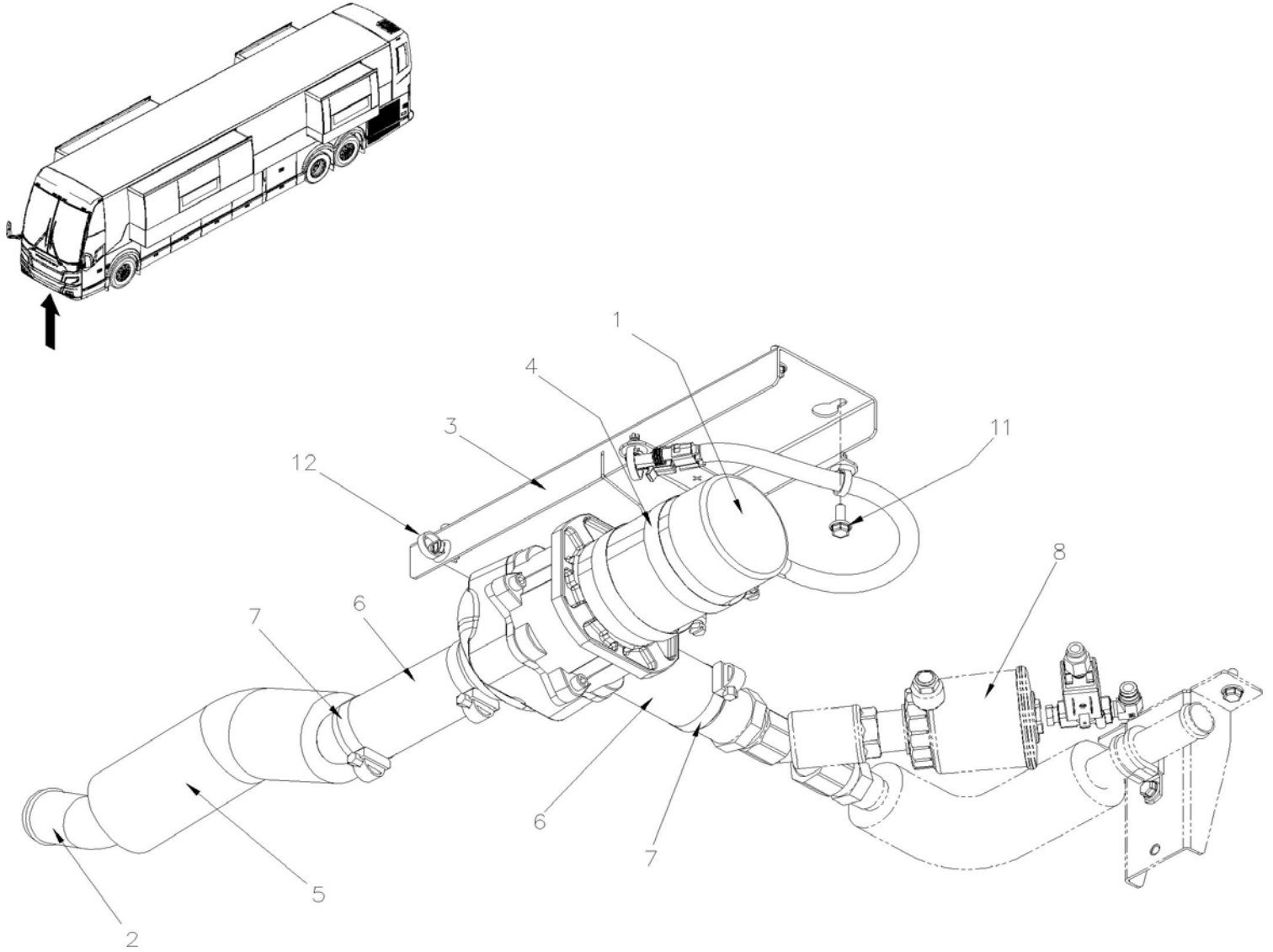
| Item# | Part | Description | QTY | Notes |
|-------|----------|----------------------------------|-----|-------|
| 1 | N.P.N. | MOTOR ASSEMBLY WITHOUT BASEPLATE | 1 | 4 |
| 2 | N8896645 | CONNECTING HOUSING | 1 | |
| 3 | N8896646 | DRIVE MAGNET | 1 | |
| 4 | 19517742 | HOUSING | 1 | |
| 4A | G1091780 | . HOUSING CONNECTOR RING | 1 | |
| 4B | G1091781 | . IMPELLER HOUSING | 1 | |
| 4C | G1091782 | . GASKET ROUND | 1 | |
| 4D | G1091783 | . IMPELLER ASSY | 1 | |
| 4E | G1091785 | . IMPELLER SHAFT | 1 | |
| 4F | G1091784 | . THRUST WASHER | 1 | |
| 4G | 870074 | . PUMP HOUSING BRASS | 1 | |
| 4H | 19508912 | . SCREW FLAT HEAD | 4 | |
| 5 | N.P.N. | SCREW FLAT HEAD | 4 | 4 |
| 6 | N8896647 | SCREW SOCKET HEAD | 4 | |
| 7 | N8896640 | FLAT WASHER | 4 | |
| 8 | 195971 | PLUG, TREATED | 1 | |
| | | | | |
| | | | | |
| | | | | |
| | | 4) NO PARTS NUMBER | | |

From P-1348

Date:07/2024

PAGE:VIP-2206-20

WATER PUMP "AMETEK" / SEALLESS & BRUSHLESS WITH SMALL A/C



| | | |
|-------------|--------------|------------------|
| From P-1348 | Date:07/2024 | PAGE:VIP-2206-20 |
|-------------|--------------|------------------|

WATER PUMP "AMETEK" / SEALLESS & BRUSHLESS WITH SMALL A/C

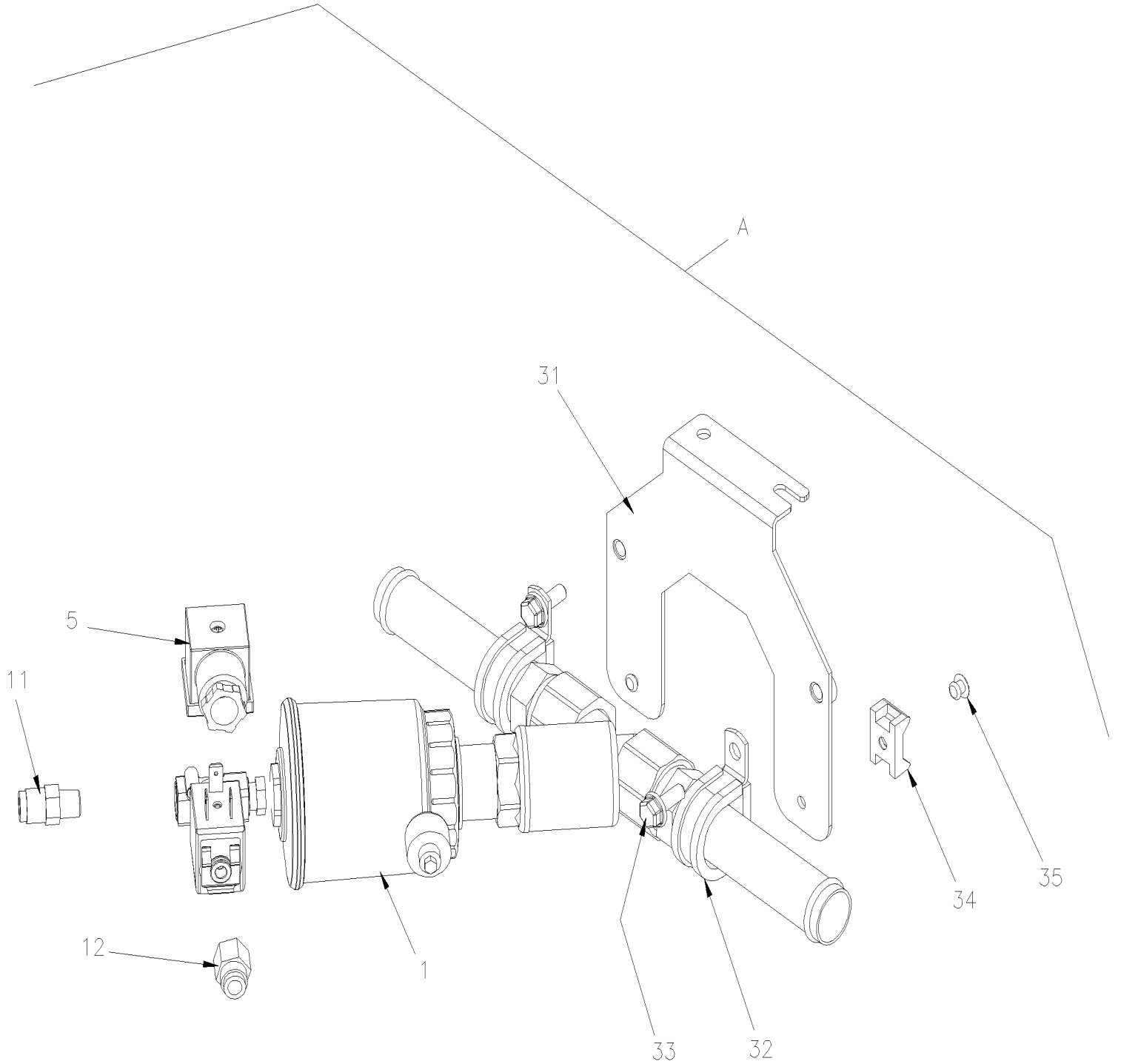
| Item# | Part | Description | QTY | Notes |
|-------|--------------------|--|-----|-------|
| | Call order desk | WATER PUMP AND VALVE ASSY WITH PIPE / SMALL A/C | 1 | P |
| 1 | 874297 | . WATER PUMP "AMETEK" / SEALLESS & BRUSHLESS | 1 | |
| NS | 561781 | .. CONNECTOR / WEATHER PACK / PH 3C / BLACK / PED 12010717 | 1 | |
| NS | 561568 | .. PIN TERMINAL / 16-14 / PED 12089305 | 2 | |
| NS | 561786 | .. CABLE SEAL / GRAY / PED 15324980 | 1 | |
| NS | 561783 | .. SEAL PLUG CAVITY / GREEN / PED 12010300 | 1 | |
| NS | 680319 | .. TAPE ADHESIF ELECTRIC / BLACK 3/4" | AR | |
| NS | 562387 | .. CONVOLUTED TUBING / SLIT / BLACK / .250" | AR | |
| 2 | 370471 | . PIPE, PUMP | 1 | |
| 3 | 370351 | . SUPPORT, FRONT WATER VALVE ASSY. | 1 | |
| 4 | 504026 | . HOSE CLAMP / 2"13/16-3"3/4 SS / HS-52 | 2 | |
| 5 | 506242 | . PIPE INSULATING / 1 3/8" I.D. X 1/2" TH. X 72 / APT13812 | AR | |
| 6 | 503783 | . HOSE SILICONE 4PLY / NOMEX-ARAMID 34MM I.D. x 6' | AR | |
| 7 | 992086 | . HOSE CLAMP / 32MM/52MM | 4 | |
| 8 | VIP-2207-20 | . WATER VALVE - W/2 WAYS / WITH SMALL A/C | | |
| | | | | |
| 11 | 5001730 | SCREW CAP HEXF M6-1.0x16 G10.9 N500 | 4 | |
| 12 | 509815 | TIE MOUNT / ATTACHMENT W/TREE MOUNT | 3 | |
| 12 | 504637 | CABLE TIE / 3/16" x 13" | 3 | |
| | | | | |
| | | | | |
| | | P) CALL ORDER DESK FOR SPECIFIC APPLICATION (V.I.N.) | | |

From K-0295 To P-1347

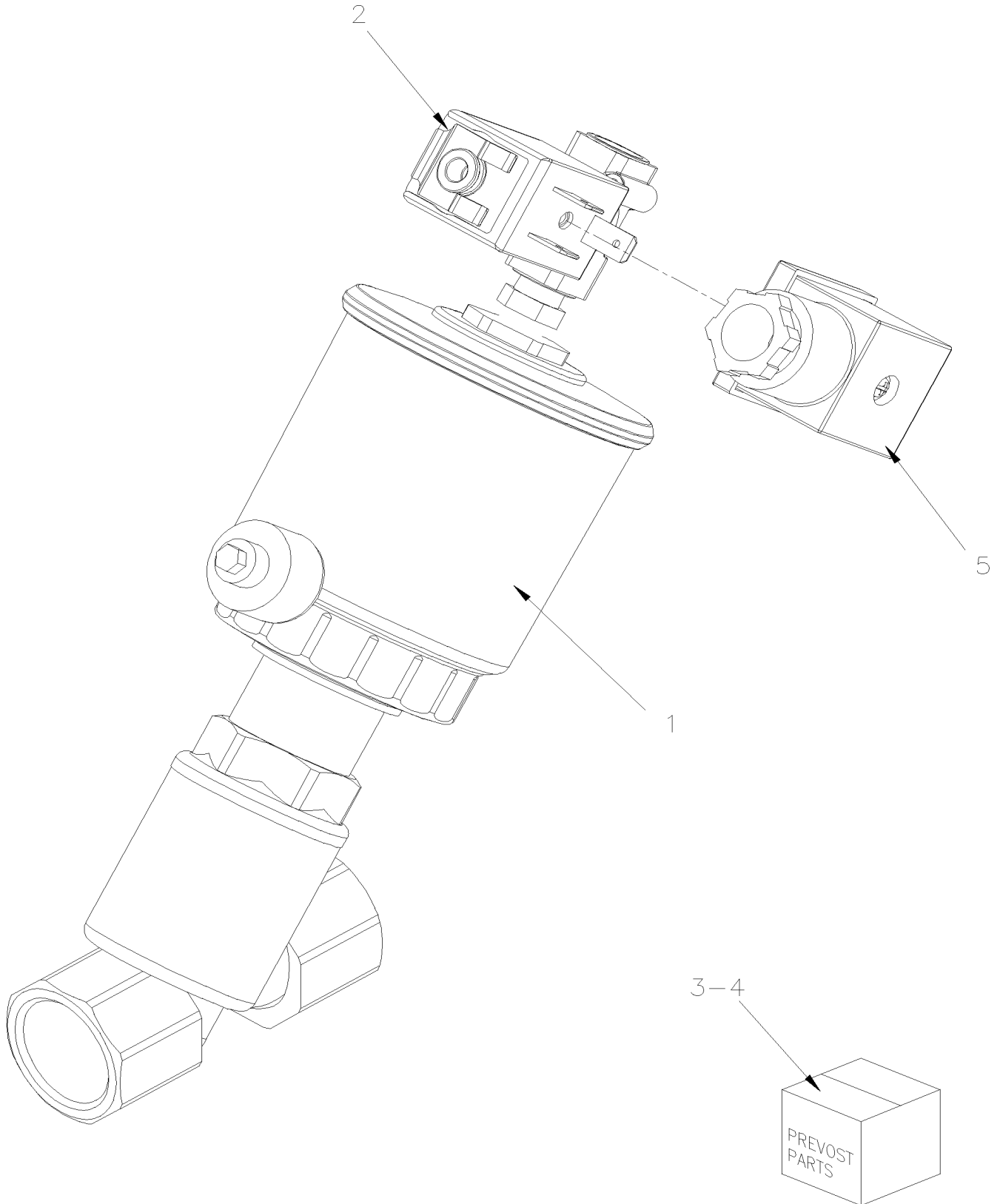
Date:07/2024

PAGE:VIP-2207-06

WATER VALVE - W/2 WAYS



| | | |
|-------------------------------|--------------|------------------|
| From K-0295 To P-1347 | Date:07/2024 | PAGE:VIP-2207-06 |
| WATER VALVE - W/2 WAYS | | |



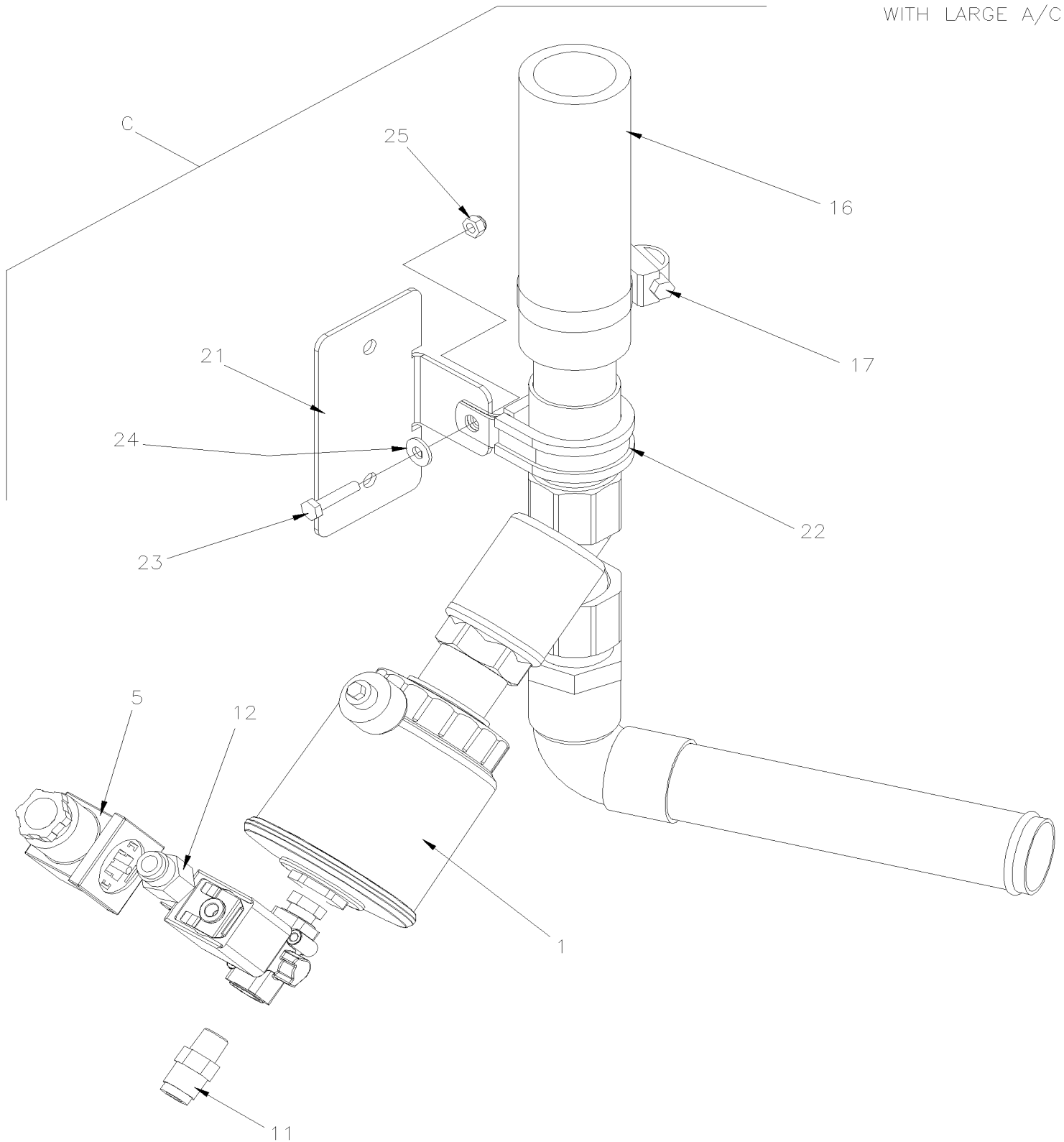
From K-0295 To P-1347

Date:07/2024

PAGE:VIP-2207-06

WATER VALVE - W/2 WAYS

WITH LARGE A/C



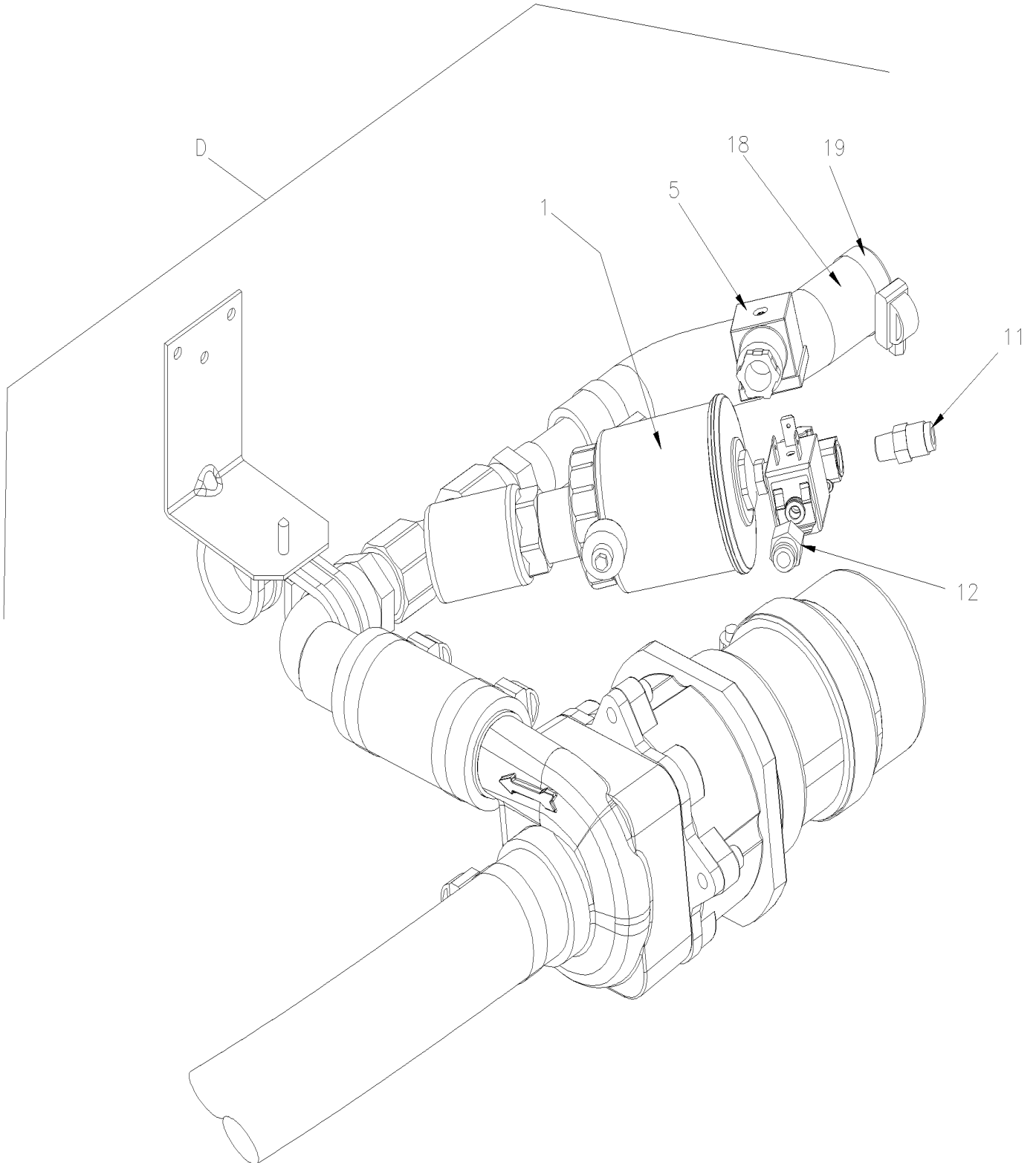
From K-0295 To P-1347

Date:07/2024

PAGE:VIP-2207-06

WATER VALVE - W/2 WAYS

WITH SMALL A/C

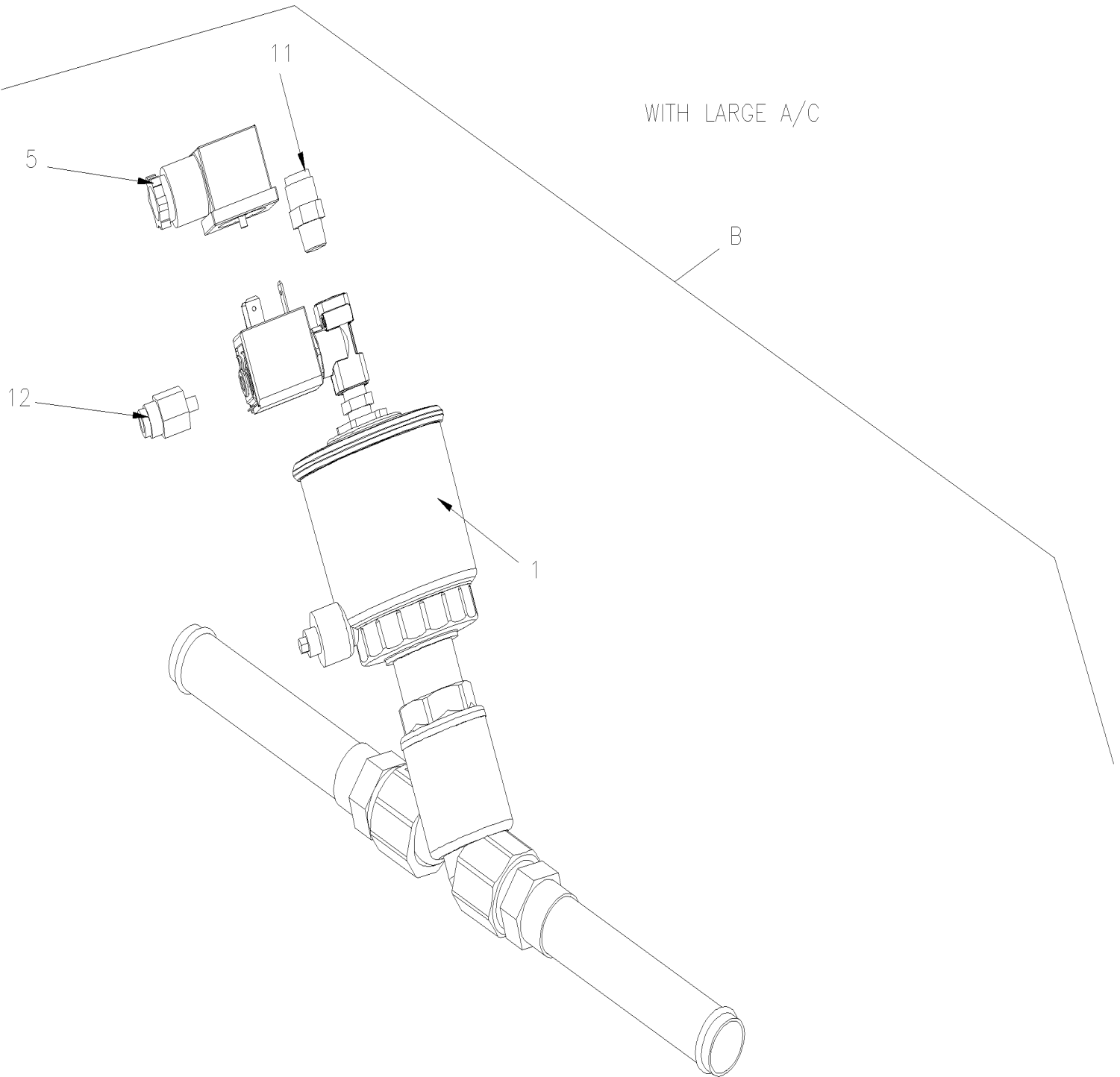


From K-0295 To P-1347

Date:07/2024

PAGE:VIP-2207-06

WATER VALVE - W/2 WAYS



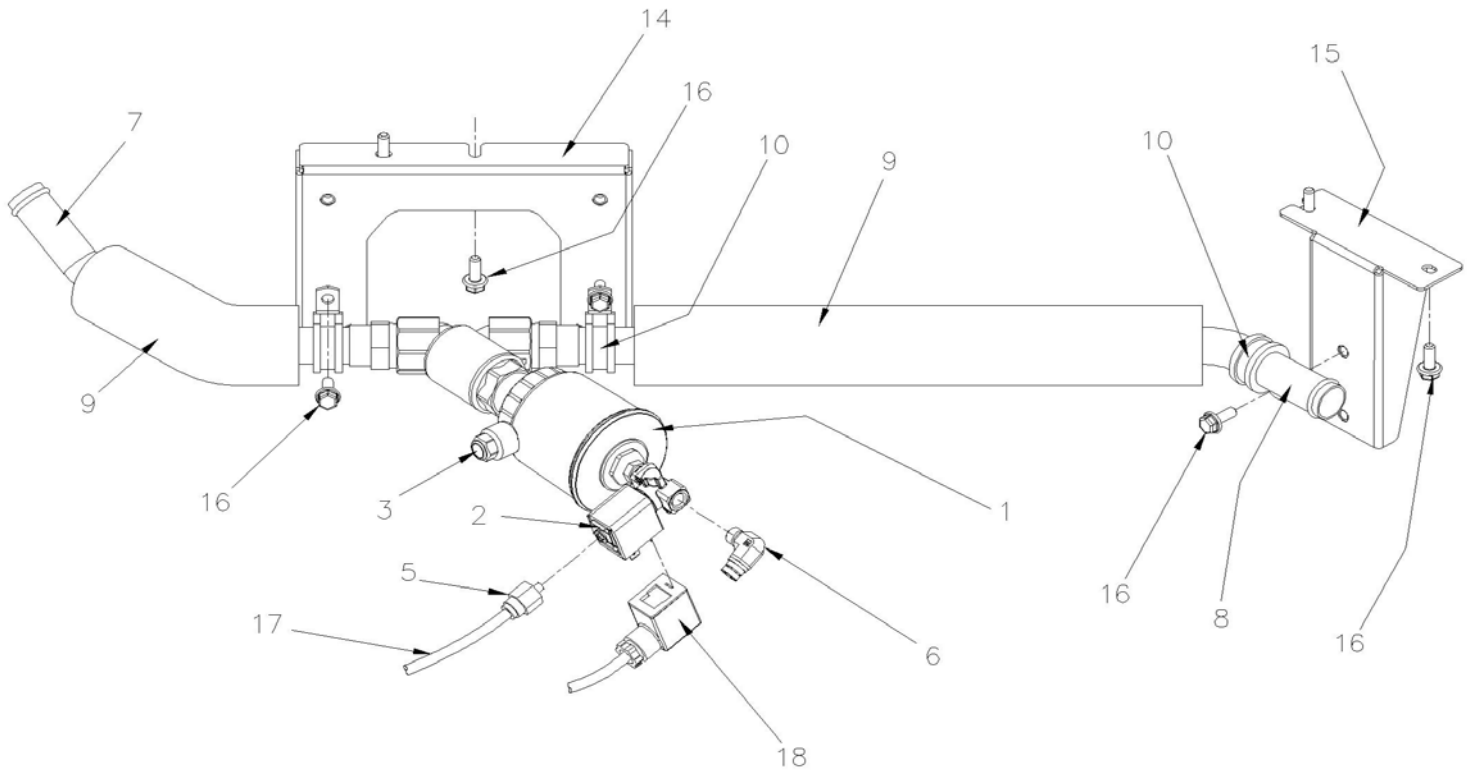
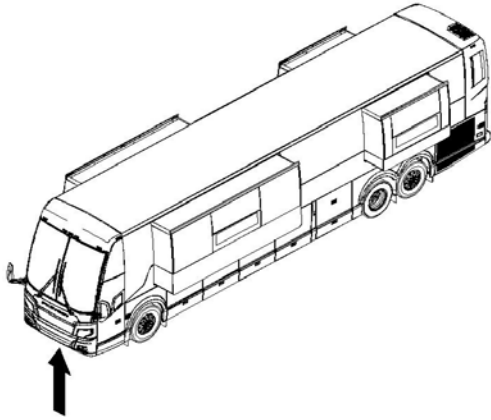
| | | |
|-------------------------------|--------------|------------------|
| From K-0295 To P-1347 | Date:07/2024 | PAGE:VIP-2207-06 |
| WATER VALVE - W/2 WAYS | | |

| Item# | Part | Description | QTY | Notes |
|-------|-----------------|--|-----|-------|
| 1 | 871454 | WATER VALVE ASSY / 24V | 1 | |
| 2 | 871458 | . VALVE PILOT | 1 | |
| 3 | 871459 | . VALVE PSITON SERVICE KIT | 1 | |
| . NS | N.S.S. | . . VALVE PSITON SERVICE KIT | 1 | 1 |
| . NS | N.S.S. | . . WASHER | 1 | 1 |
| . NS | N.S.S. | . . WASHER | 1 | 1 |
| . NS | N.S.S. | . . SEAL | 1 | 1 |
| 4 | 871460 | . CONNECTOR KIT | 1 | |
| 5 | 641385 | CONNECTOR / SOCKET HOUSING ASSY 3C / PNEUMAC 54934-01 | 1 | |
| | | | | |
| 11 | 641242 | MALE CONNECTOR / PUSH-IN FITTING / #4x1/8NPT-M BR | 1 | |
| 12 | 642028 | MALE CONNECTOR / PUSH-IN FITTING / 6MM x M5-0.8 BR | 1 | |
| 12 | 503040 | TUBE, NYLON 6MM O.D. / WHITE S.L. | AR | |
| 12 | 503040 | TUBE, NYLON 6MM O.D. / WHITE S.L. | AR | |
| NS | 871374 | MUFFLER M5 PLASTIC | 1 | |
| NS | 680098 | THREAD SEALANT LOCTITE #567 / WHITE / 250ml | AR | |
| 16 | 503796 | HOSE SILICONE 2 PLY / NOMEX-ARAMID 1 1/8" I.D. x 6' | AR | E L |
| 17 | 992086 | HOSE CLAMP / 32MM/52MM | 1 | E L |
| 18 | 503803 | HOSE SILICONE 1 PLY / NOMEX-ARAMID 7/8" I.D. x 100' / S.L. | AR | |
| 19 | 992084 | HOSE CLAMP / 23MM/35MM | 2 | |
| 21 | 373899 | SUPPORT WATER VALVE To N-1209 | 1 | E L |
| 21 | 370427 | SUPPORT WATER VALVE From N-1210 | 1 | E L |
| 22 | 952639 | CLAMP / 1"1/4 I.D. | 1 | E L |
| 23 | 502685 | SCREW CAP HEX M4-0.7x20 SS EMN | 1 | E L |
| 24 | 504357 | WASHER FL .187x.437x.050 SS | 1 | E L |
| 25 | 502557 | NUT HEX NYRT M4-0.7 SS | 1 | E L |
| 31 | 374869 | SUPPORT VALVE | 1 | |
| 32 | 952635 | CLAMP / 1" I.D. | 2 | |
| 33 | 5001730 | SCREW CAP HEXF M6-1.0x16 G10.9 N500 | 2 | |
| 34 | 504013 | TIE MOUNT / 1/4" X 1/4" I.D. | 2 | |
| 35 | 504379 | RIVET POP DOME OE 3/16x1/4 SS | 2 | |
| | | | | |
| A | 370151 | WATER VALVE ASSY W/PIPE To N-1209 | 1 | A L |
| A | 370418P | WATER VALVE ASSY W/PIPE From N-1210 | 1 | A L |
| . NS | 370417 | . PIPE, VALVE ASSY From N-1210 | 2 | A L |
| C | 370152 | WATER VALVE ASSY W/PIPE To N-1209 | 1 | E L |
| C | Call order desk | WATER VALVE ASSY WITH PIPE / CENTRAL LARGE A/C From N-1210 | 1 | P E L |
| . NS | 370422 | . PIPE, VALVE ASSY 90DEG From N-1210 | 1 | E L |
| . NS | 370423 | . PIPE, VALVE ASSY From N-1210 | 1 | E L |
| D | 370153 | WATER PUMP ASSY WITH WATER VALVE / SMALL A/C To N-1209 | 1 | S |
| D | Call order desk | WATER PUMP ASSY WITH WATER VALVE / SMALL A/C From N-1210 | 1 | P S |
| . NS | 370411 | . PIPE, PUMP & VALVE ASS 90DEG From N-1210 | 1 | S |

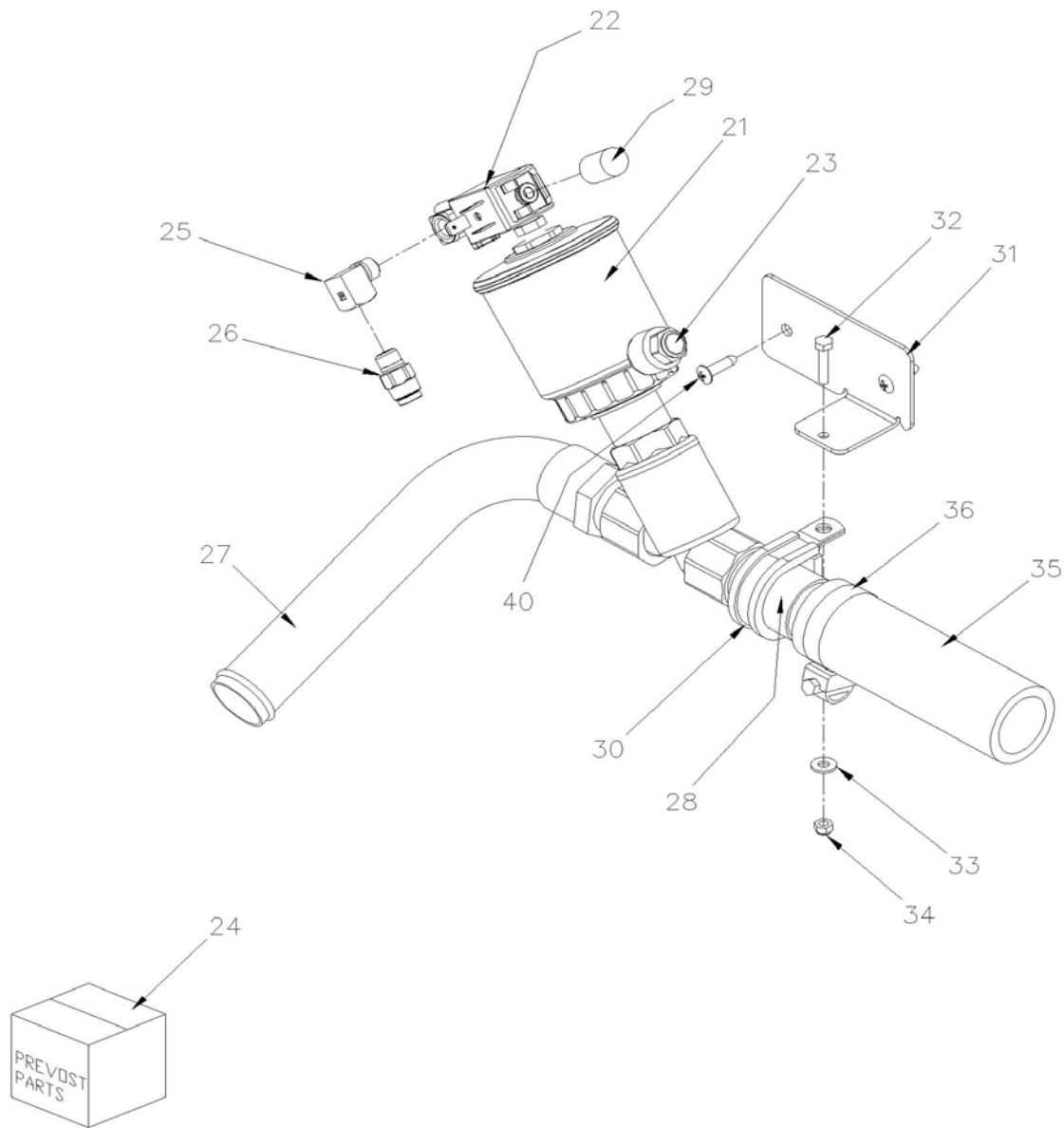
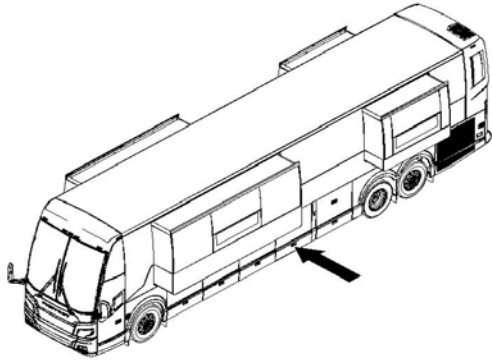
| | | |
|-------------------------------|--------------|------------------|
| From K-0295 To P-1347 | Date:07/2024 | PAGE:VIP-2207-06 |
| WATER VALVE - W/2 WAYS | | |

| Item# | Part | Description | QTY | Notes |
|-------|-------------|---|-----|-------|
| . NS | 370406 | . PIPE, VALVE ASSY 68MM From N-1210 | 1 | S |
| D | VIP-2206-03 | WATER PUMP "AMETEK" / SEALLESS & BRUSHLESS | 1 | S |
| | | | | |
| | | A) IN SPARE COMPARTMENT | | |
| | | E) INSIDE EVAPORATOR COMPARTMENT | | |
| | | L) WITH LARGE A/C SYSTEM | | |
| | | S) WITH SMALL A/C SYSTEM | | |
| | | P) CALL ORDER DESK FOR SPECIFIC APPLICATION (V.I.N.) | | |
| | | 1) NOT SOLD SEPARATELY | | |

| | | |
|---|--------------|------------------|
| | Date:07/2024 | PAGE:VIP-2207-10 |
| WATER VALVE - W/2 WAYS / WITH LARGE A/C | | |



| | | |
|---|--------------|------------------|
| | Date:07/2024 | PAGE:VIP-2207-10 |
| WATER VALVE - W/2 WAYS / WITH LARGE A/C | | |



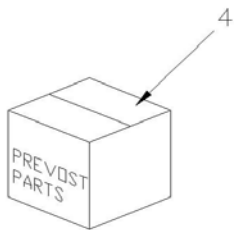
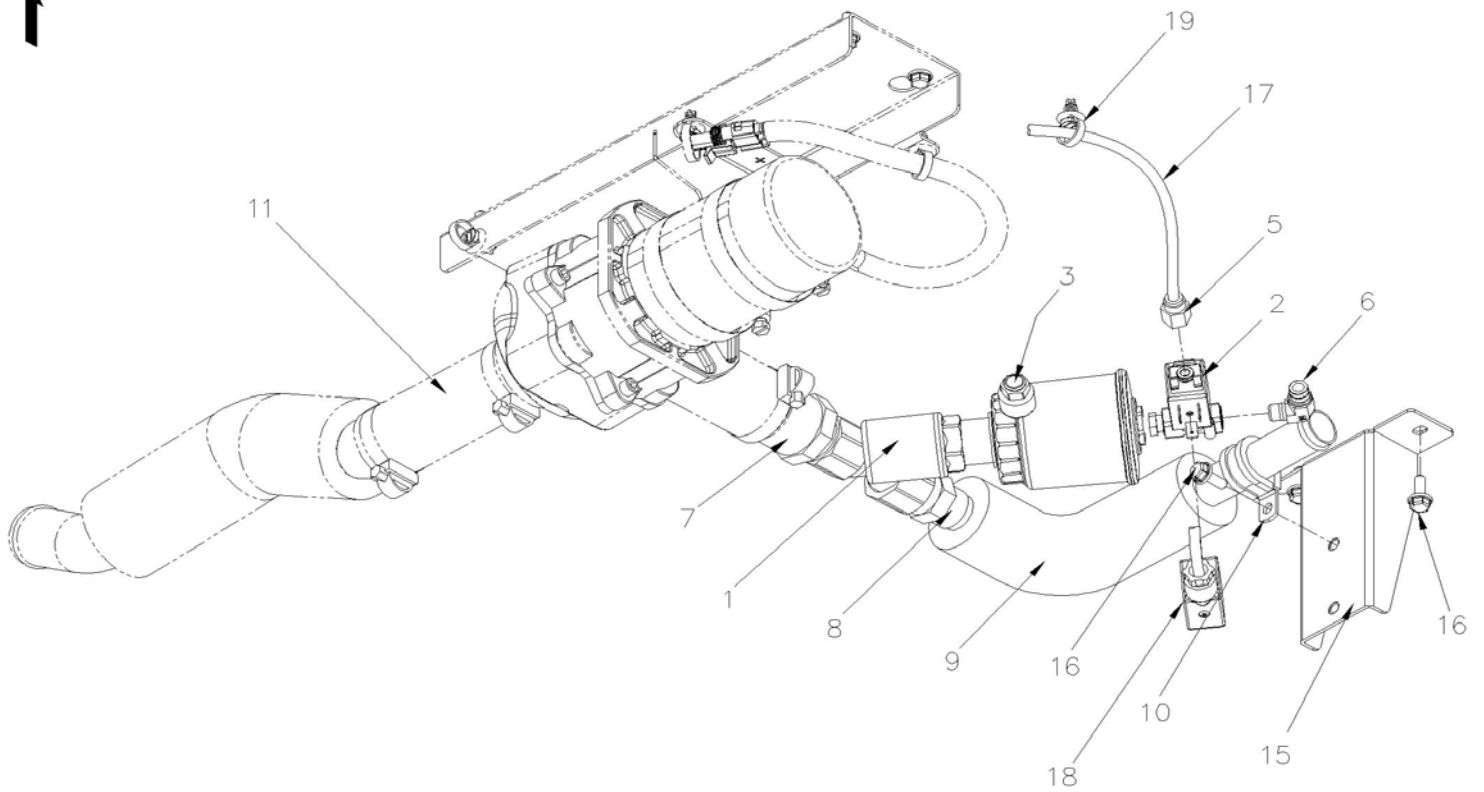
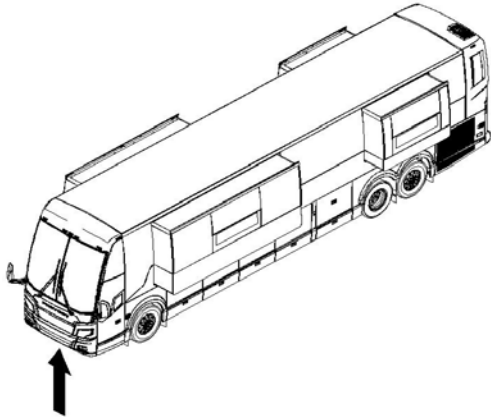
WATER VALVE - W/2 WAYS / WITH LARGE A/C

| Item# | Part | Description | QTY | Notes |
|-------|-----------------|--|-----|-------|
| | Call order desk | WATER VALVE ASSY WITH PIPE / FRONT LARGE A/C | 1 | P |
| 1 | 871454 | . WATER VALVE ASSY / 24V | 1 | |
| 2 | 871458 | . . VALVE PILOT | 1 | |
| 3 | 641926 | . . SILENCER / MUFFLER / 1/4NPT-M | 1 | |
| 4 | 871459 | . . VALVE PSITON SERVICE KIT | 1 | |
| . NS | N.S.S. | . . . VALVE PSITON SERVICE KIT | 1 | 1 |
| . NS | N.S.S. | . . . WASHER | 1 | 1 |
| . NS | N.S.S. | . . . WASHER | 1 | 1 |
| . NS | N.S.S. | . . . SEAL | 1 | 1 |
| 4 | 871460 | . . CONNECTOR KIT | 1 | |
| 5 | 642028 | . MALE CONNECTOR / PUSH-IN FITTING / 6MM x M5-0.8 BR | 1 | |
| 6 | 641369 | . MALE ELBOW 90° NON-SWIVEL / PUSH-IN FITTING / #4x1/8NPT-M BR | 1 | |
| 7 | 370468 | . PIPE, VALVE ASSY | 1 | |
| 8 | 370466 | . PIPE, VALVE ASSY | 1 | |
| 9 | 506276 | . PIPE INSULATING / 7/8" I.D. X 1/2" TH. X 72 / APT07812 | AR | |
| NS | 680098 | . THREAD SEALANT LOCTITE #567 / WHITE / 250ml | AR | |
| 10 | 952633 | . CLAMP / 7/8" I.D. | 3 | |
| | | | | |
| 14 | 370049 | SUPPORT, FRONT WATER VALVE ASSY. | 1 | |
| 15 | 370056 | SUPPORT, FRONT WATER VALVE ASSY. | 1 | |
| 16 | 5001730 | SCREW CAP HEXF M6-1.0x16 G10.9 N500 | 7 | |
| 17 | 503040 | TUBE, NYLON 6MM O.D. / WHITE S.L. | AR | |
| 18 | 0600122 | FRONT HARNESS INTERFACE VIP | 1 | |
| 18 | 641385 | . CONNECTOR / SOCKET HOUSING ASSY 3C / PNEUMAC 54934-01 | 1 | |
| | | | | |
| 20 | Call order desk | WATER VALVE ASSY WITH PIPE / CENTRAL LARGE A/C | 1 | P |
| . NS | 370422 | . PIPE, VALVE ASSY 90DEG | 1 | |
| . NS | 370423 | . PIPE, VALVE ASSY | 1 | |
| 21 | 871454 | . WATER VALVE ASSY / 24V | 1 | |
| 22 | 871458 | . . VALVE PILOT | 1 | |
| 23 | 641926 | . . SILENCER / MUFFLER / 1/4NPT-M | 1 | |
| 24 | 871459 | . . VALVE PSITON SERVICE KIT | 1 | |
| . NS | N.S.S. | . . . VALVE PSITON SERVICE KIT | 1 | 1 |
| . NS | N.S.S. | . . . WASHER | 1 | 1 |
| . NS | N.S.S. | . . . WASHER | 1 | 1 |
| . NS | N.S.S. | . . . SEAL | 1 | 1 |
| 24 | 871460 | . . CONNECTOR KIT | 1 | |
| 25 | 501331 | . STREET ELBOW 90° / PIPE FITTING / 1/8NPT-Mx1/8NPT-F BR | 2 | |
| 26 | 641242 | . MALE CONNECTOR / PUSH-IN FITTING / #4x1/8NPT-M BR | 1 | |
| 27 | 370422 | . PIPE, VALVE ASSY 90DEG | 1 | |
| 28 | 370423 | . PIPE, VALVE ASSY | 1 | |
| 29 | 871374 | . MUFFLER M5 PLASTIC | 1 | |

| | | | |
|--|--|--------------|------------------|
| | | Date:07/2024 | PAGE:VIP-2207-10 |
| WATER VALVE - W/2 WAYS / WITH LARGE A/C | | | |

| Item# | Part | Description | QTY | Notes |
|-------|--------|---|-----|-------|
| NS | 680098 | . THREAD SEALANT LOCTITE #567 / WHITE / 250ml | AR | |
| 30 | 952639 | . CLAMP / 1"1/4 I.D. | 1 | |
| 31 | 370427 | . SUPPORT WATER VALVE | 1 | |
| 32 | 502685 | . SCREW CAP HEX M4-0.7x20 SS EMN | 1 | |
| 33 | 504357 | . WASHER FL .187x.437x.050 SS | 1 | |
| 34 | 502557 | NUT HEX NYRT M4-0.7 SS | 1 | |
| 35 | 503796 | . HOSE SILICONE 2 PLY / NOMEX-ARAMID 1 1/8" I.D. x 6' | AR | |
| 36 | 992086 | . HOSE CLAMP / 32MM/52MM | 1 | |
| | | | | |
| 40 | 500957 | SCREW TP BDG PH #10x3/4 N500 | 2 | |
| | | | | |
| | | | | |
| | | P) CALL ORDER DESK FOR SPECIFIC APPLICATION (V.I.N.) | | |
| | | 1) NOT SOLD SEPARATELY | | |

| | | |
|---|--------------|------------------|
| | Date:07/2024 | PAGE:VIP-2207-20 |
| WATER VALVE - W/2 WAYS / WITH SMALL A/C | | |



Date:07/2024

PAGE:VIP-2207-20

WATER VALVE - W/2 WAYS / WITH SMALL A/C

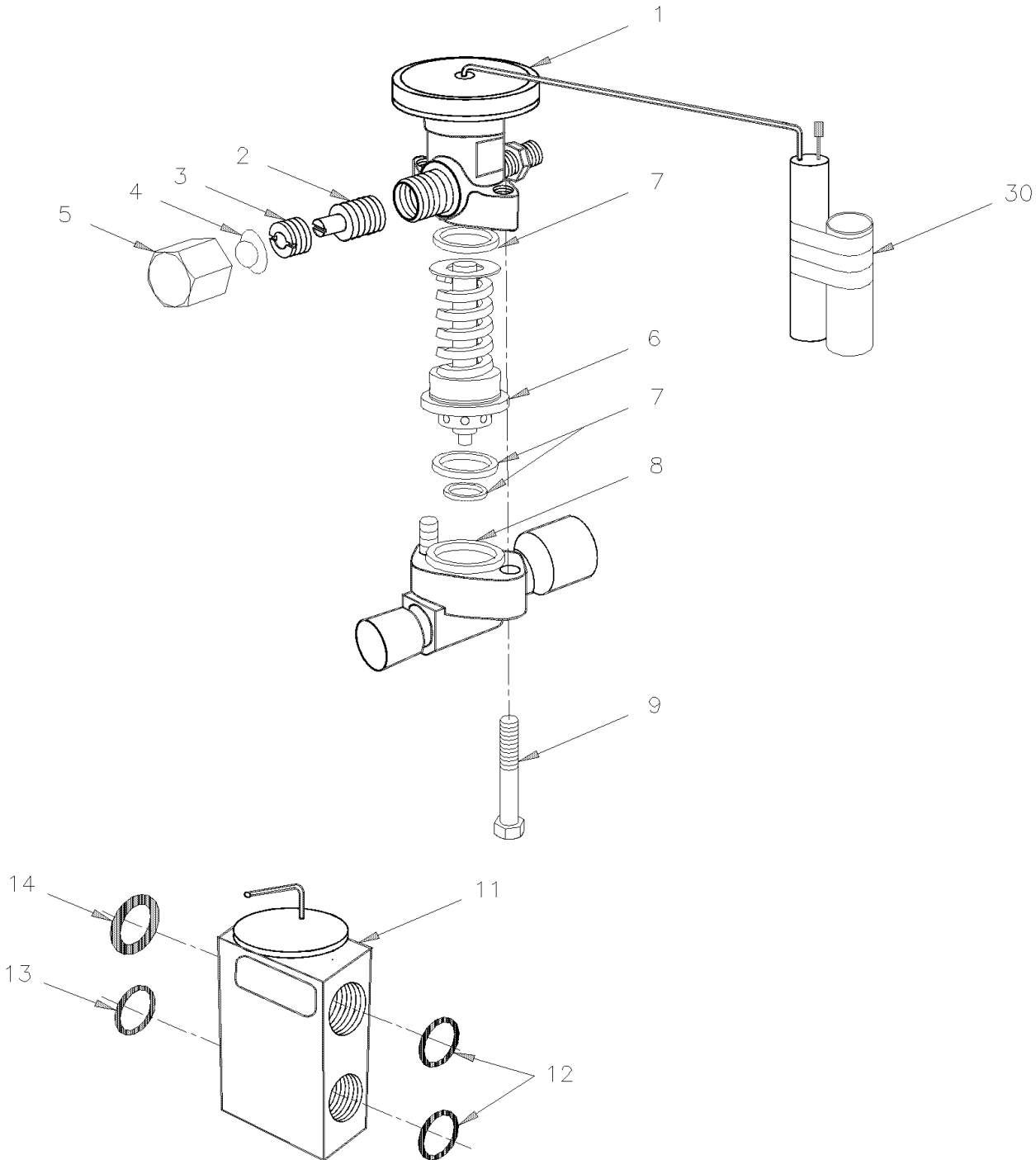
| Item# | Part | Description | QTY | Notes |
|-------|--------------------|--|-----|-------|
| | Call order desk | WATER PUMP AND VALVE ASSY WITH PIPE / SMALL A/C | 1 | P |
| 1 | 871454 | . WATER VALVE ASSY / 24V | 1 | |
| 2 | 871458 | . . VALVE PILOT | 1 | |
| 3 | 641926 | . . SILENCER / MUFFLER / 1/4NPT-M | 1 | |
| 4 | 871459 | . . VALVE PSITON SERVICE KIT | 1 | |
| . NS | N.S.S. | . . . VALVE PSITON SERVICE KIT | 1 | 1 |
| . NS | N.S.S. | . . . WASHER | 1 | 1 |
| . NS | N.S.S. | . . . WASHER | 1 | 1 |
| . NS | N.S.S. | . . . SEAL | 1 | 1 |
| 4 | 871460 | . . CONNECTOR KIT | 1 | |
| 5 | 642028 | . MALE CONNECTOR / PUSH-IN FITTING / 6MM x M5-0.8 BR | 1 | |
| 6 | 641369 | . MALE ELBOW 90° NON-SWIVEL / PUSH-IN FITTING / #4x1/8NPT-M BR | 1 | |
| 7 | 370469 | . PIPE, PUMP AND VALVE ASSY | 1 | |
| 8 | 370470 | . PIPE, VALVE ASSY | 1 | |
| 9 | 506276 | . PIPE INSULATING / 7/8" I.D. X 1/2" TH. X 72 / APT07812 | AR | |
| NS | 680098 | . THREAD SEALANT LOCTITE #567 / WHITE / 250ml | AR | |
| 10 | 952633 | . CLAMP / 7/8" I.D. | 1 | |
| 11 | VIP-2206-20 | . WATER PUMP "AMETEK" / SEALLESS & BRUSHLESS WITH SMALL A/C | | |
| 15 | 370056 | SUPPORT, FRONT WATER VALVE ASSY. | 1 | |
| 16 | 5001730 | SCREW CAP HEXF M6-1.0x16 G10.9 N500 | 3 | |
| 17 | 503040 | TUBE, NYLON 6MM O.D. / WHITE S.L. | AR | |
| 18 | 0600122 | FRONT HARNESS INTERFACE VIP | 1 | |
| 18 | 641385 | . CONNECTOR / SOCKET HOUSING ASSY 3C / PNEUMAC 54934-01 | 1 | |
| 19 | 509815 | TIE MOUNT / ATTACHMENT W/TREE MOUNT | 1 | |
| 19 | 504637 | CABLE TIE / 3/16" x 13" | 1 | |
| | | | | |
| | | | | |
| | | P) CALL ORDER DESK FOR SPECIFIC APPLICATION (V.I.N.) | | |
| | | 1) NOT SOLD SEPARATELY | | |

From K-0295 To K-0686

Date:07/2024

PAGE:VIP-2208-00

A/C EXPANSION VALVE



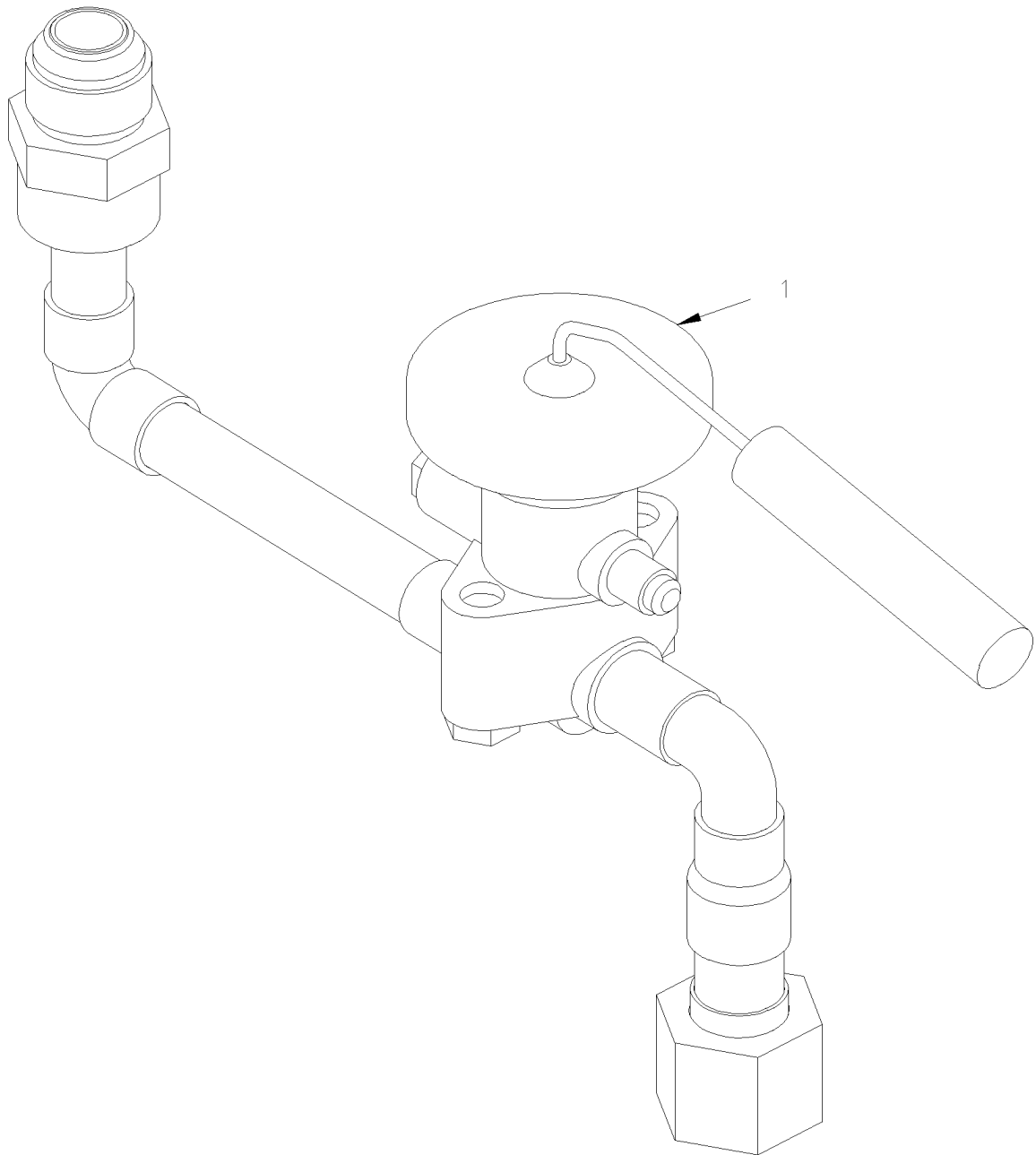
From K-0295 To K-0686

Date:07/2024

PAGE:VIP-2208-00

A/C EXPANSION VALVE

A



| | | |
|----------------------------|--------------|------------------|
| From K-0295 To K-0686 | Date:07/2024 | PAGE:VIP-2208-00 |
| A/C EXPANSION VALVE | | |

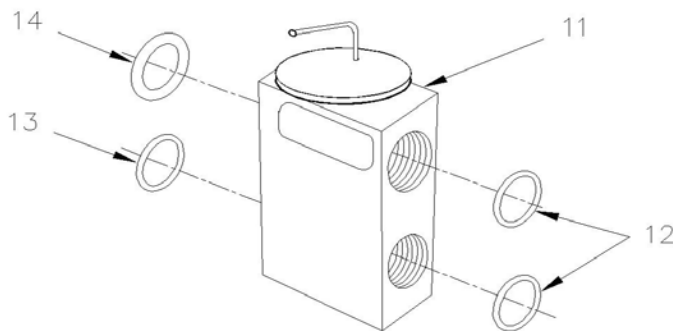
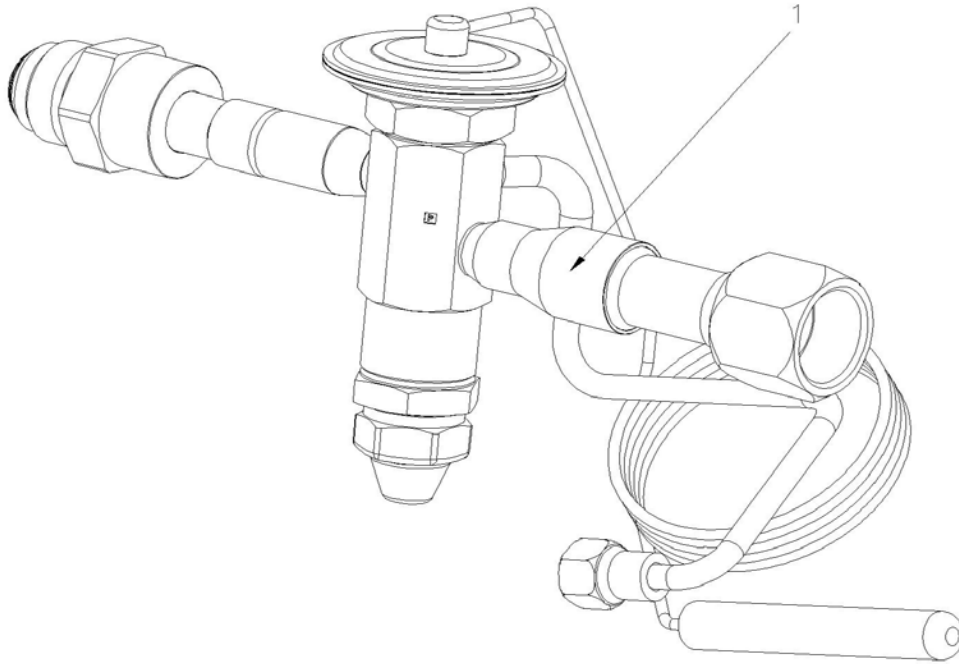
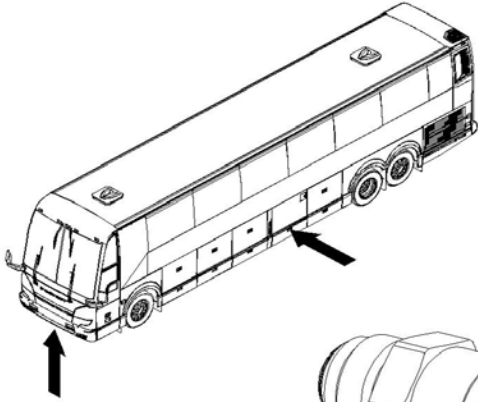
| Item# | Part | Description | QTY | Notes |
|-------|--------|--|-----|-------|
| | 950320 | VALVE, EXPANSION 5 1/2 TON | 1 | |
| 1 | 950241 | . ELEMENT POWER R134A | 1 | H |
| 2 | 870622 | . ADJUSTING STEM & PACKING ASSY | 1 | |
| 3 | 870621 | . NUT PACKING | 1 | |
| 4 | N.S.S. | . SEAL | 1 | 1 |
| 5 | 870619 | . NUT CAP | 1 | |
| 6 | 950317 | . CAGE ASSY & SPRING / B6B | 1 | |
| 7 | 870709 | . SET GASKET | 1 | |
| 8 | N.S.S. | . FLANGE BODY | 1 | 1 |
| 9 | 500054 | . SCREW CAP HEX 3/8-24x2 1/2 G5 ZP | 2 | |
| | | | | |
| 11 | 950221 | VALVE, EXPANSION / DRIVER'S W/R134A | 1 | |
| 12 | 507279 | O-RING / ORS FITTING / #8 NEO | 2 | |
| 13 | 507278 | O-RING / ORS FITTING / #4 NEO | 1 | |
| 14 | 507344 | O-RING / ORS FITTING / #10 NEO | 1 | |
| 30 | 680091 | TAPE INSULATING / 1/8" x 2" x 30' / BLACK PT-1 | AR | F |
| | | | | |
| A | 457761 | VALVE, EXPANSION ASSY / WITH PIPE | 1 | |
| . NS | 501829 | . O-RING / ORS FITTING / #12 NEO | 1 | |
| | | | | |
| | | | | |
| | | F) USE FOR COVERING POWER ELEMENT BULB ON A/C PIPE IN EVAPORATOR COMPARTMENT | | |
| | | H) RELATED TO EXPANSION VALVE WITH R-134A | | |
| | | 1) NOT SOLD SEPARATELY | | |

From K-0687

Date:07/2024

PAGE:VIP-2208-01

A/C EXPANSION VALVE



| | | |
|-------------|--------------|------------------|
| From K-0687 | Date:07/2024 | PAGE:VIP-2208-01 |
|-------------|--------------|------------------|

A/C EXPANSION VALVE

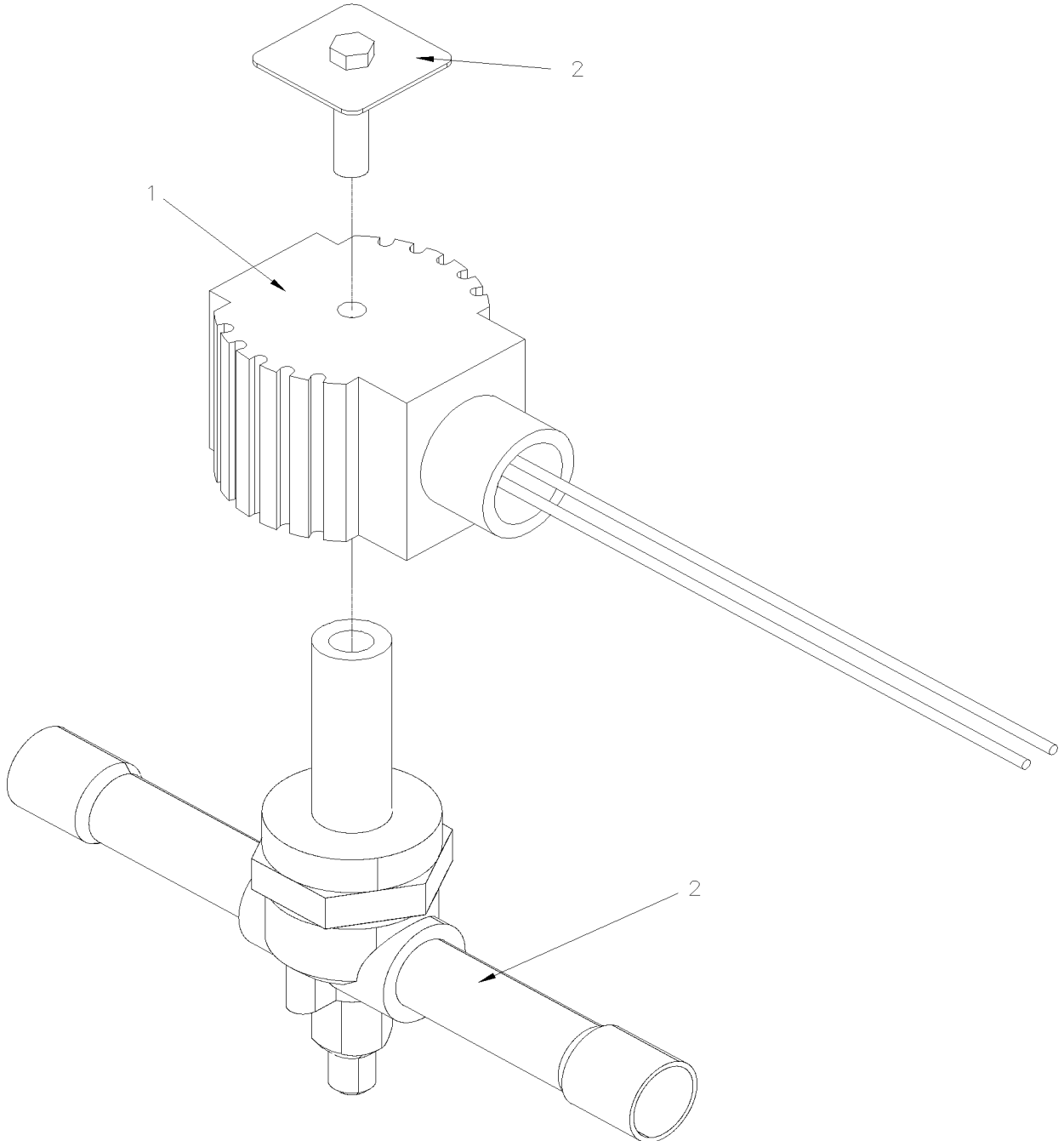
| Item# | Part | Description | QTY | Notes |
|-------|--------|---|-----|-------|
| 1 | 950588 | VALVE, EXPANSION ASSY / WITH PIPE | 1 | |
| NS | 501829 | O-RING / ORS FITTING / #12 NEO | AR | |
| | | | | |
| 11 | 950221 | VALVE, EXPANSION / DRIVER'S W/R134A To P-1347 | 1 | |
| 12 | 507343 | O-RING / ORS FITTING / #8 NEO To P-1347 | 2 | |
| 13 | 507278 | O-RING / ORS FITTING / #4 NEO To P-1347 | 1 | |
| 14 | 507344 | O-RING / ORS FITTING / #10 NEO To P-1347 | 1 | |

From K-0295

Date:07/2024

PAGE:VIP-2208-10

REFRIGERENT SOLENOID VALVE

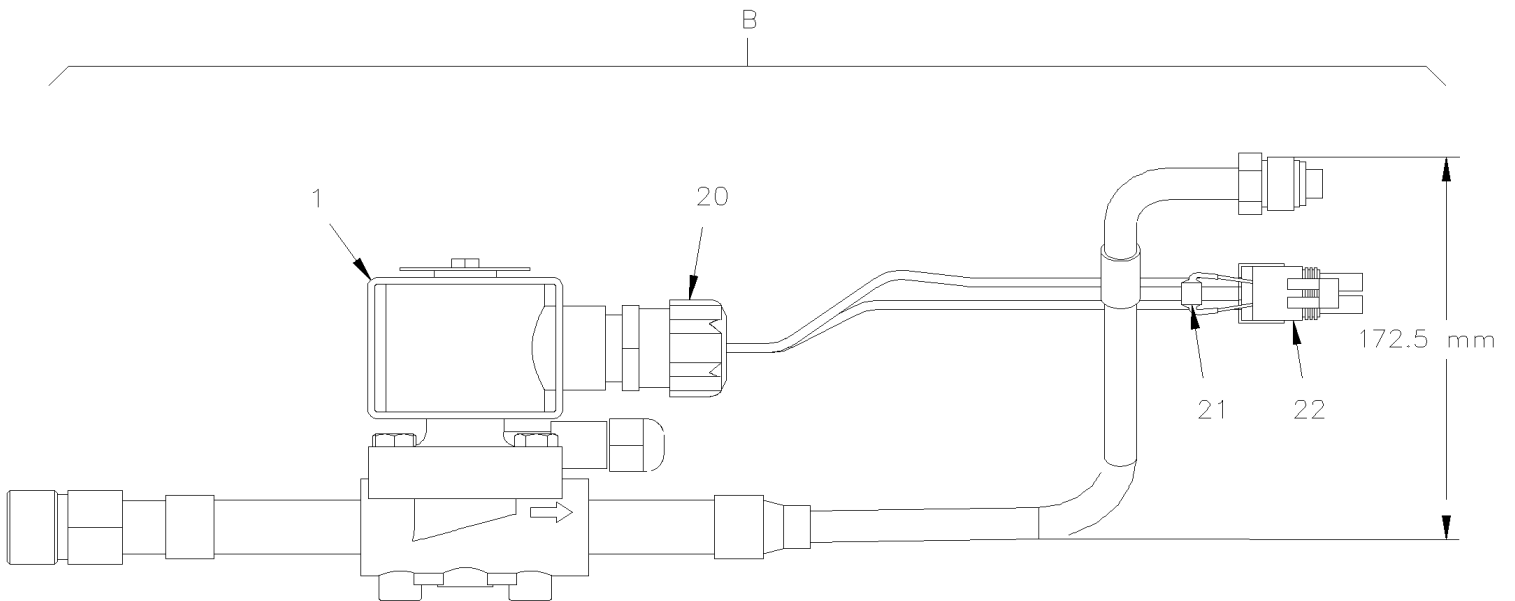
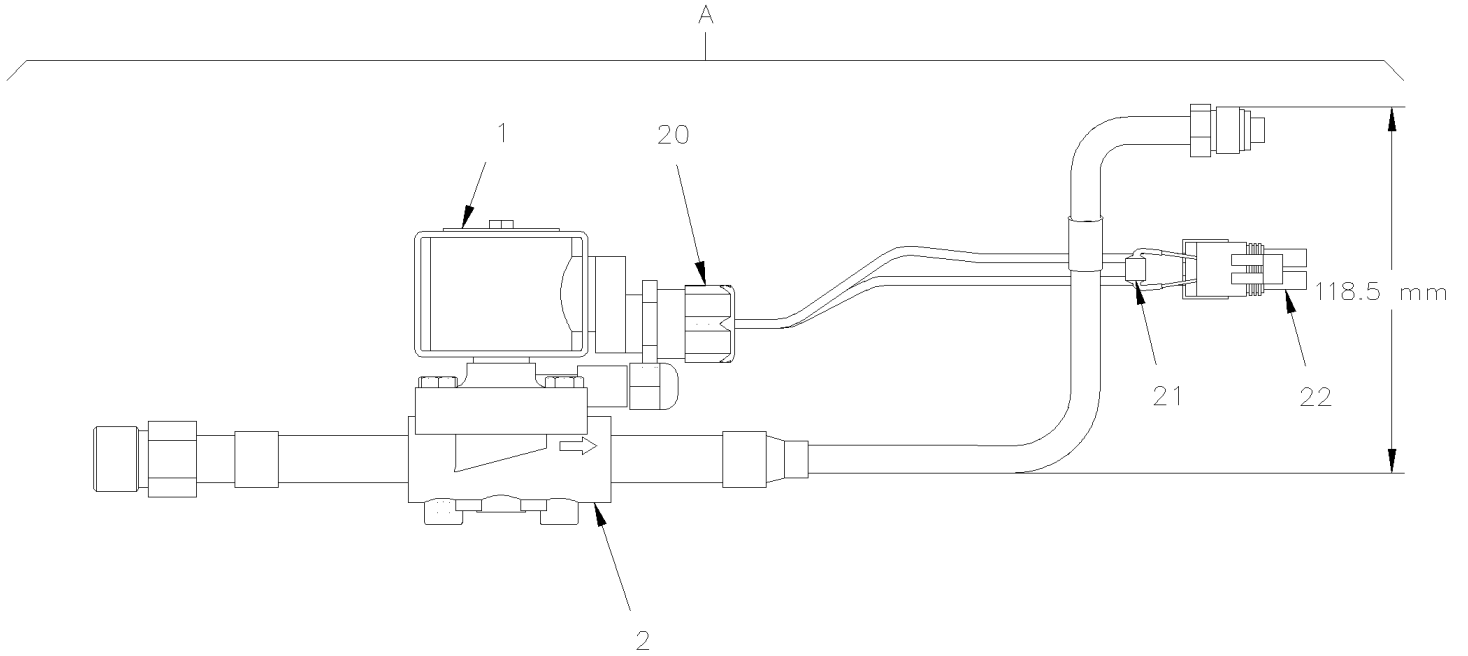


From K-0295

Date:07/2024

PAGE:VIP-2208-10

REFRIGERENT SOLENOID VALVE

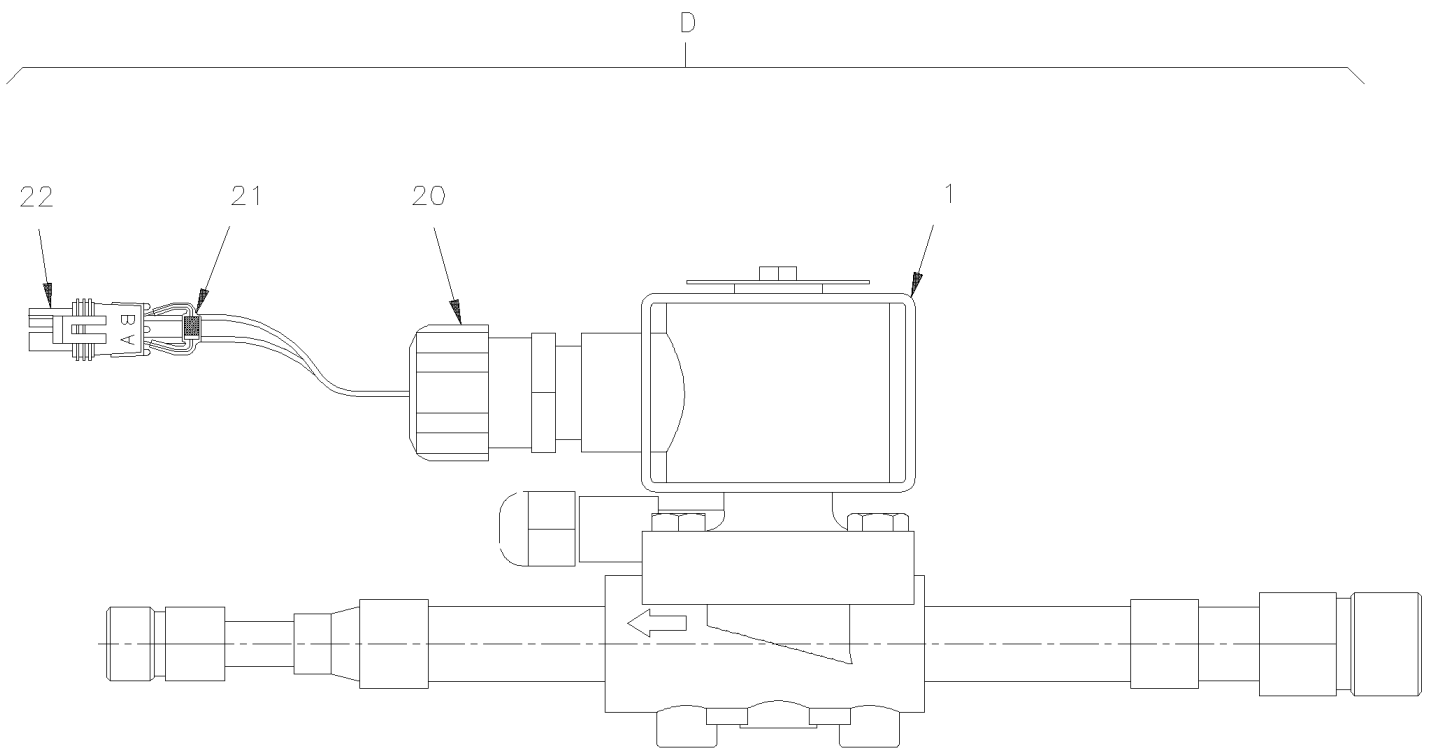
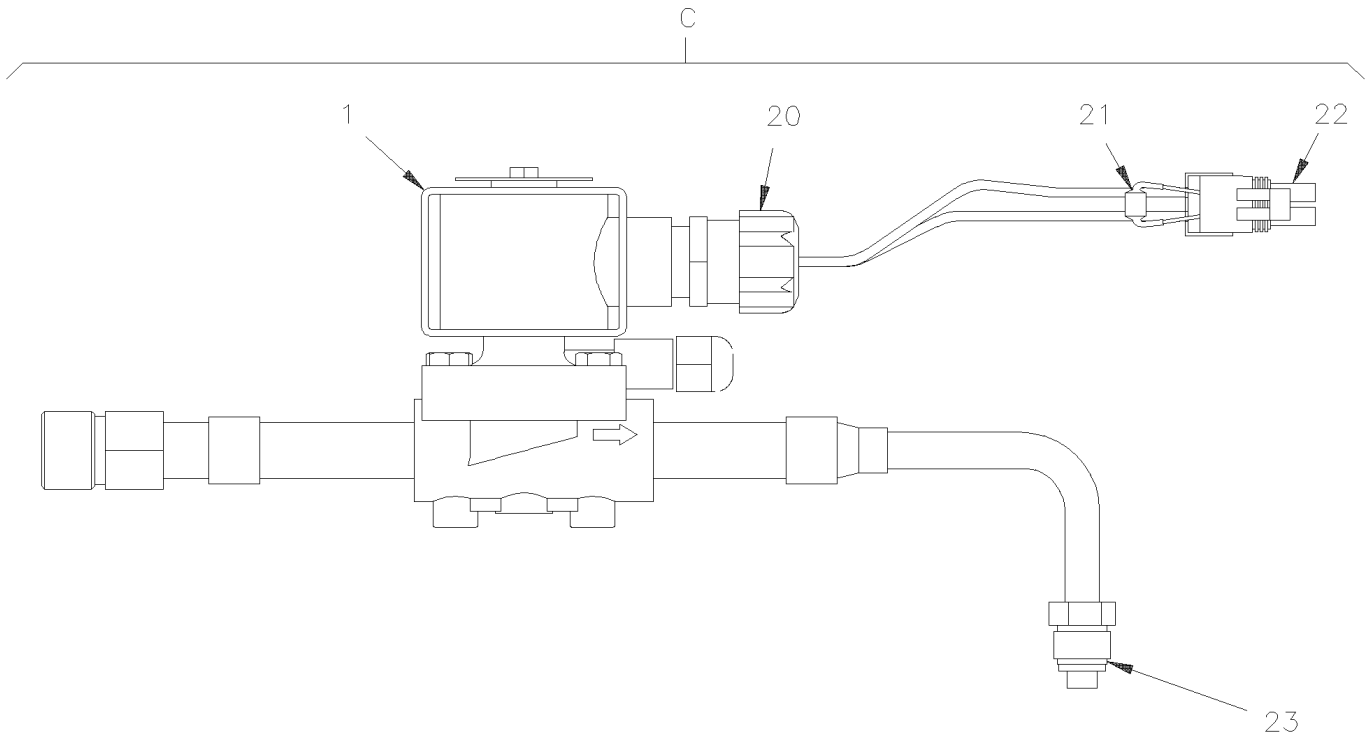


From K-0295

Date:07/2024

PAGE:VIP-2208-10

REFRIGERENT SOLENOID VALVE



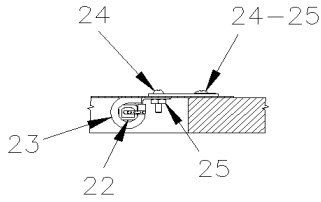
| | | | |
|-----------------------------------|--|---------------------|-------------------------|
| From K-0295 | | Date:07/2024 | PAGE:VIP-2208-10 |
| REFRIGERENT SOLENOID VALVE | | | |

| Item# | Part | Description | QTY | Notes |
|-------|---------|---|-----|-------|
| 1 | 950953 | . COIL 24V / SERVICE | 1 | |
| 2 | 950951 | . VALVE REFRIGERANT SOLENOID | 1 | |
| 20 | 560434 | . CONNECTOR 1/2" PIPE | 1 | |
| 21 | 560931 | . DIODE / 3AMPS | 1 | |
| 22 | 561690 | . CONNECTOR / WEATHER PACK / SH 2C / BLACK / PED 12015792 | 1 | |
| NS | 561565 | . CABLE SEAL / GREEN / PED 15324982 | 2 | |
| NS | 561578 | . SOCKET TERMINAL / 16-14 / PED 12010182 | 2 | |
| 23 | 507278 | . O-RING / ORS FITTING / #4 NEO | 1 | |
| | | | | |
| B | 454939P | VALVE ASSY / REFRIGERANT SOLENOID | 1 | E |
| . NS | 454938 | . SUPPORT, VALVE A/C ASSY | 1 | E |
| . NS | 502681 | . NUT HEX NYRT M6-1.0 N500 G8 | 2 | E |
| . NS | 500877 | . WASHER FL .250x.562x.065 N500 | 2 | E |
| C | 453290 | VALVE ASSY / REFRIGERANT SOLENOID To N-1262 | 1 | C |
| C | 454891 | VALVE ASSY / REFRIGERANT WIITHOUT SOLENOID From N-1263 | 1 | C |
| C | 457708 | SOLENOID ASSY From N-1263 | 1 | C |
| D | 453151 | VALVE ASSY / REFRIGERANT SOLENOID To N-1262 | 1 | B |
| D | 454890 | VALVE ASSY / REFRIGERANT WIITHOUT SOLENOID From N-1263 | 1 | B |
| D | 457708 | SOLENOID ASSY From N-1263 | 1 | B |
| | | | | |
| | | | | |
| | | | | |
| | | | | |
| | | B) WITH SMALL A/C SYSTEM UNDER STEPWELL | | |
| | | C) WITH SMALL A/C SYSTEM W/AUX REAR OF DRIVER | | |
| | | E) WITH LARGE A/C UNDER STEPWELL | | |

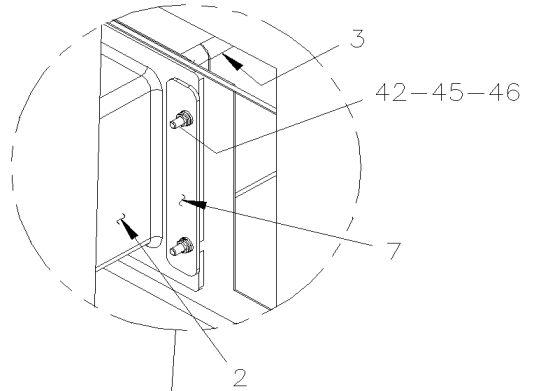
| | | | |
|--|--|--------------|------------------|
| From K-0295 | | Date:07/2024 | PAGE:VIP-2210-02 |
| HEATER & EVAPORATOR BLOWER - INSTALLATION | | | |

| Item# | Part | Description | QTY | Notes |
|-------|--------------------|--|-----|-------|
| 1 | 871306 | HOUSING ASSY W/BLOWER WHEEL | 2 | |
| 1 | 871308 | . HOUSING ASSY, GALVANISED | 1 | |
| 2 | 870956 | . BLOWER WHEEL | 1 | |
| 3 | 452085 | KEY 3/16 X 82 MM | 2 | |
| 4 | VIP-2265-01 | MOTOR - EVAPORATOR BRUSHLESS | | |
| 5 | 450103 | SUPPORT | 1 | |
| 6 | 453995 | SUPPORT | 1 | |
| 7 | 457414 | BASE SUB ASSY | 1 | |
| 8 | 5001447 | SCREW CAP HEX #10-24x5/8 PT SS BK | 6 | |
| 9 | 5001137 | WASHER FL .203x.438x.050 SS | 6 | |
| 10 | 5001180 | NUT HEX NYRT #10-24 SS | 6 | |
| 11 | 5001448 | WASHER FL .343x.875x.062 SS18-8 | 3 | |
| 12 | 500035 | WASHER LO SPT .317x.586x.078 SS | 3 | |
| 13 | 060527 | EVAPORATOR POWER HARNESS GROUND | 1 | |
| 14 | 060529 | EVAPORATOR POWER HARNESS | 1 | |
| 15 | 454439 | FLEXIBLE DUCT / HEIGHT 160MM | 2 | |
| 16 | 453992 | TRANSITION ADAPTOR FLEXIBLE DUCT | 2 | |
| 17 | 504729 | CLAMP HOSE SS/CR 203-279 | 2 | |
| 18 | 500957 | SCREW TP BDG PH #10x3/4 N500 | 10 | |
| 19 | 509492 | CABLE TIE MOUNT FOR THREADED STUD 1/4 | 1 | |
| 20 | 504013 | TIE MOUNT / 1/4" X 1/4" I.D. | 1 | |
| 21 | 504379 | RIVET POP DOME OE 3/16x1/4 SS | 1 | |
| 22 | 504637 | CABLE TIE / 3/16" x 13" | 1 | |
| 30 | 5001527 | SCREW CAP HEX M8-1.25x16 SS BK | AR | |
| 31 | 5001448 | WASHER FL .343x.875x.062 SS18-8 | AR | |
| 32 | 500462 | WASHER FL .343x1.500x.083 SS | AR | |
| 33 | 502868 | SCREW TC TR PH #10-16x1/2 N500 | AR | |
| 35 | 504112 | RIVET POP DOME OE 1/8x1/8 AL | 2 | |
| 36 | 068359 | SUPPORT WIRING HARNESS | 1 | |
| 37 | 502848 | SCREW TC CAP HEXF 1/4-20x3/4 N500 | 1 | |
| 38 | 5001448 | WASHER FL .343x.875x.062 SS18-8 | 4 | |
| 38 | 5001848 | WASHER BEL SPR .827 x .331 x .098 th SS | 4 | |
| 40 | 453981 | DRAIN BOOT 1" I.D. W/GROOVE 1.5 x 35MM I.D. x 62MM | 4 | |
| 40 | 414654 | DRAIN BOOT 1" I.D. W/GROOVE 1.5 x 35MM I.D. x 85MM | 1 | |

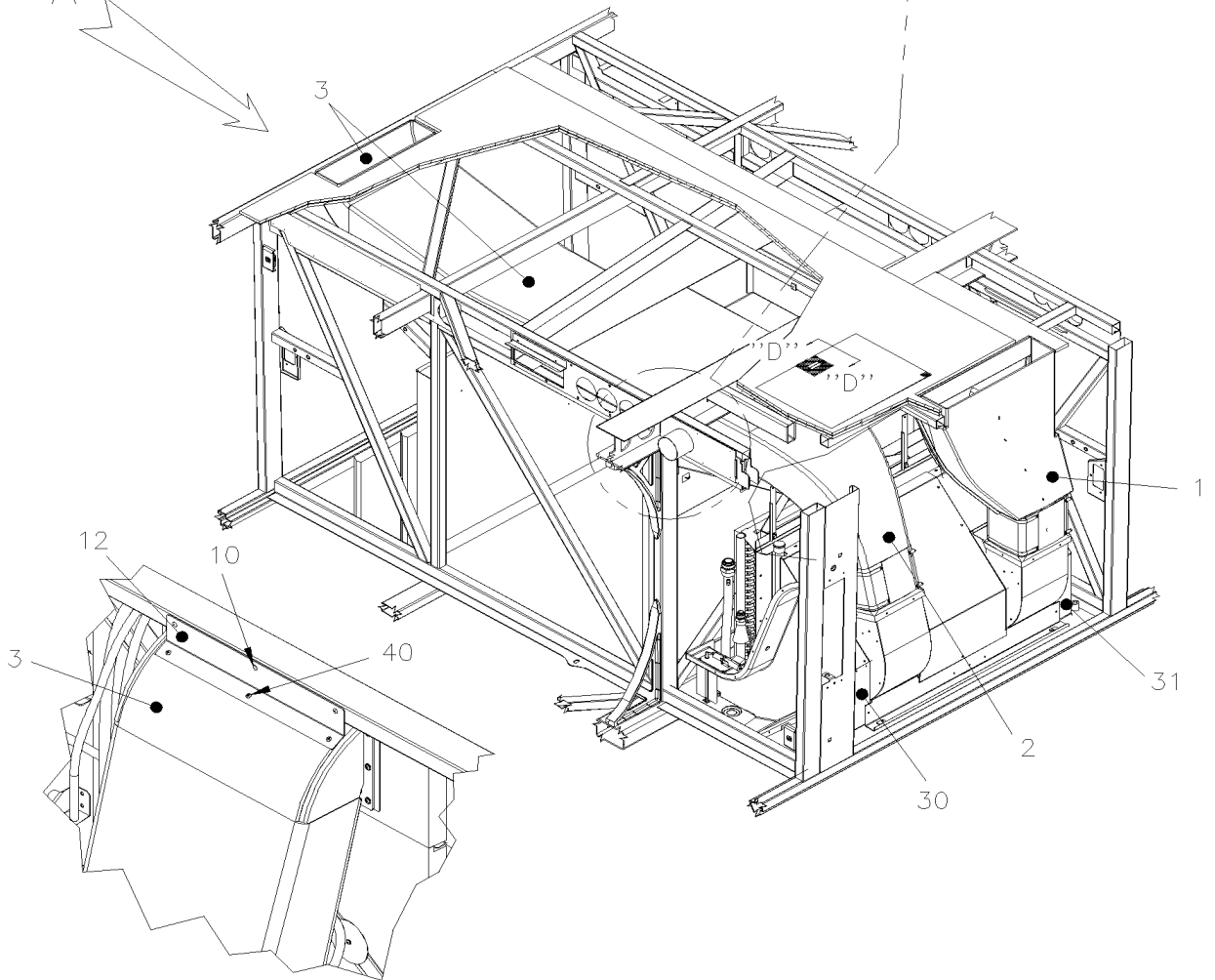
| | | |
|---|--------------|------------------|
| From K-0295 To P-1347 | Date:07/2024 | PAGE:VIP-2210-06 |
| HEATER & EVAPORATOR BLOWER - INSTALLATION | | |



SECTION D-D



"A"



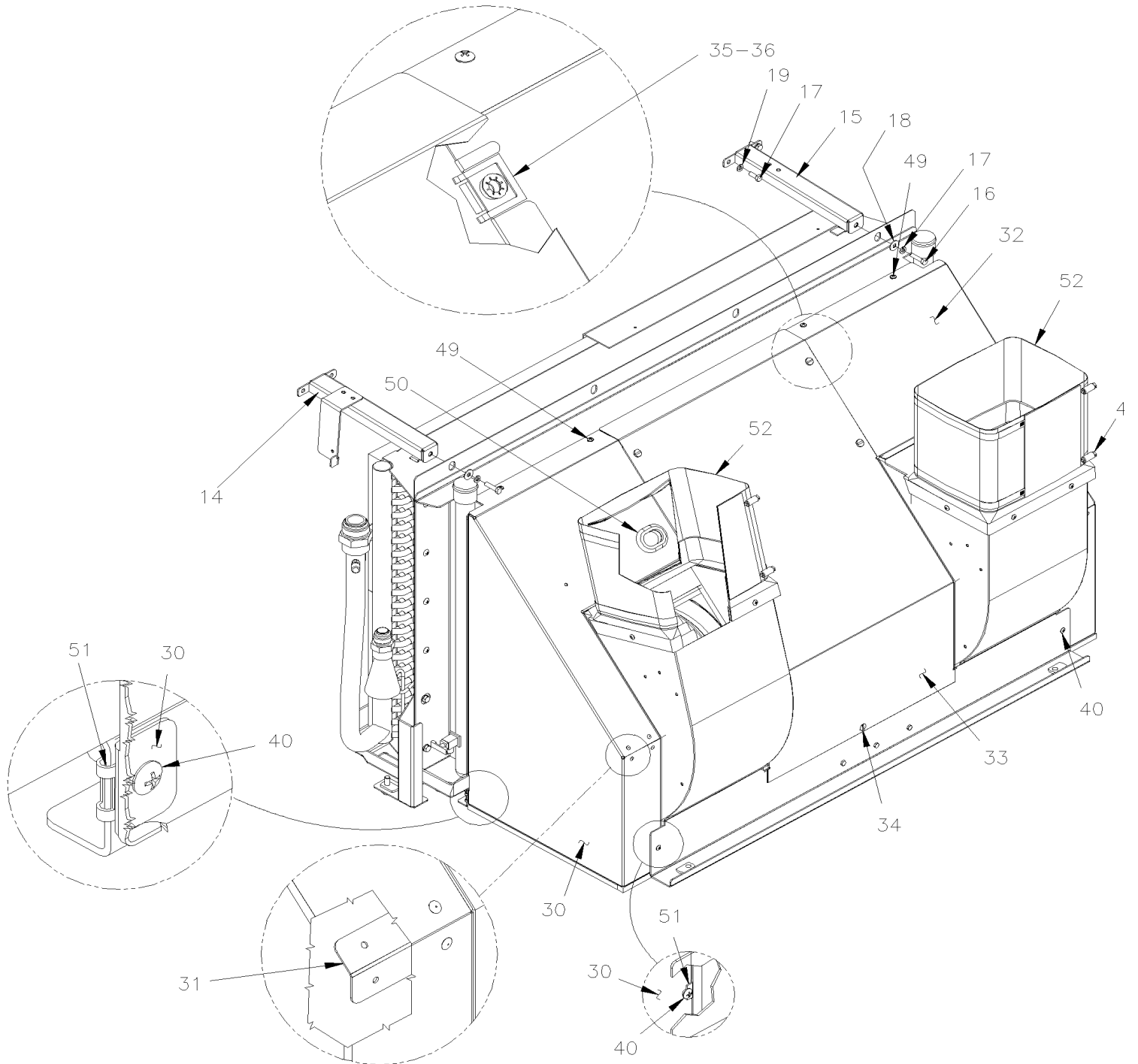
VIEW "A"

From K-0295 To P-1347

Date:07/2024

PAGE:VIP-2210-06

HEATER & EVAPORATOR BLOWER - INSTALLATION



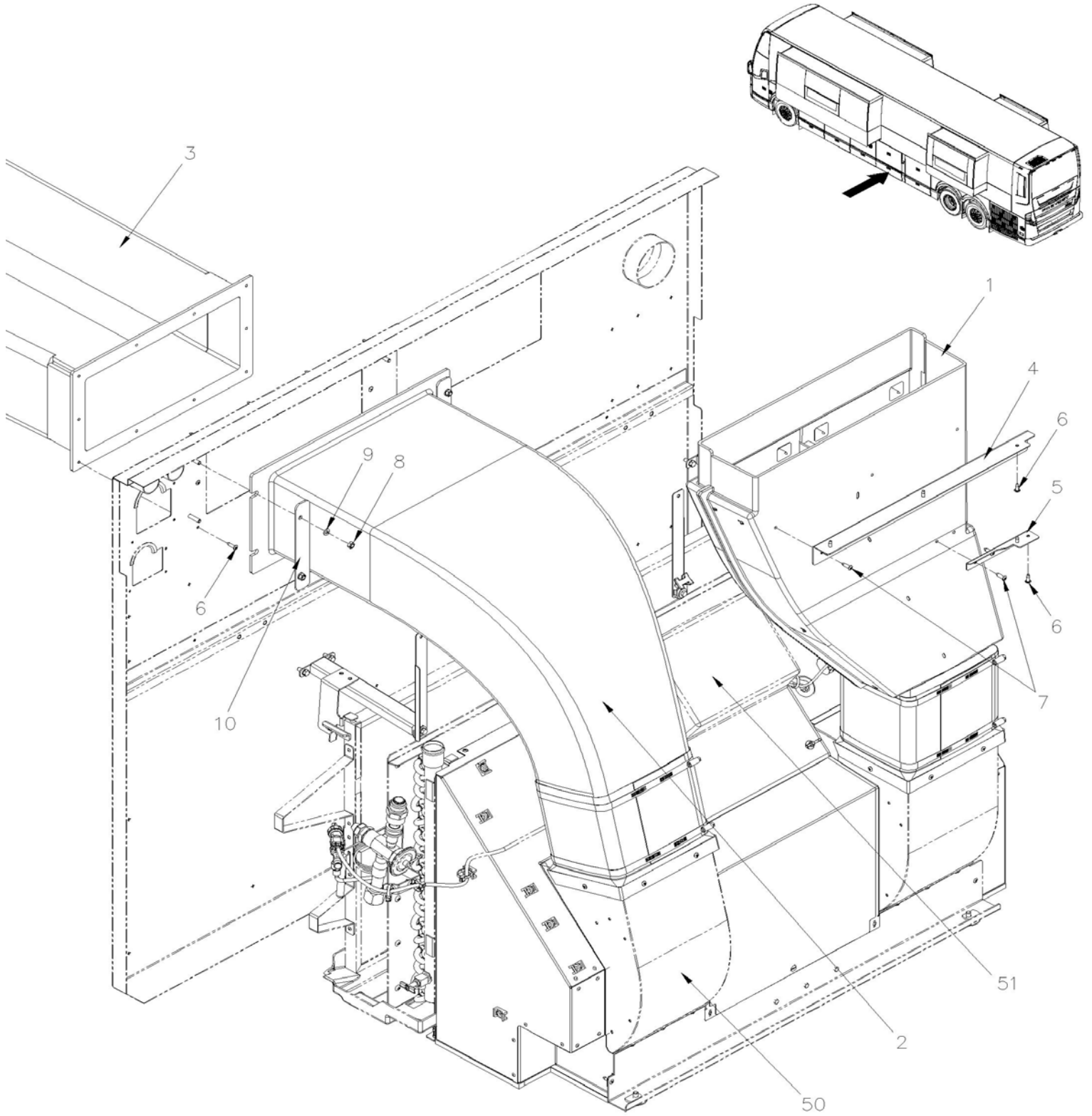
| | | |
|--|---------------------|-------------------------|
| From K-0295 To P-1347 | Date:07/2024 | PAGE:VIP-2210-06 |
| HEATER & EVAPORATOR BLOWER - INSTALLATION | | |

| Item# | Part | Description | QTY | Notes |
|-------|-----------------|---|-----|-------|
| 1 | 454307 | DUCT, R,H, OUTLET EVAPORATOR FAN | 1 | |
| NS | 454547 | SUPPORT, VERTICAL EVAPORATOR DUCT | 1 | |
| NS | 500957 | SCREW TP BDG PH #10x3/4 N500 | 2 | |
| NS | 502868 | SCREW TC TR PH #10-16x1/2 N500 | 2 | |
| 2 | 454362 | DUCT, L.H. OUTLET EVAPORATOR FAN | 1 | |
| 3 | Call order desk | DUCT, L.H. OUTLET EVAPORATOR FAN | 1 | P |
| NS | 454646 | DUCT, L.H. | 1 | |
| NS | 454651 | INSULATING CONDENSOR DUCT | 1 | |
| NS | 454363 | INSULATING CONDENSOR DUCT | 1 | |
| 4 | 504729 | CLAMP HOSE SS/CR 203-279 | 4 | |
| 7 | 454327 | PLATE ATTACHMENT | 2 | |
| 10 | 504347 | RIVET POP DOME OE 3/16x1/4 AL | 3 | |
| 12 | 454546 | SUPPORT, CONDENSER DUCT | 1 | |
| 14 | 374369 | SUPPORT ASSY | 1 | |
| 15 | 374368 | SUPPORT ASSY | 1 | |
| 16 | 502737 | SCREW CAP HEX M6-1.0x25 SS BK | 1 | |
| 17 | 5001744 | SCREW CAP HEX M6-1.0x16 G8.8 N500 | 2 | |
| 18 | 500411 | WASHER FL .260x.697x.050 SS | 1 | |
| 19 | 502853 | WASHER LO SPT 6.1x11.8x1.6 N500 | 3 | |
| 22 | 563063 | SENSOR THERMISTOR ASSY / TEMPERATURE / ("DELPHI") | 1 | |
| 23 | 952637 | CLAMP / 1"1/16 I.D. | 1 | |
| 24 | 500414 | SCREW TP BDG PH #10x3/4 SS | 1 | |
| 25 | 500700 | NUT HEX #10-32 Z050 | 1 | |
| 26 | 453789 | GRILL / AIR RETURN | 1 | |
| 30 | Call order desk | PLENUM FORWARD SECTION | 1 | P |
| 31 | 453991 | REINFORCMENT | 1 | |
| 32 | Call order desk | PLENUM BACKWARD SECTION | 1 | P |
| 32 | 504356 | GROMMET / .625x.875x.062x.312x1.125 To K-0304 | 1 | |
| 32 | 504264 | GROMMET / .750x1.250x.062x.250x1.625 From K-0305 | 1 | |
| 33 | 457562P | PLENUM CENTRAL SECTION | 1 | |
| NS | 457569 | SUPPORT PLENUM CENTRAL SECTION | 1 | |
| 34 | 504681 | STUD 6MM (DZUS) | 1 | |
| 35 | 504604 | FASTENER | 1 | |
| 36 | 504605 | RECEPTACLE 6 MM | 1 | |
| 40 | 500414 | SCREW TP BDG PH #10x3/4 SS | AR | |
| 41 | 502737 | SCREW CAP HEX M6-1.0x25 SS BK | AR | |
| 42 | 502681 | NUT HEX NYRT M6-1.0 N500 G8 | AR | |
| 43 | 500642 | SCREW TP PAN PH #10x3/4 Z050 | AR | |
| 45 | 502573 | WASHER FL 6.4x12.5x1.6 SS | AR | |
| 46 | 502853 | WASHER LO SPT 6.1x11.8x1.6 N500 | AR | |
| 47 | 500804 | WASHER FL .203x.500x.047 N500 | AR | |
| 48 | 500411 | WASHER FL .260x.697x.050 SS | AR | |

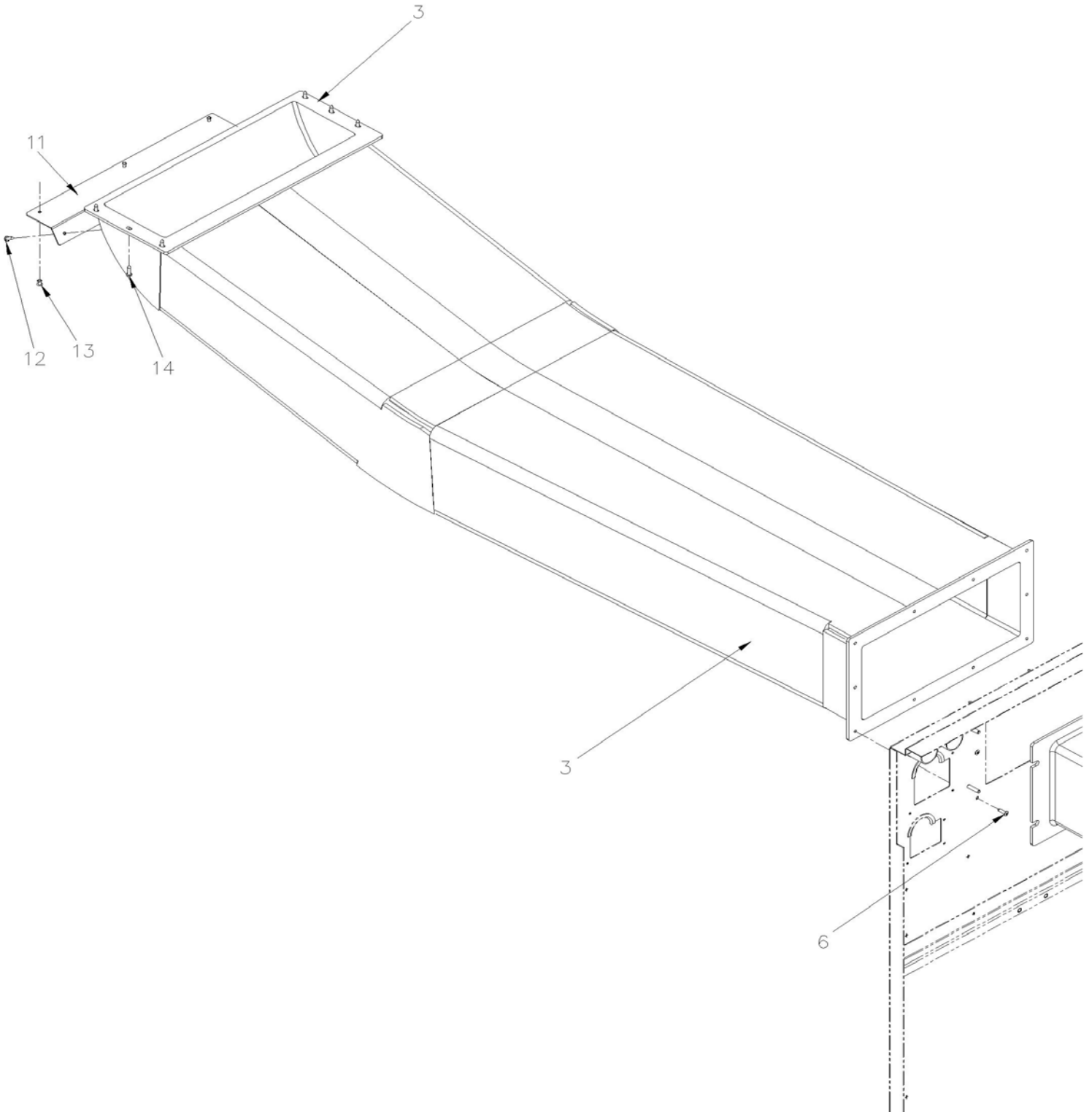
| | | |
|--|--------------|------------------|
| From K-0295 To P-1347 | Date:07/2024 | PAGE:VIP-2210-06 |
| HEATER & EVAPORATOR BLOWER - INSTALLATION | | |

| Item# | Part | Description | QTY | Notes |
|-------|--------|--|-----|-------|
| 49 | 502868 | SCREW TC TR PH #10-16x1/2 N500 | AR | |
| 50 | 504534 | GROMMET / .875x1.250x.187x.562x1.625 | 1 | |
| 51 | 502904 | NUT SPR J #10A .035-.050 N500 | AR | |
| 52 | 454439 | FLEXIBLE DUCT / HEIGHT 160MM | 2 | |
| | | | | |
| | | | | |
| | | | | |
| | | P) CALL ORDER DESK FOR SPECIFIC APPLICATION (V.I.N.) | | |

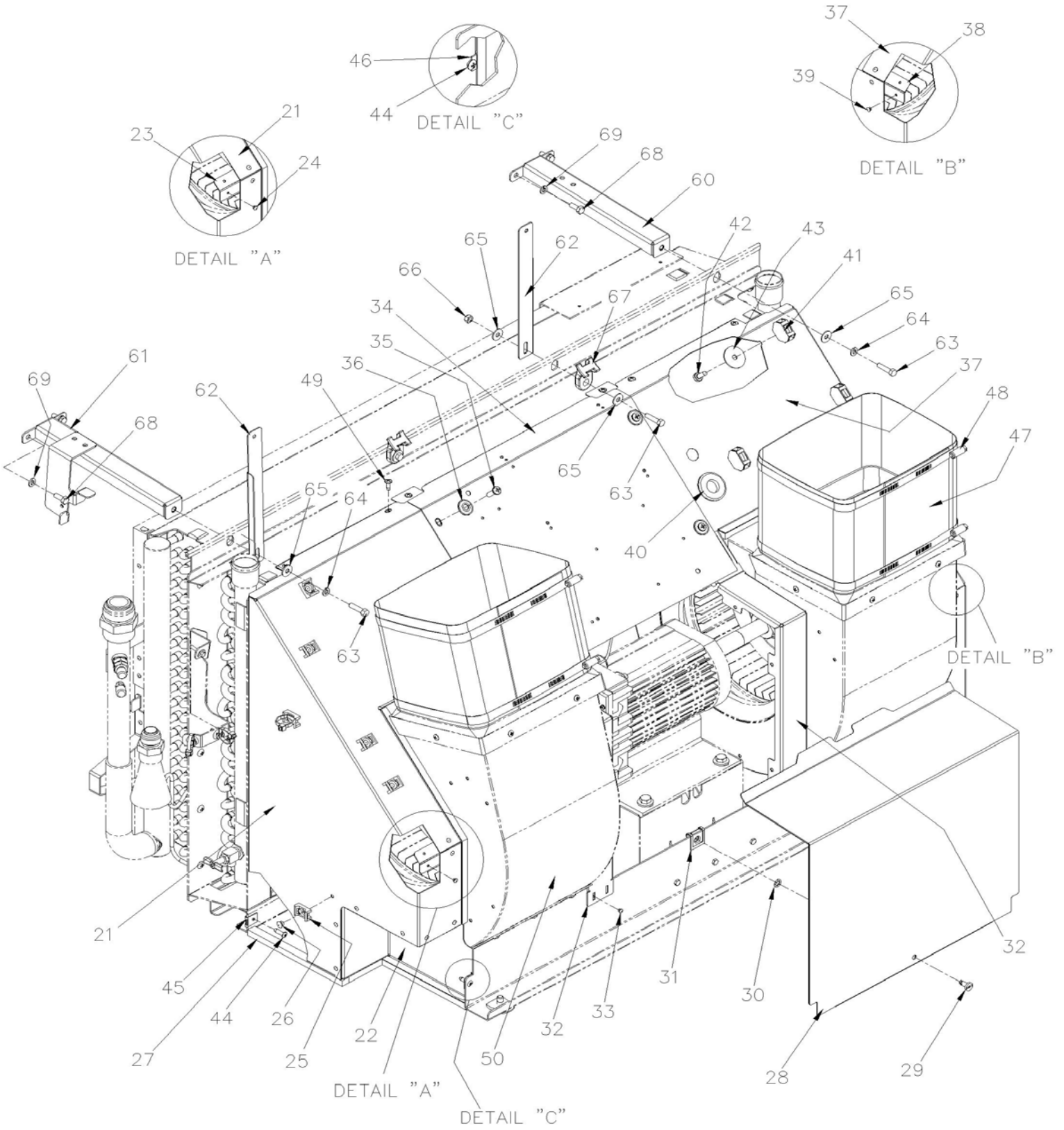
| | | |
|---|--------------|------------------|
| | Date:07/2024 | PAGE:VIP-2210-07 |
| HEATER & EVAPORATOR BLOWER - INSTALLATION | | |



| | | |
|---|--------------|------------------|
| | Date:07/2024 | PAGE:VIP-2210-07 |
| HEATER & EVAPORATOR BLOWER - INSTALLATION | | |



| | | |
|---|--------------|------------------|
| | Date:07/2024 | PAGE:VIP-2210-07 |
| HEATER & EVAPORATOR BLOWER - INSTALLATION | | |



HEATER & EVAPORATOR BLOWER - INSTALLATION

| Item# | Part | Description | QTY | Notes |
|-------|-----------------|--|-----|-------|
| 1 | 454602P | DUCT, R.H. OUTLET EVAPORATOR FAN | 1 | |
| 2 | 454362 | DUCT, L.H. OUTLET EVAPORATOR FAN | 1 | |
| 3 | 454649 | DUCT, L.H. OUTLET EVAPORATOR FAN | 1 | |
| . NS | 454646 | . DUCT, L.H. | 1 | |
| . NS | 454651 | . INSULATING CONDENSOR DUCT | 1 | |
| . NS | 454363 | . INSULATING CONDENSOR DUCT | 1 | |
| 4 | 454545 | SUPPORT, VERTICAL EVAPORATOR DUCT | 1 | |
| 5 | 454547 | SUPPORT, VERTICAL EVAPORATOR DUCT | 1 | |
| 6 | 500957 | SCREW TP BDG PH #10x3/4 N500 | AR | |
| 7 | 502868 | SCREW TC TR PH #10-16x1/2 N500 | 5 | |
| 8 | 502681 | NUT HEX NYRT M6-1.0 N500 G8 | 4 | |
| 9 | 502573 | WASHER FL 6.4x12.5x1.6 SS | 4 | |
| 10 | 454327 | PLATE ATTACHMENT | 2 | |
| 11 | 454546 | SUPPORT, CONDENSER DUCT | 1 | |
| 12 | 500414 | SCREW TP BDG PH #10x3/4 SS | AR | |
| 13 | 504347 | RIVET POP DOME OE 3/16x1/4 AL | 3 | |
| 14 | 500957 | SCREW TP BDG PH #10x3/4 N500 | 6 | |
| | | | | |
| 21 | Call order desk | PLENUM FORWARD SECTION | 1 | P |
| 21 | 450150 | . PLENUM FORWARD SECTION | 1 | |
| 22 | 450104 | . PLENUM CLOSING | 1 | |
| 23 | 453991 | . REINFORCMENT | 1 | |
| 24 | 504112 | . RIVET POP DOME OE 1/8x1/8 AL | 10 | |
| 25 | 504013 | . TIE MOUNT / 1/4" X 1/4" I.D. | 8 | |
| 26 | 504379 | . RIVET POP DOME OE 3/16x1/4 SS | 8 | |
| 27 | 506268 | . TAPE RUB ADH1 URE 3/8" x 1/2" x 25' / GREY 1820 | AR | |
| 28 | 457562P | PLENUM CENTRAL SECTION | 1 | |
| NS | 506500 | . TAPE RUB ADH2 NEO .045" x 1" x 100' / BLACK 4965 | AR | |
| 29 | 504681 | . STUD 6MM (DZUS) | 1 | |
| 30 | 504604 | . FASTENER | 1 | |
| 31 | 504605 | RECEPTACLE 6 MM | 1 | |
| 32 | 457569 | SUPPORT PLENUM CENTRAL SECTION | 2 | |
| 33 | 504112 | RIVET POP DOME OE 1/8x1/8 AL | 2 | |
| 34 | 450198 | CENTRAL UPPER PANEL PLENUM | 1 | |
| 35 | 502626 | SCREW MA PAN PH M6-1.0x20 N500 | 4 | |
| 36 | 5001699 | WASHER BEL SPR 8.2x22x1.4 N500 | 4 | |
| 37 | Call order desk | PLENUM BACKWARD SECTION | 1 | P |
| 37 | 450462 | . PLENUM BACKWARD SECTION | 1 | |
| 37 | 506268 | . TAPE RUB ADH1 URE 3/8" x 1/2" x 25' / GREY 1820 | AR | |
| 38 | 453991 | . REINFORCMENT | 1 | |
| 39 | 504112 | . RIVET POP DOME OE 1/8x1/8 AL | 4 | |
| 40 | 504264 | . GROMMET / .750x1.250x.062x.250x1.625 | 1 | |

| | | | |
|--|--|--------------|------------------|
| | | Date:07/2024 | PAGE:VIP-2210-07 |
| HEATER & EVAPORATOR BLOWER - INSTALLATION | | | |

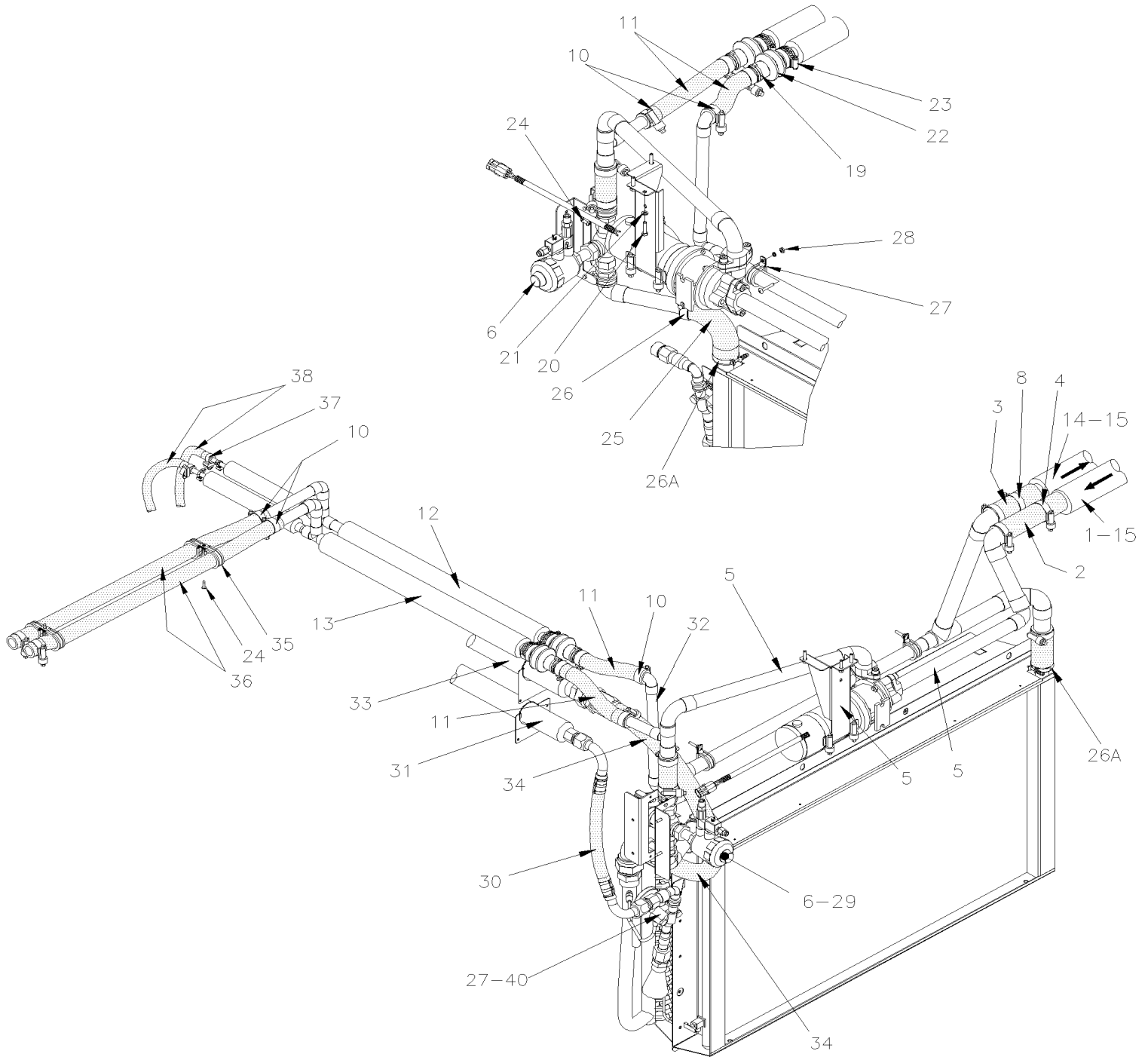
| Item# | Part | Description | QTY | Notes |
|-------|-------------|--|-----|-------|
| 41 | 509492 | . CABLE TIE MOUNT FOR THREADED STUD 1/4 | 3 | |
| 42 | 502817 | . SCREW MA PAN PH M6-1.0x16 N500 | 3 | |
| 43 | 500913 | . WASHER FL .281x1.250x.065 N500 | 3 | |
| 44 | 500957 | SCREW TP BDG PH #10x3/4 N500 | 4 | |
| 45 | 500981 | NUT SPR U #10-23/32x5/8 | 2 | |
| 46 | 502904 | NUT SPR J #10A .035-.050 N500 | 2 | |
| 47 | 454439 | FLEXIBLE DUCT / HEIGHT 160MM | 2 | |
| 48 | 504729 | CLAMP HOSE SS/CR 203-279 | 4 | |
| 49 | 502868 | SCREW TC TR PH #10-16x1/2 N500 | 2 | |
| 50 | VIP-2210-02 | HEATER & EVAPORATOR BLOWER - INSTALLATION | | |
| 51 | VIP-0621-12 | A/C ELECTRICAL PANEL ASSY / EVAPORATOR COMPARTMENT | | |
| 60 | 374368 | SUPPORT ASSY | 1 | |
| 61 | 374369 | SUPPORT ASSY | 1 | |
| 62 | 374266 | SUPPORT HEATER PIPE RETURN | 2 | |
| 63 | 502737 | SCREW CAP HEX M6-1.0x25 SS BK | 4 | |
| 64 | 502853 | WASHER LO SPT 6.1x11.8x1.6 N500 | 2 | |
| 65 | 500411 | WASHER FL .260x.697x.050 SS | 4 | |
| 66 | 502681 | NUT HEX NYRT M6-1.0 N500 G8 | 2 | |
| 67 | 507383 | TIE MOUNT HOLE 3/8" | 2 | |
| 68 | 5001744 | SCREW CAP HEX M6-1.0x16 G8.8 N500 | 4 | |
| 69 | 502853 | WASHER LO SPT 6.1x11.8x1.6 N500 | 4 | |
| | | | | |
| | | | | |
| | | | | |
| | | P) CALL ORDER DESK FOR SPECIFIC APPLICATION (V.I.N.) | | |

From K-0295 To P-1347

Date:07/2024

PAGE:VIP-2210-12

WATER HEATER PUMP - INSTALLATION



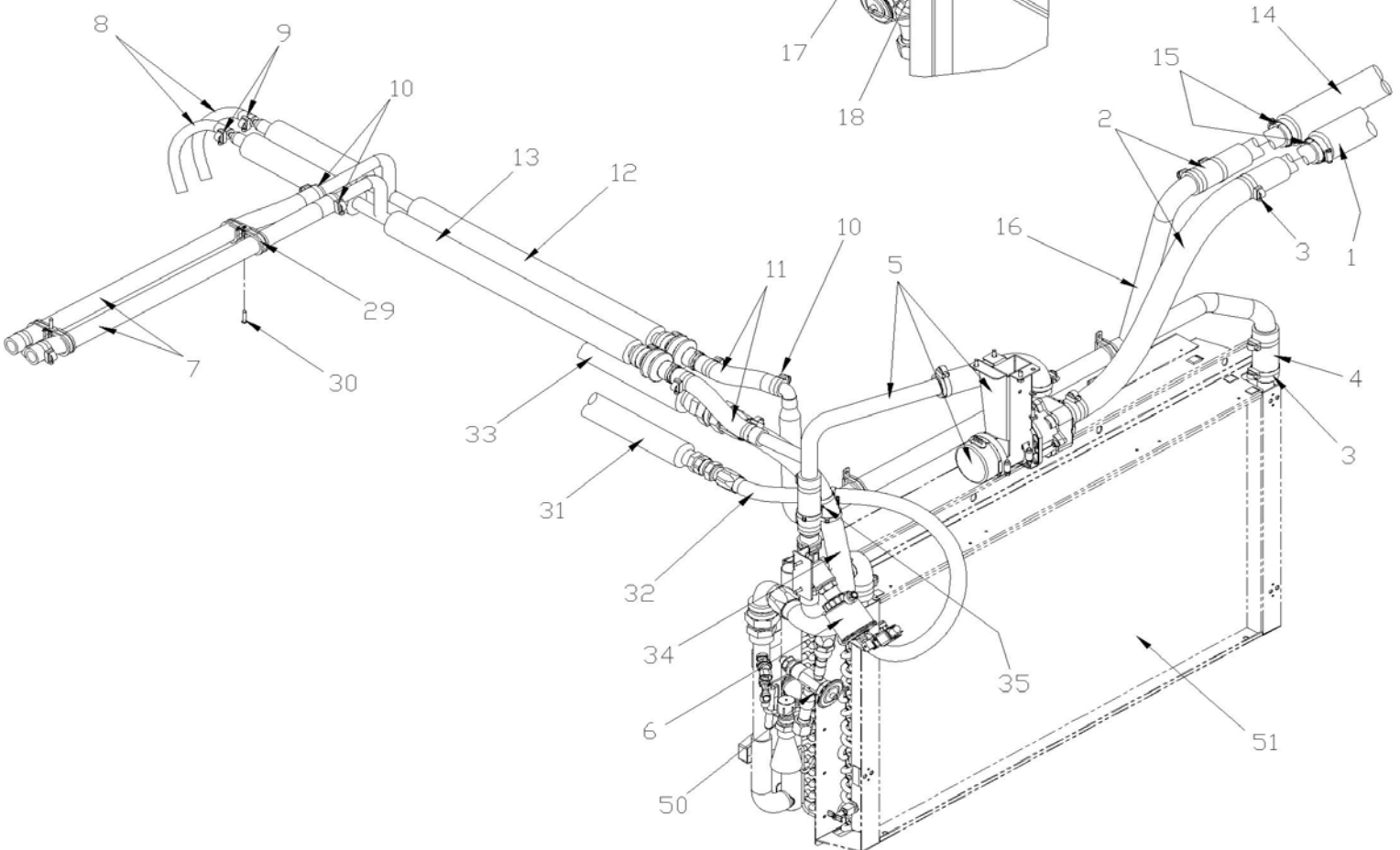
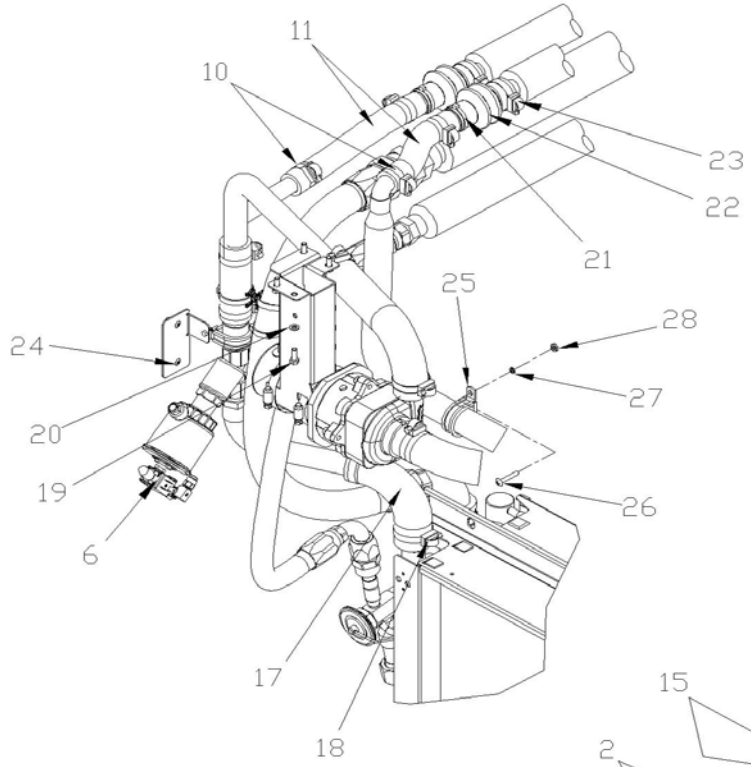
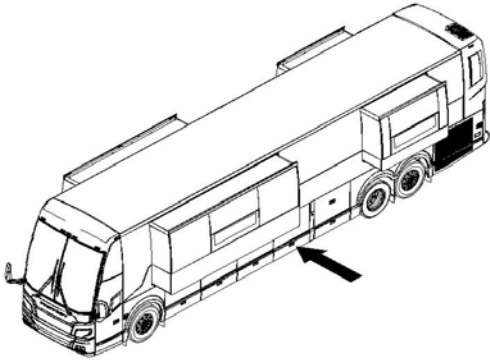
| | | |
|---|---------------------|-------------------------|
| From K-0295 To P-1347 | Date:07/2024 | PAGE:VIP-2210-12 |
| WATER HEATER PUMP - INSTALLATION | | |

| Item# | Part | Description | QTY | Notes |
|-------|--------------------|--|-----|-------|
| 1 | Call order desk | PIPE ASSY / ENGINE COMP & WATER FILTER | 1 | P |
| 2 | 503783 | HOSE SILICONE 4PLY / NOMEX-ARAMID 34MM I.D. x 6' | AR | |
| 3 | 371535 | HOSE 1 3/8" I.D. X 127MM | 1 | |
| 3 | 503783 | HOSE SILICONE 4PLY / NOMEX-ARAMID 34MM I.D. x 6' | AR | |
| 4 | 992086 | HOSE CLAMP / 32MM/52MM | AR | |
| 4 | 504692 | HOSE CLAMP STEPLESS SPRING SS / OETIKER / 1.5-1.8 | AR | A |
| 5 | VIP-2206-03 | WATER PUMP "AMETEK" / SEALLESS & BRUSHLESS | | |
| 6 | VIP-2207-06 | WATER VALVE - W/2 WAYS | | |
| 8 | 992086 | HOSE CLAMP / 32MM/52MM | 2 | |
| 8 | 504692 | HOSE CLAMP STEPLESS SPRING SS / OETIKER / 1.5-1.8 | 2 | A |
| 10 | 992084 | HOSE CLAMP / 23MM/35MM | AR | |
| 10 | 504569 | HOSE CLAMP STEPLESS SPRING / HC12-20 / 1" | 1 | A |
| 11 | 372632 | HOSE 7/8" I.D. X 1848MM | 2 | |
| 11 | 503803 | HOSE SILICONE 1 PLY / NOMEX-ARAMID 7/8" I.D. x 100' / S.L. | AR | |
| 12 | Call order desk | PIPE ASSY / FEED LINE TO UREA To N-1209 | 1 | P |
| 12 | 370051 | PIPE ASSY / FEED LINE TO UREA From N-1210 | 1 | |
| 13 | Call order desk | PIPE ASSY / RETURN LINE FROM UREA To N-1209 | 1 | P |
| 13 | 370052 | PIPE ASSY / RETURN LINE FROM UREA From N-1210 | 1 | |
| 14 | 370093 | PIPE ASSY / RETURN LINE TO ENGINE COMPARTMENT To N-1209 | 1 | |
| 14 | 370378 | PIPE ASSY / RETURN LINE TO ENGINE COMPARTMENT From N-1210 | 1 | |
| 15 | 370060 | PROTECTOR / SILICONE | AR | |
| 15 | 504023 | HOSE CLAMP / 1"5/16-2"1/4 SS / HS-28 | 2 | |
| 19 | 504637 | CABLE TIE / 3/16" x 13" | 2 | |
| 20 | 502737 | SCREW CAP HEX M6-1.0x25 SS BK | AR | |
| 21 | 502853 | WASHER LO SPT 6.1x11.8x1.6 N500 | AR | |
| 22 | 504444 | CUFF END BELLOW / 1 1/4" I.D. x 1 x 3 7/8" | 2 | |
| 23 | 992086 | HOSE CLAMP / 32MM/52MM | 2 | |
| 24 | 500608 | SCREW TP BDG PH #10x1 N500 | AR | |
| 25 | 374247 | ELBOW 90° REDUCER 1 1/8" I.D.W/3 1/4" x 1 3/4" I.D. W 3 15/16" C/C | 1 | |
| 26 | 992086 | HOSE CLAMP / 32MM/52MM | 1 | |
| 26 | 992086 | HOSE CLAMP / 32MM/52MM | 1 | |
| 26 | 504687 | HOSE CLAMP STEPLESS SPRING SS / OETIKER / 1.2-1.4 | 1 | A |
| 26 | 504451 | HOSE CLAMP STEPLESS SPRING SS / OETIKER / 1.3-1.6 | 1 | A |
| 26A | 504692 | HOSE CLAMP STEPLESS SPRING SS / OETIKER / 1.5-1.8 | 2 | A |
| 26A | 992086 | HOSE CLAMP / 32MM/52MM | 1 | |
| 26A | 992086 | HOSE CLAMP / 32MM/52MM | 1 | |
| 26A | 504455 | HOSE CLAMP STEPLESS SPRING SS / OETIKER / 1.7-1.9 | 1 | A |
| 27 | 952637 | CLAMP / 1"1/16 I.D. | 4 | |
| 28 | 500574 | SCREW MA TR PH #10-24x1 1/4 SS | 2 | |
| NS | 500914 | WASHER LO SPT .193x.334x.047 N500 | 2 | |
| NS | 502882 | NUT HEX #10-24 N500 | 2 | |
| 29 | 500957 | SCREW TP BDG PH #10x3/4 N500 | 2 | |

| | | |
|---|--------------|------------------|
| From K-0295 To P-1347 | Date:07/2024 | PAGE:VIP-2210-12 |
| WATER HEATER PUMP - INSTALLATION | | |

| Item# | Part | Description | QTY | Notes |
|-------|--------------------|--|-----|-------|
| 30 | 457724 | HOSE ASSY / #12 402MM To K-0686 | 1 | |
| NS | 507280 | O-RING / ORS FITTING / #12 NEO To K-0686 | 1 | |
| 30 | 450989 | HOSE ASSY / #12 830MM From K-0687 | 1 | |
| NS | 507280 | O-RING / ORS FITTING / #12 NEO From K-0687 | 1 | |
| NS | 504751 | ROTATIF SPACER DOUBLE / SMALL From K-0687 | 2 | |
| NS | 504016 | CABLE TIE / 5/16" X 14"1/2 From K-0687 | AR | |
| 31 | 457735P | PIPE ASSY / PRESSURE To N-1209 | 1 | |
| NS | 501829 | O-RING / ORS FITTING / #12 NEO To N-1209 | 1 | |
| 31 | 453665 | PIPE ASSY / PRESSURE From N-1210 | 1 | |
| NS | 501829 | O-RING / ORS FITTING / #12 NEO From N-1210 | 2 | |
| 32 | 374729 | PIPE ASSY / RETURN LINE To N-1209 | 1 | |
| 32 | 370043 | PIPE ASSY / RETURN LINE From N-1210 | 1 | |
| 33 | Call order desk | PIPE ASSY / SUCTION To N-1209 | 1 | P |
| NS | 501803 | O-RING / ORS FITTING / #20 NEO To N-1209 | 2 | |
| NS | 501829 | O-RING / ORS FITTING / #12 NEO To N-1209 | 1 | |
| 33 | 454380 | PIPE ASSY / SUCTION From N-1210 | 1 | |
| NS | 501803 | O-RING / ORS FITTING / #20 NEO From N-1210 | 2 | |
| NS | 501829 | O-RING / ORS FITTING / #12 NEO From N-1210 | 1 | |
| 34 | 457721 | HOSE ASSY / #20 800MM | 1 | |
| NS | 501803 | O-RING / ORS FITTING / #20 NEO | 1 | |
| 35 | 952639 | CLAMP / 1"1/4 I.D. | AR | |
| 36 | 503803 | HOSE SILICONE 1 PLY / NOMEX-ARAMID 7/8" I.D. x 100' / S.L. | AR | |
| 37 | 992081 | HOSE CLAMP / 12MM/22MM | 2 | |
| 38 | 503821 | HOSE SILICONE 4 PLY / NOMEX-ARAMID 3/8" x 144" | AR | |
| 40 | VIP-2208-00 | A/C EXPANSION VALVE | | |
| | | | | |
| | | | | |
| | | | | |
| | | A) WITH OPTION "OETIKER" HOSE CLAMP | | |
| | | P) CALL ORDER DESK FOR SPECIFIC APPLICATION (V.I.N.) | | |

| | | |
|----------------------------------|--------------|------------------|
| | Date:07/2024 | PAGE:VIP-2210-13 |
| WATER HEATER PUMP - INSTALLATION | | |



Date:07/2024

PAGE:VIP-2210-13

WATER HEATER PUMP - INSTALLATION

| Item# | Part | Description | QTY | Notes |
|-------|--------------------|--|-----|-------|
| 1 | Call order desk | PIPE ASSY / ENGINE COMP & WATER FILTER | 1 | P |
| 2 | 503783 | HOSE SILICONE 4PLY / NOMEX-ARAMID 34MM I.D. x 6' | AR | |
| 3 | 992086 | HOSE CLAMP / 32MM/52MM | AR | |
| 4 | 051383 | HOSE / W/CENTRAL A/C SYSTEM / 1 3/8" I.D. X 150MM | 1 | |
| 4 | 503783 | HOSE SILICONE 4PLY / NOMEX-ARAMID 34MM I.D. x 6' | AR | |
| 5 | VIP-2206-10 | WATER PUMP "AMETEK" / SEALLESS & BRUSHLESS WITH LARGE A/C | | |
| 6 | VIP-2207-10 | WATER VALVE - W/2 WAYS / WITH LARGE A/C | | |
| 7 | 374421 | HOSE 7/8" I.D. X 715MM | 2 | |
| 7 | 503803 | HOSE SILICONE 1 PLY / NOMEX-ARAMID 7/8" I.D. x 100' / S.L. | AR | |
| 8 | 503821 | HOSE SILICONE 4 PLY / NOMEX-ARAMID 3/8" x 144" | AR | |
| 9 | 992081 | HOSE CLAMP / 12MM/22MM | 2 | |
| 10 | 992084 | HOSE CLAMP / 23MM/35MM | AR | |
| 11 | 503803 | HOSE SILICONE 1 PLY / NOMEX-ARAMID 7/8" I.D. x 100' / S.L. | AR | |
| 12 | 370052 | PIPE ASSY / RETURN LINE FROM UREA | 1 | |
| 13 | 370051 | PIPE ASSY / FEED LINE TO UREA | 1 | |
| 14 | 370378 | PIPE ASSY / RETURN LINE TO ENGINE COMPARTMENT | 1 | |
| 15 | 370060 | PROTECTOR / SILICONE | AR | |
| 15 | 504023 | HOSE CLAMP / 1"5/16-2"1/4 SS / HS-28 | 2 | |
| 16 | 370043 | PIPE ASSY / RETURN LINE | 1 | |
| 17 | 374247 | ELBOW 90° REDUCER 1 1/8" I.D.W/3 1/4" x 1 3/4" I.D. W 3 15/16" C/C | 1 | |
| 18 | 992086 | HOSE CLAMP / 32MM/52MM | 2 | |
| 19 | 5001744 | SCREW CAP HEX M6-1.0x16 G8.8 N500 | 4 | |
| 20 | 502853 | WASHER LO SPT 6.1x11.8x1.6 N500 | 4 | |
| 21 | 504637 | CABLE TIE / 3/16" x 13" | 2 | |
| 22 | 504444 | CUFF END BELLOW / 1 1/4" I.D. x 1 x 3 7/8" | 2 | |
| 23 | 992086 | HOSE CLAMP / 32MM/52MM | 2 | |
| 24 | 500957 | SCREW TP BDG PH #10x3/4 N500 | 2 | |
| 25 | 952641 | CLAMP P STL ZP RUB 34.9 ID | 2 | |
| 26 | 500574 | SCREW MA TR PH #10-24x1 1/4 SS | 2 | |
| 27 | 500914 | WASHER LO SPT .193x.334x.047 N500 | 2 | |
| 28 | 502882 | NUT HEX #10-24 N500 | 2 | |
| 29 | 952639 | CLAMP / 1"1/4 I.D. | 4 | |
| 30 | 500608 | SCREW TP BDG PH #10x1 N500 | 2 | |
| 31 | 453841 | PIPE ASSY / PRESSURE | 1 | |
| NS | 501829 | O-RING / ORS FITTING / #12 NEO | 2 | |
| 32 | 450989 | HOSE ASSY / #12 830MM | 1 | |
| NS | 507280 | O-RING / ORS FITTING / #12 NEO | 1 | |
| 33 | 454176 | PIPE ASSY / SUCTION | 1 | |
| NS | 501803 | O-RING / ORS FITTING / #20 NEO | 2 | |
| NS | 501829 | O-RING / ORS FITTING / #12 NEO | 1 | |
| 34 | 457721 | HOSE ASSY / #20 800MM | 1 | |
| NS | 501803 | O-RING / ORS FITTING / #20 NEO | 1 | |

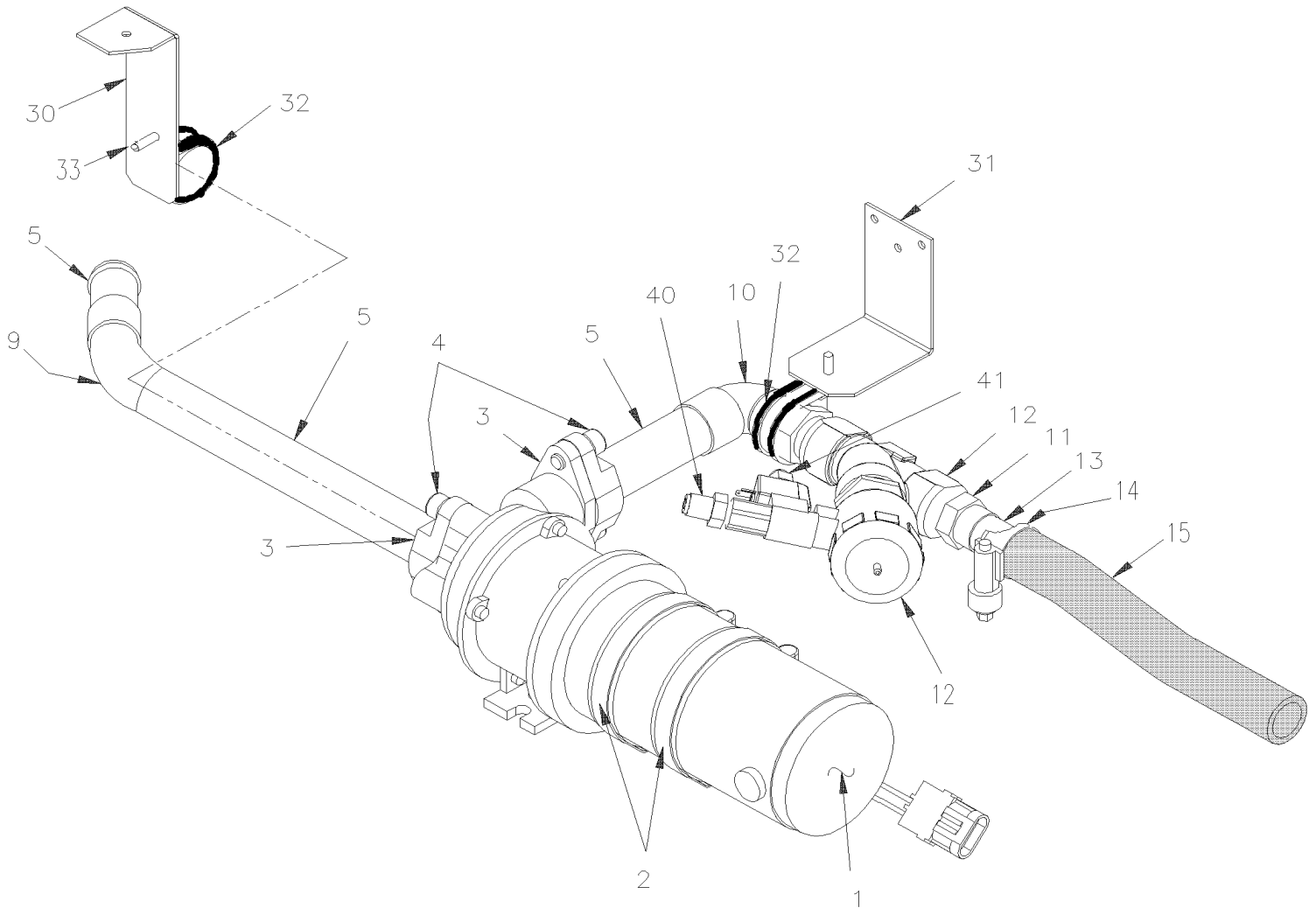
| | | Date:07/2024 | PAGE:VIP-2210-13 | |
|---|-------------|--|------------------|-------|
| WATER HEATER PUMP - INSTALLATION | | | | |
| Item# | Part | Description | QTY | Notes |
| 35 | 504751 | ROTATIF SPACER DOUBLE / SMALL | 2 | |
| 35 | 504016 | CABLE TIE / 5/16" X 14"1/2 | AR | |
| 50 | VIP-2208-01 | A/C EXPANSION VALVE | | |
| 51 | VIP-2205-01 | HEATER & EVAPORATOR COIL - INSTALLATION | | |
| | | | | |
| | | | | |
| | | | | |
| | | P) CALL ORDER DESK FOR SPECIFIC APPLICATION (V.I.N.) | | |

From K-0295

Date:07/2024

PAGE:VIP-2210-20

WATER HEATER PUMP - INSTALLATION WITH SMALL A/C



| | | | |
|--------------------|--|---------------------|-------------------------|
| From K-0295 | | Date:07/2024 | PAGE:VIP-2210-20 |
|--------------------|--|---------------------|-------------------------|

WATER HEATER PUMP - INSTALLATION WITH SMALL A/C

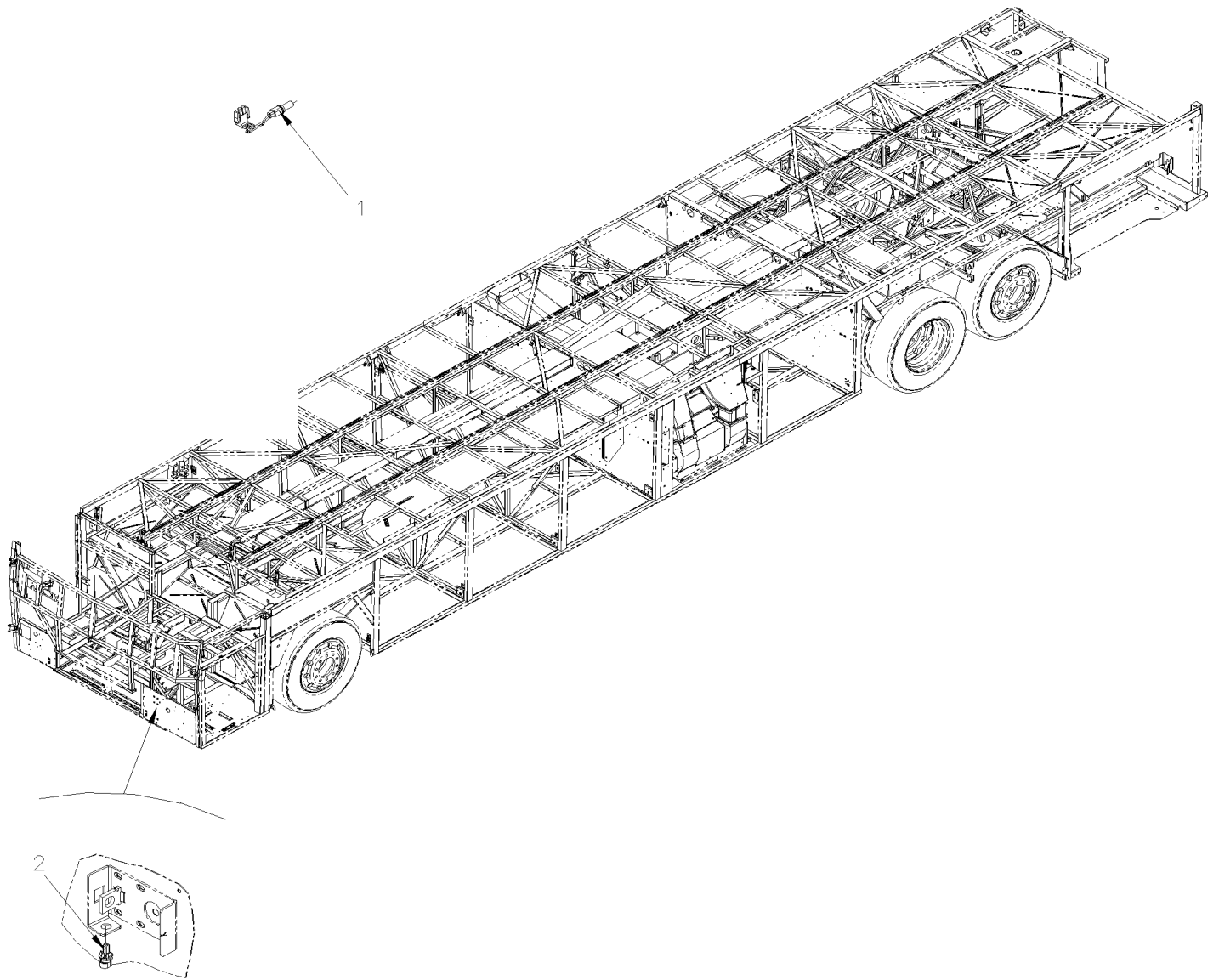
| Item# | Part | Description | QTY | Notes |
|-------|--------------------|--|-----|-------|
| | Call order desk | WATER PUMP ASSY W/PIPE AND WATER VALVE | 1 | P |
| | Call order desk | WATER PUMP ASSY W/PIPE AND WATER VALVE | 1 | P |
| 1 | VIP-2206-03 | WATER PUMP "AMETEK" / SEALLESS & BRUSHLESS To P-1347 | | |
| 1 | VIP-2206-20 | WATER PUMP "AMETEK" / SEALLESS & BRUSHLESS WITH SMALL A/C From P-1348 | | |
| 2 | 504235 | HOSE CLAMP / 3"9/16"-4"1/2 SS / HS-64 | 2 | |
| NS | 506728 | TAPE RUB ADH1 NEO 1/4" x 3/4" x 10' / BLACK | AR | |
| 3 | 871206 | FLANGE ADAPTOR / W/QUAD RING | 2 | |
| 3 | 870441 | GASKET PUMP INLET & OUTLET | 2 | |
| 4 | 5001580 | SCREW CAP HEXS 3/8-16x7/8 | 2 | |
| 4 | 500438 | WASHER FL .187x.437x.050 Z050 | 2 | |
| 5 | 503199 | COPPER TUBE 1.125" O.D.x .050" x 240" | AR | |
| 9 | 501567 | STREET ELBOW 45° / COPPER TUBE / 1Mx1F | 1 | |
| 10 | 501762 | STREET ELBOW 90° SHORT RADIUS / COPPER TUBE / 1Mx1F | 1 | |
| 11 | 501866 | ADAPTER / COPPER @ PIPE / 3/4Fx3/4NPT-M | 1 | |
| 12 | VIP-2207-06 | WATER VALVE - W/2 WAYS To P-1347 | | |
| 12 | VIP-2207-20 | WATER VALVE - W/2 WAYS / WITH SMALL A/C From P-1348 | | |
| 13 | 503198 | COPPER TUBE .875" O.D. x .045" x 240" | 1 | |
| 14 | 504646 | HOSE CLAMP / 1 1/16"-1 1/4" / C.T. 9412 | 1 | |
| 15 | 503803 | HOSE SILICONE 1 PLY / NOMEX-ARAMID 7/8" I.D. x 100' / S.L. | AR | |
| 30 | 373564 | SUPPORT W/PUMP / INPUT | 1 | |
| 31 | 373565 | SUPPORT W/PUMP / OUTPUT | 1 | |
| 32 | 952639 | CLAMP / 1"1/4 I.D. | 2 | |
| 33 | 500658 | SCREW TC PAN PH #10-24x3/4 Z050 | 2 | |
| 40 | 641332 | MALE CONNECTOR / PUSH-IN FITTING / #4x1/4NPT-M BR | 1 | |
| 41 | 642028 | MALE CONNECTOR / PUSH-IN FITTING / 6MM x M5-0.8 BR | 1 | |
| | | | | |
| | | | | |
| | | | | |
| | | P) CALL ORDER DESK FOR SPECIFIC APPLICATION (V.I.N.) | | |

From K-0295

Date:07/2024

PAGE:VIP-2210-50

AIR MAIN SENSOR



| | | |
|-------------|--------------|------------------|
| From K-0295 | Date:07/2024 | PAGE:VIP-2210-50 |
|-------------|--------------|------------------|

AIR MAIN SENSOR

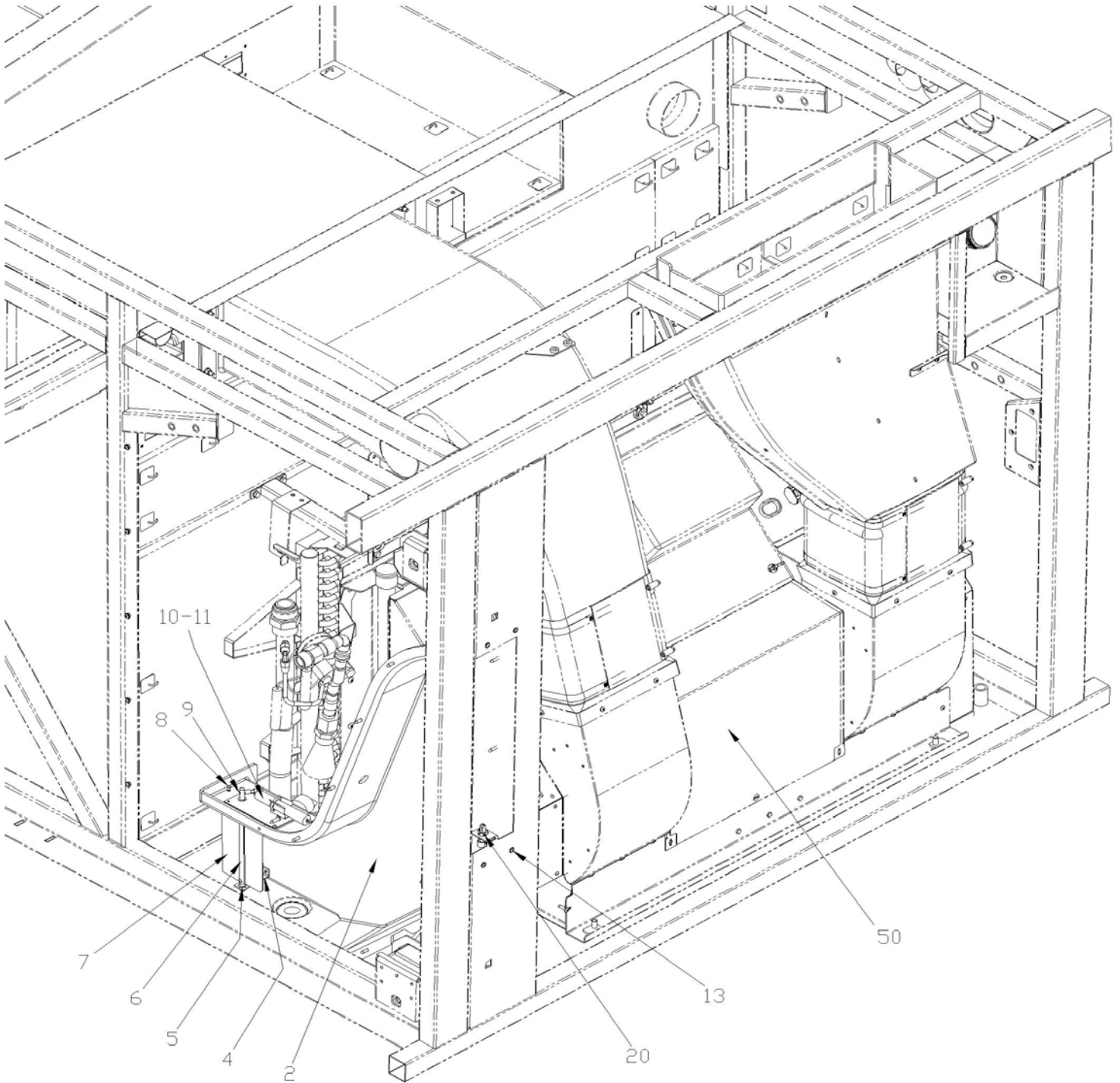
| Item# | Part | Description | QTY | Notes |
|-------|--------|---|-----|-------|
| 1 | 563063 | SENSOR THERMISTOR ASSY / TEMPERATURE / ("DELPHI") | 1 | B |
| 2 | 563335 | SENSOR THERMISTOR ASSY / OUTSIDE // PED 15416387 | 1 | A |
| | | | | |
| | | | | |
| | | A) USE WITH CONSOLE THERMOMETER AT PAGE VIP-0645-30 | | |
| | | B) LOCATED IN EVAPORATOR COMPARTMENT | | |

From K-0295

Date:07/2024

PAGE:VIP-2215-00

EVAPORATOR & DAMPER CONTROL COMPONENTS



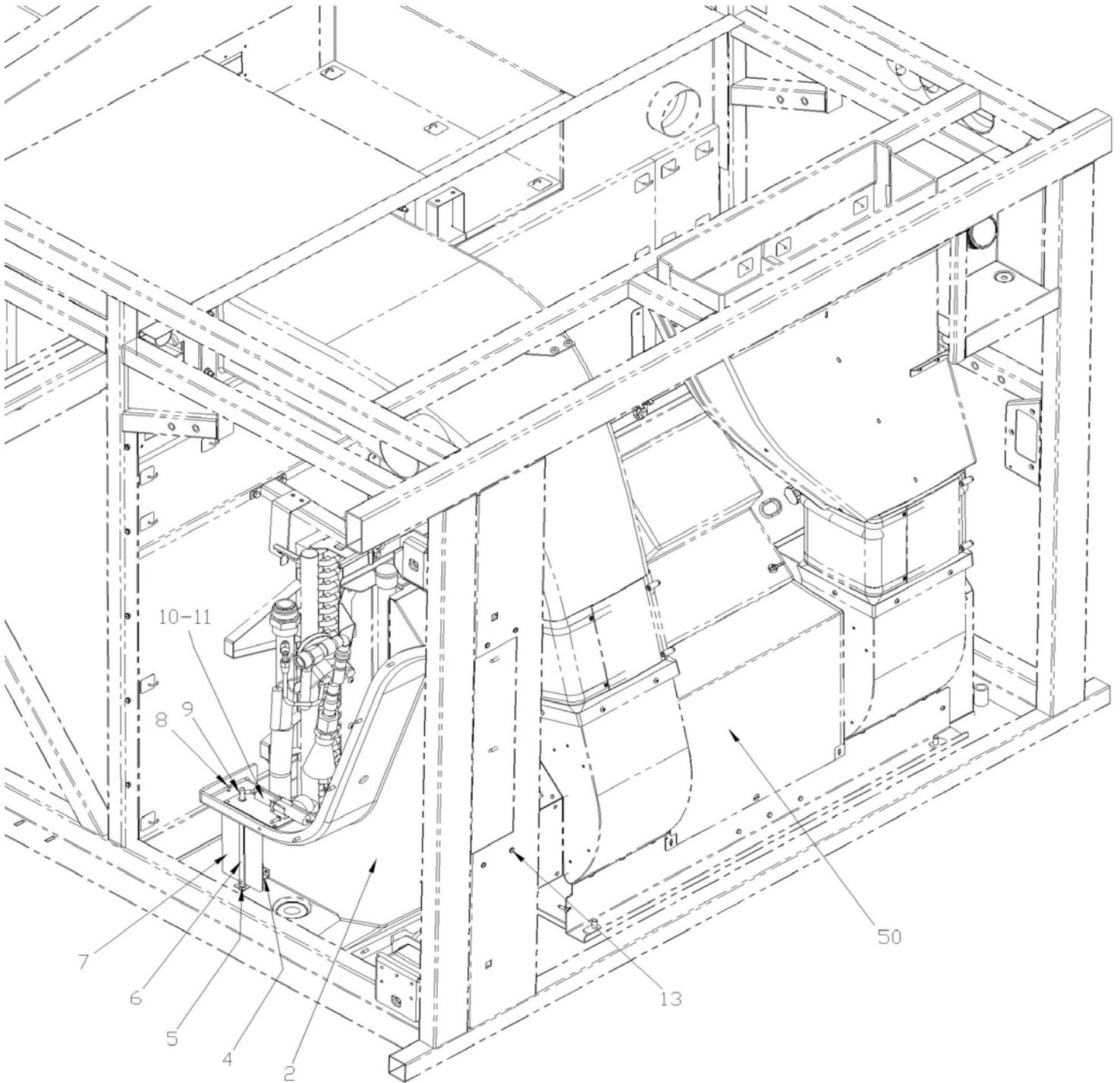
UP TO £-18032

From K-0295

Date:07/2024

PAGE:VIP-2215-00

EVAPORATOR & DAMPER CONTROL COMPONENTS



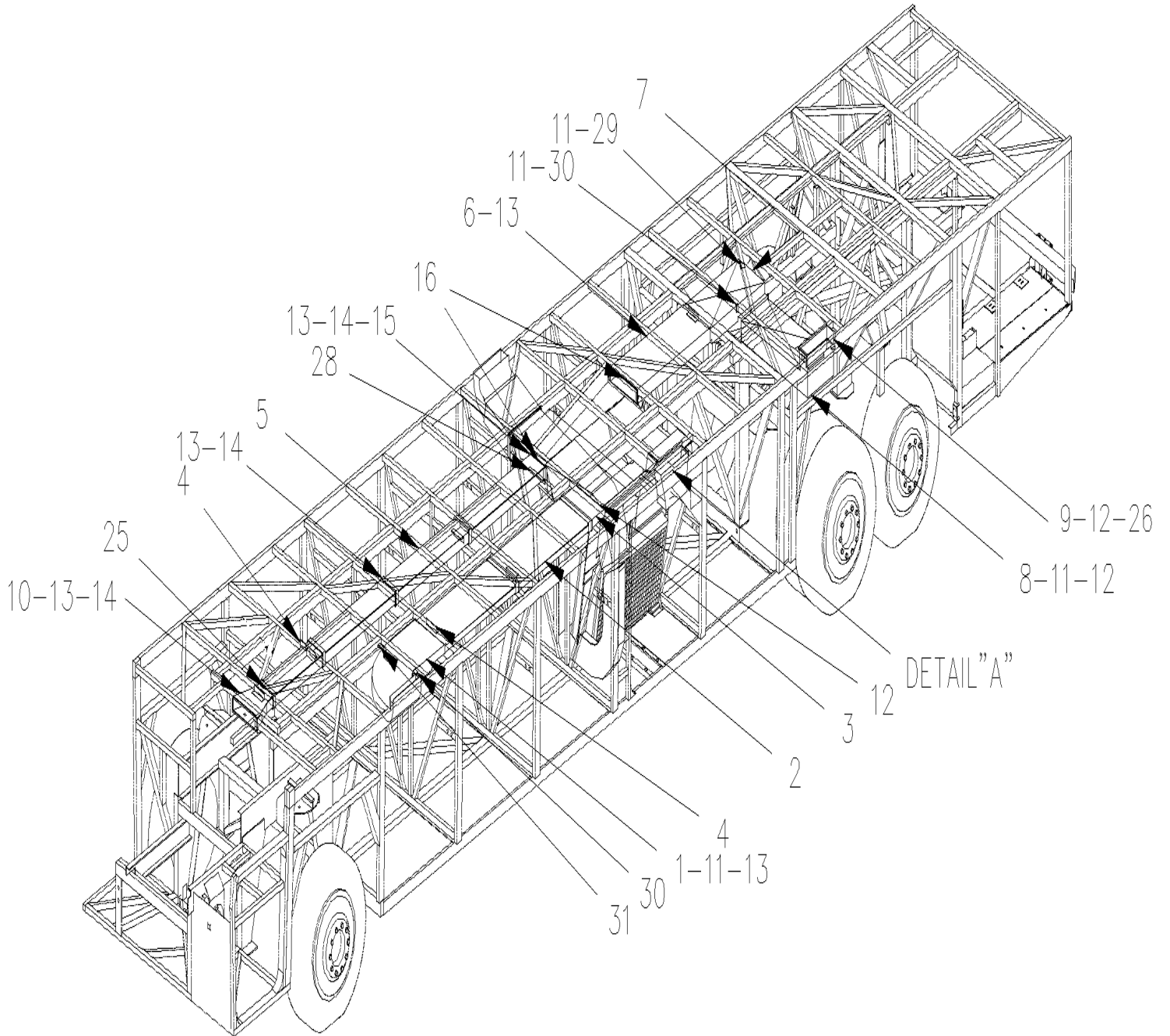
FROM £-18032

From K-0295 To P-1347

Date:07/2024

PAGE:VIP-2220-00

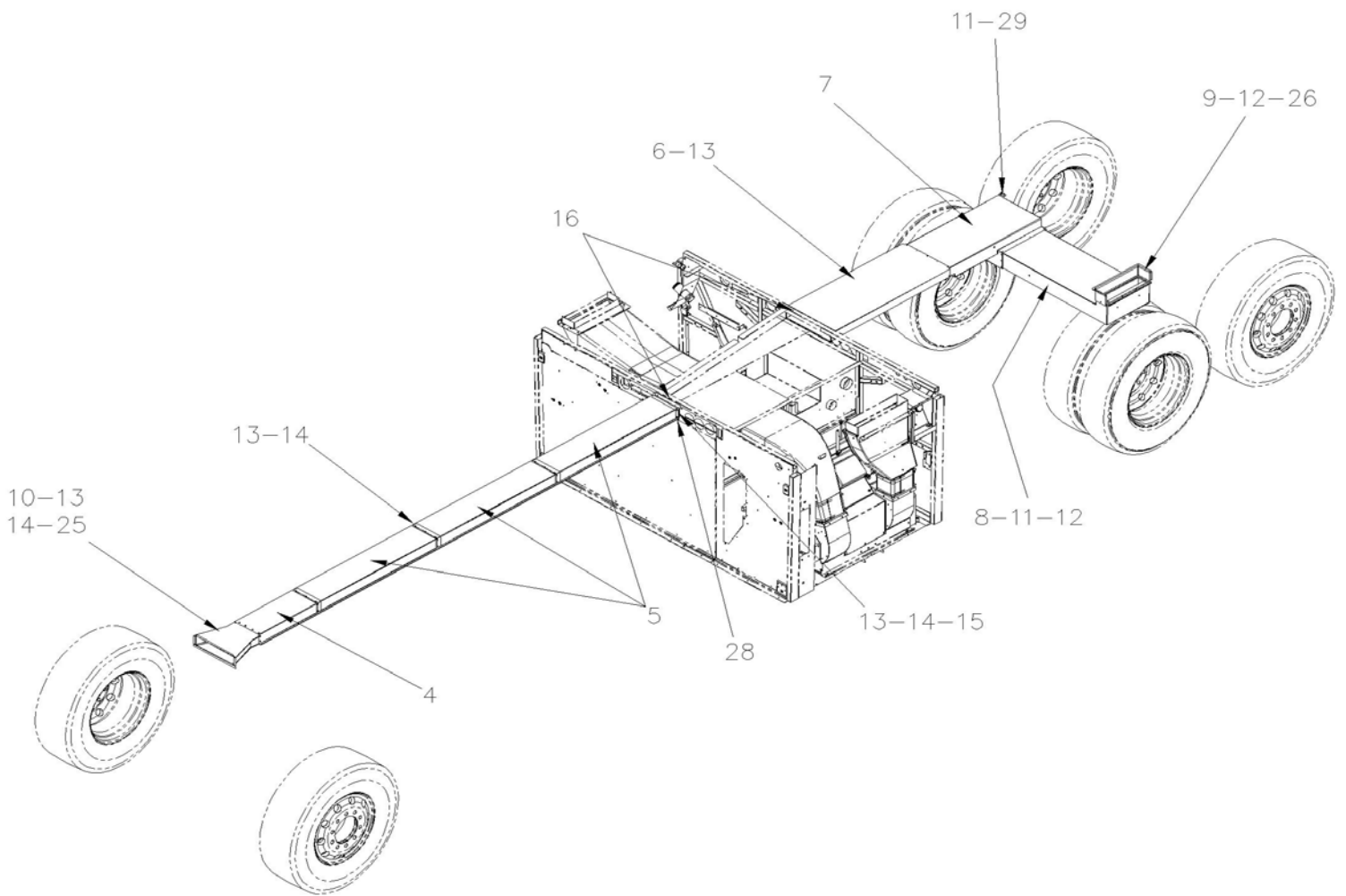
UNDER FLOOR AIR DUCTING



| | | |
|--------------------------------|--------------|------------------|
| From K-0295 To P-1347 | Date:07/2024 | PAGE:VIP-2220-00 |
| UNDER FLOOR AIR DUCTING | | |

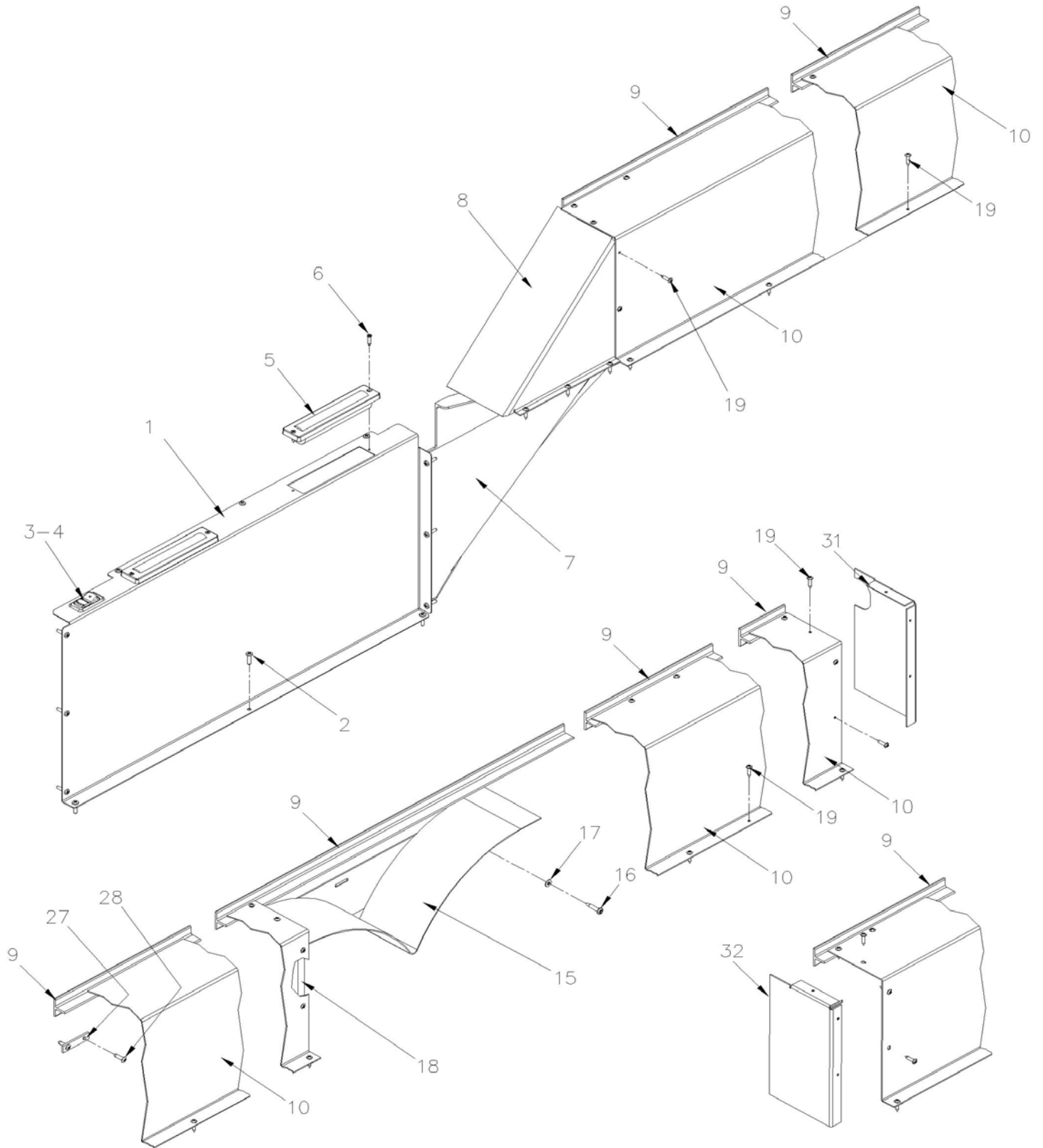
| Item# | Part | Description | QTY | Notes |
|-------|--------------------|--|-----|-------|
| 1 | Call order desk | DUCT LEFT | 1 | P |
| 2 | 455678 | DUCT RIGHT 954MM | 1 | |
| 2 | 452397 | DUCT RIGHT 1164MM | 1 | |
| 3 | 454638 | DUCT ASSY | 1 | |
| 4 | 453095 | DUCT, AIR INLET ASSY #1 590MM | 1 | |
| 5 | 452410 | FRONT DUCT ASSY | 3 | |
| 6 | 455418 | DUCT ASSY | 1 | |
| 7 | 452377 | CENTER REAR DUCT ASSY | 1 | |
| 8 | 452376 | REAR DUCT | 1 | |
| 9 | 454313 | REAR DUCT | 1 | |
| 10 | 453085 | FRONT OUTFLOW DUCT | 1 | |
| 11 | 500957 | SCREW TP BDG PH #10x3/4 N500 | AR | |
| 12 | 680096 | SEALANT BUTYL ALUM / GREY / 310ml CARTRIDGE | AR | |
| 13 | 504114 | RIVET POP DOME OE 3/16x1/4 AL | AR | |
| 14 | 506227 | TAPE RUB ADH1 CC POL 1/16" x 3/4" x 100' / GREY 2520 | AR | |
| 15 | 451835 | ANGULAR BRACKET | 2 | |
| 16 | 506002 | TAPE RUB ADH1 CC POL 3/16" x 1/2" x 40' / GREY 2520 | AR | |
| NS | 684517 | ADHESIVE SIMSON #ISR 70-03 / GREY / 310ml CARTRIDGE | AR | |
| 25 | 506236 | TAPE RUB ADH1 CC POL 1/16" x 1/2" x 100' / GREY 2520 | AR | |
| 26 | 500865 | SCREW TP PAN PH #12x1 1/2 Z050 | 4 | |
| 28 | 451801 | DUCT SUPPORT | 1 | |
| 29 | 454898 | SUPPORT | 1 | |
| 30 | 452509 | SUPPORT | 3 | |
| 31 | 452510 | SUPPORT | 1 | |
| 40 | VIP-2210-06 | HEATER & EVAPORATOR BLOWER - INSTALLATION | | |
| 60 | VIP-2205-01 | HEATER & EVAPORATOR COIL - INSTALLATION | | |
| | | | | |
| | | | | |
| | | | | |
| | | P) CALL ORDER DESK FOR SPECIFIC APPLICATION (V.I.N.) | | |

| | | |
|-------------------------|--------------|------------------|
| | Date:07/2024 | PAGE:VIP-2220-01 |
| UNDER FLOOR AIR DUCTING | | |

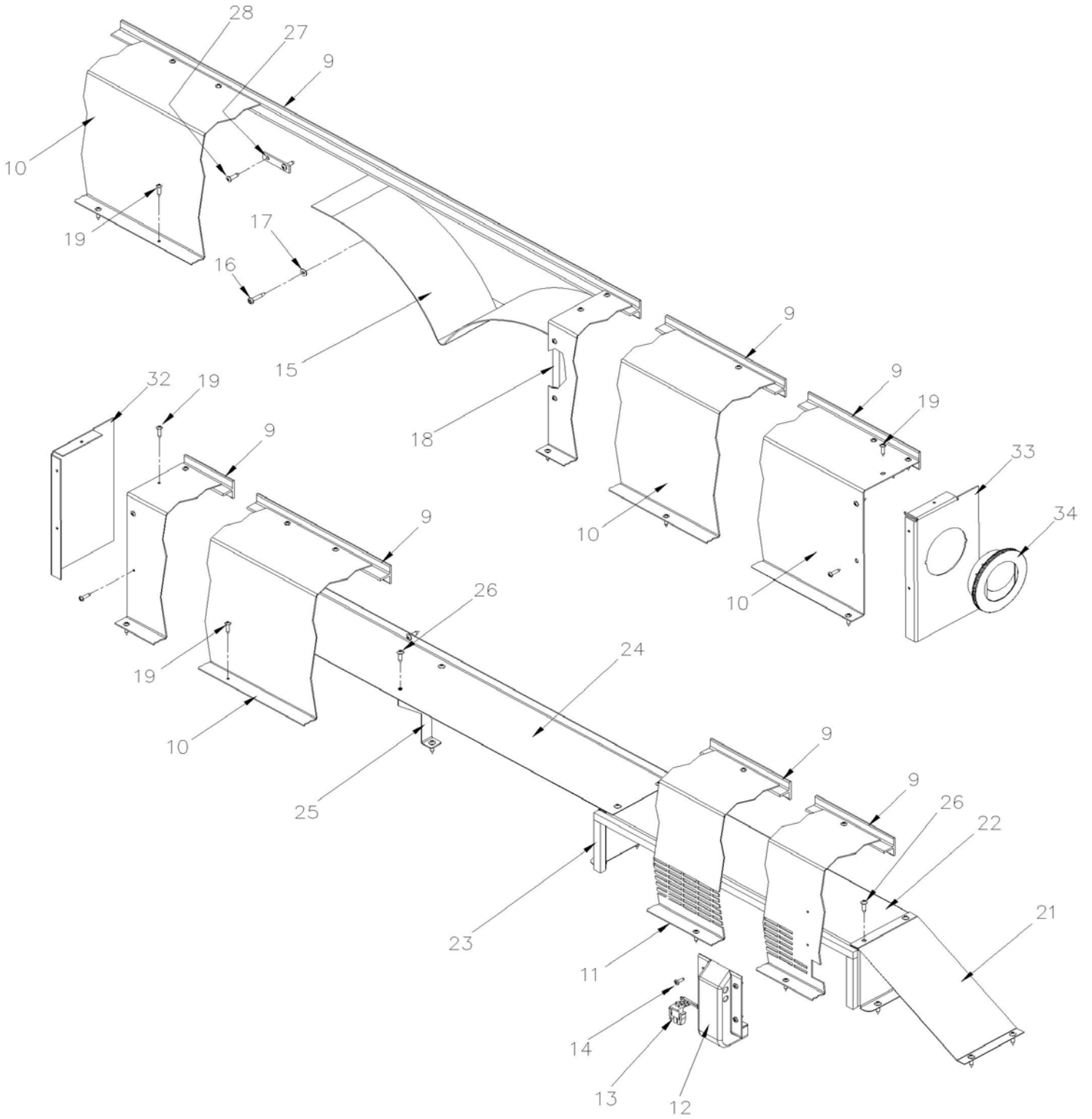


| | | Date:07/2024 | PAGE:VIP-2220-01 | |
|--------------------------------|--------------------|--|------------------|--------------|
| UNDER FLOOR AIR DUCTING | | | | |
| Item# | Part | Description | QTY | Notes |
| 4 | 453095 | DUCT, AIR INLET ASSY #1 590MM | 1 | |
| 5 | 452410 | FRONT DUCT ASSY | 3 | |
| 6 | 455418 | DUCT ASSY | 1 | |
| 7 | 452377 | CENTER REAR DUCT ASSY | 1 | |
| 8 | 452376 | REAR DUCT | 1 | |
| 9 | 454313 | REAR DUCT | 1 | |
| 10 | 453134 | DUCT FRONT ASSY. | 1 | |
| 11 | 500957 | SCREW TP BDG PH #10x3/4 N500 | AR | |
| 12 | 680532 | SEALANT SIKA #221 / GREY / 310ml CARTRIDGE | AR | |
| 13 | 504114 | RIVET POP DOME OE 3/16x1/4 AL | AR | |
| 14 | 506227 | TAPE RUB ADH1 CC POL 1/16" x 3/4" x 100' / GREY 2520 | AR | |
| 15 | 451835 | ANGULAR BRACKET | 2 | |
| 16 | 506002 | TAPE RUB ADH1 CC POL 3/16" x 1/2" x 40' / GREY 2520 | AR | |
| NS | 684517 | ADHESIVE SIMSON #ISR 70-03 / GREY / 310ml CARTRIDGE | AR | |
| 25 | 506207 | TAPE RUB ADH1 CC POL 3/16" x 1" x 50' / GREY 2520X | AR | |
| 26 | 500865 | SCREW TP PAN PH #12x1 1/2 Z050 | 4 | |
| 28 | 451801 | DUCT SUPPORT | 1 | |
| 29 | 454898 | SUPPORT | 1 | |
| 50 | VIP-2210-07 | HEATER & EVAPORATOR BLOWER - INSTALLATION | | |
| 51 | VIP-2205-01 | HEATER & EVAPORATOR COIL - INSTALLATION | | |

| | | |
|----------------------|--------------|------------------|
| | Date:07/2024 | PAGE:VIP-2221-10 |
| DUCTING HEATER & A/C | | |



| | | |
|----------------------|--------------|------------------|
| | Date:07/2024 | PAGE:VIP-2221-10 |
| DUCTING HEATER & A/C | | |

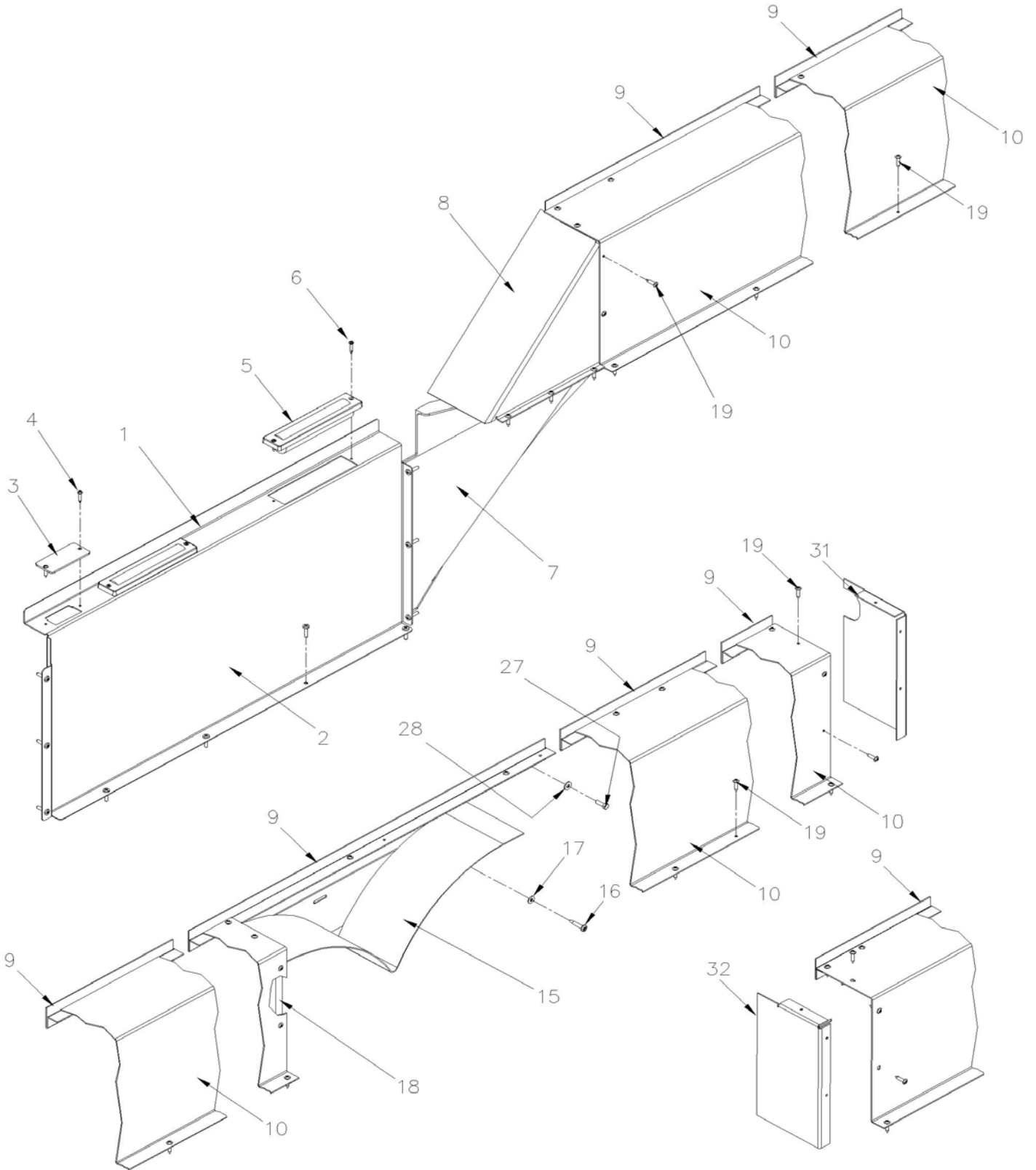


| | | |
|---------------------------------|---------------------|-------------------------|
| | Date:07/2024 | PAGE:VIP-2221-10 |
| DUCTING HEATER & A/C | | |

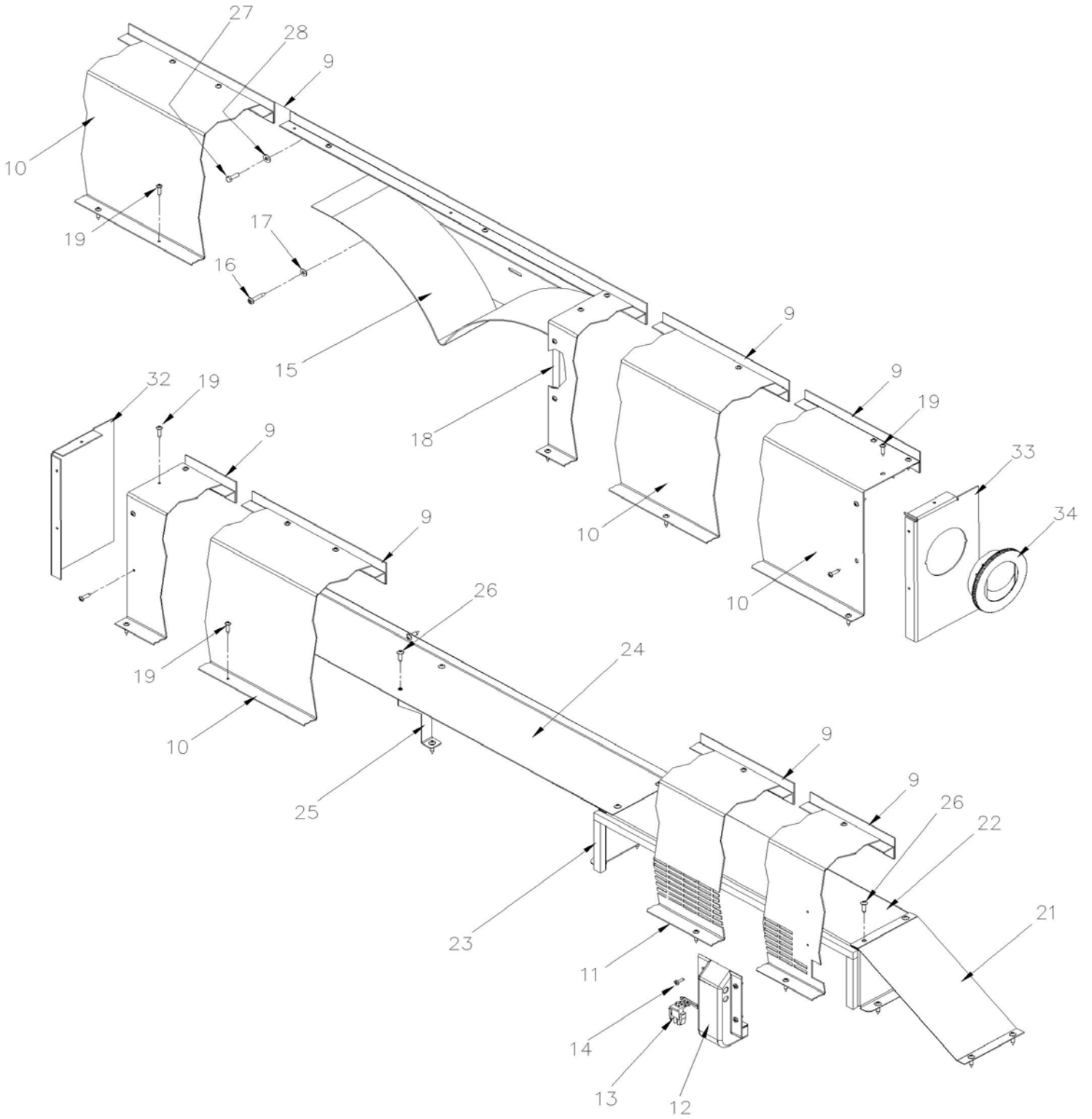
| Item# | Part | Description | QTY | Notes |
|-------|---------|---|-----|-------|
| 1 | 374193 | DUCT, AIR / R.H. FRONT LOWER | 1 | |
| NS | 506228 | TAPE RUB ADH1 CC POL 1/4" x 1/2" x 37.5' / GREY 2520X | AR | |
| 2 | 5001119 | SCREW TP BDG PH #8x3/4 SS | 12 | |
| 3 | 562699 | SWITCH / M/ON-OFF-M/ON / D.P.D.T. / W/GREEN LED | 1 | |
| 4 | 563278 | CAP / HI SPEED MAIN VENTILATION | 1 | |
| 5 | 871027 | DIFFUSOR | 2 | |
| 6 | 500333 | SCREW TP OV PH #6x3/4 BK | 4 | |
| 7 | 373491 | DEFLECTOR / UNDER FLOOR | 1 | |
| 8 | 372858 | CAP CLOSING DEFLECTOR | 1 | |
| 9 | 372831 | "T" SUPPORT, AIR DUCT 2824MM | 1 | |
| 9 | 370201 | "T" SUPPORT, AIR DUCT 3599MM | 1 | |
| 9 | 372901 | "T" SUPPORT, AIR DUCT 3864MM | 1 | |
| 9 | 373492 | "T" SUPPORT, AIR DUCT 3936MM | 1 | |
| 9 | 373300 | "T" SUPPORT, AIR DUCT 4554MM | 1 | |
| 10 | 373488 | DUCT, AIR 979MM | 1 | |
| 10 | 370202 | DUCT, AIR 1597MM | 1 | |
| 10 | 372609 | DUCT, AIR 1923 MM | 1 | |
| 10 | 373258 | DUCT, AIR 2111 MM | 1 | |
| 10 | 372608 | DUCT, AIR 2438 MM | 4 | |
| 11 | 374123 | DUCT, AIR 2438MM | 1 | |
| 12 | 328507 | SENSOR BOX / CENTRAL AIR SENSOR / FIXED OUTSIDE OF DUCT | 1 | |
| 13 | 563063 | SENSOR THERMISTOR ASSY / TEMPERATURE / ("DELPHI") | 1 | |
| 14 | 5001015 | SCREW TP BDG PH #6x1/2 SS BK | 2 | |
| 15 | 452685 | DEFLECTOR / OUTPUT DUCT LH & RH | 2 | |
| 15 | 680093 | SEALANT TAPE BUTYL / GREY / 1/16"x1 1/2"x50' /71079B11760 | AR | |
| 16 | 500659 | SCREW TC PAN PH #10-32x1 Z050 | 8 | |
| 17 | 500855 | WASHER FL .188x.438x.049 N500 | 8 | |
| 18 | 506236 | TAPE RUB ADH1 CC POL 1/16" x 1/2" x 100' / GREY 2520 | AR | |
| 19 | 500641 | SCREW TP PAN PH #8x3/4 Z050 | AR | |
| 19 | 500657 | SCREW TC TR PH #10-24x1/2 Z050 | AR | |
| 21 | 372688 | DEFLECTOR | 1 | |
| 22 | 374585 | BOX, AIR RETURN | 1 | |
| 23 | 506268 | TAPE RUB ADH1 URE 3/8" x 1/2" x 25' / GREY 1820 | AR | |
| 24 | 373263 | DEFLECTOR | 1 | |
| 25 | 454689 | SUPPORT / "Y" SHAPED | 6 | |
| 26 | 500583 | SCREW TP PAN PH #6x1/2 Z050 | AR | |
| 27 | 374823 | LINK PLATE | 1 | |
| 28 | 500642 | SCREW TP PAN PH #10x3/4 Z050 | AR | |
| 31 | 371716 | CAP L.H. / FRONT | 1 | |
| 31 | 374329 | PLATE, CLOSING | 1 | |
| 32 | 371715 | CAP R.H. / FRONT | 1 | |
| 33 | 372603 | CAP CLOSING ALUMINIUM / L.H. FRONT | 1 | |

| | | Date:07/2024 | PAGE:VIP-2221-10 | |
|---------------------------------|--------|------------------------------------|------------------|-------|
| DUCTING HEATER & A/C | | | | |
| Item# | Part | Description | QTY | Notes |
| 34 | 870901 | LOUVER, ADJUSTABLE / ROUND 3" O.D. | 1 | |

| | | |
|----------------------|--------------|------------------|
| | Date:07/2024 | PAGE:VIP-2221-11 |
| DUCTING HEATER & A/C | | |



| | | |
|----------------------|--------------|------------------|
| | Date:07/2024 | PAGE:VIP-2221-11 |
| DUCTING HEATER & A/C | | |



| | | |
|---------------------------------|---------------------|-------------------------|
| | Date:07/2024 | PAGE:VIP-2221-11 |
| DUCTING HEATER & A/C | | |

| Item# | Part | Description | QTY | Notes |
|-------|---------|---|-----|-------|
| 1 | 370473 | DUCT, AIR / R.H. FRONT LOWER / W/O FRONT CURBSIDE SLIDE-OUT | 1 | |
| NS | 506228 | TAPE RUB ADH1 CC POL 1/4" x 1/2" x 37.5' / GREY 2520X | AR | |
| 2 | 500244 | SCREW TP BDG PH #8x3/4 N500 | 10 | |
| 3 | 370529 | CLOSING, ROCKER SWITCH | 1 | |
| 4 | 500814 | SCREW TP BDG PH #6x3/4 BK | 2 | |
| 5 | 871027 | DIFFUSOR | 2 | |
| 6 | 500333 | SCREW TP OV PH #6x3/4 BK | 4 | |
| 7 | 373491 | DEFLECTOR / UNDER FLOOR | 1 | |
| 8 | 372858 | CAP CLOSING DEFLECTOR | 1 | |
| 9 | 370398 | SUPPORT, AIR DUCT 3695MM | 1 | |
| 9 | 370401 | SUPPORT, AIR DUCT 3777MM | 1 | |
| 9 | 370380 | SUPPORT, AIR DUCT 2880MM | 1 | |
| 9 | 370389 | SUPPORT, AIR DUCT 3270MM | 1 | |
| 9 | 370395 | SUPPORT, AIR DUCT 3270MM | 1 | |
| 9 | 370390 | SUPPORT, AIR DUCT 3489MM | 1 | |
| 9 | 370399 | SUPPORT, AIR DUCT 3541MM | 1 | |
| 10 | 370211 | AIR DUCT 2438MM | 4 | |
| 10 | 370391 | DUCT, AIR 949MM | 1 | |
| 10 | 370381 | DUCT, AIR 1602MM | 1 | |
| 10 | 370404 | DUCT, AIR 1369MM | 1 | |
| 10 | 370387 | DUCT, AIR 1943MM | 1 | |
| 11 | 370397 | DUCT, AIR 2438MM | 1 | |
| 12 | 328507 | SENSOR BOX / CENTRAL AIR SENSOR / FIXED OUTSIDE OF DUCT | 1 | |
| 13 | 563063 | SENSOR THERMISTOR ASSY / TEMPERATURE / ("DELPHI") | 1 | |
| 14 | 5001015 | SCREW TP BDG PH #6x1/2 SS BK | 2 | |
| 15 | 452685 | DEFLECTOR / OUTPUT DUCT LH & RH | 2 | |
| 16 | 500659 | SCREW TC PAN PH #10-32x1 Z050 | AR | |
| 17 | 500855 | WASHER FL .188x.438x.049 N500 | AR | |
| 18 | 506236 | TAPE RUB ADH1 CC POL 1/16" x 1/2" x 100' / GREY 2520 | AR | |
| 19 | 500641 | SCREW TP PAN PH #8x3/4 Z050 | AR | |
| 19 | 500657 | SCREW TC TR PH #10-24x1/2 Z050 | AR | |
| 21 | 372688 | DEFLECTOR | 1 | |
| 22 | 374585 | BOX, AIR RETURN | 1 | |
| 23 | 506268 | TAPE RUB ADH1 URE 3/8" x 1/2" x 25' / GREY 1820 | AR | |
| 24 | 373263 | DEFLECTOR | 1 | |
| 25 | 454689 | SUPPORT / "Y" SHAPED | 6 | |
| 26 | 500642 | SCREW TP PAN PH #10x3/4 Z050 | AR | |
| 27 | 500032 | SCREW CAP HEX M5-0.8x16 BK | AR | |
| 28 | 500804 | WASHER FL .203x.500x.047 N500 | AR | |
| 31 | 370208 | PLATE, CLOSING | 1 | |
| 31 | 370386 | PLATE, CLOSING | 1 | |
| 32 | 370207 | PLATE, CLOSING | 1 | |

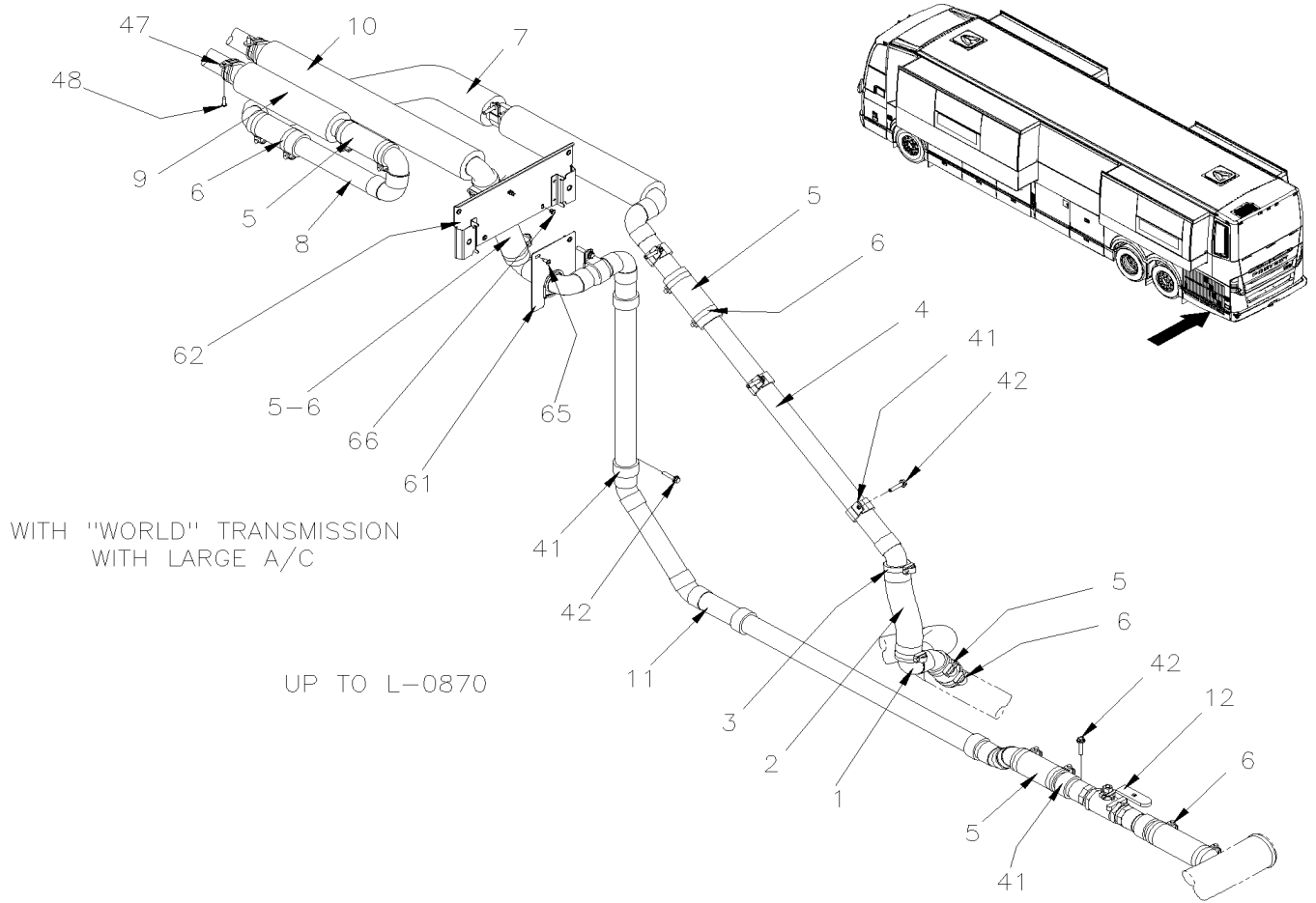
| | | Date:07/2024 | PAGE:VIP-2221-11 | |
|---------------------------------|--------|------------------------------------|------------------|-------|
| DUCTING HEATER & A/C | | | | |
| Item# | Part | Description | QTY | Notes |
| 33 | 370396 | PLATE, CLOSING | 1 | |
| 34 | 870901 | LOUVER, ADJUSTABLE / ROUND 3" O.D. | 1 | |

From K-0295 To P-1347

Date:07/2024

PAGE:VIP-2222-07

HEATER LINE REAR SECTION WITH "VOLVO" ENGINE

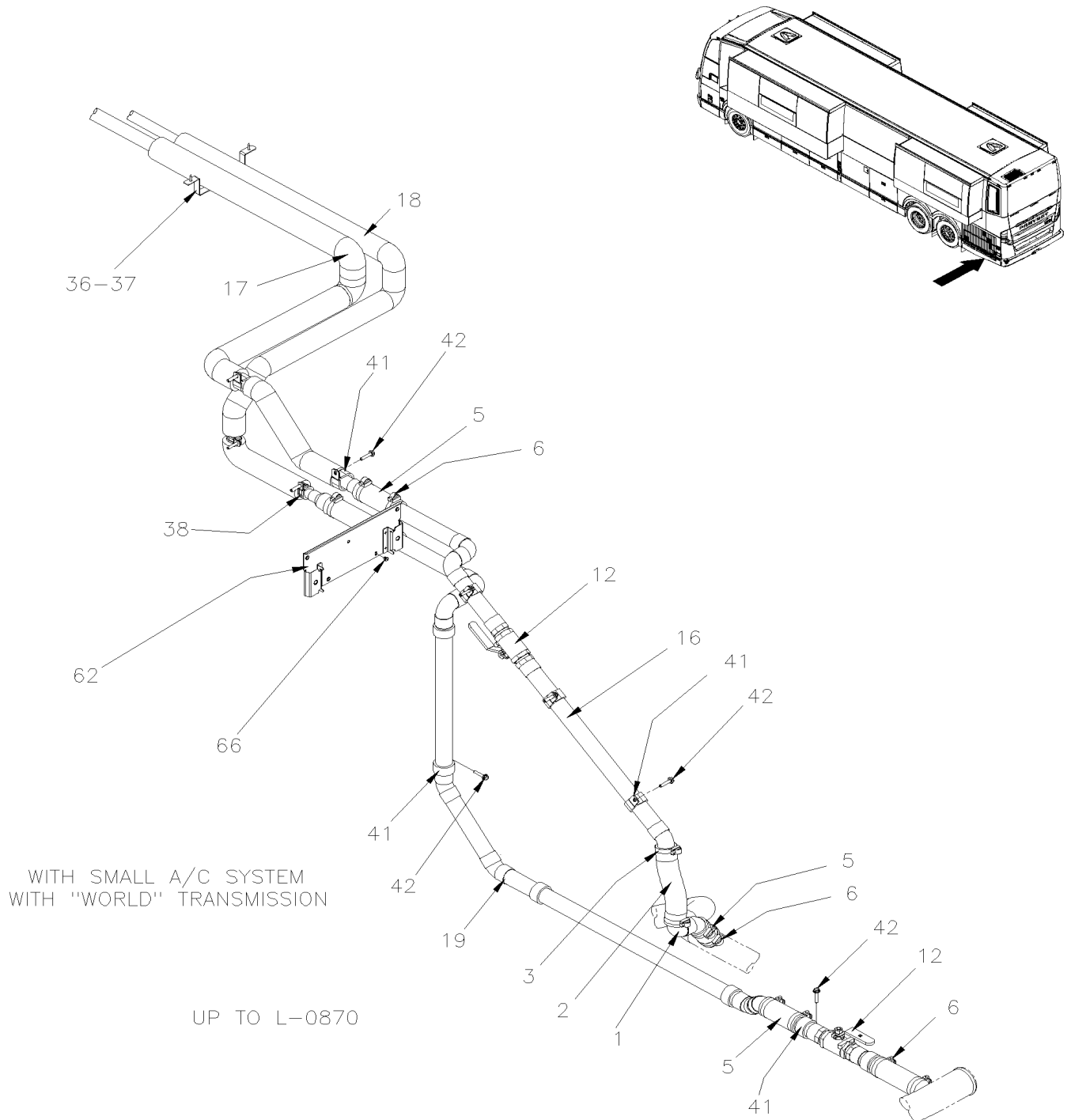


From K-0295 To P-1347

Date:07/2024

PAGE:VIP-2222-07

HEATER LINE REAR SECTION WITH "VOLVO" ENGINE

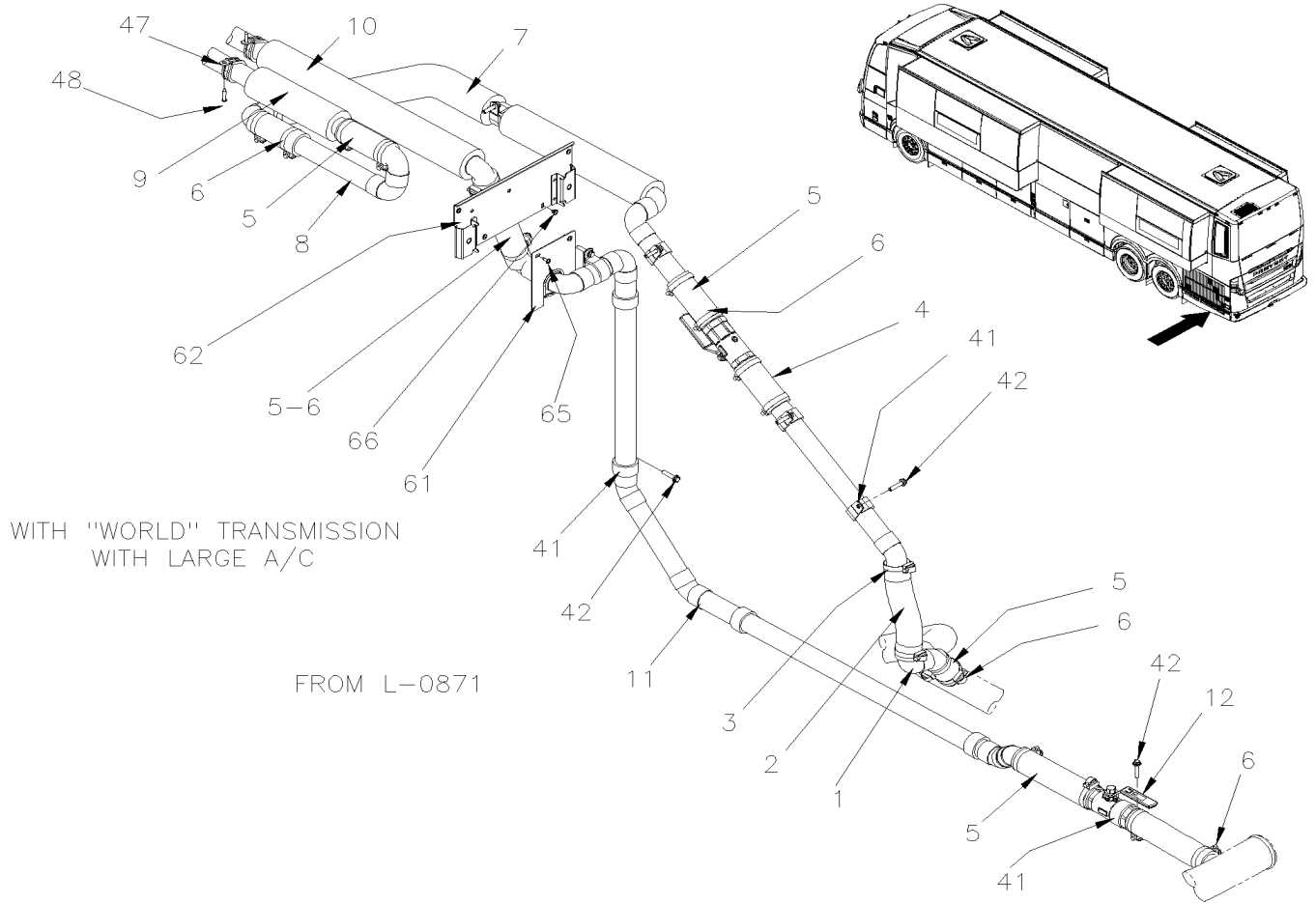


From K-0295 To P-1347

Date:07/2024

PAGE:VIP-2222-07

HEATER LINE REAR SECTION WITH "VOLVO" ENGINE

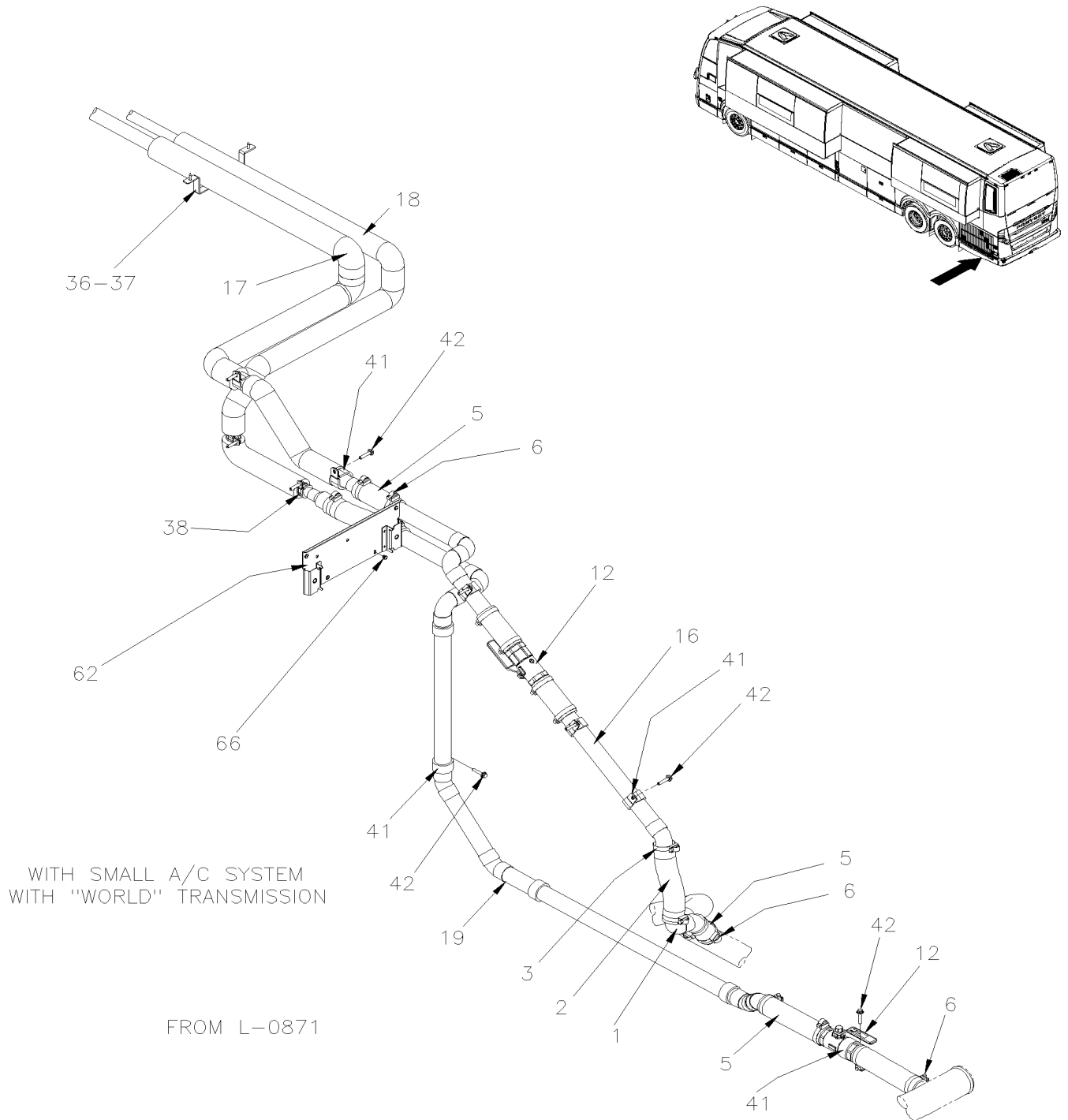


From K-0295 To P-1347

Date:07/2024

PAGE:VIP-2222-07

HEATER LINE REAR SECTION WITH "VOLVO" ENGINE



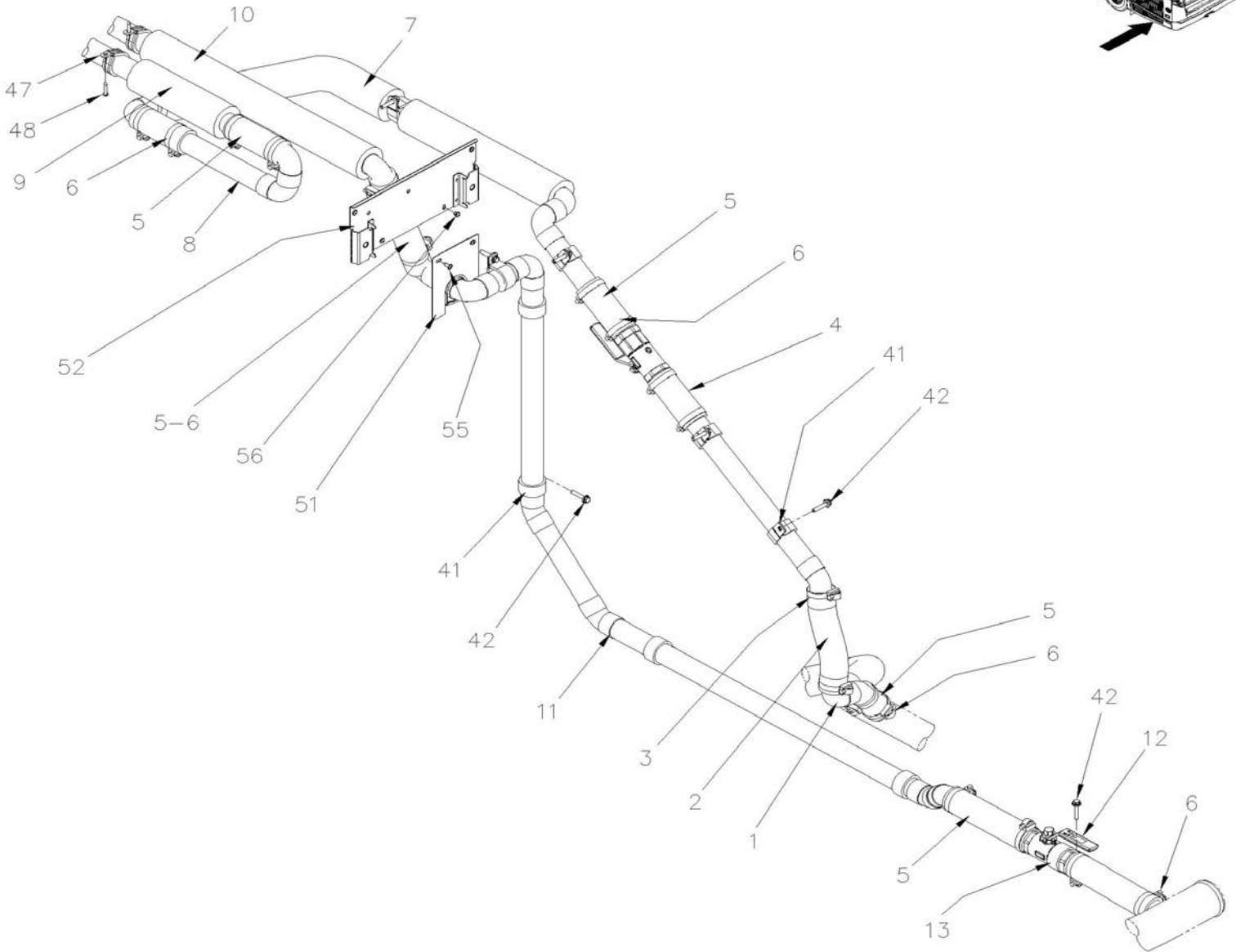
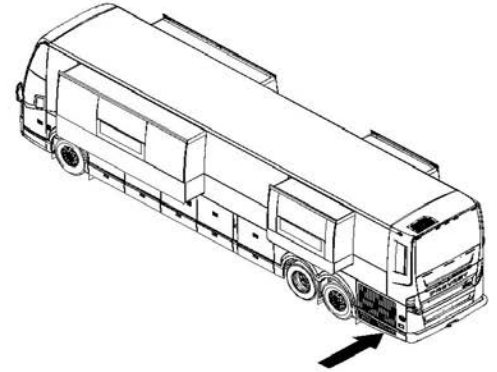
| | | |
|---|--------------|------------------|
| From K-0295 To P-1347 | Date:07/2024 | PAGE:VIP-2222-07 |
| HEATER LINE REAR SECTION WITH "VOLVO" ENGINE | | |

| Item# | Part | Description | QTY | Notes |
|-------|-----------------|--|-----|-------|
| 1 | 370105 | PIPE ASSY HEATING / FEED LINE / LOWER SECTION W/"WORLD" TRANS | 1 | |
| 2 | 503392 | . HOSE SILICONE 4PLY 1 3/8" I.D. x 4' To K-0553 | AR | |
| 2 | 503783 | HOSE SILICONE 4PLY / NOMEX-ARAMID 34MM I.D. x 6' From K-0553 | AR | |
| 3 | 992086 | . HOSE CLAMP / 32MM/52MM | 2 | |
| 4 | 370103 | PIPE ASSY HEATING / FEED LINE / MIDDLE SECTION W/"WORLD" TRANS To L-0870 | 1 | |
| 4 | 370318 | PIPE ASSY HEATING / FEED LINE / MIDDLE SECTION W/"WORLD" TRANS From L-0871 | 1 | |
| 4 | 870115 | . BALL VALVE 1 3/8 HOSE From L-0871 | 1 | |
| 5 | 503783 | HOSE SILICONE 4PLY / NOMEX-ARAMID 34MM I.D. x 6' | AR | |
| 6 | 992086 | HOSE CLAMP / 32MM/52MM | AR | |
| 6 | 504692 | HOSE CLAMP STEPLESS SPRING SS / OETIKER / 1.5-1.8 | AR | C |
| 7 | 370104 | PIPE ASSY HEATING / FEED LINE / UPPER SECTION W/"WORLD" TRANS To L-0870 | 1 | |
| 7 | 370322 | PIPE ASSY HEATING / FEED LINE / UPPER SECTION W/"WORLD" TRANS From L-0871 | 1 | |
| 7 | 871419 | . BALL VALVE 1" NPT-F To L-0870 | 2 | |
| 7 | 501997 | . ADAPTER / COPPER @ PIPE / 1 1/4Fx1NPT-M To L-0870 | 2 | |
| 8 | 374666P | PIPE "U" / BY-PASS W/O WATER HEATER To N-1209 | 1 | |
| 8 | 370053 | PIPE "U" / BY-PASS W/O WATER HEATER From N-1210 | 1 | |
| 9 | Call order desk | PIPE ASSY / ENGINE COMP & WATER FILTER | 1 | P |
| 10 | 370093 | PIPE ASSY / RETURN LINE TO ENGINE COMPARTMENT To N-1209 | 1 | |
| 10 | 370378 | PIPE ASSY / RETURN LINE TO ENGINE COMPARTMENT From N-1210 | 1 | |
| 11 | 370094 | PIPE RETURN / RETURN LINE To L-0870 | 1 | |
| 11 | 370313 | PIPE RETURN / RETURN LINE From L-0871 To P-1452 | 1 | |
| 11 | 370491 | PIPE RETURN / RETURN LINE From R-1453 | 1 | |
| 12 | 871419 | . BALL VALVE 1" NPT-F To L-0870 | 1 | |
| 12 | 870115 | . BALL VALVE 1 3/8 HOSE From L-0871 | 1 | |
| 12 | 501997 | . ADAPTER / COPPER @ PIPE / 1 1/4Fx1NPT-M To L-0870 | 1 | |
| NS | 504210 | . CLAMP / SS / SILICONE RUBBER / 41.3 ID x 7.1MM HOLE From L-0871 | 1 | |
| | | | | |
| 16 | 370131 | PIPE ASSY HEATING / FEED LINE To L-0870 | 1 | A |
| 16 | 370319 | PIPE ASSY HEATING / FEED LINE From L-0871 To N-1209 | 1 | A |
| 16 | 370041 | PIPE ASSY HEATING / FEED LINE From N-1210 | 1 | A |
| 17 | 370133 | PIPE ASSY HEATING / FEED LINE FROM ENGINE COMPARTMENT / W/SMALL A/C SYSTEM To N-1209 | 1 | A |
| 17 | 370040 | PIPE ASSY HEATING / FEED LINE FROM ENGINE COMPARTMENT / W/SMALL A/C SYSTEM From N-1210 | 1 | A |
| 18 | 370134 | PIPE ASSY / RETURN LINE TO ENGINE COMPARTMENT / W/SMALL A/C SYSTEM | 1 | A |
| 19 | 370132 | PIPE RETURN / RETURN LINE To L-0870 | 1 | A |
| 19 | 370317 | PIPE RETURN / RETURN LINE From L-0871 | 1 | A |
| 36 | 370145 | SUPPORT | 2 | A |
| 37 | 500641 | SCREW TP PAN PH #8x3/4 Z050 | 4 | A |
| 38 | 952633 | CLAMP / 7/8" I.D. | 2 | A |
| | | | | |
| 41 | 504779 | CLAMP / SS / SILICONE RUBBER / 1 3/8" I.D. x .281 HOLE | AR | |
| 42 | 5001815 | SCREW CAP HEXF M6-1.0x30 G 8.8 N500 | AR | |
| 43 | 5001730 | SCREW CAP HEXF M6-1.0x16 G10.9 N500 | 2 | |

| | | |
|---|--------------|------------------|
| From K-0295 To P-1347 | Date:07/2024 | PAGE:VIP-2222-07 |
| HEATER LINE REAR SECTION WITH "VOLVO" ENGINE | | |

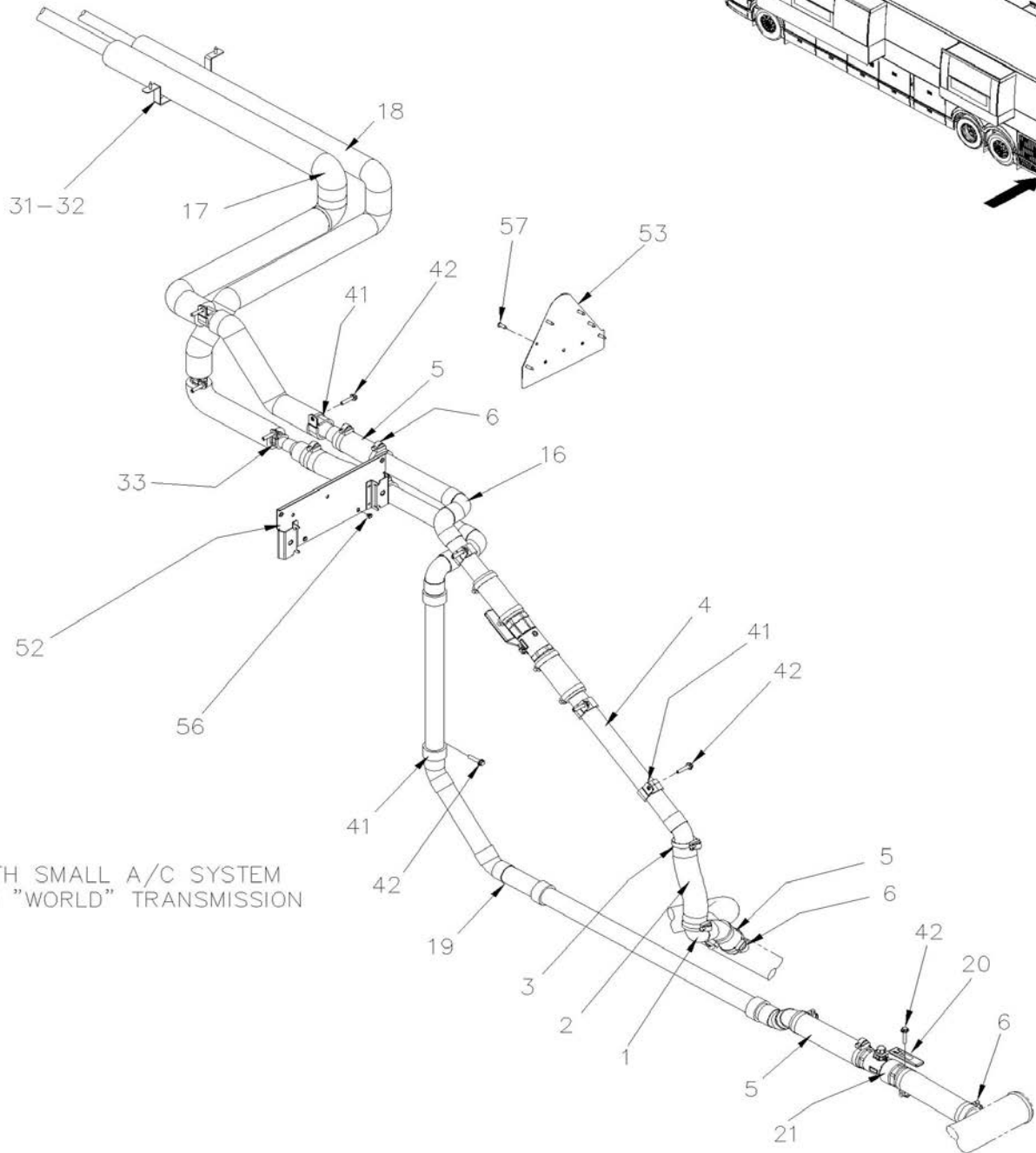
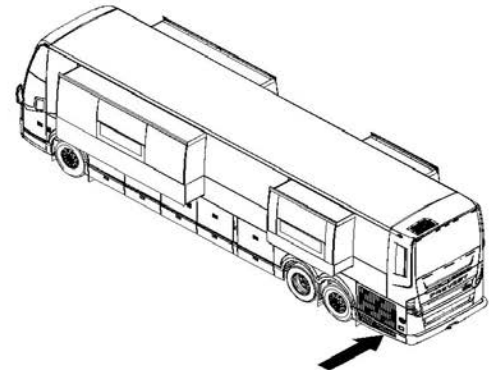
| Item# | Part | Description | QTY | Notes |
|-------|----------------|--|-----|-------|
| 44 | 5001754 | SCREW CAP HEX M10-1.5x35 G8.8 N500 | 2 | |
| 45 | 5001834 | WASHER BEL SPR 10.5X23X2.5 N500 | 2 | |
| 47 | 952641 | CLAMP P STL ZP RUB 34.9 ID | 4 | |
| 48 | 500957 | SCREW TP BDG PH #10x3/4 N500 | 4 | |
| 51 | Refer To Volvo | SEE IMPACT OR CALL ORDER DESK | | V |
| 61 | 370095 | CLOSING PLATE | 1 | |
| 61 | 5060120 | GROMMET EDGING ADHESIVE .036-.062 | AR | |
| 62 | 370098 | CLOSING PLATE | 1 | |
| 65 | 502868 | SCREW TC TR PH #10-16x1/2 N500 | 4 | |
| 66 | 504488 | RIVET MGLP PRDG 3/16x17/64 SS | 4 | |
| | | | | |
| | | | | |
| | | A) WITH SMALL A/C SYSTEM ONLY | | |
| | | C) WITH OPTION "OETIKER" HOSE CLAMP | | |
| | | P) CALL ORDER DESK FOR SPECIFIC APPLICATION (V.I.N.) | | |
| | | V) SEE IMPACT OR CALL ORDER DESK | | |

| | | |
|--|--------------|------------------|
| | Date:07/2024 | PAGE:VIP-2222-08 |
| HEATER LINE REAR SECTION WITH "VOLVO" ENGINE | | |



WITH "WORLD" TRANSMISSION
WITH LARGE A/C

| | | |
|--|--------------|------------------|
| | Date:07/2024 | PAGE:VIP-2222-08 |
| HEATER LINE REAR SECTION WITH "VOLVO" ENGINE | | |



WITH SMALL A/C SYSTEM
WITH "WORLD" TRANSMISSION

| | | |
|---|---------------------|-------------------------|
| | Date:07/2024 | PAGE:VIP-2222-08 |
| HEATER LINE REAR SECTION WITH "VOLVO" ENGINE | | |

| Item# | Part | Description | QTY | Notes |
|-------|-----------------|--|-----|-------|
| 1 | 370105 | PIPE ASSY HEATING / FEED LINE / LOWER SECTION W/"WORLD" TRANS | 1 | |
| 2 | 503783 | . HOSE SILICONE 4PLY / NOMEX-ARAMID 34MM I.D. x 6' | AR | |
| 3 | 992086 | . HOSE CLAMP / 32MM/52MM | 2 | |
| 4 | 370318 | PIPE ASSY HEATING / FEED LINE / MIDDLE SECTION W/"WORLD" TRANS | 1 | |
| 4 | 870115 | . BALL VALVE 1 3/8 HOSE | 1 | |
| 5 | 503783 | HOSE SILICONE 4PLY / NOMEX-ARAMID 34MM I.D. x 6' | AR | |
| 6 | 992086 | HOSE CLAMP / 32MM/52MM | AR | |
| 7 | 370322 | PIPE ASSY HEATING / FEED LINE / UPPER SECTION W/"WORLD" TRANS | 1 | |
| 8 | 370053 | PIPE "U" / BY-PASS W/O WATER HEATER | 1 | |
| 9 | Call order desk | PIPE ASSY / ENGINE COMP & WATER FILTER | 1 | P |
| 10 | 370378 | PIPE ASSY / RETURN LINE TO ENGINE COMPARTMENT | 1 | |
| 11 | 370313 | PIPE RETURN / RETURN LINE To P-1452 | 1 | |
| 11 | 370491 | PIPE RETURN / RETURN LINE From P-1453 | 1 | |
| 12 | 870115 | . BALL VALVE 1 3/8 HOSE | 1 | |
| NS | 504210 | . CLAMP / SS / SILICONE RUBBER / 41.3 ID x 7.1MM HOLE | 1 | |
| | | | | |
| 16 | 370041 | PIPE ASSY HEATING / FEED LINE | 1 | A |
| 17 | 370040 | PIPE ASSY HEATING / FEED LINE FROM ENGINE COMPARTMENT / W/SMALL A/C SYSTEM | 1 | A |
| 18 | 370134 | PIPE ASSY / RETURN LINE TO ENGINE COMPARTMENT / W/SMALL A/C SYSTEM | 1 | A |
| 19 | 370317 | PIPE RETURN / RETURN LINE | 1 | A |
| 20 | 870115 | . BALL VALVE 1 3/8 HOSE | 1 | |
| 21 | 504210 | . CLAMP / SS / SILICONE RUBBER / 41.3 ID x 7.1MM HOLE | 1 | |
| | | | | |
| 31 | 370145 | SUPPORT | 2 | A |
| 32 | 500641 | SCREW TP PAN PH #8x3/4 Z050 | 4 | A |
| 33 | 952633 | CLAMP / 7/8" I.D. | 2 | A |
| | | | | |
| 41 | 504779 | CLAMP / SS / SILICONE RUBBER / 1 3/8" I.D. x .281 HOLE | AR | |
| 42 | 5001815 | SCREW CAP HEXF M6-1.0x30 G 8.8 N500 | AR | |
| 43 | 5001730 | SCREW CAP HEXF M6-1.0x16 G10.9 N500 | 2 | |
| 44 | 5001754 | SCREW CAP HEX M10-1.5x35 G8.8 N500 | 2 | |
| 45 | 5001834 | WASHER BEL SPR 10.5X23X2.5 N500 | 2 | |
| 47 | 952641 | CLAMP P STL ZP RUB 34.9 ID | 4 | |
| 48 | 500957 | SCREW TP BDG PH #10x3/4 N500 | 4 | |
| | | | | |
| 51 | 370095 | CLOSING PLATE | 1 | |
| 51 | 5060120 | GROMMET EDGING ADHESIVE .036-.062 | AR | |
| 52 | 370098 | CLOSING PLATE | 1 | |
| 53 | 450411 | CLOSING PLATE ASS | 1 | |
| 55 | 502868 | SCREW TC TR PH #10-16x1/2 N500 | 4 | |
| 56 | 504488 | RIVET MGLP PRDG 3/16x17/64 SS | 4 | |
| 57 | 500957 | SCREW TP BDG PH #10x3/4 N500 | 6 | |

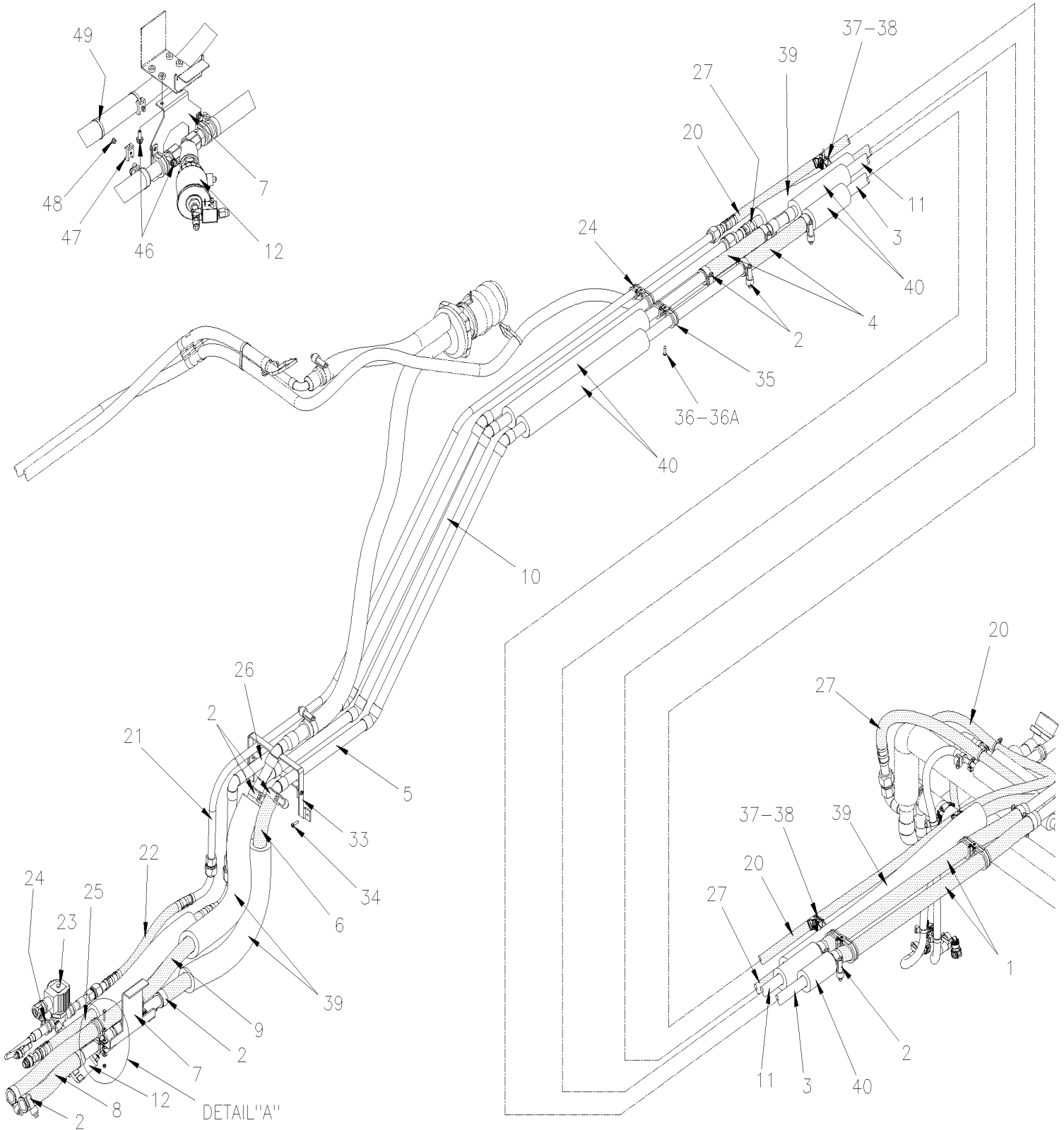
| | | Date:07/2024 | PAGE:VIP-2222-08 | |
|---|------|--|------------------|-------|
| HEATER LINE REAR SECTION WITH "VOLVO" ENGINE | | | | |
| Item# | Part | Description | QTY | Notes |
| | | | | |
| | | | | |
| | | | | |
| | | A) WITH SMALL A/C SYSTEM ONLY | | |
| | | P) CALL ORDER DESK FOR SPECIFIC APPLICATION (V.I.N.) | | |

From K-0295 To P-1347

Date:07/2024

PAGE:VIP-2222-10

A/C & HEATING LINE FRONT SECTION



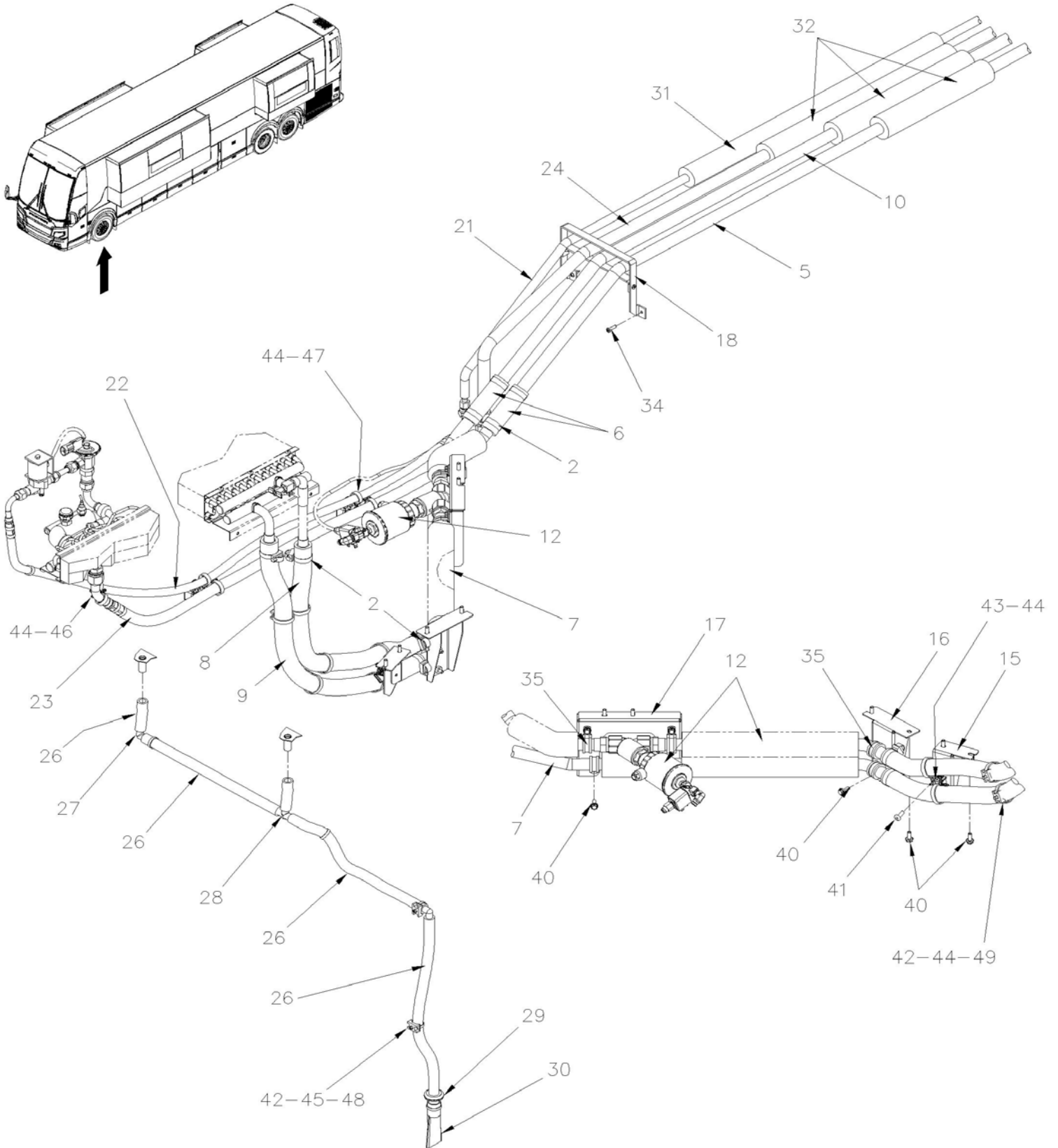
| | | |
|---|--------------|------------------|
| From K-0295 To P-1347 | Date:07/2024 | PAGE:VIP-2222-10 |
| A/C & HEATING LINE FRONT SECTION | | |

| Item# | Part | Description | QTY | Notes |
|-------|--------------------|--|-----|-------|
| 1 | 374421 | HOSE 7/8" I.D. X 715MM | 2 | |
| 1 | 503803 | . HOSE SILICONE 1 PLY / NOMEX-ARAMID 7/8" I.D. x 100' / S.L. | AR | |
| 2 | 992084 | HOSE CLAMP / 23MM/35MM | AR | |
| 2 | 504569 | HOSE CLAMP STEPLESS SPRING / HC12-20 / 1" | AR | C |
| 3 | 374808 | PIPE ASSY 2700MM | 1 | |
| 4 | 373134 | HOSE /WATER VALVE & HEATER / 7/8" I.D. 229MM | 2 | |
| 4 | 503803 | . HOSE SILICONE 1 PLY / NOMEX-ARAMID 7/8" I.D. x 100' / S.L. | AR | |
| 5 | 374795 | PIPE ASSY | 1 | |
| 6 | 374867 | HOSE / PIPE & WATER VALVE / 7/8" I.D. 635MM | 1 | |
| 6 | 503803 | . HOSE SILICONE 1 PLY / NOMEX-ARAMID 7/8" I.D. x 100' / S.L. | AR | |
| 7 | 374869 | SUPPORT VALVE | 1 | |
| 8 | 374868 | HOSE /WATER VALVE & HEATER / 7/8" I.D. 255MM | 1 | |
| 8 | 503803 | . HOSE SILICONE 1 PLY / NOMEX-ARAMID 7/8" I.D. x 100' / S.L. | AR | |
| 9 | 374866 | HOSE / PIPE & HEATER / 7/8" I.D. 1105MM | 1 | |
| 9 | 503803 | . HOSE SILICONE 1 PLY / NOMEX-ARAMID 7/8" I.D. x 100' / S.L. | AR | |
| 10 | 374795 | PIPE ASSY | 1 | |
| 11 | 374808 | PIPE ASSY 2700MM | 1 | |
| 12 | VIP-2207-06 | WATER VALVE - W/2 WAYS | | |
| 20 | 454818 | HOSE ASSY / #10 4360MM | 1 | |
| 21 | Call order desk | PIPE ASSY PRESSURE A/C To N-1209 | 1 | P |
| 21 | 453917 | PIPE ASSY PRESSURE A/C From N-1210 | 1 | |
| 22 | 454817 | HOSE ASSY / #10 308MM | 1 | |
| . NS | 507344 | . O-RING / ORS FITTING / #10 NEO | 2 | |
| 23 | VIP-2208-10 | REFRIGERENT SOLENOID VALVE | | |
| 24 | 952629 | CLAMP / 5/8" I.D. | 3 | |
| 24 | 500957 | SCREW TP BDG PH #10x3/4 N500 | AR | |
| 25 | 450126 | HOSE ASSY / #12 665 MM | 1 | |
| . NS | 507280 | . O-RING / ORS FITTING / #12 NEO | 1 | |
| . NS | 507344 | . O-RING / ORS FITTING / #10 NEO | 1 | |
| 25 | 450135 | HOSE ASSY / #12 674 MM | 1 | A |
| . NS | 507280 | . O-RING / ORS FITTING / #12 NEO | 1 | A |
| . NS | 507344 | . O-RING / ORS FITTING / #10 NEO | 1 | A |
| 26 | 457733 | PIPE ASSY RETURN A/C | 1 | |
| 27 | 457727 | HOSE ASSY / #12 4355MM | 1 | |
| 33 | 372722 | PIPE SUPPORT / UNDER AISLE STEPWELL | 1 | |
| 33 | 373510 | PIPE SUPPORT | 1 | |
| 34 | 500638 | SCREW TP PAN PH #8x1/2 Z050 | 2 | |
| 34 | 500641 | SCREW TP PAN PH #8x3/4 Z050 | 2 | |
| 35 | 952633 | CLAMP / 7/8" I.D. | AR | |
| 36 | 500957 | SCREW TP BDG PH #10x3/4 N500 | AR | |
| 36A | 500608 | SCREW TP BDG PH #10x1 N500 | 1 | |
| 37 | 509490 | ATTACHMENT DOUBLE USE WITH CABLE TIE | AR | |

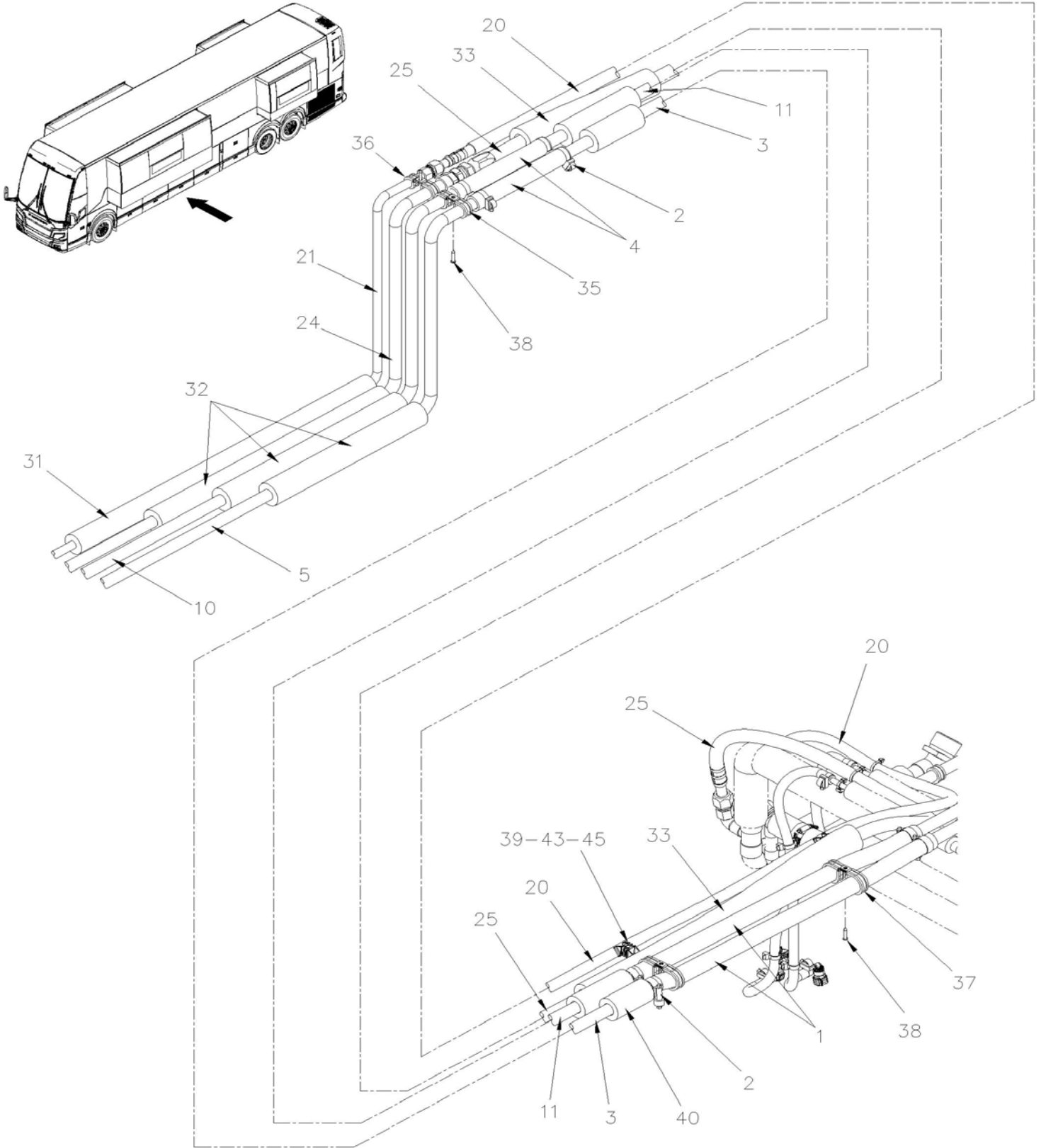
| | | |
|---|--------------|------------------|
| From K-0295 To P-1347 | Date:07/2024 | PAGE:VIP-2222-10 |
| A/C & HEATING LINE FRONT SECTION | | |

| Item# | Part | Description | QTY | Notes |
|-------|---------|---|-----|-------|
| 38 | 500539 | NUT HEX NYRT M4-0.7 N500 | AR | |
| 39 | 506267 | PIPE INSULATING / 1 1/8" I.D. X 1/2" TH. X / APT11812 | AR | |
| 40 | 506267 | PIPE INSULATING / 1 1/8" I.D. X 1/2" TH. X / APT11812 | AR | |
| 46 | 5001730 | SCREW CAP HEXF M6-1.0x16 G10.9 N500 | 4 | |
| 47 | 504013 | TIE MOUNT / 1/4" X 1/4" I.D. | 2 | |
| 47 | 504637 | CABLE TIE / 3/16" x 13" | 2 | |
| 48 | 504379 | RIVET POP DOME OE 3/16x1/4 SS | 2 | |
| 49 | 504637 | CABLE TIE / 3/16" x 13" | 2 | |
| | | | | |
| | | | | |
| | | A) WITH SMALL A/C SYSTEM | | |
| | | C) WITH OPTION "OETIKER" HOSE CLAMP | | |
| | | P) CALL ORDER DESK FOR SPECIFIC APPLICATION (V.I.N.) | | |

| | | |
|----------------------------------|--------------|------------------|
| | Date:07/2024 | PAGE:VIP-2222-11 |
| A/C & HEATING LINE FRONT SECTION | | |



| | | |
|----------------------------------|--------------|------------------|
| | Date:07/2024 | PAGE:VIP-2222-11 |
| A/C & HEATING LINE FRONT SECTION | | |



Date:07/2024

PAGE:VIP-2222-11

A/C & HEATING LINE FRONT SECTION

| Item# | Part | Description | QTY | Notes |
|-------|--------------------|--|-----|-------|
| 1 | 374421 | HOSE 7/8" I.D. X 715MM | 2 | |
| 1 | 503803 | . HOSE SILICONE 1 PLY / NOMEX-ARAMID 7/8" I.D. x 100' / S.L. | AR | |
| 2 | 992084 | HOSE CLAMP / 23MM/35MM | AR | |
| 3 | 370329 | PIPE ASSY | 1 | |
| 4 | 503803 | HOSE SILICONE 1 PLY / NOMEX-ARAMID 7/8" I.D. x 100' / S.L. | AR | |
| 5 | 370029 | PIPE ASSY | 1 | |
| 6 | 503803 | HOSE SILICONE 1 PLY / NOMEX-ARAMID 7/8" I.D. x 100' / S.L. | AR | |
| 7 | 370027 | PIPE ASSY / RETURN FRONT SECTION | 1 | |
| 8 | 370235 | HOSE / PIPE & HEATER / 7/8" I.D. 645MM | 1 | |
| 8 | 503803 | . HOSE SILICONE 1 PLY / NOMEX-ARAMID 7/8" I.D. x 100' / S.L. | AR | |
| 9 | 370236 | HOSE / PIPE & HEATER / 7/8" I.D. 736MM | 1 | |
| 9 | 503803 | . HOSE SILICONE 1 PLY / NOMEX-ARAMID 7/8" I.D. x 100' / S.L. | AR | |
| 10 | 370029 | PIPE ASSY | 1 | |
| 11 | 370329 | PIPE ASSY | 1 | |
| 12 | VIP-2207-10 | WATER VALVE - W/2 WAYS / WITH LARGE A/C | | |
| 15 | 370497 | SUPPORT, FRONT DEFROSTER HOSE | 1 | |
| 16 | 370056 | SUPPORT, FRONT WATER VALVE ASSY. | 1 | |
| 17 | 370049 | SUPPORT, FRONT WATER VALVE ASSY. | 1 | |
| 18 | 373510 | PIPE SUPPORT | 1 | |
| 20 | 451025 | HOSE ASSY / #10 4305MM | 1 | |
| 21 | 453847 | PIPE ASSY PRESSURE A/C | 1 | |
| 22 | 450773 | HOSE ASSY / #6 1270MM | 1 | |
| 23 | 450774 | HOSE ASSY / #10 860MM | 1 | |
| 24 | 453846 | PIPE ASSY PRESSURE A/C | 1 | |
| 25 | 451026 | HOSE ASSY / #12 4395MM | 1 | |
| 26 | 503707 | HOSE / PVC REINFORCED 1/2" I.D. 100' / S.L. | AR | |
| 27 | 5011230 | UNION ELBOW 90° / HOSE BARB FITTING / #8x#8 PLAS | 2 | |
| 28 | 5011293 | UNION TEE / HOSE BARB FITTING / #8x#8x#8 NYL | 1 | |
| 29 | 504397 | GROMMET / .750x1.062x.062x.375x1.375 | 1 | |
| 30 | 590286 | DRAIN BOOT 1 1/4" I.D. X 4" / FLAT | 1 | |
| 30 | 504637 | CABLE TIE / 3/16" x 13" | 1 | |
| 31 | 506216 | PIPE INSULATING / 5/8" I.D. X 1/2" TH. X 72 / APT05812 | AR | |
| 32 | 506276 | PIPE INSULATING / 7/8" I.D. X 1/2" TH. X 72 / APT07812 | AR | |
| 33 | 506267 | PIPE INSULATING / 1 1/8" I.D. X 1/2" TH. X / APT11812 | AR | |
| 34 | 500638 | SCREW TP PAN PH #8x1/2 Z050 | 2 | |
| 34 | 500641 | SCREW TP PAN PH #8x3/4 Z050 | 2 | |
| 35 | 952633 | CLAMP / 7/8" I.D. | AR | |
| 36 | 952629 | CLAMP / 5/8" I.D. | 1 | |
| 37 | 952639 | CLAMP / 1"1/4 I.D. | AR | |
| 38 | 500608 | SCREW TP BDG PH #10x1 N500 | 1 | |

Date:07/2024

PAGE:VIP-2222-11

A/C & HEATING LINE FRONT SECTION

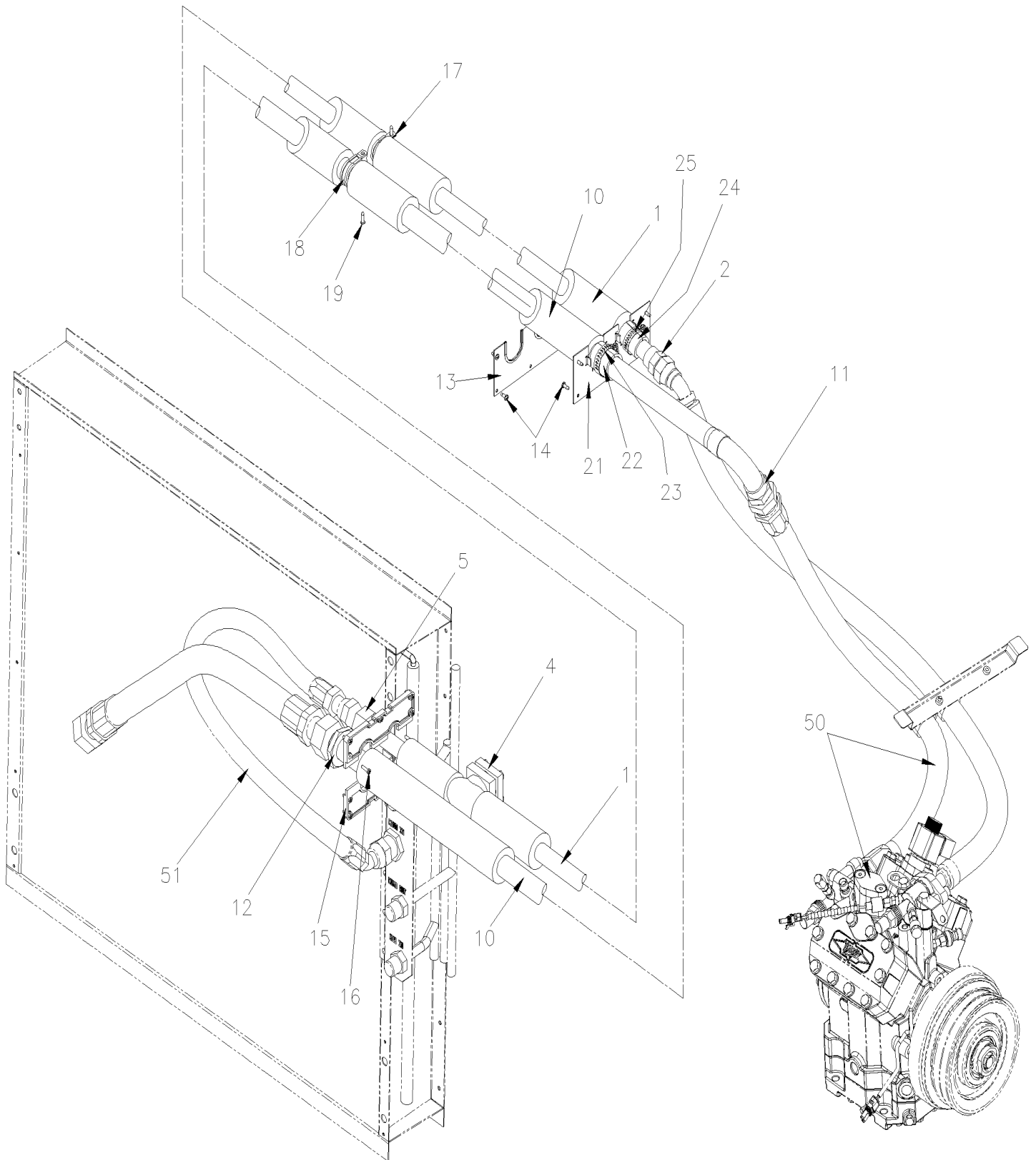
| Item# | Part | Description | QTY | Notes |
|-------|---------|--------------------------------------|-----|-------|
| 39 | 500939 | SCREW TP OV PH #10x1 1/2 ZP | AR | |
| 40 | 5001730 | SCREW CAP HEXF M6-1.0x16 G10.9 N500 | 12 | |
| 41 | 504610 | RIVET MGLP PRDG 1/4x5/8 SS | 1 | |
| 42 | 504013 | TIE MOUNT / 1/4" X 1/4" I.D. | AR | |
| 43 | 509490 | ATTACHMENT DOUBLE USE WITH CABLE TIE | AR | |
| 44 | 504016 | CABLE TIE / 5/16" X 14"1/2 | 2 | |
| 45 | 504637 | CABLE TIE / 3/16" x 13" | 2 | |
| 46 | 504751 | ROTATIF SPACER DOUBLE / SMALL | AR | |
| 47 | 504051 | ATTACHMENT 3-WAY USE WITH CABLE TIE | 2 | |
| 47 | 5002105 | SCREW CAP HEXF M6-1.0x20 G10.9 N500 | 2 | |
| 48 | 504379 | RIVET POP DOME OE 3/16x1/4 SS | AR | |
| 49 | 504114 | RIVET POP DOME OE 3/16x1/4 AL | AR | |

From K-0295

Date:07/2024

PAGE:VIP-2222-16

A/C LINE REAR SECTION W/"BITZER"



| | | |
|---|---------------------|-------------------------|
| From K-0295 | Date:07/2024 | PAGE:VIP-2222-16 |
| A/C LINE REAR SECTION W/"BITZER" | | |

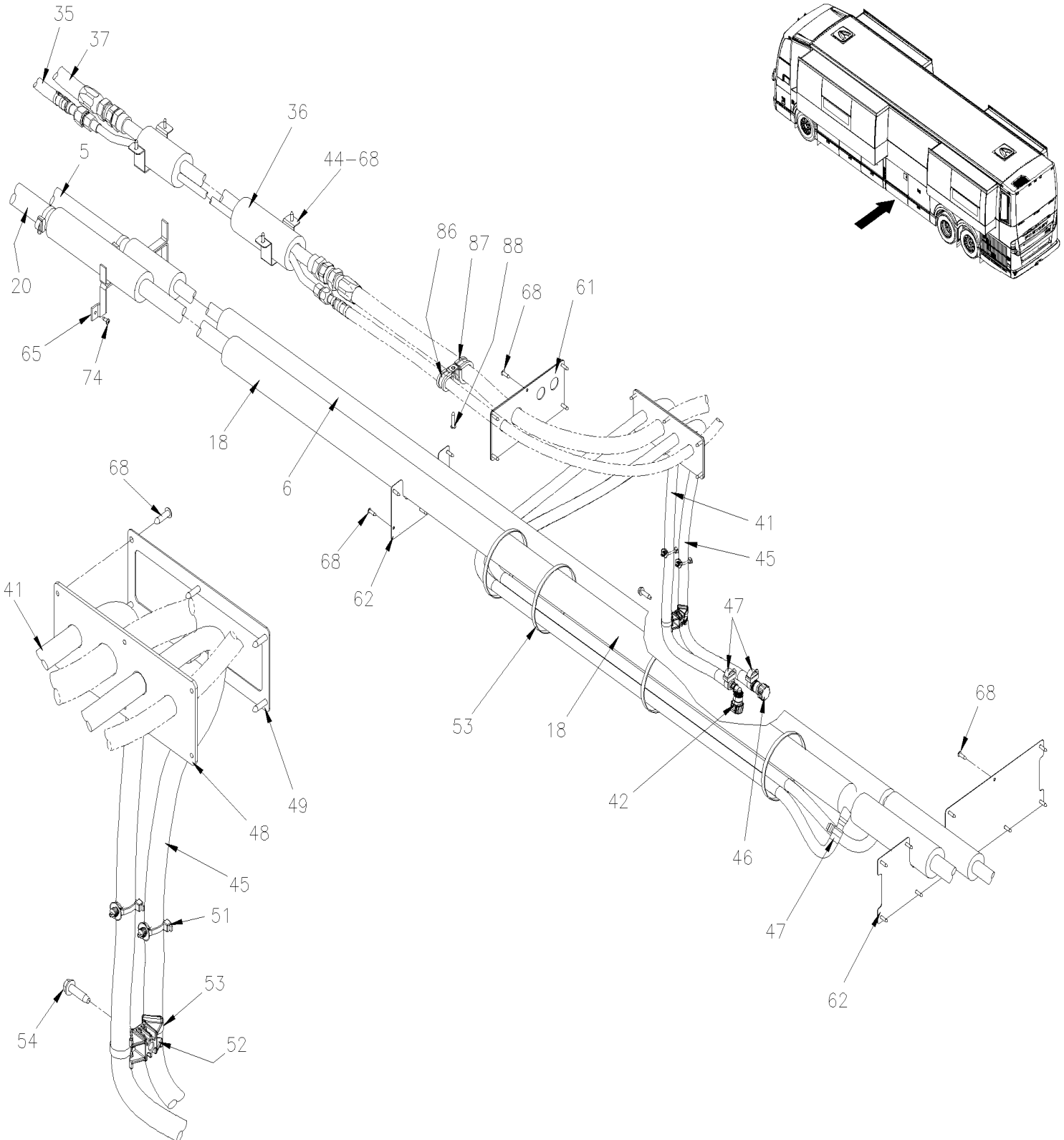
| Item# | Part | Description | QTY | Notes |
|-------|--------------------|--|-----|-------|
| 1 | 455015 | TUBE ASSY, PRESSURE / A/C COMPRESSOR | 1 | |
| 2 | 501718 | . ADAPTER JIC @ BRAZE W/O-RING // #16JIC-Mx#18BRAZE-F BR | 1 | |
| . NS | 501802 | . . O-RING / ORS FITTING / #16 NEO | 1 | |
| 4 | 870386 | . CHECK VALVE | 1 | |
| . NS | 870615 | . . SPRING | 1 | |
| . NS | 870616 | . . PISTON | 1 | |
| . NS | 870617 | . . GASKET | 1 | |
| 5 | 5011106 | . BULKHEAD MALE CONNECTOR / ORS FITTING / #16ORS-Mx#18BRAZE-F BR | 1 | |
| . NS | 507345 | . . O-RING / ORS FITTING / #16 NEO | 1 | |
| 10 | 457742 | TUBE ASSY, VACUUM / A/C COMPRESSOR | 1 | |
| . NS | 501803 | . O-RING / ORS FITTING / #20 NEO | 1 | |
| 11 | 501717 | ADAPTER JIC @ BRAZE W/O-RING // #20JIC-Mx#22BRAZE-F BR | 1 | |
| . NS | 501803 | . O-RING / ORS FITTING / #20 NEO | 1 | |
| 12 | 5011107 | BULKHEAD MALE CONNECTOR / ORS FITTING / #24ORS-Mx#22BRAZE-F BR | 1 | |
| . NS | 507346 | . O-RING / ORS FITTING / #24 NEO | 1 | |
| 13 | 370143 | CLOSING / PIPE TUNNEL SS 83MM x 172MM | 1 | |
| 13 | 5060120 | GROMMET EDGING ADHESIVE .036-.062 | AR | |
| 14 | 502868 | SCREW TC TR PH #10-16x1/2 N500 | 10 | |
| 15 | 457424 | CLOSING / PIPE TUNNEL PLASTIC / RH 57.2MM x 181MM | 4 | |
| 16 | 500623 | SCREW TC PAN PH #10-24x3/4 N500 | AR | |
| 17 | 504778 | CLAMP / SS / SILICONE RUBBER / 1 1/8" I.D. x .281 HOLE | 1 | |
| 18 | 504779 | CLAMP / SS / SILICONE RUBBER / 1 3/8" I.D. x .281 HOLE | 1 | |
| 19 | 5001815 | SCREW CAP HEXF M6-1.0x30 G 8.8 N500 | 2 | |
| 21 | 450409 | CLOSING / PIPE TUNNEL 86MM x 181MM | 1 | |
| 22 | 455014 | PROTECTOR 1 3/8" I.D. x 45MM | 1 | |
| 22 | 503392 | . HOSE SILICONE 4PLY 1 3/8" I.D. x 4' To K-0552 | AR | |
| 22 | 503783 | . HOSE SILICONE 4PLY / NOMEX-ARAMID 34MM I.D. x 6' From K-0553 | AR | |
| 23 | 504413 | HOSE CLAMP / 1"1/16-2" SS / HAS-24 | 1 | |
| 24 | 455013 | PROTECTOR 1 1/8" I.D. x 45MM | 1 | |
| 24 | 503796 | . HOSE SILICONE 2 PLY / NOMEX-ARAMID 1 1/8" I.D. x 6' | AR | |
| 25 | 504022 | HOSE CLAMP / 3/4"-1"3/4 SS / HS-20 | 1 | |
| 50 | VIP-2245-02 | A/C COMPRESSOR "BITZER" - INSTALLATION | | |
| 51 | VIP-2270-01 | RECEIVER TANK & FILTER DRYER To P-1347 | | |
| 51 | VIP-2270-02 | RECEIVER TANK & FILTER DRYER From P-1348 | | |

From K-0295 To P-1347

Date:07/2024

PAGE:VIP-2222-51

SMALL A/C LINE & HEATER LINE

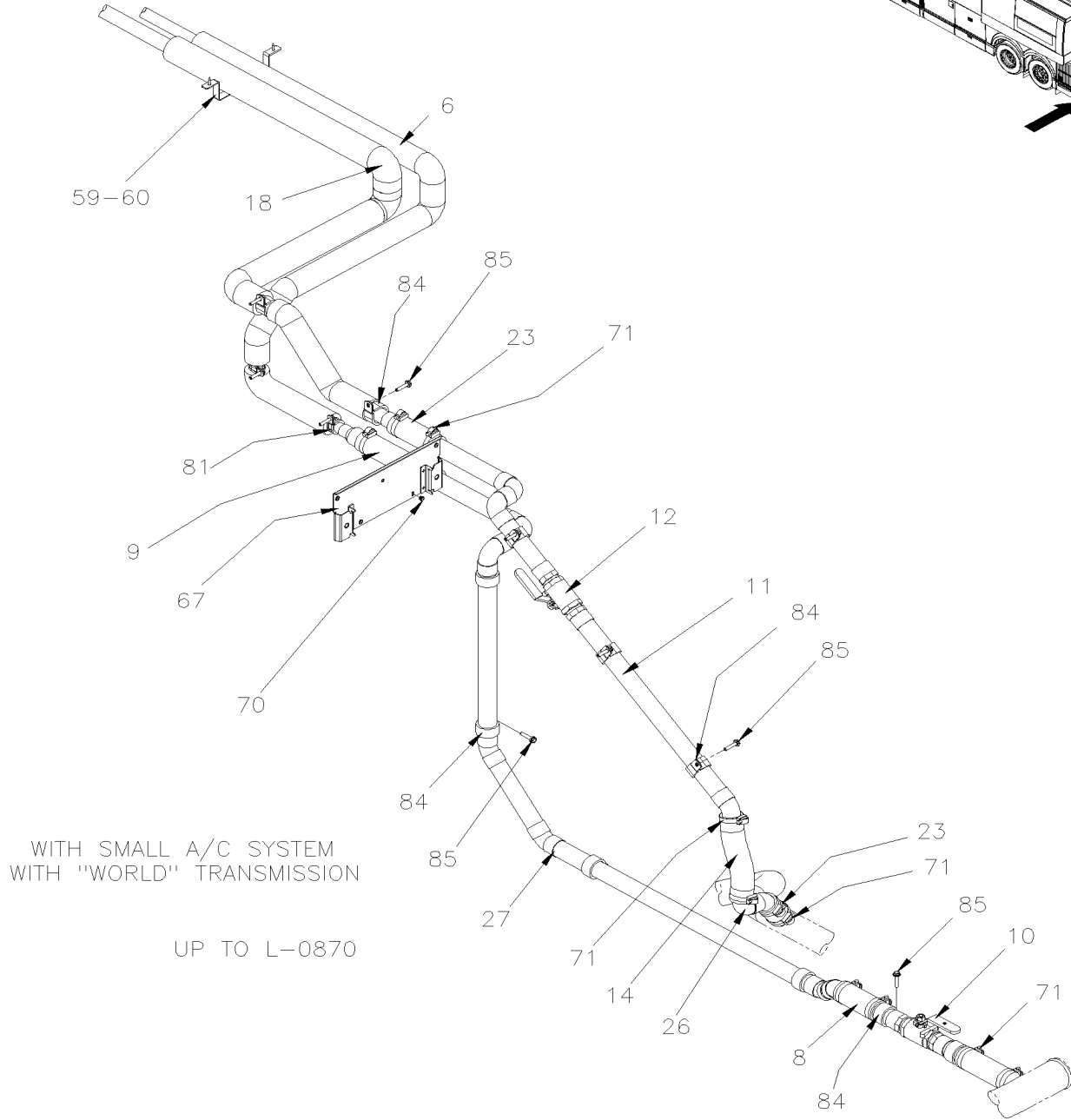
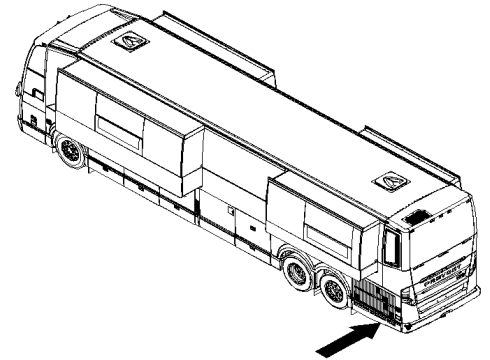


From K-0295 To P-1347

Date:07/2024

PAGE:VIP-2222-51

SMALL A/C LINE & HEATER LINE

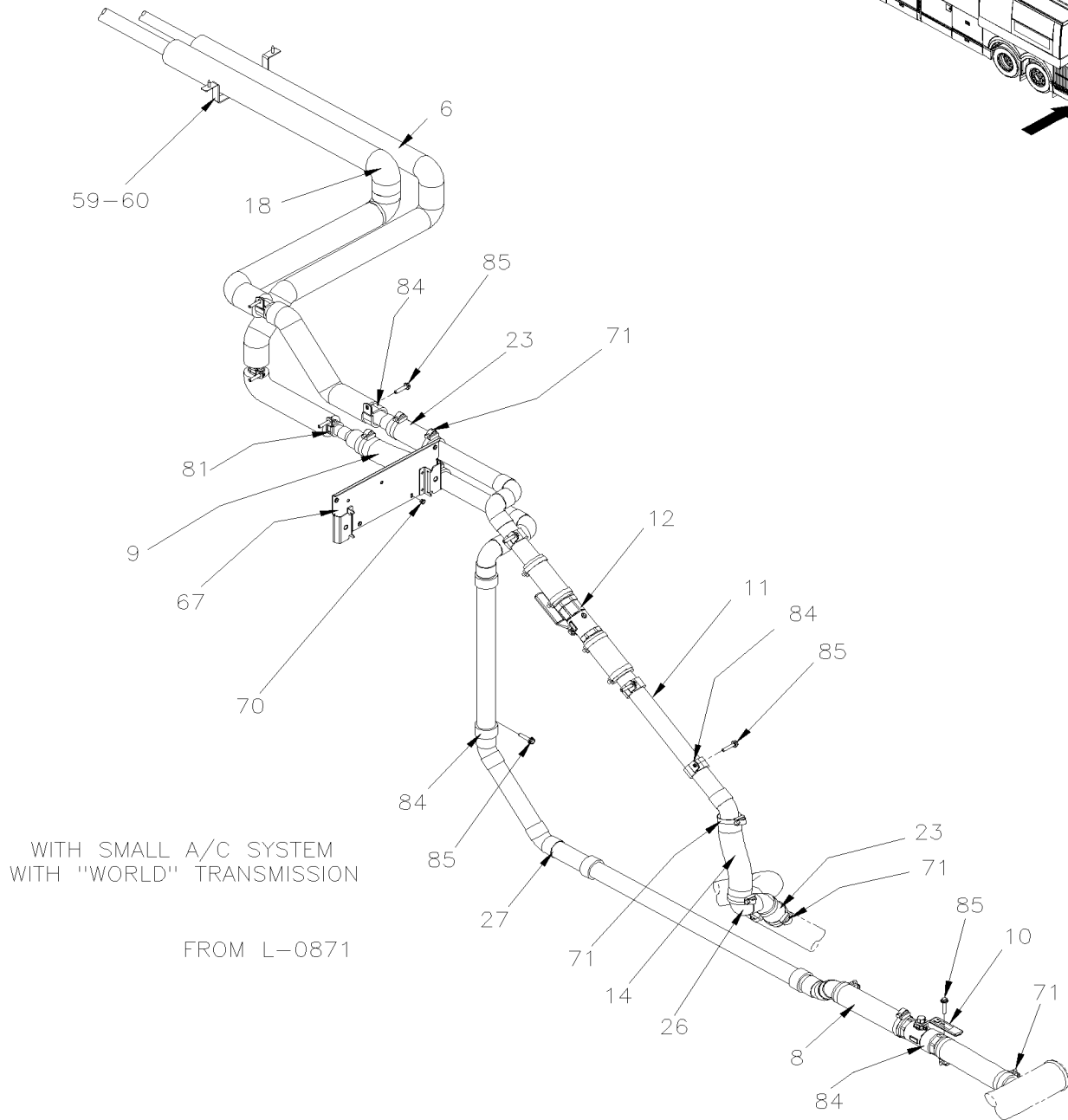
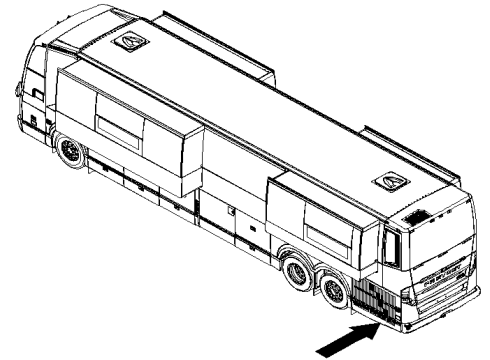


From K-0295 To P-1347

Date:07/2024

PAGE:VIP-2222-51

SMALL A/C LINE & HEATER LINE



| | | |
|---|--------------|------------------|
| From K-0295 To P-1347 | Date:07/2024 | PAGE:VIP-2222-51 |
| SMALL A/C LINE & HEATER LINE | | |

| Item# | Part | Description | QTY | Notes |
|-------|--------------------|--|-----|-------|
| 1 | 373550 | HOSE / PIPE & HEATER / 7/8" I.D. 1130MM | 1 | |
| 1 | 503803 | . HOSE SILICONE 1 PLY / NOMEX-ARAMID 7/8" I.D. x 100' / S.L. | AR | |
| 2 | Call order desk | PIPE ASSY / RETURN FRONT SECTION To N-1209 | 1 | P |
| 2 | 370042 | PIPE ASSY / RETURN FRONT SECTION From N-1210 | 1 | |
| 3 | 373601 | HOSE / AUX HEATER & PIPE / 7/8" I.D. 1675MM | 2 | |
| 3 | 503803 | . HOSE SILICONE 1 PLY / NOMEX-ARAMID 7/8" I.D. x 100' / S.L. | AR | |
| 4 | Call order desk | PIPE ASSY / RETURN REAR SECTION | 1 | P |
| 5 | 374806 | HOSE 7/8" I.D. 1225MM | 1 | |
| 5 | 503803 | . HOSE SILICONE 1 PLY / NOMEX-ARAMID 7/8" I.D. x 100' / S.L. | AR | |
| 6 | 370134 | PIPE ASSY / RETURN LINE TO ENGINE COMPARTMENT / W/SMALL A/C SYSTEM | 1 | |
| 7 | Call order desk | PIPE RETURN / RETURN LINE To L-0870 | 1 | P |
| 7 | 370317 | PIPE RETURN / RETURN LINE From L-0871 | 1 | |
| 8 | 503783 | . HOSE SILICONE 4PLY / NOMEX-ARAMID 34MM I.D. x 6' | AR | |
| 9 | 503783 | . HOSE SILICONE 4PLY / NOMEX-ARAMID 34MM I.D. x 6' | AR | |
| 10 | 871419 | . BALL VALVE 1" NPT-F To L-0870 | 1 | |
| 10 | 870115 | . BALL VALVE 1 3/8 HOSE From L-0871 | 1 | |
| 10 | 501997 | . ADAPTER / COPPER @ PIPE / 1 1/4Fx1NPT-M To L-0870 | 2 | |
| 11 | 370103 | PIPE ASSY HEATING / FEED LINE / MIDDLE SECTION W/"WORLD" TRANS To L-0870 | 1 | |
| NS | 370318 | PIPE ASSY HEATING / FEED LINE / MIDDLE SECTION W/"WORLD" TRANS From L-0871 | 1 | |
| 12 | 871419 | . BALL VALVE 1" NPT-F To L-0870 | 1 | |
| 12 | 870115 | . BALL VALVE 1 3/8 HOSE From L-0871 | 1 | |
| 12 | 501997 | . ADAPTER / COPPER @ PIPE / 1 1/4Fx1NPT-M To L-0870 | 2 | |
| 13 | 503392 | . HOSE SILICONE 4PLY 1 3/8" I.D. x 4' To K-0552 | AR | |
| 13 | 503783 | . HOSE SILICONE 4PLY / NOMEX-ARAMID 34MM I.D. x 6' From K-0553 | AR | |
| 14 | 503392 | HOSE SILICONE 4PLY 1 3/8" I.D. x 4' To K-0552 | AR | |
| 14 | 503783 | HOSE SILICONE 4PLY / NOMEX-ARAMID 34MM I.D. x 6' From K-0553 | AR | |
| 15 | 950546 | SENSOR,COMBINED PRESSURE-TEMPERATURE | 1 | |
| NS | 370131 | PIPE ASSY HEATING / FEED LINE To L-0870 | 1 | |
| 16 | 370319 | PIPE ASSY HEATING / FEED LINE From L-0871 To N-1209 | 1 | |
| 16 | 370041 | PIPE ASSY HEATING / FEED LINE From N-1210 | 1 | |
| 18 | 370133 | PIPE ASSY HEATING / FEED LINE FROM ENGINE COMPARTMENT / W/SMALL A/C SYSTEM To N-1209 | 1 | |
| 18 | 370040 | PIPE ASSY HEATING / FEED LINE FROM ENGINE COMPARTMENT / W/SMALL A/C SYSTEM From N-1210 | 1 | |
| 20 | 374807 | HOSE 1 1/8" I.D. 1050MM | 1 | |
| 20 | 503796 | . HOSE SILICONE 2 PLY / NOMEX-ARAMID 1 1/8" I.D. x 6' | AR | |
| 21 | Call order desk | PIPE ASSY / TO HEATER | 1 | P |
| 22 | Call order desk | HOSE ASSY W/ELBOW / 1 3/8" I.D. To N-1209 | 1 | P |
| 22 | 370379 | HOSE ASSY W/ELBOW / 1 3/8" I.D. From N-1210 | 1 | |
| 23 | 503783 | HOSE SILICONE 4PLY / NOMEX-ARAMID 34MM I.D. x 6' | AR | |
| 24 | 503803 | HOSE SILICONE 1 PLY / NOMEX-ARAMID 7/8" I.D. x 100' / S.L. | AR | |
| 25 | VIP-2210-20 | WATER HEATER PUMP - INSTALLATION WITH SMALL A/C | | |
| 26 | 370105 | PIPE ASSY HEATING / FEED LINE / LOWER SECTION W/"WORLD" TRANS | 1 | |
| 27 | 370132 | PIPE RETURN / RETURN LINE To L-0870 | 1 | |

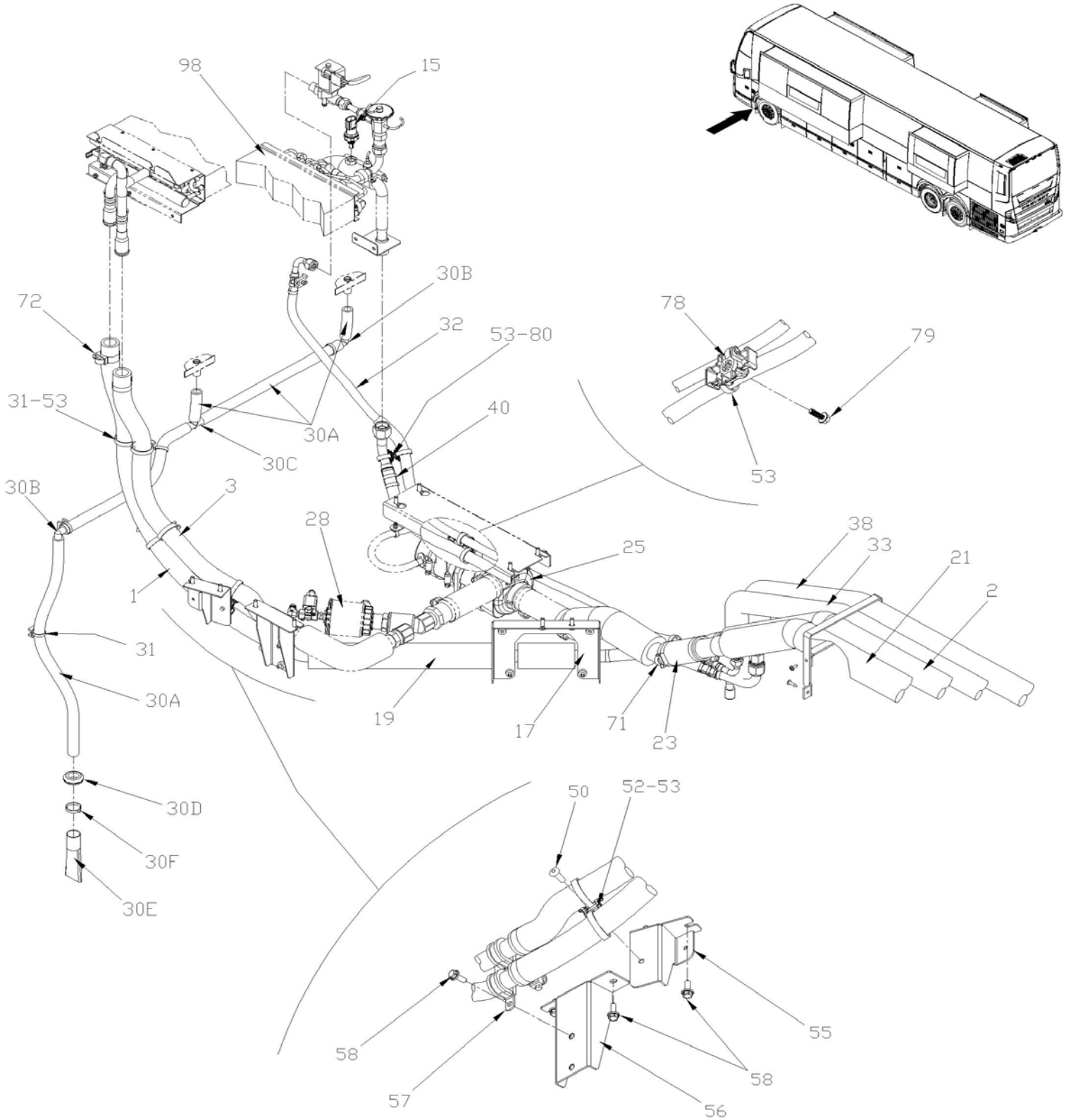
| | | |
|---|---------------------|-------------------------|
| From K-0295 To P-1347 | Date:07/2024 | PAGE:VIP-2222-51 |
| SMALL A/C LINE & HEATER LINE | | |

| Item# | Part | Description | QTY | Notes |
|-------|--------------------|--|-----|-------|
| 27 | 370317 | PIPE RETURN / RETURN LINE From L-0871 | 1 | |
| 28 | VIP-2207-06 | WATER VALVE - W/2 WAYS | | |
| 30 | 450519 | HOSE ASSY / #6 500MM | 1 | |
| . NS | 507278 | . O-RING / ORS FITTING / #4 NEO | 2 | |
| NS | 504751 | ROTATIF SPACER DOUBLE / SMALL | 1 | |
| NS | 504637 | CABLE TIE / 3/16" x 13" | 2 | |
| 31 | VIP-2208-10 | REFRIGERENT SOLENOID VALVE | | |
| 32 | 454812 | HOSE ASSY / #10 215MM | 1 | |
| . NS | 507344 | . O-RING / ORS FITTING / #10 NEO | 2 | |
| 33 | Call order desk | PIPE ASSY / A/C PRESSURE To N-1209 | 1 | P |
| 33 | 453916 | PIPE ASSY / A/C PRESSURE From N-1210 | 1 | |
| 34 | 455213 | HOSE ASSY / #10 1100MM | 1 | |
| . NS | 507344 | . O-RING / ORS FITTING / #10 NEO | 2 | |
| 35 | 450464 | HOSE ASSY / #10 890MM | 1 | |
| . NS | 507344 | . O-RING / ORS FITTING / #10 NEO | 2 | |
| 36 | 450473 | PIPE ASSY / A/C PRESSURE & SUCTION | 1 | |
| 37 | 450466 | HOSE ASSY / #12 900MM | 1 | |
| 38 | Call order desk | PIPE ASSY / A/C SUCTION | 1 | P |
| 39 | 455198 | HOSE ASSY / FROM A/C AUX / #10 1450MM | 1 | |
| . NS | 507344 | . O-RING / ORS FITTING / #10 NEO | 2 | |
| 40 | 450518 | HOSE ASSY / #12 674MM | 1 | |
| . NS | 507280 | . O-RING / ORS FITTING / #12 NEO | 1 | |
| . NS | 507344 | . O-RING / ORS FITTING / #10 NEO | 1 | |
| 41 | Call order desk | PIPE ASSY / | 1 | P |
| 41 | 503821 | . HOSE SILICONE 4 PLY / NOMEX-ARAMID 3/8" x 144" | AR | |
| 42 | 20805110 | . QUICK CONNECTOR 90° 10MM | 1 | |
| 44 | 450480 | SUPPORT PIPE BAGGAGE | 3 | |
| 45 | Call order desk | PIPE ASSY / | 1 | P |
| 45 | 503821 | . HOSE SILICONE 4 PLY / NOMEX-ARAMID 3/8" x 144" | AR | |
| 46 | 20805109 | . QUICK CONECTOR 10MM | 1 | |
| 47 | 992081 | HOSE CLAMP / 12MM/22MM | 4 | |
| 48 | 450577 | CLOSING PLATE FRAME 197MM x 80MM / S.STEEL | 1 | |
| 49 | 450576 | CLOSING PLATE 197MM x 80MM / RUBBER | 1 | |
| 51 | 8631155 | CABLE TIE / 4.6MM x 200 / CHRISTMAS TREE | 2 | |
| 52 | 509490 | ATTACHMENT DOUBLE USE WITH CABLE TIE | 1 | |
| 53 | 504016 | CABLE TIE / 5/16" X 14"1/2 | AR | |
| 54 | 500266 | SCREW TC CAP HEX 1/4-20x1 N500 | 1 | |
| 56 | 374876 | SUPPORT W/PUMP / OUTPUT | 1 | |
| 57 | 952639 | CLAMP / 1"1/4 I.D. | 2 | |
| 58 | 5001730 | SCREW CAP HEXF M6-1.0x16 G10.9 N500 | 2 | |
| 59 | 370145 | SUPPORT | 2 | |
| 60 | 500641 | SCREW TP PAN PH #8x3/4 Z050 | 6 | |

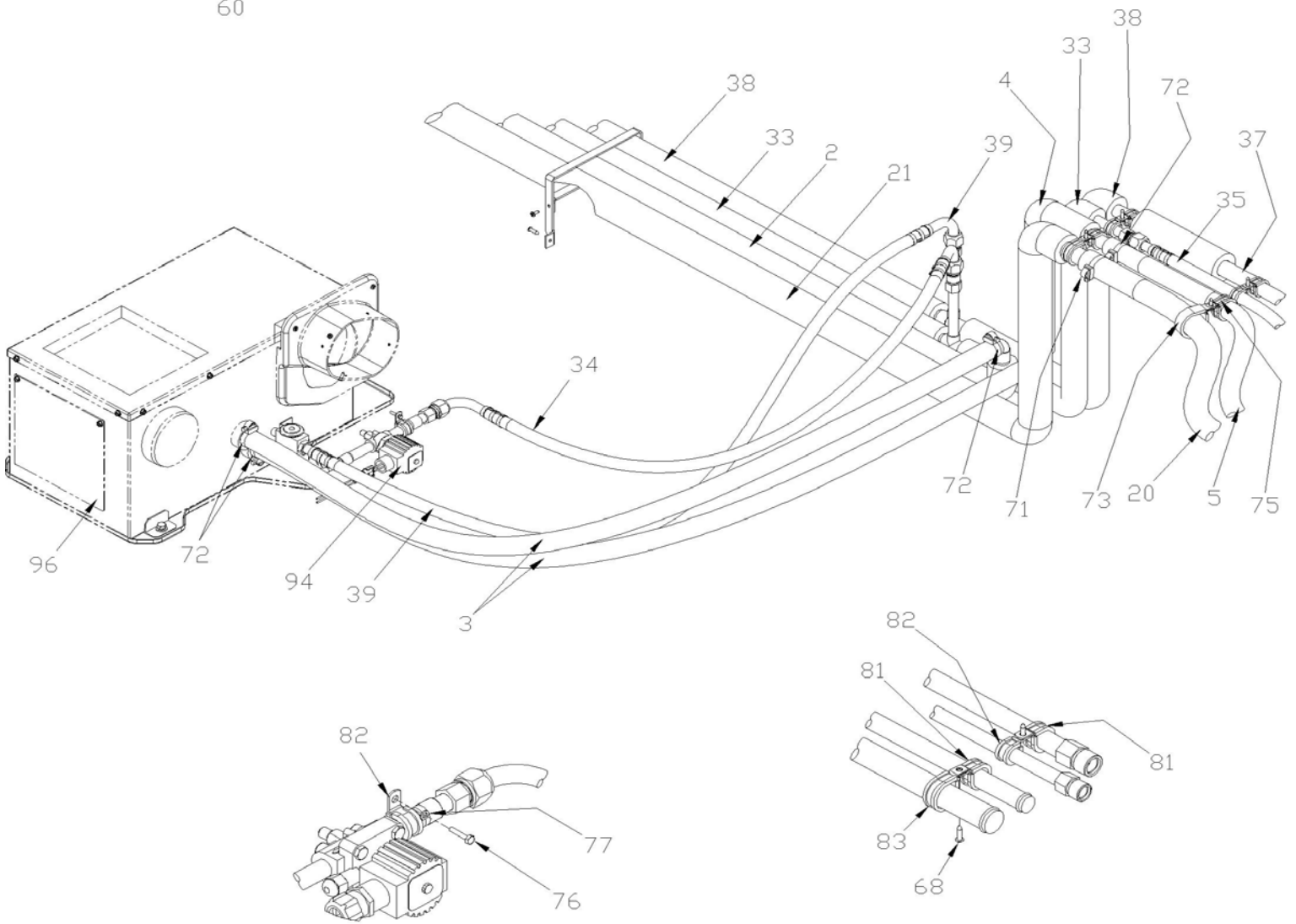
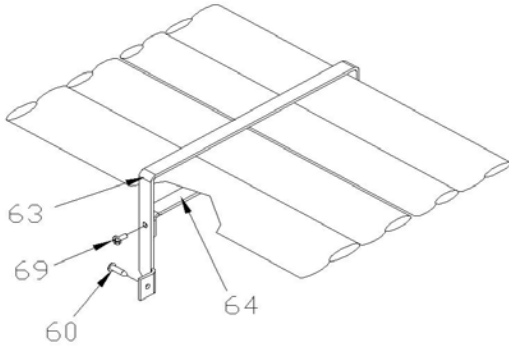
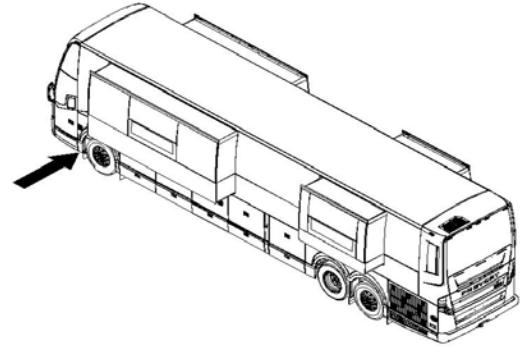
| | | |
|---|---------------------|-------------------------|
| From K-0295 To P-1347 | Date:07/2024 | PAGE:VIP-2222-51 |
| SMALL A/C LINE & HEATER LINE | | |

| Item# | Part | Description | QTY | Notes |
|-------|--------------------|--|-----|-------|
| 61 | 450454 | RUBBER CLOSURE | 1 | |
| NS | 450453 | RUBBER CLOSURE FRAME | 1 | |
| 62 | 450452 | CLOSING PLATE / W/SMALL A/C SYSTEM | 2 | |
| 63 | 373510 | PIPE SUPPORT | 1 | |
| 64 | 372722 | PIPE SUPPORT / UNDER AISLE STEPWELL | 1 | |
| 65 | 373589 | SUPPORT PIPE (UNDER FLOOR) | 2 | |
| 66 | 370156 | FRONT CENTRAL CLOSURE REAR SUB-FRAME | 1 | |
| 67 | 370098 | CLOSING PLATE | 1 | |
| 68 | 500957 | SCREW TP BDG PH #10x3/4 N500 | AR | |
| 68 | 500657 | SCREW TC TR PH #10-24x1/2 Z050 | AR | |
| 68 | 500608 | SCREW TP BDG PH #10x1 N500 | AR | |
| 69 | 500638 | SCREW TP PAN PH #8x1/2 Z050 | 2 | |
| 70 | 504488 | RIVET MGLP PRDG 3/16x17/64 SS | 4 | |
| 71 | 992086 | HOSE CLAMP / 32MM/52MM | AR | |
| 72 | 992084 | HOSE CLAMP / 23MM/35MM | AR | |
| 74 | 502868 | SCREW TC TR PH #10-16x1/2 N500 | AR | |
| 76 | 500588 | SCREW CAP HEX M4-0.7x20 G8.8 Z050 | 1 | |
| 77 | 500470 | WASHER LO SPT .193x.334x.047 Z050 | 1 | |
| 81 | 952633 | CLAMP / 7/8" I.D. | AR | |
| 82 | 952629 | CLAMP / 5/8" I.D. | AR | |
| 83 | 952637 | CLAMP / 1"1/16 I.D. | AR | |
| 84 | 504779 | CLAMP / SS / SILICONE RUBBER / 1 3/8" I.D. x .281 HOLE | AR | |
| 85 | 5001815 | SCREW CAP HEXF M6-1.0x30 G 8.8 N500 | AR | |
| 86 | 952629 | CLAMP / 5/8" I.D. | 1 | |
| 87 | 952635 | CLAMP / 1" I.D. | 1 | |
| 88 | 500608 | SCREW TP BDG PH #10x1 N500 | 1 | |
| 95 | VIP-2222-57 | SMALL A/C LINES & HOSES - R134A | | |
| 96 | VIP-2225-50 | A/C & HEATER AUXILIARY - V.I.P. | | |
| 97 | VIP-2230-50 | A/C AUXILIARY V.I.P. - INSTALLATION | 1 | |
| 98 | VIP-2225-10 | DRIVER'S HEATER & DEFROSTER ASSY WITH SMALL A/C | 1 | |
| | | | | |
| | | | | |
| | | | | |
| | | | | |
| | | P) CALL ORDER DESK FOR SPECIFIC APPLICATION (V.I.N.) | | |

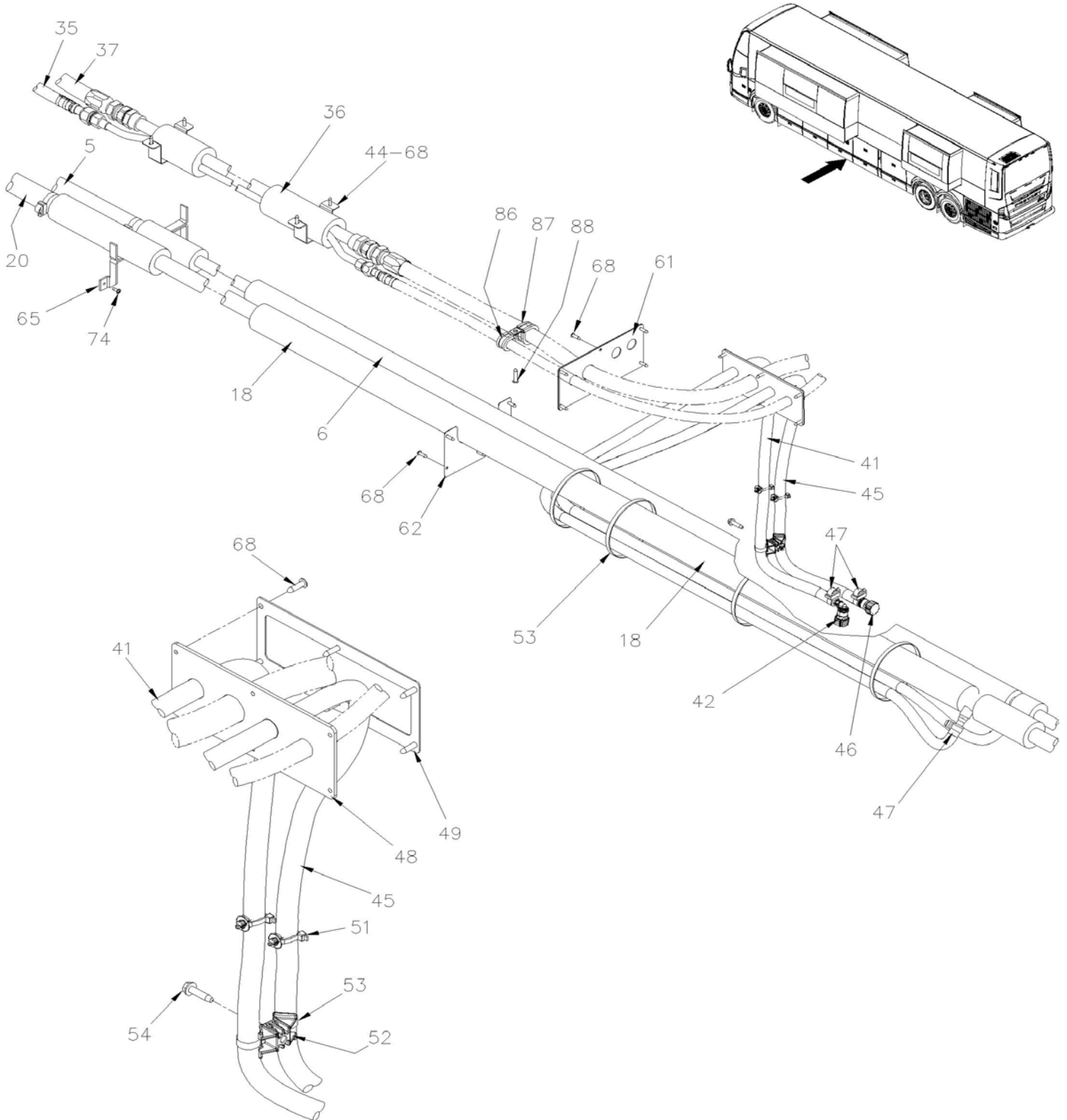
| | | |
|------------------------------|--------------|------------------|
| | Date:07/2024 | PAGE:VIP-2222-52 |
| SMALL A/C LINE & HEATER LINE | | |



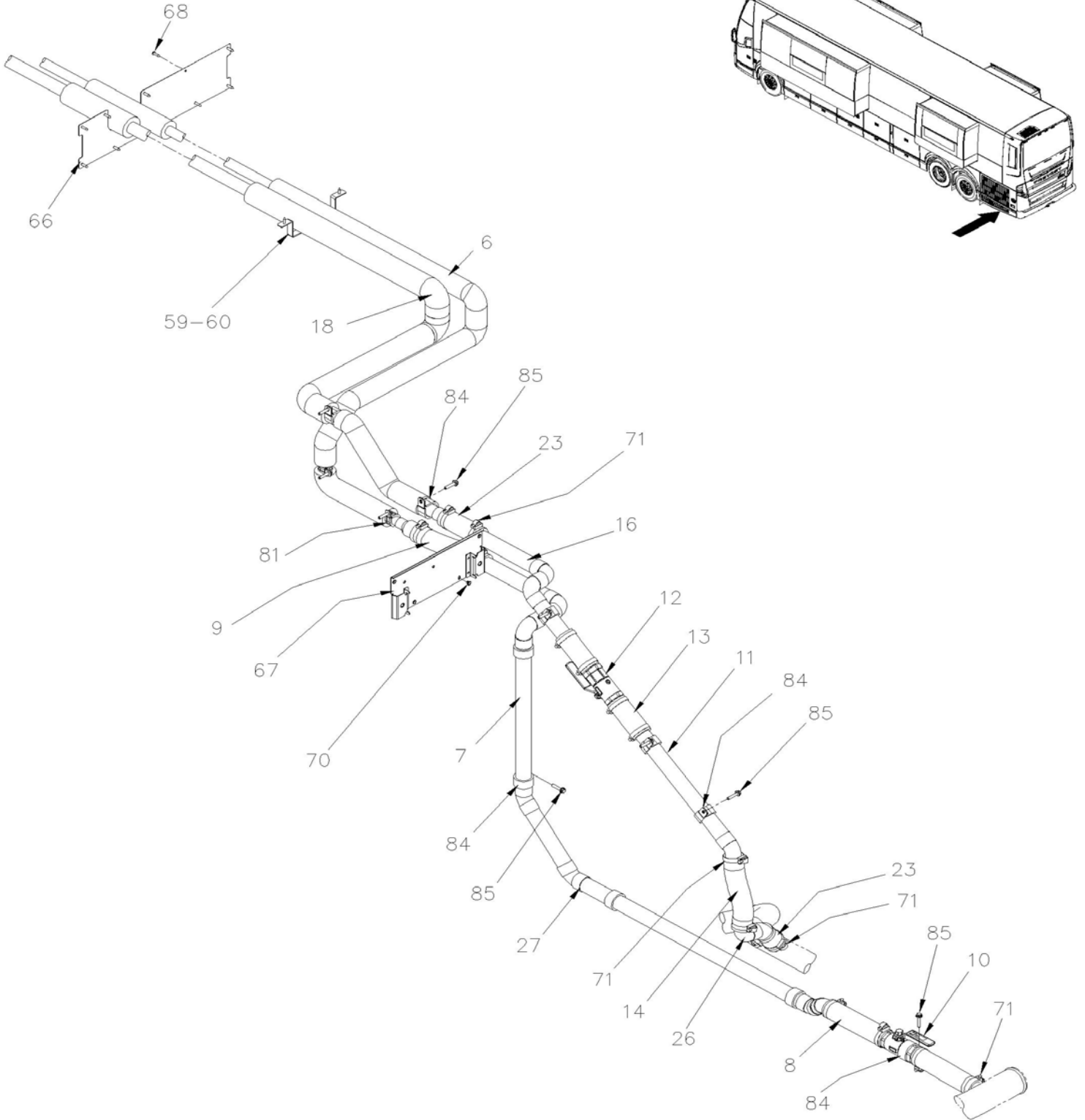
| | | |
|------------------------------|--------------|------------------|
| | Date:07/2024 | PAGE:VIP-2222-52 |
| SMALL A/C LINE & HEATER LINE | | |



| | | |
|------------------------------|--------------|------------------|
| | Date:07/2024 | PAGE:VIP-2222-52 |
| SMALL A/C LINE & HEATER LINE | | |



| | | |
|------------------------------|--------------|------------------|
| | Date:07/2024 | PAGE:VIP-2222-52 |
| SMALL A/C LINE & HEATER LINE | | |



Date:07/2024

PAGE:VIP-2222-52

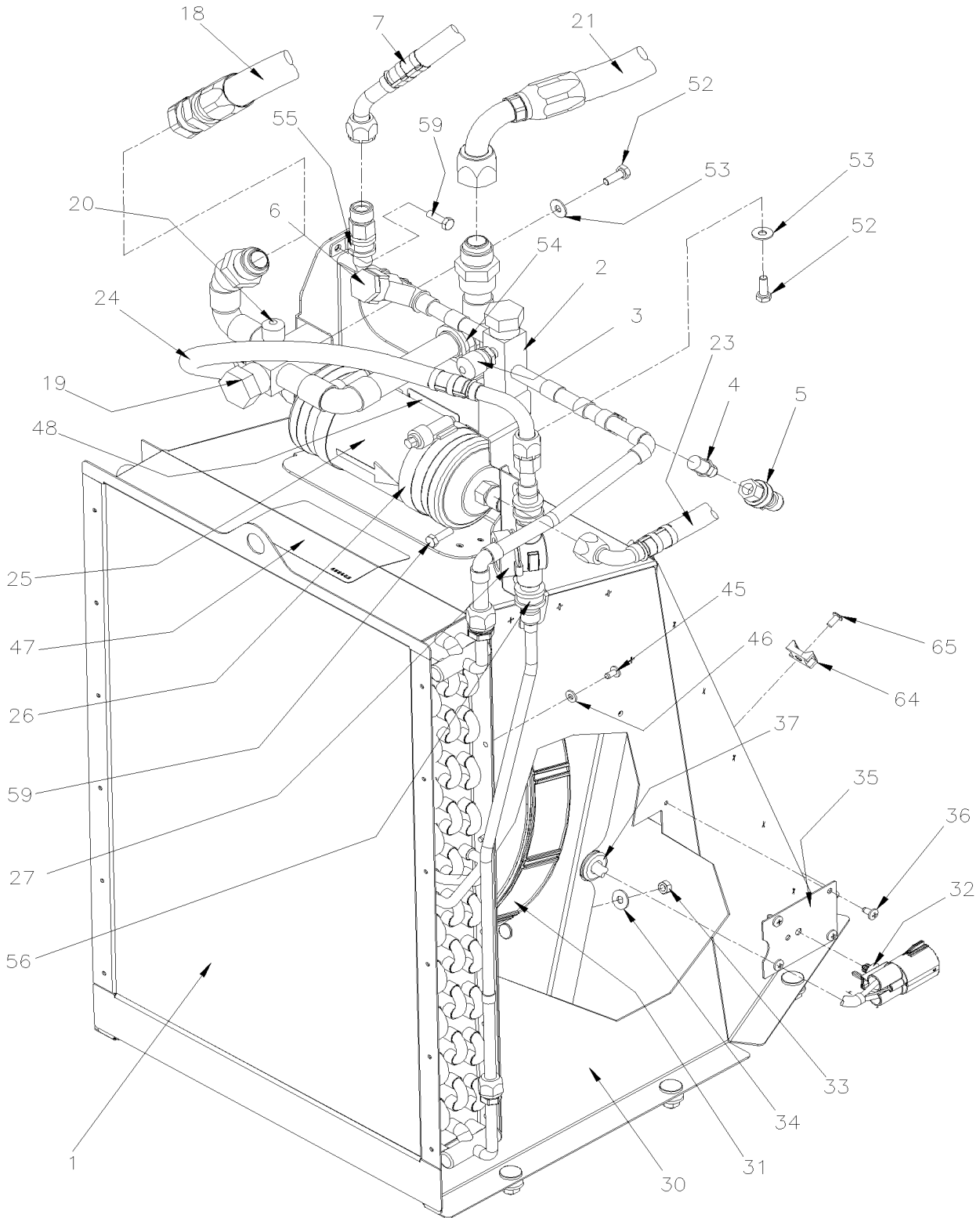
SMALL A/C LINE & HEATER LINE

| Item# | Part | Description | QTY | Notes |
|-------|--------------------|--|-----|-------|
| 1 | Call order desk | HOSE / PIPE & HEATER / 7/8" I.D. 645MM | 1 | P |
| 1 | 503803 | . HOSE SILICONE 1 PLY / NOMEX-ARAMID 7/8" I.D. x 100' / S.L. | AR | |
| 2 | 370350 | PIPE ASSY / RETURN FRONT SECTION | 1 | |
| 3 | Call order desk | HOSE / PIPE & HEATER / 7/8" I.D. 1570MM | 2 | P |
| 3 | 503803 | . HOSE SILICONE 1 PLY / NOMEX-ARAMID 7/8" I.D. x 100' / S.L. | AR | |
| 4 | 370337 | PIPE ASSY / RETURN REAR SECTION | 1 | |
| 5 | 374806 | HOSE 7/8" I.D. 1225MM | 1 | |
| 5 | 503803 | . HOSE SILICONE 1 PLY / NOMEX-ARAMID 7/8" I.D. x 100' / S.L. | AR | |
| 6 | 370134 | PIPE ASSY / RETURN LINE TO ENGINE COMPARTMENT / W/SMALL A/C SYSTEM | 1 | |
| 7 | 370317 | PIPE RETURN / RETURN LINE | 1 | |
| 8 | 503783 | . HOSE SILICONE 4PLY / NOMEX-ARAMID 34MM I.D. x 6' | AR | |
| 9 | 503783 | . HOSE SILICONE 4PLY / NOMEX-ARAMID 34MM I.D. x 6' | AR | |
| 10 | 870115 | . BALL VALVE 1 3/8 HOSE | 1 | |
| 11 | 370318 | PIPE ASSY HEATING / FEED LINE / MIDDLE SECTION W/"WORLD" TRANS | 1 | |
| 12 | 870115 | . BALL VALVE 1 3/8 HOSE | 1 | |
| 13 | 503783 | . HOSE SILICONE 4PLY / NOMEX-ARAMID 34MM I.D. x 6' | AR | |
| 14 | 503783 | HOSE SILICONE 4PLY / NOMEX-ARAMID 34MM I.D. x 6' | AR | |
| 15 | 950546 | SENSOR,COMBINED PRESSURE-TEMPERATURE | 1 | |
| 16 | 370041 | PIPE ASSY HEATING / FEED LINE | 1 | |
| 17 | 370049 | SUPPORT, FRONT WATER VALVE ASSY. | 1 | |
| 18 | 370040 | PIPE ASSY HEATING / FEED LINE FROM ENGINE COMPARTMENT / W/SMALL A/C SYSTEM | 1 | |
| 19 | 370027 | PIPE ASSY / RETURN FRONT SECTION | 1 | |
| 20 | 374807 | HOSE 1 1/8" I.D. 1050MM | 1 | |
| 20 | 503796 | . HOSE SILICONE 2 PLY / NOMEX-ARAMID 1 1/8" I.D. x 6' | AR | |
| 21 | 370345 | PIPE ASSY / TO HEATER | 1 | |
| 23 | 503783 | HOSE SILICONE 4PLY / NOMEX-ARAMID 34MM I.D. x 6' | AR | |
| 25 | VIP-2206-20 | WATER PUMP "AMETEK" / SEALLESS & BRUSHLESS WITH SMALL A/C | | |
| 26 | 370105 | PIPE ASSY HEATING / FEED LINE / LOWER SECTION W/"WORLD" TRANS | 1 | |
| 27 | 370317 | PIPE RETURN / RETURN LINE | 1 | |
| 28 | VIP-2207-20 | WATER VALVE - W/2 WAYS / WITH SMALL A/C | | |
| 30A | 503707 | HOSE / PVC REINFORCED 1/2" I.D. 100' / S.L. | AR | |
| 30B | 5011230 | UNION ELBOW 90° / HOSE BARB FITTING / #8x#8 PLAS | 2 | |
| 30C | 5011293 | UNION TEE / HOSE BARB FITTING / #8x#8x#8 NYL | 1 | |
| 30D | 504397 | GROMMET / .750x1.062x.062x.375x1.375 | 1 | |
| 30E | 590286 | DRAIN BOOT 1 1/4" I.D. X 4" / FLAT | 1 | |
| 30F | 504637 | CABLE TIE / 3/16" x 13" | 1 | |
| 31 | 504013 | TIE MOUNT / 1/4" X 1/4" I.D. | AR | |
| 31 | 504637 | CABLE TIE / 3/16" x 13" | AR | |
| 31 | 504114 | RIVET POP DOME OE 3/16x1/4 AL | AR | |
| 31 | 504379 | RIVET POP DOME OE 3/16x1/4 SS | AR | |
| 32 | 450773 | HOSE ASSY / #6 1270MM | 1 | |
| 33 | 454390 | PIPE ASSY / A/C PRESSURE | 1 | |

| | | |
|---|---------------------|-------------------------|
| | Date:07/2024 | PAGE:VIP-2222-52 |
| SMALL A/C LINE & HEATER LINE | | |

| Item# | Part | Description | QTY | Notes |
|-------|-----------------|--|-----|-------|
| 34 | 455213 | HOSE ASSY / #10 1100MM | 1 | |
| . NS | 507344 | . O-RING / ORS FITTING / #10 NEO | 2 | |
| 35 | 450464 | HOSE ASSY / #10 890MM | 1 | |
| . NS | 507344 | . O-RING / ORS FITTING / #10 NEO | 2 | |
| 36 | 450473 | PIPE ASSY / A/C PRESSURE & SUCTION | 1 | |
| 37 | 450466 | HOSE ASSY / #12 900MM | 1 | |
| 38 | Call order desk | PIPE ASSY / A/C SUCTION | 1 | P |
| 39 | 455198 | HOSE ASSY / FROM A/C AUX / #10 1450MM | 1 | |
| . NS | 507344 | . O-RING / ORS FITTING / #10 NEO | 2 | |
| 40 | 450774 | HOSE ASSY / #10 860MM | 1 | |
| 41 | Call order desk | PIPE ASSY / | 1 | P |
| 41 | 503821 | . HOSE SILICONE 4 PLY / NOMEX-ARAMID 3/8" x 144" | AR | |
| 42 | 20805110 | . QUICK CONNECTOR 90° 10MM | 1 | |
| 44 | 450480 | SUPPORT PIPE BAGGAGE | 3 | |
| 45 | Call order desk | PIPE ASSY / | 1 | P |
| 45 | 503821 | . HOSE SILICONE 4 PLY / NOMEX-ARAMID 3/8" x 144" | AR | |
| 46 | 20805109 | . QUICK CONECTOR 10MM | 1 | |
| 47 | 992081 | HOSE CLAMP / 12MM/22MM | 4 | |
| 48 | 450577 | CLOSING PLATE FRAME 197MM x 80MM / S.STEEL | 1 | |
| 49 | 450576 | CLOSING PLATE 197MM x 80MM / RUBBER | 1 | |
| 50 | 504610 | RIVET MGLP PRDG 1/4x5/8 SS | 1 | |
| 51 | 8631155 | CABLE TIE / 4.6MM x 200 / CHRISTMAS TREE | 2 | |
| 52 | 509490 | ATTACHMENT DOUBLE USE WITH CABLE TIE | 1 | |
| 53 | 504016 | CABLE TIE / 5/16" X 14"1/2 | AR | |
| 54 | 500266 | SCREW TC CAP HEX 1/4-20x1 N500 | 1 | |
| 55 | 370497 | SUPPORT, FRONT DEFROSTER HOSE | 1 | |
| 56 | 370056 | SUPPORT, FRONT WATER VALVE ASSY. | 1 | |
| 57 | 952633 | CLAMP / 7/8" I.D. | 2 | |
| 58 | 5001730 | SCREW CAP HEXF M6-1.0x16 G10.9 N500 | 2 | |
| 59 | 370145 | SUPPORT | 2 | |
| 60 | 500641 | SCREW TP PAN PH #8x3/4 Z050 | 6 | |
| 61 | 450454 | RUBBER CLOSURE | 1 | |
| NS | 450453 | RUBBER CLOSURE FRAME | 1 | |
| 62 | 450452 | CLOSING PLATE / W/SMALL A/C SYSTEM | 2 | |
| 63 | 373510 | PIPE SUPPORT | 1 | |
| 64 | 372722 | PIPE SUPPORT / UNDER AISLE STEPWELL | 1 | |
| 65 | 373589 | SUPPORT PIPE (UNDER FLOOR) | 2 | |
| 66 | 370156 | FRONT CENTRAL CLOSURE REAR SUB-FRAME | 1 | |
| 67 | 370098 | CLOSING PLATE | 1 | |
| 68 | 500957 | SCREW TP BDG PH #10x3/4 N500 | AR | |
| 68 | 500657 | SCREW TC TR PH #10-24x1/2 Z050 | AR | |
| 68 | 500608 | SCREW TP BDG PH #10x1 N500 | AR | |

| | | |
|---------------------------------|--------------|------------------|
| From K-0295 | Date:07/2024 | PAGE:VIP-2222-57 |
| SMALL A/C LINES & HOSES - R134A | | |

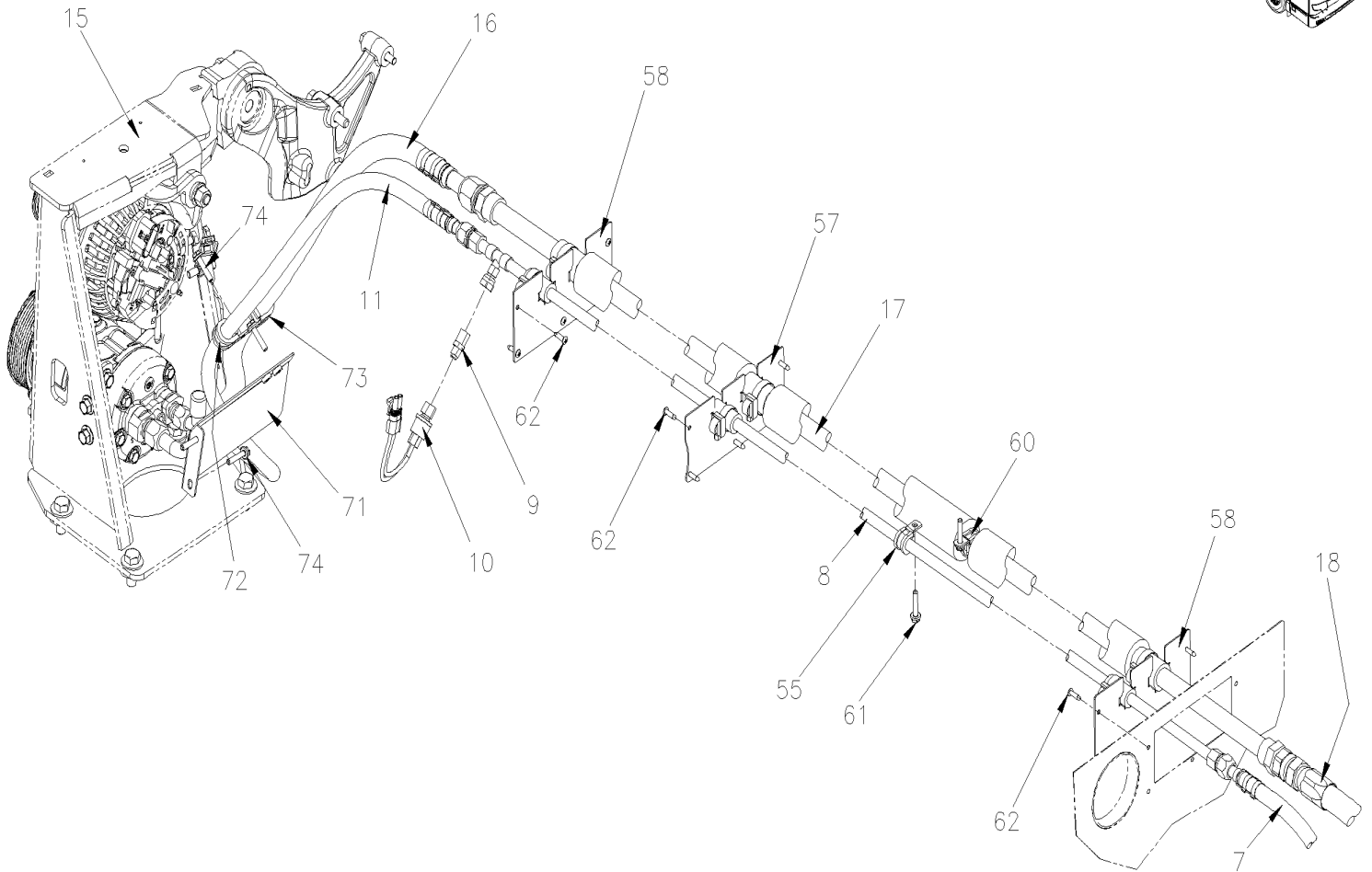
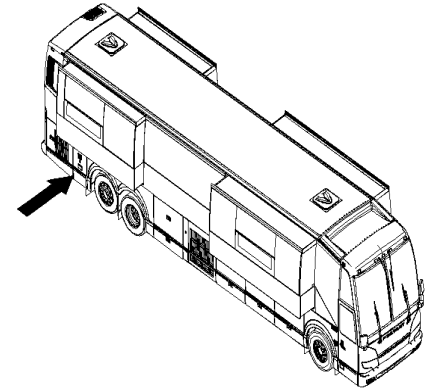


From K-0295

Date:07/2024

PAGE:VIP-2222-57

SMALL A/C LINES & HOSES - R134A



| | | | |
|--|--|---------------------|-------------------------|
| From K-0295 | | Date:07/2024 | PAGE:VIP-2222-57 |
| SMALL A/C LINES & HOSES - R134A | | | |

| Item# | Part | Description | QTY | Notes |
|-------|--------------------|---|-----|-------|
| 1 | 950552 | CONDENSOR | 1 | |
| 2 | 450444 | VALVE ASSY / SUCTION To N-1209 | 1 | |
| 2 | 453669 | VALVE ASSY / SUCTION From N-1210 To N-1273 | 1 | |
| 2 | 454924 | VALVE ASSY / SUCTION From N-1274 | 1 | |
| 2 | 950376 | VALVE SERVICE HIGH PRESSURE To N-1273 | 1 | |
| 2 | 950659 | VALVE SERVICE HIGH PRESSURE From N-1274 | 1 | |
| 3 | 950234 | GAUGE ADAPTOR ASSY / W/RED CAP FOR R-134A / DISCHARGE SIDE (ALUMINUM) | 1 | |
| 4 | 950249 | SCHRADER VALVE 1/4NPT-M | 1 | |
| 5 | 563423 | TRANSDUSER -6.7 to 420 LBS / 1/8 NPT-F | 1 | |
| . NS | 563159 | CONNECTOR / METRI-PACK 150 / SH 3C / PED 12065287 | 1 | |
| 6 | 950326 | CHECK VALVE | 1 | |
| 7 | 450470 | HOSE ASSY / #8 555MM | 1 | |
| 8 | 450467 | PIPE ASSY / SUCTION | 1 | |
| NS | 503772 | HOSE (GREEN STRIPE) 1/2" I.D. x 50' | AR | |
| NS | 992082 | HOSE CLAMP / 16MM/27MM | 4 | |
| 9 | 950249 | SCHRADER VALVE 1/4NPT-M | 1 | |
| NS | 680098 | THREAD SEALANT LOCTITE #567 / WHITE / 250ml | AR | |
| 10 | 453380 | PRESSURE SWITCH N.C. 350-245 20PS001MB350K245R | 1 | |
| NS | 680869 | THREAD SEALANT LOCTITE #554 / REFRIG. / 250ml | AR | |
| 11 | 450514 | HOSE ASSY / #8 1140MM | 1 | |
| . NS | 507343 | O-RING / ORS FITTING / #8 NEO | 2 | |
| 11 | 450534 | HOSE ASSY / #8 1055MM | 1 | A |
| . NS | 507343 | O-RING / ORS FITTING / #8 NEO | 2 | A |
| NS | 450049 | BRACKET, AC HOSES To N-1273 | 1 | A |
| NS | 454889 | BRACKET, AC HOSES From N-1274 | 1 | |
| NS | 504013 | TIE MOUNT / 1/4" X 1/4" I.D. | 2 | A |
| NS | 504751 | ROTATIF SPACER DOUBLE / SMALL | 1 | A |
| NS | 504016 | CABLE TIE / 5/16" X 14"1/2 | 4 | A |
| NS | 504610 | RIVET MGLP PRDG 1/4x5/8 SS | 4 | A |
| 15 | VIP-2245-52 | A/C COMPRESSOR SMALL - INSTALLATION | | |
| 16 | 450512 | HOSE ASSY / #12 1015MM | 1 | |
| . NS | 502780 | SCREW CAP HEX M8-1.25x25 SS BK | 1 | |
| . NS | 507344 | O-RING / ORS FITTING / #10 NEO | 1 | |
| 16 | 450533 | HOSE ASSY / #12 1060MM | 1 | A |
| . NS | 507280 | O-RING / ORS FITTING / #12 NEO | 1 | A |
| . NS | 507344 | O-RING / ORS FITTING / #10 NEO | 1 | A |
| 17 | 450469 | PIPE ASSY / DISCHARGE | 1 | |
| 18 | 450475 | HOSE ASSY / #12 895MM | 1 | |
| 19 | 450447 | VALVE ASSY / DISCHARGE To N-1209 | 1 | |
| . NS | 501829 | O-RING / ORS FITTING / #12 NEO To N-1209 | 2 | |
| 19 | 454459 | VALVE ASSY / DISCHARGE From N-1210 To N-1273 | 1 | |
| . NS | 501829 | O-RING / ORS FITTING / #12 NEO From N-1210 To N-1273 | 2 | |

| | | | |
|--|--|--------------|------------------|
| From K-0295 | | Date:07/2024 | PAGE:VIP-2222-57 |
| SMALL A/C LINES & HOSES - R134A | | | |

| Item# | Part | Description | QTY | Notes |
|-------|--------------------|--|-----|-------|
| 19 | 454947 | VALVE ASSY / DISCHARGE From N-1274 | 1 | |
| 19 | 950950 | VALVE SERVICE LOW PRESSURE To N-1273 | 1 | |
| NS | 950235 | GAUGE ADAPTOR ASSY / W/BLUE CAP FOR R-134A / SUCTION SIDE (ALUMINUM) To N-1273 | 1 | |
| 19 | 950660 | VALVE SERVICE LOW PRESSURE From N-1274 | 1 | |
| NS | 454966 | BRACKET, VALVE SERVICE ASSY From N-1274 To P-1401 | 1 | |
| NS | 502622 | SCREW CAP HEX M6-1.0x20 SS BK To P-1401 | 3 | |
| NS | 5001833 | WASHER BEL SPR 6.1x18x1.27 SS To P-1401 | 2 | |
| NS | 5001851 | NUT HEX M6-1.0 SS BK To P-1401 | 2 | |
| 20 | 950235 | GAUGE ADAPTOR ASSY / W/BLUE CAP FOR R-134A / SUCTION SIDE (ALUMINUM) | 1 | |
| 21 | 450477 | HOSE ASSY / #12 2195MM | 1 | |
| 22 | VIP-2222-51 | SMALL A/C LINE & HEATER LINE To P-1347 | 1 | |
| NS | VIP-2222-52 | SMALL A/C LINE & HEATER LINE From P-1348 | | |
| 23 | 450471 | HOSE ASSY / #8 2505MM | 1 | |
| NS | 507343 | O-RING / ORS FITTING / #8 NEO | 1 | |
| 24 | 450472 | HOSE ASSY / #8 435MM | 1 | |
| NS | 507343 | O-RING / ORS FITTING / #8 NEO | 1 | |
| 25 | 950370 | FILTER DRYER | 1 | |
| NS | 507085 | O-RING 7/16" I.D X 1/32" | 1 | |
| 26 | 504026 | HOSE CLAMP / 2"13/16-3"3/4 SS / HS-52 | 2 | |
| 27 | 450448 | SIGHT GLASS ASSY | 1 | |
| 27 | 950455 | MOISTURE INDICATOR | 1 | |
| 30 | 450435 | SHROUD ASSY To N-1209 | 1 | |
| 30 | 454461 | SHROUD ASSY From N-1210 To P-1401 | 1 | |
| 30 | 454988 | SHROUD ASSY From P-1402 | 1 | |
| 31 | 565191 | ELECTRIC FAN FOR RADIATOR & CAC To M-1138 | 1 | |
| NS | 568092 | CONNECTOR / PH 4C / YAZAKI 7282-8497-90 To M-1138 | 1 | |
| NS | 560009 | CONNECTOR CLIP / HELLERMAN TYTON 155-30702 To M-1138 | 1 | |
| 31 | 564312 | ELECTRIC FAN FOR RADIATOR & CAC From M-1139 | 1 | |
| NS | 568092 | CONNECTOR / PH 4C / YAZAKI 7282-8497-90 From M-1139 | 1 | |
| NS | 560009 | CONNECTOR CLIP / HELLERMAN TYTON 155-30702 From M-1139 | 1 | |
| 32 | 568092 | CONNECTOR / PH 4C / YAZAKI 7282-8497-90 | 1 | |
| 32 | 560009 | CONNECTOR CLIP / HELLERMAN TYTON 155-30702 | 1 | |
| 33 | 5001851 | NUT HEX M6-1.0 SS BK | 4 | |
| 34 | 5001833 | WASHER BEL SPR 6.1x18x1.27 SS | 4 | |
| 35 | 450400 | CLOSING PLATE, SHROUD | 1 | |
| 36 | 5001975 | SCREW TC BDG PH #10-24x3/8 SS410 ZINC | 4 | |
| 37 | 504068 | GROMMET / .500x.750x.062x.312x1.062 | 1 | |
| 38 | 5001852 | NUT HEX M8-1.25 SS BK | 6 | |
| 39 | 5001848 | WASHER BEL SPR .827 x .331 x .098 th SS | 6 | |
| 40 | 450482 | PANEL ASSY | 1 | |
| 40 | 450521 | STRAP | 1 | |
| 41 | 500283 | SCREW TC TR PH #10-24x3/4 SS | 12 | |

| | | | |
|--|--|---------------------|-------------------------|
| From K-0295 | | Date:07/2024 | PAGE:VIP-2222-57 |
| SMALL A/C LINES & HOSES - R134A | | | |

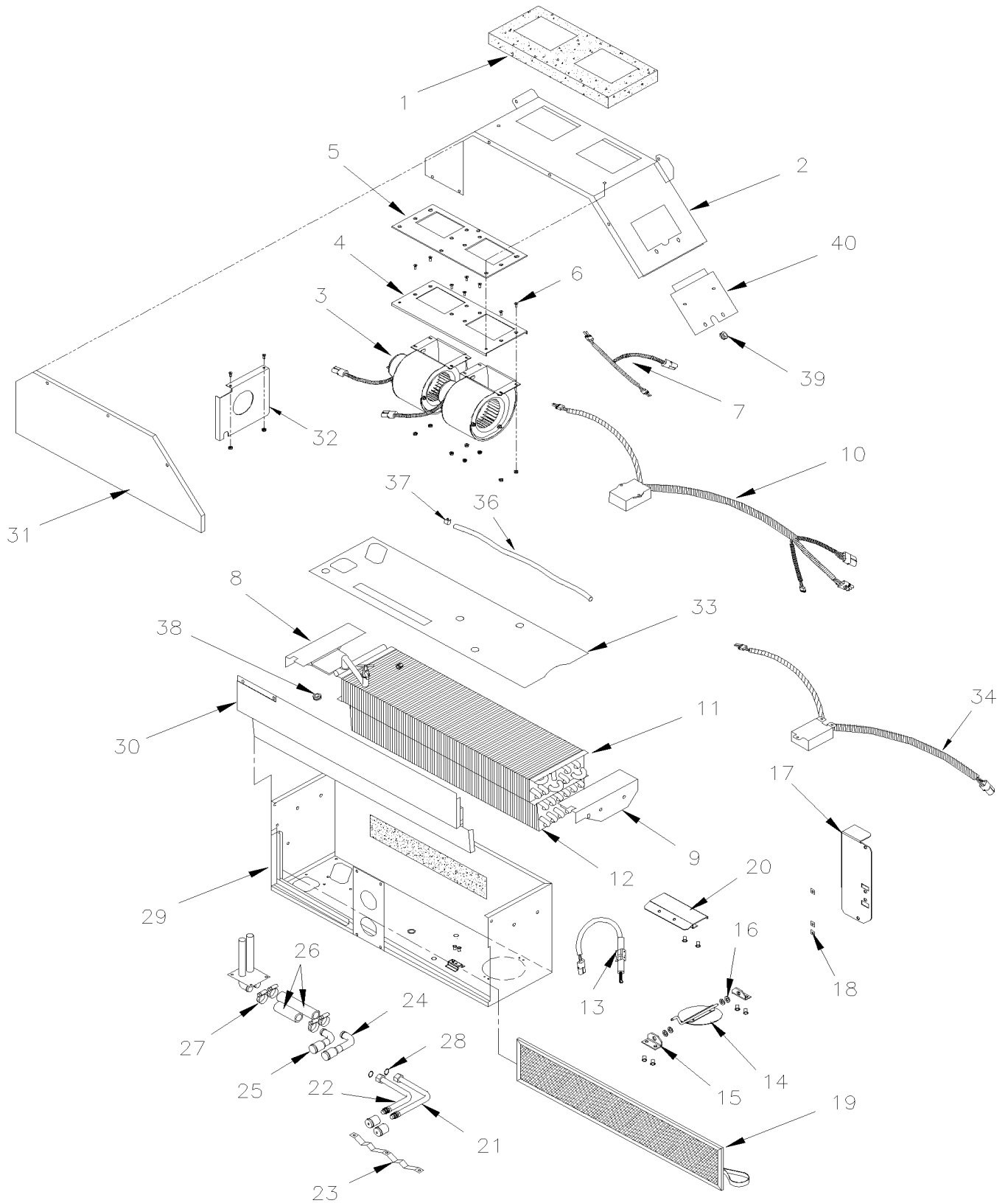
| Item# | Part | Description | QTY | Notes |
|-------|---------|---|-----|-------|
| 42 | 491237 | NUT WING / PLASTIC M6-1.0 x 23 | 2 | |
| 43 | 506228 | TAPE RUB ADH1 CC POL 1/4" x 1/2" x 37.5' / GREY 2520X | AR | |
| 44 | 506738 | TAPE RUB ADH1 CC POL 1/8" x 1" x 50' / GREY 2520 | AR | |
| 45 | 5001975 | SCREW TC BDG PH #10-24x3/8 SS410 ZINC | 12 | |
| 46 | 5001137 | WASHER FL .203x.438x.050 SS | 12 | |
| 47 | 450532 | DECAL R134A / NOMINAL CHARGE 8.5 LBS / PAG OIL | 1 | |
| 48 | 450403 | DECAL, REFRIGERANT DIRECTION | 1 | |
| 49 | 450453 | RUBBER CLOSURE FRAME | 1 | |
| 49 | 450454 | RUBBER CLOSURE | 1 | |
| 50 | 500957 | SCREW TP BDG PH #10x3/4 N500 | 6 | |
| 51 | 509490 | ATTACHMENT DOUBLE USE WITH CABLE TIE | 2 | |
| 51 | 500939 | SCREW TP OV PH #10x1 1/2 ZP | 2 | |
| 52 | 5001190 | SCREW CAP HEX 1/4-20x3/4 SS BK | 2 | |
| 53 | 5001833 | WASHER BEL SPR 6.1x18x1.27 SS | 2 | |
| 54 | 952633 | CLAMP / 7/8" I.D. | 3 | |
| 55 | 952627 | CLAMP / 1/2" I.D. | 2 | |
| 56 | 952629 | CLAMP / 5/8" I.D. | 2 | |
| 57 | 450457 | CLOSING PLATE | 2 | |
| 58 | 450455 | CLOSING PLATE | 2 | |
| 59 | 502622 | SCREW CAP HEX M6-1.0x20 SS BK | 4 | |
| 60 | 952633 | CLAMP / 7/8" I.D. | 1 | |
| 61 | 5001815 | SCREW CAP HEXF M6-1.0x30 G 8.8 N500 | 2 | |
| 62 | 500957 | SCREW TP BDG PH #10x3/4 N500 | AR | |
| 63 | 450509 | SUPPORT, HOSE To P-1543 | 1 | |
| 63 | 455053 | SUPPORT, HOSE From P-1544 | 1 | |
| 64 | 504013 | TIE MOUNT / 1/4" X 1/4" I.D. | 8 | |
| 64 | 504016 | CABLE TIE / 5/16" X 14"1/2 | AR | |
| 65 | 504488 | RIVET MGLP PRDG 3/16x17/64 SS | 10 | |
| 66 | 504768 | CABLE TIE / 3/16" 14.7" / DOUBLE LOOP HEAD | 2 | |
| 71 | 450575 | SUPPORT COMPRESSOR HOSE | 1 | |
| 72 | 952631 | CLAMP / 3/4" I.D. | 1 | |
| 73 | 952635 | CLAMP / 1" I.D. | 1 | |
| 74 | 5001815 | SCREW CAP HEXF M6-1.0x30 G 8.8 N500 | 4 | |
| NS | | REFERENCE ONLY 9660 From P-1348 | 1 | |
| | | | | |
| | | | | |
| | | | | |
| | | A) WITH "VOLTA" ALTERNATOR | | |

From K-0295 To K-0492

Date:07/2024

PAGE:VIP-2225-01

DRIVER'S HEATER & DEFROSTER ASSY



| | | |
|---|---------------------|-------------------------|
| From K-0295 To K-0492 | Date:07/2024 | PAGE:VIP-2225-01 |
| DRIVER'S HEATER & DEFROSTER ASSY | | |

| Item# | Part | Description | QTY | Notes |
|-------|--------------------|---|-----|-------|
| | 871423 | DEFROSTER & A/C UNIT ASSY | 1 | |
| 1 | 871129 | . SEAL | 2 | |
| 2 | 871398 | . TOP | 1 | |
| 3 | 871359 | . BLOWER ASSY 24V / W/DOUBLE MOTOR MOUNT | 1 | |
| 3 | 871360 | . . BLOWER & MOTOR ASSY - "M.C.C." "CCW" / FAN END | 2 | |
| 4 | 871410 | . . PLATE MOUNTING | 1 | |
| 5 | 871411 | . . FOAM ASSY | 1 | |
| 6 | 684605 | . . SCREW CAP HEXS #10-32x1/2 | 8 | |
| 6 | 500423 | . . NUT HEX NYRT #10-32 SS | 8 | |
| 7 | 871364 | . . CABLE HARNESS | 1 | |
| 8 | 871137 | . BRACKET L.H. | 1 | |
| 9 | 871138 | . BRACKET R.H. | 1 | |
| 10 | 871353 | . MODULE CONTROL FAN SPEED / W/DOUBLE MOTOR | 1 | |
| 11 | 871140 | . HEATER COIL | 1 | |
| . NS | 870127 | . . DRAIN VALVE ROBINET VIDANGE | 1 | |
| 12 | 871141 | . EVAPORATOR COIL | 1 | |
| 13 | 871142 | . ACTUATOR, THERMAL | 1 | |
| NS | 374436 | SUPPORT ACTUATOR DEFROSTER FOR FACE LIFT W/2009 FACE LIFT | 1 | |
| 14 | 871425 | . FLAPPER DOOR | 1 | |
| 15 | 871426 | . BRACKET | 2 | |
| NS | 504431 | . RIVET POP DOME OE 1/8x3/8 AL | AR | |
| 16 | N8889689 | . WASHER FLAT 5MM SS | 8 | |
| 17 | 871427 | . BRACKET | 1 | |
| 18 | N.S.P. | . SPRING NUT | 3 | 2 |
| 19 | 871147 | . FILTER / RECIRCULATING 1/4" x 6 1/4" x 28" | 1 | |
| 20 | N.S.P. | . DRIP PROTECTOR | 1 | 2 |
| 21 | 871149 | . TUBE, A/C | 1 | |
| 22 | 871150 | . TUBE, A/C | 1 | |
| 23 | 871405 | . TUBE SUPPORT | 1 | |
| 24 | 871152 | . TUBE HEATER | 1 | |
| 25 | 871153 | . TUBE HEATER | 1 | |
| 26 | 871442 | . HOSE SILICONE 4 PLY 5/8 OD x 4" | AR | |
| 27 | 871443 | . HOSE CLAMP / | 4 | |
| 28 | 507279 | . O-RING / ORS FITTING / #8 NEO | 2 | |
| 28 | VIP-2208-00 | . A/C EXPANSION VALVE | | |
| 29 | 870151 | . CASING | 1 | |
| 30 | 871401 | . COVER | 1 | |
| 31 | 871403 | . COVER / BLOWER ACCESS | 1 | |
| 32 | 871409 | . DIVIDER | 1 | |
| 33 | 871412 | . INSULATION | 1 | |
| 34 | 563660 | . MODULE CONTROL FAN SPEED / W/DOUBLE MOTOR W/MUX PASSNGER SIDE | 1 | A |
| 36 | 8860148 | . TUBE, NYLON 5/16 O.D. / BLACK S.L. | 1 | |

| | | |
|---|--------------|------------------|
| From K-0295 To K-0492 | Date:07/2024 | PAGE:VIP-2225-01 |
| DRIVER'S HEATER & DEFROSTER ASSY | | |

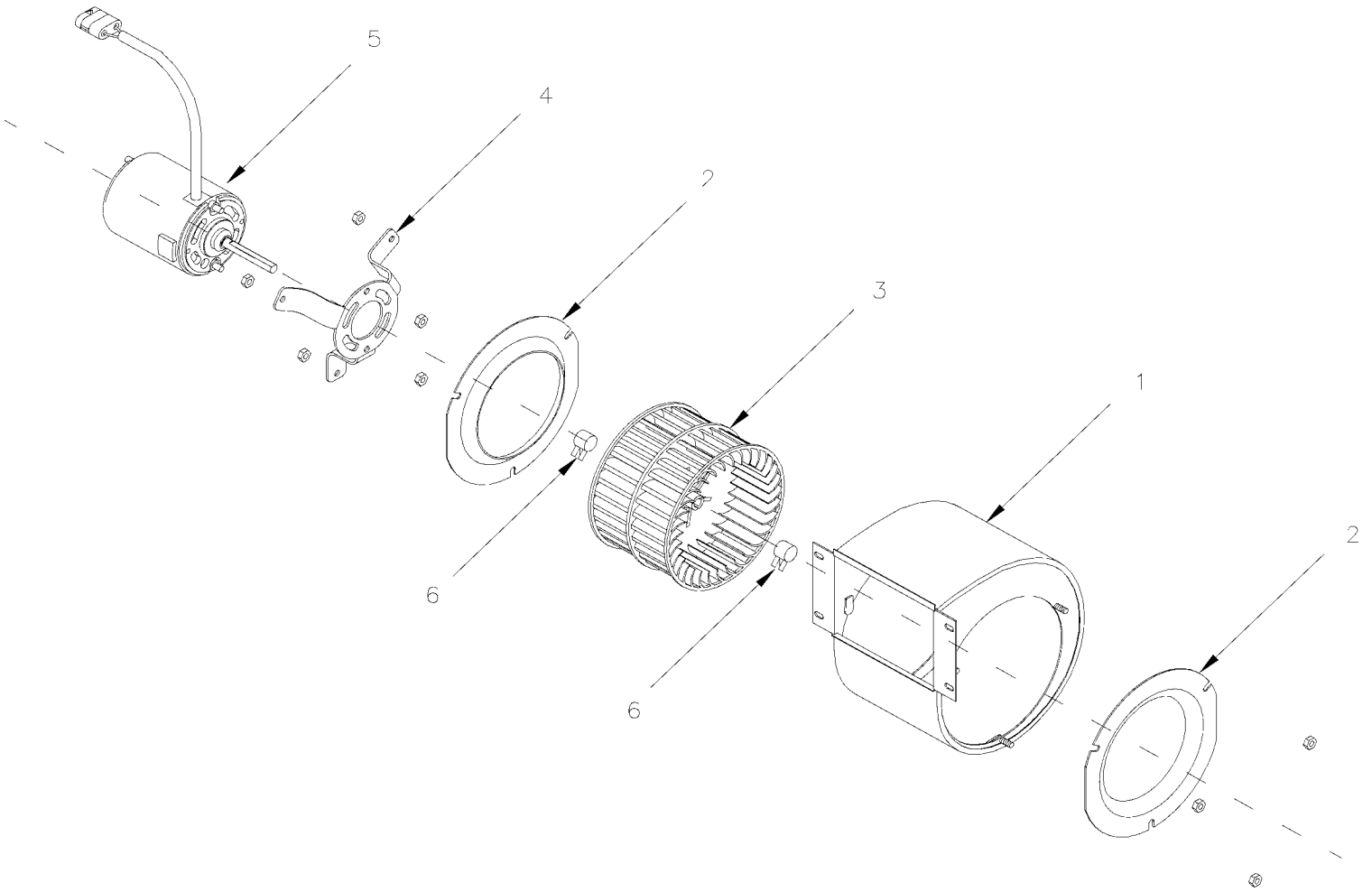
| Item# | Part | Description | QTY | Notes |
|-------|----------|---|-----|-------|
| 37 | N8888160 | . SPRING CLIP | 1 | |
| 38 | N8889483 | . GROMMET | 1 | |
| 39 | N8885879 | . GROMMET | 1 | |
| 40 | 871408 | . HARNESS COVER | 1 | |
| | | | | |
| | | | | |
| | | A) WITH SMALL A/C SYSTEM | | |
| | | 2) NOT SOLD BY PREVOST (SEE MANUFACTURING PART NUMBER AT END OF DESCRIPTION LINE) | | |

From K-0295 To K-0492

Date:07/2024

PAGE:871360

BLOWER & MOTOR ASSY - "M.C.C." "CCW" / FAN END



| | | |
|-----------------------|--------------|-------------|
| From K-0295 To K-0492 | Date:07/2024 | PAGE:871360 |
|-----------------------|--------------|-------------|

BLOWER & MOTOR ASSY - "M.C.C." "CCW" / FAN END

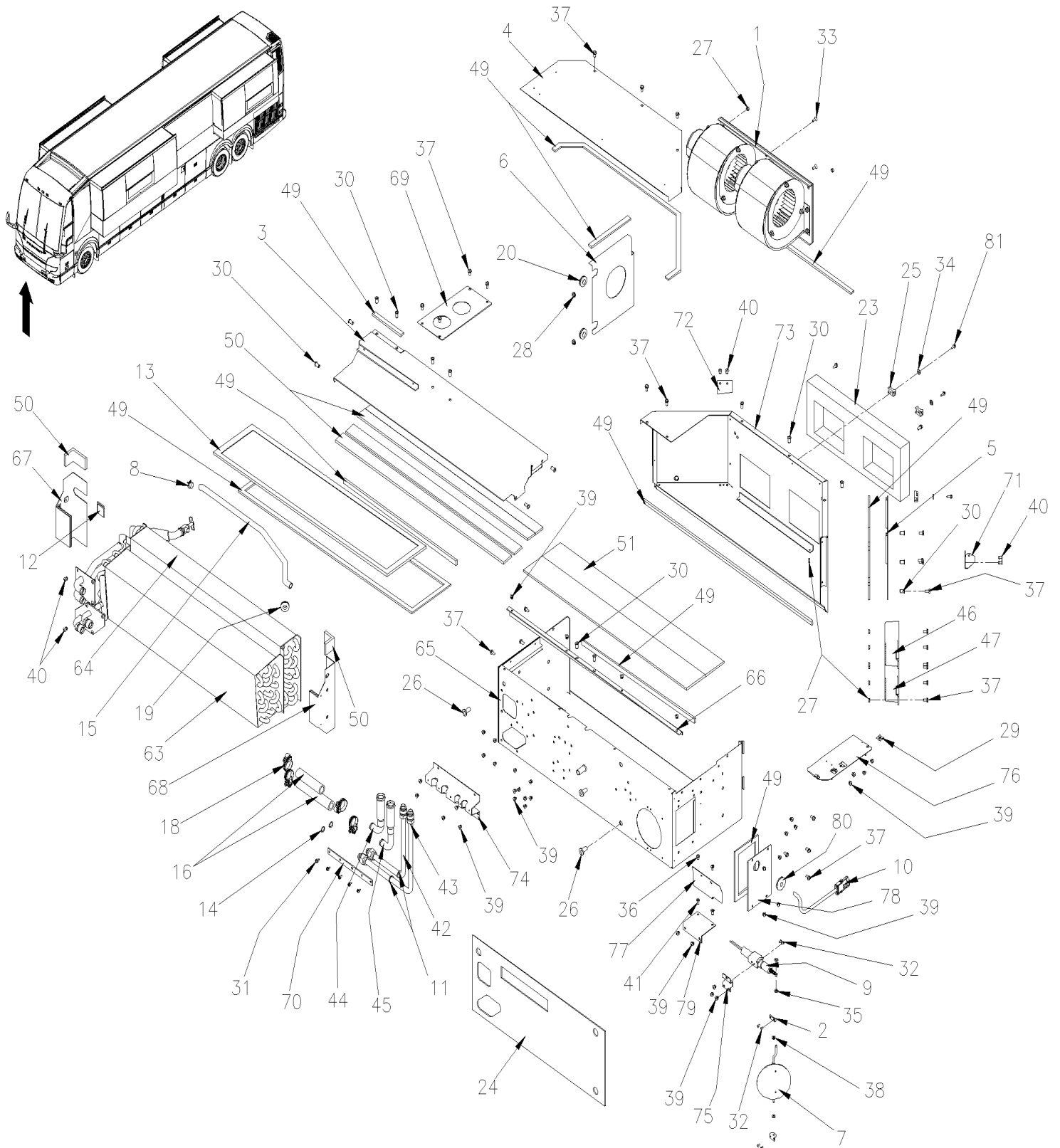
| Item# | Part | Description | QTY | Notes |
|-------|----------|---|-----|-------|
| | | BLOWER ASSY 24V / CCW | 1 | |
| 1 | 871365 | . BLOWER HOUSING | 1 | |
| 2 | N8889479 | . VENTURY | 2 | |
| 3 | 871133 | . BLOWER WHEEL / PLASTIC 5 1/8" x 3 1/2" x 5/16" x I.D. | 1 | |
| 4 | N8890530 | . MOUNTING MOTOR BRACKET | 1 | |
| 5 | 871366 | . MOTOR ASSY 24V / CCW | 1 | |
| 6 | N8888160 | . SPRING CLIP | 2 | |

From K-0493 To P-1347

Date:07/2024

PAGE:VIP-2225-02

DRIVER'S HEATER & DEFROSTER ASSY



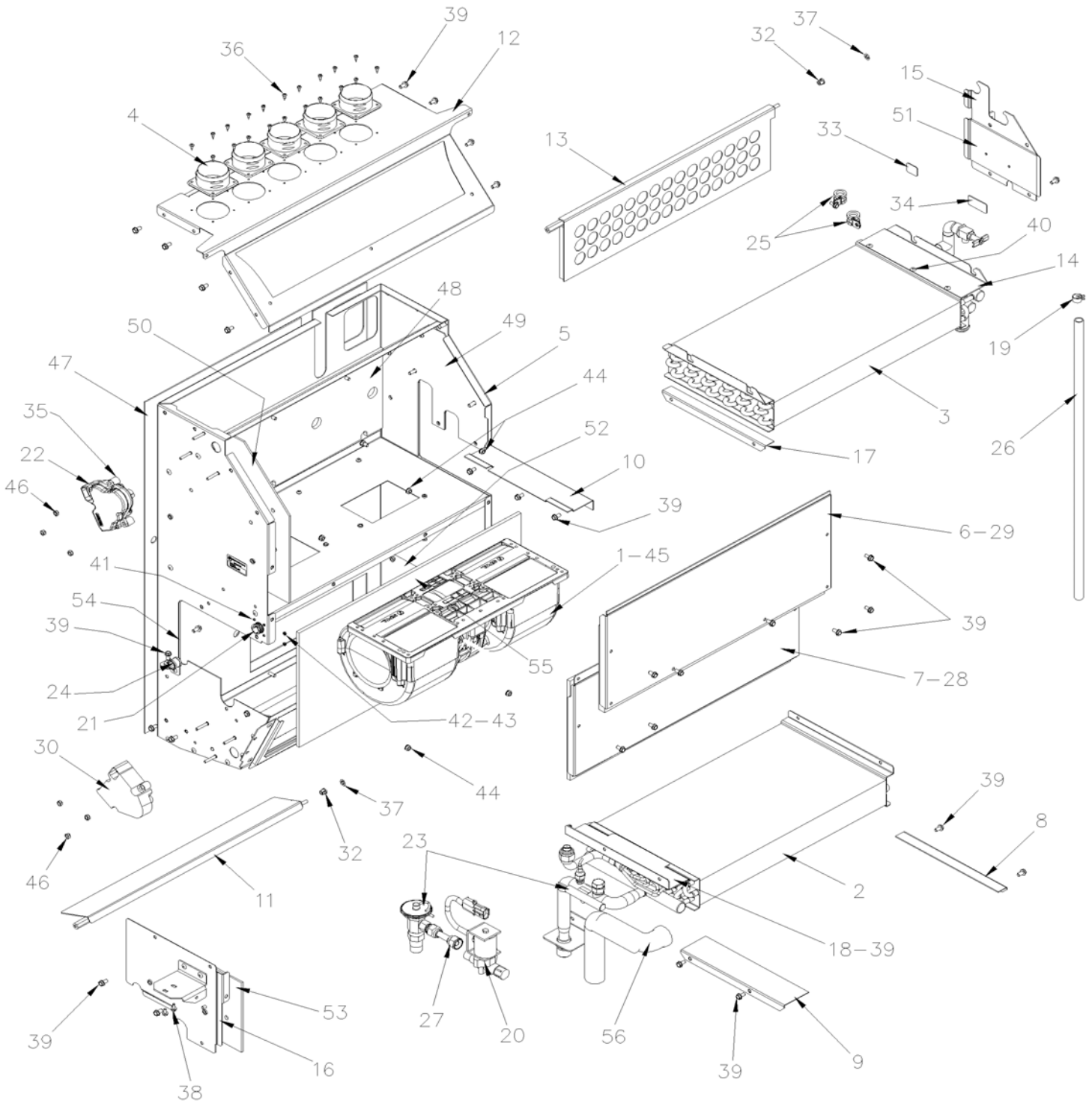
| | | |
|---|---------------------|-------------------------|
| From K-0493 To P-1347 | Date:07/2024 | PAGE:VIP-2225-02 |
| DRIVER'S HEATER & DEFROSTER ASSY | | |

| Item# | Part | Description | QTY | Notes |
|-------|-----------------|--|-----|-------|
| | 870068 | DEFROSTER & A/C UNIT ASSY | 1 | |
| 1 | 871359 | . BLOWER ASSY 24V / W/DOUBLE MOTOR MOUNT | 1 | |
| 2 | 871426 | . BRACKET | 2 | |
| 3 | 871401 | . COVER | 1 | |
| 4 | 871403 | . COVER / BLOWER ACCESS | 1 | |
| 5 | 871408 | . HARNESS COVER | 1 | |
| 6 | 871409 | . DIVIDER | 1 | |
| 7 | 871425 | . FLAPPER DOOR | 1 | |
| 8 | N8888160 | . SPRING CLIP | 1 | |
| 9 | 871142 | . ACTUATOR, THERMAL | 1 | |
| 10 | 870067 | . WIRING HARNESS | 1 | |
| 11 | N8887060 | . INSULATION TAPE | AR | |
| 13 | 871147 | . FILTER / RECIRCULATING 1/4" x 6 1/4" x 28" | 1 | |
| 14 | N8887061 | . O-RING #8 | 2 | |
| 15 | 8860534 | . TUBE, NYLON 1/2 O.D. / BLACK S.L. | AR | |
| 16 | N8903249 | . HOSE SILICONE 5/8" | AR | |
| 18 | N8903248 | . CLAMP 5/8" | 4 | |
| 19 | N8889483 | . GROMMET | 1 | |
| 20 | N8899850 | . GROMMET | 2 | |
| 23 | 871129 | . SEAL | 1 | |
| 24 | Call order desk | . INSULATION 1/8" | 1 | P |
| 25 | 870059 | . TIE MOUNT | 3 | |
| 26 | Call order desk | . RIVNUT 5/16"-18 AL | 3 | P |
| 27 | N8889858 | . NUT M5 | 9 | |
| 28 | N8889696 | . LOCK NUT #10-32 | 2 | |
| 29 | 871429 | . SPRING NUT | 4 | |
| 30 | 870050 | . RIVET NUT M5 | 16 | |
| 31 | N8889859 | . SCREW #8x3/8" | 5 | |
| 32 | N8890513 | . POP RIVET 1/8"x.265" | 6 | |
| 33 | 870051 | . SCREW #10-32x1/2" | 2 | |
| 34 | N8890477 | . WASHER FL M6 | 3 | |
| 35 | 19508962 | . PUSHNUT 3/16" | 2 | |
| 36 | N8895770 | . PUSHNUT 3/16" | 2 | |
| 37 | N8889857 | . SCREW CAP HEX M5x10 | 29 | |
| 38 | N8889689 | . WASHER FLAT 5MM SS | 4 | |
| 39 | 870047 | . POP RIVET 3/16"x.345" | 37 | |
| 40 | 870046 | . POP RIVET 3/16" | 12 | |
| 41 | 870049 | . RIVNUT M4 | 2 | |
| 42 | 871150 | . TUBE, A/C | 1 | |
| 43 | 871149 | . TUBE, A/C | 1 | |
| 44 | 871153 | . TUBE HEATER | 1 | |
| 45 | 871152 | . TUBE HEATER | 1 | |

| | | |
|---|--------------|------------------|
| From K-0493 To P-1347 | Date:07/2024 | PAGE:VIP-2225-02 |
| DRIVER'S HEATER & DEFROSTER ASSY | | |

| Item# | Part | Description | QTY | Notes |
|-------|-----------------|---|-----|-------|
| 46 | 871353 | . MODULE CONTROL FAN SPEED / W/DOUBLE MOTOR | 1 | |
| 47 | 563660 | . MODULE CONTROL FAN SPEED / W/DOUBLE MOTOR W/MUX PASSNGER SIDE | 1 | |
| 49 | N8889679 | . FOAM / 3/16"x1 1/2" | AR | |
| 50 | N8895172 | . FOAM / 1/4"x1 1/4" | AR | |
| 51 | N8893438 | . FOAM / 3/16"x3" | AR | |
| 63 | 870038 | . EVAPORATOR COIL | 1 | |
| 64 | 870041 | . HEATER COIL | 1 | |
| 65 | 870028 | . CASING | 1 | |
| 66 | 870019 | . BRACKET | 1 | |
| 67 | 870032 | . BRACKET L.H. | 1 | |
| 68 | 870033 | . BRACKET R.H. | 1 | |
| 69 | 870043 | . PLATE | 1 | |
| 70 | Call order desk | . BRACKET T24-15368 | 1 | P |
| 71 | 870024 | . BRACKET (R) | 1 | |
| 72 | 870025 | . BRACKET (L) | 1 | |
| 73 | 870060 | . TOP COVER | 1 | |
| 74 | Call order desk | . TUBES SUPPORT T24-15373 | 1 | P |
| 75 | 870021 | . ACTUATOR BRACKET | 1 | |
| 76 | 870023 | . BRACKET | 1 | |
| 77 | 870020 | . BRACKET | 1 | |
| 78 | 870055 | . SIDE COVER | 1 | |
| 79 | 870022 | . BRACKET | 1 | |
| 80 | G1091875 | . GROMMET G1091875 | 1 | |
| 81 | 950531 | . SCREW TC CAP HEXW SLT #8-32 X 1/2" | 3 | |
| | | | | |
| | | | | |
| | | | | |
| | | P) CALL ORDER DESK FOR SPECIFIC APPLICATION (V.I.N.) | | |

| | | |
|---|--------------|------------------|
| | Date:07/2024 | PAGE:VIP-2225-03 |
| DRIVER'S HEATER & DEFROSTER ASSY | | |



Date:07/2024

PAGE:VIP-2225-03

DRIVER'S HEATER & DEFROSTER ASSY

| Item# | Part | Description | QTY | Notes |
|-------|-----------------|--|-----|-------|
| | 370327 | DEFROSTER & A/C UNIT ASSY | 1 | |
| 1 | 950623 | . BLOWER 24V | 1 | |
| 2 | 870164 | . EVAPORATOR COIL | 1 | |
| 3 | 870165 | . HEATER COIL | 1 | |
| . NS | 870127 | . . DRAIN VALVE ROBINET VIDANGE | 1 | |
| 3 | 641936 | . . BALL VALVE 1/4 NPT M x 1/4 NPT F | 1 | D |
| 3 | 501332 | . . STREET ELBOW 90° / PIPE FITTING / 1/4NPT-Mx1/4NPT-F BR | 1 | D |
| 3 | 642196 | . . MALE CONNECTOR / HOSE BARB FITTING / #6x1/4NPT-M BR | 1 | D |
| 4 | 870166 | . HOSE ADAPTER 2" | 5 | |
| 5 | Call order desk | . CASING | 1 | P |
| 6 | 870167 | . COVER | 1 | |
| 7 | 870168 | . COVER | 1 | |
| 8 | 870169 | . BRACKET | 1 | |
| 9 | 870170 | . BRACKET | 1 | |
| 10 | 870171 | . BRACKET | 1 | |
| 11 | 870172 | . FLAPPER DOOR ASS'Y | 1 | |
| 12 | 870173 | . AIR DISTRIBUTOR | 1 | |
| 13 | 870174 | . FLAPPER DOOR ASS'Y | 1 | |
| 14 | 870175 | . BRACKET | 1 | |
| 15 | 870176 | . ACCESS COVER ASSY | 1 | |
| 16 | 870179 | . ACCESS COVER ASSY | 1 | |
| 17 | 870180 | . BRACKET | 1 | |
| 18 | 870183 | . BRACKET | 1 | |
| 19 | 870185 | . CLIP | 1 | |
| 20 | 870187 | . SOLENOID VALVE ASSY 24V | 1 | |
| 21 | 870188 | . WIRE HARNESS | 1 | |
| 22 | 870189 | . ACTUATOR 24V | 1 | |
| 23 | 870039 | . EXPANSION VALVE | 1 | |
| 24 | 950567 | . CLAMP #8 | 1 | |
| 25 | 870190 | . CLAMP #10 | 2 | |
| 26 | 870191 | . TUBE PVC / 560mm | 1 | |
| 27 | 870192 | . COPPER TUBE ASSY | 1 | |
| 28 | Call order desk | . FOAM 1/4" 205MMx480MM | AR | P |
| 29 | Call order desk | . FOAM 1/4" 170MMx480MM | AR | P |
| 30 | 870189 | ACTUATOR 24V | 1 | |
| 32 | 870194 | . SNAP BUSHING / 3/16" | 2 | |
| 33 | 870195 | . DECAL "IN" | 1 | |
| 34 | 870196 | . DECAL "OUT" | 1 | |
| 35 | 870201 | . NYLON SPACER 1/2" | 6 | |
| 36 | 870202 | . SCREW TP PAN PH #6X3/8" | 20 | |
| 37 | 870203 | . PUSHNUT 3/16" | 2 | |
| 38 | 870204 | . SCREW CAP HEXF M4-0.7x8 YP | 2 | |

| | | |
|---|--------------|------------------|
| | Date:07/2024 | PAGE:VIP-2225-03 |
| DRIVER'S HEATER & DEFROSTER ASSY | | |

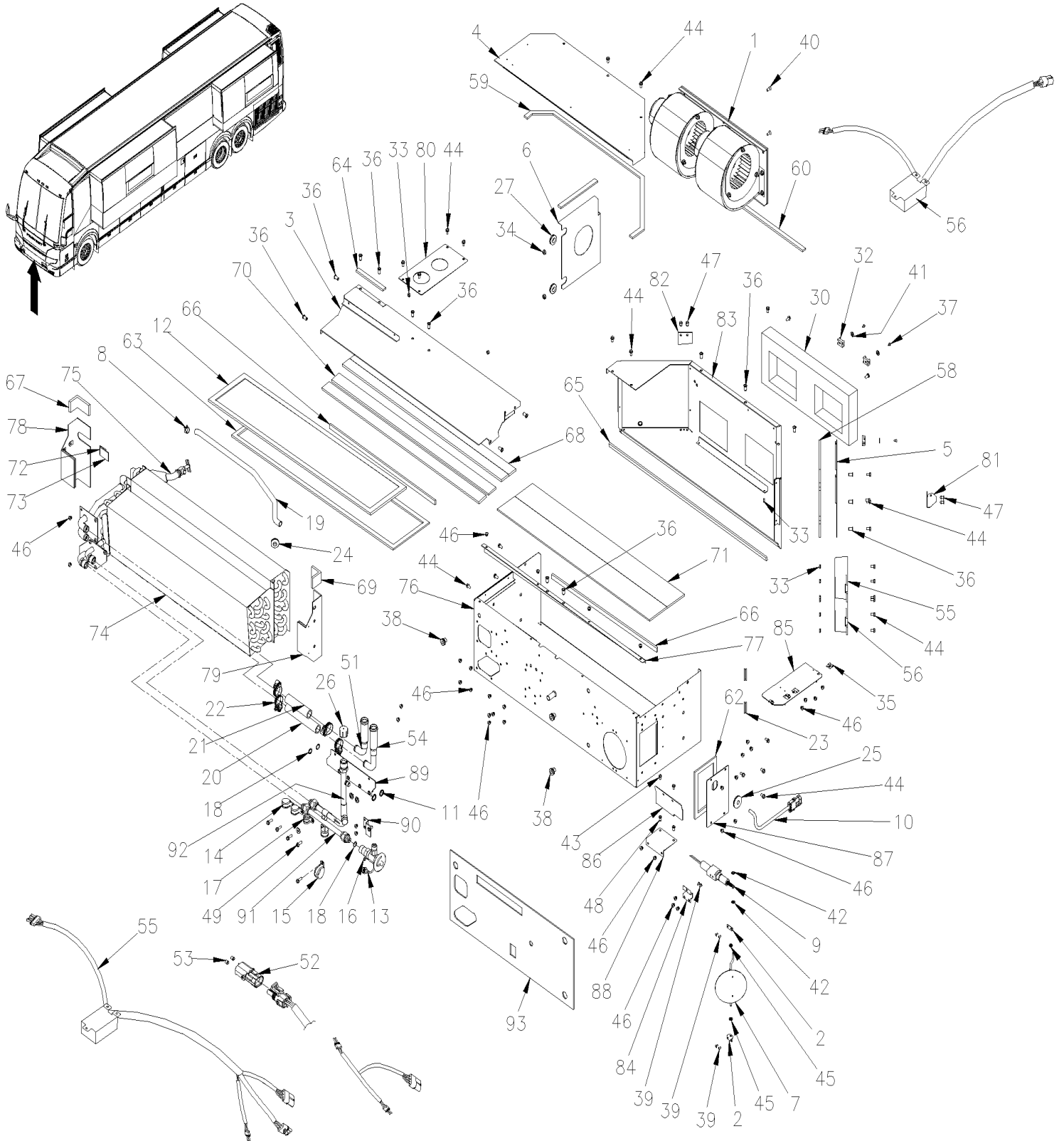
| Item# | Part | Description | QTY | Notes |
|-------|-----------------|--|-----|-------|
| 39 | 870205 | . SCREW CAP HEXF M5-0.8x10 YP | 39 | |
| 40 | 870047 | . POP RIVET 3/16"x.345" | 3 | |
| 41 | 870206 | . SCREW MA PAN SLT #2-56x1/2 | 4 | |
| 42 | 870208 | . NUT HEX #2-56 | 4 | |
| 43 | 870209 | . WASHER FL #2 | 4 | |
| 44 | 870210 | . NUT HEX LOCK M5X0.8 | 10 | |
| 45 | 870211 | . SCREW MA PAN PH M4-0.7x10 ZP | 4 | |
| 46 | 870212 | . NUT HEX LOCK M4-0.7 | 6 | |
| 47 | Call order desk | . INSULATION 1/16" | 1 | P |
| 48 | Call order desk | . INSULATION 1/4" | 1 | P |
| 49 | Call order desk | . INSULATION 1/8" | 1 | P |
| 50 | Call order desk | . INSULATION 1/8" | 1 | P |
| 51 | Call order desk | . INSULATION 1/8" | 1 | P |
| 52 | Call order desk | . INSULATION 1/8" | 1 | P |
| 53 | Call order desk | . INSULATION 1/8" | 1 | P |
| 54 | Call order desk | . INSULATION 1/8" | 1 | P |
| 55 | Call order desk | . INSULATION 1/4" | 1 | P |
| 56 | Call order desk | . TAPE / CORK | AR | P |
| | | | | |
| | | | | |
| | | | | |
| | | D) ALTERNATIVE SOLUTION FOR 870127 BEFORE MCC UPDATE | | |
| | | P) CALL ORDER DESK FOR SPECIFIC APPLICATION (V.I.N.) | | |

From K-0295

Date:07/2024

PAGE:VIP-2225-10

DRIVER'S HEATER & DEFROSTER ASSY WITH SMALL A/C



| | | |
|--|--------------|------------------|
| From K-0295 | Date:07/2024 | PAGE:VIP-2225-10 |
| DRIVER'S HEATER & DEFROSTER ASSY WITH SMALL A/C | | |

| Item# | Part | Description | QTY | Notes |
|-------|----------|--|-----|-------|
| | 870005 | DEFROSTER & A/C UNIT ASSY To K-0492 | 1 | |
| | 870014 | DEFROSTER & A/C UNIT ASSY From K-0493 | 1 | |
| 1 | 871359 | . BLOWER ASSY 24V / W/DOUBLE MOTOR MOUNT | 1 | |
| 2 | 871426 | . BRACKET | 2 | |
| 3 | 871401 | . COVER | 1 | |
| 4 | 871403 | . COVER / BLOWER ACCESS | 1 | |
| 5 | 871408 | . HARNESS COVER | 1 | |
| 6 | 871409 | . DIVIDER | 1 | |
| 7 | 871425 | . FLAPPER DOOR | 1 | |
| 8 | N8888160 | . SPRING CLIP | 1 | |
| 9 | 871142 | . ACTUATOR, THERMAL | 1 | |
| 10 | 870067 | . WIRING HARNESS | 1 | |
| 11 | N8887060 | . INSULATION TAPE | 1 | |
| 12 | 871147 | . FILTER / RECIRCULATING 1/4" x 6 1/4" x 28" | 1 | |
| 13 | 870039 | . EXPANSION VALVE | 1 | |
| 14 | N8895201 | . CLAMP / #12 | 1 | |
| 15 | N8890462 | . CLAMP / #16 | 1 | |
| 16 | 871445 | . O-RING #4 | 1 | |
| 17 | N8887164 | . CLAMP / #10 | 1 | |
| 18 | N8887061 | . O-RING #8 | 3 | |
| 19 | 8860148 | . TUBE, NYLON 5/16 O.D. / BLACK S.L. | 1 | |
| 20 | N8903249 | . HOSE SILICONE 5/8" | 1 | |
| 21 | N8903249 | . HOSE SILICONE 5/8" | 1 | |
| 22 | N8903248 | . CLAMP 5/8" | 4 | |
| 23 | N8889852 | . GROMMET | 2 | |
| 24 | N8889483 | . GROMMET | 1 | |
| 25 | N8887165 | . GROMMET | 1 | |
| 26 | 870031 | . CHARGE CAP 7/8"-14 FE | 1 | |
| 27 | N8899850 | . GROMMET | 2 | |
| 30 | 871129 | . SEAL | 1 | |
| 32 | 870059 | . TIE MOUNT | 3 | |
| 33 | N8889858 | . NUT M5 | 9 | |
| 34 | N8889696 | . LOCK NUT #10-32 | 2 | |
| 35 | 871429 | . SPRING NUT | 4 | |
| 36 | 870050 | . RIVET NUT M5 | 16 | |
| 37 | 870054 | . SCREW MA PAN PH #6x1/4" | 3 | |
| 38 | 870048 | . RIVET NUT 5/16"-18 AL | 3 | |
| 39 | N8889851 | . POP RIVET 1/8"X.265" SS | 6 | |
| 40 | 870051 | . SCREW #10-32x1/2" | 2 | |
| 41 | N8890477 | . WASHER FL M6 | 3 | |
| 42 | 19508962 | . PUSHNUT 3/16" | 2 | |
| 43 | N8895770 | . PUSHNUT 3/16" | 2 | |

| | | | |
|--|--|--------------|------------------|
| From K-0295 | | Date:07/2024 | PAGE:VIP-2225-10 |
| DRIVER'S HEATER & DEFROSTER ASSY WITH SMALL A/C | | | |

| Item# | Part | Description | QTY | Notes |
|-------|----------|---|-----|-------|
| 44 | N8889857 | . SCREW CAP HEXF M4x8 | 29 | |
| 45 | N8889689 | . WASHER FLAT 5MM SS | 4 | |
| 46 | 870047 | . POP RIVET 3/16"x.345" | 47 | |
| 47 | 870046 | . POP RIVET 3/16" | 4 | |
| 48 | 870049 | . RIVNUT M4 | 2 | |
| 49 | 870052 | . SCREW M5x16 BLACK TAP | 5 | |
| 50 | 870064 | . WASHER M5 | 3 | |
| 51 | 871153 | . TUBE HEATER | 1 | |
| 52 | N8890410 | . 2 WAY CONNECTOR | 1 | |
| 53 | N8892474 | . PLUG | 1 | |
| 54 | 871152 | . TUBE HEATER | 1 | |
| 55 | 871353 | . MODULE CONTROL FAN SPEED / W/DOUBLE MOTOR | 1 | |
| 56 | 563660 | . MODULE CONTROL FAN SPEED / W/DOUBLE MOTOR W/MUX PASSNGER SIDE | 1 | |
| 57 | | . LABEL | 4 | |
| 58 | N8889679 | . FOAM / 3/16"x1 /2" | AR | |
| 59 | N8889679 | . FOAM / 3/16"x1 /2" | AR | |
| 60 | N8889679 | . FOAM / 3/16"x1 /2" | AR | |
| 61 | N8889679 | . FOAM / 3/16"x1 /2" | AR | |
| 62 | N8889679 | . FOAM / 3/16"x1 /2" | AR | |
| 63 | N8889679 | . FOAM / 3/16"x1 /2" | AR | |
| 64 | N8889679 | . FOAM / 3/16"x1 /2" | AR | |
| 65 | N8889679 | . FOAM / 3/16"x1 /2" | AR | |
| 66 | N8889679 | . FOAM / 3/16"x1 /2" | AR | |
| 67 | N8895172 | . FOAM / 1/4"x1 1 /4" | AR | |
| 68 | N8895172 | . FOAM / 1/4"x1 1 /4" | AR | |
| 69 | N8895172 | . FOAM / 1/4"x1 1 /4" | AR | |
| 70 | N8895172 | . FOAM / 1/4"x1 1 /4" | AR | |
| 71 | N8893438 | . FOAM / 3/16"x3" | AR | |
| 72 | N8893469 | . FOAM / 1/16"x1" | AR | |
| 73 | N8893469 | . FOAM / 1/16"x1" | AR | |
| 74 | 870038 | . EVAPORATOR COIL | 1 | |
| 75 | 870041 | . HEATER COIL | 1 | |
| 76 | 870028 | . CASING | 1 | |
| 77 | 870019 | . BRACKET | 1 | |
| 78 | 870032 | . BRACKET L.H. | 1 | |
| 79 | 870033 | . BRACKET R.H. | 1 | |
| 80 | 870043 | . PLATE | 1 | |
| 81 | 870024 | . BRACKET (R) | 1 | |
| 82 | 870025 | . BRACKET (L) | 1 | |
| 83 | 870060 | . TOP COVER | 1 | |
| 84 | 870021 | . ACTUATOR BRACKET | 1 | |
| 85 | 870023 | . BRACKET | 1 | |

| | | |
|-------------|--------------|------------------|
| From K-0295 | Date:07/2024 | PAGE:VIP-2225-10 |
|-------------|--------------|------------------|

DRIVER'S HEATER & DEFROSTER ASSY WITH SMALL A/C

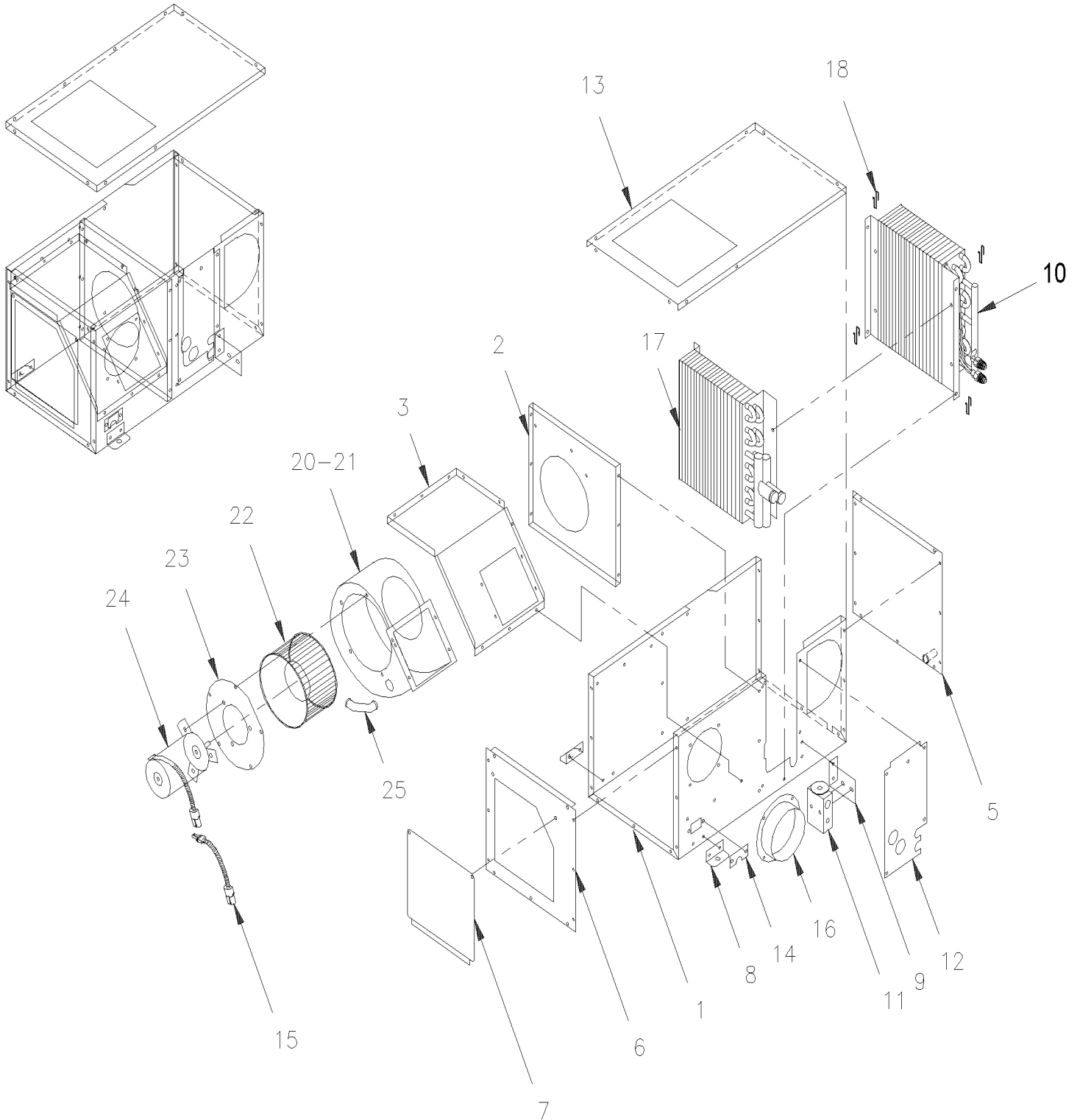
| Item# | Part | Description | QTY | Notes |
|-------|--------|--------------------|-----|-------|
| 86 | 870020 | . BRACKET | 1 | |
| 87 | 870055 | . SIDE COVER | 1 | |
| 88 | 870022 | . BRACKET | 1 | |
| 89 | 870056 | . SUPPORT BRACKET | 1 | |
| 90 | 870057 | . SUPPORT BRACKET | 1 | |
| 91 | 870036 | . COPPER TUBE 1/2" | 1 | |
| 92 | 870037 | . COPPER TUBE ASSY | 1 | |
| 93 | | . INSULATION 1/8" | 4 | |

From K-0295

Date:07/2024

PAGE:VIP-2225-50

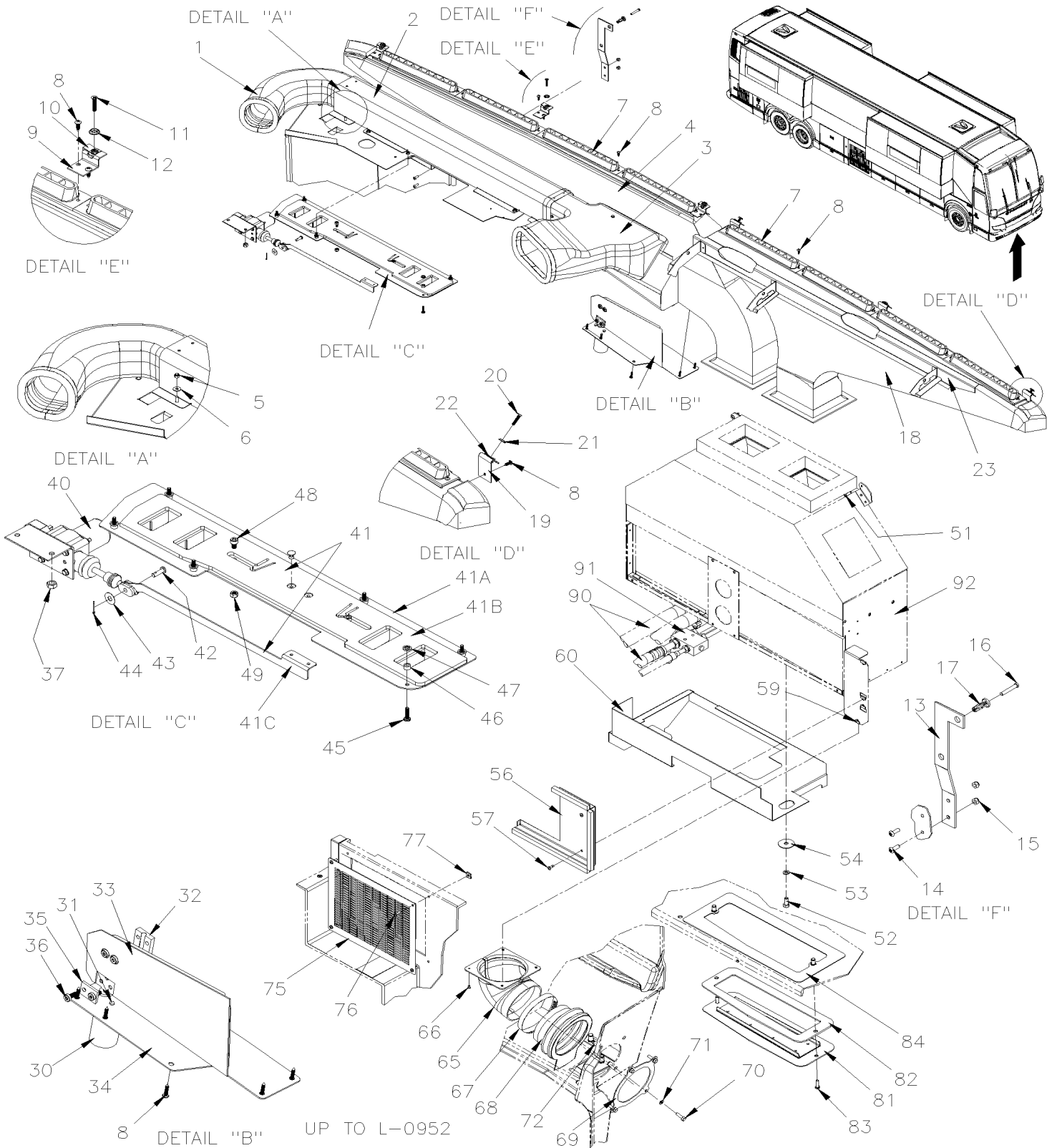
A/C & HEATER AUXILIARY - V.I.P.



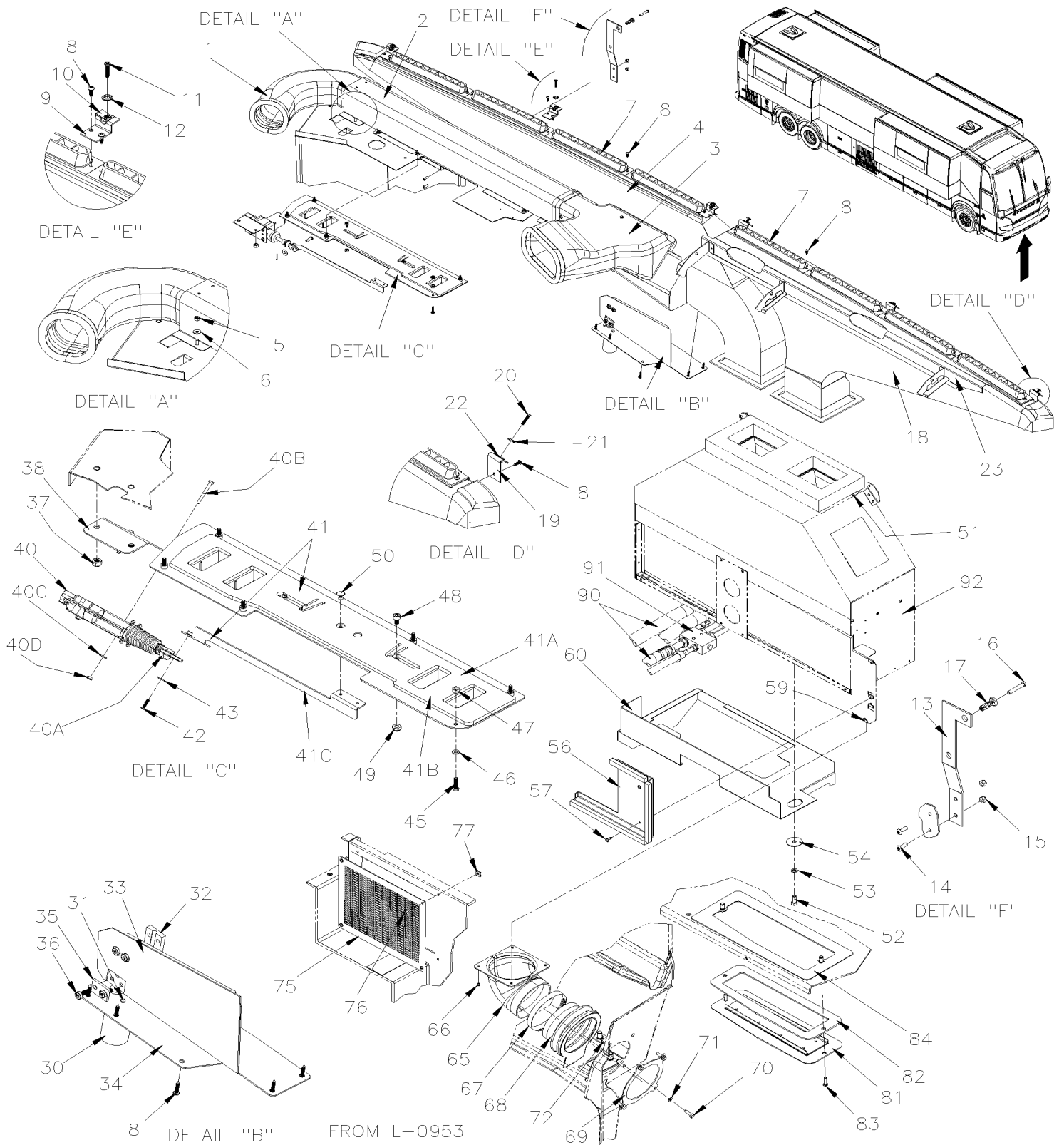
| | | | |
|--|--|---------------------|-------------------------|
| From K-0295 | | Date:07/2024 | PAGE:VIP-2225-50 |
| A/C & HEATER AUXILIARY - V.I.P. | | | |

| Item# | Part | Description | QTY | Notes |
|-------|--------|---|-----|-------|
| | 871177 | A/C UNIT AUXILLIARY ASSY W/HEATER COIL | 1 | |
| 1 | N.S.P. | . CASING / (24-3709) | 1 | 2 |
| 2 | N.S.P. | . PARTITION / (24-3233) | 1 | 2 |
| 3 | N.S.P. | . BLOWER MTG PLATE / (24-3234) | 1 | 2 |
| 5 | N.S.P. | . END COVER - COIL END / (24-3232) | 1 | 2 |
| 6 | N.S.P. | . END COVER - BLOWER END / (24-3231) | 1 | 2 |
| 7 | N.S.P. | . BLOWER ACCESS DOOR / (24-3235) | 1 | 2 |
| 8 | N.S.P. | . MTG BRACKET / (24-3240) | 2 | 2 |
| 9 | N.S.P. | . MTG BRACKET (VALVE) / (24-3238) | 1 | 2 |
| 10 | 871216 | . EVAPORATOR COIL | 1 | |
| 11 | 950221 | . VALVE, EXPANSION / DRIVER'S W/R134A | 1 | |
| 12 | N.S.P. | . COVER PLATE / (24-3710) | 1 | 2 |
| 13 | N.S.P. | . COVER / (24-3237) | 1 | 2 |
| 14 | N.S.P. | . HARNESS COVER / (24-3239) | 1 | 2 |
| 15 | N.S.P. | . BLOWER WIRE EXTENSION / (35-0089) | 1 | 2 |
| 16 | 871335 | . HOSE ADAPTOR 4" | 1 | |
| 17 | 871215 | . HEATER COIL | 1 | |
| 18 | N.S.P. | . CLIPS / (29-0437) | 4 | 2 |
| 20 | 871217 | . BLOWER 24V | 1 | |
| 21 | 871218 | . BLOWER HOUSING | 1 | |
| 22 | 871219 | . BLOWER WHEEL | 1 | |
| 23 | 871220 | . MOTOR PLATE | 1 | |
| 24 | 871221 | . MOTOR 24V | 1 | |
| 25 | 871222 | . TUBE | 1 | |
| | | | | |
| | | | | |
| | | | | |
| | | 2) NOT SOLD BY PREVOST (SEE MANUFACTURING PART NUMBER AT END OF DESCRIPTION LINE) | | |

DEFROSTER - INSTALLATION



DEFROSTER - INSTALLATION



| | | |
|---------------------------------|---------------------|-------------------------|
| From K-0295 To P-1347 | Date:07/2024 | PAGE:VIP-2230-00 |
| DEFROSTER - INSTALLATION | | |

| Item# | Part | Description | QTY | Notes |
|-------|-----------------|---|-----|-------|
| 1 | 392479 | DUCT DRIVER LH SECTION | 1 | |
| 2 | 392488 | DUCT DRIVER CENTER SECTION | 1 | |
| 3 | 392212 | DUCT DRIVER RH SECTION | 1 | |
| . NS | 391003 | . SEAL DUCT | 1 | |
| 4 | 391925 | DEFROSTER DUCT STREETSIDE | 1 | |
| NS | 391979 | DEFLECTOR / (INSIDE OF DUCT) | 1 | |
| NS | 890014 | SCREW TP PAN PH ST3.9x16 BKP | 7 | |
| 5 | 502557 | NUT HEX NYRT M4-0.7 SS | 4 | |
| 6 | 5001971 | WASHER FL 4.3x12.0x1.6 ZP | 4 | |
| 7 | 392519 | LOUVER, LOW SHAPE | 8 | |
| 8 | 890014 | SCREW TP PAN PH ST3.9x16 BKP | AR | |
| 9 | 890001 | SUPPORT | 3 | |
| 10 | 5001406 | NUT SPR U M4-0.7 0.8-4.0x13.5 | 3 | |
| 11 | 5001411 | SCREW MA FL PH M4-0.7x20 BK | 3 | |
| 12 | 500345 | WASHER FN CKF .187x.500x.090 BR BK | 3 | |
| 13 | 392016 | STRAP / TO FIX DUCT LH TO STRUCTURE | 2 | |
| 14 | 890013 | SCREW MA PAN PH M4-0.7x10 BKP KONGSBERG | 4 | |
| 15 | 502557 | NUT HEX NYRT M4-0.7 SS | 4 | |
| 16 | 5001402 | SCREW MA CHE PH M4-0.7x25 Z050 | 3 | |
| 17 | Call order desk | NUT AN JK M4-0.7 | 3 | P |
| 18 | 391923 | DEFROSTER DUCT CURBSIDE | 1 | |
| 19 | 890025 | SUPPORT | 3 | |
| 20 | 5001411 | SCREW MA FL PH M4-0.7x20 BK | 3 | |
| 21 | 500345 | WASHER FN CKF .187x.500x.090 BR BK | 3 | |
| 22 | 5001405 | NUT SPR U M4-0.7 0.8-4.0x9.5 | 3 | |
| 23 | 391956 | STRUCTURE / R.H. | 1 | |
| 23 | 392203 | STRUCTURE / R.H. WITHOUT HANDRAIL | 1 | |
| | | | | |
| 30 | 392540 | DAMPER ASSY | 1 | |
| 30 | 871424 | . MOTOR | 1 | |
| 31 | 5001398 | . SCREW MA CHE PH M3-0.5x10 SS | 3 | |
| 31 | 5001407 | . WASHER LO EXT 3.2x6.0x0.4 SS | 3 | |
| 32 | 390040 | . FIXING PLATE DAMPER | 1 | |
| 33 | 390994 | . TRAP ASSY | 1 | |
| 34 | 390024 | . BASE DAMPER MOTOR | 1 | |
| 35 | 390046 | . SPACER FIXING DAMPER | 1 | |
| 36 | 890020 | . SCREW MA PAN TORX M5-0.8x12 | 4 | |
| 37 | 5001182 | NUT HEX NYRT M6-1.0 SS To L-0955 | 2 | |
| 37 | 5002044 | NUT HEX NYRT M6-1.0 SS NSS From L-0956 | 2 | |
| 38 | 392792 | SUPPORT, TRAP ACTUATOR From L-0956 | 1 | |
| NS | 563429 | SWITCH MAGNETIC ASSY | 1 | |
| . NS | 562641 | . MAGNET | 1 | |

| | | | |
|---------------------------------|--|--------------|------------------|
| From K-0295 To P-1347 | | Date:07/2024 | PAGE:VIP-2230-00 |
| DEFROSTER - INSTALLATION | | | |

| Item# | Part | Description | QTY | Notes |
|-------|-----------------|--|-----|-------|
| NS | 562641 | . MAGNET | 1 | |
| 40 | 890009 | LOCK ACTUATOR / 12V To L-0955 | 1 | |
| . NS | 562076 | . CONNECTOR / PACK-CON I / FEMALE HOUSING / 2C / PED 8911772 To L-0955 | 1 | |
| 40 | 392814 | KIT ACTUATOR VENTILATION TRAP DASH BOARD To L-0955 | 1 | |
| 40 | 780814 | LOCK ACTUATOR / 12V From L-0956 | 1 | |
| . NS | 562076 | . CONNECTOR / PACK-CON I / FEMALE HOUSING / 2C / PED 8911772 From L-0956 | 1 | |
| 40A | 780883 | END EFFECTOR PADDLE From L-0956 | 1 | |
| 40B | 5001100 | SCREW CAP HEX M3-0.5x30 G8.8 ZP From L-0956 | 1 | |
| 40C | 500437 | WASHER FL .125x.375x.040 Z050 From L-0956 | 1 | |
| 40D | 5001408 | NUT HEX STO M3-0.5 ZP From L-0956 | 1 | |
| 41 | 392484 | DAMPER, FOOT ASSY To L-0955 | 1 | |
| 41 | Call order desk | DAMPER, FOOT ASSY From L-0956 | 1 | P |
| 41A | 390077 | . CLUSTER SLIDING PLATE | 1 | |
| 41B | 390048 | . VENTILATION SUPPORT PLATE | 1 | |
| 41C | 390045 | . ARM, VENTILATION TRAP To L-0955 | 1 | |
| 41C | 392793 | . ARM, VENTILATION TRAP From L-0956 | 1 | |
| 42 | 502023 | . PIN, CLEVIS 1/4 x 51/64 To L-0955 | 1 | |
| 42 | 5001399 | . SCREW MA CHE PH M3-0.5x12 SS From L-0956 | 1 | |
| 43 | 5001137 | . WASHER FL .203x.438x.050 SS To L-0955 | 1 | |
| 43 | 500437 | . WASHER FL .125x.375x.040 Z050 From L-0956 | 1 | |
| 44 | 502180 | . PIN HITCH CLIP 3/32 x 1/2 Z050 To L-0955 | 1 | |
| 45 | 5001410 | . SCREW MA CHE PH M4-0.7x16 SS | 6 | |
| 46 | 890016 | . SPACER 3/16IDx5/16ODx3/16 | 6 | |
| 47 | 5001968 | . WASHER FL RET .198 X .328 X .031 NYL | 6 | |
| 48 | 5001969 | . SCREW CAP HEXS M5-0.8x8 SS | 2 | |
| 49 | 502782 | . NUT HEX NYRT M5-0.8 Z050 | 2 | |
| 50 | 504097 | . RIVET POP DOME LARGE HEAD 1/8x1/4 N050 | 2 | |
| 51 | 500642 | SCREW TP PAN PH #10x3/4 Z050 | 2 | |
| 52 | 500836 | SCREW CAP HEX 5/16-18x3/4 G5 N500 | 3 | |
| 53 | 500942 | WASHER LO SPT 8.1x14.8x2.0 N500 | 3 | |
| 54 | 500462 | WASHER FL .343x1.500x.083 SS | 3 | |
| 56 | 374811 | DEFLECTOR, ONE PIECE, ALU / ASSY | 1 | |
| 56 | 506268 | . TAPE RUB ADH1 URE 3/8" x 1/2" x 25' / GREY 1820 | 1 | |
| 57 | 502868 | SCREW TC TR PH #10-16x1/2 N500 | 4 | |
| 59 | 871429 | SPRING NUT | 4 | |
| 60 | 218380 | SUPPORT, DEFROSTER | 1 | |
| 65 | 374366 | ELBOW 90 DEG AIR INLET | 1 | |
| NS | 684517 | ADHESIVE SIMSON #ISR 70-03 / GREY / 310ml CARTRIDGE | AR | |
| 66 | 504105 | RIVET POP DOME OE 1/8x3/16 AL | 4 | |
| 67 | 504235 | HOSE CLAMP / 3"9/16"-4"1/2 SS / HS-64 | 1 | |
| 68 | 374627 | CUFF END BELLOW / WITH FLAP | 1 | |
| 69 | 374381 | GRILL ASSY / 130MM O.D. SS | 1 | |

| | | |
|---------------------------------|--------------|------------------|
| From K-0295 To P-1347 | Date:07/2024 | PAGE:VIP-2230-00 |
| DEFROSTER - INSTALLATION | | |

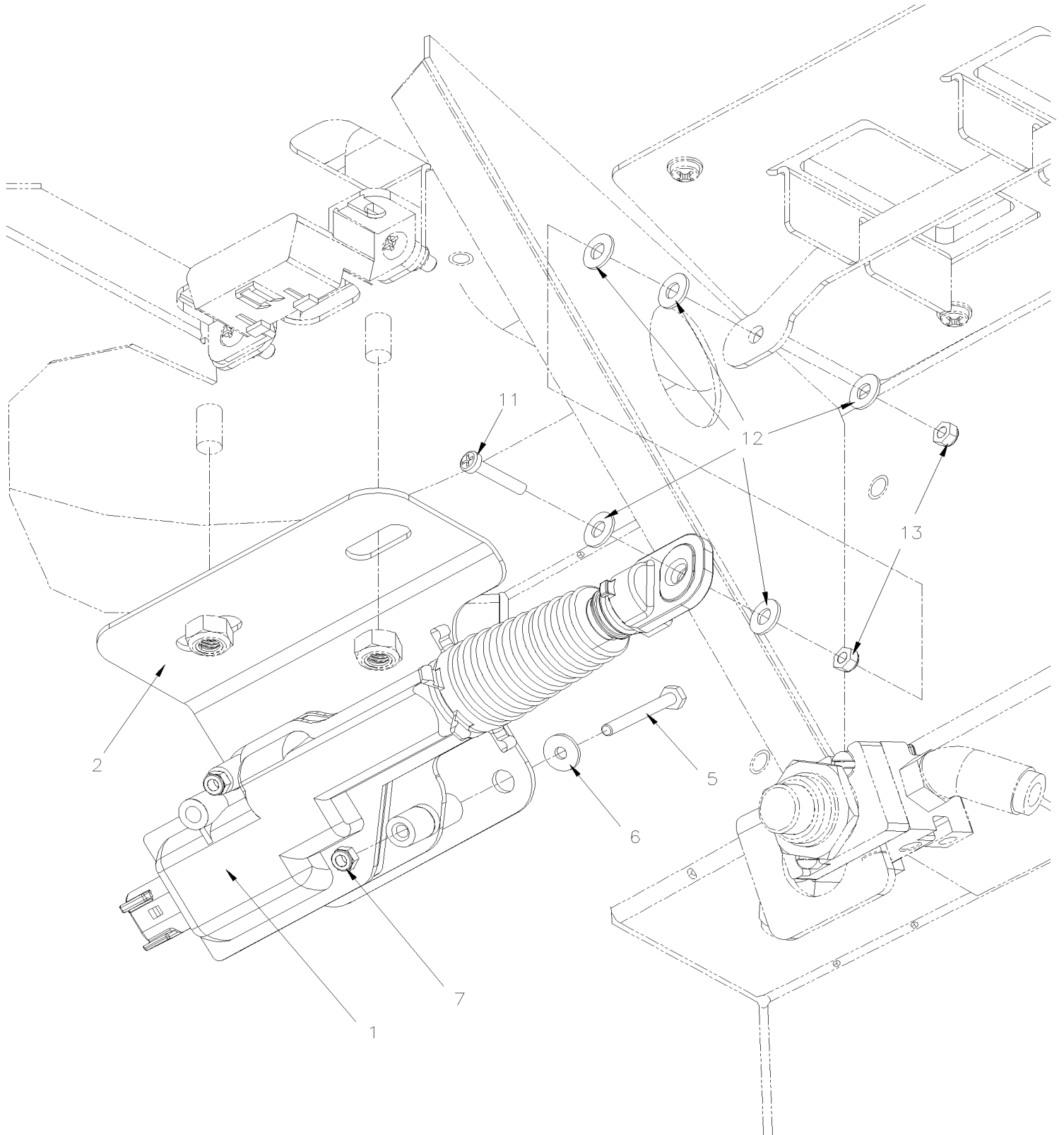
| Item# | Part | Description | QTY | Notes |
|-------|--------------------|---|-----|-------|
| 70 | 502622 | SCREW CAP HEX M6-1.0x20 SS BK | 4 | |
| 71 | 502570 | WASHER LO SPT 6.1x11.8x1.6 SS | 4 | |
| 72 | 374380 | ANCHOR, AIR INTAKE FILTER ASSY | 1 | |
| 75 | 453105 | GRILL AIR / FRONT STEPWELL / RETURN | 1 | |
| 76 | 5001119 | SCREW TP BDG PH #8x3/4 SS | 4 | |
| 77 | 5001154 | NUT SPR U #8A .072-.081 | 4 | |
| 81 | 471200 | PLATE ASSY | 1 | |
| 82 | 471203 | SEAL | 1 | |
| 83 | 5001517 | SCREW CAP FL HEXS M8-1.25x25 G8.8 Z050 | 2 | |
| 84 | 471199 | PLATE | 1 | |
| . NS | 5001854 | . NUT INS FL HEX M6-1.0x21.5 0.5-3.0 SS | 2 | |
| 90 | VIP-2222-10 | A/C & HEATING LINE FRONT SECTION | | |
| 91 | VIP-2208-00 | A/C EXPANSION VALVE | | |
| 92 | VIP-2225-01 | DRIVER'S HEATER & DEFROSTER ASSY To K-0492 | | |
| 92 | VIP-2225-02 | DRIVER'S HEATER & DEFROSTER ASSY From K-0493 | | |
| 94 | OC2018076 | REFERENCE ONLY K-0493 From K-0493 | 1 | |
| | | | | |
| | | | | |
| | | | | |
| | | P) CALL ORDER DESK FOR SPECIFIC APPLICATION (V.I.N.) | | |

To L-0955

Date:07/2024

PAGE:392814

KIT ACTUATOR VENTILATION TRAP DASH BOARD

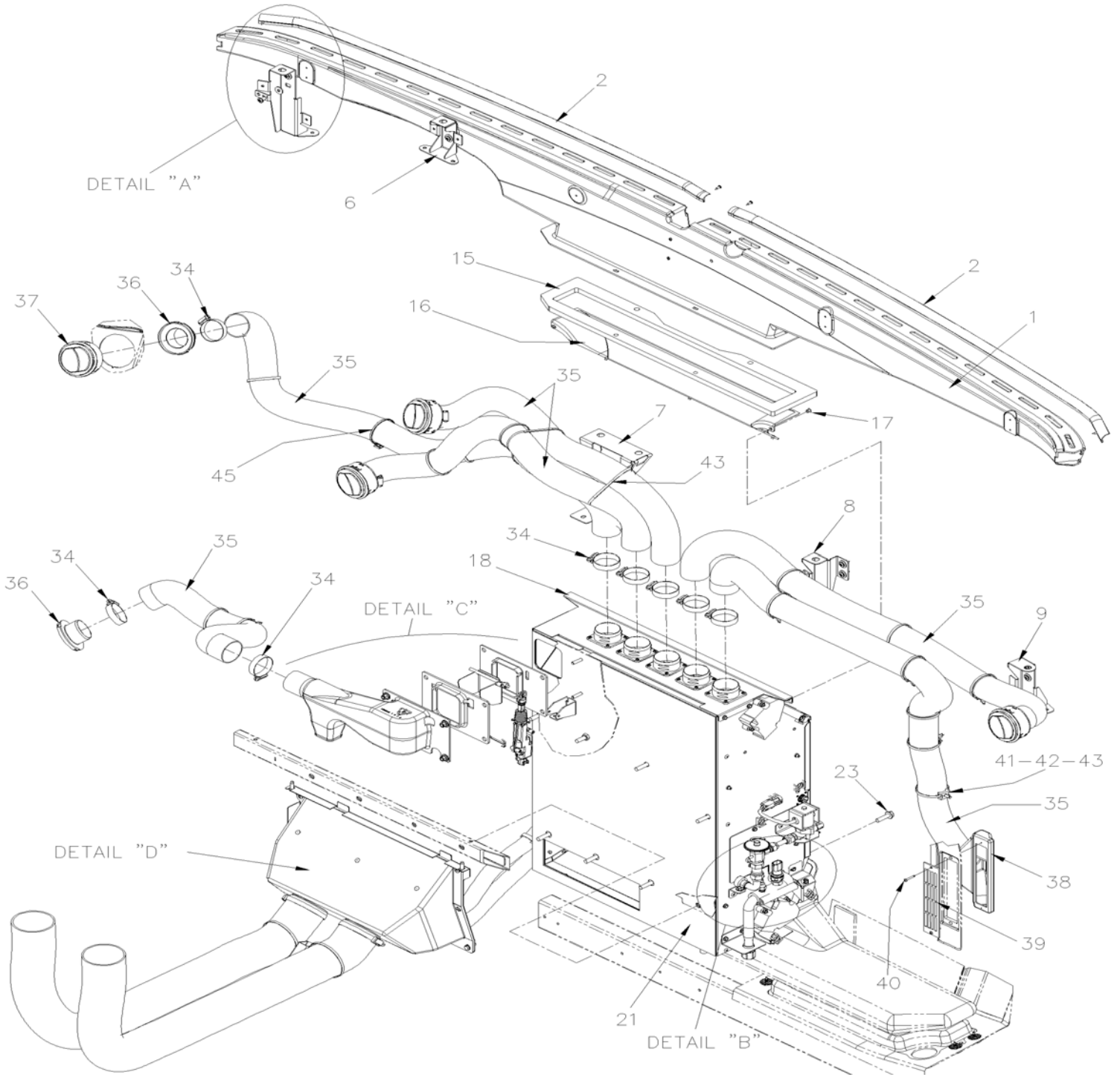


| | | |
|-----------|--------------|-------------|
| To L-0955 | Date:07/2024 | PAGE:392814 |
|-----------|--------------|-------------|

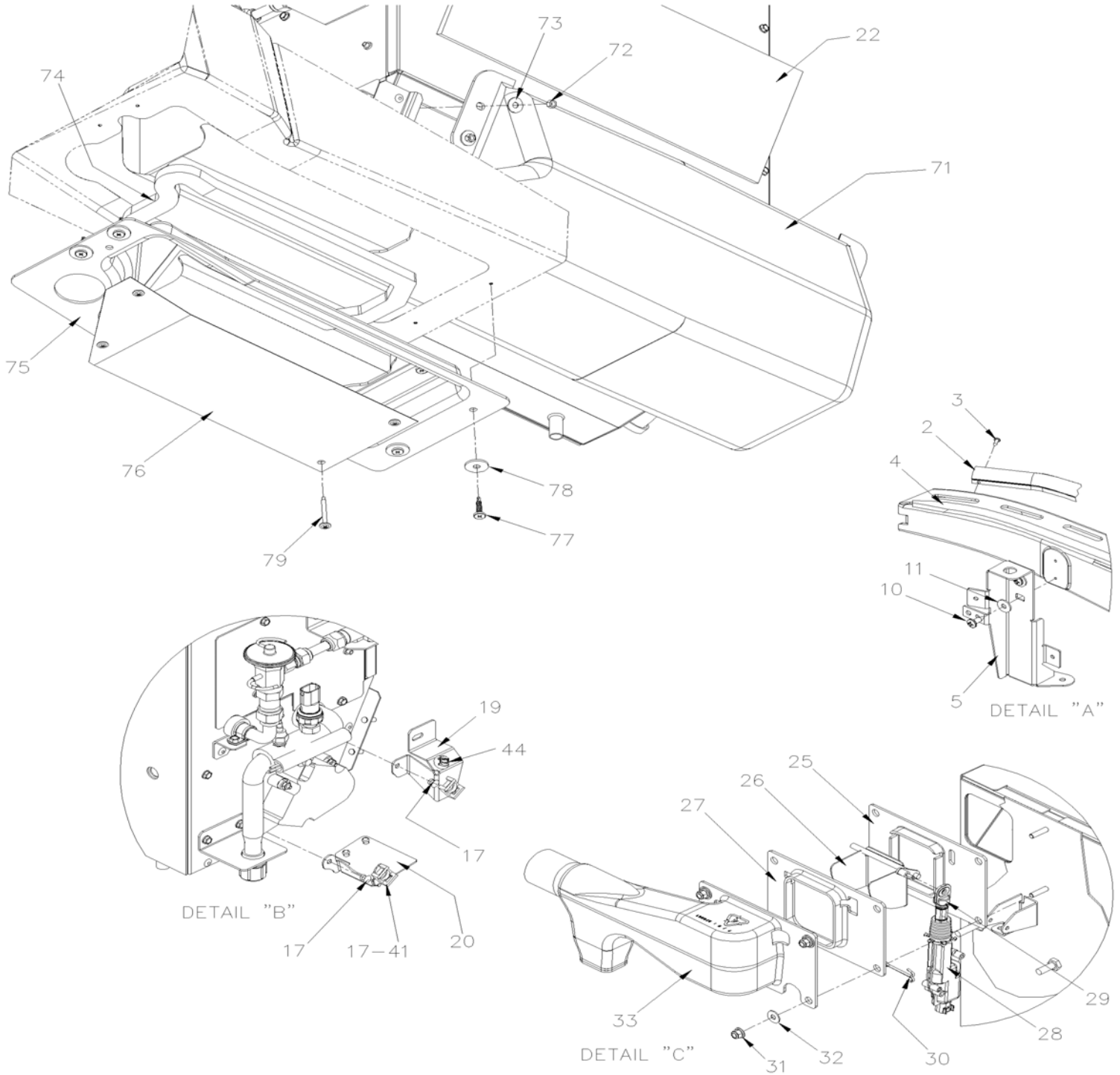
KIT ACTUATOR VENTILATION TRAP DASH BOARD

| Item# | Part | Description | QTY | Notes |
|-------|---------|--|-----|-------|
| 1 | 392816 | ACTUATOR VENTILATION TRAP DASH ASSY | 1 | |
| 1 | 068011 | CABLE INTERFACE DOOR LOCK ACTUATOR (780428 vs 2800049) | 1 | |
| 2 | 392783 | SUPPORT, ACTUATOR | 1 | |
| 5 | 5001100 | SCREW CAP HEX M3-0.5x30 G8.8 ZP | 2 | |
| 6 | 500437 | WASHER FL .125x.375x.040 Z050 | 2 | |
| 7 | 5001408 | NUT HEX STO M3-0.5 ZP | 2 | |
| 11 | 502577 | SCREW MA PAN PH M3-0.5x16 ZP | 1 | |
| 12 | 5001310 | WASHER FL RET .173x.375x.031 NYL BK | 5 | |
| 13 | 5001408 | NUT HEX STO M3-0.5 ZP | 2 | |

| | | |
|--------------------------|--------------|------------------|
| | Date:07/2024 | PAGE:VIP-2230-01 |
| DEFROSTER - INSTALLATION | | |



| | | |
|--------------------------|--------------|------------------|
| | Date:07/2024 | PAGE:VIP-2230-01 |
| DEFROSTER - INSTALLATION | | |



Date:07/2024

PAGE:VIP-2230-01

DEFROSTER - INSTALLATION

| Item# | Part | Description | QTY | Notes |
|-------|--------------------|--|-----|-------|
| 1 | 370258 | WINDSHIELD AIR DUCT ASS | 1 | |
| 2 | 470095 | . RUBBER EXTRUSION / RAW MATERIAL | 2 | |
| 3 | 500120 | . SCREW TP BDG PH #6x1/2 SS | 6 | |
| 4 | 5060037 | . TAPE RUB ADH1 CC POL 1/4" x 1/2" x 35' / BLACK H1C | AR | |
| 5 | 370249 | SUPPORT WINDSHIELD VENTILATION DUCT | 1 | |
| 6 | 370254 | SUPPORT WINDSHIELD VENTILATION DUCT | 1 | |
| 7 | 370251 | SUPPORT WINDSHIELD VENTILATION DUCT | 1 | |
| 8 | 370252 | SUPPORT WINDSHIELD VENTILATION DUCT | 1 | |
| 9 | 370253 | SUPPORT WINDSHIELD VENTILATION DUCT | 1 | |
| 10 | 500841 | SCREW TP PAN PH #14x3/4 Z050 | 9 | |
| 11 | 5001462 | WASHER FL 6.4x18.0x1.6 Z050 | 9 | |
| 15 | 370323 | GASKET, WINDSHIELD AIR DUCT | 1 | |
| 16 | 370247 | TRANSITION DUCT | 1 | |
| 17 | 504114 | RIVET POP DOME OE 3/16x1/4 AL | AR | |
| 18 | 506104 | TAPE RUB ADH1 URE 1/8" x 1/2" x 75' / GREY 1820 | AR | |
| 19 | 451264 | SUPPORT,A/C HOSES | 1 | |
| 20 | 451315 | SUPPORT,A/C HOSES | 1 | |
| 21 | VIP-2225-03 | DRIVER'S HEATER & DEFROSTER ASSY | | |
| 22 | 870119 | FILTER AIR INTAKE 16.5" X 5.5" X 1/4" | 1 | |
| 23 | 5002109 | SCREW CAP HEXF SERR M8-1.25x30 SS NSS | 8 | |
| 25 | 370260 | AIR DUCT FLANGE | 1 | |
| 26 | 370284 | HOT AIR CLAPET | 1 | |
| 27 | 370032 | AIR DUCT FLANGE | 1 | |
| 28 | 2800049 | LOCK ACTUATOR / 12V | 1 | |
| 28 | 780814 | . LOCK ACTUATOR / 12V | 1 | |
| . NS | 562076 | . . CONNECTOR / PACK-CON I / FEMALE HOUSING / 2C / PED 8911772 | 1 | |
| 29 | 780883 | . END EFFECTOR PADDLE | 1 | |
| 30 | 502022 | PIN COTTER 7/64X2 | 1 | |
| 31 | 5001932 | NUT HEXF NYRT M6-1.0 G8.8 N500 | 4 | |
| 32 | 5001833 | WASHER BEL SPR 6.1x18x1.27 SS | 4 | |
| 33 | 370261 | AIR DUCT FEET | 1 | |
| 34 | 504023 | HOSE CLAMP / 1"5/16-2"1/4 SS / HS-28 | 11 | |
| 35 | 503076 | PLASTIC TUBE / 2" x 25' | AR | |
| 36 | 950606 | CONNECTOR, AIR DIFFUSER | 5 | |
| 37 | 950607 | AIR DIFFUSER | 4 | |
| 38 | 370248 | STAIR AIR NOZZLE | 1 | |
| 39 | 870118 | AIR GRID, STAIR H | 1 | |
| 40 | 5001145 | SCREW TP BDG PH #6x1 BK | 2 | |
| 41 | 504013 | TIE MOUNT / 1/4" X 1/4" I.D. | AR | |
| 42 | 504379 | RIVET POP DOME OE 3/16x1/4 SS | AR | |
| 43 | 504637 | CABLE TIE / 3/16" x 13" | AR | |
| 44 | 509815 | TIE MOUNT / ATTACHMENT W/TREE MOUNT | AR | |

| | | |
|---------------------------------|---------------------|-------------------------|
| | Date:07/2024 | PAGE:VIP-2230-01 |
| DEFROSTER - INSTALLATION | | |

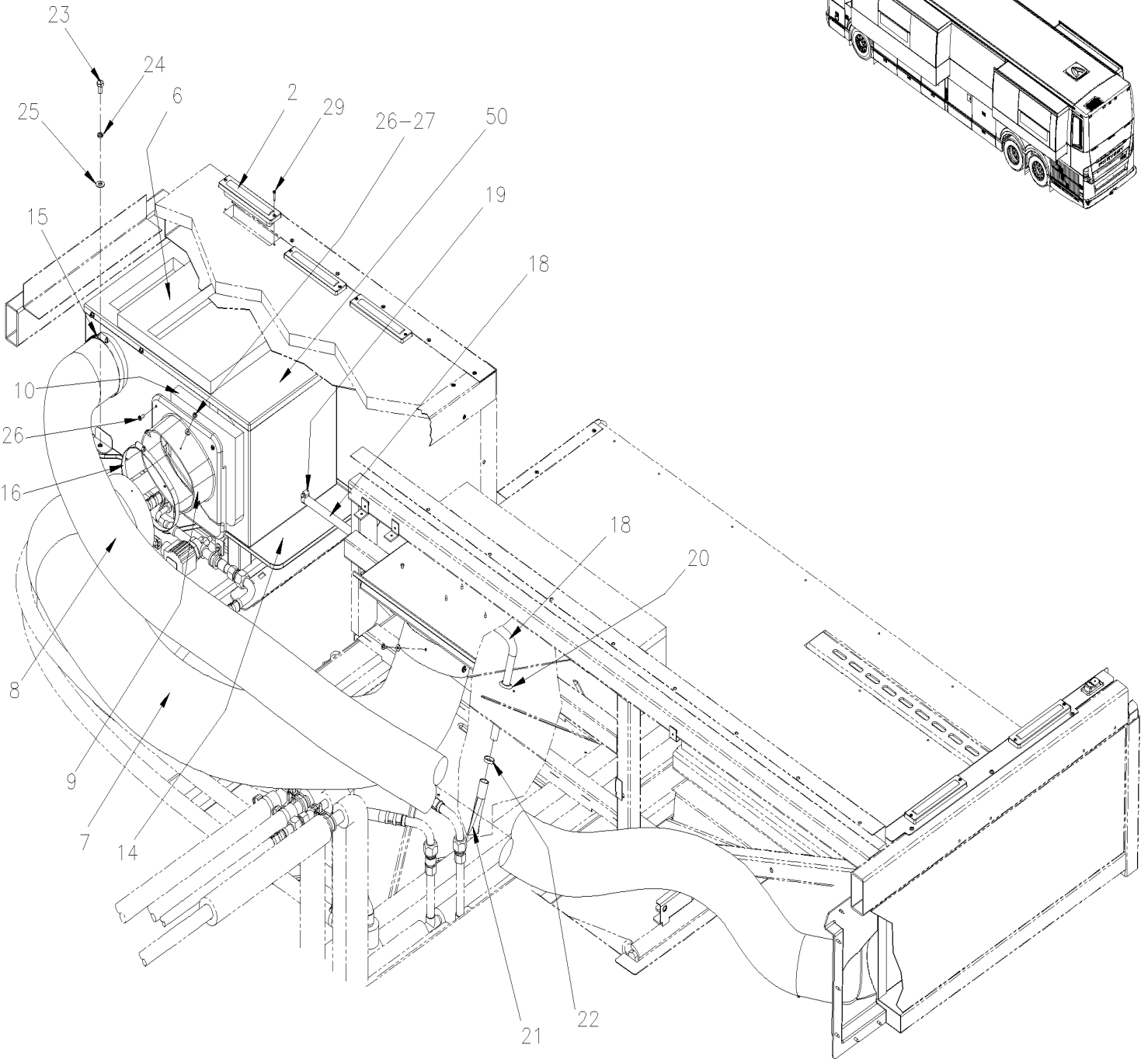
| Item# | Part | Description | QTY | Notes |
|-------|-----------------|--|-----|-------|
| 45 | 564534 | CABLE TIE / WITH EDGE CLIP / T50REC5A 10 MM x 200 MM | 1 | |
| 46 | 370546 | BRACKET From R-1472 | 1 | |
| | | | | |
| 49 | 3211527 | GRILLE | 1 | |
| 50 | 5001119 | SCREW TP BDG PH #8x3/4 SS | 6 | |
| 51 | Call order desk | ADAPTOR, AIR RETURN DEFROSTER ASSY | 1 | P |
| 51 | 454370 | . ADAPTOR, AIR RETURN DEFROSTER | 1 | |
| 52 | 454369 | . SLIDE, DEFROST FILTER ASSY. | 1 | |
| 53 | 454373 | . CLOSURE, DEFROSTER AIR RETURN | 1 | |
| 54 | 504379 | . RIVET POP DOME OE 3/16x1/4 SS | 10 | |
| 55 | 504013 | . TIE MOUNT / 1/4" X 1/4" I.D. | 2 | |
| 56 | 870141 | . FILTER, AIR RETURN DEFROSTER 14 9/16" X 6" X 1/4" | 1 | |
| 57 | 564759 | . HUMIDITY SENSOR | 1 | |
| 58 | 454861 | . SUPPORT, HUMIDITY SENSOR | 1 | |
| 59 | 500862 | . SCREW TC PAN PH #6-32x3/4 Z050 | 1 | |
| 60 | 500385 | . NUT SPR U #6-32 .135-.150 N500 | 1 | |
| 61 | 564318 | . SENSOR, TEMPERATURE HVAC | 1 | |
| 62 | 509815 | . TIE MOUNT / ATTACHMENT W/TREE MOUNT | 1 | |
| 63 | 454768 | . LATCH, RETURN AIR FILTER | 2 | |
| 64 | 502830 | . SCREW CAP HEX M6-1.0x20 G8.8 N500 | 2 | |
| 65 | 5001833 | . WASHER BEL SPR 6.1x18x1.27 SS | 2 | |
| 67 | 502848 | SCREW TC CAP HEXF 1/4-20x3/4 N500 | 5 | |
| 68 | 992090 | HOSE CLAMP / 70MM/90MM | 4 | |
| 69 | 454368 | HOSE 1000MM | 2 | |
| 69 | 503695 | . HOSE FLEXIBLE / AIR DUCT 3" I.D. X 25' / PLASTIC | AR | |
| | | | | |
| 71 | 370244 | FRESH AIR DUCT | 1 | |
| 72 | 502816 | NUT HEX M5-0.8 N500 | 4 | |
| 73 | 5001833 | WASHER BEL SPR 6.1x18x1.27 SS | 4 | |
| 74 | 370312 | GASKET, AIR INTAKE | 1 | |
| 75 | 370245 | FRESH AIR INPUT MOUTH | 1 | |
| 76 | 370305 | SCREEN, AIR INTAKE | 1 | |
| NS | 684685 | ADHESIVE SIMSON #ISR 70-03 / 310ml CARTRIDGE | AR | |
| NS | 506785 | TAPE RUB ADH2 CC POL 1/16" X 1/4" X 200' / BLACK I1C-N-A | AR | |
| 77 | 5001957 | SCREW DR TR PH #10x1 Z050 | 4 | |
| 78 | 500142 | WASHER FL 6.6x22.0x2.0 SS | 4 | |
| 79 | 5001840 | SCREW DR TR WASHER PH #8x1 5/8 BK | 4 | |
| | | | | |
| | | | | |
| | | | | |
| | | | | |
| | | P) CALL ORDER DESK FOR SPECIFIC APPLICATION (V.I.N.) | | |

From K-0295 To P-1347

Date:07/2024

PAGE:VIP-2230-50

A/C AUXILIARY V.I.P. - INSTALLATION

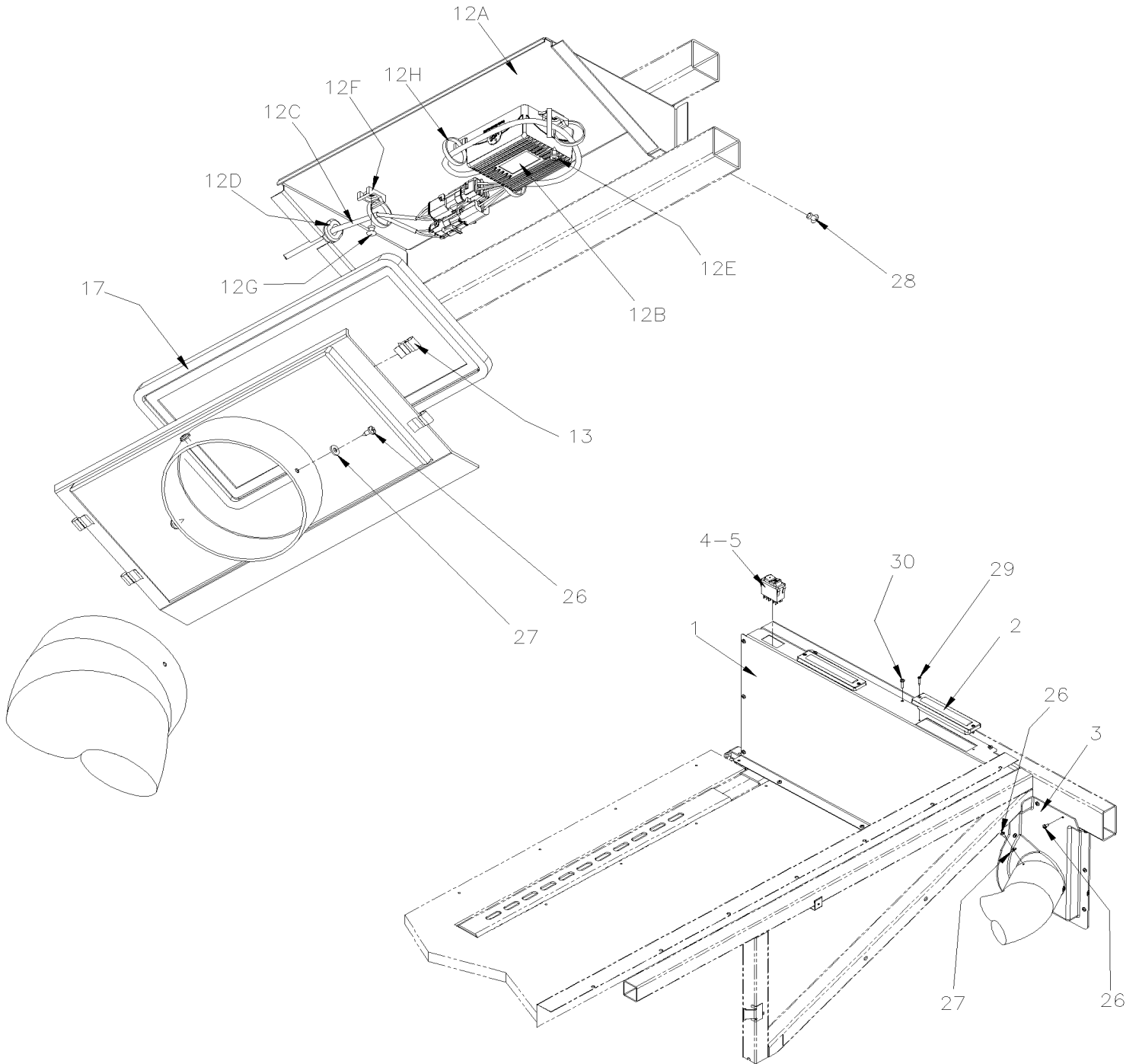


From K-0295 To P-1347

Date:07/2024

PAGE:VIP-2230-50

A/C AUXILIARY V.I.P. - INSTALLATION

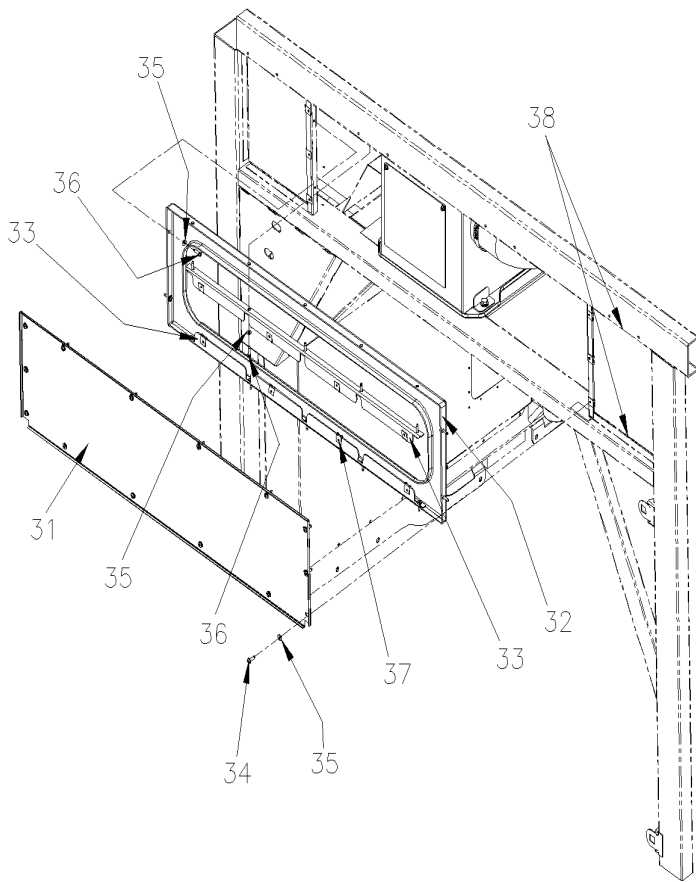


From K-0295 To P-1347

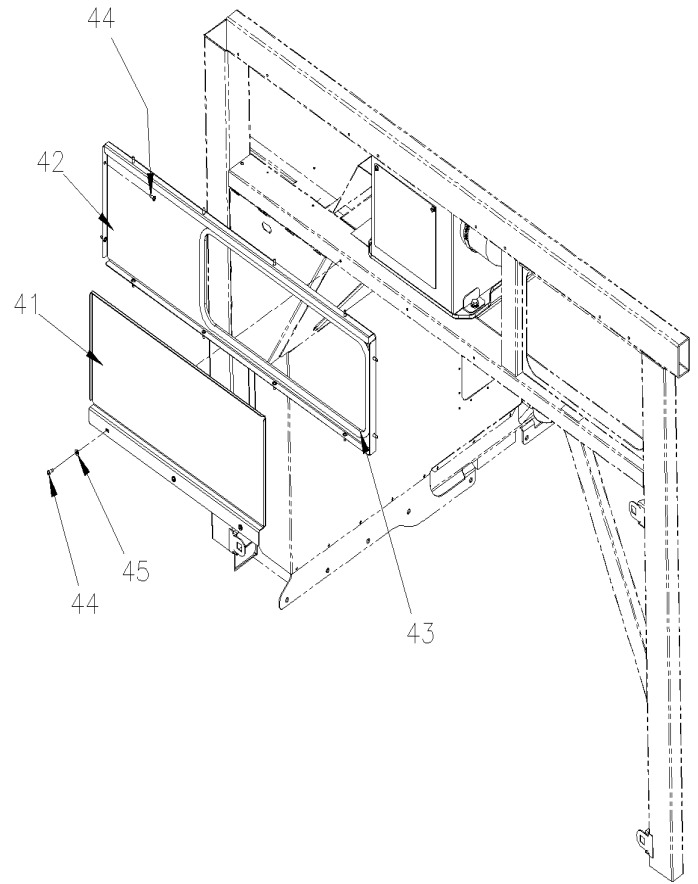
Date:07/2024

PAGE:VIP-2230-50

A/C AUXILIARY V.I.P. - INSTALLATION



WITHOUT FRONT STREET SIDE SLIDE-OUT



WITH FRONT STREET SIDE SLIDE-OUT

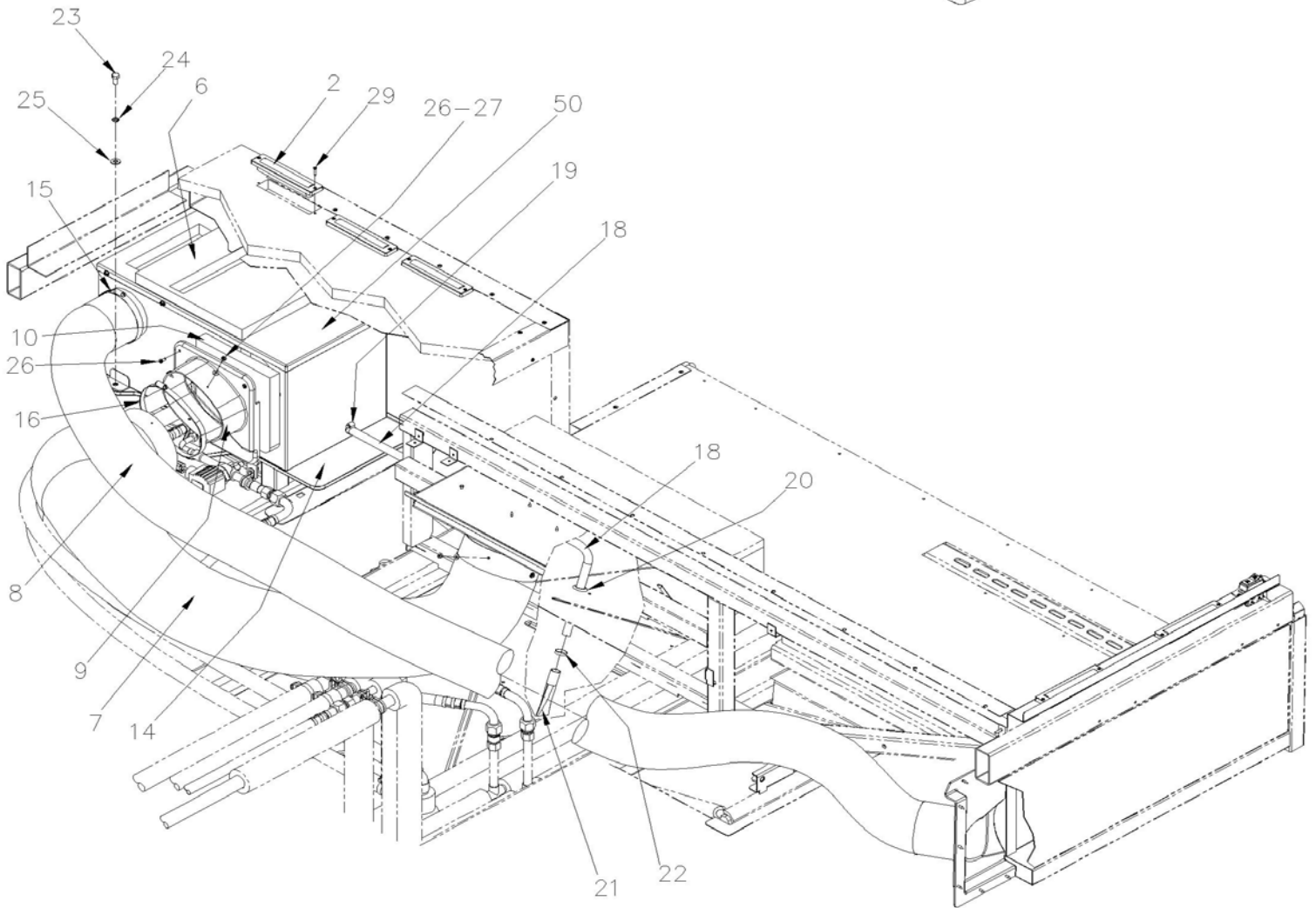
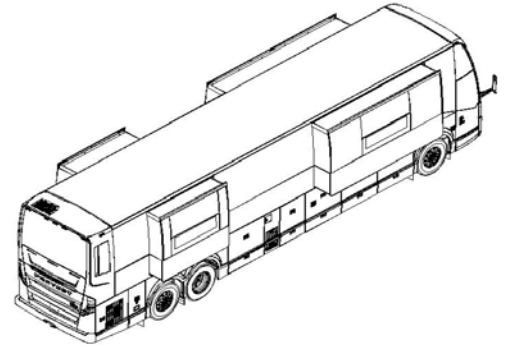
| | | |
|--|---------------------|-------------------------|
| From K-0295 To P-1347 | Date:07/2024 | PAGE:VIP-2230-50 |
| A/C AUXILIARY V.I.P. - INSTALLATION | | |

| Item# | Part | Description | QTY | Notes |
|-------|-----------------|---|-----|-------|
| 1 | 374193 | DUCT, AIR / R.H. FRONT LOWER | 1 | |
| 2 | 871027 | DIFFUSOR | 5 | |
| 3 | 453162 | CONDUIT CO-PILOTE (PLASTIC) | 1 | |
| NS | 506268 | TAPE RUB ADH1 URE 3/8" x 1/2" x 25' / GREY 1820 | AR | |
| 4 | 562699 | SWITCH / M/ON-OFF-M/ON / D.P.D.T. / W/GREEN LED | 1 | |
| 5 | 563278 | CAP / HI SPEED MAIN VENTILATION | 1 | |
| 5 | 565927 | CAP SWITCH / "VENTILATION ROOF" | 1 | |
| 6 | 453304 | GASKET | 1 | |
| 7 | 453197 | HOSE 6" I.D.1300MM | 1 | |
| 7 | 503670 | . HOSE FLEXIBLE / AIR DUCT 6" I.D. X 25'/ RUBBER | AR | |
| 8 | 453196 | HOSE 4" I.D. 2850MM | 1 | |
| 8 | 503434 | . HOSE FLEXIBLE / AIR DUCT 4" I.D. X 12'/ RUBBER | AR | |
| 9 | 456983 | AIR RETURN (PLASTIC) | 1 | |
| 10 | 456984 | GASKET | 1 | |
| NS | 680532 | SEALANT SIKA #221 / GREY / 310ml CARTRIDGE | AR | |
| 11 | 453161 | AIR RETURN (PLASTIC) | 1 | |
| 12 | Call order desk | AIR INTAKE ASSY | 1 | P |
| 12A | 454403 | . AIR INTAKE UPPER SECTION | 1 | |
| 12B | 563660 | . MODULE CONTROL FAN SPEED / W/DOUBLE MOTOR W/MUX PASSNGER SIDE | 1 | |
| 12C | 060012 | . CABLE ASSY / TO DRIVER'S A/C UNIT | 1 | |
| 12D | 504063 | . . GROMMET / .562x.812x.062x.312x1.062 | 1 | |
| 12E | 500638 | . SCREW TP PAN PH #8x1/2 Z050 | 3 | |
| 12F | 504013 | . TIE MOUNT / 1/4" X 1/4" I.D. | 4 | |
| 12G | 504114 | . RIVET POP DOME OE 3/16x1/4 AL | 1 | |
| 12H | 504637 | . CABLE TIE / 3/16" x 13" | 6 | |
| 13 | 5001394 | CLIP "U-TYPE FASTENERS" | 4 | |
| 14 | 454046 | DRAIN PAN / PLASTIC / (UNDER UNIT) | 1 | |
| 15 | 504235 | HOSE CLAMP / 3"9/16"-4"1/2 SS / HS-64 | 2 | |
| 16 | 504031 | HOSE CLAMP / 5"-7" SS / HS-104 | 1 | |
| 17 | 453202 | FILTER ASSY | 1 | |
| 17 | 871164 | . FILTER 1/4" X 6 1/4" X 14 1/2" | 1 | |
| 17 | 506268 | . TAPE RUB ADH1 URE 3/8" x 1/2" x 25' / GREY 1820 | 1 | |
| 18 | 453203 | HOSE 1/2" I.D. 875MM | 1 | |
| 18 | 503666 | . HOSE 1/2" I.D. 100' / S.L. | AR | |
| 19 | 504014 | HOSE CLAMP / 1/4"-5/8" SS / HM-4 | 1 | |
| 20 | 504356 | GROMMET / .625x.875x.062x.312x1.125 | 1 | |
| 21 | 590286 | DRAIN BOOT 1 1/4" I.D. X 4" / FLAT | 1 | |
| 22 | 504637 | CABLE TIE / 3/16" x 13" | 1 | |
| 23 | 500820 | SCREW CAP HEX M8-1.25x16 G10.9 N500 To N-1213 | 2 | |
| 23 | 502862 | SCREW CAP HEX M8-1.25x20 G8.8 N500 From N-1214 | 2 | |
| 24 | 500942 | WASHER LO SPT 8.1x14.8x2.0 N500 | 2 | |
| 25 | 5001736 | WASHER FL 8.4x18.0x2.0 N500 | 2 | |

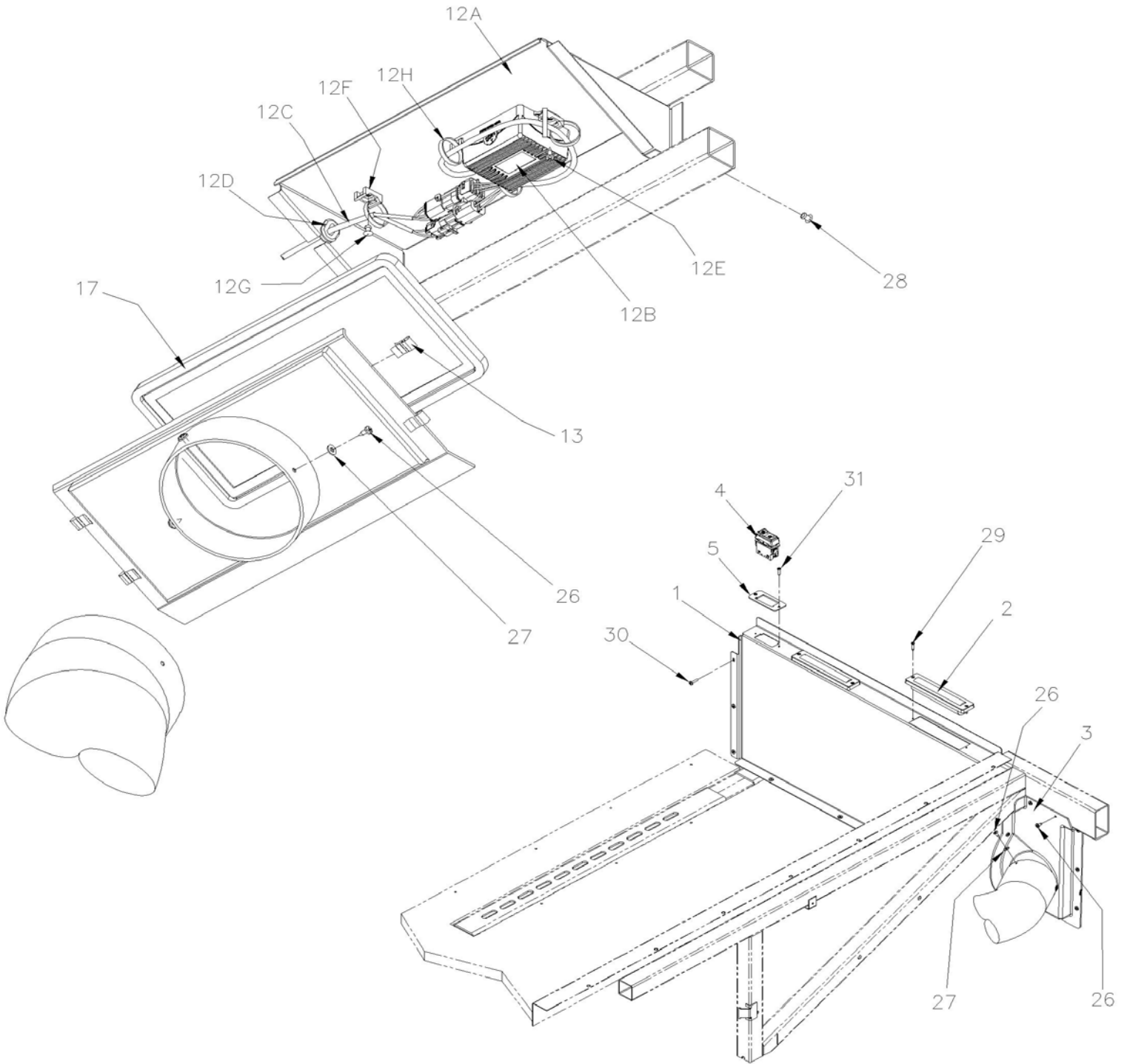
| | | |
|--|--------------|------------------|
| From K-0295 To P-1347 | Date:07/2024 | PAGE:VIP-2230-50 |
| A/C AUXILIARY V.I.P. - INSTALLATION | | |

| Item# | Part | Description | QTY | Notes |
|-------|--------------------|---|-----|-------|
| 26 | 500638 | SCREW TP PAN PH #8x1/2 Z050 | 22 | |
| 27 | 500855 | WASHER FL .188x.438x.049 N500 | 9 | |
| 28 | 504114 | RIVET POP DOME OE 3/16x1/4 AL | 3 | |
| 29 | 500333 | SCREW TP OV PH #6x3/4 BK | 10 | |
| 30 | 5001119 | SCREW TP BDG PH #8x3/4 SS | 12 | |
| 31 | 453216 | ACCESS PANEL COVER ASSY | 1 | |
| 32 | 453214 | FRAME ACCESS PANEL | 1 | |
| 32 | 506302 | RUBBER EXTRUSION TRIM SEAL / GRIP .024 / 7/16" HOLLOW BULB C.T.L. | AR | |
| 33 | 453217 | ANGLE BAR | 2 | |
| 34 | 500414 | SCREW TP BDG PH #10x3/4 SS | 14 | |
| 35 | 500855 | WASHER FL .188x.438x.049 N500 | 28 | |
| 36 | 500432 | SCREW TC PAN PH #8-32x3/4 Z050 | 14 | |
| 37 | 500981 | NUT SPR U #10-23/32x5/8 | 14 | |
| 38 | 680532 | SEALANT SIKA #221 / GREY / 310ml CARTRIDGE | AR | |
| 41 | 476597 | COVER ACCESS 573MM 257MM | 1 | |
| 42 | 216050 | FRAME ACCESS PANEL | 1 | |
| 42 | 680532 | SEALANT SIKA #221 / GREY / 310ml CARTRIDGE | AR | |
| 43 | 478328 | RUBBER SEAL 1090MM | 1 | |
| 43 | 680459 | ADHESIVE CYANOACRYLATE LOCTITE 404 Quick Set(TM) | AR | |
| 44 | 502868 | SCREW TC TR PH #10-16x1/2 N500 | 15 | |
| 45 | 500855 | WASHER FL .188x.438x.049 N500 | 3 | |
| 50 | VIP-2225-50 | A/C & HEATER AUXILIARY - V.I.P. | | |
| | | | | |
| | | | | |
| | | | | |
| | | P) CALL ORDER DESK FOR SPECIFIC APPLICATION (V.I.N.) | | |

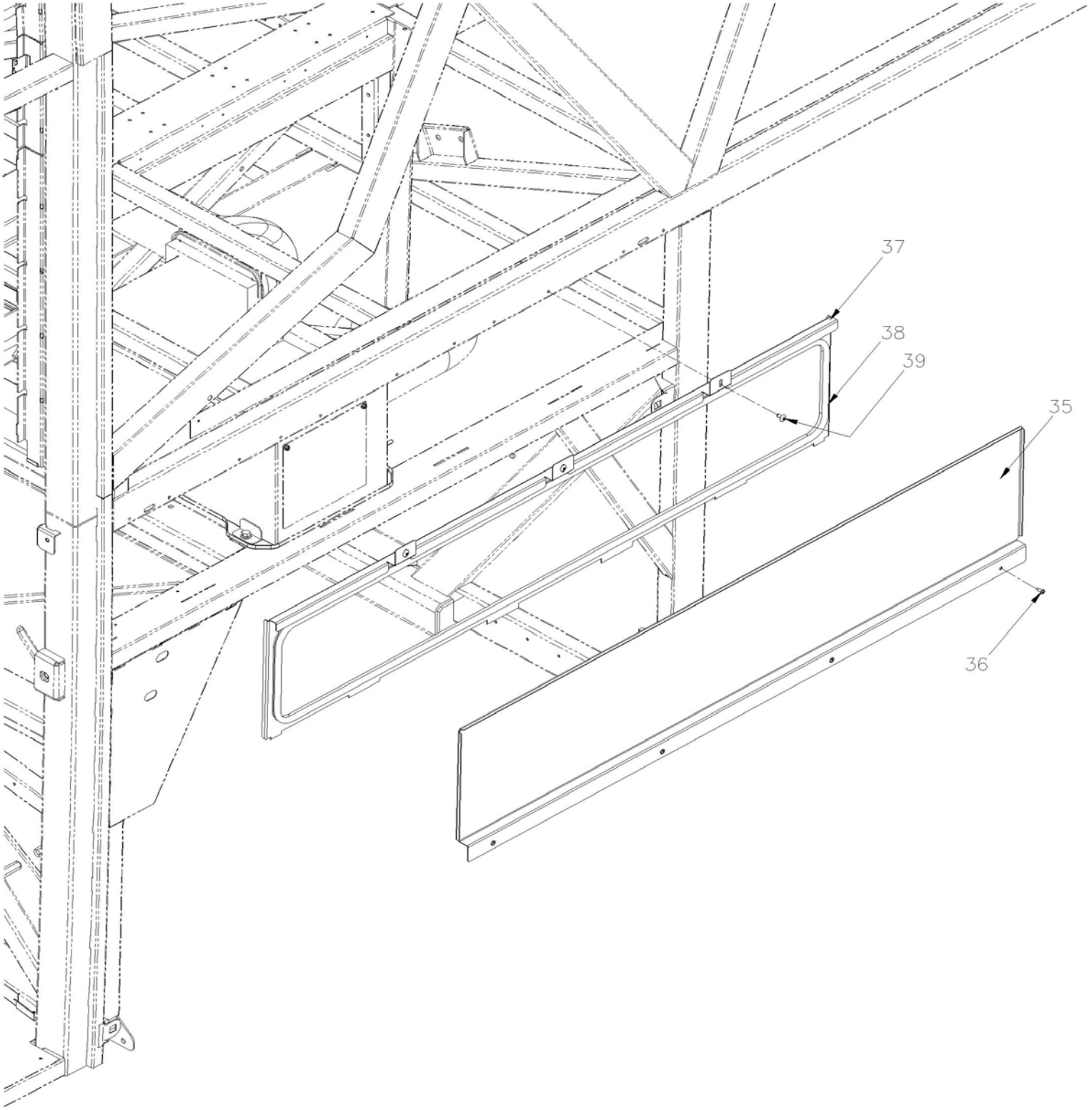
| | | |
|-------------------------------------|--------------|------------------|
| | Date:07/2024 | PAGE:VIP-2230-51 |
| A/C AUXILIARY V.I.P. - INSTALLATION | | |



| | | |
|-------------------------------------|--------------|------------------|
| | Date:07/2024 | PAGE:VIP-2230-51 |
| A/C AUXILIARY V.I.P. - INSTALLATION | | |



| | | |
|--|--------------|------------------|
| | Date:07/2024 | PAGE:VIP-2230-51 |
| A/C AUXILIARY V.I.P. - INSTALLATION | | |



Date:07/2024

PAGE:VIP-2230-51

A/C AUXILIARY V.I.P. - INSTALLATION

| Item# | Part | Description | QTY | Notes |
|-------|-----------------|---|-----|-------|
| 1 | 370473 | DUCT, AIR / R.H. FRONT LOWER / W/O FRONT CURBSIDE SLIDE-OUT | 1 | |
| 1 | 370474 | DUCT, AIR / R.H. FRONT LOWER / W/FRONT CURBSIDE SLIDE-OUT | 1 | |
| NS | 850115 | MEMBRANE | 1 | |
| 2 | 871027 | DIFFUSOR | 5 | |
| 3 | 453162 | CONDUIT CO-PILOTE (PLASTIC) | 1 | |
| NS | 506268 | TAPE RUB ADH1 URE 3/8" x 1/2" x 25' / GREY 1820 | AR | |
| 4 | 564762 | SWITCH "PASSENGER FAN A/C" | 1 | |
| 5 | 370494 | SUPPORT, ROCKER SWITCH | 1 | |
| 6 | 453304 | GASKET | 1 | |
| 7 | 453197 | HOSE 6" I.D.1300MM | 1 | |
| 7 | 503670 | . HOSE FLEXIBLE / AIR DUCT 6" I.D. X 25'/ RUBBER | AR | |
| 8 | 453196 | HOSE 4" I.D. 2850MM | 1 | |
| 8 | 503434 | . HOSE FLEXIBLE / AIR DUCT 4" I.D. X 12'/ RUBBER | AR | |
| 9 | 456983 | AIR RETURN (PLASTIC) | 1 | |
| 10 | 456984 | GASKET | 1 | |
| NS | 680532 | SEALANT SIKA #221 / GREY / 310ml CARTRIDGE | AR | |
| 11 | 453161 | AIR RETURN (PLASTIC) | 1 | |
| 12 | Call order desk | AIR INTAKE ASSY | 1 | P |
| 12A | 454403 | . AIR INTAKE UPPER SECTION | 1 | |
| 12B | 563660 | . MODULE CONTROL FAN SPEED / W/DOUBLE MOTOR W/MUX PASSNGER SIDE | 1 | |
| 12C | 060012 | . CABLE ASSY / TO DRIVER'S A/C UNIT | 1 | |
| 12D | 504063 | . . GROMMET / .562x.812x.062x.312x1.062 | 1 | |
| 12E | 500638 | . SCREW TP PAN PH #8x1/2 Z050 | 3 | |
| 12F | 504013 | . TIE MOUNT / 1/4" X 1/4" I.D. | 4 | |
| 12G | 504114 | . RIVET POP DOME OE 3/16x1/4 AL | 1 | |
| 12H | 504637 | . CABLE TIE / 3/16" x 13" | 6 | |
| 13 | 5001394 | CLIP "U-TYPE FASTENERS" | 4 | |
| 14 | 454046 | DRAIN PAN / PLASTIC / (UNDER UNIT) | 1 | |
| 15 | 504235 | HOSE CLAMP / 3"9/16"-4"1/2 SS / HS-64 | 2 | |
| 16 | 504031 | HOSE CLAMP / 5"-7" SS / HS-104 | 1 | |
| 17 | 453202 | FILTER ASSY | 1 | |
| 17 | 871164 | . FILTER 1/4" X 6 1/4" X 14 1/2" | 1 | |
| 17 | 506268 | . TAPE RUB ADH1 URE 3/8" x 1/2" x 25' / GREY 1820 | 1 | |
| 18 | 453203 | HOSE 1/2" I.D. 875MM | 1 | |
| 18 | 503666 | . HOSE 1/2" I.D. 100' / S.L. | AR | |
| 19 | 504014 | HOSE CLAMP / 1/4"-5/8" SS / HM-4 | 1 | |
| 20 | 504356 | GROMMET / .625x.875x.062x.312x1.125 | 1 | |
| 21 | 590286 | DRAIN BOOT 1 1/4" I.D. X 4" / FLAT | 1 | |
| 22 | 504637 | CABLE TIE / 3/16" x 13" | 1 | |
| 23 | 502862 | SCREW CAP HEX M8-1.25x20 G8.8 N500 | 2 | |
| 24 | 500942 | WASHER LO SPT 8.1x14.8x2.0 N500 | 2 | |
| 25 | 5001736 | WASHER FL 8.4x18.0x2.0 N500 | 2 | |

| | | Date:07/2024 | PAGE:VIP-2230-51 | |
|--|--------------------|--|------------------|-------|
| A/C AUXILIARY V.I.P. - INSTALLATION | | | | |
| Item# | Part | Description | QTY | Notes |
| 26 | 500638 | SCREW TP PAN PH #8x1/2 Z050 | 22 | |
| 27 | 500855 | WASHER FL .188x.438x.049 N500 | 9 | |
| 28 | 504114 | RIVET POP DOME OE 3/16x1/4 AL | 3 | |
| 29 | 500333 | SCREW TP OV PH #6x3/4 BK | 10 | |
| 30 | 500244 | SCREW TP BDG PH #8x3/4 N500 | 10 | |
| 31 | 500814 | SCREW TP BDG PH #6x3/4 BK | 2 | |
| 35 | 4705119 | TRAPDOOR A/C UNIT | 1 | |
| 36 | 502868 | SCREW TC TR PH #10-16x1/2 N500 | 4 | |
| 37 | 218976 | PANEL SIDE FRONT LEFT | 1 | |
| 38 | 5061121 | RUBBER SEAL | AR | |
| 39 | 504793 | RIVET MNB OE LARGE HEAD 3/16x7/16 SS | 3 | |
| 50 | VIP-2225-50 | A/C & HEATER AUXILIARY - V.I.P. | | |
| | | | | |
| | | | | |
| | | P) CALL ORDER DESK FOR SPECIFIC APPLICATION (V.I.N.) | | |

| | | | |
|---|--|--------------|------------------|
| From K-0295 | | Date:07/2024 | PAGE:VIP-2245-02 |
| A/C COMPRESSOR "BITZER" - INSTALLATION | | | |

| Item# | Part | Description | QTY | Notes |
|-------|--------------------|--|-----|-------|
| | 950580 | A/C COMPRESSOR ASSY 4 CYLINDERS W/O CLUTCH - "BITZER" | 1 | |
| | 5001775 | SCREW CAP HEXS M8-1.25x25 G8.8 G500 | 4 | C |
| | 950494 | A/C COMPRESSOR ASSY 4 CYLINDERS W/O CLUTCH W/O VALVES - "BITZER" | 1 | |
| . NS | 680801 | . OIL, BITZER COMPRESSOR, POE 134A 1 GALLON | AR | |
| 1 | VIP-2250-01 | . A/C COMPRESSOR "BITZER" 4NFCY | | |
| 2 | VIP-2250-16 | . A/C ELECTRIC UNLOADER - WITH "BITZER" COMPRESSOR | | |
| 3 | VIP-2246-01 | . A/C CLUTCH - WITH "BITZER" COMPRESSOR | | |
| 5 | 950498 | . PRESSURE SWITCH ASSY | 1 | |
| . NS | 561690 | . . CONNECTOR / WEATHER PACK / SH 2C / BLACK / PED 12015792 | 1 | |
| . NS | 561567 | . . PIN TERMINAL / 20-18 / PED 12089040 | 2 | |
| . NS | 561786 | . . CABLE SEAL / GRAY / PED 15324980 | 2 | |
| 6 | 950499 | . ADAPTOR 7/16-20 x R134 13MM | 1 | |
| 7 | 950500 | . ADAPTOR 7/16-20 x R134 16MM | 1 | |
| 8 | 950466 | . ADAPTOR 7/16-20-F x 7/16-20-M | 2 | |
| 9 | 950502 | . ADAPTOR / SHRADER FITTING / 1/8NPT-M | 3 | |
| 10 | 069449 | . BRACKET WIRIING HARNESS COMPRESSOR | 1 | |
| 11 | 950503 | . MUFFLER 14MM / 56MM C/C | 1 | |
| 13A | 069450 | . BRACKET WIRIING HARNESS COMPRESSOR | 1 | |
| 13B | 950532 | . BRACKET OIL TUBING | 1 | |
| 13B | 950975 | . HOSE | 1 | |
| 14 | 5001885 | SCREW CAP HEX M12-1.75X40 G10.9 N500 To N-1268 | 4 | |
| 14 | 5001582 | SCREW CAP HEX M12-1.75x50 G10.9 DP From N-1269 | 4 | |
| 15 | 500967 | WASHER BEL SPR .512x1.142x.098 N500 To N-1268 | 4 | |
| 15 | 5001877 | WASHER BEL SPR .512x1.000x.073 SS From N-1269 | 4 | |
| 16 | 061482 | CABLE ASSY / A/C COMPRESSOR W/LARGE SYSTEM | 1 | |
| 18A | 5060134 | V-BELT / BX-71 / SET OF 2 To K-0486 | 1 | |
| 18A | 5060142 | V-BELT / BX-71 From K-0487 To L-0777 | 2 | |
| 18A | 5060134 | V-BELT / BX-71 / SET OF 2 From L-0778 To M-1112 | 1 | |
| 18A | 5060137 | SUPER V-BELT / 5VX740 From M-1113 | 2 | |
| 18A | 5060137 | SUPER V-BELT / 5VX740 From M-1113 | 2 | |
| 18B | 5060137 | SUPER V-BELT / 5VX740 | 1 | A |
| 18B | 5060137 | SUPER V-BELT / 5VX740 | 1 | A |
| 18C | 5060138 | SUPER V-BELT / 5VX940 | 1 | A |
| 20 | 452831 | PRESSURE SWITCH N.O. 30-5 20SP001MA030C005C | 1 | |
| 21 | 950578 | HOSE ASSY / DISCHARGE / #16 / 1070MM | 1 | |
| 21 | 450508 | BRACKET, COMPRESSOR HOSE | 1 | E |
| 21 | 504013 | TIE MOUNT / 1/4" X 1/4" I.D. | 1 | E |
| 21 | 504379 | RIVET POP DOME OE 3/16x1/4 SS | 1 | E |
| 21 | 504016 | CABLE TIE / 5/16" X 14"1/2 | 1 | E |
| 22 | 950579 | HOSE ASSY / SUCTION / #20 / 821MM | 1 | |
| 23 | 950957 | GASKET | 2 | |
| 24 | 950488 | SCREW CAP HEXS M10-1.5x40 G10.9 | 4 | |

| | | | |
|---|--|--------------|------------------|
| From K-0295 | | Date:07/2024 | PAGE:VIP-2245-02 |
| A/C COMPRESSOR "BITZER" - INSTALLATION | | | |

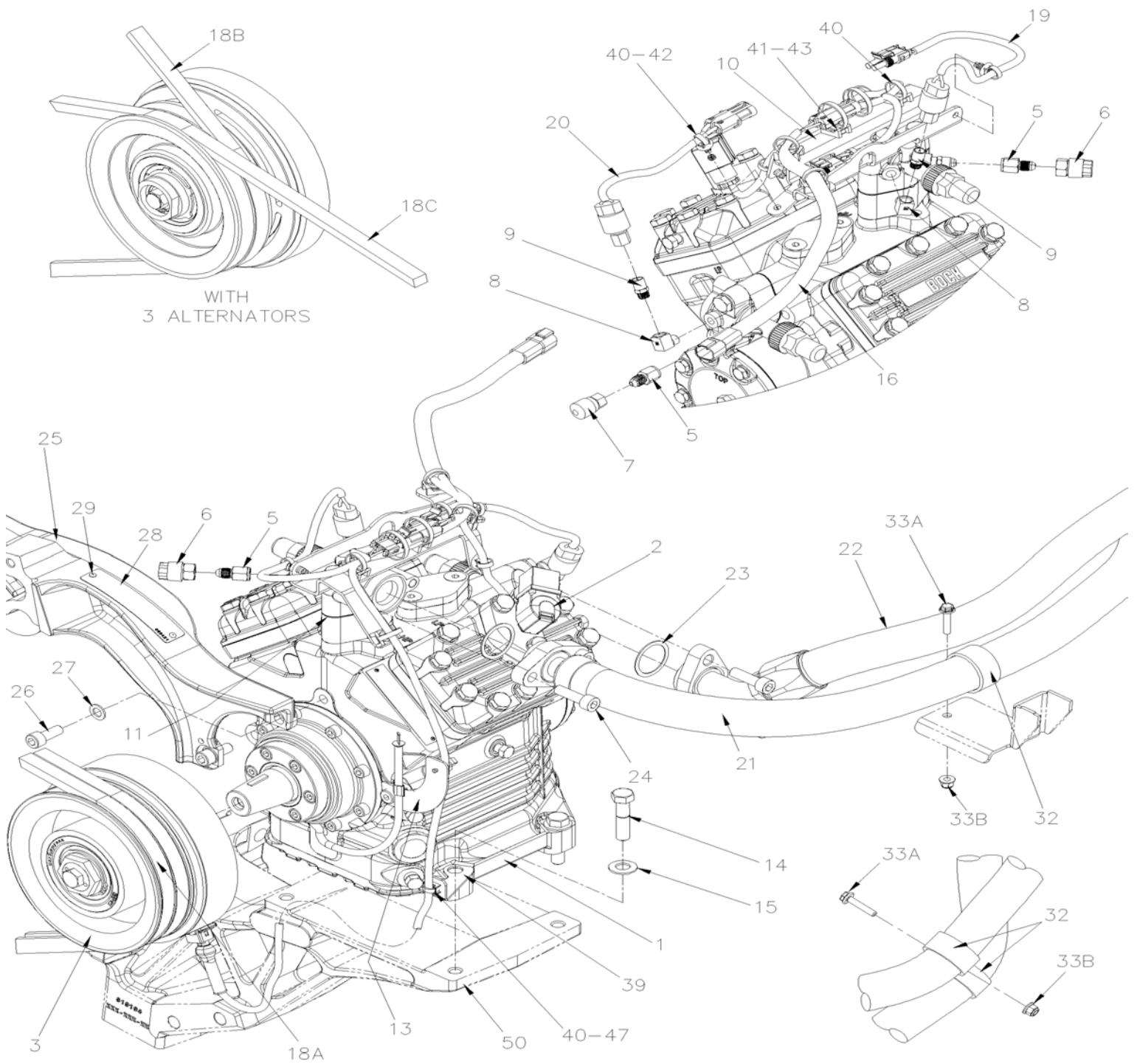
| Item# | Part | Description | QTY | Notes |
|-------|--------------------|--|-----|-------|
| 25 | 457750 | SUPPORT, TENSIONNER CASTING To K-0604 | 1 | |
| 25 | 450580 | SUPPORT, TENSIONNER CASTING From K-0605 To N-1268 | 1 | |
| 25 | 454767 | SUPPORT, TENSIONNER CASTING From N-1269 | 1 | |
| 26 | 5001616 | SCREW CAP HEXS M10-1.5X25 G10.9 DP | 2 | |
| 27 | 502867 | WASHER FL .406x.625x.040 N500 To N-1268 | 2 | |
| 27 | 5001935 | WASHER FL 10.5x18.0x1.6 SS From N-1269 | 1 | |
| 28 | 069421 | DECAL "DO NOT POWER WASH ALTERNATORS" | 1 | |
| 29 | 504339 | RIVET POP DOME OE 1/8x3/8 SS | 2 | |
| 30 | 680038 | THREAD LOCKER LOCTITE #243 / BLUE / 50ml | AR | |
| 31 | 680098 | THREAD SEALANT LOCTITE #567 / WHITE / 250ml | AR | |
| 32 | 504785 | CLAMP / SS / SILICONE RUBBER / 1 1/2" I.D. x .281 HOLE To N-1174 | 1 | |
| 32 | 504785 | CLAMP / SS / SILICONE RUBBER / 1 1/2" I.D. x .281 HOLE From N-1175 | 3 | |
| 33A | 5001815 | SCREW CAP HEXF M6-1.0x30 G 8.8 N500 To N-1174 | 1 | |
| 33A | 5001815 | SCREW CAP HEXF M6-1.0x30 G 8.8 N500 From N-1175 | 3 | |
| 33B | 5001932 | NUT HEXF NYRT M6-1.0 G8.8 N500 To N-1174 | 1 | |
| 33B | 5001932 | NUT HEXF NYRT M6-1.0 G8.8 N500 From N-1175 | 3 | |
| 35 | 504751 | ROTATIF SPACER DOUBLE / SMALL To N-1174 | 1 | |
| 35 | 504016 | CABLE TIE / 5/16" X 14"1/2 To N-1174 | 2 | |
| 39 | 069481 | BRACKET WIRIING HARNESS COMPRESSOR | 1 | |
| 40 | 504637 | CABLE TIE / 3/16" x 13" | AR | |
| 41 | 504379 | RIVET POP DOME OE 3/16x1/4 SS | 5 | |
| 42 | 509815 | TIE MOUNT / ATTACHMENT W/TREE MOUNT | 3 | |
| 43 | 504013 | TIE MOUNT / 1/4" X 1/4" I.D. | 5 | |
| 47 | 504810 | TIE MOUNT / #8 | 2 | |
| 47 | 504340 | RIVET POP DOME OE 1/8x3/16 SS | 2 | |
| | | | | |
| 50 | VIP-0150-03 | ENGINE CRADLE - WITH VOLVO D13 | | |
| | | | | |
| | | | | |
| | | | | |
| | | A) WITH 3 ALTERNATORS INSTALLATION | | |
| | | C) USE TO FIX THE CLUTCH TO THE COMPRESSOR | | |
| | | E) WITH "VOLTA" ALTERNATOR OPTION | | |

From N-1269

Date:07/2024

PAGE:VIP-2245-20

A/C COMPRESSOR "BOCK" - INSTALLATION



| | | | |
|-------------|--|--------------|------------------|
| From N-1269 | | Date:07/2024 | PAGE:VIP-2245-20 |
|-------------|--|--------------|------------------|

A/C COMPRESSOR "BOCK" - INSTALLATION

| Item# | Part | Description | QTY | Notes |
|-------|-------------|---|-----|-------|
| | 950612 | A/C COMPRESSOR ASSY 4 CYLINDERS W/CLUTCH - "BOCK" FK40/655K | 1 | |
| NS | 680801 | OIL, BITZER COMPRESSOR, POE 134A 1 GALLON | AR | |
| 1 | VIP-2250-20 | . A/C COMPRESSOR "BOCK" | | |
| 2 | VIP-2250-35 | . A/C ELECTRIC UNLOADER - WITH "BOCK" COMPRESSOR | | |
| 3 | VIP-2246-20 | . A/C CLUTCH - WITH "BOCK" COMPRESSOR | | |
| 5 | 950501 | ADAPTOR 7/16-20-F x 7/16-20-M | 2 | |
| 6 | 950500 | ADAPTOR 7/16-20 x R134 16MM | 1 | |
| 7 | 950499 | ADAPTOR 7/16-20 x R134 13MM | 1 | |
| 8 | 501331 | STREET ELBOW 90° / PIPE FITTING / 1/8NPT-Mx1/8NPT-F BR | 2 | |
| 9 | 950030 | SCHRADER VALVE 1/8NPT-M | 2 | |
| 10 | 0610598 | BRACKET WIRIING HARNESS COMPRESSOR | 1 | |
| 11 | 950642 | GASKET- VALVE FLANGE | 2 | |
| 13 | 0610265 | BRACKET WIRIING HARNESS COMPRESSOR | 1 | |
| 14 | 5001582 | SCREW CAP HEX M12-1.75x50 G10.9 DP | 4 | |
| 15 | 5001877 | WASHER BEL SPR .512x1.000x.073 SS | 4 | |
| 16 | 0610550 | CABLE ASSY / A/C COMPRESSOR W/LARGE SYSTEM | 1 | |
| 18A | 5060134 | V-BELT / BX-71 / SET OF 2 To M-1112 | 1 | |
| 18A | 5060137 | SUPER V-BELT / 5VX740 From M-1113 | 2 | |
| 18A | 5060137 | SUPER V-BELT / 5VX740 From M-1113 | 2 | |
| 18B | 5060137 | SUPER V-BELT / 5VX740 | 1 | A |
| 18B | 5060137 | SUPER V-BELT / 5VX740 | 1 | A |
| 18C | 5060138 | SUPER V-BELT / 5VX940 | 1 | A |
| 19 | 950498 | PRESSURE SWITCH ASSY | 1 | |
| . NS | 561690 | . CONNECTOR / WEATHER PACK / SH 2C / BLACK / PED 12015792 | 1 | |
| . NS | 561567 | . PIN TERMINAL / 20-18 / PED 12089040 | 2 | |
| . NS | 561786 | . CABLE SEAL / GRAY / PED 15324980 | 2 | |
| 20 | 452831 | PRESSURE SWITCH N.O. 30-5 20SP001MA030C005C | 1 | |
| 21 | 950578 | HOSE ASSY / DISCHARGE / #16 / 1070MM | 1 | |
| 22 | 950579 | HOSE ASSY / SUCTION / #20 / 821MM | 1 | |
| 23 | 950643 | GASKET RING | 2 | |
| 24 | 5001620 | SCREW CAP HEXS M10-1.5X35 G10.9 G500 | 4 | |
| 25 | 454767 | SUPPORT, TENSIONNER CASTING | 1 | |
| 26 | 5001616 | SCREW CAP HEXS M10-1.5X25 G10.9 DP | 2 | |
| 27 | 5001935 | WASHER FL 10.5x18.0x1.6 SS | 2 | |
| 28 | 069421 | DECAL "DO NOT POWER WASH ALTERNATORS" | 1 | |
| 29 | 504339 | RIVET POP DOME OE 1/8x3/8 SS | 2 | |
| NS | 680038 | THREAD LOCKER LOCTITE #243 / BLUE / 50ml | AR | |
| NS | 680098 | THREAD SEALANT LOCTITE #567 / WHITE / 250ml | AR | |
| 32 | 504785 | CLAMP / SS / SILICONE RUBBER / 1 1/2" I.D. x .281 HOLE | 3 | |
| 33A | 5001815 | SCREW CAP HEXF M6-1.0x30 G 8.8 N500 | 3 | |
| 33B | 5001932 | NUT HEXF NYRT M6-1.0 G8.8 N500 | 3 | |
| 39 | 0610264 | BRACKET WIRIING HARNESS COMPRESSOR | 1 | |

| | | |
|---|--------------|------------------|
| From N-1269 | Date:07/2024 | PAGE:VIP-2245-20 |
| A/C COMPRESSOR "BOCK" - INSTALLATION | | |

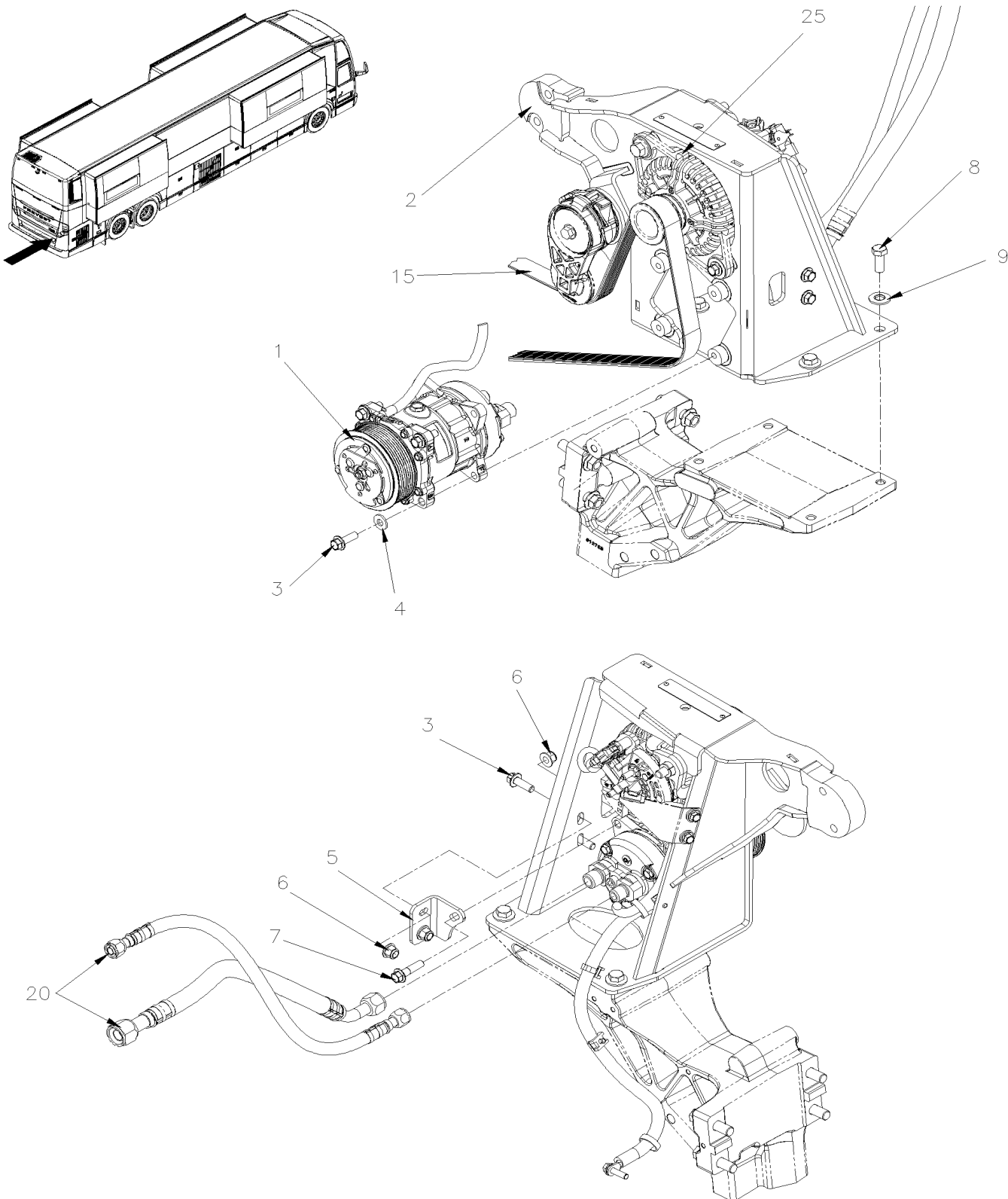
| Item# | Part | Description | QTY | Notes |
|-------|--------------------|---------------------------------------|-----|-------|
| 40 | 504637 | CABLE TIE / 3/16" x 13" | AR | |
| 41 | 504379 | RIVET POP DOME OE 3/16x1/4 SS | 5 | |
| 42 | 509815 | TIE MOUNT / ATTACHMENT W/TREE MOUNT | 5 | |
| 43 | 504013 | TIE MOUNT / 1/4" X 1/4" I.D. | 5 | |
| 47 | 504810 | TIE MOUNT / #8 | 2 | |
| 47 | 504340 | RIVET POP DOME OE 1/8x3/16 SS | 2 | |
| 50 | VIP-0150-03 | ENGINE CRADLE - WITH VOLVO D13 | | |
| 253 | OC2020029 | REFERENCE ONLY £-20029 From M-1113 | 1 | |
| | | | | |
| | | | | |
| | | A) WITH 3 ALTERNATORS INSTALLATION | | |

From K-0295

Date:07/2024

PAGE:VIP-2245-52

A/C COMPRESSOR SMALL - INSTALLATION



| | | |
|--|--------------|------------------|
| From K-0295 | Date:07/2024 | PAGE:VIP-2245-52 |
| A/C COMPRESSOR SMALL - INSTALLATION | | |

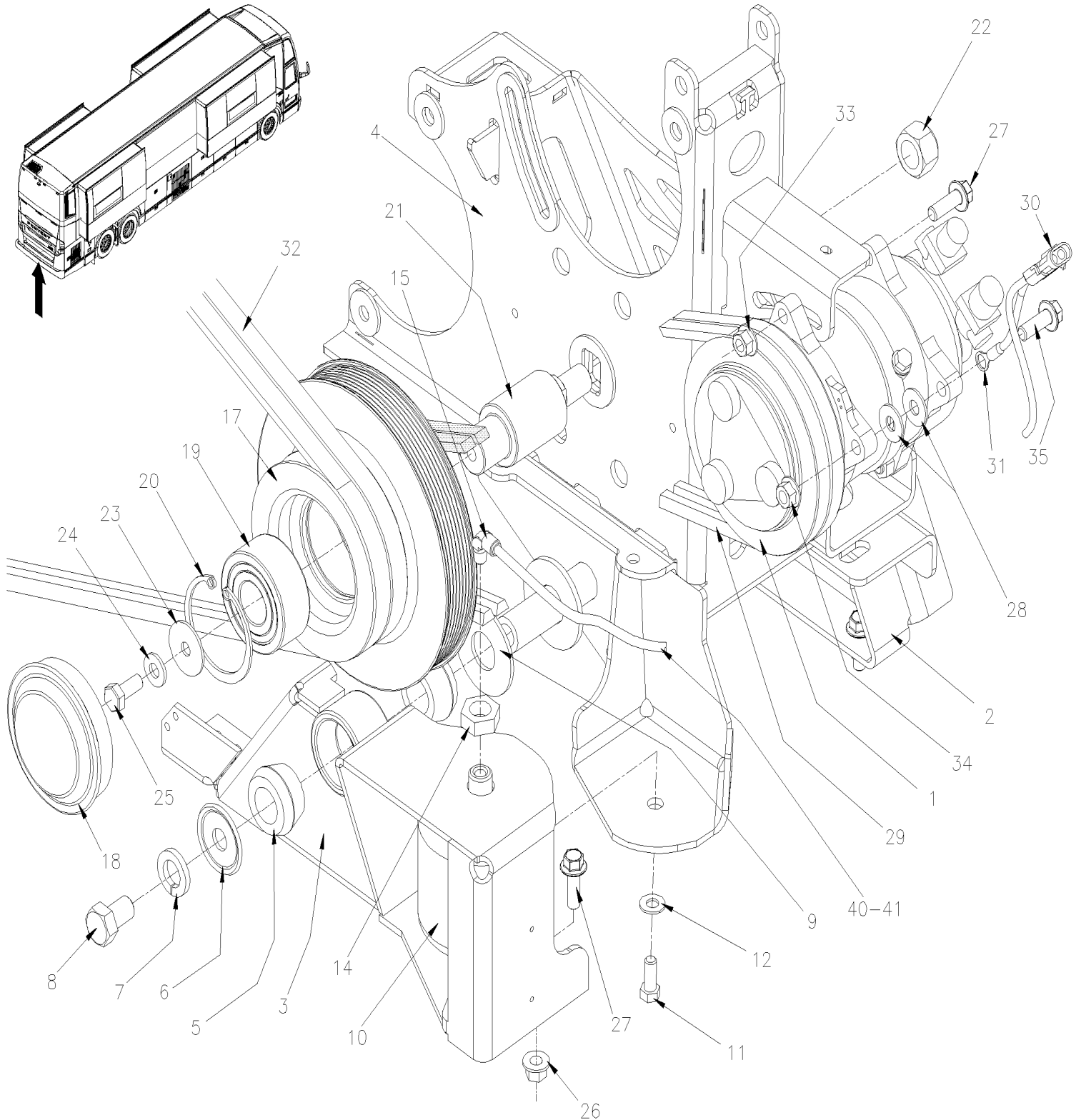
| Item# | Part | Description | QTY | Notes |
|-------|-------------|---|-----|-------|
| NS | 060382 | CABLE ASSY / A/C COMPRESSOR W/SMALL SYSTEM | 1 | |
| NS | 060302 | HARNESS, SMALL, A/C COMP. | 1 | |
| | 061017 | HARNESS SMALL A/C | 1 | |
| 1 | 950543 | A/C COMPRESSOR ASSY "SD7" / 8PV, 24V | 1 | |
| 2 | 450332 | COMPRESSOR SUPPORT | 1 | |
| 3 | 5000343 | SCREW CAP HEXF M10-1.5x30 G10.9 N500 | 6 | |
| 4 | 5001834 | WASHER BEL SPR 10.5X23X2.5 N500 | 4 | |
| 5 | 450048 | BRACKET, COMPRESSOR | 1 | |
| 6 | 5001930 | NUT HEXF NYRT M10-1.5 N500 G10.9 | 1 | |
| 7 | 5001308 | SCREW CAP HEXF M10-1.5x40 G10.9 N500 | 1 | |
| 8 | 5001866 | SCREW CAP HEX M12-1.75x30 G10.9 N500 | 4 | |
| 9 | 500967 | WASHER BEL SPR .512x1.142x.098 N500 | 4 | |
| 15 | 5060140 | MULTI V-BELT / 8 RIB 72.4" (1840MM) 8PK1840 EPDM QT+ ARAMID | 1 | |
| 20 | VIP-2222-57 | SMALL A/C LINES & HOSES - R134A | | |
| 25 | VIP-0610-62 | ALTERNATOR MOUNTING - A/C COMPRESSOR SUPPORT / W/SMALL A/C VOLVO D13 | | |

From K-0295

Date:07/2024

PAGE:VIP-2245-60

A/C COMPRESSOR SMALL - INSTALLATION WITH "VOLTA" ALTERNATOR

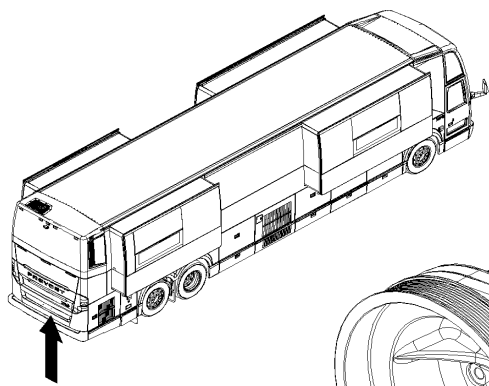


From K-0295

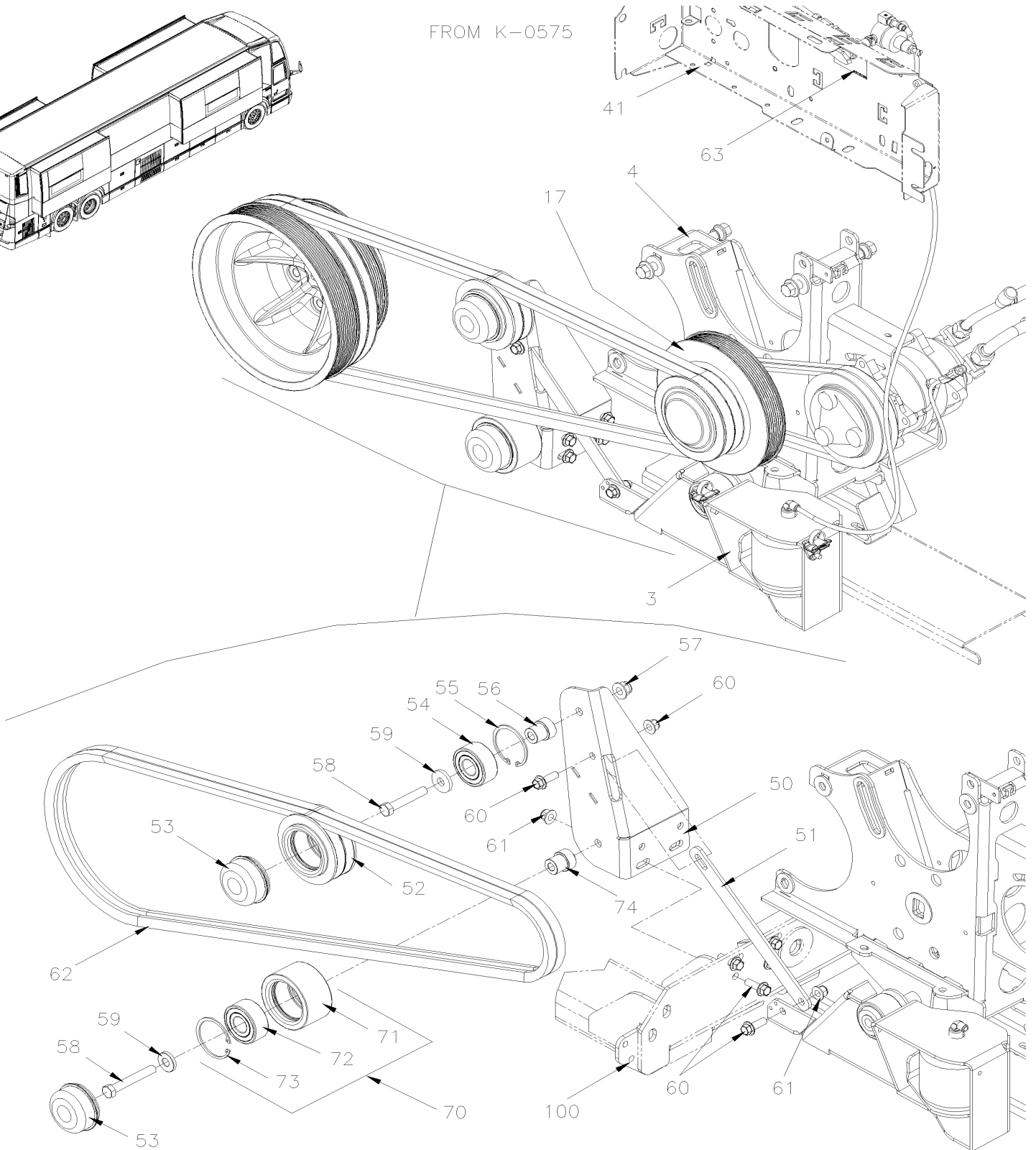
Date:07/2024

PAGE:VIP-2245-60

A/C COMPRESSOR SMALL - INSTALLATION WITH "VOLTA" ALTERNATOR



FROM K-0575



| | | | |
|-------------|--|--------------|------------------|
| From K-0295 | | Date:07/2024 | PAGE:VIP-2245-60 |
|-------------|--|--------------|------------------|

A/C COMPRESSOR SMALL - INSTALLATION WITH "VOLTA" ALTERNATOR

| Item# | Part | Description | QTY | Notes |
|-------|---------------|--|-----|-------|
| 1 | 950436 | A/C COMPRESSOR ASSY "SD7" | 1 | |
| NS | 950445 | MANIFOLD FITTING 3/4-16 & 7/8-14 | 1 | |
| 2 | 457528 | SUPPORT OPPOSITE PULLEY SIDE | 1 | |
| 3 | 457529 | SUPPORT ASSY To K-0574 | 1 | |
| 3 | 450742 | SUPPORT ASSY From K-0575 To M-1109 | 1 | |
| 3 | 453668 | SUPPORT ASSY From M-1110 | 1 | |
| NS | 504772 | ATTACHMENT USE WITH CABLE TIE 5/16 BOLT | 2 | |
| NS | 504016 | CABLE TIE / 5/16" X 14"1/2 | 2 | |
| NS | 504610 | RIVET MGLP PRDG 1/4x5/8 SS | 2 | |
| 4 | 450758 | SERVICE KIT FOR VOLTA ALTERNATOR To K-0574 | 1 | |
| 4 | 060789 | SUPPORT ASSY / SMALL A/C COMPRESSOR W/"VOLTA" ALTERNATOR To K-0574 | 1 | |
| NS | 061155 | SLEEVE, ALTERNATOR PIVOT DOUILLE, PIVOT D'ALTERNATEUR To K-0574 | 2 | |
| NS | 5001774 | NUT HEXF STO M12-1.75 MAGNI G500 To K-0574 | 2 | |
| NS | 502950 | SCREW SHR CAP HEXF 13x135 {M12x1.75 G10.9 N500 To K-0574 | 2 | |
| 4 | 0610033 | SUPPORT ASSY / SMALL A/C COMPRESSOR W/"VOLTA" ALTERNATOR From K-0575 To M-1109 | 1 | |
| 4 | 0611006 | SUPPORT ASSY / SMALL A/C COMPRESSOR W/"VOLTA" ALTERNATOR From M-1110 | 1 | |
| NS | 068570 | CABLE ASSY / GROUND | 1 | |
| 5 | 630002 | BUSHING / RUBBER / (TWO PIECES) 1" x 1.005" I.D. | 4 | |
| 6 | 5001151 | WASHER CON 16.5x50.0x4.5 ZP | 2 | |
| 7 | 502884 | WASHER LO SPT 16.2x27.4x3.5 N500 | 2 | |
| 8 | 5001896 | SCREW CAP HEX M16-2.0x35 G10.9 N500 | 2 | |
| 9 | 500997 | WASHER FL 1.062x2.500x.125 SS | 2 | |
| 10 | 550840 | BELLOW ASSY / BELT TENSIONER / 4" O.D. | 1 | |
| 11 | 502926 | SCREW CAP HEX 3/8-16x7/8 G5 N500 | 1 | |
| 12 | 5001834 | WASHER BEL SPR 10.5X23X2.5 N500 | 1 | |
| 14 | 502917 | NUT HEX JAM 3/4-16 G2 N500 | 1 | |
| 15 | 641369 | MALE ELBOW 90° NON-SWIVEL / PUSH-IN FITTING / #4x1/8NPT-M BR | 1 | |
| NS | 680098 | THREAD SEALANT LOCTITE #567 / WHITE / 250ml | AR | |
| | | | | |
| 17 | 457530 | PULLEY / W/4 GROOVE & 8 RIB 2/B + 8 RIB + 2/A | 1 | |
| 18 | 950471 | CAP, DUST | 1 | |
| 19 | 509953 | BALL BEARING 30MM x 72MM x 30.2 W HI-TEMP | 1 | |
| 20 | 504736 | RING RETAINER / INT 72 x 75 x 2.5MM | 1 | |
| 21 | 457474 | SHAFT PULLEY | 1 | |
| 22 | 5001252 | NUT HEX STO M20-2.5 DP | 1 | |
| 23 | 500261 | WASHER FL .390x1.500x.083 N500 | 2 | |
| 24 | 5001834 | WASHER BEL SPR 10.5X23X2.5 N500 | 2 | |
| 25 | 502804 | SCREW CAP HEX M10-1.5x25 G8.8 N500 | 1 | |
| 26 | 5001930 | NUT HEXF NYRT M10-1.5 N500 G10.9 | 4 | |
| 27 | 5000343 | SCREW CAP HEXF M10-1.5x30 G10.9 N500 | 7 | |
| 28 | 500270 | WASHER FL .406x1.000x.063 SS | 2 | |
| 29 | 5060081 | V-BELT / AX-32 / SET OF 2 9012-2032 | 1 | |

| | | | |
|--|--|--------------|------------------|
| From K-0295 | | Date:07/2024 | PAGE:VIP-2245-60 |
| A/C COMPRESSOR SMALL - INSTALLATION WITH "VOLTA" ALTERNATOR | | | |

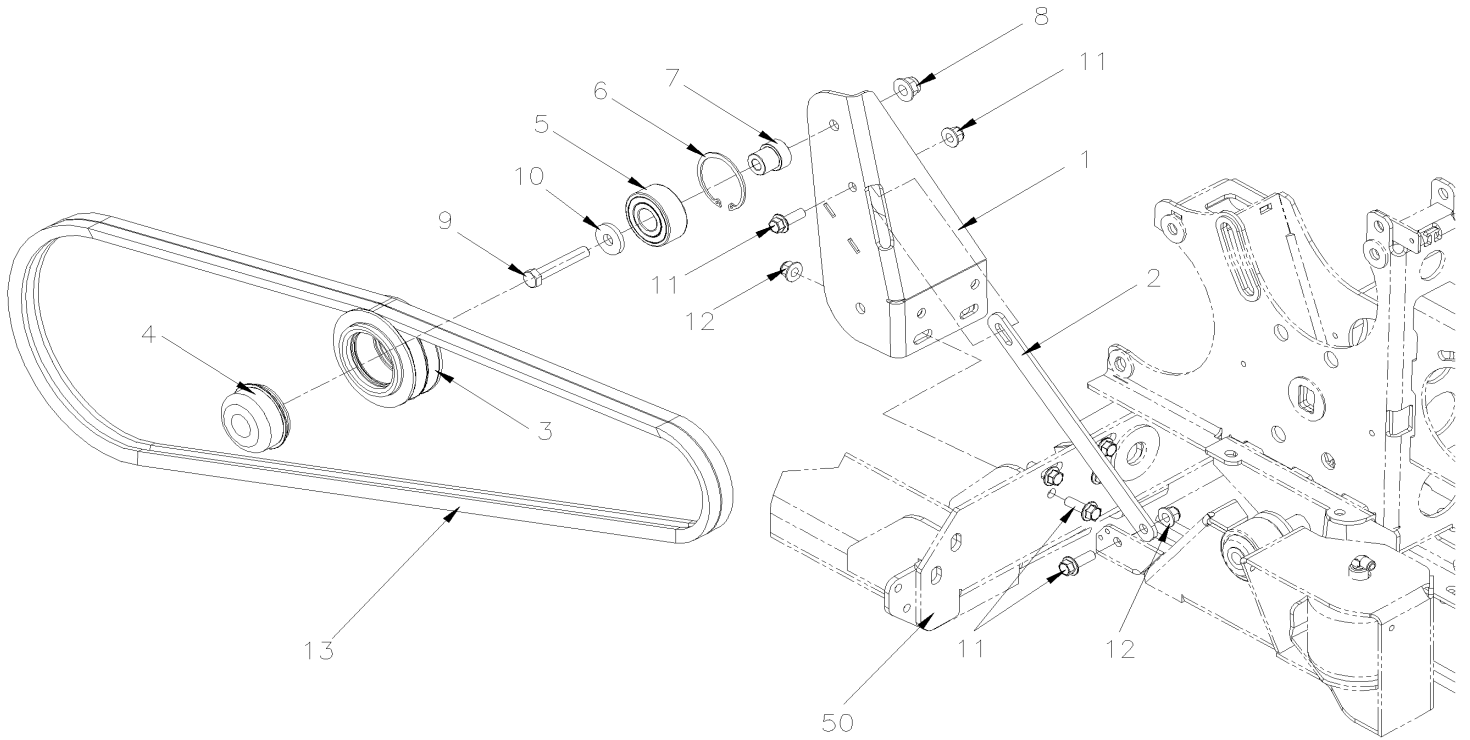
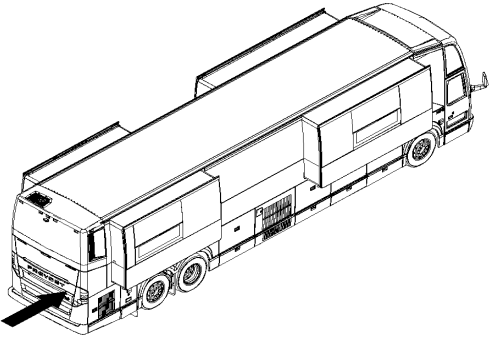
| Item# | Part | Description | QTY | Notes |
|-------|--------------------|---|-----|-------|
| 30 | 561566 | CONNECTOR / WEATHER PACK / PH 2C / BLACK / PED 12010973 | 1 | |
| 30 | 561565 | CABLE SEAL / GREEN / PED 15324982 | 2 | |
| 30 | 561568 | PIN TERMINAL / 16-14 / PED 12089305 | 2 | |
| 30 | 560673 | WIRE CABLE 16 / BLACK / GXL | 1 | |
| 31 | 560093 | RING TERMINAL .375 / 16-14 / INSULATED / AMP 330896 | 1 | |
| 32 | 5060126 | SUPER V-BELT / 5VX950 / SET OF 2 To K-0486 | 1 | |
| 32 | 5060141 | SUPER V-BELT / 5VX950 From K-0487 To K-0574 | 2 | |
| 32 | 506068 | SUPER V-BELT / 5VX880 From K-0575 To L-0777 | 2 | |
| 32 | 5060126 | SUPER V-BELT / 5VX950 / SET OF 2 From L-0778 | 1 | |
| 33 | 5001727 | NUT HEXF NYRT M10-1.5 N500 | 3 | |
| 34 | 5001628 | NUT HEX NYRT M10-1.5 SS | 1 | |
| 35 | 5001418 | SCREW CAP HEX M10-1.5x30 SS | 1 | |
| 40 | 503402 | TUBE, NYLON 1/4 O.D. / BLACK S.L. | AR | |
| 41 | VIP-0665-02 | ENGINE COMPARTMENT - ELECTRIC COMPONENTS | | |
| 50 | 450751 | IDLER SUPPORT, WELDED From K-0575 To N-1199 | 1 | |
| 50 | 454824 | IDLER SUPPORT, WELDED From N-1200 | 1 | |
| 51 | 450744 | BRACE, REINFORCEMENT 288x25.4MM From K-0575 | 1 | |
| 52 | 457786 | PULLEY / 112MM O.D. X 2V From K-0575 | 1 | |
| 53 | 453076 | CAP, DUST From K-0575 | 2 | |
| 54 | 509952 | BALL BEARING 25 ID x 62 OD x 25.4 W HI-TEMP From K-0575 | 1 | |
| 55 | 504040 | RING RETAINER / INT 2.440 x 1.860 x 0.078 STL BLK From K-0575 | 1 | |
| 56 | 050246 | GUIDE, BUSHING Dia31x34MM From K-0575 | 1 | |
| 57 | 5001761 | NUT HEXF NYRT M12-1.75 G8 N500 From K-0575 | 2 | |
| 58 | 5001862 | SCREW CAP HEX M12-1.75x70 G10.9 N500 From K-0575 | 2 | |
| 59 | 5002008 | WASHER FL 13.0x35.0x5.0 N500 From K-0575 | 2 | |
| 60 | 5000343 | SCREW CAP HEXF M10-1.5x30 G10.9 N500 From K-0575 | 6 | |
| 61 | 5001930 | NUT HEXF NYRT M10-1.5 N500 G10.9 From K-0575 | 6 | |
| 62 | 506068 | SUPER V-BELT / 5VX880 From K-0575 To L-0901 | 2 | |
| 62 | 506085 | SUPER V-BELT / 5VX860 From L-0902 | 2 | |
| 63 | 0610100 | DECAL / "MOTOR SWITCH REGULATOR" / 65PSI From K-0575 To M-1112 | 1 | |
| 631 | 0610385 | DECAL / "MOTOR SWITCH REGULATOR" / 30PSI From M-1113 | 1 | |
| 70 | 012349 | PULLEY ASSY W/BEARING / 48MM x 90MM O.D. From K-0575 | 1 | |
| 71 | 012958 | . PULLEY / 48MM x 90MM O.D. From K-0575 | 1 | |
| 72 | 509952 | . BALL BEARING 25 ID x 62 OD x 25.4 W HI-TEMP From K-0575 | 1 | |
| 73 | 504040 | . RING RETAINER / INT 2.440 x 1.860 x 0.078 STL BLK From K-0575 | 1 | |
| 74 | 053724 | BUSHING From K-0575 | 1 | |
| 100 | VIP-0150-03 | ENGINE CRADLE - WITH VOLVO D13 | | |

To K-0574

Date:07/2024

PAGE:450758

SERVICE KIT FOR VOLTA ALTERNATOR



| | | |
|---|--------------|-------------|
| To K-0574 | Date:07/2024 | PAGE:450758 |
| SERVICE KIT FOR VOLTA ALTERNATOR | | |

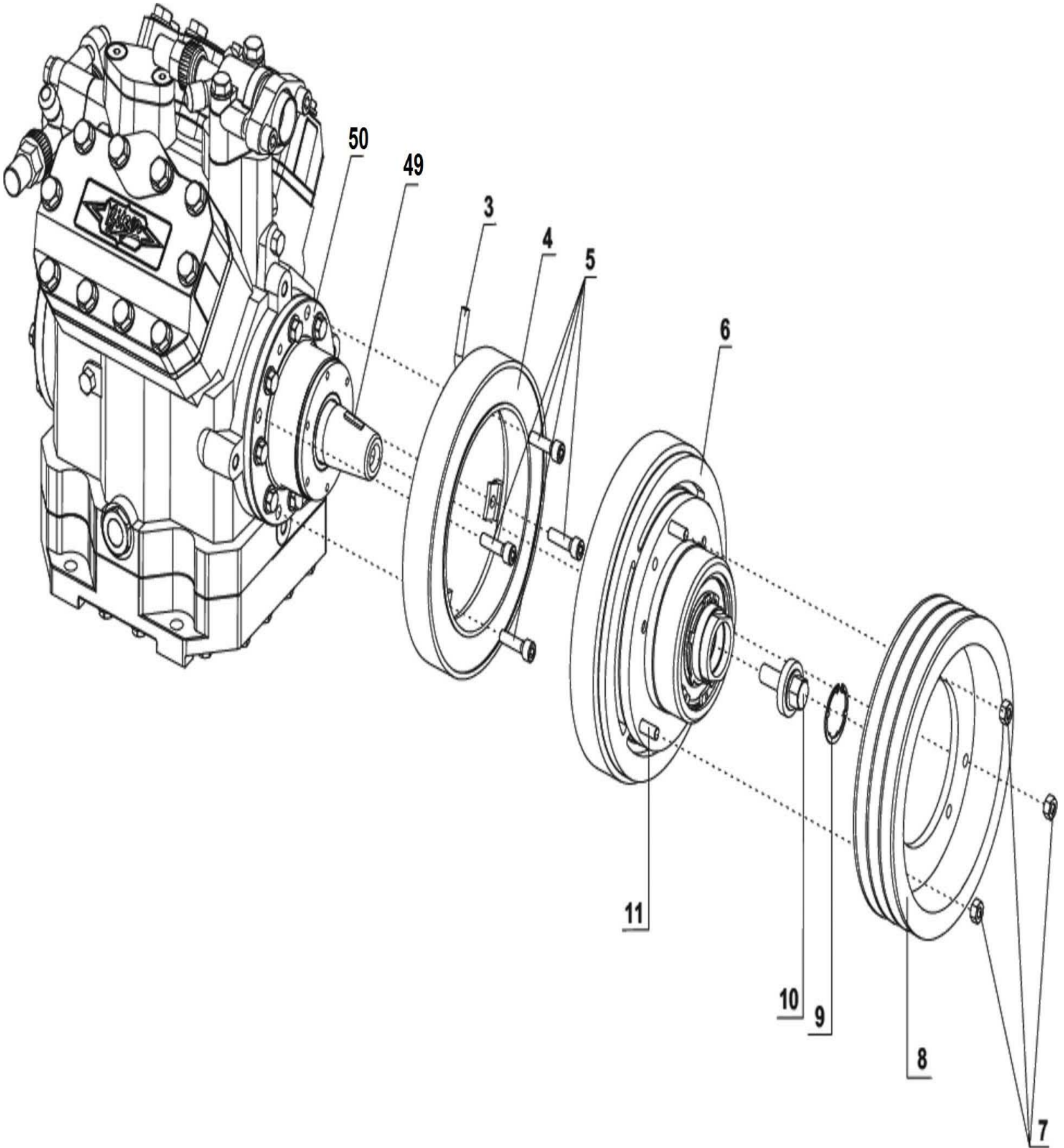
| Item# | Part | Description | QTY | Notes |
|-------|--------------------|---|-----|-------|
| 1 | 454824 | IDLER SUPPORT, WELDED | 1 | |
| 2 | 450744 | BRACE, REINFORCEMENT 288x25.4MM | 1 | |
| 3 | 457786 | PULLEY / 112MM O.D. X 2V | 1 | |
| 4 | 453076 | CAP, DUST | 1 | |
| 5 | 509952 | BALL BEARING 25 ID x 62 OD x 25.4 W HI-TEMP | 1 | |
| 6 | 504040 | RING RETAINER / INT 2.440 x 1.860 x 0.078 STL BLK | 1 | |
| 7 | 050246 | GUIDE, BUSHING Dia31x34MM | 1 | |
| 8 | 5001761 | NUT HEXF NYRT M12-1.75 G8 N500 | 1 | |
| 9 | 5001862 | SCREW CAP HEX M12-1.75x70 G10.9 N500 | 1 | |
| 10 | 5002008 | WASHER FL 13.0x35.0x5.0 N500 | 1 | |
| 11 | 5000343 | SCREW CAP HEXF M10-1.5x30 G10.9 N500 | 6 | |
| 12 | 5001930 | NUT HEXF NYRT M10-1.5 N500 G10.9 | 6 | |
| 13 | 506068 | SUPER V-BELT / 5VX880 To L-0901 | 2 | |
| 13 | 506085 | SUPER V-BELT / 5VX860 From L-0902 | 2 | |
| NS | 0610100 | DECAL / "MOTOR SWITCH REGULATOR" / 65PSI | 1 | |
| 50 | VIP-0150-03 | ENGINE CRADLE - WITH VOLVO D13 | 1 | |

From K-0295

Date:07/2024

PAGE:VIP-2246-01

A/C CLUTCH - WITH "BITZER" COMPRESSOR



| | | |
|--|--------------|------------------|
| From K-0295 | Date:07/2024 | PAGE:VIP-2246-01 |
| A/C CLUTCH - WITH "BITZER" COMPRESSOR | | |

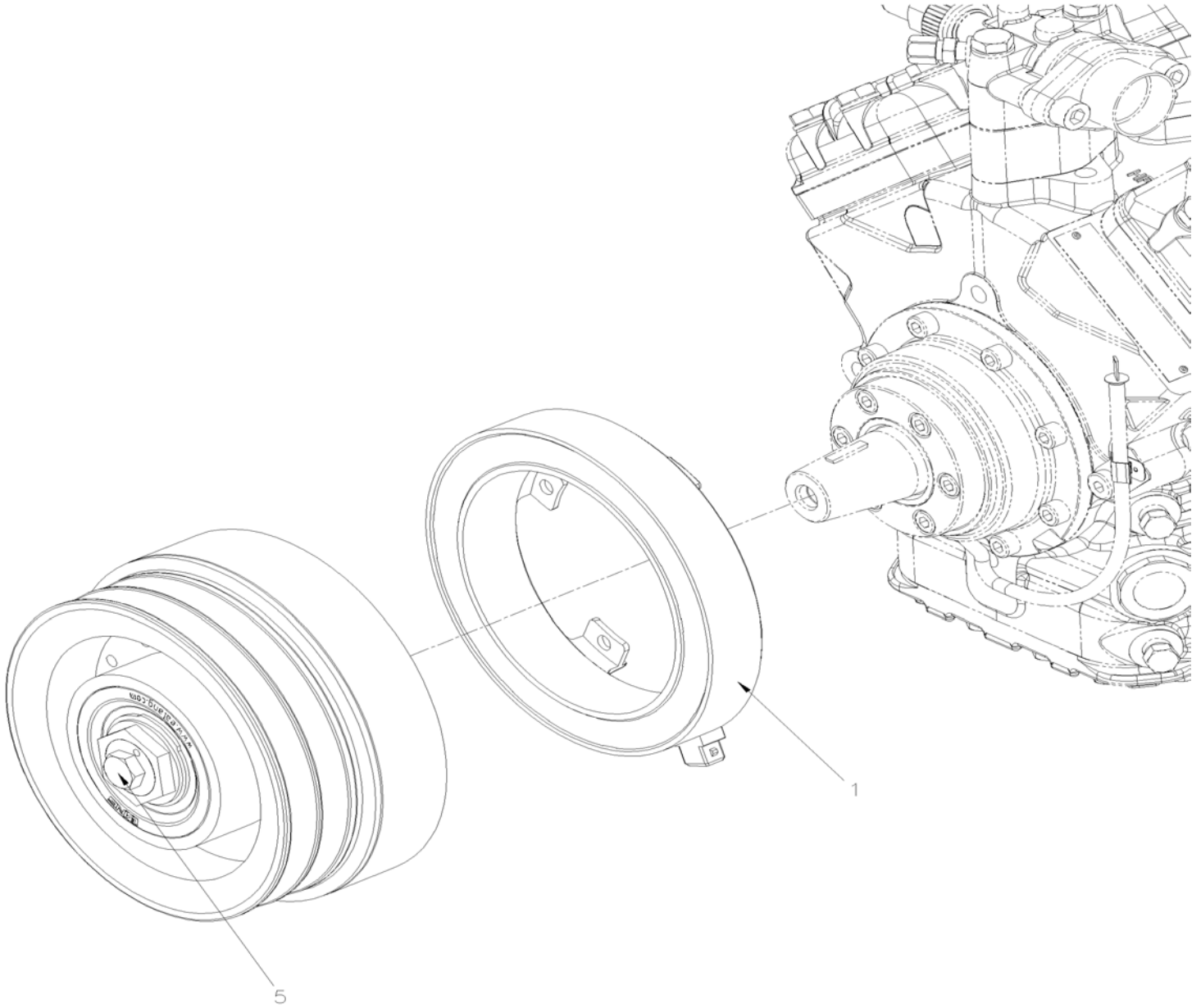
| Item# | Part | Description | QTY | Notes |
|-------|--------------------|--|-----|-------|
| | 950539 | CLUTCH ASSY 24V To K-0622 | 1 | |
| | 950601 | CLUTCH ASSY 24V From K-0623 | 1 | |
| NS | 950561 | . BALL BEARING 50MM X 90MM X 30.2MM | 1 | |
| 3 | N.S.S. | . CABLE | 1 | 1 |
| 4 | 950534 | . MAGNET / W/CONNECTOR To K-0622 | 1 | |
| 4 | 950604 | . MAGNET / W/CONNECTOR From K-0623 | 1 | |
| 5 | 5001775 | SCREW CAP HEXS M8-1.25x25 G8.8 G500 | 4 | |
| 6 | N.S.S. | ROTOR | 1 | 1 |
| 7 | N.S.S. | NUT HEX M8-1.25 | 1 | 1 |
| 8 | N.S.S. | PULLEY | 1 | 1 |
| 9 | N.S.S. | CIRCLIP | 1 | 1 |
| 10 | N.S.S. | SCREW STRAINING | 1 | 1 |
| 10 | 502875 | SCREW CAP HEX M12-1.75x40 G8.8 N50 | 1 | |
| 11 | N.S.S. | STUD M8-1.25x20 | 1 | 1 |
| 49 | 950520 | WOODRUFF KEY 5 x 9 | 1 | |
| 50 | VIP-2250-01 | A/C COMPRESSOR "BITZER" 4NFCY | | |
| 60 | 680888 | TOOL M16-2.0x70MM PLAIN FIN HEX CAP SCREW WITH LANG CLUTCH | 1 | |
| | | | | |
| | | | | |
| | | | | |
| | | 1) NOT SOLD SEPARATELY | | |

From N-1269

Date:07/2024

PAGE:VIP-2246-20

A/C CLUTCH - WITH "BOCK" COMPRESSOR



| | | | |
|-------------|--|--------------|------------------|
| From N-1269 | | Date:07/2024 | PAGE:VIP-2246-20 |
|-------------|--|--------------|------------------|

A/C CLUTCH - WITH "BOCK" COMPRESSOR

| Item# | Part | Description | QTY | Notes |
|-------|--------|--|-----|-------|
| | 950601 | CLUTCH ASSY 24V | 1 | |
| 1 | 950604 | . MAGNET / W/CONNECTOR | 1 | |
| NS | 950561 | . BALL BEARING 50MM X 90MM X 30.2MM | 1 | |
| 5 | 82028 | SET TO FIX CLUTCH ON SHAFT | 1 | |
| | | | | |
| | | | | |
| | | | | |
| | | P) CALL ORDER DESK FOR SPECIFIC APPLICATION (V.I.N.) | | |

| | | | |
|--------------------------------------|--|--------------|------------------|
| From K-0295 | | Date:07/2024 | PAGE:VIP-2250-01 |
| A/C COMPRESSOR "BITZER" 4NFCY | | | |

| Item# | Part | Description | QTY | Notes |
|-------|-----------------|--|-----|-------|
| | 950494 | A/C COMPRESSOR ASSY 4 CYLINDERS W/O CLUTCH W/O VALVES - "BITZER" | 1 | |
| NS | 680801 | OIL, BITZER COMPRESSOR, POE 134A 1 GALLON | AR | |
| 1 | 950510 | KIT GASKET | 1 | A |
| 2 | 950517 | VALVE COMPLET WITH GASKET | 3 | B |
| 3 | 950518 | OIL PUMP W/ O-RING | 1 | C |
| 4 | 950956 | DISCHARGE & SUCTION SHUT-OFF VALVE | 1 | D |
| NS | 950557 | GASKET KIT FOR VALVE | 1 | D |
| 20 | 950506 | GASKET | 3 | D |
| 22 | 950957 | GASKET | 2 | D |
| 5 | 950956 | DISCHARGE & SUCTION SHUT-OFF VALVE | 1 | D |
| NS | 950557 | GASKET KIT FOR VALVE | 1 | D |
| 20 | 950506 | GASKET | 3 | D |
| 22 | 950957 | GASKET | 2 | D |
| 6 | 950509 | SHAFT SEAL COMPLETE | 1 | E |
| 7 | 950627 | CONNECTING ROD W/PISTON COMPLETE | 4 | F |
| 8 | N.S.S. | PISTON STD | 4 | 1 |
| 9 | N.S.S. | CONNECTING ROD | 4 | 1 |
| 10 | 950541 | BEARING COVER | 1 | G |
| 11 | 950628 | ECCENTRIC SHAFT | 1 | H |
| 12 | 950585 | CYLINDRIC ROLLER BEARING | 1 | |
| 13 | Call order desk | CYLINDER LINER RIGHT | 3 | P |
| 14 | Call order desk | CYLINDER LINER LEFT | 3 | P |
| 15 | N.S.S. | GASKET | 1 | 1 |
| 16 | 950516 | GASKET | 3 | |
| 17 | 950625 | GASKET | 2 | |
| 18 | 950542 | GASKET | 1 | |
| 19 | 950519 | O-RING 74 x 2 | 1 | |
| 20 | 950506 | GASKET | 3 | |
| 22 | 950957 | GASKET | 2 | |
| 23 | 950515 | O-RING 23.5 x 1.8 | 2 | |
| 24 | 950544 | GASKET RING ALUMINUM | 1 | |
| 26 | 950626 | O-RING 85 x 3.53 MM | 1 | |
| 27 | 951082 | OIL FILTER | 1 | |
| 28 | 950600 | PRESSURE SPRING | 1 | |
| 29 | 950545 | MAGNETIC SCREW M22-1.5 | 3 | |
| 30 | 950514 | SIGHT GLASS | 2 | |
| 31 | Call order desk | BOTTOM PLATE | 1 | P |
| 32 | 950605 | SHAFT SEAL COVER | 1 | |
| 33 | 950973 | SUCTION GAS FILTER | 2 | |
| 34 | 950644 | BLIND FLANGE 80x44.5x15 | 1 | |
| 38 | Call order desk | COMPANION FLANGE 35 (1 3/8") | 1 | P |
| 39 | Call order desk | COMPANION FLANGE 35 (1 3/8") | 2 | P |

| | | | |
|--------------------------------------|--|--------------|------------------|
| From K-0295 | | Date:07/2024 | PAGE:VIP-2250-01 |
| A/C COMPRESSOR "BITZER" 4NFCY | | | |

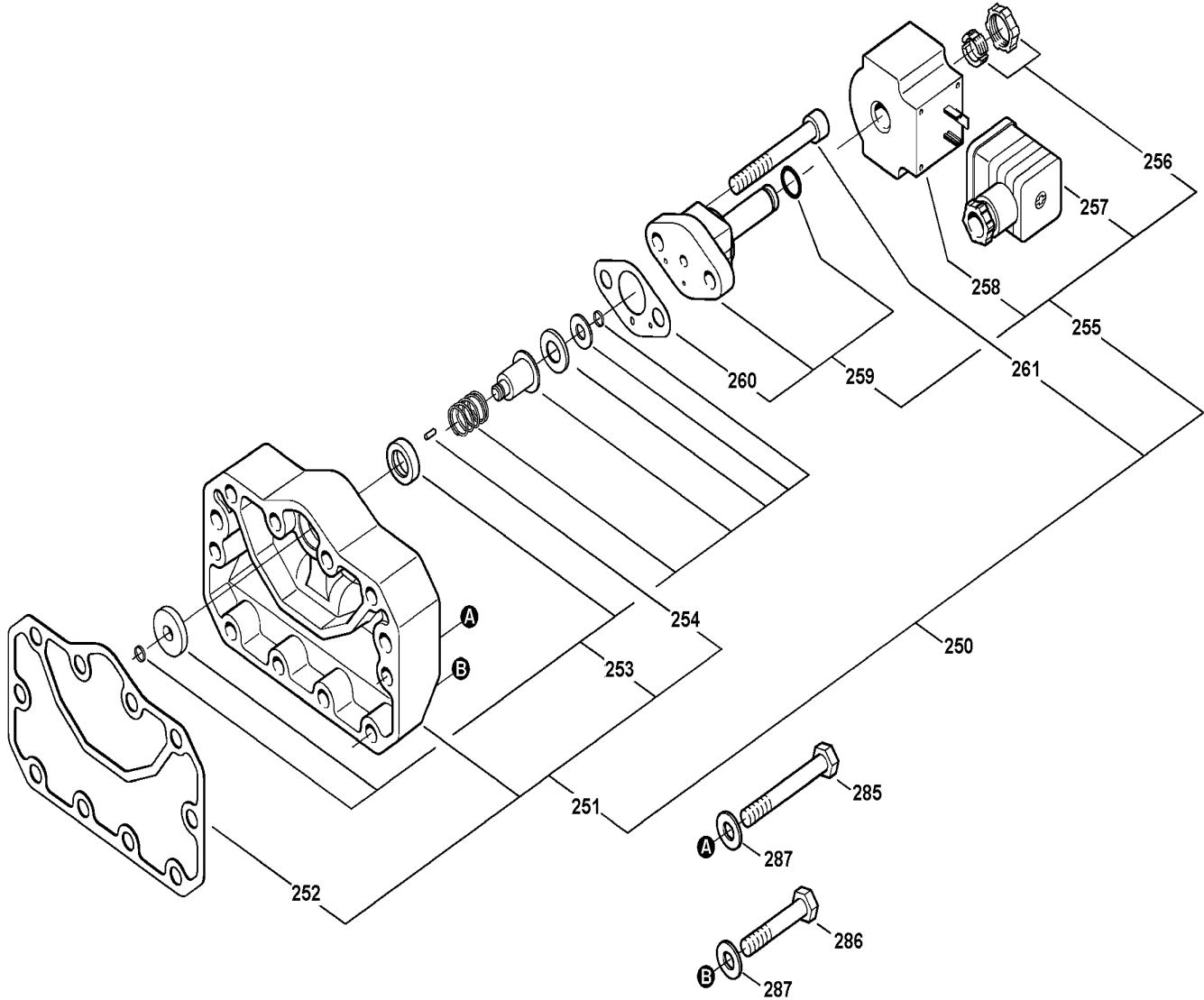
| Item# | Part | Description | QTY | Notes |
|-------|-----------------|--------------------------------------|-----|-------|
| 40 | Call order desk | . PRESSURE RELIEF VALVE | 2 | P |
| 41 | Call order desk | . OIL PRESSURE RELIEF VALVE | 1 | P |
| 42 | 950540 | . SCHRADER VALVE 7/16 UNF | 1 | |
| 43 | Call order desk | . SEALING PLUG | 2 | P |
| 44 | Call order desk | . SEALING PLUG | 2 | P |
| 45 | Call order desk | . CYLINDER HEAD | 2 | P J |
| 45 | 950511 | . CYLINDER HEAD W/MUFFLER | 2 | J |
| 45 | Call order desk | . GASKET CYLINDER HEAD | 1 | P |
| 46 | Call order desk | . HOUSING | 1 | P |
| 47 | 950970 | . RETAINING RING W/LUGS | 1 | |
| 48 | Call order desk | . GAS EQUALISING VALVE | 1 | P |
| 50 | Call order desk | . THRUST SEGMENT | 2 | P |
| 51 | Call order desk | . BALANCE WEIGHT | 1 | P |
| 52 | Call order desk | . BALANCE WEIGHT | 1 | P |
| 54 | Call order desk | . WASHER A 8 DIN 134 | 4 | P |
| 55 | Call order desk | . SCREW CAP HEX M8-1.25x60 G10.9 ZP | 4 | P |
| 56 | Call order desk | . SCREW CAP HEX M8-1.25x30 G10.9 FT | 10 | P |
| 57 | Call order desk | . SCREW CAP HEX M8-1.25x20 G10.9 FT | 6 | P |
| 58 | Call order desk | . WASHER A 8 DIN 134 | 16 | P |
| 59 | Call order desk | . SCREW CAP HEX M8-1.25x60 G10.9 FT | 20 | P |
| 60 | Call order desk | . SCREW CAP HEX M10-1.5x75 G10.9 | 18 | P |
| 61 | Call order desk | . SCREW CAP HEX M10-1.5x55 G10.9 | 8 | P |
| 63 | Call order desk | . SCREW CAP CK HEXS M10-1.5x35 G10.9 | 1 | P |
| 64 | 950488 | . SCREW CAP HEXS M10-1.5x40 G10.9 | 4 | |
| 65 | 950641 | . SCREW CAP HEX M10-1.5x65 G10.9 | 2 | |
| 66 | Call order desk | . GASKET | 1 | P |
| 67 | 950565 | . BLANKING PLATE | 1 | |
| 68 | Call order desk | . WASHER A 8 DIN 134 | 20 | P |
| 69 | Call order desk | . SCREW CAP HEX M8-1.25x30 G10.9 FT | 8 | P |
| 70 | Call order desk | . WASHER A 8 DIN 134 | 8 | P |
| 73 | Call order desk | . WASHER A10 DIN 134 | 20 | P |
| 74 | 950520 | . WOODRUFF KEY 5 x 9 | 1 | |
| NS | 950634 | . SPIRAL PIN 3 x 20 | 1 | |
| 76 | 950564 | . PROTECTIVE CAP | 3 | |
| 77 | 950645 | . O RING 33x3.5 | 1 | |
| 83 | 950519 | . O-RING 74 x 2 | 1 | |
| 84 | Call order desk | . GROOVE # 1 COMPRESSION RING | 4 | P |
| 85 | Call order desk | . GROOVE # 2 COMPRESSION RING | 4 | P |
| NS | Call order desk | . FLANGE KIT INTERMEDIATE | 1 | P |
| NS | Call order desk | . CROSS FLANGE KIT | 1 | P |
| NS | Call order desk | . SEALING SCREW M36 x 1.5 | 2 | P |
| NS | Call order desk | . GASKET RING | 2 | P |

From K-0295

Date:07/2024

PAGE:VIP-2250-16

A/C ELECTRIC UNLOADER - WITH "BITZER" COMPRESSOR



| | | |
|---|--------------|------------------|
| From K-0295 | Date:07/2024 | PAGE:VIP-2250-16 |
| A/C ELECTRIC UNLOADER - WITH "BITZER" COMPRESSOR | | |

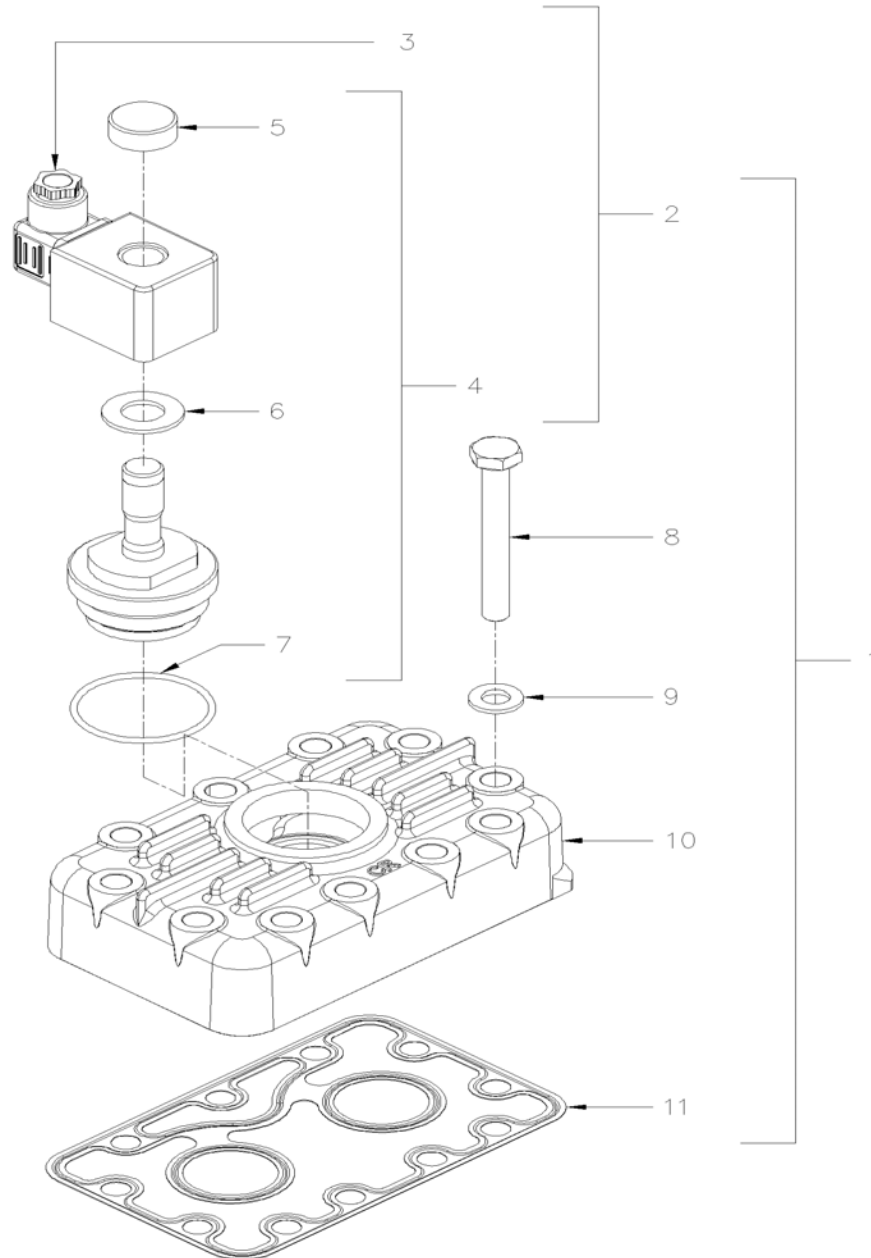
| Item# | Part | Description | QTY | Notes |
|-------|-----------------|--|-----|-------|
| 250 | 950513 | CAPACITY REGULATOR COMPLETE 24 VOLT | 1 | |
| 251 | 950512 | . CYLINDER HEAD W/PISTON "CR" | 1 | |
| 252 | 950625 | . . GASKET | 1 | |
| 253 | Call order desk | . . CONTROL PISTON COMPLETE | 1 | P |
| 254 | Call order desk | . . HALF LENGHT RESERVE TAPER GROVE DOWEL PIN 3 x 8 | 1 | P |
| 255 | 950521 | . SOLONOID VALVE COMPLET 24VOLT | 1 | |
| 256 | 950563 | . . COIL FIXATION | 1 | |
| 257 | 950971 | . . ELECTRICAL CONNECTOR ASSY | 1 | |
| 258 | 950576 | . . COIL 24 VOLT W/CONNECTOR | 1 | |
| 258 | 950577 | . . O-RING | 1 | |
| 259 | 950522 | . . SOLONOID VALVE W/OUT COIL | 1 | |
| 260 | 950965 | . . . GASKET | 1 | |
| 261 | 950721 | . SCREW CAP HEXS M10 x 80 GR 10.9 | 1 | |
| 285 | Call order desk | SCREW CAP HEX M10x75 G10.9 | 4 | P |
| 286 | Call order desk | SCREW CAP HEX M10x55 G10.9 | 4 | P |
| 287 | Call order desk | WASHER 10 | 8 | P |
| | | | | |
| | | | | |
| | | | | |
| | | P) CALL ORDER DESK FOR SPECIFIC APPLICATION (V.I.N.) | | |

From N-1269

Date:07/2024

PAGE:VIP-2250-35

A/C ELECTRIC UNLOADER - WITH "BOCK" COMPRESSOR



| | | |
|---|--------------|------------------|
| From N-1269 | Date:07/2024 | PAGE:VIP-2250-35 |
| A/C ELECTRIC UNLOADER - WITH "BOCK" COMPRESSOR | | |

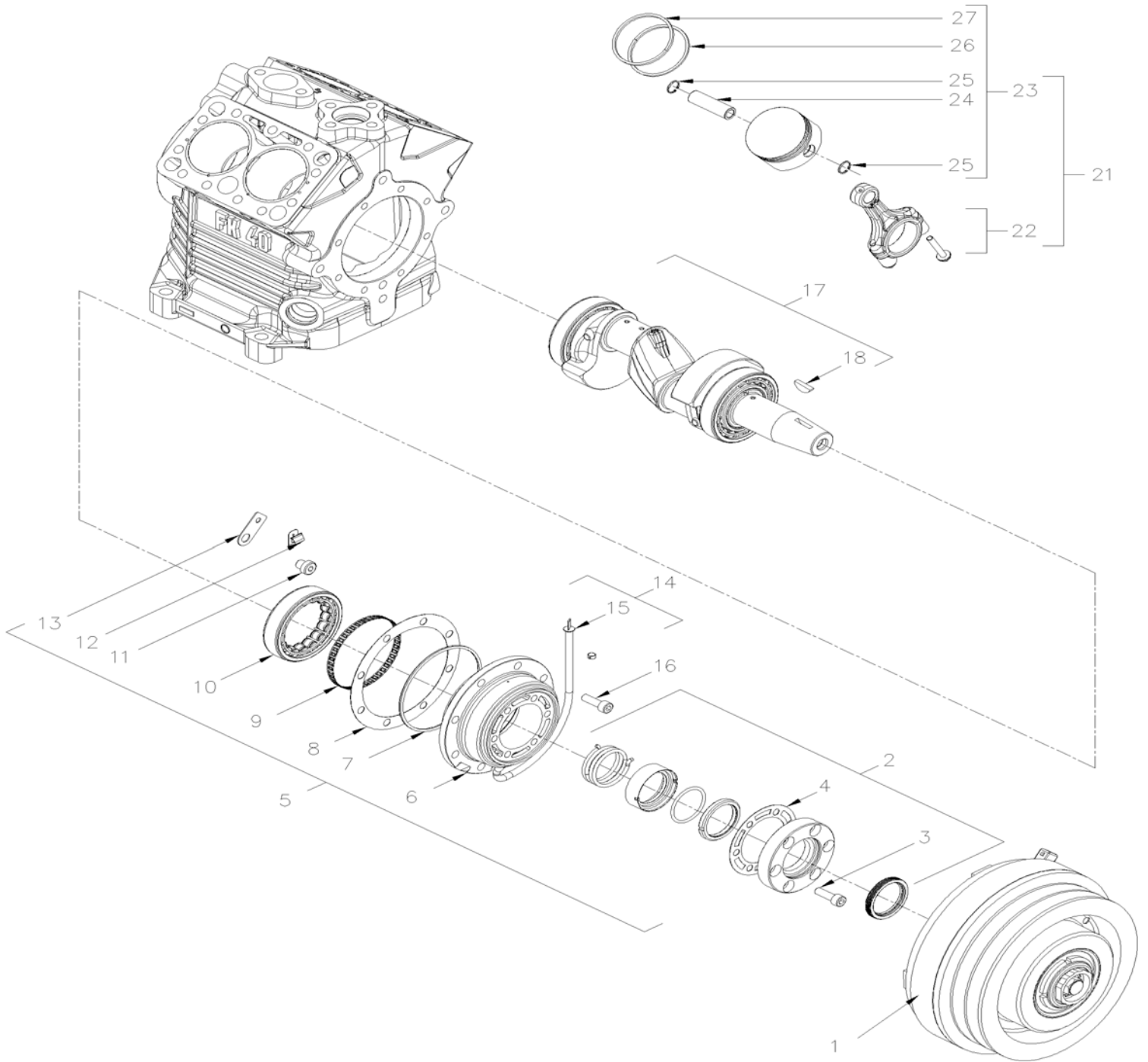
| Item# | Part | Description | QTY | Notes |
|-------|-----------------|--|-----|-------|
| 1 | 950760 | SET-CAPACITY REGULATOR W/COVER 24V | 1 | |
| 2 | 950708 | . SET-CAPACITY REGULATOR 24V | 1 | |
| 3 | 950745 | . . SOLENOID COIL 24V | 1 | |
| 4 | Call order desk | . . VALVE BODY | 1 | P |
| 5 | Call order desk | . . . KNURLED NUT M15X1 W/O-RING | 1 | P |
| 6 | Call order desk | . . . WASHER 30X16X2,0 | 1 | P |
| 7 | Call order desk | . . . O-RING 48,0X2,5 GREEN | 1 | P |
| 8 | Call order desk | . SCREW CAP HEX M10X85 | 11 | P |
| 9 | Call order desk | . WASHER A10,5 | 11 | P |
| 10 | Call order desk | . CYLINDER COVER | 1 | P |
| 11 | 950757 | . GASKET-UPPER VALVE PLATE | 1 | |
| | | | | |
| | | | | |
| | | | | |
| | | P) CALL ORDER DESK FOR SPECIFIC APPLICATION (V.I.N.) | | |

From N-1269

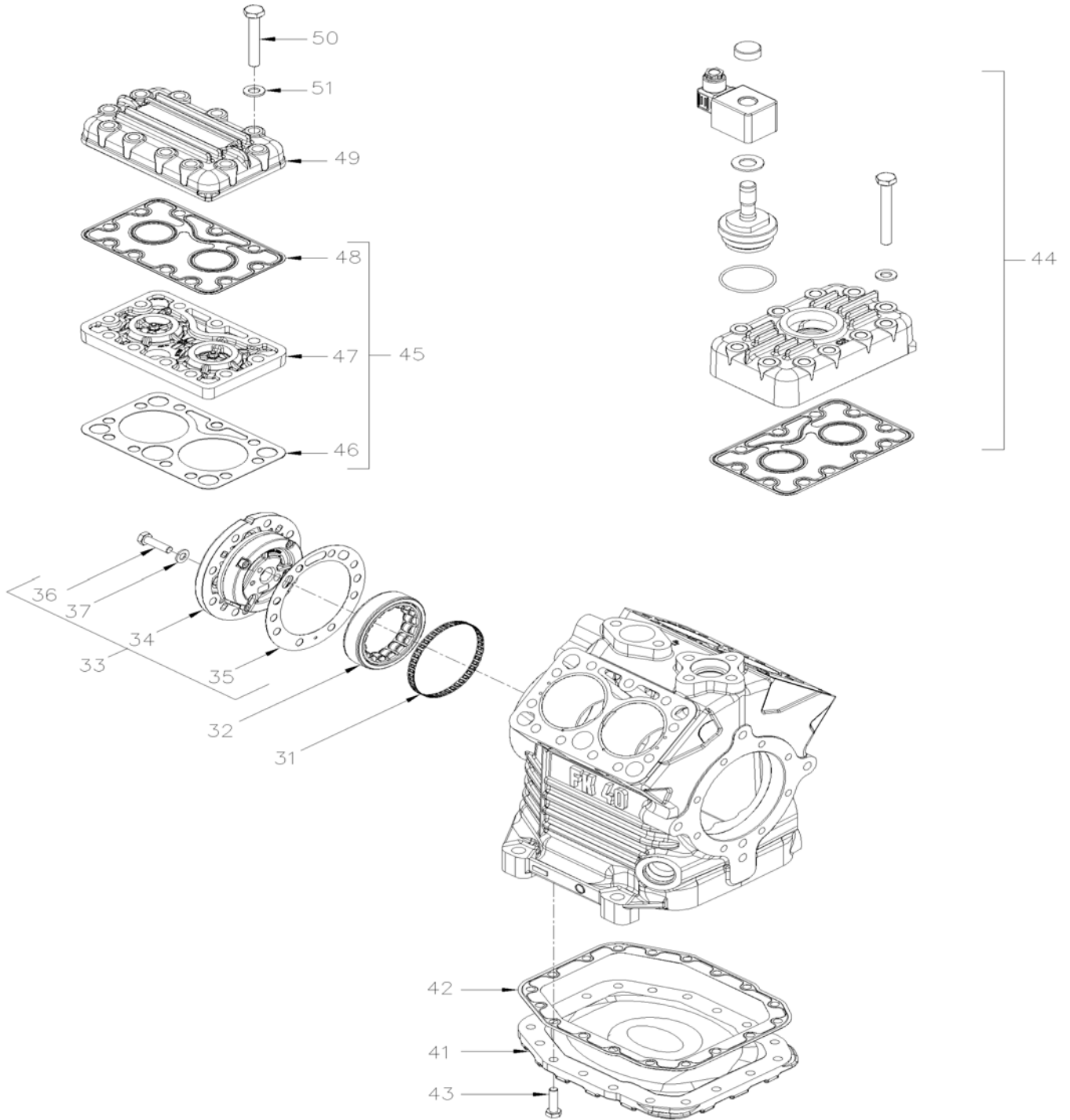
Date:07/2024

PAGE:VIP-2250-20

A/C COMPRESSOR "BOCK"



| | | |
|-----------------------|--------------|------------------|
| From N-1269 | Date:07/2024 | PAGE:VIP-2250-20 |
| A/C COMPRESSOR "BOCK" | | |

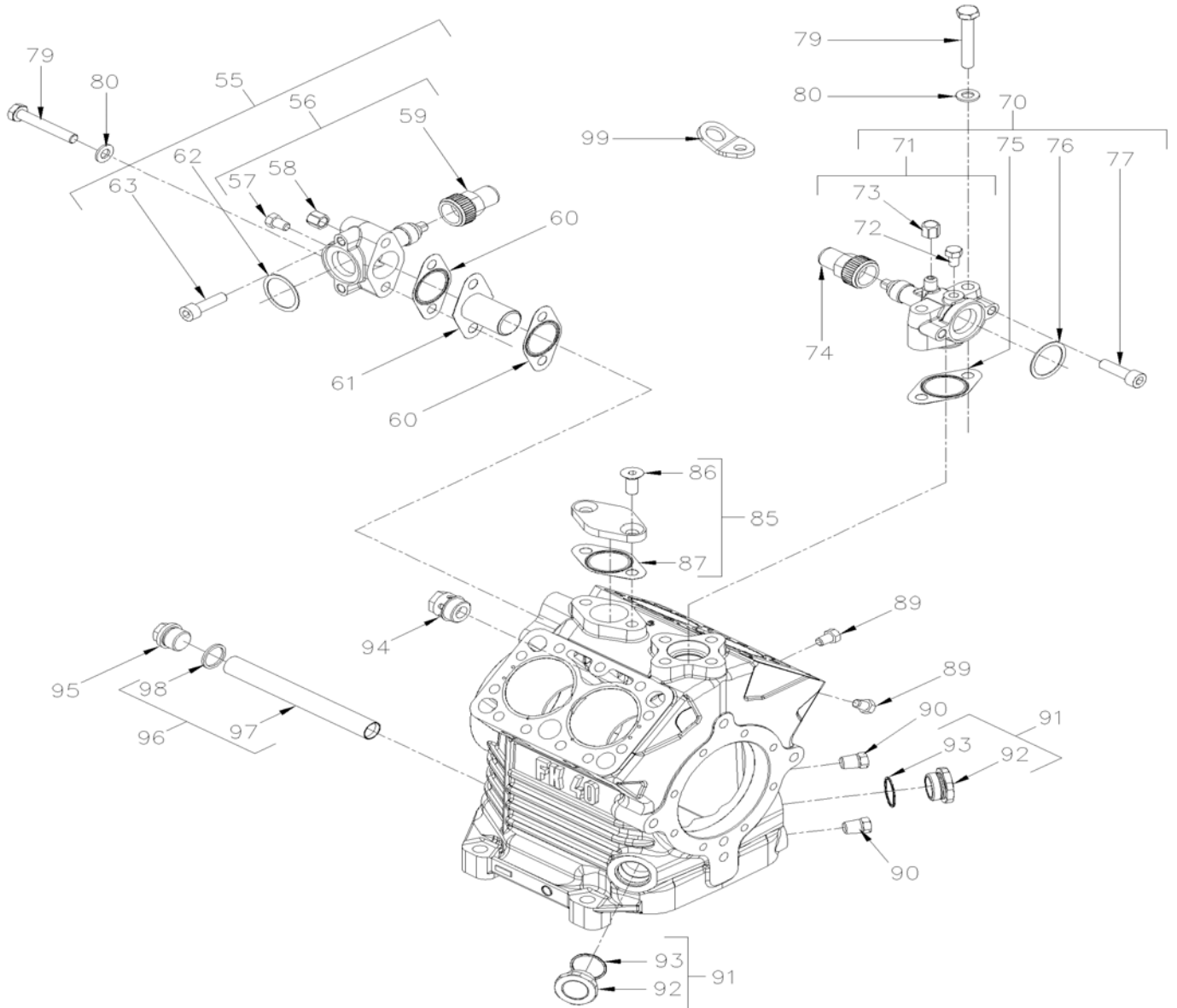


From N-1269

Date:07/2024

PAGE:VIP-2250-20

A/C COMPRESSOR "BOCK"



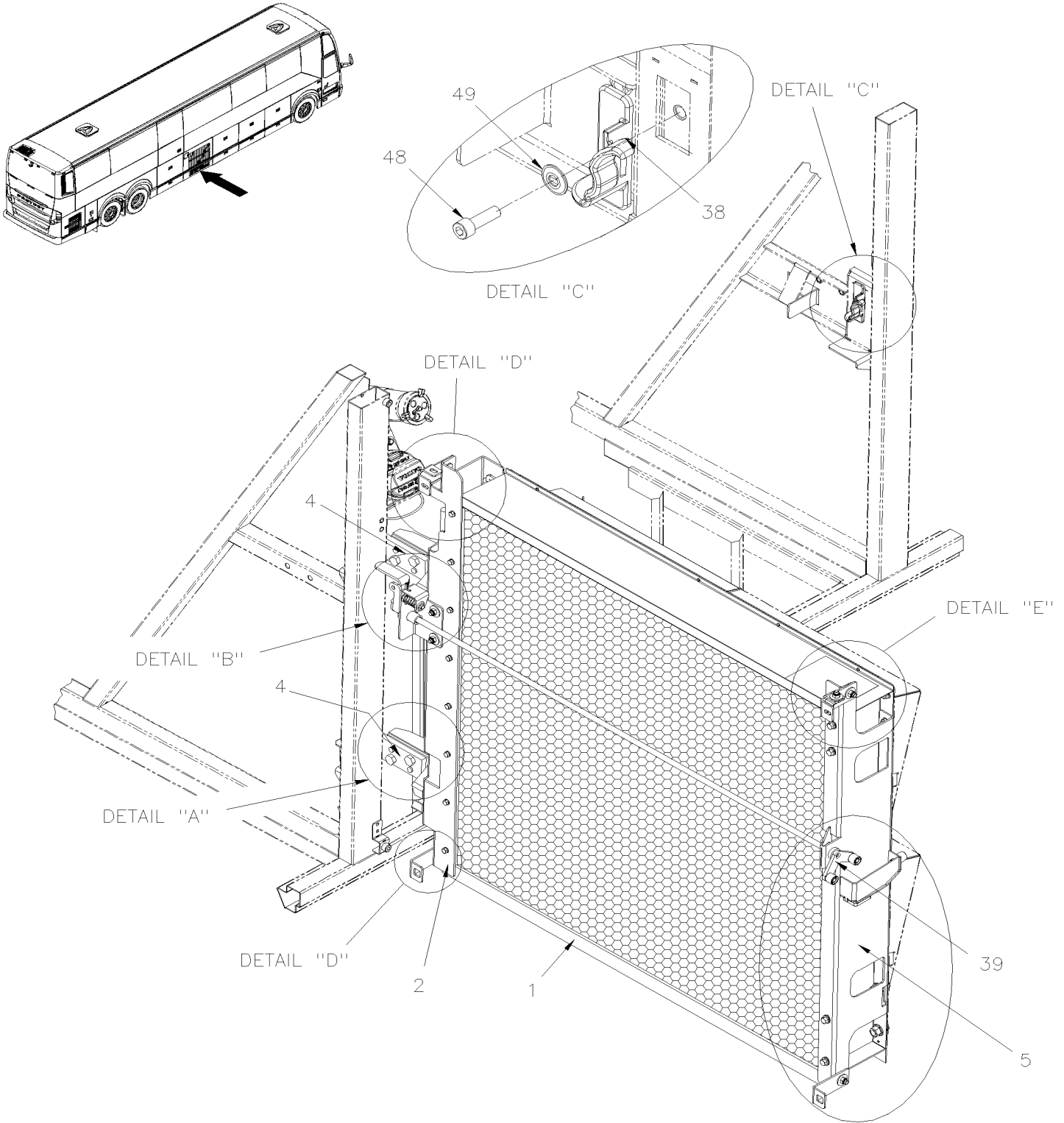
| | | | |
|------------------------------|--|--------------|------------------|
| From N-1269 | | Date:07/2024 | PAGE:VIP-2250-20 |
| A/C COMPRESSOR "BOCK" | | | |

| Item# | Part | Description | QTY | Notes |
|-------|--------------------|---|-----|-------|
| | 950612 | A/C COMPRESSOR ASSY 4 CYLINDERS W/CLUTCH - "BOCK" FK40/655K | 1 | |
| 1 | VIP-2246-20 | . A/C CLUTCH - WITH "BOCK" COMPRESSOR | | |
| 2 | 950613 | . SET-SHAFT SEAL W/ESTER OIL | 1 | |
| 3 | Call order desk | . . SCREW CAP HEXS M8X25 | 6 | P |
| 4 | Call order desk | . . GASKET-SHAFT SEAL COVER | 1 | P |
| 5 | Call order desk | . SET-FRONT BEARING FLANGE | 1 | P |
| 6 | Call order desk | . . FRONT BEARING FLANGE | 1 | P |
| 7 | Call order desk | . . O-RING 101,19X3,53 | 1 | P |
| 8 | Call order desk | . . GASKET-FRONT BEARING FLANGE | 1 | P |
| 9 | Call order desk | . . TOLERANCE RING FOR BEARING DIA 90 | 1 | P |
| 10 | Call order desk | . . SET-CYLINDRICAL ROLLER BEARING | 1 | P |
| 11 | Call order desk | . . SCREW CAP HEXS M10X10 | 1 | P |
| 12 | Call order desk | . . HOSE CLAMP | 1 | P |
| 13 | Call order desk | . . CABLE/HOSE HOLDER | 1 | P |
| 14 | Call order desk | . . SET-OIL DRAIN HOSE | 1 | P |
| 15 | Call order desk | . . . HAFT PLUG DIA 5 BLACK | 1 | P |
| 16 | Call order desk | . . SCREW CAP HEXS M8X25 | 8 | P |
| 17 | Call order desk | . SET-CRANKSHAFT | 1 | P |
| 18 | Call order desk | . . KEY WOODRUFF A5X9 | 1 | P |
| 21 | Call order desk | . SET-PISTON, CONNECTNG ROD W/RINGS | 4 | P |
| 22 | Call order desk | . . SET-CONNECTING ROD | 4 | P |
| 23 | Call order desk | . . SET-PISTON | 4 | P |
| 24 | Call order desk | . . . PIN PISTON 15X10X50 | 4 | P |
| 25 | Call order desk | . . . CIRCLIP 15X1 | 8 | P |
| 26 | Call order desk | . . . OIL SCRAPER RING | 4 | P |
| 27 | Call order desk | . . . COMPRESSION RING | 4 | P |
| 31 | Call order desk | . TOLERANCE RING FOR BEARING DIA 90 | 1 | P |
| 32 | Call order desk | . SET-CYLINDRICAL ROLLER BEARING | 1 | P |
| 33 | Call order desk | . SET-OIL PUMP | 1 | P |
| 34 | Call order desk | . . OIL PUMP COMPLETE | 1 | P |
| 35 | Call order desk | . . GASKET | 1 | P |
| 36 | Call order desk | . . SCREW CAP HEX M8X30 | 8 | P |
| 37 | Call order desk | . . WASHER A8,4 | 8 | P |
| 41 | Call order desk | . BASE PLATE | 1 | P |
| 42 | Call order desk | . GASKET-BASE PLATE | 1 | P |
| 43 | Call order desk | . SCREW CAP HEX M8X30 | 18 | P |
| 44 | VIP-2250-35 | . A/C ELECTRIC UNLOADER - WITH "BOCK" COMPRESSOR | | |
| 45 | 950754 | . SET-VALVE PLATE | 2 | |
| 46 | 950755 | . . GASKET-LOWER VALVE PLATE, DIA 65 | 2 | |
| 47 | 950756 | . . VALVE PLATE COUPLING, DIA 50/55/60/65 | 2 | |
| 48 | 950757 | . . GASKET-UPPER VALVE PLATE | 2 | |
| 49 | Call order desk | . CYLINDER COVER | 2 | P |

| | | | |
|------------------------------|--|--------------|------------------|
| From N-1269 | | Date:07/2024 | PAGE:VIP-2250-20 |
| A/C COMPRESSOR "BOCK" | | | |

| Item# | Part | Description | QTY | Notes |
|-------|-----------------|--|-----|-------|
| 50 | Call order desk | . SCREW CAP HEX M10X70 | 11 | P |
| 51 | Call order desk | . WASHER A10,5 | 11 | P |
| 55 | 950734 | . SET-SHUT-OFF VALVE | 1 | |
| 56 | 950735 | . . SHUT-OFF VALVE | 1 | |
| 57 | Call order desk | . . . LOCKING SCREW 1/8"NPT | 1 | P |
| 58 | Call order desk | . . . NUT HEX CAP 7/16"UNF | 1 | P |
| 59 | 950710 | . . . NUT HEX CAP M22X1,5 | 1 | |
| 60 | Call order desk | . . GASKET-VALVE FLANGE | 2 | P |
| 61 | Call order desk | . . FILTER SUCTION SIDE | 1 | P |
| 62 | Call order desk | . . GASKET RING 42X34X1 | 1 | P |
| 63 | Call order desk | . . SCREW CAP HEXS M10X35 | 2 | P |
| 70 | Call order desk | . SET-SHUT-OFF VALVE | 1 | P |
| 71 | Call order desk | . . SHUT-OFF VALVE | 1 | P |
| 72 | Call order desk | . . . LOCKING SCREW 1/8"NPT | 1 | P |
| 73 | Call order desk | . . . NUT HEX CAP 7/16"UNF | 1 | P |
| 74 | 950710 | . . . NUT HEX CAP M22X1,5 | 1 | |
| 75 | Call order desk | . . GASKET-VALVE FLANGE | 1 | P |
| 76 | Call order desk | . . GASKET RING 42X34X1 | 1 | P |
| 77 | Call order desk | . . SCREW CAP HEXS M10X35 | 2 | P |
| 79 | Call order desk | . SCREW CAP HEX M10X65 | 4 | P |
| 80 | Call order desk | . WASHER A10,5 | 3 | P |
| 85 | Call order desk | . SET-BLANK FLANGE 9MM | 1 | P |
| 86 | Call order desk | . . SCREW CAP FL HEXS M10X25 | 2 | P |
| 87 | Call order desk | . . GASKET-VALVE FLANGE | 1 | P |
| 89 | Call order desk | . LOCKING SCREW 1/8"NPT | 2 | P |
| 90 | Call order desk | . LOCKING SCREW 1/4"NPT | 2 | P |
| 91 | Call order desk | . SET-SIGHT GLASS DIA 22 | 2 | P |
| 92 | Call order desk | . . SIGHT GLASS-INSERT DIA 22 | 2 | P |
| 93 | Call order desk | . . O-RING 28,30X1,78 | 2 | P |
| 94 | Call order desk | . DECOMPRESSION VALVE M24X1,5 | 1 | P |
| 95 | Call order desk | . LOCKING SCREW M22X1,5 | 1 | P |
| 96 | Call order desk | . SET-OIL STRAINER | 1 | P |
| 97 | Call order desk | . . OIL STRAINER | 1 | P |
| 98 | Call order desk | . . SEAL RING 27x22x2 | 1 | P |
| 99 | Call order desk | . TRANSPORT BRACKET | 1 | P |
| NS | Call order desk | . SET-GASKETS | 1 | P |
| | | | | |
| | | | | |
| | | | | |
| | | | | |
| | | P) CALL ORDER DESK FOR SPECIFIC APPLICATION (V.I.N.) | | |

| | | |
|--------------------------|--------------|------------------|
| From K-0295 | Date:07/2024 | PAGE:VIP-2255-01 |
| CONDENSOR - INSTALLATION | | |

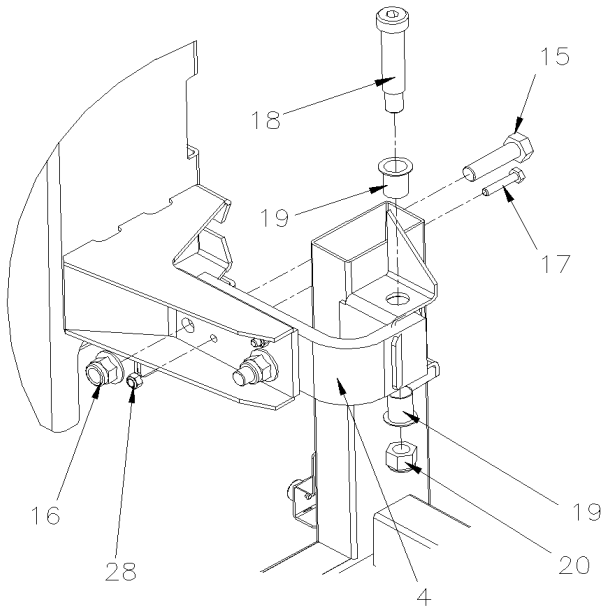


From K-0295

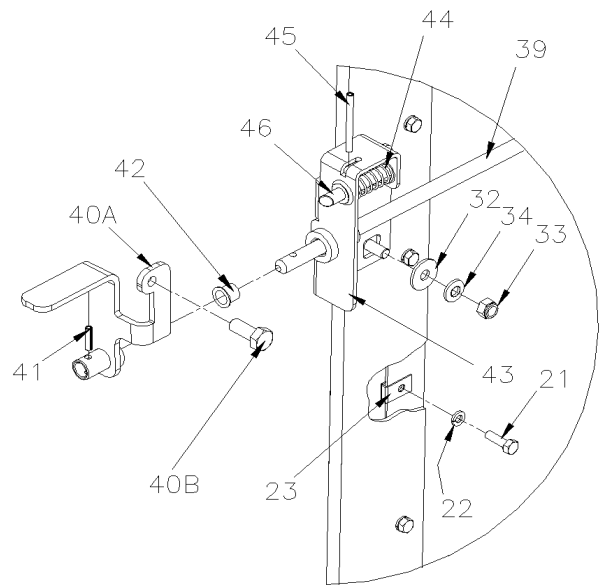
Date:07/2024

PAGE:VIP-2255-01

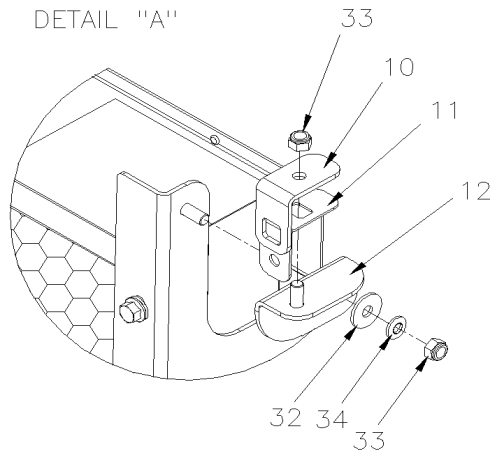
CONDENSOR - INSTALLATION



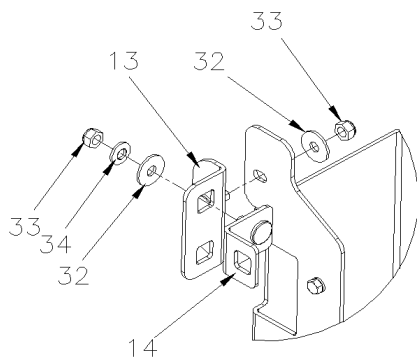
DETAIL "A"



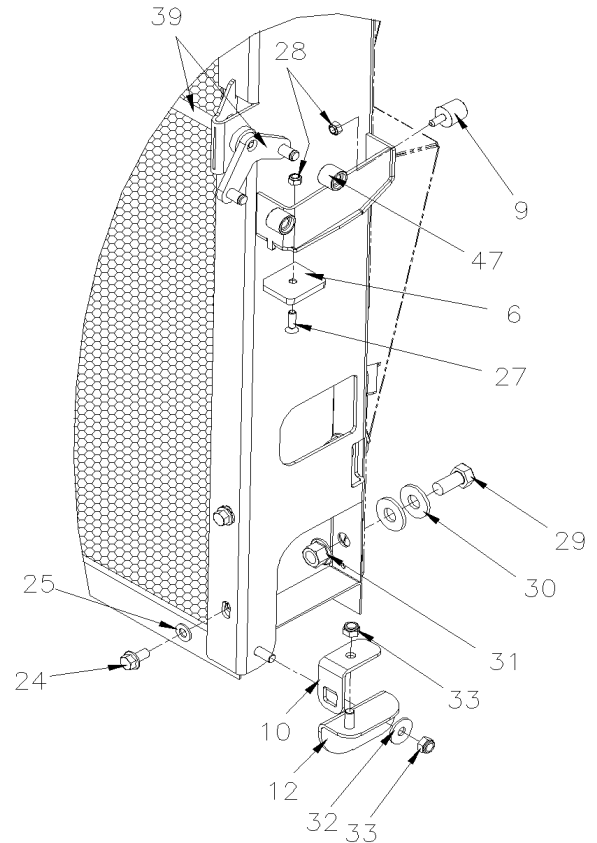
DETAIL "B"



DETAIL "E"
FROM C-1887



DETAIL "D"
FROM C-1887



DETAIL "B"

| | | | |
|---------------------------------|--|--------------|------------------|
| From K-0295 | | Date:07/2024 | PAGE:VIP-2255-01 |
| CONDENSOR - INSTALLATION | | | |

| Item# | Part | Description | QTY | Notes |
|-------|----------|---|-----|-------|
| 1 | 453013 | CONDENSOR COPPER To N-1339 | 1 | |
| NS | 501829 | O-RING / ORS FITTING / #12 NEO To N-1339 | 3 | |
| NS | N8892888 | O-RING ORS-16, .921 ID X .139 THK To N-1339 | 1 | |
| NS | N8908582 | FITTING #16 ORS To N-1339 | 1 | |
| NS | 950636 | FITTING To N-1339 | 3 | |
| 1 | 950649 | CONDENSOR COPPER From P-1340 To P-1398 | 1 | |
| NS | 501829 | O-RING / ORS FITTING / #12 NEO From P-1340 To P-1398 | 3 | |
| NS | N8892888 | O-RING ORS-16, .921 ID X .139 THK From P-1340 To P-1398 | 1 | |
| NS | N8908582 | FITTING #16 ORS From P-1340 To P-1398 | 1 | |
| NS | 950636 | FITTING From P-1340 To P-1398 | 3 | |
| 1 | 453013 | CONDENSOR COPPER From £-23096 | 1 | |
| NS | 501829 | O-RING / ORS FITTING / #12 NEO From £-23096 | 3 | |
| NS | N8892888 | O-RING ORS-16, .921 ID X .139 THK From £-23096 | 1 | |
| NS | N8908582 | FITTING #16 ORS From £-23096 | 1 | |
| NS | 950636 | FITTING From £-23096 | 3 | |
| 1 | 453125P | CONDENSOR COPPER / PAINTED BLACK | 1 | O |
| NS | 501829 | O-RING / ORS FITTING / #12 NEO | 3 | O |
| NS | N8892888 | O-RING ORS-16, .921 ID X .139 THK | 1 | O |
| 2 | 454683 | ATTACHMENT / HINGE / E-COAT BLACK | 1 | |
| 2 | 285598 | SPACER SHIM | 1 | |
| 4 | 287646 | HINGE / CONDENSER DOOR | 2 | |
| 5 | 454693 | SUPPORT R.H. SIDE / E-COAT BLACK | 1 | |
| 6 | 289616 | BLOCK SUPPORT | 1 | |
| NS | 483730 | SHIM 14GA 73.2MM x 38.1MM SS | 1 | |
| 9 | 504454 | BUMPER RUBBER BOLT / 20MM ODx20MM TH X M6X15MM STUD | 1 | |
| 10 | 289818 | BRACKET, HINGE, CONDENSER DOOR | 2 | |
| 11 | 289819 | BRACKET, LOCK, CONDENSER DOOR | 1 | |
| 12 | 289820 | BRACKET, CONDENSER DOOR | 2 | |
| 13 | 289821 | BRACKET, CONDENSER DOOR | 2 | |
| 14 | 289822 | BRACKET, CONDENSER DOOR | 2 | |
| 15 | 5001338 | SCREW CAP HEX M12-1.75x45 G10.9 N500 | 4 | |
| 16 | 5001761 | NUT HEXF NYRT M12-1.75 G8 N500 | 4 | |
| 17 | 502758 | SCREW CAP HEX M6-1.0x30 G8.8 N500 | 4 | |
| 18 | 5000323 | SCREW SHR HEXS 5/8x2 1/4 {1/2-13 SS | 2 | |
| 19 | 507299 | BUSHING NYLINER | 4 | |
| 20 | 502595 | NUT HEX NYRT 1/2-13 Z050 | 2 | |
| 21 | 502622 | SCREW CAP HEX M6-1.0x20 SS BK | 4 | |
| 22 | 5001868 | WASHER BEL SPR 8.4x18x2 SS | 4 | |
| 23 | 5001965 | NUT SPR U M6-1.0 0.6-4.0 N500 | 8 | |
| 24 | 5001527 | SCREW CAP HEX M8-1.25x16 SS BK | 4 | |
| 25 | 5001868 | WASHER BEL SPR 8.4x18x2 SS | 4 | |
| 27 | 5001497 | SCREW MA OV PH M6-1.0x20 SS | 1 | |

| | | | |
|---------------------------------|--|---------------------|-------------------------|
| From K-0295 | | Date:07/2024 | PAGE:VIP-2255-01 |
| CONDENSOR - INSTALLATION | | | |

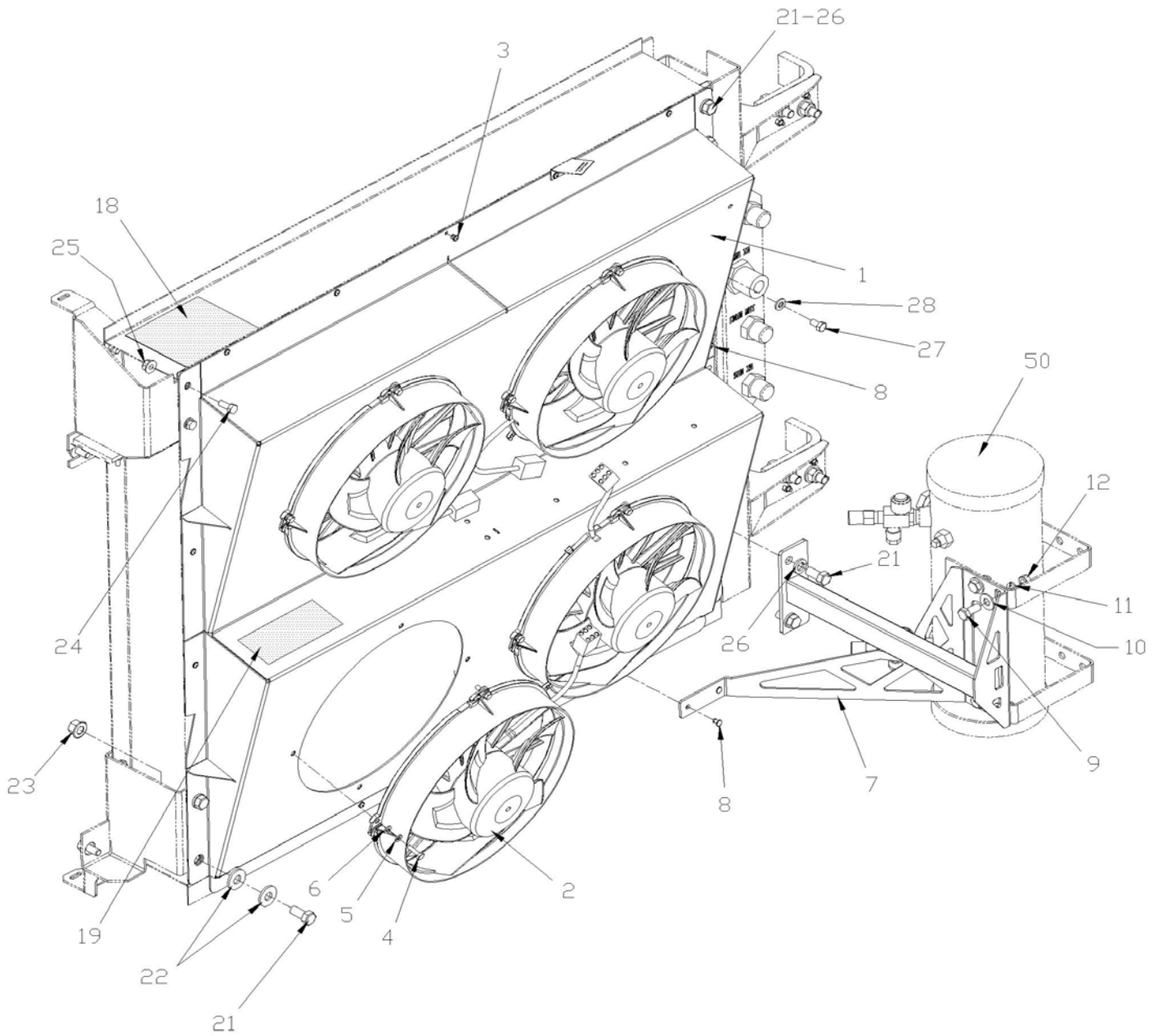
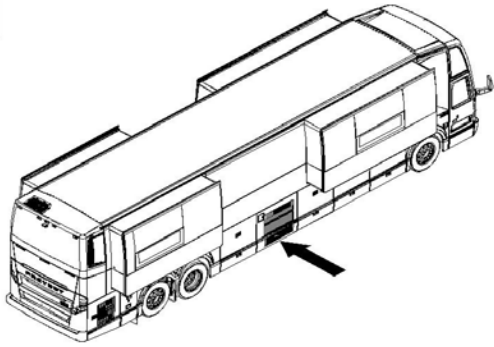
| Item# | Part | Description | QTY | Notes |
|-------|--------------------|---|-----|-------|
| 28 | 502681 | NUT HEX NYRT M6-1.0 N500 G8 | 6 | |
| 29 | 502705 | SCREW CAP HEX M12-1.75X25 G8.8 N500 | 4 | |
| 30 | 500211 | WASHER FL .531x1.250x.125 N500 | 8 | |
| 31 | 5001728 | NUT HEXF STO M12-1.75 N500 G10 | 4 | |
| 32 | 5001849 | WASHER FL 8.4x24.0x2.0 SS | 8 | |
| 33 | 5001852 | NUT HEX M8-1.25 SS BK | AR | |
| 34 | 5001868 | WASHER BEL SPR 8.4x18x2 SS | 6 | |
| 38 | 289694 | GUIDE R.H. / W/2 HOLES FOR RIVET | 1 | |
| . NS | 288517 | . GUIDE R.H. | 1 | |
| 39 | 281778 | ROD LOCK ASSY | 1 | |
| 40A | 281775 | HANDLE ASSY | 1 | |
| 40B | 5001832 | SCREW CAP HEX M10-1.5x25 NYLON | 1 | |
| 41 | 502532 | SCREW MA PAN PH M5-0.8x25 SS EMN | 1 | |
| 42 | 507141 | BUSHING, NYLINER W/SHOULDER (7-L-7-F) | 1 | |
| 43 | 289631P | SUPPORT HANDLE ASSY | 1 | |
| 44 | 502910 | . SPRING COMPRESSION / .720 O.D. 1.75 x .055 | 1 | |
| 45 | 5001811 | . SPRING PIN 3/16" x 2" SS | 1 | |
| 46 | 289645 | . ROD | 1 | |
| 47 | 288607 | ROLLER CATCH | 2 | |
| 47 | 504318 | RING RETAINER / EXT .375 x .352 x .025 | 2 | |
| 48 | 5001775 | SCREW CAP HEXS M8-1.25x25 G8.8 G500 | 1 | |
| 49 | 5001699 | WASHER BEL SPR 8.2x22x1.4 N500 | 1 | |
| NS | 453015 | BELT RETAINER | 1 | |
| 51 | VIP-2260-01 | CONDENSOR FANS - INSTALLATION W/4 MOTORS | | |
| 52 | VIP-1863-01 | CONDENSOR DOOR ASSY "EPA 2010" | | |
| | | | | |
| | | | | |
| | | | | |
| | | | | |
| | | O) OPTION | | |

From K-0295

Date:07/2024

PAGE:VIP-2260-01

CONDENSOR FANS - INSTALLATION W/4 MOTORS



| | | |
|---|--------------|------------------|
| From K-0295 | Date:07/2024 | PAGE:VIP-2260-01 |
| CONDENSOR FANS - INSTALLATION W/4 MOTORS | | |

| Item# | Part | Description | QTY | Notes |
|-------|-------------|---|-----|-------|
| 1 | 455324 | SHROUD FAN To N-1239 | 1 | |
| 1 | 453817 | SHROUD FAN From N-1240 To R-1783 | 1 | |
| 1 | 455077 | SHROUD FAN From R-1784 | 1 | |
| 2 | 565881 | CONDENSOR FAN ASSY 24V To N-1239 | 4 | |
| NS | 563691 | CONNECTOR / JUNIOR POWER TIMER / SH 6C / AMP 1-963212-1 To N-1239 | 1 | |
| 2 | 870011 | CONDENSOR FAN ASSY 24V From N-1240 To R-1783 | 4 | |
| 2 | 870246 | CONDENSOR FAN ASSY 24V From R-1784 | 1 | |
| 3 | 504488 | RIVET MGLP PRDG 3/16x17/64 SS | AR | |
| 4 | 502622 | SCREW CAP HEX M6-1.0x20 SS BK To N-1239 | 16 | |
| 4 | 502686 | SCREW CAP HEX M6-1.0x30 SS BK From N-1240 To R-1783 | 16 | |
| 4 | 502622 | SCREW CAP HEX M6-1.0x20 SS BK From R-1784 | AR | |
| 5 | 5001833 | WASHER BEL SPR 6.1x18x1.27 SS | 16 | |
| 6 | 502573 | WASHER FL 6.4x12.5x1.6 SS | 16 | |
| 7 | 454678 | SUPPORT RECEIVER TANK | 1 | |
| 8 | 504487 | RIVET MGLP PRDG 3/16x7/16 SS | 2 | |
| 9 | 502559 | SCREW CAP HEX M10-1.5x25 G8.8 Z050 | 2 | |
| 10 | 500445 | WASHER FL .437x1.000x.083 Z050 | 2 | |
| 11 | 500257 | WASHER LO SPT 10.2x18.1x2.2 Z050 | 2 | |
| 12 | 500256 | NUT HEX M10-1.5 Z050 | 2 | |
| NS | 509815 | TIE MOUNT / ATTACHMENT W/TREE MOUNT | AR | |
| NS | 504013 | TIE MOUNT / 1/4" X 1/4" I.D. | 1 | |
| 18 | 402792 | DECAL / "DANGER" SHUT DOWN A/C BEFORE SERVI. / ENGLISH & FRANCAIS | 1 | |
| 18 | 405637 | DECAL / "DANGER" SHUT DOWN A/C BEFORE SERVI. / ENGLISH & SPANISH | 1 | |
| 19 | 453066 | DECAL R134A / NOMINAL CHARGE 24 LBS // ENGLISH & FRANCAIS | 1 | |
| 19 | 454180 | DECAL R134A / NOMINAL CHARGE 24 LBS // ENGLISH & SPANISH | 1 | |
| 21 | 502705 | SCREW CAP HEX M12-1.75X25 G8.8 N500 | 6 | |
| 22 | 500211 | WASHER FL .531x1.250x.125 N500 | 4 | |
| 23 | 5001728 | NUT HEXF STO M12-1.75 N500 G10 | 2 | |
| 24 | 502862 | SCREW CAP HEX M8-1.25x20 G8.8 N500 | 2 | |
| 25 | 5001852 | NUT HEX M8-1.25 SS BK | 2 | |
| 26 | 500482 | WASHER LO SPT .506x.873x.125 Z050 | 4 | |
| 27 | 5001527 | SCREW CAP HEX M8-1.25x16 SS BK | 2 | |
| 28 | 5001868 | WASHER BEL SPR 8.4x18x2 SS | 2 | |
| 50 | VIP-2270-01 | RECEIVER TANK & FILTER DRYER To P-1347 | | |
| 50 | VIP-2270-02 | RECEIVER TANK & FILTER DRYER From P-1348 | | |

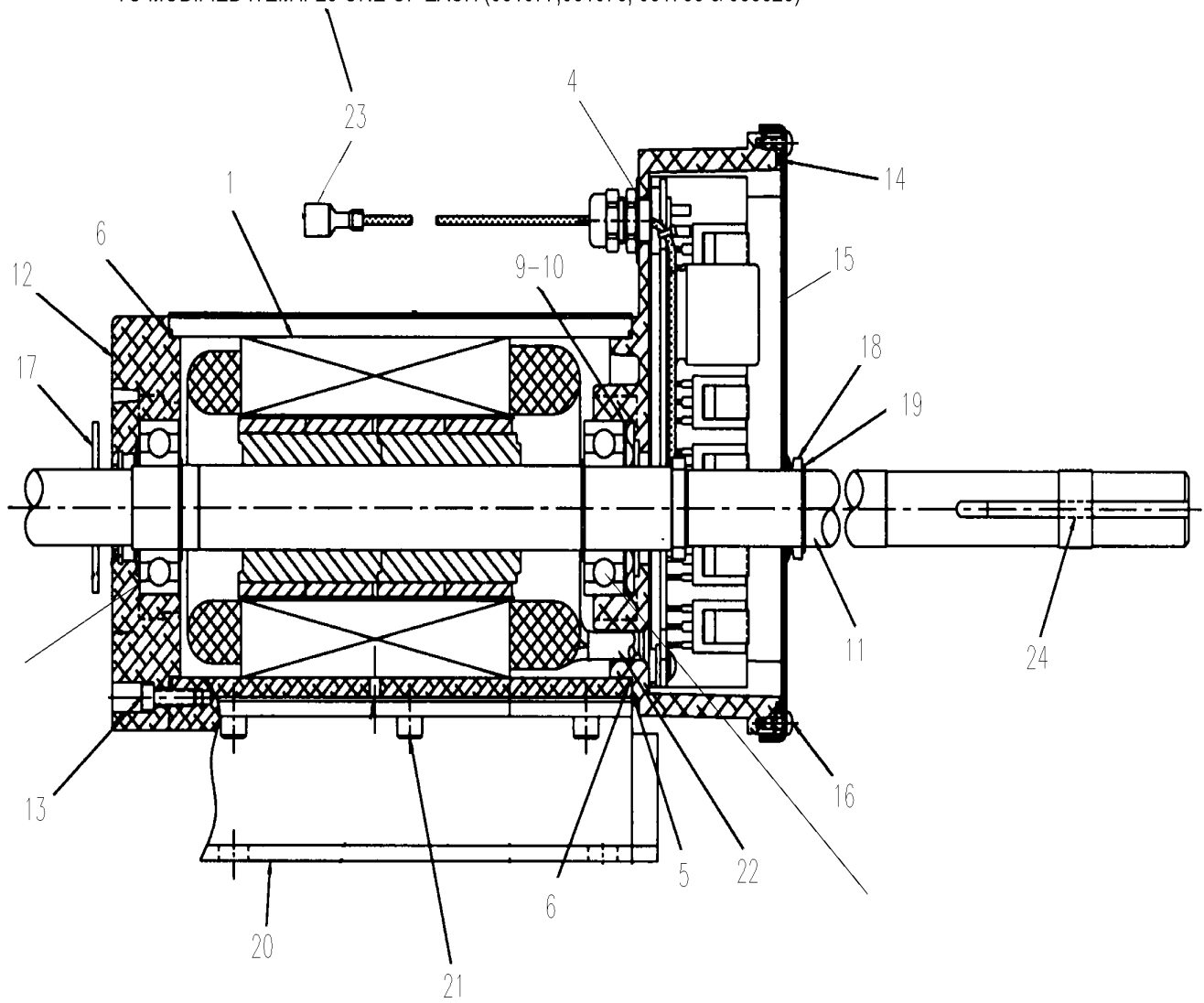
From K-0295

Date:07/2024

PAGE:VIP-2265-01

MOTOR - EVAPORATOR BRUSHLESS

NOTE.: IN REPLACEMENT OF FORMER MOTOR MODEL YOU REQUIRE THOSE PARTS
TO MODIFIED ITEM # 23 ONE OF EACH (561577,561578, 561786 & 563623)



| | | | |
|-------------------------------------|--|---------------------|-------------------------|
| From K-0295 | | Date:07/2024 | PAGE:VIP-2265-01 |
| MOTOR - EVAPORATOR BRUSHLESS | | | |

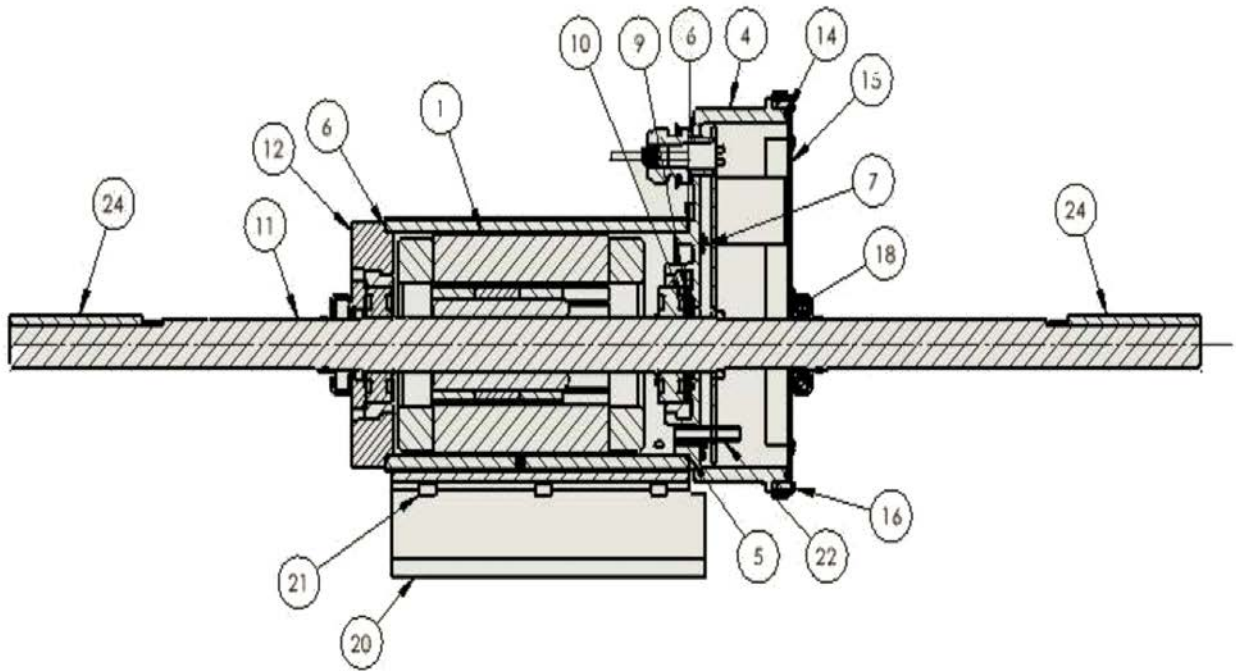
| Item# | Part | Description | QTY | Notes |
|-------|-----------------|--|-----|-------|
| | 564216 | MOTOR EVAPORATOR BRUSHLESS / 2 SPEEDS To R-1909 | 1 | |
| | 564793 | MOTOR EVAPORATOR BRUSHLESS / 2 SPEEDS From R-1910 | 1 | |
| 1 | Call order desk | . MOTOR ASSY / COMPLETE | 1 | P |
| 4 | 564621 | . CONTROLLER ASSEMBLY | 1 | |
| 5 | Call order desk | . GASKET | 1 | P |
| 6 | Call order desk | . O-RING 3.989" x .070" | 1 | P |
| 7 | Call order desk | . SCREW MA PAN 8-32 x ? | 1 | P |
| 8 | Call order desk | . HEAT-SHRINK TUBING | 3 | P |
| 9 | Call order desk | . WAVE SPRING | 1 | P |
| 10 | Call order desk | . SHIM | 1 | P |
| 11 | Call order desk | . SHAFT / ROTOR ASSY W/KEYS | 1 | P |
| 12 | Call order desk | . ENDBELL | 1 | P |
| 13 | Call order desk | . SCREW MA PAN 8-32 x .875" | 4 | P |
| 14 | Call order desk | . O-RING SEAL | 1 | P |
| 15 | Call order desk | . COVER | 1 | P |
| 16 | Call order desk | . SCREW MA PAN #6-32 | 12 | P |
| 17 | Call order desk | . SLINGER | 1 | P |
| 18 | Call order desk | . V-SEAL | 1 | P |
| 19 | Call order desk | . EXTERNAL RETAINING RING | 1 | P |
| 20 | Call order desk | . BASE PLATE | 1 | P |
| 21 | Call order desk | . SCREW CAP HEXS 1/4-20 x ? | 6 | P |
| 22 | Call order desk | . TUBING | 1 | P |
| 23 | Call order desk | . TERMINAL (0.032 X 0.25) | 1 | P |
| 24 | Call order desk | . KEY SQUARE 3/16" x 3" 452085 | 2 | P |
| 30 | 032937 | KIT / SHAFT SHIELD | | S |
| . NS | 033188 | . SHIELD / SHAFT | 1 | S |
| . NS | 500443 | . SCREW TP PAN PH #8x1/2 N500 | 5 | S |
| . NS | IS-10125 | . SEE INSTRUCTION SHEET | 1 | S |
| | | | | |
| | | | | |
| | | S) USE WITH OLD MOTOR 563586 WITHOUT SEAL ON THE SHAFT | | |
| | | P) CALL ORDER DESK FOR SPECIFIC APPLICATION (V.I.N.) | | |

From R-1910

Date:07/2024

PAGE:564793

MOTOR EVAPORATOR BRUSHLESS / 2 SPEEDS



| | | |
|--|---------------------|--------------------|
| From R-1910 | Date:07/2024 | PAGE:564793 |
| MOTOR EVAPORATOR BRUSHLESS / 2 SPEEDS | | |

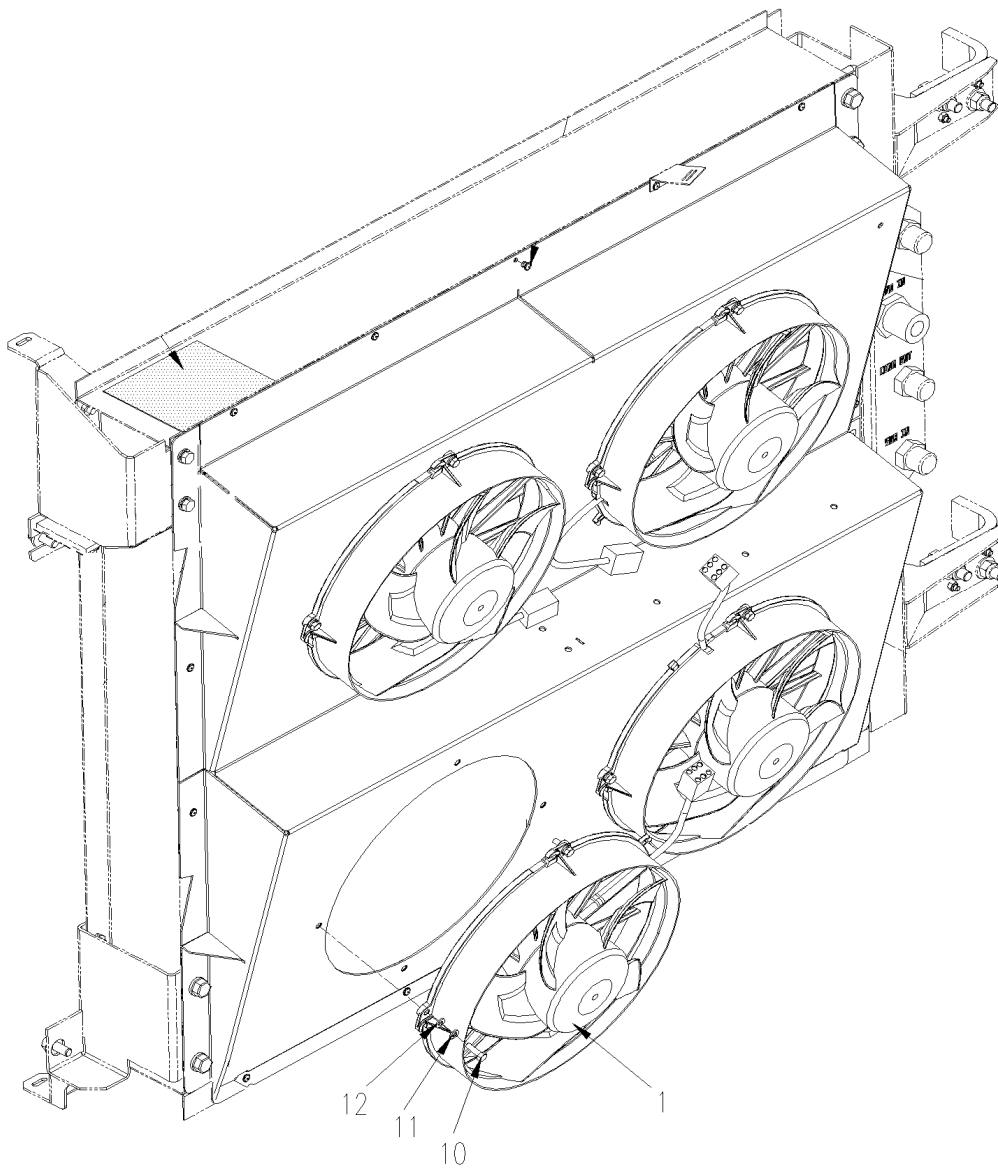
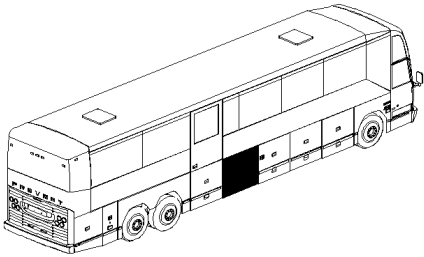
| Item# | Part | Description | QTY | Notes |
|--------------|-----------------|--|------------|--------------|
| 1 | Call order desk | MOTOR ASSY / COMPLETE | 1 | P |
| 4 | Call order desk | CONTROLLER ASSEMBLY | 1 | P |
| 5 | Call order desk | GASKET | 1 | P |
| 6 | 19504444 | O-RING 3.989" x .070" | 2 | |
| 7 | Call order desk | SCREW MA PAN 8-32 x ? | 4 | P |
| 9 | Call order desk | WAVE SPRING | 1 | P |
| 10 | Call order desk | SHIM | 1 | P |
| 11 | Call order desk | SHAFT / ROTOR ASSY W/KEYS | 1 | P |
| 12 | Call order desk | ENDBELL | 1 | P |
| 14 | Call order desk | O-RING SEAL | 1 | P |
| 15 | Call order desk | COVER | 1 | P |
| 16 | Call order desk | SCREW MA PAN #6-32 | 1 | P |
| 18 | Call order desk | RADIAL LIP SEAL | 1 | P |
| 20 | Call order desk | BASE PLATE | 1 | P |
| 21 | Call order desk | SCREW CAP HEXS 1/4-20 x ? | 6 | P |
| 22 | Call order desk | TUBING | 1 | P |
| 24 | Call order desk | KEY SQUARE 3/16" x 3" | 2 | P |
| NS | Call order desk | HEAT-SHRINK TUBING | 3 | P |
| | | | | |
| | | | | |
| | | | | |
| | | P) CALL ORDER DESK FOR SPECIFIC APPLICATION (V.I.N.) | | |

From K-0295

Date:07/2024

PAGE:VIP-2265-51

MOTOR - CONDENSOR BRUSHLESS



| | | |
|-------------|--------------|------------------|
| From K-0295 | Date:07/2024 | PAGE:VIP-2265-51 |
|-------------|--------------|------------------|

MOTOR - CONDENSOR BRUSHLESS

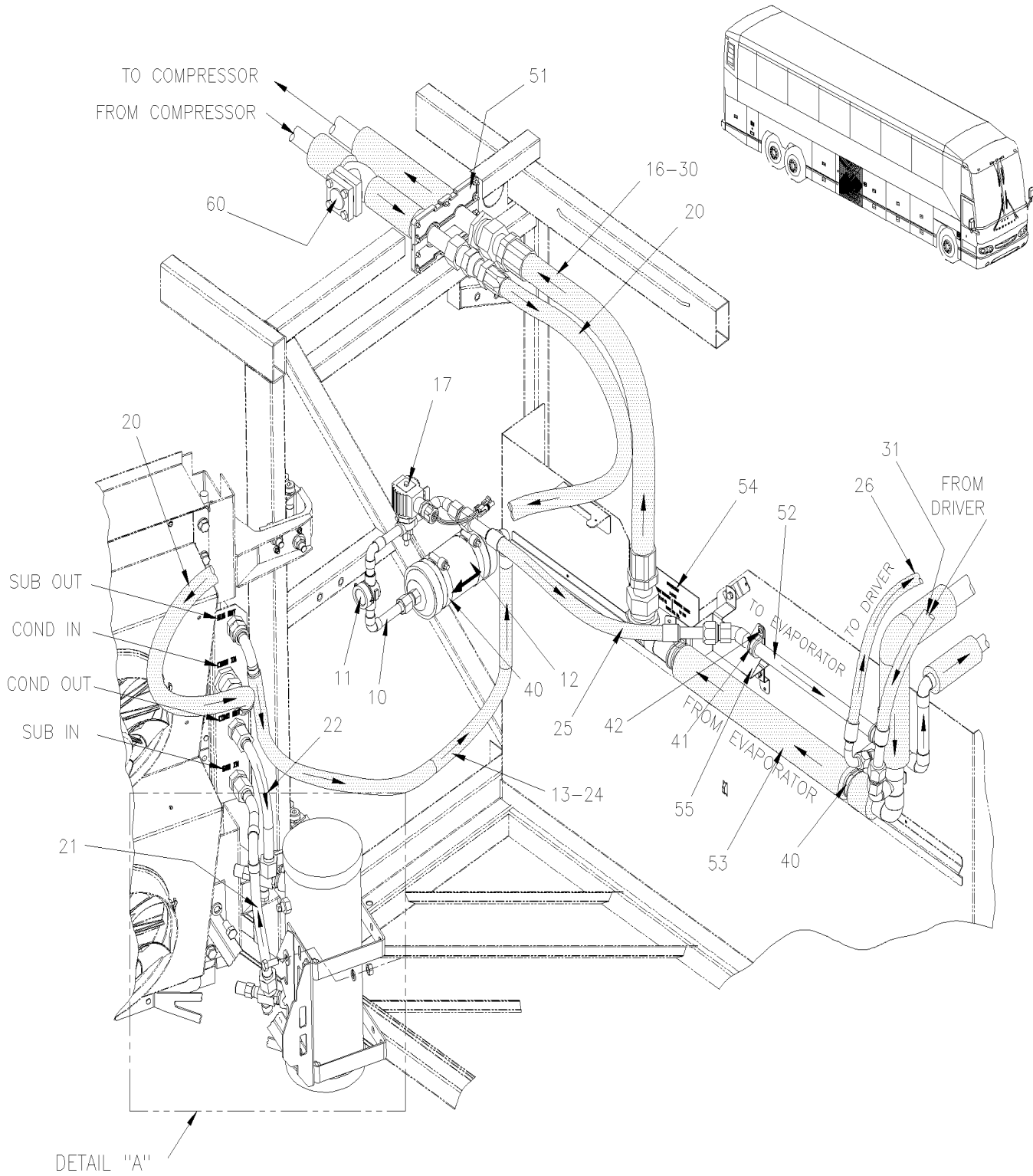
| Item# | Part | Description | QTY | Notes |
|-------|--------|---|-----|-------|
| 1 | 565881 | CONDENSOR FAN ASSY 24V | 4 | |
| . NS | 563691 | . CONNECTOR / JUNIOR POWER TIMER / SH 6C / AMP 1-963212-1 | 1 | |
| 10 | 502633 | SCREW MA PAN SLT M6-1.0x40 | 16 | |
| 11 | 502570 | WASHER LO SPT 6.1x11.8x1.6 SS | 16 | |
| 12 | 502573 | WASHER FL 6.4x12.5x1.6 SS | 16 | |

From K-0295 To P-1347

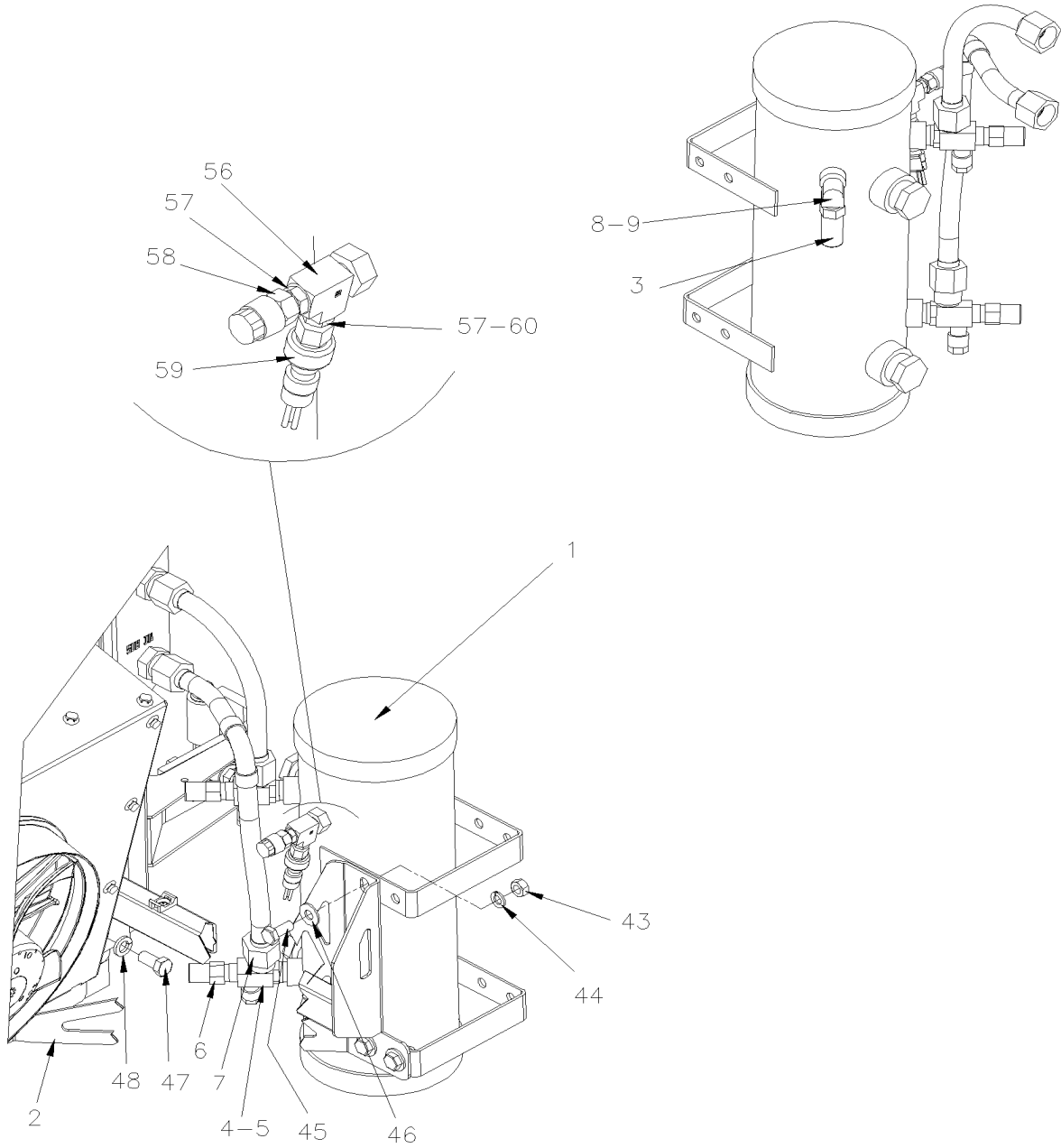
Date:07/2024

PAGE:VIP-2270-01

RECEIVER TANK & FILTER DRYER



RECEIVER TANK & FILTER DRYER



DETAIL "A"

| | | |
|---|---------------------|-------------------------|
| From K-0295 To P-1347 | Date:07/2024 | PAGE:VIP-2270-01 |
| RECEIVER TANK & FILTER DRYER | | |

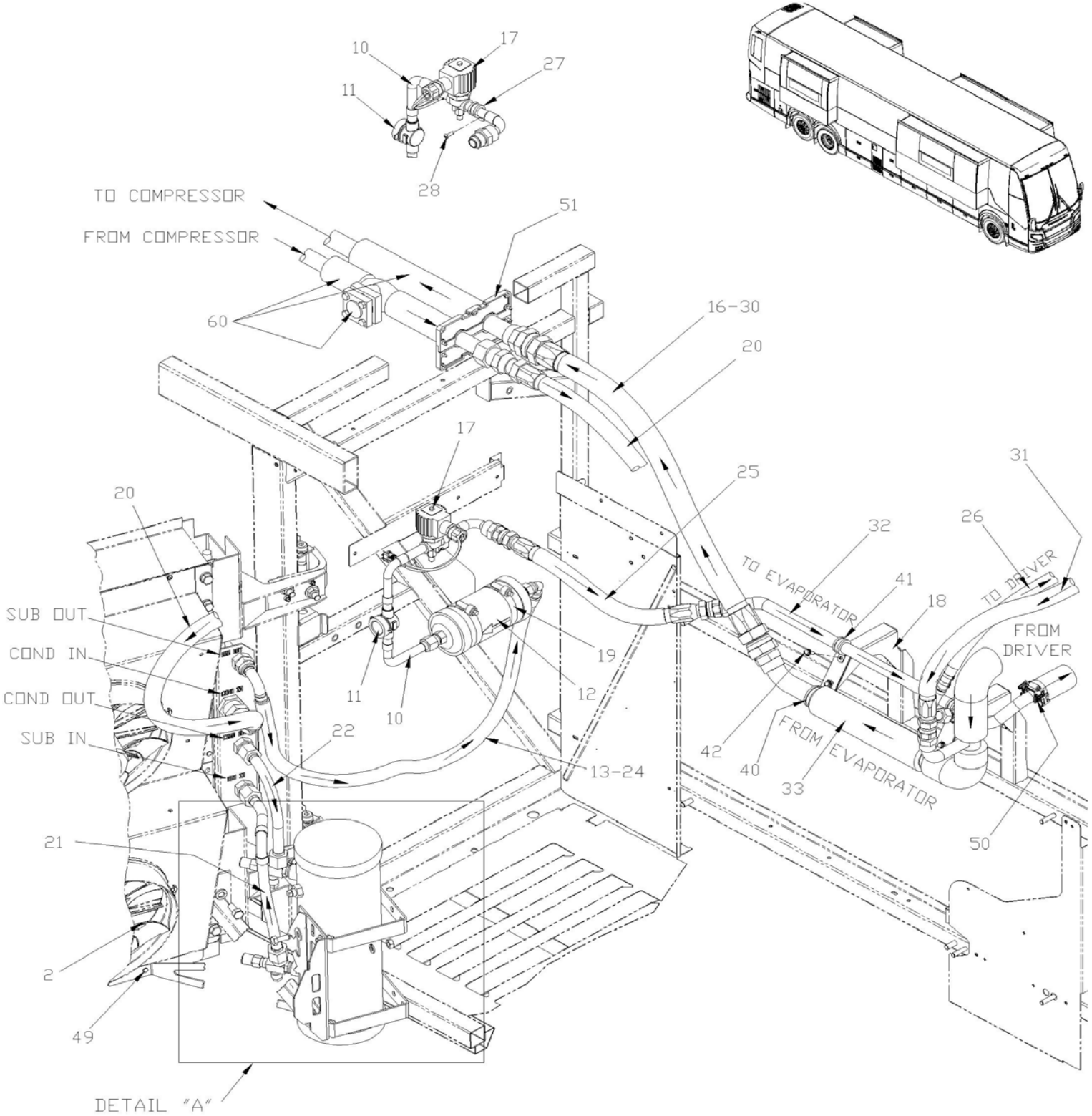
| Item# | Part | Description | QTY | Notes |
|--------|--------------------|---|-----|-------|
| 1 | 950261 | RECEIVER TANK ASSY | 1 | |
| . NS | 950428 | . SIGHTGLASS / W/BALL 1NPT-M (FORMER) | 1 | |
| . NS | 951198 | . SIGHTGLASS / W/BALL 1 1/4NPT-F (CURRENT) | 1 | |
| 2 | VIP-2260-01 | CONDENSOR FANS - INSTALLATION W/4 MOTORS | | |
| 3 | 870890 | VALVE, SAFETY 450 PSI | 1 | |
| 4 | 950228 | VALVE ASSY / SERVICE / INLET & OUTLET | 2 | |
| . NS | 950284 | . CAP / PROTECTOR / FOR GAUGE | 1 | |
| . NS | 507169 | . O-RING 1/2 I.D. | 1 | |
| 5 | 950285 | . CAP VALVE / PROTECTOR / PLASTIC | 1 | |
| 6 | 950284 | . CAP / PROTECTOR / FOR GAUGE | 1 | |
| 7 | 507169 | O-RING 1/2 I.D. | AR | |
| 8 | 501333 | STREET ELBOW 90° / PIPE FITTING / 3/8NPT-Mx3/8NPT-F BR | 1 | |
| 9 | 680869 | THREAD SEALANT LOCTITE #554 / REFRIG. / 250ml | AR | |
| 10 | Call order desk | MOISTURE INDICATOR ASSY | 1 | P |
| NS | 457740 | MOISTURE INDICATOR ASSY W/O SOLENOID To N-1209 | 1 | |
| NS | 453664 | MOISTURE INDICATOR ASSY W/O SOLENOID From N-1210 | 1 | |
| 11 | 950029 | . CAP, MOISTURE INDICATOR | 1 | |
| 11 | 950333 | . MOISTURE INDICATOR | 1 | |
| . NS | 950711 | . . LENS ASSY KIT MOISTURE INDICATOR | 1 | |
| . . NS | 950712 | . . . O-RING MOISTURE INDICATOR | 1 | |
| 12 | 950332 | FILTER DRYER | 1 | |
| . NS | 507370 | . O-RING #10 | 1 | U |
| 13 | 507280 | O-RING / ORS FITTING / #12 NEO | 2 | |
| 14 | 507344 | O-RING / ORS FITTING / #10 NEO | AR | |
| 15 | 507345 | O-RING / ORS FITTING / #16 NEO | AR | |
| 16 | 507346 | O-RING / ORS FITTING / #24 NEO | AR | |
| 17 | 451187 | SOLENOID ASSY W/WEATHER PACK CONNECTOR | | |
| . NS | 950953 | . COIL 24V / SERVICE | 1 | |
| . NS | 560434 | . CONNECTOR 1/2" PIPE | 1 | |
| . NS | 561690 | . CONNECTOR / WEATHER PACK / SH 2C / BLACK / PED 12015792 | 1 | |
| . NS | 561578 | . SOCKET TERMINAL / 16-14 / PED 12010182 | 2 | |
| . NS | 561565 | . CABLE SEAL / GREEN / PED 15324982 | 2 | |
| 17 | 950951 | VALVE REFRIGERANT SOLENOID | 1 | |
| 20 | 950256 | HOSE ASSY / W/R-134a / #16 1096MM / SS BELLOW O | 1 | |
| 21 | 452999 | TUBE ASSY / CONDENSOR OUT & RECEIVER TANK To N-1209 | 1 | |
| 21 | 454852 | TUBE ASSY / CONDENSOR OUT & RECEIVER TANK From N-1210 To N-1339 | 1 | |
| 21 | 454887 | TUBE ASSY / CONDENSOR OUT & RECEIVER TANK From P-1340 To P-1398 | 1 | |
| 21 | 454852 | TUBE ASSY / CONDENSOR OUT & RECEIVER TANK From £-23096 | 1 | |
| 22 | 452990 | TUBE ASSY / RECEIVER TANK & COND-SUB-OUT | 1 | |
| 24 | 453696 | HOSE ASSY / COND SUB-OUT / #12 1100MM | 1 | |
| 25 | 457723 | HOSE ASSY / #12 515MM | 1 | |
| . NS | 507280 | . O-RING / ORS FITTING / #12 NEO | 2 | |

| | | |
|---|---------------------|-------------------------|
| From K-0295 To P-1347 | Date:07/2024 | PAGE:VIP-2270-01 |
| RECEIVER TANK & FILTER DRYER | | |

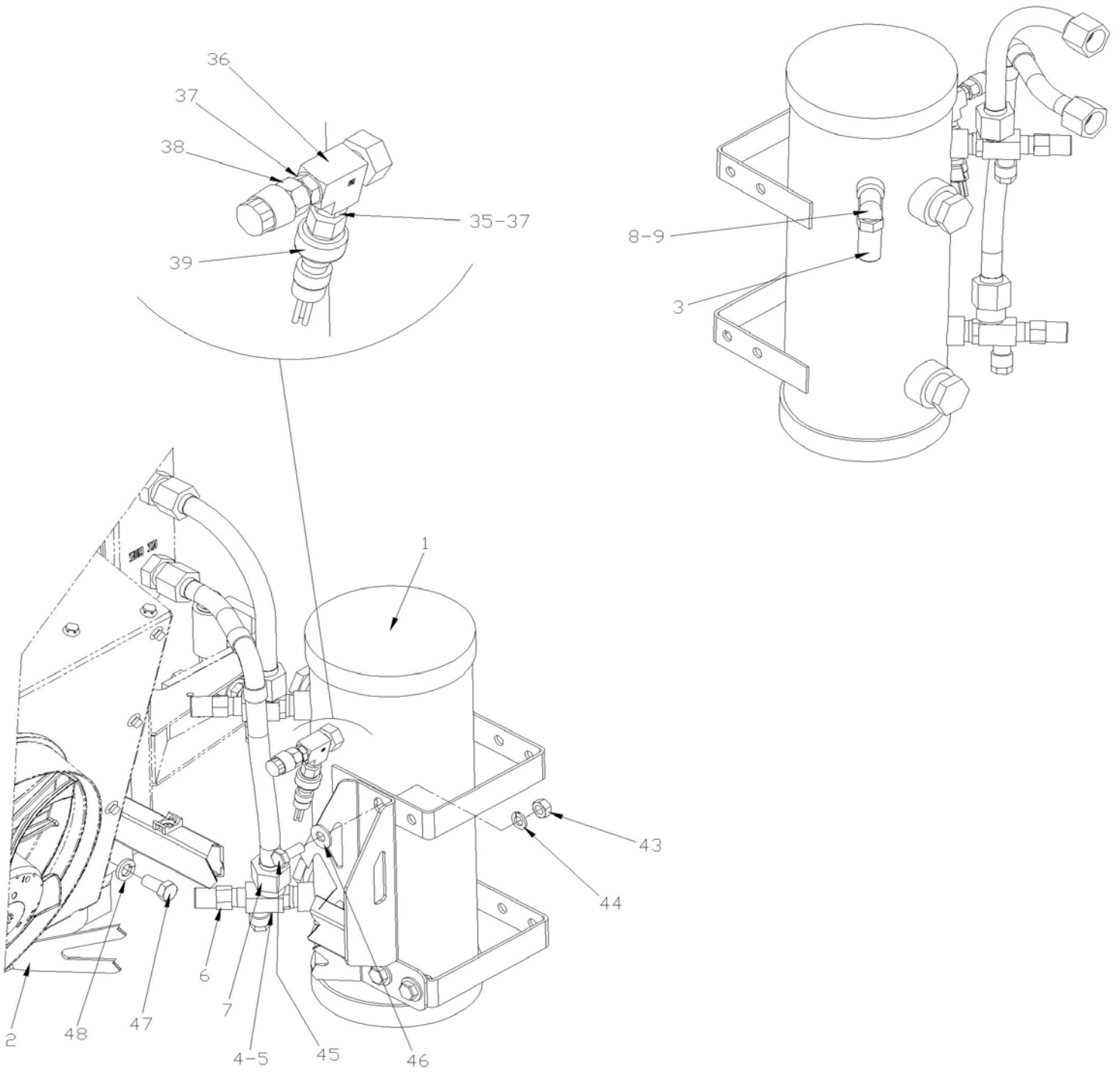
| Item# | Part | Description | QTY | Notes |
|-------|--------------------|---|-----|-------|
| 26 | 455306 | HOSE ASSY / #10 4165MM | 1 | |
| . NS | 507344 | . O-RING / ORS FITTING / #10 NEO | 2 | |
| 30 | 457720 | HOSE ASSY / #20 865MM | 1 | |
| 31 | 457725 | HOSE ASSY / #12 4215MM | 1 | |
| 40 | 952641 | CLAMP P STL ZP RUB 34.9 ID | AR | |
| 41 | 952633 | CLAMP / 7/8" I.D. | 6 | |
| 42 | 500957 | SCREW TP BDG PH #10x3/4 N500 | AR | |
| 43 | 500847 | NUT HEX M10-1.5 N500 | 3 | |
| 44 | 500257 | WASHER LO SPT 10.2x18.1x2.2 Z050 | AR | |
| 45 | 502804 | SCREW CAP HEX M10-1.5x25 G8.8 N500 | 3 | |
| 46 | 500897 | WASHER FL .437x1.000x.083 N500 | 3 | |
| 47 | 5001942 | SCREW CAP HEX M12-1.75x25 CL10.9 N500 | 2 | |
| 48 | 500482 | WASHER LO SPT .506x.873x.125 Z050 | 2 | |
| 49 | 504487 | RIVET MGLP PRDG 3/16x7/16 SS | 2 | |
| 50 | VIP-2222-16 | A/C LINE REAR SECTION W/"BITZER" | | |
| 51 | 457424 | CLOSING / PIPE TUNNEL PLASTIC / RH 57.2MM x 181MM | 2 | |
| 51 | 457426 | CLOSING / PIPE TUNNEL PLASTIC 85MM x 181MM | 2 | |
| 51 | 370143 | CLOSING / PIPE TUNNEL SS 83MM x 172MM | 1 | |
| 51 | 450409 | CLOSING / PIPE TUNNEL 86MM x 181MM | 1 | |
| NS | 500623 | SCREW TC PAN PH #10-24x3/4 N500 | AR | |
| 52 | 457735P | PIPE ASSY / PRESSURE To N-1209 | 1 | |
| . NS | 501829 | . O-RING / ORS FITTING / #12 NEO To N-1209 | 1 | |
| 52 | 453665 | PIPE ASSY / PRESSURE From N-1210 | 1 | |
| . NS | 501829 | . O-RING / ORS FITTING / #12 NEO From N-1210 | 2 | |
| 53 | Call order desk | PIPE ASSY / SUCTION To N-1209 | 1 | P |
| . NS | 501803 | . O-RING / ORS FITTING / #20 NEO To N-1209 | 2 | |
| . NS | 501829 | . O-RING / ORS FITTING / #12 NEO To N-1209 | 1 | |
| 53 | 454380 | PIPE ASSY / SUCTION From N-1210 | 1 | |
| . NS | 501803 | . O-RING / ORS FITTING / #20 NEO From N-1210 | 2 | |
| . NS | 501829 | . O-RING / ORS FITTING / #12 NEO From N-1210 | 1 | |
| 54 | 453066 | DECAL R134A / NOMINAL CHARGE 24 LBS // ENGLISH & FRANCAIS | 1 | |
| 54 | 454180 | DECAL R134A / NOMINAL CHARGE 24 LBS // ENGLISH & SPANISH | 1 | |
| 55 | 456978 | SUPPORT HOSE | 2 | |
| 56 | 501338 | MALE RUN TEE / PIPE FITTING / 1/4NPT-Mx1/4NPT-Fx1/4NPT-F BR | 1 | |
| 57 | 501027 | MALE CONNECTOR / SAE 45° FITTING / #4FL-Mx1/4NPT-M BR | 1 | |
| 58 | 950500 | ADAPTOR 7/16-20 x R134 16MM | 1 | |
| 59 | 950504 | TRANSDUCER 0-500 PSIG | 1 | |
| 60 | 950249 | SCHRADER VALVE 1/4NPT-M | 1 | |
| | | | | |
| | | | | |
| | | | | |
| | | P) CALL ORDER DESK FOR SPECIFIC APPLICATION (V.I.N.) | | |

| From K-0295 To P-1347 | | | Date:07/2024 | PAGE:VIP-2270-01 | |
|---|------|-----------------------|--------------|------------------|--|
| RECEIVER TANK & FILTER DRYER | | | | | |
| Item# | Part | Description | QTY | Notes | |
| | | U) UNDER CONSTRUCTION | | | |

| | | |
|---|--------------|------------------|
| | Date:07/2024 | PAGE:VIP-2270-02 |
| RECEIVER TANK & FILTER DRYER | | |



| | | |
|------------------------------|--------------|------------------|
| | Date:07/2024 | PAGE:VIP-2270-02 |
| RECEIVER TANK & FILTER DRYER | | |



DETAIL "A"

Date:07/2024

PAGE:VIP-2270-02

RECEIVER TANK & FILTER DRYER

| Item# | Part | Description | QTY | Notes |
|--------|--------------------|---|-----|-------|
| 1 | 950261 | RECEIVER TANK ASSY | 1 | |
| . NS | 950428 | . SIGHTGLASS / W/BALL 1NPT-M (FORMER) | 1 | |
| . NS | 951198 | . SIGHTGLASS / W/BALL 1 1/4NPT-F (CURRENT) | 1 | |
| 2 | VIP-2260-01 | CONDENSOR FANS - INSTALLATION W/4 MOTORS | | |
| 3 | 870890 | VALVE, SAFETY 450 PSI | 1 | |
| 4 | 950228 | VALVE ASSY / SERVICE / INLET & OUTLET | 2 | |
| . NS | 950284 | . CAP / PROTECTOR / FOR GAUGE | 1 | |
| . NS | 507169 | . O-RING 1/2 I.D. | 1 | |
| 5 | 950285 | . CAP VALVE / PROTECTOR / PLASTIC | 1 | |
| 6 | 950284 | . CAP / PROTECTOR / FOR GAUGE | 1 | |
| 7 | 507169 | O-RING 1/2 I.D. | AR | |
| 8 | 501333 | STREET ELBOW 90° / PIPE FITTING / 3/8NPT-Mx3/8NPT-F BR | 1 | |
| 9 | 680869 | THREAD SEALANT LOCTITE #554 / REFRIG. / 250ml | AR | |
| 10 | 453664 | MOISTURE INDICATOR ASSY W/O SOLENOID | 1 | |
| 10 | 950951 | . VALVE REFRIGERANT SOLENOID | 1 | |
| 11 | 950029 | . CAP, MOISTURE INDICATOR | 1 | |
| 11 | 950333 | . MOISTURE INDICATOR | 1 | |
| . NS | 950711 | . . LENS ASSY KIT MOISTURE INDICATOR | 1 | |
| . . NS | 950712 | . . . O-RING MOISTURE INDICATOR | 1 | |
| 12 | 950332 | FILTER DRYER | 1 | |
| . NS | 507370 | . O-RING #10 | 1 | U |
| 13 | 507280 | O-RING / ORS FITTING / #12 NEO | 2 | |
| 14 | 507344 | O-RING / ORS FITTING / #10 NEO | AR | |
| 15 | 507345 | O-RING / ORS FITTING / #16 NEO | AR | |
| 16 | 507346 | O-RING / ORS FITTING / #24 NEO | AR | |
| 17 | 451187 | SOLENOID ASSY W/WEATHER PACK CONNECTOR | | |
| . NS | 950953 | . COIL 24V / SERVICE | 1 | |
| . NS | 560434 | . CONNECTOR 1/2" PIPE | 1 | |
| . NS | 561690 | . CONNECTOR / WEATHER PACK / SH 2C / BLACK / PED 12015792 | 1 | |
| . NS | 561578 | . SOCKET TERMINAL / 16-14 / PED 12010182 | 2 | |
| . NS | 561565 | . CABLE SEAL / GREEN / PED 15324982 | 2 | |
| 18 | 451361 | SUPPORT PIPE | 1 | |
| 19 | 504026 | HOSE CLAMP / 2"13/16-3"3/4 SS / HS-52 | 2 | |
| 20 | 950256 | HOSE ASSY / W/R-134a / #16 1096MM / SS BELLOW O | 1 | |
| 21 | 454852 | TUBE ASSY / CONDENSOR OUT & RECEIVER TANK To N-1339 | 1 | |
| 21 | 454887 | TUBE ASSY / CONDENSOR OUT & RECEIVER TANK From P-1340 To P-1398 | 1 | |
| 21 | 454852 | TUBE ASSY / CONDENSOR OUT & RECEIVER TANK From £-23096 | 1 | |
| 22 | 452990 | TUBE ASSY / RECEIVER TANK & COND-SUB-OUT | 1 | |
| 24 | 453696 | HOSE ASSY / COND SUB-OUT / #12 1100MM | 1 | |
| 25 | 451477 | HOSE ASSY / #12 425MM | 1 | |
| 26 | 451025 | HOSE ASSY / #10 4305MM | 1 | |
| 27 | 952629 | CLAMP / 5/8" I.D. | 1 | |

Date:07/2024

PAGE:VIP-2270-02

RECEIVER TANK & FILTER DRYER

| Item# | Part | Description | QTY | Notes |
|-------|--------------------|---|-----|-------|
| 28 | 500957 | SCREW TP BDG PH #10x3/4 N500 | 1 | |
| 30 | 451507 | HOSE ASSY / #20 830MM | 1 | |
| 31 | 451026 | HOSE ASSY / #12 4395MM | 1 | |
| 32 | 453841 | PIPE ASSY / PRESSURE | 1 | |
| . NS | 501829 | . O-RING / ORS FITTING / #12 NEO | 2 | |
| 33 | 454176 | PIPE ASSY / SUCTION | 1 | |
| . NS | 501803 | . O-RING / ORS FITTING / #20 NEO | 2 | |
| . NS | 501829 | . O-RING / ORS FITTING / #12 NEO | 1 | |
| 35 | 950249 | SCHRADER VALVE 1/4NPT-M | 1 | |
| 36 | 501338 | MALE RUN TEE / PIPE FITTING / 1/4NPT-Mx1/4NPT-Fx1/4NPT-F BR | 1 | |
| 37 | 501027 | MALE CONNECTOR / SAE 45° FITTING / #4FL-Mx1/4NPT-M BR | 1 | |
| 38 | 950500 | ADAPTOR 7/16-20 x R134 16MM | 1 | |
| 39 | 950504 | TRANSDUCER 0-500 PSIG | 1 | |
| 40 | 952641 | CLAMP P STL ZP RUB 34.9 ID | 2 | |
| 41 | 952633 | CLAMP / 7/8" I.D. | 6 | |
| 42 | 5001730 | SCREW CAP HEXF M6-1.0x16 G10.9 N500 | AR | |
| 43 | 500847 | NUT HEX M10-1.5 N500 | 3 | |
| 44 | 500257 | WASHER LO SPT 10.2x18.1x2.2 Z050 | AR | |
| 45 | 502804 | SCREW CAP HEX M10-1.5x25 G8.8 N500 | 3 | |
| 46 | 500897 | WASHER FL .437x1.000x.083 N500 | 3 | |
| 47 | 5001942 | SCREW CAP HEX M12-1.75x25 CL10.9 N500 | 2 | |
| 48 | 500482 | WASHER LO SPT .506x.873x.125 Z050 | 2 | |
| 49 | 504487 | RIVET MGLP PRDG 3/16x7/16 SS | 2 | |
| 50 | 504019 | HOSE CLAMP / 9/16"-1"1/16 SS / HS-10 | 1 | |
| 50 | 504751 | ROTATIF SPACER DOUBLE / SMALL | 2 | |
| 51 | 457424 | CLOSING / PIPE TUNNEL PLASTIC / RH 57.2MM x 181MM | 2 | |
| 51 | 457426 | CLOSING / PIPE TUNNEL PLASTIC 85MM x 181MM | 2 | |
| 51 | 370143 | CLOSING / PIPE TUNNEL SS 83MM x 172MM | 1 | |
| 51 | 450409 | CLOSING / PIPE TUNNEL 86MM x 181MM | 1 | |
| NS | 500623 | SCREW TC PAN PH #10-24x3/4 N500 | AR | |
| NS | 502868 | SCREW TC TR PH #10-16x1/2 N500 | AR | |
| 60 | VIP-2222-16 | A/C LINE REAR SECTION W/"BITZER" | | |
| | | | | |
| | | | | |
| | | | | |
| | | U) UNDER CONSTRUCTION | | |

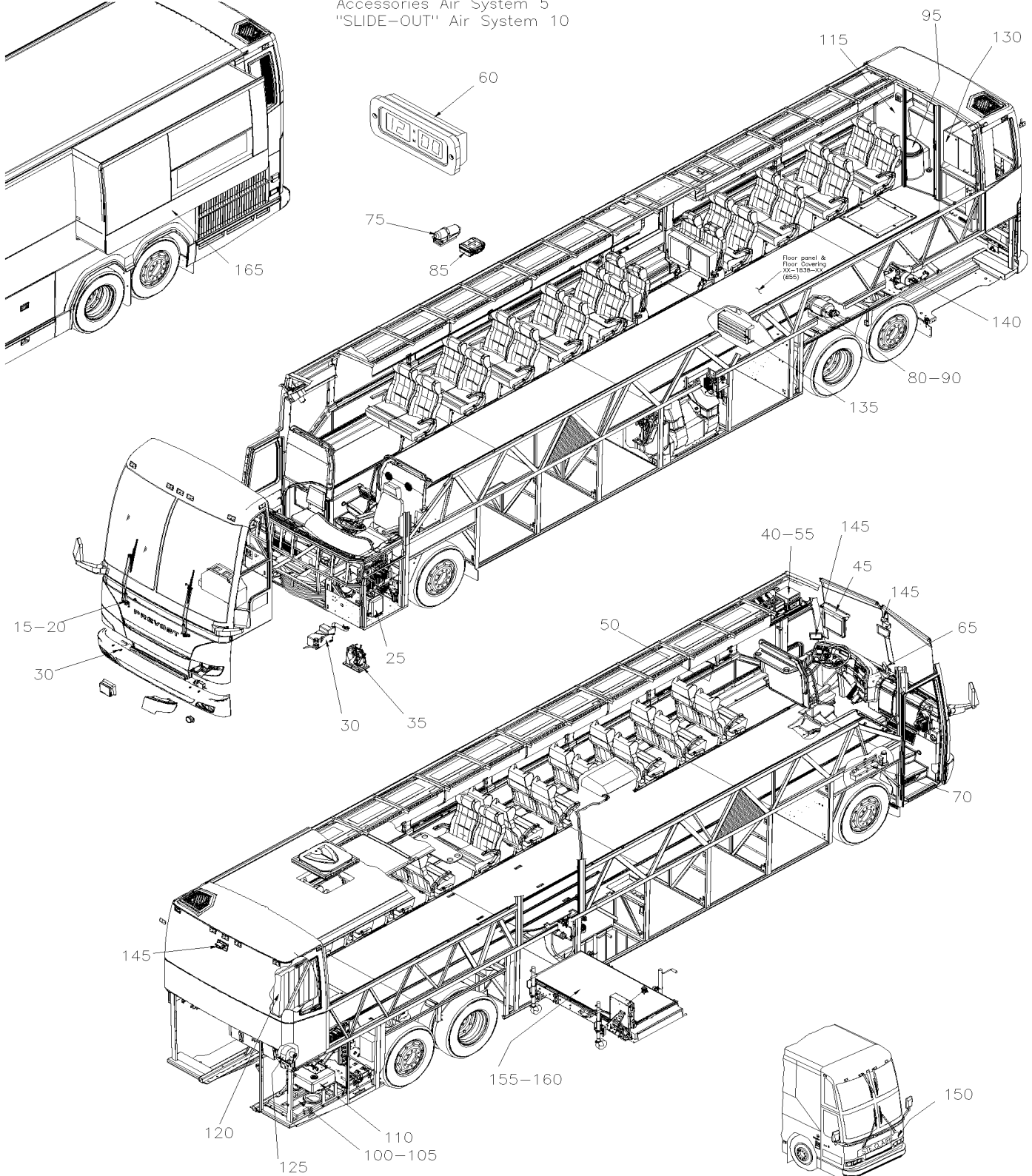
From K-0295

Date:07/2024

VIP-23

ACCESSORIES

Accessories Air System 5
"SLIDE-OUT" Air System 10



| | | | |
|-------------|--|--------------|--------|
| From K-0295 | | Date:07/2024 | VIP-23 |
|-------------|--|--------------|--------|

ACCESSORIES

| Item# | Part | Description | QTY | Notes |
|-------|-------------|--|-----|-------|
| 5 | VIP-2300-01 | ACCESSORIES AIR SYSTEM From K-0295 | | |
| 10 | VIP-2300-91 | "SLIDE-OUT" AIR SYSTEM From K-0295 | | |
| 15 | VIP-2305-00 | LOWER WINDSHIELD WIPER From K-0295 To P-1347 | | |
| 15 | VIP-2305-01 | LOWER WINDSHIELD WIPER From P-1348 | | |
| 15 | VIP-2305-06 | LOWER WINDSHIELD WIPER - INSTALLATION From K-0295 To P-1347 | | |
| 15 | VIP-2305-07 | LOWER WINDSHIELD WIPER - INSTALLATION From P-1348 | | |
| 20 | VIP-2305-10 | UPPER WINDSHIELD WIPER From K-0295 To P-1347 | | |
| 20 | VIP-2305-16 | UPPER WINDSHIELD WIPER - INSTALLATION From K-0295 To P-1347 | | |
| 25 | VIP-2305-20 | WINDSHIELD WASHER - INSTALLATION From K-0295 To P-1347 | | |
| 25 | VIP-2305-21 | WINDSHIELD WASHER TANK - INSTALLATION From P-1348 | | |
| 30 | VIP-2305-26 | HEAD LAMP CLEANING WASHER TANK From K-0295 To P-1347 | | |
| 35 | VIP-2310-01 | HORN - INSTALLATION From K-0295 To P-1347 | | |
| 35 | VIP-2310-02 | HORN - INSTALLATION From P-1348 | 1 | |
| 65 | VIP-2319-01 | VOLVO LINK ANTENNA - INSTALLATION From K-0295 | | |
| 66 | VIP-2319-80 | SURROUNDING CAMERA SYSTEM INSTALLATION "BRIGADE" From P-1348 | | |
| 67 | VIP-2390-80 | ACCESS PANELS - FRONT "SLIDE-OUT" - INSTALLATION / STREET SIDE From K-0295 | 1 | |
| 70 | VIP-2320-00 | JACK & FLARE KIT - INSTALLATION From K-0295 | | |
| 75 | VIP-2320-30 | EXTINGUISHER - INSTALLATION From K-0295 | | |
| 80 | VIP-2320-38 | FIRE PROTECTION SYSTEM INSTALLATION From K-0295 | | |
| 145 | VIP-2355-21 | BACK-UP CAMERA - INSTALLATION From P-1348 | 1 | |
| 160 | VIP-2380-00 | W.C.L. "RICON" REMOVABLE - INSTALLATION MODEL "F9TF" From K-0295 | | |
| 160 | VIP-2380-05 | W.C.L. "RICON" REMOVABLE MODEL "F9TF" From K-0295 | | |
| 160 | VIP-2380-10 | W.C.L. "RICON" - LIFT ENCLOSURE ASSY MODEL "F9TF" From K-0295 | | |
| 160 | VIP-2380-20 | W.C.L. "RICON" - PLATFORM ASSY MODEL "F9TF" From K-0295 | | |
| 160 | VIP-2380-30 | W.C.L. "RICON" - TRAVELING FRAME ASSY MODEL "F9TF" From K-0295 | | |
| 160 | VIP-2380-40 | W.C.L. "RICON" - CARRIAGE ASSY MODEL "F9TF" From K-0295 | | |
| 160 | VIP-2380-50 | W.C.L. "RICON" - BRIDGE PLATE ASSY MODEL "F9TF" From K-0295 | | |
| 160 | VIP-2380-60 | W.C.L. "RICON" - PUMP INSTALLATION MODEL "F9TF" From K-0295 | | |
| 160 | VIP-2380-65 | W.C.L. "RICON" - PUMP ASSY From K-0295 | | |

| | | |
|-------------|--------------|--------|
| From K-0295 | Date:07/2024 | VIP-23 |
|-------------|--------------|--------|

ACCESSORIES

| Item# | Part | Description | QTY | Notes |
|-------|-------------|--|-----|-------|
| 165 | VIP-2390-00 | "SLIDE-OUT" INFLATED SEAL From K-0295 To P-1347 | | |
| 165 | VIP-2390-01 | "SLIDE-OUT" INFLATED SEAL From P-1348 | | |
| 165 | VIP-2390-11 | "SLIDE-OUT" AIR CONTROL PANEL From K-0295 To P-1347 | | |
| 165 | VIP-2390-12 | "SLIDE-OUT" AIR CONTROL PANEL From P-1348 | 1 | |
| 165 | VIP-2390-21 | "SLIDE-OUT" - FRONT MECHANISM - INSTALLATION / STREET SIDE From K-0295 To P-1347 | | |
| 165 | VIP-2390-22 | "SLIDE-OUT" - FRONT MECHANISM - INSTALLATION / STREET SIDE From P-1348 | | |
| 165 | VIP-2390-26 | "SLIDE-OUT" - FRONT MECHANISM - INSTALLATION / CURBSIDE From K-0295 To P-1347 | | |
| 165 | VIP-2390-27 | "SLIDE-OUT" - FRONT MECHANISM - INSTALLATION / CURBSIDE From P-1348 | | |
| 165 | VIP-2390-31 | "SLIDE-OUT" - REAR MECHANISM - INSTALLATION / STREET SIDE From K-0295 To P-1347 | | |
| 165 | VIP-2390-32 | "SLIDE-OUT" - REAR MECHANISM - INSTALLATION / STREET SIDE From P-1348 | | |
| 165 | VIP-2390-36 | "SLIDE-OUT" - REAR MECHANISM - INSTALLATION / CURBSIDE From K-0295 To P-1347 | | |
| 165 | VIP-2390-37 | "SLIDE-OUT" - REAR MECHANISM - INSTALLATION / CURBSIDE From P-1348 | | |
| 165 | VIP-2390-41 | "SLIDE-OUT" - BED SUPPORT From K-0295 | | |
| 165 | VIP-2390-51 | "SLIDE-OUT" - INSTALLATION / FRONT STREET SIDE From K-0295 To P-1347 | | |
| 165 | VIP-2390-52 | "SLIDE-OUT" - INSTALLATION / FRONT STREET SIDE From P-1348 | | |
| 165 | VIP-2390-56 | "SLIDE-OUT" - INSTALLATION / REAR STREET SIDE From K-0295 To P-1347 | | |
| 165 | VIP-2390-57 | "SLIDE-OUT" - INSTALLATION / REAR STREET SIDE From P-1348 | | |
| 165 | VIP-2390-61 | "SLIDE-OUT" - INSTALLATION / FRONT CURBSIDE From K-0295 To P-1347 | | |
| 165 | VIP-2390-62 | "SLIDE-OUT" - INSTALLATION / FRONT CURBSIDE From P-1348 | | |
| 165 | VIP-2390-66 | "SLIDE-OUT" - INSTALLATION / REAR CURBSIDE From K-0295 To P-1347 | | |
| 165 | VIP-2390-67 | "SLIDE-OUT" - INSTALLATION / REAR CURBSIDE From P-1348 | | |
| 165 | VIP-2390-70 | "SLIDE-OUT" - MECHANISM MOBILE FLOOR INSTALLATION / FRONT CURBSIDE From K-0295 To P-1347 | | |
| 165 | VIP-2390-71 | "SLIDE-OUT" - MECHANISM MOBILE FLOOR INSTALLATION / FRONT CURBSIDE From P-1348 | | |
| 165 | VIP-2390-80 | ACCESS PANELS - FRONT "SLIDE-OUT" - INSTALLATION / STREET SIDE From P-1348 To P-1347 | | |
| 165 | VIP-2390-81 | ACCESS PANELS - FRONT "SLIDE-OUT" - INSTALLATION / STREET SIDE From P-1348 | | |
| 165 | VIP-2390-85 | ACCESS PANELS - FRONT "SLIDE-OUT" - INSTALLATION / CURBSIDE From K-0295 To P-1347 | | |
| 165 | VIP-2390-86 | ACCESS PANELS - FRONT "SLIDE-OUT" - INSTALLATION / CURBSIDE From P-1348 | | |
| 165 | VIP-2390-90 | ACCESS PANELS - REAR "SLIDE-OUT" - INSTALLATION / STREET SIDE From K-0295 To P-1347 | | |
| 165 | VIP-2390-91 | ACCESS PANELS - REAR "SLIDE-OUT" - INSTALLATION / STREET SIDE From P-1348 | | |

| | | | |
|-------------|--|--------------|--------|
| From K-0295 | | Date:07/2024 | VIP-23 |
|-------------|--|--------------|--------|

ACCESSORIES

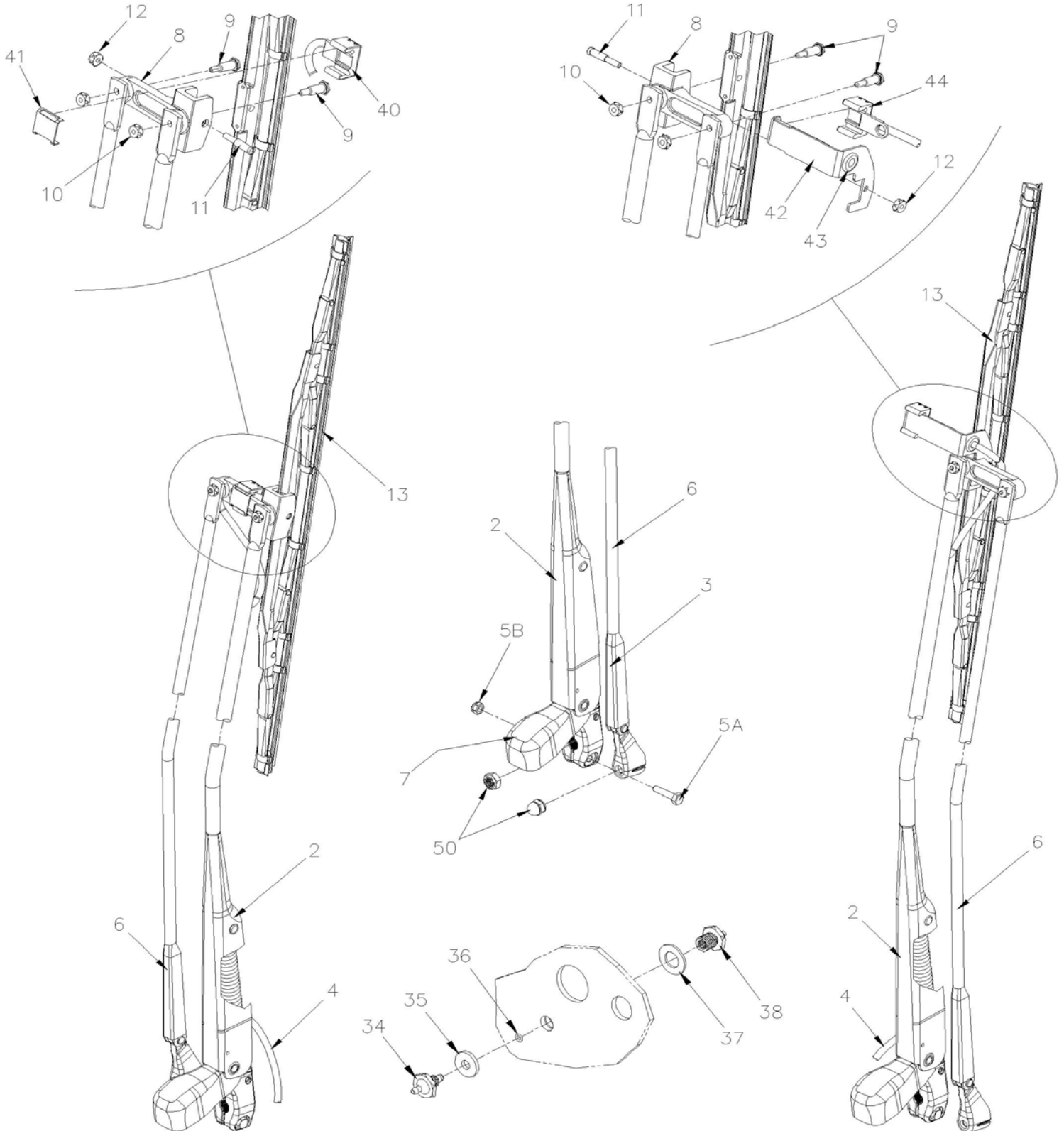
| Item# | Part | Description | QTY | Notes |
|-------|-------------|--|-----|-------|
| 165 | VIP-2390-95 | ACCESS PANELS - REAR "SLIDE-OUT" - INSTALLATION / CURBSIDE From K-0295 To P-1347 | | |
| 165 | VIP-2390-96 | ACCESS PANELS - REAR "SLIDE-OUT" - INSTALLATION / CURBSIDE From P-1348 | | |

From K-0295 To P-1347

Date:07/2024

PAGE:VIP-2305-00

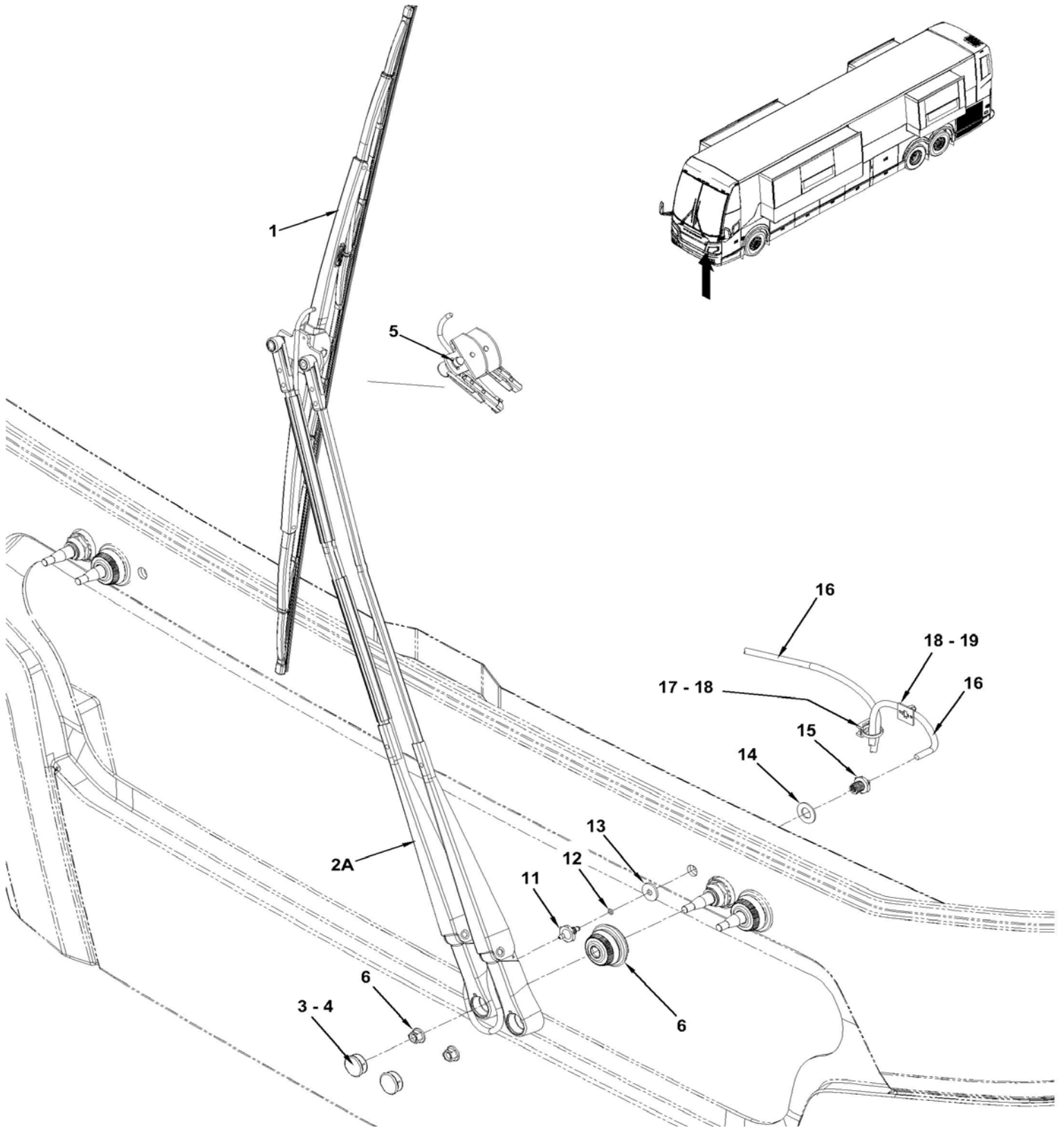
LOWER WINDSHIELD WIPER



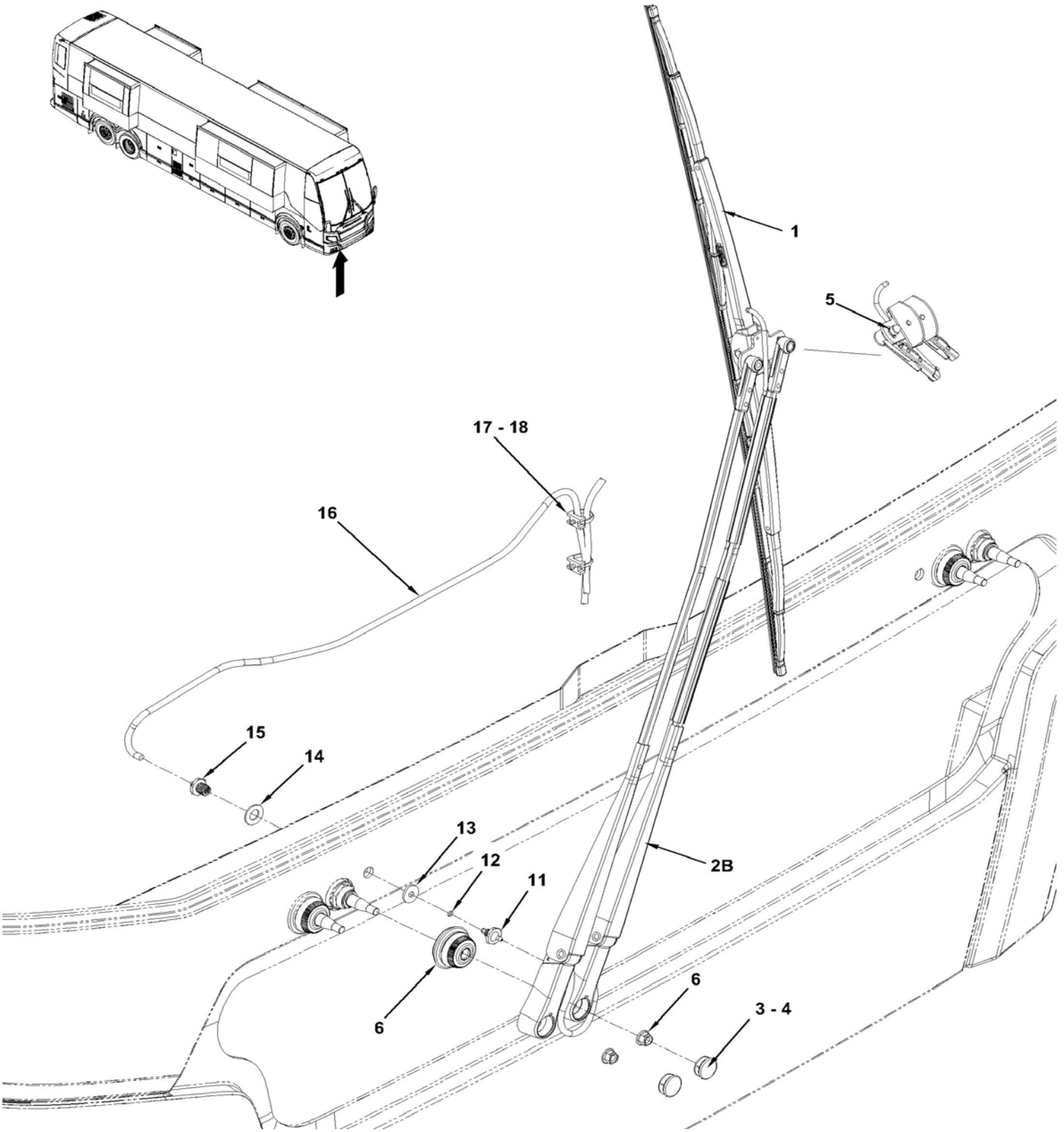
| | | | |
|-------------------------------|--|---------------------|-------------------------|
| From K-0295 To P-1347 | | Date:07/2024 | PAGE:VIP-2305-00 |
| LOWER WINDSHIELD WIPER | | | |

| Item# | Part | Description | QTY | Notes |
|-------|--------------------|---|-----|-------|
| | 300465P | WIPER ARM ASSY / RH | 1 | |
| | 300488P | WIPER ARM ASSY / LH | 1 | |
| | 800002 | . WIPER ARM ASSY 33" C/C / W/PLASTIC LINK ("H" MODEL) | 1 | |
| 2 | 800006 | . . WIPER ARM / MAIN 33" C/C | 1 | |
| 3 | 800312 | . . . SPRING EXTENSION / .528 O.D. x 5.41 x .118 | 1 | |
| 4 | 503011 | . . HOSE / RUBBER 3MM I.D. | AR | A |
| 5A | 800023 | . . SCREW CAP HEX | 1 | |
| 5B | 800025 | . . LOCKNUT | 1 | |
| 6 | 800008 | . . WIPER ARM / IDLER 33" C/C | 1 | |
| 7 | 800033 | . . ARM HEAD COVER | 1 | |
| 8 | 800308 | . . LINK ASSY | 1 | |
| 9 | 800243 | . . SCREW SHR CAP HEX 1/4x33/64{10-32 | 2 | |
| 10 | N22777 | . . STOP NUT THIN HEIGHT #10-32 | 2 | |
| 11 | 800309 | . . SCREW #10-32x.390 SS | 1 | |
| 12 | N22777 | . . STOP NUT THIN HEIGHT #10-32 | 1 | |
| 13 | 800284 | . WIPER BLADE ASSY 22" To N-1182 | 1 | |
| . NS | 800383 | . . RUBBER BLADE REFILL / (ONLY) WIPER REFILL 22" To N-1182 | 1 | |
| 13 | 800392 | . WIPER BLADE ASSY 22" From N-1183 | 1 | |
| NS | 191104 | WIPER BLADE ASSY 22" ALTERNATIVE PART | 1 | |
| . NS | 800316 | . RUBBER BLADE REFILL / (ONLY) WIPER REFILL 22" | 1 | |
| . NS | 800180 | . CLIP / RETAINER END | 2 | |
| 34 | 300645 | ADAPTOR HOSE #3 / WET ARM M10-1.5 x 36MM | 2 | |
| 35 | 502220 | WASHER FL .375x1.000x.125 RUB | 2 | |
| 36 | 507198 | O RING 3/16I.D. x 5/16O.D. x 1/16 | 2 | |
| 37 | 5001460 | WASHER FL .640x1.188x0.073 SS | 2 | |
| 38 | 300644 | ADAPTOR HOSE #3 / WET ARM | 2 | |
| 40 | 800330 | NOZZLE, WINDSHIELD WASHER / "BOSCH" | 1 | |
| NS | 300474 | NOZZLE, WINDSHIELD WASHER / "BOSCH" / MODIFIED | 1 | |
| 41 | 300473 | . CLIP RETAINER / NOZZLE W/W "BOSCH" | 2 | A |
| 42 | 300487 | . SUPPORT NOZZLE ASSY | 1 | A |
| 43 | 504529 | . GROMMET / .250x.375x.062x.281x.625 | 1 | A |
| 44 | 800330 | . NOZZLE, WINDSHIELD WASHER / "BOSCH" | 1 | |
| NS | 300474 | . NOZZLE, WINDSHIELD WASHER / "BOSCH" / MODIFIED | 2 | A |
| 50 | VIP-2305-06 | LOWER WINDSHIELD WIPER - INSTALLATION | | |
| | | | | |
| | | | | |
| | | | | |
| | | A) THESE COMPONENTS ARE INSTALLED BY "PREVOST" AND NOT INCLUDE WITH ARM ASSY # 800283 | | |

| | | |
|------------------------|--------------|------------------|
| | Date:07/2024 | PAGE:VIP-2305-01 |
| LOWER WINDSHIELD WIPER | | |



| | | |
|------------------------|--------------|------------------|
| | Date:07/2024 | PAGE:VIP-2305-01 |
| LOWER WINDSHIELD WIPER | | |



| | | | |
|-------------------------------|--|---------------------|-------------------------|
| | | Date:07/2024 | PAGE:VIP-2305-01 |
| LOWER WINDSHIELD WIPER | | | |

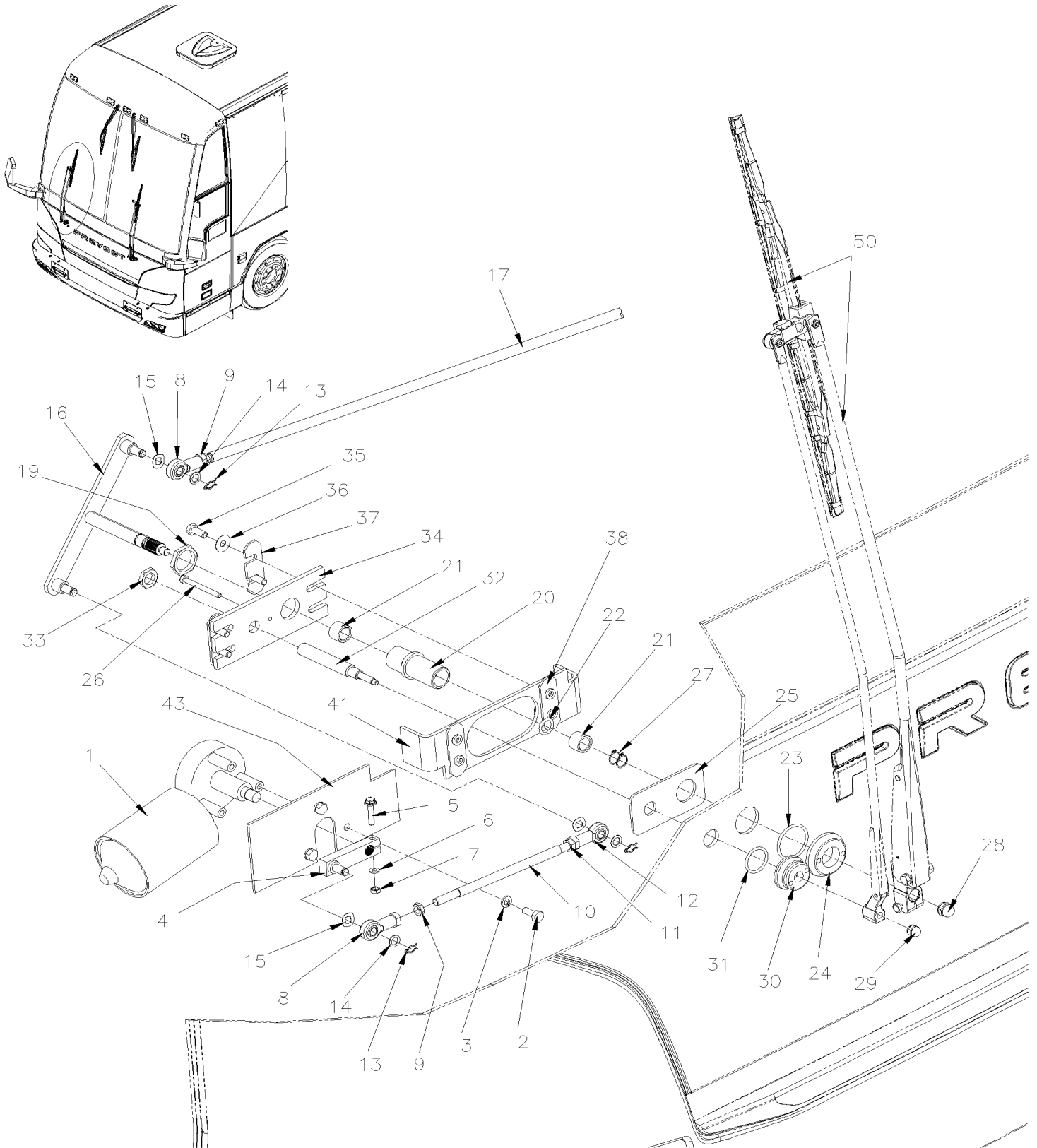
| Item# | Part | Description | QTY | Notes |
|--------------|-------------|---|------------|--------------|
| 1 | 800399 | WIPER BLADE,INTEGRATED NOZZLES 1M | 2 | |
| 2A | 800400 | WIPER ARM LEFT To R-1599 | 1 | |
| 2A | 800403 | WIPER ARM LEFT From R-1600 | 1 | |
| 2B | 300721P | WIPER ARM RIGHT | 1 | |
| 3 | 800362 | . CAP CLOSING LOWER MAIN ARM To R-1599 | 2 | |
| 4 | 800362 | CAP CLOSING LOWER MAIN ARM From R-1600 | 2 | |
| 5 | 800405 | NUT CAP From R-1600 | 1 | |
| 6 | 800385 | KIT. WIPER FINISHING | 2 | |
| . NS | 5001727 | . NUT HEXF NYRT M10-1.5 N500 | 1 | |
| | | | | |
| 11 | 300645 | ADAPTOR HOSE #3 / WET ARM M10-1.5 x 36MM | 2 | |
| 12 | 507198 | O RING 3/16I.D. x 5/16O.D. x 1/16 | 2 | |
| 13 | 502220 | WASHER FL .375x1.000x.125 RUB | 2 | |
| 14 | 5001460 | WASHER FL .640x1.188x0.073 SS | 2 | |
| 15 | 300644 | ADAPTOR HOSE #3 / WET ARM | 2 | |
| 16 | 503002 | HOSE / EPDM 5/32" I.D. / S.L. | AR | |
| 17 | 504013 | TIE MOUNT / 1/4" X 1/4" I.D. | 8 | |
| 17 | 504114 | RIVET POP DOME OE 3/16x1/4 AL | 8 | |
| 18 | 504637 | CABLE TIE / 3/16" x 13" | 13 | |
| 19 | 562679 | 4 WAY ADH. BACKED MOUNTS 1.000 x 1.000 x .160 | 3 | |
| NS | 509815 | TIE MOUNT / ATTACHMENT W/TREE MOUNT | 2 | |

From K-0295 To P-1347

Date:07/2024

PAGE:VIP-2305-06

LOWER WINDSHIELD WIPER - INSTALLATION

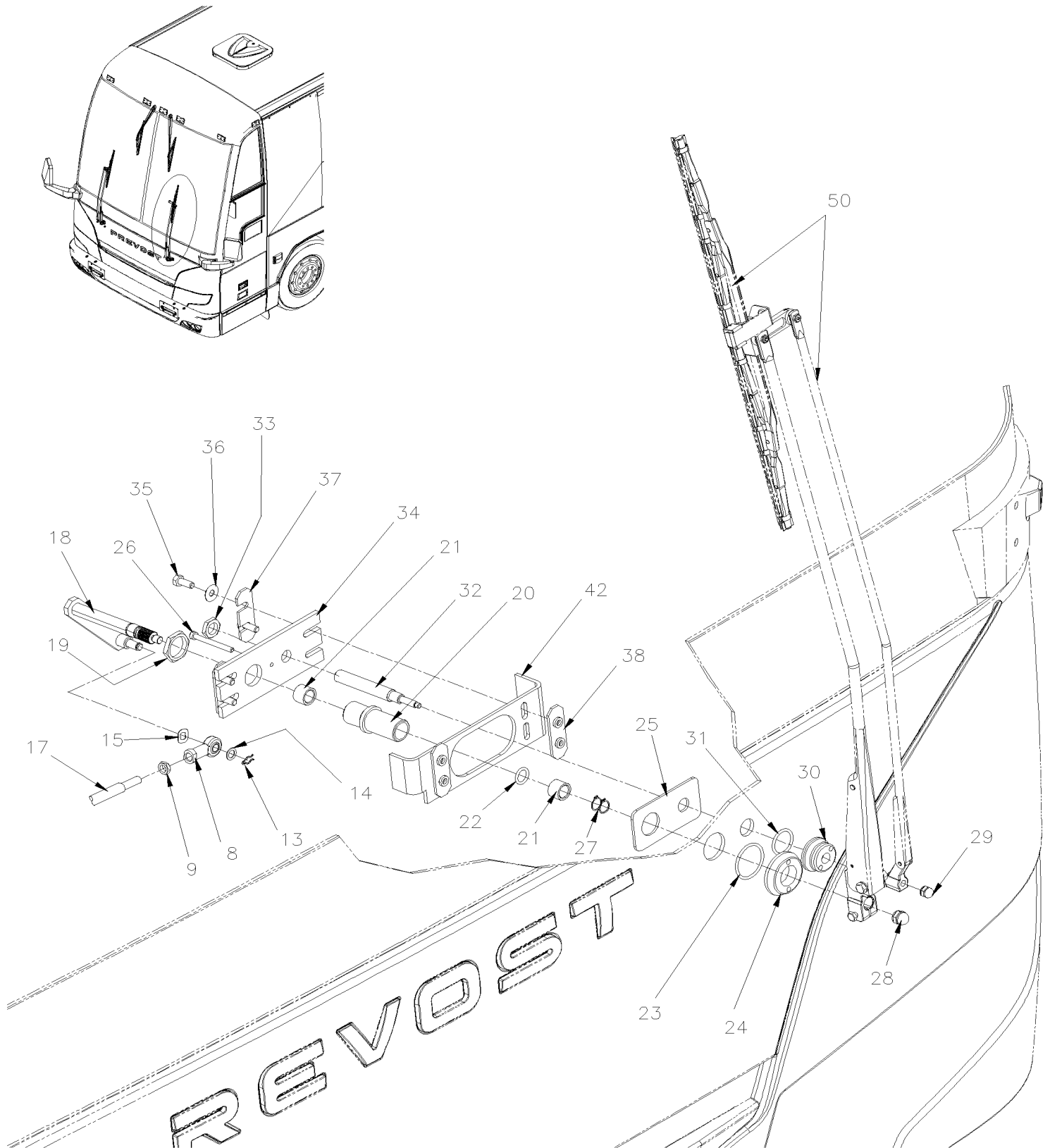


From K-0295 To P-1347

Date:07/2024

PAGE:VIP-2305-06

LOWER WINDSHIELD WIPER - INSTALLATION



| | | |
|--|---------------------|-------------------------|
| From K-0295 To P-1347 | Date:07/2024 | PAGE:VIP-2305-06 |
| LOWER WINDSHIELD WIPER - INSTALLATION | | |

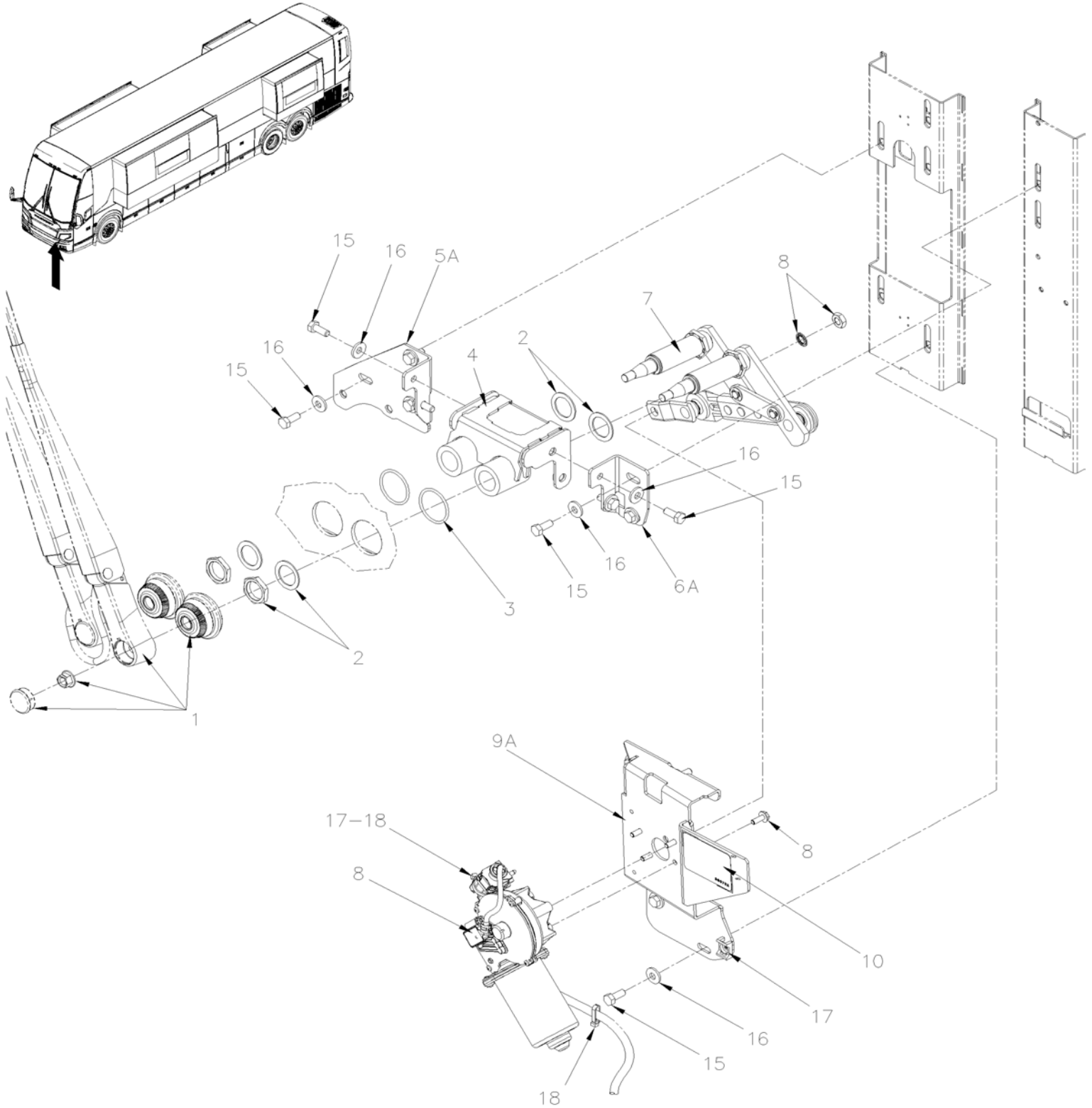
| Item# | Part | Description | QTY | Notes |
|-------|---------|--|-----|-------|
| 1 | 800380 | MOTOR WIPER ASSY / 24V / BOSCH | 1 | |
| 2 | 5001217 | SCREW CAP HEX M8-1.25x20 G10.9 | 3 | |
| 3 | 500942 | WASHER LO SPT 8.1x14.8x2.0 N500 | 3 | |
| 4 | 300184 | LEVER / MOTOR | 1 | |
| 5 | 5001815 | SCREW CAP HEXF M6-1.0x30 G 8.8 N500 | 1 | |
| 6 | 502565 | NUT HEX M6-1.0 SS | 1 | |
| 7 | 502564 | WASHER LO SPT 6.1x11.8x1.6 Z050 | 1 | |
| 8 | 502174 | ROD END MALE 3/8-24 / 3/8 I.D. | 3 | |
| 8 | 680739 | GREASE SYNTHETIC / RED 20KG | AR | |
| 9 | 500956 | NUT HEX JAM 3/8-24 Z050 | 3 | |
| 10 | 300253 | ROD, W/R.H. & L.H. THREAD | 1 | |
| 11 | 5001039 | NUT HEX JAM LH 3/8-24 Z050 | 1 | |
| 12 | 502186 | ROD END MALE L.H. 3/8-24-L.H./ 3/8 I.D. | 1 | |
| 12 | 680739 | GREASE SYNTHETIC / RED 20KG | AR | |
| 13 | 502185 | PIN HAIR CUTTER .062 X 9/32 | 4 | |
| 14 | 502867 | WASHER FL .406x.625x.040 N500 | 4 | |
| 15 | 500905 | WASHER SPR WAVE .750x.015 | 4 | |
| 16 | 300047 | RIGHT PIVOT ASSY | 1 | |
| NS | 680739 | GREASE SYNTHETIC / RED 20KG | AR | |
| 17 | 309026 | ROD, L.H. / L.H. WIPER | 1 | |
| 18 | 300622 | LEFT PIVOT ASSY | 1 | |
| NS | 680739 | GREASE SYNTHETIC / RED 20KG | AR | |
| 19 | 502821 | NUT HEX JAM 1 1/8-18 Z050 | 2 | |
| 20 | 300198 | TUBE ASSY | 1 | |
| 21 | 800125 | BUSHING 5/8" I.D. X 7/8" O.D. X 5/8" L | 4 | |
| 22 | 800276 | V-RING | 2 | |
| 23 | 507321 | O-RING 1 5/8" I.D. X 1/8" | 2 | |
| 24 | 300598 | NUT SPECIAL 1 1/8 - 18 BK AL | 2 | |
| 25 | 300600 | PLATE SPACER W/2 HOLES | 2 | |
| 26 | 5001698 | SCREW CAP HEXS M6-1.0x60 SS XYLAN | 2 | |
| 27 | 504691 | RING RETAINER / EXT .625 x .588 x .035" / SS | 4 | |
| 28 | 800003 | NUT HEX NYRT 3/8-24 | 1 | |
| 29 | 800078 | NUT HEX CAP 1/4-28 BK | 2 | |
| 30 | 300597 | NUT SPECIAL 5/8-18 AL BK | 2 | |
| 31 | 507320 | O-RING 1 1/8" I.D. X 1/8" | 2 | |
| 32 | 300599 | SECONDARY SHAFT IDLE ARM | 2 | |
| 33 | 502822 | NUT HEX JAM THN 5/8-18x3/16 Z050 | 2 | |
| NS | 680038 | THREAD LOCKER LOCTITE #243 / BLUE / 50ml | AR | |
| 34 | 300601 | PLATE, MOUNTING | 2 | |
| 35 | 5001745 | SCREW CAP HEX M8-1.25x25 G8.8 N500 | 8 | |
| 36 | 5001699 | WASHER BEL SPR 8.2x22x1.4 N500 | 8 | |
| 37 | 300471 | SPACER | 4 | |

| | | | |
|-----------------------|--|--------------|------------------|
| From K-0295 To P-1347 | | Date:07/2024 | PAGE:VIP-2305-06 |
|-----------------------|--|--------------|------------------|

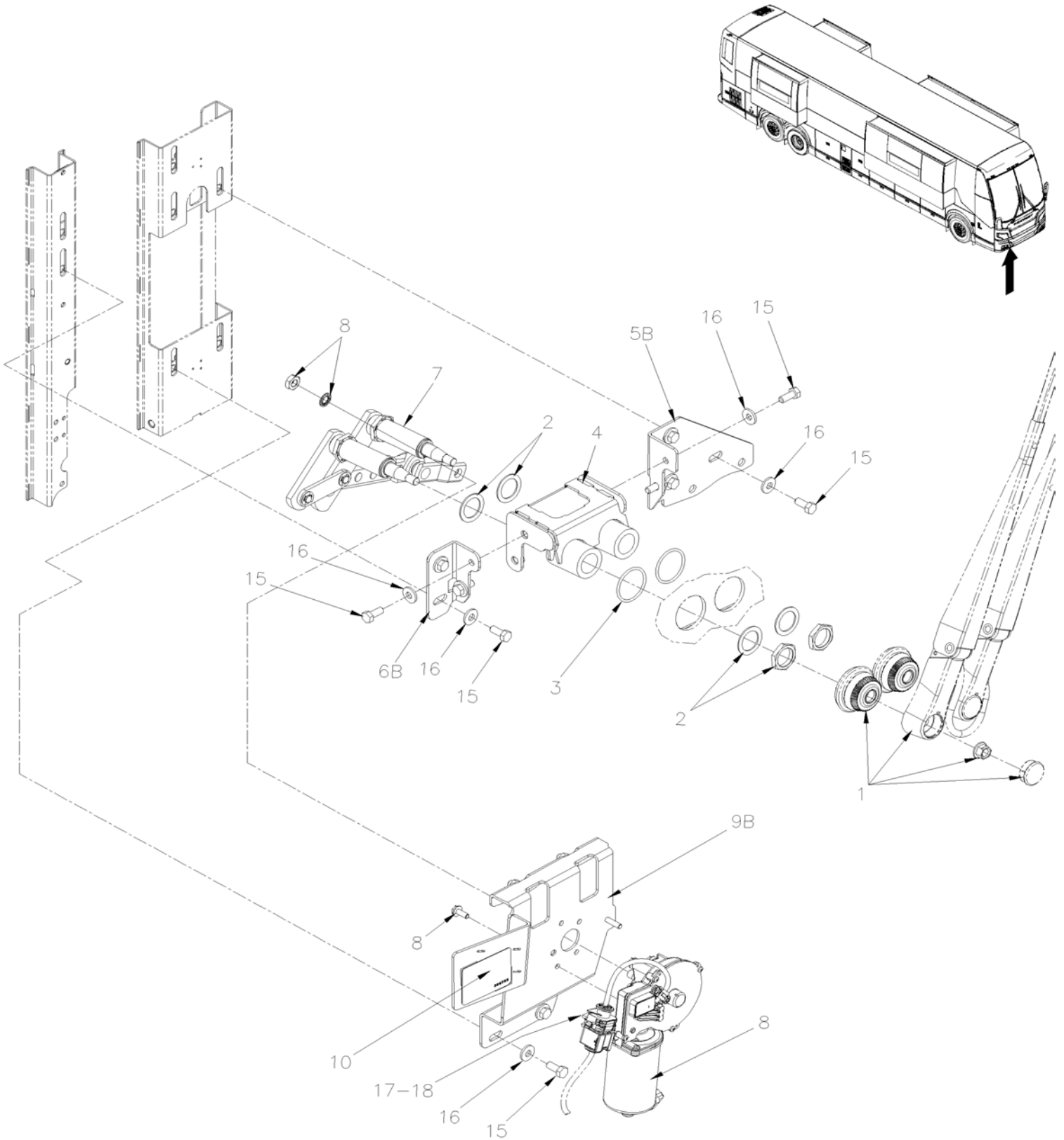
LOWER WINDSHIELD WIPER - INSTALLATION

| Item# | Part | Description | QTY | Notes |
|-------|--------------------|---|-----|-------|
| 38 | 300206 | PLATE, THREADED | 4 | |
| 41 | 250741 | SUPPORT, WIPER PIVOT R.H. / (WELDED AT STRUCTURE) | 1 | |
| 42 | 250742 | SUPPORT, WIPER PIVOT L.H. / (WELDED AT STRUCTURE) | 1 | |
| 43 | 285322 | SUPPORT | 1 | |
| 50 | VIP-2305-00 | LOWER WINDSHIELD WIPER | | |

| | | |
|--|--------------|------------------|
| | Date:07/2024 | PAGE:VIP-2305-07 |
| LOWER WINDSHIELD WIPER - INSTALLATION | | |



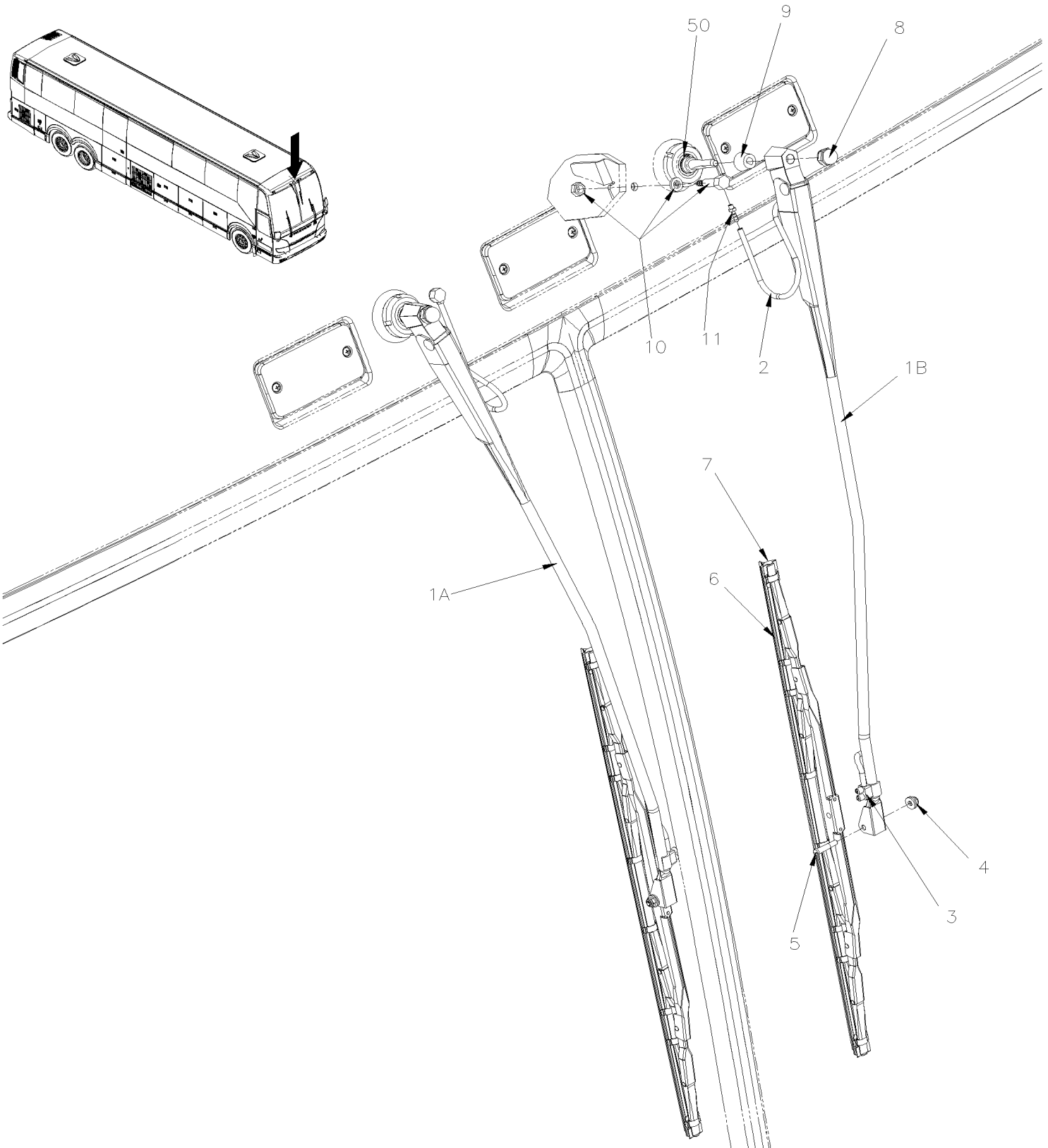
| | | |
|--|--------------|------------------|
| | Date:07/2024 | PAGE:VIP-2305-07 |
| LOWER WINDSHIELD WIPER - INSTALLATION | | |



| | | | |
|--|--|--------------|------------------|
| | | Date:07/2024 | PAGE:VIP-2305-07 |
| LOWER WINDSHIELD WIPER - INSTALLATION | | | |

| Item# | Part | Description | QTY | Notes |
|-------|-------------|------------------------------------|-----|-------|
| 1 | VIP-2305-01 | LOWER WINDSHIELD WIPER | | |
| 2 | 880054 | KIT. WIPER HARDWARE | 2 | |
| 3 | 5002253 | O-RING 35MM I.D.x41MM O.D.x3MM | 4 | |
| 4 | 300687 | SUPPORT, WIPER | 2 | |
| 5A | 300715 | BRAKET, WIPER LEFT | 1 | |
| 5B | 300716 | BRAKET, WIPER RIGHT | 1 | |
| 6A | 300693 | BRACKET, WIPER LEFT | 1 | |
| 6B | 300691 | BRACKET, WIPER RIGHT | 1 | |
| 7 | 300700 | LINKAGE ASSEMBLY, WIPER | 2 | |
| 8 | 800387 | WIPER MOTOR | 2 | |
| 9A | 300728 | MOTOR PLATE, WIPER LEFT | 1 | |
| 9B | 300718 | MOTOR PLATE, WIPER RIGHT | 1 | |
| 10 | 300722 | DECAL, CAUTION WIPER | 2 | |
| 15 | 5001450 | SCREW CAP HEX M8-1.25x20 G10.9 DP | 26 | |
| 16 | 500321 | WASHER BEL SPR .331x.827x.098 N500 | 26 | |
| 17 | 504013 | TIE MOUNT / 1/4" X 1/4" I.D. | 4 | |
| 17 | 504379 | RIVET POP DOME OE 3/16x1/4 SS | 4 | |
| 18 | 504637 | CABLE TIE / 3/16" x 13" | 4 | |

| | | |
|------------------------|--------------|------------------|
| From K-0295 To P-1347 | Date:07/2024 | PAGE:VIP-2305-10 |
| UPPER WINDSHIELD WIPER | | |



| | | |
|-------------------------------|--------------|------------------|
| From K-0295 To P-1347 | Date:07/2024 | PAGE:VIP-2305-10 |
| UPPER WINDSHIELD WIPER | | |

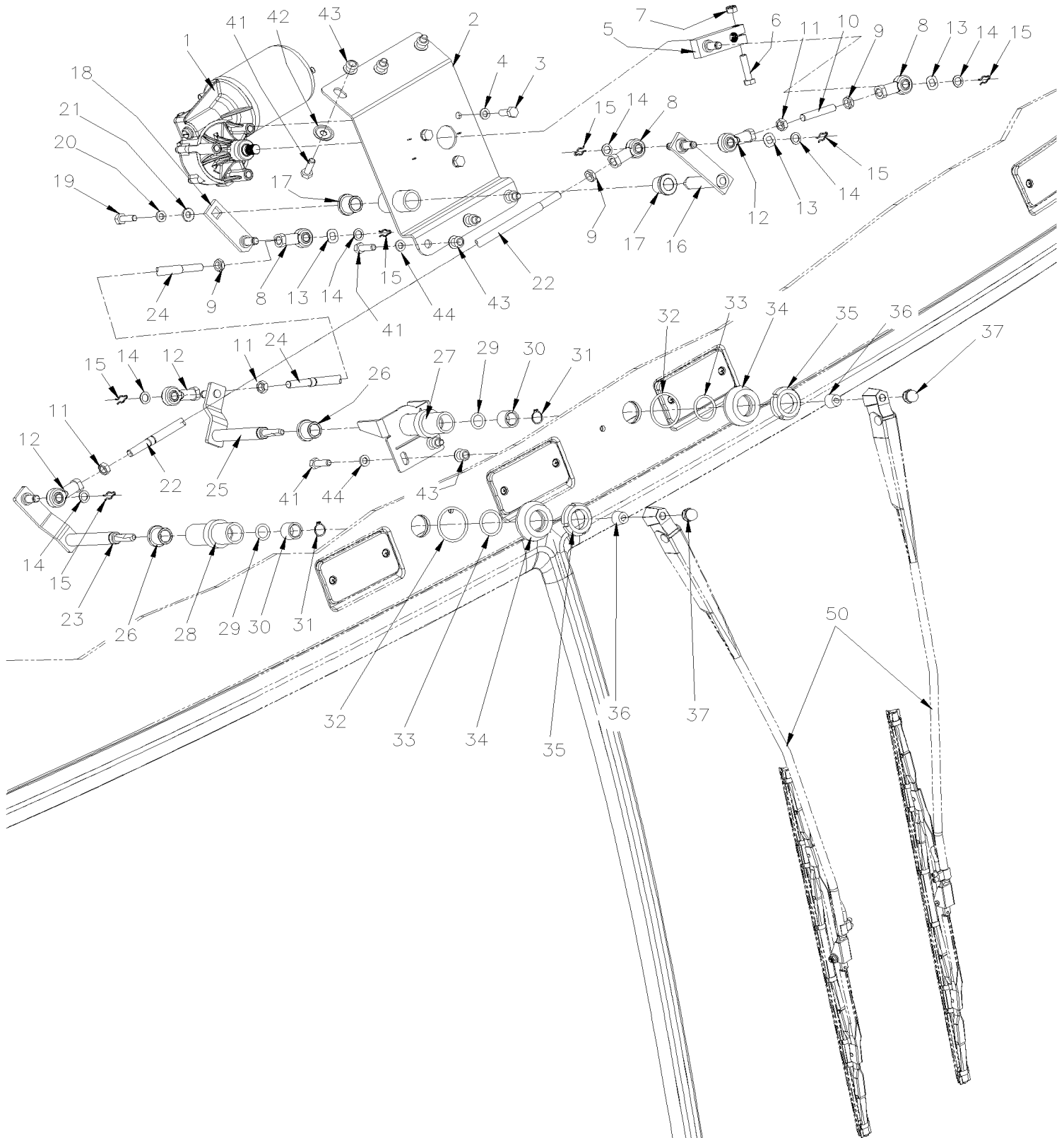
| Item# | Part | Description | QTY | Notes |
|-------|--------------------|---|-----|-------|
| 1A | 800626 | ARM WIPER, R.H. UPPER | 1 | |
| 1B | 800625 | ARM WIPER, L.H. UPPER | 1 | |
| 2 | 300292 | . HOSE #2 54" | AR | |
| 2 | 300106 | . HOSE #2 30" | AR | |
| 2 | 300250 | . HOSE #2 33" | AR | |
| 2 | 300107 | . HOSE #2 42" | AR | |
| 2 | 300269 | . HOSE #2 50' | AR | |
| 2 | 800227 | . HOSE WINDSHIELD WASHER WIPER ARM 100 FT | AR | |
| 3 | 800357 | . NOZZLE, WINDSHIELD WASHER / R.H. | 1 | |
| 3 | 800358 | . NOZZLE, WINDSHIELD WASHER / L.H. | 1 | |
| 4 | 500423 | . NUT HEX NYRT #10-32 SS | 1 | |
| 5 | 800309 | . SCREW #10-32x.390 SS | 1 | |
| 6 | 800284 | WIPER BLADE ASSY 22" To N-1182 | 1 | |
| . NS | 800383 | . RUBBER BLADE REFILL / (ONLY) WIPER REFILL 22" To N-1182 | 1 | |
| 6 | 800392 | WIPER BLADE ASSY 22" From N-1183 | 1 | |
| 6 | 191104 | WIPER BLADE ASSY 22" ALTERNATIVE PART | 1 | |
| . NS | 800316 | . RUBBER BLADE REFILL / (ONLY) WIPER REFILL 22" | 1 | |
| . NS | 800180 | . CLIP / RETAINER END | 2 | |
| 7 | 800180 | . CLIP / RETAINER END | 1 | |
| 8 | 800003 | NUT HEX NYRT 3/8-24 | 1 | |
| 9 | 800282 | ADAPTOR, DRIVE KNURLED | 1 | |
| 10 | 800321 | ADAPTOR ASSY 90 DEG / #3 TO #2 WET ARM | 1 | |
| 11 | 800317 | . ADAPTOR HOSE #2 (ALUMINUM) | 1 | |
| 50 | VIP-2305-16 | UPPER WINDSHIELD WIPER - INSTALLATION | 1 | |
| 51 | OC2020055 | REFERENCE ONLY £-20055 From N-1183 | 1 | |

From K-0295 To P-1347

Date:07/2024

PAGE:VIP-2305-16

UPPER WINDSHIELD WIPER - INSTALLATION



| | | |
|--|---------------------|-------------------------|
| From K-0295 To P-1347 | Date:07/2024 | PAGE:VIP-2305-16 |
| UPPER WINDSHIELD WIPER - INSTALLATION | | |

| Item# | Part | Description | QTY | Notes |
|-------|---------|---|-----|-------|
| 1 | 800380 | MOTOR WIPER ASSY / 24V / BOSCH | 1 | |
| 2 | 300013 | SUPPORT | 1 | |
| 3 | 5001217 | SCREW CAP HEX M8-1.25x20 G10.9 | 3 | |
| 4 | 500942 | WASHER LO SPT 8.1x14.8x2.0 N500 | 3 | |
| 5 | 300014 | LEVER / MOTOR | 1 | |
| 6 | 502836 | . SCREW CAP HEX M8-1.25x35 G8.8 N500 | 1 | |
| 7 | 502847 | . NUT HEX NYRT M8-1.25 N500 | 1 | |
| 8 | 502174 | ROD END MALE 3/8-24 / 3/8 I.D. | 3 | |
| NS | 680739 | GREASE SYNTHETIC / RED 20KG | AR | |
| 9 | 500956 | NUT HEX JAM 3/8-24 Z050 | 3 | |
| 10 | 300248 | ROD THREADED / W/3/8-24 LH & RH THREAD 54MM | 1 | |
| 11 | 5001039 | NUT HEX JAM LH 3/8-24 Z050 | 3 | |
| 12 | 502186 | ROD END MALE L.H. 3/8-24-L.H./ 3/8 I.D. | 3 | |
| NS | 680739 | GREASE SYNTHETIC / RED 20KG | AR | |
| 13 | 500905 | WASHER SPR WAVE .750x.015 | 3 | |
| 14 | 502867 | WASHER FL .406x.625x.040 N500 | 6 | |
| 15 | 502185 | PIN HAIR CUTTER .062 X 9/32 | 6 | |
| 16 | 300480 | INVERTION PIVOT | 1 | |
| 17 | 800274 | BUSHING FLANGE 5/8" I.D. X 7/8" O.D. X 3/4" L | 2 | |
| 18 | 300632 | LEVER ARM | 1 | |
| 19 | 502780 | SCREW CAP HEX M8-1.25x25 SS BK | 1 | |
| NS | 680038 | THREAD LOCKER LOCTITE #243 / BLUE / 50ml | AR | |
| 20 | 500942 | WASHER LO SPT 8.1x14.8x2.0 N500 | 1 | |
| 21 | 5001868 | WASHER BEL SPR 8.4x18x2 SS | 1 | |
| 22 | 300016 | ROD THREADED / W/3/8-24 LH & RH THREAD 540MM | 1 | |
| 23 | 300026 | RIGHT PIVOT | 1 | |
| 24 | 300032 | ROD THREADED / W/3/8-24 LH & RH THREAD 163MM | 1 | |
| 25 | 300030 | LEFT PIVOT | 1 | |
| 26 | 800274 | BUSHING FLANGE 5/8" I.D. X 7/8" O.D. X 3/4" L | 2 | |
| 27 | 300038 | UPPER WIPER PIVOT SUPORT ASSY | 1 | |
| 28 | 300507 | MAIN WIPER ARM THREADED TUBE | 1 | |
| 29 | 800276 | V-RING | 2 | |
| 30 | 800125 | BUSHING 5/8" I.D. X 7/8" O.D. X 5/8" L | 2 | |
| NS | 680100 | THREAD LOCKER LOCTITE #271 / RED / 250ml | AR | |
| 31 | 504691 | RING RETAINER / EXT .625 x .588 x .035" / SS | 2 | |
| 32 | 507321 | O-RING 1 5/8" I.D. X 1/8" | 2 | |
| 33 | 507320 | O-RING 1 1/8" I.D. X 1/8" | 2 | |
| 34 | 300271 | SPACER | 2 | |
| 35 | 800064 | NUT SPANNER 1 1/8-18 / PLASTIC | 2 | |
| 36 | 800282 | ADAPTOR, DRIVE KNURLED | 2 | |
| 37 | 800062 | NUT HEX CAP 3/8-24 BK | 2 | |
| 41 | 5001745 | SCREW CAP HEX M8-1.25x25 G8.8 N500 | 8 | |

| | | | |
|-----------------------|--|--------------|------------------|
| From K-0295 To P-1347 | | Date:07/2024 | PAGE:VIP-2305-16 |
|-----------------------|--|--------------|------------------|

UPPER WINDSHIELD WIPER - INSTALLATION

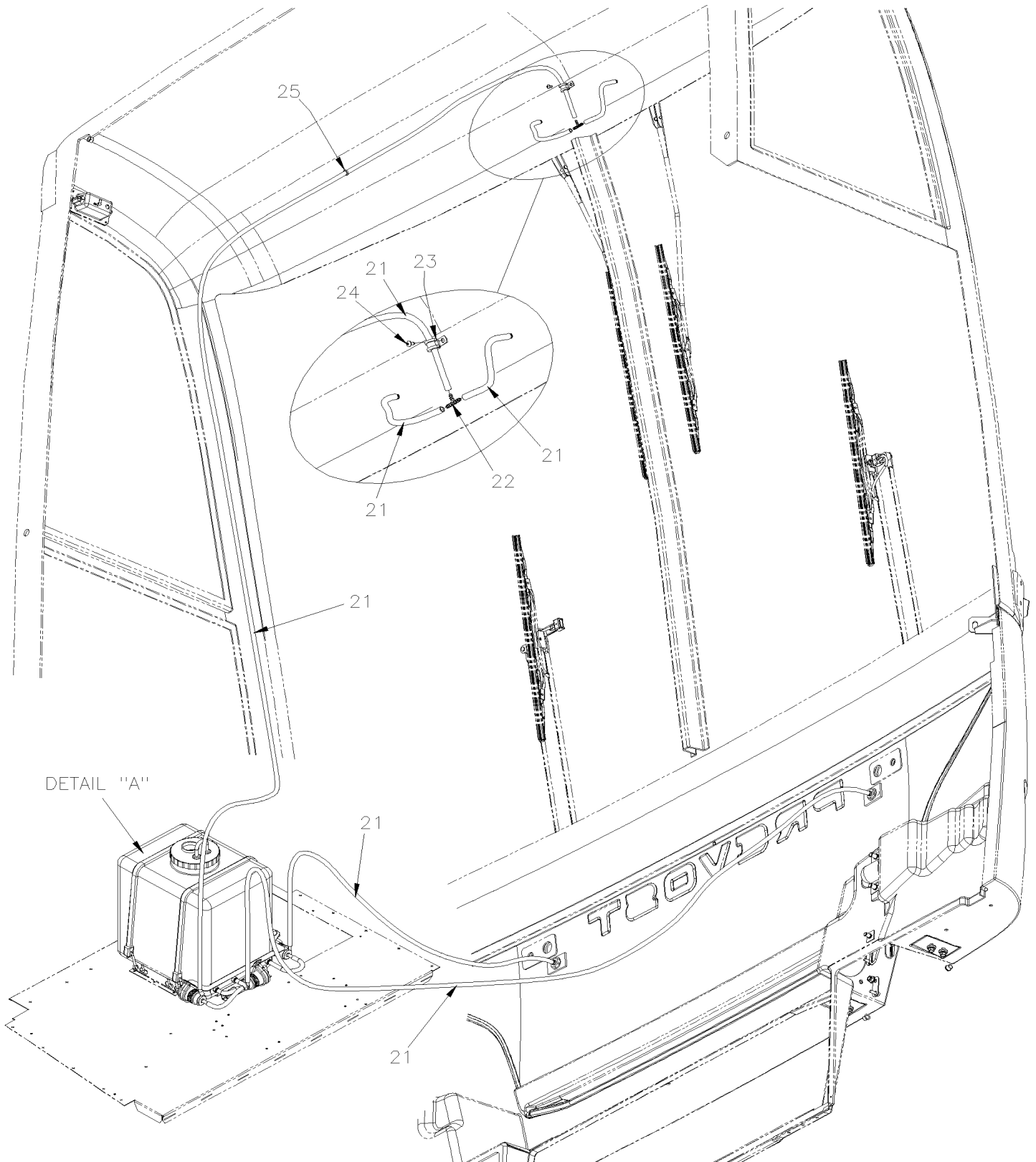
| Item# | Part | Description | QTY | Notes |
|-------|-------------|---|-----|-------|
| 42 | 502584 | WASHER LO SERR 8.2x26.3x1.8 Z050 | 3 | |
| 43 | 5002013 | RIVET NUT FL KNURLED OKS M8-1.25 3.8-7.9 ZP | 8 | |
| 44 | 500942 | WASHER LO SPT 8.1x14.8x2.0 N500 | 5 | |
| 50 | VIP-2305-10 | UPPER WINDSHIELD WIPER | | |

From K-0295 To P-1347

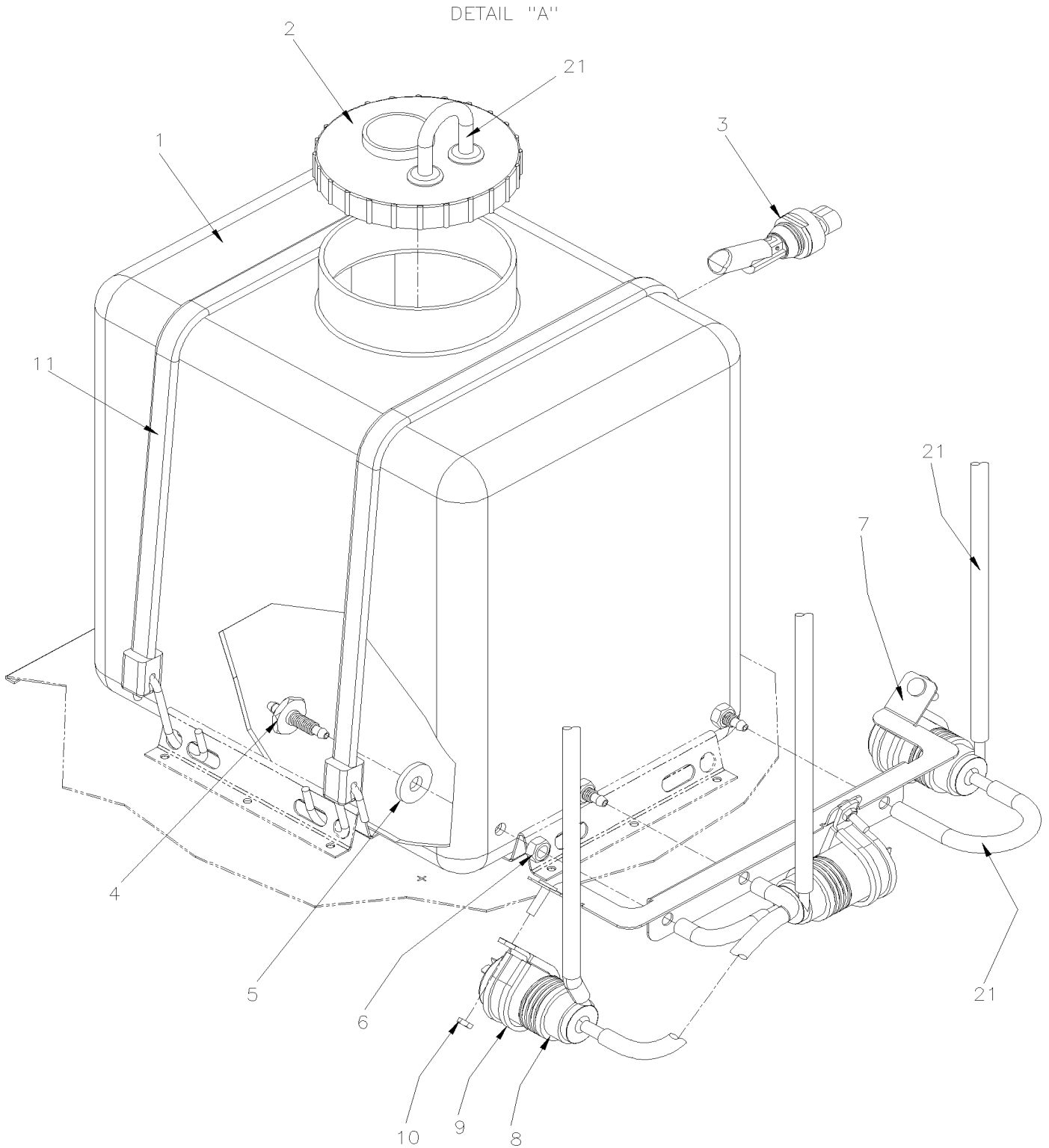
Date:07/2024

PAGE:VIP-2305-20

WINDSHIELD WASHER - INSTALLATION



WINDSHIELD WASHER - INSTALLATION

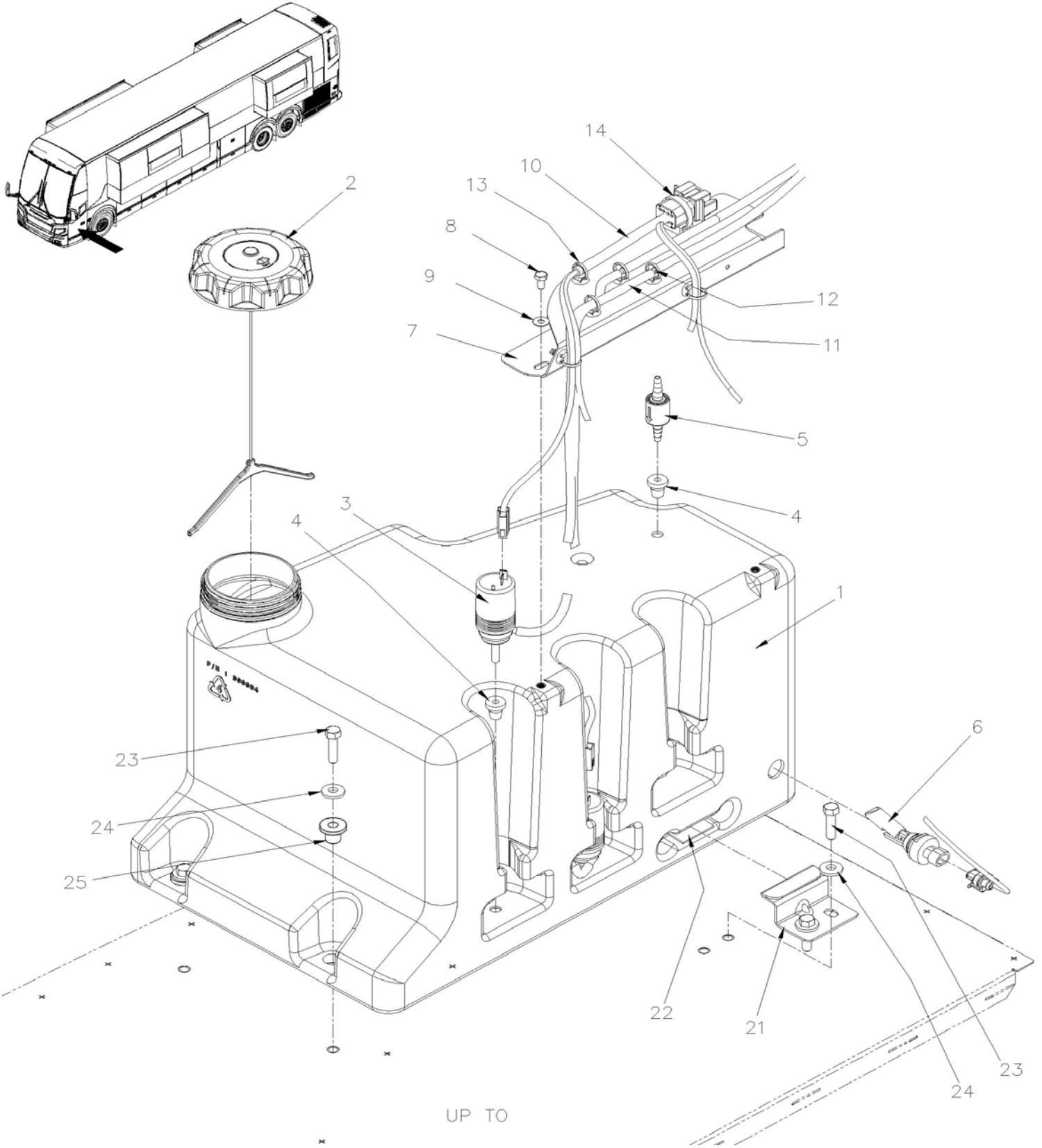


| | | |
|-----------------------|--------------|------------------|
| From K-0295 To P-1347 | Date:07/2024 | PAGE:VIP-2305-20 |
|-----------------------|--------------|------------------|

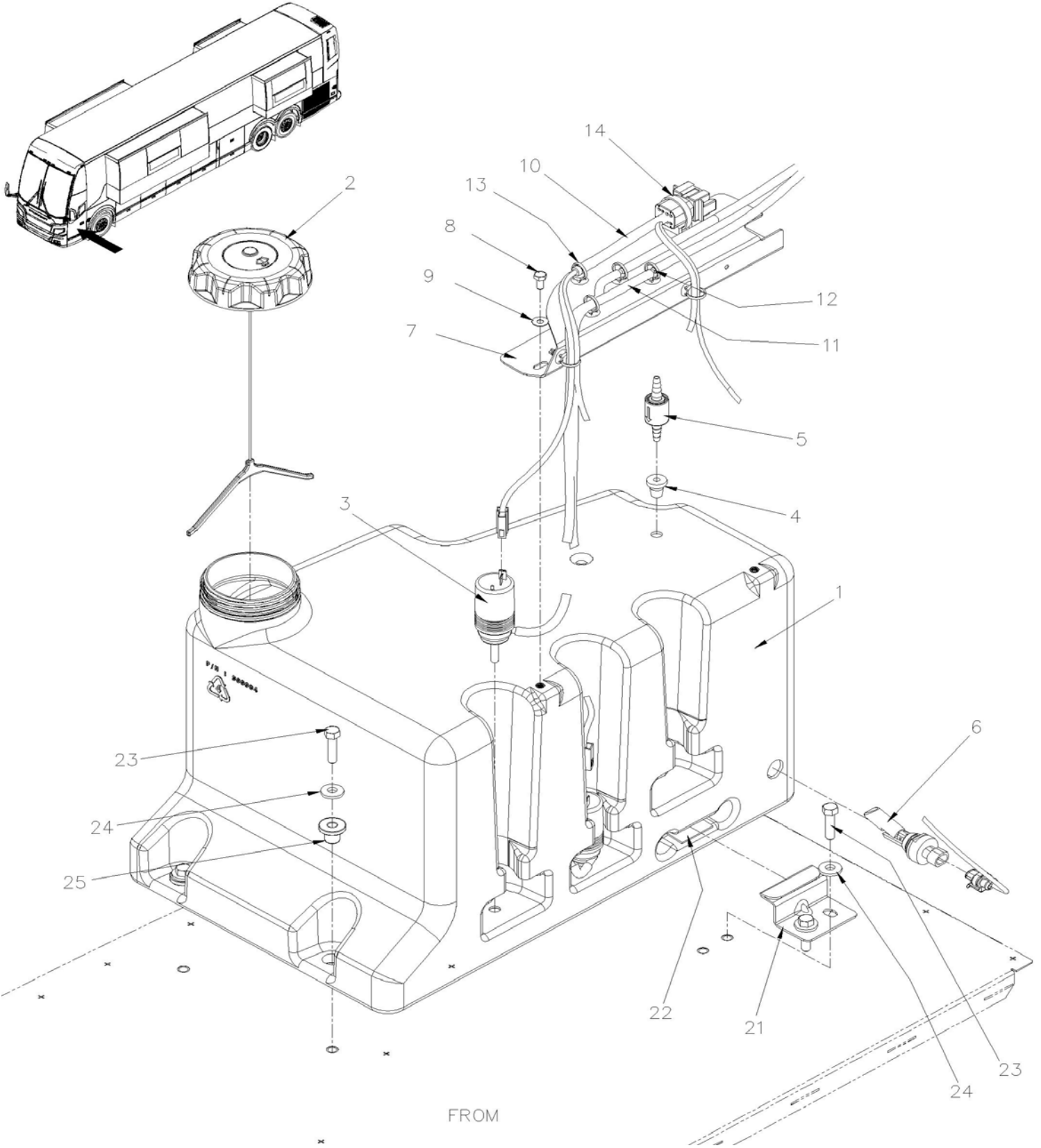
WINDSHIELD WASHER - INSTALLATION

| Item# | Part | Description | QTY | Notes |
|-------|--------------------|---|-----|-------|
| 1 | 800285 | TANK, WINDSHIELD WASHER | 1 | |
| 2 | 800286 | COVER ASSY W/PLUG | 1 | |
| 3 | 800364 | SENSOR LEVEL-LOW | 1 | |
| . NS | 563409 | . CONNECTOR / SUPERSEAL 1.5 SERIES / SH 2C / AMP 282080-1 | 1 | |
| . NS | 562607 | . SOCKET TERMINAL / 20-16 / AMP 183025-1 | 2 | |
| 4 | 300469 | ADAPTOR HOSE #3 / WET ARM M8-1.25 x 44MM | 3 | |
| 5 | 502820 | WASHER FL .187x1.000x.125 RUB BK | 3 | |
| 6 | 5001188 | NUT HEX M8-1.25 SS | 3 | |
| 7 | 300562 | SUPPORT W/WASHER PUMP | 1 | |
| 8 | 800346 | PUMP WINDSHIELD WASHER 24V | 3 | |
| 9 | 952639 | CLAMP / 1"1/4 I.D. | 3 | |
| 10 | 5001180 | NUT HEX NYRT #10-24 SS | 3 | |
| 11 | 504483 | TIE RUBBER BELT, W/HOOK 23" | 2 | |
| 21 | 503002 | HOSE / EPDM 5/32" I.D. / S.L. | AR | |
| 22 | 800322 | UNION TEE / HOSE BARB FITTING / 5/32x5/32x5/32 PLAS | 1 | |
| 23 | 952625 | CLAMP / 3/8" I.D. | 3 | |
| 24 | 500582 | SCREW TP PAN PH #8x3/8 Z050 | 3 | |
| 25 | 504273 | CABLE TIE / 1/8" X 3"1/2 | 8 | |
| 50 | VIP-2305-00 | LOWER WINDSHIELD WIPER | | |
| 51 | VIP-2305-10 | UPPER WINDSHIELD WIPER | | |

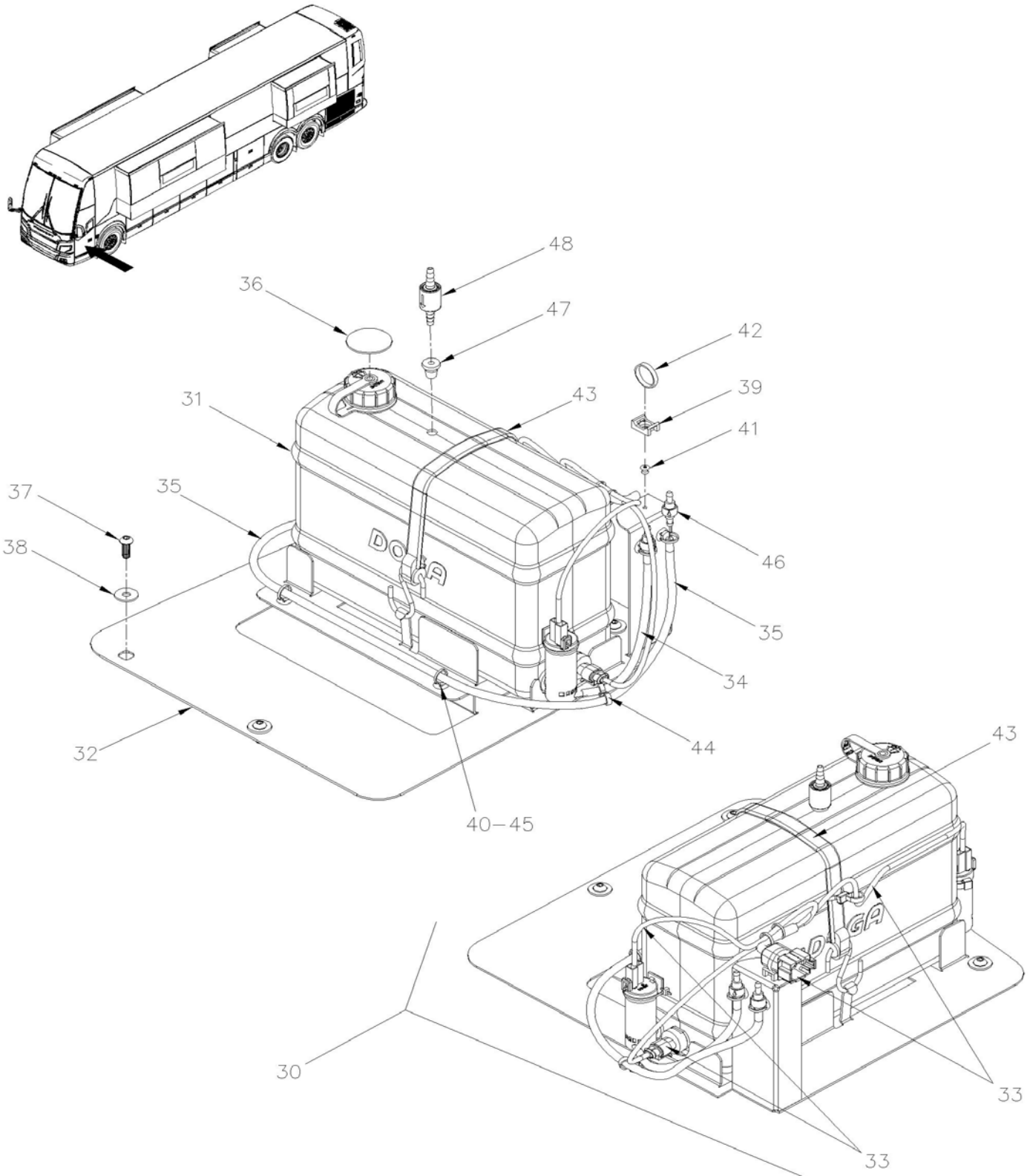
| | | |
|---------------------------------------|--------------|------------------|
| | Date:07/2024 | PAGE:VIP-2305-21 |
| WINDSHIELD WASHER TANK - INSTALLATION | | |



| | | |
|---------------------------------------|--------------|------------------|
| | Date:07/2024 | PAGE:VIP-2305-21 |
| WINDSHIELD WASHER TANK - INSTALLATION | | |



| | | |
|---------------------------------------|--------------|------------------|
| | Date:07/2024 | PAGE:VIP-2305-21 |
| WINDSHIELD WASHER TANK - INSTALLATION | | |



| | | |
|--|--------------|------------------|
| | Date:07/2024 | PAGE:VIP-2305-21 |
| WINDSHIELD WASHER TANK - INSTALLATION | | |

| Item# | Part | Description | QTY | Notes |
|--------|-----------------|---|-----|-------|
| NS | | UP TO £-23077 To £-23077 | | |
| NS | | FROM £-23077 From £-23077 | | |
| 1 | Call order desk | WINDSHIELD WASHER TANK ASS | 1 | P |
| 1 | 300004 | . WINDSHIELD WASHER TANK | 1 | |
| 2 | 800104 | . LID, WINDSHILD WASHER TANK | 1 | |
| 3 | 800346 | . PUMP WINDSHIELD WASHER 24V To £-23077 | 2 | |
| 3 | 800408 | . PUMP WINDSHIELD WASHER 24V From £-23077 | 2 | |
| 4 | 800348 | . SEAL RETAINER To £-23077 | 3 | |
| 4 | 800348 | . SEAL RETAINER From £-23077 | 1 | |
| 5 | 800351 | . CHECK VALVE | 1 | |
| 6 | 800364 | . SENSOR LEVEL-LOW | 1 | |
| . NS | 563409 | . . CONNECTOR / SUPERSEAL 1.5 SERIES / SH 2C / AMP 282080-1 | 1 | |
| . NS | 562607 | . . SOCKET TERMINAL / 20-16 / AMP 183025-1 | 2 | |
| 7 | 300003 | . ROUTING PLATE, WINDSHIELD WASHER TANK | 1 | |
| 8 | 5001743 | . SCREW CAP HEX M6-1.0x12 G8.8 N500 | 2 | |
| 9 | 5001608 | . WASHER BEL SPR 6.2x15.0x0.7 G500 | 2 | |
| 10 | 0600019 | . CABLE INTERFACE WINDSHEILD WASHER | 1 | |
| 11 | 503002 | . HOSE / EPDM 5/32" I.D. / S.L. | AR | |
| 12 | 501126 | . UNION / HOSE BARB FITTING / 5/32x5/32 NYL | 2 | |
| 13 | 509815 | . TIE MOUNT / ATTACHMENT W/TREE MOUNT | 6 | |
| 13 | 504273 | . CABLE TIE / 1/8" X 3"1/2 | 6 | |
| 14 | 504637 | . CABLE TIE / 3/16" x 13" | 1 | |
| 14 | 504013 | . TIE MOUNT / 1/4" X 1/4" I.D. | 1 | |
| 14 | 504379 | . RIVET POP DOME OE 3/16x1/4 SS | 1 | |
| 21 | 300001 | PLATE, WINDSHIELD WASHER TANK | 1 | |
| 22 | 506728 | TAPE RUB ADH1 NEO 1/4" x 3/4" x 10' / BLACK | AR | |
| 23 | 5001738 | SCREW CAP HEX M8-1.25x30 G8.8 N500 | 5 | |
| 24 | 500321 | WASHER BEL SPR .331x.827x.098 N500 | 5 | |
| 25 | 300002 | SPACER, WINDSHIELD WASHER TANK | 3 | |
| NS | | SPECIAL OPTION 8.7L TANK | | |
| 30 | 300753 | SERVICE KIT WINDSHIELD WASHER TANK From P-1544 | 1 | |
| 31 | 300742 | . WINDSHIELD WASHER TANK 8.7L From P-1544 | 1 | |
| . NS | 800407 | . . WASHER PUMP 24V From P-1544 | 1 | |
| . NS | 800364 | . . SENSOR LEVEL-LOW From P-1544 | 1 | |
| . . NS | 563409 | . . . CONNECTOR / SUPERSEAL 1.5 SERIES / SH 2C / AMP 282080-1 From P-1544 | 1 | |
| . . NS | 562607 | . . . SOCKET TERMINAL / 20-16 / AMP 183025-1 From P-1544 | 2 | |
| 32 | 300747 | . WINDSHIELD WASHER TANK FRAME From P-1544 | 1 | |
| 33 | 0600019 | . CABLE INTERFACE WINDSHEILD WASHER From P-1544 | 1 | |
| 34 | 300750 | . HOSE 225MM From P-1544 | 1 | |
| 35 | 300751 | . HOSE 760MM From P-1544 | 1 | |
| 36 | 300754 | . GASKET From P-1544 | 1 | |

| | | | |
|--|--|--------------|------------------|
| | | Date:07/2024 | PAGE:VIP-2305-21 |
| WINDSHIELD WASHER TANK - INSTALLATION | | | |

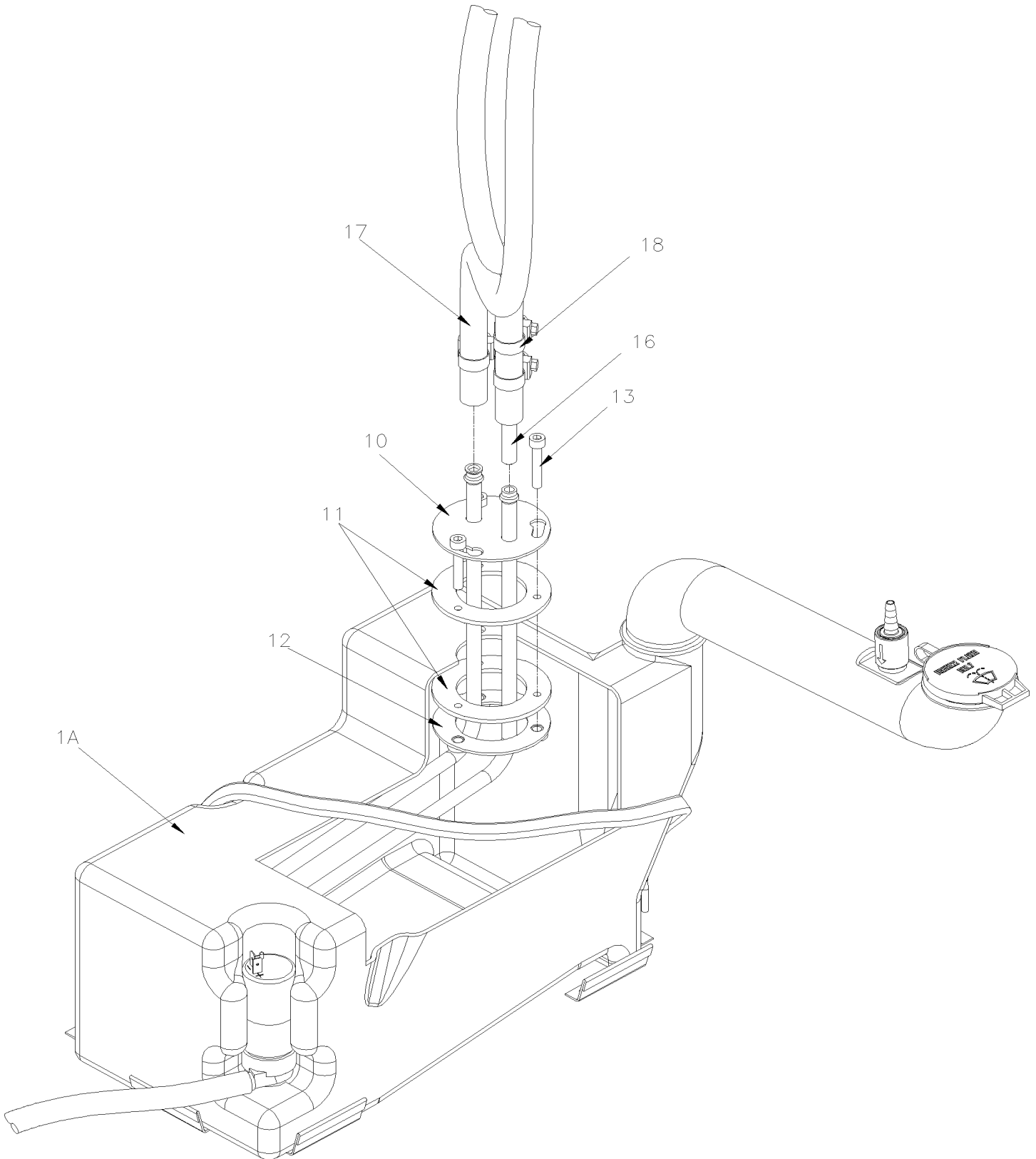
| Item# | Part | Description | QTY | Notes |
|-------|---------|--|-----|-------|
| 37 | 5000002 | . SCREW CAP BUT HEXS M8-1.25X20 AD NSS From P-1544 | 4 | |
| 38 | 5001849 | . WASHER FL 8.4x24.0x2.0 SS From P-1544 | 4 | |
| 39 | 504013 | . TIE MOUNT / 1/4" X 1/4" I.D. From P-1544 | 1 | |
| 40 | 504273 | . CABLE TIE / 1/8" X 3"1/2 From P-1544 | 6 | |
| 41 | 504379 | . RIVET POP DOME OE 3/16x1/4 SS From P-1544 | 1 | |
| 42 | 504637 | . CABLE TIE / 3/16" x 13" From P-1544 | 1 | |
| 43 | 504295 | . STRAPS WITH HOOKS 9" From P-1544 | 1 | |
| 44 | 507664 | . CABLE TIE / 3/16" 11" / DOUBLE LOOP HEAD From P-1544 | 2 | |
| 45 | 509815 | . TIE MOUNT / ATTACHMENT W/TREE MOUNT From P-1544 | 4 | |
| 46 | 800288 | . VALVE, CHECK From P-1544 | 2 | |
| 47 | 800348 | . SEAL RETAINER From P-1544 | 1 | |
| 48 | 800351 | . CHECK VALVE From P-1544 | 1 | |
| | | | | |
| | | | | |
| | | | | |
| | | P) CALL ORDER DESK FOR SPECIFIC APPLICATION (V.I.N.) | | |

From K-0295 To P-1347

Date:07/2024

PAGE:VIP-2305-26

HEAD LAMP CLEANING WASHER TANK

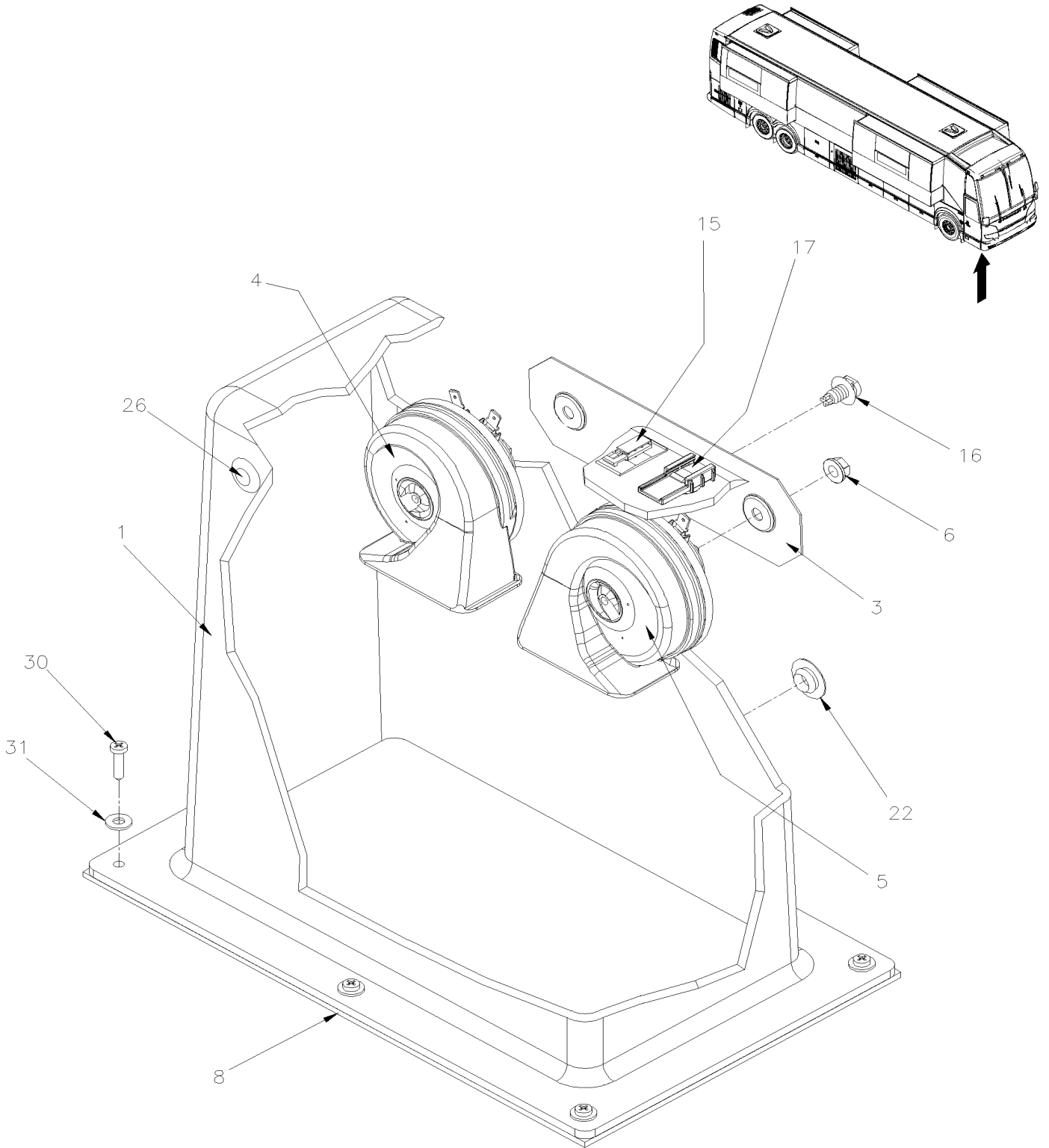


| | | |
|-----------------------|--------------|------------------|
| From K-0295 To P-1347 | Date:07/2024 | PAGE:VIP-2305-26 |
|-----------------------|--------------|------------------|

HEAD LAMP CLEANING WASHER TANK

| Item# | Part | Description | QTY | Notes |
|-------|-----------------|---|-----|-------|
| | Call order desk | HEADLAMP WASHER TANK ASSY | 1 | P |
| | Call order desk | HEADLAMP WASHER TANK ASSY WITH HEATER | 1 | P A |
| 1 | 800365 | . HEADLAMP WASHER TANK | 1 | |
| 1A | 800381 | . HEADLAMP WASHER TANK | 1 | A |
| 2 | 800367 | . PUMP SEALBEAM WASHER | 1 | |
| 3 | 800368 | . GROMMET PUMP | 1 | |
| 4 | 800364 | . SENSOR LEVEL-LOW | 1 | |
| . NS | 563409 | . . CONNECTOR / SUPERSEAL 1.5 SERIES / SH 2C / AMP 282080-1 | 1 | |
| . NS | 562607 | . . SOCKET TERMINAL / 20-16 / AMP 183025-1 | 2 | |
| 5 | 800351 | . CHECK VALVE | 1 | |
| 6 | 800348 | . SEAL RETAINER | 1 | |
| 7 | 20462640 | . COVER WASHER RESERVOIR | 1 | |
| 7 | 300621 | . GASKET / COVER WASHER RESERVOIR | 1 | |
| 10 | 430686P | ELEMENT, HEATING ASSY | 1 | A |
| 11 | 430689 | GASKET | 2 | A |
| 12 | 430690 | ANCHOR PLATE | 1 | A |
| 13 | 5001641 | SCREW CAP HEXS M6-1.0x35 SS EMN | 3 | A |
| | | | | |
| 16 | 053672 | CHOKE 2.5 MM | 1 | A |
| 17 | 503821 | HOSE SILICONE 4 PLY / NOMEX-ARAMID 3/8" x 144" | AR | A |
| 18 | 992081 | HOSE CLAMP / 12MM/22MM | 1 | A |
| 20 | 800371 | VALVE CENTRAL | 1 | |
| 21 | 504731 | TIE RUBBER BELT, W/HOOK 15" | 1 | |
| 22 | 504637 | CABLE TIE / 3/16" x 13" | 6 | |
| 23 | 800376 | HOSE HEADLAMP WASHER / 5M | AR | |
| 24 | 300603 | SUPPORT "Z" / TO FIX HOSE H.L. WASHER | 6 | |
| 30 | 800372 | NOZZLE SEALBEAM WASHER | 4 | |
| NS | 800377 | TOOL, ALIGNMENT NOZZLE HEADLAMP | AR | |
| 31 | 300589 | BASE NOZZLE WASHER | 4 | |
| 32 | 5001717 | NUT HEX JAM THN M16-1.5x8 SS | 4 | |
| 33 | 800369 | ELBOW NOZZLE ADAPTOR | 6 | |
| 34 | 800370 | TEE CONNECTOR | 2 | |
| 35 | 800375 | ADAPTOR WALL / FRONT FACE | 2 | |
| 36 | 800373 | NUT NOZZLE ADAPTOR | 2 | |
| 37 | 507214 | O-RING | 2 | |
| | | | | |
| | | | | |
| | | A) USE ONLY WITH WINDSHEILD WASHER HEATER | | |
| | | P) CALL ORDER DESK FOR SPECIFIC APPLICATION (V.I.N.) | | |

| | | |
|-----------------------|--------------|------------------|
| From K-0295 To P-1347 | Date:07/2024 | PAGE:VIP-2310-01 |
| HORN - INSTALLATION | | |



| | | |
|----------------------------|--------------|------------------|
| From K-0295 To P-1347 | Date:07/2024 | PAGE:VIP-2310-01 |
| HORN - INSTALLATION | | |

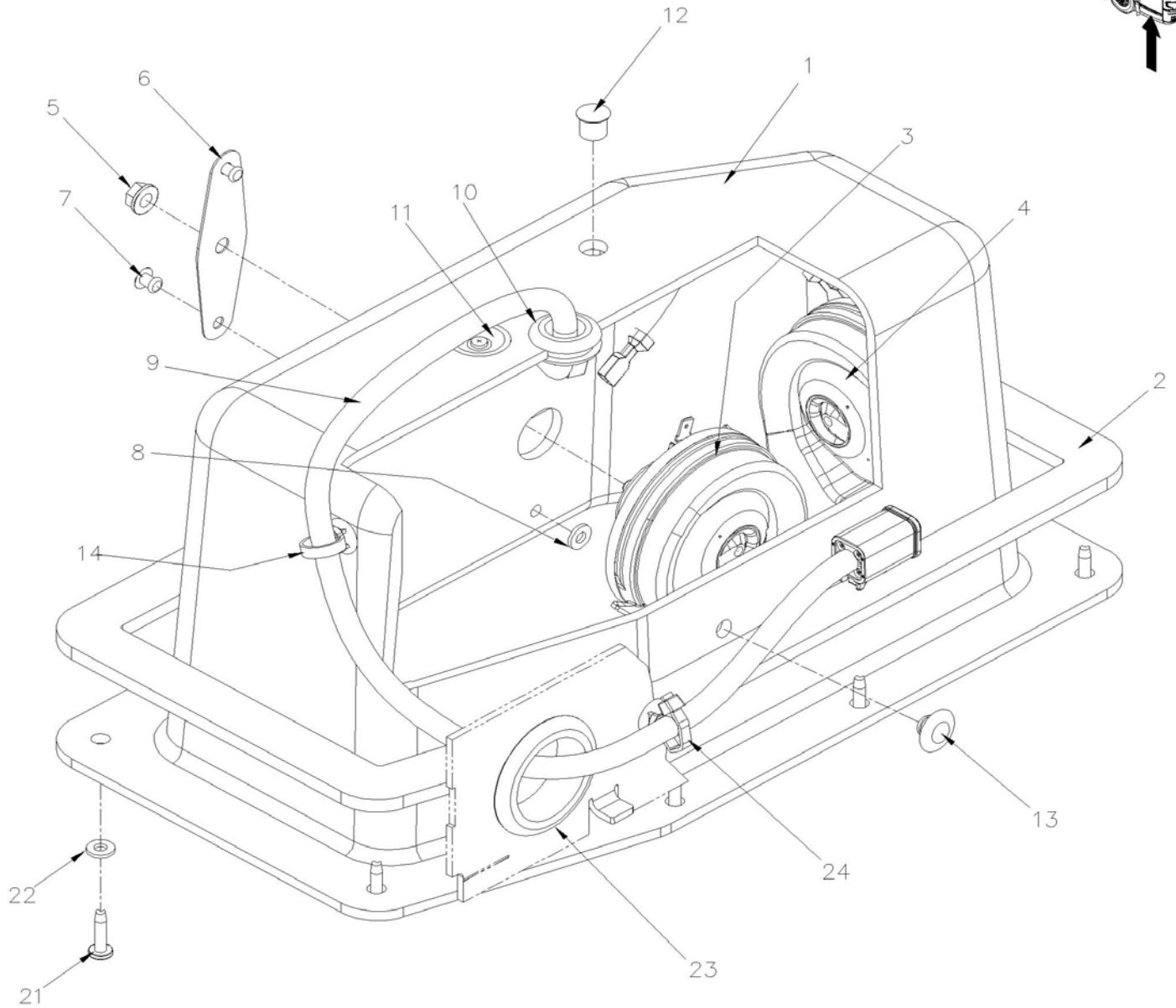
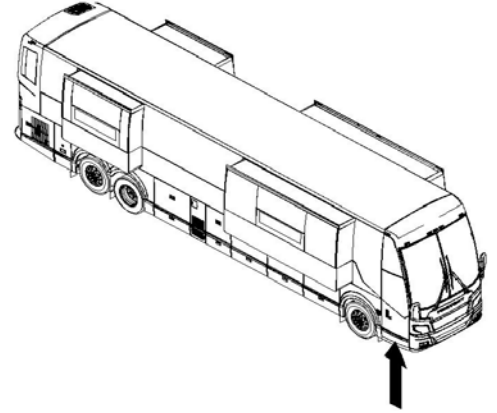
| Item# | Part | Description | QTY | Notes |
|-------|-----------------|---|-----|-------|
| | 0600338 | HORN ELECTRIC BOX ASSY VIP / SAV | 1 | |
| 1 | 140092 | . BOX, COVER / ELECTRICAL & AIR | 1 | |
| 3 | 142846 | . ATTACHMENT PLATE ELECTRICAL HORN | 1 | |
| 4 | 560624 | . HORN, ELECTRIC / LOW 405HZ / 12V "FIAM" SERVICE | 1 | |
| NS | 5001835 | . NUT HEXF M6-1.0 SS | 1 | |
| 5 | 560625 | . HORN, ELECTRIC / HIGH 485HZ / 12V "FIAM" SERVICE | 1 | |
| NS | 5001835 | . NUT HEXF M6-1.0 SS | 1 | |
| 6 | 5001835 | . NUT HEXF M6-1.0 SS | 2 | |
| 8 | 506643 | . TAPE RUB ADH1 CC NEO 1/8" x 1/2" x 60' / BLACK 2011 | AR | |
| 9 | 060074 | . HARNESS / HORN & CONNECTOR | 1 | |
| 15 | 564542 | . TREE MOUNT CLIP FOR PED CONNECTOR | 1 | |
| 16 | 509815 | . TIE MOUNT / ATTACHMENT W/TREE MOUNT | 2 | |
| 17 | 564108 | . SELF MOUNTING STUD // DEUTSCH 1011-310-0205 | 2 | |
| 22 | 504346 | . SNAP-IN PLUG / .500 O.D. | 2 | |
| NS | 680111 | . GREASE PROTECTIVE / NYK77 (8 oz) | AR | |
| NS | 680025 | . CAULKING STRIP 3/16" O.D. X 14' | AR | |
| NS | 680066 | . ADHESIVE / ADBOND #5014 / 23.6ML BOTTLE | AR | |
| 26 | 5001419 | . SNAP-IN PLUG / .375 O.D. | 1 | |
| 30 | 500623 | SCREW TC PAN PH #10-24x3/4 N500 | 6 | |
| 31 | 500804 | WASHER FL .203x.500x.047 N500 | 6 | |
| 50 | Call order desk | HORN ASSY W/BOX | 1 | P O |
| 51 | 140110 | . BOX, COVER / ELECTRICAL & AIR / W/MUX | 1 | O |
| 52 | 142903 | . PLATE, HORN CASING | 1 | O |
| 53 | 560624 | . HORN, ELECTRIC / LOW 405HZ / 12V "FIAM" SERVICE | 1 | O |
| NS | 5001835 | . NUT HEXF M6-1.0 SS | 1 | O |
| 54 | 560625 | . HORN, ELECTRIC / HIGH 485HZ / 12V "FIAM" SERVICE | 1 | O |
| NS | 5001835 | . NUT HEXF M6-1.0 SS | 1 | O |
| 55 | 640093 | . HORN AIR | 1 | O |
| 56 | 640996 | . MALE ELBOW 90° / NTA FITTING / #4x1/8NPT-M BR | 1 | O |
| 57 | 504598 | . GROMMET / 1.187x.937x.125x.437 | 1 | O |
| 59 | 506007 | . TAPE RUB ADH1 CC NEO 3/4" x 1" x 10' / BLACK 1220 | AR | O |
| 60 | 500805 | . WASHER FL .218x.875x.062 N500 | 7 | O |
| 61 | 502868 | . SCREW TC TR PH #10-16x1/2 N500 To H-3718 | 7 | O |
| 61 | 500283 | . SCREW TC TR PH #10-24x3/4 SS From H-3719 | AR | O |
| 62 | 684685 | . ADHESIVE SIMSON #ISR 70-03 / 310ml CARTRIDGE | AR | O |
| 63 | 5001835 | . NUT HEXF M6-1.0 SS | 2 | O |
| 64 | 500913 | . WASHER FL .281x1.250x.065 N500 | 2 | O |
| 65 | 500489 | . WASHER LO INT .894x1.410x.060 Z050 | 2 | O |
| 67 | 066540 | . HARNESS / HORN & CONNECTOR | 1 | O |
| NS | 685373 | . GREASE "NYOGEL" ELECTRICAL / 760G 100GR | AR | O |
| 68 | 504568 | . GROMMET / .437x.687x.250x.500x1.000 | 1 | O |
| 69 | 503402 | . TUBE, NYLON 1/4 O.D. / BLACK S.L. | AR | O |

| | | | |
|-----------------------|--|--------------|------------------|
| From K-0295 To P-1347 | | Date:07/2024 | PAGE:VIP-2310-01 |
|-----------------------|--|--------------|------------------|

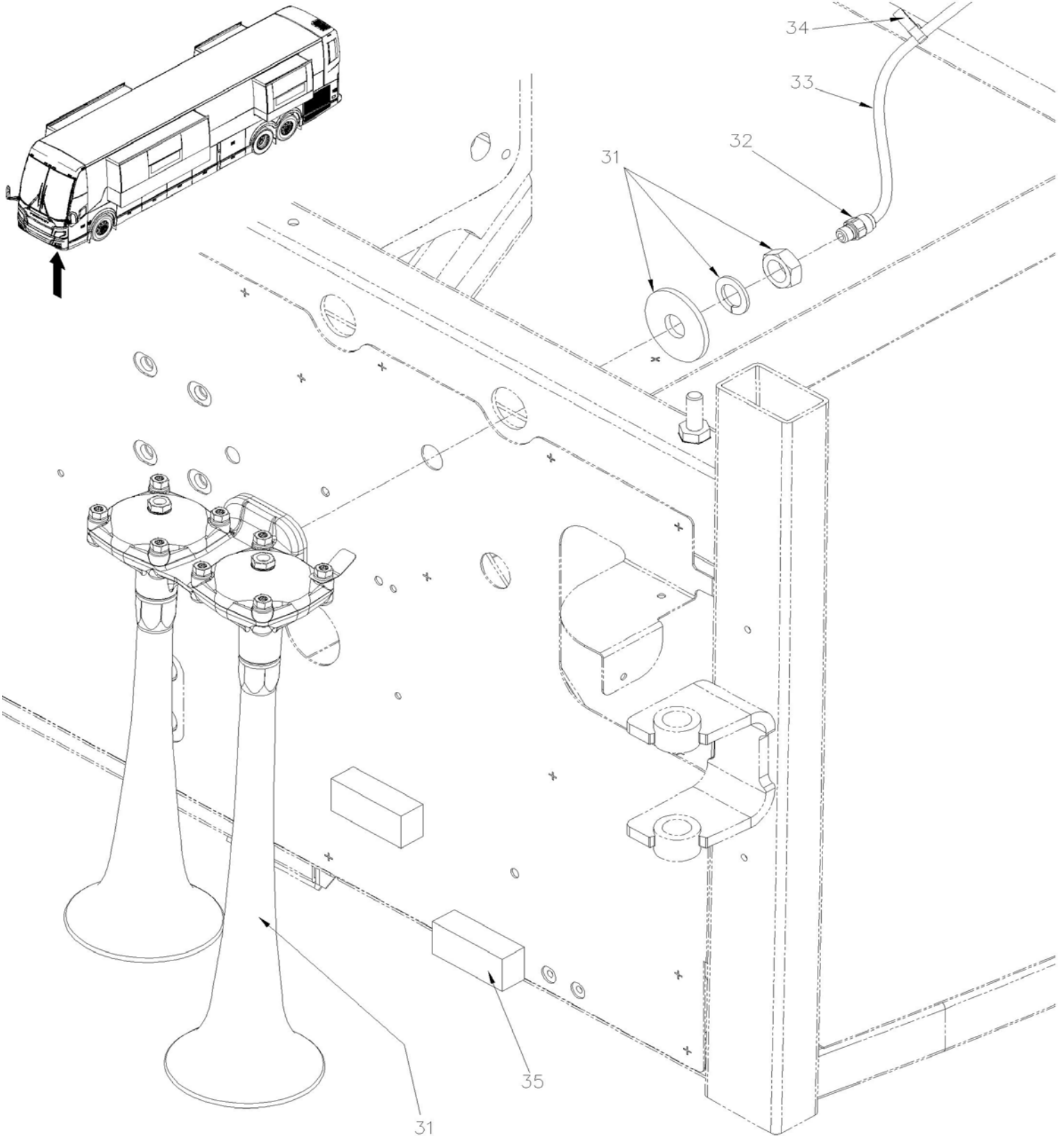
HORN - INSTALLATION

| Item# | Part | Description | QTY | Notes |
|-------|--------|--|-----|-------|
| NS | 564204 | CABLE TIE / WITH EDGE CLIP / T50REC4A 10MMx200MM | 1 | |
| 71 | 502868 | SCREW TC TR PH #10-16x1/2 N500 | 4 | O |
| 72 | 500421 | SCREW TC PAN PH #10-32x1 1/2 N500 | 2 | O |
| 73 | 500805 | WASHER FL .218x.875x.062 N500 | 6 | O |
| 74 | 680532 | SEALANT SIKA #221 / GREY / 310ml CARTRIDGE | AR | O |
| NS | 561740 | DIODE / 3AMPS | 1 | O |
| | | | | |
| | | | | |
| | | O) OPTION | | |
| | | P) CALL ORDER DESK FOR SPECIFIC APPLICATION (V.I.N.) | | |

| | | |
|---------------------|--------------|------------------|
| | Date:07/2024 | PAGE:VIP-2310-02 |
| HORN - INSTALLATION | | |



| | | |
|---------------------|--------------|------------------|
| | Date:07/2024 | PAGE:VIP-2310-02 |
| HORN - INSTALLATION | | |



Date:07/2024

PAGE:VIP-2310-02

HORN - INSTALLATION

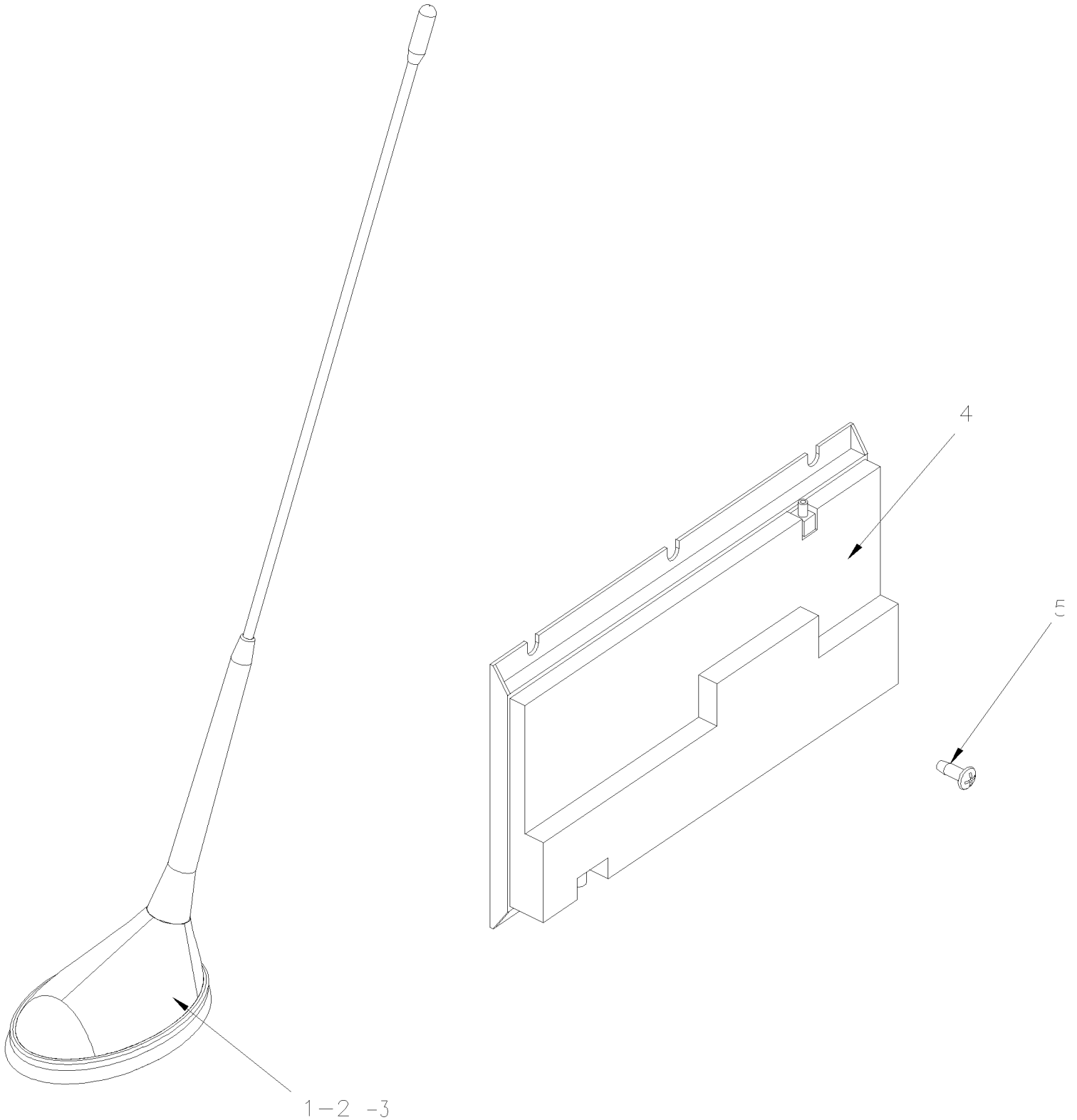
| Item# | Part | Description | QTY | Notes |
|-------|-----------------|--|-----|-------|
| | Call order desk | HORN BOX ASSY | 1 | P |
| 1 | 140131 | . HORN BOX | 1 | |
| 2 | 140133 | . GASKET, HORN BOX | 1 | |
| 3 | 560624 | . HORN, ELECTRIC / LOW 405HZ / 12V "FIAM" SERVICE | 1 | |
| 4 | 560625 | . HORN, ELECTRIC / HIGH 485HZ / 12V "FIAM" SERVICE | 1 | |
| 5 | 5001835 | . NUT HEXF M6-1.0 SS | 2 | |
| 6 | 140267 | . HORN SUPPORT PLATE | 2 | |
| 7 | 504379 | . RIVET POP DOME OE 3/16x1/4 SS | 4 | |
| 8 | 5001137 | . WASHER FL .203x.438x.050 SS | 4 | |
| 9 | 0600109 | . ELECTRIC HORN HARNESS | 1 | |
| 10 | 504567 | . . GROMMET / .687x1.000x.250x.562x1.312 | 1 | |
| 11 | 611197 | . PLUG VENT / BLACK / USE W/PLASTIC HUB CAP " | 1 | |
| 12 | 504528 | . HOLE PLUG BUTTON / .437 O.D. BLACK | 2 | |
| 13 | 5001419 | . SNAP-IN PLUG / .375 O.D. | 2 | |
| 14 | 509815 | . TIE MOUNT / ATTACHMENT W/TREE MOUNT | 1 | |
| 14 | 504637 | . CABLE TIE / 3/16" x 13" | 1 | |
| NS | 680111 | . GREASE PROTECTIVE / NYK77 (8 oz) | AR | |
| | | | | |
| 21 | 500623 | SCREW TC PAN PH #10-24x3/4 N500 | 8 | |
| 22 | 5001137 | WASHER FL .203x.438x.050 SS | 8 | |
| 23 | 504453 | GROMMET / 1.500x1.750x.250x.625x2.125 | 1 | |
| 24 | 509815 | TIE MOUNT / ATTACHMENT W/TREE MOUNT | 2 | |
| 24 | 504637 | CABLE TIE / 3/16" x 13" | 1 | |
| | | | | |
| 31 | 640093 | HORN AIR | 1 | |
| 32 | 641242 | MALE CONNECTOR / PUSH-IN FITTING / #4x1/8NPT-M BR | 1 | |
| 33 | 503402 | TUBE, NYLON 1/4 O.D. / BLACK S.L. | AR | |
| 34 | 504637 | CABLE TIE / 3/16" x 13" | AR | |
| 35 | 506007 | TAPE RUB ADH1 CC NEO 3/4" x 1" x 10' / BLACK 1220 | AR | |
| | | | | |
| | | | | |
| | | P) CALL ORDER DESK FOR SPECIFIC APPLICATION (V.I.N.) | | |

From K-0295

Date:07/2024

PAGE:VIP-2319-01

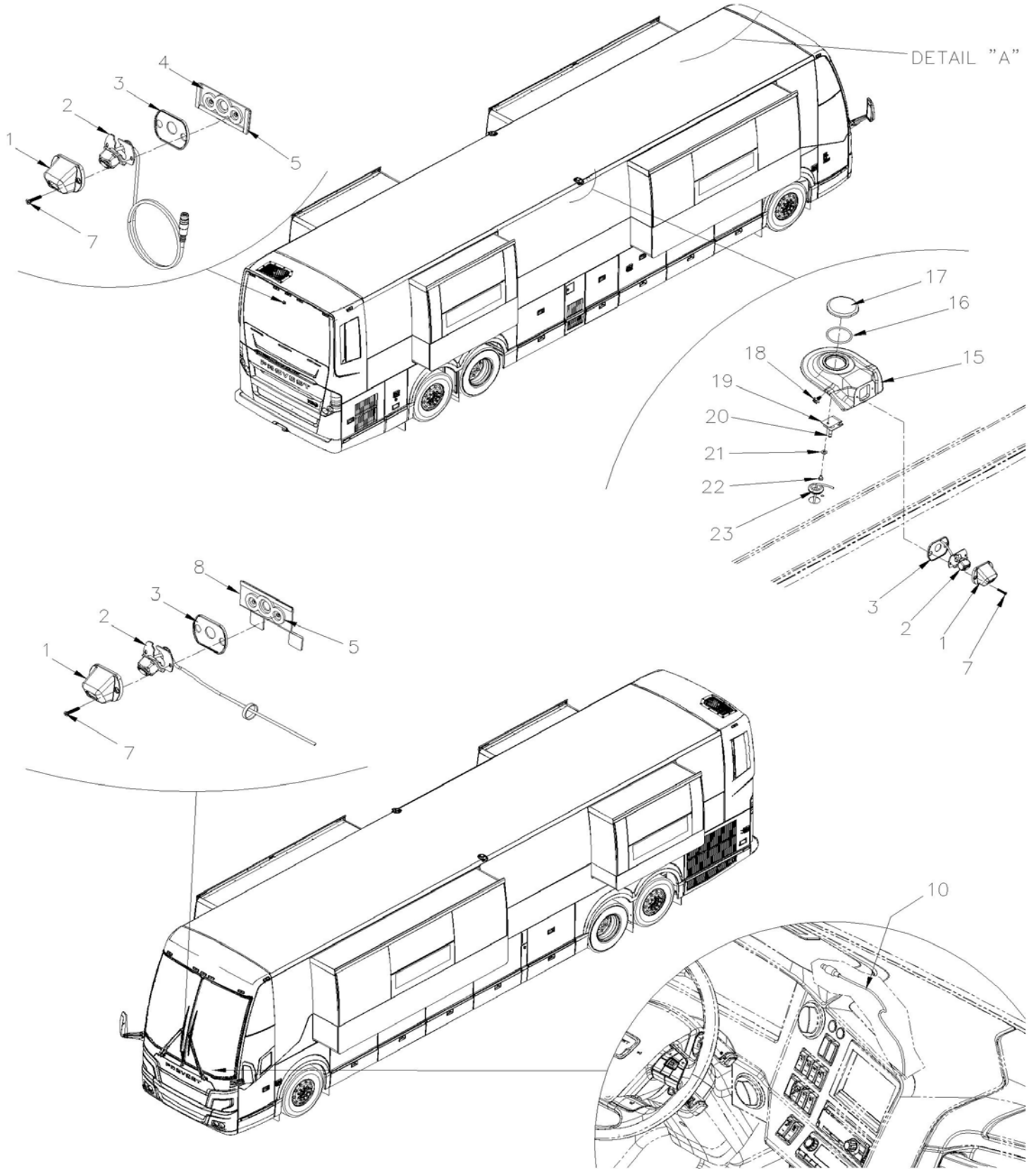
VOLVO LINK ANTENNA - INSTALLATION



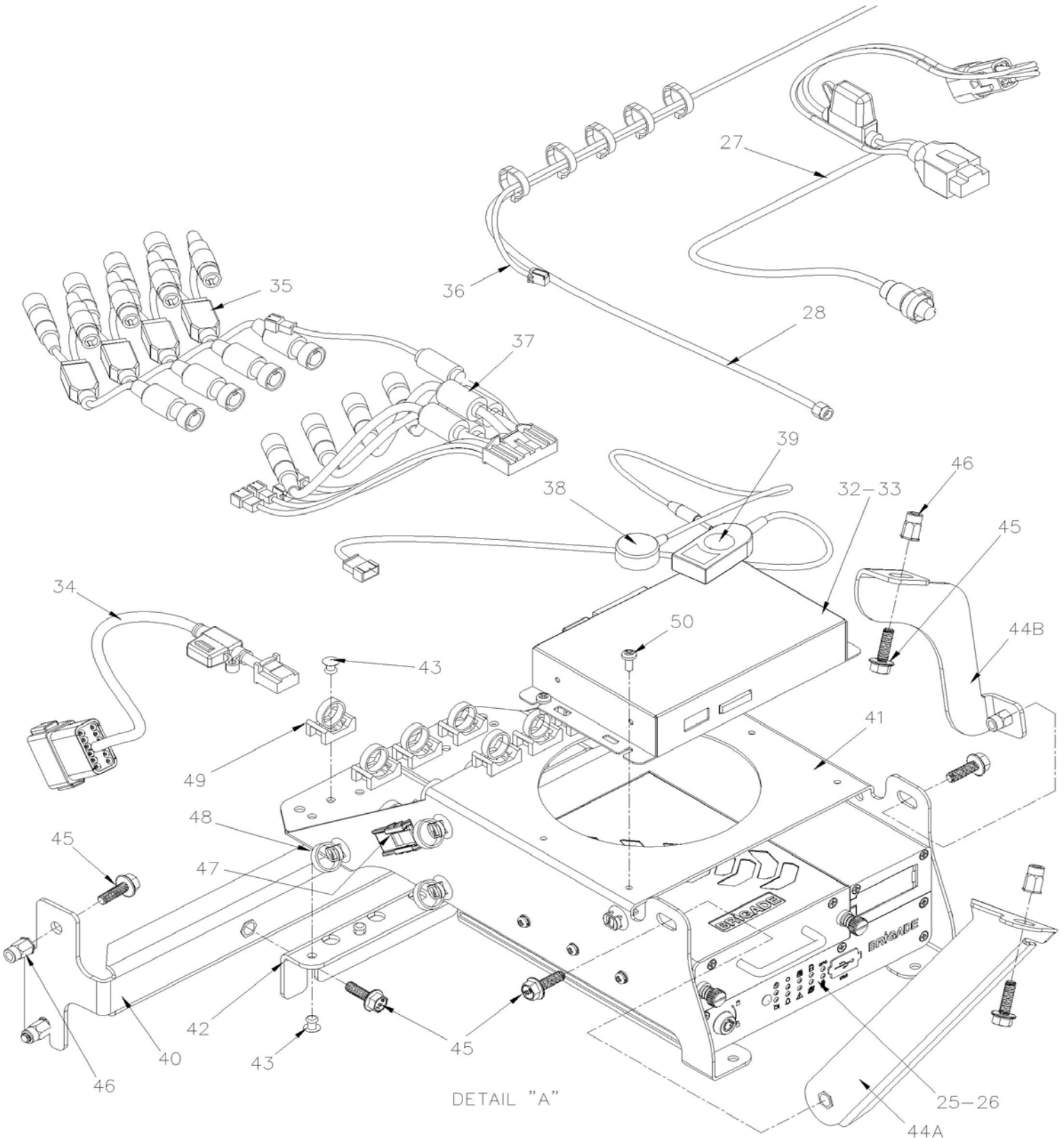
| | | |
|--|--------------|------------------|
| From K-0295 | Date:07/2024 | PAGE:VIP-2319-01 |
| VOLVO LINK ANTENNA - INSTALLATION | | |

| Item# | Part | Description | QTY | Notes |
|-------|----------|--|-----|-------|
| 1 | 21705662 | ANTENNA (VOLVO LINK) To K-0520 | 1 | |
| 1 | 22472979 | ANTENNA (VOLVO LINK) From K-0521 | 1 | |
| 1 | 880050 | WASHER FL 19X24.4X3.2 RUB | 1 | |
| 2 | 903230 | NUT RETAINER ANTENNA | 1 | |
| 3 | 21385255 | CABLE ANTENNA (RF-in VOLVO LINK) To K-0520 | 1 | |
| 3 | 560762 | CABLE, 4G TGW ANTENNA (ANTENNA TO JUNCT) From K-0521 To M-1110 | 1 | |
| 3 | 563913 | CABLE, 4G TGW ANTENNA (ANTENNA TO JUNCT) From M-1111 | 1 | |
| 3 | 560764 | CABLE, 4G TGW ANTENNA (JUNCT TO TGW ECU) From K-0521 To M-1110 | 1 | |
| 3 | 563914 | CABLE, 4G TGW ANTENNA (JUNCT TO TGW ECU) From M-1111 | 1 | |
| NS | 684517 | ADHESIVE SIMSON #ISR 70-03 / GREY / 310ml CARTRIDGE To L-0879 | AR | |
| 3 | 684685 | ADHESIVE SIMSON #ISR 70-03 / 310ml CARTRIDGE From L-0880 | AR | |
| 4 | 22861158 | ECU VOLVO LINK MODULE To L-0766 | 1 | |
| 4 | 23359380 | ECU VOLVO LINK MODULE From L-0767 To L-1000 | 1 | |
| 4 | 23593814 | ECU VOLVO LINK MODULE From L-1001 To R-1621 | 1 | |
| 4 | 23163299 | ECU VOLVO LINK MODULE From R-1622 | 1 | |
| NS | 22990242 | SIM CARD VOLVO LINK MODULE FOR SERVICE To R-1621 | 1 | |
| NS | 23004613 | SIM CARD VOLVO LINK MODULE From R-1622 | 1 | |
| 5 | 502568 | SCREW MA PAN PH M6-1.0x20 EMN | 2 | |
| NS | 562679 | 4 WAY ADH. BACKED MOUNTS 1.000 x 1.000 x .160 | AR | |
| NS | 504637 | CABLE TIE / 3/16" x 13" | AR | |
| NS | 504671 | GROMMET / .687x1.000x.125x.437x1.312 | 1 | |
| NS | 507664 | CABLE TIE / 3/16" 11" / DOUBLE LOOP HEAD | AR | |

| | | |
|--|--------------|------------------|
| | Date:07/2024 | PAGE:VIP-2319-80 |
| SURROUNDING CAMERA SYSTEM INSTALLATION "BRIGADE" | | |



| | | |
|--|--------------|------------------|
| | Date:07/2024 | PAGE:VIP-2319-80 |
| SURROUNDING CAMERA SYSTEM INSTALLATION "BRIGADE" | | |



SURROUNDING CAMERA SYSTEM INSTALLATION "BRIGADE"

| Item# | Part | Description | QTY | Notes |
|-------|---------|--|-----|-------|
| 1 | 990001 | HOUSING, SURROUNDING CAMERA "BRIGADE" To R-1676 | 4 | |
| 1 | 901919 | CAMERA 360 HOUSING BLACK HD "BRIGADE" From R-1677 | 1 | |
| 2 | 990565 | SURROUNDING CAMERA "BRIGADE" To R-1676 | 4 | |
| 2 | 901913 | SURROUNDING CAMERA "BRIGADE", HD From R-1677 | 1 | |
| 3 | 990575 | GASKET, BLK SURROUNDING CAMERA "BRIGADE" | 4 | |
| NS | 684685 | ADHESIVE SIMSON #ISR 70-03 / 310ml CARTRIDGE | AR | |
| 4 | 471605 | PLATE, ANCHOR M4 To R-1676 | 1 | |
| 4 | 4705234 | PLATE, ANCHOR M4 HD From R-1677 | 1 | |
| 5 | 506769 | TAPE RUB ADH2 CC POL 1/8" x 1/4" x 60' / BLACK H1CC-N#14 | AR | |
| 7 | 505011 | SCREW MA FL PH M4-0.7X25 SS NSS | AR | |
| 8 | 479791 | PLATE, ANCHOR To R-1676 | 1 | |
| 8 | 506225 | TAPE RUB ADH1 CC POL 1/16" x 1/4" x 100' / GREY 2520 | AR | |
| 8 | 4705235 | PLATE, ANCHOR M4, HD From R-1677 | 1 | |
| 10 | 0610604 | HARNESS, BRIGADE TO INFOTAINMENT | 1 | |
| NS | 901711 | HARNESS / CAMERA "BRIGADE" 5M To R-1676 | 2 | |
| NS | 901923 | HARNESS / CAMERA "BRIGADE" HD, 5M From R-1677 | 2 | |
| NS | 901712 | HARNESS / CAMERA "BRIGADE" 10M To R-1676 | 1 | |
| NS | 901924 | HARNESS / CAMERA "BRIGADE" HD, 10M From R-1677 | 1 | |
| NS | 901713 | HARNESS / CAMERA "BRIGADE" 15M To R-1676 | 2 | |
| NS | 901925 | HARNESS / CAMERA "BRIGADE" HD, 15M From R-1677 | 2 | |
| NS | 504637 | CABLE TIE / 3/16" x 13" | 3 | |
| NS | 562679 | 4 WAY ADH. BACKED MOUNTS 1.000 x 1.000 x .160 | 1 | |
| NS | 509815 | TIE MOUNT / ATTACHMENT W/TREE MOUNT | 2 | |
| 15 | 491847 | SUPPORT, SURROUNDING CAMERA To R-1676 | 2 | |
| 15 | 492179 | SUPPORT, SURROUNDING CAMERA HD From R-1677 | 2 | |
| NS | 684685 | ADHESIVE SIMSON #ISR 70-03 / 310ml CARTRIDGE | AR | |
| NS | 685387 | GLUE MS POLYMER TEROSON MS 9399 / 400ml CARTRIDGE | AR | |
| NS | 506785 | TAPE RUB ADH2 CC POL 1/16" X 1/4" X 200' / BLACK I1C-N-A | AR | |
| 16 | 507022 | O-RING 1.984 ID x 2.262 OD x 0.139 W | 2 | |
| 17 | 491549 | PLUG, SUPPORT ACCESS " BRIGADE" | 2 | |
| 18 | 509815 | TIE MOUNT / ATTACHMENT W/TREE MOUNT | 2 | |
| 18 | 504273 | CABLE TIE / 1/8" X 3"1/2 | 2 | |
| 19 | 491848 | RETAINING STRAP | 2 | |
| 19 | 682177 | LIGHT PROTECTOR | AR | |
| 20 | 504787 | RIVET CHY MONOLOK PRDG 1/4x5/8 ZP | 2 | |
| 21 | 502573 | WASHER FL 6.4x12.5x1.6 SS | 2 | |
| 22 | 5001377 | SCREW MA PAN PH M5-0.8x8 SS | 2 | |
| 23 | 504066 | GROMMET / .687x1.000x.062x.375x1.312 | 2 | |
| NS | 0600157 | HARNESS BRIGADE SURROUNDING CAMERA | 1 | |
| 25 | 901730 | KIT MOBILE DIGIT.RECORDER ACC., "BRIGADE" | 1 | |
| 26 | 901704 | . MOBILE DIGITAL RECORDER 500 SERIES 8 CH. | 1 | |
| . NS | 901824 | .. SECURITY KEY | 1 | |

SURROUNDING CAMERA SYSTEM INSTALLATION "BRIGADE"

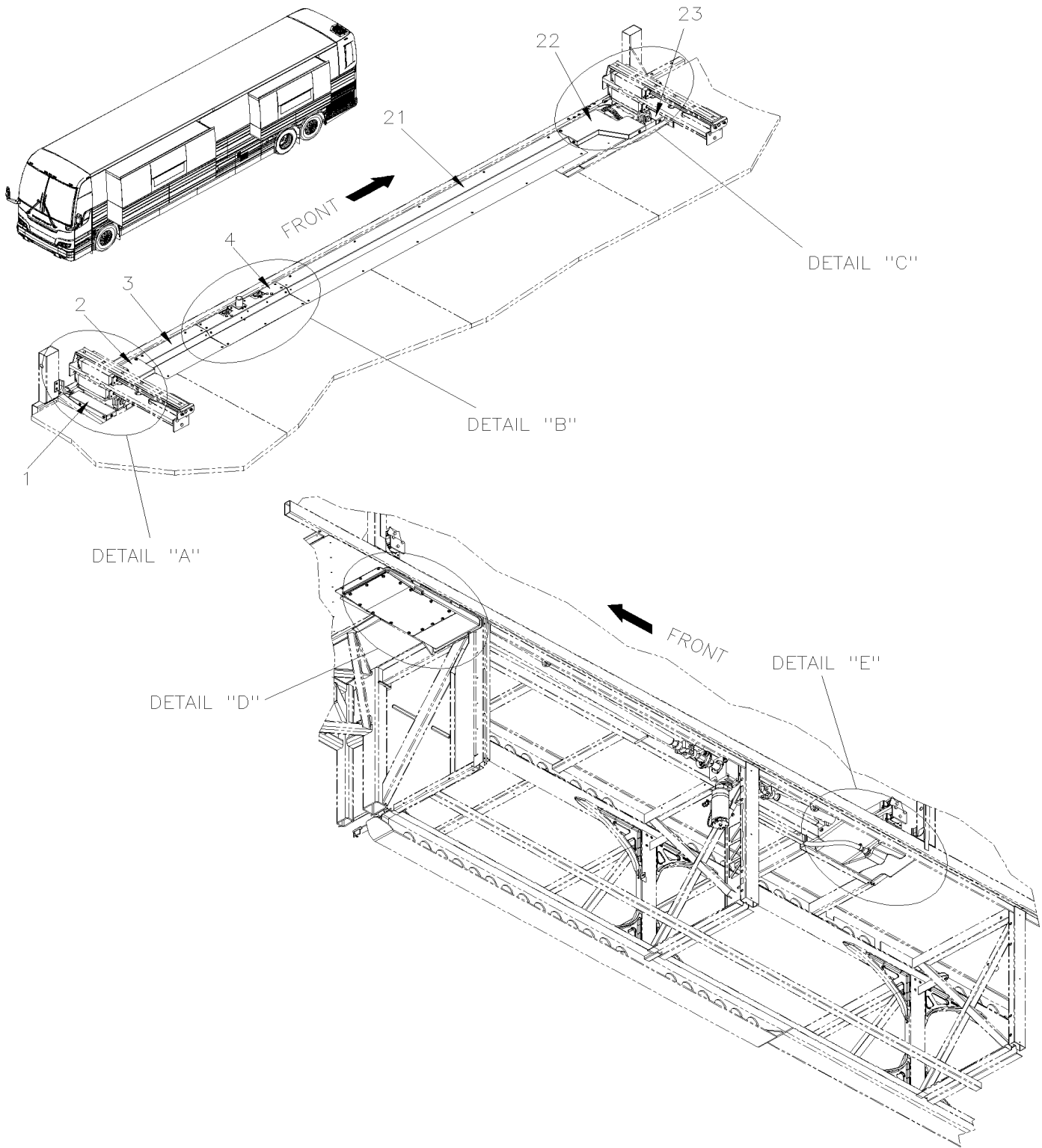
| Item# | Part | Description | QTY | Notes |
|-------|---------|---|-----|-------|
| . NS | 902025 | . . MDR-500 CADDY UNIT, 2TB SSD (GEN 2) | 1 | |
| 27 | 901703 | . WIR. HARN. ASSY PWR & VIDEO MDR "BRIGADE" | 1 | |
| 28 | 901709 | . ANTENNA GPS FOR MDR "BRIGADE" | 1 | |
| 32 | 901733 | KIT PERIF. CAMERAS SYSTEM W/ACCESSORIES To R-1676 | 1 | |
| NS | 901715 | . CABLE VBV-L ECU TO MONITOR 5M, BRIGADE To R-1676 | 1 | |
| NS | 901738 | . REMOTE CONTROL FOR CAMERAS SYSTEM To R-1676 | 1 | |
| 32 | 901933 | KIT PERIF. CAMERAS SYSTEM HD W/ACCESSORIES From R-1677 | 1 | |
| NS | 901940 | . CABLE VBV-H405 ECU TO MONITOR 5M, BRIGADE From R-1677 | 1 | |
| NS | 901920 | . VIDEO OUTPUT INTERFACE HARNESS HD From R-1677 | 1 | |
| NS | 901916 | . INTERFACE HARNESS REMOTE ECU "BRIGADE" From R-1677 | 1 | |
| 33 | 901706 | . ELECTRONIC MODULE ECU PERIF.CAM. "BRIGADE" To R-1676 | 1 | |
| 33 | 900007 | ELECTRONIC MODULE ECU PERIF.CAM. "BRIGADE", HD From R-1677 | 1 | |
| 34 | 901705 | . WIR. HARN. ASSY. ECU 360 PWR "BRIGADE" To R-1676 | 1 | |
| 34 | 901915 | WIR. HARN. ASSY. ECU 360 PWR "BRIGADE", HD From R-1677 | 1 | |
| 35 | 901710 | . CABLE Y SPLITTER SURROUND. CAM, "BRIGADE" To R-1676 | 4 | |
| 35 | 901926 | CABLE Y SPLITTER HD CAM "BRIGADE" From R-1677 | 4 | |
| 36 | 901714 | . CABLE VIDEO VBV-L ECU TO MONITOR, "BRIGADE" To R-1676 | 1 | |
| 36 | 901922 | CABLE VIDEO VBV-L ECU TO MONITOR, "BRIGADE", HD From R-1677 | 1 | |
| 37 | 901716 | . CABLE INTERFACE CAMERAS TO ECU, "BRIGADE" To R-1676 | 1 | |
| 37 | 901914 | CABLE INTERFACE CAMERAS TO ECU, "BRIGADE", HD From R-1677 | 1 | |
| 38 | 901717 | . CABLE FOR IR REMOTE SENSOR, "BRIGADE" To R-1676 | 1 | |
| 39 | 901718 | . BUTTON SELECT/ADJUST. W/WIRE, "BRIGADE" To R-1676 | 1 | |
| 39 | 901921 | BUTTON SELECT/ADJUST. W/WIRE, "BRIGADE", HD From R-1677 | 1 | |
| 40 | 406849 | FIXTURE,STAND MDR_ECU BRIGADE | 1 | |
| 41 | 406825 | STAND MDR_ECU BRIGADE To R-1676 | 1 | |
| 41 | 406929 | STAND MDR_ECU BRIGADE HD From R-1677 | 1 | |
| 42 | 406826 | FIXTURE,STAND MDR_ECU BRIGADE | 1 | |
| 43 | 504379 | RIVET POP DOME OE 3/16x1/4 SS | 16 | |
| 44A | 406850 | FIXTURE,STAND MDR_ECU BRIGADE | 1 | |
| 44B | 406851 | FIXTURE,STAND MDR_ECU BRIGADE | 1 | |
| 45 | 5002100 | SCREW CAP HEXF AD M6-1.0x20 G10.9 N500 | 9 | |
| 46 | 5001344 | NUT INS FL HEX M6-1.0 0.5-3.0 SS | AR | |
| 47 | 564108 | SELF MOUNTING STUD // DEUTSCH 1011-310-0205 | 2 | |
| 48 | 509815 | TIE MOUNT / ATTACHMENT W/TREE MOUNT | 6 | |
| 48 | 504637 | CABLE TIE / 3/16" x 13" | 6 | |
| 49 | 504013 | TIE MOUNT / 1/4" X 1/4" I.D. | 12 | |
| 49 | 504637 | CABLE TIE / 3/16" x 13" | 12 | |
| 50 | 500799 | SCREW TC PAN PH #8-32x3/8 N500 To R-1676 | 4 | |
| 50 | 500437 | WASHER FL .125x.375x.040 Z050 From R-1677 | 4 | |
| 50 | 502825 | SCREW MA PAN PH M3-0.5x16 N500 From R-1677 | 4 | |

From K-0295

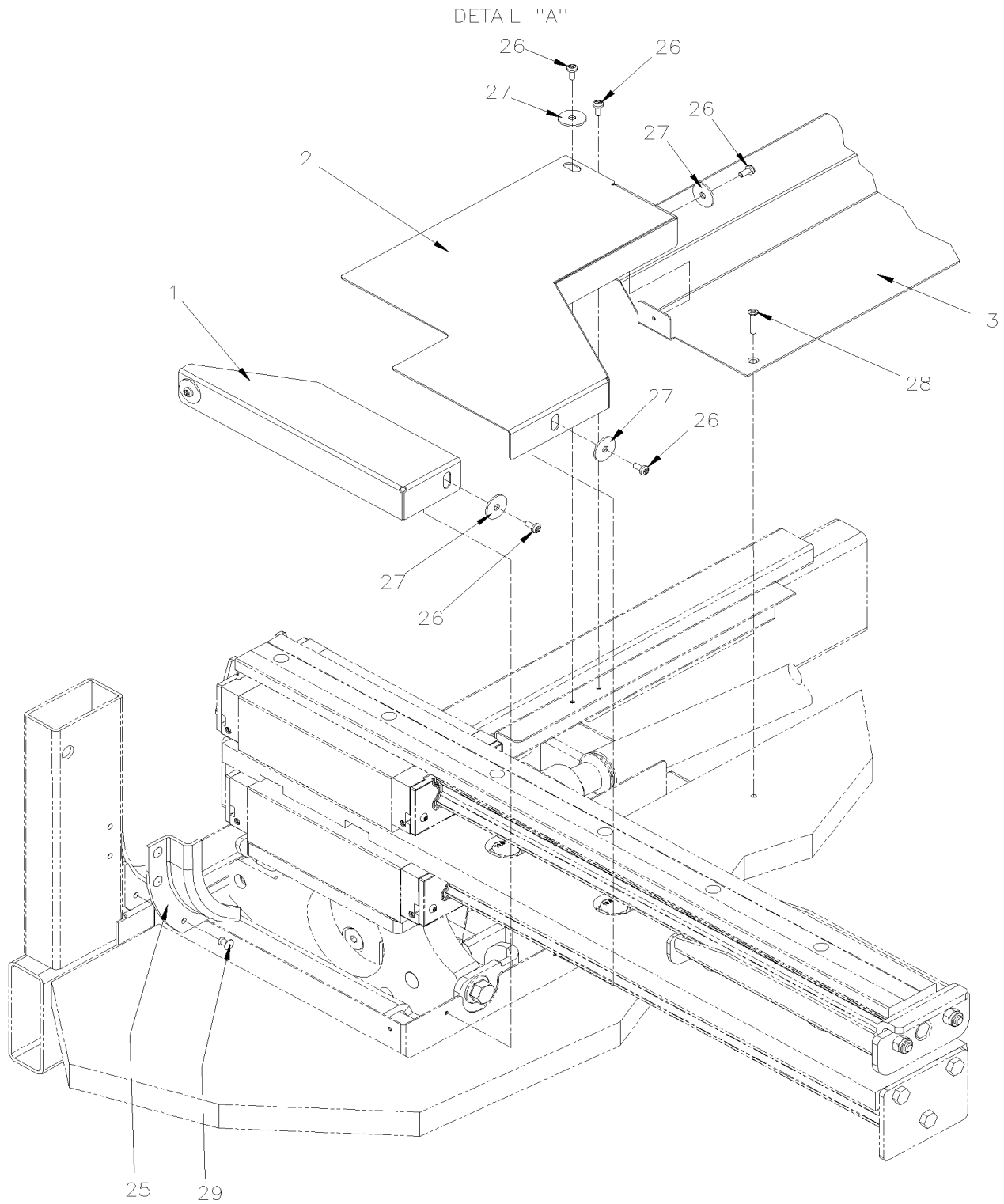
Date:07/2024

PAGE:VIP-2390-80

ACCESS PANELS - FRONT "SLIDE-OUT" - INSTALLATION / STREET SIDE



ACCESS PANELS - FRONT "SLIDE-OUT" - INSTALLATION / STREET SIDE

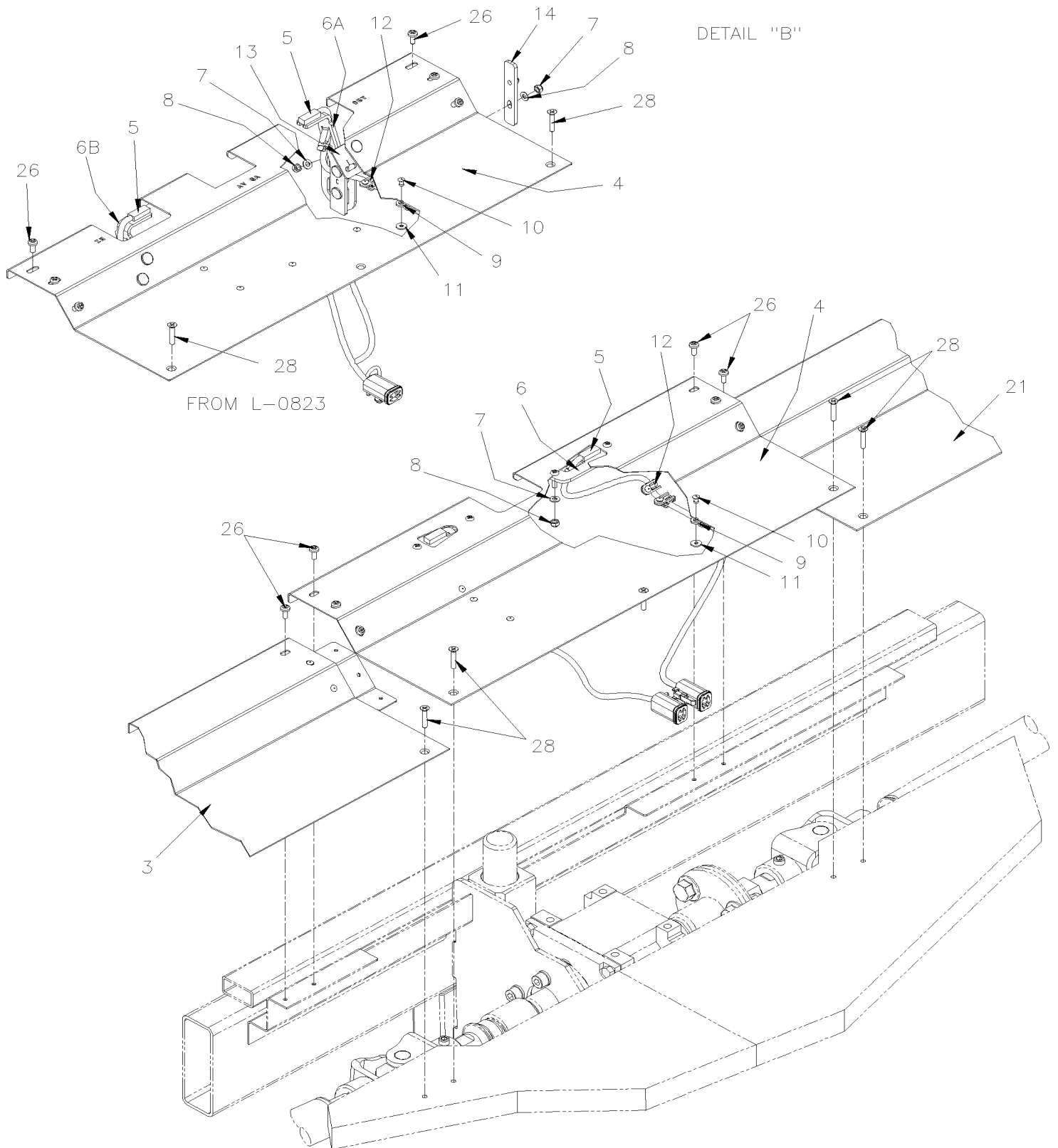


From K-0295

Date:07/2024

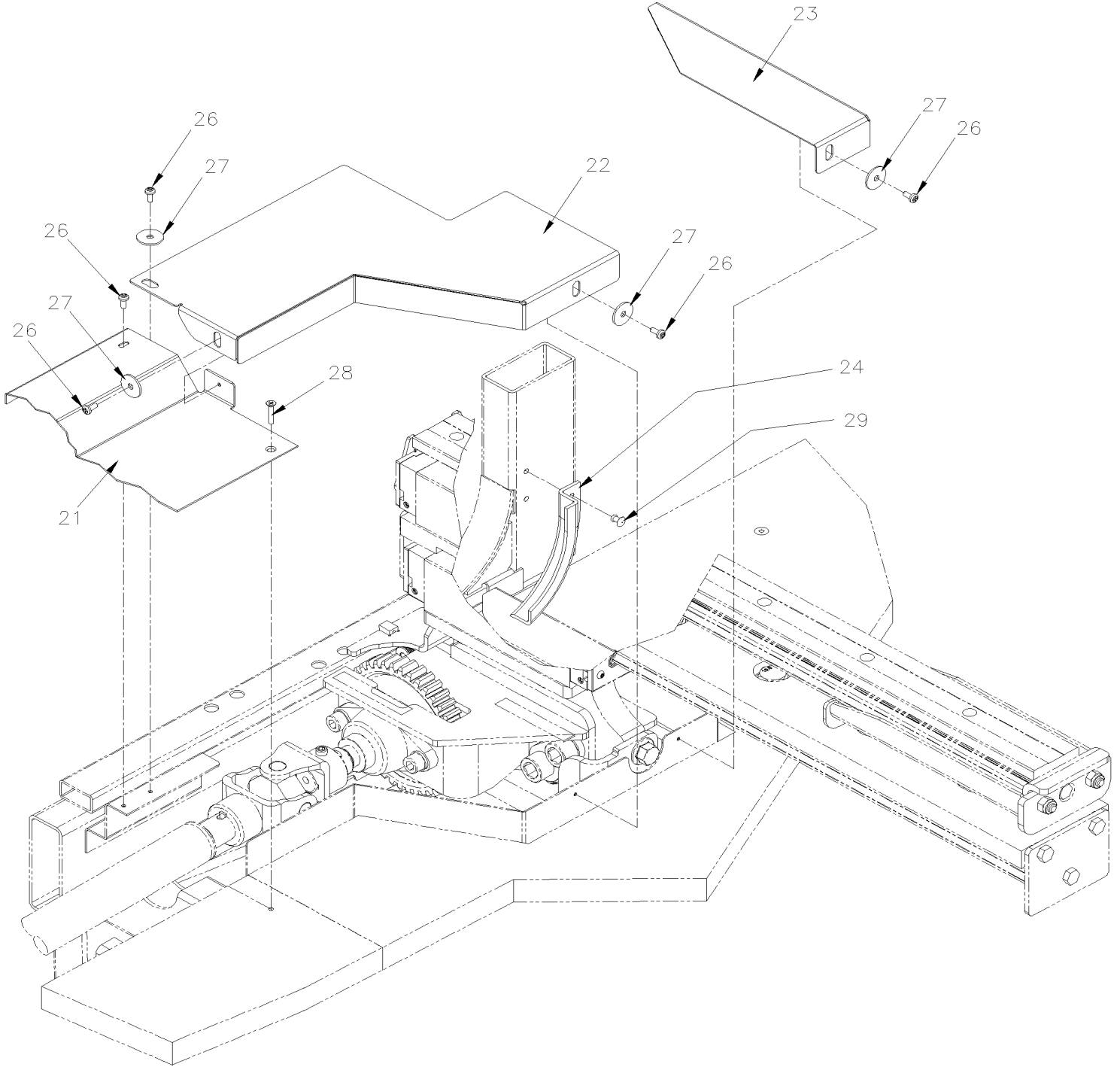
PAGE:VIP-2390-80

ACCESS PANELS - FRONT "SLIDE-OUT" - INSTALLATION / STREET SIDE



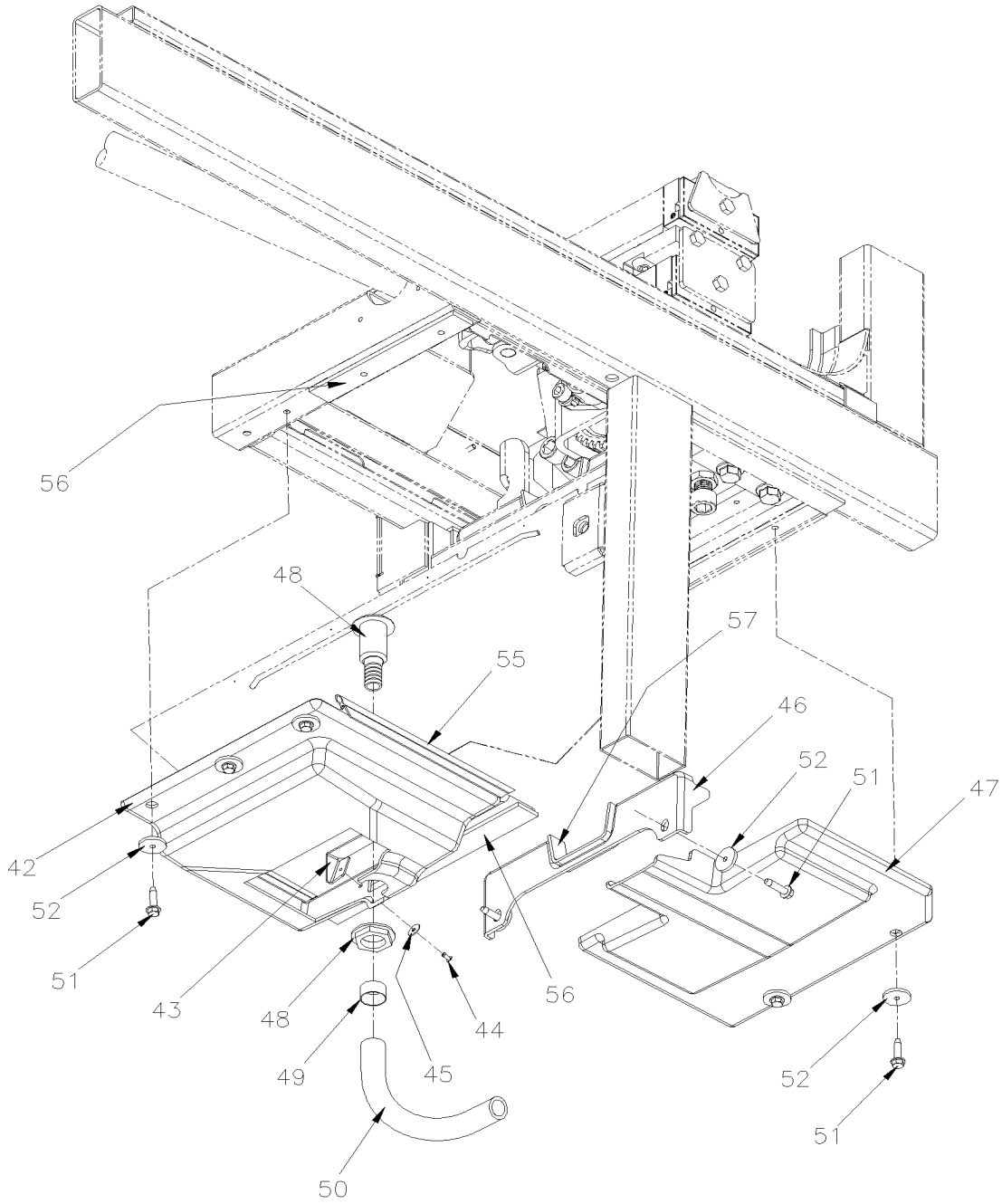
| | | |
|--|--------------|------------------|
| From K-0295 | Date:07/2024 | PAGE:VIP-2390-80 |
| ACCESS PANELS - FRONT "SLIDE-OUT" - INSTALLATION / STREET SIDE | | |

DETAIL "C"



ACCESS PANELS - FRONT "SLIDE-OUT" - INSTALLATION / STREET SIDE

DETAIL "E"



| | | | |
|-------------|--|--------------|------------------|
| From K-0295 | | Date:07/2024 | PAGE:VIP-2390-80 |
|-------------|--|--------------|------------------|

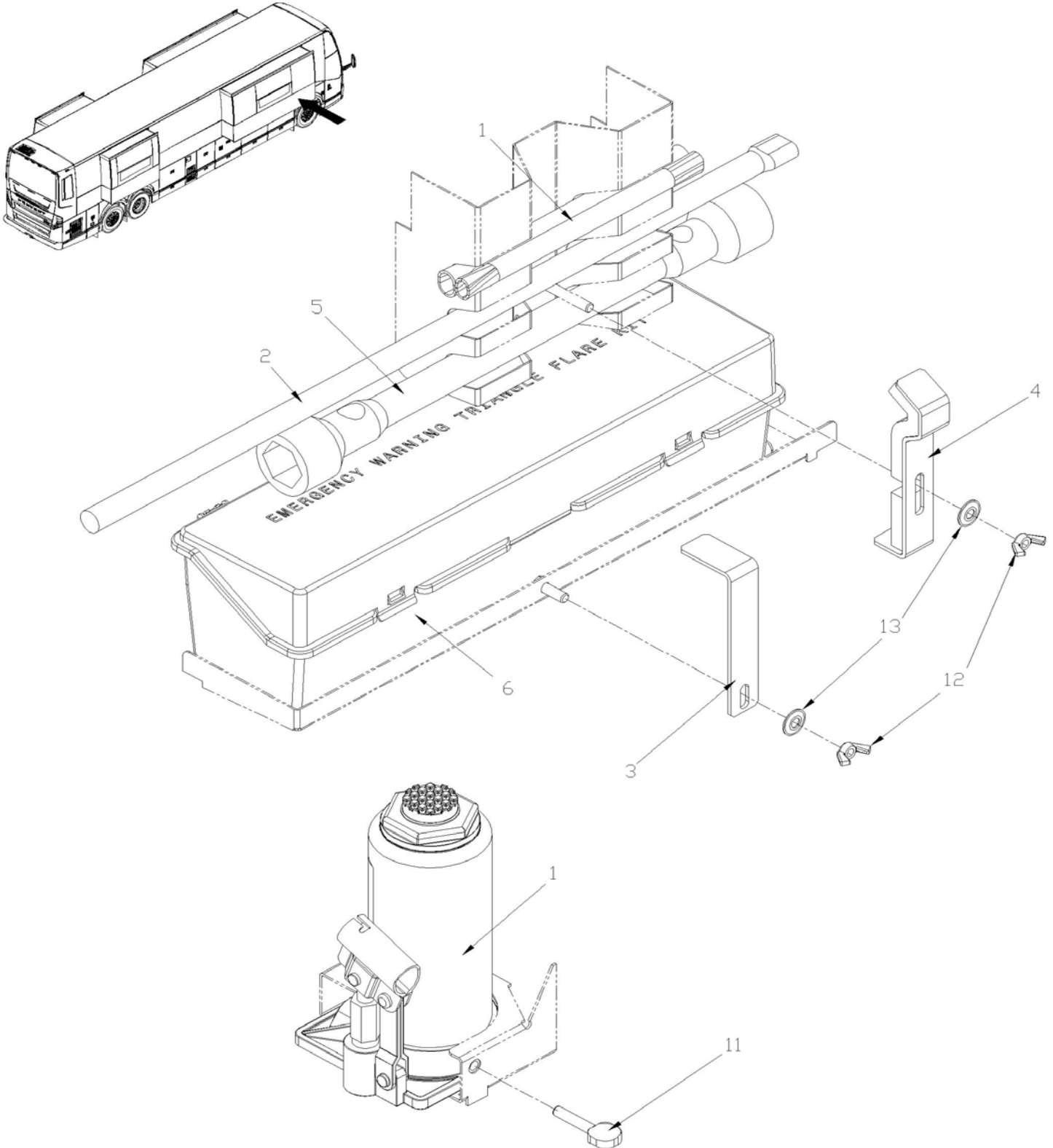
ACCESS PANELS - FRONT "SLIDE-OUT" - INSTALLATION / STREET SIDE

| Item# | Part | Description | QTY | Notes |
|-------|-----------------|--|-----|-------|
| 1 | 3210097 | PLATE PROTECTIVE SLIDE-OUT | 1 | |
| 2 | 3210096 | PLATE PROTECTIVE SLIDE-OUT To M-1135 | 1 | |
| 2 | 3211240 | PLATE PROTECTIVE SLIDE-OUT From M-1136 | 1 | |
| NS | 506236 | TAPE RUB ADH1 CC POL 1/16" x 1/2" x 100' / GREY 2520 | AR | |
| 3 | 3210095 | PLATE PROTECTIVE SLIDE-OUT To M-1135 | 1 | |
| 3 | 3211275 | PLATE PROTECTIVE SLIDE-OUT From M-1136 | 1 | |
| 4 | Call order desk | PLATE AND SENSOR ASSY To L-0822 | 1 | P |
| 4 | Call order desk | PLATE AND SENSOR ASSY From L-0823 | 1 | P |
| 4 | 3210043 | . PLATE PROTECTIVE SLIDE-OUT(WELDED) To L-0822 | 1 | |
| 4 | 3210830 | . PLATE PROTECTIVE SLIDE-OUT(WELDED) From L-0823 To M-1135 | 1 | |
| 4 | 3211246 | . PLATE PROTECTIVE SLIDE-OUT(WELDED) From M-1136 | 1 | |
| NS | 506236 | . TAPE RUB ADH1 CC POL 1/16" x 1/2" x 100' / GREY 2520 | AR | |
| 5 | 061503 | . LIMITING REED SWITCH ASSY W/LED S.P.D.T. / W/SLIDE OUT | 1 | |
| . NS | 563426 | . . HALL EFFECT SENSOR | 2 | |
| . NS | 563452 | . . LED GREEN / 5VOLTS | 2 | |
| . NS | 564108 | . . SELF MOUNTING STUD // DEUTSCH 1011-310-0205 | 1 | |
| 6 | 3210046 | . PLATE SENSOR SUPPORT To L-0822 | 2 | |
| 6 | 490003 | . PLATE SENSOR SUPPORT ASS. / SERVICE To L-0822 | 1 | |
| 6A | 3210823 | . PLATE SENSOR SUPPORT "C" From L-0823 | 1 | |
| 6B | 3210820 | . PLATE SENSOR SUPPORT "A" From L-0823 | 1 | |
| 7 | 502556 | . WASHER FL 4.3x9.0x0.8 SS | 4 | |
| 7 | 502556 | . WASHER FL 4.3x9.0x0.8 SS From L-0823 | 8 | |
| 8 | 500539 | . NUT HEX NYRT M4-0.7 N500 To L-0822 | 4 | |
| 8 | 500539 | . NUT HEX NYRT M4-0.7 N500 From L-0823 | 8 | |
| 9 | 504428 | . TIE MOUNT / 3/16" #10 SCREW / TA1S10-C | 6 | |
| 10 | 504340 | . RIVET POP DOME OE 1/8x3/16 SS To L-0822 | 6 | |
| 11 | 500437 | . WASHER FL .125x.375x.040 Z050 | 6 | |
| 12 | 504273 | . CABLE TIE / 1/8" X 3"1/2 | 8 | |
| 13 | 3210819 | . MAGNETIC SENSOR SUPPORT From L-0823 | 2 | |
| 14 | 273196 | . PLATE, CLAMPING From L-0823 | 2 | |
| 21 | 3210094 | PLATE PROTECTIVE SLIDE-OUT To M-1135 | 1 | |
| 21 | 3211274 | PLATE PROTECTIVE SLIDE-OUT From M-1136 | 1 | |
| 22 | 3210047 | PLATE PROTECTIVE SLIDE-OUT To M-1135 | 1 | |
| 22 | 3211237 | PLATE PROTECTIVE SLIDE-OUT From M-1136 | 1 | |
| NS | 506236 | TAPE RUB ADH1 CC POL 1/16" x 1/2" x 100' / GREY 2520 | AR | |
| 23 | 3210045 | PLATE PROTECTIVE SLIDE-OUT | 1 | |
| 24 | 477747 | GUTTER MOULDING FORWARD | 1 | |
| 25 | 477748 | GUTTER MOULDING BACKWARD | 1 | |
| 26 | 500799 | SCREW TC PAN PH #8-32x3/8 N500 | AR | |
| 26 | 502885 | SCREW TC FL PH #8-32x5/8 N500 From M-1136 | AR | |
| 27 | 500805 | WASHER FL .218x.875x.062 N500 | AR | |
| 28 | 5001349 | SCREW WO TR PH #8x7/8 | AR | |

| | | |
|---|---------------------|-------------------------|
| From K-0295 | Date:07/2024 | PAGE:VIP-2390-80 |
| ACCESS PANELS - FRONT "SLIDE-OUT" - INSTALLATION / STREET SIDE | | |

| Item# | Part | Description | QTY | Notes |
|--------------|-------------|---|------------|--------------|
| 29 | 504379 | RIVET POP DOME OE 3/16x1/4 SS | 6 | |
| NS | 680532 | SEALANT SIKA #221 / GREY / 310ml CARTRIDGE | AR | |
| 31 | 476554 | ACCESS PANEL SIDE / AUX A/C | 1 | |
| 32 | 478242 | SEAL 1250MM | 1 | |
| 32 | 680459 | ADHESIVE CYANOACRYLATE LOCTITE 404 Quick Set(TM) | AR | |
| 33 | 502868 | SCREW TC TR PH #10-16x1/2 N500 | 3 | |
| 34 | 500855 | WASHER FL .188x.438x.049 N500 | 3 | |
| | | | | |
| 41 | 491575 | DRAINING PAN | 1 | |
| 42 | 491566 | DRAINING PAN | 1 | |
| 43 | 491579 | DRIP | 1 | |
| 44 | 504105 | RIVET POP DOME OE 1/8x3/16 AL | 2 | |
| 45 | 5001750 | WASHER FL 4.3x14.0x1.0 N500 | 2 | |
| 46 | 491578 | BRACKET | 1 | |
| 47 | 491555 | PAN | 1 | |
| 48 | 900280 | THRU HULL, CONNECTOR / PLASTIC | 2 | |
| 49 | 504019 | HOSE CLAMP / 9/16"-1"1/16 SS / HS-10 | 2 | |
| 50 | 900220 | TUBE PVC / 5/8" I.D. / S.L. | AR | |
| NS | 684517 | ADHESIVE SIMSON #ISR 70-03 / GREY / 310ml CARTRIDGE | AR | |
| 51 | 500266 | SCREW TC CAP HEX 1/4-20x1 N500 | 10 | |
| 52 | 502820 | WASHER FL .187x1.000x.125 RUB BK | 12 | |
| 53 | 5002027 | SCREW CAP HEXF AD M6-1.0x16 G10.9 N500 To K-0554 | 3 | |
| 53 | 5001815 | SCREW CAP HEXF M6-1.0x30 G 8.8 N500 From K-0555 | 3 | |
| 54 | 5001344 | NUT INS FL HEX M6-1.0 0.5-3.0 SS | 3 | |
| 55 | 506302 | RUBBER EXTRUSION TRIM SEAL / GRIP .024 / 7/16" HOLLOW BULB C.T.L. | AR | |
| 56 | 506004 | TAPE RUB ADH1 CC POL 3/8" x 1/2" x 20' / GREY 2520X | AR | |
| NS | 506282 | TAPE RUB ADH1 CC POL 3/8" x 1" x 20' / GREY 2520 | AR | |
| 57 | 506001 | TAPE RUB ADH1 CC POL 1/8" x 3/4" x 50' / GREY 2520X | AR | |
| | | | | |
| | | | | |
| | | | | |
| | | P) CALL ORDER DESK FOR SPECIFIC APPLICATION (V.I.N.) | | |

JACK & FLARE KIT - INSTALLATION

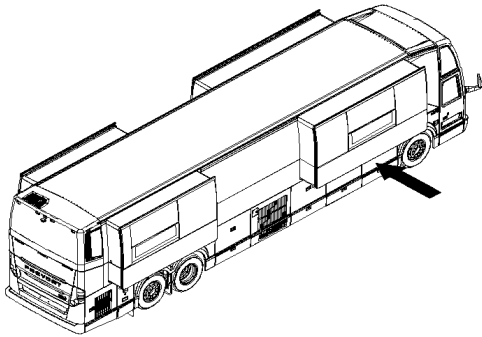


From K-0295

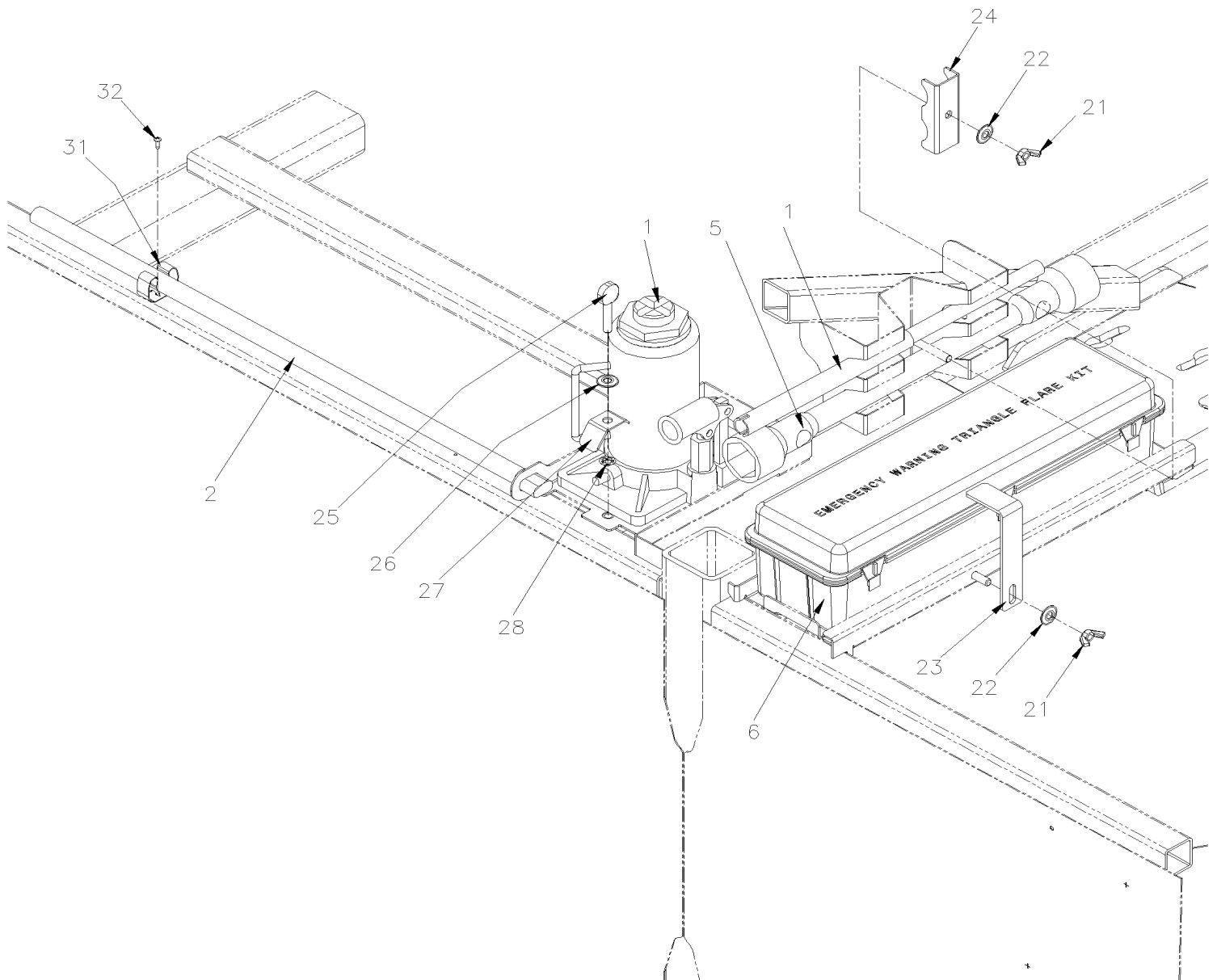
Date:07/2024

PAGE:VIP-2320-00

JACK & FLARE KIT - INSTALLATION



FROM H-3645



| | | | |
|--|--|---------------------|-------------------------|
| From K-0295 | | Date:07/2024 | PAGE:VIP-2320-00 |
| JACK & FLARE KIT - INSTALLATION | | | |

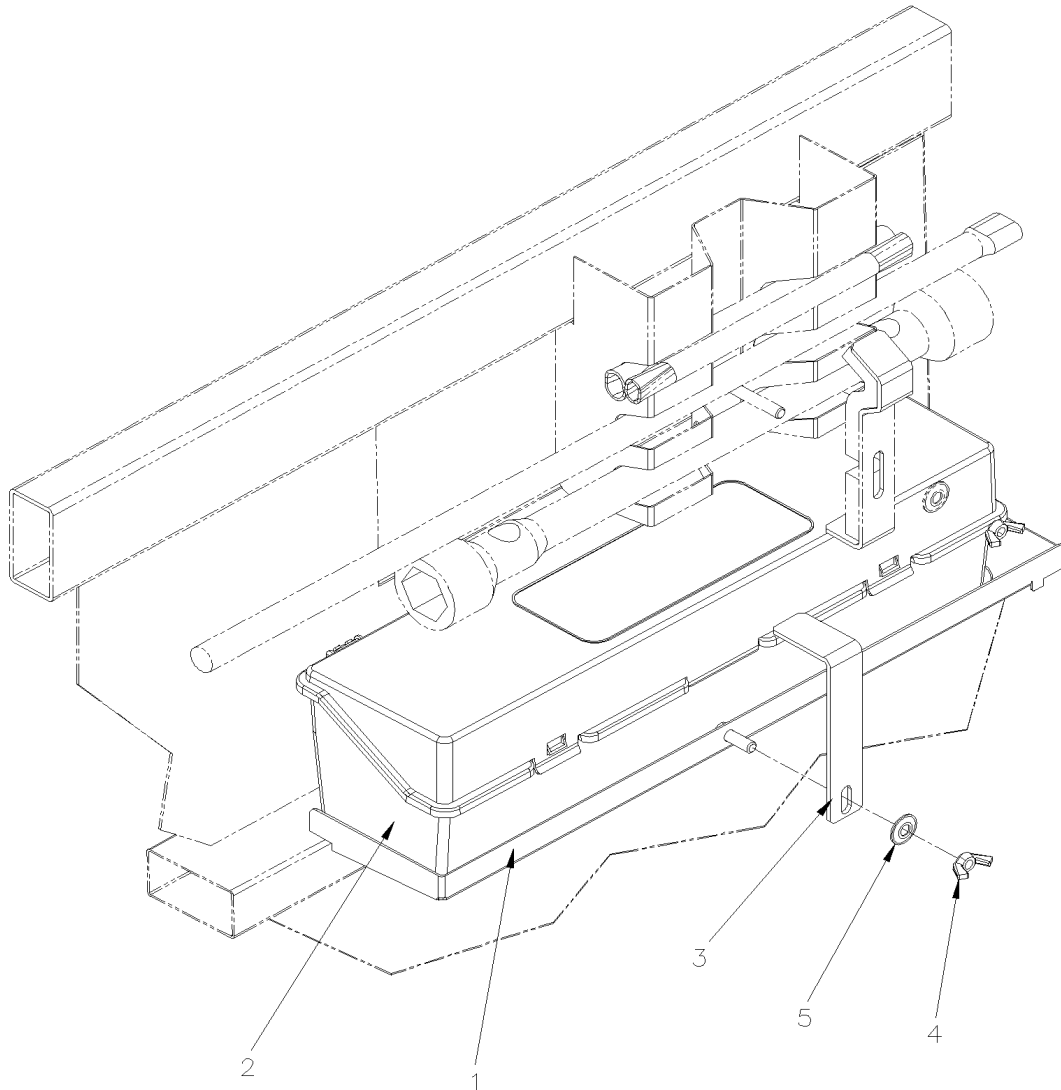
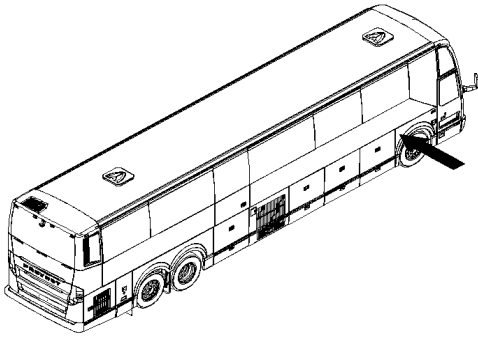
| Item# | Part | Description | QTY | Notes |
|-------|----------------|---|-----|-------|
| 1 | 505505 | JACK, 12TONS To L-0978 | 1 | |
| 1 | 690426 | JACK, 12TONS From L-0979 | 1 | |
| 2 | 690002 | HANDLE, W/WRENCH WHEEL NUT | 1 | |
| 3 | 3211621 | ANGLE FIXING, EMERGENCY TRIANGLE KIT From M-1163 | 1 | |
| 4 | 3200921 | ANGULAR BRACKET / FIX JACK & TOOL To L-0978 | 1 | |
| 4 | 3210948 | ANGULAR BRACKET / FIX JACK & TOOL From L-0979 To M-1162 | 1 | |
| 4 | 3211619 | ANGULAR BRACKET / FIX JACK & TOOL From M-1163 | 1 | |
| 5 | 690005 | WRENCH, WHEEL 33 MM | 1 | |
| 6 | 930442 | FLARE KIT, TRIANGULAR To M-1162 | 1 | |
| 6 | 930045 | FLARE KIT, TRIANGULAR From M-1163 | 1 | |
| NS | 3211639 | KIT, EMERGENCY WARNING TRIANGLE H3 To M-1162 | 1 | |
| NS | 3211638 | KIT, EMERGENCY WARNING TRIANGLE V5 WITH FRONT RH SLIDE-OUT To M-1162 | 1 | A |
| 11 | 5001012 | SCREW TH 5/16-18x1 1/2 BZC | 1 | |
| 12 | 500782 | NUT WING 5/16-18 Z050 | 1 | |
| 13 | 5001699 | WASHER BEL SPR 8.2x22x1.4 N500 | 1 | |
| | | | | |
| 21 | 500782 | NUT WING 5/16-18 Z050 | 2 | A |
| 22 | 5001699 | WASHER BEL SPR 8.2x22x1.4 N500 | 2 | A |
| 23 | 3200922 | ANGLE FIXING, EMERGENCY TRIANGLE KIT To M-1162 | 1 | A |
| 23 | 3211621 | ANGLE FIXING, EMERGENCY TRIANGLE KIT From M-1163 | 1 | A |
| 24 | 3201594 | SUPPORT, JACK ACCESSORIES To L-0978 | 1 | A |
| 24 | 3210949 | SUPPORT, JACK ACCESSORIES From L-0979 | 1 | A |
| 25 | 5001012 | SCREW TH 5/16-18x1 1/2 BZC | 1 | A |
| 26 | 5001699 | WASHER BEL SPR 8.2x22x1.4 N500 | 1 | A |
| 27 | 3201598 | CLAMP, JACK | 1 | A |
| 28 | 500622 | NUT PUSH RND 5/16 | 1 | A |
| 31 | 504039 | SPRING CLIP 3/4-1 1/8 | 1 | A |
| 32 | 500583 | SCREW TP PAN PH #6x1/2 Z050 | 1 | A |
| | | | | |
| | | | | |
| | | | | |
| | | | | |
| | | A) USE WITH FRONT CURBSIDE SLIDE OUT | | |

To M-1162

Date:07/2024

PAGE:3211639

KIT, EMERGENCY WARNING TRIANGLE H3



| | | |
|-----------|--------------|--------------|
| To M-1162 | Date:07/2024 | PAGE:3211639 |
|-----------|--------------|--------------|

KIT, EMERGENCY WARNING TRIANGLE H3

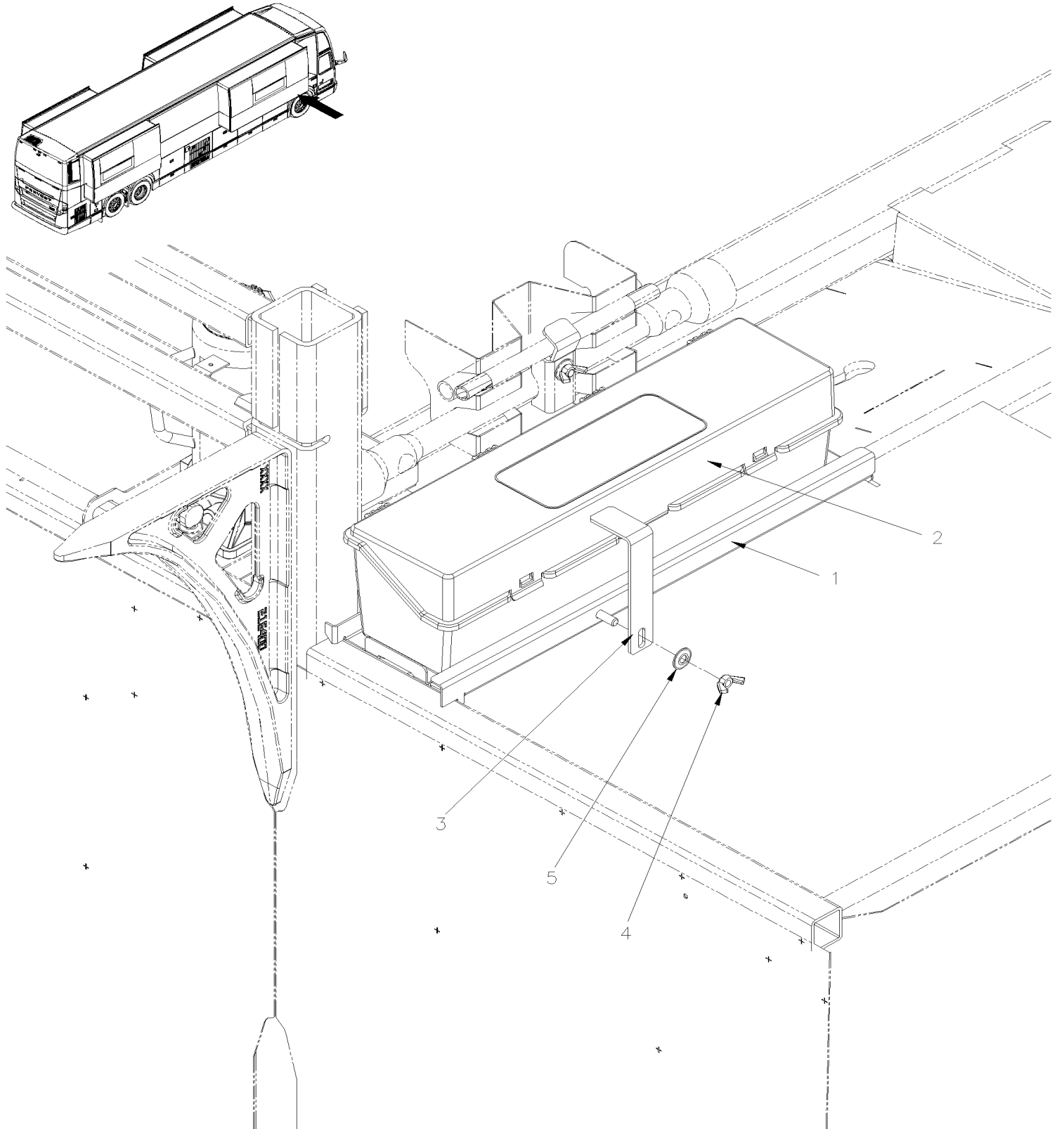
| Item# | Part | Description | QTY | Notes |
|-------|---------|--|-----|-------|
| 1 | 218897 | SUPPORT, FLARE KIT / WELDED TO STRUCTURE | 1 | |
| 2 | 930045 | FLARE KIT, TRIANGULAR | 1 | |
| 3 | 3211621 | ANGLE FIXING, EMERGENCY TRIANGLE KIT | 1 | |
| 4 | 500782 | NUT WING 5/16-18 Z050 | 1 | |
| 5 | 5001699 | WASHER BEL SPR 8.2x22x1.4 N500 | 1 | |

To M-1162

Date:07/2024

PAGE:3211638

KIT, EMERGENCY WARNING TRIANGLE V5 WITH FRONT RH SLIDE-OUT



| | | |
|-----------|--------------|--------------|
| To M-1162 | Date:07/2024 | PAGE:3211638 |
|-----------|--------------|--------------|

KIT, EMERGENCY WARNING TRIANGLE V5 WITH FRONT RH SLIDE-OUT

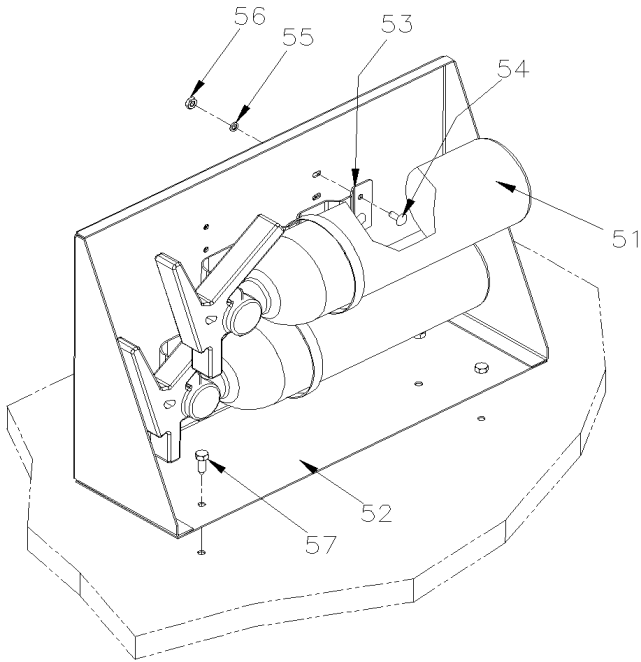
| Item# | Part | Description | QTY | Notes |
|-------|---------|--|-----|-------|
| 1 | 218896 | SUPPORT, FLARE KIT / WELDED TO STRUCTURE | 1 | |
| 2 | 930045 | FLARE KIT, TRIANGULAR | 1 | |
| 3 | 3211621 | ANGLE FIXING, EMERGENCY TRIANGLE KIT | 1 | |
| 4 | 500782 | NUT WING 5/16-18 Z050 | 1 | |
| 5 | 5001699 | WASHER BEL SPR 8.2x22x1.4 N500 | 1 | |

From K-0295

Date:07/2024

PAGE:VIP-2320-30

EXTINGUISHER - INSTALLATION

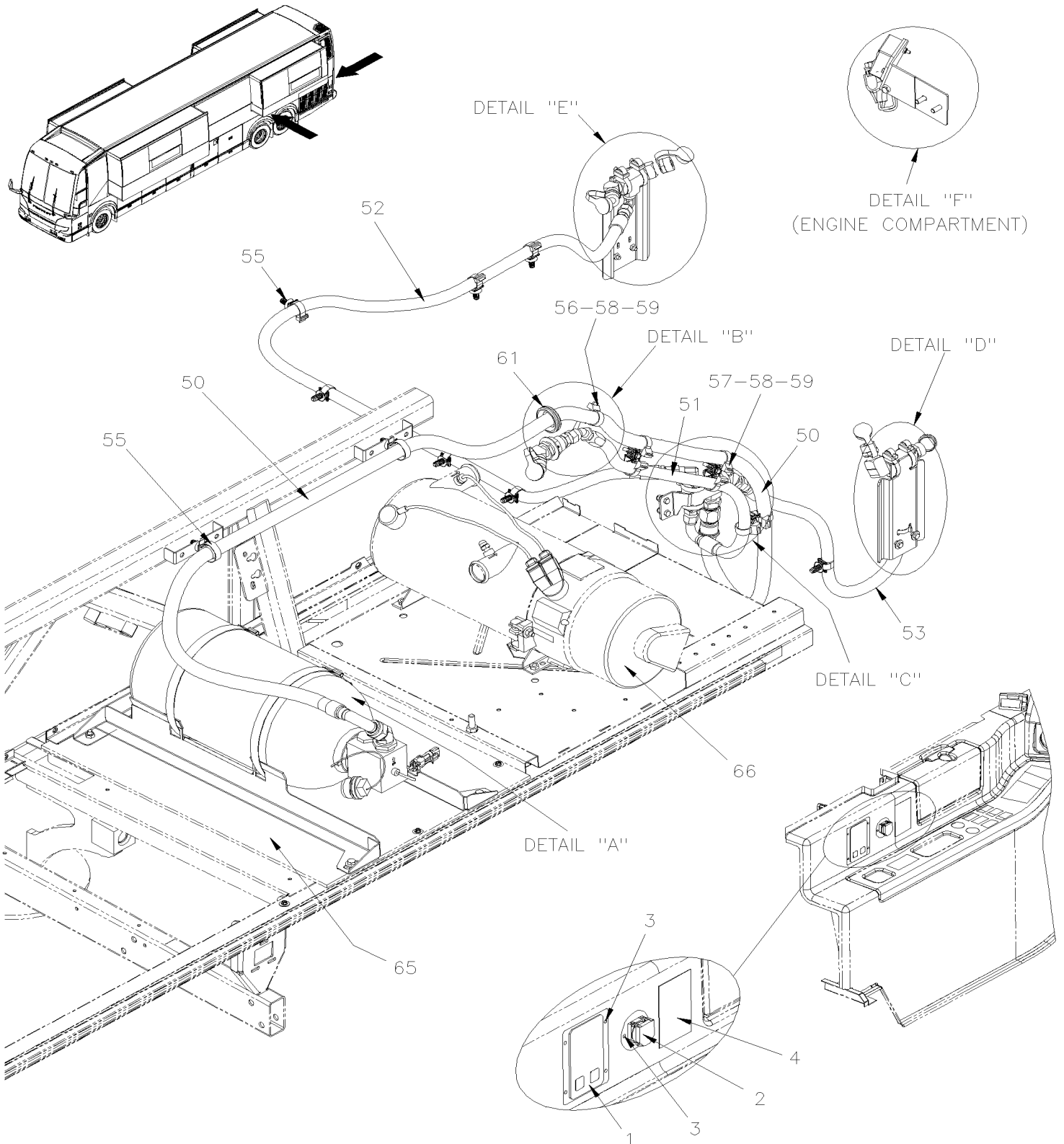


| | | |
|-------------|--------------|------------------|
| From K-0295 | Date:07/2024 | PAGE:VIP-2320-30 |
|-------------|--------------|------------------|

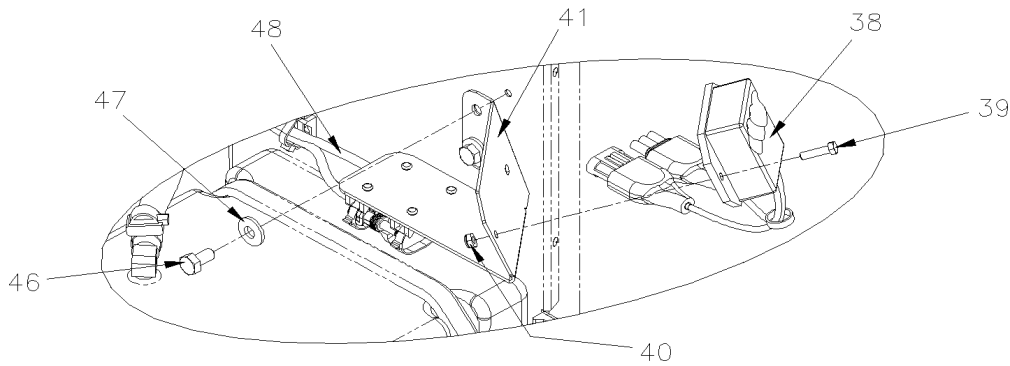
EXTINGUISHER - INSTALLATION

| Item# | Part | Description | QTY | Notes |
|-------|--------|---|-----|-------|
| | | VIP ONLY / TWO EXTINGUISHER 2.5 LBS | | |
| 51 | 901414 | EXTINGUISHER 2.5 LBS / W/STEEL HANDLE To M-1131 | 2 | |
| 51 | 900267 | EXTINGUISHER 2.5 LBS / W/METAL HANDLE From M-1132 | 2 | |
| 52 | 324391 | SUPPORT ASSY / EXTINGUISHER | 1 | |
| 53 | 901361 | SUPPORT ASSY / EXTINGUISHER | 2 | |
| 53 | 470949 | SPACER RUBBER 3/4" O.D. / S.Q. | 2 | |
| 54 | 500572 | SCREW MA TR PH #10-24x1/2 SS BK | 8 | |
| 55 | 500470 | WASHER LO SPT .193x.334x.047 Z050 | 8 | |
| 56 | 500786 | NUT HEX #10-24 Z050 | 8 | |
| 57 | 500535 | SCREW TP CAP HEX #14x3/4 Z050 | 4 | |

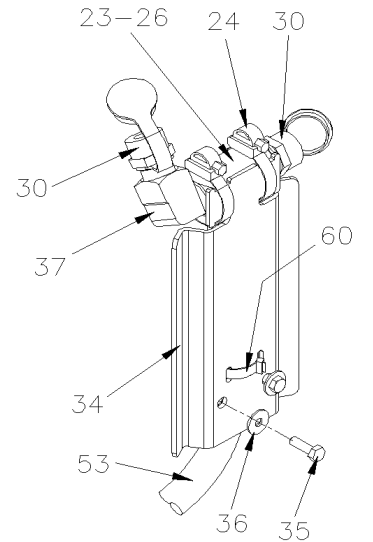
FIRE PROTECTION SYSTEM INSTALLATION



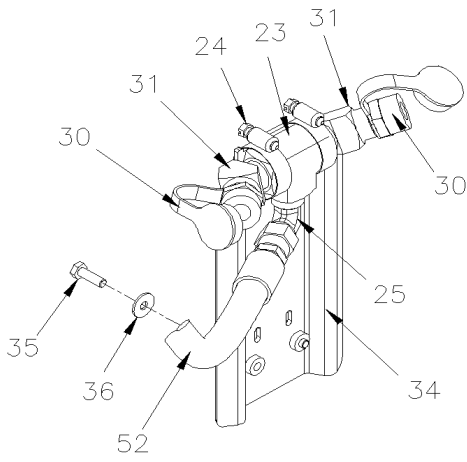
FIRE PROTECTION SYSTEM INSTALLATION



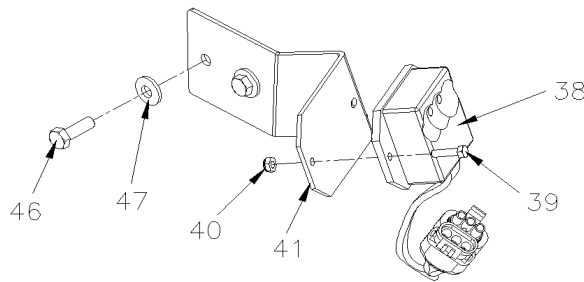
DETAIL "F" FROM K-0605
(ENGINE COMPARTMENT)



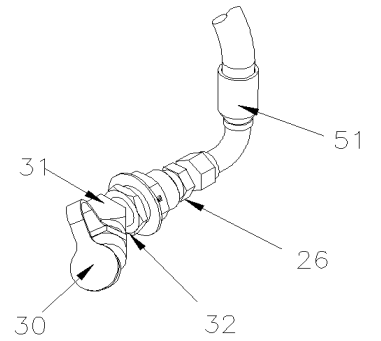
DETAIL "D"



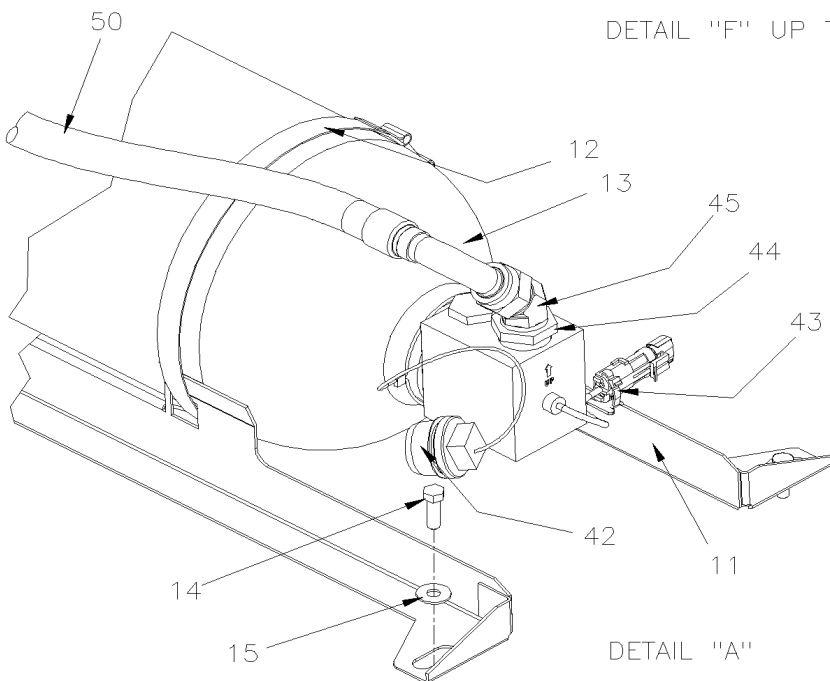
DETAIL "E"



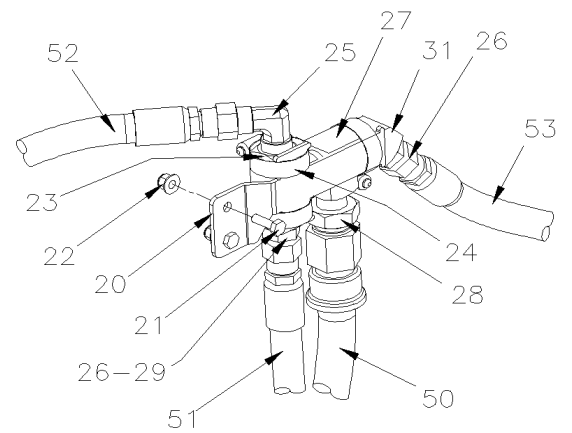
DETAIL "F" UP TO K-0604



DETAIL "B"



DETAIL "A"



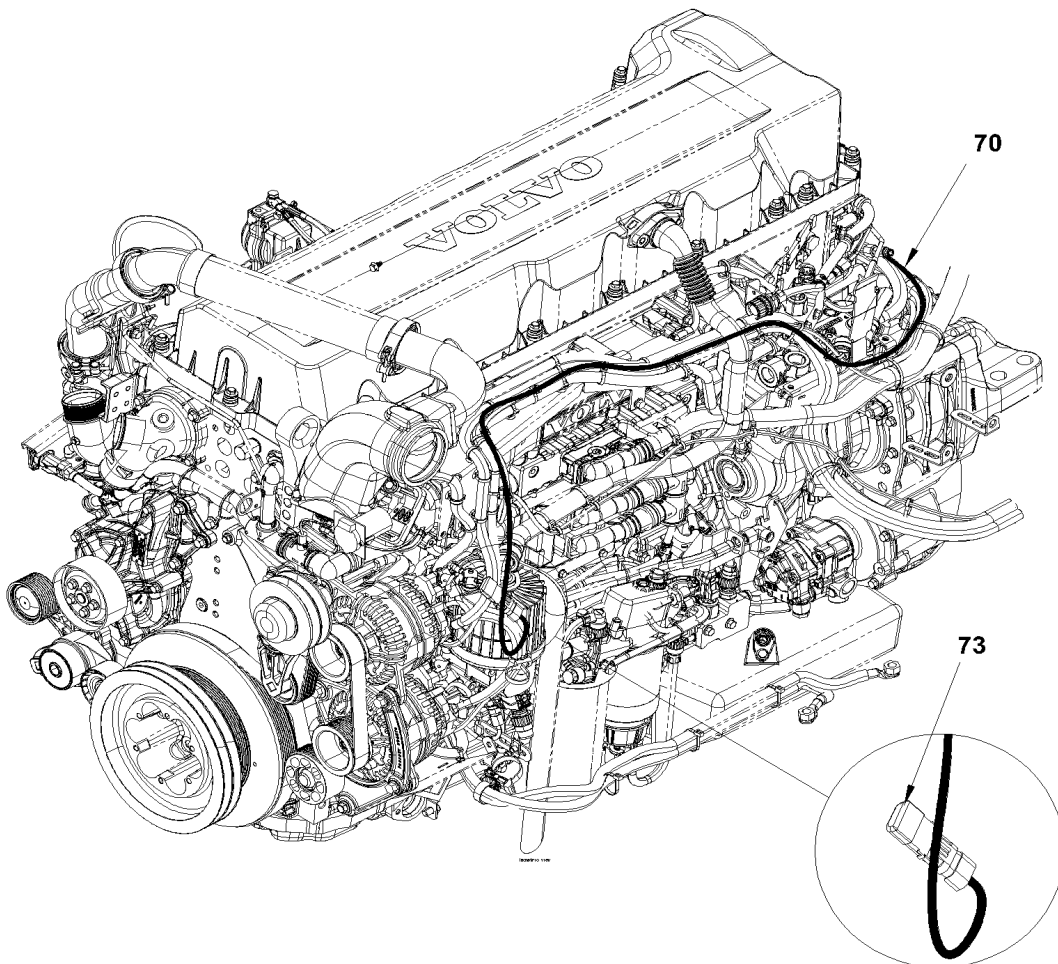
DETAIL "C"

From K-0295

Date:07/2024

PAGE:VIP-2320-38

FIRE PROTECTION SYSTEM INSTALLATION



| | | |
|--|--------------|------------------|
| From K-0295 | Date:07/2024 | PAGE:VIP-2320-38 |
| FIRE PROTECTION SYSTEM INSTALLATION | | |

| Item# | Part | Description | QTY | Notes |
|--------|----------|---|-----|-------|
| 1 | 563455 | PANEL FIRE PROTECTOR DISPLAY | 1 | |
| 2 | 563456 | BUTTON FIRE / MANUAL OPERATING To M-1167 | 1 | |
| . NS | 563462 | . SEAL BUTTON FIRE / MANUAL OPERATING To M-1167 | 1 | |
| 2 | 564346 | BUTTON FIRE / MANUAL OPERATING From M-1168 | 1 | |
| . NS | 564392 | . TAMPER SEAL BUTTON From M-1168 | 1 | |
| . NS | 564349 | . TAMPER SEAL FOR BUTTON From M-1168 | 1 | |
| . . NS | 564392 | . . TAMPER SEAL BUTTON From M-1168 | 1 | |
| 3 | 500814 | SCREW TP BDG PH #6x3/4 BK | 6 | |
| 4 | 405725 | DECAL / "IN CASE OF FIRE..." / ENGLISH & FRANCAIS To N-1233 | 1 | |
| 4 | 402941 | DECAL / "IN CASE OF FIRE..." / ENGLISH & FRANCAIS From N-1233 | 1 | |
| 4 | 405724 | DECAL / "IN CASE OF FIRE..." / ENGLISH To N-1232 | 1 | |
| 4 | 402784 | DECAL / "IN CASE OF FIRE..." / ENGLISH From N-1233 | 1 | |
| 4 | 400032 | DECAL / "IN CASE OF FIRE..." / ENGLISH & FRANCAIS & SPANISH To N-1232 | 1 | |
| 4 | 402940 | DECAL / "IN CASE OF FIRE..." / ENGLISH & FRANCAIS & SPANISH From N-1233 | 1 | |
| | | | | |
| 11 | 400565 | SUPPORT EXTINGUISHER | 1 | |
| NS | 8631155 | CABLE TIE / 4.6MM x 200 / CHRISTMAS TREE | 1 | |
| 11 | 506758 | TAPE RUB ADH1 NEO 1/16"X 1 1/2"X50' | AR | |
| 12 | 509955 | T-BOLT BAND CLAMP/ 8.56" ID | 2 | |
| 13 | 900211 | EXTINGUISHER 25 LBS To N-1187 | 1 | |
| . NS | N8900111 | . REBUILT KIT To N-1187 | 1 | |
| 13 | 901743 | EXTINGUISHER 22 LBS From N-1188 | 1 | |
| . NS | 501026 | . MALE CONNECTOR / SAE 45° FITTING / #4FL-Mx1/8NPT-M BR From N-1188 | 1 | |
| . NS | 561566 | . CONNECTOR / WEATHER PACK / PH 2C / BLACK / PED 12010973 From N-1188 | 1 | |
| . NS | 950483 | . SEAL CAP, SHRADER VALVE From N-1188 | 1 | |
| . NS | 990559 | . CYLINDER, V25 ABC W/PRESSURE SWITCH From N-1188 | 1 | |
| NS | 504637 | CABLE TIE / 3/16" x 13" | 2 | |
| 14 | 502780 | SCREW CAP HEX M8-1.25x25 SS BK | 4 | |
| 15 | 5001848 | WASHER BEL SPR .827 x .331 x .098 th SS | 4 | |
| | | | | |
| 20 | 400057 | SUPPORT HOSE | 1 | |
| 21 | 502622 | SCREW CAP HEX M6-1.0x20 SS BK | 2 | |
| 22 | 5001932 | NUT HEXF NYRT M6-1.0 G8.8 N500 | 2 | |
| 23 | 501472 | FEMALE UNION TEE / PIPE FITTING / 1/2NPT-Fx1/2NPT-Fx1/2NPT-F BR | 3 | |
| 24 | 992084 | HOSE CLAMP / 23MM/35MM | 6 | |
| 25 | 501612 | MALE ELBOW 90° / SAE 45° FITTING / #8FL-Mx1/2NPT-M BR | 2 | |
| 26 | 501616 | MALE CONNECTOR / SAE 45° FITTING / #8FL-Mx1/2NPT-M BR | 3 | |
| 27 | 501473 | MALE RUN TEE / PIPE FITTING / 1/2NPT-Mx1/2NPT-Fx1/2NPT-F BR | 1 | |
| 28 | 501600 | MALE CONNECTOR / JIC 37° FITTING / #12JIC-Mx1/2NPT-M STL | 1 | |
| 29 | 501966 | PLUG HEXS / PIPE FITTING / 1/2NPT-M STL | 1 | B |
| 30 | 901128 | NOZZLE DRY CHEMICAL | 5 | |
| . NS | 901184 | . CAP PROTECTOR NOZZLE | 1 | |

| | | |
|--|---------------------|-------------------------|
| From K-0295 | Date:07/2024 | PAGE:VIP-2320-38 |
| FIRE PROTECTION SYSTEM INSTALLATION | | |

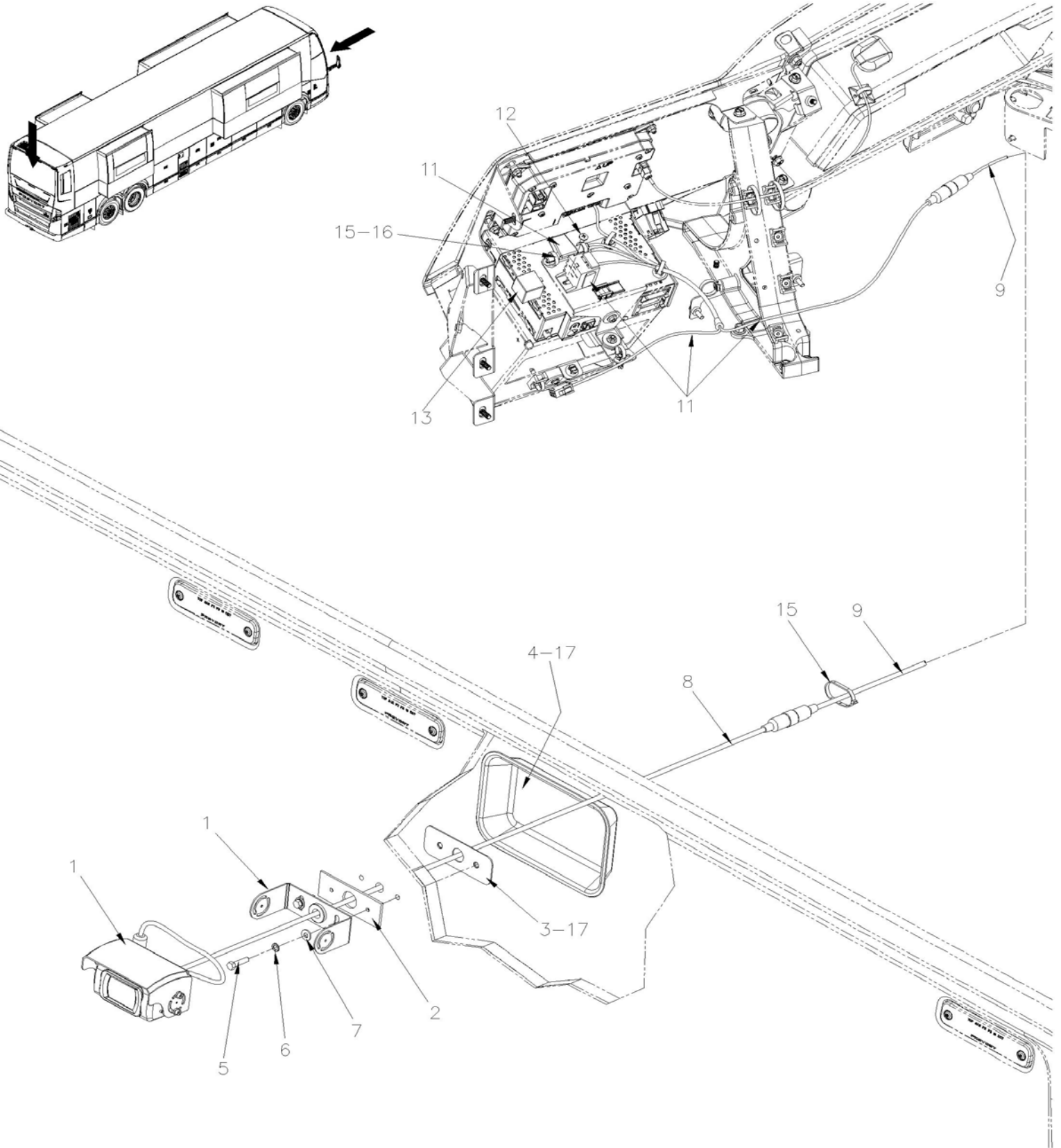
| Item# | Part | Description | QTY | Notes |
|-------|--------------------|---|-----|-------|
| 31 | 501528 | STREET ELBOW 45° / PIPE FITTING / 1/2NPT-Mx1/2NPT-F BR | 4 | |
| 32 | 501796 | BULKHEAD COUPLING / PIPE FITTING / 1/2NPT-Fx1/2NPT-Fx1 1/2 BR | 1 | |
| 34 | 406403 | SUPPORT NOZZLE | 2 | |
| 35 | 502622 | SCREW CAP HEX M6-1.0x20 SS BK | 4 | |
| 36 | 5001833 | WASHER BEL SPR 6.1x18x1.27 SS | 4 | |
| 37 | 507557 | STREET ELBOW 90° / PIPE FITTING / 1/2NPT-Mx1/2NPT-F BR | 1 | |
| 38 | 563457 | FIRE SENSOR PM-3M | 1 | |
| 39 | 5001146 | SCREW CAP HEX M5-0.8x20 SS BK | 2 | |
| 40 | 5001587 | NUT HEX NYRT M5-0.8 SS | 2 | |
| 41 | 061167 | SUPPORT, SENSOR To K-0604 | 1 | |
| 41 | 0610076 | SUPPORT, SENSOR From K-0605 | 1 | |
| 42 | 680470 | CAP PLUG ID 1.364 OD 1.423 | 1 | |
| 43 | 504637 | CABLE TIE / 3/16" x 13" | 1 | |
| 44 | 501564 | ADAPTER / PIPE FITTING / 3/4NPT-Fx1NPT-M BR | 1 | |
| 45 | 501890 | MALE CONNECTOR / PIPE FITTING / TEFLON / 1/4NPT-Mx#4 | 1 | |
| 46 | 502780 | SCREW CAP HEX M8-1.25x25 SS BK To K-0604 | 2 | |
| 46 | 5001527 | SCREW CAP HEX M8-1.25x16 SS BK From K-0605 | AR | |
| 47 | 5001848 | WASHER BEL SPR .827 x .331 x .098 th SS | 2 | |
| 48 | 061046 | HARNESS EXTENSION, FLAME DETECTOR | 1 | |
| 48 | 504013 | TIE MOUNT / 1/4" X 1/4" I.D. | AR | |
| 48 | 504379 | RIVET POP DOME OE 3/16x1/4 SS | AR | |
| 48 | 504637 | CABLE TIE / 3/16" x 13" | AR | |
| 49 | 505045 | NYLON SPACER 5.3MM x 13MM x 5MM From R-1582 | 2 | |
| 50 | 400288P | HOSE ASSY / #12 2700MM To K-0184 | 1 | |
| 50 | Call order desk | HOSE ASSY / #12 2770MM From K-0185 | 1 | P |
| 51 | 400289P | HOSE ASSY / #8 1250MM | 1 | |
| 52 | 400101 | HOSE ASSY / #8 1965MM | 1 | |
| 53 | 400094 | HOSE ASSY / #8 665MM | 1 | |
| 55 | 504750 | CABLE TIE / 1/2" x 15" / CHRISTMAS TREE | AR | |
| 56 | 509894 | TIE MOUNT HOLE 7.8MM | 1 | |
| 57 | 509490 | ATTACHMENT DOUBLE USE WITH CABLE TIE | 3 | |
| 58 | 509491 | CABLE TIE / 13MM x 383MM | AR | |
| 59 | 5001815 | SCREW CAP HEXF M6-1.0x30 G 8.8 N500 | 4 | |
| 60 | 504016 | CABLE TIE / 5/16" X 14"1/2 To L-0826 | 1 | |
| 60 | 5040100 | CABLE TIE /OUTSIDE SERRATED 5/16" X 14"1/2 From L-0827 | 1 | |
| 61 | 504664 | GROMMET / 1.375x1.625x.062x.500x2.000 | 1 | |
| NS | 370097 | CLOSING PLATE | 1 | |
| NS | 502868 | SCREW TC TR PH #10-16x1/2 N500 | 2 | |
| NS | 509815 | TIE MOUNT / ATTACHMENT W/TREE MOUNT | AR | |
| NS | 504637 | CABLE TIE / 3/16" x 13" | AR | |
| 65 | VIP-1859-01 | SPLASH GUARD - FRONT & REAR | | |

| | | | |
|--------------------|--|---------------------|-------------------------|
| From K-0295 | | Date:07/2024 | PAGE:VIP-2320-38 |
|--------------------|--|---------------------|-------------------------|

FIRE PROTECTION SYSTEM INSTALLATION

| Item# | Part | Description | QTY | Notes |
|-------|---------|--|-----|-------|
| 70 | 069738 | CABLE THERMO DETECTOR (LINEAR FIRE CABLE) / 2.46M / 168C/180C // 334F/356F To K-0604 | 1 | |
| 70 | 0610154 | FIRE WIRE LTD RED From K-0605 To £-23156 | 1 | |
| 70 | 0600387 | SERVICE KIT FIRE WIRE LTD From K-0605 To £-23156 | 1 | |
| NS | 0600386 | WHITE WIRE FIRE EXTENTION HARNESS From K-0605 To £-23156 | 1 | |
| NS | 902005 | FIRE WIRE LTD WHITE From K-0605 To £-23156 | 1 | |
| NS | 504300 | GROMMET LTD From K-0605 To £-23156 | 36 | |
| NS | 507664 | CABLE TIE / 3/16" 11" / DOUBLE LOOP HEAD From K-0605 To £-23156 | 42 | |
| 70 | 902005 | FIRE WIRE LTD WHITE From £-23156 | 1 | |
| 70 | 507664 | CABLE TIE / 3/16" 11" / DOUBLE LOOP HEAD From £-23156 | 42 | |
| 70 | 504300 | GROMMET LTD From £-23156 | 36 | |
| 70 | 069175 | CABLE THERMO DETECTOR (LINEAR FIRE CABLE) / 0.9M / 168C/180C // 334F/356F | 1 | A C |
| 70 | 8631155 | CABLE TIE / 4.6MM x 200 / CHRISTMAS TREE | AR | A C |
| NS | 060397 | CABLE ASSY / FIRE DETECTOR FRT JCT BOX To P-1347 | 1 | F |
| 73 | 563587 | MODULE DETECTOR / END CIRCUIT | 2 | |
| | | | | |
| | | | | |
| | | A) USE WHEN YOU DO NOT HAVE A FIRE SUPPRESSIONS SYSTEM | | |
| | | B) WITHOUT WATER HEATER | | |
| | | C) FIX TO THE PANEL OVER THE ENGINE | | |
| | | F) LOCATED IN FRONT JCT BOX PANEL | | |
| | | P) CALL ORDER DESK FOR SPECIFIC APPLICATION (V.I.N.) | | |

| | | |
|-------------------------------|--------------|------------------|
| | Date:07/2024 | PAGE:VIP-2355-21 |
| BACK-UP CAMERA - INSTALLATION | | |



| | | | |
|--------------------------------------|--|--------------|------------------|
| | | Date:07/2024 | PAGE:VIP-2355-21 |
| BACK-UP CAMERA - INSTALLATION | | | |

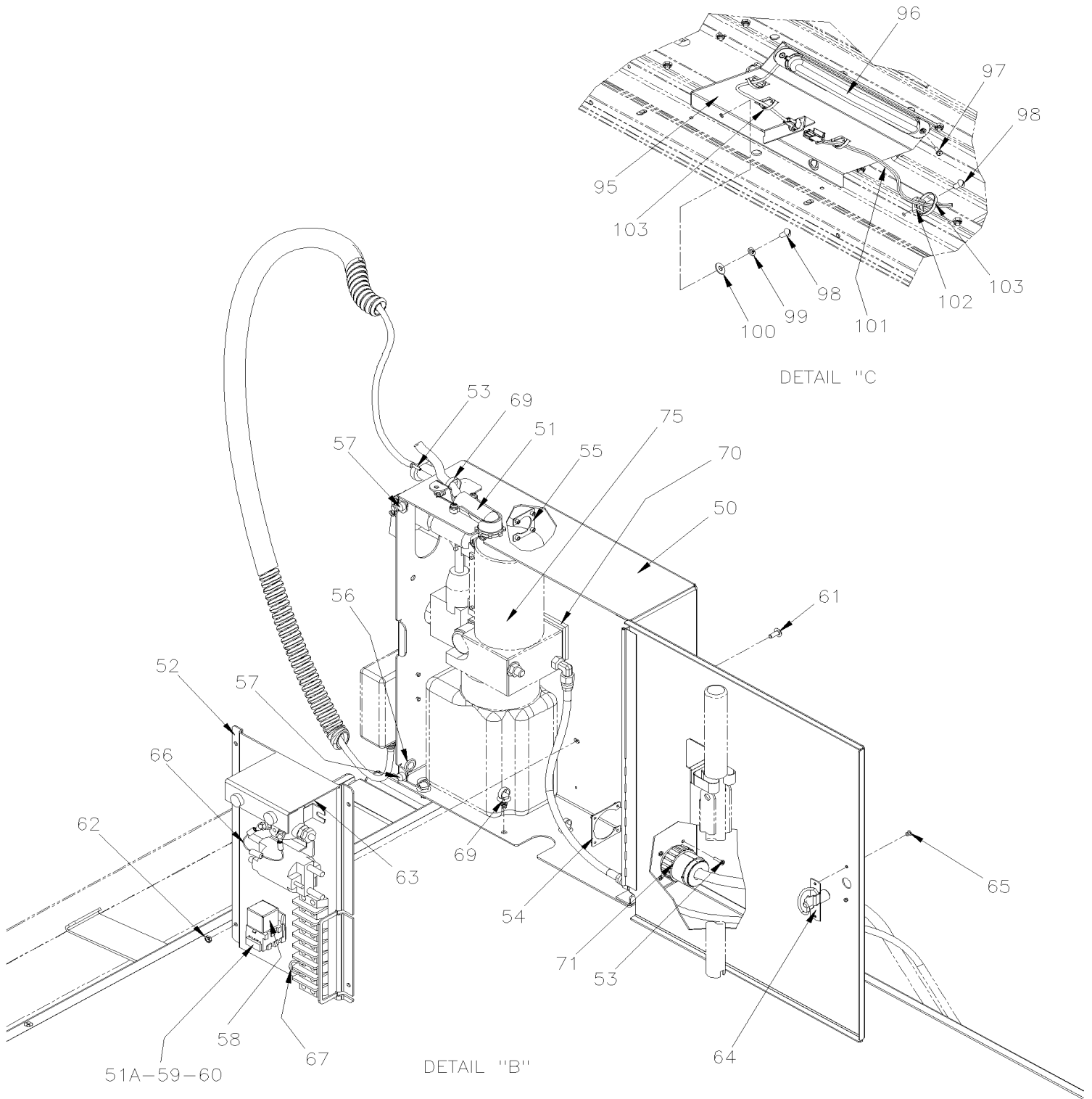
| Item# | Part | Description | QTY | Notes |
|-------|---------|--|-----|-------|
| 1 | 901291 | BACK-UP CAMERA - "R.E.I." / COLOR | 1 | |
| 2 | 409268 | GASKET RUBER 100MM x 36MM x 1/8" | 1 | |
| 3 | 409266 | PLATE, FIXATION / (INSIDE OF REAR CAP) | 1 | |
| 4 | 682177 | LIGHT PROTECTOR | 1 | |
| 5 | 502737 | SCREW CAP HEX M6-1.0x25 SS BK | 2 | |
| 6 | 5001739 | WASHER LO EXT 6.4x11.0x0.7 N500 | 2 | |
| 7 | 500877 | WASHER FL .250x.562x.065 N500 | 2 | |
| 8 | 901433 | CABLE ASSY / BACK-UP CAMERA VIDEO / CAMERA & MONITOR LCD / 50' | 1 | |
| 9 | 901434 | CABLE ASSY / BACK-UP CAMERA VIDEO / CAMERA & MONITOR LCD / 15' | 1 | |
| 11 | 563857 | HARNESS, INTEFACE REI BACKUP CAMERA | 1 | |
| 11 | 0610571 | HARNESS, BACKUP CAMERA READY | 1 | A |
| 11 | 0610584 | CABLE RCA, INFOTAINMENT VIDEO INPUT | 1 | A |
| 12 | 500209 | SCREW TC BDG PH #10-24x3/8 N500 | 1 | |
| 13 | 563332 | RELAY 24V S.P.D.T. W/RESISTOR / "VOLVO" (20374662) | 1 | |
| 15 | 504637 | CABLE TIE / 3/16" x 13" | AR | |
| 16 | 509815 | TIE MOUNT / ATTACHMENT W/TREE MOUNT | 3 | |
| 17 | 684685 | ADHESIVE SIMSON #ISR 70-03 / 310ml CARTRIDGE | AR | |
| 17 | 685124 | ADHESIVE SIMSON #ISR 70-03 / BLACK / 600ml SAUSAGE | AR | |
| | | | | |
| | | | | |
| | | | | |
| | | A) WITH BACK-UP CAMERA READY ONLY | | |

From K-0295

Date:07/2024

PAGE:VIP-2380-00

W.C.L. "RICON" REMOVABLE - INSTALLATION MODEL "F9TF"



| | | | |
|---|--|--------------|------------------|
| From K-0295 | | Date:07/2024 | PAGE:VIP-2380-00 |
| W.C.L. "RICON" REMOVABLE - INSTALLATION MODEL "F9TF" | | | |

| Item# | Part | Description | QTY | Notes |
|-------|--------------------|--|-----|-------|
| | 490891P | REMOVABLE W.C.L. COMPLETE ASSY W/ PUMP BOX ASSY / "F9TF" | 1 | A |
| 1 | VIP-2380-05 | W.C.L. "RICON" REMOVABLE MODEL "F9TF" | | |
| 2 | 490971 | SLIDING TRACK REMOVABLE R.H. | 1 | |
| 3 | 490990 | SLIDING TRACK REMOVABLE L.H. | 1 | |
| 4 | 484144 | PANEL FIBERGLASS / OVER W.C.L. "RICON" / 1000MM X 1940MM | 1 | |
| 5 | 19510102 | SCREW CAP HEX 1/4-20 x 5/8 SS (BAG OF 10) | 8 | |
| 6 | 502570 | WASHER LO SPT 6.1x11.8x1.6 SS | 8 | |
| 7 | 500411 | WASHER FL .260x.697x.050 SS | 8 | |
| 8 | 502903 | SCREW TC FL PH #10-24x1 1/4 N500 | 2 | |
| 8 | 5001869 | WASHER FL .343x.750x.12 SS | 2 | |
| 9 | 491009 | ATTACHMENT ASSY | 4 | |
| 10 | 491013 | PLATE PROTECTOR | 1 | |
| 11 | 491251 | CARRIER ASSY / W/WHEEL | 4 | |
| 12 | 491252 | . PLATE SUPPORT ASSY W/AXLE SHAFT | 1 | |
| 13 | 491232 | . CALIPER | 1 | |
| 14 | 491233 | . WHEEL / W/"V" GROOVE USE W/AXLE SHAFT RIV | 1 | |
| NS | 685888 | . LUBRICANT LPS MAGNUM(AEROSOL) | AR | |
| 15 | 500270 | . WASHER FL .406x1.000x.063 SS | 1 | |
| 16 | 5001747 | SCREW CAP HEX 5/16-18x1 G5 N500 | 8 | |
| 17 | 500942 | WASHER LO SPT 8.1x14.8x2.0 N500 | 8 | |
| 18 | 502874 | NUT HEX NYRT 1/4-20 N500 | 2 | |
| 19 | 502709 | WASHER FL .260x.687x.050 XLN BK | 2 | |
| 21 | 491489 | GUIDE | 1 | |
| 22 | 5001746 | SCREW CAP HEX 1/4-20x3/4 G5 N500 | 2 | |
| 23 | 502853 | WASHER LO SPT 6.1x11.8x1.6 N500 | 2 | |
| 24 | 491482 | SUPPORT PUMP ASSY | 1 | |
| 25 | 5001746 | SCREW CAP HEX 1/4-20x3/4 G5 N500 | 2 | |
| 26 | 500877 | WASHER FL .250x.562x.065 N500 | 2 | |
| 27 | 502874 | NUT HEX NYRT 1/4-20 N500 | 2 | |
| 28 | 5001747 | SCREW CAP HEX 5/16-18x1 G5 N500 | 2 | |
| 29 | 500942 | WASHER LO SPT 8.1x14.8x2.0 N500 | 2 | |
| 30 | 502638 | WASHER FL .312x.734x.065 N500 | 2 | |
| 31 | 500347 | SCREW CAP HEX 5/16-18x1 1/4 SS | 2 | |
| 32 | 500035 | WASHER LO SPT .317x.586x.078 SS | 2 | |
| 33 | 5001448 | WASHER FL .343x.875x.062 SS18-8 | 2 | |
| 34 | 491083 | TUBE ASSY | 1 | |
| 35 | 491087 | ARM ASSY To L-0824 | 1 | |
| 35 | 491693 | ARM ASSY From L-0825 | 1 | |
| 36 | 491483 | PIVOT ASSY | 1 | |
| 37 | 491487 | ROD | 1 | |
| 38 | 502681 | NUT HEX NYRT M6-1.0 N500 G8 | 1 | |
| 39 | 500877 | WASHER FL .250x.562x.065 N500 | 1 | |

| | | | |
|---|--|--------------|------------------|
| From K-0295 | | Date:07/2024 | PAGE:VIP-2380-00 |
| W.C.L. "RICON" REMOVABLE - INSTALLATION MODEL "F9TF" | | | |

| Item# | Part | Description | QTY | Notes |
|-------|-----------------|--|-----|-------|
| 40 | 502024 | PIN, CLEVIS 5/16 x 13/16 BZC | 2 | |
| 41 | 502102 | PIN, COTTER 1/8 x 1 | 3 | |
| 42 | 504226 | SNAP BUSHING / .391x.578x.406 | 1 | |
| 43 | 504541 | CLIP ROD 1/4" R.H. | 1 | |
| 44 | 491100 | PIVOT | 1 | |
| 45 | 491101 | UNION | 1 | |
| 46 | 505420 | SPRING, PIN M4.5 x 20 | 1 | |
| 47 | 900859 | BRACKET, MOUNTING / MICROPHONE | 1 | |
| 48 | 504339 | RIVET POP DOME OE 1/8x3/8 SS | 2 | |
| 50 | Call order desk | BOX ASSY W/POWER PLATE | 1 | P |
| 50 | 364074 | . BOX ASSY To M-1133 | 1 | |
| 50 | 360088 | . BOX ASSY From M-1134 | 1 | |
| 51 | 060782 | . CABLE ASSY / POWER / W.C.L. "RICON" To K-0206 | 1 | |
| 51 | 069744 | . CABLE ASSY / POWER / W.C.L. "RICON" From K-0207 | 1 | |
| 51A | 564496 | . . CONNECTOR / METRI-PACK 630 / SH 5C / PED 12033871 | 1 | |
| 52 | 563370 | . POWER PLATE ASSY "RICON" | 1 | |
| 53 | 5001454 | . SCREW MA BDG PH #4-40x1/2 SS | 8 | |
| 54 | 561823 | . NUT, RING #23 / 1.812" I.D. W/4 4-40 | 1 | |
| 55 | 561820 | . NUT, RING #13 / 1.125" I.D. W/4 4-40 | 1 | |
| 56 | 504323 | . GROMMET / .375x.500x.062x.281x.687 | 2 | |
| 57 | 504498 | . BUMPER PLUG / .406ODx.218THx.250HOLEx.125 | 2 | |
| 58 | 563332 | . RELAY 24V S.P.D.T. W/RESISTOR / "VOLVO" (20374662) | 1 | |
| 59 | 500416 | . SCREW MA PAN PH #10-32x1/2 BK | 2 | |
| 60 | 500914 | . WASHER LO SPT .193x.334x.047 N500 | 2 | |
| 61 | 5001241 | . SCREW MA TR PH #10-24x1/2 SS | 5 | |
| 62 | 5001180 | . NUT HEX NYRT #10-24 SS | 5 | |
| 63 | 506025 | . RUBBER CHANNEL / 1/18" x 5/16" INT "U" SHAPE / SQUARE C.T.L. | AR | |
| NS | 680066 | . ADHESIVE / ADBOND #5014 / 23.6ML BOTTLE | AR | |
| 64 | 504203 | . SPRING LATCH / KNURLED STEEL KNOB | 1 | |
| 65 | 504340 | . RIVET POP DOME OE 1/8x3/16 SS | 2 | |
| 66 | 064792 | . DIODE ASSY | 1 | |
| . NS | 561740 | . . DIODE / 3AMPS | 1 | |
| . NS | 560082 | . . RING TERMINAL #10 / 16-14 / INSULATED / AMP 626033-2 | 1 | |
| . NS | 560815 | . . RING TERMINAL #10 / 22-18 / INSULATED / AMP 42037-2 | 1 | |
| . NS | 562499 | . . SHRINK TUBING / .250" - .125" / CLEAR / ALPHA FIT 221-1/4 | AR | |
| 67 | 069065 | . JUMPER, WCL LIGHTING | 1 | |
| 68 | 364072P | . CABLE RETAINING ASSY | 1 | |
| 68 | 283069 | . . CABLE 1/16 DIA. / 565MM LG | 1 | |
| 68 | 780341 | . . SLEEVE / TO HOLDING CABLE 1/16OD SS | 1 | |
| 68 | 504723 | . . SPRING HOOK | 1 | |
| 69 | 509815 | . TIE MOUNT / ATTACHMENT W/TREE MOUNT | AR | |
| 69 | 504637 | . CABLE TIE / 3/16" x 13" | 11 | |

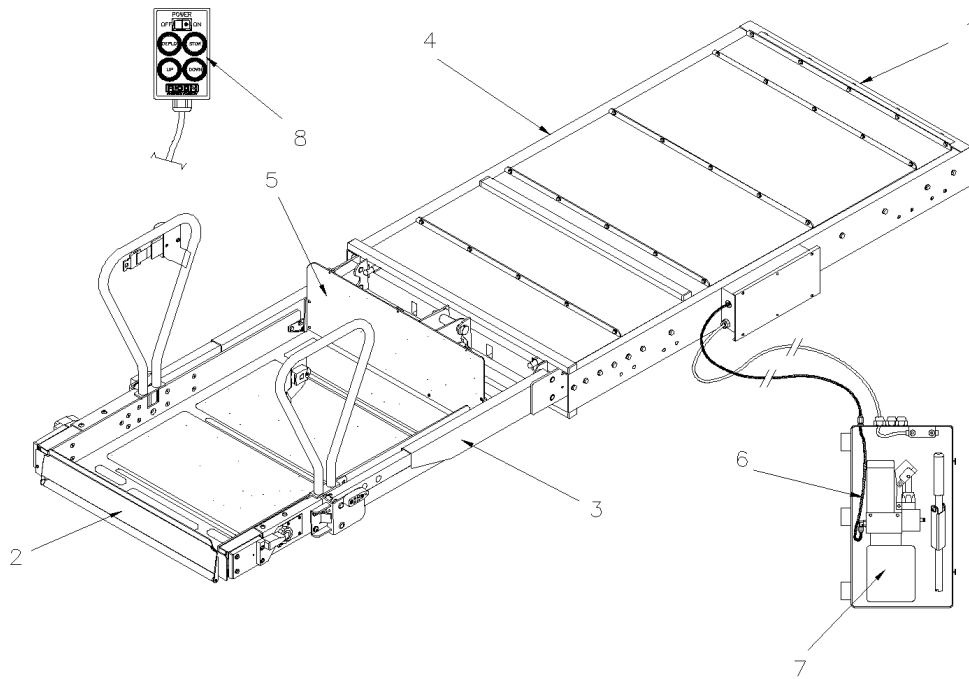
| | | | |
|---|--|--------------|------------------|
| From K-0295 | | Date:07/2024 | PAGE:VIP-2380-00 |
| W.C.L. "RICON" REMOVABLE - INSTALLATION MODEL "F9TF" | | | |

| Item# | Part | Description | QTY | Notes |
|-------|--------------------|---|-----|-------|
| 70 | 364031 | SPACER | 2 | |
| 71 | 864071 | HARNESS, ELECTRICAL, MAIN, W/HYDRAULIC LINE | 1 | |
| 73 | 491002 | DECAL / GAUCHE / LEFT / ENGLISH & FRANCAIS | 1 | |
| 73 | 491056 | DECAL / LEFT IZQUIERDA / ENGLISH & SPANISH | 1 | |
| 74 | 491001 | DECAL / DROIT / RIGHT / ENGLISH & FRANCAIS | 1 | |
| 74 | 491055 | DECAL / RIGHT DERECHA / ENGLISH & SPANISH | 1 | |
| 75 | VIP-2380-60 | W.C.L. "RICON" - PUMP INSTALLATION MODEL "F9TF" | | |
| 77 | 5001538 | SCREW CAP HEXF SERR M12-1.75x50 G500 | 8 | |
| 80 | 490989P | TRANSPORTER JACK ASSY R.H. | 2 | |
| 80 | 490988P | TRANSPORTER JACK ASSY L.H. | 2 | |
| 81 | 990416 | . JACK | 1 | |
| 82 | 503399 | . U-CLAMP / 2" I.D. X 1/4-20 | 1 | |
| 83 | 500769 | . NUT HEX 1/4-20 Z050 | 2 | |
| 84 | 500473 | . WASHER LO SPT .262x.489x.062 Z050 | 2 | |
| 85 | 502638 | . WASHER FL .312x.734x.065 N500 | 2 | |
| 86 | 508394 | . GLIDE SQUARE END 1.5 X 1.5 TUBE 14GA / P | 1 | |
| 87 | 490982 | . SUPPORT JACK R.H. | 1 | |
| 87 | 490981 | . SUPPORT JACK L.H. | 1 | |
| 88 | 502804 | . SCREW CAP HEX M10-1.5x25 G8.8 N500 | 3 | |
| 89 | 502644 | . WASHER FL 10.5x30.0x2.5 Z050 | 3 | |
| 90 | 500680 | . NUT HEX STO M10-1.5 Z050 | 3 | |
| 91 | 5001862 | . SCREW CAP HEX M12-1.75x70 G10.9 N500 | 2 | |
| 92 | 500958 | . WASHER FL .531x1.062x.095 SS | 4 | |
| 93 | 5001757 | . NUT HEX M12-1.75 N500 | 2 | |
| 94 | 491001 | . DECAL / DROIT / RIGHT / ENGLISH & FRANCAIS | 1 | |
| 94 | 491055 | . DECAL / RIGHT DERECHA / ENGLISH & SPANISH | 1 | |
| 94 | 491002 | . DECAL / GAUCHE / LEFT / ENGLISH & FRANCAIS | 1 | |
| 94 | 491056 | . DECAL / LEFT IZQUIERDA / ENGLISH & SPANISH | 1 | |
| 95 | Call order desk | LAMP ASSY | 1 | P |
| 95 | 060781 | . SUPPORT LAMP | 1 | |
| 96 | 830008 | . LAMP ASSY 24V / LED | 1 | |
| . NS | 561248 | . . CONNECTOR / UNIVERSAL MATE-N-LOK / PH 2C / AMP 1-480699-0 | 1 | |
| 96 | 504273 | . CABLE TIE / 1/8" X 3"1/2 | 2 | |
| 96 | 504637 | . CABLE TIE / 3/16" x 13" | 2 | |
| 97 | 500965 | . SCREW TC BDG PH #8-32x1/2 N500 | 2 | |
| 98 | 500554 | SCREW MA RND SLT 1/4-20x1/2 SS | AR | |
| 99 | 500477 | WASHER LO SPT .262x.489x.062 SS | 2 | |
| 100 | 500411 | WASHER FL .260x.697x.050 SS | 2 | |
| 101 | 061248 | HARNESS WCL LAMP | 1 | |
| 102 | 504013 | TIE MOUNT / 1/4" X 1/4" I.D. | AR | |

| | | |
|---|--------------|------------------|
| From K-0295 | Date:07/2024 | PAGE:VIP-2380-00 |
| W.C.L. "RICON" REMOVABLE - INSTALLATION MODEL "F9TF" | | |

| Item# | Part | Description | QTY | Notes |
|-------|---------|--|-----|-------|
| 103 | 504637 | CABLE TIE / 3/16" x 13" | AR | |
| 104 | 8631155 | CABLE TIE / 4.6MM x 200 / CHRISTMAS TREE | AR | |
| NS | 564534 | CABLE TIE / WITH EDGE CLIP / T50REC5A 10 MM x 200 MM | AR | |
| | | | | |
| | | | | |
| | | A) DO NOT INCLUDED TRANSPORTER JACK L.H. & R.H | | |
| | | P) CALL ORDER DESK FOR SPECIFIC APPLICATION (V.I.N.) | | |

W.C.L. "RICON" REMOVABLE MODEL "F9TF"



DECALS AFFIXED TO VEHICLE

LIFT OPERATING INSTRUCTIONS, ENTRY-32159, EXIT-32160

LIFT OPERATING INSTRUCTIONS, ENTRY AND EXIT, FOR LIFTS WITH A STOP AT INTERMEDIATE HEIGHT ENTRY-32154, EXIT-32155

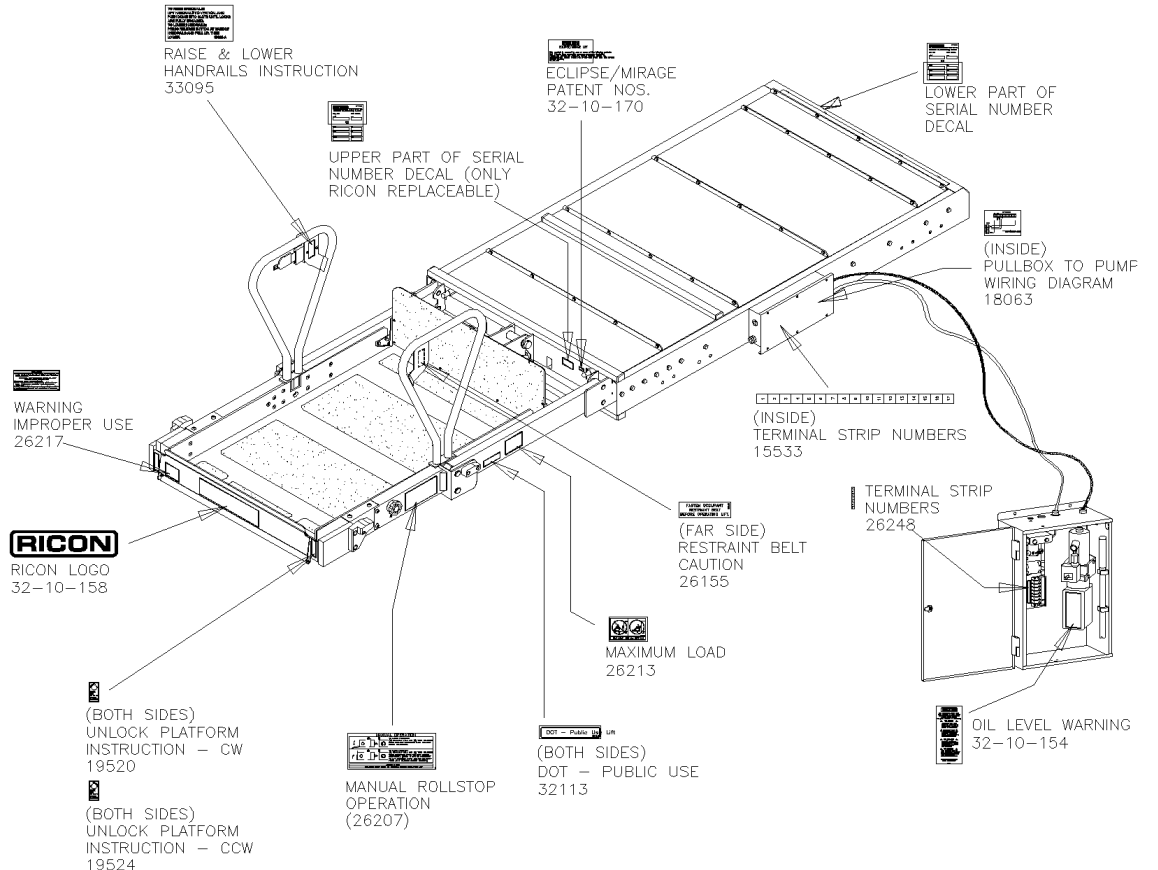
NO PARKING (26119)

MANUAL OPERATING INSTRUCTIONS (19551)

MANUAL OPERATING INSTRUCTIONS - ENGLISH-FRENCH (29254)

PLATFORM STOW HEIGHT (19550)

TWS WARNING (31997)



| | | |
|--|--------------|------------------|
| From K-0295 | Date:07/2024 | PAGE:VIP-2380-05 |
| W.C.L. "RICON" REMOVABLE MODEL "F9TF" | | |

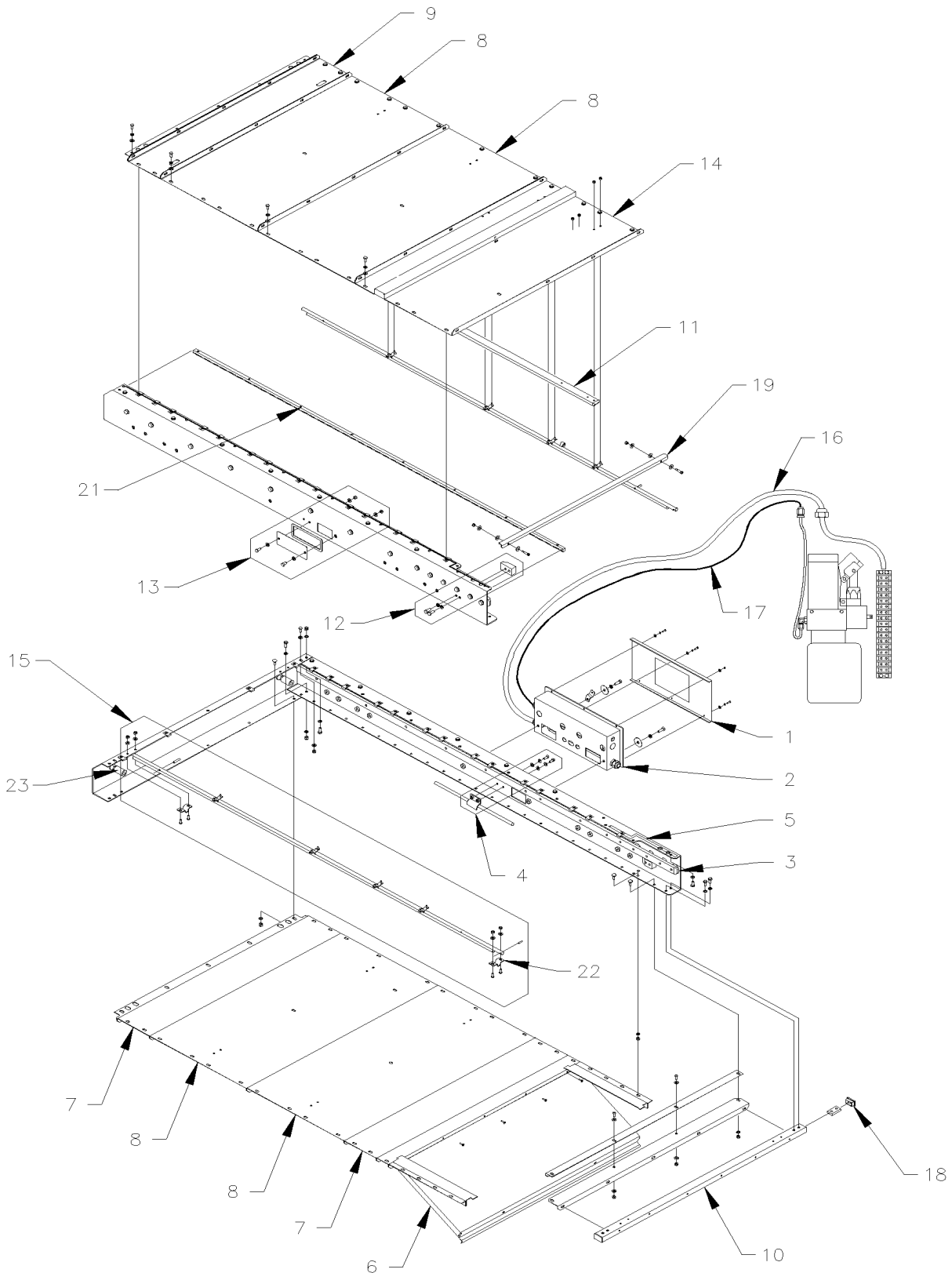
| Item# | Part | Description | QTY | Notes |
|-------|-------------|--|-----|-------|
| | 864809 | W.C.L. "RICON" - F9TF-DE022 | 1 | |
| | 860069 | W.C.L. "RICON" - F9TF-DE033 OPTION | 1 | A |
| 1 | VIP-2380-10 | . W.C.L. "RICON" - LIFT ENCLOSURE ASSY MODEL "F9TF" | | |
| 2 | VIP-2380-20 | . W.C.L. "RICON" - PLATFORM ASSY MODEL "F9TF" | | |
| 3 | VIP-2380-30 | . W.C.L. "RICON" - TRAVELING FRAME ASSY MODEL "F9TF" | | |
| 4 | VIP-2380-40 | . W.C.L. "RICON" - CARRIAGE ASSY MODEL "F9TF" | | |
| 5 | VIP-2380-50 | . W.C.L. "RICON" - BRIDGE PLATE ASSY MODEL "F9TF" | | |
| 6 | VIP-2380-60 | . W.C.L. "RICON" - PUMP INSTALLATION MODEL "F9TF" | | |
| 7 | VIP-2380-65 | . . W.C.L. "RICON" - PUMP ASSY | | |
| 8 | 862986 | PENDANT, W/COILED CORD | 1 | |
| 8 | 862987 | HARNESS PENDANT EXTENSION, PULLBOX TO PENDANT | 1 | |
| 8 | 862988 | HARNESS, TWS INTERFACE, W/PCB | 1 | |
| NS | 862989 | CYCLE COUNTER | 1 | |
| | | | | |
| NS | 864191 | DVD "SAFETY RECALL "RICON" W.C.L. | 1 | |
| NS | 864173 | DECAL "FASTEN BELT" WCL | 1 | |
| NS | 864194 | DECAL "ATTACHEZ LA CEINTURE" WCL | 1 | |
| NS | 19514002 | ROLLSTOP ADJ. TOOL | 1 | |
| NS | 19514003 | BRIDGEPLATE HGT GAUGE TOOL | 1 | |
| | | | | |
| | | | | |
| | | | | |
| | | A) THIS WHEEL CHAIR LIFT HAVE A SENSOR FULLY OPEN DOOR | | |

From K-0295

Date:07/2024

PAGE:VIP-2380-10

W.C.L. "RICON" - LIFT ENCLOSURE ASSY MODEL "F9TF"

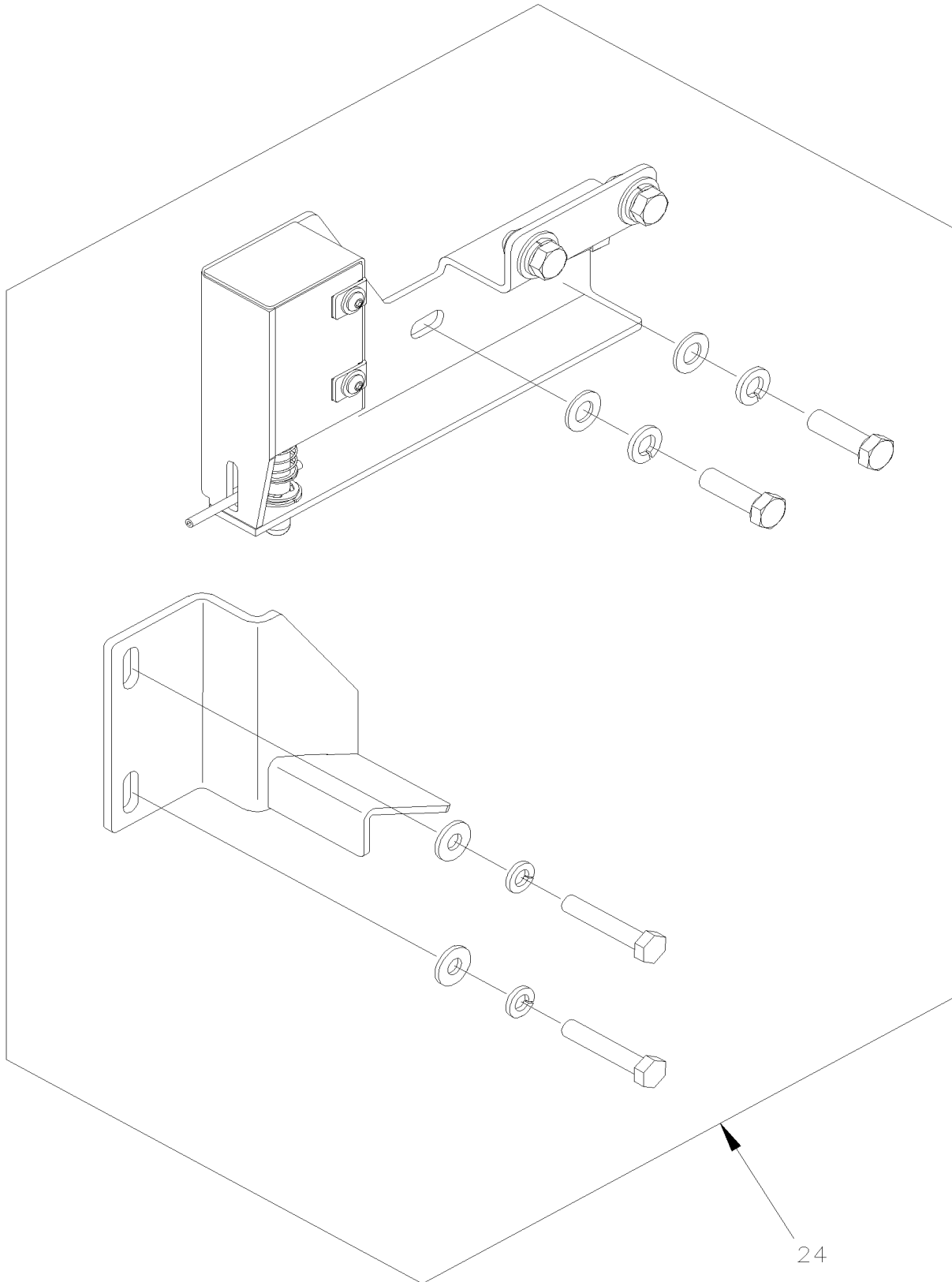


From K-0295

Date:07/2024

PAGE:VIP-2380-10

W.C.L. "RICON" - LIFT ENCLOSURE ASSY MODEL "F9TF"



24

| | | |
|--|--------------|------------------|
| From K-0295 | Date:07/2024 | PAGE:VIP-2380-10 |
| W.C.L. "RICON" - LIFT ENCLOSURE ASSY MODEL "F9TF" | | |

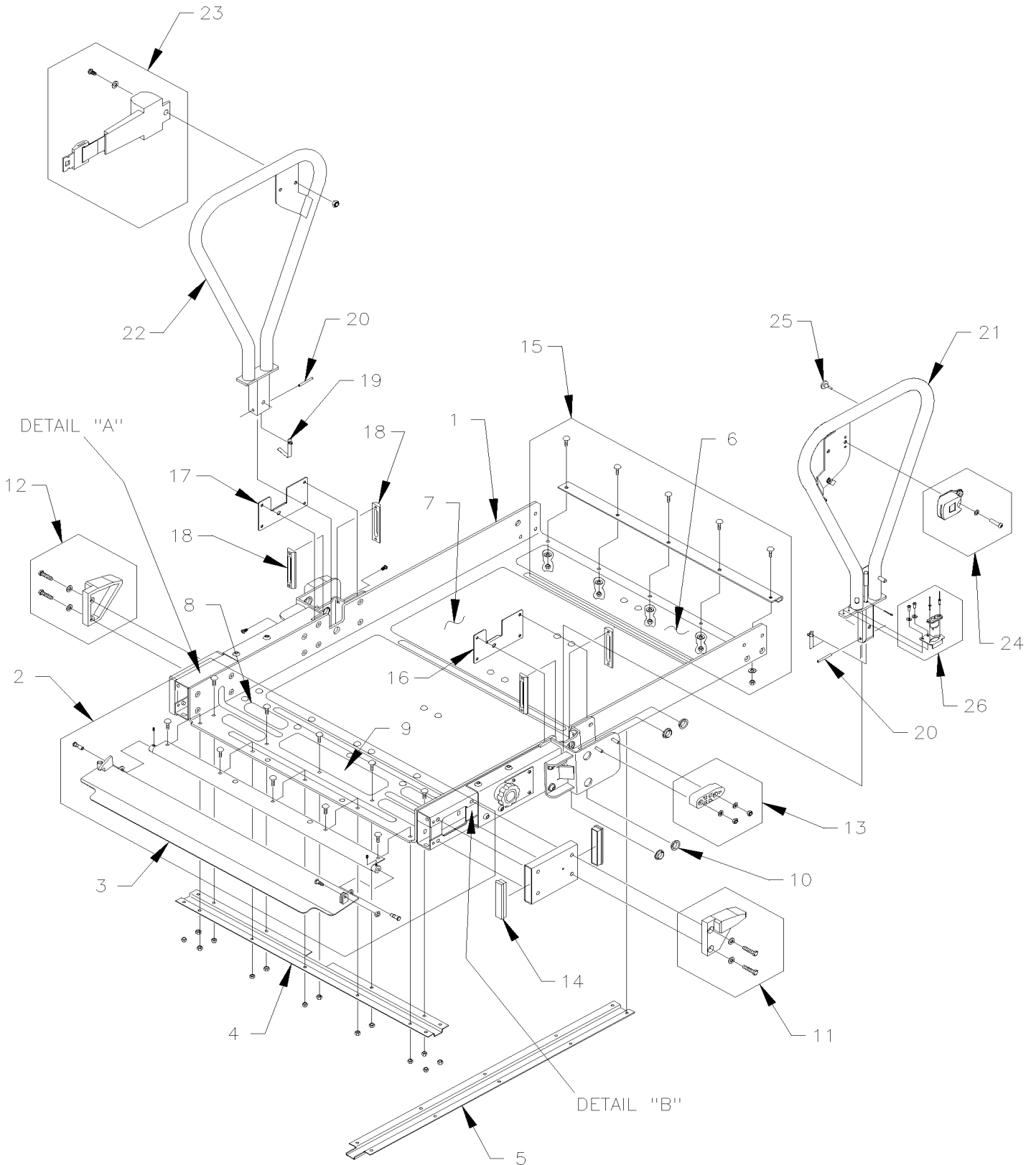
| Item# | Part | Description | QTY | Notes |
|-------|-----------------|--|-----|-------|
| 1 | 862991 | KIT, PULLBOX COVER | 1 | |
| 2 | 862992 | PULLBOX ASSY | 1 | |
| 3 | 862993 | RAIL, GUIDE, CARRIAGE | 2 | |
| 4 | 862994 | KIT, HOSE CLAMP | 1 | |
| 5 | 19509886 | WEATHERSTRIP | 1 | |
| 6 | 862995 | KIT, SERVICE ACCESS PANEL | 1 | |
| 7 | 19509867 | KIT, ENCLOSURE COVER, 6.6" W/HDWR | 2 | |
| 8 | 862997 | KIT, ENCLOSURE COVER, 19.98" | 2 | |
| 9 | 19509868 | KIT, ENCLOSURE COVER, 6.6" W/HDWR | 1 | |
| 10 | 865636 | TUBE, FORWARD CROSSMEMBER | 1 | |
| 11 | 862999 | RAIL, CARRIAGE GUIDE | 1 | |
| 12 | 863000 | KIT, STOP BLOCK | 2 | |
| 13 | 863001 | KIT, BLOCK-OFF PLATE | 1 | |
| 14 | 863002 | KIT, ENCLOSURE COVER, LINKAGE | 1 | |
| 15 | 19509882 | KIT, PLATFORM RELEASE SHAFT / RH | 1 | |
| 15 | 863003 | KIT, PLATFORM RELEASE SHAFT / LH | 1 | |
| 16 | 865637 | HARNESS,STOW POSITION PROGRAMMING SW | 1 | |
| 17 | 863085 | HOSE ASSY 13 3/4" | 1 | |
| 18 | 863004 | PLUG, RECTANGULAR, 1.0 X 1.5, NYLON, BLACK | 4 | |
| 19 | 863005 | TIE BAR, PLATFORM RELEASE SHAFTS | 1 | |
| 21 | 863006 | GEAR RACK | 2 | |
| 22 | 863007 | BRACKET, PLATFORM RELEASE SHAFT | 4 | |
| 23 | 863000 | KIT, STOP BLOCK | 1 | |
| 24 | 865081 | KIT, STOW LOCK | 1 | |
| 24 | 864955 | . SOLENOID / STOW LOCK | 1 | |
| 24 | Call order desk | . BRACKET / STOW LOCK | 1 | P |
| | | | | |
| | | | | |
| | | | | |
| | | | | |
| | | P) CALL ORDER DESK FOR SPECIFIC APPLICATION (V.I.N.) | | |

From K-0295

Date:07/2024

PAGE:VIP-2380-20

W.C.L. "RICON" - PLATFORM ASSY MODEL "F9TF"

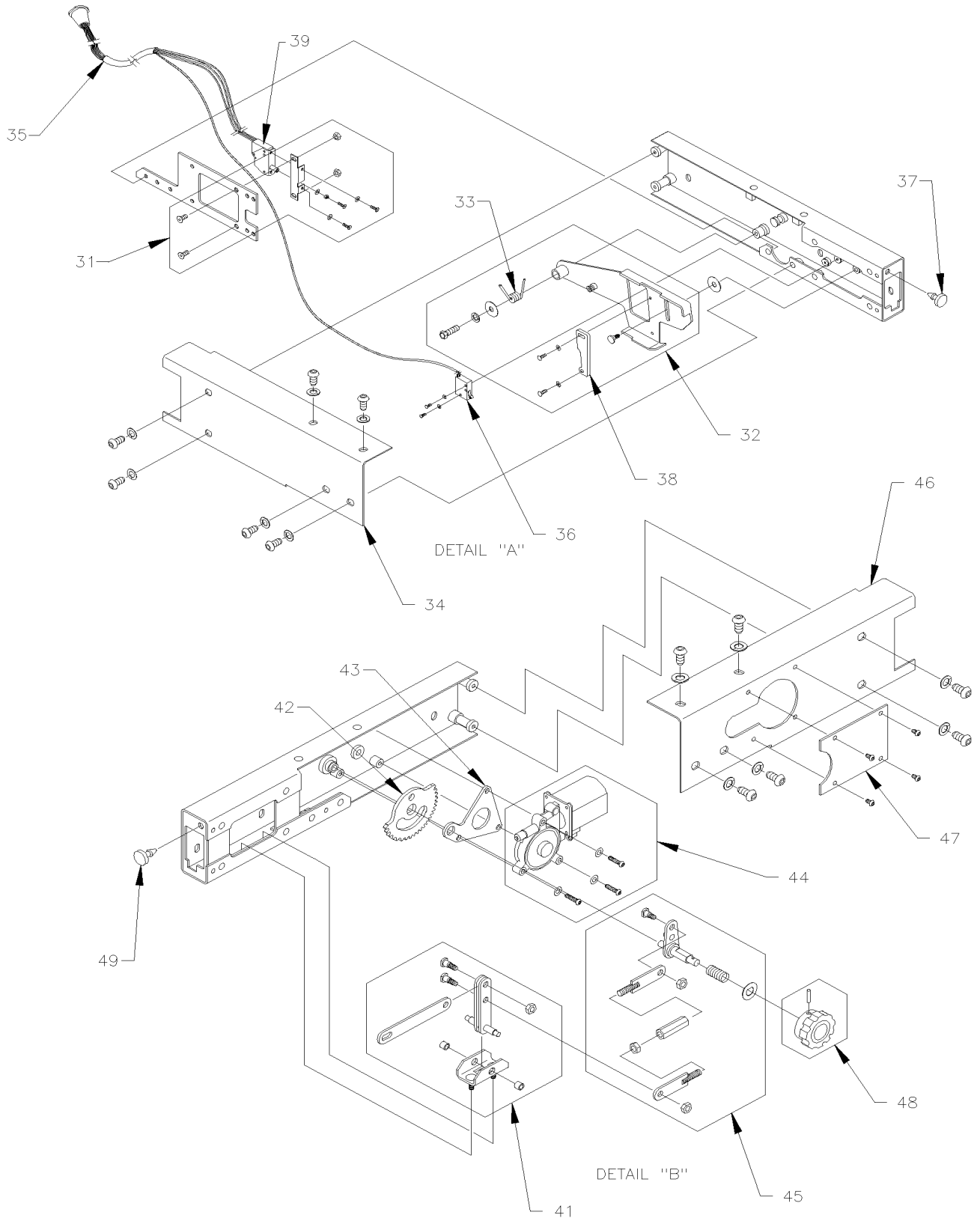


From K-0295

Date:07/2024

PAGE:VIP-2380-20

W.C.L. "RICON" - PLATFORM ASSY MODEL "F9TF"



| | | |
|--|--------------|------------------|
| From K-0295 | Date:07/2024 | PAGE:VIP-2380-20 |
| W.C.L. "RICON" - PLATFORM ASSY MODEL "F9TF" | | |

| Item# | Part | Description | QTY | Notes |
|-------|----------|--|-----|-------|
| 1 | 865627 | PLATFORM | 1 | |
| 2 | 863010 | KIT, ROLLSTOP ASSEMBLY | 1 | |
| 3 | 865634 | ROLLSTOP, PAINTED | 1 | |
| 4 | 865628 | STIFFENER & HARNESS CONDUIT, NOTCHED | 1 | |
| 5 | 865629 | HARNESS CONDUIT, FRONT TO REAR | 1 | |
| 6 | 863014 | SAFETREAD, 3.0 X 31.0, YELLOW | 1 | |
| 7 | 863015 | SAFETREAD, 16.0 X 31.0, GRAY | 1 | |
| 8 | 863016 | SAFETY TREAD / 12.75x3.0 / SAFETY YELLOW | 1 | |
| 9 | 863017 | SAFETY TREAD / 5.5x1.5 / SAFETY YELLOW | 4 | |
| 10 | 863018 | BEARING, FLANGED, 3/4I.D. X 1/4W | 1 | |
| 11 | 862114 | BLOCK / PLAFORM GUIDE / RH | 1 | |
| 12 | 862115 | BLOCK / PLAFORM GUIDE / LH | 1 | |
| 13 | 862113 | STOW GUIDE | 2 | |
| 14 | 863020 | CAP, RECTANGULAR, SNAP-IN | 4 | |
| 15 | 863021 | KIT, STIFFENER, PLATFORM, REAR | 1 | |
| 16 | 860098 | PLATE, PIN LOCK | 1 | |
| 17 | 860098 | PLATE, PIN LOCK | 1 | |
| 18 | 193012 | KIT, BLOCK HANDRAIL GUIDES, LH & RH (2 EACH PER KIT) | 4 | |
| 19 | 863025 | BUTTON, HANDRAIL LOCK | 2 | |
| 20 | 863026 | PIN, HANDRAIL PIVOT | 2 | |
| 21 | 865137 | HANDRAIL ASSY LH | 1 | |
| 22 | 865136 | HANDRAIL ASSY RH | 1 | |
| 23 | 864774 | KIT, SAFETY BELT W/RETRACTOR | 1 | |
| 23 | 863028 | KIT, SAFETY BELT W/RETRACTOR | 1 | O |
| 24 | 864775 | KIT, SAFETY BELT BUCKLE ASSEMBLY | 1 | |
| 24 | 863029 | KIT, SAFETY BELT BUCKLE ASSEMBLY | 1 | O |
| 24 | 7775207 | KIT, SAFETY BELT BUCKLE ASSEMBLY WITH DETECTOR | 1 | |
| 25 | 865632 | BUMPER, RUBBER, (BAG OF 10) | 1 | |
| 26 | 865633 | KIT, CONTACT CONNECTOR, HAND RAIL ASSY | 1 | |
| 26 | 19514004 | LIFT RAIL PIN PROTECTOR BRACKETS | 1 | |
| | | | | |
| 31 | 863036 | KIT, MOUNTING BRACKET, LIMIT SWITCH | 1 | |
| 32 | 863037 | KIT, ACTUATOR FOOT ASSY | 1 | |
| 33 | 862121 | SPRING / LH / ROLLSTOP ACTUATOR RETURN | 1 | |
| 34 | 863038 | COVER, ROLLSTOP, LH | 1 | |
| 35 | 863039 | HARNESS, W/TWO ROLLSTOP SWITCHES | 1 | |
| . NS | 865043 | . ROLLSTOP PLUNGER | 1 | |
| 36 | 863040 | SWITCH LIMIT, W/LEADS | 1 | |
| 37 | 862120 | BUMPER / RUBBER 1.000 O.D. x .13THK | 1 | |
| 38 | 863041 | PLATE, ACTUATOR, SWITCH | 1 | |
| 39 | 864026 | PLUNGER SWITCH / SEALED / TAPPED 6-32 | 1 | |
| | | | | |

| | | |
|--|--------------|------------------|
| From K-0295 | Date:07/2024 | PAGE:VIP-2380-20 |
| W.C.L. "RICON" - PLATFORM ASSY MODEL "F9TF" | | |

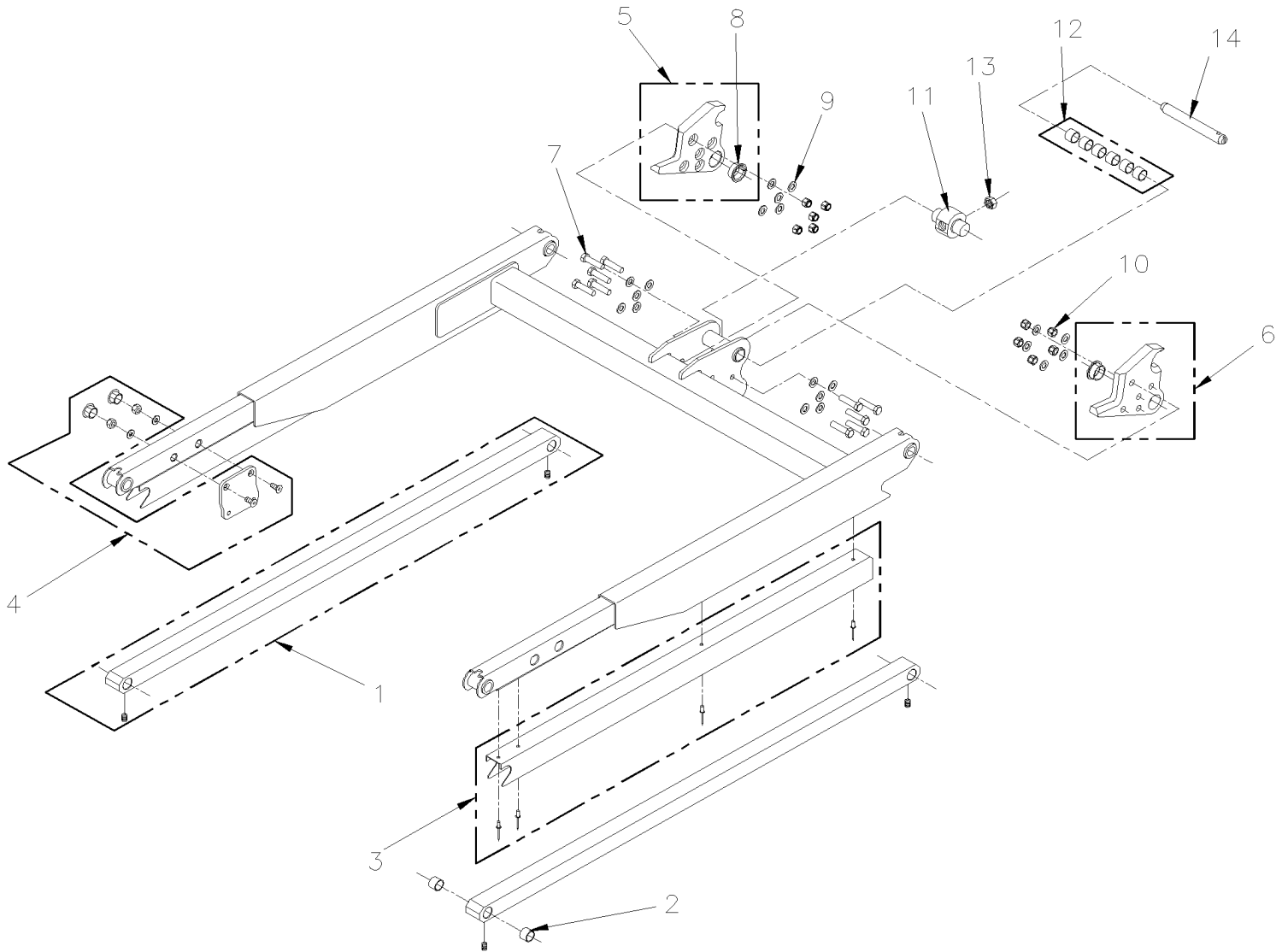
| Item# | Part | Description | QTY | Notes |
|-------|----------|---|-----|-------|
| 41 | 863031 | KIT, ROLLSTOP LINKAGE | 1 | |
| 42 | 19507731 | KIT, ROLLSTOP GEAR | 1 | |
| 43 | 863032 | KIT, GEAR MOTOR MTG PLATE | 1 | |
| 44 | 862117 | KIT MOTOR, 24V W/HARDAWARE | 1 | |
| 45 | 868153 | KIT, GEAR LINKAGE | 1 | |
| 46 | 863034 | COVER, ROLLSTOP, RH | 1 | |
| 47 | 863035 | COVER PLATE, MANUAL RELEASE | 1 | |
| 48 | 862210 | KNOB KIT | 1 | |
| 49 | 862120 | BUMPER / RUBBER 1.000 O.D. x .13THK | 1 | |
| | | | | |
| | | | | |
| | | | | |
| | | O) USE WITH ORELEAN OPTION WITH WCL #860069 | | |

From K-0295

Date:07/2024

PAGE:VIP-2380-30

W.C.L. "RICON" - TRAVELING FRAME ASSY MODEL "F9TF"



| | | |
|---|--------------|------------------|
| From K-0295 | Date:07/2024 | PAGE:VIP-2380-30 |
| W.C.L. "RICON" - TRAVELING FRAME ASSY MODEL "F9TF" | | |

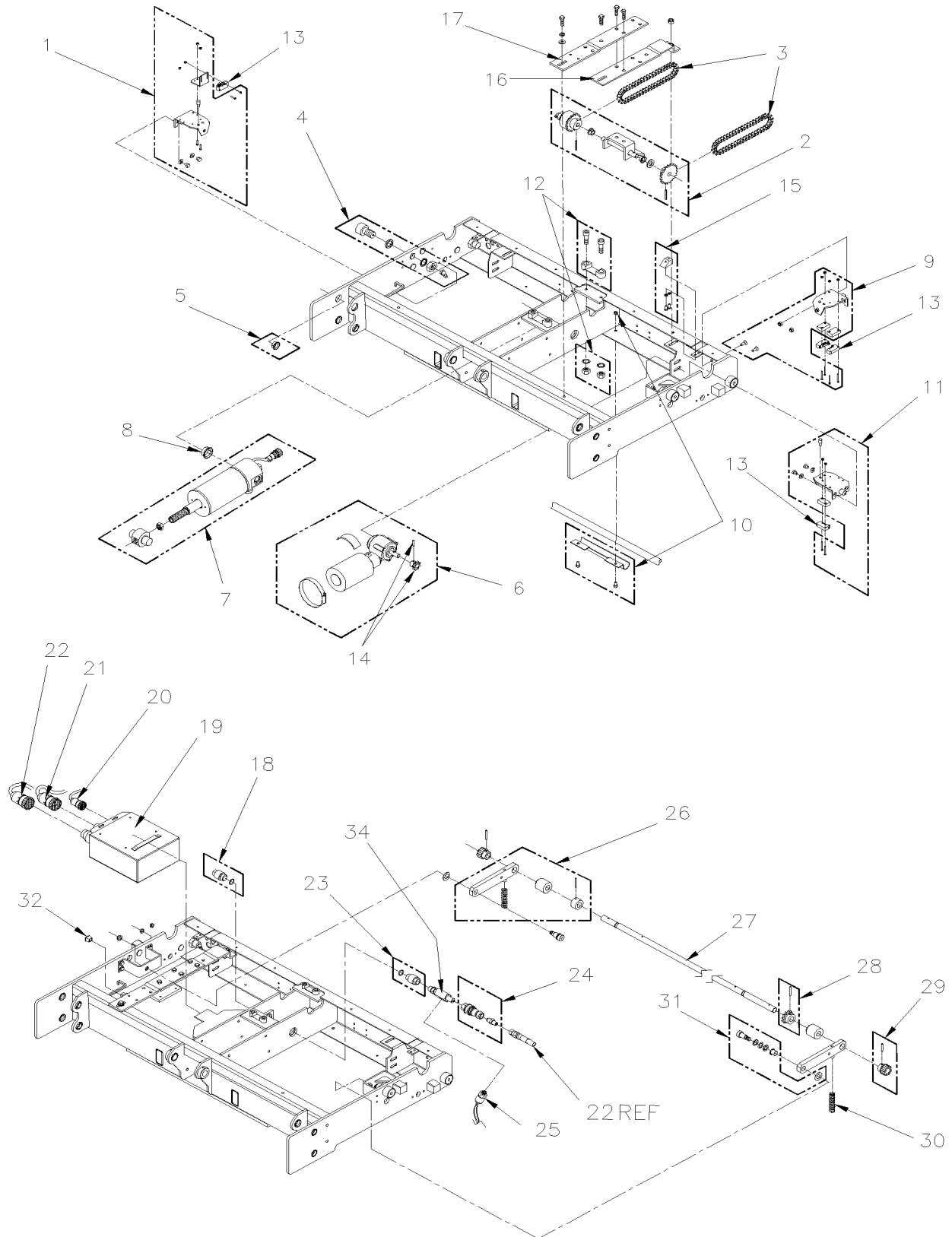
| Item# | Part | Description | QTY | Notes |
|-------|--------|--|-----|-------|
| 1 | 863042 | KIT, LOWER ARM | 2 | |
| 2 | 863043 | BUSHING, .880.D. X .75I.D. X .38 | 4 | |
| 3 | 863044 | KIT, COVER, LOWER ARM | 2 | |
| 4 | 863045 | KIT, PLATE, BRIDGEPLATE ACTUATOR | 2 | |
| 5 | 863046 | PLATE ASSY, CLEVIS REINFORCEMENT, LH | 1 | |
| 6 | 863047 | PLATE ASSY, CLEVIS REINFORCEMENT, RH | 1 | |
| 7 | 863048 | SCREW CAP HEX 3/8-16x1 1/2 SS | 1 | |
| 8 | 863049 | BEARING, FLANGED, 1.00 I.D. X .75W | 2 | |
| 9 | 863050 | WASHER FL .40x.75x.06 SS | 2 | |
| 10 | 863051 | NUT, ESN, 3/8-16, SS | 1 | |
| 11 | 863052 | TRUNNION, SOLID PIN | 1 | |
| 12 | 863053 | KIT, BEARING, .75I.D. X .875O.D. X .63 | 1 | |
| 13 | 863054 | NUT, JAM, 3/4-16 | 1 | |
| 14 | 863055 | PIN, .75D X 6.0L | 1 | |

From K-0295

Date:07/2024

PAGE:VIP-2380-40

W.C.L. "RICON" - CARRIAGE ASSY MODEL "F9TF"



| | | | |
|--|--|--------------|------------------|
| From K-0295 | | Date:07/2024 | PAGE:VIP-2380-40 |
| W.C.L. "RICON" - CARRIAGE ASSY MODEL "F9TF" | | | |

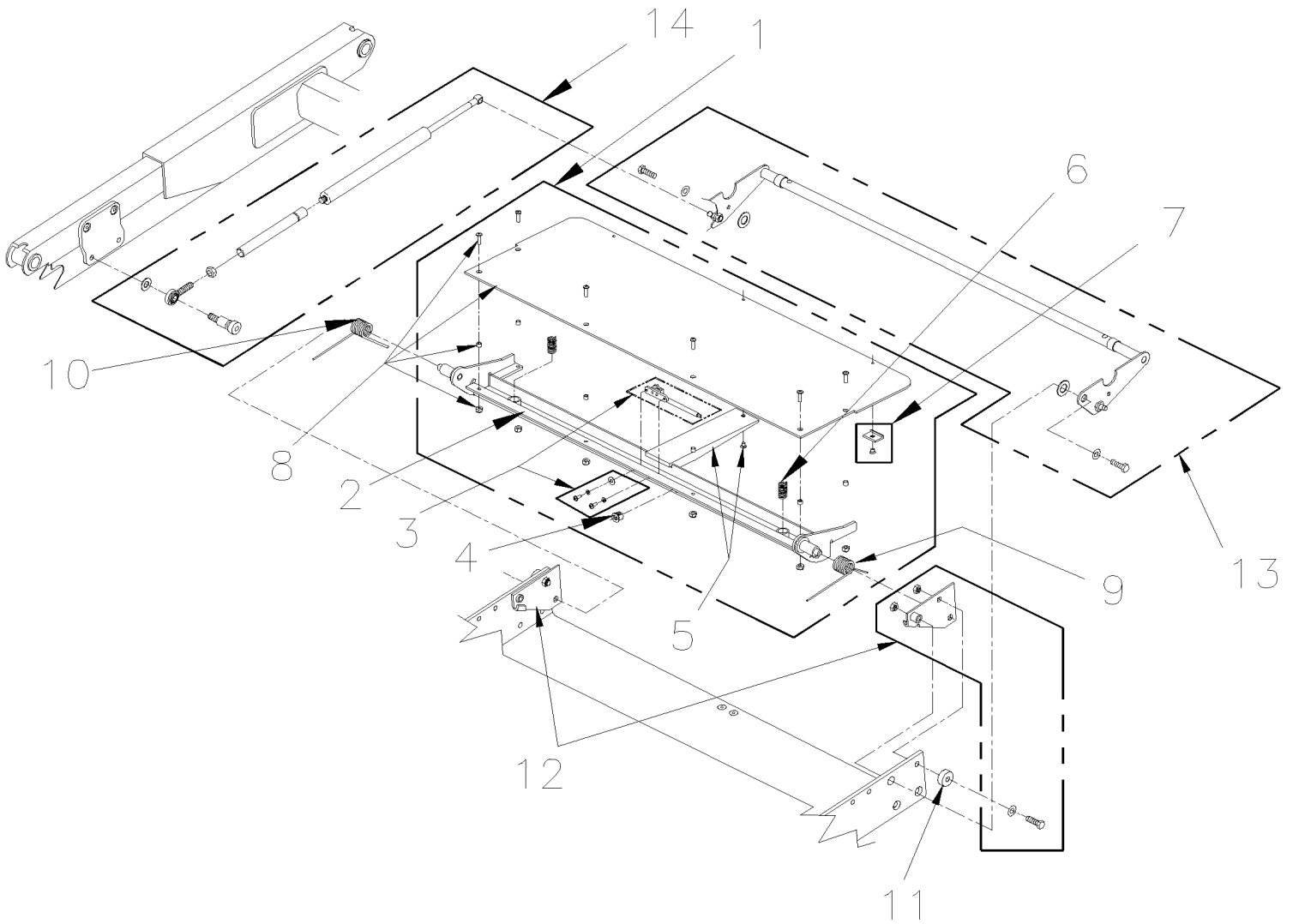
| Item# | Part | Description | QTY | Notes |
|-------|----------|--|-----|-------|
| 1 | 863056 | KIT, PLATFORM RELEASE SWITCH BRACKET | 1 | |
| 2 | 863057 | KIT, INTERMEDIATE SHAFT ASSY | 1 | |
| 3 | 863058 | DRIVE CHAIN | 2 | |
| 4 | 863059 | KIT, CARRIAGE ROLLER, 1 1/4 O.D. | 4 | |
| 5 | 863128 | BEARING | 1 | |
| 6 | 863060 | KIT, GEAR MOTOR ASSY, 24V | 1 | |
| 7 | 863061 | HYDRAULIC CYLINDER ASSEMBLY | 1 | |
| 8 | 863062 | FLANGED BEARING, 1" I.D.B20 | 1 | |
| 9 | 863063 | KIT, STOW SWITCH BRACKET | 1 | |
| 10 | 863064 | KIT, HARNESS CLAMP | 1 | |
| 11 | 863065 | KIT, DEPLOY SWITCH BRACKET | 1 | |
| 12 | N8892390 | KIT, GUIDE BLOCKS CARRIAGE | 1 | |
| 13 | 863129 | LIMIT SWITCH | 4 | |
| 14 | 863066 | KIT, SPROCKET, 8T | 1 | |
| 15 | 863067 | KIT, MANUAL RELEASE RESET RAMP | 2 | |
| 16 | 863068 | BRACKET, IDLER SHAFT, REAR | 1 | |
| 17 | 863069 | BRACKET, IDLER SHAFT, FRONT | 1 | |
| 18 | 863070 | KIT, PIVOT CAP, HYDRAULIC CYLINDER | 1 | |
| 19 | 19506358 | CONTROL BOX 24V W/SOFTWARE | 1 | |
| 19 | 865199 | CONTROL BOX 24V W/SOFTWARE | 1 | O |
| 20 | 863071 | HARNESS, ELECTRICAL, HYDRAULIC CYLINDER | 1 | |
| 21 | 863072 | HARNESS, ELECTRICAL, CARRIAGE | 1 | |
| 22 | 863073 | HARNESS, ELECTRICAL, MAIN, W/HYDRAULIC LINE | 1 | |
| 23 | 863074 | KIT, PIVOT FITTING, HYDRAULIC CYLINDER | 1 | |
| 24 | 863076 | KIT, QUICK DISCONNECT FITTING | 1 | |
| 25 | 863077 | KIT, PRESSURE SWITCH, W/ELECTRICAL TERMINALS | 1 | |
| 26 | 863078 | KIT, DRIVESHAFT LINK ASSY | 2 | |
| 27 | 863079 | DRIVESHAFT, FINAL | 1 | |
| 28 | 863080 | KIT, SPROCKET, 12 TEETH | 1 | |
| 29 | 863081 | KIT, PINION GEAR, 18 TEETH | 2 | |
| 30 | 863082 | SPRING, COM, .6090.D. X 2.53 | 2 | |
| 31 | 863083 | KIT, BUSHING ASSY, DRIVESHAFT LINK | 2 | |
| 32 | 863084 | DUST CAP, CONTROLLER PROGRAMMING CONNECTOR | 1 | |
| 34 | 866059 | MANIFOLD, HYD, PRESSURE SWITCH (PACKAGED) | 1 | |
| | | | | |
| | | | | |
| | | | | |
| | | | | |
| | | O) USE WITH ORELEAN OPTION WITH WCL #860069 | | |

From K-0295

Date:07/2024

PAGE:VIP-2380-50

W.C.L. "RICON" - BRIDGE PLATE ASSY MODEL "F9TF"



| | | |
|--|--------------|------------------|
| From K-0295 | Date:07/2024 | PAGE:VIP-2380-50 |
| W.C.L. "RICON" - BRIDGE PLATE ASSY MODEL "F9TF" | | |

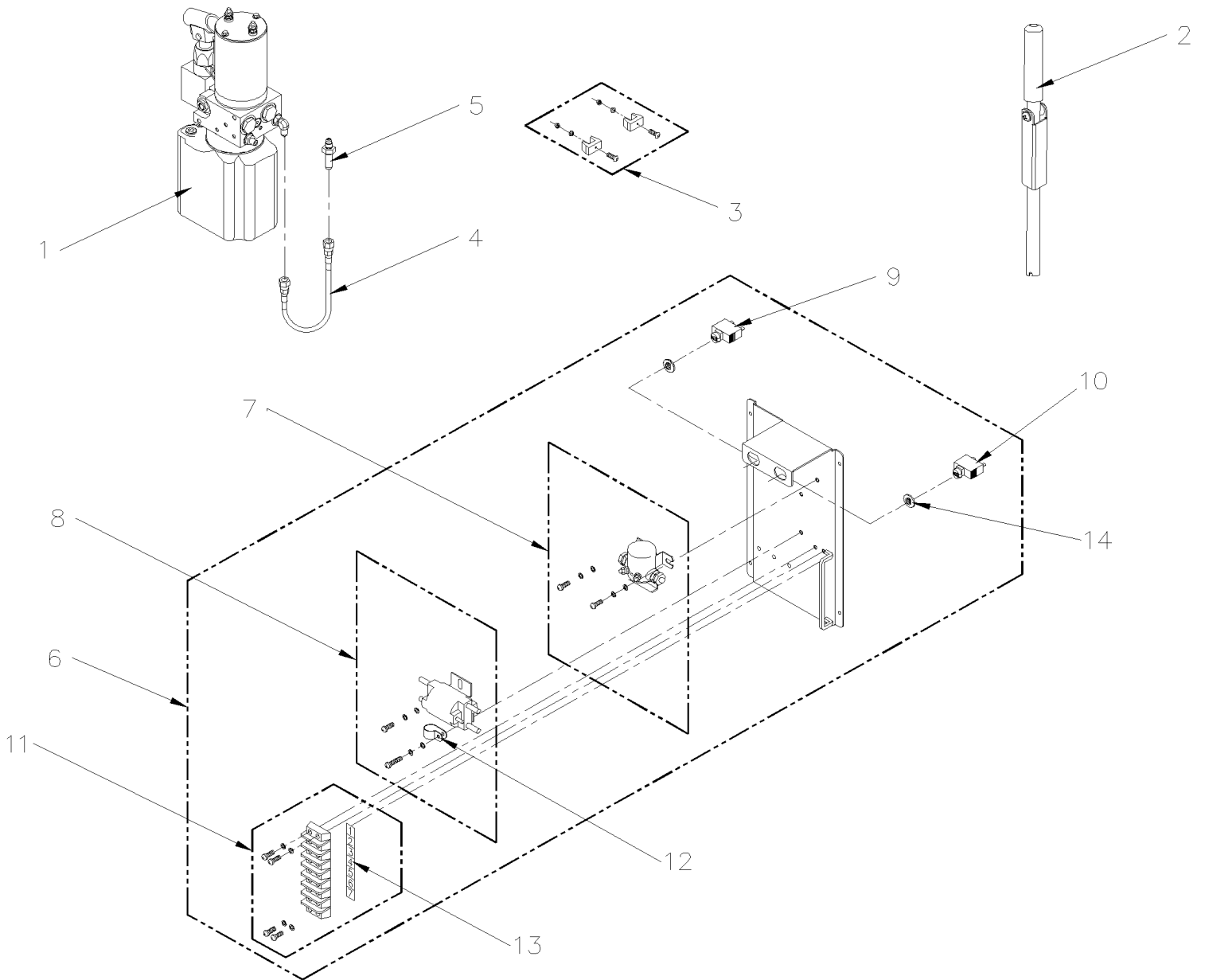
| Item# | Part | Description | QTY | Notes |
|-------|--------|--|-----|-------|
| 1 | 863097 | BRIDGEPLATE ASSEMBLY 9" | 1 | |
| 1 | 865626 | BRIDGEPLATE ASSEMBLY 11" | 1 | A |
| 2 | 860228 | FRAME, BRIDGEPLATE | 1 | |
| 3 | 863099 | KIT, SWITCH ASSEMBLY | 1 | |
| 4 | 863100 | BUSHING, SNAP-IN, 1/2 | 1 | |
| 5 | 863101 | KIT, GUIDE, BRIDGEPLATE, W/SCREW | 1 | |
| 6 | 863102 | SPRING, COMP. SST, .48OD X .75L | 2 | |
| 7 | 863103 | SKID, BRIDGEPLATE BRACKET | 2 | |
| 8 | 863104 | KIT, PLATE, BRIDGEPLATE | 1 | |
| 9 | 863105 | SPRING, BRIDGEPLATE RETURN, RH | 1 | |
| 10 | 863106 | SPRING, BRIDGEPLATE RETURN, LH | 1 | |
| 11 | 863107 | BUSHING .75x.32x.38 | 1 | |
| 12 | 863108 | KIT, MOUNTING BRACKETS, LH AND RH | 1 | |
| 13 | 863109 | KIT, STIRRUP ASSEMBLY | 1 | |
| 14 | 863110 | KIT, ACTUATOR ROD ASSEMBLY, BRIDGEPLATE | 2 | |
| | | | | |
| | | | | |
| | | | | |
| | | A) USE WITH WHEEL CHAIRE LIFT F9TF-DE019 | | |

From K-0295

Date:07/2024

PAGE:VIP-2380-60

W.C.L. "RICON" - PUMP INSTALLATION MODEL "F9TF"



| | | |
|-------------|--------------|------------------|
| From K-0295 | Date:07/2024 | PAGE:VIP-2380-60 |
|-------------|--------------|------------------|

W.C.L. "RICON" - PUMP INSTALLATION MODEL "F9TF"

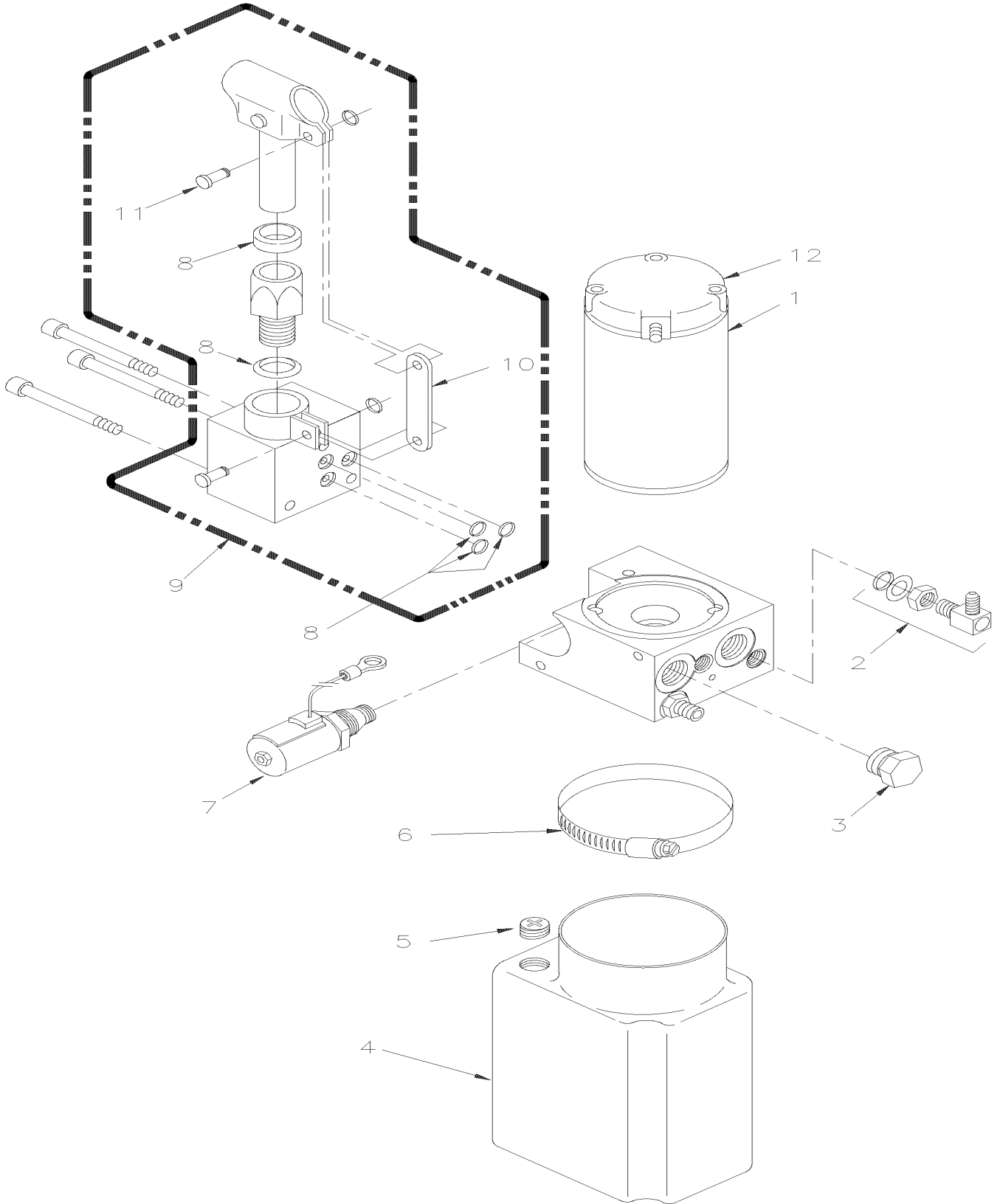
| Item# | Part | Description | QTY | Notes |
|-------|-------------|---------------------------------|-----|-------|
| 1 | VIP-2380-65 | W.C.L. "RICON" - PUMP ASSY | | |
| 2 | 464678 | HANDLE-MANUAL BACKUP PUMP | 1 | |
| 3 | 868251 | TOOL CLIP | 1 | |
| 4 | 19509909 | HOSE ASSY 1/4JIC x 11" | 1 | |
| 5 | 863086 | FITTING, BUN, 1/4J, 2.08L | 1 | |
| 6 | 563370 | POWER PLATE ASSY "RICON" | 1 | |
| 6 | 863087 | KIT, SOLENOID PLATE ASSY, 24VDC | 1 | |
| 7 | 862100 | SOLENOID / SP 24V | 1 | |
| 8 | 862101 | SOLENOID-24V DP LARGE | 1 | |
| 9 | 862102 | CIRCUIT BREAKER / 8AMP | 1 | |
| 10 | 862103 | CIRCUIT BREAKER / 30AMPS | 1 | |
| 11 | 863088 | KIT, TERMINAL STRIP | 1 | |
| 12 | 863089 | CLAMP, NYLON, 3/8" BLACK | 1 | |
| 13 | 863090 | DECAL "TERMINAL STRIP NUMBERS" | 1 | |
| 14 | 863091 | ADAPTOR .625 D-HOLE | 1 | |

From K-0295

Date:07/2024

PAGE:VIP-2380-65

W.C.L. "RICON" - PUMP ASSY



| | | |
|-----------------------------------|--------------|------------------|
| From K-0295 | Date:07/2024 | PAGE:VIP-2380-65 |
| W.C.L. "RICON" - PUMP ASSY | | |

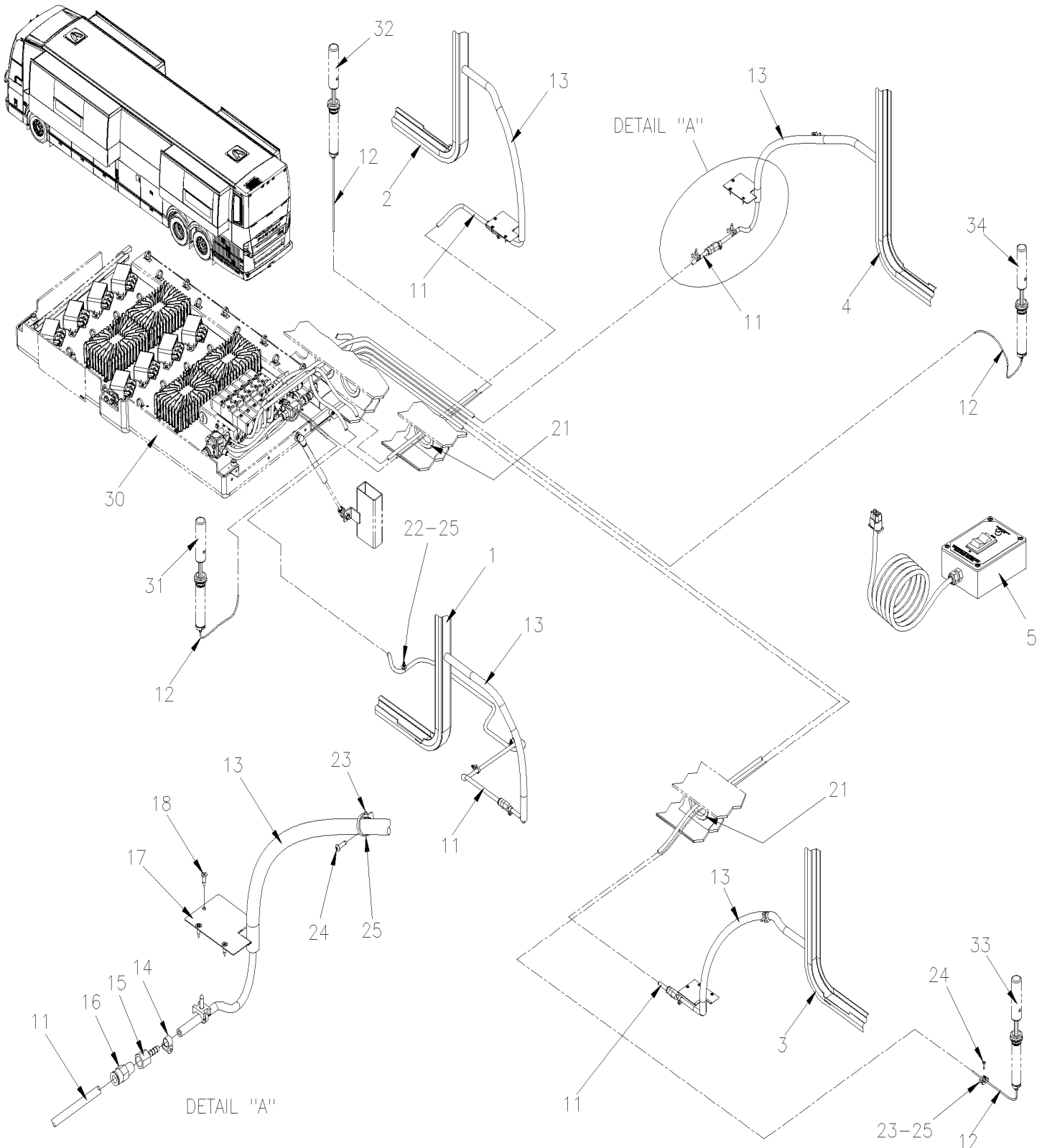
| Item# | Part | Description | QTY | Notes |
|-------|--------|---|-----|-------|
| | 863112 | PUMP ASSY 2.0 KPSI / 24V | 1 | |
| 1 | 862104 | . MOTOR ASSY. / 24V 3" MONARCCH PUMP | 1 | |
| 2 | 868147 | . FITTING / "L" 1/4 SAE O-RING BOSS 1/4 JIC | 1 | |
| 3 | 860122 | . PLUG / 3/4-16 CAVITY / W/O-RING | 2 | |
| 4 | 863092 | . RESERVOIR / RICON POWER UNIT / PLASTIC | 1 | |
| 5 | 863095 | . PLUG, BREATHER, RESERVOIR | 1 | |
| 5 | 865625 | . WASHER, RUBBER 1"O.D.x5/8"I.D.x1/8" | 1 | |
| 6 | 863096 | . CLAMP, RESERVOIR | 1 | |
| 7 | 862106 | . HYD. POPPET VALVE ASSY. / 24V DELTROL | 1 | |
| 8 | 862107 | . SEAL KIT / MANUAL BACK-UP PUMP | 1 | |
| 9 | 863093 | . BACK-UP PUMP ASSY, MANUAL W/O HANDLE | 1 | |
| 10 | 868253 | . BRACKET / TENSION LINK / MANARCH PUMP | 1 | |
| 11 | 868254 | . PIN & RETAINING RING-BACKUP PUMP | 2 | |
| 12 | 862108 | . KIT / PUMP MOTOR BRUSH SET | 1 | |
| NS | 685682 | . OIL HYDRAULIC W.C.L. (19 LITERS) | 1 | |

From K-0295 To P-1347

Date:07/2024

PAGE:VIP-2390-00

"SLIDE-OUT" INFLATED SEAL



| | | |
|----------------------------------|---------------------|-------------------------|
| From K-0295 To P-1347 | Date:07/2024 | PAGE:VIP-2390-00 |
| "SLIDE-OUT" INFLATED SEAL | | |

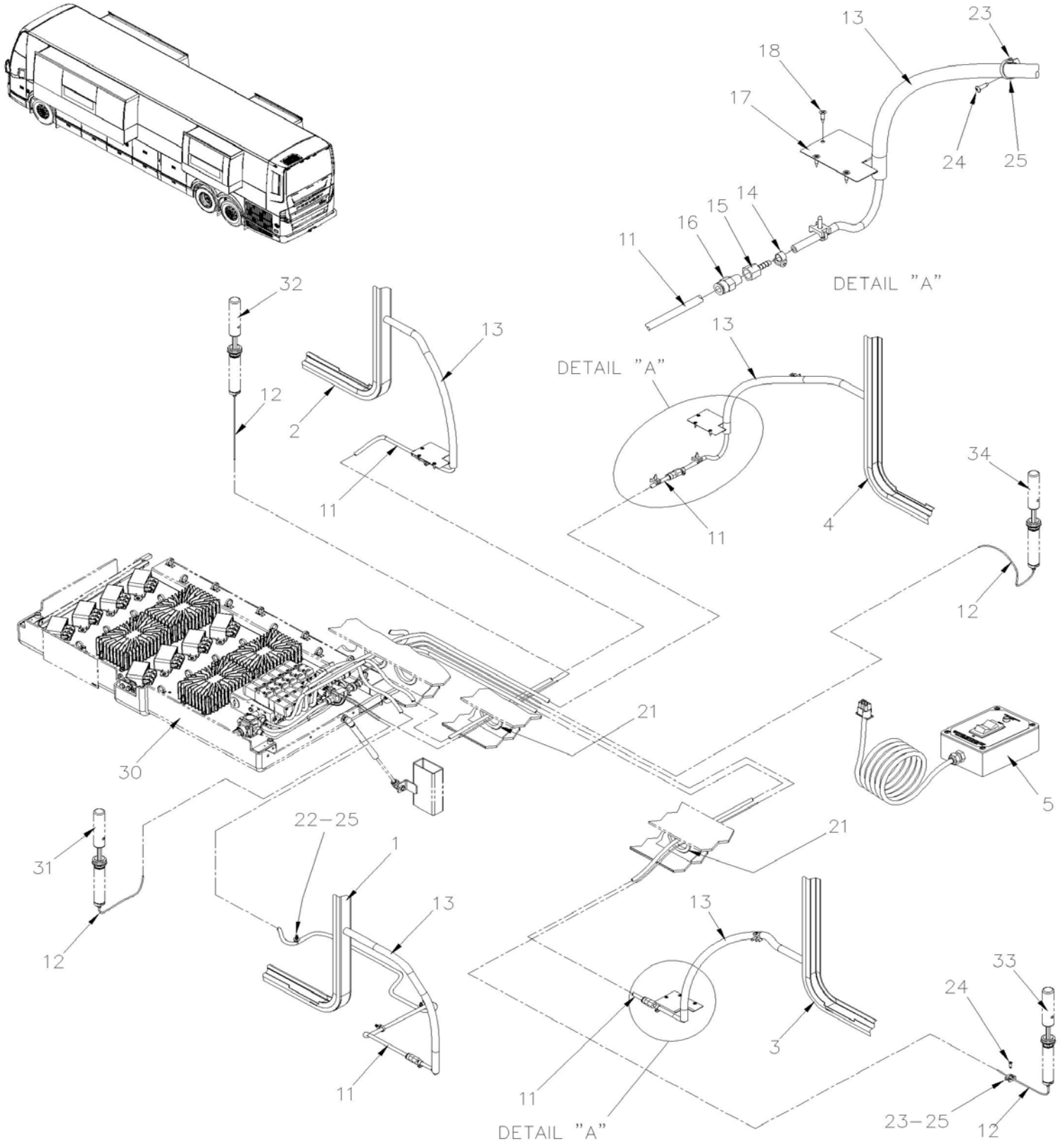
| Item# | Part | Description | QTY | Notes |
|-------|----------|---|-----|-------|
| 1 | 479742 | SEAL INSTALLATION / FRONT / "VIP" / W/14' STREET 4464MM x 1971MM To M-1126 | 1 | A |
| . NS | 470499 | . SEAL, BASE FRONT / "VIP" / W/14' STREET 4464MM x 1971MM / 300MM To M-1126 | 1 | A |
| . NS | 4705158 | . SEAL, INFLATABLE FRONT / "VIP" / W/14' STREET 4464MM x 1971MM / 300MM To M-1126 | 1 | A |
| . NS | IS-16078 | . SEE INSTRUCTION SHEET To M-1126 | 1 | A |
| . NS | FI-16078 | . VOIR FEUILLE D'INSTRUCTION To M-1126 | 1 | A |
| 1 | 470500 | SEAL, INFLATABLE FRONT / "VIP" / W/14' STREET 4464MM x 1971MM / 300MM From M-1127 | 1 | |
| 1 | 4705158 | SEAL, INFLATABLE FRONT / "VIP" / W/14' STREET 4464MM x 1971MM / 300MM From M-1127 | 1 | S |
| 1 | 479726 | SEAL, BASE FRONT / "VIP" / W/14' STREET 4464MM x 1971MM / 300MM From M-1127 | 1 | |
| | | | | |
| 2 | 470541 | SEAL, INFLATABLE FRONT / "VIP" / W/12' CURB 3905MM x 2041MM / 370MM | 1 | |
| 2 | 4705159 | SEAL, INFLATABLE FRONT / "VIP" / W/12' CURB 3905MM x 2041MM / 370MM | 1 | S |
| 2 | 470540 | SEAL, BASE FRONT / "VIP" / W/12' CURB 3905MM x 2041MM / 370MM To M-1126 | 1 | |
| 2 | 478693 | SEAL, BASE FRONT / "VIP" / W/12' CURB 3905MM x 2041MM / 370MM From M-1127 | 1 | |
| | | | | |
| 3 | 479739 | SEAL INSTALLATION / REAR / "VIP" / W/7' STREET 2231MM x 1673MM To M-1126 | 1 | A |
| . NS | 470592 | . SEAL, BASE REAR / "VIP" / W/7' STREET 2231MM x 1673MM / 115MM To M-1126 | 1 | A |
| . NS | 470593 | . SEAL, INFLATABLE REAR / "VIP" / W/7' STREET 2231MM x 1673MM / 115MM To M-1126 | 1 | A |
| . NS | IS-16078 | . SEE INSTRUCTION SHEET To M-1126 | 1 | A |
| 3 | 470593 | SEAL, INFLATABLE REAR / "VIP" / W/7' STREET 2231MM x 1673MM / 115MM From M-1127 | 1 | |
| 3 | 4705161 | SEAL, INFLATABLE REAR / "VIP" / W/7' STREET 2231MM x 1673MM / 115MM From M-1127 | 1 | S |
| 3 | 479722 | SEAL, BASE REAR / "VIP" / W/7' STREET 2231MM x 1673MM / 115MM From M-1127 | 1 | |
| 3 | 479740 | SEAL INSTALLATION / REAR / "VIP" / W/10' STREET 3347MM x 1673MM To M-1126 | 1 | A |
| . NS | 470586 | . SEAL, BASE REAR / "VIP" / W/10' STREET 3347MM x 1673MM / 115MM To M-1126 | 1 | A |
| . NS | 470587 | . SEAL, INFLATABLE REAR / "VIP" / W/10' STREET 3347MM x 1673MM / 115MM To M-1126 | 1 | A |
| . NS | IS-16078 | . SEE INSTRUCTION SHEET To M-1126 | 1 | A |
| . NS | FI-16078 | . VOIR FEUILLE D'INSTRUCTION To M-1126 | 1 | A |
| 3 | 470587 | SEAL, INFLATABLE REAR / "VIP" / W/10' STREET 3347MM x 1673MM / 115MM From M-1127 | 1 | |
| 3 | 4705160 | SEAL, INFLATABLE REAR / "VIP" / W/10' STREET 3347MM x 1673MM / 115MM From M-1127 | 1 | S |
| 3 | 479725 | SEAL, BASE REAR / "VIP" / W/10' STREET 3347MM x 1673MM / 115MM From M-1127 | 1 | |
| | | | | |
| 4 | 479737 | SEAL INSTALLATION / REAR / "VIP" / W/7' CURB 2331MM x 1971MM To M-1126 | 1 | A |
| . NS | 470596 | . SEAL, BASE REAR / "VIP" / W/7' CURB 2331MM x 1971MM / 300MM To M-1126 | 1 | A |
| . NS | 470597 | . SEAL, INFLATABLE REAR / "VIP" / W/7' CURB 2331MM x 1971MM / 300MM To M-1126 | 1 | A |
| . NS | IS-16078 | . SEE INSTRUCTION SHEET To M-1126 | 1 | A |
| . NS | FI-16078 | . VOIR FEUILLE D'INSTRUCTION To M-1126 | 1 | A |
| 4 | 470597 | SEAL, INFLATABLE REAR / "VIP" / W/7' CURB 2331MM x 1971MM / 300MM From M-1127 | 1 | |
| 4 | 4705163 | SEAL, INFLATABLE REAR / "VIP" / W/7' CURB 2331MM x 1971MM / 300MM From M-1127 | 1 | S |
| 4 | 479724 | SEAL, BASE REAR / "VIP" / W/7' CURB 2331MM x 1971MM / 300MM From M-1127 | 1 | |
| 4 | 479738 | SEAL INSTALLATION / REAR / "VIP" / W/10' CURB 3347MM x 1971MM To M-1126 | 1 | A |
| . NS | 470594 | . SEAL, BASE REAR / "VIP" / W/10' CURB 3347MM x 1971MM / 300MM To M-1126 | 1 | A |
| . NS | 470595 | . SEAL, INFLATABLE REAR / "VIP" / W/10' CURB 3347MM x 1971MM / 300MM To M-1126 | 1 | A |
| . NS | IS-16078 | . SEE INSTRUCTION SHEET To M-1126 | 1 | A |

| | | |
|----------------------------------|--------------|------------------|
| From K-0295 To P-1347 | Date:07/2024 | PAGE:VIP-2390-00 |
| "SLIDE-OUT" INFLATED SEAL | | |

| Item# | Part | Description | QTY | Notes |
|-------|--------------------|--|-----|-------|
| . NS | FI-16078 | . VOIR FEUILLE D'INSTRUCTION To M-1126 | 1 | A |
| 4 | 470595 | SEAL, INFLATABLE REAR / "VIP" / W/10' CURB 3347MM x 1971MM / 300MM From M-1127 | 1 | |
| 4 | 4705162 | SEAL, INFLATABLE REAR / "VIP" / W/10' CURB 3347MM x 1971MM / 300MM From M-1127 | 1 | S |
| 4 | 479723 | SEAL, BASE REAR / "VIP" / W/10' CURB 3347MM x 1971MM / 300MM From M-1127 | 1 | |
| 5 | 382048 | REMOTE CONTROL / SINGLE SLIDE-OUT | 1 | |
| . NS | 563380 | . SWITCH / M/ON-OFF-M/ON S P.D.T BLACK | 1 | |
| . NS | 564421 | . PILOT LIGHT GREEN / LED 24V | 1 | |
| . NS | 382047 | . DECAL "REMOTE CONTROL" | 1 | |
| NS | 380029 | EDGE TRIM PROTECTOR 1/4" x 331MM | 1 | |
| 11 | 503404 | TUBE, NYLON 3/8 O.D. / BLACK S.L. | AR | |
| 12 | 503536 | TUBE, NYLON 1/8 O.D. / BLACK S.L. | AR | |
| 13 | 503541 | TUBE, NYLON 3/4" O.D. / BLACK S.L. | AR | |
| 13 | 684517 | ADHESIVE SIMSON #ISR 70-03 / GREY / 310ml CARTRIDGE | AR | |
| 14 | 504715 | HOSE CLAMP / 7/32"-5/8" SS | 4 | |
| 15 | 642010 | FEMALE CONNECTOR / HOSE BARB FITTING / #4x1/4NPT-F BR | 4 | |
| 16 | 641331 | MALE CONNECTOR / PUSH-IN FITTING / #6x1/4NPT-M BR | 4 | |
| 17 | 320069 | CLOSING PLATE | 3 | |
| 18 | 500434 | SCREW TP FL PH #8x3/4 Z050 | 9 | |
| 21 | 504720 | GROMMET / 2.375x3.000x.250x.437x3.250 | AR | |
| 21 | 680066 | ADHESIVE / ADBOND #5014 / 23.6ML BOTTLE | AR | |
| NS | 380573 | EDGE TRIM PROTECTOR 315MM From P-1348 | 1 | |
| . NS | 506054 | . RUBBER EXTRUSION BLACK 1/4" From P-1348 | AR | |
| 22 | 509815 | TIE MOUNT / ATTACHMENT W/TREE MOUNT | AR | |
| 23 | 504013 | TIE MOUNT / 1/4" X 1/4" I.D. | AR | |
| 24 | 500957 | SCREW TP BDG PH #10x3/4 N500 | AR | |
| 25 | 504637 | CABLE TIE / 3/16" x 13" | AR | |
| NS | 503707 | HOSE / PVC REINFORCED 1/2" I.D. 100' / S.L. | AR | B |
| NS | 504637 | CABLE TIE / 3/16" x 13" | AR | B |
| 30 | VIP-2390-11 | "SLIDE-OUT" AIR CONTROL PANEL | | |
| 31 | VIP-2390-21 | "SLIDE-OUT" - FRONT MECHANISM - INSTALLATION / STREET SIDE | | |
| 32 | VIP-2390-26 | "SLIDE-OUT" - FRONT MECHANISM - INSTALLATION / CURBSIDE | | |
| 33 | VIP-2390-31 | "SLIDE-OUT" - REAR MECHANISM - INSTALLATION / STREET SIDE | | |
| 34 | VIP-2390-36 | "SLIDE-OUT" - REAR MECHANISM - INSTALLATION / CURBSIDE | | |
| | | A) IF YOU HAVE TO REPLACE THE SEAL YOU NEED BOTH THE SEAL BASE & THE SEAL INFLATABLE | | |
| | | B) TO PROTECTOR HOSE | | |

| From K-0295 To P-1347 | | Date:07/2024 | PAGE:VIP-2390-00 | |
|----------------------------------|------|-----------------|------------------|-------|
| "SLIDE-OUT" INFLATED SEAL | | | | |
| Item# | Part | Description | QTY | Notes |
| | | S) SERVICE ONLY | | |

| | | |
|----------------------------------|--------------|------------------|
| | Date:07/2024 | PAGE:VIP-2390-01 |
| "SLIDE-OUT" INFLATED SEAL | | |



Date:07/2024

PAGE:VIP-2390-01

"SLIDE-OUT" INFLATED SEAL

| Item# | Part | Description | QTY | Notes |
|-------|---------|---|-----|-------|
| 1 | 472041 | SEAL, BASE FRONT / "VIP" / W/14' STREET 4464MM x 1959MM | 1 | |
| 1 | 472105 | SEAL, INFLATABLE FRONT / "VIP" / W/14' STREET 4464MM x 1959MM To P-1415 | 1 | |
| 1 | 4705175 | SEAL, INFLATABLE FRONT / "VIP" / W/14' STREET 4464MM x 1959MM From P-1416 | 1 | |
| 2 | 472010 | SEAL, BASE FRONT / "VIP" / W/12' CURB 3905MM x 2029MM | 1 | |
| 2 | 472040 | SEAL, INFLATABLE FRONT / "VIP" / W/12' CURB 3905MM x 2029MM To P-1415 | 1 | |
| 2 | 4705174 | SEAL, INFLATABLE FRONT / "VIP" / W/12' CURB 3905MM x 2029MM From P-1416 | 1 | |
| 3 | 472002 | SEAL, BASE REAR / "VIP" / W/7' STREET 2331MM x 1661MM | 1 | |
| 3 | 472003 | SEAL, INFLATABLE REAR / "VIP" / W/7' STREET 2331MM x 1661MM To P-1415 | 1 | |
| 3 | 4705172 | SEAL, INFLATABLE REAR / "VIP" / W/7' STREET 2331MM x 1661MM From P-1416 | 1 | |
| 3 | 472004 | SEAL, BASE REAR / "VIP" / W/10' STREET 3347MM x 1661MM | 1 | |
| 3 | 472005 | SEAL, INFLATABLE REAR / "VIP" / W/10' STREET 3347MM x 1661MM To P-1415 | 1 | |
| 3 | 4705173 | SEAL, INFLATABLE REAR / "VIP" / W/10' STREET 3347MM x 1661MM From P-1416 | 1 | |
| 4 | 471887 | SEAL, BASE REAR / "VIP" / W/7' CURB 2331MM x 1959MM | 1 | |
| 4 | 471888 | SEAL, INFLATABLE REAR / "VIP" / W/7' CURB 2331MM x 1959MM To P-1415 | 1 | |
| 4 | 4705170 | SEAL, INFLATABLE REAR / "VIP" / W/7' CURB 2331MM x 1959MM From P-1416 | 1 | |
| 4 | 471920 | SEAL, BASE REAR / "VIP" / W/10' CURB 3347MM x 1959MM | 1 | |
| 4 | 471993 | SEAL, INFLATABLE REAR / "VIP" / W/10' CURB 3347MM x 1959MM To P-1415 | 1 | |
| 4 | 4705171 | SEAL, INFLATABLE REAR / "VIP" / W/10' CURB 3347MM x 1959MM From P-1416 | 1 | |
| 5 | 382048 | REMOTE CONTROL / SINGLE SLIDE-OUT | 1 | |
| . NS | 563380 | . SWITCH / M/ON-OFF-M/ON S P.D.T BLACK | 1 | |
| . NS | 564421 | . PILOT LIGHT GREEN / LED 24V | 1 | |
| . NS | 382047 | . DECAL "REMOTE CONTROL" | 1 | |
| 11 | 503404 | TUBE, NYLON 3/8 O.D. / BLACK S.L. | AR | |
| 12 | 503536 | TUBE, NYLON 1/8 O.D. / BLACK S.L. | AR | |
| 13 | 503541 | TUBE, NYLON 3/4" O.D. / BLACK S.L. | AR | |
| 13 | 684517 | ADHESIVE SIMSON #ISR 70-03 / GREY / 310ml CARTRIDGE | AR | |
| 14 | 504715 | HOSE CLAMP / 7/32"-5/8" SS | 4 | |
| 15 | 642010 | FEMALE CONNECTOR / HOSE BARB FITTING / #4x1/4NPT-F BR | 4 | |
| 16 | 641331 | MALE CONNECTOR / PUSH-IN FITTING / #6x1/4NPT-M BR | 4 | |
| 17 | 320069 | CLOSING PLATE | 3 | |
| 18 | 500434 | SCREW TP FL PH #8x3/4 Z050 | 9 | |
| 21 | 504720 | GROMMET / 2.375x3.000x.250x.437x3.250 | AR | |
| NS | 380029 | EDGE TRIM PROTECTOR 1/4" x 331MM | 1 | |
| 21 | 680066 | ADHESIVE / ADBOND #5014 / 23.6ML BOTTLE | AR | |
| 22 | 509815 | TIE MOUNT / ATTACHMENT W/TREE MOUNT | AR | |
| 23 | 504013 | TIE MOUNT / 1/4" X 1/4" I.D. | AR | |

| | | | |
|----------------------------------|--|--------------|------------------|
| | | Date:07/2024 | PAGE:VIP-2390-01 |
| "SLIDE-OUT" INFLATED SEAL | | | |

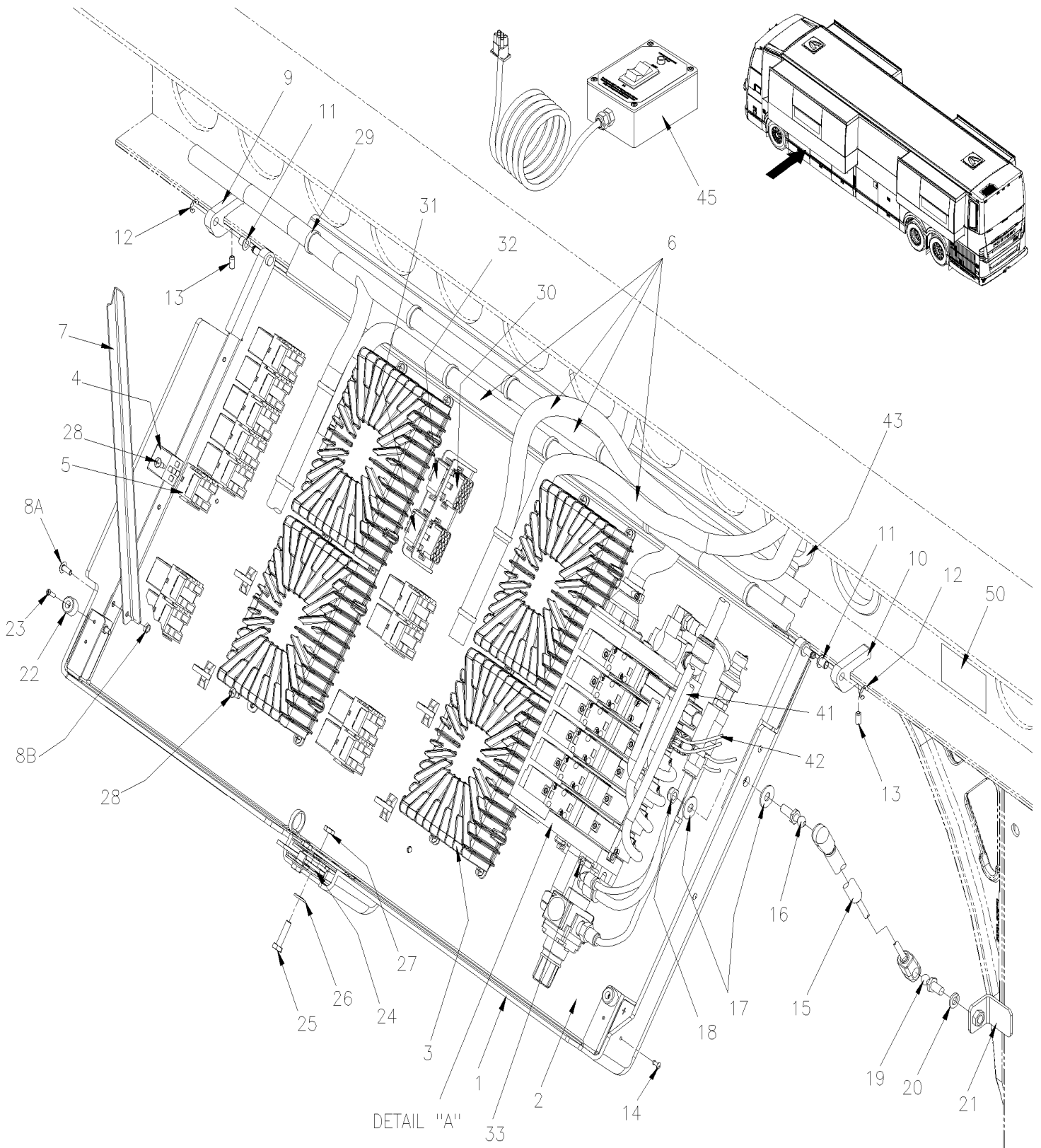
| Item# | Part | Description | QTY | Notes |
|-------|-------------|--|-----|-------|
| 24 | 500957 | SCREW TP BDG PH #10x3/4 N500 | AR | |
| 25 | 504637 | CABLE TIE / 3/16" x 13" | AR | |
| NS | 503707 | HOSE / PVC REINFORCED 1/2" I.D. 100' / S.L. | AR | |
| NS | 504637 | CABLE TIE / 3/16" x 13" | AR | |
| | | | | |
| 30 | VIP-2390-12 | "SLIDE-OUT" AIR CONTROL PANEL | | |
| 31 | VIP-2390-22 | "SLIDE-OUT" - FRONT MECHANISM - INSTALLATION / STREET SIDE | | |
| 32 | VIP-2390-27 | "SLIDE-OUT" - FRONT MECHANISM - INSTALLATION / CURBSIDE | | |
| 33 | VIP-2390-32 | "SLIDE-OUT" - REAR MECHANISM - INSTALLATION / STREET SIDE | | |
| 34 | VIP-2390-37 | "SLIDE-OUT" - REAR MECHANISM - INSTALLATION / CURBSIDE | | |

From K-0295 To P-1347

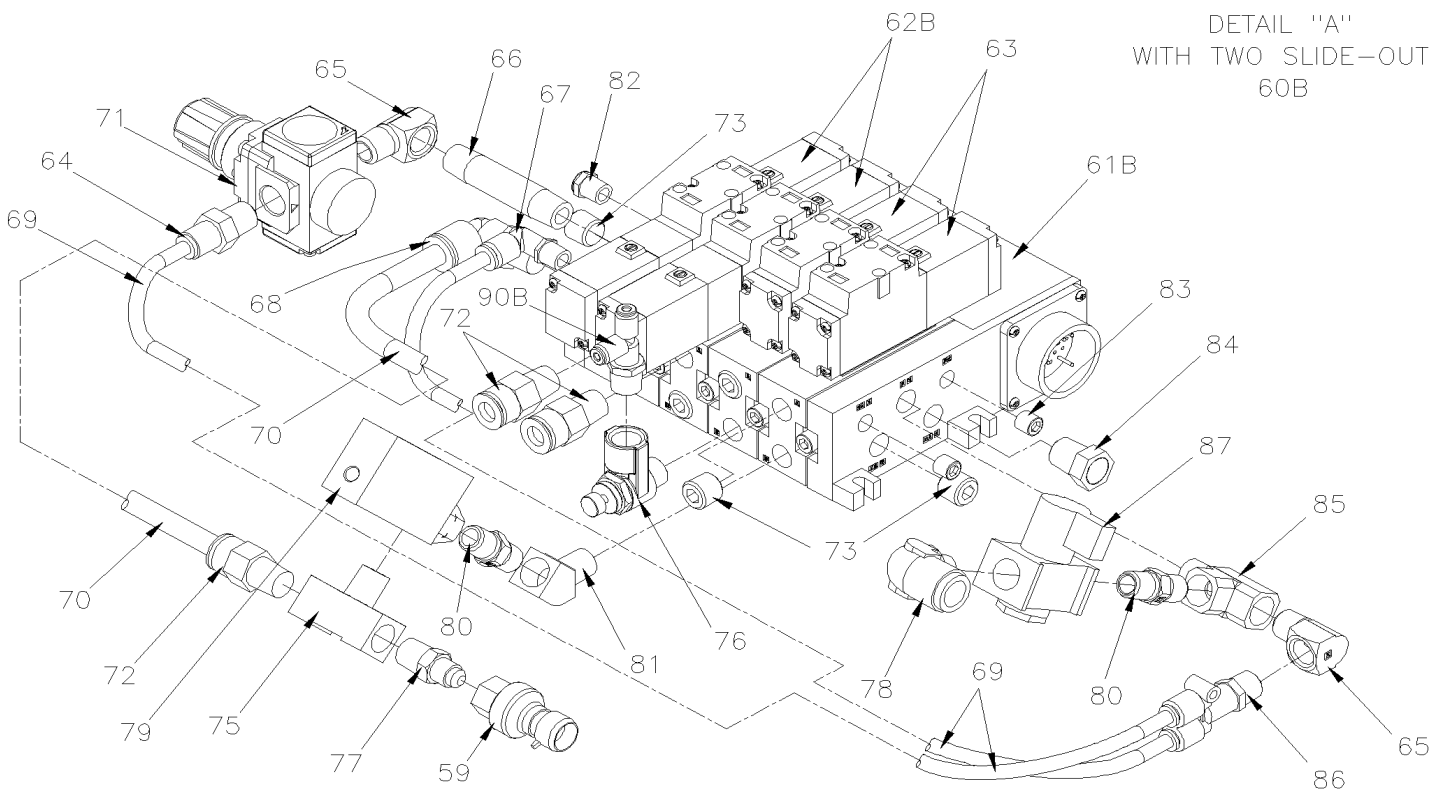
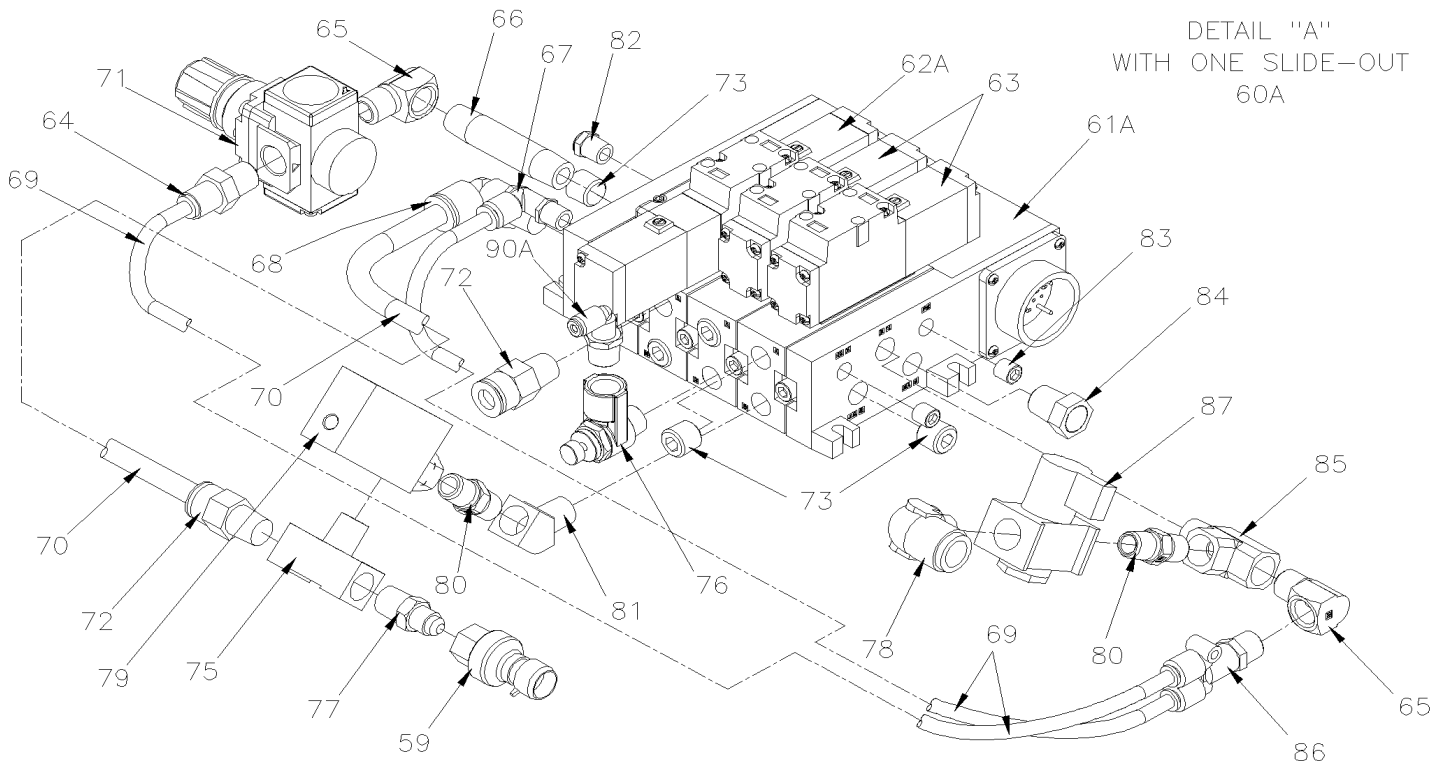
Date:07/2024

PAGE:VIP-2390-11

"SLIDE-OUT" AIR CONTROL PANEL



"SLIDE-OUT" AIR CONTROL PANEL

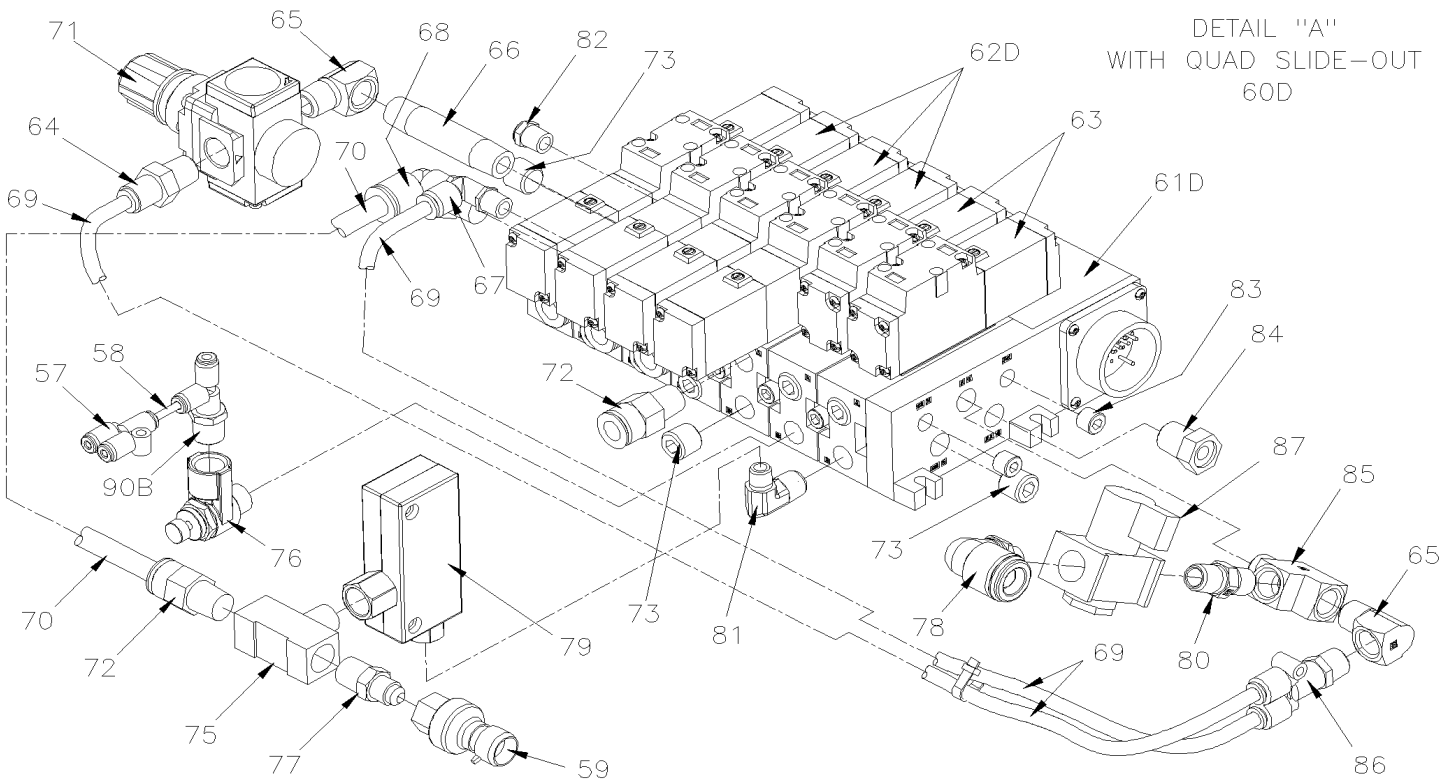
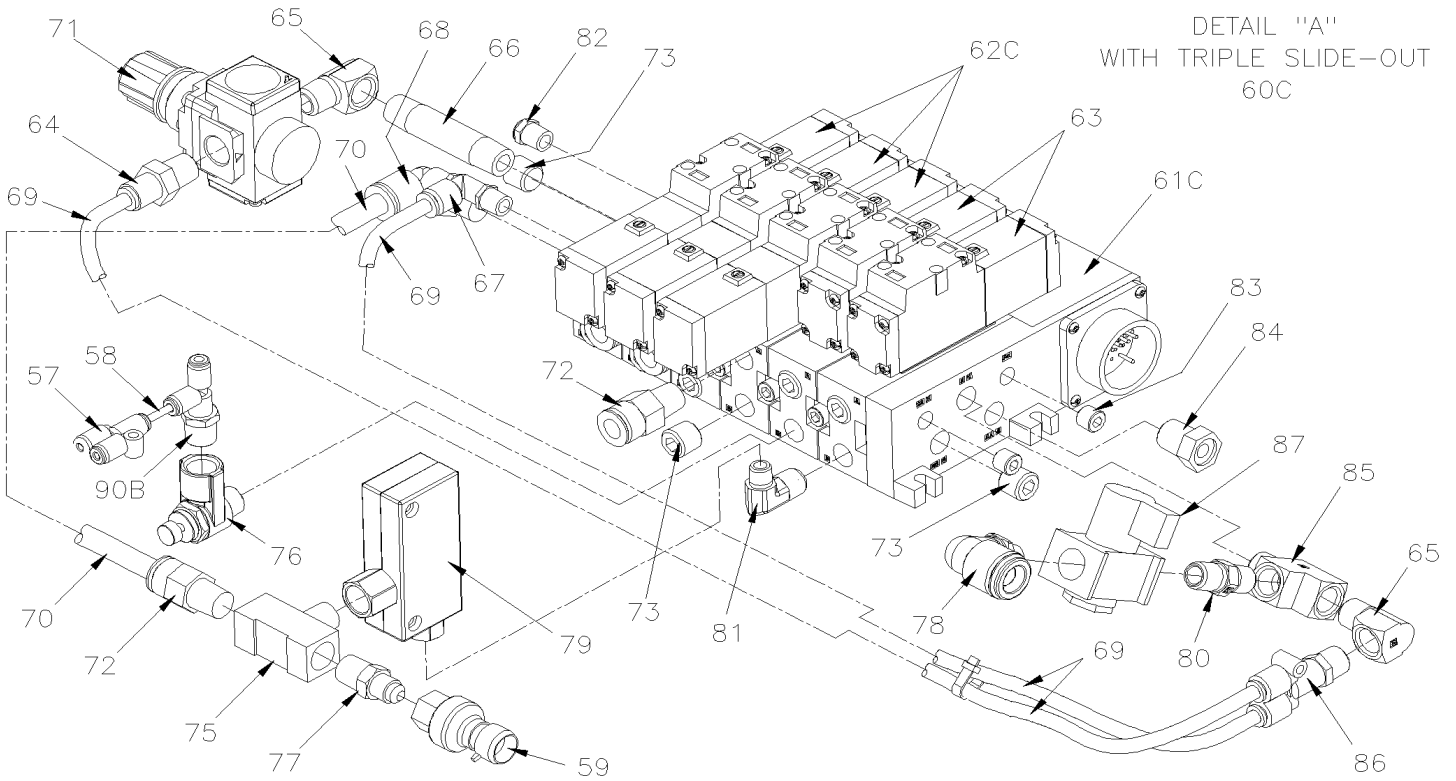


From K-0295 To P-1347

Date:07/2024

PAGE:VIP-2390-11

"SLIDE-OUT" AIR CONTROL PANEL



| | | |
|--------------------------------------|---------------------|-------------------------|
| From K-0295 To P-1347 | Date:07/2024 | PAGE:VIP-2390-11 |
| "SLIDE-OUT" AIR CONTROL PANEL | | |

| Item# | Part | Description | QTY | Notes |
|-------|----------|---|-----|-------|
| 1 | 066380 | COVER PLASTIC | 1 | |
| 1 | 067452 | COVER PLASTIC | 1 | A |
| 1 | 504749 | LOCK SS | 2 | A |
| 1 | 504340 | RIVET POP DOME OE 1/8x3/16 SS | 8 | |
| 1 | 060219 | DECAL "JCT BOX SLIDE-OUT "VIP" / W/QUAD "SLIDE-OUT" To K-0548 | 1 | |
| 1 | 060982 | DECAL "JCT BOX SLIDE-OUT "VIP" / W/QUAD "SLIDE-OUT" From K-0549 | 1 | |
| 2 | 060215 | PANEL MOUNTING | 1 | |
| 2 | 060224 | PANEL MOUNTING | 1 | A |
| 3 | 22722850 | I/O B E-MODULE VOLVO MULTIPLEX / ALUMINUM To M-1138 | AR | |
| 3 | 23824204 | I/O B E-MODULE VOLVO MULTIPLEX / ALUMINUM From M-1139 | AR | |
| 4 | 563332 | RELAY 24V S.P.D.T. W/RESISTOR / "VOLVO" (20374662) | AR | |
| 5 | 564496 | CONNECTOR / METRI-PACK 630 / SH 5C / PED 12033871 | AR | |
| 6 | 069759 | WIRING HARNESS SLIDE-OUT FRONT LEFT | 1 | |
| 6 | 069761 | WIRING HARNESS SLIDE-OUT REAR LEFT | 1 | |
| 6 | 069760 | WIRING HARNESS SLIDE-OUT FRONT RIGHT | 1 | |
| 6 | 069762 | WIRING HARNESS SLIDE-OUT REAR RIGHT | 1 | |
| 6 | 509815 | TIE MOUNT / ATTACHMENT W/TREE MOUNT | AR | |
| 6 | 562679 | 4 WAY ADH. BACKED MOUNTS 1.000 x 1.000 x .160 | AR | |
| 6 | 504637 | CABLE TIE / 3/16" x 13" | AR | |
| 6 | 504750 | CABLE TIE / 1/2" x 15" / CHRISTMAS TREE | AR | |
| 6 | 504013 | TIE MOUNT / 1/4" X 1/4" I.D. | AR | |
| 6 | 504379 | RIVET POP DOME OE 3/16x1/4 SS | AR | |
| NS | 502859 | NUT HEX NYRT M10-1.5 N500 | 1 | |
| 6 | 5001935 | WASHER FL 10.5x18.0x1.6 SS | 1 | |
| 7 | 066928 | ANGLE HOLDING SUPPORT (OPEN) | 1 | |
| 8A | 5001241 | SCREW MA TR PH #10-24x1/2 SS | 1 | |
| 8B | 5001180 | NUT HEX NYRT #10-24 SS | 1 | |
| 9 | 068949 | HINGE BLOCK FIXED TO STRUCTURE | 1 | |
| 10 | 068949 | HINGE BLOCK FIXED TO STRUCTURE | 1 | |
| 11 | 507381 | BUSHING W/SHOULDER 1/4" I.D, | 2 | |
| 12 | 504402 | RING RETAINER / EXT .250 x .210 x .025" | 2 | |
| 13 | 5001634 | SCREW SET HEXS CUP M6-1.0X12MM Z050 | 2 | |
| 14 | 504105 | RIVET POP DOME OE 1/8x3/16 AL | 6 | |
| 15 | 980029 | CYLINDER GAZ / 354/219MM C/C / 46LBS | 1 | |
| 16 | 980027 | BALL STUD / W/10 MM X M8-1.25 / 36.5MM | 1 | |
| 17 | 500332 | WASHER FL .328x.875x.062 N500 | 2 | |
| 18 | 500868 | NUT HEX NYRT M8-1.25 Z050 | 1 | |
| 19 | 980015 | BALL STUD / W/10 MM X M8-1.25 / 29.18 MM | 1 | |
| 20 | 5001161 | WASHER LO SPT 8.1x14.8x2.0 SS-304 | 1 | |
| 21 | 066803 | SUPPORT CYLINDER STUD | 1 | |
| 22 | 504334 | BUMPER RUBBER / .625 OD x .406 TH x .156 HOLE To K-0337 | 2 | |
| 22 | 5002025 | BUMPER NEOPRENE / .625 OD x .406 TH x .156 HOLE From K-0338 | 2 | |

| | | |
|--------------------------------------|---------------------|-------------------------|
| From K-0295 To P-1347 | Date:07/2024 | PAGE:VIP-2390-11 |
| "SLIDE-OUT" AIR CONTROL PANEL | | |

| Item# | Part | Description | QTY | Notes |
|-------|--------|--|-----|-------|
| 23 | 500576 | SCREW TC PAN PH #6-32x1/2 Z050 | 2 | |
| 24 | 780778 | LOCK L.H. | 1 | |
| 25 | 500165 | SCREW CAP HEX 1/4-20x1 G5 Z050 | 2 | |
| 26 | 500440 | WASHER FL .250x.562x.065 Z050 | 2 | |
| 27 | 502819 | NUT HEX JAM 1/4-20 Z050 | 2 | |
| 28 | 502868 | SCREW TC TR PH #10-16x1/2 N500 | AR | |
| 29 | 504637 | CABLE TIE / 3/16" x 13" | AR | |
| 29 | 504013 | TIE MOUNT / 1/4" X 1/4" I.D. | AR | |
| 29 | 504379 | RIVET POP DOME OE 3/16x1/4 SS | AR | |
| 30 | 561987 | CONNECTOR / UNIVERSAL MATE-N-LOK / PH 15C / AMP 1-480711-0 / NATURAL | 2 | |
| 31 | 380053 | CONNECTOR RESISTOR 3KOHMS ASSY | 1 | |
| 32 | 380054 | CONNECTOR RESISTOR 6.2KOHMS ASSY | 1 | |
| 33 | 500658 | SCREW TC PAN PH #10-24x3/4 Z050 | 2 | |
| 41 | 503404 | TUBE, NYLON 3/8 O.D. / BLACK S.L. | AR | |
| 42 | 503536 | TUBE, NYLON 1/8 O.D. / BLACK S.L. | AR | |
| 43 | 504720 | GROMMET / 2.375x3.000x.250x.437x3.250 | AR | |
| 43 | 680066 | ADHESIVE / ADBOND #5014 / 23.6ML BOTTLE | AR | |
| 45 | 382048 | REMOTE CONTROL / SINGLE SLIDE-OUT | AR | |
| . NS | 563380 | . SWITCH / M/ON-OFF-M/ON S P.D.T BLACK | 1 | |
| . NS | 564421 | . PILOT LIGHT GREEN / LED 24V | 1 | |
| . NS | 382047 | . DECAL "REMOTE CONTROL" | 1 | |
| NS | 380029 | EDGE TRIM PROTECTOR 1/4" x 331MM | AR | |
| 50 | 216451 | DECAL PATENT | AR | |
| 57 | 642095 | UNION "Y" / PUSH-IN FITTING / #2x#2x#2 PLAS | 1 | |
| 58 | 503536 | TUBE, NYLON 1/8 O.D. / BLACK S.L. | AR | |
| 59 | 563459 | TRANSDUSER -14.7 to 100LBS / 1/8 NPT-F | 1 | |
| . NS | 563159 | . CONNECTOR / METRI-PACK 150 / SH 3C / PED 12065287 | 1 | |
| 60A | 144867 | CONTROL VALVE ASSY / W/SINGLE "SLIDE-OUT" | 1 | |
| 60B | 144866 | CONTROL VALVE ASSY / W/DOUBLE "SLIDE-OUT" | 1 | |
| 60C | 144881 | CONTROL VALVE ASSY / W/TRIPLE "SLIDE-OUT" | 1 | |
| 60D | 144913 | CONTROL VALVE ASSY / W/QUAD "SLIDE-OUT" | 1 | |
| 61A | 642025 | . BLOCK VALVE / W/SINGLE "SLIDE-OUT" | 1 | |
| 61B | 642024 | . BLOCK VALVE / W/DOUBLE "SLIDE-OUT" | 1 | |
| 61C | 642091 | . BLOCK VALVE / W/TRIPLE "SLIDE-OUT" | 1 | |
| 61D | 642112 | . BLOCK VALVE / W/QUAD "SLIDE-OUT" | 1 | |
| 62A | 641995 | . . SOLENOID VALVE 5/2 ASSY / W/DOUBLE COIL 2 / W/SINGLE "SLIDE-OUT" | 1 | |
| 62A | 641995 | . . SOLENOID VALVE 5/2 ASSY / W/DOUBLE COIL 2 / W/SINGLE "SLIDE-OUT" | 1 | |
| 62A | 641995 | . . SOLENOID VALVE 5/2 ASSY / W/DOUBLE COIL 2 / W/SINGLE "SLIDE-OUT" | 1 | |
| 62A | 641995 | . . SOLENOID VALVE 5/2 ASSY / W/DOUBLE COIL 2 / W/SINGLE "SLIDE-OUT" | 1 | |
| . NS | 642059 | . . GASKET VALVE BODY / RECTANGULAR | 1 | |
| 62B | 641995 | . . SOLENOID VALVE 5/2 ASSY / W/DOUBLE COIL 2 / W/DOUBLE "SLIDE-OUT" | 2 | |
| 62B | 641995 | . . SOLENOID VALVE 5/2 ASSY / W/DOUBLE COIL 2 / W/DOUBLE "SLIDE-OUT" | 2 | |

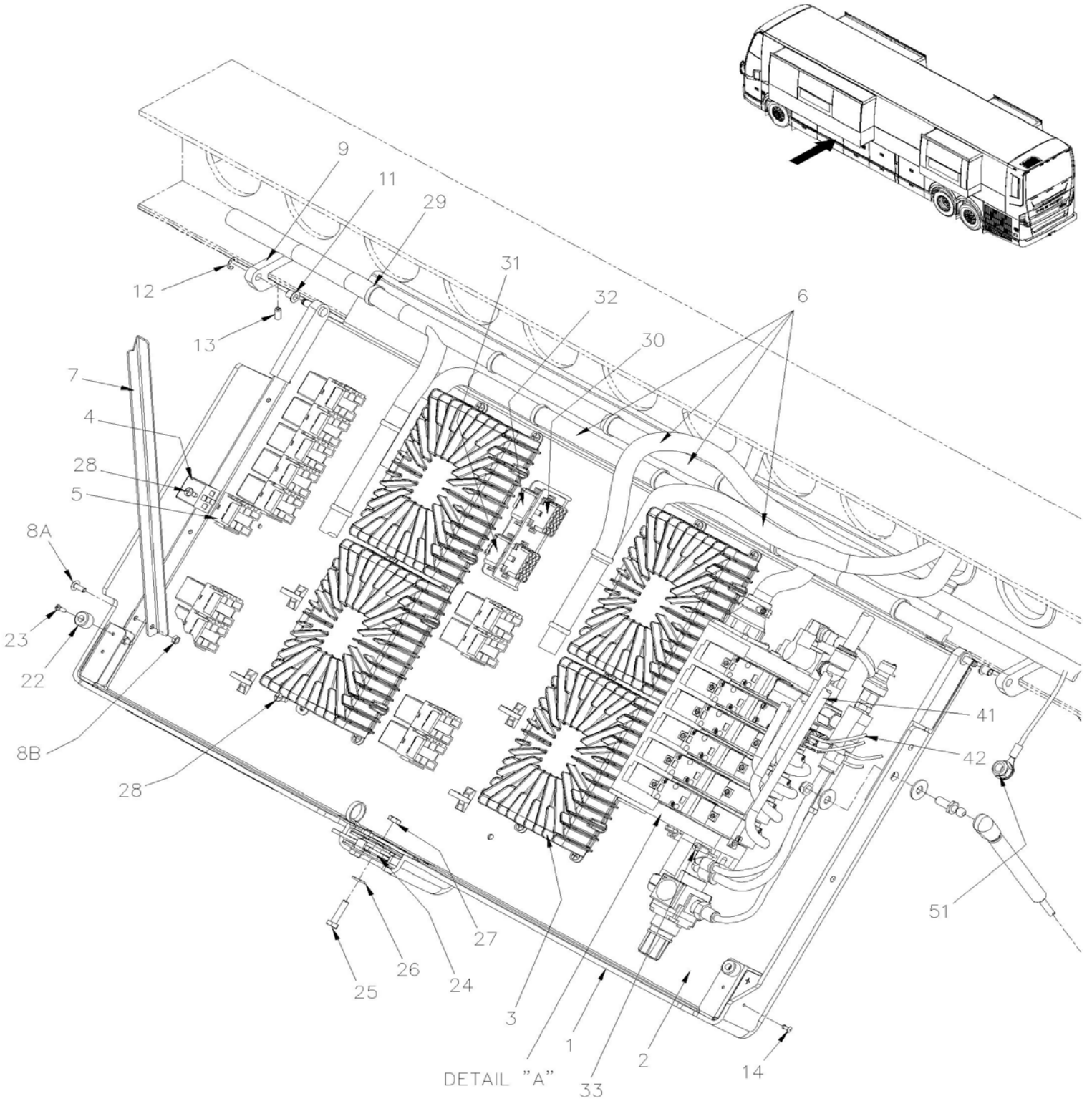
| | | |
|--------------------------------------|---------------------|-------------------------|
| From K-0295 To P-1347 | Date:07/2024 | PAGE:VIP-2390-11 |
| "SLIDE-OUT" AIR CONTROL PANEL | | |

| Item# | Part | Description | QTY | Notes |
|-------|-----------------|---|-----|-------|
| 62B | 641995 | .. SOLENOID VALVE 5/2 ASSY / W/DOUBLE COIL 2 / W/DOUBLE "SLIDE-OUT" | 2 | |
| 62B | 641995 | .. SOLENOID VALVE 5/2 ASSY / W/DOUBLE COIL 2 / W/DOUBLE "SLIDE-OUT" | 2 | |
| . NS | 642059 | .. . GASKET VALVE BODY / RECTANGULAR | 1 | |
| 62C | 641995 | .. SOLENOID VALVE 5/2 ASSY / W/DOUBLE COIL 2 / W/TRIPLE "SLIDE-OUT" | 3 | |
| 62C | 641995 | .. SOLENOID VALVE 5/2 ASSY / W/DOUBLE COIL 2 / W/TRIPLE "SLIDE-OUT" | 3 | |
| 62C | 641995 | .. SOLENOID VALVE 5/2 ASSY / W/DOUBLE COIL 2 / W/TRIPLE "SLIDE-OUT" | 3 | |
| 62C | 641995 | .. SOLENOID VALVE 5/2 ASSY / W/DOUBLE COIL 2 / W/TRIPLE "SLIDE-OUT" | 3 | |
| . NS | 642059 | .. . GASKET VALVE BODY / RECTANGULAR | 1 | |
| 62D | 641995 | .. SOLENOID VALVE 5/2 ASSY / W/DOUBLE COIL 2 / W/QUAD "SLIDE-OUT" | 4 | |
| 62D | 641995 | .. SOLENOID VALVE 5/2 ASSY / W/DOUBLE COIL 2 / W/QUAD "SLIDE-OUT" | 4 | |
| 62D | 641995 | .. SOLENOID VALVE 5/2 ASSY / W/DOUBLE COIL 2 / W/QUAD "SLIDE-OUT" | 4 | |
| 62D | 641995 | .. SOLENOID VALVE 5/2 ASSY / W/DOUBLE COIL 2 / W/QUAD "SLIDE-OUT" | 4 | |
| . NS | 642059 | .. . GASKET VALVE BODY / RECTANGULAR | 1 | |
| 63 | 641997 | .. SOLENOID VALVE 5/2 ASSY / W/SIMPLE COIL 2 | 2 | |
| . NS | 642059 | .. . GASKET VALVE BODY / RECTANGULAR | 1 | |
| 64 | 641332 | .. MALE CONNECTOR / PUSH-IN FITTING / #4x1/4NPT-M BR | 1 | |
| 65 | 501332 | .. STREET ELBOW 90° / PIPE FITTING / 1/4NPT-Mx1/4NPT-F BR | 2 | |
| 66 | Call order desk | .. NIPPLE / PIPE FITTING / | 1 | P |
| 67 | 642052 | .. MALE ELBOW 90° / PUSH-IN FITTING / #2x3/8NPT-M PLAS | 1 | |
| 68 | 642051 | .. MALE ELBOW 90° / PUSH-IN FITTING / #6x1/4NPT-M PLAS | 1 | |
| 69 | 503402 | .. TUBE, NYLON 1/4 O.D. / BLACK S.L. | AR | |
| 70 | 503404 | .. TUBE, NYLON 3/8 O.D. / BLACK S.L. | AR | |
| 71 | 647891 | .. PRESSURE REGULATOR | 1 | |
| 72 | 641331 | .. MALE CONNECTOR / PUSH-IN FITTING / #6x1/4NPT-M BR | 2 | |
| 73 | 501800 | .. PLUG HEXS / PIPE FITTING / 1/4NPT-M STL | 7 | |
| 75 | 501894 | .. MALE BRANCHE TEE / PIPE FITTING / 1/4NPT-Fx1/4NPT-Fx1/4NPT-M BR | 1 | |
| NS | 680098 | .. THREAD SEALANT LOCTITE #567 / WHITE / 250ml | AR | |
| 76 | 642050 | .. AIR REGULATOR | 1 | |
| 77 | 501027 | .. MALE CONNECTOR / SAE 45° FITTING / #4FL-Mx1/4NPT-M BR | 1 | |
| 78 | 642165 | .. MALE ELBOW 90° NON-SWIVEL / PUSH-IN FITTING / #8x1/4NPT-M BR | 1 | |
| 79 | 642166 | .. VACUUM GENERATORS | 1 | |
| 80 | 501321 | .. NIPPLE HEX / PIPE FITTING / 1/4NPT-Mx1/4NPT-Mx1 3/8 BR | 1 | |
| 81 | 501329 | .. STREET ELBOW 45° / PIPE FITTING / 1/4NPT-Mx1/4NPT-F BR | 1 | |
| 81 | 642170 | .. MALE ELBOW 90° / PIPE FITTING / 1/4NPT-Mx1/8NPT-M BR | 1 | |
| 82 | 642048 | .. SILENCER / MUFFLER / 1/8NPT-M | 1 | |
| 83 | 501072 | .. PLUG HEXS / PIPE FITTING / 1/8NPT-M STL | 1 | |
| 84 | 641926 | .. SILENCER / MUFFLER / 1/4NPT-M | 1 | |
| 85 | 501338 | .. MALE RUN TEE / PIPE FITTING / 1/4NPT-Mx1/4NPT-Fx1/4NPT-F BR | 1 | |
| 86 | 642047 | .. MALE BRANCH "Y" / PUSH-IN FITTING / #4X#4X1/4NPT-M PLAS | 1 | |
| 87 | 690351 | .. PORT RELIEVING SHUT-OFF VALVE | 1 | |
| 88 | 504637 | .. CABLE TIE / 3/16" x 13" | 1 | |
| 90A | 642053 | .. MALE ELBOW 90° / PUSH-IN FITTING / #2x1/4NPT-M PLAS | 1 | |

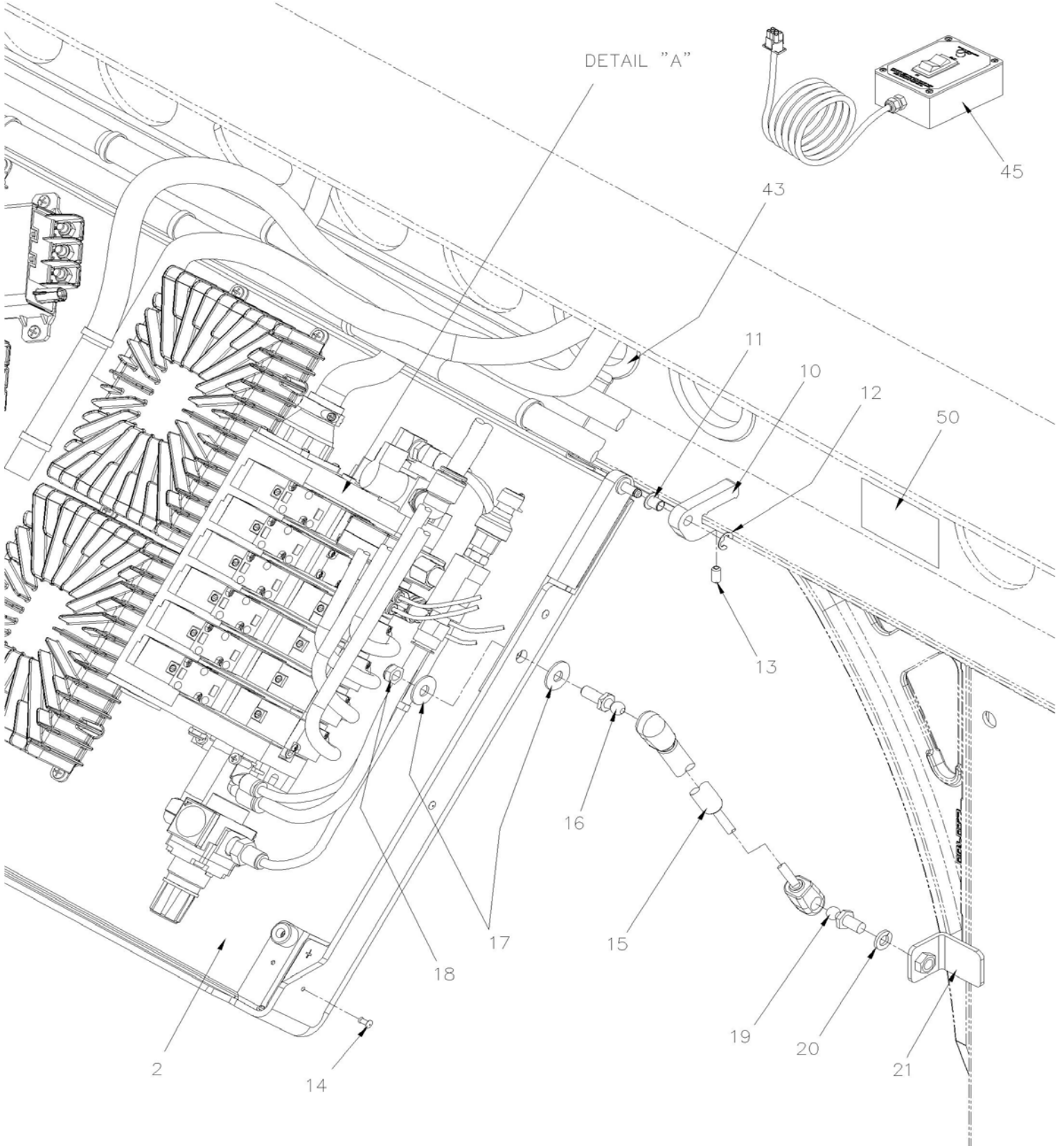
| | | |
|--------------------------------------|--------------|------------------|
| From K-0295 To P-1347 | Date:07/2024 | PAGE:VIP-2390-11 |
| "SLIDE-OUT" AIR CONTROL PANEL | | |

| Item# | Part | Description | QTY | Notes |
|-------|---------|--|-----|-------|
| 90B | 641920 | . MALE RUN TEE / PUSH-IN FITTING / #2x#2x1/4NPT-M PLAS | 1 | |
| 93 | 5001935 | WASHER FL 10.5x18.0x1.6 SS | 1 | |
| | | | | |
| | | | | |
| | | A) WITH PANTOGRAPH DOOR OPTION (UNITED COACHWORKS) | | |
| | | P) CALL ORDER DESK FOR SPECIFIC APPLICATION (V.I.N.) | | |

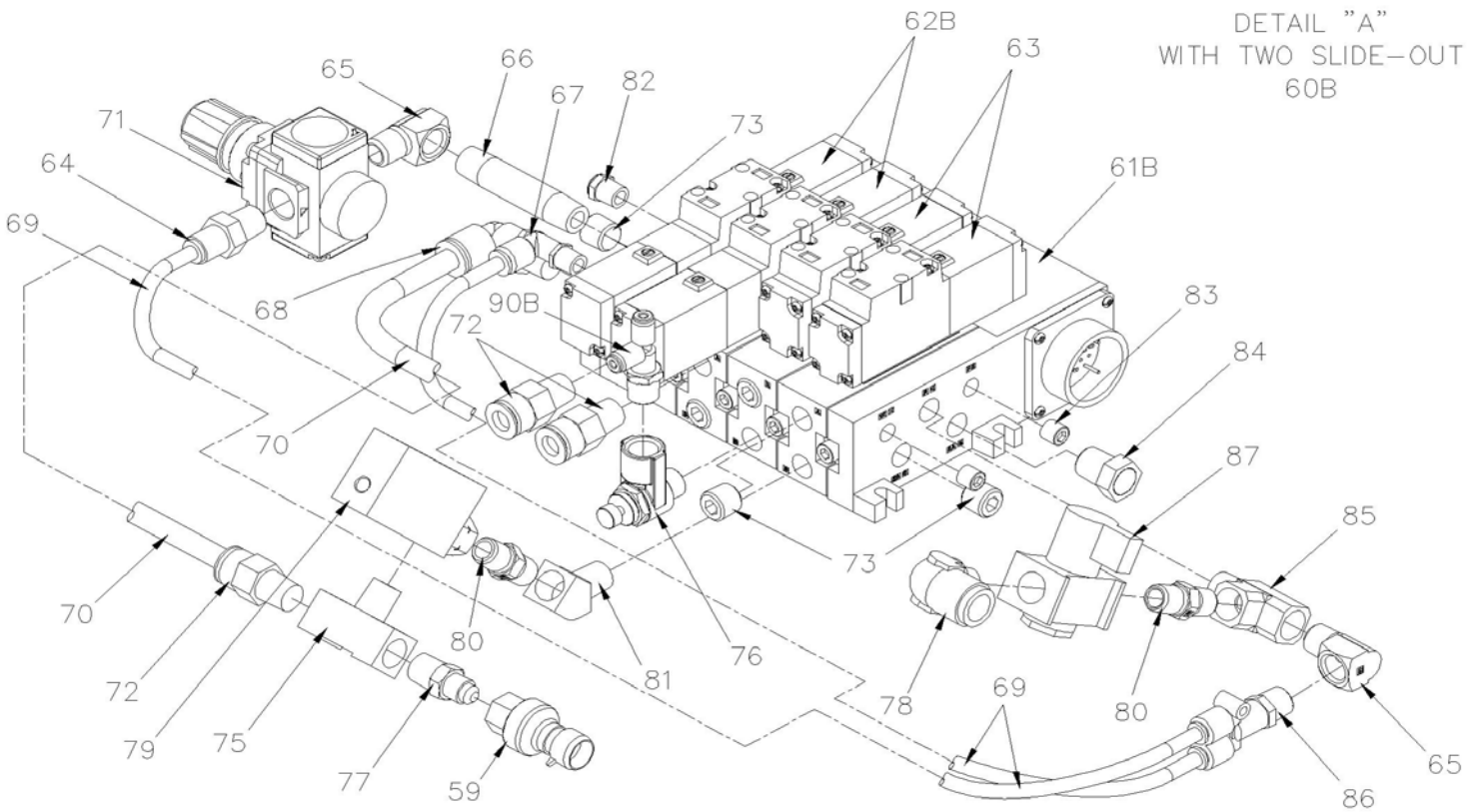
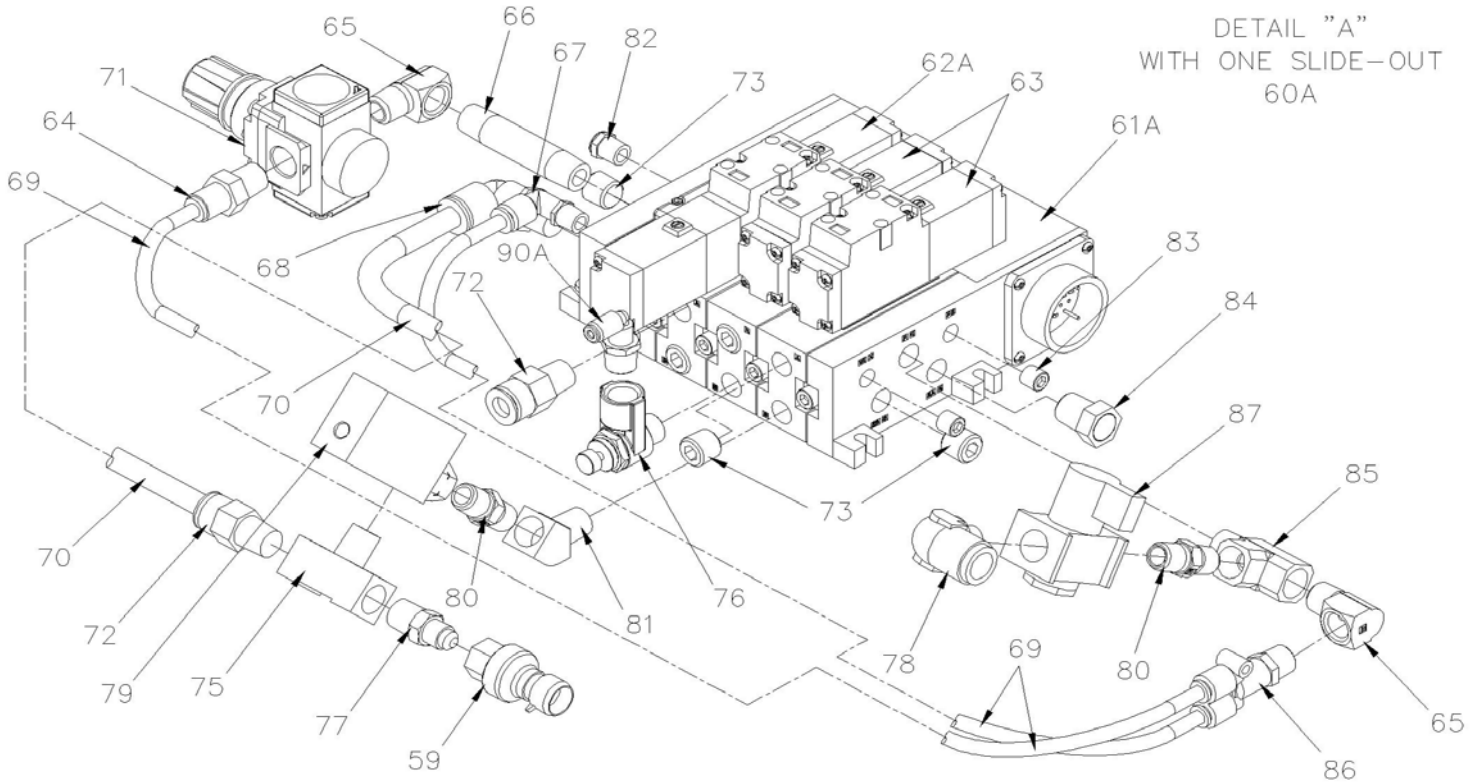
| | | |
|-------------------------------|--------------|------------------|
| | Date:07/2024 | PAGE:VIP-2390-12 |
| "SLIDE-OUT" AIR CONTROL PANEL | | |



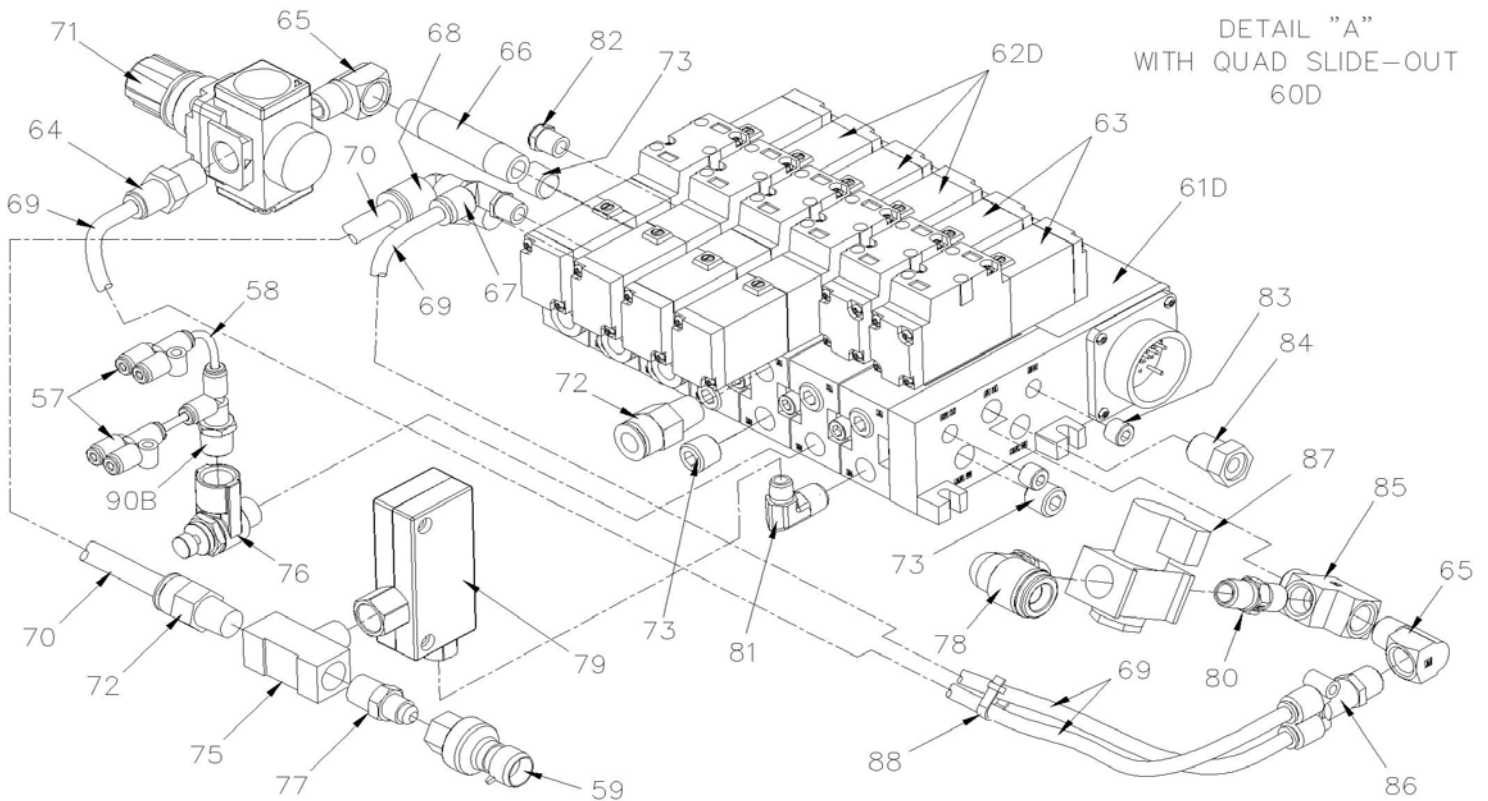
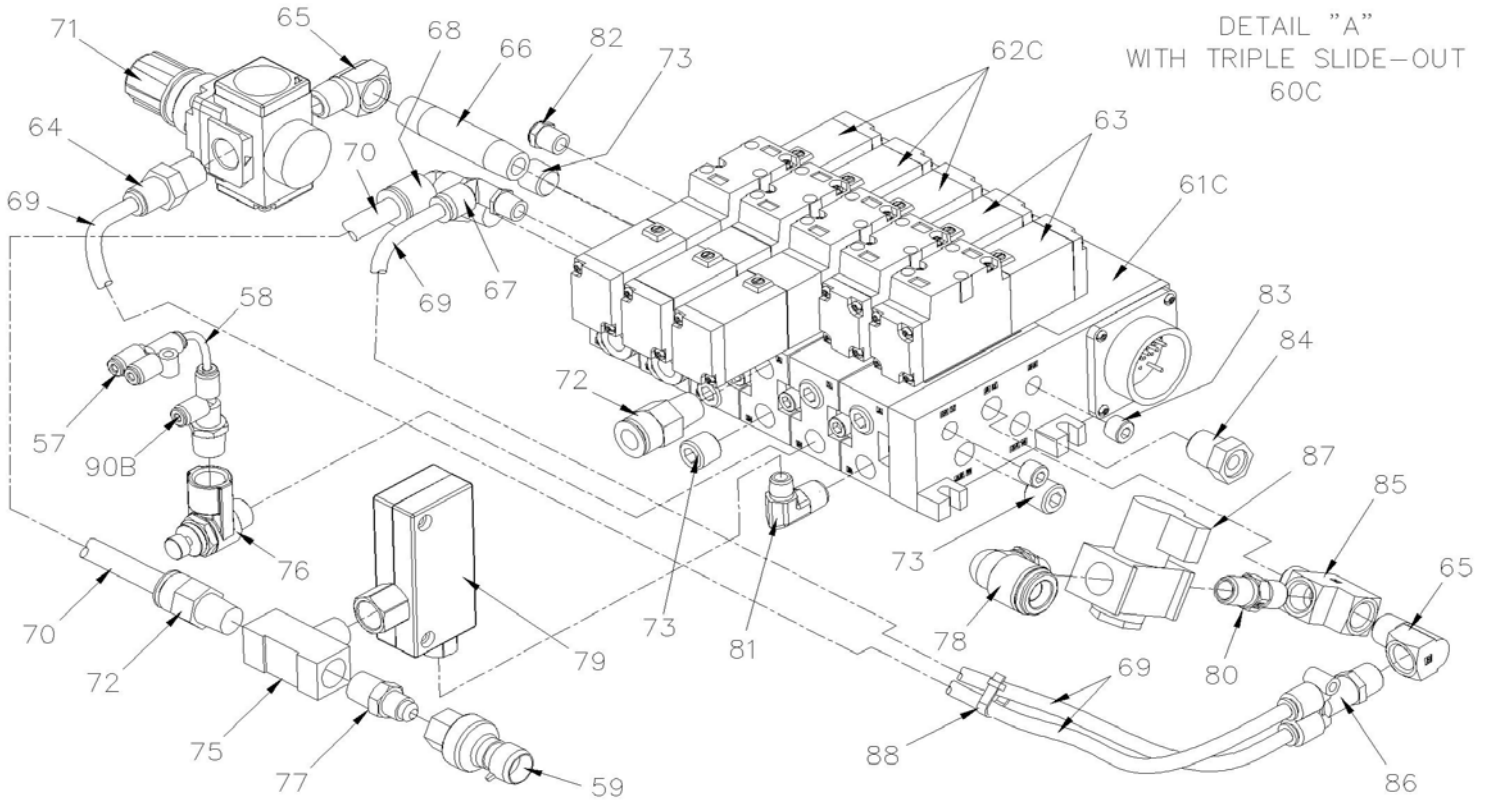
| | | |
|-------------------------------|--------------|------------------|
| | Date:07/2024 | PAGE:VIP-2390-12 |
| "SLIDE-OUT" AIR CONTROL PANEL | | |



"SLIDE-OUT" AIR CONTROL PANEL



"SLIDE-OUT" AIR CONTROL PANEL



Date:07/2024

PAGE:VIP-2390-12

"SLIDE-OUT" AIR CONTROL PANEL

| Item# | Part | Description | QTY | Notes |
|-------|----------|---|-----|-------|
| 1 | 066380 | COVER PLASTIC | 1 | |
| 1 | 067452 | COVER PLASTIC | 1 | |
| 1 | 504749 | LOCK SS | 2 | |
| 1 | 504340 | RIVET POP DOME OE 1/8x3/16 SS | 8 | |
| 1 | 060982 | DECAL "JCT BOX SLIDE-OUT "VIP" / W/QUAD "SLIDE-OUT" | 1 | |
| 2 | 060215 | PANEL MOUNTING | 1 | |
| 2 | 060224 | PANEL MOUNTING | 1 | |
| 3 | 23824204 | I/O B E-MODULE VOLVO MULTIPLEX / ALUMINUM | AR | |
| 4 | 563332 | RELAY 24V S.P.D.T. W/RESISTOR / "VOLVO" (20374662) | AR | |
| 5 | 564496 | CONNECTOR / METRI-PACK 630 / SH 5C / PED 12033871 | AR | |
| 6 | 0600100 | WIRING HARNESS SLIDE-OUT FRONT LEFT | 1 | |
| 6 | 0600101 | WIRING HARNESS SLIDE-OUT REAR LEFT | 1 | |
| 6 | 069760 | WIRING HARNESS SLIDE-OUT FRONT RIGHT | 1 | |
| 6 | 0600102 | WIRING HARNESS SLIDE-OUT REAR RIGHT | 1 | |
| 6 | 509815 | TIE MOUNT / ATTACHMENT W/TREE MOUNT | AR | |
| 6 | 562679 | 4 WAY ADH. BACKED MOUNTS 1.000 x 1.000 x .160 | AR | |
| 6 | 504637 | CABLE TIE / 3/16" x 13" | AR | |
| 6 | 504750 | CABLE TIE / 1/2" x 15" / CHRISTMAS TREE | AR | |
| 6 | 504013 | TIE MOUNT / 1/4" X 1/4" I.D. | AR | |
| 6 | 504379 | RIVET POP DOME OE 3/16x1/4 SS | AR | |
| 6 | 5002028 | NUT HEX NYRT M10-1.5 SS | 1 | |
| 6 | 5001935 | WASHER FL 10.5x18.0x1.6 SS | 1 | |
| 7 | 066928 | ANGLE HOLDING SUPPORT (OPEN) | 1 | |
| 8A | 5001241 | SCREW MA TR PH #10-24x1/2 SS | 1 | |
| 8B | 5001180 | NUT HEX NYRT #10-24 SS | 1 | |
| 9 | 068949 | HINGE BLOCK FIXED TO STRUCTURE | 1 | |
| 10 | 068949 | HINGE BLOCK FIXED TO STRUCTURE | 1 | |
| 11 | 507381 | BUSHING W/SHOULDER 1/4" I.D, | 2 | |
| 12 | 504402 | RING RETAINER / EXT .250 x .210 x .025" | 2 | |
| 13 | 5001634 | SCREW SET HEXS CUP M6-1.0X12MM Z050 | 2 | |
| 14 | 504105 | RIVET POP DOME OE 1/8x3/16 AL | 6 | |
| 15 | 980029 | CYLINDER GAZ / 354/219MM C/C / 46LBS | 1 | |
| 16 | 980027 | BALL STUD / W/10 MM X M8-1.25 / 36.5MM | 1 | |
| 17 | 500332 | WASHER FL .328x.875x.062 N500 | 2 | |
| 18 | 500868 | NUT HEX NYRT M8-1.25 Z050 | 1 | |
| 19 | 980015 | BALL STUD / W/10 MM X M8-1.25 / 29.18 MM | 1 | |
| 20 | 5001161 | WASHER LO SPT 8.1x14.8x2.0 SS-304 | 1 | |
| 21 | 066803 | SUPPORT CYLINDER STUD | 1 | |
| 22 | 5002025 | BUMPER NEOPRENE / .625 OD x .406 TH x .156 HOLE | 2 | |
| 23 | 500576 | SCREW TC PAN PH #6-32x1/2 Z050 | 2 | |
| 24 | 780778 | LOCK L.H. | 1 | |
| 25 | 500165 | SCREW CAP HEX 1/4-20x1 G5 Z050 | 2 | |

| | | |
|--------------------------------------|---------------------|-------------------------|
| | Date:07/2024 | PAGE:VIP-2390-12 |
| "SLIDE-OUT" AIR CONTROL PANEL | | |

| Item# | Part | Description | QTY | Notes |
|-------|---------|--|-----|-------|
| 26 | 500440 | WASHER FL .250x.562x.065 Z050 | 2 | |
| 27 | 502819 | NUT HEX JAM 1/4-20 Z050 | 2 | |
| 28 | 502868 | SCREW TC TR PH #10-16x1/2 N500 | AR | |
| 29 | 504637 | CABLE TIE / 3/16" x 13" | AR | |
| 29 | 504013 | TIE MOUNT / 1/4" X 1/4" I.D. | AR | |
| 29 | 504379 | RIVET POP DOME OE 3/16x1/4 SS | AR | |
| 30 | 561987 | CONNECTOR / UNIVERSAL MATE-N-LOK / PH 15C / AMP 1-480711-0 / NATURAL | 2 | |
| 31 | 380053 | CONNECTOR RESISTOR 3KOHMS ASSY | 1 | |
| 32 | 380054 | CONNECTOR RESISTOR 6.2KOHMS ASSY | 1 | |
| 33 | 500658 | SCREW TC PAN PH #10-24x3/4 Z050 | 2 | |
| 41 | 503404 | TUBE, NYLON 3/8 O.D. / BLACK S.L. | AR | |
| 42 | 503536 | TUBE, NYLON 1/8 O.D. / BLACK S.L. | AR | |
| 43 | 504720 | GROMMET / 2.375x3.000x.250x.437x3.250 | AR | |
| 43 | 680066 | ADHESIVE / ADBOND #5014 / 23.6ML BOTTLE | AR | |
| 45 | 382048 | REMOTE CONTROL / SINGLE SLIDE-OUT | AR | |
| . NS | 563380 | . SWITCH / M/ON-OFF-M/ON S P.D.T BLACK | 1 | |
| . NS | 564421 | . PILOT LIGHT GREEN / LED 24V | 1 | |
| . NS | 382047 | . DECAL "REMOTE CONTROL" | 1 | |
| NS | 380029 | EDGE TRIM PROTECTOR 1/4" x 331MM | AR | |
| 50 | 216451 | DECAL PATENT | AR | |
| 51 | 5002028 | NUT HEX NYRT M10-1.5 SS | 1 | |
| 51 | 5001935 | WASHER FL 10.5x18.0x1.6 SS | 1 | |
| 57 | 642095 | UNION "Y" / PUSH-IN FITTING / #2x#2x#2 PLAS | 1 | |
| 58 | 503536 | TUBE, NYLON 1/8 O.D. / BLACK S.L. | AR | |
| 59 | 563459 | TRANSDUSER -14.7 to 100LBS / 1/8 NPT-F | 1 | |
| . NS | 563159 | . CONNECTOR / METRI-PACK 150 / SH 3C / PED 12065287 | 1 | |
| 60A | 144867 | CONTROL VALVE ASSY / W/SINGLE "SLIDE-OUT" To P-1485 | 1 | |
| 60A | 140584 | CONTROL VALVE ASSY / W/SINGLE "SLIDE-OUT" From P-1486 | 1 | |
| 60B | 144866 | CONTROL VALVE ASSY / W/DOUBLE "SLIDE-OUT" To P-1485 | 1 | |
| 60B | 140585 | CONTROL VALVE ASSY / W/DOUBLE "SLIDE-OUT" From P-1486 | 1 | |
| 60C | 144881 | CONTROL VALVE ASSY / W/TRIPLE "SLIDE-OUT" To P-1485 | 1 | |
| 60C | 140587 | CONTROL VALVE ASSY / W/TRIPLE "SLIDE-OUT" From P-1486 | 1 | |
| 60D | 144913 | CONTROL VALVE ASSY / W/QUAD "SLIDE-OUT" To P-1485 | 1 | |
| 60D | 140588 | CONTROL VALVE ASSY / W/QUAD "SLIDE-OUT" From P-1486 | 1 | |
| 61A | 642025 | . BLOCK VALVE / W/SINGLE "SLIDE-OUT" To P-1485 | 1 | |
| 61B | 642024 | . BLOCK VALVE / W/DOUBLE "SLIDE-OUT" To P-1485 | 1 | |
| 61C | 642091 | . BLOCK VALVE / W/TRIPLE "SLIDE-OUT" To P-1485 | 1 | |
| 61D | 642112 | . BLOCK VALVE / W/QUAD "SLIDE-OUT" To P-1485 | 1 | |
| 62A | 641995 | . . SOLENOID VALVE 5/2 ASSY / W/DOUBLE COIL 2 / W/SINGLE "SLIDE-OUT" To P-1485 | 1 | |
| 62A | 641995 | . . SOLENOID VALVE 5/2 ASSY / W/DOUBLE COIL 2 / W/SINGLE "SLIDE-OUT" To P-1485 | 1 | |
| 62A | 641995 | . . SOLENOID VALVE 5/2 ASSY / W/DOUBLE COIL 2 / W/SINGLE "SLIDE-OUT" To P-1485 | 1 | |
| 62A | 641995 | . . SOLENOID VALVE 5/2 ASSY / W/DOUBLE COIL 2 / W/SINGLE "SLIDE-OUT" To P-1485 | 1 | |

Date:07/2024

PAGE:VIP-2390-12

"SLIDE-OUT" AIR CONTROL PANEL

| Item# | Part | Description | QTY | Notes |
|-------|--------|--|-----|-------|
| . NS | 642059 | . . . GASKET VALVE BODY / RECTANGULAR To P-1485 | 1 | |
| 62B | 641995 | . . SOLENOID VALVE 5/2 ASSY / W/DOUBLE COIL 2 / W/DOUBLE "SLIDE-OUT" To P-1485 | 2 | |
| 62B | 641995 | . . SOLENOID VALVE 5/2 ASSY / W/DOUBLE COIL 2 / W/DOUBLE "SLIDE-OUT" To P-1485 | 2 | |
| 62B | 641995 | . . SOLENOID VALVE 5/2 ASSY / W/DOUBLE COIL 2 / W/DOUBLE "SLIDE-OUT" To P-1485 | 2 | |
| 62B | 641995 | . . SOLENOID VALVE 5/2 ASSY / W/DOUBLE COIL 2 / W/DOUBLE "SLIDE-OUT" To P-1485 | 2 | |
| . NS | 642059 | . . . GASKET VALVE BODY / RECTANGULAR To P-1485 | 1 | |
| 62C | 641995 | . . SOLENOID VALVE 5/2 ASSY / W/DOUBLE COIL 2 / W/TRIPLE "SLIDE-OUT" To P-1485 | 3 | |
| 62C | 641995 | . . SOLENOID VALVE 5/2 ASSY / W/DOUBLE COIL 2 / W/TRIPLE "SLIDE-OUT" To P-1485 | 3 | |
| 62C | 641995 | . . SOLENOID VALVE 5/2 ASSY / W/DOUBLE COIL 2 / W/TRIPLE "SLIDE-OUT" To P-1485 | 3 | |
| 62C | 641995 | . . SOLENOID VALVE 5/2 ASSY / W/DOUBLE COIL 2 / W/TRIPLE "SLIDE-OUT" To P-1485 | 3 | |
| . NS | 642059 | . . . GASKET VALVE BODY / RECTANGULAR To P-1485 | 1 | |
| 62D | 641995 | . . SOLENOID VALVE 5/2 ASSY / W/DOUBLE COIL 2 / W/QUAD "SLIDE-OUT" To P-1485 | 4 | |
| 62D | 641995 | . . SOLENOID VALVE 5/2 ASSY / W/DOUBLE COIL 2 / W/QUAD "SLIDE-OUT" To P-1485 | 4 | |
| 62D | 641995 | . . SOLENOID VALVE 5/2 ASSY / W/DOUBLE COIL 2 / W/QUAD "SLIDE-OUT" To P-1485 | 4 | |
| 62D | 641995 | . . SOLENOID VALVE 5/2 ASSY / W/DOUBLE COIL 2 / W/QUAD "SLIDE-OUT" To P-1485 | 4 | |
| . NS | 642059 | . . . GASKET VALVE BODY / RECTANGULAR To P-1485 | 1 | |
| 63 | 641997 | . . SOLENOID VALVE 5/2 ASSY / W/SIMPLE COIL 2 To P-1485 | 2 | |
| . NS | 642059 | . . . GASKET VALVE BODY / RECTANGULAR To P-1485 | 1 | |
| 64 | 641332 | . MALE CONNECTOR / PUSH-IN FITTING / #4x1/4NPT-M BR To P-1485 | 1 | |
| 65 | 501332 | . STREET ELBOW 90° / PIPE FITTING / 1/4NPT-Mx1/4NPT-F BR To P-1485 | 2 | |
| 66 | | . NIPPLE / PIPE FITTING / To P-1485 | 1 | |
| 67 | 642052 | . MALE ELBOW 90° / PUSH-IN FITTING / #2x3/8NPT-M PLAS To P-1485 | 1 | |
| 68 | 642051 | . MALE ELBOW 90° / PUSH-IN FITTING / #6x1/4NPT-M PLAS To P-1485 | 1 | |
| 69 | 503402 | . TUBE, NYLON 1/4 O.D. / BLACK S.L. To P-1485 | AR | |
| 70 | 503404 | . TUBE, NYLON 3/8 O.D. / BLACK S.L. To P-1485 | AR | |
| 71 | 647891 | . PRESSURE REGULATOR To P-1485 | 1 | |
| 72 | 641331 | . MALE CONNECTOR / PUSH-IN FITTING / #6x1/4NPT-M BR To P-1485 | 2 | |
| 73 | 501800 | . PLUG HEXS / PIPE FITTING / 1/4NPT-M STL To P-1485 | 7 | |
| 75 | 501894 | . MALE BRANCHE TEE / PIPE FITTING / 1/4NPT-Fx1/4NPT-Fx1/4NPT-M BR To P-1485 | 1 | |
| NS | 680098 | . THREAD SEALANT LOCTITE #567 / WHITE / 250ml To P-1485 | AR | |
| 76 | 642050 | . AIR REGULATOR To P-1485 | 1 | |
| 77 | 501027 | . MALE CONNECTOR / SAE 45° FITTING / #4FL-Mx1/4NPT-M BR To P-1485 | 1 | |
| 78 | 642165 | . MALE ELBOW 90° NON-SWIVEL / PUSH-IN FITTING / #8x1/4NPT-M BR To P-1485 | 1 | |
| 79 | 642166 | . VACUUM GENERATORS To P-1485 | 1 | |
| 80 | 501321 | . NIPPLE HEX / PIPE FITTING / 1/4NPT-Mx1/4NPT-Mx1 3/8 BR To P-1485 | 1 | |
| 81 | 501329 | . STREET ELBOW 45° / PIPE FITTING / 1/4NPT-Mx1/4NPT-F BR To P-1485 | 1 | |
| 81 | 642170 | . MALE ELBOW 90° / PIPE FITTING / 1/4NPT-Mx1/8NPT-M BR To P-1485 | 1 | |
| 82 | 642048 | . SILENCER / MUFFLER / 1/8NPT-M To P-1485 | 1 | |
| 83 | 501072 | . PLUG HEXS / PIPE FITTING / 1/8NPT-M STL To P-1485 | 1 | |
| 84 | 641926 | . SILENCER / MUFFLER / 1/4NPT-M To P-1485 | 1 | |
| 85 | 501338 | . MALE RUN TEE / PIPE FITTING / 1/4NPT-Mx1/4NPT-Fx1/4NPT-F BR To P-1485 | 1 | |
| 86 | 642047 | . MALE BRANCH "Y" / PUSH-IN FITTING / #4X#4X1/4NPT-M PLAS To P-1485 | 1 | |

Date:07/2024

PAGE:VIP-2390-12

"SLIDE-OUT" AIR CONTROL PANEL

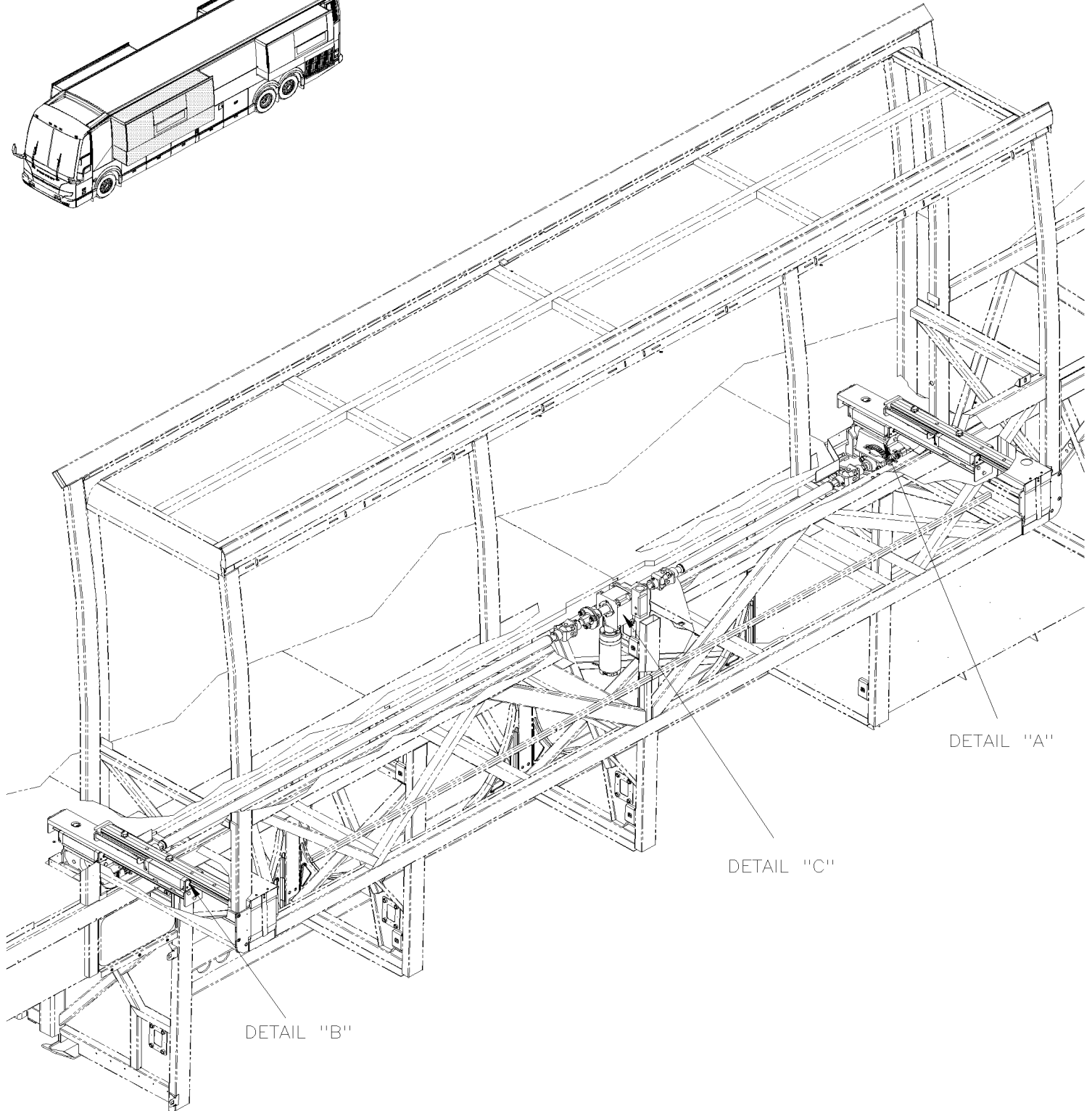
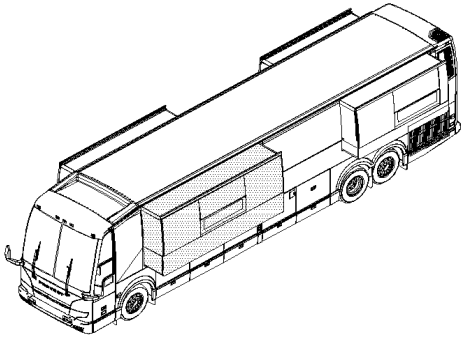
| Item# | Part | Description | QTY | Notes |
|-------|--------|--|-----|-------|
| 87 | 690351 | . PORT RELIEVING SHUT-OFF VALVE To P-1485 | 1 | |
| 88 | 504637 | . CABLE TIE / 3/16" x 13" To P-1485 | 1 | |
| 90A | 642053 | . MALE ELBOW 90° / PUSH-IN FITTING / #2x1/4NPT-M PLAS To P-1485 | 1 | |
| 90B | 641920 | . MALE RUN TEE / PUSH-IN FITTING / #2x#2x1/4NPT-M PLAS To P-1485 | 1 | |

From K-0295 To P-1347

Date:07/2024

PAGE:VIP-2390-21

"SLIDE-OUT" - FRONT MECHANISM - INSTALLATION / STREET SIDE

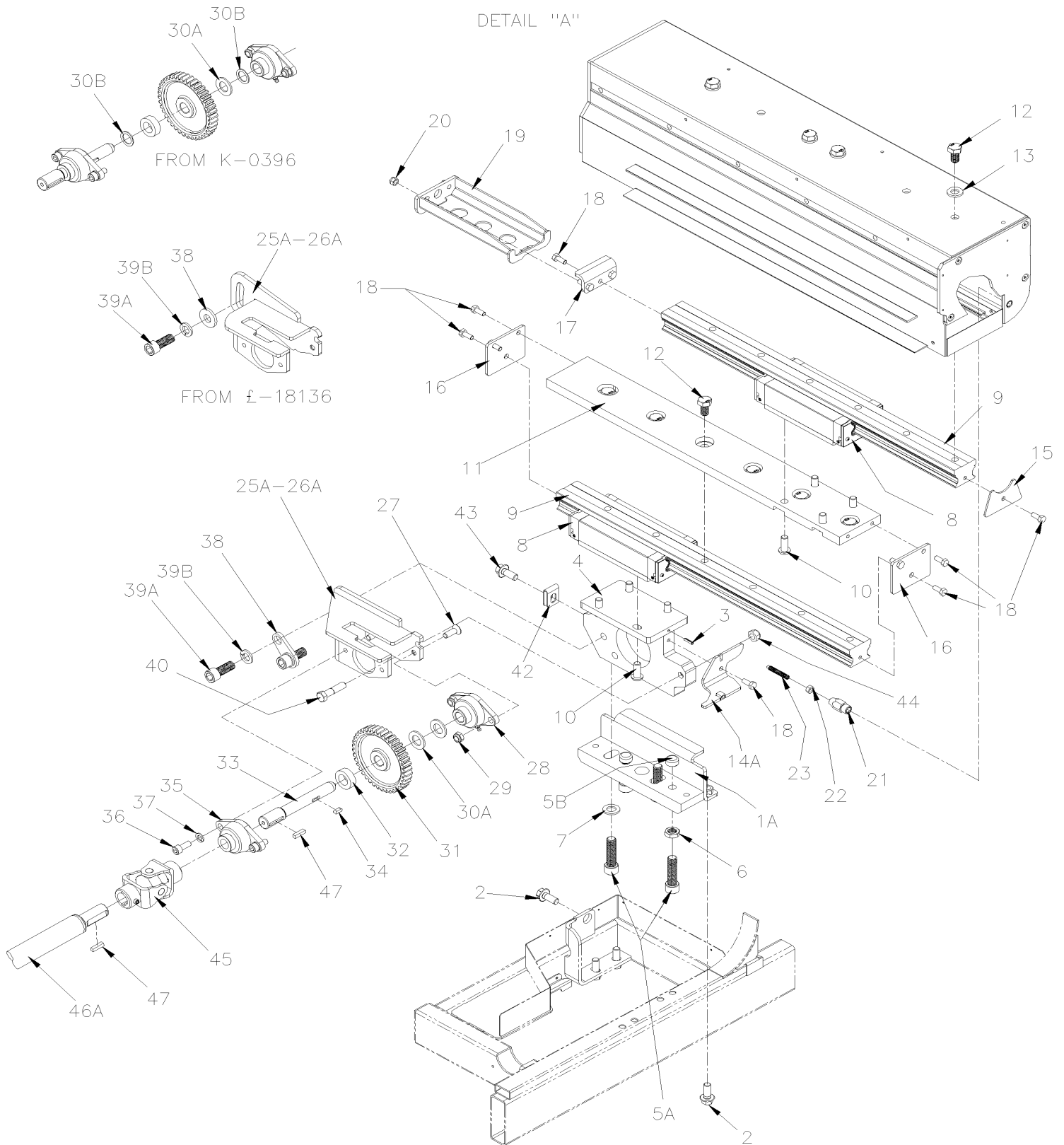


From K-0295 To P-1347

Date:07/2024

PAGE:VIP-2390-21

"SLIDE-OUT" - FRONT MECHANISM - INSTALLATION / STREET SIDE

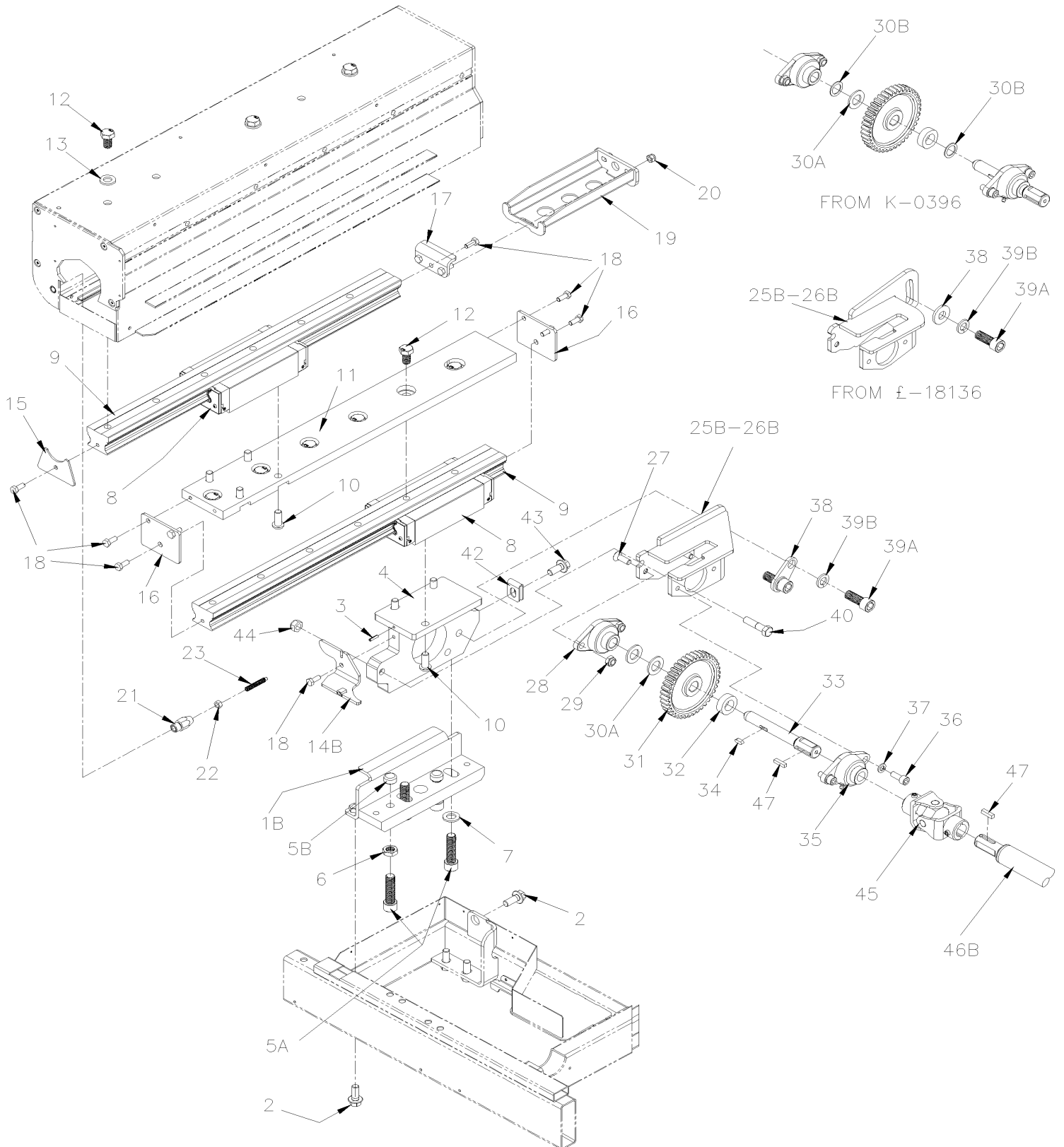


From K-0295 To P-1347

Date:07/2024

PAGE:VIP-2390-21

"SLIDE-OUT" - FRONT MECHANISM - INSTALLATION / STREET SIDE

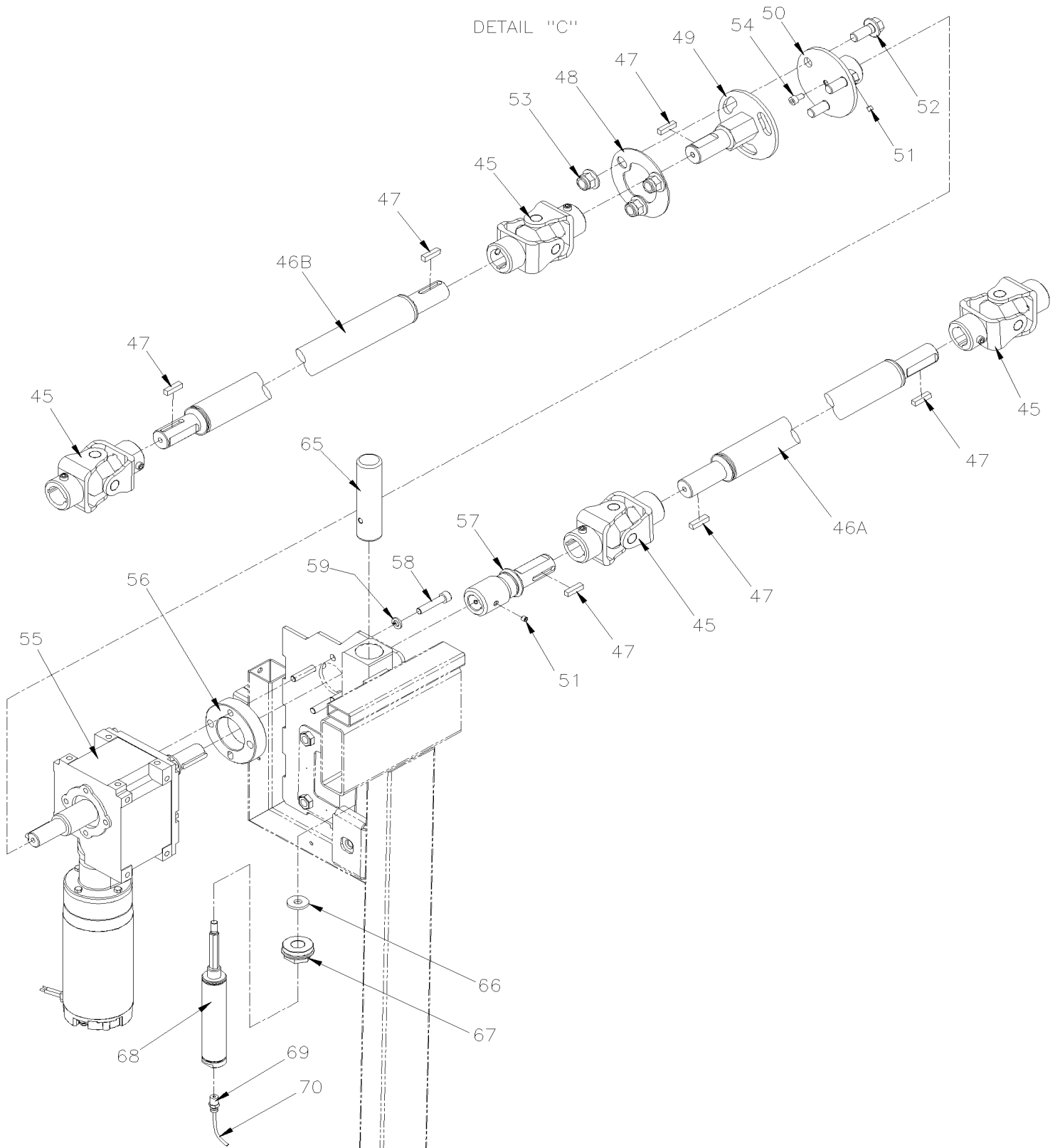


From K-0295 To P-1347

Date:07/2024

PAGE:VIP-2390-21

"SLIDE-OUT" - FRONT MECHANISM - INSTALLATION / STREET SIDE



| | | |
|------------------------------|---------------------|-------------------------|
| From K-0295 To P-1347 | Date:07/2024 | PAGE:VIP-2390-21 |
|------------------------------|---------------------|-------------------------|

"SLIDE-OUT" - FRONT MECHANISM - INSTALLATION / STREET SIDE

| Item# | Part | Description | QTY | Notes |
|-------|-----------------|---|-----|-------|
| 1A | 491367 | ADJUSTEMENT PLATE / REAR STREET SIDE / FRONT CURBSIDE | 1 | |
| 1B | 491344 | ADJUSTEMENT PLATE / FRONT STREET SIDE / REAR CURBSIDE | 1 | |
| 2 | 5001786 | SCREW CAP HEXF M12-1.75x30 G8.8 N500 | 10 | |
| 3 | 5001812 | SPRING PIN 3/16" x 3/4" SS | 2 | |
| 4 | 491353 | ANCHOR RAIL/MOTOR | 2 | |
| 5A | 5002081 | SCREW CAP HEXS M16-2.0x60 G12.9 N500 | 8 | |
| 5B | 491320 | ADJUSTEMENT PAD | 4 | |
| 6 | 5000330 | NUT HEX JAM M16-2.0 SS | 4 | |
| 7 | 5002082 | WASHER BEL SPR 16.3x31.0x2.0 N500 | 4 | |
| 8 | 478827 | GUIDE | 4 | |
| 8 | 504758 | DUMMY RAIL GUIDE LINEAR BEARING 254MM / USE WITH 476761 & 478827 ONLY | AR | |
| 9 | 491318 | RAIL GUIDE LINEAR BEARING 762MM | 4 | |
| 10 | 5001615 | SCREW CAP BUT HEXS M12-1.75x30 G10.9 G500 | 16 | |
| 11 | 491323 | REINFORCMENT RAIL 726MM | 2 | |
| 12 | 5000329 | SCREW CAP HEX M14-2.0x25 G10.9 N500 | 18 | |
| 13 | 5001995 | WASHER FL 15.0x28.0x3.5 N500 To L-0822 | 6 | |
| 13 | 5002113 | WASHER BEL SPR 15.0x35.0x3.4 N500 From L-0823 | 6 | |
| 14A | 491368 | BRACKET, RAIL GUARD / REAR STREET SIDE / FRONT CURBSIDE | 1 | |
| 14B | 491350 | BRACKET, RAIL GUARD / FRONT STREET SIDE / REAR CURBSIDE | 1 | |
| 15 | 490131 | STOPPER RAIL | 2 | |
| 16 | 490139 | STOPPER RAIL/REINFORCMENT | 4 | |
| 17 | 490195 | STOPPER UPPER RAIL | 2 | |
| 18 | 502862 | SCREW CAP HEX M8-1.25x20 G8.8 N500 | 18 | |
| 19 | 490145 | STOPPER SLIDING | 2 | |
| 20 | 502847 | NUT HEX NYRT M8-1.25 N500 | 4 | |
| | | | | |
| 21 | 491383 | STOPPER SLIDE OUT ADJUSTMENT | 2 | |
| 22 | 502851 | NUT HEX M8-1.25 N500 | 4 | |
| NS | 688910 | THREAD LOCKER LOCTITE #262 / RED / 250ml | AR | |
| 23 | 5002019 | SCREW SET HEXS FLAT M8-1.25x50 N500 To N-1339 | 2 | |
| 23 | 5002149 | SCREW SET HEXS FLAT M8-1.25X60 SS From P-1340 | 2 | |
| | | | | |
| 25A | Call order desk | GEAR ASSY / REAR STREET SIDE / FRONT CURBSIDE | 1 | P |
| 25B | Call order desk | GEAR ASSY / FRONT STREET SIDE / REAR CURBSIDE | 1 | P |
| 26A | 491360 | . GEAR SUPPORT / REAR STREET SIDE / FRONT CURBSIDE To L-0800 | 1 | |
| 26A | 491780 | . GEAR SUPPORT / REAR STREET SIDE / FRONT CURBSIDE From L-0801 | 1 | |
| 26B | 491338 | . GEAR SUPPORT / FRONT STREET SIDE / REAR CURBSIDE To L-0800 | 1 | |
| 26B | 491771 | . GEAR SUPPORT / FRONT STREET SIDE / REAR CURBSIDE From L-0801 | 1 | |
| 27 | 5002016 | . SCREW CAP FL HEXS M10-1.5X30 G10.9 N500 | 2 | |
| 28 | 507641 | . PILLOW BEARING ASSY | 1 | |
| 29 | 502859 | . NUT HEX NYRT M10-1.5 N500 | 2 | |
| 30A | 502558 | . WASHER FL 21.0x37.0x3.0 G500 To K-0395 | 2 | |

| | | |
|---|---------------------|-------------------------|
| From K-0295 To P-1347 | Date:07/2024 | PAGE:VIP-2390-21 |
| "SLIDE-OUT" - FRONT MECHANISM - INSTALLATION / STREET SIDE | | |

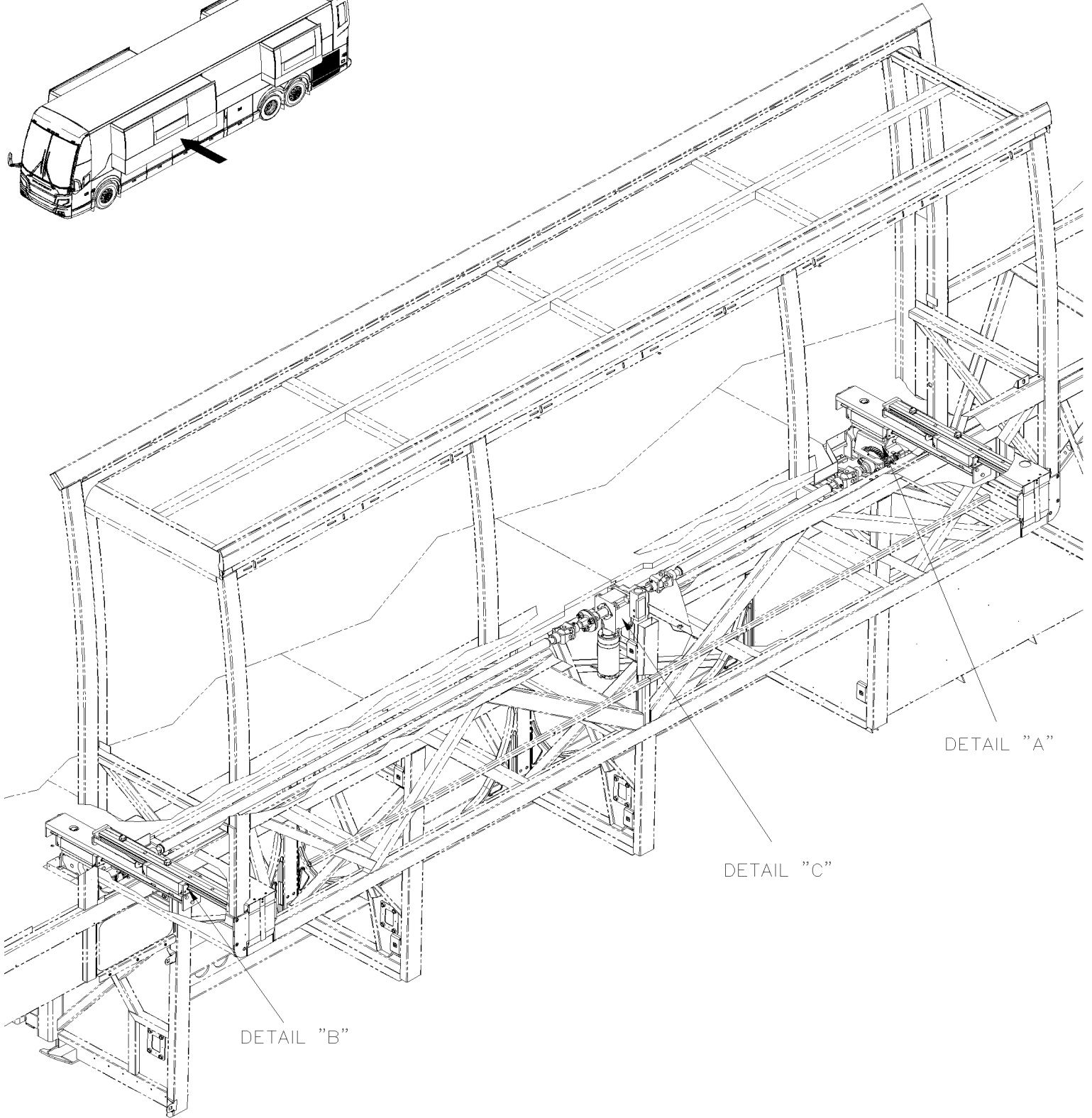
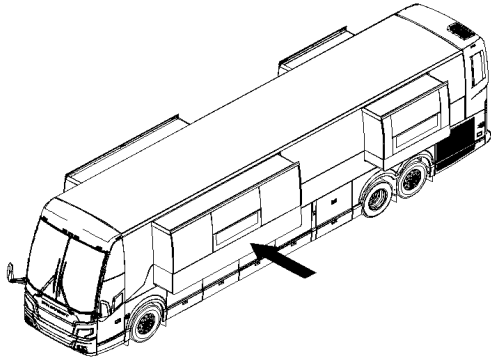
| Item# | Part | Description | QTY | Notes |
|--------|---------|---|-----|-------|
| 30A | 502558 | . WASHER FL 21.0x37.0x3.0 G500 From K-0396 | 1 | |
| 30B | 5001894 | . WASHER FL 21.0x30.0x1.587 SS From K-0396 | 2 | |
| 31 | 491321 | . GEAR | 1 | |
| 32 | 491510 | . SPACER / 22MM x 38.1MM x 12MM | 1 | |
| 33 | 491337 | . GEAR SHAFT To M-1127 | 1 | A |
| 33 | 492002 | . GEAR SHAFT From M-1128 | 1 | |
| 34 | 505010 | . KEY 6MM x 6MM x 16MM To M-1127 | 1 | A |
| 34 | 505036 | . KEY 6MM x 6MM x 18MM From M-1128 | 1 | |
| 35 | 470116 | . PILLOW BEARING ASSY | 1 | |
| 36 | 5001616 | . SCREW CAP HEXS M10-1.5X25 G10.9 DP | 2 | |
| 37 | 502616 | . WASHER LO SPT 10.2x18.1x2.2 SS | 2 | |
| 38 | 491349 | BEARING SUPPORT CLAMP To L-0800 | 2 | |
| 38 | 5002101 | WASHER FL .065x1.5x.188 N500 (M16, 5/8) From L-0801 | 2 | |
| 39A | 5002080 | SCREW CAP HEXS M16-2.0x40 G10.9 N500 To L-0800 | 4 | |
| 39A | 5002080 | SCREW CAP HEXS M16-2.0x40 G10.9 N500 From L-0801 | 2 | |
| 39B | 502884 | WASHER LO SPT 16.2x27.4x3.5 N500 To L-0800 | 4 | |
| 39B | 502884 | WASHER LO SPT 16.2x27.4x3.5 N500 From L-0801 | 2 | |
| 40 | 5001582 | SCREW CAP HEX M12-1.75x50 G10.9 DP | 2 | |
| NS | 680038 | THREAD LOCKER LOCTITE #243 / BLUE / 50ml | AR | |
| 42 | 491645 | SHIM "U SHAPE" | 2 | |
| 43 | 5001786 | SCREW CAP HEXF M12-1.75x30 G8.8 N500 | 2 | |
| 44 | 5001695 | NUT HEX NYRT M12-1.75 Z050 | 2 | |
| | | | | |
| 45 | 505023 | U-JOINT | 4 | |
| NS | 683652 | GREASE SYNTHETIC / RED BOX 50 TUBE | AR | |
| 46A | 491379 | SHAFT / REAR 895MM | 1 | |
| 46B | 491376 | SHAFT / FRONT 2225MM | 1 | |
| 47 | 505020 | KEY / .250x.250x1.000 | 8 | |
| 48 | 491332 | PLATE | 1 | |
| 49 | 491329 | FLANGE UNIVERSAL JOINT | 1 | |
| 50 | 491326 | SHAFT FLANGE | 1 | |
| 51 | 502634 | SCREW SET HEXS CUP M6-1.0x6 | 6 | |
| 52 | 5001866 | SCREW CAP HEX M12-1.75x30 G10.9 N500 | 3 | |
| 53 | 5001761 | NUT HEXF NYRT M12-1.75 G8 N500 | 3 | |
| 54 | 5001783 | SCREW CAP HEXS M6-1.0x12 SS | 1 | |
| 55 | 069959 | MOTOR 24V ASSY W/CONNECTOR | 1 | |
| . NS | 563936 | . MOTOR 24V ASSY W/GEAR-BOX | 1 | |
| . . NS | 563937 | . . MOTOR 24V | 1 | |
| . . NS | 563938 | . . GEAR BOX RATIO 738/1 | 1 | |
| . NS | 563764 | . CONNECTOR / CPC SERIES 3 / PH 3C / PED 15300002 | 1 | |
| . NS | 563763 | . PIN TERMINAL / 14-12 / PED 12129497 | 1 | |
| 55 | 478251 | DECAL "SEAL MUST BE DEFLATED..." To K-0584 | 1 | |

| | | |
|-----------------------|--------------|------------------|
| From K-0295 To P-1347 | Date:07/2024 | PAGE:VIP-2390-21 |
|-----------------------|--------------|------------------|

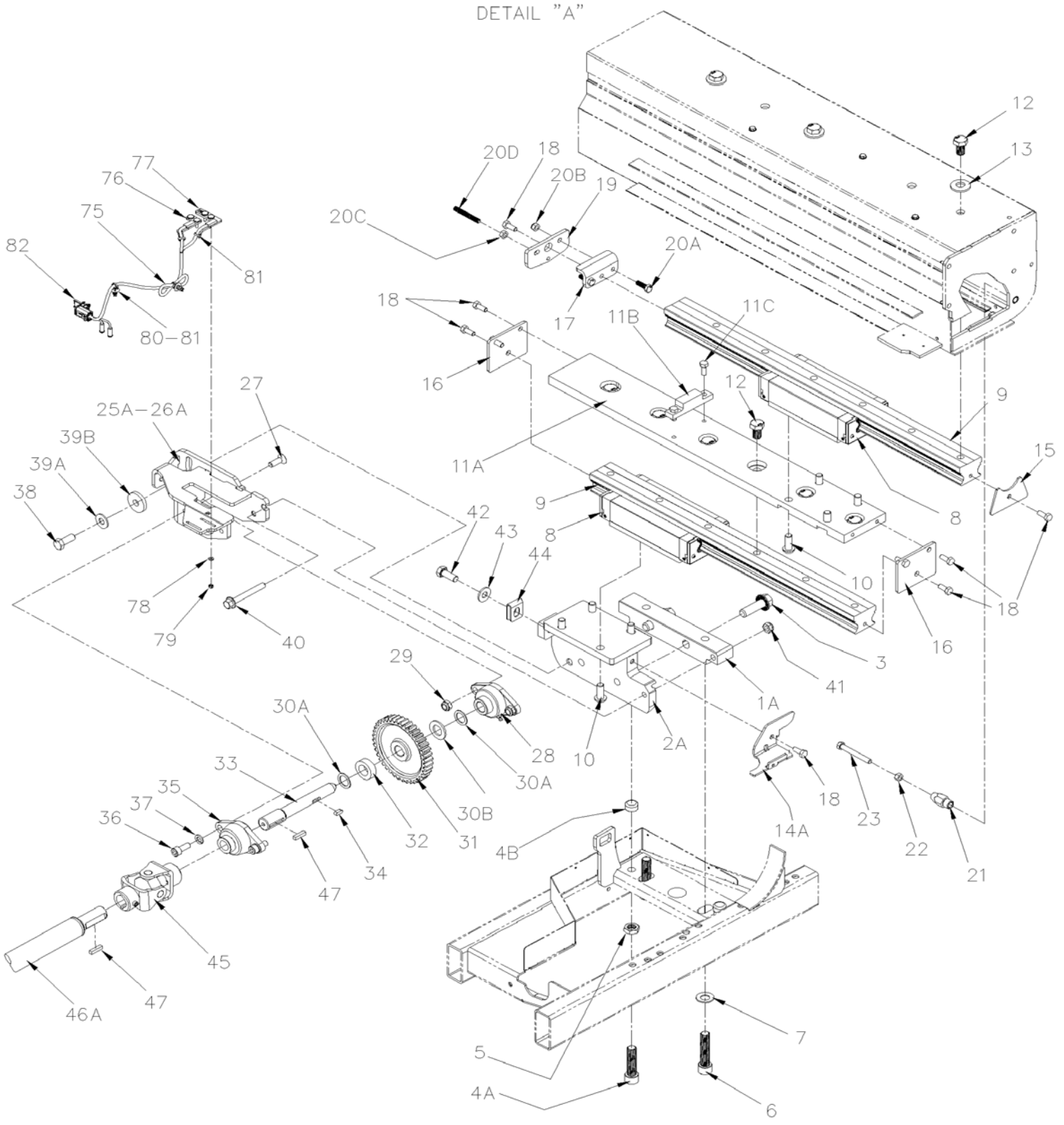
"SLIDE-OUT" - FRONT MECHANISM - INSTALLATION / STREET SIDE

| Item# | Part | Description | QTY | Notes |
|-------|--------------------|--|-----|-------|
| 55 | 477989 | DECAL "SEAL MUST BE DEFLATED..." From K-0585 | 1 | |
| 55 | 477987 | DECAL " ON OVERRIDE MUST BE LOW TORQUE..." | 1 | |
| 56 | 491370 | SPACER / MOTOR | 1 | |
| 57 | 491381 | UNIVERSAL JOINT ADAPTER | 1 | |
| 58 | 502743 | SCREW CAP HEXS M8-1.25x40 G8.8 | 4 | |
| 59 | 500035 | WASHER LO SPT .317x.586x.078 SS | 4 | |
| 60 | VIP-2390-51 | "SLIDE-OUT" - INSTALLATION / FRONT STREET SIDE | | |
| 65 | 470182 | SAFETY PIN 1 1/4" O.D. x 116MM | 1 | |
| 66 | 502220 | WASHER FL .375x1.000x.125 RUB | 1 | |
| 67 | 470183 | ADAPTOR CYLINDER 5/8-18 x M36-2 | 1 | |
| 68 | 642027 | CYLINDER 1 1/16" | 1 | |
| 69 | 641126 | MALE CONNECTOR / PUSH-IN FITTING / #2x1/8NPT-M BR | 1 | |
| | | | | |
| | | | | |
| | | A) IF KEY 505010 BREAKS, REPLACE SHAFT 491337 WITH 492002 AND 505036 | | |
| | | P) CALL ORDER DESK FOR SPECIFIC APPLICATION (V.I.N.) | | |

| | | |
|---|--------------|------------------|
| | Date:07/2024 | PAGE:VIP-2390-22 |
| "SLIDE-OUT" - FRONT MECHANISM - INSTALLATION / STREET SIDE | | |

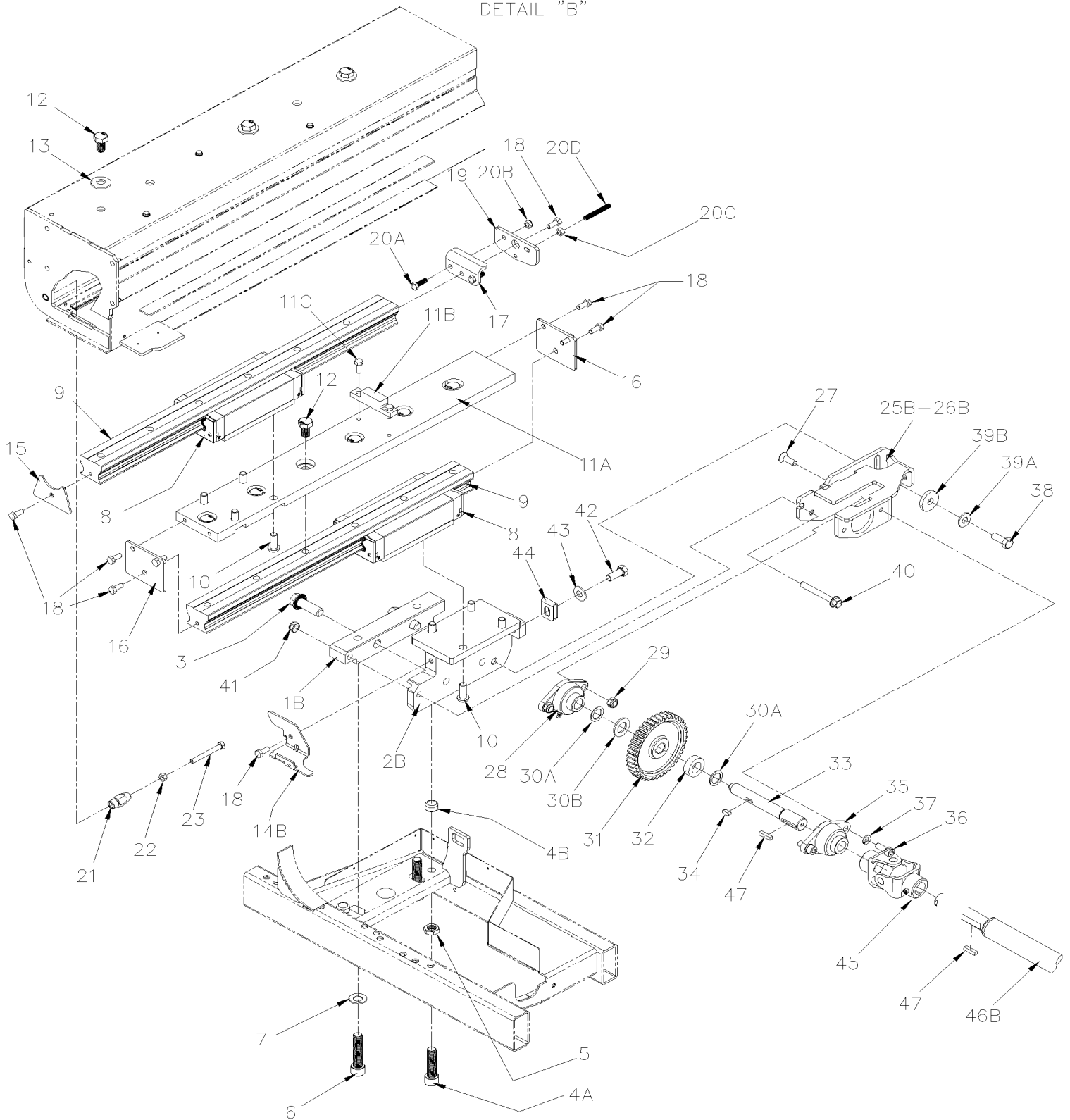


| | | |
|--|--------------|------------------|
| | Date:07/2024 | PAGE:VIP-2390-22 |
| "SLIDE-OUT" - FRONT MECHANISM - INSTALLATION / STREET SIDE | | |

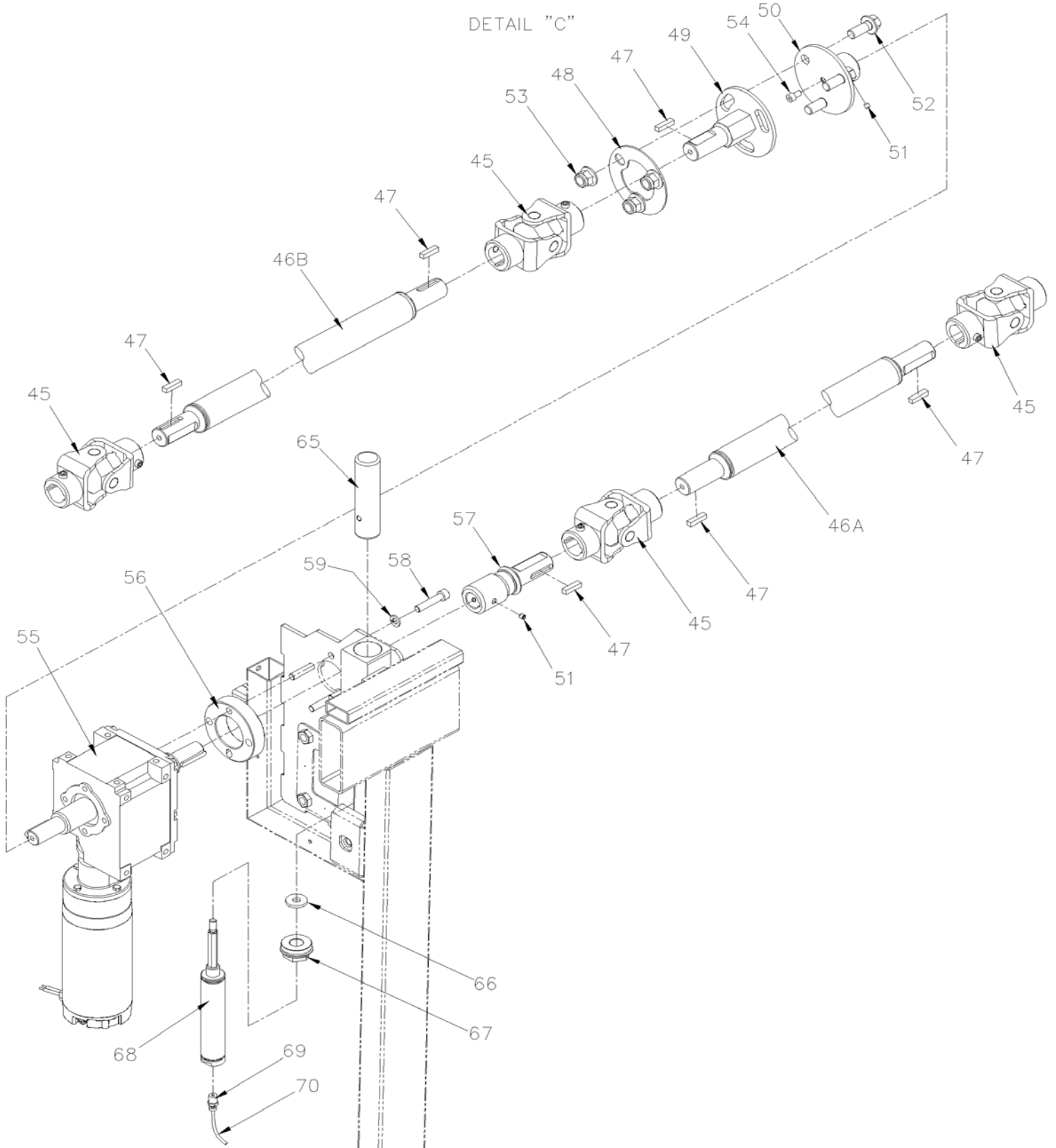


| | | |
|--|--------------|------------------|
| | Date:07/2024 | PAGE:VIP-2390-22 |
| "SLIDE-OUT" - FRONT MECHANISM - INSTALLATION / STREET SIDE | | |

DETAIL "B"



| | | |
|---|--------------|------------------|
| | Date:07/2024 | PAGE:VIP-2390-22 |
| "SLIDE-OUT" - FRONT MECHANISM - INSTALLATION / STREET SIDE | | |



| | | | |
|---|--|---------------------|-------------------------|
| | | Date:07/2024 | PAGE:VIP-2390-22 |
| "SLIDE-OUT" - FRONT MECHANISM - INSTALLATION / STREET SIDE | | | |

| Item# | Part | Description | QTY | Notes |
|--------------|-----------------|---|------------|--------------|
| 1A | 491885 | ADJUSTEMENT PLATE / REAR STREET SIDE / FRONT CURBSIDE | 1 | |
| 1B | 491884 | ADJUSTEMENT PLATE / FRONT STREET SIDE / REAR CURBSIDE | 1 | |
| 2A | 491882 | SUPPORT / REAR STREET SIDE / FRONT CURBSIDE | 1 | |
| 2B | 491880 | SUPPORT / FRONT STREET SIDE / REAR CURBSIDE | 1 | |
| 3 | 5001859 | SCREW CAP HEXF SERR M16-2.0x50 G10.9 | 4 | |
| 4A | 5002081 | SCREW CAP HEXS M16-2.0x60 G12.9 N500 | 4 | |
| 4B | 491320 | ADJUSTEMENT PAD | 4 | |
| 5 | 5000330 | NUT HEX JAM M16-2.0 SS | 4 | |
| 6 | 5002110 | SCREW CAP HEXS M16-2.0x70 G12.9 N500 | 4 | |
| 7 | 5002082 | WASHER BEL SPR 16.3x31.0x2.0 N500 | 4 | |
| 8 | 478827 | GUIDE | 4 | |
| 8 | 504758 | DUMMY RAIL GUIDE LINEAR BEARING 254MM / USE WITH 476761 & 478827 ONLY | AR | |
| 9 | 491318 | RAIL GUIDE LINEAR BEARING 762MM | 4 | |
| 10 | 5001615 | SCREW CAP BUT HEXS M12-1.75x30 G10.9 G500 | 16 | |
| 11A | 491935 | REINFORCMENT RAIL 756MM | 2 | |
| 11B | 491934 | STOPPER | 2 | |
| 11C | 502862 | SCREW CAP HEX M8-1.25x20 G8.8 N500 | 4 | |
| 12 | 5000329 | SCREW CAP HEX M14-2.0x25 G10.9 N500 | 18 | |
| 13 | 5002113 | WASHER BEL SPR 15.0x35.0x3.4 N500 | 6 | |
| 14A | 491745 | BRACKET, RAIL GUARD / REAR | 1 | |
| 14B | 491729 | BRACKET, RAIL GUARD / FRONT | 1 | |
| 15 | 490131 | STOPPER RAIL | 2 | |
| 16 | 490139 | STOPPER RAIL/REINFORCMENT | 4 | |
| 17 | 490195 | STOPPER UPPER RAIL | 2 | |
| 18 | 502862 | SCREW CAP HEX M8-1.25x20 G8.8 N500 | 18 | |
| 19 | 491933 | SUPPORT, THREADED | 2 | |
| 20A | 5001745 | SCREW CAP HEX M8-1.25x25 G8.8 N500 | 4 | |
| 20B | 502847 | NUT HEX NYRT M8-1.25 N500 | 4 | |
| 20C | 502851 | NUT HEX M8-1.25 N500 | 2 | |
| 20D | 5002149 | SCREW SET HEXS FLAT M8-1.25X60 SS | 2 | |
| | | | | |
| 21 | 491383 | STOPPER SLIDE OUT ADJUSTMENT | 2 | |
| 22 | 502851 | NUT HEX M8-1.25 N500 | 4 | |
| NS | 688910 | THREAD LOCKER LOCTITE #262 / RED / 250ml | AR | |
| 23 | 5001347 | SCREW CAP HEX M8-1.25x70 SS | 2 | |
| | | | | |
| 25A | Call order desk | GEAR ASSY / REAR STREET SIDE / FRONT CURBSIDE | 1 | P |
| 25B | Call order desk | GEAR ASSY / FRONT STREET SIDE / REAR CURBSIDE | 1 | P |
| 26A | 492044 | . GEAR SUPPORT / REAR STREET SIDE / FRONT CURBSIDE | 1 | |
| 26B | 491716 | . GEAR SUPPORT / FRONT STREET SIDE / REAR CURBSIDE | 1 | |
| 27 | 5002016 | . SCREW CAP FL HEXS M10-1.5X30 G10.9 N500 | 2 | |
| 28 | 507641 | . PILLOW BEARING ASSY | 1 | |

| | | | |
|---|--|--------------|------------------|
| | | Date:07/2024 | PAGE:VIP-2390-22 |
| "SLIDE-OUT" - FRONT MECHANISM - INSTALLATION / STREET SIDE | | | |

| Item# | Part | Description | QTY | Notes |
|--------|---------|---|-----|-------|
| 29 | 502859 | . NUT HEX NYRT M10-1.5 N500 | 2 | |
| 30A | 502558 | . WASHER FL 21.0x37.0x3.0 G500 To P-1492 | 1 | |
| 30A | 502558 | WASHER FL 21.0x37.0x3.0 G500 From P-1493 | 2 | |
| 30B | 5001894 | . WASHER FL 21.0x30.0x1.587 SS To P-1492 | 2 | |
| 31 | 491321 | . GEAR | 1 | |
| 32 | 491510 | . SPACER / 22MM x 38.1MM x 12MM | 1 | |
| 33 | 492002 | . GEAR SHAFT | 1 | |
| 34 | 505036 | . KEY 6MM x 6MM x 18MM | 1 | |
| 35 | 470116 | . PILLOW BEARING ASSY | 1 | |
| 36 | 5001616 | . SCREW CAP HEXS M10-1.5X25 G10.9 DP | 2 | |
| 37 | 502616 | . WASHER LO SPT 10.2x18.1x2.2 SS | 2 | |
| 38 | 5001866 | SCREW CAP HEX M12-1.75x30 G10.9 N500 | 2 | |
| 39A | 500967 | WASHER BEL SPR .512x1.142x.098 N500 | 2 | |
| 39B | 491744 | BEARING SUPPORT CLAMP | 2 | |
| 40 | 5001802 | SCREW CAP HEXF M10-1.5x80 G10.9 N500 | 2 | |
| 41 | 502859 | NUT HEX NYRT M10-1.5 N500 | 2 | |
| 42 | 5001866 | SCREW CAP HEX M12-1.75x30 G10.9 N500 | 2 | |
| 43 | 500967 | WASHER BEL SPR .512x1.142x.098 N500 | 2 | |
| 44 | 491645 | SHIM "U SHAPE" | 2 | |
| 45 | 505023 | U-JOINT | 4 | |
| NS | 683652 | GREASE SYNTHETIC / RED BOX 50 TUBE | AR | |
| 46A | 491379 | SHAFT / REAR 895MM | 1 | |
| 46B | 491376 | SHAFT / FRONT 2225MM | 1 | |
| 47 | 505020 | KEY / .250x.250x1.000 | 8 | |
| 48 | 491332 | PLATE | 1 | |
| 49 | 491329 | FLANGE UNIVERSAL JOINT | 1 | |
| 50 | 491326 | SHAFT FLANGE | 1 | |
| 51 | 502634 | SCREW SET HEXS CUP M6-1.0x6 | 6 | |
| 52 | 5001866 | SCREW CAP HEX M12-1.75x30 G10.9 N500 | 3 | |
| 53 | 5001761 | NUT HEXF NYRT M12-1.75 G8 N500 | 3 | |
| 54 | 5001783 | SCREW CAP HEXS M6-1.0x12 SS | 1 | |
| 55 | 069959 | MOTOR 24V ASSY W/CONNECTOR | 1 | |
| . NS | 563936 | . MOTOR 24V ASSY W/GEAR-BOX | 1 | |
| . . NS | 563937 | . . MOTOR 24V | 1 | |
| . . NS | 563938 | . . GEAR BOX RATIO 738/1 | 1 | |
| . NS | 563764 | . CONNECTOR / CPC SERIES 3 / PH 3C / PED 15300002 | 1 | |
| . NS | 563763 | . PIN TERMINAL / 14-12 / PED 12129497 | 1 | |
| 55 | 478251 | DECAL "SEAL MUST BE DEFLATED..." | 1 | |
| 55 | 477987 | DECAL " ON OVERRIDE MUST BE LOW TORQUE..." | 1 | |
| 56 | 491370 | SPACER / MOTOR | 1 | |

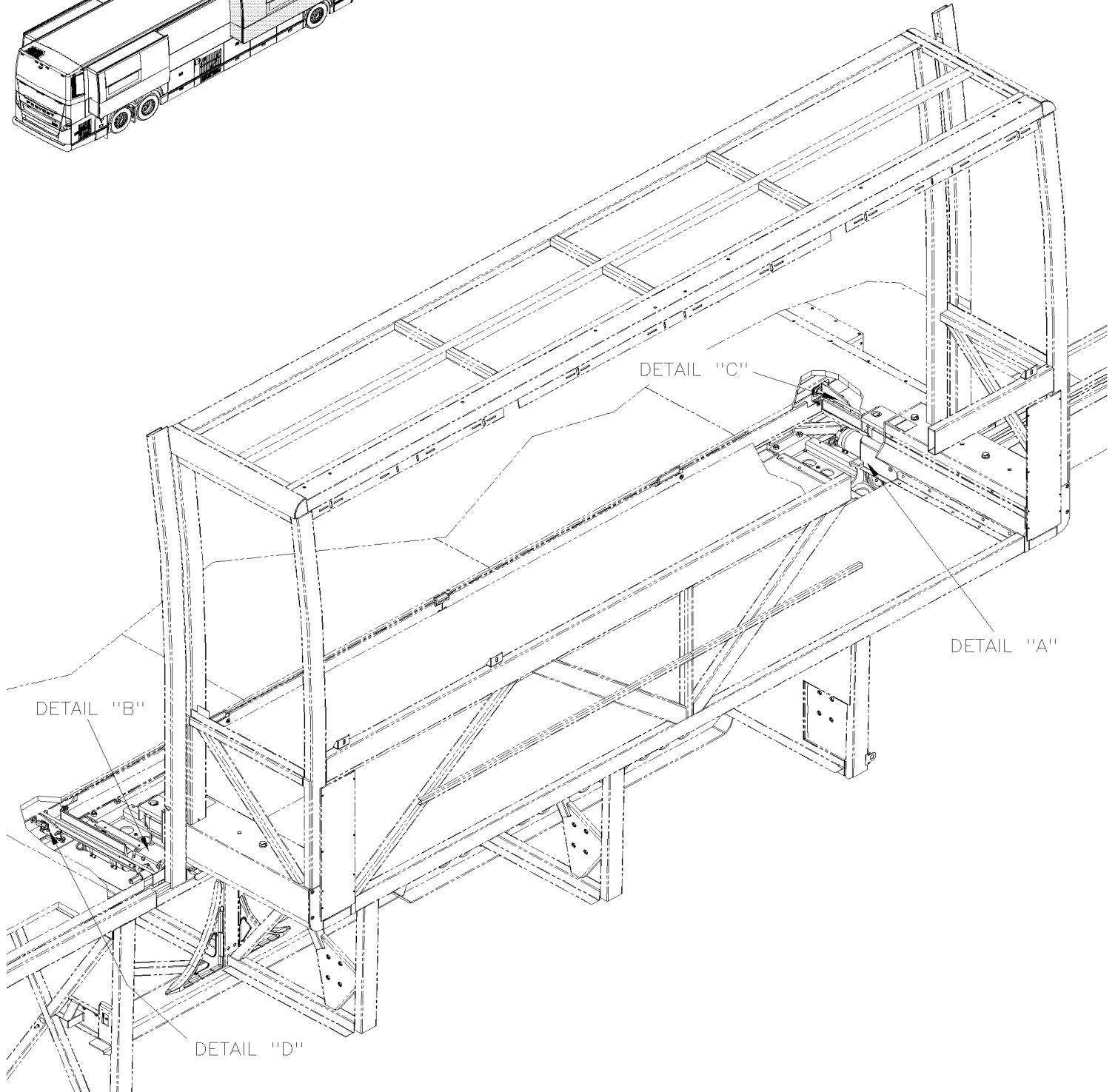
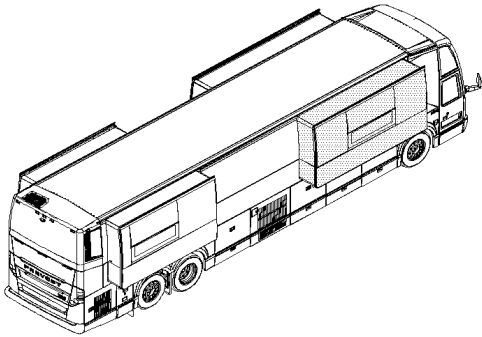
| | | Date:07/2024 | PAGE:VIP-2390-22 | |
|---|--------------------|--|------------------|-------|
| "SLIDE-OUT" - FRONT MECHANISM - INSTALLATION / STREET SIDE | | | | |
| Item# | Part | Description | QTY | Notes |
| 57 | 491381 | UNIVERSAL JOINT ADAPTER | 1 | |
| 58 | 502743 | SCREW CAP HEXS M8-1.25x40 G8.8 | 4 | |
| 59 | 500035 | WASHER LO SPT .317x.586x.078 SS | 4 | |
| 60 | VIP-2390-52 | "SLIDE-OUT" - INSTALLATION / FRONT STREET SIDE | | |
| 65 | 470182 | SAFETY PIN 1 1/4" O.D. x 116MM | 1 | |
| 66 | 502220 | WASHER FL .375x1.000x.125 RUB | 1 | |
| 67 | 470183 | ADAPTOR CYLINDER 5/8-18 x M36-2 | 1 | |
| 68 | 642027 | CYLINDER 1 1/16" | 1 | |
| 69 | 641126 | MALE CONNECTOR / PUSH-IN FITTING / #2x1/8NPT-M BR | 1 | |
| 70 | 503536 | TUBE, NYLON 1/8 O.D. / BLACK S.L. | AR | |
| 75 | 061503 | LIMITING REED SWITCH ASSY W/LED S.P.D.T. / W/SLIDE OUT | 1 | |
| . NS | 563426 | . HALL EFFECT SENSOR | 2 | |
| . NS | 563452 | . LED GREEN / 5VOLTS | 2 | |
| . NS | 564108 | . SELF MOUNTING STUD // DEUTSCH 1011-310-0205 | 1 | |
| 76 | 492048 | SUPPORT SENSOR | 1 | |
| 77 | 492050 | SUPPORT SENSOR | 1 | |
| 78 | 502556 | WASHER FL 4.3x9.0x0.8 SS | 4 | |
| 79 | 500539 | NUT HEX NYRT M4-0.7 N500 | 4 | |
| 80 | 509815 | TIE MOUNT / ATTACHMENT W/TREE MOUNT | 2 | |
| 81 | 504273 | CABLE TIE / 1/8" X 3"1/2 | 4 | |
| 82 | 504108 | RIVET POP DOME OE 1/8x1/2 AL | 1 | |
| 100 | | REFERENCE ONLY From P-1493 | | |
| | | | | |
| | | | | |
| | | P) CALL ORDER DESK FOR SPECIFIC APPLICATION (V.I.N.) | | |

From K-0295 To P-1347

Date:07/2024

PAGE:VIP-2390-26

"SLIDE-OUT" - FRONT MECHANISM - INSTALLATION / CURBSIDE



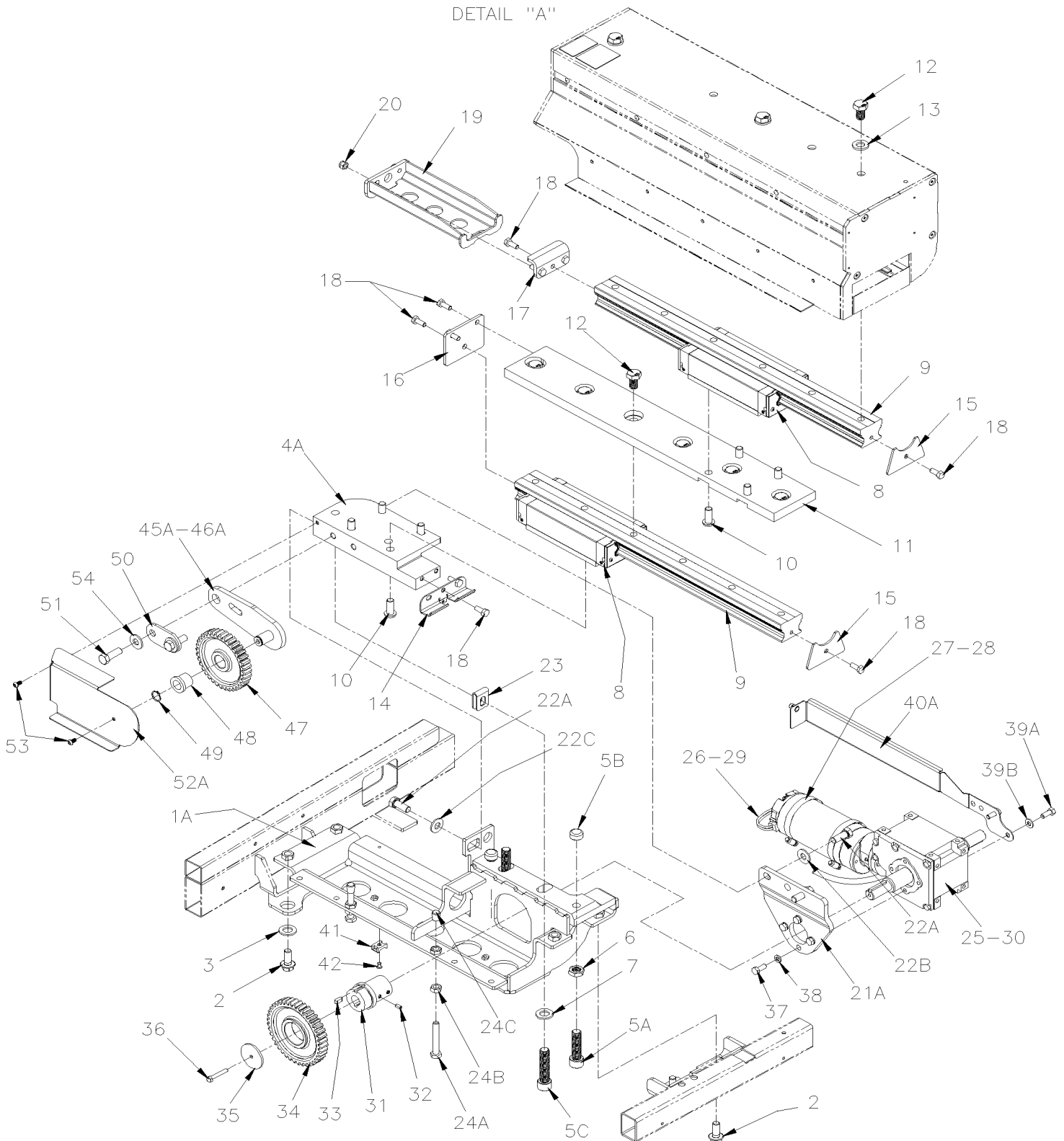
From K-0295 To P-1347

Date:07/2024

PAGE:VIP-2390-26

"SLIDE-OUT" - FRONT MECHANISM - INSTALLATION / CURBSIDE

DETAIL "A"

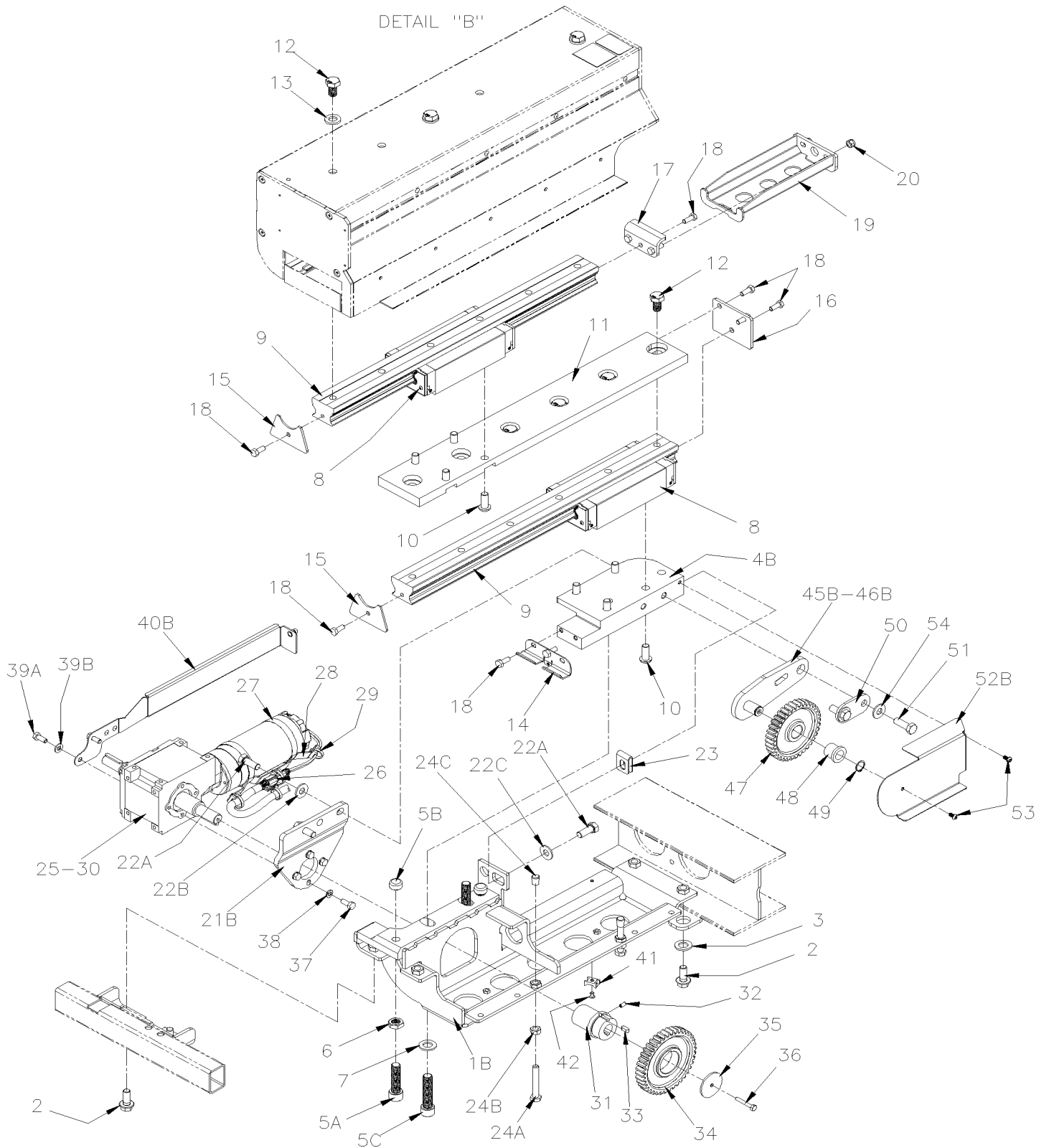


From K-0295 To P-1347

Date:07/2024

PAGE:VIP-2390-26

"SLIDE-OUT" - FRONT MECHANISM - INSTALLATION / CURBSIDE



From K-0295 To P-1347

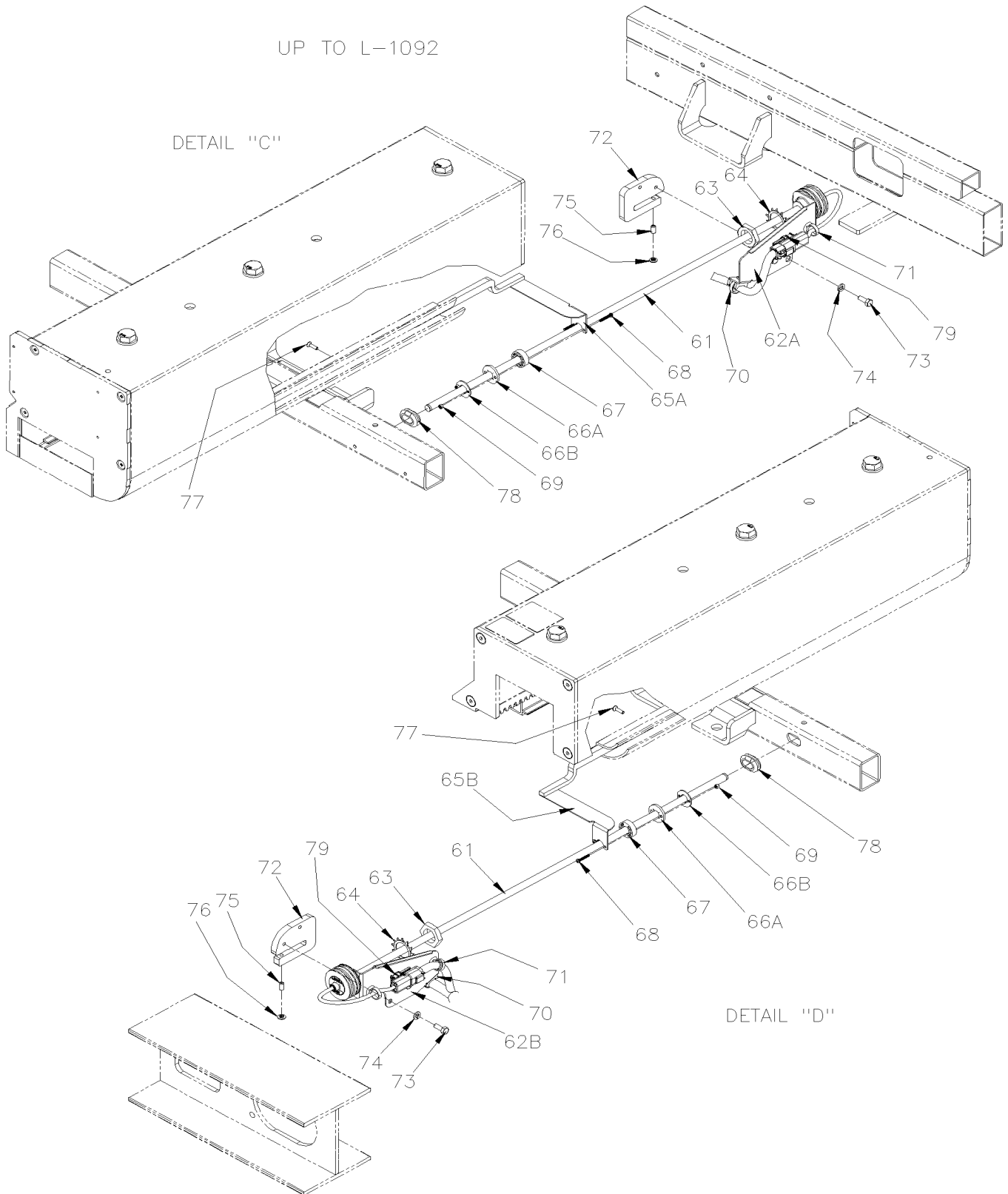
Date:07/2024

PAGE:VIP-2390-26

"SLIDE-OUT" - FRONT MECHANISM - INSTALLATION / CURBSIDE

UP TO L-1092

DETAIL "C"



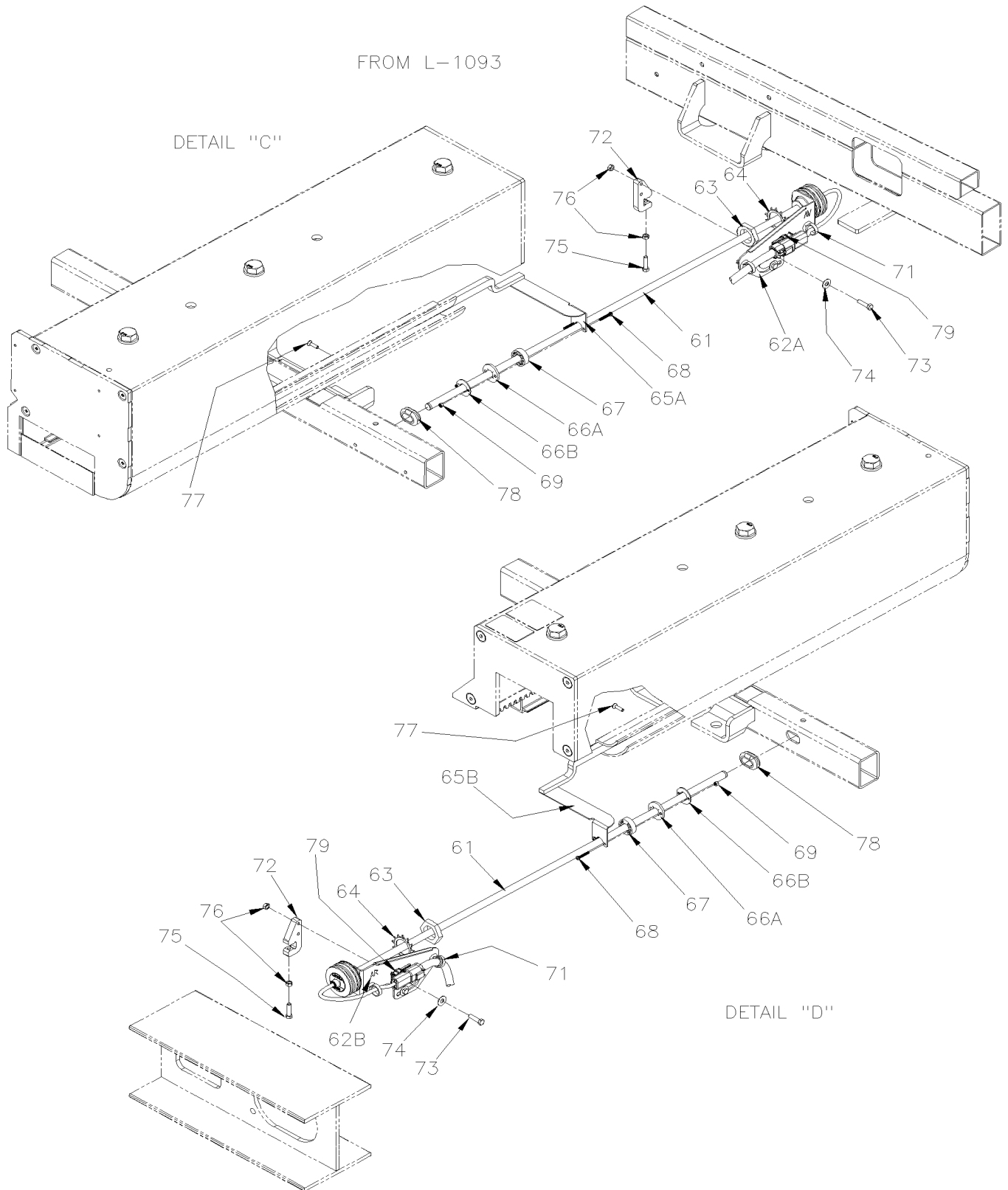
DETAIL "D"

From K-0295 To P-1347

Date:07/2024

PAGE:VIP-2390-26

"SLIDE-OUT" - FRONT MECHANISM - INSTALLATION / CURBSIDE



| | | |
|--|---------------------|-------------------------|
| From K-0295 To P-1347 | Date:07/2024 | PAGE:VIP-2390-26 |
| "SLIDE-OUT" - FRONT MECHANISM - INSTALLATION / CURBSIDE | | |

| Item# | Part | Description | QTY | Notes |
|-------|---------|---|-----|-------|
| 1A | 490091 | MECHANIC IN-OUT, FRONT To M-1127 | 1 | |
| 1A | 491911 | MECHANIC IN-OUT, FRONT From M-1128 | 1 | |
| 1A | 470507 | DECAL "CAUTION THIS SLIDE OUT SUPPORT..." | 1 | |
| 1A | 470507 | DECAL "CAUTION THIS SLIDE OUT SUPPORT..." | 1 | |
| 1B | 490090 | MECHANIC IN-OUT, REAR To M-1127 | 1 | |
| 1B | 491910 | MECHANIC IN-OUT, REAR From M-1128 | 1 | |
| 1B | 470507 | DECAL "CAUTION THIS SLIDE OUT SUPPORT..." | 1 | |
| 1B | 470507 | DECAL "CAUTION THIS SLIDE OUT SUPPORT..." | 1 | |
| 2 | 5001786 | SCREW CAP HEXF M12-1.75x30 G8.8 N500 | 8 | |
| 3 | 5001150 | WASHER FL 17.0x30.0x3.0 N500 | 4 | |
| 4A | 491281 | ANCHOR RAIL/MOTOR FRONT To L-1032 | 1 | |
| 4A | 491823 | ANCHOR RAIL/MOTOR FRONT From L-1033 To M-1127 | 1 | |
| 4A | 491917 | ANCHOR RAIL/MOTOR FRONT From M-1128 | 1 | |
| 4B | 491276 | ANCHOR RAIL/MOTOR REAR To L-1032 | 1 | |
| 4B | 491822 | ANCHOR RAIL/MOTOR REAR From L-1033 To M-1127 | 1 | |
| 4B | 491916 | ANCHOR RAIL/MOTOR REAR From M-1128 | 1 | |
| 5A | 5002081 | SCREW CAP HEXS M16-2.0x60 G12.9 N500 | 4 | |
| 5A | 5002081 | SCREW CAP HEXS M16-2.0x60 G12.9 N500 | 4 | |
| 5B | 491320 | ADJUSTEMENT PAD | 4 | |
| 5C | 5002081 | SCREW CAP HEXS M16-2.0x60 G12.9 N500 To M-1127 | 4 | |
| 5C | 5002081 | SCREW CAP HEXS M16-2.0x60 G12.9 N500 To M-1127 | 4 | |
| 5C | 5002110 | SCREW CAP HEXS M16-2.0x70 G12.9 N500 From M-1128 | 4 | |
| 6 | 5000330 | NUT HEX JAM M16-2.0 SS | 4 | |
| 7 | 5002082 | WASHER BEL SPR 16.3x31.0x2.0 N500 | 4 | |
| 8 | 478827 | GUIDE | 4 | |
| 8 | 504758 | DUMMY RAIL GUIDE LINEAR BEARING 254MM / USE WITH 476761 & 478827 ONLY | 1 | |
| 9 | 490240 | RAIL GUIDE LINEAR BEARING 650MM | 4 | |
| 10 | 5001615 | SCREW CAP BUT HEXS M12-1.75x30 G10.9 G500 | 16 | |
| 11 | 490130 | REINFORCMENT RAIL | 2 | |
| 12 | 5000329 | SCREW CAP HEX M14-2.0x25 G10.9 N500 | 18 | |
| 13 | 5001995 | WASHER FL 15.0x28.0x3.5 N500 To L-0822 | 6 | |
| 13 | 5002113 | WASHER BEL SPR 15.0x35.0x3.4 N500 From L-0823 | 6 | |
| 14 | 490125 | BRACKET, RAIL GUARD | 2 | |
| 15 | 490131 | STOPPER RAIL | 4 | |
| 16 | 490139 | STOPPER RAIL/REINFORCMENT | 2 | |
| 17 | 490195 | STOPPER UPPER RAIL | 2 | |
| 18 | 502862 | SCREW CAP HEX M8-1.25x20 G8.8 N500 | 16 | |
| 19 | 490145 | STOPPER SLIDING | 2 | |
| 20 | 5001787 | NUT HEX NYRT M8-1.25 SS | 4 | |
| 21A | 490122 | PLATE MOTOR SUPPORT FRONT | 1 | |
| 21B | 490121 | PLATE MOTOR SUPPORT REAR | 1 | |
| 22A | 5001786 | SCREW CAP HEXF M12-1.75x30 G8.8 N500 To K-0524 | 8 | |

| | | |
|--|---------------------|-------------------------|
| From K-0295 To P-1347 | Date:07/2024 | PAGE:VIP-2390-26 |
| "SLIDE-OUT" - FRONT MECHANISM - INSTALLATION / CURBSIDE | | |

| Item# | Part | Description | QTY | Notes |
|-------|-----------------|---|-----|-------|
| 22A | 5001866 | SCREW CAP HEX M12-1.75x30 G10.9 N500 From K-0525 | 8 | |
| 22B | 500967 | WASHER BEL SPR .512x1.142x.098 N500 From K-0525 | 6 | |
| 22B | 500967 | WASHER BEL SPR .512x1.142x.098 N500 From K-0525 | 6 | |
| 22C | 500967 | WASHER BEL SPR .512x1.142x.098 N500 To M-1169 | 2 | |
| 22C | 500967 | WASHER BEL SPR .512x1.142x.098 N500 To M-1169 | 2 | |
| 22C | 500494 | WASHER BEL SPR .470x1.680x.125 N500 From M-1170 | 2 | |
| 23 | 491645 | SHIM "U SHAPE" | 2 | |
| NS | 680038 | THREAD LOCKER LOCTITE #243 / BLUE / 50ml | AR | |
| 24A | 5002168 | SCREW CAP HEX M10-1.5x70 SS From M-1128 | 4 | |
| 24B | 500847 | NUT HEX M10-1.5 N500 From M-1128 | 4 | |
| 24C | 504756 | PROTECTOR CAP / BLACK / RUBBER .328 I.D. x .500 x 11/16 From M-1128 | 4 | |
| 25 | 060241P | MOTOR 24V ASSY W/CONNECTOR | 2 | |
| 25 | 560055 | . MOTOR 24V ASSY W/GEAR-BOX | 1 | |
| 25 | 505533 | . . KEY 6MM x 6MM x 40MM | 1 | |
| 26 | 563764 | . CONNECTOR / CPC SERIES 3 / PH 3C / PED 15300002 | 1 | |
| 26 | 563763 | . PIN TERMINAL / 14-12 / PED 12129497 | 2 | |
| 26 | 561840 | . CABLE SEAL / BLUE / PED 15324981 | 2 | |
| 26 | 562388 | . SECONDARY LOCK / METRI-PACK 280 / 2C / BLUE / PED 15300014 | 1 | |
| 27 | 504025 | . HOSE CLAMP / 2"5/16-3"1/4 SS / HS-44 | 2 | |
| 28 | 060230 | . SUPPORT WIRING MOTOR | 1 | |
| 29 | 504013 | . TIE MOUNT / 1/4" X 1/4" I.D. | 3 | |
| 29 | 504379 | . RIVET POP DOME OE 3/16x1/4 SS | 3 | |
| 29 | 504637 | . CABLE TIE / 3/16" x 13" | 3 | |
| 30 | 470511 | DECAL "CAUTION SEAL MUST BE DEFLATED..." | 1 | |
| 30 | 477987 | DECAL " ON OVERRIDE MUST BE LOW TORQUE..." | 4 | |
| 31 | 490177 | ADAPTOR, GEAR FREE | 2 | |
| 32 | 5001634 | SCREW SET HEXS CUP M6-1.0X12MM Z050 | 6 | |
| 33 | 505010 | KEY 6MM x 6MM x 16MM To M-1127 | 2 | |
| 33 | 505036 | KEY 6MM x 6MM x 18MM From M-1128 | 2 | |
| 34 | 490171 | GEAR DRIVE | 2 | |
| 35 | 490173 | PLATE FIXING | 2 | |
| 36 | 5000310 | SCREW CAP HEX M6-1.0x40 BK | 2 | |
| 37 | 5001450 | SCREW CAP HEX M8-1.25x20 G10.9 DP | 8 | |
| 38 | 500035 | WASHER LO SPT .317x.586x.078 SS | 8 | |
| 39A | 5001450 | SCREW CAP HEX M8-1.25x20 G10.9 DP To M-1127 | 4 | |
| 39A | 500820 | SCREW CAP HEX M8-1.25x16 G10.9 N500 From M-1128 | 4 | |
| 39B | 5001736 | WASHER FL 8.4x18.0x2.0 N500 To M-1127 | 4 | |
| 39B | 500321 | WASHER BEL SPR .331x.827x.098 N500 From M-1128 | 4 | |
| 40A | 490671 | SIDE PROTECTOR PANEL / FRONT To L-0822 | 1 | |
| 40A | 491800 | SIDE PROTECTOR PANEL / FRONT From L-0823 To L-1092 | 1 | |
| 40A | Call order desk | SIDE PROTECTOR PANEL / FRONT From L-1093 | 1 | P |

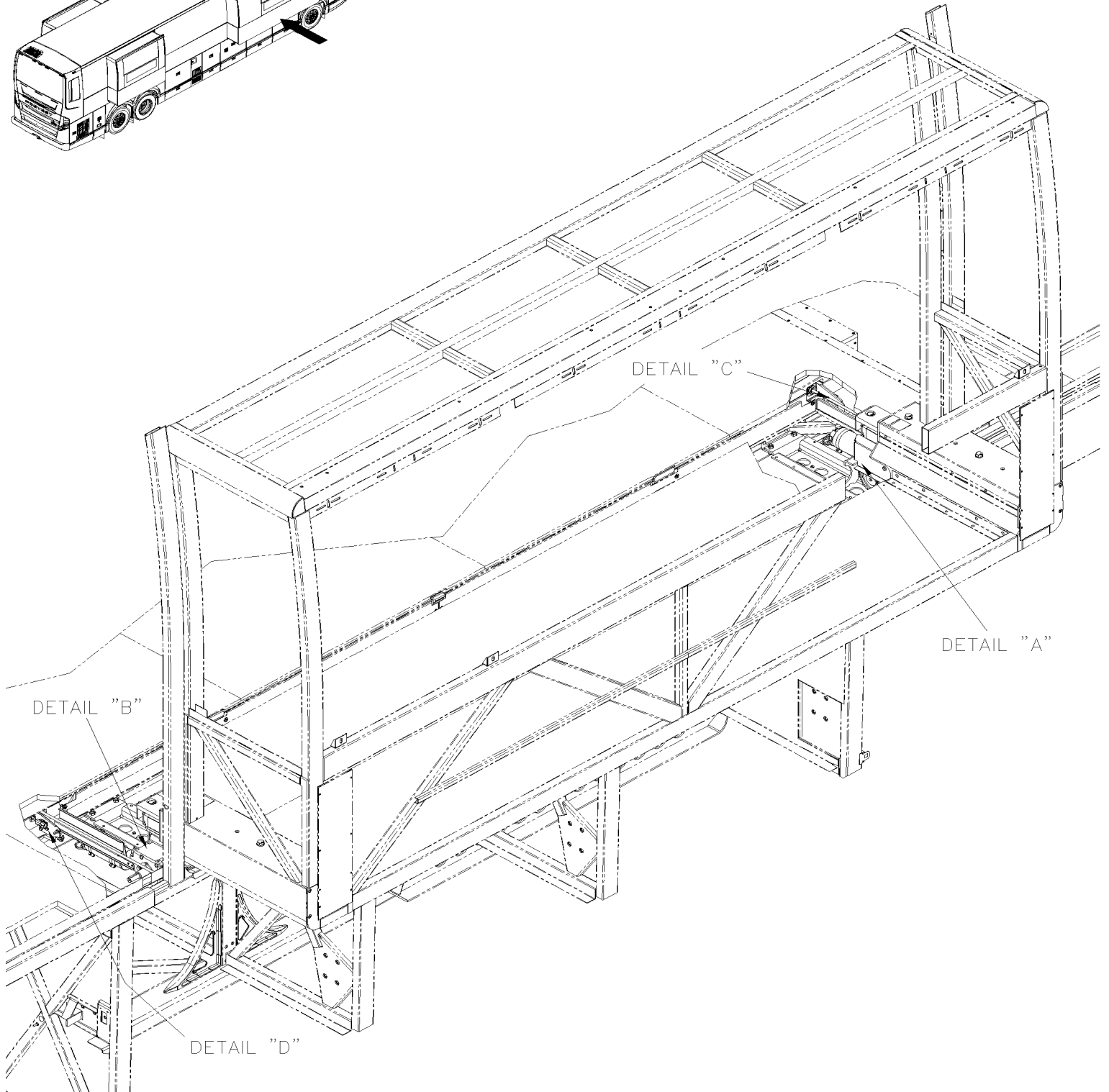
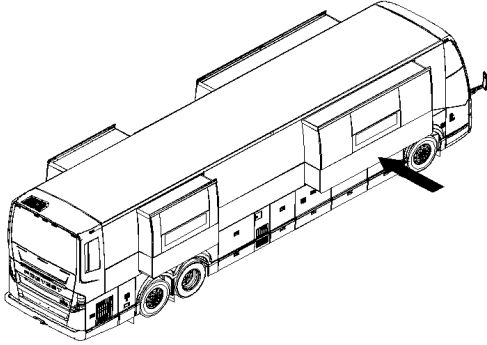
| | | |
|--|---------------------|-------------------------|
| From K-0295 To P-1347 | Date:07/2024 | PAGE:VIP-2390-26 |
| "SLIDE-OUT" - FRONT MECHANISM - INSTALLATION / CURBSIDE | | |

| Item# | Part | Description | QTY | Notes |
|-------|-----------------|---|-----|-------|
| 40A | 491948 | . SIDE PROTECTOR PANEL / FRONT From L-1093 | 1 | |
| 40A | 504013 | . TIE MOUNT / 1/4" X 1/4" I.D. From L-1093 | 1 | |
| 40A | 504013 | . TIE MOUNT / 1/4" X 1/4" I.D. From L-1093 | 1 | |
| 40A | 504379 | . RIVET POP DOME OE 3/16x1/4 SS From L-1093 | 1 | |
| 40A | 504379 | . RIVET POP DOME OE 3/16x1/4 SS From L-1093 | 1 | |
| 40B | 491254 | SIDE PROTECTOR PANEL / REAR To L-0822 | 1 | |
| 40B | 491799 | SIDE PROTECTOR PANEL / REAR From L-0823 To L-1092 | 1 | |
| 40B | Call order desk | SIDE PROTECTOR PANEL / REAR From L-1093 | 1 | P |
| 40B | 491946 | . SIDE PROTECTOR PANEL / REAR From L-1093 | 1 | |
| 40B | 504013 | . TIE MOUNT / 1/4" X 1/4" I.D. From L-1093 | 1 | |
| 40B | 504013 | . TIE MOUNT / 1/4" X 1/4" I.D. From L-1093 | 1 | |
| 40B | 504379 | . RIVET POP DOME OE 3/16x1/4 SS From L-1093 | 1 | |
| 40B | 504379 | . RIVET POP DOME OE 3/16x1/4 SS From L-1093 | 1 | |
| 41 | 504013 | TIE MOUNT / 1/4" X 1/4" I.D. | 4 | |
| 42 | 504379 | RIVET POP DOME OE 3/16x1/4 SS | 4 | |
| | | | | |
| 45A | 491284P | GEAR FREE ASSY / FRONT / SAV | 1 | |
| 45B | 490575P | GEAR FREE ASSY / REAR / SAV | 1 | |
| 46A | 491282 | . SUPPORT GEAR / FRONT To L-0822 | 1 | |
| 46A | 491820 | . SUPPORT GEAR / FRONT From L-0823 | 1 | |
| 46B | 491277 | . SUPPORT GEAR / REAR To L-0822 | 1 | |
| 46B | 491819 | . SUPPORT GEAR / REAR From L-0823 | 1 | |
| 47 | 490164 | . GEAR FREE | 1 | |
| 48 | 507015 | . BUSHING OIL FLANGE .752 x 1.000 x 1.000 | 1 | |
| 49 | 504036 | . RING RETAINER / EXT .704 x .704 x .042" / SS | 1 | |
| 50 | 491280 | PUSH PLATE | 2 | |
| 51 | 500806 | SCREW CAP HEX M12-1.75X35 G10.9 G500 | 4 | |
| 52A | 491283 | GEAR COVER / FRONT | 1 | |
| 52B | 491279 | GEAR COVER / REAR | 1 | |
| 53 | 5000353 | SCREW CAP BUT HEXS M6-1.0x12 N500 | 4 | |
| 54 | 500967 | WASHER BEL SPR .512x1.142x.098 N500 | 4 | |
| | | | | |
| 61 | 060246P | SENSOR, LINEAR POSITION ASS | 2 | |
| . NS | 562479 | . CONNECTOR / DT SERIES / PH 4C / GRAY / DEUTSCH DT04-4P-C015 | 1 | |
| . NS | 562286 | . PIN TERMINAL / 18-16 / DEUTSCH 0460-202-16141 | 3 | |
| . NS | 561996 | . SEALING PLUG TYPE 12 & 16 / DEUTSCH 114017 | 1 | |
| . NS | 562480 | . SECONDARY LOCK / DT SERIES / PH 4C / DEUTSCH W4P | 1 | |
| 62A | 490466 | SUPPORT, POSITION SENSOR / FRONT To L-1092 | 1 | |
| 62A | 491942 | SUPPORT, POSITION SENSOR / FRONT From L-1093 | 1 | |
| 62B | 490447 | SUPPORT, POSITION SENSOR / REAR To L-1092 | 1 | |
| 62B | 491941 | SUPPORT, POSITION SENSOR / REAR From L-1093 | 1 | |
| 63 | 5000345 | NUT HEX THN M24-1.5 Z050 | 2 | |

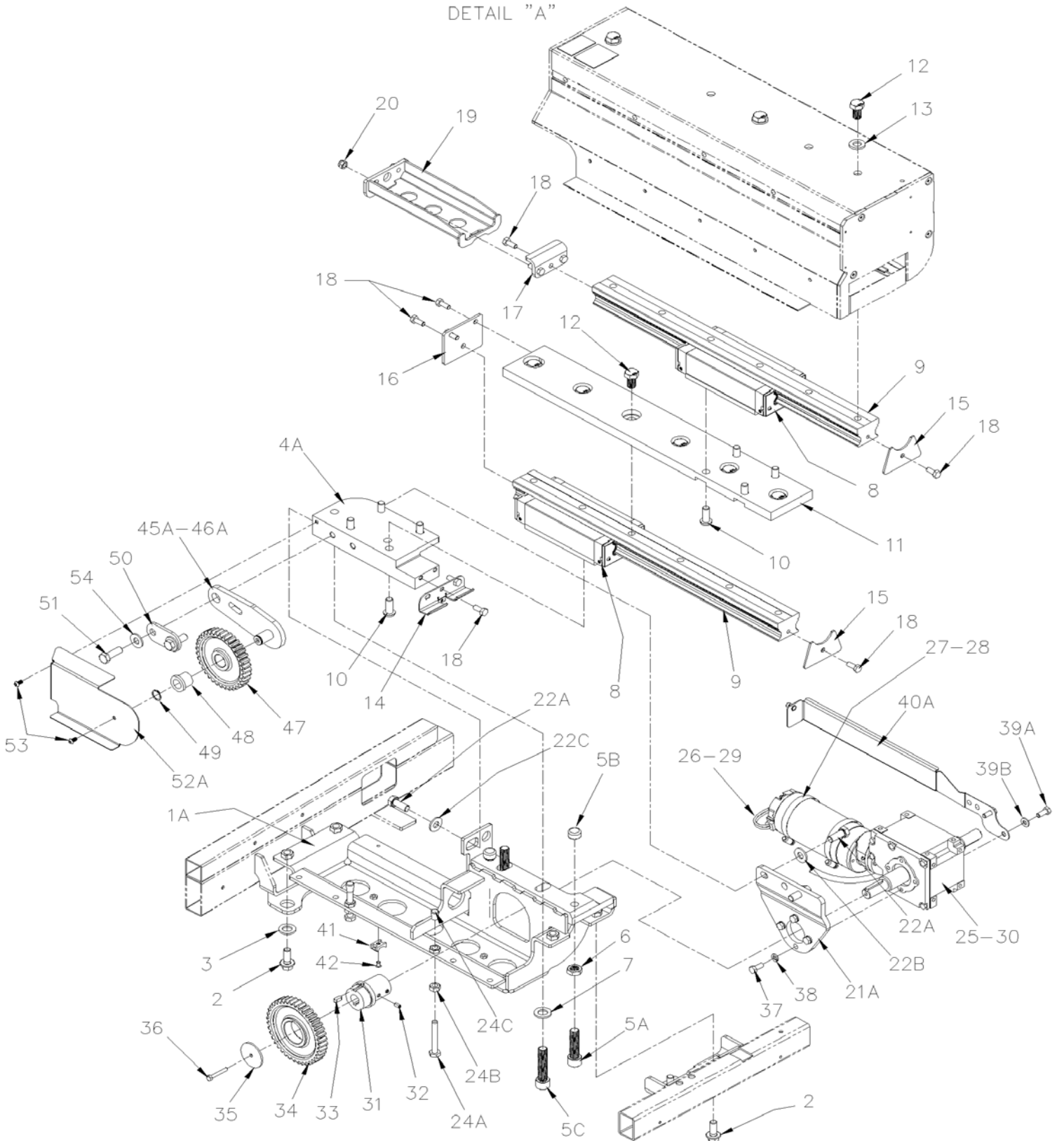
| | | |
|--|---------------------|-------------------------|
| From K-0295 To P-1347 | Date:07/2024 | PAGE:VIP-2390-26 |
| "SLIDE-OUT" - FRONT MECHANISM - INSTALLATION / CURBSIDE | | |

| Item# | Part | Description | QTY | Notes |
|-------|--------------------|--|-----|-------|
| 64 | 5000346 | WASHER LO EXT 25.0x38.0x1.5 Z050 | 2 | |
| 65A | 491685 | SUPPORT FRONT, POSITION SENSOR To M-1153 | 1 | |
| 65A | 492060 | SUPPORT FRONT, POSITION SENSOR From M-1154 | 1 | |
| 65B | 491684 | SUPPORT REAR, POSITION SENSOR To M-1153 | 1 | |
| 65B | 492059 | SUPPORT REAR, POSITION SENSOR From M-1154 | 1 | |
| NS | IS20073 | FLUSH FLOOR SLIDE-OUT POSITION SENSOR MAGNET SUPPORT REPLACEMENT To M-1153 | 1 | |
| NS | 492059 | SUPPORT REAR, POSITION SENSOR To M-1153 | 1 | |
| NS | 492060 | SUPPORT FRONT, POSITION SENSOR To M-1153 | 1 | |
| NS | IS-20073 | SEE INSTRUCTION SHEET To M-1153 | 1 | |
| NS | FI-20073 | VOIR FEUILLE D'INSTRUCTION To M-1153 | 1 | |
| 66A | 490467 | DAMPING RING, POSITION SENSOR | 2 | |
| 66B | 490340 | PLATE, POSITION SENSOR | 2 | |
| 67 | 560073 | RING POSITION MARKER | 2 | |
| 68 | 5000339 | SCREW MA PAN PH M3-0.5x20 SS | 2 | |
| 69 | 5000340 | NUT HEX NYRT M3-0.5 SS | 2 | |
| 70 | 504013 | TIE MOUNT / 1/4" X 1/4" I.D. To L-1092 | 2 | |
| 70 | 504379 | RIVET POP DOME OE 3/16x1/4 SS To L-1092 | 2 | |
| 70 | 504637 | CABLE TIE / 3/16" x 13" To L-1092 | 2 | |
| 71 | 509815 | TIE MOUNT / ATTACHMENT W/TREE MOUNT | 2 | |
| 71 | 504637 | CABLE TIE / 3/16" x 13" | 2 | |
| 72 | 490448 | ANCHOR, POSITION SENSOR To L-1092 | 2 | |
| 72 | 491940 | ANCHOR, POSITION SENSOR From L-1093 | 2 | |
| 73 | 5001744 | SCREW CAP HEX M6-1.0x16 G8.8 N500 To L-1092 | 4 | |
| 73 | 500032 | SCREW CAP HEX M5-0.8x16 BK From L-1093 To M-1153 | 2 | |
| 73 | 5001146 | SCREW CAP HEX M5-0.8x20 SS BK From L-1093 To M-1153 | 2 | |
| 73 | 5001146 | SCREW CAP HEX M5-0.8x20 SS BK From M-1154 | 4 | |
| 74 | 502570 | WASHER LO SPT 6.1x11.8x1.6 SS To L-1092 | 4 | |
| 74 | 5001608 | WASHER BEL SPR 6.2x15.0x0.7 G500 From L-1093 | 4 | |
| 75 | 5001634 | SCREW SET HEXS CUP M6-1.0X12MM Z050 To L-1092 | 2 | |
| 75 | 5001146 | SCREW CAP HEX M5-0.8x20 SS BK From L-1093 | 2 | |
| 76 | 504034 | PLUG BUTTON / .250 O.D. / NYL To L-1092 | 2 | |
| 76 | 502816 | NUT HEX M5-0.8 N500 From L-1093 | 4 | |
| 77 | 5001414 | SCREW MA FL PH M4-0.7x16 BK | 2 | |
| 78 | 504421 | GROMMET / .625x.875x.187x.437x1.125 | 2 | |
| 79 | 564108 | SELF MOUNTING STUD // DEUTSCH 1011-310-0205 | 2 | |
| 90 | VIP-2390-61 | "SLIDE-OUT" - INSTALLATION / FRONT CURBSIDE | | |
| | | | | |
| | | | | |
| | | | | |
| | | P) CALL ORDER DESK FOR SPECIFIC APPLICATION (V.I.N.) | | |

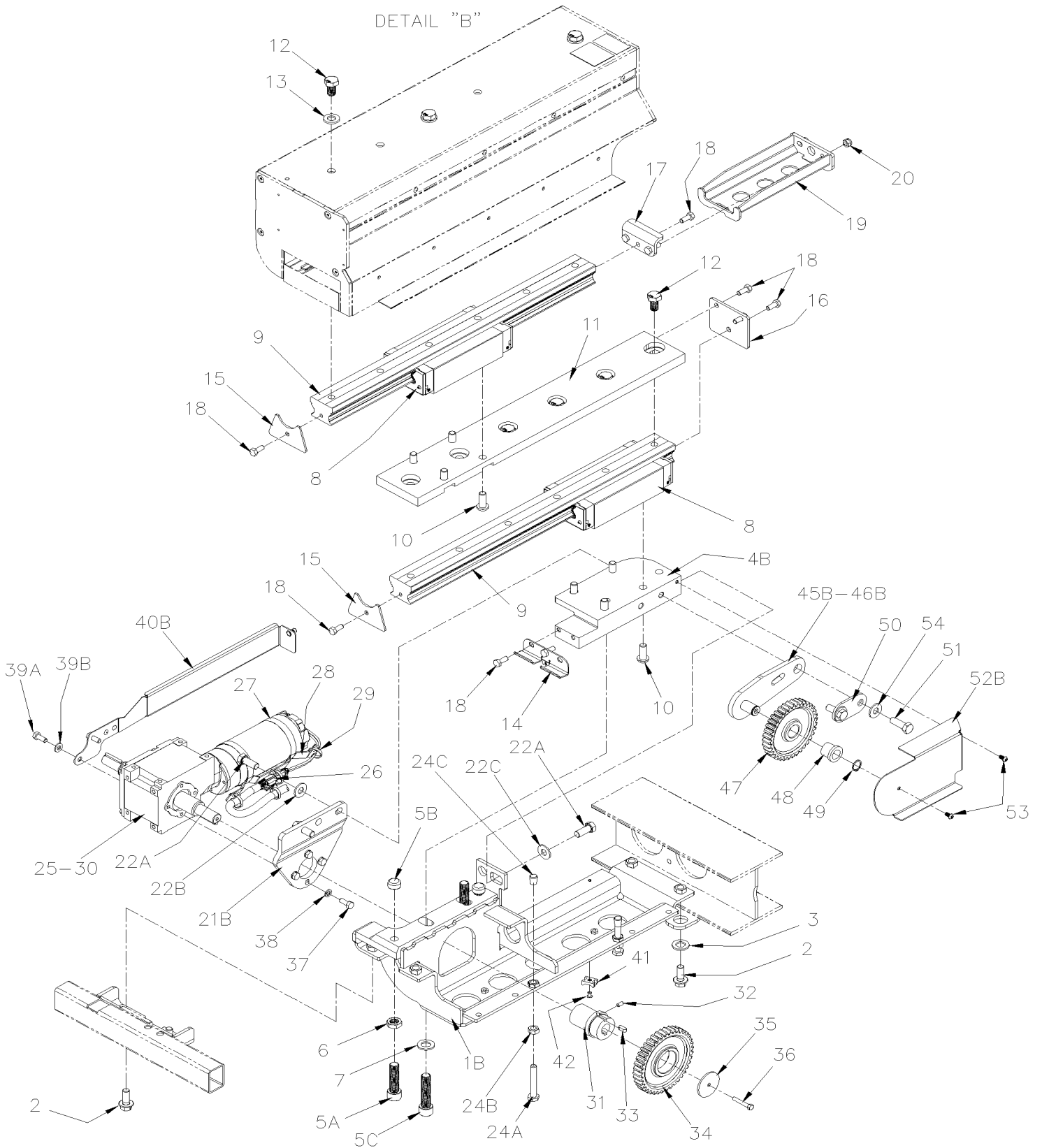
| | | |
|--|--------------|------------------|
| | Date:07/2024 | PAGE:VIP-2390-27 |
| "SLIDE-OUT" - FRONT MECHANISM - INSTALLATION / CURBSIDE | | |



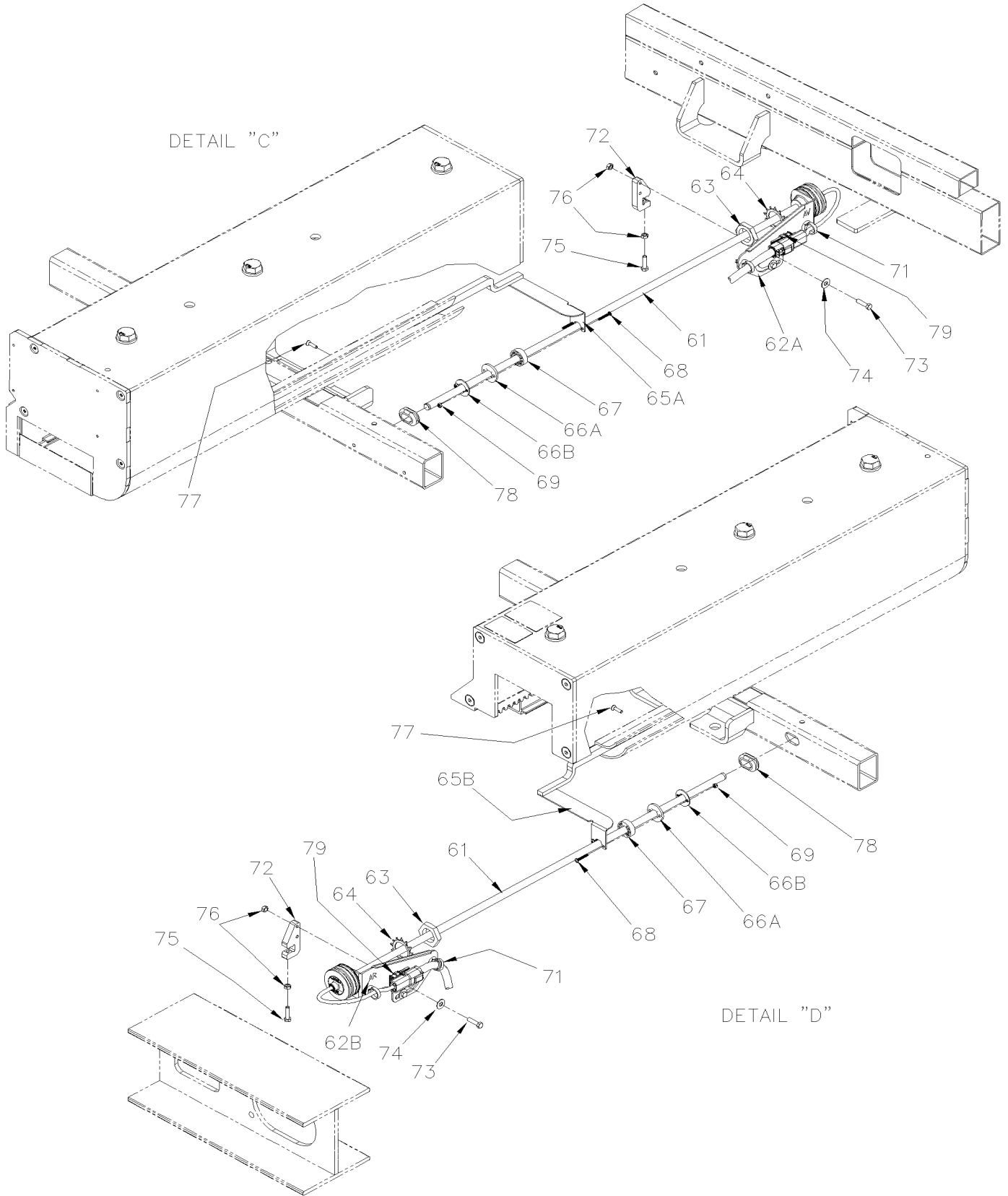
| | | |
|---|--------------|------------------|
| | Date:07/2024 | PAGE:VIP-2390-27 |
| "SLIDE-OUT" - FRONT MECHANISM - INSTALLATION / CURBSIDE | | |



"SLIDE-OUT" - FRONT MECHANISM - INSTALLATION / CURBSIDE



| | | |
|---|--------------|------------------|
| | Date:07/2024 | PAGE:VIP-2390-27 |
| "SLIDE-OUT" - FRONT MECHANISM - INSTALLATION / CURBSIDE | | |



Date:07/2024

PAGE:VIP-2390-27

"SLIDE-OUT" - FRONT MECHANISM - INSTALLATION / CURBSIDE

| Item# | Part | Description | QTY | Notes |
|-------|---------|---|-----|-------|
| 1A | 491911 | MECHANIC IN-OUT, FRONT | 1 | |
| 1A | 470507 | DECAL "CAUTION THIS SLIDE OUT SUPPORT..." | 1 | |
| 1A | 470507 | DECAL "CAUTION THIS SLIDE OUT SUPPORT..." | 1 | |
| 1B | 491910 | MECHANIC IN-OUT, REAR | 1 | |
| 1B | 470507 | DECAL "CAUTION THIS SLIDE OUT SUPPORT..." | 1 | |
| 1B | 470507 | DECAL "CAUTION THIS SLIDE OUT SUPPORT..." | 1 | |
| 2 | 5001786 | SCREW CAP HEXF M12-1.75x30 G8.8 N500 | 8 | |
| 3 | 5001150 | WASHER FL 17.0x30.0x3.0 N500 | 4 | |
| 4A | 491917 | ANCHOR RAIL/MOTOR FRONT | 1 | |
| 4B | 491916 | ANCHOR RAIL/MOTOR REAR | 1 | |
| 5A | 5002081 | SCREW CAP HEXS M16-2.0x60 G12.9 N500 | 4 | |
| 5B | 491320 | ADJUSTEMENT PAD | 4 | |
| 5C | 5002110 | SCREW CAP HEXS M16-2.0x70 G12.9 N500 | 4 | |
| 6 | 5000330 | NUT HEX JAM M16-2.0 SS | 4 | |
| 7 | 5002082 | WASHER BEL SPR 16.3x31.0x2.0 N500 | 4 | |
| 8 | 478827 | GUIDE | 4 | |
| 8 | 504758 | DUMMY RAIL GUIDE LINEAR BEARING 254MM / USE WITH 476761 & 478827 ONLY | 1 | |
| 9 | 490240 | RAIL GUIDE LINEAR BEARING 650MM | 4 | |
| 10 | 5001615 | SCREW CAP BUT HEXS M12-1.75x30 G10.9 G500 | 16 | |
| 11 | 490130 | REINFORCMENT RAIL | 2 | |
| 12 | 5000329 | SCREW CAP HEX M14-2.0x25 G10.9 N500 | 18 | |
| 13 | 5002113 | WASHER BEL SPR 15.0x35.0x3.4 N500 | 6 | |
| 14 | 492140 | BRACKET, RAIL GUARD | 2 | |
| 15 | 490131 | STOPPER RAIL | 4 | |
| 16 | 490139 | STOPPER RAIL/REINFORCMENT | 2 | |
| 17 | 490195 | STOPPER UPPER RAIL | 2 | |
| 18 | 502862 | SCREW CAP HEX M8-1.25x20 G8.8 N500 | 16 | |
| 19 | 490145 | STOPPER SLIDING | 2 | |
| 20 | 5001787 | NUT HEX NYRT M8-1.25 SS | 4 | |
| 21A | 490122 | PLATE MOTOR SUPPORT FRONT | 1 | |
| 21B | 490121 | PLATE MOTOR SUPPORT REAR | 1 | |
| 22A | 5001866 | SCREW CAP HEX M12-1.75x30 G10.9 N500 | 8 | |
| 22B | 500967 | WASHER BEL SPR .512x1.142x.098 N500 | 6 | |
| 22C | 500494 | WASHER BEL SPR .470x1.680x.125 N500 | 2 | |
| NS | 680038 | THREAD LOCKER LOCTITE #243 / BLUE / 50ml | AR | |
| 24A | 5002168 | SCREW CAP HEX M10-1.5x70 SS | 4 | |
| 24B | 500847 | NUT HEX M10-1.5 N500 | 4 | |
| 24C | 504756 | PROTECTOR CAP / BLACK / RUBBER .328 I.D. x .500 x 11/16 | 4 | |
| | | | | |
| 25 | 060241P | MOTOR 24V ASSY W/CONNECTOR | 2 | |
| 25 | 560055 | . MOTOR 24V ASSY W/GEAR-BOX | 1 | |
| 25 | 505533 | . . KEY 6MM x 6MM x 40MM | 1 | |

| | | |
|--|--------------|------------------|
| | Date:07/2024 | PAGE:VIP-2390-27 |
| "SLIDE-OUT" - FRONT MECHANISM - INSTALLATION / CURBSIDE | | |

| Item# | Part | Description | QTY | Notes |
|-------|-----------------|--|-----|-------|
| 26 | 563764 | . CONNECTOR / CPC SERIES 3 / PH 3C / PED 15300002 | 1 | |
| 26 | 563763 | . PIN TERMINAL / 14-12 / PED 12129497 | 2 | |
| 26 | 561840 | . CABLE SEAL / BLUE / PED 15324981 | 2 | |
| 26 | 562388 | . SECONDARY LOCK / METRI-PACK 280 / 2C / BLUE / PED 15300014 | 1 | |
| 27 | 504025 | . HOSE CLAMP / 2"5/16-3"1/4 SS / HS-44 | 2 | |
| 28 | 060230 | . SUPPORT WIRING MOTOR | 1 | |
| 29 | 504013 | . TIE MOUNT / 1/4" X 1/4" I.D. | 3 | |
| 29 | 504379 | . RIVET POP DOME OE 3/16x1/4 SS | 3 | |
| 29 | 504637 | . CABLE TIE / 3/16" x 13" | 3 | |
| 30 | 470511 | DECAL "CAUTION SEAL MUST BE DEFLATED..." | 1 | |
| 30 | 477987 | DECAL " ON OVERRIDE MUST BE LOW TORQUE..." | 4 | |
| 31 | 490177 | ADAPTOR, GEAR FREE | 2 | |
| 32 | 5001634 | SCREW SET HEXS CUP M6-1.0X12MM Z050 | 6 | |
| 33 | 505036 | KEY 6MM x 6MM x 18MM | 2 | |
| 34 | 490171 | GEAR DRIVE | 2 | |
| 35 | 490173 | PLATE FIXING | 2 | |
| 36 | 5000310 | SCREW CAP HEX M6-1.0x40 BK | 2 | |
| 37 | 5001450 | SCREW CAP HEX M8-1.25x20 G10.9 DP | 8 | |
| 38 | 500035 | WASHER LO SPT .317x.586x.078 SS | 8 | |
| 39A | 500820 | SCREW CAP HEX M8-1.25x16 G10.9 N500 | 4 | |
| 39B | 500321 | WASHER BEL SPR .331x.827x.098 N500 | 4 | |
| 40A | Call order desk | SIDE PROTECTOR PANEL / FRONT | 1 | P |
| 40A | 491948 | . SIDE PROTECTOR PANEL / FRONT | 1 | |
| NS | 504013 | . TIE MOUNT / 1/4" X 1/4" I.D. | 1 | |
| NS | 504379 | . RIVET POP DOME OE 3/16x1/4 SS | 1 | |
| 40B | Call order desk | SIDE PROTECTOR PANEL / REAR | 1 | P |
| 40B | 491946 | . SIDE PROTECTOR PANEL / REAR | 1 | |
| NS | 504013 | . TIE MOUNT / 1/4" X 1/4" I.D. | 1 | |
| NS | 504379 | . RIVET POP DOME OE 3/16x1/4 SS | 1 | |
| 41 | 504013 | TIE MOUNT / 1/4" X 1/4" I.D. | 4 | |
| 42 | 504379 | RIVET POP DOME OE 3/16x1/4 SS | 4 | |
| | | | | |
| 45A | 491284P | GEAR FREE ASSY / FRONT / SAV | 1 | |
| 45B | 490575P | GEAR FREE ASSY / REAR / SAV | 1 | |
| 46A | 491820 | . SUPPORT GEAR / FRONT | 1 | |
| 46B | 491819 | . SUPPORT GEAR / REAR | 1 | |
| 47 | 490164 | . GEAR FREE | 1 | |
| 48 | 507015 | . BUSHING OIL FLANGE .752 x 1.000 x 1.000 | 1 | |
| 49 | 504036 | . RING RETAINER / EXT .750 x .704 x .042" / SS | 1 | |
| 50 | 491280 | PUSH PLATE | 2 | |
| 51 | 500806 | SCREW CAP HEX M12-1.75X35 G10.9 G500 | 4 | |
| 52A | 491283 | GEAR COVER / FRONT | 1 | |

| | | |
|--|--------------|------------------|
| | Date:07/2024 | PAGE:VIP-2390-27 |
| "SLIDE-OUT" - FRONT MECHANISM - INSTALLATION / CURBSIDE | | |

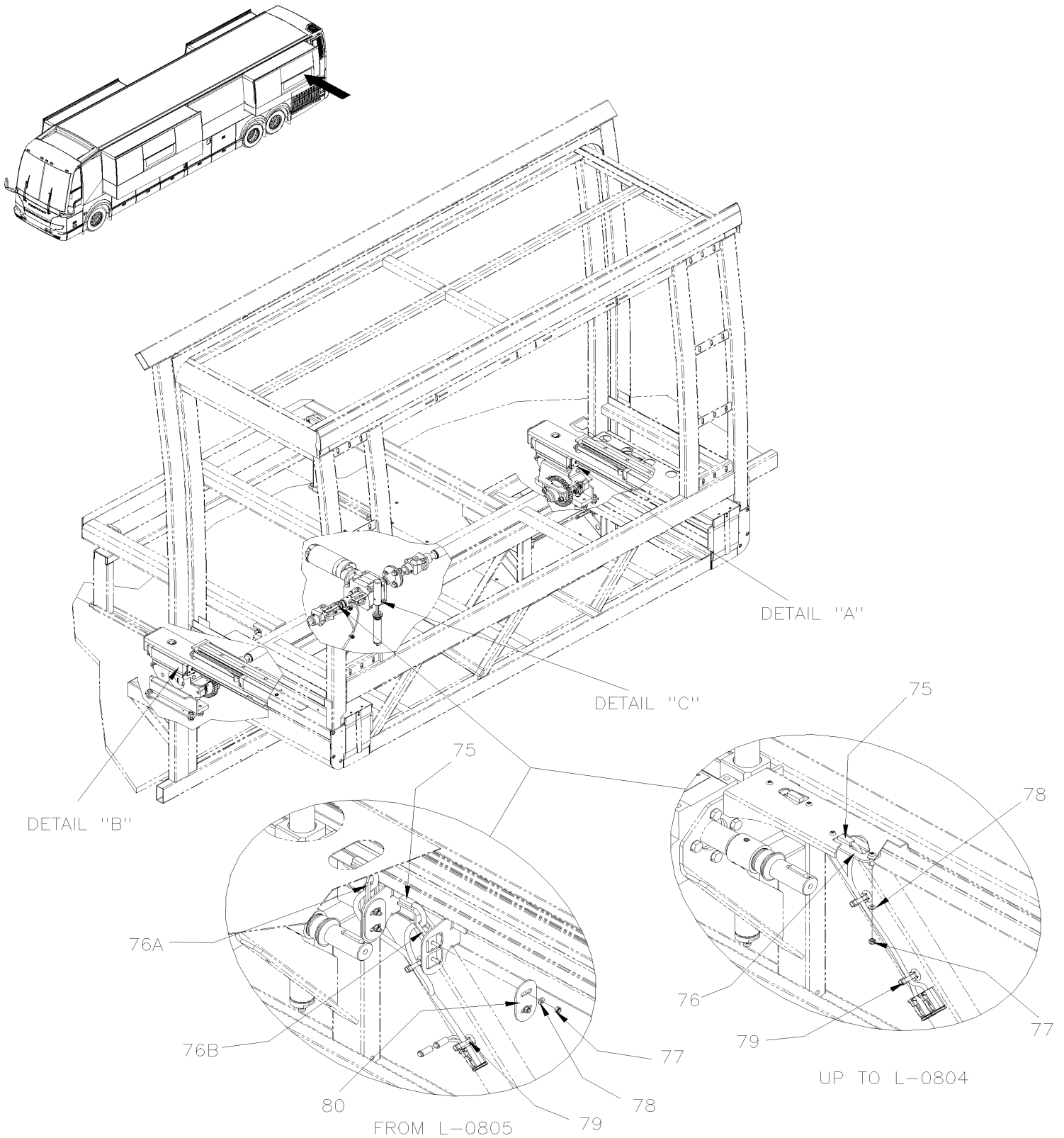
| Item# | Part | Description | QTY | Notes |
|-------|-------------|---|-----|-------|
| 52B | 491279 | GEAR COVER / REAR | 1 | |
| 53 | 5000353 | SCREW CAP BUT HEXS M6-1.0x12 N500 | 4 | |
| 54 | 500967 | WASHER BEL SPR .512x1.142x.098 N500 | 4 | |
| 61 | 060246P | SENSOR, LINEAR POSITION ASS | 2 | |
| . NS | 562479 | . CONNECTOR / DT SERIES / PH 4C / GRAY / DEUTSCH DT04-4P-C015 | 1 | |
| . NS | 562286 | . PIN TERMINAL / 18-16 / DEUTSCH 0460-202-16141 | 3 | |
| . NS | 561996 | . SEALING PLUG TYPE 12 & 16 / DEUTSCH 114017 | 1 | |
| . NS | 562480 | . SECONDARY LOCK / DT SERIES / PH 4C / DEUTSCH W4P | 1 | |
| 62A | 491942 | SUPPORT, POSITION SENSOR / FRONT | 1 | |
| 62B | 491941 | SUPPORT, POSITION SENSOR / REAR | 1 | |
| 63 | 5000345 | NUT HEX THN M24-1.5 Z050 | 2 | |
| 64 | 5000346 | WASHER LO EXT 25.0x38.0x1.5 Z050 | 2 | |
| 65A | 492060 | SUPPORT FRONT, POSITION SENSOR | 1 | |
| 65B | 492059 | SUPPORT REAR, POSITION SENSOR | 1 | |
| 66A | 490467 | DAMPING RING, POSITION SENSOR | 2 | |
| 66B | 490340 | PLATE, POSITION SENSOR | 2 | |
| 67 | 560073 | RING POSITION MARKER | 2 | |
| 68 | 5000339 | SCREW MA PAN PH M3-0.5x20 SS | 2 | |
| 69 | 5000340 | NUT HEX NYRT M3-0.5 SS | 2 | |
| 71 | 509815 | TIE MOUNT / ATTACHMENT W/TREE MOUNT | 2 | |
| 71 | 504637 | CABLE TIE / 3/16" x 13" | 2 | |
| 72 | 491940 | ANCHOR, POSITION SENSOR | 2 | |
| 73 | 5001146 | SCREW CAP HEX M5-0.8x20 SS BK | 4 | |
| 74 | 5001608 | WASHER BEL SPR 6.2x15.0x0.7 G500 | 4 | |
| 75 | 5001146 | SCREW CAP HEX M5-0.8x20 SS BK | 2 | |
| 76 | 502816 | NUT HEX M5-0.8 N500 | 4 | |
| 77 | 5001414 | SCREW MA FL PH M4-0.7x16 BK | 2 | |
| 78 | 504421 | GROMMET / .625x.875x.187x.437x1.125 | 2 | |
| 79 | 564108 | SELF MOUNTING STUD // DEUTSCH 1011-310-0205 | 2 | |
| 90 | VIP-2390-62 | "SLIDE-OUT" - INSTALLATION / FRONT CURBSIDE | | |
| | | | | |
| | | | | |
| | | | | |
| | | P) CALL ORDER DESK FOR SPECIFIC APPLICATION (V.I.N.) | | |

From K-0295 To P-1347

Date:07/2024

PAGE:VIP-2390-31

"SLIDE-OUT" - REAR MECHANISM - INSTALLATION / STREET SIDE



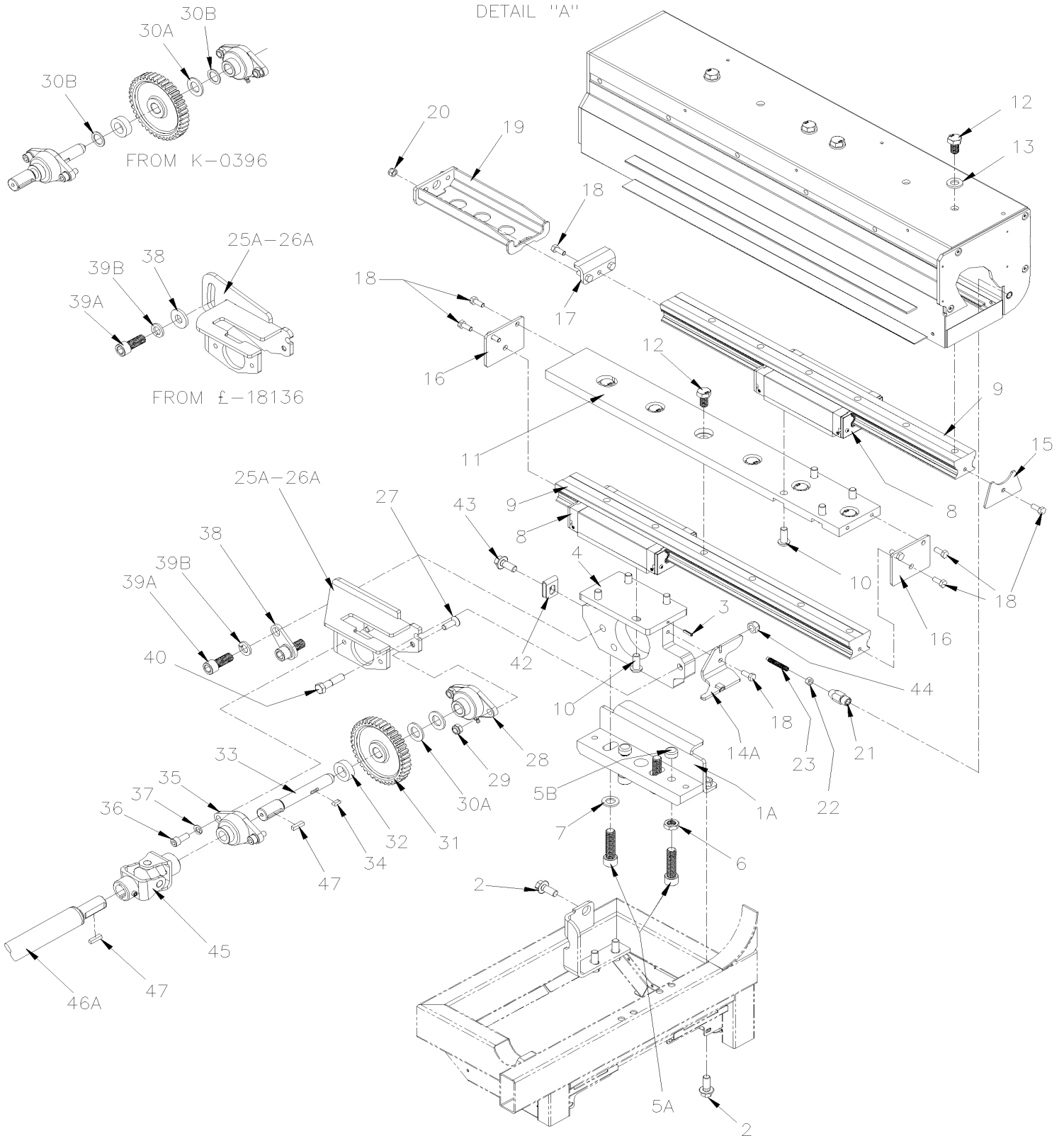
From K-0295 To P-1347

Date:07/2024

PAGE:VIP-2390-31

"SLIDE-OUT" - REAR MECHANISM - INSTALLATION / STREET SIDE

DETAIL "A"

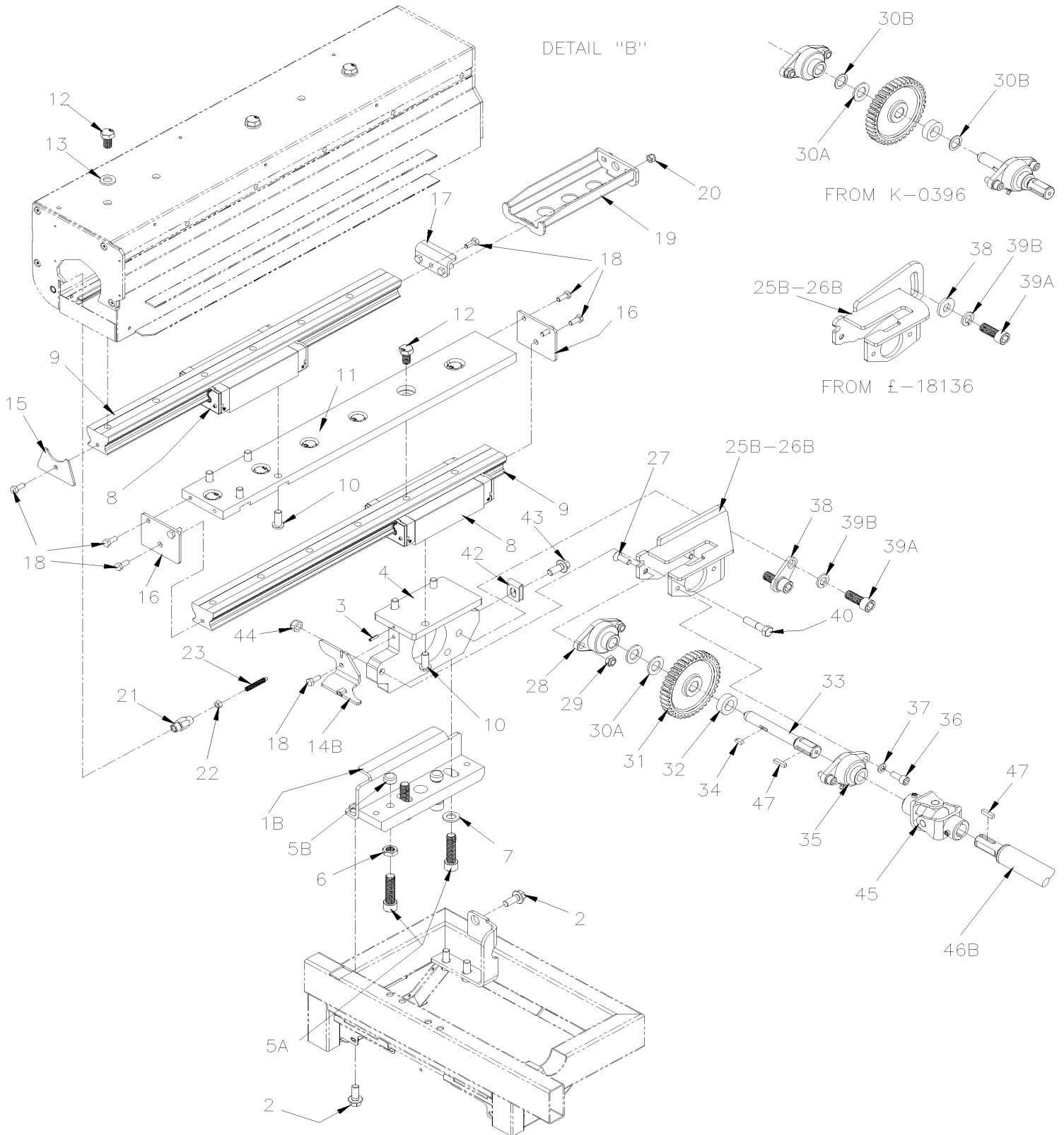


From K-0295 To P-1347

Date:07/2024

PAGE:VIP-2390-31

"SLIDE-OUT" - REAR MECHANISM - INSTALLATION / STREET SIDE



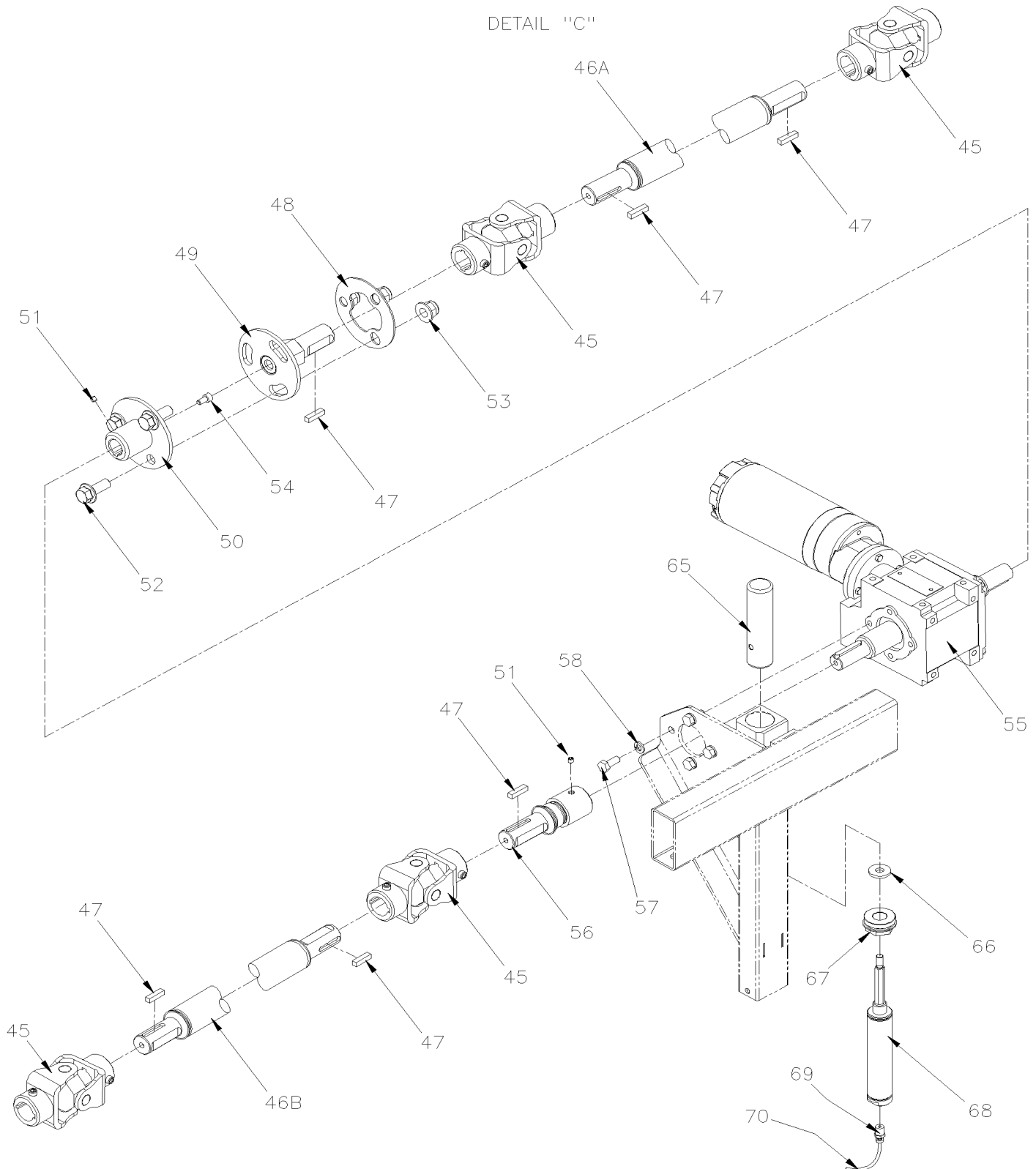
From K-0295 To P-1347

Date:07/2024

PAGE:VIP-2390-31

"SLIDE-OUT" - REAR MECHANISM - INSTALLATION / STREET SIDE

DETAIL "C"



| | | |
|------------------------------|---------------------|-------------------------|
| From K-0295 To P-1347 | Date:07/2024 | PAGE:VIP-2390-31 |
|------------------------------|---------------------|-------------------------|

"SLIDE-OUT" - REAR MECHANISM - INSTALLATION / STREET SIDE

| Item# | Part | Description | QTY | Notes |
|-------|-----------------|---|-----|-------|
| 1A | 491367 | ADJUSTEMENT PLATE / REAR STREET SIDE / FRONT CURBSIDE | 1 | |
| 1B | 491344 | ADJUSTEMENT PLATE / FRONT STREET SIDE / REAR CURBSIDE | 1 | |
| 2 | 5001786 | SCREW CAP HEXF M12-1.75x30 G8.8 N500 | 10 | |
| 3 | 5001812 | SPRING PIN 3/16" x 3/4" SS | 2 | |
| 4 | 491353 | ANCHOR RAIL/MOTOR | 2 | |
| 5A | 5002081 | SCREW CAP HEXS M16-2.0x60 G12.9 N500 | 8 | |
| 5B | 491320 | ADJUSTEMENT PAD | 4 | |
| 6 | 5000330 | NUT HEX JAM M16-2.0 SS | 4 | |
| 7 | 5002082 | WASHER BEL SPR 16.3x31.0x2.0 N500 | 4 | |
| 8 | 478827 | GUIDE | 4 | |
| 8 | 504758 | DUMMY RAIL GUIDE LINEAR BEARING 254MM / USE WITH 476761 & 478827 ONLY | 1 | |
| 9 | 491318 | RAIL GUIDE LINEAR BEARING 762MM | 4 | |
| 10 | 5001615 | SCREW CAP BUT HEXS M12-1.75x30 G10.9 G500 | 16 | |
| 11 | 491323 | REINFORCMENT RAIL 726MM | 2 | |
| 12 | 5000329 | SCREW CAP HEX M14-2.0x25 G10.9 N500 | 18 | |
| 13 | 5001995 | WASHER FL 15.0x28.0x3.5 N500 To L-0823 | 6 | |
| 13 | 5002113 | WASHER BEL SPR 15.0x35.0x3.4 N500 From L-0823 | 6 | |
| 14A | 491368 | BRACKET, RAIL GUARD / REAR STREET SIDE / FRONT CURBSIDE | 1 | |
| 14B | 491350 | BRACKET, RAIL GUARD / FRONT STREET SIDE / REAR CURBSIDE | 1 | |
| 15 | 490131 | STOPPER RAIL | 2 | |
| 16 | 490139 | STOPPER RAIL/REINFORCMENT | 4 | |
| 17 | 490195 | STOPPER UPPER RAIL | 2 | |
| 18 | 502862 | SCREW CAP HEX M8-1.25x20 G8.8 N500 | 18 | |
| 19 | 490145 | STOPPER SLIDING | 2 | |
| 20 | 502847 | NUT HEX NYRT M8-1.25 N500 | 4 | |
| | | | | |
| 21 | 491383 | STOPPER SLIDE OUT ADJUSTMENT | 2 | |
| 22 | 502851 | NUT HEX M8-1.25 N500 | 4 | |
| NS | 688910 | THREAD LOCKER LOCTITE #262 / RED / 250ml | AR | |
| 23 | 5002019 | SCREW SET HEXS FLAT M8-1.25x50 N500 To N-1339 | 2 | |
| 23 | 5002149 | SCREW SET HEXS FLAT M8-1.25X60 SS From P-1340 | 2 | |
| | | | | |
| 25A | Call order desk | GEAR ASSY / REAR STREET SIDE / FRONT CURBSIDE P | 1 | P |
| 25B | Call order desk | GEAR ASSY / FRONT STREET SIDE / REAR CURBSIDE P | 1 | P |
| 26A | 491360 | . GEAR SUPPORT / REAR STREET SIDE / FRONT CURBSIDE To L-0800 | 1 | |
| 26A | 491780 | . GEAR SUPPORT / REAR STREET SIDE / FRONT CURBSIDE From L-0801 | 1 | |
| 26B | 491338 | . GEAR SUPPORT / FRONT STREET SIDE / REAR CURBSIDE To L-0800 | 1 | |
| 26B | 491771 | . GEAR SUPPORT / FRONT STREET SIDE / REAR CURBSIDE From L-0801 | 1 | |
| 27 | 5002016 | . SCREW CAP FL HEXS M10-1.5X30 G10.9 N500 | 2 | |
| 28 | 507641 | . PILLOW BEARING ASSY | 1 | |
| 29 | 502859 | . NUT HEX NYRT M10-1.5 N500 | 2 | |
| 30A | 502558 | . WASHER FL 21.0x37.0x3.0 G500 To K-0395 | 2 | |

| | | |
|--|---------------------|-------------------------|
| From K-0295 To P-1347 | Date:07/2024 | PAGE:VIP-2390-31 |
| "SLIDE-OUT" - REAR MECHANISM - INSTALLATION / STREET SIDE | | |

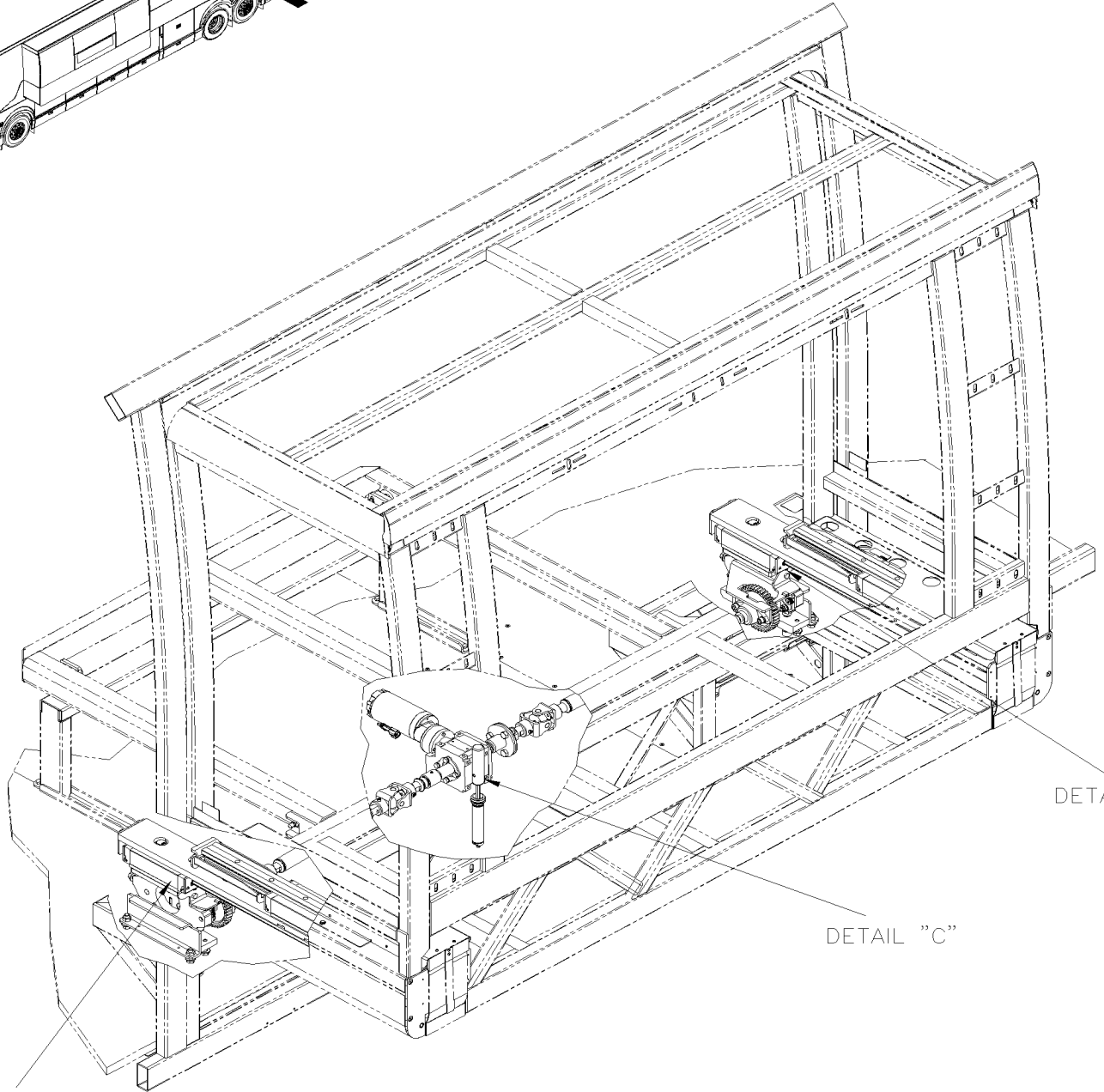
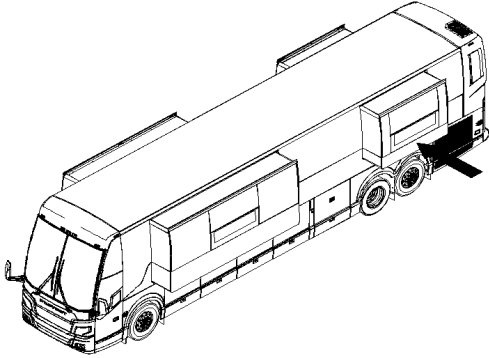
| Item# | Part | Description | QTY | Notes |
|--------|---------|---|-----|--------|
| 30A | 502558 | . WASHER FL 21.0x37.0x3.0 G500 From K-0396 | 1 | |
| 30B | 5001894 | . WASHER FL 21.0x30.0x1.587 SS From K-0396 | 2 | |
| 31 | 491321 | . GEAR | 1 | |
| 32 | 491510 | . SPACER / 22MM x 38.1MM x 12MM | 1 | |
| 33 | 491337 | . GEAR SHAFT To M-1127 | 1 | C |
| 33 | 492002 | . GEAR SHAFT From M-1128 | 1 | |
| 34 | 505010 | . KEY 6MM x 6MM x 16MM To M-1127 | 1 | C |
| 34 | 505036 | . KEY 6MM x 6MM x 18MM From M-1128 | 1 | |
| 35 | 470116 | . PILLOW BEARING ASSY | 1 | |
| 36 | 5001616 | . SCREW CAP HEXS M10-1.5X25 G10.9 DP | 2 | |
| 37 | 502616 | . WASHER LO SPT 10.2x18.1x2.2 SS | 2 | |
| 38 | 491349 | BEARING SUPPORT CLAMP To L-0800 | 2 | |
| 38 | 5002101 | WASHER FL .065x1.5x.188 N500 (M16, 5/8) From L-0801 | 2 | |
| 39A | 5002080 | SCREW CAP HEXS M16-2.0x40 G10.9 N500 To L-0800 | 4 | |
| 39A | 5002080 | SCREW CAP HEXS M16-2.0x40 G10.9 N500 From L-0801 | 2 | |
| 39B | 502884 | WASHER LO SPT 16.2x27.4x3.5 N500 To L-0800 | 4 | |
| 39B | 502884 | WASHER LO SPT 16.2x27.4x3.5 N500 From L-0801 | 2 | |
| 40 | 5001582 | SCREW CAP HEX M12-1.75x50 G10.9 DP | 2 | |
| NS | 680038 | THREAD LOCKER LOCTITE #243 / BLUE / 50ml | AR | |
| 42 | 491645 | SHIM "U SHAPE" | 2 | |
| 43 | 5001786 | SCREW CAP HEXF M12-1.75x30 G8.8 N500 | 2 | |
| 44 | 5001695 | NUT HEX NYRT M12-1.75 Z050 | 2 | |
| | | | | |
| 45 | 505023 | U-JOINT | 4 | |
| NS | 683652 | GREASE SYNTHETIC / RED BOX 50 TUBE | AR | |
| 46A | 491514 | SHAFT / REAR 525MM | 1 | 7.5 |
| 46A | 491618 | SHAFT / REAR 1540MM | 1 | 10.5 B |
| 46A | 491514 | SHAFT / REAR 525MM | 1 | 10.5 A |
| 46B | 491602 | SHAFT / FRONT 460MM | 1 | 7.5 |
| 46B | 491602 | SHAFT / FRONT 460MM | 1 | 10.5 B |
| 46B | 491658 | SHAFT / FRONT 1475MM | 1 | 10.5 A |
| 47 | 505020 | KEY / .250x.250x1.000 | 8 | |
| 48 | 491332 | PLATE | 1 | |
| 49 | 491329 | FLANGE UNIVERSAL JOINT | 1 | |
| 50 | 491326 | SHAFT FLANGE | 1 | |
| 51 | 502634 | SCREW SET HEXS CUP M6-1.0x6 | 6 | |
| 52 | 5001866 | SCREW CAP HEX M12-1.75x30 G10.9 N500 | 3 | |
| 53 | 5001761 | NUT HEXF NYRT M12-1.75 G8 N500 | 3 | |
| 54 | 5001783 | SCREW CAP HEXS M6-1.0x12 SS | 1 | |
| 55 | 069956 | MOTOR 24V ASSY W/CONNECTOR | 1 | |
| . NS | 564091 | . MOTOR 24V ASSY W/GEAR-BOX | 1 | |
| . . NS | 563937 | . . MOTOR 24V | 1 | |

| | | |
|-----------------------|--------------|------------------|
| From K-0295 To P-1347 | Date:07/2024 | PAGE:VIP-2390-31 |
|-----------------------|--------------|------------------|

"SLIDE-OUT" - REAR MECHANISM - INSTALLATION / STREET SIDE

| Item# | Part | Description | QTY | Notes |
|-------|--------------------|--|-----|-------|
| . NS | 563938 | . . GEAR BOX RATIO 738/1 | 1 | |
| . NS | 505533 | . . KEY 6MM x 6MM x 40MM | 2 | |
| . NS | 563764 | . CONNECTOR / CPC SERIES 3 / PH 3C / PED 15300002 | 1 | |
| . NS | 563763 | . PIN TERMINAL / 14-12 / PED 12129497 | 2 | |
| 55 | 478251 | DECAL "SEAL MUST BE DEFLATED..." To K-0584 | 1 | |
| 55 | 477989 | DECAL "SEAL MUST BE DEFLATED..." From K-0585 | 1 | |
| 55 | 477987 | DECAL " ON OVERRIDE MUST BE LOW TORQUE..." | 1 | |
| 56 | 491381 | UNIVERSAL JOINT ADAPTER | 1 | |
| 57 | 5001450 | SCREW CAP HEX M8-1.25x20 G10.9 DP | 4 | |
| 58 | 500035 | WASHER LO SPT .317x.586x.078 SS | 4 | |
| 60 | VIP-2390-56 | "SLIDE-OUT" - INSTALLATION / REAR STREET SIDE | | |
| 65 | 470182 | SAFETY PIN 1 1/4" O.D. x 116MM | 1 | |
| 66 | 502220 | WASHER FL .375x1.000x.125 RUB | 1 | |
| 67 | 470183 | ADAPTOR CYLINDER 5/8-18 x M36-2 | 1 | |
| 68 | 642027 | CYLINDER 1 1/16" | 1 | |
| 69 | 641126 | MALE CONNECTOR / PUSH-IN FITTING / #2x1/8NPT-M BR | 1 | |
| 70 | 503536 | TUBE, NYLON 1/8 O.D. / BLACK S.L. | AR | |
| 75 | 061503 | LIMITING REED SWITCH ASSY W/LED S.P.D.T. / W/SLIDE OUT | 1 | |
| . NS | 563426 | . HALL EFFECT SENSOR | 2 | |
| . NS | 563452 | . LED GREEN / 5VOLTS | 2 | |
| . NS | 564108 | . SELF MOUNTING STUD // DEUTSCH 1011-310-0205 | 1 | |
| 76 | 3210046 | PLATE SENSOR SUPPORT To L-0822 | 2 | |
| 76 | 490003 | PLATE SENSOR SUPPORT ASS. / SERVICE To L-0822 | 1 | |
| 76A | 3210838 | PLATE SENSOR SUPPORT "F" From L-0823 | 1 | |
| 76B | 3210839 | PLATE SENSOR SUPPORT "G" From L-0823 | 1 | |
| 77 | 500539 | NUT HEX NYRT M4-0.7 N500 | 4 | |
| 78 | 502556 | WASHER FL 4.3x9.0x0.8 SS | 4 | |
| 79 | 8631155 | CABLE TIE / 4.6MM x 200 / CHRISTMAS TREE | 4 | |
| 80 | 273196 | PLATE, CLAMPING From L-0805 | 2 | |
| | | | | |
| | | 10.5) SLIDE-OUT 10.5 | | |
| | | 7.5) SLIDE-OUT 7.5 | | |
| | | A) WITH FOWARD SLIDE-OUT | | |
| | | B) WITH BACKWARD SLIDE-OUT | | |
| | | C) IF KEY 505010 BREAKS, REPLACE SHAFT 491337 WITH 492002 AND 505036 | | |
| | | P) CALL ORDER DESK FOR SPECIFIC APPLICATION (V.I.N.) | | |

| | | |
|---|--------------|------------------|
| | Date:07/2024 | PAGE:VIP-2390-32 |
| "SLIDE-OUT" - REAR MECHANISM - INSTALLATION / STREET SIDE | | |



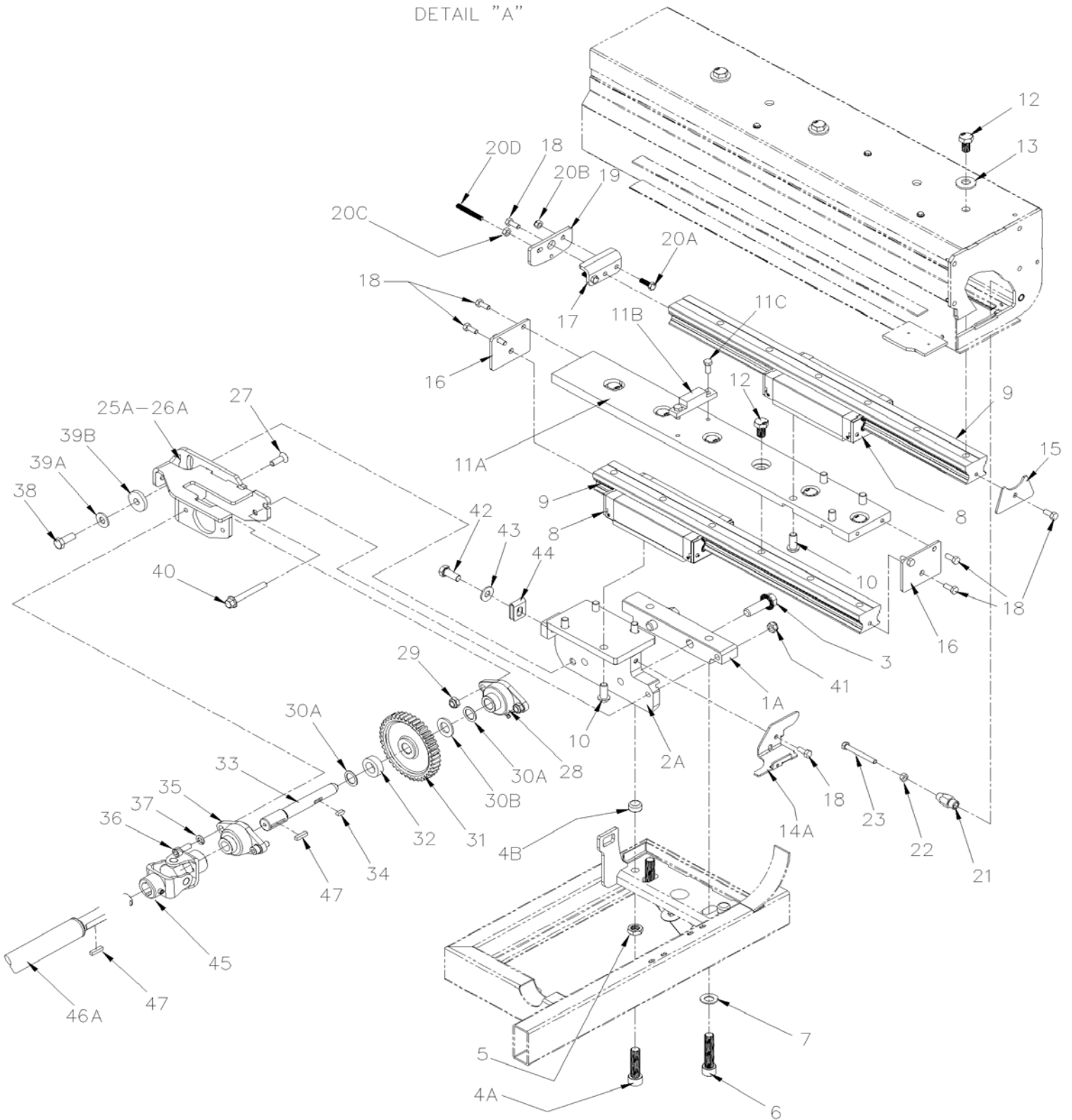
DETAIL "B"

DETAIL "C"

DETAIL "A"

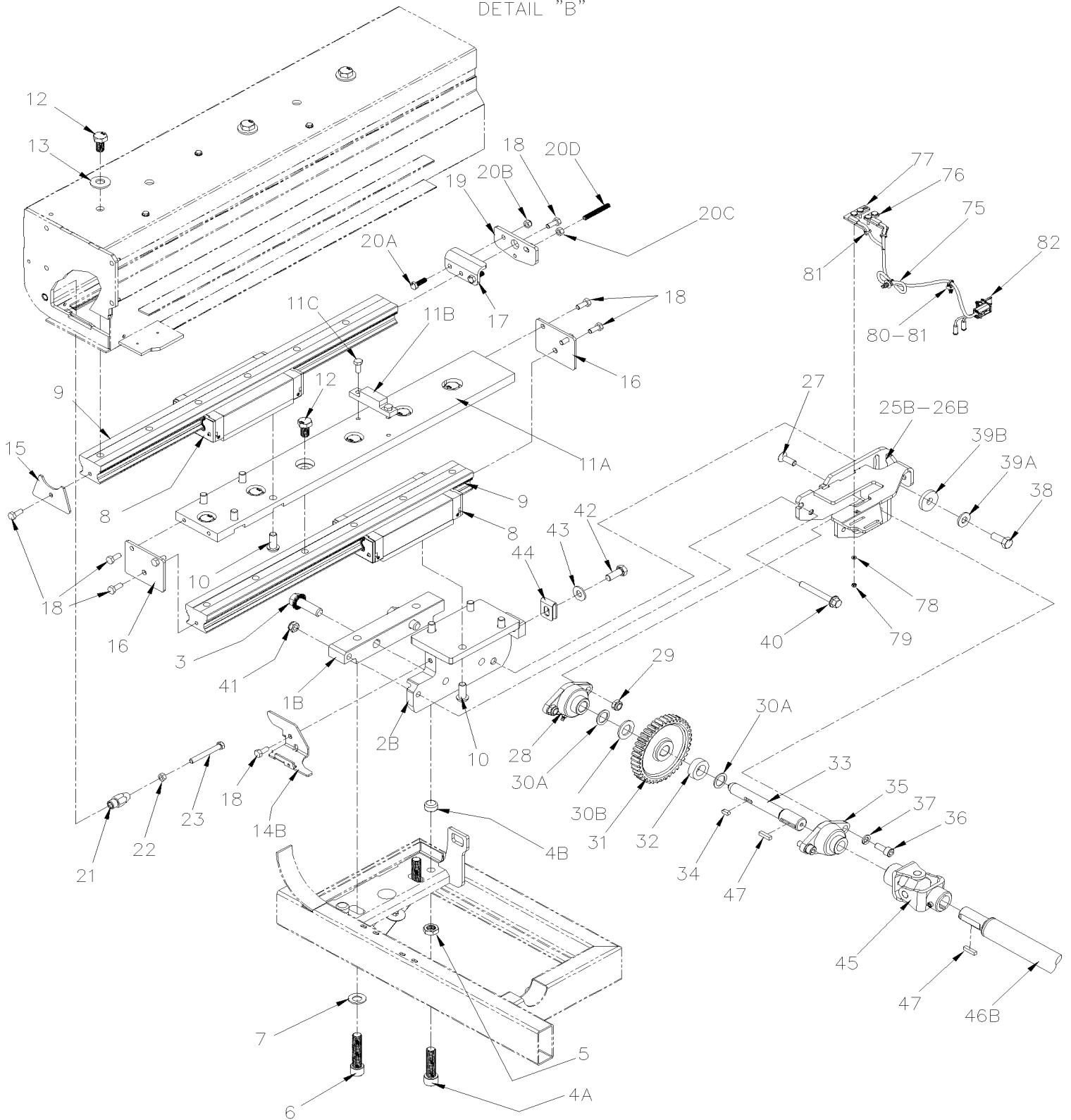
| | | |
|--|--------------|------------------|
| | Date:07/2024 | PAGE:VIP-2390-32 |
| "SLIDE-OUT" - REAR MECHANISM - INSTALLATION / STREET SIDE | | |

DETAIL "A"



| | | |
|--|--------------|------------------|
| | Date:07/2024 | PAGE:VIP-2390-32 |
| "SLIDE-OUT" - REAR MECHANISM - INSTALLATION / STREET SIDE | | |

DETAIL "B"



| | | |
|--|--------------|------------------|
| | Date:07/2024 | PAGE:VIP-2390-32 |
| "SLIDE-OUT" - REAR MECHANISM - INSTALLATION / STREET SIDE | | |

| Item# | Part | Description | QTY | Notes |
|-------|---------|---|-----|-------|
| 1A | 491884 | ADJUSTEMENT PLATE / FRONT STREET SIDE / REAR CURBSIDE | 1 | |
| 1B | 491885 | ADJUSTEMENT PLATE / REAR STREET SIDE / FRONT CURBSIDE | 1 | |
| 2A | 491880 | SUPPORT / FRONT STREET SIDE / REAR CURBSIDE | 1 | |
| 2B | 491882 | SUPPORT / REAR STREET SIDE / FRONT CURBSIDE | 1 | |
| 3 | 5001859 | SCREW CAP HEXF SERR M16-2.0x50 G10.9 | 4 | |
| 4A | 5002081 | SCREW CAP HEXS M16-2.0x60 G12.9 N500 | 4 | |
| 4B | 491320 | ADJUSTEMENT PAD | 4 | |
| 5 | 5000330 | NUT HEX JAM M16-2.0 SS | 4 | |
| 6 | 5002110 | SCREW CAP HEXS M16-2.0x70 G12.9 N500 | 4 | |
| 7 | 5002082 | WASHER BEL SPR 16.3x31.0x2.0 N500 | 4 | |
| 8 | 478827 | GUIDE | 4 | |
| 8 | 504758 | DUMMY RAIL GUIDE LINEAR BEARING 254MM / USE WITH 476761 & 478827 ONLY | AR | |
| 9 | 491318 | RAIL GUIDE LINEAR BEARING 762MM | 4 | |
| 10 | 5001615 | SCREW CAP BUT HEXS M12-1.75x30 G10.9 G500 | 16 | |
| 11A | 491935 | REINFORCMENT RAIL 756MM | 2 | |
| 11B | 491934 | STOPPER | 2 | |
| 11C | 502862 | SCREW CAP HEX M8-1.25x20 G8.8 N500 | 4 | |
| 12 | 5000329 | SCREW CAP HEX M14-2.0x25 G10.9 N500 | 18 | |
| 13 | 5002113 | WASHER BEL SPR 15.0x35.0x3.4 N500 | 6 | |
| 14A | 491745 | BRACKET, RAIL GUARD / REAR | 1 | |
| 14B | 491729 | BRACKET, RAIL GUARD / FRONT | 1 | |
| 15 | 490131 | STOPPER RAIL | 2 | |
| 16 | 490139 | STOPPER RAIL/REINFORCMENT | 4 | |
| 17 | 490195 | STOPPER UPPER RAIL | 2 | |
| 18 | 502862 | SCREW CAP HEX M8-1.25x20 G8.8 N500 | 18 | |
| 19 | 491933 | SUPPORT, THREADED | 2 | |
| 20A | 5001745 | SCREW CAP HEX M8-1.25x25 G8.8 N500 | 4 | |
| 20B | 502847 | NUT HEX NYRT M8-1.25 N500 | 4 | |
| 20C | 502851 | NUT HEX M8-1.25 N500 | 2 | |
| 20D | 5002149 | SCREW SET HEXS FLAT M8-1.25X60 SS | 2 | |
| 21 | 491383 | STOPPER SLIDE OUT ADJUSTMENT | 2 | |
| 22 | 502851 | NUT HEX M8-1.25 N500 | 4 | |
| NS | 688910 | THREAD LOCKER LOCTITE #262 / RED / 250ml | AR | |
| 23 | 5001347 | SCREW CAP HEX M8-1.25x70 SS | 2 | |
| 25A | 491836 | GEAR ASSY / REAR | 1 | |
| 25B | 492027 | GEAR ASSY / FRONT | 1 | |
| 26A | 491722 | . GEAR SUPPORT / REAR | 1 | |
| 26B | 492043 | . GEAR SUPPORT / FRONT | 1 | |
| 27 | 5002016 | . SCREW CAP FL HEXS M10-1.5X30 G10.9 N500 | 2 | |
| 28 | 507641 | . PILLOW BEARING ASSY | 1 | |

| | | | |
|--|--|--------------|------------------|
| | | Date:07/2024 | PAGE:VIP-2390-32 |
| "SLIDE-OUT" - REAR MECHANISM - INSTALLATION / STREET SIDE | | | |

| Item# | Part | Description | QTY | Notes |
|--------|---------|---|-----|--------|
| 29 | 502859 | . NUT HEX NYRT M10-1.5 N500 | 2 | |
| 30A | 502558 | . WASHER FL 21.0x37.0x3.0 G500 To P-1492 | 1 | |
| 30A | 502558 | WASHER FL 21.0x37.0x3.0 G500 From P-1493 | 2 | |
| 30B | 5001894 | . WASHER FL 21.0x30.0x1.587 SS To P-1492 | 2 | |
| 31 | 491321 | . GEAR | 1 | |
| 32 | 491510 | . SPACER / 22MM x 38.1MM x 12MM | 1 | |
| 33 | 492002 | . GEAR SHAFT | 1 | |
| 34 | 505036 | . KEY 6MM x 6MM x 18MM | 1 | |
| 35 | 470116 | . PILLOW BEARING ASSY | 1 | |
| 36 | 5001616 | . SCREW CAP HEXS M10-1.5X25 G10.9 DP | 2 | |
| 37 | 502616 | . WASHER LO SPT 10.2x18.1x2.2 SS | 2 | |
| 38 | 5001866 | SCREW CAP HEX M12-1.75x30 G10.9 N500 | 2 | |
| 39A | 500967 | WASHER BEL SPR .512x1.142x.098 N500 | 2 | |
| 39B | 491744 | BEARING SUPPORT CLAMP | 2 | |
| 40 | 5001802 | SCREW CAP HEXF M10-1.5x80 G10.9 N500 | 2 | |
| 41 | 502859 | NUT HEX NYRT M10-1.5 N500 | 2 | |
| 42 | 5001866 | SCREW CAP HEX M12-1.75x30 G10.9 N500 | 2 | |
| 43 | 500967 | WASHER BEL SPR .512x1.142x.098 N500 | 2 | |
| 44 | 491645 | SHIM "U SHAPE" | 2 | |
| 45 | 505023 | U-JOINT | 4 | |
| NS | 683652 | GREASE SYNTHETIC / RED BOX 50 TUBE | AR | |
| 46A | 491514 | SHAFT / REAR 525MM | 1 | 7.5 |
| 46A | 491514 | SHAFT / REAR 525MM | 1 | 10.5 A |
| 46A | 491618 | SHAFT / REAR 1540MM | 1 | 10.5 B |
| 46B | 491602 | SHAFT / FRONT 460MM | 1 | 7.5 |
| 46B | 491658 | SHAFT / FRONT 1475MM | 1 | 10.5 A |
| 46B | 491602 | SHAFT / FRONT 460MM | 1 | 10.5 B |
| 47 | 505020 | KEY / .250x.250x1.000 | 8 | |
| 48 | 491332 | PLATE | 1 | |
| 49 | 491329 | FLANGE UNIVERSAL JOINT | 1 | |
| 50 | 491326 | SHAFT FLANGE | 1 | |
| 51 | 502634 | SCREW SET HEXS CUP M6-1.0x6 | 6 | |
| 52 | 5001866 | SCREW CAP HEX M12-1.75x30 G10.9 N500 | 3 | |
| 53 | 5001761 | NUT HEXF NYRT M12-1.75 G8 N500 | 3 | |
| 54 | 5001783 | SCREW CAP HEXS M6-1.0x12 SS | 1 | |
| 55 | 069956 | MOTOR 24V ASSY W/CONNECTOR | 1 | |
| . NS | 564091 | . MOTOR 24V ASSY W/GEAR-BOX | 1 | |
| . . NS | 563937 | . . MOTOR 24V | 1 | |
| . . NS | 563938 | . . GEAR BOX RATIO 738/1 | 1 | |
| . . NS | 505533 | . . KEY 6MM x 6MM x 40MM | 2 | |
| . NS | 563764 | . CONNECTOR / CPC SERIES 3 / PH 3C / PED 15300002 | 1 | |

| | | | |
|--|--|--------------|------------------|
| | | Date:07/2024 | PAGE:VIP-2390-32 |
| "SLIDE-OUT" - REAR MECHANISM - INSTALLATION / STREET SIDE | | | |

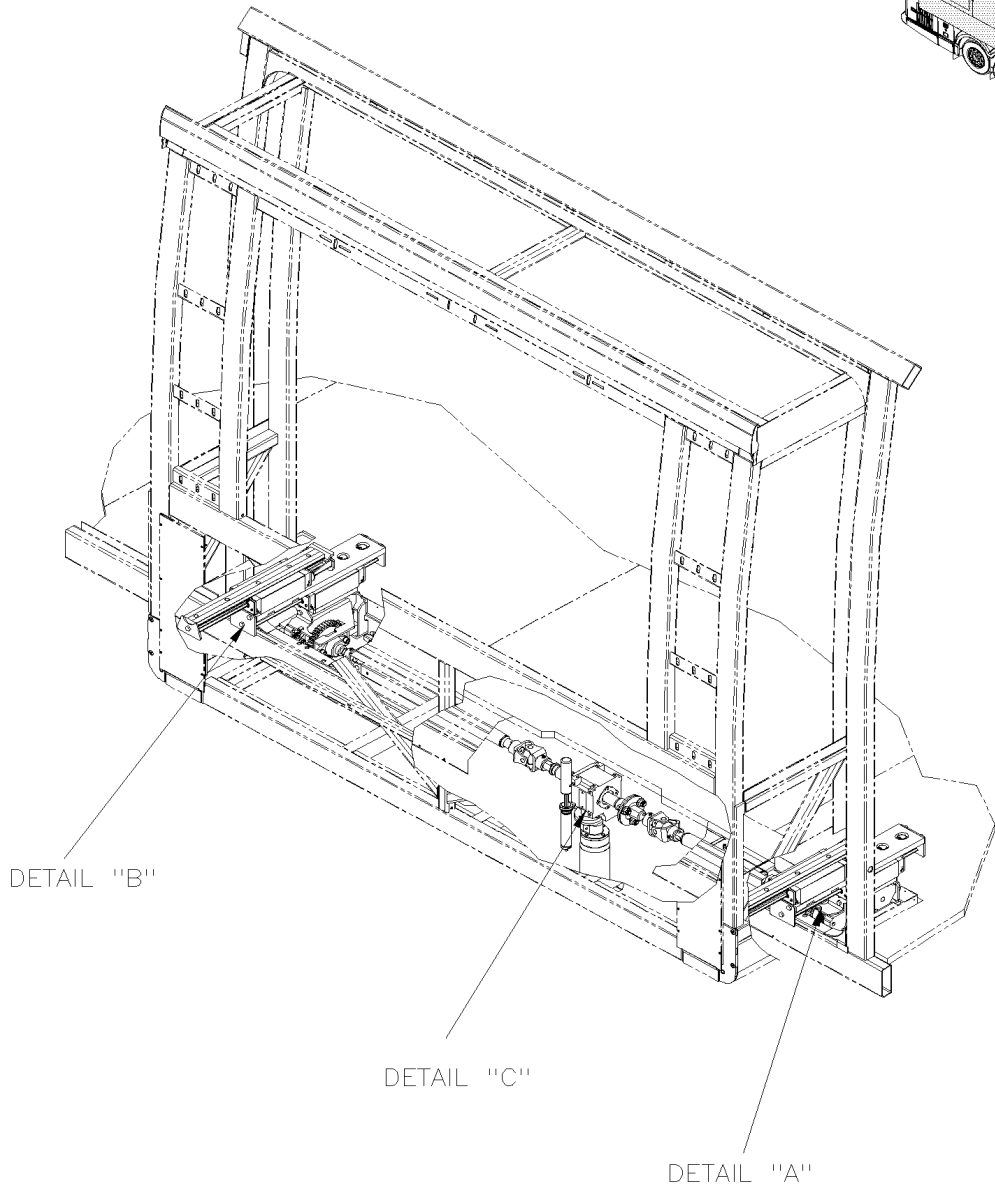
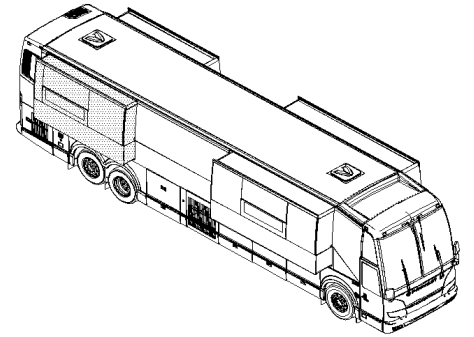
| Item# | Part | Description | QTY | Notes |
|-------|--------------------|--|-----|-------|
| . NS | 563763 | . PIN TERMINAL / 14-12 / PED 12129497 | 2 | |
| 55 | 478251 | DECAL "SEAL MUST BE DEFLATED..." | 1 | |
| 55 | 477987 | DECAL " ON OVERRIDE MUST BE LOW TORQUE..." | 1 | |
| 56 | 491381 | UNIVERSAL JOINT ADAPTER | 1 | |
| 57 | 5001450 | SCREW CAP HEX M8-1.25x20 G10.9 DP | 4 | |
| 58 | 500035 | WASHER LO SPT .317x.586x.078 SS | 4 | |
| 60 | VIP-2390-57 | "SLIDE-OUT" - INSTALLATION / REAR STREET SIDE | | |
| 65 | 470182 | SAFETY PIN 1 1/4" O.D. x 116MM | 1 | |
| 66 | 502220 | WASHER FL .375x1.000x.125 RUB | 1 | |
| 67 | 470183 | ADAPTOR CYLINDER 5/8-18 x M36-2 | 1 | |
| 68 | 642027 | CYLINDER 1 1/16" | 1 | |
| 69 | 641126 | MALE CONNECTOR / PUSH-IN FITTING / #2x1/8NPT-M BR | 1 | |
| 70 | 503536 | TUBE, NYLON 1/8 O.D. / BLACK S.L. | AR | |
| 75 | 061503 | LIMITING REED SWITCH ASSY W/LED S.P.D.T. / W/SLIDE OUT | 1 | |
| . NS | 563426 | . HALL EFFECT SENSOR | 2 | |
| . NS | 563452 | . LED GREEN / 5VOLTS | 2 | |
| . NS | 564108 | . SELF MOUNTING STUD // DEUTSCH 1011-310-0205 | 1 | |
| 76 | 492047 | SUPPORT SENSOR | 1 | |
| 77 | 492049 | SUPPORT SENSOR | 1 | |
| 78 | 502556 | WASHER FL 4.3x9.0x0.8 SS | 4 | |
| 79 | 500539 | NUT HEX NYRT M4-0.7 N500 | 4 | |
| 80 | 509815 | TIE MOUNT / ATTACHMENT W/TREE MOUNT | 2 | |
| 81 | 504273 | CABLE TIE / 1/8" X 3"1/2 | 4 | |
| 82 | 504108 | RIVET POP DOME OE 1/8x1/2 AL | 1 | |
| | | | | |
| | | | | |
| | | 10.5) SLIDE-OUT 10.5 | | |
| | | 7.5) SLIDE-OUT 7.5 | | |
| | | A) WITH FOWARD SLIDE-OUT | | |
| | | B) WITH BACKWARD SLIDE-OUT | | |

From K-0295 To P-1347

Date:07/2024

PAGE:VIP-2390-36

"SLIDE-OUT" - REAR MECHANISM - INSTALLATION / CURBSIDE

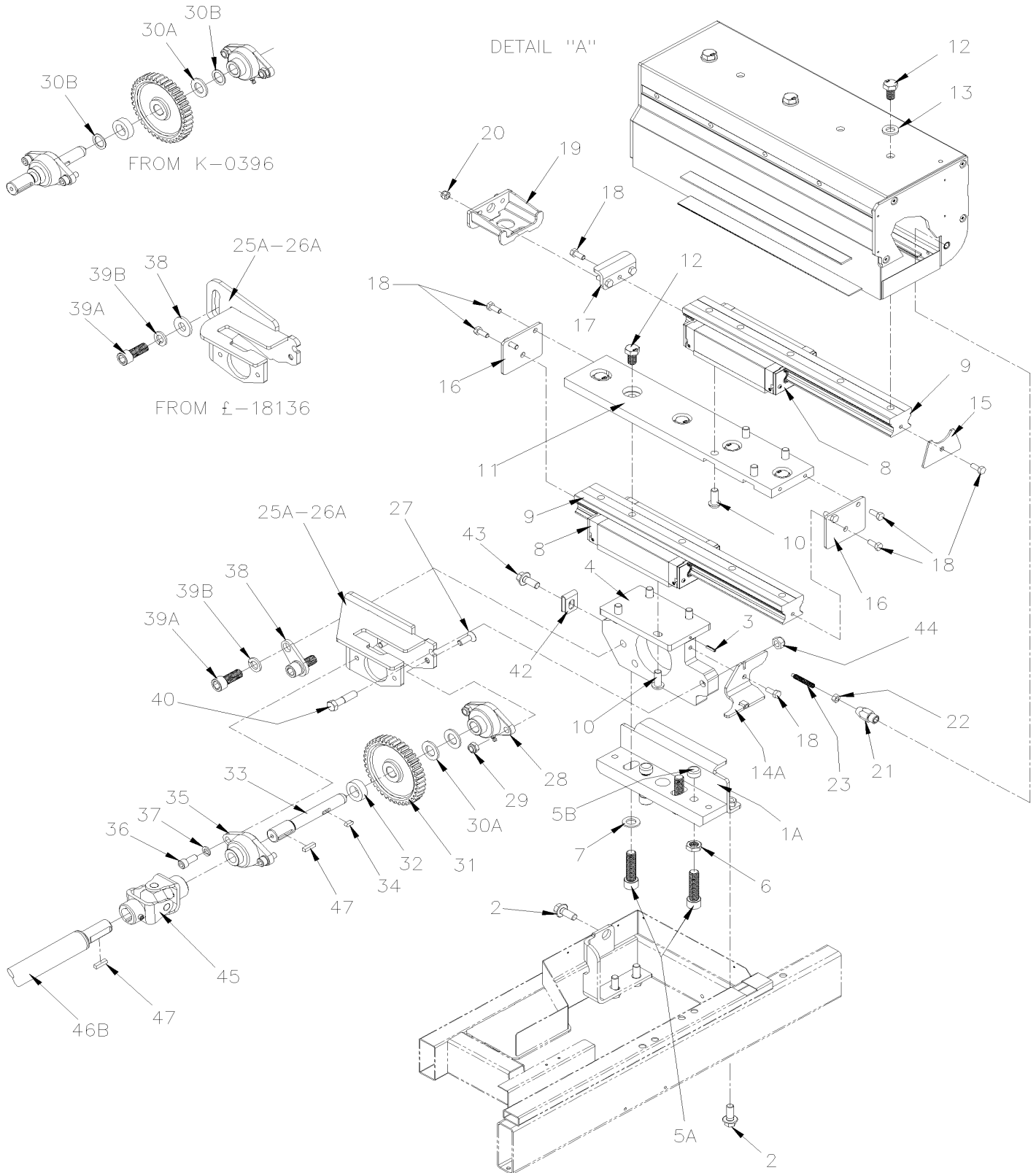


From K-0295 To P-1347

Date:07/2024

PAGE:VIP-2390-36

"SLIDE-OUT" - REAR MECHANISM - INSTALLATION / CURBSIDE

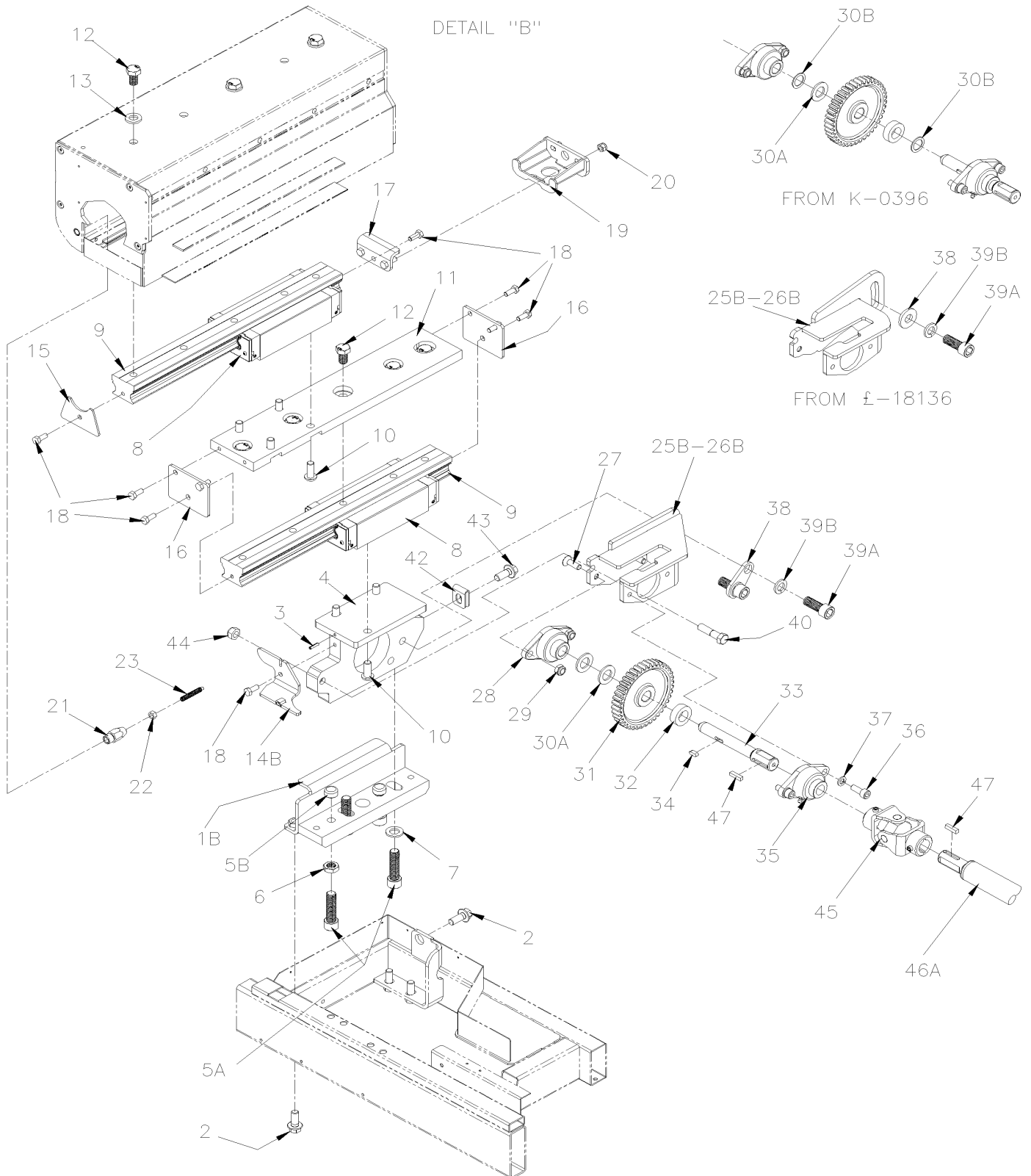


From K-0295 To P-1347

Date:07/2024

PAGE:VIP-2390-36

"SLIDE-OUT" - REAR MECHANISM - INSTALLATION / CURBSIDE

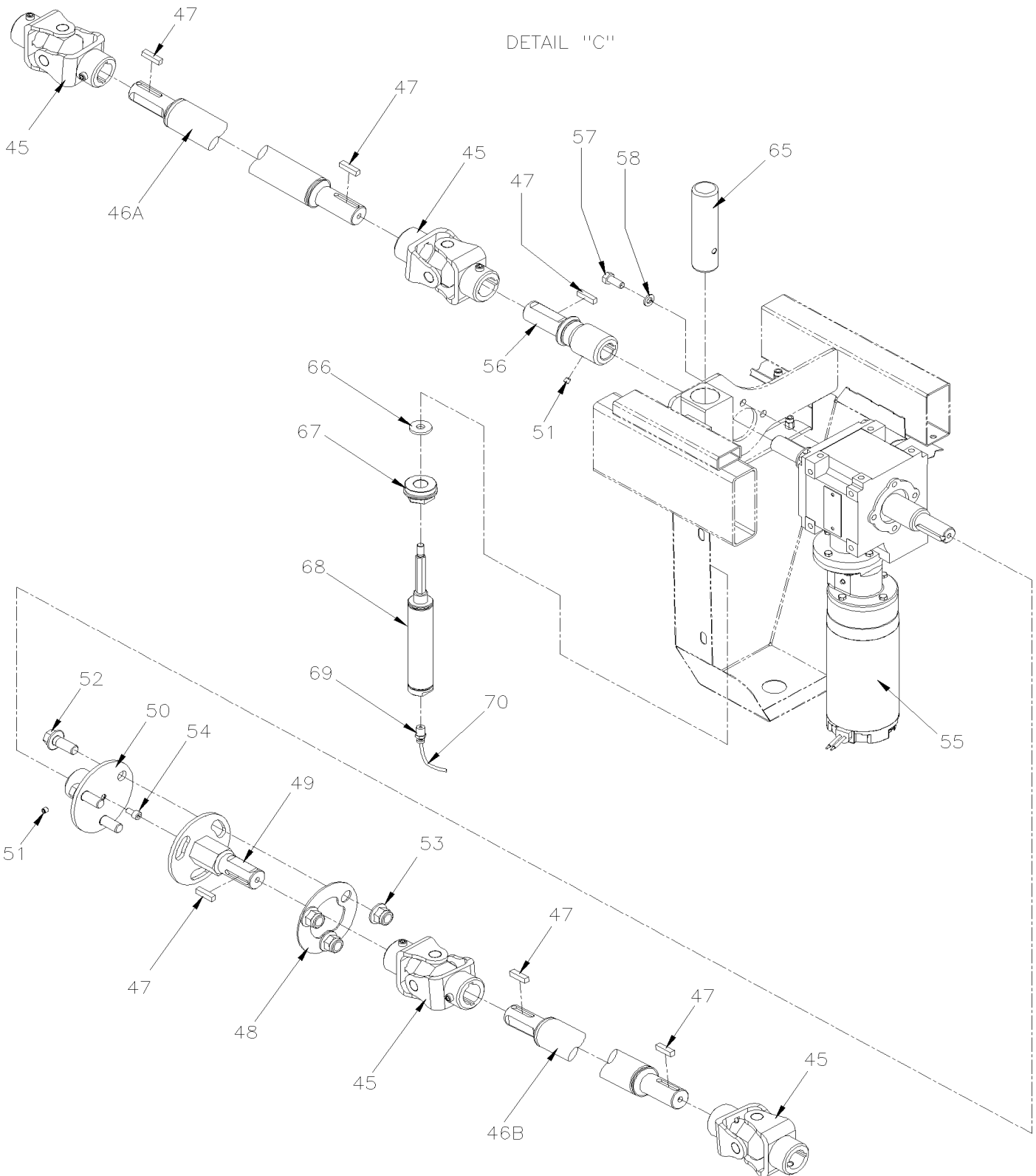


From K-0295 To P-1347

Date:07/2024

PAGE:VIP-2390-36

"SLIDE-OUT" - REAR MECHANISM - INSTALLATION / CURBSIDE



| | | |
|---|---------------------|-------------------------|
| From K-0295 To P-1347 | Date:07/2024 | PAGE:VIP-2390-36 |
| "SLIDE-OUT" - REAR MECHANISM - INSTALLATION / CURBSIDE | | |

| Item# | Part | Description | QTY | Notes |
|-------|-----------------|---|-----|-------|
| 1A | 491367 | ADJUSTEMENT PLATE / REAR STREET SIDE / FRONT CURBSIDE | 1 | |
| 1B | 491344 | ADJUSTEMENT PLATE / FRONT STREET SIDE / REAR CURBSIDE | 1 | |
| 2 | 5001786 | SCREW CAP HEXF M12-1.75x30 G8.8 N500 | 10 | |
| 3 | 5001812 | SPRING PIN 3/16" x 3/4" SS | 2 | |
| 4 | 491353 | ANCHOR RAIL/MOTOR | 2 | |
| 5A | 5002081 | SCREW CAP HEXS M16-2.0x60 G12.9 N500 | 8 | |
| 5B | 491320 | ADJUSTEMENT PAD | 4 | |
| 6 | 5000330 | NUT HEX JAM M16-2.0 SS | 4 | |
| 7 | 5002082 | WASHER BEL SPR 16.3x31.0x2.0 N500 | 4 | |
| 8 | 478827 | GUIDE | 4 | |
| 8 | 504758 | DUMMY RAIL GUIDE LINEAR BEARING 254MM / USE WITH 476761 & 478827 ONLY | 1 | |
| 9 | 491319 | RAIL GUIDE LINEAR BEARING 498MM | 4 | |
| 10 | 5001615 | SCREW CAP BUT HEXS M12-1.75x30 G10.9 G500 | 16 | |
| 11 | 491324 | REINFORCMENT RAIL 498MM | 2 | |
| 12 | 5000329 | SCREW CAP HEX M14-2.0x25 G10.9 N500 | 16 | |
| 13 | 5001995 | WASHER FL 15.0x28.0x3.5 N500 To L-0822 | 6 | |
| 13 | 5002113 | WASHER BEL SPR 15.0x35.0x3.4 N500 From L-0823 | 6 | |
| 14A | 491368 | BRACKET, RAIL GUARD / REAR STREET SIDE / FRONT CURBSIDE | 1 | |
| 14B | 491350 | BRACKET, RAIL GUARD / FRONT STREET SIDE / REAR CURBSIDE | 1 | |
| 15 | 490131 | STOPPER RAIL | 2 | |
| 16 | 490139 | STOPPER RAIL/REINFORCMENT | 4 | |
| 17 | 490195 | STOPPER UPPER RAIL | 2 | |
| 18 | 502862 | SCREW CAP HEX M8-1.25x20 G8.8 N500 | 18 | |
| 19 | 491538 | STOPPER SLIDING | 2 | |
| 20 | 502847 | NUT HEX NYRT M8-1.25 N500 | 4 | |
| | | | | |
| 21 | 491383 | STOPPER SLIDE OUT ADJUSTMENT | 2 | |
| 22 | 502851 | NUT HEX M8-1.25 N500 | 4 | |
| NS | 688910 | THREAD LOCKER LOCTITE #262 / RED / 250ml | AR | |
| 23 | 5002019 | SCREW SET HEXS FLAT M8-1.25x50 N500 To N-1339 | 2 | |
| 23 | 5002149 | SCREW SET HEXS FLAT M8-1.25X60 SS From P-1340 | 2 | |
| | | | | |
| 25A | Call order desk | GEAR ASSY / REAR STREET SIDE / FRONT CURBSIDE P | 1 | P |
| 25B | Call order desk | GEAR ASSY / FRONT STREET SIDE / REAR CURBSIDE P | 1 | P |
| 26A | 491360 | . GEAR SUPPORT / REAR STREET SIDE / FRONT CURBSIDE To L-0800 | 1 | |
| 26A | 491780 | . GEAR SUPPORT / REAR STREET SIDE / FRONT CURBSIDE From L-0801 | 1 | |
| 26B | 491338 | . GEAR SUPPORT / FRONT STREET SIDE / REAR CURBSIDE To L-0800 | 1 | |
| 26B | 491771 | . GEAR SUPPORT / FRONT STREET SIDE / REAR CURBSIDE From L-0801 | 1 | |
| 27 | 5002016 | . SCREW CAP FL HEXS M10-1.5X30 G10.9 N500 | 2 | |
| 28 | 507641 | . PILLOW BEARING ASSY | 1 | |
| 29 | 502859 | . NUT HEX NYRT M10-1.5 N500 | 2 | |
| 30A | 502558 | . WASHER FL 21.0x37.0x3.0 G500 To K-0395 | 2 | |

| | | |
|---|---------------------|-------------------------|
| From K-0295 To P-1347 | Date:07/2024 | PAGE:VIP-2390-36 |
| "SLIDE-OUT" - REAR MECHANISM - INSTALLATION / CURBSIDE | | |

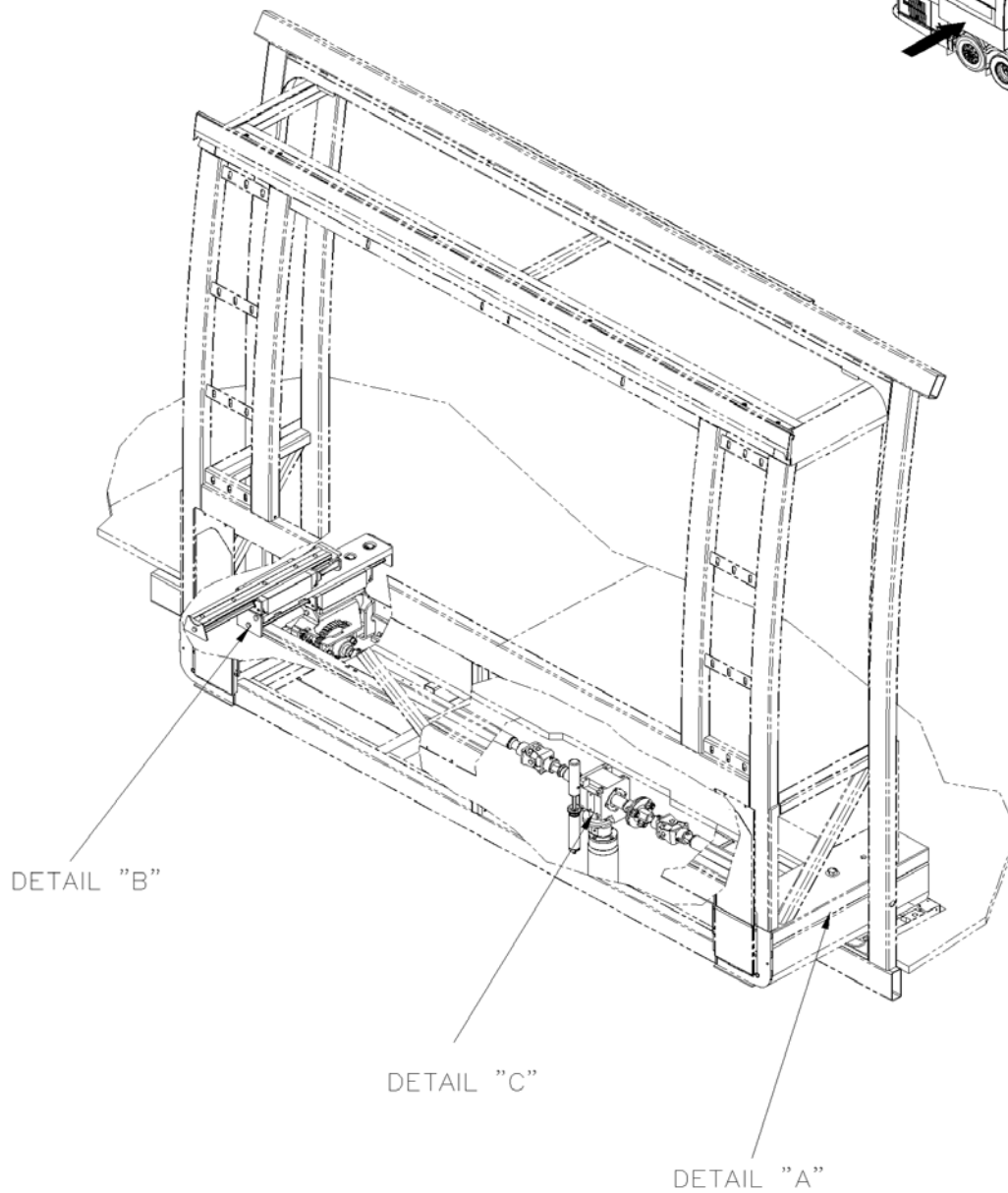
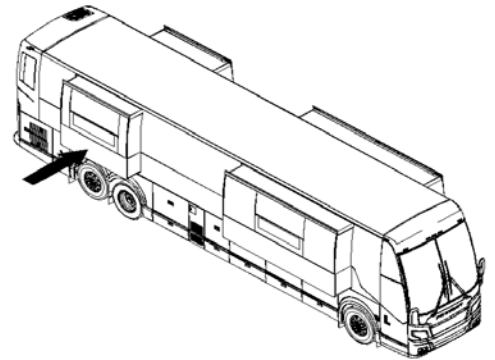
| Item# | Part | Description | QTY | Notes |
|--------|---------|---|-----|--------|
| 30A | 502558 | . WASHER FL 21.0x37.0x3.0 G500 From K-0396 | 1 | |
| 30B | 5001894 | . WASHER FL 21.0x30.0x1.587 SS From K-0396 | 2 | |
| 31 | 491321 | . GEAR | 1 | |
| 32 | 491510 | . SPACER / 22MM x 38.1MM x 12MM | 1 | |
| 33 | 491337 | . GEAR SHAFT To M-1127 | 1 | C |
| 33 | 492002 | . GEAR SHAFT From M-1128 | 1 | |
| 34 | 505010 | . KEY 6MM x 6MM x 16MM To M-1127 | 1 | C |
| 34 | 505036 | . KEY 6MM x 6MM x 18MM From M-1128 | 1 | |
| 35 | 470116 | . PILLOW BEARING ASSY | 1 | |
| 36 | 5001616 | . SCREW CAP HEXS M10-1.5X25 G10.9 DP | 2 | |
| 37 | 502616 | . WASHER LO SPT 10.2x18.1x2.2 SS | 2 | |
| 38 | 491349 | BEARING SUPPORT CLAMP To L-0800 | 2 | |
| 38 | 5002101 | WASHER FL .065x1.5x.188 N500 (M16, 5/8) From L-0801 | 2 | |
| 39A | 5002080 | SCREW CAP HEXS M16-2.0x40 G10.9 N500 To L-0800 | 4 | |
| 39A | 5002080 | SCREW CAP HEXS M16-2.0x40 G10.9 N500 From L-0801 | 2 | |
| 39B | 502884 | WASHER LO SPT 16.2x27.4x3.5 N500 To L-0800 | 4 | |
| 39B | 502884 | WASHER LO SPT 16.2x27.4x3.5 N500 From L-0801 | 2 | |
| 40 | 5001582 | SCREW CAP HEX M12-1.75x50 G10.9 DP | 2 | |
| NS | 680038 | THREAD LOCKER LOCTITE #243 / BLUE / 50ml | AR | |
| 42 | 491645 | SHIM "U SHAPE" | 2 | |
| 43 | 5001786 | SCREW CAP HEXF M12-1.75x30 G8.8 N500 | 2 | |
| 44 | 5001695 | NUT HEX NYRT M12-1.75 Z050 | 2 | |
| | | | | |
| 45 | 505023 | U-JOINT | 4 | |
| NS | 683652 | GREASE SYNTHETIC / RED BOX 50 TUBE | AR | |
| 46A | 491384 | SHAFT 540MM | 1 | 7.5 |
| 46A | 491620 | SHAFT 1555MM | 1 | 10.5 A |
| 46A | 491384 | SHAFT 540MM | 1 | 10.5 B |
| 46B | 491589 | SHAFT 445MM | 1 | 7.5 |
| 46B | 491589 | SHAFT 445MM | 1 | 10.5 A |
| 46B | 491660 | SHAFT 1460MM | 1 | 10.5 B |
| 47 | 505020 | KEY / .250x.250x1.000 | 8 | |
| 48 | 491332 | PLATE | 1 | |
| 49 | 491329 | FLANGE UNIVERSAL JOINT | 1 | |
| 50 | 491326 | SHAFT FLANGE | 1 | |
| 51 | 502634 | SCREW SET HEXS CUP M6-1.0x6 | 6 | |
| 52 | 5001866 | SCREW CAP HEX M12-1.75x30 G10.9 N500 | 3 | |
| 53 | 5001761 | NUT HEXF NYRT M12-1.75 G8 N500 | 3 | |
| 54 | 5001783 | SCREW CAP HEXS M6-1.0x12 SS | 1 | |
| 55 | 069959 | MOTOR 24V ASSY W/CONNECTOR | 1 | |
| . NS | 563936 | . MOTOR 24V ASSY W/GEAR-BOX | 1 | |
| . . NS | 563937 | . . MOTOR 24V | 1 | |

| | | |
|-----------------------|--------------|------------------|
| From K-0295 To P-1347 | Date:07/2024 | PAGE:VIP-2390-36 |
|-----------------------|--------------|------------------|

"SLIDE-OUT" - REAR MECHANISM - INSTALLATION / CURBSIDE

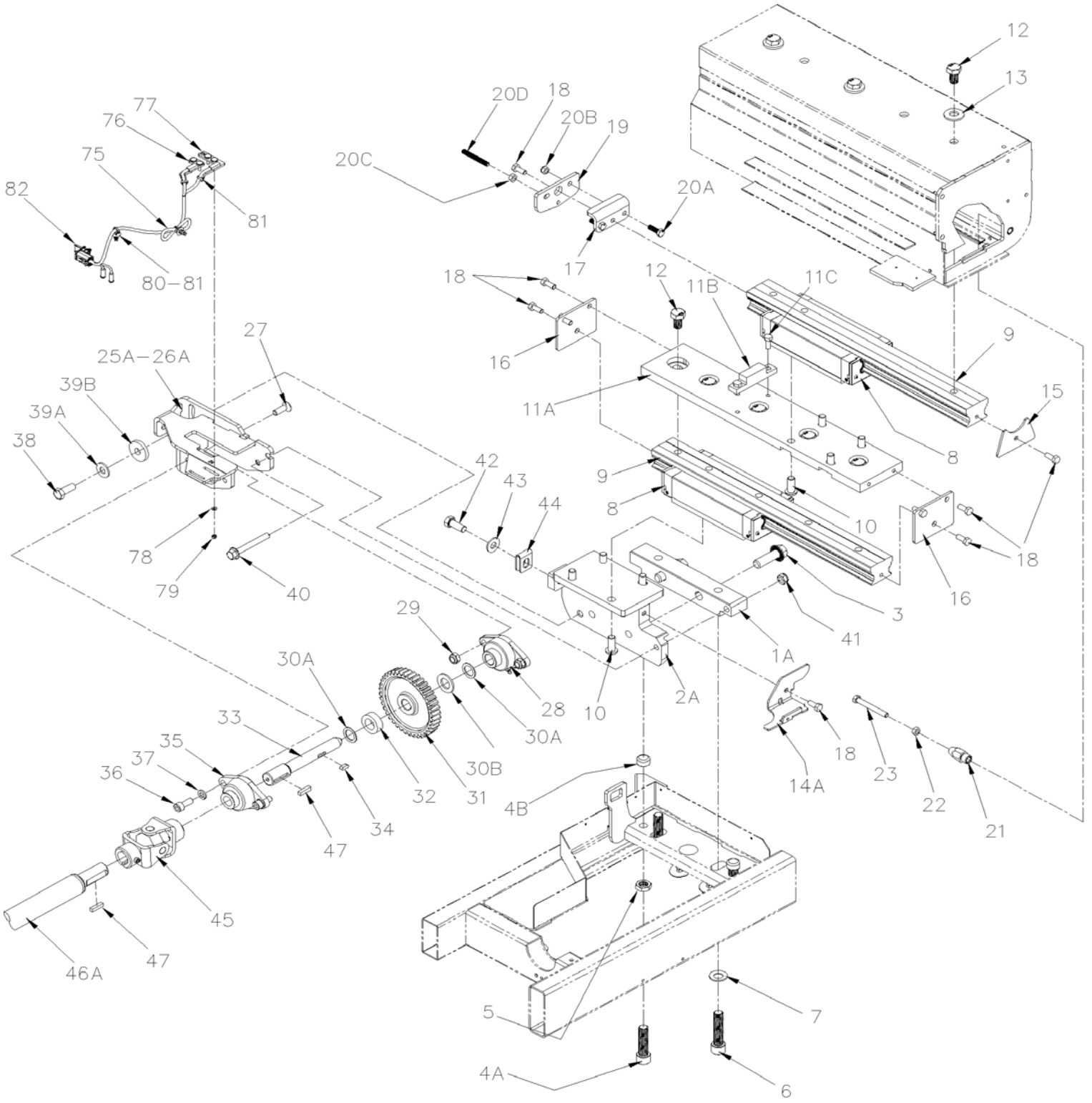
| Item# | Part | Description | QTY | Notes |
|-------|--------------------|--|-----|-------|
| . NS | 563938 | . GEAR BOX RATIO 738/1 | 1 | |
| . NS | 563764 | . CONNECTOR / CPC SERIES 3 / PH 3C / PED 15300002 | 1 | |
| . NS | 563763 | . PIN TERMINAL / 14-12 / PED 12129497 | 1 | |
| 55 | 478251 | DECAL "SEAL MUST BE DEFLATED..." To K-0584 | 1 | |
| 55 | 477989 | DECAL "SEAL MUST BE DEFLATED..." From K-0585 | 1 | |
| 55 | 477987 | DECAL " ON OVERRIDE MUST BE LOW TORQUE..." | 1 | |
| 56 | 491381 | UNIVERSAL JOINT ADAPTER | 1 | |
| 57 | 5001450 | SCREW CAP HEX M8-1.25x20 G10.9 DP | 4 | |
| 58 | 500035 | WASHER LO SPT .317x.586x.078 SS | 4 | |
| 60 | VIP-2390-66 | "SLIDE-OUT" - INSTALLATION / REAR CURBSIDE | | |
| 65 | 470182 | SAFETY PIN 1 1/4" O.D. x 116MM | 1 | |
| 66 | 502220 | WASHER FL .375x1.000x.125 RUB | 1 | |
| 67 | 470183 | ADAPTOR CYLINDER 5/8-18 x M36-2 | 1 | |
| 68 | 642027 | CYLINDER 1 1/16" | 1 | |
| 69 | 641126 | MALE CONNECTOR / PUSH-IN FITTING / #2x1/8NPT-M BR | 1 | |
| 70 | 503536 | TUBE, NYLON 1/8 O.D. / BLACK S.L. | AR | |
| | | | | |
| | | | | |
| | | 10.5) SLIDE-OUT 10.5 | | |
| | | 7.5) SLIDE-OUT 7.5 | | |
| | | A) WITH BACKWARD SLIDE-OUT | | |
| | | B) WITH FOWARD SLIDE-OUT | | |
| | | C) IF KEY 505010 BREAKS, REPLACE SHAFT 491337 WITH 492002 AND 505036 | | |
| | | P) CALL ORDER DESK FOR SPECIFIC APPLICATION (V.I.N.) | | |

| | | |
|--|--------------|------------------|
| | Date:07/2024 | PAGE:VIP-2390-37 |
| "SLIDE-OUT" - REAR MECHANISM - INSTALLATION / CURBSIDE | | |



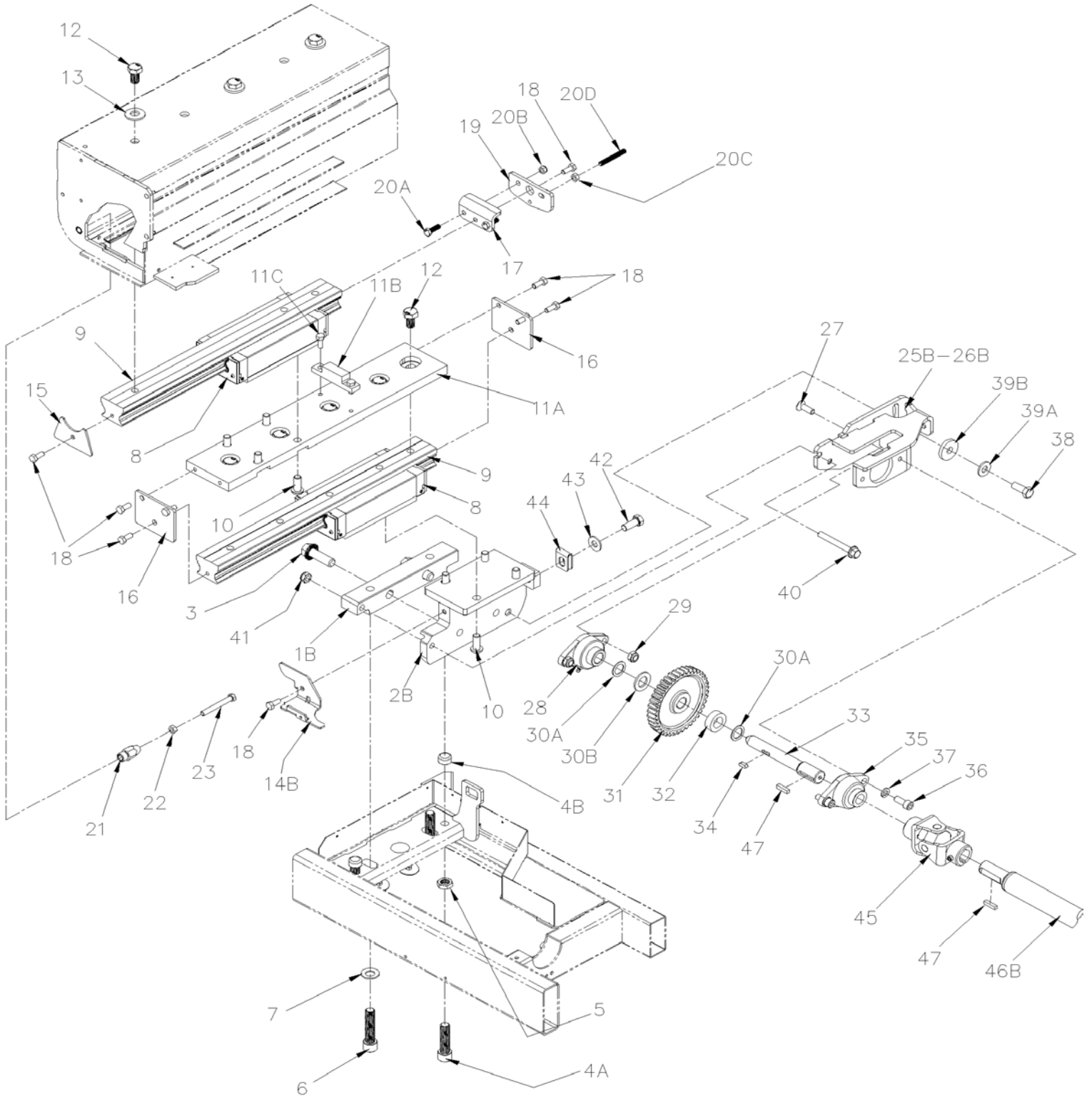
| | | |
|--|--------------|------------------|
| | Date:07/2024 | PAGE:VIP-2390-37 |
| "SLIDE-OUT" - REAR MECHANISM - INSTALLATION / CURBSIDE | | |

DETAIL "A"



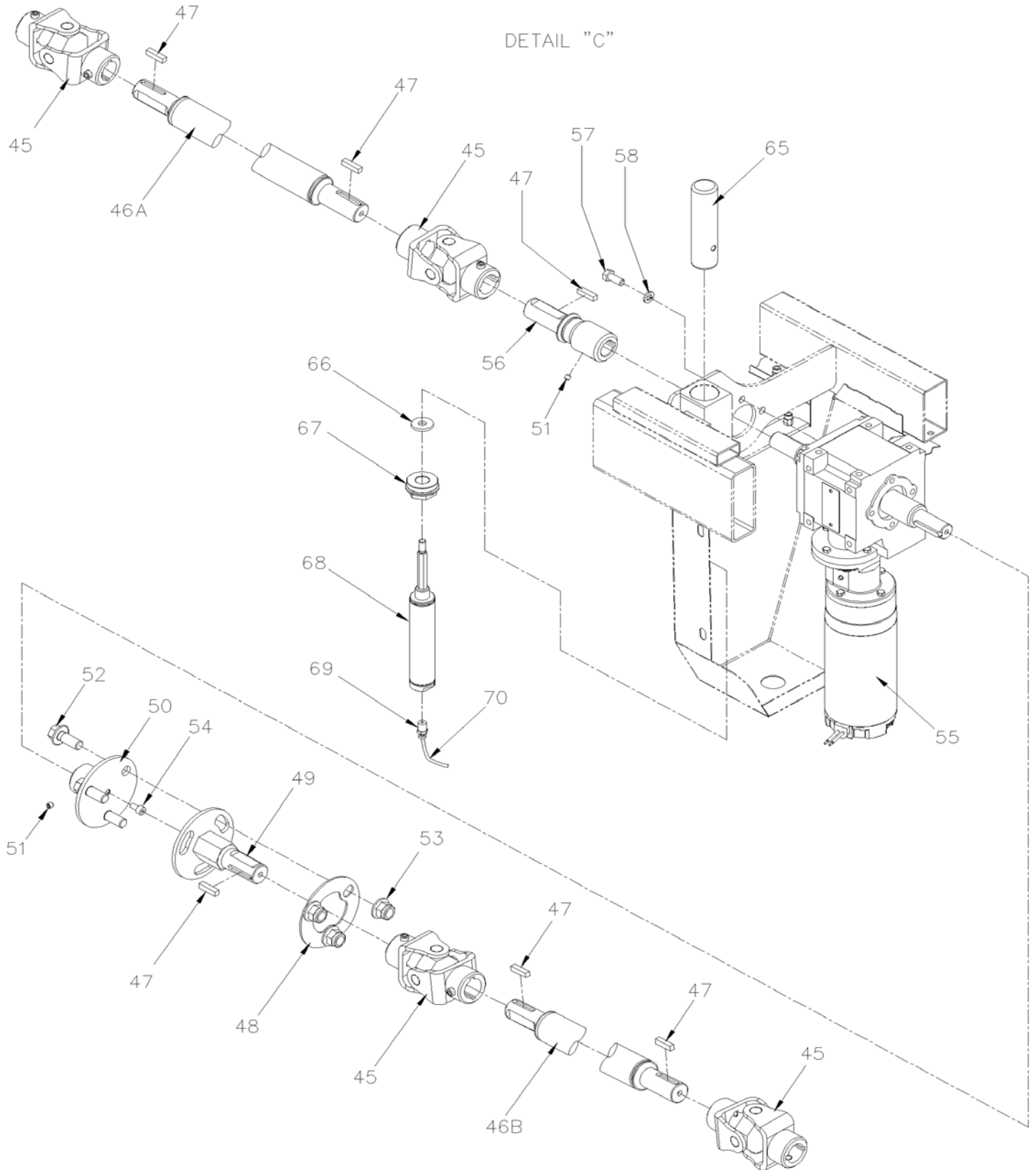
| | | |
|--|--------------|------------------|
| | Date:07/2024 | PAGE:VIP-2390-37 |
| "SLIDE-OUT" - REAR MECHANISM - INSTALLATION / CURBSIDE | | |

DETAIL "B"



| | | |
|--|--------------|------------------|
| | Date:07/2024 | PAGE:VIP-2390-37 |
| "SLIDE-OUT" - REAR MECHANISM - INSTALLATION / CURBSIDE | | |

DETAIL "C"



Date:07/2024

PAGE:VIP-2390-37

"SLIDE-OUT" - REAR MECHANISM - INSTALLATION / CURBSIDE

| Item# | Part | Description | QTY | Notes |
|-------|---------|---|-----|-------|
| 1A | 491885 | ADJUSTEMENT PLATE / REAR STREET SIDE / FRONT CURBSIDE | 1 | |
| 1B | 491884 | ADJUSTEMENT PLATE / FRONT STREET SIDE / REAR CURBSIDE | 1 | |
| 2A | 491882 | SUPPORT / REAR STREET SIDE / FRONT CURBSIDE | 1 | |
| 2B | 491880 | SUPPORT / FRONT STREET SIDE / REAR CURBSIDE | 1 | |
| 3 | 5001859 | SCREW CAP HEXF SERR M16-2.0x50 G10.9 | 4 | |
| 4A | 5002081 | SCREW CAP HEXS M16-2.0x60 G12.9 N500 | 4 | |
| 4B | 491320 | ADJUSTEMENT PAD | 4 | |
| 5 | 5000330 | NUT HEX JAM M16-2.0 SS | 4 | |
| 6 | 5002110 | SCREW CAP HEXS M16-2.0x70 G12.9 N500 | 4 | |
| 7 | 5002082 | WASHER BEL SPR 16.3x31.0x2.0 N500 | 4 | |
| 8 | 478827 | GUIDE | 4 | |
| 8 | 504758 | DUMMY RAIL GUIDE LINEAR BEARING 254MM / USE WITH 476761 & 478827 ONLY | AR | |
| 9 | 491319 | RAIL GUIDE LINEAR BEARING 498MM | 4 | |
| 10 | 5001615 | SCREW CAP BUT HEXS M12-1.75x30 G10.9 G500 | 16 | |
| 11A | 491954 | REINFORCMENT RAIL 527.8MM | 2 | |
| 11B | 491934 | STOPPER | 2 | |
| 11C | 502862 | SCREW CAP HEX M8-1.25x20 G8.8 N500 | 4 | |
| 12 | 5000329 | SCREW CAP HEX M14-2.0x25 G10.9 N500 | 16 | |
| 13 | 5002113 | WASHER BEL SPR 15.0x35.0x3.4 N500 | 6 | |
| 14A | 491745 | BRACKET, RAIL GUARD / REAR | 1 | |
| 14B | 491729 | BRACKET, RAIL GUARD / FRONT | 1 | |
| 15 | 490131 | STOPPER RAIL | 2 | |
| 16 | 490139 | STOPPER RAIL/REINFORCMENT | 4 | |
| 17 | 490195 | STOPPER UPPER RAIL | 2 | |
| 18 | 502862 | SCREW CAP HEX M8-1.25x20 G8.8 N500 | 18 | |
| 19 | 491933 | SUPPORT, THREADED | 2 | |
| 20A | 5001745 | SCREW CAP HEX M8-1.25x25 G8.8 N500 | 4 | |
| 20B | 502847 | NUT HEX NYRT M8-1.25 N500 | 4 | |
| 20C | 502851 | NUT HEX M8-1.25 N500 | 2 | |
| 20D | 5002149 | SCREW SET HEXS FLAT M8-1.25X60 SS | 2 | |
| 21 | 491383 | STOPPER SLIDE OUT ADJUSTMENT | 2 | |
| 22 | 502851 | NUT HEX M8-1.25 N500 | 4 | |
| NS | 688910 | THREAD LOCKER LOCTITE #262 / RED / 250ml | AR | |
| 23 | 5001347 | SCREW CAP HEX M8-1.25x70 SS | 2 | |
| 25A | 492026 | GEAR ASSY / REAR STREET SIDE / FRONT CURBSIDE | 1 | |
| 25B | 491730 | GEAR ASSY / FRONT STREET SIDE / REAR CURBSIDE | 1 | |
| 26A | 492044 | . GEAR SUPPORT / REAR STREET SIDE / FRONT CURBSIDE | 1 | |
| 26B | 491716 | . GEAR SUPPORT / FRONT STREET SIDE / REAR CURBSIDE | 1 | |
| 27 | 5002016 | . SCREW CAP FL HEXS M10-1.5X30 G10.9 N500 | 2 | |
| 28 | 507641 | . PILLOW BEARING ASSY | 1 | |

| | | | |
|---|--|--------------|------------------|
| | | Date:07/2024 | PAGE:VIP-2390-37 |
| "SLIDE-OUT" - REAR MECHANISM - INSTALLATION / CURBSIDE | | | |

| Item# | Part | Description | QTY | Notes |
|--------|---------|---|-----|--------|
| 29 | 502859 | . NUT HEX NYRT M10-1.5 N500 | 2 | |
| 30A | 502558 | . WASHER FL 21.0x37.0x3.0 G500 To P-1452 | 1 | |
| 30A | 502558 | WASHER FL 21.0x37.0x3.0 G500 From P-1493 | 2 | |
| 30B | 5001894 | . WASHER FL 21.0x30.0x1.587 SS To P-1452 | 2 | |
| 31 | 491321 | . GEAR | 1 | |
| 32 | 491510 | . SPACER / 22MM x 38.1MM x 12MM | 1 | |
| 33 | 492002 | . GEAR SHAFT | 1 | |
| 34 | 505036 | . KEY 6MM x 6MM x 18MM | 1 | |
| 35 | 470116 | . PILLOW BEARING ASSY | 1 | |
| 36 | 5001616 | . SCREW CAP HEXS M10-1.5X25 G10.9 DP | 2 | |
| 37 | 502616 | . WASHER LO SPT 10.2x18.1x2.2 SS | 2 | |
| 38 | 5001866 | SCREW CAP HEX M12-1.75x30 G10.9 N500 | 2 | |
| 39A | 500967 | WASHER BEL SPR .512x1.142x.098 N500 | 2 | |
| 39B | 491744 | BEARING SUPPORT CLAMP | 2 | |
| 40 | 5001802 | SCREW CAP HEXF M10-1.5x80 G10.9 N500 | 2 | |
| 41 | 502859 | NUT HEX NYRT M10-1.5 N500 | 2 | |
| 42 | 5001866 | SCREW CAP HEX M12-1.75x30 G10.9 N500 | 2 | |
| 43 | 500967 | WASHER BEL SPR .512x1.142x.098 N500 | 2 | |
| 44 | 491645 | SHIM "U SHAPE" | 2 | |
| 45 | 505023 | U-JOINT | 4 | |
| NS | 683652 | GREASE SYNTHETIC / RED BOX 50 TUBE | AR | |
| 46A | 491589 | SHAFT 445MM | 1 | 7.5 |
| 46A | 491660 | SHAFT 1460MM | 1 | 10.5 A |
| 46A | 491589 | SHAFT 445MM | 1 | 10.5 B |
| 46B | 491384 | SHAFT 540MM | 1 | 7.5 |
| 46B | 491384 | SHAFT 540MM | 1 | 10.5 A |
| 46B | 491620 | SHAFT 1555MM | 1 | 10.5 B |
| 47 | 505020 | KEY / .250x.250x1.000 | 8 | |
| 48 | 491332 | PLATE | 1 | |
| 49 | 491329 | FLANGE UNIVERSAL JOINT | 1 | |
| 50 | 491326 | SHAFT FLANGE | 1 | |
| 51 | 502634 | SCREW SET HEXS CUP M6-1.0x6 | 6 | |
| 52 | 5001866 | SCREW CAP HEX M12-1.75x30 G10.9 N500 | 3 | |
| 53 | 5001761 | NUT HEXF NYRT M12-1.75 G8 N500 | 3 | |
| 54 | 5001783 | SCREW CAP HEXS M6-1.0x12 SS | 1 | |
| 55 | 069959 | MOTOR 24V ASSY W/CONNECTOR | 1 | |
| . NS | 563936 | . MOTOR 24V ASSY W/GEAR-BOX | 1 | |
| . . NS | 563937 | . . MOTOR 24V | 1 | |
| . . NS | 563938 | . . GEAR BOX RATIO 738/1 | 1 | |
| . NS | 563764 | . CONNECTOR / CPC SERIES 3 / PH 3C / PED 15300002 | 1 | |
| . NS | 563763 | . PIN TERMINAL / 14-12 / PED 12129497 | 1 | |

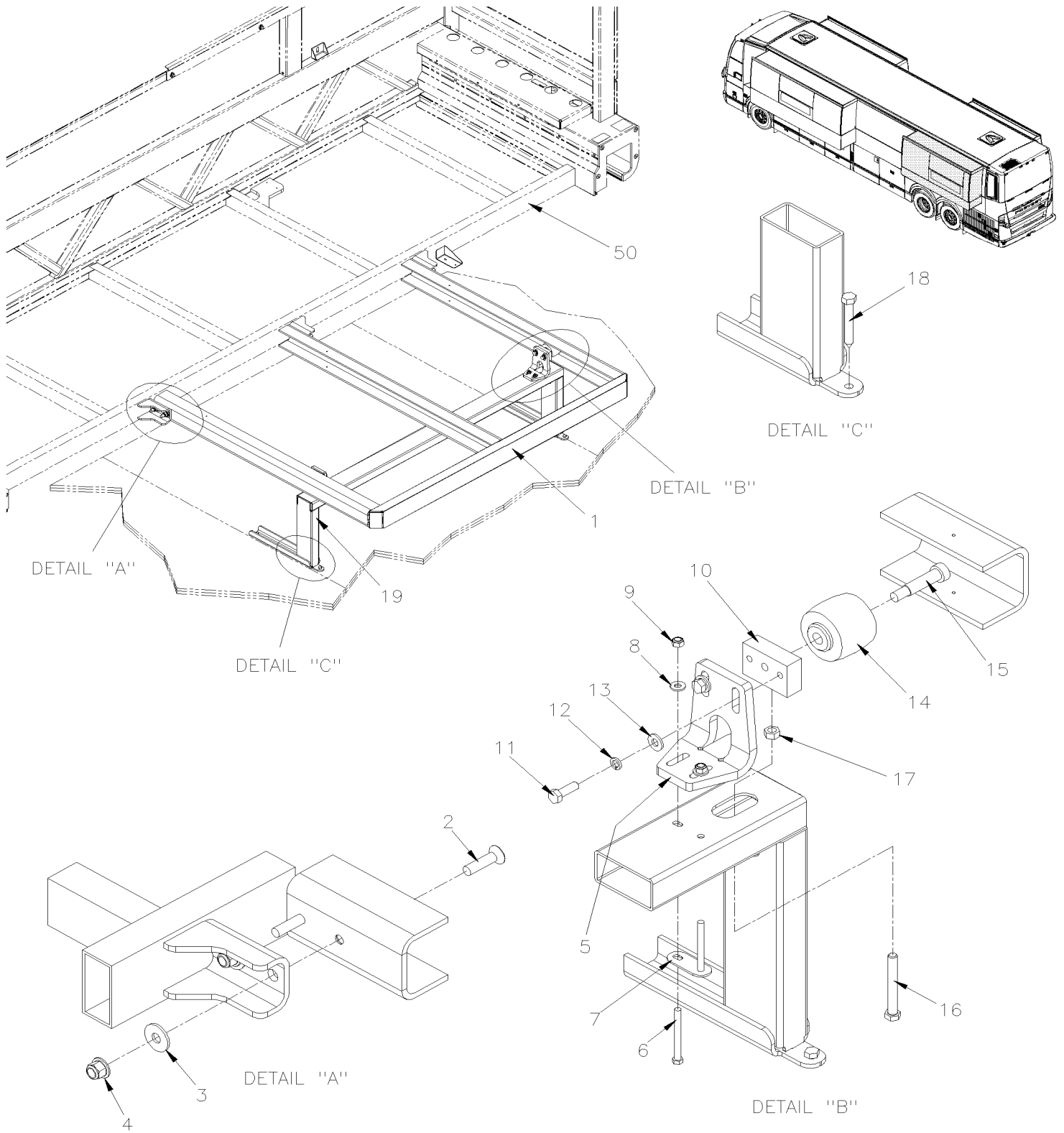
| | | Date:07/2024 | PAGE:VIP-2390-37 | |
|---|--------------------|--|------------------|-------|
| "SLIDE-OUT" - REAR MECHANISM - INSTALLATION / CURBSIDE | | | | |
| Item# | Part | Description | QTY | Notes |
| 55 | 477989 | DECAL "SEAL MUST BE DEFLATED..." | 1 | |
| 55 | 477987 | DECAL " ON OVERRIDE MUST BE LOW TORQUE..." | 1 | |
| 56 | 491381 | UNIVERSAL JOINT ADAPTER | 1 | |
| 57 | 5001450 | SCREW CAP HEX M8-1.25x20 G10.9 DP | 4 | |
| 59 | 500035 | WASHER LO SPT .317x.586x.078 SS | 4 | |
| 60 | VIP-2390-67 | "SLIDE-OUT" - INSTALLATION / REAR CURBSIDE | | |
| 65 | 470182 | SAFETY PIN 1 1/4" O.D. x 116MM | 1 | |
| 66 | 502220 | WASHER FL .375x1.000x.125 RUB | 1 | |
| 67 | 470183 | ADAPTOR CYLINDER 5/8-18 x M36-2 | 1 | |
| 68 | 642027 | CYLINDER 1 1/16" | 1 | |
| 69 | 641126 | MALE CONNECTOR / PUSH-IN FITTING / #2x1/8NPT-M BR | 1 | |
| 70 | 503536 | TUBE, NYLON 1/8 O.D. / BLACK S.L. | AR | |
| 75 | 061503 | LIMITING REED SWITCH ASSY W/LED S.P.D.T. / W/SLIDE OUT | 1 | |
| . NS | 563426 | . HALL EFFECT SENSOR | 2 | |
| . NS | 563452 | . LED GREEN / 5VOLTS | 2 | |
| . NS | 564108 | . SELF MOUNTING STUD // DEUTSCH 1011-310-0205 | 1 | |
| 76 | 492048 | SUPPORT SENSOR | 1 | |
| 77 | 492050 | SUPPORT SENSOR | 1 | |
| 78 | 502556 | WASHER FL 4.3x9.0x0.8 SS | 4 | |
| 79 | 500539 | NUT HEX NYRT M4-0.7 N500 | 4 | |
| 80 | 509815 | TIE MOUNT / ATTACHMENT W/TREE MOUNT | 2 | |
| 81 | 504273 | CABLE TIE / 1/8" X 3"1/2 | 4 | |
| 82 | 504108 | RIVET POP DOME OE 1/8x1/2 AL | 1 | |
| | | | | |
| | | | | |
| | | 10.5) SLIDE-OUT 10.5 | | |
| | | 7.5) SLIDE-OUT 7.5 | | |
| | | A) WITH FOWARD SLIDE-OUT | | |
| | | B) WITH BACKWARD SLIDE-OUT | | |

From K-0295

Date:07/2024

PAGE:VIP-2390-41

"SLIDE-OUT" - BED SUPPORT



| | | |
|----------------------------------|--------------|------------------|
| From K-0295 | Date:07/2024 | PAGE:VIP-2390-41 |
| "SLIDE-OUT" - BED SUPPORT | | |

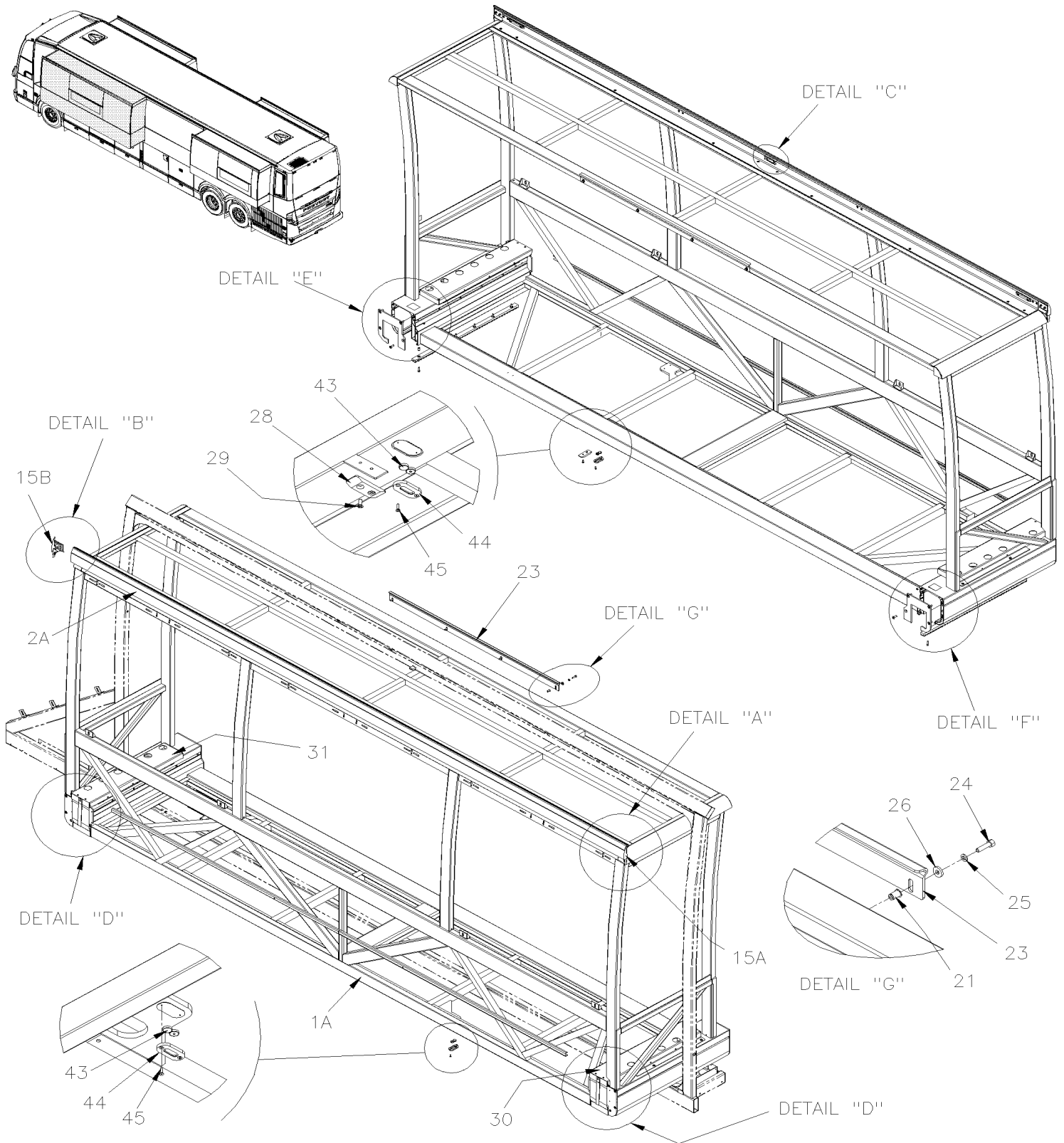
| Item# | Part | Description | QTY | Notes |
|-------|-------------|---|-----|-------|
| 1 | 400606 | SUPPORT REAR BED | 1 | |
| 2 | 5001796 | SCREW CAP FL HEXS M10-1.5x40 GR10.9 N500 | 6 | |
| 3 | 502644 | WASHER FL 10.5x30.0x2.5 Z050 | 6 | |
| 4 | 5001930 | NUT HEXF NYRT M10-1.5 N500 G10.9 | 6 | |
| 5 | 491604 | ANGLE SUPPORT | 2 | |
| 6 | 509839 | SCREW CAP HEX M6-1.0x60 G8.8 ZP | 4 | |
| 7 | 400624 | PLATE | 2 | |
| 8 | 500877 | WASHER FL .250x.562x.065 N500 | 4 | |
| 9 | 502681 | NUT HEX NYRT M6-1.0 N500 G8 | 4 | |
| 10 | 491605 | PLATE | 2 | |
| 11 | 5001745 | SCREW CAP HEX M8-1.25x25 G8.8 N500 | 4 | |
| 12 | 500942 | WASHER LO SPT 8.1x14.8x2.0 N500 | 4 | |
| 13 | 5001736 | WASHER FL 8.4x18.0x2.0 N500 | 4 | |
| 14 | 476181 | WHEEL | 2 | |
| 15 | 5001064 | SCREW SHR HEXS 12x40 (M10-1.5 | 2 | |
| NS | 680038 | THREAD LOCKER LOCTITE #243 / BLUE / 50ml | AR | |
| 16 | 5001347 | SCREW CAP HEX M8-1.25x70 SS | 2 | |
| 17 | 502851 | NUT HEX M8-1.25 N500 | 2 | |
| 18 | 500918 | SCREW TP CAP HEX 5/16-12x2 1/4 Z050 | 4 | |
| 19 | 400613 | SUPPORT REAR BED ASSY | 1 | |
| 50 | VIP-2390-56 | "SLIDE-OUT" - INSTALLATION / REAR STREET SIDE To P-1347 | | |
| NS | VIP-2390-57 | "SLIDE-OUT" - INSTALLATION / REAR STREET SIDE From P-1348 | | |

From K-0295 To P-1347

Date:07/2024

PAGE:VIP-2390-51

"SLIDE-OUT" - INSTALLATION / FRONT STREET SIDE

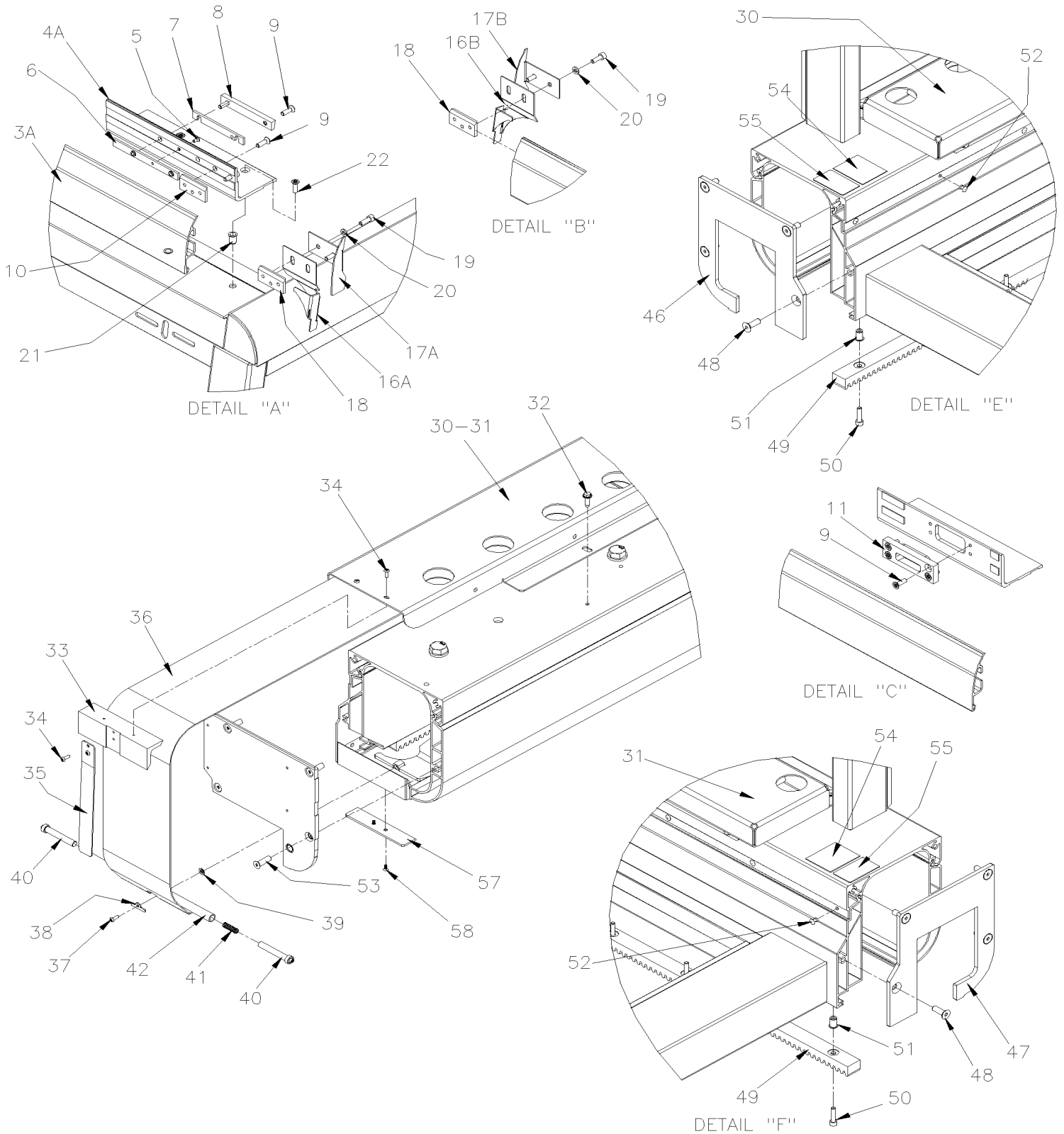


From K-0295 To P-1347

Date:07/2024

PAGE:VIP-2390-51

"SLIDE-OUT" - INSTALLATION / FRONT STREET SIDE



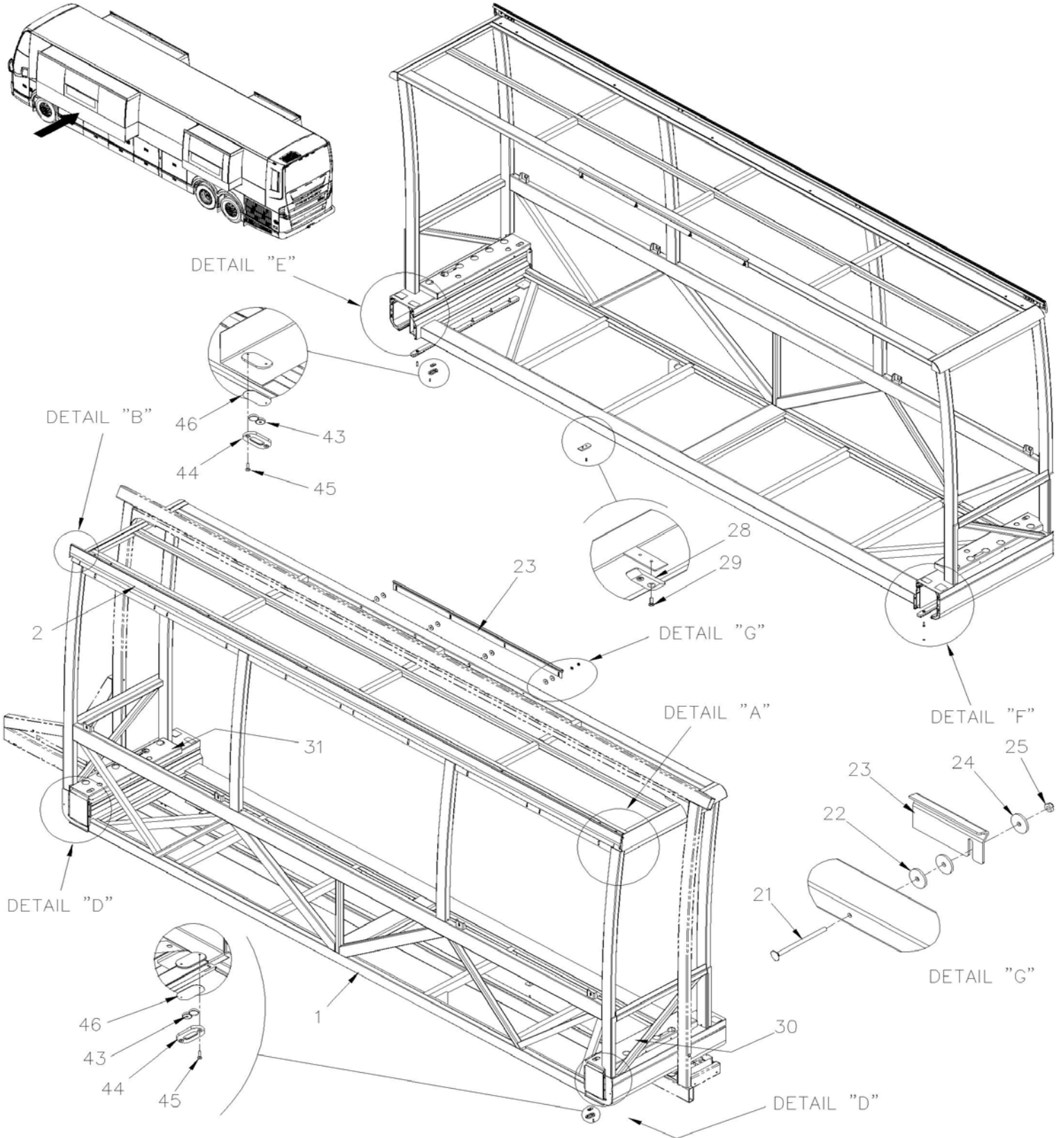
| | | |
|---|--------------|------------------|
| From K-0295 To P-1347 | Date:07/2024 | PAGE:VIP-2390-51 |
| "SLIDE-OUT" - INSTALLATION / FRONT STREET SIDE | | |

| Item# | Part | Description | QTY | Notes |
|-------|-----------------|--|-----|-------|
| 1A | Call order desk | FRONT STREET SIDE "SLIDE-OUT" | 1 | P |
| 2A | Call order desk | KEY OUTSIDE ROOF ASSY 4426MM | 1 | P |
| 3A | 470440 | . KEY ROOF 4422MM | 1 | |
| NS | 506236 | . TAPE RUB ADH1 CC POL 1/16" x 1/2" x 100' / GREY 2520 | AR | |
| 3A | 5060103 | . RUBBER SEAL 6.56FT LONG To L-0928 | 1 | |
| NS | 509044 | . RUBBER SEAL 175"-+0.6 From L-0929 | 1 | |
| 4A | 470407 | . SUPPORT KEY ROOF 4281MM | 1 | |
| NS | 506191 | . TAPE RUB ADH1 CC POL 1/8" x 1/4" x 50' / GREY 2520X | AR | |
| 5 | 5001612 | . SCREW CAP FL HEXS M4-0.7x8 SS EMN | 2 | |
| 6 | 477778 | . ANCHOR PLATE W/THREAD | 2 | |
| 7 | 477725 | . SHIM 12.7MM x 101MM x 11GA | AR | |
| 7 | 477807 | . SHIM 12.7MM x 101MM x 16GA | AR | |
| 8 | 470412 | . STOPPER BLOCK | 2 | |
| 9 | 5001768 | . SCREW MA FL TORX M6-1.0x20 G8.8 Z050 | 16 | |
| 10 | 478011 | . PLATE ATTACHMENT 51MM | 4 | |
| 11 | 470439 | . BLOCK | 1 | |
| | | | | |
| 15A | 476625P | CLOSING END ASSY / RH To K-0823 | 1 | |
| 15A | 478940P | CLOSING END ASSY / RH From K-0823 | 1 | |
| 15B | 476624P | CLOSING END ASSY / LH To K-0822 | 1 | |
| 15B | 478939P | CLOSING END ASSY / LH From K-0823 | 1 | |
| 16A | 474702 | . LOWER CAP R.H. / "U" SHAPE To K-0822 | 1 | |
| 16A | 478936 | . LOWER CAP R.H. / "U" SHAPE From K-0823 | 1 | |
| 16B | 474700 | . LOWER CAP L.H. / "U" SHAPE To K-0822 | 1 | |
| 16B | 478938 | . LOWER CAP L.H. / "U" SHAPE From K-0823 | 1 | |
| 17A | 474703 | . UPPER CAP R.H. ANGLE To K-0822 | 1 | |
| 17A | 478935 | . UPPER CAP R.H. ANGLE From K-0823 | 1 | |
| 17B | 474701 | . UPPER CAP L.H. ANGLE To K-0822 | 1 | |
| 17B | 478937 | . UPPER CAP L.H. ANGLE From K-0823 | 1 | |
| 18 | 478011 | . PLATE ATTACHMENT 51MM | 1 | |
| 19 | 5001648 | . SCREW CAP HEXS M6-1.0x18 SS BK | 2 | |
| 20 | 502570 | . WASHER LO SPT 6.1x11.8x1.6 SS | 2 | |
| 21 | 502842 | NUT INS TYPE "A-L" OE M6-1.0 0.7-4.2 Z050 | AR | |
| 22 | 5001768 | SCREW MA FL TORX M6-1.0x20 G8.8 Z050 | 8 | |
| NS | 685124 | ADHESIVE SIMSON #ISR 70-03 / BLACK / 600ml SAUSAGE | AR | |
| 23 | 470437 | PLATE TOP STOPPER 1354MM X 62.1MM | 1 | |
| 24 | 5001209 | SCREW CAP HEX M6-1.0x25 G8.8 Z050 | 4 | |
| 25 | 502564 | WASHER LO SPT 6.1x11.8x1.6 Z050 | 4 | |
| 26 | 5001586 | WASHER FL 6.4x17.0x3.0 Z050 | 4 | |
| | | | | |
| 28 | 491512 | SLIDE EXTENSION | 1 | |
| 29 | 5001198 | SCREW MA FL PH M6-1.0x16 Z050 | 2 | |

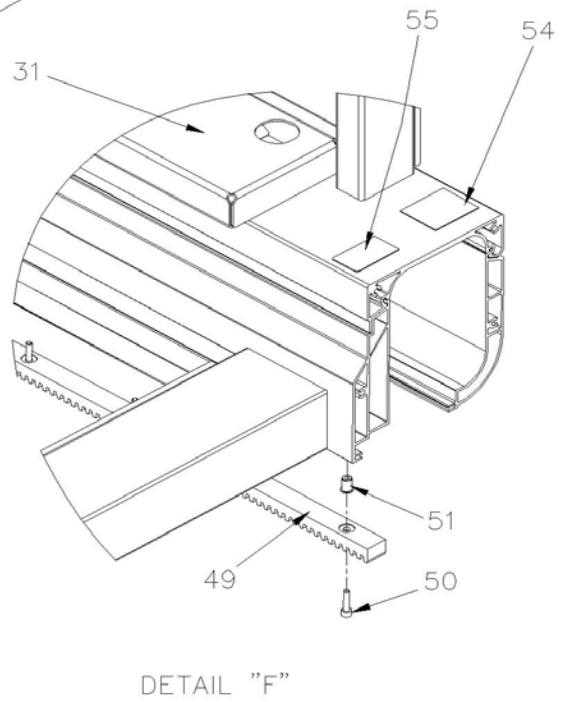
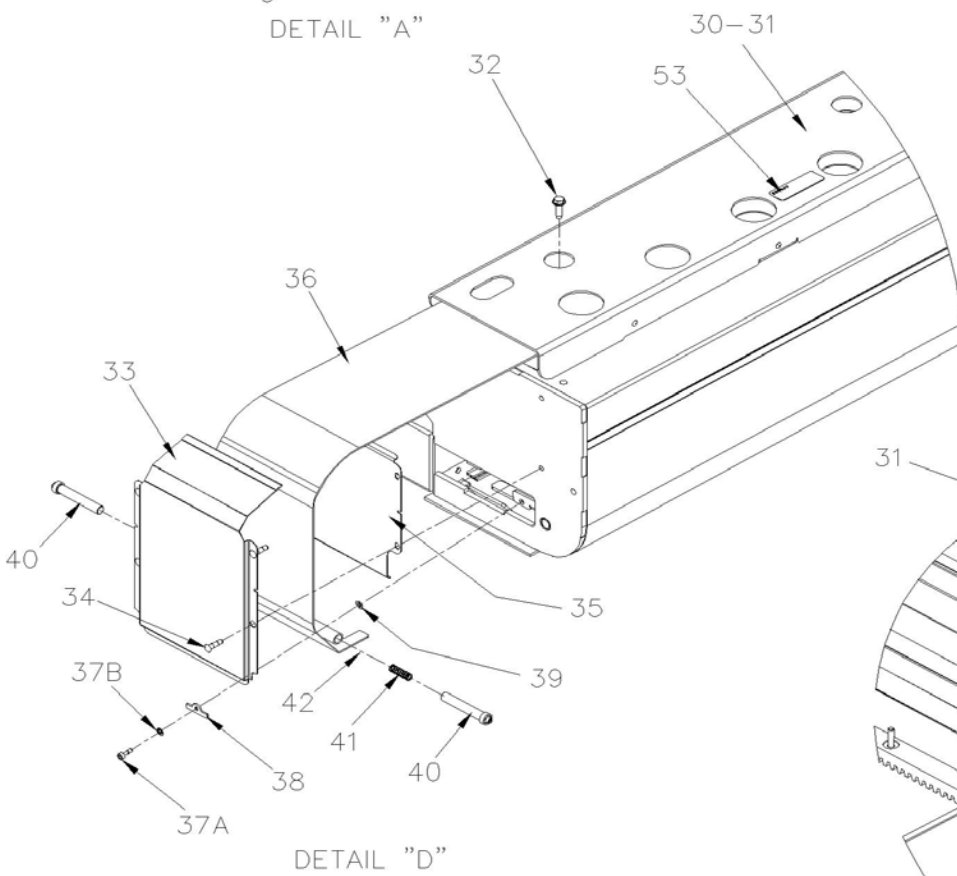
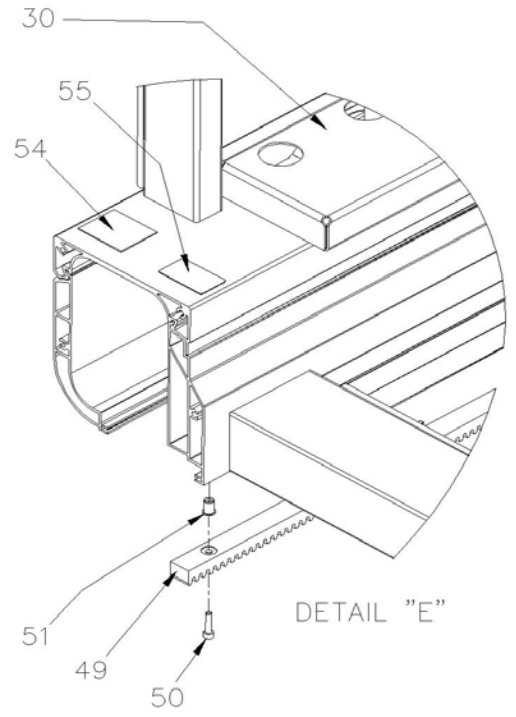
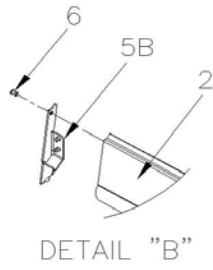
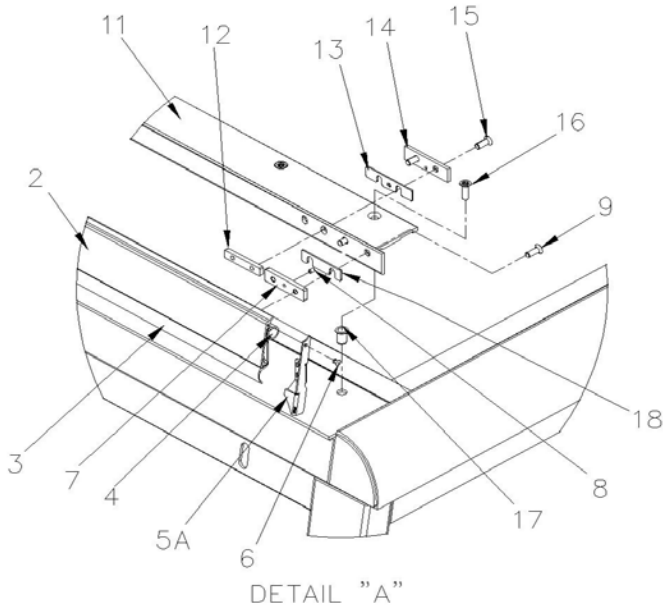
| | | |
|---|--------------|------------------|
| From K-0295 To P-1347 | Date:07/2024 | PAGE:VIP-2390-51 |
| "SLIDE-OUT" - INSTALLATION / FRONT STREET SIDE | | |

| Item# | Part | Description | QTY | Notes |
|-------|---------|--|-----|-------|
| 30 | 491519 | GUIDE, RAIL GUARD ASSY | 1 | |
| 31 | 491527 | GUIDE, RAIL GUARD ASSY | 1 | |
| 32 | 502848 | SCREW TC CAP HEXF 1/4-20x3/4 N500 | 10 | |
| 33 | 491521 | GUIDE AND SEAL SUPPORT | 2 | |
| 34 | 5001996 | SCREW MA PAN PH M4-0.7x12 N500 | 8 | |
| 35 | 491525 | GUIDE, RAIL GUARD | 2 | |
| 36 | 491524 | GUARD, RAIL 880MM | 2 | |
| 37 | 5001996 | SCREW MA PAN PH M4-0.7x12 N500 To L-0928 | 2 | |
| 37 | 5002119 | SCREW CAP HEXS M4-0.7x12 SS From L-0929 | 2 | |
| 37 | 500834 | WASHER LO INT .168x.340x.023 N500 From L-0929 | 2 | |
| 38 | 491587 | FIXING PLATE | 2 | |
| 39 | 5000341 | NUT PUSH RND 5/32 ZP To L-0928 | 2 | |
| 39 | 5002120 | NUT PUSH RND 0.22-0.128 Z050 From L-0929 | 2 | |
| 40 | 491523 | GUIDE RAIL GUARD | 4 | |
| 41 | 502934 | SPRING COMPRESSION / .300 O.D. x 1 x .026 | 2 | |
| 42 | 491522 | GUIDE, RAIL GUARD | 2 | |
| 43 | 562949 | MAGNET ROUND .200x.700 DIA | 4 | |
| 44 | 470124 | SUPPORT MAGNET / ALUMINUM | 2 | |
| NS | 476473 | GASKET MAGNET SUPPORT | 2 | |
| 45 | 5001614 | SCREW CAP FL HEXS M4-0.7x16 SS EMN | 4 | |
| 46 | 470934 | END CAP To N-1319 | 1 | |
| 47 | 470935 | END CAP To N-1319 | 1 | |
| 48 | 5001517 | SCREW CAP FL HEXS M8-1.25x25 G8.8 Z050 To N-1319 | 8 | |
| 49 | 491334 | RACK 822.8MM | 2 | |
| 50 | 5001610 | SCREW CAP HEXS M6-1.0x25 SS EMN | 12 | |
| 51 | 502842 | NUT INS TYPE "A-L" OE M6-1.0 0.7-4.2 Z050 | 12 | |
| 52 | 504379 | RIVET POP DOME OE 3/16x1/4 SS | 12 | |
| 53 | 502576 | SCREW MA FL PH M8-1.25x25 Z050 | 8 | |
| 54 | 477991 | DECAL "CAUTION" DO NOT MAKE ANY MODI.." | 2 | |
| 55 | 476130 | DECAL " KEEP HANDS & FINGERS AWAY.." | 2 | |
| NS | 680038 | THREAD LOCKER LOCTITE #243 / BLUE / 50ml | AR | |
| 57 | 471382 | PLATE | 2 | |
| 58 | 500371 | SCREW MA FL PH M4-0.7x8 N500 | 4 | |
| | | | | |
| | | | | |
| | | | | |
| | | | | |
| | | P) CALL ORDER DESK FOR SPECIFIC APPLICATION (V.I.N.) | | |

| | | |
|--|--------------|------------------|
| | Date:07/2024 | PAGE:VIP-2390-52 |
| "SLIDE-OUT" - INSTALLATION / FRONT STREET SIDE | | |



| | | |
|--|--------------|------------------|
| | Date:07/2024 | PAGE:VIP-2390-52 |
| "SLIDE-OUT" - INSTALLATION / FRONT STREET SIDE | | |



Date:07/2024

PAGE:VIP-2390-52

"SLIDE-OUT" - INSTALLATION / FRONT STREET SIDE

| Item# | Part | Description | QTY | Notes |
|-------|-----------------|--|-----|-------|
| 1 | Call order desk | FRONT STREET SIDE "SLIDE-OUT" | 1 | P |
| 2 | Call order desk | FASCIA SLIDE-OUT, FRONT ASSY 4421MM | 1 | P |
| 2 | 478987 | . FASCIA SLIDE-OUT, FRONT 4421MM | 1 | |
| 3 | 470095 | . RUBBER EXTRUSION / RAW MATERIAL | 1 | |
| 4 | 509044 | . RUBBER SEAL 175"-+0.6 | AR | |
| 5A | 478838 | . CAP, LOWER | 1 | |
| 5B | 478841 | . CAP, LOWER | 1 | |
| 6 | 504340 | . RIVET POP DOME OE 1/8x3/16 SS | 6 | |
| 7 | 478842 | . THREADED BLOCK | 4 | |
| 8 | 500587 | . SCREW SET HEXS CUP M4-0.7x6 | 4 | |
| 9 | 5001633 | . SCREW MA FL PH M6-1.0x12 Z050 | 8 | |
| 9 | 5001198 | SCREW MA FL PH M6-1.0x16 Z050 | 8 | A |
| | Call order desk | | | P |
| 11 | 478989 | EXTRUSION, SLIDE-OUT FRONT 4341MM | 1 | |
| 12 | 478875 | TAPPING PLATE | 2 | |
| 13 | 478849 | SHIM FOR SLIDE OUT | 1 | |
| 14 | 478850 | STOPPER | 2 | |
| 15 | 5001198 | SCREW MA FL PH M6-1.0x16 Z050 | 4 | |
| 16 | 5001768 | SCREW MA FL TORX M6-1.0x20 G8.8 Z050 | 8 | |
| 17 | 502842 | NUT INS TYPE "A-L" OE M6-1.0 0.7-4.2 Z050 To R-1718 | 8 | |
| 17 | 5000023 | NUT AN INS CE Z050 M6-1,0 GRIP .70-4.2MM From R-1719 | 8 | |
| | | | | |
| 21 | 5002221 | SCREW CRG 1/4-20X4 FT Z050 | 4 | |
| 22 | 5002126 | WASHER FL .281X1.1875X0.031 Z050 | AR | |
| 22 | 5002223 | WASHER FLAT .281X1.25X.062 SS | AR | |
| 22 | 5002224 | WASHER FLAT .281X1.25X.125 SS | AR | |
| 23 | 470437 | PLATE TOP STOPPER 1354MM X 62.1MM | 1 | |
| 24 | 5002224 | WASHER FLAT .281X1.25X.125 SS | 4 | |
| 25 | 502716 | NUT HEX NYRT 1/4-20 | 4 | |
| | | | | |
| 28 | 491512 | SLIDE EXTENSION | 1 | |
| 29 | 5001198 | SCREW MA FL PH M6-1.0x16 Z050 | 2 | |
| | | | | |
| 30 | 492072 | GUIDE, RAIL GUARD ASSY | 1 | |
| 31 | 492073 | GUIDE, RAIL GUARD ASSY | 1 | |
| 32 | 502848 | SCREW TC CAP HEXF 1/4-20x3/4 N500 | 4 | |
| 33 | 492010 | GUIDE, RAIL GUARD | 2 | |
| 34 | 5001360 | RIVET POP CK OE 3/16x1/2 AL | 8 | |
| 35 | 492011 | PLATE OF PROTECTION SHORT | 2 | |
| 36 | 492097 | GUARD, RAIL 893MM | 2 | |
| 37A | 5002119 | SCREW CAP HEXS M4-0.7x12 SS | 2 | |
| 37B | 500834 | WASHER LO INT .168x.340x.023 N500 | 2 | |

| | | |
|---|--------------|------------------|
| | Date:07/2024 | PAGE:VIP-2390-52 |
| "SLIDE-OUT" - INSTALLATION / FRONT STREET SIDE | | |

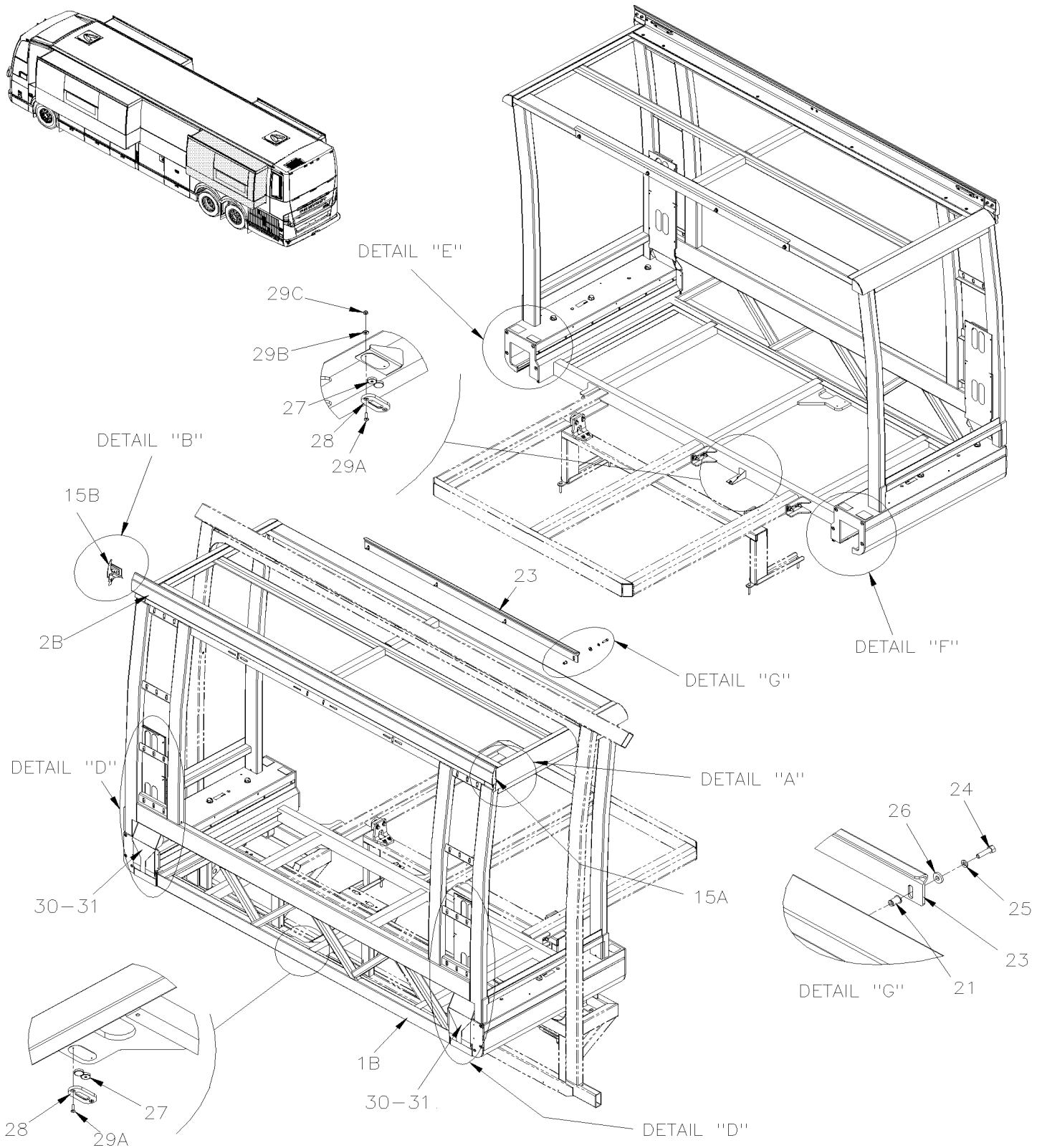
| Item# | Part | Description | QTY | Notes |
|-------|---------|--|-----|-------|
| 38 | 491587 | FIXING PLATE | 2 | |
| 39 | 5002120 | NUT PUSH RND 0.22-0.128 Z050 | 2 | |
| 40 | 491523 | GUIDE RAIL GUARD | 4 | |
| 41 | 502934 | SPRING COMPRESSION / .300 O.D. x 1 x .026 | 2 | |
| 42 | 491522 | GUIDE, RAIL GUARD | 2 | |
| 43 | 562949 | MAGNET ROUND .200x.700 DIA | 4 | |
| 44 | 470124 | SUPPORT MAGNET / ALUMINUM | 2 | |
| 45 | 5001614 | SCREW CAP FL HEXS M4-0.7x16 SS EMN | 4 | |
| 46 | 476473 | GASKET MAGNET SUPPORT | 2 | |
| 49 | 491334 | RACK 822.8MM | 2 | |
| 50 | 5001610 | SCREW CAP HEXS M6-1.0x25 SS EMN | 12 | |
| 51 | 502842 | NUT INS TYPE "A-L" OE M6-1.0 0.7-4.2 Z050 | 12 | |
| 53 | 470920 | DECAL "KEEP ACCESS TO THESE..." | 2 | |
| 54 | 477991 | DECAL "CAUTION" DO NOT MAKE ANY MODI.." | 2 | |
| 55 | 476130 | DECAL " KEEP HANDS & FINGERS AWAY.." | 2 | |
| NS | 680038 | THREAD LOCKER LOCTITE #243 / BLUE / 50ml | AR | |
| | | | | |
| | | | | |
| | | A) USE IF NEED IT | | |
| | | P) CALL ORDER DESK FOR SPECIFIC APPLICATION (V.I.N.) | | |

From K-0295 To P-1347

Date:07/2024

PAGE:VIP-2390-56

"SLIDE-OUT" - INSTALLATION / REAR STREET SIDE

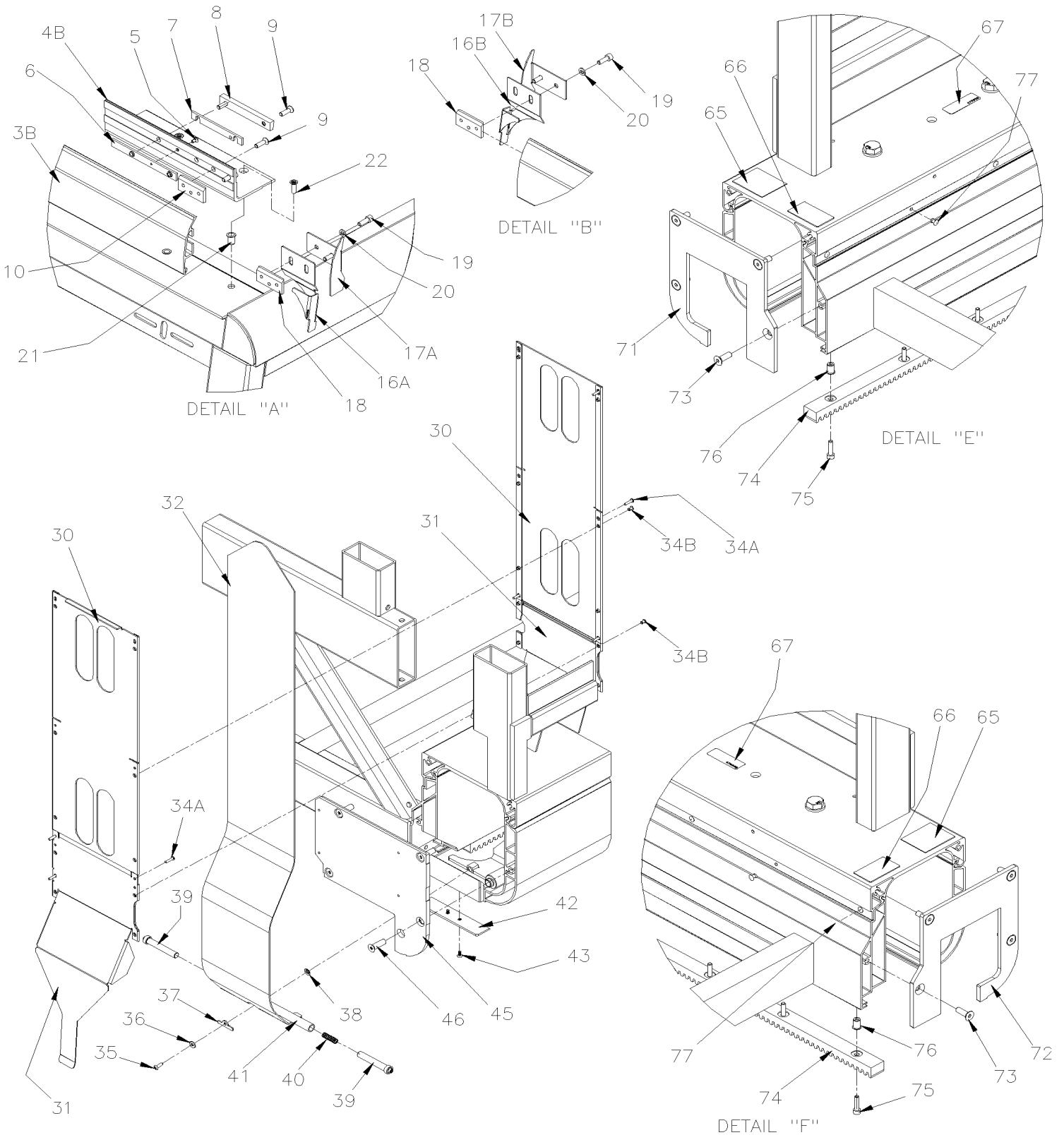


From K-0295 To P-1347

Date:07/2024

PAGE:VIP-2390-56

"SLIDE-OUT" - INSTALLATION / REAR STREET SIDE

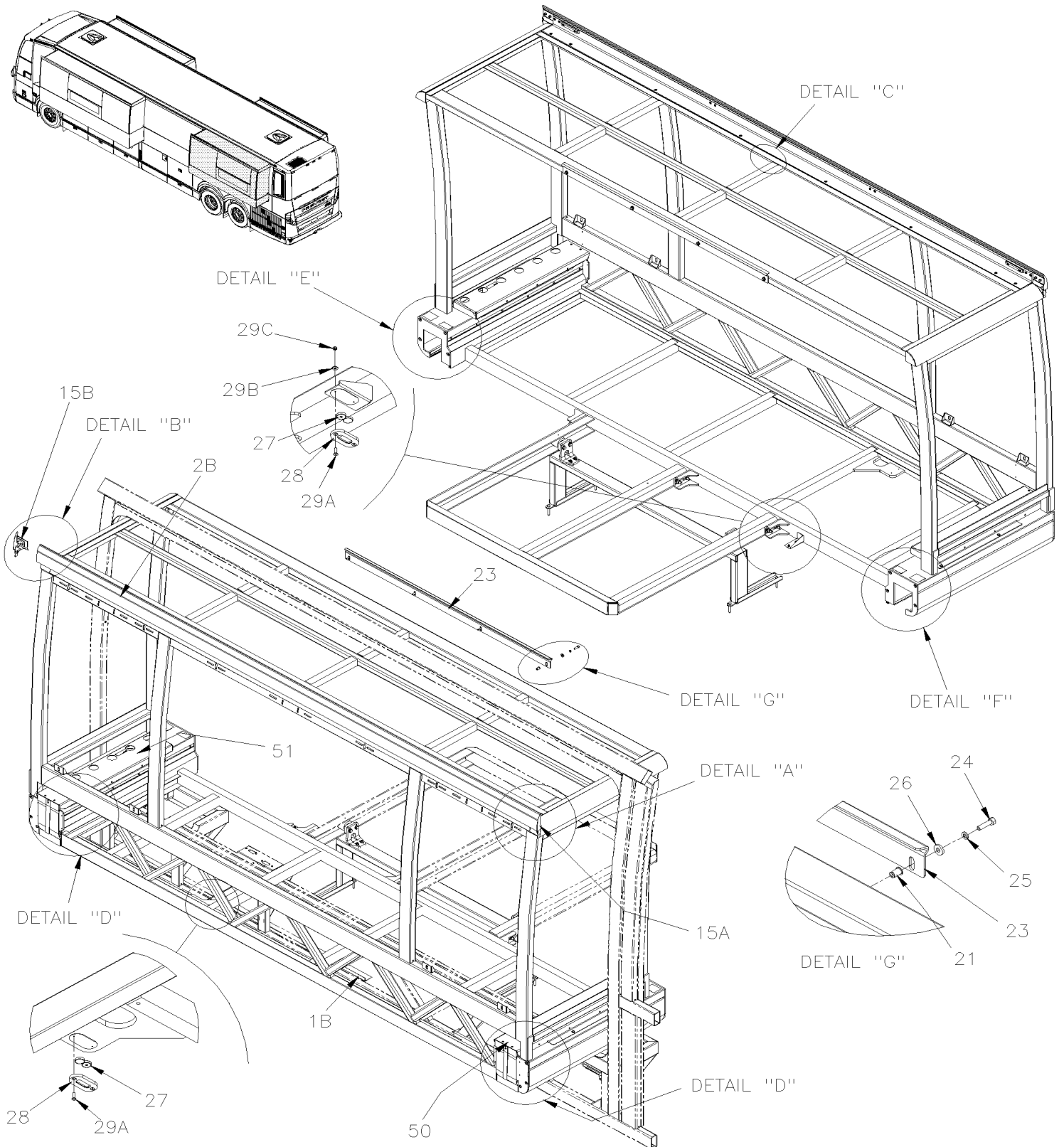


From K-0295 To P-1347

Date:07/2024

PAGE:VIP-2390-56

"SLIDE-OUT" - INSTALLATION / REAR STREET SIDE

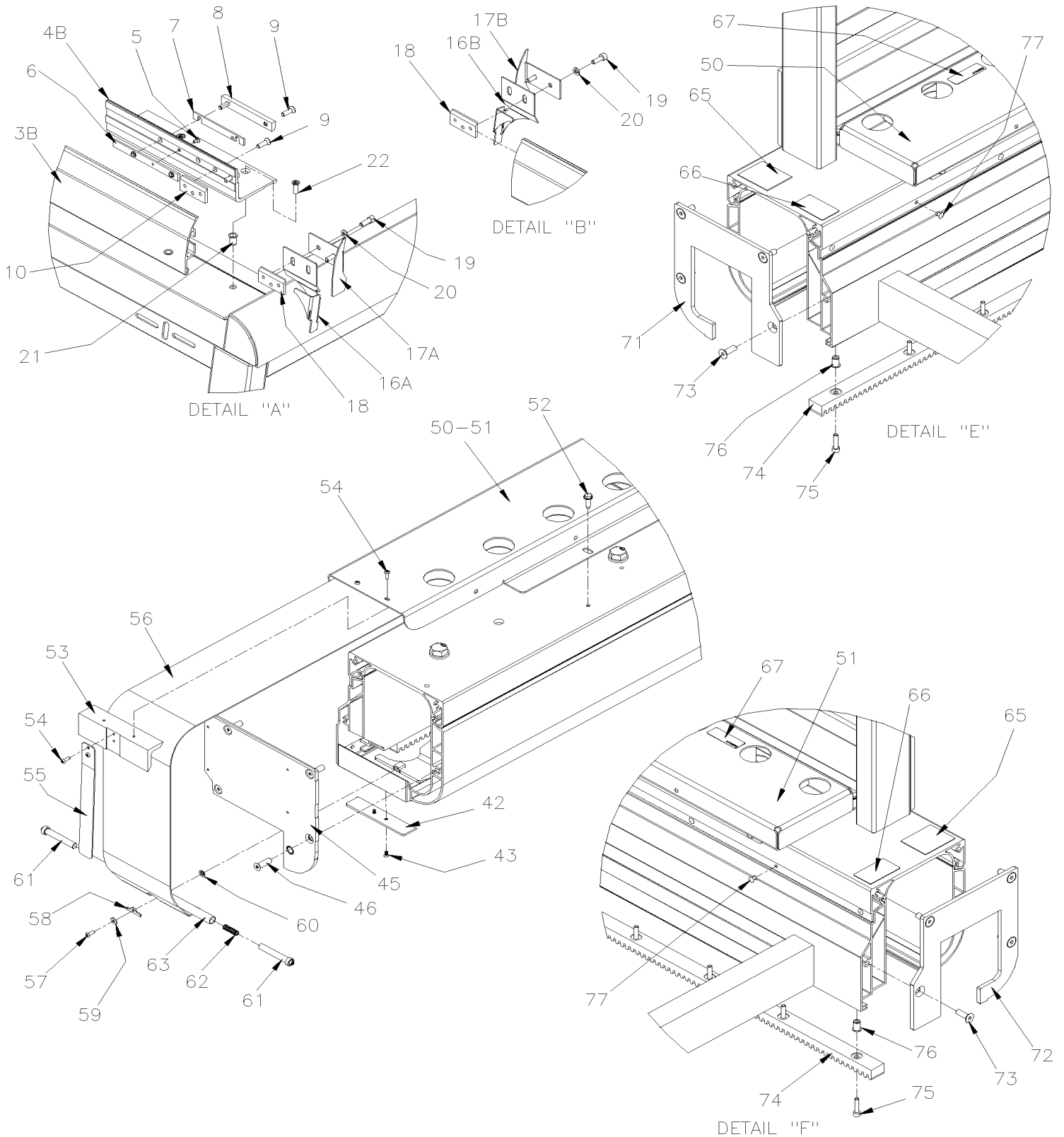


From K-0295 To P-1347

Date:07/2024

PAGE:VIP-2390-56

"SLIDE-OUT" - INSTALLATION / REAR STREET SIDE

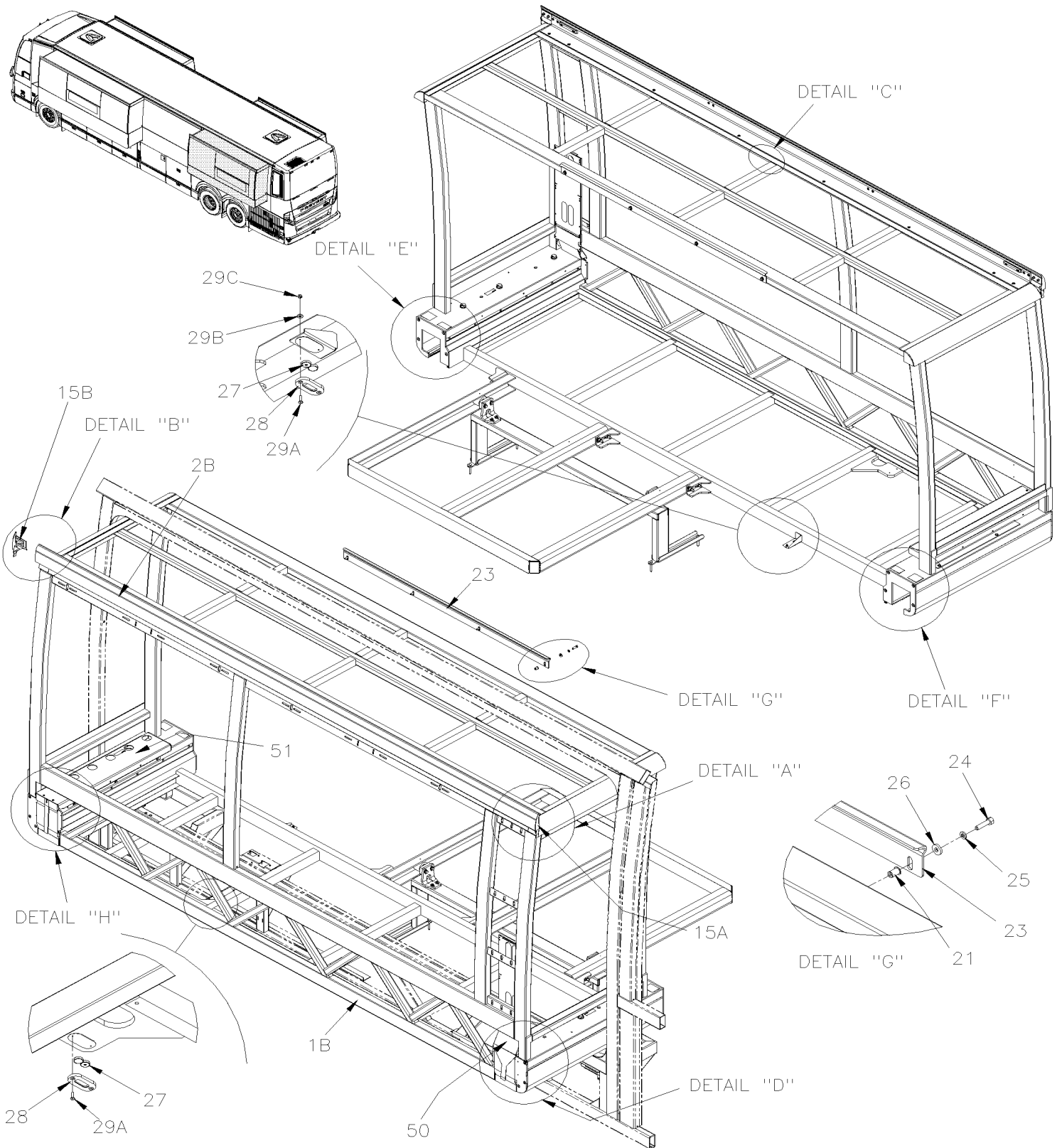


From K-0295 To P-1347

Date:07/2024

PAGE:VIP-2390-56

"SLIDE-OUT" - INSTALLATION / REAR STREET SIDE

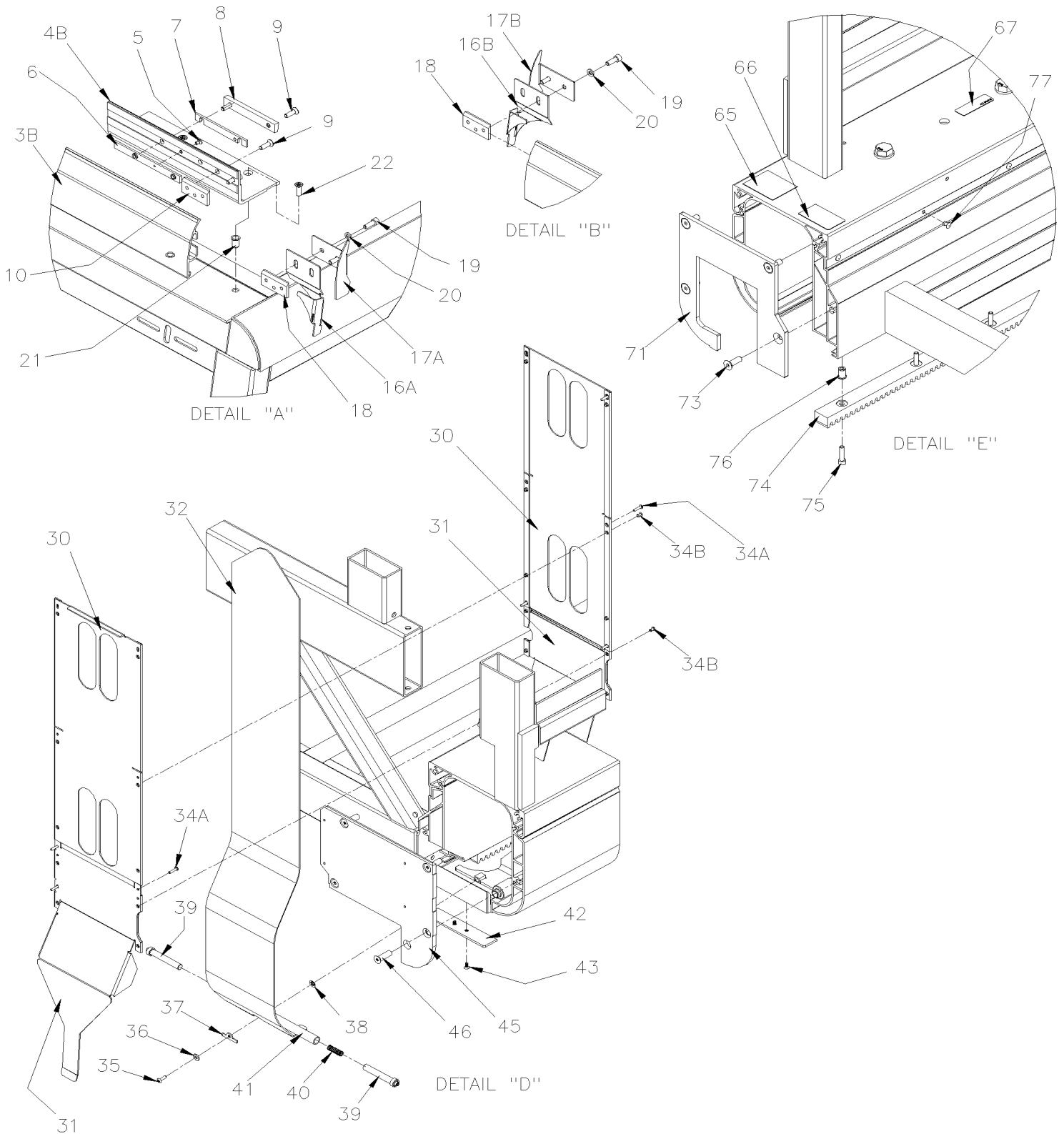


From K-0295 To P-1347

Date:07/2024

PAGE:VIP-2390-56

"SLIDE-OUT" - INSTALLATION / REAR STREET SIDE

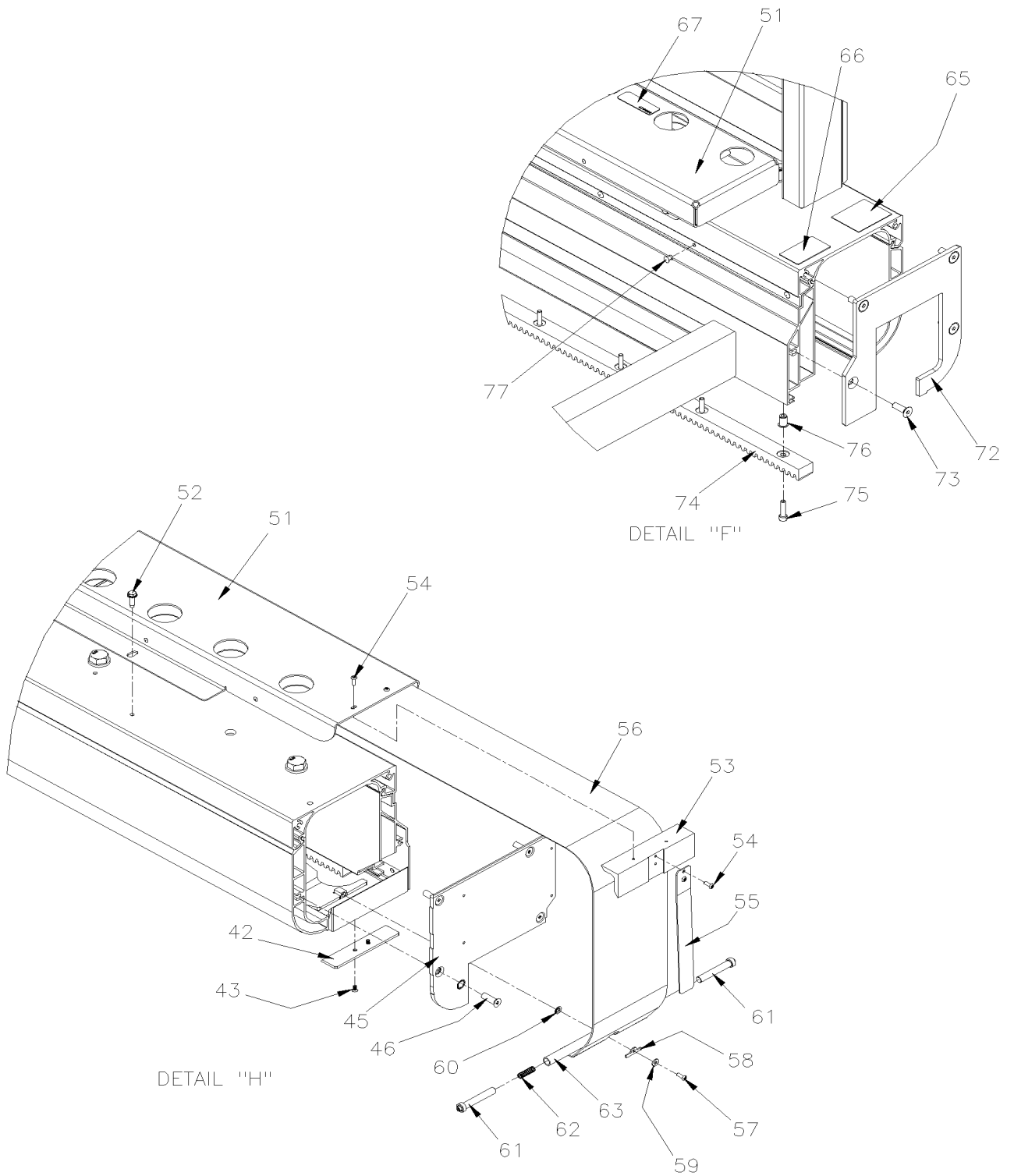


From K-0295 To P-1347

Date:07/2024

PAGE:VIP-2390-56

"SLIDE-OUT" - INSTALLATION / REAR STREET SIDE



| | | |
|--|--------------|------------------|
| From K-0295 To P-1347 | Date:07/2024 | PAGE:VIP-2390-56 |
| "SLIDE-OUT" - INSTALLATION / REAR STREET SIDE | | |

| Item# | Part | Description | QTY | Notes |
|-------|-----------------|--|-----|--------|
| 1B | Call order desk | REAR STREET SIDE "SLIDE-OUT" | 1 | P 10.5 |
| 1B | Call order desk | REAR STREET SIDE "SLIDE-OUT" WITH LARGE WINDOW | 1 | P 10.5 |
| 2B | Call order desk | KEY OUTSIDE ROOF ASSY 2295MM | 1 | P 7.5 |
| 2B | Call order desk | KEY OUTSIDE ROOF ASSY 3309MM | 1 | P 10.5 |
| 3B | 478219 | . KEY ROOF 2295MM | 1 | 7.5 |
| 3B | 478036 | . KEY ROOF 3309MM | 1 | 10.5 |
| NS | 506236 | . TAPE RUB ADH1 CC POL 1/16" x 1/2" x 100' / GREY 2520 | AR | |
| 4B | 470409 | . SUPPORT KEY ROOF 2148MM | 1 | 7.5 |
| 4B | 470408 | . SUPPORT KEY ROOF 3164MM | 1 | 10.5 |
| NS | 506191 | . TAPE RUB ADH1 CC POL 1/8" x 1/4" x 50' / GREY 2520X | AR | |
| 4B | 5060103 | . RUBBER SEAL 6.56FT LONG To L-0928 | 1 | |
| NS | 509044 | . RUBBER SEAL 175"-+0.6 From L-0929 | 1 | |
| 5 | 5001612 | . SCREW CAP FL HEXS M4-0.7x8 SS EMN | 2 | |
| 6 | 477778 | . ANCHOR PLATE W/THREAD | 2 | |
| 7 | 477725 | . SHIM 12.7MM x 101MM x 11GA | AR | |
| 7 | 477807 | . SHIM 12.7MM x 101MM x 16GA | AR | |
| 8 | 470412 | . STOPPER BLOCK | 2 | |
| 9 | 5001768 | . SCREW MA FL TORX M6-1.0x20 G8.8 Z050 | 10 | 7.5 |
| 9 | 5001768 | . SCREW MA FL TORX M6-1.0x20 G8.8 Z050 | 12 | 10.5 |
| 10 | 478011 | . PLATE ATTACHMENT 51MM | 4 | |
| 15A | 476625P | CLOSING END ASSY / RH To K-0822 | 1 | |
| 15A | 478940P | CLOSING END ASSY / RH From K-0823 | 1 | |
| 15B | 476624P | CLOSING END ASSY / LH To K-0822 | 1 | |
| 15B | 478939P | CLOSING END ASSY / LH From K-0823 | 1 | |
| 16A | 474702 | . LOWER CAP R.H. / "U" SHAPE To K-0822 | 1 | |
| 16A | 478936 | . LOWER CAP R.H. / "U" SHAPE From K-0823 | 1 | |
| 16B | 474700 | . LOWER CAP L.H. / "U" SHAPE To K-0822 | 1 | |
| 16B | 478938 | . LOWER CAP L.H. / "U" SHAPE From K-0823 | 1 | |
| 17A | 474703 | . UPPER CAP R.H. ANGLE To K-0822 | 1 | |
| 17A | 478935 | . UPPER CAP R.H. ANGLE From K-0823 | 1 | |
| 17B | 474701 | . UPPER CAP L.H. ANGLE To K-0822 | 1 | |
| 17B | 478937 | . UPPER CAP L.H. ANGLE From K-0823 | 1 | |
| 18 | 478011 | . PLATE ATTACHMENT 51MM | 1 | |
| 19 | 5001648 | . SCREW CAP HEXS M6-1.0x18 SS BK | 2 | |
| 20 | 502570 | . WASHER LO SPT 6.1x11.8x1.6 SS | 2 | |
| 21 | 502842 | NUT INS TYPE "A-L" OE M6-1.0 0.7-4.2 Z050 | AR | |
| 22 | 5001768 | SCREW MA FL TORX M6-1.0x20 G8.8 Z050 | 6 | 7.5 |
| 22 | 5001768 | SCREW MA FL TORX M6-1.0x20 G8.8 Z050 | 8 | 10.5 |
| NS | 685124 | ADHESIVE SIMSON #ISR 70-03 / BLACK / 600ml SAUSAGE | AR | |
| 23 | 470437 | PLATE TOP STOPPER 1354MM X 62.1MM | 1 | |
| 24 | 5001209 | SCREW CAP HEX M6-1.0x25 G8.8 Z050 | 4 | |

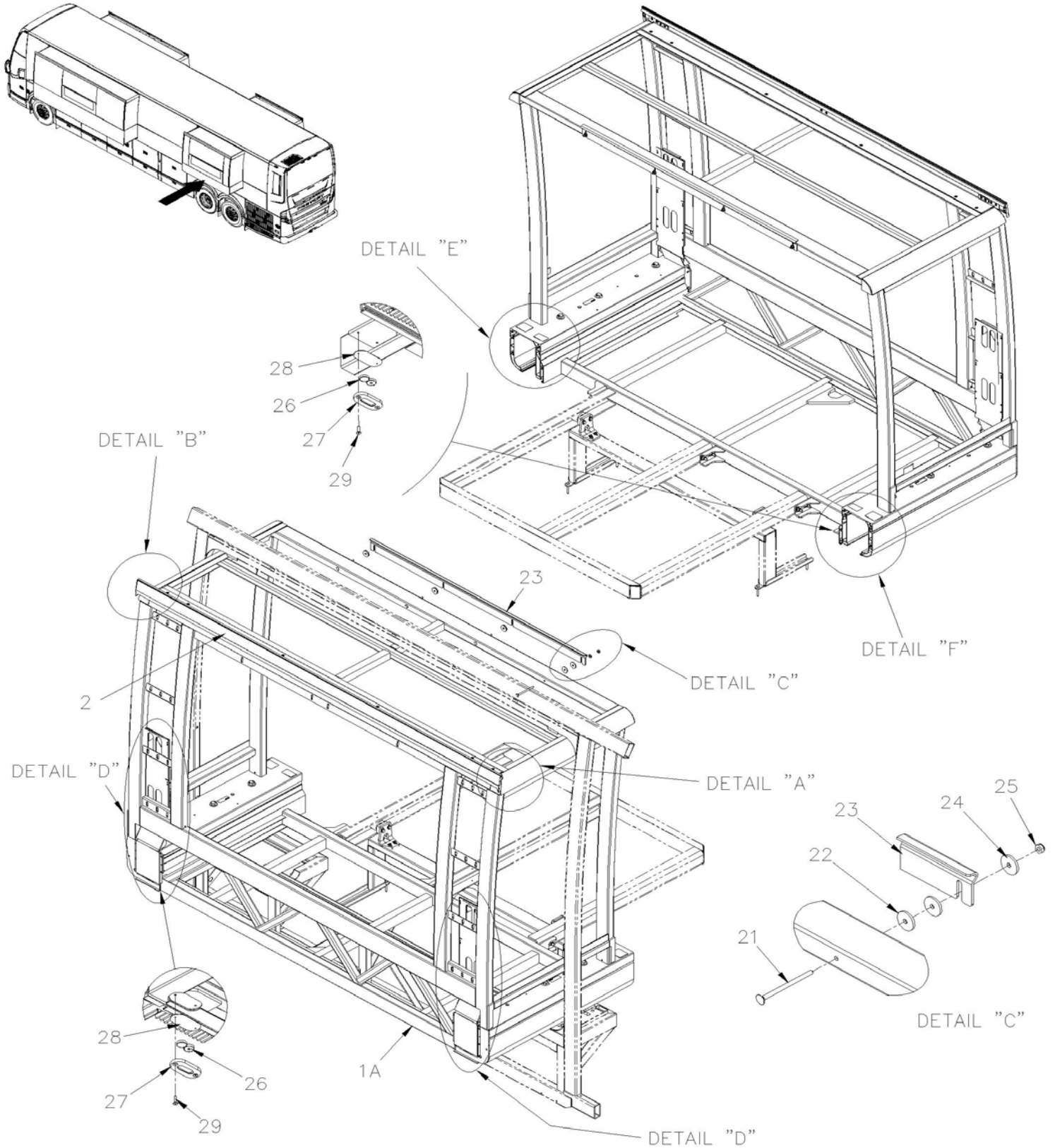
| | | |
|--|---------------------|-------------------------|
| From K-0295 To P-1347 | Date:07/2024 | PAGE:VIP-2390-56 |
| "SLIDE-OUT" - INSTALLATION / REAR STREET SIDE | | |

| Item# | Part | Description | QTY | Notes |
|-------|---------|--|-----|-------|
| 25 | 502564 | WASHER LO SPT 6.1x11.8x1.6 Z050 | 4 | |
| 26 | 5001586 | WASHER FL 6.4x17.0x3.0 Z050 | 4 | |
| 27 | 562949 | MAGNET ROUND .200x.700 DIA | 4 | |
| 28 | 470124 | SUPPORT MAGNET / ALUMINUM | 2 | |
| NS | 476473 | GASKET MAGNET SUPPORT | 2 | |
| 29A | 5001614 | SCREW CAP FL HEXS M4-0.7x16 SS EMN | 4 | |
| 29B | 504357 | WASHER FL .187x.437x.050 SS | 2 | |
| 29C | 502557 | NUT HEX NYRT M4-0.7 SS | 2 | |
| 30 | 491630 | GUIDE RAIL GUARD To K-0346 | 2 | 7.5 |
| 30 | 491629 | GUIDE RAIL GUARD To K-0346 | 2 | 7.5 |
| 30 | 491670 | GUIDE RAIL GUARD ASSY / UPPER SECTION From K-0347 To K-0347 | 2 | 7.5 |
| 30 | 491699 | GUIDE RAIL GUARD ASSY / UPPER SECTION From K-0348 To K-0574 | 2 | 7.5 |
| 30 | 491739 | GUIDE RAIL GUARD ASSY From K-0575 | 2 | 7.5 |
| 30 | 491630 | GUIDE RAIL GUARD To K-0346 | 1 | A |
| 30 | 491629 | GUIDE RAIL GUARD To K-0346 | 1 | A |
| 30 | 491670 | GUIDE RAIL GUARD ASSY / UPPER SECTION From K-0347 To K-0347 | 1 | A |
| 30 | 491699 | GUIDE RAIL GUARD ASSY / UPPER SECTION From K-0348 To K-0574 | 1 | A |
| 30 | 491739 | GUIDE RAIL GUARD ASSY From K-0575 | 1 | A |
| 31 | 491669 | GUIDE RAIL GUARD ASSY / BACKWARD / LOWER SECTION From K-0347 To K-0347 | 1 | 7.5 |
| 31 | 491698 | GUIDE RAIL GUARD ASSY / BACKWARD / LOWER SECTION From K-0348 To K-0574 | 1 | 7.5 |
| 31 | 491677 | GUIDE RAIL GUARD ASSY / FOWARD / LOWER SECTION From K-0347 To K-0347 | 1 | 7.5 |
| 31 | 491697 | GUIDE RAIL GUARD ASSY / FOWARD / LOWER SECTION From K-0348 To K-0574 | 1 | 7.5 |
| 31 | 491669 | GUIDE RAIL GUARD ASSY / BACKWARD / LOWER SECTION From K-0347 To K-0347 | 1 | A |
| 31 | 491698 | GUIDE RAIL GUARD ASSY / BACKWARD / LOWER SECTION From K-0348 To K-0574 | 1 | A |
| 32 | 491524 | GUARD, RAIL 880MM | 2 | 7.5 |
| 34A | 504115 | RIVET POP DOME CLE 1/8x3/8 AL | AR | |
| 34B | 504105 | RIVET POP DOME OE 1/8x3/16 AL | AR | |
| 35 | 5001676 | SCREW MA PAN PH M4-0.7x12 MAGNI 565 To L-0928 | 2 | 7.5 |
| 35 | 5002119 | SCREW CAP HEXS M4-0.7x12 SS From L-0929 | 2 | 7.5 |
| 36 | 504357 | WASHER FL .187x.437x.050 SS To L-0928 | 2 | 7.5 |
| 36 | 500834 | WASHER LO INT .168x.340x.023 N500 From L-0929 | 2 | 7.5 |
| 37 | 491587 | FIXING PLATE | 2 | 7.5 |
| 38 | 5000341 | NUT PUSH RND 5/32 ZP To L-0928 | 2 | 7.5 |
| 38 | 5002120 | NUT PUSH RND 0.22-0.128 Z050 From L-0929 | 2 | 7.5 |
| 39 | 491523 | GUIDE RAIL GUARD | 4 | 7.5 |
| 40 | 502934 | SPRING COMPRESSION / .300 O.D. x 1 x .026 | 2 | 7.5 |
| 41 | 491522 | GUIDE, RAIL GUARD | 2 | 7.5 |
| 42 | 471382 | PLATE | 2 | |
| 43 | 500371 | SCREW MA FL PH M4-0.7x8 N500 | 4 | |
| | | | | |
| 45 | 470940 | END CAP | 2 | |
| 46 | 502576 | SCREW MA FL PH M8-1.25x25 Z050 | 8 | |

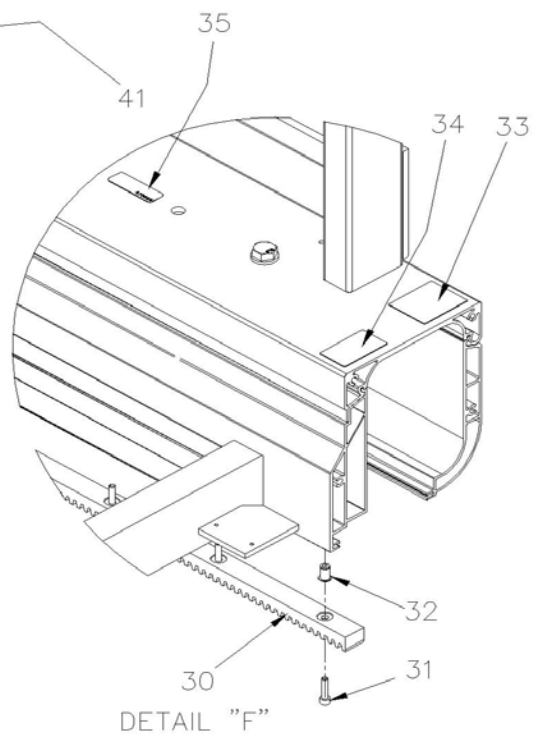
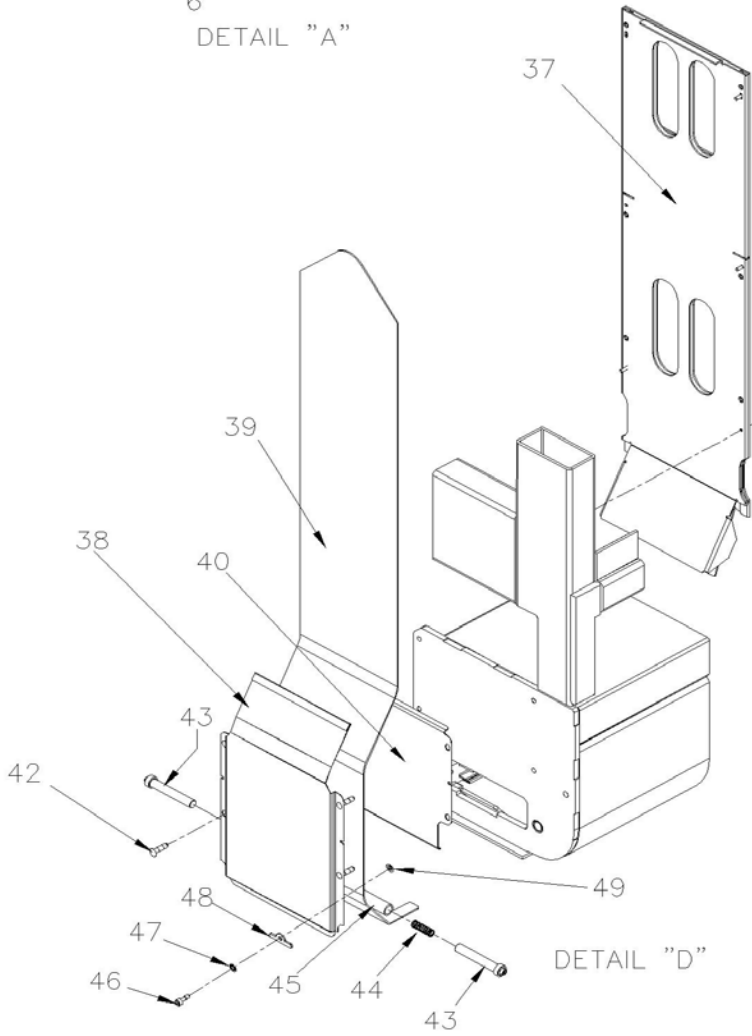
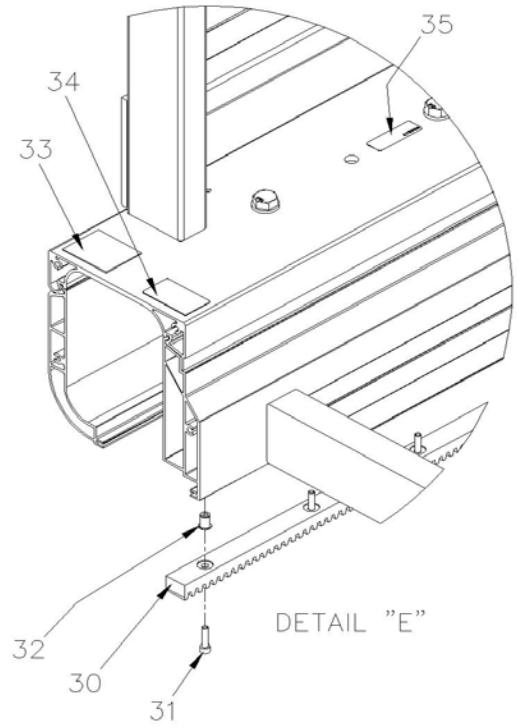
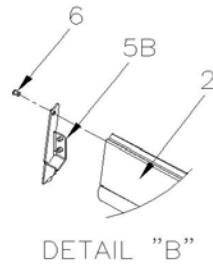
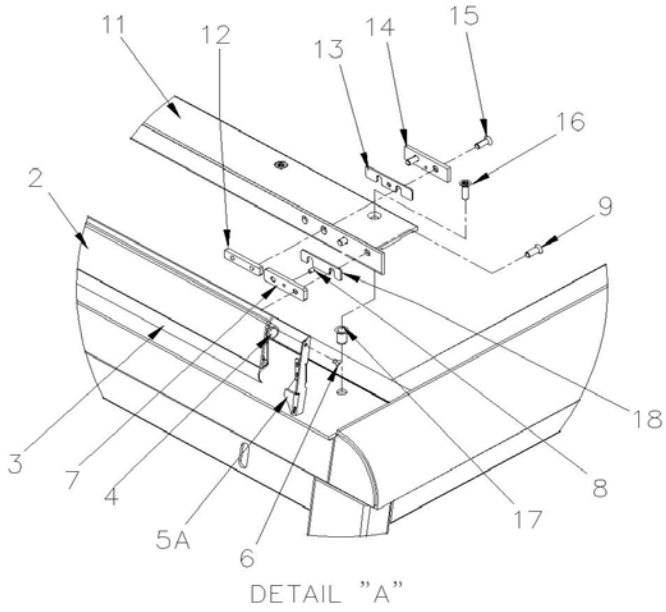
| | | |
|--|--------------|------------------|
| From K-0295 To P-1347 | Date:07/2024 | PAGE:VIP-2390-56 |
| "SLIDE-OUT" - INSTALLATION / REAR STREET SIDE | | |

| Item# | Part | Description | QTY | Notes |
|-------|---------|--|-----|-------|
| 50 | 491519 | GUIDE, RAIL GUARD ASSY | 1 | 10.5 |
| 51 | 491527 | GUIDE, RAIL GUARD ASSY | 1 | 10.5 |
| 52 | 502848 | SCREW TC CAP HEXF 1/4-20x3/4 N500 | 10 | 10.5 |
| 53 | 491521 | GUIDE AND SEAL SUPPORT | 2 | 10.5 |
| 54 | 5001996 | SCREW MA PAN PH M4-0.7x12 N500 | 8 | 10.5 |
| 55 | 491525 | GUIDE, RAIL GUARD | 2 | 10.5 |
| 56 | 491524 | GUARD, RAIL 880MM | 2 | 10.5 |
| 57 | 5001996 | SCREW MA PAN PH M4-0.7x12 N500 To L-0928 | 2 | 10.5 |
| 57 | 5002119 | SCREW CAP HEXS M4-0.7x12 SS From L-0929 | 2 | 10.5 |
| 58 | 491587 | FIXING PLATE | 2 | 10.5 |
| 59 | 504357 | WASHER FL .187x.437x.050 SS To L-0928 | 2 | 10.5 |
| 59 | 500834 | WASHER LO INT .168x.340x.023 N500 From L-0929 | 2 | 10.5 |
| 60 | 5000341 | NUT PUSH RND 5/32 ZP To L-0928 | 2 | 10.5 |
| 60 | 5002120 | NUT PUSH RND 0.22-0.128 Z050 From L-0929 | 2 | 10.5 |
| 61 | 491523 | GUIDE RAIL GUARD | 4 | 10.5 |
| 62 | 502934 | SPRING COMPRESSION / .300 O.D. x 1 x .026 | 2 | 10.5 |
| 63 | 491522 | GUIDE, RAIL GUARD | 2 | 10.5 |
| 65 | 477991 | DECAL "CAUTION" DO NOT MAKE ANY MODI.." | 2 | |
| 66 | 476130 | DECAL " KEEP HANDS & FINGERS AWAY.." | 2 | |
| 67 | 470920 | DECAL "KEEP ACCESS TO THESE..." | 2 | |
| NS | 470507 | DECAL "CAUTION THIS SLIDE OUT SUPPORT..." | 2 | |
| 71 | 470934 | END CAP To N-1319 | 1 | |
| 72 | 470935 | END CAP To N-1319 | 1 | |
| 73 | 5001517 | SCREW CAP FL HEXS M8-1.25x25 G8.8 Z050 To N-1319 | 8 | |
| 74 | 491334 | RACK 822.8MM | 2 | |
| 75 | 5001610 | SCREW CAP HEXS M6-1.0x25 SS EMN | 12 | |
| 76 | 502842 | NUT INS TYPE "A-L" OE M6-1.0 0.7-4.2 Z050 | 12 | |
| 77 | 504379 | RIVET POP DOME OE 3/16x1/4 SS | 12 | |
| NS | 680038 | THREAD LOCKER LOCTITE #243 / BLUE / 50ml | AR | |
| | | 10.5) WITH 10.5 FEET SLIDE-OUT ONLY | | |
| | | 7.5) WITH 7.5 FEET SLIDE-OUT ONLY | | |
| | | A) WITH 10.5 FEET SLIDE-OUT ONLY WITH LARGE WINDOW | | |
| | | P) CALL ORDER DESK FOR SPECIFIC APPLICATION (V.I.N.) | | |

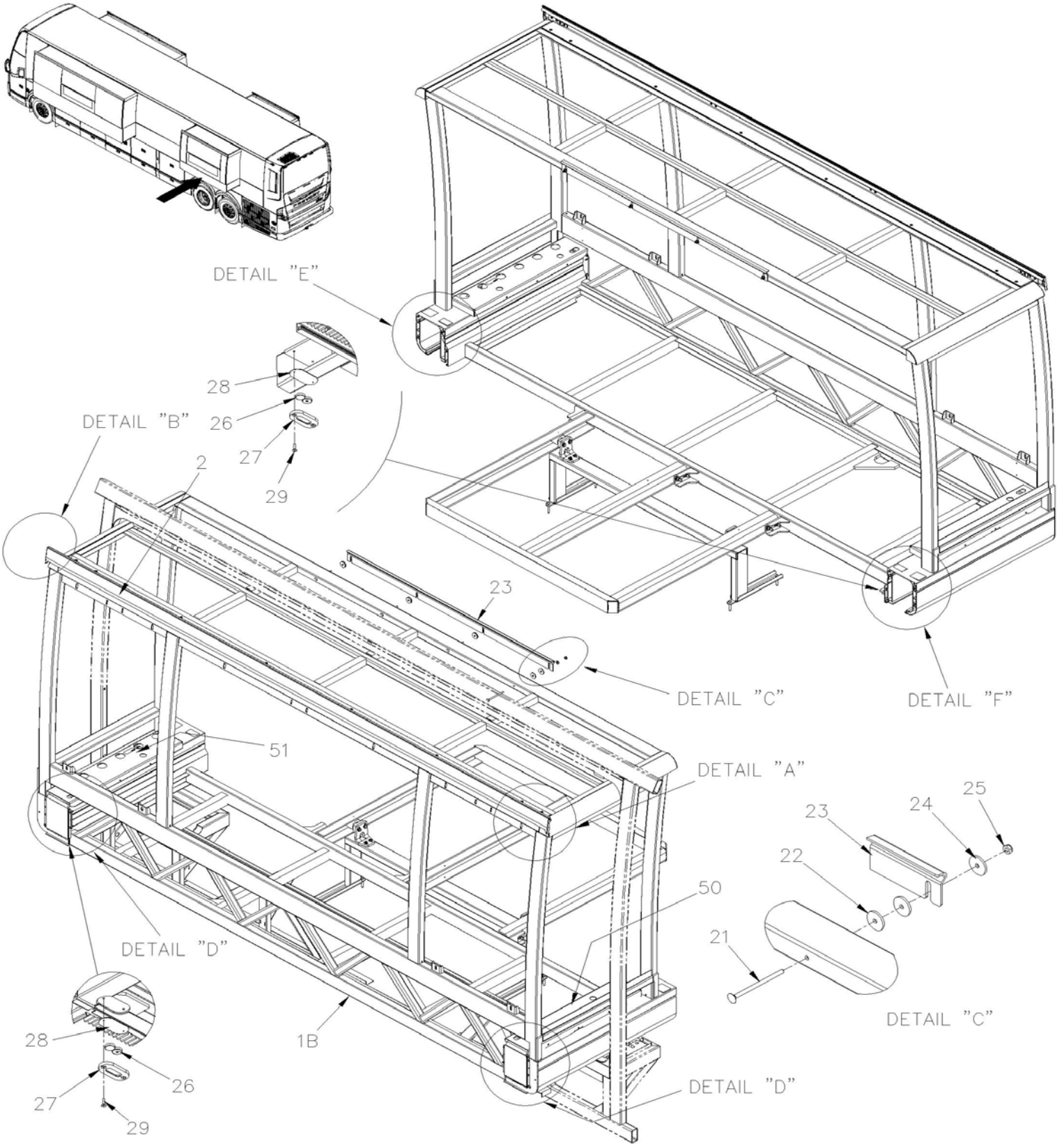
| | | |
|---|--------------|------------------|
| | Date:07/2024 | PAGE:VIP-2390-57 |
| "SLIDE-OUT" - INSTALLATION / REAR STREET SIDE | | |



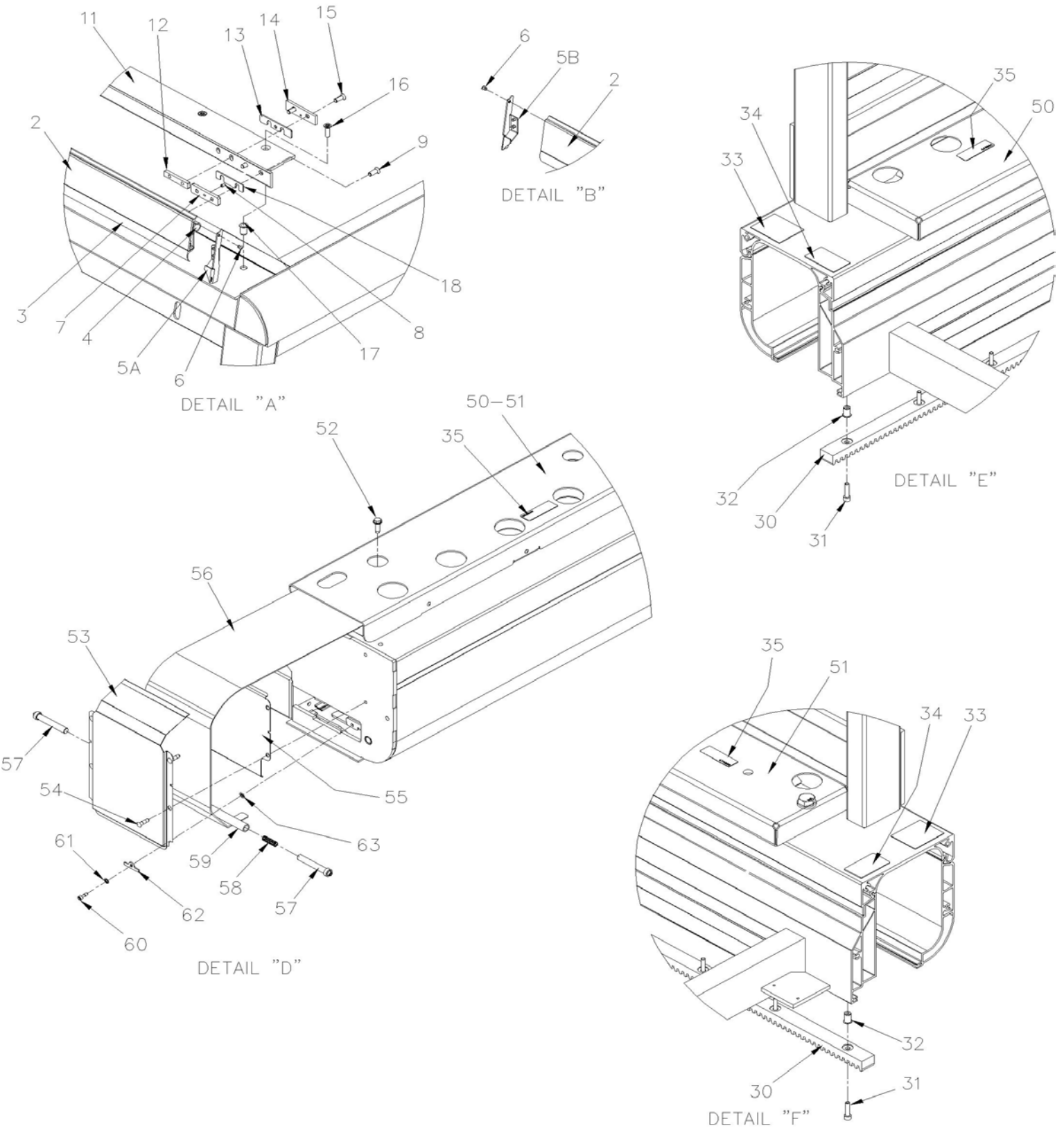
| | | |
|---|--------------|------------------|
| | Date:07/2024 | PAGE:VIP-2390-57 |
| "SLIDE-OUT" - INSTALLATION / REAR STREET SIDE | | |



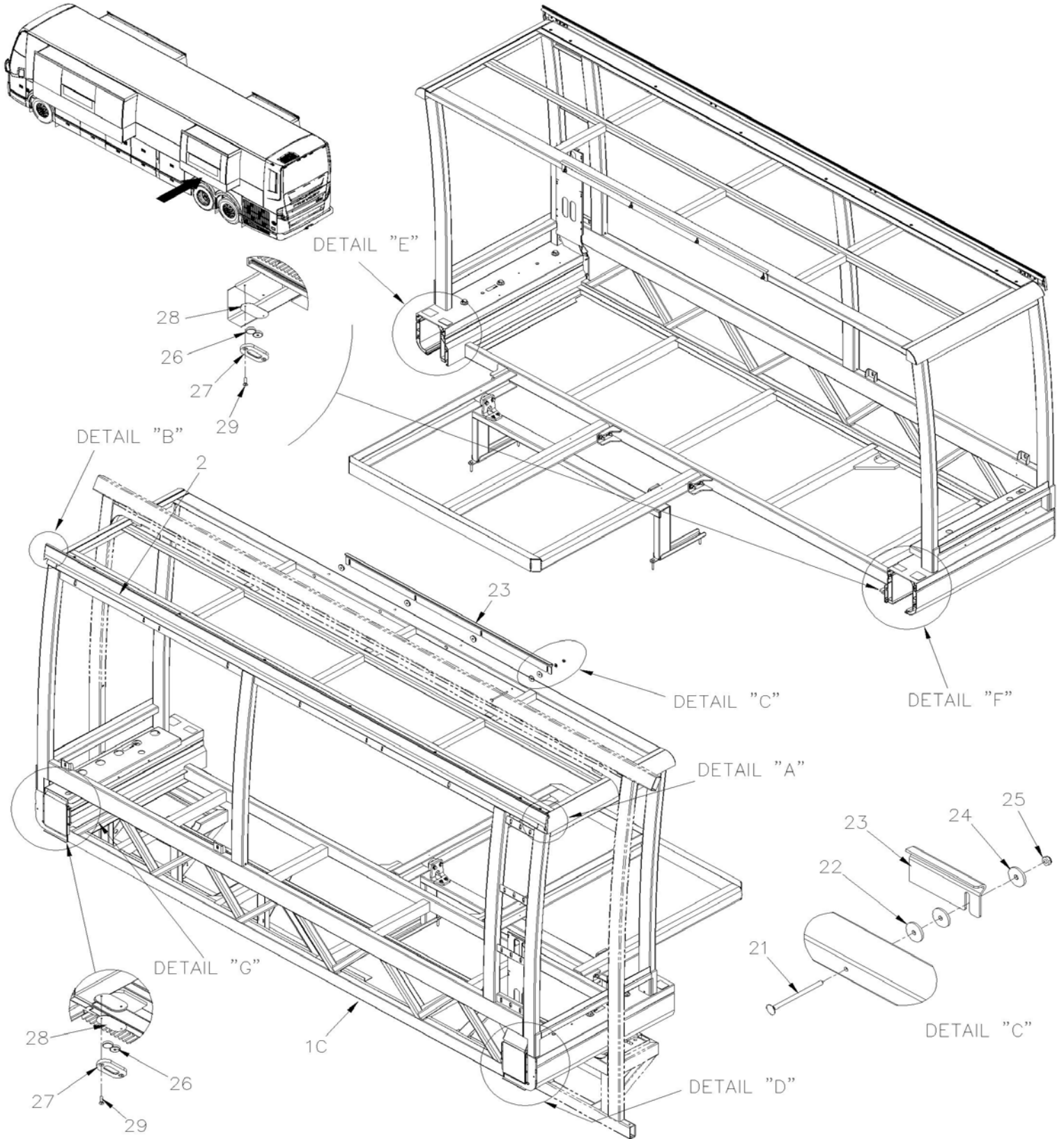
| | | |
|---|--------------|------------------|
| | Date:07/2024 | PAGE:VIP-2390-57 |
| "SLIDE-OUT" - INSTALLATION / REAR STREET SIDE | | |



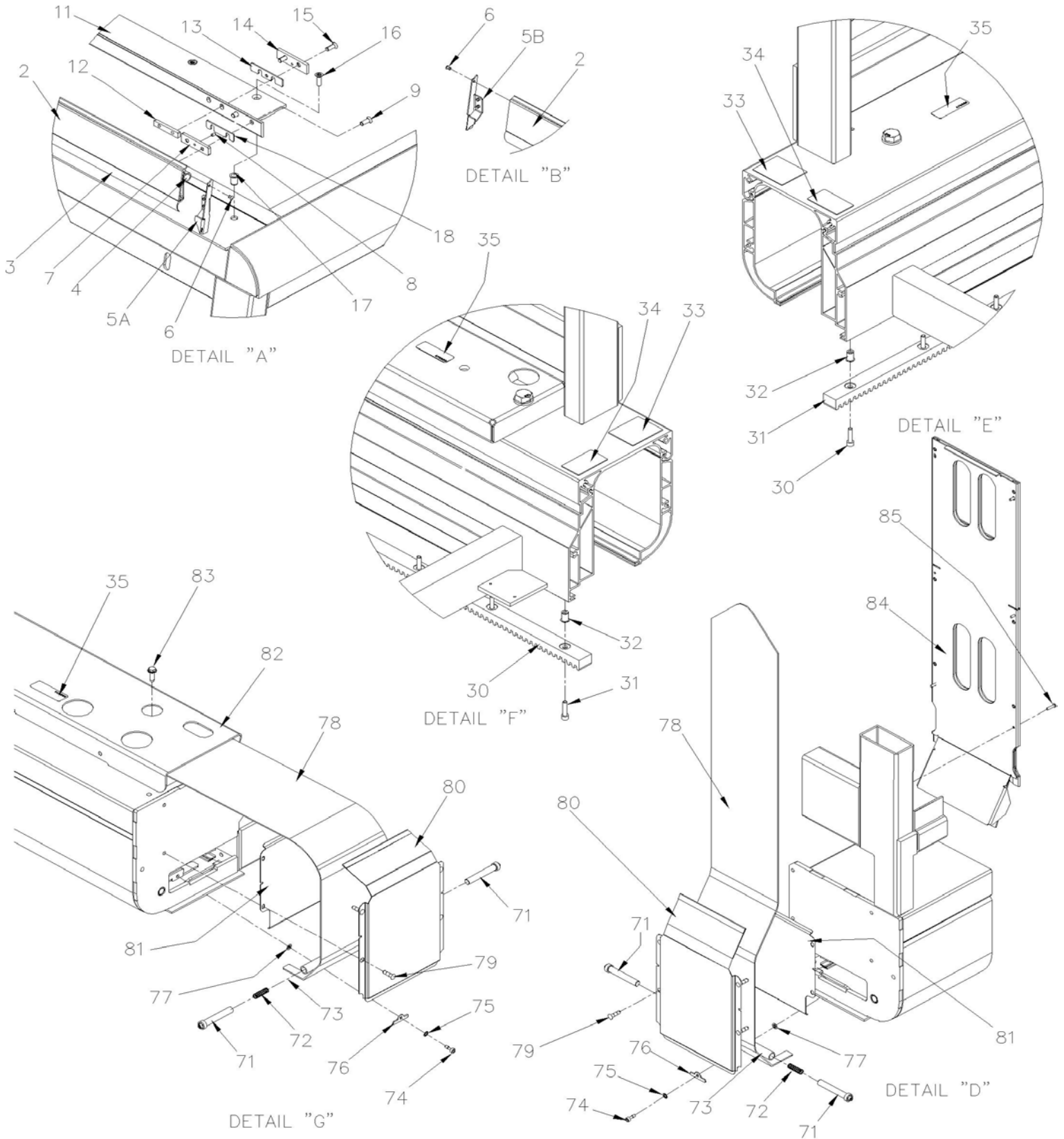
| | | |
|--|--------------|------------------|
| | Date:07/2024 | PAGE:VIP-2390-57 |
| "SLIDE-OUT" - INSTALLATION / REAR STREET SIDE | | |



| | | |
|---|--------------|------------------|
| | Date:07/2024 | PAGE:VIP-2390-57 |
| "SLIDE-OUT" - INSTALLATION / REAR STREET SIDE | | |



| | | |
|--|--------------|------------------|
| | Date:07/2024 | PAGE:VIP-2390-57 |
| "SLIDE-OUT" - INSTALLATION / REAR STREET SIDE | | |



"SLIDE-OUT" - INSTALLATION / REAR STREET SIDE

| Item# | Part | Description | QTY | Notes |
|-------|-----------------|--|-----|--------|
| 1A | Call order desk | REAR STREET SIDE "SLIDE-OUT" | 1 | P 7.5 |
| 1A | Call order desk | REAR STREET SIDE "SLIDE-OUT" | 1 | P 7.5 |
| 1B | Call order desk | REAR STREET SIDE "SLIDE-OUT" | 1 | P 10.5 |
| 1B | Call order desk | REAR STREET SIDE "SLIDE-OUT" | 1 | P 10.5 |
| 1C | Call order desk | REAR STREET SIDE "SLIDE-OUT" WITH LARGE WINDOW | 1 | P A |
| 2 | Call order desk | FASCIA SLIDE-OUT, REAR ASS 2288MM | 1 | P 7.5 |
| 2 | Call order desk | FASCIA SLIDE-OUT, REAR ASS 3304mm | 1 | P 10.5 |
| 2 | 478947 | . FASCIA SLIDE-OUT, REAR 2288MM | 1 | 7.5 |
| 2 | 478904 | . FASCIA SLIDE-OUT, REAR 3304mm | 1 | 10.5 |
| 3 | 470095 | . RUBBER EXTRUSION / RAW MATERIAL | AR | |
| 4 | 509044 | . RUBBER SEAL 175"-+0.6 | 1 | |
| 5A | 478838 | . CAP, LOWER | 1 | |
| 5B | 478841 | . CAP, LOWER | 1 | |
| 6 | 504340 | . RIVET POP DOME OE 1/8x3/16 SS | 6 | |
| 7 | 478842 | . THREADED BLOCK | 3 | 7.5 |
| 7 | 478842 | . THREADED BLOCK | 4 | 10.5 |
| 8 | 500587 | . SCREW SET HEXS CUP M4-0.7x6 | 3 | 7.5 |
| 8 | 500587 | . SCREW SET HEXS CUP M4-0.7x6 | 4 | 10.5 |
| 9 | 5001633 | . SCREW MA FL PH M6-1.0x12 Z050 | 6 | 7.5 |
| 9 | 5001633 | . SCREW MA FL PH M6-1.0x12 Z050 | 8 | 10.5 |
| 9 | 5001198 | SCREW MA FL PH M6-1.0x16 Z050 | 6 | 7.5 A |
| 9 | 5001198 | SCREW MA FL PH M6-1.0x16 Z050 | 8 | 10.5 A |
| | | | | |
| 11 | 478948 | EXTRUSION, SLIDE-OUT REAR 2208MM | 1 | 7.5 |
| 11 | 478905 | EXTRUSION, SLIDE-OUT REAR 3224MM | 1 | 10.5 |
| 12 | 478875 | TAPPING PLATE | 2 | |
| 13 | 478849 | SHIM FOR SLIDE OUT | AR | |
| 14 | 478850 | STOPPER | 2 | |
| 15 | 5001198 | SCREW MA FL PH M6-1.0x16 Z050 | 4 | |
| 16 | 5001768 | SCREW MA FL TORX M6-1.0x20 G8.8 Z050 | 6 | 7.5 |
| 16 | 5001768 | SCREW MA FL TORX M6-1.0x20 G8.8 Z050 | 8 | 10.5 |
| 17 | 502842 | NUT INS TYPE "A-L" OE M6-1.0 0.7-4.2 Z050 To R-1718 | 6 | 7.5 |
| 17 | 5000023 | NUT AN INS CE Z050 M6-1,0 GRIP .70-4.2MM From R-1719 | 6 | 7.5 |
| 17 | 502842 | NUT INS TYPE "A-L" OE M6-1.0 0.7-4.2 Z050 To R-1718 | 8 | 10.5 |
| 17 | 5000023 | NUT AN INS CE Z050 M6-1,0 GRIP .70-4.2MM From R-1719 | 8 | 10.5 |
| 18 | 4705190 | SHIM FOR SLIDE OUT | 3 | 7.5 A |
| 18 | 4705190 | SHIM FOR SLIDE OUT | 4 | 10.5 A |
| | | | | |
| 21 | 5002221 | SCREW CRG 1/4-20X4 FT Z050 | 4 | |
| 22 | 5002126 | WASHER FL .281X1.1875X0.031 Z050 | AR | |
| 22 | 5002223 | WASHER FLAT .281X1.25X.062 SS | AR | |
| 22 | 5002224 | WASHER FLAT .281X1.25X.125 SS | AR | |

| | | | |
|--|--|---------------------|-------------------------|
| | | Date:07/2024 | PAGE:VIP-2390-57 |
| "SLIDE-OUT" - INSTALLATION / REAR STREET SIDE | | | |

| Item# | Part | Description | QTY | Notes |
|--------------|-------------|---|------------|--------------|
| 23 | 470437 | PLATE TOP STOPPER 1354MM X 62.1MM | 1 | |
| 24 | 5002224 | WASHER FLAT .281X1.25X.125 SS | 4 | |
| 25 | 502716 | NUT HEX NYRT 1/4-20 | 4 | |
| | | | | |
| 26 | 562949 | MAGNET ROUND .200x.700 DIA | 4 | |
| 27 | 470124 | SUPPORT MAGNET / ALUMINUM | 2 | |
| 27 | 470124 | SUPPORT MAGNET / ALUMINUM | 2 | |
| 28 | 476473 | GASKET MAGNET SUPPORT | 2 | |
| 29 | 5001614 | SCREW CAP FL HEXS M4-0.7x16 SS EMN | 4 | |
| | | | | |
| 30 | 491334 | RACK 822.8MM | 2 | |
| 31 | 5001610 | SCREW CAP HEXS M6-1.0x25 SS EMN | 12 | |
| 32 | 502842 | NUT INS TYPE "A-L" OE M6-1.0 0.7-4.2 Z050 | 12 | |
| NS | 680038 | THREAD LOCKER LOCTITE #243 / BLUE / 50ml | AR | |
| | | | | |
| 33 | 477991 | DECAL "CAUTION" DO NOT MAKE ANY MODI.." | 2 | |
| 34 | 476130 | DECAL " KEEP HANDS & FINGERS AWAY.." | 2 | |
| 35 | 470920 | DECAL "KEEP ACCESS TO THESE..." | 2 | |
| | | | | |
| 37 | 492013 | GUIDE RAIL GUARD ASSY. | 2 | 7.5 |
| 38 | 492010 | GUIDE, RAIL GUARD | 2 | 7.5 |
| 39 | 492097 | GUARD, RAIL 893MM | 2 | 7.5 |
| 40 | 492011 | PLATE OF PROTECTION SHORT | 2 | 7.5 |
| 41 | 504108 | RIVET POP DOME OE 1/8x1/2 AL | 8 | 7.5 |
| 42 | 5001360 | RIVET POP CK OE 3/16x1/2 AL | 8 | 7.5 |
| 43 | 491523 | GUIDE RAIL GUARD | 4 | 7.5 |
| 44 | 502934 | SPRING COMPRESSION / .300 O.D. x 1 x .026 | 2 | 7.5 |
| 45 | 491522 | GUIDE, RAIL GUARD | 2 | 7.5 |
| 46 | 5002119 | SCREW CAP HEXS M4-0.7x12 SS | 2 | 7.5 |
| NS | 680038 | THREAD LOCKER LOCTITE #243 / BLUE / 50ml | AR | 7.5 |
| 47 | 500834 | WASHER LO INT .168x.340x.023 N500 | 2 | 7.5 |
| 48 | 491587 | FIXING PLATE | 2 | 7.5 |
| 49 | 5002120 | NUT PUSH RND 0.22-0.128 Z050 | 1 | 7.5 |
| | | | | |
| 50 | 492072 | GUIDE, RAIL GUARD ASSY | 1 | 10.5 |
| 51 | 492073 | GUIDE, RAIL GUARD ASSY | 1 | 10.5 |
| 52 | 502848 | SCREW TC CAP HEXF 1/4-20x3/4 N500 | 6 | 10.5 |
| 53 | 492010 | GUIDE, RAIL GUARD | 2 | 10.5 |
| 54 | 5001360 | RIVET POP CK OE 3/16x1/2 AL | 8 | 10.5 |
| 55 | 492011 | PLATE OF PROTECTION SHORT | 2 | 10.5 |
| 56 | 492097 | GUARD, RAIL 893MM | 2 | 10.5 |
| 57 | 491523 | GUIDE RAIL GUARD | 4 | 10.5 |

| | | |
|--|---------------------|-------------------------|
| | Date:07/2024 | PAGE:VIP-2390-57 |
| "SLIDE-OUT" - INSTALLATION / REAR STREET SIDE | | |

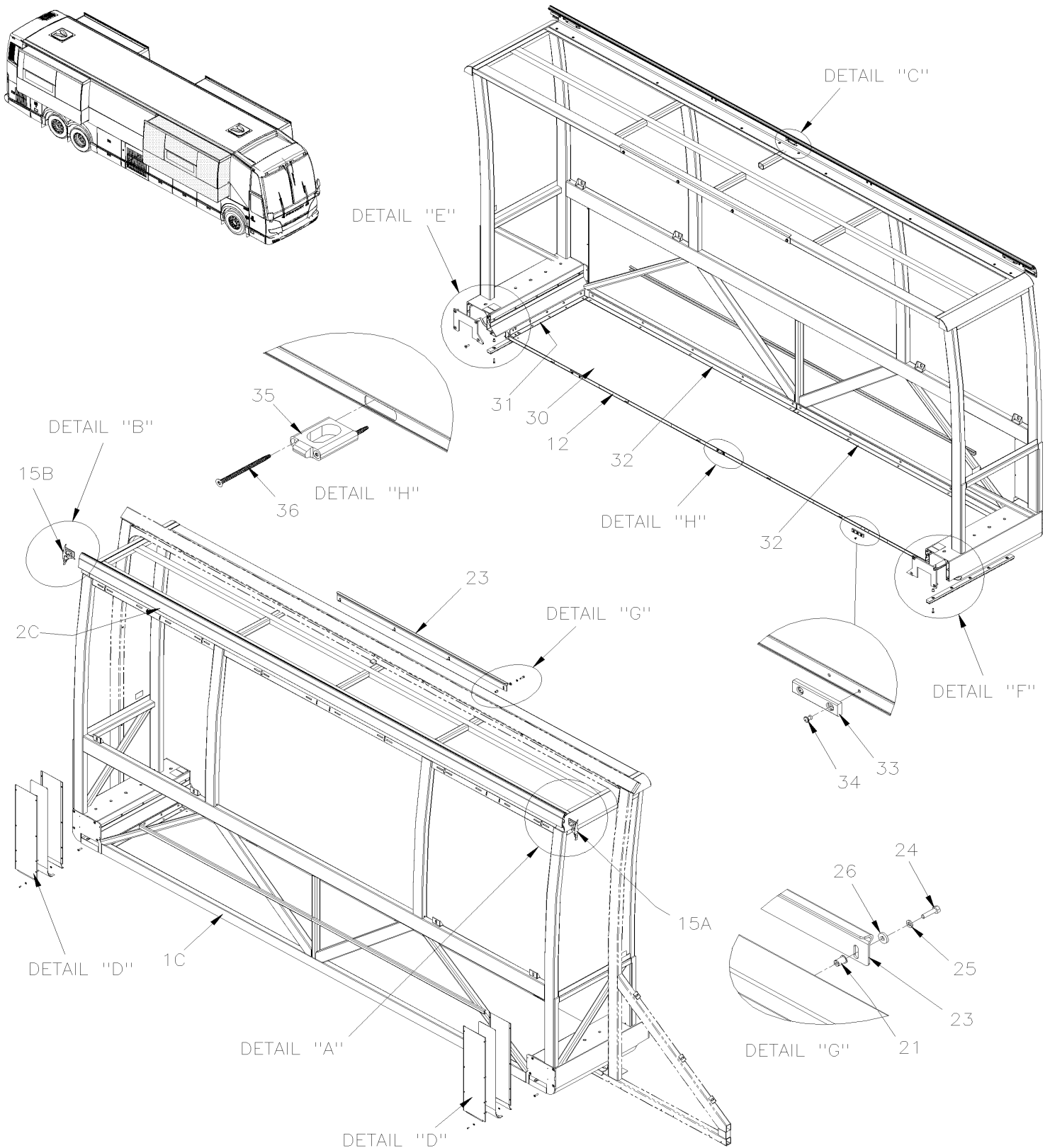
| Item# | Part | Description | QTY | Notes |
|-------|---------|--|-----|-------|
| 58 | 502934 | SPRING COMPRESSION / .300 O.D. x 1 x .026 | 2 | 10.5 |
| 59 | 491522 | GUIDE, RAIL GUARD | 2 | 10.5 |
| 60 | 5002119 | SCREW CAP HEXS M4-0.7x12 SS | 2 | 10.5 |
| NS | 680038 | THREAD LOCKER LOCTITE #243 / BLUE / 50ml | AR | 10.5 |
| 61 | 500834 | WASHER LO INT .168x.340x.023 N500 | 2 | 10.5 |
| 62 | 491587 | FIXING PLATE | 2 | 10.5 |
| 63 | 5002120 | NUT PUSH RND 0.22-0.128 Z050 | 2 | 10.5 |
| 71 | 491523 | GUIDE RAIL GUARD | 4 | A |
| 72 | 502934 | SPRING COMPRESSION / .300 O.D. x 1 x .026 | 2 | A |
| 73 | 491522 | GUIDE, RAIL GUARD | 2 | A |
| 74 | 5002119 | SCREW CAP HEXS M4-0.7x12 SS | 2 | A |
| NS | 680038 | THREAD LOCKER LOCTITE #243 / BLUE / 50ml | AR | A |
| 75 | 500834 | WASHER LO INT .168x.340x.023 N500 | 2 | A |
| 76 | 491587 | FIXING PLATE | 2 | A |
| 77 | 5002120 | NUT PUSH RND 0.22-0.128 Z050 | 2 | A |
| 78 | 492097 | GUARD, RAIL 893MM | 2 | A |
| 79 | 5001360 | RIVET POP CK OE 3/16x1/2 AL | 8 | A |
| 80 | 492010 | GUIDE, RAIL GUARD | 2 | A |
| 81 | 492011 | PLATE OF PROTECTION SHORT | 2 | A |
| 82 | 492073 | GUIDE, RAIL GUARD ASSY | 1 | A |
| 83 | 502848 | SCREW TC CAP HEXF 1/4-20x3/4 N500 | 3 | A |
| 84 | 492013 | GUIDE RAIL GUARD ASSY. | 1 | A |
| 85 | 504108 | RIVET POP DOME OE 1/8x1/2 AL | 4 | A |
| | | | | |
| | | | | |
| | | | | |
| | | 10.5) WITH 10.5 FEET SLIDE-OUT ONLY | | |
| | | 7.5) WITH 7.5 FEET SLIDE-OUT ONLY | | |
| | | A) WITH 10.5 FEET SLIDE-OUT ONLY WITH LARGE WINDOW | | |
| | | P) CALL ORDER DESK FOR SPECIFIC APPLICATION (V.I.N.) | | |

From K-0295 To P-1347

Date:07/2024

PAGE:VIP-2390-61

"SLIDE-OUT" - INSTALLATION / FRONT CURBSIDE

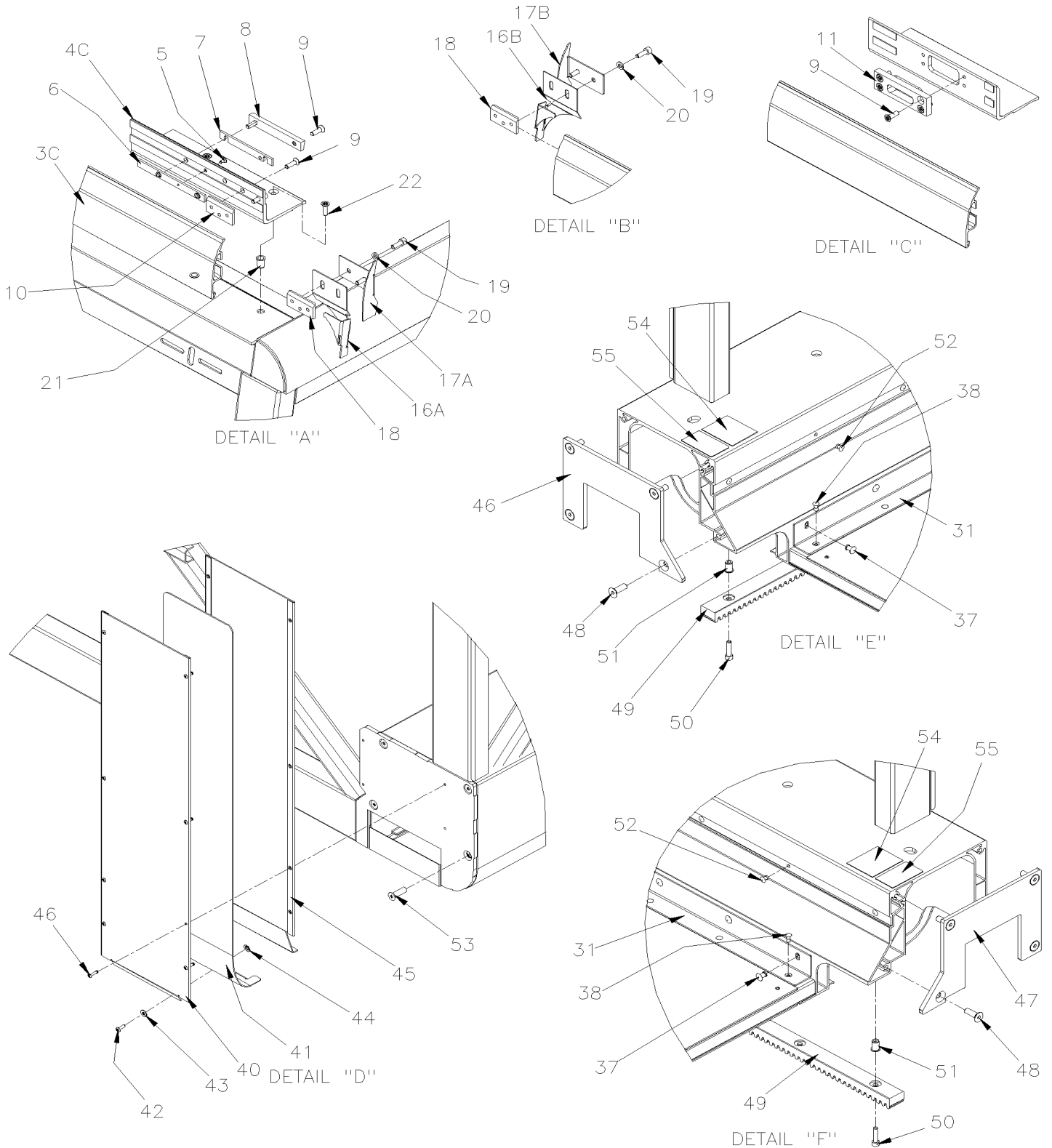


From K-0295 To P-1347

Date:07/2024

PAGE:VIP-2390-61

"SLIDE-OUT" - INSTALLATION / FRONT CURBSIDE



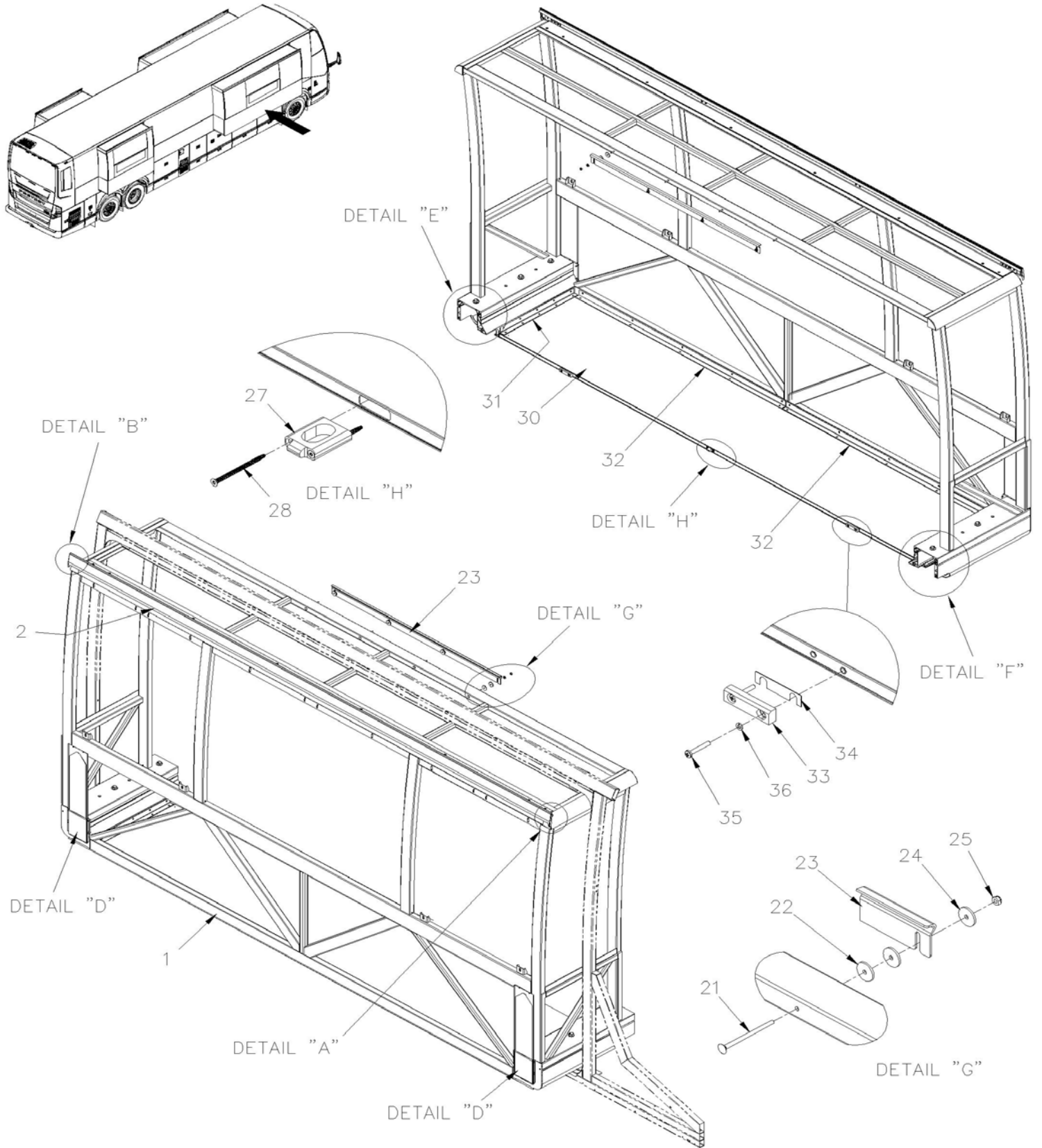
| | | |
|--|---------------------|-------------------------|
| From K-0295 To P-1347 | Date:07/2024 | PAGE:VIP-2390-61 |
| "SLIDE-OUT" - INSTALLATION / FRONT CURBSIDE | | |

| Item# | Part | Description | QTY | Notes |
|-------|-----------------|--|-----|-------|
| 2C | Call order desk | KEY OUTSIDE ROOF ASSY 3863MM | 1 | P |
| 3C | 470443 | . KEY ROOF 3863MM | 1 | |
| NS | 506236 | . TAPE RUB ADH1 CC POL 1/16" x 1/2" x 100' / GREY 2520 | AR | |
| NS | 506191 | . TAPE RUB ADH1 CC POL 1/8" x 1/4" x 50' / GREY 2520X | AR | |
| 3C | 5060103 | . RUBBER SEAL 6.56FT LONG To L-0928 | 1 | |
| NS | 509044 | . RUBBER SEAL 175"-+0.6 From L-0929 | 1 | |
| 4C | 470410 | . SUPPORT KEY ROOF 3722MM | 1 | |
| NS | 506236 | . TAPE RUB ADH1 CC POL 1/16" x 1/2" x 100' / GREY 2520 | AR | |
| 5 | 5001612 | . SCREW CAP FL HEXS M4-0.7x8 SS EMN | 2 | |
| 6 | 477778 | . ANCHOR PLATE W/THREAD | 2 | |
| 7 | 477725 | . SHIM 12.7MM x 101MM x 11GA | AR | |
| 7 | 477807 | . SHIM 12.7MM x 101MM x 16GA | AR | |
| 8 | 470412 | . STOPPER BLOCK | 2 | |
| 9 | 5001768 | . SCREW MA FL TORX M6-1.0x20 G8.8 Z050 | 16 | |
| 10 | 478011 | . PLATE ATTACHMENT 51MM | 4 | |
| 11 | 470439 | . BLOCK | 1 | |
| 12 | 470620 | DECAL / RED & WHITE | 1 | |
| | | | | |
| 15A | 476625P | CLOSING END ASSY / RH To L-0822 | 1 | |
| 15A | 478940P | CLOSING END ASSY / RH From L-0823 | 1 | |
| 15B | 476624P | CLOSING END ASSY / LH To L-0822 | 1 | |
| 15B | 478939P | CLOSING END ASSY / LH From L-0823 | 1 | |
| 16A | 474702 | . LOWER CAP R.H. / "U" SHAPE To L-0822 | 1 | |
| 16A | 478936 | . LOWER CAP R.H. / "U" SHAPE From L-0823 | 1 | |
| 16B | 474700 | . LOWER CAP L.H. / "U" SHAPE To L-0822 | 1 | |
| 16B | 478938 | . LOWER CAP L.H. / "U" SHAPE From L-0823 | 1 | |
| 17A | 474703 | . UPPER CAP R.H. ANGLE To L-0822 | 1 | |
| 17A | 478935 | . UPPER CAP R.H. ANGLE From L-0823 | 1 | |
| 17B | 474701 | . UPPER CAP L.H. ANGLE To L-0822 | 1 | |
| 17B | 478937 | . UPPER CAP L.H. ANGLE From L-0823 | 1 | |
| 18 | 478011 | . PLATE ATTACHMENT 51MM | 1 | |
| 19 | 5001648 | . SCREW CAP HEXS M6-1.0x18 SS BK | 2 | |
| 20 | 502570 | . WASHER LO SPT 6.1x11.8x1.6 SS | 2 | |
| 21 | 502842 | NUT INS TYPE "A-L" OE M6-1.0 0.7-4.2 Z050 | AR | |
| 22 | 5001768 | SCREW MA FL TORX M6-1.0x20 G8.8 Z050 | 10 | |
| NS | 685124 | ADHESIVE SIMSON #ISR 70-03 / BLACK / 600ml SAUSAGE | AR | |
| 23 | 470437 | PLATE TOP STOPPER 1354MM X 62.1MM | 1 | |
| 24 | 5001209 | SCREW CAP HEX M6-1.0x25 G8.8 Z050 | 4 | |
| 25 | 502564 | WASHER LO SPT 6.1x11.8x1.6 Z050 | 4 | |
| 26 | 5001586 | WASHER FL 6.4x17.0x3.0 Z050 | 4 | |
| 30 | 470221 | FLOOR EXTENTION (GLUED) | 1 | |
| 30 | 506869 | TAPE RUB ADH2 POL .031" X 1/4" X 300' / BLACK | AR | |

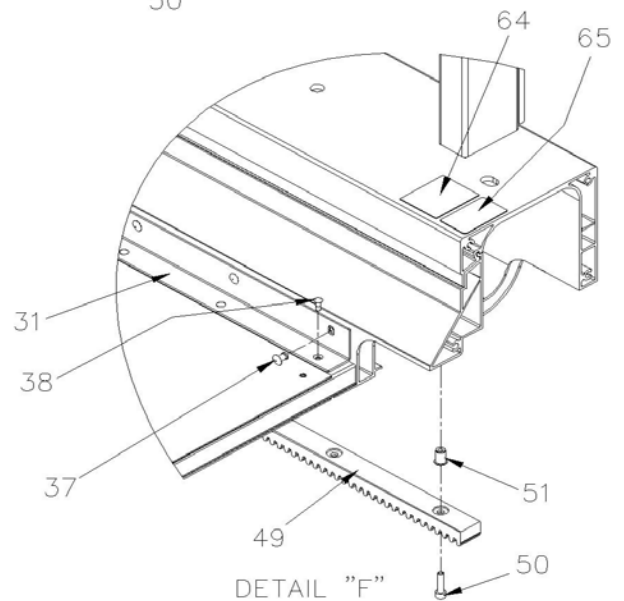
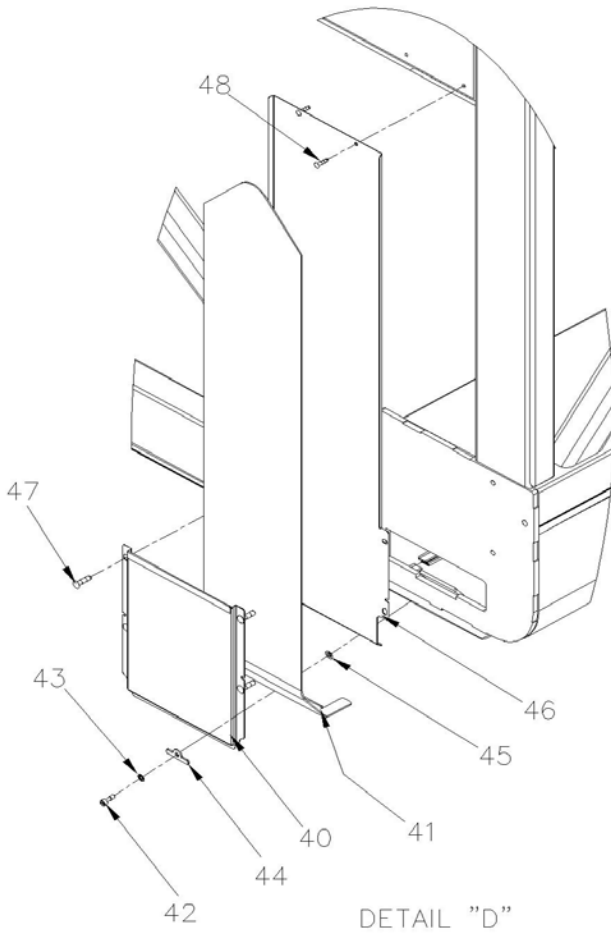
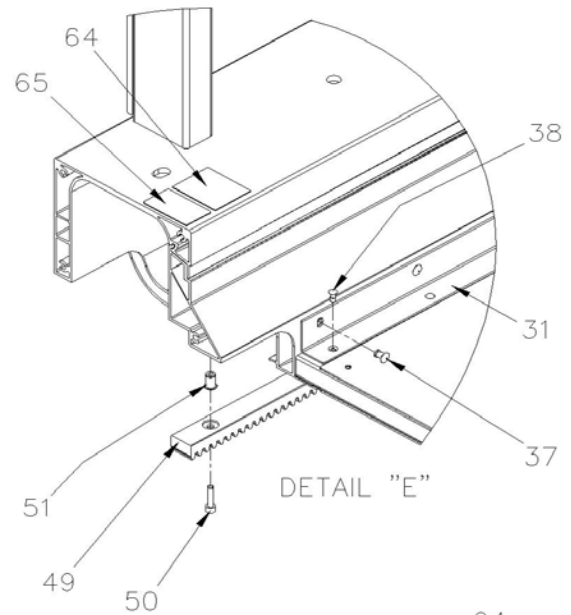
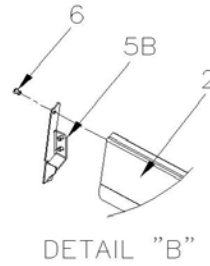
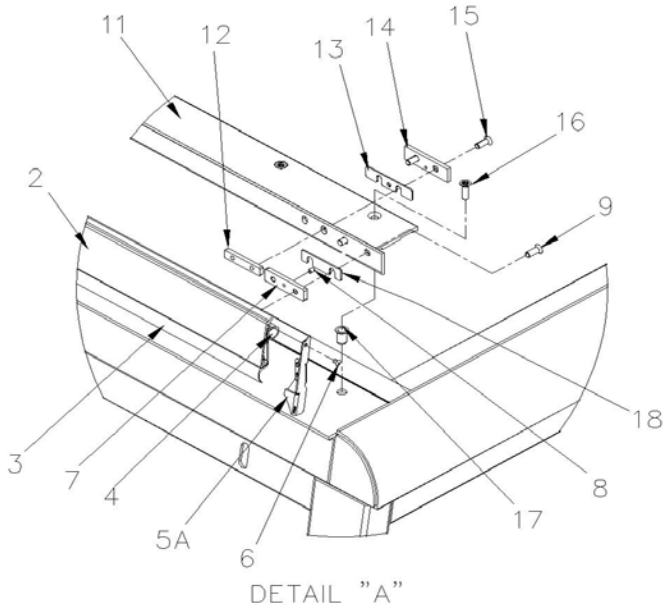
| | | |
|--|--------------|------------------|
| From K-0295 To P-1347 | Date:07/2024 | PAGE:VIP-2390-61 |
| "SLIDE-OUT" - INSTALLATION / FRONT CURBSIDE | | |

| Item# | Part | Description | QTY | Notes |
|-------|---------|--|-----|-------|
| 30 | 684743 | GLUE METHACRYLATE PLEXUS MA832GB 380 ml | AR | |
| 31 | 490237 | ANGULAR / EXTENSION FLOOR 590MM | 2 | |
| 32 | 490239 | ANGULAR / EXTENSION FLOOR 1655MM | 2 | |
| 33 | 491188 | STOPPER, EXTENSION FLOOR To L-0822 | 2 | |
| 33 | 491795 | STOPPER, EXTENSION FLOOR From L-0823 | 2 | |
| 33 | 491300 | SHIM / STOPPER, EXTENSION FLOOR To L-0822 | AR | |
| 33 | 491878 | SHIM / STOPPER, EXTENSION FLOOR From L-0823 | AR | |
| 34 | 504487 | RIVET MGLP PRDG 3/16x7/16 SS | 6 | |
| 35 | 491253 | STOPPER VERTICAL, EXTENSION To L-0822 | 1 | |
| 35 | 491801 | STOPPER VERTICAL, EXTENSION From L-0823 | 1 | |
| 36 | 5000337 | SCREW TC FL TORX 1/4-20x4 | 1 | |
| 37 | 504459 | RIVET MGLP PRDG 1/4x3/8 SS | 20 | |
| 38 | 504035 | RIVET CHY CK 3/16x1/4 SS | 20 | |
| 40 | 490221 | GUIDE RAIL GUARD | 2 | |
| 41 | 490226 | GUARD, RAIL 704MM | 2 | |
| 42 | 5001996 | SCREW MA PAN PH M4-0.7x12 N500 | 2 | |
| 43 | 504357 | WASHER FL .187x.437x.050 SS | 2 | |
| 44 | 5000341 | NUT PUSH RND 5/32 ZP | 2 | |
| 45 | 490220 | GUIDE RAIL GUARD | 2 | |
| 46 | 470459 | END CAP | 1 | |
| 47 | 470460 | END CAP | 1 | |
| 48 | 5001417 | WASHER FL 11.0x34.0x3.0 SS | 8 | |
| 49 | 490178 | RACK 674MM | 2 | |
| 50 | 5001610 | SCREW CAP HEXS M6-1.0x25 SS EMN | 10 | |
| 51 | 502842 | NUT INS TYPE "A-L" OE M6-1.0 0.7-4.2 Z050 | 10 | |
| 52 | 504379 | RIVET POP DOME OE 3/16x1/4 SS | 12 | |
| 53 | 502576 | SCREW MA FL PH M8-1.25x25 Z050 | 8 | |
| 54 | 477991 | DECAL "CAUTION" DO NOT MAKE ANY MODI.." | 2 | |
| 55 | 476130 | DECAL " KEEP HANDS & FINGERS AWAY.." | 2 | |
| 56 | 470920 | DECAL "KEEP ACCESS TO THESE..." | 1 | |
| | | | | |
| | | | | |
| | | | | |
| | | | | |
| | | P) CALL ORDER DESK FOR SPECIFIC APPLICATION (V.I.N.) | | |

| | | |
|--|--------------|------------------|
| | Date:07/2024 | PAGE:VIP-2390-62 |
| "SLIDE-OUT" - INSTALLATION / FRONT CURBSIDE | | |



| | | |
|--|--------------|------------------|
| | Date:07/2024 | PAGE:VIP-2390-62 |
| "SLIDE-OUT" - INSTALLATION / FRONT CURBSIDE | | |



| | | |
|--|--------------|------------------|
| | Date:07/2024 | PAGE:VIP-2390-62 |
| "SLIDE-OUT" - INSTALLATION / FRONT CURBSIDE | | |

| Item# | Part | Description | QTY | Notes |
|-------|-----------------|--|-----|-------|
| 1 | Call order desk | FRONT CURBSIDE "SLIDE-OUT" | 1 | P |
| 2 | Call order desk | FASCIA SLIDE-OUT, FRONT ASSY 3862MM | 1 | P |
| 2 | 4710222 | . FASCIA SLIDE-OUT, FRONT 3862MM | 1 | |
| 3 | 470095 | . RUBBER EXTRUSION / RAW MATERIAL | 1 | |
| 4 | 509044 | . RUBBER SEAL 175"-+0.6 | AR | |
| 5A | 478838 | . CAP, LOWER | 1 | |
| 5B | 478841 | . CAP, LOWER | 1 | |
| 6 | 504340 | . RIVET POP DOME OE 1/8x3/16 SS | 6 | |
| 7 | 478842 | . THREADED BLOCK | 4 | |
| 8 | 500587 | . SCREW SET HEXS CUP M4-0.7x6 | 4 | |
| 9 | 5001633 | . SCREW MA FL PH M6-1.0x12 Z050 | 8 | |
| 9 | 5001198 | SCREW MA FL PH M6-1.0x16 Z050 | 8 | A |
| 11 | 4710221 | EXTRUSION, SLIDE-OUT FRONT 3782MM | 1 | |
| 12 | 478875 | TAPPING PLATE | 2 | |
| 13 | 478849 | SHIM FOR SLIDE OUT | 1 | |
| 14 | 478850 | STOPPER | 2 | |
| 15 | 5001198 | SCREW MA FL PH M6-1.0x16 Z050 | 4 | |
| 16 | 5001768 | SCREW MA FL TORX M6-1.0x20 G8.8 Z050 | 8 | |
| 17 | 502842 | NUT INS TYPE "A-L" OE M6-1.0 0.7-4.2 Z050 To R-1718 | 8 | |
| 17 | 5000023 | NUT AN INS CE Z050 M6-1,0 GRIP .70-4.2MM From R-1719 | 8 | |
| 18 | 4705190 | SHIM FOR SLIDE OUT | 4 | A |
| 21 | 5002221 | SCREW CRG 1/4-20X4 FT Z050 | 4 | |
| 22 | 5002126 | WASHER FL .281X1.1875X0.031 Z050 | AR | |
| 22 | 5002223 | WASHER FLAT .281X1.25X.062 SS | AR | |
| 22 | 5002224 | WASHER FLAT .281X1.25X.125 SS | AR | |
| 23 | 470437 | PLATE TOP STOPPER 1354MM X 62.1MM | 1 | |
| 24 | 5002224 | WASHER FLAT .281X1.25X.125 SS | 4 | |
| 25 | 502716 | NUT HEX NYRT 1/4-20 | 4 | |
| 27 | 491801 | STOPPER VERTICAL, EXTENSION | 1 | |
| 28 | 5000337 | SCREW TC FL TORX 1/4-20x4 | 2 | |
| 30 | 491772 | FLOOR EXTENTION (GLUED) | 1 | |
| NS | 506869 | TAPE RUB ADH2 POL .031" X 1/4" X 300' / BLACK | AR | |
| NS | 684743 | GLUE METHACRYLATE PLEXUS MA832GB 380 ml | AR | |
| 31 | 490237 | ANGULAR / EXTENSION FLOOR 590MM | 2 | |
| 32 | 490239 | ANGULAR / EXTENSION FLOOR 1655MM | 2 | |
| 33 | 491795 | STOPPER, EXTENSION FLOOR | 2 | |
| 34 | 491878 | SHIM / STOPPER, EXTENSION FLOOR | 2 | |
| 35 | 502508 | SCREW MA PAN PH M6-1.0x40 N050 | 4 | |

| | | |
|--|--------------|------------------|
| | Date:07/2024 | PAGE:VIP-2390-62 |
| "SLIDE-OUT" - INSTALLATION / FRONT CURBSIDE | | |

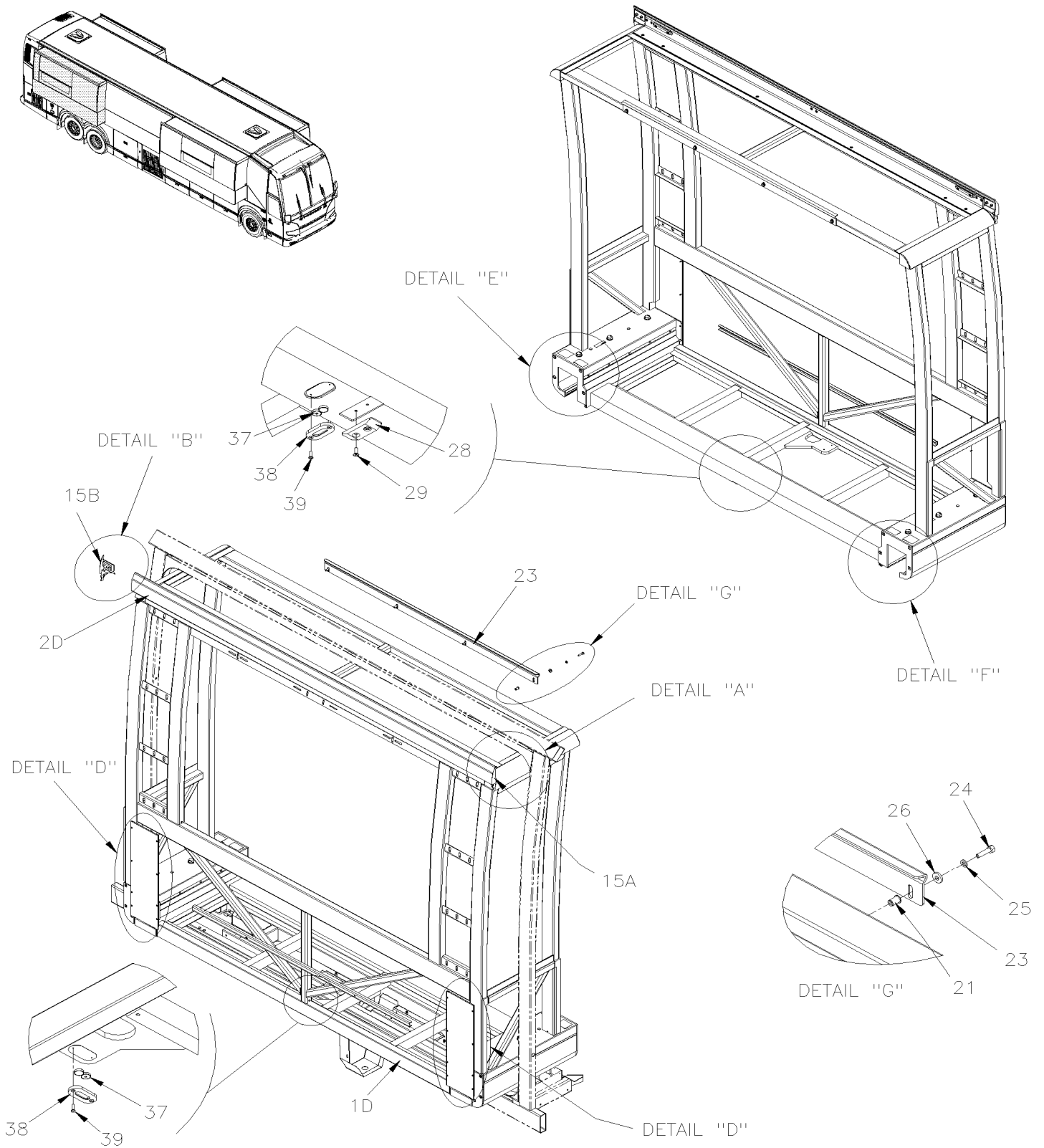
| Item# | Part | Description | QTY | Notes |
|-------|---------|--|-----|-------|
| 36 | 502570 | WASHER LO SPT 6.1x11.8x1.6 SS | 4 | |
| 37 | 504035 | RIVET CHY CK 3/16x1/4 SS | 20 | |
| 38 | 504379 | RIVET POP DOME OE 3/16x1/4 SS | 20 | |
| 40 | 492018 | GUIDE RAIL GUARD | 2 | |
| 41 | 492096 | GUARD, RAIL 717MM | 1 | |
| 42 | 5002119 | SCREW CAP HEXS M4-0.7x12 SS | 2 | |
| 43 | 500834 | WASHER LO INT .168x.340x.023 N500 | 2 | |
| 44 | 491587 | FIXING PLATE | 2 | |
| 45 | 5002120 | NUT PUSH RND 0.22-0.128 Z050 | 2 | |
| 46 | 492012 | PLATE OF PROTECTION | 2 | |
| 47 | 5001360 | RIVET POP CK OE 3/16x1/2 AL | 8 | |
| 48 | 504339 | RIVET POP DOME OE 1/8x3/8 SS | 4 | |
| 49 | 490178 | RACK 674MM | 2 | |
| 50 | 5001610 | SCREW CAP HEXS M6-1.0x25 SS EMN | 12 | |
| 51 | 502842 | NUT INS TYPE "A-L" OE M6-1.0 0.7-4.2 Z050 | 12 | |
| 63 | 470920 | DECAL "KEEP ACCESS TO THESE..." | 2 | |
| 64 | 477991 | DECAL "CAUTION" DO NOT MAKE ANY MODI.." | 2 | |
| 65 | 476130 | DECAL " KEEP HANDS & FINGERS AWAY.." | 2 | |
| NS | 680038 | THREAD LOCKER LOCTITE #243 / BLUE / 50ml | AR | |
| | | | | |
| | | | | |
| | | A) USE IF NEED IT | | |
| | | P) CALL ORDER DESK FOR SPECIFIC APPLICATION (V.I.N.) | | |

From K-0295 To P-1347

Date:07/2024

PAGE:VIP-2390-66

"SLIDE-OUT" - INSTALLATION / REAR CURBSIDE

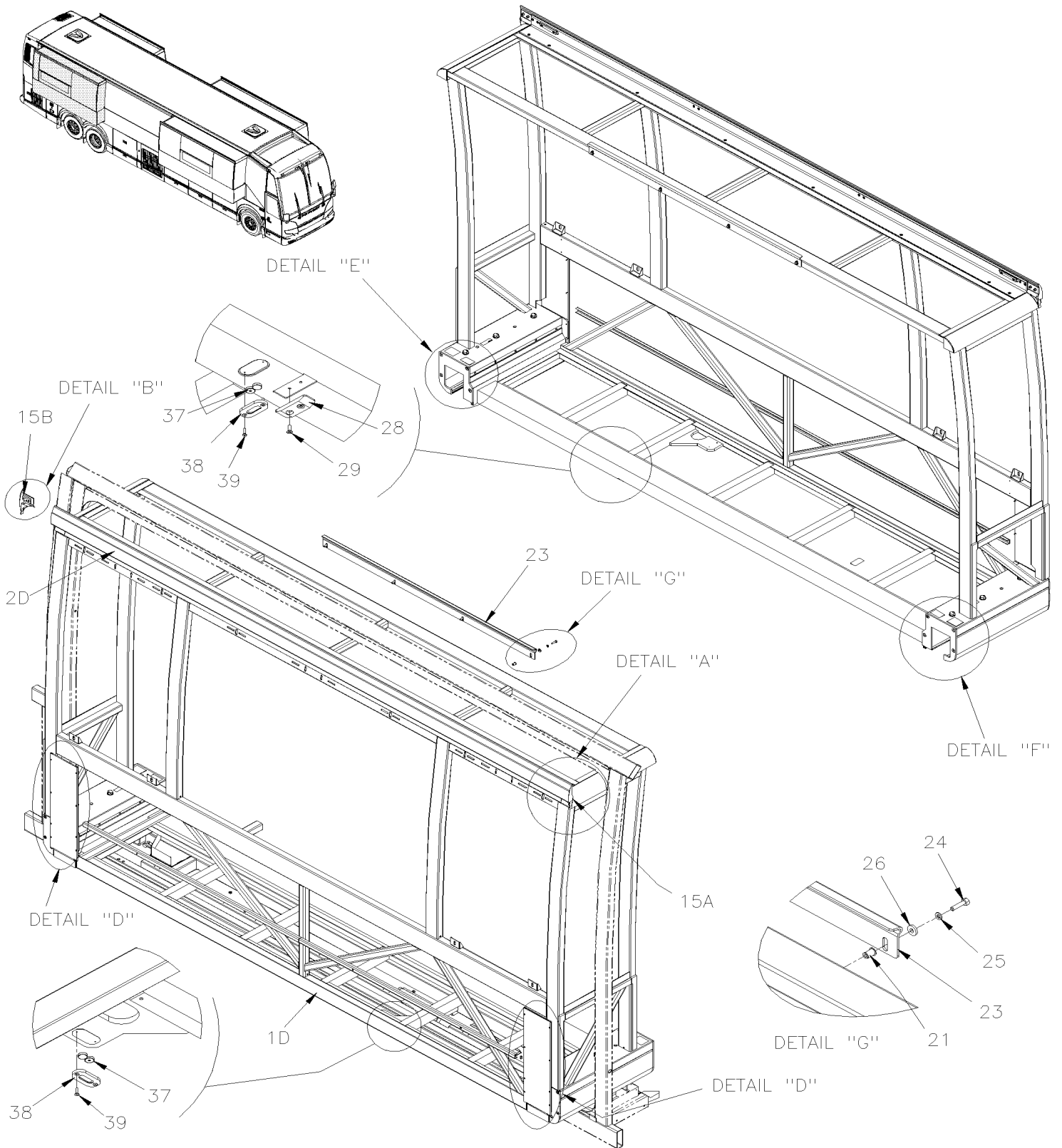


From K-0295 To P-1347

Date:07/2024

PAGE:VIP-2390-66

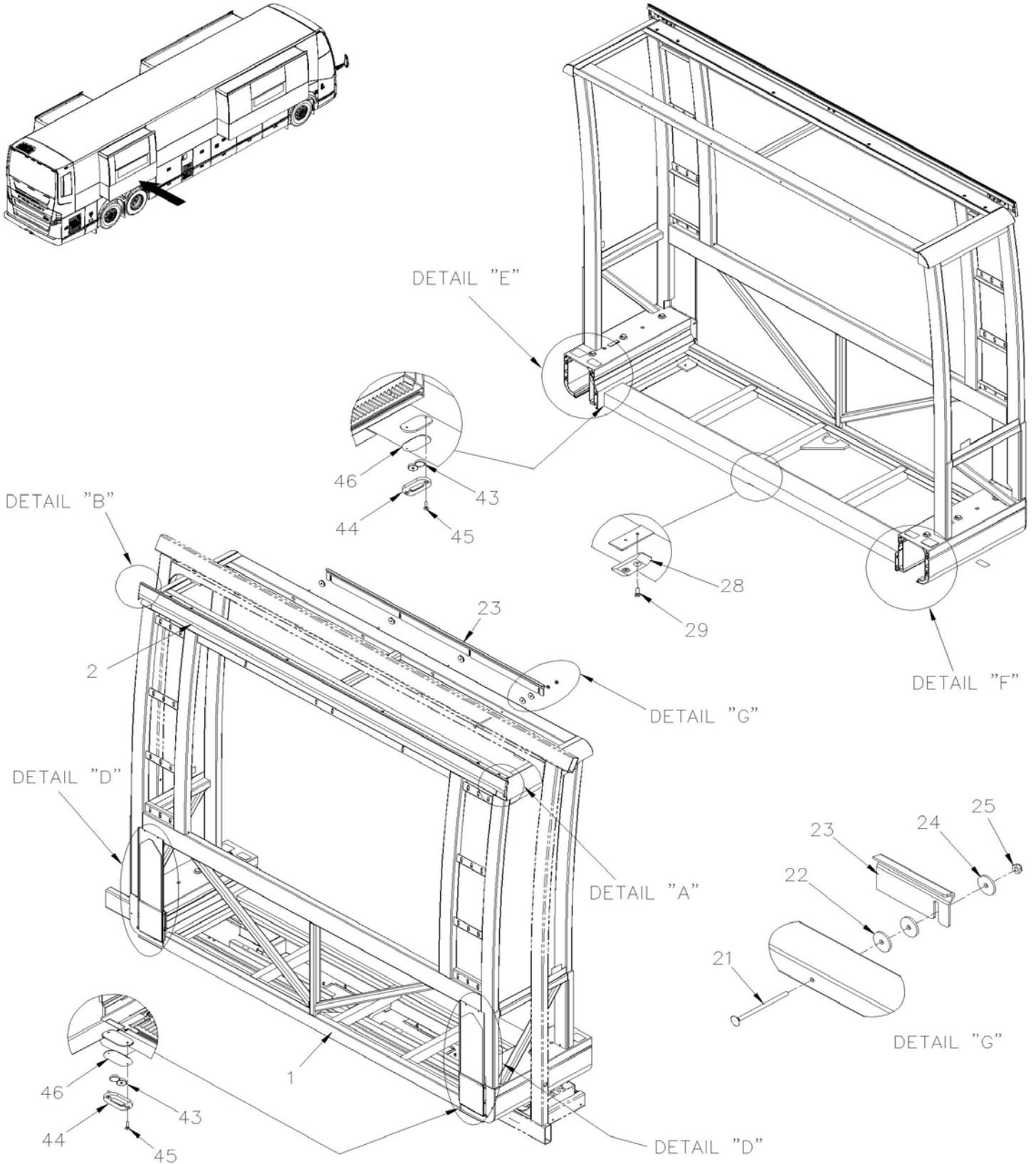
"SLIDE-OUT" - INSTALLATION / REAR CURBSIDE



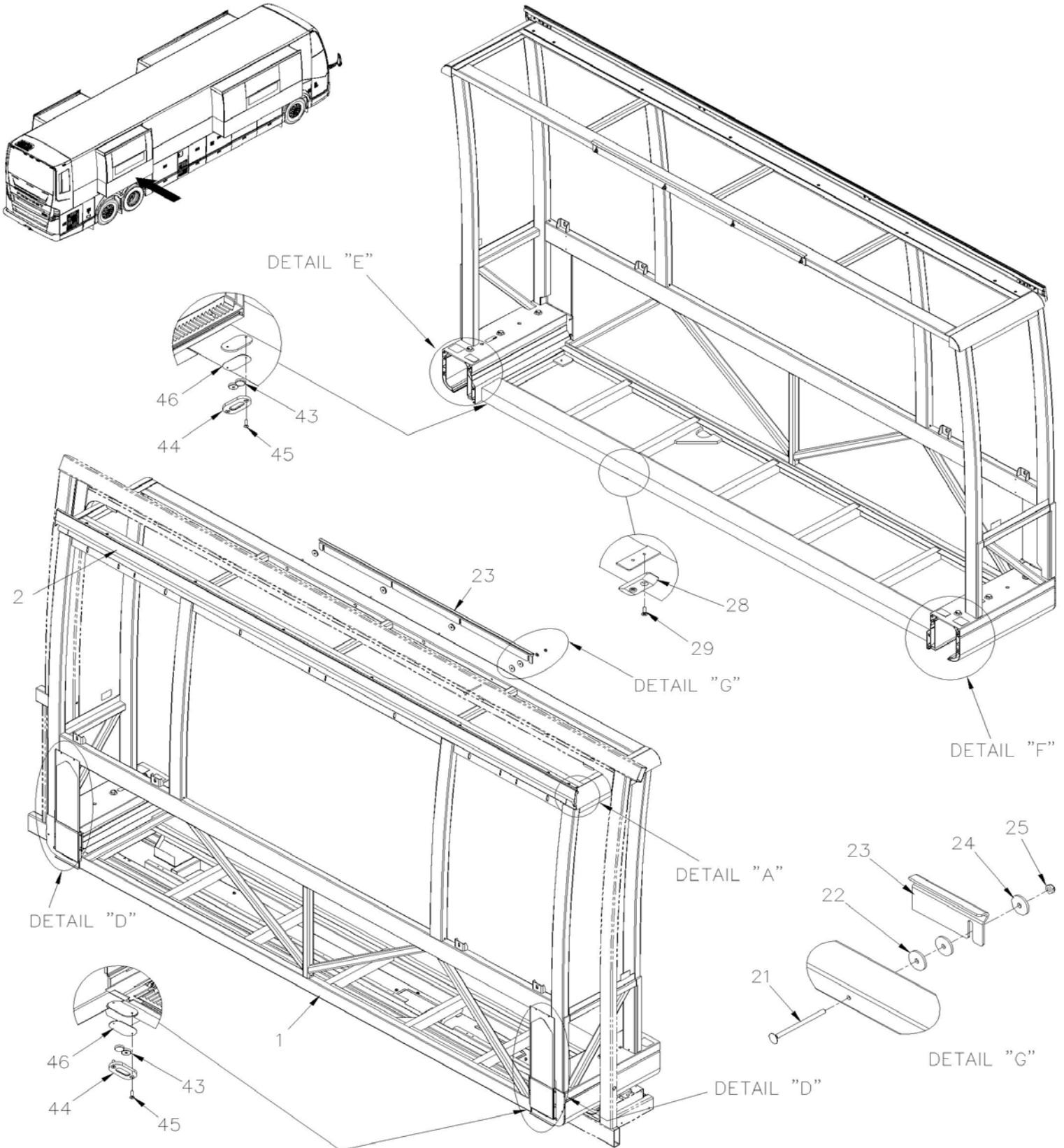
| | | |
|---|--------------|------------------|
| From K-0295 To P-1347 | Date:07/2024 | PAGE:VIP-2390-66 |
| "SLIDE-OUT" - INSTALLATION / REAR CURBSIDE | | |

| Item# | Part | Description | QTY | Notes |
|-------|-----------------|--|-----|--------|
| 1 | Call order desk | REAR CURBSIDE "SLIDE-OUT" | 1 | P 7.5 |
| 1D | Call order desk | REAR CURBSIDE "SLIDE-OUT" | 1 | P 10.5 |
| 2D | Call order desk | KEY OUTSIDE ROOF ASSY 2295MM | 1 | P 7.5 |
| 2D | Call order desk | KEY OUTSIDE ROOF ASSY 3309MM | 1 | P 10.5 |
| 3D | 478219 | . KEY ROOF 2295MM | 1 | 7.5 |
| 3D | 478036 | . KEY ROOF 3309MM | 1 | 10.5 |
| NS | 506236 | . TAPE RUB ADH1 CC POL 1/16" x 1/2" x 100' / GREY 2520 | AR | |
| 4D | 470409 | . SUPPORT KEY ROOF 2148MM | 1 | 7.5 |
| 4D | 470408 | . SUPPORT KEY ROOF 3164MM | 1 | 10.5 |
| NS | 506236 | . TAPE RUB ADH1 CC POL 1/16" x 1/2" x 100' / GREY 2520 | AR | |
| 4D | 5060103 | . RUBBER SEAL 6.56FT LONG To L-0928 | 1 | |
| NS | 509044 | . RUBBER SEAL 175"-+0.6 From L-0929 | 1 | |
| 5 | 5001612 | . SCREW CAP FL HEXS M4-0.7x8 SS EMN | 2 | |
| 6 | 477778 | . ANCHOR PLATE W/THREAD | 2 | |
| 7 | 477725 | . SHIM 12.7MM x 101MM x 11GA | AR | |
| 7 | 477807 | . SHIM 12.7MM x 101MM x 16GA | AR | |
| 8 | 470412 | . STOPPER BLOCK | 2 | |
| 9 | 5001768 | . SCREW MA FL TORX M6-1.0x20 G8.8 Z050 | 10 | 7.5 |
| 9 | 5001768 | . SCREW MA FL TORX M6-1.0x20 G8.8 Z050 | 12 | 10.5 |
| 10 | 478011 | . PLATE ATTACHMENT 51MM | 4 | |
| 15A | 476625P | CLOSING END ASSY / RH To K-0822 | 1 | |
| 15A | 478940P | CLOSING END ASSY / RH From K-0823 | 1 | |
| 15B | 476624P | CLOSING END ASSY / LH To K-0822 | 1 | |
| 15B | 478939P | CLOSING END ASSY / LH From K-0823 | 1 | |
| 16A | 474702 | . LOWER CAP R.H. / "U" SHAPE To K-0822 | 1 | |
| 16A | 478936 | . LOWER CAP R.H. / "U" SHAPE From K-0823 | 1 | |
| 16B | 474700 | . LOWER CAP L.H. / "U" SHAPE To K-0822 | 1 | |
| 16B | 478938 | . LOWER CAP L.H. / "U" SHAPE From K-0823 | 1 | |
| 17A | 474703 | . UPPER CAP R.H. ANGLE To K-0822 | 1 | |
| 17A | 478935 | . UPPER CAP R.H. ANGLE From K-0823 | 1 | |
| 17B | 474701 | . UPPER CAP L.H. ANGLE To K-0822 | 1 | |
| 17B | 478937 | . UPPER CAP L.H. ANGLE From K-0823 | 1 | |
| 18 | 478011 | . PLATE ATTACHMENT 51MM | 1 | |
| 19 | 5001648 | . SCREW CAP HEXS M6-1.0x18 SS BK | 2 | |
| 20 | 502570 | . WASHER LO SPT 6.1x11.8x1.6 SS | 2 | |
| 21 | 502842 | NUT INS TYPE "A-L" OE M6-1.0 0.7-4.2 Z050 | AR | |
| 22 | 5001768 | SCREW MA FL TORX M6-1.0x20 G8.8 Z050 | 6 | 7.5 |
| 22 | 5001768 | SCREW MA FL TORX M6-1.0x20 G8.8 Z050 | 8 | 10.5 |
| NS | 685124 | ADHESIVE SIMSON #ISR 70-03 / BLACK / 600ml SAUSAGE | AR | |
| 23 | 470437 | PLATE TOP STOPPER 1354MM X 62.1MM | 1 | |
| 24 | 5001209 | SCREW CAP HEX M6-1.0x25 G8.8 Z050 | 4 | |

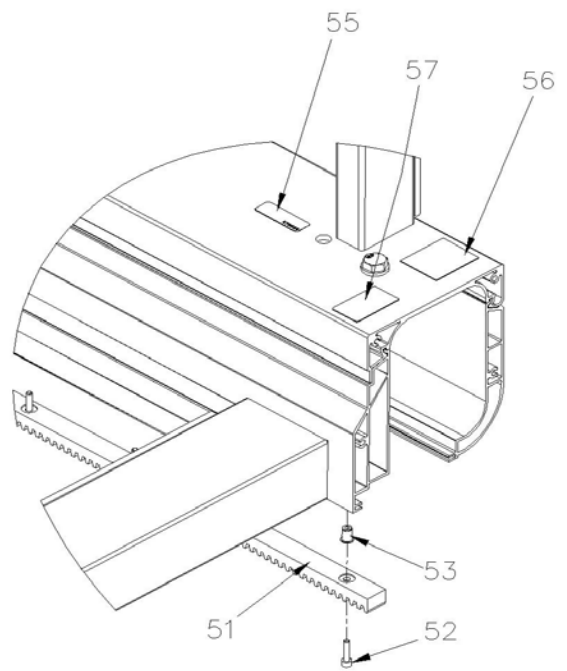
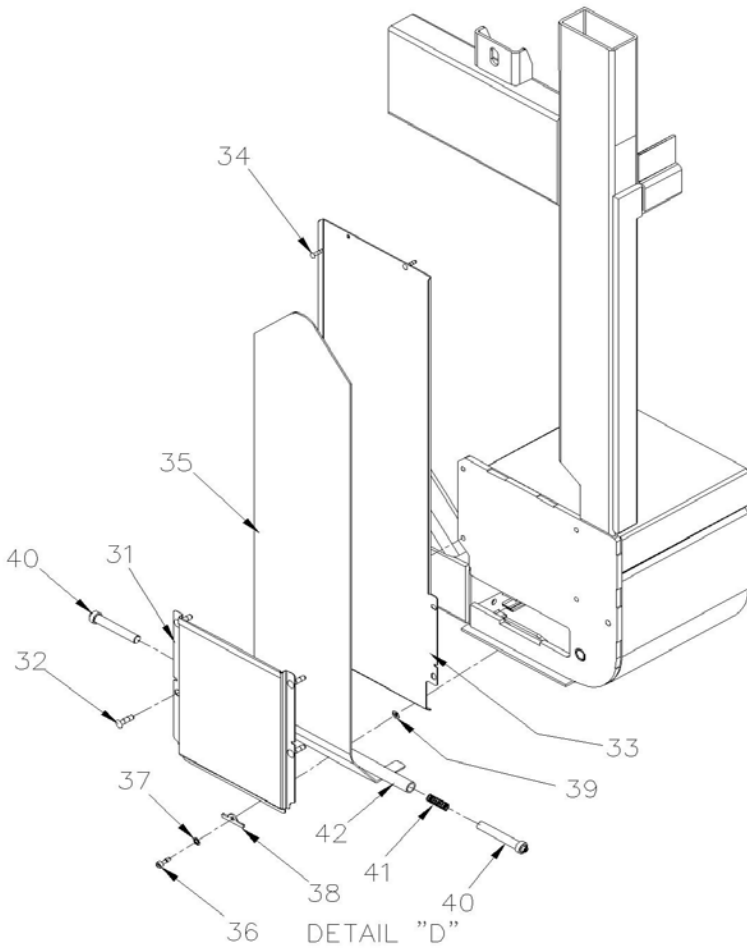
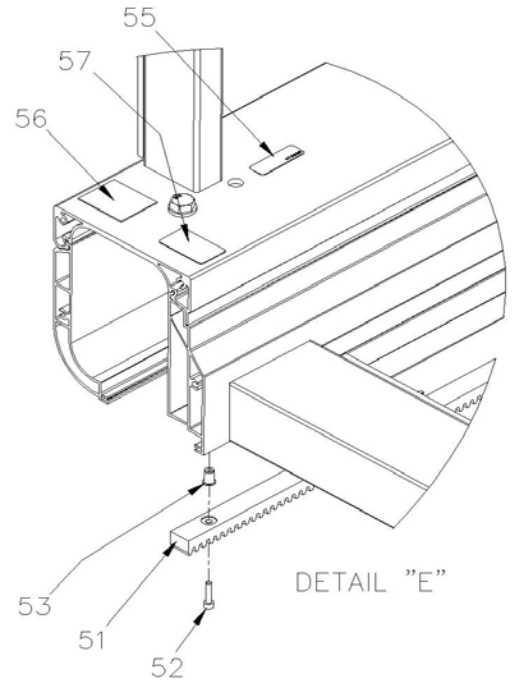
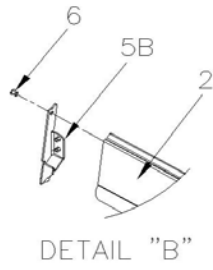
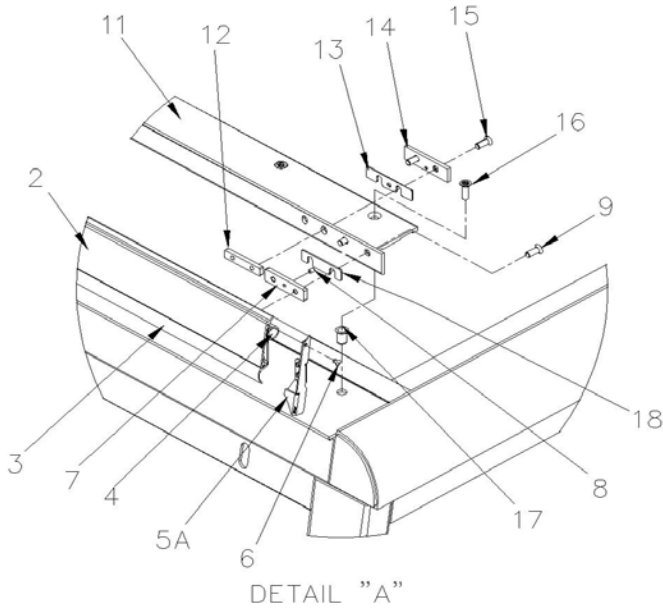
| | | |
|--|--------------|------------------|
| | Date:07/2024 | PAGE:VIP-2390-67 |
| "SLIDE-OUT" - INSTALLATION / REAR CURBSIDE | | |



| | | |
|---|--------------|------------------|
| | Date:07/2024 | PAGE:VIP-2390-67 |
| "SLIDE-OUT" - INSTALLATION / REAR CURBSIDE | | |



| | | |
|---|--------------|------------------|
| | Date:07/2024 | PAGE:VIP-2390-67 |
| "SLIDE-OUT" - INSTALLATION / REAR CURBSIDE | | |



| | | |
|---|---------------------|-------------------------|
| | Date:07/2024 | PAGE:VIP-2390-67 |
| "SLIDE-OUT" - INSTALLATION / REAR CURBSIDE | | |

| Item# | Part | Description | QTY | Notes |
|-------|-----------------|--|-----|--------|
| 1 | Call order desk | REAR CURBSIDE "SLIDE-OUT" | 1 | P 7.5 |
| 1 | Call order desk | REAR CURBSIDE "SLIDE-OUT" | 1 | P 10.5 |
| 2 | Call order desk | FASCIA SLIDE-OUT, REAR ASS 2288MM | 1 | P 7.5 |
| 2 | Call order desk | FASCIA SLIDE-OUT, REAR ASS 3304mm | 1 | P 10.5 |
| 2 | 478947 | . FASCIA SLIDE-OUT, REAR 2288MM | 1 | |
| 2 | 478904 | . FASCIA SLIDE-OUT, REAR 3304mm | 1 | 10.5 |
| 3 | 470095 | . RUBBER EXTRUSION / RAW MATERIAL | 1 | |
| 4 | 509044 | . RUBBER SEAL 175"-+0.6 | AR | |
| 5A | 478838 | . CAP, LOWER | 1 | |
| 5B | 478841 | . CAP, LOWER | 1 | |
| 6 | 504340 | . RIVET POP DOME OE 1/8x3/16 SS | 6 | |
| 7 | 478842 | . THREADED BLOCK | 4 | |
| 8 | 500587 | . SCREW SET HEXS CUP M4-0.7x6 | 4 | |
| 9 | 5001633 | . SCREW MA FL PH M6-1.0x12 Z050 | 6 | 7.5 |
| 9 | 5001633 | . SCREW MA FL PH M6-1.0x12 Z050 | 8 | 10.5 |
| 9 | 5001198 | SCREW MA FL PH M6-1.0x16 Z050 | 6 | 7.5 A |
| 9 | 5001198 | SCREW MA FL PH M6-1.0x16 Z050 | 8 | 10.5 A |
| | | | | |
| 11 | 478948 | EXTRUSION, SLIDE-OUT REAR 2208MM | 1 | 7.5 |
| 11 | 478905 | EXTRUSION, SLIDE-OUT REAR 3224MM | 1 | 10.5 |
| 12 | 478875 | TAPPING PLATE | 2 | |
| 13 | 478849 | SHIM FOR SLIDE OUT | 1 | |
| 14 | 478850 | STOPPER | 2 | |
| 15 | 5001198 | SCREW MA FL PH M6-1.0x16 Z050 | 4 | |
| 16 | 5001768 | SCREW MA FL TORX M6-1.0x20 G8.8 Z050 | 6 | 7.5 |
| 16 | 5001768 | SCREW MA FL TORX M6-1.0x20 G8.8 Z050 | 8 | 10.5 |
| 17 | 502842 | NUT INS TYPE "A-L" OE M6-1.0 0.7-4.2 Z050 To R-1718 | 6 | 7.5 |
| 17 | 5000023 | NUT AN INS CE Z050 M6-1,0 GRIP .70-4.2MM From R-1719 | 6 | 7.5 |
| 17 | 502842 | NUT INS TYPE "A-L" OE M6-1.0 0.7-4.2 Z050 To R-1718 | 8 | 10.5 |
| 17 | 5000023 | NUT AN INS CE Z050 M6-1,0 GRIP .70-4.2MM From R-1719 | 8 | 10.5 |
| 18 | 4705190 | SHIM FOR SLIDE OUT | 3 | A 7.5 |
| 18 | 4705190 | SHIM FOR SLIDE OUT | 4 | 10.5 A |
| | | | | |
| 21 | 5002221 | SCREW CRG 1/4-20X4 FT Z050 | 4 | |
| 22 | 5002126 | WASHER FL .281X1.1875X0.031 Z050 | AR | |
| 22 | 5002223 | WASHER FLAT .281X1.25X.062 SS | AR | |
| 22 | 5002224 | WASHER FLAT .281X1.25X.125 SS | AR | |
| 23 | 470437 | PLATE TOP STOPPER 1354MM X 62.1MM | 1 | |
| 24 | 5002224 | WASHER FLAT .281X1.25X.125 SS | 4 | |
| 25 | 502716 | NUT HEX NYRT 1/4-20 | 4 | |
| | | | | |
| 28 | 491512 | SLIDE EXTENSION | 1 | |

Date:07/2024

PAGE:VIP-2390-67

"SLIDE-OUT" - INSTALLATION / REAR CURBSIDE

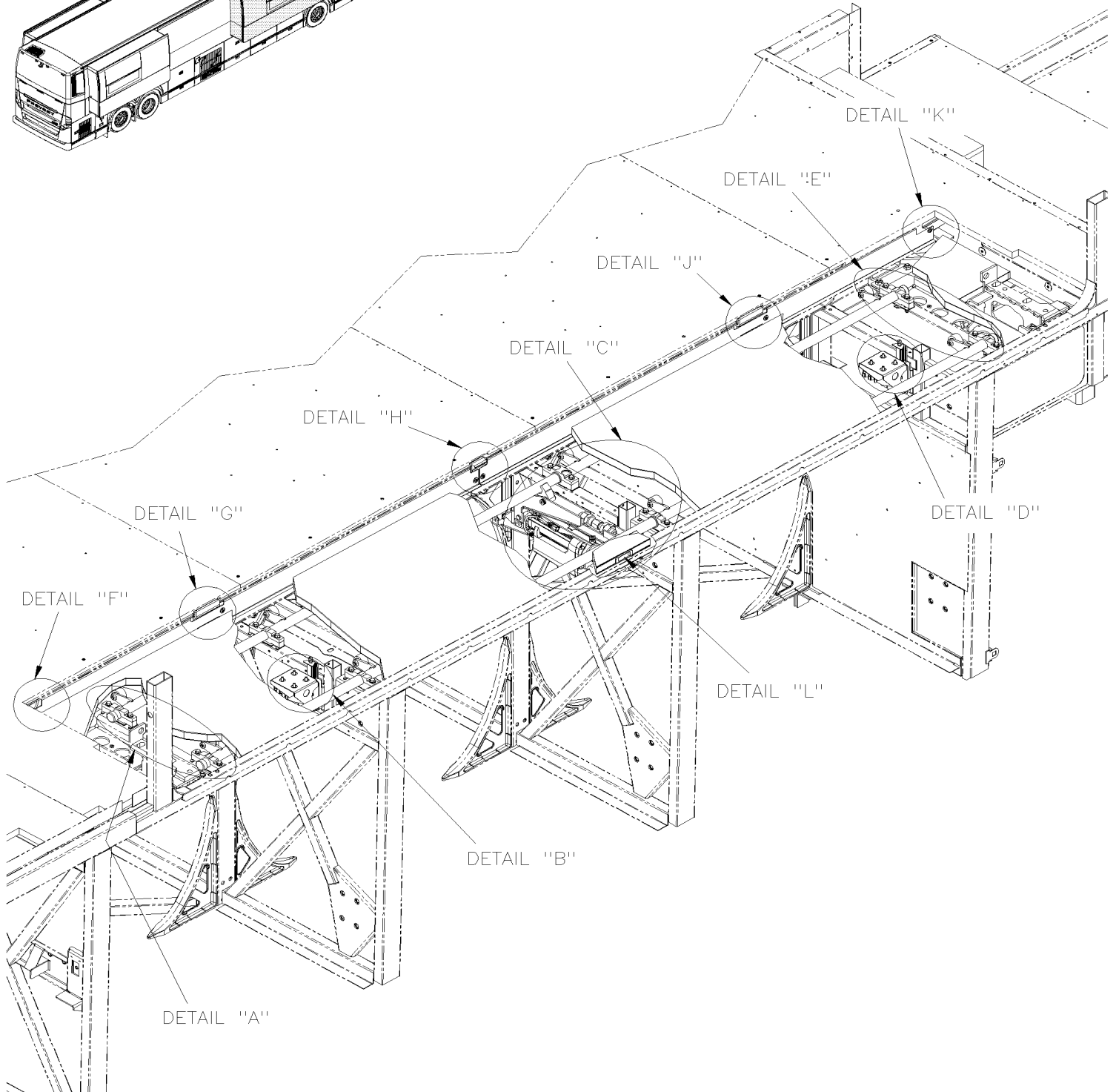
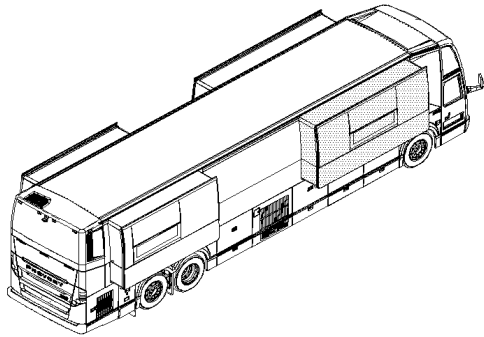
| Item# | Part | Description | QTY | Notes |
|-------|---------|--|-----|-------|
| 29 | 5001198 | SCREW MA FL PH M6-1.0x16 Z050 | 2 | |
| 31 | 492018 | GUIDE RAIL GUARD | 2 | |
| 32 | 5001360 | RIVET POP CK OE 3/16x1/2 AL | 8 | |
| 33 | 492075 | PLATE OF PROTECTION | 2 | |
| 34 | 504339 | RIVET POP DOME OE 1/8x3/8 SS | 4 | |
| 35 | 492098 | GUARD, RAIL 647MM | 2 | |
| 36 | 5002119 | SCREW CAP HEXS M4-0.7x12 SS | 2 | |
| 37 | 500834 | WASHER LO INT .168x.340x.023 N500 | 2 | |
| 38 | 491587 | FIXING PLATE | 2 | |
| 39 | 5002120 | NUT PUSH RND 0.22-0.128 Z050 | 2 | |
| 40 | 491523 | GUIDE RAIL GUARD | 4 | |
| 41 | 502934 | SPRING COMPRESSION / .300 O.D. x 1 x .026 | 2 | |
| 42 | 491522 | GUIDE, RAIL GUARD | 2 | |
| 43 | 562949 | MAGNET ROUND .200x.700 DIA | 4 | |
| 44 | 470124 | SUPPORT MAGNET / ALUMINUM | 2 | |
| 45 | 5001614 | SCREW CAP FL HEXS M4-0.7x16 SS EMN | 4 | |
| 46 | 476473 | GASKET MAGNET SUPPORT | 2 | |
| 51 | 491333 | RACK 526.8MM | 2 | |
| 52 | 5001610 | SCREW CAP HEXS M6-1.0x25 SS EMN | 8 | |
| 53 | 502842 | NUT INS TYPE "A-L" OE M6-1.0 0.7-4.2 Z050 | 8 | |
| 55 | 470920 | DECAL "KEEP ACCESS TO THESE..." | 2 | |
| 56 | 477991 | DECAL "CAUTION" DO NOT MAKE ANY MODI.." | 2 | |
| 57 | 476130 | DECAL " KEEP HANDS & FINGERS AWAY.." | 2 | |
| NS | 680038 | THREAD LOCKER LOCTITE #243 / BLUE / 50ml | AR | |
| | | | | |
| | | | | |
| | | 10.5) SLIDE-OUT 10.5 | | |
| | | 7.5) SLIDE-OUT 7.5 | | |
| | | A) USE IF NEED IT | | |
| | | P) CALL ORDER DESK FOR SPECIFIC APPLICATION (V.I.N.) | | |

From K-0295 To P-1347

Date:07/2024

PAGE:VIP-2390-70

"SLIDE-OUT" - MECHANISM MOBILE FLOOR INSTALLATION / FRONT CURBSIDE

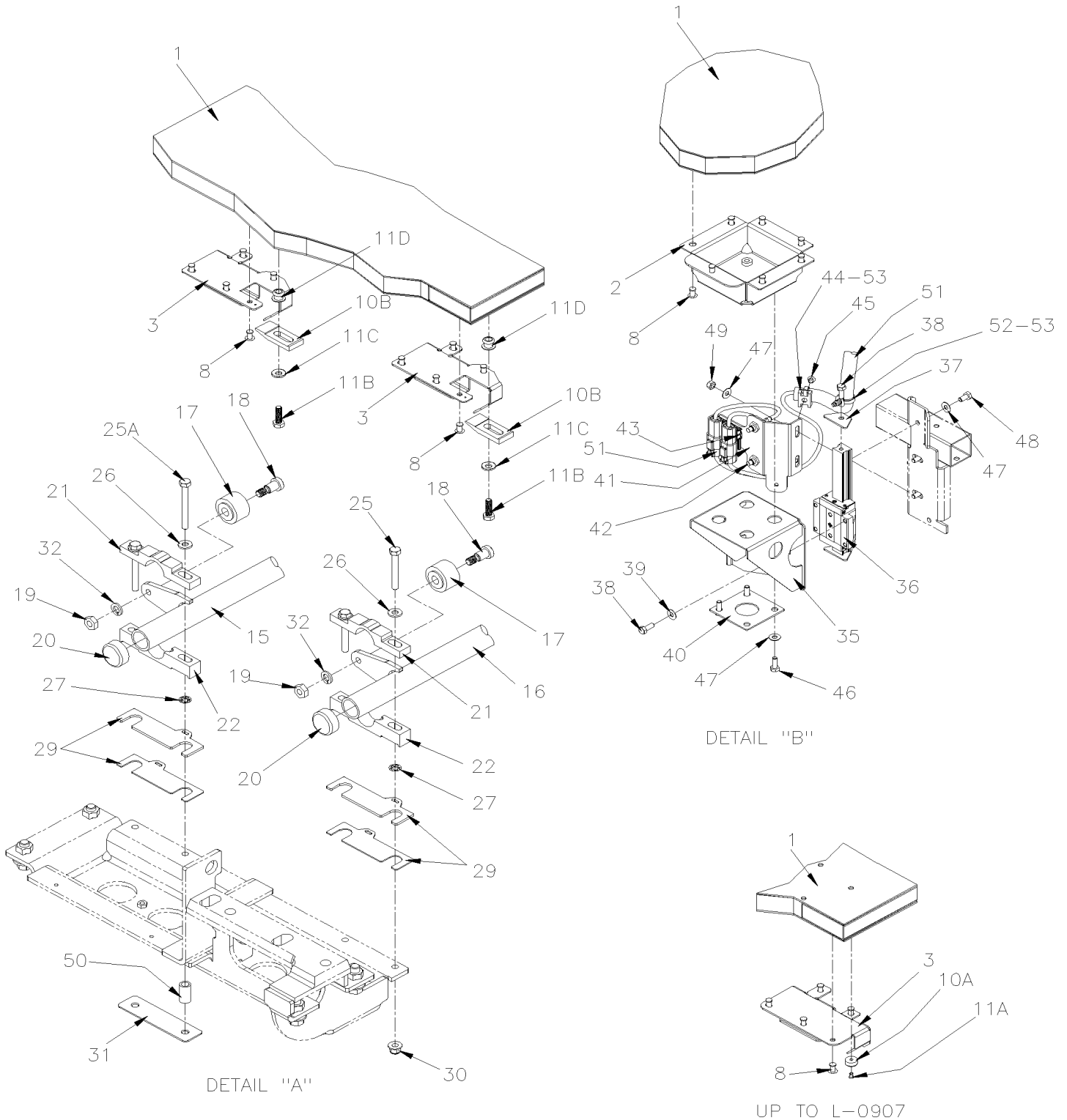


From K-0295 To P-1347

Date:07/2024

PAGE:VIP-2390-70

"SLIDE-OUT" - MECHANISM MOBILE FLOOR INSTALLATION / FRONT CURBSIDE

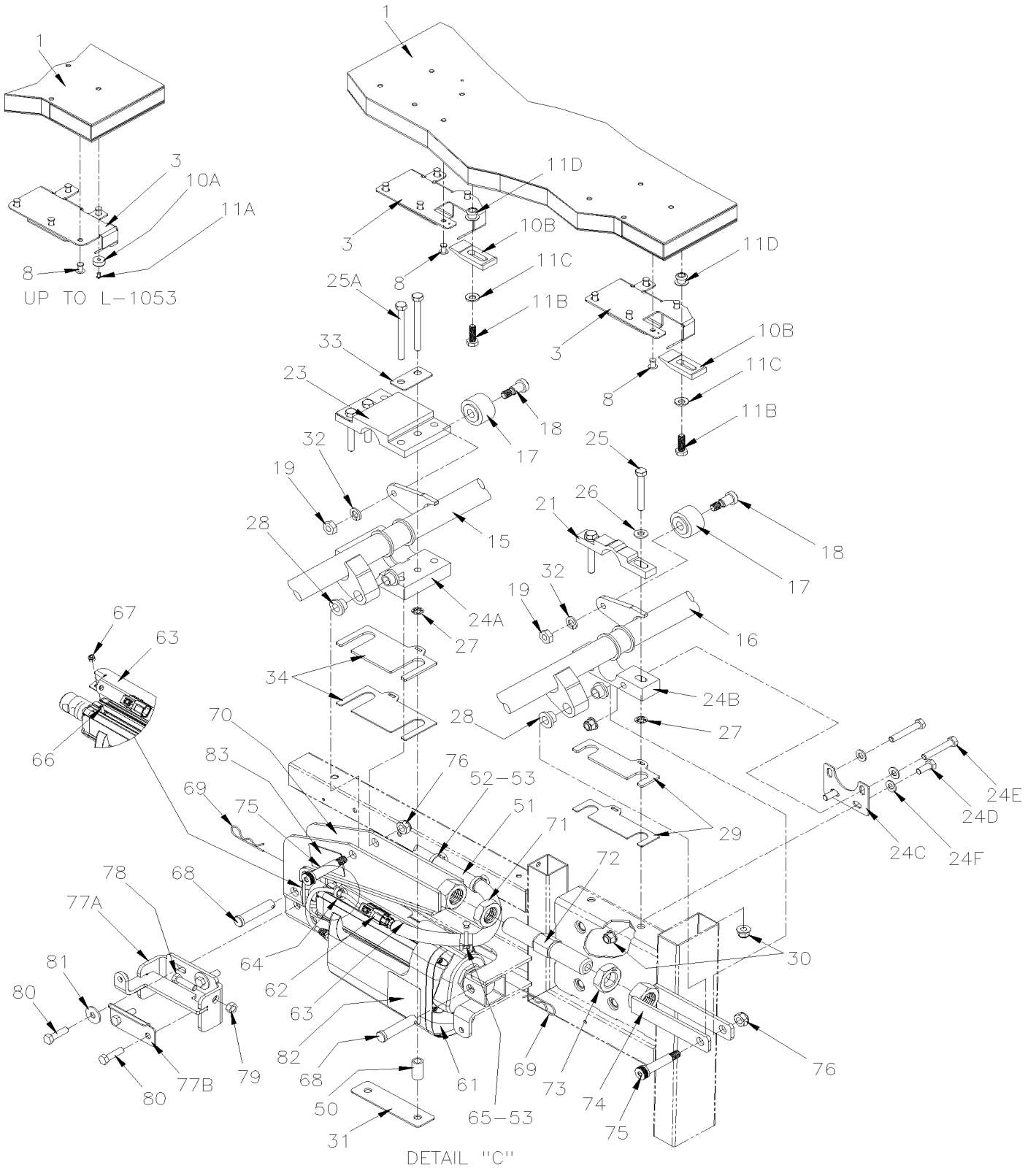


From K-0295 To P-1347

Date:07/2024

PAGE:VIP-2390-70

"SLIDE-OUT" - MECHANISM MOBILE FLOOR INSTALLATION / FRONT CURBSIDE

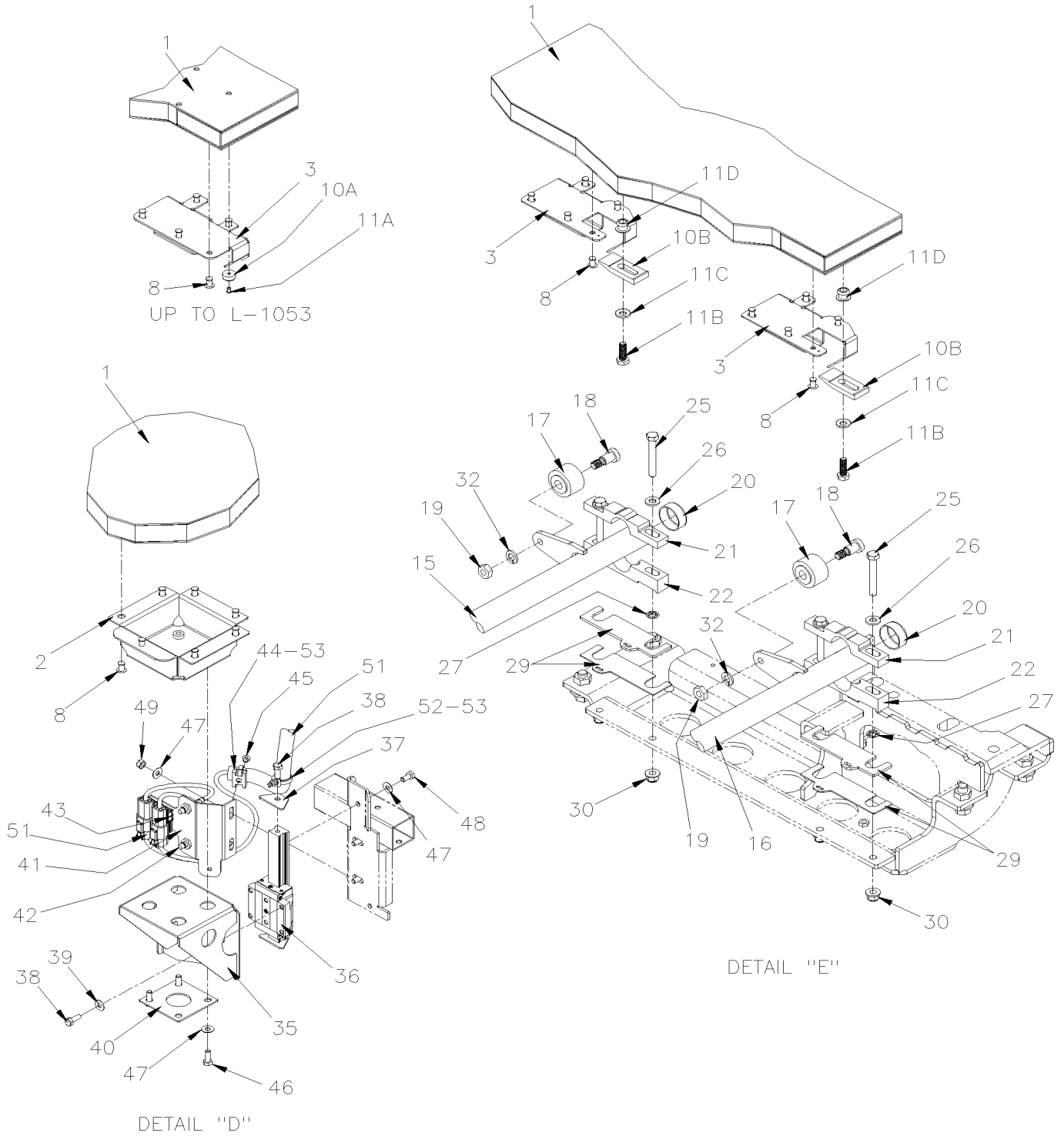


From K-0295 To P-1347

Date:07/2024

PAGE:VIP-2390-70

"SLIDE-OUT" - MECHANISM MOBILE FLOOR INSTALLATION / FRONT CURBSIDE

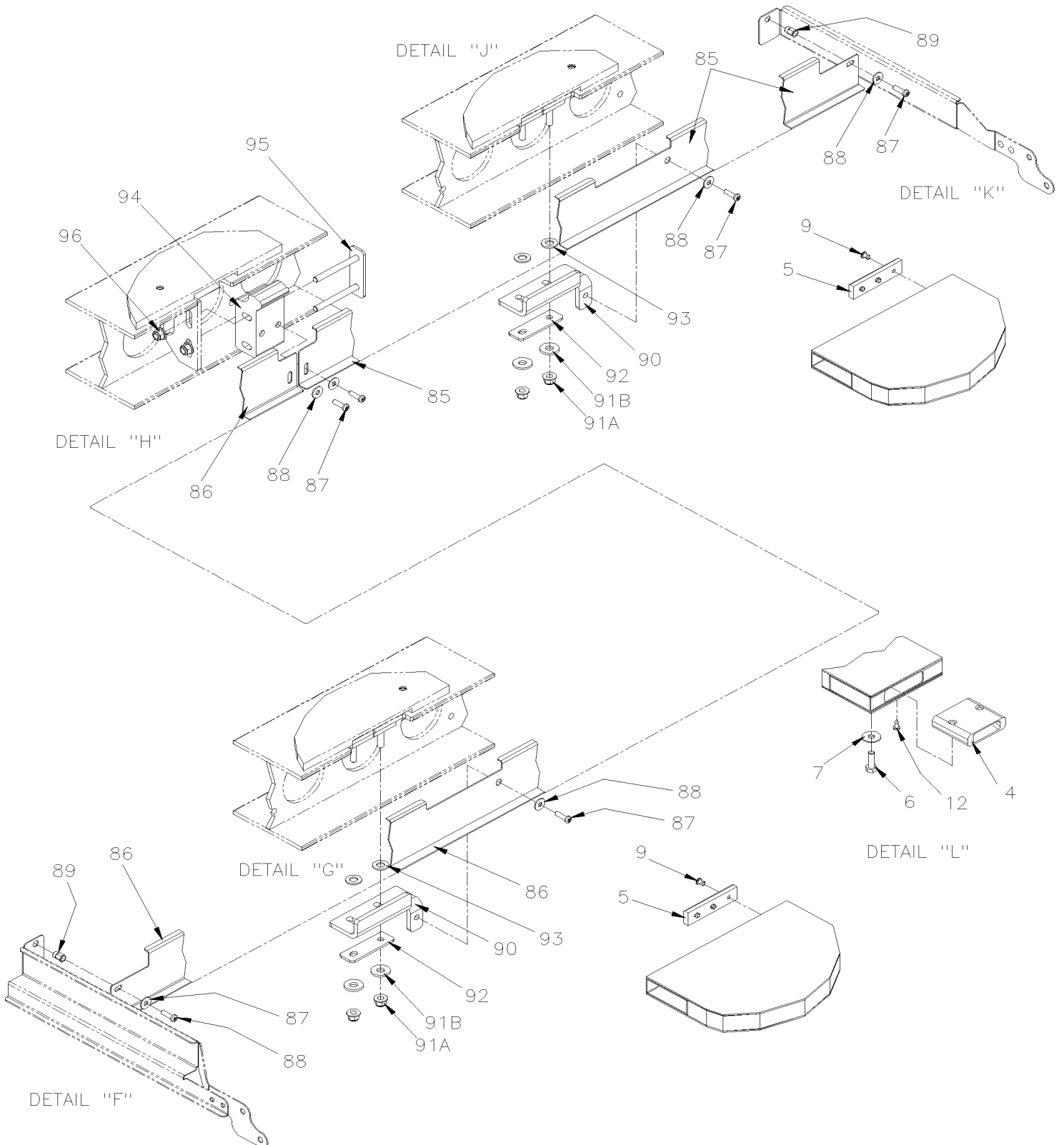


From K-0295 To P-1347

Date:07/2024

PAGE:VIP-2390-70

"SLIDE-OUT" - MECHANISM MOBILE FLOOR INSTALLATION / FRONT CURBSIDE



| | | |
|-----------------------|--------------|------------------|
| From K-0295 To P-1347 | Date:07/2024 | PAGE:VIP-2390-70 |
|-----------------------|--------------|------------------|

"SLIDE-OUT" - MECHANISM MOBILE FLOOR INSTALLATION / FRONT CURBSIDE

| Item# | Part | Description | QTY | Notes |
|-------|-----------------|---|-----|-------|
| 1 | Call order desk | MOBILE FLOOR ASSY | 1 | P |
| 1 | 320993 | . MOBILE FLOOR To L-0822 | 1 | |
| 1 | 3201635 | . MOBILE FLOOR From L-0823 To M-1127 | 1 | |
| 1 | 3211371 | . MOBILE FLOOR From M-1128 To N-1204 | 1 | |
| 1 | 3211667 | . MOBILE FLOOR From N-1205 | 1 | |
| 2 | 490110 | . BRACKET, MOBILE FLOOR GUIDE | 2 | |
| 3 | 490115 | . GUIDE WHEEL, MOBILE FLOOR To M-1127 | 8 | |
| 3 | 491965 | . GUIDE WHEEL, MOBILE FLOOR From M-1128 | 8 | |
| 4 | 490228 | . SOCKET, STOPPER VERTICAL MOVABLE FLOOR | 1 | |
| 5 | 491188 | . STOPPER, EXTENSION FLOOR To L-0822 | 2 | |
| 5 | 491832 | . STOPPER, EXTENSION FLOOR From L-0823 | 2 | |
| 5 | 491300 | . SHIM / STOPPER, EXTENSION FLOOR To L-0822 | AR | |
| 6 | 502780 | . SCREW CAP HEX M8-1.25x25 SS BK | 2 | |
| 7 | 500381 | . WASHER FL 8.4x25.0x2.0 N500 | 2 | |
| 8 | 504459 | . RIVET MGLP PRDG 1/4x3/8 SS | AR | |
| 9 | 504487 | . RIVET MGLP PRDG 3/16x7/16 SS | 6 | |
| 10A | 5001393 | . BUMPER RUBBER / .625 OD x .281 TH x .125 HOLE To K-0337 | 8 | |
| 10A | 5002024 | . BUMPER NEOPRENE / .625 OD x .281 TH x .125 HOLE From K-0338 To M-1127 | 8 | |
| 10B | 491964 | . ADJUSTMENT WEDGE From M-1128 | 8 | |
| 11A | 504340 | . RIVET POP DOME OE 1/8x3/16 SS To M-1127 | 8 | |
| 11B | 5001738 | . SCREW CAP HEX M8-1.25x30 G8.8 N500 From M-1128 | 8 | |
| 11C | 500321 | . WASHER BEL SPR .331x.827x.098 N500 From M-1128 | 8 | |
| 11D | 5002013 | . RIVET NUT FL KNURLED OKS M8-1.25 3.8-7.9 ZP From M-1128 | 8 | |
| 12 | 500952 | SCREW TP BDG PH #8x1/2 SS | 1 | |
| | | | | |
| 15 | 491290 | SHAFT, MOBILE FLOOR | 1 | |
| 16 | 491290 | SHAFT, MOBILE FLOOR | 1 | |
| 17 | 490019 | WHEEL, MOBILE FLOOR To M-1127 | 8 | |
| 17 | 492034 | WHEEL, MOBILE FLOOR From M-1128 | 8 | |
| 18 | 5000315 | SCREW SHR HEXS 12x16 (M10-1.5 SS | 8 | |
| 19 | 502567 | NUT HEX M10-1.5 SS | 8 | |
| 20 | 504027 | CAP, MOBILE FLOOR | 4 | |
| 21 | 491291 | FLANGE UPPER, MOBILE FLOOR | 7 | |
| 22 | 491289 | FLANGE LOWER, MOBILE FLOOR | 6 | |
| NS | 683652 | GREASE SYNTHETIC / RED BOX 50 TUBE | AR | |
| 23 | 491293 | FLANGE UPPER, MOBILE FLOOR | 1 | |
| 24A | 491292 | FLANGE LOWER, MOBILE FLOOR | 1 | |
| 24B | 491316 | FLANGE LOWER, MOBILE FLOOR | 1 | |
| 24C | 491317 | BRACE PILLOW BLOC EXTERNAL | 1 | |
| 24D | 502862 | SCREW CAP HEX M8-1.25x20 G8.8 N500 | 2 | |
| 24E | 502927 | SCREW CAP HEX M8-1.25x50 G8.8 N500 | 2 | |
| 24F | 5001341 | WASHER FL 8.4x17.0x1.6 SS From M-1128 | 4 | |

| | | |
|-----------------------|--------------|------------------|
| From K-0295 To P-1347 | Date:07/2024 | PAGE:VIP-2390-70 |
|-----------------------|--------------|------------------|

"SLIDE-OUT" - MECHANISM MOBILE FLOOR INSTALLATION / FRONT CURBSIDE

| Item# | Part | Description | QTY | Notes |
|-------|---------|--|-----|-------|
| NS | 680038 | THREAD LOCKER LOCTITE #243 / BLUE / 50ml | AR | |
| 25 | 5001178 | SCREW CAP HEX M8-1.25x60 SS BK To K-0232 | 18 | |
| 25 | 5001178 | SCREW CAP HEX M8-1.25x60 SS BK From K-0233 | 14 | |
| 25A | 5001186 | SCREW CAP HEX M8-1.25x90 SS BK From K-0233 | 4 | |
| 26 | 5001699 | WASHER BEL SPR 8.2x22x1.4 N500 | 14 | |
| 27 | 500622 | NUT PUSH RND 5/16 | 18 | |
| 28 | 507012 | BUSHING FLANGE 12MM ID x 16MM OD x 12MM | 4 | |
| 29 | 490030 | SHIM 1/8" | AR | |
| 29 | 490031 | SHIM 1/16" | AR | |
| 29 | 491713 | SHIM .025" | AR | |
| 30 | 5001931 | NUT HEXF NYRT M8-1.25 G8.8 N500 To K-0232 | 20 | |
| 30 | 5001931 | NUT HEXF NYRT M8-1.25 G8.8 N500 From K-0233 | 16 | |
| 31 | 5001692 | NUT INS FL HEX M8-1.25 0.5-3.0 SS To K-0232 | 4 | |
| 31 | 491633 | NUT PLATE 123 x 33 mm From K-0233 | 2 | |
| NS | 504340 | RIVET POP DOME OE 1/8x3/16 SS | 4 | |
| 32 | 680038 | THREAD LOCKER LOCTITE #243 / BLUE / 50ml | AR | |
| 33 | 491313 | TIGHTENING PLATE | 2 | |
| 34 | 491314 | SHIM 1/16" | 1 | |
| 34 | 491315 | SHIM 1/8" | 1 | |
| 34 | 491712 | SHIM .025" | 1 | |
| | | | | |
| 35 | 490071 | BRACKET, MOBILE FLOOR | 2 | |
| 36 | 490574 | CARRIAGE AND GUIDEWAY ASSY | 2 | |
| 37 | 490083 | STOPPER, VERTICAL RAIL | 4 | |
| 38 | 5001744 | SCREW CAP HEX M6-1.0x16 G8.8 N500 | 6 | |
| 38 | 680038 | THREAD LOCKER LOCTITE #243 / BLUE / 50ml | AR | |
| 39 | 5001608 | WASHER BEL SPR 6.2x15.0x0.7 G500 | 4 | |
| 40 | 490070 | FIXING PLATE | 2 | |
| 41 | 490072 | SUPPORT, MICRO SWITCH | 2 | |
| 42 | 060247 | SENSOR, FF PROXIMITY ASSY | 4 | |
| NS | 564176 | SWITCH PROXIMITY / S.P.D.T. / W/3 WIRES W/LED | 1 | |
| NS | 562479 | CONNECTOR / DT SERIES / PH 4C / GRAY / DEUTSCH DT04-4P-C015 | 1 | |
| NS | 562286 | PIN TERMINAL / 18-16 / DEUTSCH 0460-202-16141 | 3 | |
| NS | 562480 | SECONDARY LOCK / DT SERIES / PH 4C / DEUTSCH W4P | 1 | |
| NS | 561996 | SEALING PLUG TYPE 12 & 16 / DEUTSCH 114017 | 1 | |
| NS | 560784 | SHRINK TUBING / .250" - .080" / BLACK / ALPHA FIT-300-1/4-4B | AR | |
| 43 | 564108 | SELF MOUNTING STUD // DEUTSCH 1011-310-0205 | 4 | |
| 44 | 504013 | TIE MOUNT / 1/4" X 1/4" I.D. | 2 | |
| 45 | 504379 | RIVET POP DOME OE 3/16x1/4 SS | 2 | |
| 46 | 5001744 | SCREW CAP HEX M6-1.0x16 G8.8 N500 | 8 | |
| 47 | 5001608 | WASHER BEL SPR 6.2x15.0x0.7 G500 | 18 | |
| 48 | 5001982 | SCREW CAP HEX M6-1.0x12 SS BK | 6 | |

| | | |
|-----------------------|--------------|------------------|
| From K-0295 To P-1347 | Date:07/2024 | PAGE:VIP-2390-70 |
|-----------------------|--------------|------------------|

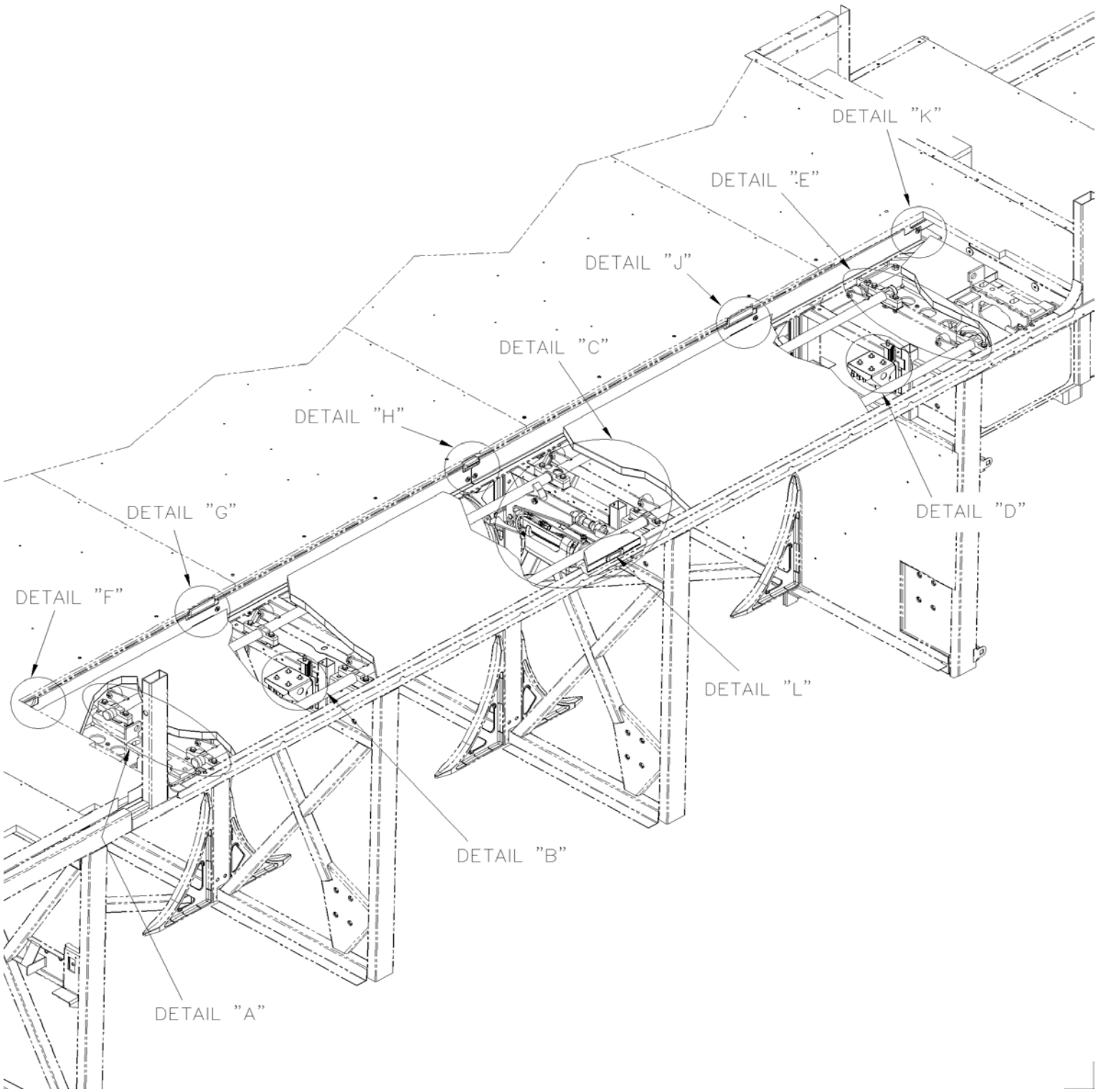
"SLIDE-OUT" - MECHANISM MOBILE FLOOR INSTALLATION / FRONT CURBSIDE

| Item# | Part | Description | QTY | Notes |
|-------|---------|--|-----|-------|
| 49 | 502681 | NUT HEX NYRT M6-1.0 N500 G8 | 4 | |
| 50 | 491673 | REINFORCMENT SLEEVE From K-0233 | 2 | |
| 51 | 067515 | WIRING HARNESS SLIDE-OUT FRONT RIGHT | 1 | |
| 52 | 509815 | TIE MOUNT / ATTACHMENT W/TREE MOUNT | AR | |
| 53 | 504637 | CABLE TIE / 3/16" x 13" | AR | |
| NS | 504273 | CABLE TIE / 1/8" X 3"1/2 | AR | |
| NS | 562679 | 4 WAY ADH. BACKED MOUNTS 1.000 x 1.000 x .160 | AR | |
| | | | | |
| 61 | 060208 | LINEAR ACTUATOR, MOBILE FLOOR ASSY | 1 | |
| 61 | 560041 | . LINEAR ACTUATOR, MOBILE FLOOR | 1 | |
| 62 | 562486 | . CONNECTOR / DT SERIES / PH 2C / GRAY / DEUTSCH DT04-2P | 1 | |
| 62 | 562481 | . PIN TERMINAL / 16-14 / DEUTSCH 0460-215-16141 | 2 | |
| 62 | 562487 | . SECONDARY LOCK / DT SERIES / PH 2C / DEUTSCH W2P | 1 | |
| 62 | 560785 | . SHRINK TUBING / .375" - .187" / BLACK / ALPHA FIT-300-3/8-4B | AR | |
| 63 | 060229 | SUPPORT WIRING ACTUATOR | 1 | |
| 63 | 564108 | SELF MOUNTING STUD // DEUTSCH 1011-310-0205 | 1 | |
| 64 | 509815 | TIE MOUNT / ATTACHMENT W/TREE MOUNT | 1 | |
| 64 | 504637 | CABLE TIE / 3/16" x 13" | 1 | |
| 65 | 504013 | TIE MOUNT / 1/4" X 1/4" I.D. | 1 | |
| 65 | 504379 | RIVET POP DOME OE 3/16x1/4 SS | 1 | |
| 66 | 5001689 | SCREW CAP HEX #8-32x1/2 SS | 2 | |
| 67 | 5001480 | NUT HEX NYRT #8-32 SS | 2 | |
| 68 | 502011 | PIN, CLEVIS 1/2 x 2 SS | 2 | |
| 69 | 5000349 | . PIN, COTTER 1/8 x 5/8 | 2 | |
| 70 | 490042 | ACTUATOR | 1 | |
| 71 | 5000318 | NUT HEX JAM M24-3.0 N500 | 1 | |
| 72 | 490060 | THREADED LINK, ACTUATOR | 1 | |
| 73 | 5000319 | NUT HEX JAM LH M24-3.0 N500 | 1 | |
| 74 | 490057 | ACTUATOR YOKE | 1 | |
| 75 | 5000320 | SCREW SHR HEXS 12x45 (M10-1.5 | 2 | |
| 76 | 502859 | NUT HEX NYRT M10-1.5 N500 | 2 | |
| 77A | 490087 | STOPPER, ACTUATOR | 1 | |
| 77B | 491298 | ACTUATOR GUIDE | 1 | |
| 78 | 5001319 | SCREW CAP HEX M8-1.25x40 SS | 1 | |
| NS | 5001740 | NUT HEX STO M8-1.25 N500 | 1 | |
| 79 | 502851 | NUT HEX M8-1.25 N500 | 1 | |
| 80 | 5001738 | SCREW CAP HEX M8-1.25x30 G8.8 N500 | 4 | |
| 81 | 500381 | WASHER FL 8.4x25.0x2.0 N500 | 2 | |
| 82 | 470509 | DECAL "CAUTION MOBILE FLOOR MUST BE...." | 1 | |
| 83 | 476130 | DECAL " KEEP HANDS & FINGERS AWAY.." | 1 | |
| | | | | |
| 85 | 490669 | PROTECTOR PANEL FRONT To L-1092 | 1 | |

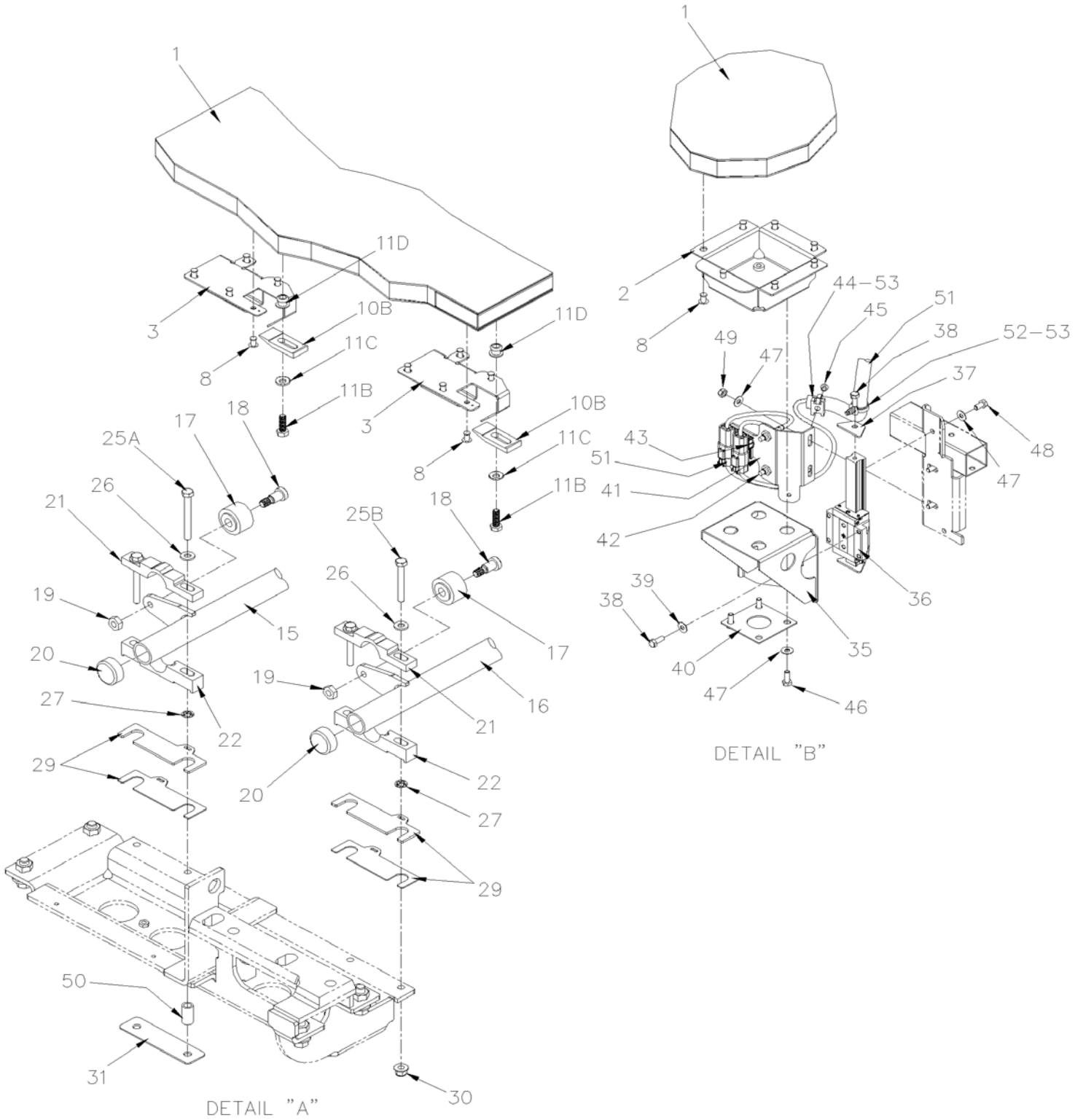
| | | |
|---|--------------|------------------|
| From K-0295 To P-1347 | Date:07/2024 | PAGE:VIP-2390-70 |
| "SLIDE-OUT" - MECHANISM MOBILE FLOOR INSTALLATION / FRONT CURBSIDE | | |

| Item# | Part | Description | QTY | Notes |
|-------|---------|--|-----|-------|
| 85 | 491949 | PROTECTOR PANEL FRONT From L-1093 | 1 | |
| 86 | 490577 | PROTECTOR PANEL REAR To L-1092 | 1 | |
| 86 | 491947 | PROTECTOR PANEL REAR From L-1093 | 1 | |
| 87 | 5001961 | SCREW MA FL PH M6-1.0x20 Z050 | 6 | |
| NS | 680038 | THREAD LOCKER LOCTITE #243 / BLUE / 50ml | 1 | |
| 88 | 5001448 | WASHER FL .343x.875x.062 SS18-8 | 6 | |
| 89 | 5001344 | NUT INS FL HEX M6-1.0 0.5-3.0 SS | 2 | |
| 90 | 491257 | STOPPER HORIZONTAL, EXTENSION To L-0822 | 2 | |
| 90 | 491796 | STOPPER HORIZONTAL, EXTENSION From L-0823 To N-1205 | 2 | |
| 90 | 492099 | STOPPER HORIZONTAL, EXTENSION From N-1206 | 2 | |
| 91A | 5001931 | NUT HEXF NYRT M8-1.25 G8.8 N500 To N-1205 | 4 | |
| 91A | 5001930 | NUT HEXF NYRT M10-1.5 N500 G10.9 From N-1206 | 4 | |
| 91B | 500381 | WASHER FL 8.4x25.0x2.0 N500 From L-0808 To M-1127 | 4 | |
| 91B | 5001443 | WASHER FL 10.3x38.0x3.0 SS From M-1128 | 4 | |
| 92 | 490232 | TIGHTENING PLATE To L-0807 | 2 | |
| 93 | 491260 | GRIPPING DISC 3/8" To N-1205 | 4 | |
| 94 | 491256 | MID STOPPER OF FLOOR | 1 | |
| 95 | 491297 | STOPPER PLATE VERTICAL | 2 | |
| 96 | 5001931 | NUT HEXF NYRT M8-1.25 G8.8 N500 | 2 | |
| | | | | |
| | | | | |
| | | | | |
| | | P) CALL ORDER DESK FOR SPECIFIC APPLICATION (V.I.N.) | | |

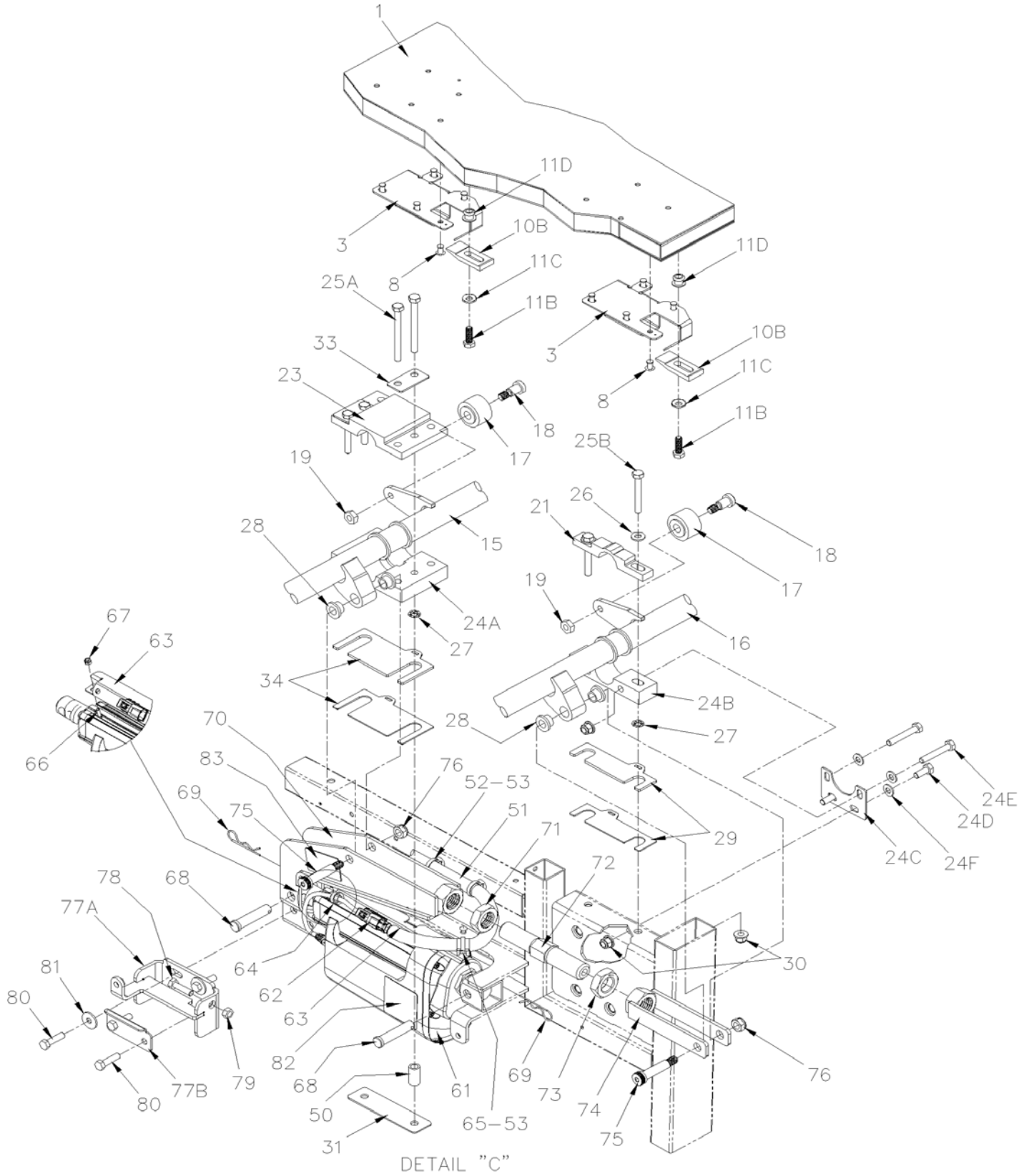
| | | |
|--|--------------|------------------|
| | Date:07/2024 | PAGE:VIP-2390-71 |
| "SLIDE-OUT" - MECHANISM MOBILE FLOOR INSTALLATION / FRONT CURBSIDE | | |



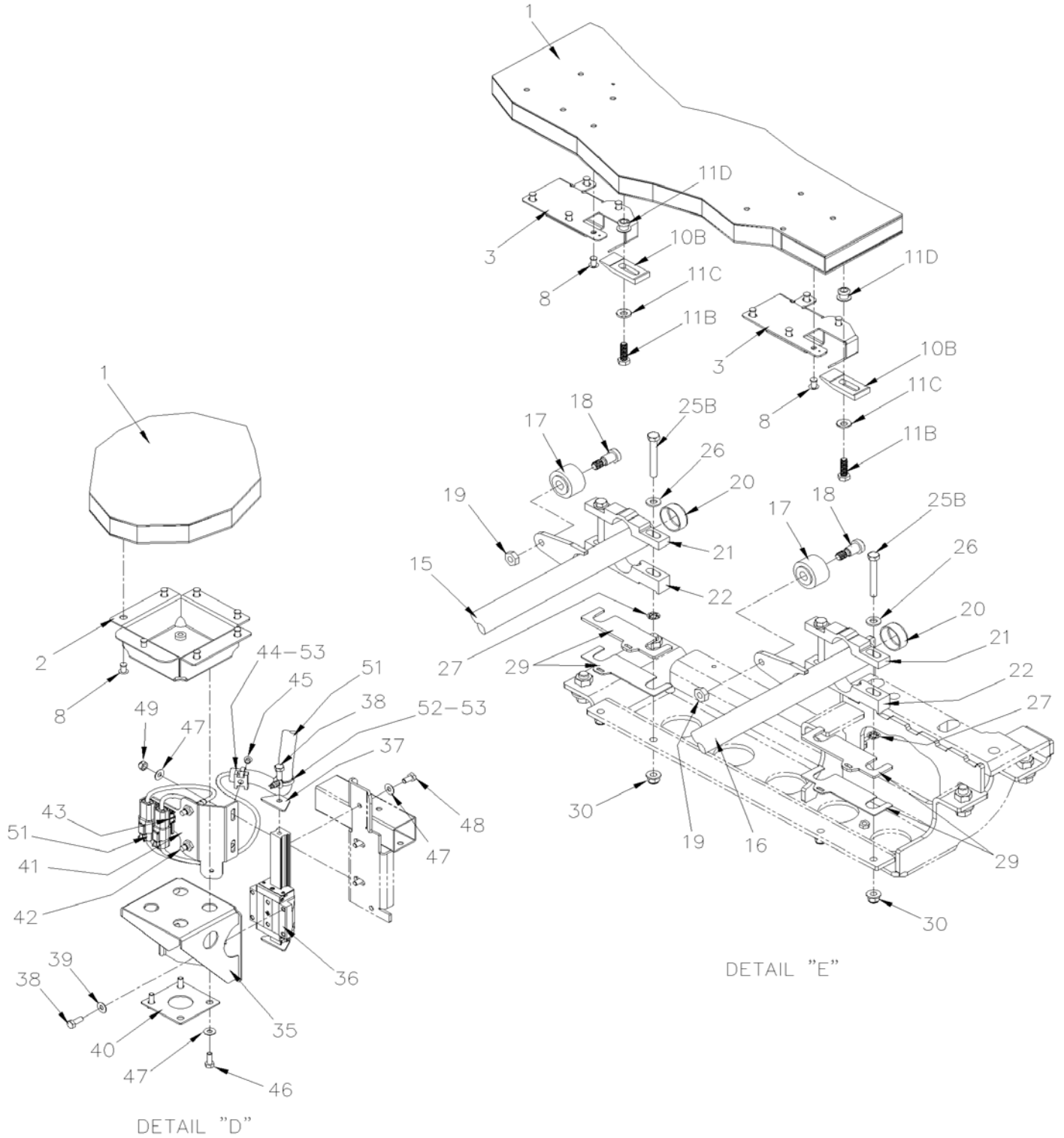
| | | |
|--|--------------|------------------|
| | Date:07/2024 | PAGE:VIP-2390-71 |
| "SLIDE-OUT" - MECHANISM MOBILE FLOOR INSTALLATION / FRONT CURBSIDE | | |



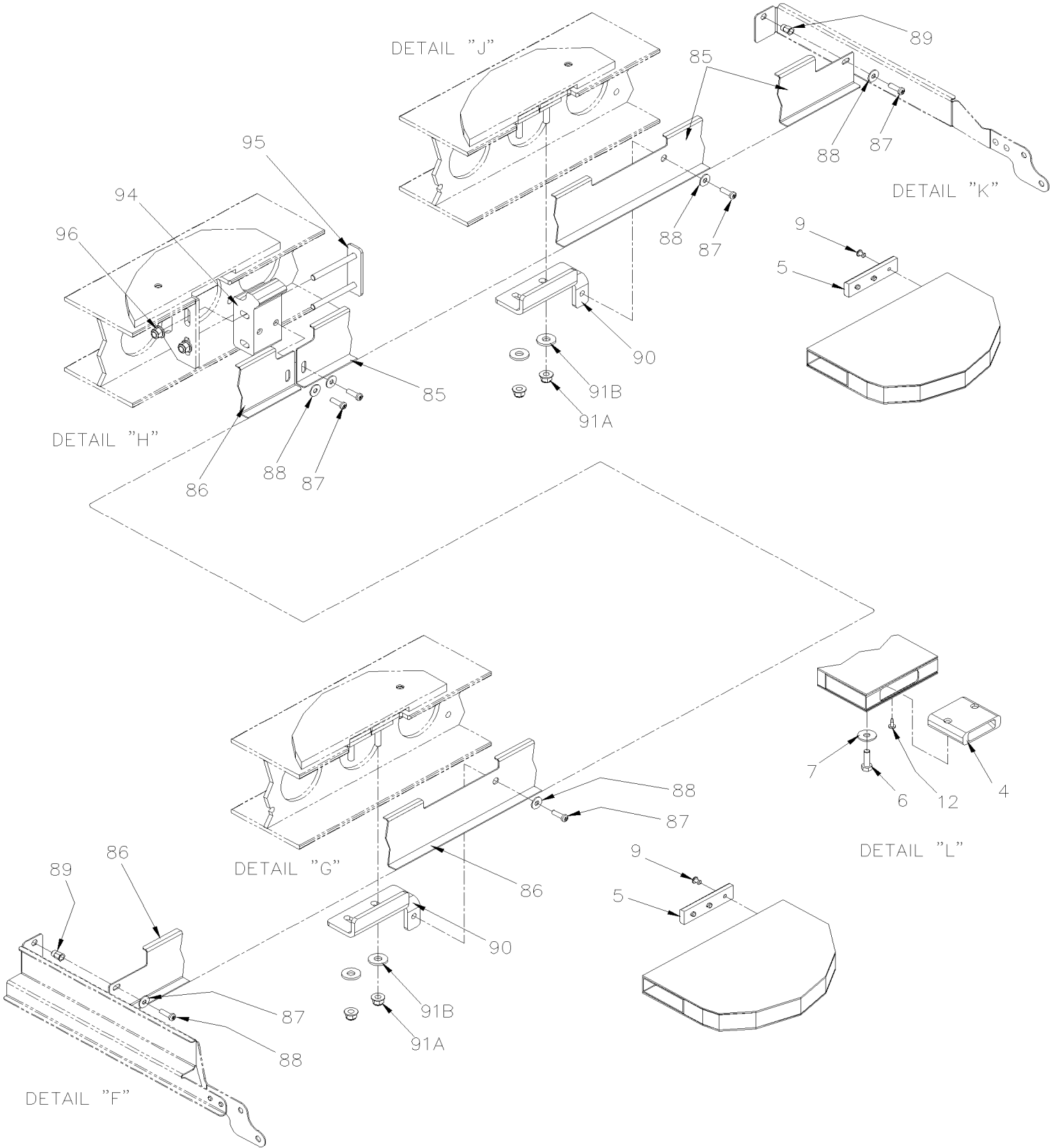
| | | |
|--|--------------|------------------|
| | Date:07/2024 | PAGE:VIP-2390-71 |
| "SLIDE-OUT" - MECHANISM MOBILE FLOOR INSTALLATION / FRONT CURBSIDE | | |



| | | |
|--|--------------|------------------|
| | Date:07/2024 | PAGE:VIP-2390-71 |
| "SLIDE-OUT" - MECHANISM MOBILE FLOOR INSTALLATION / FRONT CURBSIDE | | |



| | | |
|---|--------------|------------------|
| | Date:07/2024 | PAGE:VIP-2390-71 |
| "SLIDE-OUT" - MECHANISM MOBILE FLOOR INSTALLATION / FRONT CURBSIDE | | |



| | | | |
|---|--|--------------|------------------|
| | | Date:07/2024 | PAGE:VIP-2390-71 |
| "SLIDE-OUT" - MECHANISM MOBILE FLOOR INSTALLATION / FRONT CURBSIDE | | | |

| Item# | Part | Description | QTY | Notes |
|-------|-----------------|---|-----|-------|
| 1 | Call order desk | MOBILE FLOOR ASSY | 1 | P |
| 1 | 3211667 | . MOBILE FLOOR | 1 | |
| 2 | 490110 | . BRACKET, MOBILE FLOOR GUIDE | 2 | |
| 3 | 491965 | . GUIDE WHEEL, MOBILE FLOOR | 8 | |
| 4 | 490228 | . SOCKET, STOPPER VERTICAL MOVABLE FLOOR | 1 | |
| 5 | 491832 | . STOPPER, EXTENSION FLOOR | 2 | |
| 6 | 502780 | . SCREW CAP HEX M8-1.25x25 SS BK | 2 | |
| 7 | 500381 | . WASHER FL 8.4x25.0x2.0 N500 | 2 | |
| 8 | 504459 | . RIVET MGLP PRDG 1/4x3/8 SS | AR | |
| 9 | 504487 | . RIVET MGLP PRDG 3/16x7/16 SS | 6 | |
| 10B | 491964 | . ADJUSTMENT WEDGE | 8 | |
| 11B | 5001738 | . SCREW CAP HEX M8-1.25x30 G8.8 N500 | 8 | |
| 11C | 500321 | . WASHER BEL SPR .331x.827x.098 N500 | 8 | |
| 11D | 5002013 | . RIVET NUT FL KNURLED OKS M8-1.25 3.8-7.9 ZP | 8 | |
| 12 | 500952 | SCREW TP BDG PH #8x1/2 SS | 1 | |
| | | | | |
| 15 | 491290 | SHAFT, MOBILE FLOOR | 1 | |
| 16 | 491290 | SHAFT, MOBILE FLOOR | 1 | |
| 17 | 492034 | WHEEL, MOBILE FLOOR | 8 | |
| 18 | 5000315 | SCREW SHR HEXS 12x16 (M10-1.5 SS | 8 | |
| 19 | 502567 | NUT HEX M10-1.5 SS | 8 | |
| 20 | 504027 | CAP, MOBILE FLOOR | 4 | |
| 21 | 491291 | FLANGE UPPER, MOBILE FLOOR | 7 | |
| 22 | 491289 | FLANGE LOWER, MOBILE FLOOR | 6 | |
| NS | 683652 | GREASE SYNTHETIC / RED BOX 50 TUBE | AR | |
| 23 | 491293 | FLANGE UPPER, MOBILE FLOOR | 1 | |
| 24A | 491292 | FLANGE LOWER, MOBILE FLOOR | 1 | |
| 24B | 491316 | FLANGE LOWER, MOBILE FLOOR | 1 | |
| 24C | 491317 | BRACE PILLOW BLOC EXTERNAL | 1 | |
| 24D | 502862 | SCREW CAP HEX M8-1.25x20 G8.8 N500 | 2 | |
| 24E | 502927 | SCREW CAP HEX M8-1.25x50 G8.8 N500 | 2 | |
| 24F | 5001341 | WASHER FL 8.4x17.0x1.6 SS | 4 | |
| NS | 680038 | THREAD LOCKER LOCTITE #243 / BLUE / 50ml | AR | |
| 25A | 5001186 | SCREW CAP HEX M8-1.25x90 SS BK | 4 | |
| 25B | 5001178 | SCREW CAP HEX M8-1.25x60 SS BK | 14 | |
| 26 | 5001699 | WASHER BEL SPR 8.2x22x1.4 N500 | 14 | |
| 27 | 500622 | NUT PUSH RND 5/16 | 18 | |
| 28 | 507012 | BUSHING FLANGE 12MM ID x 16MM OD x 12MM | 4 | |
| 29 | 490030 | SHIM 1/8" | AR | |
| 29 | 490031 | SHIM 1/16" | AR | |
| 29 | 491713 | SHIM .025" | AR | |
| 30 | 5001931 | NUT HEXF NYRT M8-1.25 G8.8 N500 | 16 | |

| | | |
|--|--------------|------------------|
| | Date:07/2024 | PAGE:VIP-2390-71 |
|--|--------------|------------------|

"SLIDE-OUT" - MECHANISM MOBILE FLOOR INSTALLATION / FRONT CURBSIDE

| Item# | Part | Description | QTY | Notes |
|-------|---------|--|-----|-------|
| 31 | 491633 | NUT PLATE 123 x 33 mm | 2 | |
| NS | 504340 | RIVET POP DOME OE 1/8x3/16 SS | 4 | |
| 33 | 491313 | TIGHTENING PLATE | 2 | |
| 34 | 491314 | SHIM 1/16" | 1 | |
| 34 | 491315 | SHIM 1/8" | 1 | |
| 34 | 491712 | SHIM .025" | 1 | |
| | | | | |
| 35 | 490071 | BRACKET, MOBILE FLOOR | 2 | |
| 36 | 490574 | CARRIAGE AND GUIDEWAY ASSY | 2 | |
| 37 | 490083 | STOPPER, VERTICAL RAIL | 4 | |
| 38 | 5001744 | SCREW CAP HEX M6-1.0x16 G8.8 N500 | 6 | |
| 38 | 680038 | THREAD LOCKER LOCTITE #243 / BLUE / 50ml | AR | |
| 39 | 5001608 | WASHER BEL SPR 6.2x15.0x0.7 G500 | 4 | |
| 40 | 490070 | FIXING PLATE | 2 | |
| 41 | 490072 | SUPPORT, MICRO SWITCH | 2 | |
| 42 | 060247 | SENSOR, FF PROXIMITY ASSY | 4 | |
| . NS | 564176 | . SWITCH PROXIMITY / S.P.D.T. / W/3 WIRES W/LED | 1 | |
| . NS | 562479 | . CONNECTOR / DT SERIES / PH 4C / GRAY / DEUTSCH DT04-4P-C015 | 1 | |
| . NS | 562286 | . PIN TERMINAL / 18-16 / DEUTSCH 0460-202-16141 | 3 | |
| . NS | 562480 | . SECONDARY LOCK / DT SERIES / PH 4C / DEUTSCH W4P | 1 | |
| . NS | 561996 | . SEALING PLUG TYPE 12 & 16 / DEUTSCH 114017 | 1 | |
| . NS | 560784 | . SHRINK TUBING / .250" - .080" / BLACK / ALPHA FIT-300-1/4-4B | AR | |
| 43 | 564108 | SELF MOUNTING STUD // DEUTSCH 1011-310-0205 | 4 | |
| 44 | 504013 | TIE MOUNT / 1/4" X 1/4" I.D. | 2 | |
| 45 | 504379 | RIVET POP DOME OE 3/16x1/4 SS | 2 | |
| 46 | 5001744 | SCREW CAP HEX M6-1.0x16 G8.8 N500 | 8 | |
| 47 | 5001608 | WASHER BEL SPR 6.2x15.0x0.7 G500 | 18 | |
| 48 | 5001982 | SCREW CAP HEX M6-1.0x12 SS BK | 6 | |
| 49 | 502681 | NUT HEX NYRT M6-1.0 N500 G8 | 4 | |
| 50 | 491673 | REINFORCMENT SLEEVE | 2 | |
| 51 | 067515 | WIRING HARNESS SLIDE-OUT FRONT RIGHT | 1 | |
| 52 | 509815 | TIE MOUNT / ATTACHMENT W/TREE MOUNT | AR | |
| 53 | 504637 | CABLE TIE / 3/16" x 13" | AR | |
| NS | 504273 | CABLE TIE / 1/8" X 3"1/2 | AR | |
| NS | 562679 | 4 WAY ADH. BACKED MOUNTS 1.000 x 1.000 x .160 | AR | |
| | | | | |
| 61 | 060208 | LINEAR ACTUATOR, MOBILE FLOOR ASSY | 1 | |
| 61 | 560041 | . LINEAR ACTUATOR, MOBILE FLOOR | 1 | |
| 62 | 562486 | . CONNECTOR / DT SERIES / PH 2C / GRAY / DEUTSCH DT04-2P | 1 | |
| 62 | 562481 | . PIN TERMINAL / 16-14 / DEUTSCH 0460-215-16141 | 2 | |
| 62 | 562487 | . SECONDARY LOCK / DT SERIES / PH 2C / DEUTSCH W2P | 1 | |
| 62 | 560785 | . SHRINK TUBING / .375" - .187" / BLACK / ALPHA FIT-300-3/8-4B | AR | |

Date:07/2024

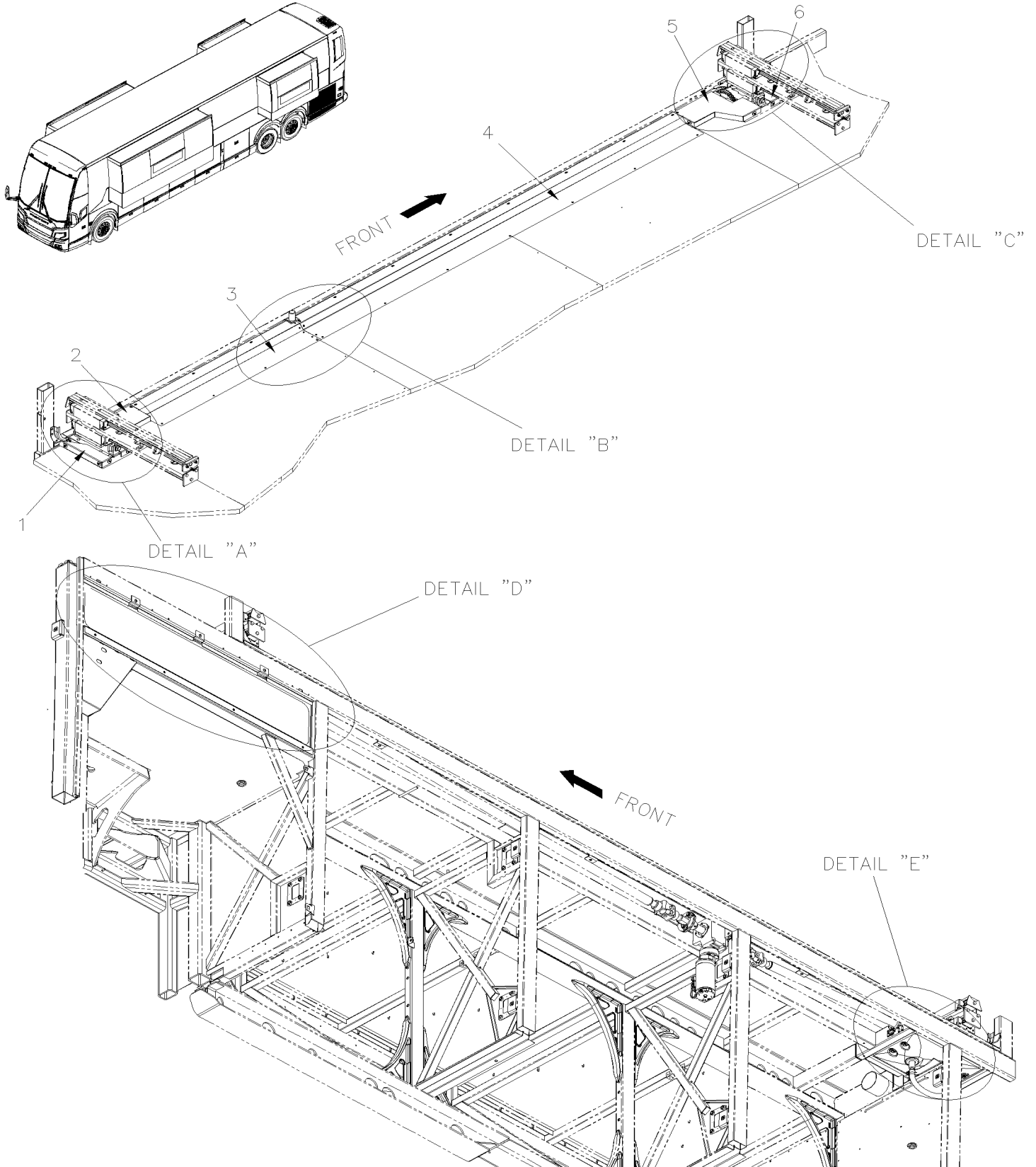
PAGE:VIP-2390-71

"SLIDE-OUT" - MECHANISM MOBILE FLOOR INSTALLATION / FRONT CURBSIDE

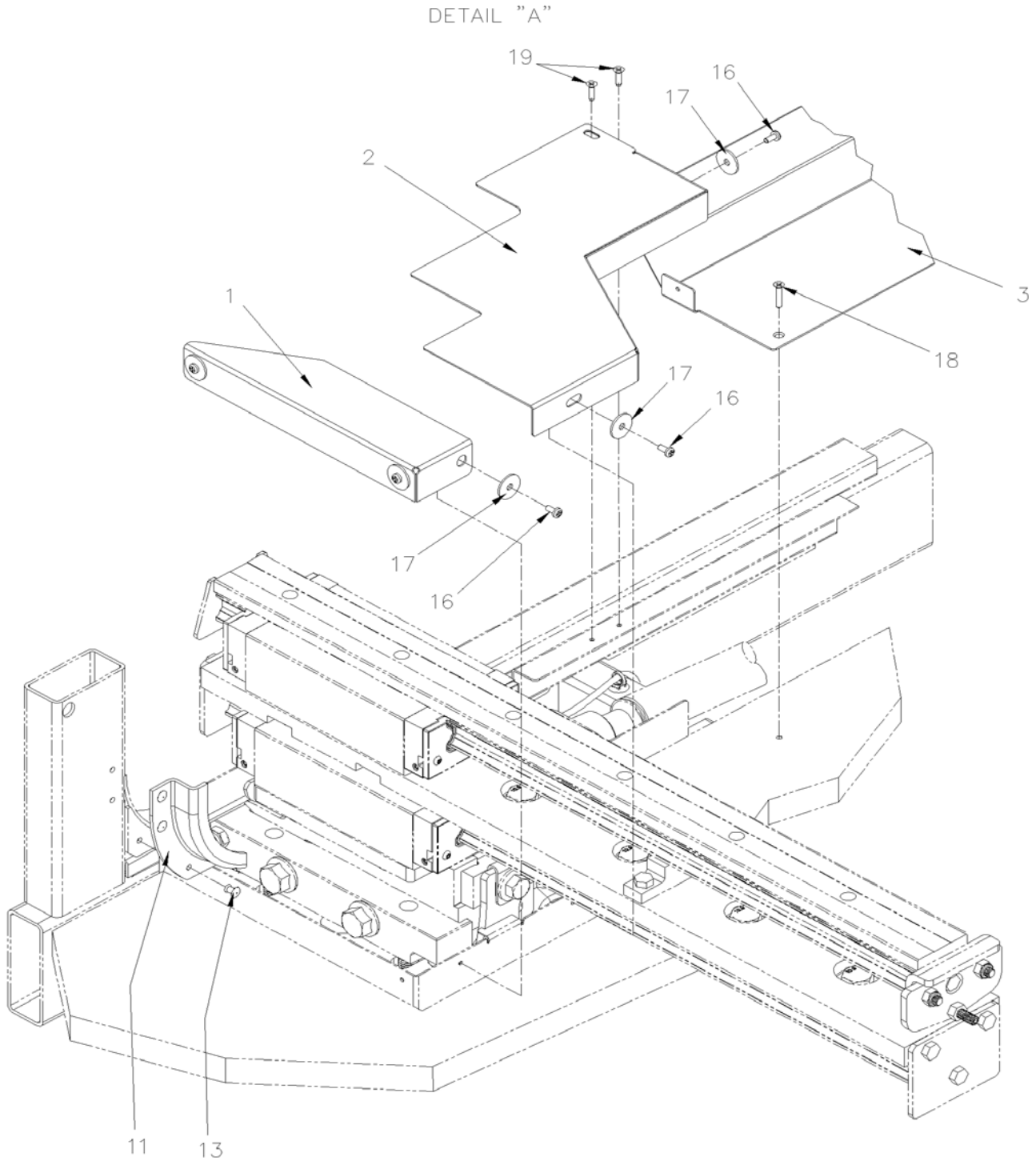
| Item# | Part | Description | QTY | Notes |
|-------|---------|---|-----|-------|
| 63 | 060229 | SUPPORT WIRING ACTUATOR | 1 | |
| 63 | 564108 | SELF MOUNTING STUD // DEUTSCH 1011-310-0205 | 1 | |
| 64 | 509815 | TIE MOUNT / ATTACHMENT W/TREE MOUNT | 1 | |
| 64 | 504637 | CABLE TIE / 3/16" x 13" | 1 | |
| 65 | 504013 | TIE MOUNT / 1/4" X 1/4" I.D. | 1 | |
| 65 | 504379 | RIVET POP DOME OE 3/16x1/4 SS | 1 | |
| 66 | 5001689 | SCREW CAP HEX #8-32x1/2 SS | 2 | |
| 67 | 5001480 | NUT HEX NYRT #8-32 SS | 2 | |
| 68 | 502011 | PIN, CLEVIS 1/2 x 2 SS | 2 | |
| 69 | 5000349 | . PIN, COTTER 1/8 x 5/8 | 2 | |
| 70 | 490042 | ACTUATOR | 1 | |
| 71 | 5000318 | NUT HEX JAM M24-3.0 N500 | 1 | |
| 72 | 490060 | THREADED LINK, ACTUATOR | 1 | |
| 73 | 5000319 | NUT HEX JAM LH M24-3.0 N500 | 1 | |
| 74 | 490057 | ACTUATOR YOKE | 1 | |
| 75 | 5000320 | SCREW SHR HEXS 12x45 (M10-1.5 | 2 | |
| 76 | 502859 | NUT HEX NYRT M10-1.5 N500 | 2 | |
| 77A | 490087 | STOPPER, ACTUATOR | 1 | |
| 77B | 491298 | ACTUATOR GUIDE | 1 | |
| 78 | 5001319 | SCREW CAP HEX M8-1.25x40 SS | 1 | |
| NS | 5001740 | NUT HEX STO M8-1.25 N500 | 1 | |
| 79 | 502851 | NUT HEX M8-1.25 N500 | 1 | |
| 80 | 5001738 | SCREW CAP HEX M8-1.25x30 G8.8 N500 | 4 | |
| NS | 680038 | THREAD LOCKER LOCTITE #243 / BLUE / 50ml | AR | |
| 81 | 500381 | WASHER FL 8.4x25.0x2.0 N500 | 2 | |
| 82 | 470509 | DECAL "CAUTION MOBILE FLOOR MUST BE...." | 1 | |
| 83 | 476130 | DECAL " KEEP HANDS & FINGERS AWAY.." | 1 | |
| | | | | |
| 85 | 491949 | PROTECTOR PANEL FRONT | 1 | |
| 86 | 491947 | PROTECTOR PANEL REAR | 1 | |
| 87 | 5001961 | SCREW MA FL PH M6-1.0x20 Z050 | 6 | |
| NS | 680038 | THREAD LOCKER LOCTITE #243 / BLUE / 50ml | 1 | |
| 88 | 5001448 | WASHER FL .343x.875x.062 SS18-8 | 6 | |
| 89 | 5001344 | NUT INS FL HEX M6-1.0 0.5-3.0 SS | 2 | |
| 90 | 492099 | STOPPER HORIZONTAL, EXTENSION | 2 | |
| 91A | 5001930 | NUT HEXF NYRT M10-1.5 N500 G10.9 | 4 | |
| 91B | 5001443 | WASHER FL 10.3x38.0x3.0 SS | 4 | |
| 94 | 491256 | MID STOPPER OF FLOOR | 1 | |
| 95 | 491297 | STOPPER PLATE VERTICAL | 2 | |
| 96 | 5001931 | NUT HEXF NYRT M8-1.25 G8.8 N500 | 2 | |
| | | | | |
| | | | | |

| | | Date:07/2024 | PAGE:VIP-2390-71 | |
|---|------|--|------------------|-------|
| "SLIDE-OUT" - MECHANISM MOBILE FLOOR INSTALLATION / FRONT CURBSIDE | | | | |
| Item# | Part | Description | QTY | Notes |
| | | | | |
| | | P) CALL ORDER DESK FOR SPECIFIC APPLICATION (V.I.N.) | | |

| | | |
|--|--------------|------------------|
| | Date:07/2024 | PAGE:VIP-2390-81 |
| ACCESS PANELS - FRONT "SLIDE-OUT" - INSTALLATION / STREET SIDE | | |

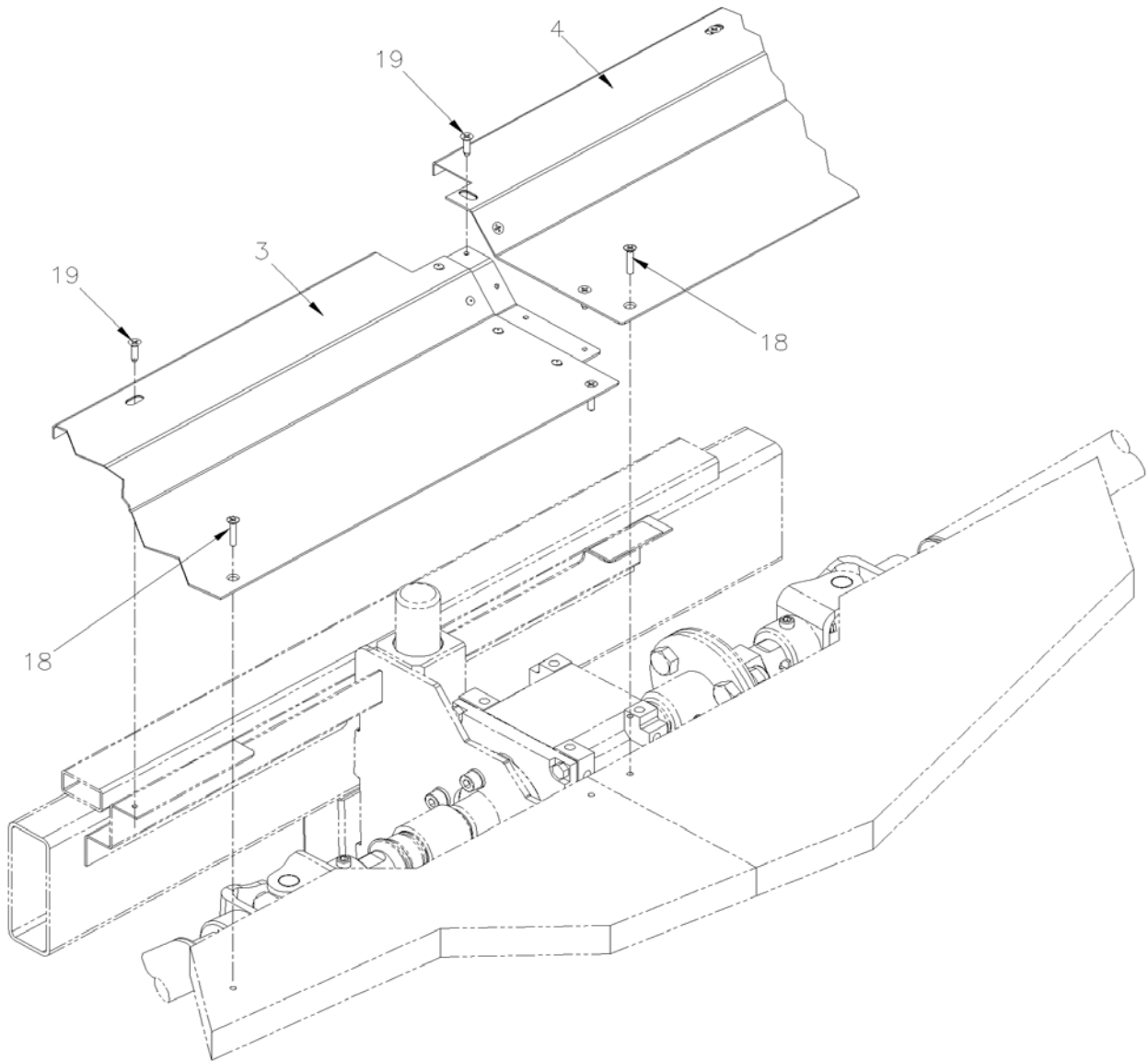


| | | |
|--|--------------|------------------|
| | Date:07/2024 | PAGE:VIP-2390-81 |
| ACCESS PANELS - FRONT "SLIDE-OUT" - INSTALLATION / STREET SIDE | | |



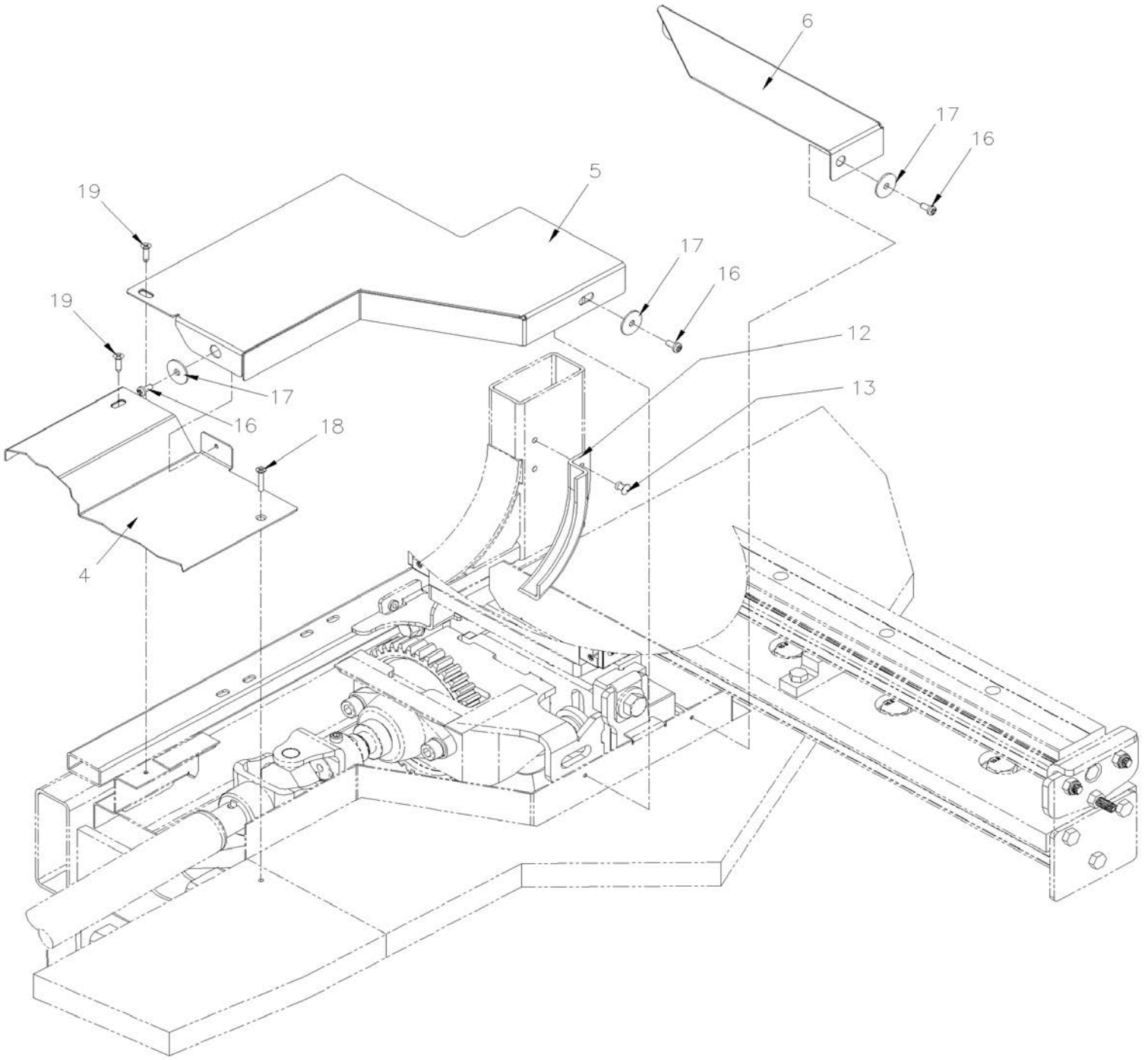
| | | |
|--|--------------|------------------|
| | Date:07/2024 | PAGE:VIP-2390-81 |
| ACCESS PANELS - FRONT "SLIDE-OUT" - INSTALLATION / STREET SIDE | | |

DETAIL "B"

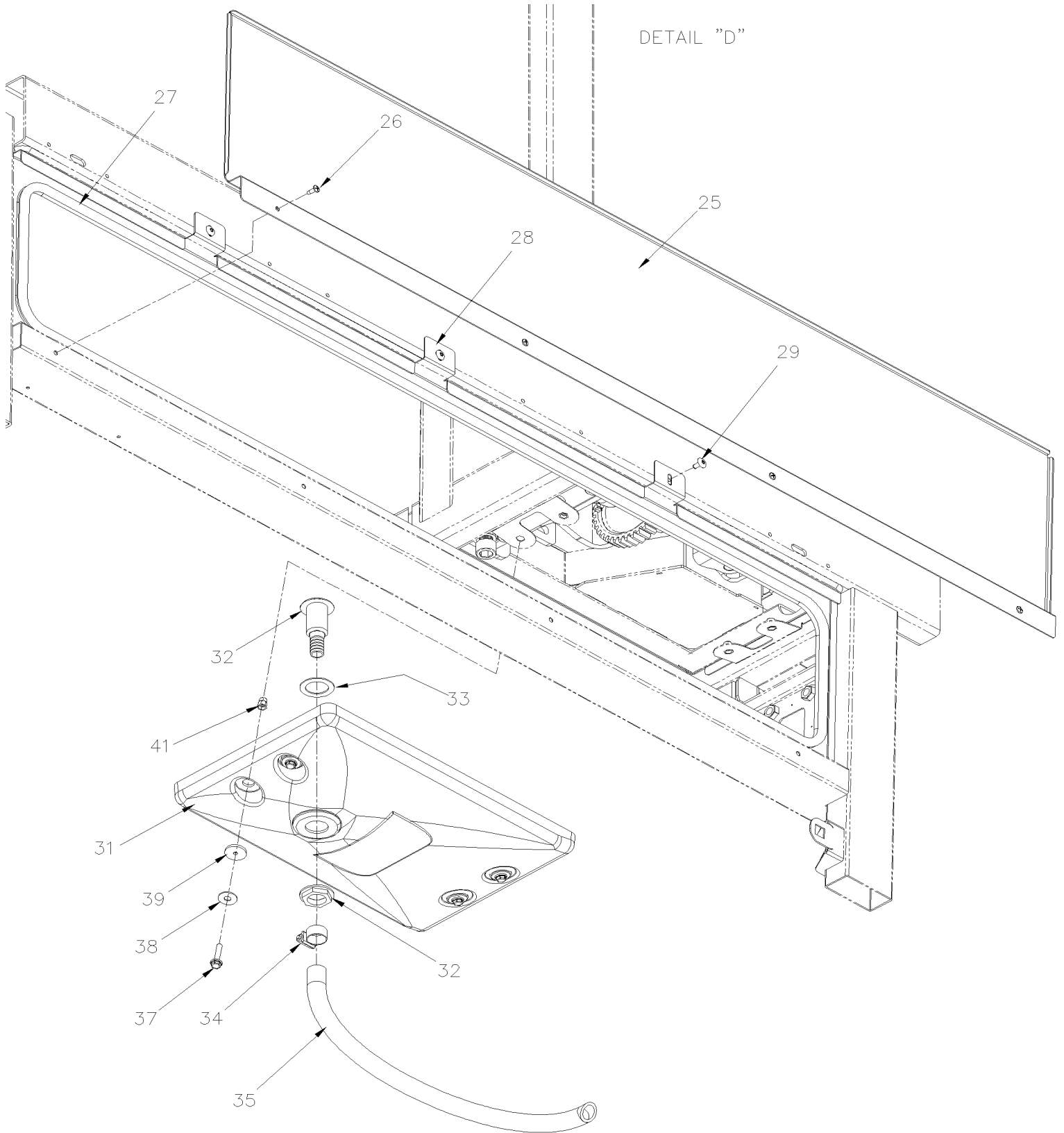


| | | |
|--|--------------|------------------|
| | Date:07/2024 | PAGE:VIP-2390-81 |
| ACCESS PANELS - FRONT "SLIDE-OUT" - INSTALLATION / STREET SIDE | | |

DETAIL "C"

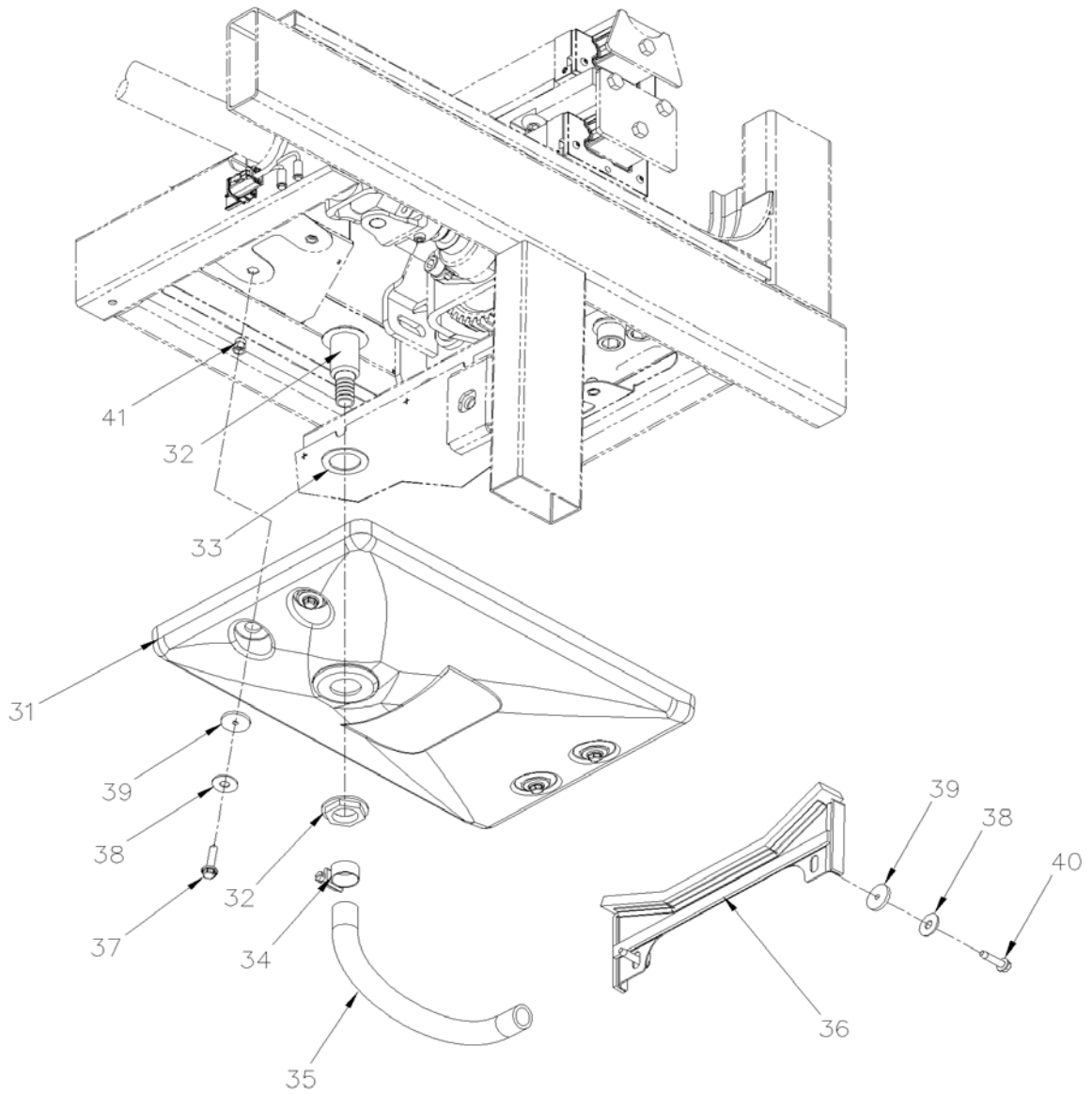


| | | |
|--|--------------|------------------|
| | Date:07/2024 | PAGE:VIP-2390-81 |
| ACCESS PANELS - FRONT "SLIDE-OUT" - INSTALLATION / STREET SIDE | | |



| | | |
|--|--------------|------------------|
| | Date:07/2024 | PAGE:VIP-2390-81 |
| ACCESS PANELS - FRONT "SLIDE-OUT" - INSTALLATION / STREET SIDE | | |

DETAIL "E"



Date:07/2024

PAGE:VIP-2390-81

ACCESS PANELS - FRONT "SLIDE-OUT" - INSTALLATION / STREET SIDE

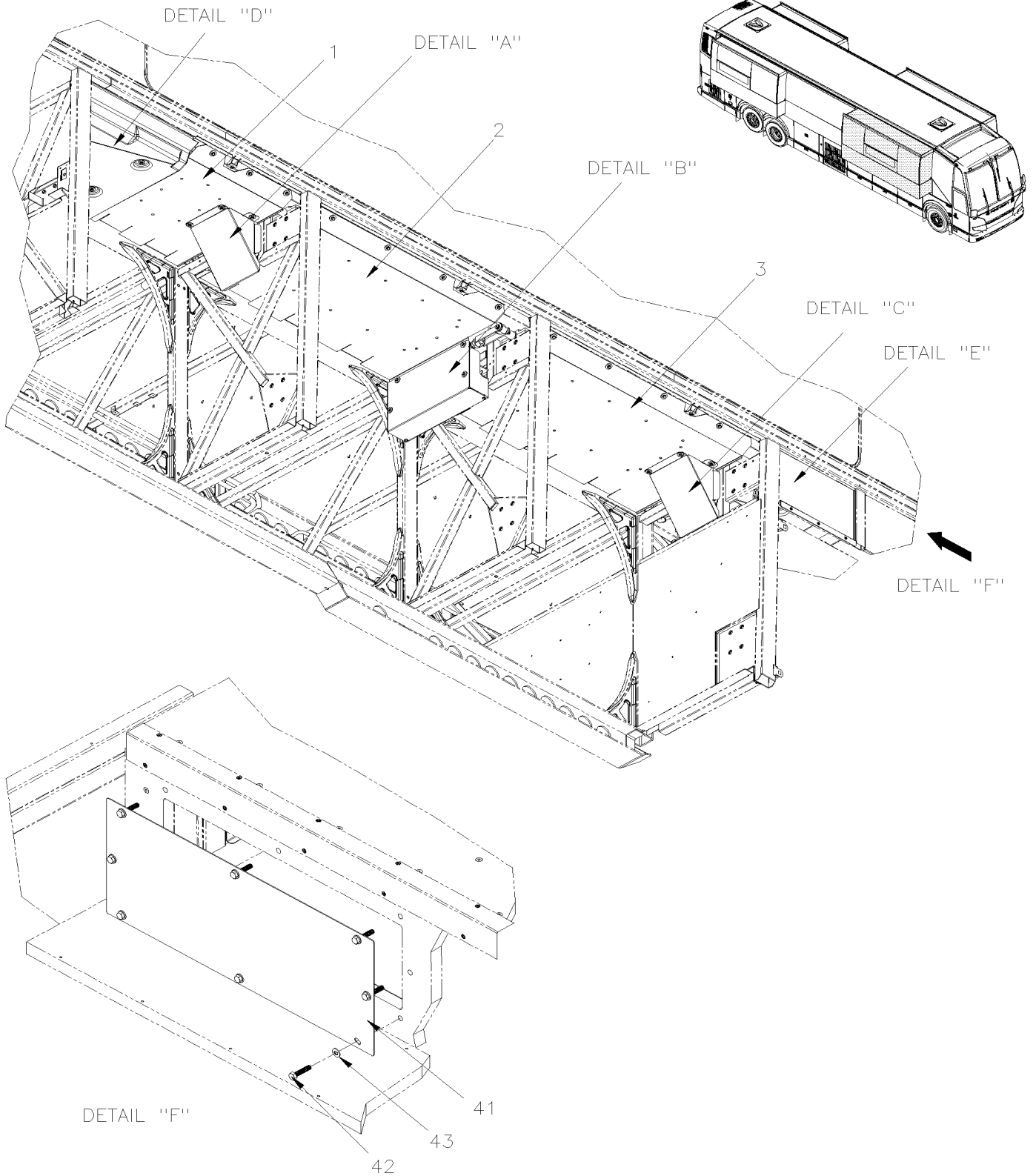
| Item# | Part | Description | QTY | Notes |
|-------|---------|--|-----|-------|
| 1 | 3210097 | PLATE PROTECTIVE SLIDE-OUT | 1 | |
| 2 | 3211601 | PLATE PROTECTIVE SLIDE-OUT To R-1772 | 1 | |
| 2 | 3201800 | PLATE PROTECTIVE SLIDE-OUT From R-1773 | 1 | |
| NS | 506227 | TAPE RUB ADH1 CC POL 1/16" x 3/4" x 100' / GREY 2520 | AR | |
| 3 | 3211607 | PLATE PROTECTIVE SLIDE-OUT To R-1772 | 1 | |
| 3 | 3201797 | PLATE PROTECTIVE SLIDE-OUT From R-1773 | 1 | |
| NS | 506227 | TAPE RUB ADH1 CC POL 1/16" x 3/4" x 100' / GREY 2520 | AR | |
| 4 | 3211606 | PLATE PROTECTIVE SLIDE-OUT To R-1772 | 1 | |
| 4 | 3201796 | PLATE PROTECTIVE SLIDE-OUT From R-1773 | 1 | |
| NS | 506227 | TAPE RUB ADH1 CC POL 1/16" x 3/4" x 100' / GREY 2520 | AR | |
| 5 | 3211602 | PLATE PROTECTIVE SLIDE-OUT To R-1772 | 1 | |
| 5 | 3201801 | PLATE PROTECTIVE SLIDE-OUT From R-1773 | 1 | |
| NS | 506227 | TAPE RUB ADH1 CC POL 1/16" x 3/4" x 100' / GREY 2520 | AR | |
| 6 | 3210045 | PLATE PROTECTIVE SLIDE-OUT | 1 | |
| | | | | |
| 11 | 477748 | GUTTER MOULDING BACKWARD | 1 | |
| 12 | 477747 | GUTTER MOULDING FORWARD | 1 | |
| 13 | 504379 | RIVET POP DOME OE 3/16x1/4 SS | 6 | |
| | | | | |
| 16 | 500799 | SCREW TC PAN PH #8-32x3/8 N500 | 10 | |
| 17 | 500805 | WASHER FL .218x.875x.062 N500 | 10 | |
| 18 | 5001349 | SCREW WO TR PH #8x7/8 | 11 | |
| 19 | 502885 | SCREW TC FL PH #8-32x5/8 N500 | AR | |
| NS | 680459 | ADHESIVE CYANOACRYLATE LOCTITE 404 Quick Set(TM) | AR | |
| 21 | 685126 | ADHESIVE SIMSON #ISR 70-03 / GREY / 600ml SAUSAGE | AR | |
| NS | 684517 | ADHESIVE SIMSON #ISR 70-03 / GREY / 310ml CARTRIDGE | AR | |
| | | | | |
| 25 | 4705119 | TRAPDOOR A/C UNIT | 1 | |
| 26 | 502868 | SCREW TC TR PH #10-16x1/2 N500 | 4 | |
| 27 | 5061121 | RUBBER SEAL | AR | |
| 28 | 218976 | PANEL SIDE FRONT LEFT | 1 | |
| 29 | 504793 | RIVET MNB OE LARGE HEAD 3/16x7/16 SS | 3 | |
| | | | | |
| 31 | 491923 | DRAINING PAN | 2 | |
| 32 | 900280 | THRU HULL, CONNECTOR / PLASTIC | 2 | |
| 33 | 409038 | GASKET | 2 | |
| 34 | 504019 | HOSE CLAMP / 9/16"-1"1/16 SS / HS-10 | 2 | |
| 35 | 900220 | TUBE PVC / 5/8" I.D. / S.L. | AR | |
| 36 | 506282 | TAPE RUB ADH1 CC POL 3/8" x 1" x 20' / GREY 2520 | AR | |
| 36 | 506071 | TAPE RUB ADH1 CC POL 1/8" x 1/2" x 50' / GREY 2520X | AR | |
| 36 | 684517 | ADHESIVE SIMSON #ISR 70-03 / GREY / 310ml CARTRIDGE | AR | |
| 36 | 491903 | CLOSING PANEL ASM | 1 | |

| | | | |
|--|--|--------------|------------------|
| | | Date:07/2024 | PAGE:VIP-2390-81 |
|--|--|--------------|------------------|

ACCESS PANELS - FRONT "SLIDE-OUT" - INSTALLATION / STREET SIDE

| Item# | Part | Description | QTY | Notes |
|-------|---------|-------------------------------------|-----|-------|
| 37 | 5001815 | SCREW CAP HEXF M6-1.0x30 G 8.8 N500 | 8 | |
| 38 | 500332 | WASHER FL .328x.875x.062 N500 | 10 | |
| 39 | 502820 | WASHER FL .187x1.000x.125 RUB BK | 10 | |
| 40 | 500266 | SCREW TC CAP HEX 1/4-20x1 N500 | 2 | |
| 41 | 5001344 | NUT INS FL HEX M6-1.0 0.5-3.0 SS | 8 | |

| | | |
|---|--------------|------------------|
| From K-0295 To P-1347 | Date:07/2024 | PAGE:VIP-2390-85 |
| ACCESS PANELS - FRONT "SLIDE-OUT" - INSTALLATION / CURBSIDE | | |

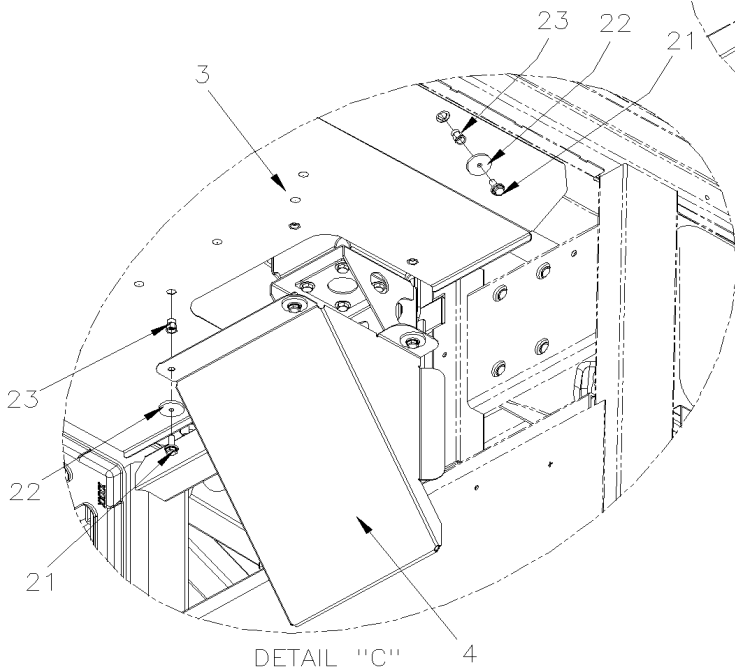
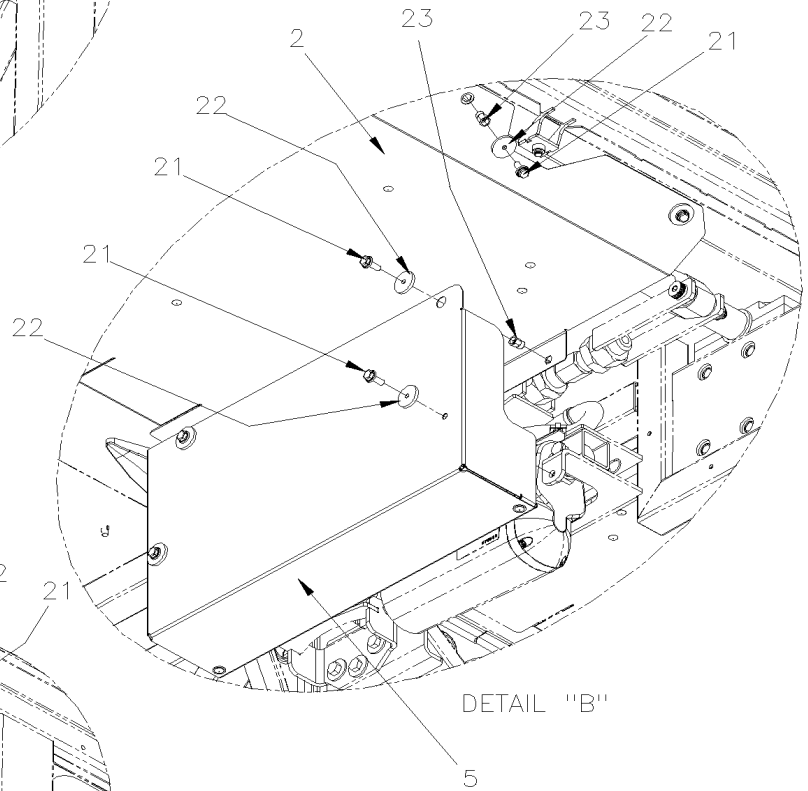
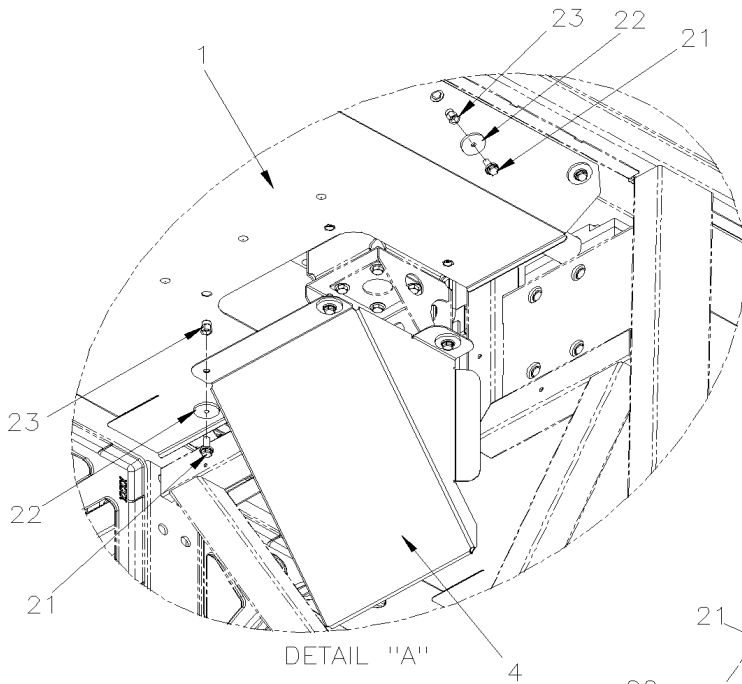


From K-0295 To P-1347

Date:07/2024

PAGE:VIP-2390-85

ACCESS PANELS - FRONT "SLIDE-OUT" - INSTALLATION / CURBSIDE

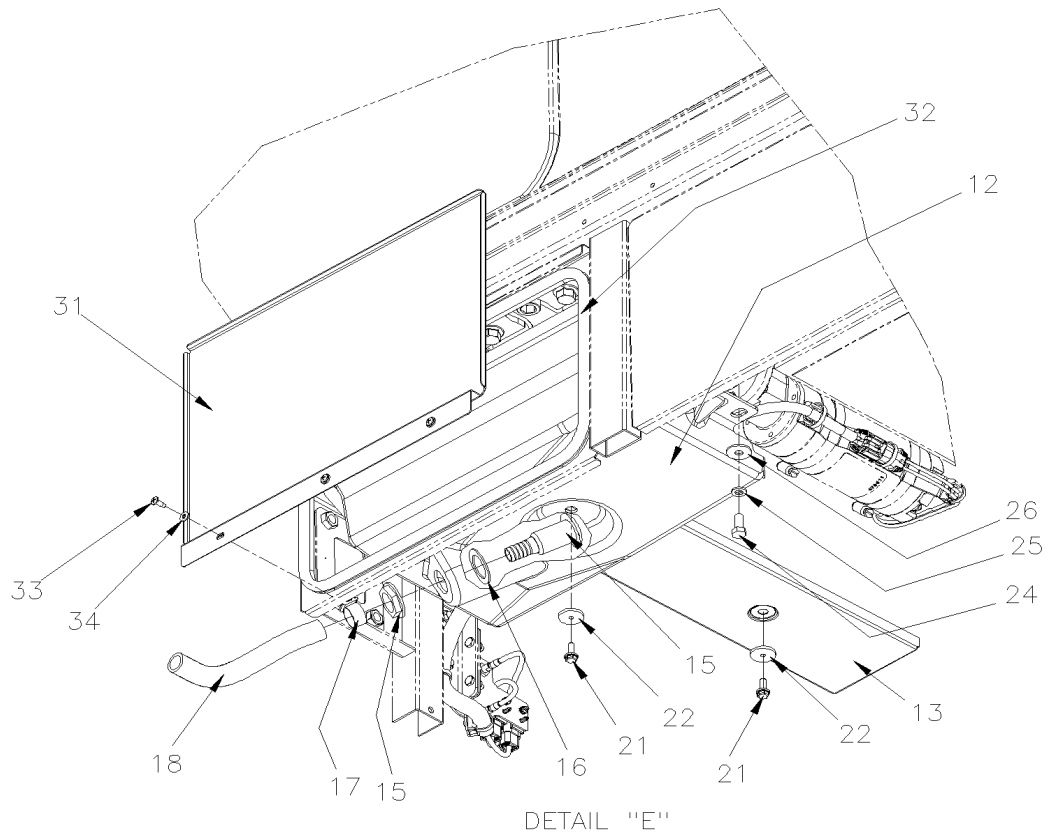
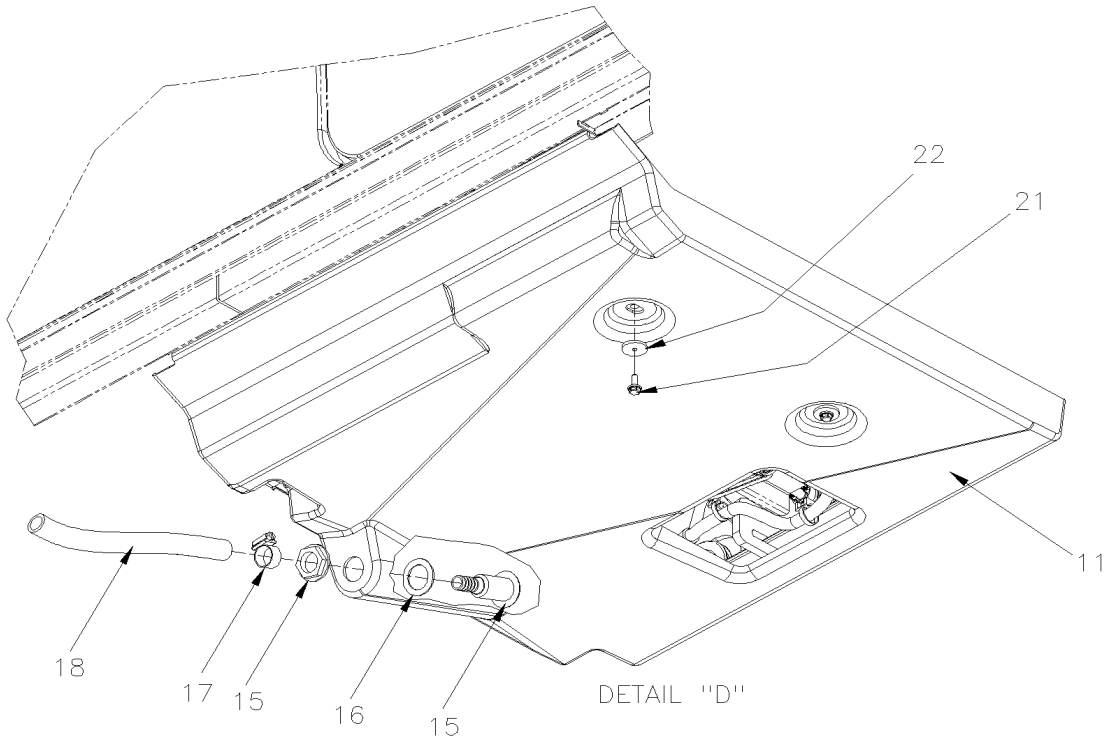


From K-0295 To P-1347

Date:07/2024

PAGE:VIP-2390-85

ACCESS PANELS - FRONT "SLIDE-OUT" - INSTALLATION / CURBSIDE

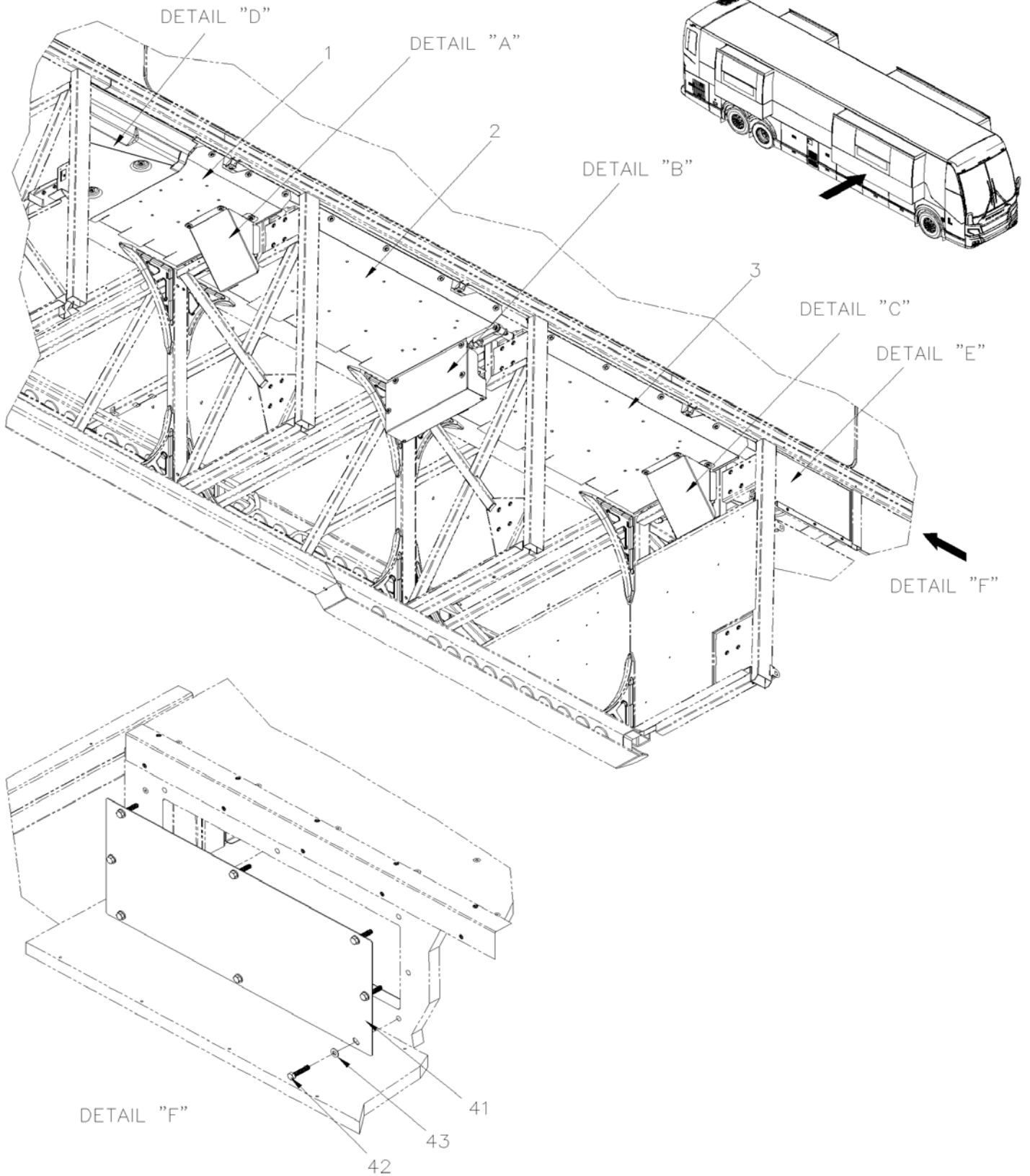


| | | |
|------------------------------|---------------------|-------------------------|
| From K-0295 To P-1347 | Date:07/2024 | PAGE:VIP-2390-85 |
|------------------------------|---------------------|-------------------------|

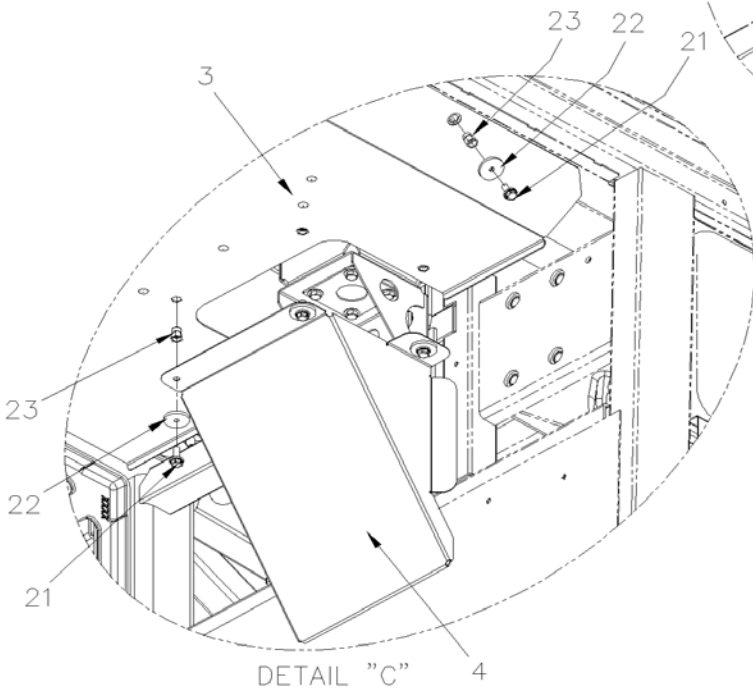
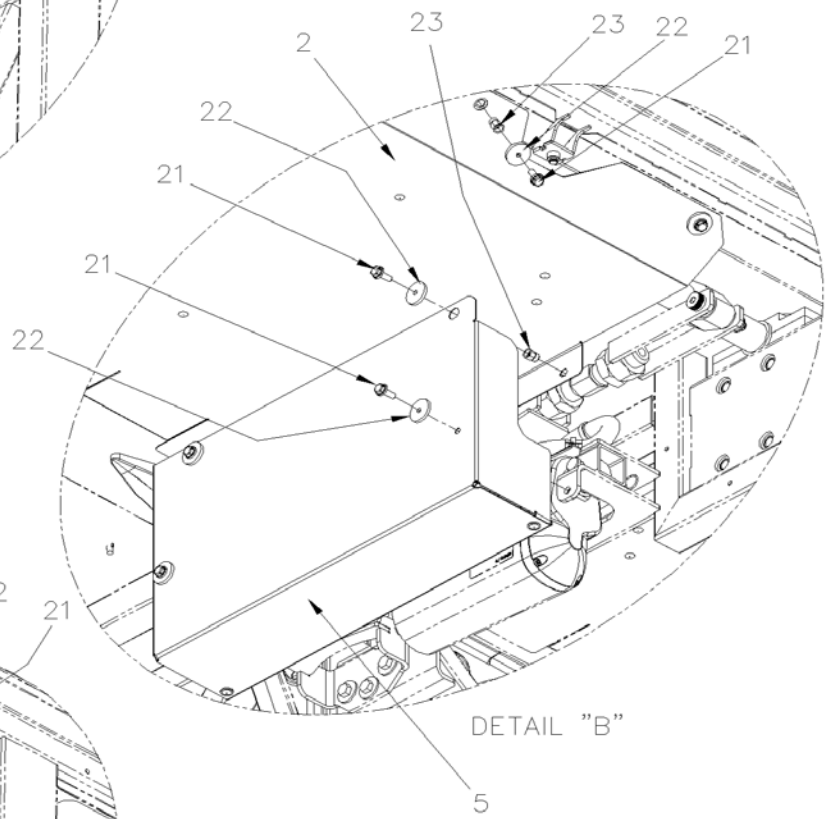
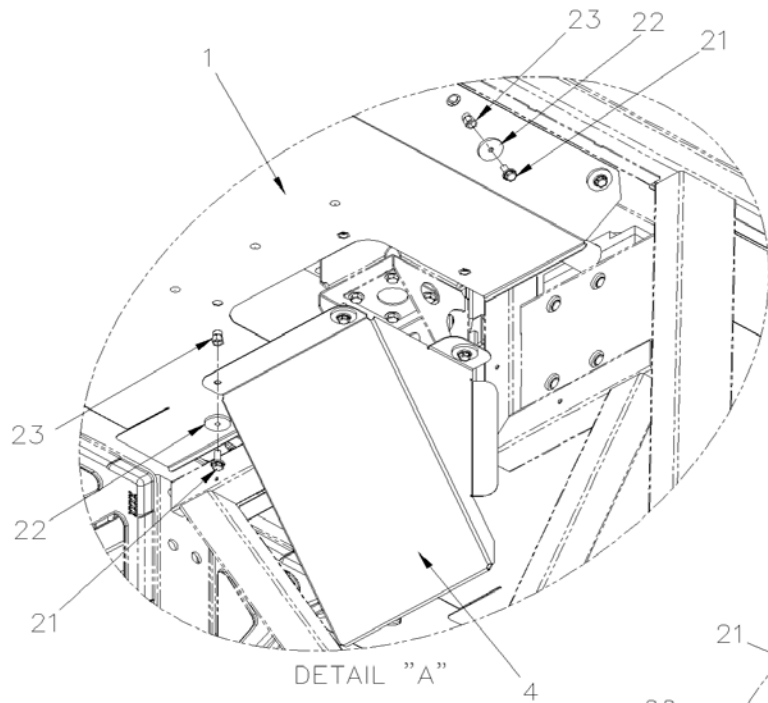
ACCESS PANELS - FRONT "SLIDE-OUT" - INSTALLATION / CURBSIDE

| Item# | Part | Description | QTY | Notes |
|-------|-----------------|---|-----|-------|
| 1 | 491266 | PANEL, LUGGAGE CEILING | 1 | |
| 2 | 491265 | PANEL, LUGGAGE CEILING | 1 | |
| 2 | 491268 | PANEL, LUGGAGE CEILING | 1 | A |
| 2 | 492108 | PANEL, LUGGAGE CEILING From N-1196 | 1 | A L |
| 3 | 491263 | PANEL, LUGGAGE CEILING | 1 | |
| 3 | 491270 | PANEL, LUGGAGE CEILING | 1 | A |
| 4 | 491342 | GUIDE PROTECTOR | 2 | |
| 5 | 491264 | ACTUATOR PROTECTOR | 1 | |
| 11 | 490512 | GUTTER TANK | 1 | |
| 12 | 490513 | GUTTER TANK | 1 | |
| 13 | 491309 | GUTTER TANK | 1 | |
| 15 | 900280 | THRU HULL, CONNECTOR / PLASTIC | 2 | |
| 16 | 409038 | GASKET | 2 | |
| 17 | 504019 | HOSE CLAMP / 9/16"-1"1/16 SS / HS-10 | 2 | |
| 18 | 900220 | TUBE PVC / 5/8" I.D. / S.L. | AR | |
| | | | | |
| 21 | 5001730 | SCREW CAP HEXF M6-1.0x16 G10.9 N500 To K-0614 | AR | |
| 21 | 5001815 | SCREW CAP HEXF M6-1.0x30 G 8.8 N500 From K-0615 | AR | |
| 22 | 500332 | WASHER FL .328x.875x.062 N500 | AR | |
| 23 | 5001344 | NUT INS FL HEX M6-1.0 0.5-3.0 SS | AR | |
| 24 | 502862 | SCREW CAP HEX M8-1.25x20 G8.8 N500 | 2 | |
| 25 | 500942 | WASHER LO SPT 8.1x14.8x2.0 N500 | 2 | |
| 26 | 500381 | WASHER FL 8.4x25.0x2.0 N500 | 2 | |
| | | | | |
| 31 | 476554 | ACCESS PANEL SIDE / AUX A/C | 1 | |
| 32 | 478242 | SEAL 1250MM | 1 | |
| 33 | 502868 | SCREW TC TR PH #10-16x1/2 N500 | 3 | |
| 34 | 500855 | WASHER FL .188x.438x.049 N500 | 3 | |
| | | | | |
| 41 | Call order desk | TRAP DOOR ASSY | 1 | P |
| 41 | 470891 | . DECAL "KEEP ACCESS TO REMOVE..." | 1 | |
| 42 | 500347 | SCREW CAP HEX 5/16-18x1 1/4 SS | 8 | |
| 43 | 5001868 | WASHER BEL SPR 8.4x18x2 SS | 8 | |
| | | | | |
| | | | | |
| | | | | |
| | | A) USE WITH LATERAL PANTOGRAPH BAGGAGE DOOR (SPECIAL REQUEST) | | |
| | | L) SPECIAL REQUEST LIBERTY COACH | | |
| | | P) CALL ORDER DESK FOR SPECIFIC APPLICATION (V.I.N.) | | |

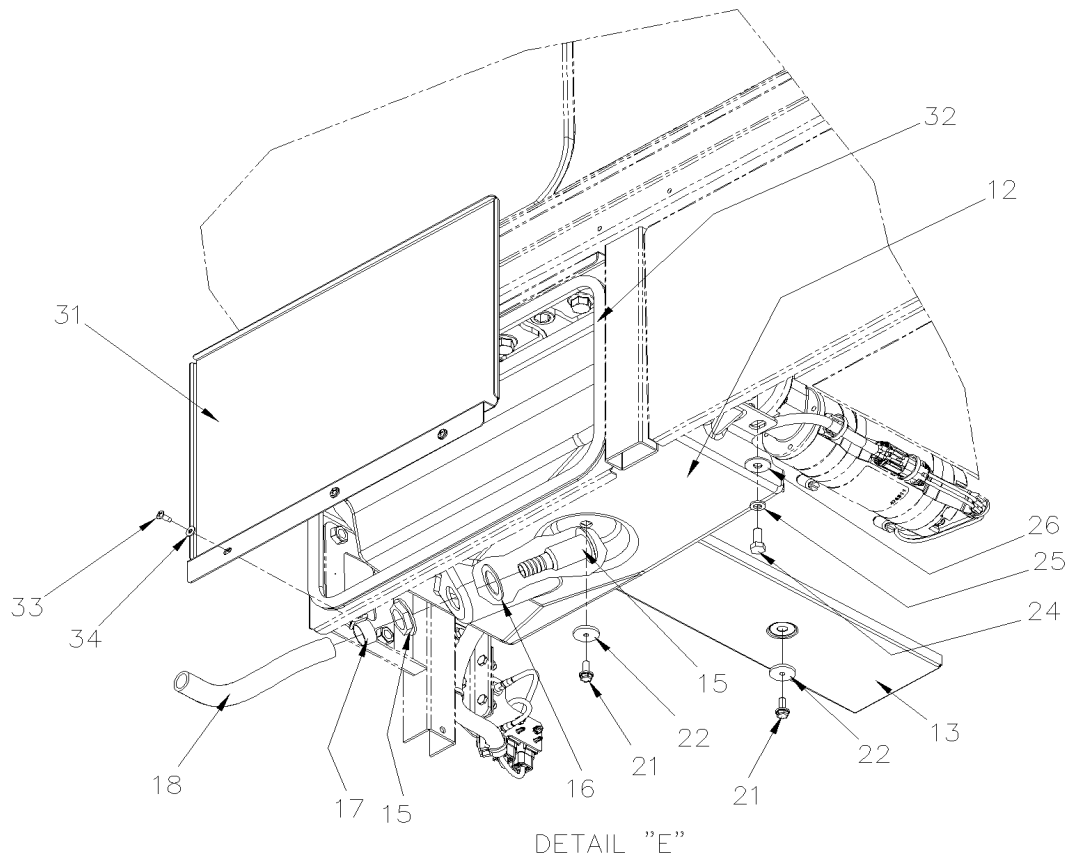
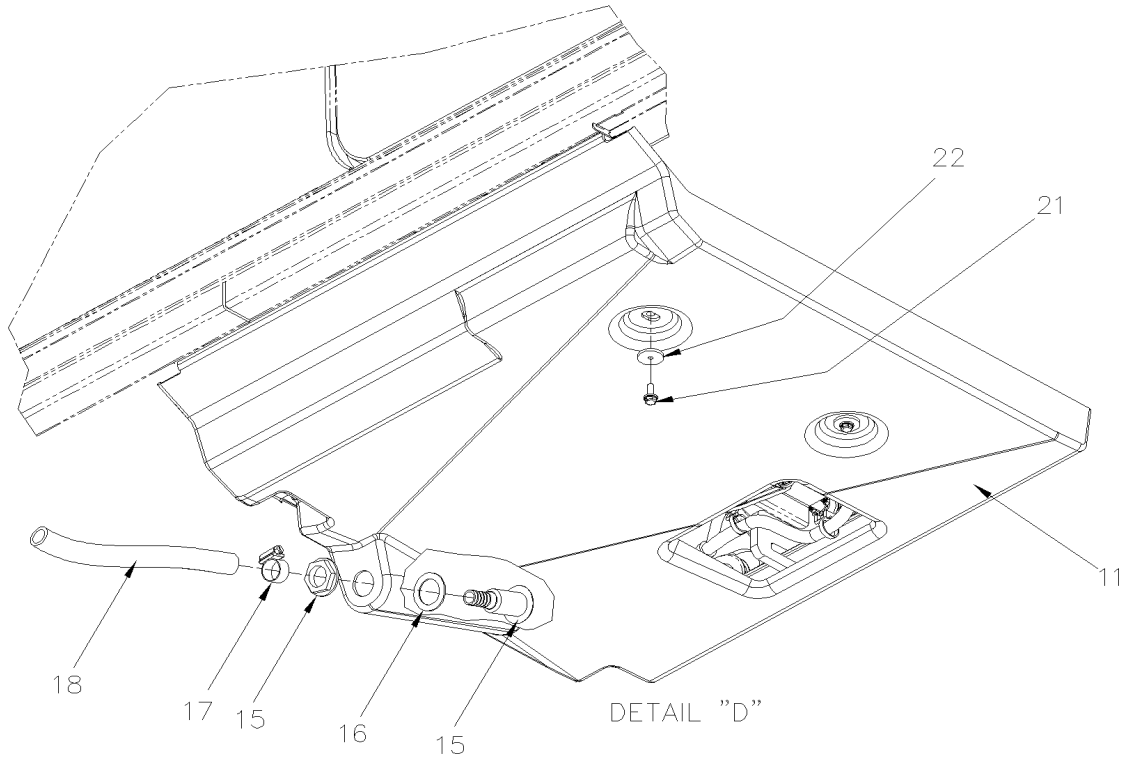
| | | |
|---|--------------|------------------|
| | Date:07/2024 | PAGE:VIP-2390-86 |
| ACCESS PANELS - FRONT "SLIDE-OUT" - INSTALLATION / CURBSIDE | | |



| | | |
|---|--------------|------------------|
| | Date:07/2024 | PAGE:VIP-2390-86 |
| ACCESS PANELS - FRONT "SLIDE-OUT" - INSTALLATION / CURBSIDE | | |



| | | |
|---|--------------|------------------|
| | Date:07/2024 | PAGE:VIP-2390-86 |
| ACCESS PANELS - FRONT "SLIDE-OUT" - INSTALLATION / CURBSIDE | | |



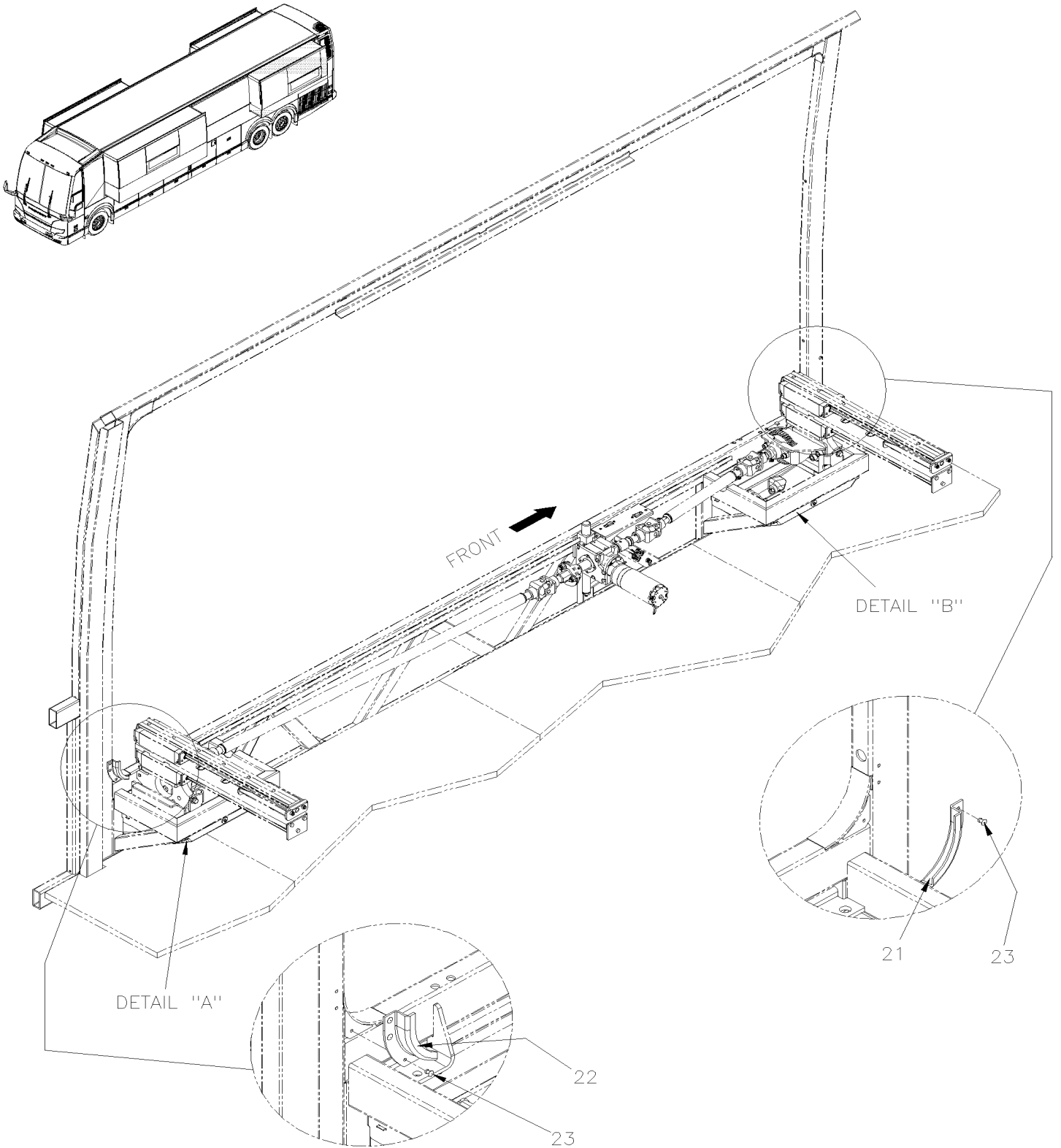
| | | Date:07/2024 | PAGE:VIP-2390-86 | |
|---|-----------------|---|------------------|-------|
| ACCESS PANELS - FRONT "SLIDE-OUT" - INSTALLATION / CURBSIDE | | | | |
| Item# | Part | Description | QTY | Notes |
| 1 | 491266 | PANEL, LUGGAGE CEILING | 1 | |
| 2 | 491265 | PANEL, LUGGAGE CEILING | 1 | |
| 2 | 491268 | PANEL, LUGGAGE CEILING | 1 | A |
| 2 | 492108 | PANEL, LUGGAGE CEILING | 1 | AL |
| 3 | 491263 | PANEL, LUGGAGE CEILING | 1 | |
| 3 | 491270 | PANEL, LUGGAGE CEILING | 1 | A |
| 4 | 491342 | GUIDE PROTECTOR | 2 | |
| 5 | 491264 | ACTUATOR PROTECTOR | 1 | |
| 11 | 490512 | GUTTER TANK | 1 | |
| 12 | 490513 | GUTTER TANK | 1 | |
| 13 | 491309 | GUTTER TANK | 1 | |
| 15 | 900280 | THRU HULL, CONNECTOR / PLASTIC | 2 | |
| 16 | 409038 | GASKET | 2 | |
| 17 | 504019 | HOSE CLAMP / 9/16"-1"1/16 SS / HS-10 | 2 | |
| 18 | 900220 | TUBE PVC / 5/8" I.D. / S.L. | AR | |
| | | | | |
| 21 | 5001815 | SCREW CAP HEXF M6-1.0x30 G 8.8 N500 | AR | |
| 22 | 500332 | WASHER FL .328x.875x.062 N500 | AR | |
| 23 | 5001344 | NUT INS FL HEX M6-1.0 0.5-3.0 SS | AR | |
| 24 | 502862 | SCREW CAP HEX M8-1.25x20 G8.8 N500 | 2 | |
| 25 | 500942 | WASHER LO SPT 8.1x14.8x2.0 N500 | 2 | |
| 26 | 500381 | WASHER FL 8.4x25.0x2.0 N500 | 2 | |
| | | | | |
| 31 | 476554 | ACCESS PANEL SIDE / AUX A/C | 1 | |
| 32 | 478242 | SEAL 1250MM | 1 | |
| 33 | 502868 | SCREW TC TR PH #10-16x1/2 N500 | 3 | |
| 34 | 500855 | WASHER FL .188x.438x.049 N500 | 3 | |
| | | | | |
| 41 | Call order desk | TRAP DOOR ASSY | 1 | P |
| 41 | 470891 | . DECAL "KEEP ACCESS TO REMOVE..." | 1 | |
| 42 | 500347 | SCREW CAP HEX 5/16-18x1 1/4 SS | 8 | |
| 43 | 5001868 | WASHER BEL SPR 8.4x18x2 SS | 8 | |
| | | | | |
| | | | | |
| | | A) USE WITH LATERAL PANTOGRAPH BAGGAGE DOOR (SPECIAL REQUEST) | | |
| | | L) SPECIAL REQUEST LIBERTY COACH | | |
| | | P) CALL ORDER DESK FOR SPECIFIC APPLICATION (V.I.N.) | | |

From K-0295 To P-1347

Date:07/2024

PAGE:VIP-2390-90

ACCESS PANELS - REAR "SLIDE-OUT" - INSTALLATION / STREET SIDE

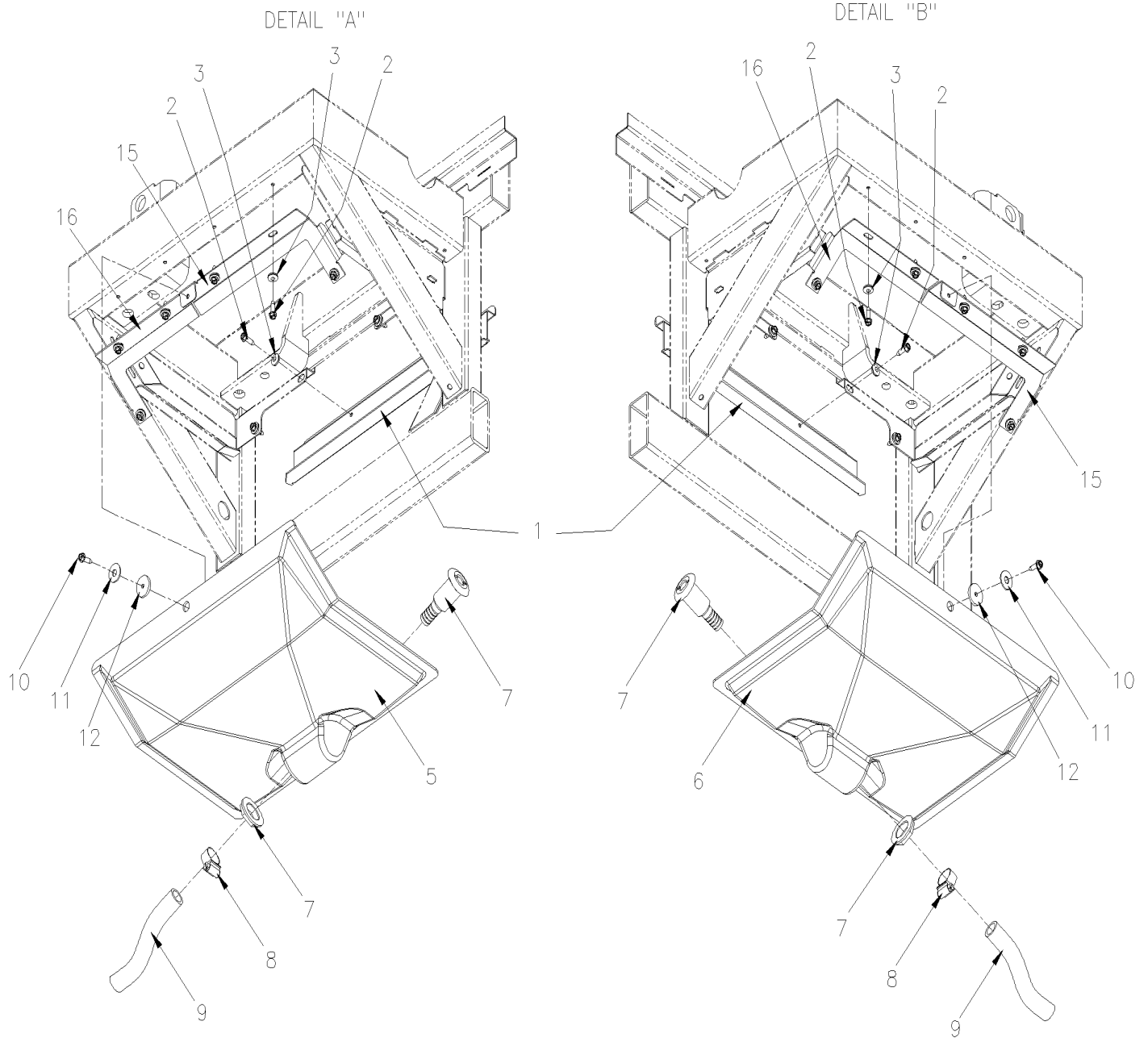


From K-0295 To P-1347

Date:07/2024

PAGE:VIP-2390-90

ACCESS PANELS - REAR "SLIDE-OUT" - INSTALLATION / STREET SIDE

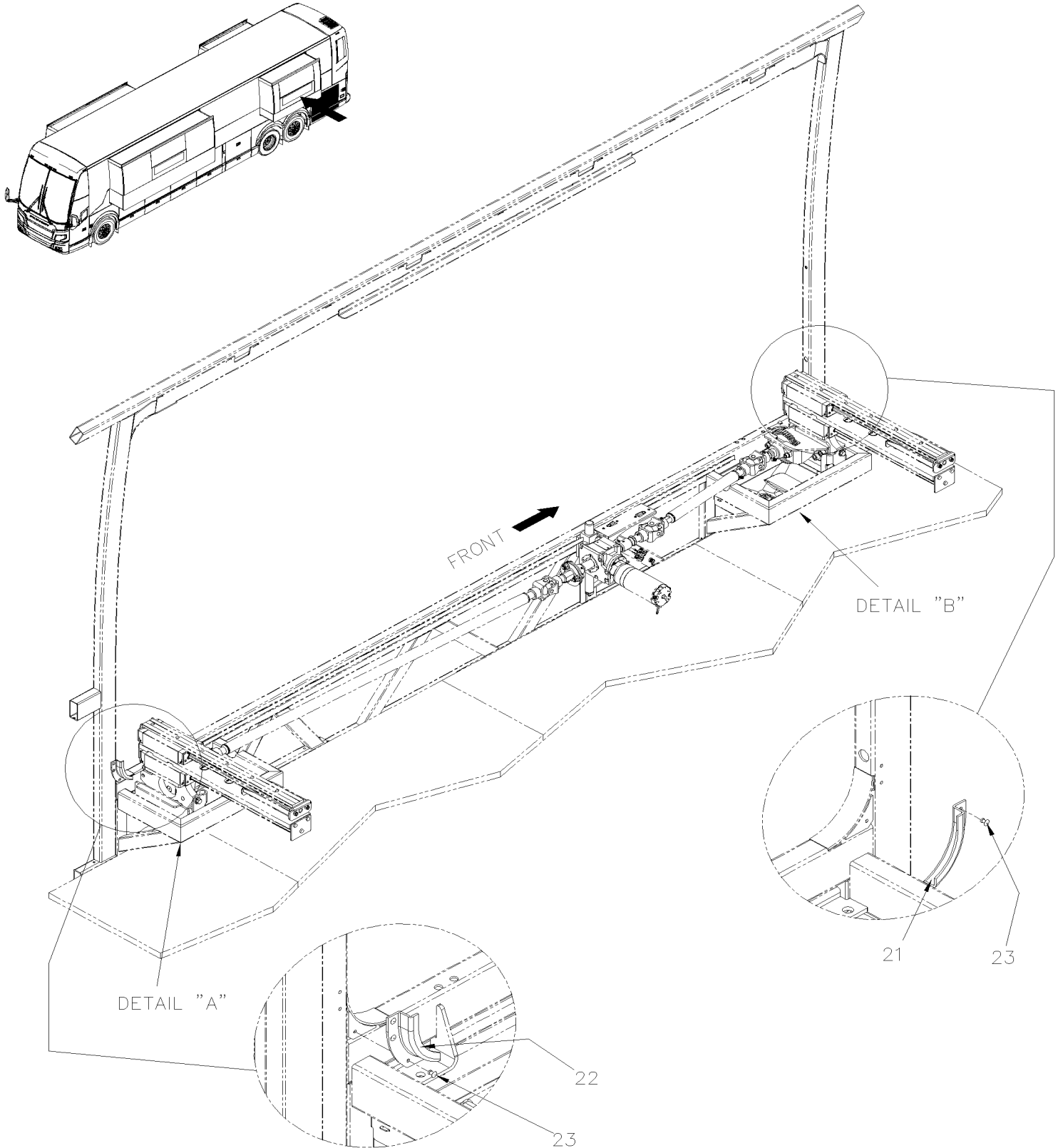


| | | |
|-----------------------|--------------|------------------|
| From K-0295 To P-1347 | Date:07/2024 | PAGE:VIP-2390-90 |
|-----------------------|--------------|------------------|

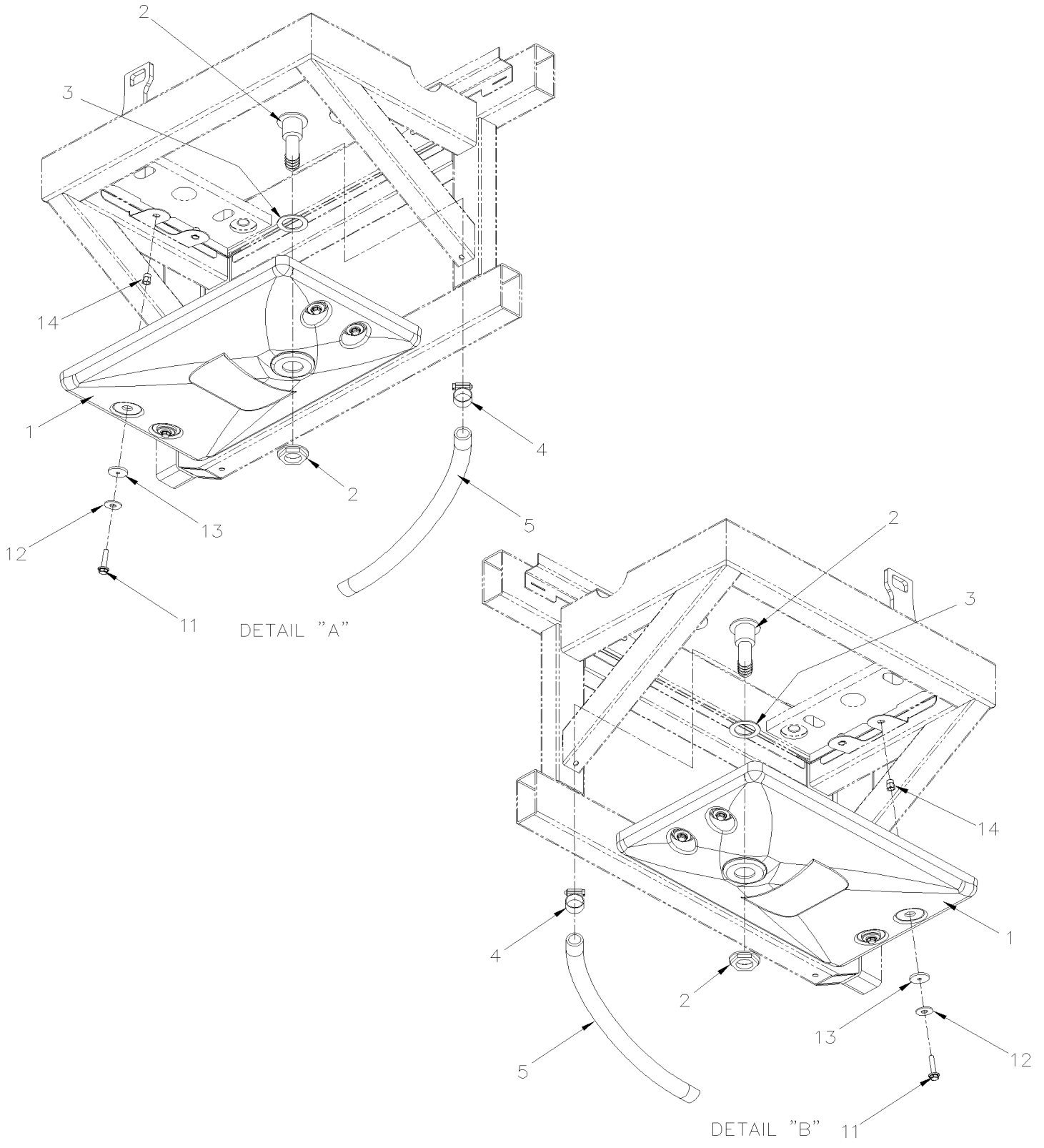
ACCESS PANELS - REAR "SLIDE-OUT" - INSTALLATION / STREET SIDE

| Item# | Part | Description | QTY | Notes |
|-------|---------|---|-----|-------|
| 1 | 491564 | SUPPORT To L-0822 | 2 | |
| 1 | 491831 | SUPPORT From L-0823 | 2 | |
| 2 | 500526 | SCREW TP CAP HEXW #12x3/4 N500 | AR | |
| 3 | 5001686 | WASHER FL SEAL .218x.625x20GA SS | AR | |
| 5 | 491568 | ACCESS PANEL / BACKWARD | 1 | |
| 6 | 491567 | ACCESS PANEL / FORWARD | 1 | |
| 7 | 900280 | THRU HULL, CONNECTOR / PLASTIC | 2 | |
| 8 | 504019 | HOSE CLAMP / 9/16"-1"1/16 SS / HS-10 | 2 | |
| 9 | 900220 | TUBE PVC / 5/8" I.D. / S.L. | AR | |
| 10 | 500526 | SCREW TP CAP HEXW #12x3/4 N500 | 2 | |
| 11 | 500332 | WASHER FL .328x.875x.062 N500 | 2 | |
| 12 | 502820 | WASHER FL .187x1.000x.125 RUB BK | 2 | |
| 15 | 491648 | BRACKET / ACCESS PANEL To L-0822 | 2 | |
| 15 | 491827 | BRACKET / ACCESS PANEL From L-0823 | 2 | |
| 16 | 491649 | BRACKET / ACCESS PANEL To L-0822 | 2 | |
| 16 | 491830 | BRACKET / ACCESS PANEL From L-0823 | 2 | |
| 17 | 500526 | SCREW TP CAP HEXW #12x3/4 N500 | 12 | |
| NS | 684517 | ADHESIVE SIMSON #ISR 70-03 / GREY / 310ml CARTRIDGE | AR | |
| 21 | 477747 | GUTTER MOULDING FORWARD | 1 | |
| 22 | 477748 | GUTTER MOULDING BACKWARD | 1 | |
| 23 | 504379 | RIVET POP DOME OE 3/16x1/4 SS | 6 | |

| | | |
|---|--------------|------------------|
| | Date:07/2024 | PAGE:VIP-2390-91 |
| ACCESS PANELS - REAR "SLIDE-OUT" - INSTALLATION / STREET SIDE | | |

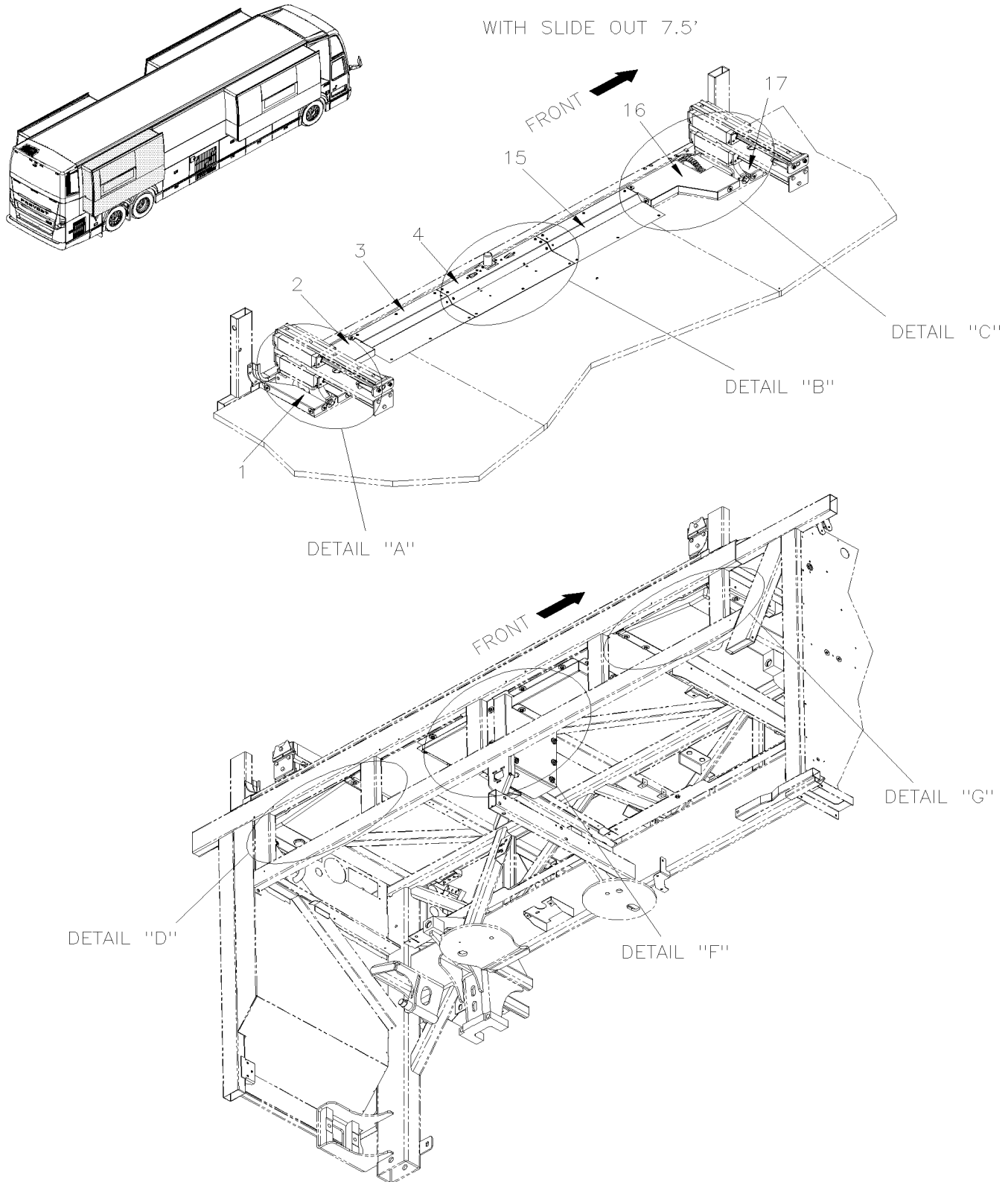


| | | |
|---|--------------|------------------|
| | Date:07/2024 | PAGE:VIP-2390-91 |
| ACCESS PANELS - REAR "SLIDE-OUT" - INSTALLATION / STREET SIDE | | |

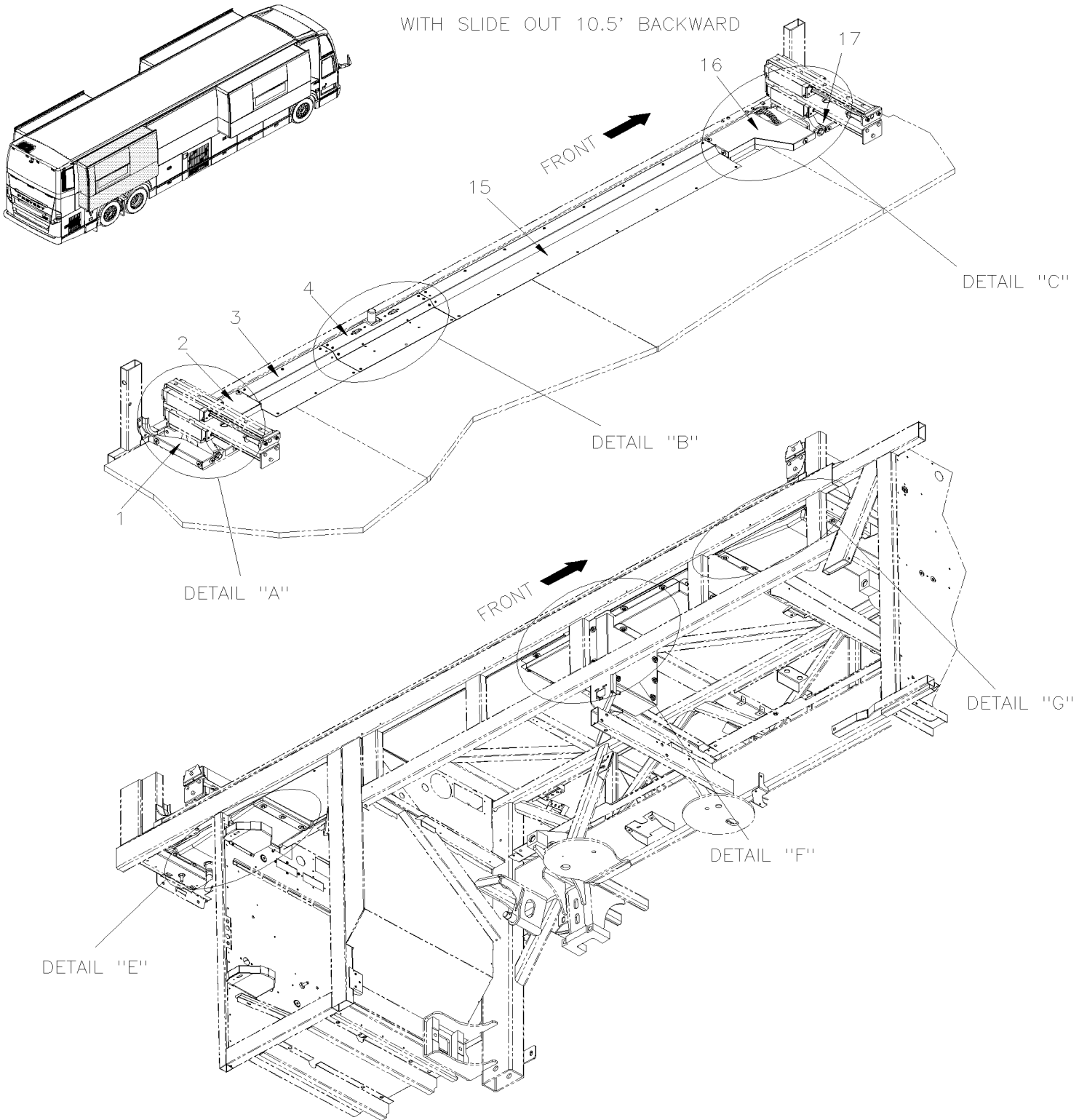


| | | Date:07/2024 | PAGE:VIP-2390-91 | |
|---|---------|---|------------------|-------|
| ACCESS PANELS - REAR "SLIDE-OUT" - INSTALLATION / STREET SIDE | | | | |
| Item# | Part | Description | QTY | Notes |
| 1 | 491923 | DRAINING PAN | 2 | |
| 2 | 901805 | CONNECTOR 90 DEGREE, THRU HULL | 2 | |
| 3 | 409038 | GASKET | 2 | |
| 4 | 504019 | HOSE CLAMP / 9/16"-1"1/16 SS / HS-10 | 2 | |
| 5 | 900220 | TUBE PVC / 5/8" I.D. / S.L. | AR | |
| | | | | |
| 11 | 5001815 | SCREW CAP HEXF M6-1.0x30 G 8.8 N500 | 8 | |
| 12 | 500332 | WASHER FL .328x.875x.062 N500 | 8 | |
| 13 | 502820 | WASHER FL .187x1.000x.125 RUB BK | 8 | |
| 14 | 5001344 | NUT INS FL HEX M6-1.0 0.5-3.0 SS | 8 | |
| | | | | |
| NS | 684517 | ADHESIVE SIMSON #ISR 70-03 / GREY / 310ml CARTRIDGE | AR | |
| | | | | |
| 21 | 477747 | GUTTER MOULDING FORWARD | 1 | |
| 22 | 477748 | GUTTER MOULDING BACKWARD | 1 | |
| 23 | 504379 | RIVET POP DOME OE 3/16x1/4 SS | 6 | |

| | | |
|---|--------------|------------------|
| From K-0295 To P-1347 | Date:07/2024 | PAGE:VIP-2390-95 |
| ACCESS PANELS - REAR "SLIDE-OUT" - INSTALLATION / CURBSIDE | | |



| | | |
|---|--------------|------------------|
| From K-0295 To P-1347 | Date:07/2024 | PAGE:VIP-2390-95 |
| ACCESS PANELS - REAR "SLIDE-OUT" - INSTALLATION / CURBSIDE | | |

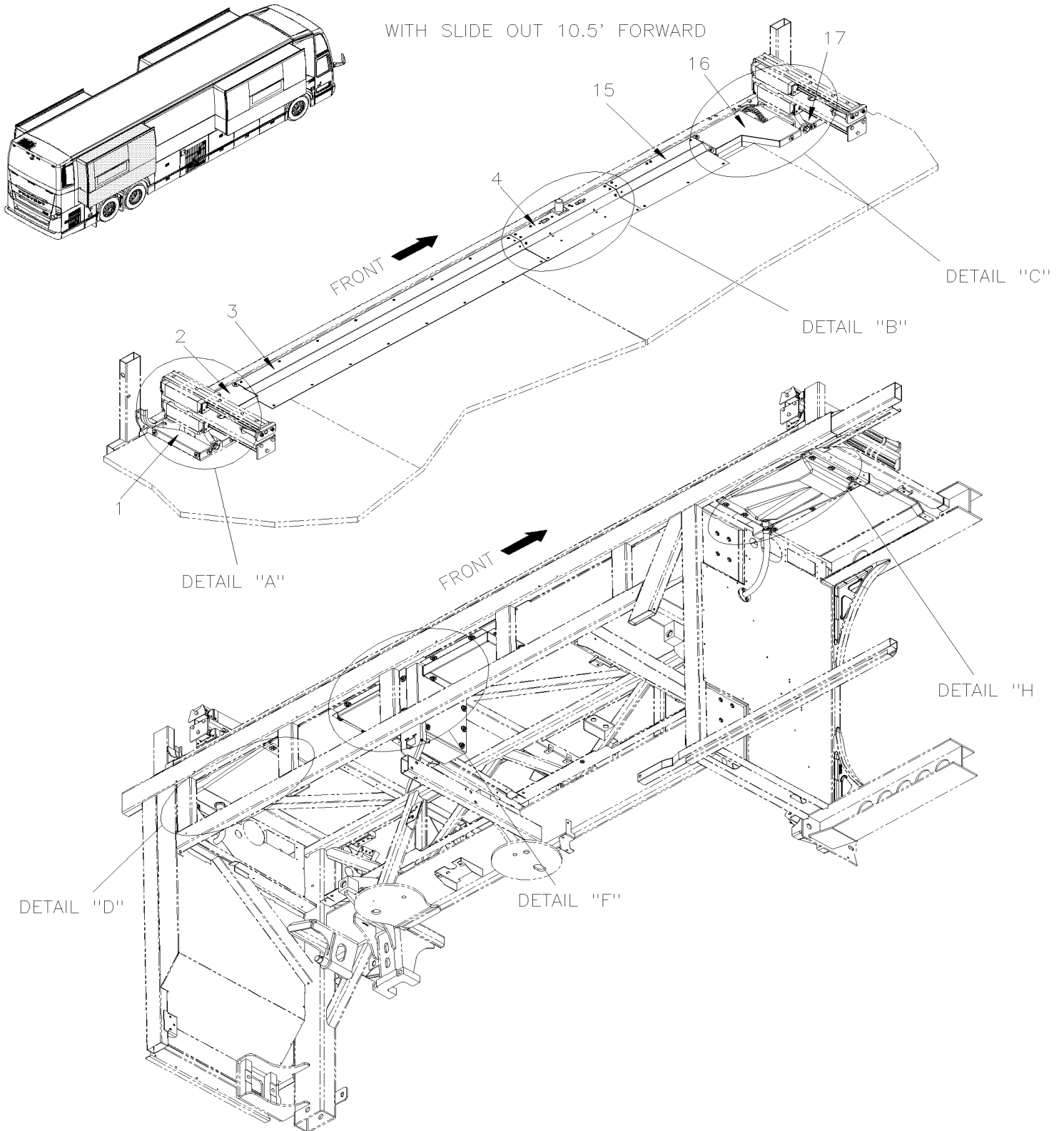


From K-0295 To P-1347

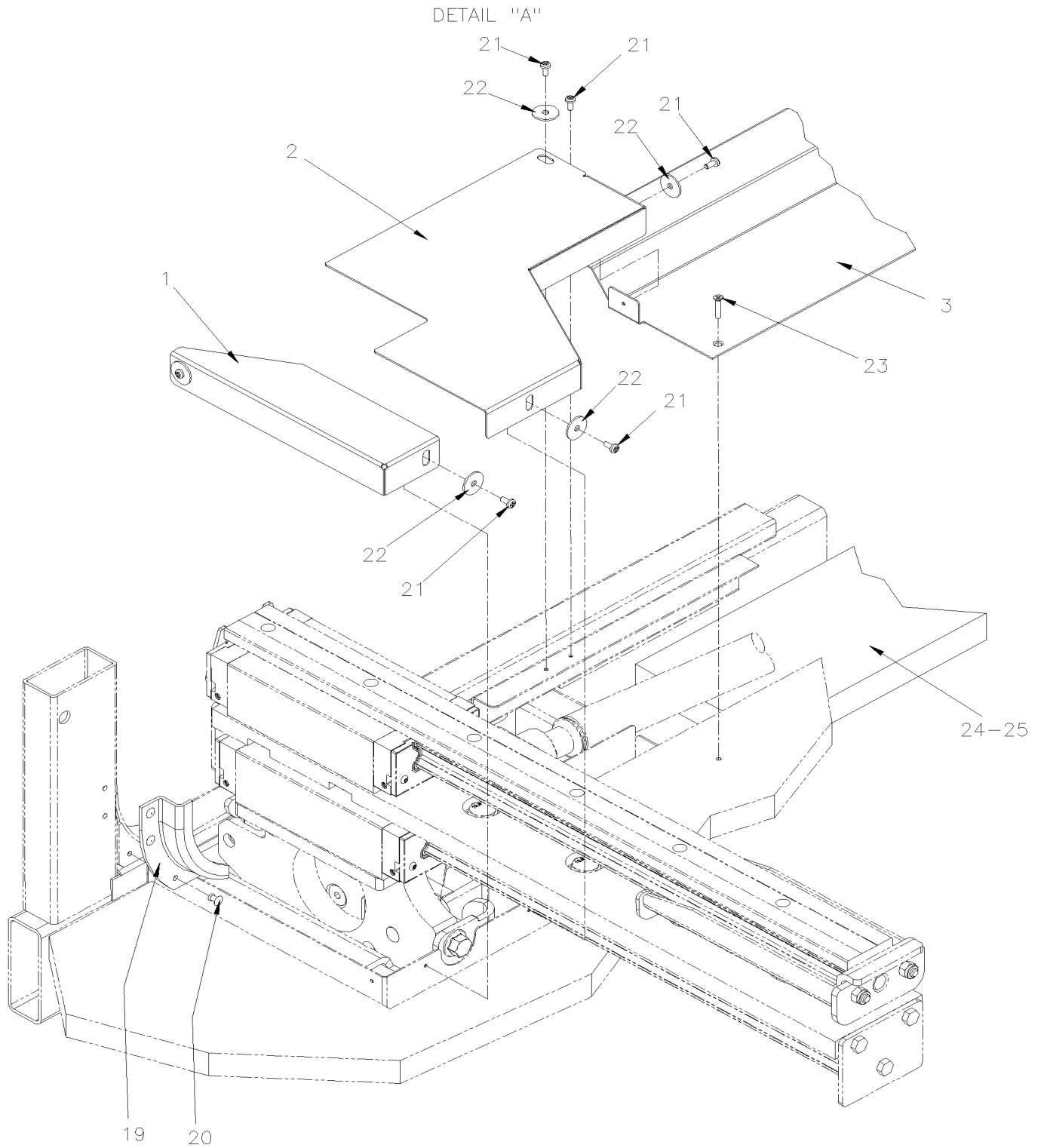
Date:07/2024

PAGE:VIP-2390-95

ACCESS PANELS - REAR "SLIDE-OUT" - INSTALLATION / CURBSIDE



| | | |
|--|--------------|------------------|
| From K-0295 To P-1347 | Date:07/2024 | PAGE:VIP-2390-95 |
| ACCESS PANELS - REAR "SLIDE-OUT" - INSTALLATION / CURBSIDE | | |

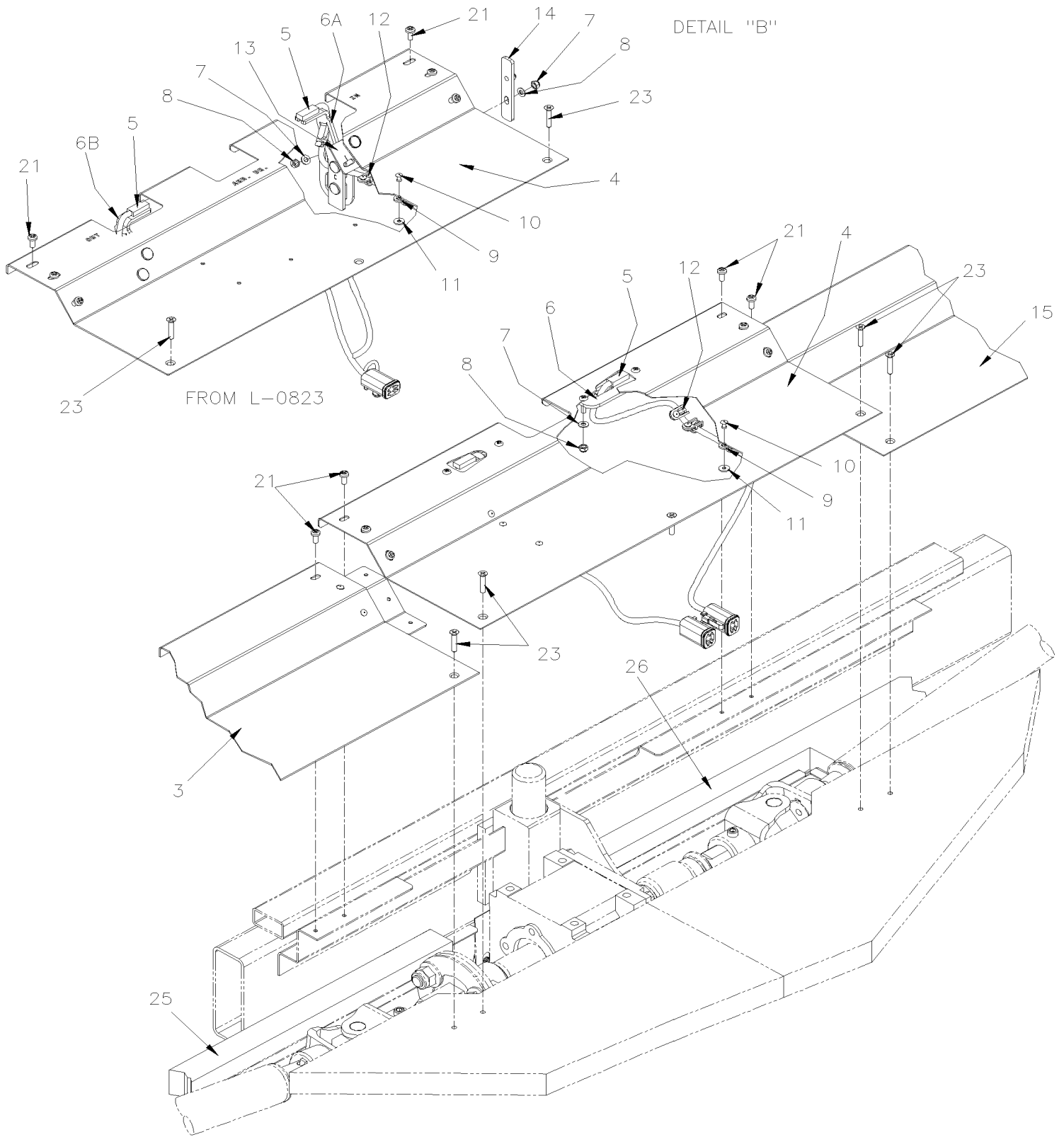


From K-0295 To P-1347

Date:07/2024

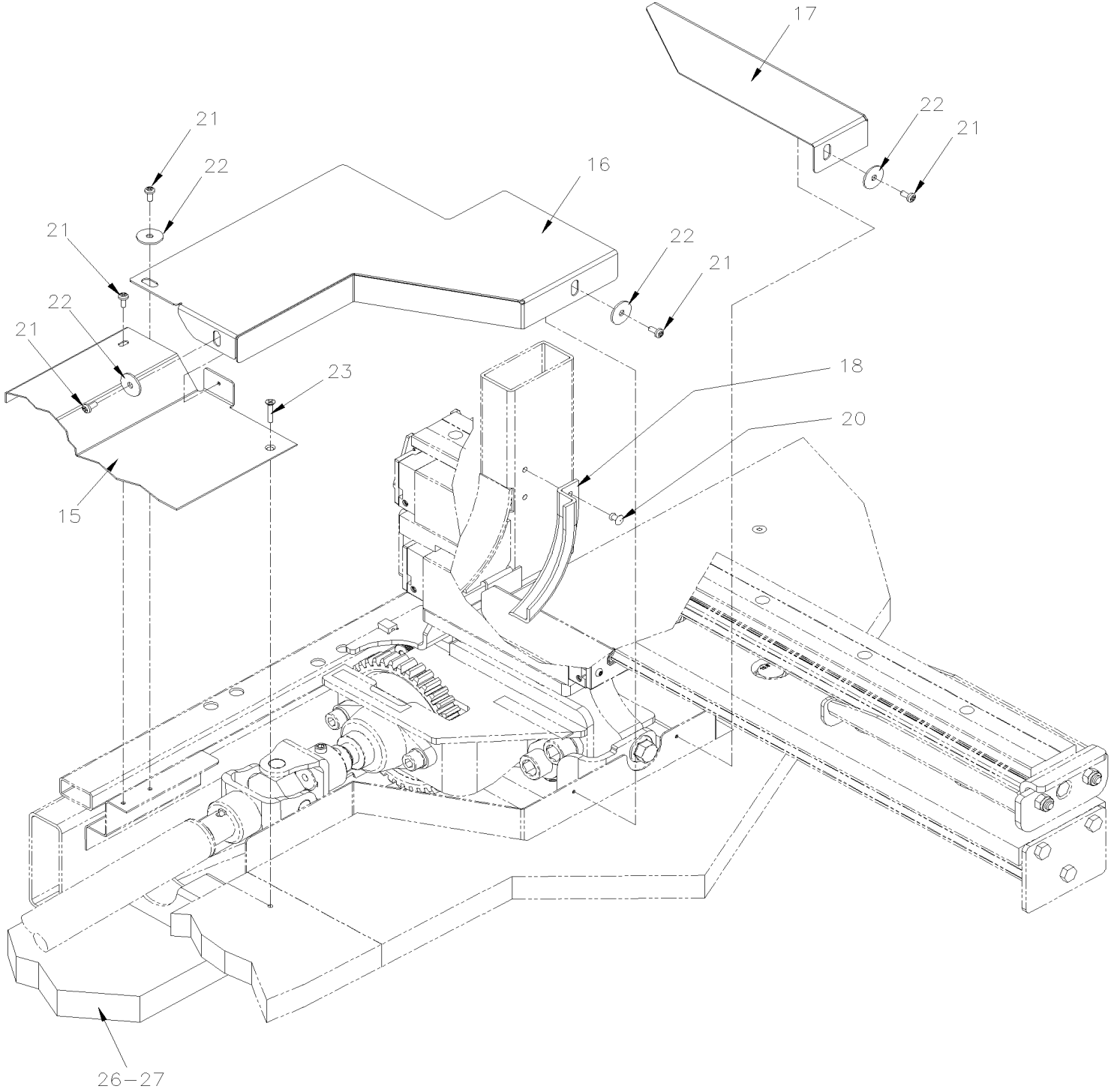
PAGE:VIP-2390-95

ACCESS PANELS - REAR "SLIDE-OUT" - INSTALLATION / CURBSIDE



| | | |
|--|--------------|------------------|
| From K-0295 To P-1347 | Date:07/2024 | PAGE:VIP-2390-95 |
| ACCESS PANELS - REAR "SLIDE-OUT" - INSTALLATION / CURBSIDE | | |

DETAIL "C"



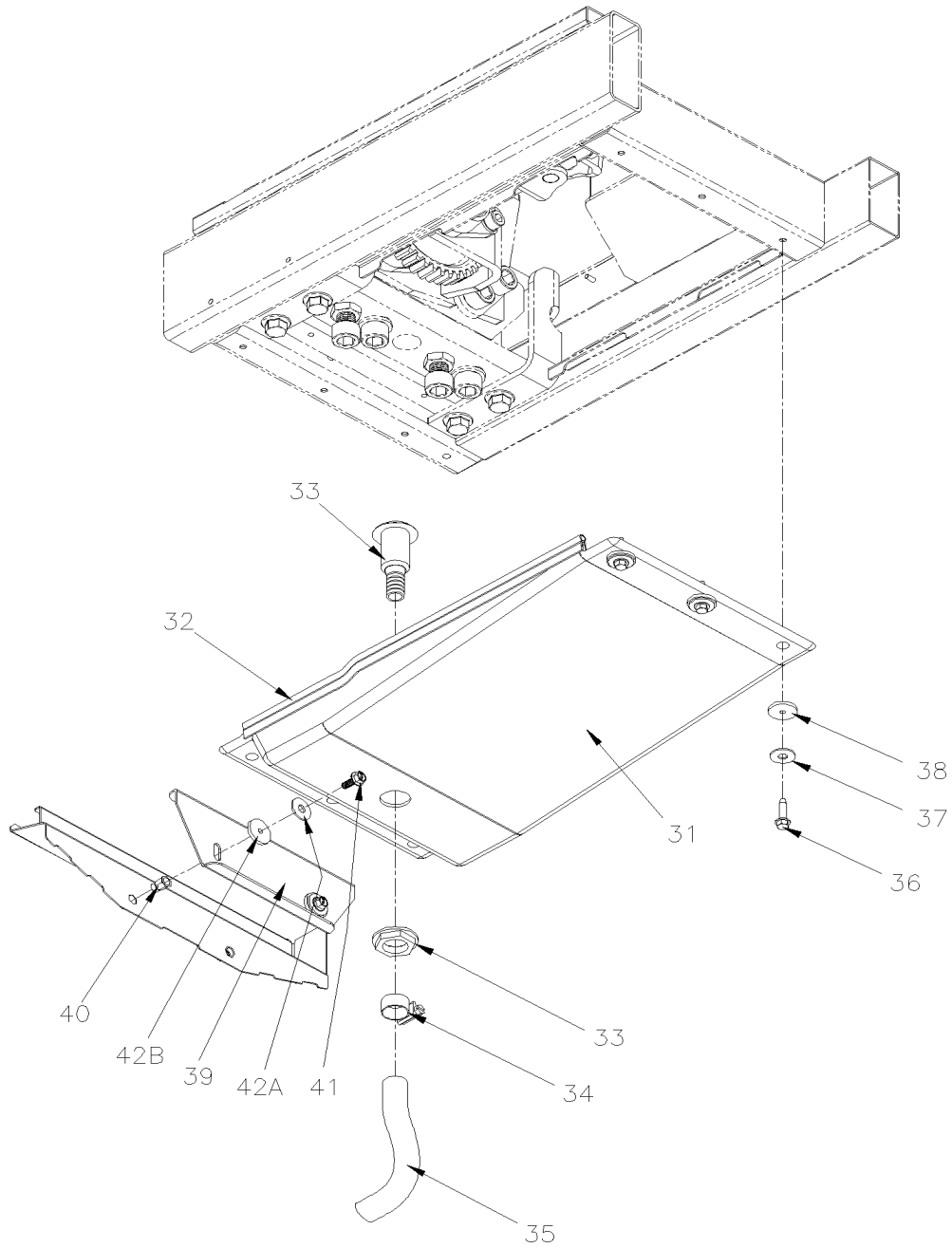
From K-0295 To P-1347

Date:07/2024

PAGE:VIP-2390-95

ACCESS PANELS - REAR "SLIDE-OUT" - INSTALLATION / CURBSIDE

DETAIL "D"
WITH SLIDE OUT 7.5'
WITH SLIDE OUT 10.5' FORWARD



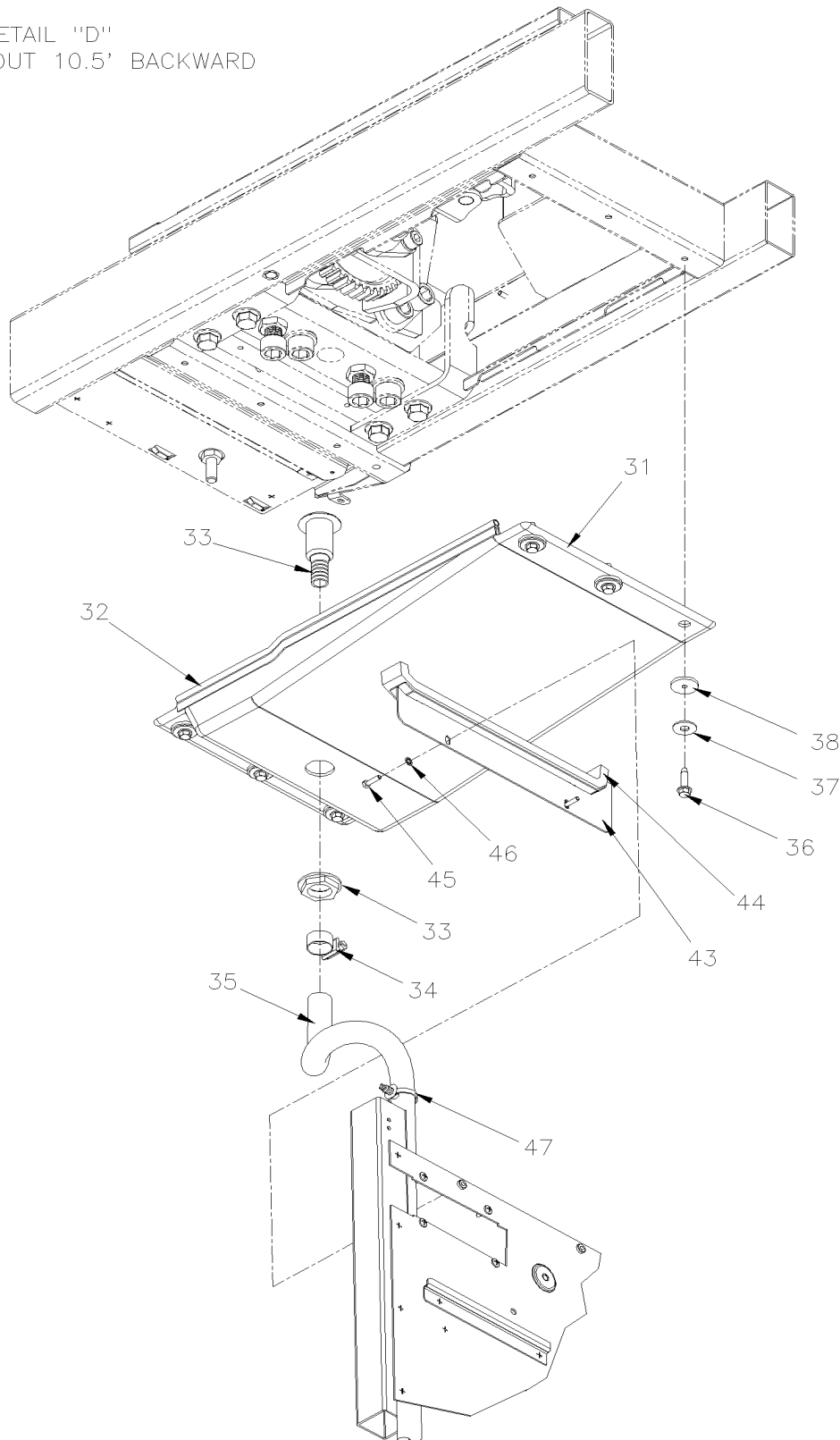
From K-0295 To P-1347

Date:07/2024

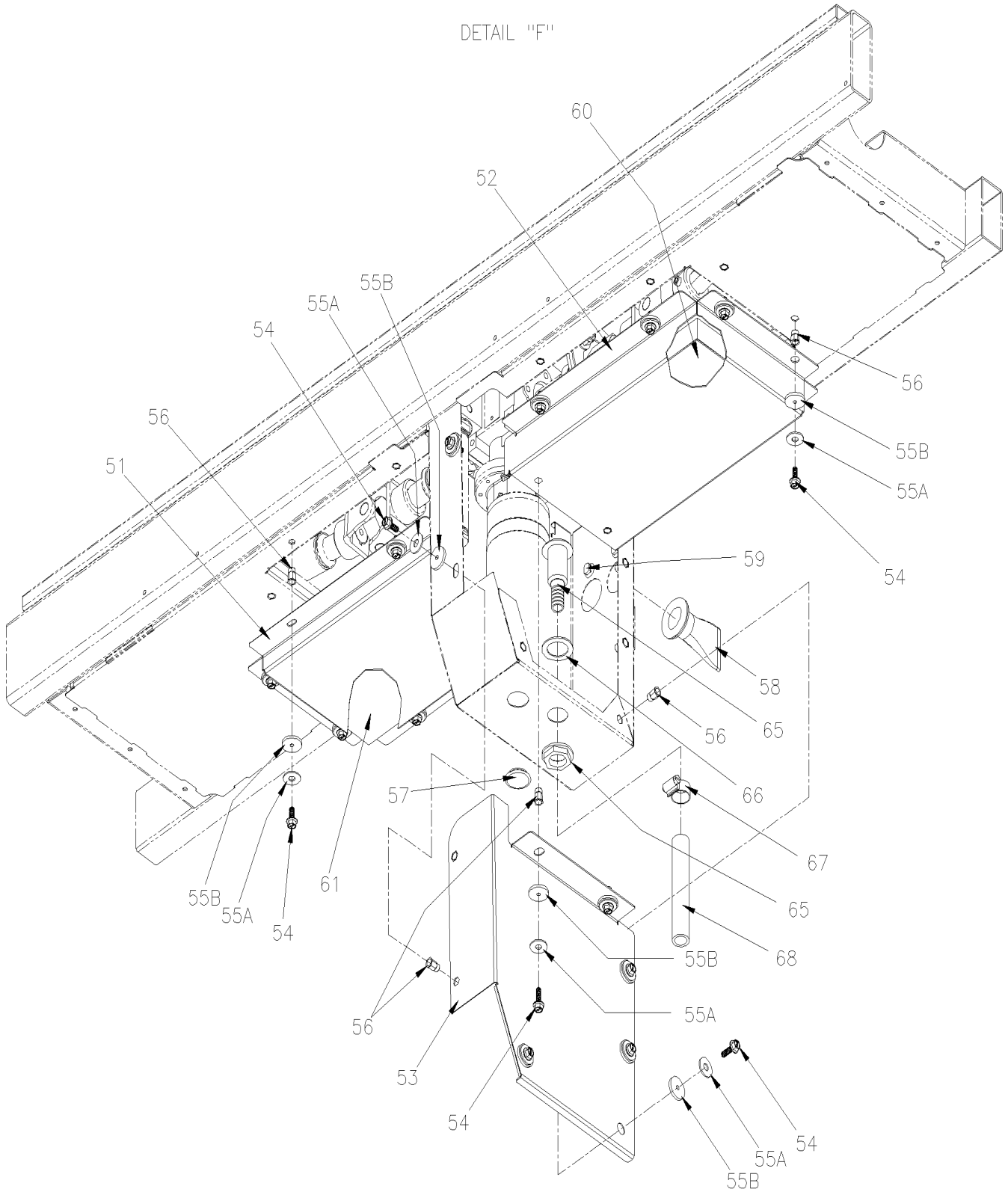
PAGE:VIP-2390-95

ACCESS PANELS - REAR "SLIDE-OUT" - INSTALLATION / CURBSIDE

DETAIL "D"
WITH SLIDE OUT 10.5' BACKWARD

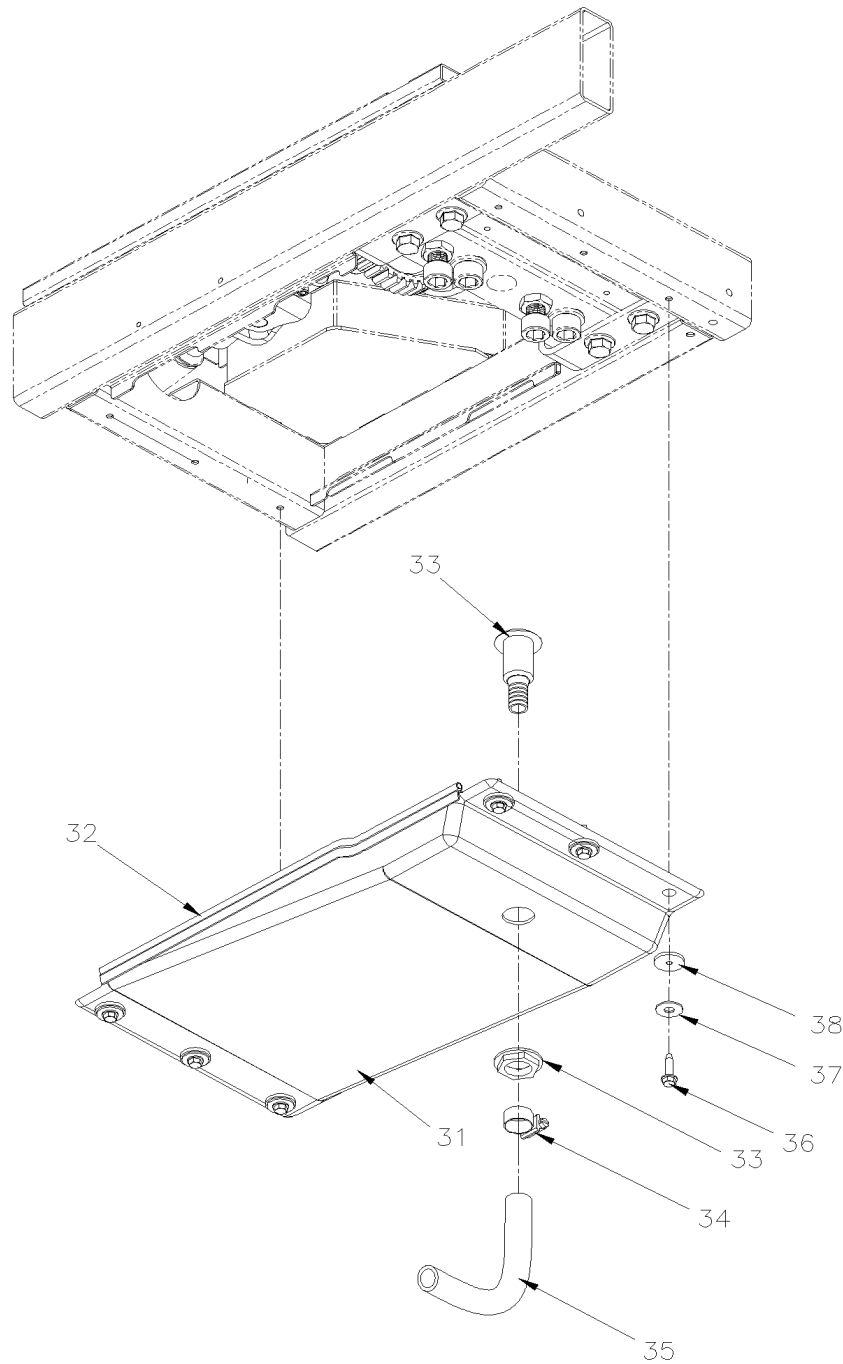


| | | |
|--|--------------|------------------|
| From K-0295 To P-1347 | Date:07/2024 | PAGE:VIP-2390-95 |
| ACCESS PANELS - REAR "SLIDE-OUT" - INSTALLATION / CURBSIDE | | |



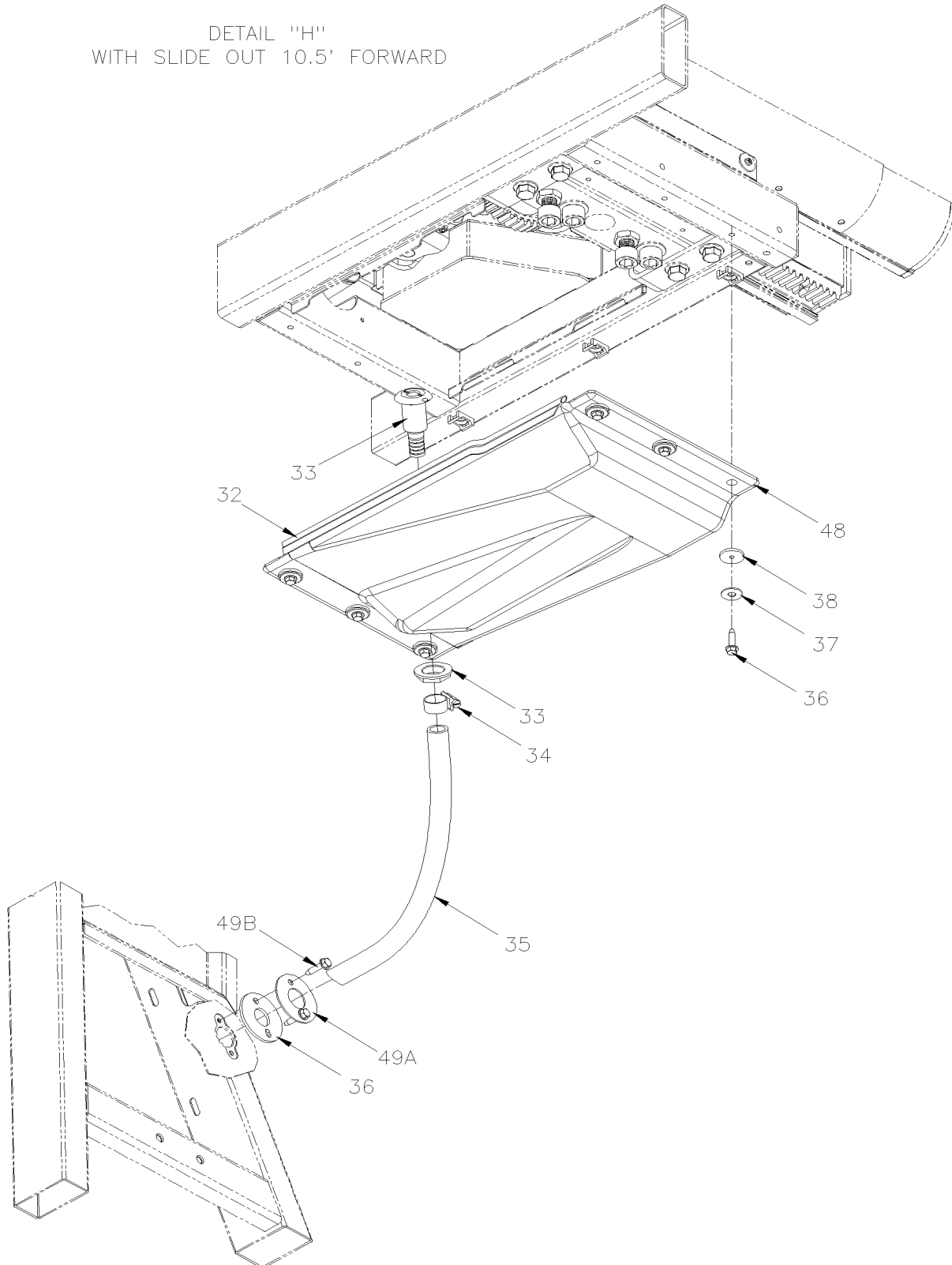
ACCESS PANELS - REAR "SLIDE-OUT" - INSTALLATION / CURBSIDE

DETAIL "G"
WITH SLIDE OUT 7.5'
WITH SLIDE OUT 10.5' BACKWARD



ACCESS PANELS - REAR "SLIDE-OUT" - INSTALLATION / CURBSIDE

DETAIL "H"
WITH SLIDE OUT 10.5' FORWARD



| | | |
|-----------------------|--------------|------------------|
| From K-0295 To P-1347 | Date:07/2024 | PAGE:VIP-2390-95 |
|-----------------------|--------------|------------------|

ACCESS PANELS - REAR "SLIDE-OUT" - INSTALLATION / CURBSIDE

| Item# | Part | Description | QTY | Notes |
|-------|-----------------|--|-----|-------|
| 1 | 3210097 | PLATE PROTECTIVE SLIDE-OUT | 1 | |
| 2 | 3210096 | PLATE PROTECTIVE SLIDE-OUT To M-1135 | 1 | |
| 2 | 3211240 | PLATE PROTECTIVE SLIDE-OUT From M-1136 | 1 | |
| NS | 506236 | TAPE RUB ADH1 CC POL 1/16" x 1/2" x 100' / GREY 2520 | AR | |
| 3 | 3210149 | PLATE PROTECTIVE SLIDE-OUT To M-1135 | 1 | B A |
| 3 | 3211276 | PLATE PROTECTIVE SLIDE-OUT From M-1136 | 1 | B A |
| 3 | 3210367 | PLATE PROTECTIVE SLIDE-OUT To M-1135 | 1 | C |
| 3 | 3211269 | PLATE PROTECTIVE SLIDE-OUT From M-1136 | 1 | C |
| 4 | Call order desk | PLATE AND SENSOR ASSY To L-0822 | 1 | P |
| 4 | Call order desk | PLATE AND SENSOR ASSY From L-0823 | 1 | P |
| 4 | 3210390 | PLATE PROTECTIVE SLIDE-OUT(WELDED) To L-0822 | 1 | |
| 4 | 3210829 | PLATE PROTECTIVE SLIDE-OUT(WELDED) From L-0823 To M-1135 | 1 | |
| 4 | 3211245 | PLATE PROTECTIVE SLIDE-OUT(WELDED) From M-1136 | 1 | |
| NS | 506236 | TAPE RUB ADH1 CC POL 1/16" x 1/2" x 100' / GREY 2520 | AR | |
| 5 | 061503 | LIMITING REED SWITCH ASSY W/LED S.P.D.T. / W/SLIDE OUT | 1 | |
| NS | 563426 | HALL EFFECT SENSOR | 2 | |
| NS | 563452 | LED GREEN / 5VOLTS | 2 | |
| NS | 564108 | SELF MOUNTING STUD // DEUTSCH 1011-310-0205 | 1 | |
| 6 | 3210046 | PLATE SENSOR SUPPORT To L-0822 | 2 | |
| 6 | 490003 | PLATE SENSOR SUPPORT ASS. / SERVICE To L-0822 | 1 | |
| 6A | 3210826 | PLATE SENSOR SUPPORT "B" From L-0823 | 1 | |
| 6B | 3210827 | PLATE SENSOR SUPPORT "D" From L-0823 | 1 | |
| 7 | 502556 | WASHER FL 4.3x9.0x0.8 SS To L-0822 | 4 | |
| 7 | 502556 | WASHER FL 4.3x9.0x0.8 SS From L-0823 | 8 | |
| 8 | 500539 | NUT HEX NYRT M4-0.7 N500 To L-0822 | 4 | |
| 8 | 500539 | NUT HEX NYRT M4-0.7 N500 From L-0823 | 8 | |
| 9 | 504428 | TIE MOUNT / 3/16" #10 SCREW / TA1S10-C To L-0822 | 8 | |
| 9 | 504428 | TIE MOUNT / 3/16" #10 SCREW / TA1S10-C From L-0823 | 6 | |
| 10 | 504340 | RIVET POP DOME OE 1/8x3/16 SS To L-0822 | 8 | |
| 10 | 504340 | RIVET POP DOME OE 1/8x3/16 SS From L-0823 | 6 | |
| 11 | 500437 | WASHER FL .125x.375x.040 Z050 To L-0822 | 8 | |
| 11 | 500437 | WASHER FL .125x.375x.040 Z050 From L-0823 | 6 | |
| 12 | 504273 | CABLE TIE / 1/8" X 3"1/2 To L-0822 | 8 | |
| 13 | 3210819 | MAGNETIC SENSOR SUPPORT From L-0823 | 2 | |
| 14 | 273196 | PLATE, CLAMPING From L-0823 | 2 | |
| 15 | 3210098 | PLATE PROTECTIVE SLIDE-OUT To M-1135 | 1 | C A |
| 15 | 3211268 | PLATE PROTECTIVE SLIDE-OUT From M-1136 | 1 | C A |
| 15 | 3210170 | PLATE PROTECTIVE SLIDE-OUT To M-1135 | 1 | B |
| 15 | 3211277 | PLATE PROTECTIVE SLIDE-OUT From M-1136 | 1 | B |
| 16 | 3210047 | PLATE PROTECTIVE SLIDE-OUT To M-1135 | 1 | |
| 16 | 3211237 | PLATE PROTECTIVE SLIDE-OUT From M-1136 | 1 | |
| NS | 506236 | TAPE RUB ADH1 CC POL 1/16" x 1/2" x 100' / GREY 2520 | AR | |

| | | |
|------------------------------|---------------------|-------------------------|
| From K-0295 To P-1347 | Date:07/2024 | PAGE:VIP-2390-95 |
|------------------------------|---------------------|-------------------------|

ACCESS PANELS - REAR "SLIDE-OUT" - INSTALLATION / CURBSIDE

| Item# | Part | Description | QTY | Notes |
|-------|---------|---|-----|-------|
| 17 | 3210045 | PLATE PROTECTIVE SLIDE-OUT | 1 | |
| 18 | 477747 | GUTTER MOULDING FORWARD | 1 | |
| 19 | 477748 | GUTTER MOULDING BACKWARD | 1 | |
| 20 | 504379 | RIVET POP DOME OE 3/16x1/4 SS | 6 | |
| 21 | 500799 | SCREW TC PAN PH #8-32x3/8 N500 | AR | |
| 21 | 502885 | SCREW TC FL PH #8-32x5/8 N500 From M-1136 | AR | |
| 22 | 500805 | WASHER FL .218x.875x.062 N500 | AR | |
| 23 | 5001349 | SCREW WO TR PH #8x7/8 | AR | |
| | | | | |
| 24 | 352425 | INSULATING PAD NOISE | 1 | C |
| 24 | 850030 | . INSULATING PAD NOISE ADH1 1" x 54" x 72" | 1 | C |
| 24 | 353426 | INSULATING PAD NOISE | 1 | C |
| 24 | 850024 | . INSULATING PAD NOISE ADH1 1/16" x 40" x 54" | 1 | C |
| 25 | 353296 | INSULATING PAD NOISE 1" | 1 | |
| 25 | 850030 | . INSULATING PAD NOISE ADH1 1" x 54" x 72" | 1 | |
| 25 | 353300 | INSULATING PAD NOISE 1/16" | 1 | |
| 25 | 850024 | . INSULATING PAD NOISE ADH1 1/16" x 40" x 54" | 1 | |
| 26 | 353343 | INSULATING PAD NOISE 1" | 1 | C A |
| 26 | 353339 | INSULATING PAD NOISE 1" | 1 | B |
| 26 | 850030 | . INSULATING PAD NOISE ADH1 1" x 54" x 72" | 1 | |
| 26 | 353344 | INSULATING PAD NOISE 1/16" | 1 | C A |
| 26 | 353341 | INSULATING PAD NOISE 1/16" | 1 | B |
| 26 | 850024 | . INSULATING PAD NOISE ADH1 1/16" x 40" x 54" | 1 | |
| 27 | 353340 | INSULATING PAD NOISE 1" | 1 | B |
| 27 | 850030 | . INSULATING PAD NOISE ADH1 1" x 54" x 72" | 1 | B |
| 27 | 353342 | INSULATING PAD NOISE 1/16" | 1 | B |
| 27 | 850024 | . INSULATING PAD NOISE ADH1 1/16" x 40" x 54" | 1 | B |
| | | | | |
| NS | 680532 | SEALANT SIKA #221 / GREY / 310ml CARTRIDGE | AR | |
| | | | | |
| 31 | 491573 | DRAINING PAN | 2 | B A |
| 31 | 491573 | DRAINING PAN | 1 | C |
| NS | 5060038 | TAPE RUB ADH1 CC POL 1/4" x 1" x 35' / BLACK H1C | AR | |
| NS | 506228 | TAPE RUB ADH1 CC POL 1/4" x 1/2" x 37.5' / GREY 2520X | AR | |
| 32 | 506302 | RUBBER EXTRUSION TRIM SEAL / GRIP .024 / 7/16" HOLLOW BULB C.T.L. | AR | |
| 33 | 900280 | THRU HULL, CONNECTOR / PLASTIC | 2 | |
| 34 | 504019 | HOSE CLAMP / 9/16"-1"1/16 SS / HS-10 | 2 | |
| 35 | 900220 | TUBE PVC / 5/8" I.D. / S.L. | AR | |
| NS | 684517 | ADHESIVE SIMSON #ISR 70-03 / GREY / 310ml CARTRIDGE | AR | |
| 36 | 500266 | SCREW TC CAP HEX 1/4-20x1 N500 | 12 | |
| 37 | 500332 | WASHER FL .328x.875x.062 N500 | 12 | |
| 38 | 502820 | WASHER FL .187x1.000x.125 RUB BK | 12 | |

| | | |
|-----------------------|--------------|------------------|
| From K-0295 To P-1347 | Date:07/2024 | PAGE:VIP-2390-95 |
|-----------------------|--------------|------------------|

ACCESS PANELS - REAR "SLIDE-OUT" - INSTALLATION / CURBSIDE

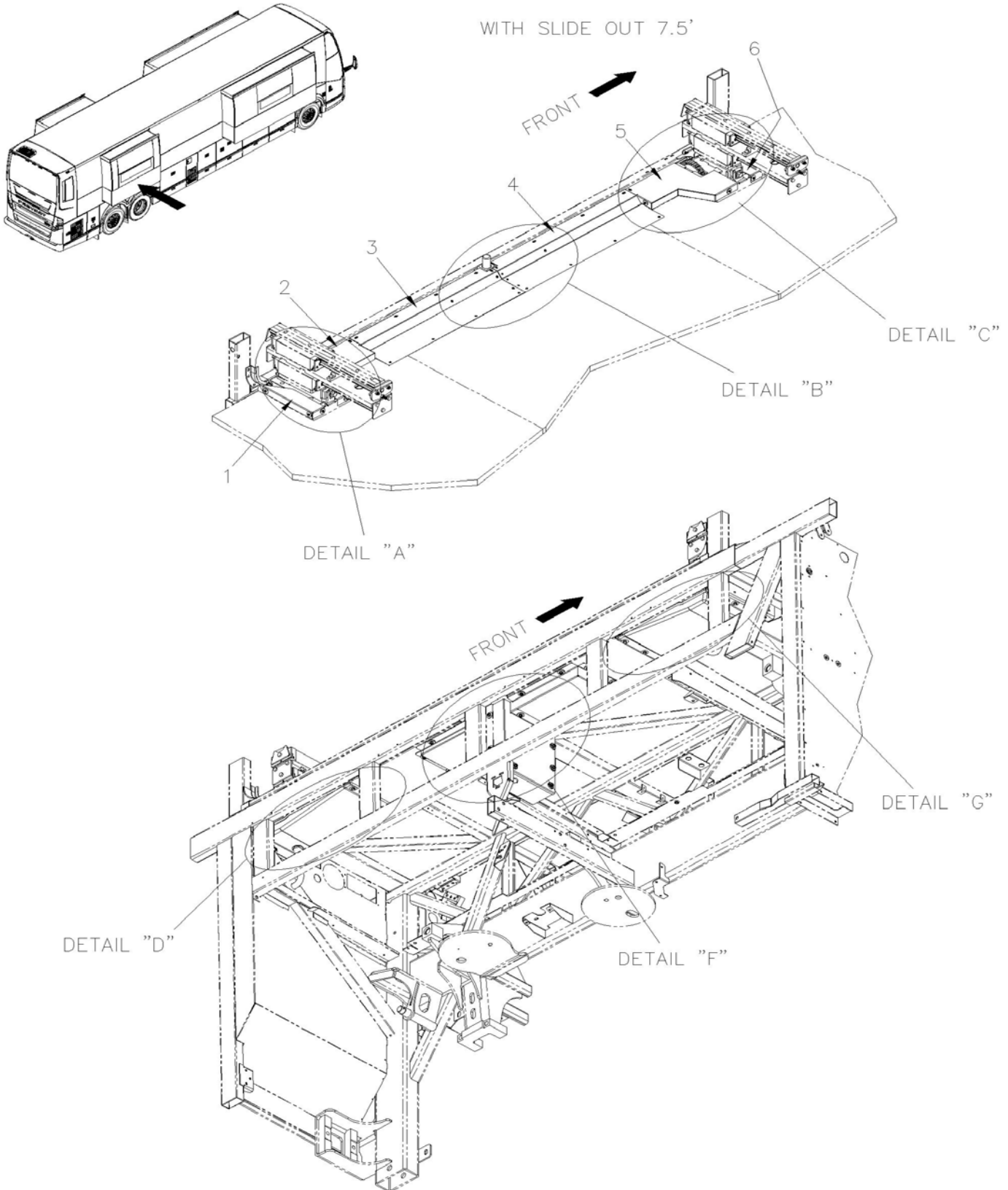
| Item# | Part | Description | QTY | Notes |
|-------|---------|---|-----|-------|
| 39 | 491576 | SUPPORT, DRAINING PAN | 1 | |
| 39 | 506236 | TAPE RUB ADH1 CC POL 1/16" x 1/2" x 100' / GREY 2520 | AR | |
| 40 | 5001344 | NUT INS FL HEX M6-1.0 0.5-3.0 SS | 2 | |
| 41 | 5001730 | SCREW CAP HEXF M6-1.0x16 G10.9 N500 To K-0614 | 2 | |
| 41 | 5001815 | SCREW CAP HEXF M6-1.0x30 G 8.8 N500 From K-0615 | 2 | |
| 42A | 500332 | WASHER FL .328x.875x.062 N500 | 2 | |
| 42B | 502820 | WASHER FL .187x1.000x.125 RUB BK | 2 | |
| 43 | 491628 | CLOSING PANEL | 1 | |
| 44 | 506282 | TAPE RUB ADH1 CC POL 3/8" x 1" x 20' / GREY 2520 | AR | |
| 45 | 502799 | SCREW CAP HEX M4-0.7X16 G8.8 N500 | 2 | |
| 46 | 5001686 | WASHER FL SEAL .218x.625x20GA SS | 2 | |
| 47 | 509815 | TIE MOUNT / ATTACHMENT W/TREE MOUNT | 4 | |
| 47 | 504637 | CABLE TIE / 3/16" x 13" | 4 | |
| 48 | 491654 | DRAINING PAN | 1 | C |
| NS | 5060038 | TAPE RUB ADH1 CC POL 1/4" x 1" x 35' / BLACK H1C | AR | C |
| NS | 506228 | TAPE RUB ADH1 CC POL 1/4" x 1/2" x 37.5' / GREY 2520X | AR | C |
| 49A | 491653 | SEALING PLATE | 1 | C |
| 49B | 353427 | INSULATING | 1 | C |
| 51 | 460070 | TRAPDOOR ACCESS MECHANICAL SLIDE-OUT | 1 | |
| 52 | 460071 | TRAPDOOR ACCESS MECHANICAL SLIDE-OUT | 1 | |
| 53 | 460072 | TRAPDOOR ACCESS MECHANICAL SLIDE-OUT To M-1152 | 1 | |
| 53 | 460108 | TRAPDOOR ACCESS MECHANICAL SLIDE-OUT From M-1153 | 1 | |
| 53 | 506191 | TAPE RUB ADH1 CC POL 1/8" x 1/4" x 50' / GREY 2520X | AR | |
| 54 | 5002027 | SCREW CAP HEXF AD M6-1.0x16 G10.9 N500 To K-0554 | 22 | |
| 54 | 5001730 | SCREW CAP HEXF M6-1.0x16 G10.9 N500 From K-0555 | 22 | |
| 54 | 5001815 | SCREW CAP HEXF M6-1.0x30 G 8.8 N500 From K-0555 | 2 | |
| 55A | 500332 | WASHER FL .328x.875x.062 N500 | 22 | |
| 55B | 502820 | WASHER FL .187x1.000x.125 RUB BK | 22 | |
| 56 | 5001344 | NUT INS FL HEX M6-1.0 0.5-3.0 SS | 22 | |
| 57 | 504433 | SNAP-IN PLUG / 1.090 O.D. | 1 | |
| 58 | 414654 | DRAIN BOOT 1" I.D. W/GROOVE 1.5 x 35MM I.D. x 85MM | 1 | |
| 59 | 509815 | TIE MOUNT / ATTACHMENT W/TREE MOUNT | 2 | |
| 60 | 353298 | INSULATING PAD NOISE 1" | 1 | |
| 60 | 850030 | . INSULATING PAD NOISE ADH1 1" x 54" x 72" | 1 | |
| 60 | 353309 | INSULATING PAD NOISE 1/16" | 1 | |
| 60 | 850024 | . INSULATING PAD NOISE ADH1 1/16" x 40" x 54" | 1 | |
| 61 | 353299 | INSULATING PAD NOISE 1" | 1 | |
| 61 | 850030 | . INSULATING PAD NOISE ADH1 1" x 54" x 72" | 1 | |
| 61 | 353308 | INSULATING PAD NOISE 1/16" | 1 | |
| 61 | 850024 | . INSULATING PAD NOISE ADH1 1/16" x 40" x 54" | 1 | |
| 65 | 900280 | THRU HULL, CONNECTOR / PLASTIC From M-1153 | 1 | |

| | | |
|-----------------------|--------------|------------------|
| From K-0295 To P-1347 | Date:07/2024 | PAGE:VIP-2390-95 |
|-----------------------|--------------|------------------|

ACCESS PANELS - REAR "SLIDE-OUT" - INSTALLATION / CURBSIDE

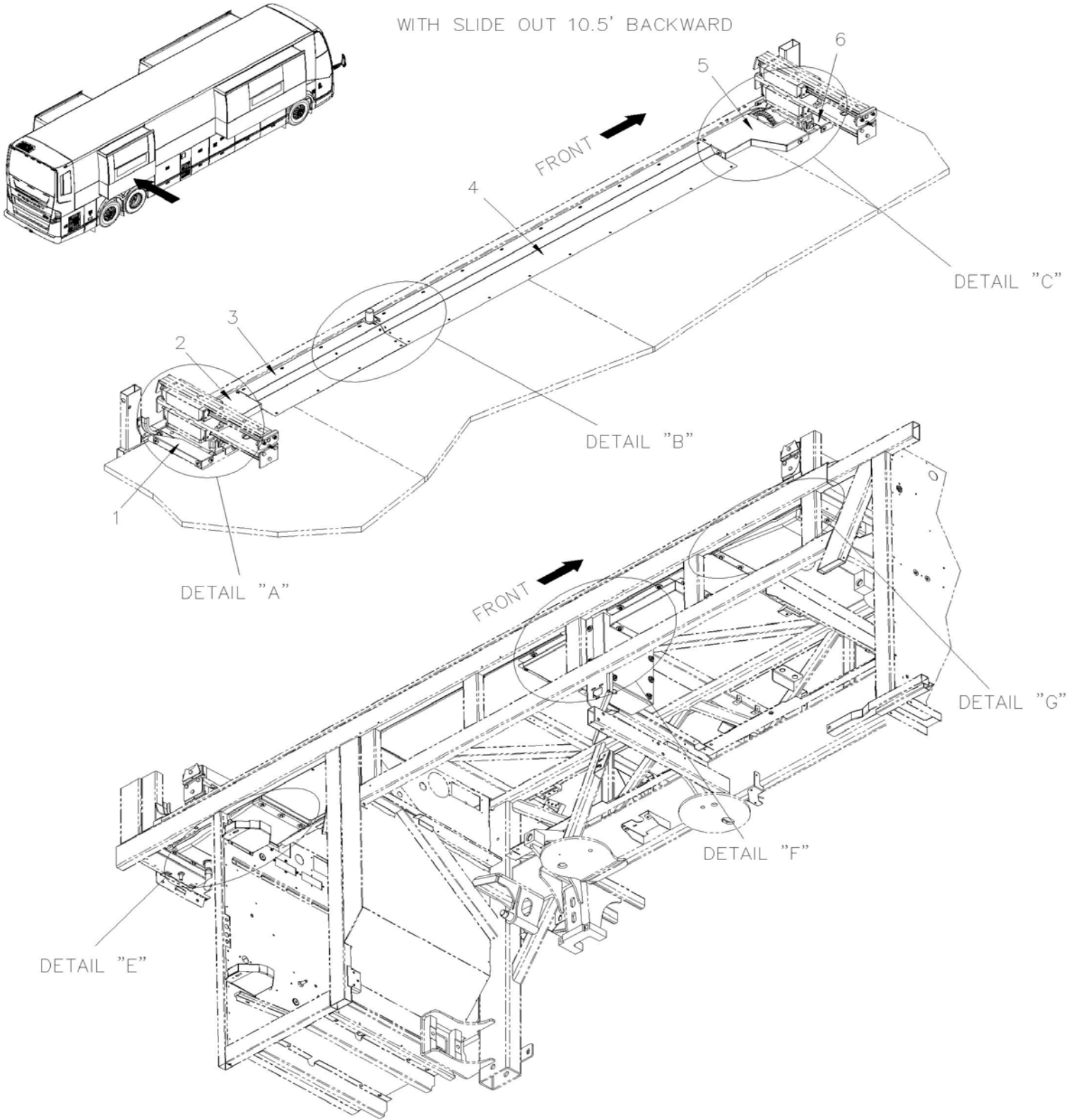
| Item# | Part | Description | QTY | Notes |
|-------|--------|--|-----|-------|
| 66 | 409038 | GASKET From M-1153 | 1 | |
| 67 | 504019 | HOSE CLAMP / 9/16"-1"1/16 SS / HS-10 From M-1153 | 1 | |
| 68 | 900220 | TUBE PVC / 5/8" I.D. / S.L. From M-1153 | AR | |
| | | | | |
| | | | | |
| | | A) WITH 7.5 FEET SLIDE-OUT | | |
| | | B) WITH 10.5 FEET SLIDE-OUT BACKWARD | | |
| | | C) WITH 10.5 FEET SLIDE-OUT FORWARD | | |
| | | P) CALL ORDER DESK FOR SPECIFIC APPLICATION (V.I.N.) | | |

| | | |
|--|--------------|------------------|
| | Date:07/2024 | PAGE:VIP-2390-96 |
| ACCESS PANELS - REAR "SLIDE-OUT" - INSTALLATION / CURBSIDE | | |

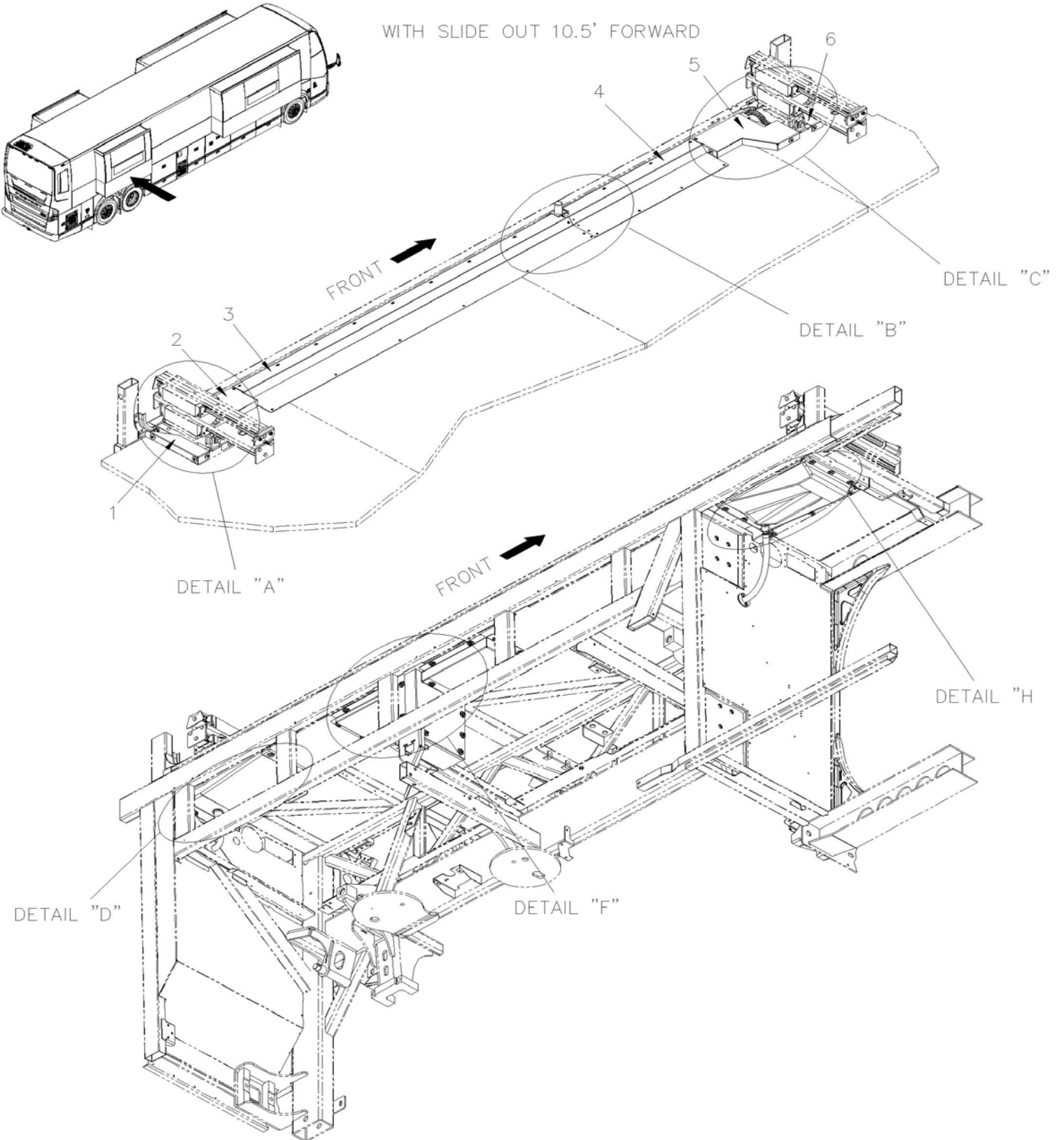


| | | |
|--|--------------|------------------|
| | Date:07/2024 | PAGE:VIP-2390-96 |
| ACCESS PANELS - REAR "SLIDE-OUT" - INSTALLATION / CURBSIDE | | |

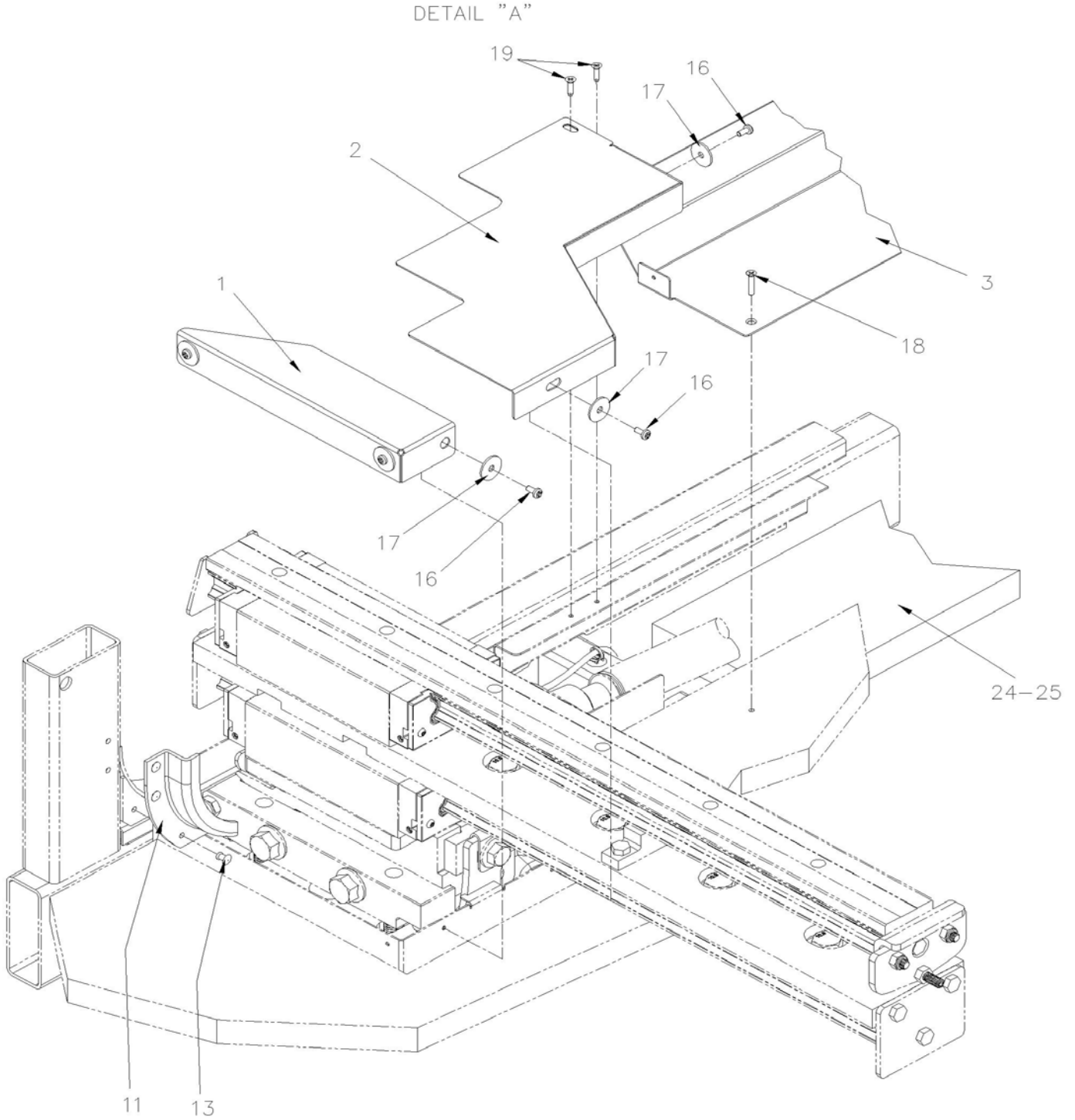
WITH SLIDE OUT 10.5' BACKWARD



| | | |
|--|--------------|------------------|
| | Date:07/2024 | PAGE:VIP-2390-96 |
| ACCESS PANELS - REAR "SLIDE-OUT" - INSTALLATION / CURBSIDE | | |

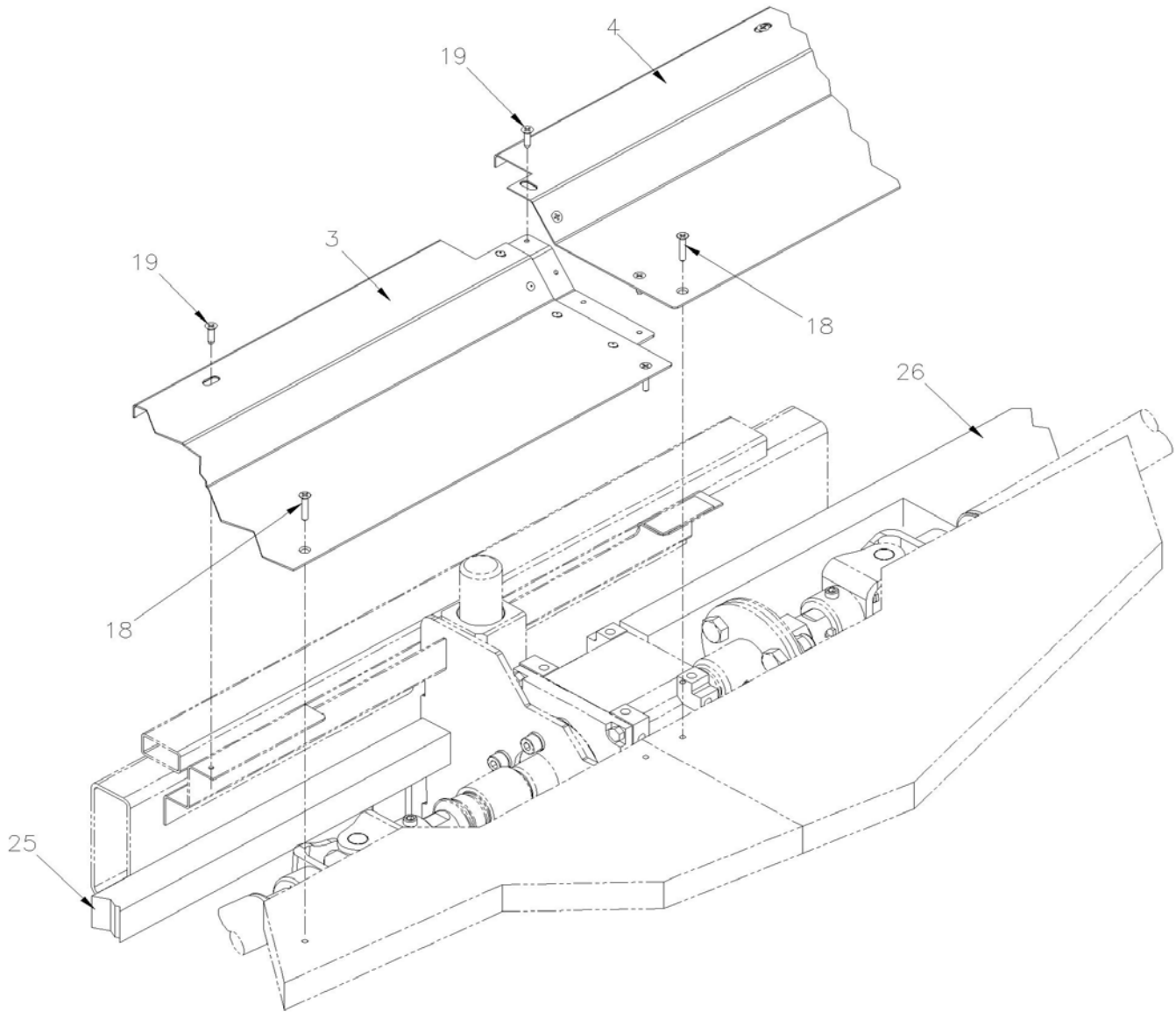


| | | |
|--|--------------|------------------|
| | Date:07/2024 | PAGE:VIP-2390-96 |
| ACCESS PANELS - REAR "SLIDE-OUT" - INSTALLATION / CURBSIDE | | |



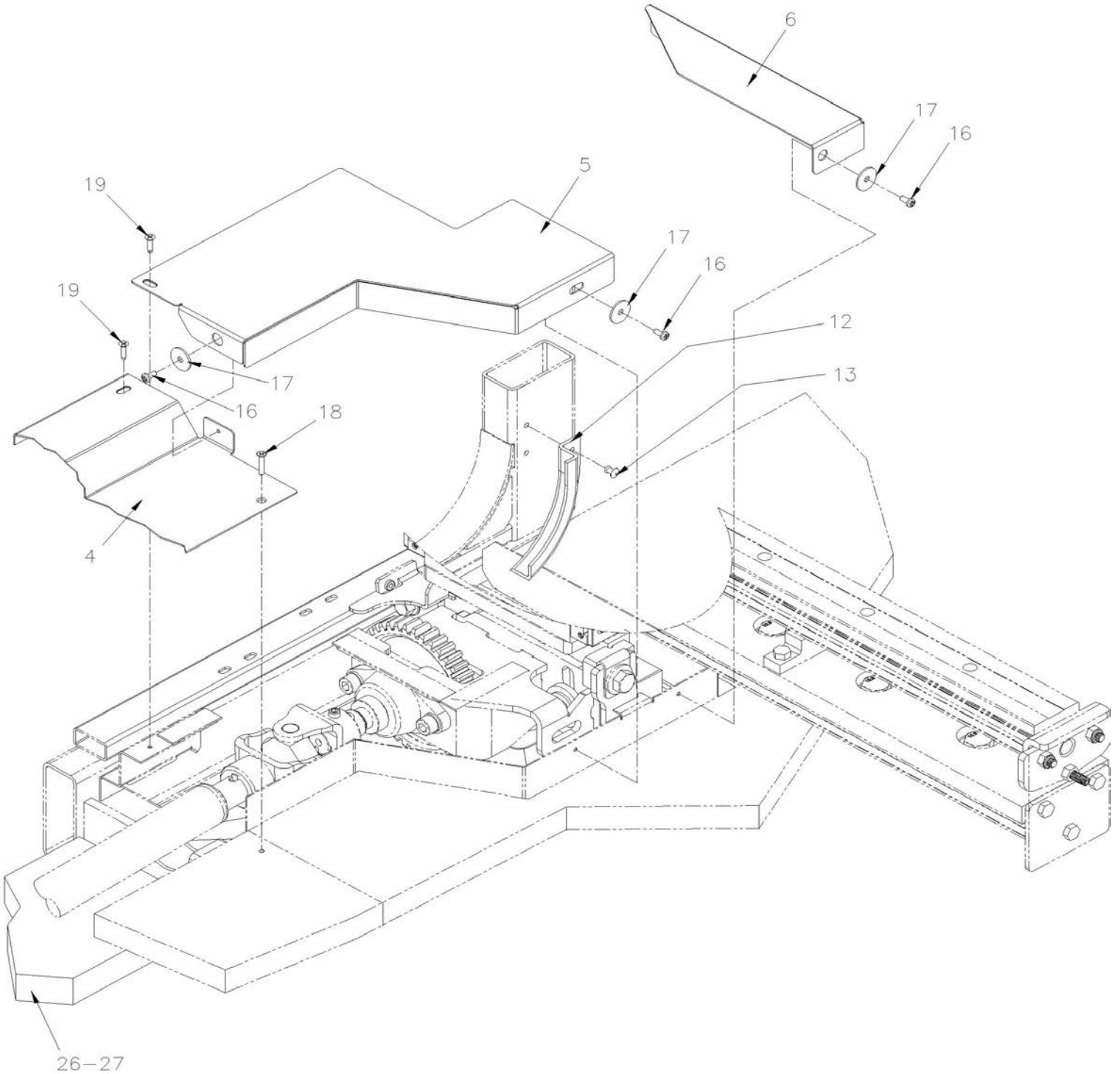
| | | |
|--|--------------|------------------|
| | Date:07/2024 | PAGE:VIP-2390-96 |
| ACCESS PANELS - REAR "SLIDE-OUT" - INSTALLATION / CURBSIDE | | |

DETAIL "B"



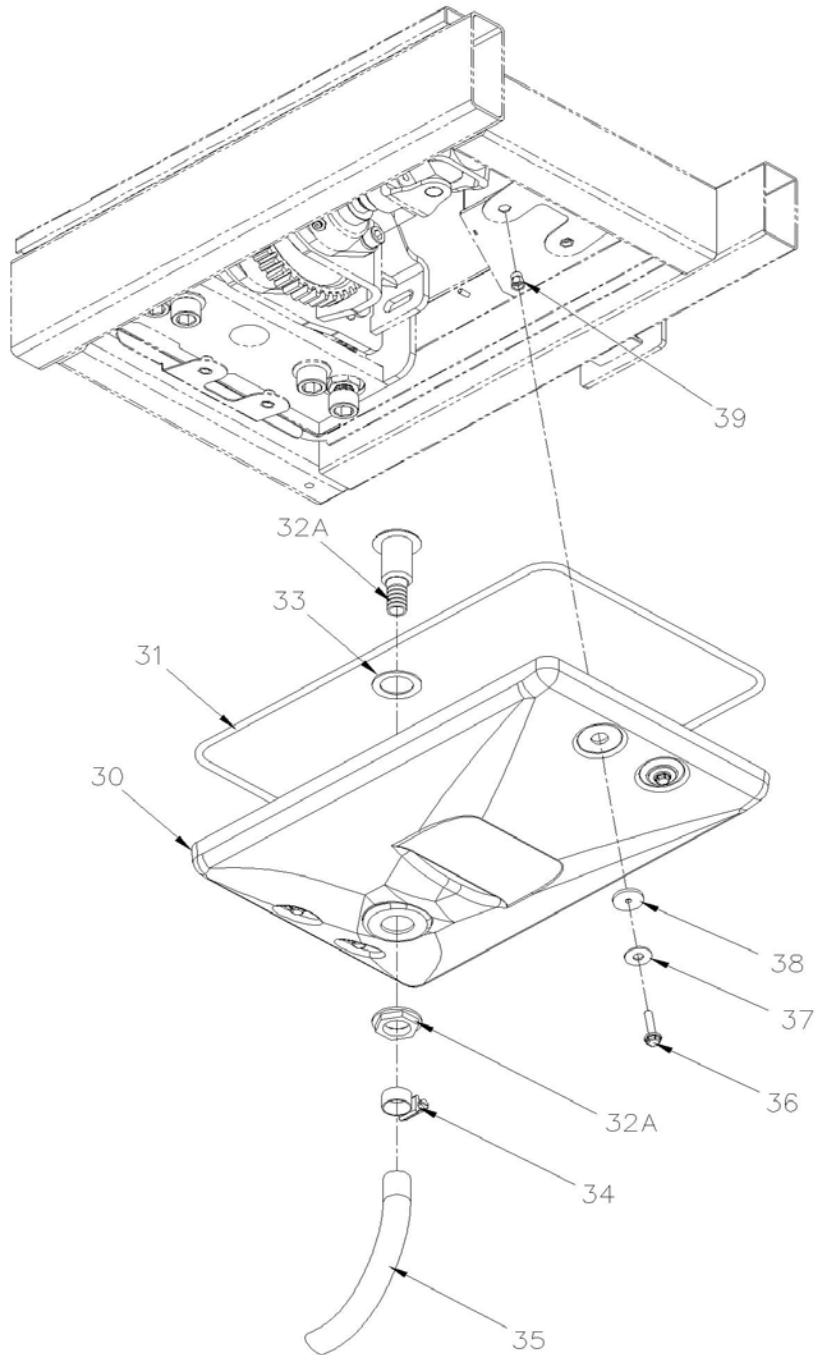
| | | |
|--|--------------|------------------|
| | Date:07/2024 | PAGE:VIP-2390-96 |
| ACCESS PANELS - REAR "SLIDE-OUT" - INSTALLATION / CURBSIDE | | |

DETAIL "C"



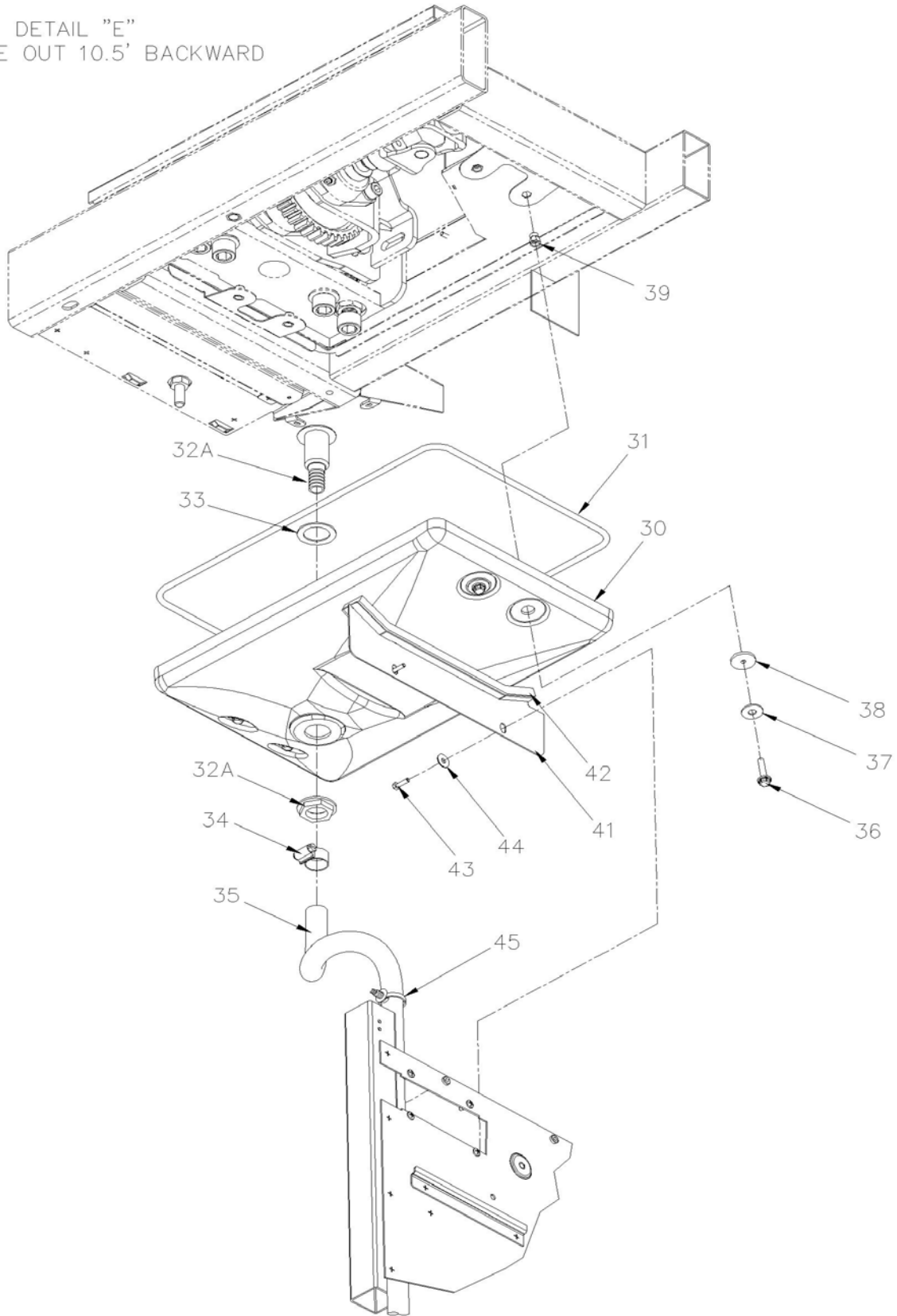
| | | |
|--|--------------|------------------|
| | Date:07/2024 | PAGE:VIP-2390-96 |
| ACCESS PANELS - REAR "SLIDE-OUT" - INSTALLATION / CURBSIDE | | |

DETAIL "D"
WITH SLIDE OUT 7.5'
WITH SLIDE OUT 10.5' FORWARD

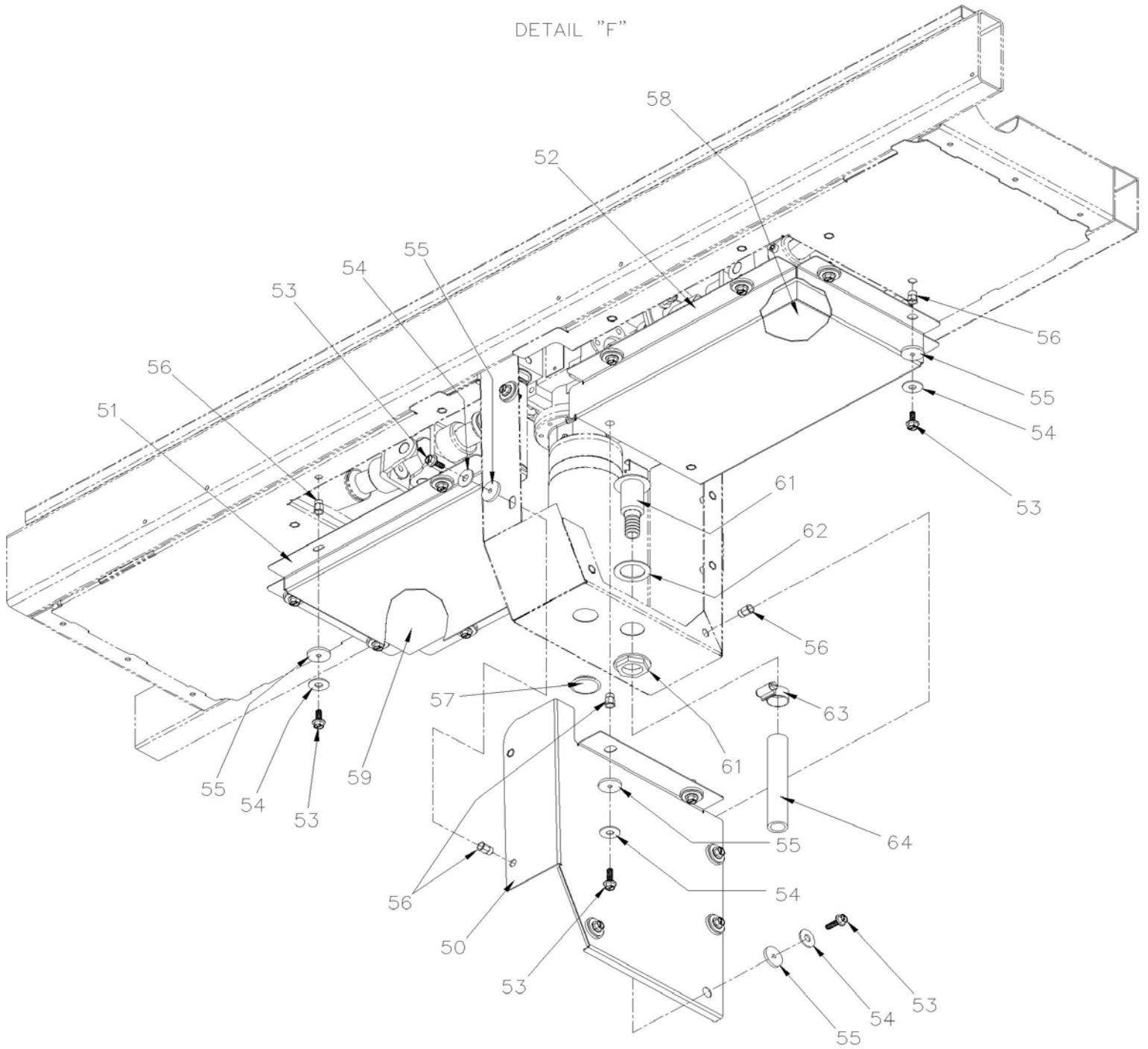


| | | |
|--|--------------|------------------|
| | Date:07/2024 | PAGE:VIP-2390-96 |
| ACCESS PANELS - REAR "SLIDE-OUT" - INSTALLATION / CURBSIDE | | |

DETAIL "E"
WITH SLIDE OUT 10.5' BACKWARD

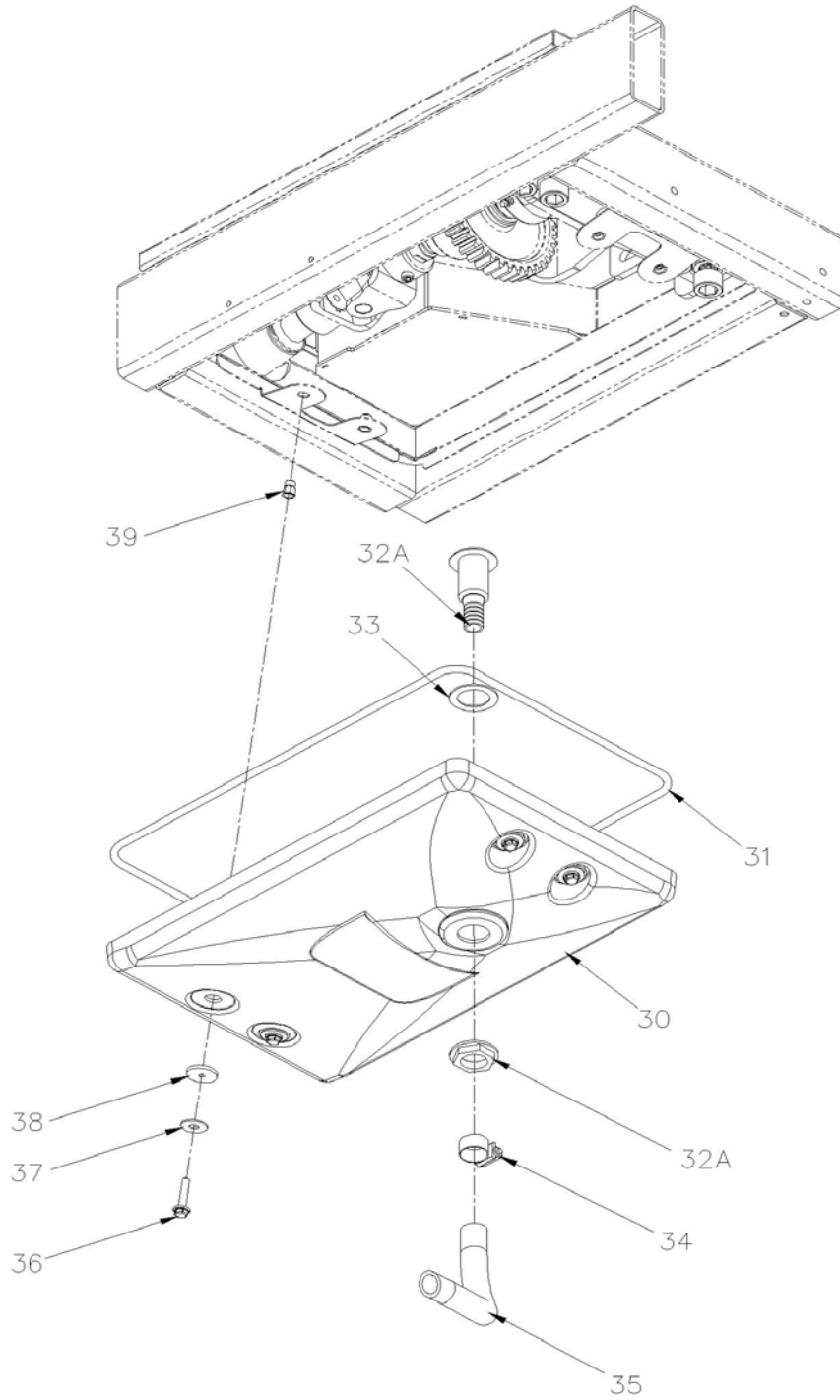


| | | |
|--|--------------|------------------|
| | Date:07/2024 | PAGE:VIP-2390-96 |
| ACCESS PANELS - REAR "SLIDE-OUT" - INSTALLATION / CURBSIDE | | |



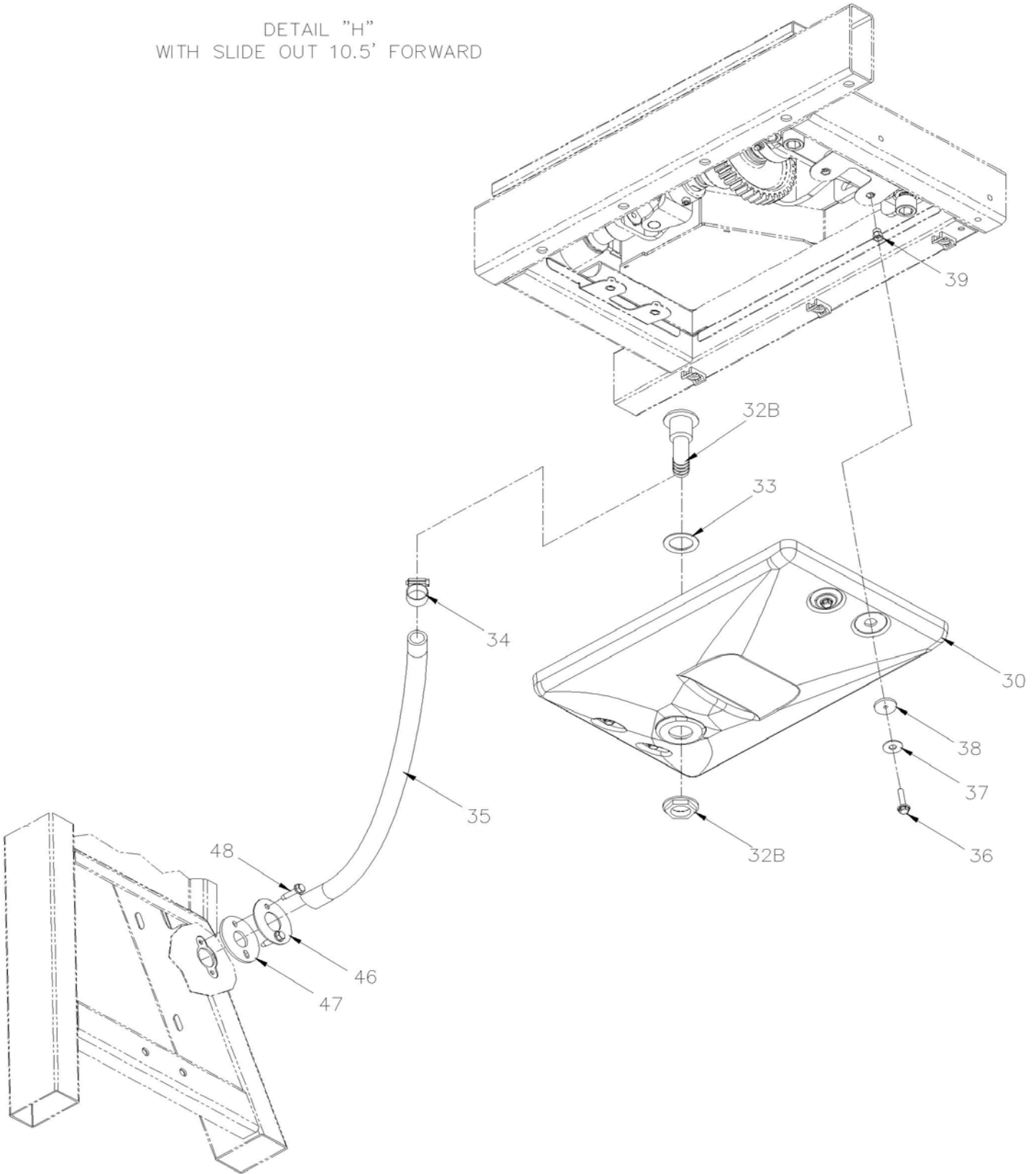
| | | |
|--|--------------|------------------|
| | Date:07/2024 | PAGE:VIP-2390-96 |
| ACCESS PANELS - REAR "SLIDE-OUT" - INSTALLATION / CURBSIDE | | |

DETAIL "G"
WITH SLIDE OUT 7.5'
WITH SLIDE OUT 10.5' BACKWARD



| | | |
|--|--------------|------------------|
| | Date:07/2024 | PAGE:VIP-2390-96 |
| ACCESS PANELS - REAR "SLIDE-OUT" - INSTALLATION / CURBSIDE | | |

DETAIL "H"
WITH SLIDE OUT 10.5' FORWARD



ACCESS PANELS - REAR "SLIDE-OUT" - INSTALLATION / CURBSIDE

| Item# | Part | Description | QTY | Notes |
|-------|---------|--|-----|-------|
| 1 | 3210097 | PLATE PROTECTIVE SLIDE-OUT | 1 | |
| 2 | 3211601 | PLATE PROTECTIVE SLIDE-OUT To R-1772 | 1 | |
| 2 | 3201800 | PLATE PROTECTIVE SLIDE-OUT From R-1773 | 1 | |
| 2 | 506227 | TAPE RUB ADH1 CC POL 1/16" x 3/4" x 100' / GREY 2520 | AR | |
| 3 | 3211709 | PLATE PROTECTIVE SLIDE-OUT To R-1772 | 1 | A |
| 3 | 3201806 | PLATE PROTECTIVE SLIDE-OUT From R-1773 | 1 | A |
| 3 | 3211709 | PLATE PROTECTIVE SLIDE-OUT To R-1772 | 1 | B |
| 3 | 3201806 | PLATE PROTECTIVE SLIDE-OUT From R-1773 | 1 | B |
| 3 | 3211655 | PLATE PROTECTIVE SLIDE-OUT To R-1772 | 1 | C |
| 3 | 3201807 | PLATE PROTECTIVE SLIDE-OUT From R-1773 | 1 | C |
| 3 | 506227 | TAPE RUB ADH1 CC POL 1/16" x 3/4" x 100' / GREY 2520 | AR | |
| 4 | 3211653 | PLATE PROTECTIVE SLIDE-OUT To R-1772 | 1 | A |
| 4 | 3201808 | PLATE PROTECTIVE SLIDE-OUT ASSY From R-1773 | 1 | A |
| 4 | 3211712 | PLATE PROTECTIVE SLIDE-OUT To R-1772 | 1 | B |
| 4 | 3201805 | PLATE PROTECTIVE SLIDE-OUT From R-1773 | 1 | B |
| 4 | 3211653 | PLATE PROTECTIVE SLIDE-OUT To R-1772 | 1 | C |
| 4 | 3201808 | PLATE PROTECTIVE SLIDE-OUT ASSY From R-1772 | 1 | C |
| 4 | 506227 | TAPE RUB ADH1 CC POL 1/16" x 3/4" x 100' / GREY 2520 | AR | |
| 5 | 3211602 | PLATE PROTECTIVE SLIDE-OUT To R-1772 | 1 | |
| 5 | 3201801 | PLATE PROTECTIVE SLIDE-OUT From R-1773 | 1 | |
| 5 | 506227 | TAPE RUB ADH1 CC POL 1/16" x 3/4" x 100' / GREY 2520 | AR | |
| 6 | 3210045 | PLATE PROTECTIVE SLIDE-OUT | 1 | |
| | | | | |
| 11 | 477748 | GUTTER MOULDING BACKWARD | 1 | |
| 12 | 477747 | GUTTER MOULDING FORWARD | 1 | |
| 13 | 504379 | RIVET POP DOME OE 3/16x1/4 SS | 6 | |
| | | | | |
| 16 | 500799 | SCREW TC PAN PH #8-32x3/8 N500 | 10 | |
| 17 | 500805 | WASHER FL .218x.875x.062 N500 | 10 | |
| 18 | 5001349 | SCREW WO TR PH #8x7/8 | 8 | A |
| 18 | 5001349 | SCREW WO TR PH #8x7/8 | 10 | B C |
| 19 | 502885 | SCREW TC FL PH #8-32x5/8 N500 | AR | |
| NS | 680459 | ADHESIVE CYANOACRYLATE LOCTITE 404 Quick Set(TM) | AR | |
| NS | 684517 | ADHESIVE SIMSON #ISR 70-03 / GREY / 310ml CARTRIDGE | AR | |
| NS | 685126 | ADHESIVE SIMSON #ISR 70-03 / GREY / 600ml SAUSAGE | AR | |
| NS | 680532 | SEALANT SIKA #221 / GREY / 310ml CARTRIDGE | AR | |
| | | | | |
| 24 | 352425 | INSULATING PAD NOISE | 1 | C |
| 24 | 850030 | . INSULATING PAD NOISE ADH1 1" x 54" x 72" | 1 | C |
| 24 | 353426 | INSULATING PAD NOISE | 1 | C |
| 24 | 850024 | . INSULATING PAD NOISE ADH1 1/16" x 40" x 54" | 1 | C |
| 25 | 353296 | INSULATING PAD NOISE 1" | 1 | A C |

ACCESS PANELS - REAR "SLIDE-OUT" - INSTALLATION / CURBSIDE

| Item# | Part | Description | QTY | Notes |
|-------|---------|---|-----|-------|
| 25 | 354359 | INSULATING PAD NOISE | 1 | B |
| 25 | 850030 | INSULATING PAD NOISE ADH1 1" x 54" x 72" | 1 | |
| 25 | 353300 | INSULATING PAD NOISE 1/16" | 1 | A C |
| 25 | 354358 | INSULATING PAD NOISE | 1 | B |
| 25 | 850024 | INSULATING PAD NOISE ADH1 1/16" x 40" x 54" | 1 | |
| 26 | 353343 | INSULATING PAD NOISE 1" | 1 | A C |
| 26 | 353339 | INSULATING PAD NOISE 1" | 1 | B |
| 26 | 850030 | INSULATING PAD NOISE ADH1 1" x 54" x 72" | 1 | |
| 26 | 353344 | INSULATING PAD NOISE 1/16" | 1 | A C |
| 26 | 353341 | INSULATING PAD NOISE 1/16" | 1 | B |
| 26 | 850024 | INSULATING PAD NOISE ADH1 1/16" x 40" x 54" | 1 | |
| 27 | 353340 | INSULATING PAD NOISE 1" | 1 | B |
| 27 | 850030 | INSULATING PAD NOISE ADH1 1" x 54" x 72" | 1 | B |
| 27 | 353342 | INSULATING PAD NOISE 1/16" | 1 | B |
| 27 | 850024 | INSULATING PAD NOISE ADH1 1/16" x 40" x 54" | 1 | B |
| | | | | |
| 30 | 491923 | DRAINING PAN | 2 | |
| 31 | 492066 | SEAL, DRAINING PAN | 2 | A B |
| 31 | 492066 | SEAL, DRAINING PAN | 1 | C |
| 32A | 900280 | THRU HULL, CONNECTOR / PLASTIC | 2 | A B |
| 32A | 900280 | THRU HULL, CONNECTOR / PLASTIC | 1 | C |
| 32B | 901805 | CONNECTOR 90 DEGREE, THRU HULL | 1 | C |
| 33 | 409038 | GASKET | 2 | |
| 34 | 504019 | HOSE CLAMP / 9/16"-1"1/16 SS / HS-10 | 2 | |
| 35 | 900220 | TUBE PVC / 5/8" I.D. / S.L. | AR | |
| NS | 684517 | ADHESIVE SIMSON #ISR 70-03 / GREY / 310ml CARTRIDGE | AR | |
| 36 | 5001815 | SCREW CAP HEXF M6-1.0x30 G 8.8 N500 | 8 | |
| 37 | 500332 | WASHER FL .328x.875x.062 N500 | 8 | |
| 38 | 502820 | WASHER FL .187x1.000x.125 RUB BK | 8 | |
| 39 | 5001344 | NUT INS FL HEX M6-1.0 0.5-3.0 SS | 8 | |
| | | | | |
| 41 | 491906 | CLOSING PANEL | 1 | B |
| 42 | 506282 | TAPE RUB ADH1 CC POL 3/8" x 1" x 20' / GREY 2520 | AR | B |
| 43 | 502799 | SCREW CAP HEX M4-0.7X16 G8.8 N500 | 2 | B |
| 44 | 5001686 | WASHER FL SEAL .218x.625x20GA SS | 2 | B |
| 45 | 509815 | TIE MOUNT / ATTACHMENT W/TREE MOUNT | 4 | B |
| 45 | 504637 | CABLE TIE / 3/16" x 13" | 4 | B |
| | | | | |
| 46 | 491653 | SEALING PLATE | 1 | C |
| 47 | 353427 | INSULATING | 1 | C |
| 48 | 500266 | SCREW TC CAP HEX 1/4-20x1 N500 | 2 | C |
| | | | | |

| | | Date:07/2024 | PAGE:VIP-2390-96 | |
|--|---------|---|------------------|-------|
| ACCESS PANELS - REAR "SLIDE-OUT" - INSTALLATION / CURBSIDE | | | | |
| Item# | Part | Description | QTY | Notes |
| 50 | 460108 | TRAPDOOR ACCESS MECHANICAL SLIDE-OUT | 1 | |
| 50 | 506191 | TAPE RUB ADH1 CC POL 1/8" x 1/4" x 50' / GREY 2520X | AR | |
| 51 | 460070 | TRAPDOOR ACCESS MECHANICAL SLIDE-OUT | 1 | |
| 52 | 460071 | TRAPDOOR ACCESS MECHANICAL SLIDE-OUT | 1 | |
| 53 | 5002105 | SCREW CAP HEXF M6-1.0x20 G10.9 N500 | 22 | |
| 54 | 500332 | WASHER FL .328x.875x.062 N500 | 22 | |
| 55 | 502820 | WASHER FL .187x1.000x.125 RUB BK | 22 | |
| 56 | 5001344 | NUT INS FL HEX M6-1.0 0.5-3.0 SS | 22 | |
| 57 | 504433 | SNAP-IN PLUG / 1.090 O.D. | 1 | |
| 58 | 353298 | INSULATING PAD NOISE 1" | 1 | |
| 58 | 850030 | . INSULATING PAD NOISE ADH1 1" x 54" x 72" | 1 | |
| 58 | 353309 | INSULATING PAD NOISE 1/16" | 1 | |
| 58 | 850024 | . INSULATING PAD NOISE ADH1 1/16" x 40" x 54" | 1 | |
| 59 | 353299 | INSULATING PAD NOISE 1" | 1 | |
| 59 | 850030 | . INSULATING PAD NOISE ADH1 1" x 54" x 72" | 1 | |
| 59 | 353308 | INSULATING PAD NOISE 1/16" | 1 | |
| 59 | 850024 | . INSULATING PAD NOISE ADH1 1/16" x 40" x 54" | 1 | |
| 61 | 900280 | THRU HULL, CONNECTOR / PLASTIC | 1 | |
| 62 | 409038 | GASKET | 1 | |
| 63 | 504019 | HOSE CLAMP / 9/16"-1"1/16 SS / HS-10 | 1 | |
| 64 | 900220 | TUBE PVC / 5/8" I.D. / S.L. | AR | |
| | | | | |
| | | | | |
| | | A) WITH 7.5 FEET SLIDE-OUT | | |
| | | B) WITH 10.5 FEET SLIDE-OUT BACKWARD | | |
| | | C) WITH 10.5 FEET SLIDE-OUT FORWARD | | |