

PREVOST

Instruction Sheet

IS-23024

INSTRUMENT CLUSTER REPLACEMENT FOR MODELS H3-45 FROM R-1453 AND H3-45 VIP FROM P-1348

First Release

01-27-2025

MATERIAL

Kit **IS23024-1** for **MPH** instrument cluster replacement which includes the following parts:

Part No.	Description	Qty
24171848	CLUSTER CONTINENTAL MPH	1
IS-23024	INSTRUCTION SHEET	1
FI-23024	FEUILLE D'INSTRUCTION	1

Kit **IS23024-2** for **KM/H** instrument cluster replacement which includes the following parts:

Part No.	Description	Qty
24171849	CLUSTER CONTINENTAL KPH	1
IS-23024	INSTRUCTION SHEET	1
FI-23024	FEUILLE D'INSTRUCTION	1

NOTE

Material can be obtained through regular channels.

SAFETY PRECAUTIONS

- Eye protection should always be worn when working in a shop.
- Rules for Personal Protection Equipment should always be respected. Wear your PPE including but not limited to the following:



Safety First!



PROCEDURE



DANGER

Park vehicle safely, apply parking brake, stop engine. Prior to working on the vehicle, set the ignition switch to the OFF position and trip the main circuit breakers equipped with a trip button. On Commuter type vehicles, set the battery master switch (master cut-out) to the OFF position.

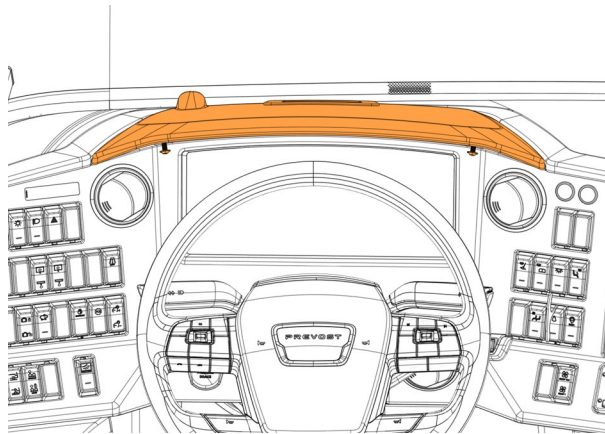
Lock out & Tag out (LOTO) must be performed during set-up, maintenance or repair activities. Refer to your local procedure for detailed information regarding the control of hazardous energy.

NOTE

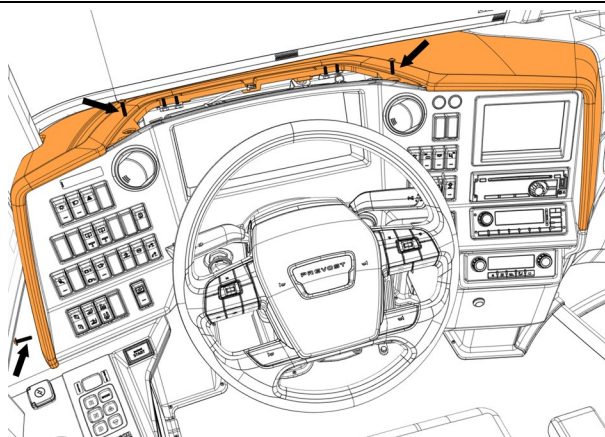
Take note of the mileage displayed on the instrument cluster before removing it for replacement.

INSTRUMENT CLUSTER REPLACEMENT

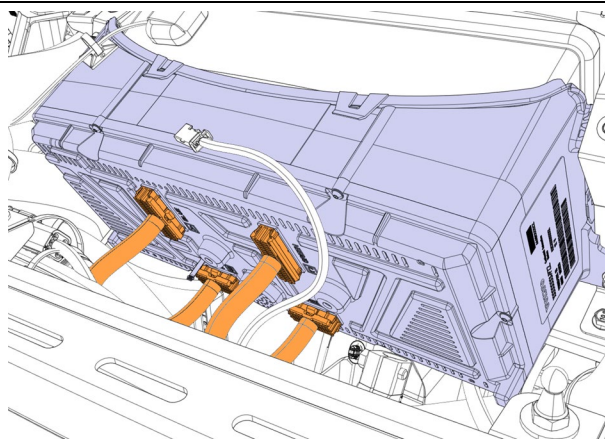
1. Undo the screws (2x) and remove the instrument panel cover.
2. Keep the screws for reinstall.



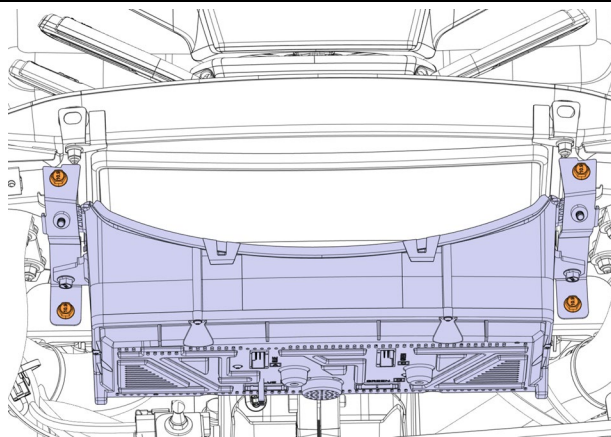
3. Undo the screws (3x) and remove the dashboard cover.
4. Keep the screws for reinstall.



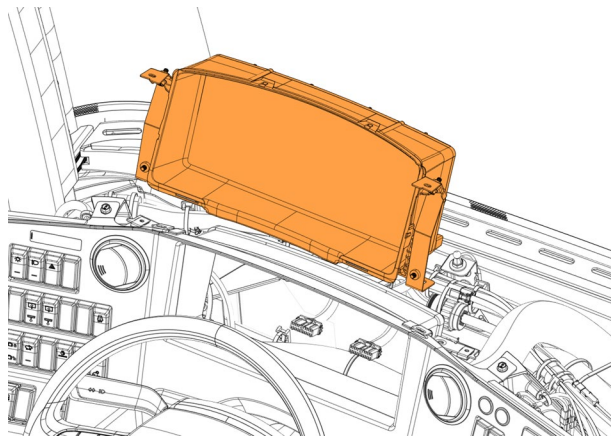
5. Unplug the four connectors at the back of the instrument cluster.



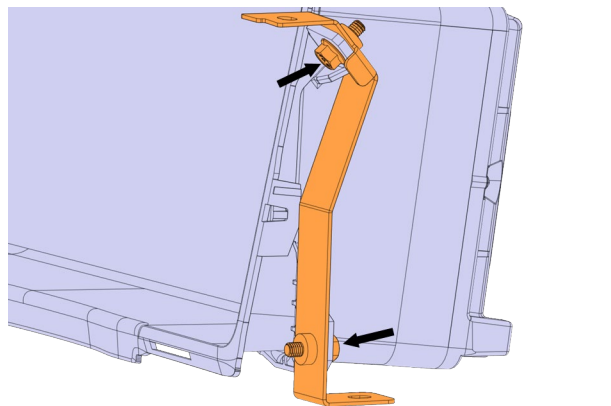
6. Remove the screws (4x) retaining the instrument cluster assembly to the dashboard.
7. Keep the screws for reinstall.



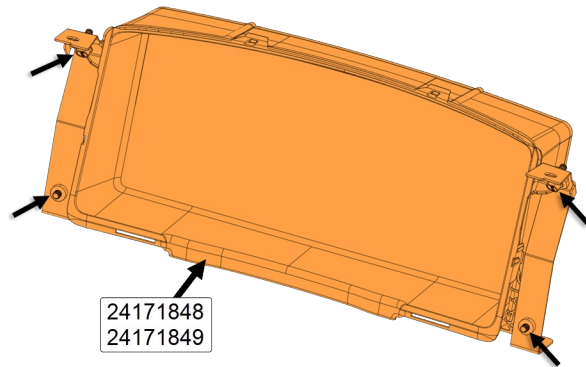
8. Remove the instrument cluster with the brackets from the dashboard.



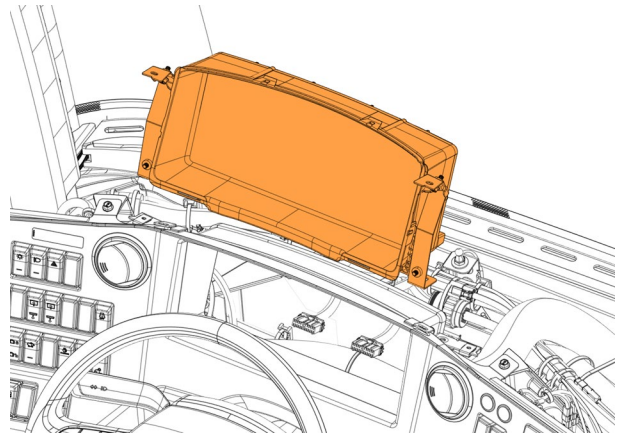
9. Unscrew the bolts (2x) retaining the bracket to the instrument cluster on each side.
10. Keep the brackets (2x) and the bolts (4x) for reinstall.



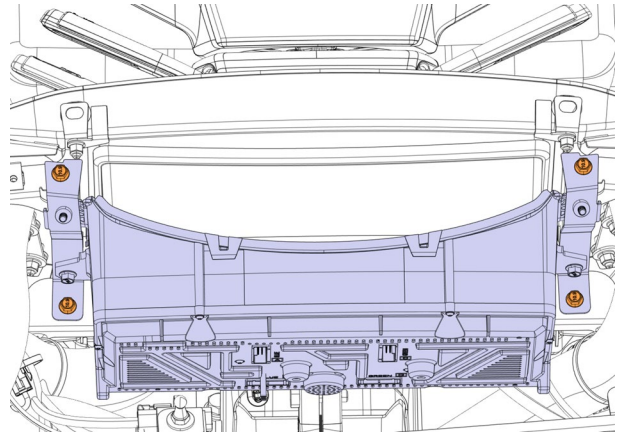
11. Install the brackets on the new instrument cluster 24171848 or 24171849 and tighten with the bolts (4x).



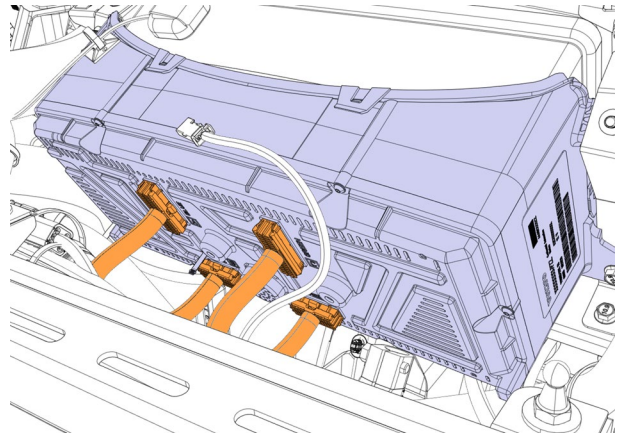
12. Install the new cluster in the dashboard.



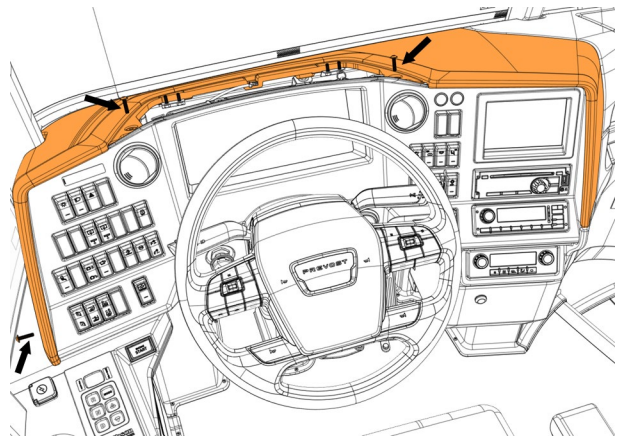
13. Fasten the cluster assembly to the dashboard with the bolts (4x).



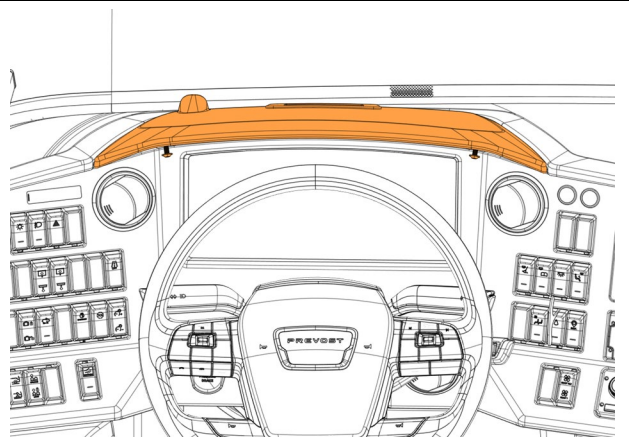
14. Plug the four connectors at the back of the instrument cluster.



15. Reinstall the dashboard cover and fasten it with the screws (3x).

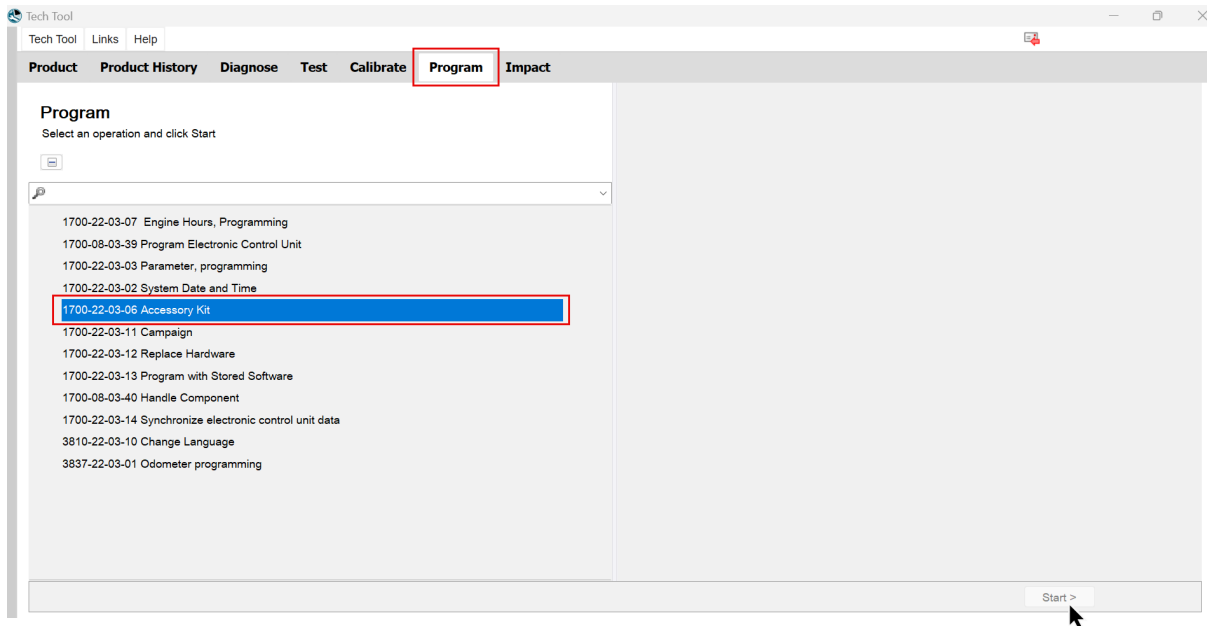


16. Reinstall the instrument panel cover with the screws (2x).

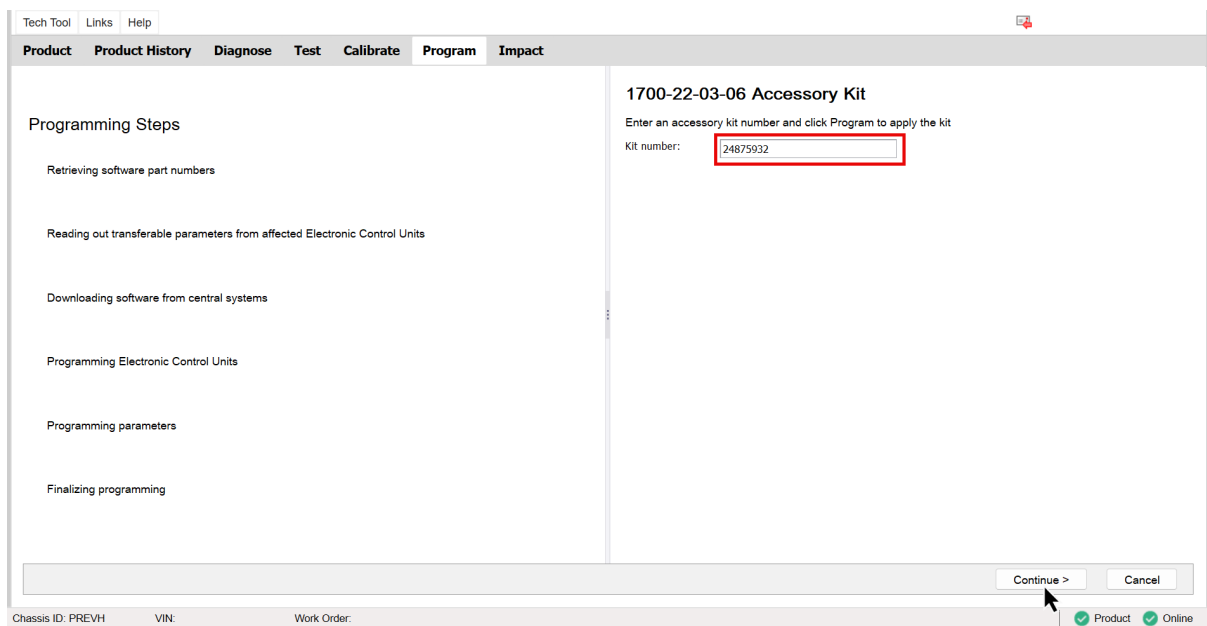


INSTRUMENT CLUSTER PROGRAMMING

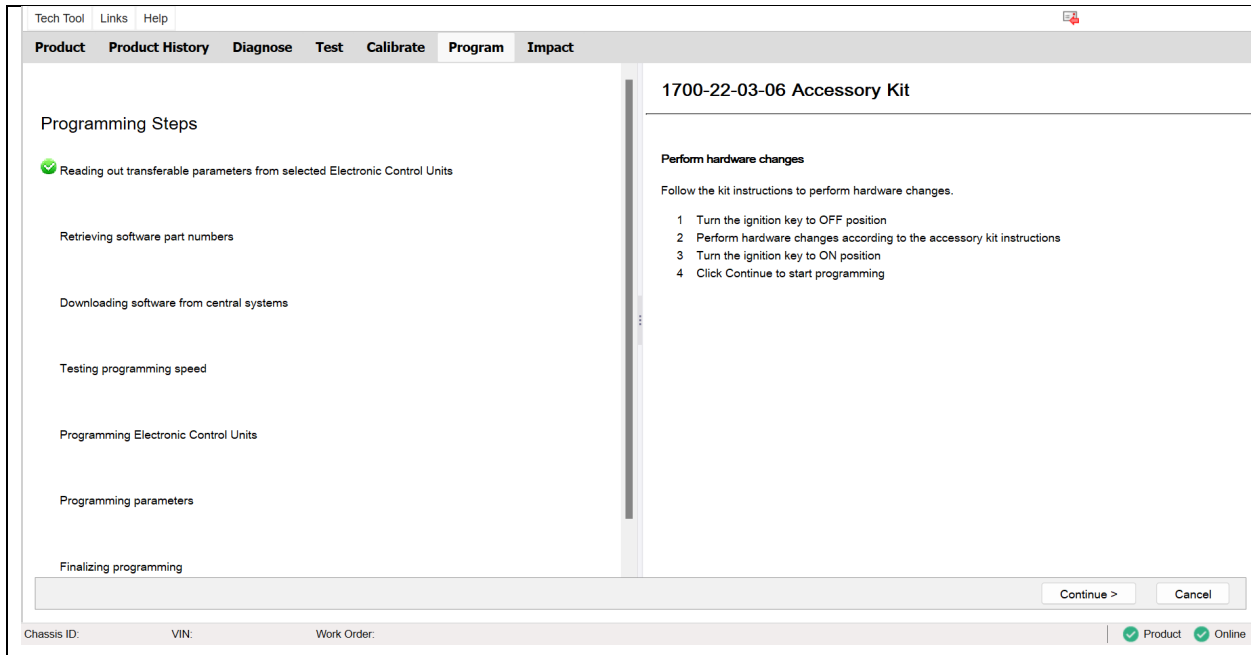
1. Connect to Premium Tech Tool (PTT), then under *Program* tab, select “Accessory kit” and click *start*.



2. Enter the accessory kit number **24875932** and click *continue* to start programming the new cluster.

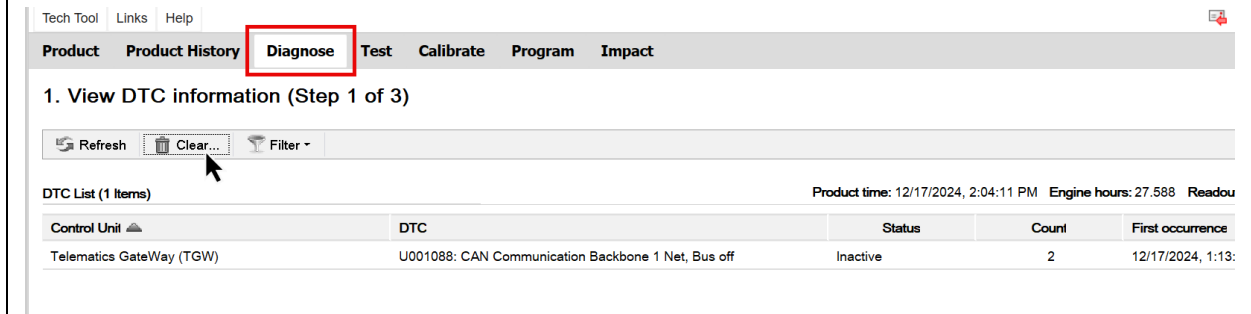


3. Follow the accessory kit instructions until programming is completed successfully.

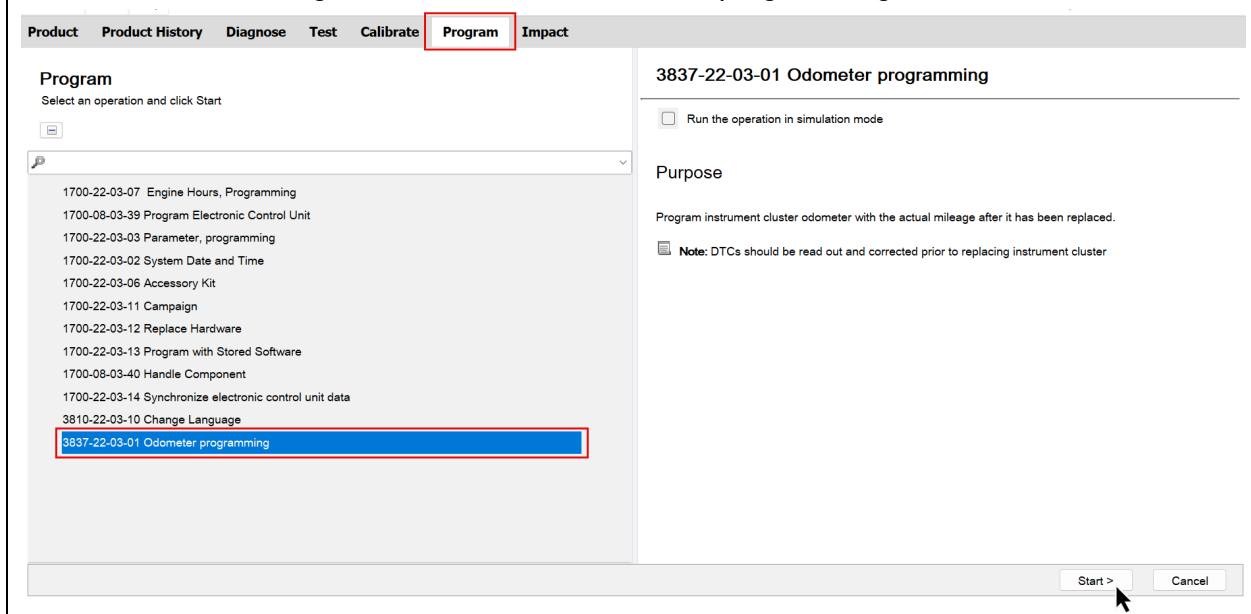


4. Once programming is completed, trip and reset main circuit breakers CB2 and CB6.

5. Select the *Diagnose* tab in PTT and clear any diagnostic trouble codes (DTC).



6. Go back to the *Program* tab and select "odometer programming". Then, click *start*.



7. Select the illustration C corresponding to Manual entry option and click *continue*.

Product Product History Diagnose Test Calibrate Program Impact

3837-22-03-01 Odometer programming

Information >> Conditions >> Execution >> Result

Purpose

Program instrument cluster odometer with the actual mileage after it has been replaced.

Note: DTCs should be read out and corrected prior to replacing instrument cluster

Selections

Select the illustration corresponding to the method or test to be performed

A
Instrument cluster to instrument cluster

B
Engine Control Module (ECM) to instrument cluster

C
Manual entry

Continue > Cancel

8. Select *Manuel entry* as data source, select the unit of the instrument cluster and enter the mileage value noted from the old cluster.

9. Click *continue* to program the odometer.

Product Product History Diagnose Test Calibrate Program Impact

Note: DTCs should be read out and corrected prior to replacing instrument cluster

Action

Select data source

ECM 309.34 mi

VECU 0 mi

Instrument cluster 0 mi

Manual entry

Select preferred input unit

Mile

Km

Enter value to be programmed:

UserInput 0

Click start to program the odometer

Continue >

PARTS / WASTE DISPOSAL

Discard waste according to applicable environmental regulations (Municipal/State[Prov.]/ Federal)