



**MAINTENANCE
INFORMATION**

MI24-42A

| | | |
|-----------|---|-------------------------|
| DATE : | December 2024 | SECTION: 23 ACCESSORIES |
| SUBJECT : | SD Card Version Update for Digital Passenger Clock - Resolving Time Zone and Format Switching Issues | |


Revision: A

UPDATE OF THE FILES DOWNLOAD LINK

01-31-2025

IMPORTANT NOTICE
This modification is recommended by PrevoSt to increase your vehicle's performance. Note that no reimbursement will be awarded for carrying out this modification.

APPLICATION

| Model | VIN |  |
|--|---|--|
| H3-45 coaches Model Year : 2023 | 2PCH33490PC721359, 2PCH33496PC721382, 2PCH33498PC721402, 2PCH33494PC721431 | |
| H3-45 coaches Model Year : 2024 - ... | From 2PCH3349XRC721453 | |

DESCRIPTION

This maintenance information explains how to check and update the SD card version on the digital passenger clock. Updating to version 02 09 will resolve issues where the clock does not automatically change the time zone or switch between 12H format in the USA and 24H format in Canada.

SAFETY PRECAUTIONS

- Eye protection should always be worn when working in a shop.
- Rules for Personal Protection Equipment should always be respected. Wear your PPE including but not limited to the following:



Safety First!



PROCEDURE



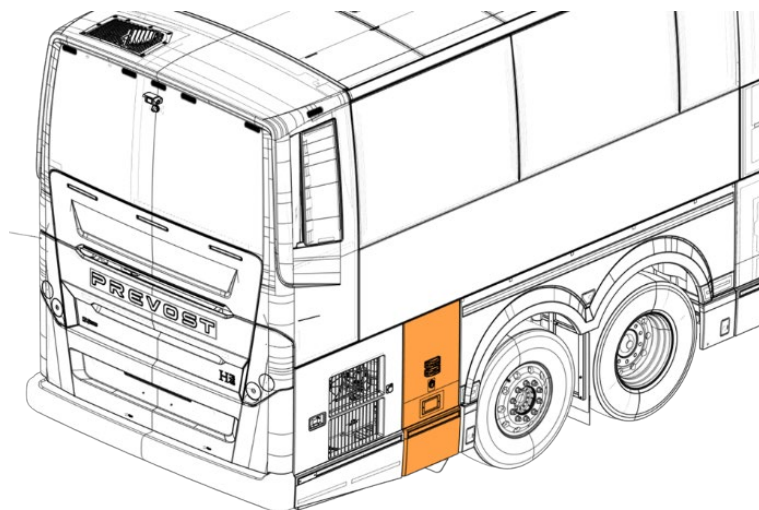
DANGER

Park vehicle safely, apply parking brake, stop engine. Prior to working on the vehicle, set the ignition switch to the OFF position and trip the main circuit breakers equipped with a trip button. On Commuter type vehicles, set the battery master switch (master cut-out) to the OFF position.

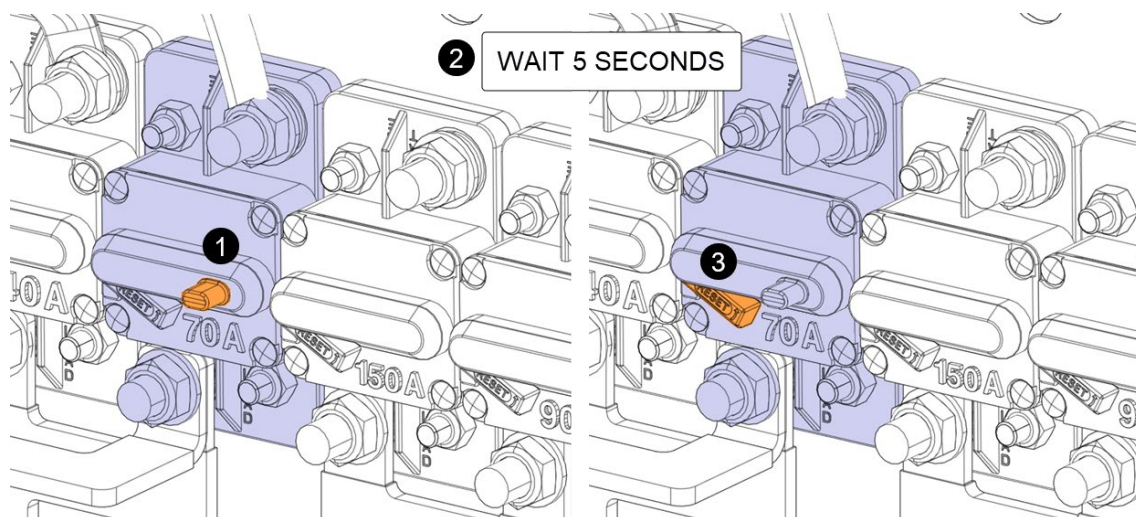
Lock out & Tag out (LOTO) must be performed during set-up, maintenance or repair activities. Refer to your local procedure for detailed information regarding the control of hazardous energy.

CHECKING SD CARD VERSION

1. Park the vehicle outside to detect a signal.
2. Open the rear junction box.



3. Trip circuit breaker CB6. Wait for five (5) seconds, then reset it.



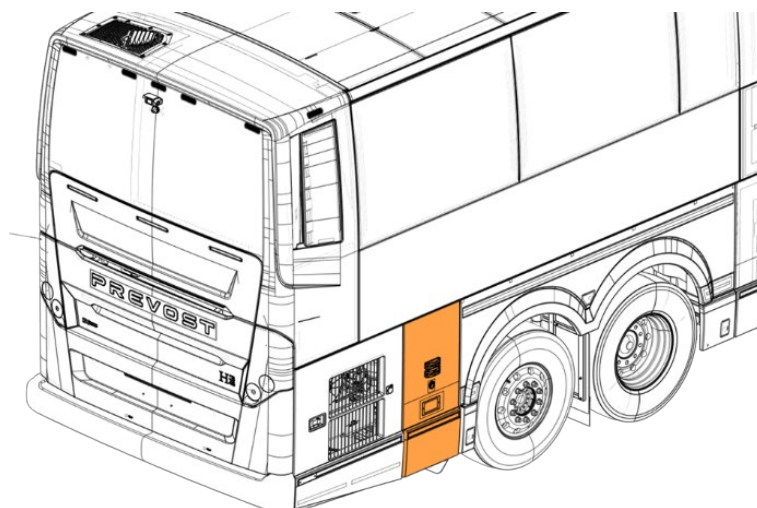
4. At the same time, let a second person from inside the vehicle check the following sequence on the clock screen:
 - All LEDs will light up.
 - The Firmware version will be displayed. It should read **00 12**.
 - The SD card version will be displayed. It should read **02 09**. If it is an older version, proceed to updating SD card version.



- The clock will display 12:00. Then, the time format will automatically update to 12-hour format in USA and 24-hour format in Canada. The time will also update automatically to the correct time zone.

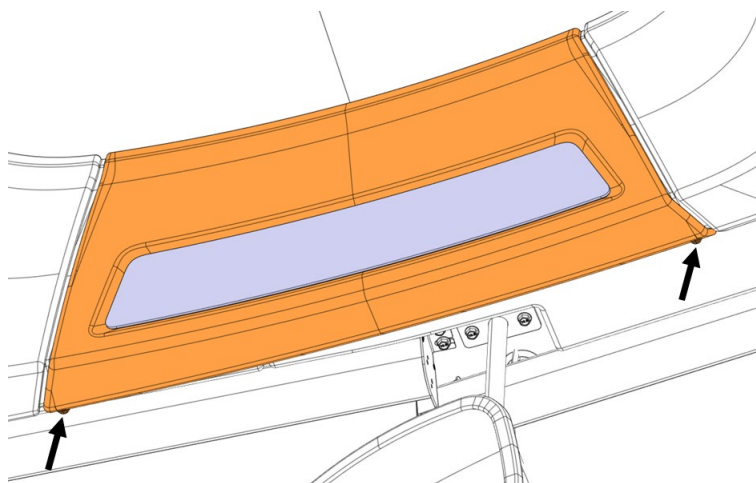


5. Close the rear junction box.

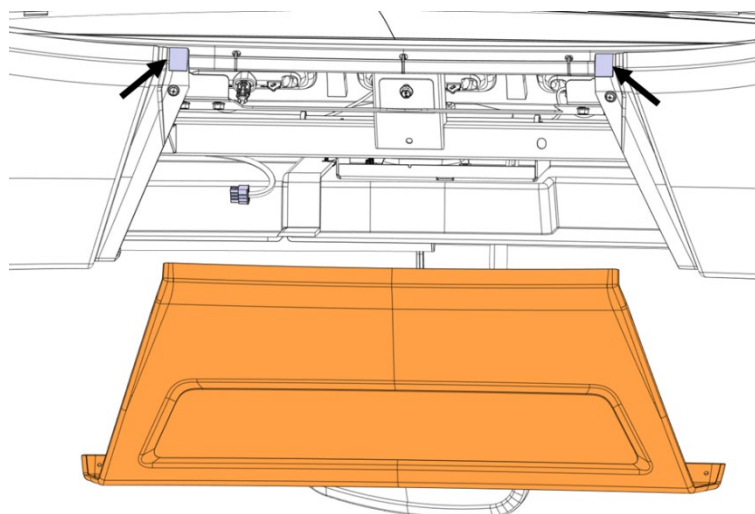


UPDATING SD CARD TO VERSION 02 09

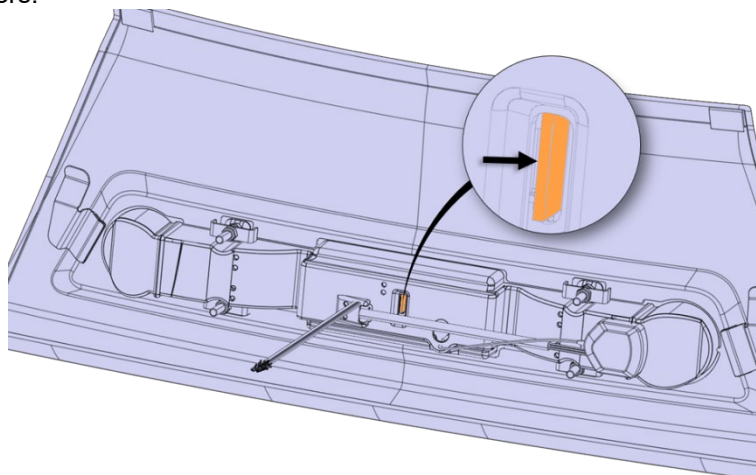
1. Remove the two screws in the bottom of the central ceiling panel.



2. Detach the Velcro and remove the central ceiling panel. Disconnect the clock connector.




3. Press the SD card in the slot at the back of the clock to release it. Then, carefully extract it using needle-nose pliers.



- Download the installation package for updating SD card on the technical publications website.

Link: <https://techpub.prevostcar.com/content/media/19562/view>

The screenshot shows the 'Supplier Publications' section of the Prevost website. A search bar is visible with 'Prevost' selected in the 'Supplier' dropdown and 'Accessories' in the 'Category' dropdown. Below the search bar, a table lists one item found:

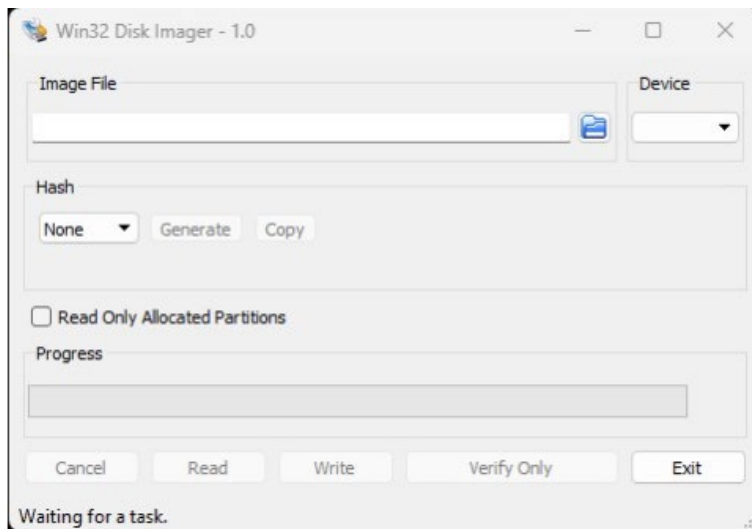
| Supplier | Title | System | Size | |
|----------|--|-------------|-------|---|
| Prevost | Installation Package for Updating Clock SD Card to Version 02.09 | Accessories | 27 Mb |  |

- Extract the downloaded .zip file on the C:Drive.
- Execute the file “ Win32diskimager-1.0.0-install.exe ” to install the application.

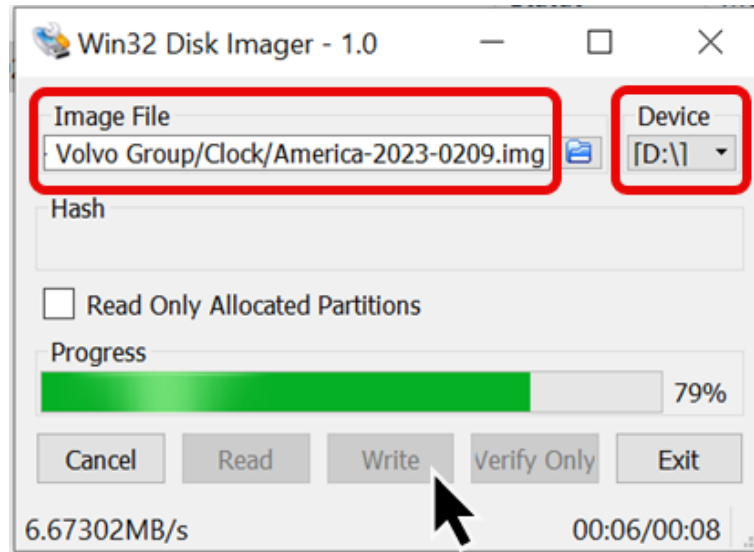
The screenshot shows a file explorer window with the following table of files:

| Nom | Modifié le | Type | Taille |
|-----------------------------------|------------------|-----------------------|-----------|
| America-2023-0209.img | 2024-12-03 10:34 | Fichier d'image di... | 45 264 Ko |
| win32diskimager-1.0.0-install.exe | 2024-12-03 10:31 | Application | 12 273 Ko |

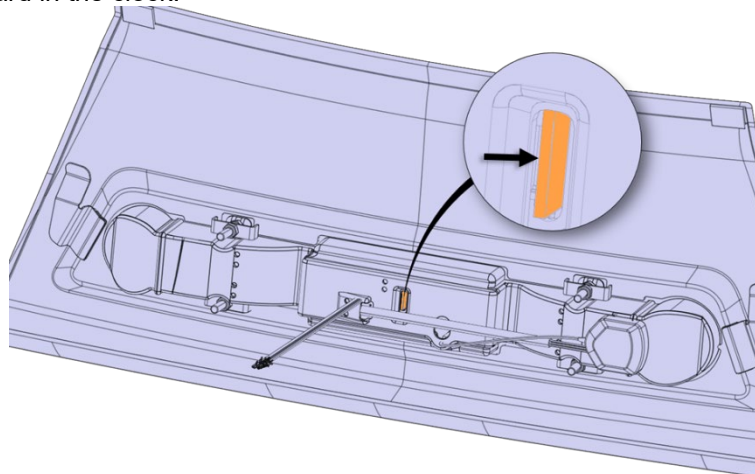
- Insert the SD card into the card reader connected to the laptop.
- Format the SD card.
- Open Win32 Disk Imager application.



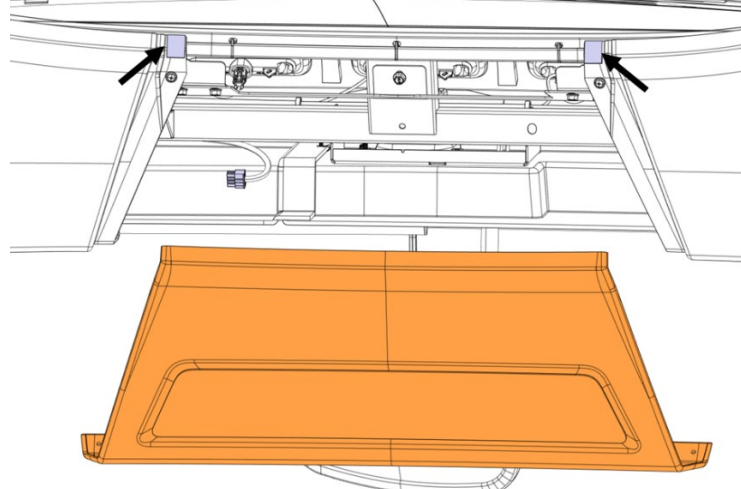
10. Browse the file “America-2023-0209”, select the device where the SD Card is connected and click “Write”.



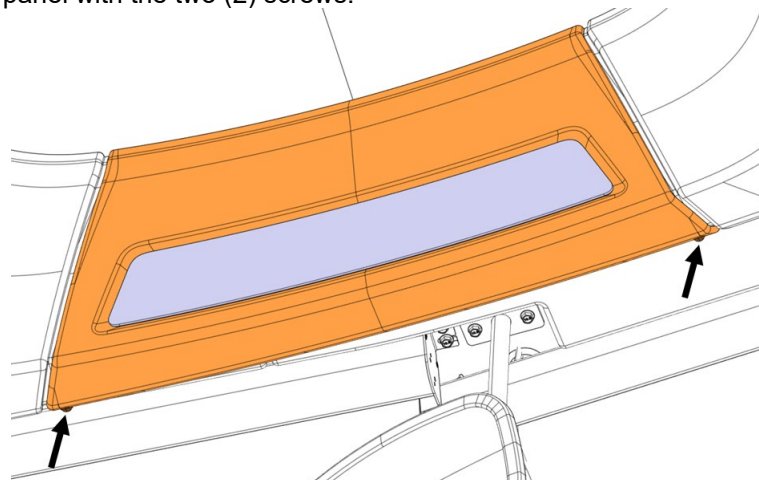
11. Once the file transfer is completed, remove the SD card from the card reader.
12. Reinsert the SD card in the clock.



13. Reconnect the Clock connector and reattach the ceiling panel with Velcro in the top.



14. Fasten the ceiling panel with the two (2) screws.



15. After power reset, validate that SD card version is now 02 09. Then, the clock will be set to the default time of 12:00. The time zone and format will automatically update when the coach is parked outside long enough to detect a signal.



PARTS / WASTE DISPOSAL

Discard according to applicable environmental regulations (Municipal/State[Prov.]/ Federal)

Access all our Service Bulletins on <http://techpub.prevostcar.com/en/>
Or scan the QR-Code with your smart phone

Are you a Vehicle owner?
E-mail us at technicalpublications_prev@volvo.com and type "ADD" in the subject to
receive warranty bulletins applicable to your vehicle(s) by e-mail.

