

# PREVOST

## WARRANTY BULLETIN

**WB25-01A**


DATE :	March 2025	SECTION :	18 BODY
EXPIRATION:	March 2027		
SUBJECT :	<b>WATER INFILTRATION IN THE MODESTY PANELS</b>		

Revision: A

Installation clarification added

03-14-2025

### APPLICATION

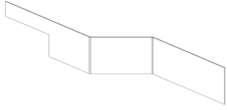
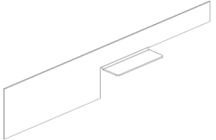
<b>NOTICE TO SERVICE CENTERS</b>	
Model	VIN
<i>Verify vehicle eligibility by checking warranty bulletin status with <b>SAP</b> or via <b>ONLINE WARRANTY SYSTEM</b> available on Service / Warranty tab of Prevost website.</i>	
H3-45 coaches Model Year: 2023	 2PCH3349XPC721269 2PCH33490PC721359 2PCH33496PC721382 2PCH33498PC721402 2PCH33494PC721431
H3-45 coaches Model Year: 2024-2025	From 2PCH3349XRC721453 up to 2PCH33490RC722093 From 2P9H33495RC001001 up to 2P9H33497SC001250
<b>This bulletin does not necessarily apply to all the above-mentioned vehicles, some vehicles may have been modified before delivery. The owners of the vehicles affected by this bulletin will be advised by a letter indicating the Vehicle Identification Number (VIN) of each vehicle concerned.</b>	

### DESCRIPTION


On the vehicles affected by this bulletin seal the bottom of the right and left modesty panels to avoid water infiltration.

**MATERIAL**

Order kit **WB25-01** which contains the following parts:

Part No	Description	Qty
3202286	DAM PLATE LEFT MODESTY PANEL 	1
3202287	DAM PLATE RIGHT MODESTY PANEL 	1

Other part that required. **Note that these parts are not covered by this bulletin:**

Part No	Description	Qty
684685	ADHESIVE / SEALANT SIMSON #ISR 70-03 / 310ml CARTRIDGE 	AR

***NOTE***

*Material can be obtained through regular channels.*

## SAFETY PRECAUTIONS

- Eye protection should always be worn when working in a shop.
- Rules for Personal Protection Equipment should always be respected. Wear your PPE including but not limited to the following:



# Safety First!



## PROCEDURE



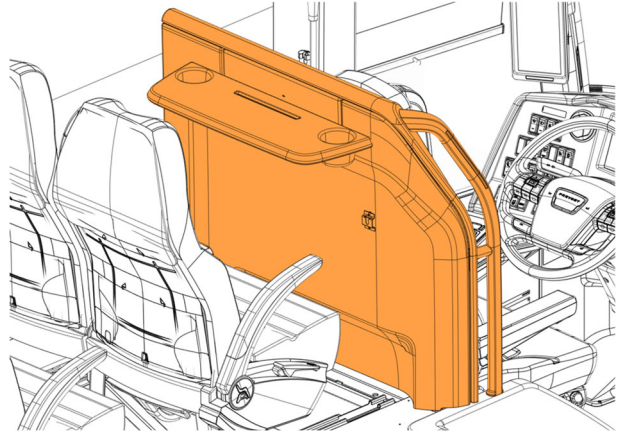
### DANGER

Park vehicle safely, apply parking brake, stop the engine. Prior to working on the vehicle, set the ignition switch to the OFF position and trip the main circuit breakers equipped with a trip button. On the Commuter type vehicles, set the battery master switch (master cut-out) to the OFF position.

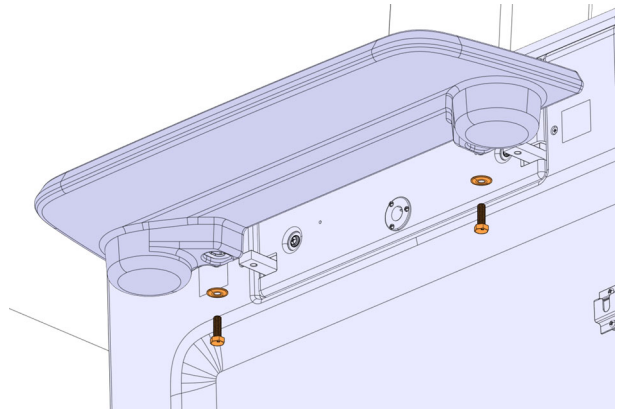
Lockout & Tag out (LOTO) must be performed during set-up, maintenance or repair activities. Refer to your local procedure for detailed information regarding the control of hazardous energy.

**LEFT-HAND MODESTY PANEL**

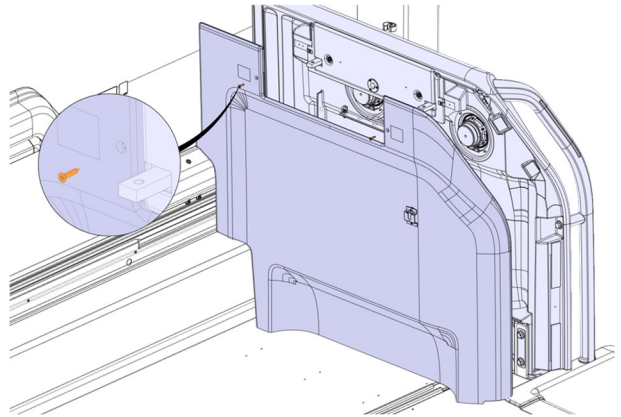
1. Locate the left-hand modesty panel.



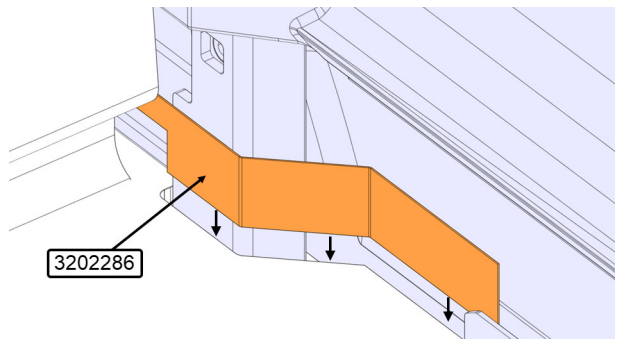
2. Remove the nuts (2x) and the washers (2x) and remove the shelf.



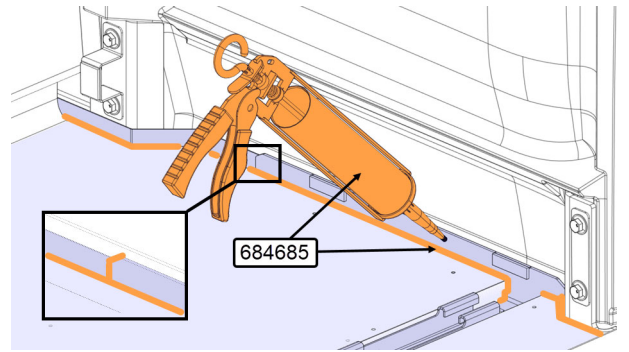
3. Remove the screws (2x) and the panel.



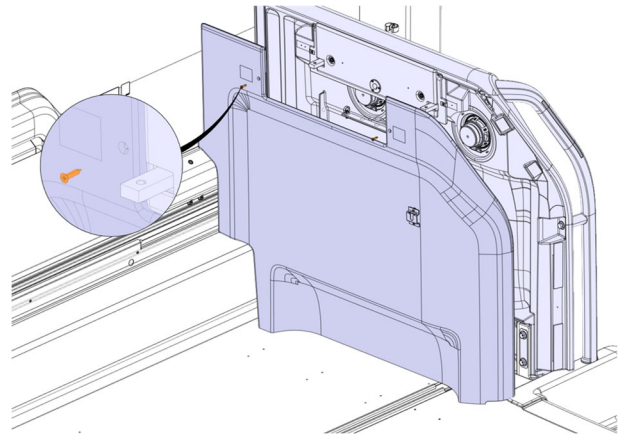
4. Slide the dam plate 3202286 between the floor and the modesty panel structure.



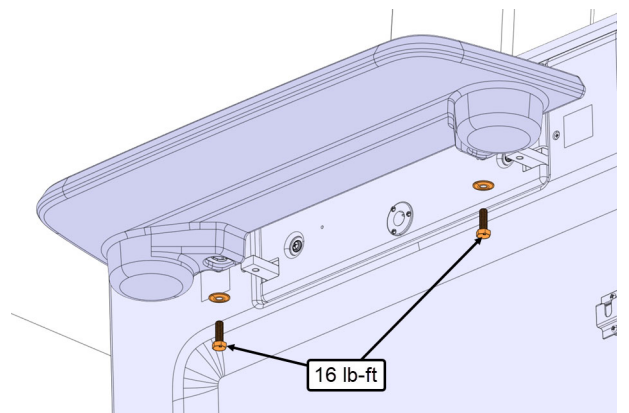
5. Apply sealant 684685 to the joint between the floor and the bottom of the modesty panel and seat track.



6. Reinstall the panel with the screws (2x).

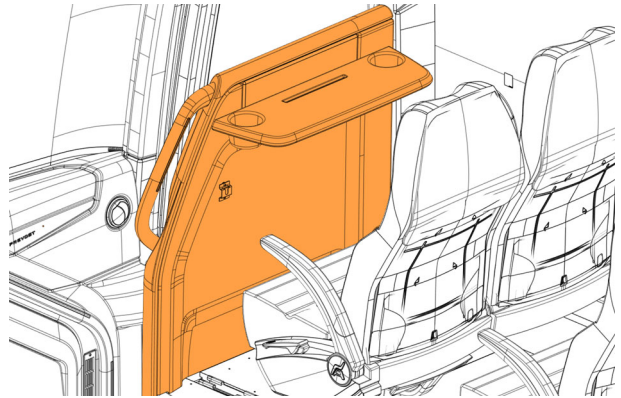


7. Reinstall the shelf with the nuts (2x) and the washers (2x).
8. Apply a torque of **16lb-ft**.

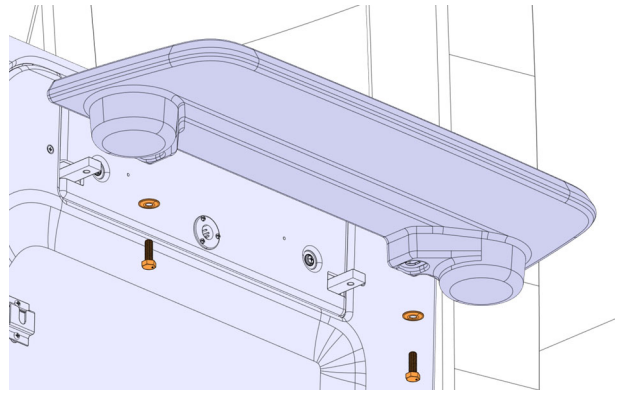


**RIGHT-HAND MODESTY PANEL**

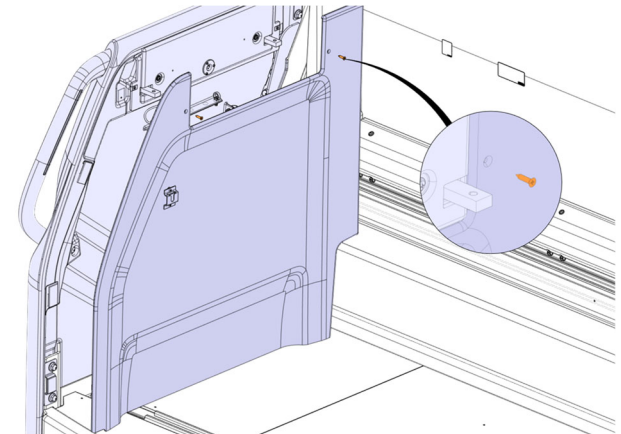
1. Locate the right-hand modesty panel.



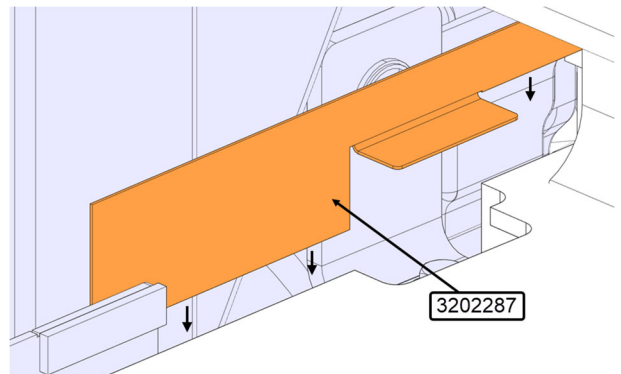
2. Remove the nuts (2x) and the washers (2x) and remove the shelf.



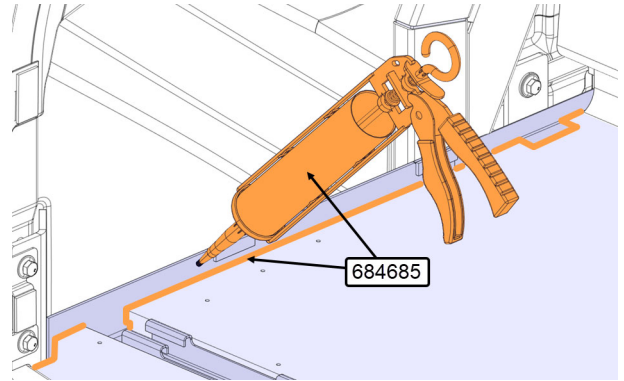
3. Remove the screws (2x) and the panel.



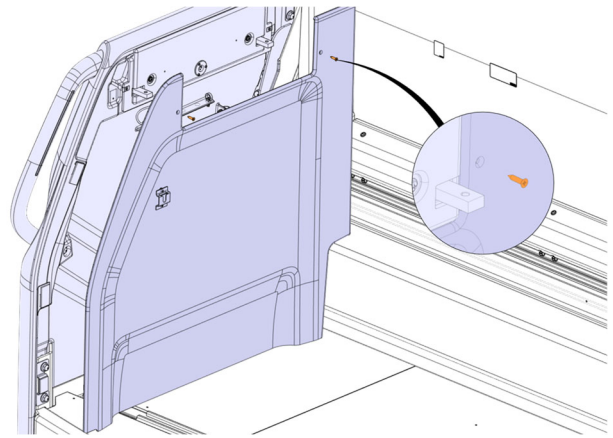
4. Slide the dam plate 3202287 between the floor and the modesty panel structure.



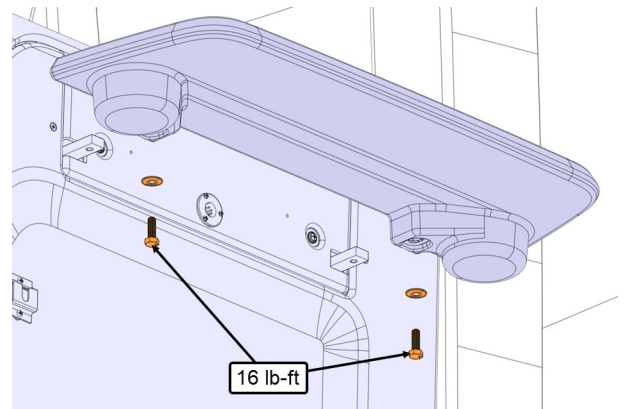
5. Apply sealant 684685 to the joint between the floor and the bottom of the modesty panel and seat track.



6. Reinstall the panel with the screws (2x).



7. Reinstall the shelf with the nuts (2x) and the washers (2x).  
8. Apply a torque of **16lb-ft**.





## PARTS / WASTE DISPOSAL

DO NOT RETURN THE REPLACED PARTS. Discard waste according to applicable environmental regulations (Municipal/State[Prov.]/ Federal)

## WARRANTY

This modification is covered by Prevost's normal warranty. We will reimburse you the parts and one hour (1.0) of labor upon receipt of a warranty claim. Please submit claim via our Online Warranty System, available at [www.prevostcar.com](http://www.prevostcar.com) (under Service \ Warranty section).

- Use Claim Type: "Bulletin/Recall" and select "Warranty Bulletin WB25-01A ".

## OTHER

VBC Bulletin	N/A
Fail Code	18.02
Defect Code	09
Syst. Cond	B
Causal Part	684685

Access all our Service Bulletins on  
<http://techpub.prevostcar.com/en/>  
or scan the QR-Code with your smart phone.



**Are you a Vehicle owner? E-mail us at [technicalpublications\\_prev@volvo.com](mailto:technicalpublications_prev@volvo.com) and type "ADD" in the subject to receive warranty bulletins applicable to your vehicle(s) by e-mail.**