

1

2

3

4

5

A

A

Curb Lights

B

B

C

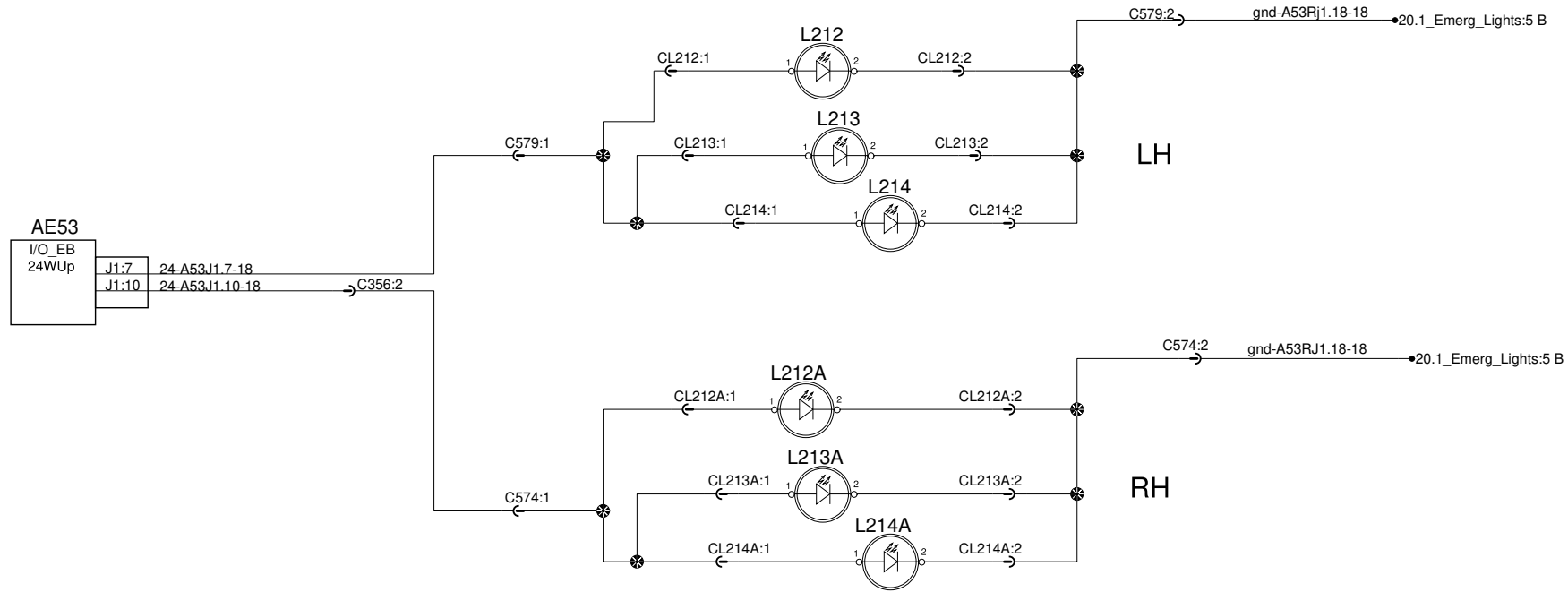
C

D

D

E

E



1

2

3

4

5