

SECTION 22: HEATING AND AIR CONDITIONING

CONTENTS

| | |
|---|-----------|
| 1. TORQUE TABLES | 5 |
| 1.1 HIGH-CAPACITY COMPRESSOR (BIG HVAC SYSTEM) | 5 |
| 1.2 HIGH/LOW PRESSURE SERVICE AND RECEIVER TANK VALVES | 6 |
| 1.3 IDLERS & TENSIONERS | 6 |
| 1.4 SMALL A/C SYSTEM X3-45 VIP | 7 |
| 1.5 PREHEATER | 8 |
| 2. HVAC SYSTEM OVERVIEW | 9 |
| 2.1 BIG HVAC SYSTEM – H3 SERIES | 10 |
| 2.1.1 <i>Overhead Compartment A/C Unit – H3 Coach</i> | 13 |
| 2.2 BIG HVAC SYSTEM – X3 SERIES | 14 |
| 2.3 BIG HVAC SYSTEM – EVAPORATOR COMPARTMENT H3 SERIES & X3 SERIES | 16 |
| 2.4 SMALL HVAC SYSTEM | 17 |
| 2.5 AUXILIARY AIR UNIT – H3-45 VIP | 23 |
| 2.6 DRIVER UNIT – H3 SERIES | 24 |
| 3. HVAC SYSTEM BASIC MAINTENANCE | 26 |
| 3.1 COIL CLEANING | 26 |
| 3.1.1 <i>Driver unit</i> | 26 |
| 3.1.2 <i>Passenger unit</i> | 26 |
| 3.2 DRIVER UNIT AIR FILTER | 27 |
| 3.2.1 <i>X3 series</i> | 27 |
| 3.2.2 <i>H3 series</i> | 27 |
| 3.3 PASSENGER UNIT AIR FILTER – H3 SERIES | 28 |
| 3.4 PASSENGER UNIT AIR FILTER – X3 SERIES | 28 |
| 3.5 OVERHEAD COMPARTMENT FAN AIR FILTER | 29 |
| 3.6 COMPRESSOR BELTS | 29 |
| 3.6.1 <i>Belt Replacement – Big System</i> | 29 |
| 3.6.2 <i>Belt Tension Adjustment – Big System</i> | 30 |
| 3.6.3 <i>Belt Tension Adjustment – Small Hvac System H-Series</i> | 31 |
| 3.6.4 <i>Belt Tension - Small Hvac System X-Series</i> | 31 |
| 3.7 TORCH BRAZING | 31 |
| 3.8 SOLDERING | 31 |
| 4. HVAC SYSTEM COMPONENTS | 32 |
| 4.1 BITZER COMPRESSOR – BIG A/C SYSTEM | 32 |
| 4.1.1 <i>Suction and Discharge Hose Connection</i> | 32 |
| 4.1.2 <i>Electro-Magnetic Clutch</i> | 32 |
| 4.1.3 <i>Maintenance - Shaft Seal Oil Collecting Tube Drain</i> | 33 |
| 4.1.4 <i>Maintenance - Oil Color & Level Check</i> | 33 |
| 4.1.5 <i>Maintenance - Compressor Oil Change</i> | 34 |
| 4.1.6 <i>Troubleshooting Guide</i> | 35 |
| 4.2 BOCK COMPRESSOR – BIG A/C SYSTEM | 36 |
| 4.3 COMPRESSOR – SMALL HVAC SYSTEM | 37 |
| 4.3.1 <i>Sanden SD7 Compressor Oil Charging</i> | 37 |
| 4.3.2 <i>Compressor Replacement - Oil Amount (compressor swap, no flushing)</i> | 38 |
| 4.3.3 <i>Removal - When the Compressor Is Operational</i> | 38 |
| 4.3.4 <i>Removal - When the Compressor Is Inoperable</i> | 38 |
| 4.4 BRUSHLESS EVAPORATOR MOTOR | 38 |
| 4.4.1 <i>Removal</i> | 39 |

SECTION 22: HEATING AND AIR CONDITIONING

| | | |
|-----------|---|-----------|
| 4.4.2 | Installation | 40 |
| 4.5 | CONDENSER (BIG A/C) | 41 |
| 4.5.1 | Condenser Fan Control | 41 |
| 4.5.2 | Condenser Fan Removal | 42 |
| 4.6 | CONDENSER (SMALL A/C) | 42 |
| 4.7 | RECEIVER TANK | 43 |
| 4.8 | FILTER-DRYER | 44 |
| 4.8.1 | Replacement Of The Filter-Dryer After Pumping Down | 44 |
| 4.9 | MOISTURE INDICATOR | 44 |
| 4.10 | SHUT-OFF VALVE WITH SERVICE PORT | 46 |
| 4.11 | LIQUID REFRIGERANT SOLENOID VALVE | 46 |
| 4.11.1 | Typical Malfunctions | 46 |
| 4.11.2 | Electrical Bypass/On Demand Opening Of Liquid Refrigerant Solenoid Valves | 47 |
| 4.11.3 | Coil Replacement | 47 |
| 4.11.4 | Valve Disassembly | 47 |
| 4.11.5 | Valve Reassembly | 47 |
| 4.12 | THERMOSTATIC EXPANSION VALVE | 48 |
| 4.12.1 | Big System | 48 |
| 4.12.2 | Superheat Adjustment | 49 |
| 4.12.3 | Maintenance | 50 |
| 4.12.4 | Driver unit | 50 |
| 4.13 | HOT WATER PNEUMATIC VALVE | 51 |
| 4.13.1 | Valve Troubleshooting | 52 |
| 4.14 | HOT WATER CIRCULATING PUMP | 52 |
| 4.14.1 | Big HVAC System | 52 |
| 4.14.2 | Small HVAC System | 53 |
| 4.14.3 | Removal | 53 |
| 4.14.4 | Installation | 53 |
| 5. | HVAC SYSTEM TESTING AND TROUBLESHOOTING | 54 |
| 5.1 | ON DEMAND DISPLAY OF A/C SYSTEM HIGH AND LOW SIDE PRESSURE | 54 |
| 5.2 | ON DEMAND ACTIVATION OF HOT WATER CIRCULATING PUMP | 54 |
| 5.3 | TEMPERATURE SENSORS | 54 |
| 5.4 | TEST MODE FOR SWITCHES AND SENSORS | 55 |
| 5.5 | TEST MODE FOR ELECTRIC MOTORS | 56 |
| 5.6 | MODES OF OPERATION | 56 |
| 5.7 | HVAC ELECTRICAL SYSTEM TROUBLESHOOTING | 57 |
| 5.7.1 | Air Conditioning | 59 |
| 5.7.2 | Expansion Valve | 61 |
| 5.8 | TEMPERATURES & PRESSURES CHART | 62 |
| 5.9 | LEAK TESTING | 62 |
| 6. | BIG HVAC SYSTEM | 62 |
| 6.1 | AIR CIRCULATION IN DRIVER'S AREA | 63 |
| 6.2 | AIR CIRCULATION IN PASSENGER'S AREA | 64 |
| 6.3 | HVAC SYSTEM OPERATION | 65 |
| 6.3.1 | Control Unit | 65 |
| 6.3.2 | Overhead Compartment Unit | 66 |
| 6.4 | HEATING | 66 |
| 6.4.1 | Driver unit Hot Water Pneumatic Valve | 66 |
| 6.4.2 | Passenger unit Hot Water Pneumatic Valve | 66 |
| 6.4.3 | Draining Heating System | 66 |
| 6.4.4 | Filling Heating System | 69 |

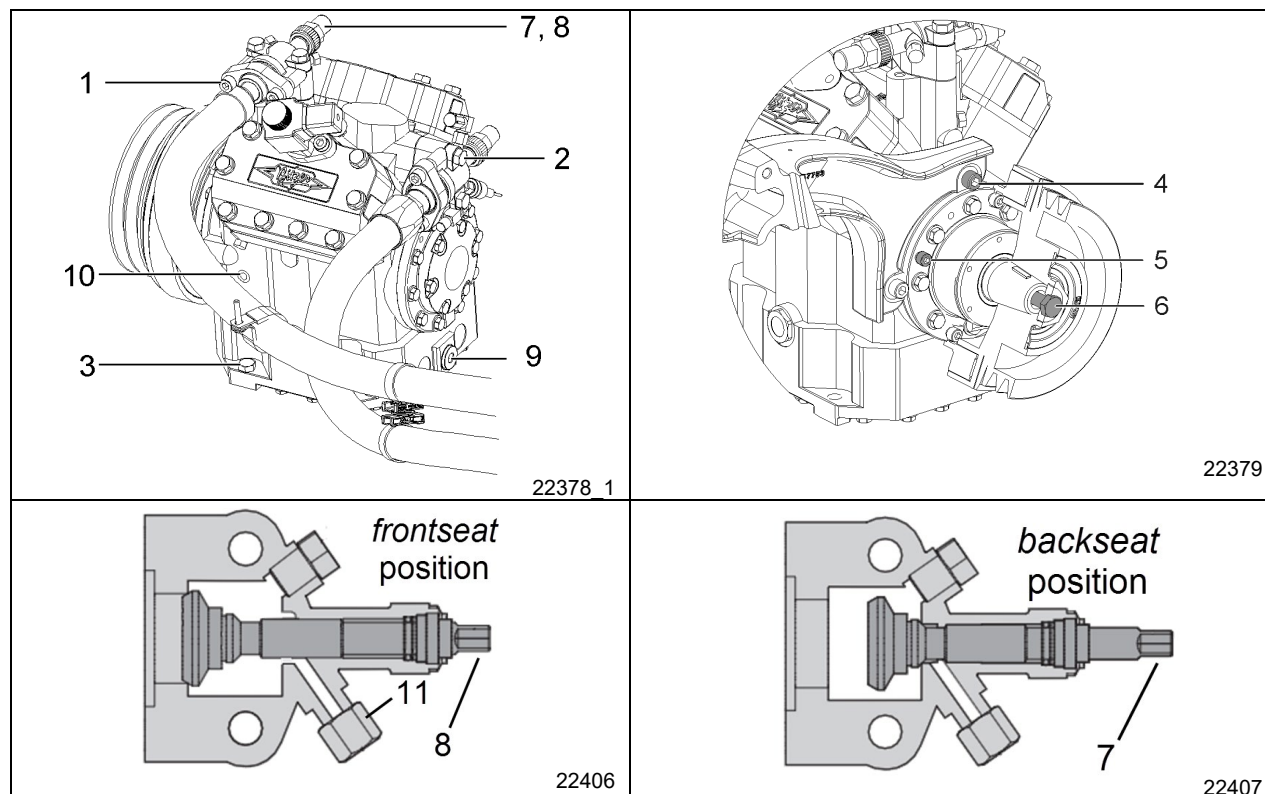
| | | |
|------------|---|-----------|
| 6.4.5 | <i>Bleeding Heating System</i> | 70 |
| 6.5 | COOLING | 70 |
| 6.5.1 | <i>Refrigeration Cycle</i> | 70 |
| 6.5.2 | <i>Refrigerant</i> | 70 |
| 6.5.3 | <i>Refrigerant System Clean-Out After Compressor Failure</i> | 72 |
| 6.5.4 | <i>Pumping Down</i> | 73 |
| 6.5.5 | <i>Adding Vapor State Refrigerant</i> | 75 |
| 6.5.6 | <i>Charging System</i> | 76 |
| 6.6 | LIQUID REFRIGERANT RECOVERY | 77 |
| 6.7 | EVACUATING SYSTEM..... | 77 |
| 7. | SMALL HVAC SYSTEM | 78 |
| 7.1 | SYSTEM CONFIGURATION H-SERIES | 78 |
| 7.2 | SYSTEM CONFIGURATION X3 SERIES | 78 |
| 7.3 | AIR CIRCULATION..... | 79 |
| 7.3.1 | <i>Auxiliary Unit</i> | 79 |
| 7.4 | SYSTEM OPERATION | 79 |
| 7.4.1 | <i>Driver unit</i> | 79 |
| 7.4.2 | <i>Auxiliary Unit - H3 Vip Vehicles Only</i> | 79 |
| 7.5 | REFRIGERANT RECOVERY..... | 80 |
| 7.6 | EVACUATING SYSTEM PRIOR ADDITION OF REFRIGERANT (DRIVER'S OR AUXILIARY SYSTEM)..... | 80 |
| 7.7 | OIL ADDITION..... | 80 |
| 7.8 | COMPRESSOR OIL CONTAMINATION | 80 |
| 7.9 | OIL RETURN OPERATION | 80 |
| 8. | AUXILIARY PREHEATING SYSTEM (OPTION) | 81 |
| 8.1 | PREHEATER FUEL FILTER | 81 |
| 8.2 | OPERATION | 81 |
| 8.3 | PREHEATING SYSTEM TIMER | 81 |
| 8.3.1 | <i>Preheater Timer Instructions</i> | 81 |
| 8.4 | PREHEATER TROUBLESHOOTING..... | 82 |
| 8.4.1 | <i>Displaying Faults On The Timer</i> | 82 |
| 8.4.2 | <i>Heater Control Box Software Lock</i> | 82 |
| 8.4.3 | <i>Unlocking The Control Box And Deleting The Fault Memory</i> | 82 |
| 8.5 | PREHEATER MAINTENANCE..... | 82 |
| 9. | ENVIROCARE IONS AIR SANITIZER (OPTIONAL) | 83 |
| 10. | SPECIFICATIONS | 84 |

SECTION CHANGE LOG

| DESCRIPTION | | DATE |
|-------------|---|------------|
| 1 | A/C compressor low & high side pressure cut-off switches location corrected | 09-23-2024 |
| 2 | Low side pressure & temperature transducer identified | 09-23-2024 |
| 3 | High side pressure transducer identified | 09-23-2024 |
| | | |
| | | |
| | | |

1. TORQUE TABLES

1.1 HIGH-CAPACITY COMPRESSOR (BIG HVAC SYSTEM)



HIGH CAPACITY COMPRESSOR (BIG HVAC SYSTEM)

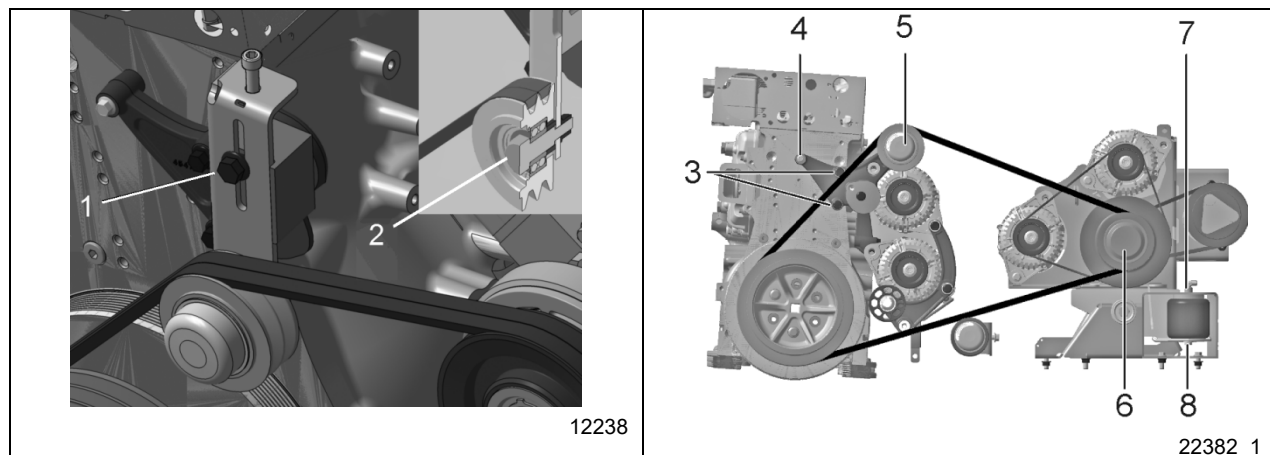
| No | DESCRIPTION | TORQUE |
|----|---|------------------------|
| 1 | Compressor flange connection screws | 31-35 lb-ft (42-47 Nm) |
| 2 | Compressor discharge & suction port screws | 38-42 lb-ft (52-57 Nm) |
| 3 | Compressor mounting bolts | 82 lb-ft (111 Nm) |
| 4 | Support arm to compressor screws | 38-42 lb-ft (52-57 Nm) |
| 5 | Clutch to compressor screws | 20-24 lb-ft (27-33 Nm) |
| 6 | Clutch pulley to compressor shaft screw | 58-62 lb-ft (79-84 Nm) |
| 7 | Compressor shut-off valve <i>backseat</i> position | 12 lb-ft (16 Nm) max |
| 8 | Compressor shut-off valve <i>frontseat</i> position | 21 lb-ft (28 Nm) max |
| 9 | Magnetic drain plug | 37-52 lb-ft (50-71 Nm) |
| 10 | Oil fill hole plug | 15-17 lb-ft (20-23 Nm) |
| 11 | Service port 7/16-20 UNF | 7.5 lb-ft (10 Nm) max |

SECTION 22: HEATING AND AIR CONDITIONING

1.2 HIGH/LOW PRESSURE SERVICE AND RECEIVER TANK VALVES

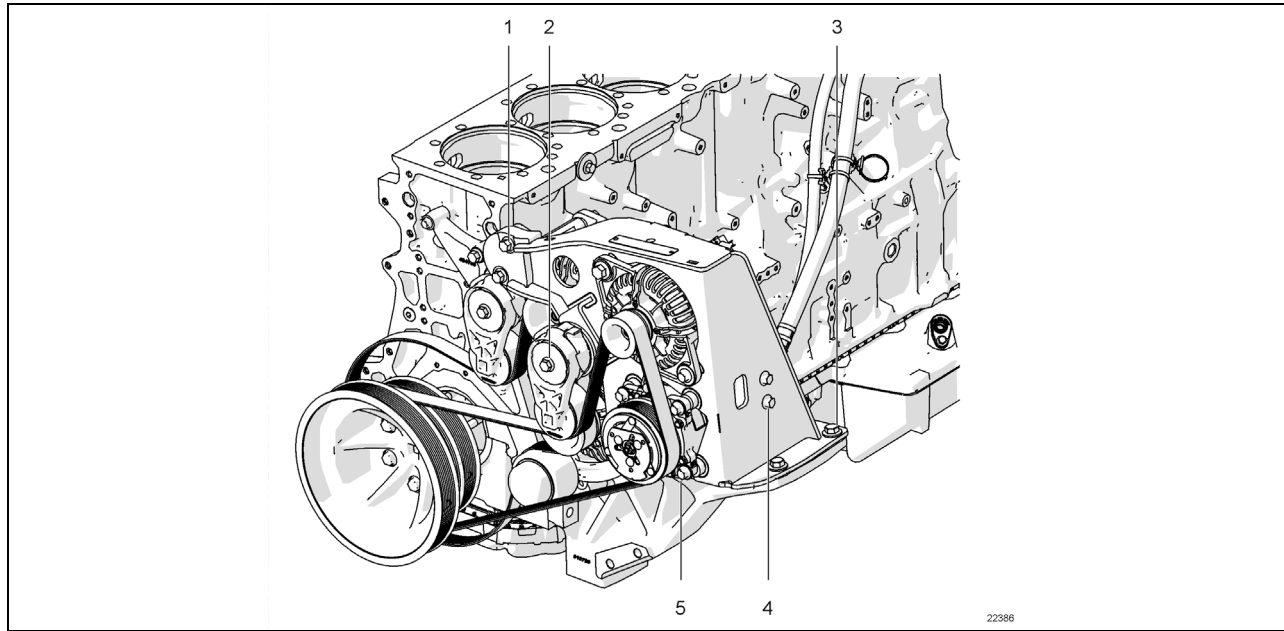
| SERVICE AND RECEIVER TANK VALVE | | |
|---------------------------------|--|------------------|
| No | DESCRIPTION | TORQUE |
| 1 | High pressure service valve (both positions) | 43 lb-ft (58 Nm) |
| 2 | Low pressure service valve (both positions) | 21 lb-ft (28 Nm) |
| 3 | Receiver tank valve (both positions) | 21 lb-ft (28 Nm) |

1.3 IDLERS & TENSIONERS



| IDLERS & TENSIONERS | | |
|---------------------|--|----------------------------|
| No | DESCRIPTION | TORQUE |
| 1 | Big A/C tensioner lock bolt | 43 lb-ft (58 Nm) |
| 2 | Big A/C tensioner idler shaft bolt (M12 shoulder bolt) | 31.5-38.5 lb-ft (43-52 Nm) |
| | Big A/C tensioner idler shaft bolt (M12 x 1.75 std bolt) | 59 lb-ft (80 Nm) |
| 3 | Idler support bolt | 21 lb-ft (28 Nm) |
| 4 | Idler support bolts | 43 lb-ft (58 Nm) |
| 5 | Small A/C idler shaft bolt | 135-165 lb-ft (183-224 Nm) |
| 6 | Small A/C / alternator transfer pulley shaft nut | 135-165 lb-ft (183-224 Nm) |
| 7 | Air spring connection fitting nut | 15-20 lb-ft (20-27 Nm) |
| 8 | Air spring mounting screw | 15-20 lb-ft (20-27 Nm) |

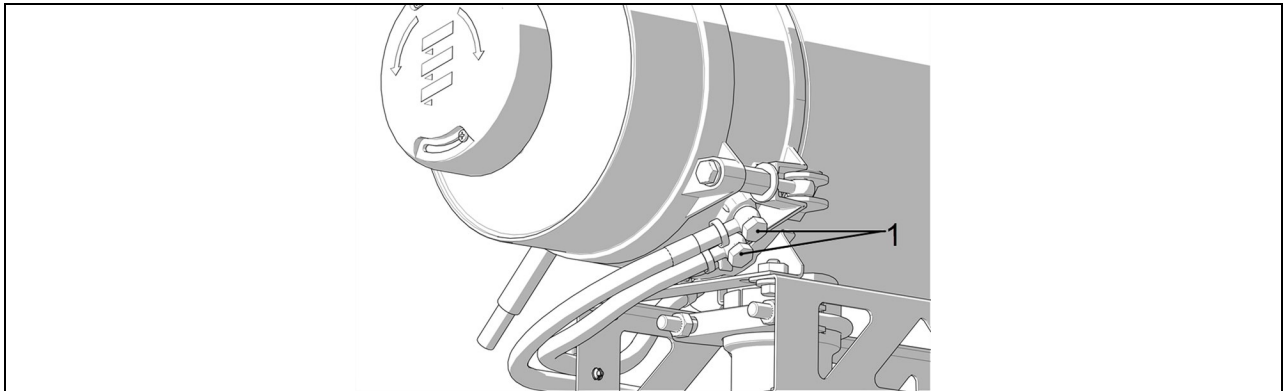
1.4 SMALL A/C SYSTEM X3-45 VIP



SMALL A/C SYSTEM X3-45 VIP

| No | DESCRIPTION | TORQUE |
|----|---|-------------------|
| 1 | Upper mounting screws | 48 lb-ft (65 Nm) |
| 2 | Belt Tensioner | 48 lb-ft (65 Nm) |
| 3 | Lower mounting screws | 82 lb-ft (111 Nm) |
| 4 | Compressor mounting fore bracket screws | 35 lb-ft (47 Nm) |
| 5 | Compressor mounting screws | 35 lb-ft (47 Nm) |

1.5 PREHEATER



| Preheater | | |
|------------------|--------------------|-------------------------|
| No | DESCRIPTION | TORQUE |
| 1 | Banjo bolts (2) | 96-116 lb-in (11-13 Nm) |

2. HVAC SYSTEM OVERVIEW

The vehicle interior is pressurized by its Heating Ventilation and Air Conditioning (HVAC) system. Two HVAC systems are available: Small HVAC System and Big HVAC System.

- | | |
|-------------------|--|
| Small HVAC System | <ul style="list-style-type: none">• Driver unit only• Driver unit with auxiliary system (H3 VIP only) |
| Big HVAC System | <ul style="list-style-type: none">• Driver unit and passengers' unit with optional overhead compartment A/C system |

If the vehicle is equipped with a Big HVAC System; air flow and controls divide the vehicle in two areas: driver's area and passengers' area. Each section has its own fresh air, returning air and discharge air ducting. Each section has its own evaporator coil and heater core but both sections share the same condenser

The exhaust is mainly done through the lavatory ventilator and through normal air-tightness losses.

NOTE**Air conditioning**

Air conditioning is the artificial treatment of air to render the living conditions of persons more comfortable and healthful. Complete air conditioning involves adjustment and control of following operations performed on the air supply :

Heating or cooling; Dehumidification; Ventilation; Filtering;

2.1 BIG HVAC SYSTEM – H3 SERIES

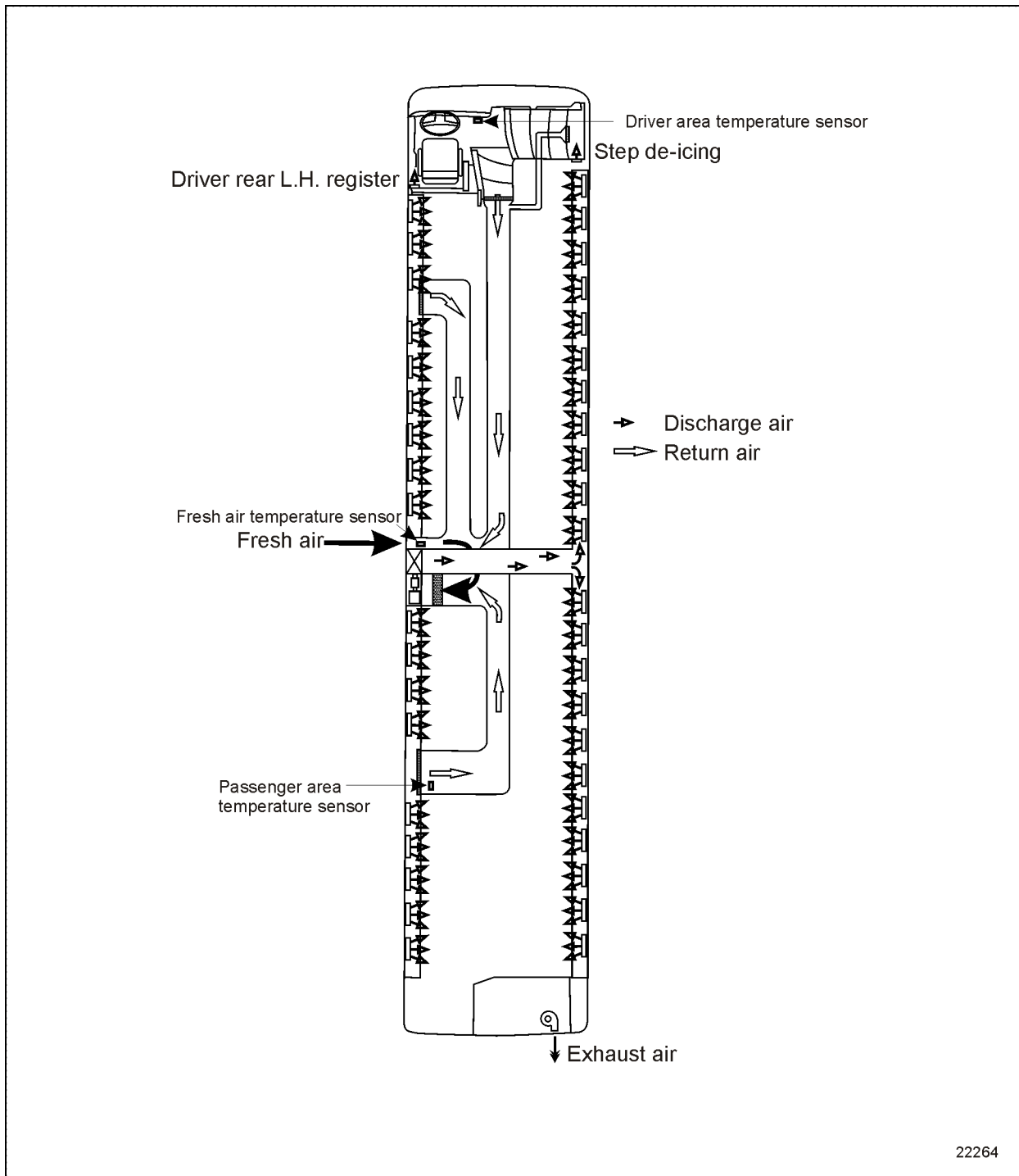


FIGURE 1: H3 COACHES BIG HVAC SYSTEM – PASSENGER UNIT AIR CIRCULATION

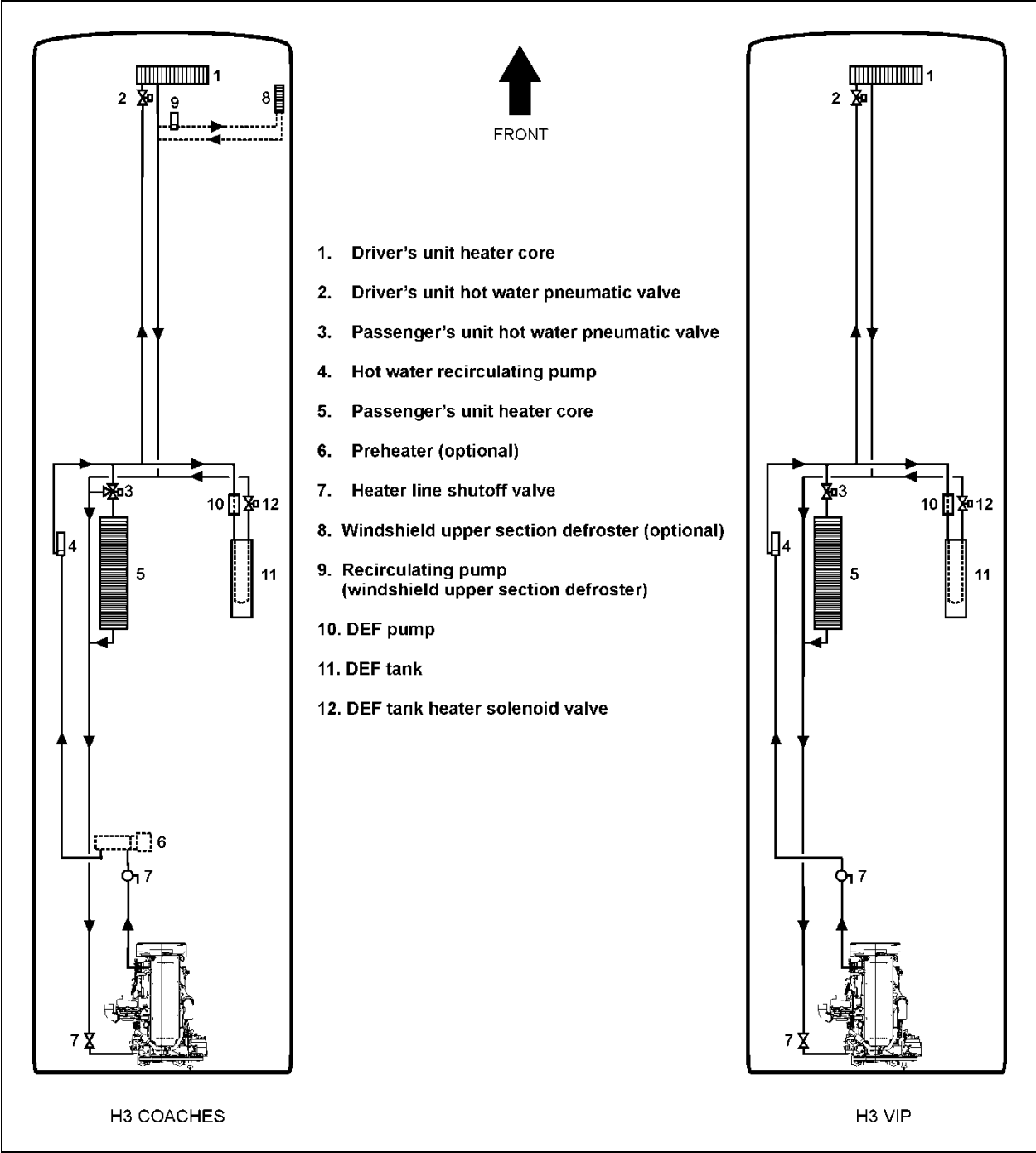


FIGURE 2: H3 SERIES BIG HVAC SYSTEM – HEATING CIRCUIT

22262

**Large A/C SYSTEM
PREVOST H3-45**

Date: 2022-10-27
Rev: 1.3

R-134a charge : 12247 g

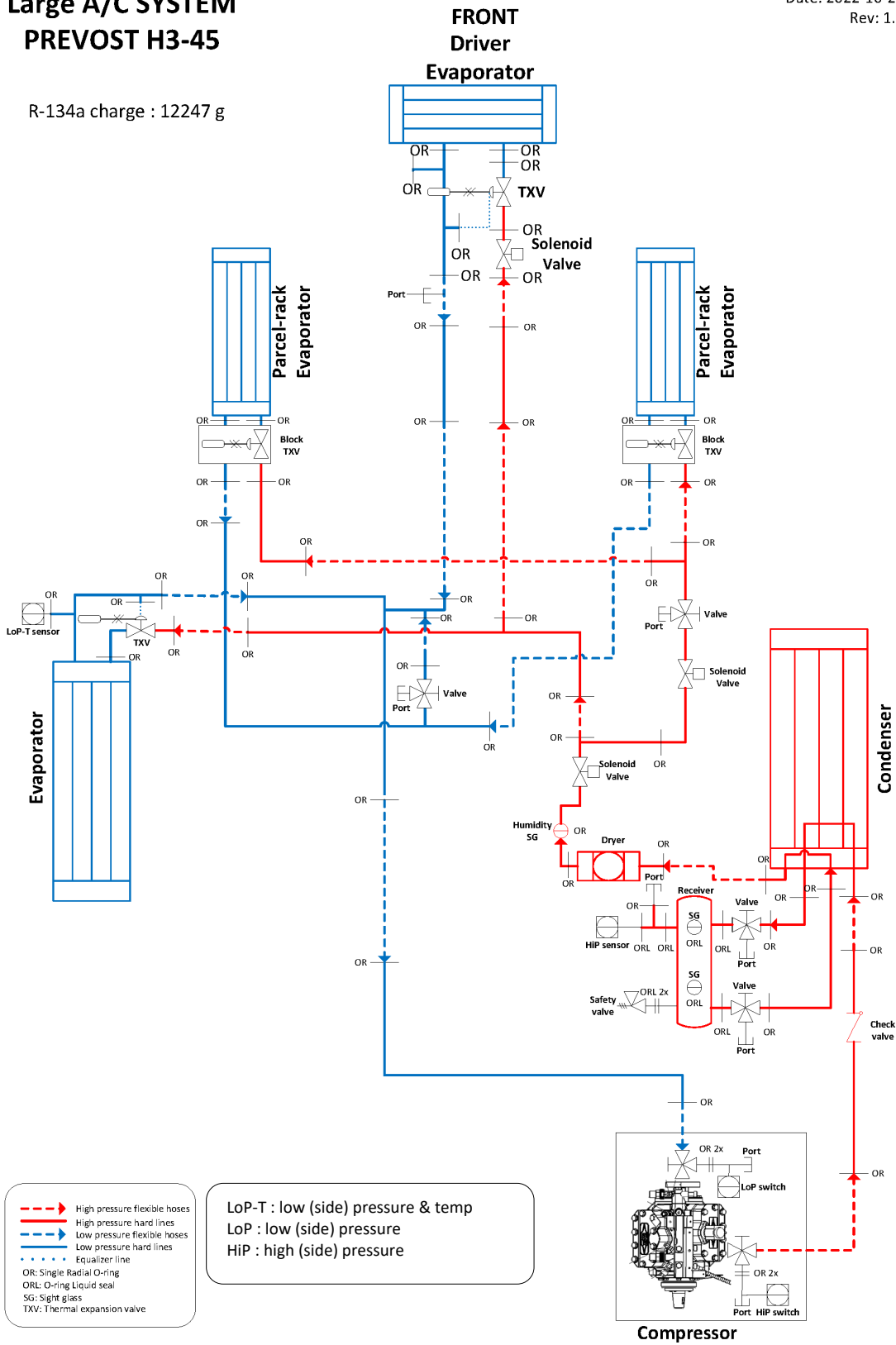


FIGURE 3: H3 SERIES BIG SYSTEM – REFRIGERANT CIRCUIT WITH OVERHEAD COMPARTMENT EVAPORATOR

2.1.1 Overhead Compartment A/C Unit – H3 Coach

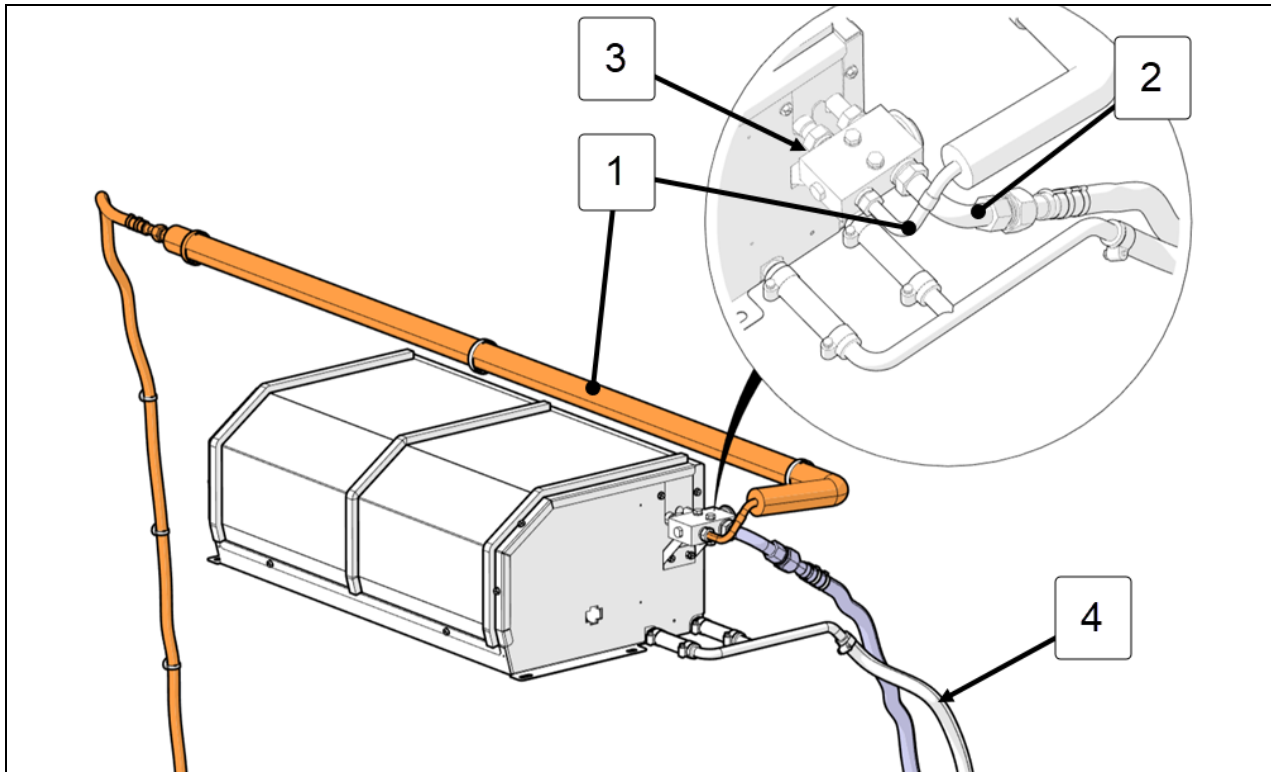


FIGURE 4: OVERHEAD COMPARTMENT A/C UNIT (EVAPORATOR) - H3 COACH

- 1 – refrigerant inlet – from condenser to evaporator core
- 2 – outlet – to compressor
- 3 – thermostatic expansion valve block type
- 4 – drain tube

SECTION 22: HEATING AND AIR CONDITIONING

2.2 BIG HVAC SYSTEM – X3 SERIES

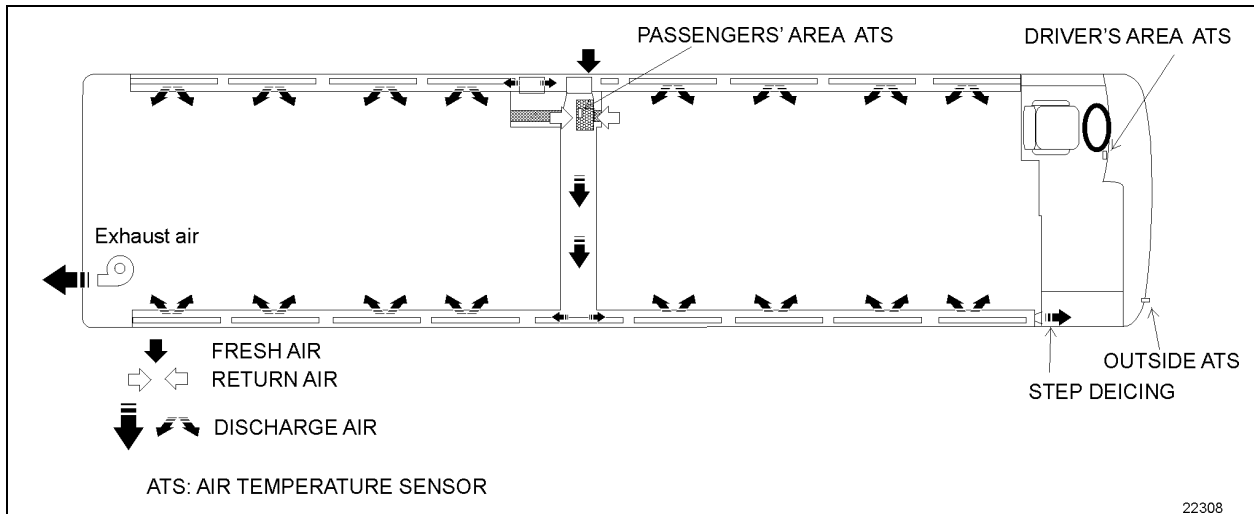


FIGURE 5: X3 COACHES BIG HVAC SYSTEM - PASSENGER UNIT AIR CIRCULATION

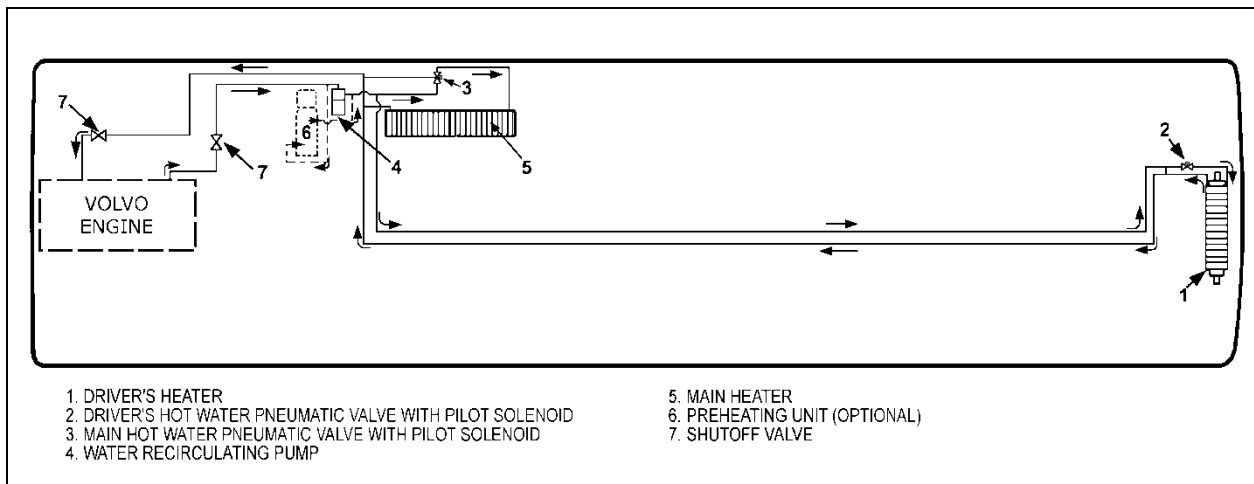


FIGURE 6: X3 SERIES BIG HVAC SYSTEM – HEATING CIRCUIT

Large A/C SYSTEM
PREVOST X345 Coach

R-134a charge : 12247 g

Date: 2022-10-27
Rev: 1

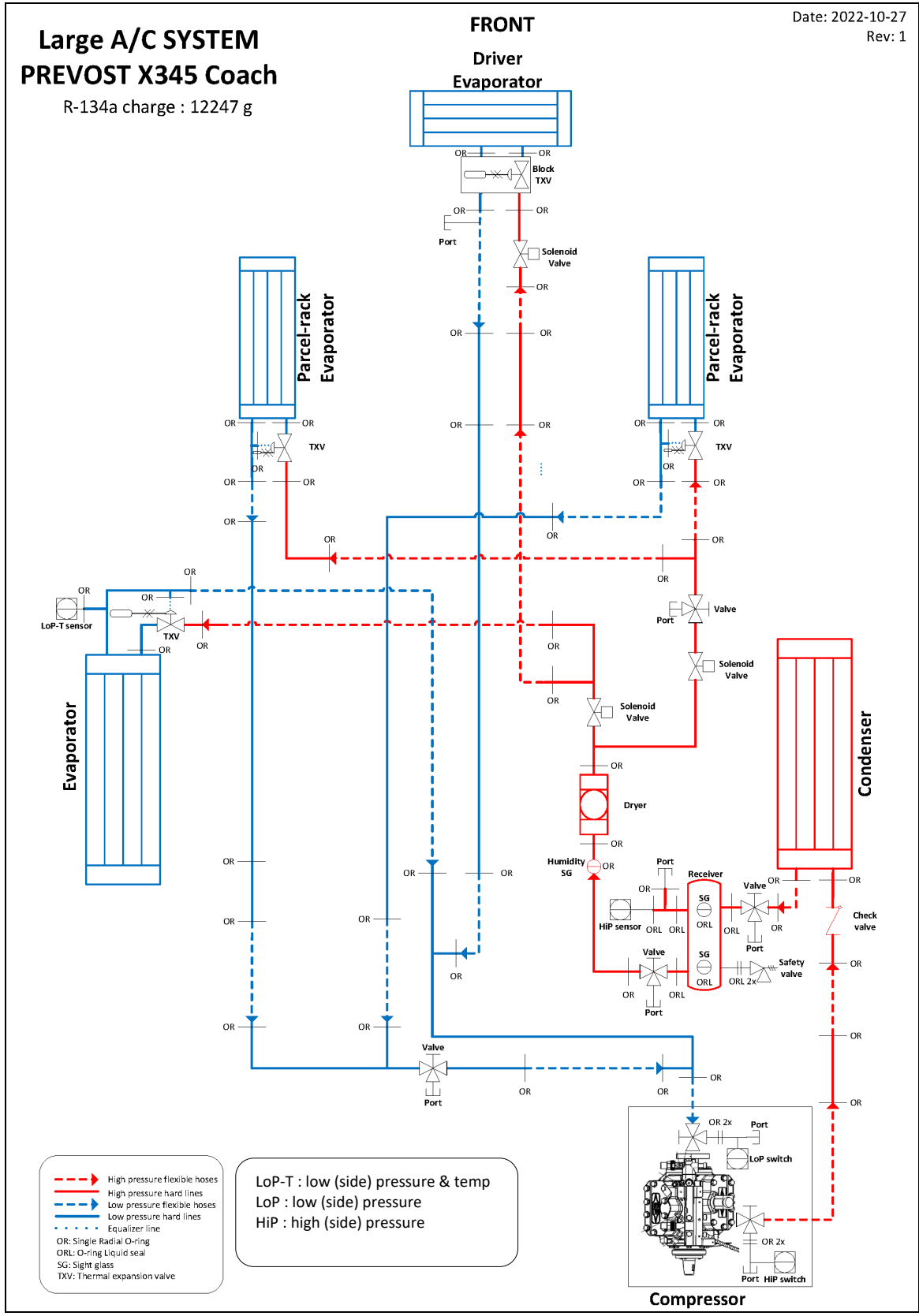


FIGURE 7: X3 SERIES BIG HVAC SYSTEM –CIRCUIT W/ OVERHEAD COMPARTMENT EVAPORATORS

2.3 BIG HVAC SYSTEM – EVAPORATOR COMPARTMENT H3 SERIES & X3 SERIES

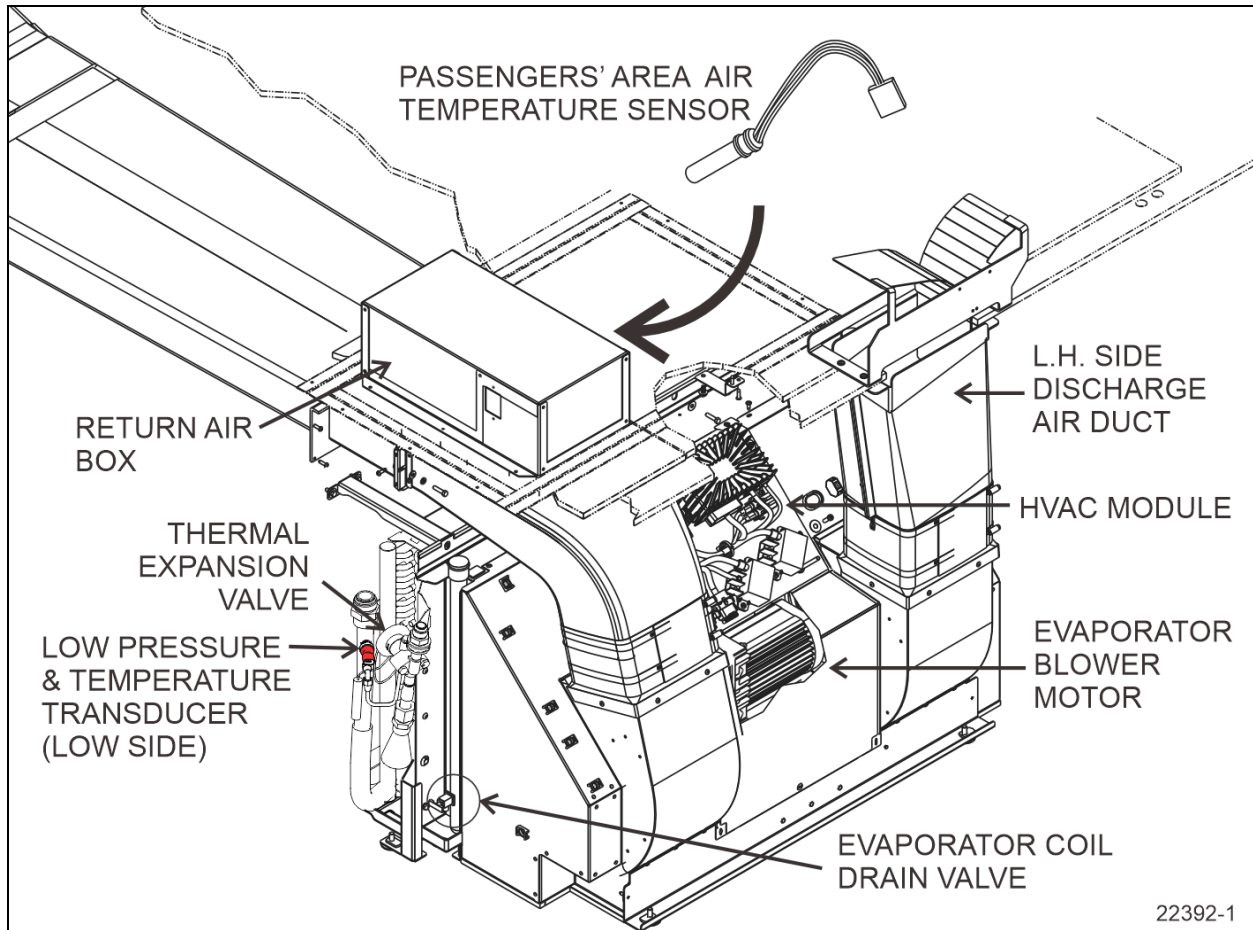


FIGURE 8: EVAPORATOR COMPARTMENT AND DISCHARGE DUCTING ARRANGEMENT

2.4 SMALL HVAC SYSTEM

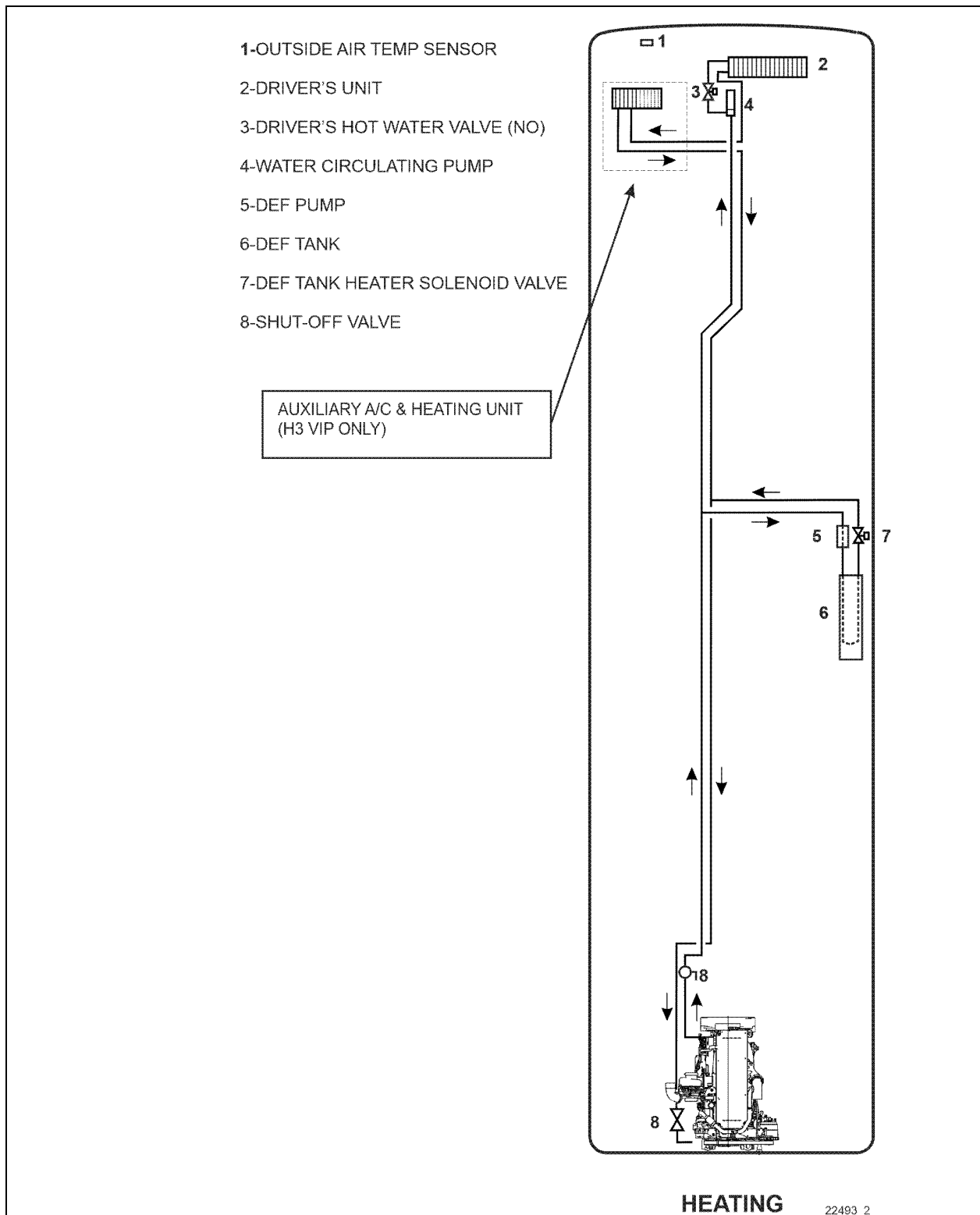


FIGURE 9: H3-45 VIP SMALL HVAC SYSTEM – HEATING

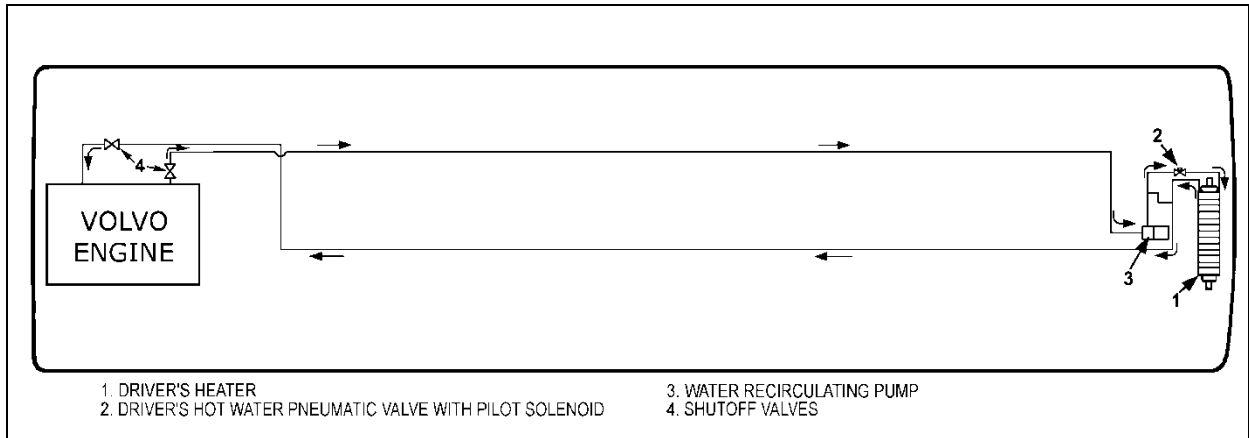


FIGURE 10: X3 SERIES SMALL HVAC SYSTEM - HEATING CIRCUIT

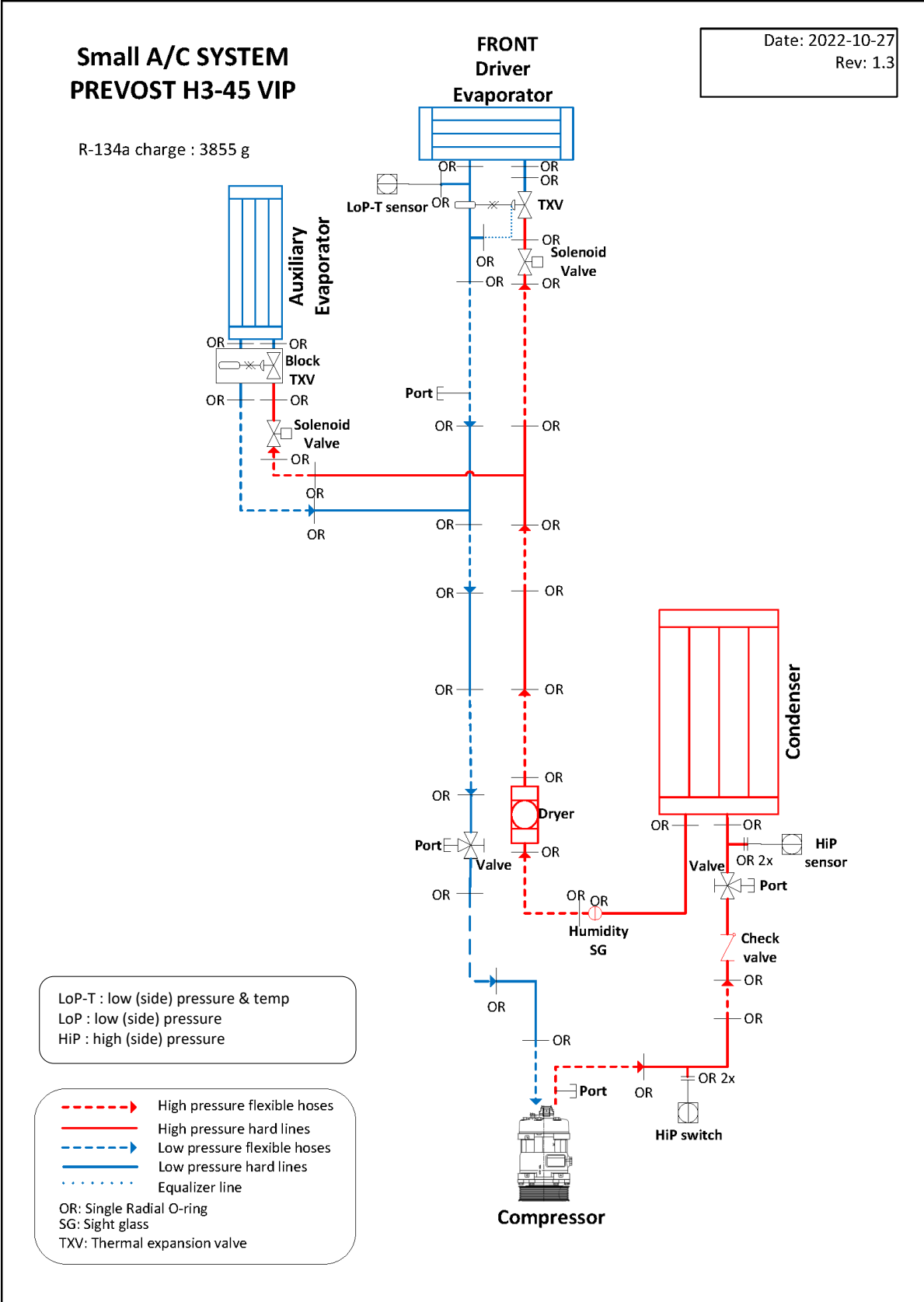


FIGURE 11: H3-45 VIP SMALL HVAC SYSTEM - REFRIGERANT CIRCUIT

**Small A/C SYSTEM
PREVOST
X3-45 VIP**

R-134a charge : 2948 g

Date: 2022-10-27
Rev: 1

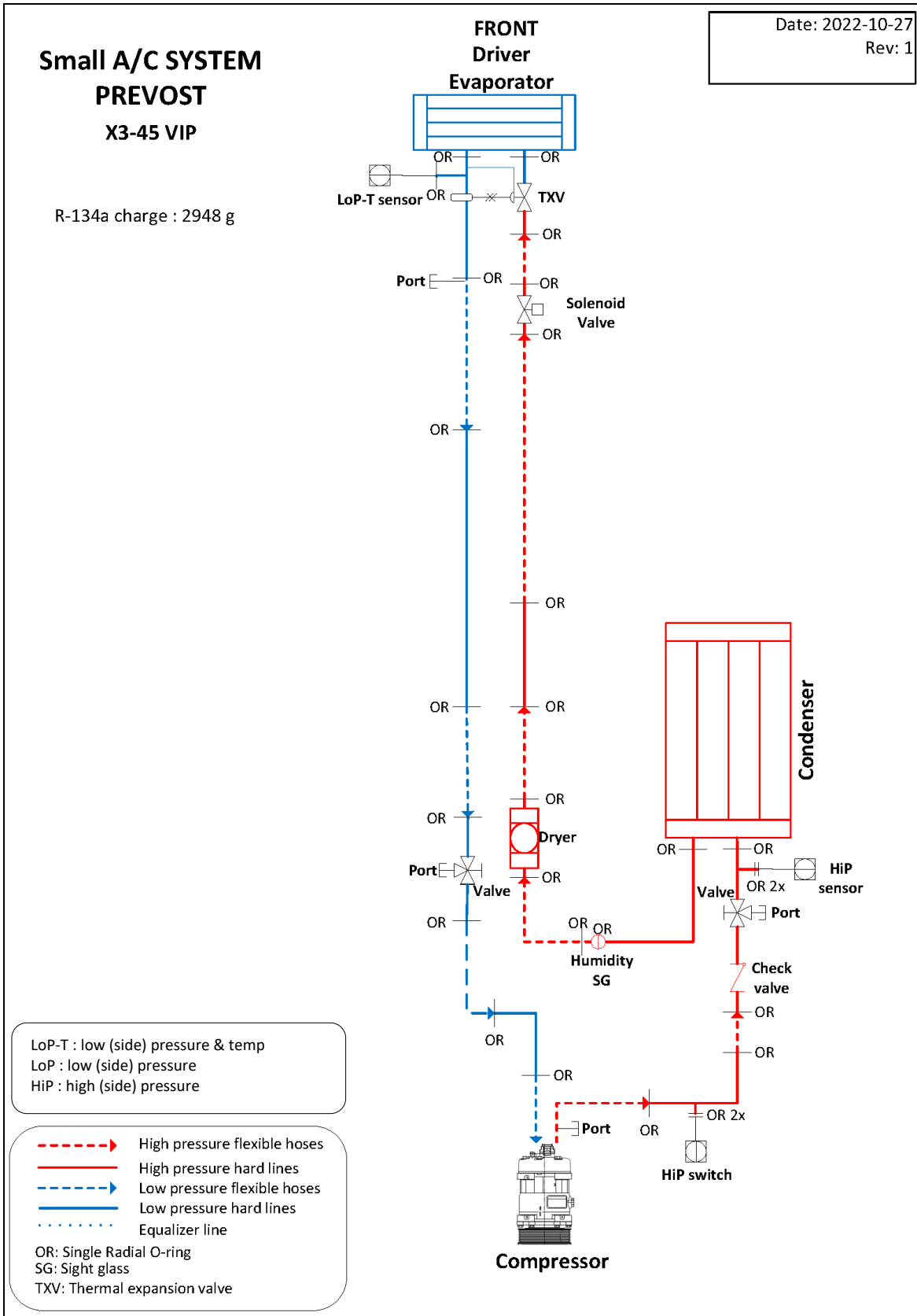


FIGURE 12: X3-45 VIP SMALL HVAC SYSTEM - REFRIGERANT CIRCUIT

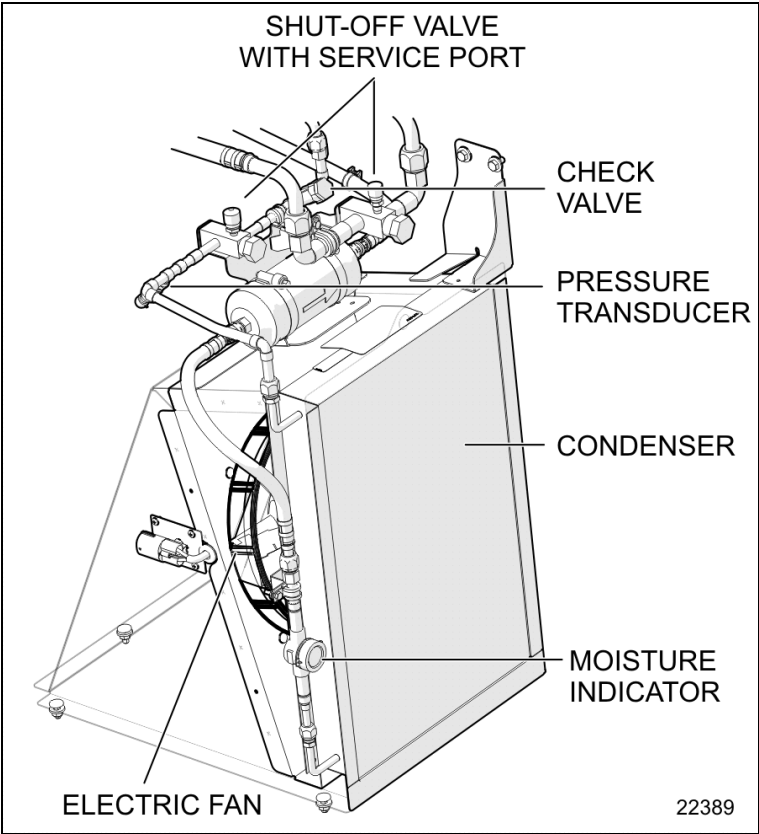
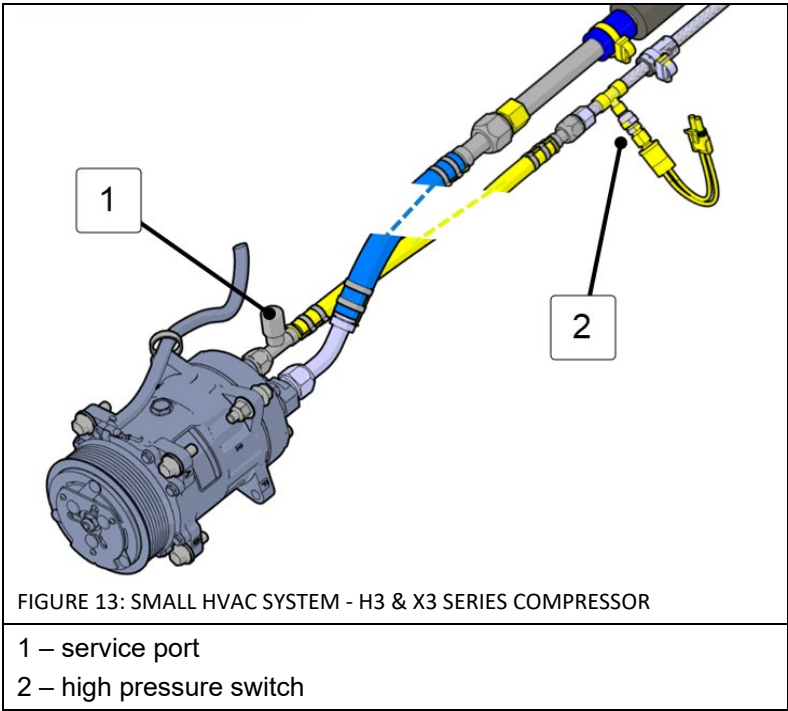


FIGURE 14: X3-45 VIP CONDENSER ARRANGEMENT

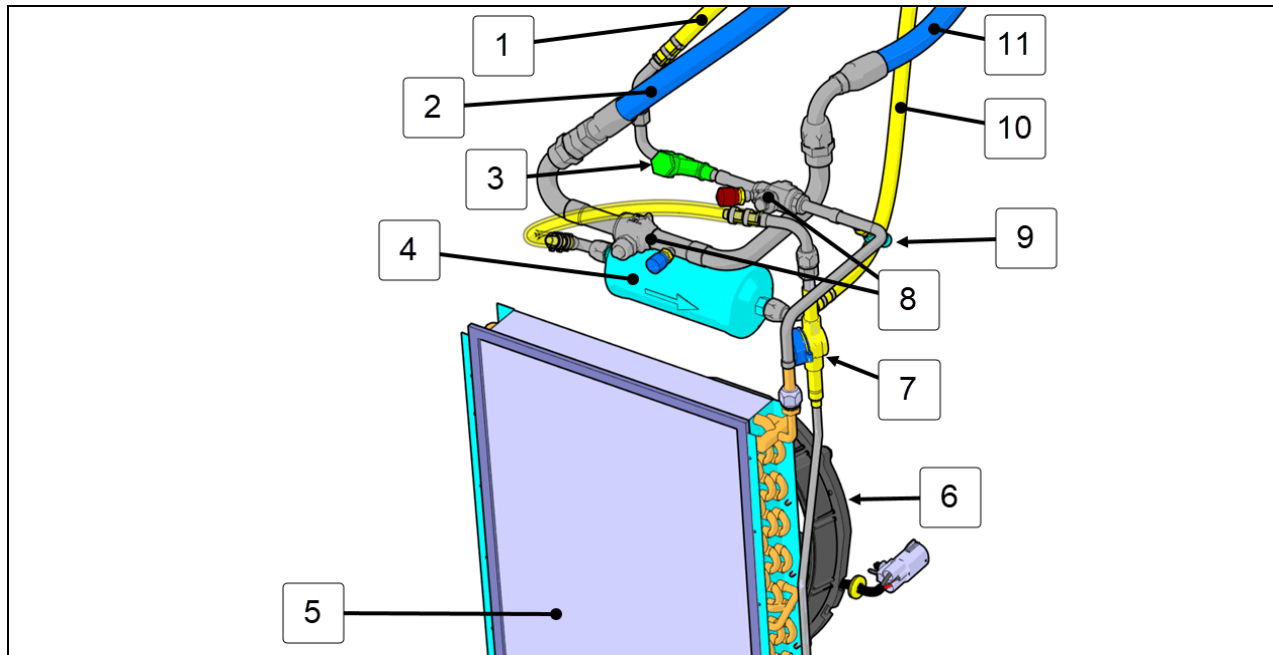


FIGURE 15: H3-45 VIP CONDENSER ARRANGEMENT

- | | |
|---------------------|--|
| 1 – from compressor | 7 – moisture indicator sight glass |
| 2 – to compressor | 8 – shut-off valve & service port |
| 3 – check valve | 9 – high pressure sensor |
| 4 – filter-dryer | 10 – to driver unit & auxiliary aux unit |
| 5 – condenser core | 11 – from driver unit & auxiliary aux unit |
| 6 – electric fan | |

2.5 AUXILIARY AIR UNIT – H3-45 VIP

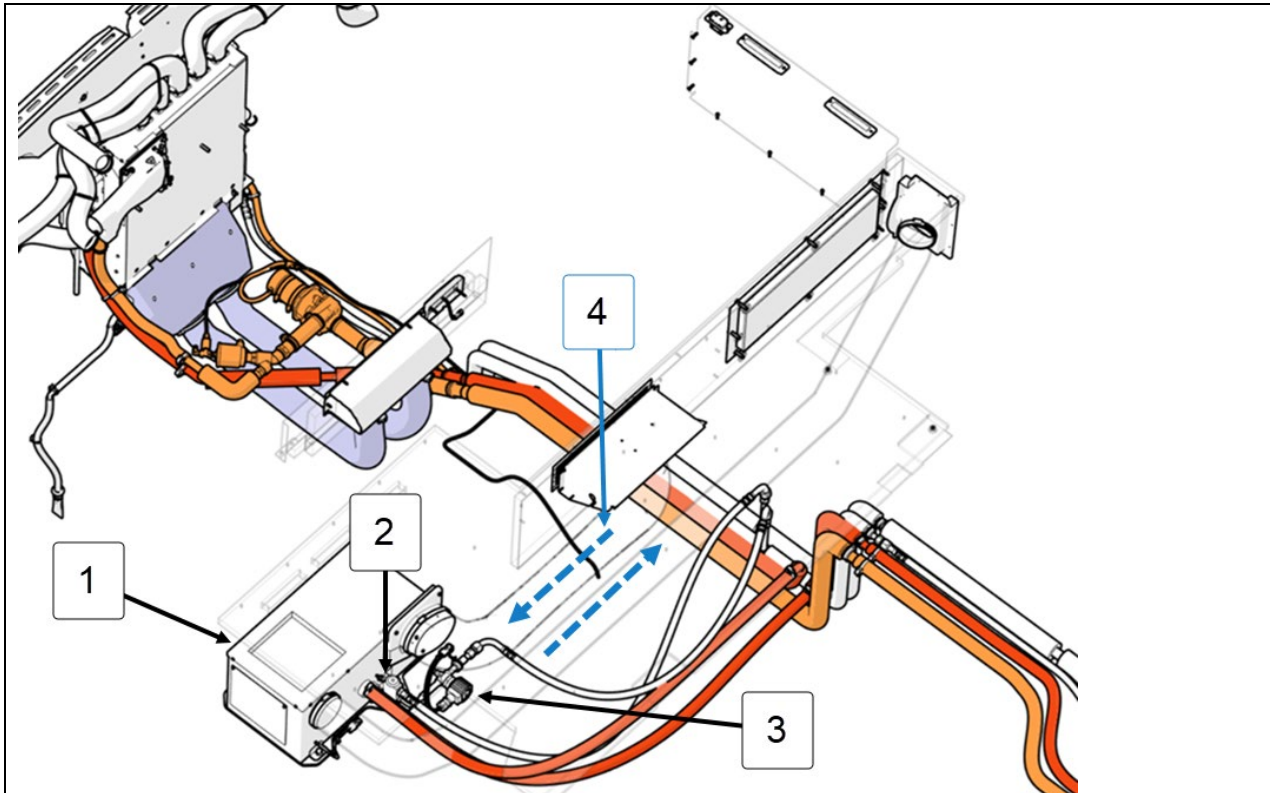


FIGURE 16: 2.5 AUXILIARY AIR UNIT – H3-45 VIP

- 1 – auxiliary air mixing box – heating and cooling
- 2 – expansion valve
- 3 – refrigerant solenoid valve
- 4 –return air

2.6 DRIVER UNIT – H3 SERIES

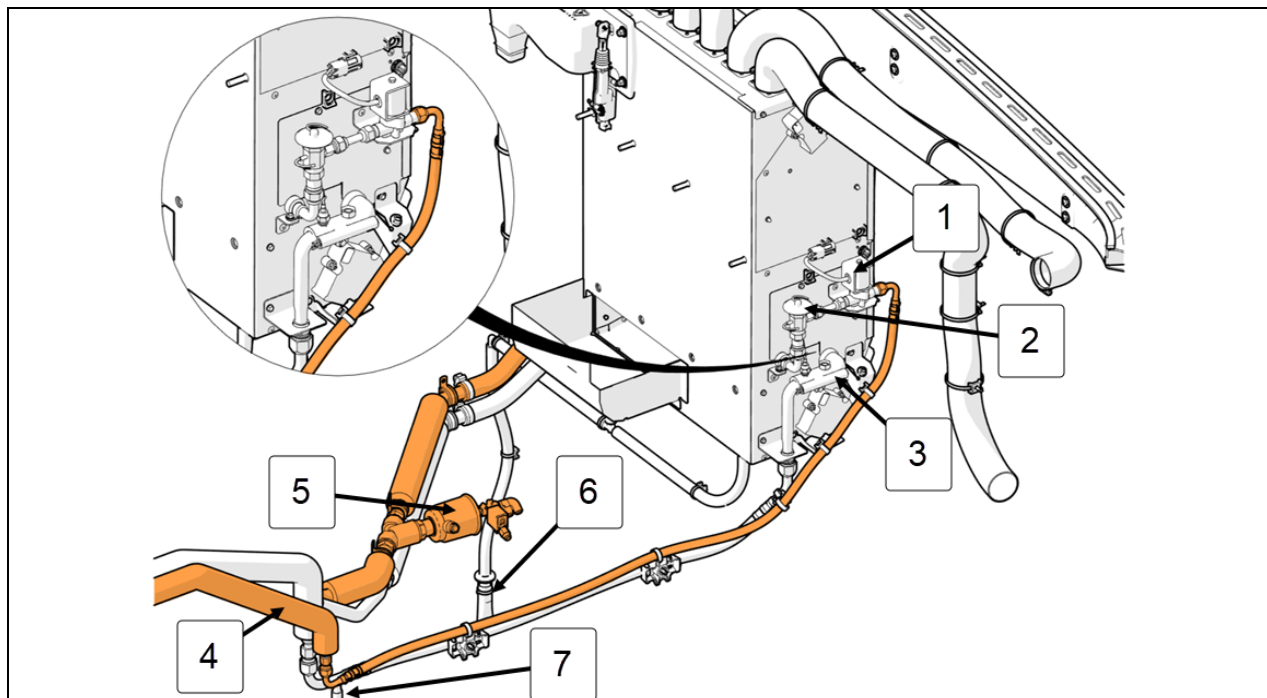


FIGURE 17: DRIVER UNIT - H3-45 COACH

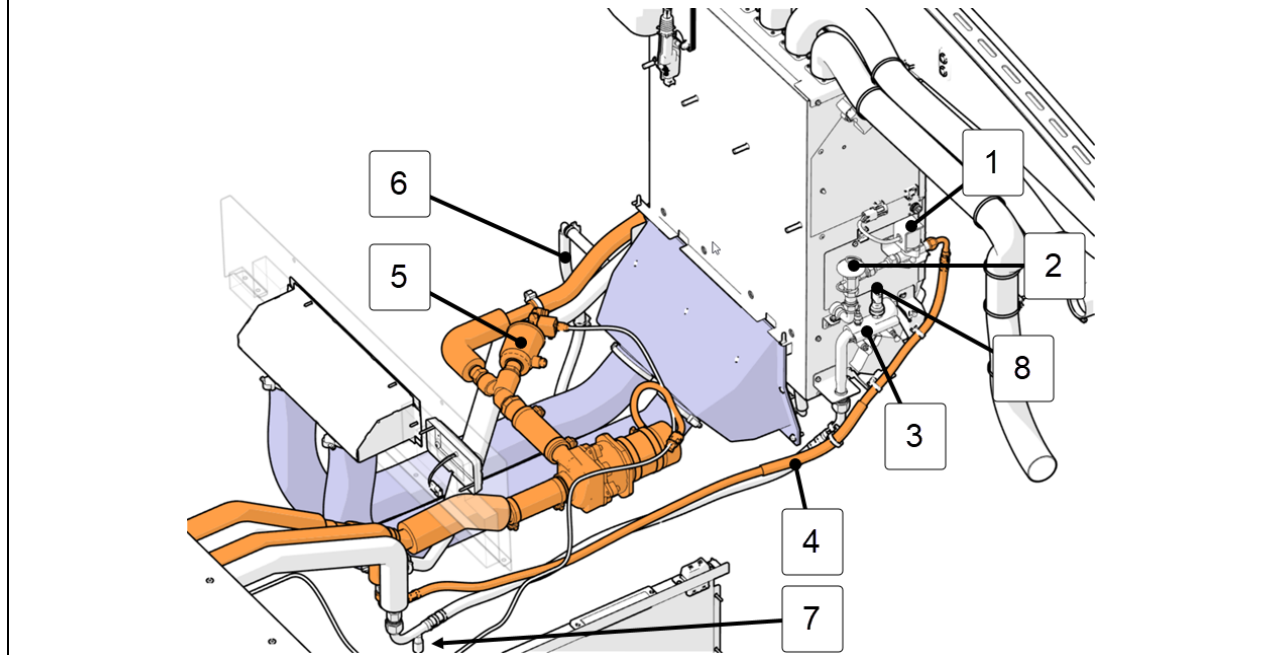


FIGURE 18: DRIVER UNIT - H3-45 VIP

- | | |
|---|---|
| 1 - refrigerant solenoid valve | 5 – hot water pneumatic valve (solenoid controlled) |
| 2 – expansion valve | 6 – driver unit drain |
| 3 – remote bulb | 7 – vacuum/service port |
| 4 – refrigerant line (to evaporator core) | 8 – Temp sensor – low pressure side |

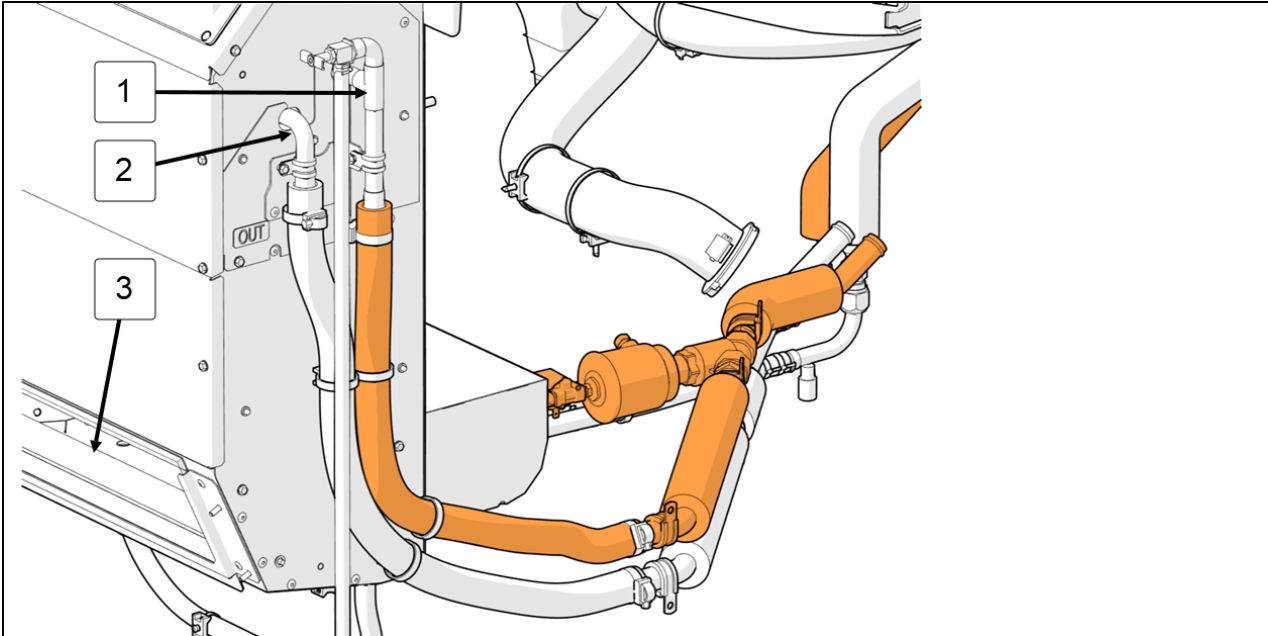


FIGURE 19: DRIVER UNIT - H3-45 COACH

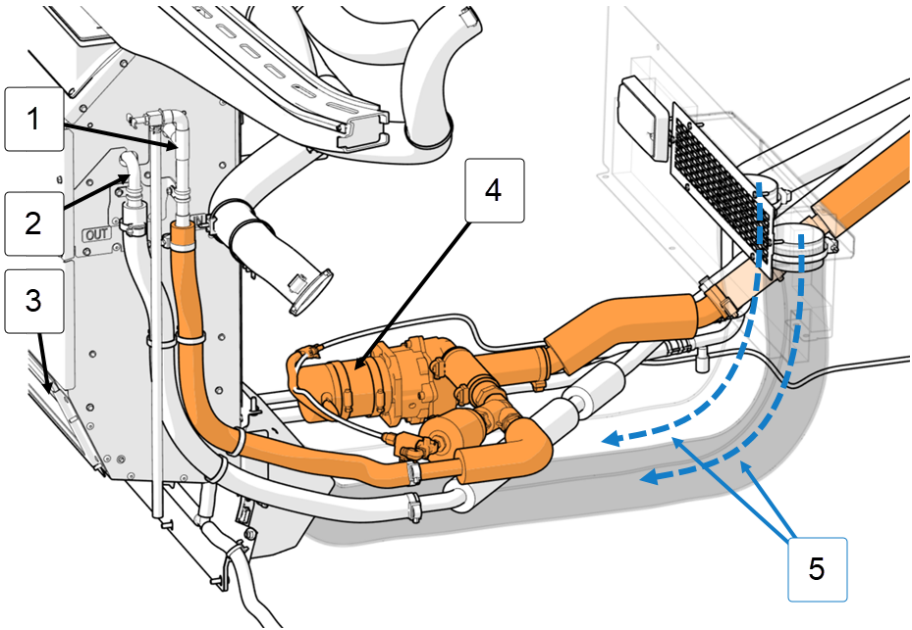



FIGURE 20: DRIVER UNIT - H3-45 VIP

- 1 – hot water inlet (to heater core)
- 2 – hot water outlet
- 3 – fresh air intake
- 4 – hot water pump
- 5 – return air

3. HVAC SYSTEM BASIC MAINTENANCE

Basic maintenance required on the passenger's and driver units consists in cleaning their respective coils and cleaning or replacing air filters.

However, periodic inspection for broken drains, hoses and charging of system should be done.




MAINTENANCE

Squeeze rubber discharge tubes located underneath the appropriate compartment to eliminate the accumulated water and dirt every three months.

3.1 COIL CLEANING

Check the external surface of the coils at regular intervals for dirt or any foreign matter.

3.1.1 Driver unit



MAINTENANCE

Once a year, gain access to the driver unit, remove the coil access panel and clean the **driver unit** evaporator and heater cores with low pressure air jet, taking care not to damage fins. Clean the bottom of the defrost plenum.

For the optional windshield upper section defogger/defroster, remove the bottom access panel, remove the six bolts fixing the blower motor assembly. Use low air pressure to clean the coil.

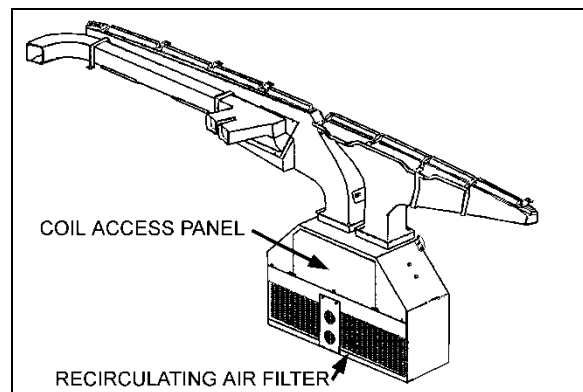


FIGURE 21: DRIVER UNIT CORE ACCESS – X3 SERIES
22171

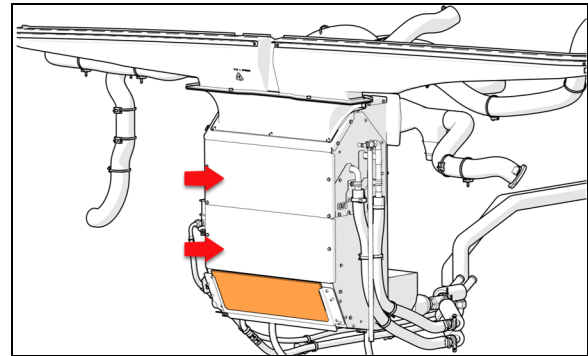



FIGURE 22: DRIVER UNIT CORE ACCESS – H3 SERIES


3.1.2 Passenger unit



MAINTENANCE

With the air filters previously removed, clean the **passenger unit** evaporator and heater coils with low air pressure or a stream low-pressure water **once a year**. Do not use a pressure washer as this will damage the fins. Remove the air filter and brush the evaporator coil from behind.

Once a year, clean the condenser with low-pressure air jet or a stream of low-pressure water, taking care not to damage fins (Figure 24).



CAUTION

Direct the pressure straight through the coil to prevent bending of fins and do not use extremely high pressure. Do not use hot water, steam or caustic soap.

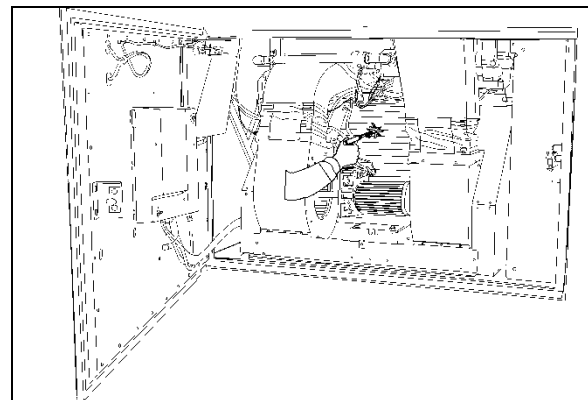


FIGURE 23: EVAPORATOR COIL CLEANING WITH LOW-PRESSURE AIR JET
22373

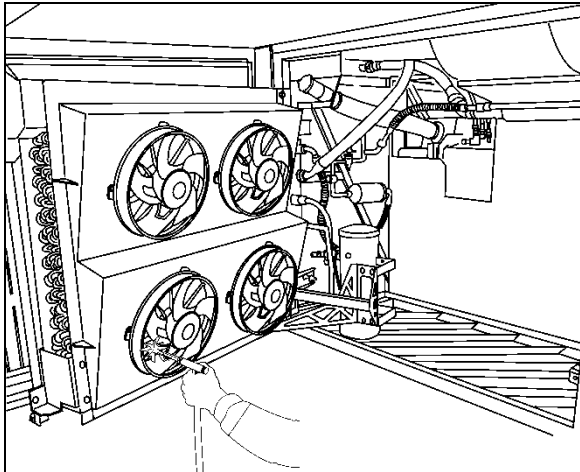



FIGURE 24: CLEANING PASSENGER UNIT CONDENSER COIL WITH LOW-PRESSURE AIR JET 22362

3.2 DRIVER UNIT AIR FILTER

For maximum air conditioning and heating system efficiency, air filters should be inspected, cleaned, or replaced as required in maintenance schedule to ensure proper ventilation of the evaporator and heating cores. To clean filters, remove lint using a nylon brush, back flush with water, then allow to dry.

The driver HVAC unit is in the R.H. console panel.

| |
|---|
|  <h2 style="margin: 0;">MAINTENANCE</h2> |
| <p>Driver unit air filters</p> <p>Clean or replace recirculating air filter at the intervals specified by the Lubrication And Servicing Schedule in Section 24: LUBRICATION & SERVICING.</p> |

| |
|---|
| <p>NOTE</p> <p><i>If the windshield is continuously fogged, check that :</i></p> <ul style="list-style-type: none"> <i>The driver unit fresh air filter is not clogged;</i> <i>The fresh air damper (flapper door) is open, i.e. the recirculation button on the HVAC control unit is not engaged.</i> |
|---|

3.2.1 X3 series

To gain access to the A/C filters, unscrew the grille located at the top entrance step (Figure

25). Unscrew the plastic cover and slide out the recirculating air filter (FIGURE 26). Doing so will give you access to the fresh air filter (see item 18, Figure 92).

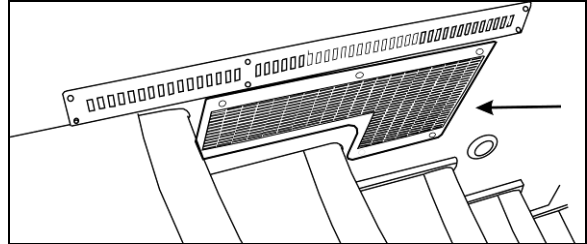


FIGURE 25: R.H CONSOLE AIR FILTER ACCESS GRILL (COACHES) 18505



FIGURE 26: REMOVING DRIVER'S SECTION AIR FILTERS

3.2.2 H3 series

The driver HVAC unit fresh air filter is in the wiper drive compartment.

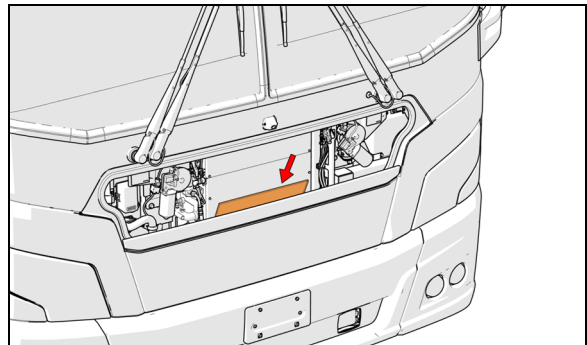


FIGURE 27: DRIVER HVAC SYSTEM FRESH AIR FILTER

Two recirculating air filters are located under the central utility compartment.

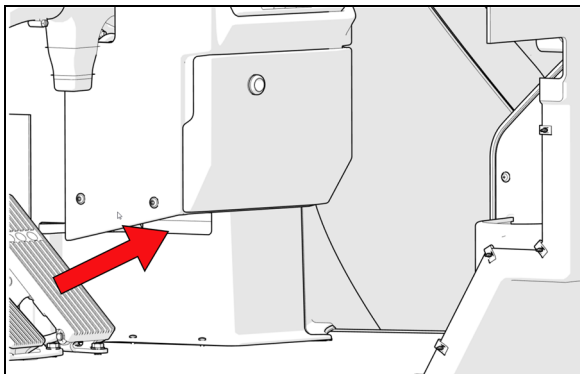


FIGURE 28: ACCESS TO THE RECIRCULATING AIR FILTERS

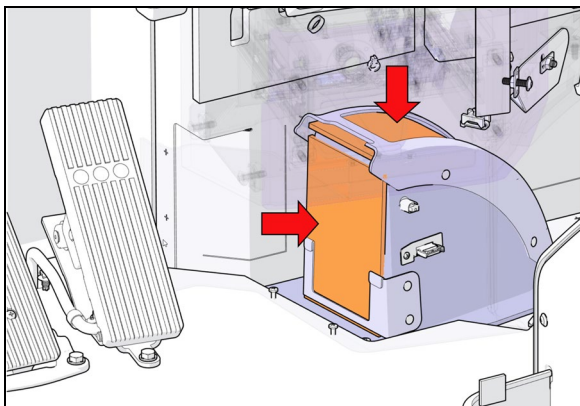


FIGURE 29: TWO RECIRCULATING AIR FILTERS LOCATED UNDER THE CENTRAL UTILITY COMPARTMENT

3.3 PASSENGER UNIT AIR FILTER – H3 SERIES

The passenger unit 2-part air filter is located in the evaporator compartment. To access the filter, locate the access panel in the baggage compartment at the left of the evaporator compartment. Open panels by turning the three screws of either panel ¼ of a turn (Figure 31), unsnap both fasteners on top of filter, and slide out filter (Figure 32).



MAINTENANCE

Passenger unit air filter

Clean or replace filter at the intervals specified by the Lubrication And Servicing Schedule in Section 24: LUBRICATION & SERVICING.

To clean filter, back flush with water or soapy water, then dry with air.



CAUTION

Be sure not to reverse filter upon installation.

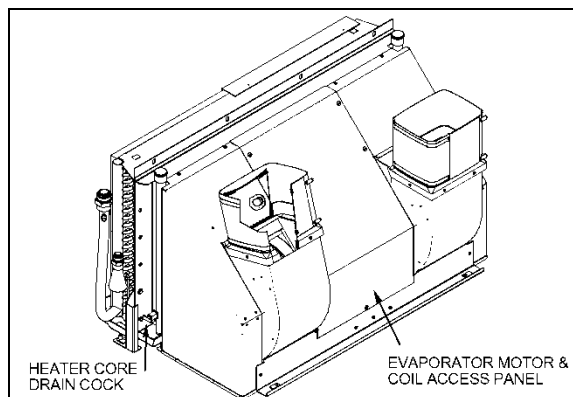


FIGURE 30: PASSENGER UNIT EVAPORATOR COIL 22332

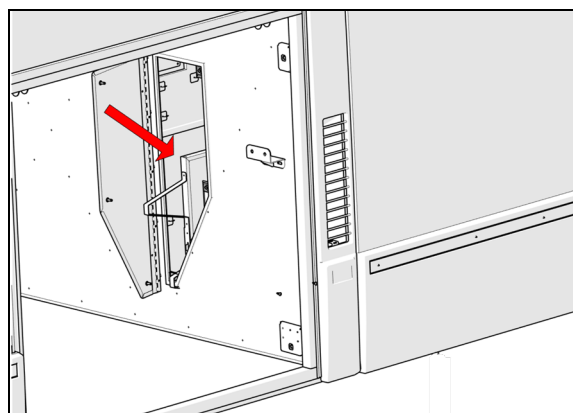


FIGURE 31: PASSENGER UNIT 2-PART AIR FILTER ACCESS PANEL H-SERIES

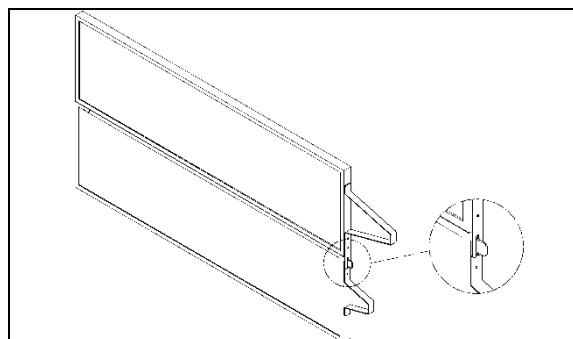



FIGURE 32: PASSENGER UNIT 2-PART AIR FILTER H3 SERIES

3.4 PASSENGER UNIT AIR FILTER – X3 SERIES

The cabin or passengers' section air filter is located in the evaporator compartment above the evaporator coil and fans (Figure 33).

 **MAINTENANCE**

Passenger unit air filter
 Clean or replace filter at the intervals specified by the Lubrication And Servicing Schedule in Section 24: LUBRICATION & SERVICING.
 To clean filter, back flush with water or soapy water, then dry with air

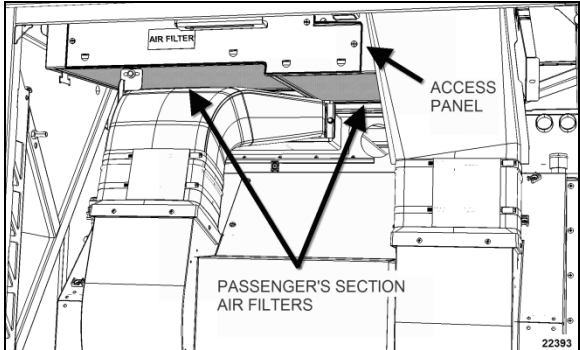



FIGURE 33: PASSENGERS' SECTION AIR FILTER

 **CAUTION**

Be sure not to reverse filter upon installation.

3.5 OVERHEAD COMPARTMENT FAN AIR FILTER

Air conditioning evaporator coils may be installed in both overhead compartment air systems. Only the air filters are serviceable. The air filters are accessible from inside the overhead compartments (Figure 34).

 **MAINTENANCE**

At the intervals specified by the Lubrication And Servicing Schedule in Section 24: LUBRICATION & SERVICING, slide out the filters, then back flush with water, dry with air and reinstall.

For air conditioning unit, ball valves are added on supply and return lines in the condenser compartment. They have service port to evacuate the A/C overhead compartment circuit. When work has to be done on an evaporator coil unit, it will be easier to remove it and repair it on a bench.

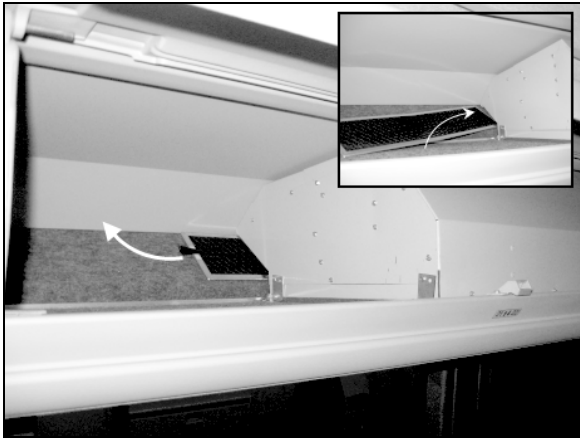


FIGURE 34: OVERHEAD COMPARTMENT FAN AIR FILTER (X3 SERIES) 22201

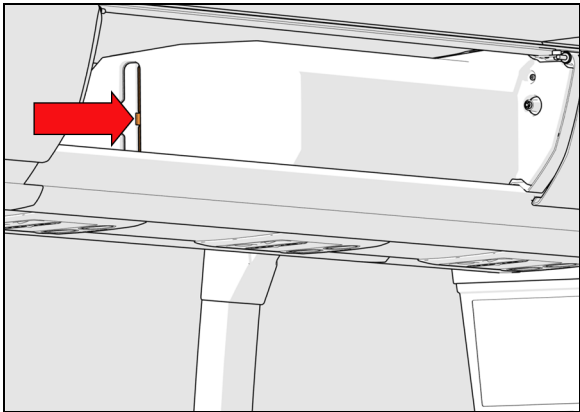



FIGURE 35: OVERHEAD COMPARTMENT FAN AIR FILTER (H3 SERIES)

3.6 COMPRESSOR BELTS

3.6.1 Belt Replacement – Big System

 **DANGER**

Set the main battery disconnect switch to the OFF position. For greater safety, set the engine rear starter selector switch in engine compartment to the OFF position.

1. Open engine compartment rear door and locate A/C compressor drive belt tensioner. Loosen tensioner screw to release belt tension.
2. For vehicles equipped with a 3rd alternator, belt tensioning is also applied through air bellows (Figure 37). Turn the belt tensioner two-way control valve counterclockwise to release bellows pressure (Figure 39).

3. Remove the radiator fan drive belt (refer to Section 05 COOLING).
4. Slip the old compressor belts off and the new ones on.

NOTE

Both belts must always be replaced simultaneously to ensure an equal distribution of load on each of them.

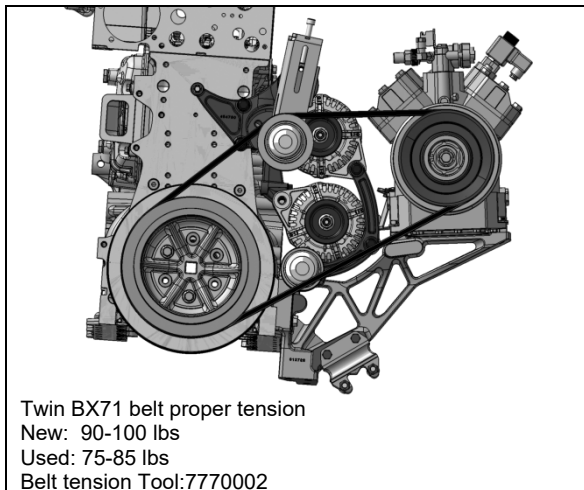


FIGURE 36: STANDARD BELT LAYOUT WITH BIG HVAC SYSTEM

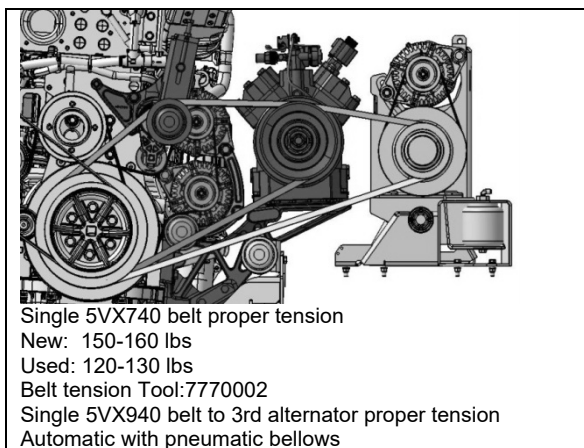


FIGURE 37: H3 SERIES BELT LAYOUT W/ 3RD ALT.

NOTE

Belts specifications may vary. For proper belt selection, always consult your vehicle Coach Final Record.



MAINTENANCE

A/C compressor drive belt

Clean belt tension, inspect for cracks or

frayed material at the intervals specified by the Lubrication And Servicing Schedule in Section 24: LUBRICATION & SERVICING.

3.6.2 Belt Tension Adjustment – Big System

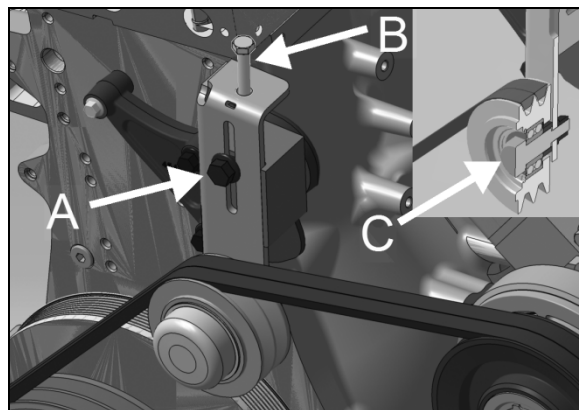
On the mechanical tensioner (Figure 38), slightly slack lock bolt (A). Adjust tension by turning adjustment screw (B). Tighten the lock bolt (A) to preserve adjustment.

TORQUE: 43 lb-ft (58 Nm)

Should the idler bearing need to be serviced, tighten shoulder bolt (C) at reassembly.

TORQUE: 31.5-38.5 lb-ft (43-52 Nm)
 (M12 shoulder bolt)

TORQUE: 59 lb-ft (80 Nm)
 (M12 x 1.75 std bolt)



22381

FIGURE 38: TENSIONER ON BIG A/C

For H3 series vehicles equipped with a 3rd alternator, (Figure 37) belt tensioning is also applied through air bellows which is adjusted by an air pressure regulating valve pressure (Figure 39). The correct pressure of 45 psi is set at the factory. Periodically verify the pressure at the regulating valve using a pressure gauge and correct if required.

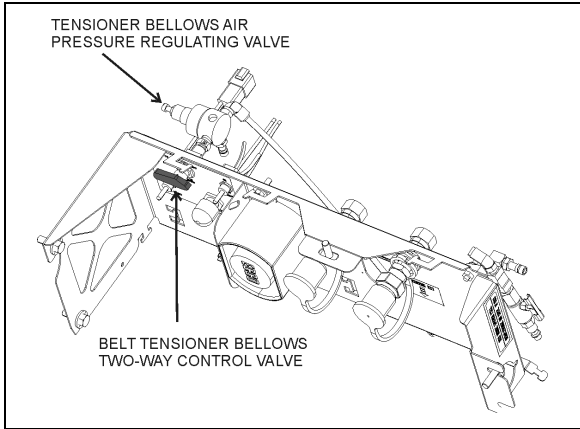


FIGURE 39: BELT TENSIONER CONTROL VALVE - H3 SERIES
12219

3.6.3 Belt Tension Adjustment – Small Hvac System H-Series

Belt tensioning is applied through air bellows which are adjusted by an air pressure regulating valve (Figure 39). The correct pressure of 45 psi is set at the factory. Periodically verify the pressure at the regulating valve using a pressure gauge and correct if necessary.

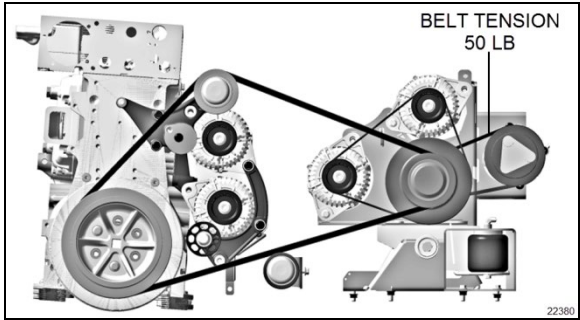


FIGURE 40: BELT LAYOUT WITH SMALL A/C COMPRESSOR H-SERIES

3.6.4 Belt Tension - Small Hvac System X-Series

Belt tension is achieved by an automatic belt tensioner. No adjustment is required.

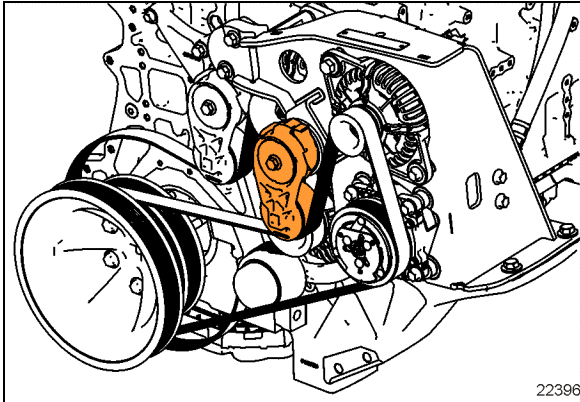


FIGURE 41: BELT LAYOUT WITH SMALL A/C COMPRESSOR X-SERIES

3.7 TORCH BRAZING

Use electrode containing 35% silver.

NOTE
A 3.5% silver low temperature brazing electrode can be used on low side pressure and liquid high side.

CAUTION
When using heat near a valve, wrap with water saturated rag to prevent overheating of vital parts.

DANGER
Before welding any part of refrigeration system, make sure the area is well ventilated.

3.8 SOLDERING

Before soldering any part of the system, make sure the area is well ventilated. Use (stay clean) flux sparingly and apply solder (95-5 round wire 1/8 inch [3,1 mm]). After completing repairs, test for leaks.

When using heat at or near a valve, wrap with a rag saturated of water to prevent overheating of vital parts.

4. HVAC SYSTEM COMPONENTS

4.1 BITZER COMPRESSOR – BIG A/C SYSTEM

The big system may be equipped with a **Bitzer 4-cylinder model 4NFCY** compressor.

For complete information on Bitzer A/C compressor maintenance, installation, torque chart, approved oils, refer to the following Bitzer manuals found on Prevest Technical Publications web site.

- Bitzer kw-540-1 Maintenance Instruction
- Bitzer kb-540-3 Operating Instructions
- Bitzer kw-541-2 Exchanging Shaft Seal
- Bitzer kw-555-3 Tightening Torques
- Bitzer kt-100-3 Capacity Control (unloader)
- Bitzer ke-540-7 Spare Parts List
- Bitzer kt-510-5 Tech Info oils

4.1.1 Suction and Discharge Hose Connection

1. Before connecting suction and discharge refrigerant hoses to the compressor, apply POE compressor oil on new gaskets, **do not dip in oil**.
2. Tighten hose flange by hand in 2 sequences.
3. Apply a final torque on cap screws.

TORQUE: 31-35 lb-ft (42-47 Nm)

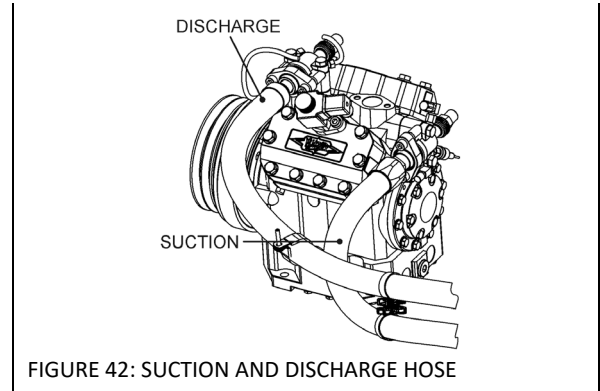
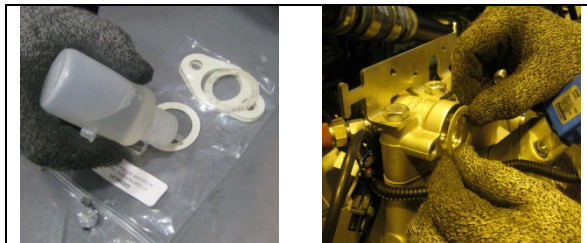


FIGURE 42: SUCTION AND DISCHARGE HOSE

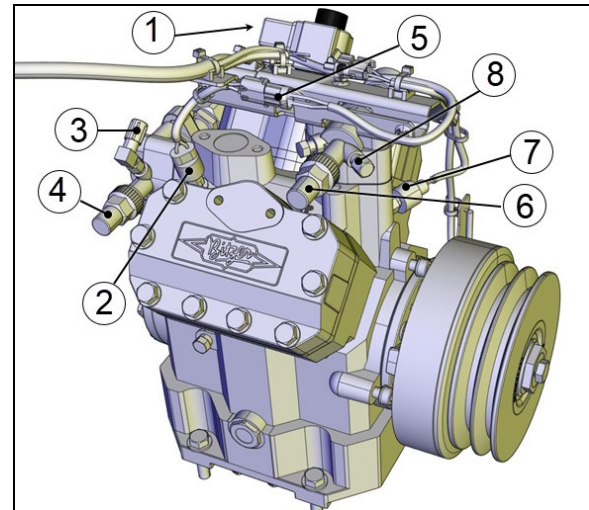


FIGURE 43: BITZER COMPRESSOR

| | |
|---|---|
| 1 | Unloader |
| 2 | Low pressure cut-off switch N.O. 30-5 psi with Schrader valve (Se49) |
| 3 | Service port low side |
| 4 | Suction shut-off valve LP |
| 5 | Se49 connector |
| 6 | Discharge shut-off valve HP |
| 7 | High pressure cut-off switch with Schrader valve 385-285 psi |
| 8 | Service port high side |

4.1.2 Electro-Magnetic Clutch

For the Lang KK73.1 electro-magnetic clutch **removal & installation procedure**, refer to Maintenance Information **MI18-37**.


For Lang KK73.1 electro-magnetic clutch service manual or bearing replacement procedure, refer to the following manuals found on your

Technical Publications USB flash drive and on the Prevost Technical Publications site.

- **Lang clutch KK73.1 bearing replacement**
- **Lang operating instr_KK73 1_2**
- **Lang Service manual_KK73.1_2**
- **Bitzer Maintenance Instruction kw-540-1**

4.1.3 Maintenance - Shaft Seal Oil Collecting Tube Drain

The shaft seal oil tube collects oil seeping through the felt shaft seal. Remove the tube plug and drain the oil into a container for disposal. Replace the cap on the tube and replace the tube into the clip bracket.



MAINTENANCE

Empty the shaft seal oil collecting tube at the intervals specified by the Lubrication And Servicing Schedule in Section 24: LUBRICATION & SERVICING.

During the 250 hour run-in period of the shaft seal, an increased oil seep rate may occur.

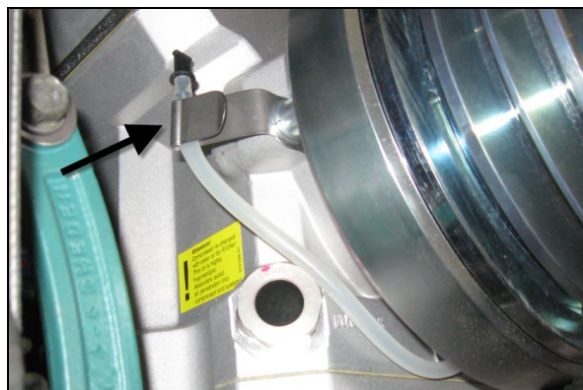


FIGURE 44: SHAFT SEAL OIL COLLECTING TUBE

4.1.4 Maintenance - Oil Color & Level Check

Check the oil color and the oil level, top up as needed. Change the oil if it has darkened (see oil evaluation criteria below).



MAINTENANCE

A/C compressor oil color & level check

Check compressor oil color and level at the intervals specified by the Lubrication And Servicing Schedule in Section 24: LUBRICATION & SERVICING.

1. Run the compressor for at least 15 minutes, the time required so that the oil gets clear, unclouded and stabilized (without bubbles).
2. Check the oil level **during operation**. The proper level is:
 - R.H. sight glass: between $\frac{1}{2}$ and $\frac{3}{4}$ of sight glass height (Figure 45).
 - L.H. sight glass: the full sight glass height (Figure 46).

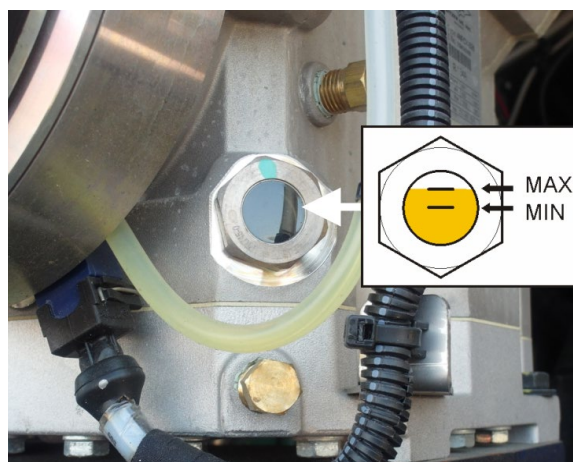


FIGURE 45: R.H. SIGHT GLASS

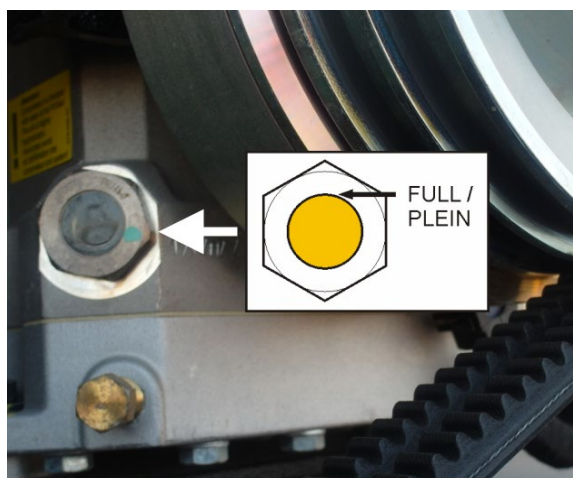
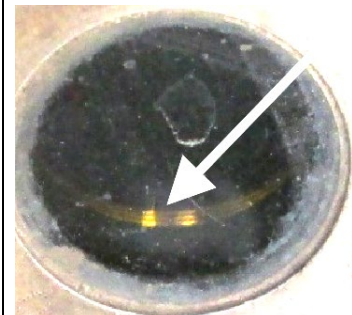





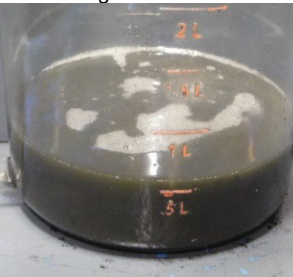
FIGURE 46: L.H. SIGHT GLASS

The oil level is expected to remain the same over time except if there is a loss of refrigerant. Adding oil must be done by taking the same precautions as when changing oil in order not to introduce the moisture content of the ambient air in the air-conditioning system.

3. Check for discoloration of the oil. It should be clear and light in color. Darkened, cloudy and contaminated oil **must be changed**. **Diagnose the problem**. See the following images to help you evaluate the state of the compressor oil.

Tip: use the reflection of light on the threads to help you determine the color of the oil.



| OIL EVALUATION CRITERIA | | | |
|---|---|--|---|
| Normal | Shows deterioration Should be changed soon | Must be changed at once | Heavily deteriorated compressor has suffered damage due to this oil |
|  |  |  |  |

4.1.5 Maintenance - Compressor Oil Change

Impurities from the system components or operation outside the application ranges can lead to deposits in the lubrication oil and darken its color. Change the oil in this case. At the same time, clean the oil filter and magnetic plug as well. Determine and eliminate the cause for operation outside the application ranges.



MAINTENANCE

Compressor oil change

Change the oil, clean the compressor oil filter and the magnetic plug at the intervals specified by the Lubrication And Servicing Schedule in Section 24: LUBRICATION & SERVICING.

Oil Type: Polyolester ISO68.

- Bitzer BSE55 (POE)
- Castrol Icematic SW 68
- Mobil EAL Arctic 68
- Shell S4 FR-F 68, Clavus R68
- Check the oil level first, according to "Maintenance - Oil Color & Level Check".

- Connect the refrigerant recovery station to the service connections of the shut-off valves.
- Isolate the compressor from the system. To do so, frontseat the compressor shutoff valves.
- Extract the refrigerant using the recovery station until ambient pressure is reached. Take note of the quantity removed.
- Remove the magnetic drain plug.

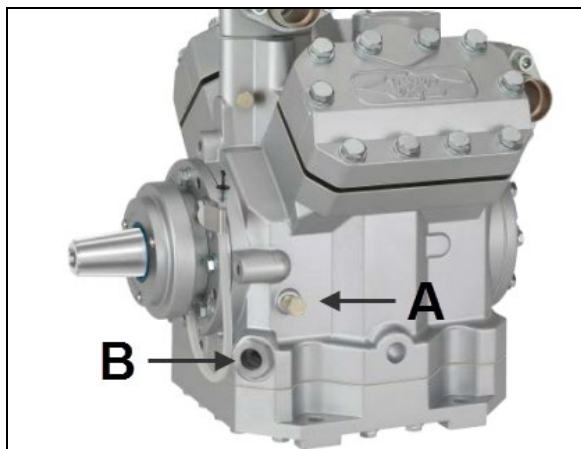


FIGURE 47: OIL FILL PLUG (A) AND SIGHT GLASS (B)

- Drain the oil into a container. Measure the quantity of oil removed.
- Extract and clean the oil filter/strainer. Reinstall once done.

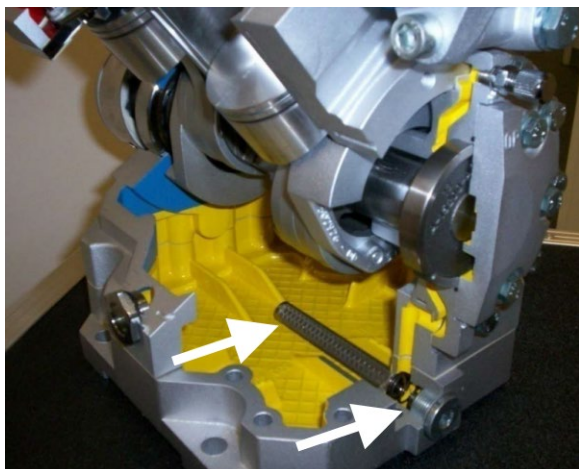


FIGURE 48: CUTAWAY VIEW SHOWING OIL FILTER/STRAINER AND MAGNETIC DRAIN PLUG

- Clean the magnetic drain plug and reinstall.
- Through the oil filling port, add the same amount of fresh oil. More oil should be added

if the oil level was too low when checked at the beginning.

- Evacuate the compressor to 500 microns.
- Charge the system with new refrigerant. Charge with the same quantity as recovered previously.

4.1.6 Troubleshooting Guide

A preliminary check may be made by simply feeling the cylinder heads with the unit in operation at ambient temperatures of 35°F (2°C) and over. The cylinder heads are internally divided into suction and discharge areas. The upper central section of the cylinder is the suction side and it should be relatively cool to the touch, as opposed to the hot discharge area which is the lower perimeter area of the cylinder head. If a valve plate or head gasket is blown, or a compressor unloader is stuck open, partially compressed refrigerant vapor will be circulated between the suction and discharge sides of the head. The affected cylinder head will then have a relatively even temperature across its surface and be neither as hot as the normal discharge temperature nor as cool as the normal suction temperature.

Blown Head Gaskets

Symptom:

- Loss of unit capacity at low temperature.
- Even cylinder head temperature.

Cause:

- Improperly torqued cylinder head bolts.
- Improperly positioned gasket at assembly.
- Warped cylinder head.
- Severe liquid refrigerant floodback.

Blown Valve Plate Gaskets

Symptom:

- Loss of unit capacity at medium and low temperatures.
- Very hot cylinder head surface.
- Higher than normal suction pressure.

Cause:

- Improperly torqued cylinder head bolts.
- Severe liquid refrigerant floodback.

- Oil slugging caused by an overcharge of oil or flood starts.
- Discharge valves not seated properly (liquid drainback during shutdown).

Broken Suction Valves

Symptom:

- Loss of unit capacity at all temperatures.
- Compressor unable to pull extremely low vacuum with suction shutoff valve frontseated.

Cause:

- Repeated liquid refrigerant floodback.
- Flooded starts.
- Overcharge of oil.
- Discharge valves not seated properly (liquid drainback during shutdown).
- Expansion valve not controlling properly.

Unloader Valve Stuck Open

Symptom:

- Loss of unit capacity at all temperatures.
- Higher than normal suction pressure.
- Even cylinder head temperature.

Cause:

- Unloader body stem bent.
- Foreign material binding unloader piston or plunger.

4.2 BOCK COMPRESSOR – BIG A/C SYSTEM

The big system may be equipped with a **Bock 4-cylinder model FK40** compressor.

For complete information on Bock A/C compressor maintenance, installation, torque chart, approved oils, refer to the following Bock manuals found on Prevest Technical Publications web site.

- Bock Torques for screwed connections 09997-03.2021-DGbF
- Bock CR Capacity regulation 09900-01.2021-DGbF
- Bock FK40 Installation shut-off valves & blind flange 09665-01.2019

- Bock Front seal quick ref guide 96445-01-2021-Gb
- Bock Instructions for changing shaft seals 09924-01.2021-DGbFI
- Bock Maintenance Manual 09665-02-2016-Gb

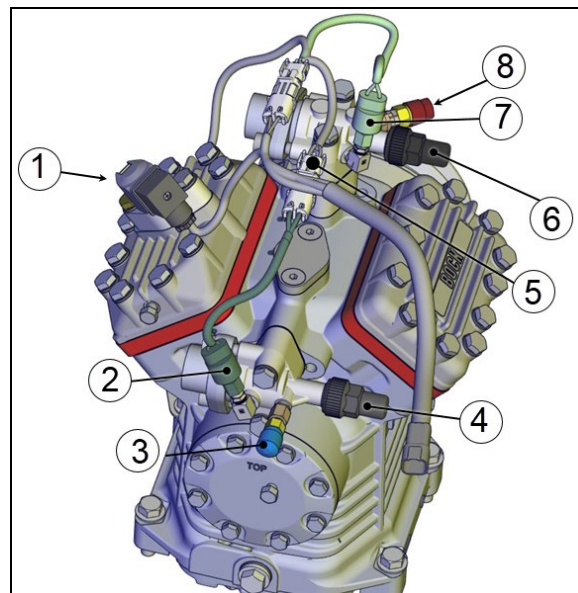
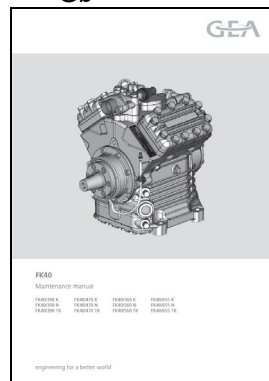


FIGURE 49: BOCK 4-CYLINDER MODEL FK40 COMPRESSOR

| | |
|---|---|
| 1 | Unloader |
| 2 | Low pressure cut-off switch N.O. 30-5 psi with Schrader valve (Se49) |
| 3 | Service port low side |
| 4 | Suction shut-off valve LP |
| 5 | Se49 connector |
| 6 | Discharge shut-off valve HP |
| 7 | High pressure cut-off switch with Schrader valve 385-285 psi |
| 8 | Service port high side |

4.3 COMPRESSOR – SMALL HVAC SYSTEM

You will find complete information about the compressor by consulting the Sanden manual: **Sanden SD Compressor Service Guide**, found on the Prevest technical Publications site.



4.3.1 Sanden SD7 Compressor Oil Charging

Compressor lubrication occurs as the oil which circulates with the refrigerant passes through the compressor crankcase during operation. Excess oil can act as an insulator limiting heat transfer in the evaporator and condenser, while too little oil can negatively affect durability.

Use the following procedure after a major oil loss due to leakage of refrigerant from hose connection, condenser, or evaporator.

Prerequisite condition: The HVAC system is already charged with refrigerant.

1. Set up the vehicle as follows:
 - a. Doors open.
 - b. Maximum fan speed and full A/C request.
 - c. Ambient temp: at least 75°F (24°C).
2. Run the engine at precisely 1000 rpm for 10-15 minutes. In this condition, the compressor will run at 2500 rpm.
3. While maintaining engine speed, turn off A/C system and immediately turn off the engine.
4. Recover refrigerant from the HVAC system.
5. Remove compressor from vehicle.
6. Remove the oil plug and drain as much oil as possible into a suitable container.

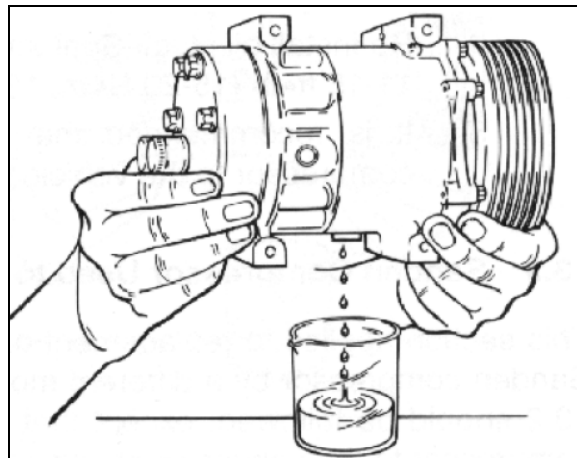


FIGURE 50

7. Drain oil from the suction and discharge ports into the container while turning the shaft clockwise only with a socket wrench on the armature retaining nut.

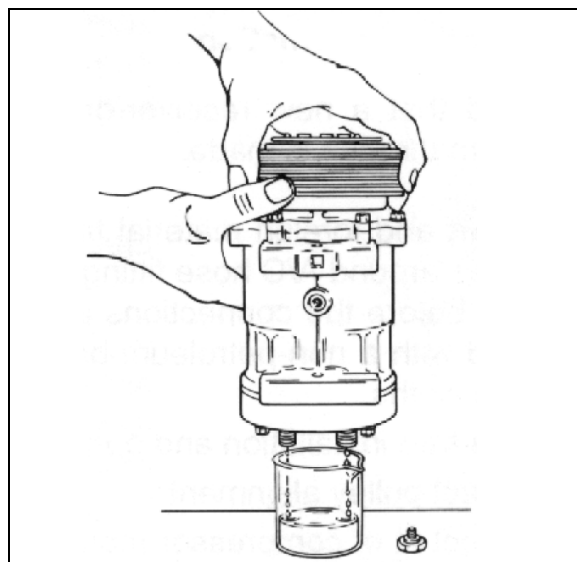


FIGURE 51

8. Measure and record the volume of the oil drained from the compressor.
9. Approximately 15 ml (0.5 fl. oz.) will remain in the compressor as a film coating the internal surfaces.
10. The desired amount of oil in the compressor after running for 10-15 minutes the compressor at 2500 rpm is 58 ml (2.0 fl. oz.).
11. Add PAG oil as necessary to the container and pour back into the compressor (Figure 52) according to the following formula:

$$58\text{ml} - (\text{oil drained} + 15\text{ml}) = \text{oil to add}$$

If the amount of oil in the compressor is too much, remove oil from the container according to the following formula:

$$(\text{oil drained} + 15\text{ml}) - 58\text{ml} = \text{oil to remove}$$

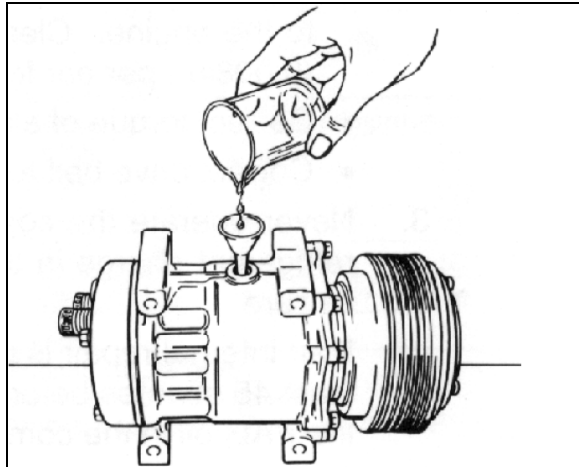


FIGURE 52

12. Reinstall oil plug. Seal and O-ring must be clean and not damaged. Torque to 11-15 ft-lb (15-20 N-m).

13. Reinstall the compressor.

4.3.2 Compressor Replacement - Oil Amount (compressor swap, no flushing)

It's critical for successful compressor replacement that the new compressor is installed in a clean system with a correct oil charge. Contamination remaining in the system will be pulled into the new compressor and lodge under the valves and in bearings causing quick failure of the new compressor. Also, it's important to maintain the original oil charge amount when replacing the compressor.

1. Remove the failed compressor.
2. Install the new compressor.
3. Charge the system with refrigerant.
4. Determine if the quantity of oil present in the system is in excess or if oil should be added. To do so, perform **4.3.1 Sanden SD7 Compressor Oil Charging**.

4.3.3 Removal - When the Compressor Is Operational

Perform the "OIL RETURN OPERATION" (refer to paragraph 7.9).

NOTE

Belts specifications may vary. For proper belt selection, always consult your vehicle Coach Final Record.

4.3.4 Removal - When the Compressor Is Inoperable

- Perform the "Refrigerant Recovery" operation (paragraph 7.5).
- Remove any tension on the belts

Slacken bolts fixing small compressor. (FIGURE 53 and Figure 54)

- Remove the compressor.
- Reinstall following system clean-out recommendations (Paragraph 7.6)

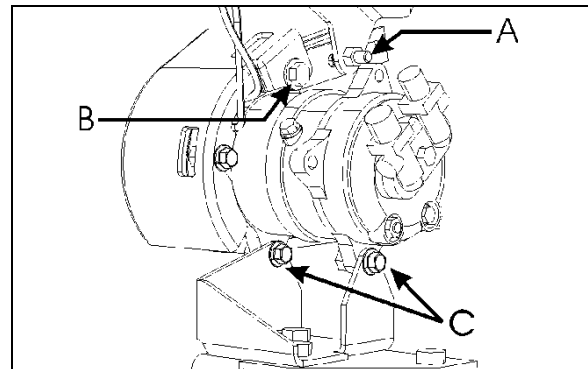


FIGURE 53: COMPRESSOR MOUNTING H-SERIES

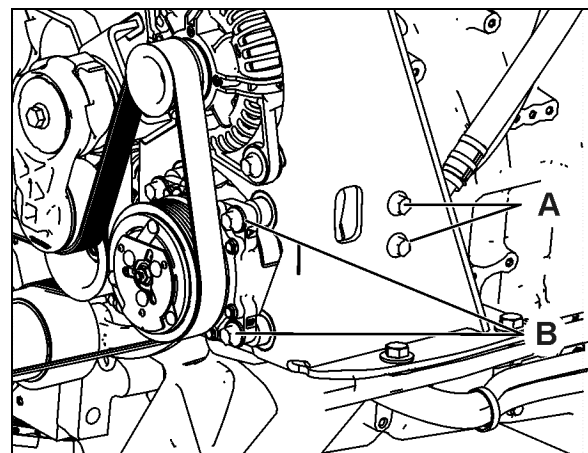


FIGURE 54: COMPRESSOR MOUNTING X-SERIES

4.4 BRUSHLESS EVAPORATOR MOTOR

The brushless evaporator motor is installed in the evaporator compartment (Figure 55). It is a 27.5 volt, 2HP (1,5 kW) motor which activates a double blower fan unit.

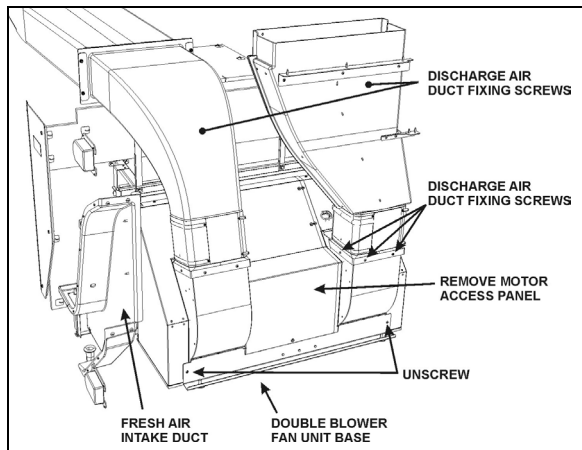


FIGURE 55: H3 SERIES EVAPORATOR COMPARTMENT

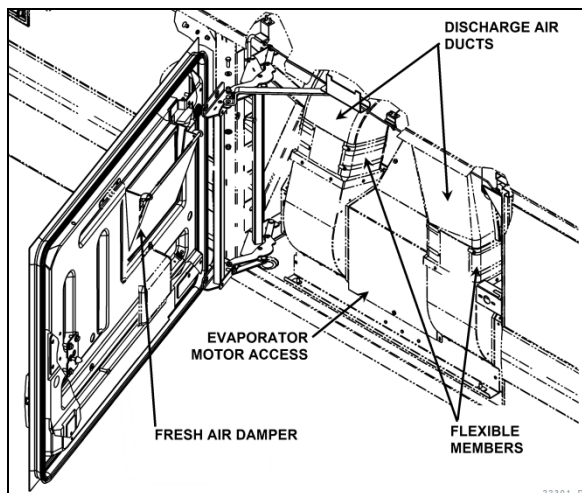


FIGURE 56: X3 SERIES EVAPORATOR COMPARTMENT

4.4.1 Removal

- Set the battery master switch to the OFF position and trip circuit breaker CB3 (CB6 on X3 VIP).
- Open the evaporator compartment door.
- On the HVAC module. Disconnect circuit 90H1 from evaporator relay R12.
- Identify the discharge ducts inside compartment and remove the Phillips head screws fixing the air duct to blower fan unit.
- Remove the motor access panel.
- Disconnect electrical motor speed control wire (white wire, circuit 2F), power cable and ground cable from motor terminals.
- From under the vehicle, remove the eight bolts fixing the double blower fan unit base.

Remove the complete unit from the evaporator compartment (Figure 57).



CAUTION

Never support evaporator motor assembly by its output shafts while moving it. Always use double blower fan unit base.

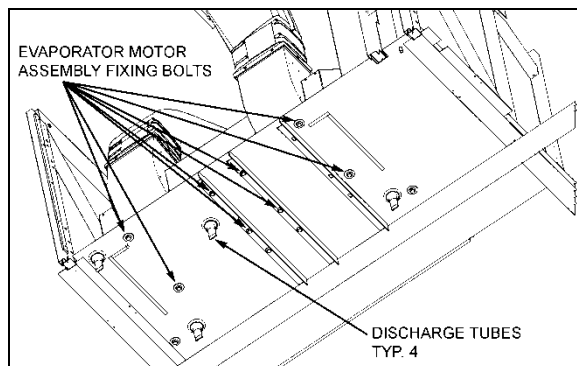


FIGURE 57: EVAPORATOR MOTOR BOLTS

22315

- Install the complete unit on a work bench, unfasten the fan square head set screws, the Phillips head screws retaining cages to base and slide out the assemblies from the evaporator motor output shaft.
- Remove motor from double blower fan unit base.

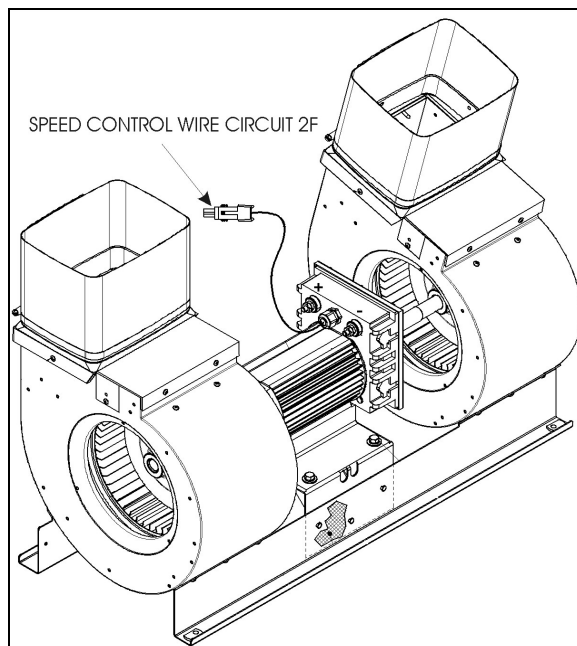


FIGURE 58: EVAPORATOR MOTOR ASSEMBLY

4.4.2 Installation

To reinstall the evaporator motor, reverse "Evaporator Motor Removal" procedure.

4.5 CONDENSER (BIG A/C)

The big A/C system condenser coil is hinge mounted on the R.H. side of the vehicle on the condenser compartment door. Since condenser's purpose is to dissipate heat from the hot refrigerant, it is important to keep the cooling coils and fins clean. A clogged coil will cause high discharge pressure and insufficient cooling.

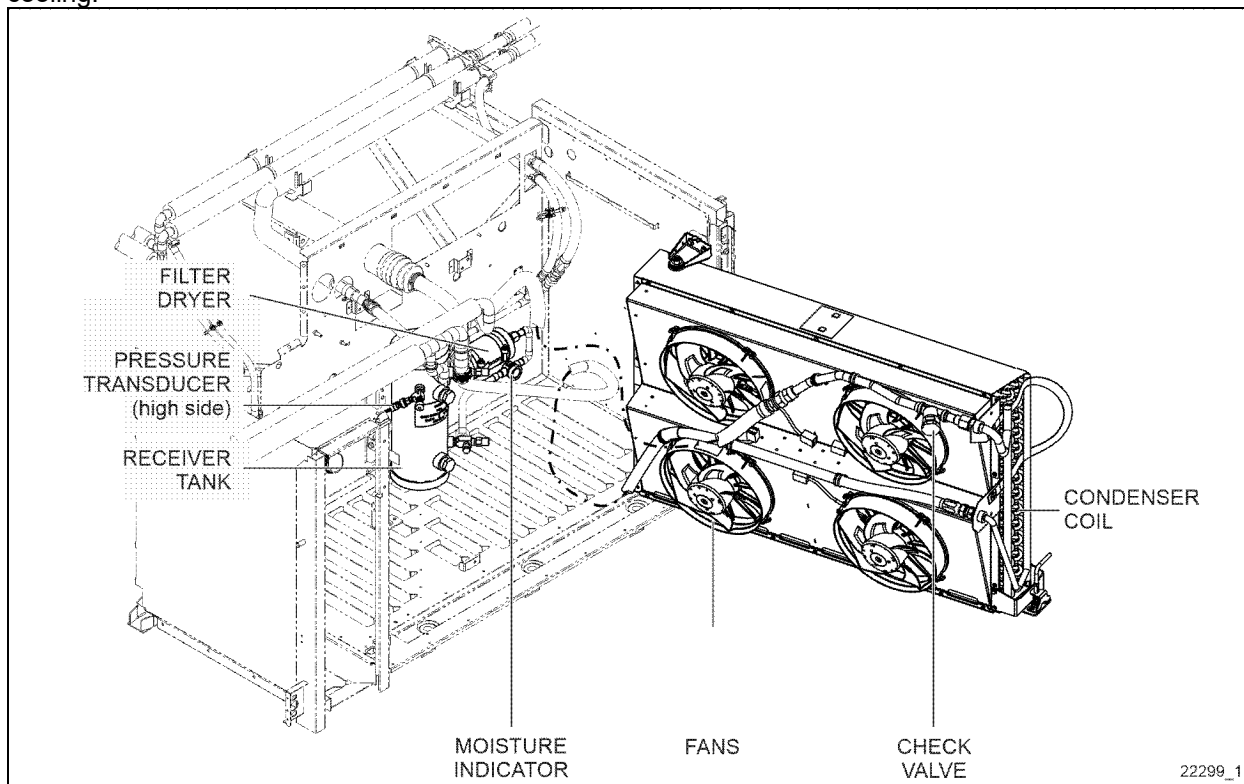


FIGURE 59: BIG A/C CONDENSER

4.5.1 Condenser Fan Control

Four brushless motors fan are installed in condenser compartment on R.H. side of vehicle in order to ventilate the condenser coil. The fans pull outside air through the condenser coil and discharge it through an opening at bottom of compartment.

Fan speed is controlled by the multiplex program and varies according to high side pressure. A Pulse Width Modulation (PWM) signal is used to control fan speed.

You will notice fan speed ramp up to full speed between 100 psi and 200 psi, and a ramp down from 200 psi to 100 psi. Below 100psi, the fans are not running. Refer to Figure 60 below.

NOTE

During normal conditions, fan function according to the following specifications:

Full speed: 6200cfm, 37A at 28 VDC

Fan motor speed: 2950 rpm at full speed

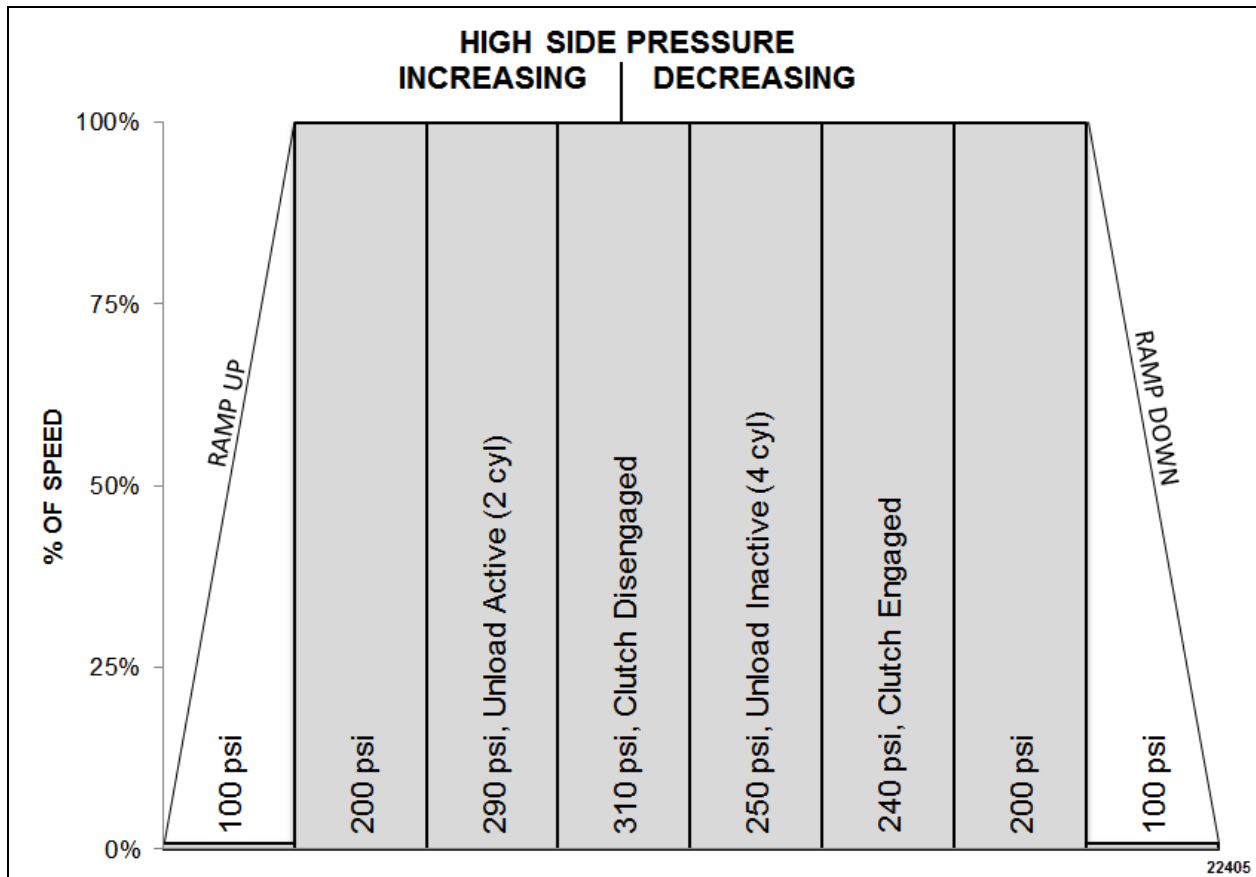


FIGURE 60: CONDENSER FAN SPEED AND COMPRESSOR EVENTS IN RELATION WITH HIGH SIDE PRESSURE

4.5.2 Condenser Fan Removal

1. Set the battery master switch to the OFF position.
2. Unplug the fan harness connector (Figure 61).
3. Remove the four hexagonal head cap screws retaining the fan assembly to the shroud.
4. Remove the motor.

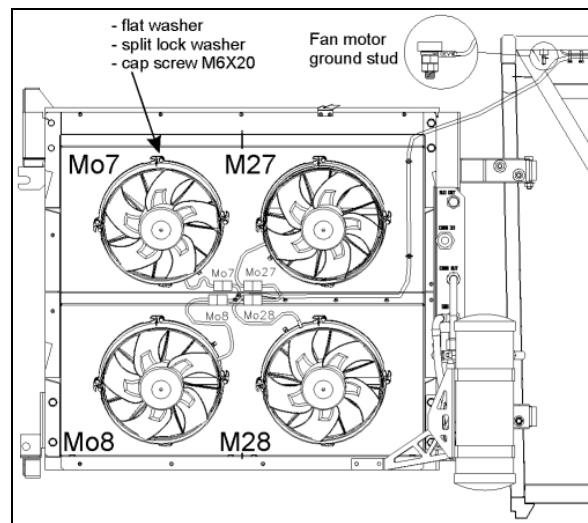


FIGURE 61: CONDENSER FANS

4.6 CONDENSER (SMALL A/C)

On H3-series vehicles, the condenser is installed over the radiator and benefits from the existing airflow in this location.

On X3-series vehicles the condenser is installed in the 4th baggage compartment and has its own MUX controlled electrical fan.

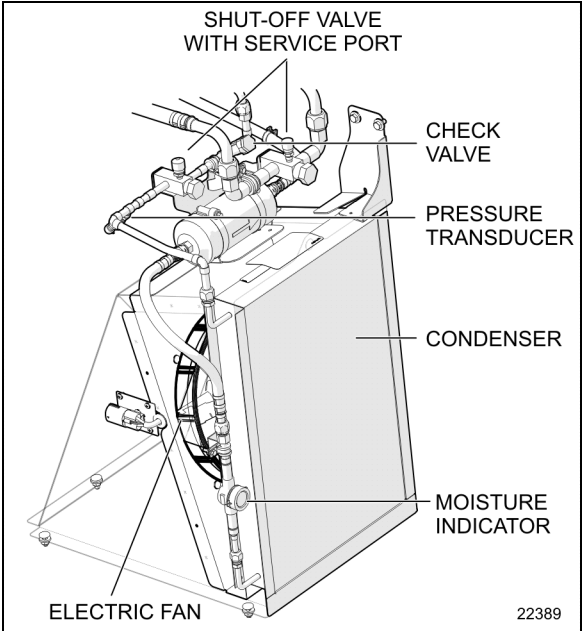


FIGURE 62 X3 SERIES SMALL A/C CONDENSER ASSEMBLY.

4.7 RECEIVER TANK

The receiver tank is located in the condenser compartment (Figure 63). The function of the receiver tank is to store the liquid refrigerant. During normal operation, the level of the refrigerant should be approximately at the mid-point of the lower sight glass.

MAINTENANCE

Check refrigerant level and add if necessary, at the intervals specified by the Lubrication And Servicing Schedule in Section 24: LUBRICATION & SERVICING.

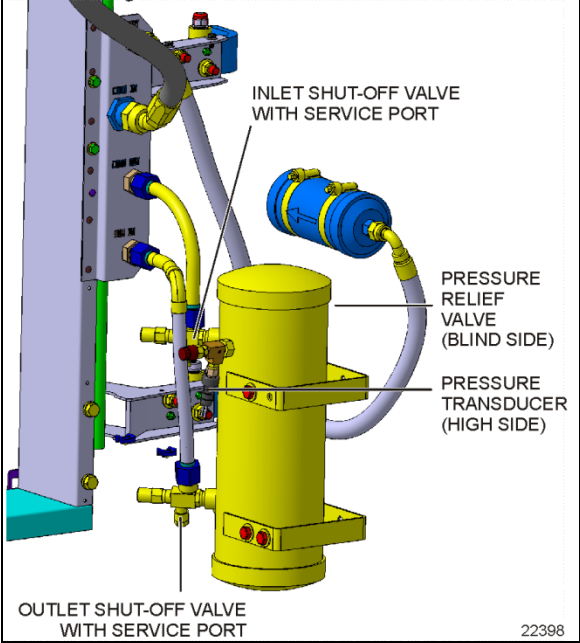


FIGURE 63: RECEIVER TANK (H3 SERIES)

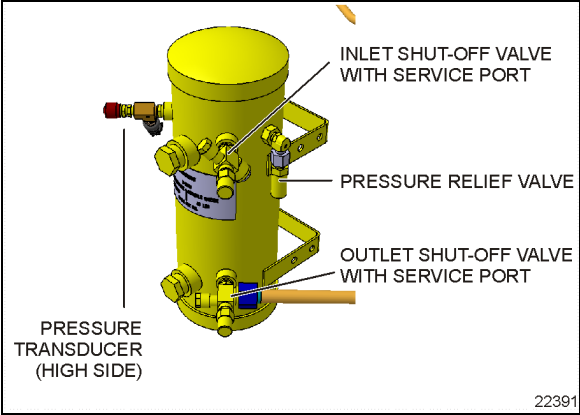


FIGURE 64 RECEIVER TANK X3 SERIES

In case of extreme pressure there will be a rise in the liquid receiver tank. A pressure relief valve will break at 450 psi and relieve the receiver tank pressure.

The receiver tank incorporates an inlet valve on the inlet side (upper section) which allows the tank to be isolated or serviced. An outlet valve on the outlet side (lower section) permits complete isolation from the rest of the system.

During **normal operation**, inlet and outlet shutoff valves are in backseated position (stem out).

When connecting a gauge to the service port, make sure the shut-off valve is in backseated

position because the service port is not fitted with a Schrader valve.

4.8 FILTER-DRYER

A filter-dryer, also located in the condenser compartment, is installed on the liquid refrigerant line after the receiver tank. It is used to absorb moisture and foreign matter from refrigerant before it reaches the expansion valves.

The filter-dryer should be replaced after a severe system failure, after a prolonged exposure and most important, when the moisture indicator sight glass turns to pink.

4.8.1 Replacement Of The Filter-Dryer After Pumping Down

The filter-dryer is of the disposable type. When replacement is required, remove and discard the complete unit and replace with a new unit of the same type according to this procedure:

1. Perform the pumping down procedure to isolate refrigerant in the receiver tank.
2. Disconnect C24 to isolate the section of the system located between the receiver tank outlet shutoff valve and the passengers unit liquid solenoid valve.
3. Change the filter-dryer.

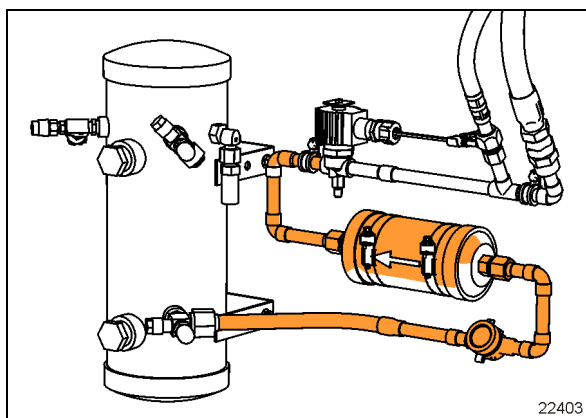


FIGURE 65: ISOLATED SECTION X3 SERIES

4. Once the filter-dryer has been replaced, it is necessary to evacuate the opened section of the refrigerant circuit. Evacuate the isolated section of the system using a vacuum pump connected to the service port of the receiver outlet shutoff valve.
5. Evacuate the section of the refrigerant piping as needed and in accordance with

best practices, using a micron gauge to monitor the depth of vacuum. Evacuate to a system pressure less than 1000 microns.

6. Turn off the vacuum pump.
7. Backseat the outlet shutoff valve and then disconnect the vacuum pump hose.



CAUTION

Do not use carbon tetrachloride or similar solvents to clean parts. Do not use steam gun. Use mineral spirits or naphtha. All parts should be thoroughly cleaned. Use a stiff brush to wash dirt from grooves, holes, etc.



DANGER

Cleaning products are flammable and may explode under certain conditions. Always handle in a well ventilated area.

4.9 MOISTURE INDICATOR

The moisture sensitive element consists of a color changing ring which is reversible from pink to blue and vice versa as the moisture content in the refrigerant changes.



- PINK: high levels of moisture detected.
- PURPLE (caution): low levels of moisture detected.
- BLUE: dry, optimal operating conditions.

Since temperature changes affect the solubility, color change will also vary with the refrigerant temperature. The above table shows the color change for R-134a at various moisture levels and liquid line refrigerant temperatures.



MAINTENANCE

Check refrigerant moisture indicator at the intervals specified by the Lubrication And Servicing Schedule in Section 24: LUBRICATION & SERVICING.

Replace filter-dryer unit according to moisture indicator

| COLOR INDICATOR | | | |
|-----------------|------------|--------------------|------------|
| TEMPERATURE | BLUE (ppm) | LIGHT VIOLET (ppm) | PINK (ppm) |
| 75°F (24°C) | 20 | 35 | 130 |
| 100°F (38°C) | 35 | 55 | 160 |
| 125°F (52°C) | 60 | 65 | 190 |

p.p.m.= parts per million (moisture content)

A moisture level of less than 15 p.p.m. for R-134a indicated in the blue color range of the above table is generally considered dry and safe. A color indication of light blue to light violet indicates the caution range of moisture level. For positive protection, the drying of the system should be continued until the color of the element turns to deep blue.

The liquid refrigerant is readily visible through the center opening of the moisture element where the presence of bubbles or flash gas indicates an insufficient system charge, low head pressure, insufficient liquid sub cooling or some form of restriction in the liquid line.

Moisture is one of the main causes of chemical instability or contamination in air-conditioning systems. If moisture is present, it can corrode the valves, condenser and evaporator coils, compressor and other components causing a malfunction and eventual failure of the system. Uncontrolled moisture in the system can result in very expensive multiple component replacements if not corrected at an early stage. The moisture indicator permits an early detection of moisture in the system and when corrected by a desiccant charge, system contamination is greatly minimized.

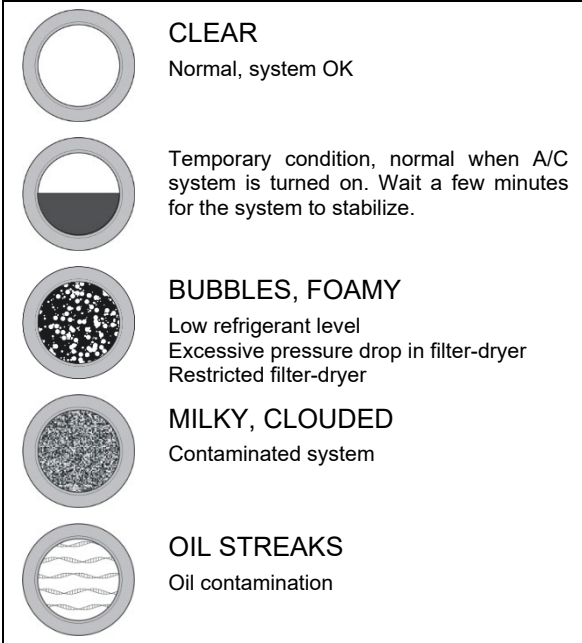


FIGURE 66: CONDITIONS THAT MAY BE OBSERVED IN THE MOISTURE INDICATOR SIGHT GLASS

4.10 SHUT-OFF VALVE WITH SERVICE PORT

This shutoff valve (FIGURE 67) is located in the condenser compartment. It is used to isolate one section of the refrigerant circuit. The service port is equipped with a Schrader valve.

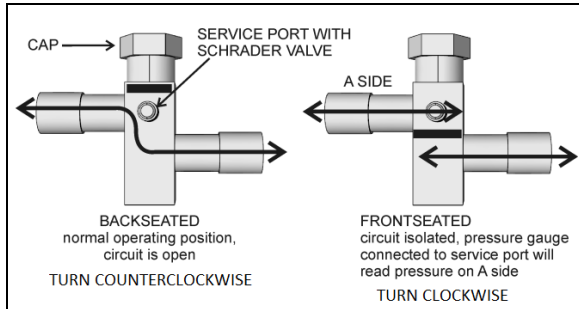


FIGURE 67: REFRIGERANT CIRCUIT SHUT-OFF VALVE

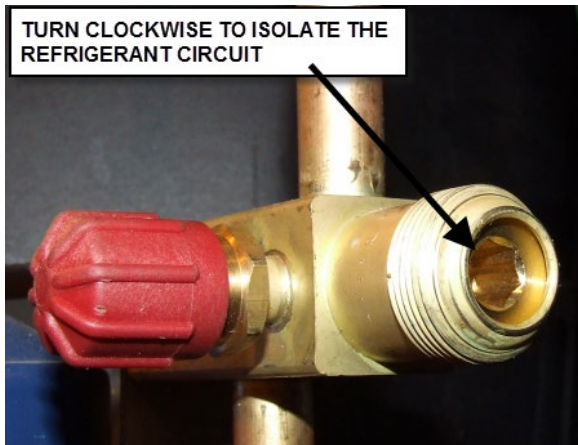


FIGURE 68: REFRIGERANT CIRCUIT SHUT-OFF VALVE

4.11 LIQUID REFRIGERANT SOLENOID VALVE

The flow of liquid refrigerant to the driver unit evaporator, passengers' unit evaporator (main evaporator) and overhead compartments evaporator is controlled by one NC (normally closed) solenoid valve on each circuit, for a total of three solenoid valves.

The driver unit solenoid valve is located on the ceiling of the spare wheel compartment (FIGURE 69) and is accessible through the reclining bumper.

Two identical NC (normally closed) refrigerant solenoid valves are found in the condenser compartment (FIGURE 70). One is used to control flow of refrigerant to the overhead compartments evaporator while the other is used to control flow to the driver's and passenger's main evaporators.

On H3 VIP, one identical refrigerant solenoid valve is used on the small HVAC system auxiliary unit.

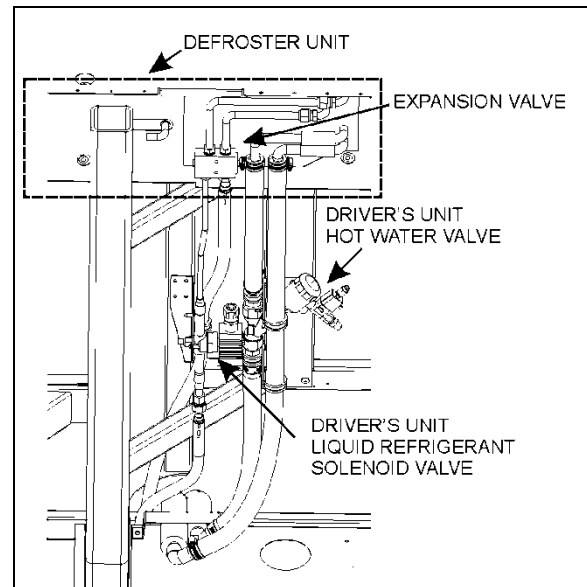


FIGURE 69: DRIVER UNIT LIQUID SOLENOID VALVE

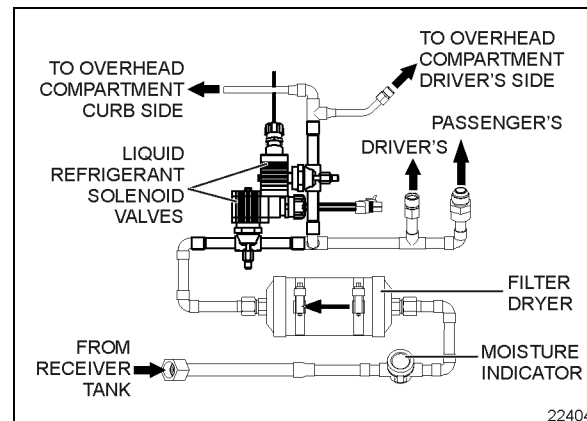


FIGURE 70: LIQUID REFRIGERANT SOLENOID VALVES IN CONDENSER COMPARTMENT (X-SERIES)

4.11.1 Typical Malfunctions

Faulty control circuit: Check the electric system by energizing the solenoid with 24-V DC. A metallic clicking noise indicates that the solenoid is operating. Absence of clicking indicates a loss of power or a defective solenoid. Check for open breaker, open-circuited or grounded coil, broken lead wires.

Burned-out coil: Check for open-circuited coil. Replace coil if necessary.

Low voltage: Check voltage across the coil leads. Voltage must be at least 85% of nameplate rating.

Excessive leakage: Disassemble valve and clean all parts. Replace worn or damaged parts with a complete repair kit for best results.

There are only three main possible malfunctions:

1. Coil burnout.
2. Failure to open.
3. Failure to close.

Each is discussed in *Sporlan Parker Hannifin Solenoid Valve Installation and Servicing* bulletin included on your Technical Publications USB flash drive.

4.11.2 Electrical Bypass/On Demand Opening Of Liquid Refrigerant Solenoid Valves

To ease purging, pumping down and refilling of refrigerant, it is possible to open the liquid solenoid valves (normally closed NC). To do so, uncap and connect plug and socket housings of connector **C24 together for the passengers' unit and overhead compartment units liquid solenoid valves** (located on the HVAC module in evaporator compartment) or **C44 for the driver unit liquid solenoid valve** (located on the ceiling of the spare wheel compartment). During normal use, both plug and socket housings of connector C24 or C44 are to be kept unplugged and capped.



CAUTION

Connectors C24 & C44 must be disconnected and their caps reinstalled after this procedure. Leaving them connected will keep the driver's, passengers and overhead compartment liquid solenoid valves open, and result in battery draining if the bus remains unused for several days.

4.11.3 Coil Replacement

1. Unplug coil connector.
2. Take out the retaining screw at the top of the coil housing. The entire coil assembly can then be lifted off the enclosing tube.
3. Place the new coil on the enclosing tube. Lay data identification plate in place.
4. Insert the coil retaining screw, rotate coil housing to proper position and tighten screw securely.
5. Plug coil connector.

4.11.4 Valve Disassembly

1. Because of possible damage to valve components due to the high temperature of soldering and brazing, it is necessary to completely disassemble the **A & B series** valves before any heat is applied to the valve body. For **E series** (extended copper connections), braze into the line without disassembly because the valve contains extended connections. Use caution by placing a wet cloth or chill block on the extensions at the body to prevent excessive overheating.
2. Remove the coil as stated previously.
3. Pump down the system as stated in this section.
4. Remove the enclosing tube and locknut, all internal parts, and manual lift stem assembly.

NOTE

The previous procedure must be followed before brazing solder-type bodies into the line.



CAUTION

Be careful not to damage the machined faces while the valve is apart.

4.11.5 Valve Reassembly

1. Place the seat disc into the valve body with the smaller diameter end facing up.
2. Place the enclosing tube gasket onto the valve body above the threads.
3. Hold the plunger with one hand so that the pointed end is resting in the pilot port of the disk. Make sure the small spring is in place on the top of the plunger.
4. With the other hand, place the enclosing tube over the plunger, making sure the enclosing tube gasket is in position.
5. Put back the enclosing tube locknut and tighten. Do not over tighten.

TORQUE: 20-40 lb-ft (27-54 Nm)

6. Put back manual lift stem. Tighten lift stem assembly and seal cap.

TORQUE: 11 lb-ft (15 Nm)

7. Place the coil assembly.

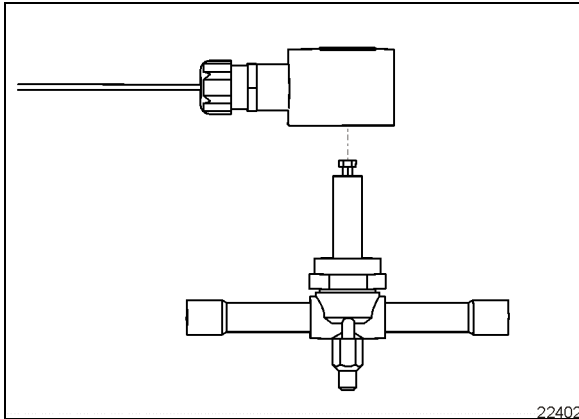


FIGURE 71: TYPICAL REFRIGERANT SOLENOID VALVE

**CAUTION**

The filter-dryer must be replaced after a severe system failure or if a line in the system has been opened over a prolonged period of time. The line will then have to be properly evacuated.

Best practice would be to replace the filter-dryer each time a line is opened.

**CAUTION**

Be careful not to damage the machined faces while the valve is apart.

4.12 THERMOSTATIC EXPANSION VALVE

4.12.1 Big System

The expansion valve for the main system is a thermo-sensitive valve with a remote control bulb head attached to the evaporator outlet line and is accessible by the evaporator filter access door. The valve regulates the flow of refrigerant liquid into the evaporator coils and is controlled by the suction gas temperature leaving the evaporator. The bulb head senses the refrigerant gas temperature as it leaves the evaporator. High temperature will cause expansion and pressure on the power head and spring. Such action causes the assembly valve to open, allowing a flow of refrigerant liquid into the evaporator.

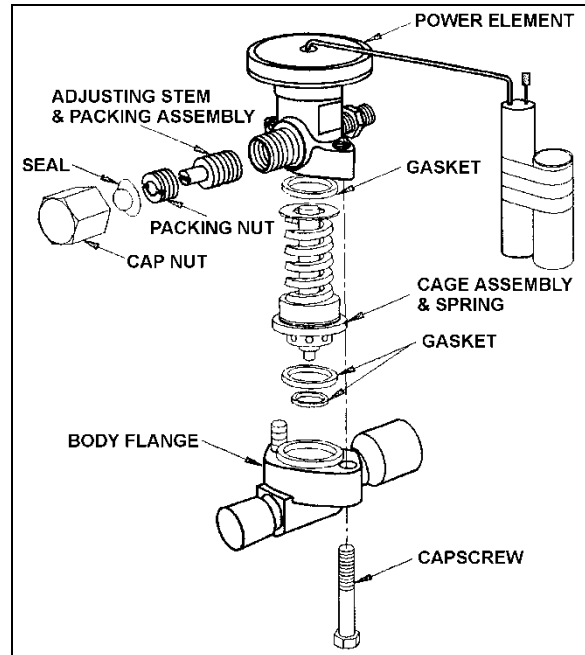


FIGURE 72: EXPANSION VALVE

22215

The remote bulb and power assembly is a closed system. The pressure within the remote bulb and power assembly corresponds to the saturation pressure of the refrigerant temperature leaving the evaporator and moves the valve pin in the opening direction. Opposed to this force, on the underside of the diaphragm and acting in the closing direction, is the force exerted by the superheat spring. As the temperature of the refrigerant gas at the evaporator outlet increases above the saturation temperature corresponding to the evaporator pressure, it becomes superheated. The pressure thus generated in the remote bulb and power assembly surpasses the combined pressures of the evaporator pressure and the superheat spring, causing the valve pin to move in the opening direction.

Conversely, as the temperature of the **refrigerant** gas leaving the evaporator decreases, the pressure in the remote bulb and power assembly also decreases and the combined evaporator and spring pressures cause the valve pin to move in the closing position.

As the operating superheat is raised, the evaporator capacity decreases, since more of the evaporator surface is required to produce the superheat necessary to open the valve. It is obvious, then, that it is most important to adjust the operating superheat correctly and that a minimum change in superheat to move the valve

pin to full open position, is of vital importance because it provides savings in both initial evaporator cost of operation.

Accurate and sensitive control of the refrigerant liquid flowing to the evaporator is necessary to provide maximum evaporator capacity under load conditions. The spring is adjusted to give 12 to 16° F (-11.1 to -8.8° C) of superheat at the evaporator outlet.

This ensures that the refrigerant leaving the evaporator is in a completely gaseous state when drawn into the suction side of the compressor. Liquid would damage the compressor valve, piston and heads if allowed to return in the suction line.

A vapor is said to be superheated when its temperature is higher than the saturation temperature corresponding to its pressure. The amount of the superheat is, of course, the temperature increase above the saturation temperature at the existing pressure.

As the refrigerant moves along in the evaporator, the liquid boils off into a vapor and the amount of liquid decreases until all the liquid has evaporated due to the absorption of a quantity of heat from the surrounding atmosphere equal to the latent heat of vaporization of the refrigerant. The gas continues along in the evaporator and remains at the same pressure. However, its temperature increases due to the continued absorption of heat from the surrounding atmosphere. The degree to which the gas refrigerant is superheated is related to the amount of refrigerant being fed to the evaporator and the load to which the evaporator is exposed.

4.12.2 Superheat Adjustment

Expansion valves are factory preset for optimum superheat settings. This setting should be modified only if absolutely necessary. The readjustment should be at the lowest expected evaporating temperature.

1. Operate coach for at least one-half hour at fast idle with temperature control set at 82°F (27,7°C), Then set temperature to minimum to keep the compressor on 4 cylinders.

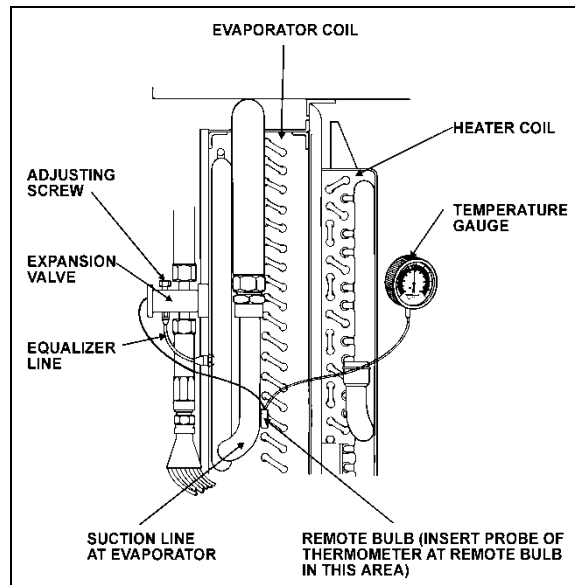


FIGURE 73: SUPERHEAT ADJUST. INSTALLATION 22046

2. In the DID "Gages" Menu note the indicated "LoS" (Low side) pressure.
3. Use a remote reading thermometer or thermocouple / multimeter to measure temperature at the evaporator outlet line near the existing remote bulb (Figure 73).
4. Apply thermostatic tape around the bulb and evaporator outlet line to get a true reading of the line temperature.
5. Block condenser if necessary to keep pressure over 150 psi.
6. Check approximately 5 readings of pressure at 2-minute intervals and convert to temperature using the vapor-pressure table. Likewise check the temperature reading at the remote bulb at the same 2-minute intervals and record the low and high swing readings of the needle (Figure 74).

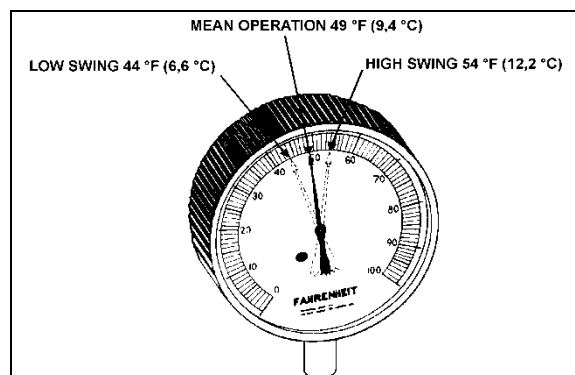


FIGURE 74: HIGH & LOW SWING TEMPERATURE AT REMOTE BULB 22047

Example of readings taken:

| | |
|--|-----------------|
| A/C pressure gauge at compressor suction converted to temperature with chart | 40°F |
| Temperature on remote bulb | Low swing 44°F |
| | High swing 54°F |
| Average of low and high swing | 49°F |
| Formula for superheat $T^\circ \text{ at bulb} - T^\circ \text{ suction} = T^\circ \text{ superheat}$ $49^\circ\text{F} - 40^\circ\text{F} = 9^\circ\text{F}$ | |

NOTE

The low swing of the superheat should be a minimum of 4°F (2,2°C) higher at the remote bulb and have an average of 12 to 16°F (4 to 6°C) higher range at the bulb than the fitting at the expansion valve.

NOTE

The thermal expansion valve has a MOP (maximum operating pressure) of 55 psi. At this setting, the valve is completely opened. If the temperature at the bulb is greater than 50°F, do not try to adjust superheat as the valve is almost completely opened.

NOTE

To reduce the superheat, increase refrigerant flow by turning adjusting screw counterclockwise on expansion valve. To increase superheat, flow of refrigerant is reduced by turning adjustment screw of clockwise.

- Regulate suction pressure to temperature reading according to temperature chart or to the R-134a temperature scale on the pressure gauge.

Example: Suction pressure 30 psi (207 kPa) converted to 32°F (0°C) on chart. If temperature reading is 40°F (4,4°C), subtract 32°F (0°C) and the result will be 8°F (4,4°C) of superheat.



CAUTION

Before proceeding with the expansion valve adjustment, check for restriction on suction side for plugged filter-dryer and partially open valves. These conditions will give a high superheat.

4.12.3 Maintenance

- Pump down the system as previously indicated in this section.
- Disconnect the external equalizer line from the underside of the power head, and unclamp the remote control bulb from the evaporator coil outlet line.
- Remove the two cap screws holding the power assembly to the valve body flange. Lift off the power assembly and remove the cage assembly.
- When reassembling, replace with the new gaskets in proper location. Make sure the two lugs on the cage assembly fit into grooves provided in the power assembly. Do not force the valves together. The cage must fit properly before tightening the body flange. Tighten bolts evenly.
- Check for leaks.

Safety Instructions

- Make sure the valve is installed with the flow arrow on the valve body corresponding to the flow direction through the piping system.
- Before opening any system, make sure the pressure in the system is brought to and remains at the atmospheric pressure. Failure to comply may result in system damage and/or personal injury.

4.12.4 Driver unit

The function and operation of the driver unit expansion valve are similar to the big system, but no superheat adjustment is required (FIGURE 69).

4.13 HOT WATER PNEUMATIC VALVE

No maintenance is needed unless a malfunction occurs. Refer to Prevost parts manual for available service kits. Valve is normally closed.

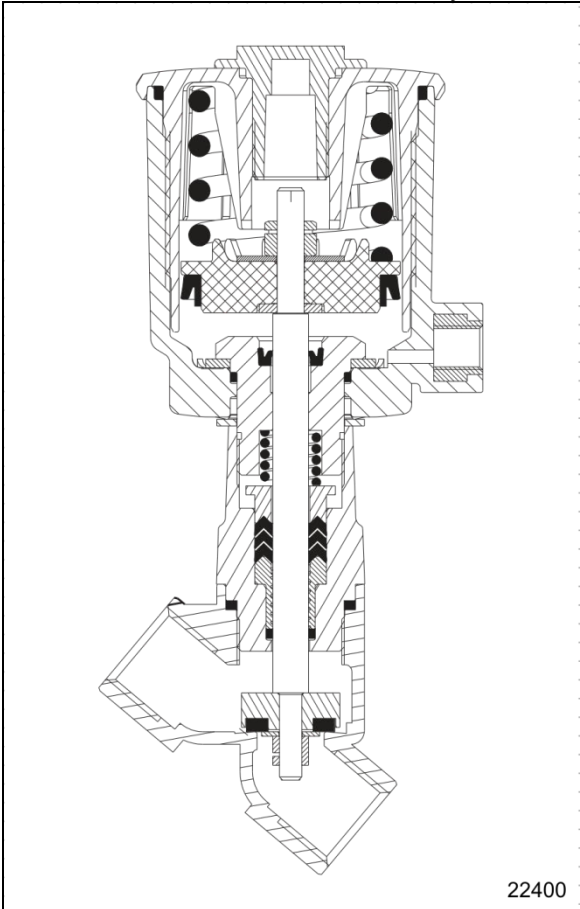


FIGURE 75: PASSENGER UNIT PNEUMATIC HOT WATER VALVE – TYPICAL CUT-OUT VIEW

4.13.1 Valve Troubleshooting

| PROBLEM | PROCEDURE |
|----------------------|--|
| Valve fails to close | <ol style="list-style-type: none"> 1. Check electrical supply with a voltmeter. It should agree with nameplate rating. 2. Check pressure at pilot solenoid valve inlet. It must be at least equal to the minimum pressure stamped on the nameplate. It should not go below minimum while valve is operating. |
| Valve fails to open | <ol style="list-style-type: none"> 1. Check that the closure member assembly, and that main actuator and cylinder springs are free to travel. 2. Check that there is no restriction to the air escaping from the actuator casing. 3. Make sure that pilot solenoid valve operates properly. |

4.14 HOT WATER CIRCULATING PUMP

4.14.1 Big HVAC System

The vehicle is provided with a seal-less/brushless water circulating pump which is located in:

- H3 Series - evaporator compartment
- X3 Series - coolant preheater compartment (Figure 77)
- Additional circulating pump in the first curbside baggage compartment with optional upper windshield defrost unit

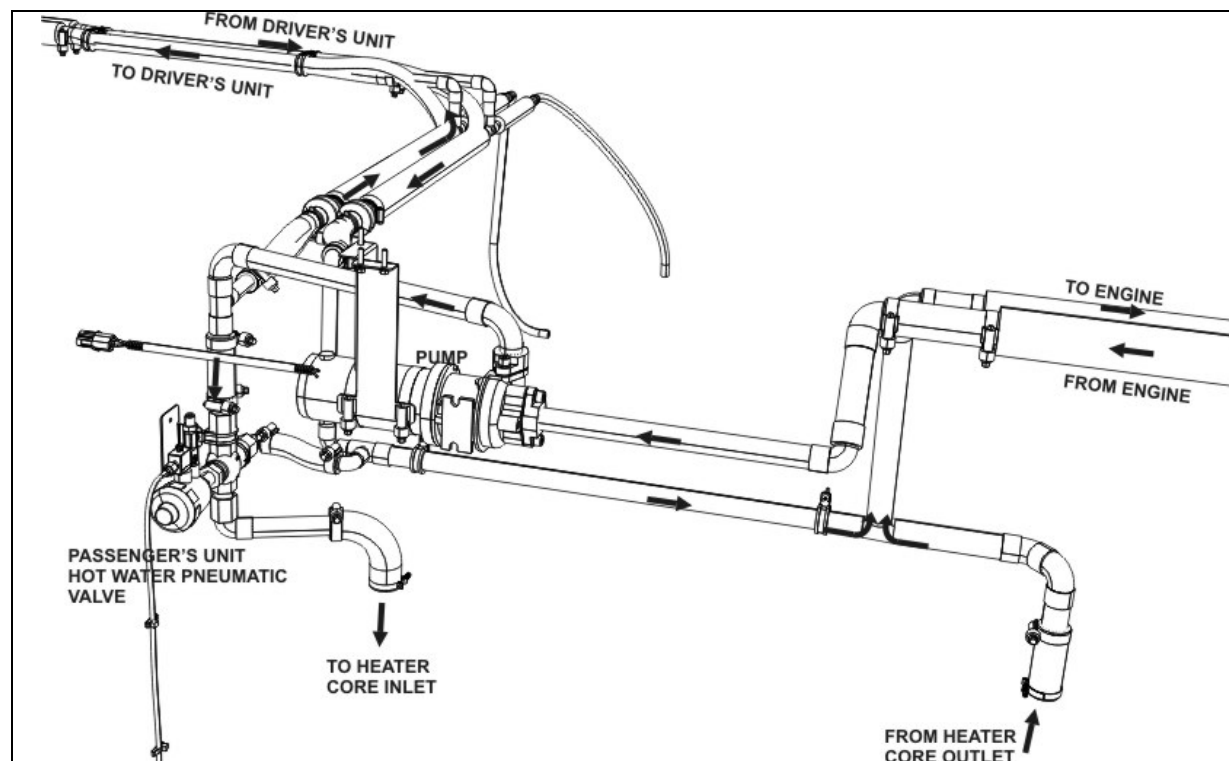


FIGURE 76: HOT WATER CIRCULATING PUMP INSTALLATION (H3 SERIES BIG HVAC SYSTEM)

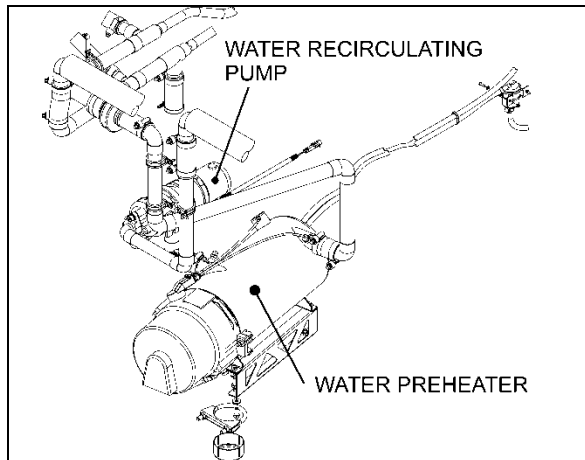


FIGURE 77: PUMP LOCATION – X3 SERIES
(BIG A/C) 22331

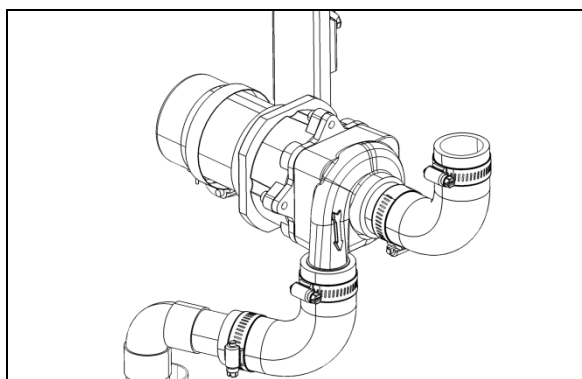


FIGURE 78: WATER CIRCULATING PUMP (BIG A/C)

4.14.2 Small HVAC System

Water circulating pump which is located on the ceiling of the spare wheel compartment (Figure 79)

The water circulating pump consists of a centrifugal pump and an electric motor which are mounted in a compact assembly.

The seal-less/brushless pump requires no periodic maintenance. The pump motor is not repairable but can be separated from the impeller housing. In case of pump impeller failure, refer to Ametek 18 GPM Seal-Less ECDC Water Circulating Pump manual for repair. Inspection of the pump, to determine if the pump is working properly, should be made while the pump is in operation.

If there is evidence that the pump is not operating as per specifications, the unit must be

disassembled for repair (impeller assembly only).

NOTE

For complete information on seal-less water circulating pump, refer to Ametek 18 GPM Seal-Less ECDC Water Circulating Pump manual. Take note that the motor described in this manual is different from the one installed on your circulating pump which is not repairable.

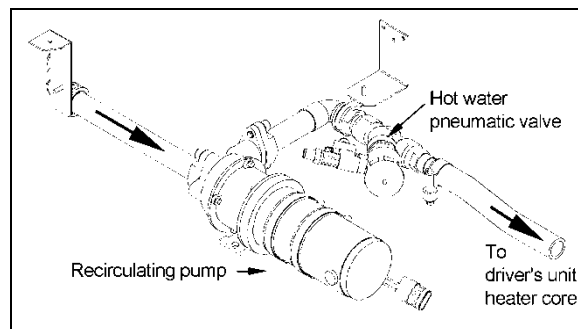


FIGURE 79: HOT WATER CIRCULATING PUMP INSTALLATION (SMALL HVAC SYSTEM) 22292

4.14.3 Removal

1. Stop engine and allow engine coolant to cool.
2. Close shutoff valves on the heater line. Refer to Figure 93 or Figure 94 in this section to gain access to the heater line shutoff valve.
3. Disconnect the electrical wiring from the motor.



WARNING

Before proceeding with the following steps, check that coolant has cooled down.

4. Disconnect water lines from the pump at the fittings.
5. Remove the two clamps holding the pump motor to its mounting bracket. Remove the pump with the motor as an assembly.

4.14.4 Installation

1. Connect water lines to the pump. Position the pump and motor assembly on the mounting bracket. Position the mounting

clamps over the motor and secure with mounting bolts.

2. Connect electrical wiring to the pump motor.
3. Open both shutoff valves.
4. Fill the cooling system as previously instructed in this section under 6.4.4 Filling Heating System and then bleed the system as previously instructed in this section.

5. HVAC SYSTEM TESTING AND TROUBLESHOOTING


Before undertaking any troubleshooting on the HVAC system, study the appropriate wiring diagrams to get a complete understanding of the HVAC components circuitry, read and understand section 06: ELECTRICAL of this manual under "Troubleshooting And Testing The Multiplex Vehicles" and "Test Mode For Switches And Sensors". The information included in these paragraphs is necessary for troubleshooting the HVAC system on Multiplex vehicles.

5.1 ON DEMAND DISPLAY OF A/C SYSTEM HIGH AND LOW SIDE PRESSURE

Refrigerant pressures can be displayed in the Driver Information Display (DID) by selecting "Gauges" menu and pressing the down arrow to the fifth displayed screen.


A/C Compressor Pressure

Gauges 1 / 7



A/C

-- PSI
LoS

-- PSI
HiS


71 °F

07:49
AM

 156.0 mi

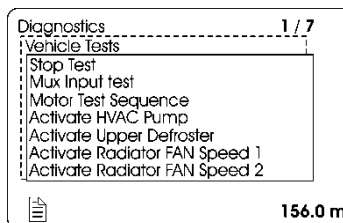
Displays the A/C system's suction pressure value (LoS=low side) and discharge pressure value (HiS=high side).

NOTE

When starting the A/C compressor, allow enough time before checking pressures in order to give the system a chance to build its pressure. During the first 3 seconds after startup, the compressor is active on 4 cylinders and the A/C valve is open regardless of the pressure readings.

5.2 ON DEMAND ACTIVATION OF HOT WATER CIRCULATING PUMP

In Diagnostics/Vehicle Test mode on the DID, the heating system circulating pump can be turned on manually by selecting ACTIVATE HVAC PUMP command. This feature allows verification of the circulating pump when inside a garage. This is also useful when working on the heating system to remove air pockets trapped in the system.



In normal operation, the heating system circulating pump operates only when the ambient temperature is 50°F or lower.

5.3 TEMPERATURE SENSORS

The following table can be used for troubleshooting the following temperature sensors:

- 1) Driver area temperature sensor (SE21);
- 2) Passenger area temperature sensor (SE25);
- 3) Outside air temperature sensor (SE20).

NOTE

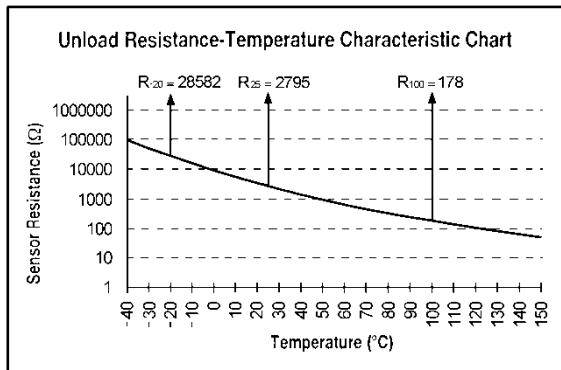
The driver's area air temperature sensor is located below the dashboard, just ahead of the driver's right knee.

NOTE

VIP vehicles equipped with Small HVAC System have two air temperature sensors; the driver's area temperature sensor (same place as coaches) and the exterior temperature sensor located behind the reclining bumper.

The table values are for unloaded, disconnected temperature sensor (thermistor) probed at the temperature sensor connector pins.

If the temperature sensor resistance value is measured at the multiplex module inputs, the measured value includes a parallel 33 kohms resistor.



| TEMPERATURE SENSOR | | |
|--------------------|---------|---|
| Temp °C | Temp °F | Resistance Ohms (temperature sensor disconnected) |
| -40 | -40 | 100865 |
| -35 | -31 | 72437 |
| -30 | -22 | 52594 |
| -25 | -13 | 38583 |
| -20 | -4 | 28582 |
| -15 | 5 | 21371 |
| -10 | 14 | 16120 |
| -5 | 23 | 12261 |
| 0 | 32 | 9399 |
| 5 | 41 | 7263 |
| 10 | 50 | 5658 |
| 15 | 59 | 4441 |
| 20 | 68 | 3511 |
| 25 | 77 | 2795 |
| 30 | 86 | 2240 |
| 35 | 95 | 1806 |
| 40 | 104 | 1465 |
| 45 | 113 | 1195 |
| 50 | 122 | 980 |
| 55 | 131 | 808 |
| 60 | 140 | 670 |
| 65 | 149 | 559 |
| 70 | 158 | 468 |
| 75 | 167 | 394 |
| 80 | 176 | 333 |
| 85 | 185 | 283 |
| 90 | 194 | 241 |
| 95 | 203 | 207 |
| 100 | 212 | 178 |
| 105 | 221 | 153 |
| 110 | 230 | 133 |
| 115 | 239 | 115 |
| 120 | 248 | 100 |
| 125 | 257 | 88 |
| 130 | 266 | 77 |
| 135 | 275 | 68 |
| 140 | 284 | 60 |
| 145 | 293 | 53 |
| 150 | 302 | 47 |

5.4 TEST MODE FOR SWITCHES AND SENSORS

When in switch/sensor test mode (see Section 06: ELECTRICAL for complete information), the A/C compressor HI and LO pressure values are displayed one after the other instead of the outside temperature in the telltale panel LCD

display. This feature can be used when the vehicle is traveling to check the A/C compressor pressure values.

In test mode, with the parking brake applied and the passenger set point set to a value higher than 64°F (18°C), the hot water circulating pump is not set to OFF as it would normally do when the outside temperature gets above 50°F (10°C). This feature allows verification of the pump when inside a garage. This is also useful when working on the heating system to remove air pockets trapped in the system.

When performing an A/C cooling test and having the water pump shut off in switch/sensor test mode is required, just set the passenger set point temperature to the minimum 64°F (18°C) to shut off the pump.

5.5 TEST MODE FOR ELECTRIC MOTORS

The test mode allows testing the motors and electric contactors without the need to have the engine running.

Use this test mode for testing of the condenser fans, evaporator fans, overhead compartment fans, A/C compressor clutch activation, A/C compressor unloader activation, driver unit hot water solenoid valve and refrigerant solenoid valve, passengers' unit hot water solenoid valve and refrigerant solenoid valve, water circulating pump. Refer to Section 06: ELECTRICAL under "TEST MODE FOR ELECTRICAL MOTORS" for complete information.

5.6 MODES OF OPERATION

| | |
|---|--|
| <p>COOLING DEMAND Conditions for engaging the 2nd speed on the evaporator motor</p> | <p>- The 2nd speed engages if the passengers' area temperature is 1 degree above the set point and it revert to speed 1 if the temperature gets equal or below the set point.</p> |
| <p>HEATING DEMAND Conditions for hot water circulating pump activation</p> | <p>- The pump turns ON if the outside temperature is equal or less than 50°F (10°C), when heating is more likely to be needed Note: To test pump operation, it is possible to keep it active even if the outside temperature is above 50°F (10°C). See paragraph 5.2 ON DEMAND ACTIVATION OF HOT WATER CIRCULATING PUMP.</p> |
| <p>The compressor unloader operation is based on pressure and on the difference between the passengers' area temperature and set point.</p> | <p>Right compressor cylinders</p> <ul style="list-style-type: none"> - Stop if: The passengers' area decreasing temperature becomes less than 0.4°F above the set point (68°F) or if compressor discharge pressure is above 290 psi, or if compressor suction pressure is below 23 psi. - Restart if: The Passengers' area temperature is 1.3°F or more above the set point and compressor discharge pressure is less than 250 psi and compressor suction pressure is above 32 psi. |
| <p>A/C compressor deactivation pressure</p> | <ul style="list-style-type: none"> - 310 psi - In case of high pressure, the high pressure transducer connected to the multiplex module deactivates the compressor - There is also a 350 psi pressure switch that acts to stop the compressor in the instance that the multiplex module fails. |
| <p>Compressor turns on automatically if (2 required conditions)</p> | <p>outside temperature is above 32°F and return air temperature in passengers' area is 61°F or above (ΔT=7° with set point)</p> |

5.7 HVAC ELECTRICAL SYSTEM TROUBLESHOOTING

Always check DID for electrical faults before performing repairs. Address any modules not responding and take corrective action. This should be the first step in troubleshooting.

| Problem/Symptom | Probable Causes | Actions |
|---|--|--|
| No temperature control in the passenger area Passenger temperature display indicates two dashes "--" | Problem with the temperature sensor located in the passenger's area return air duct or the sensor wiring | 1. Instruct the driver to manually control the temperature by playing with the passenger set point. Set above 22°C (72°F) to heat and below 22° C (72°F) to cool |
| Defroster fan not functioning | Module AE47 is not powered or is faulty Module A24 is not powered or is faulty Module A30 is not powered or is faulty (H3 VIP & X3 VIP only) | 2. Check the Diagnostics menu of the Driver Information Display (DID). Select Fault Diagnostics and Electrical System. The message "No Response ModA47 (or ModA24), Active" indicates a power problem on the module. (A CAN network problem would show the same message but doesn't produce these symptoms). 3. Check / reset circuit breaker CB1(CB3 on X3 VIP) 4. Check fuse F16 5. Probe gray connector on module to see if it is powered. |
| HVAC condenser fans not functioning | Circuit breaker CB7 (CB5 on X3 VIP) tripped Seized bearing Bad wiring Module A54 is not powered or is faulty | 1. Check / reset circuit breaker CB7(CB5 on X3 VIP) 2. Check/reset CB15, CB16, CB17, CB18 on HVAC control module 3. Check / replace condenser power relay R10 (probe R10 coil power circuit 67A, should be 24 volts). 4. Check the Diagnostics menu of Driver Information Display (DID). Select Fault Diagnostics and Electrical System. The message "No Response ModA54, Active" indicates a power problem on the module. (A CAN network problem would show the same message but doesn't produce this symptom). 5. Check fuse F67 Check CB5 except: X3 VIP check CB7 |

SECTION 22: HEATING AND AIR CONDITIONING

| Problem/Symptom | Probable Causes | Actions |
|--|---|---|
| HVAC condenser fans not functioning in <u>speed 1</u> | Module A49 (A54 on H3 VIP & X3 VIP) is not powered or is faulty | <ol style="list-style-type: none"> 1. Check the Diagnostics menu of Driver Information Display (DID). Select Fault Diagnostics and Electrical System. The message “No Response ModA49, Active” indicates a power problem on the module. (A CAN network problem would show the same message but doesn't produce this symptom). 2. Check / reset circuit breaker CB5 except: X3 VIP check CB7 3. Check fuse F65 except : H3 VIP check F67+F68 X3 VIP check F67 4. Probe gray connector on module to see if it is powered. |
| HVAC condenser fans not functioning in <u>speed 2</u> | Circuit breaker CB7 (CB5 on X3 VIP) tripped Seized bearing Bad wiring | <ol style="list-style-type: none"> 1. Check / reset circuit breaker CB7 2. See <i>HVAC condenser fans not functioning & HVAC condenser fans not functioning in <u>speed 1</u></i> above. |
| Defroster fan is functioning but no heat or cooling available in the driver's area | Module A46 is not powered or is faulty Bad wiring | <ol style="list-style-type: none"> 1. Check the Diagnostics menu of Driver Information Display (DID). Select Fault Diagnostics and Electrical System. The message “No Response ModA46, Active” indicates a power problem on the module. (A CAN network problem would show the same message but doesn't produce these symptoms). 2. Check / reset circuit breaker CB1(CB7 on X3 VIP) 3. Check fuse F12V & F13 except X3 VIP 4. X3 VIP check fuse F65 5. Probe gray connector on module to see if it is powered. |
| The A/C compressor clutch does not engage | Module A52 is not powered or is faulty | <ol style="list-style-type: none"> 1. Check the Diagnostics menu of Driver Information Display (DID). Select Fault Diagnostics and Electrical System. The message “No Response ModA52, Active” indicates a power problem on the module. (A CAN network problem would show the same message but doesn't produce this symptom). 2. Check / reset circuit breaker CB5 3. Check fuse F65 4. Probe gray connector on module to see if it is powered. |

| Problem/Symptom | Probable Causes | Actions |
|--------------------------------|---|---|
| Evaporator fan not functioning | Circuit breaker CB3 (CB6 on X3 VIP) tripped Module A54 is not powered or is faulty | <ol style="list-style-type: none"> 1. Check / reset circuit breaker CB3 (CB6 on X3 VIP) 2. Check the Diagnostics menu of Driver Information Display (DID). Select Fault Diagnostics and Electrical System. The message "No Response ModA54, Active" indicates a power problem on the module. (A CAN network problem would show the same message but doesn't produce this symptom). 3. Check / reset circuit breaker CB5 except: X3 VIP check CB7 4. Check fuse F67 5. Probe gray connector on module to see if it is powered. 6. Check / replace condenser power relay R12 (probe R12 coil power circuit 67, should be 24 volts). |

5.7.1 Air Conditioning

| TROUBLE | CAUSE |
|---|--|
| Low suction pressure and frosting at dryer outlet. | Clogged filter. |
| Low Oil Level. | Check for oil leaks and for leaking oil seal. Do not attempt to check oil level unless system has been stabilized at least 20 minutes. See oil level verification. |
| Excessively cold suction line And High superheat | Loss of contact between the expansion valve bulb and the suction line or sticking of the expansion valve. Improper insulation. Check for corrosion and clean, repair or replace the valve. |
| Noisy or knocking compressor. | Check for broken internal parts. Overhaul if required. |
| Compressor vibrates excessively. | Check and tighten compressor mounting bolts and belt tension. |
| Low refrigerant level | Check for refrigerant leaks and add refrigerant as required. |
| Suction pressure rises fast after shutdown. | Check compressor valve for breakage or damage. |
| Insufficient air flow. | Dirty or iced evaporator. Dirty air filter. Blowers inactive. Clogged ducts. |
| No flow of refrigerant through expansion valve. | Filter-dryer is clogged. Remote bulb has lost charge or expansion valve is defective. |
| Expansion valve hisses. Bubbles in moisture and liquid indicator. | Gas in liquid line. Add refrigerant. |
| Loss of capacity | Clogged filter. Obstructed or defective expansion valve. |
| Superheat too high. | Reset superheat adjustment. Check for clogged |

| TROUBLE | CAUSE |
|---|--|
| Reduced air flow: a. Dirty or clogged air filter; b. Evaporator motor inoperative; or c. Plugged return air ducts. | external equalizer line, or filter-dryer. Dirty or iced evaporator coil. Clean air filter screen. Check return ducts for obstructions. Check blower motor. |
| Frequent starting and stopping on low pressure control switch. | Lack of refrigerant. Check for leaks. Recharge. |
| Compressor intermittently starts and stops. | Intermittent contact in electrical control circuit. Compressor valves not in operating position. |
| Non-condensable in the refrigeration system. | Leak on system, system in vacuum in low temp. Specific symptom, pressure in system will not correspond to ambient temperature on shutdown. Only non-condensable will cause this. (Example: Pressure of idle R-134a system in 80°F (26.6°C) room should be 86.4 psi (595.7 kPa). See temperature chart in this section.) An evaporator just does a proper cooling job without sufficient air. Shortage of air can be caused by the following: <ul style="list-style-type: none"> ○ Dirty filters; or ○ Dirty coils. |
| Testing condenser pressure. <i>NOTE: R-134A pressure varies according to temperature.</i> Example, for an exterior temperature of 100°F. Exterior temperature (100°F) + 30°F = 130°F. Take note: 30°F is added to ambient temperature by definition. Refer to paragraph "5.8 Temperature & Pressure". Note the corresponding pressure for a temperature of 130°F, 199.8 psi. Read the condenser pressure, example 171.9 psi. 171.9 psi & 199.8 psi, the pressure in the condenser is inferior to the pressure corresponding to the exterior temperature, in this case the condenser pressure may be too low. Check for refrigerant leaks and add refrigerant if necessary. If the pressure corresponding to the condenser temperature is superior to the pressure corresponding to the exterior temperature, then the air cooled condenser pressure may be too high. Most frequent causes are: Reduced air quantity. This may be due to: <ul style="list-style-type: none"> * Non-condensable in system; * Dirt on the coil; * Restricted air inlet or outlet; * Dirty fan blades; * Incorrect rotation of fan; * Fan speed too low; * Fan motor going out on overload; or * Prevailing winds. * Too much refrigerant in system. Remove refrigerant if necessary. | |

5.7.2 Expansion Valve

| PROBABLE CAUSE | PROBABLE REMEDY |
|---|--|
| LOW SUCTION PRESSURE-HIGH SUPERHEAT | |
| EXPANSION VALVE LIMITING FLOW: | |
| Gas in liquid line due to pressure drop in the line or insufficient refrigerant charge. | Locate cause of line flash and correct by use of any of the following methods. Add R-134a. Replace filter-dryer. |
| Superheat adjustment too high. | Adjust superheat as outlined under "Superheat Adjustment". |
| Power assembly failure or partial loss of charge. | Replace expansion valve. |
| Air filter screen clogged. | Clean or replace air filter screen. |
| Plugged / kinked / chaffed lines. | Clean, repair or replace lines. |
| LOW SUCTION PRESSURE-LOW SUPERHEAT | |
| Uneven or inadequate evaporator loading due to poor air distribution or liquid flow. | Balance evaporator load distribution by providing correct air or liquid distribution. |
| HIGH SUCTION PRESSURE-HIGH SUPERHEAT | |
| Internally leaking compressor | Locate leak. Repair/ replace. |
| HIGH SUCTION PRESSURE-LOW SUPERHEAT (DEFECTIVE UNLOADER) | |
| Valve superheat setting too low. | Adjust superheat as outlined under "Superheat Adjustment". |
| Compressor discharge valves leaking. | Replace or repair discharge valve. |
| Incorrect superheat adjustment. | Superheat adjustment 12 to 16°F. |
| FLUCTUATING DISCHARGE PRESSURE | |
| Insufficient charge. | Add R-134a to system. |
| HIGH DISCHARGE PRESSURE | |
| Air or non-condensable gases in condenser. | Purge and recharge system. |
| Overcharge or refrigerant. | Recover to proper charge. |
| Condenser dirty. | Clean condenser. |

5.8 TEMPERATURES & PRESSURES CHART

| R134a VAPOR-PRESSURE | | | |
|----------------------|-------|----------|--------|
| TEMPERATURE | | PRESSURE | |
| °F | °C | psi | kPa |
| -100 | -73.3 | 27.8 | 191.7 |
| -90 | -67.8 | 26.9 | 185.5 |
| -80 | -62.2 | 25.6 | 176.5 |
| -70 | -56.7 | 23.8 | 164.1 |
| -60 | -51.1 | 21.5 | 148.2 |
| -50 | -45.6 | 18.5 | 127.6 |
| -40 | -40.0 | 14.7 | 101.4 |
| -30 | -34.4 | 9.8 | 67.6 |
| -20 | -29 | 3.8 | 26.2 |
| -10 | -23 | 1.8 | 12.4 |
| 0 | -18 | 6.3 | 43.4 |
| 10 | -12 | 11.6 | 80 |
| 20 | -7 | 18.0 | 124.1 |
| 30 | -1 | 25.6 | 176.5 |
| 40 | 4 | 34.5 | 237.9 |
| 50 | 10 | 44.9 | 309.6 |
| 60 | 16 | 56.9 | 392.3 |
| 70 | 21.1 | 70.7 | 487.5 |
| 80 | 27 | 86.4 | 595.7 |
| 90 | 32.2 | 104.2 | 718.5 |
| 100 | 38 | 124.3 | 857.0 |
| 110 | 43.3 | 146.8 | 1012.2 |
| 120 | 49 | 171.9 | 1185.3 |
| 130 | 54.4 | 199.8 | 1377.6 |
| 140 | 60 | 230.5 | 1589.3 |
| 150 | 65.6 | 264.4 | 1823.0 |
| 160 | 71 | 301.5 | 2078.8 |
| 170 | 76.7 | 342.0 | 2358.1 |
| 180 | 82.2 | 385.9 | 2660.8 |
| 190 | 87.8 | 433.6 | 2989.7 |
| 200 | 93.3 | 485.0 | 3344.1 |
| 210 | 98.9 | 540.3 | 3725.4 |

5.9 LEAK TESTING

Some methods such as nitrogen pressure and soap, and electronic sniffer can be used for leak testing. However, the most common method used is a "Halide" torch consisting of an acetylene tank, a burner and a suction test hose. Proceed as follows:



The flow of acetylene to the burner causes a depression in the test line. Any gas refrigerant present will be drawn through the hose and into the burner where it decomposes into free acids.

These acids come in contact with the hot copper reaction plate in the burner, causing color reaction in the flame. A small concentration is indicated by a green tint and a large concentration by an intense blue. Do not confuse this change in color with the change caused by shutting off the air supply through the hose by holding the end too close to an object.

The procedure for testing is:

1. Adjust flame so that the top of the cone is approximately level or within one-half inch above the plate.
2. Probe end of suction test tube around all joints, valves, etc. When a leak has been found at a soldered joint, this specific section of the system must be pumped down. Do not solder as pressure will force hot solder out. If the system is empty, it is more economical to put in just enough R-134a to produce about 15 psi (103 kPa). The pressure can be raised to about 150 psi (1034 kPa) with dry nitrogen.

NOTE

This gas is put into the suction and discharge shutoff valves at the compressor. The receiver valves must be opened. If no leaks are found, recover this mixture, evacuate the system and fill with refrigerant.

6. BIG HVAC SYSTEM

The passenger unit evaporator fan, located in the evaporator compartment on the L.H. side of vehicle is protected by circuit breaker CB3 (CB6 on X3 VIP), 90 amp with manual-reset mounted

in the main power compartment/junction panel (Figure 81 & Figure 82).

The passenger unit condenser coil mounted on the opposite side of the evaporator is ventilated by four brushless axial fans. The fan motors are protected by circuit breaker CB7 (CB5 on X3 VIP), 70 amp with manual-reset mounted in the main power compartment/junction panel.

Furthermore, the following relays, diodes and multiplex module are located in the evaporator compartment. They are mounted on top of the fan housing.

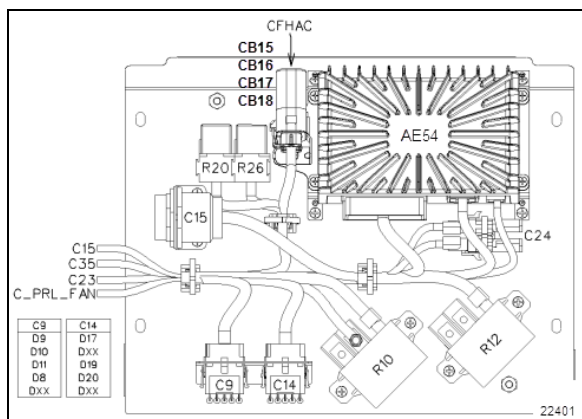


FIGURE 80: HVAC MODULE

| A/C Junction Box | |
|--------------------------|--|
| Multiplex Module | |
| AE54 | I/O-B |
| Relays | |
| R10 | Condenser fan power |
| R12 | Evaporator fan power |
| R20 | Water circulating pump relay |
| R26 | Water Preheater Relay |
| Diodes | |
| D8 | Overhead compartment Liq. Sol. Valve |
| D9 | Water circulating pump |
| D10 | Water circulating pump |
| D11 | Pass. Liq. Sol. Valve |
| D17 | 3 rd Baggage Compartment Lights |
| D19 | 2 nd Baggage Compartment Lights |
| D20 | 1 st Baggage Compartment Lights |
| Relevant Breakers | |
| CB15 | 15A, Condenser fan up-fore |
| CB16 | 15A Condenser fan down-fore |
| CB17 | 15A Condenser fan up-aft |
| CB18 | 15A Condenser fan down-aft |

| Multiplex Module (evaporator compartment) | |
|---|--------------------|
| A54 | I/O-B |
| Relays (evaporator compartment) | |
| R10 | 24V Condenser fans |
| R12 | 24V Evaporator fan |
| R20 | Water pump |
| R26 | Pre-heating |

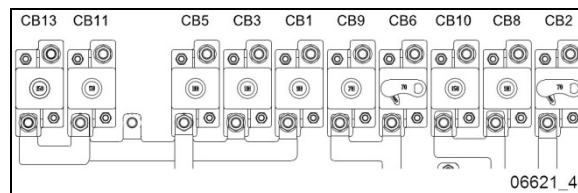


FIGURE 81: X3 SERIES REAR ELECTRICAL JUNCTION PANEL WITH CIRCUIT BREAKERS

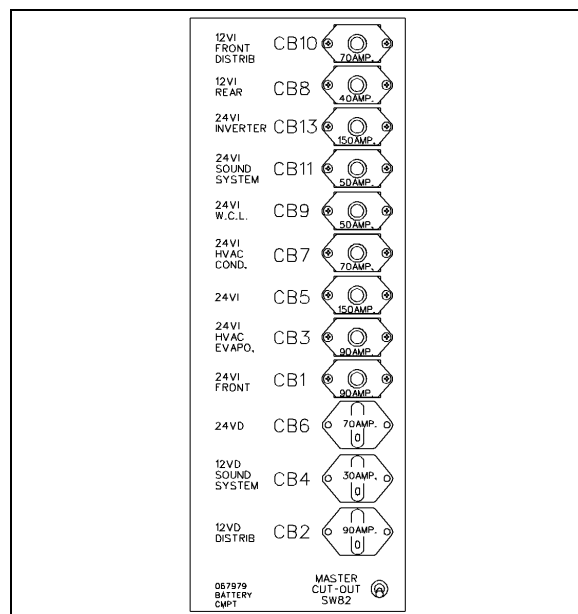


FIGURE 82: H3 SERIES MAIN CIRCUIT BREAKERS 06582A

6.1 AIR CIRCULATION IN DRIVER'S AREA

Fresh air is taken from behind the R.H. side headlights assembly (H3 series) or from a plenum underneath the front service compartment (X3 Series) and enters the mixing box through a ON/OFF damper. Return air is taken through the right console into the mixing box (Figure 90). Mixed air goes through cooling and heating coils, fans and discharge ducts.

Both right and left discharge ducts defrost one half of the windshield. The driver can also divert

some air flow to the console, from which he can direct air to his knees and/or upper body with adjustable HVAC air registers and to his feet with the appropriate button (see FIGURE 83 and Owner's or Operator's manual).

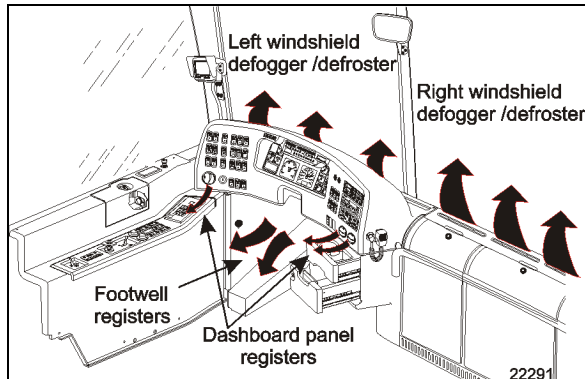


FIGURE 83: DRIVER UNIT AIR CIRCULATION

An additional air is located in the stepwell for step de-icing (Figure 1 & Figure 5). This air flow is supplied by the passengers' air ducting system.

X3 coaches are also equipped with a defogger/defroster system in the upper windshield section. Similar system is optional on H3 coaches.

6.2 AIR CIRCULATION IN PASSENGER'S AREA

Fresh air enters from the left side of vehicle through a damper located:

- H3 Series - Inside the air intake duct at the left of the evaporator compartment.
- X3 Series - On the evaporator compartment door (Figure 84).

The damper can be fully opened for normal operation or partially closed for extreme weather or highly polluted areas. The recirculation REC button is located on the HVAC control unit. Press down the button to partially close the fresh air damper (refer to the Owner's or Operator's Manual for more details).



MAINTENANCE

Passenger's area fresh air intake filter (X3 Series only)

Clean or replace filter at the intervals specified by the Lubrication And Servicing Schedule in Section 24: LUBRICATION & SERVICING.

To clean filter, back flush with water or soapy water, then dry with air.

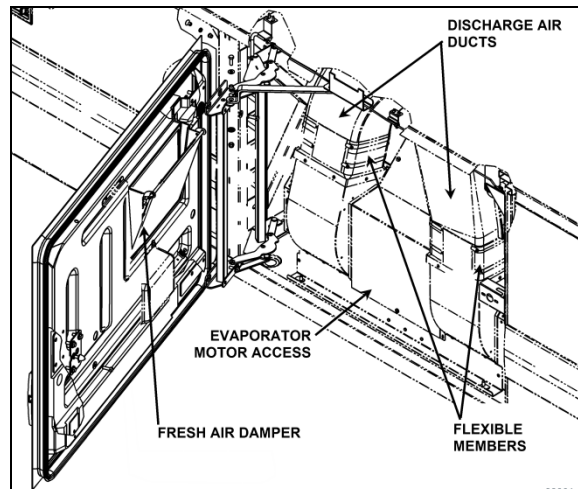


FIGURE 84: X3 SERIES PASSENGERS' AREA FRESH AIR DAMPER

NOTE

Opening the entrance door also partially closes the fresh air damper.

Return air is drawn through:

- H3 coaches - the first entrance step, last entrance step riser and from the lower section of the floor ducts in two locations: one in the rear section of vehicle and the other in the front section of vehicle on the L.H. side (Figure 1).
- X3 coaches - Return air is drawn from inside the vehicle through the register duct located on L.H. side of vehicle (Figure 5).

A double blower fan unit, which is activated by the evaporator motor, draws mixed air through an air filter, cooling and heating coils, then forces this air in the ventilation ducts (upper section) along the walls, and finally exhausts it at the bottom of the windows.

The coaches are equipped with an overhead compartment ventilation system equipped with adjustable registers in the passenger's overhead console to control air flow. Return air is drawn just below the middle side windows through an air filter into the overhead compartment fan; discharge air is fed to the rotating registers through the ventilation duct (Figure 85).

The lavatory ventilator found on coaches acts as the main exhaust for the whole vehicle,

eliminates odors, and finally heats or cools the lavatory with the vehicle's ambient air.

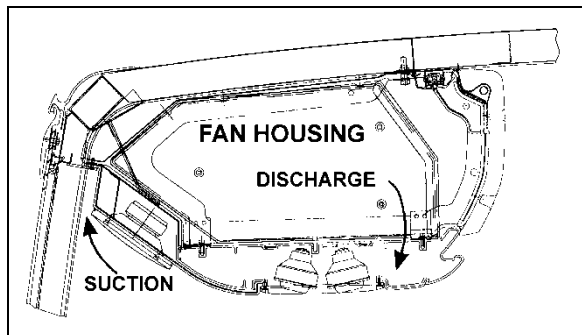


FIGURE 85: OVERHEAD COMPARTMENT VENTILATION SYSTEM 22211

6.3 HVAC SYSTEM OPERATION

To operate the HVAC system when the vehicle is stationary, engine should run at fast idle. During operation of the HVAC system, windows should be kept closed and door not left open longer than necessary. In order to prevent battery discharge, the HVAC system will not operate if the battery voltage drops below 24 volts.

The vehicle is divided into two areas:

- Driver's area (driver's HVAC unit).
- Passengers' area (passengers' HVAC unit).

The A/C compressor starts automatically when the two following conditions are satisfied:

1. The outside temperature is above 32°F (0°C).
2. The passengers' area temperature is within 7° (4°C) of the set point or higher (if set point is 68°F for example, return air temperature must be above 61°F, at this moment, enough heat is available from the engine to warm up the area while the air conditioning will remove moisture in air and prevent fogging up of the windows).

NOTE

Upon starting, if the outside temperature is above 32°F (0°C) and then drops below 32°F (0°C), the compressor will keep running up to a temperature of 15°F (-9°C) to prevent fogging up of the windows.

NOTE

To perform a test of the driver's section windshield defroster, it is possible to run the system without running the engine.

6.3.1 Control Unit

The temperature control in the driver's area is provided directly by the DRIVER control on the L.H. side of the HVAC control unit.

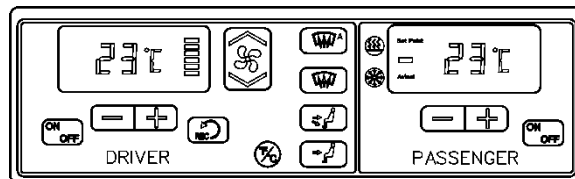


FIGURE 86: CONTROL UNIT - BIG HVAC SYST 22276

The driver unit piping is paralleled with the passenger unit piping. Both units use the same refrigerant and coolant, and are linked to the same condenser and compressor, even if they are individually controlled. It requires engagement of the A/C compressor magnetic clutch; consequently, the driver unit cannot be operated alone in the air conditioning mode.

NOTE

The driver's HVAC unit turns on automatically at starting of the engine when the multiplex system receives an "engine running" signal.

The PASSENGER control on the R.H side of the HVAC control unit enables the selection of the temperature in the passenger's section.

Temperature control is provided in conjunction with a thermistor sensor located inside return duct, on L.H. side of vehicle (Figure 1, Figure 5).

The flow of hot water to the passenger unit heater core is controlled by the solenoid pilot pneumatic hot water valve which varies the cycling rate depending on selected temperature. A red LED indicator, located on the HVAC control unit, illuminates when the heating mode is one. A green LED indicator illuminates when compressor clutch is in operation.

NOTE

It is not uncommon for both the red Heat LED and the green AC LED to be illuminated at the same time. This indicates that the temperature control is requesting heat and the HVAC control is calling for compressor operation for dehumidification.

6.3.2 Overhead Compartment Unit

Optional A/C evaporator coils may be added to both overhead compartment air systems. This air conditioning unit permits a wider temperature range in the passenger's area.

6.4 HEATING

The schematic of FIGURE 2 shows the big HVAC system heating arrangement.

On coaches, in addition to the normal heating provided by the engine, an optional preheating system (104,000 Btu/hr) may have been installed above the rear wheelhousing on the L.H. side.

6.4.1 Driver unit Hot Water Pneumatic Valve

The flow of hot water to the driver unit heater core is controlled by a normally-open (NO) pneumatic valve like. The valve, located at the ceiling of the spare wheel compartment (Figure 87), is designed so that the pilot solenoid valve, which is part of the assembly, opens and closes a port which directs air pressure to the actuator casing, thereby opening or closing the valve.

When the vehicle is operating without electrical supply to the pilot solenoid valve, no air pressure is admitted to the actuator casing, the cylinder spring pushes up against the cylinder, thereby keeping the water valve open.

Air pressure at port + 24-V signal at coil = valve closed

The driver unit hot water valve requires a minimum amount of maintenance. The valve should be free of dirt sediment that might interfere with its operation. No other maintenance is needed unless a malfunction occurs.

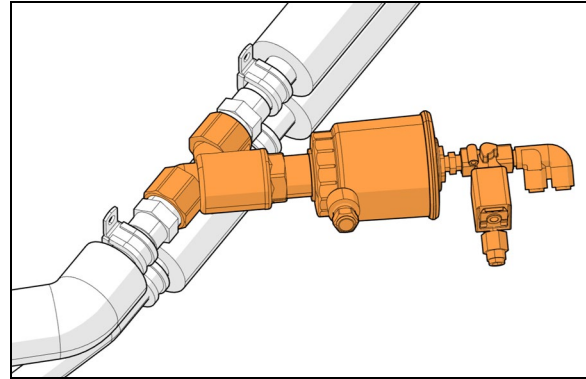


FIGURE 87: DRIVER UNIT HOT WATER PNEUMATIC VALVE ASSEMBLY

6.4.2 Passenger unit Hot Water Pneumatic Valve

The flow of hot water to the vehicle's big heater core is controlled by a normally-open NO 3-way pneumatic water valve assembly (Figure 88). The valve, located in the evaporator compartment, is designed so that the pilot solenoid valve, which is part of the assembly, opens and closes a port which directs air pressure to the actuator casing, thereby opening or closing the valve.

When the vehicle is operating without electrical power to the pilot solenoid valve, no air pressure is admitted to the actuator casing, the cylinder spring pushes up against the cylinder, thereby keeping the water valve open.

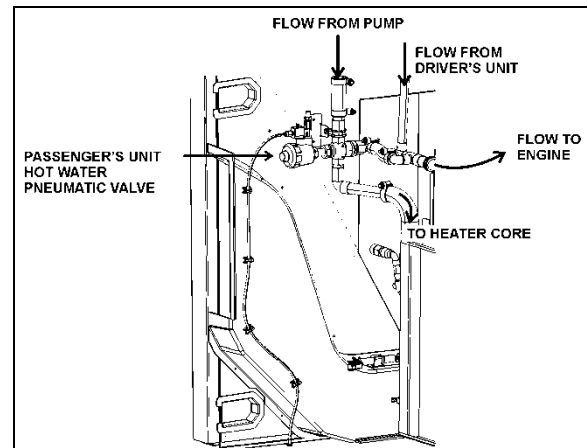


FIGURE 88: PASSENGER UNIT PNEUMATIC HOT WATER VALVE ASSEMBLY 22240

6.4.3 Draining Heating System

To drain the entire system, refer to SECTION 05 COOLING SYSTEM. If only the driver unit

heater core or passenger unit heater core must be drained, refer to the following instructions.

Draining Driver unit Heater Core

1. Stop engine and allow engine coolant to cool.
2. Locate the normally open hot water pneumatic valve on the ceiling of the spare wheel compartment (Figure 87), disconnect its wiring connector, and then connect a 24-volt external power source, using jumper cables, to close valve.
3. Close the hot water lines shutoff valves located next the engine on street side (see Figure 93 or Figure 94).



WARNING

Before proceeding with the following steps, check that coolant has cooled down.

3. Loosen hose clamp, install an appropriate container to recover coolant, and disconnect silicone hose from hot water pneumatic valve.
4. From inside of vehicle, remove the two finishing panels in front of unit. Remove the three screws fixing the unit front panel. Open the purge valve located inside the driver unit (Figure 90). If present, open the manual vent located inside the HVAC unit, on the driver's side (Figure 89) to ensure an efficient draining.

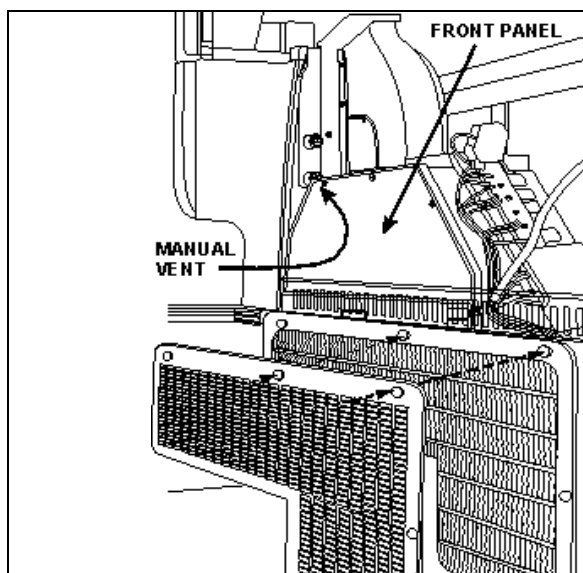


FIGURE 89: DRIVER'S HVAC/DEFROST UNIT

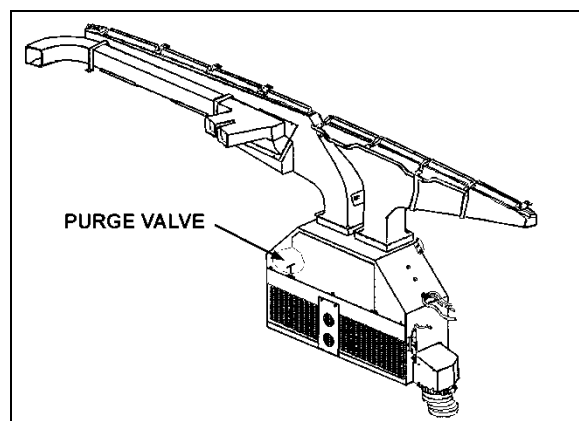


FIGURE 90: DRIVER UNIT AIR MIXING BOX

22171PV

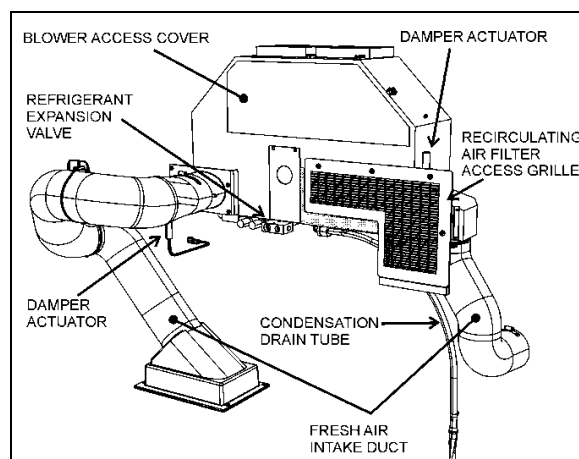


FIGURE 91: DRIVER'S HVAC UNIT

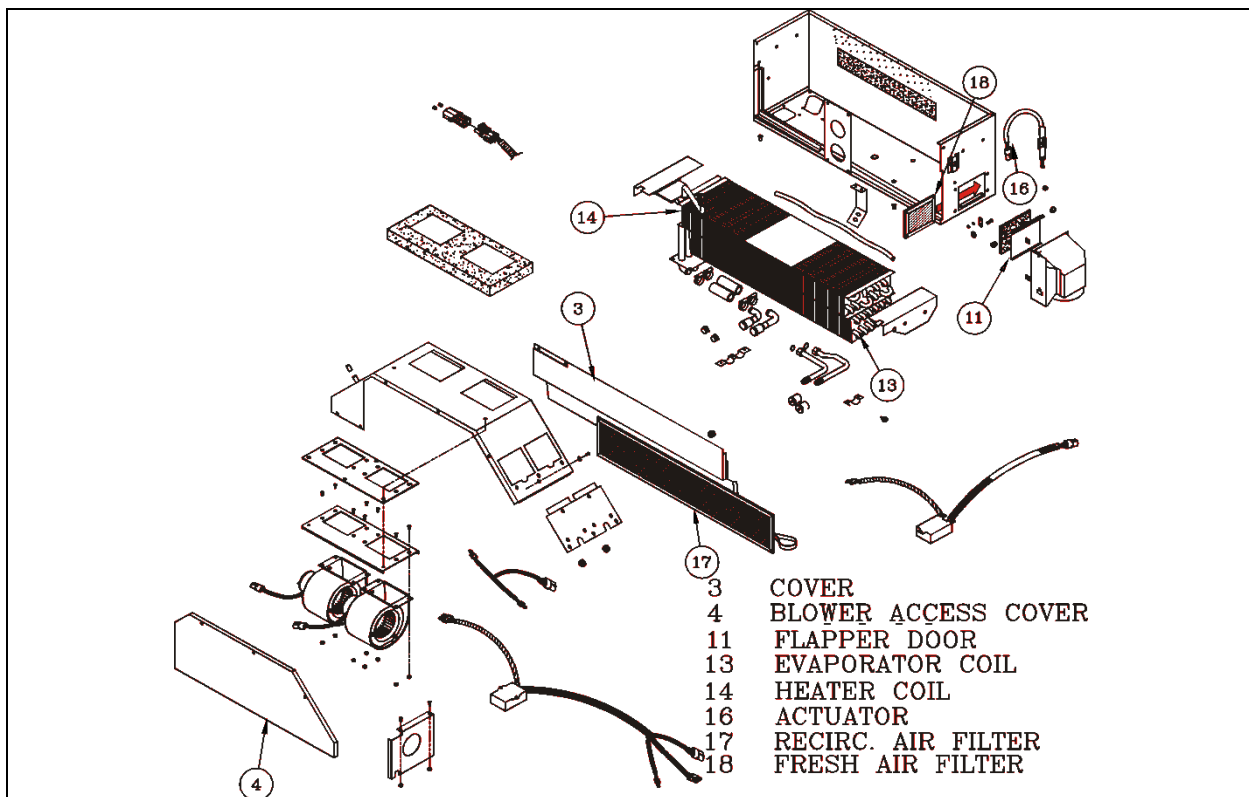


FIGURE 92: DRIVER'S HVAC UNIT

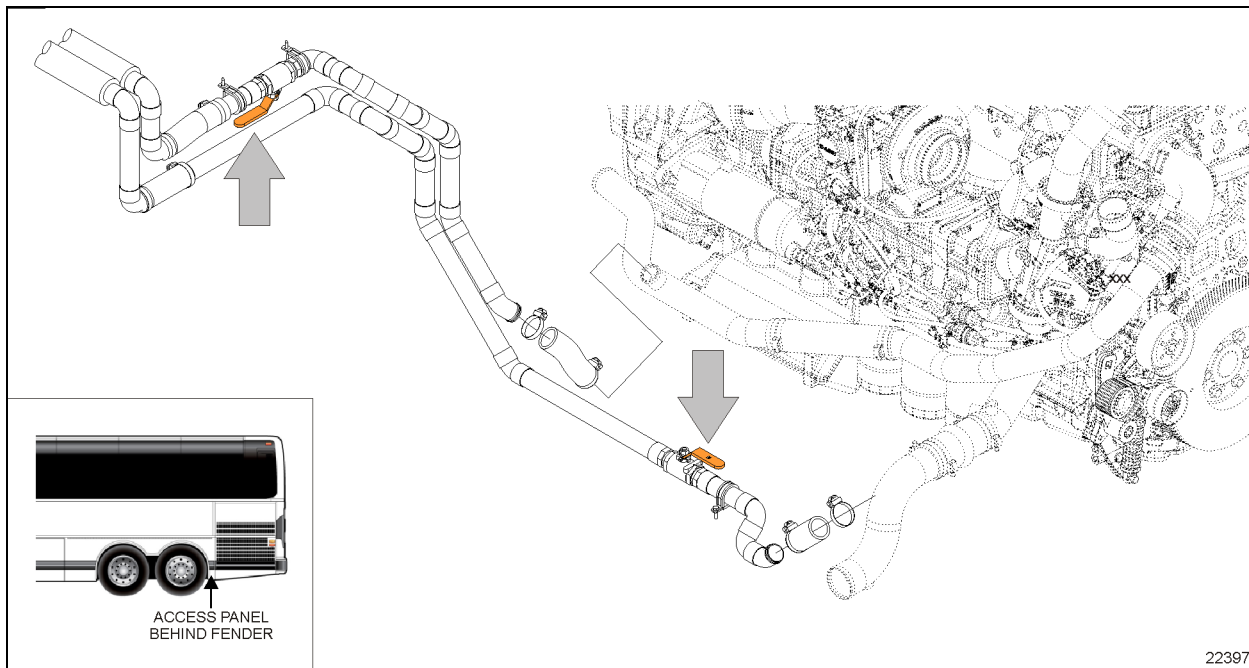


FIGURE 93 X3 SERIES HEATER LINE SHUT-OFF VALVES- (ALLISON TRANS. PIPING ARRANGEMENT SHOWN)

Draining Passenger unit Heater Core

1. Stop engine and allow engine coolant to cool.
2. Close both heater line shutoff valves (Figure 93 or Figure 94). One is located in the engine compartment, lower road side, near the radiator while the other one is located behind the L.H. hinged rear fender near the preheater.
3. Open the evaporator compartment door.

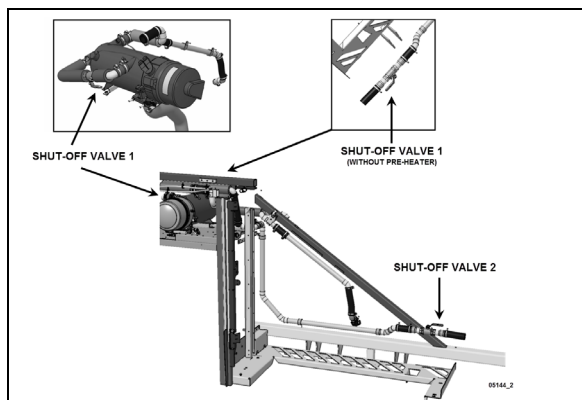


FIGURE 94: H3 SERIES HEATER LINE SHUTOFF VALVES
05144



WARNING

Before proceeding with the following step, check that coolant has cooled down.

4. Open drain cock in bottom of heater core (Figure 95) you can unfasten a hose connection on top of heater core in order to allow air to enter while draining. The main heater core drain cock is located in the evaporator compartment. To access the valve, open baggage compartment door located in front of the evaporator compartment (L.H. side). Open the evaporator compartment access panel.

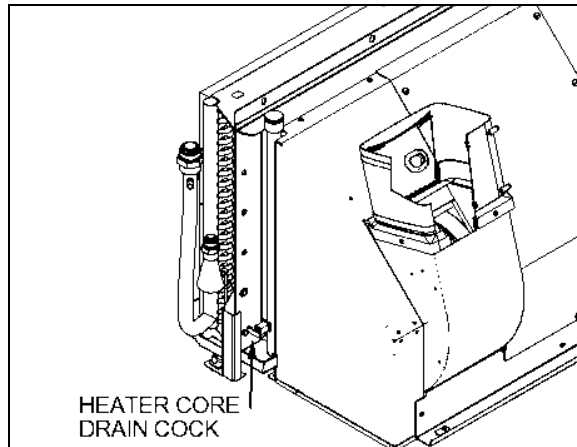


FIGURE 95: HEATER CORE DRAIN COCK LOCATION

6.4.4 Filling Heating System

1. Ensure that the driver unit heater core purge valve and the passenger unit heater core drain cock are closed.
2. Open the surge tank filler cap and slowly fill the tank to top of sight glass.
3. After initial filling, the hot water shutoff valves should be open and the water circulating pump should be energized to assist in circulating coolant through the heating system. To perform this operation, start the engine, switch on the HVAC control unit, both driver and passenger sections, and set temperature to their maximum positions in order to request the heating mode in each of these sections.
4. When coolant level drops below the surge tank sight glass, slowly fill the tank to top of the sight glass.
5. If vehicle is equipped with a windshield upper section defroster, open front baggage compartment R.H. side door. Locate circulating pump on top of front wheelhousing, momentarily pinch the hose located between the circulating pump suction and the defroster outlet connector to ensure windshield upper section defroster complete filling.
6. Once the level has been stabilized, replace cap

6.4.5 Bleeding Heating System

Whenever the heating system has been drained and refilled, or the system has run low on coolant and coolant has been added, it is necessary to bleed air from heating system. Locate the purge valve illustrated in Figure 90 & Figure 95, and open them momentarily until no air escapes from the lines. If present, open the manual vent located inside the HVAC unit, on the driver's side (Figure 89).

NOTE

In test mode (see paragraph 5.4 TEST MODE FOR SWITCHES AND SENSORS), with the parking brake applied and the passenger set point set to a value higher than 64°F (18°C), the hot water circulating pump is not set to OFF as it would normally do when the outside temperature gets above 50°F (10°C). This feature is useful when working on the heating system to remove air pockets trapped in the system.

6.5 COOLING

The big system is equipped with 4-cylinder 4NFCY Bitzer compressor with an air conditioning capacity of 7½ tons. The receiver tank and filter-dryer are mounted inside the condenser compartment.

The schematics of FIGURE 3 and FIGURE 7 show the big HVAC system's cooling function arrangement.

6.5.1 Refrigeration Cycle

Refrigeration may be defined as the transfer of heat from a place where it is not wanted to a place where it is unobjectionable. The air conditioning system used is the "closed" type using R134a refrigerant.

1. The refrigerant flowing to the compressor is compressed to high pressure and reaches a temperature higher than the surrounding air. It is passed through the air-cooled fins and tubes of the condenser causing the hot, high pressure gas to be condensed into a liquid form.
2. The liquid refrigerant leaves the condenser then, flows to the receiver tank.

3. **H3 Series only:** The liquid refrigerant leaves the receiver tank and then flows back to the condenser for sub-cooling and return to the receiver tank.
4. The liquid refrigerant leaves the receiver tank and passes through a filter-dryer where moisture, acids and dirt are removed and then through a moisture indicator which indicates if any moisture is present in the system.
5. By its own pressure, the liquid refrigerant flows through a thermal expansion valve where the pressure drop causes the refrigerant to vaporize in a vapor-liquid state at a low temperature pressure.
6. The cold low pressure refrigerant passes through the passenger's and driver unit evaporator coils which absorb heat from the air passing over the fins and tubes, and changes into gas. In this form, the refrigerant is drawn into the compressor to repeat the air conditioning cycle.
7. The success of the air-conditioning system depends on retaining the conditioned air within the vehicle. All windows and intake vents should be closed. An opening of approximately 8 in² (5162 mm²) could easily neutralize the total capacity of the system.
8. Other causes of inadequate cooling are di Series only: rty coils or filter. Dirt acts as insulation and is also serves as a restriction to the air flow.
9. The refrigeration load is not constant and varies. It is also affected by outside temperature, relative humidity, passenger load, compressor speed, the number of stops, etc. The compressor will load depending on operating conditions.

6.5.2 Refrigerant

The A/C system of this vehicle has been designed to use R134a refrigerant as a medium. Regardless of the brand, only R134a must be used in this system. The chemical name for this refrigerant is 1,1,1,2-Tetrafluoroethane.



WARNING

Refrigerant in itself is nonflammable, but if it comes in contact with an open flame, it will decompose.

Procurement

Refrigerant is shipped and stored in metal cylinders. It is serviced in 30 and 100 pound cylinders.

Approximately 24 lbs are needed in the Big HVAC system plus an additional 2 lbs will be needed for the overhead compartment A/C system if equipped.

For vehicles equipped with the Small HVAC System, approximately 4 lbs of refrigerant are needed.

Refrigerant charge (Approximate)

| | |
|-----------------------------------|---------------|
| <i>Big A/C system:</i> | <i>24 lbs</i> |
| <i>Small A/C system:</i> | <i>4 lbs</i> |
| <i>Overhead comp. A/C system:</i> | <i>2 lbs</i> |

It will be impossible to draw the entire refrigerant out of the cylinder. However, the use of warm water or heating blanket when charging the system will assure the extraction of a maximum amount of refrigerant from the cylinder.

Precautions in Handling Refrigerant

1. Do not leave refrigerant cylinder uncapped.
2. Do not subject cylinder to high temperatures, do not weld or steam clean near system or cylinder.
3. Do not fill cylinder to more than 80% liquid full to allow for refrigerant expansion.
4. Do not discharge vapor into an area where a flame is exposed.
5. Do not expose the eyes to liquid refrigerant.

All refrigerant cylinders are shipped with a heavy metal screw cap. The purpose of the cap is to protect the valve and safety plug from damage. It is a good practice to replace the cap after each use of the cylinder for the same reason. If the cylinder is exposed to the sun's radiant heat pressure increase resulting may cause release of the safety plug or the cylinder may burst.

For the same reason, the refrigerant cylinder should never be subjected to excessive temperature when charging a system. The refrigerant cylinder should be heated for charging purposes by placing it in 125°F (52°C) water. Never heat above 125°F (52°C) or use a blowtorch, radiator, or stove to heat the cylinder.

Welding or steam cleaning on or near any refrigerant line or components of the A/C system

could build up dangerous and damaging pressures in the system.

If a small cylinder is ever filled from a large one, never fill the cylinder completely. Space should always be allowed above the liquid for expansion. Weighing cylinders before and during the transfer will determine the fullness of the cylinders.



WARNING

One of the most important precautions when handling refrigerant consists in protecting the eyes. Any liquid refrigerant which may accidentally escape is approximately -40°F (-40°C). If refrigerant comes in contact with the eyes, serious injury could result. Always wear goggles to protect the eyes when opening refrigerant connections.

Treatment in Case of Injury

If liquid refrigerant comes in contact with the skin, treat the injury as if the skin was frost-bitten or frozen. If liquid refrigerant comes in contact with the eyes, consult an eye specialist or doctor immediately. Give the following first aid treatment:

1. Do not rub the eyes. Splash eyes with cold water to gradually bring the temperature above the freezing point.
2. Apply drops of sterile mineral oil (obtainable at any drugstore) in the eyes to reduce the possibility of infection. The mineral oil will also help in absorbing the refrigerant.

Precautions in Handling Refrigerant Lines

1. All metal tubing lines should be free of kinks, because of the resulting restrictions on the flow of refrigerant. A single kink can greatly reduce the refrigeration capacity of the entire system.
2. The flexible hose lines should never be allowed to come within a distance of 2-1/2" (6,3 cm) from the exhaust manifold.
3. Use only sealed lines from parts stock.
4. When disconnecting any fitting in the refrigeration system, the system must first be discharged of all refrigerant. However, proceed very cautiously, regardless of gauge readings. If there happens to be

liquid refrigerant in the line, disconnect fittings very slowly, keeping face and hands away so that no injury can occur. If pressure is noticed when fitting is loosened, allow it to bleed off very slowly.



WARNING

Always wear safety goggles and gloves when opening refrigerant lines.

5. In the event that any line is opened to the atmosphere, it should be immediately capped to prevent entrance of moisture and dirt.
6. The use of the proper wrenches when making connections on O-ring fittings is important. The use of improper wrenches may damage the connection. The opposing fitting should always be backed up with a wrench to prevent distortion of connection lines or components. When connecting the flexible hose connections, it is important that the swaged fitting and the flare nut, as well as the coupling to which it is attached, be held at the same time using three different wrenches to prevent turning the fitting and damaging the ground seat.
7. The O-rings and seats must be in perfect condition. The slightest burr or piece of dirt may cause a leak.
8. **O-rings and gaskets should be coated with refrigeration oil** and installed on the line before the line is inserted into the fitting to prevent damaging the O-ring. If leaks are encountered at the couplings or connectors, no attempt should be made to correct the leaks by tightening the connections beyond the recommended torque. The O-rings are designed to seal at the specified torque and overtightening the connection does not result in a satisfactory and permanently sealed connection. The connection must be disassembled and the cause of the leak (damaged O-ring, defective lines, etc.) corrected. Use new O-ring.

6.5.3 Refrigerant System Clean-Out After Compressor Failure

Although the vast majority of reciprocating refrigerant compressors manufactured today are

extremely reliable, a small percentage do fail. These failures usually result in minor or extensive system contamination depending on the severity of the failure. When an open type compressor becomes damaged internally, this provokes small particles of bearings, steel, brass, copper, and aluminum and, in severe cases, carbonized oil, which could contaminate the system. To prevent repeated failures, the problem which caused the failure should be corrected, and depending upon the severity of the failure, the system should be thoroughly cleaned out using one of the cleanout procedures mentioned.

Determining Severity of Failure

The severity of compressor failure can be categorized as minor or major. A failure is considered minor when the contamination is limited to the compressor with little or no system contamination. A major failure, or burnout, results in extensive system contamination as well as compressor damage. Extensive system contamination can be determined by withdrawing a small sample of compressor oil and checking its color, odor and acidity. A Virginia Chemical "TKO" one step acid test kit is one of several compressor oil test kits that may be used. A high acid content would indicate a major failure or burnout. A small amount of refrigerant gas may be discharged. A characteristic burned odor would also indicate severe system contamination.

Clean-out after Minor Compressor Failure

1. Be sure to correct the problem which caused the failure.
2. Change liquid line filter-dryer.
3. Run the unit for 2 hours on high speed cool only.
4. Check compressor oil level to ensure compressor is not overcharged with oil. Sometimes a significant amount of oil is pumped out of the compressor to other parts of the system when a compressor fails. This oil will return to the replacement compressor when it is started, causing an overcharge of oil in the sump of the replacement compressor. In this case, it is important that the oil level be adjusted to the proper level.
5. Withdraw a sample of the compressor oil and check its color, odor, and acidity, using

instructions supplied above. If the oil is contaminated, change the oil and filter-dryer, and repeat the procedure until the system is clean.

Clean-out After Major Compressor Failure

1. Reclaim the refrigerant into a refrigerant bottle through a filter-dryer to filter out contaminants.
2. Remove the failed compressor and repair it if possible.
3. Install new or repaired compressor.
4. Change the filter-dryer using prescribed method.
5. Circulate clean R-134a with the reclaimer to clean out many of the contaminants collected in the coil valves, TXV (Thermal Expansion Valve), solenoid valves, check valves, and any other mechanical component that may have collected contaminants.
6. Evacuate and charge the system normally.
7. Run the unit for 8 hours and monitor the pressure drop across the filter-dryer. Also check the liquid line dryer for signs of restriction. If the pressure drop across the filter-dryer exceeds 12 to 14 psig (82,75 to 96,5 kPa) with a 40°F (5°C) evaporator coil temperature, stop the unit and change the liquid line and suction line filter-dryer. After 4 or 5 hours of operation, stop the unit and replace the filter-dryer.
8. After 8 hours of operation, stop the unit and remove a sample of the compressor oil and check its color, odor, and acidity, using instructions supplied above. If the oil is contaminated, replace the oil and repeat step 7. If the oil is not contaminated, change the filter-dryer again and replace the moisture-liquid indicator.
9. After approximately 7 days of operation, recheck the compressor oil for cleanliness and acidity.

6.5.4 Pumping Down

This procedure is intended to reduce refrigerant loss, on the big system only, by isolating it in the compressor and the receiver tank, as well as in their connecting line, in order to carry out repairs on other sections of the air-conditioning system (lines and components).

NOTE

*Once this pull down procedure has been properly done, any component from the outlet hose on the receiver tank, the filter-dryer, the liquid solenoid valves, the evaporators, the expansion valves, and all lines associated with them can be serviced, **then properly evacuated.***

It must be noted that there is STILL refrigerant under pressure in the compressor, the discharge lines, condenser, and receiver tank and that these items cannot be serviced. To service these items, it is required to recover the refrigerant using a recovery unit.



CAUTION

The filter-dryer should be changed each time a line in the system is opened.

NOTE

Before attempting any repair between compressor and receiver tank, use a recovery unit to remove refrigerant from the system.



WARNING

To prevent any injury, when air conditioning system must be opened, refer to previous paragraph "Precautions In Handling Refrigerant" to prevent any injury.

NOTE

For this procedure to be done properly, it is assumed the proper amount of refrigerant is in the refrigeration system. If there is any doubt, use a recovery unit to recover and weight the amount of refrigerant in the system.

NOTE

On vehicles equipped with small HVAC system, refer to "Sanden SD Compressor Service Manual".

Procedure

1. Energize driver unit and passengers' unit (main HVAC system) section liquid solenoid valve. To do so, connect male and female

connector housings of C24 together for the passengers' area (found on the HVAC module in evaporator compartment) and C44 for the driver's area (located on the ceiling of the spare wheel compartment). During normal use, both male and female housings of connector C24 and C44 are kept unplugged.

CAUTION

Connectors C24 & C44 must be disconnected and their caps reinstalled after this procedure. Leaving them connected will keep the driver's, passengers and overhead compartment liquid solenoid valves open, and result in battery draining if the vehicle remains unused for several days.

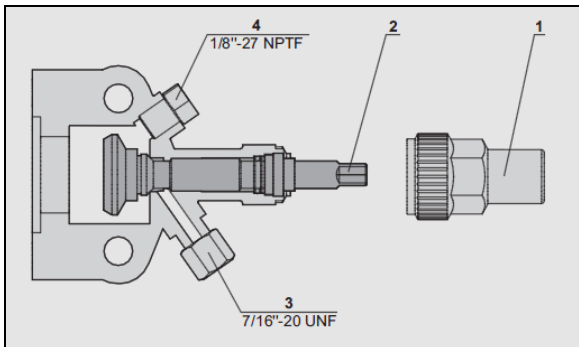


FIGURE 96: COMPRESSOR SHUT-OFF VALVE BACKSEATED POSITION (NORMAL OPERATING POSITION)

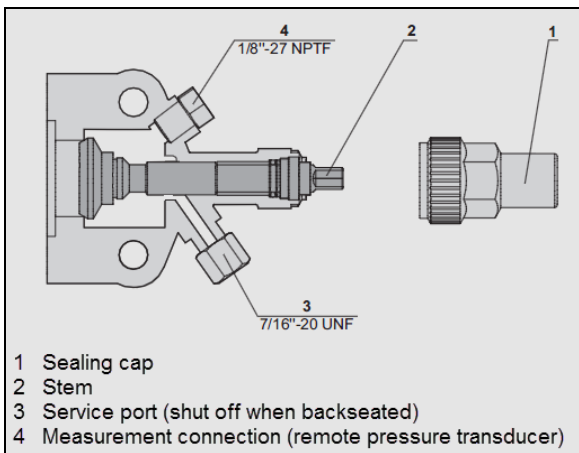


FIGURE 97: COMPRESSOR SHUT-OFF VALVE IN FRONT SEATED POSITION

2. Run the system for 10 minutes and then shut it off.

3. Close (frontseat) the receiver tank outlet shutoff valve by turning the stem clockwise (Figure 63 and Figure 97).

MAX TORQUE: 21 lb-ft (28 Nm)

4. Backseat the compressor suction shutoff valve (FIGURE 96).

MAX TORQUE: 12 lb-ft (16 Nm)

5. Install an appropriate pressure gauge set on the service port and then turn the shutoff valve forward ¼ turn more or less until a visual check of the suction pressure is possible.
6. Disconnect the low-pressure transducer (located next to the thermal expansion valve on big HVAC system, Figure 98). The multiplex system will establish a default value of 34 psig and this will allow pulling down the A/C compressor to 0 psig. **Note: the low-pressure transducer must be reconnected after the pumping down operation is complete.**

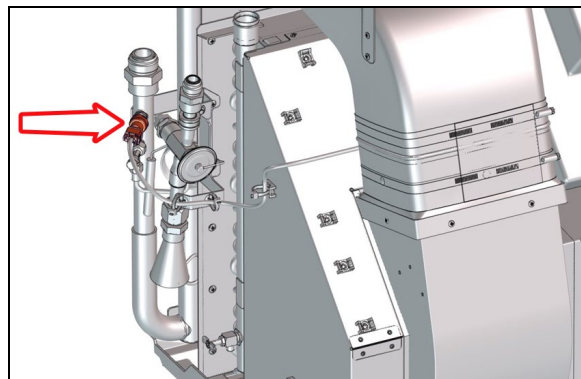


FIGURE 98: LOW-PRESSURE TRANSDUCER

7. To prevent the compressor from stopping due to low pressure, disconnect the low-pressure cut-off switch Se49 connector located on top of the compressor (see Figure 43 & Figure 49). Using a jump wire, jump Se49 connector terminals to close the circuit (vehicle side of the harness). Doing so will keep the compressor in operation.

NOTE: It is safe practice to wire a switch to this connector so you can control the compressor quickly, away from the belts.

8. Run the A/C compressor until suction pressure is pulled down to 0 psig.
9. Disconnect the compressor clutch to stop the compressor from pulling the system into a vacuum. Vacuum is not required. The pressure will probably slowly increase on the

suction side. When it reaches 10 psig, reconnect the clutch and repeat the pull down to pull down this residual pressure. This process might need to be repeated a couple of times until the suction pressure drops and remains to 0 psig.

10. Stop the compressor.
11. Close (frontseat) the suction shutoff valve on the compressor (Figure 97).

MAX TORQUE: 21 lb-ft (28 Nm)

12. At this point, C24 can be disconnected to isolate the section of the system located between the receiver tank outlet shutoff valve and the passengers' unit liquid solenoid valve. Doing so would be useful to perform replacement of the filter-dryer for example.

NOTE

During this operation, care must be taken not to fill the receiver tank over the upper sight glass. If so, stop process immediately. Always allow refrigerant piping and units to warm up to the ambient air temperature before opening system or sweating will take place inside the lines.

6.5.5 Adding Vapor State Refrigerant

Addition of vapor state refrigerant is carried-out to compensate for hose permeation and shaft seal losses over a long period and is done from the suction side while compressor is in operation. A typical sign of refrigerant low charge would be A/C lower performance experienced by the user.

Perform the usual leak inspection and correct any leaks before adding refrigerant.

Verification

Perform the following verifications:

- 1- A vehicle stopped for more than 4 hours should show the lower receiver tank sight glass full at room temperature or with some level if ambient temperature is high. This method is less accurate when ambient temperature gets high.
- 2- With the AC on for at least 10 minutes, the moisture indicator sight glass (FIGURE 99) should be clear, not milky, without bubbles in the stream of refrigerant. Bubbles in the moisture indicator sight glass are sign of

refrigerant low charge. The filter-dryer nearby should be near constant temperature, less than 5°F differential between inlet and outlet. A partially blocked filter will make some flash gas and give a "milky" sight glass.

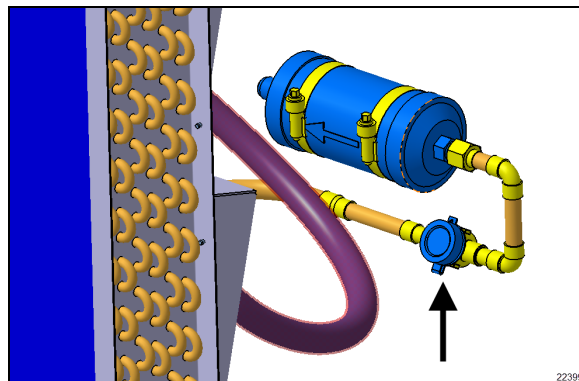


FIGURE 99: MOISTURE INDICATOR SIGHT GLASS

- 3- At fast idle, the high side pressure should be near the following calculation: add 30° F to the ambient temperature in Fahrenheit. In the refrigerant chart (see paragraph 5.8), find this temperature and the corresponding saturation pressure and add 10 psi for the pressure drop between compressor and condenser.

Calculation example:

At 70°F outside, add 30°F. In the chart (paragraph 5.8), find the pressure value for a temperature of 100°F. For 134a refrigerant gas, you will find a value of 124 psi. Add 10 psi to this value for the compressor to condenser line, this result gives 134 psi. So a high side pressure value between 129 to 139 psi should be OK.

Refrigerant addition

NOTE

Use a bottle that is more than half full. Always charge the system with the cylinder upright and the valve on top to avoid drawing liquid out of the cylinder.

1. Install a heated refrigerant bottle at the back of the vehicle, on a scale, straight up. Refer to section "Precautions in Handling Refrigerant" for the proper heating method.
2. Connect the yellow hose of your manifold gage set to the red (vapor) valve on the bottle. Connect the blue valve of the gage set on the suction shutoff valve service port

of the compressor. Connect the red valve of the gage set to the discharge shutoff valve service port. Hoses should be purged of air at installation (evacuated).

**WARNING**

Secure manifold gage hoses so they will not be damaged by engine belts and pulley.

3. Midseat the compressor suction and discharge shutoff valves.
4. In order to speed up the charging, unplug the unloader to keep all compressor cylinders active.
5. Let the door and hatches open and maybe open side windows to prevent cooling down the coach too rapidly. Preferably, the interior would be hot, at least over 68°F.

**WARNING**

If discharge pressure is above 100 psig, the condenser fans will be running. Keep hands clear of fans

6. Start engine.
7. Switch to fast idle for faster fill and battery protection.
8. Open the blue gage valve. The suction pressure should go up meaning the compressor is sucking from the tank also. If there is almost no pressure rise, the tank is too low or too cold.
9. Check the moisture indicator sight glass and the discharge pressure to meet the criteria described above.
10. When the sight glass gets clear, you can add some reserve, up to 2 pounds, as long as the high pressure does not move up.
11. When finished, close gage valves and bottle valve.
12. Before stopping the engine, check the compressor oil level and note it in the repair book as well as the amount of refrigerant added.
13. Shut down engine and backseat suction and discharge shutoff valves (FIGURE 96).

MAX TORQUE: 12 lb-ft (16 Nm)

14. Remove gages and replace caps.
15. Perform a road test for final verification.

6.5.6 Charging System

When a system has been opened or if there are any questions about the air or moisture in the system, evacuate the system. **Charging of an evacuated system** may be accomplished by forcing liquid R-134a directly into the receiver tank. This may be accomplished by placing the refrigerant cylinder upside down on a scale with the valves at the bottom. This ensures that only liquid will enter the **receiver tank**.

When charging an empty system, weigh the amount of refrigerant put into the system. This will eliminate any possibility of overfilling.

A Big HVAC System nominal charge requires 24 pounds. If the vehicle is equipped with the overhead compartment A/C system, a full charge requires an additional 2 lbs.

After charging the system, it may be necessary to add refrigerant. Vapor state refrigerant addition will be done from the suction side of the compressor while the compressor is in operation.

1. Using connector C24 and C44, energize and open the liquid solenoid valves (driver unit, passengers' unit and overhead compartment units). To do so, uncap and connect male and female connector housings of C24 together for the passengers' area (located on the HVAC module in evaporator compartment) or C44 for the driver's area (located on the ceiling of the spare wheel compartment).
2. Backseat (stem out) the two compressor shutoff valves (FIGURE 96).

MAX TORQUE: 12 lb-ft (16 Nm)

3. Install A/C pressure gauges at the compressor shutoff valves service ports (item 4, FIGURE 96).
4. Midseat the two compressor shutoff valves.
5. Ensure that the two receiver service valves are in backseated position (stem out).
6. Remove the cover cap from the service port on the receiver inlet service valve (Figure 63).
7. Attach an evacuated charging hose (purged from air and moisture) to the R-134a tank.
8. Connect the evacuated charging hose to the service port on the receiver tank inlet shutoff valve.

9. Open the R-134a tank valve. The refrigerant supply tank should be kept warm to allow more refrigerant to be transferred into the system. Use a heating blanket for this matter.
10. Midseat the receiver inlet shutoff valve. The R-134a will now enter the system.
11. The proper charge of R-134a is 24 lbs, to this, add 2 lbs for overhead compartments A/C system. When the scale indicates this amount of charge, backseat the receiver valve and close the R-134a tank valve.
12. Disconnect the charging hose. Replace the cover caps.
13. Disconnect C24 & C44.
14. The system is now ready for operation.



CAUTION

The evacuation of the system must be made by authorized and qualified personnel only. Refer to local laws for R-134a recuperation.

6.6 LIQUID REFRIGERANT RECOVERY

Liquid recovery is performed the same way as standard vapor recovery except that liquid recovery will be done by connecting to the high side of the system. Recovering liquid is ideal for recovering large amounts of refrigerant.

1. Energize driver unit and passengers' unit (main HVAC system) section liquid solenoid valve. To do so, connect male and female connector housings of C24 together for the passengers' area (located on the HVAC module in evaporator compartment) and C44 for the driver's area (located on the ceiling of the spare wheel compartment). During normal use, both male and female housings of connector C24 or C44 are kept unplugged.
2. Backseat (normal operating position) the compressor suction and discharge shutoff valves.

MAX TORQUE: 12 lb-ft (16 Nm)

3. Connect manifold gauges on the service port and then turn the compressor shutoff valves forward just enough to enable a visual check of the suction and discharge pressure.

4. Make sure the receiver outlet shutoff valve is in backseated position (normal operating position). Connect the recovery unit hose to the receiver outlet shutoff valve service port (FIGURE 100).



FIGURE 100: RECOVERY UNIT CONNECTED TO RECEIVER SERVICE PORT

5. Perform the recovery of the refrigerant as prescribed by the recovery unit manufacturer.

6.7 EVACUATING SYSTEM

When A/C system has been opened or if there are any questions about the air or moisture in the system, evacuate the system.

Backseat (stem out) both compressor shutoff valves. Evacuate the entire system including compressor using a **vacuum pump** connected to the high and low pressure sides.

A steady vacuum (i.e. pressure does not rise within two hours) less than 0.02 psi (1.5 mbar) must be maintained once the vacuum pump is turned off.



CAUTION

The evacuation of the system must be made by authorized and qualified personnel only. Refer to local laws for R-134a recuperation.

1. Make sure both receiver tank shutoff valves are in the normal backseated position (stem turned out).
2. Clean the area around the compressor shutoff valves.
3. Remove the blue and red caps from the service ports on suction and discharge shutoff valves. Connect two hoses to the vacuum pump.

4. Mid seat the compressor suction and discharge shutoff valves.
5. Using connector C24 and C44, energize and open the liquid solenoid valves (driver unit, passengers' unit and overhead compartment units). To do so, uncap and connect male and female connector housings of C24 together for the passengers' area (located on the HVAC module in evaporator compartment) or C44 for the driver's area (located on the ceiling of the spare wheel compartment).
6. Start the vacuum pump.
7. The pressure will drop to approximately 29 in-HG gauge vacuum.
8. Evacuate to a system pressure of 500 micron.
9. Shut down the vacuum pump. Validate that the vacuum holds. If the pressure rises, it indicates a leak.
10. Backseat the compressor shutoff valves by turning "out" all the way.
11. Remove the hoses.
12. Reinstall the red and blue caps at the suction and discharge shutoff valves service ports.
13. Disconnect C24 & C44.

7. SMALL HVAC SYSTEM

The small HVAC system is found only on motorhomes and has a much lower heating and air cooling capacity than the big system because it is designed to provide air conditioning to the driver's area only.

7.1 SYSTEM CONFIGURATION H-SERIES

On H3-series vehicles, the compressor is installed away from the engine and uses a pneumatic belt tensioner.

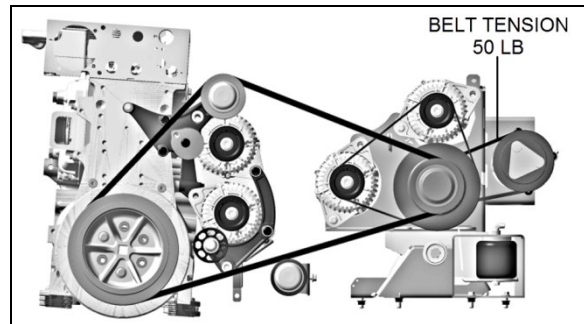


FIGURE 101: BELT LAYOUT WITH SMALL A/C COMPRESSOR H3-45 VIP 22380

In this configuration, the condenser is installed over the radiator and benefits from the existing airflow in this location. All the associated service ports and service valves are close to the compressor.

7.2 SYSTEM CONFIGURATION X3 SERIES

On X-series vehicles, the compressor is installed on a support attached to the big A/C pedestal on the engine and uses an automatic belt tensioner.

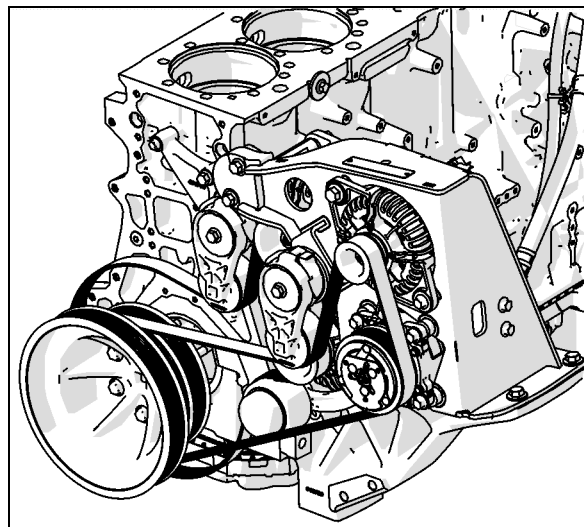


FIGURE 102 X3 SERIES SMALL A/C COMPRESSOR

In this configuration, the condenser is located in the 4th luggage compartment it has its own electric fan to provide the required cooling. All the associated service ports and service valves are on top of the condenser frame.

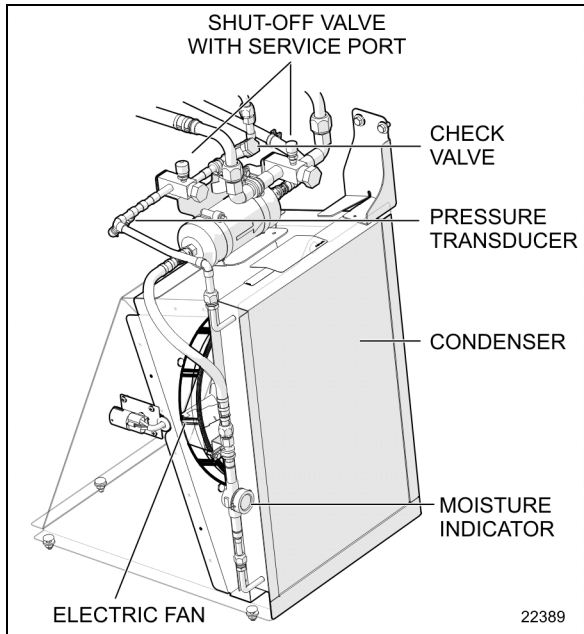


FIGURE 103: CONDENSER CONFIGURATION X3-45 VIP

7.3 AIR CIRCULATION

Fresh air is taken from behind the R.H. side headlights assembly (H3 series) or from a plenum underneath the front service compartment (X3 Series) and enters the mixing box through a damper. Return air is taken through the right console into the mixing box. Mixed air goes through cooling and heating coils, fans and discharge ducts.

Both right and left discharge ducts defrost one half of the windshield. The driver can also divert his air flow to the dashboard, from which he can direct vent to his upper body with adjustable HVAC register and to his feet with the appropriate button (see FIGURE 104 and Owner's manual).

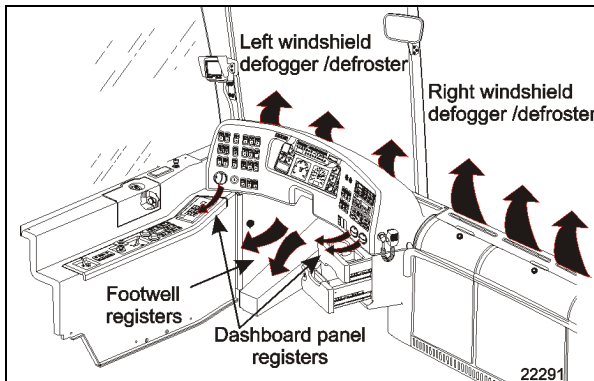


FIGURE 104: DRIVER UNIT AIR CIRCULATION

7.3.1 Auxiliary Unit

H3 VIP vehicles equipped with the small HVAC system are equipped with an auxiliary system that provides five additional registers. Three are located behind the driver's seat and the other two are located near the entrance door, at bottom of first lateral window. The auxiliary unit comes with cooling and heating coils, fan and discharge ducts.

7.4 SYSTEM OPERATION

7.4.1 Driver unit

The small HVAC system driver unit is similar to the big HVAC system driver unit, except that the circulating pump is located on the ceiling of the spare wheel compartment).

On H3 VIP series vehicles, an auxiliary unit is added in series on the return line of the small system, it increases the whole system heating capacity and gives the driver more options.

The temperature control in the driver's area is provided directly by the HVAC control unit mounted on the dashboard R.H. side.

NOTE
X3 Series - The driver's area air temperature sensor is located behind the grill of the R.H. side console.

NOTE
X3 Series - The outside air temperature sensor is located near the RH headlight.

7.4.2 Auxiliary Unit - H3 Vip Vehicles Only

The temperature control is provided by the small system HVAC control unit. The R.H. portion of the HVAC control unit enables to actuate the auxiliary unit and to regulate the fan speed.

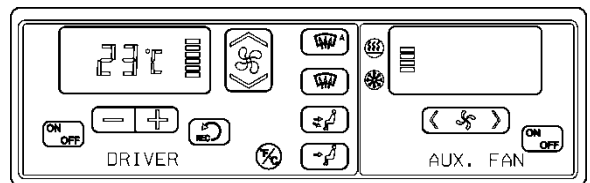


FIGURE 105: CONTROL UNIT - SMALL HVAC SYST. 22286

7.5 REFRIGERANT RECOVERY

The release of refrigerant into the atmosphere must be avoided. Whenever refrigerant is to be released from the air-conditioning system, a refrigerant recovery unit must be used to recover the refrigerant. This refrigerant can then be recycled and reused, which is both environmentally safe and economical.

For complete system recovery, any of the High and Low service ports can be used. Energize liquid solenoid valve and measure the quantity of oil recovered. For the compressor only, use the service valve port and close the valves. The service valves open permits full flow of refrigerant to service port. Service valve closed permits flow of refrigerant from compressor to service port.

7.6 EVACUATING SYSTEM PRIOR ADDITION OF REFRIGERANT (DRIVER'S OR AUXILIARY SYSTEM)

When a system has been opened for repairs, change the filter-dryer and evacuate the system. Use the high-pressure service port and low-pressure port. It would be good practice to open the solenoid valve.

1. Connect two hoses equipped with a micron gauge between the high-pressure service port, the low-pressure service port and the vacuum pump.
2. With the unit service valves open and the vacuum pump valves open, start the pump and draw the manifold and hoses into a very deep vacuum (700 microns).
3. Close manifold valve
4. Shut down the vacuum pump.
5. Check to insure that vacuum holds. (If the pressure continues to rise, it indicates a leak or moisture in the system).
6. Charge the system with the proper amount of refrigerant through the service port near the check valve using recommended charging procedures.
7. Remove the hoses.

7.7 OIL ADDITION

The chart below shows the approximate amount of oil to be added to the system when replacing a component.

| Component replaced | Typical amount of oil |
|--------------------|-----------------------|
| Evaporator | 50 ml (1.7 ozs) |
| Condenser | 30 ml (1.0 ozs) |
| Filter-Dryer | 10 ml (0.3 ozs) |

The amount of oil recovered with the refrigerant recovery should be added at the same time.

7.8 COMPRESSOR OIL CONTAMINATION

Unlike engine oil, no cleaning agent is added to the compressor oil. Even if the compressor is run for a long time, the oil never becomes turbid as long as there is nothing wrong with the compressor or its method of use. Inspect the extracted oil for any of the following conditions:

- Dirt in the oil.
- Change to a varnish color.
- Presence of foreign substance, metal shavings, etc. in the oil. When the oil extracted from the compressor is as described above, replace the oil as follows:
 1. Clean the interior of the system with approved method.
 2. Replace the filter-dryer.
 3. Supply with new oil as specified in small compressor service manual.

7.9 OIL RETURN OPERATION

There is a close affinity between oil and refrigerant. During normal operation, part of the oil recirculates with the refrigerant in the system. Therefore, when checking the amount of oil in the system or replacing any system component, the compressor must be run in advance to ensure return. This procedure is as follows:

- If the amount of refrigerant in the system has decreased, charge to the proper amount.
- Start the engine and select fast idle.
- Set the fan speed to full air/full A/C and let run for 20 minutes.

8. AUXILIARY PREHEATING SYSTEM (OPTION)

The Auxiliary Preheating System is used for preheating and maintaining the heat of water-cooled engines by the means of an independent water heater using the same diesel fuel as the engine.

The preheater operates independently from the vehicle engine. It is connected to the cooling and heating circuits, the fuel system and the electrical system of the vehicle.

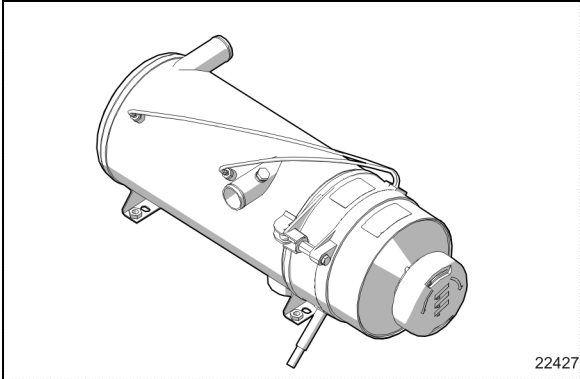



FIGURE 106:PREHEATER (30 KW)

The heater can be used to pre-heat the engine coolant in cold weather to ease engine start-up and to provide heat faster in the cabin.


It can also be used with engine running to maintain coolant heat and maintain the set temperature inside vehicle.

The heater “On” symbol  appears on the timer when the preheater is switched on.


Refer to the Eberspacher Hydronic LII Troubleshooting and Repair manual under 2 *Function* for cutaway views, control diagrams and a detailed description of the function of the heater unit.

8.1 PREHEATER FUEL FILTER

The preheater fuel filter is located beside the preheater.


| |
|---|
|  <p>MAINTENANCE</p> |
| <p>Replace preheater fuel filter every 50,000 miles (80 000 km) or once a year, whichever comes first.</p> |

8.2 OPERATION

Switch on the preheater. The heater “On” symbol  appears on the timer display. A component test is performed (3sec.), then the water pump is started and the nozzle preheater is switched on for a maximum of 15 min. 60 sec after, the preheater motor starts, driving the fan and fuel pump.


After approximately 10 seconds, the ignition circuit is switched on and the fuel solenoid valve opens, injecting fuel. The ignition creates a high voltage spark, igniting the fuel air mixture.

The flame monitor recognizes the flame and switches off the spark generator. Combustion continues by itself. At this moment, the preheater is working and producing heat.


If the preheater is switched off, the solenoid valve interrupts fuel supply, combustion stops and the heater “on” indicator  disappears.

Combustion air fan still blows air, cleaning the combustion chamber of any fumes and cooling down the combustion chamber. Coolant circulation continues for 3 minutes, protecting the preheater against overheating.

The control thermostat will switch off the preheater when coolant reaches 172°F (78°C) and will turn it on at 163°F (73°C).

When the preheater is switched off by the thermostat, the heater indicator  and coolant pump remain on although there is no combustion in the preheater. Combustion air fan blows air for 3 minutes and then turns off.

8.3 PREHEATING SYSTEM TIMER

The timer, located on L.H. lateral console is used to program the starting and stopping time of the preheating system. The heater “on” indicator  appears when the system is functional.

8.3.1 Preheater Timer Instructions



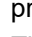
Basic instructions are provided in the Prevost operator’s manual. For more details, refer to the 7 day timer operating instructions, found on your Technical Publications USB flash drive, and on the Technical Publications Website.

8.4 PREHEATER TROUBLESHOOTING

Fault codes can be displayed through the preheater timer which can display up to 5 fault codes.

8.4.1 Displaying Faults On The Timer

Condition: The heater is switched off.


- Press  button →; the heater is switched on.
- Press  button and keep it depressed, then press  button within 2 seconds.

The display is as follows:

AF = current fault

3 digit number = fault code

 flashes.

- Press  button once or several times, fault memory positions F1 – F5 are displayed.

8.4.2 Heater Control Box Software Lock

The heater's control box can become locked if certain conditions are encountered.

- Overheating

If the heater overheats 3x in succession – fault code 012, is displayed as AF 015 → the control box is locked.

- Flame in after-run

If the fault “flame in after-run” is signaled 3x in succession –fault code 058, is displayed as AF 016 → the control box is locked.

- Too many attempted starts

If the heater carries out ten failed start attempts in succession – fault code 052, is displayed as AF 050 → the control box is locked.

Consult the complete list of fault codes in the [Eberspacher Hydronic LII Troubleshooting and Repair manual](#) under *4 Troubleshooting / Fault code table*.

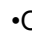
8.4.3 Unlocking The Control Box And Deleting The Fault Memory




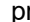
CAUTION

Unlocking the control box erases useful troubleshooting information at the same time.

To unlock:


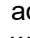
- On the timer located on the console left of the driver, press  button

The display is as follows: the current fault, e.g. AF 015.

- Press button  and keep it depressed, then press button  within 2 seconds.

The module timer is now in the “Enquire fault memory” program.

- Switch off ignition (terminal 15).

• Simultaneously press buttons  and , in addition, switch on the ignition (terminal 15) and wait until the following appears in the display after ignition “ON”:

Display " - - -" flashes, heater symbol does not flash.

- Switch the heater off and on →; the control box is unlocked, the heater restarts.

After switching the heater off and on and renewed query of the fault memory, the following appears in the display, confirming fault memory is reset:

Display "AF 00" flashes, heater symbol does not flash

8.5 PREHEATER MAINTENANCE

Before the cold season, a trial run should be carried out for the heater.

Check air intake and exhaust to make sure there is free air/exhaust flow and no obstruction.

If thick, persistent smoke develops, unusual burning noises or a clear fuel smell occurs or if electric / electronic parts overheat, the heater must be switched off and put out of service by removing the fuse. Refer to vehicle schematic.

The unit should not be started up again until it has been checked by qualified staff.

Check the main components of the heater for proper operation and adjustment.

Consult the [Eberspacher Hydronic LII Troubleshooting and Repair manual](#) .

NOTE

If there are no preheater faults, the preheater will go through a normal start cycle and regulate based on thermostat setting.

NOTE

Switch on the preheating system for about 10 minutes about once a month, even during the warm season.

CAUTION
 To avoid running down the batteries, do not turn on the preheating system for more than one hour before starting the engine.

WARNING
 The preheating system uses the same fuel as the engine. Do not operate in a building or while refueling. Operate only in a well-ventilated area.

9. ENVIROCARE IONS AIR SANITIZER (OPTIONAL)

Some vehicles may be equipped with the Prevest Envirocare ions air sanitizer, a dual ionizer system that uses positive and negative ions to pull apart airborne pollutants, thereby reducing the pollutants in the air.

The system is composed of five pairs of modules installed at different locations in the vehicle A/C system ducts.

A first pair of module is located inside the driver's AC blower housing.

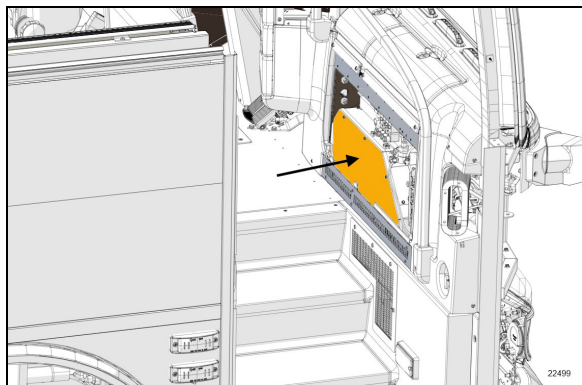


FIGURE 107: REMOVE FRONT A/C COVER TO ACCESS MODULES

Two pairs of modules are installed the main system ducts (one pair on each side at floor level). These modules can be accessed by removing the duct covers in the evaporator and condenser compartments.

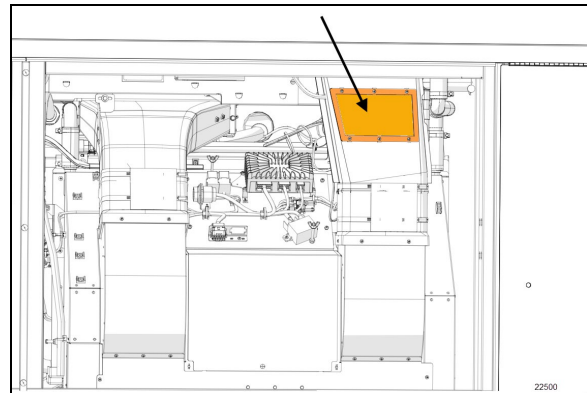


FIGURE 108: MODULES ACCESS COVER IN THE EVAPORATOR COMPARTMENT

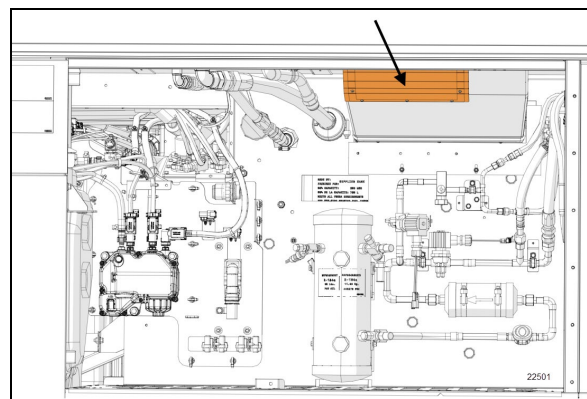


FIGURE 109: MODULES ACCESS COVER IN THE CONDENSER COMPARTMENT

The last two pairs are located under the parcel rack below the parcel rack blowers housing (center of vehicle, one pair on each side). Remove the corresponding overhead console to access.

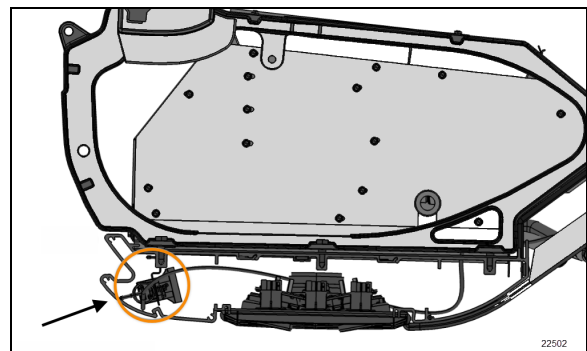


FIGURE 110: MODULES UNDER PARCEL RACK BLOWER HOUSING

 **MAINTENANCE**

The Envirocare modules performance will start to decrease after 9000 hours of running time.

At this point, it is recommended to replace all 10 modules to maintain optimum system efficiency.

10. SPECIFICATIONS

Passenger unit evaporator motor

Make..... AMETEK ROTRON
 Type..... BRUSHLESS DC MICROPROCESSOR CONTROLLED
 Voltage..... 27.6 V DC
 Current draw..... 68 amps
 Horsepower..... 2
 Revolution..... 1400 & 1700 rpm
 Insulation..... Class F

Passenger unit condenser fan motors

Make..... EBMPAST
 Type..... 12" AXIAL BRUSHLESS
 Voltage..... 24 V DC
 Qty..... 4

Driver unit evaporator motors

Make..... MCC
 Voltage..... 24 V DC
 Quantity..... 1

Driver unit evaporator air filter

Make..... MCC
 TYPE..... Washable recirculating air 6-¼" x 28"
 Make..... MCC
 TYPE..... Washable fresh air 3-5/8" X 5-1/4"

Refrigerant

Type..... R-134a
 Quantity (big HVAC system)..... 24 lbs
 Quantity (big HVAC system with optional overhead compartment A/C system)..... 26 lbs
 Quantity (small HVAC system)..... 4 lbs

Compressor (Big HVAC system)

Make..... Bitzer
 Displacement..... 41 CFM
 Model, R-134a..... 4NFCY
 No. of cylinders..... 4
 Cylinder volume..... 39 in³ (647 cm³)

Operating speed.....500 to 3500 rpm
 Oil capacity.....2.8 quarts (2,6 liters)
 Weight 74 lbs (33 kg)
 Oil type Polyolester ISO68

Magnetic clutch

Make..... Lang
 Type KK73.1
 Voltage 24 V DC

A/C Compressor (Small HVAC system)

Make..... Sanden
 Model..... SD7
 Approved oil PAG

Condenser Fan (Small HVAC system)

Diameter 12 in (30.5 cm)
 Power..... 850W
 Voltage (nominal) 24 Volts
 Voltage (operating range) 16-32 Volts
 Maximum speed 4760 rpm
 Sealing..... SAE J1455 IP67 / IP69K
 Operating temperature range -40 to 138°F (-40 to 59°C)

Receiver tank (with sight glasses)

Make..... Westermeyer
 Maximum pressure..... 450 psig

Filter-dryer assembly

Make..... Emerson-Alco

Moisture indicator

Make..... Emerson-Alco

Liquid refrigerant solenoid valve

Make..... Sporlan Parker Hannifin
 Type Normally closed with manual bypass
 Voltage 24 V DC

Passengers' unit hot water pneumatic valve

Make..... BURKERT
 Type Normally open
 Voltage 24 V DC
 Pressure range..... 0 to 230 psi
 Max. temperature 356°F

Driver unit hot water pneumatic valve

SECTION 22: HEATING AND AIR CONDITIONING

Make..... Asco
Type Normally open
Voltage 24 V DC

Hot water circulating pump

Make..... AMETEK
Flow..... 15 gpm
Inlet/outlet OD 3/8"

Main expansion valve

Make..... Emerson-Alco

Preheating system

Make..... Eberspächer
Type Hydronic L-II
Model..... Hydronic L30
Capacity 30 kW
Heating medium Coolant
Rated voltage 24 V DC
Operating voltage..... 20-30 V DC
Electric power consumption (without coolant recirc. pump)..... 105 watts
Fuel consumption..... 3.65 liters/hr (0.96 US gallons/hr)
Weight Approx 18kg (40 lb)
Dimensions (L x H x W) 600mm x 222mm x 230mm (23.62 in x 8.74in x 9.05in)



**MAINTENANCE
INFORMATION**

MI18-37

| | | |
|-----------|--|----------------------|
| DATE : | Month Year | SECTION : 00 GENERAL |
| SUBJECT : | LANG KK73.1 ELECTROMAGNETIC CLUTCH REMOVAL & INSTALLATION - BITZER A/C COMPRESSOR | |

APPLICATION

| Model | |
|---|--|
| <p>Prevost coaches, from year model 2014, with the Bitzer air conditioning compressor</p> | |

DESCRIPTION

In this Maintenance Information, you will find instructions and important details necessary to perform the removal or installation of the Lang KK73.1 electromagnetic clutch, which equips the Bitzer (model 4NFCY) air conditioning compressor.

Note: If not equipped with a Lang KK73.1 electromagnetic clutch, your Bitzer a/c compressor is equipped with a Linnig LA16 clutch. If this is the case, you will find the installation instructions on the document [Linnig LA16 Electromagnetic Clutch 142.254](#) available on the PrevoSt Technical Publications site, under SUPPLIER PUBLICATIONS.

CONTENT

| | |
|---|-----------|
| PROCEDURE | 3 |
| LANG KK73 CLUTCH IDENTIFICATION | 3 |
| CLUTCH SECTION VIEW | 4 |
| REMOVING THE ROTOR | 5 |
| REMOVING THE BELTS | 5 |
| M12 MOUNTING SCREW REMOVAL | 5 |
| EXTRACTOR TOOL | 5 |
| PULLING OFF THE ROTOR | 6 |
| REMOVING THE COIL | 6 |
| MOUNTING THE CLUTCH ON THE COMPRESSOR | 7 |
| PREPARATION | 7 |
| INSTALLING THE COIL | 7 |
| PROPER WOODRUFF KEY POSITION | 8 |
| SLIPING THE ROTOR | 8 |
| FASTENING THE ROTOR | 9 |
| REINSTALLING THE BELTS | 10 |
| TROUBLESHOOTING, POSSIBLE DEFECTS, ELIMINATION | 11 |
| SUPPLEMENT | 13 |
| HOW TO INSTALL A NEW “CLIP-ON” UNLOADER COIL | 13 |

PROCEDURE



DANGER

Park vehicle safely, apply parking brake, stop the engine. Prior to working on the vehicle, set the ignition switch to the OFF position and trip the main circuit breakers equipped with a trip button. On Commuter type vehicles, set the battery master switch (master cut-out) to the OFF position.

LANG KK73 CLUTCH IDENTIFICATION

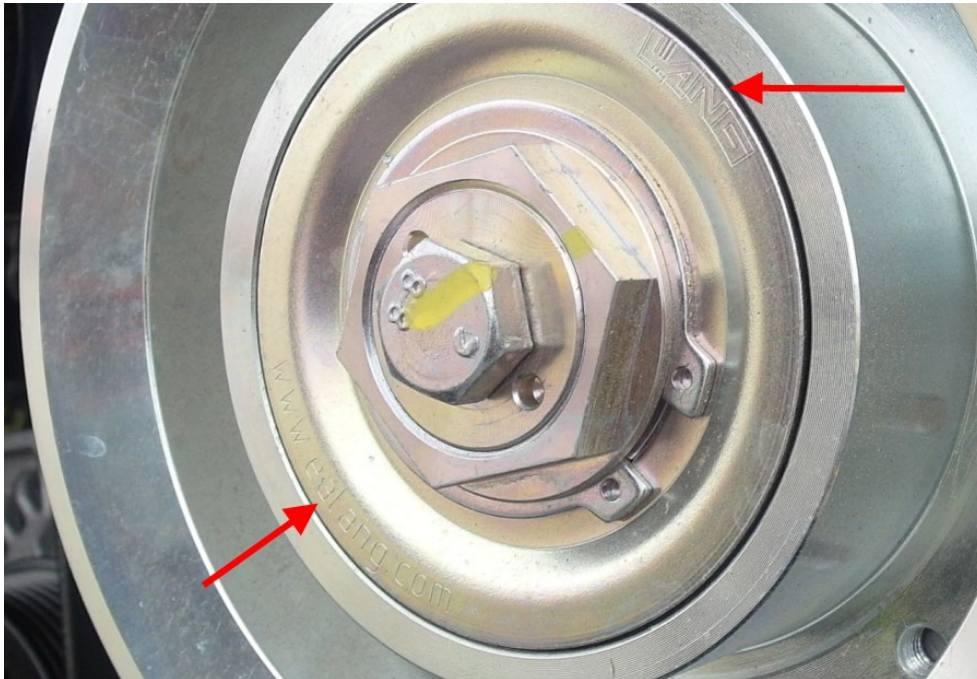


Figure 1: "LANG" & "WWW.EALANG.COM" ENGRAVED ON THE HUB

CLUTCH SECTION VIEW

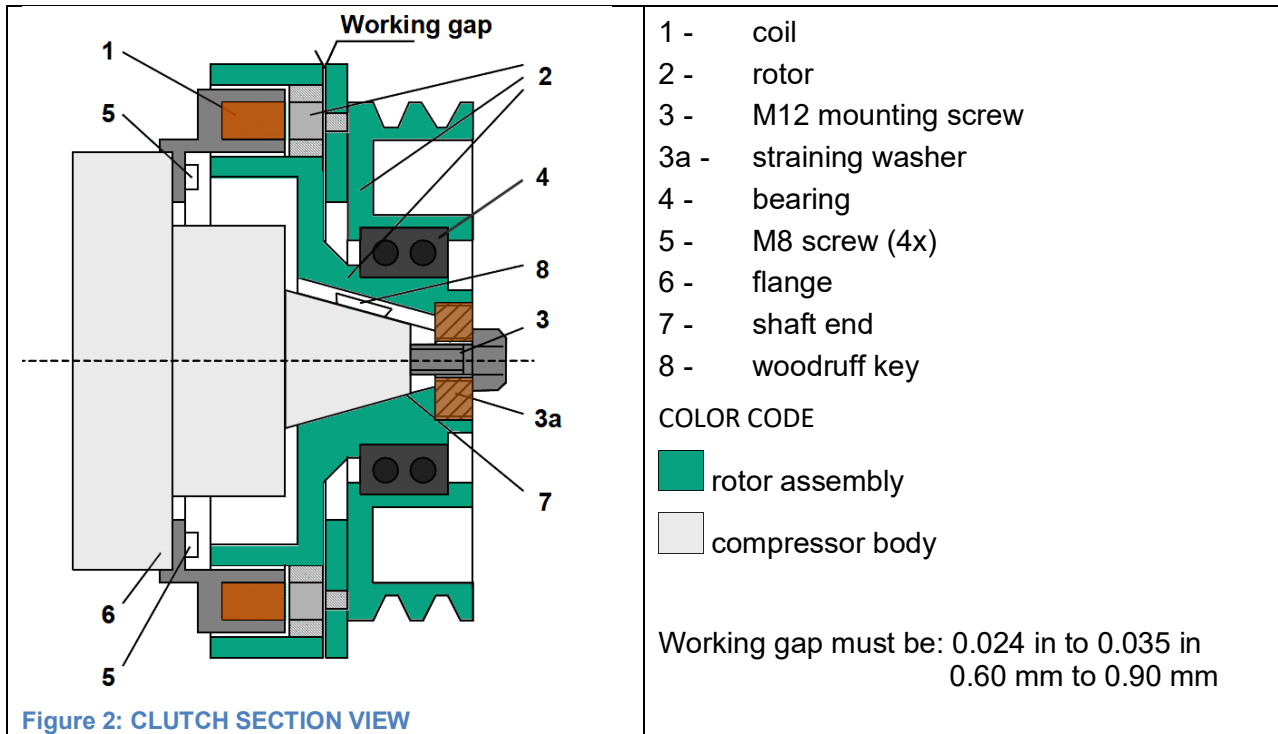


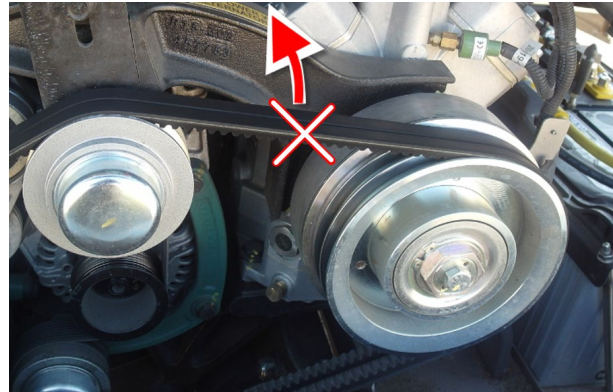
Figure 2: CLUTCH SECTION VIEW

REMOVING THE ROTOR

REMOVING THE BELTS

- 1) Remove the two drive belts.

to



M12 MOUNTING SCREW REMOVAL

- 2) While holding the hexagonal part of the rotor with a wrench, loosen and remove the M12 mounting screw (3, Figure 2).



EXTRACTOR TOOL

- 3) Screw extractor tool #680888 in the straining washer (3a, Figure 2).

Do not use a standard M16 screws unless the tip of it has been rounded off, failing to do so may damage the shaft end bore or threads where the M12 screw is fastened

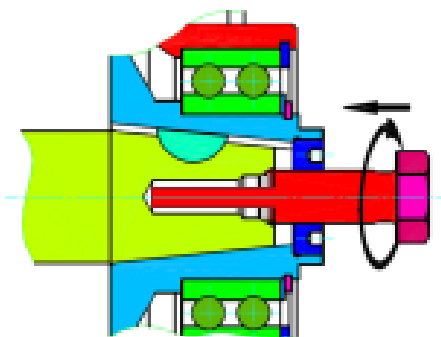


EXTRACTOR TOOL # 680888

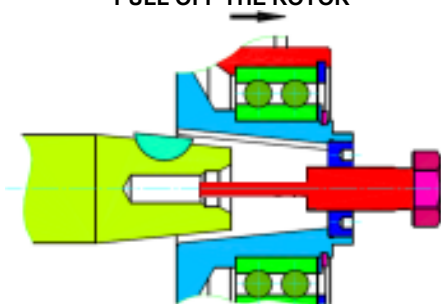
PULLING OFF THE ROTOR

- 4) Pull off the rotor with the extractor tool. Due to the back pressure, the rotor detaches from the shaft end (7, Figure 2) of the compressor.

DO NOT USE AN IMPACT WRENCH



PULL OFF THE ROTOR



TAKE OFF THE ROTOR

REMOVING THE COIL

- 5) Loosen the coil M8 fastening screws (5, Figure 2) and pull the coil off the.

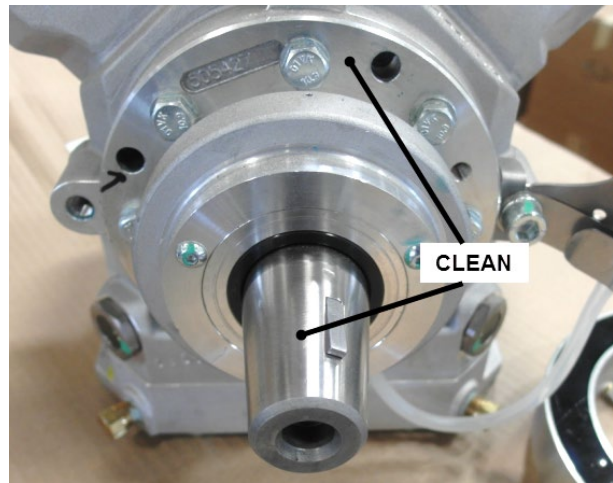


MOUNTING THE CLUTCH ON THE COMPRESSOR

PREPARATION

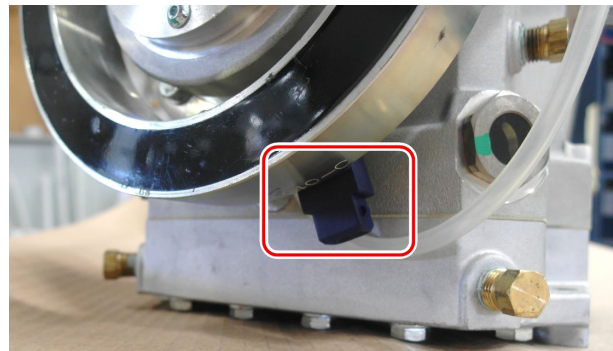
- 1) The flange and the shaft end must be free from dirt.
- 2) Apply high temperature approved assembly grease on the shaft end for easy dismounting of the clutch.

Use of Molykote G-rapid-plus or Molykote P 40 is recommended



INSTALLING THE COIL

- 3) Reinstall the coil. Slip the coil on the compressor flange. The cable connector must be positioned on the right side as shown on the image.



PROPER CABLE CONNECTOR POSITION

- 4) Fasten the four M8 screws by hand to the compressor and then apply final torque.

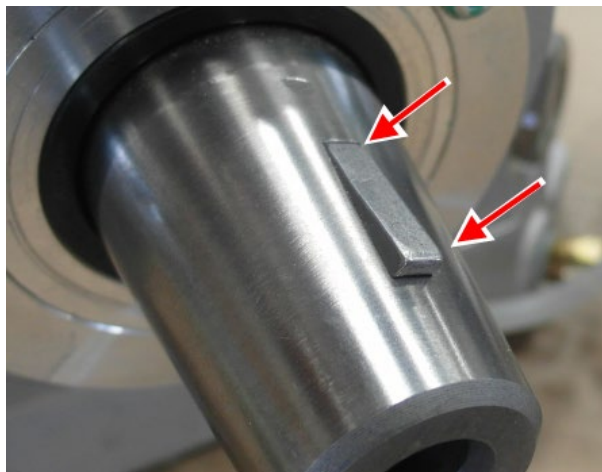
***Coil mounting screws: 22 lbf-ft (30 N-m).
Use blue Loctite 243.***

Caution: Pay attention to the precise seat of the coil. A non-observance may cause the destruction of the clutch components during operation.



PROPER WOODRUFF KEY POSITION

- 5) To avoid damaging the rotor bore, make sure that the woodruff key is positioned as shown on the image at right, otherwise, it could move when the rotor is inserted on the shaft end.



SLIPPING THE ROTOR

- 6) Carefully mount the rotor on the shaft end by hand.

Never use a hammer for pressing the rotor on.

To avoid damaging the bore of the rotor, feel the engagement of the key in the keyway and slip the rotor on the shaft end of the compressor till reaching the stop.



FASTENING THE ROTOR

- 7) Fasten the rotor to the shaft end by using the M12 screw and holding-up with a wrench on the hexagonal part of the rotor.

Rotor mounting screw: 60 lbf-ft (81 Nm)

Use blue Loctite 243.

Turn rotor by hand and pay attention to the free run and the generation of noises. In case of rubbing, grinding or similar noises, dismount the rotor and check installation.

- 8) Once properly tighten, apply a torque seal mark.

During cleaning or other work on the compressor, the clutch must be covered to prevent the penetration of greasy liquids, grease or dirt particles in the working gap (see figure 2) of the clutch. No high pressure cleaning.

***Working gap must be: 0.024 in - 0.035 in
0.60 mm - 0.90 mm***



REINSTALLING THE BELTS

1. Reinstall the drive belts.

A belt strand tension gage is needed

On vehicles not equipped with an auxiliary alternator (i.e. 2 identical belts), belt tension should be within this range:

90-100 lbs new belts (mean of 2 belt values)

75-85 lbs used belts (mean of 2 belt values)

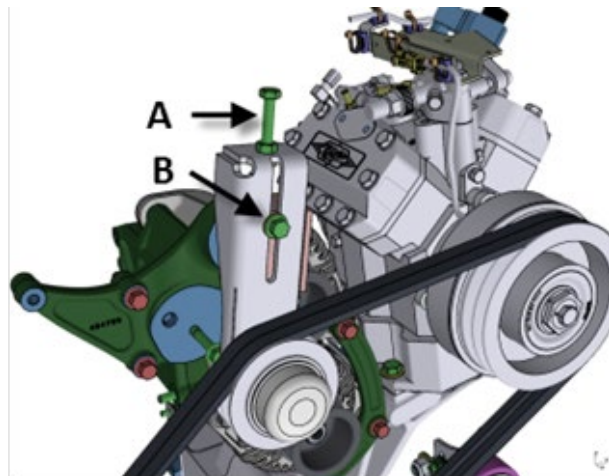
On vehicles equipped with an auxiliary alternator (i.e. 2 different belts), belt tension should be within this range:

A belt strand tension gage is needed

150-160 lbs new belts (mean of 2 belt values)

120-130 lbs used belts (mean of 2 belt values)

Apply loctite on bolt **(B)** and hand tighten. Adjust belt tension using bolt **(A)**. Use the jam nut to prevent rotation of bolt **(A)**. When proper tension is achieved, tighten bolt **(B)** to **43 lbf-ft.** (58 N-m).



TROUBLESHOOTING, POSSIBLE DEFECTS, ELIMINATION

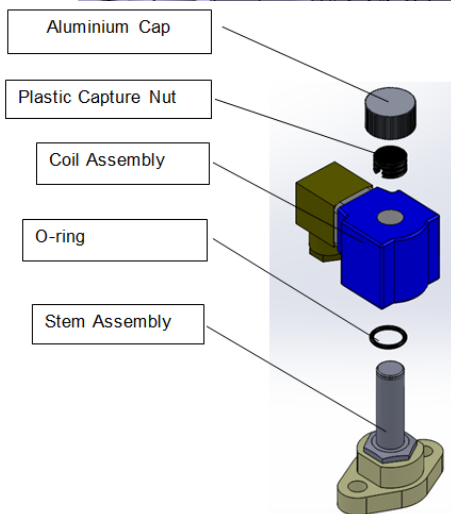
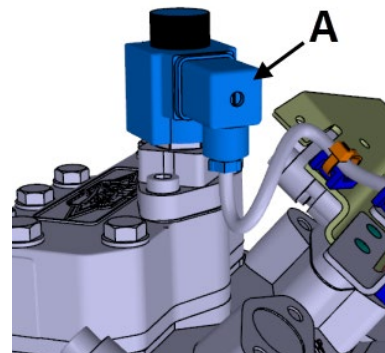
| PROBLEM | CAUSE | SOLUTION |
|--|--|---|
| Clutch does not close any more, no current stream | Intermittent contact in the plug | Check plug |
| | Contact corroded | Clean contact |
| | Connection cable defect | Repair cable, replace coil |
| Clutch does not close in spite of current stream | Insufficient voltage supply | Check supply voltage |
| | Impurities in the working gap (foreign matters) | Disassemble clutch, remove foreign matters and assemble it again |
| Clutch slips when switched on (causes the destruction of the clutch by premature wear), | Insufficient voltage supply | Check power supply |
| | Friction surface polluted by small quantities of greasy/oily substances | Disassemble clutch, clean friction surfaces with alcohol and assemble it again. |
| | Heat penetration in the clutch by slipping V-belts thus grease penetration in the bearing or overheating of the clutch | Disassemble clutch. Clean friction surfaces or replace already damaged components. After reassembly of the clutch, tension V-belts correctly |
| | Incorrect distance between coil and rotor (coil not in line with the rotor), thus the switchable torque is reduced | Disassemble clutch, check cone for cleanness. Check the seat of the feather key, check the seat of the coil. |
| | Clutch worn, working gap too big (app. 1,2 mm), friction partner blue | Replace clutch or component |
| Clutch does not open immediately when switched off, this will cause a premature wear of the clutch), shrieking noise | Voltage supply not completely interrupted | Check circuit element for switching the coil ON/OFF and replace it if necessary |
| Clutch does not open any more, voltage supply is in order | Clutch worn and friction partners welded to each other on the friction surface | Replace clutch |
| Permanent grinding noise | Coil not correctly centered or not firmly screwed down | Check coil, screw it down, or replace it if damaged. Check clutch for consequential damages, eventually disassemble clutch, check bearing and friction surfaces, replace eventually damaged components. |
| | Compressor bearings defect, causes friction between coil and rotor. | Replace bearings. Check coil function. Replace it if damaged. If clutch slips, replace whole clutch due to friction damage. |

| | | |
|---|---|--|
| | Friction surface polluted by greasy or oily substances | Disassemble the clutch, replace bearing, if necessary, clean friction surfaces with alcohol and assemble them again. |
| | Blockade of the compressor. Clutch slips, both components blue due to friction heating. | Clutch destroyed, replace it. |
| Untrue run of the pulley, loud running noise. | Bearing damaged due to wear or incorrect seat of the feather key. | Check whether feather key and groove are flushing. If not, change clutch as the components will be permanently damaged, or disassemble the clutch and replace bearing. |

SUPPLEMENT

HOW TO INSTALL A NEW “CLIP-ON” UNLOADER COIL

1. Loosen the screw securing the connector to the coil and then unplug the connector (**A**). Keep the screw and the connector rubber gasket for later use.
2. Unscrew the aluminum cap and discard.
3. Remove the plastic capture nut and discard.
4. Remove the coil and discard
5. **Keep the O-ring** on the stem.



6. Install the new clip-on coil on the stem.
7. Slide the coil over the stem assembly with the O-ring at the base of the stem.



PARTS / WASTE DISPOSAL

Discard according to applicable environmental regulations (Municipal/State[Prov.]/ Federal)

Access all our Service Bulletins on <http://techpub.prevostcar.com/en/>
Or scan the QR-Code with your smart phone

Are you a vehicle owner?
E-mail us at technicalpublications_prev@volvo.com and type "ADD" in the subject to
receive warranty bulletins applicable to your vehicle(s) by e-mail.

