



**MAINTENANCE  
INFORMATION**

**MI25-06**

DATE :	March 2025	SECTION :	18 BODY
SUBJECT :	<b>MODIFICATION OF THE FRONT SERVICE DOOR LOCK LEVER</b>		

First Release

03-26-2025

**IMPORTANT NOTICE**  
*This modification is recommended by PrevoSt to increase your vehicle's performance. Note that no reimbursement will be awarded for carrying out this modification.*

**APPLICATION**

Model	VIN
H3-45 VIP motorhomes Model Year: 2023 - 2024	From 2PCVS3494 <u>PC721483</u> up to 2PCVS3491 <u>RC721833</u> incl.
H3-45 coaches Model Year: 2024	From 2PCH3349 <u>XRC721484</u> up to 2PCH33491 <u>RC721843</u> incl.

**DESCRIPTION**

On the vehicles affected by this bulletin modify the actuator lock lever actuator to avoid the lever disconnection from the actuator.

**MATERIAL**

Part No.	Description	Qty
682989	SILICONE REMOVER	AR
685382	SCELLANT TAPE BLACK 1/8 X 1/2 X 25ft	AR

**NOTE**  
*Material can be obtained through regular channels.*

## SAFETY PRECAUTIONS

- Eye protection should always be worn when working in a shop.
- Rules for Personal Protection Equipment should always be respected. Wear your PPE including but not limited to the following:



# Safety First!



## PROCEDURE



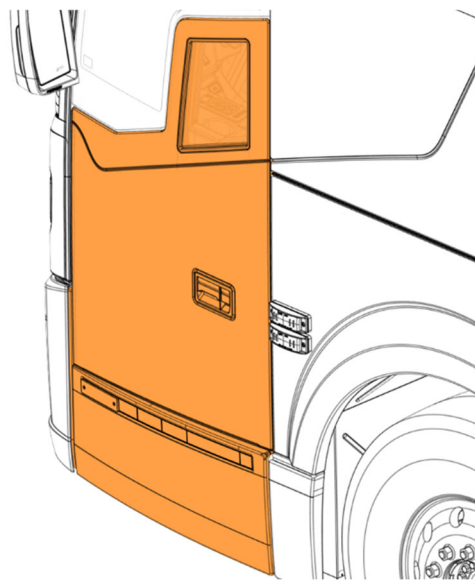
### DANGER

Park vehicle safely, apply parking brake, stop engine. Prior to working on the vehicle, set the ignition switch to the OFF position and trip the main circuit breakers equipped with a trip button. On Commuter type vehicles, set the battery master switch (master cut-out) to the OFF position.

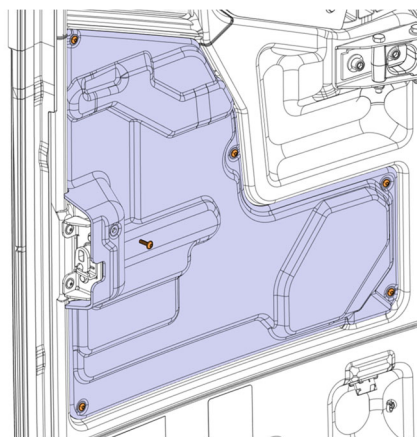
Lock out & Tag out (LOTO) must be performed during set-up, maintenance or repair activities. Refer to your local procedure for detailed information regarding the control of hazardous energy.

## LEVER MODIFCATION

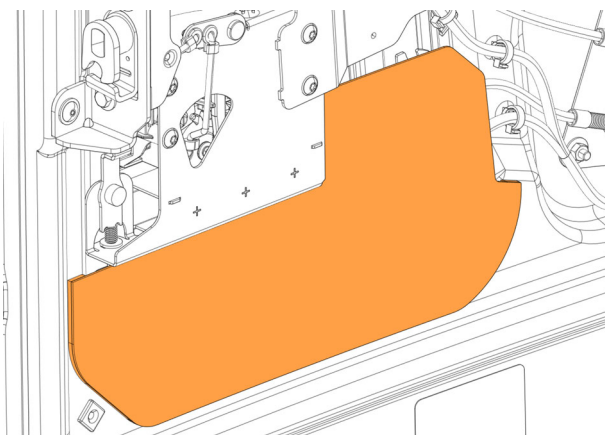
1. Open front service door.



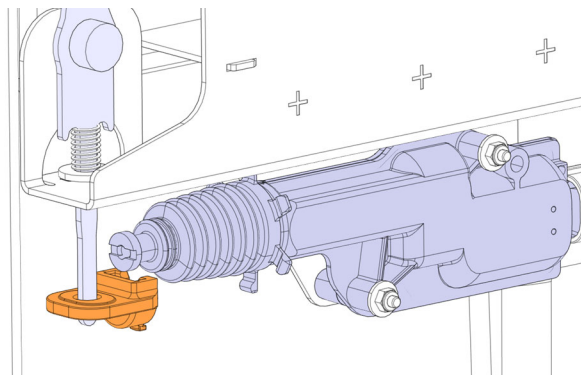
2. Remove the screws (6x) and the panel.



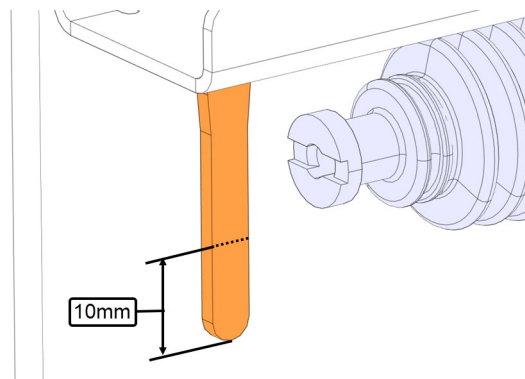
3. Remove the panel.



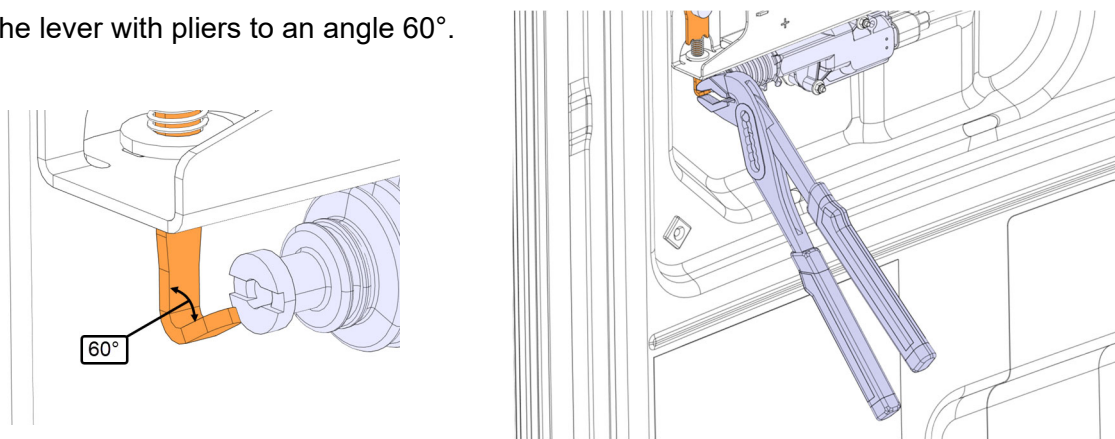
4. Remove the actuator end.



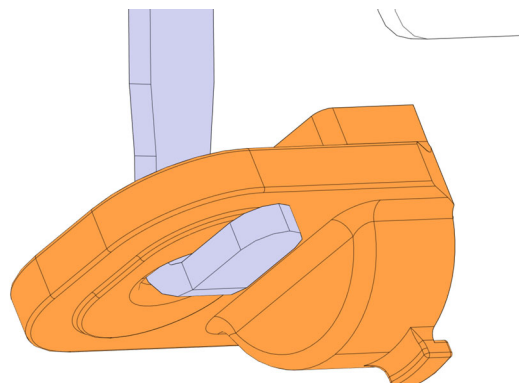
5. Mark the position of the bending line on the lever.



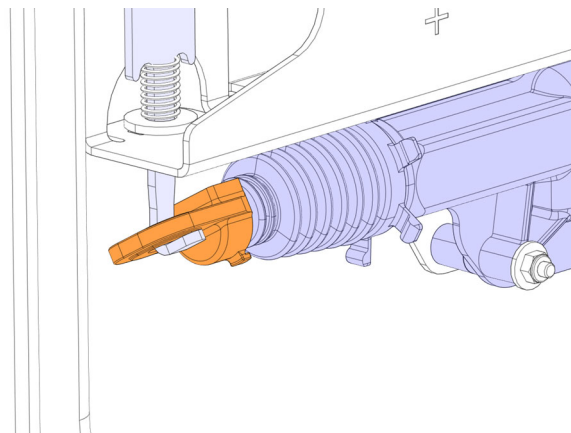
6. Bend the lever with pliers to an angle 60°.



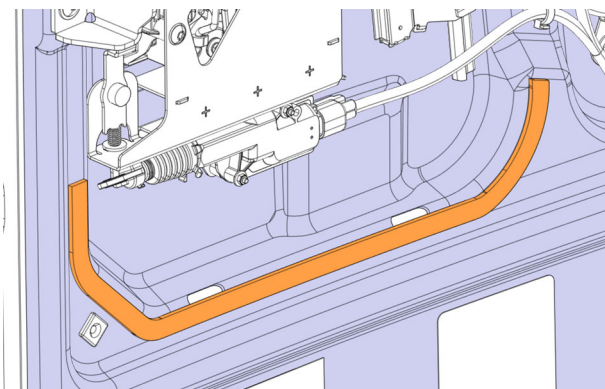
7. Reinstall the actuator end on the lever.



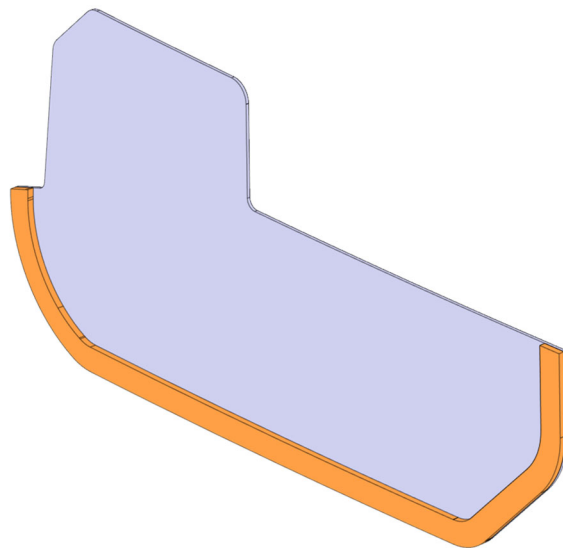
8. Reinstall the end on the actuator.



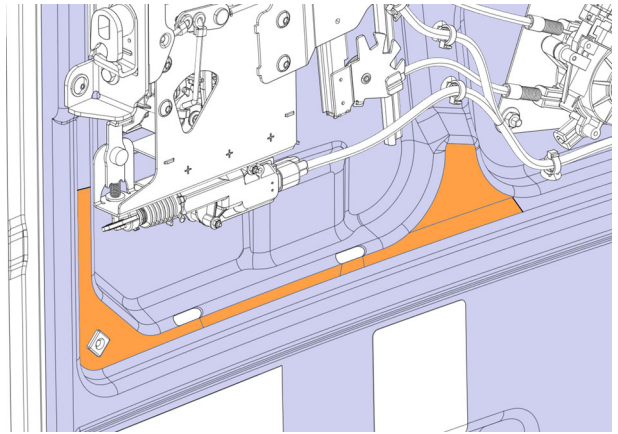
9. Remove the glue on the door.



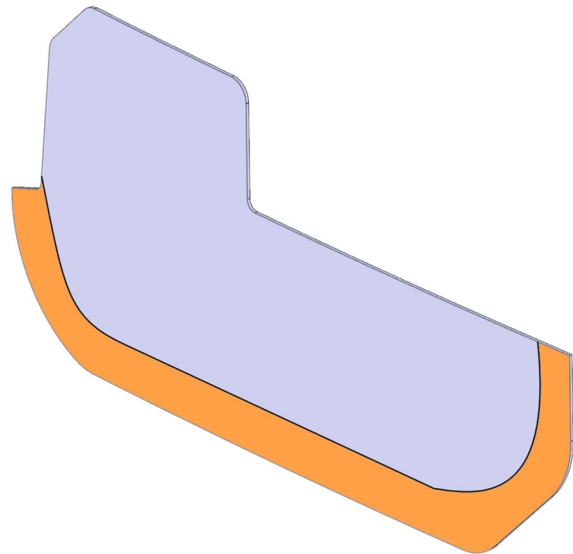
10. Remove the glue on the panel.



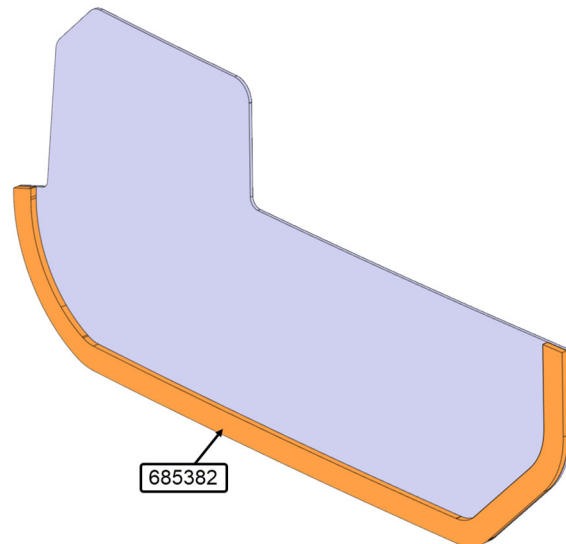
11. Clean the surface of the door with silicone remover 682989.



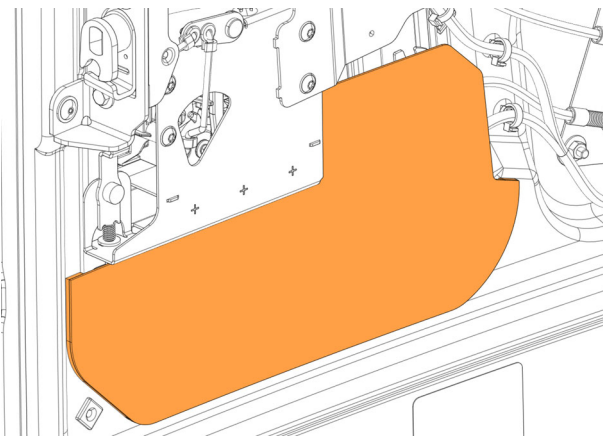
12. Clean the surface of the panel with silicone remover 682989.



13. Apply glue 685382 on the panel.

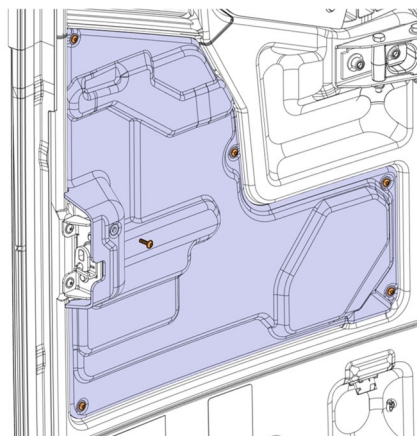


14. Reinstall the panel.

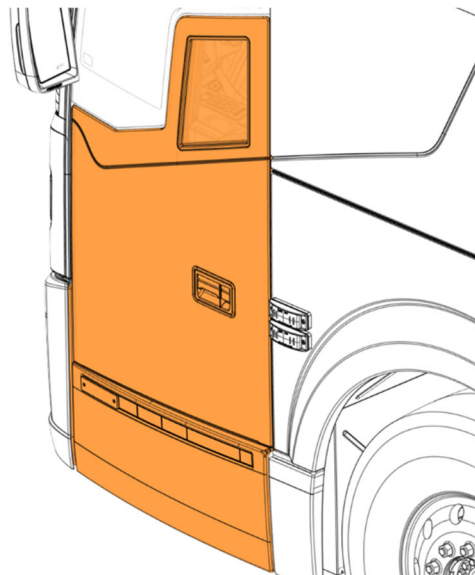


15. Reinstall the panel with the screws (6x).

16. Apply a torque **35 lb-in.**



17. Close front service door.



## PARTS / WASTE DISPOSAL

Discard according to applicable environmental regulations (Municipal/State[Prov.]/ Federal)

Access all our Service Bulletins on <http://techpub.prevostcar.com/en/>  
Or scan the QR-Code with your smart phone

**Are you a Vehicle owner?**  
E-mail us at [technicalpublications\\_prev@volvo.com](mailto:technicalpublications_prev@volvo.com) and type "ADD" in the subject to  
receive warranty bulletins applicable to your vehicle(s) by e-mail.

