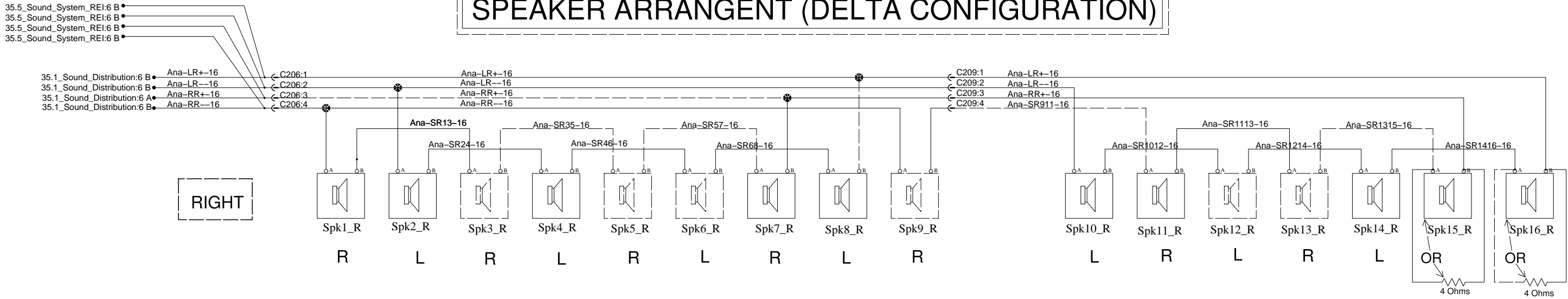


# SPEAKER ARRANGENT (DELTA CONFIGURATION)



RIGHT

R

L

R

L

R

L

R

L

R

L

R

L

R

L

R

L

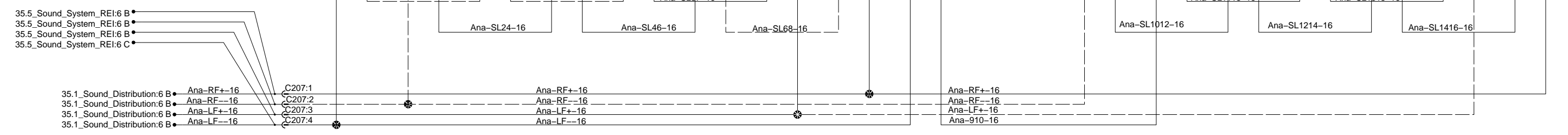
R

L

REAR

THE NUMBER OF SPEAKERS IS ACCORDING TO THE NUMBER OF SEATS.  
SOME 4 OHMS RESISTORS COULD REPLACE SPEAKERS, AND THEY COULD  
BE ANYWHERE IN THE READING LAMP AREA.

FRONT



LEFT

L

R

L

R

L

R

L

R

L

R

L

R

L

R

L

R

R

4 Ohms

OR

Spk16\_L



DRIVER'S SPEAKERS

SUBWOOFER