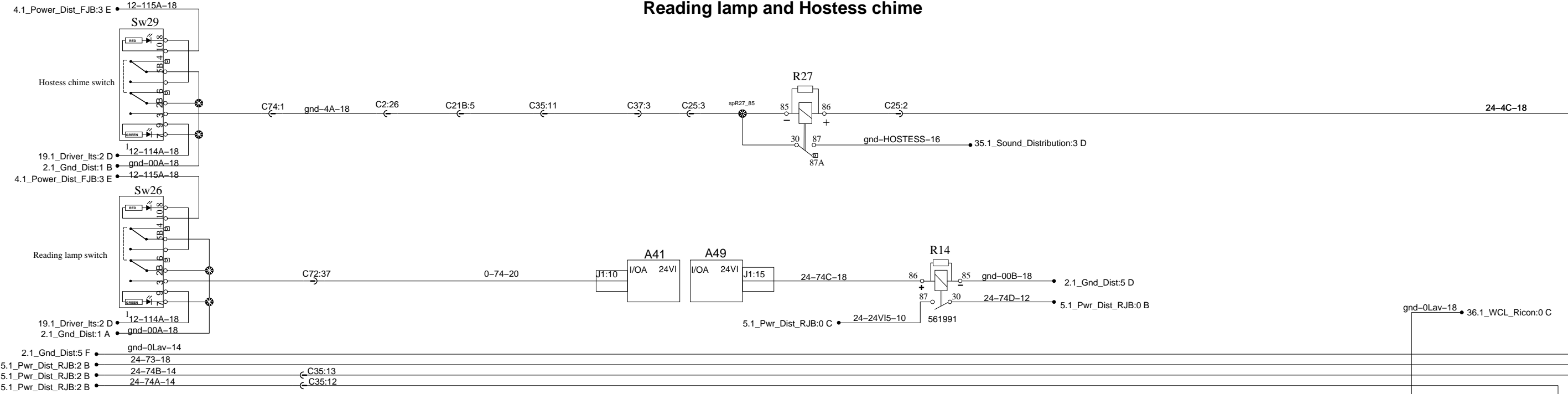
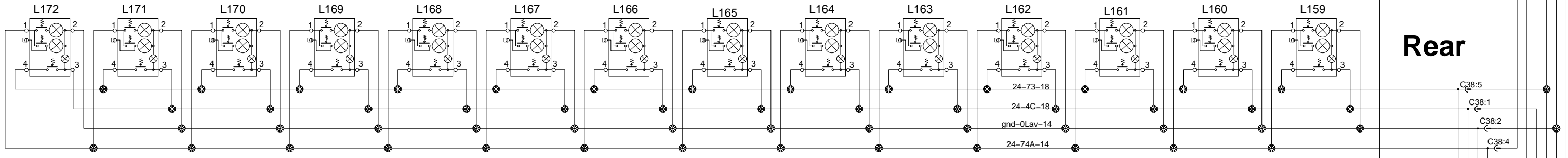


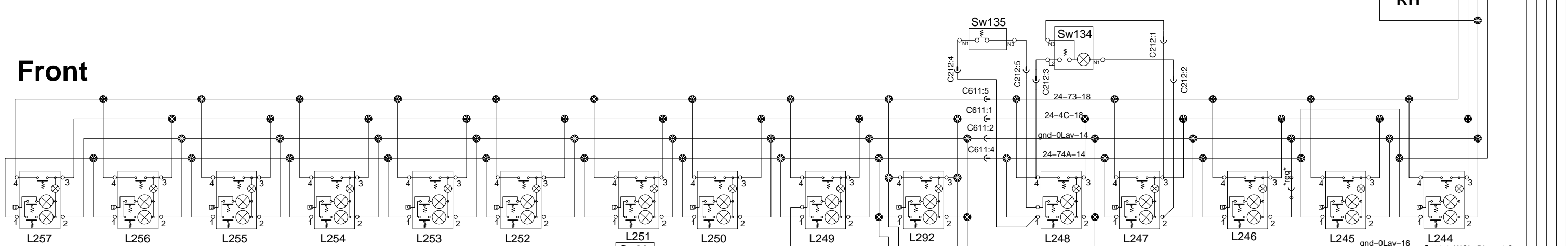
### Reading lamp and Hostess chime



### Reading lamp and Hostess Chime 45' RH



### Reading lamp and Hostess Chime with WCL Ricon RH



### Front Reading lamp and Hostess Chime 45' LH

