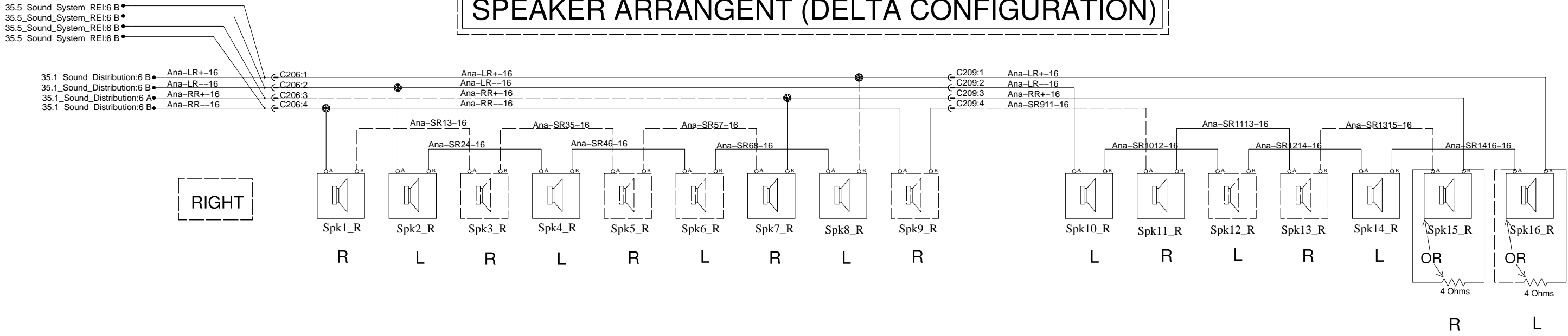


# SPEAKER ARRANGENT (DELTA CONFIGURATION)



THE NUMBER OF SPEAKERS IS ACCORDING TO THE NUMBER OF SEATS.  
 SOME 4 OHMS RESISTORS COULD REPLACE SPEAKERS, AND THEY COULD  
 BE ANYWHERE IN THE READING LAMP AREA.

