

Hvac

Wiring identifiers

- Full A/C only
- Full and Small A/C

3.1_Main_Disti_Ign_Batt:Term66

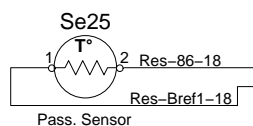
3.1_Main_Disti_Ign_Batt:Term65

5.1_Pwr_Dist_RJB:C15:3

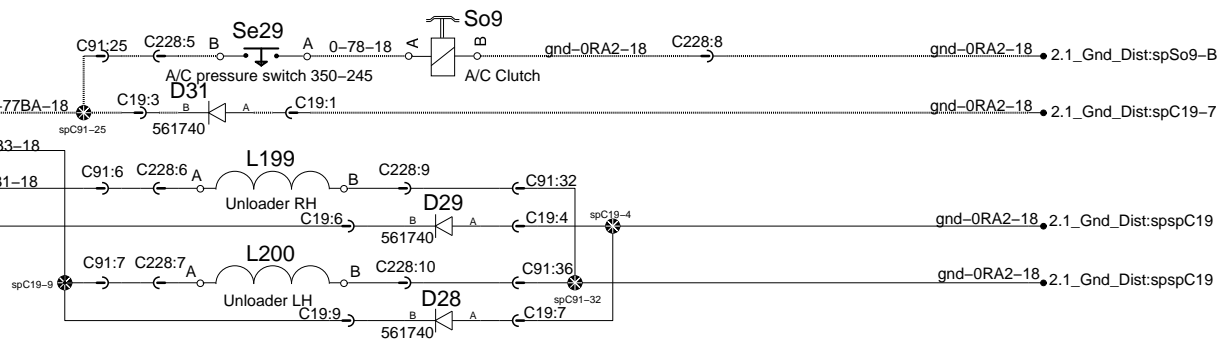
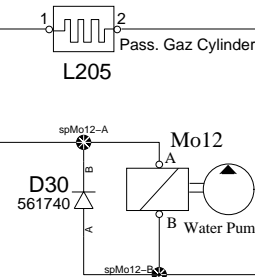
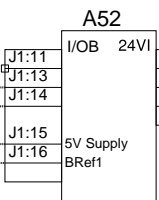
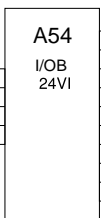
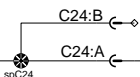
3.1_Main_Disti_Ign_Batt:Term85

Se23
5v
gnd
out
Pressure transducer Hi-Side

Se24
5v
gnd
out
Pressure transducer Low-Side



Keep C24 Unplugged
Connect only for Freon Fill up



Condensor fan RH

Motor

Mo7

Condensor fan LH

Motor

Mo8

gnd-0EV2-14

2.1_Gnd_Dist:Term57

Mo9

TermMo9

Evaporator Fan

gnd-0A-2

2.1_Gnd_Dist:Term59