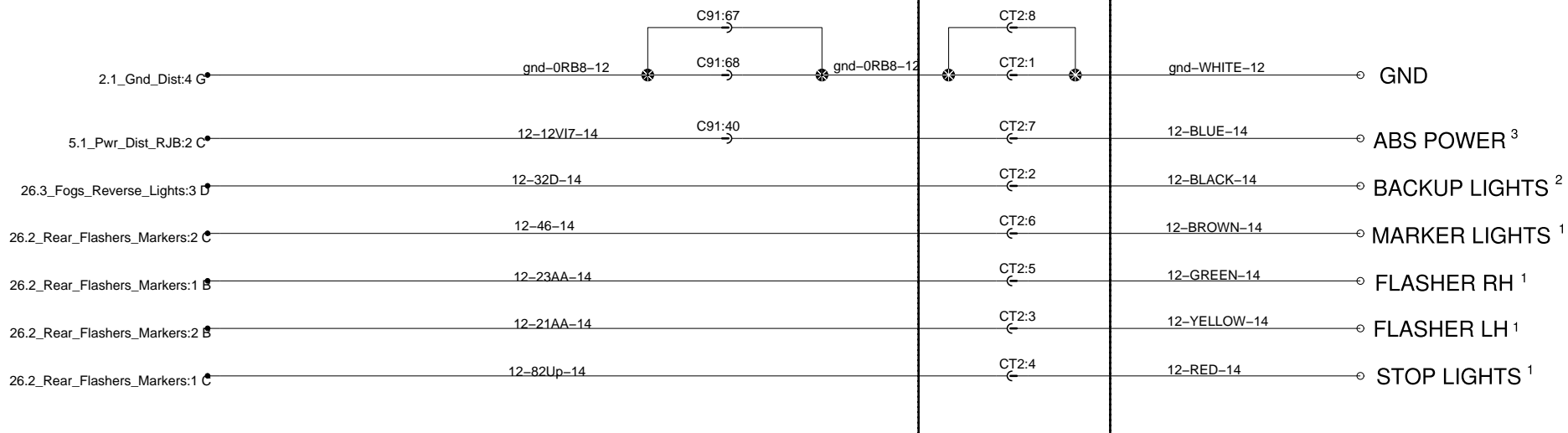
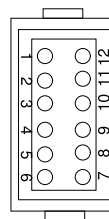


Trailer Package

ENGINE COMPARTMENT CONNECTOR CT2



CT2



BACK OF CONNECTOR
PREVOST PART 563613
PIN TERMINALS 562481
SECONDARY LOCK 563654

NOTE 1:MAXIMUM CURRENT LOAD IS 8A .
NOTE 2 :MAXIMUM CURRENT LOAD IS 4A .
NOTE 3 :MAXIMUM CURRENT LOAD IS 10A .