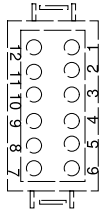


CC1 (BLACK)

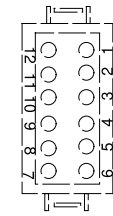


BACK OF CONNECTOR
PREVOST PART 563227
SOCKET TERMINALS 562482
SECONDARY LOCK 563228

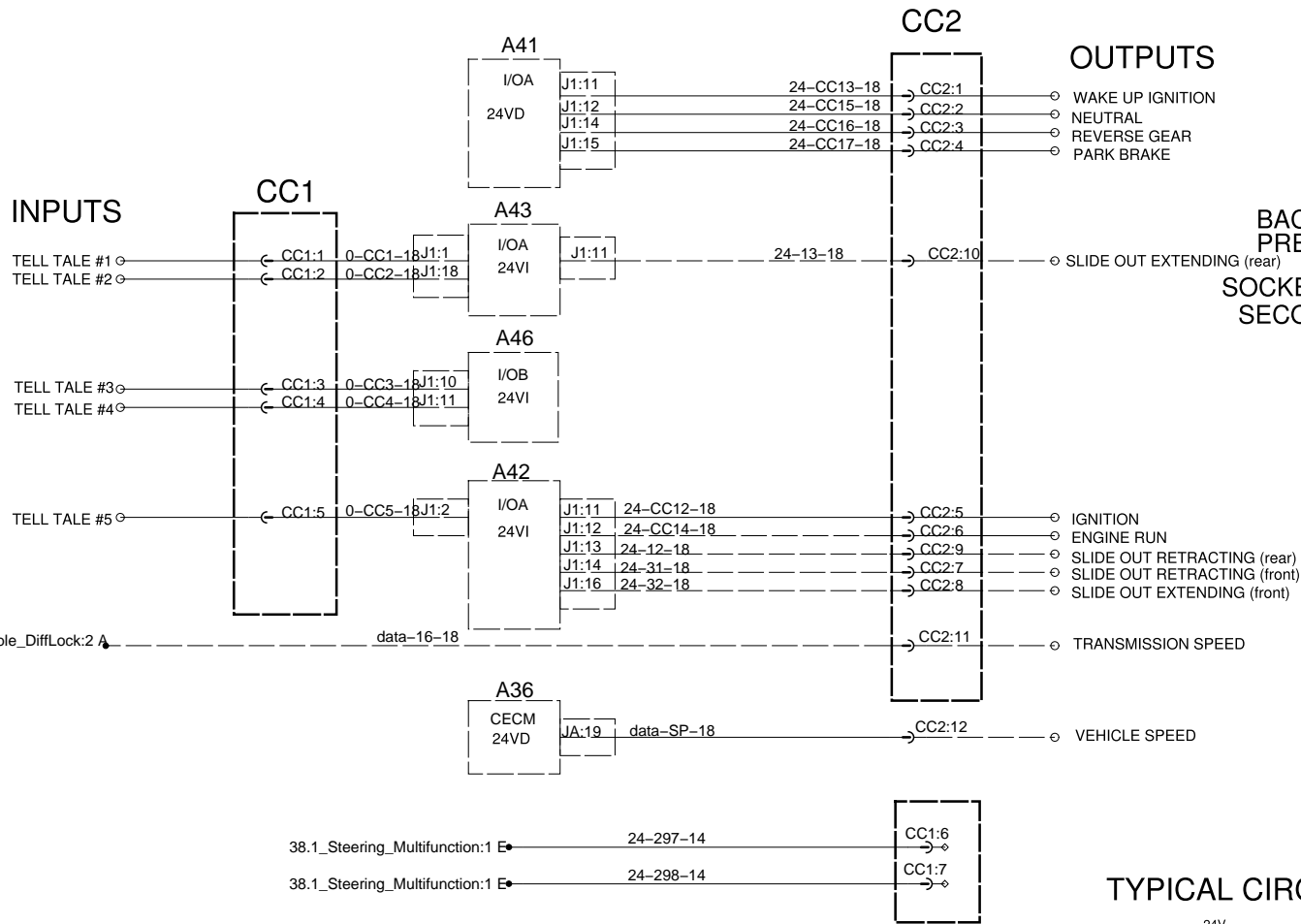
Converter interface

Front junction box

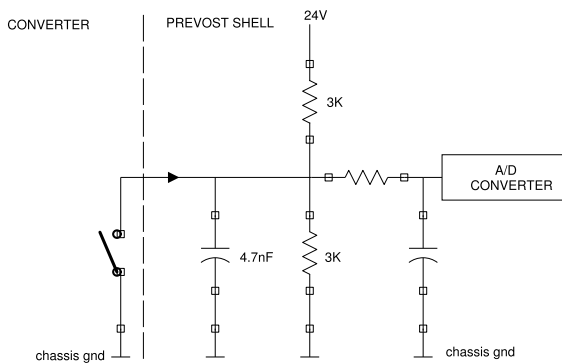
CC2 (GREY)



BACK OF CONNECTOR
PREVOST PART 563226
SOCKET TERMINALS 562482
SECONDARY LOCK 563228



TYPICAL CIRCUIT



INPUT SPECIFICATION

Active state (input contact closed):

Sourcing current : 8mA
Maximum allowed voltage drop across contact: 3V

Inactive state(input contact open):

Voltage on input:12V
Maximum allowed leakage current across contact: 3ma

OUTPUT SPECIFICATION

Active state

Maximum current: 1A
Minimum output voltage: 22.5V

Inactive state

Open circuit voltage: 8V
Leakage current: 0.8mA

TYPICAL CIRCUIT

