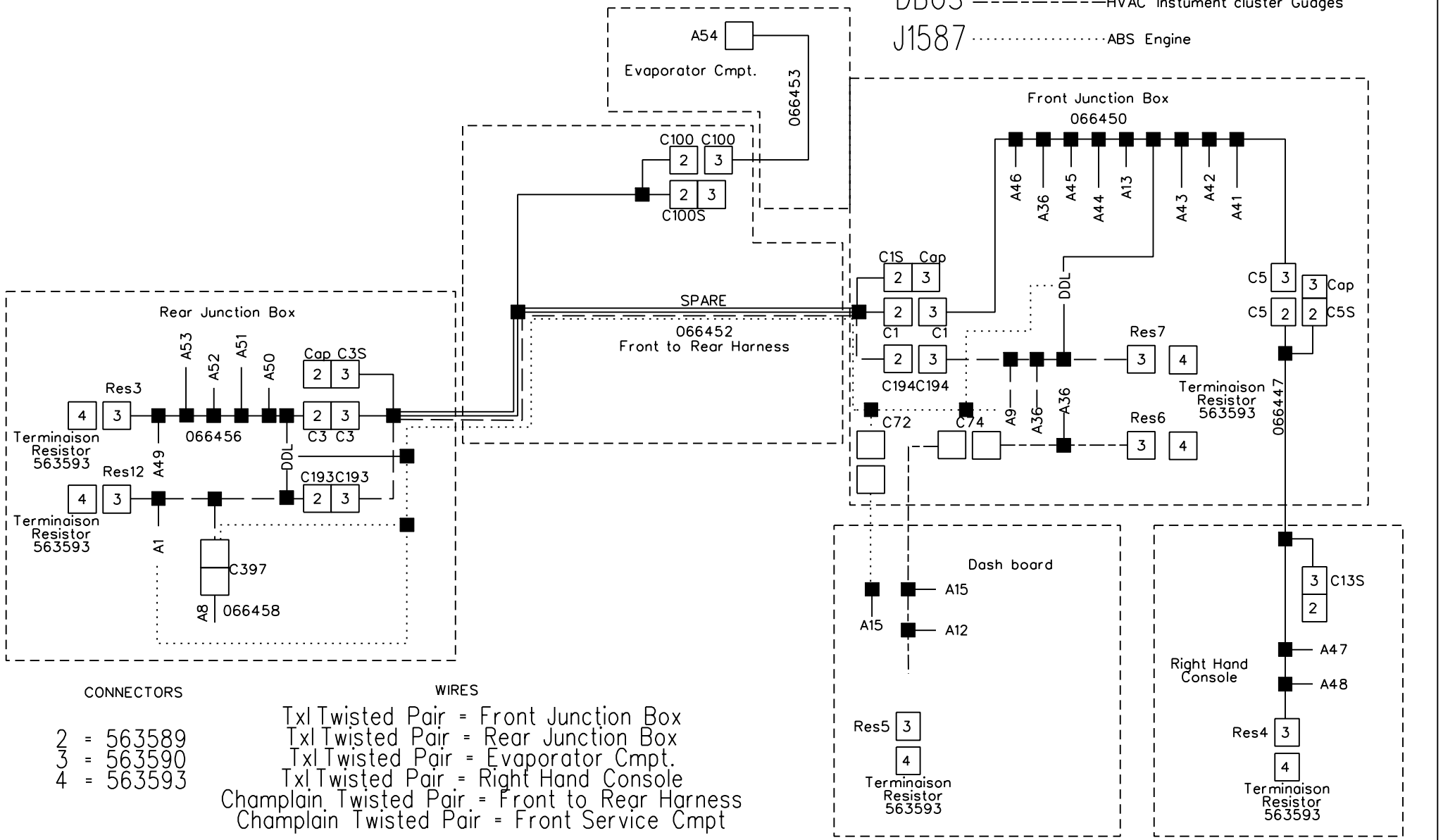


NETWORKS LAYOUT

CAN ————— I/O Modules
 J1939 - - - - - Engine Transmission
 DBUS - - - - - HVAC Instrument cluster Guages
 J1587 ABS Engine



CONNECTORS

- 2 = 563589
- 3 = 563590
- 4 = 563593

WIRES

- Txl Twisted Pair = Front Junction Box
- Txl Twisted Pair = Rear Junction Box
- Txl Twisted Pair = Evaporator Cmp.
- Txl Twisted Pair = Right Hand Console
- Champlain Twisted Pair = Front to Rear Harness
- Champlain Twisted Pair = Front Service Cmp.