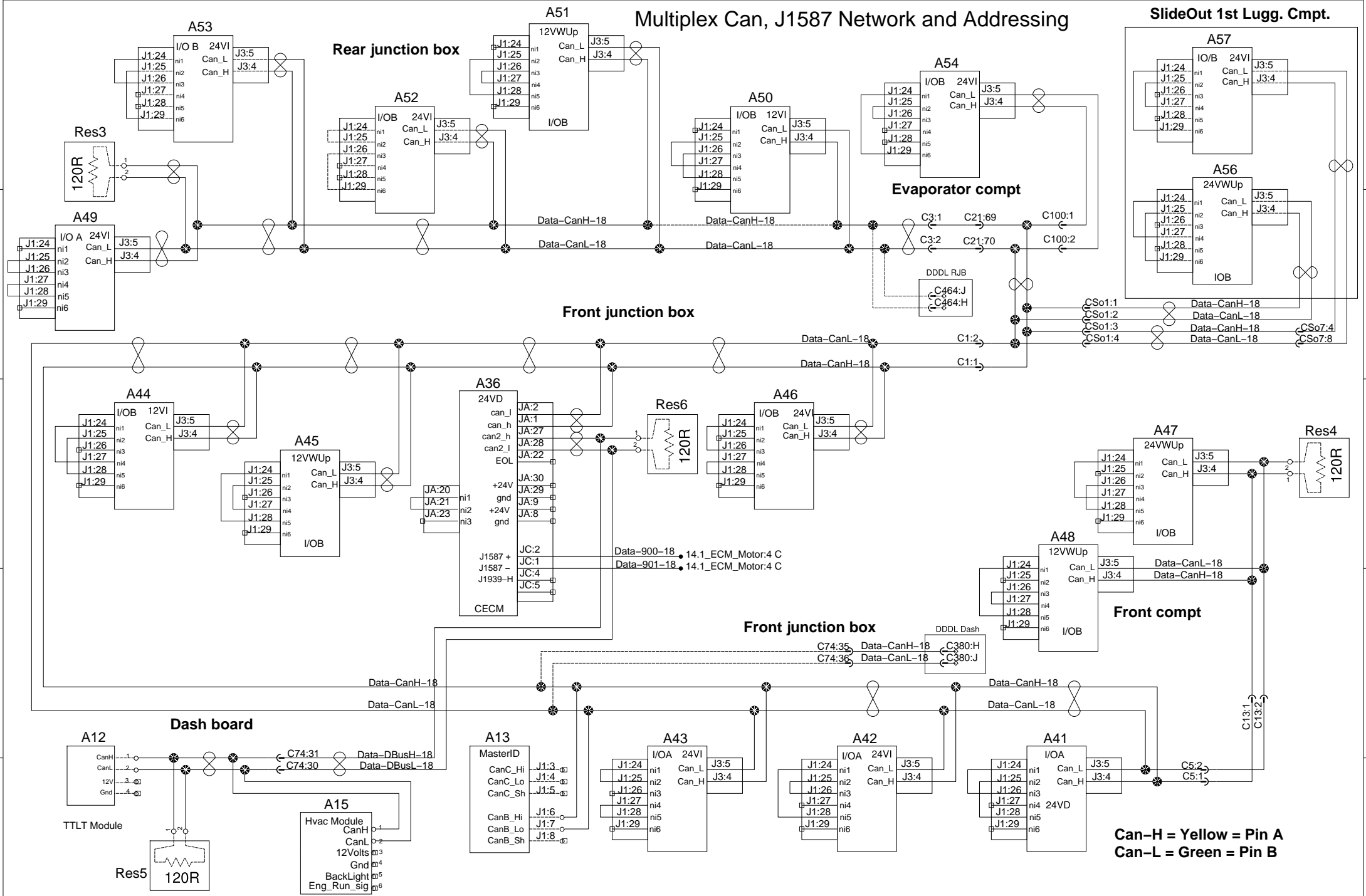


Multiplex Can, J1587 Network and Addressing



Can-H = Yellow = Pin A
 Can-L = Green = Pin B