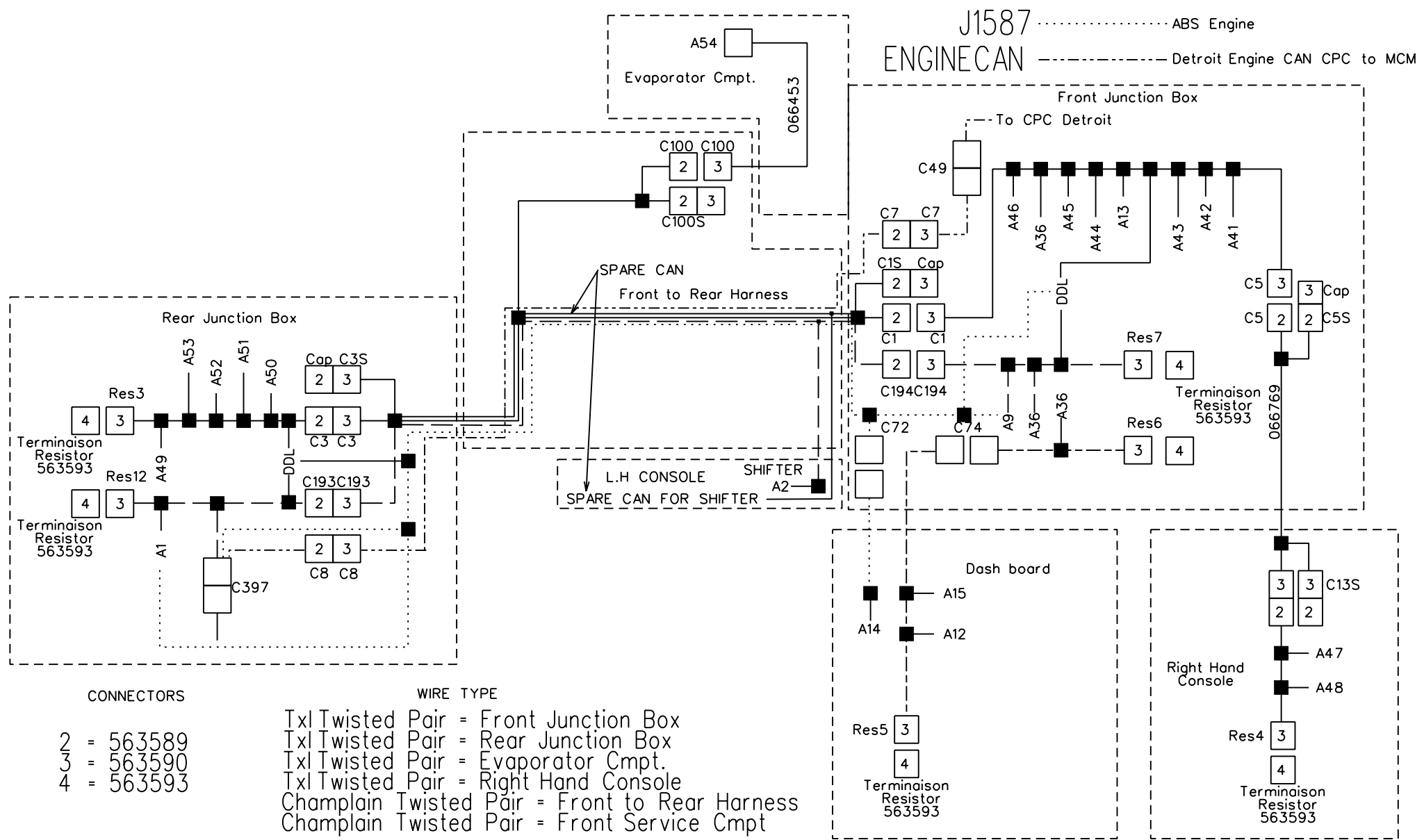


NETWORKS LAYOUT

- CAN ————— I/O Modules
- J1939 - - - - - Engine Transmission
- DBUS - - - - - HVAC Instrument cluster Guages
- J1587 ABS Engine
- ENGINE CAN - - - - - Detroit Engine CAN CPC to MCM



CONNECTORS

- 2 = 563589
- 3 = 563590
- 4 = 563593

WIRE TYPE

- Txl Twisted Pair = Front Junction Box
- Txl Twisted Pair = Rear Junction Box
- Txl Twisted Pair = Evaporator Cmpmt.
- Txl Twisted Pair = Right Hand Console
- Champlain Twisted Pair = Front to Rear Harness
- Champlain Twisted Pair = Front Service Cmpmt