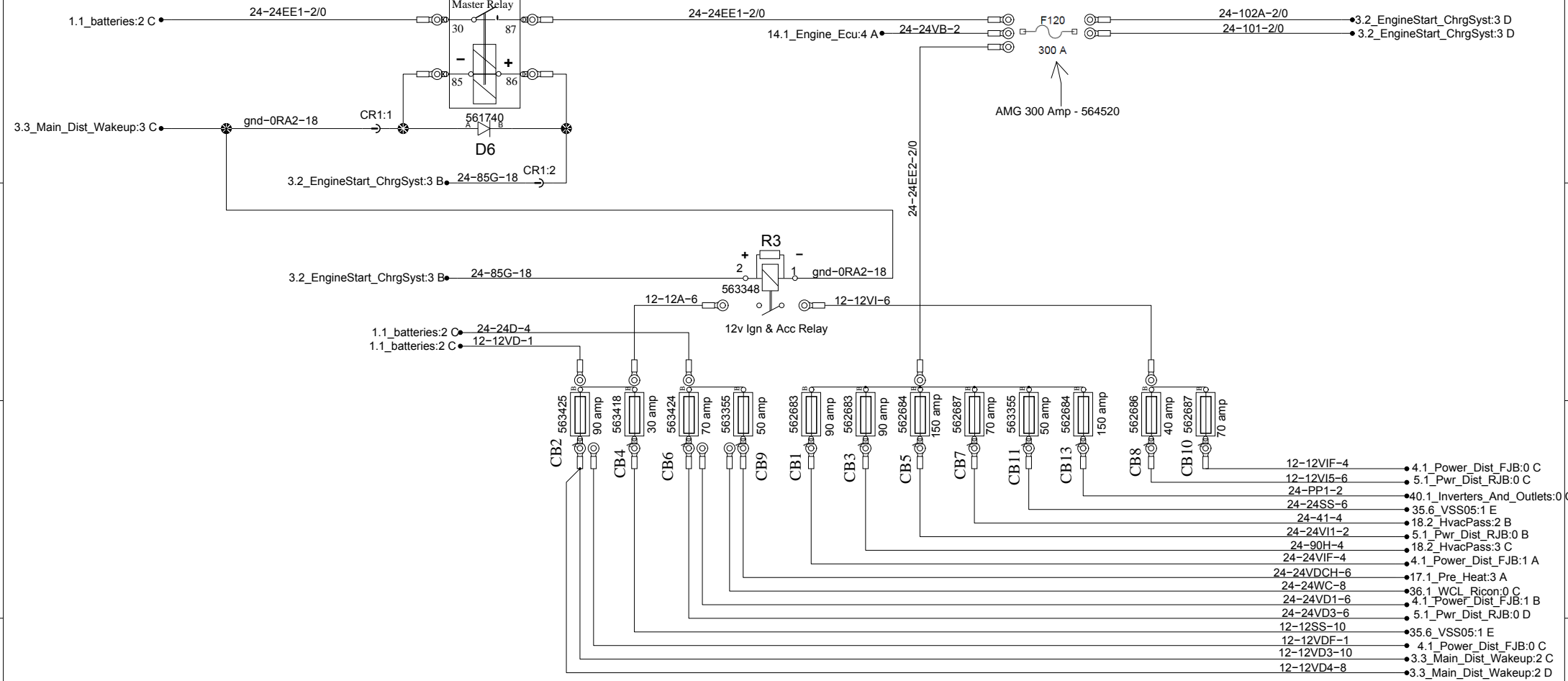


# MAIN DISTRIBUTION Batteries & Ignition



# Electronic Gnd

