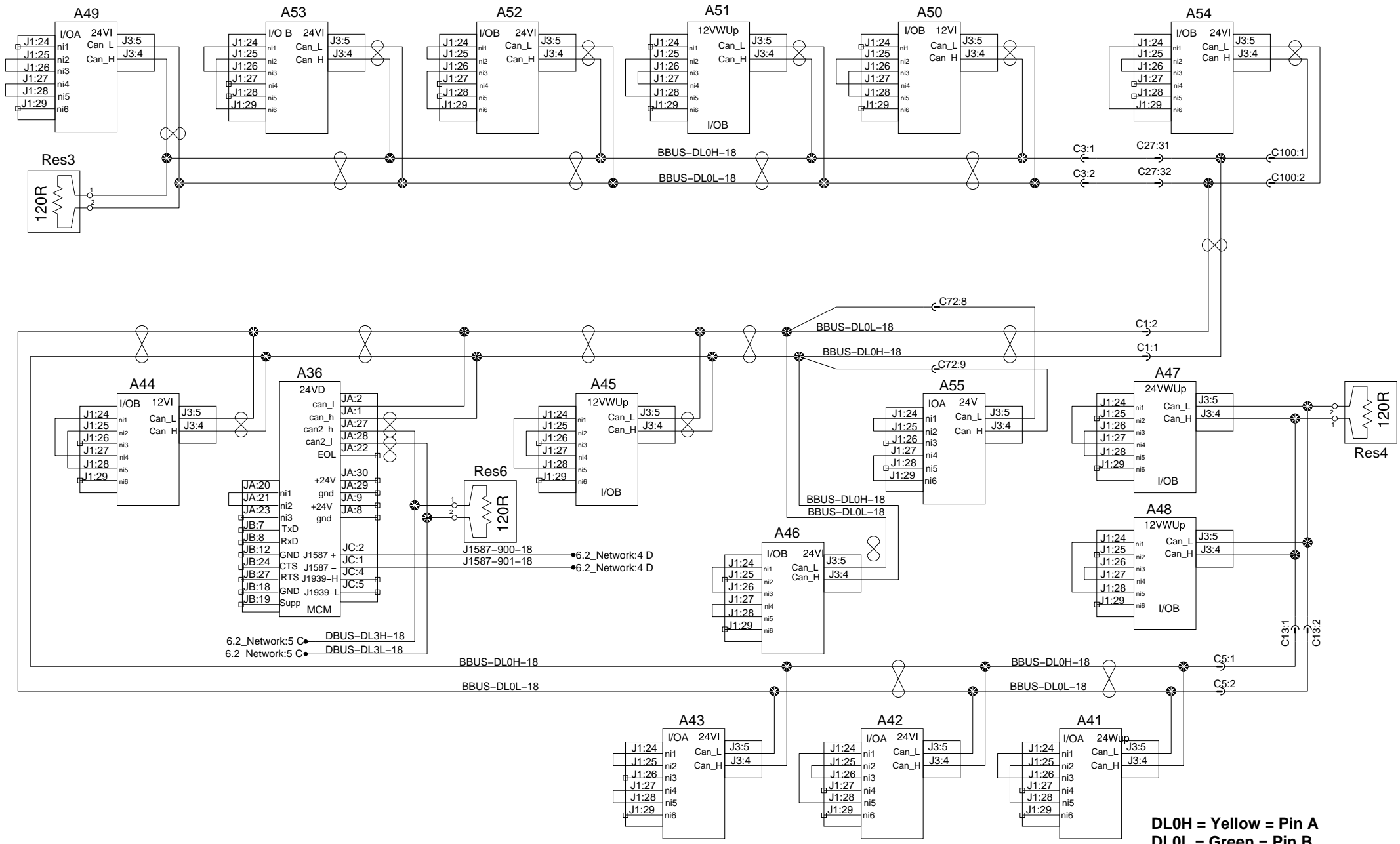


Multiplex Can, J1587 Network and Addressing



DL0H = Yellow = Pin A
DL0L = Green = Pin B