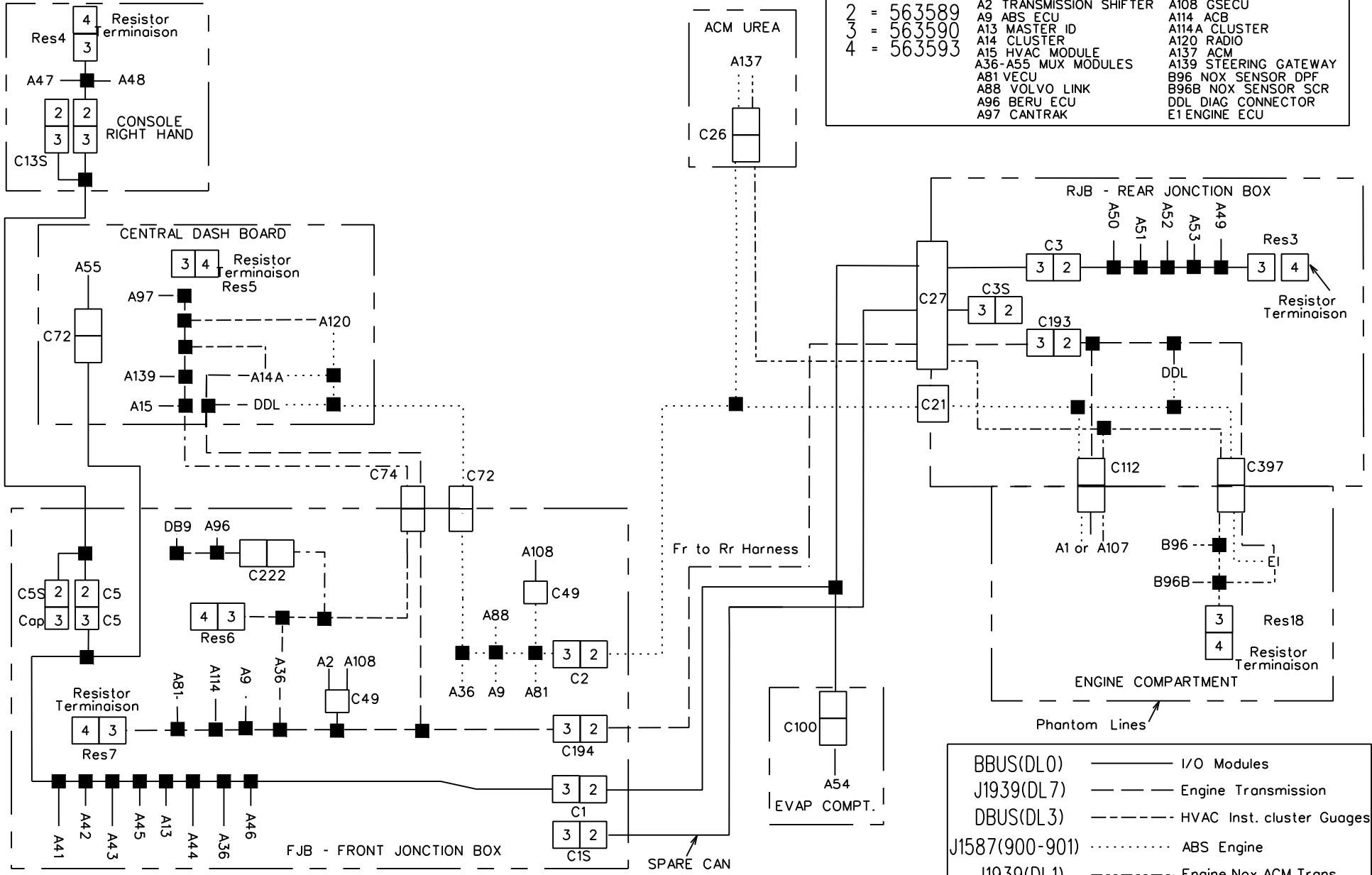


NETWORKS LAYOUT SCHEMATIC

CONNECTORS		LEGEND			
2	= 563589	A1	ALLISON TRANS ECU	A107	TECU
3	= 563590	A2	TRANSMISSION SHIFTER	A108	GSECU
4	= 563593	A9	ABS ECU	A114	ACB
		A13	MASTER ID	A114A	CLUSTER
		A14	CLUSTER	A120	RADIO
		A15	HVAC MODULE	A137	ACM
		A36-A55	MUX MODULES	A139	STEERING GATEWAY
		A81	VECU	B96	NOX SENSOR DPF
		A88	VOLVO LINK	B96B	NOX SENSOR SCR
		A96	BERU ECU	DDL	DIAG CONNECTOR
		A97	CANTRAK	E1	ENGINE ECU



BBUS(DL0)	—————	I/O Modules
J1939(DL7)	- - - - -	Engine Transmission
DBUS(DL3)	- - - - -	HVAC Inst. cluster Guages
J1587(900-901)	ABS Engine
J1939(DL1)	- - - - -	Engine, Nox, ACM, Trans

FRONT

REAR