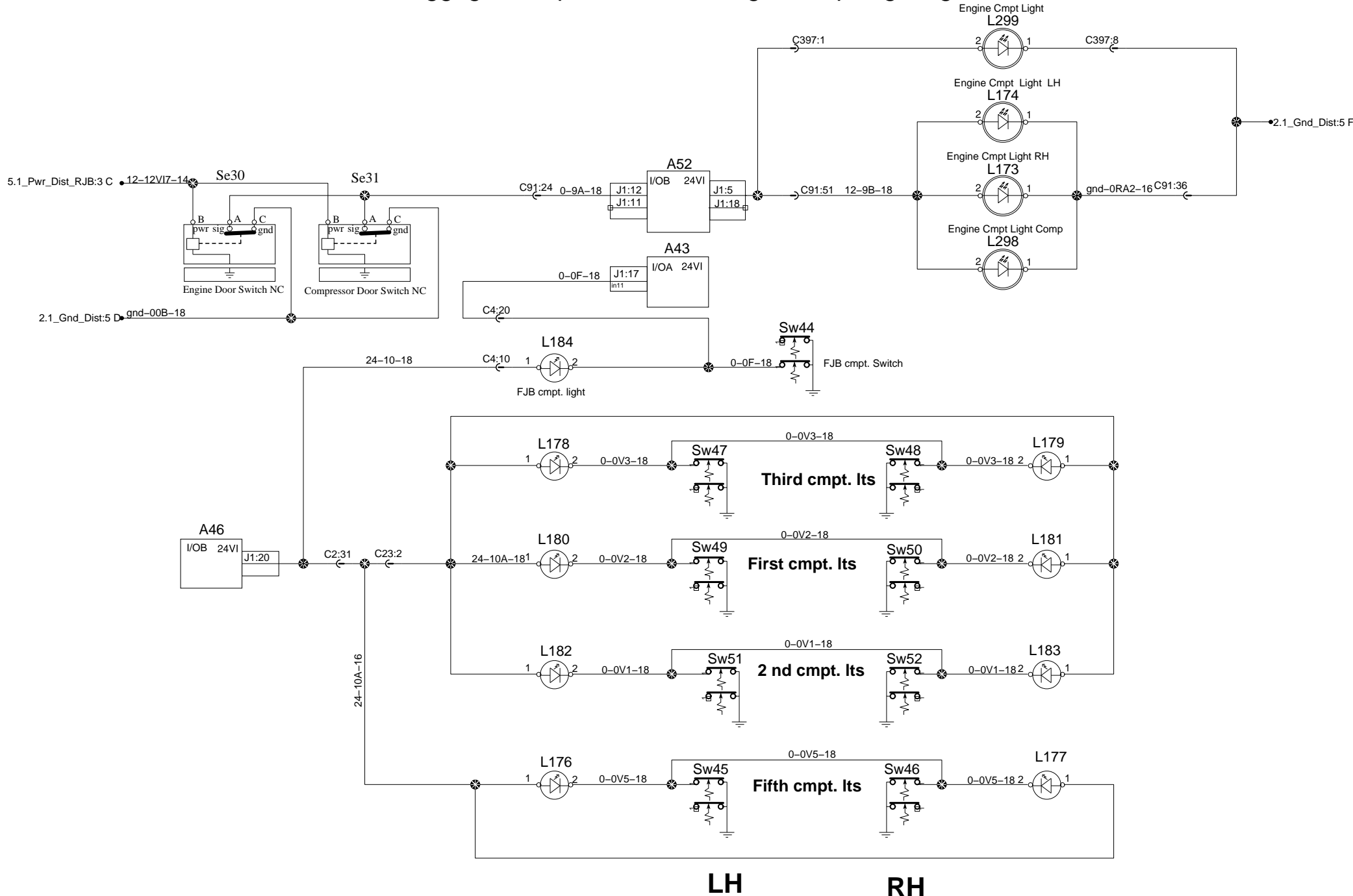


# Luggage Compartment and Engine cmpt. lighting



LH RH