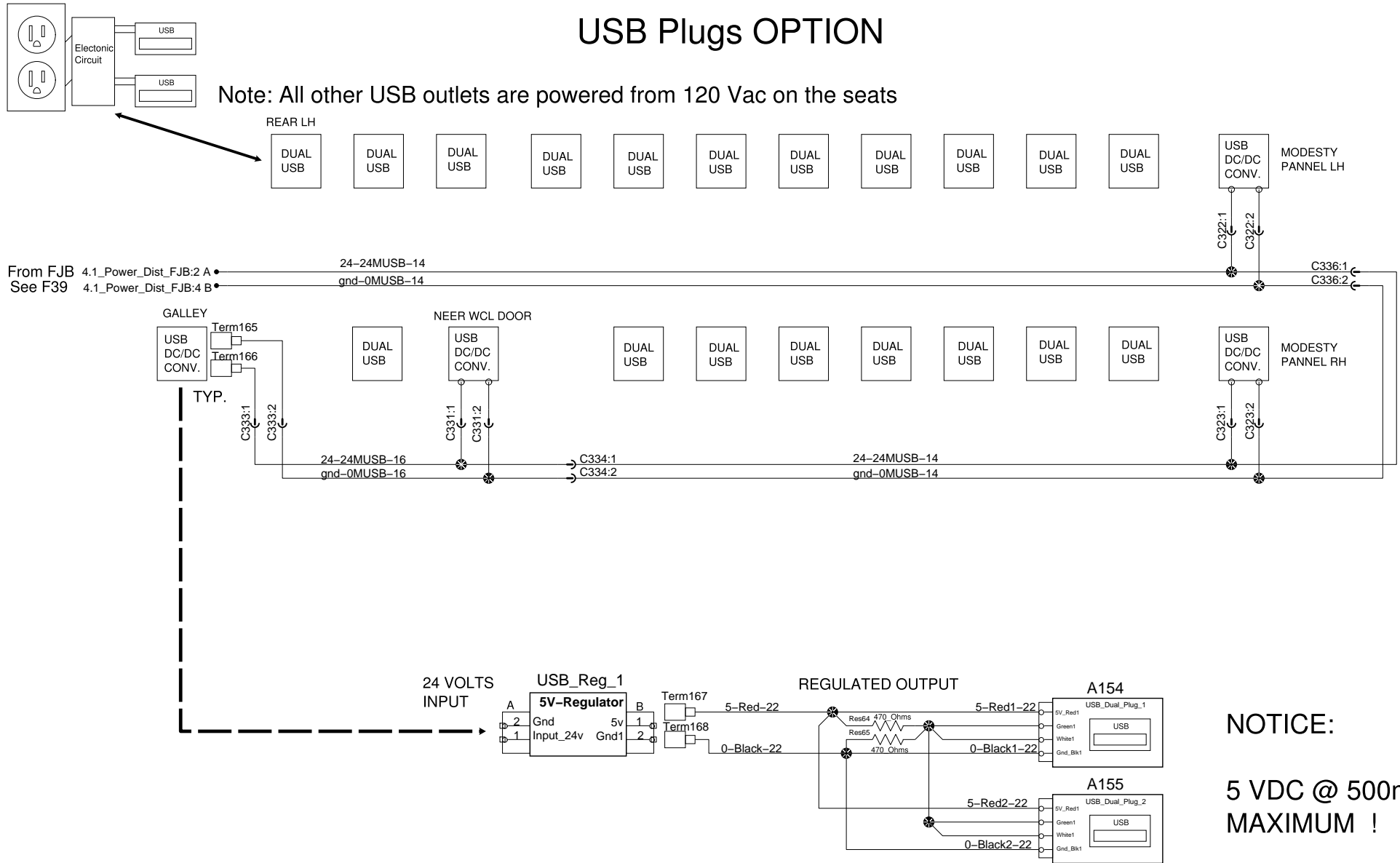


# USB Plugs OPTION

Note: All other USB outlets are powered from 120 Vac on the seats



NOTICE:

5 VDC @ 500mA  
MAXIMUM !