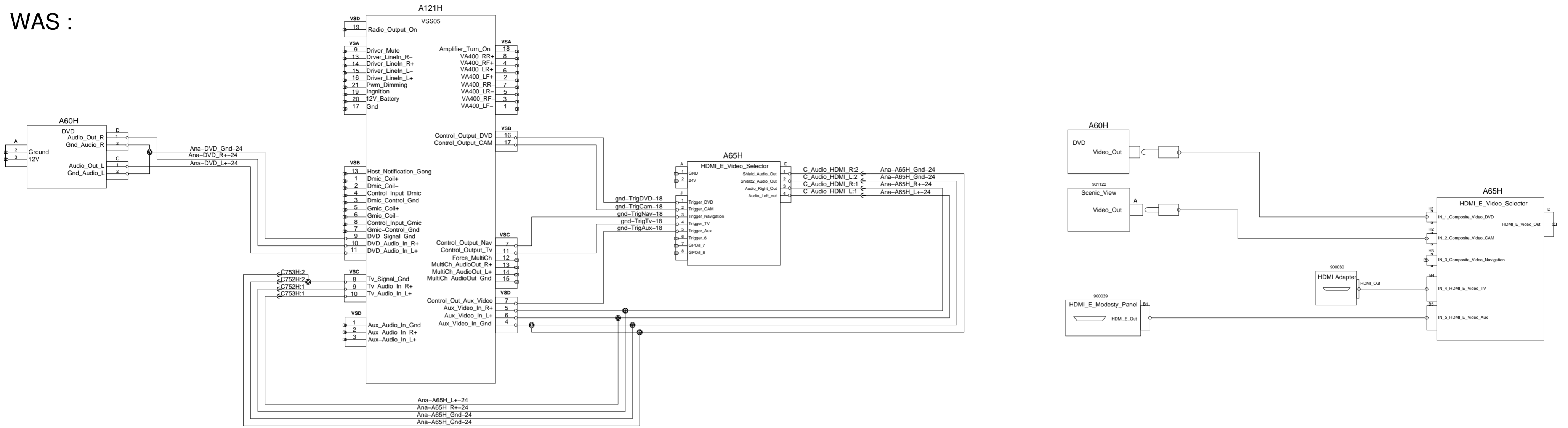
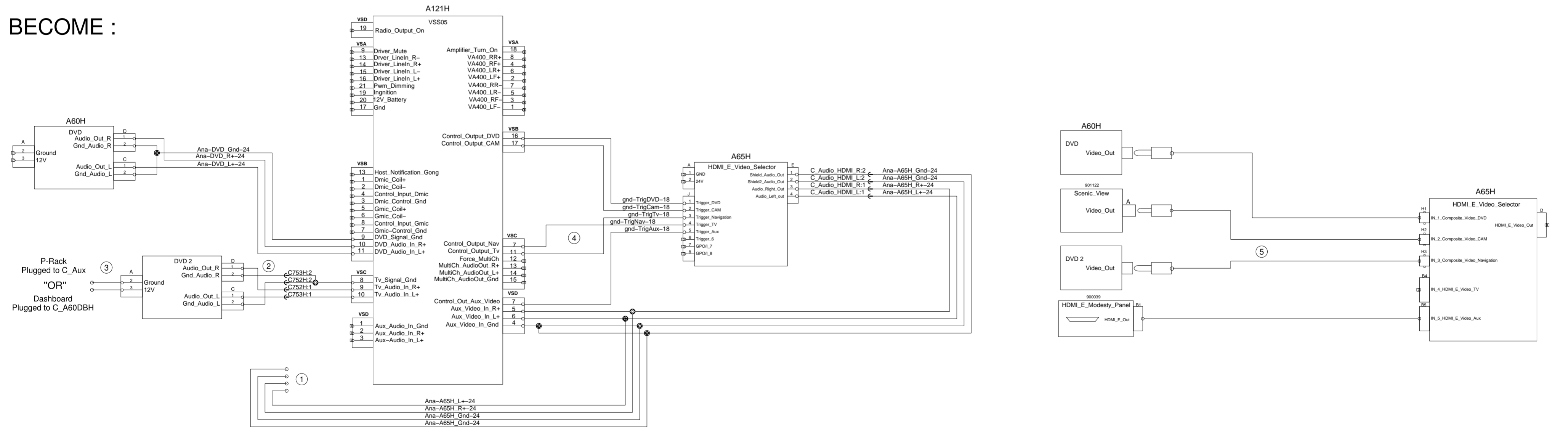


Replace HDMI TV by Composite TV. Triggered by TV button on VSS (SPECIAL REQUEST).

WAS :



BECOME :



Sound system harness modification :

- ① Unplug Male RCA connector (C752 & C753) and CAP with 507661
- ② Plug the DVD2 Composite Audio signal on RCA connector (C752 & C753)
- ③ Plug 12V Power supply
- ④ On the video selector (A65H), invert Pin J3 with J4.
- ⑤ Plug the DVD2 Composite Video signal on the Video selector (A65H, input H3).