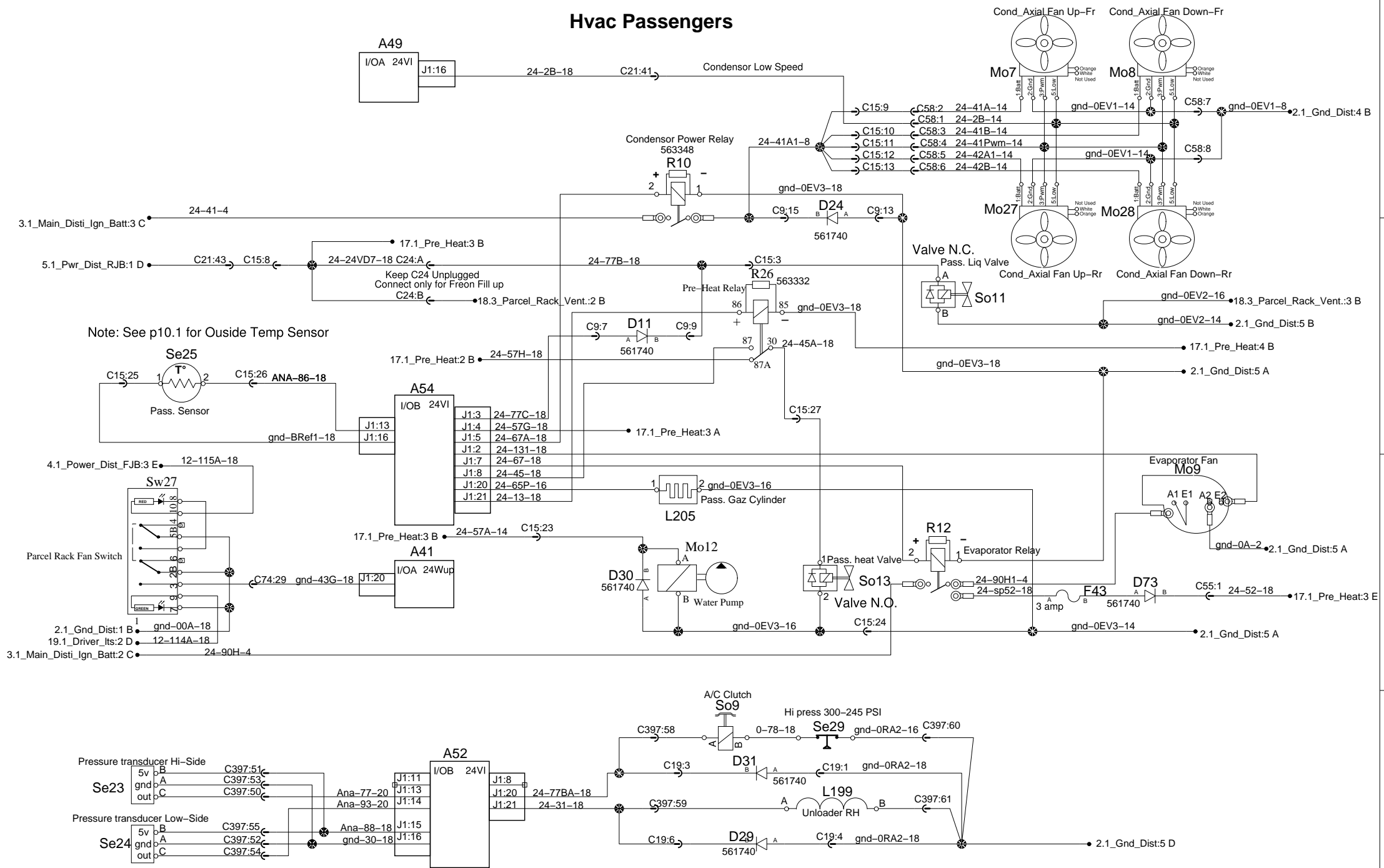


# Hvac Passengers



Note: See p10.1 for Outside Temp Sensor

Keep C24 Unplugged  
Connect only for Freon Fill up  
C24:A  
C24:B

- 2.1\_Gnd\_Dist:1 B gnd-00A-18
- 19.1\_Driver\_lts:2 D 12-114A-18
- 3.1\_Main\_Disti\_Ign\_Batt:2 C 24-90H-4