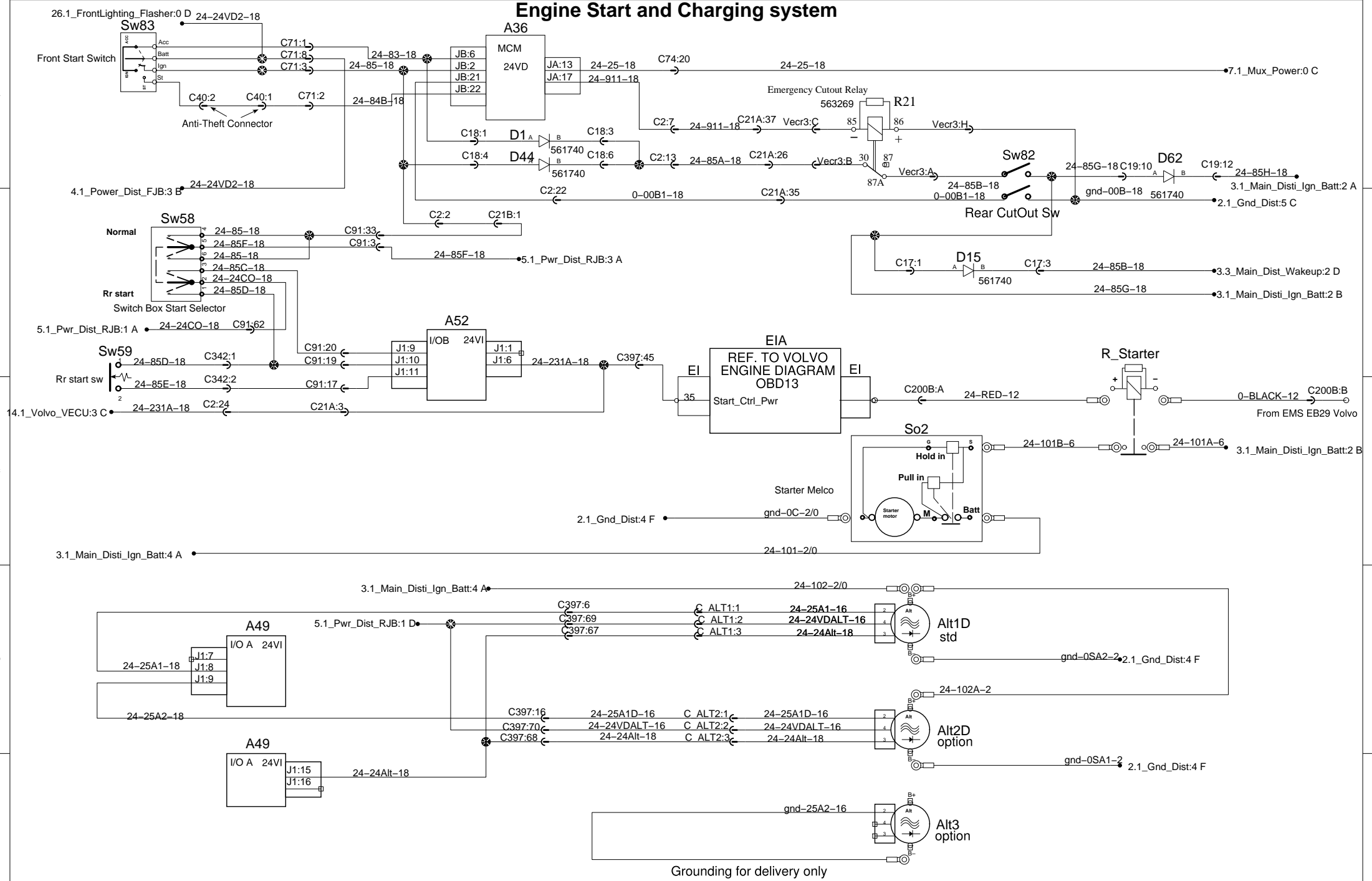


Engine Start and Charging system



Grounding for delivery only