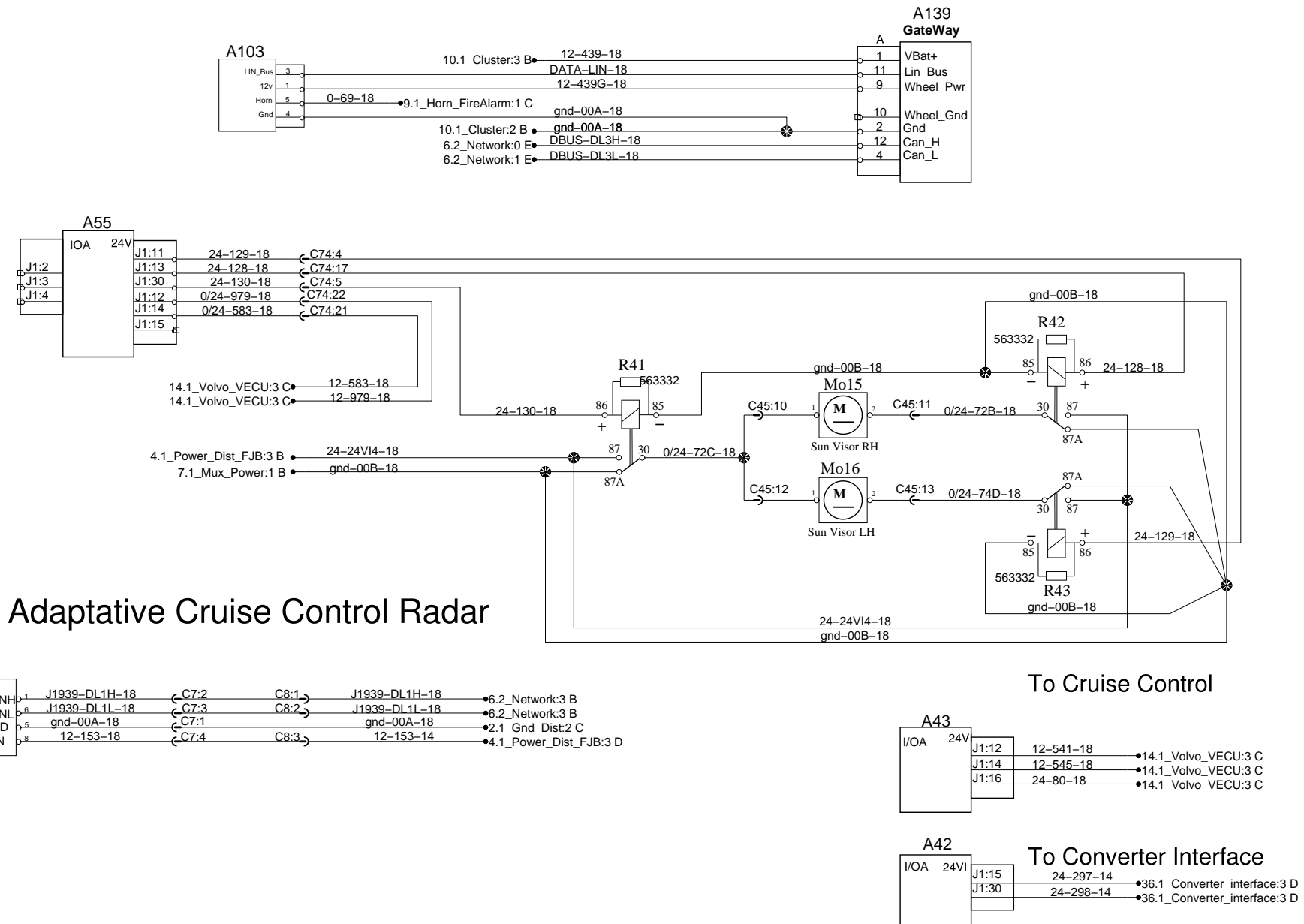


# Steering Multifunctions & Sun Visor



## Adaptative Cruise Control Radar

To Cruise Control

To Converter Interface