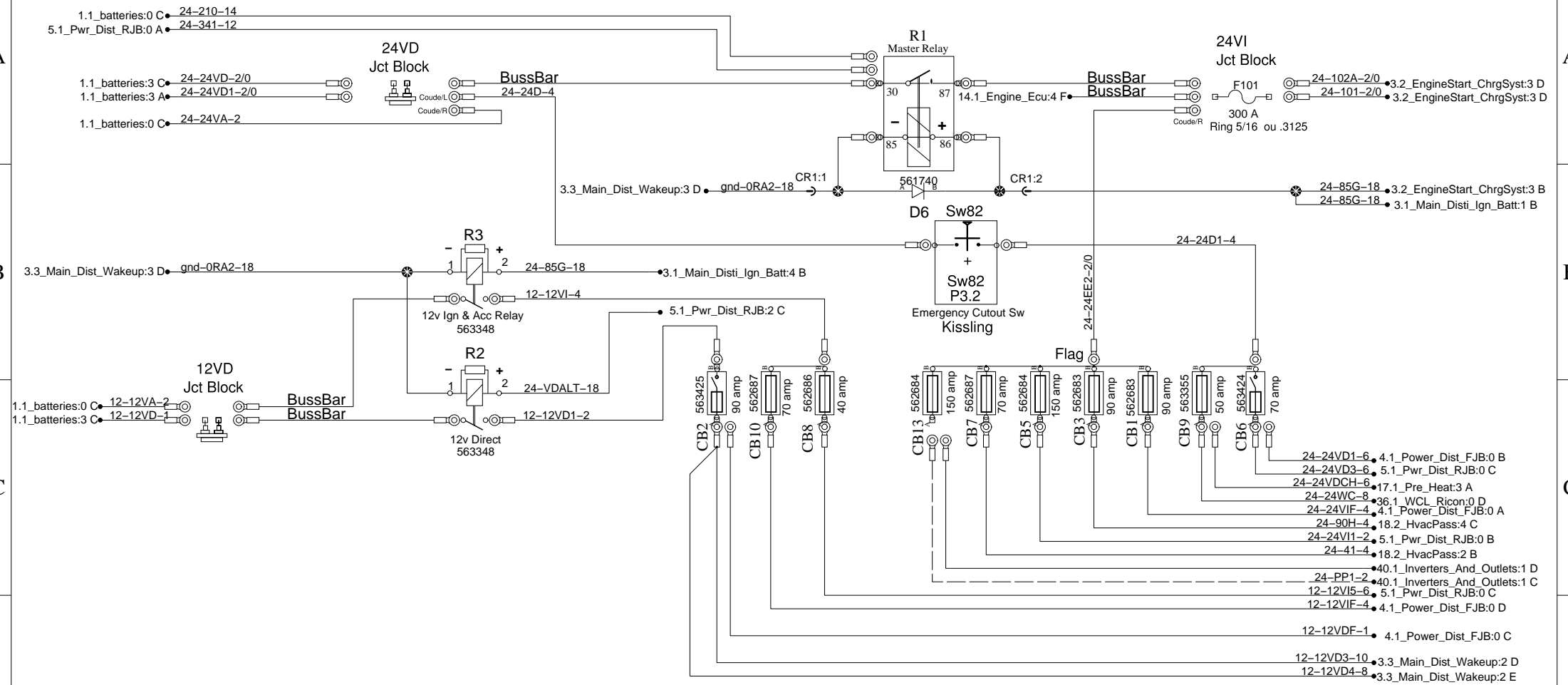


MAIN DISTRIBUTION, BATTERIES & IGNITION



ELECTRONIC GROUND

