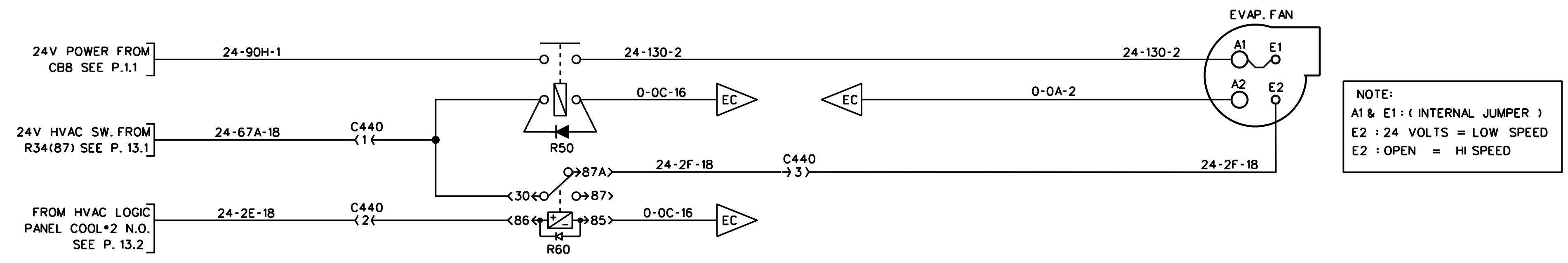


CONDENSER FAN (2 SPEED)



NOTE:
 A1 & E1 : (INTERNAL JUMPER)
 E2 : 24 VOLTS = LOW SPEED
 E2 : OPEN = HI SPEED

EVAPORATOR FAN (2 SPEED)