

[FROM DASH LTS RHEOSTAT SEE P 11.2

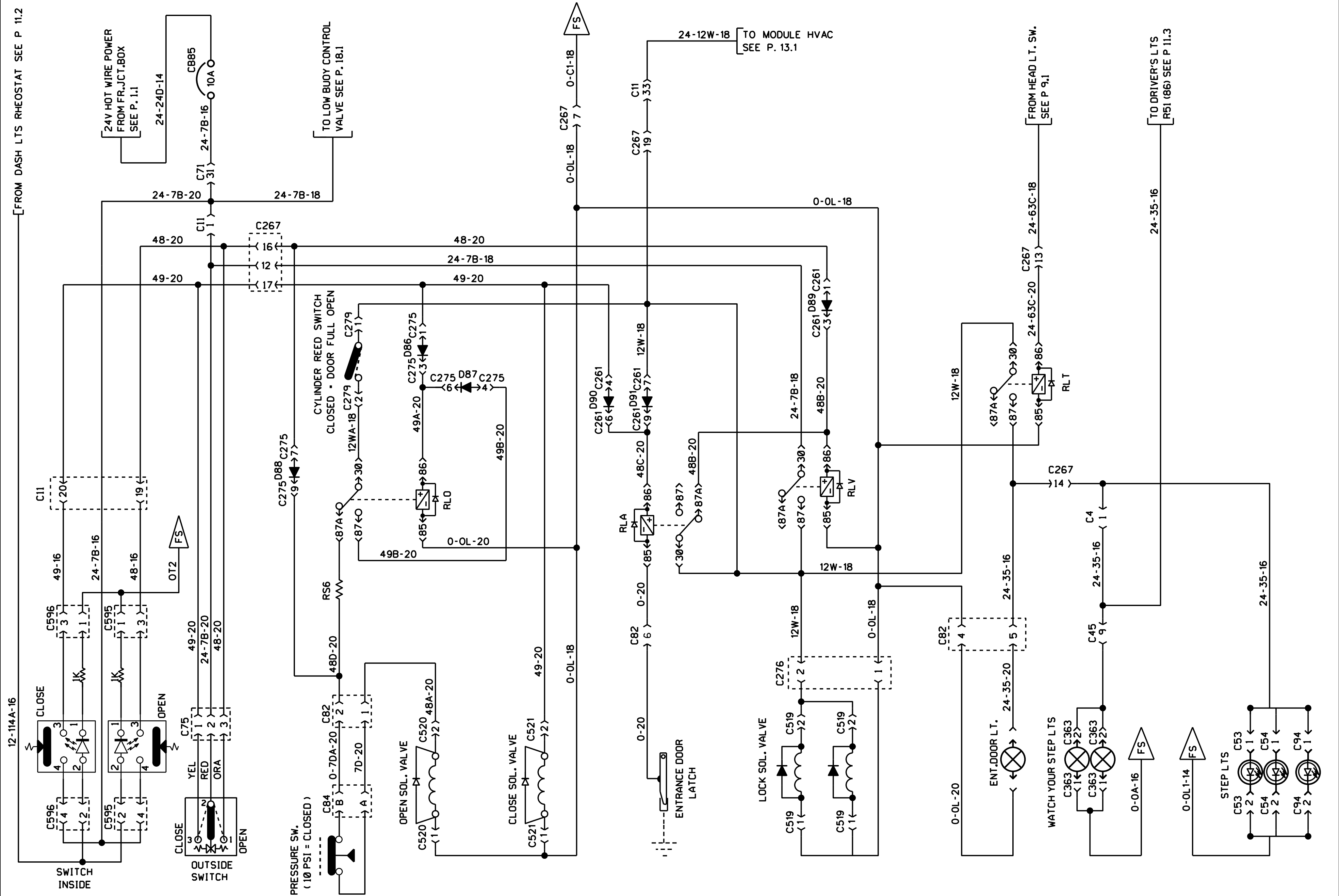
[24V HOT WIRE POWER FROM FR. JCT. BOX SEE P. 1.1

[TO LOW BUOY CONTROL VALVE SEE P. 18.1

[TO MODULE HVAC SEE P. 13.1

[FROM HEAD L.T. SW. SEE P 9.1

[TO DRIVER'S LTS R51 (86) SEE P 11.3



ENTRANCE DOOR (SEDAN)