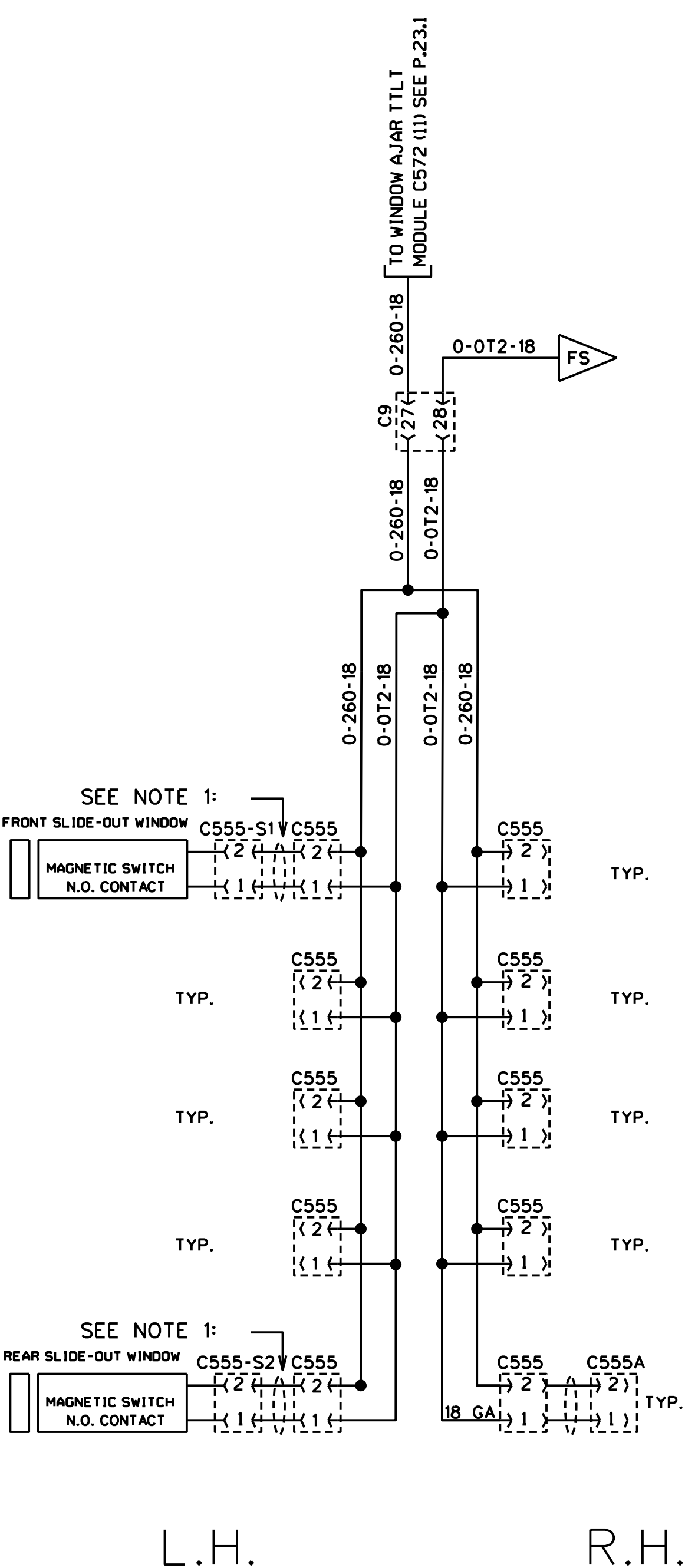
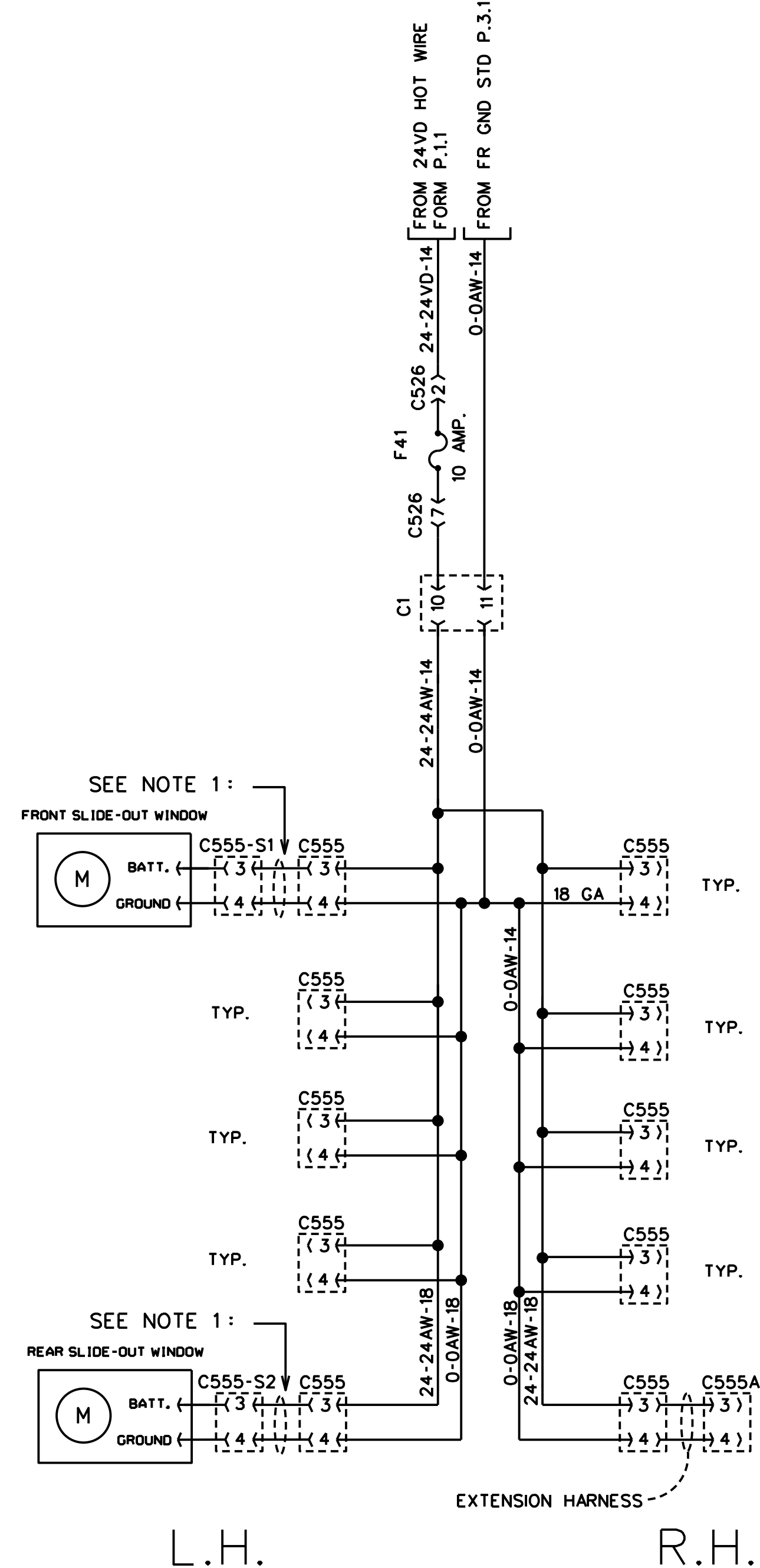


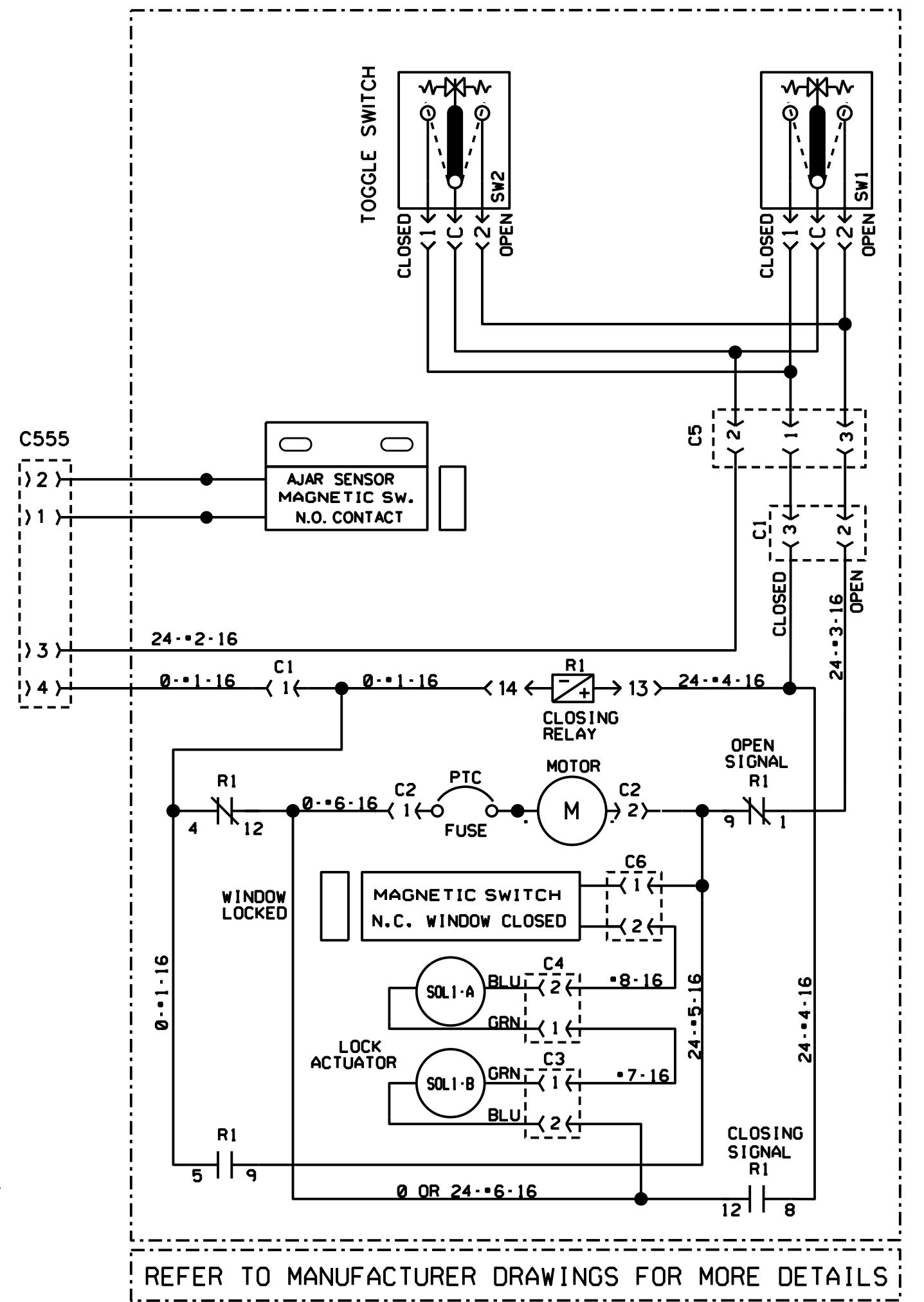
NOTE 1: SLIDE OUT WINDOW IS TEMPORARY CONNECTED AND HAS TO BE MODIFIED BY CONVERTER



L.H. WINDOW AJAR SENSING | R.H.



L.H. AWNING MECANISM | R.H.



REFER TO MANUFACTURER DRAWINGS FOR MORE DETAILS

INTERNAL SCHEMATIC