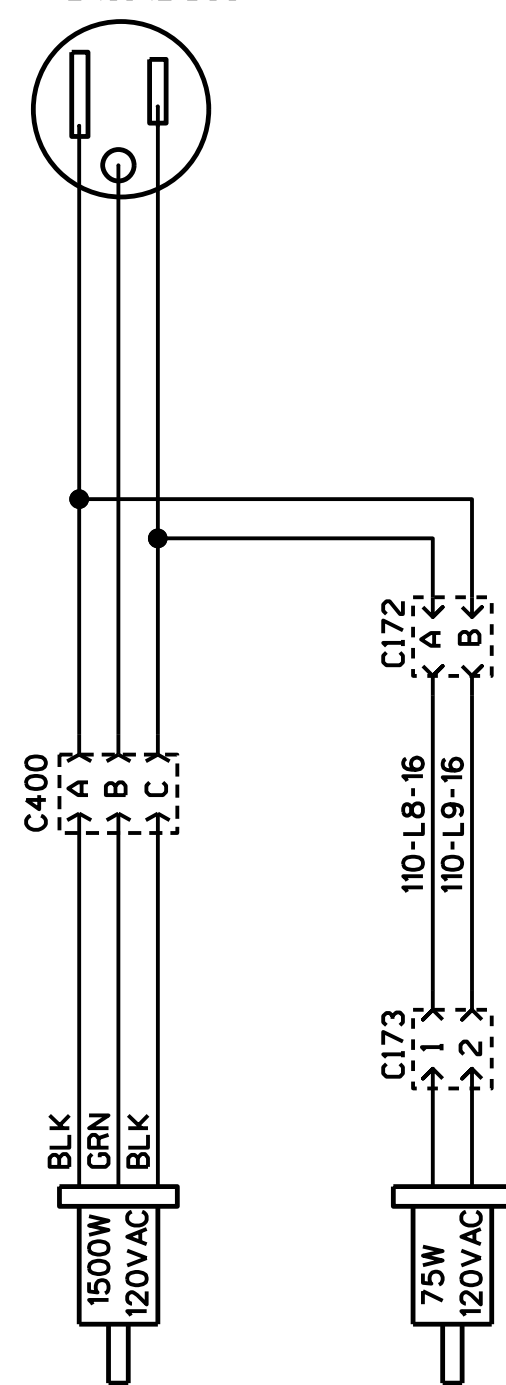
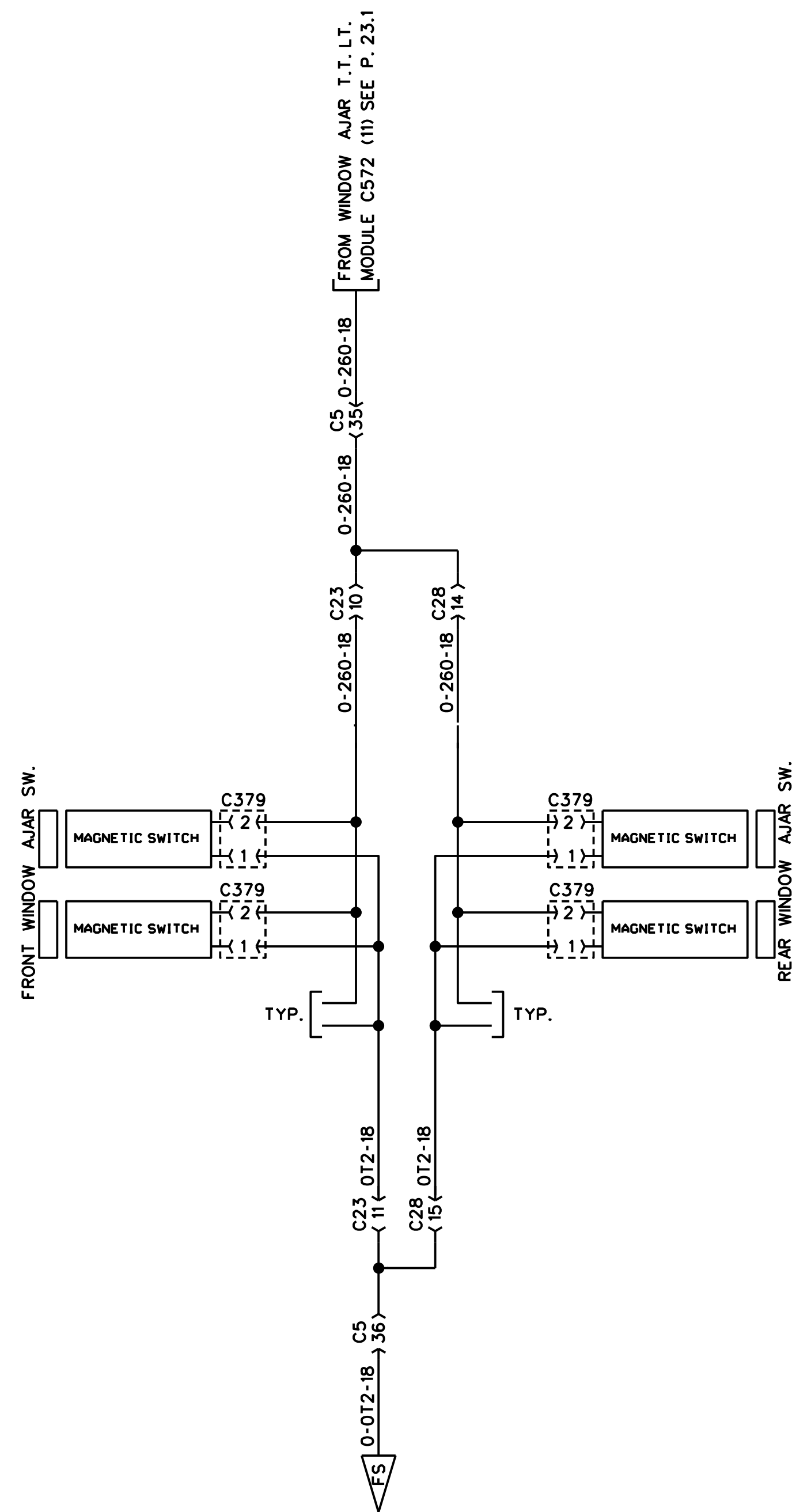


110V PLUG  
RR ENGINE DOOR



ENGINE BLOCK HEATER | WATER TANK HEATER



WINDOW AJAR