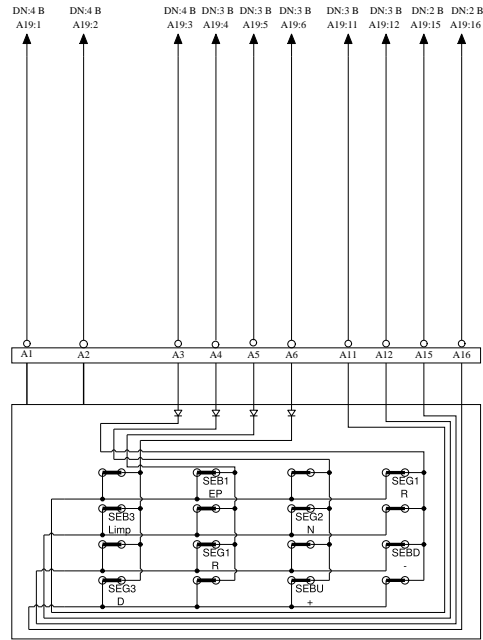


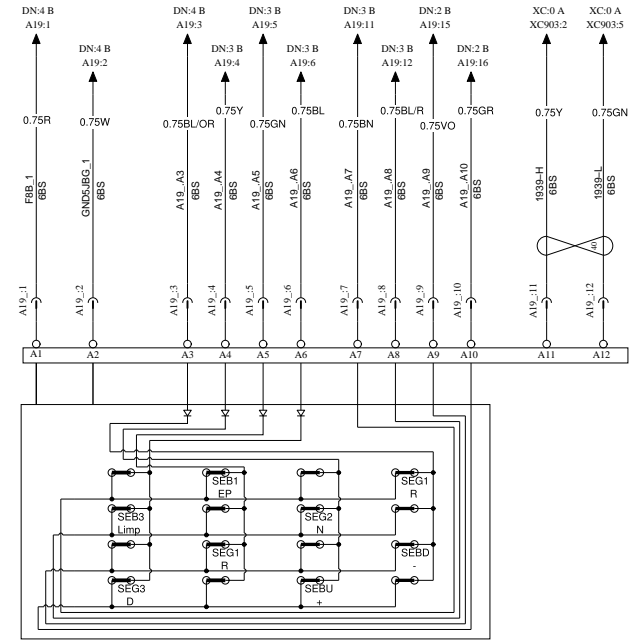
GEAR LEVER GSS-STD, GSS-PRO AND GSS-4BS



CONNECTIONS

PIN	SIGNAL NAME	ASSIGNMENT
1	UBATT	MAIN SUPPLY
2	GND	MAIN GROUND
3	INP1	MATRIX INPUT 1
4	INP2	MATRIX INPUT 2
5	INP3	MATRIX INPUT 3
6	INP4	MATRIX INPUT 4
11	OUP1	MATRIX OUTPUT 1
12	OUP2	MATRIX OUTPUT 2
15	OUP3	MATRIX OUTPUT 3
16	OUP4	MATRIX OUTPUT 4

GEAR LEVER GSS-6BS



CONNECTIONS

PIN	SIGNAL NAME	ASSIGNMENT	PIN	SIGNAL NAME
1	UBATT	MAIN SUPPLY	11	J1939-H
2	GND	MAIN GROUND	12	J1939-L
3	INP1	MATRIX INPUT 1		
4	INP2	MATRIX INPUT 2		
5	INP3	MATRIX INPUT 3		
6	INP4	MATRIX INPUT 4		
7	OUP1	MATRIX OUTPUT 1		
8	OUP2	MATRIX OUTPUT 2		
9	OUP3	MATRIX OUTPUT 3		
10	OUP4	MATRIX OUTPUT 4		