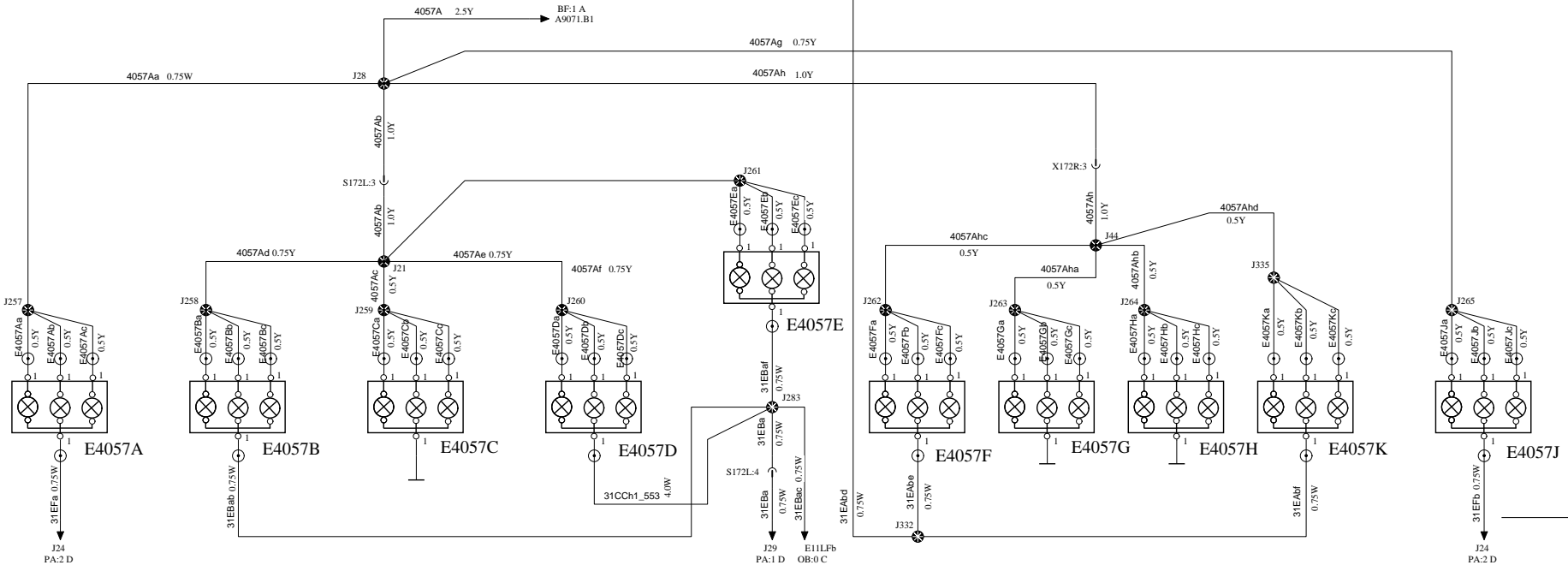
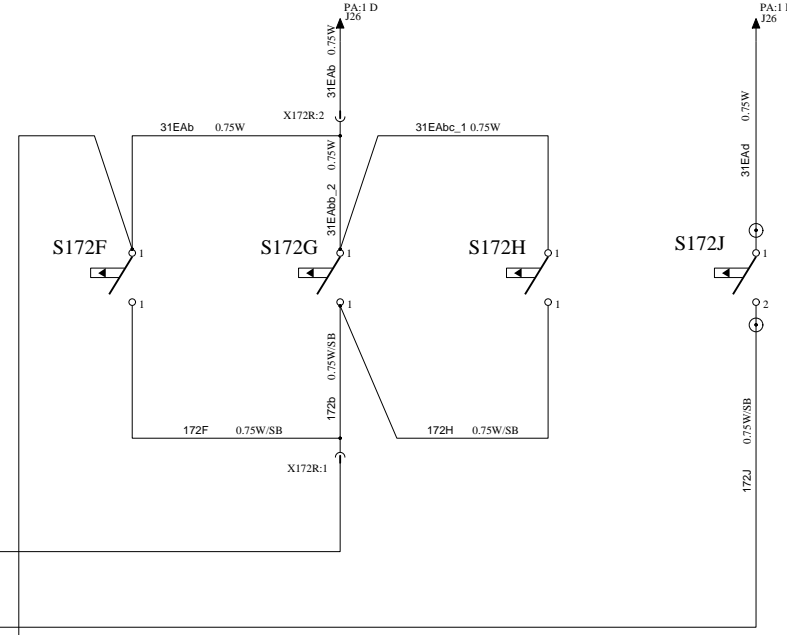
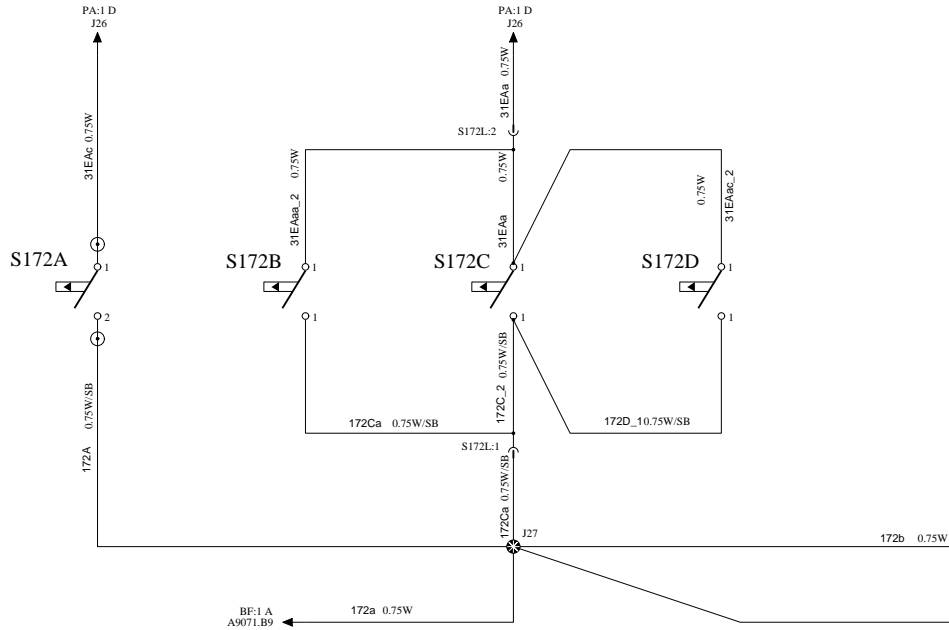


LUGGAGE LIGHTS

CE

WIRING DIAGRAM



Volvo Bus Corporation

Document title
WIRING DIAGRAM
 Document type
PRODUCT SCHEMATIC

Document No	Issue	Volume	Page
22600119	01	01	20/74