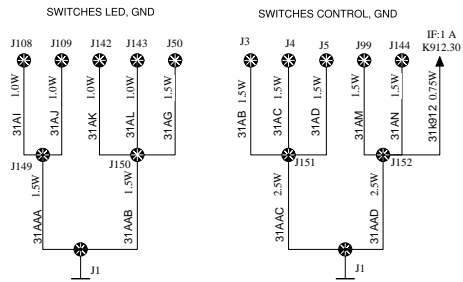
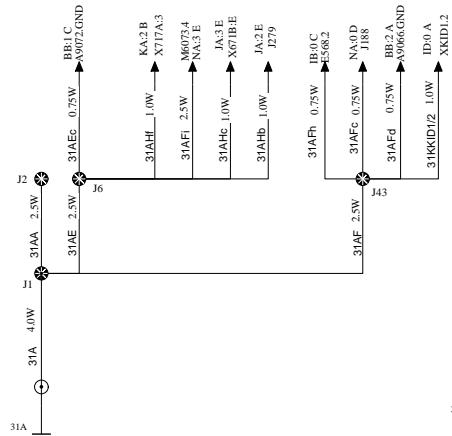


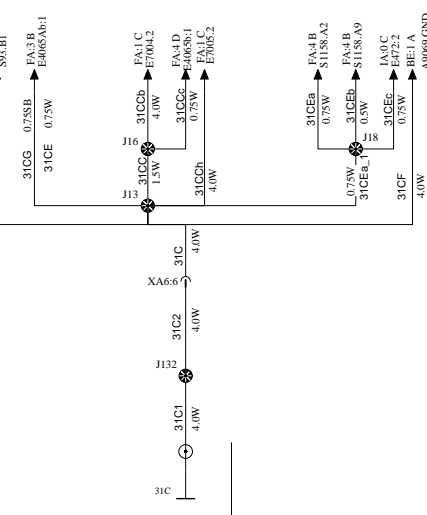
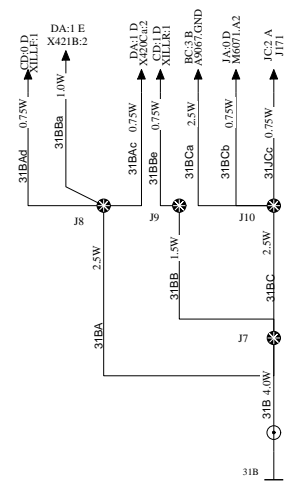
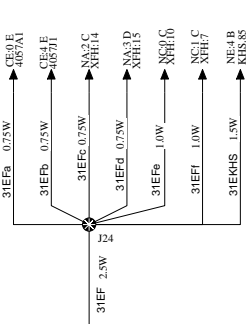
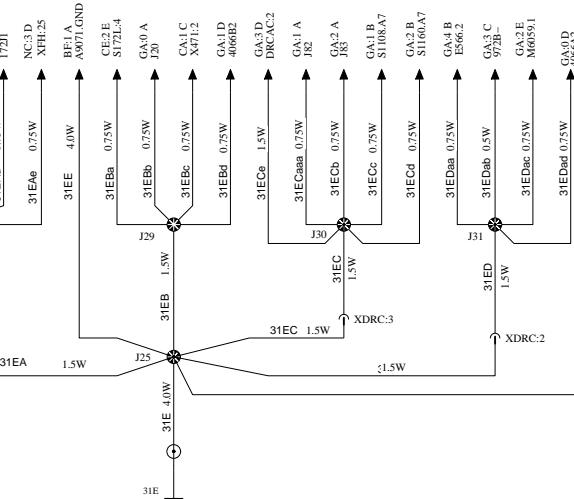
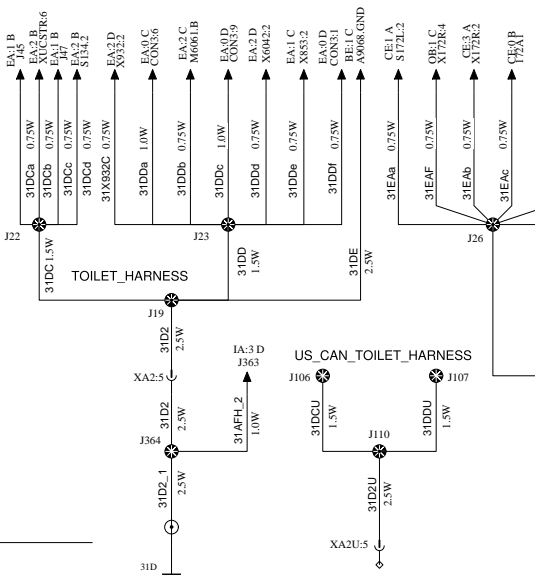
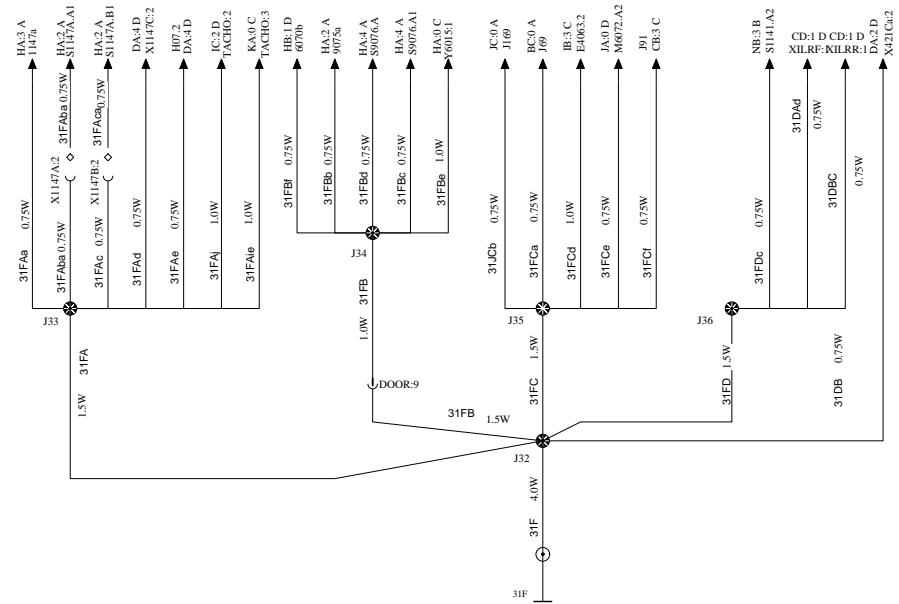
GROUNDS



PA



WIRING DIAGRAM



Volvo Bus Corporation

Document title
WIRING DIAGRAM
Document type
PRODUCT SCHEMATIC

Document No
22600119

Issue
01
Volume
01
Page
71/74