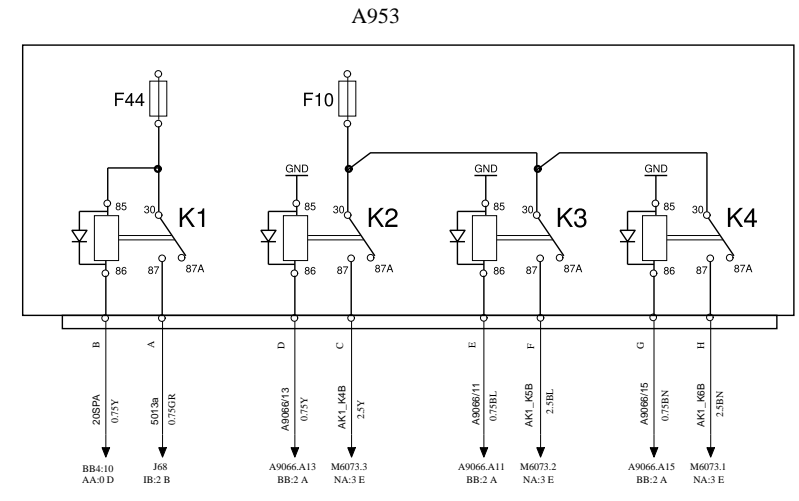
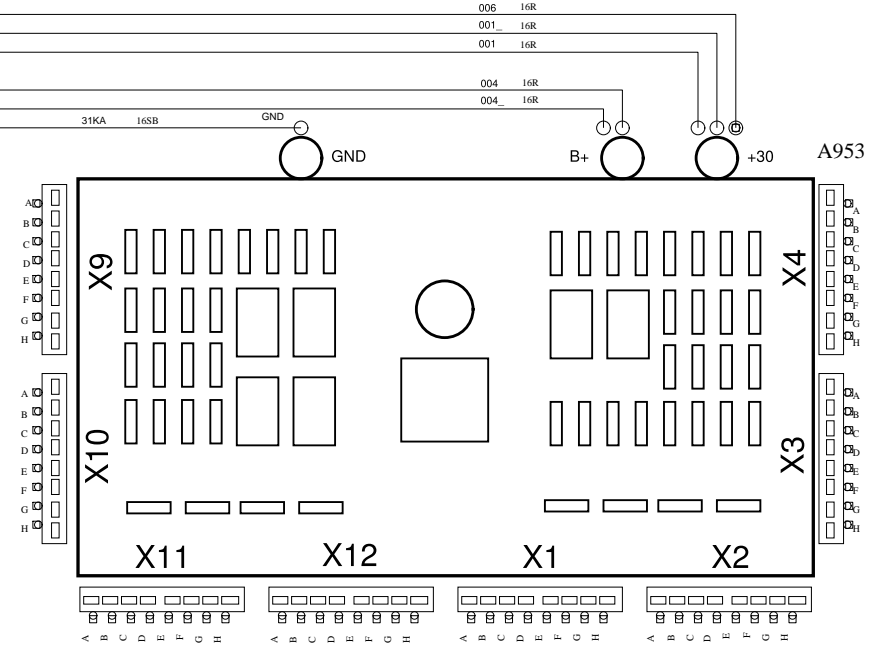
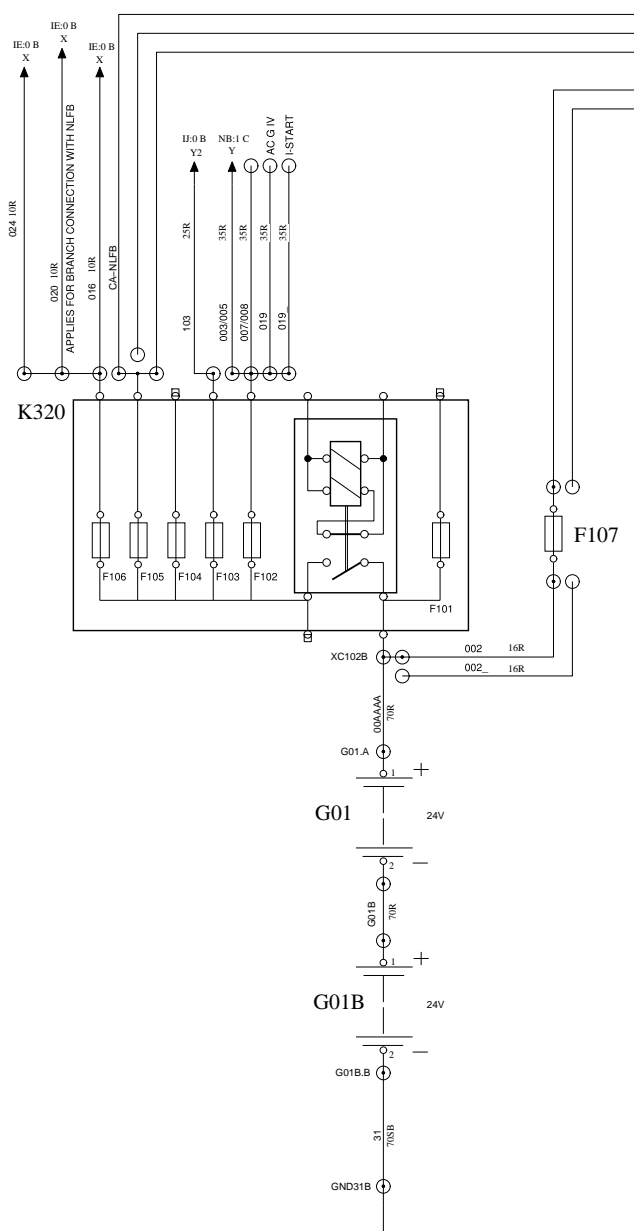


ELECTRIC CENTER

AB

WIRING DIAGRAM



Volvo Bus Corporation

Document title WIRING DIAGRAM
Document type PRODUCT SCHEMATIC

Document No 21894999	Issue 02	Volume 01	Page 4/65
--------------------------------	--------------------	---------------------	---------------------