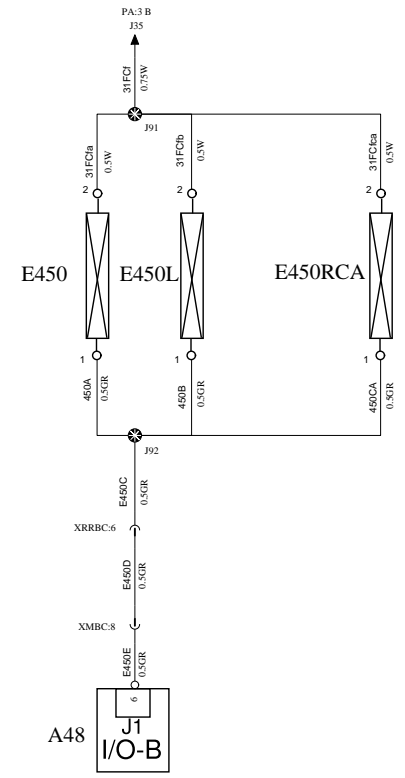
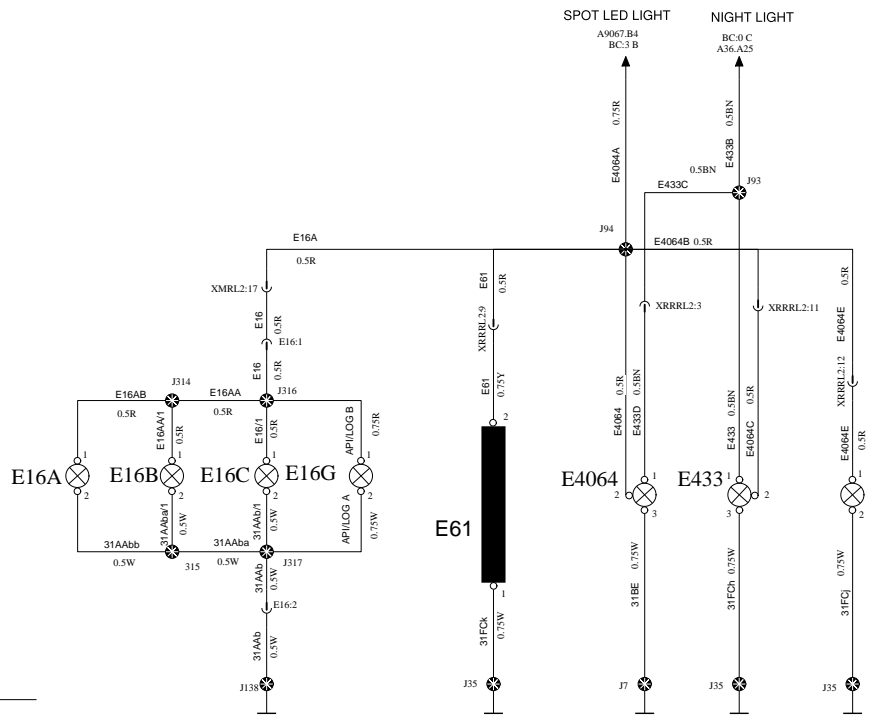
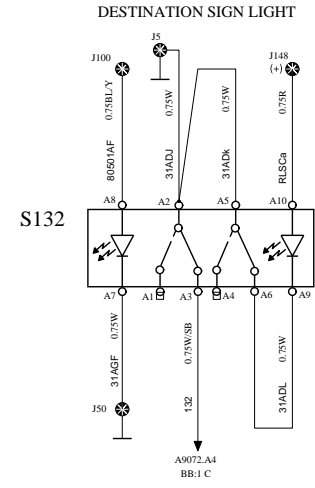
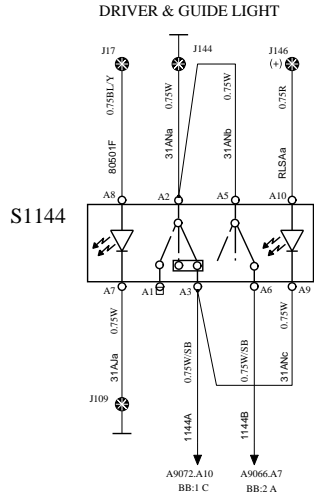


DRIVER LIGHTS

CB

WIRING DIAGRAM



Volvo Bus Corporation

Document title
WIRING DIAGRAM

Document type
PRODUCT SCHEMATIC

Document No	Issue	Volume	Page
21894999	02	01	14/65