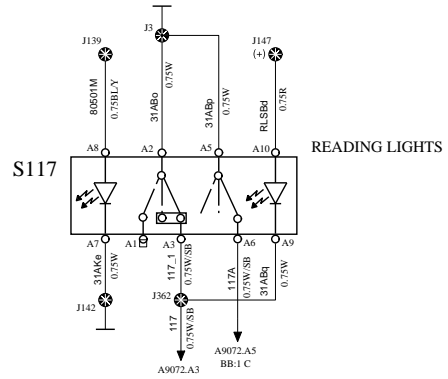


READING LIGHTS PASSENGER AND WCL

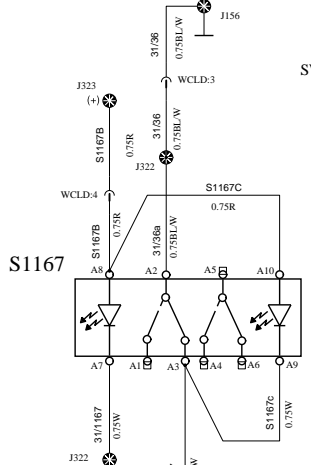
CC

WIRING DIAGRAM

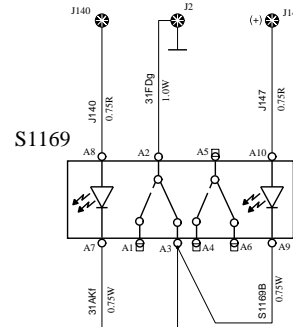
A



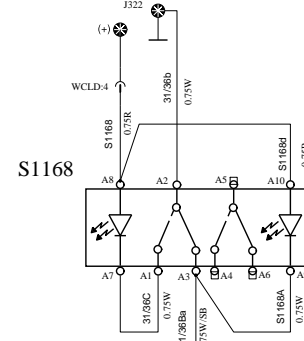
SWITCH, READING LIGHT WCL DOOR



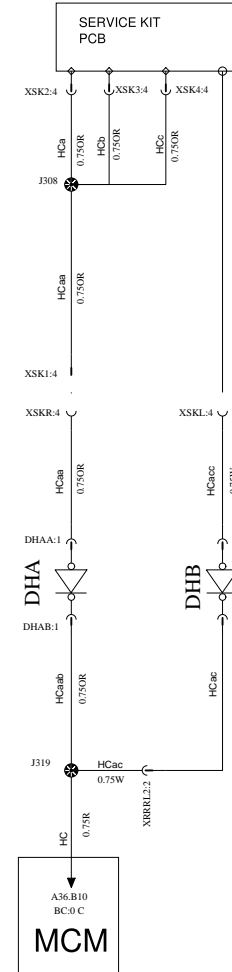
SWITCH, WCL READING LAMPS DASHBOARD



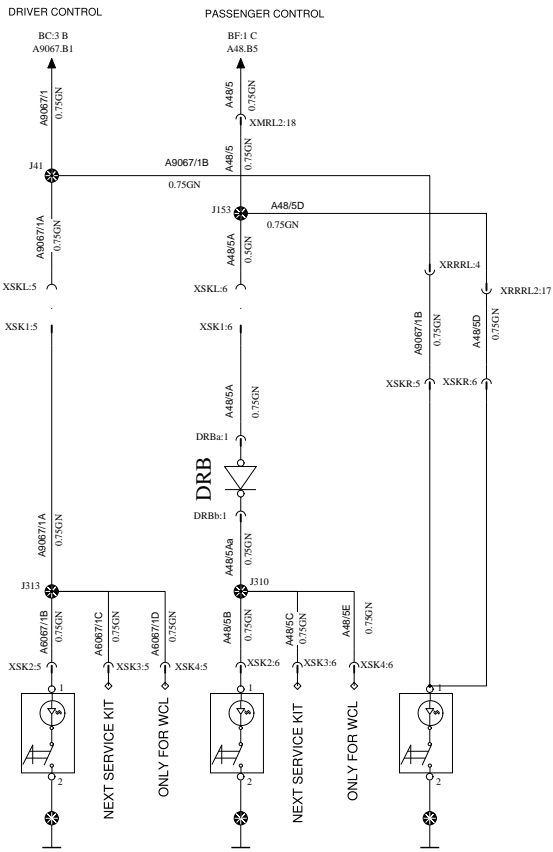
SWITCH, WCL HOST CALL



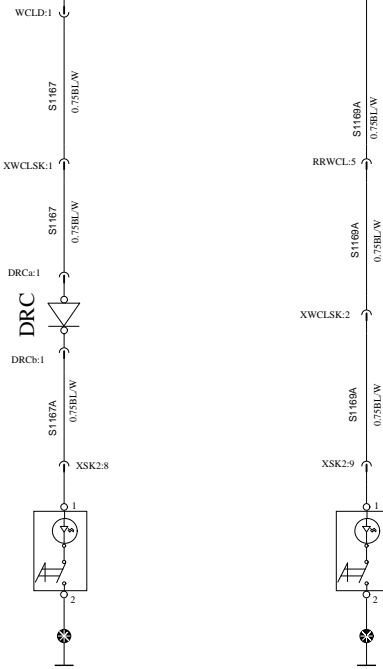
HOST SIGNAL



B



C



D

E



Volvo Bus Corporation

Document title WIRING DIAGRAM
Document type PRODUCT SCHEMATIC

Document No 21894999	Issue 02	Volume 01	Page 15/65
--------------------------------	--------------------	---------------------	----------------------