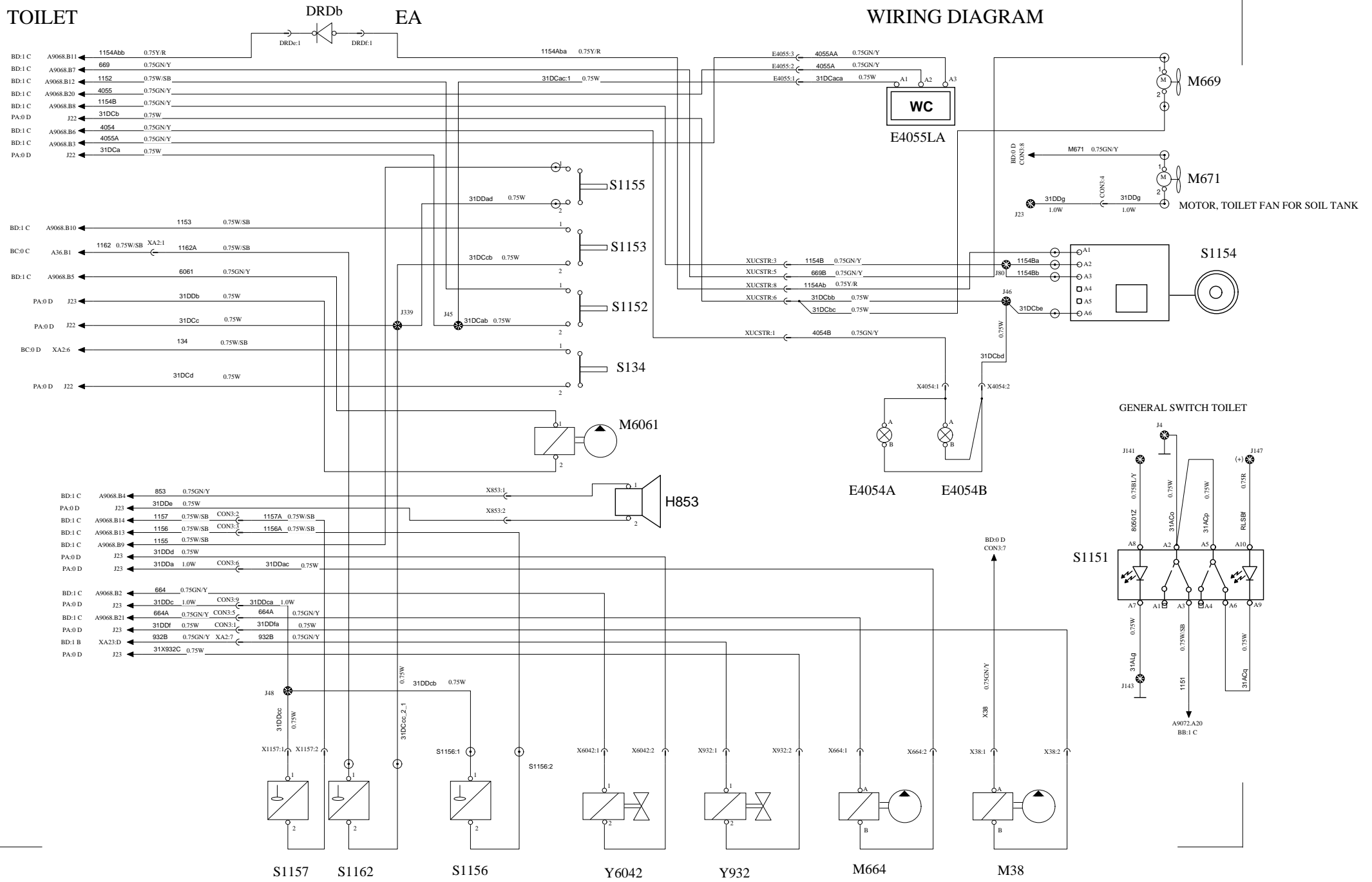


TOILET

WIRING DIAGRAM



Volvo Bus Corporation

Document title  
**WIRING DIAGRAM**  
 Document type  
**PRODUCT SCHEMATIC**

Document No  
**21894999**

Issue  
**02**

Volume  
**01**

Page  
**19/65**