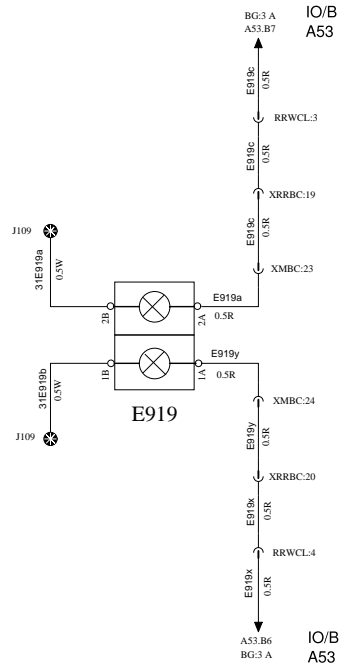
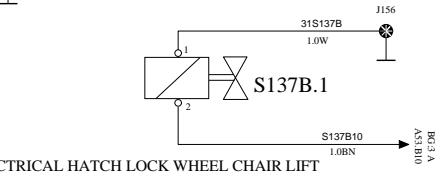
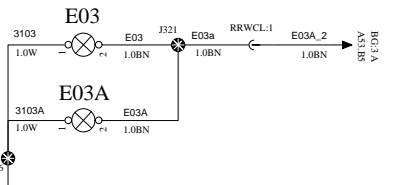
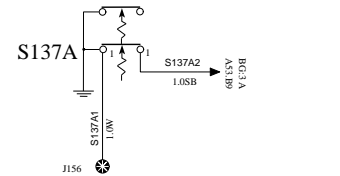
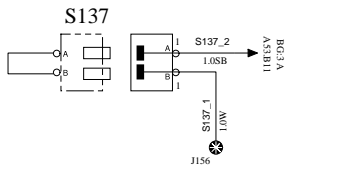
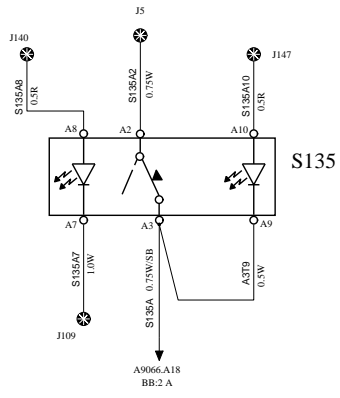


WHEEL CHAIR LIFT

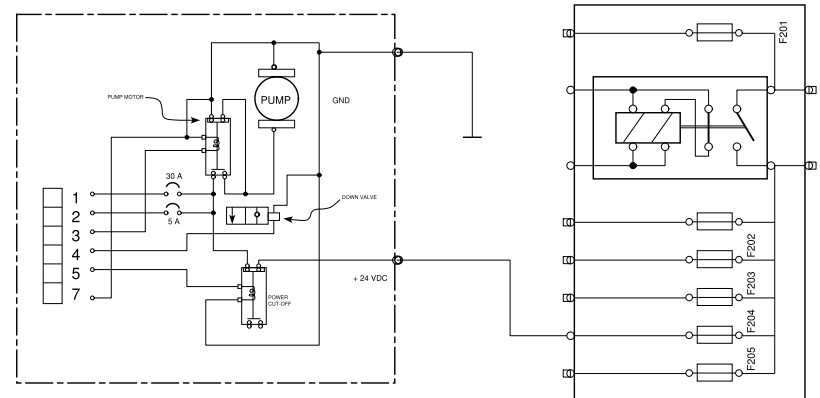
GB

WIRING DIAGRAM



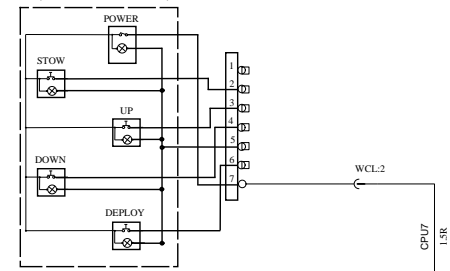
ELECTRICAL HATCH LOCK WHEEL CHAIR LIFT

PUMP ENCLOSURE



ENGINE FUSE BOX

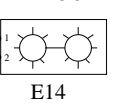
CPU (CONTROL PENDANT UNIT)



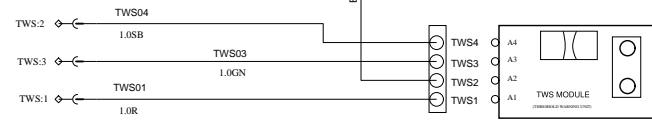
IO/B A53

IO/B A53

BEACON



E14



	Volvo Bus Corporation	Document title	Document No	Issue	Volume	Page
		WIRING DIAGRAM Document type PRODUCT SCHEMATIC	21894999	02	01	24/65