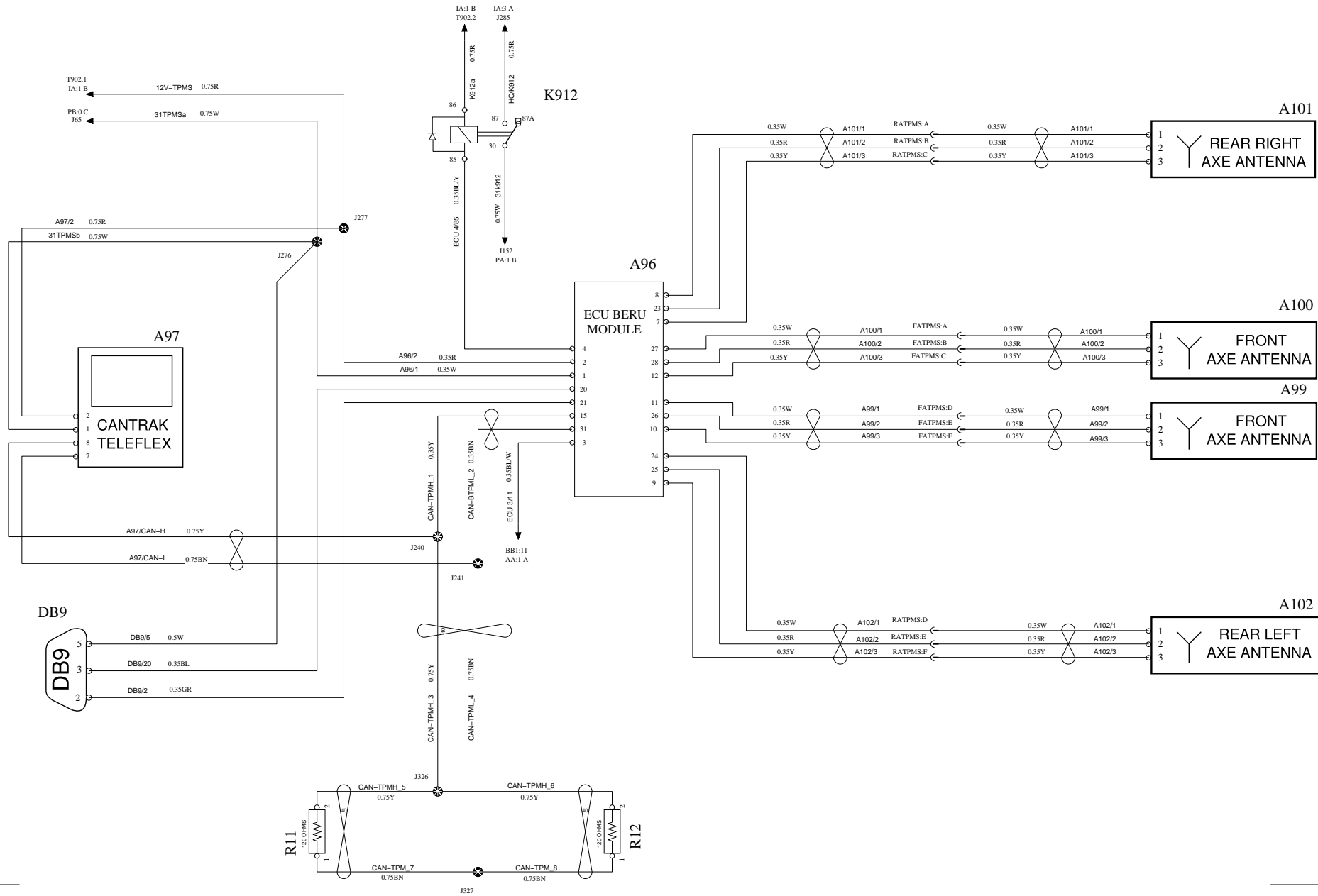


TIRE PRESSURE MONITORING SYSTEM

IF

WIRING DIAGRAM



Volvo Bus Corporation

Document title
WIRING DIAGRAM

Document type
PRODUCT SCHEMATIC

Document No

21894999

Issue

02

Volume

01

Page

35/65