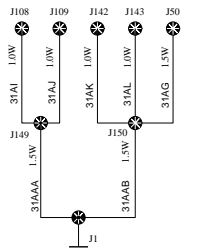
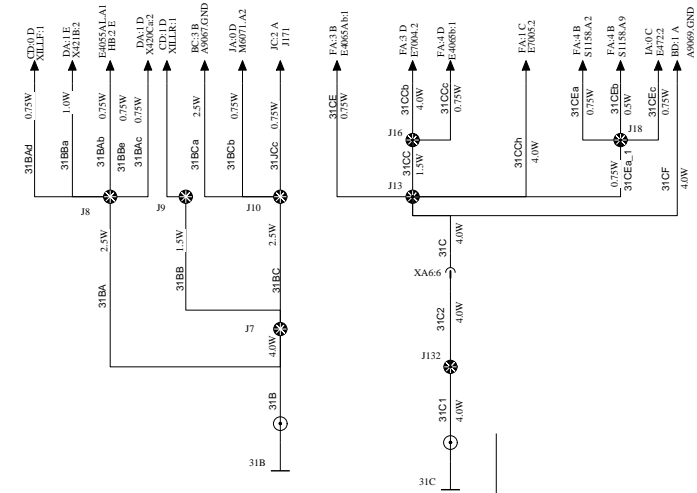
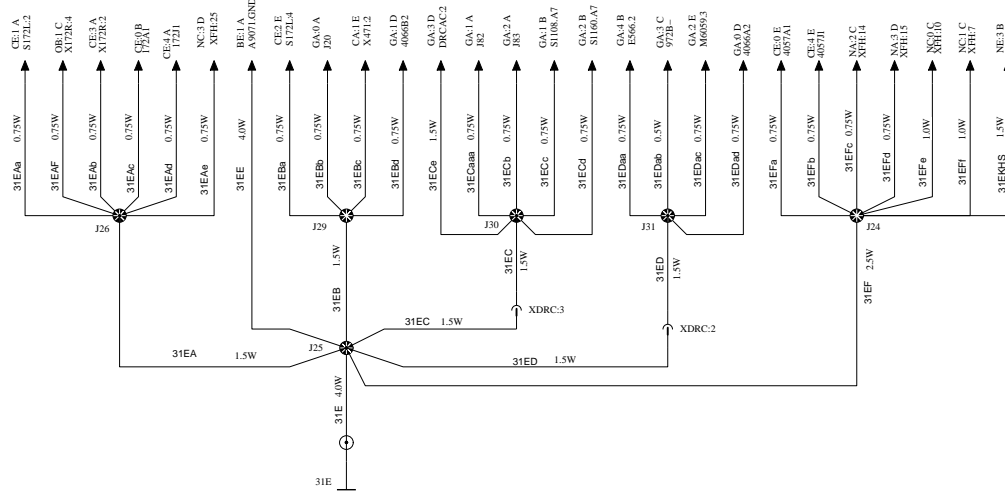
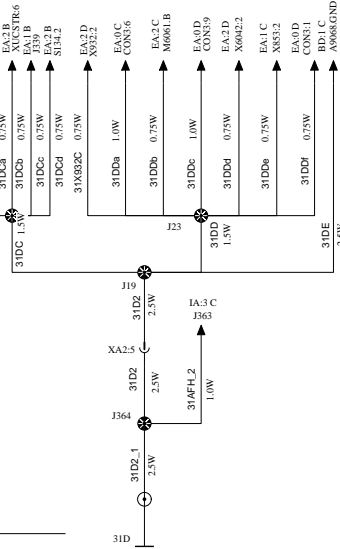
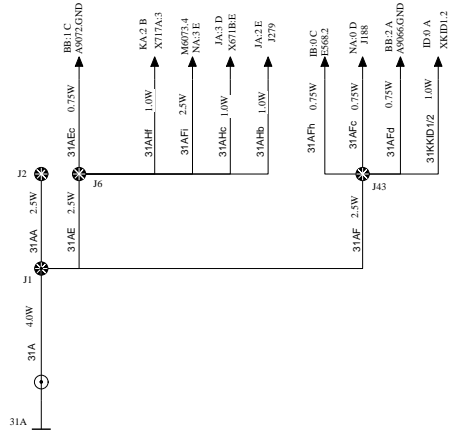
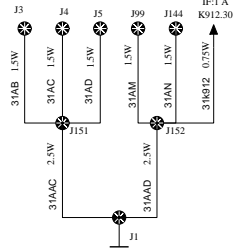


GROUNDS

SWITCHES LED. GND



SWITCHES CONTROL. GND



Volvo Bus Corporation

Document title	WIRING DIAGRAM
Document type	PRODUCT SCHEMATIC

Document No	21894999
Issue	02
Volume	01
Page	62/65