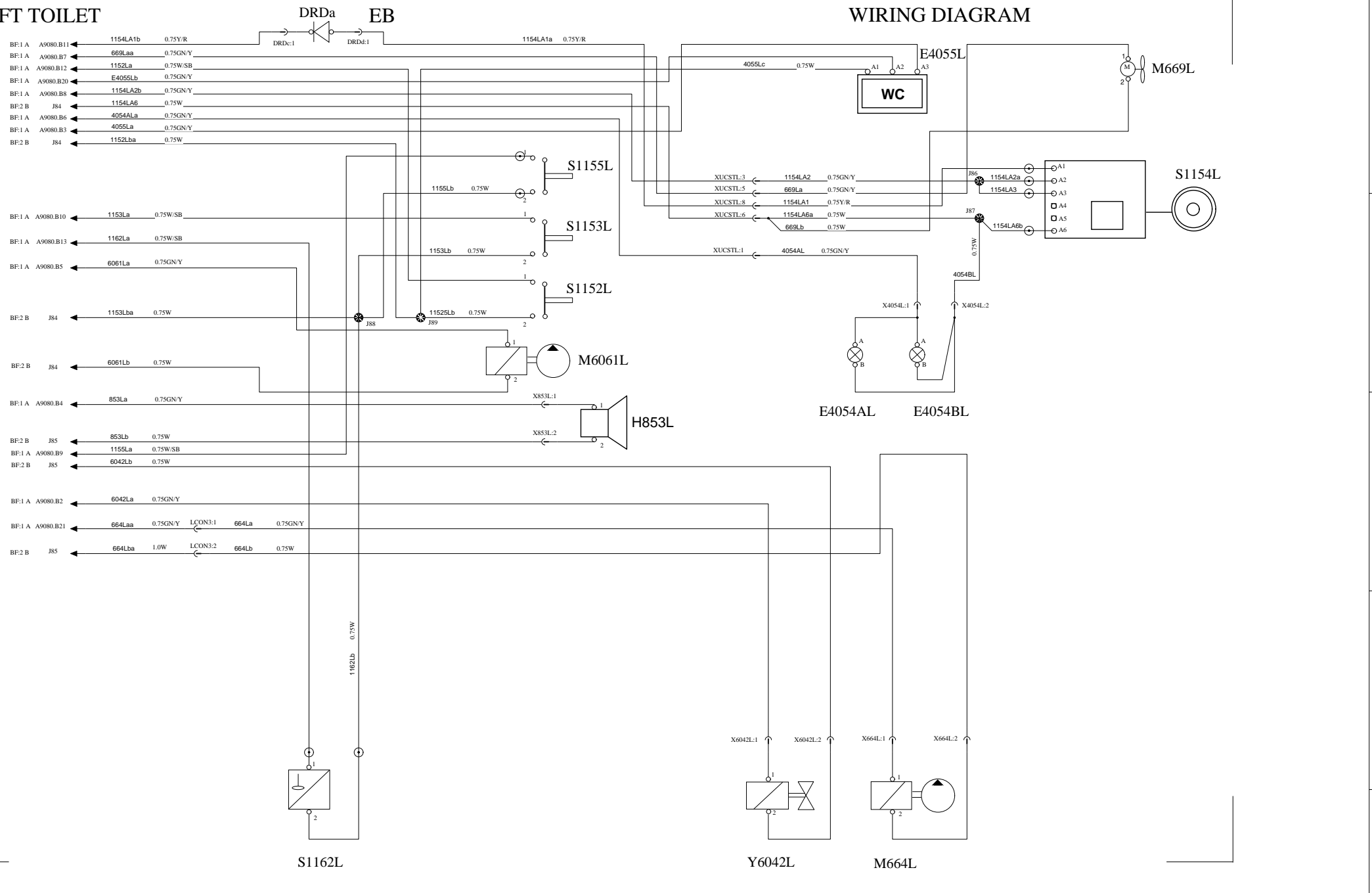


LEFT TOILET

WIRING DIAGRAM



Volvo Bus Corporation

Document title WIRING DIAGRAM
Document type PRODUCT SCHEMATIC

Document No	Issue	Volume	Page
21250316	01	01	21/47