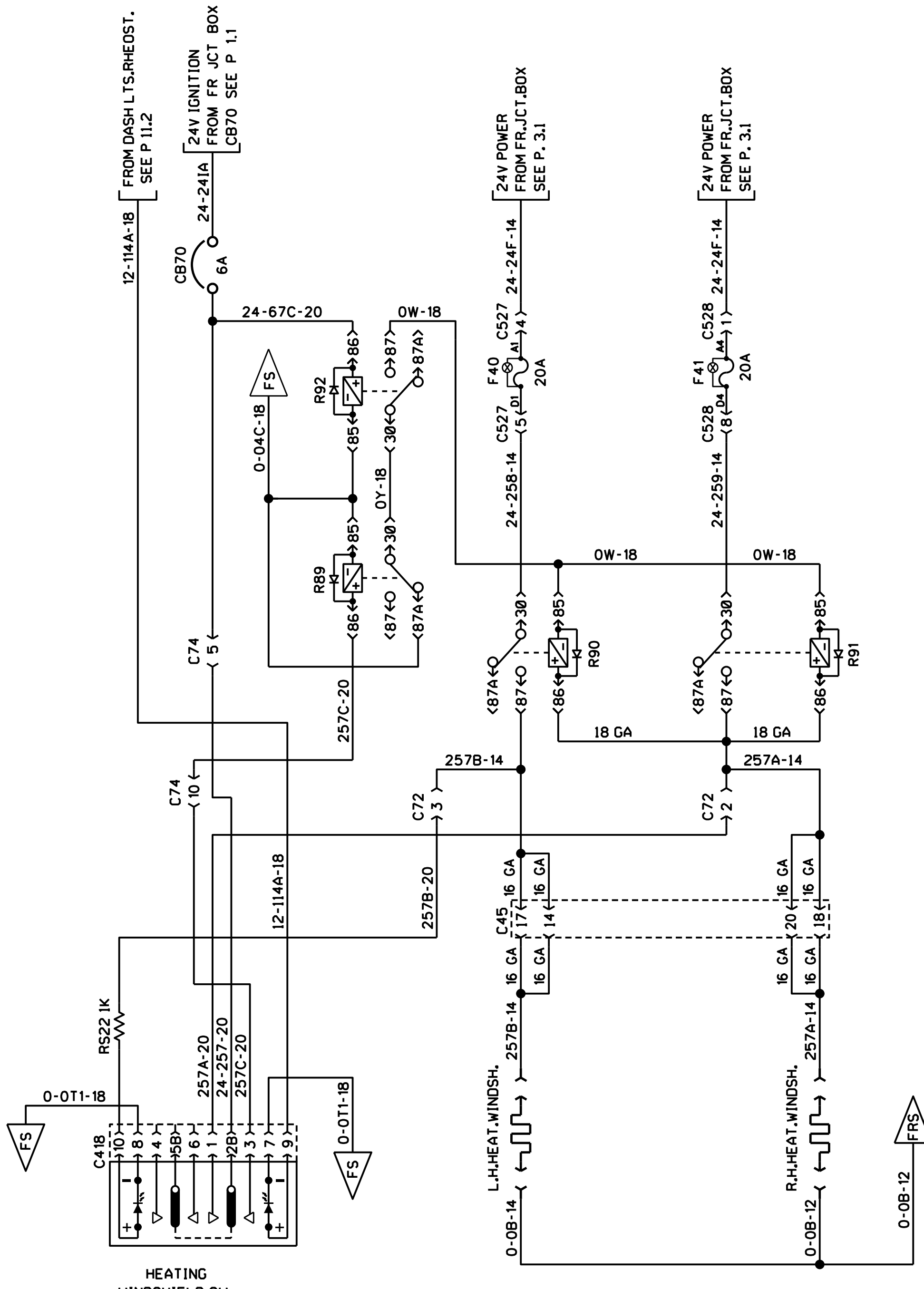


UPPER WINDSHIELD DEFROST



UPPER HEATED WINDSHIELD