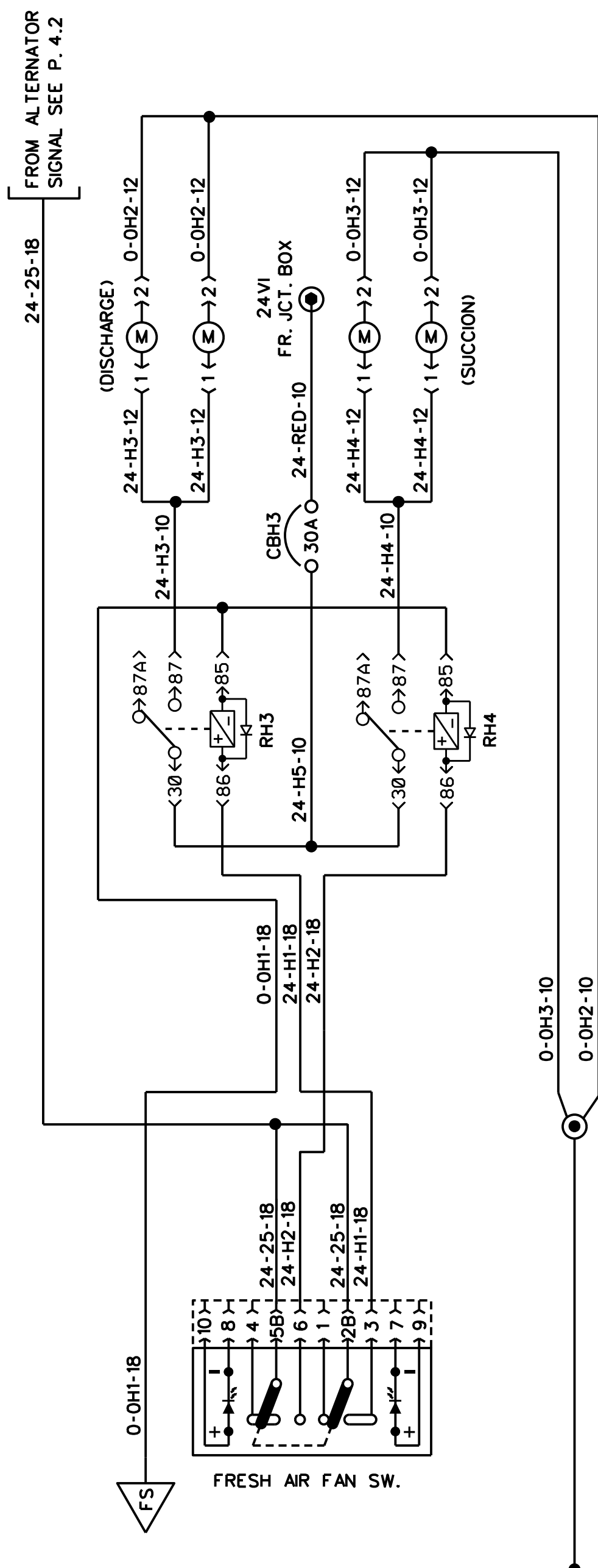


LOAD FAN (MAX.)
 2 MOTEUR-12 AMP. TOTAL
 4 MOTEUR-24 AMP. TOTAL



CHASSIS GROUND

CHASSIS GROUND

FRESH AIR FAN SW.

X3298 (LIMOCAR)