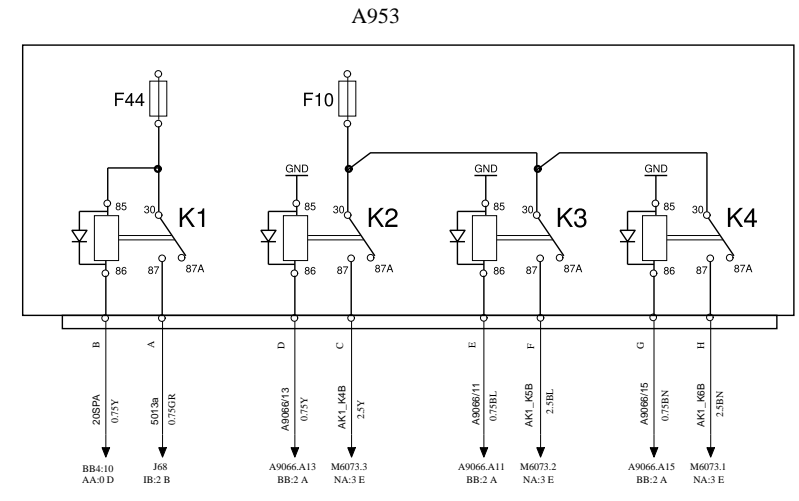
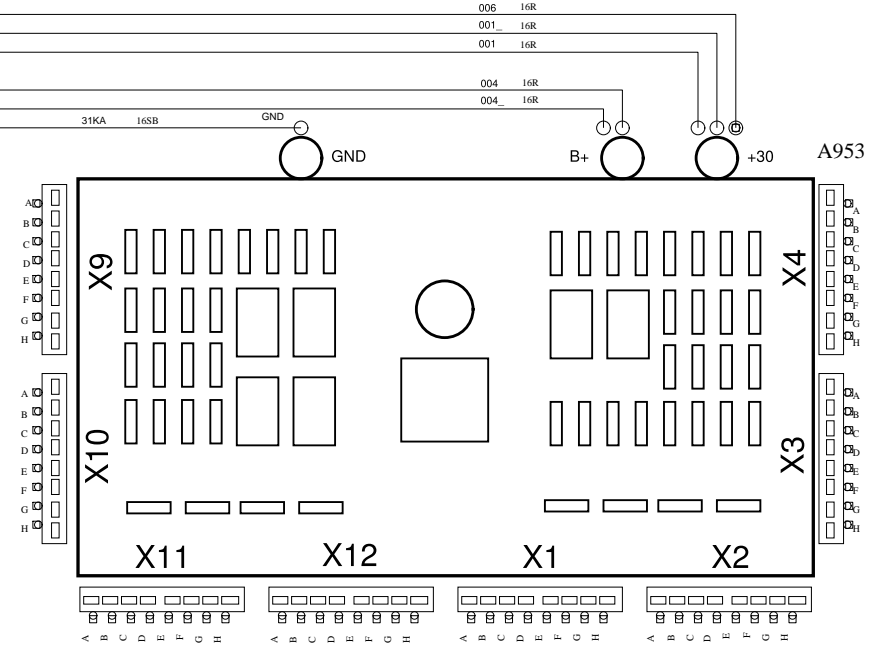
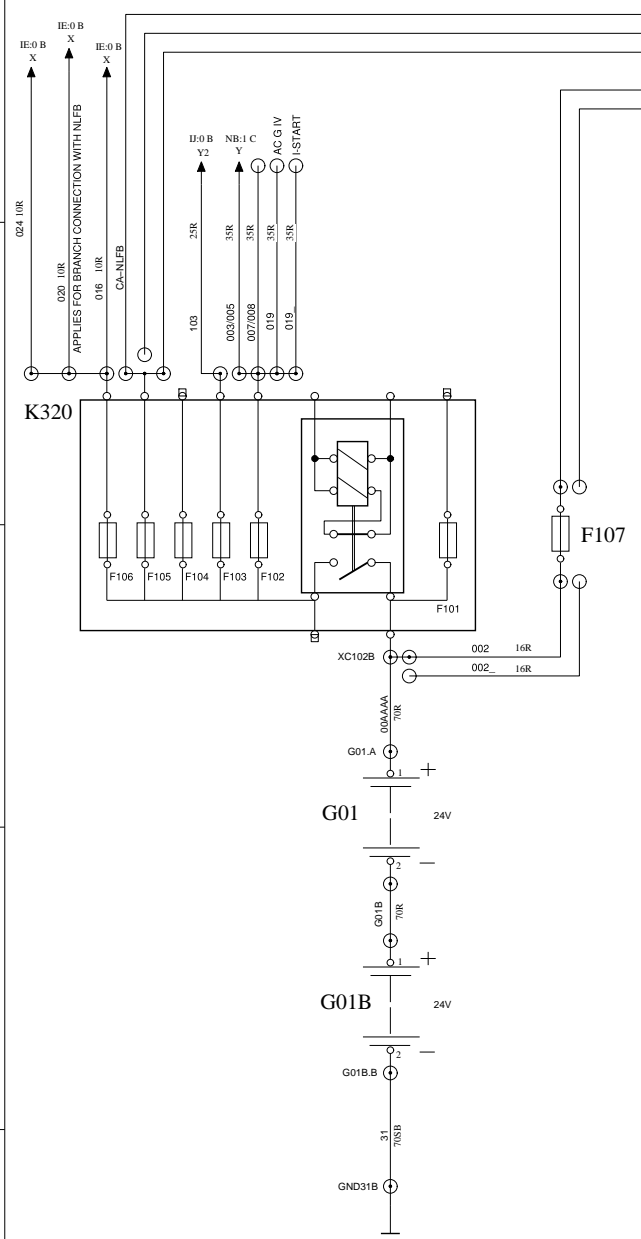


ELECTRIC CENTER

AB

WIRING DIAGRAM



Volvo Bus Corporation

Document title  
WIRING DIAGRAM  
Document type  
PRODUCT SCHEMATIC

Document No  
21894999

Issue  
02  
Volume  
01  
Page  
4/65