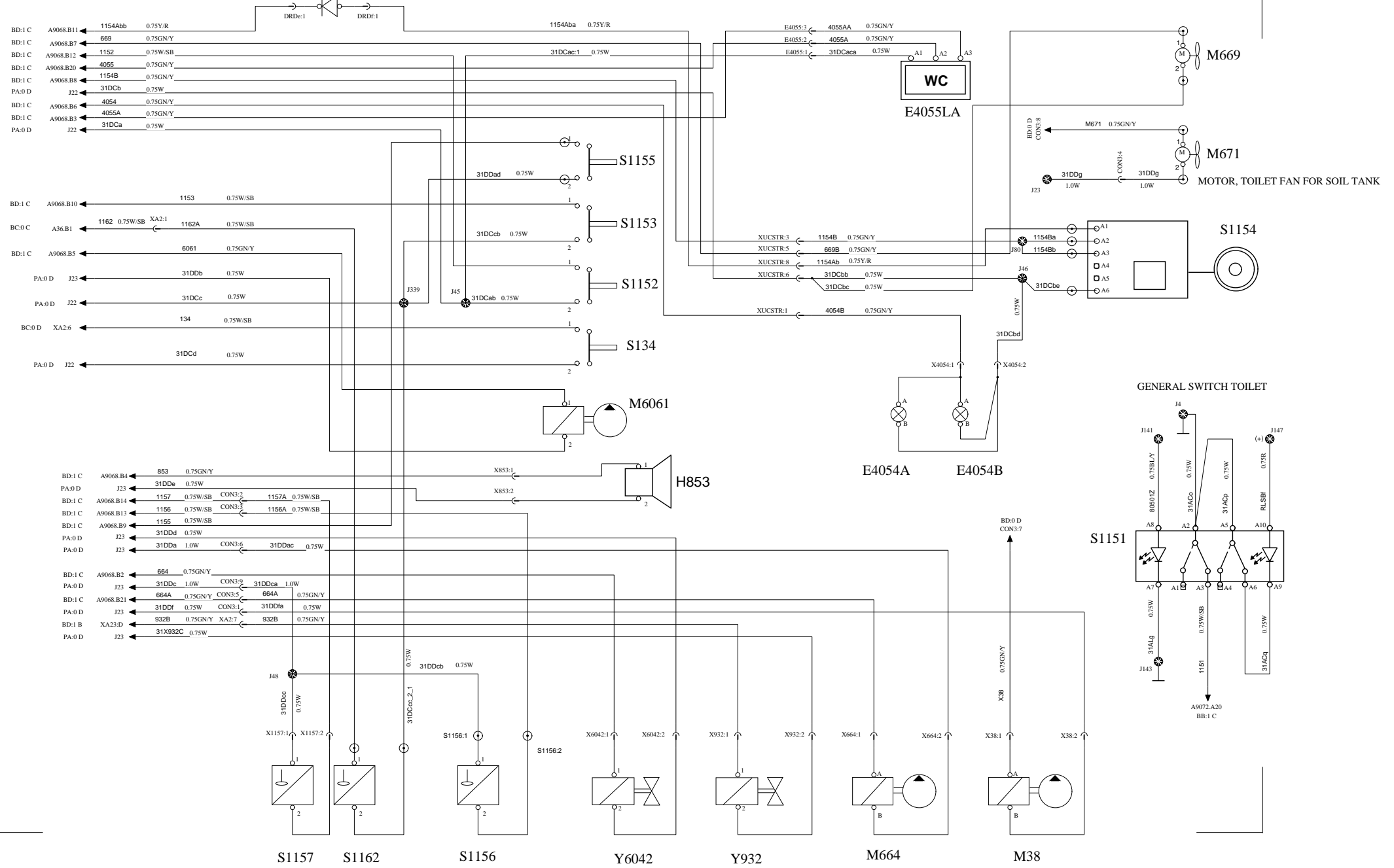


TOILET

WIRING DIAGRAM



Volvo Bus Corporation

Document title
WIRING DIAGRAM
Document type
PRODUCT SCHEMATIC

Document No
21894999

Issue	Volume	Page
02	01	19/65