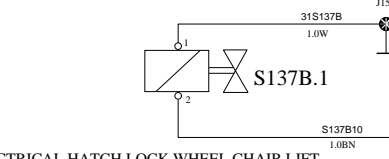
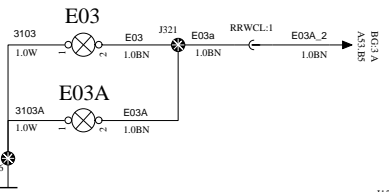
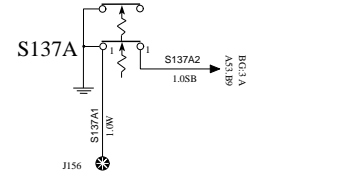
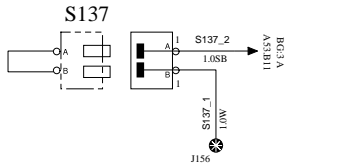
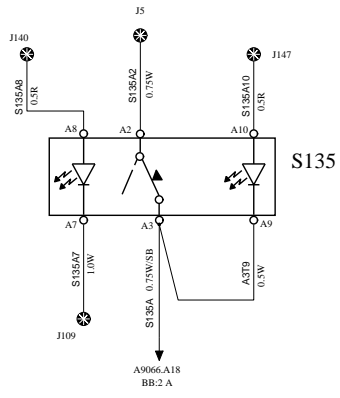


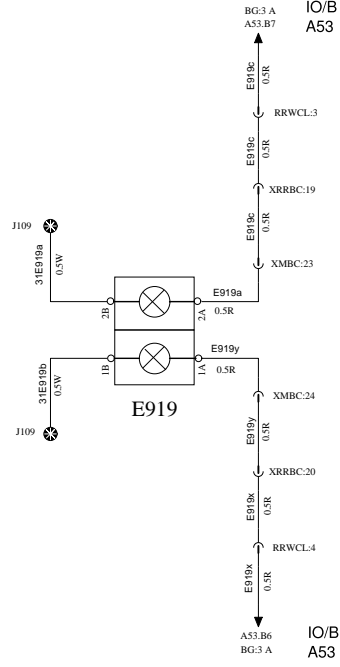
# WHEEL CHAIR LIFT

# GB

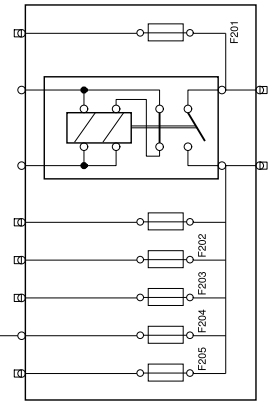
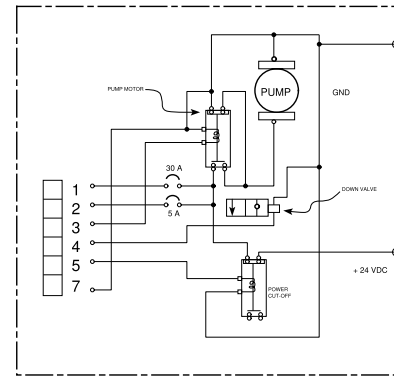
# WIRING DIAGRAM



ELECTRICAL HATCH LOCK WHEEL CHAIR LIFT

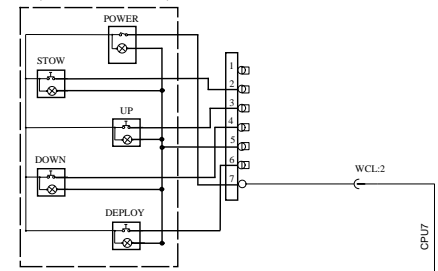


# PUMP ENCLOSURE



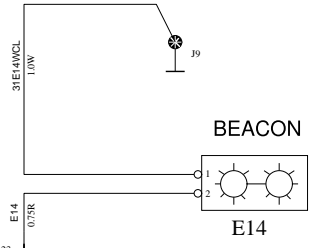
ENGINE FUSE BOX

# CPU (CONTROL PENDANT UNIT)



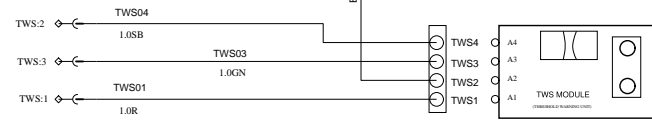
IO/B A53

IO/B A53



BEACON

E14



	Volvo Bus Corporation	Document title	Document No	Issue	Volume	Page
		WIRING DIAGRAM PRODUCT SCHEMATIC	21894999	02	01	24/65