



Volvo Bus Corporation

VOLVO 9700 US/CAN

**WIRING DIAGRAM
HEATING SYSTEM
PNEUMATIC SYSTEM**

**Chassis number
B13R_158966_ENG**



Volvo Bus Corporation

Documents Description

Document	Issue	Description
21894999	2	Wiring Diagram, BEA-Body 9700-DOT
21253835	3	Central Power Distribution and Relays Unit
21610203	2	Localization Scheme; Electrical Distribute Unit (EC Cooper Bussmann)
21334046	3	Electrical Distribute Unit (EC Cooper Bussmann)
21375565	3	Wiring Diagram Electrical Distribute (EC Cooper Bussmann)
21620921	3	Localization Scheme; Master Control Module (MCM)
21676172	2	Localization Scheme; BEA2 Body Control Units
21808778	3	CA 110 V Outputs Installation Drawing
22060360	1	Dashboard
21351112	3	Heating System Main Valve
21455579	6	Webasto Heating System Installation Drawing
21289798	5	Heating System Installation Drawing
70366809	10	Pneumatic Control System Body
21997730	1	Pneumatic System Body Installation Drawing
21552753	8	AFSS System Installation Drawing
21455567	3	AFSS System
21582655	2	TPMS System Installation Drawing

Engineering Release Notice (ERN)	Location	Change Description	A = Added U = Deleted	W = Was	Document Release Status
D-15244-46		SEE DCN BODY			Date 2012-09-27 Modification Count

WIRING DIAGRAM INDEX, BUS BEA BODY 9700 24V MEXICO

NAME	DESCRIPTION	PAGE
AA	BODY BUILDERS	3
AB	ELECTRIC CENTER	4
BA	CONTROL MODULES	5
BB	CONTROL MODULES	6
BC	CONTROL MODULES	7
BD	CONTROL MODULES	8
BE	CONTROL MODULES	9
BF	CONTROL MODULES	10
BG	CONTROL MODULES	11
BH	CONTROL MODULES	12
CA	LIGHT UNDER SEATS	13
CB	DRIVER LIGHTS	14
CC	READING LIGHTS PASSENGER AND WCL	15
CD	INTERIOR LIGHT AND NIGHT LIGHT PASSENGER	16
CE	LUGGAGE LIGHTS	17
DA	POSITION LIGHTS	18
EA	TOILET	19
EB	LEFT TOILET	20
EC	MIDDLE TOILET	21
FA	KITCHEN	22
GA	DRC	23
GB	WHEEL CHAIR LIFT	24
GC	TEMPERATURE SENSOR US/10	25
HA	DOOR CONTROL	26
HB	FOLDING STEP& TELLTALES	27
HC	FEED CENTRAL DOOR & TOILET	28
HD	MIDDLE DOOR CONTROL	29
IA	ACCESSORIES & CA's	30
IB	ACCESSORIES & CA's	31
IC	TD7 TACHOGRAPH	32
ID	AUTOMATIC FIRE SUPPRESION SYSTEM	33
IE	NOTEBOOK AC SUPPLY CONNECTION	34
IF	TIRE PRESSURE MONITORING SYSTEM	35
IG	WI FI	36
IH	A/C NO MULTIPLEX CONTROL	37

The copying, distribution and utilization of this document as well as the communication of its contents to others without expressed authorization is prohibited. Offenders will be held liable for payment of damages. All rights reserved in the event of the grant of a patent, utility model or ornamental design registration.

Document Title
**WIRING DIAGRAM
BEA – BODY 9700**




Document Type
PRODUCT SCHEMATIC
Owner Domain: Document Prefix

Document No 21894999	Issue Index 02	Volume No 01	Page No 1(65)
--------------------------------	--------------------------	------------------------	-------------------------

EDM-W 2000-04-01

II	FOGMAKER	38
IJ	ELECTRIC NETWORK US10	39
JA	FAN, BLINDER & MIRRORS	40
JB	ELECTRIC WINDOW AND ROOF HATCHES	41
JC	EMERGENCY WINDOWS	42
KA	CODRIVER, VIGIA, PARK PILOT & MOBITEC CONTROL	43
KB	VOLVO LINK	44
LA	AUDIO & VIDEO SUPPLY, 12V & 24 OUTPUTS	45
LB	AUDIO	46
LC	MULTIMEDIA AND AUDIO	47
LD	AUDIO & VIDEO ON DEMAND	48
LE	VIDEO SIX SCREENS	49
LF	AUDIO LUGGAGE RACK	50
LG	VIDEO FIVE SCREENS	51
LH	AUDIO & VIDEO (ANTENNA)	52
MA	WIPER & WASHER	53
NA	AIR CONDITIONING, SYSTEM 0	54
NB	AIR CONDITIONING, SYSTEM 1	55
NC	RE-HEATING SYSTEM	56
ND	AUXILIARY HEATER	57
NE	AC WITHOUT MULTIPLEX	58
OA	REAR LIGHTS	59
OB	BOTTOM POSITION LIGHTS	60
OC	FRONT LIGHTS FOR SELECT	61
PA	GROUNDS	62
PB	GROUNDS	63
QA	AUXILIARY LINES	64
RA	FUSES & RELAYS	65

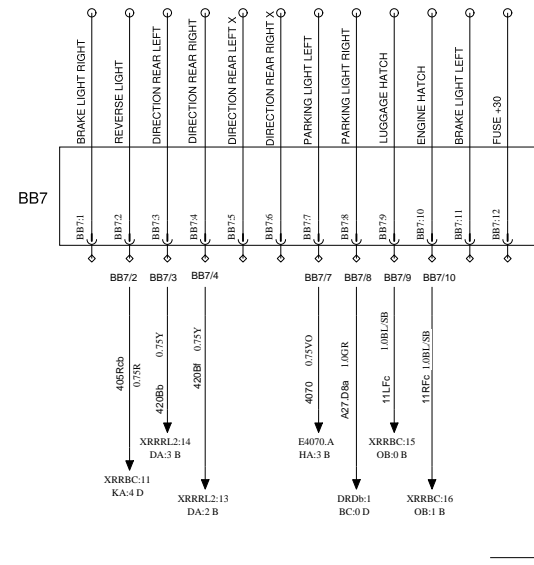
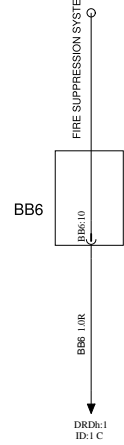
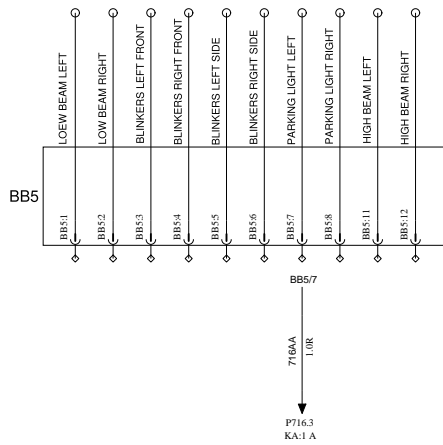
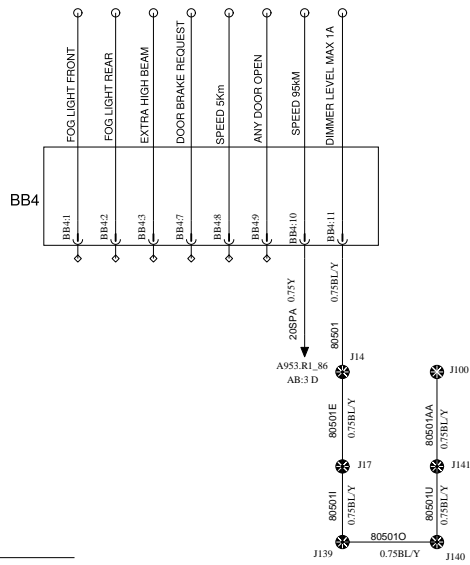
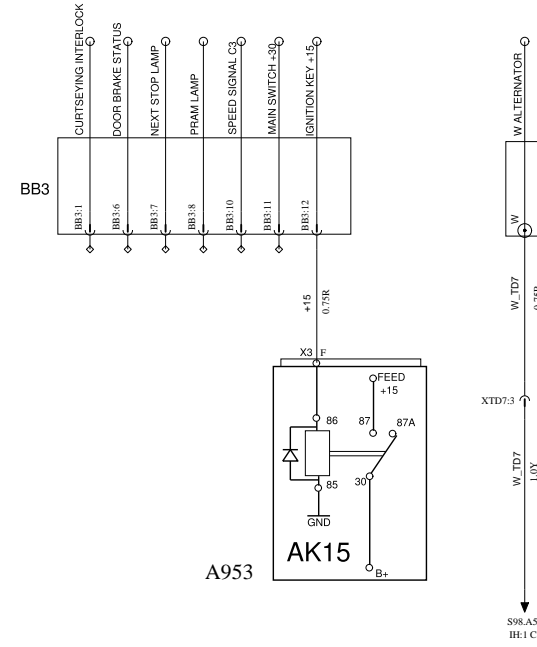
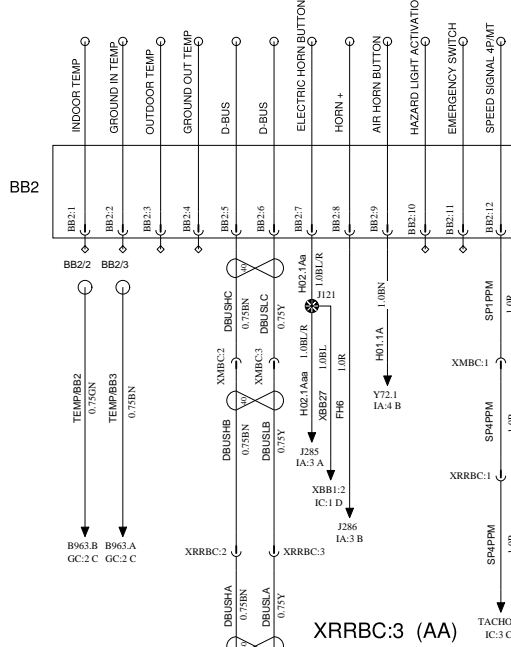
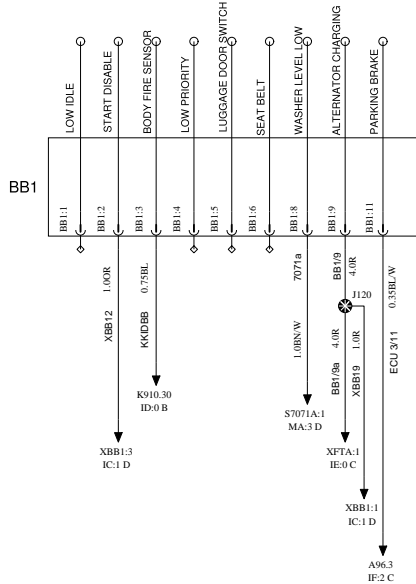
Volume No.	Content	Pages
01	Wiring Diagram	65
02	Reference name	14

 Volvo Bus Corporation	Document Title			
	WIRING DIAGRAM			
	Document Type			
Document No	Issue Index	Volume No	Page No	
21894999	02	01	2(65)	

BODY BUILDERS

AA

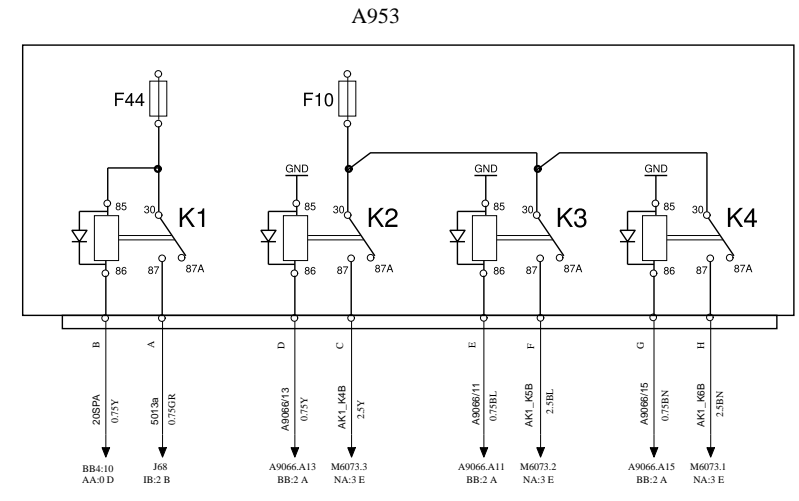
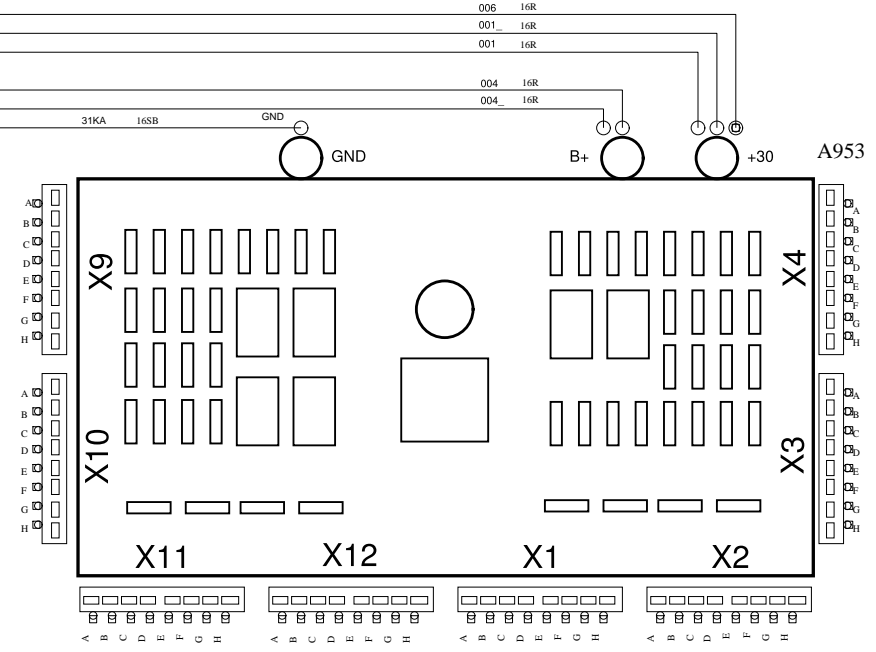
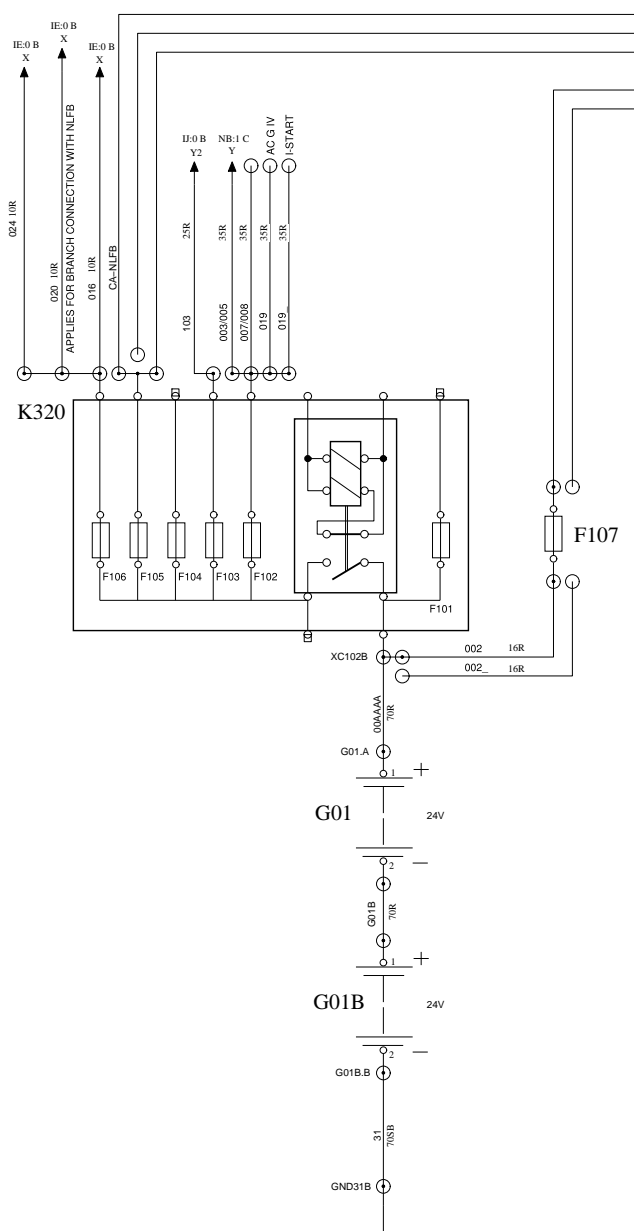
WIRING DIAGRAM



ELECTRIC CENTER

AB

WIRING DIAGRAM



Volvo Bus Corporation

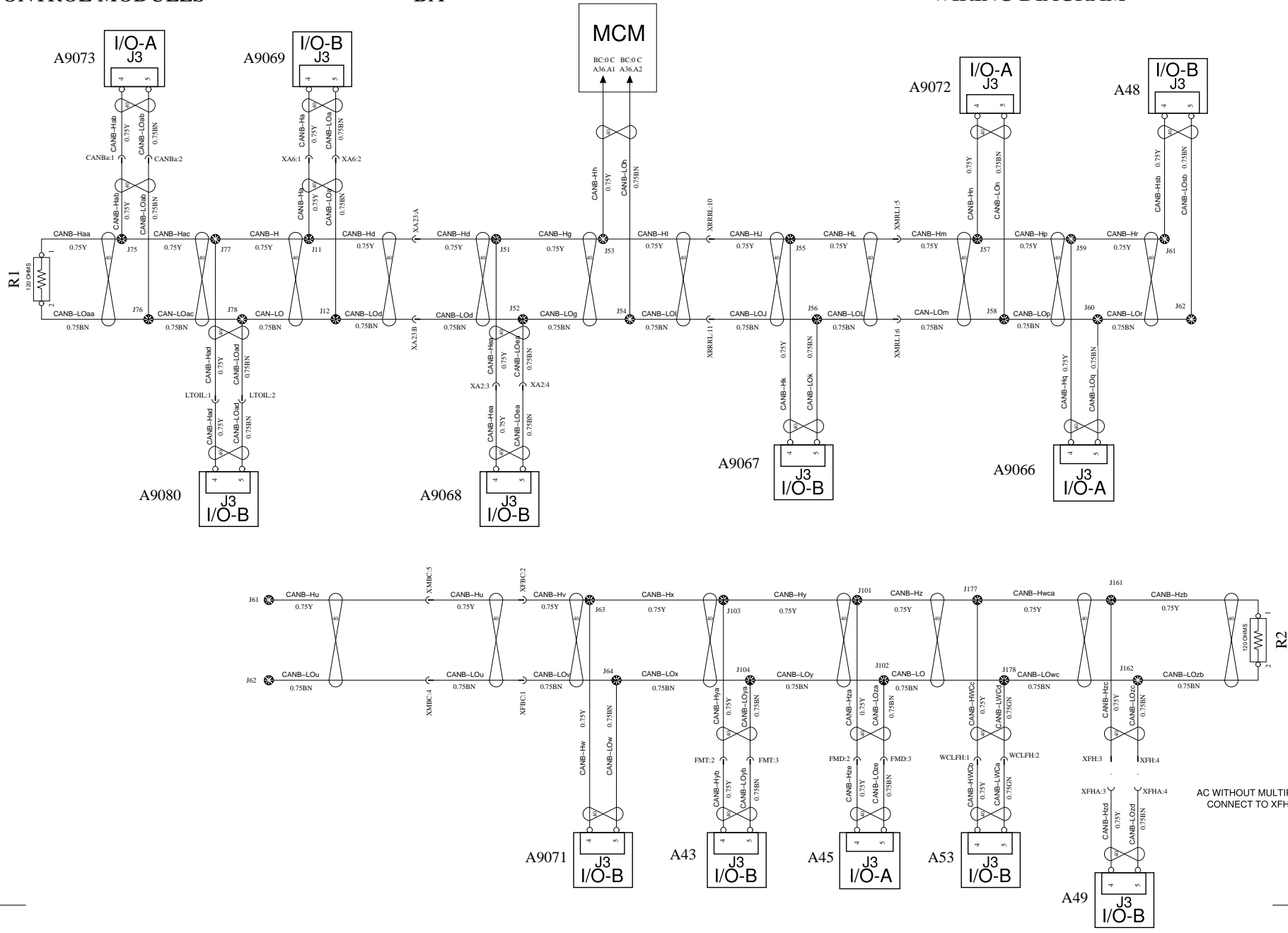
Document title WIRING DIAGRAM
Document type PRODUCT SCHEMATIC

Document No 21894999	Issue 02	Volume 01	Page 4/65
--------------------------------	--------------------	---------------------	---------------------

CONTROL MODULES

BA

WIRING DIAGRAM



Volvo Bus Corporation

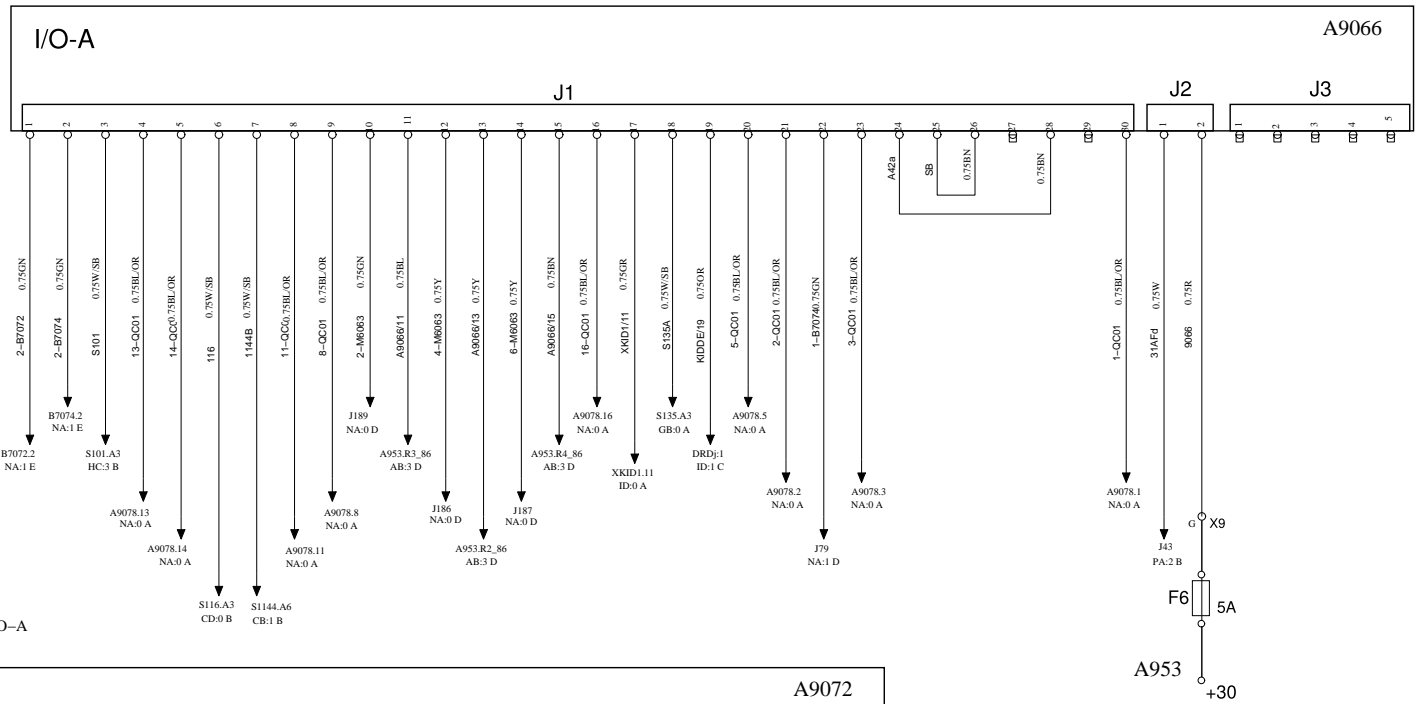
Document title
WIRING DIAGRAM
Document type
PRODUCT SCHEMATIC

Document No
21894999

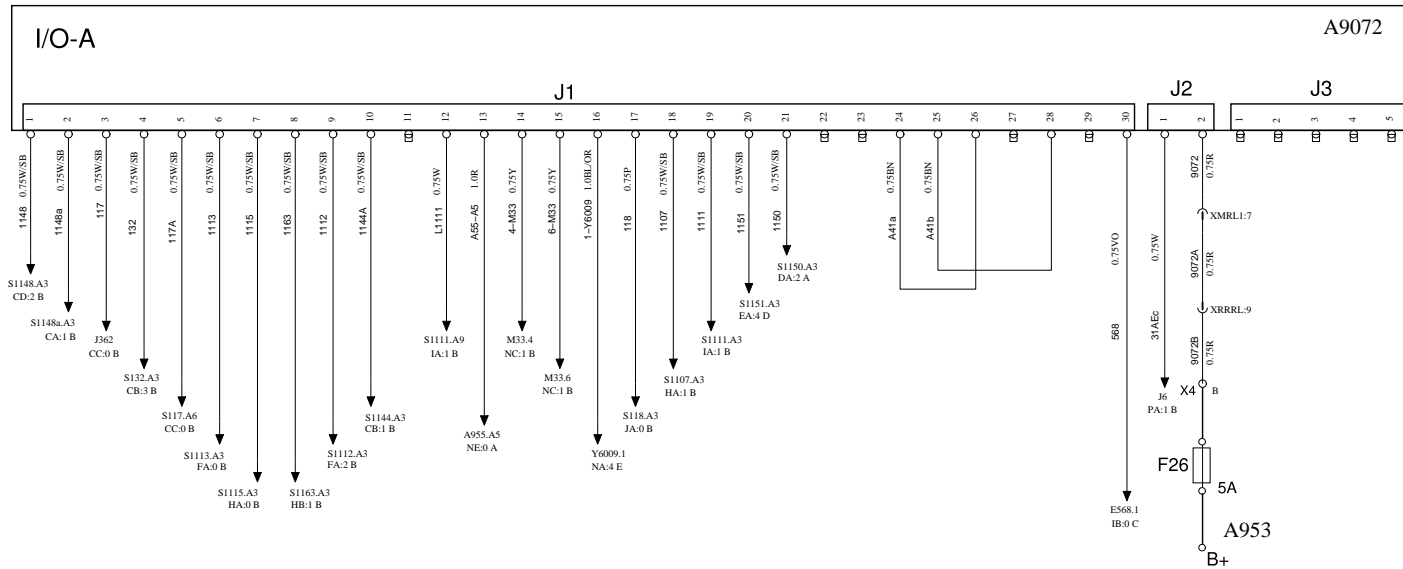
Issue
02
Volume
01
Page
5/65

AC WITHOUT MULTIPLEX
CONNECT TO XFHA

CONTROL UNIT I/O-A
CLIMATE CONTROL



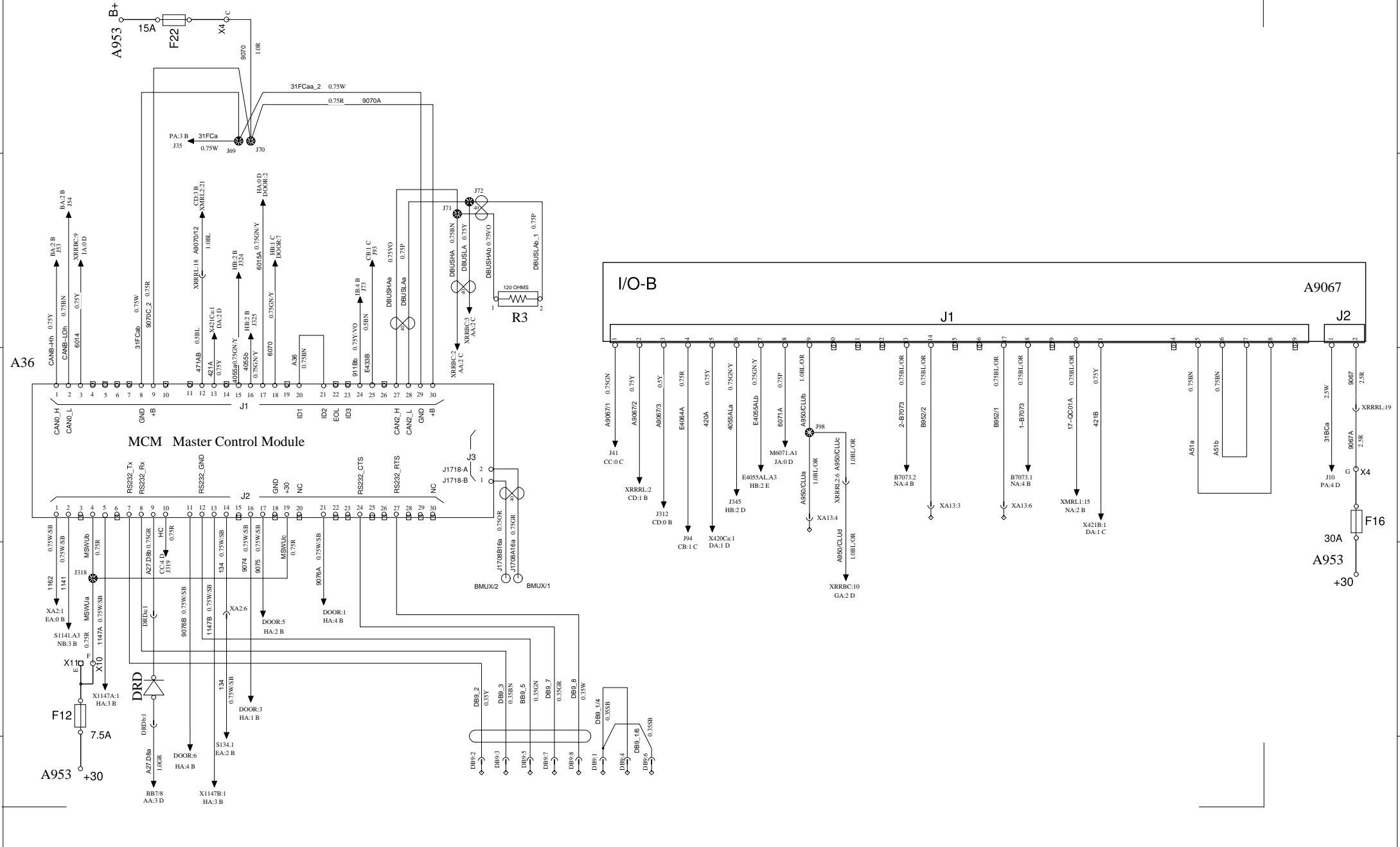
CONTROL UNIT I/O-A
DASHBOARD



CONTROL MODULES

BC

WIRING DIAGRAM



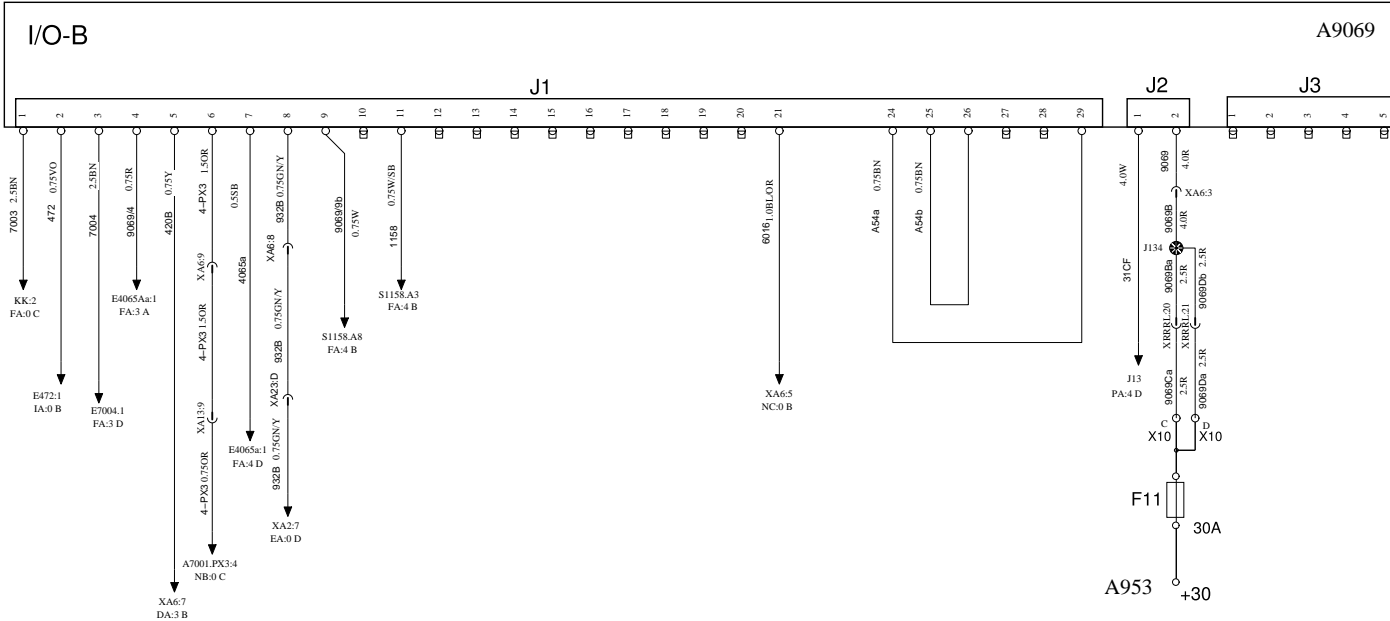
Volvo Bus Corporation

Document title
WIRING DIAGRAM
Document type
PRODUCT SCHEMATIC

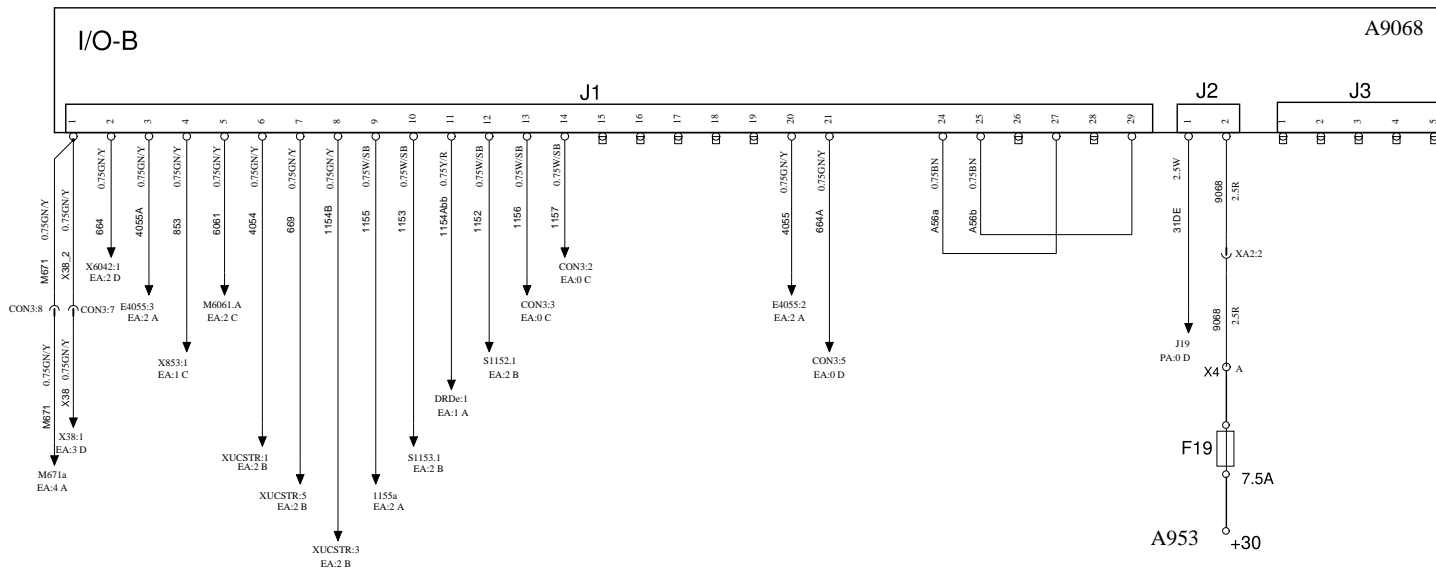
Document No
21894999

Issue
02
Volume
01
Page
7/65

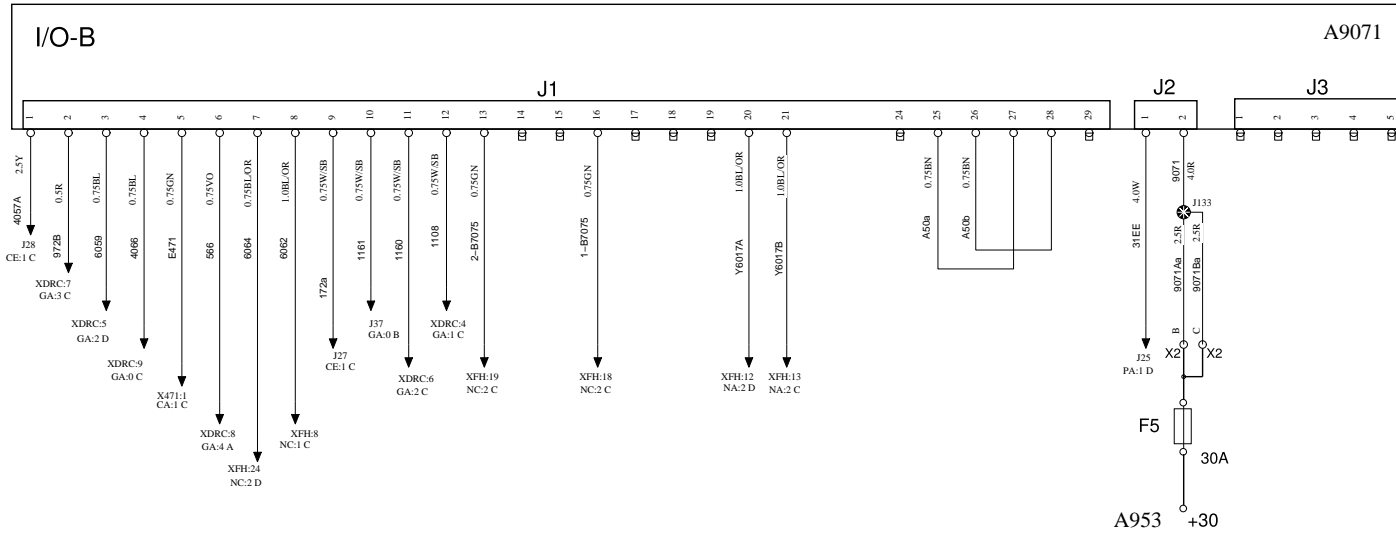
CONTROL UNIT I/O-B
KITCHEN



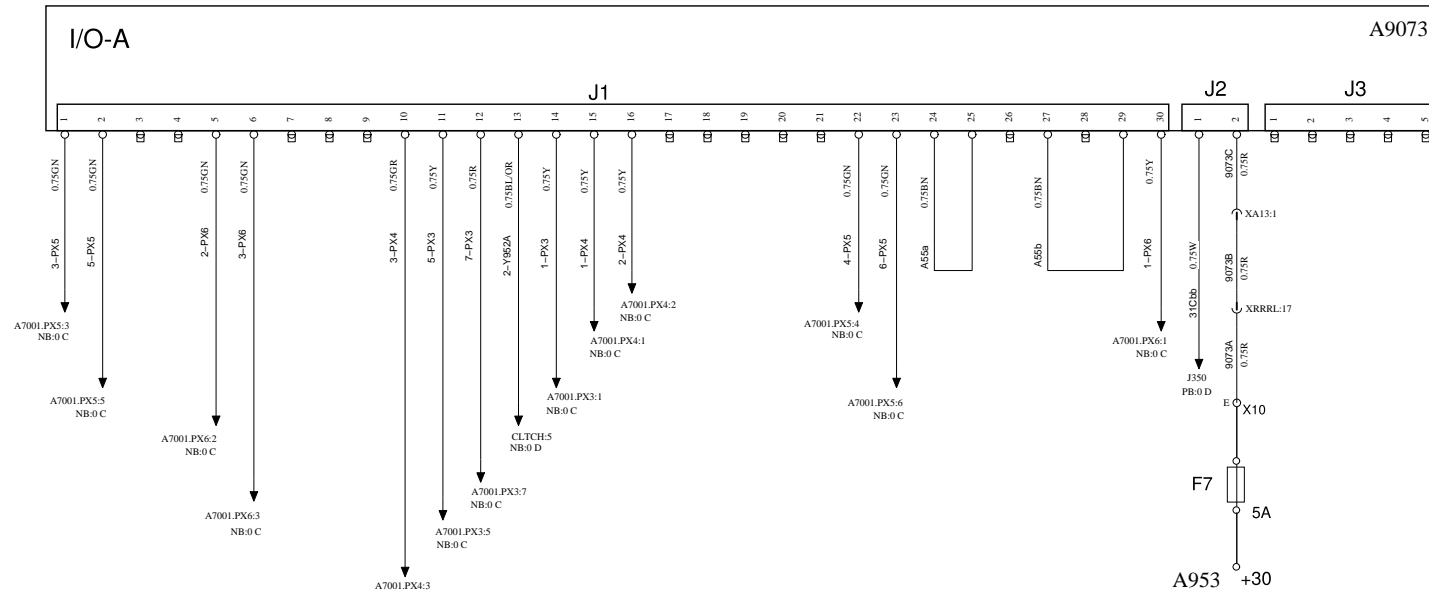
CONTROL UNIT I/O-B
TOILET



CONTROL UNIT I/O-B
FLOOR



CONTROL UNIT I/O-A
CLIMATE CONTROL



Volvo Bus Corporation

Document title
WIRING DIAGRAM
Document type
PRODUCT SCHEMATIC

Document No
21894999

Issue
02

Volume
01

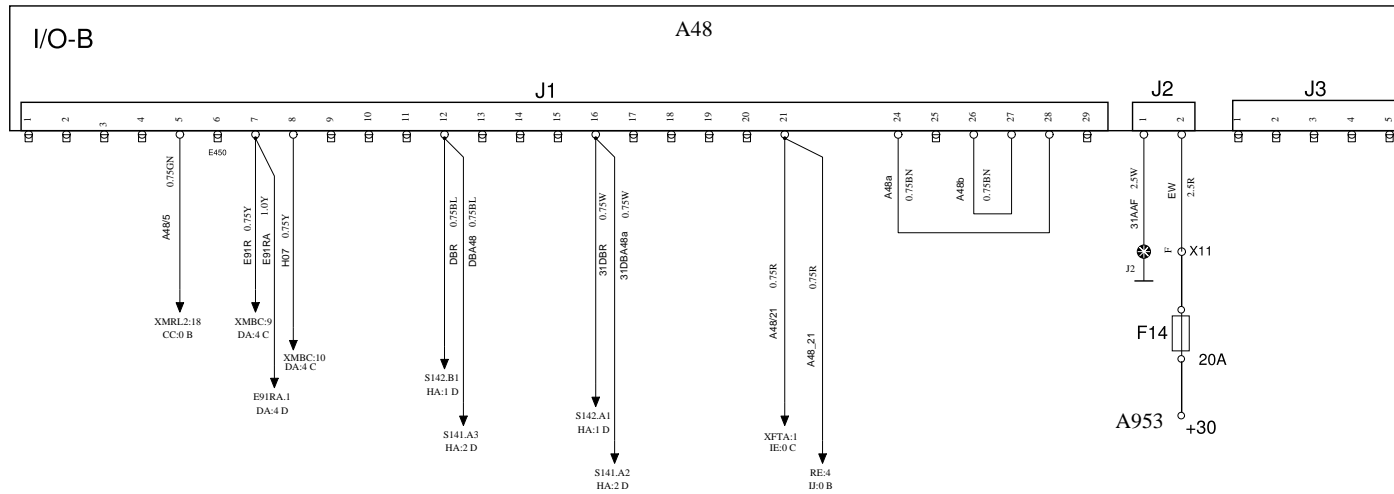
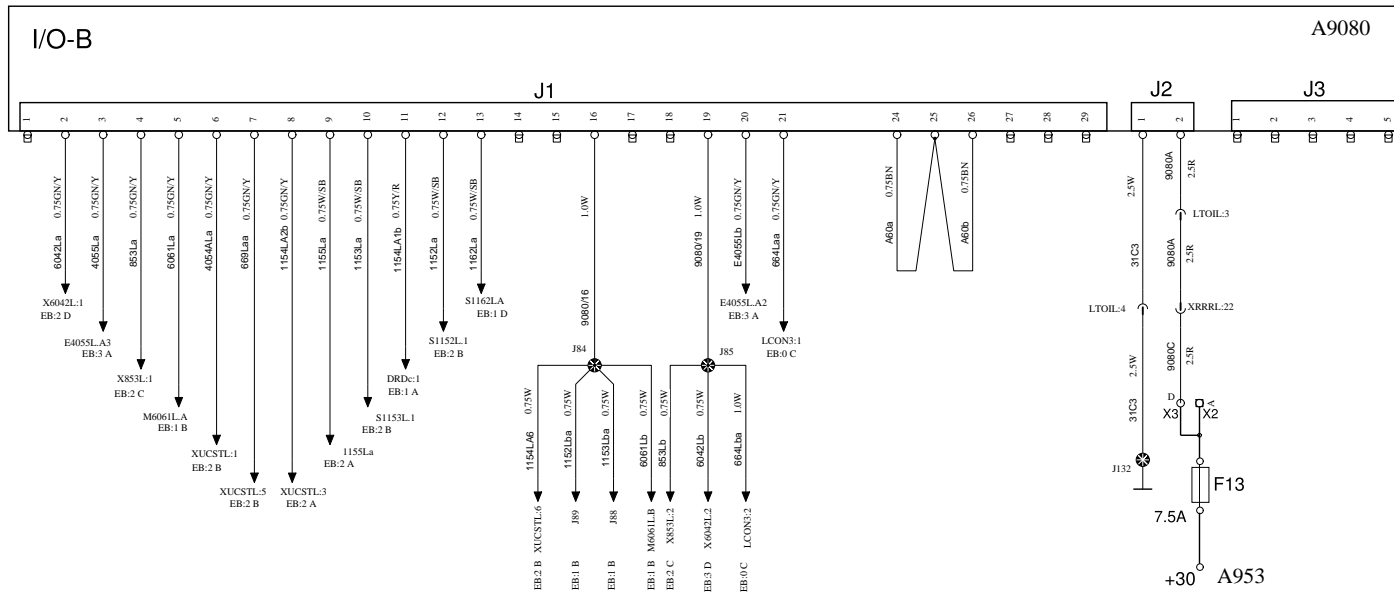
Page
9/65

CONTROL MODULES

BF

WIRING DIAGRAM

CONTROL UNIT I/O-B
LEFT TOILET



Volvo Bus Corporation

Document title
WIRING DIAGRAM

Document type
PRODUCT SCHEMATIC

Document No

21894999

Issue

02

Volume

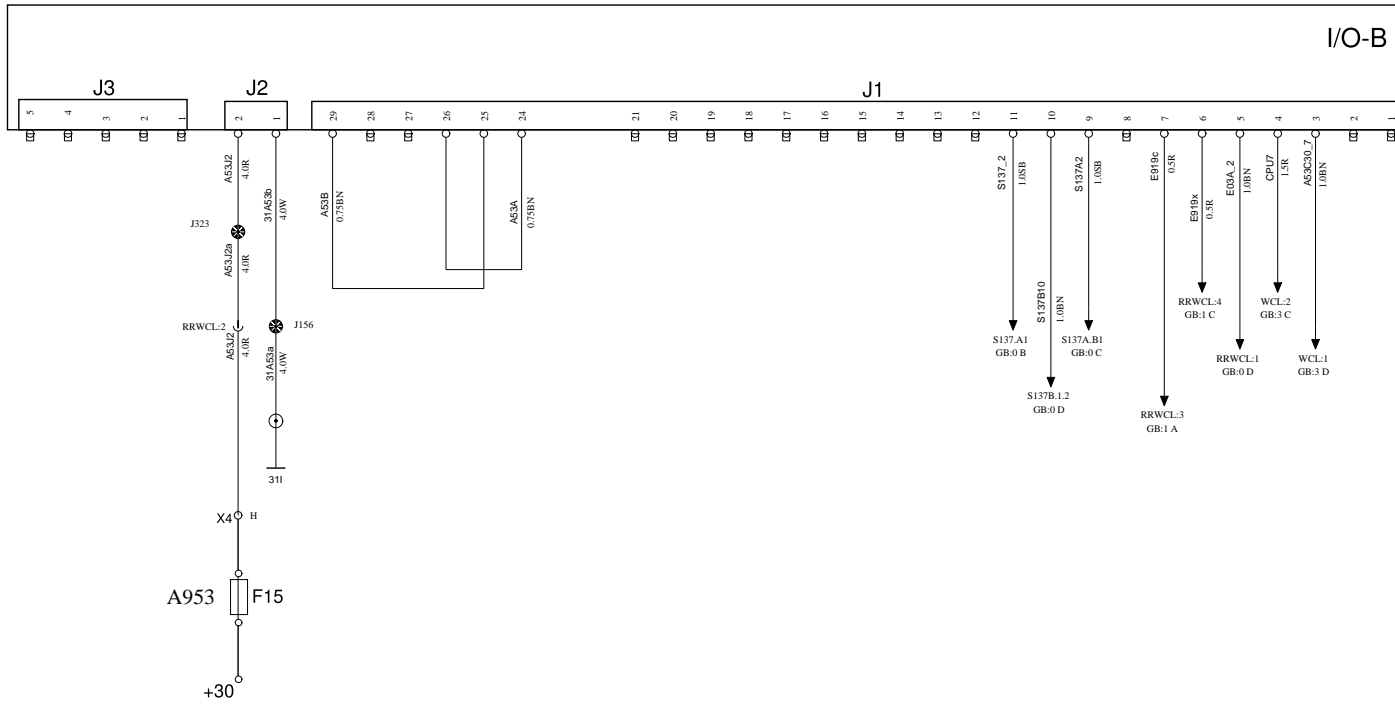
01

Page

10/65

A53

I/O-B



Volvo Bus Corporation

Document title
WIRING DIAGRAM

Document type
PRODUCT SCHEMATIC

Document No

21894999

Issue

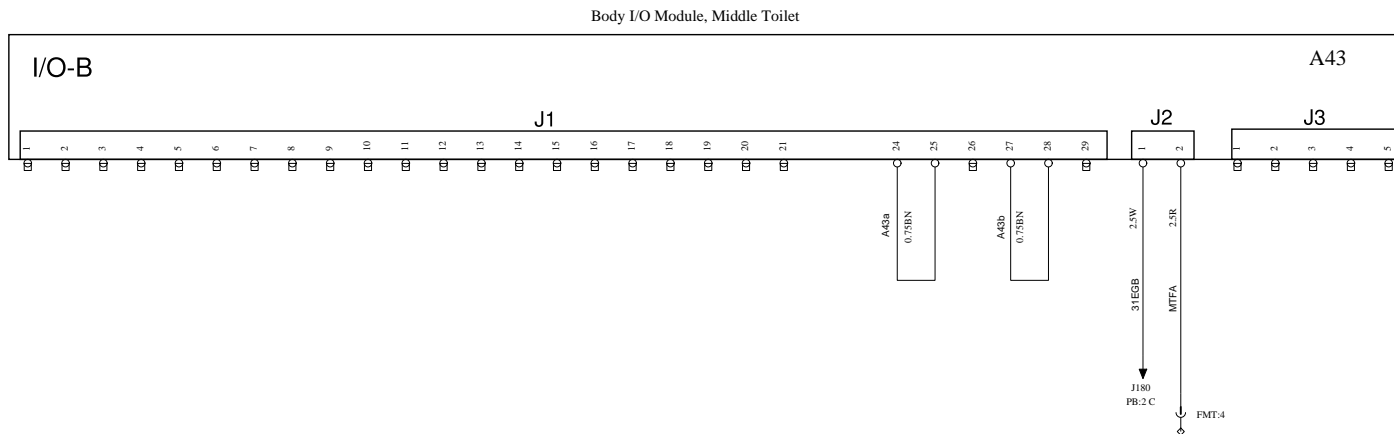
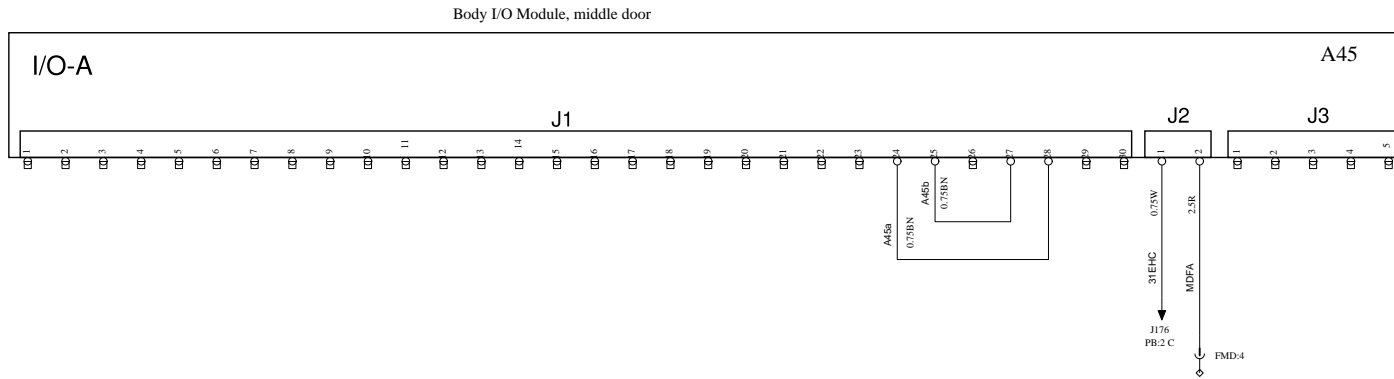
02

Volume

01

Page

11/65

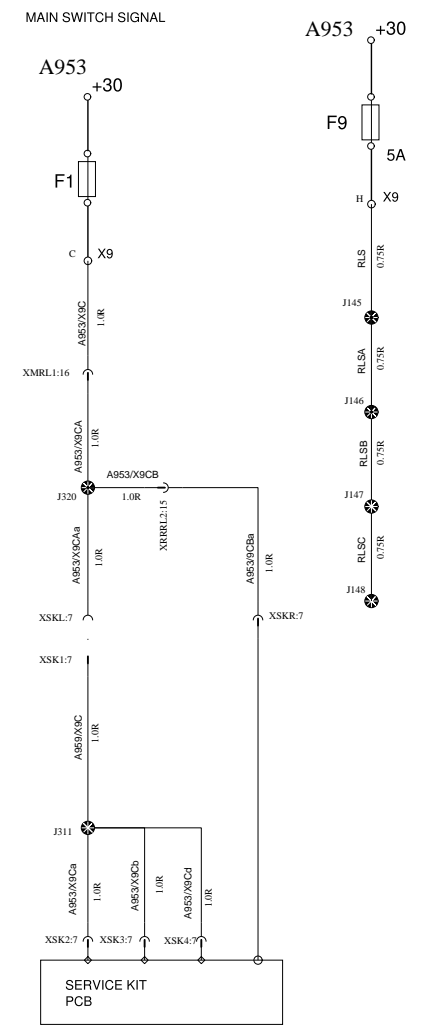
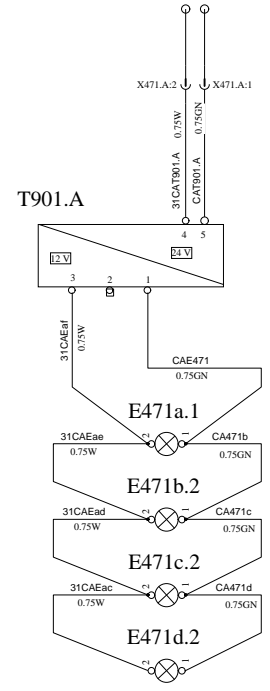
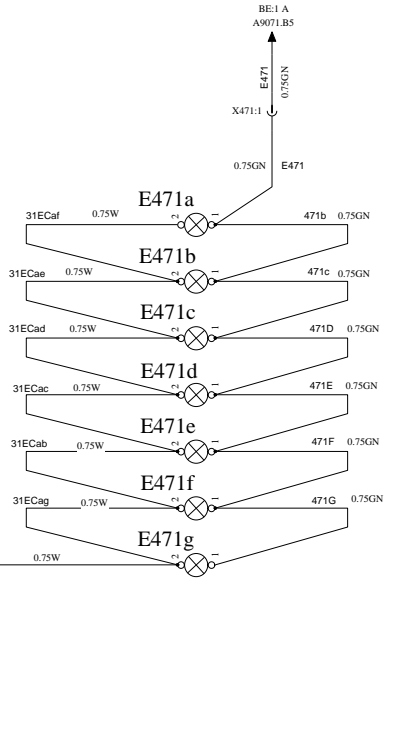
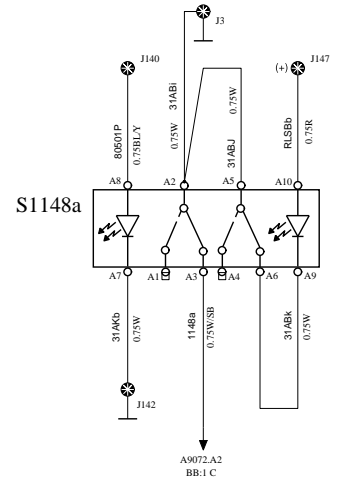
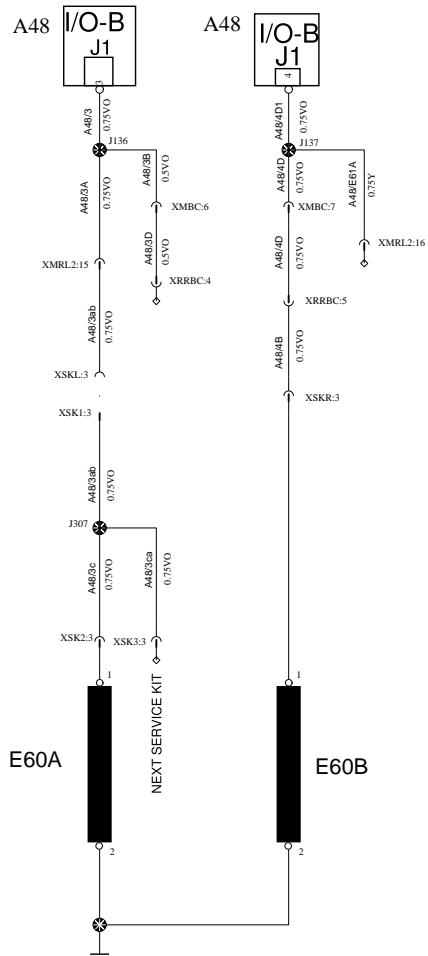


LIGHT UNDER SEATS

CA SEAT NIGHT LIGHT

WIRING DIAGRAM

AMBIENT LIGHT LEFT AMBIENT LIGHT RIGHT



Volvo Bus Corporation

Document title
WIRING DIAGRAM
Document type
PRODUCT SCHEMATIC

Document No
21894999

Issue
02
Volume
01
Page
13/65

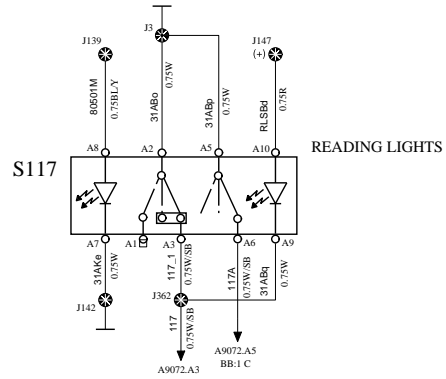
READING LIGHTS PASSENGER AND WCL

CC

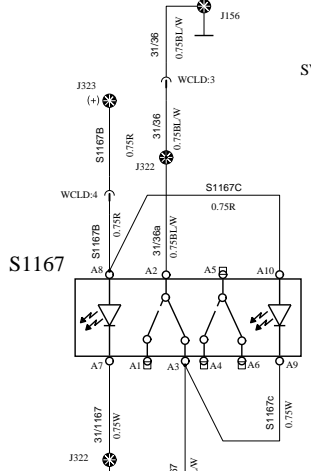
WIRING DIAGRAM

A

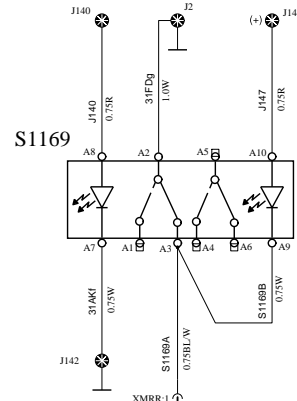
A



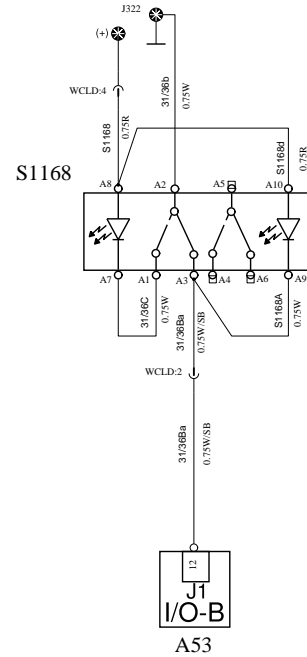
SWITCH, READING LIGHT WCL DOOR



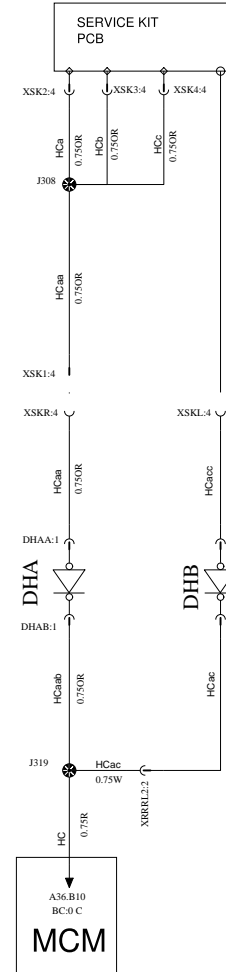
SWITCH, WCL READING LAMPS DASHBOARD



SWITCH, WCL HOST CALL

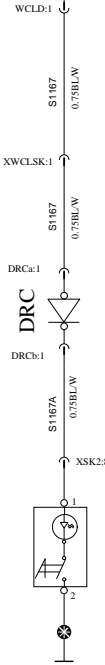
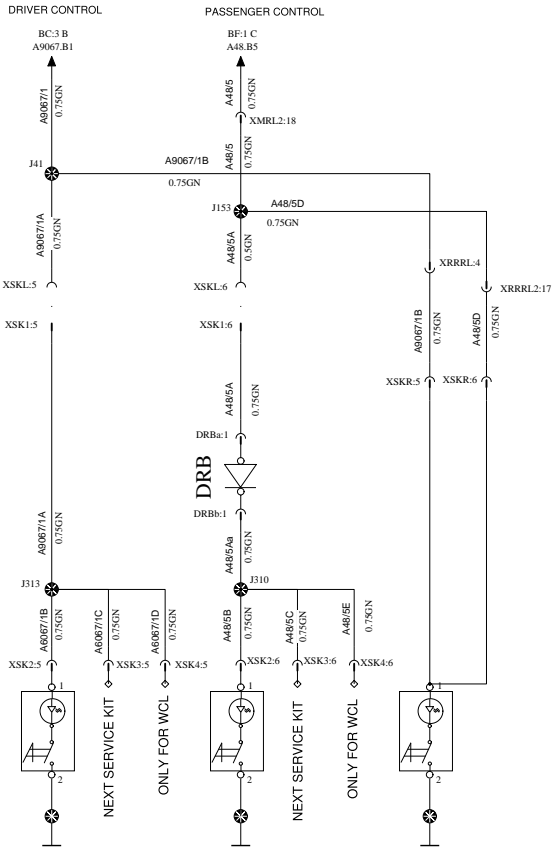


HOST SIGNAL



B

B



C

C

D

D

E

E



Volvo Bus Corporation

Document title WIRING DIAGRAM		Document No	Issue	Volume	Page
Document type PRODUCT SCHEMATIC		21894999	02	01	15/65

0

1

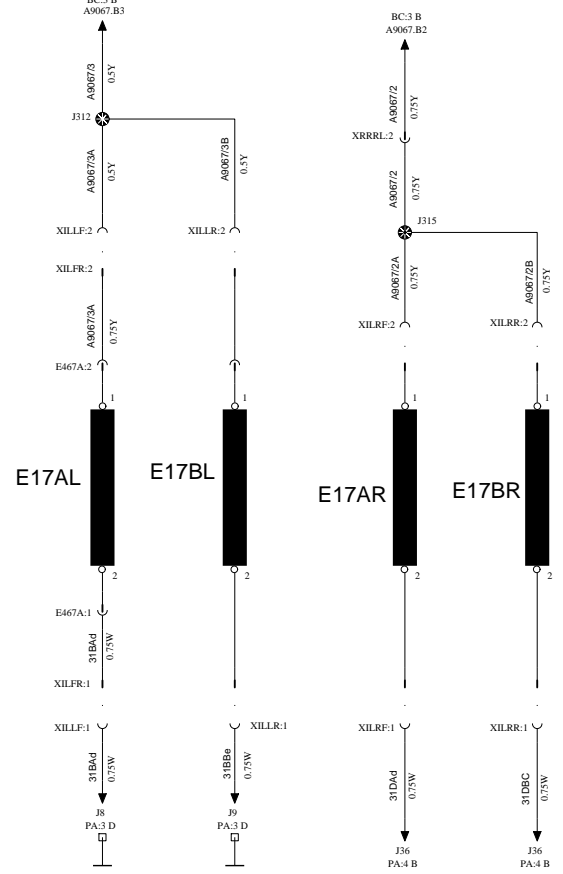
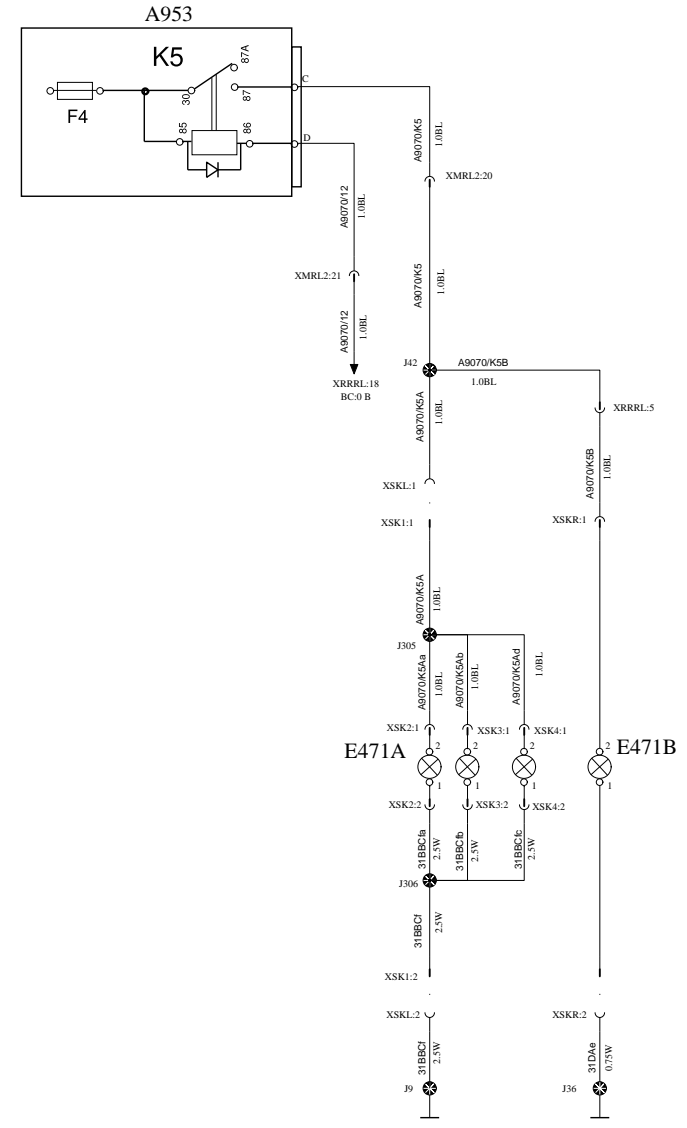
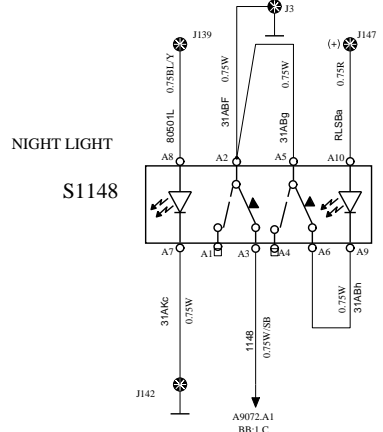
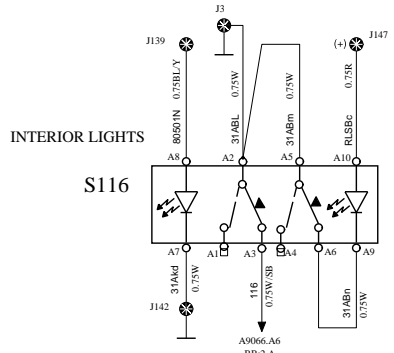
2

3

4

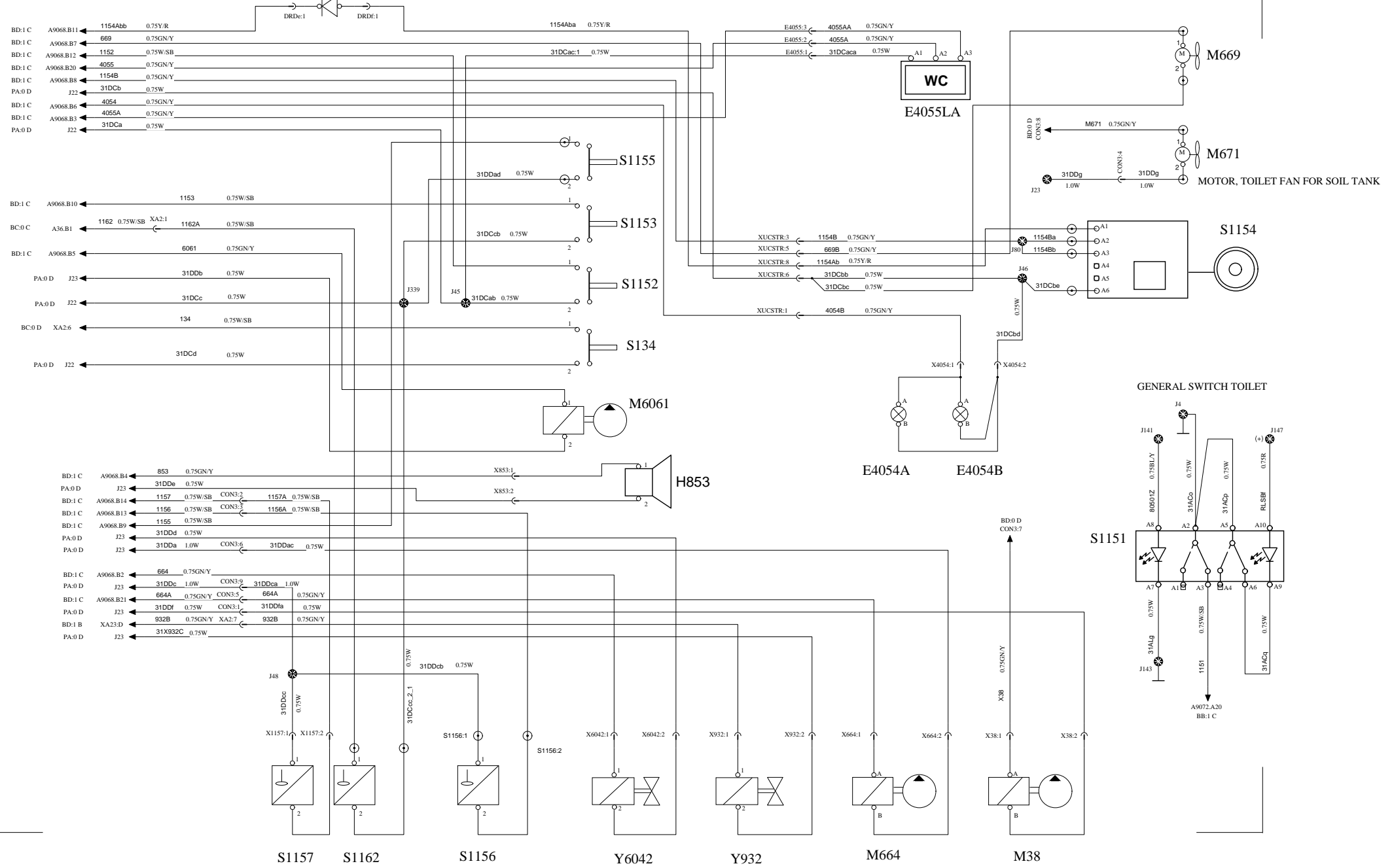
INTERIOR LIGHT AND NIGHT LIGHT PASSENGERS CD

WIRING DIAGRAM



TOILET

WIRING DIAGRAM



Volvo Bus Corporation

Document title
WIRING DIAGRAM
Document type
PRODUCT SCHEMATIC

Document No
21894999

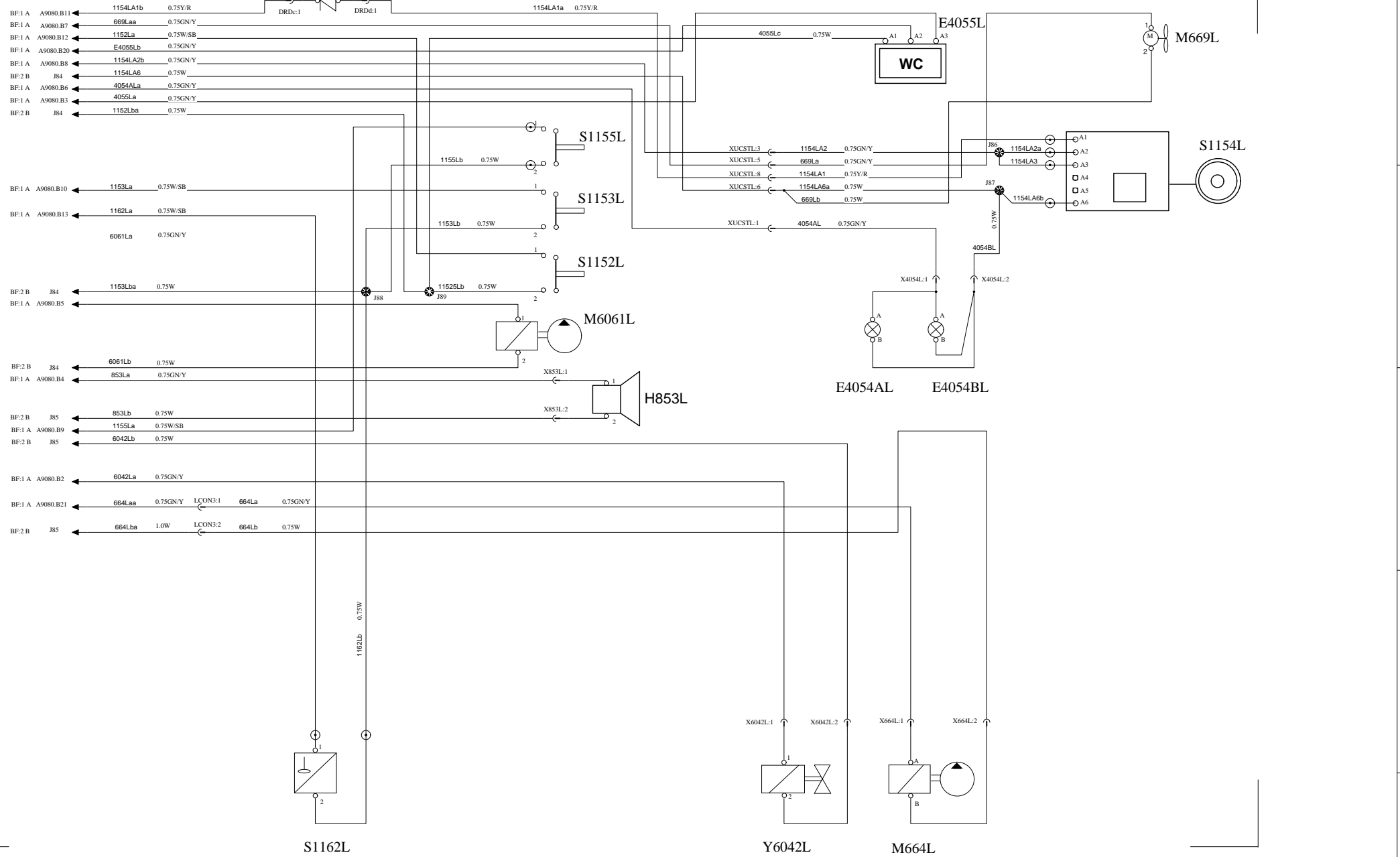
Issue
02

Volume
01

Page
19/65

LEFT TOILET

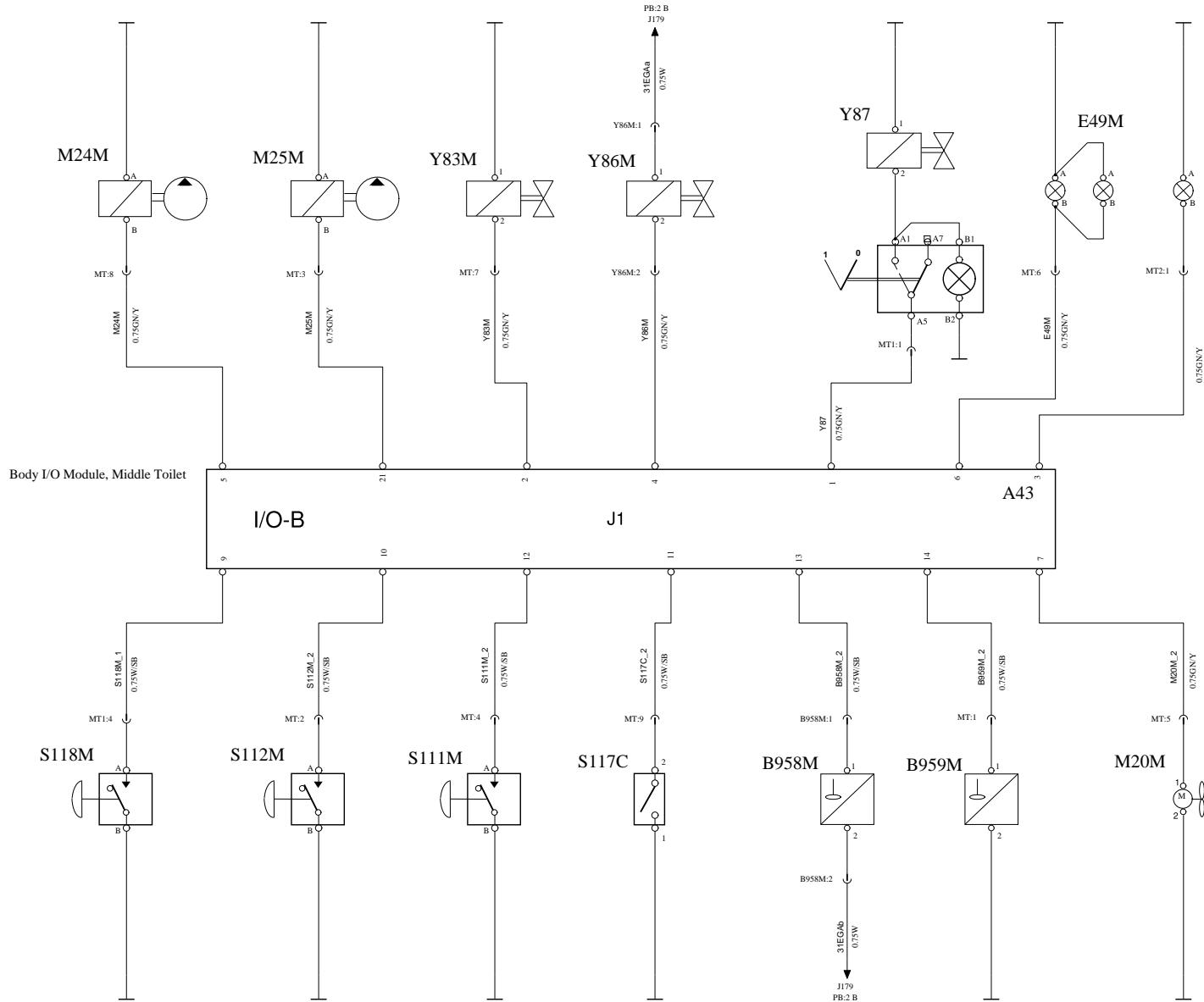
WIRING DIAGRAM



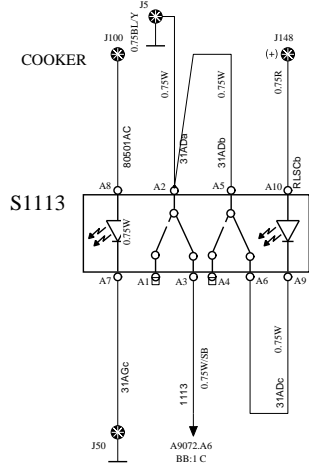
Volvo Bus Corporation

Document title WIRING DIAGRAM
Document type PRODUCT SCHEMATIC

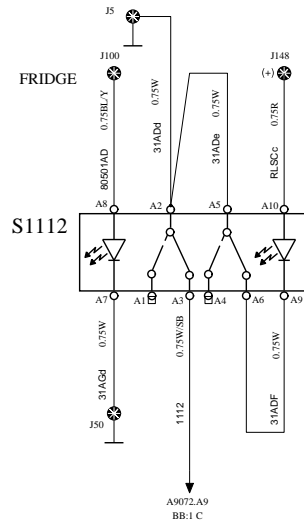
Document No	Issue	Volume	Page
21894999	02	01	20/65



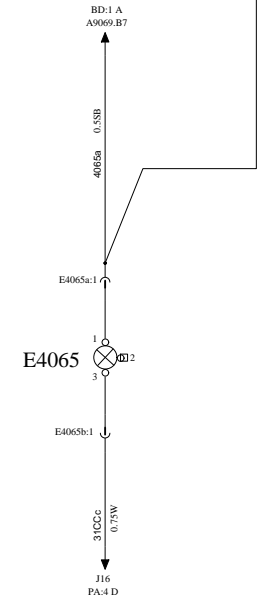
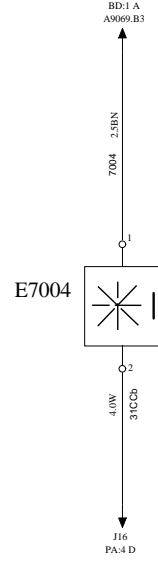
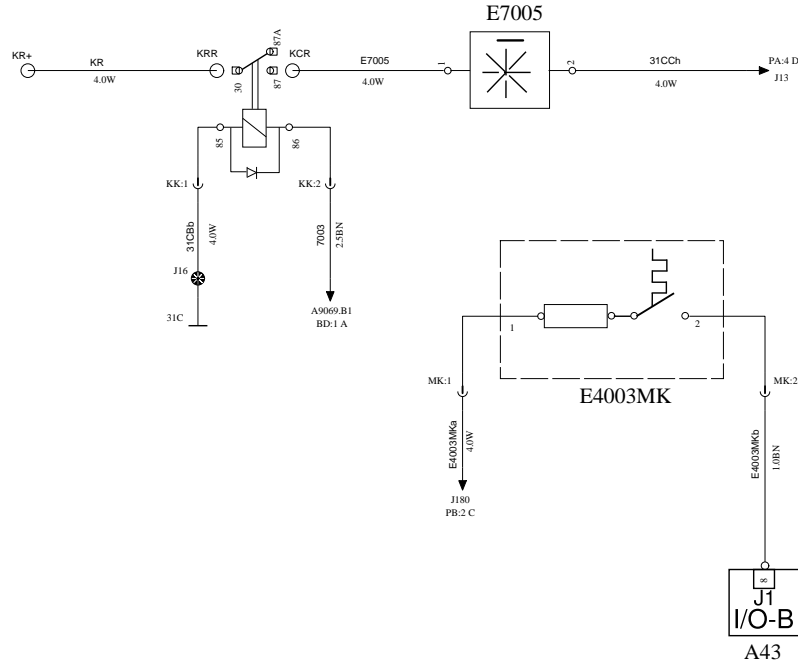
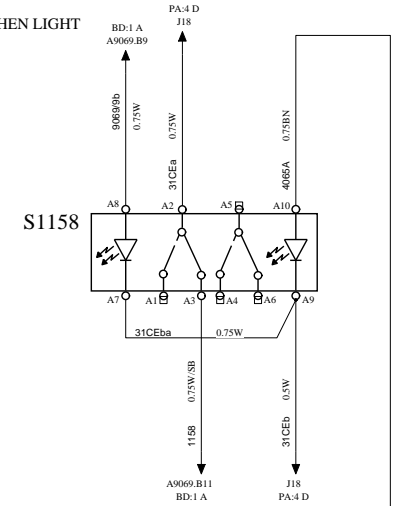
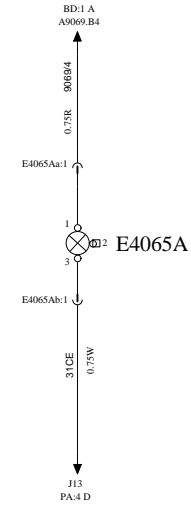
KITCHEN



FA



WIRING DIAGRAM



Volvo Bus Corporation

Document title
WIRING DIAGRAM
Document type
PRODUCT SCHEMATIC

Document No
21894999

Issue
02

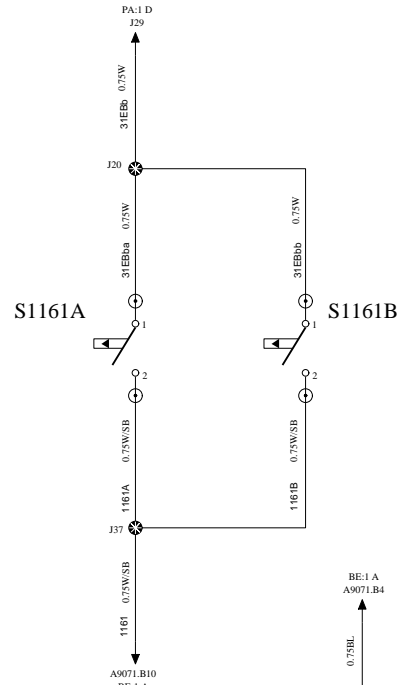
Volume
01

Page
22/65

DRC

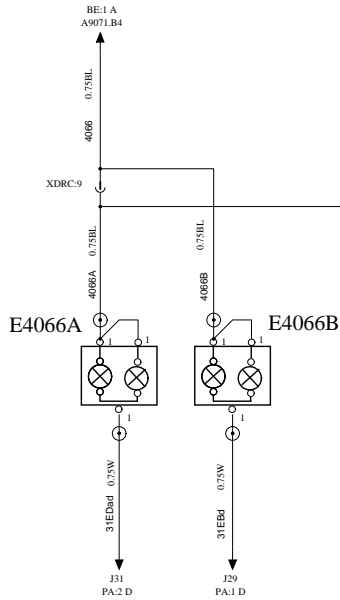
GA

WIRING DIAGRAM



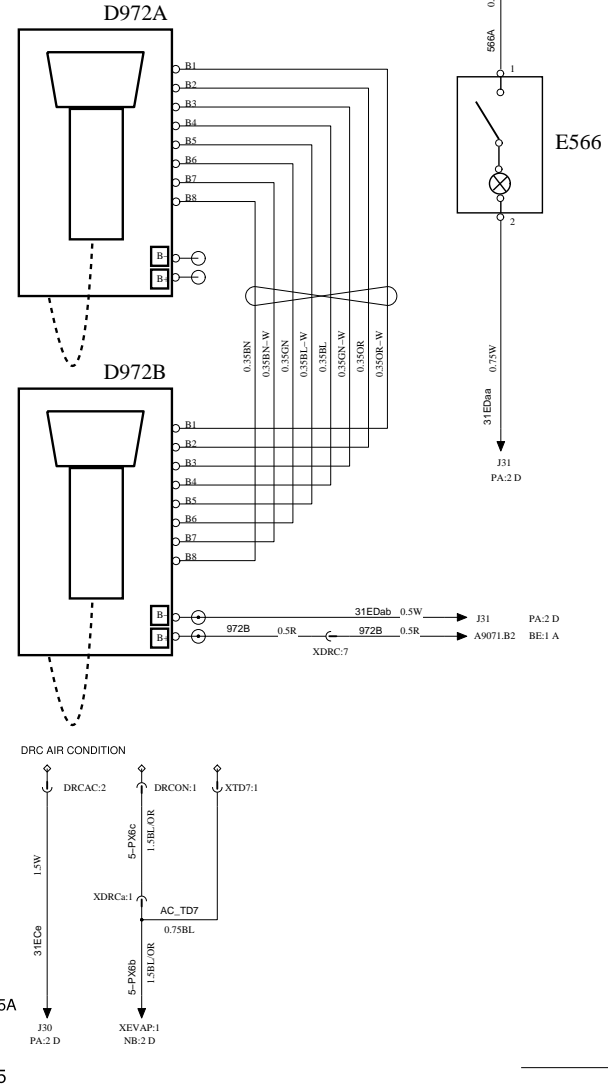
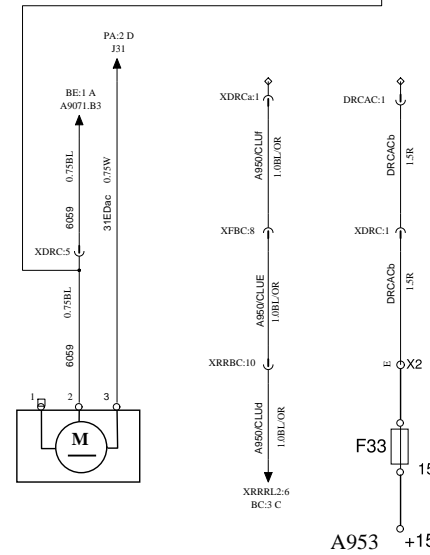
LIGHTING SLEEPER CAB

S1108



BERTH FAN

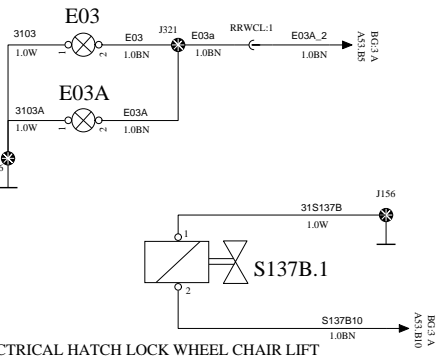
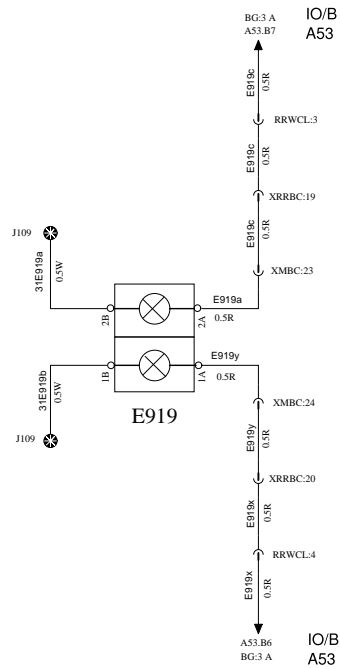
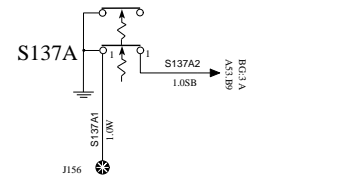
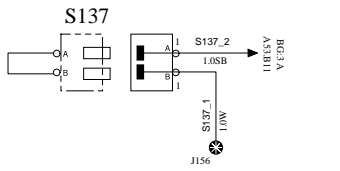
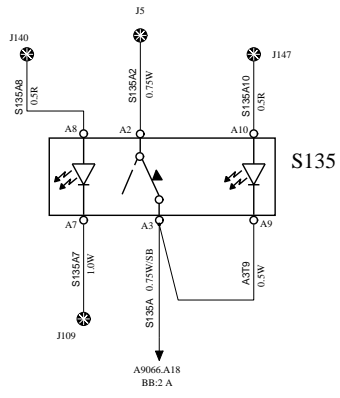
S1160



WHEEL CHAIR LIFT

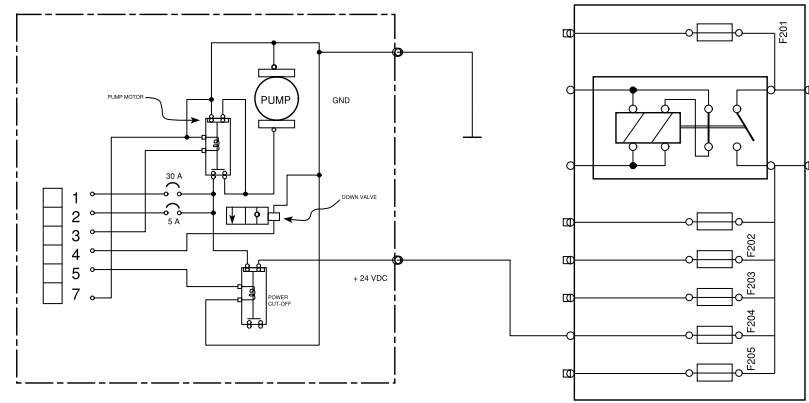
GB

WIRING DIAGRAM



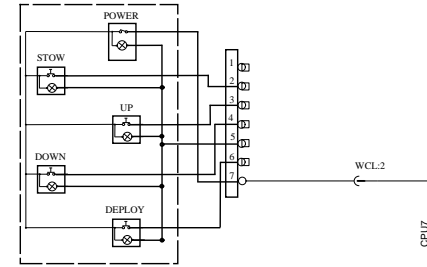
ELECTRICAL HATCH LOCK WHEEL CHAIR LIFT

PUMP ENCLOSURE



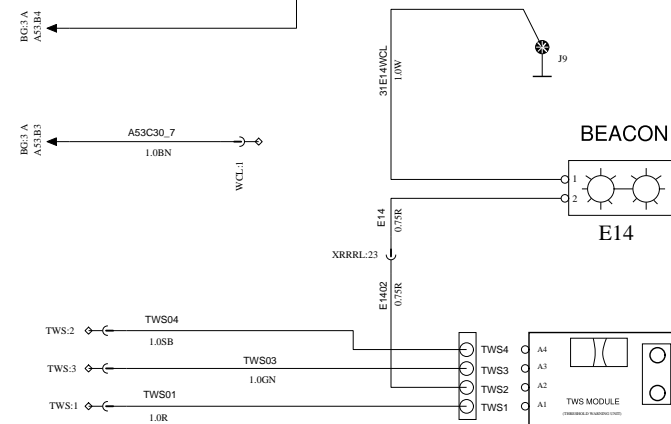
ENGINE FUSE BOX

CPU (CONTROL PENDANT UNIT)



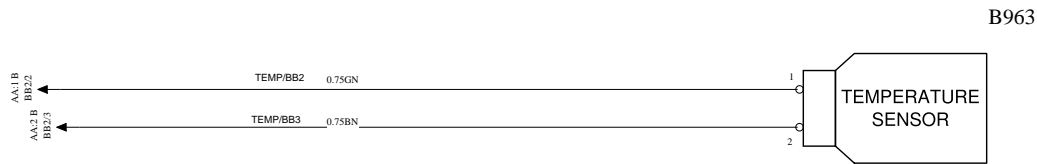
IO/B A53

IO/B A53



Document title	WIRING DIAGRAM
Document type	PRODUCT SCHEMATIC

Document No	21894999
Issue	02
Volume	01
Page	24/65

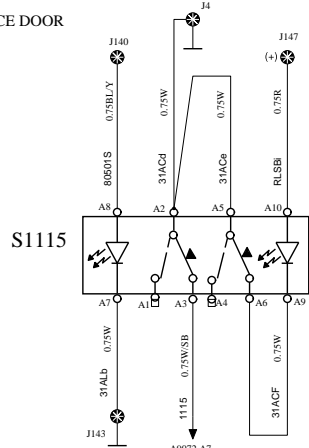


DOOR CONTROL

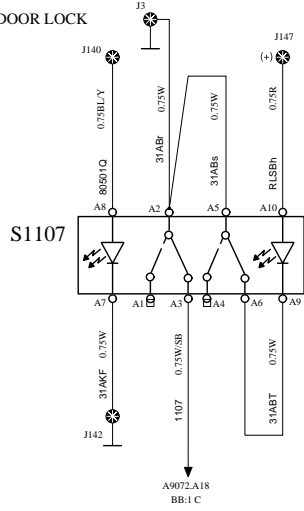
HA

WIRING DIAGRAM

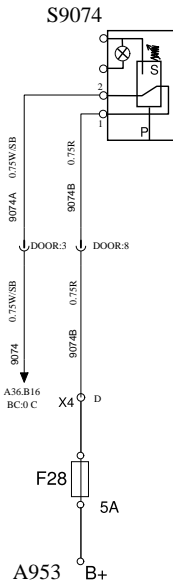
SERVICE DOOR



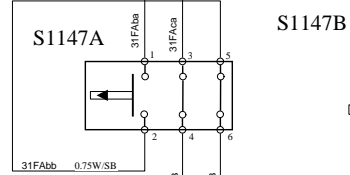
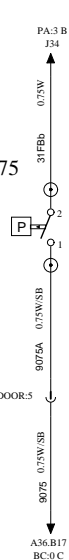
DOOR LOCK



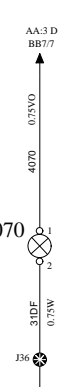
S9074



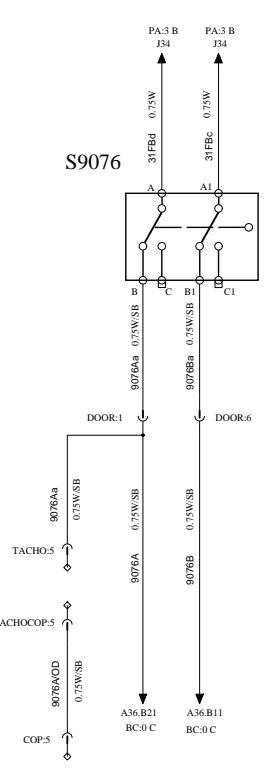
S9075



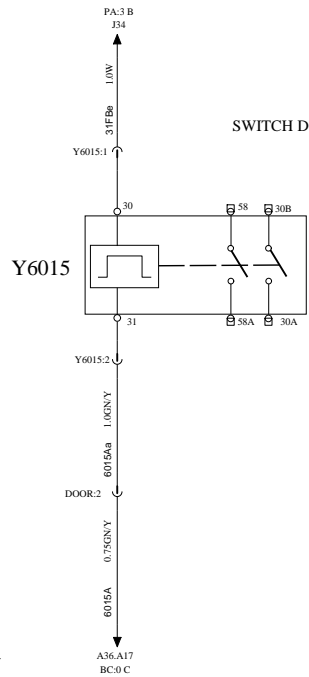
E4070



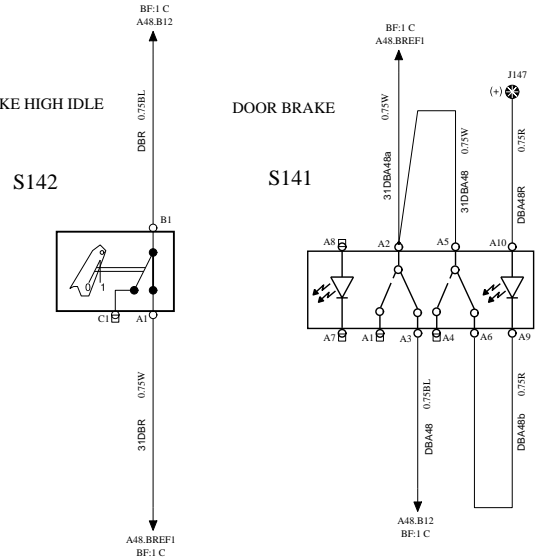
S9076



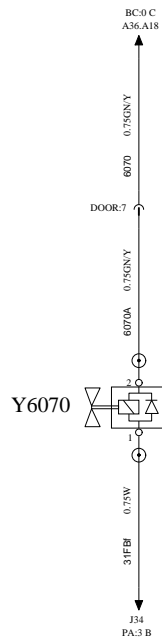
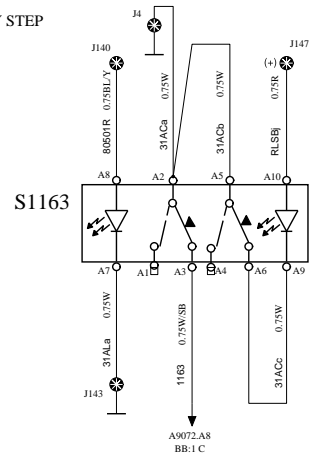
SWITCH DOOR BRAKE HIGH IDLE



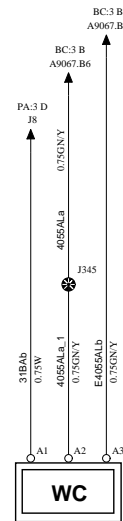
DOOR BRAKE



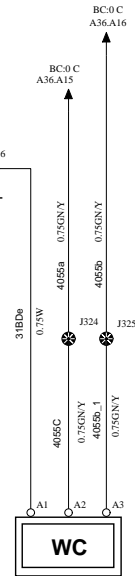
AUXILIARY STEP

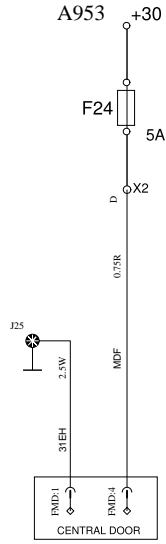
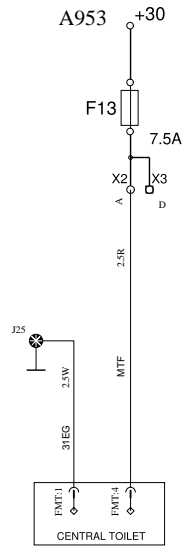


E4055AL

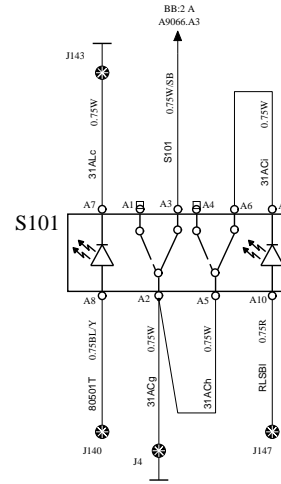


E4055A

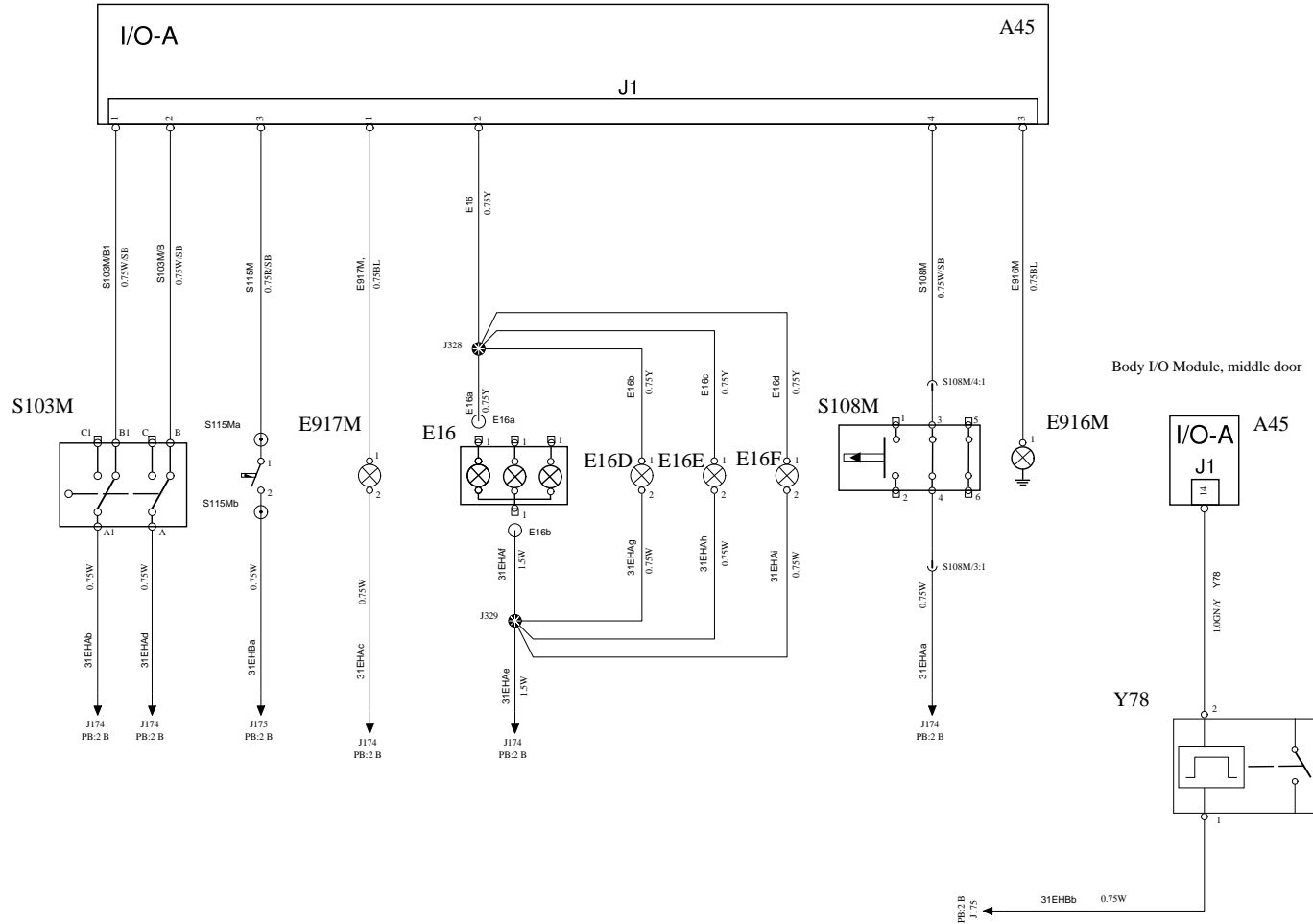




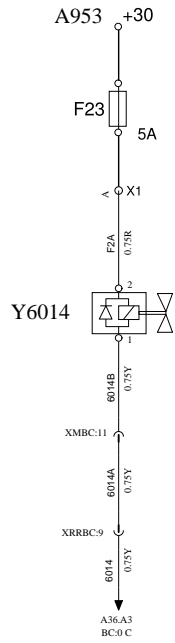
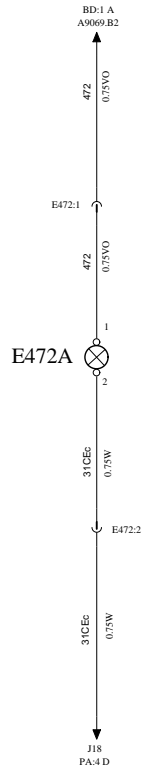
Switch, Middle Door



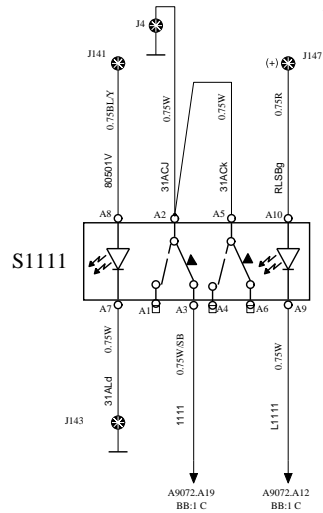
Body I/O Module, middle door



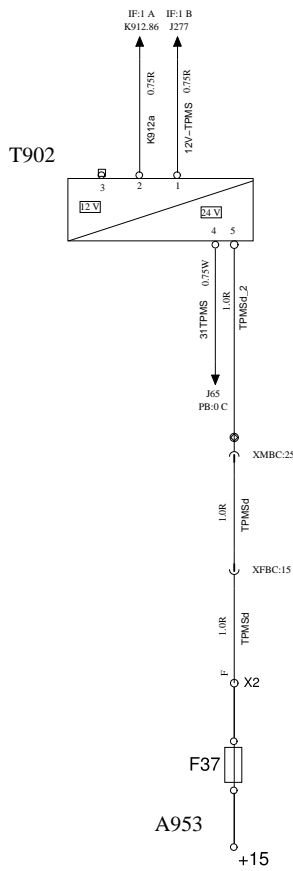
ACCESORIES



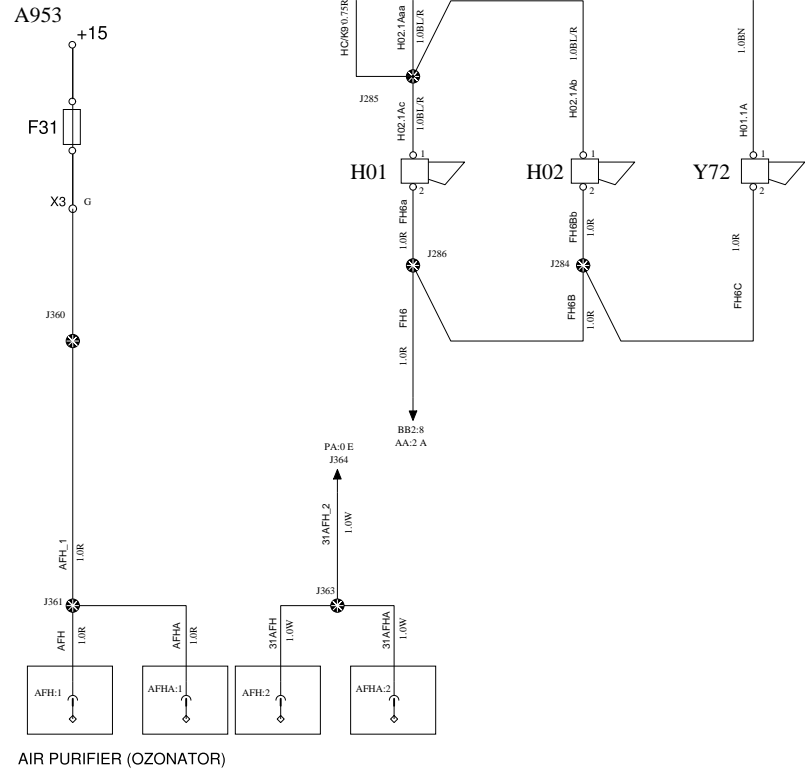
IA



CENTRAL LOCK



WIRING DIAGRAM



AIR PURIFIER (OZONATOR)

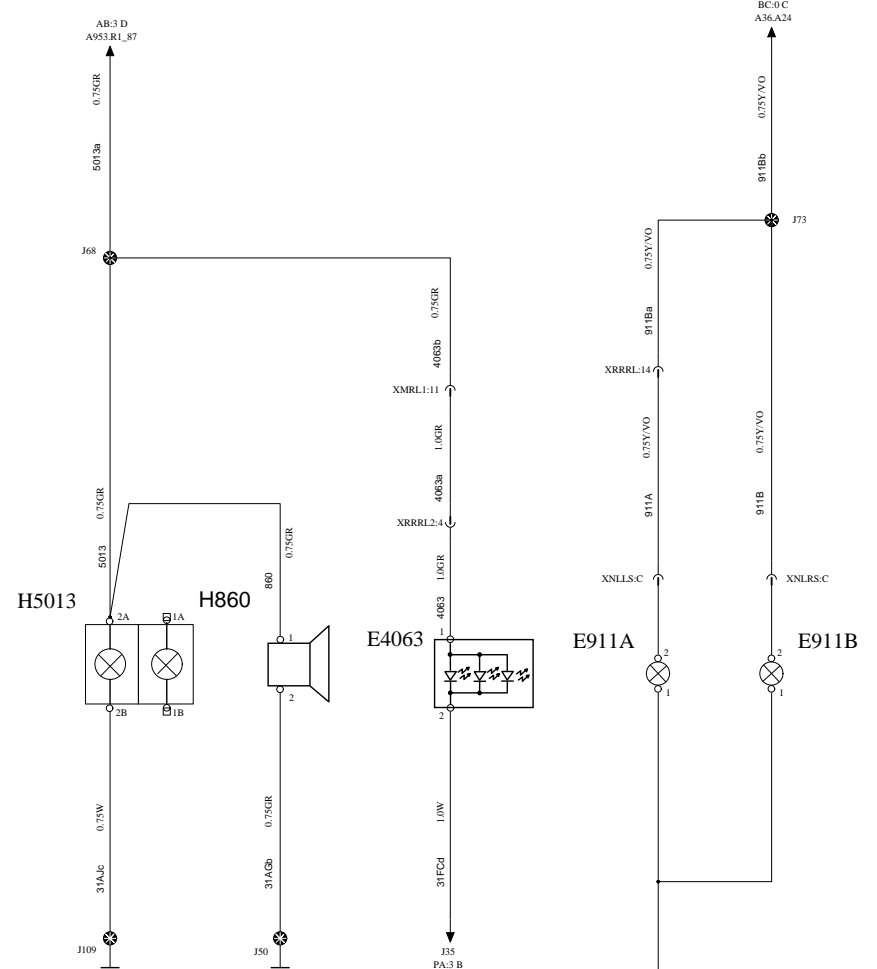
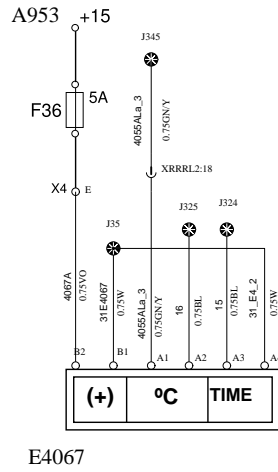
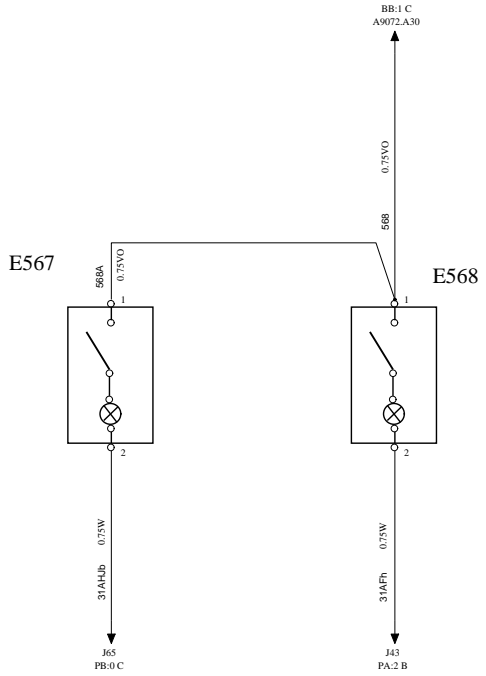
ACCESORIES

IB

WIRING DIAGRAM

SNAKE LAMP, ELECTRIC CENTRE

SNAKE LAMP, MAP LIGHT



Volvo Bus Corporation

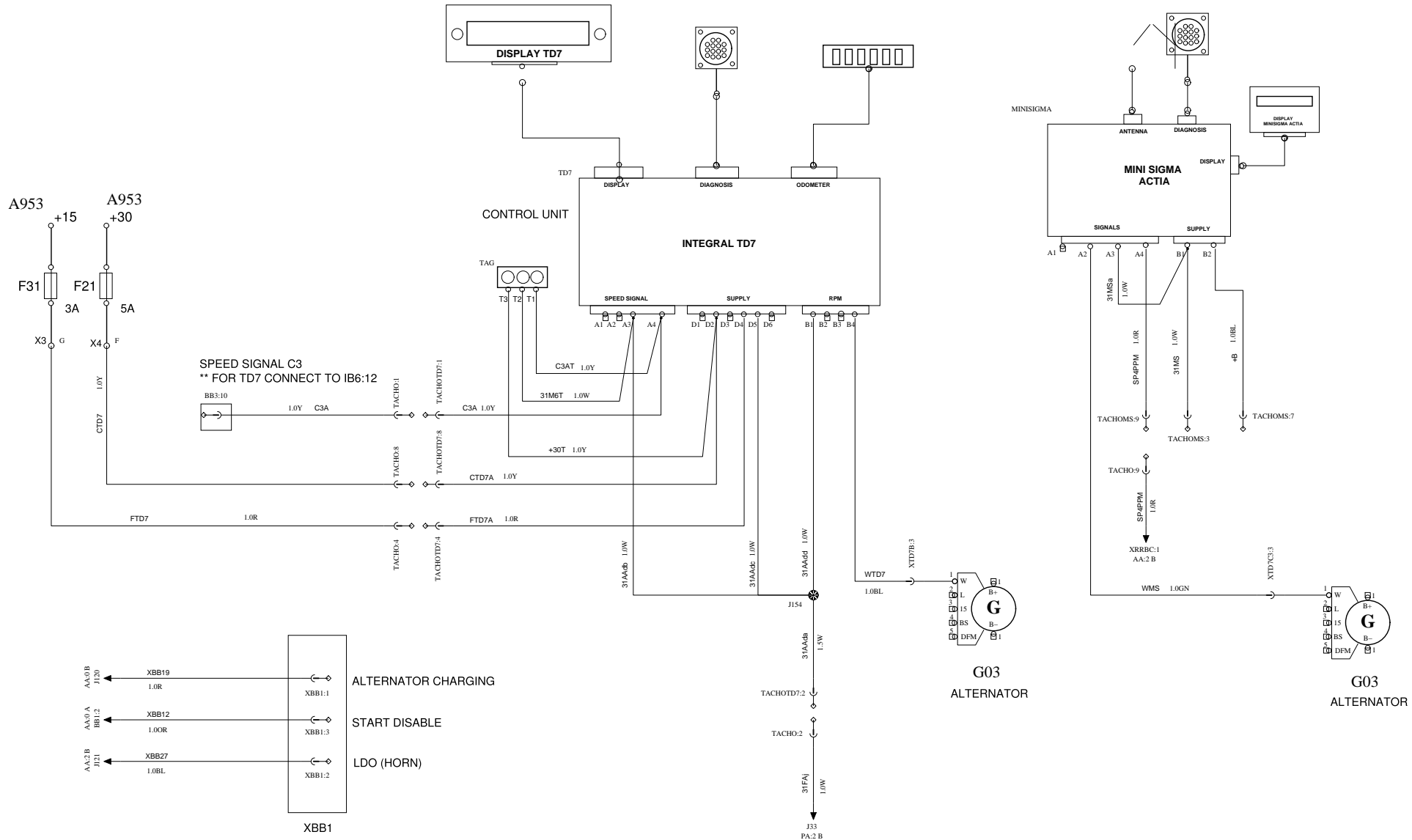
Document title
WIRING DIAGRAM
Document type
PRODUCT SCHEMATIC

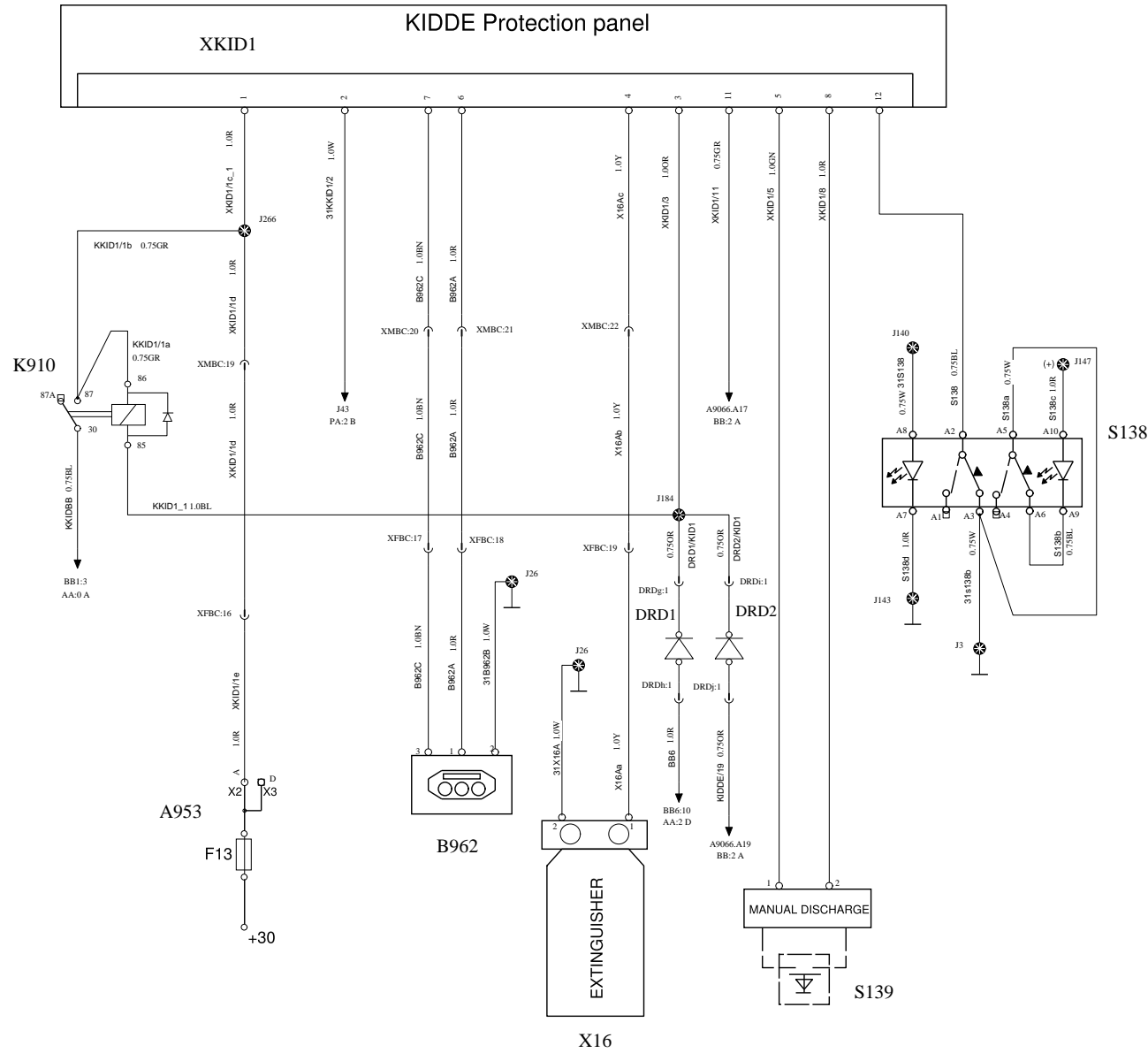
Document No
21894999

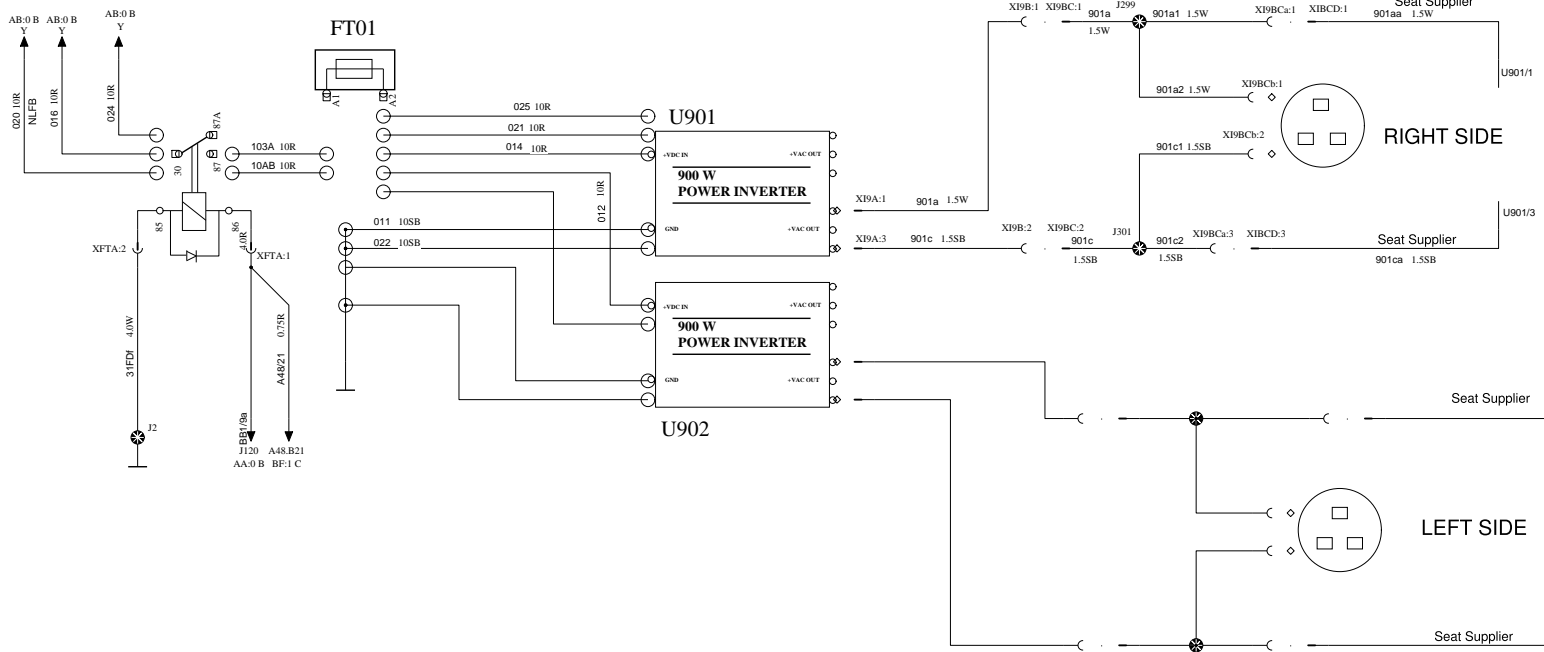
Issue
02

Volume
01

Page
31/65



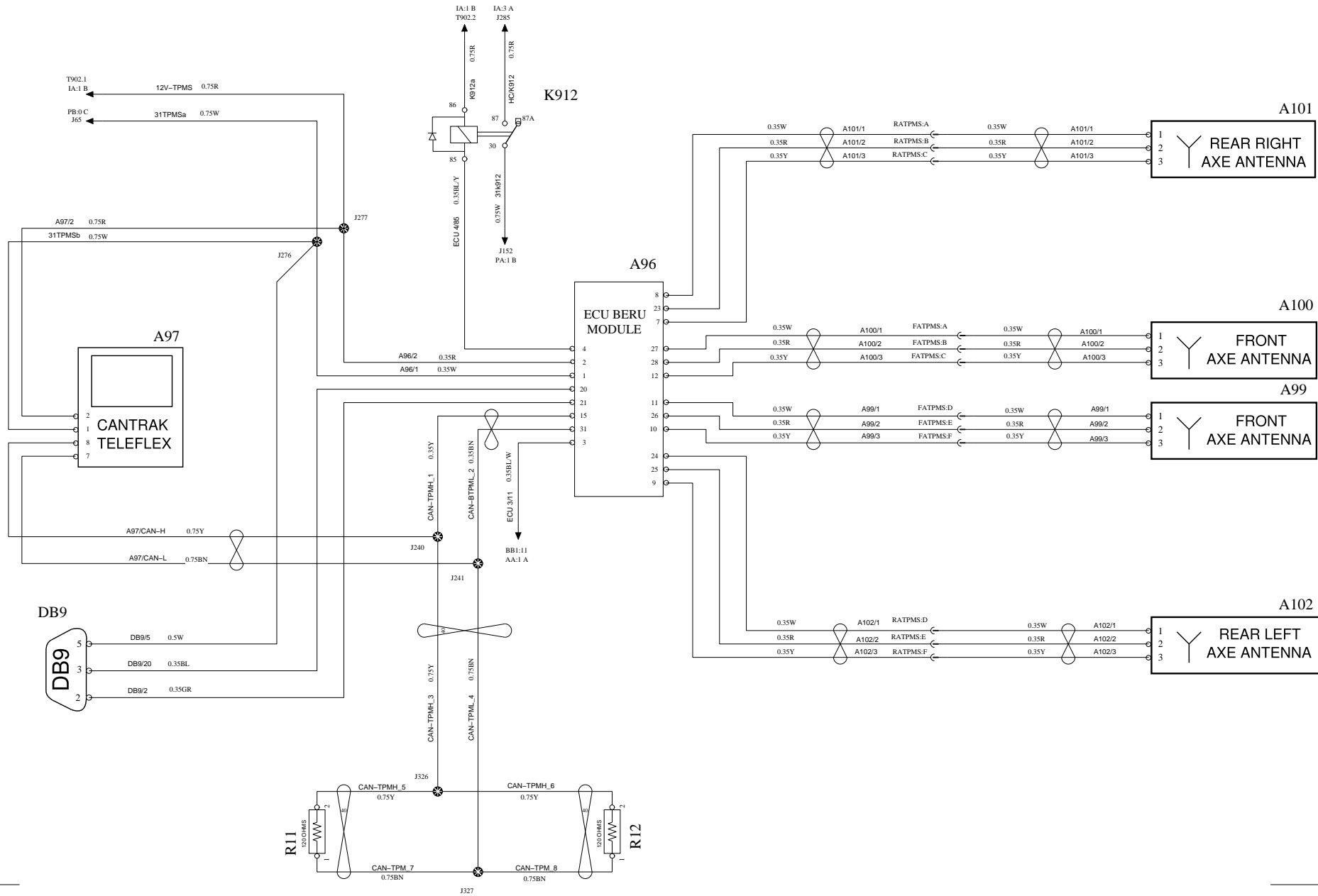




TIRE PRESSURE MONITORING SYSTEM

IF

WIRING DIAGRAM



Volvo Bus Corporation

Document title
WIRING DIAGRAM

Document type
PRODUCT SCHEMATIC

Document No

21894999

Issue

02

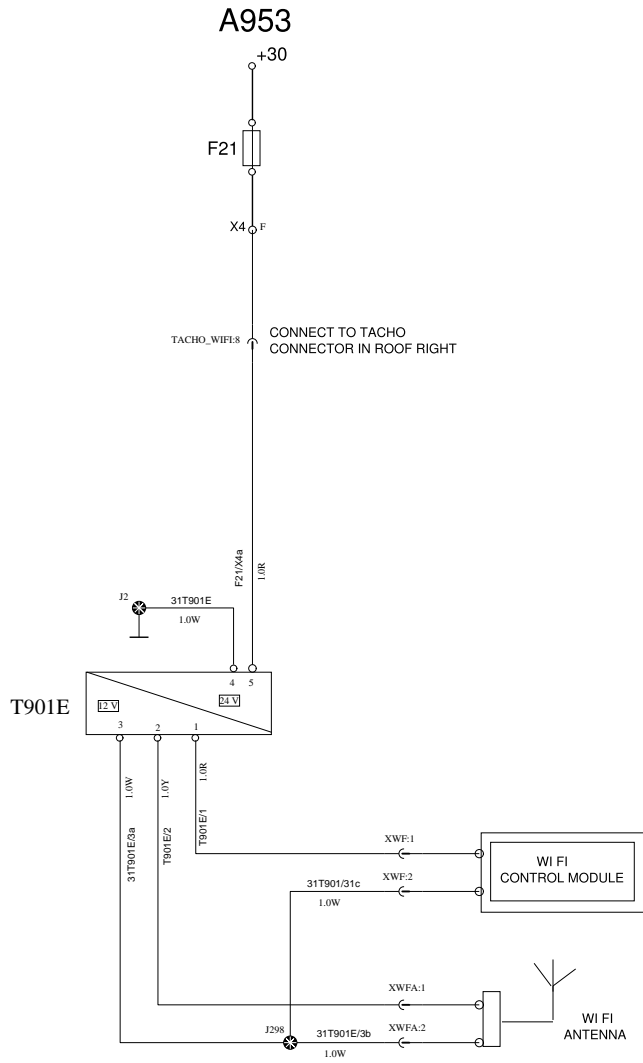
Volume

01

Page

35/65

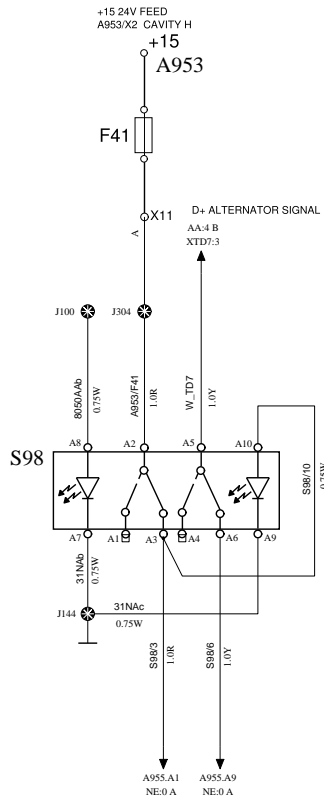
WI FI IG WIRING DIAGRAM

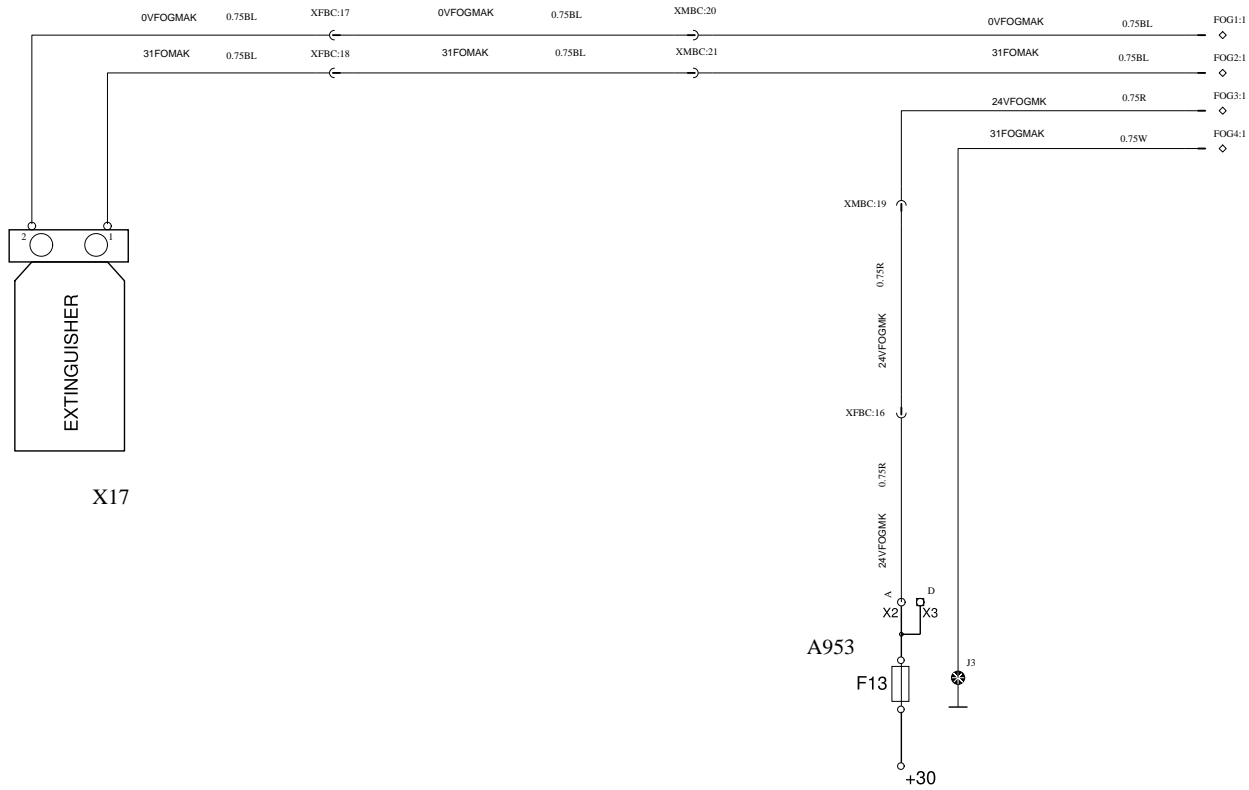


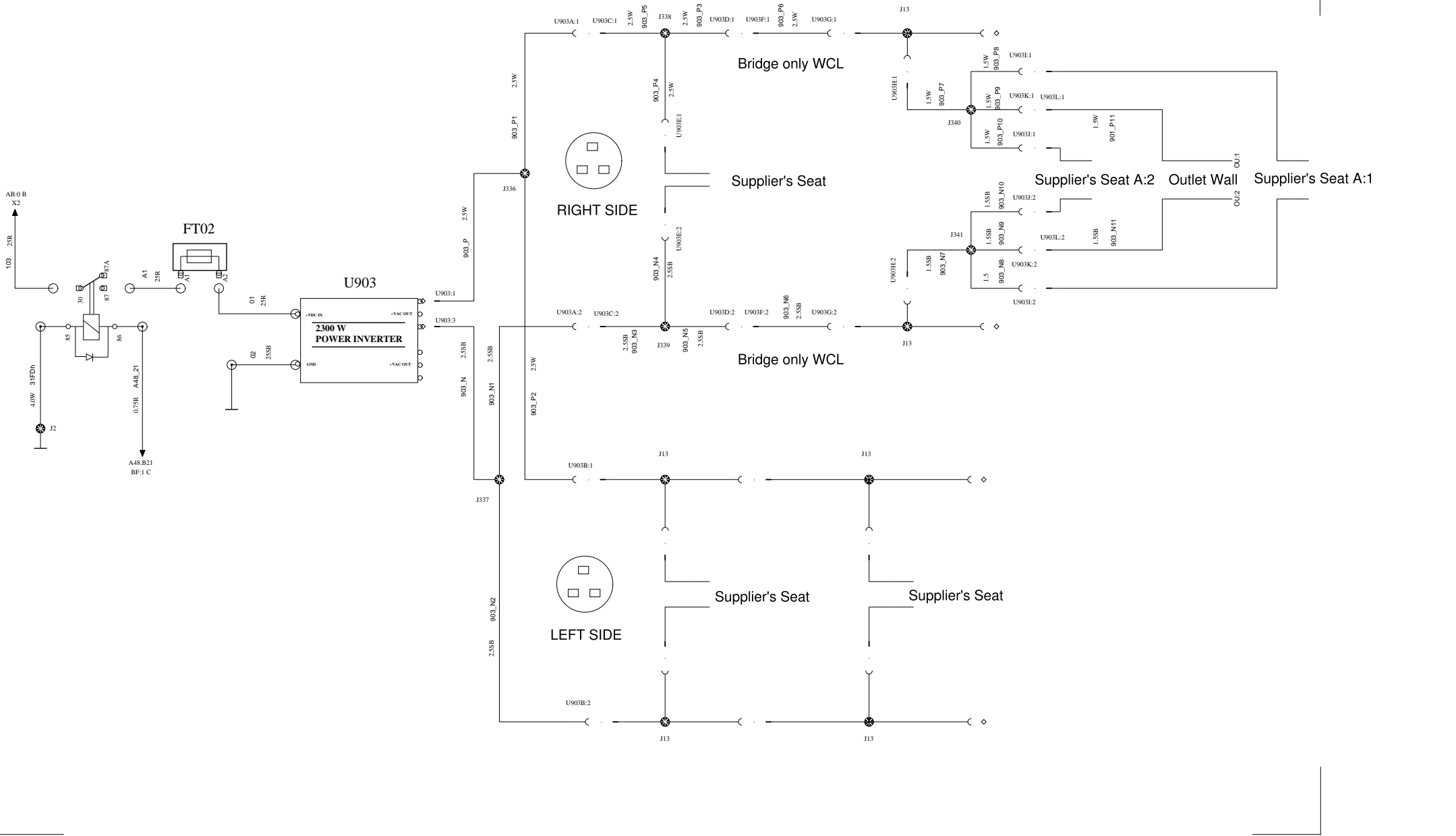
Volvo Bus Corporation

Document title WIRING DIAGRAM
Document type PRODUCT SCHEMATIC

Document No 21894999	Issue 02	Volume 01	Page 36/65
--------------------------------	--------------------	---------------------	----------------------





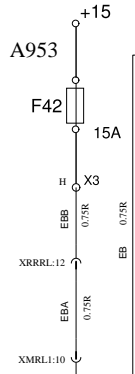
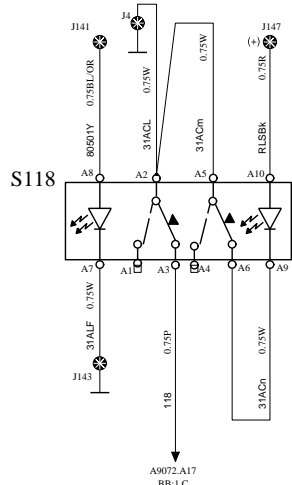


FANS, BLINDERS & MIRRORS

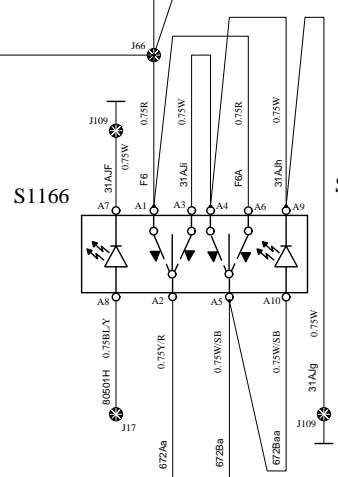
JA

WIRING DIAGRAM

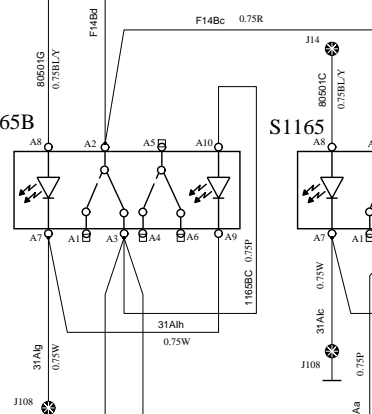
SWITCH, DRIVER AND GUIDE FAN



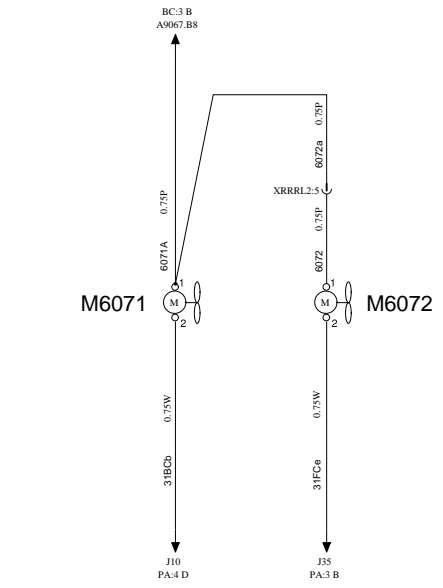
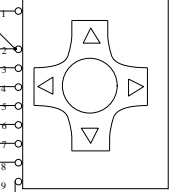
SWITCH, BLINDER



SWITCH, MIRROR HEATER



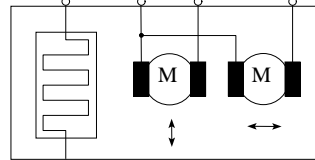
S1164



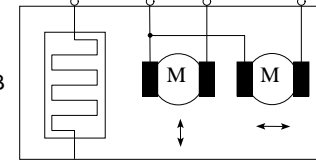
M672



M671A



M671B



Volvo Bus Corporation

Document title
WIRING DIAGRAM
Document type
PRODUCT SCHEMATIC

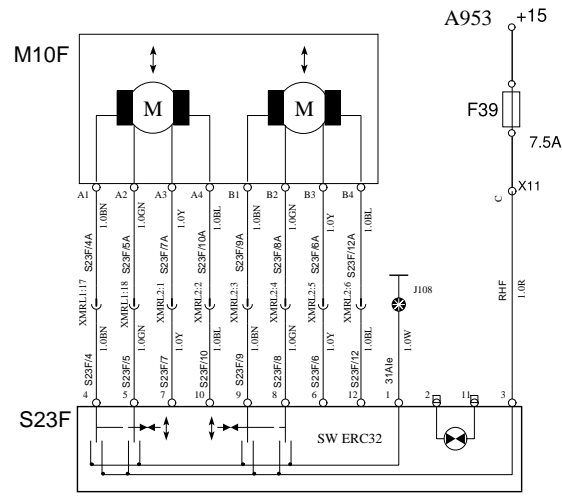
Document No
21894999

Issue
02
Volume
01
Page
40/65

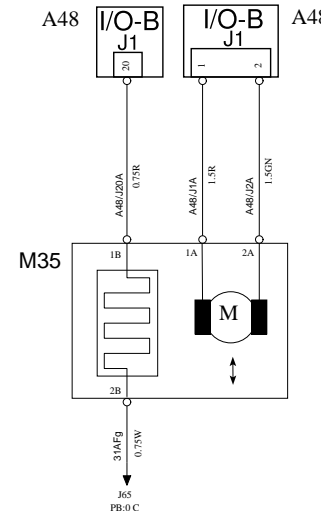
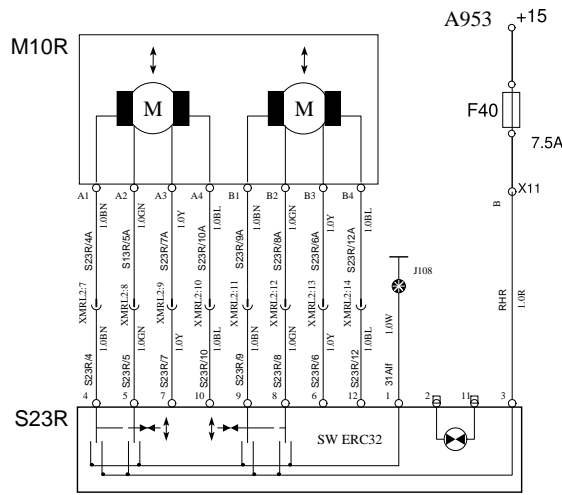
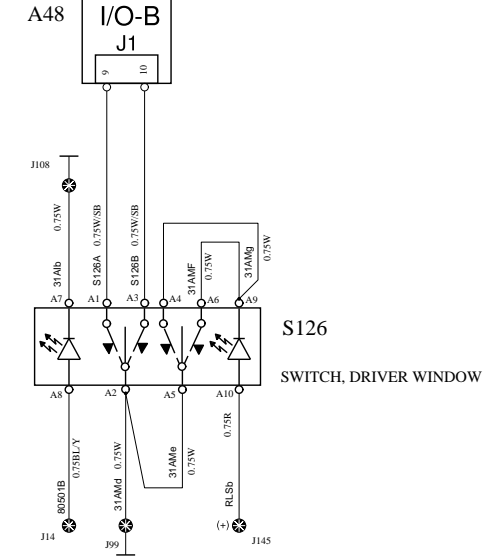
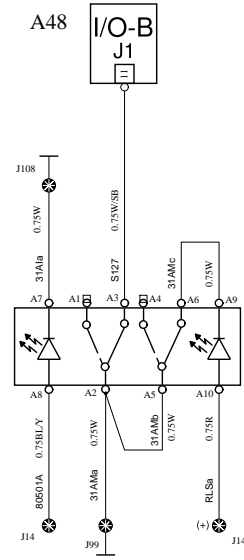
ELECTRIC WINDOW & ROOF HATCHES

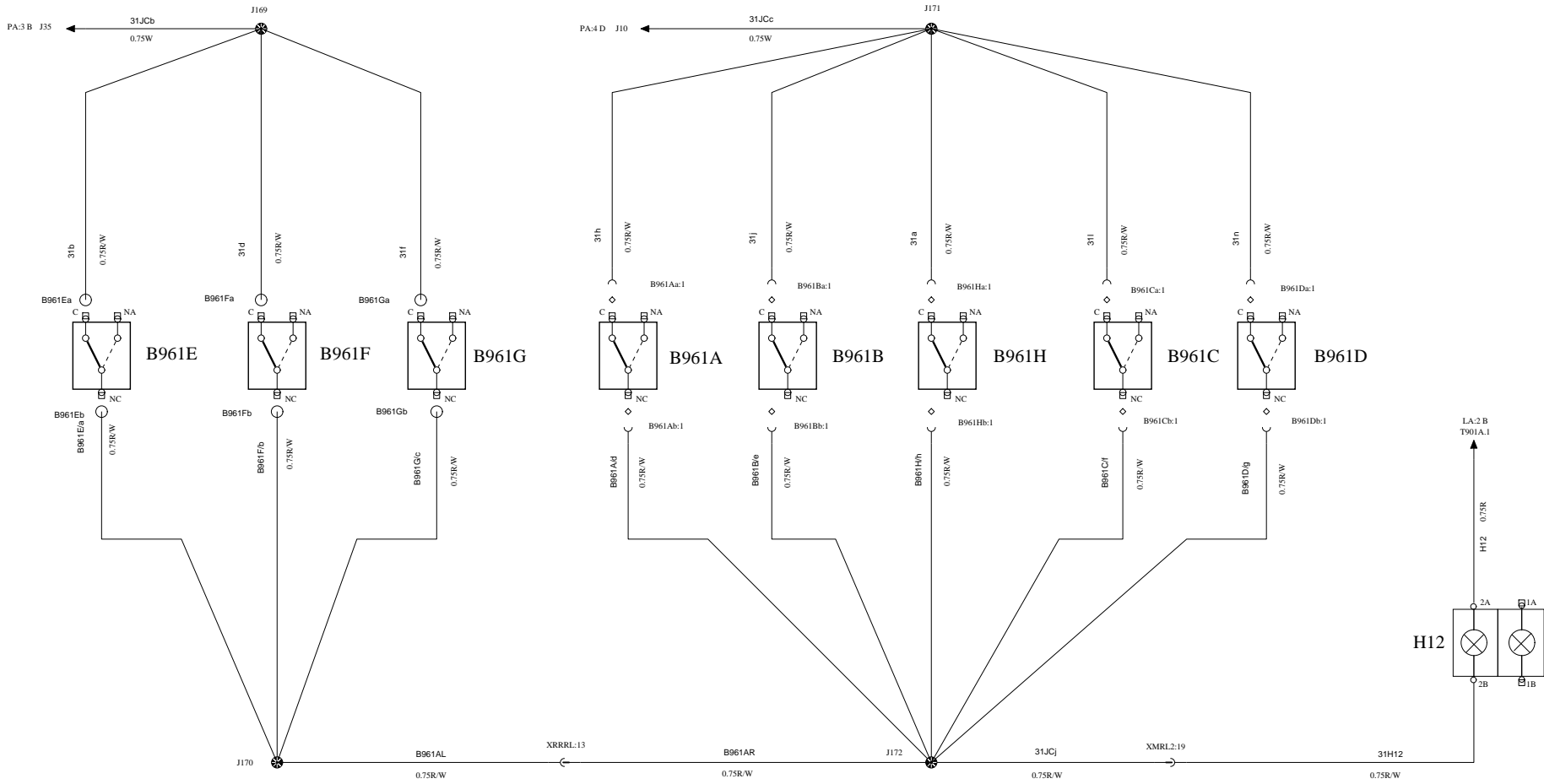
JB

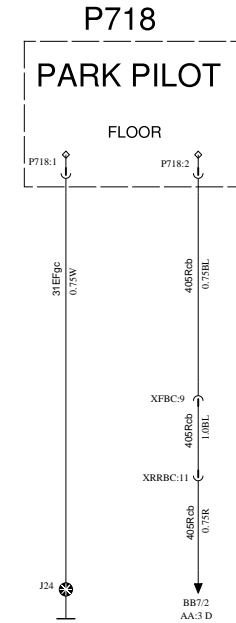
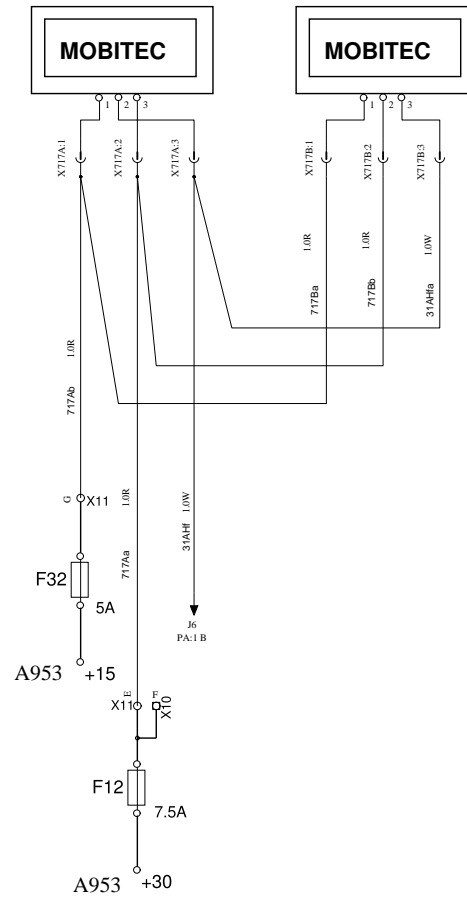
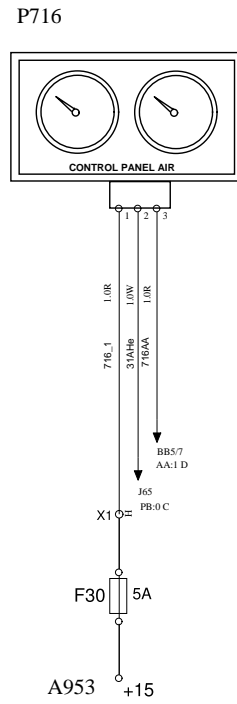
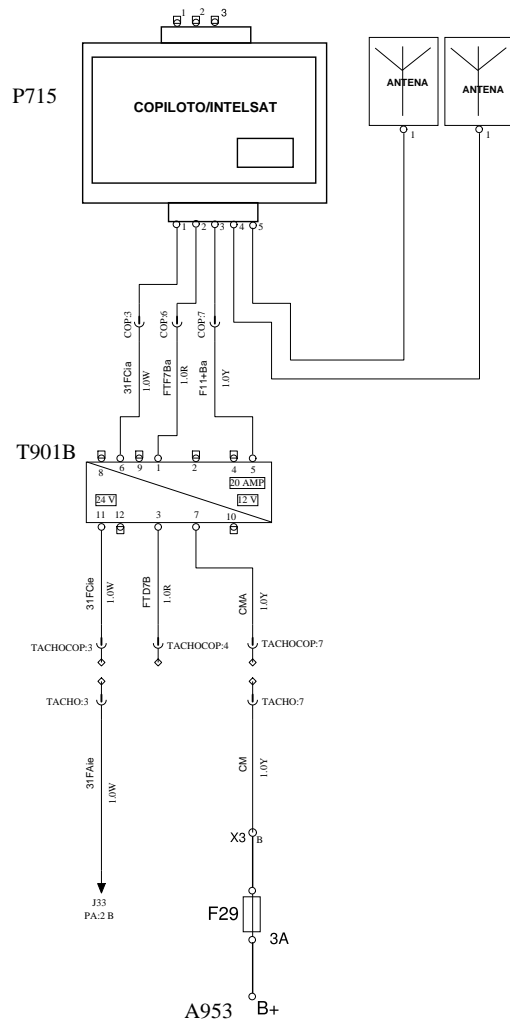
WIRING DIAGRAM

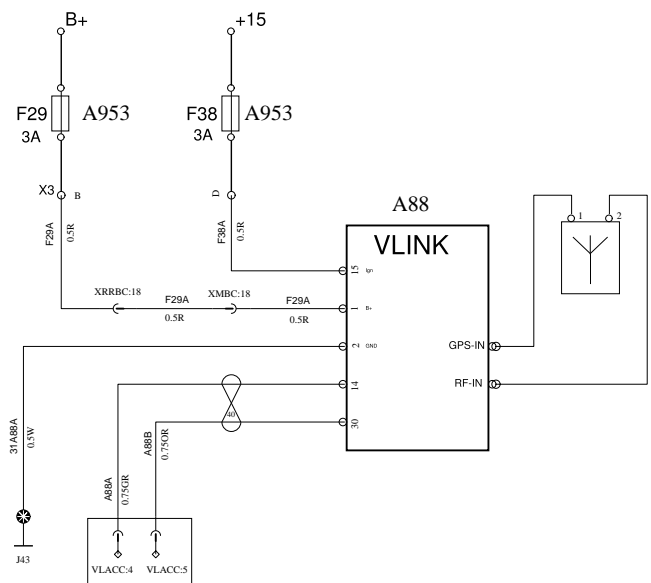


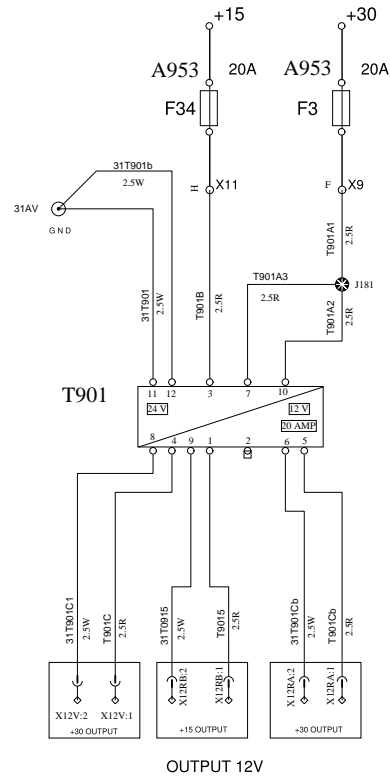
S127
SWITCH, WINDOW HEATER



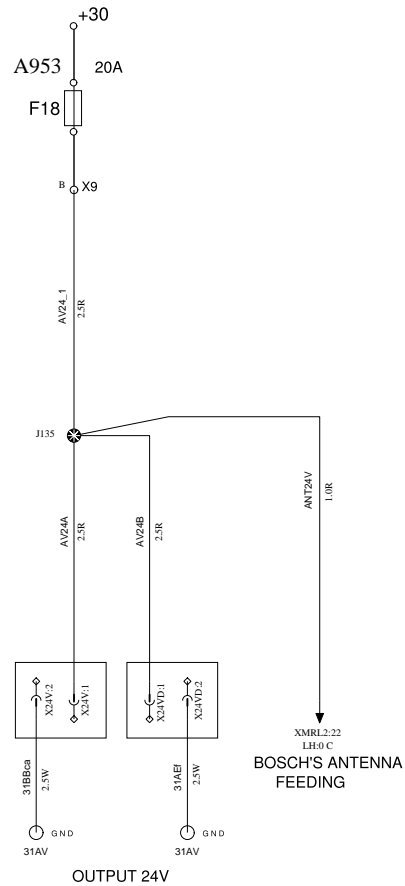




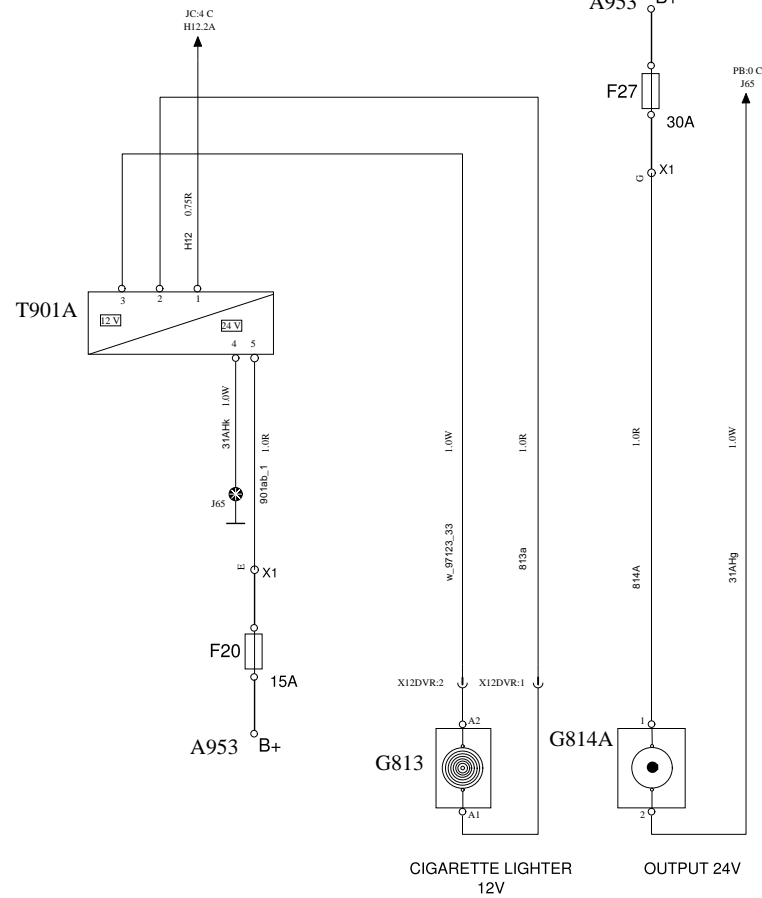




AUDIO AND VIDEO SUPPLY

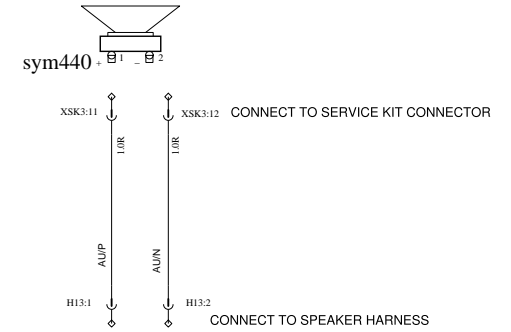
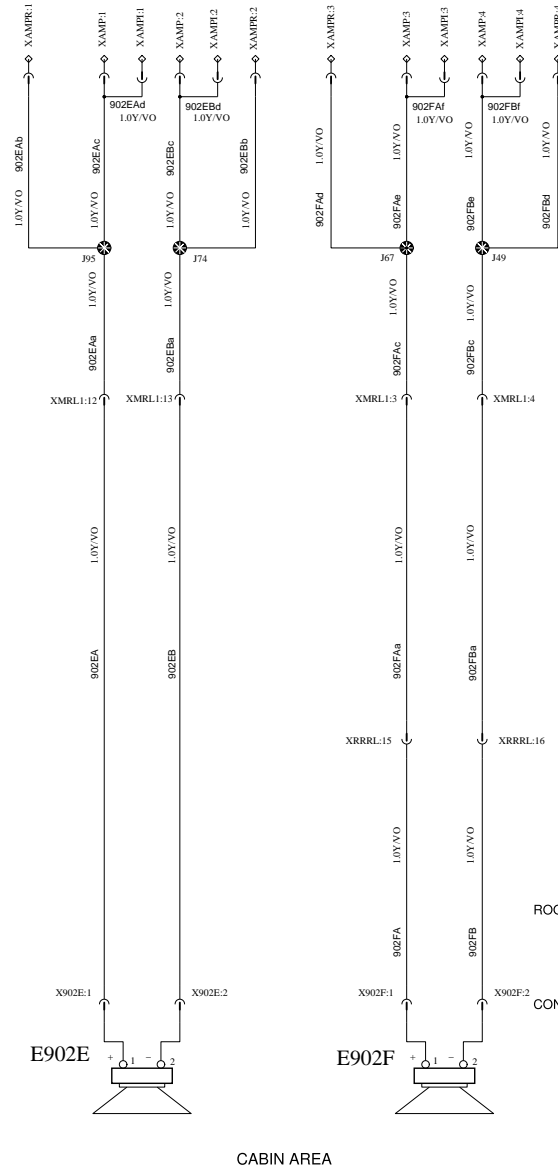
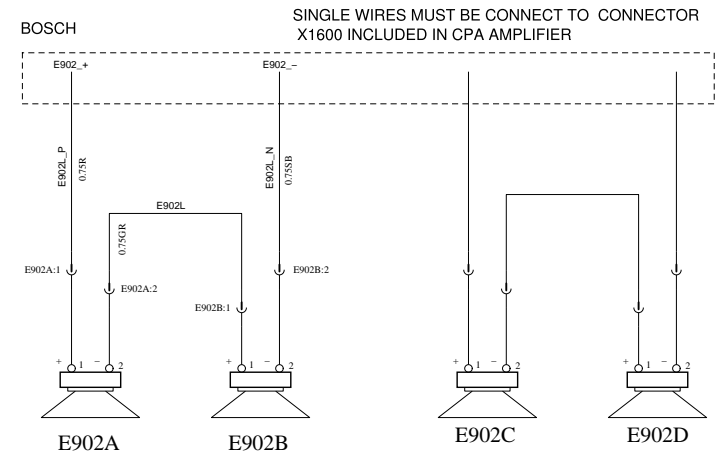
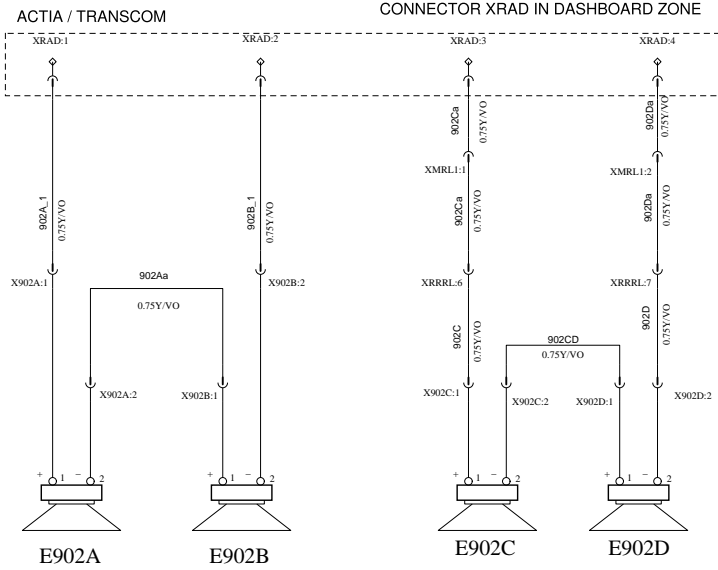


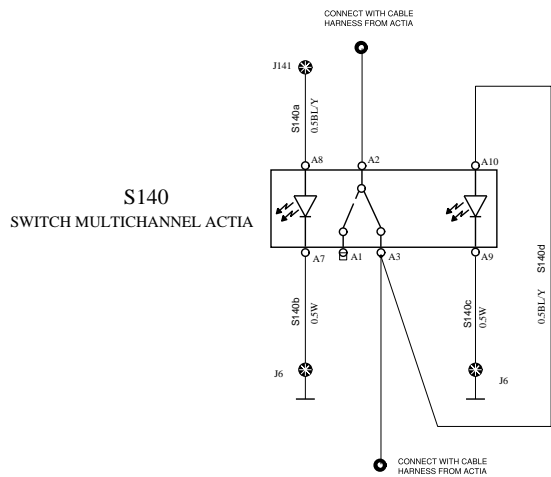
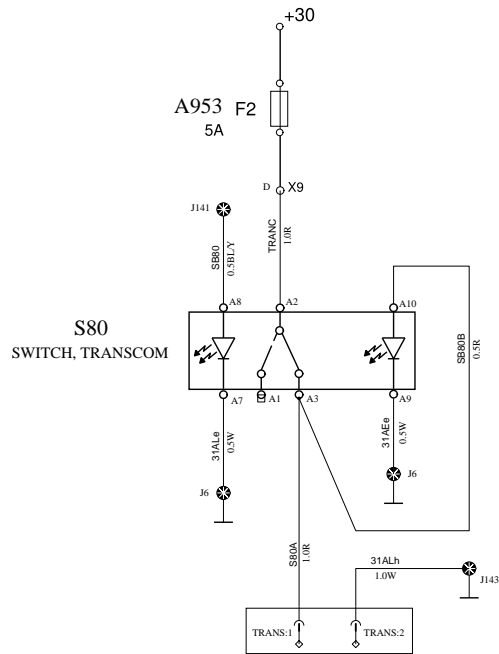
OUTPUT 24V

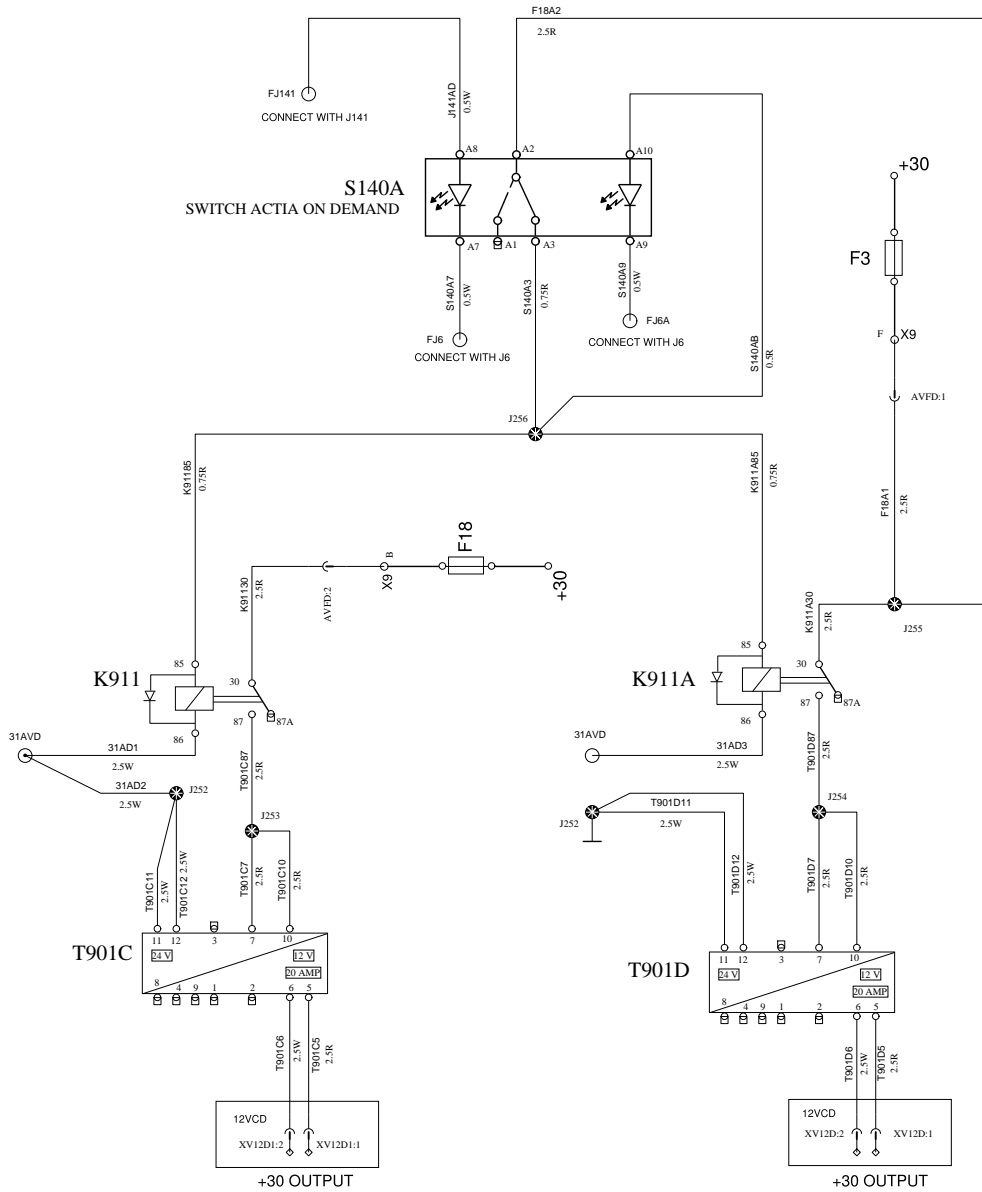


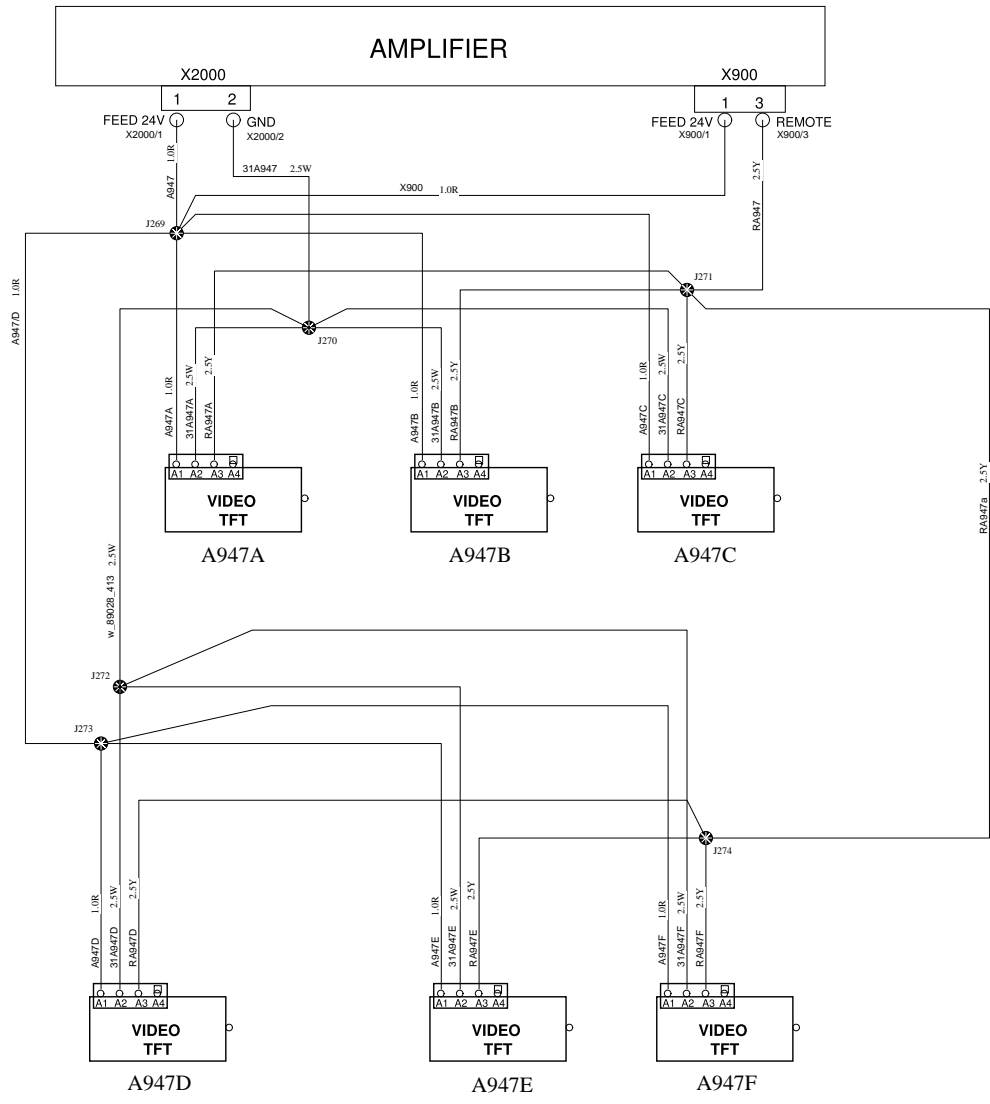
DRIVER SIDE

DRIVER'S AREA SPEAKERS





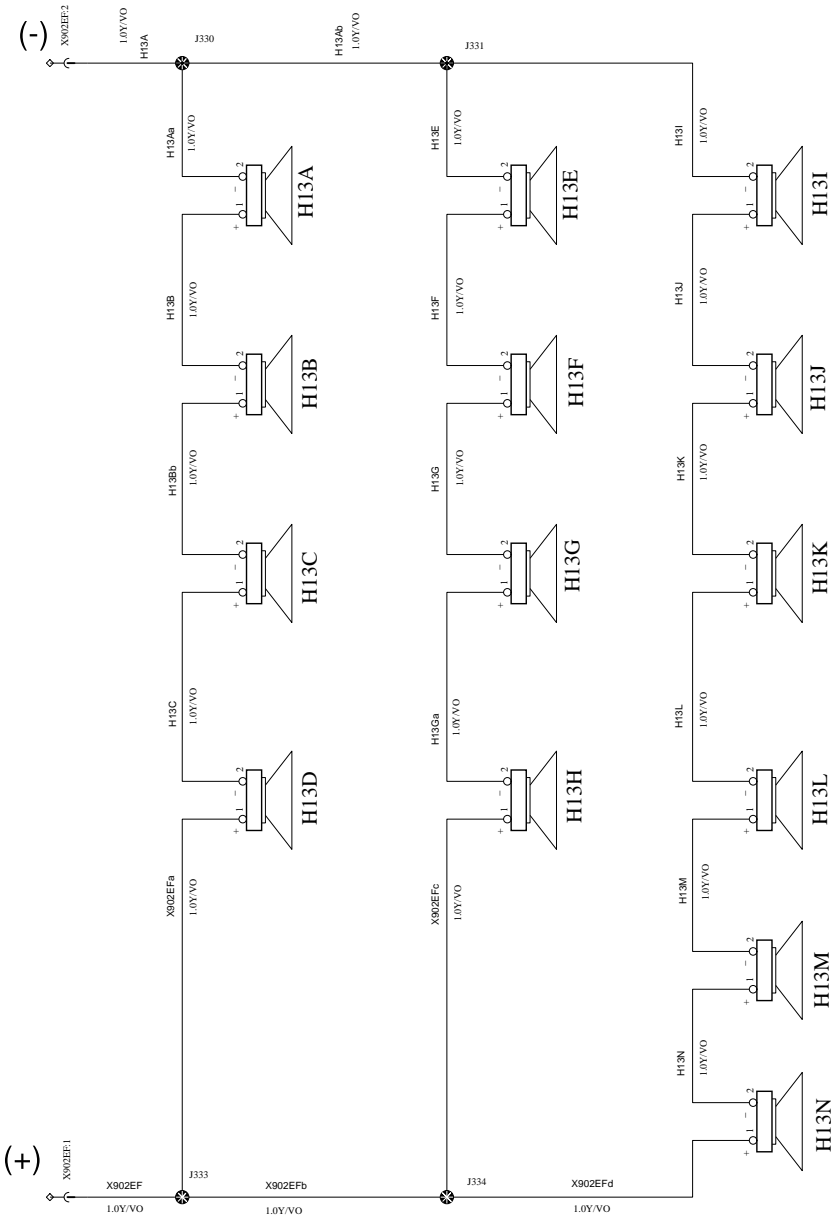




AUDIO LUGGAGE RACK

LF

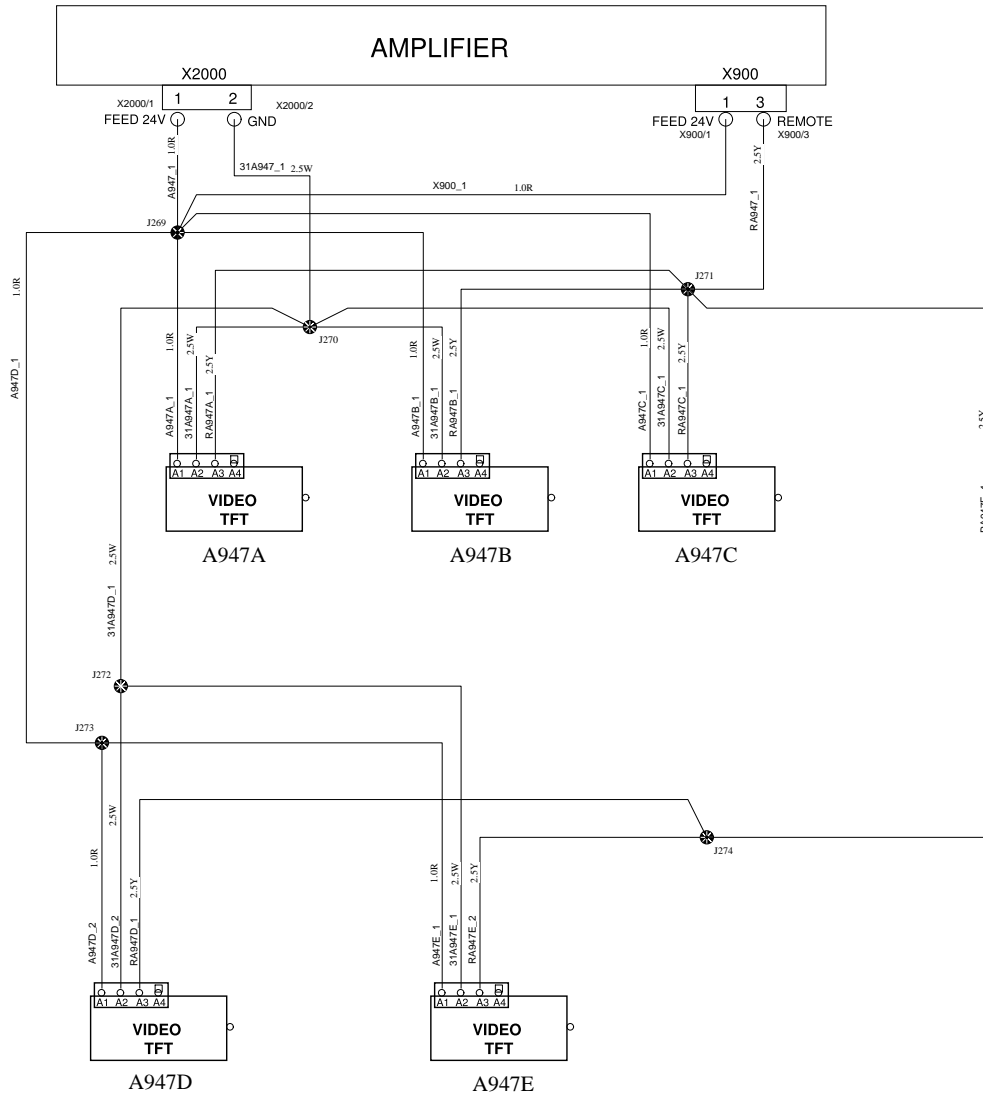
WIRING DIAGRAM

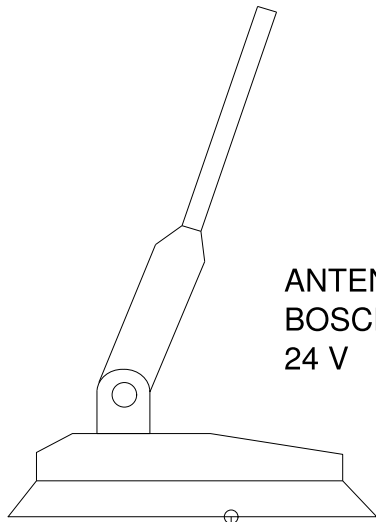


Volvo Bus Corporation

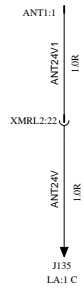
Document title WIRING DIAGRAM
Document type PRODUCT SCHEMATIC

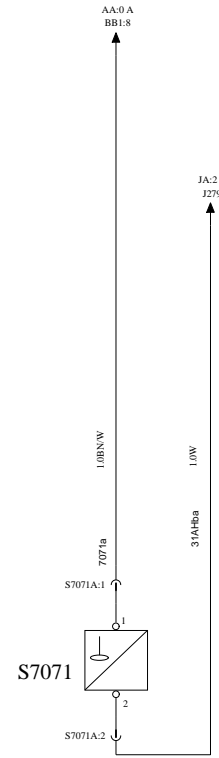
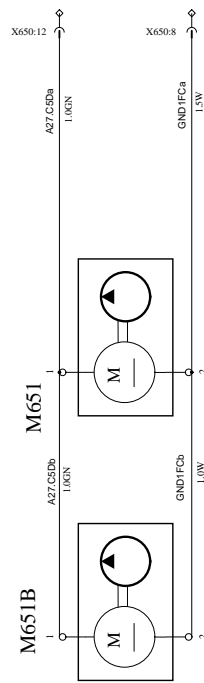
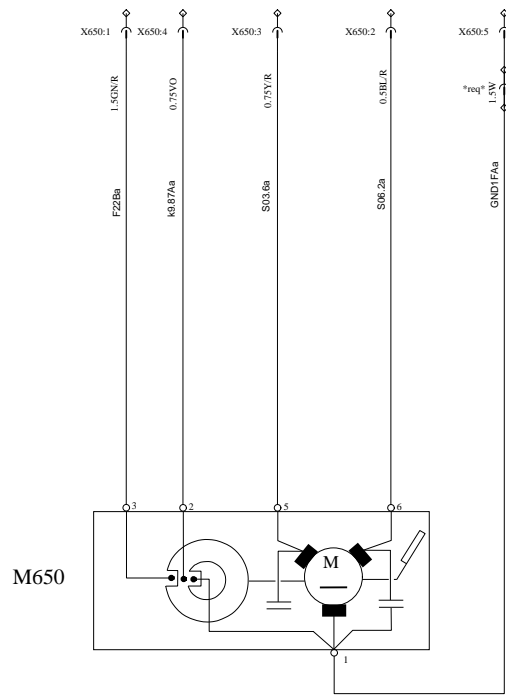
Document No	Issue	Volume	Page
21894999	02	01	50/65



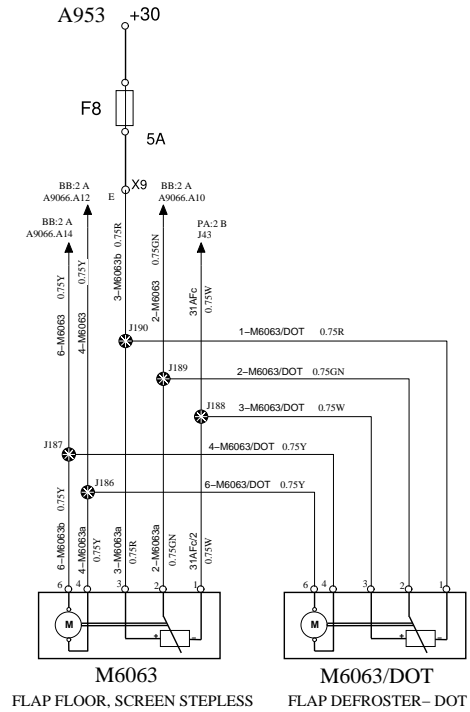
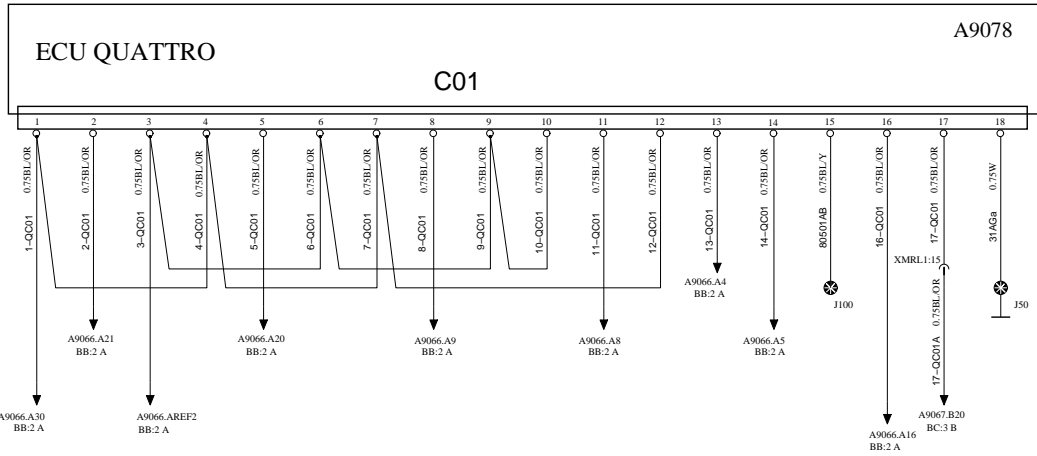


ANTENNA
BOSCH
24 V



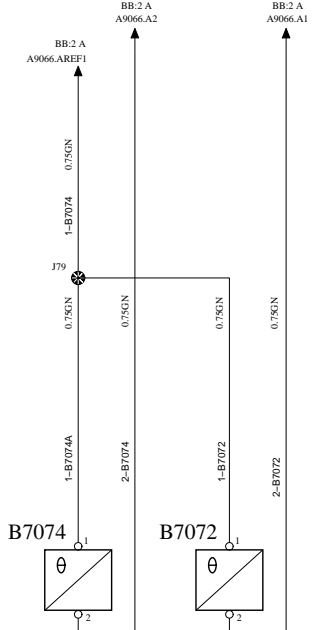


CONTROL UNIT, CLIMATE DISPLAY

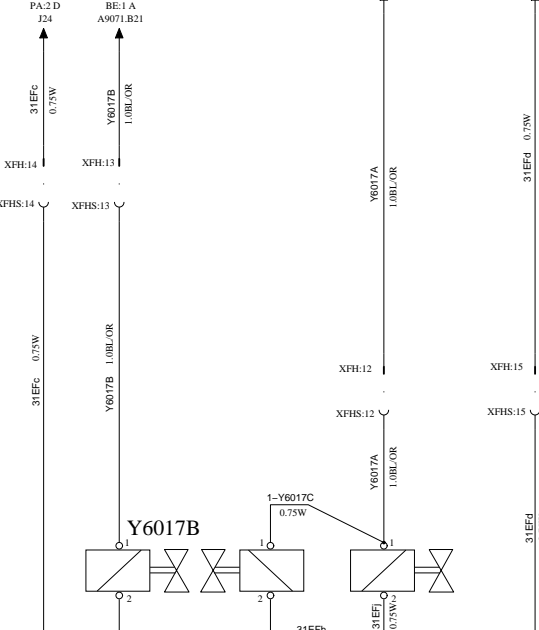


DRIVER TEMP. SENSOR

DEFROSTER VALVE

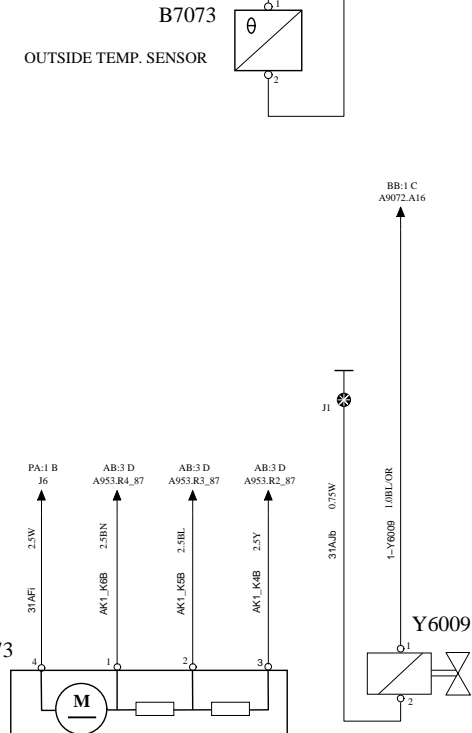


DEFROSTER TEMP. SENSOR



Y6017C
BYPASS VALVE

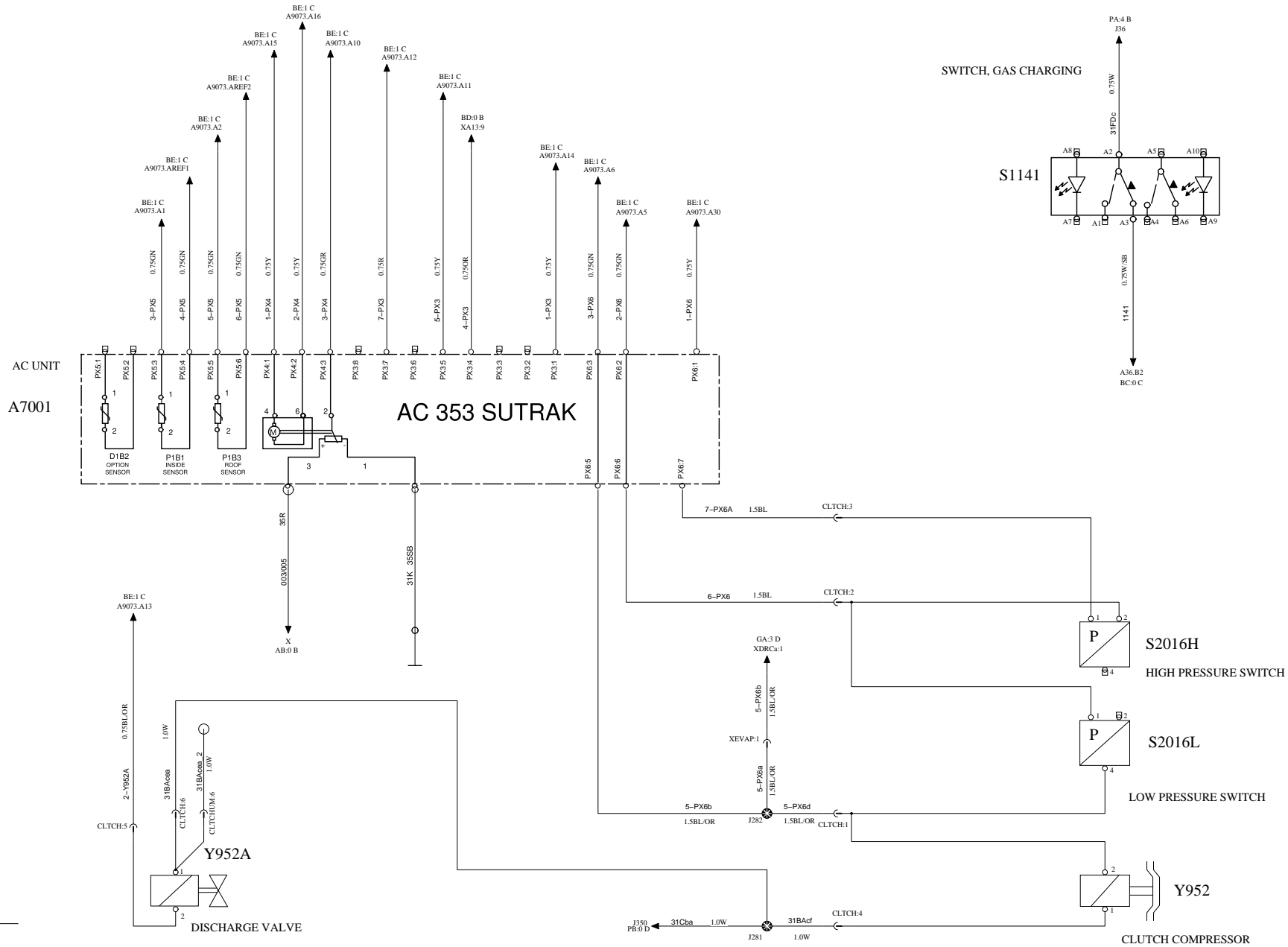
Y6017A
PASSENGER VALVE



DEFROSTER

AC DEFROSTER VALVE

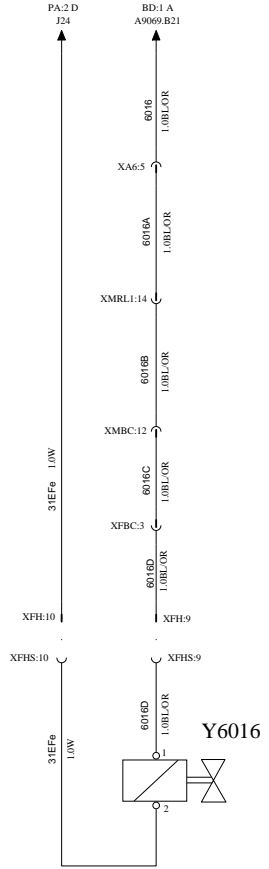
*AC WITHOUT MULTIPLEX CONNECT TO XFHS



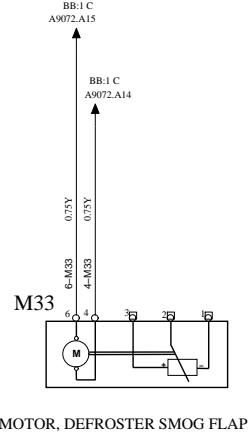
RE-HEATING SYSTEM

NC

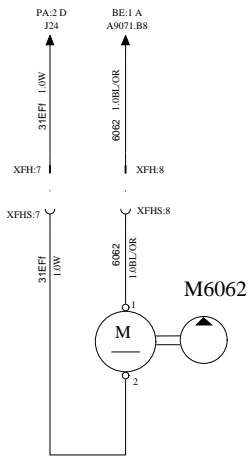
WIRING DIAGRAM



ROOF VALVE, REHEATING SYSTEM

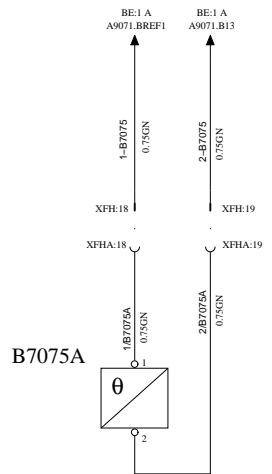


MOTOR, DEFROSTER SMOG FLAP

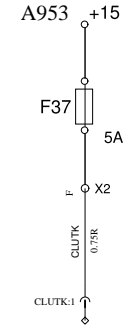


CIRCULATION PUMP, REHEATING SYS

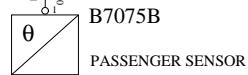
This is included in Webasto



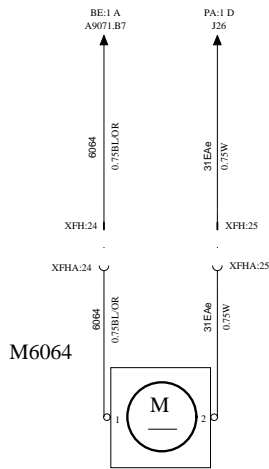
PASSENGER SENSOR, CLIMATE DOT



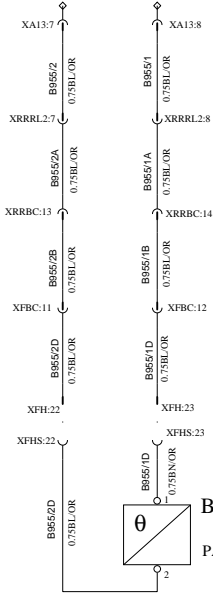
This is for Thermo King variant



B7075B PASSENGER SENSOR



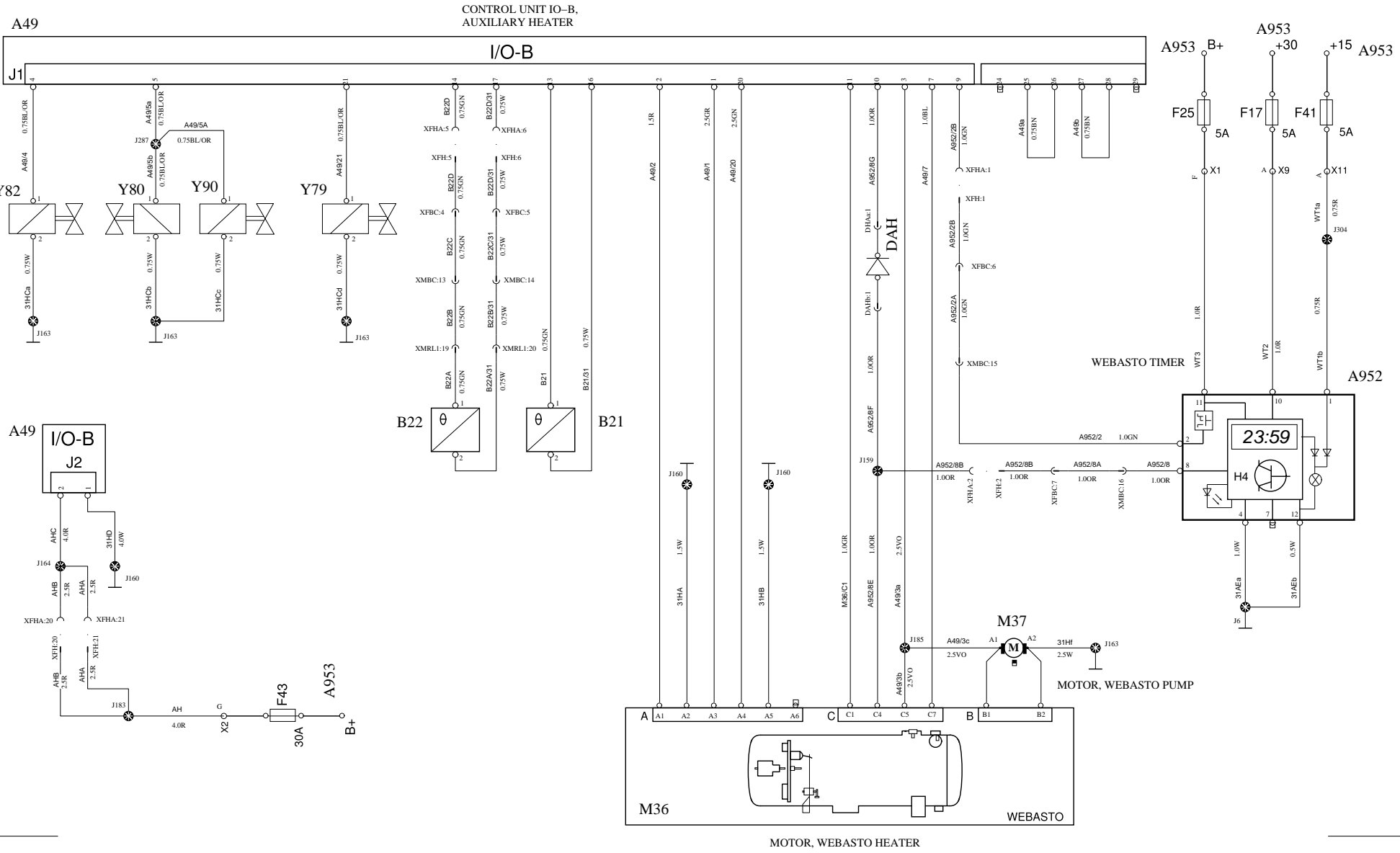
FAN, REHEATING SYSTEM



AUXILIARY HEATER

ND

WIRING DIAGRAM



*AC WITHOUT MULTIPLEX CONNECT TO XFHA



Volvo Bus Corporation

Document title
WIRING DIAGRAM

Document type
PRODUCT SCHEMATIC

Document No

21894999

Issue

02

Volume

01

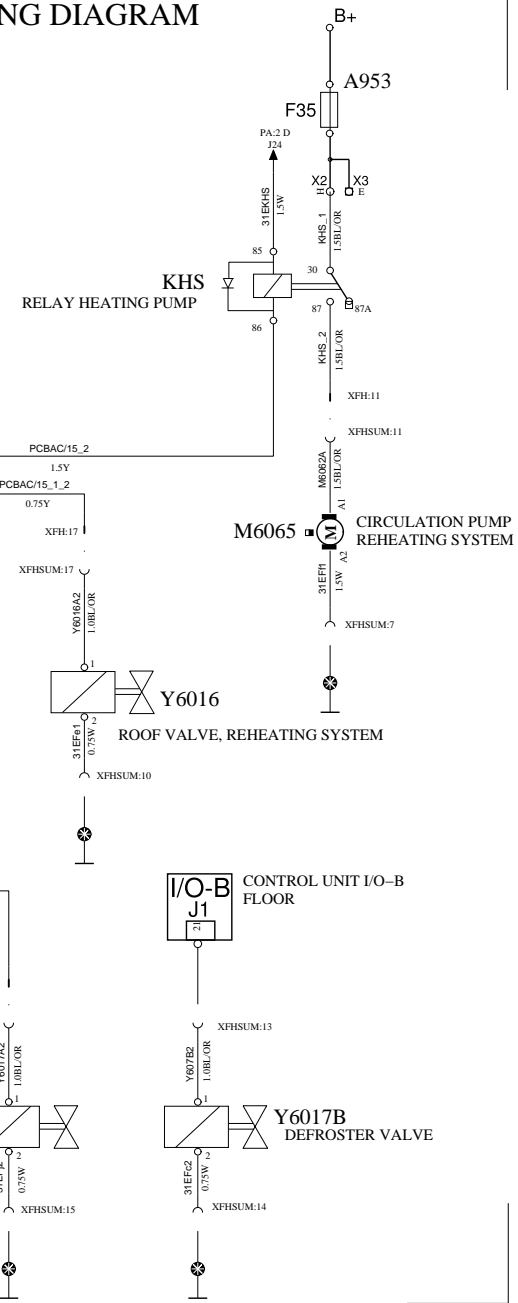
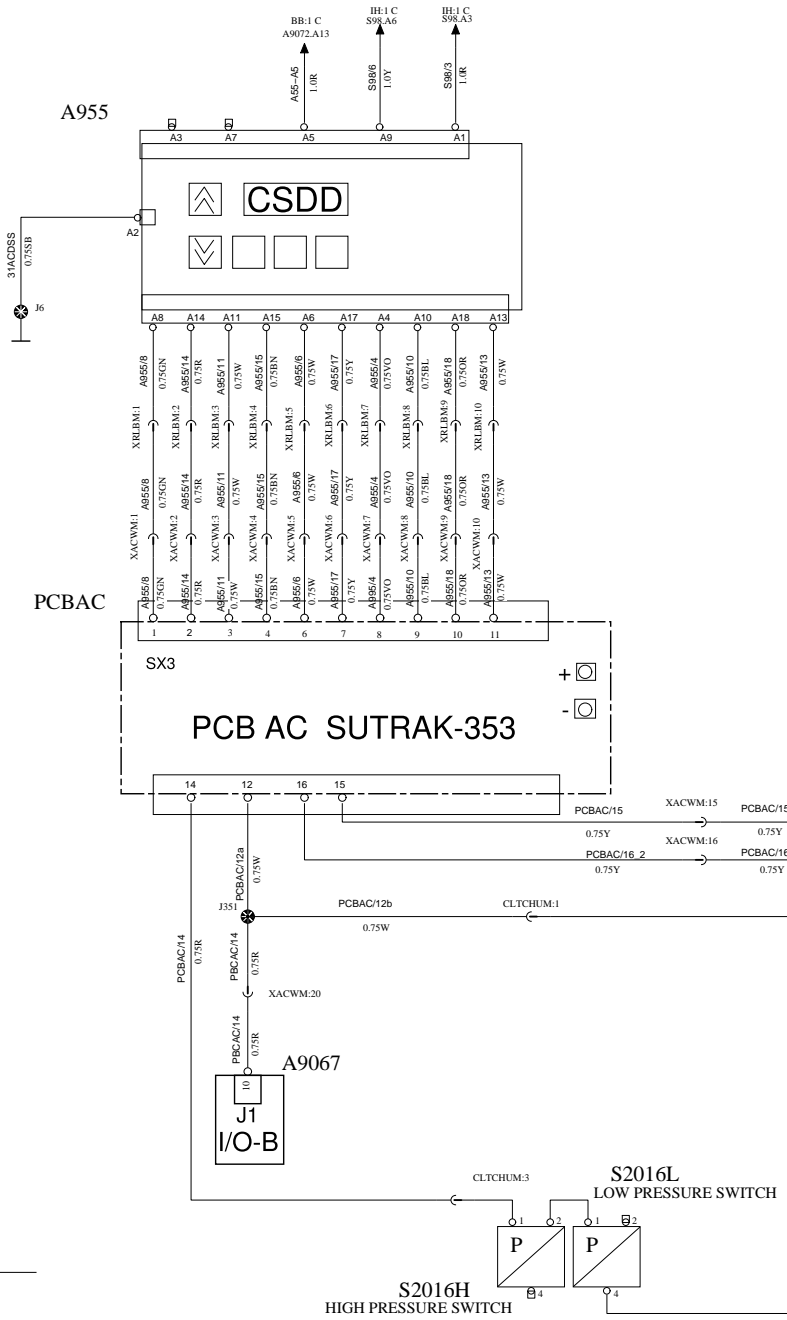
Page

57/65

AC WITHOUT MULTIPLEX

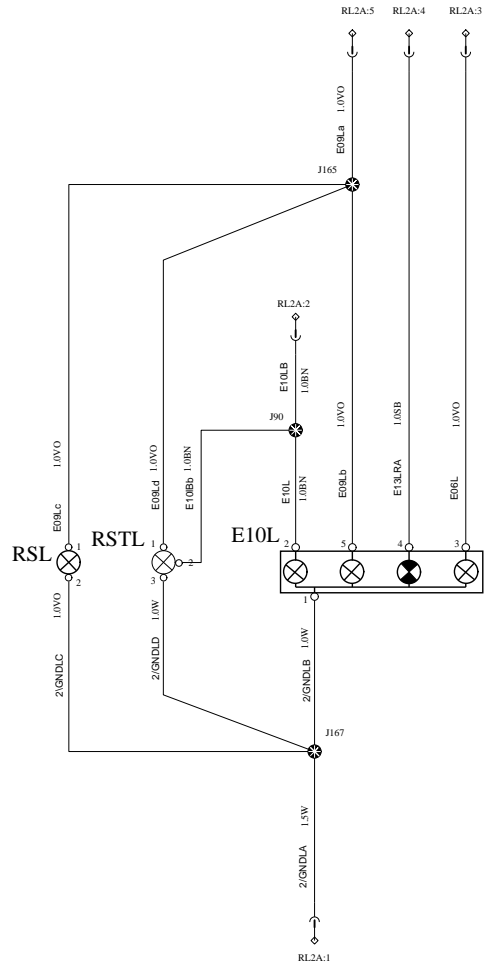
NE

WIRING DIAGRAM

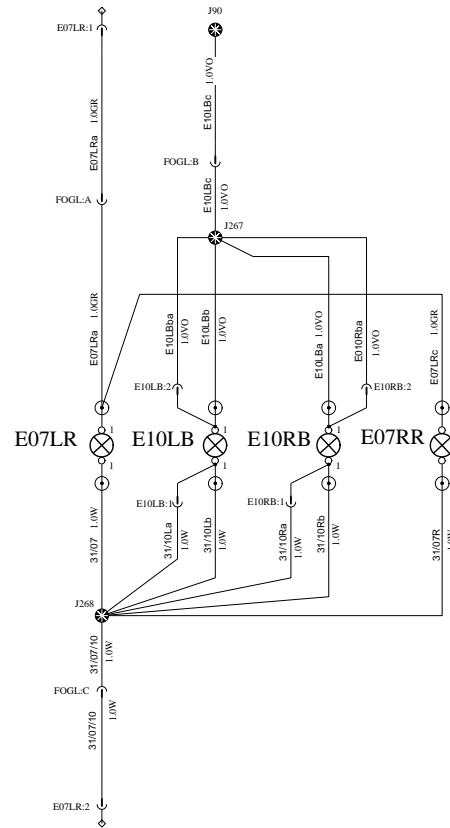


Document title WIRING DIAGRAM	Document No 21894999	Issue 02	Volume 01	Page 58/65
Document type PRODUCT SCHEMATIC				

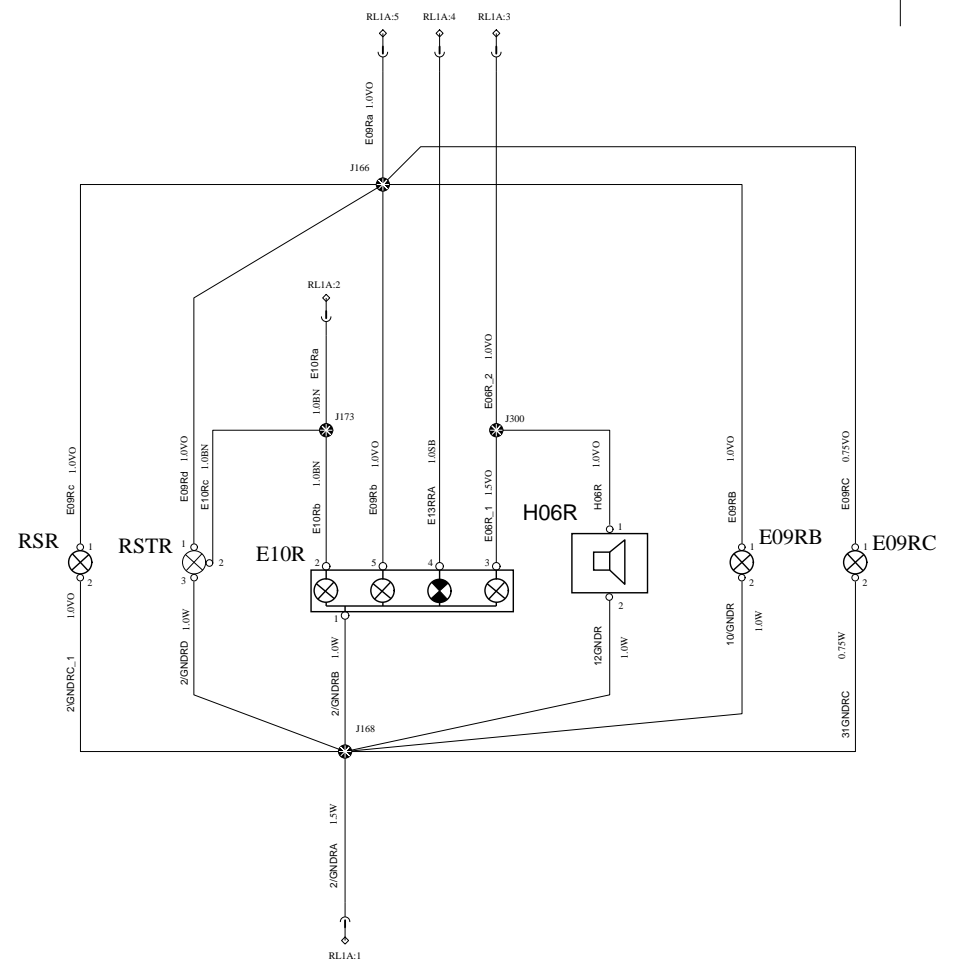
REAR LIGHTS



OA



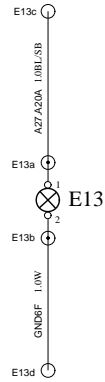
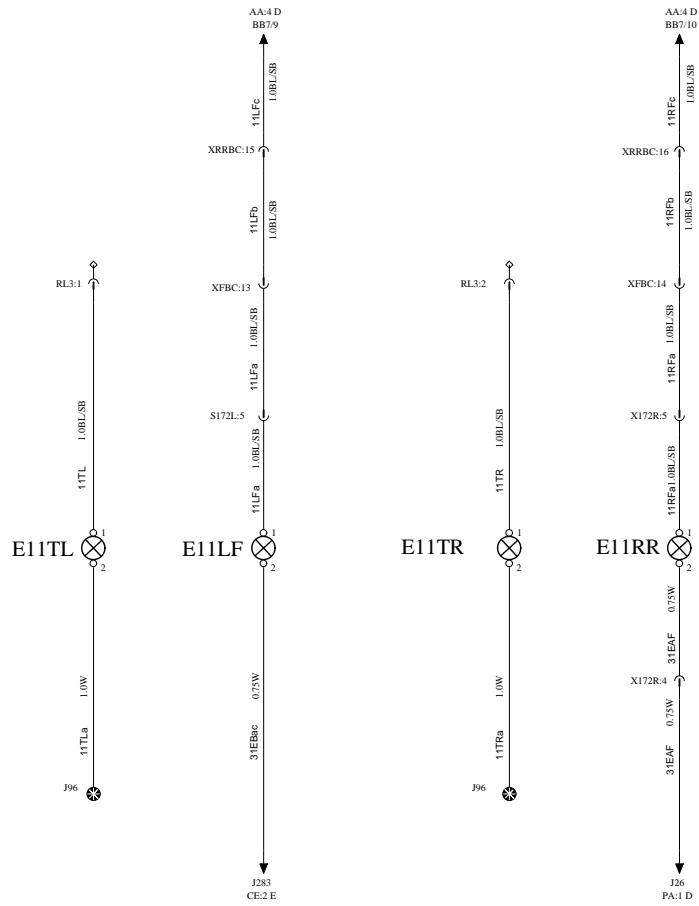
WIRING DIAGRAM



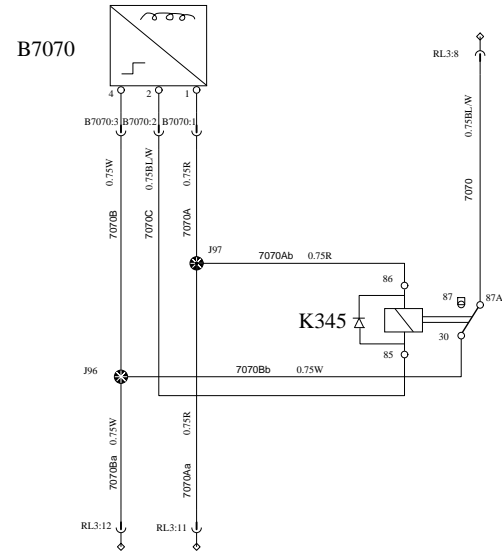
BOTTOM POSITION LIGHTS

OB

WIRING DIAGRAM



INDUCTIVE SENSOR, ENGINE HATCH OPEN



Volvo Bus Corporation

Document title
WIRING DIAGRAM

Document type
PRODUCT SCHEMATIC

Document No

21894999

Issue

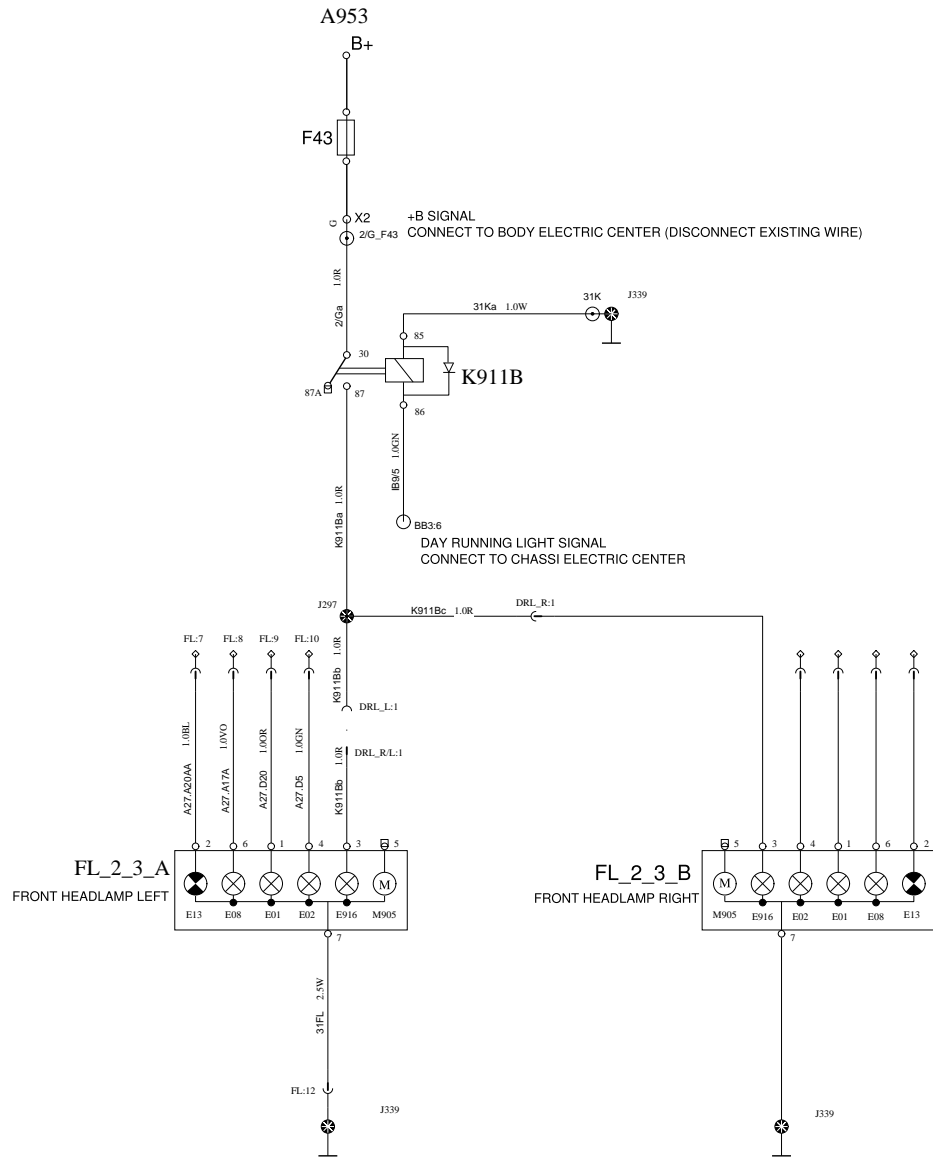
02

Volume

01

Page

60/65



0

1

2

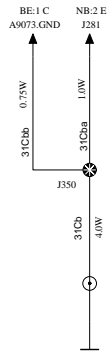
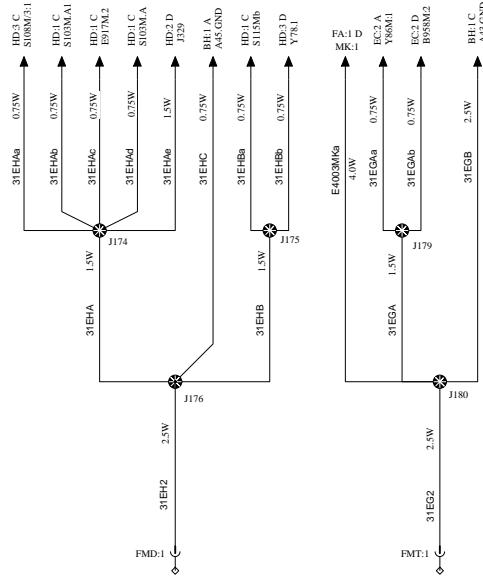
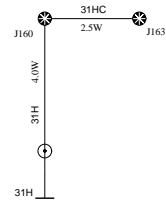
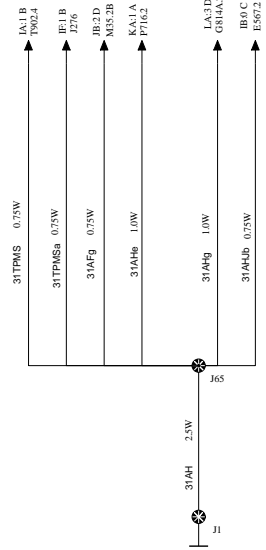
3

4

GROUND S

PB

WIRING DIAGRAM



Volvo Bus Corporation

Document title
WIRING DIAGRAM

Document type
PRODUCT SCHEMATIC

Document No

21894999

Issue

02

Volume

01

Page

63/65

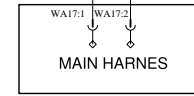
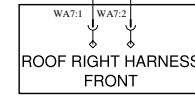
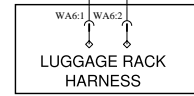
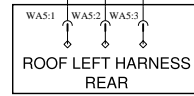
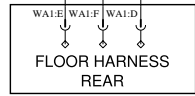
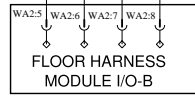
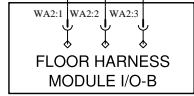
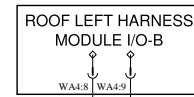
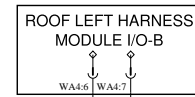
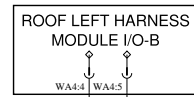
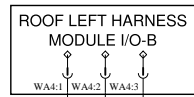
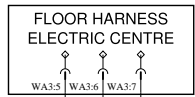
AUXILIARY LINES

QA

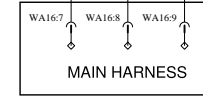
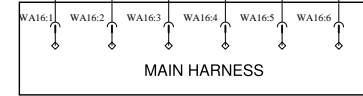
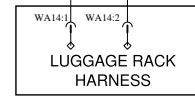
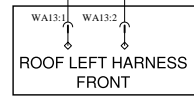
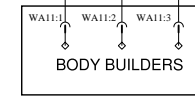
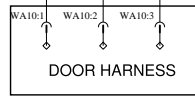
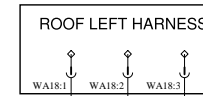
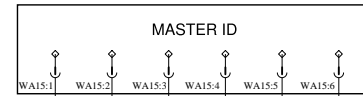
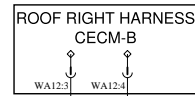
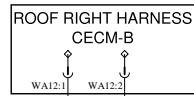
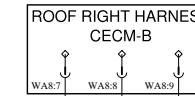
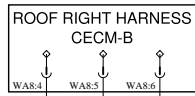
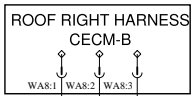
WIRING DIAGRAM

FLOOR HARNESS

ROOF LEFT HARNESS



ROOF RIGHT HARNESS



Volvo Bus Corporation

Document title
WIRING DIAGRAM

Document type
PRODUCT SCHEMATIC

Document No

21894999

Issue

02

Volume

01

Page

64/65

FUSES

FUSE	DESCRIPTION	AMPERS	FUSE	DESCRIPTION	AMPERS
F1	FEED +30 SERVICE KIT	20A	F23	LIGHT UNDER SEATS	5A
F2	TRANSCOM	5A	F24	MIDDLE DOOR I/O A MODULE	5A
F3	AUDIO & VIDEO 12V	20A	F25	WEBASTO TIMER 3	5A
F4	FEED RELAY K5	30A	F26	DASHBOARD I/O A MODULE	5A
F5	FLOOR I/O B MODULE	30A	F27	24 VCD OUTPUT IN DRIVER SIDE	30A
F6	CLIMATE I/O A MODULE	5A	F28	PRESOSTATO	5A
F7	CLIMATE UNIT I/O A	5A	F29	COPILOTO/ V-LINK	3A
F8	DEFROSTER FLAP	5A	F30	CONTROL PANEL AIR	5A
F9	RED LED SWITCHES	5A	F31	FEED +15 TD7	3A
F10	DEFROSTER	20A	F32	MOBITEC (+15)	5A
F11	ROOF LEFT 2. I/O B MODULE	30A	F33	DRC AIR CONDITIONING	15A
F12	MOBITEC CONTROL & MCM FEED	7.5A	F34	AUDIO & VIDEO (+15)	20A
F13	LEFT & MDLE TOILET I/O B MODULE/FSS	7.5A/15A	F35	PARK PILOT	10A
F14	ELECTRIC WINDOW	20A	F36	TIME & TEMPERATURE DISPLAY	5A
F15	WHEEL CHAIR LIFT	30A	F37	TPMS	15A
F16	ROOF LEFT I/O B MODULE	30A	F38	V-LINK	3A
F17	WEBASTO TIMER 2	5A	F39	ROOF HATCH FRONT	7.5A
F18	AUDIO & VIDEO 24V	20A	F40	ROOF HATCH REAR	7.5A
F19	TOILET I/O B MODULE	7.5A	F41	WEBASTO TIMER 1	5A
F20	DASHBOARD CONVERTER, CIGARRETTE OUTPUT	15A	F42	ELECTRICAL BLINDER	15A
F21	COPILOTO, TD7/WI FI	5A	F43	AUXILIARY HEATER/FRONT LIGHTS SEL	30A
F22	+B FEED MCM	15A	F44	FEED OVER SPEED RELAY	15A

RELAYS

RELAY	DESCRIPTION
AK(15)	LOADS +15
K1	OVER SPEED 95KM CONTROL
K2	DEFROSTER SPEED 1
K3	DEFROSTER SPEED 2
K4	DEFROSTER SPEED 3
K5	NIGHT LIGHT

Engineering Release Notice (ERN)	Location	Change Description	A = Added U = Deleted	W = Was	Document Release Status
D-15244-46		SEE DCN BODY			Date 2012-09-27 Modification Count

**REFERENCE NAME INDEX, BUS BEA BODY 9700 24V
MEXICO**

31A	GROUND DASHBOARD	PA 1 B
31AA	GROUND MAIN	PA 2 B
31Aa	FREE TERMINAL	PA 1 B
31AV	GND AUDIO AND VIDEO MAIN H	LA 1 D
31AVD	GROUND AUDIO VIDEO ON DEMAND	LD 0 C
31B	GROUND, ROOF LEFT FRONT	PA 4 E
31Bb	FREE TERMINAL	PA 4 E
31C	GROUND, ROOF LEFT REAR	PA 4 E
31Cb	GROUND, AIR CONDITION HARNESS	PB 0 E
31Cc	FREE TERMINAL	PA 4 E
31D	GROUND, ROOF RIGHT REAR	PA 0 E
31Dd	FREE TERMINAL	PA 0 E
31DVwm	GROUND, DISCHARGE VALVE	NB 0 D
31E	GROUND, FLOOR	PA 1 E
31Ee	FREE TERMINAL	PA 1 E
31F	GROUND, EXTRA	PA 3 C
31Ff	FREE TERMINAL	PA 3 C
31H	GROUND, AUXILIARY HEATER	PB 1 C
31I	LOW CURRENT GROUND FLOOR HARNESS	BG 1 B
31K	GROUND, DRL EXTENSION	OC 1 B
172A1	FREE TERMINAL	CE 0 B
172A2	FREE TERMINAL	CE 0 B
172J1	FREE TERMINAL	CE 4 A
172J2	FREE TERMINAL	CE 4 B
669A	TOILET FAN	EA 4 A
669B	TOILET FAN	EA 4 A
972B+	FREE TERMINAL	GA 3 C
972B-	FREE TERMINAL	GA 3 C
1147a	FREE TERMINAL	HA 3 A
1147b	FREE TERMINAL	HA 3 B
1155a	EMERGENCY BUTTON	EA 2 A
1155b	EMERGENCY BUTTON	EA 2 B
1155La	FREE TERMINAL	EB 2 A
1155Lb	FREE TERMINAL	EB 2 B
1161A1	FREE TERMINAL	GA 0 B
1161A2	FREE TERMINAL	GA 0 B
1161B1	FREE TERMINAL	GA 0 B
1161B2	FREE TERMINAL	GA 0 B
4057A	FREE TERMINAL	CE 0 D
4057A1	FREE TERMINAL	CE 0 E

The copying, distribution and utilization of this document as well as the communication of its contents to others without expressed authorization is prohibited. Offenders will be held liable for payment of damages. All rights reserved in the event of the grant of a patent, utility model or ornamental design registration.

Document Title
**WIRING DIAGRAM
BEA – BODY 9700**

Document Type
PRODUCT SCHEMATIC

Owner Domain: Document Prefix

Document No 21894999	Issue Index 02	Volume No 02	Page No 1(14)
--------------------------------	--------------------------	------------------------	-------------------------

VOLVO

Volvo Bus Corporation

4057J	FREE TERMINAL	CE 4 D
4057J1	FREE TERMINAL	CE 4 E
4066A1	FREE TERMINAL	GA 0 D
4066A2	FREE TERMINAL	GA 0 D
4066B1	FREE TERMINAL	GA 1 D
4066B2	FREE TERMINAL	GA 1 D
6070a	FREE TERMINAL	HB 1 D
6070b	FREE TERMINAL	HB 1 D
9075a	FREE TERMINAL	HA 2 A
9075b	FREE TERMINAL	HA 2 B
A1	PIR SENSOR A1	EA 3 B
A1L	PIR SENSOR A1, LEFT TOILET	EB 3 A
A2	PIR SENSOR A2	EA 3 B
A2L	PIR SENSOR A2, LEFT TOILET	EB 3 A
A3	PIR SENSOR A3	EA 3 B
A3L	PIR SENSOR A3, LEFT TOILET	EB 3 B
A6	PIR SENSOR A6	EA 3 B
A6L	PIR SENSOR A6, LEFT TOILET	EB 3 B
A36	MCM, MASTER CONTROL MODULE	BC 0 C
A43	BODY I/O MODULE, MIDDLE TOILET	FA 2 E
A45	BODY I/O MODULE, MIDDLE DOOR	BA 0 E
A48	BODY I/O MODULE 48	CA 1 A
A49	CONTROL UNIT IO-B, AUXILIARY HEATER	ND 3 A
A53	BODY I/O MODULE 53	BA 1 E
A88	ECU VOLVO LINK	KB 2 B
A96	ECU BERU	IF 2 C
A97	CANTRAK TELEFLEX	IF 0 B
A99	FRONT ANTENNA	IF 3 C
A100	ANTENNA FRONT	IF 3 B
A101	ANTENNA RR	IF 3 A
A102	ANTENNA RL	IF 3 D
A947A	SCREEN TFT	LE 0 B
A947B	SCREEN TFT	LE 1 B
A947C	SCREEN TFT	LE 1 B
A947D	SCREEN TFT	LE 0 D
A947E	SCREEN TFT	LE 1 D
A947F	SCREEN TFT	LE 2 D
A952	WEBASTO TIMER	ND 4 C
A953	COOPER ELECTRIC CENTER.	BD 3 B
A955	CSDD DISPLAY	NE 0 A
A7001	AC UNIT	NB 0 C
A9066	CONTROL UNIT I/O-A CLIMATE CONTROL	BB 2 A
A9067	CONTROL UNIT I/O-B ROOF LEFT	BC 3 B
A9068	CONTROL UNIT I/O-B TOILET	BD 1 C
A9069	CONTROL UNIT I/O-B KITCHEN	BD 1 A
A9071	CONTROL UNIT I/O-B FLOOR	BE 1 A
A9072	CONTROL UNIT I/O-A DASHBOARD	BB 1 C
A9073	CONTROL UNIT I/O-A CLIMATE CONTROL	BE 1 C
A9078	CONTROL UNIT, CLIMATE DISPLAY	NA 0 A
A9080	CONTROL UNIT I/O-B LEFT TOILET	BF 1 A
B21	SENSOR,COOLANT TEMPERATURE	ND 1 C

VOLVO

Volvo Bus Corporation

Document Title

WIRING DIAGRAM

Document Type

PRODUCT SCHEMATIC

Document No

21894999

Issue Index

02

Volume No

02

Page No

2(14)

B22	SENSOR, OUTDOOR TEMPERATURE	ND 1 C
B958M	SENSOR, PRINCIPAL TANK MIDDLE TOILET	EC 2 D
B959M	SENSOR, SOIL TANK MIDDLE TOILET	EC 3 D
B961A	SENSOR EMERGENCY WINDOWS	JC 1 B
B961B	SENSOR EMERGENCY WINDOWS	JC 2 B
B961C	SENSOR EMERGENCY WINDOWS	JC 3 B
B961D	SENSOR EMERGENCY WINDOWS	JC 3 B
B961E	SENSOR EMERGENCY WINDOWS	JC 0 B
B961F	SENSOR EMERGENCY WINDOWS	JC 0 B
B961G	SENSOR EMERGENCY WINDOWS	JC 1 B
B961H	SENSOR EMERGENCY WINDOWS	JC 2 B
B962	SENSOR, OPTICAL FIRE DETECTOR	ID 0 D
B963	SENSOR, OUTDOOR TEMPERATURE	GC 2 C
B7070	INDUCTIVE SENSOR, ENGINE HATCH OPEN	OB 3 B
B7072	DEFROSTER TEMP. SENSOR	NA 1 E
B7073	OUTSIDE TEMP. SENSOR	NA 4 B
B7074	DRIVER TEMP. SENSOR	NA 1 E
B7075A	PASSENGER SENSOR, CLIMATE DOT	NC 2 D
B7075B	PASSENGER SENSOR	NC 2 B
BB3:6	BBI, DRL SIGNAL	OC 1 C
BB7/2	REVERSE LIGHT	AA 3 D
BB7/3	DIRECTION REAR LEFT	AA 3 D
BB7/4	DIRECTION REAR RIGHT	AA 3 D
BB7/7	PARKING LIGHT LEFT	AA 3 D
BB7/8	PARKING LIGHT RIGHT	AA 3 D
BB7/9	LUGGAGE HATCH	AA 4 D
BB7/10	ENGINE HATCH	AA 4 D
D972A	DRIVER INTERPHONE	GA 2 B
D972B	CABIN INTERPHONE	GA 2 C
DAH	DIODE, AUXILIARY HEATER	ND 2 B
DB9	CONNECTOR DB9 SERIAL	IF 0 D
DHA	DIODE, HOST CALL	CC 4 C
DHB	DIODE, HOST CALL	CC 4 C
DRB	DIODE, READING LIGHTS	CC 0 D
DRC	DIODE, READING LIGHTS	CC 1 D
E03	LAMP, SPOT LIGHT	GB 0 D
E03A	LAMP, WCL	GB 0 D
E07LR	FOG LIGHT LEFT REAR	OA 1 C
E07RR	FOG LIGHT RIGHT REAR	OA 2 C
E09RB	BREAK LIGHT MIDDLE	OA 4 C
E09RC	LAMP, CENTER STOP LAMP CA	OA 4 C
E10L	TAIL AND BREAK LIGHT LEFT	OA 0 C
E10LB	LICENSE PLATE LEFT	OA 1 C
E10R	TAIL AND BREAK LIGHT RIGHT	OA 3 C
E10RB	LICENSE PLATE RIGHT	OA 2 C
E11LF	SIDE-MARKER LAMP MIDDLE LEFT	OB 0 C
E11RR	SIDE-MARKER FRONT RIGHT	OB 1 C
E11TL	SIDE-MARKER LAMP REAR LEFT	OB 0 C
E11TR	SIDE-MARKER LAMP REAR RIGHT	OB 1 C
E13	DIRECTION INDICATOR	OB 2 C
E14	LAMP, BEACON WARNING LAMP	GB 4 D

VOLVO

Volvo Bus Corporation

Document Title

WIRING DIAGRAM

Document Type

PRODUCT SCHEMATIC

Document No

21894999

Issue Index

02

Volume No

02

Page No

3(14)

E16	LAMP, INSTEP LIGHT	HD 2 C
E16A	LAMP, STEP	CB 0 D
E16a	LAMP, STEP MIDDLE DOOR	HD 2 C
E16B	LAMP, STEP	CB 0 D
E16b	LAMP, STEP MIDDLE DOOR	HD 2 C
E16C	LAMP, STEP	CB 0 D
E16D	LAMP, STEP MIDDLE DOOR	HD 2 C
E16E	LAMP, STEP MIDDLE DOOR	HD 2 C
E16F	LAMP, STEP MIDDLE DOOR	HD 2 C
E16G	LAMP, STEP API LOGO	CB 0 D
E17AL	INTERIOR LIGHT	CD 0 C
E17AR	INTERIOR LIGHT	CD 1 C
E17BL	INTERIOR LIGHT	CD 0 C
E17BR	INTERIOR LIGHT	CD 1 C
E49M	LAMP, CABIN TOILET	EC 3 A
E60B	AMBIENT LIGHT RIGHT	CA 0 D
E61	LAMP, LED LIGHT HEADLINER DISPLAY	CB 0 D
E91R	LAMP, KNEELING WARNING	DA 4 D
E91RA	LAMP, KNEELING EXTERIOR	DA 4 D
E420A	POSITION LIGHTS, UPPER FRONT LEFT SIDE	DA 1 D
E420B	POSITION LIGHTS, UPPER CENTRE LEFT SIDE	DA 1 D
E420C	POSITION LIGHTS, UPPER REAR LEFT SIDE	DA 1 D
E420D	POSITION LIGHTS, UPPER REAR	DA 2 D
E420E	POSITION LIGHTS UPPER REAR	DA 2 D
E420F	POSITION LIGHTS, UPPER REAR	DA 3 D
E420G	POSITION LIGHTS, UPPER REAR	DA 3 D
E420H	POSITION LIGHTS, UPPER REAR	DA 3 D
E420I	POSITION LIGHTS, UPPER REAR	DA 3 D
E420J	POSITION LIGHTS, UPPER REAR	DA 3 D
E421A	POSITION LIGHTS, UPPER FRONT RIGHT SIDE	DA 1 D
E421B	POSITION LIGHTS, UPPER CENTRE RIGHT SIDE	DA 2 D
E421C	POSITION LIGHTS, UPPER REAR RIGHT SIDE	DA 2 D
E421D	POSITION LIGHTS, UPPER FRONT	DA 0 D
E421E	POSITION LIGHTS, UPPER FRONT	DA 0 D
E421F	POSITION LIGHTS, UPPER FRONT	DA 0 D
E421G	POSITION LIGHTS, UPPER FRONT	DA 0 D
E421H	POSITION LIGHTS, UPPER FRONT	DA 1 D
E433	GUIDE LAMP	CB 1 D
E433B	LAMP, GUIDE OUTSIDE	CB 2 D
E450	DESTINATION SIGN LAMP	CB 2 D
E450L	DESTINATION SIGN LAMP	CB 3 D
E450RCA	DESTINATION SIGN RIGHT SIDE (CA)	CB 3 D
E471A	NIGHT LIGHT LEFT SIDE	CD 3 D
E471a	SEAT NIGHT LIGHT	CA 1 C
E471B	NIGHT LIGHT RIGHT SIDE	CD 4 D
E471b	SEAT NIGHT LIGHT	CA 1 C
E471c	SEAT NIGHT LIGHT	CA 1 D
E471d	SEAT NIGHT LIGHT	CA 1 D
E471e	SEAT NIGHT LIGHT	CA 1 D
E471f	SEAT NIGHT LIGHT	CA 1 D
E471g	LAMP, LIGHT UNDER SEAT	CA 1 D

VOLVO

Volvo Bus Corporation

Document Title

WIRING DIAGRAM

Document Type

PRODUCT SCHEMATIC

Document No

21894999

Issue Index

02

Volume No

02

Page No

4(14)

E472A	LAMP, ENGINE COMPARTMENT	IA 0 B
E566	REST COMPARTMENT SNAKE LAMP	GA 4 B
E567	SNAKE LAMP, ELECTRIC CENTRE	IB 0 C
E568	SNAKE LAMP, MAP LIGHT	IB 0 C
E902A	DRIVER LOUDSPEAKER	LB 0 C
E902B	DRIVER LOUDSPEAKER	LB 0 C
E902C	GUIDE LOUDSPEAKER	LB 1 C
E902D	GUIDE LOUDSPEAKER	LB 1 C
E902E	LOUDSPEAKERS, ROOF RIGHT	LB 2 D
E902F	LOUDSPEAKERS, ROOF LEFT	LB 3 D
E911A	PASSENGER SPEAKERS, LEFT SIDE	IB 4 C
E911B	PASSENGER SPEAKER, RIGHT SIDE	IB 4 C
E916M	LAMP, MIDDLE DOOR EMERGENCY	HD 3 C
E917M	LAMP GUIDE, MIDDLE DOOR	HD 1 C
E919	OPEN DOOR WCL	GB 1 B
E4003MK	MIDDLE KITCHEN	FA 1 C
E4054A	LIGHT INTO THE TOILET	EA 3 C
E4054AL	LIGHT INTO THE LEFT TOILET	EB 3 B
E4054B	LIGHT INTO THE TOILET	EA 3 C
E4054BL	LIGHT INTO THE LEFT TOILET	EB 3 B
E4055A	OCCUPIED & VACANT DISPLAY	HB 2 B
E4055AL	OCCUPIED & VACCANT DISPLAY, LEFT SIDE	HB 2 E
E4055L	OCCUPIED & VACCANT DISPLAY, LEFT SIDE	EB 3 A
E4055LA	OCCUPIED & VACANT LAMP WC	EA 3 A
E4057A	LUGGAGE LAMPS	CE 0 D
E4057B	LUGGAGE LAMPS	CE 0 D
E4057C2	LAMP, LUGGAGE	CE 1 D
E4057D	LUGGAGE LAMPS	CE 1 D
E4057E	EXTRACOMPARTMENT LAMPS	CE 2 D
E4057F	LUGGAGE LAMPS	CE 2 D
E4057G	LUGGAGE LAMPS	CE 2 D
E4057H	LUGGAGE LAMPS	CE 3 D
E4057J	LAMP, REAR HATCH	CE 4 D
E4057K	LAMP,REAR HATCH, CA-LUGD2	CE 3 D
E4063	OVER SPEED LAMP	IB 3 C
E4064	DRIVER LAMP	CB 1 D
E4065	KITCHEN LIGHT	FA 4 D
E4066A	REST COMPARTMENT LEFT LIGHT	GA 0 D
E4066B	REST COMPARTMENT RIGHT LIGHT	GA 1 D
E4067	TIME & TEMPERATURE DISPLAY	IB 1 C
E4070	EMERGENCY LAMP	HA 3 B
E7004	FRIDGE	FA 3 D
E7005	WATER DISPENSER ELBER	FA 1 C
FJ6	FREE TERMINAL A&V ON DEMAND	LD 1 B
FJ6A	FREE TERMINAL A&V ON DEMNAD	LD 1 B
FJ141	FREE TERMINAL A&V ON DEMAND	LD 0 A
FL_2_3_A	LAMP, FRONT HEADLAMPS	OC 0 D
FT01	TERMIC FUSE	IE 0 B
FT02	TERMIC FUSE, KLIXON 80 A ,SDLS-80-1	IJ 0 B
G01	BATTERY 12 VCD	AB 0 C
G01B.B	BATTERY TERMINAL	AB 0 D

VOLVO

Volvo Bus Corporation

Document Title

WIRING DIAGRAM

Document Type

PRODUCT SCHEMATIC

Document No

21894999

Issue Index

02

Volume No

02

Page No

5(14)

G813	OUTPUT 12V	LA 3 D
G814A	OUTPUT 24V	LA 3 D
H01	ELECTRIC HORN A	IA 3 B
H02	ELECTRIC HORN B	IA 4 B
H06R	BUZZER REVERSE	OA 3 C
H07	HORN, KNEELING ALARM	DA 4 D
H12	INDICATOR LAMP, EMERGENCY WINDOWS	JC 4 C
H13A	SPEAKER SERVICE KIT	LF 0 B
H13B	SPEAKER, SERVICE KIT	LF 0 B
H13C	SPEAKER, SERVICE KIT	LF 0 C
H13D	SPEAKER SERVICE KIT	LF 0 D
H13E	SPEAKER, SERVICE KIT	LF 1 B
H13F	SPEAKER, SERVICE KIT	LF 1 B
H13G	SPEAKER, SERVICE KIT	LF 1 C
H13H	SPEAKER, SERVICE KIT	LF 1 D
H13I	SPEAKER, SERVICE KIT	LF 1 B
H13J	SPEAKER, SERVICE KIT	LF 1 B
H13K	SPEAKER, SERVICE KIT	LF 1 C
H13L	SPEAKER SERVICE KIT	LF 1 D
H13M	SPEAKER, SERVICE KIT	LF 1 D
H13N	SPEAKER, SERVICE KIT	LF 1 E
H853	BUZZER	EA 2 C
H853L	BUZZER, LEFT TOILET	EB 2 C
H860	OVER SPEED BUZZER	IB 3 C
H5013	OVER SPEED TELLTALE	IB 3 C
J1	SPLICE	PA 1 B
J2	SPLICE	PA 1 B
J3	SPLICE	CA 1 A
J4	SPLICE	EA 4 C
J5	SPLICE	CB 3 A
J6	SPLICE	PA 1 B
J7	SPLICE	CB 1 E
J8	SPLICE	PA 3 D
J9	SPLICE	PA 3 D
J10	SPLICE	PA 4 D
J11	SPLICE	BA 1 B
J12	SPLICE	BA 1 B
J13	SPLICE	PA 4 D
J14	SPLICE	AA 0 D
J16	SPLICE	PA 4 D
J17	SPLICE	AA 0 E
J18	SPLICE	PA 4 D
J19	SPLICE	PA 0 D
J20	SPLICE	GA 0 A
J21	SPLICE	CE 1 D
J22	SPLICE	PA 0 D
J23	SPLICE	EA 3 B
J24	SPLICE	PA 2 D
J25	SPLICE	PA 1 D
J26	SPLICE	PA 1 D
J27	SPLICE	CE 1 C

VOLVO

Volvo Bus Corporation

Document Title

WIRING DIAGRAM

Document Type

PRODUCT SCHEMATIC

Document No

21894999

Issue Index

02

Volume No

02

Page No

6(14)

J28	SPLICE	CE 1 C
J29	SPLICE	PA 1 D
J30	SPLICE	PA 2 D
J31	SPLICE	PA 2 D
J32	SPLICE	PA 3 B
J33	SPLICE	PA 2 B
J34	SPLICE	PA 3 B
J35	SPLICE	CB 1 E
J36	SPLICE	PA 4 B
J37	SPLICE	GA 0 B
J41	SPLICE	CC 0 C
J42	SPLICE	CD 3 B
J43	SPLICE	PA 2 B
J44	SPLICE	CE 3 D
J45	SPLICE	EA 1 B
J46	SPLICE	EA 3 B
J48	SPLICE	EA 1 D
J49	SPLICE	LB 3 B
J50	SPLICE	CB 3 B
J51	SPLICE	BA 1 B
J52	SPLICE	BA 1 B
J53	SPLICE	BA 2 B
J54	SPLICE	BA 2 B
J55	SPLICE	BA 2 B
J56	SPLICE	BA 2 B
J57	SPLICE	BA 3 B
J58	SPLICE	BA 3 B
J59	SPLICE	BA 3 B
J60	SPLICE	BA 3 B
J61	SPLICE	BA 3 B
J62	SPLICE	BA 4 B
J63	SPLICE	BA 2 C
J64	SPLICE	BA 2 D
J65	SPLICE	PB 0 C
J66	SPLICE	JA 1 A
J67	SPLICE	LB 2 B
J68	SPLICE	IB 2 B
J69	SPLICE	BC 0 A
J70	SPLICE	BC 0 A
J71	SPLICE	BC 1 B
J72	SPLICE	BC 1 B
J73	SPLICE	IB 4 B
J74	SPLICE	LB 2 B
J75	SPLICE	BA 0 B
J76	SPLICE	BA 0 B
J77	SPLICE	BA 0 B
J78	SPLICE	BA 0 B
J79	SPLICE	NA 1 D
J80	SPLICE	EA 3 B
J82	SPLICE	GA 1 A
J83	SPLICE	GA 2 A

VOLVO

Volvo Bus Corporation

Document Title

WIRING DIAGRAM

Document Type

PRODUCT SCHEMATIC

Document No

21894999

Issue Index

02

Volume No

02

Page No

7(14)

J84	SPLICE	BF 2 B
J85	SPLICE	BF 2 B
J86	SPLICE	EB 3 A
J87	SPLICE	EB 3 B
J88	SPLICE	EB 1 B
J89	SPLICE	EB 1 B
J90	SPLICE	OA 0 B
J91	SPLICE	CB 3 C
J92	SPLICE	CB 3 D
J93	SPLICE	CB 1 C
J94	SPLICE	CB 1 C
J95	SPLICE	LB 2 B
J96	SPLICE	OB 3 C
J97	SPLICE	OB 3 C
J98	SPLICE	BC 2 C
J99	SPLICE	PA 1 A
J100	SPLICE	AA 1 D
J101	SPLICE	BA 2 C
J102	SPLICE	BA 3 D
J103	SPLICE	BA 2 C
J104	SPLICE	BA 2 D
J108	SPLICE	PA 0 A
J109	SPLICE	CB 1 B
J120	SPLICE	AA 0 B
J121	SPLICE	AA 2 B
J132	SPLICE	DA 3 E
J133	SPLICE	BE 3 B
J134	SPLICE	BD 3 B
J135	SPLICE	LA 1 C
J136	SPLICE	CA 0 B
J137	SPLICE	CA 0 B
J138	SPLICE	CB 0 E
J139	SPLICE	AA 0 E
J140	SPLICE	AA 1 E
J141	SPLICE	AA 1 E
J142	SPLICE	CA 1 B
J143	SPLICE	EA 4 D
J144	SPLICE	CB 1 A
J145	SPLICE	CA 4 B
J146	SPLICE	CA 4 B
J147	SPLICE	CA 2 A
J148	SPLICE	CA 4 C
J149	SPLICE	PA 0 B
J150	SPLICE	PA 0 B
J151	SPLICE	PA 0 B
J152	SPLICE	PA 1 B
J153	SPLICE	CC 0 C
J154	SPLICE	IC 2 D
J156	SPLICE	BG 1 B
J159	SPLICE	ND 2 C
J160	SPLICE	PB 1 C

VOLVO

Volvo Bus Corporation

Document Title

WIRING DIAGRAM

Document Type

PRODUCT SCHEMATIC

Document No

21894999

Issue Index

02

Volume No

02

Page No

8(14)

J161	SPLICE	BA 3 C
J162	SPLICE	BA 3 D
J163	SPLICE	PB 1 C
J164	SPLICE	ND 0 D
J165	SPLICE	OA 0 A
J166	SPLICE	OA 3 A
J167	SPLICE	OA 0 C
J168	SPLICE	OA 3 C
J169	SPLICE	JC 0 A
J170	SPLICE	JC 0 D
J171	SPLICE	JC 2 A
J172	SPLICE	JC 2 D
J173	SPLICE	OA 3 B
J174	SPLICE	PB 2 B
J175	SPLICE	PB 2 B
J176	SPLICE	PB 2 C
J177	SPLICE	BA 3 C
J178	SPLICE	BA 3 D
J179	SPLICE	PB 2 B
J180	SPLICE	PB 2 C
J181	SPLICE	LA 1 B
J183	SPLICE	ND 0 D
J184	SPLICE	ID 1 C
J185	SPLICE	ND 2 D
J186	SPLICE	NA 0 D
J187	SPLICE	NA 0 D
J188	SPLICE	NA 0 D
J189	SPLICE	NA 0 D
J190	SPLICE	NA 0 D
J240	SPLICE	IF 1 C
J241	SPLICE	IF 1 C
J252	SPLICE	LD 0 C
J253	SPLICE	LD 0 D
J254	SPLICE	LD 1 D
J255	SPLICE	LD 2 C
J256	SPLICE	LD 1 B
J257	SPLICE	CE 0 D
J258	SPLICE	CE 0 D
J259	SPLICE	CE 1 D
J260	SPLICE	CE 1 D
J261	SPLICE	CE 2 D
J262	SPLICE	CE 2 D
J263	SPLICE	CE 2 D
J264	SPLICE	CE 3 D
J265	SPLICE	CE 4 D
J266	SPLICE	ID 0 B
J267	SPLICE	OA 1 B
J268	SPLICE	OA 1 C
J269	SPLICE	LE 0 B
J270	SPLICE	LE 1 B
J271	SPLICE	LE 1 B

VOLVO

Volvo Bus Corporation

Document Title

WIRING DIAGRAM

Document Type

PRODUCT SCHEMATIC

Document No

21894999

Issue Index

02

Volume No

02

Page No

9(14)

J272	SPLICE	LE 0 C
J273	SPLICE	LE 0 C
J274	SPLICE	LE 1 D
J276	SPLICE	IF 1 B
J277	SPLICE	IF 1 B
J278	SPLICE	JA 2 C
J279	SPLICE	JA 2 E
J280	SPLICE	JA 3 C
J281	SPLICE	NB 2 E
J282	SPLICE	NB 2 D
J283	SPLICE	CE 2 E
J284	SPLICE	IA 4 B
J285	SPLICE	IA 3 A
J286	SPLICE	IA 3 B
J287	SPLICE	ND 0 B
J288	SPLICE	NA 2 E
J289	SPLICE	DA 0 C
J290	SPLICE	DA 0 C
J291	SPLICE	DA 0 C
J292	SPLICE	DA 0 D
J293	SPLICE	DA 0 D
J294	SPLICE	DA 0 D
J295	SPLICE	DA 1 D
J296	SPLICE	DA 1 C
J297	SPLICE	OC 1 C
J298	SPLICE	IG 0 D
J299	SPLICE	IE 2 B
J300	SPLICE	OA 3 B
J301	SPLICE	IE 2 C
J304	SPLICE	ND 4 B
J305	SPLICE	CD 3 C
J306	SPLICE	CD 3 D
J307	SPLICE	CA 0 C
J308	SPLICE	CC 4 B
J310	SPLICE	CC 0 D
J311	SPLICE	CA 3 D
J312	SPLICE	CD 0 B
J313	SPLICE	CC 0 D
J314	SPLICE	CB 0 D
J315	SPLICE	CD 1 C
J316	SPLICE	CB 0 D
J317	SPLICE	CB 0 D
J318	SPLICE	BC 0 D
J319	SPLICE	CC 4 D
J320	SPLICE	CA 3 C
J321	SPLICE	GB 0 D
J322	SPLICE	CC 1 A
J323	SPLICE	BG 1 B
J324	SPLICE	HB 2 B
J325	SPLICE	HB 2 B
J326	SPLICE	IF 1 D

VOLVO

Volvo Bus Corporation

Document Title

WIRING DIAGRAM

Document Type

PRODUCT SCHEMATIC

Document No

21894999

Issue Index

02

Volume No

02

Page No

10(14)

J327	SPLICE	IF 1 E
J328	SPLICE	HD 2 C
J329	SPLICE	HD 2 D
J330	SPLICE	LF 0 A
J331	SPLICE	LF 1 A
J332	SPLICE	CE 2 E
J333	SPLICE	LF 0 E
J334	SPLICE	LF 1 E
J335	SPLICE	CE 3 D
J336	SPLICE	IJ 1 B
J337	SPLICE	IJ 1 C
J338	SPLICE	IJ 2 A
J339	SPLICE	EA 1 B
J340	SPLICE	IJ 3 A
J341	SPLICE	IJ 3 B
J345	SPLICE	HB 2 D
J350	SPLICE	PB 0 D
J351	SPLICE	NE 0 D
J360	SPLICE	IA 2 B
J361	SPLICE	IA 2 C
J362	SPLICE	CC 0 B
J363	SPLICE	IA 3 C
J364	SPLICE	PA 0 E
J410	SPLICE	NE 3 B
K345	RELAY, START INHIBITOR	OB 3 C
K911	RELAY AUDIO & VIDEO ON DEMAND	LD 0 C
K911A	RELAY AUDIO & VIDEO ON DEMAND	LD 1 C
K911B	RELAY, DAY RUNNING LIGHT	OC 1 B
K912	RELAY TPMS	IF 1 A
KCR	KITCHEN CONNECTOR RELAY	FA 0 C
KHS	RELAY HEATING PUMP	NE 3 B
KK	KITCHEN RELAY	FA 0 C
KRR	KITCHEN REAR RELAY	FA 0 C
M20M	MOTOR, FAN WC MIDDLE TOILET	EC 3 D
M24M	HANDWASH PUMP WC, MIDDLE TOILET	EC 0 A
M25M	MOTOR FLUSHING PUMP WC	EC 1 A
M33	MOTOR, DEFROSTER SMOG FLAP	NC 1 B
M35	MOTOR, DRIVER WINDOW	JB 2 D
M36	MOTOR, WEBASTO HEATER	ND 2 D
M37	MOTOR, WEBASTO PUMP	ND 3 D
M38	MOTOR, URINAL PUMP	EA 3 E
M650	WINDSCREEN WIPER MOTOR	MA 0 D
M651	WINDSCREEN WASHER MOTOR	MA 2 C
M664	WC FLUSHING WATER PUMP	EA 3 E
M669	FAN	EA 4 A
M669L	FAN	EB 4 A
M671	MOTOR, TOILET FAN FOR SOIL TANK	EA 4 A
M671A	MIRROR MOTOR	JA 2 D
M671B	MIRROR MOTOR	JA 3 D
M672	BLINDER MOTOR	JA 1 D
M6059	REST COMPARTMENT FAN	GA 2 E

VOLVO

Volvo Bus Corporation

Document Title

WIRING DIAGRAM

Document Type

PRODUCT SCHEMATIC

Document No

21894999

Issue Index

02

Volume No

02

Page No

11(14)

M6061	HANDWASH WATER PUMP	EA 2 C
M6061L	WATER PUMP, HW, LEFT TOILET	EB 1 B
M6062	CIRCULATION PUMP, REHEATING SYS	NC 1 D
M6063	FLAP FLOOR, SCREEN STEPLESS	NA 0 D
M6064	FAN, REHEATING SYSTEM	NC 2 D
M6065	CIRCULATION PUMP REHEATING SYSTEM	NE 4 B
M6071	DRIVER FAN	JA 0 D
M6072	GUIDE FAN	JA 0 D
M6073	DEFROSTER	NA 3 E
MINISIGMA	TACHOGRAPH, SUPPLIER ACTIA	IC 3 B
P715	CODRIVER/INTELSAT	KA 0 A
P716	CONTROL PANEL AIR/VIGIA	KA 1 A
R1	RESISTOR 120OHMS, START CANB	BA 0 B
R2	RESISTOR 120OHMS, START CANB	BA 4 D
R3	RESISTOR 120 OHMS, END CAND	BC 1 B
R11	INITIATION RESISTOR CAN-BTPM	IF 1 E
R12	TERMINATION RESISTOR CAN-BTPM	IF 2 E
RSL	REAR STOP LIGHT LEFT	OA 0 C
RSR	REAR STOP LIGHT RIGHT	OA 2 C
RSTL	LAMP, STOP TAIL DOT	OA 0 C
RSTR	LAMP, STOP TAIL DOT	OA 2 C
S23F	SWITCH, FRONT ROOF HATCH	JB 0 B
S23R	SWITCH, REAR ROOF HATCH	JB 0 E
S80	SWITCH, TRANSCOM	LC 1 B
S98	SWITCH, CSDD A/C	IH 1 C
S101	SWITCH, MIDDLE DOOR	HC 3 B
S103M	MICRO SWITCH, MIDDLE DOOR	HD 1 C
S108M	SWITCH, LOCK MIDDLE DOOR	HD 3 C
S111M	PUSH BUTTON, HANDWASH WC, MIDDLE TOILET	EC 1 D
S112M	PUSH BUTTON, FLUSHING WC, MIDDLE TOILET	EC 1 D
S115Ma	SWITCH, MIDDLE DOOR LOW PRESSURE	HD 1 C
S115Mb	SWITCH, MIDDLE DOOR LOW PRESSURE	HD 1 C
S116	INTERIOR LIGHTS	CD 0 B
S117	READING LIGHTS	CC 0 B
S117C	SWITCH, DOOR WC CARRUS TOILET	EC 2 D
S118	SWITCH, DRIVER AND GUIDE FAN	JA 0 B
S118M	PUSH BUTTON, EMERGENCY WC	EC 0 D
S126	SWITCH, DRIVER WINDOW	JB 3 B
S127	SWITCH, WINDOW HEATER	JB 2 B
S132	DESTINATION SIGN LIGHT	CB 3 B
S134	PUSH BUTTON, URINAL PUMP	EA 2 B
S135	WHEEL CHAIR LIFT	GB 0 A
S137	SWITCH DOOR WHEEL CHAIR	GB 0 B
S137A	SWITCH DOOR WHEEL CHAIR	GB 0 C
S137B.1	ELECTRICAL HATCH LOCK WHEEL CHAIR LIFT	GB 0 D
S138	SWITCH, FIRE SUPPRESSION SYSTEM	ID 2 C
S139	SWITCH, MANUAL DISCHARGE	ID 1 D
S140	SWITCH MULTICHANNEL ACTIA	LC 1 D
S140A	SWITCH ACTIA ON DEMAND	LD 1 B
S141	DOOR BRAKE	HA 2 D
S142	SWITCH DOOR BRAKE HIGH IDLE	HA 1 D

VOLVO

Volvo Bus Corporation

Document Title

WIRING DIAGRAM

Document Type

PRODUCT SCHEMATIC

Document No

21894999

Issue Index

02

Volume No

02

Page No

12(14)

S172A	LUGGAGE LIGHTS	CE 0 B
S172B	LUGGAGE LIGHTS	CE 0 B
S172C	LUGGAGE LIGHTS	CE 1 B
S172D	LUGGAGE LIGHTS	CE 1 B
S172F	LUGGAGE LIGHTS	CE 2 B
S172G	LUGGAGE LIGHTS	CE 3 B
S172H	LUGGAGE LIGHTS	CE 3 B
S1107	DOOR LOCK	HA 1 B
S1108	LIGHTING SLEEPER CAB	GA 1 B
S1111	CENTRAL LOCK	IA 1 B
S1112	FRIDGE	FA 2 B
S1113	COOKER	FA 0 B
S1115	SERVICE DOOR	HA 0 B
S1141	SWITCH, GAS CHARGING	NB 3 B
S1144	DRIVER & GUIDE LIGHT	CB 1 B
S1147A	SWITCH, INSIDE FRONT DOOR	HA 2 A
S1147B	SWITCH, OUTSIDE FRONT DOOR	HA 3 B
S1148	NIGHT LIGHT	CD 2 B
S1148a	SEAT NIGHT LIGHT	CA 1 B
S1150	POSITION LIGHTS	DA 2 A
S1151	GENERAL SWITCH TOILET	EA 4 D
S1152	HANDWASH BUTTON	EA 2 B
S1152L	HANDWASH BUTTON, LEFT TOILET	EB 2 B
S1153	WC FLUSHING BUTTON	EA 2 B
S1153L	WC FLUSHING BUTTON, LEFT TOILET	EB 2 B
S1154	MOVEMENT SENSOR	EA 3 B
S1155	EMERGENCY BUTTON	EA 2 A
S1155L	EMERGENCY BUTTON, LEFT TOILET	EB 2 A
S1156	PRINCIPAL TANK SENSOR	EA 1 E
S1157	SOIL TANK SENSOR	EA 1 E
S1158	KITCHEN LIGHT	FA 4 B
S1160	BERTH FAN	GA 2 B
S1161A	SLEEPER CAB LEFT	GA 0 B
S1161B	SLEEPER CAB RIGHT	GA 0 B
S1162	HANDWASH TANK SENSOR	EA 1 E
S1162L	HANDWASH TANK SENSOR, LEFT TOILET	EB 1 D
S1163	AUXILIARY STEP	HB 1 B
S1164	SWITCH, MIRRORS	JA 4 A
S1165	SWITCH, MIRROR HEATER	JA 3 B
S1165B	SWITCH, MIRROR HEATER	JA 2 B
S1166	SWITCH, BLINDER	JA 1 B
S1167	SWITCH, READING LIGHT WCL DOOR	CC 1 B
S1168	SWITCH, WCL HOST CALL	CC 3 B
S1169	SWITCH, WCL READING LAMPS DASHBOARD	CC 2 B
S2016H	HIGH PRESSURE SWITCH	NB 3 D
S2016L	LOW PRESSURE SWITCH	NB 3 D
S7071	WINDSHIELD WIPER TANK LEVEL SENSOR	MA 3 D
S9074	PRESOSTATO	HA 2 A
S9075	PRESSURE SENSOR	HA 2 A
S9076	MICRO-SWITCHES BERTH	HA 4 A
T901	VOLTAGE CONVERTER	LA 0 B

VOLVO

Volvo Bus Corporation

Document Title

WIRING DIAGRAM

Document Type

PRODUCT SCHEMATIC

Document No

21894999

Issue Index

02

Volume No

02

Page No

13(14)

T901.A	CA VOLTAGE CONVERTER	CA 2 C
T901A	VOLTAGE CONVERTER	LA 2 B
T901B	VOLTAGE CONVERTER COPILOTO	KA 0 C
T901C	VOLTAGE CONVERTER A&V ON DEMAND	LD 0 D
T901D	VOLTAGE CONVERTER A&V ON DEMAND	LD 1 D
T901E	VOLTAGE CONVERTER 24/12	IG 0 C
T902	VOLTAGE CONVERTER TPMS	IA 1 B
TWS1	WCL TWS MODULE	GB 3 E
TWS2	WCL TWS MODULE	GB 3 E
TWS3	WCL TWS MODULE	GB 3 E
TWS4	WCL TWS MODULE	GB 3 E
U901	VOLTAGE CONVERTER DC/AC	IE 1 B
U902	VOLTAGE CONVERTER DC/AC	IE 1 C
U903	INVERTER, 24 DC TO 110 AC 2300 W	IJ 0 B
W	W ALTERNATOR SIGNAL	AA 4 A
X	FUSE TERMINAL	AB 1 B
X2	TERMINAL, POWER CABLE	AB 0 B
X16	FIRE, EXTINGUISHER	ID 1 D
X17	FIRE, EXTINGUISHER (FOGMAKER)	II 0 C
X900/1	TERMINAL, FEED 6 SCREENS	LE 2 A
X900/3	TERMINAL, REMOTE 6 SCREENS	LE 2 A
X2000/1	TERMINAL, FEED 6 SCREEN	LE 0 A
X2000/2	TERMINAL, GROUND 6 SCREENS	LE 0 A
X_	FUSE TERMINAL I-START	AB 0 C
XC102B	POWER BOX TERMINAL	AB 0 C
Y	DEVICE TERMINAL	AB 3 A
Y2	TERMINAL, POWER CABLE	IJ 1 C
Y72	AIR HORN	IA 4 B
Y78	SOLENOID VALVE, MIDDLE DOOR	HD 3 D
Y79	VALVE, ROOF HEATING SYSTEM	ND 1 B
Y80	VALVE, PASSENGER HEATING SYSTEM	ND 0 B
Y82	VALVE, DEFROSTER HEATING SYSTEM	ND 0 B
Y83M	PNEUMATIC VALVE ISONIC WC, MIDDLE TOILET	EC 1 A
Y86M	CENTRAL LOCK WC , MIDDLE TOILET	EC 2 A
Y87	GATE VALVE, MIDDLE TOILET	EC 3 A
Y90	VALVE, BYPASS	ND 0 B
Y952	CLUTCH COMPRESSOR	NB 3 E
Y952A	DISCHARGE VALVE	NB 0 E
Y6009	AC DEFROSTER VALVE	NA 4 E
Y6014	SOLENOID VALVE	IA 0 D
Y6015	SOLENOID VALVE DOOR	HA 0 C
Y6016	ROOF VALVE, REHEATING SYSTEM	NC 0 D
Y6017A	PASSENGER VALVE	NA 2 E
Y6017B	DEFROSTER VALVE	NA 2 E
Y6017C	BYPASS VALVE	NA 2 E
Y6042	ISONIC PNEUMATIC VALVE	EA 2 E
Y6042L	PNEUMATIC VALVE, LEFT TOILET	EB 2 D
Y6070	SOLENOID VALVE AUXILIARY STEP	HB 1 D
Y_	FUSE TERMINAL I-START	AB 1 C

VOLVO

Volvo Bus Corporation

Document Title

WIRING DIAGRAM

Document Type

PRODUCT SCHEMATIC

Document No

21894999

Issue Index

02

Volume No

02

Page No

14(14)