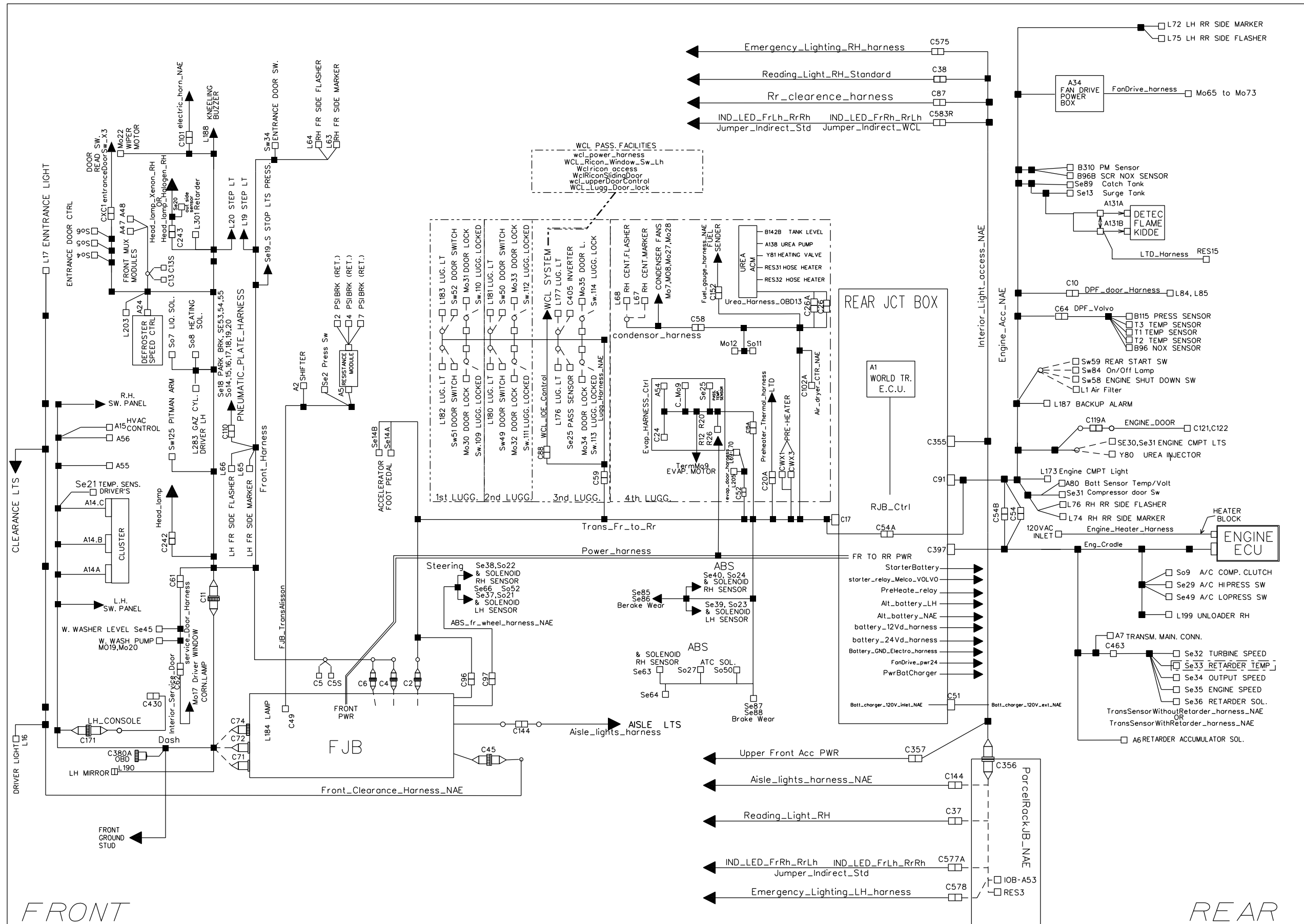


REV.	DATE	O.C.	EFF.	DESCRIPTION	PAGE(S)	BY	CHECKED	APPROVED

Wiring diagram pages list

Multiplex outputs	B1	D		Horn	9.1	R	
Multiplex input	B2	Dash lights	19.1	Hvac defroster	18.1	Reading lamps	22.2
Multiplex Error list	B3	DC/DC Converter	40.1	Hvac passenger	18.2	Rear Tachometer	14.3
Layout vehicle - harness	C1	Destination sign	28.1			Retarder	12.1 - 15.1
Pins configuration	D	Driver's light & backlight	19.1	I		RJB fan	1.1
Circuits list	E	Driver window	30.1	Ignition & Engine Start	3.2		
Circuit breakers list	F			Indirect lighting	23.1	S	
Connectors list	G	E		IVN Clever Device	35.6	Speakers	35.2
Diodes list	H	Emergency & Aisle lights	20.1			Stop Request	22.2
Resistors list	J	Engine ECU	14.1	K		Spares wires	8.1
Relays list	K	Engine heater	14.1	Kneeling system&Hi Buoy	32.1	Stop lights	26.2
Fuses list	L	Engine start	3.2			Step lights	29.1
Wire identification chart	M	Engine & RJB cmpt. Light	25.1	L			
		Entrance door & lights	29.1	Luggage compartment Lighting	25.1	T	
		ESP	16.1			Tag	32.1
Air dryer	37.1			M		Tail & licence lights	26.2
Air Filter	14.3	F		Main dist. ignition & batt.	3.1	Tire pressure monitor	39.1
Alternators	1.1	Fans radiator	13.1	Markers lights	26.1 - 26.2	Transmission ECU	15.1
		FareBOX	28.1	Mirrors	31.1		
		Fast idle	14.1	Mobile View	35.7	U	
Back-up warnings	26.3	Fire suppression system	38.1	Multiplex power distribution	7.1	Upper defrost	18.4
Batteries & Equalizer	1.1	Flashers	26.1-26.2	Multiplex network	6.1 - 6.2	Urea system	14.2
Battery charger	17.1	Fuel gauge	10.1				
Bike Rack	41.1			O		V	
Brake pedal sensor &Interlock	12.1	G		OIL Separator	37.1	Volvo link TGW	37.1
Brake Wear	12.2	Gateway J1939	6.2				
		Gong Sound	35.5	P		W	
		Grounds electronic	2.1	Parcel rack A/C system	18.3	Water pre-heater	17.1
Clearance lights	26.1-26.2	Grounds chassis	2.2	Park brake sensor	12.1	Wet Tank	37.1
Cluster	10.1			Power distribution FJB 12V	4.1	Wheel chair lift Ricon	36.1
Coolant Level Led	14.3	H		Power distribution FJB 24V	4.2	WIF Fuel Filter	14.1
		Hazard	26.1	Pwr dist. RJB 12V & 24V	5.1	Wipers & washer	34.1
		Head lights	26.1	Pwr dist.P.RACK 12V & 24V	5.2		



DESCRIPTION		COM2016	Torsadé les fils de sortie de vitesse tr	NYSDOT
ORDRE DE CHANGEMENT		2016090	2017085	2017111
VÉH. EFFECTIF		Prel7386	**à valider**	7513 +prel 7485
T.I. RESPONSABLE	ref COM2013	Saliha,CLAR,GP	MPOU	Saliha
DISTRIBUTION DE WIRING DIAG CORRIGÉS	T-Marking file index			
ABS_FR_WHLS_HARNESS		069387		069387
ACB_Gen2		NA		NA
AFSS_AMEREX_HARNESS		060553		NA
AFSS_KIDDE_HARNESS		NA		NA
Air_dryer_CTR_NAE		idemX3_060095		idemX3_060095
Alt_battery_lh		idemX3_069537		idemX3_069537
Alt_battery_NAE		idemX3_069517		idemX3_069517
Alt_chassis_GND_NAE		idemX3_060264		idemX3_060264
Alt_Ctrl_harness		idemX3_060088		idemX3_060088
Alt_jumper_power_NAE		idemX3_060265		idemX3_060265
Alt_Lh_Chassis_Gnd		idemX3_069504		idemX3_069504
Alternator_HARNESS_LH		idemX3_069511		idemX3_069511
Batt_Charger_120V_ext_NAE		idemX3_060149		idemX3_060149
battery_12vd1_harness		069524		069524
battery_12vd_harness		069523		069523
battery_24vd1_harness		069521		069521
battery_24vd_harness		069522		069522
battery_gnd_electro_harness		idemX3_069534		idemX3_069534
Battery_interconnect		idemX3_060152		idemX3_060152
BatteryGndHarness		idemX3_069525		idemX3_069525
Curb_Light_First_Lugg_RH		060766		NA
Curb_Light_Rear_RH_Fender		060765		NA
Condensor_Harness_C		idemX3_060377		idemX3_060377
Dash_2016_CS	Instrument Cluste	068763	069681	061919
DC/DC Harness				069797
DPF_Door_Harness		069711		069711
DPF_Door_light		idemX3_060037		idemX3_060037
DPF_Volvo_NAE	Wiring harness - Heater NOxCare		idemX3_060089	idemX3_060089
electric_horn_NAE		idemX3_060074		idemX3_060074
ENGINE_ACCESSORIES	Wiring Harness for coolant level & ambient air temp Sensor		069396	062112
Engine_chassis_GND		idemX3_060306		idemX3_060306
ENGINE_CRADLE	Harness for transmission	060554	069779	062127
Engine_door		idemX3_060039		idemX3_060039
Entrace_DoorSW_X3				
Emergency light RH		idem X3060090		069726
Emergency light LH		idem X3060091		idem X3060091
Equalizer_Harness_Vanner		idemX3_069539		idemX3_069539
Evap_Door_harness		idemX3_060556		idemX3_060556
Evap_HARNESS_Ctrl		idemX3_060540		idemX3_060540
Evap_Power_GND_harness		idemX3_060527		idemX3_060527
Evap_power_harness_		idemX3_060529		idemX3_060529
Fan_Parcel_Rack		069691		NA
FanDrive_harness		idemX3_068820		idemX3_068820
FanDrive_pwr24		idemX3_069245		idemX3_069245
FanDrive_pwrGnd		idemX3_069246		idemX3_069246
FJB_2016	Main Cab wire harness	069682		061952
FootFlasher_Harness		069679		069679
Front_Clearance_Harness		069709		069709
FRONT_HARNESS	Chassis front wire harness	069389		061953
Front_Trailer_Harness		069721		NA
Fuel_gauge_Harness		idemX3_060087		idemX3_060087
head_lamp_LED_LH		060531		060531
head_lamp_led_RH		060530		060530
head_lamp_Halog_LH				NA
head_lamp_Halog_RH				NA
IND_LED_FrLh_RrRh	068547	idem_X3_069544		idem_X3_069544
IND_LED_FrRh_RrLh	067747	Idem_X3_069545		idem_X3_069545
Interior_light_Access		069688		062096
Inverter1_Harness_24'				

DESCRIPTION		COM2016	Torsadé les fils de sortie de vitesse tr	NYSDOT
ORDRE DE CHANGEMENT		2016090	2017085	2017111
VÉH. EFFECTIF		Prel7386	**à valider**	7513 +prel 7485
T.I. RESPONSABLE	ref COM2013	Saliha,CLAR,GP	MPOU	Saliha
DISTRIBUTION	T-Marking file index			
Inverter2_Harness_24V		069695		NA
Inverter3_Harness_24V		NA		NA
Inverter_120Vac_LH		068257(GP)		NA
Inverter_120Vac_RH		068198 (GP)		NA
Inverter_Negatif		069700		NA
Inverter_Positif		069701		NA
Jumper_Indirect_Std	068258	Idem_X3_069546		Idem_X3_069546
Jumper_Indirect_WCL	068310	idem_x3_069547		idem_x3_069547
Lavatory_NAE		NA		NA
LH_Console		069680		061920
LTD_harness		NA		NA
Lugg_Harness		069684		062013
Parcel_Rack_JB		069687		062099
Pneumatic_Plate_Harness		069715		069715
Power_harness_NAE		idemX3_060558		idemX3_060558
Power_Steering_Ctrl_NAE		Idem_X3_060378		NA
Power_Vecr		idemX3_069540		idemX3_069540
PreHeate_relay		idemX3_069516		idemX3_069516
PreHeater_GND		idemX3_060308		idemX3_060308
Preheater_Thermal_harness		idemX3_067676		NA
Proheat_charger		idemX3_060092		NA
Pwr_Bat_charger		idemX3_069528		idemX3_069528
Radiator_chassis_gnd		idemX3_069279		062315
reading_Light_LH		069690		062110
Reading_Lights_RH		069689		062111
Rear_lamps		idemX3_069552		idemX3_069552
Relay_Melco_batt		idemX3_069542		idemX3_069542
RJB_2016	ACM power supply	069685	069781	062061
RJB_Ctrl		idemX3_060547		idemX3_060547
RJB_Rr_Seat_Harn_ElectGND		069698		069698
RJB_Rr_Seat_Harness_24v		069697		NA
Rr_Clearance_harness		069710		069710
service_Door_Harness		IDEMX3_069554		IDEMX3_069554
Speak easy				069816
Speak easy interface				069802
Starter_battery_Volvo		idemX3_069518		idemX3_069518
Starter_chassis_GND		idemX3_060307		idemX3_060307
starter_relay_Melco_VOLVO		idemX3_069515		idemX3_069515
Starting Aid Ultracap		061151		NA
Trans_Fr_Rr_Harness for transmission		069683		062029
TransSensorWithRetarder_harness_NAE			idemX3_069777	idemX3_069777
TransSensorWithoutRetarder_harness_NAE			idemX3_069778	NA
Ultracap_power		060422		NA
UPPER_Front_ACC		069418		061971
Upper_Front_Acc_Pwr		061038		061038
Urea_HarnessWire Def tank		idemX3_060568		idemX3_060568
USB_LH				068692
USB_RH				069664
USB_JUMPER_Seat				062556
USB_JUMPER_WCL				062582
USB_JUMPER_wall				069795
USB_JUMPER_Modest				069796
WCL_IOE_Control		069720		069720
WCL_LUGG_DOOR_LOCK		idemX3_069339		NA
wcl_power_harness		idemX3_069337		idemX3_069337
WCL_Sliding_Door_2016		069659		062543
WCL Ricon access		069744		069744
WCI UPPER DOOR CTRL 2016		069719		069719

Wiring diagram pages list

Pin configuration MCM

Signal ID	J1 pin	Interface type	Input / Output	Description	Signal ID	J1 pin	Interface type	Input / Output	Description
A1	1	CAN0 High	Bus	Maximum speed 1Mbps/wake	B1	1	Type 1	In	LDI, HDI
A2	2	CAN0 Low	Bus	Maximum speed 1Mbps/wake	B2	2	Type 1	In	LDI, HDI, Failure mode
A3	3	Type 7	Out	LDO, Failure mode	B3	3	Type 2	In	HDI
A4	4	Type 7	Out	LDO	B4	4	Type 4a	In	HDI, Interrupt/Wake
A5	5	Type 7	Out	LDO	B5	5	Type 3	In	LDI, Interrupt/Wake
A6	6	Type 8	Out	LDO	B6	6	Type 4a	In	HDI Failure mode, Interrupt/Wake
A7	7	Type 8	Out	LDO	B7	7	RS232 TxD	Bus	Maximum speed 115,2kbps
A8	8	GND	In		B8	8	RS232 RxD	Bus	Maximum speed 115,2kbps
A9	9	Vbat	In		B9	9	Type 1	In	LDI, HDI
A10	10	Type 8	Out	LDO	B10	10	Type 1	In	LDI, HDI
A11	11	Type 10	Out	HDO	B11	11	Type 1	In	LDI, HDI
A12	12	Type 9B	Out	HDO	B12	12	RS232 GND	In	
A13	13	Type 9B	Out	HDO	B13	13	Type 1	In	LDI, HDI
A14	14	Type 9A	Out	HDO	B14	14	Type 1	In	LDI, HDI
A15	15	Type 9A	Out	HDO	B15	15	Type 4B	In	Interrupt/Wake
A16	16	Type 9A	Out	HDO, Failure mode	B16	16	Type 1	In	LDI, HDI
A17	17	Type 10	Out	HDO, Failure mode	B17	17	Type 1	In	LDI, HDI
A18	18	Type 9A	Out	HDO	B18	18	GND	In	
A19	19	Type 13	Out	C30	B19	19	MasterID	In	
A20	20	Network ID 1	In		B20	20	Supply		
A21	21	Network ID 2	In		B21	21	NC		
A22	22	EOL enable	In		B22	22	Type 1	In	LDI, HDI
A23	23	Network ID 3	In		B23	23	Type 1	In	LDI, HDI
A24	24	Type 11	Out	HLDO	B24	24	RS232 CTS	In	
A25	25	Type 11	Out	HLDO	B25	25	Type 6	In	HAI
A26	26	Type 5	In	HDI	B26	26	Type 6	In	HAI
A27	27	CAN2 High	Bus	Maximum speed 1Mbps/wake	B27	27	RS232 RTS	Out	
A28	28	CAN2 Low	Bus	Maximum speed 1Mbps/wake	B28	28	Type 12	Out	HDO 5V
A29	29	GND	In		B29	29	Type 9	Out	HDO
A30	30	Vbat	In		B30	30	NC		

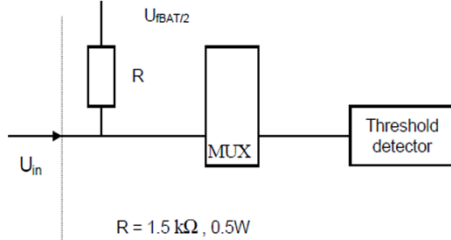
Wiring diagram pages list

Pin configuration MCM

Interface Circuit type 1, General purpose digital input

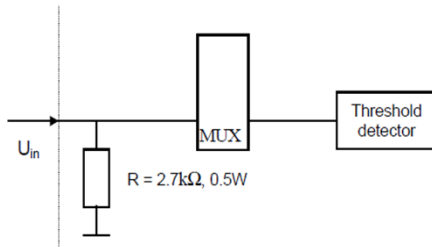
The input can be used as a general input circuit interfacing to switches closing to ground and to battery (LDI/HDI). It can also be used to interface with resistive switches and sensors.

DC model of this circuit:



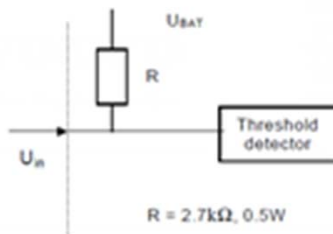
Input circuit type 2, High side digital input

DC model of input circuit type 2. The input is used to interface with switches closing to battery voltage (HDI).



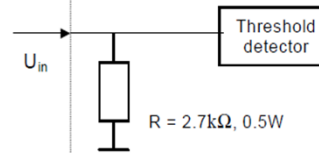
Input circuit type 3, Low side digital input, interrupt

DC model of input circuit type 3. The input is used to interface with switches closing to ground voltage (LDI).



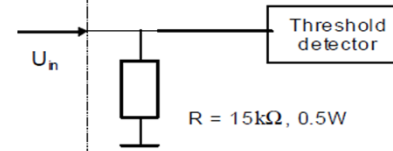
Input circuit type 4a, High side digital input, interrupt

DC model of input circuit type 4. The input is used to interface with switches closing to battery voltage (HDI)



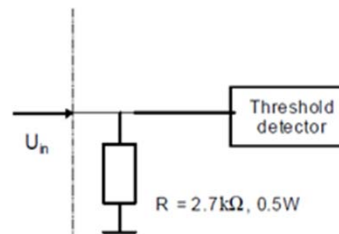
Input circuit type 4b, High side digital input, interrupt

The input is used to wake up the CECM from sleep mode.



Input circuit type 5, High side digital input

DC model of input circuit type 5. the inputs is used to interface with switches closing to battery voltage

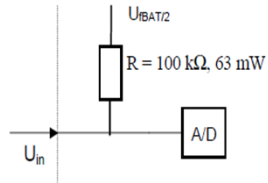


Wiring diagram pages list

Pin configuration MCM

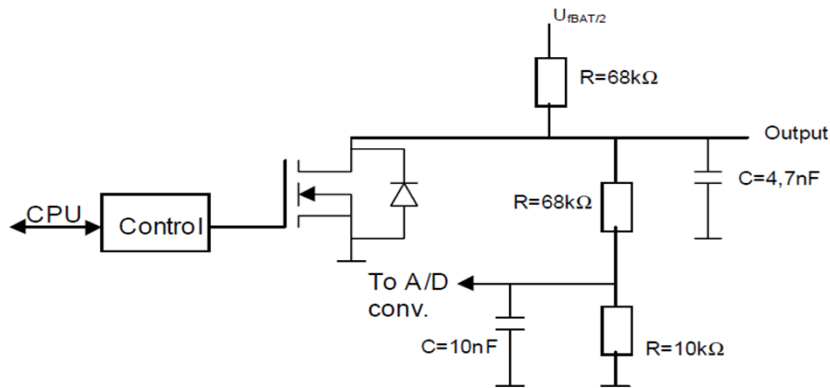
Input circuit type 6, Analogue input

The circuit is used as interface to variable voltage sources such as potentiometers and analogue sensors (HA1).
DC model of input circuit type 6:



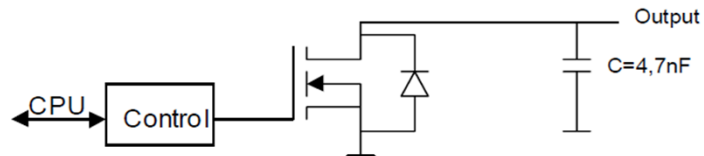
Output circuit type 7, LDO.

The figure below gives a schematic overview of the output type 7.



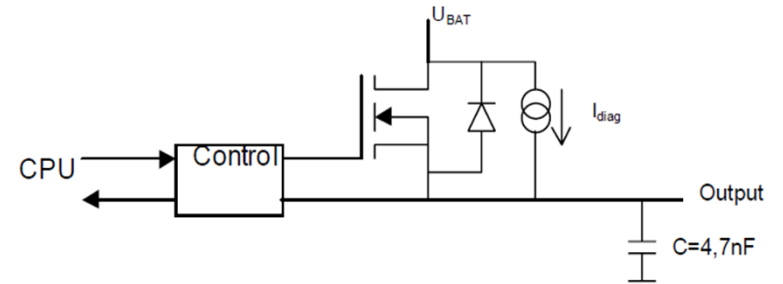
Output circuit type 8, LDO.

The figure below gives a schematic overview of the output type 8.



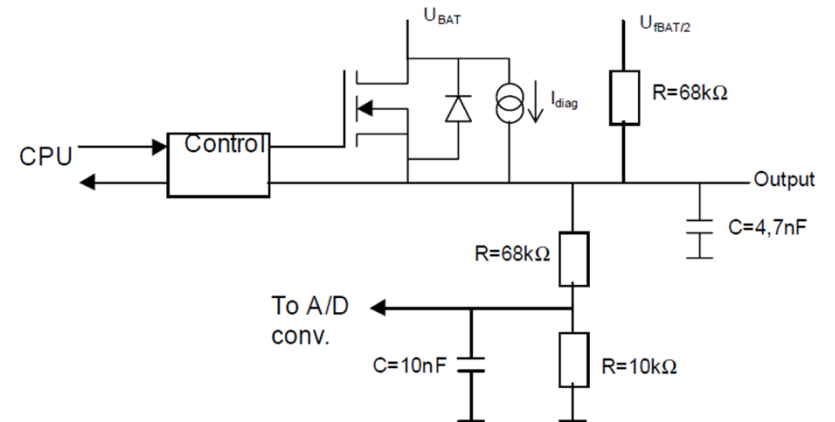
Output circuit type 9 a/b, HDO.

The figure below gives a schematic overview of the output type 9 a/b.



Output circuit type 10, HDO.

The figure below gives a schematic overview of the output type 10.

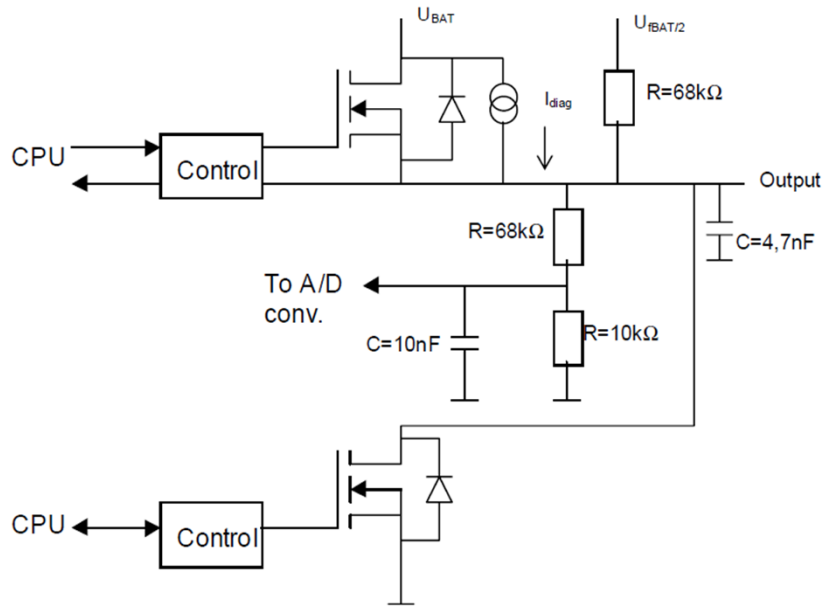


Wiring diagram pages list

Pin configuration MCM

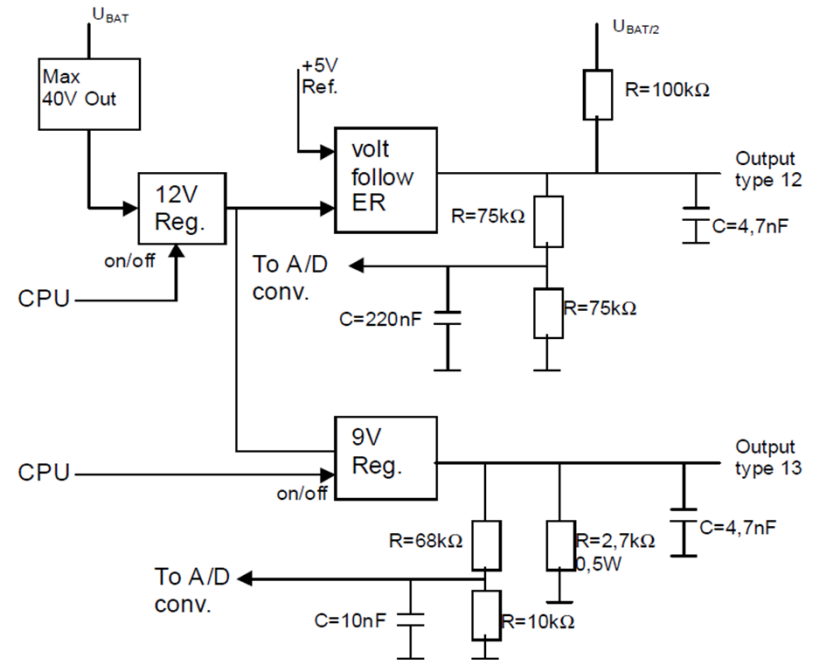
Output circuit type 11, L/HDO, PWM_{out}.

The figure below gives a schematic overview of the output type 11.



Output circuit type 12, HDO, 5V output and type 13, HDO.

The figure below gives a schematic overview of the output type 12 and 13.



Wiring diagram pages list

Pin configuration I/O-A+

Signal ID	J1 pin	Interface type	Input / Output	Description	Max current average	Max current peak	Signal ID	J1 pin	Interface type	Input / Output	Description	Max current average	Max current peak
J1-1	1	4c	Out	HDO, LDO, HLDO, HPO	1A	1A	J2-6	6	1a	In	HDI, LDI, HLDI, RAI	*	*
J1-2	2	1a, 1b, 1c	In	HDI, LDI, HLDI, RES, RES32K, AI5V, RAI, CNTR1, CNTR2	*	*	J2-7	7	1a	In	HDI, LDI, HLDI, RAI	*	*
J1-3	3	4c	Out	HDO, LDO, HLDO, HPO	1A	1A	J2-8	8	1a	In	HDI, LDI, HLDI, RAI	*	*
J1-4	4	4c	Out	HDO, LDO, HLDO, HPO	1A	1A	J2-9	9	1a	In	HDI, LDI, HLDI, RAI	*	*
J1-5	5	1a, 1b, 1c	In	HDI, LDI, HLDI, RES, RES32K, AI5V, RAI, CNTR1, CNTR2	*	*	J2-10	10	1a	In	HDI, LDI, HLDI, RAI	*	*
J1-6	6	GND	In	Analog GND	*	*	J2-11	11	1a	In	HDI, LDI, HLDI, RAI	*	*
J1-7	7	4c	Out	HDO, LDO, HLDO, HPO	1A	1A	J2-12	12	1a	In	HDI, LDI, HLDI, RAI	*	*
J1-8	8	Network ID	In	NI	*	*	J2-13	13	1a	In	HDI, LDI, HLDI, RAI	*	*
J1-9	9	Network ID	In	NI	*	*	J2-14	14	GND	Out	Analog GND	*	*
J1-10	10	4c	Out	HDO, LDO, HLDO, HPO	1A	1A	J2-15	15	3a, 5	Out	HDO, REFCTL	50mA	50mA
J1-11	11	Network ID	In	NI	*	*							
J1-12	12	Network ID	In	NI	*	*							
J1-13	13	4c	Out	HDO, LDO, HLDO, HPO	*	*							
J1-14	14	Network ID	In	NI	*	*							
J1-15	15	Network ID	In	NI	*	*							
J1-16	16	4b	Out	HDO, LDO, HLDO, HPO, LPO	*	*							
J1-17	17	1a, 1c	In	HDI, LDI, HLDI, RES, RES32K, AI5V, RAI, CNTR1	*	*							
J1-18	18	GND	In	GND	*	*							
J1-19	19	4b	Out	HDO, LDO, HLDO, HPO, LPO	1A	1A							
J1-20	20	1a, 1c	In	HDI, LDI, HLDI, RES, RES32K, AI5V, RAI	*	*							
J1-21	21	1a	In	HDI, LDI, HLDI, RES, RES32K, AI5V, RAI	*	*							

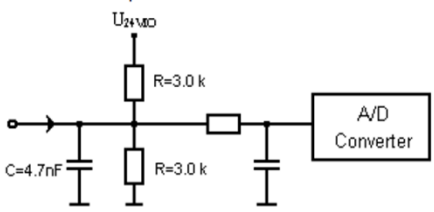
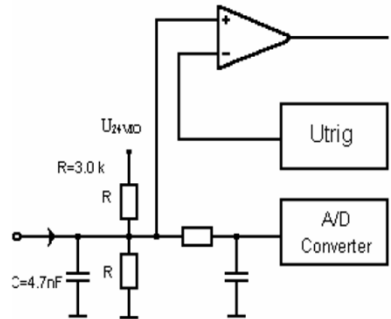
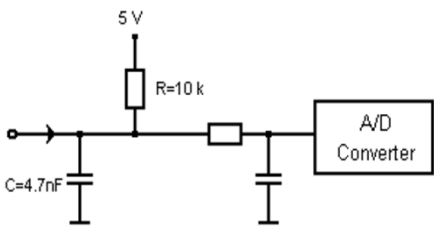
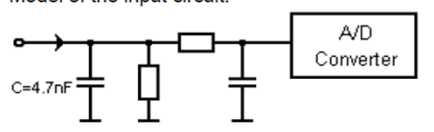
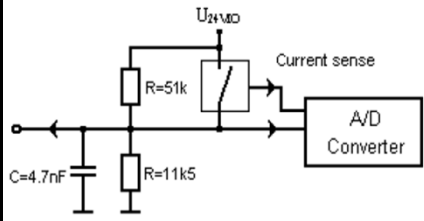
Wiring diagram pages list

Pin configuration I/O-B+

Signal ID	J1 pin	Interface type	Input / Output	Description	Max current average	Max current peak	Signal ID	J1 pin	Interface type	Input / Output	Description	Max current average	Max current peak
J1-1	1	4d	Out	HDO, LDO, HLDO, HPO, LPO	16A	20A	J2-1	1	4d	Out	HDO, LDO, HLDO, HPO, LPO	10A	20A
J1-2	2	*	*	*	*	*	J2-2	2	GND	*	*	*	*
J1-3	3	4d	out	HDO, LDO, HLDO, HPO, LPO	16A	20A	J2-3	3	GND	*	*	*	*
J1-4	4	3c	Out	HDO	10A	20A	J2-4	4	4d	Out	HDO, LDO, HLDO, HPO, LPO	10A	20A
J1-5	5	GND	*	*	*	*	J2-5	5	1a, 2b, 6	In	HDI, LDI, HLDI, RAI, AI5V, RES, RES32K, CNTR, wake-up	*	*
J1-6	6	GND	Out	Analogue GND	*	*	J2-6	6	1a, 2b, 6	In	HDI, LDI, HLDI, RAI, AI5V, RES, RES32K, CNTR, wake-up	*	*
J1-7	7	3c	Out	HDO	10A	20A	J2-7	7	4c	In	HDO, LDO, HLDO, HPO	10A	20A
J1-8	8	NI	*	*	*	*	J2-8	8	1a,1b,1c	In	HDI, LDI, HLDI, RAI, AI5V, RES, RES32K	*	*
J1-9	9	NI	*	*	*	*	J2-9	9	1a,1b,1c	In	HDI, LDI, HLDI, RAI, AI5V, RES, RES32K	*	*
J1-10	10	3c	Out	HDO	10A	20A	J2-10	10	4c	Out	HDO, LDO, HLDO, HPO	10A	20A
J1-11	11	NI	*	*	*	*	J2-11	11	1b, 1c	In	AI5V, RES, RES32K	*	*
J1-12	12	NI	*	*	*	*	J2-12	12	1b, 1c	In	AI5V, RES, RES32K	*	*
J1-13	13	3c	Out	HDO	10A	20A	J2-13	13	3e	Out	HDO, LDO, HLDO	10A	20A
J1-14	14	NI	*	*	*	*	J2-14	14	GND	Out	Analogue GND	*	*
J1-15	15	NI	*	*	*	*	J2-15	15	5	Out	REFMEA	< 50 mA	*
J1-16	16	3c	Out	HDO	10A	20A							
J1-17	17	GND	*	*	*	*							
J1-18	18	GND	*	*	*	*							
J1-19	19	3c	Out	HDO	10A	20A							
J1-20	20	1a	In	HDI, LDI, HLDI, RAI	*	*							
J1-21	21	1a	In	HDI, LDI, HLDI, RAI	*	*							

Wiring diagram pages list

Pin configuration I/O-A+ and I/O-B+

<p>Interface circuit 1a</p> <p>The input can be used for both digital and analogue signals that have U_{24VIO} as reference. The circuit shall sink 8 mA when connected to U_{24VIO} or source 8 mA when connected to GND. The input shall be converted from analog voltage to digital 10 bit resolution with scaling relative to U_{24VIO}. The input shall be regarded as a power line according to "Volvo Technical Regulation 15 79 908, EMC Requirements".</p> <p>Model of the input circuit:</p> 	<p>Interface circuit 2b</p> <p>Pulse input circuit. The input can be used for both digital and analogue signals and as pulse counter input with fixed trigger level. The circuit shall sink or source 8 mA at $U_{24VIO} = 28 V$ when connected to U_{24VIO} or GND.</p> <p>Model of input circuit:</p> 
<p>Interface circuit 1b</p> <p>The input is used for resistive sensors. The circuit shall supply 5 V through a resistor of 10 kΩ. When used to measure temperature, the output current to the sensor shall then be minimised to avoid internal power dissipation in the sensor.</p> <p>Model of the input circuit:</p> 	<p>Interface circuit 3a</p> <p>Model of high side output stage circuit same as interface circuit 3b in Chapter 2.3.1.5.2, but without PWM capability and no biasing resistors for open circuit detection.</p>
<p>Interface circuit 1c</p> <p>The input can be used for both digital and analogue signals. The total input resistance $R_{tot} = R // R_{A/D}$, shall be $100 k\Omega < R_{tot} < 500 k\Omega$.</p> <p>Model of the input circuit:</p> 	<p>Interface circuit 3c</p> <p>High side output circuit. The switch provides current sense signal to an A/D converter. To detect open circuit when the switch is open the interface shall sink approximately 2 mA when connected to $U_{24VIO} = 28V$ or source approximately 0.5 mA when connected to GND. The voltage shall be converted to digital 10 bit resolution with scaling relative to U_{24VIO}. The interface shall not be regarded as a power line according to "Volvo Technical Regulation 15 79 908, EMC Requirements".</p> <p>Model of the output circuit:</p> 

Wiring diagram pages list

Pin configuration I/O-A+ and I/O-B+

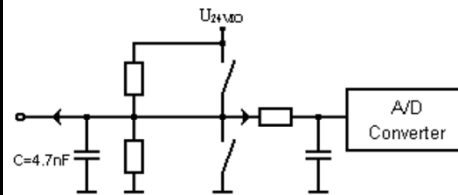
Interface circuit 3e

Model of high side, low side output stage. This circuit is similar to circuit 4b but without PWM drive capabilities.

Interface circuit 4b

Totem pole output stage may be used as high side, low side or high/low switch. Capable of low frequency PWM driving high side or low side switch but not both synchronously. Open circuit voltage shall be approximately $9,2 V / U_{24VIO=28V}$. When the switch is open the interface shall sink approximately 2 mA if connected to $U_{24VIO=28V}$ or source 0,5 mA when connected to GND. The voltage shall be converted to digital 10 bit resolution with scaling relative to U_{24VIO} . The interface shall not be regarded as a power line according to "Volvo Technical Regulation 15 79 908, EMC Requirements".

Model of the output circuit:



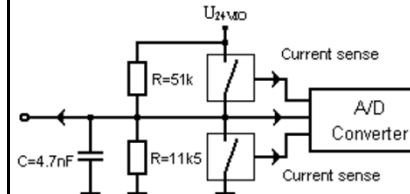
Interface circuit 4c

Model of high side, low side output stage. This circuit is similar to circuit 4b but without low side PWM drive capabilities.

Interface circuit 4d

Totem pole output stage may be used as high side, low side or high/low switch. Capable of low frequency PWM driving high side or low side switch but not both synchronously. Both switches provide current sense signal to an A/D converter. To detect open circuit when the switches are open the interface shall sink approximately 2 mA when connected to $U_{24VIO=28V}$ or source approximately 0,5 mA when connected to GND. The voltage shall be converted to digital 10 bit resolution with scaling relative to U_{24VIO} . The interface shall not be regarded as a power line according to "Volvo Technical Regulation 15 79 908, EMC Requirements".

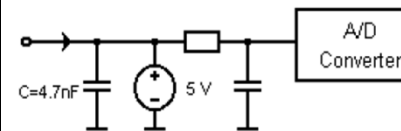
Model of the output circuit:



Interface circuit 5

Model of a 5 V reference voltage supply for potentiometers and pressure sensors. Supply current 20 mA, current limited to < 50 mA.

Model of the output circuit:

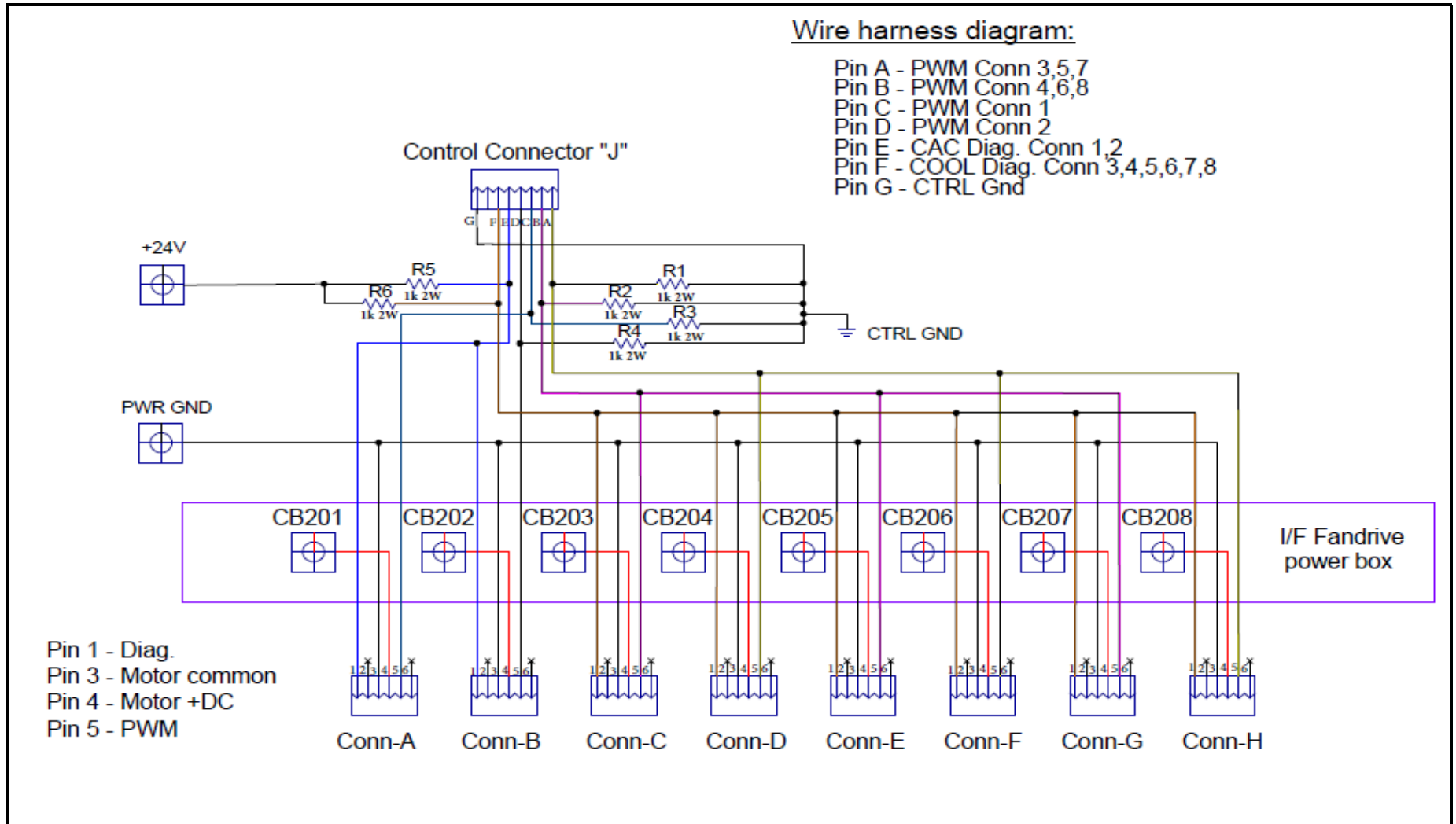


Interface circuit 6

The pin is used for interrupt the ECU. Same interface as circuit 1a. The application software can initiate the interrupt function. The pin is used for waking-up the ECU from sleep mode.

Wiring diagram pages list

Radiator fans drive junction box



CIRCUITS LIST

CircuitID	Description	CircuitID	Description	CircuitID	Description
0	Battery	00R2	gndIO-BA54	503	WheelChairLift
0A	GNDWiperwasher	0R3	GndCustomer	900	J1587+
00A	GndEntranceDoor	00R3	ElectronicGndofA50_A49	901	J1587-
00A1	Gnd_to_A56_A55_A15	0R4	AFSS	A1.11	Transmission
00A2	GndSw25	00R4	ElectronicGndofA57_A51	A1.12	ShifterSignal
0AltLL	ChassisGnd	00R5	VannerCtr	A1.15	Transmission
0AltR	ChassisGnd	0RAD	EngineChassisGnd	A1.16	Transmission
0B	EngineChassisGnd	0RAD2	FanDriveElectric	A1.18	Transmission
0C	GndStarter	0RJB2	GndCustomer	A1.19	Transmission
0Chgr	Battery_Charger_Gnd	00RS	GNDECM	A1.24	Transmission
0COND	CondensorGnd	00S	DCDCConverter	A1.25	Speed_Signal
0DC	GndDC/DC	0SS	GNDStud	A1.31	Transmission
0ECU	GndEnginePreheater	0SW	IndirectLighting	A1.33	Transmission
0EV1	EvaporatorMain	0SW1	IndirectLighting	A1.36	Transmission
0EV2	Evap_Compt_Gnd	00VA	Equalizer	A1.37	Transmission
0F	GNDTGW	0W	WCLGnd	A1.51	Transmission
00F	ElectronicGnd	0W1	WCLDoorLock	A1.52	Transmission
00F1	ElectronicGndofA43_A45	0WC	WCLGnd	A1.54	Transmission
00F2	ElectronicGndofA44_A46	1.3	WCLRicon	A1.55	Transmission
00F3	ElectronicGndofA41_A42_A36	1.5	WCLRicon	A1.58	HandLevelSig
0F4	SpeakEasy	1.6	Lugg_door_sw	A1.71	Transmission
00F4	GNDDestinationsign	1.7	Lugg_door_sw	A1.74	Transmission
00F5	ElectronicGndofMuxModules	2.1	ReadingLampsRH	A1.76	Transmission
00F6	IndirectLighting	2.2	HostessChimeSig	A1.77	Transmission
0FB	ElectronicGnd	2.4	HostessChimePwr	A2A.9	Transmission
0FE	GNDFireExt	2.5	USB_WCL	A2A.11	ShifterSignal
0FH	GndLowerWiperMotor	2.6	USB_WCL	A5.B	HandLevelSig
00FH	ElectronicGNDFJB	12VA	12vEqualizer	A9CX1.2	ABS_Trailer_Sig
00FH1	GndDefrostUnit	12VD	Battery_To_SW82A	A9CX1.4	ABSRearAtcSolenoid
00FH2	ElectronicGndofA47_A48	12VD1	12VDTOCB2	A9CX1.5	ABSRearAtcSolenoid
00FR	ElectronicGnd	12VD2	Pwr_Dist_RJB	A9CX1.6	ATCSignal
0FTank	GndCustomer	24V	SpeakEasy	A9CX2.1	ABSSolenoid
0PR	ParcelRack	24VA	24vEqualizer	A9CX2.2	ABSSolenoid
0PR2	ParcelRack	24VD	Battery	A9CX2.3	GndChassisABSSol
0PR3	ParcelRack	24VD1	MasterRelayPwr	A9CX2.4	ABSSolenoid
0PR4	ParcelRack	24VD2	VannerCtr	A9CX2.6	GndChassisABSSol
0PR5	ParcelRack	24VD3	StarterCtr	A9CX2.7	ABSSolenoid
00PR6	SpeakEasy	24VI	24VtoRearVec	A9CX2.9	GndChassisABSSol
00R	GndElectronic	50Rtn3	GndRearClearanceLts	A9CX2.10	ABSSolenoid
0R1	GndCustomer	290A	GndFanClutch	A9CX2.12	GndChassisABSSol
00R1	ElectronicGNDRJB	309	WCL	A9CX2.13	ABSSolenoid
0R2	GndCustomer	313	WCL	A9CX2.16	ABSSolenoid

CIRCUITS LIST

CircuitID	Description	CircuitID	Description	CircuitID	Description
A9CX2.17	ABSolenoid	A34R.G3	GndFanDrive	A44J2.15	WearFrontWheel
A9CX3.3	ABSSteeringSolenoid	A34R.H3	GndFanDrive	A44RJ1.6	Gnd_Fr_Clearance_Lts
A9CX3.5	ABSSteeringSolenoid	A36JA.10	PulshedCoilR21	A44RJ1.17	kneeling
A9CX3.7	AbsTagSolenoid	A36JA.11	Horn	A44RJ1.18	HvacPassandUpperDefrost
A9CX3.9	AbsTagSolenoid	A36JA.14	BatteryCharger	A44RJ2.2	EntranceCeilingLtGnd
A9CX3.10	AbsTagSolenoid	A36JA.15	24vAccessories	A44RJ2.3	Wiper_Washer
A9CX4.1	ABSPressuresensor	A36JA.17	IgnitionEngineStart	A45J1.1	DashDamper
A9CX4.4	ABSPressuresensor	A36JA.18	PwrdistPRack	A45J1.3	DashDamper
A9CX4.7	ABSSteering&Yawsensor	A36JA.25	BrakeRedundant	A45J1.4	SteeringCTRL
A9CX4.8	ABSSteering&Yawsensor	A36JB.14	Firesuppression	A45J1.7	WitnessPwr
A9CX4.10	ABSSteering&Yawsensor	A38.B	SpeakEasy	A45J1.16	MirrorPwr
A9CX4.11	ABSSteering&Yawsensor	A41J1.1	Preheat	A45J2.1	FootDamper
A10X3.4	Preheat	A41J1.3	EntranceDoorLights	A45J2.4	FootDamper
A10X3.6	BatteryCharger	A41J1.4	WCLRicon	A45J2.7	DriverWdo
A11A.2	Preheat	A41J1.7	PwrdistFJB	A45J2.13	DriverWdo
A14A.A12	SensorGnd	A41J1.13	EngineRunSignal	A45RJ1.17	GndMirrors
A14A.B1	PassengerSensor	A41J1.16	EngineECU	A45RJ1.18	ElectronicGnd
A14A.B2	AccAirPressureSig	A41J1.19	EngineECU	A46J1.4	FrontFlasher
A14A.B13	Trans.RearAirBrake	A41J2.15	PwrDistFJB	A46J1.10	FrontClearanceLts
A14A.B14	Trans.RearAirBrake	A42J1.1	KneelingCtrl.Sol	A46J1.13	FrontMarkers
A14A.B18	AccAirPressureSig	A42J1.3	KneelingDownSol	A46J2.4	Hi-Beam
A14A.B20	Trans.RearAirBrake	A42J1.4	KneelingUpSol	A46J2.7	LowBeam
A14A.B21	Trans.RearAirBrake	A42J1.7	KneelingBuzzer	A46RJ1.17	SignalRtnHeadLtsLH
A17.24V	Battery_Charger_Gnd	A42J1.10	KneelingParkSol	A46RJ1.18	GndFlashersandMarkers
A17.AC.Plugged	ChargerRlyGndSig	A42J1.13	KneelingParkSol	A46RJ2.2	GndFlashersandMarkers
A27.30	ZFsterringControl	A42J1.16	BrakeInterlockValve	A47J1.1	DriverLiq
A27.87A	ZFsterringControl	A42J1.19	BrakeInterlockValve	A47J1.3	DriverHeatValve
A34.A5	PwmFanDrive	A42RJ1.18	Kneeling	A47J1.4	DriverCylinder
A34.B5	PwmFanDrive	A42RJ2.14	KneelingLevel	A47J1.7	LowerWiper1stSpd
A34.C5	PwmFanDrive	A43J1.7	TirePressure	A47J1.10	DoorCloseSol
A34.D5	PwmFanDrive	A43RJ1.18	ElectronicGnd	A47J1.13	EntranceDoor
A34.E5	PwmFanDrive	A44J1.1	UpperDefrostfan	A47J1.16	DoorUnlockSol
A34.F5	PwmFanDrive	A44J1.4	PWRSTAIRFAN	A47J2.1	DefrostunitSpd
A34.G5	PwmFanDrive	A44J1.7	LowerWasherPump	A47J2.7	EntranceDoorLights
A34.H5	PwmFanDrive	A44J1.10	NextStopLight	A47RJ1.6	GndDriverSensor
A34J.E	FanDriveDiag	A44J1.16	RrHi_BuoySol	A47RJ1.17	GndDriverCylinder
A34J.F	FanDriveDiag	A44J1.19	LuggageCmpt.LtsPwr	A47RJ1.18	GndDoorReedSw
A34R.A3	GndFanDrive	A44J1.20	HostessChimeSig	A47RJ2.2	GndEntranceLights
A34R.B3	GndFanDrive	A44J2.1	EntranceDoor	A48J1.7	FrontFlasherRH
A34R.C3	GndFanDrive	A44J2.4	GongSoundGenerator	A48J1.10	FrontFlasherRh
A34R.D3	GndFanDrive	A44J2.7	DriverLt	A48J1.13	Retarder
A34R.E3	GndFanDrive	A44J2.10	GongSoundGenerator	A48J2.1	HighBeamRH
A34R.F3	GndFanDrive	A44J2.13	PwrDistFJB	A48J2.4	LowBeamRH

CIRCUITS LIST

CircuitID	Description	CircuitID	Description	CircuitID	Description
A48J2.13	FrontFlasherRHSide	A52J2.4	Alternators	A57J1.1	WCLTopLights
A48RJ1.18	GndFogandCorneringLtsRH	A52J2.13	Ignition_Engine_Start	A57J1.3	WCL_Ricon
A48RJ2.2	HeadLampRHRtn	A52RJ1.17	RJB_Gnd	A57J1.4	WCL_Ricon
A49J1.1	ElectricFanSpeed	A52RJ1.18	GndEngineCmpt.Lts	A57J1.10	WCL_Upper_Door_Sol
A49J1.3	ElectricFanSpeed	A53J1.1	ParcelrackA/Csystem	A57J1.13	WCL_Upper_Door_Rel
A49J1.4	TagAxleValveSig	A53J1.3	ParcelrackA/Csystem	A57J1.16	WCL_Door_Rel
A49J2.1	PwrtoExcitationResistor	A53J2.1	IndirectLightLH	A57J1.19	WCL_Prox_Sensor
A49J2.4	Oil_Separator	A53J2.4	ReadingLamps	A57RJ1.18	WCL_Ricon
A49J2.13	Retarder_Sig	A53J2.10	HostessChimePwr	A77.A	VannerCtr
A49RJ1.17	ChassisGnd	A53J2.13	Emergency&aislelights	A77.F	R210_Parcel_Rack_Pwr_dist
A49RJ1.18	OilSeparator	A53RJ1.18	Emerg_Aisle_Lights	A77.H	VannerCtr
A49RJ2.2	GndPulldown	A53RJ2.2	ParcelRack_Vent	A78.3	VannerCtr
A50J1.4	Air_Dryer	A53RJ2.3	GndReadingLamps	A78.4	VannerCtr
A50J1.7	BackupLtandalarm	A54J1.1	Evaporator2ndSpd	A79.3	VannerCtr
A50J1.13	FlashercenterLHSig	A54J1.3	CondensorLow	A80.3	VannerCtr
A50J1.19	FlasherCenterRH	A54J1.4	Preheat	A80.4	VannerCtr
A50J2.1	StopRearLowerLamp	A54J1.7	PassandPRackLiquidValve	A81JB.4	Air_Dryer
A50J2.7	MarkersCenter	A54J1.10	Hvac_Pass	A81JB.6	Vehiculespeed
A50J2.10	TrailerLightsPackage	A54J1.16	A/Cclutch	A81JB.10	SVSensorPwr
A50J2.15	Brake_Wear_Sensor	A54J1.19	EvaporatorPwr	A81JB.15	Control_Ground_Relay
A50RJ1.6	Brake_Wear_Sensor	A54J2.1	ParcelrackA/Csystem	A81JB.16	Air_Dryer
A50RJ1.17	Rear_Lights	A54J2.4	UnloaderRH	A81JB.17	IVSOut
A50RJ1.18	Rear_lights	A54J2.7	Pre-HeatSigRly	A81JB.19	12VPwrIdleValid
A50RJ2.2	GndMarkersandStopLts	A54J2.10	Pass.Cylinder	A81JB.22	GndSensorRtn
A50RJ2.3	Air_Dryer	A54J2.13	SignalToPre-heatrelay	A81JB.23	Air_Dryer
A51J1.4	FlashersRearRH	A54J2.15	TransducerPwr	A81JB.26	Air_Dryer
A51J1.7	CyclopeSignal	A54RJ1.6	SensorGnd	A96.8.BLACK	Tire_Pressure
A51J1.10	MarkersLightsRear	A54RJ1.17	Hvac_Pass	A96.23.RED	Tire_Pressure
A51J1.13	Rr_Flasher_LH	A54RJ1.18	Evaporator	A96.24.BLACK	Tire_Pressure
A51J1.16	Gnd_Service_Brake	A54RJ2.2	RJB_Gnd	A96.25.RED	Tire_Pressure
A51J1.19	WCLTopLightSliding	A54RJ2.3	Hvac_Pass	A96.27.BLACK	Tire_Pressure
A51J2.1	FlashersRearLH	A55J1.1	DriverLt	A96.28.RED	Tire_Pressure
A51J2.4	TransmissionInhibitSig	A55J1.3	Break_Activated_Light	A98.1	Gong
A51J2.7	StopRearUpperLamps	A55J1.4	BatteryNotChargingSig	A98.4	Gong
A51J2.10	FlashersRearRH	A55J1.7	Backup_Warnings	A98.7	Gong
A51RJ1.17	52Rtn2	A55J1.8	A55address	A98.10	Gong
A51RJ1.18	GndDirectLights	A55J1.10	WitnessPwr	A100.3.WHITE	Tire_Pressure
A52J1.1	ElectricFanSpeed	A55J1.12	A55address	A101.3.WHITE	Tire_Pressure
A52J1.3	ElectricFanSpeed	A55J1.13	SW12_Stop_Request	A102.3.WHITE	Tire_Pressure
A52J1.7	RJB_Cmpt_Light	A55J1.16	SW12_Stop_Request	A103.5	Horn
A52J1.10	StarterRelay	A56J1.1	PWRSTAIRFAN	A104.A	WiperParkPwr
A52J1.13	RJB_Fan	A56J1.3	SW123_Bike_Rack	A104.C	Washer_ctrl
A52J2.1	PwrtoExcitationResistor	A56RJ1.6	Hvac_Pass	A104.E	LowerWip1stSpd

CIRCUITS LIST

CircuitID	Description	CircuitID	Description	CircuitID	Description
A104.F	LowerWip2ndSpd	CanL2	SpareCan	CB62	DCDC_Converter
A130.3	Firesuppression	CB1	24VtoFrontVEC	CB63	DCDC_Converter
A130.4	Firesuppression	CB2	12vEngineEcu	CB73	Engine_ECU
A130.6	Firesuppression	CB3	Evap_Rly_Power	CB90	PowertoEcm
A130.8	Firesuppression	CB4	Volvo_Link	CB91	ECMPower
A130.11	Firesuppression	CB5	24VtoRearVec	CB96	UreaSystem
A131A.C	Firesuppression	CB6	24VtoRearVec	CB99	ECMPower
A131B.A	Firesuppression	CB8	12VtoVECR	CB100	CPC_Supply
A131B.C	Firesuppression	CB9	BattCharger	CB106	PwrtoModuleA50
A137A.4	UreaSystem	CB10	12VtoFrontVec	CB107	PwrtoModuleA51
A137A.7	UreaSystem	CB11	Pwr_Dist_P Rack	CB108	DDDL_RJB_Pwr
A137A.8	UreaSystem	CB13	DCDC_Converter	CB109	PwrtoModuleA50
A137A.24	UreaSystem	CB15	VLink_TGW	CB110	TransmissionPwr
A137A.28	UreaSystem	CB16	12VICustomer	CB112	TransmissionPwr
A137A.40	UreaSystem	CB17	DriverWindoPw	CB113	Tacho_Air_Coolant
A137A.44	UreaSystem	CB18	Mux_Power	CB115V	WCL_Ricon
A137A.49	UreaSystem	CB19	12VDFrontWake-up	CB117	TransmissionPwr
A137A.50	UreaSystem	CB20	Mux_Power	CB119	PwrtoModuleA50
A137A.51	UreaSystem	CB21	12VWUptoA48	CB121	PowerforCustomer
A137A.54	UreaSystem	CB23	12VtoABS	CB122	24VtoMux
A137A.56	UreaSystem	CB24	Entrance_Door	CB123	Battery_Charger_A10
A137A.59	UreaSystem	CB25	Pwr_Dist_FJB_R31	CB124	Battery_Charger_A10
A137A.62	UreaSystem	CB26	A132_Farebox	CB126	PassandPRackPwr
A138.3	UreaSystem	CB29	Pwr_Dist_FJB	CB127	Battery_Charger_R20
A138.12	UreaSystem	CB30	Pwr_Dist_FJB	CB128	Pwr_Dist_RJB
Alt_LL.2	Alternator_Signall	CB33	24WUpFront	CB129	AFSS
Alt_LR.2	ExcitationSignal	CB34	Mux_Power	CB130	A3_Tacho
Alt_UR.2	ExcitationSignal	CB35	Mux_Power	CB131	PowerforCustomer
AltLL	Main_Dist_Batteries	CB36	24VDEng.StartSw83	CB132	AE57_Mux_Pwr
AltLR	AltPower	CB37	24VDtooutsideDoorSw	CB133	AE49_Mux_Pwr
AltUR	Alternator	CB37A	Preheat	CB134	24VtoMux
B85.2	UreaSystem	CB39	24VDCustomer	CB135	24VtoA54
B97.2	UreaSystem	CB44	24WUp_Front	CB136	AE53_Mux_Pwr
B98.2	UreaSystem	CB45	24WUp_To_A47_A48	CB137	LavatoryPwr
B115A.3	DeltaPSignals	CB46	24WUpFront	CB138	Engine_Cmpt_Light
bbbb	Indirect_Lighting	CB47	Mux_Power_A36	CB139	PwrforAlternatorregulator
BLACK	DashBoard_Keypad	CB48	PwrWiperWasher	CB141	CondensorPwr
Black	PwrBatteryCharger	CB50	PwrtoDefrostUnit	CB142	CondensorPwr
BLK	IVN_Clever	CB51	Mux_Power_Dash	CB143	CondensorPwr
BussBar	24VI_To_CB	CB52	24VLogic	CB144	CondensorPwr
CAN1_HI	J1939	CB58	Destination_Signs	CB147	PowerforCustomer
CAN1_LO	J1939	CB60	DCDC_Converter	CB148.B	TransmissionPwr
CanH2	SpareCan	CB61	DCDC_Converter	CB148V	Pwr_Dist_P Rack

CIRCUITS LIST

CircuitID	Description	CircuitID	Description	CircuitID	Description
CB152.B	TransmissionPwr	GREEN	Destination_sighs	N24	A52Adress
CB201	PwrFanDrive	Green	PwrBatteryCharger	N25	A53Adress
CB202	PwrFanDrive	GRN	IVN_Clever	N26	A53Adress
CB203	PwrFanDrive	IN_SPK+	SpeakEasy	N27	A54Adress
CB204	PwrFanDrive	IN_SPK-	SpeakEasy	N28	A54Adress
CB205	PwrFanDrive	IN_SPK +	Gong	N29	A36Adress
CB206	PwrFanDrive	IN_SPK -	Gong	N56_1	A56Adress
CB207	PwrFanDrive	IVNSTAT	IVN_Clever	N56_2	A56Adress
CB208	PwrFanDrive	L207.1	WCL	N57_1	A57Adress
Cd1	ComputerSignals	L207.3	WCL	N57_2	A57Adress
CF_RS	DCDC_Converter	L350A.B2	Air_Dryer	Out	DCDC_Converter
CTS	MCMDData	Mo65.3	DiagFanDrive	Out+1	DCDC_Converter
Cts	ComputerSignals	Mo67.3	DiagFanDrive	Out+2	DCDC_Converter
D1	Ign-AccSignal	Mo68.3	DiagFanDrive	Out-1	DCDC_Converter
D7	DoorOpenSignal	Mo69.3	DiagFanDrive	Out-2	DCDC_Converter
D9	Preheat	Mo70.3	DiagFanDrive	OUT_SPK	SpeakEasy
D13	Front_Lighting	Mo71.3	DiagFanDrive	OUT_SPK	SpeakEasy
D17	FlashersRearLH	Mo72.3	DiagFanDrive	Pot1	Backlight
D41	24VIgnition	Mo73.3	DiagFanDrive	PPI	WCL_Ricon
D42	24VIgnition	N1	A41Adress	R12	EvaporatorMain
D43	Ignition_Engine_D43_To_R21	N2	A41Adress	R13.30	WCL_Ricon
D55	Indirect_Lighting_D55_To_AE55	N3	A42Adress	R14.30	WCL_Ricon
DL0H	SparesFr-to-RearHarness	N4	A42Adress	R20.87	Hvac_Passenger
DL0HS	SparesCanFrontHarness	N5	A42Adress	R21.87A	12V_Pwr_Dist_FJB
DL0L	SparesFr-to-RearHarness	N6	A42Adress	R21.B	24VIgnition
DL0LS	SparesCanFrontHarness	N7	A44Adress	R23.30	12v_Pwr_Dist_FJB
DL1H	J1939H	N8	A44Adress	R25.87	24VI
DL1L	J1939L	N9	A45Adress	R26.30	PassengerHeatSig
DL2H	BB2	N10	A45Adress	R27.87A	LowerWip.IntSig
DL2L	BB2	N11	A46Adress	R29	24VEnginePreheater
DL3H	DBusSignal	N12	A46Adress	R30.87	12VICustomer
DL3L	DBusSignal	N13	A47Adress	R31.87	12v_Pwr_Dist_FJB
DL7H	EngineSubnet	N14	A47Adress	R34.30	12vEngineEcu
DL7L	EngineSubnet	N15	A48Adress	R36.30	Horn
EI.7	GroundPreheaterRelay	N16	A48Adress	R37.30	ElectricalHorn
EI.18	CoolantLevelGround	N17	A49Adress	R47.87	WheelChairLift
EMS.EB29	fake	N18	A49Adress	R55.30	StairFanSpeedCtr
F101	R1toStarter	N19	A50Adress	R55.87	StairFanSpeedCtr
F126	ParcelrackA/Csystem	N20	A50Adress	R55.87A	StairFanSpeedCtr
F199	FanDrivePwr	N21	A51Adress	R210.B	Pwr_Dist_P Rack
gnd	GroundFuelTank	N22	A51Adress	R_Starter	StarterCtr
GndA	ComputerSignals	N23	A52Adress	RED	Destination_Signs

CIRCUITS LIST

CircuitID	Description	CircuitID	Description	CircuitID	Description
Res10	Backlight	Se38.1	ABSSensor	Shield_149A	GndShield
RTS	MCMDData	Se38.2	ABSSensor	SHL	Gnd_Shield
Rts	ComputerSignals	Se39.1	ABSSensor	So9.1	A/Cclutch
RX	Tire_Pressure	Se39.2	ABSSensor	spare01	SparesClearanceLts
RxD	ComputerSignals	Se40.1	ABSSensor	spare02	SparesClearanceLts
RxTx	MCMDData	Se40.2	ABSSensor	spare03	SparesClearanceLts
Se1A.B	Air_Filter	Se45.2	Wip.WasherLevel	spare04	SparesClearanceLts
Se2	CyclopeSignal	Se49.B	A/Cclutch	spare05	SparesClearanceLts
Se3.A	Bike_Rack	Se51.2	GroundPreheaterRelay	spare06	SparesClearanceLts
Se11.Sig	FuelLevelSig	Se56.4	WCL_Ricon	spare07	SparesFrontHarness
Se11.Wrn	FuelGaugeWrn	Se62.B	WCL_Se62	spare08	SparesFrontHarness
Se13.B	CoolantLevelSignal	Se63.1	ABSSensor	spare09	SparesFrontHarness
Se14A.B	ThrottlePositionSignal	Se63.2	ABSSensor	spare10	SparesFrontHarness
Se14B.C	IdleValidationSig	Se64.1	ABSSensor	spare20	SparesFr-to-RearHarness
Se18.B	ParkBrakeSig	Se64.2	ABSSensor	spare21	SparesFr-to-RearHarness
Se19_P.D	StopLightSensorSig	Se67.C	ABSPressuresensor	spare22	SparesFr-to-RearHarness
Se19_S.D	StopLightSensorSig	Se69.C	ABSPressuresensor	spare23	SparesFr-to-RearHarness
Se20.B	PassengerSensor	Se76.4	GndDoorReedSw	spare24	SparesFr-to-RearHarness
Se21.2	DriverSensorSig	Se77.C	Brake_Interlock_SE77	spare25	SparesFr-to-RearHarness
Se23.C	TransducerHi-Side	Se78.C	Brake_Interlock_SE78	spare26	SparesFr-to-RearHarness
Se24.2	TranducerLow-Side	Se79.1	KneelingLevel	spare27	SparesFr-to-RearHarness
Se24.3	TranducerLow-Side	Se79.4	KneelingLevel	spare30	SparesFr-to-RearHarness
Se25.2	PassengerTemp	Se83.A	Brake_Wear_Sensor_SE83	spare31	SparesFr-to-RearHarness
Se30.A	EngineDoorOpenSig	Se84.A	Brake_Wear_Sensor_SE84	spare32	SparesFr-to-RearHarness
Se32.A	Transmission	Se85.A	Brake_Wear_Sensor_SE85	spare40	SparesEvap-to-Cond_Harness
Se32.B	Transmission	Se86.A	Brake_Wear_Sensor_SE86	spare41	SparesEvap-to-Cond_Harness
Se33.A	Transmission	Se87.A	Brake_Wear_Sensor_SE87	spare42	SparesEvap-to-Cond_Harness
Se34.A	Transmission	Se88.A	Brake_Wear_Sensor_SE88	spare43	SparesEvap-to-Cond_Harness
Se34.B	Transmission	Se89.A	Coolant_Level	spare50	SparesInteriorHarness
Se35.A	Transmission	Se94.A	WCLRicon	spare51	SparesInteriorHarness
Se35.B	Transmission	Se100.4	WCLGnd	spare60	SparesInteriorHarness
Se37.1	ABSSensor	SHIELD	GndShield	spare61	SparesInteriorHarness
Se37.2	ABSSensor	Shield_149	gndshield	spare62	SparesInteriorHarness

CIRCUITS LIST

CircuitID	Description	CircuitID	Description	CircuitID	Description
spare63	SparesInteriorHarness	Sw25.3	IndirectLightsSig	Sw85.B2	Mirrors
Spk1_L.B	L_SPEAKER_HARNESS	Sw25.6	DirectLightSwSig	Sw85.B4	Mirrors
Spk1_R.B	FR_SPEAKER_HARNESS_	Sw26.3	ReadingLampSig	Sw96.3	ReadingLampsRH
Spk2_L.B	L_SPEAKER_HARNESS	Sw26.8	WitnessGnd	Sw97.1	ReadingLampsLH
Spk2_R.B	FR_SPEAKER_HARNESS_	Sw27.3	ParcelrackA/Csystem	Sw98.3	HostessChimeSig
Spk3_L.B	L_SPEAKER_HARNESS	Sw27.8	ParcelrackA/Csystem	Sw103.3	Backup_Warnings
Spk3_R.B	FR_SPEAKER_HARNESS_	Sw32.3	DoorInsideSwCloseSig	Sw116	Lugg_door_sw
Spk4_L.B	L_SPEAKER_HARNESS	Sw33.3	DoorOpenSignal	Sw125.2	AutomaticTagUnload
Spk4_R.B	FR_SPEAKER_HARNESS_	Sw34.1	DoorCloseSignal	Sw138.B	FlasherLHSig
Spk5_L.B	L_SPEAKER_HARNESS	Sw34.4	DoorOpenSignal	Sw139.B	FlasherRHSig
Spk5_R.B	FR_SPEAKER_HARNESS_	Sw38.2	DriverWdo	Sw140.B	Brake_Interlock
Spk6_L.B	L_SPEAKER_HARNESS	Sw41.A1	Mirrors	Sw141.B	MarkersSigSw2
Spk6_R.B	FR_SPEAKER_HARNESS_	Sw41.A3	Mirrors	Sw142.5	Brake_Interlock_To_SW142
Spk9_L.B	L_SPEAKER_HARNESS	Sw41.B1	Mirrors	Sw144.B	Horn_Switch
Spk9_R.B	R_SPEAKER_HARNESS_WCL	Sw41.B2	Mirrors	Sw152.B	Firesuppression
Spk10_L.B	L_SPEAKER_HARNESS	Sw41.B4	Mirrors	TWU.3	WCL
Spk10_R.B	R_SPEAKER_HARNESS_WCL	Sw42.2	WCLRemoteCtrl	TX	Tire_Pressure
Spk11_L.B	L_SPEAKER_HARNESS	Sw42.3	WCLRemoteCtrl	TxD	ComputerSignals
Spk11_R.B	R_SPEAKER_HARNESS_WCL	Sw42.4	WCLRemoteCtrl	Unkn	GroundFuelTank
Spk12_L.B	L_SPEAKER_HARNESS	Sw42.5	WCLRemoteCtrl	VECPR1.A	IVN_Clever
Spk12_R.B	R_SPEAKER_HARNESS_WCL	Sw42.6	WCLRemoteCtrl	VECPR1.B	IVN_Clever
SpkIVN+	IVN_Clever	Sw42.7	WCLRemoteCtrl	VECPR1.C	WIFI
SpkIVN-	IVN_Clever	Sw44.1	LuggageDoorOpenSig	VECPR1.D	WIFI
SpkOut+	Speaker	Sw46A.1	WCLUpperDoorSignal	VECPR1.E	Camera
SpkOut-	Speaker	Sw58.3	Ignition_Engine_Start	VECPR1.F	Camera
STO-LOC	WCLRemoteCtrl	Sw58.5	PositionNormalSw58	VECPR1.H	WIFI
Sw2.3	MarkersSigSw2	Sw58.7	StarterRelay	VECPR2.D	Gong
Sw2.6	HeadLtsSig	Sw59.3	RearStartSignal	VECPR4.H	Pwr_Dist_P Rack
Sw4.3	HazardSwSig	Sw64.2	TagSignal	White	PwrBatteryCharger
Sw4.8	WitnessGnd	Sw80.St	StartSigSw80	WHT	IVN_Clever
Sw10A.2	KneelingUpSwSig	Sw81.1	ClusterCtr	WIF1	WIF_Fuel_Filter
Sw13.1	ReadingLampsRH	Sw81.2	ClusterCtr	WIF2	WIF_Fuel_Filter
Sw13.8	WitnessGnd	Sw81.3	ClusterCtr		
Sw14.3	FastIdleSignal	Sw81.4	ClusterCtr		
Sw14.8	WitnessSigSw14	Sw82.4	Ign-AccSignal		
Sw16.3	RetarderSig	Sw82.14	Ign-AccSignal		
Sw16.8	WitnessSigSw16	Sw82A.4	Ign-AccSignal		
Sw17.3	AFSS	Sw83.Ign	24VIgnition		
Sw17.6	AFSS	Sw83.St	StartSigSw80		
Sw20.3	WheelChairLiftSwitch	Sw84.4	GndEngineCmpt.Lts		
Sw20.8	Sw20Gnd	Sw85.A1	Mirrors		
Sw24.3	DriverLtSwSig	Sw85.A3	Mirrors		
Sw24.8	GndWitnessSw24	Sw85.B1	Mirrors		

BREAKERS LIST

No	Location	Part #	Function	Rating	Page	No	Location	Part #	Function	Rating	Page
CB1	RJBbreakers	563708	24WupFJB	90amp	3.1	CB136V	RJB_VECR	564342	A53Pwr	30amp	5.1
CB2	RJBbreakers	568113	12VD	70amp	3.1	CB137V	RJB_VECR	563647	Spare	5A	5.1
CB3	RJBbreakers	563708	EvapFan	90amp	3.1	CB138V	RJB_VECR	563647	Englights	5A	5.1
CB5	RJBbreakers	563708	24WupRJB	90amp	3.1	CB139V	RJB_VECR	563649	Altern	10amp	5.1
CB6	RJBbreakers	568113	24VD/WCL	70amp	3.1	CB13V	FJB_VECF	564340	12VDCust	15amp	4.1
CB8	RJBbreakers	563708	12WupRJB	90amp	3.1	CB140V	RJB_VECR	563649	Spare	10amp	5.1
CB9	RJBbreakers	563707	BattChrg	70amp	3.1	CB141V	RJB_VECR	564340	Mo7Cond	15amp	5.1
CB10	RJBbreakers	568114	12WupFJB	150amp	3.1	CB142V	RJB_VECR	564340	Mo8Cond	15amp	5.1
CB11	RJBbreakers	568127	Pwr1PRack	50amp	3.1	CB143V	RJB_VECR	564340	Mo28Cond	15amp	5.1
CB13	RJBbreakers	563707	DC/DC/Conv	70amp	3.1	CB144V	RJB_VECR	564340	Mo27Cond	15amp	5.1
CB100V	RJB_VECR	563649	EngECU	10amp	5.1	CB145V	RJB_VECR	564340	Spare	15amp	5.1
CB105V	RJB_VECR	564399	Spare	20amp	5.1	CB146V	RJB_VECR	563649	Spare	10amp	5.1
CB106V	RJB_VECR	564342	A50Pwr	30amp	5.1	CB147V	RJB_VECR	564340	24WupCust	15amp	5.1
CB107V	RJB_VECR	564342	A51Pwr	30amp	5.1	CB148V	RJB_VECR	564342	PRack	30amp	5.1
CB108V	RJB_VECR	563647	OBDConPwr	5A	5.1	CB149V	RJB_VECR	564340	Spare	15amp	5.1
CB109V	RJB_VECR	563647	Spare	5A	5.1	CB14V	FJB_VECF	563647	Spare	5amp	4.1
CB10V	FJB_VECF	563647	OBDC&Clust&Haz	5amp	4.1	CB150V	RJB_VECR	563649	Spare	10amp	5.1
CB110V	RJB_VECR	563649	TransPwr	10amp	5.1	CB151V	RJB_VECR	564340	Spare	15amp	5.1
CB112V	RJB_VECR	563647	Spare	30A	5.1	CB152V	RJB_VECR	563649	Spare	10amp	5.1
CB113V	RJB_VECR	563649	L1&L303Pwr	10amp	5.1	CB15V	FJB_VECF	563647	TGW	5amp	4.1
CB114V	RJB_VECR	564340	Spare	15amp	5.1	CB16V	FJB_VECF	564340	12EngRunCu	15amp	4.1
CB115V	RJB_VECR	563649	Mo38	10amp	5.1	CB17V	FJB_VECF	564342	A43Pwr	30amp	4.1
CB116V	RJB_VECR	564340	Spare	15amp	5.1	CB18V	FJB_VECF	564342	A45Pwr	30amp	4.1
CB117V	RJB_VECR	563649	Spare	10amp	5.1	CB19V	FJB_VECF	564342	A46Pwr	30amp	4.1
CB118V	RJB_VECR	564340	Spare	15amp	5.1	CB20V	FJB_VECF	563647	A55/A15Pwr	5amp	4.1
CB119V	RJB_VECR	563649	RrProxSw	10amp	5.1	CB21V	FJB_VECF	564342	A48Pwr	30amp	4.1
CB11V	FJB_VECF	564464	Horn	20amp	4.1	CB22V	FJB_VECF	563647	Spare	5amp	4.1
CB120V	RJB_VECR	564399	ProFuel	20amp	5.1	CB23V	FJB_VECF	564342	ESP	30amp	4.1
CB121V	RJB_VECR	564340	12WUPCust	15amp	5.1	CB24V	FJB_VECF	564340	Se76Pwr	15amp	4.1
CB122V	RJB_VECR	563649	Equalizer	10amp	5.1	CB25V	FJB_VECF	564340	12VICust	15amp	4.1
CB123V	RJB_VECR	564341	Pre-heat	25amp	5.1	CB26V	FJB_VECF	564340	Farebox	15amp	4.1
CB124V	RJB_VECR	564341	Pre-heat	25amp	5.1	CB27V	FJB_VECF	564342	INITSubSyst	30amp	4.1
CB126V	RJB_VECR	563647	R29/So11	5A	5.1	CB29V	FJB_VECF	563649	Shutdown	10amp	4.1
CB127V	RJB_VECR	564340	WaterPump	15amp	5.1	CB30V	FJB_VECF	563647	OBDCon	5amp	4.1
CB128V	RJB_VECR	564342	24VDFJB	30amp	5.1	CB33V	FJB_VECF	563647	A41Pwr	5amp	4.2
CB129V	RJB_VECR	564340	AFSS	15amp	5.1	CB34V	FJB_VECF	563647	A42Pwr	5amp	4.2
CB12V	FJB_VECF	564340	Spare	15amp	4.1	CB35V	FJB_VECF	563647	MCMPwr	5amp	4.2
CB130V	RJB_VECR	564340	Tachometer	15amp	5.1	CB36V	FJB_VECF	563647	Ign.Sw	5amp	4.2
CB131V	RJB_VECR	563647	24VDCust	5A	5.1	CB37V	FJB_VECF	563647	Haz/ExtDoorSw	5amp	4.2
CB132V	RJB_VECR	563647	A57Pwr	5A	5.1	CB39V	FJB_VECF	564340	24VDCust	15amp	4.2
CB133V	RJB_VECR	564342	A49Pwr	30amp	5.1	CB40V	FJB_VECF	564340	Spare	15amp	4.2
CB134V	RJB_VECR	564342	A52Pwr	30amp	5.1	CB41V	FJB_VECF	563647	Spare	5A	4.2
CB135V	RJB_VECR	564342	A54Pwr	30amp	5.1	CB42V	FJB_VECF	563649	Spare	10amp	4.1

BREAKERS LIST

No	Location	Part #	Function	Rating	Page						
CB43V	FJB_VECF	564399	Spare	20amp	4.1						
CB44V	FJB_VECF	564342	A44Pwr	30amp	4.2						
CB45V	FJB_VECF	564342	A47Pwr	30amp	4.2						
CB46V	FJB_VECF	563647	Gateway	5amp	4.2						
CB47V	FJB_VECF	563647	MCM	5amp	4.2						
CB48V	FJB_VECF	564399	Wipers	20amp	4.2						
CB4V	FJB_VECF	563647	Spare	5amp	4.2						
CB50V	FJB_VECF	564342	Defrost	30amp	4.2						
CB51V	FJB_VECF	563647	A56Pwr	5amp	4.2						
CB52V	FJB_VECF	563647	Spare	5amp	4.2						
CB53V	FJB_VECF	563649	Spare	10amp	4.2						
CB54V	FJB_VECF	564340	Spare	15amp	4.2						
CB55V	FJB_VECF	563649	Spare	10amp	4.2						
CB56V	FJB_VECF	564340	Spare	15amp	4.2						
CB57V	FJB_VECF	563649	Spare	10amp	4.2						
CB58V	FJB_VECF	564340	DestSigns	15amp	4.2						
CB73V	RJB_VECR	564399	EngECU	20amp	5.1						
CB90V	RJB_VECR	564399	UreaSys	20amp	5.1						
CB91V	RJB_VECR	564399	EngECU	20amp	5.1						
CB95V	FJB_VECF	563647	Spare	5amp	4.2						
CB96V	RJB_VECR	564399	ACM24VD	20amp	5.1						
CB99V	RJB_VECR	564342	EngECU	30amp	5.1						

CONNECTORS LIST

No	Location	Part #	Gender	No	Location	Part #	Gender
A1	RJB	563975	male	A97.A3	Dash	564403	male
A2	FJB	563984	male	A98	Upperfront	563953	male
A3.A	dash	565910	male	A100	FrontAxleCmpt.	563758	female
A3.B	Dash	565908	male	A101	RearAxleCmpt.	563758	female
A3.C	Dash	565909	male	A102	RearAxleCmpt.	563758	female
A5	Service_Cmpt	562428	female	A103	Dash	562070	female
A6	Engine_Cmpt	562427	male	A104	Dash	561606	female
A7	Rear_Axle_Cmpt	563979	male	A130	Driver_Area	563226	male
A9.Cx1	FJB	564041	female	A131.A	Engine_Cmpt	561782	male
A9.Cx2	FJB	563678	male	A131.B	Engine_Cmpt	561781	female
A9.Cx3	FJB	564037	male	A132.A	Driver_Area	563967	male
A9.Cx4	FJB	564038	female	A132.B	Driver_Area	561551	female
A14A.A	Dash	562766	male	A138	CondensorCmpt.	563787	male
A14A.B	Dash	562767	male	AE41.J1	FJB	563679	male
A14A.C	Dash	562765	male	AE41.J2	FJB	564037	female
A15	Dash	562464	male	AE41.J3	FJB	564004	male
A18.J1	FJB	562794	male	AE42.J1	FJB	563679	male
A18.J2	FJB	562650	male	AE42.J2	FJB	564037	female
A24.A	RH_Console	561890	male	AE42.J3	FJB	564004	male
A24.B	RH_Console	561566	female	AE43.J1	FJB	563679	male
A24.C	RH_Console	561889	female	AE43.J2	FJB	564037	male
A27	Service_Cmpt	562929	male	AE43.J3	FJB	565957	male
A28	Service_Cmpt	562928	male	AE44.J1	FJB	563679	male
A32.A	FJB	564221	male	AE44.J2	FJB	564037	female
A34.J	Rad_Cmpt	568118	male	AE44.J3	FJB	565957	male
A34.K	Rad_Cmpt	564270	male	AE45.J1	FJB	563679	male
A34.L	Rad_Cmpt	564269	male	AE45.J2	FJB	564037	female
A36.JA	FJB	562767	male	AE45.J3	FJB	565957	male
A36.JB	FJB	562765	male	AE46.J1	FJB	563679	male
A36.JC	FJB	562957	male	AE46.J2	FJB	564037	female
A37	Driver_Area	561643	male	AE46.J3	FJB	565957	male
A38	Driver_Area	561566	female	AE47.J1	RHConsole	563679	male
A77	RJB	564547	male	AE47.J2	RHConsole	564037	female
A78	RJB	562583	female	AE47.J3	RHConsole	565957	male
A79	RJB	562583	female	AE48.J1	RHConsole	563679	male
A80	EngineCmpt.	562479	female	AE48.J2	RHConsole	564037	female
A81.JA	FJB	562767	male	AE48.J3	RHConsole	565957	male
A81.JB	FJB	562765	male	AE49.J1	RJB	563679	male
A81.JC	FJB	562957	male	AE49.J2	RJB	564037	male
A83	FJB	565970	female	AE49.J3	RJB	565957	male
A96	FJB	564073	female	AE50.J1	RJB	563679	male
A97.A1	Dash	564401	male	AE50.J2	RJB	564037	male
A97.A2	Dash	564402	male	AE50.J3	RJB	565957	male

CONNECTORS LIST

No	Location	Part #	Gender	No	Location	Part #	Gender
AE51.J1	RJB	563679	male	C1S	FJB	563589	male
AE51.J2	RJB	564037	female	C1S	FJB	563590	female
AE51.J3	RJB	565957	male	C2	Service_Cmpt	563580	male
AE52.J1	RJB	563679	male	C2	Service_Cmpt	563581	female
AE52.J2	RJB	564037	female	C2A	FJB	563580	male
AE52.J3	RJB	565957	male	C2A	FJB	563581	female
AE53.J1	RJB	563679	male	C2bb	FJB	564034	male
AE53.J2	RJB	564037	female	C2bb	FJB	564035	female
AE53.J3	RJB	565957	male	C3_plug	RJB	563589	male
AE54.J1	EvaporatorCmpt.	563679	male	C3_socket	RJB	563590	female
AE54.J2	EvaporatorCmpt.	564037	female	C3S	RJB	563593	male
AE54.J3	CondensorCmpt.	565957	male	C3S	RJB	563590	female
AE55.J1	Dash	563679	male	C4	FJB	563580	male
AE55.J2	Dash	564037	female	C4	FJB	563581	female
AE55.J3	Dash	564004	male	C5	FJB	563589	male
AE56.J1	Dash	563679	male	C5	FJB	563590	female
AE56.J2	Dash	564037	male	C5S	FJB	563589	male
AE56.J3	Dash	564004	male	C5S	FJB	563590	female
AE57.J1	WCLCmpt.	563679	male	C6	FJB	563582	male
AE57.J2	WCLCmpt.	564037	male	C6	FJB	563583	female
AE57.J3	WCLCmpt.	564004	male	C9	RJB	561986	male
AltLL.A	EngineCmpt.	563746	female	C9	RJB	561987	female
AltLL.B	EngineCmpt.	560815	female	C10	Engine_Cmpt	562477	male
AltLL.C	EngineCmpt.	564469	female	C10	Engine_Cmpt	562479	female
AltLR.A	EngineCmpt.	563746	female	C11	Service_Cmpt	563580	male
AltLR.B	EngineCmpt.	560815	female	C11	Service_Cmpt	563581	female
AltLR.C	EngineCmpt.	564469	female	C12	Engine_Cmpt	562581	male
AltUR.A	EngineCmpt.	563746	female	C12	Engine_Cmpt	562583	female
AltUR.B	EngineCmpt.	560815	female	C13_plug	RH_Console	563589	male
AltUR.C	EngineCmpt.	564469	female	C13_socket	RH_Console	563590	female
B85	EngineCmpt	563815	male	C13S	RH_Console	563589	male
B96	EngineCmpt	563821	male	C13S	RH_Console	563590	female
B96B	EngineCmpt	563823	male	C15A	Evap.Cmpt.	568110	male
B97	EngineCmpt	563816	male	C15A	Evap.Cmpt.	568109	female
B98	EngineCmpt	563817	male	C16	RJB	561577	male
B115A	EngineCmpt.	564226	male	C16	RJB	561605	female
B142C	EngineCmpt.	563793	male	C17	RJB	560195	male
B310	EngineCmpt.	565967	male	C17	RJB	560169	female
C1	FJB	563589	male	C18	FJB	561986	male
C1	FJB	563590	female	C18	FJB	561987	female
C1A	FJB	561611	male	C19	RJB	561986	male
C1A	FJB	561610	female	C19	RJB	561987	female

CONNECTORS LIST

No	Location	Part #	Gender	No	Location	Part #	Gender
C20A	AFSS	562485	male	C37.	Parcel_Rack_LH	561734	male
C20A	AFSS	562486	female	C37.	Parcel_Rack_LH	561735	female
C20B	Evap_Cmpt	562485	male	C38	ParcelRackLH	562555	male
C20B	Evap_Cmpt	562486	female	C38	ParcelRackLH	562556	female
C23	Evap.Cmpt.	564034	male	C38.	ParcelRackLH	561734	male
C23	Evap.Cmpt.	564035	female	C38.	ParcelRackLH	561735	female
C24_plug	Evap_Cmpt	561690	male	C39A	Engine_Cmpt	561782	male
C24_socket	Evap_Cmpt	561566	female	C39A	Engine_Cmpt	561781	female
C25	Parcel_Rack_LH	561550	male	C40	Dash	562485	male
C25	Parcel_Rack_LH	561667	female	C40	Dash	562486	female
C25.	Parcel_Rack_LH	561669	male	C44_plug	FJB	561577	male
C25.	Parcel_Rack_LH	561670	female	C44_socket	FJB	561605	female
C25A	ParcalrackLH	561515	male	C45	FJB	561643	male
C25A	ParcelRackLH	561552	female	C45	FJB	561642	female
C25A.	ParcalrackLH	561669	male	C46	WCLCmpt.	564228	male
C25A.	ParcalrackLH	561670	female	C46	WCLCmpt.	564229	female
C26	UreaCmpt.	563226	male	C50	RJB	563226	male
C26	UreaCmpt.	563613	female	C50	RJB	563613	female
C26A	UreaCmpt.	568110	male	C51	Engine_Cmpt	561932	male
C26A	UreaCmpt.	568109	female	C51	Engine_Cmpt	560933	female
C26B	UreaCmpt.	563227	male	C52	Evap.Cmpt.	563618	male
C26B	UreaCmpt.	563614	female	C52	Evap.Cmpt.	563616	female
C29	3rd_Lugg_Cmpt	563651	male	C54	EngineCmpt.	563226	male
C29	3rd_Lugg_Cmpt	563652	female	C54	EngineCmpt.	563613	female
C30	3rd_Lugg_Cmpt	561710	male	C54A	EngineCmpt.	568110	male
C30	3rd_Lugg_Cmpt	561709	female	C54A	EngineCmpt.	568109	female
C31W	3rdLuggCmpt.	563227	male	C54B	EngineCmpt.	563589	male
C31W	3rdLuggCmpt.	563614	female	C54B	EngineCmpt.	563590	female
C32W	WCLCmpt.	561640	male	C58	CondensorCmpt.	564567	male
C32W	WCLCmpt.	561639	female	C58	CondensorCmpt.	564568	female
C33	WCLCmpt.	564034	male	C59	RJB	561643	male
C33	WCLCmpt.	564035	female	C59	RJB	561642	female
C33W	WCLCmpt.	562477	male	C61	Fr_Service_Door	561669	male
C33W	WCLCmpt.	562479	female	C61	Fr_Service_Door	561670	female
C34	RH_Console	561986	male	C62	Fr_Service_Door	562566	male
C34	RH_Console	561987	female	C62	Fr_Service_Door	562565	female
C35	WCLdoor	562485	male	C64	EngineCmpt.	568110	male
C35	WCLdoor	562486	female	C64	EngineCmpt.	568109	female
C36	FJB	561986	male	C68	Parcel_Rack_LH	561643	male
C36	FJB	561987	female	C68	Parcel_Rack_LH	561642	female
C37	Parcel_Rack_LH	562557	male	C70	FJB	561646	male
C37	Parcel_Rack_LH	562558	female	C70	FJB	561645	female

CONNECTORS LIST

No	Location	Part #	Gender	No	Location	Part #	Gender
C70B	FJB	561710	male	C100S	EvapCmpt.	562479	female
C70B	FJB	561989	female	C101	Service_Cmpt	561690	male
C71	FJB	561646	male	C101	Service_Cmpt	561566	female
C71	FJB	561645	female	C102A	CondensorCmpt.	563226	male
C72	FJB	561646	male	C102A	CondensorCmpt.	563613	female
C72	FJB	561645	female	C110	PneuPlate	568110	male
C74	FJB	561710	male	C110	PneuPlate	568109	female
C74	FJB	561989	female	C119	Enginedoor	568110	male
C79	RJB	561986	male	C119	Enginedoor	568109	female
C79	RJB	561987	female	C121	Enginedoor	562566	male
C81_plug	1stLuggCmpt.	562477	male	C121	Enginedoor	562565	female
C81_socket	1stLuggCmpt.	562479	female	C122	Enginedoor	562566	male
C82	1stLuggCmpt.	562581	male	C122	Enginedoor	562565	female
C82	2ndLuggCmpt.	562583	female	C144	ParcelRackJB	560852	male
C83_plug	2ndLuggCmpt.	562477	male	C144	ParcelRackJB	560851	female
C83_socket	2ndLuggCmpt.	562479	female	C152	Cond_Cmpt	561611	male
C84_plug	2ndLuggCmpt.	562477	male	C152	Cond_Cmpt	561610	female
C84_socket	2ndLuggCmpt	562479	female	C158	CondCmpt.	562477	male
C85_plug	3rdLuggCmpt.	562477	male	C158	CondCmpt.	562479	female
C85_socket	3rdLuggCmpt.	562479	female	C171	LH_Console	561646	male
C86	3rdLuggCmpt.	563618	male	C171	LH_Console	561645	female
C86	3rdLuggCmpt.	563616	female	C193_plug	RJB	563589	male
C87	Engine_Cmpt	562485	male	C193_socket	RJB	563590	female
C87	Engine_Cmpt	562486	female	C194	FJB	563589	male
C88	WCLCmpt.	563227	male	C194	FJB	563590	female
C88	WCLCmpt.	563614	female	C206	Parcel_Rack_RH	562503	male
C91	RJB	564619	male	C206	Parcel_Rack_RH	562507	female
C91	RJB	562282	female	C207	Parcel_Rack_LH	562503	male
C92A	EngineCmpt.	563226	male	C207	Parcel_Rack_LH	562507	female
C92A	EngineCmpt.	563613	female	C213	Parcel_Rack_LH	561515	male
C92C	EngineCmpt.	562581	male	C213	Parcel_Rack_LH	561552	female
C92C	EngineCmpt.	562583	female	C223	FJB	563227	male
C94_plug	FJB	563589	male	C223	FJB	563614	female
C94_socket	FJB	563590	female	C225	FJB	562650	male
C95	FJB	561646	male	C225	FJB	562649	female
C95	FJB	561645	female	C226	FJB	562650	male
C96	FJB	561643	male	C226	FJB	562649	female
C96	FJB	561642	female	C231	FJB	563409	male
C97	FJB	561643	male	C231	FJB	563410	female
C97	FJB	561642	female	C242	Service_Cmpt	562789	male
C100	EvapCmpt.	562477	male	C242	Service_Cmpt	565131	female
C100	EvapCmpt.	562479	female	C243	ServiceCmpt.	563347	male
C100S	EvapCmpt.	562477	male	C243	ServiceCmpt.	563180	female

CONNECTORS LIST

No	Location	Part #	Gender	No	Location	Part #	Gender
C266	Parcelrack	561782	male	C578	ParcelRackJB	562507	female
C266	Parcelrack	561781	female	C_ALT	EngineCmpt.	562581	male
C267	Parcelrack	561782	male	C_ALT	EngineCmpt.	562583	female
C267	Parcelrack	561781	female	C_ALT3	EngineCmpt.	562477	male
C279	Service_Cmpt	562477	male	C_ALT3	EngineCmpt.	562479	female
C279	Service_Cmpt	562479	female	C_Bike_Se	Front_Axle	562901	male
C355	RJB	563582	male	C_Bike_Se	Front_Axle	562902	female
C355	RJB	563583	female	C{EIF	Engine_Cmpt	563135	male
C356	ParcelRackJB	561710	male	C{EIF	Engine_Cmpt	563134	female
C356	ParcelRackJB	561709	female	C_Foot	FJB	563347	male
C357	Parcelrack	564258	male	C_Foot	FJB	563180	female
C357	Parcelrack	566037	female	C_INV1	ParcelRack	562337	male
C380A	Dash	564222	male	C_INV1	ParcelRack	562338	male
C380A	Dash	564224	female	C_INV2_1	ParcelRack	562337	male
C397	RJB	562285	male	C_INV2_1	ParcelRack	562338	male
C397	RJB	562282	female	C_INV2_2	ParcelRack	562337	male
C430	LH_Console	562363	male	C_INV2_2	ParcelRack	562338	female
C430	LH_Console	561188	female	C_INV3	ParcelRack	562337	male
C463	RearAxleCmpt.	568111	male	C_INV3	ParcelRack	562338	female
C463	RearAxleCmpt.	568112	female	C_Mo9_plug	Evap_Cmpt	561577	male
C464A	RJB	564222	male	C_Mo9_socket	Evap_Cmpt	561605	female
C464A	RJB	564224	female	C_MVIEW	ParcelRackLH	563227	male
C465	Parcelrack	562581	male	C_MVIEW	ParcelRackLH	563614	female
C465	Parcelrack	562583	female	C_MVIEW_J2_plug	ParcelRackLH	39-01-2140	male
C466	LH_Consol	562503	male	C_MVIEW_J2_socket	ParcelRackLH	39-01-2141	female
C466	LH_Consol	562507	female	C_MVIEW_J3A_plug	ParcelRackLH	562779	male
C575	ParcelRackRH	562503	male	C_MVIEW_J3B_plug	ParcelRackLH	562465	male
C575	ParcelRackRH	562507	female	C_MVIEW_J5_plug	ParcelRackLH	562842	male
C576B	Parcel_Rack_RH	562006	male	C_USB1_F.A	Passenger_Area	561566	female
C576B	Parcel_Rack_RH	560908	female	C_USB1_F.B	Passenger_Area	561690	male
C576BB	ParcelRack	562006	male	C_USB1_LH.A	Passenger_Area	561566	female
C576BB	ParcelRack	560908	female	C_USB1_LH.B	Passenger_Area	561690	male
C577.A	Parcel_Rack	561515	male	C_USB1_M	Passenger_Area	563025	male
C577.A	Parcel_Rack	561552	female	C_USB1_R.A	Passenger_Area	561566	female
C577A	Parcel_Rack	562006	male	C_USB1_R.B	Passenger_Area	561690	male
C577A	Parcel_Rack	560908	female	C_USB1_RH.A	Passenger_Area	561566	female
C577AA	ParcelRack	562006	male	C_USB1_RH.B	Passenger_Area	561690	male
C577AA	ParcelRack	560908	female	C_USB1_S.A	Passenger_Area	561566	female
C578	ParcelRackJB	562503	male	C_USB1_S.B	Passenger_Area	561690	male

CONNECTORS LIST

No	Location	Part #	Gender	No	Location	Part #	Gender
C_USB2	Passenger_Area	563025	male	CWEAR2_socket	RearAxleCmpt.	561606	female
C_USB_1	Passenger_Area	563025	male	CXC1	Service_Cmpt	562477	male
C_USB_F.A	Passenger_Area	561566	female	CXC1	Service_Cmpt	562479	female
C_USB_F.B	Passenger_Area	561690	male	EIA	EngineCmpt.	563739	male
C_USB_R.A	Passenger_Area	561566	female	L1	EngineCmpt.	563590	female
C_USB_R.B	Passenger_Area	561690	male	L15	Front_Roof	561247	male
C_USBF_RH.A	Passenger_Area	561566	female	L16.A	FrontRoof	562615	female
C_USBF_RH.B	Passenger_Area	561690	male	L16.B	FrontRoof	562615	female
C_USBR_RH.A	Passenger_Area	561566	female	L17.A	Frontroof	562615	female
C_USBR_RH.B	Passenger_Area	561690	male	L17.B	FrontRoof	562615	female
CCust	RJB	562477	male	L18.A	FrontRoof	562615	female
CCust	RJB	562479	female	L18.B	FrontRoof	562615	female
CF_RS	Rear_Seat	564238	male	L19	Entracedoorstep	562549	male
CIND-1.A	ParcelRack	560908	female	L20	Entracedoorstep	562549	male
CIND-1.B	ParcelRack	560908	female	L20A	Entracedoorstep	562549	male
CIND-2.A	ParcelRack	560908	female	L21	FrontRoof	562486	female
CIND-2.B	ParcelRack	560908	female	L22	FrontRoof	562486	female
CINDWC-1.A	ParcelRack	560908	female	L23	FrontRoof	562486	female
CINDWC-1.B	ParcelRack	560908	female	L24	FrontRoof	562486	female
CP1	PassengerArea	561782	male	L25	FrontRoof	562486	female
CP1	PassengerArea	561781	female	L26	FrontRoof	562486	female
CP2	PassengerArea	561782	male	L27	FrontRoof	562486	female
CP2	PassengerArea	561781	female	L28	Parcel_Rack	560898	male
CP3	PassengerArea	561782	male	L29	Parcel_Rack	560898	male
CP3	PassengerArea	561781	female	L30	Parcel_Rack	560898	male
CP4	PassengerArea	561782	male	L30A.A	ParcelRack	560898	male
CP4	PasengerArea	561781	female	L30B	ParcelRack	560898	male
CP_LH	Rl_Seat	561690	male	L31	Parcel_Rack	560898	male
CP_LH	Rl_Seat	561566	female	L32	Parcel_Rack	560898	male
CP_RH	Rr_Seat	562471	male	L33	Parcel_Rack	560898	male
CP_RH	Rr_Seat	562348	female	L34	Parcel_Rack	560898	male
CSX1	EngineCmpt.	563135	male	L35	Parcel_Rack	560898	male
CSX1	EngineCmpt.	563134	female	L36	Parcel_Rack	560898	male
CSX3	EngineCmpt.	563135	male	L37	Parcel_Rack	560898	male
CSX3	EngineCmpt.	563134	female	L38	Parcel_Rack	560898	male
CT_Fr	Dash	560167	male	L39	Parcel_Rack	560898	male
CT_Fr	Dash	560159	female	L52	Passenger_Area	560898	male
CWEAR1_plug	RearAxleCmpt.	561946	male	L52	Passenger_Area	560900	female
CWEAR1_socket	RearAxleCmpt.	563383	female	L53	Passenger_Area	560898	male
CWEAR2_plug	RearAxleCmpt.	561607	male	L53	Passenger_Area	560900	female

CONNECTORS LIST

No	Location	Part #	Gender	No	Location	Part #	Gender
L54	Passenger_Area	560898	male	L84	RearRoof	562486	female
L54	Passenger_Area	560900	female	L85	RearRoof	562486	female
L55	Passenger_Area	560898	male	L86	RearRoof	562486	female
L55	Passenger_Area	560900	female	L87	RearRoof	562486	female
L56	Passenger_Area	560898	male	L88	RearRoof	562486	female
L56	Passenger_Area	560900	female	L89	RearRoof	562486	female
L57	Passenger_Area	560898	male	L90	RearRoof	562486	female
L57	Passenger_Area	560900	female	L91A	RearVehicle	562601	male
L58	Passenger_Area	560898	male	L92A	RearVehicle	562601	male
L58	Passenger_Area	560900	female	L130	LuggCmpt	561690	male
L59A	OutsideFrontRH	562485	male	L131	LuggCmpt	561690	male
L59B	OutsideFrontRH	562623	male	L145	Parcelrack	562756	male
L60A	OutsideFrontLH	562485	male	L146	ParcelRackLH	562756	male
L60B	OutsideFrontLH	562623	male	L147	ParcelRackLH	562756	male
L61	OutsideFrontRH	562601	male	L148	ParcelRackLH	562756	male
L62	OutsideFrontLH	562601	male	L149	ParcelRackLH	562756	male
L63	FrontSideLH	562155	male	L150	ParcelRackLH	562756	male
L64	OutsideFrontRH	562155	male	L151	ParcelRackLH	562756	male
L65	OutsideFrontLH	562155	male	L152	ParcelRackLH	562756	male
L66	OutsideFrontLH	562155	male	L153	ParcelRackLH	562756	male
L67	4thLuggCmpt	562155	male	L154	ParcelRackLH	562756	male
L68	4thLuggCmpt	562155	male	L155	ParcelRackLH	562756	male
L69	4thLuggCmpt	562155	male	L156	ParcelRackLH	562756	male
L70	4thLuggCmpt	562155	male	L157	ParcelRackLH	562756	male
L71A	RearVehicle	562601	male	L158	ParcelRackLH	562756	male
L72	RearVehicle	562155	male	L173	EngineCmpt	563590	female
L73A	RearVehicle	562601	male	L174A	EngineCmpt	563590	female
L74	RearVehicle	562155	male	L176	3rd_Lugg_Cmpt	561247	male
L75	RearVehicle	562155	male	L177	3rd_Lugg_Cmpt	561247	male
L76	RearVehicle	562155	male	L177A	WCL_Lugg_Door	561690	male
L77A	RearVehicle	562601	male	L177B	WCL_Lugg_Door	561690	male
L78A	RearVehicle	562601	male	L180	2nd_Lugg_Cmpt	561247	male
L79A	RearVehicle	562601	male	L181	2nd_Lugg_Cmpt	561247	male
L80A	RearVehicle	562601	male	L182	1st_Lugg_Cmpt	561247	male
L81.A	RearVehicle	562835	female	L183	1st_Lugg_Cmpt	561247	male
L81.B	RearVehicle	562834	male	L184	ServiceCmpt	561247	male
L82A	RearVehicle	562348	female	L185.A	Service_Cmpt	562651	female
L83A	RearVehicle	562348	female	L185.B	Service_Cmpt	562290	female

CONNECTORS LIST

No	Location	Part #	Gender	No	Location	Part #	Gender
L186.A	Dash	562651	female	L304	EngineCmpt	563590	female
L186.B	Dash	562290	female	L305.H1	Condensor	562350	male
L187	Engine_Cmpt	561690	male	L305.P1	Condensor	563134	female
L188	Service_Cmpt	562486	female	L306	RJBCmpt	561247	male
L189	UpperFront	564513	female	L310	Front_Roof	560898	male
L190	Dash	564513	female	L350A.A	RearAxleCmpt	564552	male
L199	EngineCmpt	562848	male	L350A.B	RearAxleCmpt	563340	male
L203	RH_Console	561690	male	L350A.C	RearAxleCmpt	562251	male
L204	Parcel_Rack_RH	562803	male	L391	Parcel_Rack	560898	male
L205	EngineCmpt	562485	male	Mo3	Dash	561667	female
L206	Parcel_Rack_RH	562803	male	Mo4	Dash	562076	male
L207.A	3rdLuggCmpt	561699	female	Mo7	Cond_Cmpt	563691	male
L207.B	3rdLuggCmpt	561701	female	Mo8	Cond_Cmpt	563691	male
L207.C	3rdLuggCmpt	561701	female	Mo10	ParcelRack_Lh_Fan	561515	male
L207.D	3rdLuggCmpt	561699	female	Mo11	ParcelRack_Rh_Fan	561515	male
L207.E	3rdLuggCmpt	561701	female	Mo12	EvapCmpt	561690	male
L207.F	3rdLuggCmpt	561699	female	Mo17	Service_Cmpt	563626	male
L207.G	3rdLuggCmpt	561699	female	Mo19	Service_Cmp	562474	male
L207.H	3rdLuggCmpt	560926	female	Mo20	Service_Cmpt	562474	male
L207.I	3rdLuggCmpt	560926	female	Mo22	RH_Console	561186	male
L243	ParcelRackRH	562756	male	Mo24	RH_Console	562348	female
L244	ParcelRackRH	562756	male	Mo25	RH_Console	562348	female
L245	ParcelRackRH	562756	male	Mo27	Cond_Cmpt	563691	male
L246	ParcelRackRH	562756	male	Mo28	Cond_Cmpt	563691	male
L247	ParcelRackRH	562756	male	Mo29	RJB	563590	female
L248	ParcelRackRH	562756	male	Mo37	ServiceCmpt	562477	male
L249	ParcelRackRH	562756	male	Mo38	WCLUperDoor	564161	male
L250	ParcelRackRH	562756	male	Mo65	EngineCmpt	568089	male
L251	ParcelRackRH	562756	male	Mo67	EngineCmpt	568089	male
L252	ParcelRackRh	562756	male	Mo68	EngineCmpt	568089	male
L253	ParcelRackRH	562756	male	Mo69	EngineCmpt	568089	male
L254	ParcelRackRH	562756	male	Mo70	EngineCmpt	568089	male
L255	ParcelRackRH	562756	male	Mo71	EngineCmpt	568089	male
L256	ParcelRackRH	562756	male	Mo72	EngineCmpt	568089	male
L282	Luggage_Cmpt	561690	male	Mo73	EngineCmpt	568089	male
L283	Service_Cmpt	562485	male	Pot1.A	Dash	560488	female
L285.A	Rear_Vehicle	562835	female	Pot1.B	Dash	560488	female
L285.B	Rear_Vehicle	562834	male	Pot1.C	Dash	560488	female
L286.A	Rear_Vehicle	562835	female	R3	RJB	563409	male
L286.B	Rear_Vehicle	562834	male	R4	RJB	564496	male
L298A	EngineCmpt	563590	female	R12	Evap_Cmpt	563409	male
L301	Dash	560898	male	R13	WCLCmpt	564496	male
L303	EngineCmpt	563590	female	R14	WCLCmpt	564496	male

CONNECTORS LIST

No	Location	Part #	Gender	No	Location	Part #	Gender
R21	FJB	560525	male	Se34	Rear_Axle_Cmpt	563057	male
R26	Evap_Cmpt	564496	male	Se35	Rear_Axle_Cmpt	563057	male
R27	RHConsole	564496	male	Se36	Rear_Axle_Cmpt	563629	female
R29	RJB	563409	male	Se37	Front_Axle_LH	641132	female
R30	FJB	564496	male	Se38	Front_Axle_RH	641132	female
R31	FJB	564496	male	Se39	Rear_Axle_LH	641132	female
R34	RJB	564210	male	Se40	Rear_Axle_LH	641132	female
R36	FJB	564496	male	Se45.A	ServiceCmpt	563409	male
R37	FJB	564496	male	Se49	Engine_Cmpt	561690	male
R47	WCLCmpt	564496	male	Se51	Under_Driver_Seat	563589	male
R55	FJB	564496	male	Se53	Service_Cmpt	563159	female
R210	Parcel_Rack_LH	560525	male	Se54	Service_Cmpt	563159	female
Res3.A	RJB	563590	female	Se55	Service_Cmpt	563159	female
Res4	FJB	563590	female	Se56	WCLCmpt.	562479	female
Res6	RJB	563590	female	Se62	WCLLuggDoor	561690	male
Res7	Dash	563590	female	Se63	EngineCmpt	641132	female
Res19	FJB	563590	female	Se64	EngineCmpt	641132	female
Res20	Parcel_Rack	563590	female	Se65	Dash	564042	female
Res31	UreaCmpt	562350	male	Se66	FrontAxle	564039	female
Res32	UreaCmpt	563764	female	Se67	FJB	563159	female
Res53	Dash	563590	female	Se69	FJB	563159	female
Se1	EngineCmpt	563324	female	Se76	EntranceDoor	562479	female
Se2	LH_Console	561566	female	Se77	FrontVehicle	563159	female
Se11.A	Cond_Cmpt	564460	female	Se78	PneuPlate	563159	female
Se11.B	Cond_Cmpt	564460	female	Se79	Front_Axle	563340	male
Se11.C	Cond_Cmpt	564460	female	Se83	FrontAxle	642190	female
Se13	Engine_Cmpt	562350	male	Se84	FrontAxle	642190	female
Se14.A	Driver_Area	561782	male	Se85	RearAxle	642190	female
Se14.B	Driver_Area	561781	female	Se86	RearAxle	642190	female
Se18	PneuPlate	561566	female	Se87	RearAxle	642190	female
Se19_P	Service_Cmpt	563677	male	Se88	RearAxle	642190	female
Se19_S	ServiceCmpt	563677	male	Se89	EngineCmpt	562350	male
Se20	Head_Lamp_RH	562426	male	Se94	WCLUpperdoor	562877	female
Se21	Dash	561248	female	Se100	WCLUpperdoor	562479	female
Se23	Engine_Cmpt	563159	male	shell1	RJB	561932	male
Se24	EvapCmpt	563758	female	So4	RH_Console	641385	male
Se25	Passenger_Area	561248	female	So5	RH_Console	641385	male
Se29	Engine_Cmpt	561566	female	So6	RH_Console	641385	male
Se30	EngineCmpt	562877	female	So7	Service_Cmpt	561566	female
Se31	EngineCmpt	562877	female	So8	ServiceCmpt	641385	male
Se32	Rear_Axle_Cmpt	563057	male	So9	EngineCmpt	560016	female
Se33	Rear_Axle_Cmpt	562856	male	So10	CondCmpt	562485	male

CONNECTORS LIST

No	Location	Part #	Gender	No	Location	Part #	Gender
So11	Cond_Cmpt	561566	female	Spk5_R	Parcel_Rack_RH	563994	male
So13	Evap_Cmpt	563204	female	Spk6_L	Parcel_Rack_LH	563994	male
So14	Servicecmpt.	562848	male	Spk6_R	Parcel_Rack_RH	563994	male
So15	PneuPlate	641385	male	Spk7_L	Parcel_Rack_LH	563994	male
So16	PneuPlate	641385	male	Spk7_R	Parcel_Rack_RH	563994	male
So17	PneuPlate	562848	male	Spk8_L	Parcel_Rack_LH	563994	male
So20	PneuPlate	641385	male	Spk8_R	Parcel_Rack_RH	563994	male
So21	Front_Axle_Cmpt	564046	female	Spk9_L	Parcel_Rack_LH	563994	male
So22	Front_Axle_Cmpt	564046	female	Spk9_R	Parcel_Rack_RH	563994	male
So23	Rear_Axle_Cmpt	564046	female	Spk10_L	Parcel_Rack_LH	563994	male
So24	Rear_Axle_Cmpt	564046	female	Spk10_R	Parcel_Rack_RH	563994	male
So27	RearAxleCmpt	564045	female	Spk11_L	Parcel_Rack_LH	563994	male
So29	WCLCmpt	641385	male	Spk11_R	Parcel_Rack_RH	563994	male
So50	RearAxleCmpt	564046	female	Spk12_L	Parcel_Rack_LH	563994	male
So52	FrontAxleCmpt	564045	female	Spk12_R	Parcel_Rack_RH	563994	male
So53	Rear_Axle_Cmpt	641385	male	Spk13_L	Parcel_Rack_LH	563994	male
So55	PneuPlate	562848	male	Spk13_R	Parcel_Rack_RH	563994	male
spBar4	EngineCmpt	564135	male	Spk14_L	Parcel_Rack_LH	563994	male
spBar5	EngineCmpt	564135	male	Spk14_R	Parcel_Rack_RH	563994	male
spBar6	EngineCmpt	564135	male	Spk23	Outside_Front_RH	563994	male
spBar7	UreaCmpt	564135	male	Sw2	Dash	562763	male
spBar11	RearVehicle	564135	male	Sw4	Dash	562763	male
spBar12	RearVehicle	564135	male	Sw10A	LH_Console	562763	male
spBar13	EngineCmpt	564135	male	Sw12	Dash	562763	male
spBar14	EngineCmpt	564135	male	Sw13	Dash	562763	male
spBar15	EngineCmpt	564135	male	Sw14	Dash	562763	male
spBar16	EngineCmpt	564135	male	Sw16	Dash	562763	male
spBar19	CondensorCmpt	564135	male	Sw17	Dash	562763	male
spBar20	CondensorCmpt	564135	male	Sw20	Dash	562763	male
spBar21	CondensorCmpt	564135	male	Sw24	Dash	562763	male
spBar22	EngineCmpt	564135	male	Sw25	Dash	562763	male
spBar23	EngineCmpt	564135	male	Sw26	Dash	562763	male
spBar24	FJB	564135	male	Sw27.A	Dash	562763	male
spBar25	EngineCmpt	564135	male	Sw32	Dash	561477	female
Spk1_L	Parcel_Rack_LH	563994	male	Sw33	Dash	561476	male
Spk1_R	Parcel_Rack_RH	563994	male	Sw34	Outside_Front_RH	562477	male
Spk2_L	Parcel_Rack_LH	563994	male	Sw38	LH_Console	562763	male
Spk2_R	Parcel_Rack_RH	563994	male	Sw41	LH_Console	562749	male
Spk3_L	Parcel_Rack_LH	563994	male	Sw42	WCL_Cmpt	561635	female
Spk3_R	Parcel_Rack_RH	563994	male	Sw44.A	FJB	562403	female
Spk4_L	Parcel_Rack_LH	563994	male	Sw45.A	3rd_Lugg_Cmpt	562403	female
Spk4_R	Parcel_Rack_RH	563994	male	Sw46.A	3rd_Lugg_Cmpt	562403	female
Spk5_L	Parcel_Rack_LH	563994	male	Sw46B.A	3rdLuggCmpt.	562403	female

CONNECTORS LIST

No	Location	Part #	Gender	No	Location	Part #	Gender
Sw46B.B	3rdLugg.Cmpt.	562403	female	sym797_291.A	ParcelRack	565180	female
Sw49.A	2nd_Lugg_Cmpt	562403	female	sym803_291.A	ParcelRack	565180	female
Sw50.A	2nd_Lugg_Cmpt	562403	female	sym806_291.A	ParcelRack	561626	female
Sw51.A	1st_Lugg_Cmpt	562403	female	sym808_291.A	ParcelRack	565180	female
Sw52.A	1st_Lugg_Cmpt	562403	female	sym814_291.A	ParcelRack	565180	female
Sw58	EngineCmpt.	563135	male	sym815_291.A	ParcelRack	565180	female
Sw59	EngineCmpt.	563135	male	sym816_291.A	ParcelRack	565180	female
Sw64.A	Service_Cmpt	560815	female	sym819_291.A	ParcelRack	561626	female
Sw64.B	Service_Cmpt	560815	female	sym824_291.A	ParcelRack	565180	female
Sw81.A	Dash	562905	male	sym826_291.A	ParcelRack	565180	female
Sw81.B	Dash	562905	male	tab69.A	ParcelRack	565180	N/A
Sw82A	RJB	563618	male	tab70.A	ParcelRack	565180	N/A
Sw83.A	Dash	560082	female	Tab70a.A	ParcelRack	561626	N/A
Sw83.B	Dash	560815	female	Tab70b.A	ParcelRack	561626	N/A
Sw83.C	Dash	560082	female	tab71a	ParcelRack	561626	N/A
Sw83.D	Dash	560815	female	TermL152B	ParcelRackLH	562505	N/A
Sw84	EngineCmpt.	563135	male	TermL249B	ParcelRackRH	562505	N/A
Sw85	LH_Console	562749	male	USB2	Passenger_Area	563025	male
Sw95.A	WCLDoor	561626	female	USB_WCL	Passenger_Area	563025	male
Sw95.B	WCLDoor	561626	female	VECF1	FJB	563186	male
Sw96.A	WCL_Door	562615	female	VECF2	FJB	563183	male
Sw96.B	WCL_Door	562615	female	VECF3	FJB	563185	male
Sw96.C	WCLDoor	562615	female	VECF4	FJB	563182	male
Sw97.A	WCLSystem	562615	female	VECF9	FJB	563448	male
Sw97.B	WCLSystem	562615	female	VECF10	FJB	563181	male
Sw97.C	WCLSystem	562615	female	VECF11	FJB	563184	male
Sw98.A	WCLSystem	561626	female	VECF12	FJB	563187	male
Sw98.B	WCLSystem	561626	female	VECPR1	Parcelrack_LH	563715	male
Sw103	LH_Console	562763	male	VECPR2	Parcelrack_LH	563716	male
Sw116.A	Luggages	560079	female	VECPR3_plug	Parcelrack_LH	563718	male
Sw116.B	Luggages	560079	female	VECPR4	Parcelrack_LH	563717	male
Sw122	Dash	562763	male	VECR1	RJB	563186	male
Sw123	Dash	562763	male	VECR2	RJB	563183	male
Sw125.A	Service_Cmpt	561457	female	VECR3	RJB	563185	male
Sw125.B	Service_Cmpt	561457	female	VECR4	RJB	563182	male
Sw137	Dash	562763	male	VECR9	RJB	563448	male
Sw138	FJB	561690	male	VECR10	RJB	563181	male
Sw139	FJB	561690	male	VECR11	RJB	563184	male
Sw140	FJB	561566	female	VECR12	RJB	563187	male
Sw141	FJB	561690	male	Y80	Engine_Cmpt	563789	male
Sw142	LHConsole	562763	male	Y81	Cond_Cmpt	563793	male
Sw144	FJB	561690	male				
Sw152.A	Driver_Area	562471	male				

DIODES LIST

No	Location	Part #	Function	Page				
D1	FJB	561740	AccessoriesDiode	3.2				
D2	FJB	561740	DrvLiqSol	18.1				
D4	RHConsole	561740	WiperSpeed	34.1				
D5	RHConsole	561740	WiperSpeed	34.1				
D6	RJB	561740	MasterRelayCoil	3.1				
D7	RH_Console	561740	EntrDoor	29.1				
D8	Evap_Cmpt	561740	P-RackRefgvalve	18.3				
D11	Evap_Cmpt	561740	DiodePass.Liq.Sol	18.2				
D12	FJB	565973	ElecHorn	9.1				
D13	FJB	561740	FrClearanceLgts	26.1				
D14	FJB	561740	FrClearanceLgts	9.1				
D19	Evap_Cmpt	561740	Wat_Pump	17.1				
D25	Evap_Cmpt	561740	Wat_Pump	17.1				
D26	RJB	561740	FrTrailer	18.3				
D27	RJB	561740	Parcel_Rack_FAN	18.3				
D29	RJB	561740	SuppressorDiodeUnloaderRH	18.2				
D30	Evap_Cmpt	561740	SuppressorDiodeWaterPump	18.2				
D31	RJB	561740	A/CClutch	18.2				
D41	FJB	561740	*opt*	3.2				
D42	FJB	561740	*opt*	3.2				
D43	FJB	561740	*opt*	3.2				
D44	FJB	561740	IgnitionDiode	3.2				
D55	Dash	561740	IndirectandReadingLgts	23.1				

RESISTORS LIST

No	Location	Part #	Function	Page						
Res3	RJB	563593	CAN_Network	6.1						
Res4	FJB	563593	CAN_Network	6.1						
Res6	RJB	563593	DBus_Network	6.2						
Res7	Dash	563593	J1939Network	6.2						
Res9	Dash	564164	Driver'sLights	19.1						
Res10	Dash	562892	KeypadBacklighting	10.1						
Res14	Evap_Cmpt	563205	CondFans	18.2						
Res15	Engine_Cmpt	563587	Flamedetection	38.1						
Res19	FJB	563593	Can1Network	6.2						
Res20	Dash	563593	CAN1Network	6.2						
Res24	RJB	565156	FuelTankGnd	2.2						
Res25	FJB	562470	StairFanCtrl	18.2						
Res26	FJB	561897	StairFanCtrl	18.2						
Res31	Fuel_Tank	41123	HeatedelementforUreatank	14.2						
Res32	Fuel_Tank	41123	HeatedelementforUreatank	14.2						
Res53	Dash	563593	J2284Network	6.2						

RELAYS LIST

No	Location	Part #	Function	Page				
R1	RJB	562364	MasterR1	3.1				
R3	RJB	563348	12Vlgn/Acc	3.1				
R4	FJB	563332	CutPreHeat	17.1				
R12	Evap_cmpt.	563348	EvaporatorRelay	18.2				
R13	WCLPump	563332	WCLUperDoorLOCK	36.1				
R14	WCLPump	563332	WCLUperDoorLOCK	36.1				
R20	Evap_Cmpt	563332	Wat.Pump	17.1				
R21	FJB	561991	24vRelayLatching	3.2				
R22	FJB_VECF	563269	Eculgn	4.1				
R23	FJB_VECF	563269	Shutdown	4.1				
R24	FJB_VECF	563269	Spare12WUP	4.1				
R25	FJB_VECF	563269	24Vlgn	4.2				
R26	Evap_Cmpt	563332	Pre-Heat	18.2				
R27	RHConsole	563332	Wipers	34.1				
R29	RJB	563348	Preheater	14.1				
R30	FJB	563332	12vENGRUN	4.1				
R31	FJB	563332	12vIGN	4.1				
R34	RJB	564218	12vEngEcu	3.2				
R36	FJB	563269	Fire_Extin	9.1				
R37	FJB	563269	Electhorn	9.1				
R47	WCLPump	563332	WCLDoorOpen	36.1				
R55	FJB	563332	StairFanCtrl	18.2				
R60	VECPR	563269	*opt*	5.2				
R61	VECPR	563269	*opt*	5.2				
R62	VECPR	563269	*opt*	5.2				
R63	VECPR	563269	*opt*	5.2				
R210	FJB	561991	24vRelayLatching	5.2				
R_Starter	RJB	564095	StartCtrl	3.2				

FUSES LIST

No	Location	Part #	Function	Rating	Page
F101	RJB	564520	PwrR1	300A	3.1
F199	RJB	562597	RADFans	300A	13.1
F209	RJB	562597	PreHeat	150A	14.1
F210	FuseBoxP-RACK	563283	24VD_Cust	10amp	5.2
F211	FuseBoxP-RACK	563283	24VDcamera	10amp	5.2
F212	FuseBoxP-RACK	563283	24VDclever	10amp	5.2
F214	FuseBoxP-RACK	563283	24Vlcamera	10amp	5.2
F215	FuseBoxP-RACK	563283	24Vlclever	10amp	5.2
F216	FuseBoxP-RACK	563283	24VI_Gong	10amp	5.2
F218	FuseBoxP-RACK	563283	12VD_Cust	10amp	5.2
F219	FuseBoxP-RACK	563283	12VD_Cust	10amp	5.2
F220	FuseBoxP-RACK	563283	12VD_Cust	10amp	5.2
F222	FuseBoxP-RACK	563283	12VI_Cust	10amp	5.2
F223	FuseBoxP-RACK	563283	12VI_Cust	10amp	5.2
F224	FuseBoxP-RACK	563283	12VI_Cust	10amp	5.2

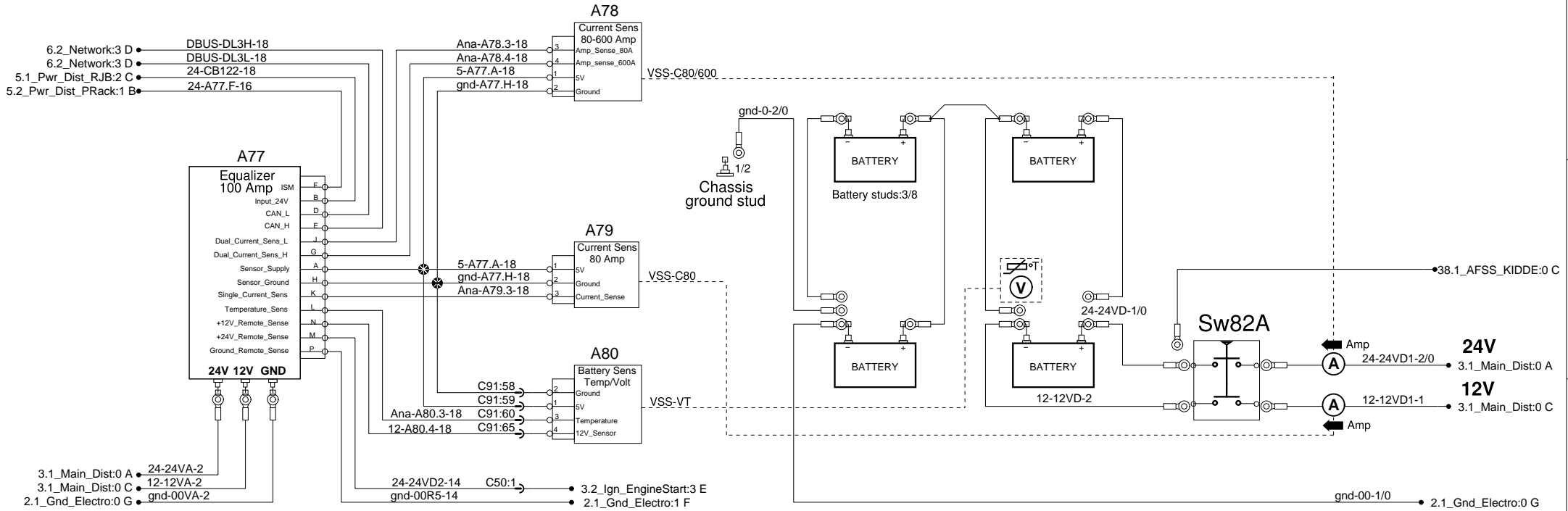
Wire identification chart

*Note that the identification comes from the uphill component.

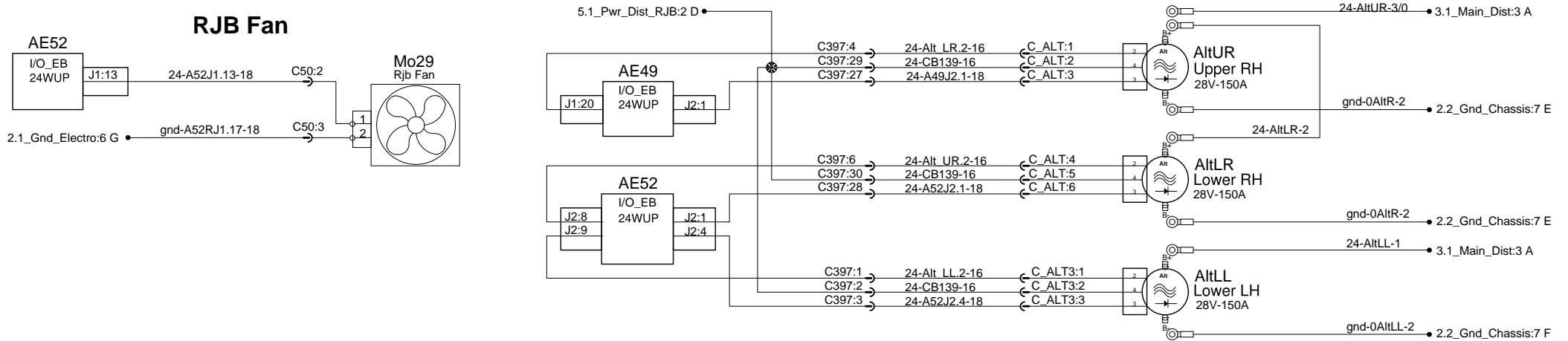
Wire identification exemple: 12 - A47J1.8 - 16

Voltage	Circuit number	Wire size
0		0000
5	Ground circuits:	000
0/12		00
0/24		0
12		1
24		2
120	Power and voltage carrying circuits:	3
ANA		4
BBUS		6
DATA		8
DBUS		10
J1587		12
J1939		14
J2284		16
LIN		18
PWM		20
GND		22
...OTHER	24	

Batteries and alternators



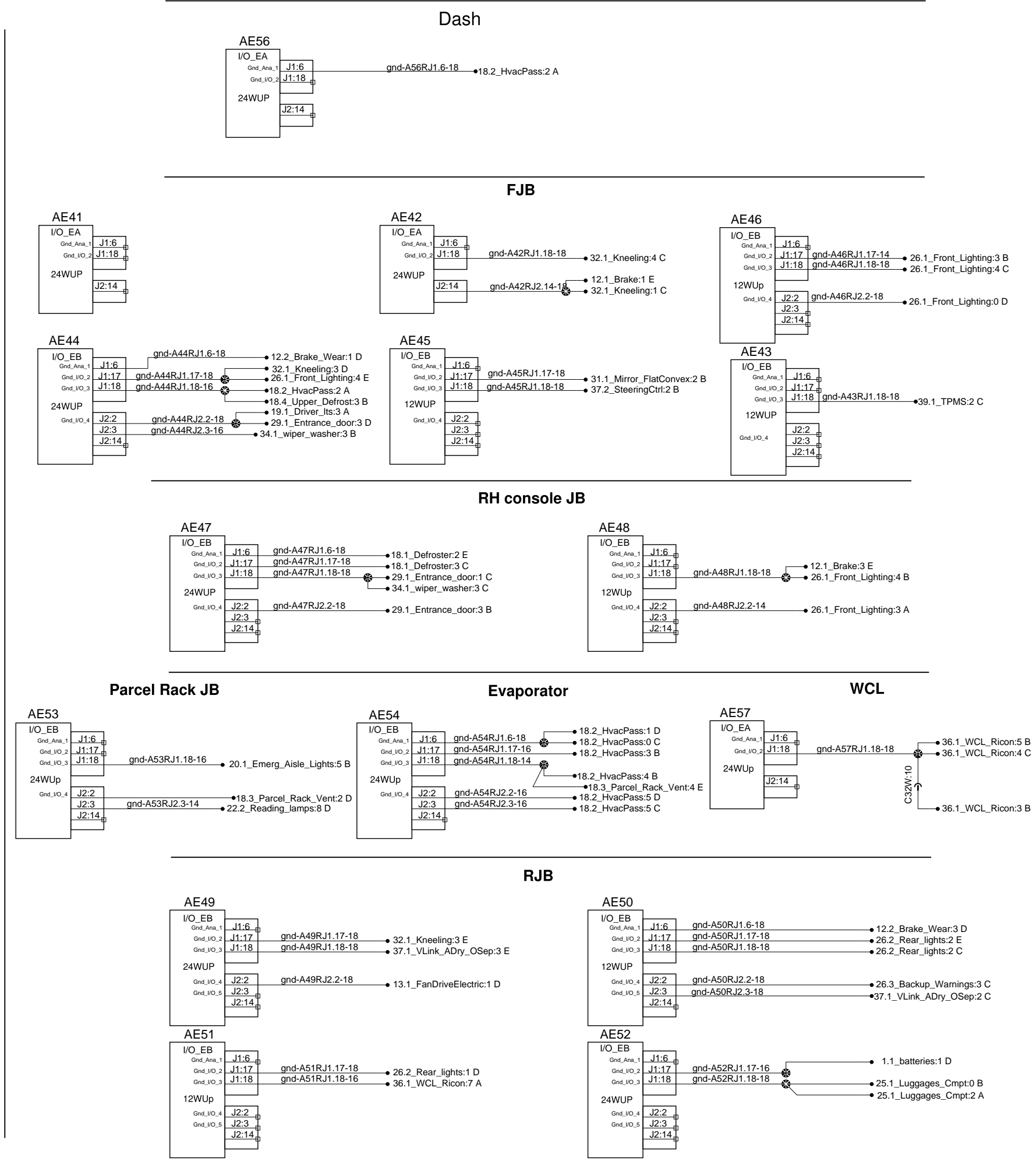
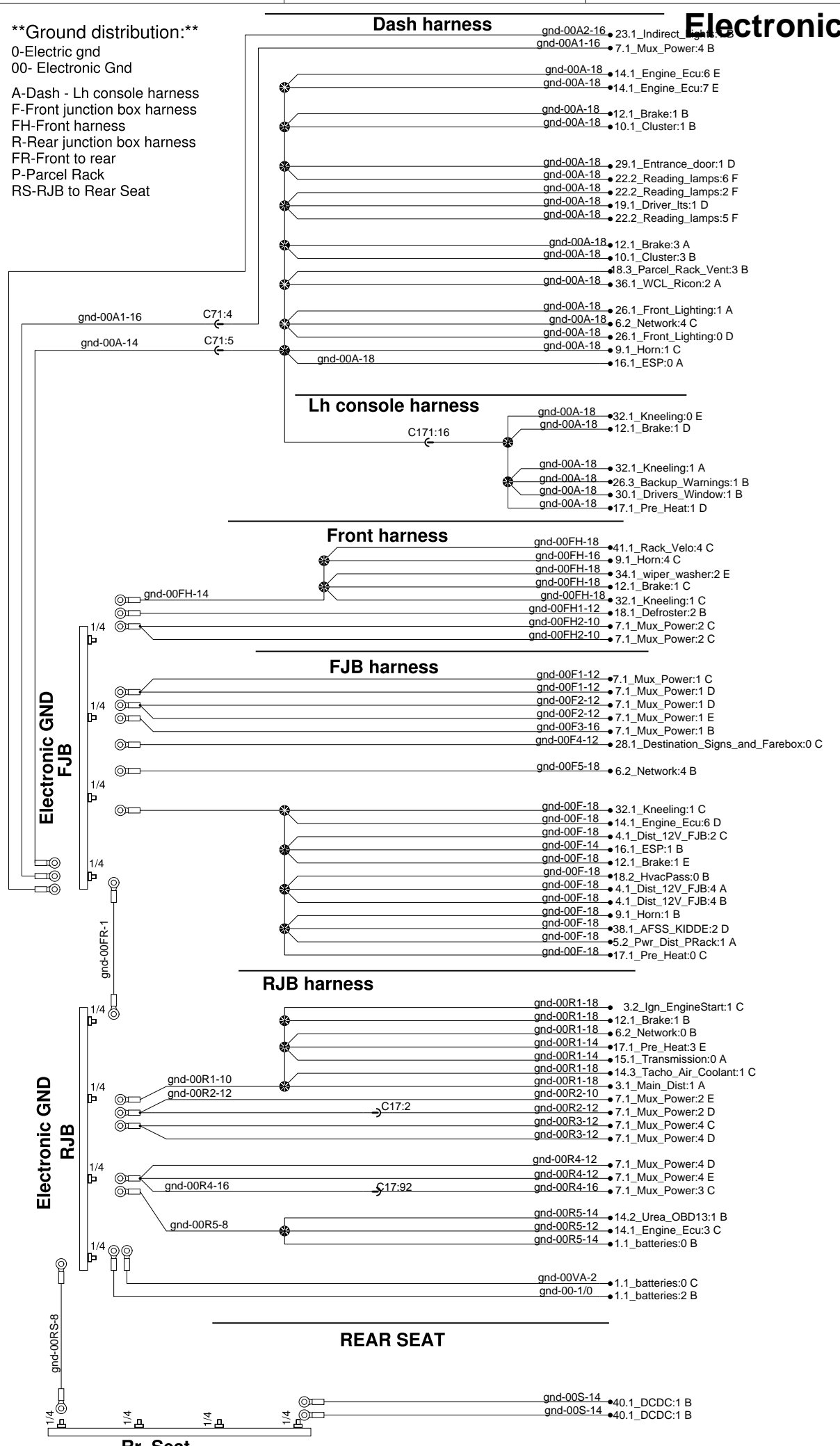
Alternators



Electronic ground distribution

****Ground distribution:****
 0-Electric gnd
 00- Electronic Gnd

A-Dash - Lh console harness
 F-Front junction box harness
 FH-Front harness
 R-Rear junction box harness
 FR-Front to rear
 P-Parcel Rack
 RS-RJB to Rear Seat



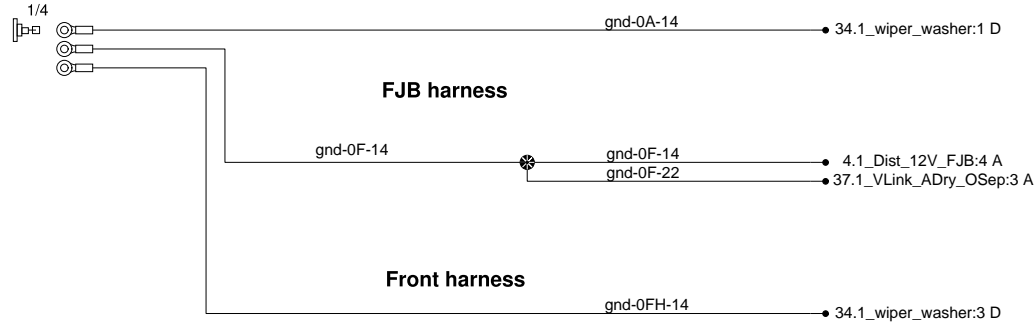
****Ground distribution:****

0-Electric gnd
00- Electronic Gnd

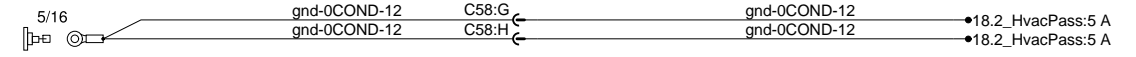
A-Dash - Lh console harness
F-Front junction box harness
FH-Front harness
R-Rear junction box harness
FR-Front to rear

Chassis ground distribution

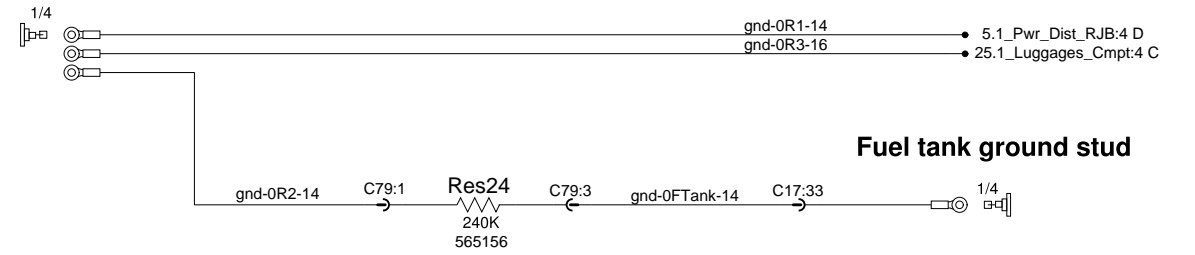
Front GND stud



Condensor cmpt. stud

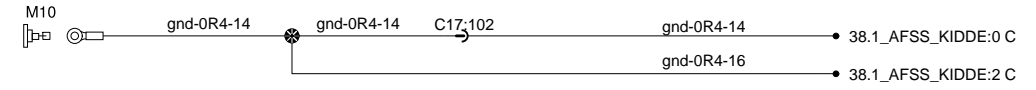


RJB stud

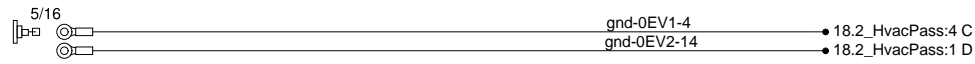


Fuel tank ground stud

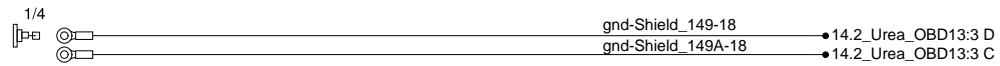
RJB Stud AFSS GND



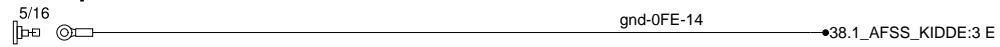
Evaporator cmpt. stud



Urea cmpt. stud



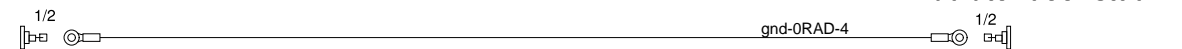
Located on the top of the luggage compartment



Rear_Seat

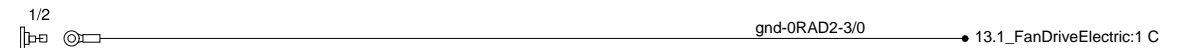


Front radiator stud

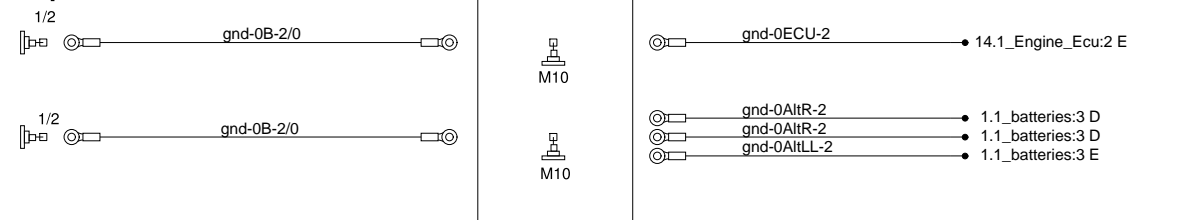


Radiator door stud

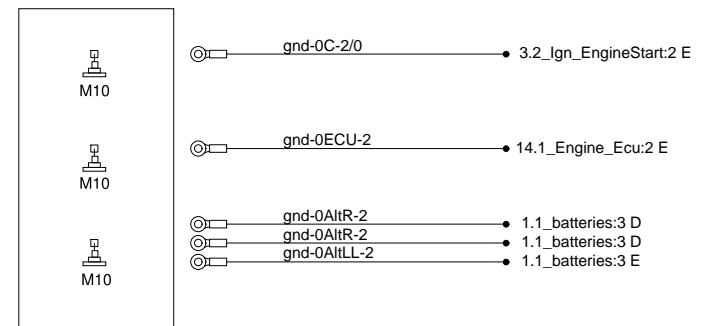
Rear radiator stud



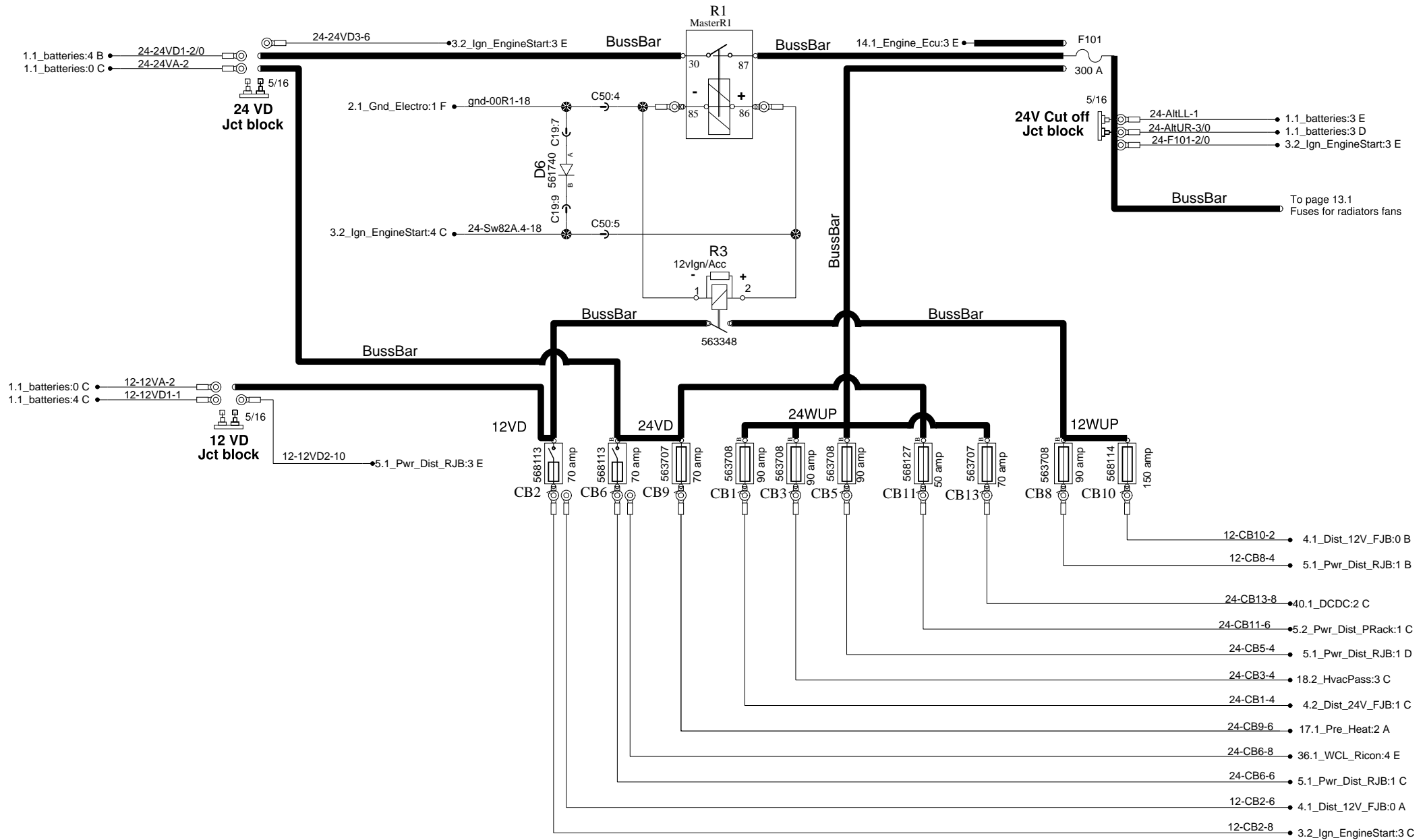
Engine cmpt. studs



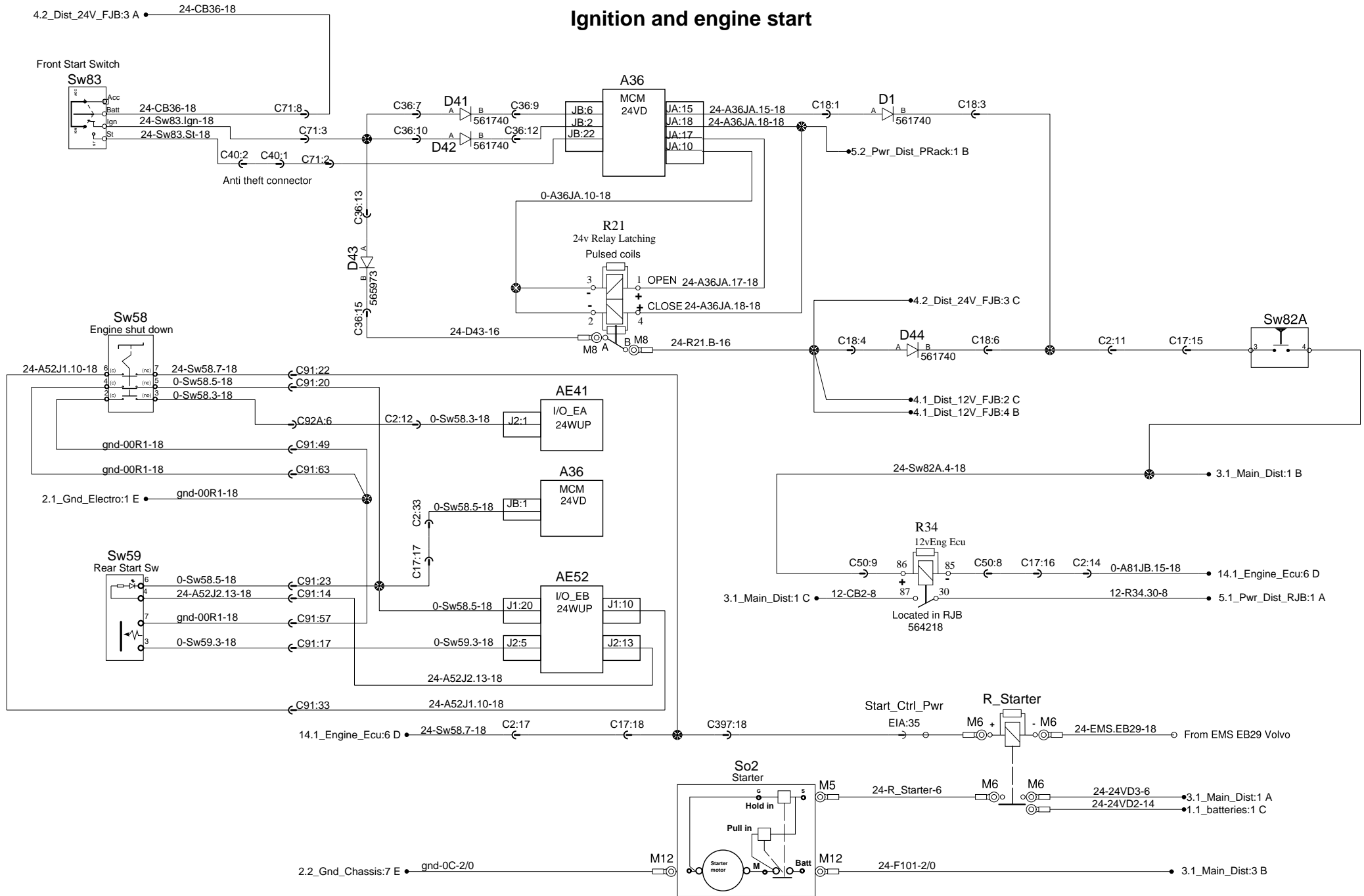
Engine studs



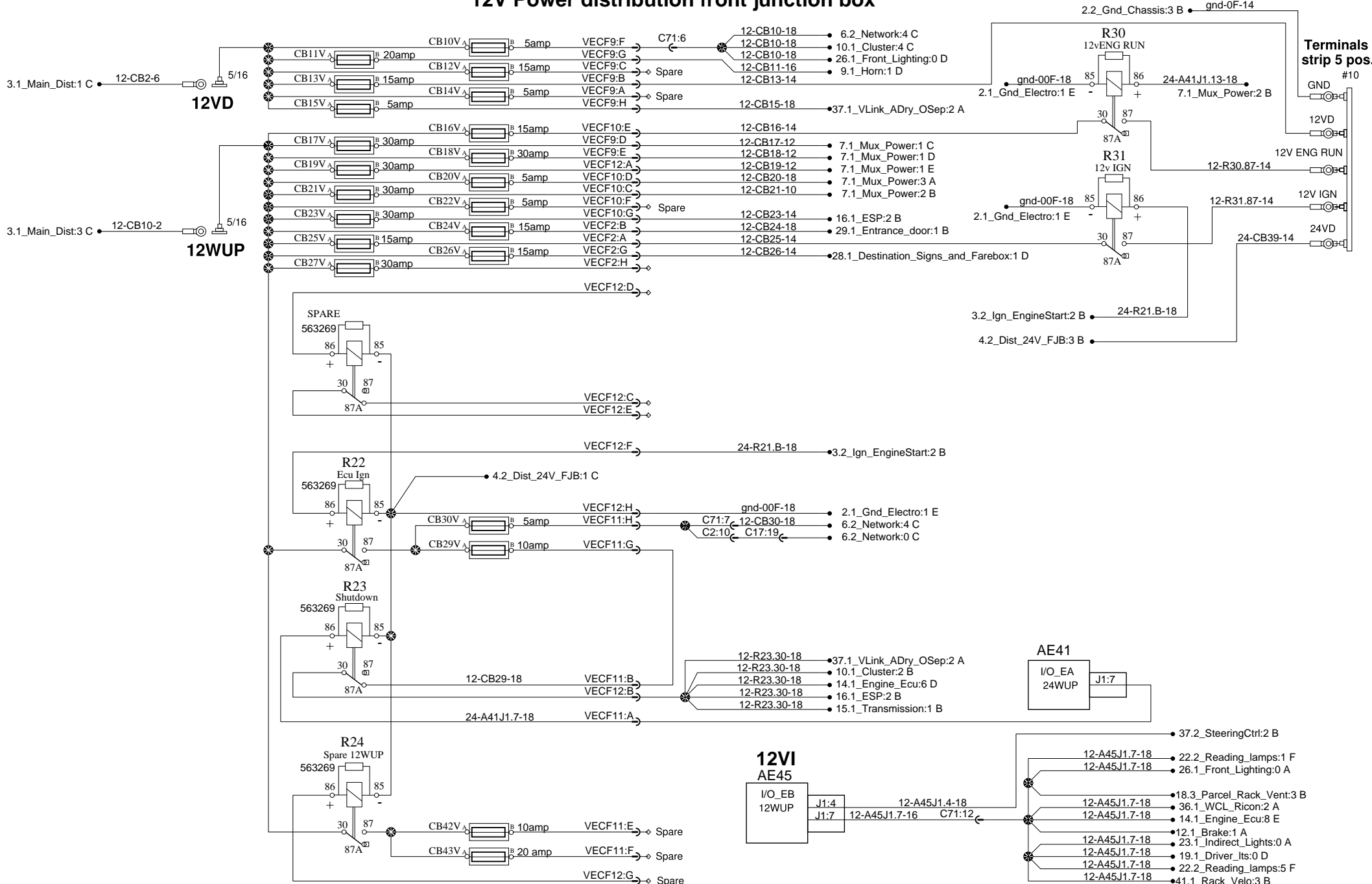
Main distribution batteries & ignition



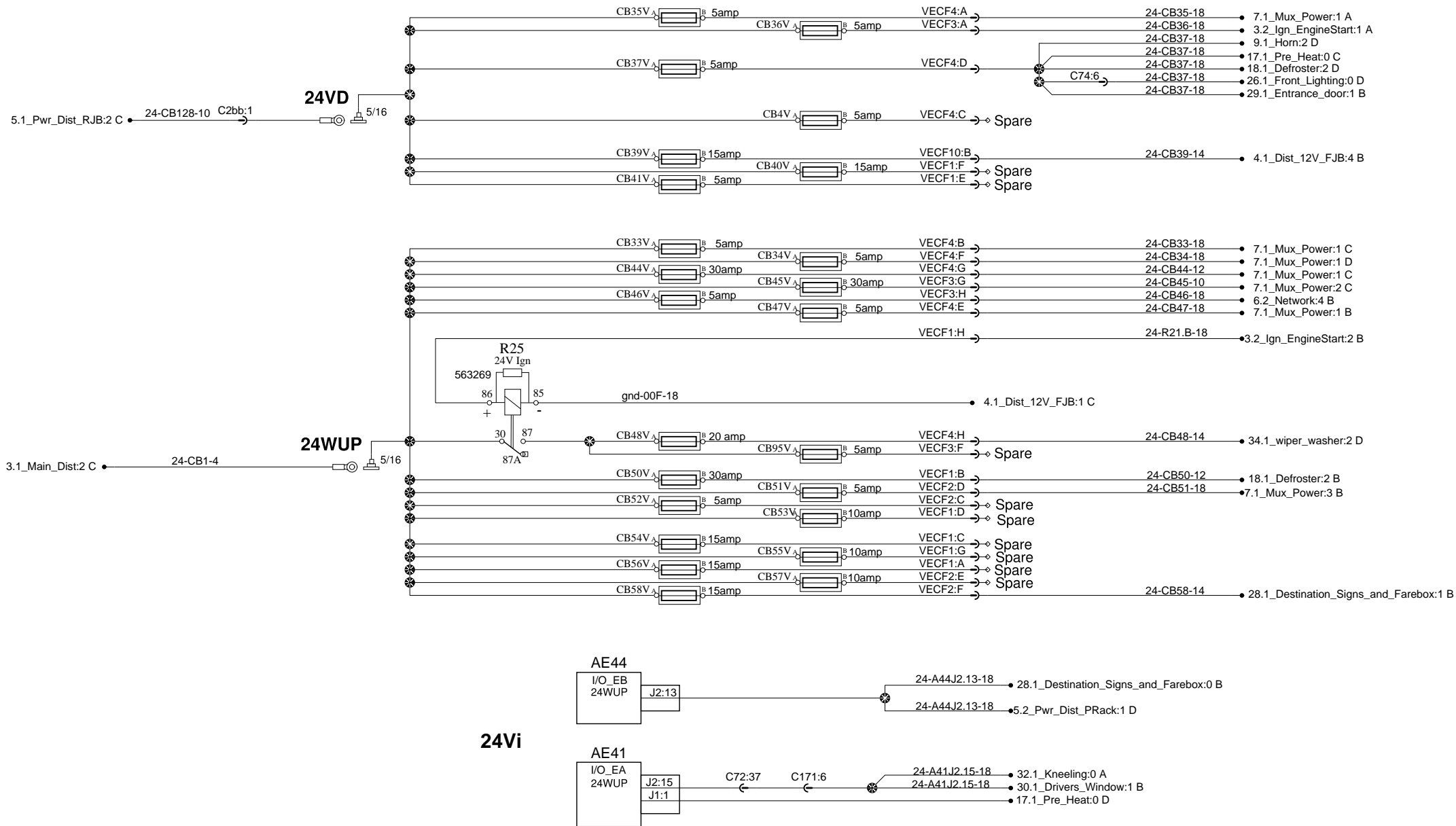
Ignition and engine start



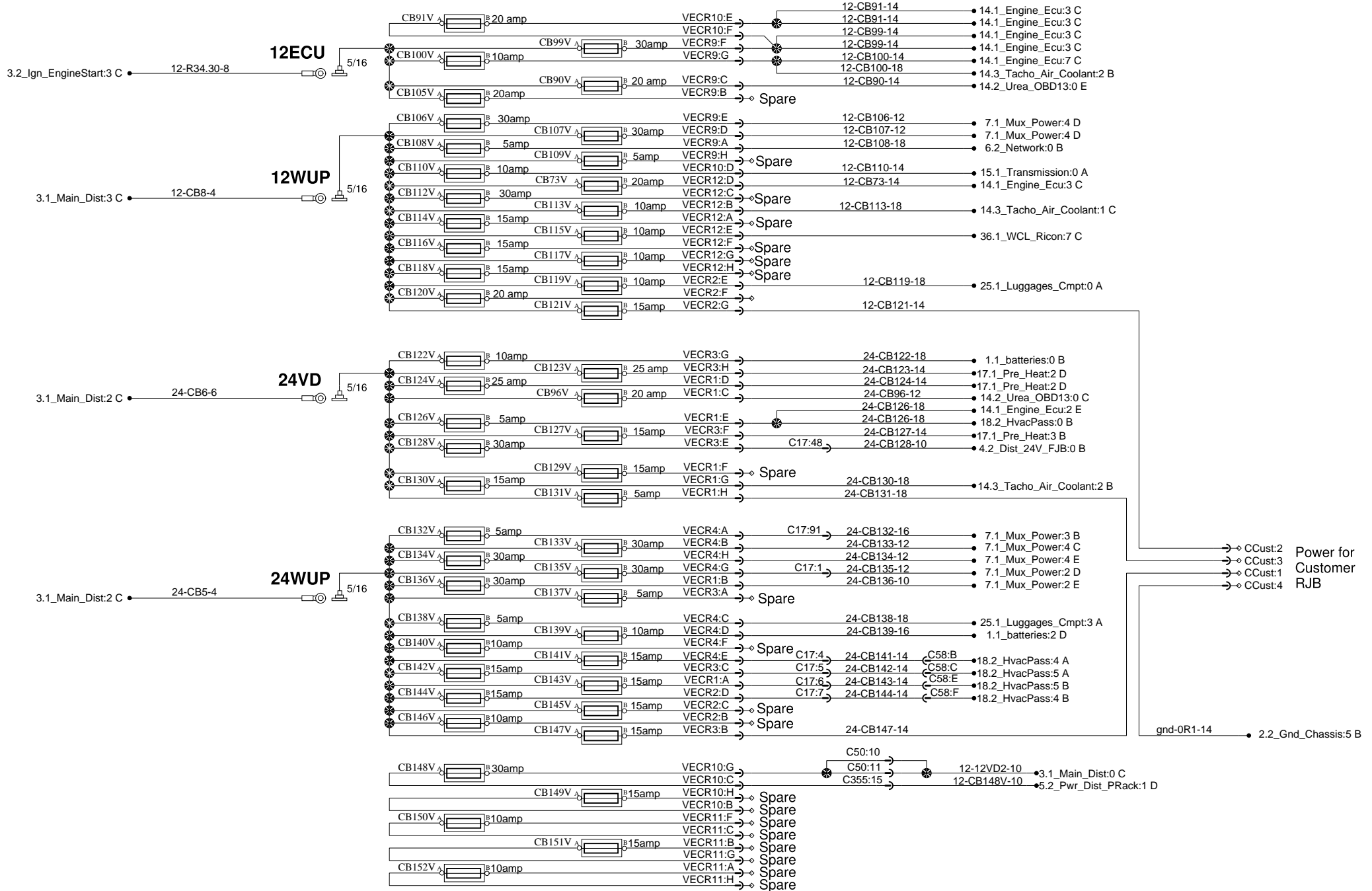
12V Power distribution front junction box



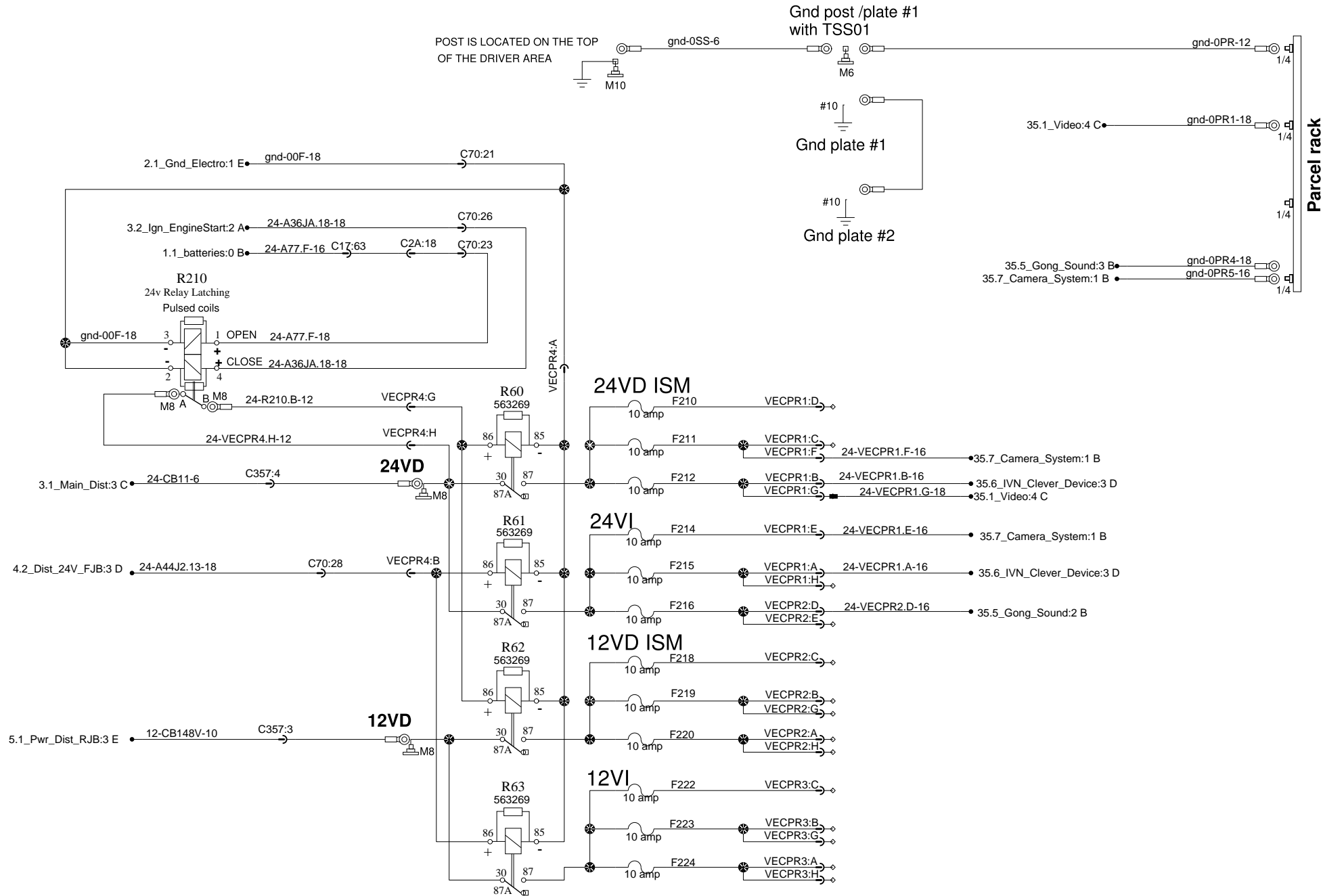
24V Power distribution front junction box



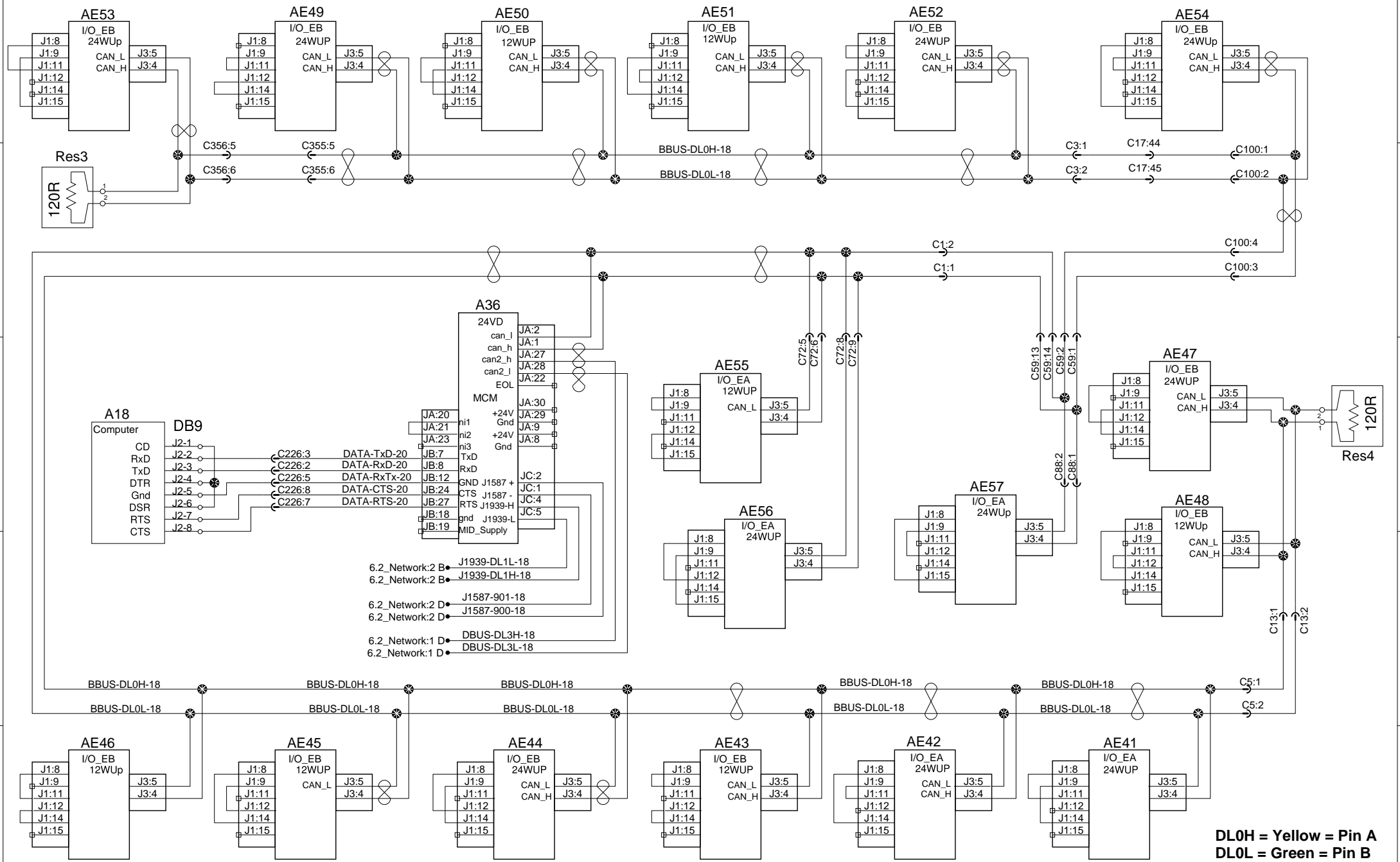
Power distribution rear junction box



Parcel Rack Power Distribution



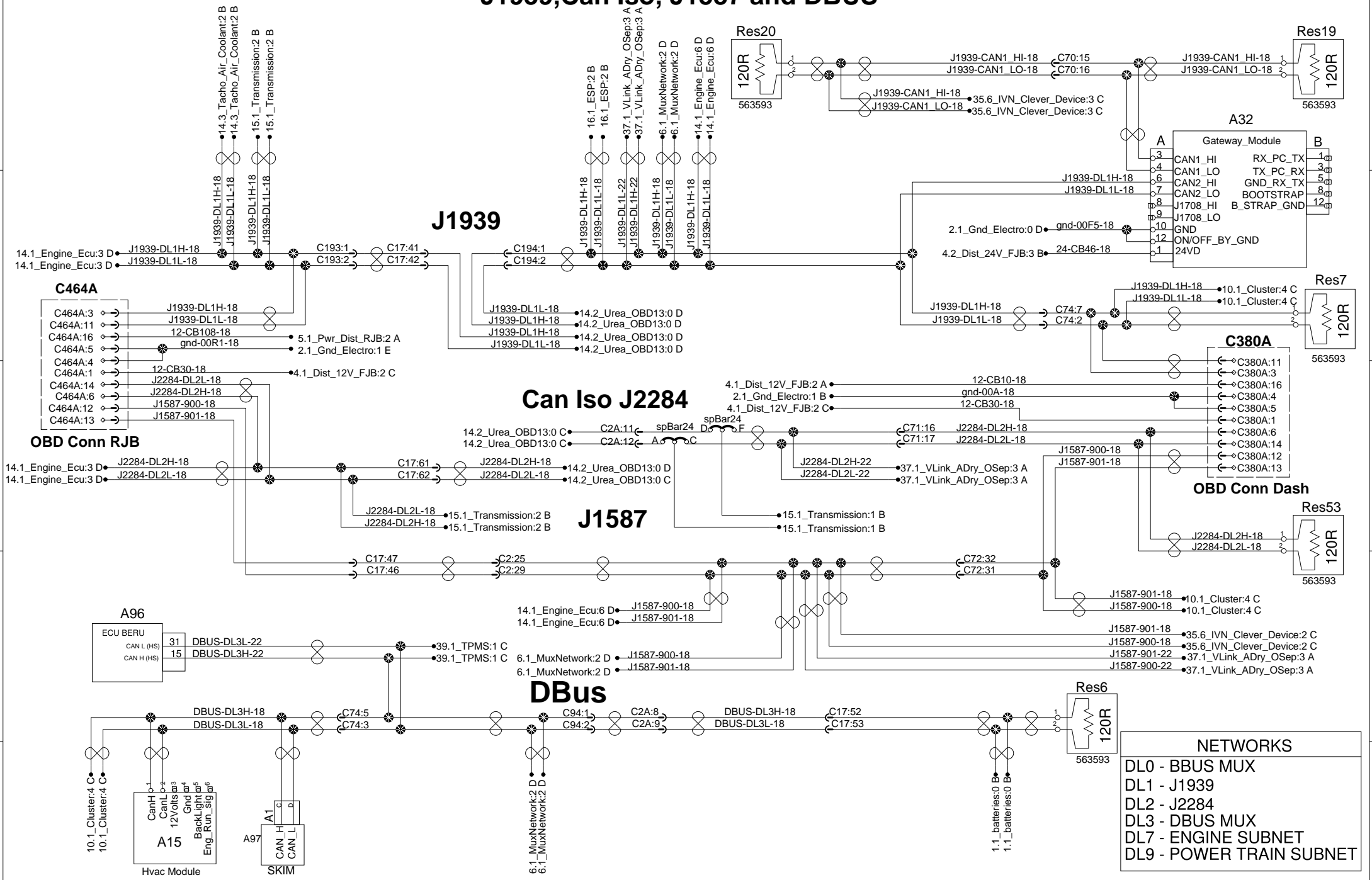
Multiplex Can, J1587 Network and Addressing



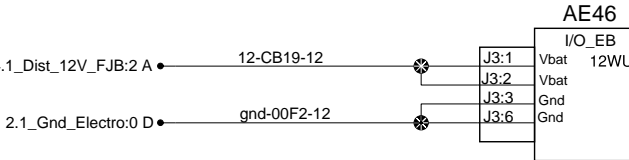
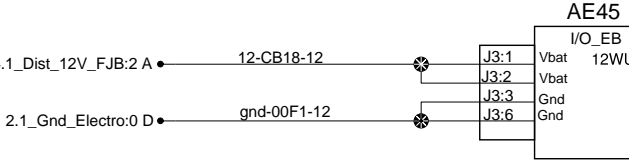
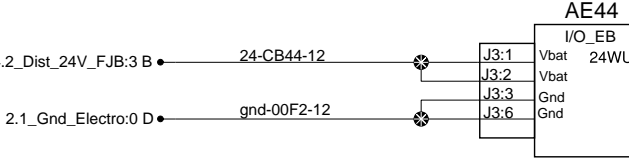
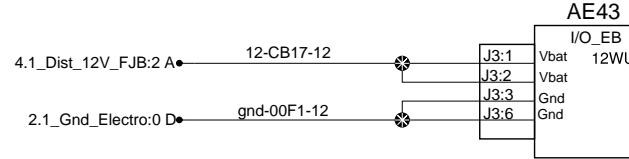
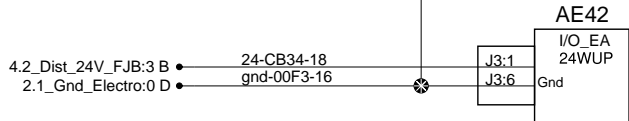
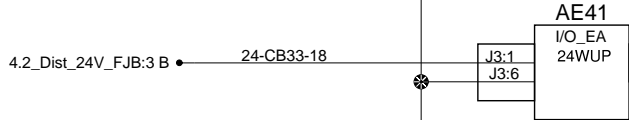
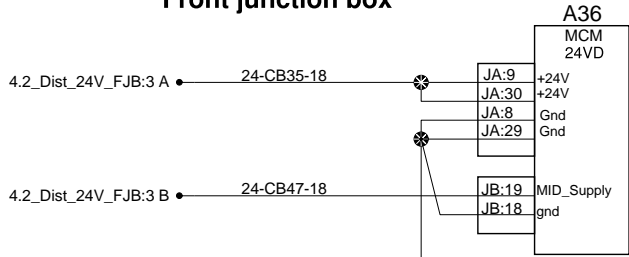
- 6.2_Network:2 B • J1939-DL1L-18
- 6.2_Network:2 B • J1939-DL1H-18
- 6.2_Network:2 D • J1587-901-18
- 6.2_Network:2 D • J1587-900-18
- 6.2_Network:1 D • DBUS-DL3H-18
- 6.2_Network:1 D • DBUS-DL3L-18

DL0H = Yellow = Pin A
DL0L = Green = Pin B

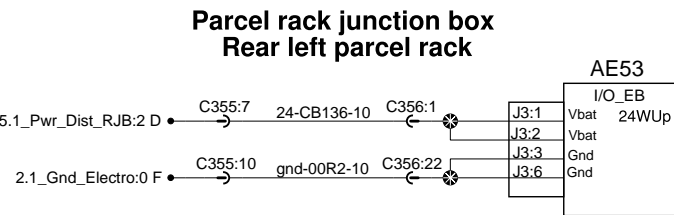
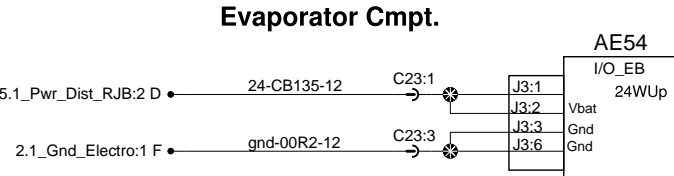
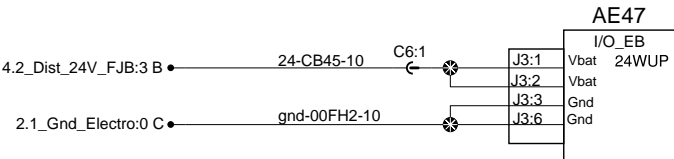
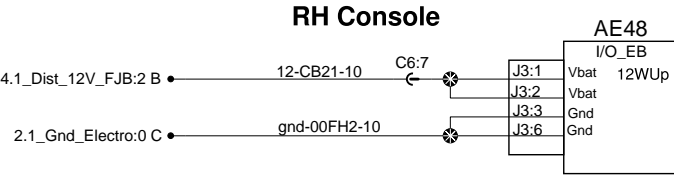
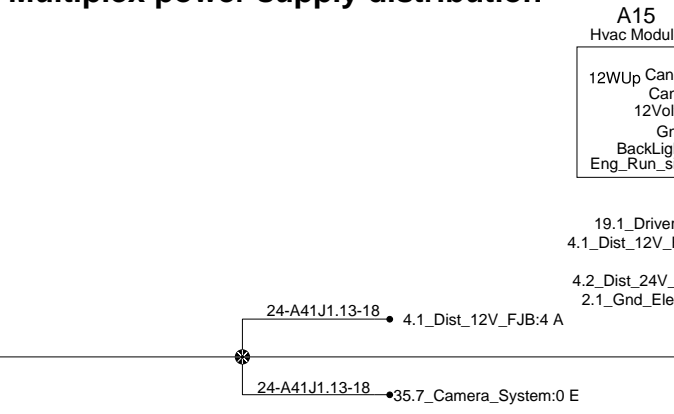
J1939, Can Iso, J1587 and DBUS



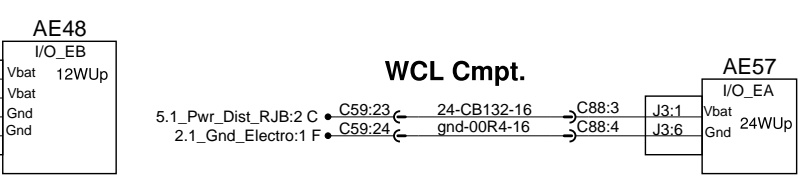
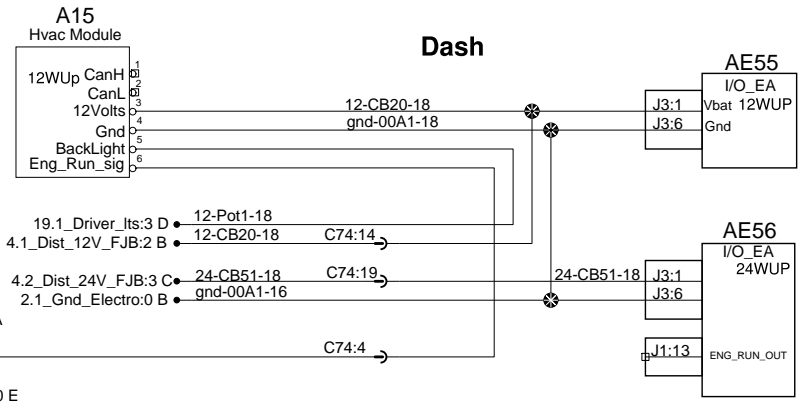
Front junction box



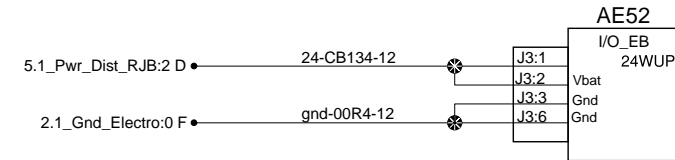
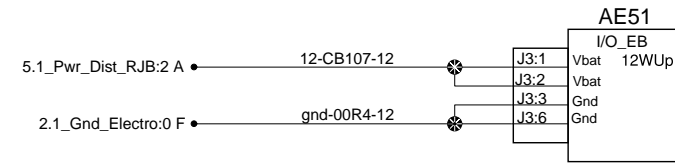
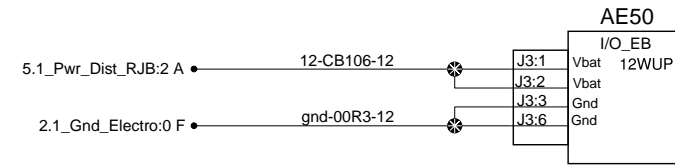
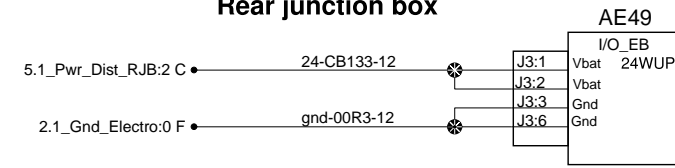
Multiplex power supply distribution



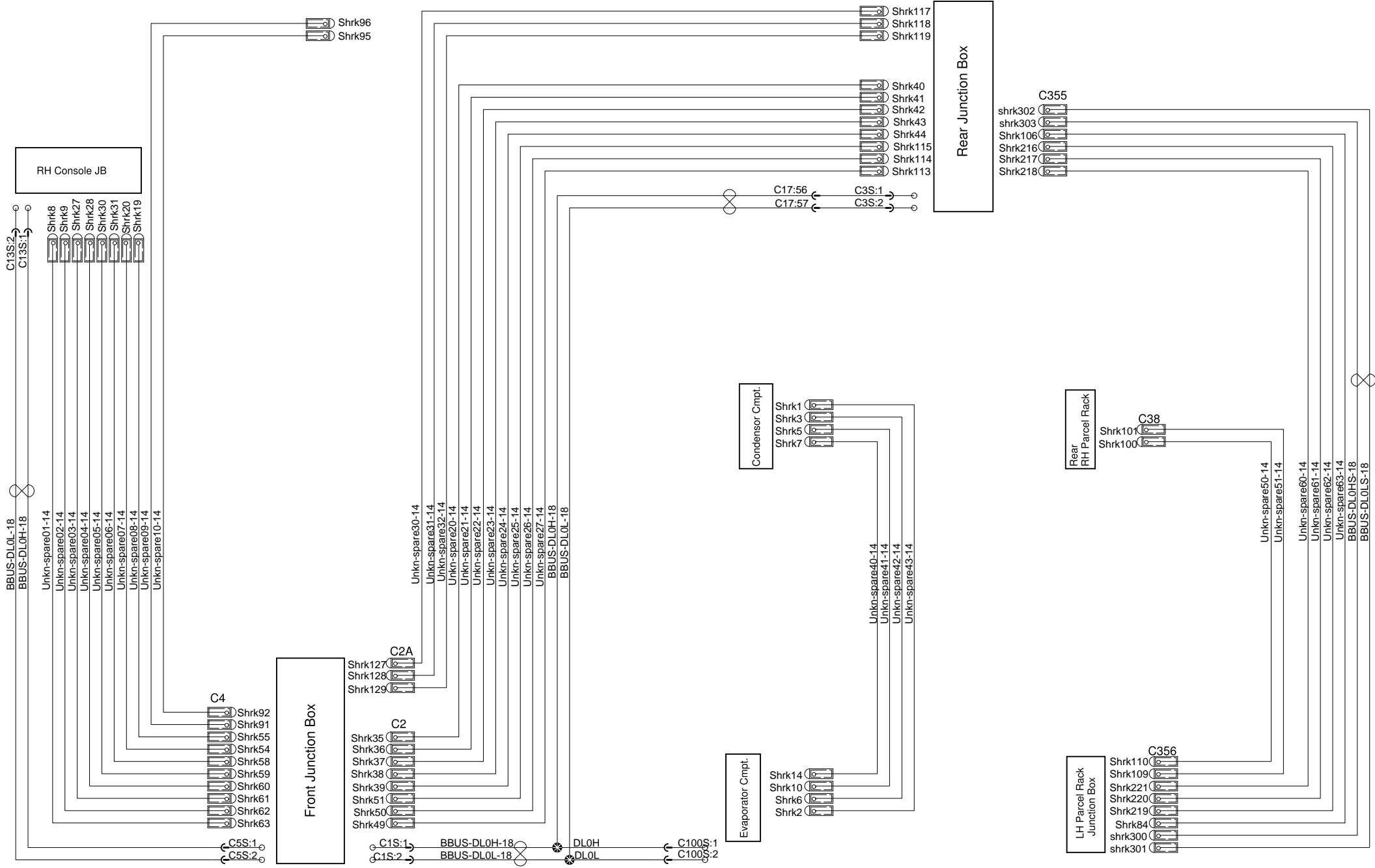
Dash



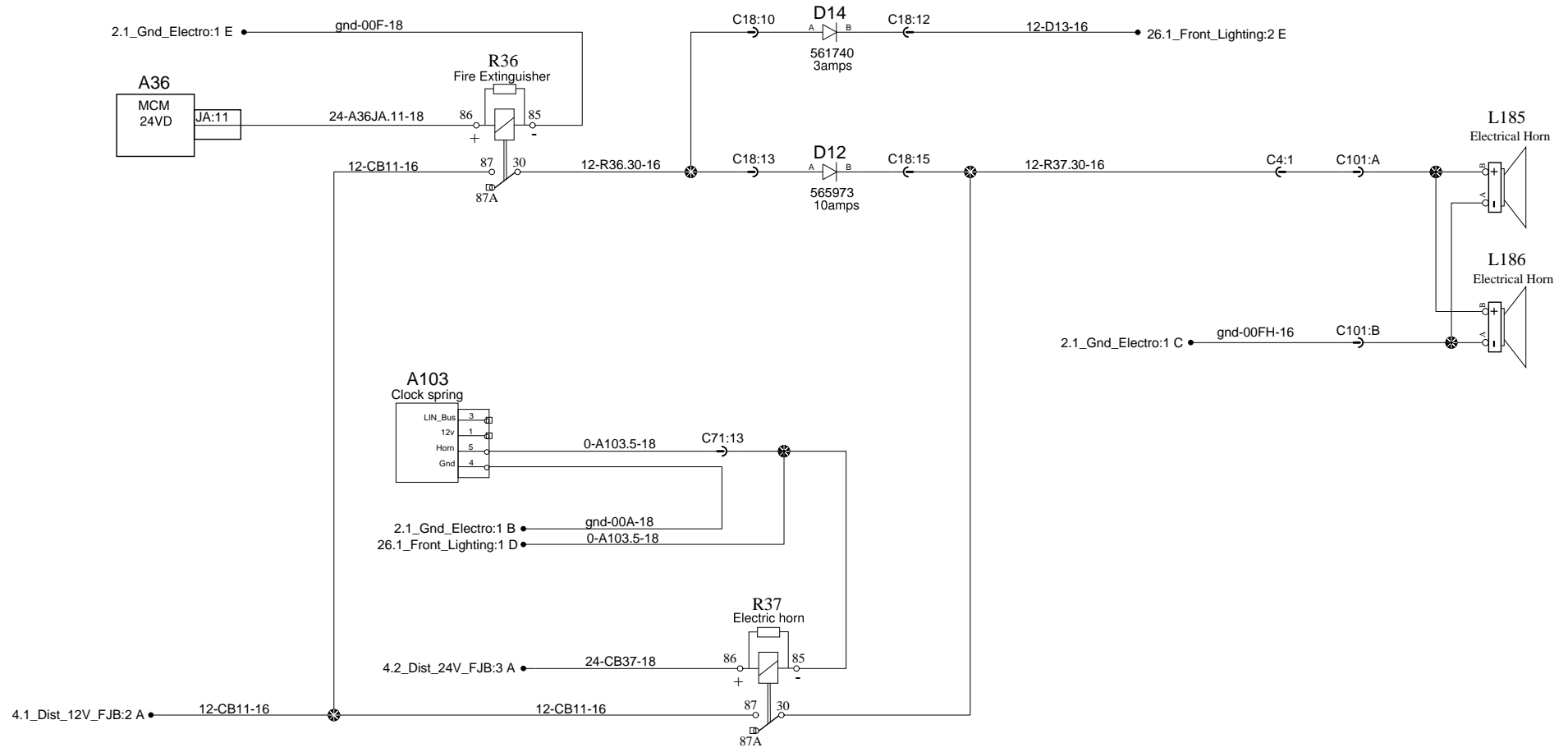
Rear junction box



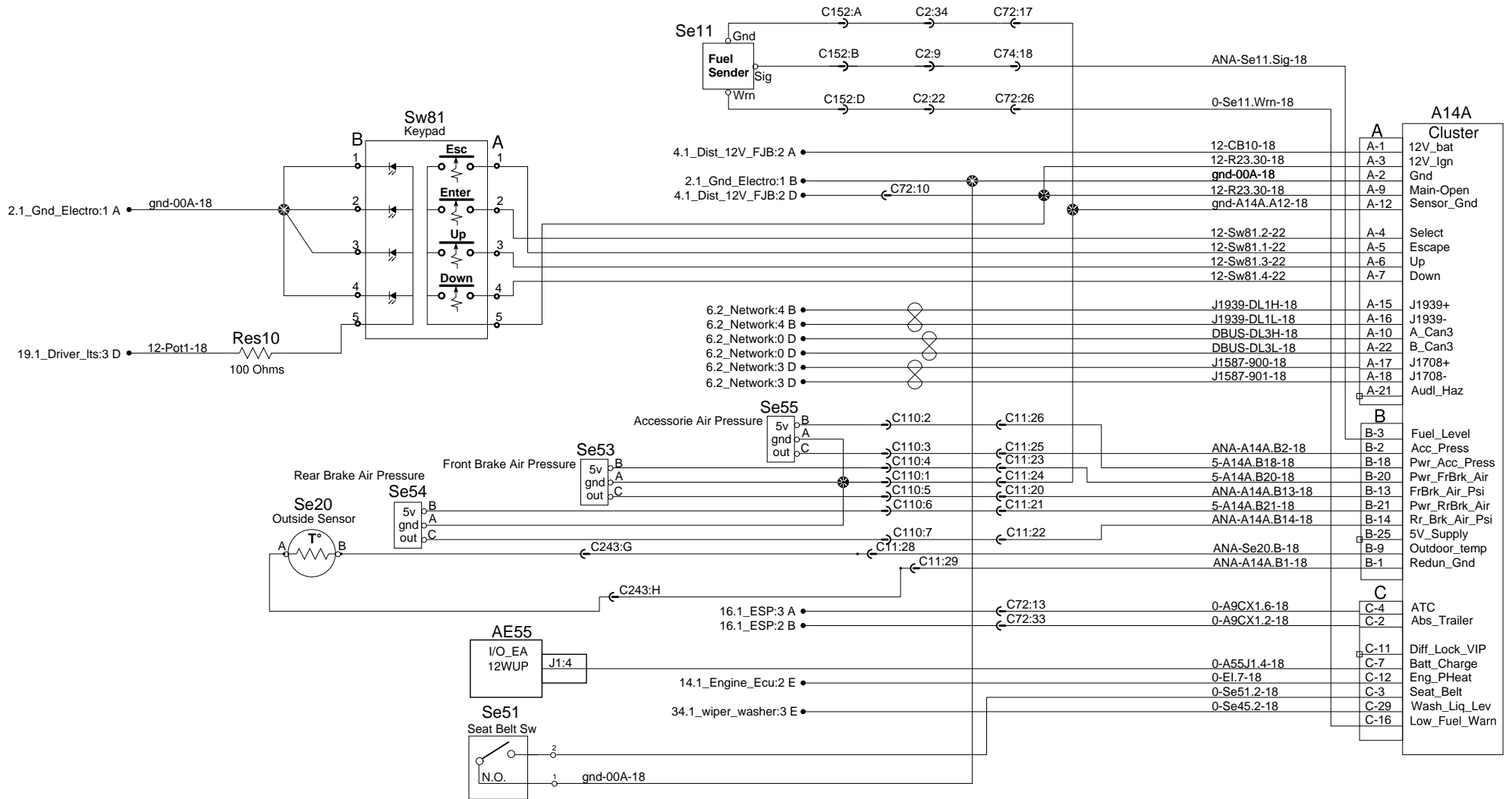
Spare Wires



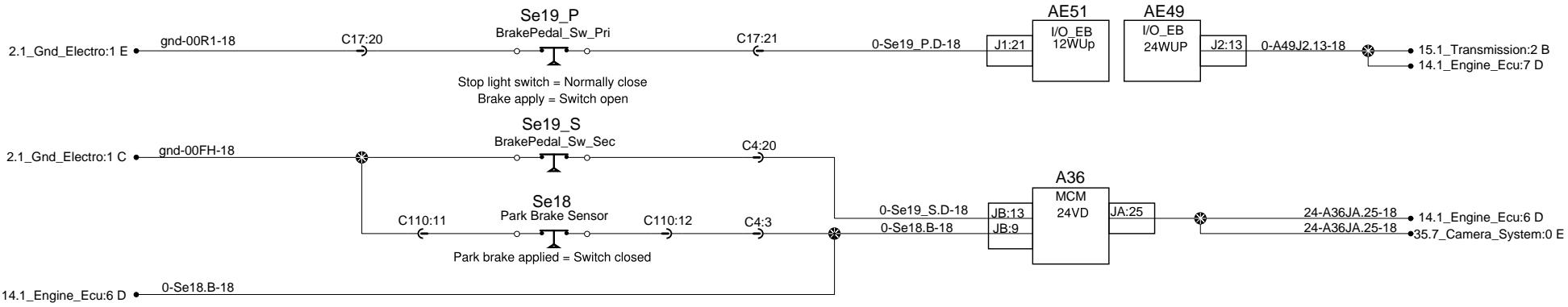
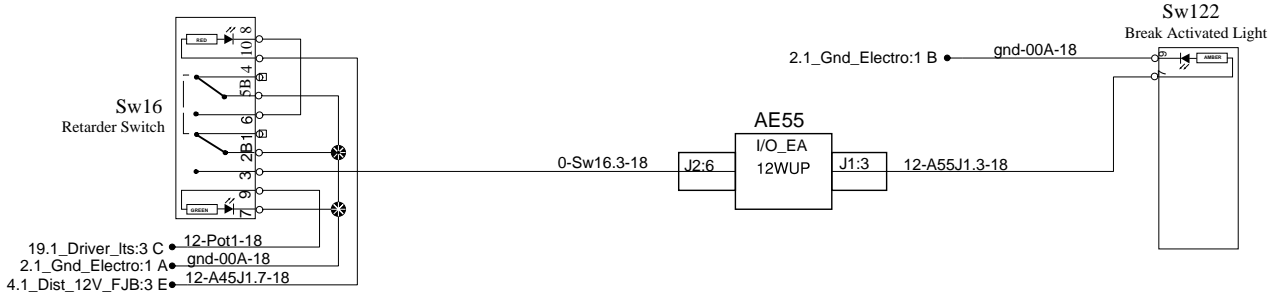
Horn



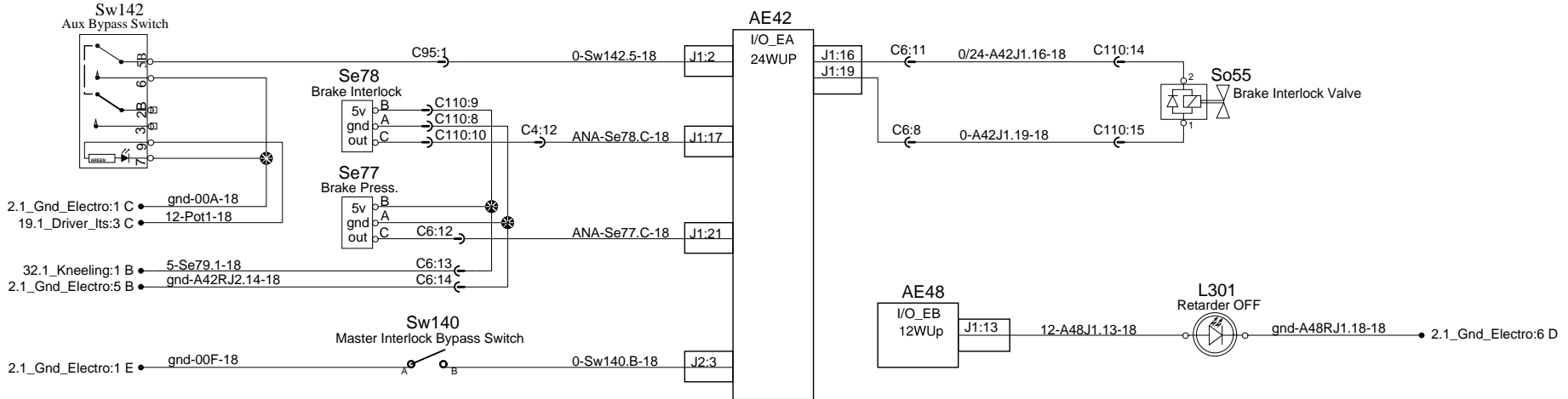
Cluster



Brake, Brake interlock and Retarder

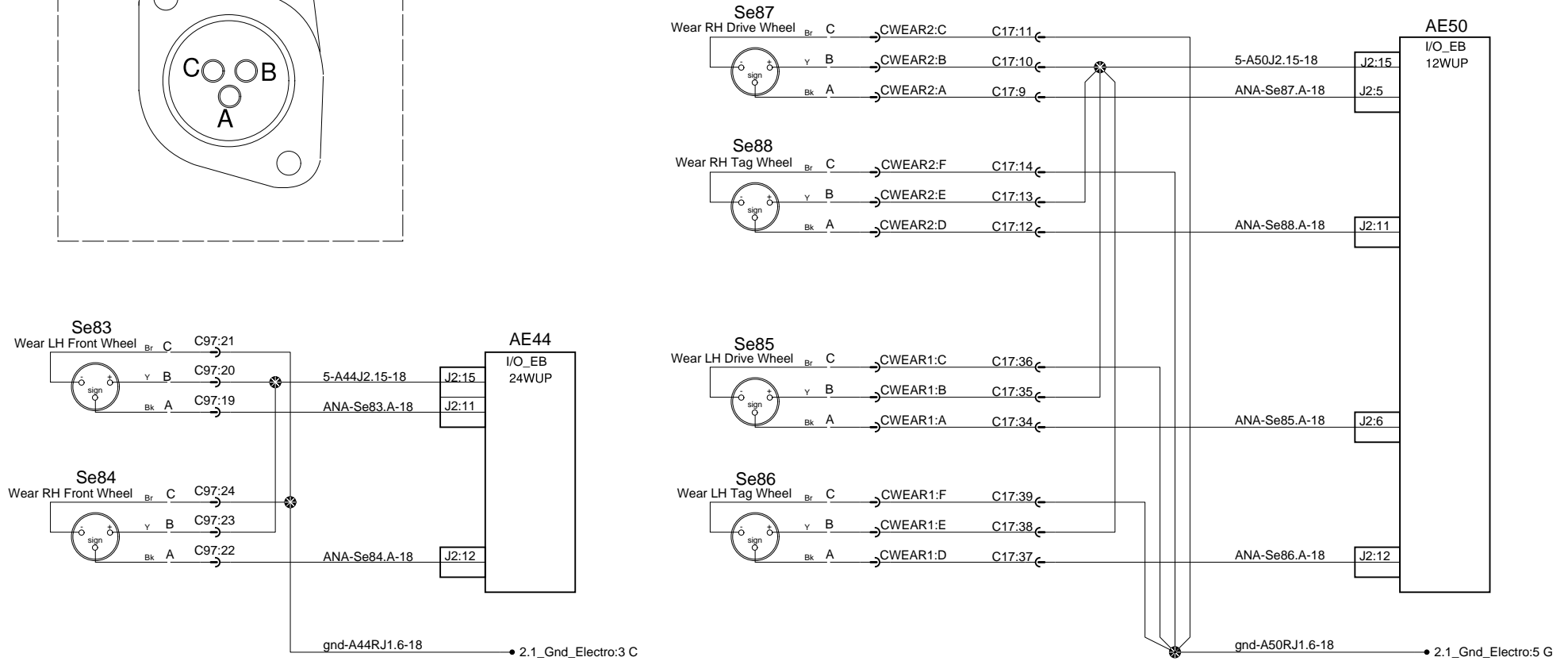
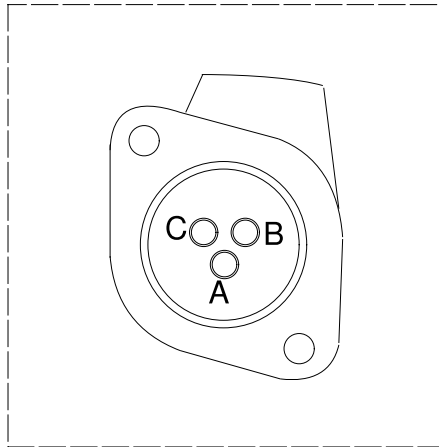


Brake interlock

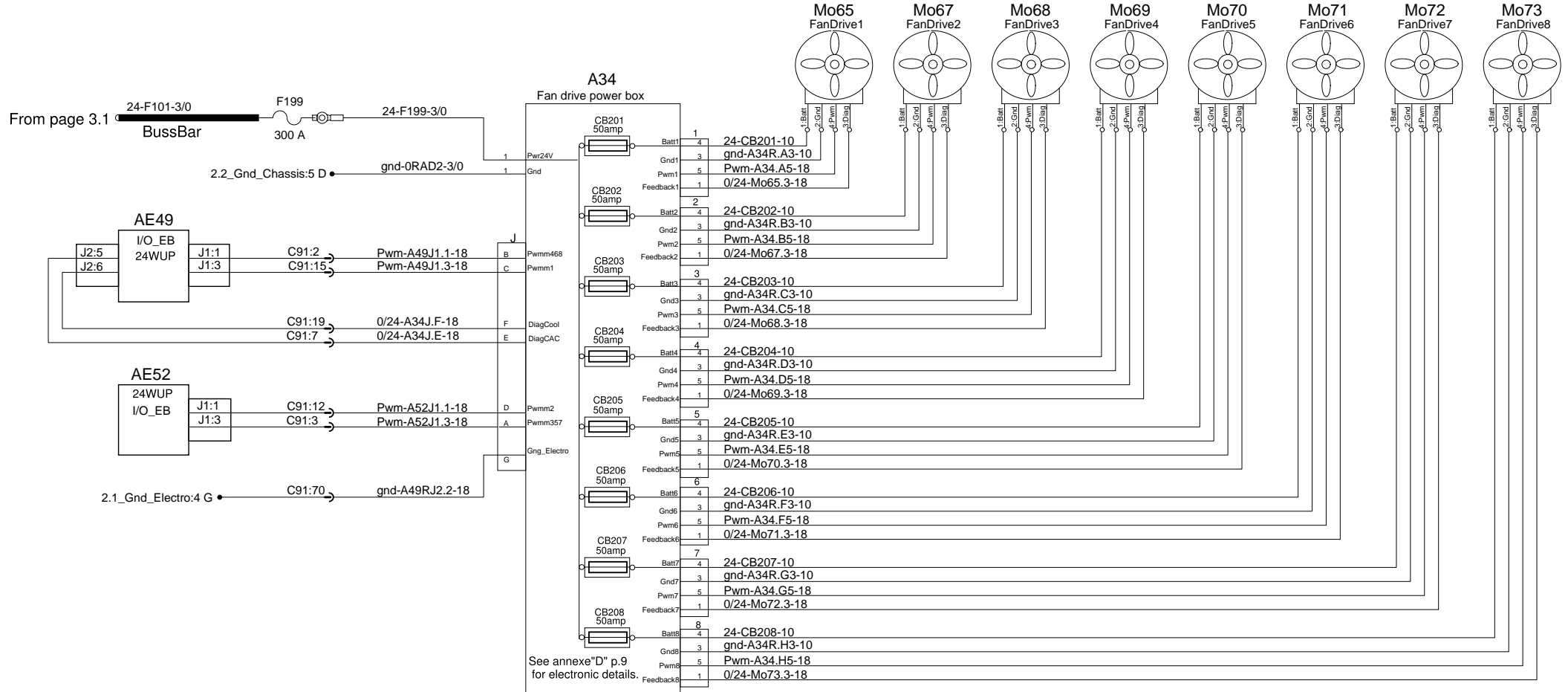


Brake wear sensors

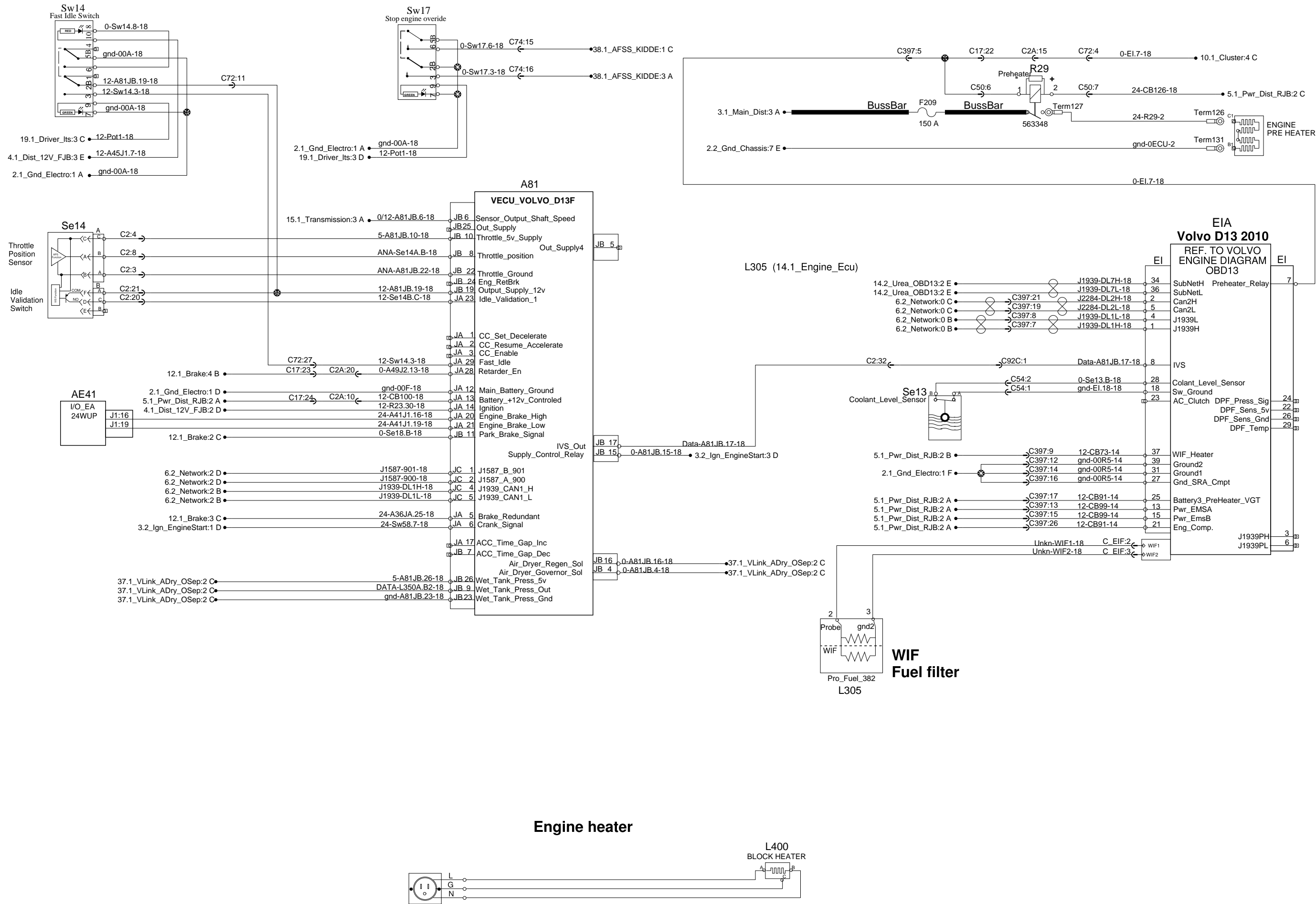
Wear sensor detail

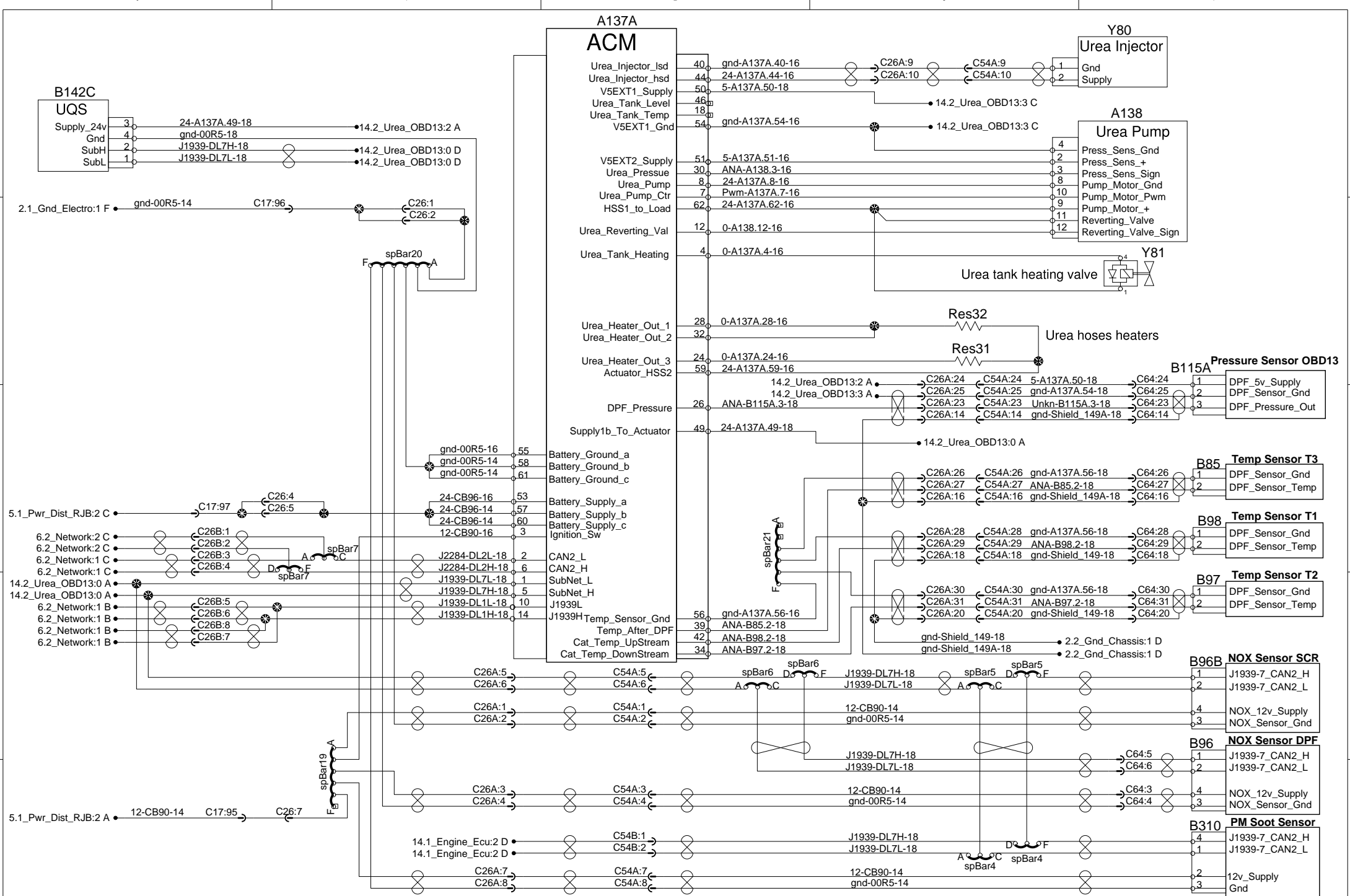


Electric fans drive

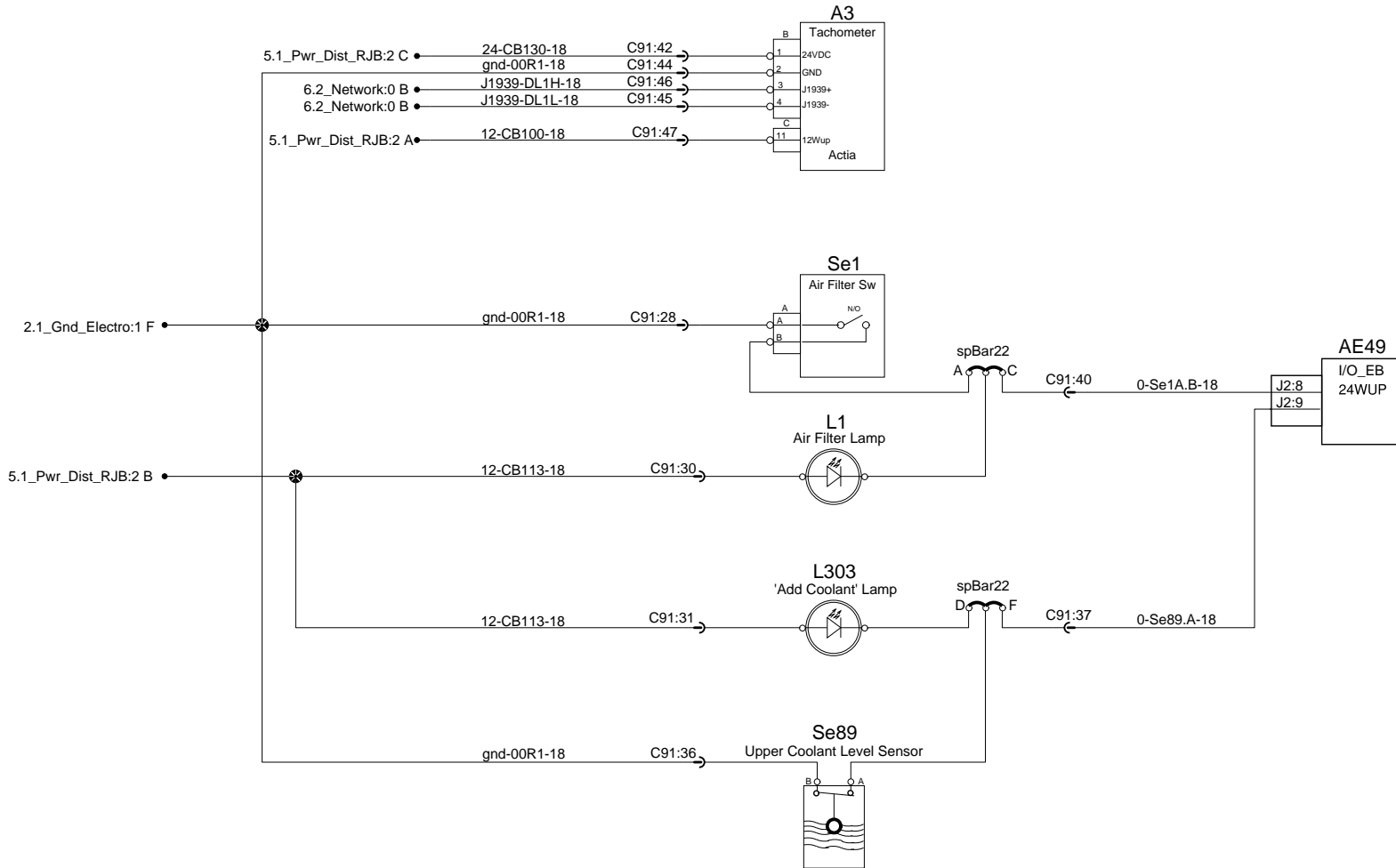


Engine ECU Volvo

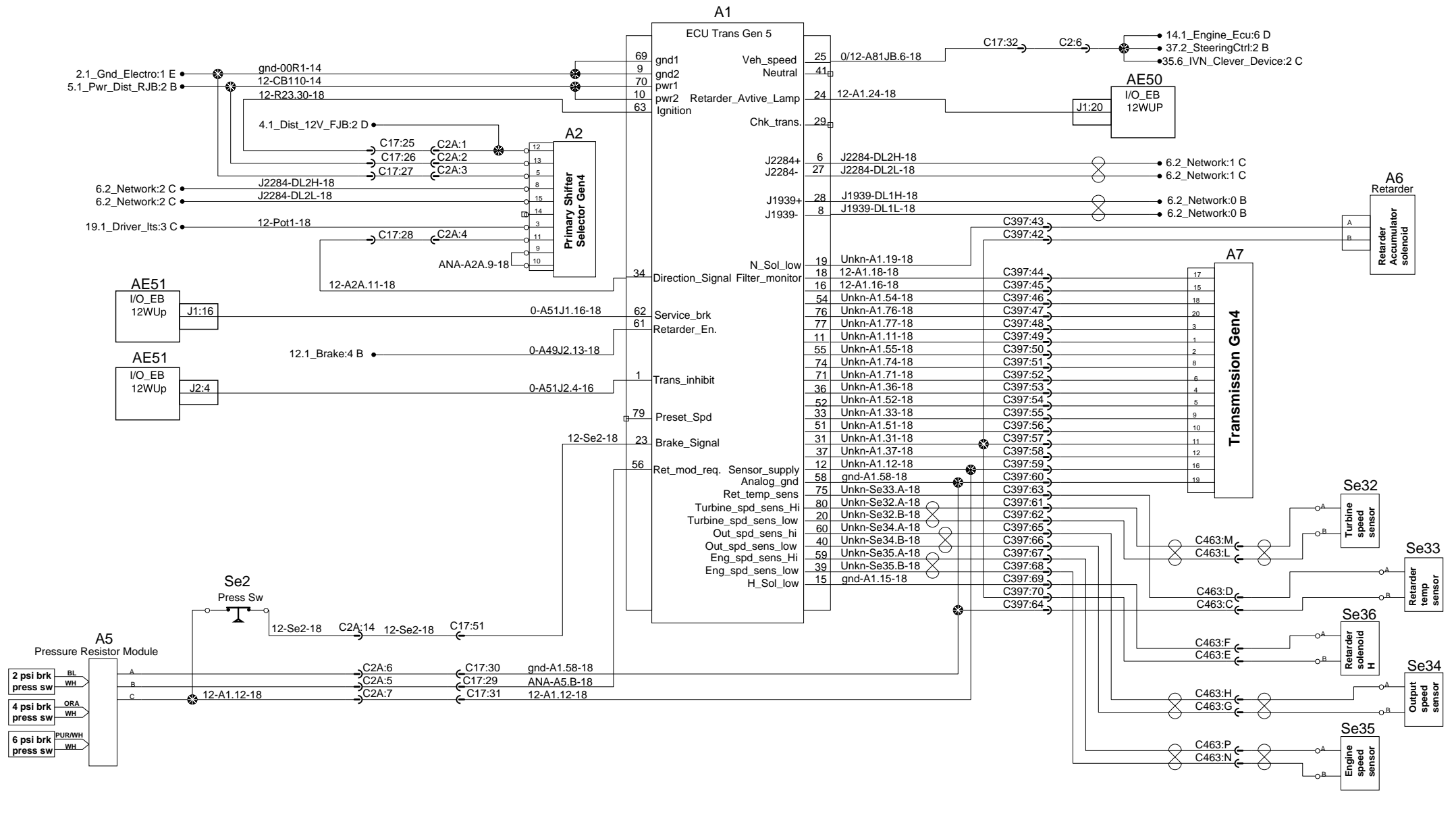




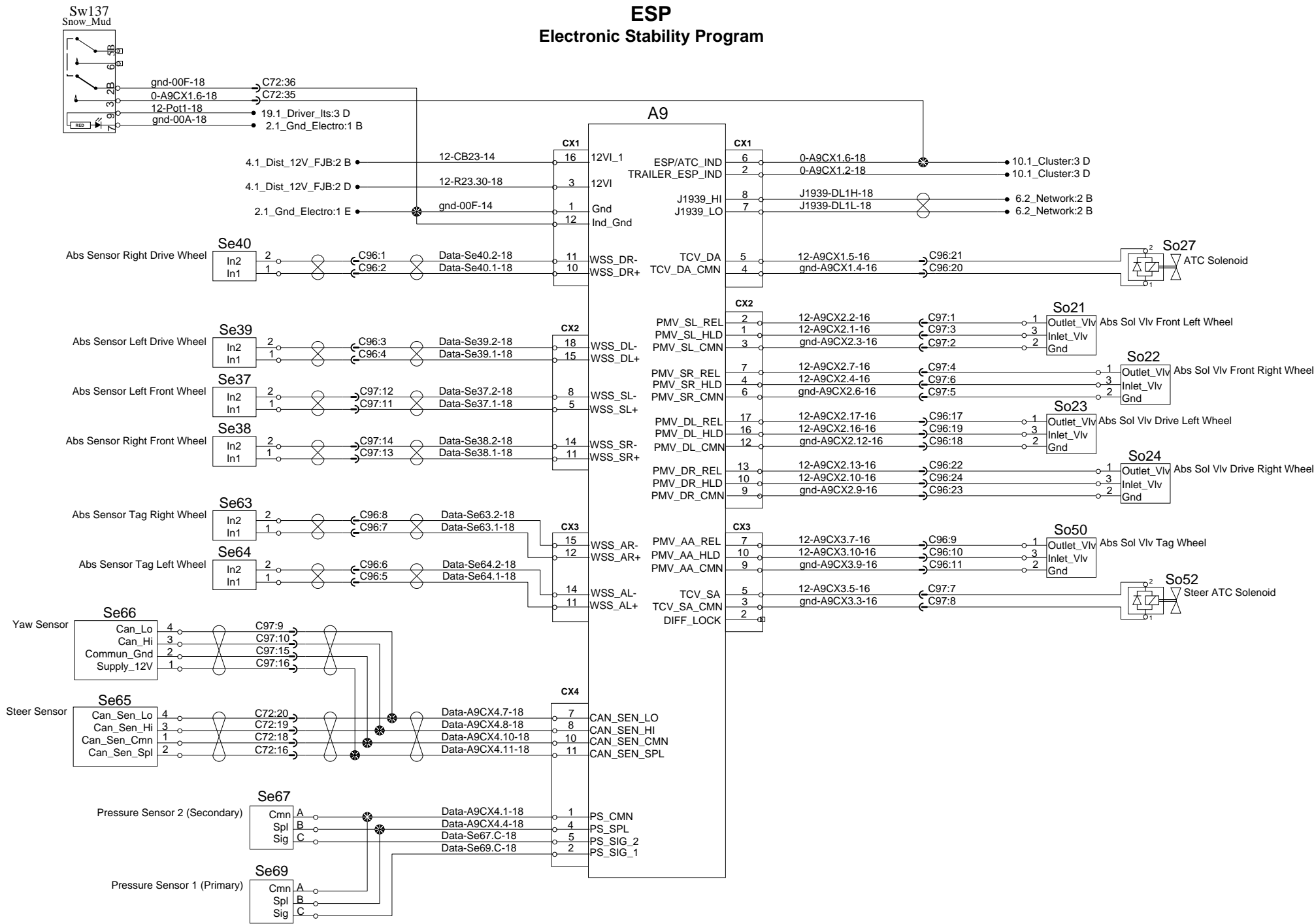
Rear tachometer - Air filter LED - Coolant level LED - Pro_Fuel



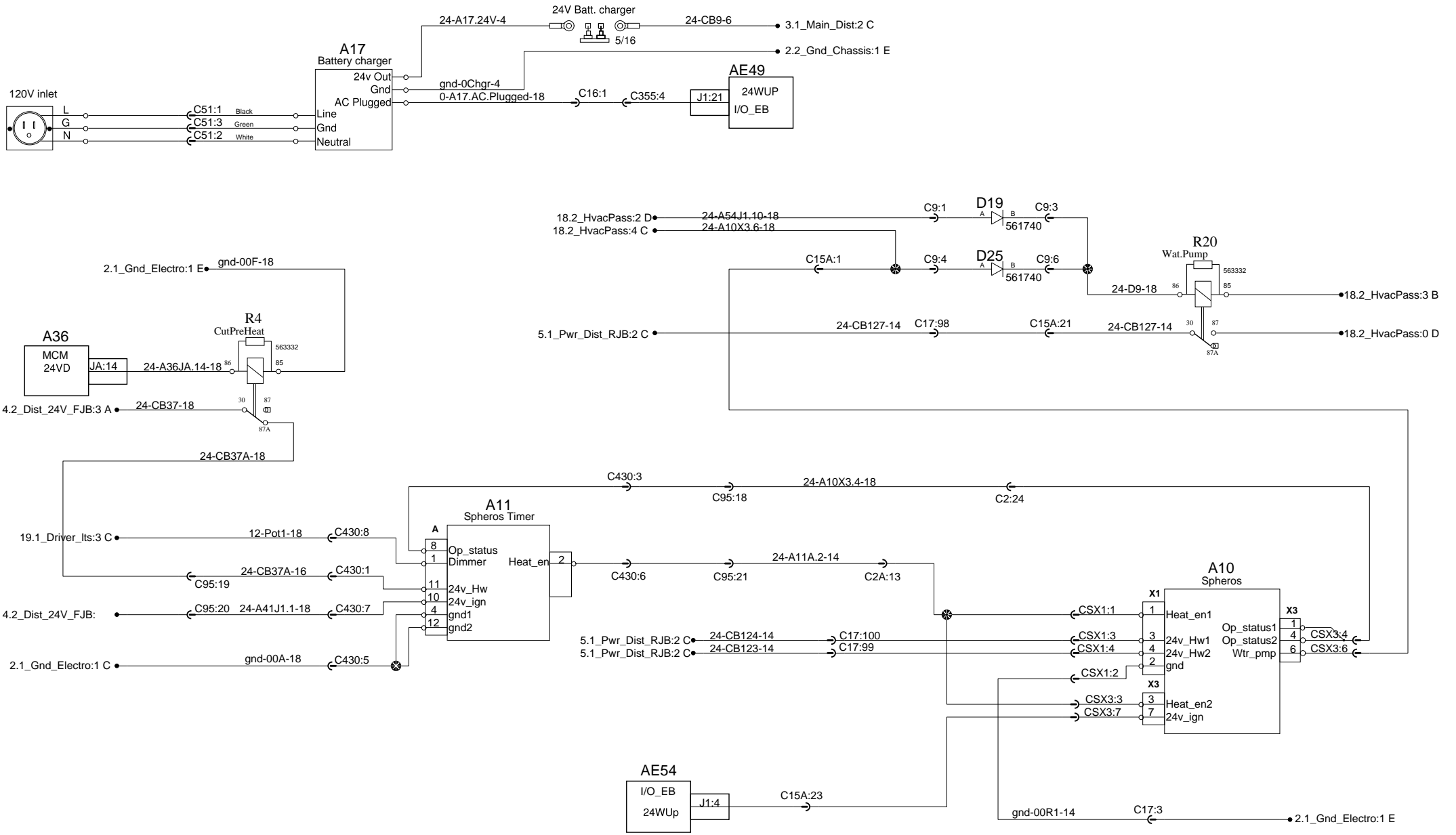
Transmission Alisson Gen 5



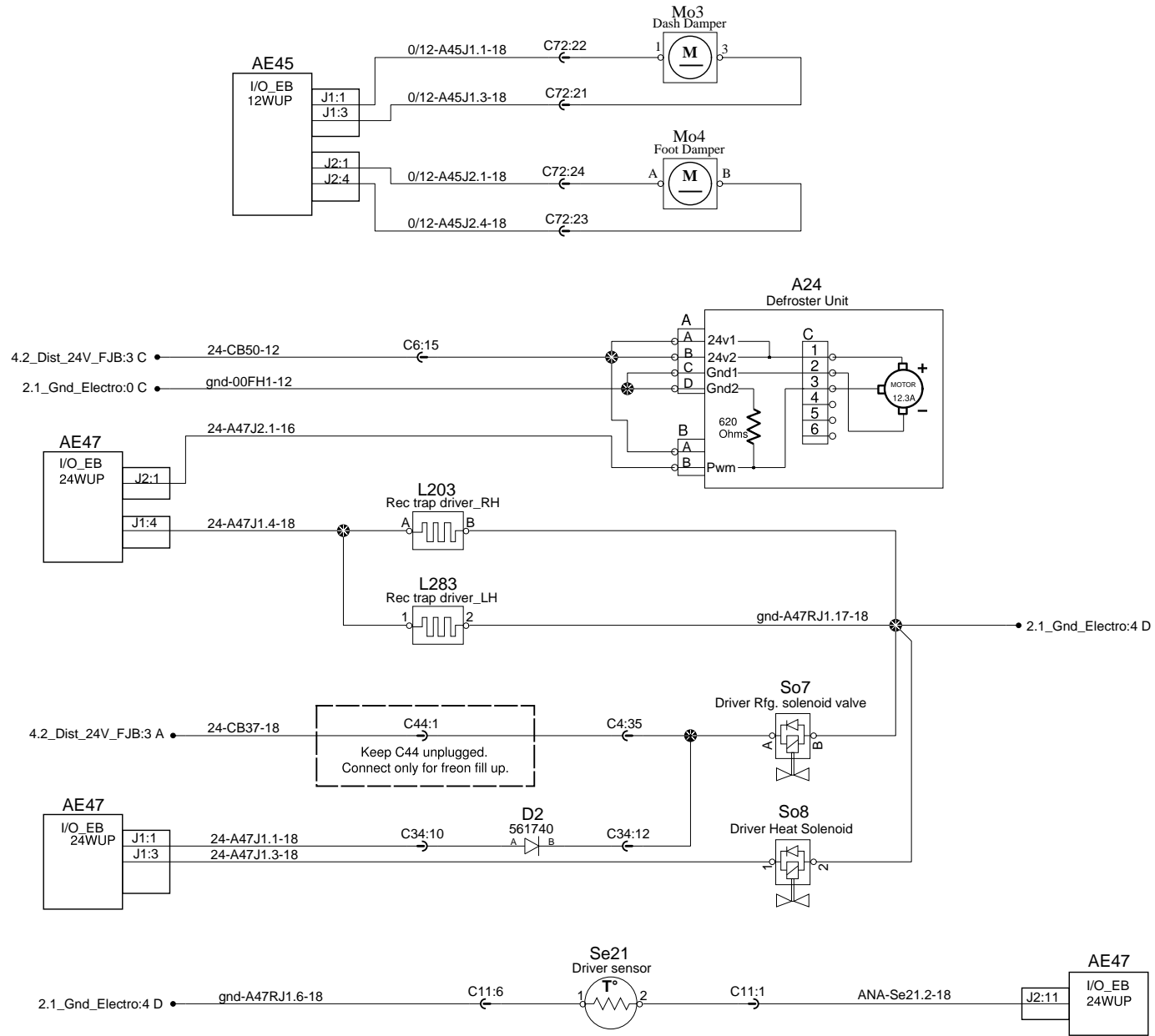
ESP Electronic Stability Program



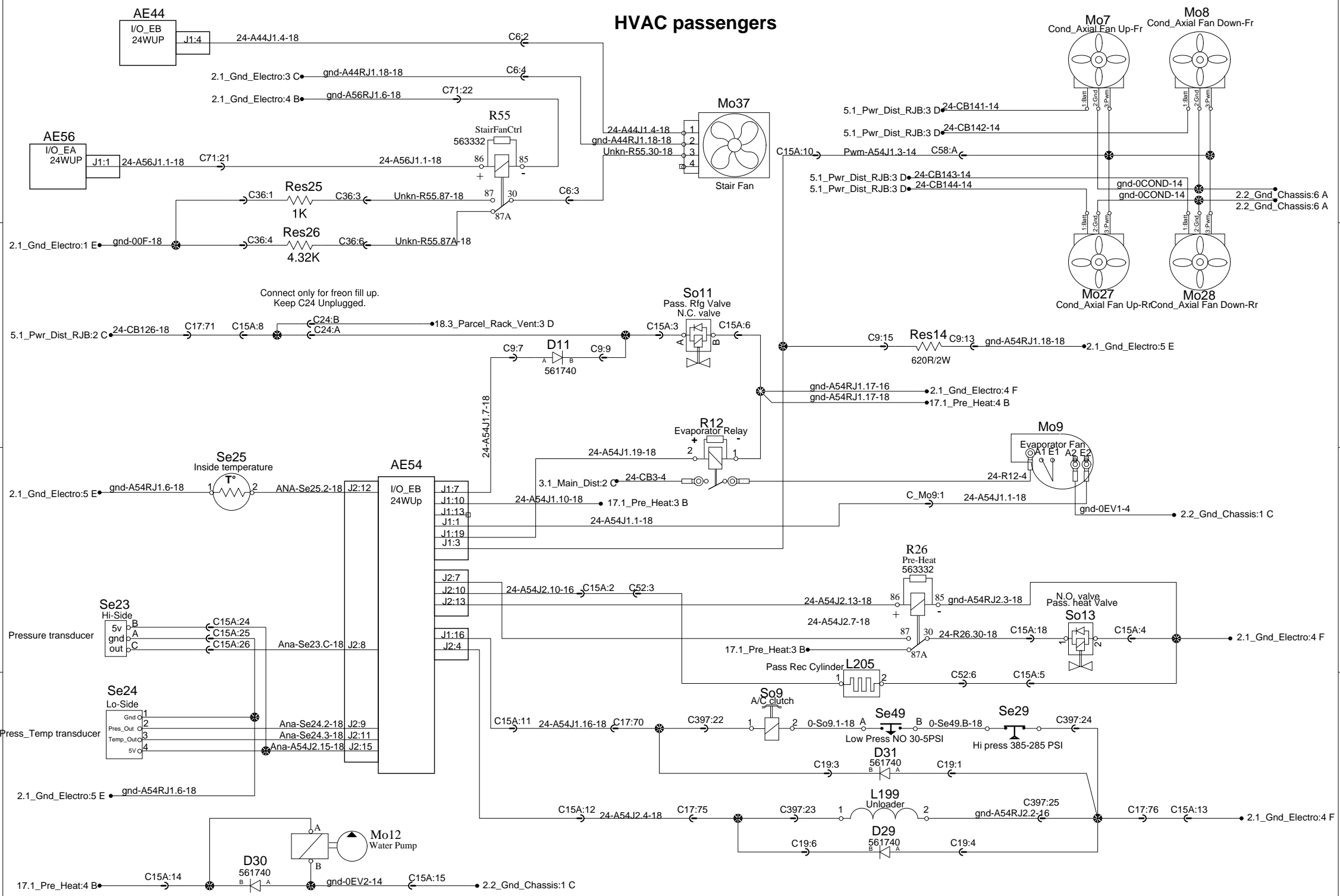
Battery charger



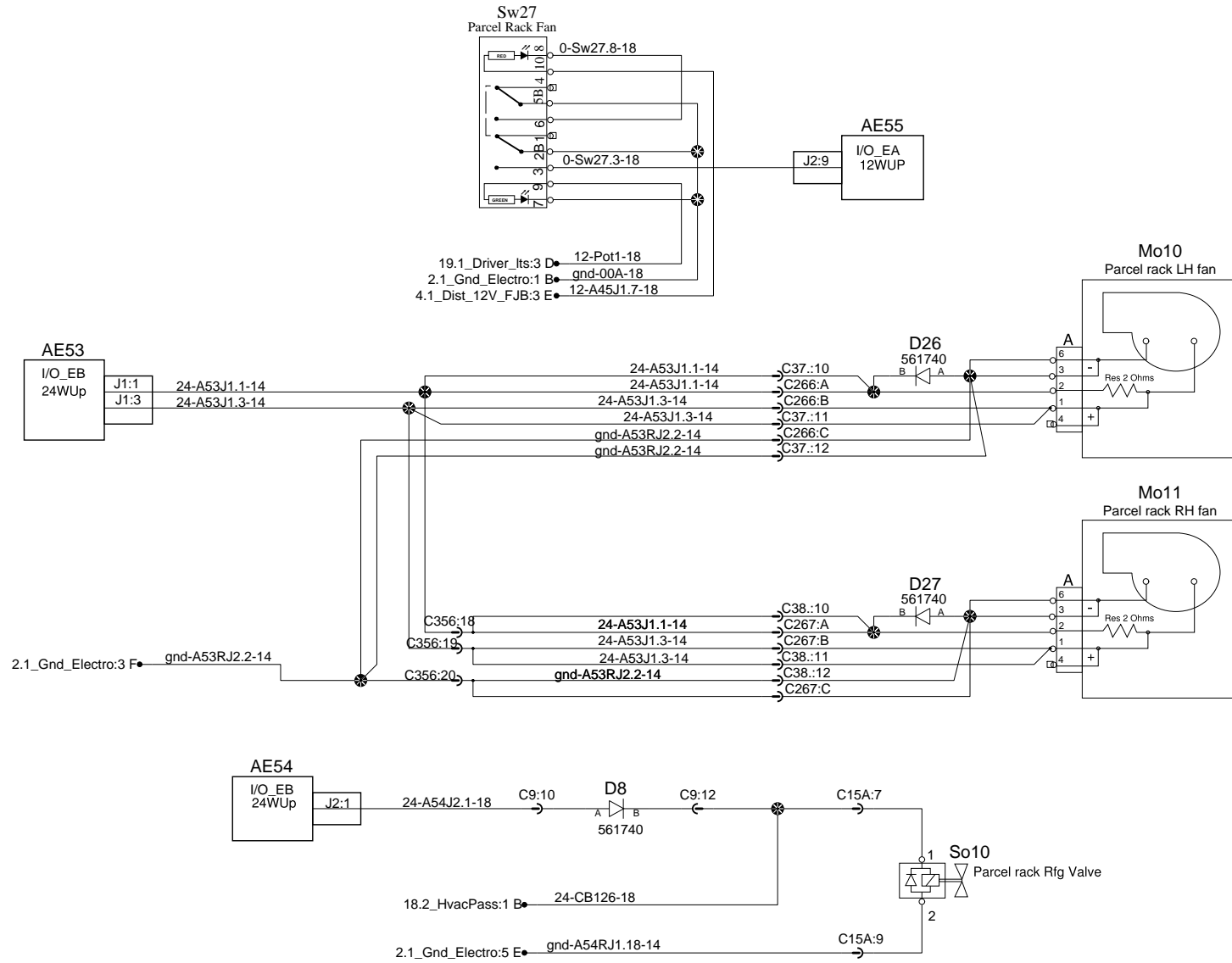
Hvac defroster



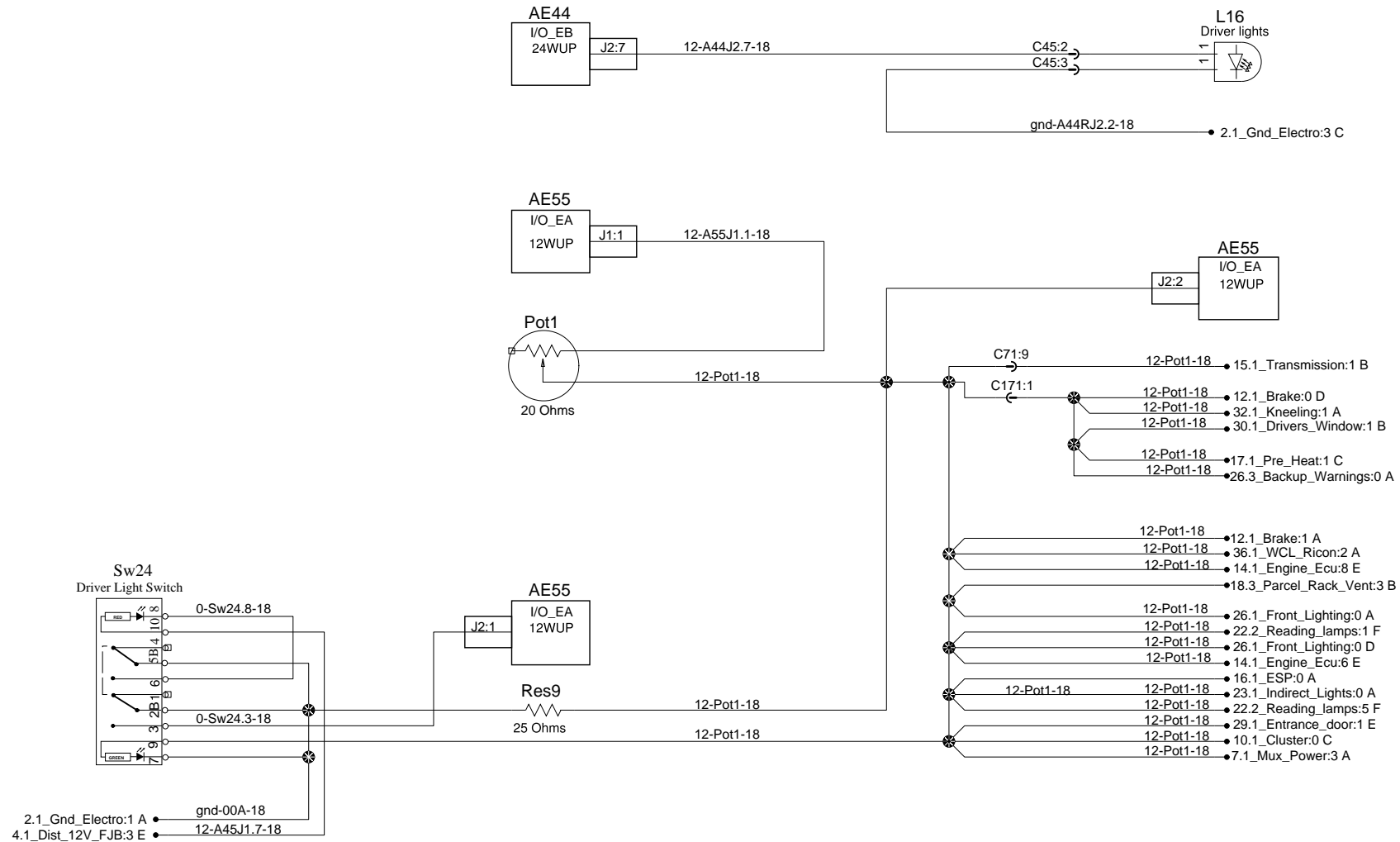
HVAC passengers



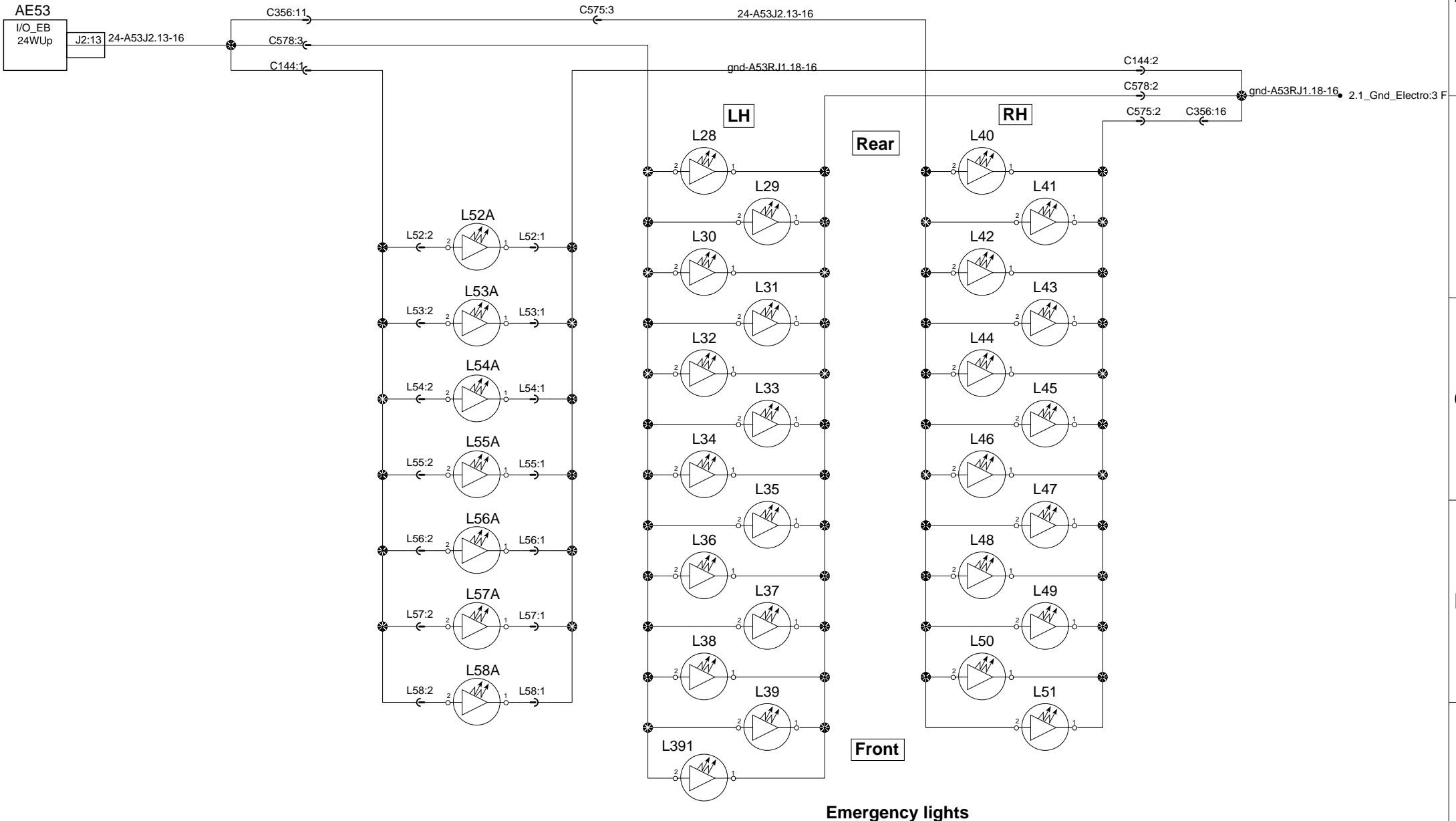
Parcel rack A/C system



Driver's lights

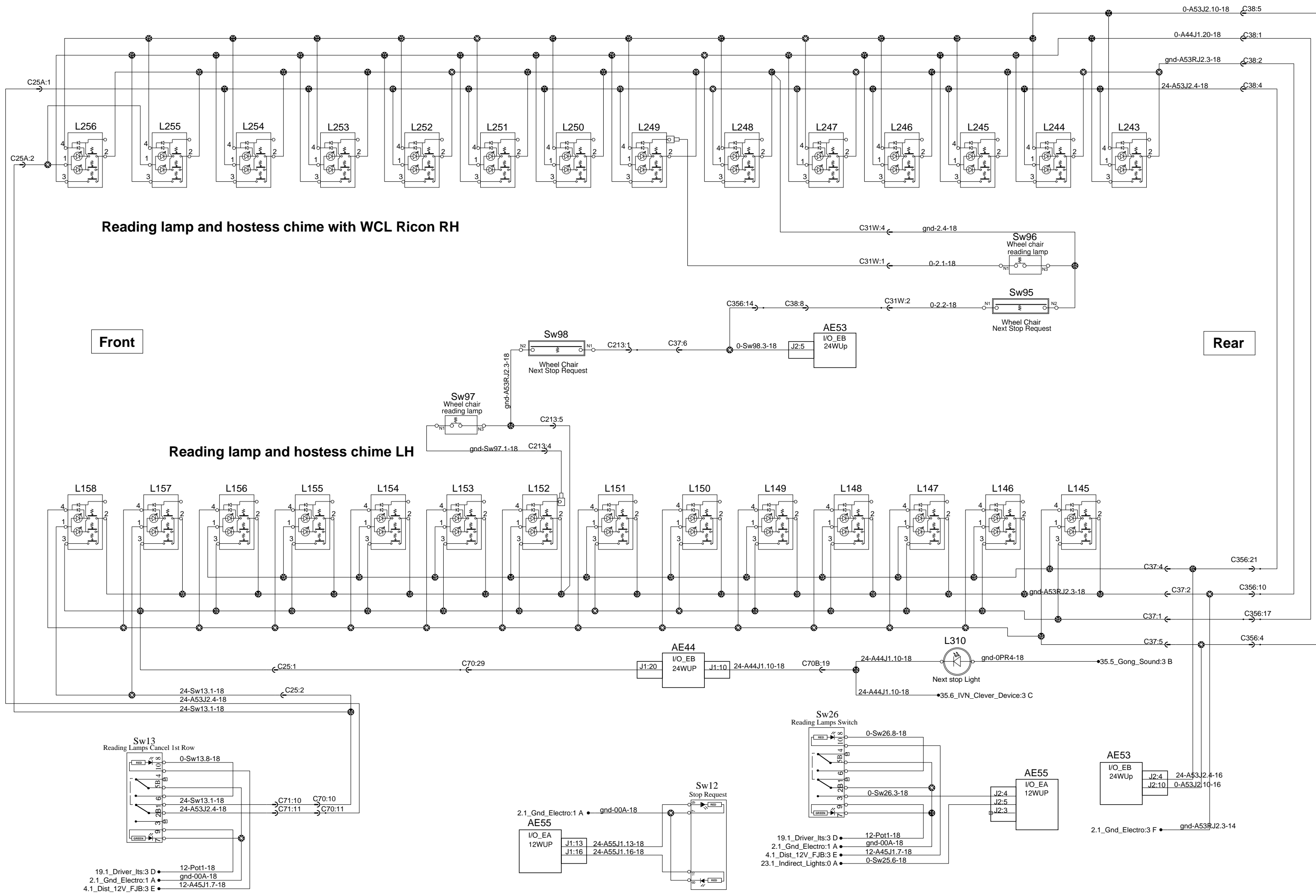


Emergency & Aisle lights



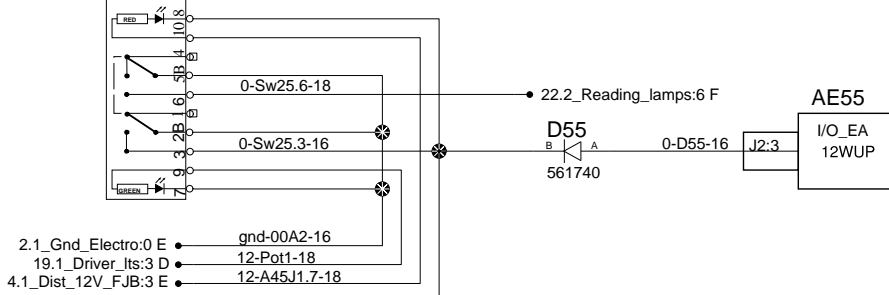
Emergency lights

Reading Lamp and Next Stop Request



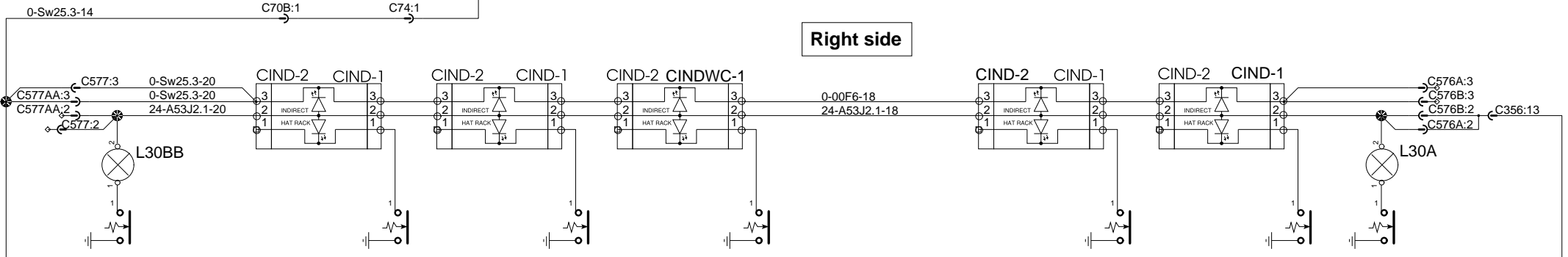
Indirect lighting

Sw25
Indirect and Reading Lights Switch



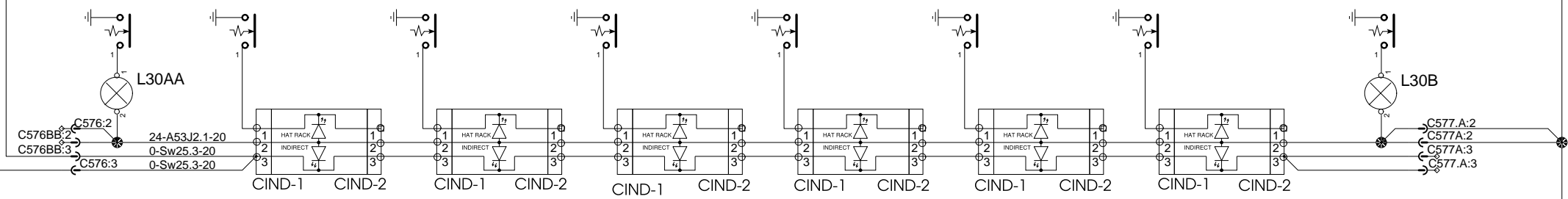
- 2.1_Gnd_Electro:0 E gnd-00A2-16
- 19.1_Driver_Its:3 D 12-Pot1-18
- 4.1_Dist_12V_FJB:3 E 12-A45J1.7-18

Right side

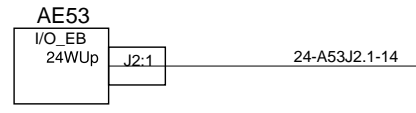


Front

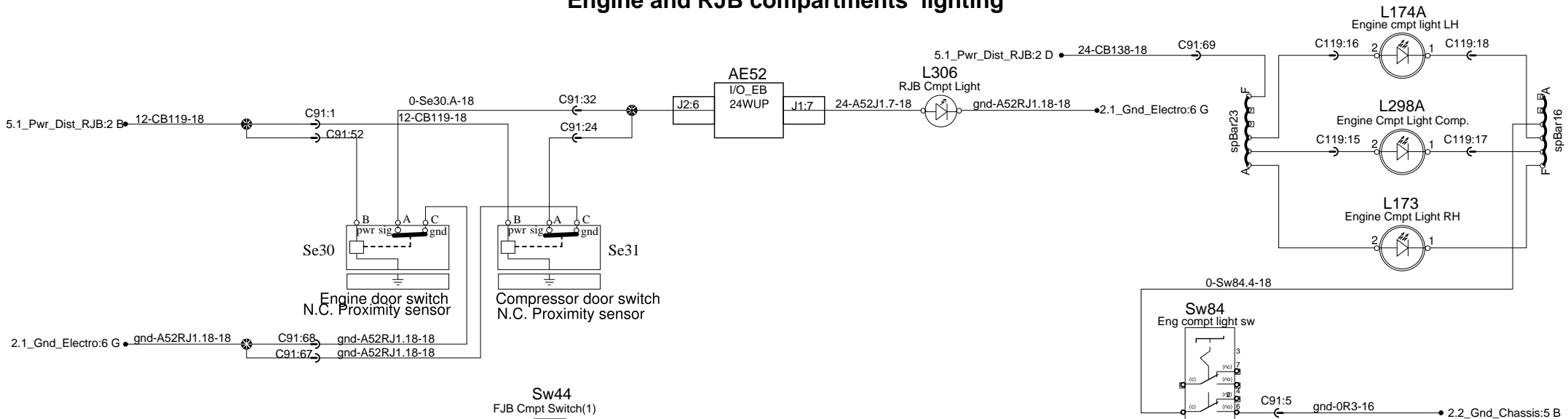
Rear



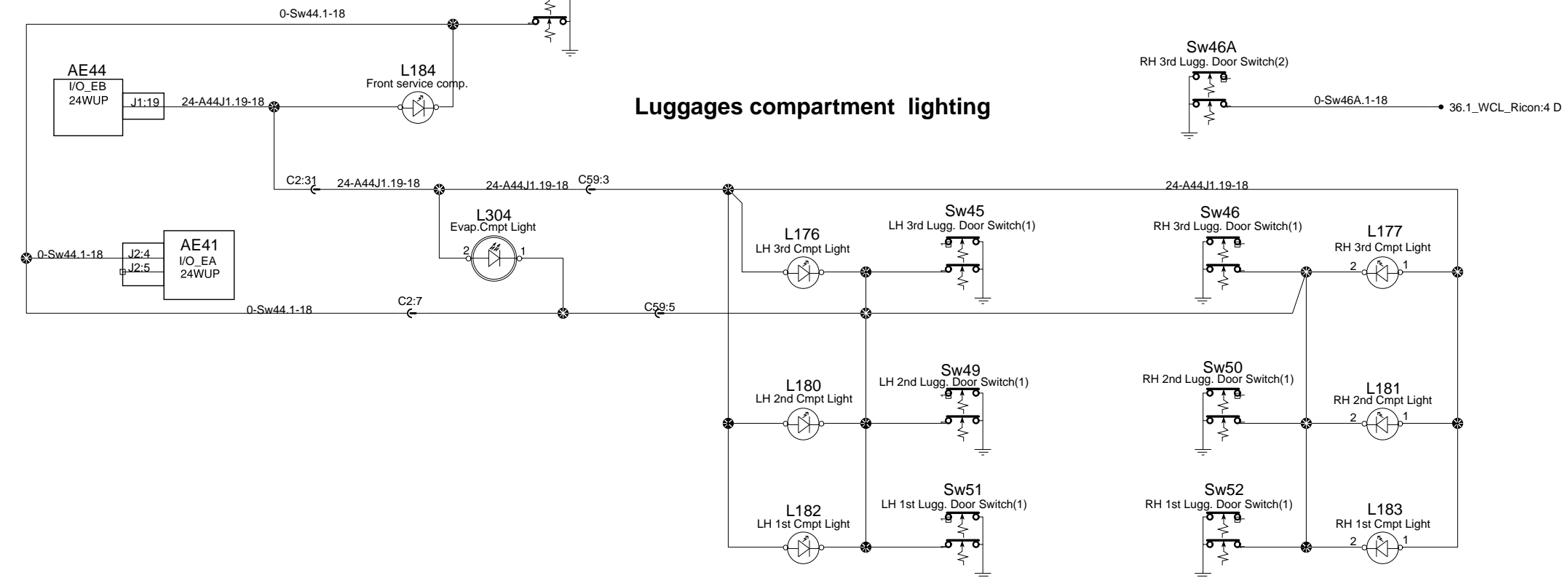
Left side



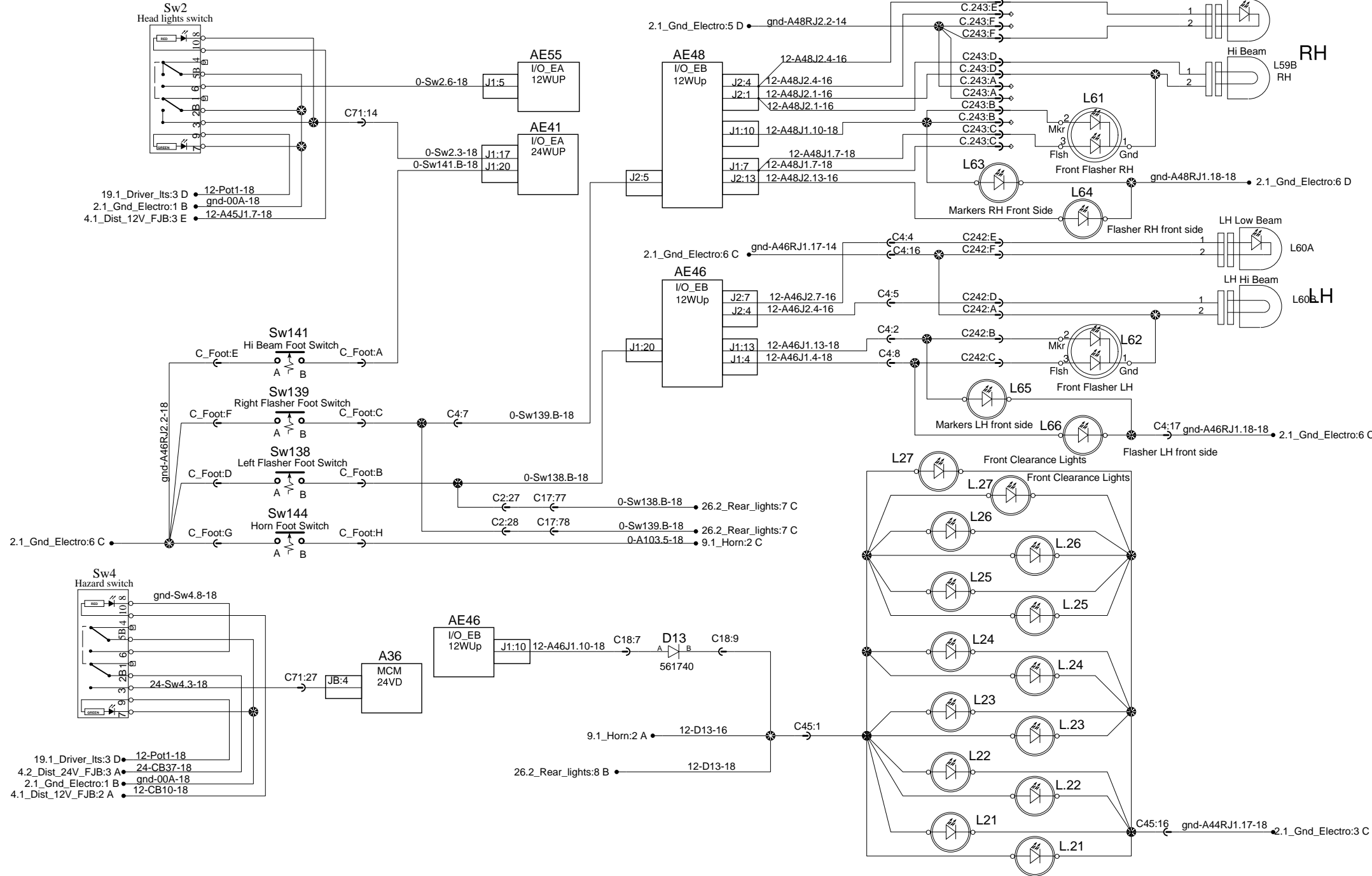
Engine and RJB compartments lighting



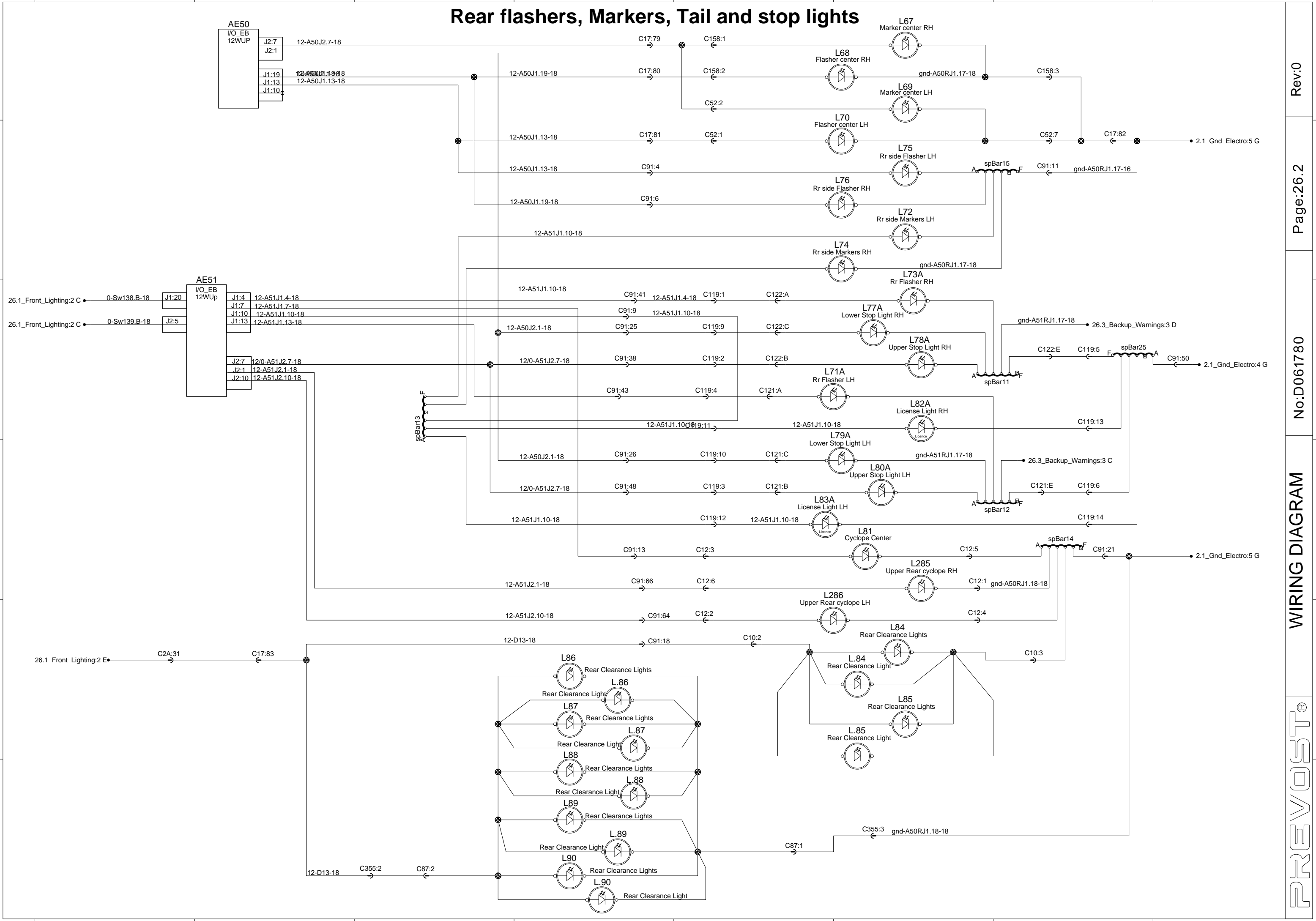
Luggages compartment lighting



Front flashers, Markers and Head lights



Rear flashers, Markers, Tail and stop lights



Rev:0

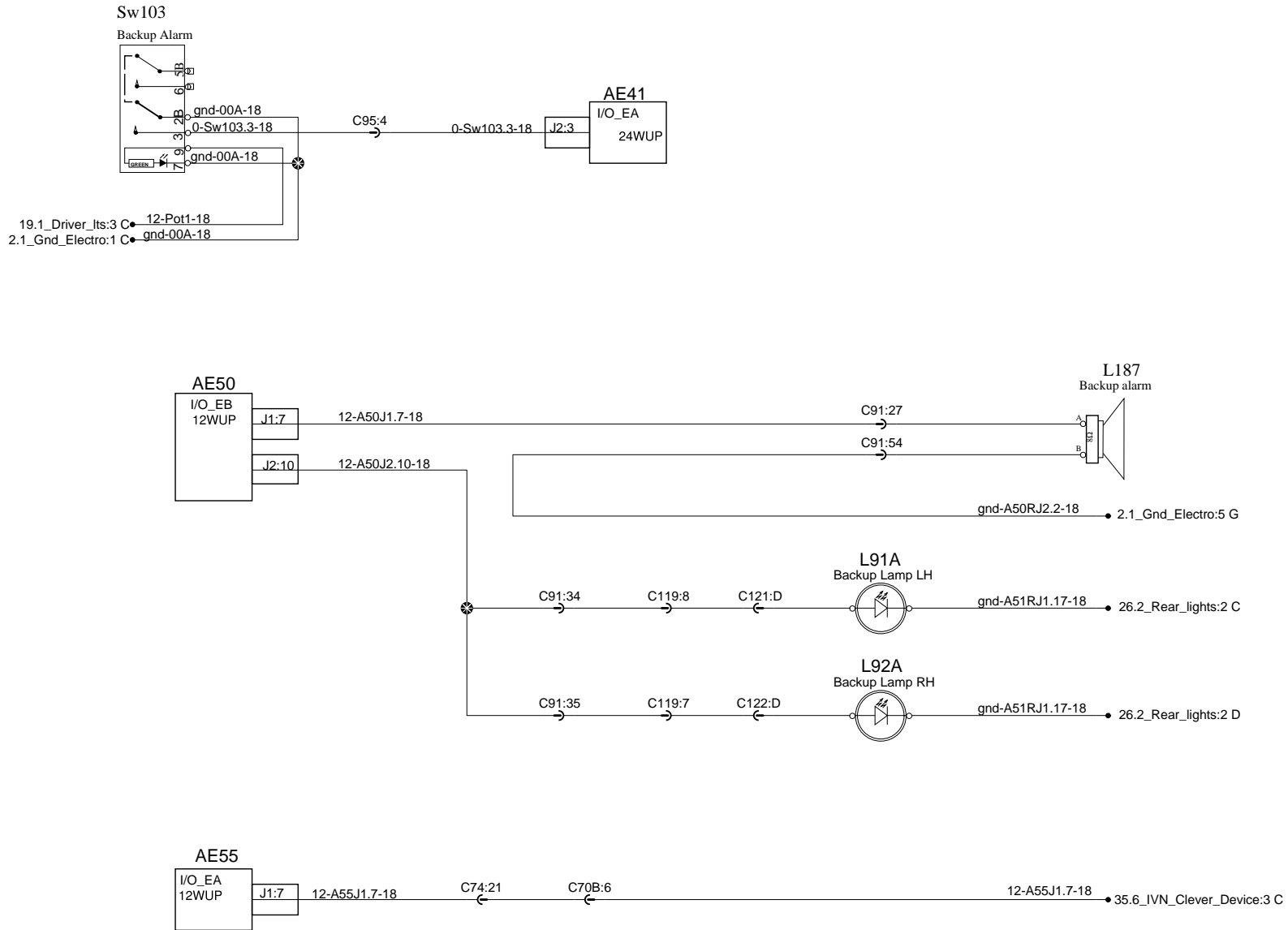
Page:26.2

No:D061780

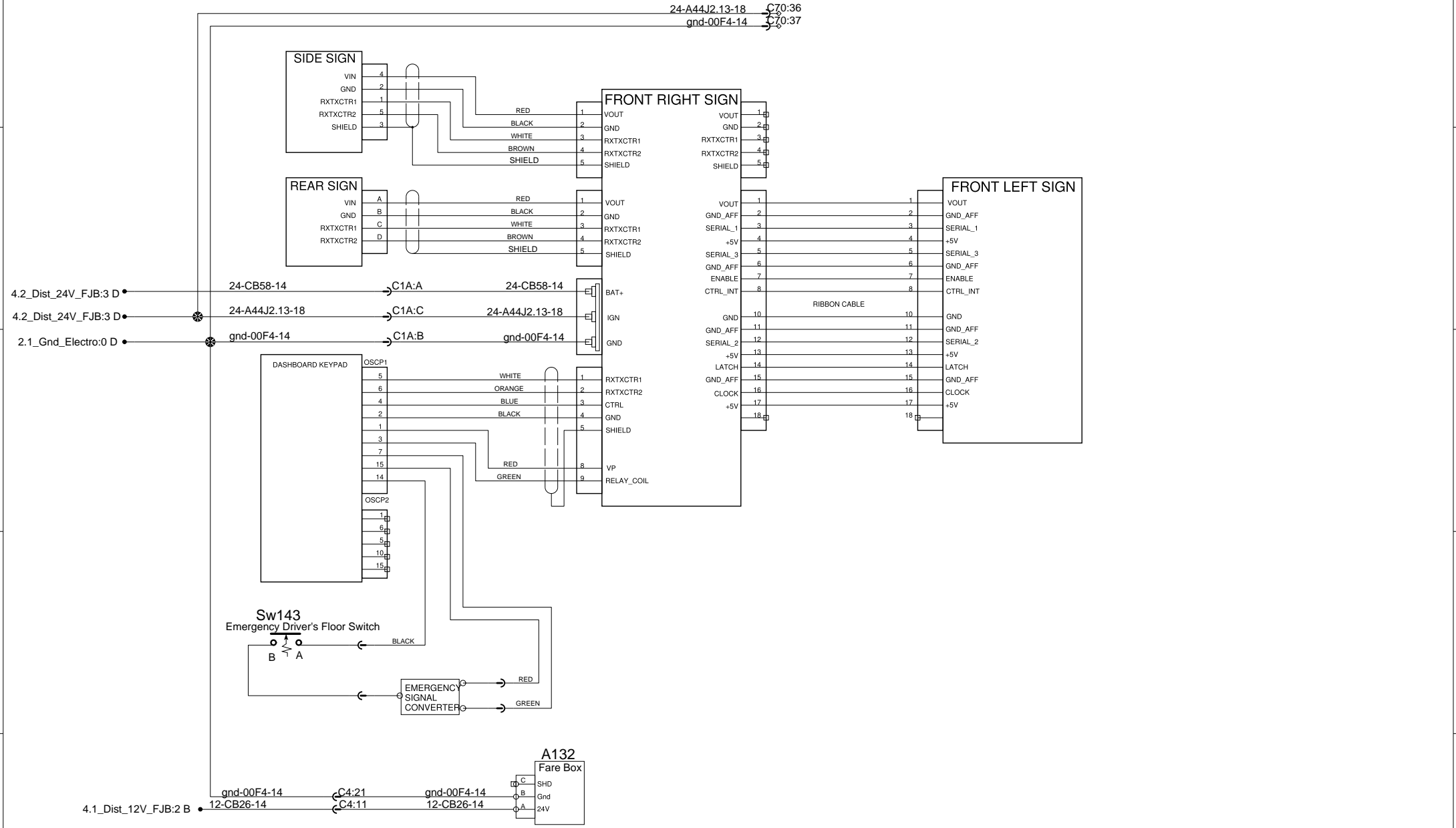
WIRING DIAGRAM

PREVOST®

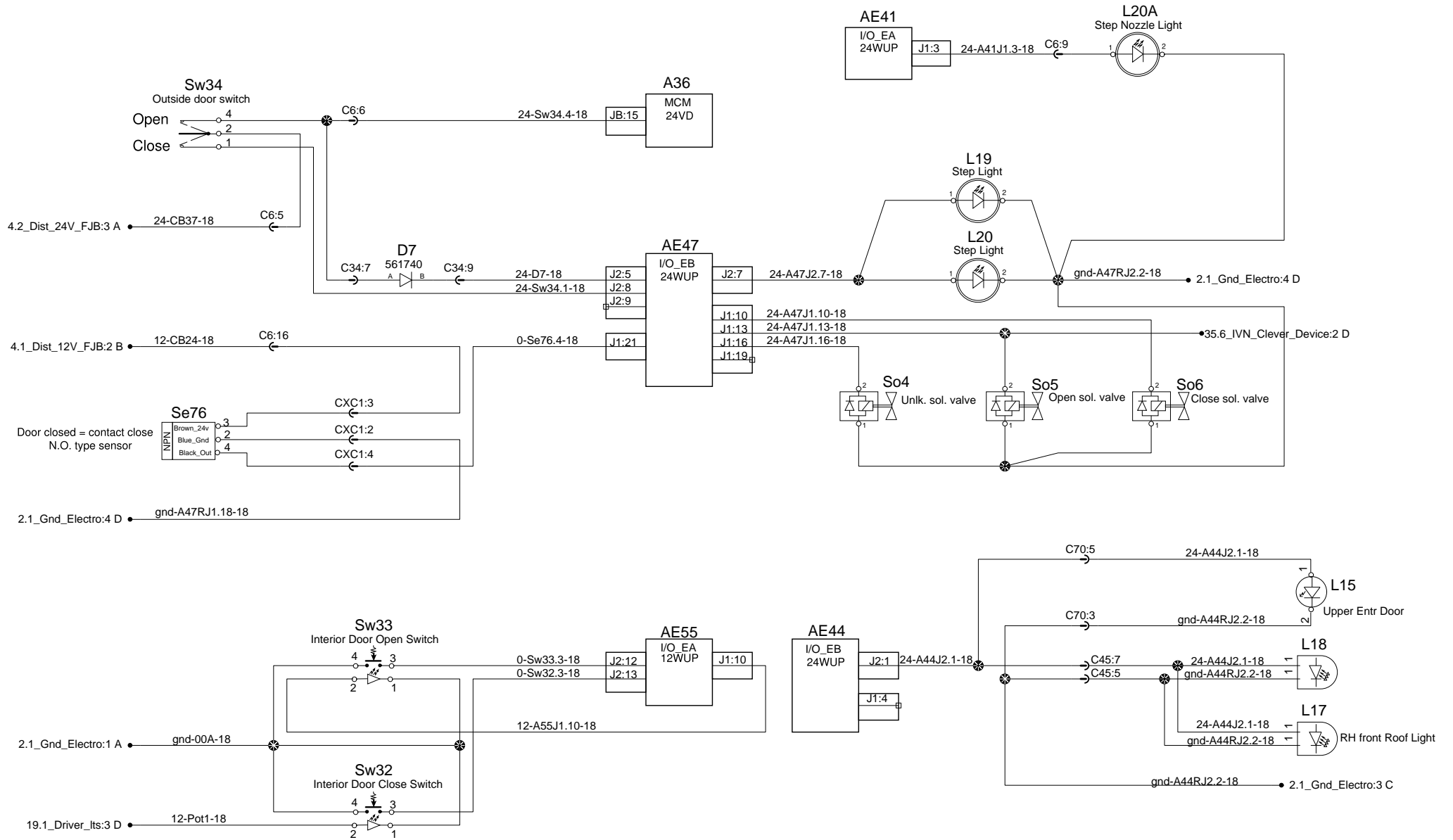
Backup warnings



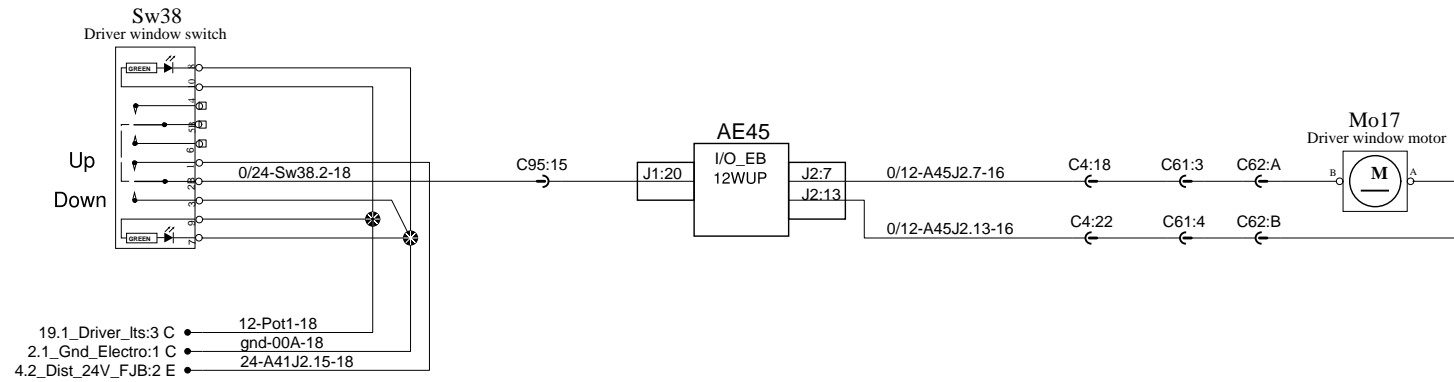
Destination Signs and Farebox



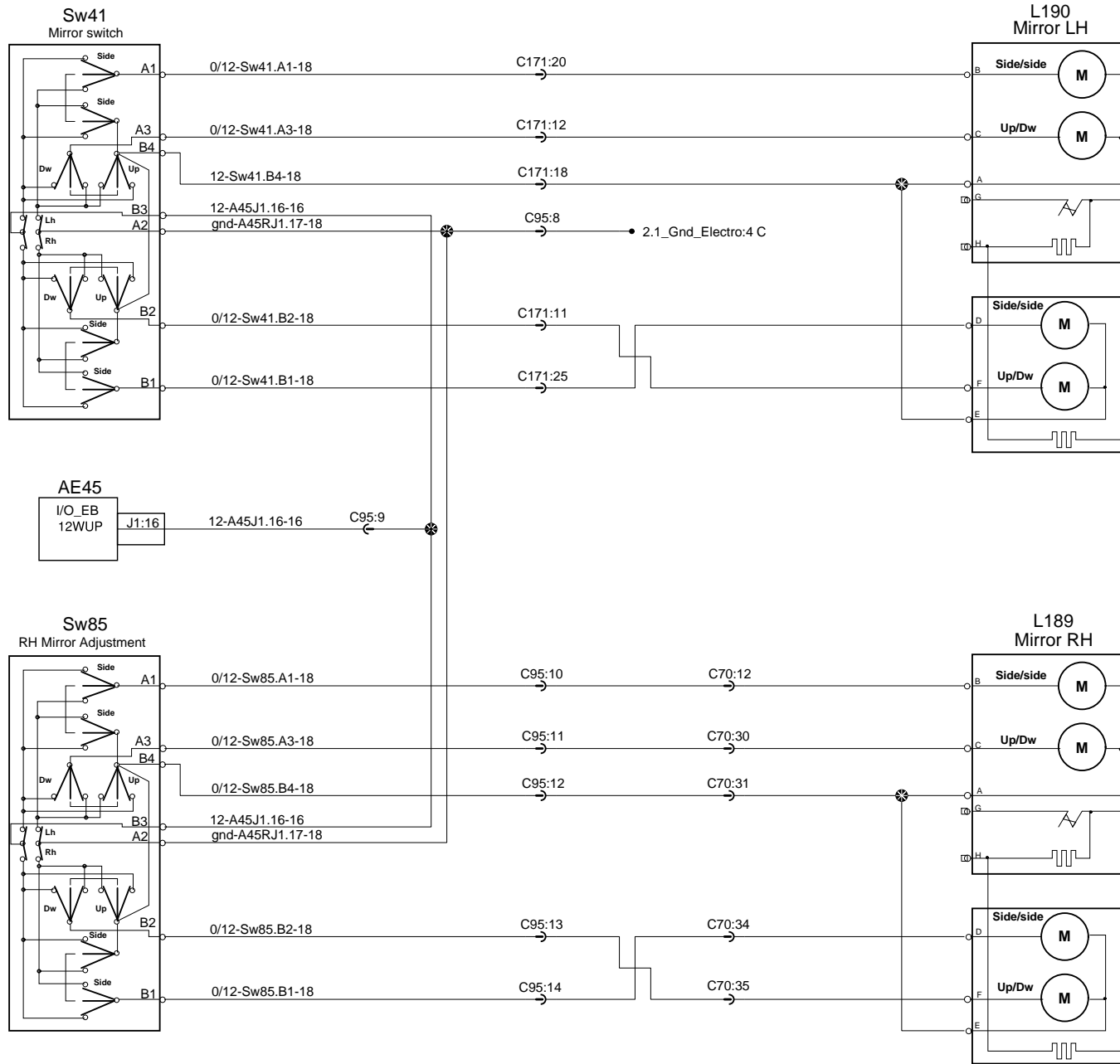
Entrance door



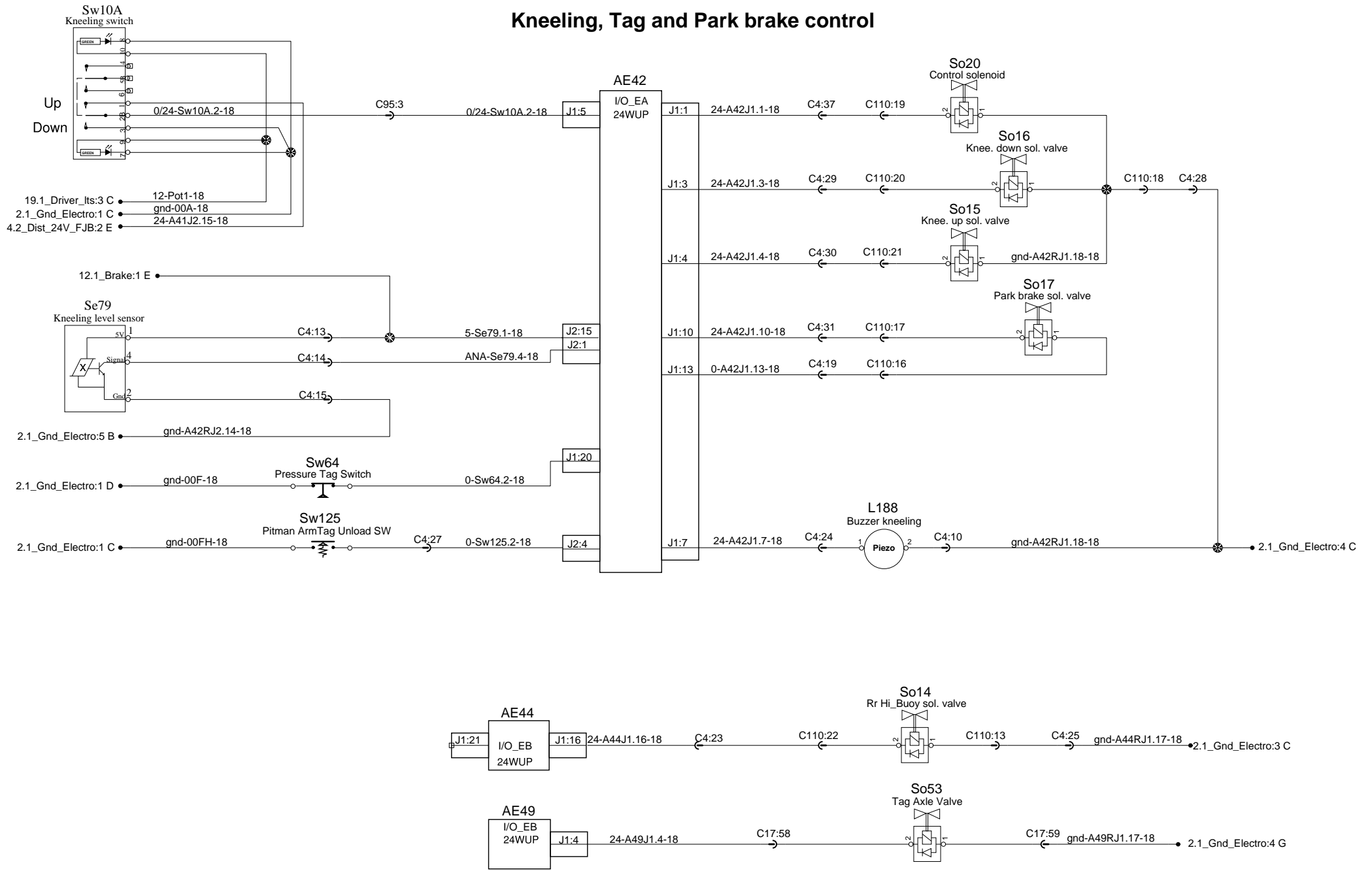
Driver window



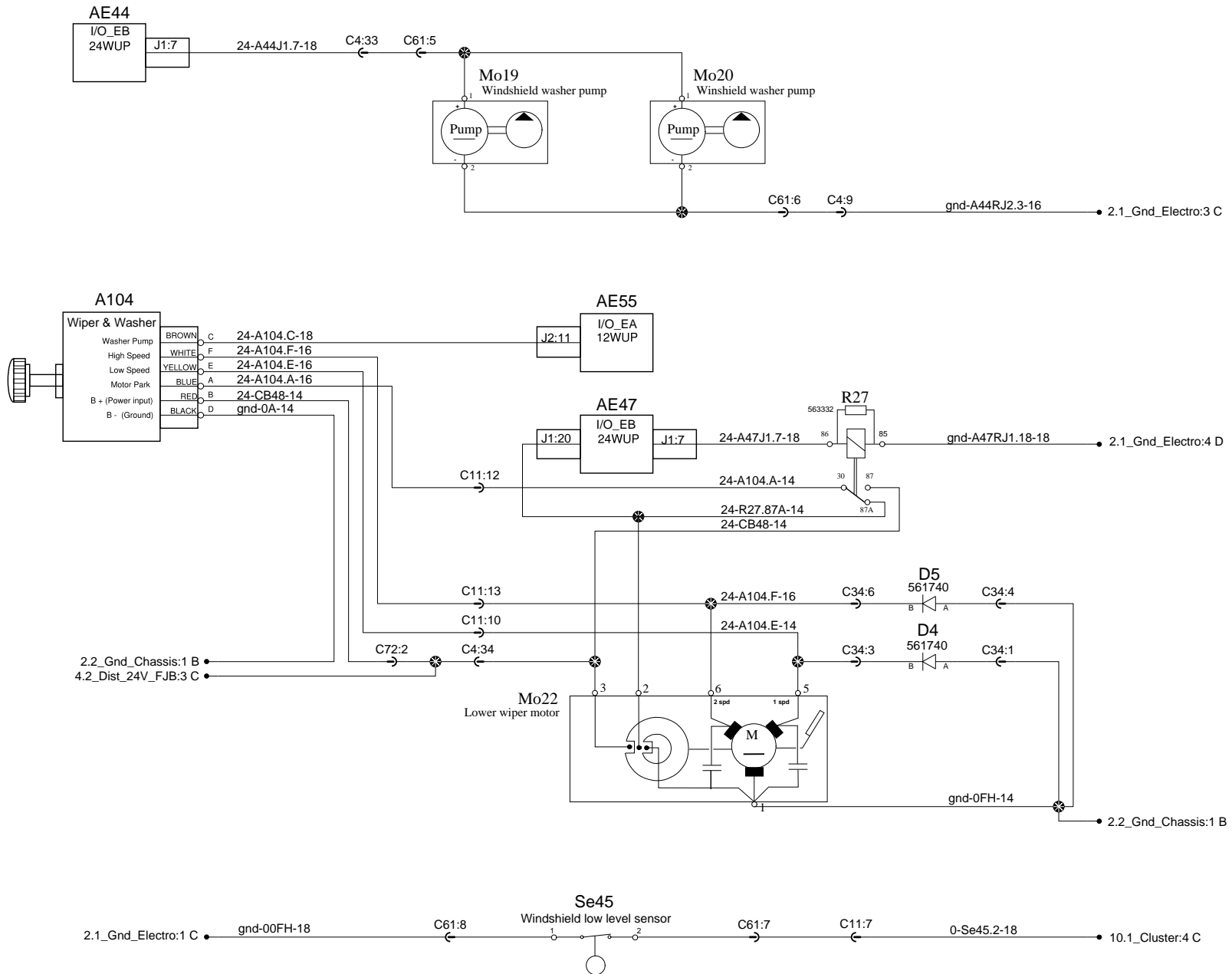
Mirrors, 2 adjustments switch and heated



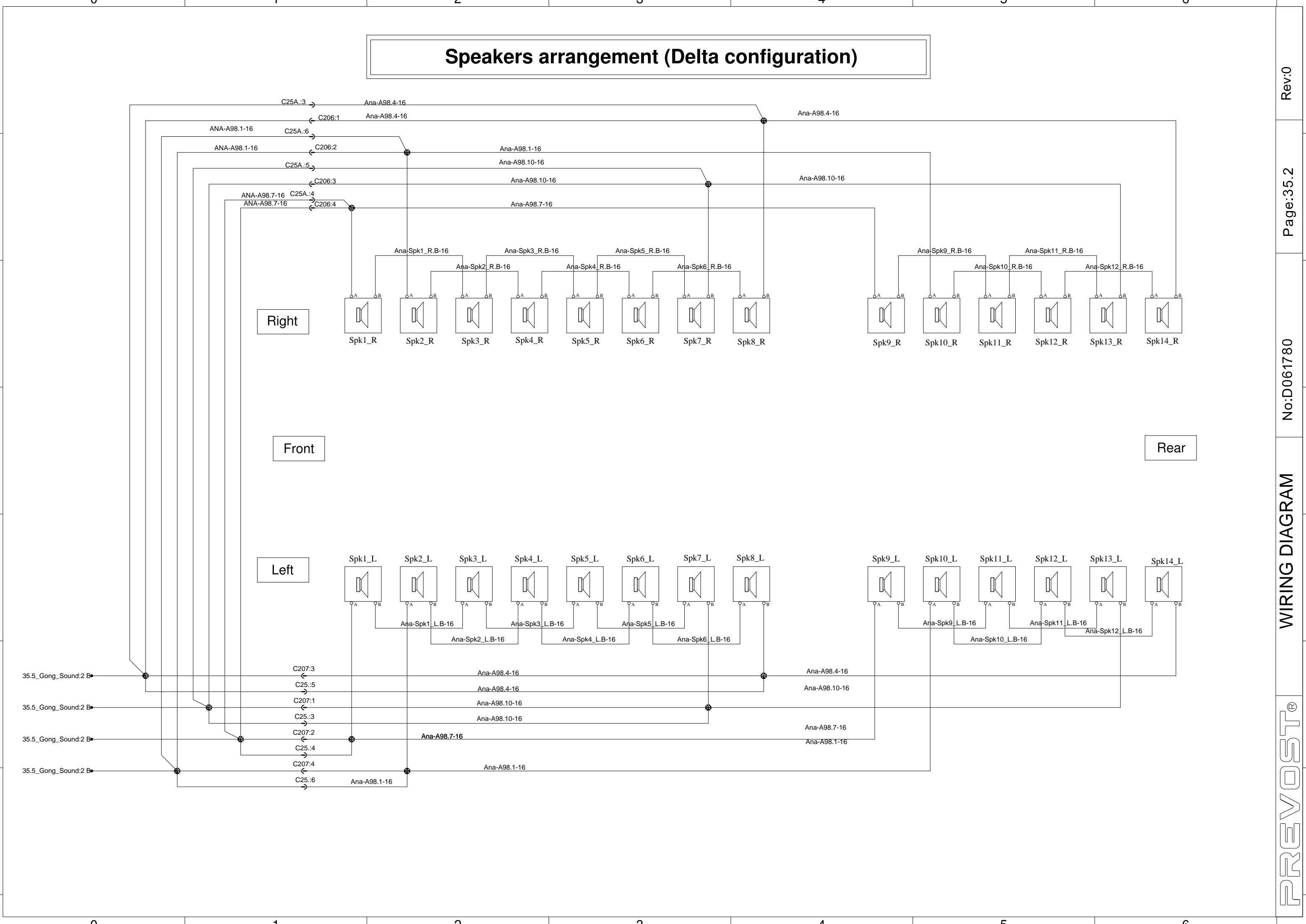
Kneeling, Tag and Park brake control



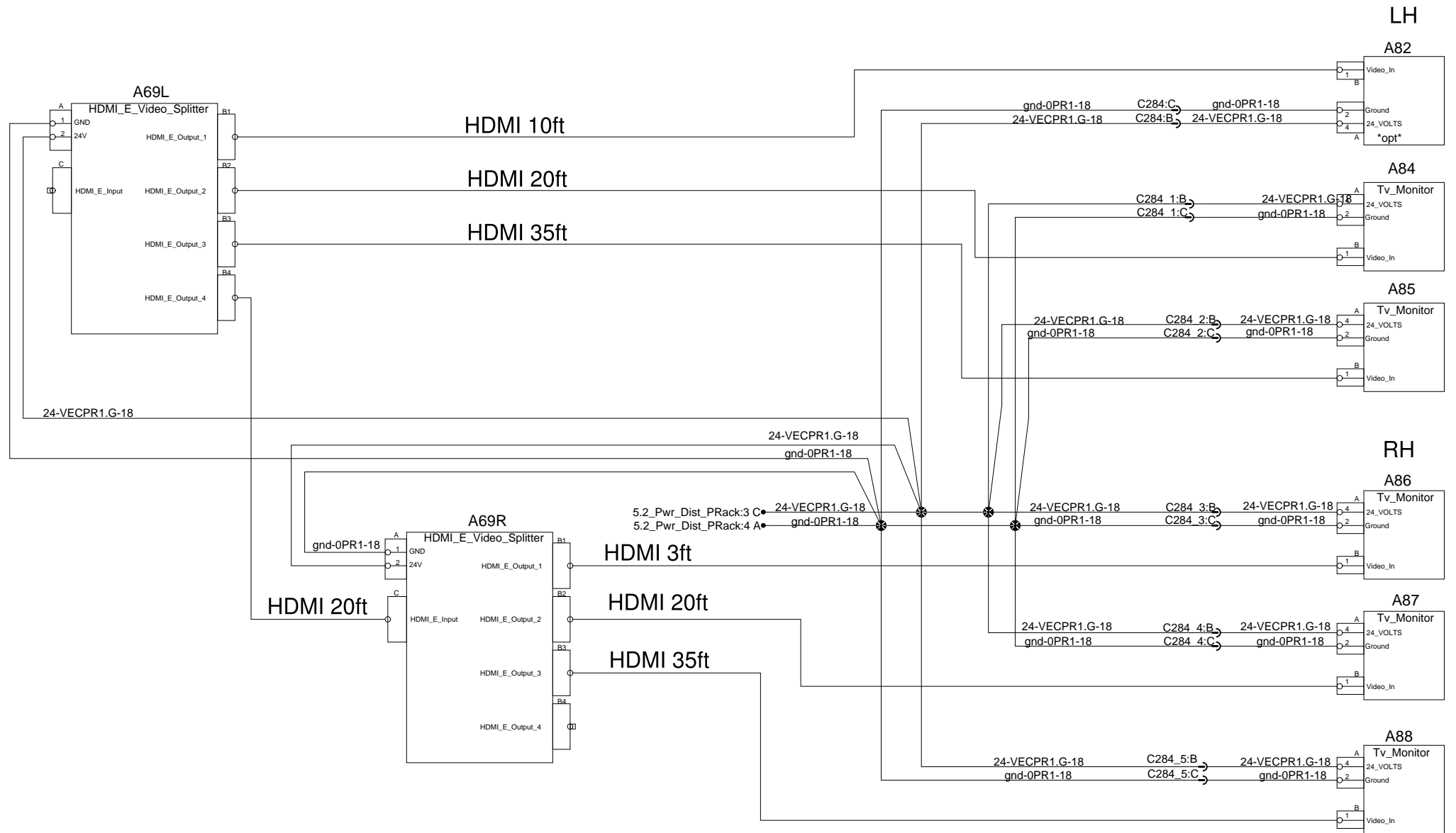
Wiper and washer



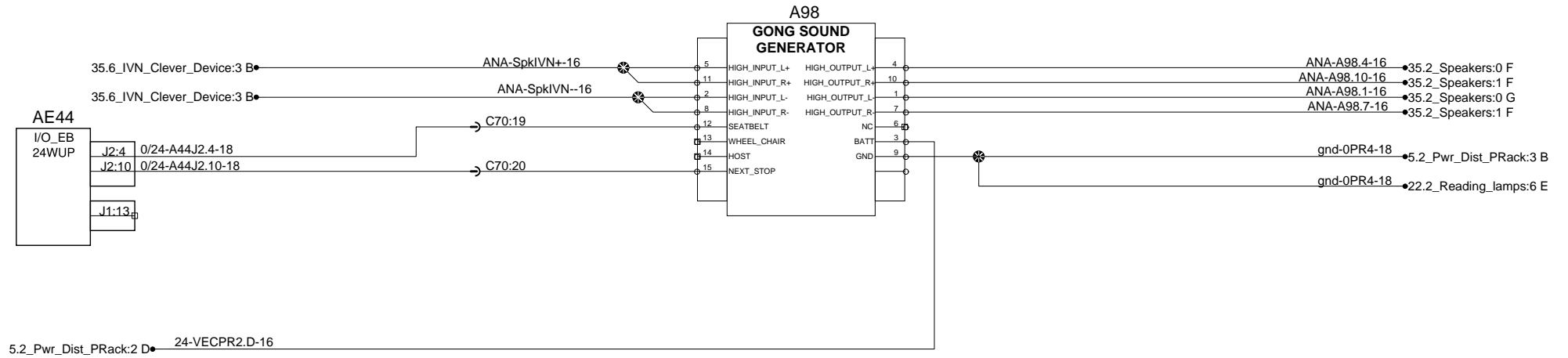
Speakers arrangement (Delta configuration)



VIDEO



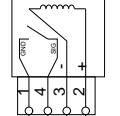
GONG SOUND GENERATOR



IVN Clever Device

L.H.CONSOLE

Micro



C466:4
C466:1
C466:3
C466:2

C465:5

C465:2

C465:3

C465:1

C465:4

CLEVER DEVICE
C465 INTERFACE
FOR CB

CLEVER DEVICE
C68 INTERFACE
SEE PAGE 35.9
FOR REFERENCE
DRAWING

35.5_Gong_Sound:2 B ANA-SpkIVN--16 C68:19
35.5_Gong_Sound:2 B ANA-SpkIVN+16 C68:18

INSIDE SPEAKER-
INSIDE SPEAKER+

36.1_WCL_Ricon:6 A 24-A41J1.4-18 C68:11
35.7_Camera_System:1 E 12-A55J1.7-18 C68:13
26.3_Backup_Warnings:2 E 24-A44J1.10-18 C68:12
22.2_Reading_lamps:6 E

WHEELCHAIR DEPLOYED
REVERSE
STOP REQUEST

15.1_Transmission:3 A C70:22 0/12-A81JB.6-18 C68:7

ODOMETER

6.2_Network:3 D C70:27 J1587-900-18 C68:20
6.2_Network:3 D C70:32 J1587-901-18 C68:21

J1708-2 DATA+
J1708-2 DATA-

5.2_Pwr_Dist_PRRack:2 D 24-VECPR1.A-16 C68:2
5.2_Pwr_Dist_PRRack:2 C 24-VECPR1.B-16 C68:1

24V IGNITION
24V BATTERY

6.2_Network:3 A J1939-CAN1_HI-18 C68:14
6.2_Network:3 A J1939-CAN1_LO-18 C68:15

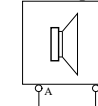
J1939 CAN+
J1939 CAN-

29.1_Entrance_door:3 B 24-A47J1.13-18 C4:36 C70:2 24-A47J1.13-18 C68:10

FRONT DOOR OPEN
OUTSIDE SPEAKER+
OUTSIDE SPEAKER-

C68:17 ANA-SpkOut+-18
C68:16 ANA-SpkOut--18

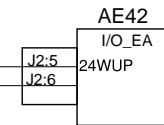
Spk23
Outside Speaker



IVN STATUS

C68:9 gnd-IVNSTAT-18

C70:24 IVN Status

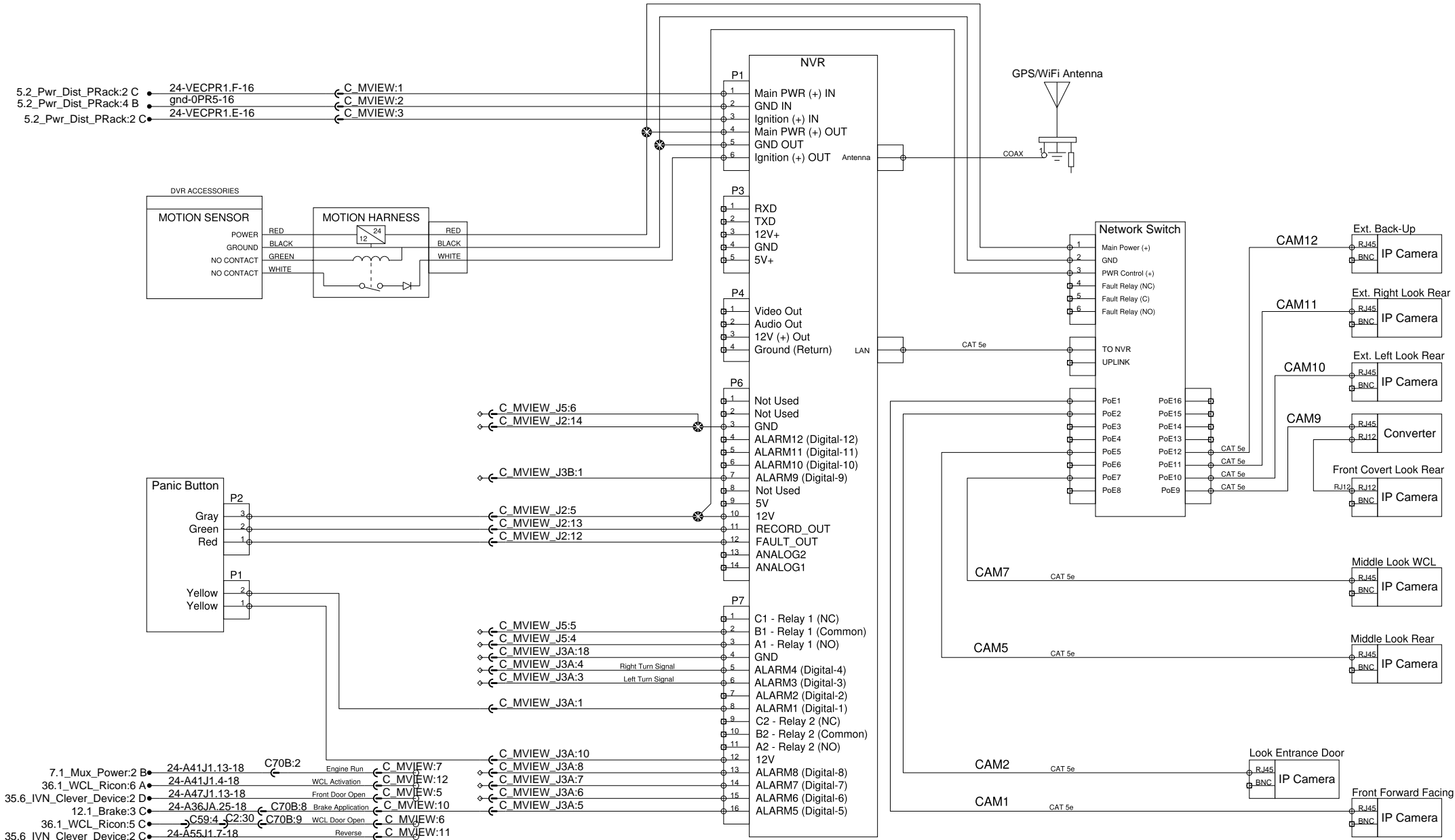


REGEN INHIBIT

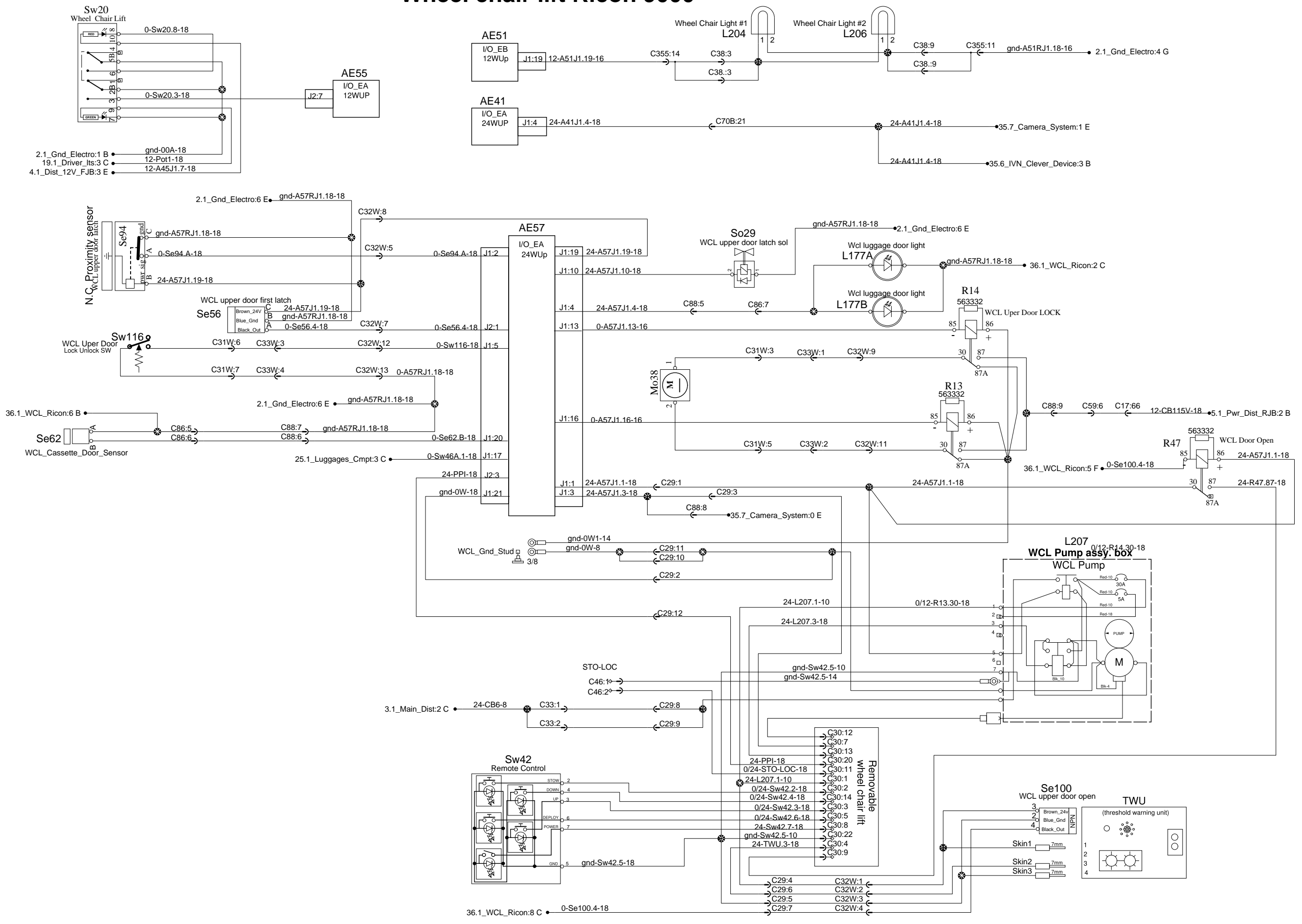
C68:8 gnd-503-18

C70:25 DPF inhibit IVN

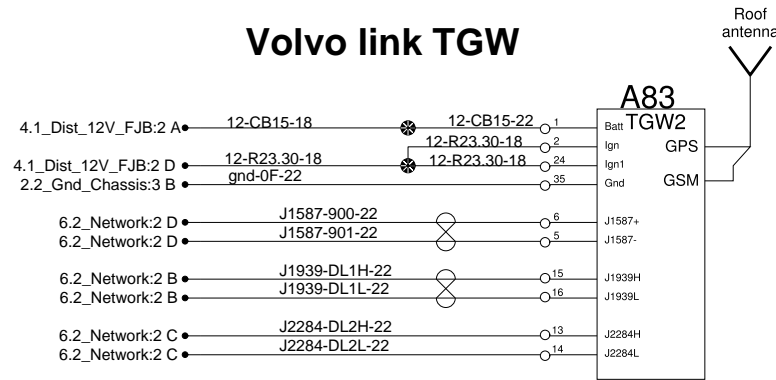
MOBILEVIEW



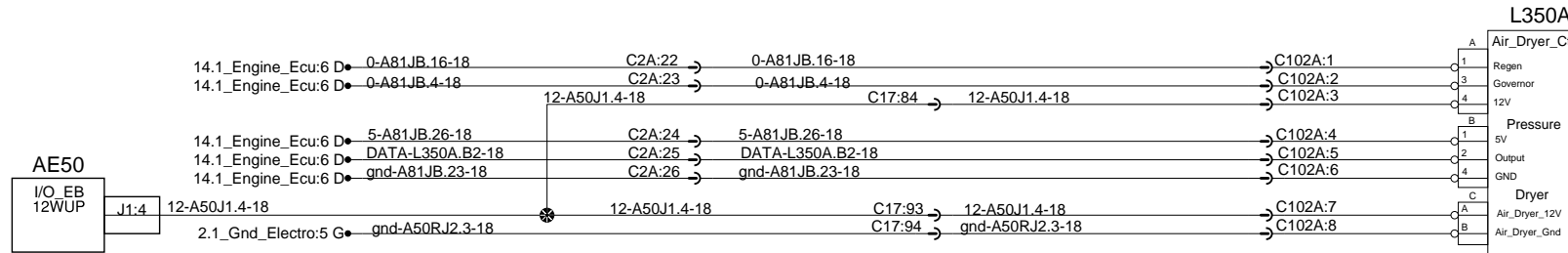
Wheel chair lift Ricon 9000



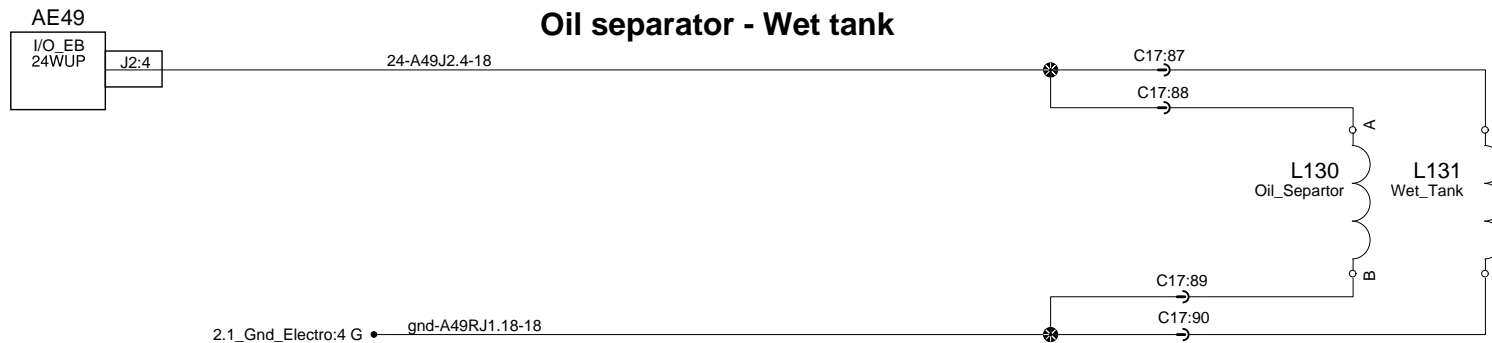
Volvo link TGW



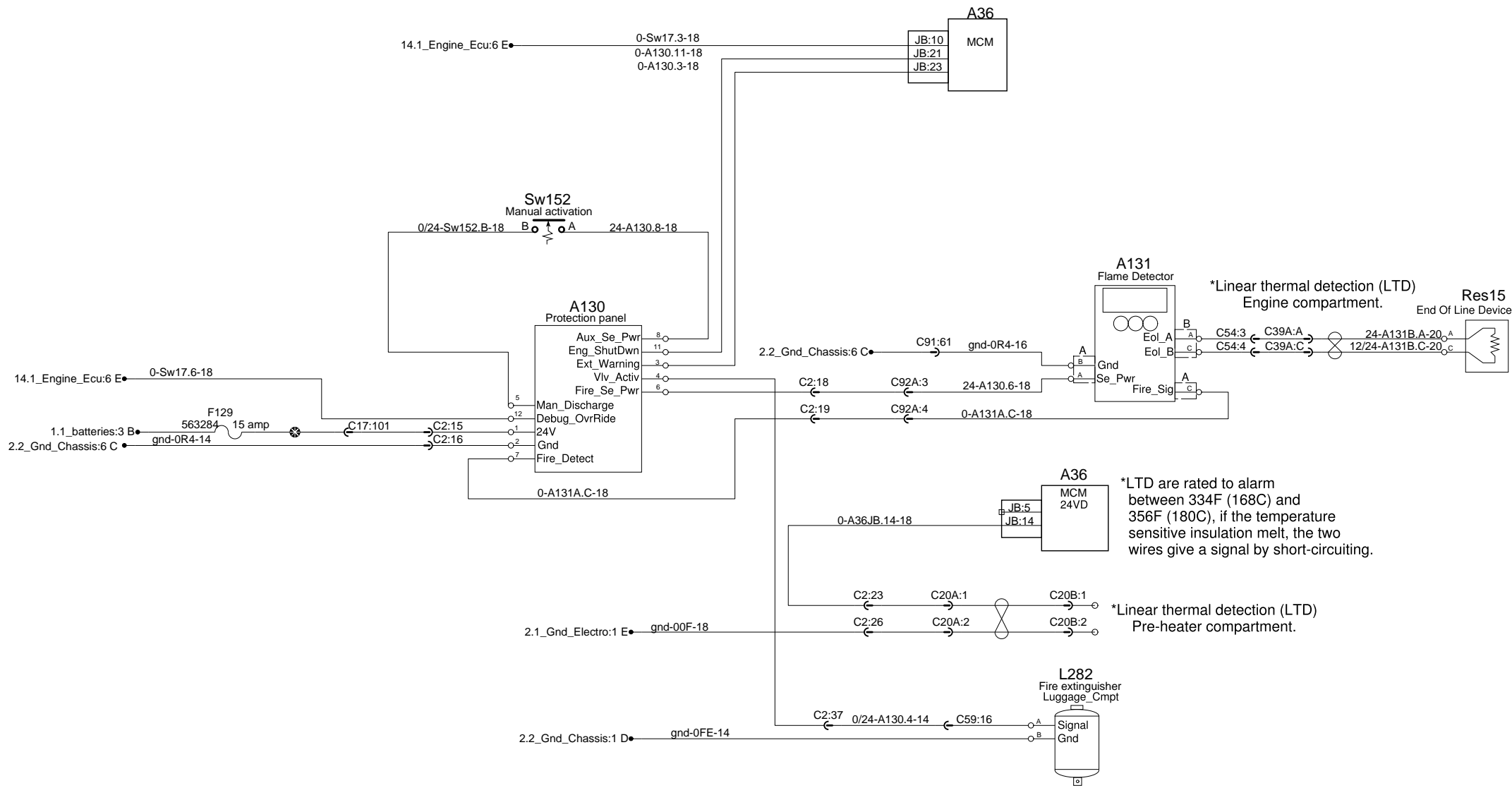
Air dryer electric control and heater



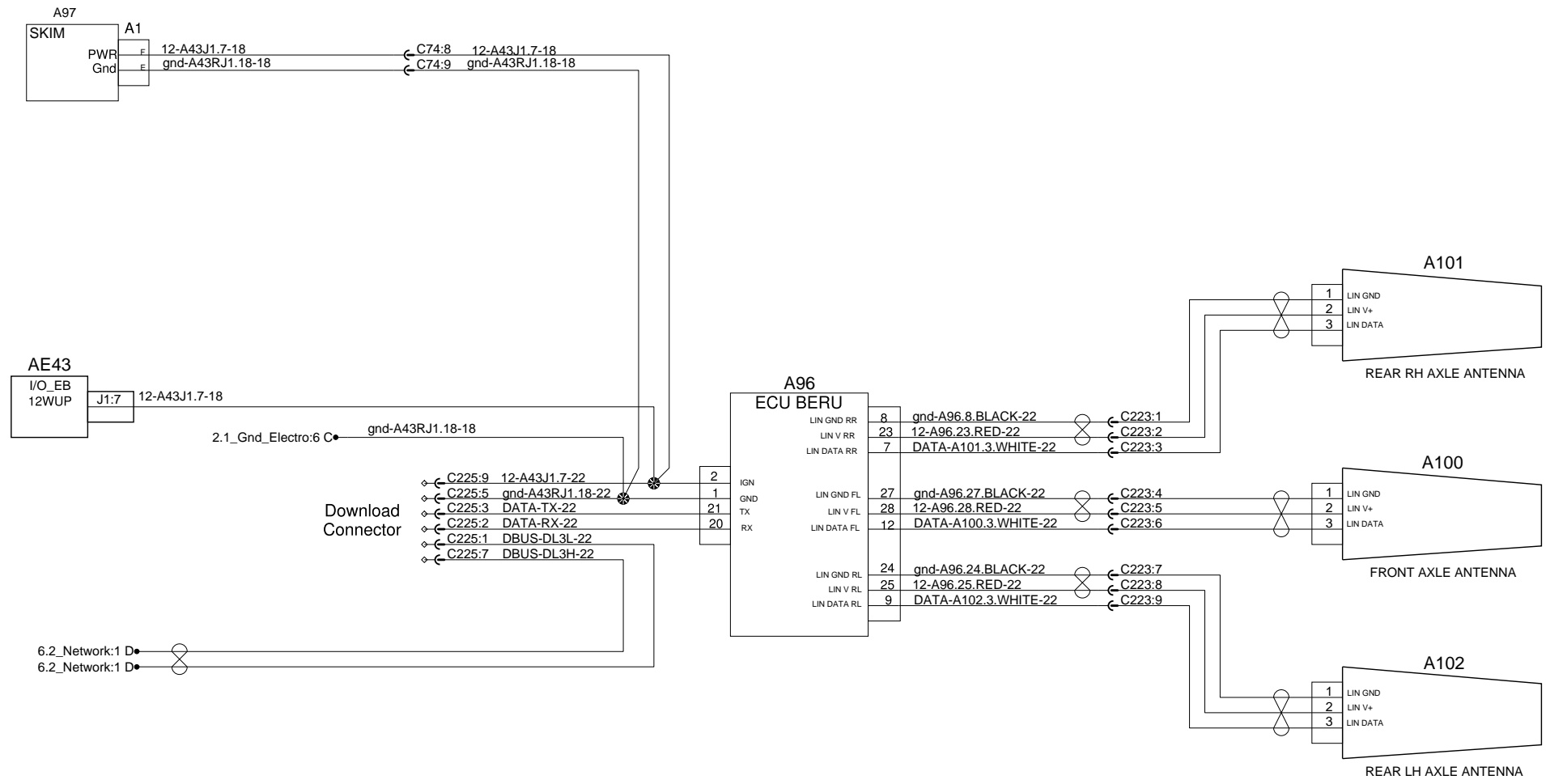
Oil separator - Wet tank



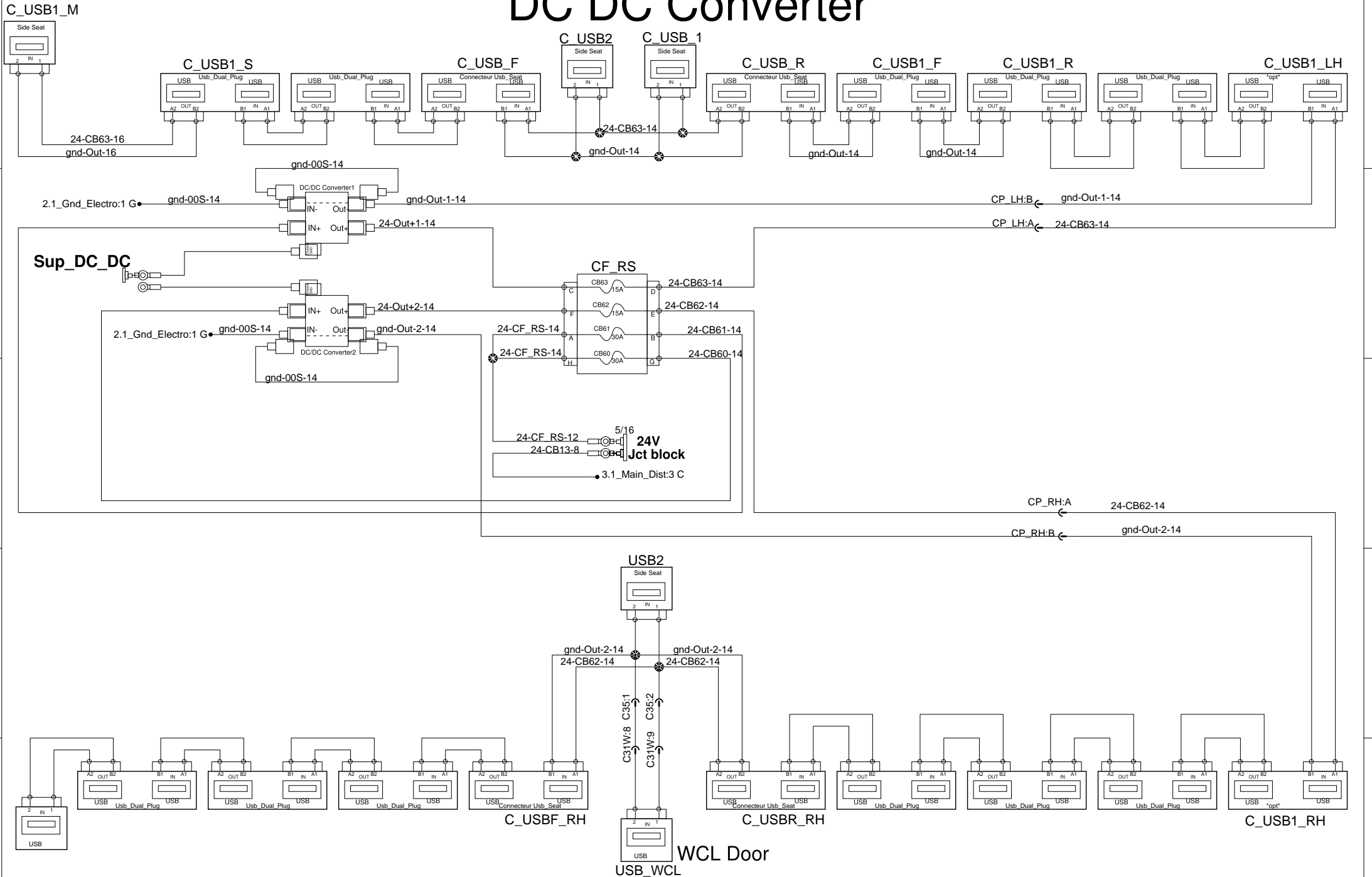
Automatic fire suppression system (KIDDE)



TIRE PRESSURE MONITORING SYSTEM



DC DC Converter



1

2

3

4

5

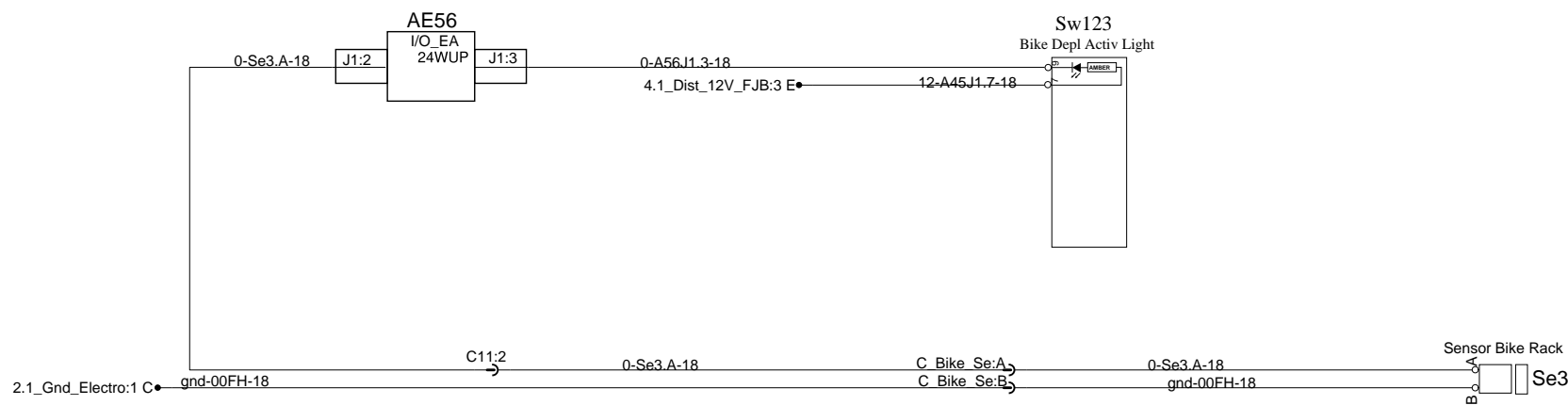
A

A

Bike_Rack

B

B



C

C

D

D

E

E

1

2

3

4

5