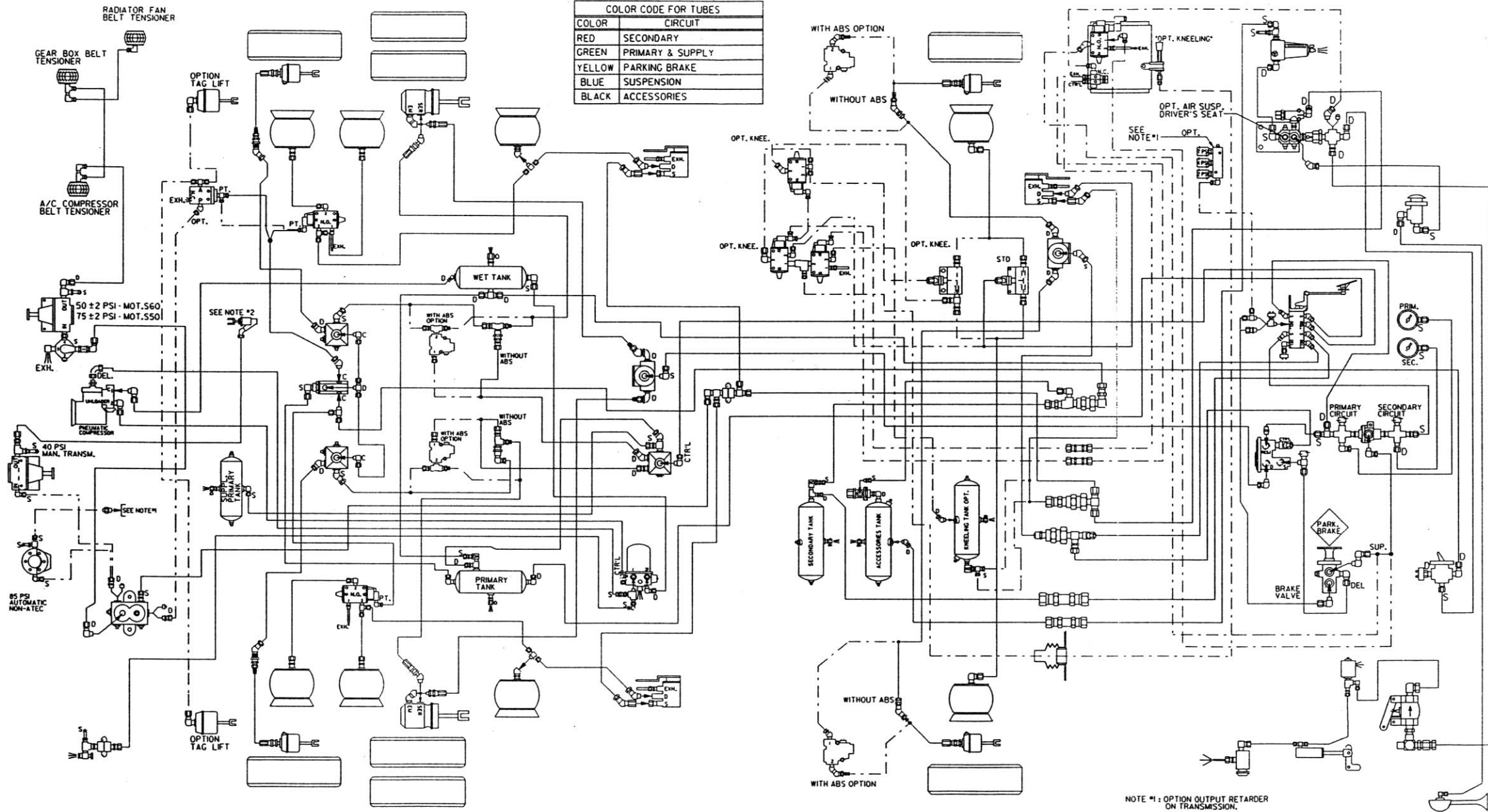
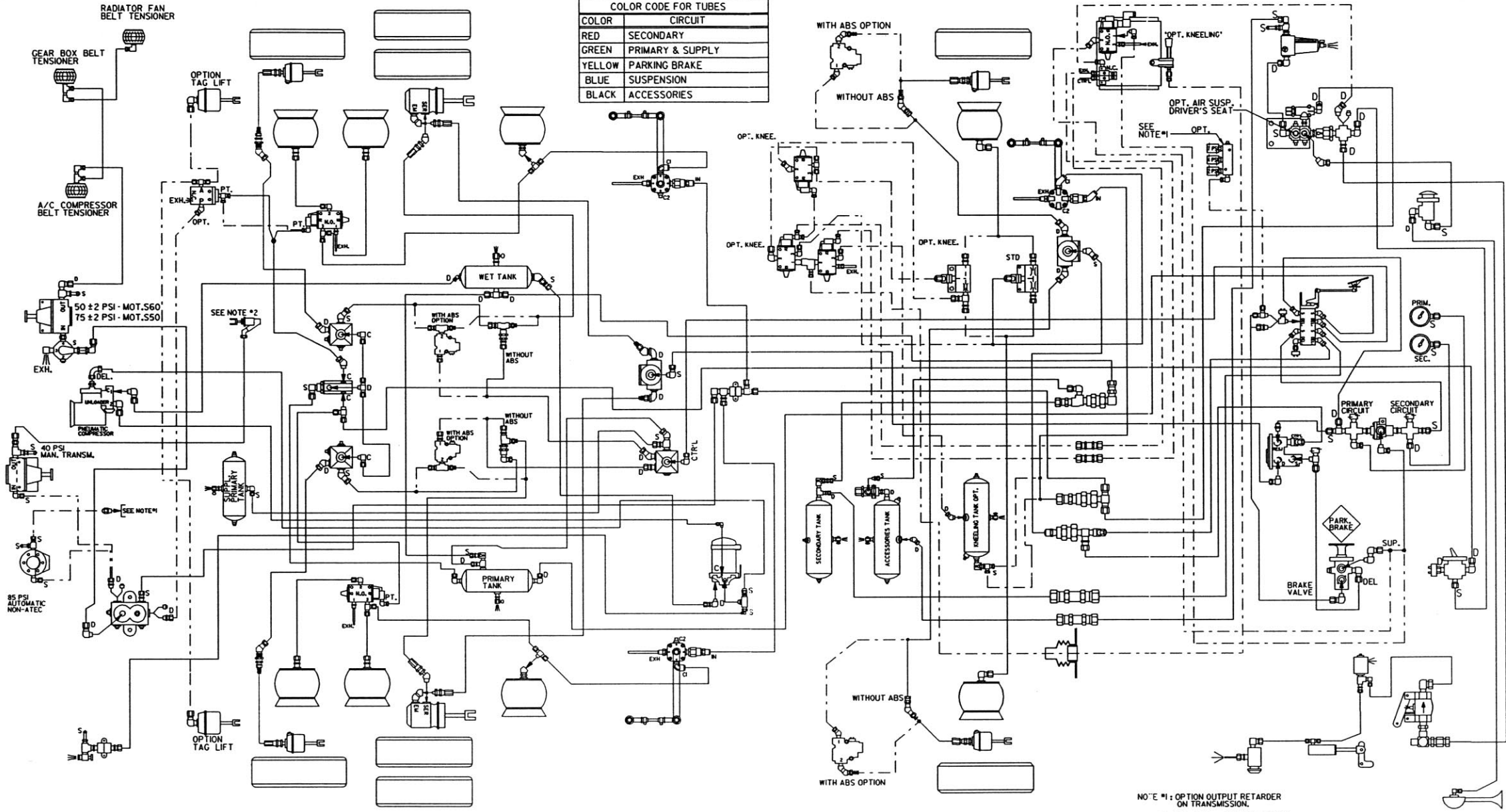


COLOR CODE FOR TUBES	
COLOR	CIRCUIT
RED	SECONDARY
GREEN	PRIMARY & SUPPLY
YELLOW	PARKING BRAKE
BLUE	SUSPENSION
BLACK	ACCESSORIES



NOTE #1: OPTION OUTPUT RETARDER ON TRANSMISSION.  
 #2: POWERED-ASSISTED CLUTCH.  
 #3: N.O. = NORMALLY OPEN  
 N.C. = NORMALLY CLOSE

COLOR CODE FOR TUBES	
COLOR	CIRCUIT
RED	SECONDARY
GREEN	PRIMARY & SUPPLY
YELLOW	PARKING BRAKE
BLUE	SUSPENSION
BLACK	ACCESSORIES



- NOTE #1: OPTION OUTPUT RETARDER ON TRANSMISSION.
- #2: POWERED-ASSISTED CLUTCH.
- #3: N.O. =NORMALY OPEN  
N.C. =NORMALY CLOSE